

**EVERYDAY**

JUNE 1988

# **ELECTRONICS**

INCORPORATING ELECTRONICS MONTHLY

£1.30

**FREE DATA CARD**

**NEW SERIES HOME SECURITY**

**AUDIO MINI-BRICKS**

**BBC SOUND TO LIGHT  
UNIT**

**PLUS Vero  
Easiwire  
review &  
project**



The Magazine for Electronic & Computer Projects



## POPULAR BAKERS DOZEN PACKS

(still available)

All packs are £1 each, if you order 12 then you are entitled to another free. Please state which one you want. Note the figure on the extreme left of the pack ref number and the next figure is the quantity of items in the pack, finally a short description.

- BD1 5 13A junction boxes for adding extra points to your ring main circuit.
- BD2 5 13A spurs provide a fused outlet to a ring main where devices such as a clock must not be switched off.
- BD7 4 In flex switches with neon on/off lights, saves leaving things switched on.
- BD9 2 6V 1A mains transformers upright mounting with fixed clamps.
- BD11 1 6 1/2" speaker cabinet ideal for extensions, takes our speaker. Ref BD137.
- BD13 12 30 watt reed switches, it's surprising what you can make with these—burglar alarms, secret switches, relay, etc., etc.
- BD22 2 25 watt loudspeaker two unit crossovers.
- BD29 1 B.O.A.C. stereo unit is wonderful value.
- BD30 2 Nicad constant current chargers adapt to charge almost any nicad battery.
- BD32 2 Humidity switches, as the air becomes damper the membrane stretches and operates a microswitch.
- BD34 4 2 meter length of connecting wire all colour coded.
- BD42 5 13A rocker switch three tags so on/off, or change over with centre off.
- BD45 1 24hr time switch, ex-Electricity Board, automatically adjust for lengthening and shortening day, original cost £40 each.
- BD49 10 Neon valves, with series resistor, these make good night lights.
- BD56 1 Mini unselector, one use is for an electric jigsaw puzzle, we give circuit diagram for this. One pulse into motor, moves switch through one pole.
- BD59 2 Flat solenoids—you could make your multi-tester read AC amps with this.
- RD67 1 Suck or blow operated pressure switch, or it can be operated by any low pressure variation such as water level in water tanks.
- BD91 2 Mains operated motors with gearbox. Final speed 16 rpm, 2 watt rated.
- BD103A 1 6V 750mA power supply, nicely cased with mains input and 6V output leads.
- BD120 2 Stripper boards, each contains a 400V 2A bridge rectifier and 14 other diodes and resistors as well as dozens of condensers, etc.
- BD122 10m Twin screened flex with white PVC cover.
- BD128 10 Very fine drills for pcb boards etc. Normal cost about 80p each.
- BD132 2 Plastic boxes approx 3in cube with square hole through top so ideal for interrupted beam switch.
- BD134 10 Motors for model aeroplanes, spin to start so needs no switch.
- BD139 6 Microphone inserts—magnetic 400 ohm also act as speakers.
- BD148 4 Reed relay kits, you get 16 reed switches and 4 coil sets with notes on making c/o relays and other gadgets.
- BD149 6 Safety cover for 13A sockets—prevent those inquisitive little fingers getting nasty shocks.
- BD180 6 Neon indicators in panel mounting holders with lens.
- BD193 6 5 amp 3 pin flush mounting sockets make a low cost disco panel.
- BD196 1 in flex simmerstat—keeps your soldering iron etc. always at the ready.
- BD199 1 Mains solenoid, very powerful, has 1 1/2in pull or could push if modified.
- BD200 8 Keyboard switches—made for computers but have many other applications.
- BD210 4 Transistors type 2N3055, probably the most useful power transistor.
- BD211 1 Electric clock, mains operated, put this in a box and you need never be late.
- BD221 5 12V alarms, make a noise about as loud as a car horn. Slightly soiled but OK.
- BD242 2 6in x 4in speakers, 4 ohm made from Radiomobile so very good quality.
- BD246 2 Tarhu generators, generate one volt per 100 revs.
- BD252 1 Fanostat, controls output of boiling ring from simmer up boil.
- BD259 50 Leads with push-on 1/4in tags—a must for hook-ups—mains connections etc.
- BD263 2 Oblong push switches for bell or chimes, these can mains up to 5 amps so could be foot switch if fitted into patress.
- BD268 1 Mini 1 watt amp for record player. Will also change speed of record player motor.
- BD275 1 Guitar mic—clip-on type suits most amps.
- BD283 3 Mild steel boxes approx 3in x 3in x 1in deep—standard electrical.
- BD293 50 Mixed silicon diodes.
- BD296 3 Car plugs with lead, fit into lighter socket.
- BD305 1 Tubular dynamic mic with optional table rest.

Most other packs still available and you can choose any your free one.

## 5A BATTERY CHARGER KIT

All parts, including case, Only £5 plus £1 postage

## OVER 400 GIFTS FROM YOU CAN CHOOSE FROM

There is a total of over 400 packs in our Baker's Dozen range and you become entitled to a free gift with each dozen packs.

A classified list of these packs and our latest "News Letter" will be enclosed with your goods, and you will automatically receive our next news letter.



## F.O.O. BARGAIN

3 1/2" Floppy Disc Drive, made by the Chicon Company of Japan. Beautifully made and probably the most compact device of its kind as it weighs only 600g and measures only 104mm wide, 162mm deep and has a height of only 32mm. Other features are 80 track, high precision head positioner—simple push loading and eject—direct drive brushless motor—Shogart compatible interface—standard connections—interchangeable with most other 3 1/2 and 5 1/4 drives. Brand new with copy of maker's manual. Offered this month at £28.50 post and VAT included.

**CASE**—adaptable for 3" or 3 1/2" FDD, has room for power supply components. Price only £4 includes circuit of PSU. Our Ref 4P8.

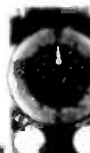
**POWER SUPPLY FOR FDD**—5V and 12V voltage regulated outputs, complete kit of parts will fit into case 4P8 price £8 or with case £11.

## MULLARD UNILEX AMPLIFIERS

We are probably the only firm in the country with these now in stock. Although only four watts per channel, these give superb reproduction. We now offer the 4 Mullard modules—i.e. Mains power unit (EP9002) Pre-amp module (EP9001) and two amplifier modules (EP9000) all for £6.00 plus £2 postage. For prices of modules bought separately see 40 POUNDERS.

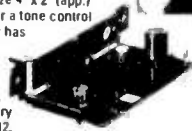
## 5A ELECTRICAL PROGRAMMER

Learn in your sleep. Have radio playing and kettle boiling as you wake—switch on lights to warn off intruders—have a warm house to come home to. You can do all these and more. By a famous maker with 25 amp on/off switch. A beautiful unit at £2.50.



## MINI MONO AMP

on p.c.b. size 4" x 2" (app.) Fitted volume control and a hole for a tone control should you require it. The amplifier has three transistors and we estimate the output to be 3W rms. More technical data will be included with the amp. Brand new, perfect condition, offered at the very low price of £1.15 each, or £13 for 12.



## THIS MONTH'S SNIP

**ACORN COMPUTER DATA RECORDER (CASSETTE)**. This is a mono data recorder with switchable motor control intended for use with the Acorn Electron or BBC computers but also functions with almost any other computer and can be used for normal record and play back of music and speech.

Six key controls give "PAUSE", "STOP" and "EJECT" "CUE/FAST FORWARD", "REVUE/REWIND" and "RECORD", fast forward and rewind (180 seconds for C60). Also tape counter with reset button, input signal range 5mV to 500mV, input impedance 40k ohm. Can be battery operated but is supplied with a mains adaptor. Brand new still in manufacturer's wrapping £8. Order Ref. 8P18 add £2 postage

## VENNER TIME SWITCH

Mains operated with 20 amp switch, one on and one off per 24 hrs, repeats daily automatically correcting for the lengthening or shortening day. An expensive time switch but you can have it for only £2.95 without case, metal case—£2.95, adaptor kit to convert this into a normal 24hr time switch but with the added advantage of up to 12 on/offs per 24hrs. This makes an ideal controller for the immersion heater. Price of the adaptor kit is £2.30.



Ex-Electricity Board. Guaranteed 12 months.

## FANS & BLOWERS

5" £5 + £1.25 post. 6" £6 + £1.50 post.  
4" x 4" Muffin equipment cooling fan Z30/240V £5.00  
9" Extractor or blower 115V supplied with 230 to 115V adaptor £9.50 + £2 post.  
All above are ex-computers but gntd. for 12 months.  
10" x 3" Tangential blower, very quiet, 115V, use two in series £2.00 + £1.50 post or £4.00 + £2.00 post for two.

## 9" MONITOR

Ideal to work with computer or video camera uses Philips black and white tube ref M24/306W. Which tube is implosion and X-ray radiation protected. VDU is brand new and has a time base and EHT circuitry. Requires only a 16V dc supply to set it going. It's made up in a lacquered metal framework but has open sides so should be cased. The VDU comes complete with circuit diagram and has been line tested and has our six months guarantee. Offered at a lot less than some firms are asking for the tube alone, only £16 plus £3 post.

## 12 volt MOTOR BY SMITHS

Made for use in cars, etc. these are very powerful and easily reversible. Size 3 1/2" long by 3" dia. They have a good length of 1/4" spindle—1/10hp £3.45  
1/8hp £5.75, 1/6hp £7.50

**BULK HEAD MOUNTING LOUDSPEAKER**. Metal case with chrome grill front and with mounting lugs for screwing to ceiling. 8in. speaker. £10 each. Order ref. 10P43 add £2 post.

**TWIN GANG TUNING CAPACITOR**. Each section is .0005uF with trimmers and good length 1/4in spindle. Old but unused and in very good condition. £1 each. Our ref. B0630.

## AKAI RV-UM300 MIDI-RACK

Is a really excellent piece of furniture, ideal to hold your computer or audio equipment. Has three shelves in the upper section and a hinged glass fronted lower section. Height approximately 3ft, width 13 1/2in, depth 14in, on castors, dark walnut veneer finish. £15 plus £8 for Securicor delivery. Order Ref. 15P11.

## POWERFUL IONISER

Generates approx. 10 times more IONS than the ETI and similar circuits. Will refresh your home, office, workshop etc. Makes you feel better and work harder—a complete mains operated kit, case included. £11.50 + £3 P&P

## J & N BULL ELECTRICAL

Dept. E.E., 250 PORTLAND ROAD, HOVE, BRIGHTON, SUSSEX BN3 5OT

MAIL ORDER TERMS: Cash, PD or cheque with order. Orders under £20 add £1 service charge. Monthly account orders accepted from schools and public companies. Access and B/card orders accepted, Brighton (0273) 734648 or 203500

**BIG SMOOTHING CAPACITOR**. Sprague powerlytic 39,000uF at 50V. £3. Our ref. 3P41.

**HEAVY DUTY CURLY MAINS LEAD**. Can be loaded up to 13A stretches to almost 3 metres fitted with 13A plug. £3. Order ref. 3P42.

**4-CORE FLEX CABLE**. Cores separately insulated and grey PVC covered overall. Each copper core size 7/32mm. Ideal for long telephone runs or similar applications even at mains voltage. 20 metres £2. Our ref. 2P196 or 100 metres coil £8. Order ref. RP19

**6-CORE FLEX CABLE**. Description same as the 4-core above. Price 15 metres for £2. Our ref. 2P197 or 100 metres £9. Our ref. 9P1.

**MAINS TRANSFORMER**. Upright mounting normal mains input, has two secondaries, the main one being 28V at 3.5A so this transformer should be ideal for power supply giving 30V at 3.5A or to power big amplifier etc. Price only £4. Our ref. 4P24 but please add £1 towards postage.

## NEW ITEMS

Some of the many items described in our current list which you will receive with your parcel

**13A PLUGS** Good British make complete with fuse, parcel of 5 for £2. Order ref. 2P185.

**13A ADAPTERS** Takes 2 13A plugs, packet of 3 for £2. Order ref. 2P187.

**20V-0-20V** Mains transformers 2 1/2 amp (100 watt) loading, tapped primary. 200 245 upright mountings £4. Order ref. 4P24.

**BENCH ISOLATION TRANSFORMERS** 250 watt 230V in and out with plenty of tappings to give exact volts. £5 plus £2. Order ref. 5P5.

**POWERFUL 12V MOTOR**—was intended for Sinclair car, ratings approx 1 1/2hp. Price £15. Ref. 15P8.

**BURGLAR ALARM BELL**—6" gong DK for outside use if protected from rain. 12V battery operated. Price £8. Ref. 8P2.

**24 HOUR TIME SWITCH**—16A changeover contacts, up to 6 on/offs per day. Nicad cased, intended for wall mounting. Price £8. Ref. 8P6.

**CAPACITOR BARGAIN**—axial ended, 4700uF at 25V. Jap made, normally 50p each, you get 4 for £1. Our ref. 613.

**AGAIN AVAILABLE**—12" mini fluorescent tubes. Price £1 each. Ref. B0314.

**EDGE METER**—Miniature, whole size approx 37mm x 13mm 100ua tsd, centre zero scaled 0 to -10 and 0 to +10. Price £1 each. Ref. B0602.

**CLEANING FLUID**—Extra good quality—intended for video and tape heads. Regular price £1.50 per spray can. Our price 2 cans for £1. Ref. B0604.

**PIEZO ELECTRIC FAN**—An unusual fan, more like the one used by Madame Butterfly than the conventional type, it does not rotate. The air movement is caused by two vibrating arms. It is American made, mains operated, very economical and causes no interference, so is ideal for computer and instrument cooling. Price is only £1 each. Ref. B0605.

**SPRING LOADED TEST PRODS**—Heavy duty, made by the famous Bulgin company, very good quality. Price 4 for £1. Ref. B0599.

**CURLY LEAD**—Four core, standard replacement for telephone handset, extends to nearly 2 metres. Price £1 each. Ref. B0599.

**TELEPHONE BELLS**—These will work off our standard mains through a transformer, but to sound exactly like a telephone, they then must be fed with 25Hz 50V. So with these bells we give a circuit for a suitable power supply. Price 2 bells for £1. Ref. B0600.

**ULTRA-SENSITIVE POCKET MULTIMETER**—4k ohms per volt—11 ranges—carry one of these and so be always ready to test odd volts to 1000 DC milliamperes and have an ohms range for circuit testing. Will earn its cost in no time. Price only £7. Ref. 7P2.

**BLOW YOUR ROOF OFF!**—40 watt speaker systems—new type you must not hide! They have golden cones and golden surrounds and look really "boofiful!" 12" woofer, Midrange and tweeter and comes with a crossover at a special introductory price of £69 carriage paid. Two sets for £95 carriage paid. 140w Woofer only £35 carriage paid.

**ASTEC P.S.U.**—Switch mode type. Input set for +230V. Output 3.5 amps at +5V. 15 amps at +12V, and 3 amps at +5V. Should be OK for floppy disc drives. Regular price £30. Our price only £10. Ref. 10P34. Brand new and unused.

**APPLIANCE THERMOSTATS**—Spindle adjust type suitable for convector heaters or similar. Price 2 for £1. Ref. B0582.

**COMPOSITE VIDEO INPUT UNIT**—For our 9" monitor with notes on suppression of fly back lines and improving "hold" makes our monitor ideal for use with any computer or camera. Kit contains p.c.b. and all components. Price £4. Ref. 4P23.

**3-CORE FLEX BARGAIN No. 1**—Core size 5mm so ideal for long extension leads carrying up to 5 amps or short leads up to 10 amps. 15mm for £2. Ref. 2P189.

**3-CORE FLEX BARGAIN No. 2**—Core size 1.25mm so suitable for long extension leads carrying up to 13 amps, or short leads up to 25A. 10m for £2. Ref. 2P190.

**CASE WITH 13A PRONGS**—To go into 13A socket, nice size and suitable for plenty of projects such as battery trickle charger, speed controller, time switch, night light, noise suppressor, dimmers etc. Price—2 for £1. Ref. B0565.

**SPEAKER EXTENSION CABLE**—Twin 0.7mm conductors so you can have long runs with minimum sound loss and for telephone extensions or burglar alarms, bells, intercoms etc. 250m coil only £3 plus £1 post. Ref. 3P28.

**ALPHA NUMERIC KEYBOARD**—This keyboard has 73 keys giving trouble free life and no contact bounce. The keys are arranged in two groups, the main area is a QWERTY array and on the right is a 15 key number pad, board size is approx. 13" x 4"—brand new but offered at only a fraction of its cost, namely £3, plus £1 post. Ref. 3P27.

**TELEPHONE EXTENSIONS**—It is now legal for you to undertake the wiring of telephone extensions. For this we can supply 4-core telephone cable. 100m coil £8.50. Extension BT sockets £2.95. Packet of 50 plastic headed staples £2. Dual adaptor for taking two appliances from one socket £3.95. Leads with BT plug for changing old phones, 3 for £2.

**MODULAR SWITCH**—Panel mounting highest quality and ideal where extra special front panel appearance is required, can be illuminated if required d.p.d.t. and latching. Price 2 for £1. Ref. B0607.

**WIRE BARGAIN**—500 metres 0.7mm solid copper tinned and p.v.c. covered. Only £3 plus £1 post. Ref. 3P31—that's well under 1p per metre, and this wire is ideal for push on connections.

**INTERRUPTED BEAM KIT**—This kit enables you to make a switch that will trigger when a steady beam of infra-red or ordinary light is broken. Main components—relay, photo transistor, resistors and caps. etc. Circuit diagram but no case. Price £2. Ref. 2P15.

**3-30V VARIABLE VOLTAGE POWER SUPPLY UNIT**—with 1 amp DC output. Intended for use on the bench for experimenters, students, inventors, service engineers etc. This is probably the most important piece of equipment you can own (after a multi range test meter). It gives a variable output from 3-30 volts and has an automatic short circuit and overload protection, which operates at 1.1 amp approximately. Other features are very low ripple output, a typical ripple is 3mV pk-pk. 1mV rms. Mounted in a metal fronted plastic case, this has a voltmeter on the front panel in addition to the output control knob and the output terminals. Price for complete kit with full instructions is £15. Ref. 15P7.

**TRANSMITTER SURVEILLANCE (BUG)**—Tiny, easily hidden, but which will enable conversation to be picked up with FM radio. Can be housed in a matchbox, all electronic parts and circuit. Price £2. Ref. 2P52.

# EVERYDAY ELECTRONICS

INCORPORATING ELECTRONICS MONTHLY

ABC

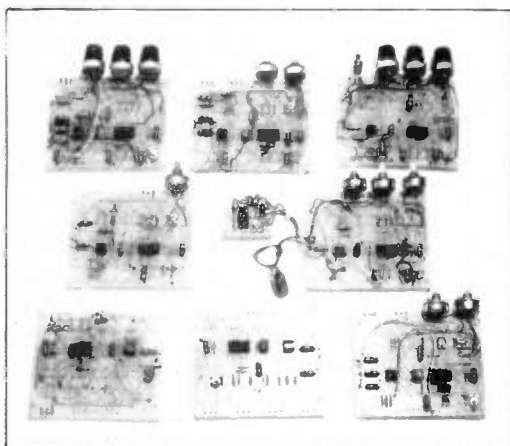
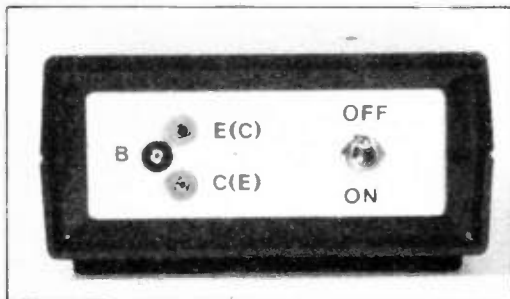
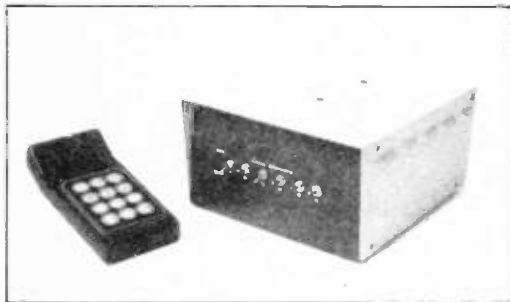
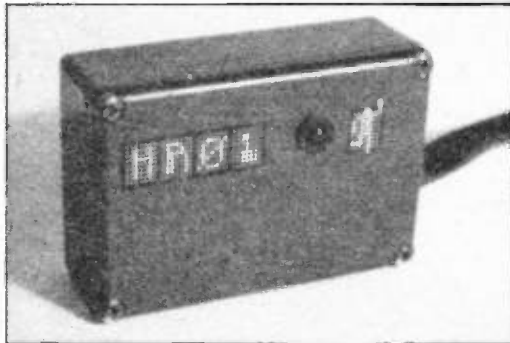
VOL 17 No 6

JUNE '88

The Magazine for Electronic & Computer Projects

ISSN 0262-3617

PROJECTS... THEORY... NEWS...  
COMMENT... POPULAR FEATURES...



## Projects

- AUDIO MINI-BRICKS** by John Becker 320  
A series of modules that can be used individually or linked together to form a "sound studio" suite.  
Part One: Introduction and Hex-Waveform VCO board (Plan-A)
- HEADLIGHT REMINDER** by Paul Harding 326  
Prevents the inconvenience and embarrassment of a flat battery
- EASI-TRANSISTOR TESTER** by Robert Penfold 333  
A simple tester that demonstrates the simplicity of Vero Easiwire construction
- MULTI-CHANNEL REMOTE LIGHT DIMMER** by Barry Robinson 342  
Part Two: Construction of Dimmer, Relay/Decoder, PSU and Mother boards
- HOME SECURITY-1** by Owen N. Bishop 350  
An adaptable system that will enable you to secure your home against intruders and fire
- BBC SOUND TO LIGHT** by M. P. Horsey 357  
Generate colourful screen images using a mic. or audio system and a BBC micro
- LIGHT-TRIGGERED ALARM** 368  
Low cost Exploring Electronics demonstration circuit with practical applications

## Series

- INTRODUCING MICROPROCESSORS** by Mike Tooley BA 337  
Part Eight: Flow charts; languages and a practical assignment
- ROBOT ROUNDUP** by Nigel Clark 348  
Investigating the world of robotics
- ON SPEC** by Mike Tooley BA 354  
Readers' Sinclair Spectrum page
- AMATEUR RADIO** by Tony Smith G4FA1 356  
Last 40 years; European Common Licence; Hambit '87
- EXPLORING ELECTRONICS** by Owen N. Bishop 368  
Part Twenty-Four: Op. Amp Comparator and Light-Triggered Alarm
- BBC MICRO** by R. A. & J. W. Penfold 371  
Regular spot for Beeb fanatics

## Features

- CROSSWORD No. 5** 317  
Some "light-hearted" brain teasers
- EDITORIAL** 319
- SPECIAL REPORT** 330  
Vero Easiwire system reviewed
- SHOPTALK** by David Barrington 360  
Product news and component buying
- PLEASE TAKE NOTE** 360  
Digital Counter/Frequency Meter, Door Sentinel, Super Sound Generator, Audible Smoothness Tester
- DIRECT BOOK SERVICE** 362  
Special service to EE readers
- FOR YOUR ENTERTAINMENT** by Barry Fox 366  
Made In Britain; Off The Rails; Bookmark
- PRINTED CIRCUIT BOARD SERVICE** 373
- ADVERTISER'S INDEX** 376

**FREE DATA CARD**

Readers' Services • Editorial and Advertisement Departments

319

© Wimborne Publishing Ltd 1988. Copyright in all drawings, photographs and articles published in EVERYDAY ELECTRONICS is fully protected, and reproduction or imitations in whole or in part are expressly forbidden.

Our July '88 issue will be published on Friday, 3 June 1988. See page 355 for details.

Everyday Electronics June 1988

313



**THE UNDISPUTED PACK KING FOR OVER 20 YEARS,** we offer you the very best in Electronic Components and Semiconductors that your money can buy. Look at our lists and prices, they are unbeatable in value and quantity and you always have our "Satisfaction or money back guarantee". For 1988 we offer more and more Super Value Packs. All goods advertised in stock at time of going to press. This is just a small part of our stocks. Send a stamped SAE for our full lists FREE, please note our new mail order address: BI-PAK, PO BOX 33, ROYSTON, HERTS SG8 5DF. Telephone 0763 48851.

RESISTORS		
Pak No	Qty Description	Price
VP1	300 Assorted Resistors, mixed values & types	£1.00
VP2	300 Carbon Resistors, ¼-watt, pre-formed, mixed	£1.00
VP4	200 ¼-watt Resistors, mixed values and types	£1.00
VP5	50 Wirewound Resistors, mixed watt values	£1.00
VP140	50 Precision Resistors, 1% tolerance	£1.00
VP181	100 1 and 2 watt Resistors, assorted values	£1.00
VP287	100 Close tolerance Resistors, .05-2%, 10-910 ohms, mixed	£1.50
VP288	100 Close tolerance Resistors, .05-2%, 1K-820K, mixed	£1.50
VP289	100 Metal oxide high stab. Resistors, ¼-watt, mixed values	£1.50

CAPACITORS		
Pak No	Qty Description	Price
VP5	200 Assorted Capacitors, all types	£1.00
VP6	200 Ceramic Capacitors, Min. mixed values	£1.00
VP9	100 Assorted Polyester/Polystyrene Capacitors	£1.00
VP10	60 C280 Capacitors, metal foil, mixed values	£1.00
VP11	50 Electrolytics, all sorts	£1.00
VP12	40 Electrolytics, 0.47mf-150mf, mixed volts	£1.00
VP13	30 Electrolytics, 150mf-1000mf, mixed volts	£1.00
VP14	50 Silver Mica Caps, mixed values	£1.00
VP15	25 01-280V Min. Layer Metal Caps	£1.00
VP180	25 Tantalum Bead Caps, assorted values	£1.00
VP182	4 1000µf 50v Electrolytics	£1.00
VP190	30 Min. Electrolytics, mixed values, 0.47mf-1000mf/5-16v	£1.00
VP193	6 Sub Min. Electrolytics, 2 + 1000/2200/3300mf/10/16v	£1.00

OPTOS		
Pak No	Qty Description	Price
VP24	10 125' Clear showing Red LEDs	£1.00
VP25	10 Mixed shape and colour LEDs	£1.00
VP26	15 Small 125' Red LEDs	£1.00
VP27	15 Large 2' Red LEDs	£1.00
VP28	10 Rectangular 2' Red LEDs	£1.00
VP57	25 Opto special pack Assorted Super Value	£3.00
VP130	6 RED 7 Seg. CC 14mm - 7.5mm RDP FND353 LED Display	£2.00
VP131	4 GREEN 7 Seg. CA 6' LDP XA N620 LED Display	£2.00
VP133	6 RED Overflow 6 3/4 CA 3 - CC 5630/50 LED Display	£2.00
VP134	6 GREEN Overflow 6 3/4 CA XA N630 LED Display	£2.00
VP138	20 Assorted LED Displays, Dur mix, with data	£1.00
VP147	1 Pair Opto Coupled Modules	£9.00
VP199	4 LD707R LED Displays CA	£1.00
VP203	15 Triangular shape LEDs, Mixed colours	£1.00
VP204	10 Large Green LEDs, 5mm	£1.00
VP206	10 Small Green LEDs, 3mm	£1.00
VP207	10 Large Yellow LEDs, 5mm	£1.00
VP208	10 Small Yellow LEDs, 3mm	£1.00
VP209	10 Large Red LEDs, 5mm	£1.00
VP210	10 Small Red LEDs, 3mm	£1.00
VP241	2 DRP12 Light Dependent Resistor	£1.50
VP242	4 Trn colour LEDs 5mm Dia 5mA 2V R G Y	£1.00
VP243	3 Trn colour LEDs Rectangular 5mm R G Y	£1.00
VP246	10 Orange LEDs, 5mm large	£1.00
VP267	8 Stackable LED's, Rectangular, mixed R G Y	£1.00
VP268	15 LED Panel Mounting Clips, metal and plastic 3.5mm	£1.00
VP269	2 Red Flashing LED's 5mm	£1.00
VP284	2 Opto Isolator (IL74AN27) single	£1.00
VP285	1 Dual Opto Isolator (LD74)	£1.00

TRANSISTORS		
Pak No	Qty Description	Price
VP172	10 SM1502 PNP TD-39 Sil. Trans. 100v 100mA Hfe-100	£1.00
VP200	20 OC71 type germ. AF Transistors, uncodded	£1.00
VP201	25 OC46 germ. RF Transistors	£1.00
VP261	4 Programmable Unijunction Transistors, MEU22	£1.00
VP270	10 FEET 1 UNF/VHF Amplifiers, switching B choppers, data	£1.00
VP271	10 FEET 1 general purpose like 2N3815-2N5457, data	£1.00
VP272	10 MOS FET's Signetics, S0304	£1.00
VP273	12 ZTX300 NPN Silicon Transistors	£1.00
VP290	15 MPS4658 Sil. Transistors, NPN 80v 500mA HFE50 - T092	£1.00
VP428	10 AC128K PNP Germanium Transistor, 1A 32v	£1.00
VP429	10 AC178K NPN Germanium Transistor, 1A 32v	£1.00
VP430	4 2N3855 Sil. Power Transistors, full spec	£2.00
VP431	25 PNP Sil. Transistors, TD-39 like 2N2905A	£1.00

I.C.S.		
Pak No	Qty Description	Price
VP40	40 TTL I.C.s all new gates, Flip Flop - MSI, Data	£4.00
VP54	20 Assorted I.C. DIL Sockets, 8 - 40 pin	£2.50
VP59	20 Assorted I.C.s linear, etc. all coded	£2.00
VP209	12 74LS100	£2.00
VP210	12 74LS174	£2.00
VP211	10 CD4001B	£2.00
VP212	10 CD4011B	£2.00
VP214	10 CD4069B	£2.00
VP215	10 741P 8pin	£2.00
VP216	10 565 Timers 8pin	£2.00
VP223	50 Ass 74 TTL I.C.s "ALL GATES" new and coded our mix 7400 7453	£6.00
VP224	100 Ass 74 TTL I.C.s "ALL GATES" new and coded our mix 7400 7453	£10.00
VP292	1 Prog. Sound Gen. Chip AY-3 8912	£3.00
VP291	1 7804 CPU Microprocessor 40 pin DIL	£3.00
VP292	1 7804A P10 Parallel Interface Controller, 40 pin DIL	£2.00
VP293	1 7804CTC Counter Timer Circuit, 28 pin DIL	£2.00
VP294	1 2723D 32K Eprom	£2.00
VP295	1 5821P Peripheral Interface Adaptor (PIA)	£1.50
VP296	6 LM324 14 pin DIL Quad Op. Amp	£2.00
VP297	5 CA3130E MOS FET 1/P. CMOS O/P. Op. Amp	£2.00
VP298	3 MC1310P Stereo Decoder, 16 pin DIL	£2.00
VP299	3 CA3085 Pos. Volt. Regulator, 1.7v 46v 8 pin TDS	£2.00
VP400	1 27128 128K Eprom	£2.50
VP401	2 LM317T Adjst. Voltage Regulator, 1.5A	£1.00
VP402	1 2114 4K Static Ram	£2.00
VP403	1 TA7204 Audio Amp I.C. 4.2v 13v, 2.4 ohms	£1.00
VP404	1 TB4461 Audio Power Amp. 4.5w	£1.00
VP432	8 CD4016B	£2.00
VP433	6 CD4017B	£2.00
VP434	10 CD4024B	£2.00
VP435	10 CD4028B	£2.00
VP7413	4 7413 Dual Nand Schmitt Trigger, 4 input	£1.00
VP7440	4 7440 Dual 4 input, Positive Nand Buffer	£1.00
VP7401	4 7410 And gated Positive edge triggered Flip Flop with preset	£1.00
VP7480	4 7480 Gated full Adder	£1.00
VP7481	4 7481 16 bit Random Access memories	£1.00
VP7490	4 7490 Decade Counter	£1.00
VP7491	4 7491 8 Bit Shift Register	£1.00

MISC.		
Pak No	Qty Description	Price
VP177	1 Pack assorted Hardware, nuts, bolts, etc	£1.00
VP178	5 Assorted Battery holders and clips PP3's, AA/D, etc	£1.00
VP223A	6 Tag Boards, 18 way passive	£1.00
VP225	4 Programmable Unijunction Transistors, MEU22	£1.00
VP226	20 DIN Chassis Sockets, metal 2.8 pin 180°/240°/360° mixed	£2.50
VP227	18 DIN In line Sockets, plastic 2.8 pin 180°/240°/360° mixed	£2.50
VP228	10 C15 Compact Cassette Tapes, leaderless	£2.00
VP229	1 Cassette Head Cleaner/Demagnetizer, in case	£2.00
VP233	1 Revolving Cassette Rack, holds 32, sleeky perspex	£3.50
VP244	1 High Power Piezo Electric Siren, Emits ear piercing wailing sound, ideal alarm. White plastic body with mounting bracket. Power 12V D.C. 150mA. D. Output 100db(A) at 1m typ. freq. 2.5KHz. Size: 57 x 42 x 37mm	£6.00
VP260	1 9" x 6" Elliptical 8 ohms 10W RMS Speaker Freq. Res. 60-10000 Hz. Gauss 10000 Centre HF cone. 1 2" Transducer Waterproof Speaker. Polyester film diaphragm. Moisture res. 8 ohms 300mW Freq. Res. 20-20000 Hz	£4.50
VP260A	1 2" Transducer Waterproof Speaker. Polyester film diaphragm. Moisture res. 8 ohms 300mW Freq. Res. 20-20000 Hz	£1.00
VP273	10 10K Lin Rotary Potentiometers, slim spindle	£1.00
VP281	4 Plug-in Relays, Mixed volts	£1.00

TOOLS		
Pak No	Qty Description	Price
VP95	1 Plastic Vice, small, with suction base	£1.75
VP97	1 Logic Probe/Tester, supply 4.5v - 18v, DTL, TTL, CMOS	£8.50
VP99	1 Universal Tester, with ceramic burner	£5.00
VP103	1 6pc Stanley screwdriver set, flat and crosspoint	£3.50
VP139	1 Pick up Tool, spring loaded	£1.75
VP217	1 Helping Hand	£4.00
VP218	1 Wrenchmakers Screwdriver Set, 6 pieces	£1.75
VP219	1 Miniature Side Cutters	£1.50
VP220	1 Miniature Bent-nose Pliers	£1.50
VP221	1 Miniature Long-nose Pliers	£1.50
VP222	1 Universal Ni-Cad Battery Charger, AA, HP11, HP2	£6.00
VP238	4 AA Ni-Cad Batteries, 1.2v 500mAh C/R mA	£3.50
VP239	2 C7HP11 Ni-Cad Batteries, Rechargeable	£3.50
VP240	2 D HP2 Ni-Cad Batteries, Rechargeable	£3.50
VP246	1 25w Quality Low Cost Soldering Iron, 240V AC	£1.50
VP247	1 15w "Lightweight" Quality Low Cost Soldering Iron, 240V AC	£1.50
VP248	1 High Suction Desoldering Pump, Teflon nozzle, Auto eject Heavy duty return spring	£4.00
VP250	1 Long Finger Grip Soldering Aid, Heavy metal use, serrated jaws with rev. Tweezer action. Ideal for holding small components. Fully adjustable	£3.00
VP254	1 250 grams Etchant Granules (Ferric Chloride) makes 1/2 pint	£1.00
VP256	1 Etching Pen, Etch-resistant. Spare tip, Blue	£1.00
VP258	1 Multicore Solder, 5m total, 10 and 22 SWIG	£1.00
VP259	1 PCB Holder, Fully adjustable from 0.300mm wide and to any angle. Complete with iron stand and sponge. Strong metal construction with rubber feet. Very high quality	£15.00
VP286	2 Etch Resist PCB Transfer Sheets, Ass't symbols/lines	£1.00
VP406	2 Steel Rules 1 x 12, 1/16" measuring ins and mm	£1.00
VP407	1 Junior Hack Saw, 3 blades - hobby knife & 2 blades	£1.00
VP408	1 10 Piece Needle File Set	£1.00
VP409	1 4 Piece Stainless Steel Tweezer Set	£4.00
VP409	1 Set of 4 mm low cost Side & End Cutters, snipe & combination Pliers, 5' insul. handles	£4.50

# BI-PAK

Send your orders to: **BI-PAK DEPT EE, PO BOX 33, ROYSTON, HERTS**  
 Terms: Cash with order. Personal cheques, Access and Barclaycard, Giro 388 7006. Same day despatch  
 Tel: 0763 48851. Add £1.50 P&P per order and 15% VAT



REMEMBER YOU MUST ADD £1.50 P&P AND 15% VAT TO TOTAL ORDER

### EQUIPMENT CASES

LEATHER-GRAIN  
P.V.C.  
COATED  
STEEL

ALL-ALUMINIUM

DIMENSIONS		Price £
Height Ins.	Depth Ins.	
2.0	2.25	1.50
2.0	4.0	2.00
2.0	5.5	2.70
2.0	11.0	4.70
2.5	3.0	1.70
2.5	3.0	2.00
2.5	4.0	2.60
2.5	5.25	3.00
3.0	6.0	3.70
3.0	6.0	4.20
3.0	8.0	3.80
3.0	6.0	4.20
3.5	7.5	4.90
3.5	7.5	7.20
4.0	4.0	2.70
4.0	6.0	3.20
4.0	9.0	4.20
4.0	7.0	4.20
5.0	6.0	4.30
5.0	6.0	5.20
5.0	6.0	6.20
5.0	11.0	8.0
5.0	11.0	7.60
5.0	11.0	9.40
7.0	10.0	7.0
7.0	10.0	8.40
7.0	10.0	11.90

### 13A TEST PLUG

For finding faults in 13A sockets. Simply plug in to faulty socket and observe amber lights as instructions

**ONLY 1+ 99p 10+ 90p**

### MARCO KITS

Ceramic 50V (125) £3.50  
 Electrolytics Rad. (100) £7.75  
 Fuse 20mm O/B (80) £3.75  
 Fuse 20mm A/S (80) £7.50  
 Nut and Bolt (800) £3.00  
 Pre-set Pots. Horiz. (120) £6.75  
 Pre-set Pots. Vert. (120) £6.75

### Resistors

0.25W Popular (1000) £6.50  
 0.25W 5 off (305) £2.95  
 0.25W 10 off (610) £4.50  
 0.5W Popular (1000) £9.50  
 0.5W 5 off (365) £4.70  
 0.5W 10 off (730) £7.75  
 1W 5 off (365) £13.75  
 2W 5 off (365) £21.75  
 Zener Diodes 5 off (55) £3.50  
 0.25W Resistors 1+ 2p, 10+ 1.5p  
 0.5W Resistors 1+ 2p, 10+ 1.5p

### CHARGER FOR NI-CAD BATTERIES

Charges AAA, AA, C, D & PP3 NI-CADS

**£4.50**

### NI-CAD RECHARGEABLE BATTERIES

AAA - £1.25 (10+ £1.20ea.)  
 AA - 90p (10+ 85p ea.)  
 C - £2.10 (10+ £1.90ea.)  
 D - £2.50 (10+ £2.20ea.)  
 PP3 - £4.10 (10+ £3.90ea.)

### RE-CHARGEABLE BATTERIES - EX-EQUIPMENT

10+ 100+  
 C - Normal 1.8Ah 75p 65p  
 C - Tag Ended 1.8Ah 65p 55p

### BT APPROVED EQUIPMENT

Master Socket (flush) £2.90  
 Master Socket (surface) £2.75  
 Secondary Socket (flush) £1.90  
 Secondary Socket (surface) £1.85  
 BT Cable (per metre) 15p  
 Line Jack Cord with plug £1.25  
 Extension lead, 5mtr £3.90  
 Wiring Tool 50p  
 Plug - 431A 25p  
 Stimtel Phone £17.35  
 Viscount Phone £26.04  
 Conversion Kit with wiring diagram £6.99

### MARCO TRADING

THE MALTINGS, HIGH STREET, WEM, SHROPSHIRE SY4 5EN DEPT. EE6  
 TEL: 0939 32763 TELEX 35565

ELECTRONIC COMPONENT MAIL ORDER COMPANY - ESTABLISHED 1972  
 100+ PAGE CATALOGUE AVAILABLE - SEND £1 FOR YOUR COPY.  
 INCLUDING DISCOUNT TICKETS - 50p OFF £5+ ORDER, £1 OFF £10+ ORDER, £5 OFF £50+ ORDER.  
 ALL ORDERS +85p P&P +15% VAT UNLESS OTHERWISE STATED  
 FREE CATALOGUES TO SCHOOLS & COLLEGES.

### JUNE SPECIAL OFFER

PLACE YOUR ORDERS NOW!

### SMOKE DETECTOR ONLY £7.99

Compact wall or ceiling mounted smoke detector built to BS-5446. It smokes particles by well established ionization principle. Built-in piezo sander emits piercing scream when smoke detected. Low battery warning indication. Alarm test button. Powered by 9V (PP3) battery (included).  
 Dims: 117(dia) x 40mm Power: 9Vdc (PP3) battery  
**TEST BUTTON to check battery and alarm circuit**

### CLOSED CIRCUIT TELEVISION

CAMERA (USED) £80  
 17" MONITOR (USED) £80  
 CAMERA BRACKET (NEW) £7  
 LEAD (NEW) £1.95

COMPLETE PACKAGE ONLY **£150**

NEW CATALOGUE AVAILABLE SOON

### ROTARY SWITCHES

1+ 10+  
 1-Pole 12-way 50p 45p  
 2-Pole 6-way 50p 45p  
 3-Pole 4-way 50p 45p  
 4-Pole 3-way 50p 45p

### ANTEX SOLDERING

C/iron 15W £5.40 SK2 Kit £8.30  
 C/Siron 17W £5.60 SK3 Kit £7.99  
 X/Siron 25W £5.80 SK6 Kit £8.20

ST4 Stand £2.20  
 TCSU-D Soldering Station £72.50  
 Spare Elements from £3.50  
 Spare Tips for above irons £1.20

### ORXX PORTASOL GAS-SOLDERING IRON

Price (1+) £16.00  
 (5+) £15.30  
 Spare tips: 1, 2, 4, 3, 2, 4mm £4

### DESOLDERING PUMP

£2.99  
 Spare nozzle for above - 60p



# ELECTRONICS TECHNICIAN FULL-TIME TRAINING

(FULL TIME COURSES APPROVED BY THE BUSINESS & TECHNICIAN  
EDUCATION COUNCIL)

## 2 YEAR BTEC National Diploma (OND)

### ELECTRONIC & COMMUNICATIONS ENGINEERING

(Electronics, Computing, Television, Video, Testing & Fault Diagnosis)

## 1 YEAR BTEC National Certificate (ONC) ELECTRONIC ENGINEERING

### 1 - INFORMATION TECHNOLOGY

(Electronics, Satellite TV, CD, Networks, Telecomms)

### 2 - ELECTRONIC EQUIPMENT SERVICING

(Electronics, Television, Video Cassette Recorders, CCTV, Testing & Fault Diagnosis)

### 3 - SOFTWARE ENGINEERING

(Electronics, Assembler, BASIC, PASCAL, CAD/CAM)

### 4 - COMPUTING TECHNOLOGY

(Electronics, Computing Software/Hardware, Microelectronic Testing Methods)

## 10 MONTHS BTEC Higher National Certificate (HNC) COMPUTING TECHNOLOGY & ROBOTICS

(Microprocessor Based Systems, Fault Diagnosis, ATE, Robotics)

THESE COURSES INCLUDE A HIGH PERCENTAGE OF COLLEGE BASED  
PRACTICAL WORK TO ENHANCE FUTURE EMPLOYMENT PROSPECTS  
NO ADDITIONAL FEES FOR OVERSEAS STUDENTS

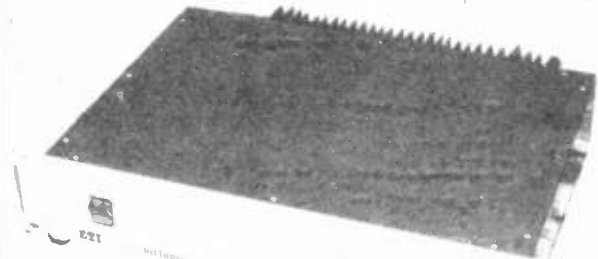
SHORTENED COURSES OF FROM 3 TO 6 MONTHS CAN BE ARRANGED FOR  
APPLICANTS WITH PREVIOUS ELECTRONICS KNOWLEDGE

O.N.C. 19th September 1988

FULL PROSPECTUS FROM

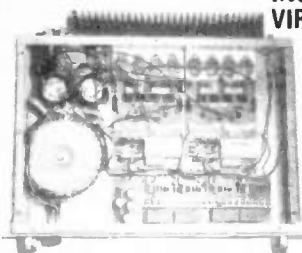
**LONDON ELECTRONICS COLLEGE (Dept EE)**  
**20 PENYVERN ROAD, EARLS COURT,**  
**LONDON SW5 9SU. Tel: 01-373 8721.**

AUDIOKITS Precision Components



### THE VIRTUOSO POWER AMPLIFIER

### INSIDE AN UPGRADED VIRTUOSO POWER AMPLIFIER



**BUILD THIS SUPER  
POWER AMPLIFIER**  
80-110W STEREO  
150-300W BRIDGE MONO  
2 SUPERBLY FINISHED CASE  
SIZE 2U (above) & 3U (in black)  
TOP QUALITY COMPONENTS

For circuit details, specs, review, etc. see  
articles in Electronics Today International,  
April-June 1988.

For complete kits, cases, semiconductors  
and all parts used send 9in x 4in SAE  
(overseas 3 IRCs) to Audiokits.

#### APEX PREAMP AND POWER AMP

ACN16 updates on the Apex. Send £2.50 for 12-page  
Components Note which lists all known errors and amendments  
to text in March-June 1987 *Everyday Electronics* and offers  
ideas for upgrading the performance of the Apex Preamp and  
power Amp beyond the extremely high quality improved versions  
already built by many EE readers.

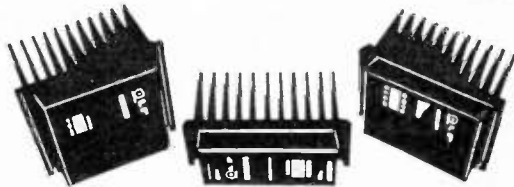


**AUDIOKITS PRECISION COMPONENTS 6 MILL CLOSE,**  
**BORROWASH, OERBY OE7 3GU. Tel: 0332 674929**

**AMPLIFIERS FROM**

# JAYTEE

## The UK Distributor for the complete ILP Audio Range



### BIPOLAR AND MOSFET MODULES

The unique range of encapsulated amplifier modules  
with integral heatsink.

HY30	15W	Bipolar amp	£11.30	HY248	120W	Bipolar amp (8ohm)	£24.15
HY60	30W	Bipolar amp	£11.30	HY364	180W	Bipolar amp (4ohm)	£36.00
HY6060	30W	Stereo Bipolar amp	£23.65	HY368	180W	Bipolar amp (8ohm)	£37.55
HY124	60W	Bipolar amp (4ohm)	£18.50	MOS128	60W	Mosfet amp	£40.70
HY128	60W	Bipolar amp (8ohm)	£18.50	MOS248	120W	Mosfet amp	£46.35
HY244	120W	Bipolar amp (4ohm)	£24.15	MOS364	180W	Mosfet amp	£75.75

### POWER SUPPLIES

Comprising toroidal transformer and DC board to  
power the ILP amplifier modules.

Application	Price	Application	Price
PSU30 Pre-amplifier	£ 9.75	PSU532 MOS128 (2)	£25.40
PSU212 1 or 2 HY30	£11.70	PSU542 HY248	£25.40
PSU412 HY6060, HY124, 1 or 2 HY60	£19.95	PSU552 MOS248	£27.45
PSU422 HY128	£22.00	PSU712 HY244 (2)	£29.20
PSU432 MOS128	£23.66	PSU722 HY248 (2)	£30.20
PSU512 HY244, HY128 (2)	£24.40	PSU732 HY364	£30.20
PSU522 HY124 (2)	£24.40	PSU742 HY368	£32.20
		PSU752 MOS364, MOS248 (2)	£32.20

### PRE-AMP and MIXER MODULES

These encapsulated modules are supplied with  
in-line connectors but require potentiometers,  
switches etc. Individual data sheets on request.

HY6	Mono pre-amp with bass & treble	£ 9.25
HY7	Mono mixer 8 channel	£ 8.75
HY8	Stereo mixer 5 channel	£ 8.75
HY9	Stereo pre-amp	£ 9.30
HY11	Mono mixer 5 channel with bass & treble	£ 9.75
HY12	Mono pre-amp 4 channel with bass, mid & treble	£ 9.30
HY13	Mono VU meter driver	£ 8.75
HY66	Stereo pre-amp with bass & treble	£15.00
HY67	Stereo headphone driver	£16.60
HY68	Stereo mixer 10 channel	£11.30
HY69	Mono pre-amp 2 channel with bass & treble	£15.40
HY71	Dual pre-amp	£14.95
HY73	Guitar pre-amp with bass & treble	£15.00
HY74	Stereo mixer 5 channel with bass & treble	£15.95
HY75	Stereo pre-amp with bass, mid & treble	£15.40
HY76	Stereo switch matrix	£19.50
HY77	Stereo VU meter driver	£14.35
HY78	Stereo pre-amp	£14.70
HY83	Guitar pre-amp with special effects	£18.95
B6	Mounting board	£ 1.15
B66	Mounting board	£ 1.75

### LOUDSPEAKERS

3128	350W 12" Bass loudspeaker	£78.65
312W8	200W 12" Wideband bass loudspeaker	£78.65

### POWER SLAVES

These cased amplifiers are supplied assembled and  
tested in 60 and 120 watt Bipolar or Mosfet versions.

US12	60 watt Bipolar (4ohm)	£75.00	US32	60 watt Mosfet	£99.95
US22	120 watt Bipolar (4ohm)	£83.75	US42	120 watt Mosfet	£108.35

Prices include VAT and carriage



Quantity prices available on request

Write or phone for free Data Pack

## Jaytee Electronic Services

143 Reculver Road, Beltinge, Herne Bay, Kent CT6 6PL  
Telephone: (0227) 375254 Fax: 0227 365104

# EE PROJECT KITS

Full Kits inc. PCBs, or veroboard, hardware, electronics, cases (unless stated). Less batteries.

If you do not have the issue of EE which includes the project—you will need to order the instruction reprint as an extra—80p each. Reprints available separately 80p each plus p&p £1.

## THIS MONTH'S KITS (sae or 'phone for prices)

SUPER SOUND EFFECTS GENERATOR May 88	E12.99
DOOR SENTINEL May 88	E12.81
STEREO NOISE GATE April 88	E26.90
CABLE & PIPE LOCATOR April 88	E15.25
INDUCTIVE PROXIMITY DET. April 88	E8.63
LOW FUEL ALERT April 88	E8.43
SEMICONDUCTOR TESTER Mar 88	E23.51
LIE DETECTOR Mar 88	E11.80
ENVELOPE SHAPER Mar 88	E14.99
SOS ALERT Mar 88	E9.36
AUTO-WAGGLE JOYSTICK ADAPTOR Mar 88	E3.99
VARIABLE ZSV-2A BENCH POWER SUPPLY Feb 88	E99.73
CAR LAMP CHECKING SYST. Feb 88	E7.10
GAME TIMER Feb 88	E14.32
QUIZMASTER Jan 88	E18.96
CAPACITANCE METER Jan 88	E29.35
TRANSISTOR CURVE TRACER (BBC) CONTINUITY TESTER Jan 88	E3.67
AUDIO SIGNAL GENERATOR Dec 87	E12.99
DUAL MAINS LIGHTS FLASHER Dec 87	E19.98
ACCENTED BEAT METRONOME Nov 87	E19.95
ACOUSTIC PROBE Nov 87 (less bolt & probe)	E15.49
BBC SIDEWAYS RAM/ROM Nov 87	E26.72
VIDEO CONTROLLER Oct 87	E27.75
TRANSTEST Oct 87	E9.24
AUTOMATIC POOR LIGHT Oct 87	E16.35
CARAVAN FIRE ALERT Oct 87	E5.18
STATIC MONITOR Oct 87	E8.25
ELECTRONIC MULTIMETER Sept 87	E44.72
NOISE GATE Sept 87	E22.14
PERSONAL STEREO AMP Sept 87	E13.63
CAR OVERHEATING ALARM Sept 87	E8.21
BURST-FIRE MAINS CONTROLLER Sept 87	E12.91
SUPER SOUND ADAPTOR Aug 87	E36.56
IMMERSION HEATER TIMER Aug 87	E17.99
3 BAND 1.6-30MHz RADIO Aug 87	E25.27
BUCCANEER'S METAL DETECTOR inc. coils and case, less handle and hardware July 87	E25.19
DIGITAL COUNTER/FREQ METER (100MHz) inc. case July 87	E67.87
MONOMIX July 87	E20.00
FERMOSTAT July 87	E11.56
VISUAL GUITAR TUNER Jun 87	E21.99
MINI DISCO LIGHT Jun 87	E11.99
WINDSCREEN WASHER WARNING May 87	E4.88
FRIDGE ALARM May 87	E9.41
EQUALIZER (HIFI) May 87	E14.79
BUILD LIFE EXTENDER April 87 (less case)	E14.99
EXP. SPEECH RECOGNITION April 87	E19.98
COMPUTER BUFFER INTERFACE Mar 87	E11.96
ACTIVE UR BURGLAR ALARM Mar 87	E33.95
VIDEO GUARD Feb 87	E7.99
MINI-AMP Feb 87	E14.99
CAR VOLTAGE MONITOR Feb 87	E11.98
SPECTRUM SPEECH SYNTH. (no case) Feb 87	E19.92
SPECTRUM V/D PORT less case. Feb 87	E8.99
STEPPING MOTOR BOOSTER (for above) Feb 87	E5.19
STIPPING MOTOR M200 Feb 87	E16.80
HANDS OFF INTERCOM (per station) inc. case Jan 87	E9.99
CAR ALARM Dec 86	E19.97
DUAL READING THERMOMETER (less case) Dec 86	E39.98
RANDOM NUMBER GENERATOR Dec 86	E14.97
8 CHANNEL A-D (SPECTRUM) CONVERTER Dec 86	E34.29
BBC 16k SIDEWAYS RAM Dec 86	E12.35
MOUSE TONE DECODER Nov 86	E18.99
OPTICALLY ISOLATED SWITCH Nov 86	E11.99
CAR FLASHER WARNING Nov 86	E7.92
700MHz DIG. FREQUENCY METER Nov 86	E39.95
10 WATT AUDIO AMPLIFIER Oct 86	E58.50
LIGHT RIDER LAPEL BADGE Oct 86	E9.71
LIGHT RIDER DISCO VERSION Oct 86	E18.69
LIGHT RIDER 16 LED VERSION Oct 86	E12.99
SCRATCH BLANKET Sept 86	E53.17
INFRA RED BEAM ALARM Sept 86	E26.99
FREEZER FAILURE ALARM Sept 86	E14.76
CAR TIMER Sept 86	E8.30
BATTERY TESTER Aug 86	E6.85
TILT ALARM July 86	E7.46
HEADPHONE MIXER July 86	E27.68
CARAVAN BATTERY MONITOR July 86	E16.35
SQUEEKE CONTINUITY TESTER July 86	E3.25
LOGIC SCACREW July 86	E8.46
VOX BOX AMP July 86	E12.73
PERCUSSION SYNTH June 86	E28.98
LIGHT PEN (less case) June 86	E5.80
PERSONAL RADIO June 86	E10.98
WATCHDOG June 86	E7.85
MINI STROBE May 86	E13.11
PA AMPLIFIER May 86	E24.95
LOGIC SWITCH May 86	E14.93
STEREO REVERB Apr 86	E25.18
VERSATILE PSU Apr 86	E23.51
FREELoader Apr 86	E8.08

STEPPER MOTOR DRIVER Apr 86	E4.89
BBC MIDI INTERFACE Mar 86	E26.61
INTERVAL TIMER Mar 86	E17.97
STEREO HI FI PRE-AMP	E46.85
MAINS TESTER & FUSE FINDER Mar 86	E8.40
FUNCTION GENERATOR Feb 86	E23.66
POWER SUPPLY FOR ABOVE	E12.62
TOUCH CONTROLLER Feb 86	E12.25
SPECTRUM OUTPUT PORT Feb 86	E18.72
TACHOMETER Jan 86	E24.57
ONE CHIP ALARM Jan 86	E8.29
MUSICAL ODDOR BELL Jan 86	E17.83
TTL LOGIC PROBE Dec 85	E3.45
DIGITAL CAPACITANCE METER Dec 85	E38.57
SOLDERING IRON CONTROLLER Oct 85	E5.21
VOLTAGE REGULATOR Sept 85	E7.46
PERSONAL STEREO P.S.U. Sept 85	E9.88
R.I.A. PRE-AMP Sept 85	E15.94
FRIDGE ALARM Sept 85	E7.50
LOW COST POWER SUPPLY Unit Aug 85	E18.39
TRI-STATE THERMOMETER (Battl Aug 85	E6.66
TREMULO/VIBRATO Aug 85	E37.92
STEPPER MOTOR INTERFACE FOR THE BBC COMPUTER less case Aug 85	E13.99
1035 STEPPER MOTOR EXTRA	E14.50
OPTIONAL POWER SUPPLY PARTS	E5.14
CONTINUITY TESTER July 85	E5.90
TRAIN SIGNAL CONTROLLER July 85	E16.83
AMSTRAD USER PORT July 85	E19.67
ACROSS THE RIVER June 85	E9.77
ELECTRONIC ODDORBELL June 85	E7.29
GRAPHIC EQUALISER June 85	E26.66
AUTO PHASE May 85	E17.98
INSULATION TESTER Apr 85	E18.65
LOAD SIMPLIFIER Feb 85	E18.60
GAMES TIMER Jan 85	E8.39
SPECTRUM AMPLIFIER Jan 85	E6.58
TV AERIAL PRE-AMP Dec 84	E14.83
Optional PSU 12V E24	240V E11.83
ODOR CHIME Oct 84	E11.83
BBC MICRO AUDIO STORAGE SCOPE INTERFACE	E34.52
Proximity Alarm Nov 84	E25.88
MAINS CABLE DETECTOR Oct 84	E5.27
MICRO MEMORY SYNTHESIZER Oct 84	E57.57
DRILL SPEED CONTROLLER Oct 84	E8.27
GUITAR HEAD PHONE AMPLIFIER Sept 84	E7.66
SOUND OPERATED FLASH less lead Sept 84	E6.98
TEMPERATURE INTERFACE FOR BBC Aug 84	E23.64
CAR RADIO BOOSTER Aug 84	E16.64
CAR LIGHTS WARNING July 84	E9.58
VARICAP AM RADIO May 84	E12.52
EXPERIMENTAL POWER SUPPLY May 84	E22.46
SIMPLE LOOP BURGLAR ALARM May 84	E16.34
MASTERMIND TIMER May 84	E6.52
FUSE/DIODE CHECKER Apr 84	E4.14
QUASI STEREO ADAPTOR Apr 84	E13.08
NI CA0 BATTERY CHARGER May 84	E8.14
REVERSING BLEEPER Mar 84	E4.32
PIPC FINDER May 84	E17.88
SIGNAL TRACER Feb 84	E4.51
CAR LIGHT WARNING Feb 84	E22.99
BIOLOGICAL AMPLIFIER Jan 84	E11.99
CONTINUITY TESTER Dec 83	E8.42
CHILDREN'S DISCO LIGHTS Dec 83	E12.29
NOV EGG TIMER Dec 83 inc. case	E12.29
SPEECH SYNTHESIZER FOR THE BBC MICRO	E26.38
Now 83 less cable + sockets	E17.26
HOME INTERCOM less link wire Oct 83	E18.42
STORAGE SCOPE INTERFACE FOR BBC MICRO	E18.42
Aug 83 less software	E12.45
HIGH POWER INTERFACE BOARD	E12.45
Aug 83 no case	E12.58
USER PORT V/D BOARD less cable + plug	E30.16
USER PORT CONTROL BOARD July 83 less cable + plug + case	E9.14
MW PERSONAL RADIO less case. May 83	E6.55
MOISTURE DETECTOR May 83	E6.58
NOVELTY EGG TIMER April 83 less case	E5.41
BUZZ OFF March 83	E14.07
PUSH BIKE ALARM Feb 83	E8.55
ZX TASK CONTROL Nov 82	E5.42
Z-WAY INTERCOM July 82 no case	E9.32
REFLEX TESTER July 82	E4.52
SEAT BELT REMINDER Jun 82	E6.52
EGG TIMER June 82	E3.81
CAR LED VOLT METER less case. May 82	E15.25
V.C.D. SOUND EFFECTS UNIT April 82	E16.38
CAMERA DR FLASH GUN TRIGGER	E16.38
Mar 82 less tripod bushes	E5.28
MINI EGG TIMER Jan 82	E22.44
SIMPLE INFRARED REMOTE CONTROL	E16.79
Nov 81	E5.97
SUSTAIN UNIT Oct 81	E3.30
TAPE NOISE LIMITER Oct 81	E4.56
HEADS AND TAILS GAME Oct 81	E7.66
PHOTO FLASH SLAVE Oct 81	E23.38
FUZZ BOX Oct 81	E5.39
SOIL MOISTURE UNIT Oct 81	E7.38
0 12V POWER SUPPLY Sept 81	E8.82
SOIL MOISTURE INDICATOR E.E. May 81	E13.62
PHONE BELL REPEATER/BABY ALARM	E15.44
May 81	E5.98
MODULATED TONE ODDORBELL Mar 81	E28.00
2 NOTE ODDOR CHIME Dec 80	E28.00
LIVE WIRE GAME Dec 80	E32.64
GUITAR PRACTICE AMPLIFIER Nov 80 14 no less case. Standard case extra	E7.80
SOUND TO LIGHT Nov 80 3 channel	E29.84
SPRING LINE REVERB UNIT Jan 80	E7.80
NOV 81	E29.84
UNIBARD BURGLAR ALARM Dec 79	E29.84
DARKROOM TIMER July 79	E29.84
MICROPHONE ODDORBELL Feb 79	E19.80
SOUND TO LIGHT Sept 78	E19.80
IN SITU TRANSDUCER TESTOR Jun 78	E7.44
WEIRD SOUND EFFECTS GEN Mar 78	E5.97

### TOOLS

ANTEX MODEL C IRON	E6.98	LOW COST PLIERS	E1.98	DIGITAL	E38.98
ANTEX XS SOLDERING IRON SW	E7.25	LOW COST CUTTERS	E1.99	DESOLDER PUMP	E5.48
STAND FOR IRONS	E2.85	BENT NOSE PLIERS	E1.85	SIGNAL INJECTOR	E2.98
HEAT SINK TWEEZERS	E6.25	MINI DRILL 12V (MD1)	E1.38	CIRCUIT TESTER	78p
SOLDER HANDY SIZES	E1.38	MULTIMETER TYPE 110000v	E12.98	HELPING HANDS JIG & MAGNIFIER	E7.98
SOLDER CARTON	E2.50	MULTIMETER TYPE 220 0000v	E17.98	MINIATURE VICE (PLASTIC)	E1.35
SOLDER REEL SIZE 10	E4.67	MULTIMETER TYPE 410M			

# MAGENTA

## DIGITAL TROUBLESHOOTING

Top quality kits & parts for this new series. Our excellent technical back-up service helps to ensure that your projects succeed every time.

**PART 1 BENCH POWER SUPPLY—Full kit £24.98.**

**LOGIC PROBE—£7.58** including case.

**LOGIC PULSER—£7.48** including case.

**VERSATILE PULSE GENERATOR—£29.98** including case.

**DIGITAL I.C. TESTER—£29.21** (case different).

**CURRENT TRACER—£20.56.**

**AUDIO LOGIC TRACER—£8.99.**

## EXPLORING ELECTRONICS

A full set of parts including the Verobloc breadboard to follow the series right up to Aug 87 issue £29.43.

Follow this excellent beginners series. Full set of reprints £5 or 80p per issue.

**SEPT PARTS 72p; OCT PARTS £2.56; NOV PARTS £2.32; DEC PARTS £4.77; JAN PARTS £5.58; FEB PARTS £1.14; MAR PARTS £1.96; APR PARTS £6.49; MAY PARTS £4.44.**

Extra Verobloc (used in part 17) £7.99.

## INTRODUCTION TO ELECTRONICS

An introduction to the basic principles of electronics. With lots of simple experiments. Uses soldering. Lots of full colour illustrations and simple explanations. A lovely book. Ideal for all ages.

**INTRODUCTION TO ELECTRONICS COMPONENT PACK** £10.99

**BOOK EXTRA** £2.45

Book also available separately.

# ELECTRONICS TEACH-IN

**MULTIMETER TYPE M1028Z** as specified. Guaranteed. Top quality. 20k/V, with battery check, continuity tester buzzer and fuse and diode protection. 10A dc range.

Complete with leads, battery and manual. £14.98

**VEROBLOC BREADBOARD, DESIGN PAD, MOUNTING PANEL AND 10 CROCODILE CLIP CONNECTING LEADS** £9.98

**REGULATOR UNIT AND SAFE POWER SUPPLY.** All components including the specified case. Specially re-designed by Magenta. No external transformer or adaptor required. PCB design for complete safety and ease of assembly. £26.84

**COMPONENTS FOR PRACTICAL ASSIGNMENTS.** Full set. £16.84

## TEACH IN 86 PROJECTS

UNIVERSAL LCR BRIDGE Nov 85	£25.83
DIODE/TRANSISTOR TESTER Dec 85	£18.89
USEFUL AUDIO SIGNAL TRACER Jan 86	£16.75
AUDIO SIGNAL GENERATOR Feb 86	£26.21
R.F. SIGNAL GENERATOR March 86	£24.48
PET VOLTMETER Apr 86	£21.48
DIGITAL PULSE GENERATOR May 86	£16.68

**NEW**

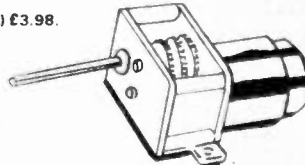
**MINI MODEL MOTORS**

1½-3V, 2 TYPES. MM1—59p MM2—61p

## MOTOR — GEARBOX ASSEMBLIES

Miniature precision made. Complete with quality electric motor. Variable reduction ratios achieved by fitting from 1-6 gearwheels (supplied) as required. Operates from 1.5V to 4.5V. Small unit type MGS speed range 3rpm-2200rpm depending on voltage & gear ratio. Large unit type MGL (higher torque motor) 2rpm-1150rpm. Long 3mm dia output shafts. Ideal for robots and bugs.

**Small Unit (MGS) £3.49. Large Unit (MGL) £3.98.**



**PULLEY WHEELS.** New Range—PLASTIC WITH BRASS BUSH 3/8" dia hole—easily drilled to 3 or 4mm. 3/8" dia. 35p. 1/2" dia. 36p. 3/4" dia. 44p. 1" dia. 44p.

Metal collar with fixing screw, 3mm bore 24p. Flexible spring coupling 5mm. Length 31mm 68p.

Flexible metal coupling (universal) 3mm £2.98; 2mm £3.34.

## CATALOGUE

Brief details of each kit, our books, & illustrations of our range of tools & components. Also stepper motor, interface kit & simple robotics. Plus circuit ideas for you to build. If you read Everyday Electronics then you need a copy of the MAGENTA catalogue.

**CATALOGUE & PRICE LIST** — Send £1 in stamps etc. or add £1 to your order. Price list—9x4 sae.

Catalogue FREE TO SCHOOLS/COLLEGES REQUESTED ON OFFICIAL LETTERHEAD.

## MAGENTA ELECTRONICS LTD.

EE65, 135 HUNTER STREET, BURTON-ON-TRENT, STAFFS. DE14 2ST

0283 65435, Mon-Fri 9-5

Access/B Barclaycard (Visa) by phone or post.

24 hr Answerphone for credit card orders.

Our prices include VAT.

## NEW BOOKS

Modern Opto Device Projects £2.95

Electronic Circuits for the Control of Model Railways £2.95

A T.V.-Oxars Handbook BP176 £5.95

Midi Projects Penfold £2.95

Getting The Most From Your Printer Penfold £2.95

More Advanced Electronic Music Projects Penfold £2.95



## BOOKS

How to Get Your Electronic Projects Working Penfold	£2.15
A practical Introduction to Microprocessors. Penfold	£2.10
Basic Electronics. Hodder & Stoughton	£8.98
Beginners Guide to Building Electronic Projects Penfold	£2.25
OIV Robotics & Sensors Billingsley. BBC Commodore 64	E7.95
Elementary Electronics. Sladdin	E5.98
Science Experiments with Your Computer	E2.43
How to Design & Make Your Own PCBs. BP121	E2.15
How to Make Computer Controlled Robots. Patner	E3.20
How to Make Computer Model Controllers. Patner	E3.19
Interfacing to Microprocessors & Microcomputers. Machine Code for Beginners. Osborne	E2.45
Micro Interfacing Circuits Book 1	E2.45
Microprocessors for Hobbyists. Coles	E4.98
Practical Computer Experiments. Parr	E1.95
Practical Things to do With a Microcomputer. Osborne	E2.19
Questions & Answers — Electronics Hickman	E3.45
Understanding the Micro. Osborne	E1.95

\* JUST A SMALL SELECTION. LOTS MORE IN OUR PRICE LIST \*

## LEGO Technic Sets

TEACHERS WE ARE STOCKISTS OF THE WHOLE RANGE. CONTACT US FOR BROCHURES. VERY COMPETITIVE PRICES AND QUICK DELIVERIES.

## STEPPING MOTORS 12 VOLT

48 STEPS	200 STEPS
1035	MD200
£14.50	£16.80

## ADVENTURES WITH ELECTRONICS

An easy to follow book suitable for all ages. Ideal for beginners. No soldering, uses an S.Dec. Breadboard. Gives clear instructions with lots of pictures. 16 projects — including three radios, siren, metronome, organ, intercom, timer, etc. Helps you learn about electronic components and how circuits work. Component pack includes an S.Dec breadboard and all the components for the projects.

Adventures with Electronics £3.98. Component pack £20.98 less battery.



PRICE LIST—FREE WITH ORDERS OR SEND SAE

# TOP KITS

## A SELECTION OF OUR BEST PROJECT KITS

As usual these kits come complete with printed circuit boards, cases, all components, nuts, screws, wire etc. All have been tested by our engineers (many of them are our own designs) to ensure that you get excellent results.

### INSULATION TESTER

An electronic High Voltage tester for mains appliances and wiring. An inverter circuit produces 500 volts from a PP3 battery and applies it to the circuit under test. Reads insulation up to 100 Megohms. Completely safe in use.

OUR KIT REF E444 £18.65

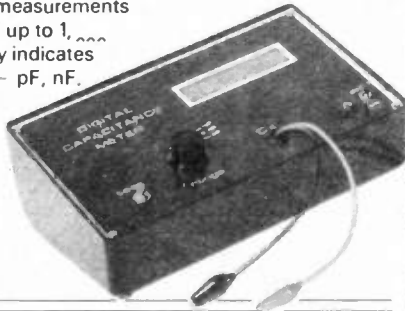


### DIGITAL CAPACITANCE METER

Simple and accurate (1%) measurements of capacitors from a few pF up to 1,000 uF. Clear 5 digit LED display indicates exact value. Three ranges – pF, nF, and uF. Just connect the capacitor, press the button and read the value.

£39.57

OUR KIT REF E493



### 3 BAND SHORTWAVE RADIO

Covers 1.6-30 MHz in 3 bands using modern miniature coils. Audio output is via a built-in loudspeaker. Advanced design gives excellent stability, sensitivity and selectivity. Simple to build.

OUR KIT REF E718 £25.27



### DIGITAL FREQUENCY METER

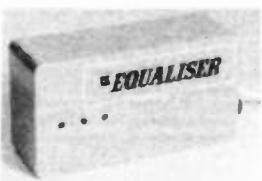
#### 200 MHz

An 8 digit meter reading from A.F. up to 200 MHz in two ranges. Large 0.5" Red LED display. Ideal for AF and RF measurements, Amateur and C.B. frequencies.

KIT REF E 563 £59.98



### 'EQUALISER' IONISER



A mains powered Ioniser that produces a breeze of negative ions in the air. A compact, safe, simple unit that uses a negligible amount of electricity.

KIT REF E707 £14.79

### VISUAL GUITAR TUNER



A crystal controlled tuner with a New type of 'rotating' LED display. Clockwise or Anticlockwise rotation indicates high or low frequency. Perfect tuning is obtained when the pattern is stationary. Suitable for electric guitar pick-ups or may be used with a microphone for acoustic instruments. Also has an audio 'pitch pipe' output.

KIT REF E711 £21.99

NEW 1988/9 CATALOGUE  
**FROM MAGENTA**

## EE CROSSWORD 5

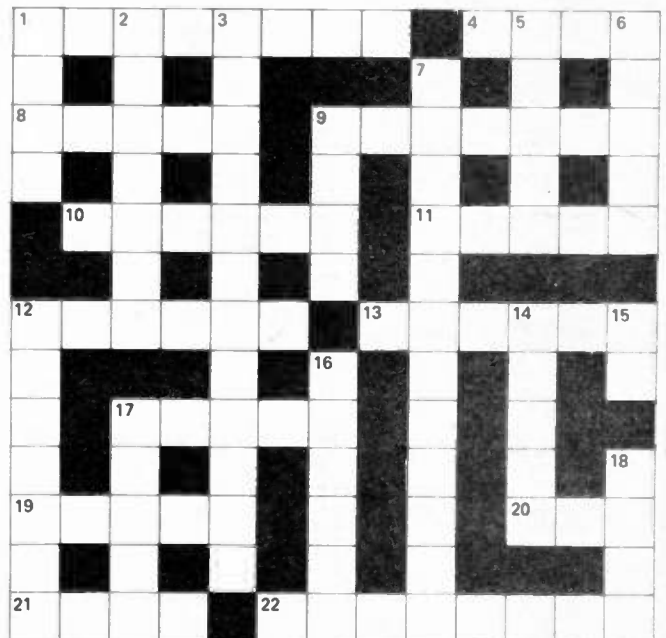
### CLUES ACROSS

- 1 An additional secondary winding. (8)
- 4 Video heads found on this musical instrument? (4)
- 8 This steer will clear. (5)
- 9 and 11 In TV this component will increase the voltage. (7, 5)
- 10 Wavelength is measured in these units. (6)
- 11 See 9.
- 12 He knew Mr. Seeley. (6)
- 13 A type of coil that makes an utterance. (6)
- 17 Unwanted transient. (5)
- 19 This often occurs when warming up. (5)
- 20 Replaced by the Siemen. (3)
- 21 An array of elements. (4)
- 22 Release of electrons due to thermal agitation. (8)

### DOWN

- 1 Prefix denoting  $10^{12}$ . (4)
- 2 Luminous patterns produced by scanning. (7)
- 3 In a superhet all signals are converted to this frequency. (12)
- 5 Form of f.m. demodulator. (5)
- 6 Interrupted c.w. as a code. (5)
- 7 To be found in a corner of Hyde Park, raising their voices. (12)
- 9 Low audio frequencies. (4)
- 12 This scientist had a unit of measurement named after him. (7)
- 14 In the promenade there is a memory. (5)
- 15 Initially high frequencies. (2)
- 16 A million times the basic unit of resistance. (6)
- 17 In c.t.v. the burst does this. (5)
- 18 This form of loading increases the volume of sound radiated. (4)

For fun only – answers on page 370.

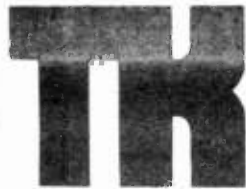




**For KITS & COMPONENTS -**  
**Choose the easy way - with** **TR** **refundable with first order**

Send **50p\* & SAE**  
**for CATALOGUE**

ORDERS: RING (01) 567 8910 - 24 HRS.



**NEW ELECTRONIC GUARD DOG KIT**



One of the best deterrents to a burglar is a guard dog and this new kit provides the barking without the bief! The kit when assembled can be connected to a doorbell, pressure mat or any other intruder detector and will produce a random series of threatening barks making the would be intruder think again and try his luck elsewhere. The kit is supplied complete with high quality PCB, transformer, all components and instructions. All you need is a mains supply, intruder detector and a little time. The kit even includes a horn speaker which is essential to produce the loud sound required. The "dog" can be adjusted to produce barks ranging from a Terrier to an Alsatian and contains circuitry to produce a random series of barks giving a more realistic effect.

KK125 Complete kit of parts £24.00

**DISCO LIGHTING KITS**

**DL1000K** - This value-for money 4-way chaser features bi-directional sequence and dimming. 1kW per channel. £19.25  
**DL21000K** - A lower cost uni-directional version of the above. Zero switching to reduce interference. £10.80  
**DLA1/1** (for DL & DL21000K) Optional opto input allowing audio "beat/light response". 77p  
**DL3000K** - 3-channel sound to light kit features zero voltage switching, automatic level control and built-in microphone. 1kW per channel £15.60

The **DL8000K** is an 8-way sequencer kit with built in opto-isolated sound to light input which comes complete with a pre-programmed EPROM containing EIGHTY - YES 80! different sequences including standard flashing and chase routines. The kit includes full instructions and all components (even the PCB connectors) and requires only a box and a control knob to complete. Other features include manual sequence speed adjustment, zero voltage switching, LED mimic lamps and sound to light LED and a 300 W output per channel.

And the best thing about it is the price.

ONLY £31.50



**TEN EXCITING PROJECTS FOR BEGINNERS**

This kit has been specially designed for the beginner and contains a **SOLDERLESS BREARBOARD, COMPONENTS, and a BOOKLET** with instructions to enable the absolute novice to build TEN fascinating projects including a light operated switch, intercom, burglar alarm, and electronic lock. Each project includes a circuit diagram, description of operation and an easy to follow layout diagram. A section on component identification and function is included, enabling the beginner to build the circuits with confidence.

ORDER NO. **XX118** £15.00

**NEW XK102-3-NOTE DOOR CHIME**

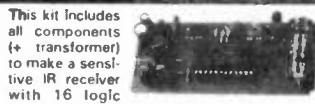
Based on the **SAB0600 1C** the kit is supplied with all components. Including loudspeaker, printed circuit board, a pre-drilled box (95 x 71 x 35mm) and full instructions. Requires only a **PP3 9V** battery and push-switch to complete.

AN IDEAL PROJECT FOR BEGINNERS £6.60

**XK113 MW RADIO KIT**

Based on **ZN414 IC**, kit includes PCB, wound aerial and crystal earpiece and all components to make a sensitive miniature radio. Size: 5.5 x 2.7 x 2cms. Requires **PP3 9V** battery. IDEAL FOR BEGINNERS £6.60

**VERSATILE REMOTE CONTROL KIT**



This kit includes all components (+ transformer) to make a sensitive IR receiver with 16 logic outputs (0-15V) which with suitable interface circuitry (relays, triacs, etc - details supplied) can be used to switch up to 16 items of equipment on or off remotely. The outputs may be latched (to the last received code) or momentary (on during transmission) by specifying the decoder IC and a 15V stabilised supply is available to power external circuits. Supply: 240V AC or 15-24V DC at 10mA. Size (excluding transformer) 9 x 4 x 2 cms. The companion transmitter is the **MK18** which operates from a 9V PP3 battery and gives a range of up to 60ft. Two keyboards are available—**MK9** (4-way) and **MK10** (16-way), depending on the number of outputs to be used.

MK12 IR Receiver (incl. transformer)	£16.30
MK18 Transmitter	£7.50
MK9 4-Way Keyboard	£2.20
MK10 16-Way Keyboard	£6.55
601 133 Box for Transmitter	£2.60

**HOME LIGHTING KITS**

These kits contain all necessary components and full instructions and are designed to replace a standard wall switch and control up to 300W of lighting.

<b>TDR300K</b> Remote Control Dimmer	£18.00
<b>MK6</b> Transmitter for above	£5.10
<b>TD300K</b> Touchdimmer	£9.30
<b>TS300K</b> Touchswitch	£9.30
<b>TDE/K</b> Extension kit for 2-way switching for TD300K	£2.95
<b>LD 300K</b> Light Dimmer	£4.75

**NEW POWER STROBE KIT**

Designed to produce a high intensity light pulse at a variable frequency of 1 to 15Hz this kit also includes circuitry to trigger the light from an external voltage source (eg. a loudspeaker) via an opto isolator. Instructions are also supplied on modifying the unit for manual triggering, as a slave flash in photographic applications or as a warning beacon in security applications. The kit includes a high quality pcb, components, connectors, 5Ws strobe tube and full assembly instructions. Supply: 240V ac. Size: 80 x 50 x 45.

XX124 STROBOSCOPE KIT £17.75

**NEW HIGH SECURITY LOCK KIT**

Designed for use with our lock mechanism (701 150) this kit will operate from a 9V to 15V supply drawing a standby current of only 50uA. There are over 5000 possible 4 digit combinations and the sequence can be easily changed. To make things even more difficult for an unauthorised user an alarm can be sounded after 3 to 9 incorrect entries—selectable by means of a link. The alarm can sound for a few seconds to over 3 minutes during which time the keyboard is disabled preventing further entries. A latched or momentary output is available making the unit ideal for door locks, burglar alarms, car immobilisers, etc. A membrane keyboard or pushbutton switches may be used and a beep sounds when a key is depressed. Kit includes high quality PCB, all components, connectors, high power piezo buzzer and full assembly and use instructions.

<b>XX121</b> LOCK KIT	£15.95
<b>350 118</b> Set of Keyboard Switches	£4.00
<b>701 150</b> Electric Lock Mechanism 12 volt	£16.50

**PROPORTIONAL TEMPERATURE CONTROLLER KIT**

Uses "burst fire" technique to maintain temperature to within 0.5°C. Ideal for photography, incubators, wine-making, etc. Max. load 3kw (240V ac) Temp. range up to 90°C. Size: 7x4x2.5cms. **MK4** £7.80

**BARGAIN COMPONENT PACKS**

Refill those empty component drawers at a fraction of the normal price and don't be caught without that odd resistor or capacitor to complete your project. All components supplied are full specification and not seconds or surplus stock.

**PACK A:** 650x0.25W resistors 47R to 10M £4.25  
**PACK B:** 60xElectrolytics 1uF-1000uF £3.25  
**PACK C:** 30xPolyester Capacitors 0.01-1uF £4.50  
**PACK D:** 36xHorizontal presets 1k-1M £3.00  
**PACK E:** 30xIC sockets 8, 14 & 16 Pin £2.00  
**PACK F:** 25xRed LEDs 5mm £1.75  
**PACK G:** 25xGreen LEDs 5mm £2.00  
**PACK H:** 30x5mm LEDs - red, green, yellow £2.50  
**PACK J:** 50x1N4148 Si. diodes £1.00  
**PACK K:** 40xNPN/PNP transistors BC122/212 General Purpose £2.25

**10% OFF** when you buy ALL 10 PACKS

**NEW SUPER-SENSITIVE FM MICROBUG**

Highly sensitive FM transmitter measuring only 45x25x15mm, including the built-in microphone. Frequency 88-100MHz enabling reception on a standard domestic FM radio. Range approximately 300m depending on terrain. Powered by 9V PP3 (7mA). Its small size and highly sensitive electret microphone makes it ideal for surveillance, baby alarm, etc.

INTRODUCTORY PRICE £5.50

**LOW COST MULTIMETER**

A versatile meter with 19 ranges including 10A DC & BATTERY TEST. Case is tilted for easy reading. Supplied complete with batteries, test leads and a manual. Ideal meter for the beginner. Input impedance 20K ohm per volt. AC Volts: 0-10-25-100V 5%. DC Volts: 0.2-5-20-25-250-1000V + 5%. DC Current: 0-2.5-25mA 100A + 4%. Resistance: 0-10K-100K-10M. Battery test: 9V 1.5V AA 1.5V C & D. Protection: Fuse. Dimensions: 154 x 77 x 43mm

405 103 £8.62

**SOLAR POWERED NICAD CHARGER**

Takes up to 4 x AA size. Charges 2 batteries in 4-6 hrs. depending on strength of sunlight. Ideal for boating, caravanning, modellers etc. £6.50

**ELECTRONIC WEIGHING SCALES**

This kit contains a Single Chip Microprocessor, PCB, displays and all electronics to produce a digital readout of weight in Kgs, or Sts. and Lbs. in normal use a toothed wheel (pattern provided) is made to rotate when a weight is placed onto the scales, interrupting two infra-red beams. The processor counts the number of teeth passing the sensor (up or down, depending on which beam is broken first), and shows the reading on the LED display in Sts. and Lbs. or Kgs. A PCB link selects the scale for bathroom or two types of Kitchen Scales. A linear version of the toothed wheel could also be used. Other uses include up/down counters. A low cost digital ruler could be made by using a wheel with the correct tooth to diameter ratio. ESI £6.50

**RECHARGEABLE SOLDERING IRON**

Powerful cordless iron complete with table-top/wall-mounting charging bracket. Reaches soldering temperature in 10 seconds. Includes lamp which lights when soldering. Comes with mains charging unit and 12V car battery adaptor.

Special offer £15.95 HELPING HANDS

**Magnifier and crocodile clips on ball and socket joints mounted on a heavy base. Ideal for holding and inspecting PCBs during soldering, fault finding, etc. (650 035) £3.95**

**TR ELECTRONICS**  
**13 BOSTON RD**  
**LONDON W7 3SJ**  
**Tel: 01-567 8910**

SEND 9"x 6" S.A.E. & 50p FOR CATALOGUE OR CALL AT SHOP MON-FRI 9-5pm SATURDAY 10-4pm

**ORDERING INFORMATION:**  
**ALL PRICES EXCLUDE VAT**

FREE P&P on orders over £20 (UK only), otherwise add 75p + VAT. Overseas P&P: Europe £2.75 Elsewhere £6.50. Send cheque/PO/Barclaycard/Access No. with order. Giro No. 529314002.

**LOCAL AUTHORITY AND EXPORT ORDERS WELCOME**  
**GOODS BY RETURN SUBJECT TO AVAILABILITY**

# EVERYDAY ELECTRONICS

INCORPORATING ELECTRONICS MONTHLY

The Magazine for Electronic & Computer Projects  
VOL. 17 No. 6 June '88

**Editorial Offices**  
EVERYDAY ELECTRONICS EDITORIAL,  
6 CHURCH STREET, WIMBORNE,  
DORSET BH21 1JH  
Phone: Wimborne (0202) 881749  
Fax: (0202) 841692

See notes on **Readers' Enquiries** below—we regret that lengthy technical enquiries cannot be answered over the telephone

**Advertisement Offices**  
EVERYDAY ELECTRONICS ADVERTISEMENTS  
4 NEASDEN AVE., CLACTON-ON-SEA, ESSEX  
CO16 7HG. Clacton (0255) 436471

## THANKS

EVERYDAY Electronics—No. 1 again! I would like to thank all our readers for making EE the No. 1 U.K. electronics hobbyist magazine again this year (based on ABC figures for 1987). For three years running *Everyday Electronics* has sold more copies in the U.K. than any of its rivals. During 1987 our U.K. circulation rose by nine per cent and for the first four months of 1988 the figures have continued to rise.

Interest in our hobby is growing and, with your help, *Everyday Electronics* will continue to grow with it—thanks!


## GROWTH

While the first ever U.K. magazine series leading to a formal electronics qualification (our *Introducing Microprocessors* series which leads successful readers to a City and Guilds qualification) comes to an end next month, the success of the series has led to further developments. For a start we will re-publish *Introducing Microprocessors* in book form—see the note on page 341 about this. Secondly, due to demand, we will start another City and Guilds linked series in our October issue.

The new course will be *Introducing Digital Electronics* and will lead the successful reader to a City and Guilds certificate in Introductory Digital Electronics (726/301). Aimed at readers with little or no previous knowledge of electronics we expect this new course to be even more popular than *Introducing Microprocessors*.

## AVAILABILITY

One of the problems an increasing circulation creates is that of availability of issues. We have now completely sold out of the April 1988 issue and have been unable to provide copies to many readers who missed it. Please help us to make sure you get your copy by placing an order with your newsagent or by taking out a subscription. You will find a card in this issue which can be used for either of the above.



## SUBSCRIPTIONS

Annual subscriptions for delivery direct to any address in the UK: £14.50. Overseas: £17.50 (£34 airmail). Cheques or bank drafts (in

£ sterling only) payable to Everyday Electronics and sent to EE Subscriptions Dept., 6 Church Street, Wimborne, Dorset BH21 1JH. **Subscriptions can only start with the next available issue.** For back numbers see below.

## BACK ISSUES & BINDERS

Certain back issues of EVERYDAY ELECTRONICS are available price £1.50 (£2.00 overseas surface mail) inclusive of postage and packing per copy. Enquiries with remittance, made payable to Everyday Electronics, should be sent to Post Sales Department, Everyday Electronics, 6 Church Street, Wimborne, Dorset BH21 1JH. In the event of non-availability remittance will be returned. **Please allow 28 days for delivery. (We have sold out of Sept. Oct. & Nov. 85, April, May & Dec. 86, Jan, Feb, April & May 87 & April 88.)**

Binders to hold one volume (12 issues) are available from the above address for £4.95 (£9.00 overseas surface mail) inclusive of p&p. **Please allow 28 days for delivery. Payment in £ sterling only please.**

**Editor** MIKE KENWARD

**Secretary** PAMELA BROWN

**Deputy Editor**  
DAVID BARRINGTON

**Editorial Assistant**  
COLETTE MCKENZIE

**Editorial:** WIMBORNE (0202) 881749

**Advertisement Manager**  
PETER J. MEW Clacton (0255) 436471

**Classified Advertisements**  
Wimborne (0202) 881749

## READERS' ENQUIRIES

We are unable to offer any advice on the use, purchase, repair or modification of commercial equipment or the incorporation or modification of designs published in the magazine. We regret that we cannot provide data or answer queries on articles or projects that are more than five years old. Letters requiring a personal reply **must** be accompanied by a **stamped self-addressed envelope** or a **self-addressed envelope and international reply coupons**.

All reasonable precautions are taken to ensure that the advice and data given to readers is reliable. We cannot, however, guarantee it and we cannot accept legal responsibility for it.

## COMPONENT SUPPLIES

**We do not supply electronic components or kits** for building the projects featured, these can be supplied by advertisers.

## OLD PROJECTS

We advise readers to check that all parts are still available before commencing any project in a back-dated issue.

We regret that **we cannot provide data or answer queries on projects that are more than five years old.**

## ADVERTISEMENTS

Although the proprietors and staff of EVERYDAY ELECTRONICS take reasonable precautions to protect the interests of readers by ensuring as far as practicable that advertisements are *bona fide*, the magazine and its Publishers cannot give any undertakings in respect of statements or claims made by advertisers, whether these advertisements are printed as part of the magazine, or are in the form of inserts.

The Publishers regret that under no circumstances will the magazine accept liability for non-receipt of goods ordered, or for late delivery, or for faults in manufacture. Legal remedies are available in respect of some of these circumstances, and readers who have complaints should address them to the advertiser or should consult a local trading standards office, or a Citizen's Advice Bureau, or a solicitor.

## TRANSMITTERS

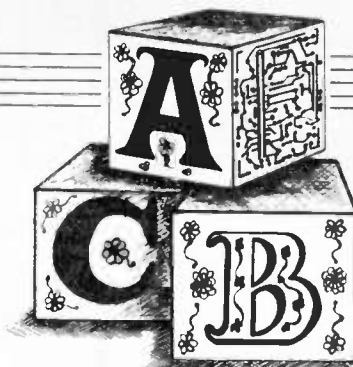
We would like to advise readers that certain items of radio transmitting equipment which may be advertised in our pages cannot be legally used in the U.K. Readers should check the law before using any transmitting equipment as a fine, confiscation of equipment and/or imprisonment can result from illegal use.

The law relating to this subject varies from country to country; overseas readers should check local laws.



# AUDIO MINI-BRICKS

## JOHN BECKER



# Part 1,

A planned series of ten audio building "bricks" that can be connected together in numerous different ways to produce all kinds of sound effects. These basic building modules are examined in detail and, with one exception, all the circuits use identical i.c.s and a master printed circuit board.

The circuits are all self-contained and you can select whichever circuits you want to build. All projects are suited to assembly by novice and experienced constructor alike.

Amongst the 19 basic building blocks are a VCO, Mock Stereo, Noise Generator, Phasing, Fuzz, Voice Operated Fader and many more. If all building bricks are completed, a powerful "Sound Studio" will be created.

**W**HEN the circuit diagrams of many audio effects are examined in detail, it is apparent that many use similar functions. Although the actual components may differ, the block diagram representations of the circuit sections are often identical. From this observation, it will be clear that by creating a number of different mini-circuit building bricks, these can be connected together in numerous different ways to produce all kinds of sound effects and audio functions.

Over the next few issues, some of these basic building bricks will be examined in detail and practical examples of their use will be discussed. With one exception, all of the circuits use identical i.c.s. and a multipurpose master printed circuit board.

The "bricks" will vary considerably in their circuit diagrams and functions, but their implementation depends only on component values, and positioning on the p.c.b. It is not necessary to build all modules in order to obtain specific effects. You can select whichever circuits you want to build.

All projects are suited to assembly by novice and experienced constructors alike. If they are all built, a powerful sound effects synthesising system can be achieved. Interested readers will also find inspiration to create other combinations.

Several graphs will be published showing the parameter ranges of some of the basic circuits. These will enable constructors to produce effects tailored to their own needs by amending specific component values.

### CIRCUIT BLOCKS

There are 19 basic building blocks. These include a Voltage Controlled Oscillator (VCO) with four waveforms, and another VCO with a single output. Two Voltage Controlled Filters (VCF), one low pass, the other with four filtering options.

A Three-Input Active Mixer. Automatic Level Control. Signal Compressor. Noise gate. A Ring Modulator. Two frequency doublers. A Voltage Controlled Amplifier and a VC Pre-Amp. An Envelope Shaper, a Level Triggered Pulse Generator, a Sample and Hold circuit.

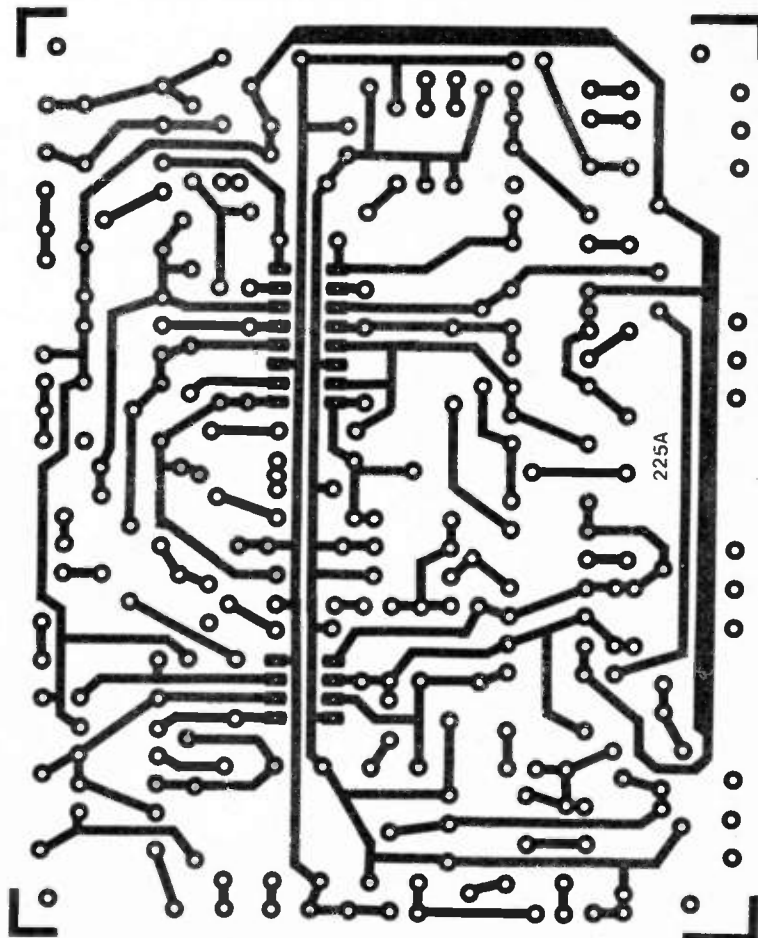
Three converters—Frequency to Voltage, Frequency Changing, Linear to Logarithmic. A White Noise source. Some modules are suitable for computer control, and a simple trigger interface circuit will also be given.

The circuits are self contained and can be used on their own. They can also be coupled

together in a variety of ways to produce more complex circuits.

Amongst those to be shown are a VCO, with six different waveforms. A Tone Control and Equaliser. A Mock Stereo Simulator. Effects for Phasing, Fuzz and Tremolo. A Wobble-Wah unit. Two Siren

Fig. 1.1. Master Printed Circuit Board.





Generators, one simple, the other with triggering and modulation.

A Wind, Rain and Surf Generator. A Drum Effects Synthesiser and Gun Shot Generator. A Voice Operated Fader. Two note triggered circuits—Envelope Shaper, and Wah-Wah. A simple Frequency Meter. All of these and more can be assembled using the general purpose printed circuit board.

A second printed circuit will also be shown. This is designed specifically as an Audio Delay Module. Using it in conjunction with some of the building blocks numerous other effects can be readily produced.

These include Echo, Reverb, Phasing, Flanging, Double Tracking and Vibrato. The final article in the series will describe a unit that can achieve all of these essential sound effects.

## MAIN PRINTED CIRCUIT BOARD

The main or "master" printed circuit board is common to all building blocks, except for the Audio Delay Module. The full-size copper foil master pattern for the Main Board (255A) is shown in Fig. 1.1. (The delay board foil pattern will be given in a later part.) If it is intended to produce one of each of the blocks, 10 copies of the board will be needed. Some blocks need a board entirely to themselves. In other instances though, several can go on the same one. Some of the simple circuits can be constructed on Veroboard or similar instead of using the p.c.b.

For those who are interested in general experimentation it is possible to use just one p.c.b. in the manner of a tag board. In this case, solder in i.c. sockets, and 1mm terminal pins in the remaining holes. To these, components can be directly soldered for what ever circuit is needed.

Once curiosity in that circuit has been satisfied, the components can be exchanged for others to create another one. This is a preferable method to repeatedly soldering components in and out of the board which can eventually damage p.c.b. copper tracking. Those intent on assembling the board as a permanent unit should, of course, solder components on the board in the normal way.

Throughout the series the numbering of components follows a consistent pattern and order. A particular part number, irrespective of its function, will always go into the same p.c.b. holes.

Along one edge of the p.c.b. are 12 individual holes apparently unconnected. These are spaced so that rotary potentiometers can be soldered to the board at 3cm intervals.

Some circuits may need more than four potentiometers. In this case some can be mounted onto other boards that do not need them. This will be of assistance when a complex synthesising set of modules is being housed in the same box.

## POWER SUPPLY

All modules run from a 9V power supply, but will accept at least 12V, and in most cases, probably up to 15V. For voltages higher than 9V, specifications quoted in graphs may need adjusting accordingly.

The circuit diagram Fig. 1.2 shows the basic PSU lines. These are common to all boards. Switch S1 though need only be used once. Resistors R28, R29, capacitors C10, C11, and C23 are used on each board constructed.

The voltage at the junction of resistors R28 and R29 will be 4.5V for a 9V power

supply. It is notated as  $V_{REF}$ , and it is to this point that all other points marked  $V_{REF}$  in the circuit diagrams for any one board are terminated.

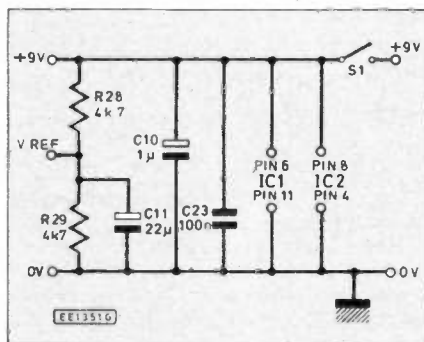


Fig. 1.2. Circuit diagram for the basic power supply lines.

## CONTROL NODE VARIATION

The design of all the primary modules is based upon the attributes of one i.c. in particular, a transconductance amplifier (TCA) type LM13600. The current flow into the TCA control node can be varied in several different ways depending upon the application.

There is a maximum current permitted, and so a minimum resistance of at least 4k7

must always be in series with it. The current seen at the node will depend on the total series resistance.

As in any circuit, the voltage across the resistor determines the current flow in relation to its value. Graph figures usually apply to a 9V level into the resistance. A voltage reduction will result in a lower current transfer level.

The voltage may come from other modules, or from external units, as for example from the voltage output of a synthesiser keyboard. It could also come from a computer via a digital-to-analogue converter.

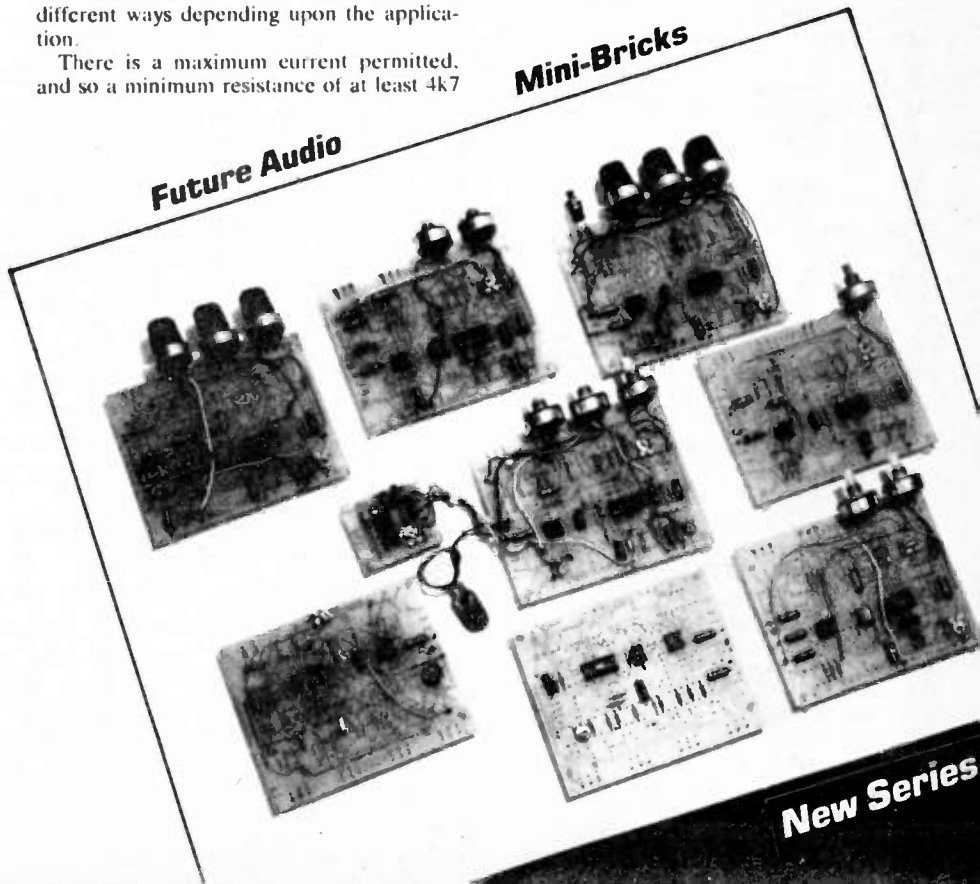
Its effect may be further varied by changing the series resistance. In Fig. 1.3, VR7 shows a typical way in which a potentiometer can go between the node and the source. With the value shown a fairly wide variation of current can be achieved. The overall range may be changed by using a different potentiometer value.

Also in Fig. 1.3, VR6 shows another control method. One end of VR6 is connected to a fixed voltage level. The other is connected via resistor R8 to the ground line. When the wiper is turned, the voltage on it will be related to the total resistance to either side, in normal potential divider terms.

However, since the node itself draws current through the potentiometer via its own

Prototype audio "brick" for a VCF and Mixer (Plan-B) - Next Month

Prototype audio "brick" for a Hex-Waveform VCO (Plan-A) - This Month



New Series

resistor. the relationships become complicated. In practice, a value of 100k for VR6 will normally suit most eventualities.

The use of resistor R8 is not essential, and the bottom of VR6 could be taken directly to "ground". Its inclusion though is often preferable as the control node has a minimum input voltage requirement.

With a 9V power supply, this is around 1V. If the control voltage falls below this, current cannot flow into the node. Consequently, the TCA will fail to respond below this point.

This may be desirable in some cases, but in others a minimum response may be required, hence resistor R8. The value shown is typical for use with a 100k potentiometer. It may be varied to adjust TCA lower response levels.

Some control nodes have a variable preset potentiometer in series. This enables the maximum current flow to be restricted so limiting upper response levels.

A conversion chart plotting resistance against current in relation to different control voltages, is shown in Graph 1. This is of use whenever control response of any TCA function is being calculated.

Since the TCA is a high gain device, signal levels are normally first reduced by the input resistance networks. In most modules shown, the reduction is set to around one hundredth.

### FIRST THREE CIRCUITS

We now turn to a practical use of the "master" printed circuit board. This will result in a Quad-Waveform VCO, a Low Pass Filter, and a 3-Input Mixer.

As shown this configuration results in a Hex-Waveform VCO. However, if the inter-linking connections between the three are omitted, each circuit is self-contained, and can be used on its own, or connected to other modules yet to be described.

### QUAD WAVEFORM VCO

In sound effects production, a fair number of circuits require modulation as the sound source itself. A multiple waveform VCO also forms the basis for signal generators.

The circuit diagram for a Quad-Waveform VCO shown in Fig. 1.4 can be used in any of these applications, and produces four waveforms of triangle, ramp, squarewave and

Graph 1. Conversion chart plotting resistance against current in relation to different control voltages.

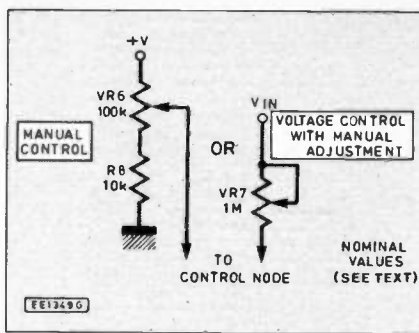
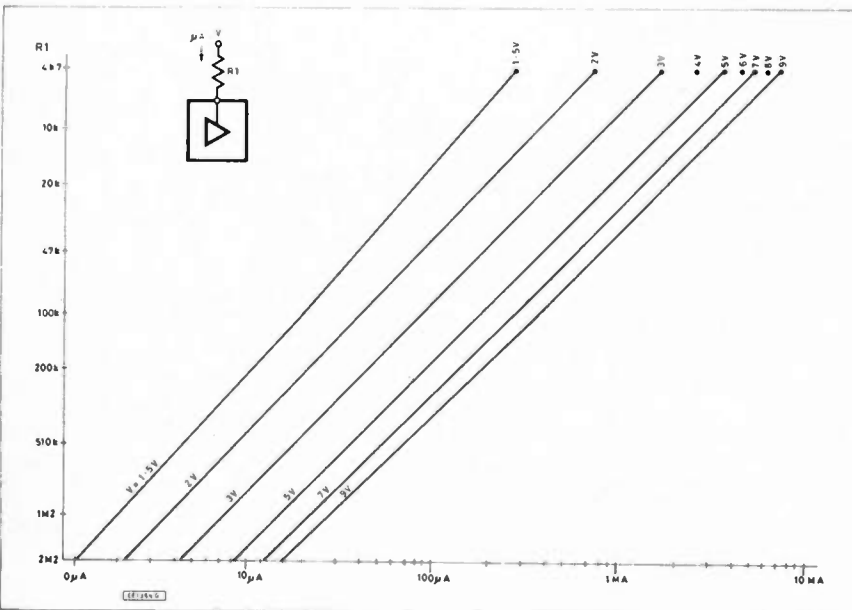


Fig. 1.3. Alternative voltage controllers.

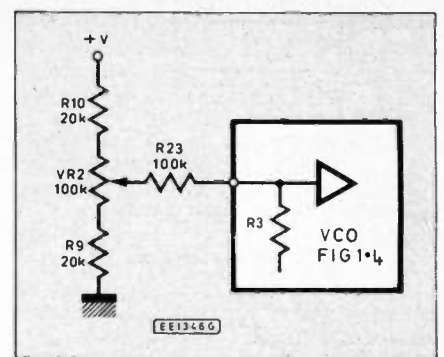


Fig. 1.4a. Adding a variable slope ramp control to Fig. 1.4.

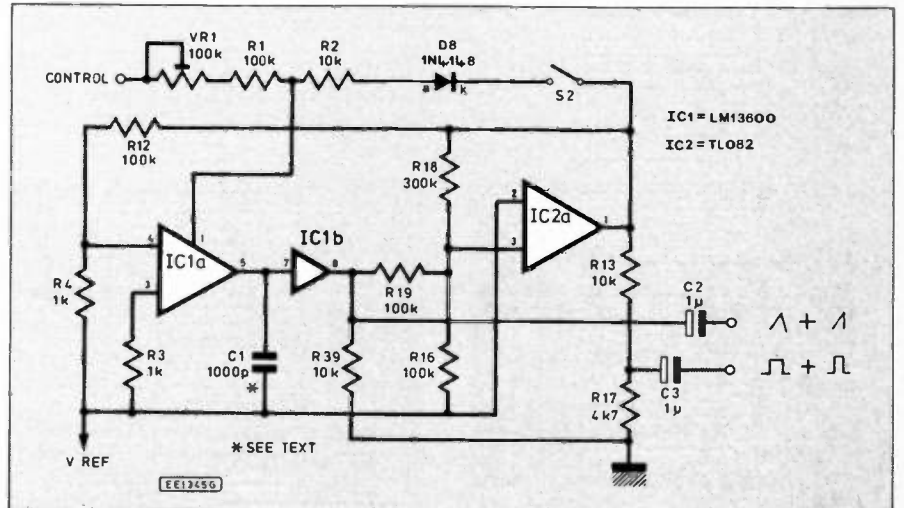


Fig. 1.4. Circuit diagram for a Quad-Waveform Voltage Controlled Oscillator (VCO). Typical output waveforms can be seen in photographs 1 and 2 opposite.

pulse. Some typical output waveforms can be seen in photographs 1 and 2.

The circuit uses half of the TCA, IC1a and IC1b, and half of the op.amp, IC2a. When a current is put into the control node of IC1a, at pin 1, it passes an equivalent current to capacitor C1.

Since IC1b is a high impedance buffer, all of the current goes into C1 with very little leakage. As the charge on C1 changes so the

output of IC1b follows suit. This is connected to IC2a which is configured as a comparator.

The trip point is set by the values of resistors R16, R18 and R19, and in relation to the voltage reference level. When the output of IC1b passes the trip point, the output of IC2a changes state. This is fed back to IC1a and the charge flow reverses until the trip point is passed in the opposite direction. This process continues indefinitely.

Because of the near-instantaneous changes in the state of IC2a, a squarewave is produced. The output of IC1b though is a constantly rising and falling ramp, which results in a triangle waveform.

When S2 is switched on, the output of IC2a is also connected to the control node of IC1a, via diode D8. In this case when IC2a goes high, maximum current is delivered to the control node, and so the flow rate at capacitor C1 is rapid.

When IC2a goes low, the rate is unaffected since diode D8 only allows the current through in one direction. The output waveform thus becomes a ramp at IC1b, and a pulse at IC2a.

Mark-space ratios of the pulse will depend on the basic current going into the control node. The ramp direction may be changed by reversing the diode. It is also possible to vary the ramp slope by using the control shown in Fig. 1.4a. The variable ramped triangle waveform is shown in photograph 3.

Relative levels of the ramp and squarewave will of course differ. The maximum ramp height is limited by the threshold trigger level, whereas the output at IC2a will be a little under full line level swing. So that the

levels at the two output points are at closer equivalence, resistors R13 and R17 are included to attenuate the squarewave level.

The oscillation frequency depends principally on the value of capacitor C1 and the current going into the control node. Graph 2 shows various plots of frequency against both control node current and resistance, together with varying values of C1.

### LOW PASS FILTER

The circuit diagram for a Low Pass Filter is shown in Fig. 1.5. As the name implies, it filters an a.c. signal so that only frequencies below a predetermined point are allowed to pass through.

Those above the basic pass level are progressively extracted until they cease to be transferred. In its simplest form it can be regarded as a "treble control". It is also useful in waveform shaping.

A sine wave is the simplest of all waveforms, and if it is truly sinusoidal it will contain no harmonics. However, they are

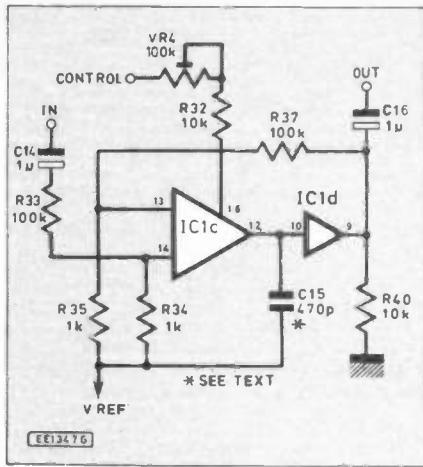


Fig. 1.5. Circuit diagram for a Low Pass Filter.

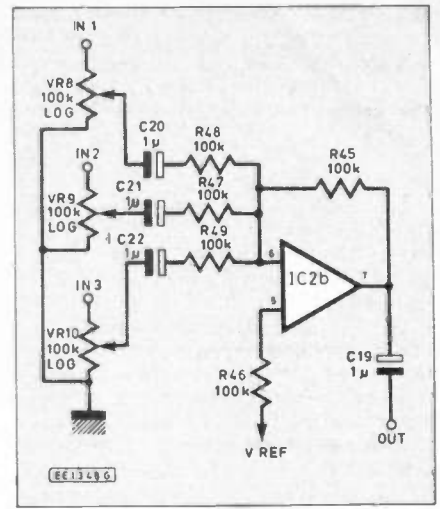
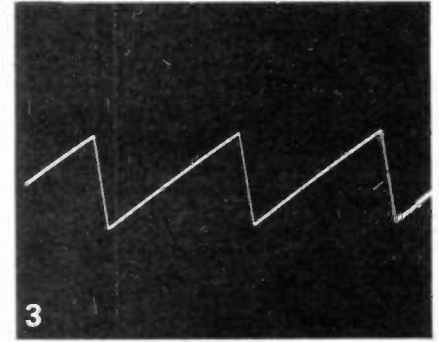
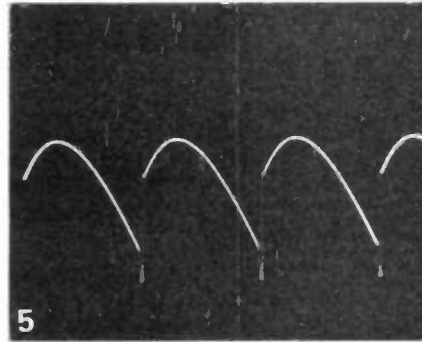
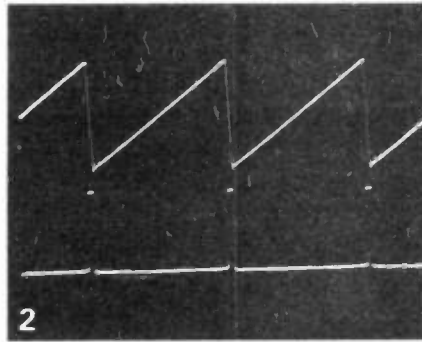
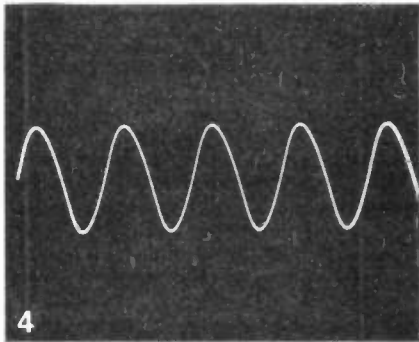
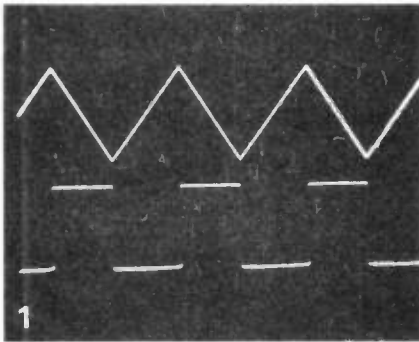


Fig. 1.6. Circuit diagram for a 3-Input Mixer.



- 1—Main VCO: triangle and square wave.
- 2—Main VCO: ramp and pulse.
- 3—Main VCO: variable ramped triangle.
- 4—Main VCO: sinewave.
- 5—Main VCO: ramped sinewave.

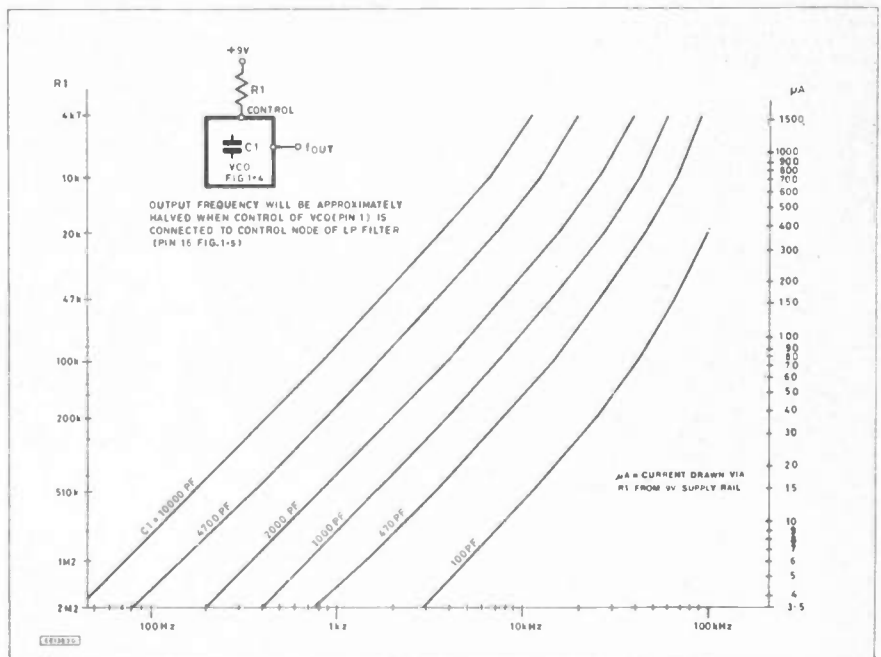
Graph 2 (below). Control resistance/capacitance against frequency, with varying values of C1 (Quad-VCO Fig. 1.4).

contained in non-sinusoidal waveforms. The sharper the waveform edges, the more harmonics exist. These have frequencies that lie above the fundamental or basic frequency, and they can be filtered out.

As they are progressively reduced, so the waveform is softened and comes closer to a sine shape. By using the low pass filter in conjunction with the Quad VCO, the triangle wave and ramp can be modified to produce a sine wave and a semi-sinusoidal ramp. Typical examples of a sinewave and a ramped sine are shown in photos 4 and 5.

The functioning of the Low Pass Filter Circuit is quite simple and again relies on the rate of charge of a capacitor, C15. Since the rate will vary with the control current on IC1c pin 16, so upper frequencies of the input waveform will be smoothed out.

IC1d acts as a high impedance buffer so that the charge rate of C15 is relatively unaffected by other circuits that are connected. By feeding back part of the signal via resistor R37, the filter cut-off curve is tapered smoothly. The effect of various values of capacitor and control resistance on the response is shown in Graph 3 (shown next month).





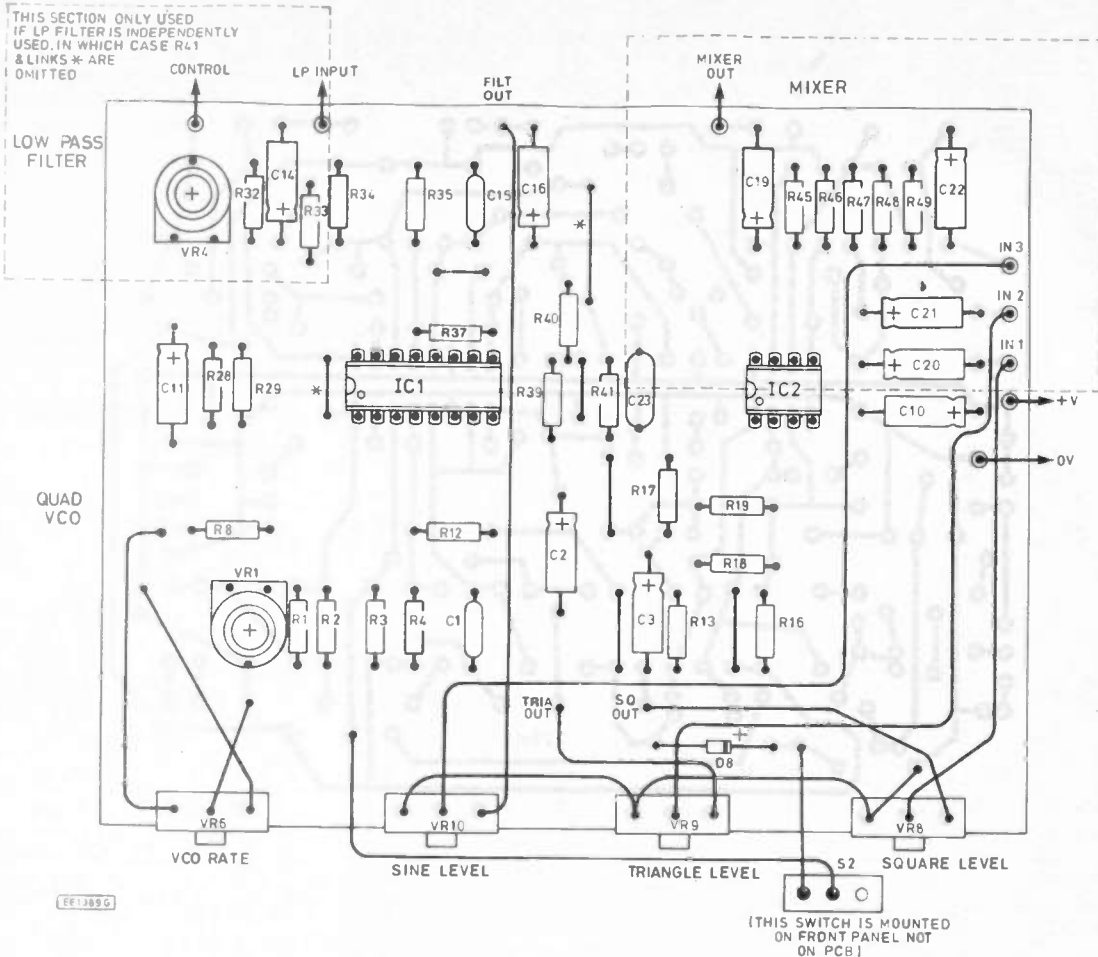


Fig. 1.7. Component layout for a Hex-Waveform VCO (Plan-A), including the Low Pass Filter, and 3-Input Mixer.

## COMPONENTS

### HEX VCO and MIXER

#### Resistors

R1, R12, R16,	
R19, R37,	
R45-R49	100k (10 off)
R2, R8, R13,	
R39, R40	10k (5 off)
R3, R4, R34,	
R35	1k (4 off)
R17, R28, R29	4k7 (3 off)
R18	330k
R41	33k
All 0.25W 5% carbon	

#### Potentiometers

VR1	100k skeleton
VR6	100k mono rotary
VR8-VR10	100k log. mono rotary (3 off)

#### Capacitors

C1	1n polystyrene
C2, C3, C10,	
C16, C19-C22	1 $\mu$ 63V elec. (8 off)
C11	22 $\mu$ 16V elec.
C15	470p polystyrene
C23	100n polyester

#### Semiconductors

D8	1N4148
----	--------

IC1	LM13600 Transcon- ductance op. amp.
IC2	TL082 Dual BIFET op. amp.

**Shop  
Talk**

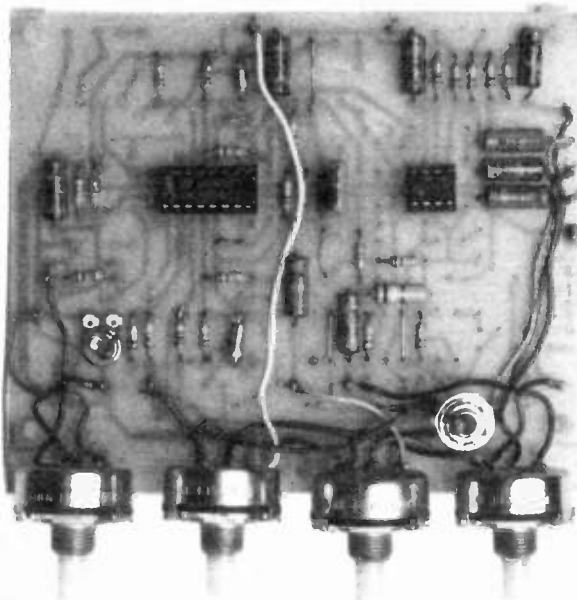
See page 360

#### Switches

S2	s.p.d.t. min.
----	---------------

#### Miscellaneous

Printed circuit board, 255A, p.c.b. clips (4 off); 8-pin i.c. socket; 16 pin i.c. socket; knobs (4 off); battery connector; connecting wire and solder.



### Additional Components Required If Building The LOW FILTER PASS (Fig. 1.5) Only

#### Resistors

R32, R40	10k (2 off)
R33, R37	100k (2 off)
R34, R35	1k (2 off)

#### Potentiometer

VR4	100k skeleton
-----	---------------

#### Capacitors

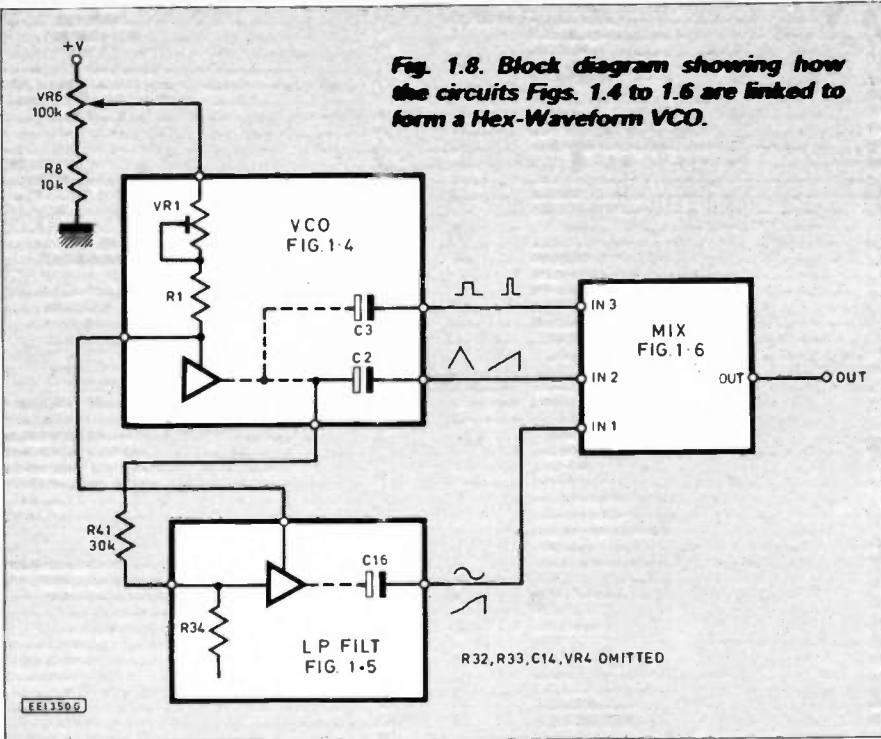
C14, C16	1 $\mu$ elec. 63V (2 off)
C15	470p

**£15**

Approx. cost  
Guidance only

Completed prototype circuit board for Plan-A (final boards may differ slightly from diagrams).

**Fig. 1.8. Block diagram showing how the circuits Figs. 1.4 to 1.6 are linked to form a Hex-Waveform VCO.**



### THREE-INPUT MIXER

The circuit diagram for a 3-Input Mixer is shown in Fig. 1.6 and is suitable for using as a mixer in its own right for combining two or three audio signals into one channel. It consists of half an op. amp, IC2b.

The three inputs are shown preceded by input level controls VR8 to VR10. They do

not need to be included, and the signals can come in direct if preferred. Their inclusion though enables the levels to be varied between nil and maximum.

With the resistor values of R45, and R47 to R49, the maximum signal strength seen at the output for any one channel will be the same as that inserted. In other words, it only

mixes and is not a pre-amplifier. Gain can be increased by either raising the value of resistor R45, or reducing the values of any of R47 to R49.

Amplification gain depends on the ratio of the input and feedback resistances. So on Channel-1, if resistor R48 is reduced to 10k, the gain will be R45 divided by R48, giving a gain of 10.

When other channels are simultaneously in use, the maximum output level will be the sum of all three signals, so could be three times the level of each on its own. The maximum input voltage should not exceed about 8V peak-to-peak otherwise clipping will occur. This will not harm the module, but it certainly will not sound too good!

### CONSTRUCTION — PLAN A

The printed circuit board component layout for all three of the circuits just described is shown in Fig. 1.7 (Plan-A). The link wiring shown connects all circuits into one composite for use as a Hex-Waveform VCO—see Fig. 1.8.

The three basic waveforms are brought into the mixer, where the levels are varied by VR8 to VR10. The second range of waveforms is switched in by S2.

Any of the three modules may be repeated on other printed circuit boards. The changes required for using the Low Pass Filter as an individual circuit are also shown.

If the mixer is to be fed by signals from different sources, the right hand connections of VR8 to VR10 will be the signal input points routed to the alternative signals, and not to the VCO and filter points shown.

**Next Month: Voltage Controlled Filter (VCF) and Ring Modulator.**

## MUSIC, EFFECTS COMPUTER AND SECURITY KITS

★ POPULAR PROJECTS FROM A LEADING AUTHOR

<p style="text-align: center;"><b>BURGLAR ALARM CONTROLLERS</b> DETECTORS DETER DELINQUENTS MULTIZONE CONTROL (PE) SET280 <span style="float: right;">£22.77</span></p> <p>Two entry-zones, anti-tamper loop, personal attack, entry-exit timing, timed duration, automatic resetting, latching LED monitors.</p> <p><b>SINGLE ZONE CONTROL</b> (PE) SET279 <span style="float: right;">£9.32</span></p> <p>With timed duration control and latching LED monitor.</p> <p>Both units can be used with any standard detection devices, such as contact or magnetic switches, pressure pads, tremblers, ultrasonics, infrared etc, and will activate standard bells, strobes or sirens.</p>	<p><b>EPROM PROGRAMMER (PE) SET277</b> <span style="float: right;">£25.25</span> Computer controlled unit for 4K Eproms.</p> <p><b>EVENT COUNTER (PE) SET278</b> <span style="float: right;">£31.50</span> 4-digit display counting for any logic source.</p> <p><b>MICRO-CHAT (PE) SET276</b> <span style="float: right;">£64.50</span> Computer controlled speech synthesiser.</p> <p><b>MICRO-SCOPE (PE) SET247</b> <span style="float: right;">£44.50</span> Turns a computer into an oscilloscope.</p> <p><b>MICRO-TUNER (PE) SET257</b> <span style="float: right;">£55.32</span> Computer controlled, tuning aid and freq counter.</p> <p><b>MORSE DECODER (EE) SET269</b> <span style="float: right;">£22.16</span> Computer controlled morse code-decoder.</p> <p><b>POLYWHATSI! (PE) SET252</b> <span style="float: right;">£122.69</span> Amazing effects unit, echo, reverb, double tracking, phasing, flanging, looping, pitch change. REVERSE tracking! 8K memory.</p> <p><b>REVERB (EE) SET232</b> <span style="float: right;">£27.35</span> Mono, with reverb to 4 secs, echo to 60ms.</p> <p><b>RING MODULATOR (PE) SET231</b> <span style="float: right;">£45.58</span> Fabulous effects generation, with ALC and VCO.</p> <p><b>STORMS! (PE)</b> <span style="float: right;">£29.50 each unit</span> Raw nature under panel control! Wind &amp; Rain SET250W. Thunder &amp; Lightning SET250T.</p>	<p style="text-align: center;"><b>LOW COST GEIGER COUNTERS</b></p> <p style="text-align: center;"><b>NUCLEAR FREE ZONES? CHECK THEM OUT — GET A GEIGER</b></p> <p>Detectors for environmental and geological monitoring.</p> <p>THE PE GEIGER was shown on BBC TV "Take Nobody's Word For It" program.</p> <p><b>METERED GEIGER (PE MK2)</b> Built-in probe, speaker, meter, digital output. Detector tube options — ZP1310 for normal sensitivity. ZP1320 for extrasensitivity. Kit-form — SET 264 — (ZP1310) £59.50, (ZP1320) £79.50</p> <p><b>GEIGER-MITE SET271</b> <span style="float: right;">£39.50</span> Miniature geiger with ZP1310 tube, LED displays radiation impacts. Socket for headphones or digital monitoring. Kit-form only.</p>
--	---	--

**WEATHER CENTRE AND 32 CHANNEL VOICE SCRAMBLER**  
DETAILS IN CATALOGUE

Send SAE for detailed catalogue, and with all enquiries (overseas send £1.00 or 5 I.R.C.'s). Add 15% VAT. Add P&P — Sets over £50 add £2.50. Others add £1.50. Overseas P&P in catalogue. Text photocopies — Geigers 264 & 272 £1.50 each, others 50p, plus 50p post or large SAE. Insurance 50p per £50. MAIL ORDER, CWO, CHQ, PO, ACCESS VISA. Telephone orders: Mon-Fri, 9am — 6pm. 0689 37821. (Usually answering machine).

PHONOSONICS, DEPT EE86, 8 FINUCANE DRIVE, ORPINGTON, KENT BR5 4ED. MAIL ORDER

# HEADLIGHT REMINDER

PAUL HARDING



*This simple, easy to build unit will prevent the inconvenience and embarrassment of a flat battery. Fit it and forget it!*

IT is probably true that most motorists, at one time or another, have unwittingly left their car's headlights on, only to return to find the car's battery in a sad state of charge. The circuit presented here, then, is for almost all motorists, and the evening spent building and installing it could be time well spent.

The circuit sounds a buzzer and flashes a l.e.d. if one of the front car doors is opened whilst the headlights are on. In some instances, it may be required to leave the lights on with a door open: if this is the case, turning the ignition switch to phase 1 will cause the buzzer to sound only briefly as the car door is opened. The l.e.d. however, continues to flash for as long as the door is open.

## CIRCUIT DESCRIPTION

Consider first the block diagram, Fig. 1. The output from the Control Logic element is active if suitable input conditions are present; i.e. CL low and SL high. The output from this element enables a slow oscillator and hence flashes the l.e.d. Simultaneously, the fast (audio) oscillator is enabled and this drives a piezo transducer.

The Control Logic element also triggers the Voltage Control Monostable element. The latter's output swings high, and only if IGN is high will it then return low. This action generates the other enable signal required by the fast oscillator, and hence the audio tone is gated on and off as required.

Since car wiring can exhibit large noise spikes, power supply decoupling and smoothing components are included in the circuit to give some protection to the semi-conductors.

Moving on to the actual circuit diagram, Fig. 2, the Control Logic element consists of IC1a and IC1b and their associated components. The output from this element (pin 2 IC1b) is active low, and this condition arises only if both D1 and D4 are reversed biased. This occurs when SL is high and CL is low.

With IC1b's output low, D2 is reverse biased, and the slow oscillator around IC1c is "unclamped" (enabled). TR1 drives D10, the l.e.d., and receives base current from IC1c via R10.

The fast oscillator around IC1d is only enabled if D3, D6 and D8 are all reverse biased. D6 and D8 are driven from the voltage controlled monostable, IC1e and IC1f, whose operation is considered below. D3 is driven from the output of IC1c. IC1d's output directly drives WD1, a piezo ceramic

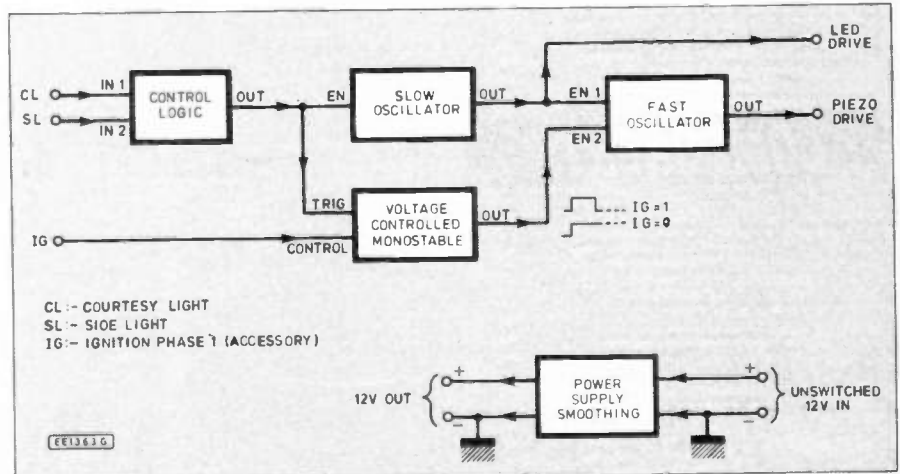
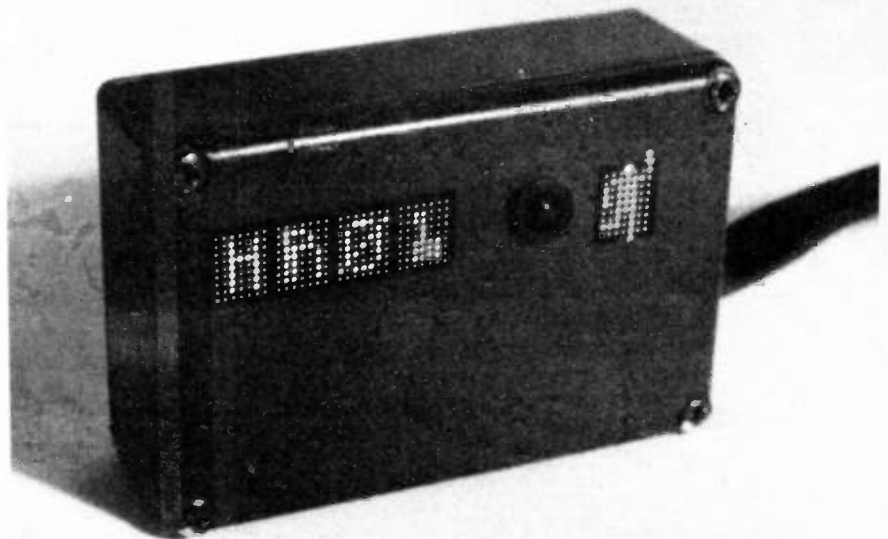


Fig. 1. Block diagram of the headlamp warning unit.





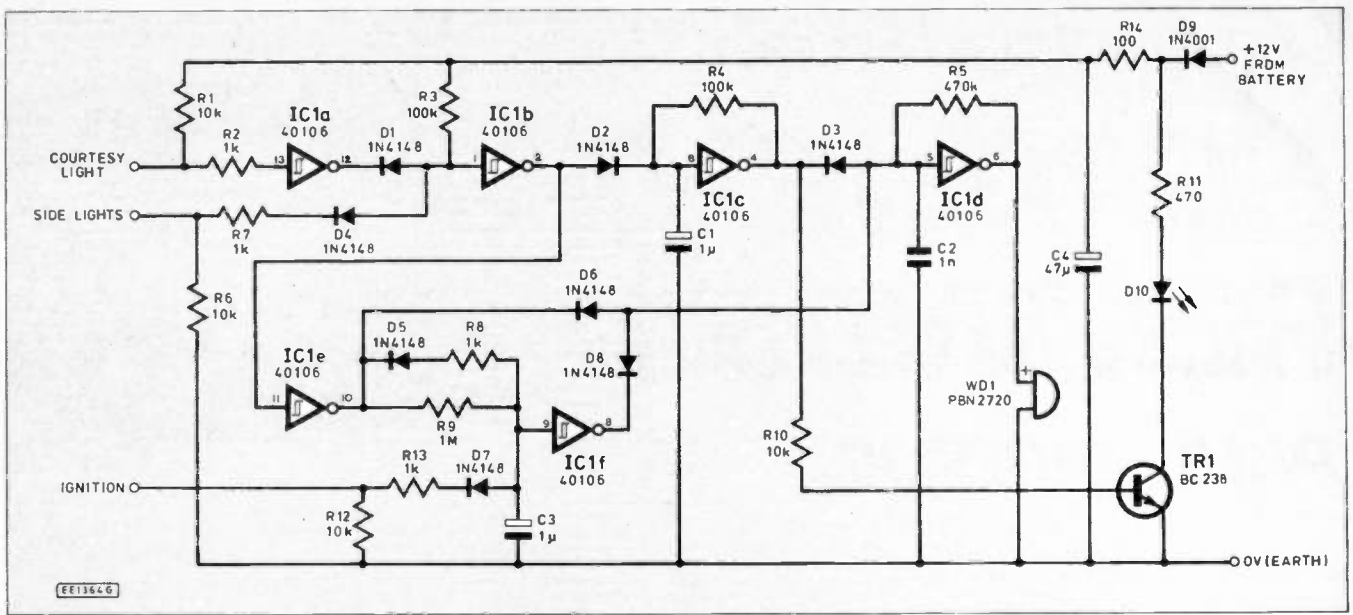


Fig. 2. Full circuit diagram of the unit.

transducer. Its circuit function here may be likened to that of a small loudspeaker.

The operation of the voltage controlled monostable is as follows: Consider initially that IGN is high, so D7 is reverse biased. The input to IC1e is also high, hence its output is low, and is holding C3 discharged via R8 and D5. The output of IC1f is high, and D8 is reverse biased. Consider now that the input to IC1e is taken low: its output swings high. D6 is reverse biased and the fast

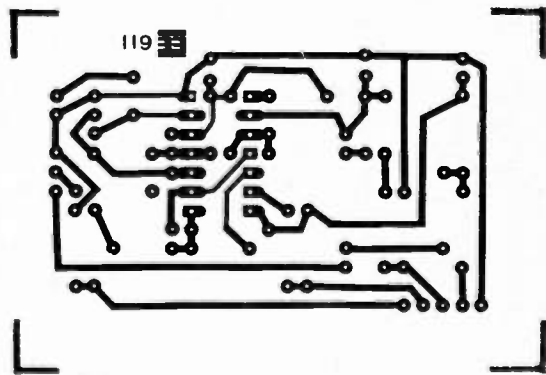
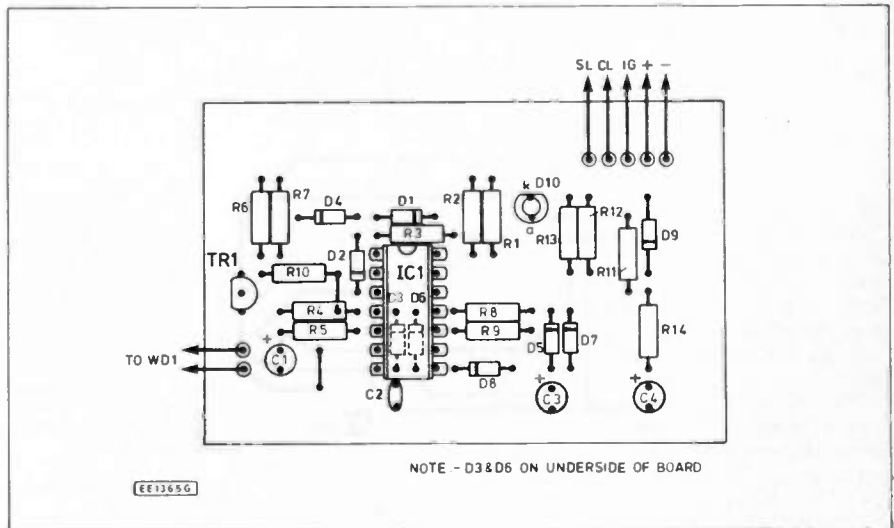


Fig. 3. Printed circuit layout and wiring.

## COMPONENTS

### Resistors

R1, R6,	
R10, R12	10k (4 off)
R2, R7,	
R8, R13	1k (4 off)
R3, R4	100k (2 off)
R5	470k
R9	1M
R11	470
R14	100

All 1/4W ±10% carbon

### Capacitors

C1, C3	1µ elect. 16V (2 off)
C2	1n Mylar
C4	47µ elect. 16V

### Semiconductors

D1 to D8	1N4148 (8 off)
D9	1N4001
D10	5.0mm l.e.d.
TR1	BC238
IC1	40106B

### Miscellaneous

WD1 PBN2720 piezo resonator; p.c.b. available from the *EE PCB Service*, order code EE611; Verobox PB301 i.c. socket; p.v.c. sleeving; grommet; wire; Scotchlock connectors.

Approx. cost  
Guidance only **£9-50**

oscillator is unclamped during the high parts of the pulse train from IC1c. C3 starts to charge through R9, and at some point will cross the input threshold of IC1f. The latter's output will swing low, D8 will conduct, and the fast oscillator will be clamped off.

If IGN was initially low, as IC1e's output swung high D7 would conduct and so prevent the voltage across C3 from rising above about 800mV—the volt drop across D7 plus

the voltage due to the potential divider R9 and R12+R13. This is well below IC1f's input threshold, and so its output would not change state. Hence D8 would remain reverse biased.

Capacitor C4, together with R14 and D9 smooth and decouple the supply voltage, and also guard against reverse polarity supply connections. While R1, R2, R6, R7, R12, and R13 protect the inputs to the circuit.

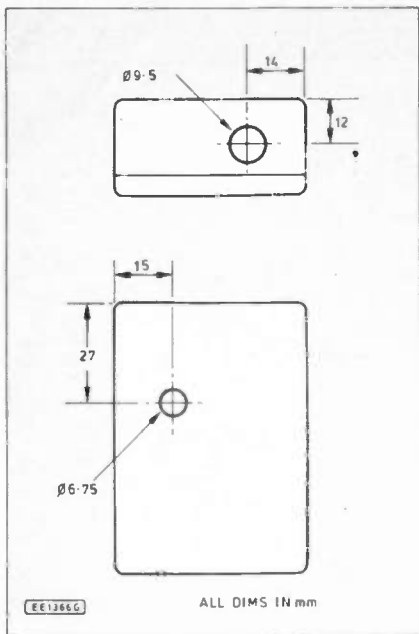


Fig. 4. Case drilling details.

## CONSTRUCTION

Assemble the p.c.b. by inserting and soldering the components in the following order; wire links, resistors, diodes, i.c. socket, transistor, capacitors, and the l.e.d. Ensure that the electrolytic capacitors and semiconductors are orientated correctly. The p.c.b. diagram, Fig. 3 makes this clear. Note that D3 and D6 mount underneath the p.c.b. Consequently, their leads will be very short and care must be taken not to overheat them when soldering them in. Do not insert the actual i.c. until construction is complete.

The p.c.b. has been designed so that the l.e.d. will protrude through a hole in the top of the case without the need for flying leads. The length of the l.e.d.'s pins is best determined by trial and error.

Solder two thin flexible wires to the piezo transducer; one to its brass plate and the other to the silvered ceramic face. It is important to keep the soldering iron in contact with the silver for as short a time as possible to prevent the latter's oxidation and ultimate destruction.

Drill the two holes in the case as per Fig. 4. The case can also be painted at this stage if desired. Glue the piezo's brass face to the case lid. It is not necessary for it to be mounted under a hole since the whole case acts as a sounding board anyway.

To make the off-board connections, solder a short length of tinned wire (e.g. a component lead offcut) or a terminal pin into the respective p.c.b. hole, solder the wire to it, and insulate the connection with a rubber sleeve. This also gives mechanical support.

The leads that connect to the car wiring are taken out through a grommet in the side of the case. To make a neater job, they can also be run through a short length of 6mm p.v.c. tubing.

## COMPONENT MODIFICATIONS

It may be desired to change some of the circuit timings to account for component tolerances or personal preferences. Details are given below:

C1 and R4 control the slow oscillator frequency (l.e.d. flash rate, etc)

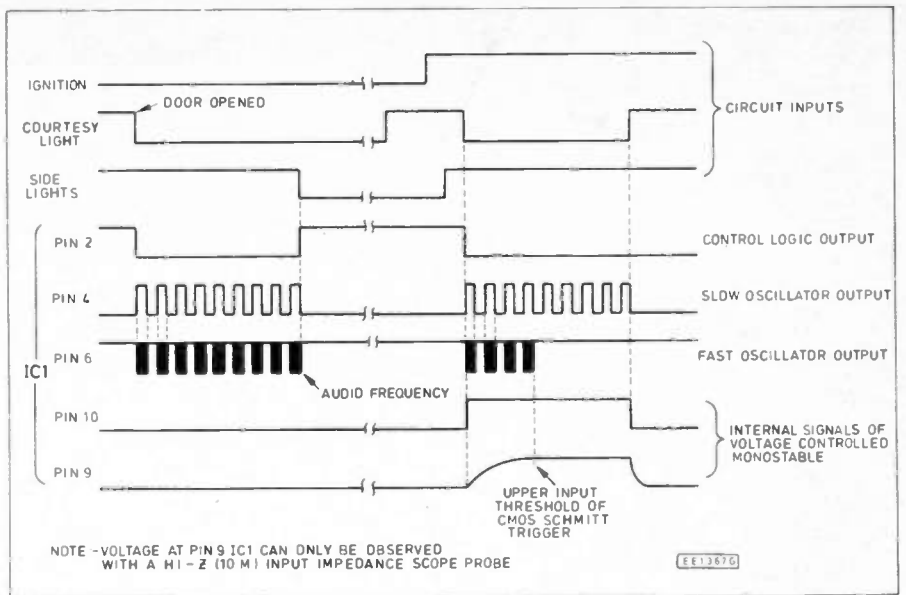
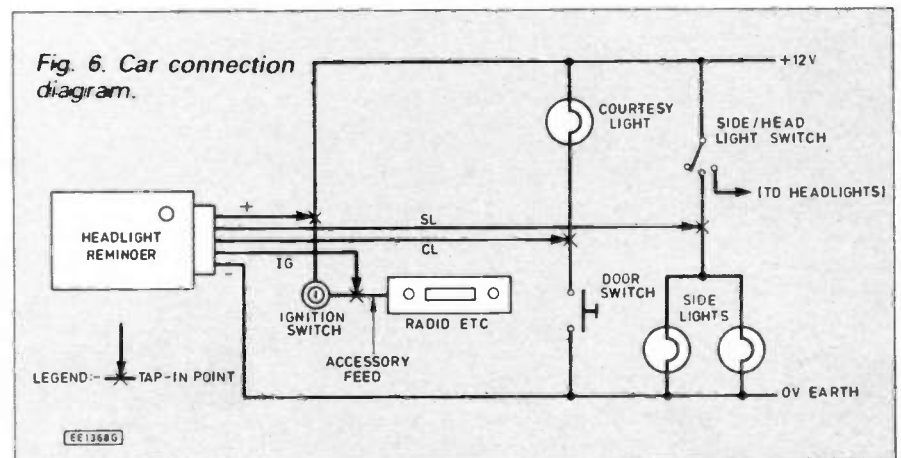


Fig. 5. Circuit waveforms.



C2 and R5 control the fast oscillator frequency (audio tone)

C3 and R9 control the time before the tone is gated off when a door is opened with the ignition on.

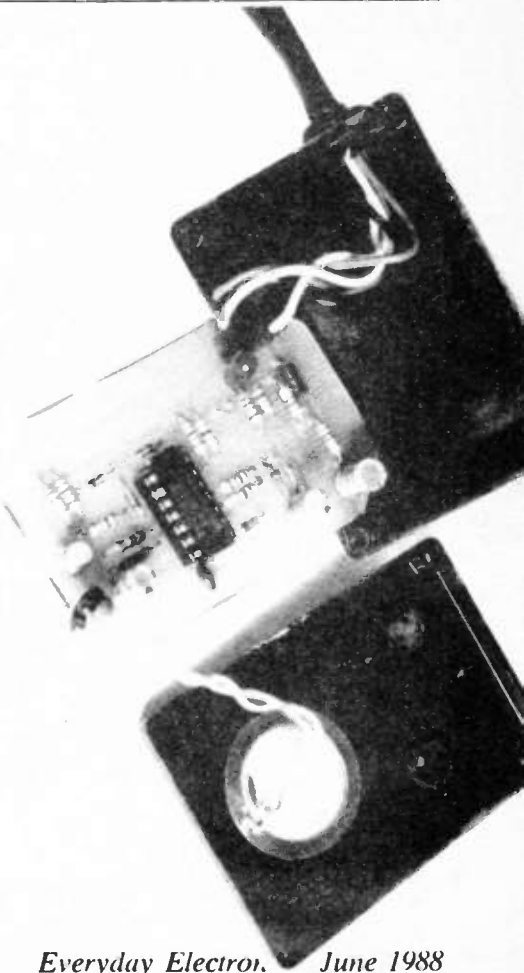
## TESTING

It is probably better to test the circuit before installing it in the car. This can be easily done using a small 12V power supply, and by connecting the input wires to +12V or 0V as required. If the circuit does not work, reference to the waveform diagram, Fig. 5 and the Circuit Description section will help in tracing the fault.

Installation should not present too many problems if Fig. 6 is followed. If a wiring diagram for the car is available this will make the job considerably easier. The wires to which the circuit connects should all be found near the steering column or behind the fascia panel.

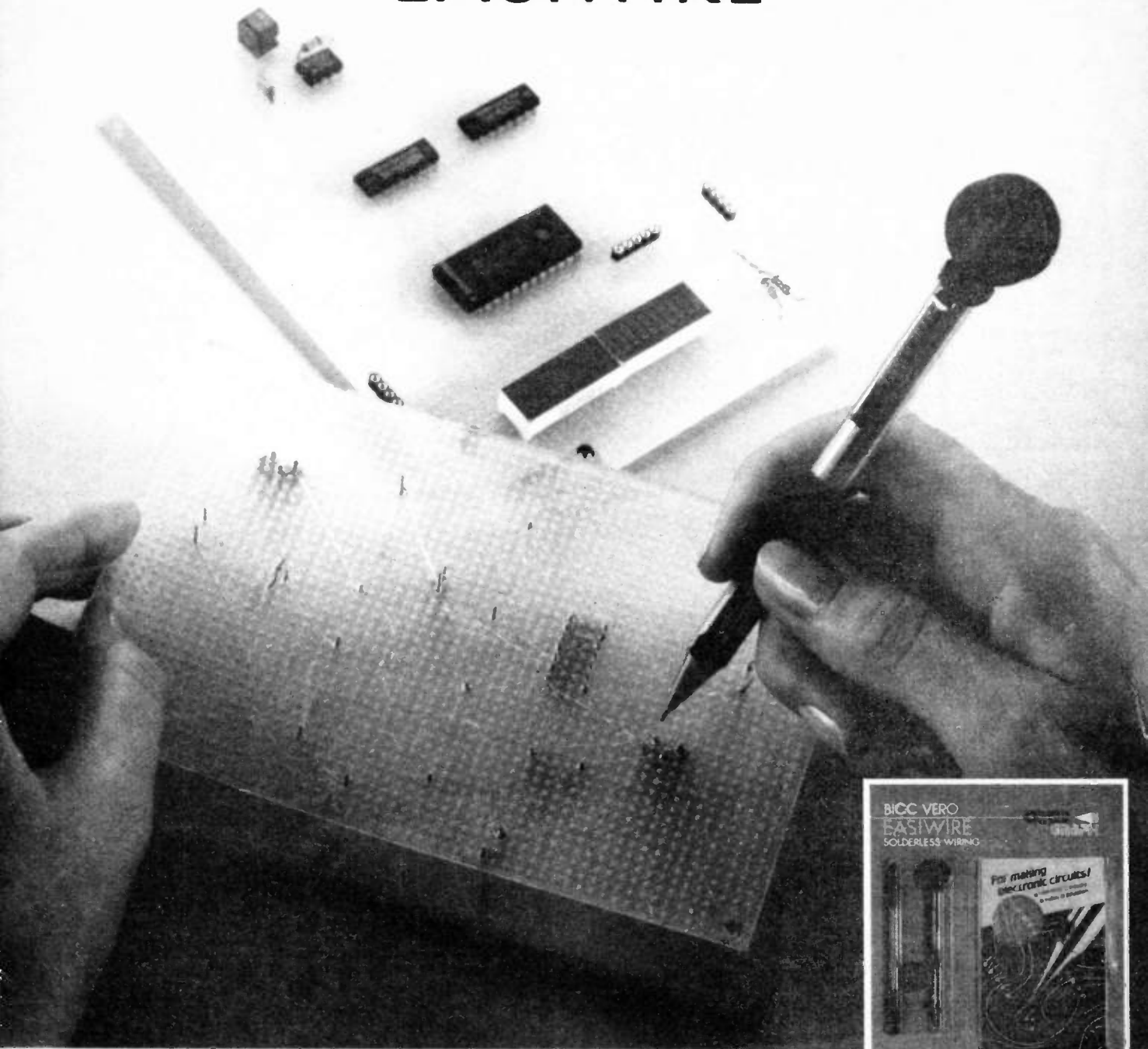
To make the connections to the required wires "Scotchlock" connectors will probably be found easiest to use. Alternatively, strip the insulation from the existing wire, solder the new wire to it, and insulate the joint with tape.

Stick three or four adhesive foam pads to the back of the circuit case and mount it in a convenient place on the fascia. The screen demister ducts can be used to route the circuit's wires to the required places. Drill a suitable sized hole in the duct behind the fascia to pass the wires through. □



# SOLDERLESS WIRING

## EASIWIRE



Construct your electronic circuits the new, quick and easy-to-learn way, **WITHOUT** solder: with Circuigraph Easiwire from BICC-VERO

With Easiwire all you do is wind the circuit wire tightly around the component pins. No soldering, no chemicals, no extras, simplicity itself. Circuits can be changed easily, and components re-used.

Easiwire comes in kit form. It contains all you need to construct circuits: a high-quality wiring pen with integral wire cutter, 2 reels of wire, a tool for component positioning and removal, a flexible injection moulded wiring board, double-sided adhesive sheets, spring-loaded terminals and jacks for power connections and an instruction book. Of course, all these components are available separately too.

To take advantage of the special introductory offer, complete the coupon on the right and send it to:

**BICC-VERO ELECTRONICS LIMITED,**  
Flanders Road,  
Hedge End,  
Southampton, SO3 3LG



Please rush me.....Easiwire kits, retail price £18.-;  
**special introductory offer £15.-.** (includes p & p and VAT).

I enclose cheque/postal order for....., made payable to  
BICC-VERO Electronics Limited

Please debit my credit card as follows:



Card Number .....

Expiry Date .....

Name .....

Address .....

Signature .....

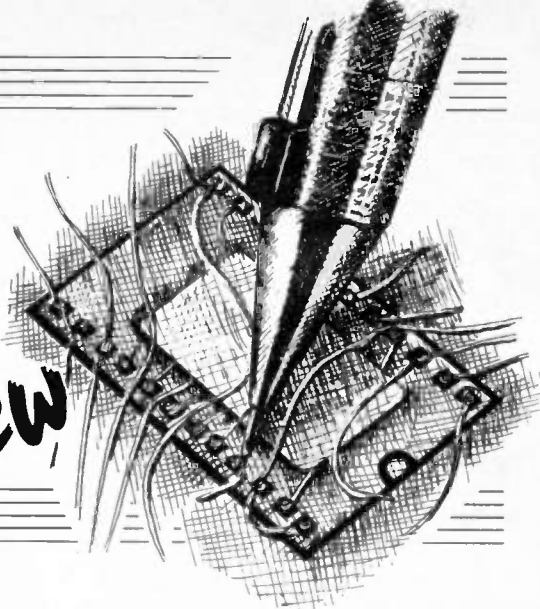
or phone 04892 88774 now with your credit card number  
(24-hour answering service).



# VERO EASIWIRE

ROBERT PENFOLD

## Review



I HAVE long been of the opinion that there are systems for the permanent construction of circuits, and systems for building and testing prototypes, but no sensible system that properly covers both fields. There have been wiring boards in the past that offer some of the advantages of breadboards, but can also act as the finished product, but these have not been very successful. In general, they were less convenient than breadboards, and gave a finished product that tended to fall apart with the slightest provocation!

The "Easiwire" electronic circuit construction system takes a very different approach to any universal wiring system I have encountered in the past. It is somewhat slower and slightly more difficult to use than the familiar breadboards of the "Veroblock" type, but provides a stronger finished article that stands a better chance of standing up to the rigors of everyday use. It is also free from problems with large amounts of stray capacitance causing unwanted coupling from one part of a circuit to another. It seems much better than any previous product of this type that I have tried, but does it come up to scratch?

### WIRE WRAP

In principle the Easiwire system is very simple, and is a variation on the well established wire-wrap system of construction. Easiwire does not involve any soldering. Circuits are built up on a board that looks rather like plain (i.e. no copper strips) stripboard, but it is white in colour and made from a semi-soft plastic. This is not purely of academic importance, and this fairly soft board with its slightly under-size component holes is an important part of the system.

Components are mounted on the board in the normal way, and the leadouts are trimmed to leave about three millimetres protruding on the underside of the board. The board grips the components quite well, and they do not fall out when the board is inverted to facilitate wiring-up. This greatly eases construction, and avoids the need for an expensive frame to hold everything in place. In fact I would have thought that this type of board could be applied equally well to custom printed circuit boards and stripboards.

For the benefit of those not familiar with normal wire-wrap construction in its basic form a pen-type tool is employed to strip insulation off the end of a thin wire and then wrap it tightly around a square pin. The corners of the pin bite into the wire to form a good joint.

The Easiwire system uses a pen-type tool with the wire mounted on a reel at the top of the "pen". The wire, which is just tinned copper wire with no insulation,

passes down through the "pen" and out through the thin "nib".

Using the pen the wire is wrapped around leadout wires and pins, and it connects them together without having to solder the joints.

I suppose that the connections could be soldered if desired, and this might make the assembly somewhat tougher. However, one of the attractions of the system is its solderless nature. Also, as a by-product of this the materials are largely reusable. When you have finished experimenting with one circuit you can simply take it apart and reuse practically everything in future circuits. The only "disposable" part of the system is the wire used to connect everything together, and this is not particularly expensive.

### THE KIT

The Easiwire kit comes in bubble-pack form, and contains everything you need to get started, apart from the electronic components of course. The main component is the wiring pen which comes ready fitted with a spool of wire, and there is one spare reel included with the kit. There should be sufficient wire here for at least a dozen small projects. The pen is fitted with a handy built-in cutting blade which can be used to cut the wire once a section of wiring has been completed. The blade is spring-loaded so that it automatically retracts after use.

A second tool is included in the kit, and this is a double-ended affair. One end has a simple spike which can be used to enlarge holes in boards if component leadouts or leads prove to be too large. The other end has a sort of forked "snake's tongue" which is the kit's equivalent of a desoldering tool. It can be placed under a joint and used to prise the spiral of connecting wire off the leadout wire. Plastic caps are provided for both ends of the tool.

The other main ingredient of the kit is the board which has holes on the usual 2.54 millimetre (0.1 inch) pitch, and measures 147 by 98 millimetres (slightly smaller than the standard Eurocard dimensions). It is quite flexible, but seems to be sufficiently rigid and tough enough for the job. The corners of the board are drilled with larger holes of about three millimetres in diameter which can be used for mounting purposes. The component holes are larger on one side of the board than on the other, and the components are inserted from this side.

There are a few more minor but important items included in the kit, and one of these is two sheets of double-sided self-adhesive material. If wires are only to be routed straight from one point to the next, this



material is not needed. If wires must be taken around curves, then a sheet of this film must be placed on the appropriate side of the board before construction is commenced. It provides a tacky surface to which the wires can be fixed when they are taken through curves. Otherwise they just tend to become displaced, leading to short circuits and broken wires.

## OFF BOARD CONNECTIONS

Off-board connections are potentially a problem with any solderless wiring system. The Easiwire kit includes what looks like half a dozen small springs, but these are the equivalent to printed circuit pins. They will accept two millimetre plugs, or there are three matching connectors supplied with the kit. These are simple brass connectors which have crimp style connections to the leads. Why there are six sockets but only three plugs included I am not quite sure. Neither ration seems very generous, but extra connectors (and other expendables) can be obtained.

Finally, the kit includes an instruction sheet, which largely duplicates the instructions printed on the reverse side of the pack. Whoever produced the instructions clearly believes in the old adage that "a picture is worth a thousand words", but the illustrations are very well done, and the lack of words does not really matter.

## TRICKS

One obvious difference between using this system and a conventional wire-wrap one is that with this system it is not acceptable to take one wire over another. Remember that the wires are not insulated, and that running one over another simply short circuits them together. In this respect the Easiwire system is just like conventional printed circuit boards, and one solution is to take wires onto the top side of the board. This is easily achieved using a piece of wire or a double sided pin to act as each through-pin.

A simple alternative is to place a piece of insulation tape over the first wire so that a second wire can be taken over the top of it without producing a short circuit. In fact by using several pieces of tape it should be possible to have several layers of wires. The only drawback to this method is that it could be difficult to make changes if a mistake is made

in the wiring, or a change in the circuit is required.

It is feasible to use this system with boards other than the plain matrix one supplied as part of the kit, and available separately. The only problem with most of the alternatives is that they will not hold the components in position, and will require some assistance in this respect. A novel idea is to have pieces of thick cardboard marked with the component layout on one side, and the "track" pattern on the other. These are not just layout cards—the circuits can be built up on them!

A range of cards for small projects may be produced, and there is the possibility of cards being made available for magazine projects. While plasticised cardboard and Easiwire is not going to give a standard of finish to rival a good fibreglass printed circuit board, it gives perfectly adequate results. The cost of the boards is very low, and with this method of construction it is very difficult to make mistakes. In particular, the wiring up process is about as fool-proof as it could be. This

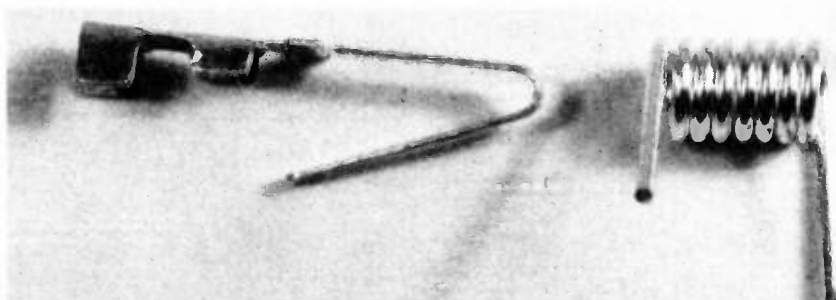
certainly represents an excellent method of construction for beginners.

## IN USE

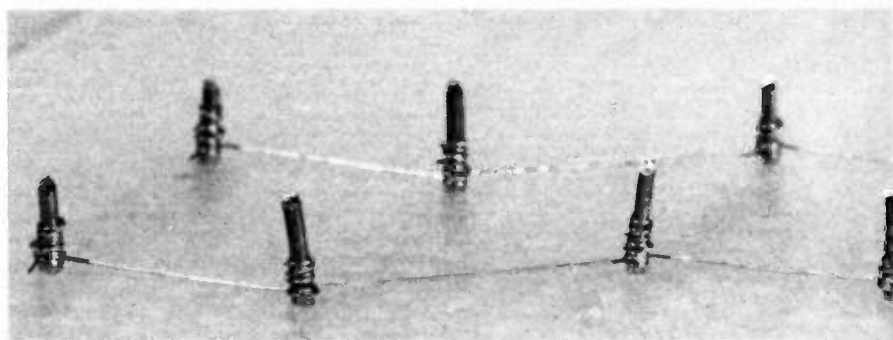
The Easiwire system seems fine in theory, but how does it fare in use? Most components fit onto the board without difficulty, but types which have heavier gauge leadout wires need their mounting holes enlarged slightly before they will fit. Not all components will actually fit onto a 2.54 millimetre matrix, but the vast majority will do so. It should not be difficult to drill additional holes in the board to accommodate awkward components. I expected to experience problems with components falling off the board, but this did not prove to be a problem.

Care needs to be taken when trimming the leadout wires, as it is very easy to leave too little protruding. It is better to err on the generous side when cropping the leads.

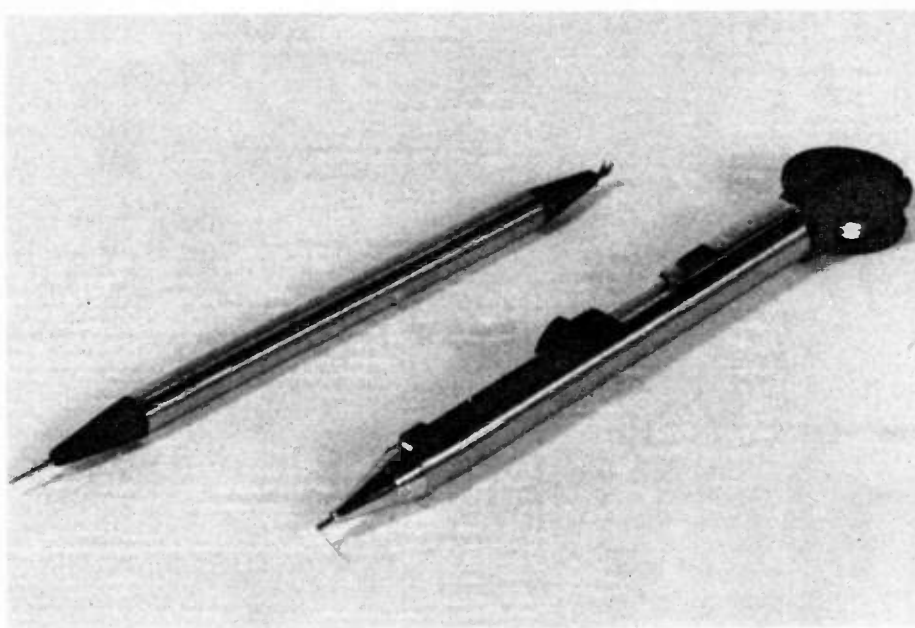
To start the wiring process a finger is used to hold the end of the wire in place, close to the first leadout wire. Using the wiring



*The off-board connections are simple but effective.*



*Above: Wiring up components on the matrix board supplied. This is easy with practice.*



*Left: The two basic tools of the Easiwire system. They are both well made and should last a very long time in normal use. (You will also need a pair of pliers.)*

"pen" the wire is then wrapped around the leadout about four or five times, working from the board upwards. A further four or five turns are then added, working downwards. It is difficult to get results anything like as neat as the illustrations in the instruction leaflet, but the joints seem quite good (electrically and physically) anyway. It is important to use this method of wrapping the wire, as it keeps the links from one leadout to the next close to the surface of the board. Remember, the wire is very fine, and if it stands clear of the board it would be vulnerable to being accidentally snapped.

Having completed the first connection, it is a matter of moving on to the next one in the line and completing that one in the same way, then moving on to the next one, and so on, until a set of connections have been finished. The wire is then cut using the blade built into the wiring "pen", and this is a simple one-handed job. This process is repeated until the whole board has been wired up.

It sounds very easy, and in practice it seems to be a fairly straightforward task. There is inevitably a short piece of excess wire at the beginning of each run of connections, and it is a good idea to trim this off or bend it out of the way where it cannot produce any unwanted connections. You have to be careful not to let too much wire out of the pen, or when wire wrapping you find that you are wrapping the wire around two or three leadout wires.

The wire must be wrapped reasonably tightly in order to give good strong joints, but it is easily snapped if you over-do it slightly. One minor niggle is that I kept finding that I was left with no wire sticking out of the end of the "pen". This can easily be rectified by unscrewing the tip, pulling out some more wire, and replacing the tip, but I wasted quite a lot of time doing this. These are all relatively minor problems though, and no doubt they can be avoided once more expertise at "wire-wrapping" has been gained.

It would be unrealistic to expect any new form of construction to be entirely trouble-free until you have become used to the new tools and methods used.

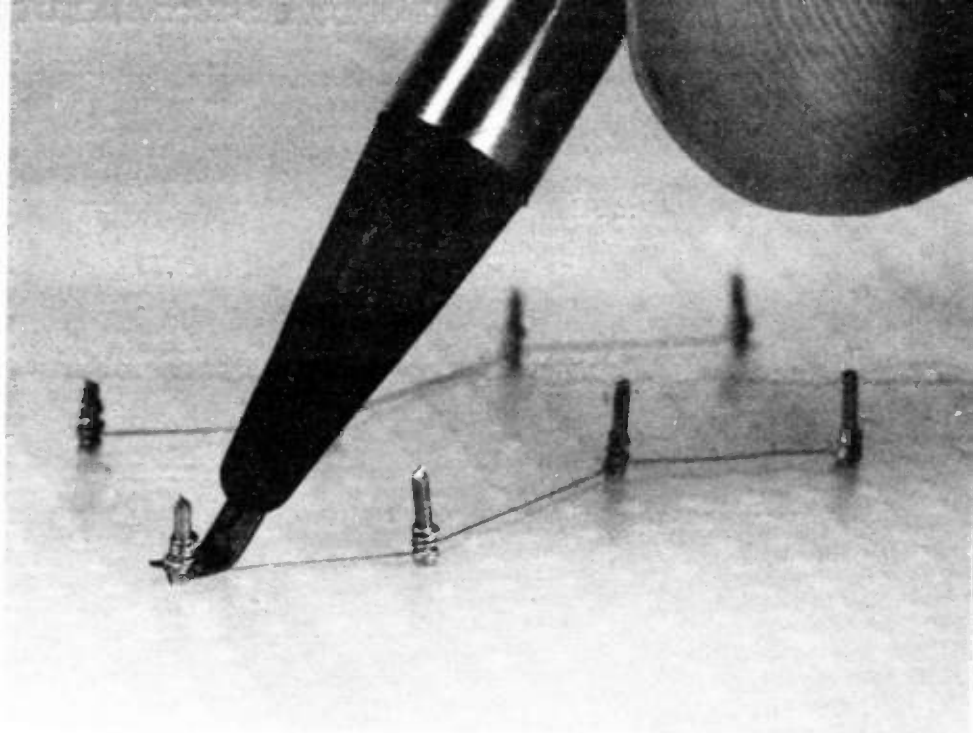
## CURVED TRACKS

Using the self-adhesive material to produce curved "tracks" is a little more tricky, and I think that I would be inclined to avoid this method as far as possible. It can certainly be done, but laying down a number of closely spaced curved tracks is a skilled job, and one that really needs to be left until you have become reasonably expert at using the system. It would be much easier if the wire was sticky rather than the adhesive on the board (like producing printed circuit artwork using track tapes), but presumably this is not a feasible way of doing things. It is quite easy if there are only a few curves to negotiate.

## CONCLUSIONS

I suppose that previous systems of this general type have failed to gain widespread acceptance for two main reasons. One is a lack of physical strength, making them of dubious value for finished projects. The other is a lack of compatibility with existing methods of construction. The Easiwire system overcomes both of these limitations.

Taking the question of physical strength first, on the face of it this is a very flimsy method of construction. I quite expected wrapped wires to unwrap themselves, but there seems to be no problem here. I also



The "unwrap" tool in action. This simple method allows re-use of all the electronic components.

had doubts about components becoming detached from the board, but provided the wire is wrapped reasonably tightly, trying to pull components from the board is fruitless.

Clearly the finished board does not have the strength of a custom printed circuit board or stripboard. It is good enough for most purposes though. This system would probably not be suitable for car projects or similar applications where the finished product will be subject to a lot of vibration, but it is only a minority of applications where it could be counted out on these grounds.

The Easiwire system is very similar to the one where components are mounted on a plain matrix board, and then the leadout wires are soldered together on the underside of the board. Any layout for this method of construction should be easily translated into an Easiwire layout. Similarly, a stripboard layout could easily be copied using the Easiwire system, with the component layout being left unaltered, and wires being used in place of the pieces of copper strip that actually carry connections.

Easiwire can also be used to copy printed circuit boards, although the more intricate designs might not be a practical proposition. Looking back through some past issues of *Everyday Electronics* there are plenty of simple projects with component layouts that could easily be copied using the Easiwire system.

Although this system has a lot in its favour, it is not without its limitations. It does not appear to be well suited to complex projects, or the intricate interconnections required for some digital projects. The wires used for the interconnections are quite thin, and are not suitable for high current applications.

There should be no real problems with stray coupling from one part of a circuit to another, or no more so than with printed circuit boards anyway. In this respect the system is well suited to high frequency applications, but the thinness of the connecting wires could again prove to be a slight problem.

Although the system is solderless, there are the connections to off-board components

to be considered. Using the special plugs and sockets there is no difficulty in connecting leads to the board, but how are the other ends connected to potentiometers, switches, etc.? Miniature crocodile clips are one possibility, but it could be difficult to find a really good solution to this problem, other than opting for soldered connections.

Another point to bear in mind is the cost of using Easiwire. The running costs would seem to be quite reasonable, and roughly comparable to stripboard or printed circuit boards. There is the initial cost to consider though. This is comparable to the cost of basic soldering tools, but I suspect that most users would eventually obtain soldering equipment as well, or will already have them.

## FINALLY

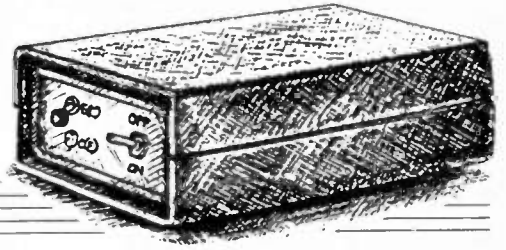
Easiwire is easy to use, and well suited to projects for beginners at electronic project construction. It probably succeeds better in this role than as a prototyping system, where modern breadboards are far quicker and can easily accommodate complex circuits. It is not without its limitations, but it is a good practical, down to earth method of construction, and is very usable.

Most forms of circuit board seem to be quite expensive these days, and Easiwire may seem to be no better in this respect than most others. However, do not overlook the fact that it is almost totally reusable. In the medium and long terms it could be a very inexpensive method of construction. It is also well suited to experimenting with a project, pulling it apart and trying a different one, pulling that one apart and building a new one, and so on. You can have a lot of fun in this way, as well as learning a lot about electronics.

I was quite impressed with Easiwire. Unlike some previous wiring systems it really does provide reasonably strong and compact boards that can be fitted in cases and realistically used as a permanent project. Alternatively, it can just be used for experimenting with circuits. It is primarily aimed at the hobbyist/student market, where it deserves to succeed. □

# EASI-TRANSISTOR TESTER

ROBERT PENFOLD



We bring you the first-ever published project using the Vero Easiwire system. A completely solderless transistor tester.

A TRANSISTOR tester is one of those items of test equipment that every electronics home constructor is likely to need quite regularly. Some multimeters now feature a built-in transistor check facility, but a simple tester is easily constructed if you do not have a multimeter of this type. This transistor checker is of the "go/no-go" variety rather than a proper gain measuring device. However, this is sufficient for most purposes where it is merely necessary to have an indication of whether or not the test components are functioning. Detailed and accurate information on their performance parameters is not normally required.

In this design a serviceable device is indicated by a l.e.d. flashing on and off at a low frequency (about twice per second). If the l.e.d. remains switched on, this indicates that the component under test has gone closed circuit. If the l.e.d. fails to light up at all, then the test device has gone open circuit. Flashing of the l.e.d., but at lower than normal intensity, indicates that the test transistor has only a low level of gain. This gain

might be acceptable, and it obviously depends on whether the test component is a low gain type (such as an r.f. or switching transistor) or high gain device.

## TRANSISTOR BASICS

The basic test circuit for an *npn* transistor is shown in Fig. 1(a). A variable voltage supply is used to set the collector voltage at

which the device is to be checked, and potentiometer VR1 is used to apply an input current to the base of the device.

The base current causes a much larger current to flow in the collector circuit, and the current gain of the transistor is equal to the collector current divided by the base current. VR1 is adjusted to give the collector current at which the test is to be made, with the assistance of ME2 which measures the collector current. ME1 indicates the flow of current in the base circuit, and the current gain can be calculated from the reading obtained from ME1.

Testing *ppn* transistors is much the same, and requires the basic test circuit of Fig. 1 (b). The only difference here is that the polarity of the supply has been reversed, and this necessitates a reversal in the polarities of ME1 and ME2 as well.

We have ignored any leakage current that flows in the collector circuit even with no

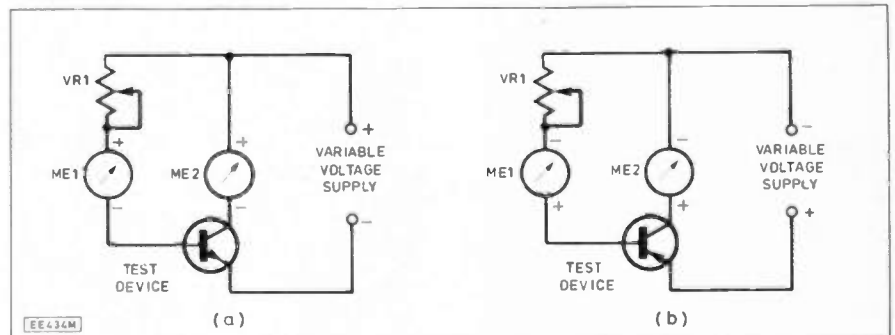
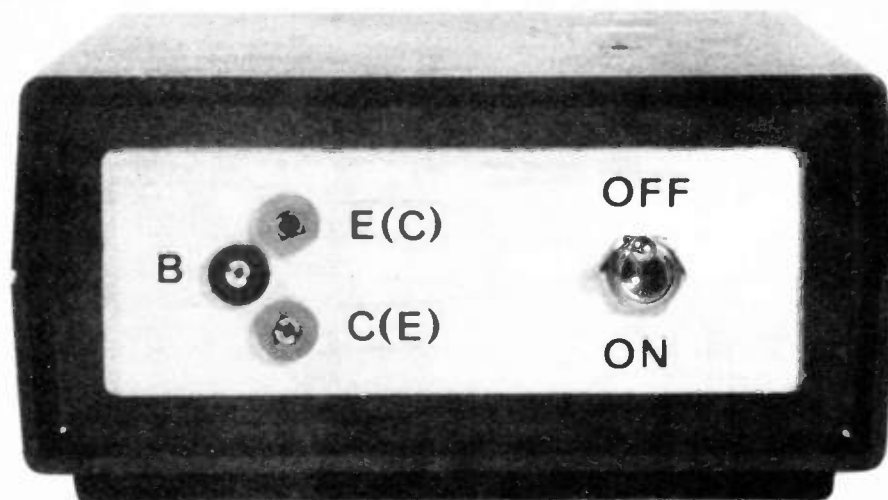


Fig. 1a. Basic test circuit for an *npn* transistor. 1b. Basic circuit for a *ppn* transistor.



base current applied to a device. In the days of germanium transistors this current was often quite significant, and had to be deducted from the collector current before making the gain calculation. Germanium transistors are now largely obsolete. Modern silicon transistors normally have very low leakage levels of under one microamp. This does not normally have any significant affect on the current gain calculation, and can be disregarded.

## SIMPLE ARRANGEMENT

In this tester the simple arrangement of Fig. 2 has been adopted. Taking the *npn* test setup (a) first, the output of the low fre-



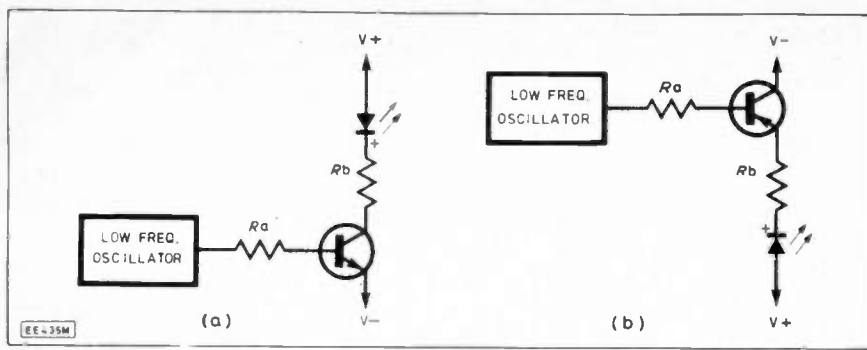


Fig. 2. The simple arrangement used in this tester.

quency oscillator drives the base of the test transistor. When the output of the oscillator goes high, the device under test is biased into conduction. The value of  $R_a$  is selected to give a fairly modest base current, but provided the transistor has a reasonable current gain, this will give a collector current of a few milliamps.

A l.e.d. indicator is connected in the collector circuit, and should switch on if the test component is serviceable. If the l.e.d. only lights dimly, this indicates that the test transistor has only a low level of gain. If the l.e.d. fails to light at all, then the transistor is a "dud" which has gone open circuit.  $R_b$  provides current limiting to protect the l.e.d. against a high current flow if the test transistor should be closed circuit, or if it is wrongly connected.

When the output of the oscillator is low, the transistor is cut off and only leakage currents flow in the collector circuit. These currents should not be large enough to cause the l.e.d. to visibly glow. If the l.e.d. glows dimly, this shows that it has a significant leakage level, and if the l.e.d. is left at full brightness, the test device has gone closed circuit.

Testing a *pn*p transistor (b) is similar, but the l.e.d. is in its emitter circuit. This is acceptable because the collector and emitter currents are not significantly different. One is only the output current while the other is the sum of the input and output currents. The input current is limited by  $R_a$  to a level where it cannot boost the output current to a significant amount and upset the correct operation of the circuit. Really, it is just a matter of using the test device in the emitter follower mode rather than as a common emitter amplifier.

The point of doing this is that it eliminates the need for any *npn/pnp* switching. If you examine the two test setups you will find that there is no difference in the circuits driving

the test components, the only difference is in the way that the test devices are connected to the checker.

It is only of academic importance that when testing *pn*p transistors the l.e.d. switches on when the output of the oscillator is low (negative), and is turned off when it goes high (positive). The l.e.d. still flashes on and off about twice per second, and there is no apparent difference to the user.

### THE CIRCUIT

The full circuit diagram for the transistor tester is shown in Fig. 3. The oscillator is a simple operational amplifier relaxation type having C2 and R4 as the timing components. R5 limits the base current to about 200 microamps. A transistor having a current gain of ten times will therefore give an output current of about two milliamps, which will drive the l.e.d. (D1) at fairly low brightness.

A gain of ten is about the minimum that would be expected from a low gain type. R6 limits the collector current to about 10 milliamps. Any device having a current gain of about fifty or more ( $10/0.2=50$ ) should therefore cause D1 to flash at full brilliance, and most transistors have a gain of fifty or more these days.

Note that IC1 is a type that can provide output voltages virtually equal to the negative supply rail. This ensures that *npn* test components are fully switched off when IC1's output goes low, and that the unit functions correctly. Most operational amplifiers, such as the  $\mu$ A741C and LF351, have a minimum output voltage of about 2.5 volts. These will not work in the circuit as they will keep *npn* test components switched on continuously.

The current consumption of the circuit is approximately two milliamps under standby conditions, and seven milliamps (average) when the l.e.d. is flashing. This can be sup-

plied economically by even a small (PP3 size) 9 volt battery.

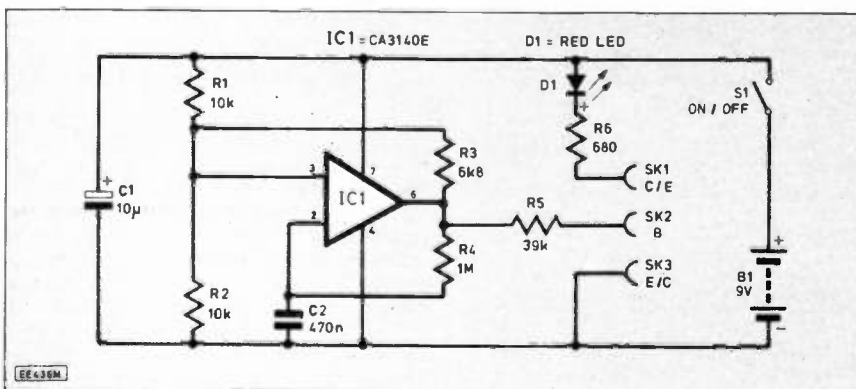
### CONSTRUCTION

A 0.1 inch pitch (2.54mm) Easiwire board forms the constructional basis for the unit. This has 38 by 13 holes, and can conveniently be a strip cut from a standard 38 hole wide board. This type of board is easily cut using a hacksaw, cutting along a row of holes, but only light pressure is needed. The fairly soft plastic can tend to fray slightly along the length of the cut, but can be carefully shaved using a modelling knife.

Details of the component layout and wiring of the board are shown in Figs. 4 and 5 respectively. Fit all the components onto the board before undertaking any of the wiring. This includes the five Easiwire sockets which are used to make connections to off-board components. IC1 is a MOS device, and it is therefore advisable to use a holder for this component. Do not plug IC1 into place until the unit is in all others respects finished, and handle it as little as possible. Until then, leave it in its anti-static packaging (conductive foam, plastic tube, or whatever).

All components should plug into place without having to enlarge any of the holes in the board. The leads of D1 should be left quite long so that this component stands some 20 to 25 millimetres above the surface of the board. The cathode ("k") leadout of D1 will probably be indicated by a shorter leadout wire. Ordinary wire cutters are used to trim the leadouts so that about 3 millimetres or so of each one is left protruding on the underside of the board. The leads of the

Fig. 3. Complete circuit diagram of the Easi-Transistor Tester.



## COMPONENTS

Shop  
Talk

See page 360

### Resistors

R1, R2	10k (2 off)
R3	6k8
R4	1M
R5	39k
R6	680

All 0.25W 5% carbon

### Capacitors

C1	10µ radial elect. 25V
C2	470n Polyester (C280)

### Semiconductors

IC1	CA3140E
D1	5mm red l.e.d.

### Miscellaneous

B1	9V battery (PP3 size)
S1	s.p.s.t. miniature toggle switch
SK1 to SK3 1mm sockets (3 off).	

Plastic/metal box about 88x40x143mm; Easiwire board, etc.; 6BA fixings; battery connector; 8 pin d.i.l. holder; connecting wire.

Approx. cost  
Guidance only

£5

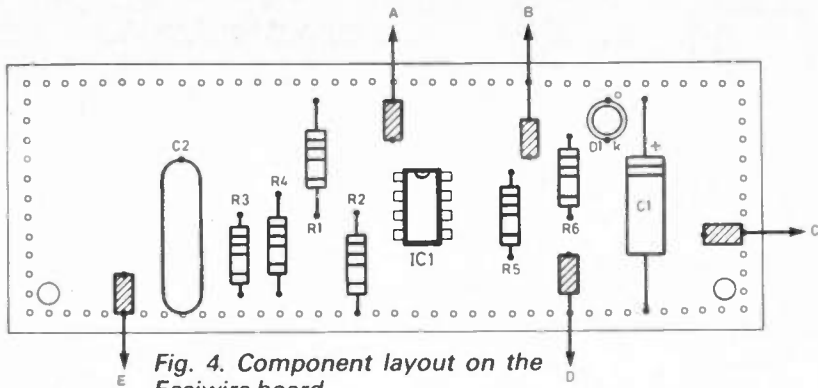


Fig. 4. Component layout on the Easiwire board.

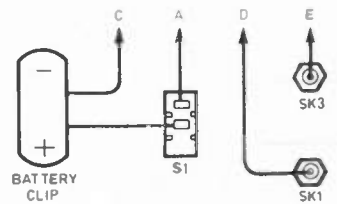


Fig. 6. Interwiring details.

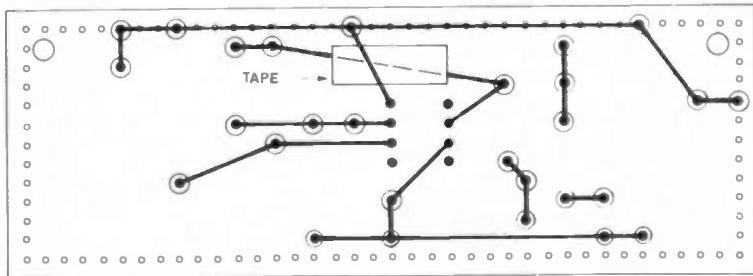


Fig. 5. Wiring on the underside of the board.

sockets are ready-trimmed, and serve as a good guide to the optimum lead length when trimming the leadout wires.

Most of the wiring is quite straightforward, but if you are new to wire-wrapping it might take a little practice before you become really accomplished at it. Try to keep the connecting wires taut so that they cannot accidentally come into contact with one another and cause short circuits.

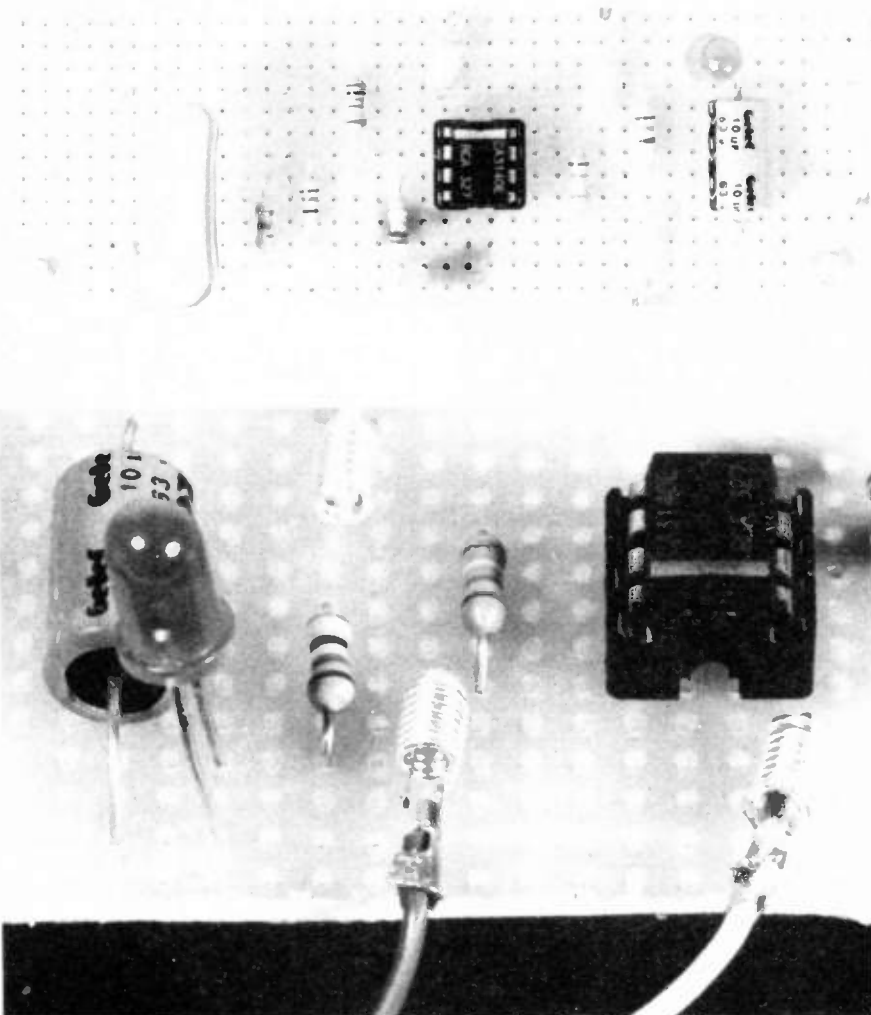
Do not use separate lengths of wire to connect a series of points. The board will be much neater and stronger if you use a single length of wire to connect each series of points, and this method is much quicker and easier anyway. It is advisable to push each component down onto the board to make sure it is fully pushed home before wire wrapping one of its leadout wires.

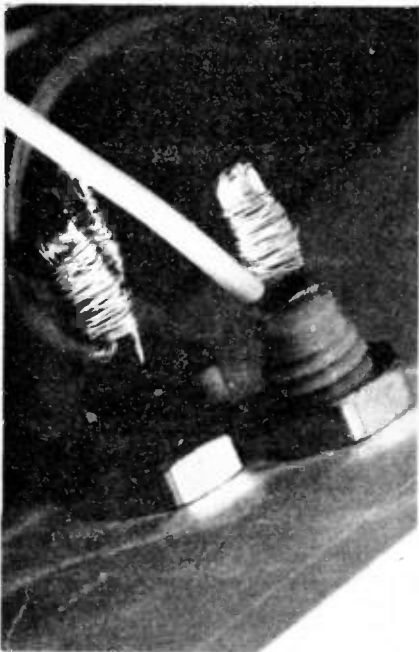
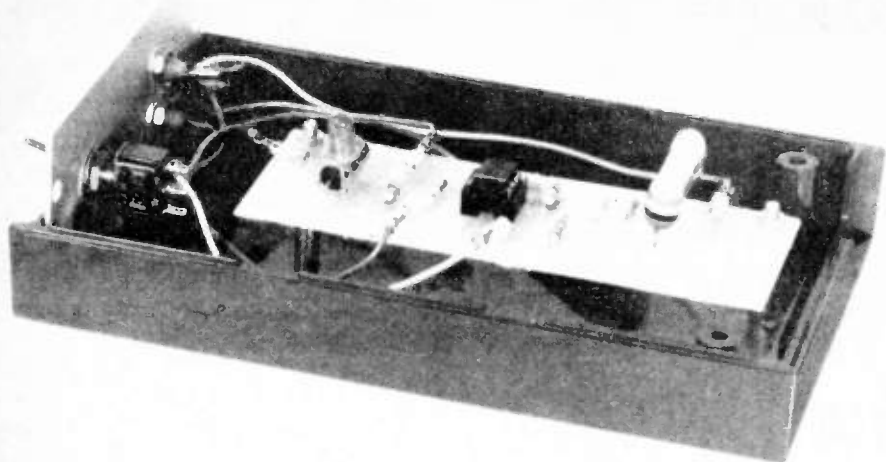
Do not leave the ends of wires sticking out all over the place. They are the Easiwire equivalent of solder splashes, and are likely to cause unwanted short circuits. Any wire ends that protrude significantly from joints should be carefully trimmed off using a sharp modelling knife. It is important that each connection should start and finish as close to the surface of the board as possible. The board then protects the wires and greatly reduces the risk of them being accidentally snapped. If a set of connections do not look up to standard, simply remove them using the unwrap tool and try again.

## CROSSOVER

There is one slight complication in that there are a pair of crossed wires just below IC1 (see Fig. 5). Initially, leave out the wire that takes the negative supply to pin four of IC1. When all the other wiring has been completed, add a small piece of insulation tape at the position indicated in Fig. 5, and then add the missing connecting wire. One end of the wire goes to a point where there is already a connection. However, there is no difficulty in adding one connection on top of another, and this gives two good quality connections.

The finished board is mounted in the case using 6BA or M3 fixings, including spacers to hold the board about 18 millimetres clear of the base panel. With Easiwire boards the use of spacers is essential. Without them the components on the board would be forced upwards and out of place as the board was bolted into position. In this case there is a need to raise the board anyway. The top of the l.e.d. must be brought to about the same height as the top of the case. It can then "look" through a five millimetre diameter





a three handed job! You need one hand to hold the lead in place, one to hold the end of the wire, and one to hold the "pen". You might be able to hold the lead and the end of the wire-wrap wire with one hand, but I found it was much easier to use some Bostik Blue-Tack to hold the lead in place. This then leaves both hands free to carry out the wire-wrapping, which is then very easy.

Normally connections are made with the lead coming straight back from the tag to which it is connected. This does not work too well with this method where the lead tends to severely hamper the wire-wrapping process. It is much easier if the lead runs forwards towards the front panel, and is then curved through 180 degrees to take it back towards the component panel. Apart from making the wire-wrapping much easier, this probably reduces the risk of the lead being pulled away from the tag and gives what is effectively a stronger joint (see photo left).

Details of the off-board connections are provided in Fig. 6, in conjunction with Fig. 4 (e.g. "A" in Fig. 4 connects to "A" in Fig. 6).

### TESTING

Before trying out the transistor checker, give all the wiring a thorough search for errors. As an initial check try short circuiting SK1 and SK3 using a short piece of tinned copper wire (a trimming from a resistor lead-

out should suffice). With the unit switched on this should result in D1 lighting up brightly. If it does not, switch off immediately and recheck all the wiring.

If all is well, try connecting a transistor to the unit, but make sure that you use the correct method of connection, as detailed below—

SOCKET	NPN LEAD	PNP LEAD
SK1	COLLECTOR	EMITTER
SK2	BASE	BASE
SK3	EMITTER	COLLECTOR

It is a good idea to use front panel legends to mark the three sockets with their functions. You must be equally careful to correctly identify the leadouts of any transistors that are tested. With plastic cased transistors in particular, identical looking devices can have different leadout configurations. Always check the leadout configuration before testing a component, and recheck it if the device is indicated as being faulty. With any transistor of moderate to high gain the l.e.d. should flash quite brightly. With lower gain devices it will be somewhat dimmer, but if it barely glows, the test component is a "dud".

With silicon transistors the l.e.d. should fully extinguish during the off periods. With germanium types it might glow dimly, but there should still be plenty of contrast between the on and off states. There is little risk of damaging silicon transistors if they are connected incorrectly, but germanium types are a little less tolerant of this type of thing. In particular, they can be damaged by a supply voltage of the wrong polarity. Take extra care if you need to test any germanium devices. □

### CONSTRUCTORS NOTE

Full details on and supplies the Vero Easiwire system used to construct this project are available from: BICC Vero Electronics Ltd., Flanders Road, Hedge End, Southampton, SO3 3AG. Tel. 04892 88774.

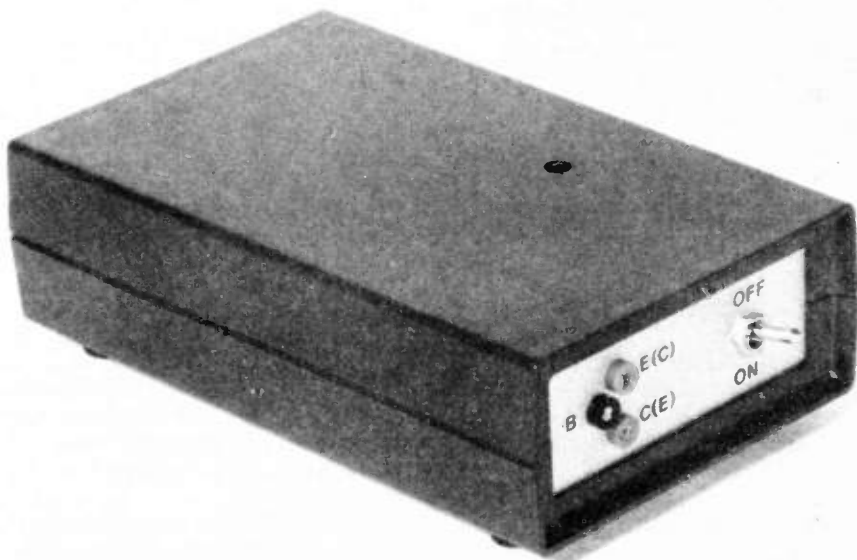
hole drilled at the appropriate point in the top of the panel of the case.

The on/off switch and three sockets are mounted on the front panel. If the three sockets are closely grouped in a triangular configuration rather than a straight line, it should be possible to plug most transistors directly into the sockets. A set of three short test leads terminated in crocodile clips are needed for unco-operative devices, which will include all power types. It is advisable to use leads of different colours to aid correct identification, and help avoid getting test devices connected incorrectly.

### OFF-BOARD CONNECTIONS

At the board end, leads are fitted to the sockets by way of the matching plugs. These can be crimped onto the bare ends of leads with the aid of pliers, and will give very strong joints. Connecting the leads to the sockets and on/off switch is a little more tricky. One answer is to solder them, or these connections could be made using miniature crocodile clips. A simple but effective method, and the one I used, was to wire-wrap them!

This is just a matter of holding the bare end of the leadout wire alongside the tag to which it is to be connected, and then wrapping about fifteen turns of wire tightly around the two. Like soldering, this is really



# INTRODUCING MICROPROCESSORS

MIKE TOOLEY B.A.

## PROGRAMMING

## Part 8

In the last part we explained how such commonplace items as l.e.d.s and relays can be interfaced to the parallel I/O port of a microprocessor based system. In this part we shall be dealing with programming of microprocessor systems and will introduce flow charts and languages. We also provide details of the third Practical Assignment.

### LEARNING OBJECTIVES

The general learning objective for Part Eight of Introducing Microprocessors is that readers should understand simple assembly language programs used to control external devices connected to the parallel port of a microprocessor-based system.

The specific objectives for Part Eight are as follows:

#### 6.1 LANGUAGES

6.1.1 Explain the need for programming languages and distinguish between high level and low level languages.

6.1.2 State the desirable characteristics of programming languages for each of the following applications:

- real-time control systems
- data processing
- systems and application software.

#### 6.2 ASSEMBLY LANGUAGE PROGRAMMING

6.2.1 Describe the logical procedure which must be adopted in order to create a satisfactory program.

6.2.2 Describe algorithms and draw flowcharts relating to simple problems.

6.2.3 Identify and use common flow-chart symbols.

6.2.4 Explain what is meant by assembly language.

6.2.5 Describe, with typical examples, the use of mnemonics in assembly language programs.

6.2.6 Write, hand-assemble, enter, test and debug simple programs using a subset of the instruction set of any common 8-bit c.p.u. to:

- a) add two eight-bit data values from RAM and place the result in a third RAM location
- b) operate an external relay or l.e.d. in a pre-defined on/off sequence.

### PROGRAMMING LANGUAGES

In order to simplify the process of producing working programs, the software developer may use one (or more) of a number of programming languages to simplify the task of producing a working program. The choice of language depends essentially upon several factors including the application concerned, the degree of familiarity which the programmer has with the language concerned, and the availability of the necessary development software for the microprocessor system to be used.

Languages which are well suited to producing software in fields such as data processing are generally not well suited to producing software for

such applications as real-time control. Furthermore, a programmer who is competent in a language such as Pascal may be very much out of his or her depth with Forth.

Happily, a range of languages is available to most modern microcomputers and the final choice of language will take into account such factors as compactness (i.e. size of program code generated), speed of execution, ease of use, portability (i.e. ability to transfer code easily from one system to another), and ease of maintenance.

The desirable characteristics of languages for three typical applications (real-time control, data processing and applications software) are listed in Table 8.1.

### HIGH AND LOW-LEVEL LANGUAGES

Programming languages are often classified as "high level" or "low level". High level languages are generally those which are "procedure oriented" and are written in structured English such that programs are easily readable. Each program statement in a high level language will normally have a recognisable function and, furthermore, will be equivalent to several assembly language instructions.

Low level languages are those which are "machine oriented" and are thus close to the binary "machine code" which is executable



	Real-time control	Data processing	Applications software
Speed of execution?	MUST be very fast	not generally critical	as fast as possible
Size of code	MUST be very compact	not generally critical	should be reasonably compact
Portability	not generally critical	should be reasonably portable	MUST be highly portable
Availability of data structures	not generally critical	MUST offer a range of powerful data structures	should offer a range of data structures
Example language	Assembly language	Pascal	C

Table 8.1 Characteristics of programming languages for three typical applications areas

by the microprocessor. Assembly language is an example of a low level language which uses mnemonic operational codes (opcodes) and symbolic addresses (instead of actual memory locations). The individual program statements in a program written in a low level language may not in themselves, be particularly meaningful and therefore comments are generally added to clarify the action of the statements.

## ASSEMBLY LANGUAGE PROGRAMMING

In Part Three we briefly mentioned that assembly language was a low-level language in which the instructions are presented in mnemonic code for later translation into the binary code acceptable to the microprocessor. Readers will doubtless recall that this process is normally carried out by means of an assembler program.

The assembler acts upon a text file written in mnemonic assembly language code (known as "source code") and generates a binary code (known as "object code") within the microcomputer's memory. Thereafter, the object code constitutes a directly executable program i.e. we simply load the Instruction Pointer or Program Counter with the entry (start) address of the code and execution commences.

Some assemblers produce intermediate programs in hexadecimal format such that the mnemonic source code is first translated into a hexadecimal file. This file may be subsequently stored on disk (as a "hex. file") or loaded into the microcomputer's memory ready for execution.

Alternatively, where programs are extremely short, it is possible to dispense completely with the services

of an assembler and resort to "hand assembly". This, somewhat tedious process, involves first writing the program in assembly language mnemonics and then translating each instruction (operation code and operand) into hexadecimal code which is then loaded into an appropriate region of memory prior to execution. Hand assembly requires the services of a machine code "monitor" or "debugger". Alternatively a rather more specialised "hexadecimal code loader" may be used.

At this point, it is worthwhile reminding readers of the simple example which we used in Part Three. We wished to add together two bytes of immediate data (stored in RAM as part of the program) using our hypothetical microprocessor (IMP). This task involved three instructions. The first loaded the first operand (in this case a byte of immediate data) into the accumulator (A). The second loaded the second byte of data into the B register. Finally, the third instruction added together the contents of the A and B registers and placed the result back into the accumulator.

Assuming that the data bytes have hexadecimal values of 01 and 02 respectively the program takes the following form:

```
LD A,01
LD B,02
ADD B
```

Its hexadecimal representation may be found by referring to the instruction set as follows:

LD A,01 is represented by 3E (the opcode) followed by the byte of immediate data (in this case 01)

LD B,02 is represented by 06 (the opcode) followed by the

byte of immediate data (in this case 02)

ADD B is represented by 80 (the opcode) and there is no operand

The hexadecimal representation of the program is thus:

```
3E 01
06 02
80
```

Assuming that the program is to commence at an address of 1800H, the contents of IMP's memory would be as shown in the table below:

Address (hex)	Contents	
	(hex)	(binary)
1800	3E	00111110
1801	01	00000001
1802	06	00000110
1803	02	00000010
1804	80	10000000

After execution of the program, the Instruction Pointer (Program Counter) will have reached 1805H and the A and B registers will contain 03 and 02 respectively. Note that, if we wished to test the program it would be necessary to halt the microprocessor at address 1805 otherwise it would continue to execute whatever code it came across. This is a potentially dangerous situation as the microprocessor cannot distinguish between random data and program code (the former may cause the system to lock-up in an endless loop or even over-write the program with spurious data).

Now let's consider a more complex example. Suppose that we wish to add together two eight-bit data values stored in RAM (not as part of the program) and place the result into a third RAM location. We will assume that, in both cases, the bytes of data are stored in memory locations 1900H and 1901H and that the result is to be deposited at address location 1902H. To make life easier, we will ignore the possibility of an overflow occurring (as would be the case if the sum of the two bytes were to exceed 255 decimal or FFH).

The assembly language program, and corresponding hexadecimal machine code, will be different for different microprocessors. Indeed, the programmer may have to adopt slightly different techniques due to the constraints imposed by the instructions and addressing modes (i.e. methods of locating the data used by an instruction) available with the microprocessor concerned.

The following routines for the Z80 and 6502 illustrate this point:

### Z80 CODE

LD A, (1900H) ; get first byte

LD B,A ; transfer to B  
 LD A, (1901H) ; then get the second byte  
 ADD B ; find their sum  
 LD (1902H),A ; and store the result

**6502 CODE**

CLC ; first clear carry flag  
 LDA \$1901 ; get second byte  
 ADC \$1900 ; and add to first  
 STA \$1902 ; then store the result

**Problem 8.1**

Use implied addressing (with register pair HL acting as a pointer) to produce an alternative Z80 program which will have the same effect. (NB: A subset of the Z80 Instruction Set appeared on Data Card 4.)

**ASSEMBLY LANGUAGE PROGRAMMING TECHNIQUE**

Regardless of the processor involved, a number of techniques can be used to improve the overall efficiency of a program and also make it easier to maintain. Many of these techniques are easy to implement and merely require a little forethought and self-discipline on the part of the programmer.

Programs will invariably comprise a number of smaller modules each having an identifiable function. The overall structure of the program should be defined at a very early stage and no attempt should be made at coding any of the modules required by the program until the overall program structure has been finalised.

An algorithm is a method of describing the sequence of operations which should be followed in order to solve a problem. An algorithm is often expressed using a diagram to show the sequence of events. This diagram is known as a flowchart and a standard set of symbols (Fig. 8.1). These symbols indicate the type of process involved and the flowchart is annotated with brief explanatory comments which are inserted within the symbols to which they refer.

The overall structure and flow of a program should be defined using one, or more, flowcharts at an early stage. Alternatively (or in addition to a flowchart representation) the sequence of the program may be described by a series of statements written in a form of structured English. In any event, the overall flow of the program should be sequential, there should be only one entry and one exit point, and all transfers of control (i.e. jumps and calls) should be explicit.

As an example of using flowcharts and structured English statements,

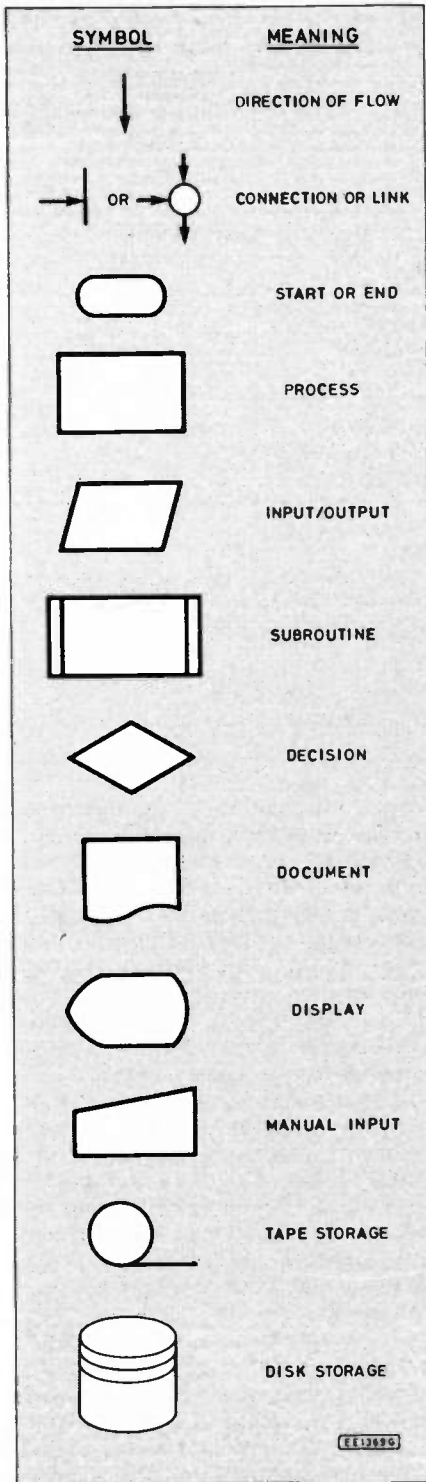


Fig. 8.1 Flowchart symbols

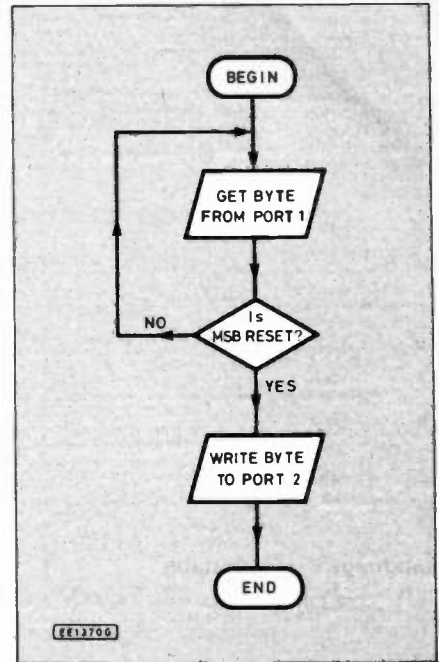


Fig. 8.2 Flowchart for a simple I/O process

consider the case of a simple routine which reads a set of switches connected to an input port, loops until the switch connected to most significant bit (MSB) is closed and then transfers the byte read from the switches to an output port.

A flowchart for the process is shown in Fig. 8.2. Alternatively, we could express the problem in terms of the following structured English statements:

```

Begin
Repeat
  Get byte from PORT 1
Until MSB of byte is reset
Output byte to PORT 2
End
  
```

Armed with one or other of the foregoing algorithms, it is a relatively simple matter to develop the code. A particular solution based on the Z80 microprocessor, is shown in Fig. 8.3

**Problem 8.2**

Sketch a flowchart to describe the steps in finding the sum of two data

```

; READ BYTE FROM PORT1, LOOP UNTIL MSB RESET,
; THEN TRANSFER BYTE TO PORT2
;
; EXIT: A = (PORT1), BC = PORT2, ZF = reset
;
; REGISTERS AFFECTED: A, B, C, F
;
GETBYTE: LD BC,PORT1 ; Get byte from
IN A,(C) ; PORT1
BIT 7,A ; Is MSB reset?
JR Z,GETBYTE ; No, keep trying
LD BC,PORT2 ; Yes, send byte
OUT (C),A ; to PORT2
RET
  
```

Fig. 8.3 Simple Z80 I/O subroutine

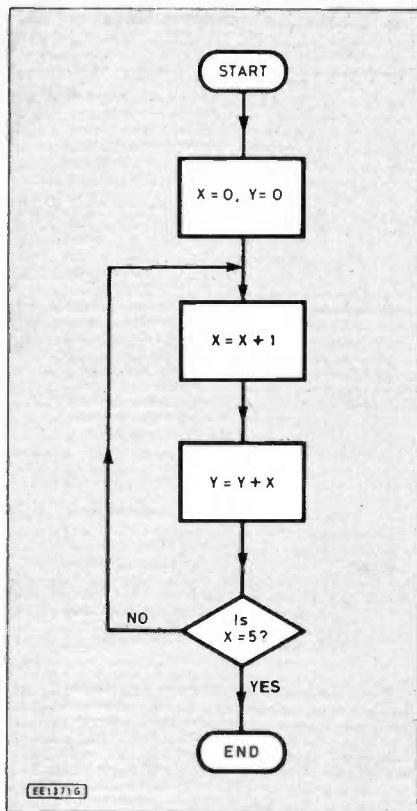


Fig. 8.4 See Problem 8.3

values (taken from memory) and place the result back into memory.

### Problem 8.3

The flowchart in Fig. 8.4 indicates a process. Determine the values of the variables X and Y upon exit.

### SUBROUTINES

The fragment of code shown in Fig. 8.3 constitutes a subroutine. This is a section of code which may be called from various points in the main program (using the CALL instruction) and returned to (by means of a corresponding RETURN instruction). If desired, both the CALL and RETURN instructions can be made conditional on the contents of the flag register. Furthermore, a subroutine may have several conditional RETURN statements.

The CALL instruction saves the old value of the Instruction Pointer (or Program Counter) in the stack before replacing it with the value of the subroutine start address. On returning from the subroutine, the Instruction Pointer (or Program Counter) is loaded with the value saved on the stack so that the main program can be resumed at the point at which it was left.

Parameters can be easily passed to and from subroutines by simply placing them in one or more of the CPU registers. Alternatively, parameters may be passed using the stack or by reserving an area of memory in which parameters can be deposited before making the call and recovered after the call has been

made. These techniques allow the passing of a much greater number of parameters than would be possible using just the CPU registers.

Care must be taken to preserve the contents of any CPU registers that may be modified as a result of executing a subroutine call and that are required in subsequent processing. It is thus essential to have a knowledge of the effect of a subroutine on the CPU registers (in any event, this should be clearly indicated in the source code). Furthermore, subroutines should be designed so that they minimise usage of the CPU registers, thus keeping things simple for the programmer and reducing any potential overhead associated with storing and retrieving register contents.

The use of subroutines makes programs easy to maintain and allows modules to be easily transferred into other programs without having to rewrite an entire program. This is an important point and one which can save the programmer a great deal of time!

### PROGRAMMING I/O DEVICES

Readers may recall that we concluded last month's instalment by describing a representative output driver arrangement based on a programmable parallel I/O device. We also stated that the external devices could be easily operated by simply writing an appropriate data byte to the port in question. As an example, a binary value of 11000111 (hex. C7) written to Port A will illuminate the three I.e.d.s connected to PA0, PA1 and PA2 and operate the relays connected to PA6 and PA7. To turn the I.e.d.s and relays off, a binary value of 00000000 (hex. 00) should be sent to Port A.

Readers may recall from Part Six that a microprocessor employing memory mapped I/O (such as the 6502) can simply write data to an output port using an instruction of the form: STA address (the accumulator must first be loaded with the requisite byte of immediate data). In the case of a microprocessor which uses port I/O (such as the Z80), the accumulator is again first loaded with the requisite byte of data and then an output instruction of the form OUT (port), A is used.

In either case, it will usually be necessary to configure the programmable I/O device (this will often be a 6520 PIA or 6522 VIA in the case of 6502 CPU or a Z80-PIO or 8255 PPI in the case of a Z80 CPU) before I/O can commence. The configuration routine will be very much dependant upon the hardware configuration and type of I/O device fitted. Such specific routines are beyond the scope of Introductory Microproces-

sors but, where readers require further details they should refer to the documentation provided by centres for use in Practical Assignments Three and Four.

### Problem 8.4

A microprocessor based system is fitted with one input and one output port. The input port is connected to eight switches and the output port is connected to eight I.e.d.s. Devise a simple assembly language program which will continuously read the switches and operate the respective I.e.d.s in each of the following cases:

- Using a 6502 CPU memory mapped with the following port addresses: Input, 8002H Output, 8005H
- Using a Z80 CPU employing port I/O with the following port addresses: Input, FBH Output, FDH

### THIRD PRACTICAL ASSIGNMENT

Readers should now be ready to undertake the third Introductory Microprocessors Practical Assignment. This assignment involves Programmable Input/Output Devices and Peripheral Control and the module objective references are 4.2.4 and 5.1.4

As before, the Practical Assignment must be undertaken at an approved local centre where candidates will be provided with supervision and appropriate working conditions. Candidates should, however, provide their own A4 note paper, pens and pencils. For its part, the Centre will supply candidates with any hardware, data sheets, books or handbooks required (including full documentation for the microprocessor-based system, a full instruction set for the microprocessor and details of port connections and addresses). During the Practical Assignment, candidates will normally be required to undertake the following tasks:

- Draw a pin-out diagram of the programmable parallel input/output device provided on the system, clearly labelling the supply pins, address, data, input/output and control bus lines. Readers may wish to refer to Data Card 6 (April 1988 E.E.) which contains details of five of the most popular programmable I/O devices.
- Using the data sheets provided for the programmable parallel I/O device on the system being used, name the internal registers and briefly explain their function.
- With power off, connect an I.e.d. relay driver unit to the

microprocessor-based system.

- (d) Connect a 12V d.c. motor to the normally-open contacts of the relay in (c).
- (e) Write an assembly language program which will operate the l.e.d. and motor (via the relay driver). Include an algorithm or flowchart to show how the program works and include the configuration routine (supplied by the tutor/assessor).
- (f) Hand assemble the program, enter, test and debug the program using the facilities offered by the microprocessor-based system.

Note that this assignment should be completed in two hours 30 minutes. Extra time may prejudice your chances of success.

### Marking

Candidates will have satisfactorily completed this first Practical Assignment if they can demonstrate success in all items marked with a square and at least TWO out of FOUR items marked with a circle in the list below:

- Completed within two hours 30 minutes
- Pin-out diagram of programmable I/O device
- Internal registers identified and functions explained
- I/O addresses stated and/or memory map included
- Flowchart or algorithm
- Program machine code and assembly language listing
- Program functions correctly with l.e.d. relay driver

Where candidates are deemed unsuccessful, a period of at least seven days must elapse before a re-take is permitted. This should give candidates an opportunity to prepare themselves. Note also that most centres will expect candidates to use a different microprocessor-based system and programmable I/O device for their second, and any subsequent, attempts.

### NEXT MONTH

Next month we shall bring our series to a conclusion by preparing readers for the second Written Assessment and the fourth Practical Assignment. We shall also include replies to a number of queries raised by readers in our second, and final, Readers' Forum.

### ANSWERS TO PROBLEMS

- 8.1. Either of the following programs would prove satisfactory:
- (a) LD HL, 1900H  
LD, B, (HL)

- INC HL  
LD A, (HL)  
INC HL  
ADD B  
LD (HL), A
- (b) LD HL, 1900H  
LD A, (HL)  
INC HL  
ADD (HL)  
INC HL  
LD (HL), A

Note that the program in (b) is one byte shorter than that in (a)  
8.2. See Fig. 8.5

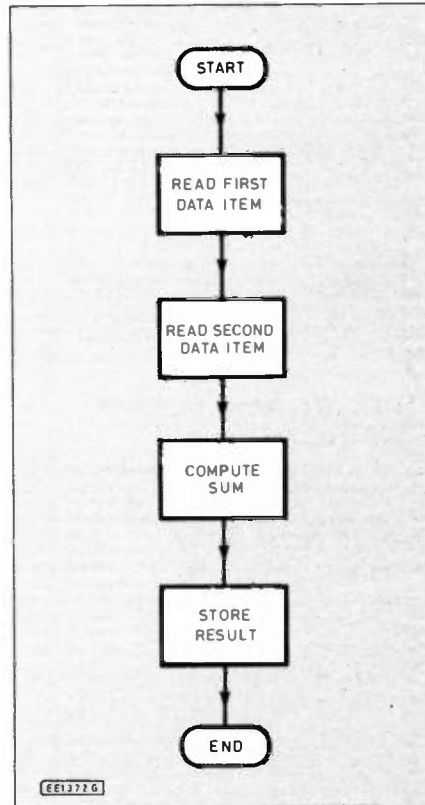


Fig. 8.5 Answer to problem 8.2

8.3. X=5, Y=15

- 8.4. (a) LDA \$8002 ; get byte from switch bank  
STA \$8005 ; and send it to the LED
- (b) IN A, (FBH) ; get byte from switch bank  
OUT (FDH), A ; and send it to the LED

### BACKGROUND READING

The following background reading is recommended for Part Eight:

(a) Chapter 3 (Software and Programming) of *Beginner's Guide to Microprocessors* by E. A. Parr (a Newnes Technical Book published by Heinemann-Newnes) ISBN 0 408 00579 3. Available from Direct Book Service—see page 362.

(b) Chapter 4 (Program Creation at Machine Code Level) of *Microelectronic Systems 2* by R. Vears (published by William Heinemann Ltd.) ISBN 0 434 92194 7. Available from Direct Book Service—see page 362.

### CORRESPONDENCE

Comments and queries from readers are welcome and should be sent directly to the author at the following address: Department of Technology, Brooklands Technical College, Heath Road, Weybridge, Surrey, KT13 8TT.

Readers' queries will be dealt with in our final "Readers' Forum" which will appear next month.

### GLOSSARY FOR PART EIGHT

#### Algorithm

The sequence of steps (presented in a clearly understandable form) which describe the procedure used to solve a problem.

#### Call

An instruction to jump to a subroutine. A jump to the specified address is performed, but the contents of the Instruction Pointer (or Program Counter) is saved so that the (calling) program can be resumed when the subroutine has been completed.

#### Flowchart

A graphical representation of program logic. Flowcharts enable the software developer to visualize the steps and logical flow within the program.

#### Hand assemble

The process of translating a program presented in assembly language mnemonics into machine code without the aid of an assembler program.

#### High level language

A problem oriented programming language (as distinguished from a machine oriented language). The syntax of a high level language is usually similar to English.

#### Program

A procedure for solving a problem coded into a form suitable for execution by a computer. Often referred to simply as "software".

#### Subroutine

A routine or sub-program which is separated from the main body of the program and which is executed by means of a CALL instruction (or its equivalent in a high level language). At the conclusion of the subroutine, control reverts to the main (calling) program at the point at which it was left.

### PLEASE NOTE

The *Introducing Microprocessors* series has proved to be very popular with both readers and lecturers/teaching establishments etc.

To meet this on-going demand for the series we will be republishing it in book form. The book will be available from newsagents and from the Direct Book Service during October—watch out for full details.



# MULTI-CHANNEL REMOTE LIGHT DIMMER

PART TWO

B. ROBINSON



Create just the right "ambience" from the comfort of your armchair.

**L**AST month we presented details for building the Infra-red Transmitter and Receiver. The setting-up procedure for these two units called for the use of an oscilloscope, so before moving on to describe the Relay, Dimmer, PSU and Mother boards we should like to offer some guide lines on setting-up without an oscilloscope.

## SETTING-UP WITHOUT AN OSCILLOSCOPE

To set up the receiver without the use of an oscilloscope is slightly more difficult, but providing the circuit is functioning correctly, it can be done. The variable resistor on the transmitter, VR1 should be set somewhere near its mid point and pin 5 of the transmitter i.c. should be connected to pin 15 to give the code "(0001)". The l.e.d., D1, should light showing that the i.c. at least is operating.

The receiver should be mounted within a metre or so of the transmitter and a voltmeter should be connected to the "A" output of the receiver board, or pin 5 of the ML926. The receiver should then be powered up. The meter will probably read 0V at this stage, if it does, slowly rotate the variable resistor VR1 on the receiver and observe the meter carefully.

If the current tuning point is found, then the "A" output of the ML926 will rise almost to supply volts, and this can be observed on the meter. If no point can be found where the output changes, then re-adjust the transmitter variable resistor (VR1) to a setting slightly off centre and try again. By repeating this operation and by making careful notes about the positions of the transmitter variable resistor which have been tried, an operating position will eventually be found.

When this happens, the receiver control should be rotated gradually one way and then the other to ascertain the range of the resistor over which the circuit operates, then the control can be set to the middle of this range. This is important, because the receiver could be at the edge of the correct

operating frequency and any drift in the transmitter frequency could cause the receiver to lose the signal. Of course, it is possible that when the receiver is first switched on it will happen to be correctly tuned. If this happens ensure that the receiver is in the middle of its range as before and be sure to do the football pools.

## DECODER AND RELAY DRIVERS

The decoder and relay driver circuit diagram is shown in Fig. 7. The 4-bit binary output from IC3 of the receiver circuit is applied to the input of the 4514 CMOS 4 to 16-line decoder. This device outputs a "1" on one of its sixteen output lines according to the binary code being received. Again only six of the possible sixteen codes are being used.

The 4514 (IC4) has an input latch which is enabled by pin 1, but because this pin is tied to Vcc (0V line), the latch is transparent that is the output changes when the input changes. Pin 23 is the output enable pin and because it is a negative true input, it is held

low by tying to the 0V line, thus enabling the outputs.

Each output has a transistor amplifier TR1 to TR6 to provide the necessary drive to operate one of the relays RLA to RLF which in turn operate one of the six lamp dimmers. Relays are used to provide good electrical isolation from the mains voltages present on the dimmers.

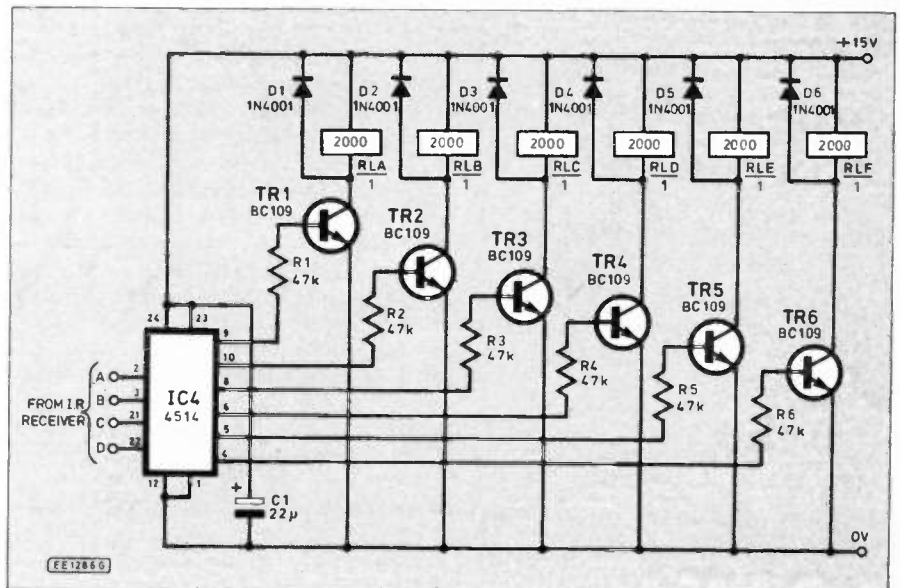
The diodes D1-D6 across the relay coils protect the transistors by clipping the back e.m.f. generated by the coils when the transistors switch off. The capacitor C1 decouples the supply and removes any relay switching noise from the supply.

## CONSTRUCTION AND TESTING

The decoder and relay drivers are built on a printed circuit board, the component layout of which is shown in Fig. 8. Although IC4 can be soldered into the board, it is a 24-pin device and would be extremely difficult to unsolder, so it is better to use an i.c. socket so that it can be changed if a fault should occur.

Ensure that there are no tracks being bridged by solder especially around the relay contact pins and all transistors and diodes are connected the correct way round. Also en-

Fig. 7. Complete circuit diagram for the Decoder and Relay drivers.



**IT IS VERY IMPORTANT TO SWITCH THE MAINS OFF BEFORE HANDLING ANY OF THE BOARDS, MAINS LAMP DIMMERS ARE POTENTIALLY LETHAL**

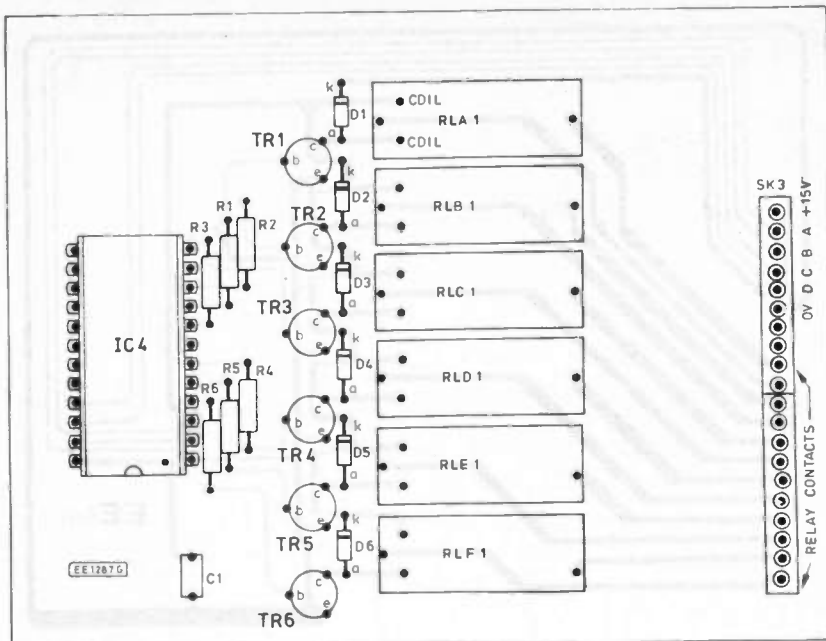


Fig. 8 (above). Decoder/Relay Driver board component layout and (right) full size p.c.b. copper foil master pattern.

sure that IC4 is correctly orientated before applying power to the board. Because IC4 is a CMOS device, it is safest to leave it off the board until the rest of the components are installed and so minimise the risk of static damage.

The board can be tested after construction by the following method. Connect a short piece of wire to each of the four input pins A, B, C and D and tie them *all* to ground (0V). Connect an ohmmeter (multimeter set to "ohms") across the contacts of RLA and apply power to the board, the meter should show an *open* circuit.

Now remove the wire going to input pin A of the board from the 0V line and connect it to the 15V supply pin and the meter should show a *short* circuit. Assuming it does, replace the "A" wire on the 0V line and do the same test with the "B" wire and the

meter across RLB contacts. Repeat this test with the pins shown in the table below:

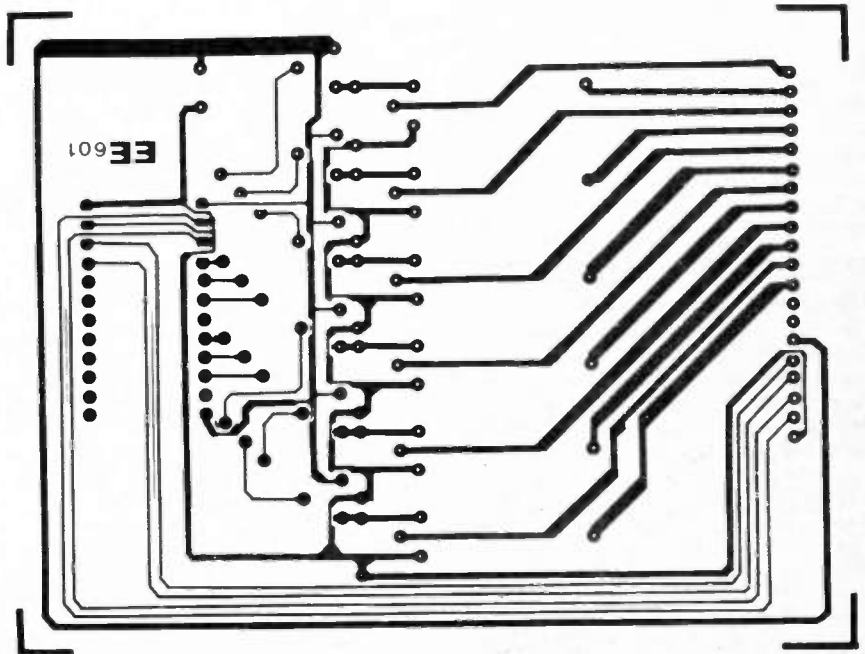
LOW	HIGH	RELAY
B,C,D	A	RLA
A,C,D	B	RLB
C,D	A,B	RLC
B,D	A,C	RLD
A,D	B,C	RLE
D	A,B,C	RLF

If all the outputs are correct then the board is functioning properly, but if any one is incorrect, check the layout for faults and check that the appropriate transistor is not faulty. If nothing works, suspect the supply is missing or wired to the wrong pins, the latch enable (pin 1) or the output enable (pin 23) is not connected, or the integrated circuit is the wrong way round or faulty.

## LAMP DIMMERS

The circuit diagram for a single lamp dimmer is shown in Fig. 9. This circuit is repeated for the required number of dimmers.

The S576 touch switch i.c. is normally used in touch sensitive lamp dimmers by providing the components shown boxed in Fig. 9.



## COMPONENTS

### RELAY BOARD

#### Resistors

R1-R6 47k (6 off)

#### Capacitors

C1 22 $\mu$  elec. 25V

#### Semiconductors

D1-D6 1N4001 (6 off)

TR1-TR6 BC109 npn silicon (6 off)

IC1 CD4514  
4 to 16-line  
decoder

**Shop  
Talk**

#### Miscellaneous

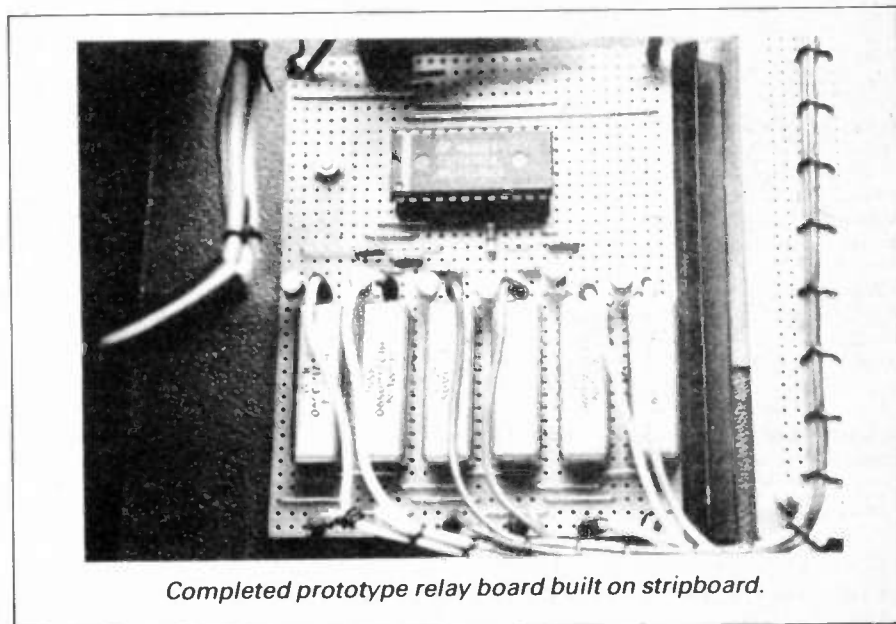
See page 360

SK3 10-way p.c.b. connector (female)

RLA-RLF 2000 ohm, 12-18V relay, s.p.s.t. contacts (6 off)

Printed circuit board, available from EE PCB Service, code EE601; solder pins; 24 pin i.c. socket.

Approx. cost  
Guidance only **£15**



Completed prototype relay board built on stripboard.

Touching the sensor plate or closing the relay for a period between 50 and 400ms causes the lamp to toggle between on and off depending on its previous state.

Touching for longer than this causes the lamp to cycle between maximum and minimum brightness as long as the touch is applied, taking about seven seconds to go from one extreme to the other. This operation is shown diagrammatically in Fig. 10. The 50ms lower time limit before the circuit responds is provided to eliminate spurious switching caused by interference picked up on the input.

The mains voltage is dropped through resistor R2 and capacitor C2 and is clamped to 15V by Zener diode D1. The diode D2 rectifies the voltage and it is smoothed by capacitor C3 to provide a 15V supply for IC1. The components R3 and C4 synchronize the circuit to the mains frequency to ensure that the triac CS1 fires at the correct point in the mains cycle. Resistors R5 and R6 are used to limit the current into IC1 in the event of a signal of incorrect polarity appearing and being applied to the extension input.

### GATE TRIGGER

The trigger signal is fed to the gate of CS1 through diode D3 at the required point in the mains cycle, and R1 and C1 form a snubber circuit which slows down the rate of rise of voltage across CS1 at switch off and hence limits the amount of interference radiated by the circuit. The resistors R7 and R8 inside the box may be used if the dimmer is to be used as a "touch dimmer" as well as a remote control dimmer, but are not necessary otherwise.

### CONSTRUCTION

The dimmer circuits are built on printed circuit boards which are slotted into a mother board, thus providing the facility to replace a

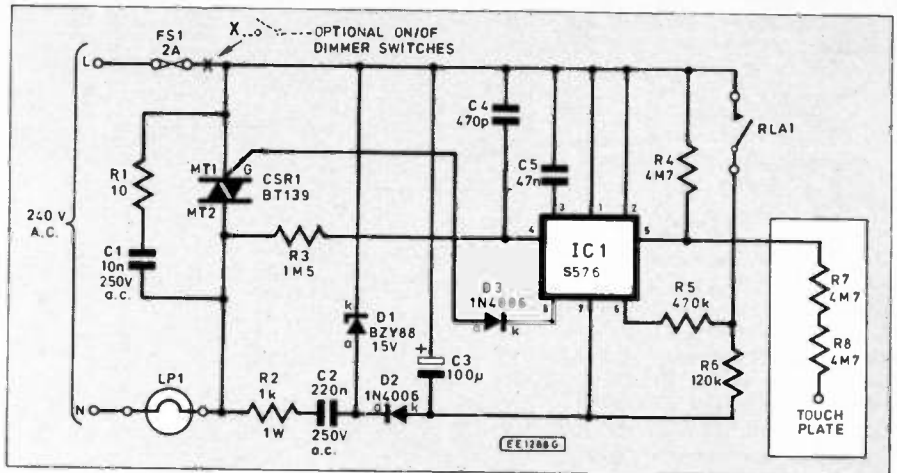


Fig. 9. Complete circuit diagram for a single Lamp Dimmer. The resistors R7 and R8 are optional for "touch" operation.

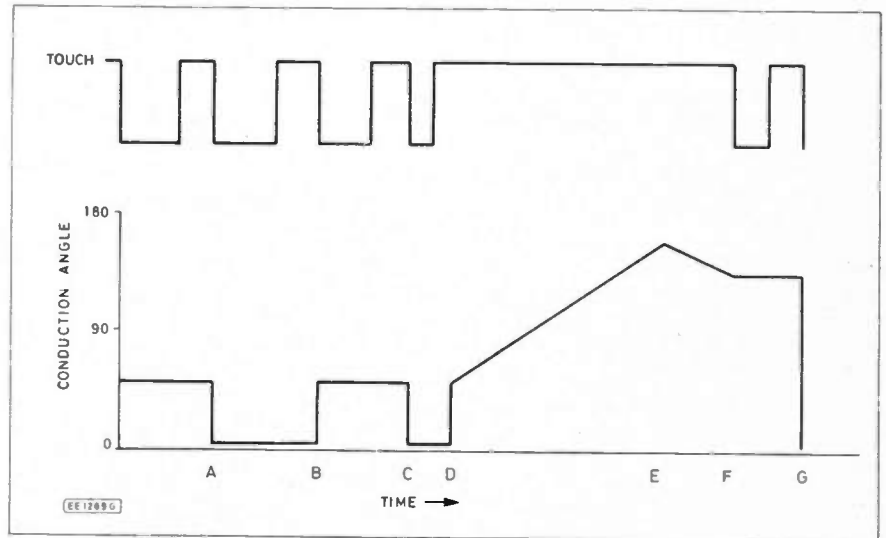


Fig. 10. Lamp dimmer operation or cycle.

## COMPONENTS

### DIMMERS

(Parts for one dimmer)

#### Resistors

- R1 10
- R2 1k, 1W
- R3 1M5
- R4 4M7
- R5 470k
- R6 120k
- R7, R8 4M7 (2 off - optional)

All 0.25W 5% carbon, except where stated

#### Capacitors

- C1 10n disc ceramic, 300V a.c.
- C2 220n polycar. 300V a.c.
- C3 100µ elec 25V
- C4 470p polysty.
- C5 47n polyester

#### Semiconductors

- D1 BZY88 15V Zener
- D2, D3 1N4006 (2 off)
- CS1 BT139 triac
- IC1 S576 dimmer i.c.

#### Miscellaneous

- SK1 4-way P.C.B. connector (female)

Printed circuit board, available from EE PCB Service, code EE602.

**Shop  
Talk**

See page 360

Approx. cost  
Guidance only **£9**

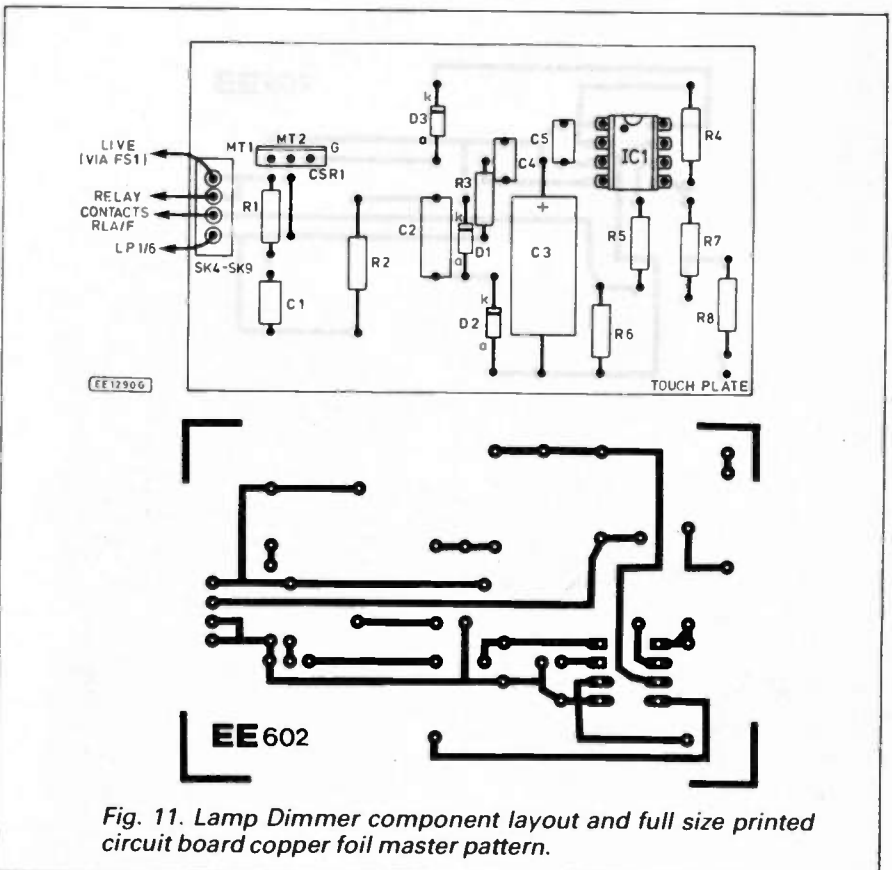


Fig. 11. Lamp Dimmer component layout and full size printed circuit board copper foil master pattern.

dimmer very quickly should a fault occur. This seemed a worthwhile system as the dimmers are the most likely part of the circuit to fail. The fuse FS1 in the dimmer circuit should protect the triac in the event of a lamp failure, but it is not unknown for a lamp failure to destroy the triac before the fuse has time to blow.

The component layout and full size foil master pattern of the printed circuit is shown in Fig. 11. This board is available from the *EE PCB Service*, code EE602.

Care should be taken when assembling the dimmer boards, because a short between tracks or an incorrect component could spell disaster for the circuit. After construction the dimmers can be tested by making a temporary test set-up consisting of a mains lead with fuse and a mains lamp. A switch across the relay inputs (contacts) can simulate the relay, but be very careful, the lamp dimmer board is potentially lethal.

The completed receiver can be mounted in a box along with the lamp dimmers as was the case with the prototype, or the dimmers can be mounted remotely from the receiver. This allows the possibility of replacing the conventional room light switches with "touch dimmers" while still retaining the remote control facility. The first method will be described in detail, with suggestions for those wishing to use the second method.

## POWER SUPPLY

The circuit diagram for the power supply is shown in Fig. 12. The various parts of the circuit all run from a 15V supply, and the total current required is only a few milliamps.

The mains transformer T1 is rated at 15V 6VA and its output is rectified by the bridge rectifier (D1-D4) to provide the raw d.c. voltage which is smoothed by capacitors C1 and C2 and applied to the 15V regulator IC1. The capacitors C3 and C4 are required to prevent any high frequency noise being generated by the regulator.

The power supply is built on a single p.c.b. (EE code 603) and the full size master pattern and component layout is shown in Fig. 13. This board is also available through the *EE PCB Service*, see page 373.

The mains transformer mounted on a piece of stripboard. Note that all connections should be covered with insulating sleeving.

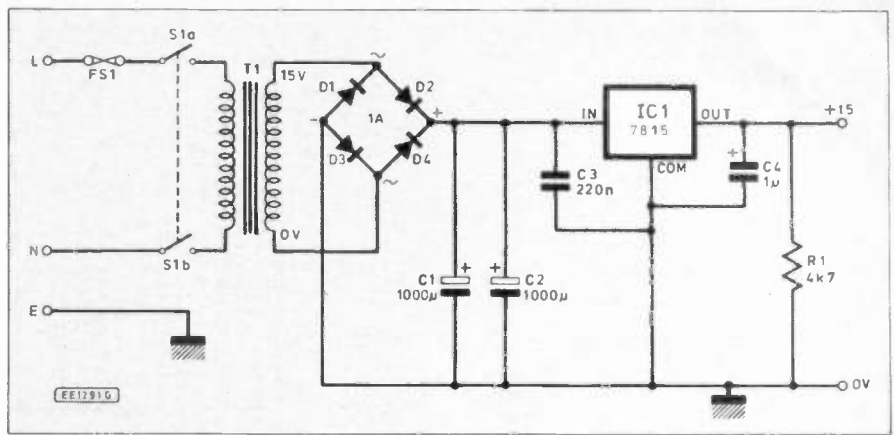
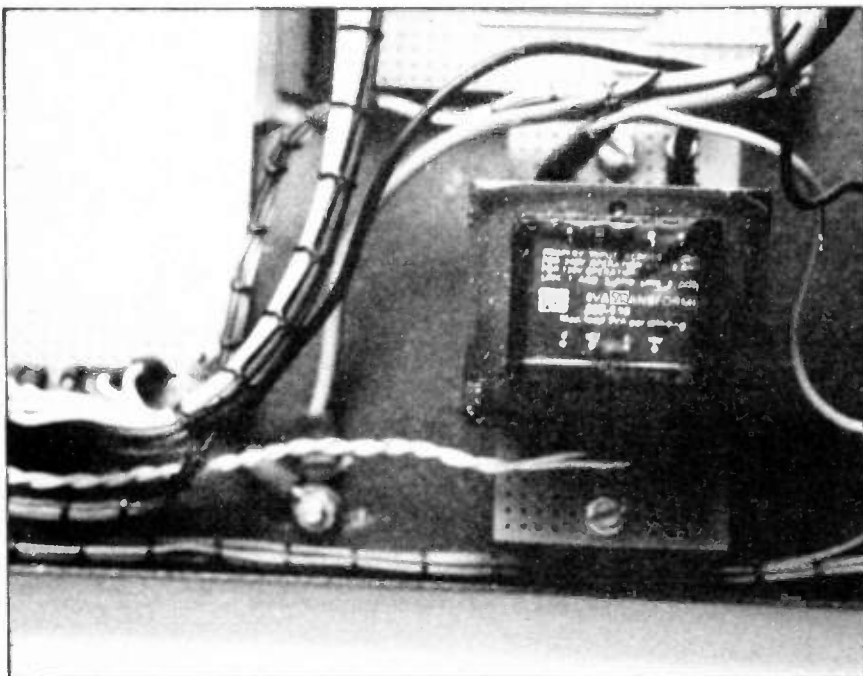


Fig. 12. Circuit diagram for the system power supply.

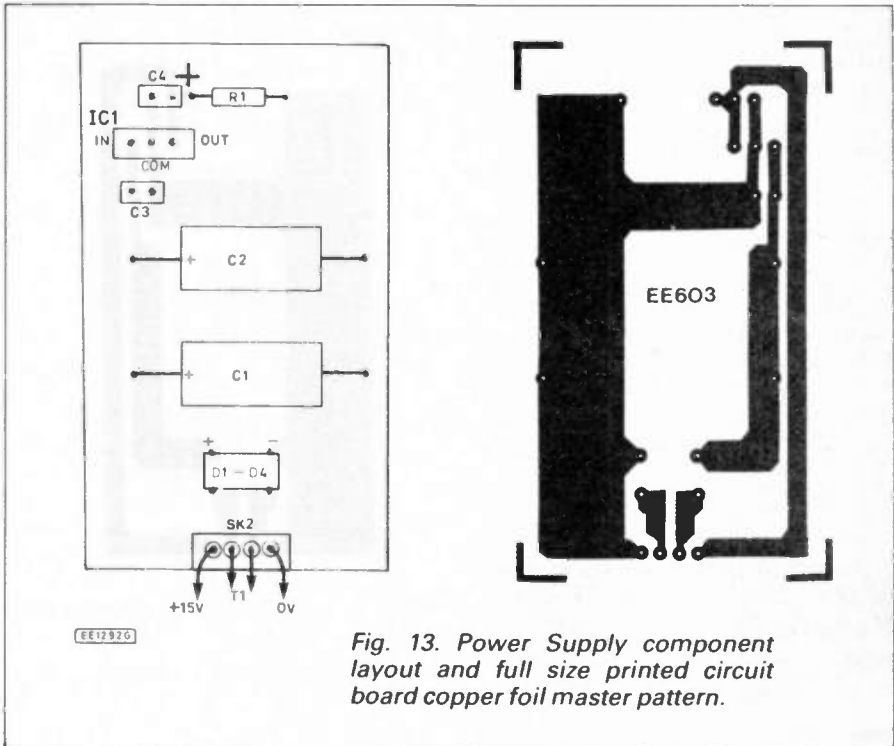


Fig. 13. Power Supply component layout and full size printed circuit board copper foil master pattern.

## COMPONENTS

### POWER SUPPLY

#### Resistors

R1 4k7  
0.25W 5% carbon

#### Capacitors

C1, C2 1000µF elec. 25V (2 off)  
C3 220nF  
C4 1µF, 25V Tantalum

#### Semiconductors

D1-D4 1A bridge rectifier  
IC1 7815 15V regulator

#### Miscellaneous

T1 15V 6VA mains trans.  
SK1 4-way p.c.b. connector (female)

Printed circuit board, available from *EE PCB Service*, code EE603.

Approx. cost **£9**  
Guidance only

**Shop  
Talk**  
See page 360



When the supply has been constructed, check that all components have been put in the correct places and that there is no possibility of short circuits, switch on and check that the output voltage is 15V. Run the supply on a light load for a few minutes to ensure that nothing overheats, because a power supply failure could destroy *all* the integrated circuits on *all* the boards.

## MOTHER BOARD

The mother board consists of a printed circuit board Fig. 14 (EE code 604), its component layout being shown in Fig. 15. Each "daughter" board position consists of a male p.c.b. connector of the appropriate number of ways, soldered into the board. These mate with the female connector on the daughter board and carry the necessary power supplies and signals to the boards.

Great care must be taken to ensure that the board has no bridged tracks, because mains voltages are present on some parts of this board. When all connectors are inserted into the board each connector should be checked with an ohmmeter to ensure that the pins go where they should.

## FINAL CHECKING

When all the boards have been constructed and tested, the whole unit can be put together. The transformer T1 should be mounted in the case first followed by the mother board which should be mounted in the bottom of the box using four half-inch mounting pillars.

The mains wiring should be carried out using good quality insulated wire run in a neat loom so that there is no possibility of a wire going astray. It is a good idea to lace all high voltage wires into one loom and low voltage wires into another. The mains input to the prototype goes to a twelve-way connector block and from there is distributed to the dimmers.

The mains earth wire should be connected to the case through a solder tag fixed with a 2BA or 4mm screw. Ensure that the metal underneath the solder tag is clean and free from paint and that a locking washer is placed above the tag.

## DIMMER SWITCHES

Each of the cables going to the lamps is taken out through the back panel through individual grommets. Each of the dimmers in the prototype also has a miniature toggle switch in series with it so that individual channels can be disabled, this feature was added in case of problems when developing the system, but can be left out if desired.

Plug the power supply into the mother board, apply mains power and check that the low voltage supply is of the correct voltage and polarity, then switch the mains off. Plug a dimmer board into the mother board in the first dimmer position and connect a mains lamp to the appropriate points.

Apply a short circuit across pins nine and ten of the decoder mother board plug to simulate relay contacts. This is best done by wiring a mains switch to insulated wires so that there is no possibility of coming into contact with mains voltages.

When these contacts are shorted, the lamp should cycle between dim and bright as described before, but if this does not occur, switch off the power and check connections and components on the dimmer. Once the board has been shown to function, each dim-

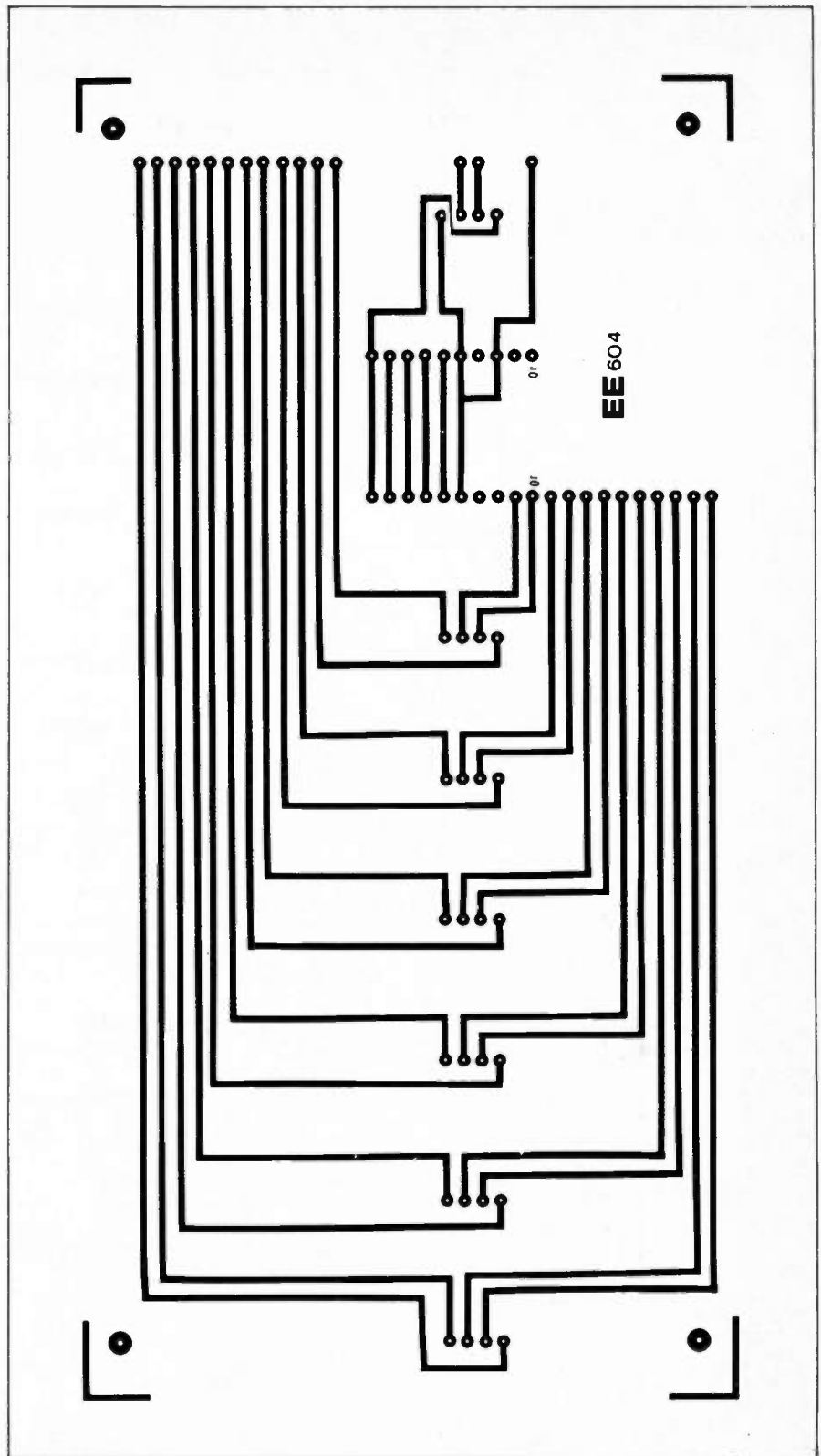


Fig. 14. The full size printed circuit copper foil master pattern for the Mother board. See Fig. 15 for topside layout

mer should be plugged into this position and tested in a similar manner.

After all lamp dimmers have been tested and shown to be working, the remaining boards should be plugged in and the overall system tested. *It is very important to remember to switch the mains off before handling any of the boards, as stated before, mains lamp dimmers are potentially lethal.*

The author's prototype is built into a metal

## COMPONENTS

### Mother Board

- |              |                                  |
|--------------|----------------------------------|
| PL1, PL4-PL9 | 4-way p.c.b. connector (male)    |
| PL2          | 10-way p.c.b. connector (male)   |
| PL3          | 2×10-way p.c.b. connector (male) |

Printed circuit board, available from EE PCB Service, code EE604.

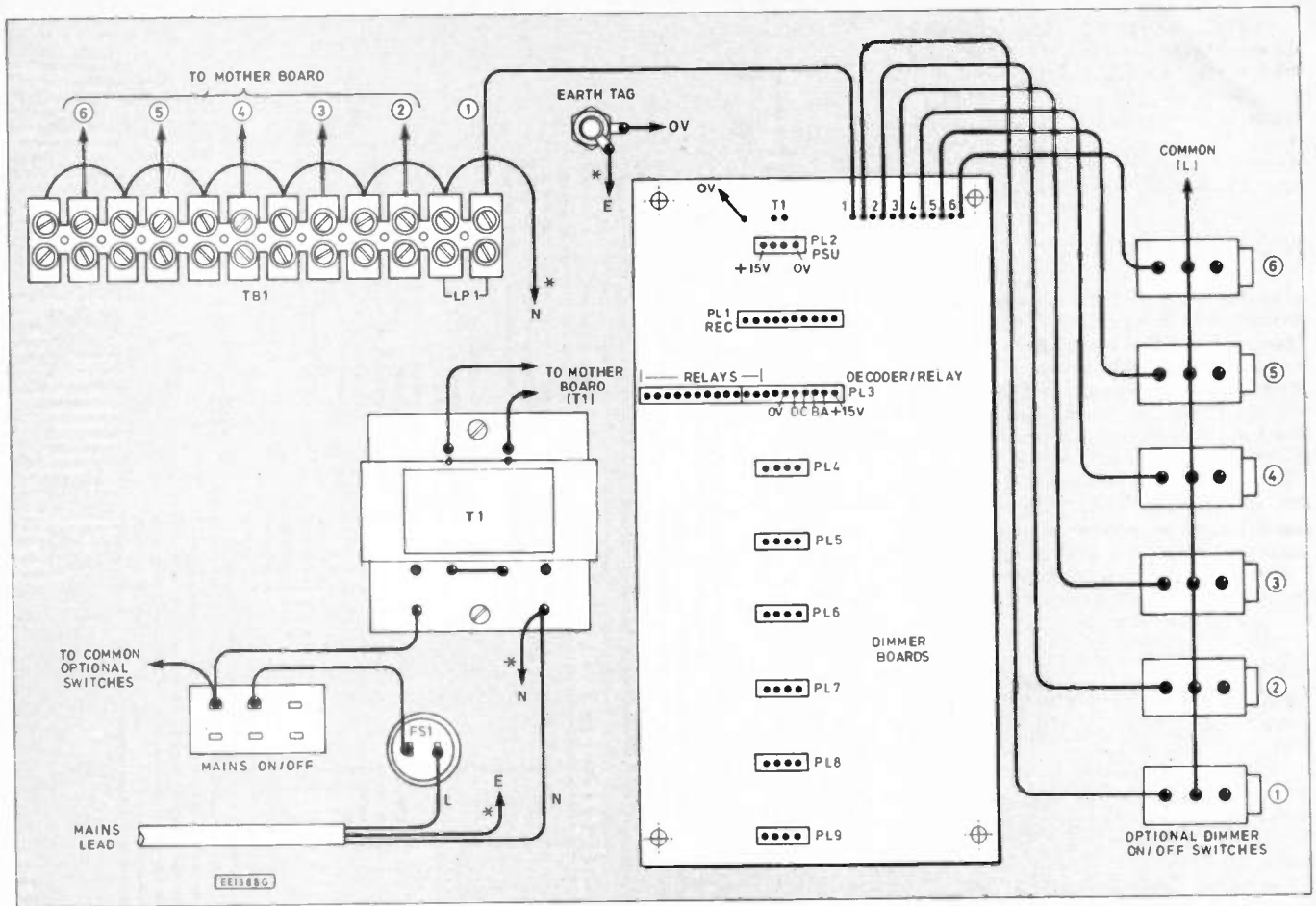


Fig. 15. Suggest component layout inside the case. The mains transformer is mounted on a piece of stripboard and cuts made in the copper strips around the board spacer fixings and between secondary and primary windings

box which is designed to be installed in a cupboard with the infra-red diode mounted through a hole in the cupboard door. It is positioned so that an infra-red beam can be transmitted from any part of the room and will not be masked by furniture.

### INFRA-RED SENSOR

The infra-red sensor diode can be mounted some distance from the case if screened cable is used for its connections, twin screened cable being ideal, with only the screen connected to "earth" or ground.

*Layout of boards inside the prototype and the wiring loom to the optional dimmer switches. Note all boards should have their component sides facing the viewer when plugged into the Mother board. The Decoder/Relay driver board has now been accommodated on the mother board.*



If the connecting wire is very long or is run near mains wiring, it is almost certain that problems will occur with pick-up, so the diode should be mounted as close as possible to the box.

In the initial testing, it is a good idea to connect the diode right on the top of the receiver board to minimise noise pick-up. If the unit then operates badly when the diode is remote from the box, it is almost certainly pick-up that is to blame. Because of differing circumstances in each installation, no hard and fast rules can be given as to length of cable, the constructor may have to experiment a little to find the best set up.

The choice of case to use has been left to the individual because it will have to fit with the particular installation and almost any box will be suitable provided its dimensions are at least 190mm x 130mm x 125mm. The only desirable feature is to use a well earthed metal box which apart from protecting users from electric shock risk, will also reduce the amount of radio-frequency interference radiated from the lamp dimmers.

### OTHER USES

The prototype has been in use for some months now and has proved to be completely reliable. Apart from being very convenient to use, it provides a good talking point and fascinates everyone who sees it. As mentioned before, the remote control has several spare "codes" and the author intends to use some of these in the near future. One use under consideration at the moment is an essential piece of equipment for the modern home—a remote control curtain opener! □

# Robot Roundup

NIGEL CLARK

WHEN plastic kits were first used in robotics they were seen as the poor relations to the larger, stronger and more complex arms, buggies and turtles. However as interest in robotics has grown the benefits of flexibility and lower cost have begun to take precedence over strength.

The benefits of low cost are obvious and the point which most kit suppliers are ever eager to push. However from an educational point of view there are additional points worth considering.

If the aim of buying some equipment is to see how it works as well as what it can do, selling items in kit form offers good opportunities. As the device is put together the student can see what goes on under the cover.

In trying to interest younger children it is often more important that they can make something happen with a small model they have made, rather than seeing what a ready-built robot arm is capable of.

It is of course possible to achieve those ends by buying the parts separately. However a growing number of parts suppliers have found it worthwhile collecting the various items needed into one box with the necessary instructions for building a variety of models and in some cases a range of support material such as programs and teacher packs.

## LOW PRICE

Fischertechnik lead the way followed by Lego. Meccano and Plawco came later and now another supplier has come to my notice. Vento of Milton Keynes is providing small kits in the Betaflex material. A number of small motor-driven devices can be made, including a solar-powered buggy, a gear box and a crane. The most expensive kit costs less than £20 and they all come with worksheets.

A more expensive kit is being offered by Proops Brothers and Able Children. Costing about £80 the Junior Engineer Robotech Pack has parts to build a fairly robust four-axis arm with gripper which is capable of lifting about 1kg.

One reason for the relatively low price is that the kit includes only gears, motors, pulleys, switches and cables but not the structural parts. These have to be made separately from wood and plywood. Templates are provided to allow these parts to be cut accurately.

The finished product is mobile, being able to move forwards and backwards. It is controlled via a switch control panel.

The makers said that the Robotech was designed as an inexpensive alternative to the purpose-built arms, but an alternative which would be stronger than the usual kits.

For the future a kit to give Robotech computer control is being worked on. Likely to be given the highly original name of Robotech II, it is expected to be ready in a further six to nine months.

## CONTROL

Computer-control is also being considered for the Meccano kits. The French company which took over the Meccano name some time ago is developing the hardware and software at the moment. Nottingham Educational Supplies, the UK distributor, said that it was hoped to have the work completed by the autumn and for kits to be available in this country for the spring term next year.

A CAD-CAM system is also being worked on at the same time. It will enable users to design a model on-screen and then the system will give a breakdown of the parts needed to make it. That should also be available next spring.

## EXTENDED KITS

In the meantime the range of Meccano kits has been extended and the prices of some of them have been cut. There are now 10 kits starting with a set comprising 140 parts for a little more than £8 and going to one containing 3,100 parts, for more than £600, which comes in a desk-size cabinet. Sets 2 to 5 include motors, it being assumed that anyone who wants to build bigger models will already have a good collection of motors.

As mentioned in the April article Lego is extending its specialised kits into primary schools. They are expected to be ready by late summer. Apart from the usual Lego parts and controllers they will include touch sensors and optosensors to enable quite sophisticated buggies to be made, as well as simple arms and other devices. As with the secondary kits they will be supported by a wide range of projects, case studies and teacher packs. In-

cluding the interface, it is expected that the total package will cost about £300.

Control will be available from the BBC using Logotron's Control Logo. The product is the result of two years' work in which the initial ideas were put to schools, which then came up with suggestions for improvements. Those were incorporated into an improved version which is now being tested again.

All the work is being done in association with the Microelectronics Education Support Unit.

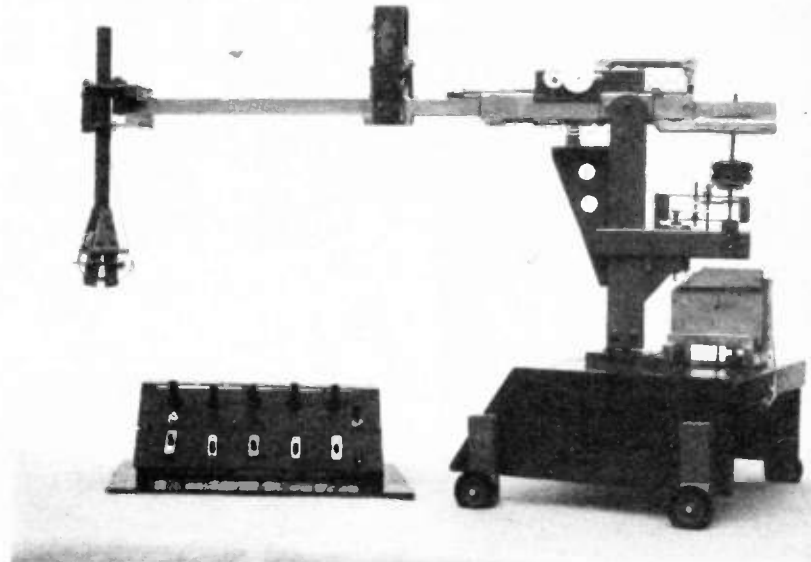
## LEGO

The Lego Buggy, which has been available for some time, has had a facelift courtesy of Resource of Doncaster. Two connected circuit boards have been added to give it computer control from the BBC series. One board, attached to the front holds two bump sensors and an optical sensor for following lines and reading bar codes. The other contains the operating hardware and interface.

It comes with Buggy Basic, an extended version of Basic written specially for the kit, and two languages which have been around for some time, Control Basic and Control IT. The expansion pack costs about £40 on its own with a further £25 for the Lego Universal Buggy Kit. Resources say they have plans for producing more back-up materials.

The company also inform us that the delivery problems of its Robot Arm, mentioned last month, have been solved. They have bought large supplies from Spectravideo and are now able to supply orders from stock.

*The finished Robotech—functional but a little "Heath Robinson".*





NATIONAL  
COLLEGE OF  
TECHNOLOGY

NCT Ltd.

*Calling all enthusiasts!*

Now you have the opportunity to understand Digital Electronics from the beginning—use our Open Learning courses in the comfort of your own home—no previous experience is needed.

Just spend some time each week and enhance your skills in Digital Electronics—ideal for the hobbyist and industrialist alike—commence at any time—we'll send you the complete course package—no travelling is involved—work at your own pace—build exciting practical circuits on our unique PCB—tutor service is included.

Telephone (0296) 613067 now, or write for more information to:

**NCT LTD.**

**Bicester Hall, 5 London Road,  
Bicester, Oxon OX6 7BU**

**NEW THIS MONTH**

**★ STAR BUY ★**

**GREEN SCREEN HI-RES 12" MONITOR CHASSIS**

Brand new and complete except for case, the super high definition (1000 lines at centre) makes this monitor ideal for computer applications. Operates from 12V DC at 1.1A. Supplied complete with circuit diagram and 2 pots for brilliance/contrast, plus connecting instructions. Standard input from IBM machines, slight mod (details included) for other computers.

Only £24.95+£3 carr.

**SWITCH MODE PSU'S**

Just arrived—a quantity of Advance high power PSU's. Full details on Bargain List 39.

OF482 130W unit, 5V at 15A; 12V at 4A; —12V at 2A; —5V at 1A (List £110) **£35**

P350 250W unit, 5V at 50A (List £190) **£60**

Hiflex 750W unit, 5V at 130A; 12V at 20A (List £800) **£250**

Hiflex 1000W unit, 5V at 200A (List £800) **£250**

**FAN**

Z4056 'PATRIOT FAN'. High quality cooling fan for mounting into equipment. 170mm dia x 51mm. Only problem is they operate on 48V ac (but still work down to 24V) **£4.00**

**SWITCHBOARD**

Z8829 Telephone switchboard. Console 380 x 250 x 120/40mm contains dialling pad, 50 double pole pushbuttons in strips of 10, all with indicators, 8 digit display, 50 core 2m cable to connector. Made by Northern Electric. In good used condition. **£15+£3 carr.**

**MAINS LEAD**

Z4057 Mains Lead, 2m long grey 3 core 6A lead with 13A plug fitted with 5A fuse. **70p; 10+ 55p; 100+ 40p**

**INTERFACE**

Z8028 Diecast box 150 x 80 x 50mm. Mounted centrally on top is a 25-way D type socket. This is wired to a pcb within which has 12 x 20mm wire ended fuses and 24 12V 1W zener diodes. A 13 core lead 2m long from this board terminates in a 25W D plug. There is also a separate earth lead. **£4**

**SET TOP CONVERTER**

Z8028 Made by Thorn EMI, this was used to receive cable television. 2 part aluminium case 211 x 158 x 92mm (no front panel) contains 2 pcbs: (a) control board with multiway switch, dual 7 seg plug-in display and a couple of chips; (b) main board with mains transformer, tuner, RF section etc. Rear panel has input and output sockets, 2m mains lead with moulded-on 13A plug. **£9**

**COIN ACCEPTOR MECHANISM**

Z662 Made by Coin Controls, this will accept various size coins by simple adjustment of 4 screws. Incorporates various security features—magnet, bent coin rejector, etc. Microswitch rated 5A 240V. Front panel 115x64, depth 130mm. Cost **£10.85**. Our price **£4.00**

**SOLAR CELLS**

Mega size—300x300mm. These incorporate a glass screen and backing panel with wires attached. 12V 200mA output. Ideal for charging nicads. **£24.00**

**SOLDER SPECIAL!!**

- ★ 15W 240V ac soldering iron
- ★ High power desolder pump
- ★ Large tube solder

**ALL FOR  
£7.95**

**SWITCHED MODE PSU'S**

Astec type AA7271. PCB 50x50mm has 5 transistor cct providing current overload protection, thermal cut-out and excellent filtering. Input 8-24V DC. Output 5V 2A. Regulation 0.2%. **£5.00**

Z026 Astec model AC9355 65W unit. 115/230V ac input. Outputs: +5V 6A; +12V 1.5A; -12V 0.25A. Normally over **£70**. Our price **£24.95**

**1988 CATALOGUE**

88-page main catalogue with everything from resistors to 'scopes, PLUS 16-page Winter Sale List PLUS 24-page Spring Supplement PLUS Latest Bargain Lists! All this for just £1 inc post!

**MICRO PANELS**

Z620 68000 Panel. PCB 190x45 believed to be from ICL's 'One per Desk' computer containing MC68008P8 (8MHz 16/8 bit microprocessor, +4 ROMs, all in skts; TMP5220CNL, 74HCT245, 138, LS08, 38 etc. **£5.00**

Z625 32k Memory Board. PCB 170x170 with 16 2kx8 6116 static RAMs. Also 3.6V 100mA memopack nicad, 13 other HC/LS devices, 96w edge plug, 8 way DIL switch, Rs, Cs etc. **£4.80**

**SPEAKERS**

Z578 Sub-min speaker 30x30x3mm thick by Fuji. 16R 0.4W, 60p each; 10 £3.70; 25 £7; 100 £22; 1000 £180. Z575 70x45mm 45R 0.5W 55p each, 10 £3.30; 25 £6; 100 £20.

**SOLDER**

500g reels resin cored, 18g **£5.95**  
500g reels resin cored 22g **£7.95**

**LOGIC PROBE**

For TTL, CMOS etc LED and sound indication. Pulse enlargement capability allows pulse direction down to 25nsec. Max f=20 MHz 4-16V. I/P Z:1M **£9.99**



Z810 KEYBOARD. Really smart alpha numeric standard qwerty keyboard with separate numeric keypad, from ICL's 'One Per Desk'. Nicely laid out keys with good tactile feel. Not encoded—matrix output from PCB taken to 20-way ribbon cable. Made by Alps. Size 333x106mm. 73 keys. **£8.95**

**'JIMMY'**

Exciting electronic football game originally sold for £19.95, but this price included plastic grandstand, stickers, etc. We can supply the 420x93mm neatly cased electronics comprising keypad either end, 14x5mm red LED's ('players'), TMS1000 chip programmed to make odd noises whilst playing and a tune when a goal is scored, also 2x7seg LED's to keep score. Cardboard 'pitch' plus instructions supplied. **£5.00**

**COMPASSES**

Precision spring bow 88mm long. Max dia 70mm. Replaceable pencil lead and steel tip. **£1.00**

**TOOLS**

Scoop purchase of high quality surgical instruments ideal for electronics use.

Z308 5in lightweight long nose pliers 99p

Z309 5 1/2in as above but with ratchet. This enables pliers to be locked together for holding small components, or as heat shunts, etc. **£1.20**

**JOYSTICK**

Z004 Skeleton Joystick, switch type. Good quality, made by AB. Brass spindle has 44mm long black plastic handle attached. Body has 4 mounting holes. These really are a fantastic bargain!! **Only £1**

**SPEECH SYNTH KIT**

Z315 All parts inc PCB to make a speech synth for the BBC micro **£4.99**

Z316 De-luxe version—also includes V216 case, 1m 20W cable plus connector **£7.99**

**VIEWDATA LTU**

Z697 Interface Panel 166x150 with 3xLM324, LM339, LM393, 4066, 11 transistors, 3 reed relays, etc. 3m lead with BT plug attached. Supplied with comprehensive data and ccts. **£2.90**

**ENTERPRISE PANELS**

Z658 PCB 325x158 with 64K of RAM (8x4864). Z80A microprocessor, 21 other chips, UHF modulator, speaker, etc. ROM and Nick and/or Dave chips missing, supplied with cct and data **£8.00**

All prices include VAT; just add £1.00 P&P. Min. Access £5. No CWO min. Official orders from schools welcome—min. invoice charge £10. Our shop has enormous stocks of components and is open 9-5 Mon-Sat. Come and see us!

**HOW TO CONTACT US:**

By post using the address below; by phone (0703) 772501 or 783740 (ansaphone out of business hours); by FAX (0703) 787555; by Email Telecom Gold 72:MAG36026; by Telex 265871 MONREF G quoting 72:MAG36026.



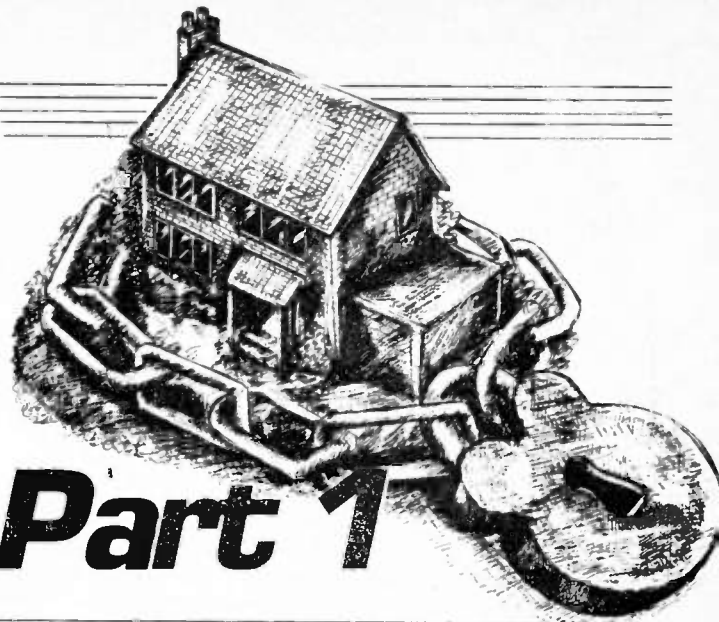
**443D MILLBROOK ROAD, SOUTHAMPTON SO1 0HX**



OSCILLOSCOPES	SPECIAL OFFERS
TELEQUIPMENT D83 Dual trace 50MHz Delay Swoop large Tube with manual. <b>£250</b>	COSSOR OSCILLOSCOPE CDU150 Dual Trace 35MHz. Delay Sweep Solid State. Portable 8" 10cm Display. With Manual. <b>NOW ONLY £180 each</b>
S E LABS SM111 Dual Trace 180MHz Solid State Portable AC or External DC operation 8" 10cm display with Manual. <b>£150</b>	Optional Front Protection Cover containing 2 Probes & Viewing Hood. <b>ONLY £25 each (p&amp;p £7)</b>
SCOPEX 4010A Dual trace 10MHz with manual. <b>£150</b>	SOLARTRON OSCILLOSCOPE CD1400. Dual Beam 15MHz. With Manual. <b>ONLY £85 each</b>
TELEQUIPMENT 55AA Single Trace 10MHz Solid State With Manual. <b>£90</b>	AVO VALVE TESTER CT160. Suitcase style. 22 Bases. <b>ONLY £25 each (p&amp;p £7)</b>
GOULD ADVANCE OS255 Dual Trace 15MHz With Manual. <b>£225</b>	AVO TRANSISTOR ANALYSER MK 2 (C1448). Suitcase style. Complete with batteries & operating instructions. <b>ONLY £35 each (p&amp;p £7)</b>
HAMEG 207 Single Trace 8MHz. With Manual. <b>£50</b>	
MULTIMETERS	NEW EQUIPMENT
AVO B Complete with Batteries & Leads. From <b>£45</b>	HAMEG OSCILLOSCOPE 604. Dual trace 60MHz Delay Sweep. Component Tester & 2 Probes. <b>£975</b>
AVO8 MLV Complete with Batteries & Leads <b>£90</b>	HAMEG OSCILLOSCOPE 203.6 Dual Trace 20MHz. Component Tester & 2 Probes. <b>£314</b>
AVO TEST SET No 1 (Military version of AVO B) Complete with batteries & leads. <b>£65</b>	All Other Models Available.
TEST LEADS suitable for AVOMETERS Red & Black with 2 croc. Clips & 2 Prods (P&P £3). <b>£5</b>	BLACK STAR FREQUENCY COUNTERS P&P <b>£4</b>
AVO Model 7a Complete with Batteries, Leads and Carrying case. <b>£40</b>	Meter 100 - 100MHz <b>£99</b>
AVO72 Pocket Multimeter no AC current range. With batteries & leads. <b>£10</b>	Meter 600 - 600MHz <b>£126</b>
ANALOGUE POCKET MULTIMETERS Philips & Taylor etc With Batteries and Leads. From <b>£10</b>	Meter 1000 - 1GHz <b>£175</b>
	BLACK STAR JUPITOR 500 FUNCTION GENERATOR. Sine Square Triangle 0.1Hz 500kHz P&P <b>£4</b> <b>£110</b>
LABGEAR CROSSHATCH GENERATOR CM6038 OB Crosshatch/Grey scale/blank raster. mains or Battery (P&P £3). Unused <b>£18 Used £12</b>	BLACK STAR ORION PAL TV-VIDEO COLOUR PATTERN GENERATOR <b>£199</b>
LABGEAR Colour Bar Generator KG1 8 Test Patterns. (P&P £4). <b>ONLY £60 each</b>	
	HUNG CHANG DMM 7030. 3 1/2 digit. Hand held 28 ranges including 10 Amp AC/DC 0.1%. Complete with batteries & leads. P&P <b>£4</b> <b>£39.50</b>
AVO TRANSISTOR TESTER TT169	AS ABOVE. DMM 6010. 0.25%. <b>£33.50</b>
Hand held. GO/NO GO for In situ Testing. Complete with batteries, leads & instructions. (p&p £3) unused. <b>NOW ONLY £18</b>	CARRYING CASE FOR ABOVE <b>£3 each</b>
	OSCILLOSCOPES PROBES. Switched x1; x10. P&P <b>£2</b> <b>£11</b>
ISOLATING TRANSFORMERS 240V INPUT	
240V out 500VA £15 (p&p £3). 100VA £8 (p&p £3). 24V out 500VA £8 (p&p £3). 200VA £8 (p&p £4)	
STEPPING MOTORS	
Type 1. 200 Steps per rev. 4 Phase 15V 12/24V. Torque 25oz inch. will run on 5V with reduced torque. <b>£15 ea.</b>	
Type 2. 6-12 Steps per rev. 3 phase. 12/24V (will work on 5V) <b>£2 ea 5 off</b> <b>£7.50</b>	
Type 3. NORTH AMERICAN PHILIPS 24 Steps per rev. 4 wire 5V 3.3 Amps 0.25Dipm 0.200 PPS <b>£6 ea.</b>	
Type 4. 200 Steps per rev. 120V (3 wire) Torque 25 oz inch. <b>£4 ea.</b>	
Type 7. WARNER 24 Steps per rev. 3 Phase 16 wire, 28V. Holding Torque 45oz inch. <b>£5 ea.</b>	
Used equipment - with 30 days guarantee. Manuals supplied if possible. This is a VERY SMALL SAMPLE OF STOCK. SAE or Telephone or Lists. Please check availability before ordering. CARRIAGE all units £16. VAT to be added to Total of Goods & Carriage.	
<b>STEWART OF READING</b> 110 WYKEHAM ROAD, READING, BERKS RG6 1PL Telephone: 0734 68041 Callers welcome 9am - 5.30 pm Mon.-Fri. (until 8 pm Thurs.)	



# HOME SECURITY SYSTEMS Part 1



OWEN BISHOP

## Part I The basic system

*In this series our main concern will be securing the home against intruders, but we shall also describe devices for securing it against fire. The system is modular, so that you can adapt it to your needs.*

**T**HE first line of defence against intruders is a physical one—solid doors, secure windows, door locks to BSI specifications, door chains, window locks and similar hardware. An electronic security system backs up the physical security precautions at two levels.

First there is the *peripheral security system*. This monitors the doors, windows and any other points of entry to the home and warns if these have been breached. Even when the best door locks are installed, a thief may be able to remove the door by its hinges without having to tamper with the locks. The peripheral electronic system takes care of problems of this kind.

The second level of electronic security is provided by *internal security devices* (ISDs). If, despite the physical barriers and the peripheral system, an intruder manages to gain entry to the premises, the ISD detects his presence. ISDs include infra-red and ultrasonic detectors, described next month.

Commercially installed domestic security systems generally comprise only ISDs. It is much cheaper to instal such a system because wiring is required only from the ISD(s) and siren(s) to the control unit. The disadvantage is that the intruder is already in the house before the alarm sounds. In addition, such devices need careful maintenance if they are not to raise false alarms.

A peripheral security system, has the advantage that it raises the alarm *before* the intruder enters the premises. It is also more rugged and reliable, since its sensors consist of simple switches. But a peripheral system is more expensive. The labour cost of installing wiring to all windows and doors, and fitting numerous magnetic switches is high. The

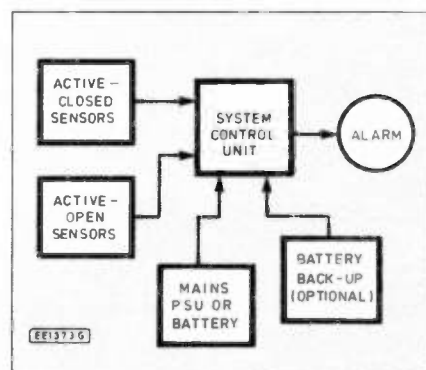
cost of materials is small, so you save a lot by doing the job yourself.

A good time to tackle the job is when rooms are being redecorated so that you can conceal the wiring. If you are moving into a new house, it is possible to wire up before the walls are plastered, or wires can be run underneath the flooring.

### SYSTEM CONTROL UNIT

The System Control Unit is the heart of the security system (Fig. 1.1) for both intruder and fire detection. The system described here has run continuously day and night for periods of months without ever being triggered by power cuts or lightning strikes or giving false alarms. The power supply may come from the mains or from batteries, as described later. Battery back-up is an option, to give security during power breaks

Fig. 1.1. Block diagram of a simple security system.



and to guard against the possibility of an intruder interfering with the mains power supply. The sensors operate switches which may be normally open and are closed when an intruder is detected (active-closed), or operate the other way about (active-open).

Examples of active-closed sensors are pressure mats. When an intruder stands on the mat, the upper and lower foils become pressed into contact. Examples of active-open sensors are the magnetic switches used to secure doors and windows. ISDs usually operate a relay, so we can arrange to make these either active-closed or active-open, whichever happens to be more convenient.

Being the centre of the system, the control unit must be highly secure itself. It must be located where it is very difficult for the intruder to reach without having to pass through an area protected both physically and electronically. For example, it could be hidden in a locked cupboard, with a pressure pad under the carpet in front of the cupboard, and with an infra-red sensor in the same room. How do you get to it to switch it off? See later.

### CONTROL CONNECTIONS

Connections to the control unit are shown in more detail in Fig. 1.2. The active-closed sensors are wired in series in a loop. This is often referred to as the *peripheral loop*, as it runs around the periphery of the secured area, connecting all window and door switches. If any one of these is opened, the loop is broken and the alarm sounds. The advantage of this type of loop is that if the intruder cuts the wire at any point, the alarm sounds. For this reason, active-closed ISDs are preferred and are connected into this loop.

You can have more than one loop. It may be convenient to have one loop for the ground floor and one for the upper floor. When the house is occupied, only the ground floor loop need be activated, allowing the family to have bedroom windows open at night. Both loops are activated when the house is unoccupied. In the diagram we show an *exit loop*. This contains only one switch, on the *exit door*. This is the door by which the last person leaves the house when everyone goes out. With this on a separate loop

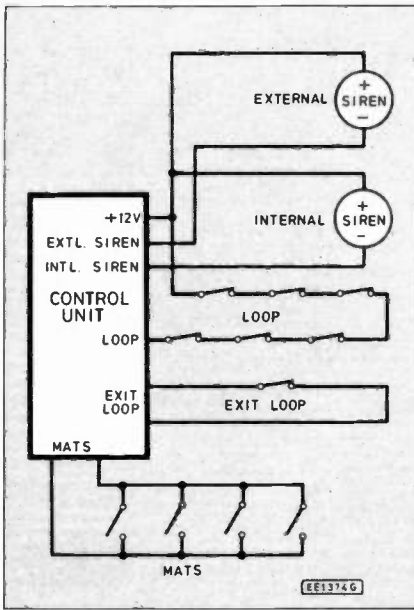


Fig. 1.2. Connections to the control unit.

you can secure the house, yet authorised persons may enter and leave by the exit door.

The mats circuit consists of active-open devices, wired in parallel. This could also include panic-buttons. Wiring of this loop needs to be concealed as far as possible, since cutting the wire inactivates the loop. The diagram shows two sirens, though one is sufficient. Both alarms can be on the exterior of the house. But if, for example, the house is thick-walled and has double-glazing, an external siren may not be heard by the occupants. The internal siren would normally be of lower power.

## ACTIVE-CLOSED SENSORS

Active-closed sensors include the following:

**1 Magnetic reed switches:** Fig. 1.3 shows two types. The surface-mounting type (b) is suitable for metal-framed windows, but the recessed type (a) is preferable since it is invisible when the door is closed, thus giving greater security as well as a neater appearance. Magnetic switches often have four

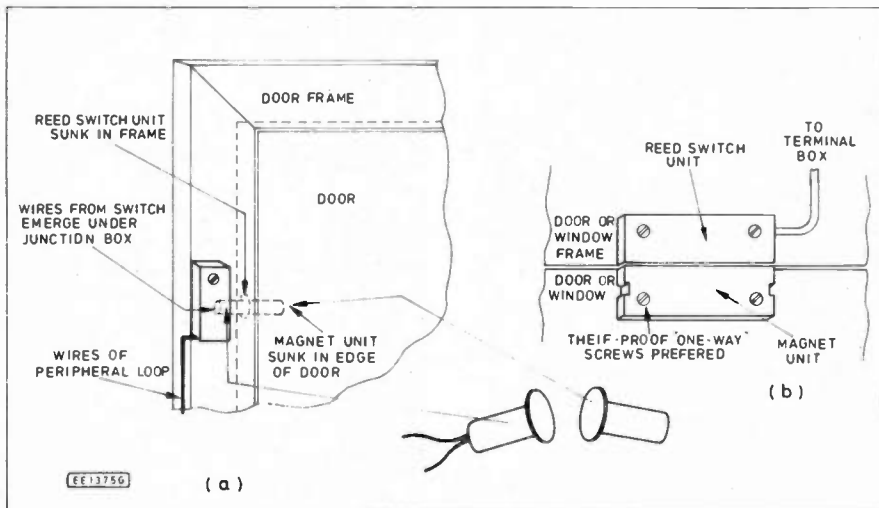


Fig. 1.3. Two types of magnetic reed switches.

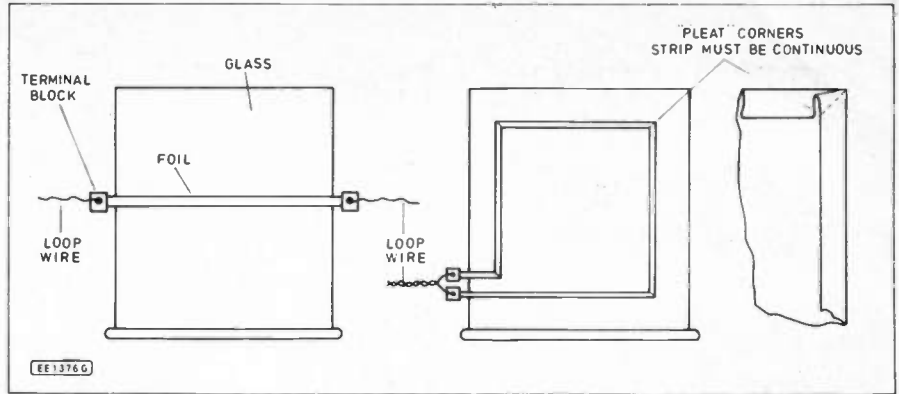


Fig. 1.4. Glass window foil fixing.

leads, two of which are dummy leads joined to each other within the device. These can be used to confuse the intruder who may try to disable the alarm, but in this system they are not used and they may be cut short.

The neatest way of connecting magnetic switches into the loop is by way of a junction box. This has screw terminals to which the loop wires and wires to the switch are connected. The tamper-proof type has an internal switch which opens when the lid of the box is removed, so setting off the alarm.

**2 Window foil:** This makes it very difficult for the intruder to enter through the window by cutting away the glass. If your windows have small panes you will not need this. But if your windows (including skylight and glass lights over doors) have frames large enough for a person to climb through when the pane is removed, precautions are necessary.

Self-adhesive window foil is available in rolls. Special terminal blocks, also self-adhesive, are used for connecting it to the peripheral loop. The disadvantage of window foil is that it can be unsightly, especially on a window overlooking a delightful view. Fig. 1.4 shows some layout patterns.

**3 Glass break detectors:** These are an alternative to window foil. The sensor is fixed to the glass. A switch inside is normally closed but opens when the glass is struck strongly enough to possibly break it.

**4 Microswitches:** There is no end to the possibilities of making up your own sensors using microswitches. Use normally-closed types which open when pressure is applied to the lever or normally-open types held closed

until pressure is released. Use them on the doors of cupboards, including the cupboard in which the control unit is hidden. Use them to protect a valuable object, as in Fig. 1.5; when the object is lifted the switch opens and the alarm sounds.

**5 Mercury tilt switches:** Use these too for protecting individual items of value.

**6 Vibration detectors:** These can be set so that the switch is normally closed, but a moving contact breaks the circuit when the device is shaken. The cover incorporates a second switch which opens if any attempt is made to tamper with it. Although these are primarily meant for car security, they have applications in the home.

**7 Relays:** These are operated by IDSs, as explained next month.

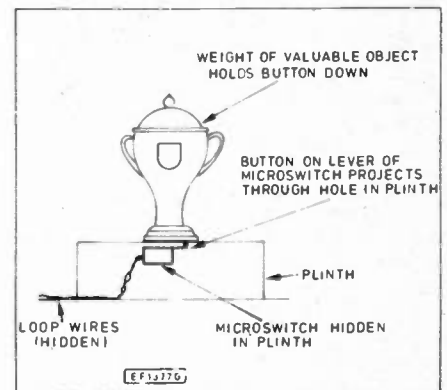
**8 Panic buttons:** Use a specially-designed panic button, or any other type of push-button switch that suits your purpose. Buttons should be located at strategic points around the house, including just inside the entrance door (out of sight of an intruder, but in easy reach of the person opening the door).

## ACTIVE-CLOSED SENSORS

Pressure mats (Fig. 1.6) may be obtained in a variety of shapes and sizes. They are nailed or taped to the floor underneath the carpet. With certain types of carpet, such as cord carpet, the outline of the pad may show. Narrow pads are available for use on stairs. Placing pads on the stairs gives good security, as it is less easy for an intruder to avoid the pad. Pads on two adjacent stairs will detect the person who climbs the stairs two at a time.

One of the disadvantages of pressure mats is that they might be triggered by large pets

Fig. 1.5. Protecting a valuable object.





## POWER SUPPLY UNIT

### Resistors

R1	82 0.5W
R2	560 0.25W

### Capacitors

C1	4700 $\mu$ , 25V, elect.
----	--------------------------

### Semiconductors

D1 to D4	PW01, bridge rectifier, 6A
D5	BZX61, Zener diode, 12V, 1.3A
D6	TIL209 or similar I.e.d. and mount (optional)
TR1	BD131 npn power transistor

### Miscellaneous

T1	mains transformer, 12V, 50VA.
S1	s.p.s.t. toggle switch, or key-operated switch.

Heat sink, small finned type (optional); bolts; shakeproof washers and nuts for mounting transformer and circuit board; cable grip for mains cable; grommet for mains cable; stripboard and terminal pins.

## BATTERY BACK-UP (optional)

### Semiconductors

TR1,	BD132 npn power
TR2	transistor (2 off)

### Integrated circuits

IC1	ICL7673 battery-backup i.c.
-----	-----------------------------

### Miscellaneous

B1	backup battery, 12V (dry cell, such as HP1)
----	---

8-pin d.i.l. socket for IC1

**Shop  
Talk**

See page 360

## CONTROL UNIT

### Resistors

R1, R2, R4	18 k (3 off)
R3, R5	100k (2 off)

Carbon 1/4W  $\pm$ 5%

### Capacitors

C1	4 $\mu$ 7 elect. 16V
C2	470 $\mu$ elect. 16V

## Semiconductors

D1, D2	1N4148 signal diodes (2 off)
TR1, TR2	ZTX300 npn transistors (2 off)
IC1	40011 quadruple 2-input NAND gate

## Miscellaneous

S4	Push-to-make push-button
----	--------------------------

Toggle switches, s.p.s.t. and s.p.d.t. as required; 14-pin d.i.l. socket for IC1; 1mm sockets and plugs, various colours as required.

## LOOPS ETC.

Magnetic switches; connecting boxes; window foil or glass break detectors; window foil terminal blocks; pressure mats; vibration sensors; panic button; micro-switches, mercury tilt switches etc; connecting wire (possibly a 100m reel)

**£12.50** plus loop sensors, wire etc.

## EXIT DELAY

The system is reset by pressing S4, which resets the bistable, causing its output to go low, turning off the transistors and the sirens. S4 has a capacitor C2 across it, which recharges slowly through R5 after S4 has been released. Approximately 50 seconds later, the charge on C2 reaches 6V and the system becomes operable again. The delay on this reset button is for use when the system is first switched on.

If the system is turned on and S4 is pressed, the unit allows 50 seconds in which to vacate the house. The alarm sounds during that time only for as long as any door or window is open, or any pressure mat is trodden on. As you leave the house, opening and shutting the door *quickly*, the siren emits a short "beep" but that is all.

Once the 50 seconds has expired, any subsequent triggering of the system makes the siren sound continuously until the reset button is pressed again. The problem remains of how to re-enter the house without waking up the entire neighbourhood. This problem bothers the intruder too! There are two solutions to this. The simplest is to wire a second reset button in parallel with S4 and locate this in a concealed position outdoors. When you return home, press the button. You then have 50 seconds in which to enter the house, go to the control unit and switch it off.

An intruder, even if he found the concealed button, is not likely to know where to find the control unit within 50 seconds of entering the house. An alternative system, which gives even greater security, is described next month.

Fig. 1.9 includes switches wired to enable

you to activate different parts of the system independently. This is only one of many possible configurations. S1 enables the mats. Having "mats only" may be adequate if one of the occupants is out late and the others have gone to bed. S2 enables the peripheral loop. "Loop only" is better during the daytime or evening if windows and doors are closed; the occupants do not have to avoid stepping on pressure mats. Enable both loops and mats for full security at other times. The exit door loop, if fitted, enables the exit door separately as already described.

## SWITCH

S5 in Fig. 1.9 allows you to switch out the external siren. This feature is useful for testing the system without disturbing people outside. It is good practice to enable the external alarm *after* switching on the system. If any windows or doors have accidentally been left open, the internal alarm sounds to warn you. Incidentally, this is a convenient way of checking that the house is safe to be left unoccupied.

## SIRENS

The term "siren" includes any type of piezo-electric audible warning device from a small solid-state buzzer to a powerful two-tone siren. For external use you need a sound output of 100dB or more at one metre, operating on 12V. The siren should be weatherproof, or be contained in a weatherproof housing. The more efficient ones require only 20-30mA, allowing the system to be battery powered. If you choose one which requires more than 500mA, a mains p.s.u. is recommended; replace TR2 (Fig. 1.9) with a medium power transistor such as BD131.

## INSTALLATION

Plan carefully before you begin installing the system. First decide on the location of the control unit. It may need to be close to a mains socket, preferably hidden in a lockable cupboard, and certainly well out of reach and out of sight of persons outside the house. Also it should be located so that it is convenient to run wiring to and from the unit.

Next decide the route of the peripheral loop. It must run to all windows and doors on the ground floor and, if you think it necessary, on upper floors as well. Take into account any other devices such as infra-red detectors and panic buttons, that may be included in the loop. Plan its route in detail to avoid visible wiring as much as possible. Finally decide on the positions of pressure mats and the wiring to them. Use the negative line and positive lines of the pressure-pad system as the power lines for ISDs.

Inexpensive connecting wire such as 7/0.2 is suitable for all wiring outside of the control box (except to the mains supply). This is conveniently concealed beneath carpets, under window-sills and around door-frames. It can run alongside central heating pipes and often be threaded through the wall from one room to another where pipes pass through.

The external siren must be mounted in an inaccessible position on the wall of the house. Run the wire up to the loft; again the crevices made by central heating pipes can provide a convenient route. You may need to borrow a mason's drill to make a hole though the external wall.

**NEXT MONTH**—Construction of the control unit on Veroboard plus a time-limited alarm and exit door protection.





*a regular feature for the Spectrum Owner...*

by Mike Tooley BA

In answer to several requests from readers, we start this month's instalment of *On Spec* by recommending four books which are of particular interest to Spectrum owners. We also provide some further information on using restarts and include a short demonstration routine to provide readers with an example of how to make use of the Print Character Restart in their own programs.

### Spectrum Bookcase

Most readers will be well aware that the good old "Specy" is well catered for as far as dedicated books is concerned. Unfortunately, many of these books are superficial and thus of limited use to the more dedicated enthusiast. It is, therefore, not surprising that a common request received from readers is for details of books dealing with Spectrum hardware projects. Fortunately, in this particular field there are several titles which are well worth recommending!

First amongst these must be Graham Bishop's *Spectrum Interfacing and Projects* (published by McGraw-Hill, ISBN 07-084702-9). After a brief introduction to Spectrum hardware and software, the book describes an analogue-to-digital converter (ADC) based on the 7581 (together with minimal additional circuitry to interface an analogue joystick, a variety of light level sensors and a light pen), a simple parallel output latch, and a digital-to-analogue converter (DAC) based on the 0801.

The book also contains a number of projects concerned with sound, light and home energy management. Printed circuit layouts are provided for the ADC, DAC and parallel latch and cassette software is available for those who prefer not to type in the numerous demonstration BASIC and machine code programs. Altogether, this book is highly recommended to anyone with an interest in Spectrum hardware interfacing.

The *Spectrum Hardware Manual* by Adrian Dickens (published by Melbourne House, ISBN 0-86161-115-2) provides some useful information on Spectrum hardware and also contains a number of add-on hardware projects, including details of how to add a Z80-PIO, a hand-held joystick keypad, and an ADC based on a ZN427E.

Unfortunately, since it was written before the Spectrum-Plus and 128K machines appeared, this book is now beginning to

show its age! Despite this, readers should find something useful within its pages and one can only hope that Melbourne House will be tempted to bring out a new edition which includes details of the more recent models of the Spectrum.

Owen Bishop's *Interfacing to Microprocessors and Microcomputers* is not dedicated to any particular machine but does contain a host of hardware projects. It is important to note that, by virtue of the lack of a "user port" on the Spectrum, Spectrum owners will have to build the programmable I/O interface (based on the 8154) before other projects can be used. Other projects deal with sensing light, temperature, sound and position. L.E.D. and l.c.d. drivers are described as are the more usual loudspeaker and relay driver circuits.

Other projects include an analogue controller, a sound effect generator, a timer and a light pen. Those who require an even more ambitious project may even be tempted to try their hands at the infra-red remote control system which forms the final chapter of the book!

Finally, David Pritty's *Practical Interfacing to Popular Microprocessors* (published by Addison-Wesley ISBN 0-201-14566-9) provides a very comprehensive introduction to microprocessor interfacing. The book is again aimed at a variety of machines (including the Dragon, Apple II, and BBC Microcomputers) but is worth looking at if you need a more general text which deals with everything from basic logic design to driving servomechanisms and stepper motors.

It must be emphasised that, unlike the other three books previously mentioned, this book does not attempt to describe complete constructional projects and therefore readers are on their own when the time comes to producing working circuits and component layouts!

### More on Restarts

Last month we attempted to throw some light on the Z80's restart instructions. This month we shall show how RST 10H can be used within assembly language programs to provide a simple method for printing on the Spectrum's screen.

In order to make use of the Spectrum's "Print Character" restart (RST 10H), the Z80's accumulator must be loaded with the corresponding byte immediately prior to making the restart. RST 10H is quite versatile since it can cope with control codes as well as the standard ASCII character set.

As an example, the following lines of assembly code will print character 'A' at the current screen character print position:

```
LD A,41H ; Load ASCII code for 'A'
RST 10H ; and print the character
```

There are two things to note about the foregoing example. Firstly, the screen channel (Channel 'S') must be open in order for the restart to function and, secondly, the character will be printed with whatever attributes (i.e. INK and PAPER colours) have been previously established.

In order to make a (temporary) change to the PAPER or INK colours, the control codes for PAPER (hexadecimal 17) or INK (hexadecimal 16) must be loaded into the accumulator before making the restart. The numerical value corresponding to the colour required is then placed in the accumulator before making a further restart. The colour values are as follows:

Colour	Value
Black	0
Blue	1
Red	2
Magenta	3
Green	4
Cyan	5
Yellow	6
White	7

Now for a working demonstration: let's assume that we wish to print two characters on the screen (at this stage we won't spoil the fun by telling you what they are!). We shall print with yellow ink on red paper (colour codes 6 and 2 respectively) and, assuming that we start the code at 8000H (32768 decimal), the code will run along the following lines:

```
8000 3E 17 LD A,17H ; Set PAPER
8002 D7 RST 10H ;
8003 3E 02 LD A,02H ; to RED
8005 D7 RST 10H ;
8006 3E 16 LD A,16H ; Set INK
8008 D7 RST 10H ;
8009 3E 06 LD A,06H ; to YELLOW
800B D7 RST 10H ;
800C 3E 45 LD A,45H ; One Character,
800E D7 RST 10H ;
800F 3E 45 LD A, 45H ; and another!
8011 D7 RST 10H ;
8012 C9 RET ;
```

We have included addresses (in the left hand column) and hexadecimal machine code values in case you wish to make use of our "On Spec Hex Code Loader" (available in the Update package). Alternatively, the following BASIC program will both load and execute the demonstration code:

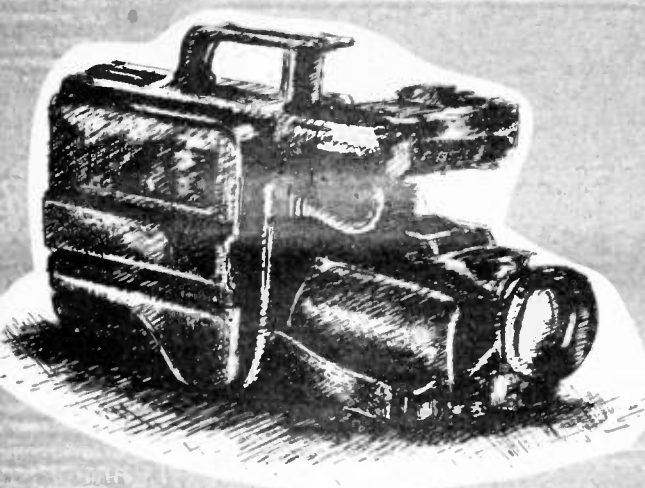
```
10 REM Everyday Electronics
20 REM June 1988
30 CLS
40 PRINT "Restart Demo"
50 REM Load machine code
60 FOR x=32768 TO 32876
70 READ z
80 POKE x,z
90 NEXT x
100 DATA 62,17,215,62,2,215,62,16
110 DATA 215,62,6,215,62,69,215
120 DATA 62,69,215,201
130 REM Call the routine
140 RANDOMIZE USR 32768
150 REM Wait for a keypress
160 PRINT
170 PRINT "Press any key"
180 LET r$=INKEY$
190 IF r$="" THEN GO TO 180
```

For a slightly more interesting display, readers may like to delete line 160 and add the following lines:

```
135 FOR n=1 TO 320
145 NEXT n
```

As mentioned previously, the Print Character Restart requires that the screen channel is currently open. Hence, when using RST 10H in more complex programs, it is important to ensure that the screen channel is open. Where this is in doubt, the following lines of code should be added to the start of any routine that makes use of RST 10H:

```
LD A, 02 ; The screen is channel 2
CALL 1601 ; Now open it using the
CHAN-OPEN ROM routine
```



## VIDEO WIPER

The most basic method of editing a home video is simply to cut straight from one scene to the next, but much more professional results can be obtained using some form of fader or wiper. What is probably the best general purpose wipe effect, and the one provided by this unit, is the top to bottom type. At the end of a scene the screen is progressively blanked from the top downwards, at the beginning of the next scene the screen is restored from the bottom upwards. This wiper will also do an inverse of this, where the screen is blanked from the bottom upwards, and restored from the top downwards. It incorporates an audio fader control.

## UNIVERSAL CHARGER/ POWER SUPPLY

Nickel cadmium batteries (Nicads) are so cheap in the long run, that it is a wonder that ordinary non-rechargeable batteries are still used. This project will give you the opportunity to discover these savings. It is able to charge almost any size of cell. The unit will also double as a mains adapter so you will not have to drain your batteries whilst using the equipment at home.

## SPIKE EATER

Ever had the experience of hearing a loud CRAAAK! from your stereo system when the fridge switches on? Or spent all afternoon entering a long listing into your computer only to have the whole lot corrupt? Perhaps you've come home looking forward to watching EastEnders which you set the video to record while you were out, only to find a blank tape as the machine somehow "forgot" its settings. These are all actual mishaps which have been caused by spikes and noise on the mains. The Spike Eater will work for you on these "nasties".



## ISOLINK

The "Isolink" conducts voltage signals from d.c. to around 30kHz between its input and terminals. "Amazing!", you might say, "but surely two bits of wire can do that?" Well yes, but the Isolink does offer some significant advantages over wire. For a start, it will withstand high voltages between the input and output connections without passing current, allowing measurements to be made on normally inaccessible circuits such as those connected directly to live a.c. mains. With a very high input impedance the unit also has obvious applications in many areas of electronics, but should be of especial interest to bio-feedback enthusiasts. The prototype was in fact designed to assist with the development of a brain-wave monitor circuit.

# EVERYDAY ELECTRONICS

JULY ISSUE ON SALE FRIDAY JUNE 3

# REPORTING AMATEUR RADIO

TONY SMITH G4FAI



## LOST 40 YEARS

By a slip of a typing finger I wrongly stated, in the March column, that Morse keys went back to 1884. In fact, the Morse key was invented by Alfred Vail, Samuel F. B. Morse's assistant and partner, in 1844.

There had been a very cumbersome arrangement before that, whereby a narrow tray was loaded up with letters or numbers rather like printers' type. Every piece of "type" had a sawtooth protrusion above it representing the code symbol to be sent.

The tray was fed through a mechanism with a pivoted lever riding up and down over the saw-teeth. The other end of the lever then dipped up and down to form a bridge between two bowls of mercury, thereby forming an electrical switch to activate the signalling circuit.

Not surprisingly, this was a slow process and Vail soon realised that all that was needed was a simple up-and-down hand-operated lever to perform the same function. The first hand key, called a Correspondent by Morse and Vail, was effectively a strip of spring metal which was depressed to send a signal and which held itself apart from the contact by its own spring tension when not in use. Soon after that Vail evolved the principle on which all Morse keys have since been designed—described by him as "a lever acting on a fulcrum".

Over the years many improvements followed, often devised by the operators themselves. It is no wonder, therefore, that many Morse operators today have a special affection for the key and love to obtain old ones, and use them whenever they can.

A fascinating six-part series, "The Story of the Key", by Louise Moreau, W3WRE, an acknowledged expert on the history of communications, is currently running in *Morsum Magnificat*, the journal for Morse enthusiasts. According to Louise there have been some three hundred patents for Morse keys in the USA since 1844, excluding military versions. Add to that the very large number of "foreign" versions, often with distinct national characteristics, and you can see why this is an interesting area for collectors.

## BETTER ON 40?

"Region 1 News", journal of the International Amateur Radio Union Region 1, reports that at the ITU World Administrative Radio Conference for HF Broadcasting, 1987, there was a re-affirmation and improvement of a resolution requesting all administrations responsible for broadcasting stations operating in the amateur band 7000-7100kHz to take action to stop such operation immediately. This is the 40 metre band which, unlike some other bands, is allocated exclusively for amateur use.

In the evenings in particular, interference from unauthorised high-power broadcasters is so bad that it is very difficult for amateurs to operate. Such are the skills required to effectively communicate on 40m in these conditions, it is sometimes referred to as the "man's band"!

The Secretary of Region 1, John Allo-way, G3FKM, reports in *Radio Communication* that all broadcasting transmissions in the 40m band from one of the greatest offenders, China, have apparently now ceased and that the IARU Monitoring System has discerned an all-round reduction in the number of intruders, including Albania which has been another serious offender.



Fig. 11.  
The first "Morse Code" key developed by Alfred Vail, Samuel Morse's partner, in 1844.

The first "Morse Code" key developed by Alfred Vail, Samuel Morse's partner, in 1844.

## EUROPEAN COMMON LICENCE

Another encouraging item from "Region 1 News" is that Belgium has agreed that foreign amateurs from 25 European countries may now operate their radio-transmitters in Belgium without a special "guest licence". There is similar news from Sweden except that only amateurs from countries having similar arrangements can operate under the new rules.

National societies in all CEPT countries are negotiating with their governments towards the achievement of a common licence permitting European licenced amateurs to operate anywhere in Europe without the need for reciprocal licences. The Belgian and Swedish decisions bring the total agreements obtained so far to 12, and it is expected that agreement by Greece and Portugal will follow shortly.

While British amateurs can now operate in some of these countries simply by producing their UK licence, the same does not yet apply in reverse. For Britain to participate in the common licence scheme the existing UK licence conditions need to be revised to fit in with the common format. The Radio Society of Great Britain has announced a number of changes to the licence that it wants to negotiate with the DTI, and presumably the requirements of the common licence will be taken into account during these negotiations.

## HAMBIT 87

The use of computers is increasing, as evidenced by the *2nd International Congress on Amateur Radio and Computers* held in Florence last November sponsored by the Italian Amateur Radio association, ARI. With over 300 participants, the conference received top-level support in the form of a telegram from the President of Italy, Francesco Cossiga, himself a radio amateur with the call-sign IOFCG.

Papers presented ranged from reports on pure research to practical application, including means of helping blind people to use computers with amateur radio. Next year it is intended to publish papers in English to enhance the international nature of the conference and to offer incentives such as reimbursement of travelling expenses to the best foreign contributors.

## CHESS BY RADIO

The idea of radio amateurs, possibly thousands of miles apart, playing chess by radio is not new. In the past various informal groups have been organised in the USA but since 1982, according to an article in Australia's *Amateur Radio* magazine, an international organisation has been building up a following.

Known as "Chess and Amateur Radio International", CARI, this extends at present across the Pacific, from the USA to Australia, with hopes of worldwide membership and participation as the new sun-spot cycle progresses. Activities so far have included setting up matches across the USA for children who like chess, and, when radio conditions were good, Pacific wide amateur radio chess versions of the America's Cup.

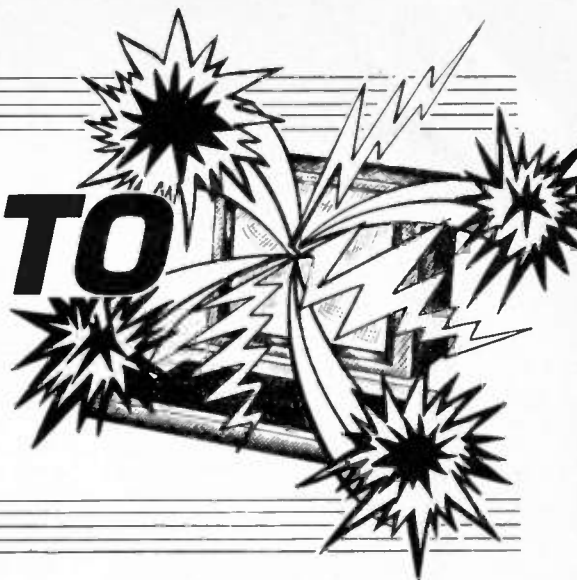
In seeking to extend its activities CARI wrote to the official address for all communications with amateur radio in the Soviet Union—Box 88, Moscow—inviting Russian amateurs to join in their activities. The invitation was turned down but they swear the letter they got back was covered in tears!

On a happier note the creation of CARI resulted in the lifting of an earlier ban on radio chess in Australia after a letter of support from the President of the American Radio Relay League helped the Wireless Institute of Australia negotiate this with the Department of Communications. CARI thinks that the original official Australian objection to radio chess was related to the possible use of "secret ciphers" when describing the moves over the air, and one supposes that could be the basis of the Russian objection too!

Of course, you don't need speech to play chess. It can equally be done, and has been many times, by Morse code so perhaps it's not surprising that this innocent activity is capable of being misunderstood.

# BBC SOUND TO LIGHT UNIT

M. P. HORSEY



An unusual project that will provide an interesting and colourful display on the computer monitor.

This project employs the analogue interface of the BBC "B" computer to produce a colourful display on a TV screen. The display pulses with sound fed via a microphone or audio system. The circuit may be driven by a wide variety of sources, including moving coil microphones, and a simple program is listed which causes a triangle to move up and down the TV screen, in phase with the sound input (various spectacular effects can be achieved with other software). The triangle also changes colour with the volume of the music. The project was used to great effect in a school play, where a TV screen was "dressed up" as a mechanical mouth, opening and closing with speech fed via a microphone.

## CIRCUIT DIAGRAM

The circuit (Fig. 1) divides into two halves, with the first matching and (in the case of small signals) amplifying an audio signal. The second provides control over the bass

and treble response, before converting the a.e. signal into d.c., suitable for the computer analogue interface.

The op. amps chosen were type CA3140. Very similar to the 741 i.c., the CA3140 has a FET input, and will also work on the five volt supply which is available at the BBC analogue interface. Type 741 i.c.'s will almost certainly work in this circuit, though they are not designed for such a low voltage. While a dual version of the CA3140 is available, two single versions are less expensive, and helpful if a long fault-finding session is necessary, since they can be swapped.

It should be noted that the CA3140 is sensitive to static electricity, and should be handled with care. The circuit should not be soldered whilst this i.c. is fitted in its holder.

## NON-INVERTING AMPLIFIER

The audio signal is fed via d.c. blocking capacitor C1 to the non-inverting input (pin

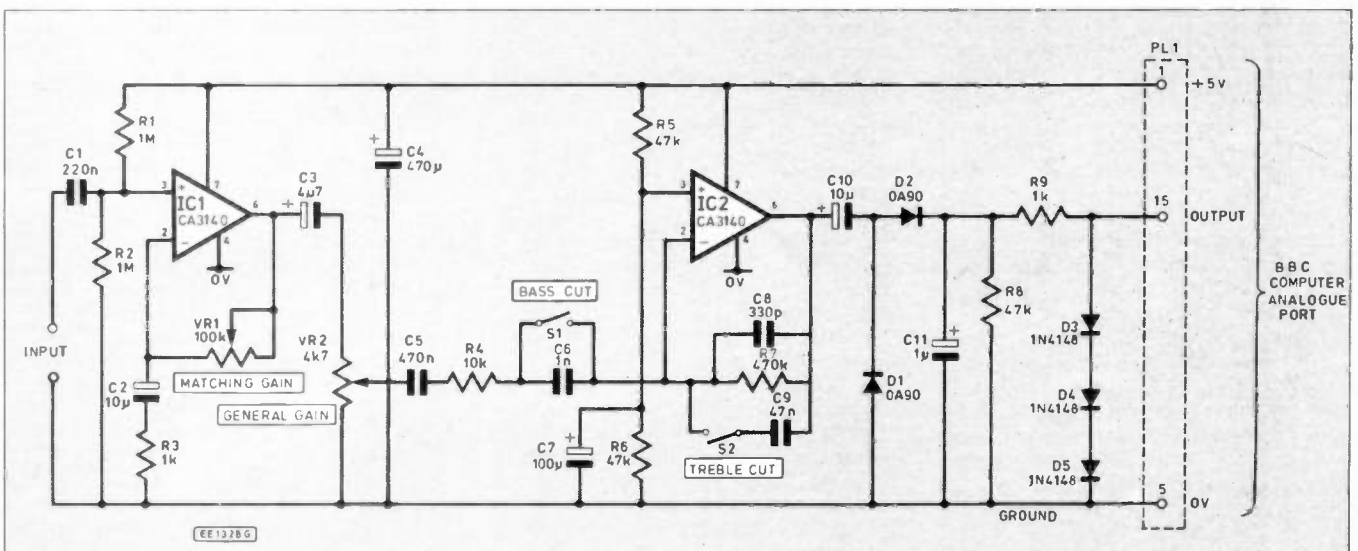
3) of IC1. This input is held at half the supply voltage by R1 and R2, as the i.c. is connected to a single rail supply. The input impedance is about 500k—high enough to not impose any significant loading on the amplifier, microphone etc.

The output is connected to the inverting input (pin 2) via VR1, to provide negative feedback and limit the gain to a reasonable level. With VR1 set to 100k, the gain of IC1 will approach 101 (providing it is not saturated), since the gain is given by the formula,  $\text{Gain} = (\text{VR1}/\text{R3}) + 1$ . With VR1 set to zero ohms, the gain will be unity (i.e. the output voltage will equal the input voltage). In effect, the output is then connected directly to the inverting input, making the i.c. a "voltage follower". VR1 thus provides a gain control allowing a wide variety of signal sources to be matched.

Capacitor C2 has no effect on the calculation, since it conducts the a.c. frequencies of concern here. Its purpose is to block the flow of d.c., thus ensuring that the full d.c. component at the output will feed back to pin 2. This total d.c. feedback will ensure that the d.c. voltage at pin 6 is at half the supply voltage. If this voltage were allowed to drift up or down, the tops or bottoms of the a.c. output signal would be clipped.

Capacitor C3 prevents a flow of d.c. to

Fig. 1. Complete circuit diagram of the BBC Sound To Light Unit.

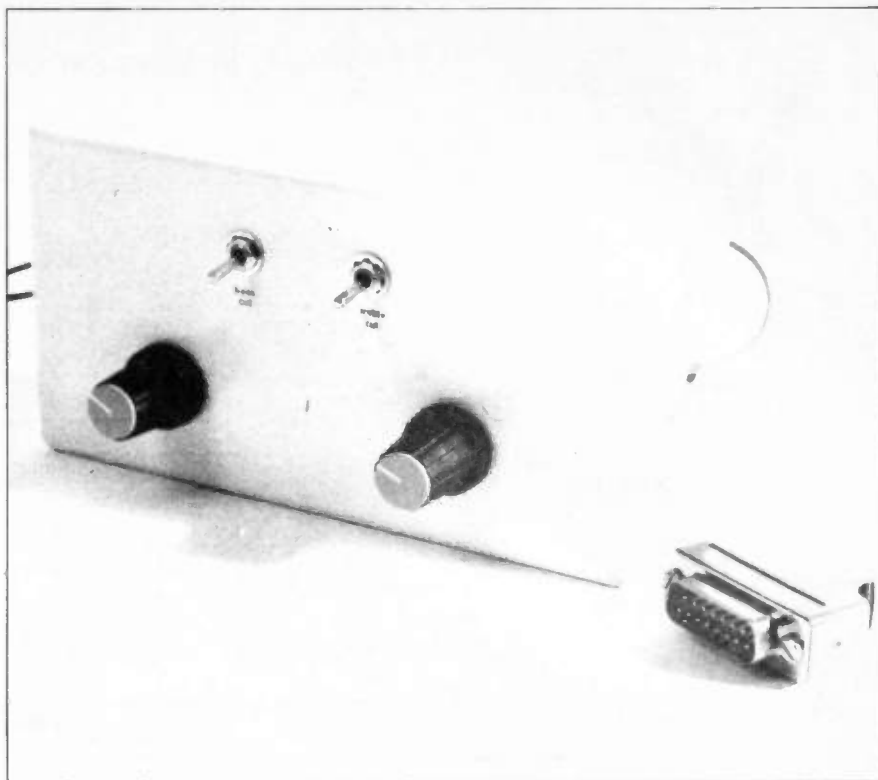




ground, and the a.c. signal passes to VR2. This allows the user full control over the size of the triangle on the TV screen. While VR1 and VR2 are both gain controls, their effects are different (as described later) since VR1 matches the circuit with the received signal, and can control the amount by which IC1 becomes saturated. This allows part of the triangle to be maintained on the TV screen at low signal levels, without moving beyond the top of the screen at high levels.

## INVERTING AMPLIFIER

The audio signal now passes via d.c. blocking capacitor C5, and then via R4, (assuming S1 is closed) to the inverting input (pin 2) of IC2. Pin 3 is held at half the supply voltage by means of R5 and R6, with decoupling provided by C7. The output from pin 6 is fed back to the inverting input via R7. Assuming S2 is open, the possible gain will be the ratio of R7/R4. Capacitor C8 reduces the gain at very high frequencies, and with switch S2 closed, C9 provides a substantial "treble cut" making the circuit respond mainly to bass frequencies. If switch S1 is opened, the small



## COMPONENTS

### Shop Talk

See page 360

#### Resistors

R1, R2	1M (2 off)
R3, R9	1k (2 off)
R4	10k
R5, R6, R8	47k (3 off)
R7	470k

All 1/4W ±5%

#### Potentiometers

VR1	100k linear
VR2	4k7 linear

#### Capacitors

C1	220n polyester
C2, C10	10µ elect. 10V (2 off)
C3	4µ7 elect. 10V
C4	470µ elect. 10V
C5	470n polyester
C6	1n ceramic or polyester
C7	100µ elect. 10V
C8	330p ceramic
C9	47n ceramic or polyester
C11	1µ elect. 10V

#### Semiconductors

IC1	CA314C
IC2	CA3140
D1, D2	OA90 (2 off)
D3, D4, D5	1N4148 (3 off)

#### Miscellaneous

S1 on/off toggle switch  
 S2 on/off toggle switch  
 8 pin i.c. holders (2 off); strip-board 54 holes by 18 tracks; strip-board mounting pillars (self-adhesive); Verobox measuring 150 by 80 by 50mm; knobs for potentiometers (2 off); computer connector—15-way "D" plug; moulded cover for "D" plug; single core screened cable; 3 core wire for output; wire, solder etc.

value of capacitor C6 impedes the passage of low frequencies, thus providing bass cut. This type of control is necessary, particularly with pop music, which tends to be at a constant overall sound level.

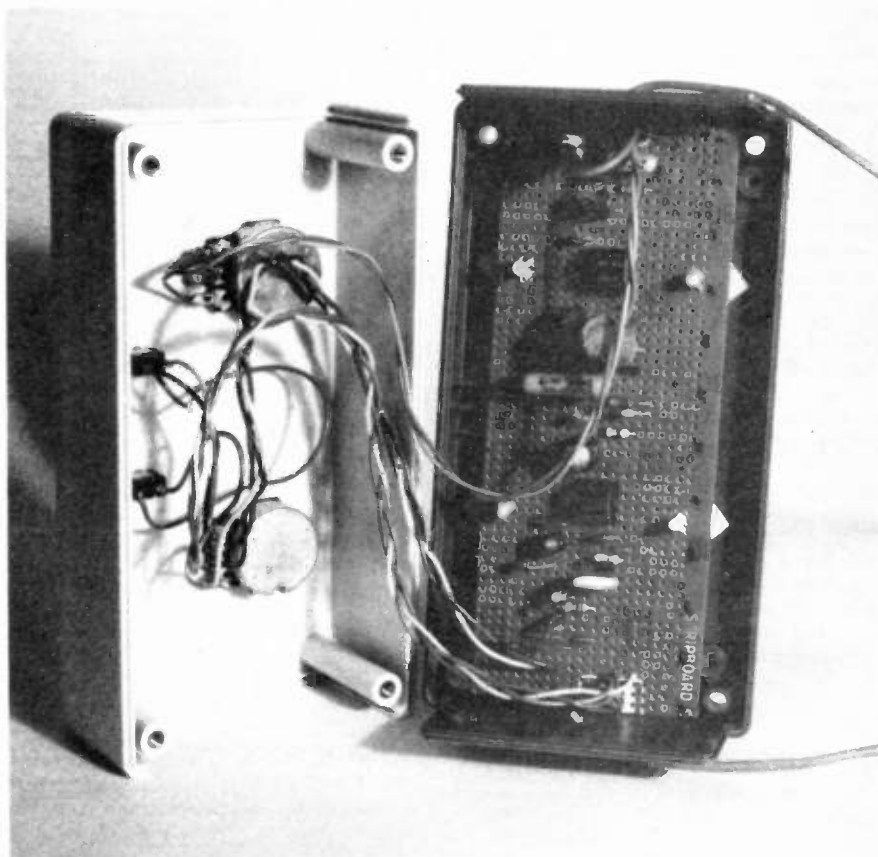
The best values for C6 (bass cut) and C9 (treble cut) are a matter for conjecture, and will depend to some extent on the type of audio equipment in use. Increasing the value of C6 will *reduce* its effect (and vice-versa) and increasing the value of C9 will *increase* its effect (and vice-versa).

Capacitor C10 blocks the flow of d.c., and

diodes D1 and D2 act as a voltage doubler and rectifier to charge C11 to a voltage which fluctuates in step with the strength of signal received at the input. Diodes D3, D4 and D5 limit the output voltage to about 1.8 volts. Thus in the event of a serious fault or other problem, the voltage applied to the computer is strictly limited.

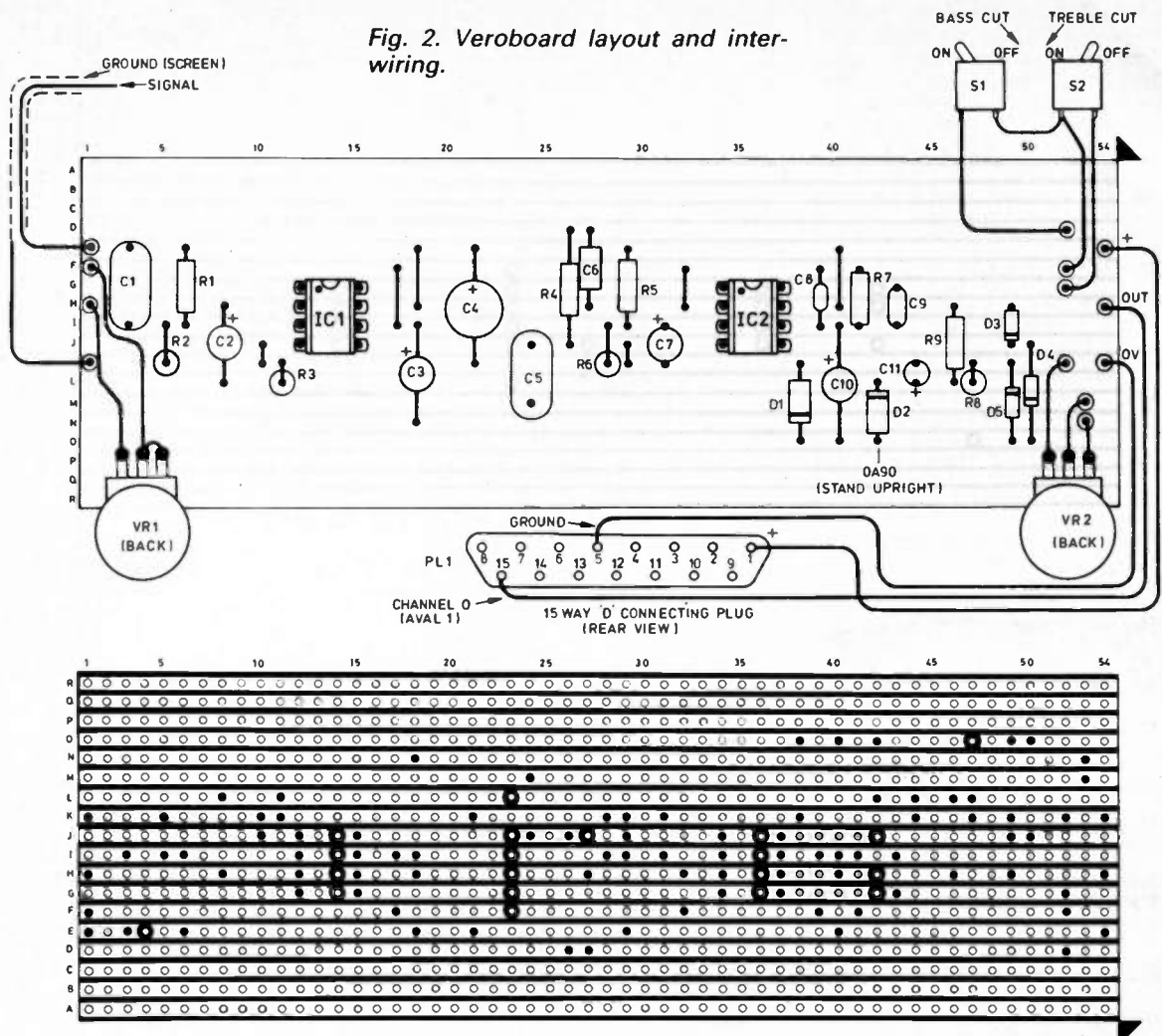
## CONSTRUCTION

The circuit is constructed on a piece of 0.1 inch pitch stripboard measuring 54 holes



Approx. cost **£11** plus case  
 Guidance only

Fig. 2. Veroboard layout and inter-wiring.



by 18 tracks. The number of tracks is greater than that required by the circuit, in order to accommodate mounting pillars, see Fig. 2.

Begin by labelling the stripboard carefully, and marking the positions of the breaks on both sides. Note that i.c. holders are essential as the i.c.'s are sensitive to static charges. Solder in the holders, short wire links and small components, finishing with the largest components. Note that the diodes and electrolytic capacitors must be fitted with the correct polarity (the correct way round). Next, add the flexible wires to link the potentiometers and switches. Solder on the three wires which will link the stripboard to the computer, but *do not* connect to the computer plug until the circuit has been tested. A piece of screened cable should be used for the signal input.

Before removing the i.c.'s from their protective packaging, touch an earthed metal object (e.g. a bare metal part of an appliance plugged into the mains) to earth any static charge on your body. Plug in the i.c.'s the correct way round, retaining the packaging material in case they need to be removed later.

## TESTING

The circuit should NOT be connected to a computer before it has been thoroughly tested. Connect a voltmeter between the output, and zero volts line, and set it to

about 5 volts f.s.d. Connect the circuit to a 5 or 6 volt supply, and apply an audio signal to the input, either from a speaker output, line or tape output. Switch S1 should be closed (on), and S2 should be open (off). Adjust VR1 and VR2 to about mid-way.

During loud sounds, the voltmeter should rise to between one and two volts. Adjust VR1 and VR2 if necessary, to obtain proper high and low readings.

If the circuit does not work, check that the voltage across pins 7 and 4 of each i.c. equals the supply voltage. The current used by the circuit should be between 2mA and 6mA. This should be checked if a suitable ammeter is available.

The d.c. voltage at pin 6 of each i.c. should be about half the supply voltage. The two input pins of each i.c. should also be at about half the supply, but the resistance of the voltmeter used may affect the accuracy of such readings.

An oscilloscope will quickly establish the point at which the signal is lost. Alternatively, a high impedance earpiece may serve a similar purpose, providing it is connected between the negative side of C3 or C10, and zero volts, to test the respective outputs.

## COMPUTER CONNECTOR

The BBC "B" computer requires a 15-way "D" PLUG to connect with the analogue interface. Pin 1 provides a positive five volt supply; pin 5 is an "analogue ground", and

pin 15 is ADVAL channel 0, which is confusingly, called ADVAL (1) in a program. Any three core wire may be used, not forgetting to pass it through the hole in the case before soldering to the connector.

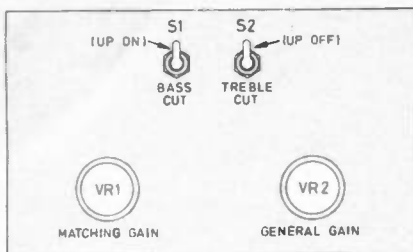
## CASE

A Verobox measuring 150 by 80 by 50mm. may be used to house the stripboard and controls. Begin by drilling holes for the two potentiometers, two switches, audio lead and computer lead. The stripboard may be drilled as shown to enable fixing by means of self adhesive p.c.b. pillars. When mounting the switches, note that S1 should be closed when "up" and S2 should be open when "up". Thus S1 is switched "down" for bass cut, and S2 is switched "down" for treble cut.

## COMPUTER PROGRAM

The example program listed should cause the TV screen to go blank. When an audio signal is applied to the input, a solid triangle should appear from the bottom of the screen. The triangle should move up as the sound level increases, and appear to crumble down as the level decreases. Larger level increases should make the triangle change colour.

Line 50 returns a number between 0 and 65520 according to the voltage at ADVAL(1) (called channel 0 on the connector). This is divided by 40 to provide a num-



N.B. - S1 DOWN(OFF) FOR BASS CUT  
S2 DOWN(OFF) FOR TREBLE CUT

EE12310

Fig. 3. Control positions/functions.

ber (A%). for plotting on the TV screen. Variable "T" is the actual Y-coordinate used for plotting, and variable "H" is used to remove the triangle as the level of sound decreases.

Line 80 checks for larger sound increases; if the new reading A% minus the old reading H is greater than 50, then C% (the colour of the triangle) increases by 1. When C% reaches 7, line 90 returns it to 1, as only six colours are available.

Line 130 plots the triangle, and line 160

```

10 MODE 4
20 *FX16, 1
30 VDU 23, 1, 0, 0, 0, 0
40 LET H=0: C% 1
50 LET A%=ADVAL(1)/40
60 IF A%>H THEN T A%:GOTO 80
70 LET T H
80 IF A%-H>50 THEN C% C%+1
90 IF C%>7 THEN C% 1
100 LET H A%
110 VDU 19, 1, C%, 0, 0, 0
120 IF T>H THEN 150
130 MOVE0, 0: MOVE1200, 0: PLOT85, 640, T
140 GOTO 50
150 MOVE0, H: MOVE1200, H
160 PLOT87, 0, T: PLOT87, 1200, T
170 GOTO 50

```

Fig. 4. Simple demonstration software.

plots two triangular blank spaces, making the first triangle appear to crumble as the sound decreases.

### FINAL SETTING UP

Connect the circuit to the computer. Allow the TV to warm up before switching on the computer, so that any malfunction will be immediately obvious by the usual message not appearing on the screen.

Turn VR1 to its highest resistance (fully clockwise), set VR2 to about mid-way and

check that S1 is closed (on) and S2 is open (off). Connect an audio signal to the input. The triangle should pulse to about the top of the screen. If this is not the case, line 50 may be altered. The number which is divided into ADVAL(1) may be reduced for a higher triangle, or increased for a lower triangle. It should now be possible to "push" the triangle beyond the top of the screen by advancing VR2, or reduce it to nothing by turning VR2 fully anti-clockwise.

Thus VR2 (called General Gain) is a "stretch control" which sets the highest point of the triangle. VR1 may be used to match a variety of audio inputs to the circuit, and can also compress most of the movement into the top part of the screen if desired, by saturating IC1.

Operating the bass cut, or treble cut switches should produce the desired effect, though the potentiometers may need re-adjusting.

The program listed is only an example of what can be achieved. All manner of graphic effects are possible, from a sound level graph, to bursting stars. Avoid long programs if a moving graphic display is required, as the program running speed is important. Alternatively, write a program in machine code for the most spectacular effects. □

# SHOP TALK

BY DAVID BARRINGTON

### Multi-Channel Remote Light Dimmer

Last month we had difficulty locating a source for the components called for in the *Multi-Channel Remote Light Dimmer*.

This month we have received news that all the semiconductor devices required for this multi-board project are carried by **Xen Electronics** (☎0983 292847) at competitive prices. It might even be worth asking for a "special" price for all the semiconductors as a single package. Also, as mentioned last month, all parts for this project are stocked by **TK Electronics** (☎01-567 8910).

The main cabinet, housing the receiver, power supply and all control boards, is left to individual choice and pocket, however, it must be a METAL type and be well "earthed". The printed circuit boards for this project are available from the *EE PCB Service*, codes EE599/604 (see page 373).

### Audio Mini-Bricks

The master printed circuit board (£7.90) is available from **Phonosonics**, 8 Finucane Drive, Orpington, Kent BR5 4ED.

### Home Security

Most of the components required for this month's circuits in our new series on *Home Security* are standard products and should be stock items. However, the battery back-up i.c. is only listed by **Maplin**, code UH36P (ICL7673).

A large range of specialist intruder sensors are stocked by **Riscomp** and they should be able to supply all of the various "detectors" called for in this series of articles. **Riscomp Ltd.**, Dept. EE, 51 Poppy Road, Princes Risborough, Bucks, HP17 9DB (☎084 44 6326).

### Light Level Detector/Light Triggered Alarm

The 7611 low power CMOS op. amp called for in the *Light Level Detector and Light-Triggered Alarm*—this month's Exploring Electronics projects—may cause some local supply problems and appears to be only listed by **Omni** and **Xen Electronics**. The rest of the components seem to be standard off-the-shelf items and should not cause any purchasing difficulties.

### Headlight Reminder

The piezoelectric resonator specified in the *Headlight Reminder* components list is now a very common item amongst suppliers' stocks and, like the rest of the components, should not cause any purchasing problems.

The Scotchlock connectors should be available from any good car spares shop or garage parts counter. The small printed circuit board is available through the *EE PCB Service*, code EE611.

### BBC Sound-To-Light

Most of the components required for

building the *BBC Sound-To-Light* unit are standard items and should not cause any undue sourcing problems.

The CA3140 f.e.t. input op. amp i.c. is stocked by most of our advertisers and although a dual version is available it is cheaper to buy two single i.c.s. It is also easier to fault find the circuit as the two devices can be swapped over. Note that it is important to use i.c. holders for mounting the op. amps on the circuit board.

The 15-way D-type computer connector plug, screened and 3-core cable is stocked by most good component suppliers. The standard 741 op. amp may work in this circuit but they have NOT been tried.

We cannot foresee any component buying problems for the "Easi-Wire" *Transistor Tester* demonstration project, the wiring kit is, of course, available from **BICC-Vero** (see page 329).

### PLEASE TAKE NOTE

#### DIGITAL COUNTER/FREQUENCY METER—July '87.

Page 369. The components list shows R6 and R11 as 100 ohm resistors, these should be 100 kilohms types. The circuit diagram Fig. 1 is correct.

#### DOOR SENTINEL—May '88.

Page 286, Fig. 4. The p.c.b. foil master pattern should be viewed from the other side. (The view shown is looking through the board from the top side.)

#### SUPER SOUND GENERATOR—May '88.

Page 292, Fig. 1 and components list. Transistor TR2 should be a type BC213 and not as shown.

#### AUDIBLE SMOOTHNESS TESTER—May '88.

Page 302, Fig. 2. The tint overlay on the top diagram is incorrect. A tracing of the lower diagram can be made and turned over to align with the top diagram corner "key" in the top right.



Just a sample of stock. Ask for items not listed.

Super Project Kit Bargains

<b>IC's</b>	<b>LED's</b>	<b>MTPBN10</b>	<b>15W Cover</b>	<b>Metalised Polyester</b>
4001UB .12	5mm dia	TIP121 .34	25W Skt .60	5/7 5mm Pitch
4011UB .12	Red .13	TIP126 .34	25W Plug .53	3.3nF 400V .08
4011 .12	Green .12	TIP31C .30	25W Cover 1.16	0.010µF 100V .08
4017 .31	Orange .21	TIP32C .30	PCB Mount	0.022µF 63V .08
4028 .29	Yellow .15	2N2646 1.18	15W Skt 1.02	0.047µF 100V .08
4040 .38	3mm dia	2N3055 .47	15W Plug .39	0.1µF 63V .08
4053 .37	Red .13	<b>Triacs</b>	25W Plug 2.15	0.15µF 63V .17
4066 .19	Green .13	2N6070A 100V 4A 1.29	<b>Capacitors</b>	0.33µF 63V .37
4081 .12	Orange .21	BT137 600V 1.62	<b>Radial Lead</b>	0.47µF 63V .13
4514B .95	Yellow .13	<b>Intra-Red Emitter</b>	2.2µF 50V .06	<b>Disc Ceramic</b>
<b>Z80ACPU</b> 1.85	<b>Fixed Voltage</b>	TLN105A .69	2.2µF 63V .11	10pF 63V .05
<b>Z80APID</b> 1.68	<b>Regulators</b>	Infra-Red Sensor	4.7µF 63V .06	100pF 50V .06
72171PI 4.00	7805 .36	TPS703A 1.89	33µF 16V .04	150pF 50V .05
64021PL 7.30	7808 .68	<b>I.C. Sockets</b>	47µF 10V .06	220pF 50V .05
555 .41	7812 .36	<b>Low Cost</b>	47µF 25V .06	0.01µF 25/50V .05
558 .33	7815 .36	6 Way .05	47µF 35V .08	0.01µF 1kV .27
741 .25	7824 .68	8 Way .07	47µF 63V .08	0.022µF 63V .10
LM380A 1.87	7905 .39	14 Way .11	47µF 100V .15	0.047µF 50V .12
TDA3810 5.56	7912 .21	16 Way .13	10µF 63V .06	0.1µF 50V .07
TL074CP .51	7915 .39	18 Way .15	22µF 100V .21	<b>Resistors</b>
S63526N 3.69	7924 .39	20 Way .16	100µF 10V .06	<b>Carbon Film</b>
S63526J 4.92	78L05 .28	22 Way .18	100µF 16V .06	0.25 Watt 5%
SL486DP 2.20	78L08 .28	24 Way .20	100µF 25V .07	1 to 10Ω
SL490DP 2.13	78L12 .28	28 Way .23	100µF 35V .08	02 each
ML926DP 3.04	78L15 .36	32 Way .24	100µF 50V .19	0.5 Watt 5%
SS76B 2.66	79L05 .30	40 Way .33	100µF 63V .21	10Ω to 10MΩ
<b>Diodes</b>	79L12+ .30	Turned Pin	100µF 10V .06	.04 each
1N4001 .05	79L15 .30	6 Way .16	220µF 10V .06	<b>Thermistor Bead</b>
1N4002 .05	<b>Transistors</b>	8 Way .12	330µF 16V .19	(NTC)
1N4003 .05	BC107 .16	14 Way .28	470µF 16V .25	G M 4 7 2 W
1N4004 .05	BC108 .21	16 Way .32	470µF 50V .40	(4.7KΩ)
1N4005 .05	BC109C .19	18 Way .36	470µF 63V .63	1.95
1N4007 .06	BC182 .05	20 Way .40	1000µF 10V .23	<b>Potentiometers</b>
1N5401 .12	BC212 .05	22 Way .44	1000µF 16V .27	<b>PCB Mount</b>
1N5406 .14	BC546B .04	24 Way .48	2200µF 16V .45	<b>Carmel Top Adj</b>
<b>Zener Diodes</b>	BC556A .04	28 Way .56	<b>Axial Lead</b>	100Ω
2V7 4W .05	BD233 .42	40 Way .80	4.7µF 63V .06	1KΩ
5V1 4W .05	BD675A .32	<b>Connectors</b>	10µF 35V .11	1K1
7V5 4W .06	BD676A .32	<b>D-Type solder</b>	47µF 25V .10	5K1
9V1 4W .06	BFY51 .54	9W Skt .43	100µF 50V .18	10K1
10V 4W .06	BF259 .58	9W Plug .38	100µF 100V .18	20K1
10V 4W .06	BSR50 .49	9W Cover .98	470µF 10V .22	50
11V 4W .05	IRF520 1.61	15W Skt .60	1000µF 10V .31	200KΩ
	IRF840 4.10	15W Plug .53		
	J112 .57	15W Skt .60		

### Z80 BASED CONTROLLER BOARD

This super little micro board using the very powerful Z80A CPU running at 4Mhz has all the necessary hardware to control menial to the most complex tasks. The PTH PCB measuring only 107 x 118 comprises 2K EPROM (empty), 2K static RAM, 16 input lines using two 74LS244 and 16 output lines using two 74LS373. The port connections are via four 10W pin strips, each having eight data lines, one ground and either NMI, INT, WAIT or RESET. A must for the small application.

Order as: Z80A-CTRL/K Kit Form ..... £20.45  
 Z80A-CTRL/B Built and Tested ..... £24.95  
 Z84C-CTRL/K Cmos Kit Form ..... £26.95  
 Z84C-CTRL/B Cmos Built and Tested ..... £31.45

### RS232 TO CENTRONICS CONVERTER

This handy little interface is ideal for running parallel printers from a serial port, the low cost way out of buying expensive parallel ports for your computer. Originally designed for the Sinclair QL and Northstar Dimension in mind. The PCB measuring 60 x 62 comprises of the 6402 UART, Baud rate generator and all necessary logic, comes complete with wire and ribbon cable and 36V Centronics plug. (For 'D' Type connector and hoods see selection on left. Sinclair QL SER1 Plug available extra at £1.68, order as 900-71052F).

Order as: RS232-8/K Kit Form ..... £18.40  
 RS232-8/B Built and Tested ..... £23.90

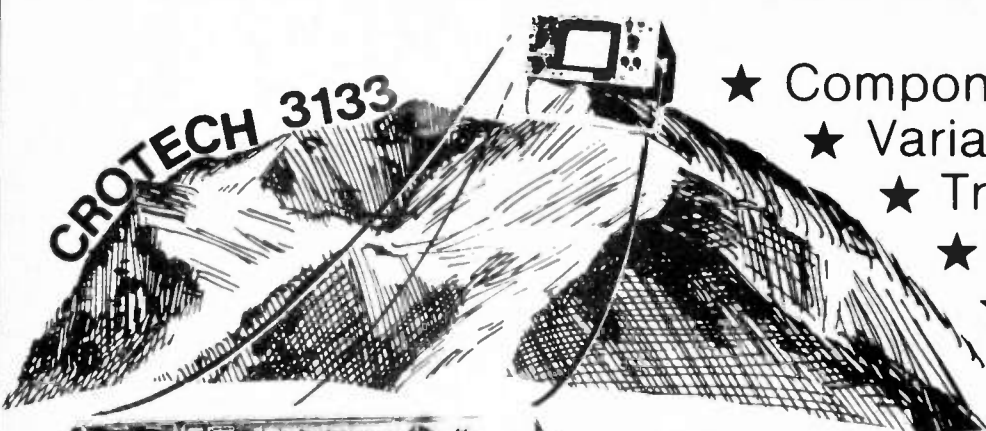
### DISTANCE MEASURING INSTRUMENT

An invaluable handy instrument ideal for quickly measuring rooms no bigger than 50 feet sq. The ultrasonic processing PTH PCB measuring only 77 x 85 has all the necessary components to output the distance in four digit BCD (multiplexed) reflecting either feet, meters or yards selectable by a three position switch. The kit comes complete with Parabolic reflector and transducer. Available extra is a liquid crystal display board measuring 51 x 101 which can be wired to the BCD output to the above board directly to display the distance in 0.5 inch high digits.

Order as: UDMI26/K Kit form ..... £24.95  
 UDMI26/B Built and Tested ..... £34.95  
 LCDM4/K LCD Kit form ..... £14.30  
 LCDM4/B LCD Built and Tested ..... £16.95

Mail or Telephone Orders only please to:  
 Dept 14, Samuel Whites Estate, Bridge Road, Cowes, Isle of Wight PO31 7LP. Please add £1 for 1st class post and packaging, and 15% VAT to total. Stock listing available soon, please send SAE to be put on the mail list.

# CONQUERING NEW HEIGHTS



## CROTECH 3133

- ★ Component Comparator
- ★ Variable Hold Off
- ★ Triple DC Source
- ★ DC - 25 MHz
- ★ 40ns/div
- ★ 2mV/div
- ★ Low Cost

Full 2 Year Warranty

# £319\*

To scale the heights, just call us for your FREE copy of our catalogue



\*(Ex VAT & Delivery)

## Crotech Instruments Limited

2 Stephenson Road, St. Ives, Huntingdon, Cambs. PE17 4WJ  
Telephone: (0480) 301818



# DIRECT BOOK SERVICE

## PROJECT CONSTRUCTION

### HOW TO GET YOUR ELECTRONIC PROJECTS WORKING

**R. A. Penfold**  
We have all built projects only to find that they did not work correctly, or at all, when first switched on. The aim of this book is to help the reader overcome just these problems by indicating how and where to start looking for many of the common faults that can occur when building up projects.  
96 pages Order code BP121 £2.50

### HOW TO DESIGN AND MAKE YOUR OWN P.C.B.s

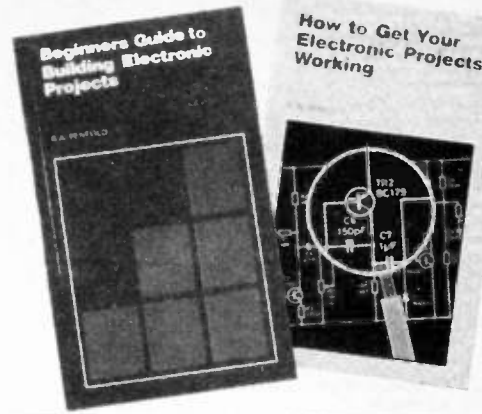
**R. A. Penfold**  
Deals with the simple methods of copying printed circuit

The books listed have been selected as being of special interest to everyone involved in electronics and computing. They are supplied by mail order direct to your door. Full ordering details are given on the last book page.

board designs from magazines and books and covers all aspects of simple p.c.b. construction including photographic methods and designing your own p.c.b.s.  
80 pages Order code BP121 £1.95

### BEGINNER'S GUIDE TO BUILDING ELECTRONIC PROJECTS

**R. A. Penfold**  
Shows the complete beginner how to tackle the practical side of electronics, so that he or she can confidently build the electronic projects that are regularly featured in magazines and books. Also includes examples in the form of simple projects.  
112 pages Order code No. 227 £1.95



### PRACTICAL ELECTRONIC BUILDING BLOCKS—BOOK 1 PRACTICAL ELECTRONIC BUILDING BLOCKS—BOOK 2

**R. A. Penfold**  
These books are designed to aid electronic enthusiasts who like to experiment with circuits and produce their own projects, rather than simply following published project designs.

**BOOK 1** contains: Oscillators—sinewave, triangular, squarewave, sawtooth, and pulse waveform generators operating at audio frequencies. Timers—simple monostable circuits using i.c.s, the 555 and 7555 devices, etc. Miscellaneous—noise generators, comparators and triggers, etc.

**BOOK 2** contains: Amplifiers—low level discrete and op-amp circuits, voltage and buffer amplifiers including d.c. types. Also low-noise audio and voltage controlled amplifiers. Filters—high-pass, low-pass, 6, 12, and 24dB per octave types. Miscellaneous—i.c. power amplifiers, mixers, voltage and current regulators, etc.

**BOOK 1** 128 pages Order code BP117 £1.95  
**BOOK 2** 112 pages Order code BP118 £1.95

## CIRCUITS AND DESIGN

### ELECTRONICS SIMPLIFIED—CRYSTAL SET CONSTRUCTION

**F. A. Wilson, C.G.I.A., C.Eng., F.I.E.E., F.I.E.R.E., F.B.I.M.**  
Especially written for those who wish to participate in the intricacies of electronics more through practical construction than by theoretical study. It is designed for all ages upwards from the day one can read intelligently and handle simple tools.  
80 pages Order Code BP92 £1.75

### MICRO INTERFACING CIRCUITS—BOOK 1 MICRO INTERFACING CIRCUITS—BOOK 2

**R. A. Penfold**  
Both books include practical circuits together with details of the circuit operation and useful background information. Any special constructional points are covered but p.c.b. layouts and other detailed constructional information are not included.  
**Book 1** is mainly concerned with getting signals in and out of the computer; **Book 2** deals primarily with circuits for practical applications.  
**Book 1** 112 pages Order code BP130 £2.25  
**Book 2** 112 pages Order code BP131 £2.75

### ELECTRONIC CIRCUITS HANDBOOK

**Michael Tooley BA**  
This book aims to explode two popular misconceptions concerning the design of electronic circuits: that only those with many years of experience should undertake circuit design and that the process relies on an understanding of advanced mathematics. Provided one is not too ambitious, neither of these popularly held beliefs is true.

Specifically, this book aims to provide the reader with a unique collection of practical working circuits together with supporting information so that circuits can be produced in the shortest possible time and without recourse to theoretical texts.

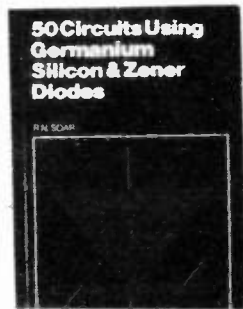
Furthermore, information has been included so that the circuits can readily be modified and extended by readers to meet their own individual needs. Related circuits have been grouped together and cross-referenced within the text (and also in the index) so that readers are aware of which circuits can be readily connected together to form more complex systems. As far as possible, a common range of supply voltages, signal levels and impedances has been adopted.

As a bonus, ten test gear projects have been included. These not only serve to illustrate the techniques described but also provide a range of test equipment which is useful in its own right.  
277 pages Order code NE05 £14.95



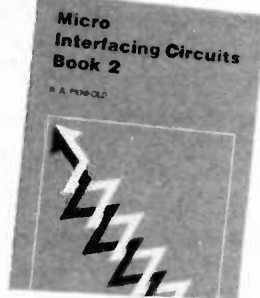
### 50 CIRCUITS USING GERMANIUM SILICON AND ZENER DIODES

**R. N. Soar**  
Contains 50 interesting and useful circuits and applications, covering many different branches of electronics, using one of the most simple and inexpensive of components—the diode. Includes the use of germanium and silicon signal diodes, silicon rectifier diodes and Zener diodes, etc.  
64 pages Order Code BP36 £1.50



### A MICROPROCESSOR PRIMER

**E. A. Parr, B.Sc., C.Eng., M.I.E.E.**  
Starts by designing a small computer which, because of its simplicity and logical structure, enables the language to be easily learnt and understood. The shortcomings are then discussed and the reader is shown how these can be overcome by changes and additions to the instruction set. In this way, such ideas as relative addressing, index registers, etc., are developed.  
96 pages Order code BP72 £1.75



### A PRACTICAL INTRODUCTION TO MICROPROCESSORS

**R. A. Penfold**  
Provides an introduction which includes a very simple microprocessor circuit which can be constructed so that the reader can experiment and gain practical experience.  
96 pages Order code BP123 £1.95

### 50 SIMPLE LED CIRCUITS

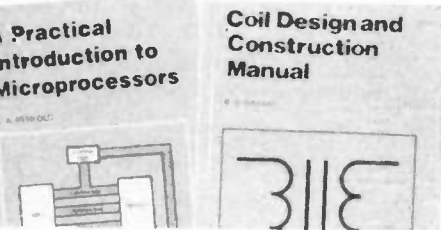
**R. N. Soar**  
Contains 50 interesting and useful circuits and applications, covering many different branches of electronics, using one of the most inexpensive and freely available components—the light-emitting diode (LED). Also includes circuits for the 707 common anode display.  
64 pages Order Code BP42 £1.95

### How to Design Electronic Projects



### HOW TO DESIGN ELECTRONIC PROJECTS

**R. A. Penfold**  
The aim of this book is to help the reader to put together projects from standard circuit blocks with a minimum of trial and error, but without resorting to any advanced mathematics. Hints on designing circuit blocks to meet your special requirements are also provided.  
128 pages Order code BP127 £2.25



### COIL DESIGN AND CONSTRUCTION MANUAL

**B. B. Babani**  
A complete book for the home constructor on "how to make" RF, IF, audio and power coils, chokes and transformers. Practically every possible type is discussed and calculations necessary are given and explained in detail. Although this book is now rather old, with the exception of torroids and pulse transformers little has changed in coil design since it was written.  
96 pages Order Code 160 £2.50

### HOW TO USE OP-AMPS

**E. A. Parr**  
This book has been written as a designer's guide covering many operational amplifiers, serving both as a source book of circuits and a reference book for design calculations. The approach has been made as non-mathematical as possible.  
160 pages Order code BP88 £2.95



### POPULAR ELECTRONIC CIRCUITS—BOOK 1 POPULAR ELECTRONIC CIRCUITS—BOOK 2

**R. A. Penfold**  
Each book provides a wide range of designs for electronic enthusiasts who are capable of producing working projects from just a circuit diagram without the aid of detailed construction information. Any special setting-up procedures are described.  
**BOOK 1** 160 pages Order code BP80 £1.95  
**BOOK 2** 160 pages Order code BP98 £2.25

### ELECTRONIC CIRCUITS FOR THE COMPUTER CONTROL OF MODEL RAILWAYS

R.A. Penfold

Home computers may easily be applied to the control of model railways and really quite sophisticated control, which needs only simple programming, is not too difficult to achieve. The main problem lies in interfacing the computer to the layout, but fortunately it is not too difficult or expensive to build suitable interfaces, and this book shows you how.

The projects consist of various types of controller, including a high quality pulse type, as well as circuits for train position sensing, signal and electric points control etc. The use of computers does not have to be restricted to massive layouts. Something as simple as an oval of track with a single siding can be given a new dimension by adding computer control and much fun can be had from these relatively simple set-ups.

88 pages Order code BP180

£2.95

### MODERN OPTO DEVICE PROJECTS

R.A. Penfold

In recent years, the range of opto devices available to the home constructor has expanded and changed radically. These devices now represent one of the more interesting areas of modern electronics for the hobbyist to experiment in, and many of these devices have useful practical applications as well. This book provides a number of practical

designs which utilize a range of modern opto-electric devices, including such things as fibre optics, ultra bright I.e.d.s and passive IR detectors etc.

While many of these designs are not in the "dead simple" category, they should be within the capabilities of anyone with a reasonable amount of experience in electronics construction and some of the more simple designs are suitable for beginners.

104 pages Order code BP194

£2.95

### ELECTRONIC CIRCUITS FOR THE COMPUTER CONTROL OF ROBOTS

Robert Penfold

Robots and robotics offer one of the most interesting areas for the electronics hobbyist to experiment in. Today the mechanical side of robots is not too difficult, as there are robotics kits and a wide range of mechanical components available. The micro controller is not too much of a problem either, since the software need not be terribly complex and many inexpensive home computers are well suited to the task.

The main stumbling block for most would-be robot builders is the electronics to interface the computer to the motors, and the sensors which provide feedback from the robot to the computer. The purpose of this book is to explain and provide some relatively simple electronic circuits which bridge this gap.

92 pages Order code BP179

£2.95

### Electronic Circuits for the Computer Control of Robots

R.A. PENFOLD



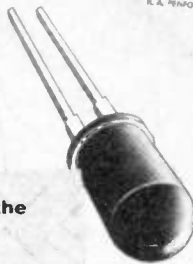
### Electronic Circuits for the Computer Control of Model Railways

R.A. PENFOLD



### Modern Opto Device Projects

R.A. PENFOLD



## DATA AND REFERENCE

## RECOMMENDED READING

### FOR... INTRODUCING MICROPROCESSORS

(THE EVERYDAY ELECTRONICS CITY AND GUILDS SERIES)

### PRACTICAL DIGITAL ELECTRONICS HANDBOOK

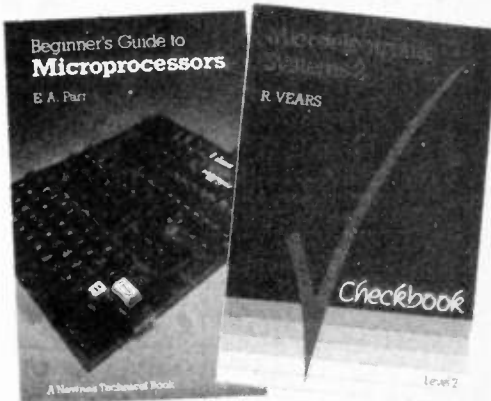
Mike Tooley (Published in association with Everyday Electronics)

The vast majority of modern electronic systems rely heavily on the application of digital electronics, and the *Practical Digital Electronics Handbook* aims to provide readers with a practically based introduction to this subject. The book will prove invaluable to anyone involved with the design, manufacture or servicing of digital circuitry, as well as to those wishing to update their knowledge of modern digital devices and techniques. Contents: Introduction to integrated circuits; basic logic gates; monostable and bistable devices; timers; microprocessors; memories; input and output devices; interfaces; microprocessor buses. Appendix 1: Data. Appendix 2: Digital test gear projects; tools and test equipment; regulated bench power supply; logic probe; logic pulser; versatile pulse generator; digital IC tester; current tracer; audio logic tracer; RS 232C breakout box; versatile digital counter/frequency meter. Appendix 3: The oscilloscope. Appendix 4: Suggested reading. Appendix 5: Further study.

208 pages

Order code PC100

£6.95



### BEGINNERS GUIDE TO MICROPROCESSORS

E.A. Parr

An excellent grounding in microprocessors, this book is broadly relevant to the whole of our *Introducing Microprocessors* course. It is easy to read and well illustrated.

224 pages

Order code NE03

£4.95

### MICROELECTRONIC SYSTEMS 2 CHECKBOOK

R. Vears

The aim of this book is to provide a foundation in microcomputer hardware, software and interfacing techniques. Each topic is presented in a way that assumes only an elementary knowledge of microelectronic systems and logic functions. The book concentrates on 6502, 280 and 6800 microprocessors and contains 60 tested programs, 160 worked problems and 250 further problems.

194 pages

Order code NE04

£4.95

## RECOMMENDED READING



### ELECTRONICS TEACH-IN

Michael Tooley BA and David Whitfield MA MSc CEng MIEE (published by Everyday Electronics)

This value for money EE book provides a comprehensive background to modern electronics including test gear projects. A complete course in basic electronics; designed for the complete newcomer it will however also be of value to those with some previous experience of electronics. Wherever possible the course is related to "real life" working circuits and each part includes a set of detailed practical assignments. Includes details of eight items of related test gear giving full constructional information and diagrams for each one. They are: Safe Power Supply; Universal LCR Bridge; Diode/Transistor Tester; Audio Signal Tracer; Audio Signal Generator; RF Signal Generator; FET Voltmeter; Pulse Generator. An excellent companion for anyone interested in electronics and invaluable for those taking G.C.S.E. electronics courses.

104 pages (A4 size)

Order code EE/T-1

£1.95

### PRACTICAL ELECTRONICS CALCULATIONS AND FORMULAE

F. A. Wilson, C.G.I.A., C.Eng., F.I.E.E., F.I.E.R.E., F.B.I.M.

Bridges the gap between complicated technical theory, and "cut-and-try" methods which may bring success in design but leave the experimenter unfulfilled. A strong practical bias—tedious and higher mathematics have been avoided where possible and many tables have been included.

The book is divided into six basic sections: Units and Constants; Direct current Circuits; Passive Components; Alternating-current Circuits; Networks and Theorems; Measurements.

256 pages

Order Code BP53

£2.95

### ESSENTIAL THEORY FOR THE ELECTRONICS HOBBYIST

G. T. Rubaroe, T.Eng (C.E.I.), Assoc.I.E.R.E.

The object of this book is to supply the hobbyist with a background knowledge tailored to meet his or her specific requirements and the author has brought together the relevant material and presented it in a readable manner with minimum recourse to mathematics.

128 pages

Order Code 228

£2.50

### MICROPROCESSING SYSTEMS AND CIRCUITS

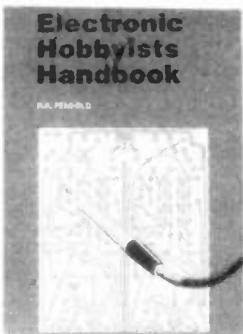
F. A. Wilson, C.G.I.A., C.Eng., F.I.E.E., F.I.E.R.E., F.B.I.M.

A truly comprehensive guide to the elements of micro-processing systems which really starts at the beginning. Teaches the reader the essential fundamentals that are so important for a sound understanding of the subject.

256 pages

Order Code BP77

£2.95



### Electronic Hobbyists Handbook

R.A. PENFOLD

### ELECTRONIC HOBBYISTS HANDBOOK

R.A. Penfold

Provides an inexpensive single source of easily located information that the amateur electronics enthusiast is likely to need for the day-to-day pursuit of this fascinating hobby. Covers common component colour codes. Details the characteristics and pinouts of many popular semiconductor devices, including various types of logic ICs, operational amplifiers, transistors, FETs, unijunctions, diodes, rectifiers, SCRs, diacs, triacs, regulators and SMDs, etc. Illustrates many useful types of circuits, such as timers and oscillators, audio amplifiers and filters, as well as including a separate section on power supplies. Also contains a multitude of other useful data.

88 pages

Order code BP233

£4.95

### AUDIO

F. A. Wilson, C.G.I.A., C.Eng., F.I.E.E., F.I.E.R.E., F.B.I.M.

Analysis of the sound wave and an explanation of acoustical quantities prepare the way. These are followed by a study of the mechanism of hearing and examination of the various sounds we hear. A look at room acoustics with a subsequent chapter on microphones and loudspeakers then sets the scene for the main chapter on audio systems—amplifiers, oscillators, disc and magnetic recording and electronic music.

320 pages

Order Code BP111

£3.50

### HOW TO IDENTIFY UNMARKED ICs

K. H. Recorr

Shows the reader how, with just a test-meter, to go about recording the particular signature of an unmarked i.c. which should enable the i.c. to then be identified with reference to manufacturers' or other data. An i.c. signature is a specially plotted chart produced by measuring the resistances between all terminal pairs of an i.c.

Chart

Order code BP101

£0.95

### RADIO AND ELECTRONIC COLOUR CODES AND DATA CHART

B. B. Babani

Although this chart was first published in 1971 it provides basic information on many colour codes in use throughout the world, for most radio and electronic components. Includes resistors, capacitors, transformers, field coils, fuses, battery leads, speakers, etc. It is particularly useful for finding the values of old components.

Chart

Order code BP7

£0.95

### CHART OF RADIO, ELECTRONIC, SEMICONDUCTOR AND LOGIC SYMBOLS

M. H. Banani, B.Sc.(Eng.)

Illustrates the common, and many of the not-so-common, radio, electronic, semiconductor and logic symbols that are used in books, magazines and instruction manuals, etc., in most countries throughout the world.

Chart

Order Code BP27

£0.95

## OSCILLOSCOPES: HOW TO USE THEM—HOW THEY WORK

Ian Hickman

Oscilloscopes are essential tools for checking circuit operation and diagnosing faults, and an enormous range of models is available. But which is the right 'scope for a particular application? Which features are essential, which not so important? What techniques will get the best out of the instrument?

Ian Hickman, experienced in both professional and hobbyist electronics, has revised this well-established book to help all oscilloscope users—and potential users.

133 pages Order code NE09

£5.95



## GETTING THE MOST FROM YOUR MULTIMETER

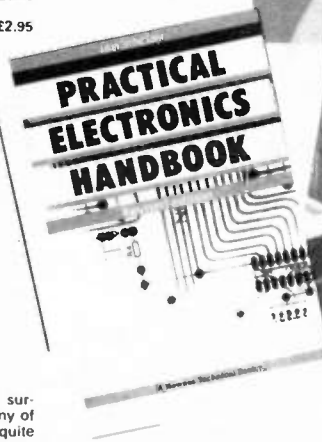
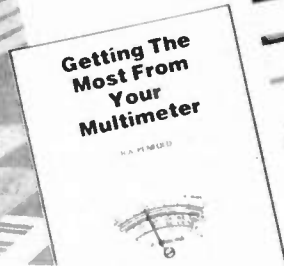
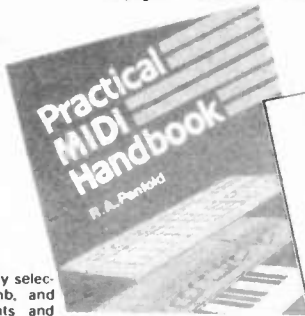
R.A. Penfold

This book is primarily aimed at beginners and those of limited experience of electronics. Chapter 1 covers the basics of analogue and digital multimeters, discussing the relative merits and the limitations of the two types. In Chapter 2 various methods of component checking are described, including tests for transistors, thyristors, resistors, capacitors and diodes. Circuit testing is covered in Chapter 3, with subjects such as voltage, current and continuity checks being discussed.

In the main little or no previous knowledge or experience is assumed. Using these simple component and circuit testing techniques the reader should be able to confidently tackle servicing of most electronic projects.

96 pages Order code BP239

£2.95



## PRACTICAL ELECTRONICS HANDBOOK

Ian Sinclair

Ian Sinclair has now revised this useful and carefully selected collection of standard circuits, rules-of-thumb, and design data for professional engineers, students and enthusiasts involved in radio and electronics. Covering passive and active components, discrete component circuits (such as amplifiers, filters and oscillators) and linear and digital i.c.s, the book includes many items which are not elsewhere available in a single handy volume. The operation and functions of typical circuits are described, while mathematics is limited to that necessary for deciding component values for any application.

This revised edition contains more details on computers and microprocessors and has been brought up to date throughout.

199 pages Order Code NE06

£5.95

## BEGINNER'S GUIDE TO HI-FI

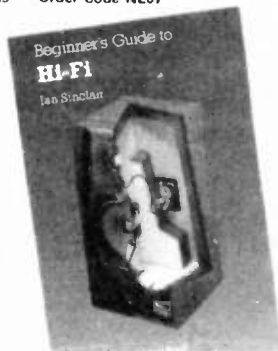
Ian Sinclair

The *Beginner's Guide to Hi-Fi* will appeal to the audio enthusiast, whether newly won over by advances in technology or well established and wondering whether to update equipment. The book deals with the sound from its sources in the studio to its ultimate end in your ears, and shows what sound is, how it is recorded and how it is reproduced.

Every aspect of Hi-Fi, from pickup cartridges to loudspeakers, has been covered, and the emphasis has been on explaining design aims. Cassette systems have been given considerable prominence, including the more modern Dolby C and dbx noise reduction systems. The CD record has been covered in detail so that you can find out just why this system of sound reproduction is so superior.

194 pages Order Code NE07

£4.95



## PRACTICAL MIDI HANDBOOK

R.A. Penfold

The Musical Instrument Digital Interface (MIDI) is surrounded by a great deal of misunderstanding, and many of the user manuals that accompany MIDI equipment are quite incomprehensible to the reader.

The *Practical MIDI Handbook* is aimed primarily at musicians, enthusiasts and technicians who want to exploit the vast capabilities of MIDI, but who have no previous knowledge of electronics or computing. The majority of the book is devoted to an explanation of what MIDI can do and how to exploit it to the full, with practical advice on connecting up a MIDI system and getting it to work, as well as deciphering the technical information in those equipment manuals.

128 pages Order code PC101

£5.95

## INTRODUCTION TO DIGITAL AUDIO

Ian Sinclair

Digital recording methods have existed for many years and have become familiar to the professional recording engineer, but the compact disc (CD) was the first device to bring digital audio methods into the home. The next step is the appearance of digital audio tape (DAT) equipment.

All this development has involved methods and circuits that are totally alien to the technician or keen amateur who has previously worked with audio circuits. The principles and practices of digital audio owe little or nothing to the traditional linear circuits of the past, and are much more comprehensible to today's computer engineer than the older generation of audio engineers.

This book is intended to bridge the gap of understanding for the technician and enthusiast. The principles and methods are explained, but the mathematical background and theory is avoided, other than to state the end product.

128 pages Order code PC102

£5.95



## COMMUNICATION

F. A. Wilson, C.G.I.A., C.Eng., F.I.E.E., F.I.E.R.E., F.B.I.M.

A look at the electronic fundamentals over the whole of the communication scene. This book aims to teach the important elements of each branch of the subject in a style as interesting and practical as possible. While not getting involved in the more complicated theory and mathematics, most of the modern transmission system techniques are examined including line, microwave, submarine, satellite and digital multiplex systems, radio and telegraphy. To assist in understanding these more thoroughly, chapters on signal processing, the electromagnetic wave, networks and transmissions assessment are included, finally a short chapter on optical transmission.

256 pages

Order Code BP89

£2.95

## INTERNATIONAL TRANSISTOR EQUIVALENTS GUIDE

A. Michaels

Helps the reader to find possible substitutes for a popular selection of European, American and Japanese transistors. Also shows material type, polarity, manufacturer and use.

320 pages

Order code BP85

£2.95

## NEWNES ELECTRONICS POCKET BOOK

E. A. Parr

Newnes Electronics Pocket Book has been in print for over twenty years and has covered the development of electronics from valve to semiconductor technology and from transistors to LSI integrated circuits and microprocessors. To keep up to date with the rapidly changing world of electronics, continuous revision has been necessary. This new Fifth Edition takes account of recent changes and includes material suggested by readers of previous editions. New descriptions of op.amp. applications and the design of digital circuits have been added, along with a totally new chapter on computing, plus other revisions throughout.

375 pages (hard cover)

Order Code NE02

£8.95

## TRANSISTOR SELECTOR GUIDE

This unique guide offers a range of selection tables compiled so as to be of maximum use to all electronics engineers, designers and hobbyists.

Section 1: Covers component markings, codings and standards, as well as explaining the symbols used.

Section 2: Tabulates in alpha-numeric sequence the comprehensive specifications of over 1400 devices.

Section 3: Tabulates the devices by case type.

Section 4: Considers particular limits to the electrical parameters when compiling the tables.

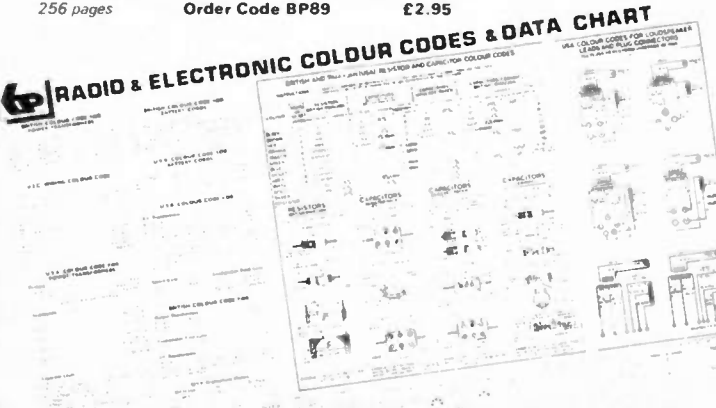
Section 5: Illustrates package outlines and leadouts.

Section 6: Consists of a surface mounting device markings conversion list.

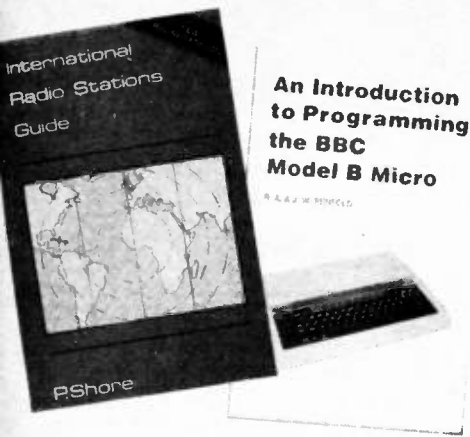
192 pages

Order code BP234

£4.95







## AN INTRODUCTION TO RADIO DXING

**R. A. Penfold**

Anyone can switch on a short wave receiver and play with the controls until they pick up something, but to find a particular station, country or type of broadcast and to receive it as clearly as possible requires a little more skill and knowledge. The object of this book is to help the reader to do just that, which in essence is the fascinating hobby of radio DXing.

112 pages **Order code BP91 £1.95**

## INTERNATIONAL RADIO STATIONS GUIDE

**P. Shore**

Provides the casual listener, amateur radio DXer and the professional radio monitor with an essential reference work designed to guide him or her around the ever more complex radio bands. This new edition has been completely revised and rewritten and incorporates much more information which is divided into the following sections:

Listening to Short Wave Radio; ITU Country Codes; Worldwide Short Wave Radio Stations; European, Middle East and North African Long Wave Radio Stations; European, Near East and North African Medium Wave Radio Stations; Canadian Medium Wave Radio Stations; USA Medium Wave Radio Stations; Broadcasts in English; Programmes for DXers and Short Wave Listeners; UK FM Radio Stations; Time differences from GMT; Abbreviations; Wavelength/Frequency Conversion.

320 pages **Order code BP255 £4.95**

## BEGINNER'S GUIDE TO AMATEUR RADIO

**F.G. Rayer** Second edition revised by Gordon King G4VIV.

Whether you are new to radio, or have become interested by way of CB, it is hoped that this book, will further whet your appetite and put you in good stead for passing the Radio Amateur's Examination and becoming a licensed radio amateur.

188 pages **Order Code NE08 £4.95**

## AN INTRODUCTION TO SATELLITE TELEVISION

**F.A. Wilson**

As a definitive introduction to the subject this book is presented on two levels. For the absolute beginner or anyone thinking about purchasing or hiring a satellite TV system, the story is told as simply as such a complex one can be in the main text.

For the professional engineer, electronics enthusiast, student or others with technical backgrounds, there are numerous appendices backing up the main text with additional technical and scientific detail formulae, calculations, tables etc.

There is also plenty for the DIY enthusiast with practical advice on choosing and installing the most problematic part of the system—the dish antenna.

104 pages **Order code BP 195 £5.95**

# COMPUTING

## GETTING THE MOST FROM YOUR PRINTER

**J. W. Penfold**

Details how to use all the features provided on most dot-matrix printers from programs and popular word processor packages like Wordwise, Visawrite and Quill, etc. Shows exactly what must be typed in to achieve a given effect.

96 pages **Order Code BP181 £2.95**

## A Z80 WORKSHOP MANUAL

**E. A. Parr, B.Sc., C.Eng., M.I.E.E.**

This book is intended for people who wish to progress beyond the stage of BASIC programming to topics such as machine code and assembly language programming, or need hardware details of a Z80 based computer.

192 pages **Order Code BP112 £3.50**

## AN INTRODUCTION TO 68000 ASSEMBLY LANGUAGE

**R. A. & J. W. Penfold**

Obtain a vast increase in running speed by writing programs for 68000 based micros such as the Commodore Amiga, Atari ST range or Apple Macintosh range etc., in assembly language. It is not as difficult as one might think and this book covers the fundamentals.

112 pages **Order Code BP184 £2.95**

## THE ART OF PROGRAMMING THE ZX SPECTRUM

**M. James, B.Sc., M.B.C.S.**

It is one thing to have learnt how to use all the Spectrum's commands and functions, but a very different one to be able to combine them into programs that do exactly what you want them to. This is just what this book is all about—teaching you the art of effective programming with your Spectrum.

144 pages **Order code BP119 £2.50**

## AN INTRODUCTION TO PROGRAMMING THE COMMODORE 16 & PLUS 4

**R. A. Penfold**

Helps you to learn to use and program these two Commodore machines with the minimum of difficulty by expanding and complementing the information supplied in the manufacturer's own manuals.

128 pages **Order code BP158 £2.50**

## AN INTRODUCTION TO PROGRAMMING THE BBC MODEL B MICRO

**R. A. & J. W. Penfold**

Written for readers wanting to learn more about programming and how to make best use of the incredibly powerful model B's versatile features. Most aspects of the BBC micro are covered, the omissions being where little could usefully be added to the information provided by the manufacturer's own manual.

144 pages **Order code BP139 £1.95**

## THE PRE-BASIC BOOK

**F. A. Wilson, C.G.I.A., C.ENG., F.I.E.E., F.I.E.R.E., F.B.I.M.**

Another book on BASIC but with a difference. This one does not skip through the whole of the subject and thereby leave many would-be programmers floundering but instead concentrates on introducing the technique by looking in depth at the most frequently used and more easily understood computer instructions. For all new and potential micro users.

192 pages **Order code BP146 £2.95**

## AN INTRODUCTION TO COMPUTER PERIPHERALS

**J. W. Penfold**

Covers such items as monitors, printers, disc drives, cassette recorders, modems, etc., explaining what they are, how to use them and the various types and standards. Helps you to make sure that the peripherals you buy will work with your computer.

80 pages **Order code BP170 £2.50**

## COMPUTER TERMINOLOGY EXPLAINED

**I. D. Poole**

Explains a wide range of terms that form the computer jargon used by enthusiasts. Includes a reference guide to the more commonly used BASIC commands.

96 pages **Order code BP148 £1.95**

## AN INTRODUCTION TO PROGRAMMING THE ACORN ELECTRON

**R. A. & J. W. Penfold**

Designed to help the reader learn more about programming and to make best use of the Electron's many features. Adds considerably to the information already supplied in the manufacturer's own instruction manual.

144 pages **Order code BP142 £1.95**

## AN INTRODUCTION TO PROGRAMMING THE ATARI 600/800 XL

**R. A. & J. W. Penfold**

Especially written to supplement the manufacturer's own handbook. The information supplied will help the reader to master BASIC programming and to make best use of the Atari's many powerful features.

128 pages **Order code BP143 £1.95**

## AN INTRODUCTION TO PROGRAMMING THE AMSTRAD CPC 464 AND 664

**R. A. & J. W. Penfold**

The Amstrad CPC 464 or 664 running with Locomotive BASIC makes an extremely potent and versatile machine and this book is designed to help the reader get the most from this powerful combination. Written to complement rather than duplicate the information already given in the manufacturer's own manual. Also applicable to the CPC 6128.

144 pages **Order Code BP153 £2.50**

## AN INTRODUCTION TO PROGRAMMING THE SINCLAIR QL

**R. A. & J. W. Penfold**

Helps the reader to make best use of the fantastic Sinclair QL's almost unlimited range of features. Designed to complement the manufacturer's handbook.

112 pages **Order code BP150 £1.95**

## AN INTRODUCTION TO Z80 MACHINE CODE

**R. A. & J. W. Penfold**

Takes the reader through the basics of microprocessors and machine code programming with no previous knowledge of these being assumed. The Z80 is used in many popular home computers and simple programming examples are given for Z80-based machines including the Sinclair ZX-81 and Spectrum, Memotech and the Amstrad CPC 464. Also applicable to the Amstrad CPC 664 and 6128.

144 pages **Order code BP152 £2.75**

## AN INTRODUCTION TO 6502 MACHINE CODE

**R. A. & J. W. Penfold**

No previous knowledge of microprocessors or machine code is assumed. Topics covered are: assembly language and assemblers, the register set and memory, binary and hexadecimal numbering systems, addressing modes and the instruction set, and also mixing machine code with BASIC. Some simple programming examples are given for 6502-based home computers like the VIC-20, ORIC-1/Atmos, Electron, BCC and also the Commodore 64.

112 pages **Order code BP147 £2.50**

## HOW TO GET YOUR COMPUTER PROGRAMS RUNNING

**J. W. Penfold**

Have you ever written your own programs only to find that they did not work? Help is now at hand with this book which shows you how to go about looking for your errors, and helps you to avoid the common bugs and pitfalls of program writing. Applicable to all dialects of the BASIC language.

144 pages **Order code BP169 £2.50**

## AN INTRODUCTION TO COMPUTER COMMUNICATIONS

**R. A. Penfold**

Provides details of the various types of modem and their suitability for specific applications, plus details of connecting various computers to modems, and modems to the telephone system. Also information on common networking systems and RTTY.

96 pages **Order code BP177 £2.95**

## THE PRE-COMPUTER BOOK

**F. A. Wilson**

Aimed at the absolute beginner with no knowledge of computing. An entirely non-technical discussion of computer bits and pieces and programming.

96 pages **Order code BP115 £1.95**

## NEWNES COMPUTER ENGINEER'S POCKETBOOK

**Michael Tooley**

An invaluable compendium of facts, figures, circuits and data, indispensable to the designer, student, service engineer and all those interested in computer and microcomputer systems. It will appeal equally to the hardware or software specialist and to the new band of "software engineers". This first edition covers a vast range of subjects at a practical level, with the necessary explanatory text. The data is presented in a succinct and rapidly accessible form so that the book can become part of an everyday toolkit.

205 pages (hard cover) **Order code NE01 £8.95**

# DIRECT BOOK SERVICE

## TO ORDER

**Please state the order code clearly, print your name and address and add the required postage to the total order.**

**Add 50p per order postage (overseas readers add £1, surface mail postage) and send a PO, cheque or international money order (£ sterling only) made payable to *Direct Book Service* (quoting the order code and quantities required) to **DIRECT BOOK SERVICE, 33 GRAVEL HILL, MERLEY, WIMBORNE, DORSET, BH21 1RW** (mail order only).**

Although books are normally sent within seven days of receipt of your order, please allow a maximum of 28 days for delivery. Overseas readers allow extra time for surface mail post.

*Please check price and availability before ordering from old lists.*



# FOR YOUR ENTERTAINMENT

BY BARRY FOX

## Made In Britain!

A subsidiary of Sony, Aiwa, is the only firm making CD players in Britain, at a factory in Gwent, Wales. Aiwa also makes midi system amplifiers, tuners, cassette decks and turntables. The Japanese have now decided to invest £3.1 million and double production, currently valued at £M20 a year.

Doubtless the promise of a government grant worth £0.4 million helped them make their decision. The new factory will make more audio, including portables, and perhaps video as well, now that Sony has bitten the bullet, accepted the failure of Beta, and decided to back the VHS system.

Just what exactly does Aiwa mean by "make"? When I visited the Gwent factory it was unashamedly nothing more than an assembly line, putting together complete construction kits imported from Japan.

The factory managers made no bones about the fact that this was the only way they could work. Designing in Britain was just not feasible, because the UK is only one of many world markets for identical products. Finding British, or even European, sources of component supply was impractical, if not impossible.

In the absence of any news to the contrary I can only assume that Aiwa's Gwent factory is still only assembling kits and the £3.5 million now to be spent will merely expand assembly. This secures jobs, and could create another 200, but it all brings Britain one step closer to becoming an off-shore assembly line for the Far East. It's like an industrial revolution in reverse.

## Research and Development

Although all the major Japanese electronics companies now have manufacturing plants in the UK, British scientists and engineers still have no hope of finding research and development work with them.

Takao Negishi, European Director for the Electronic Industries Association of Japan, says he would like the situation to change but admits that the time is not yet right for his members to build research and development laboratories in Britain.

In 1970, all Japanese products sold in Britain were made in the Far East. Now nearly 60 Japanese manufacturers, most of them electronics companies, have built factories here. Most make colour TV sets and video recorders. Soon others will follow the Aiwa lead and start making compact disc hi-fi equipment, because the European Commission in Brussels is investigating a complaint by Philips that Japanese factories are dumping CD players at below cost.

So far all the research, development and design work for Japanese factories in Britain has been done in Japan, "Manufacturing is like the growth of a child from birth to maturity" says Negishi. "We are still in the first stage, the simple transfer

of manufacturing capacity from Japan to Britain."

"The next stage is putting money into R and D. We will need to recruit the best brains. The English are very inventive—very creative. But we are not yet at the second stage of investing in brains".

"IBM invested in Japan in the 1920s", says Negishi. "Now they have a wonderful research centre there. Japanese companies have not yet reached that point in Europe".

In the summer of 1985, Shigeru Haya-kawa, head of Matsushita's research laboratories in Japan, made news throughout Europe when he said the company was planning to build an R and D lab in Britain. As sceptics predicted, nothing has happened but the EIAJ continues to nag Matsushita. "We will do it quite soon", Matsushita said in January. The trigger may be the new MAC satellite TV transmission system which is unknown technology in Japan.

"We are accused of building screw-driver assembly plants—sometimes even importing the screws and drivers as well as the components to assemble", admits Negishi. "We would like to buy British components but they are seldom good enough. This is a crucial problem in the UK".

Whatever happens, Negishi is resigned to the fact that the Japanese cannot win unless they fail commercially. "We are prisoners of prejudice" he says.

## Off The Rails

There is a flip side to the miracle of modern technology.

Last December, Transport Secretary Paul Channon unveiled Network South East's 21st century train at Victoria Station. Later that same day, on the next platform, I saw a young woman ask a ticket collector whether the train just leaving went to Catford.

He sent her off with a flea in her ear, telling her she should look at the TV screen displays and not waste his time with questions. Distraught, the girl ran up and down the platform trying to find a passenger who could tell her where it went.

I very much doubt that she had been too idle to look at the TV screens. More likely she was in the embarrassing position of having poor eyesight or being illiterate.

If so, she would also have been unable to read the sign overhead the bullying inspector which reads "Thank you for travelling Network South East".

## Bookmark

Every day now the postman brings some fresh announcement about some new Desk Top Publishing system. There are seminars on DTP, conferences on

DTP and DPT sales conventions.

The way things are going, every desk in Britain will soon have the potential to publish. Essentially DTP is a simple way of producing pages of text which are clean and clear enough to mass-reproduce as books, magazines or brochures, or transfer to slide, film or video for projection or monitor display.

Recently, I heard of one publisher who boasted his own desk top system. The author promised to produce a book but as the publisher put it: "He didn't warn me it would take twice as long and be full of spelling mistakes; the highest tech publishing gadgetry still depends on having the right words to publish".

I also met a graphics artist, who has spent his life drawing sketches and graphs which advertising and PR agencies turn into 35mm slides for projection. They use them for sales pitching.

When a large company wants to employ a new advertising or PR agency they invite tenders from competing agencies who then put on a presentation or "sales pitch" with slides and chat. Often the company with the best pitch isn't the best company for the job, but that's another story.

Is desk top publishing putting you out of business, I asked the artist?

"Not a bit of it", he told me cheerfully. "I kept expecting it to finish me off but I'm at retirement age now, and have never been so busy in my life".

## No Character

Agencies have found that although it is easy to use DTP systems to prepare slides or graphs, they end up looking much the same. It's because the system has no imagination—no character of its own.

Companies looking for a new agency, find that they are faced with several presentations, all looking much like the others because they have all been generated by computers. And often the slides contain typographical errors that no-one has spotted on the computer screen.

"It's like shop window dressing" said the artist. "Walk down Oxford Street in London and look in all the large store windows. We used to know which store was which, from the individual style of window dressing. Now they all look the same".

Unwittingly emphasising the point, the magazine *Personal Computer World* gave away a calendar with the last Christmas edition. It was a reproduction of the magazine cover for last April which showed an Apple Mac displaying colourful, graphics.

"Although some readers thought that the image was created on some form of computer art package" explained a footnote to the calendar "it was in fact an illustration".

The magazine illustrator had used an airbrush on a photograph, because when the Mac was reviewed there had been no colour graphics software available to run on it.

## POWER CONDITIONER

FEATURED IN ETI  
JANUARY 1988

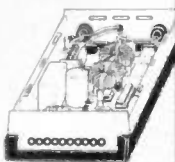
The ultimate mains purifier. Intended mainly for lowering the noise floor and improving the analytical qualities of top-flight audio equipment.

The massive filter section contains thirteen capacitors and two current balanced inductors, together with a bank of six VDRs, to remove every last trace of impulsive and RF interference. A fan LED logarithmic display gives a second by second indication of the amount of interference removed.

Our approved parts set consists of case, PCB, all components including high permeability toroidal cores, ICs, transistors, class X and Y suppression capacitors, VDRs, etc. and full instructions.

PARTS SET £28.50 + VAT

Some parts are available separately. Please send SAE for lists, or SAE + £1 for lists, circuit construction details and further information (free with parts set).



## KNIGHT RAIDER

FEATURED IN ETI JULY 1987

The ultimate in lighting effects for your Lamborghini, Maserati, BMW (or any other car, for that matter). Picture this: eight powerful lights in line along the front and eight along the rear. You flick a switch on the dashboard control box and a point of light moves lazily from left to right leaving a comet's tail behind it. Flip the switch again and the point of light becomes a bar, bouncing backwards and forwards along the row. Press again and try one of the other six patterns. An LED display on the control box let's you see what the main lights are doing.

The Knight Raider can be fitted to any car (it makes an excellent log light) or with low-powered bulbs it can turn any chris's pedal car or bicycle into a spectacular TV-age toy!

The parts set consists of box, PCB and components for control, PCB and components for sequence board, and full instructions.

Lamps not included.  
PARTS SET £19.90 + VAT

## CREDIT CARD CASINO

FEATURED IN ETI  
MARCH 1987

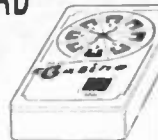
The wicked little pocket gaming machine measures only 3" x 2" x 1/2". It will play all kinds of casino games, including:

- Roulette
- Craps
- Pontoon

Our approved parts set comes complete with case, self-adhesive fascia, tinned and drilled printed circuit board, all components, hardware, full instructions and three different games to play!

PARTS SET ONLY £5.90! + VAT

Five extra games FREE with every order!



## MAINS CONTROLLER

FEATURED IN ETI  
JANUARY 1987

Have you ever wondered what people do with all those computer interfaces? Put your computer in control, say the ads. The Spectabee has eight TTL outputs. What on earth can you control with a TTL output? A torch bulb?

The ETI Mains Controller is a logic to mains interface which allows you to control loads of up to 500W from your computer or logic circuits. An opto-coupler gives isolation of at least 2,500V, so the controller can be connected to experimental circuits, computers and control projects in complete safety. Follow your computer interface with a mains controller and you're really in business with automatic control!

The mains controller connects directly to most TTL families with external components, and can be driven by CMOS with the addition of a transistor and two resistors (supplied).

Your mains controller parts set contains high quality toroid tuned PCB, MOC3021 opto-coupler, power triac with heatsink, mounting hardware and heatsink compound, all components, including snubber components for switching inductive loads; transistor and resistors for CMOS interface; full instructions.

PARTS SET £6.20 + VAT!



## THE DREAM MACHINE

FEATURED IN ETI  
DECEMBER 1987

Adjust the controls to suit your mood and let the gentle, relaxing sound drift over you. At first you might hear soft rain, sea surf, or the wind through distant trees. Almost hypnotic, the sound draws you irresistibly into a peaceful, refreshing sleep.

For many, the thought of waking refreshed and alert from perhaps the first truly restful sleep in years is exciting enough in itself. For more adventurous souls there are strange and mysterious dream experiences waiting. Take lucid dreams, for instance. Imagine being in control of your dreams and able to change them: all will to act out your wishes and fantasies. With the Dream Machine it's easy!

The approved parts set consists of PCB, all components, controls, loudspeaker, knobs, lamp, fuseholders, fuse, mains power supply, prestige case and full instructions.

PARTS SET £16.50 + VAT

AVAILABLE WITHOUT CASE FOR ONLY £11.90 + VAT



## A.J. Armstrong's exciting new audio amplifier module is here at last!

Delivering a cool 75W (conservatively rated - you'll get nearer 100W), this MOSFET design embodies the finest minimalist design techniques, resulting in a clean, uncluttered circuit in which every component makes a precisely defined contribution to the overall sound. You can read all about it in the July issue of PE, but why bother with words when your ears will tell you so much more?

Parts set includes top grade PCB and all components.

SPECIAL INTRODUCTORY PRICE FOR FULLY UPGRADED MODULES.

SINGLE PARTS SET £14.90 + VAT!

STEREO PAIR £25.90 + VAT!

PCB ONLY (limited number available) £2.90 + VAT!

Please send SAE + £1 for data and circuits (free with parts set), including diagrams for matching pre-amp and power supply. This amplifier with not be available from your usual audio supplier - we produce the only designer approved parts set.

## MAINS CONDITIONER

FEATURED IN ETI  
SEPTEMBER 1986

Cleans up mains pollution easily and effectively. You'll hardly believe the difference in your Hi-Fi, TV, Video, and all other sensitive equipment.



PARTS SET £4.90 + VAT

RUGGED PLASTIC CASE £1.65 + VAT

## POWERFUL AIR IONISER

FEATURED IN ETI  
JULY 1986

Ions have been described as vitamins of the air by the health magazines, and have been credited with everything from curing hay fever and asthma to improving concentration and putting an end to insomnia. Although some of the claims may be exaggerated, there is no doubt that ionised air is much cleaner and purer, and seems much more invigorating than 'dead' air.

The DIRECT ION ioniser caused a great deal of excitement when it appeared as a constructional project in ETI. At last, an ioniser that was comparable with (better than?) commercial products was reliable, good to build, ... and fun! Apart from the serious applications, some of the suggested experiments were outrageous!

We can supply a matched set of parts, fully approved by the designer, to build this unique project. The set includes a roller wound printed circuit board, 66 components, case, mains lead and even the parts for the tester. According to one customer, the set costs about a third of the price of the individual components. What more can we say?

Instructions are included

PARTS SET WITH BLACK CASE £11.50 + VAT

PARTS SET WITH WHITE CASE £11.80 + VAT



## LM2917 EXPERIMENTER SET

Consists of LM2917 IC, special printed circuit board and detailed instructions with data and circuits for eight different projects to build. Can be used to experiment with the circuits in the 'Next Great Little IC' feature (ETI, December 1986).

LM2917 EXPERIMENTER SET £5.80 + VAT

## LEDs

Green rectangular LEDs for bar-graph displays.

50 for £3.50 500 for £25  
100 for £6 1000 for £45

DIGITAL AND AUDIO EQUIPMENT LEDs

Assorted 3mm LEDs: red, green, yellow and orange.  
25 of each (100 LEDs) for £6.80

Prices shown are exclusive of VAT, so please add 15% to the order total. UK postage is 70p on any order. Carriage and insurance for overseas orders £4.50. Please allow up to 14 days for delivery.

*Specialist*  
**SEMICONDUCTORS**

LIMITED

SALES DEPT., ROOM 111, FOUNDERS HOUSE, REDBROOK, MONMOUTH, GWENT.

## JUMPIN' JACK FLASH

FEATURED IN ETI  
MARCH 1988

is a .....

- Lighting wizard - brings any rock band's stage performance to life!
- Sound operated flash - photograph bullets in flight!
- Voice switch and sound to action controller with endless applications.

The parts set consists of a high quality PCB and all components, ICs, opto isolator, triac, heat sink, pots etc. to build the circuit board. What you do next is up to you! The ETI article, supplied free with every set, shows how to make the most of J.F.'s capabilities.

PARTS SET £6.90 + VAT

## BIO-FEEDBACK

FEATURED IN ETI  
DECEMBER 1986

Bio-feedback comes of age with this highly responsive, self-balancing skin response monitor! The powerful circuit has found application in clinical situations as well as on the bio-feedback scene. It will open your eyes to what GSR techniques are really all about. The complete parts set includes case, PCB, all components, leads, electrodes, conductive gel, and full instructions.

PARTS SET £13.95 + VAT

BIO-FEEDBACK BOOK £3.95 (no VAT)

Please note: the book by Stern and Ray, is an authorised guide to the potential of bio-feedback techniques. It is not a hobby book, and will only be of interest to intelligent adults.



## BRAINWAVE MONITOR

FEATURED IN ETI  
AUGUST 1987

The most astonishing project ever to have appeared in an electronics magazine. Similar in principle to a medical EEG machine, this project allows you to hear the characteristic rhythms of your own mind! The alpha, beta and theta forms can be selected for study and the three articles give masses of information on their interpretation and powers.

In conjunction with Dr. Lewis's Alpha Plan, the monitor can be used to overcome shyness, to help you feel confident in stressful situations, and to train yourself to excel at things you're 'no good at'!

Our approved parts set contains case, two PCBs, screening can for bio-amplifier, all components (including three PMW precision amplifiers), leads, brass electrodes and full instructions.

PARTS SET £36.90 + VAT

ALPHA PLAN BOOK £2.50 + VAT

Parts set available separately. We also have a range of accessories, professional electrodes, books, etc. Please send SAE for lists or SAE + £2 for lists, construction details and further information (free with parts set).



# Exploring electronics

OWEN BISHOP

## Part 24—Op. Amp Comparator and Light-Triggered Alarm

**T**HIS MONTH we have an entirely different application for the versatile op. amp. But instead of using the 741 i.c. we use the 7611 integrated circuit, one of innumerable variations on the op. amp theme.

The 7611 is a CMOS op. amp, CMOS being short for "Complimentary Metal Oxide Silicon", which describes the type of transistor used in its construction. We are also using a CMOS logic i.c., the 4011 quad 2-input NAND gate.

The advantage of using CMOS is that it requires exceedingly small currents to operate it. The 4011 logic i.c. takes less than a tenth of the power of its TTL 7400 equivalent (see *EE Sept. 1987*). Another advantage of the CMOS op. amp is that it will operate on lower voltages than the 741 and its output can swing to within a few millivolts of the positive and negative supply.

### OP. AMP COMPARATOR

When an op. amp is used as a comparator, we rely solely on its exceedingly high gain. The two voltages to be compared are fed to its two inputs. If there is any difference between them, the output voltage swings sharply "high" or "low", as far as it can go. If the voltage at the non-inverting input (+) is greater than that at the inverting input (-), it swings high; if the voltage at the inverting input is greater than that at the non-inverting it swings low.

### LIGHT LEVEL DETECTOR

Our Comparator demonstration circuit takes the form of a Light Level Detector and the full circuit diagram is shown in Fig. 24.1. The light sensor used is a TIL100 photodiode.

Like any other diode, it passes current in one direction only. In Fig. 24.1 it is connected so that no appreciable current passes through it—it is said to be reverse biased.

However, as with all reverse-biased diodes, there is a very small leakage current of a few microamps passing through the diode. When light falls on the photodiode D1, the leakage current increases. It flows through R1, causing a voltage to develop across the resistor.

Thus, the voltage at point A increases with the amount of light falling on the diode. This voltage is monitored by the inverting input (pin 2) of the op. amp IC1. The non-inverting input (+) receives a steady voltage from the potential divider (VR1).

The potentiometer VR1 is adjusted until the voltage at the non-inverting input (pin 3) is very slightly less than that at the inverting input (pin 2). Under this condition the output of the op. amp is low (very close to 0V) so transistor TR1 is switched off and the audible warning device (WD1) is silent.

This series is designed to explain the workings of electronic components and circuits by involving the reader in experimenting with them. There will not be masses of theory or formulae but straightforward explanations and circuits to build and experiment with.

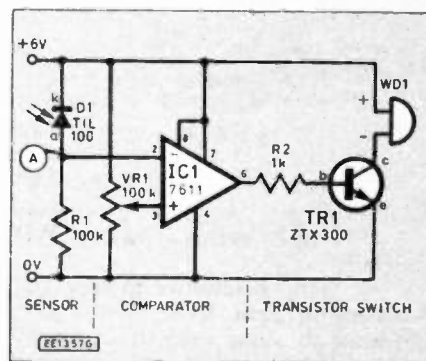
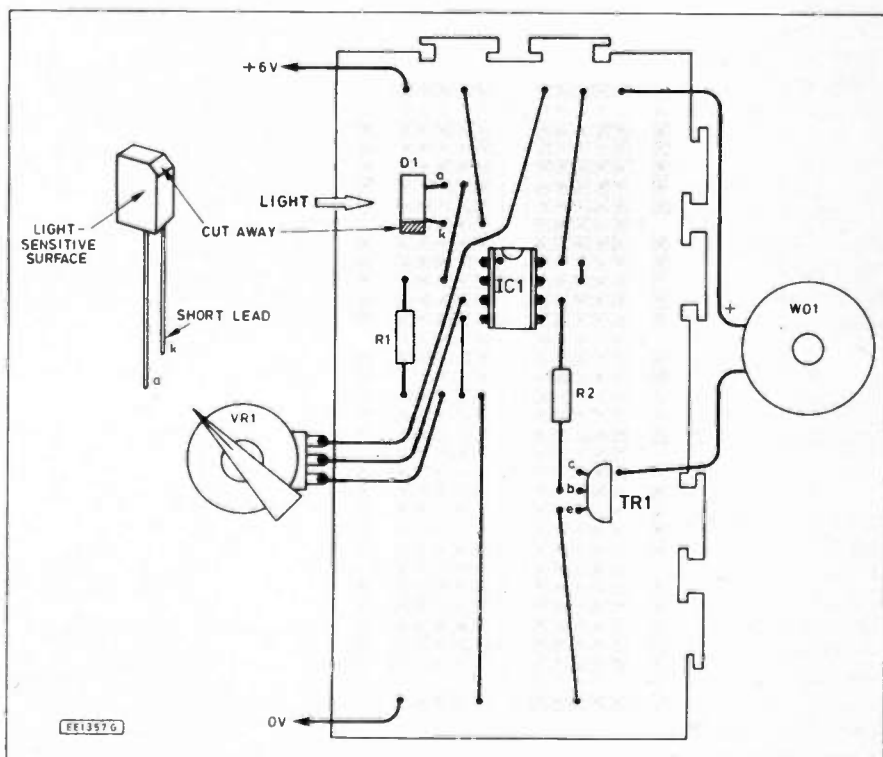
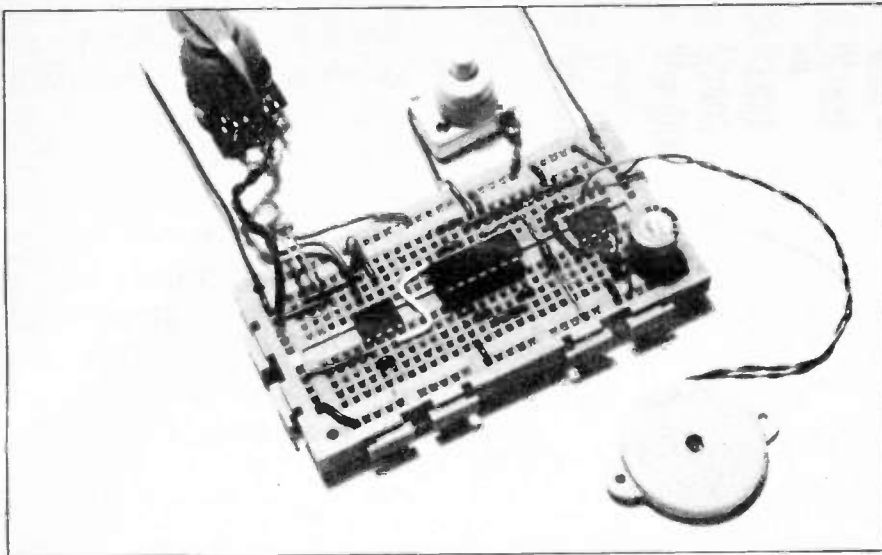


Fig. 24.1. Using the op. amp as a comparator.

Fig. 24.2 (below). demonstration bread-board component layout for the op. amp comparator Light Level Detector.





When the amount of light reaching photodiode D1 is reduced (either by a beam of light being broken, or perhaps at dusk), the voltage at A falls. The (-) input is now at a lower voltage than the (+) input, so the output swings high, almost to +6V. This turns the transistor on and the warning buzzer WD1 sounds.

The circuit is sensitive to very small changes in light level, and can be adjusted to sound the alarm at a precisely set light level. Another feature is that the photodiode responds much faster than a light-dependent resistor (LDR) (EE Sept. 1986).

### CONSTRUCTION

The demonstration breadboard component layout for the Light Level Detector is shown in Fig. 4.2.

Commence construction by inserting the i.c. holder and link wires followed by the resistors and the photodiode D1. Take care when mounting the photodiode to ensure the leads are connected the right way round.

Next the supply, potentiometer and buzzer leads should be plugged into the "test-bed". Finally, before inserting the i.c. in its holder, the layout should be given a final check over against the circuit diagram.

## LIGHT-TRIGGERED ALARM

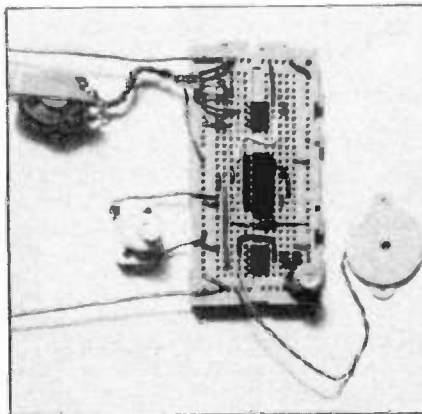
Another application where the comparator is most useful is in a Light-Triggered Alarm and a demonstration circuit diagram is shown in Fig. 24.3. This has applications for an intruder-detection system.

The sensor and comparator section of the circuit is the same as Fig. 24.1, except that the connections to the op. amp IC1 inputs are reversed. Consequently, the op. amp output falls when the light beam is broken. This output

goes to a bistable IC2 (EE Sept. 1987) built from two NAND gates of the 4011 CMOS i.c.

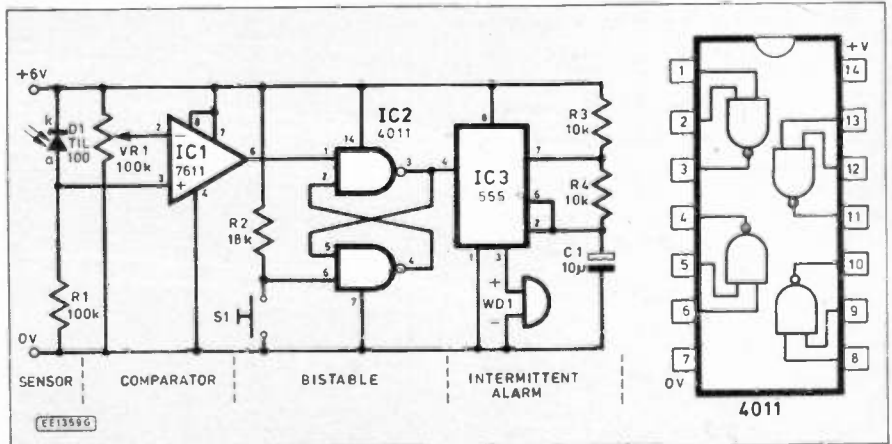
A "low" input to the bistable (IC2) triggers it to change state. This makes the trigger input of the 555 timer IC3 go "high".

The timer is wired as an astable, running at about 1Hz. When its trigger input is made high its output voltage, previously low, begins to rise and fall



Completed Light-Triggered Alarm. Our model shows a different photodiode, but we recommend that the more sensitive TIL100 device be used.

Fig. 24.3. Complete circuit diagram for the Light-Triggered Alarm. The pin-out details for the 4011 (quad 2-input NAND gate) are shown on the right.



## COMPONENTS

### LIGHT LEVEL DETECTOR

#### Resistors

- R1 100k
- R2 1k
- All 0.25W 5% carbon

#### Potentiometer

- VR1 100k lin.

#### Semiconductors

- D1 TIL100 infra-red photodiode
- TR1 ZTX300 npn transistor
- IC1 7611 CMOS operational amplifier

**Shop Talk**

See page 360

#### Miscellaneous

Breadboard (Verobloc); WD1 Piezoelectric buzzer (PB2720); 8-pin i.c. holder; B1 6V battery and connector clips; connecting wire.

## LIGHT-TRIGGERED ALARM

#### Resistors

- R2 18k
- R3, R4 10k (2 off)
- All 0.25W 5% carbon

#### Potentiometer

- VR1 100k lin.

#### Capacitors

- C1 10µ elec.

#### Semiconductors

- D1 TIL100 infra-red photodiode
- IC1 7611 CMOS op. amp
- IC2 4011 CMOS quad. 2-input NAND gate
- IC3 555 timer

#### Miscellaneous

Breadboard (Verobloc); B1 6V battery and connectors; WD1 Piezoelectric buzzer (type PB2720); 8-pin i.c. holder (2 off); 14-pin i.c. holder; S1 push-to-make pushbutton switch; connecting wire.

Approx. cost Guidance only **£5 each**



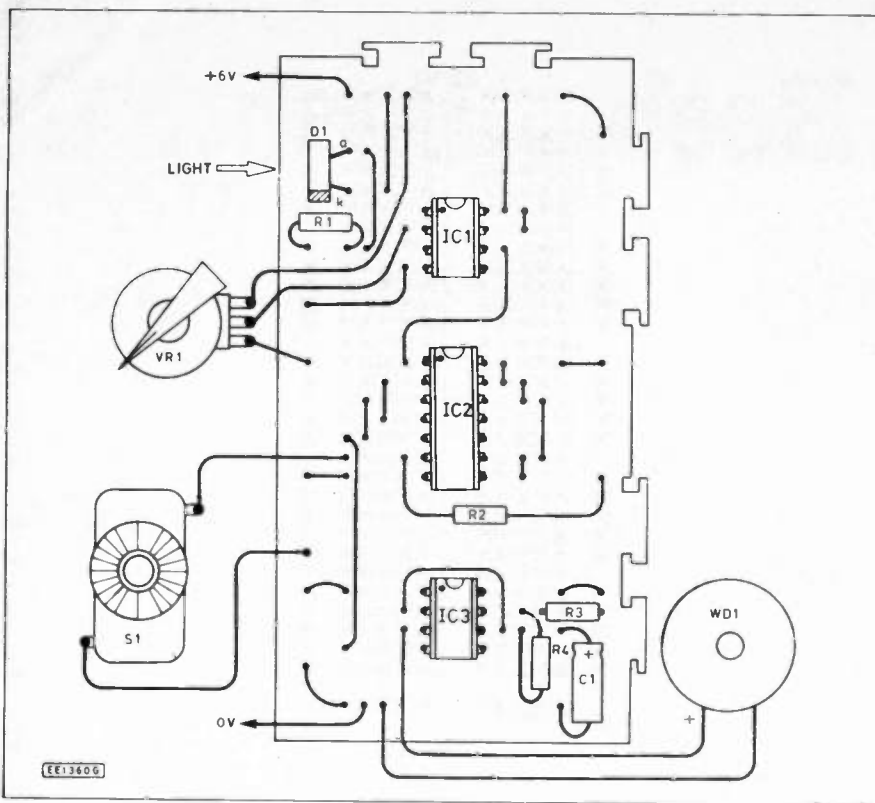


Fig. 24.4 (left). Demonstration "test-bed" component layout for the Light-Triggered Alarm. It is suggested that i.c. sockets be used to mount all i.c.s on the board.

### CONSTRUCTION

The demonstration "test-bed" component layout for the Light-Triggered Alarm is shown in Fig. 24.4.

Commence construction by first inserting all the i.c. holders in position on the breadboard followed by the link wires (20 off). The resistors, photodiode and capacitor should be mounted next followed by the pushbutton switch, potentiometer, buzzer and battery leads.

Once all the wiring has been completed, the breadboard should be given a final check over against the circuit diagram and the i.c.s plugged into their respective holders. Take care to observe the correct polarity for the i.c.s, photodiode and capacitor when mounting these components on the board.

CMOS logic i.c.s do not work properly if inputs are left unconnected. This is why Fig. 24.4 shows the inputs to the unused gates (pins 8, 9 and 12, 13) of IC2 wired to +6V.

about once a second. This turns the buzzer WD1 on intermittently.

The intermittent "buzz-silence-buzz-silence-buzz..." is more attention-

catching than a continuous tone. The alarm continues until the reset button S1 is pressed, changing the bistable back to its original state.

Next Month: Using Diodes and building a "Diode Pump".

## TOTAL ENERGY DISCHARGE ELECTRONIC IGNITION

### IS YOUR CAR AS GOOD AS IT COULD BE ?

- ★ Is it **EASY TO START** in the cold and damp? Total Energy Discharge will give the most powerful spark and maintain full output even with a near flat battery.
- ★ Is it **ECONOMICAL** or does it "go off" between services as the ignition performance deteriorates? Total Energy Discharge gives much more output to fire lean fuel mixtures.
- ★ Has it **PEAK PERFORMANCE** or is it flat at high and low revs. where ignition output is marginal? Total Energy Discharge gives a more powerful spark from idle to the engines maximum (even with 8 cylinders).
- ★ Is the **PERFORMANCE SMOOTH**? The more powerful spark of Total Energy Discharge eliminates the near "misfires" whilst an electronic filter smooths out the effects of contact bounce etc.
- ★ Do the **PLUGS AND POINTS** always need changing to bring the engine back to its best? Total Energy Discharge eliminates contact arcing and erosion by removing the heavy electrical load. The timing stays "spot on" and the contact condition does not affect the performance either. Larger plug gaps can be used, even wet or badly fouled plugs can be fired with this system.
- ★ **TOTAL ENERGY DISCHARGE** is a unique system and the most powerful on the market - 3.5 times the power of inductive systems - 3 times the energy and 3 times the duration of ordinary capacitive systems. Send for full technical details
- ★ **ALSO FEATURES**  
EASY FITTING, STANDARD/ELECTRONIC CHANGEOVER SWITCH,  
STATIC TIMING LIGHT and DESIGNED IN RELIABILITY (14 years experience and a 3 year guarantee)
- ★ In **KIT FORM** it provides a top performance system at less than half the price of a comparable ready built unit. The kit includes: pre-drilled fibreglass PCB, pre-wound and varnished ferrite transformer, high quality 2µf discharge capacitor, case, easy to follow instructions, solder and everything you need to build and fit to your car. All you need is a soldering iron and a few basic tools.

TOTAL ENERGY DISCHARGE KIT £17.95 { Prices include VAT  
ASSEMBLED READY TO FIT £23.90 { Add £1.00 P&P

ALSO AVAILABLE: Other Ignition systems and electronic car alarms

Order now or send for further details:

**ELECTRONIZE DESIGN** tel 021 308 5877  
2 Hillside Road, Four Oaks, Sutton Coldfield B74 4DQ

## EE CROSSWORD 5 ANSWERS

### ACROSS

- 1 TERTIARY
- 4 DRUM
- 8 RESET
- 9/11 BOOSTER DIODE
- 10 METRES
- 11 See 9
- 12 FOSTER
- 13 SPEECH
- 17 SPIKE
- 19 DRIFT
- 20 MHO
- 21 YAGI
- 22 EMISSION

### DOWN

- 1 TERA
- 2 RASTERS
- 3 INTERMEDIATE
- 5 RATIO
- 6 MORSE
- 7 LOUDSPEAKERS
- 9 BASS
- 12 FARADAY
- 14 EPROM
- 15 H.F.
- 16 MEGOHM
- 17 SWING
- 18 HORN

# b...Beeb...Beeb...Beeb...Be

## ... EPROM Programming ... EPROM Programming ...

CARRYING ON from last month with the subject of EPROM programming using the BBC micro, and the problem of obtaining the programming voltage, the circuit of Fig. 1 will provide both 12.5 and 21 volt outputs from the five volt supply of the BBC machines. The supply current drawn from the  $V_{DD}$  terminal can be as much as 50 milliamps, but the circuit can supply this quite comfortably even with the output potential set to 21 volts.

For those who are not familiar with switch mode power supplies it should perhaps be explained that they provide for d.c. supplies the same basic action that a transformer provides for a.c. supplies. Thus, a boost in output voltage can be obtained, but only by having an input current that is higher than the output current. The input power must always be at least equal to the output power.

In practice there are inevitable losses in a switch mode power supply circuit, and the output power is typically about 50 to 80 per cent of the input power. In this unit, under worse case conditions with an output voltage of 21 volts and the current drain at 50 milliamps, the input current must be something over 200 milliamps. In practice it is likely to be much nearer to 300 milliamps. However, assuming that the BBC computer is not powering a lot of other peripheral devices, it is well able to supply this.

### Circuit

The circuit is based on the TL497 which is specifically designed for low power switch mode power supply applications. It does not provide the last word in performance, but it is a good, practical device that is very reliable and not easily damaged. Its level of performance is certainly quite adequate for the present application.

Operation of the circuit revolves around inductor L1. An on-chip oscillator and switching transistor are used to repeatedly short circuit the right hand terminal of L1 to the 0 volt supply rail. Each time the transistor switches off, a high reverse voltage is generated across L1, and is effectively added to the input voltage. This is much the same as the high reverse voltage spike generated across a relay coil as it is switched off, but here this effect is put to good use rather than being a nuisance. The boosted voltage spikes are smoothed by C4, and an internal diode of IC1 prevents the switching transistor from discharging C4 during its "on" periods.

### Regulator

A regulator circuit is included in IC1, although this is rather basic when compared to "state of the art" switch mode regulators. The overall action of the circuit is basically that of a relaxation oscillator. The main oscillator is activated if the output voltage falls below a certain threshold level, and disabled when it goes above this level. The output waveform is therefore bursts of pulses and not a standard pulse width type.

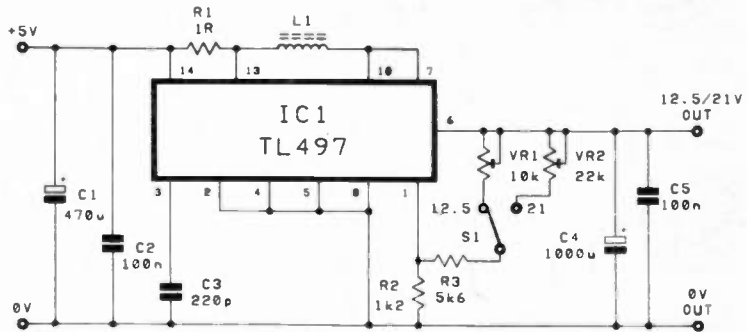


Fig. 1. The voltage booster circuit.

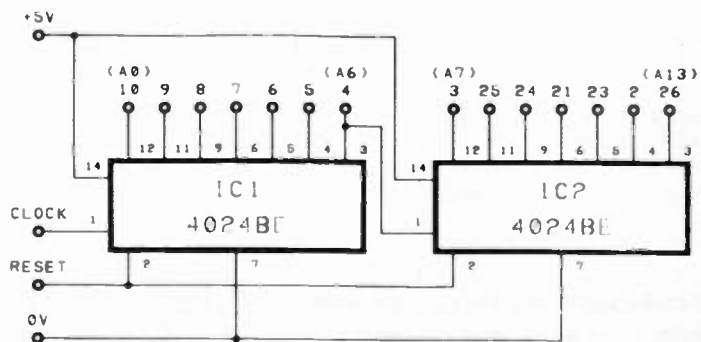


Fig. 2. Using binary counters to provide the address bus.

The nominal threshold voltage is 1.2 volts, but this can be boosted by adding a potential divider between the output and the feedback input. This sets the output voltage in standard feedback power supply fashion. In this case there are two switched preset resistors (VR1 and VR2) which are adjusted for output voltages of 12.5 and 21 volts respectively.

The circuit has built-in current limiting, and this has the limit current set via a discrete resistor (R1). This limits the input current to about 500 milliamps.

### Inductor

Switch mode power supply circuits can look slightly suicidal when you examine them in detail. In this case, L1 is short circuited across the supply lines for about 50 per cent of the time! This is fine provided it has suitable characteristics. If not, the result will be reduced and not boosted output voltage. L1 needs to have a fairly high Q at the frequencies and currents involved here, and this requires the use of a ferrite potcore.

The term "core" is perhaps a bit misleading, as the ferrite fits around the coil as much as it goes inside it. The core is supplied in two halves, and the coil is wound on a bobbin which is normally sold separately. The bobbins normally have several printed circuit pins, and as only two terminals are required in this case, any bobbin should suffice.

I used an LM8 size potcore (B65811 J0000R041) with 25.5 turns of 22 s.w.g. enamelled copper wire on the bobbin. The

ends of the winding are taken out through holes in the base of the component and soldered to separate pins of the coil former. The top and bottom halves of the core are then fitted onto the former, and are held together by a pair of metal clamps (which are also normally sold separately).

Do not worry if you are not familiar with potcore assemblies—it is pretty obvious how everything fits together once you have the parts. Home made coils do tend to put some people off building any projects that require them, but this type of coil is very easy to wind, and the circuit will still work quite well if the winding is not very neat. All the parts needed to produce L1 are available from Electrovalue Ltd. (28 St. Jude's Road, Englefield Green, Egham, Surrey [Tel. 0784 33603]). As far as I am aware, suitable ready-made inductors are not available.

When power is first applied to the circuit there will probably be a slight "ticking" sound from L1. This will change to a higher pitched buzzing sound when a load is placed on the output of the supply. Remember to adjust VR1 and VR2 for the correct voltages before connecting the unit to an EPROM, and always remember to set the right voltage prior to fitting an EPROM into the programmer. Using 21 volts on a 12.5 volt type will almost certainly destroy the device.

### Count On It

As explained in last month's article, it is not necessary to have fourteen output lines in order to drive the address bus of the

EPROM. All that is needed is two output lines plus a fourteen bit binary counter. A suitable circuit is provided in Fig. 2. This actually uses two CMOS 4024BE seven bit binary counters connected in series, so as to effectively form a single fourteen bit counter.

Before programming is commenced, the "RESET" input is pulsed high so that all the outputs are set at logic 0, and the EPROM is set to address 0. After each address has been programmed and verified, a pulse is applied to the "CLOCK" input so as to advance the counter (and the EPROM) onto the next address. This is continued until all the addresses have been programmed and verified. With fourteen outputs the circuit is suitable for both 27128 and 2764 EPROMs. Of course, with 2764 EPROMs the final output connects to a "NC" terminal of the device, and is effectively unused.

### Getting It Together

So far I have described three separate circuits (including the monostable last month), but how can these all be brought together to act as an EPROM programmer? There are numerous ways of driving them from the BBC computer, but the method shown in Fig. 3 has the advantage of only using the built-in ports, without the need for any additional hardware. The data bus of the EPROM is driven from the eight bit input/output of the user port. The bidirectional nature of these lines enables them to both output data, and to then read it back to verify correct programming.

The monostable is driven from CB2 of the user port, which is used as a straightforward digital output. The +5 volt output of the user port is used to supply power for both the EPROM and the programmer circuits. The "GND" terminal of the EPROM connects to the 0 volt line of the user port, as does the "CE" ("chip enable") input, which is not required when programming.

This leaves three output lines still required, but only one spare line of the user port (CB1). However, as CB1 can only operate as an input it is of no use in this application. Port A of the 6522 VIA used to provide

the user port is available at the printer port. These lines are buffered, and can only operate as outputs, but this is obviously quite satisfactory for current purposes.

The three least significant lines of the printer port are used to provide the other three outputs. If the printer port is otherwise engaged, the easiest solution is to add an output port to the 1MHz Bus, and then use the three least significant lines of this port.

Two of these extra lines are required to drive the clock and reset inputs of the counter. The third is used to drive the "OE" ("output enable") input of the EPROM. This should normally be high, but is taken low when reading the EPROM to verify correct programming.

### ZIF

It is normal to fit EPROM programmers with a ZIF (zero insertion force) socket for the EPROMs. This is a socket where the integrated circuit can simply be dropped into place, and then locked in place by operating a small lever. The main advantage of a ZIF socket is supposedly that it does not risk buckling the pins of the integrated circuits when they are plugged into the holder. In this application there is a more important advantage in that the EPROM is not connected into circuit when it is placed in the holder, but as the lever is operated. This minimises any risk of damaging EPROMs as they are plugged into the programmer (or removed from it for that matter).

A 28 pin ZIF socket is quite expensive, but much cheaper than damaging a few EPROMs! Make quite sure that the EPROMs are always connected the right way round. As I learned the hard way, getting this wrong momentarily gives you a LEEPROM ("light emitting" EPROM), followed immediately by a DEEPROM (a "dud" EPROM!).

### Testing

The accompanying listing is suitable for checking the programmer. This merely outputs values from 1 to 23 into the twenty-three base addresses of the EPROM. Each value is read back and printed on the screen. There-

fore, when run, and if programming is being carried out properly, values from 1 to 23 will be printed down the left hand side of the screen. It is assumed that the printer port is used to provide the three additional output lines. The relevant addresses must be changed to suit if an output port on the 1MHz Bus is used instead.

### Programme

It is worth considering the operation of the programme in some detail, as proper software for use with the unit must be based on the same routines. Lines 20 and 30 set the user and printer port lines as outputs, and the next line sets CB2 high. The initialisation is completed at lines 50 and 60 which take PA1 high and then low. This resets the counter. Note that PA2 is left high so that the EPROMs outputs are disabled at this stage.

The rest of the programme is a FOR...NEXT loop which outputs values to the EPROM and then reads them back. A proper programmer programme would be similar, but would be outputting values read from a large (8K or 16K) block of memory. Line 80 outputs values to the EPROM, and the next two lines then produce a negative pulse on CB2 that triggers the monostable and programmes the current EPROM address. Another FOR...NEXT loop then provides a delay to give the programming time to finish, after which the user port lines are set as inputs, and PA2 is set low in order to enable the EPROM's outputs.

Line 140 reads the value just programmed into the EPROM and prints it on screen. The outputs of the EPROM are then set back to the high impedance state, and the user port lines are set back to the output mode (in that order!). Finally, a pulse is produced on PA0 at lines 170 and 180 so that the EPROM is incremented to the next address. The programmer is then ready for the process to be repeated so that the next address is programmed.

Further software for the unit will be provided next month, and we will also take a look at an interesting low cost ready-made EPROM programmer.

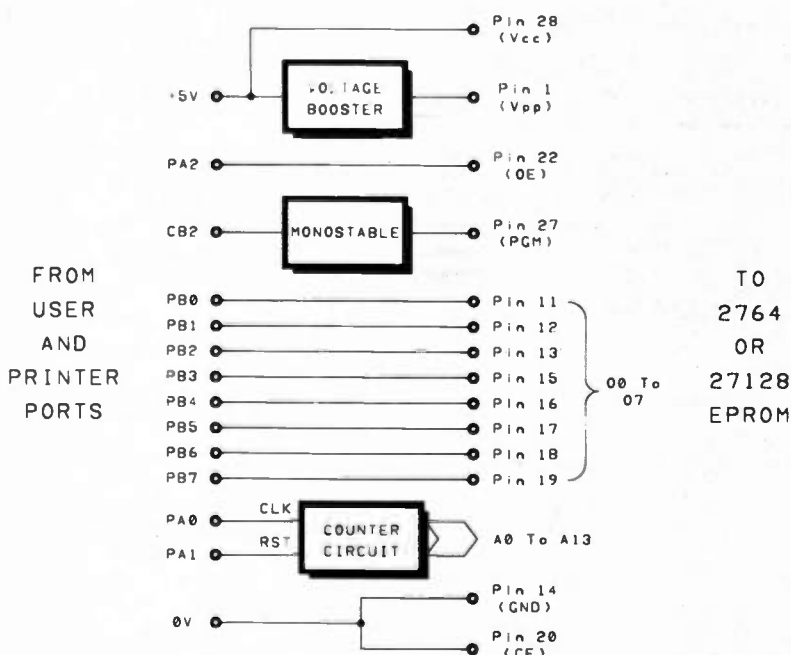


Fig. 3. Suggested method of driving the EPROM programmer from a BBC computer.

### EPROM TEST PROGRAM

```

10 REM BBC EPROM TEST PROG
20 ?&FE62 = 255
30 ?&FE63 = 255
40 ?&FE6C = 224
50 ?&FE61 = 6
60 ?&FE61 = 4
70 FOR X = 1 TO 23
80 ?&FE60 = X
90 ?&FE6C = 192
100 ?&FE6C = 224
110 FOR D = 1 TO 60:NEXT D
120 ?&FE62 = 0
130 ?&FE61 = 0
140 PRINT ?&FE60
150 ?&FE61 = 4
160 ?&FE62 = 255
170 ?&FE61 = 5
180 ?&FE61 = 4
190 NEXT X

```

# PCB SERVICE

Printed circuit boards for certain constructional projects (up to two years old) are available from the PCB Service, see list. These are fabricated in glass-fibre, and are fully drilled and roller tinned. All prices include VAT and postage and packing. Add £1 per board for overseas airmail. Remittances should be sent to: The PCB Service, *Everyday Electronics* Editorial Offices, 6 Church Street, Wimborne, Dorset BH21 1JH. Cheques should be crossed and made payable to *Everyday Electronics*. (Payment in £ sterling only.)

**Readers are advised to check with prices appearing in the current issue before ordering.**

**NOTE:** Boards for older projects - not listed here - can often be obtained from *Magenta Electronics*, 135 Hunter St., Burton-on-Trent, Staffs DE14 2ST. Tel: 0283 65435 or *Lake Electronics*, 7 Middleton Close, Nuthall, Nottingham NG16 1BX. Tel: 0602 382509.

**NOTE:** Please allow 28 days for delivery. We can only supply boards listed in the latest issue. Boards can only be supplied by mail order and on a payment with order basis.

PROJECT TITLE	Order Code	Cost
- MAR '86 -		
Mains Tester & Fuse Finder	517	£2.84
BBC Midi Interface	518	£4.08
Stereo Hi Fi Preamp	519	£7.13
Interval Timer	520	£2.95
- APRIL '86 -		
Stereo Reverb	521	£3.73
- MAY '86 -		
PA Amplifier	511	£3.34
Mini Strobe	522	£2.79
Auto Firing Joystick Adaptor	523	£3.42
- JUNE '86 -		
Watchdog	524	£3.51
Percussion Synthesiser	525	£7.06
Personal Radio	526	£2.58
- JULY '86 -		
Tilt Alarm	527	£2.65
Electronic Scarecrow	528	£2.86
VOX Box Amplifier	529	£2.93
Headphone Mixer	530	£5.71
- AUG '86 -		
Solar Heating Controller	533	£4.16
- SEPT '86 -		
Car Timer	538	£2.53
Freezer Failure Alarm	534	£2.38
Infra Red Beam Alarm (Trans)	536	£4.16
Infra Red Beam Alarm (Rec)	537	£4.16
Scratch Blanker	539	£6.80
- OCT '86 -		
10W Audio Amp (Power Amp)	543	£3.23
(Pre-Amp)	544	£3.97
Light Rider - Lapel Badge	540 & 541	£2.97
- Disco Lights	542	£5.12
- Chaser Light	546	£4.04
- NOV '86 -		
Modem Tone Decoder	547	£3.46
200MHz Digital Frequency Meter	548	£5.14
- DEC '86 -		
Dual Reading Thermometer	549	£7.34
Automatic Car Alarm	550	£2.93
BBC 16K Sideways RAM	551	£2.97
(Software Cassette)	551S	£3.88
- JAN '87 -		
Random Light Unit	552	£5.88
- FEB '87 -		
Car Voltage Monitor	553	£2.48
Mini Amp	554 & 555	£5.68
Video Guard	556	£3.80
Spectrum I/O	557	£4.35
Spectrum Speech Synthesiser	558	£4.86
- MAR '87 -		
Computer Buffer/Interface	560	£3.32
Infra Red Alarm: Sensor head	561	£4.19
PSU/Relay Driver	562	£4.50

Alarm Thermometer	- APRIL '87 -	559	£2.60
Experimental Speech Recognition		563	£4.75
Bulb Life Extender		564	£2.48
- MAY '87 -			
Fridge Alarm		565	£2.40
EE Equaliser - Ioniser		566	£4.10
- JUNE '87 -			
Mini Disco Light		567	£2.93
Visual Guitar/Instrument Tuner		568	£3.97
- JULY '87 -			
Fermostat		569	£3.34
EE Buccaneer Metal Detector		570	£4.10
Monomix		571	£4.75
- AUG '87 -			
Super Sound Adaptor, Main Board		572	£4.21
PSU Board		573	£3.32
Simple Shortwave Radio, Tuner		575	£3.15
Amplifier		576	£2.84
- SEPT '87 -			
Noise Gate		577	£4.41
Burst Fire Mains Controller		578	£3.31
Electronic Analogue/Digital Multimeter		579	£6.40
- OCT '87 -			
Transtest		580	£3.32
Video Controller		581	£4.83
- NOV '87 -			
Accented Metronome		582	£3.77
Acoustic Probe		584	£2.78
BBC Sideways RAM/ROM		585	£4.10
- DEC '87 -			
Pseudo Echo Unit		586	£4.60
Dual Mains Light Flasher		587	£3.66
Twinkling Star		588	£2.61
Audio Sine Wave Generator		559	£3.03
- JAN '88 -			
Capacitance Meter		590	£4.10
Bench Amplifier		591	£5.51
Transistor Curve Tracer		592	£2.84
- FEB '88 -			
Bench Power Supply Unit		593	£4.01
Game Timer		583	£3.55
- MARCH '88 -			
Semiconductor Tester		594	£3.19
SOS Alert		595	£2.78
Guitar/Keyboard Envelope Shaper		596	£4.23
- APRIL '88 -			
Stereo Noise Gate		597	£6.65
Pipe & Cable Locator		598	£2.72
Inductive Proximity Detector		574	£2.97
- MAY '88 -			
Multi-Channel remote Light Dimmer			
Transmitter		599	£2.78
Receiver		600	£3.07
Door Sentinel		605	£2.60
Function Generator - Main Board		606	£5.91
Function Generator - Power Supply		607	£4.19
Super sound Effects Generator		608	£4.78
- JUNE '88 -			
Multi-Channel Remote Light Dimmer			
Relay/Decoder		601	£4.86
Dimmer Board		602	£3.07
Power Supply		603	£2.72
Mother Board		604	£7.76
Headlight Reminder		611	£2.78

Please note that when ordering it is important to give project title as well as order code. Please print name and address in Block Caps. Do not send any other correspondence with your order.

## EE PRINTED CIRCUIT BOARD SERVICE

Please send me the following p.c.b.s.

Make cheques/PO payable to: **Everyday Electronics**  
(Payment in £ sterling only)

Order Code	Project	Quantity	Price	BLOCK CAPITALS PLEASE
.....	.....	.....	.....	
.....	.....	.....	.....	
.....	.....	.....	.....	
.....	.....	.....	.....	
.....	.....	.....	.....	
.....	.....	.....	.....	
.....	.....	.....	.....	
.....	.....	.....	.....	
.....	.....	.....	.....	

I enclose cheque/PO for £.....

Name .....

Address .....

.....

Please allow 28 days for delivery



Reach effectively and economically today's enthusiasts anxious to know of your products and services through our semi-display and classified pages. The prepaid rate for semi-display spaces is £8.00 (plus VAT) per single column centimetre (minimum 2.5 cm). The prepaid rate for classified advertisements is 30 pence (plus VAT) per word (minimum 12 words), box number £1 extra. All cheques, postal orders, etc., to be made payable to Everyday Electronics. **VAT must be added.** Advertisements, together with remittance, should be sent to the Classified Advertisement Dept., Everyday Electronics, 6 Church Street, Wimborne, Dorset BH21 1JH. Tel: (0202) 881749.

## Electronic Components

**G.V.B. ELECTRONICS**, resistors, capacitors, transistors, i.c.s, POTS, switches, transformers, led's, knobs, and lots more. Also burglar alarms. Sae for list. 130a Ferndale Road, Rear of Ferndale Aerials, Swindon, Wilts. Tel: (0793) 512883.

### WALTONS OF WOLVERHAMPTON

Established since 1947 - offering a complete range - I.C.s, transformers, switches, pots, capacitors, resistors, kits, speakers, test equipment, books and lots, lots more!  
**COME AND SEE US AT: MON-SAT 9-6.00 pm**  
 55A WORCESTER STREET, WOLVERHAMPTON TEL: 0902 22039

## Special Offers

**ORIGINAL ARCADE** asteroids and Battlezone machine in broken down form including both logic boards, monitor, PSU and full documentation and wiring diagrams. Within scope of anybody with minimal electronic knowledge. £100 ono. Grays Thurrock 380205.

**PRINTED CIRCUIT BOARDS** made to own requirements. For details send sae to Mr. B. M. Ansbro, 38 Poynings Drive, Hove, Sussex BN3 8GR.

## Special Offers

**FOR SALE: 12 Volumes (1971-1983) of EVERYDAY ELECTRONICS.** Offers please. Tel: Bridgewater (0278) 428298.

## Miscellaneous

### TURN YOUR SURPLUS

ICS transistors etc., into cash, immediate settlement. We also welcome the opportunity to quote for complete factory clearance.

Contact **COLES-HARDING & CO**, 103 South Brink, Wisbech, Cambs.  
**\*ESTABLISHED OVER 10 YEARS\***  
 Tel: 0945 584188 Fax: 0945 588844

**RCS VARIABLE VOLTAGE D.C. BENCH POWER SUPPLY**  
 0 to 20 volts, up to 1.5 Amps d.c. Fully stabilised. Twin panel meters for instant voltage and current readings. Overload protection, fully variable. Operates from 240V a.c. Compact unit, size 9 x 5 1/2 x 3in. **£36 plus post £2.**



### RADIO COMPONENT SPECIALISTS

**RADIO COMPONENT SPECIALISTS**  
 337 WHITEHORSE ROAD, CROYDON, SURREY, U.K.  
 Tel: 01-684 1665

List large SAE Delivery 7 days Callers welcome Closed Wednesday

**QUALITY HAND TOOLS.** Genuine Micro-Shear side cutters, Pliers, Screwdrivers at Competitive prices. SAE for listing. Quinton Tool Supplies, Dept: EE, 52 Grayswood Park Road, Birmingham, W. Midlands B32 1HE.

## Service Manuals

**TECHNICAL INFO SERVICES (EE)**  
 76 Church St., Larkhall, Lanarkshire ML9 1HE  
 Phone 0698 884585 Mon-Fri 9-5.  
 any other time 0698 883334, FOR FAST QUOTES  
**WORLD'S LARGEST COLLECTION SERVICE MANUALS** Most obtainable elsewhere. Prices range from only £4.50 - large s.a.e. any quotation, no obligation to buy.  
**WORLD'S SOLE Suppliers of TV & Video Repair manuals, etc.** from TV TECHNIC, also such publishers as Hemmings, Newnes, TV Technic, Thom etc. Every published service sheet in stock, supplied full size, not bits & pieces. CTV's or any combination £3.50 plus Lsae, any other single item £2.50 plus Lsae. Complete Circuit Sets for most Videorecorders only £7 set (no serv. shits made).  
**LSAE for QUOTATIONS plus GIANT CATALOGUE NEWSLETTERS BARGAINS - FREE S&H as available**  
 Comprehensive TV Repair Manual £9.50 Complete Radio Service and Repair Course £9.50 Complete Repair & Service Manuals - Mono TV £12.50, CTV £17.00, Video £19.50 Complete Repair Data with circuit - Mono TV £9.50, CTV £12.50, Video £10.50  
**£3.00 plus LSAE BRINGS THE ONLY COMPREHENSIVE SERVICE SHEETS & MANUALS, CATALOGUES plus FREE CHASSIS GUIDE and £4.00 OF VOUCHERS**

## CIRCUIT DIAGRAMS

Most Makes, Models, Types, Audio, Music Systems, Colour, Mono Television, Amateur Radio, Test Equipment, Vintage etc. £3.50 plus LSAE. State Make/Model/Type with order.

Full Workshop Manual prices on request with LSAE

**MAURITRON (EE)**, 8 Cherry Tree Road, Chinnor, Oxfordshire OX9 4QY

## Kits

**GTI CAR COMPUTER (EE Jan. 88)** gives MPG av. speed, trip, fuel etc. Kit £64.50, half kit £37.50. SAE to MSE, 11 Church Green Road, Bletchley, Milton Keynes. Tel (24 hrs) (0908) 641548.

**MICROTRANSMITTER** - Matchbox size, 500 metre range, tuneable 80-120MHZ, receive on any VHF/FM receiver **ONLY £4.50.**

**TELEPHONE MONITOR** - With the addition of a tape recorder will automatically record both sides of telephone conversations. **ONLY £14.95.**

Please add 50p p&p per order. SAE for details.  
 Cheques/P.O.s payable to:  
**QUANTEK ELECTRONICS LTD**  
 (Dept EE), 267 Rednal Rd, Kings Norton, B'ham B38 8EB.

## ORDER FORM PLEASE WRITE IN BLOCK CAPITALS

Please insert the advertisement below in the next available issue of **Everyday Electronics** for ..... Insertions. I enclose Cheque/P.O. for £..... (Cheques and Postal Orders should be made payable to Everyday Electronics)

The advertisement must include an address, box number, or phone number as part of the paid wordage. Please remember to add VAT.


HEADING REQUIRED:

NAME .....

ADDRESS .....

### EVERYDAY ELECTRONICS

Classified Advertisement Dept.,  
 6 Church Street, Wimborne, Dorset BH21 1JH.  
 Telephone (0202) 881749

RATE: 30p per word, minimum 12 words. Box No. £1 extra. VAT MUST BE ADDED

## NATIONAL COMPONENT CLUB

**\* SPECIAL OFFERS \* SPECIAL OFFERS \***

**50 ASSORTED SEMI-CONDUCTORS** (ICS - TRANSISTORS - DIODES) **£1**    **200 RESISTORS** **£1**  
**100 DIODES (MIXED)** **£1**

**70 ASSORTED CAPACITORS** (PICOFARADS - 2200uF) **£1**    **? MYSTERY PACK** **£1**

**20 ASSORTED IC's** (TTL, LINEAR, CMOS) **£1**    **10 ASSORTED HEATSINKS** (AT LEAST 5 HIGH - POWER TO 220 & TO3 TYPES) **£1**

**\* ALL SIX PACKS FOR A FIVER! \***

P.O. or Cheque to: NATIONAL COMPONENT CLUB, DEPT EE, HIGHER ANSFORD, CASTLE CARY, SOMERSET BA7 7JG. Please add 75p P & P but do not add VAT.  
**☆ FREE CLUB MEMBERSHIP ☆**

## OMNI ELECTRONICS

174 Dalkeith Road, Edinburgh EH16 5DX · 031 667 2611

The supplier to use if you're looking for  
**\* A WIDE RANGE of components aimed at the hobbyist \***  
**\* competitive VAT inclusive prices**  
**\* mail order - generally by return of post \***  
**\* fast, friendly service \***

- by mail order, telephone order or personal call

**NEW CATALOGUE AVAILABLE IN JUNE**

Send 2 x 18p stamps for a copy -

we do try to keep the goods we list in stock.

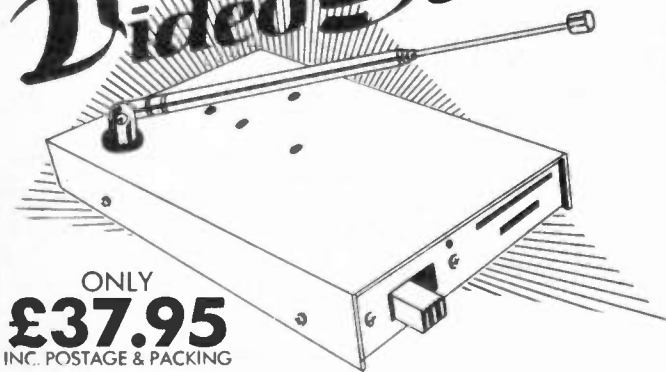
Whether you phone, write or call in we'll do our best to help you.



Open: Monday-Friday 9.00-6.00  
 Saturday 9.00-5.00



# Video Sender



ONLY  
**£37.95**  
 INC. POSTAGE & PACKING

## THE LATEST DEVELOPMENT IN HOME ENTERTAINMENT

Transmits audio/video signals to any TV in your home without any wiring required between the Videosender and TV set.

Connect the Videosender to the audio and video outputs on your Video Recorder or Satellite TV Receiver - the Videosender transmits the signal to any number of TVs in your home. Watch films from your Video Recorder or Satellite TV programmes on any TV in your home!



**ORDER BY PHONE TODAY!**

Credit Card Holders - Access/Eurocard & Barclaycard/Visa - call 0842 827267 for some day dispatch.



12-month guarantee. Not licencable in UK. Cheque/PO allow 14 days for delivery.

**PHOENIX COMMUNICATIONS**

31 Nightingale Lane  
 Feltwell  
 Norfolk IP26 4AR

# ZENITH ELECTRONICS

## KITS AND



**\* POWER SUPPLY KIT**

- 25/30 Watt MOSFET Audio Power Amplifier 4-B Ohms Kit **£21.97 R/Built £26.00**
- 10 Channel Variable Speed running light Kit drives LEDs or Mains lamps. Includes LED display board and LED lamps **Kit £15.89 R/Built £19.15**
- Mains Add-on interface board for controlling Mains lamps from our running light unit **Kit £4.95 R/Built £5.00**
- \* Plus & Minus regulated power supply 1-Amp state 5 12, 15, or 24v **Kit £11.82 R/Built £14.82**
- Variable Time Delay Relay unit **Kit £5.71 R/Built £7.71**
- 25/30 Watt 12-Volt opp. R.F. Linear Power Amplifier for Amateur Radio **Kit £26.66 R/Built £31.66**
- Selectable tone generator 9 - 12v operation **Kit £5.50 R/Built £7.50**
- 3 Note Electronic Door Chime unit. 9 volt operation. 3 melodious tones. variable frequency **Kit £9.83 R/Built £12.00**
- Miniature FM Transmitter. 60-145MHz **Kit £6.95 R/Built £8.95**
- 3 Watt FM Transmitter. 80-108MHz **Kit £13.99 R/Built £18.99**
- 300 Watt Light Dimmer unit for 240 volt mains lights **Kit £6.95 R/Built £10.95**
- 4 Code Digital Code unit plus Key Pad. Select own code 9 volt **Kit £16.31 R/Built £19.95**
- 5-100 Watt Electronic Loudspeaker Overload protector adjustable **Kit £11.40 R/Built £15.40**
- VU Meter 10 LED indicator. 5 to 12dB range **Kit £13.63 R/Built £18.63**
- 18 Watt Car/Home Power Amp 12-V **Kit £14.50 R/Built £16.80**
- Amplifier Power Meter. 10 LED indicator from 0 25-100 Watt Input - 9 volt operation **Kit £12.94 R/Built £14.94**
- Light sensitive relay unit. variable sensitivity trigger control: senses light or dark - selectable. **Kit £8.91 R/Built £10.91**

## PRODUCTS

- Wireless FM Duplex telephone - sold in pairs for Office/Home **£54.00**
- 5mm LCD digital sports Chronograph hand held **£10.95**
- Digital Blood pressure meter/monitor LCD readout **£44.83**
- Digital LCD temperature module for panel mounting 19°C to + 68°C **£16.82**
- 3.5" digital LCD Professional series digital multimeter reads Capacitance, Temperature, Voltage, Conductance, Diodes, Transistors, AC/DC voltages & Continuity **£63.25**
- Zenith Speech processor P-202 **£29.50**
- High quality touch dimmer 500W **£12.99**
- Mains Wiring and Metal Detector **£11.00**

## ORDERING

■ All Kits contain full instructions PCBs and components ■ All prices include VAT and postage and packing ■ Overseas orders add 10% to above prices ■ Please send Cheque or Postal Order with Order.

Zenith Electronics Dept. 12  
 14 Cortlandt Business Centre  
 Hailsham, East Sussex, UK BN27 1AE  
 Telephone (0323) 847973  
 Telex 878334 FAX 647204



Access & Barclaycard Orders  
 Telephone (0223) 847973

Send £1.00 for Catalogue which includes Postage and Packing - Refundable on first order.

# INDEX TO ADVERTISERS

A & G ELECTRONICS	376	MERLIN SYSTEMS	376
AUDIOKITS	376	NATIONAL COLLEGE	
BARRIE ELECTRONICS	315	OF TECHNOLOGY	349
BICC-VERO ELECTRONICS	329	NATIONAL COMPONENT	
BI-PAK	314	CLUB	375
B.K. ELECTRONICS	Cover iii	OMNI ELECTRONICS	375
BULL, J. & N	Cover iii	PHENIX COMMUNICATIONS	375
CROTECH INSTRUMENTS	361	PHONOSONICS	325
ELECTRONIC DESIGN	370	RTCS	376
GREENWELD ELECTRONICS	349	SPECIALIST	
ICS	376	SEMICONDUCTORS	367
JAYTEE ELEC. SERVICES	315	STEWARTS OF READING	349
LONDON ELECTRONICS COLL.	315	TK ELECTRONICS	318
MAGENTA ELECTRONICS	316	XEN ELECTRONICS	361
MAPLIN ELECTRONICS	Cover iv	ZENITH ELECTRONICS	375
MARCO TRADING	314		

# MAKE YOUR INTERESTS PAY!

More than 8 million students throughout the world have found it worth their while! An ICS home-study course can help you get a better job, make more money and have more fun out of life! ICS has over 90 years experience in home-study courses and is the largest correspondence school in the world. You learn at your own pace, when and where you want under the guidance of expert personal tutors. Find out how we can help YOU. Post or phone today for your FREE INFORMATION PACK on the course of your choice. (TICK ONE BOX ONLY!)

Electronics	<input type="checkbox"/>	Radio, Audio and TV Servicing	<input type="checkbox"/>
Basic Electronic Engineering (City & Guilds)	<input type="checkbox"/>	Radio Amateur Licence Exam (City & Guilds)	<input type="checkbox"/>
Electrical Engineering	<input type="checkbox"/>	Car Mechanics	<input type="checkbox"/>
Electrical Contracting/Installation	<input type="checkbox"/>	Computer Programming	<input type="checkbox"/>
<b>GCE</b> over 40 'O' and 'A' level subjects			<input type="checkbox"/>

**ICS** Name \_\_\_\_\_ P. Code \_\_\_\_\_  
Address \_\_\_\_\_  
International Correspondence Schools, Dept. ECS68, 312/314 High St., Sutton, Surrey SM1 1PR. Tel: 01-643 9568 or 041-221 2926 (24 hrs.)

## TRANSFORMERS

**MAINS ISOLATORS**  
Pri 120V x2 = 220/240V or  
415/440V Sec 040 or 240V  
or 110V Centre Tapped Secs

20VA	£ 7.50	P 2.28
60	12.37	P 2.45
100	14.43	P 2.65
200	20.45	P 3.20
250	24.73	P 3.30
500	38.10	P 3.85
1000	68.10	P 4.45
1500	89.13	P 5.95
2000	107.74	P 5.95
3000	150.38	P 6.00
6000	321.20	P 6.00

**50/25V or 25-0-25V**  
2x25V Tapped Secs  
Vols available: 5, 7.5, 10, 12.5,  
17, 20, 25, 35, 40, 50, 70, 0-70, 0-20

50V	25V	£	P&P
0.5	1	5.28	1.90
1	2	6.54	2.00
2	4	11.65	2.50
3	6	12.48	2.50
4	8	18.46	2.95
6	12	22.87	2.95
8	16	32.70	3.25
10	20	39.40	3.10
12	24	47.16	3.90

Please add 15% to all items after P&P

## EX STOCK

**30/15V or 15-0-15V**  
2x15V Tapped Secs  
Vols available: 3, 4.5, 6, 8, 9

30V	15V	£	P&P
1	1	4.14	1.65
2	2	5.63	1.80
3	3	9.10	2.00
4	4	10.55	2.20
5	5	12.59	2.30
6	6	16.11	2.40
8	8	17.65	2.45
10	10	22.72	2.95
12	12	30.39	3.05
15	15	34.03	3.65
20	20	46.46	5.95

**60/30V or 30-0-30V**  
2x30V Tapped Secs  
Vols available: 15, 18, 30, 36,  
40, 60, 24-0-24, 30-0-30V

60V	30V	£	P&P
1.5	1	6.11	1.90
2	2	9.32	2.00
2.5	2.5	11.38	2.30
3	3	13.32	2.40
4	4	19.75	2.50
5	5	24.97	2.90
6	6	28.46	3.10
8	8	40.04	3.75
10	10	46.57	4.00
12	12	53.72	4.75

**CONSTANT VOLTAGE**  
Transformers for Spike-Free  
Stable Mains  
Also Valve Mains Output &  
Matching Transformers

**TRANSFORMERS**  
WINDING SERVICE  
2VA to 18KVA  
Stock items by return

## AUTOS

105, 115, 220, 230, 140V  
For step up or down

80VA	£ 6.29	P 1.75
150	9.12	P 1.90
250	11.14	P 2.10
500	17.32	P 2.80
1000	30.94	P 3.35
1500	36.73	P 3.80
2000	54.92	P 4.65
3000	93.39	P 5.75
4000	121.23	P 6.00
5000	141.17	P 6.00
7500	219.91	P 6.00
10kVA	257.49	P 6.00

**CASED AUTOS**  
240V Cable UP  
3-pin 115V USA S&T Outlets

**INVERTERS**  
12/24V DC to 240V AC  
Sine Wave or Square Wave

**TOROIDALS**  
Wound to Order

Unit 211, Stratford Workshops, Burford Road, London E15 2SP **BARRIE ELECTRONICS LTD**  
Tel: 01-555 0228 (3 lines)

Start training now for the following courses. Send for our brochure—without obligation or Telephone us on **06267 79398**

REF. EE/6/88

NAME \_\_\_\_\_

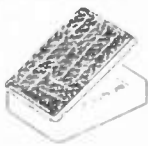
- City & Guilds Exam 271
- Radio Amateur Licence
- Micro-processor
- Introduction to Television

Radio & Telecommunications Correspondence School, 12 Moor View Drive, Teignmouth, Devon TQ14 9UN

# \*SOLAR POWERED\* BATTERY CHARGER

CONVERTS LIGHT INTO ELECTRIC POWER!

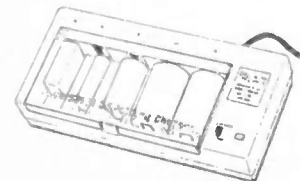
All that you need to generate electricity to charge your batteries is sunlight or artificial light from an electric bulb. The unit charges 4xAA(HP7) size Ni-cad batteries, suitable for personal stereos, shavers, flash guns and other small DC appliances.



summer special

Only £6.45 (P & P 90p+VAT)

## UNIVERSAL NI-CAD BATTERY CHARGER



Only £4.50 (P & P £1.60+VAT)

## RECHARGEABLE BATTERIES

HP7	.....	90 P
HP11	.....	£1-90
HP2	.....	£2-25
PP3	.....	£4-20

(P & P 20P each +VAT)

Battery charger complete with battery charge and test indicator charges 4 x HP2- HP11- HP7 & 1PP3 batteries.

Send your orders with cheque and postal order to:

A & G ELECTRONICS LTD.  
P.O. BOX 443  
LONDON E14 6JU.

TEL: 01-519 6149

# MERLIN SYSTEMS

MERLIN WAY, BOWERHILL, MELKSHAM, WILTSHIRE SN126TJ

Tel: 0225 706886

## MISCELLANEOUS

1x I.E.C. 1 amp mains filter socket	1.25
1x I.E.C. 3 amp mains filter socket	1.50
1x I.E.C. 6 amp mains filter socket	1.75
5x push latching pcb switches	70p
5x slide pcb switches	70p
10x phono plugs	50p
5x 240V panel neons	70p
5x 24V panel lamps	70p
5x MES lamp holders	50p
5x 2-way 3-pole switches with knobs	1.20
4x 4-way dill switches	30p
5x 1.7 amp 200V bridge rectifiers	1.20
3x 1 amp 50V bridge rectifiers	50p
10x 5mm x 2mm red leds	1.00
10x 5mm x 2mm green leds	1.00

## NEW!

Made by well-known Japanese manufacturer. Twin cassette mechanism, complete with stereo heads, counter, doors and leads, only £6.00, P&P £1.00. Complete working pcb from LW, MW, FM, stereo music centre. Only £5.00, P&P £1.00.

## NEW SYSTEM

Merlin Systems PC Turbo 256K RAM, 8088 CPU, 1 Disk Drive, Hires Mono Monitor, 84 Keyboard, Par printer port, Radio and MSDos software and Merlin Systems backup. £450.00 plus £15.00 P&P.

## 2nd USER SYSTEMS

Apple II+ with disk drive and software 150.00  
Franklin with disk drive and software 150.00  
Apple parts, S100 cards, IBM cards, disk drives, CPN systems, MSDos systems, IBM PC, and mono/colour monitors.

**PAYMENT:** Credit card, cheque, PO, cash. Post and packaging, £0.00 to £10.00 add £1.50; £10.00 to £20.00 add £1.00. Please add VAT to total.

Look out for Merlin Systems at the following Rallies and Exhibitions: Elvaston Castle Mobile Rally, Country Park, Derby, on 12th June, and the 31st Longleat Mobile Rally at Warminster on 26th June. You may also call at the warehouse but please ring first.

RAJAL ELECTROLYTICS	POWER ELECTROLYTICS
10x47uf 25V	5x50uf 50uf 200V
10x22uf 10V	2x220uf 315V
10x22uf 25V	2x270uf 400V
10x47uf 25V	2x470uf 200V
10x47uf 25V	2x1500uf 25V
10x47uf 35V	2x2200uf 25V
5x47uf 250V	5x330uf 25V
10x100uf 10V	2x340uf 40V
10x220uf 10V	
10x220uf 16V	
10x220uf 25V	
10x220uf 40V	
10x470uf 25V	
10x470uf 50V	
10x470uf 50V	
10x1000uf 25V	

**COMPUTER DESK**  
Up-Market Desk, L 102cm x W 74cm x H 74cm with keyboard recess and cabling trunking. New only £50.00 plus £16.00 P&P.

**POWER SUPPLIES AND TRANSFORMERS**  
Bench power supply in blue case, with switched 240V mains input and HT output. Outputs, 6.3V ac at lamp and 250V dc stabilised at 50mA. H 115mm, W 185mm, D 125mm. Just the job for valves! AS NEW ONLY £9.50.

**2nd USER TEST EQUIPMENT**  
SE Labs SN111 18MHz bandwidth, twin beam, mains or battery input. Only £160.00 plus £15.00 p&p. Ring for list.

# OMP POWER AMPLIFIER MODULES

• PRICES INCLUDE V.A.T. • PROMPT DELIVERIES • FRIENDLY SERVICE • LARGE S.A.E. 28p STAMP FOR CURRENT LIST

**OMP POWER AMPLIFIER MODULES** Now enjoy a world-wide reputation for quality, reliability and performance at a realistic price. Four models available to suit the needs of the professional and hobby market, i.e. Industry, Leisure, Instrumental and Hi-Fi etc. When comparing prices, NOTE all models include Toroidal power supply, Integral heat sink, Glass fibre P.C.B. and Drive circuits to power compatible Vu meter. Open and short circuit proof.  
**Supplied ready built and tested.**



**OMP100 Mk II Bi-Polar Output power 110 watts R.M.S. into 4 ohms. Frequency response 15Hz-30KHz -3dB, T.H.D. 0.01%, S.N.R. -118dB. Sens. for Max output 500mV at 10K. Size 355x115x65mm. PRICE £33.99+£3.00 P&P.**



**OMP/MF100 Mos-Fet Output power 110 watts R.M.S. into 4 ohms. Frequency Response 1Hz-100KHz -3dB, Damping Factor 80. Slew Rate 45V/uS, T.H.D. Typical 0.002%, Input Sensitivity 500mV, S.N.R. -125dB. Size 300x123x60mm. PRICE £39.99+£3.00 P&P.**

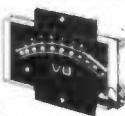


**OMP/MF200 Mos-Fet Output power 200 watts R.M.S. into 4 ohms. Frequency Response 1Hz-100KHz -3dB, Damping Factor 250. Slew Rate 50V/uS, T.H.D. Typical 0.001%, Input Sensitivity 500mV, S.N.R. -130dB. Size 300x150x100mm. PRICE £62.99+£3.50 P&P.**



**OMP/MF300 Mos-Fet Output power 300 watts R.M.S. into 4 ohms, frequency Response 1Hz-100KHz -3dB, Damping Factor 350. Slew Rate 60V/uS, T.H.D. Typical 0.0008%, Input Sensitivity 500mV, S.N.R. -130dB. Size 330x147x102mm. PRICE £79.99+£4.50 P&P.**

**NOTE:** Mos-Fets are supplied as standard (100KHz bandwidth & Input Sensitivity 500mV). If required, PA version (50KHz bandwidth & Input Sensitivity 775mV) Order -Standard or P.A.



**Vu METER** Compatible with our four amplifiers detailed above. A very accurate visual display employing 11 L.F.D. diodes (7 green, 4 red) plus an additional on/off indicator. Sophisticated logic control circuits for very fast rise and decay times. Tough moulded plastic case, with tinted acrylic front. Size 84x27x45mm. PRICE £8.50+50p P&P.

**LOUDSPEAKERS 5" to 15" up to 400 WATTS R.M.S.** Cabinet Fixing in stock. Huge selection of McKENZIE Loudspeakers available including Cabinet Plans. Large S.A.E. (28p) for free details.



**POWER RANGE**  
**8" 50 WATT R.M.S. Hi-Fi/Disco.** 20oz magnet, 1 1/2" ally voice coil. Ground ally fixing escutcheon. Res. Freq. 40Hz Freq. Resp. to 6KHz. PRICE £10.99. Available with black grille £11.99. P&P £1.50 ea.  
**12" 100 WATT R.M.S. Hi-Fi/Disco** 50oz magnet, 2" ally voice coil. Ground ally fixing escutcheon. Die-cast chassis. Whole cone. Res. Freq. 25Hz Freq. resp. to 4KHz. Sens 95dB. PRICE £28.60+£3.00 P&P ea.

**McKENZIE**  
**12" 85 WATT R.M.S. C1285GP Lead Guitar/Keyboard/Disco.** 2" ally voice coil. Ally centre dome. Res. Freq. 45Hz. Freq. Resp. to 6.5KHz. Sens. 98dB. PRICE £34.57+£3.00 P&P ea.  
**12" 85 WATT R.M.S. C1285TC P.A./Disco 2" ally voice coil. Twin cone.** Res. Freq. 45Hz Freq. Resp. to 14KHz. PRICE £35.35+£3.00 P&P ea.  
**15" 150 WATT R.M.S. C15 Bass Guitar/Disco.** 3" ally voice coil. Die-cast chassis. Res. Freq. 40Hz Freq. Resp. to 4KHz. PRICE £66.39+£4.00 P&P ea.  
**10" 60 WATT R.M.S. 1060GP Gen. Purpose/Lead Guitar/Keyboard/Mid. P.A.** 2" voice coil. Res. Freq. 75Hz Freq. Resp. to 7.5KHz Sens 99dB. PRICE £23.72+£2.00 P&P.  
**10" 200 WATT R.M.S. C10200GP Guitar/Keyboard/Disco.** 2" voice coil. Res. Freq. 45Hz Freq. resp. to 7KHz. Sens. 101dB. PRICE £47.49+£3.00 P&P.  
**15" 200 WATT R.M.S. C15200 High Power Bass.** Res. Freq. 40Hz. Freq. Resp. to 5KHz. Sens 101dB. PRICE £73.26+£4.00 P&P.  
**15" 400 WATT R.M.S. C15400 High Power Bass.** Res. Freq. 40Hz. Sens. 102dB. PRICE £94.12+£4.00 P&P.

**WEM**  
**5" 70 WATT R.M.S. Multiple Array Disco etc.** 1" voice coil. Res. Freq. 52Hz. Freq. resp. to 5KHz. Sens. 89dB. PRICE £22.00+£1.50 P&P ea.  
**8" 150 WATT R.M.S. Multiple Array Disco etc.** 1" voice coil. Res. Freq. 48Hz. Freq. resp. to 5KHz. Sens. 92dB. PRICE £32.00+£1.50 P&P ea.  
**10" 300 WATT R.M.S. Disco/Sound re-enforcement etc.** 1 1/2" voice coil. Res. Freq. 35Hz. Freq. Resp. to 4KHz. Sens. 92dB. PRICE £36.00+£2.00 P&P ea.  
**12" 300 WATT R.M.S. Disco/Sound re-enforcement etc.** 1 1/2" voice coil. Res. Freq. 35Hz Freq. resp. to 4KHz. Sens. 94dB. PRICE £47.00+£3.00 P&P ea.

**SOUNDLAB (Full Range Twin Cone)**  
**5" 60 WATT R.M.S. Hi-Fi/Multiple Array Disco etc.** 1" voice coil. Res. Freq. 63Hz Freq. resp. to 20KHz. Sens. 86dB. PRICE £9.99+£1.00 P&P ea.  
**6 1/2" 60 WATT R.M.S. Hi-Fi/Multiple Array Disco etc.** 1" voice coil. Res. Freq. 56Hz. Freq. Resp. to 20KHz. Sens. 89dB. PRICE £10.99+£1.50 P&P ea.  
**8" 60 WATT R.M.S. Hi-Fi/Multiple Array Disco etc.** 1 1/4" voice coil. Res. Freq. 38Hz. Freq. resp. to 20 KHz. Sens 89dB. PRICE £12.99+£1.50 P&P ea.  
**10" 60 WATT R.M.S. Hi-Fi/Disco etc.** 1 1/2" voice coil. Res. Freq. 35Hz. Freq. Resp. to 15KHz. Sens 89dB. PRICE £16.49+£2.00 P&P ea.

**PANTIC HOBBY KITS.** Proven designs including glass fibre printed circuit board and high quality components complete with instructions.

**FM MICROTRANSMITTER (BUG)** 90/105MHz with very sensitive microphone. Range 100/300 metres. 57x46x14mm (9 volt). Price £8.62+75p P&P.  
**3 WATT FM TRANSMITTER** 3 WATT 85/115MHz varicap controlled professional performance. Range up to 3 miles 35x84x12mm (12 volt). Price £14.49+75p P&P.  
**SINGLE CHANNEL RADIO CONTROLLED TRANSMITTER/RECEIVER** 27MHz. Range up to 500 metres. Double coded modulation. Receiver output operates relay with 2 amp/240 volt contacts. Ideal for many applications. Receiver 90x70x22mm (9/12 volt). Price £17.82. Transmitter 80x50x15mm (9/12 volt). Price £11.29+75p P&P each. SAE for complete kit.

3 watt FM Transmitter

## BURGLAR ALARM

Better to be 'Alarmed' than terrified. Thandar's famous 'Minder' Burglar Alarm System. Superior microwave principle. Supplied as three units complete with interconnection cable. FULLY GUARANTEED.  
**Control Unit**—Houses microwave radar unit, range up to 15 metres adjustable by sensitivity control. Three position, key operated facia switch—off—test—armed. 30 second exit and entry delay.  
**Indoor alarm**—Electronic swept freq. siren. 104dB output.  
**Outdoor alarm**—Electronic swept freq. siren, 98dB output. Housed in a tamper-proof heavy duty metal case. Both the control unit and outdoor alarm contain rechargeable batteries which provide full protection during mains failure. Power requirement 200/260 Volt AC 50/60Hz. Expandable with door sensors, panic buttons etc. Complete with instructions.

**IDEAL for Workshops, Factories, Offices, Home, etc.** Supplied ready built.



**SAVE £138.00** Usual Price £228.85

**BKE's PRICE £89.99+£4.00 P&P**

Why buy a collection of self-assembly boards!

## OMP LINNET LOUDSPEAKERS

The very best in quality and value. Made specially to suit today's need for compactness with high sound output levels. Finished in hard wearing black vinylite with protective corners, grille and carry handle. All models 8 ohms. Full range 45Hz-20KHz. Size 20"x15"x12". WATTS R.M.S. per cabinet. Sensitivity 1W. 1 mtr. dB.

**OMP 12-100 Watts 100dB. Price £149.99 per pair.**

**OMP 12-200 Watts 102dB. Price £199.99 per pair.**

Delivery: Securicor £8.00 per pair



## OMP 19" STEREO RACK AMPS



Professional 19" cased Mos-Fet stereo amps. Used the World over in clubs, pubs, discos etc. With twin Vu meters, twin toroidal power supplies, XLR connections. MF600 Fan cooled. Three models (Ratings R.M.S. into 4 ohms). Input sensitivity 775 mV.

**MF200 (100+100)W. £171.35**

**MF400 (200+200)W. £228.85**

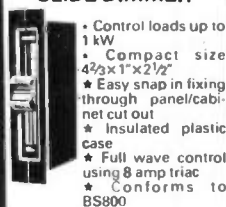
**MF600 (300+300)W. £322.00**

**Securicor**

**Delivery**

**£10.00**

## 1 K-WATT SLIDE DIMMER



- Control loads up to 1kW
- Compact size 4 1/2"x1"x2 1/2"
- Easy snap in fixing through panel/cabinet cut out
- Insulated plastic case
- Full wave control using 8 amp triac
- Conforms to BS800

★ Suitable for both resistance and inductive loads. Innumerable applications in industry, the home, discos, theatres, etc.  
**PRICE £13.99+75p P&P**

## BSR P295 ELECTRONIC TURNTABLE

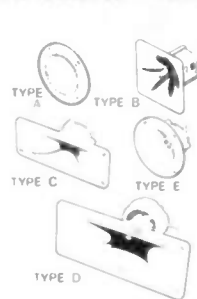
Electronic speed controls 45 & 33 1/3 rpm • Plus Minus variable pitch control • Belt driven • Aluminium platter with strobed rim • Cue lever • Antiskate (bias device) • Adjustable counter balance • Manual arm • Standard 1/2" cartridge fixings • Supplied complete with cut-out template • D.C. Operation 9-14V D.C. 65mA  
 Price £36.99+£3.00 P&P



**ADC O4 mag. cartridge for above. Price £4.99 ea.+50p P&P**

## PIEZO ELECTRIC TWEETERS - MOTOROLA

Join the piezo revolution, the low dynamic mass (no voice coil) of a Piezo tweeter produces an improved transient response with a lower distortion level than ordinary dynamic tweeters. As a crossover is not required these units can be added to existing speaker systems of up to 100 watts (more if 2 put in series). **FREE EXPLANATORY LEAFLETS SUPPLIED WITH EACH TWEETER.**



**TYPE 'A'** (KSN2036A) 3" round with protective wire mesh, ideal for bookshelf and medium sized Hi-Fi speakers. Price £4.90 each+40p P&P.

**TYPE 'B'** (KSN1005A) 3 1/2" super horn. For general purpose speakers, dico and PA systems etc. Price £5.99 each+40p P&P

**TYPE 'C'** (KSN6016A) 2"x5" wide dispersion horn. For quality Hi-Fi systems and quality discos etc. Price £6.99 each+40p P&P

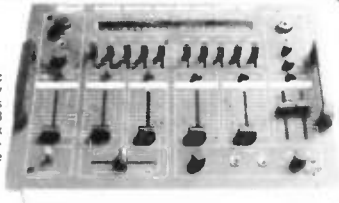
**TYPE 'D'** (KSN1025A) 2"x6" wide dispersion horn. Upper frequency response retained extending down to mid range (2KHz). Suitable for high quality Hi-Fi systems and quality discos. Price £9.99 each+40p P&P

**TYPE 'E'** (KSN1038A) 3 3/4" horn tweeter with attractive silver finish trim. Suitable for Hi-Fi monitor systems etc. Price £5.99 each+40p P&P

**LEVEL CONTROL.** Combines on a recessed mounting plate, level control and cabinet input jack socket. 85x85mm. Price £3.99+40p P&P

## STEREO DISCO MIXER

**STEREO DISCO MIXER** with 2x5 band L & R graphic equalisers and twin 10 segment LED Vu meters. Many outstanding features: 5 inputs with individual faders providing a useful combination of the following: 3 Turntables (Mag), 3 Mics, 4 Line plus Mic with talk over switch. Headphone monitor, Pan Pot L & R Master Output controls. Output 775mV. Size 360x280x90mm  
 Price £134.99+£3.00 P&P



# B. K. ELECTRONICS

UNIT 5, COMET WAY, SOUTHEND-ON-SEA, ESSEX. SS2 6TR TEL: 0702-527572



POSTAL CHARGES PER ORDER £1.00 minimum. OFFICIAL ORDERS WELCOME. SCHOOLS, COLLEGES, GOVERNMENT BODIES, ETC. PRICES INCLUSIVE OF VAT. SALES COUNTER VISA/ACCESS/C.O.D. ACCEPTED.





**PROJECTS GALORE FROM**  
**Maplin**

**SALES**  
0702 - 554161

A self-contained alarm system disguised as a video cassette. Gives audible alarm if machine moved or cassette ejected. Full details in Project Book 24 (XA24B) Price 85p.

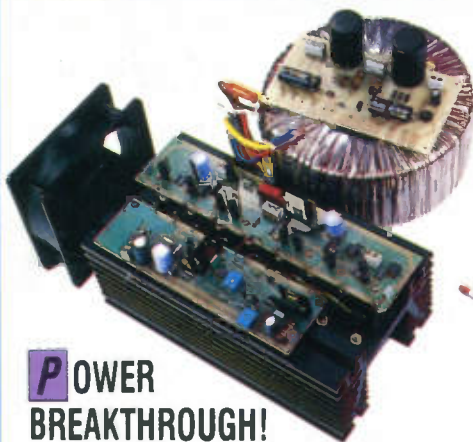
**KIT PRICE**  
**ONLY £11.95** ORDER CODE LM27E



**CHECK THOSE UNMARKED**

capacitors with this versatile, low-cost, piece of test equipment. Full details in Project Book 23 (XA23A) Price 85p.

**KIT PRICE**  
**ONLY £24.95** ORDER CODE LM28F



**POWER BREAKTHROUGH!**

A superb 1kW Mosfet amplifier, a major new source in sound! Full details in Project Book 26 (XA26D) Price 85p. This project is made up from 4 kits.

**KIT PRICE**

DRIVER KIT LM50E	OUTPUT KIT LM51F	MONITOR KIT LM52G	PSU KIT LM53H
£11.95	£99.95	£19.95	£89.95

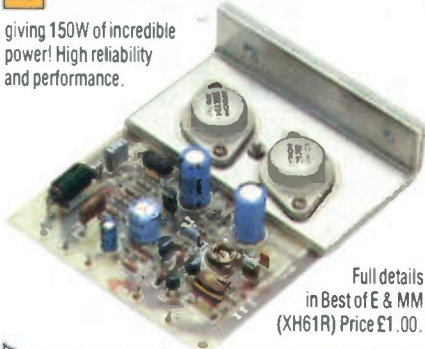
**PROTECT YOUR VHS VIDEO PLAYER WITH THIS VHS VIDEO ALARM PROJECT!**



All prices include VAT. Please add 50p towards postage.

**MOSFET AMPLIFIER**

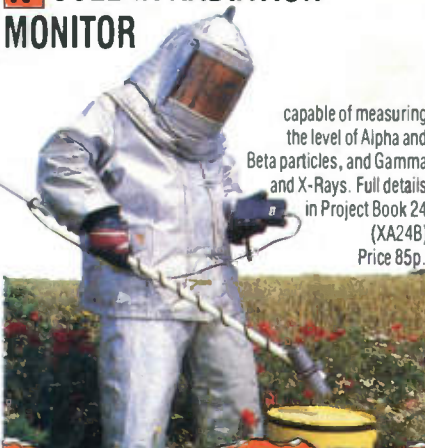
giving 150W of incredible power! High reliability and performance.



Full details in Best of E & MM (XH61R) Price £1.00.

**KIT PRICE**  
**ONLY £19.95** ORDER CODE LW51F

**NUCLEAR RADIATION MONITOR**



capable of measuring the level of Alpha and Beta particles, and Gamma and X-Rays. Full details in Project Book 24 (XA24B) Price 85p.

**KIT PRICE**  
**ONLY £99.95** ORDER CODE LM24B

All items subject to availability

**MUSICAL DOORBELL**

with 28 tunes and chimes with selectable piano to organ like sounds. Note: case and front panel not in kit. For full details see Project Book 13 (XA13P) Price 85p.



**KIT PRICE**  
**ONLY £14.95** ORDER CODE LK57M

**Maplin Electronics**  
P.O. Box 3, Rayleigh, Essex, SS6 8LR.

**MANY MORE PROJECTS INSIDE!**

Pick up a copy of our giant 512 page catalogue from WHSMITH for just £1.60.



Shops at: Sutton New Road, Erdington, Birmingham. 302 Gloucester Road, Bristol. 159-161 King Street, Hammersmith, London. 8 Oxford Road, Manchester. 46-48 Bevois Valley Road, Southampton. 282-284 London Road, Southend-on-Sea.

# 8085 INSTRUCTION SET

Mnemonic	Instruction Code								Operations Description
	D <sub>7</sub>	D <sub>6</sub>	D <sub>5</sub>	D <sub>4</sub>	D <sub>3</sub>	D <sub>2</sub>	D <sub>1</sub>	D <sub>0</sub>	
<b>MOVE, LOAD, AND STORE</b>									
MOV r1 r2	0	1	D	D	D	S	S	S	Move register to register
MOV M, r	0	1	1	1	0	S	S	S	Move register to memory
MOV r, M	0	1	D	D	D	1	1	0	Move memory to register
MVI r	0	0	D	D	D	1	1	0	Move immediate register
MVI M	0	0	1	1	0	1	1	0	Move immediate memory
LXI B	0	0	0	0	0	0	0	1	Load immediate register Pair B & C
LXI D	0	0	0	1	0	0	0	1	Load immediate register Pair D & E
LXI H	0	0	1	0	0	0	0	1	Load immediate register Pair H & L
STAX B	0	0	0	0	0	0	1	0	Store A Indirect
STAX D	0	0	0	1	0	0	1	0	Store A Indirect
LDAX B	0	0	0	0	1	0	1	0	Load A Indirect
LDAX D	0	0	0	1	1	0	1	0	Load A Indirect
STA	0	0	1	1	0	0	1	0	Store A direct
LDA	0	0	1	1	1	0	1	0	Load A direct
SHLD	0	0	1	0	0	1	0	1	Store H & L direct
LHLD	0	0	1	0	1	0	1	0	Load H & L direct
XCHG	1	1	1	0	1	0	1	1	Exchange D & E, H & L Registers
<b>STACK OPS</b>									
PUSH B	1	1	0	0	0	1	0	1	Push register Pair B & C on stack
PUSH D	1	1	0	1	0	1	0	1	Push register Pair D & E on stack
PUSH H	1	1	1	0	0	1	0	1	Push register Pair H & L on stack
PUSH PSW	1	1	1	1	0	1	0	1	Push A and Flags on stack
POP B	1	1	0	0	0	0	0	1	Pop register Pair B & C off stack
POP D	1	1	0	1	0	0	0	1	Pop register Pair D & E off stack
POP H	1	1	1	0	0	0	0	1	Pop register Pair H & L off stack
POP PSW	1	1	1	1	0	0	0	1	Pop A and Flags off stack
XTHL	1	1	1	0	0	0	1	1	Exchange top of stack, H & L
SPHL	1	1	1	1	1	0	0	1	H & L to stack pointer
LXI SP	0	0	1	1	0	0	0	1	Load immediate stack pointer
INX SP	0	0	1	1	0	0	1	1	Increment stack pointer
DCX SP	0	0	1	1	1	0	1	1	Decrement stack pointer
<b>JUMP</b>									
JMP	1	1	0	0	0	0	1	1	Jump unconditional
JC	1	1	0	1	1	0	1	0	Jump on carry
JNC	1	1	0	1	0	0	1	0	Jump on no carry
JZ	1	1	0	0	1	0	1	0	Jump on zero
JNZ	1	1	0	0	0	0	1	0	Jump on no zero
JP	1	1	1	1	0	0	1	0	Jump on positive
JM	1	1	1	1	1	0	1	0	Jump on minus
JPE	1	1	1	0	1	0	1	0	Jump on parity even
JPO	1	1	1	0	0	0	1	0	Jump on parity odd
PCHL	1	1	1	0	1	0	0	1	H & L to program counter
<b>CALL</b>									
CALL	1	1	0	0	1	1	0	1	Call unconditional
CC	1	1	0	1	1	1	0	0	Call on carry
CNC	1	1	0	1	0	1	0	0	Call on no carry

Mnemonic	Instruction Code								Operations Description
	D <sub>7</sub>	D <sub>6</sub>	D <sub>5</sub>	D <sub>4</sub>	D <sub>3</sub>	D <sub>2</sub>	D <sub>1</sub>	D <sub>0</sub>	
CZ	1	1	0	0	1	1	0	0	Call on zero
CNZ	1	1	0	0	0	1	0	0	Call on no zero
CP	1	1	1	1	0	1	0	0	Call on positive
CM	1	1	1	1	1	1	0	0	Call on minus
CPE	1	1	1	0	1	1	0	0	Call on parity even
CPO	1	1	1	0	0	1	0	0	Call on parity odd
<b>RETURN</b>									
RET	1	1	0	0	1	0	0	1	Return
RC	1	1	0	1	1	0	0	0	Return on carry
RNC	1	1	0	1	0	0	0	0	Return on no carry
RZ	1	1	0	0	1	0	0	0	Return on zero
RNZ	1	1	0	0	0	0	0	0	Return on no zero
RP	1	1	1	1	0	0	0	0	Return on positive
RM	1	1	1	1	1	0	0	0	Return on minus
RPE	1	1	1	0	1	0	0	0	Return on parity even
RPO	1	1	1	0	0	1	0	0	Return on parity odd
<b>RESTART</b>									
RST	1	1	A	A	A	1	1	1	Restart
<b>INPUT/OUTPUT</b>									
IN	1	1	0	1	1	0	1	1	Input
OUT	1	1	0	1	0	0	1	1	Output
<b>INCREMENT AND DECREMENT</b>									
INR r	0	0	D	D	D	1	0	0	Increment register
DCR r	0	0	D	D	D	1	0	1	Decrement register
INR M	0	0	1	1	0	1	0	0	Increment memory
DCR M	0	0	1	1	0	1	0	1	Decrement memory
INX B	0	0	0	0	0	0	1	1	Increment B & C registers
INX D	0	0	0	1	0	0	1	1	Increment D & E registers
INX H	0	0	1	0	0	0	1	1	Increment H & L registers
DCX B	0	0	0	0	1	0	1	1	Decrement B & C
DCX D	0	0	0	1	1	0	1	1	Decrement D & E
DCX H	0	0	1	0	1	0	1	1	Decrement H & L
<b>ADD</b>									
ADD r	1	0	0	0	0	S	S	S	Add register to A
ADC r	1	0	0	0	1	S	S	S	Add register to A with carry
ADD M	1	0	C	0	0	1	1	0	Add memory to A
ADC, M	1	0	0	0	1	1	1	0	Add memory to A with carry
ADI	1	1	0	0	0	1	1	0	Add immediate to A
ACI	1	1	0	0	1	1	1	0	Add immediate to A with carry
DAD B	0	0	0	0	1	0	0	1	Add B & C to H & L
DAD D	0	0	0	1	1	0	0	1	Add D & E to H & L
DAD H	0	0	1	0	1	0	0	1	Add H & L to H & L
DAD SP	0	0	1	1	1	0	0	1	Add stack pointer to H & L
<b>SUBTRACT</b>									
SUB r	1	0	0	1	0	S	S	S	Subtract register from A
SBB r	1	0	0	1	1	S	S	S	Subtract register from A with borrow
SUB M	1	0	0	1	0	1	1	0	Subtract memory from A
SBB M	1	0	0	1	1	1	1	0	Subtract memory from A with borrow
SUI	1	1	0	1	0	1	1	0	Subtract immediate from A
SBI	1	1	0	1	1	1	1	0	Subtract immediate from A with borrow

Continued over



# RS-232 waveforms

In most RS-232 systems, data is transmitted asynchronously. This simply means that it is transmitted as a series of "data packets". Each data packet comprises a single ASCII character and contains sufficient information for the character to be decoded without the need for a separate clock signal.

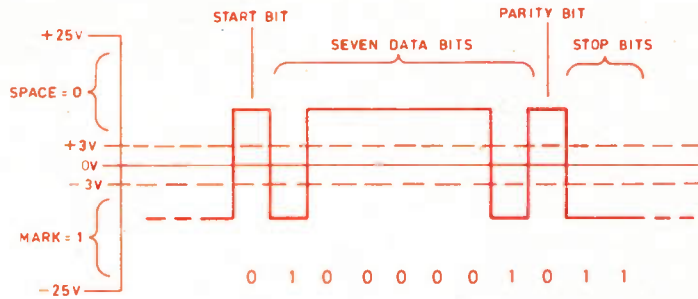
ASCII characters (see Data Card 2) are represented by seven binary digits (bits). The upper case letter "A", for example, is represented by the seven-bit binary word; 1000001. In order to transmit this character via an RS-232 system, we need to add extra bits to signal the start and end of the data packet. In addition, we may wish to add an extra bit to provide a simple parity error detecting facility.

One of the most commonly used schemes involves the addition of one start bit, one parity bit, and two stop bits. The commencement of the data packet is signalled by the start bit which is always low irrespective of the contents of the packet. The start bit is followed by the seven data bits representing the ASCII character concerned. A parity bit is added to make the resulting number of 1's in the group either odd ("odd parity") or even ("even parity"). Finally two stop bits are added. These are both high.

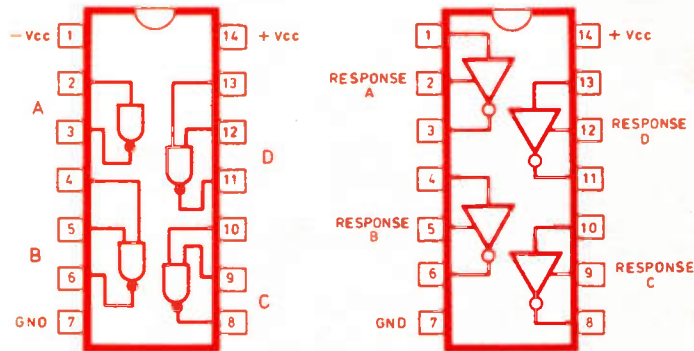
The complete asynchronously transmitted data word would thus comprise eleven bits (note that only seven of these actually contain data!). In binary terms the word can be represented as: 01000001011. In this case, even parity has been used and thus the ninth (parity bit) is a 0.

The voltage levels employed in an RS-232 system are quite different from those used to represent the digital signals within a microcomputer. A positive voltage (of between +3V and +25V) is used to represent a logic 0 (or "SPACE") whilst a negative voltage (of between -3V and -25V) is used to represent a logic 1 (or "MARK"). The figure shows how the ASCII character "A" would appear on RS-232 TXD or RXD lines.

The problem of level shifting and buffering from TTL to RS-232C signal levels (and vice versa) is accomplished using special "line driver" and "line receiver" chips, typical examples of which are the 1488 and 1489 devices.



ASCII character A as it appears on a typical asynchronous RS-232 serial data communications link.



Pin connections for the 1488 line driver and for the 1489 line receiver.

## 8085 INSTRUCTION SET (continued)

Mnemonic	D <sub>7</sub>	D <sub>6</sub>	D <sub>5</sub>	D <sub>4</sub>	D <sub>3</sub>	D <sub>2</sub>	D <sub>1</sub>	D <sub>0</sub>	Operations Description
<b>LOGICAL</b>									
ANA r	1	0	1	0	0	S	S	S	AND register with A
XRA r	1	0	1	0	1	S	S	S	Exclusive OR register with A
ORA r	1	0	1	1	0	S	S	S	OR register with A
CMP r	1	0	1	1	1	S	S	S	Compare register with A
ANA M	1	0	1	0	0	1	1	0	AND memory with A
XRA M	1	0	1	0	1	1	1	0	Exclusive OR memory with A
ORA M	1	0	1	1	0	1	1	0	OR memory with A
CMP M	1	0	1	1	1	1	1	0	Compare memory with A
ANI	1	1	1	0	0	1	1	0	AND immediate with A
XRI	1	1	1	0	1	1	1	0	Exclusive OR immediate with A
ORI	1	1	1	1	0	1	1	0	OR immediate with A
CPI	1	1	1	1	1	1	1	0	Compare immediate with A
<b>ROTATE</b>									
RLC	0	0	0	0	0	1	1	1	Rotate A left
RRC	0	0	0	0	1	1	1	1	Rotate A right
RAL	0	0	0	1	0	1	1	1	Rotate A left through carry
RAR	0	0	0	1	1	1	1	1	Rotate A right through carry

Mnemonic	D <sub>7</sub>	D <sub>6</sub>	D <sub>5</sub>	D <sub>4</sub>	D <sub>3</sub>	D <sub>2</sub>	D <sub>1</sub>	D <sub>0</sub>	Operations Description
<b>SPECIALS</b>									
CMA	0	0	1	0	1	1	1	1	Complement A
STC	0	0	1	1	0	1	1	1	Set carry
CMC	0	0	1	1	1	1	1	1	Complement carry
DAA	0	0	1	0	0	1	1	1	Decimal adjust A
<b>CONTROL</b>									
EI	1	1	1	1	1	0	1	1	Enable interrupts
DI	1	1	1	1	0	0	1	1	Disable interrupt
NOP	0	0	0	0	0	0	0	0	No-operation
HLT	0	1	1	1	0	1	1	0	Halt
<b>NEW 8085AH INSTRUCTIONS</b>									
RIM	0	0	1	0	0	0	0	0	Read Interrupt Mask
SIM	0	0	1	1	0	0	0	0	Set Interrupt Mask

NOTE: 1. DDS or SSS: B 000, C 001, D 010, E 011, H 100, L 101, Memory 110, A 111.

**EE  
DATA  
CARD (8)**

Given free with Everyday Electronics magazine. Wimborne Publishing Ltd., 6 Church St., Wimborne, Dorset BH21 1JH. Tel. (0202) 881749