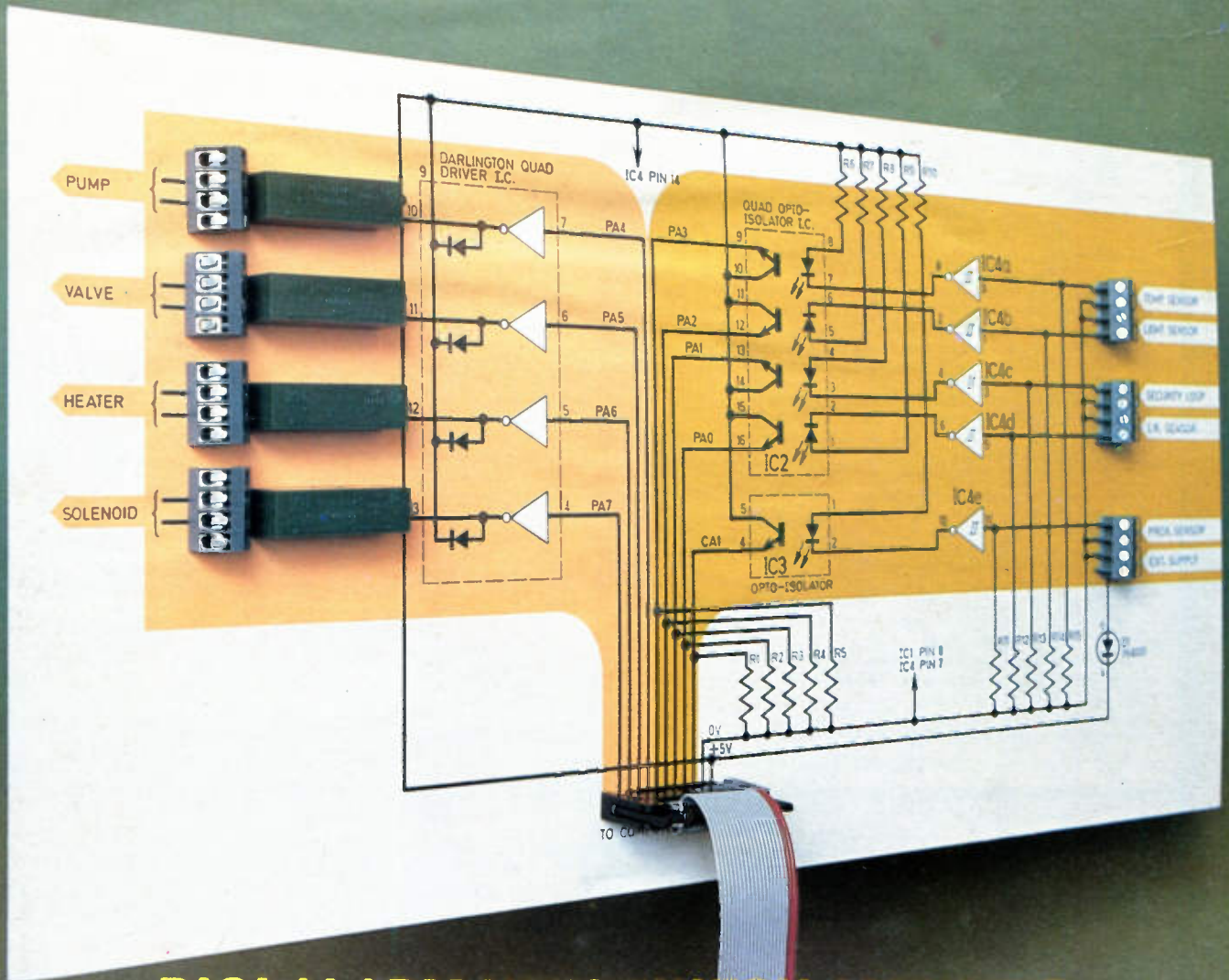


# EVERYDAY ELECTRONICS and computer PROJECTS

JULY 1983

85p

## MICROCOMPUTER INTERFACING TECHNIQUES NEW SERIES... STARTS THIS MONTH



**DIGI ALARM WRISTWATCH AMPLIFIER**  
**AUTOMATIC GREENHOUSE WATERING SYSTEM**  
**TRI BOOST GUITAR TONE CONTROLLER**

electronize

# AUTO-ELECTRONIC PRODUCTS

## KITS OR READY BUILT

### TOTAL ENERGY DISCHARGE ELECTRONIC IGNITION



### IS YOUR CAR AS GOOD AS IT COULD BE ?

- ★ Is it **EASY TO START** in the cold and the damp? Total Energy Discharge will give the most powerful spark and maintain full output even with a near flat battery.
  - ★ Is it **ECONOMICAL** or does it "go off" between services as the ignition performance deteriorates? Total Energy Discharge gives much more output and maintains it from service to service.
  - ★ Has it **PEAK PERFORMANCE** or is it flat at high and low revs, where the ignition dull, is marginal? Total Energy Discharge gives a more powerful spark from idles to the engines maximum (even with bad leads).
  - ★ **PERFORMANCE SMOOTH.** The more powerful spark of Total Energy Discharge eliminates the "near misfires" whilst an electronic filter smooths out the effects of contact bounce etc.
  - ★ Do the **PLUGS** and **POINTS** always need changing to bring the engine back to its best? Total Energy Discharge eliminates contact arcing and erosion by removing the heavy electrical load. The timing stays "spot on" and the contact condition doesn't affect the performance either. Larger plug gaps can be used, even wet or badly fouled plugs can be fired with this system.
  - ★ **TOTAL ENERGY DISCHARGE** is a unique system and the most powerful on the market - 3 1/2 times the power of inductive systems - 3 1/2 times the energy and 3 times the duration of ordinary capacitive systems. These are the facts:  
**Performance at only 6 volts (max. supply 16 volts)**  
**SPARK POWER** — 140W, **SPARK ENERGY** — 36mJ  
**SPARK DURATION** — 500µs, **STORED ENERGY** — 135mJ  
**LOADED OUTPUT VOLTAGE**  
 50pF load — 38kV, 50pF + 500k — 26kV
- We challenge any manufacturer to publish better performance figures. Before you buy any other make, ask for the facts, its probably only an inductive system. But if an inductive system is what you really want, we'll still give you a good deal.
- ★ **ALL ELECTRONIZE** electronic ignitions feature:  
**EASY FITTING, STANDARD/ELECTRONIC CHANGEOVER SWITCH, STATIC TIMING LIGHT and DESIGNED IN RELIABILITY (14 years experience and a 3 year guarantee).**
  - ★ **IN KIT FORM** it provides a top performance system at less than half the price of comparable ready built units. The kit includes: pre-drilled fibreglass PCB, pre-wound and varnished ferrite transformer, high quality 2µF discharge capacitor, case, easy to follow instructions, solder and everything needed to build and fit to your car. All you need is a soldering iron and a few basic tools.

Most **NEW CARS** already have electronic ignition. Update **YOUR CAR**

### PROTECT YOUR CAR WITH AN ELECTRONIZE ELECTRONIC ALARM



- ★ **2000 COMBINATIONS** provided by an electronic key - a miniature jack plug containing components which must match each individual alarm system. (Not limited to a few hundred keys or a four bit code).
- ★ **60 SECOND ALARM PERIOD** flashes headlights and sounds horn, then resets ready to operate again if needed.
- ★ **10 SECOND ENTRY DELAY** allows owner to dis-arm the system, by inserting the key plug into a dashboard mounted socket, before the alarm sounds. (No holes in external bodywork, fiddly code systems or hidden switches). Re-closing the door will not cancel the alarm, before or after it sounds, the key plug must be used.
- ★ **INSTANT ALARM OPERATION** triggered by accessories or bonnet/boot opening.
- ★ **30 SECOND DELAY** when system is armed allows owner to lock doors etc.
- ★ **DISABLES IGNITION SYSTEM** when alarm is armed.
- ★ **IN KIT FORM** it provides a high level of protection at a really low cost. The kit includes everything needed, the case, fibreglass PCB, CMOS IC's, random selection resistors to set the combination, in fact everything down to the last nut and washer plus easy to follow instructions.

**FITS ALL 12 VOLT NEGATIVE EARTH VEHICLES.  
SUPPLIED COMPLETE WITH ALL NECESSARY LEADS  
AND CONNECTORS PLUS TWO KEY PLUGS**

**Don't Wait Until Its too Late ~  
Fit one NOW!**

fill in the coupon and send to:

**ELECTRONIZE DESIGN** Dept C · Magnus Rd · Wilnecote · Tamworth · B77 5BY · tel 0827 281000

**TOTAL ENERGY DISCHARGE** (6 or 12 volt negative earth)

- Assembled ready to fit **£26.70 £19.95**
- D.I.Y. parts kit **£15.90 £14.95**

**TWIN OUTPUT** for cars and motor cycles with dual ignition

- Twin, Assembled ready to fit **£36.45 £29.95**
- Twin, D.I.Y. parts kit **£24.55 £22.95**

**INDUCTIVE DISCHARGE** (12 volt only)

- Assembled ready to fit **£15.95 £12.75**

Prices Include VAT.

P+P **£1-00 (UK)**

**CAR ALARM**

- Assembled ready to fit **£37.95**
- D.I.Y. parts kit **£24.95**

I enclose cheque/postal order OR debit my Access/Visa card



Name \_\_\_\_\_

Address \_\_\_\_\_

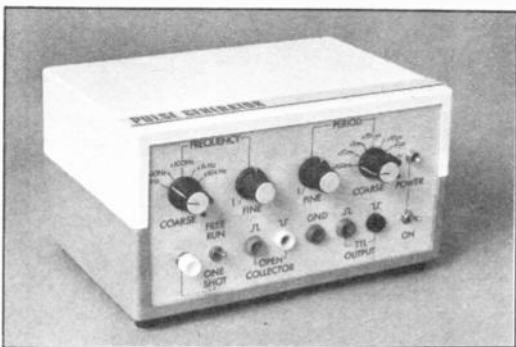
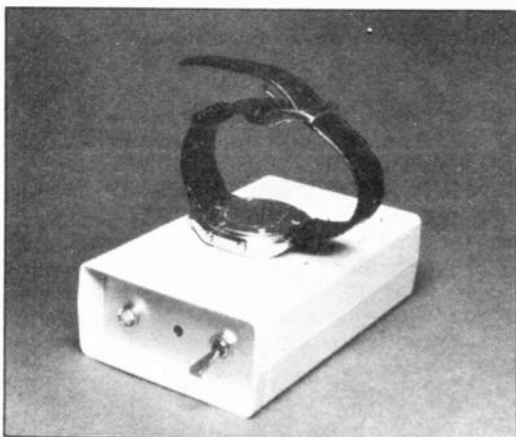
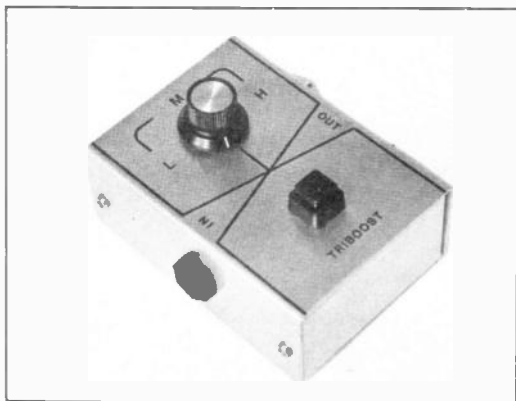
Code \_\_\_\_\_

C

# EVERYDAY ELECTRONICS and computer PROJECTS

VOL. 12 NO. 7 JULY 1983

PROJECTS ... THEORY ... NEWS ...  
COMMENT ... POPULAR FEATURES ...



© IPC Magazines Limited 1983. Copyright in all drawings, photographs and articles published in EVERYDAY ELECTRONICS is fully protected, and reproduction or imitations in whole or in part are expressly forbidden.

## PROJECTS

- USER PORT INPUT/OUTPUT BOARD**  
by J. Adams & G. M. Feather 414
- USER PORT CONTROL BOARD**  
by J. Adams & G. M. Feather 417
- AUTOMATIC GREENHOUSE WATERING SYSTEM**  
by J. Lewis 424
- A self-catering service for your plants
- DIGI ALARM WRISTWATCH AMPLIFIER** by D. E. Smith 430  
Amplify your chances of waking in the mornings
- TRI BOOST GUITAR TONE CONTROLLER**  
by J. D. Rogers 432
- BINARY BANDIT GAME** by F. G. Rayer 452  
Simple and amusing electronic fruit machine
- TEST GEAR 83—PULSE GENERATOR** by J. R. W. Barnes 456  
For use with TTL and CMOS logic

## SERIES

- MICROCOMPUTER INTERFACING TECHNIQUES**  
by J. Adams & G. M. Feather 410  
Part 1: The Microprocessor and User Ports
- ELECTRONICS AND THE ELECTRON** by J. B. Dance 428  
Part 3: Conduction in Various Materials (cont.)

## FEATURES

- EDITORIAL** 409  
A New World to Explore
- CYCLIC REDUNDANCY CHECK for the ACORN ATOM**  
by R. A. Hall 422  
Machine code routine for program loading
- CIRCUIT EXCHANGE** 423, 435, 439, 450, 462  
A forum for readers' ideas
- SHOPTALK** by Dave Barrington 427  
Product news and component buying
- MEASUREMENT OF AUDIO AMPLIFIER PARAMETERS**  
by A. E. Rule 436  
Performance evaluation of home constructed equipment
- FOR YOUR ENTERTAINMENT** by Barry Fox 440  
Wrong Line; Japanese Way; Computer Tip
- EVERYDAY NEWS** 442  
What's happening in the world of electronics
- SCHOOL RADIO CLUB** by D. J. Fry 444
- READERS' LETTERS** 445  
Your news and views
- RADIO WORLD** by Pat Hawker G3VA 446  
RTTY Legal Maze; Vintage Form-filling
- NEW PRODUCTS** 447  
Facts and photos of instruments, equipments and tools
- SQUARE ONE** 448  
Beginners' Page: Diodes
- BOOK REVIEWS** 454  
A selection of recent releases
- COUNTER INTELLIGENCE** by Paul Young 461
- PLEASE TAKE NOTE** 461  
Apple II Real Time Clock

Our August 1983 issue will be published on Friday, July 15. See page 441 for details.

Readers' Services • Editorial and Advertisement Departments 409

# CALL IN AND SEE FOR YOURSELF **AUDIO ELECTRONICS** ALL PRICES INCLUDE VAT

**TEST EQUIPMENT CENTRES** ALL MODELS ON DISPLAY  
OPEN SIX DAYS A WEEK  
RETAIL • MAIL ORDER • EXPORT • INDUSTRIAL • EDUCATIONAL

## DIGITAL MULTIMETERS (UK C/P Free)



**HAND HELD** ■ With free carry case  
**MD25C** 13 range 0.2A DC 2 meg ohm £24.95  
**MD30S** 16 range 1A AC/DC 2 meg ohm £29.95  
**MD30C** 26 range 1A AC/DC 2 meg ohm £34.95  
**MD55C** 28 range 10A AC/DC 2 meg ohm £39.95  
**6010+** 28 range 10A AC/DC 20 meg ohm £34.40  
**7030+** As 6010 but 0.1% basic £41.30  
**MD615** 16 range 10A DC 2 meg plus Hfe tester £39.95  
**189M** 30 range 10A AC/DC 20 meg plus Hfe tester £69.95

**HAND HELD AUTO RANGE**  
**DM2350** 21 range 10A AC/DC 20 meg ohm (Miniature) £49.95  
**MD30** 16 range 0.2A AC/DC 2 meg ohm £41.95  
**MD30/B** As above plus cont. buzzer £44.50  
**MD31** 22 range 10A AC/DC 2 meg ohms plus cont. buzzer £58.95  
 ■ Optional carry case £2.95

ALL MODELS 3 1/2 DIGIT UNLESS STATED

**BENCH MODELS**  
**TM353+** 27 range LCD 2A DC/DC £86.25  
**TM355+** 29 range LEO 10A AC/DC £86.25  
**TM351+** 29 range LCD 10A AC/DC £113.85  
**20D1** 28 range LCD 10A AC/DC plus 5 range Cap. Meter with case £104.00  
**TM451** 4 1/2 digit LCD every facility (0.02%) £171.00  
**1503A** 4 1/2 digit LCD every facility (10.0%) £171.00  
**1503Ha** 0.03% basic version of above £189.00  
 ■ Optional carry case £6.84

**BECKMAN HAND HELD**  
**T100** 34 range 10A AC/DC 20 meg ohm £56.35  
**T110** As above plus Cont. test etc. £67.85

## FREQUENCY COUNTERS



**PFM200A** 200 MHz hand held pocket 8 digit LED £67.50  
**8110A** 8 digit LED bench 2 ranges 100 MHz £77.00  
**8610B** 9 digit LED bench 2 ranges 800 MHz £113.05  
**8000B** 9 digit LED 3 ranges 1 GHz £178.00  
**TF400** 8 digit LCD 40 MHz £126.50  
**TF200** 8 digit LCD 200 MHz £166.75  
 ■ Optional carry case £6.84

**Prescalers** - Extended range of most counters  
**PT600** 600 MHz £43.00  
**TP1000** 1 GHz £74.00

## SIGNAL GENERATORS



**FUNCTION** : All sine/square/triangle/TTL etc  
**TG100** 1 Hz - 100 KHz £90.00  
**TG102** 0.2 Hz - 2 MHz £166.75

**PULSE**  
**TG105** various facilities 5 Hz - 5 MHz £97.75  
**AUD10** : Multiband Sine/Square £171.00  
**LAG27** 10 Hz to 1 MHz £90.85  
**AG202A** 20 Hz to 200 KHz (List £94.50) £83.50  
**RF**  
**SG402** 100 KHz to 30 MHz (List £79.50) £69.50  
**LS617** 100 KHz to 150 MHz £79.35

## ELECTRONIC INSULATION TESTER

**YF 501** 500 V/0-100m with carry case £63.00

## MULTIMETERS (UK C/P 65p)

**KRT 100** 1k/V 12 range pocket £5.95  
**HM102Z** 20 k/V 22 range & cont buzzer £14.95  
**ETC5000/5001** 21 ranges 50k/V. Range doubler. 10A DC. £18.95  
**TMK500** 23 ranges 30k/V. 12A DC plus cont. buzzer. £24.75  
**NM56R** 20k/V. 22 range pocket £10.95  
**ETU102** 14 range 2k/V pocket £6.50  
**830A** 26 range 30k/V. 10A AC/DC overload protection. etc. £23.95  
**360TR** 23 range 100k/V. Large scale 10A AC/DC plus Hfe £39.95  
**AT102D** 18 range 20k/V. Deluxe plus Hfe tester £18.95  
**YN 360TR** 19 range 20k/V plus Hfe tester £15.95

## VARIABLE POWER SUPPLIES (UK C/P £1.00)



**PP241** 0/12/24V. 0/1A £35.00  
**PP243** 3 amp version £59.95  
**PS 1307S** 8/15V 7 amp lwh meter £24.95

## DIGITAL THERMOMETER

**TM301** LCD -50 C to -75° with thermocouple £68.43

## AC CLAMP METER



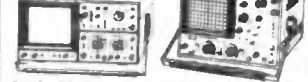
**ST300** 0/300A. 0/600 VAC. D/I Kohm 9 ranges With carry case (UK C/P 65p) £28.50

## LOGIC PROBES

**LP10** 10 MHz £28.50  
**LPD76** 50 MHz with carry case and accessories £71.30

## AUDIO • RF • FUNCTION • PULSE

## OSCILLOSCOPES



Full specification any model on request. SAE by post.  
**'NM' Series HAMEG: 'SC' THANDAR:**  
**'CS' TRIO: '3' CROTECH 'DT' Salford**  
**SINGLE TRACE UK C/P £3.00**  
**3D30** 15 MHz 5mV. 35mm tube plus component tester C/P £3.00 £177.10  
**SC110A** Miniature 10 MHz battery portable Post free £171.00  
**HM103** 15 MHz 2mV. 6 x 7 display plus component tester C/P £3.00 £181.70  
 ■ Optional carry case £6.84 AC adaptor £6.69 Nicads £12.50  
**DUAL TRACE (UK C/P £4.00)**  
**DT 520** Dual 20 MHz £241.50  
**HM203/4** Dual 20 MHz plus component tester £287.50  
**CS1562A** Dual 10 MHz (List £321.00) £269.50  
**3131** Dual 15 MHz - component tester £276.00  
**CS1566A** Dual 20 MHz All facilities (List £401.35) £349.50  
**HM204** Dual 20 MHz plus component tester sweep delay £419.75  
**CS1820** Dual 20 MHz with extra facilities  
**OPTIONAL PROBE KITS** (List £508.30) £485.00  
**X1** £7.95 **X10** £10.50 **X100** £9.45 **X1000** £16.95

## HIGH VOLTAGE METER

Direct reading 0/40 kV. 20k/Volt (UK C/P 65p) £23.00

## DIGITAL CAPACITANCE METER

0.1 pF to 2000 mfd LCD 8 ranges  
**DM6013** £52.75 (Carry case £2.95)

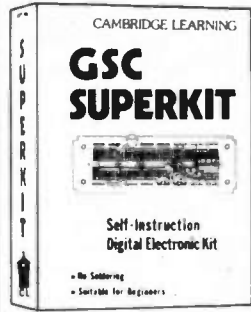
## TRANSISTOR TESTER

Direct reading PNP, NPN, etc.  
**TC1** (UK C/P 65p) £21.95

FREE CATALOGUES SEND LARGE SAE (UK 20p) ALL PRICES INCLUDE VAT

**AUDIO ELECTRONICS** Cubegate Limited  
 301 EDGWARE ROAD, LONDON W2 1BN. TEL: 01-724 3564  
 ALSO AT HENRY'S RADIO, 404/406 EDGWARE ROAD, LONDON W2. TEL: 01-723 1008

# A PRACTICAL DIGITAL ELECTRONIC KIT FOR LESS THAN £20



**SUITABLE FOR BEGINNERS**  
**NO SOLDERING!**

Learn the wonders of digital electronics and see how quickly you are designing your own circuits. The kit contains: seven LS TTL integrated circuits, breadboard, LEDs, and all the DIL switches, resistors, capacitors, and other components to build interesting digital circuits; plus a very clear and thoroughly tested instruction manual (also available separately). All this comes in a pocket size plastic wallet for only £19-90p inc VAT and p&p. This course is for true beginners - the only extra you need is a 4½V battery.

- needs no soldering iron.
- asks plenty of questions, but never leaves you stuck and helpless.
- teaches you about fault-finding, improvisation, and subsystem checking.

This course teaches boolean logic, gating, R-S and J-K flipflops, shift registers, ripple counters, and half-adders.

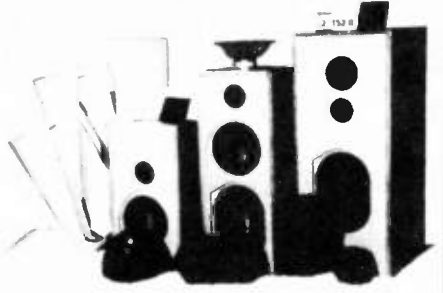
Cheque with order to:-  
 Cambridge Learning Limited, Unit 38 Rivemill Site, FREEPOST, St Ives, Huntingdon, Cambs. PE17 4BR, England.  
 or tel 0480 67446 with credit card details

## Cambridge Learning

## Constructor Series Speakers



IT'S SO EASY



Have fun, save money, building a Kef design with a Wilmslow Audio CS Total kit. No electronic or woodworking knowledge necessary and the end result is a proven top-quality design that you'll be proud of. Each kit contains all cabinet components, accurately machined for easy assembly, speaker drive units, crossovers, wadding, grille fabric, terminals, nuts, bolts, etc. The cabinets can be painted or stained or finished with iron-on veneer or self adhesive woodgrain vinyl. Easy foolproof assembly instructions supplied. Set of constructor leaflets sent free on receipt of large S.A.E.

Prices: CS1 (As 101) £110 pr. inc. VAT, plus carr./ins. £ 5.50  
 CS1A (simplified LS3/5A) £103 pr. inc. VAT, plus carr./ins. £ 5.50  
 CS3 (as 103.2) £129 pr. inc. VAT, plus carr./ins. £10.00  
 CS5 (as Carlton II) £192 pr. inc. VAT, plus carr./ins. £15.00  
 CS7 (as Cantata) £250 pr. inc. VAT, plus carr./ins. £18.00



0625 529599

35/39 Church Street, Wilmslow, Cheshire SK9 1AS  
 Catalogue --- £1.50 post free  
 Lightning service on telephoned credit card orders! Please allow 7 days for delivery.



### XK113 MW RADIO KIT

Based on ZN414 IC, kit includes PCB, wound aerial and crystal earpiece and all components to make a sensitive miniature radio. Size: 5.5 x 2.7 x 2cms. Requires PP3 9V battery. IDEAL FOR BEGINNERS. **£5.00**

### HOME LIGHTING KITS

These kits contain all necessary components and full instructions & are designed to replace a standard wall switch and control up to 300w. of lighting.

TDR300K Remote Control Dimmer **£14.30**

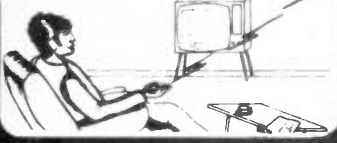
MK6 Transmitter for above **£ 4.20**

TD300K Touchdimmer **£ 7.00**

TS300K Touchswitch **£ 7.00**

TDE/K Extension kit for 2-way switching for TD300K **£2.50**

LD300K Rotary Controlled Dimmer **£ 3.50**



# THE JUPITER ACE MICROCOMPUTER

**NOW available in stock**

uses FORTH which executes about 10 times faster and requires less program memory than a comparable program using basic. Features 8K ROM, 3K RAM, built in speaker, 40 key keyboard and a 32 x 24 line flicker free display on TV. Comes supplied complete with leads, mains adaptor, a comprehensive easy-to-follow manual on Forth programming + FREE cassette containing 5 sample programs.

**ONLY £75.00** (+ £2.00 carriage VAT)

**JUPITER ACE SOFTWARE**  
 J3 SPACE INVADERS **£3.90**  
 J4 SWAMP MONSTERS **£3.90**

J5 DOT MAN **£3.90**

### COMPONENT PACKS

- PACK 1 650 Resistors 47 ohm to 10 Mohm - 10 per value **£4.00**
- PACK 2 40 x 16V Electrolytic Capacitors 10µF to 1000µF - 5 per value **£3.25**
- PACK 3 60 Polyester Capacitors 0.01 to 1µF 250V - 5 per value **£5.55**
- PACK 4 45 Sub-miniature Presets 100 ohm to 1 Mohm - 5 per value **£2.90**
- PACK 5 30 Low Profile IC Sockets 8, 14 and 16 pin - 10 of each **£2.40**
- PACK 6 25 Red LEDs (5mm dia) **£1.25**

### 3-NOTE DOOR CHIME

Based on the SAB0600 IC the kit is supplied with all components, including loudspeaker, printed circuit board, a pre-drilled box (95 x 71 x 35mm) and full instructions. Requires only a PP3 9V battery and push-switch to complete. AN IDEAL PROJECT FOR BEGINNERS. Order as XK 102. **£5.00**

### LCD 3 1/2 DIGIT MULTIMETER

16 ranges including DC voltage (200 mv-1000 v) and AC voltage, DC current (200 mA-10 A) and resistance (0-2 M) + NPN & PNP transistor gain and diode check. Input impedance 10M. Size 155x88x31 mm. Requires PP3 9v battery. Test leads included **ONLY £29.90**

### ELECTRONIC LOCK KIT XK101

This KIT contains a purpose designed lock IC, 10-way keyboard, PCBs and all components to construct a Digital Lock, requiring a 4-key sequence to open and providing over 5000 different combinations. The open sequence may be easily changed by means of a 3-pre-wired plug. Size: 7 x 6 x 3 cms. Supply: 5V to 15V d.c. at 40µA. Output: 750mA max. Hundreds of uses for doors and garages, car anti-theft device, electronic equipment, etc. Will drive most relays direct. Full instructions supplied. **ONLY £10.50**

Electric lock mechanisms for use with latch locks and above kit **£13.50**

### DISCO LIGHTING KITS

OL 1000K This value-for-money kit features a bi-directional sequence, speed of sequence and frequency of direction change, being variable by means of potentiometers and incorporates a master dimming control. **£14.60**

DL21000K A lower cost version of the above, featuring unidirectional channel sequence with speed variable by means of a pre-set pot. Outputs switched only at mains zero crossing points to reduce radio interference to a minimum. **Only £8.00**

Optional opto input DL1A Allowing audio ("beat") -light response. **60p**

DL3000K This 3 channel sound to light kit features zero voltage switching, automatic level control & built in mic. No connections to speaker or amp required. No knobs to adjust - simply connect to mains supply & lamps. (1Kw/Channel) **Only £11.95**

### DVM/ULTRA SENSITIVE THERMOMETER KIT

This new design is based on the ICL7126 (a lower power version of the ICL7106 chip) and a 3 1/2 digit liquid crystal display. This kit will form the basis of a digital multimeter (only a few additional resistors and switches are required - details supplied), or a sensitive digital thermometer (-50°C to +150°C) reading to 0.1°C. The basic kit has a sensitivity of 200mV for a full scale reading, automatic polarity indication and an ultra low power requirement - giving a 2 year typical battery life from a standard 9V PP3 when used 8 hours a day, 7 days a week.



Price **£15.50**

Have you got our FREE GREEN CATALOGUE yet? NO?! Send S.A.E. 6" x 9" TODAY!!

It's packed with details of all our KITS plus large range of SEMICONDUCTORS including CMOS, LS TTL, linear, microprocessors and memories; full range of LEDs, capacitors, resistors, hardware, relays, switches etc. We also stock VERO and Antex products as well as books from Texas Instruments, Babani and Elektor.

ALL AT VERY COMPETITIVE PRICES.

ORDERING IS EVEN EASIER - JUST RING THE NUMBER YOU CAN'T FORGET FOR PRICES YOU CAN'T RESIST.

**5-6-7 8-9-10**

and give us your Access or Barclaycard No. or write enclosing cheque or postal order. Official orders accepted from schools, etc. Answering service evngs & weekends

**FAST SERVICE · TOP QUALITY · LOW LOW PRICES**

Add 65p postage & packing +15% VAT to total Overseas Customers: Add £2.50 (Europe), £8.00 (elsewhere) for p&p Send S.A.E. for further STOCK DETAILS Goods by return subject to availability.

**OPEN** 9am to 5pm (Mon to Fri) 10am to 4pm (Sat)

**ALL PRICES EXCLUDE VAT**



No circuit is complete without a call to  
**TK ELECTRONICS**  
 11 Boston Road  
 London W7 3SJ



TEL: 01-567 8910 ORDERS  
 01-579 9794 ENQUIRIES  
 01-579 2842 TECHNICAL AFTER 3PM

# JUST OUT!

## OUR GREAT NEW CATALOGUE

Presented with a Professional Approach and Appeal to ALL who require Quality Electronic Components, Semiconductors and other Accessories ALL at realistic prices.

There are no wasted pages of useless information so often included in Catalogues published nowadays. Just solid facts i.e. price, description and individual features of what we have available. But remember, BI-PAK's policy has always been to sell quality components at competitive prices and THAT WE STILL DO.

We hold vast Stocks "in stock" for fast immediate delivery, all items in our Catalogue are available ex stock.

The Catalogue is designed for use with our 24 hours "ansaphone" service and the Visa/Access credit cards, which we accept over the telephone.

To receive your NEW 1983 BI-PAK Catalogue, send 75p PLUS 25p p&p to:-



**BI-PAK**

Dept. EE7 (Catalogues) PO Box 6 WARE, Herts. SG12 9AD  
 Access & VISA accepted Ring 0920 3182 for immediate despatch

## TECHNICAL TRAINING IN ELECTRONICS, TELEVISION AND AUDIO

IN YOUR OWN HOME - AT YOUR PACE

ICS can provide the technical knowledge that is so essential to your success, knowledge that will enable you to take advantage of the many opportunities open to the trained man. You study in your own home, in your own time and at your own pace and if you are studying for an examination ICS guarantee coaching until you are successful.

### City & Guilds Certificates

Radio Amateurs  
 Basic Electronic Engineering (Joint C&G/ICS)

### Certificate Courses

- TV and Audio Servicing
- Radio & Amplifier Construction
- Electronic Engineering\* and Maintenance
- Computer Engineering\* and Programming
- Microprocessor Engineering\*
- TV, Radio and Audio Engineering
- Electrical Engineering,\* Installation and Contracting

\*Qualify for IET Associate Membership



Approved by CACC



Member of ABCC

### POST OR PHONE TODAY FOR FREE BOOKLET

Please send me your FREE School of Electronics Prospectus.  
 Subject of Interest \_\_\_\_\_  
 Name \_\_\_\_\_  
 Address \_\_\_\_\_



Post to: ICS Dept H268 160 Stewarts Road, London SW8 4UJ



01-622 9911 (All Hours)



# MASTER ELECTRONICS NOW!

## The PRACTICAL way!

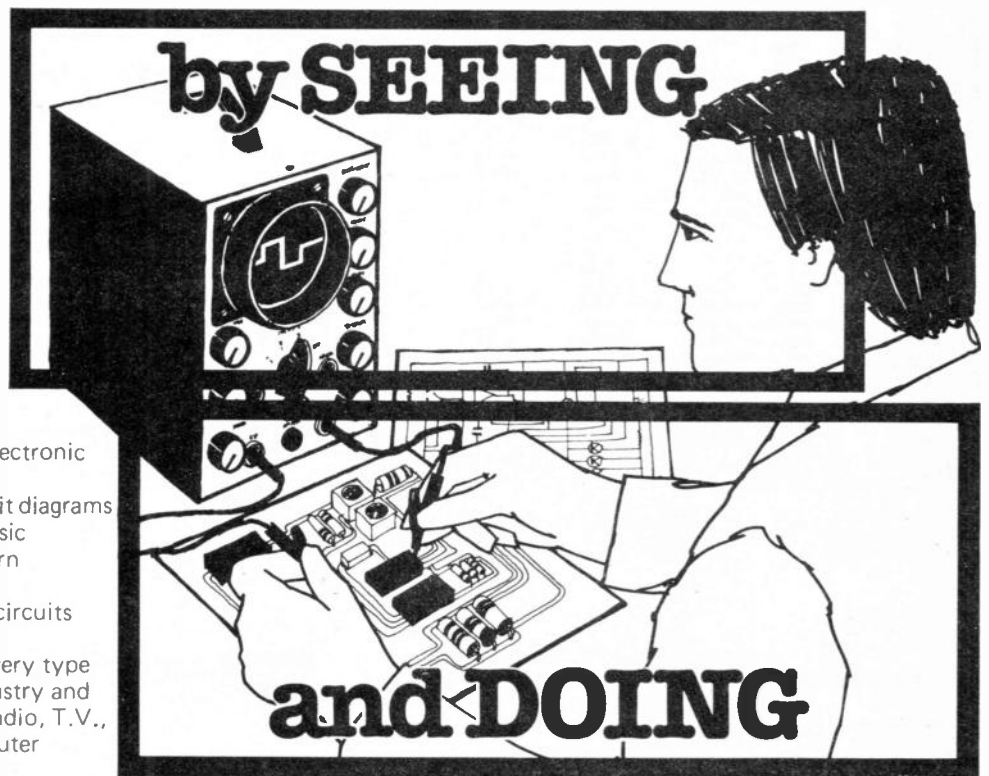
This new style course will enable anyone to have a real understanding of electronics by a modern, practical and visual method. No previous knowledge is required, no maths, and an absolute minimum of theory.

You learn the practical way in easy steps mastering all the essentials of your hobby or to start or further a career in electronics or as a self-employed servicing engineer.

All the training can be carried out in the comfort of your own home and at your own pace. A tutor is available to whom you can write personally at any time, for advice or help during your work. A Certificate is given at the end of every course.

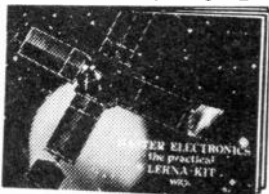
You will do the following:

- Build a modern oscilloscope
- Recognise and handle current electronic components
- Read, draw and understand circuit diagrams
- Carry out 40 experiments on basic electronic circuits used in modern equipment
- Build and use digital electronic circuits and current solid state 'chips'
- Learn how to test and service every type of electronic device used in industry and commerce today. Servicing of radio, T.V., Hi-Fi and microprocessor/computer equipment.



New Job? New Career? New Hobby? Get into **Electronics** Now!

**FREE!**  
COLOUR BROCHURE



Please send your brochure without any obligation to

I am interested in:

NAME \_\_\_\_\_

COURSE IN ELECTRONICS as described above

ADDRESS \_\_\_\_\_

RADIO AMATEUR LICENCE

MICROPROCESSORS

LOGIC COURSE

OTHER SUBJECTS \_\_\_\_\_

POST NOW TO:

BLOCK CAPS PLEASE

EE/7/821

**British National Radio & Electronics School** Reading, Berks. RG1 1BR.



# circuit board components

Castle House,  
1 Castle Lane,  
Bedford.  
MK40 3QE

Sales Desk:  
Telephone:  
Bedford (0234) 214219

## TTL

7400	11p	7427	18p	7474	19p
7401	11p	7428	25p	7475	26p
7402	11p	7430	13p	7476	25p
7403	12p	7432	20p	7480	45p
7404	12p	7433	20p	7482	65p
7405	14p	7437	23p	7483	30p
7406	19p	7438	24p	7485	60p
7407	19p	7440	14p	7486	19p
7408	13p	7442	30p	7489	180p
7409	13p	7444	85p	7490	19p
7410	13p	7446	58p	7491	34p
7411	15p	7447	36p	7492	24p
7412	17p	7448	43p	7493	24p
7413	17p	7450	14p	7494	33p
7414	23p	7451	14p	7495	33p
7416	19p	7453	14p	7496	38p
7417	19p	7454	14p	7497	86p
7420	14p	7460	14p	74100	78p
7421	19p	7472	22p	74107	22p
7422	19p	7473	24p	74109	24p

## RESISTORS

### CARBON FILM

½ Watt. 5% E12 Series 4.7 Ohm-1M.  
Each Value supplied 10 to a pack. Our price **8p per pack.**

½ Watt. 5% E12 Series 4.7 Ohm-4M7.  
Each value supplied 10 to a pack. Our price **18p per pack.**

## MAINS ROCKER SWITCHES BY BONNELLA

All types have silk chrome Rocker – Gun Metal Bezel.  
Illuminated versions have Red Lens.

SINGLE POLE – NON ILLUMINATED	£1.25
SINGLE POLE – ILLUMINATED	£1.65
DOUBLE POLE – NON ILLUMINATED	£2.05
DOUBLE POLE – ILLUMINATED	£2.46

## CMOS

4000	10p	4020	42p	4042	38p
4001	10p	4021	40p	4043	40p
4002	12p	4022	45p	4044	40p
4006	50p	4023	16p	4046	40p
4007	14p	4024	33p	4047	35p
4008	36p	4025	12p	4048	38p
4009	24p	4026	75p	4049	21p
4010	24p	4027	20p	4050	21p
4011	10p	4028	40p	4051	42p
4012	15p	4028	45p	4052	48p
4013	20p	4030	14p	4053	48p
4014	45p	4031	125p	4054	78p
4015	40p	4034	140p	4055	80p
4016	20p	4036	249p	4059	430p
4017	30p	4039	280p	4060	42p
4018	45p	4040	40p	4063	80p
4019	25p	4041	40p	4066	22p

## TANTALUM BEADS

2.2	16V	14p	0.1	35V	14p
3.3	16V	16p	0.15	35V	14p
4.7	16V	20p	0.22	35V	14p
6.8	16V	22p	0.33	35V	14p
10	16V	24p	0.47	35V	14p
15	16V	30p	0.68	35V	14p
22	16V	35p	1.0	35V	14p
			1.5	35V	16p
1.0	25V	14p	2.2	35V	18p
1.5	25V	14p	3.3	35V	20p
2.2	25V	16p	4.7	35V	24p
3.3	25V	20p	6.8	35V	25p
4.7	25V	22p	10	35V	32p
6.8	25V	24p			
10	25V	30p			

## SOCKETS LOW PROFILE WIRE WRAP

8 PIN	7p	24p
14 PIN	9p	34p
16 PIN	10p	40p
18 PIN	15p	50p
20 PIN	18p	60p
22 PIN	20p	65p
24 PIN	22p	70p
28 PIN	25p	80p
40 PIN	30p	95p

ORDER 12 OF ANY ONE TYPE AND WE SUPPLY 13

## NEW DIP SWITCHES

UPRIGHT ACTUATOR.

SAME SIZE AS STANDARD DIP PACKAGE.  
DUAL IN LINE LEADS – TACTILE FEEL.

2 POLE	90p	6 POLE	£1.10	10 POLE	£1.45
4 POLE	£1.00	8 POLE	£1.25		

## FLOAT SWITCHES

200 Volt Switches complete with 1 metre length of cable. **£4.50 each**  
Extra cable can be supplied at **35p for each extra metre of cable.**  
(Allow 3-5 days).

## OPTO

### Leds and Displays

3mm Red	7p	5mm Red	6p
3mm Yellow	12p	5mm Yellow	10p
3mm Green	12p	5mm Green	10p
Seven Segment Displays – 3".			
Com Cathode	.75p	Com Anode	.75p

## KEYPADS

Make up your own Multi-choice Graphic Keypad.  
Supplied with Legend set.

Full alphabet in capitals, 0-9, //, +, -, CLEAR, ENTER, DEL, RETN, REPT, BRK, PRINT, READ, END, SHIFT, SEND, STOP, ENTER, CLEAR.

12 CONTACT	– £5.50 complete
16 CONTACT	– £8.50 with flexible
20 CONTACT	– £7.50 tail with Berg connector.

**NEW** Free –  
**Satin Gold**  
**Biro**

With all orders over  
£3.00 in "July" 1983

## MEMORY IC'S

2532 – 32K EPROM 45 ONS.	£3.30
2716 – 16K EPROM 45 ONS.	£2.20
2732 – 32K EPROM 45 ONS.	£3.30

## CANNON – SWITCHCRAFT TYPE AUDIO PLUGS

3 Pin – Male	£1.60
– Female	£1.80
Socket – Male	£1.25
– Female	£2.20

All goods despatched by return of post, subject to availability  
All components brand new – Please add 35p P & P plus 15% VAT.  
Please send cheque or P.O. with your order.

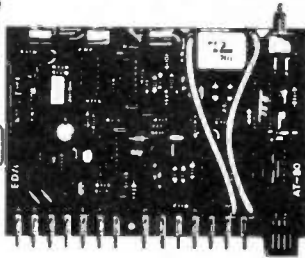
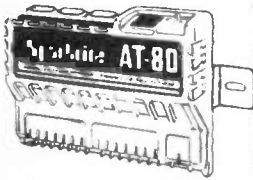
Official orders are welcome from educational establishments, Government bodies and public companies.  
Credit accounts are available. Please ask for details.

Step-by-step fully illustrated assembly and fitting instructions are included together with circuit descriptions. Highest quality components are used throughout.

# Sparkrite

BRANDLEADING ELECTRONICS

NOW AVAILABLE IN KIT FORM

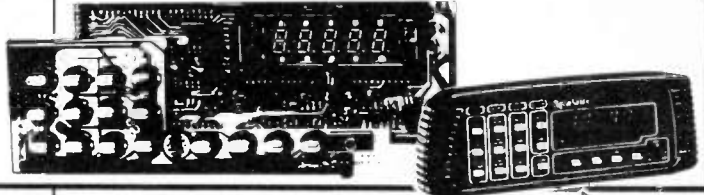


## AT-80 Electronic Car Security System

- Arms doors, boot, bonnet and has security loop to protect fog/spot lamps, radio/tape, CB equipment
- Programmable personal code entry system
- Armed and disarmed from outside vehicle using a special magnetic key fob against a windscreen sensor pad adhered to the inside of the screen
- Fits all 12V neg earth vehicles
- Over 250 components to assemble

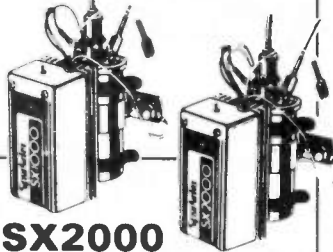
## VOYAGER Car Drive Computer

- A most sophisticated accessory
  - Utilises a single chip mask programmed microprocessor incorporating a unique programme designed by EDA Sparkrite Ltd
  - Affords 12 functions centred on Fuel, Speed, Distance and Time
  - Visual and Audible alarms warning of Excess Speed, Frost/Ice, Lights-left-on
  - Facility to operate LOG and TRIP functions independently or synchronously
  - Large 10mm high 400ft-L fluorescent display with auto intensity
  - Unique speed and fuel transducers giving a programmed accuracy of + or - 1%
  - Large LOG & TRIP memories 2,000 miles, 180 gallons, 100 hours
  - Full Imperial and Metric calibrations
  - Over 300 components to assemble
- A real challenge for the electronics enthusiasts!



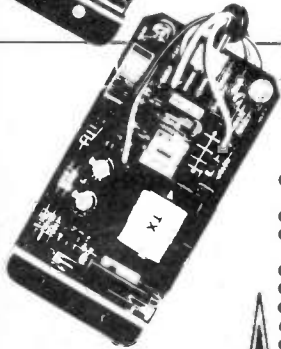
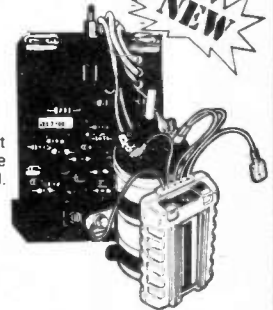
## SX1000 Electronic Ignition

- Inductive Discharge
- Extended coil energy storage circuit
- Contact breaker driven
- Three position changeover switch
- Over 65 components to assemble
- Patented clip-to-coil fitting
- Fits all 12v neg. earth vehicles



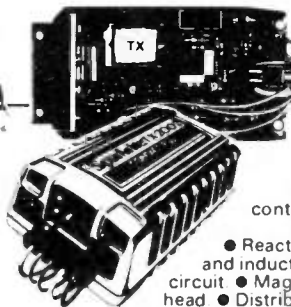
## TX1002 Electronic Ignition

- Contactless or contact triggered
- Extended coil energy storage circuit
- Inductive Discharge
- Three position changeover switch
- Distributor triggerhead adaptors included
- Die cast weatherproof case
- Clip-to-coil or remote mounting facility
- Fits majority of 4 & 6 cyl. 12V. neg. earth vehicles
- Over 145 components to assemble.



## SX2000 Electronic Ignition

- The brandleading system on the market today
- Unique Reactive Discharge
- Combined Inductive and Capacitive Discharge
- Contact breaker driven
- Three position changeover switch
- Over 130 components to assemble
- Patented clip-to-coil fitting
- Fits all 12v neg. earth vehicles



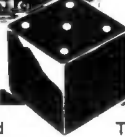
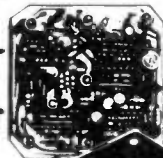
## TX2002 Electronic Ignition

- The ultimate system
- Switchable contactless
- Three position switch with Auxiliary back-up inductive circuit
- Reactive Discharge. Combined capacitive and inductive
- Extended coil energy storage circuit
- Magnetic contactless distributor triggerhead
- Distributor triggerhead adaptors included
- Can also be triggered by existing contact breakers
- Die cast waterproof case with clip-to-coil fitting
- Fits majority of 4 and 6 cylinder 12v neg. earth vehicles
- Over 150 components to assemble

All SPARKRITE products and designs are fully covered by one or more World Patents

## SPECIAL OFFER

"FREE" MAGIDICE KIT WITH ALL ORDERS OVER £45.00



## MAGIDICE Electronic Dice

- Not an auto item but great fun for the family
- Total random selection
- Triggered by waving of hand over dice
- Bleeps and flashes during a 4 second tumble sequence
- Throw displayed for 10 seconds
- Auto display of last throw 1 second in 5
- Muting and Off switch on base
- Hours of continuous use from PP7 battery
- Over 100 components to assemble

Sparkrite, 82 Bath Street, Walsall, West Midlands.

SPARKRITE 82 Bath Street, Walsall, West Midlands, WS1 3DE England

Tel: (0922) 614791 Allow 28 days for delivery

	SELF ASSEMBLY KIT
SX 1000	£12.95
SX 2000	£19.95
TX 1002	£22.95
TX 2002	£32.95
AT 80	£32.95
VOYAGER	£64.95
MAGIDICE	£9.95

PRICES INC. VAT. POSTAGE & PACKING

NAME \_\_\_\_\_ EE/7/83  
ADDRESS \_\_\_\_\_

I ENCLOSE CHEQUE(S)/POSTAL ORDERS FOR

£ \_\_\_\_\_ KIT REF \_\_\_\_\_

CHEQUE NO \_\_\_\_\_

PHONE YOUR ORDER WITH  
SEND ONLY SAE IF BROCHURE IS REQUIRED



BRANDLEADING BRITISH ELECTRONICS

CUT OUT THE COUPON NOW!

# EVERYDAY ELECTRONICS and computer PROJECTS

VOL. 12 NO. 7 JULY 1983

**Editor**

F. E. BENNETT

**Assistant Editor**

B. W. TERRELL B.Sc.

**Production and News Editor**

D. G. BARRINGTON

**Projects Editor**

G. P. HODGSON

**Technical Sub-Editor**

R. A. HOOPER

**Art Editor**

R. F. PALMER

**Assistant Art Editor**

P. A. LOATES

**Technical Illustrator**

D. J. GOODING Tech. (CEI)

**Secretary**

JACQUELINE DOIDGE

**Editorial Offices**

KING'S REACH TOWER  
STAMFORD STREET  
LONDON SE1 9LS  
Phone: 01-261 6873

**Advertisement Manager**

R. SMITH  
Phone: 01-261 6671

**Representative**

R. WILLETT  
Phone: 01-261 6865

**Classified Supervisor**

B. BLAKE  
Phone: 01-261 5897

**Make-Up and Copy Department**

Phone: 01-261 6615

**Advertisement Offices**

KING'S REACH TOWER  
STAMFORD STREET  
LONDON SE1 9LS

## A NEW WORLD TO EXPLORE

THE personal computer boom in Britain is extraordinary considering the general economic situation and is unparalleled elsewhere except perhaps in the United States. It is reckoned that over a million of these machines are in private hands in our country and demand is by no means falling. Indeed one hears of waiting lists for certain models. Many users having acquired experience with a low priced machine are moving "up market" and buying more powerful machines that will give them greater scope now that they have taken the first hurdle and are on reasonably familiar terms with computing techniques and the handling of software.

Application wise, games may still predominate over other uses for the personal computer, but it is still early days and a sizeable minority of personal computer users is likely to be taking a more serious view of computing in its wider sense. Young users in particular will realise the necessity of acquiring computer skills which will help them in their future careers.

Considering the present practical applications of personal computers, one thing becomes very clear. There is in general a lack of awareness of the potentialities of these machines beyond their conventional function, such as their application in association with other electronic equipment and external devices like transducers and various kinds of electrically operated mechanisms. Awaiting exploration is a whole new world that should excite the imagination of those with an inventive bent, whether of the artistic, scientific or engineering nature. Above all this is an area of direct interest for the electronics enthusiast. For to bring all this about requires electronic circuitry between the computer and the external devices. The design and construction of such interfacing circuits promises to become a most rewarding activity for the hobbyist.

The nature of the electronics required as intermediary between computer and outside world is the subject of our new series launched this month. *Microcomputer Interfacing Techniques* will treat the subject in an entirely practical way with the electronic hardware presented in our usual fashion as detailed constructional projects. The series will provide a thorough grounding in the techniques required to extend the usefulness of the personal computer, in countless ways.

The steady growth in personal computer sales indicates that more and more readers of this magazine are likely to become involved with computers in the near future. Our new series will be a valuable preparation for such readers and indeed required reading for all who take a lively interest in electronic developments in general. This "new world" is going to be fun and exciting to explore. Watch these pages!



**Readers' Enquiries**

We cannot undertake to answer readers' letters requesting modifications, designs or information on commercial equipment or subjects not published by us. All letters requiring a personal reply should be accompanied by a stamped self-addressed envelope.

We cannot undertake to engage in discussions on the telephone.

**Component Supplies**

Readers should note that we do not supply electronic components for building the projects featured in EVERYDAY ELECTRONICS, but these requirements can be met by our advertisers.

All reasonable precautions are taken to ensure that the advice and data given to readers are reliable. We cannot, however, guarantee it and we cannot accept legal responsibility for it. Prices quoted are those current as we go to press.

**Back Issues**

Certain back issues of EVERYDAY ELECTRONICS are available worldwide price £1.00 inclusive of postage and packing per copy. Enquiries with remittance should be sent to Post Sales Department, IPC Magazines Ltd., Lavington House, 25 Lavington Street, London SE1 0PF. In the event of non-availability remittances will be returned.

**Binders**

Binders to hold one volume (12 issues) are available from the above address for £4.60 inclusive of postage and packing worldwide. Please state which Volume.

**Subscriptions**

Annual subscription for delivery direct to any address in the UK: £12.00. Overseas: £13.00. Cheques should be made payable to IPC Magazines Ltd., and sent to Room 2613, King's Reach Tower, Stamford Street, London SE1 9LS.

# MICROCOMPUTER INTERFACING TECHNIQUES

INCLUDING MANY USEFUL CONSTRUCTIONAL PROJECTS  
PART ONE: THE MICROPROCESSOR AND USER PORTS

BY J. ADAMS B.Sc., M.Sc. & G.M. FEATHER B.Sc.

This series has been prepared to explain and demonstrate how personal computers may be interfaced with the outside world for use in monitoring and control applications via the user port. Although the circuitry and hardware designs have been specifically tailored to suit the BBC Micro, VIC-20, PET and Commodore 64 computers, the users of other computers that are equipped with an on-board or external user port can make full use of the interfacing techniques discussed, and the circuit and hardware designs and applications. Software will be given for these four machines.

*The authors of this series hold senior lecturer positions at Tettenhall College, Wolverhampton:  
J. Adams, B.Sc. M.Sc., Head of Science and Microelectronics  
G. M. Feather, B.Sc., Head of Computer Resources*

THE sudden emergence of a wide range of relatively inexpensive microcomputers in this country is one of the more obvious indications of the developing interest in home computing. Indeed, there is little doubt that Britain has proportionately more microcomputer hobbyists than any other country. This rapid expansion has opened up exciting new areas for the computer-conscious constructor.

Microcomputers have many applications because they are good at listening to

questions, evaluating the appropriate responses and communicating the results. If external circuitry is added to the microcomputer system then a whole new range of tasks becomes possible.

Input, which allows the entry of information (in an acceptable coded form) into the computer's main memory, may be supplied by a switch closure rather than the more familiar keyboard. Output can be directed to perform an external task such as switching a relay rather than

supplying a VDU.

This is the first part of a series of articles intended to help the electronic experimenter to build and use a range of simple peripheral devices which can be interfaced to various microcomputers.

## THE MICROPROCESSOR

Processing of the data, supplied by the peripheral device, takes place in the Central Processing Unit (CPU). The principal

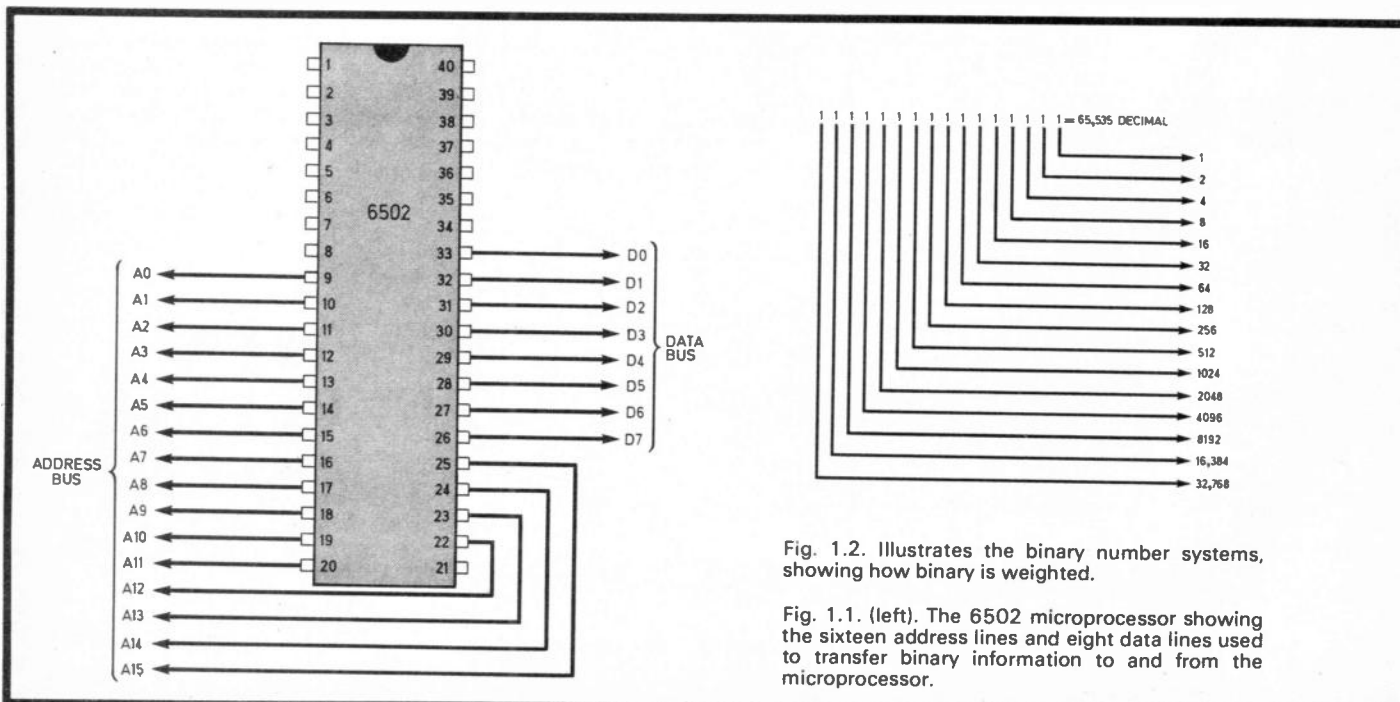


Fig. 1.2. Illustrates the binary number systems, showing how binary is weighted.

Fig. 1.1. (left). The 6502 microprocessor showing the sixteen address lines and eight data lines used to transfer binary information to and from the microprocessor.

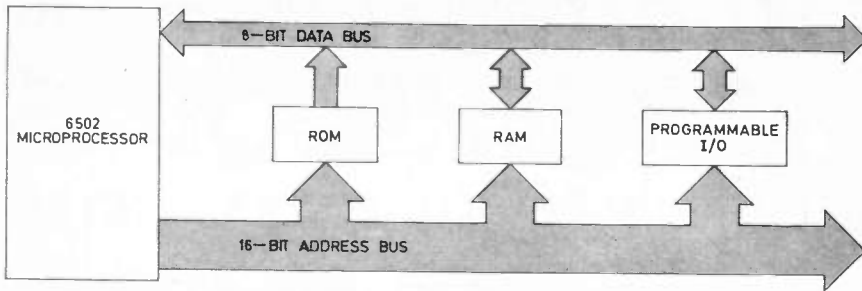


Fig. 1.4. Shows how the main memory of a microcomputer system may be divided.



component at the heart of the CPU circuitry is a microprocessor which can manipulate the data in response to instructions. One of the most common microprocessors is the 6502 microprocessor which is a single large-scale integrated circuit in a 40-pin package. This chip, which is incorporated in such computers as the BBC, VIC-20 PET and Commodore 64, may be conveniently regarded with a black box approach.

The Commodore 64 in fact contains a 6510 microprocessor. This chip incorporates a 6502 coupled with a CIA (Complex Interface Adapter) in the same package. This however will make no difference to our applications.

Fig. 1.1 shows how the sixteen Address pins and eight Data pins can be used to form two groups of lines used to transfer binary information.

These parallel paths are called the Address Bus (A0 to A15) and the Data Bus (D0 to D7).

Digital electronics has only two

defined states, for example, a switch is off or on; a relay is open or closed. These states are distinguished in logic (TTL) as low (0V) or high (>3.25V).

The binary number system is ideally suited to represent these states, for example, when all 16 address lines (A0-A15) are logic high then the maximum binary output from the address bus is 1111111111111111. Since each binary digit or bit is "weighted" by assuming that the value "1" doubles for each successive digit to the left, the microprocessor can access 65,536 separate memory locations each having a unique address (0 to 65 535), see Fig. 1.2.

The binary value placed on the address bus constitutes a 16-bit address which can be interrogated for the purpose of reading data from or writing data to a particular memory location. The data bus has eight lines which can serve as both outputs or inputs as the CPU dictates. The relationship between the address bus and data bus illustrated in the memory map diagram, Fig. 1.3.

## MEMORY

Main memory can be divided into three types as shown in Fig. 1.4: (i) Read Only Memory (ROM); (ii) Random Access Memory (RAM); (iii) Input/Output (I/O).

### READ ONLY MEMORY (ROM)

Read Only Memory is an area of memory loaded with data and instructions which must be permanently stored. As its name implies the microprocessor cannot write data into ROM memory but can only read the contents of these locations.

### RANDOM ACCESS MEMORY (RAM)

Random Access Memory is an area of memory used to store user programs and data. This type of memory allows the microprocessor both to read and write and is sometimes called R/W memory.

### INPUT/OUTPUT (I/O)

Memory mapped I/O regions can be written to or read from in a similar way to RAM and allow the use of specialised instructions to handle input/output devices.

## THE USER PORT

Many 6502-based microcomputers have another powerful internal integrated circuit called a 6522 Versatile Interface Adapter (VIA). This chip provides sixteen memory mapped registers which can perform a variety of useful I/O functions. One of the most useful aspects of the VIA is the provision of an external port which can be connected to the outside world.

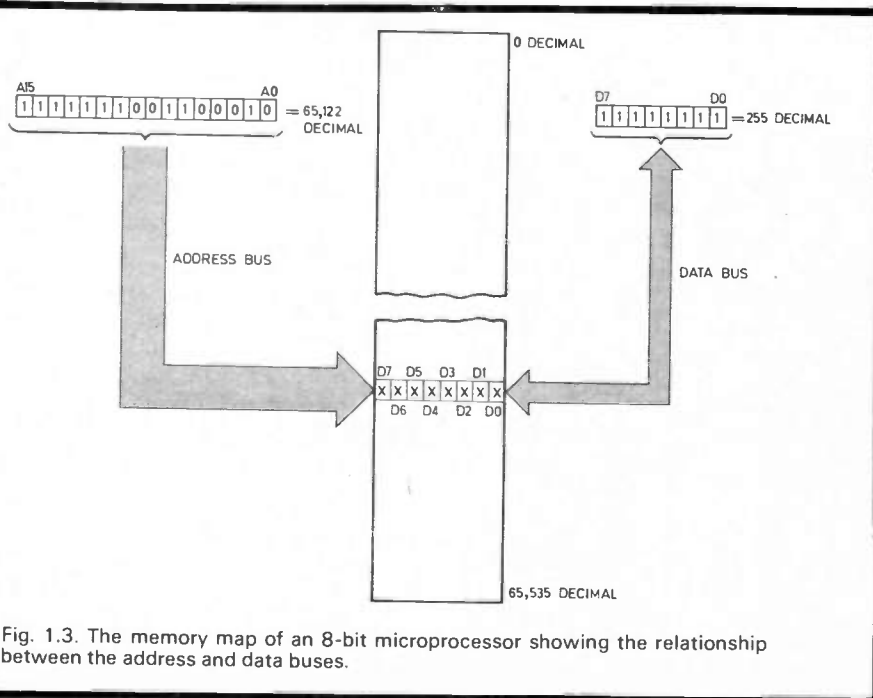
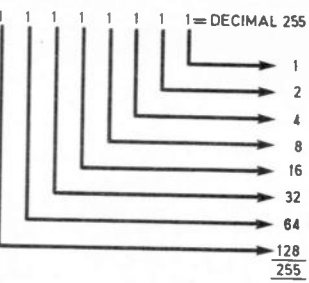
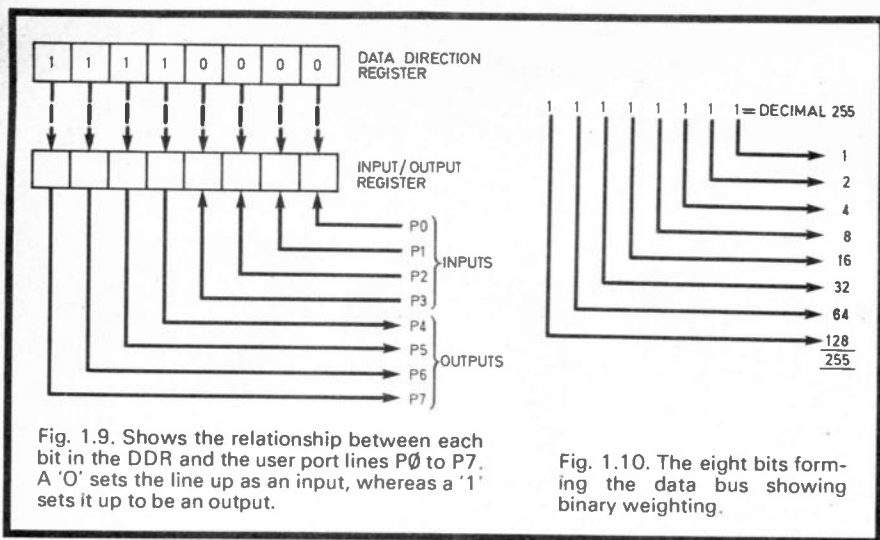


Fig. 1.3. The memory map of an 8-bit microprocessor showing the relationship between the address and data buses.



Since the VIA is designed to provide two ports, known as the A port (PA) and the B port (PB), the microcomputer user port may be derived from either PA or PB depending on the make of microcomputer. Eight parallel lines are available to the user at the port each of which can be individually programmed to be either an output or an input. The user port location and pin identification diagrams for the four machines considered here are shown in Figs. 1.5 to 1.8.

A Data Direction Register (DDR) in the VIA is used to control whether the I/O lines available at the user port are used for input or output. For each signal line there is an associated bit in the DDR. If a bit in the DDR is set to 1 the corresponding line from the user port will be an output. If a bit in the DDR is 0, the corresponding line from the user port will be an input.

Fig. 1.9 shows the relationship between each bit in the DDR and the signal lines P0 to P7. It should be noted that a second register, the I/O register, for the port is also required to control the eight lines.

Table 1.1

	BBC	VIC-20	PET	Commodore 64
Data direction register	65122	37138	59459	56579
Input/Output register	65120	37136	59457	56577

### OUTPUT

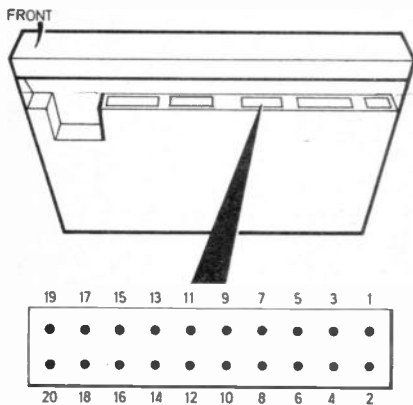
It has been noted that two bit-programmable registers allow the control

Fig. 1.5. Location and pin identification for BBC Micro User Port.

Fig. 1.6. Location and pin identification for VIC-20 User Port.

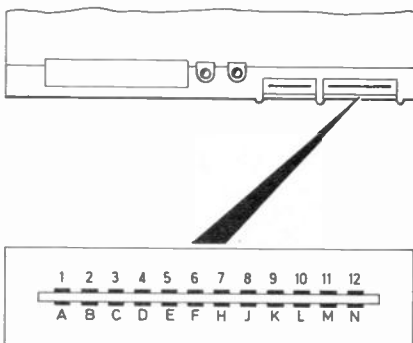
Fig. 1.7. Location and pin identification for PET User Port.

### BBC MICRO MODEL B



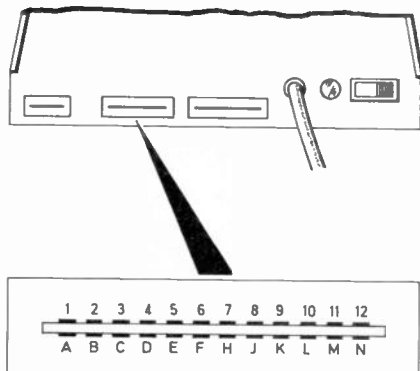
Pin Identification	Signal (label)
1,3	+5V
5,7,9,11,13,15,17,19	GND
2	CB1 (C1)
4	CB2
6	PB0 (P0)
8	PB1 (P1)
10	PB2 (P2)
12	PB3 (P3)
14	PB4 (P4)
16	PB5 (P5)
18	PB6 (P6)
20	PB7 (P7)

### VIC-20



Pin Identification	Signal (label)
A	GND
B	CB1 (C1)
C	PB0 (P0)
D	PB1 (P1)
E	PB2 (P2)
F	PB3 (P3)
H	PB4 (P4)
J	PB5 (P5)
K	PB6 (P6)
L	PB7 (P7)
M	CB2
N	GND
2	+5V

### PET MICROCOMPUTER



Pin Identification	Signal (label)
A	GND
B	CA1 (C1)
C	PA0 (P0)
D	PA1 (P1)
E	PA2 (P2)
F	PA3 (P3)
H	PA4 (P4)
J	PA5 (P5)
K	PA6 (P6)
L	PA7 (P7)
M	CB2
N	GND

of the eight lines available at the user port. Table 1.1 indicates the addresses of the locations for four popular microcomputers.

If all the lines at the user port are to be configured for output it is necessary to set every bit in the data direction register. This is because each bit in this register acts like a minute toggle switch. If the switch is set to 1 then the corresponding line at the port is free to act as an output line.

As there are eight bits in the data direction register the sum of the binary weightings for each bit set is as shown in Fig. 1.10.

In Commodore BASIC a POKE command allows the replacement of a particular bit pattern, in either RAM or I/O memory, with another. A similar task is accomplished in BBC BASIC using the byte indirection operator "?". Table 1.2 shows how to place the bit pattern 11111111 in the data direction register for the four microcomputers.

Once the data direction register has been set up for output then it is necessary for a particular bit in the I/O register to

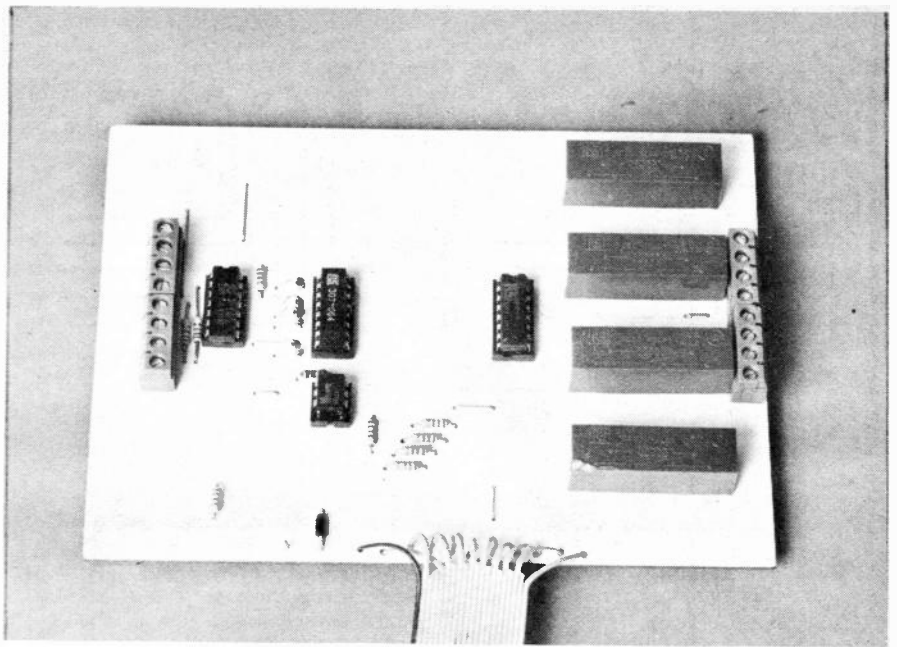
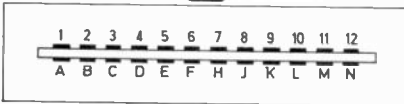
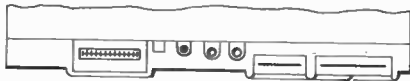


Fig. 1.8. Location and pin identification for Commodore User Port.

### COMMODORE 64



Pin Identification	Signal (label)
A	GND
B	FLAG2 (C1)
C	PB0 (P0)
D	PB1 (P1)
E	PB2 (P2)
F	PB3 (P3)
H	PB4 (P4)
J	PB5 (P5)
K	PB6 (P6)
L	PB7 (P7)
M	PA2
N	GND
2	+5V

Line	BBC	VIC-20	PET	Commodore 64
10	?65122=255	POKE37138,255	POKE59459,255	POKE56579,255
20	<----- INPUT X ----->			
30	<----- IF X < 0 OR X > 255 THEN END ----->			
40	?65120=X	POKE37136,X	POKE59457,X	POKE56577,X
50	<----- GOTO 20 ----->			

Table 1.2

Microcomputer	Command
BBC	?65122=255
VIC-20	POKE37138,255
PET	POKE59459,255
Commodore 64	POKE56579,255

### INPUT

To allow the eight lines at the user port to act as inputs it is initially necessary to clear all bits in the data direction register. When this has been accomplished the bits in the I/O register will indicate the state of the input lines. If an input switch is closed the corresponding input signal line will go low and the requisite bit in the I/O register will be cleared.

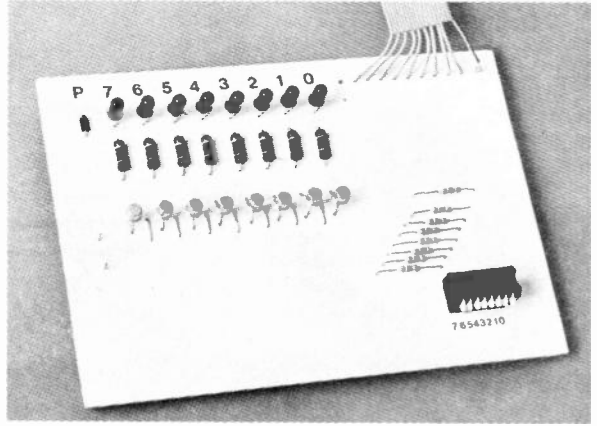
In Commodore BASIC a PEEK command computes the decimal value of the contents of a particular memory location whereas BBC BASIC again uses the indirection operator "?".

The following program reinforces the concept of binary weighting by continuously monitoring the state of the eight input switches.

be set before the corresponding output line goes to logic high. This is achieved in much the same way as a bit pattern was introduced into the data direction register. These concepts are best investigated by replacing bit patterns in the I/O register and watching the corresponding changes on a l.e.d. array, see Fig. 1.15. This can be achieved with the following program:

Line	BBC	VIC-20	PET	Commodore 64
10	?65122=0	POKE37138,0	POKE59459,0	POKE56579,0
20	PRINT?65120	PRINTPEEK(37136)	PRINTPEEK(59457)	PRINTPEEK(56577)
30	<----- GOTO 10 ----->			

# USER PORT INPUT/OUTPUT BOARD CONSTRUCTION



## INPUT/OUTPUT BOARD

In order to investigate the facilities of the user port, a simple input/output board is needed. The circuit diagram for such a device is shown in Fig. 1.11.

The design described here uses l.e.d.s D1 to D8 to indicate the states of lines used as outputs, an "on" l.e.d. indicating that the line is at logic 1 (TTL level  $>3.25V$ ). Logic 0 or 1 switching of lines used as inputs is achieved by manual operation of appropriate switches. An 8-way sub-miniature d.i.l. switch, S1, is

used for this purpose. The board is connected to the user port via a ribbon cable and an appropriate user port plug.

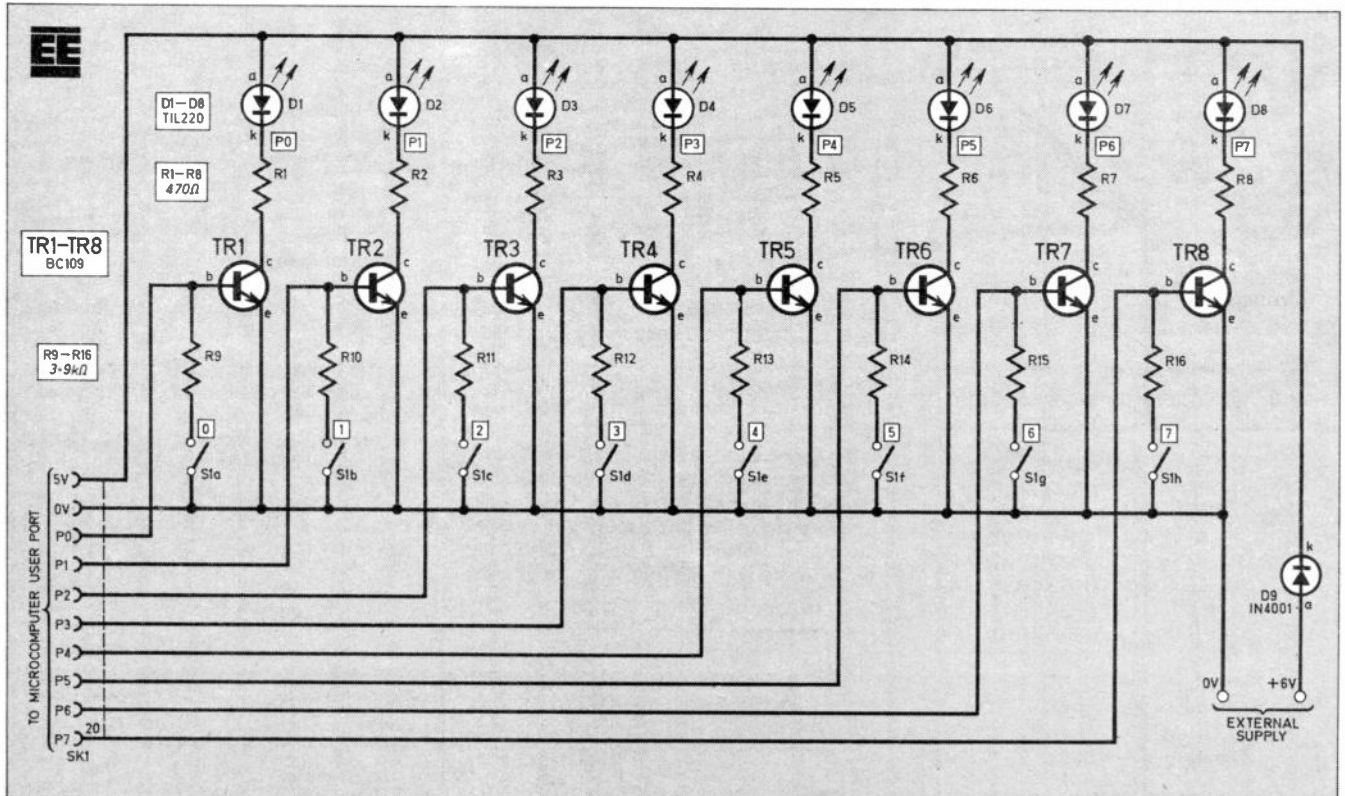
Power supply for the board (+5V at approximately 40mA) can, with some microcomputers, be derived from the user port. For machines not possessing this facility, provision has been made for the connection of an external 6V battery to the board (a PP6 is suitable).

For lines used as inputs, switches S1a to S1h enable the lines to be set at logic 0 (0V) or logic 1 (+5V) by closing the switch and connecting them to 0V or

opening the switch and allowing them to float up to +5V (if lines are unconnected, the  $V_{IA}$  pulls them up to +5V).

When configured as outputs, logic signals appearing on the lines turn on or off the transistors, with their associated l.e.d.s indicating the status of the line. It should be noted that if a line is to be configured as output, then the corresponding input switch S1a to S1h should be kept open (off). If this is not done, then the line will be held at logic 0 and the output signal from the user port will not be able to pull it up to logic 1.

Fig. 1.11. The circuit diagram for the User Port Input/Output board to investigate the facilities of a user port. Note: P0-P7 lines should not go directly to the bases of TR1-8 but instead to the junctions of R9/S1a and so on.





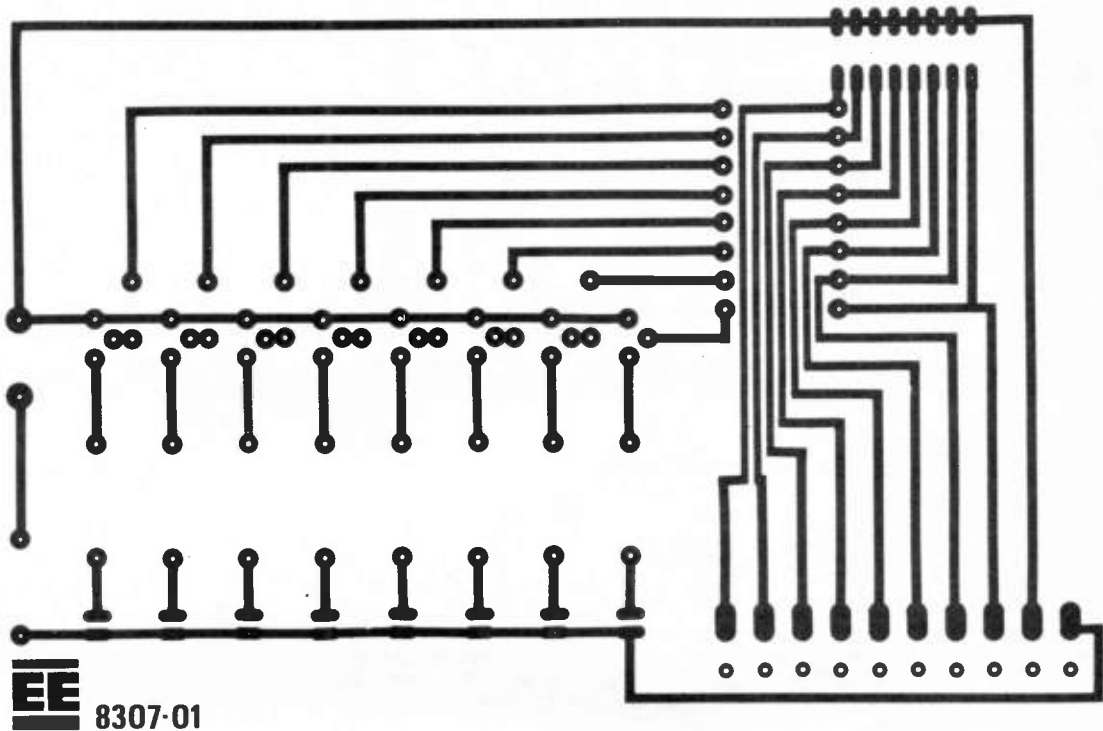


Fig. 1.12. The full size master printed circuit pattern to be etched. The black areas represent the copper tracks remaining after etching. (This board is available through the *EE PCB Service*, Order code 8307-01.)

## COMPONENTS

### Resistors

R1–R8 470Ω (8 off)  
 R9–R16 3.9kΩ (8 off)  
 All ¼W carbon ±5%

### Semiconductors

TR1–TR8 BC109 silicon  
*npn* (8 off)  
 D1–D8 TIL220 red l.e.d. (8 off)  
 D9 1N4001 silicon  
 rectifier

### Miscellaneous

S1 8-s.p.s.t. 16-pin d.i.l.  
 lever type  
 SK1 socket to suit user  
 port of micro being  
 used

**Printed circuit board:** single-sided size 164 x 114mm, *EE PCB Service* Order code 8307-01, 22 s.w.g. tinned copper wire (for board topside links); 16-pin d.i.l. socket for S1; cable to connect user port connector to p.c.b.; Veropins (2 off).

Guidance only **£8.50** excluding SK1 and cable  
 Approx. cost

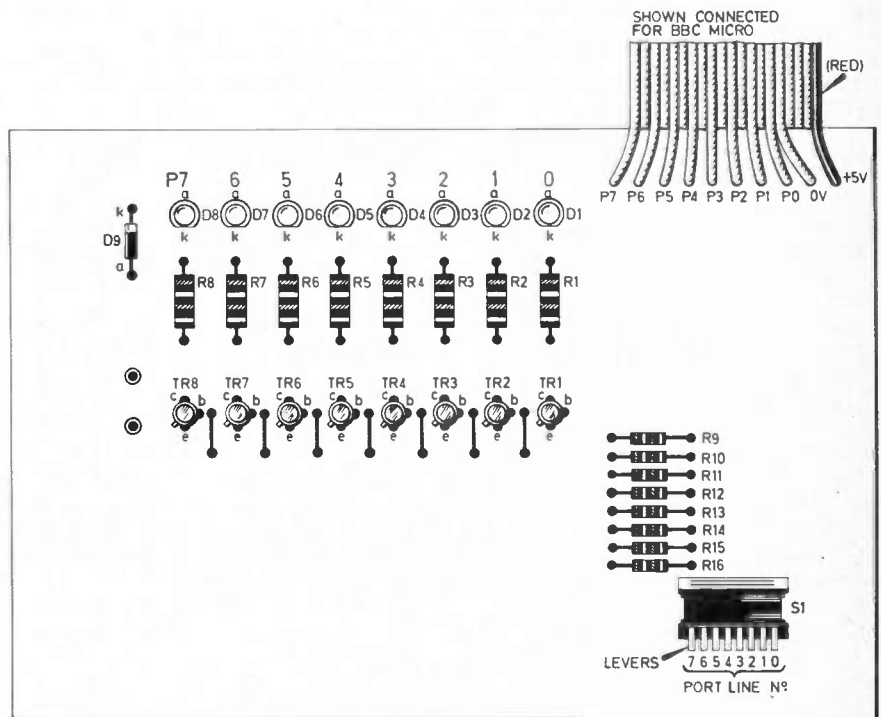
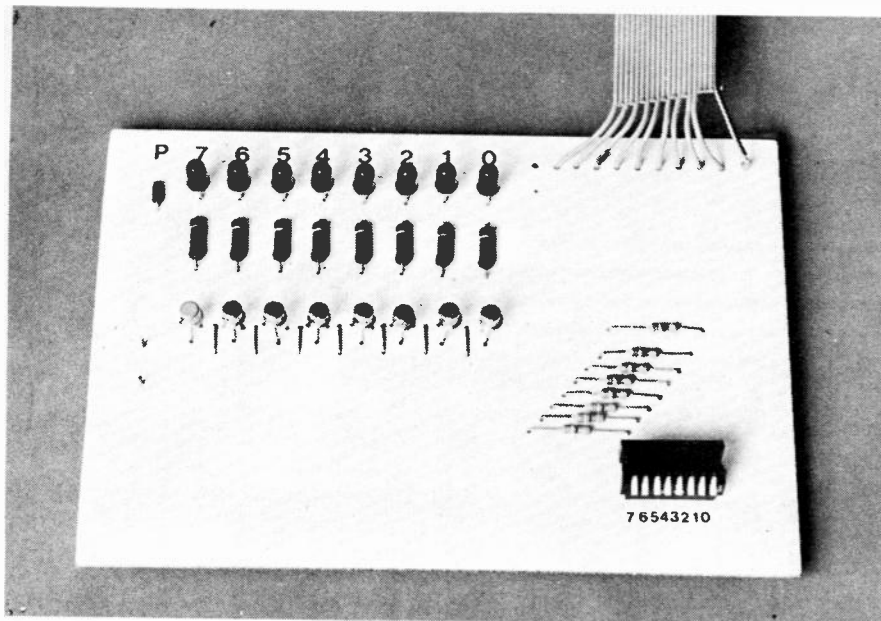


Fig. 1.13. The layout of the components on the topside of the printed circuit board. The ribbon cable from the board is drawn to suit the BBC Micro version. Note the d.i.l. switch S1 sits in a d.i.l. socket. The layout of the components here differs slightly from that shown in the photographs which is an improvement on the original.



## PRINTED CIRCUIT BOARD

All the components in the circuit of Fig. 1.11 are mounted on a single-sided printed circuit board size 164 × 114mm. The full-size master of the pattern to be etched is shown in Fig. 1.12. This board may be obtained from the EE PCB Service, Order code 8307-01.

The layout of the components on the p.c.b. topside is shown in Fig. 1.13. Begin by fitting the d.i.l. socket for S1 followed by the resistors and l.e.d.s. Pay attention to the polarity of the latter, there is a flat on the body adjacent to the cathode (k) lead-out. Next fit the eight link wires in the vicinity of the transistor positions and then solder in the transistors themselves paying attention to orientation. Note that there is a body tag nearest the emitter lead-out. Finally insert the Veropins which will form the input for the external power supply. Insert the d.i.l. switch, the right way round, in its socket to complete the component assembly.

It only remains to connect the ribbon cable to the p.c.b. to suit the

machine/connector it is to be used with, see Fig. 1.14. Note that the cable wires pass through large holes (insulation too) before being soldered to the board pads on the underside. This acts as a strain-relief mechanism for the cable. Self adhesive rubber feet were fitted at the underside corners to keep the connections clear of the surface on which the board stands. These are recommended. □

## CONNECTING THE I/O BOARD TO THE USER PORT

### THE BBC MICROCOMPUTER

The BBC user port comprises a 20-way male connector; the appropriate socket being a 20-way insulation displacement type.

Made up socket/ribbon cable arrangements are available and if one of these is to be used, the diagram of Fig. 1.14a should be consulted. (Readers should note that the pin numbering system adopted is that on the user port plug itself and not that appearing in the BBC User Manual.)

Note that, numbering from the RED (+5V) line, only lines 1,2,5,6,8,10, 12,14,16,18 and 20 are used. Other lines are either unused inputs or extra 0V/+5V connections. Cut back unwanted lines at the board end.

### THE PET MICROCOMPUTER

A 10-way ribbon cable and the PET user port connector are employed for connection to the PET. Note that there is no +5V supply available at the PET user port. In this case, the I/O board derives power from an external 6V battery (a PP6 is ideal).

### VIC-20/COMMODORE 64

The VIC-20 and Commodore 64 machines have identical user port connections and employ the same plug as the PET. The arrangement of port lines P0 to P7 is the same as that for the PET, but there is also a +5V supply available at pin 2. This extra connection is shown dotted in the figure. Needless to say, no external power supply is necessary when using the I/O board with these machines.

The reader should note that the current available at user port +5V lines is very limited; all interface boards described in this series of articles can be used safely, but no attempt should be made to draw any more current from these +5V lines.

## SET THE DDR

Each port has a data direction register (DDR) for specifying whether each line acts as input or output. To allow a particular line to act as input then the corresponding bit in the DDR must be cleared, whereas to configure a line for output the requisite bit must be set. The input/output (I/O) register will then either:

(a) allow the lines to be programmed so that the voltage on the peripheral output lines is controlled by the corresponding bit in the I/O register.

(b) indicate the state of the voltages on the peripheral input lines by the status of bits in the I/O register.

BACK OF USER PORT CONNECTOR

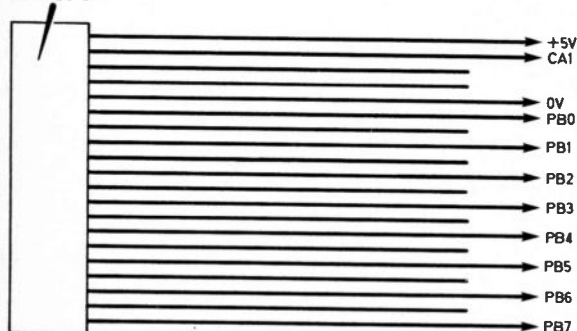


Fig. 1.14(a). Identification of the signal lines from the BBC Micro, with its insulation displacement socket connected and viewed from the rear. Cut back the unrequired signal wires. Note that CA1 is not used on the Input/Output Board.

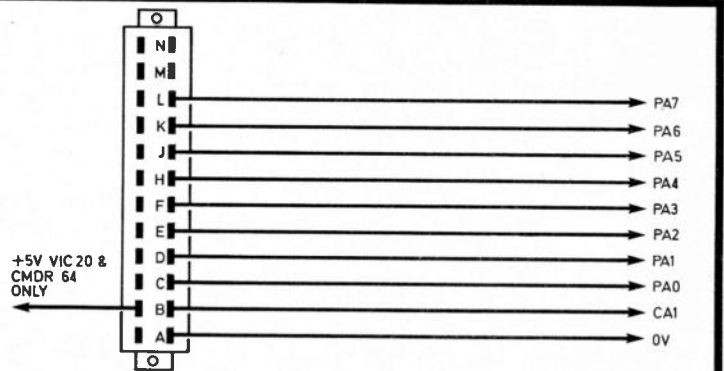
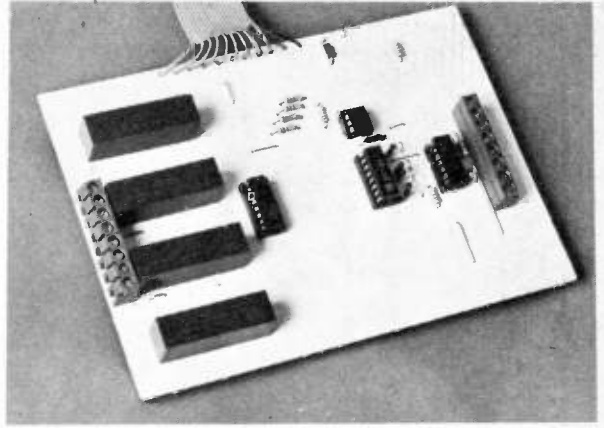


Fig. 1.14(b). Identification of the signal leads from the PET, VIC-20 and Commodore 64 when fitted to the user port cable connector for these machines. Here we are looking at the soldered connection side of the connector. Note that the +5V supply is not available at the user port for the PET. An external supply will be required for the Port boards described.

# USER PORT CONTROL BOARD CONSTRUCTION



The circuit diagram for an Input/Output Control board which may be used with many of the popular microcomputers is shown in Fig. 1.15.

The User Port Control provides four opto-isolated input lines (Input 0 to Input 3) and four relay switched output lines (Output A to D). All lines may be used quite independently of each other.

Output relay sequencing and timing can be controlled by software whilst input

signals can initiate and/or halt the execution of the program. Input signals can be provided by manual switching, reed switches, opto-electronic devices and so on, thus offering a wide range of control possibilities.

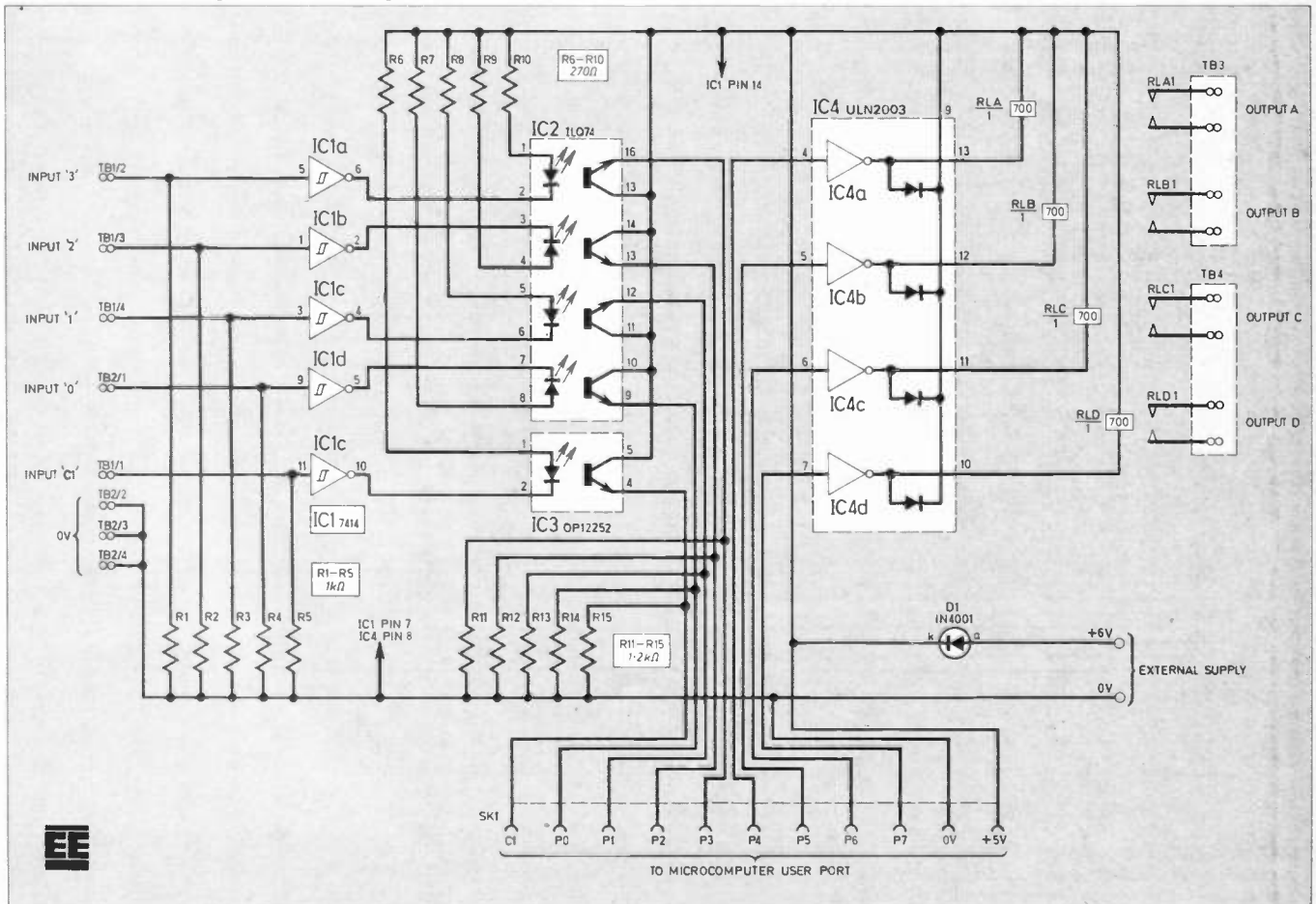
A fifth input line (Input CA 1) which is a standard edge-sensitive handshake, is also provided. This is discussed later in the text together with other experimental applications.

The circuit divides basically into two sections; input and output. These are described separately.

## INPUT

Input signals (at TTL logic 0 and 1; that is,  $<3.25V$  and  $>3.25V$ , respectively) are applied to the inputs of the 7414 Schmitt trigger IC1. This is an inverting Schmitt trigger, so a logic 1 input will cause the

Fig. 1.15. Circuit diagram of the User Port Control Board. There are five inputs and four relay outputs.



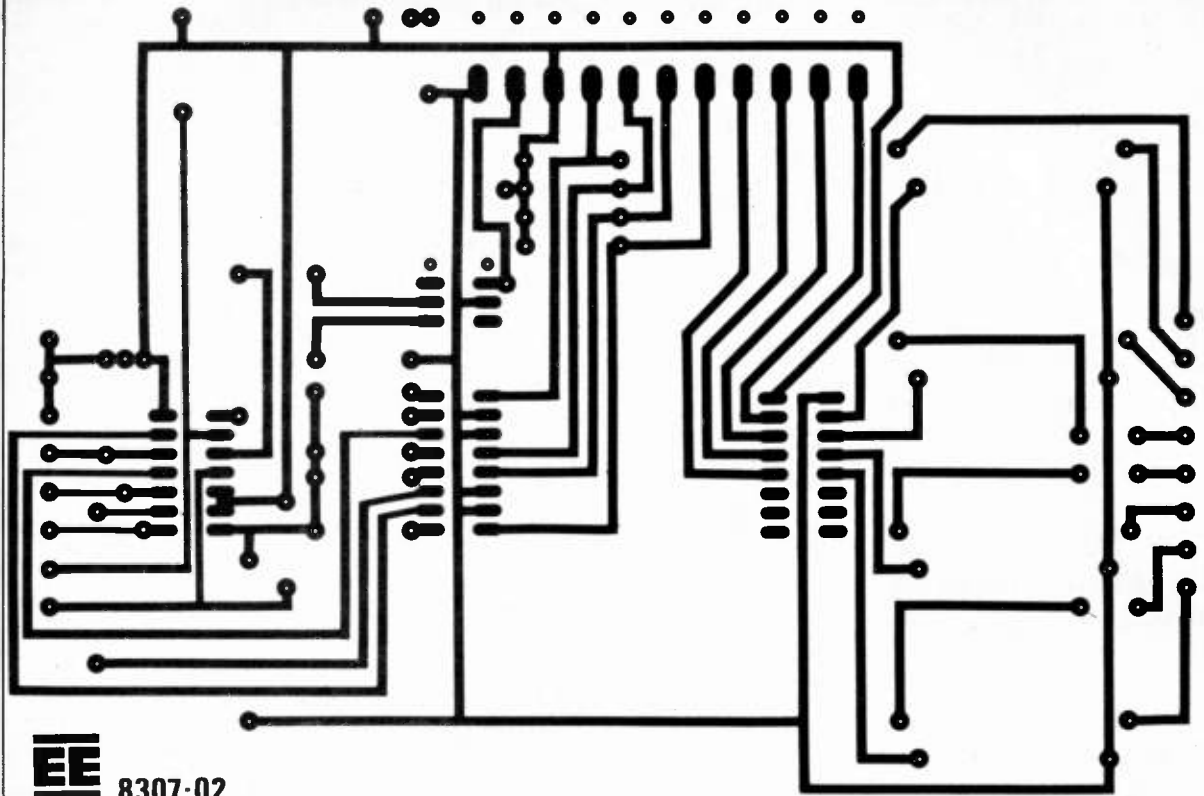


Fig. 1.16. The master pattern, actual size, to be etched. The black areas represent the copper tracks to remain after etching. (This board is available from the *EE PCB Service*, Order code 8307-02.)

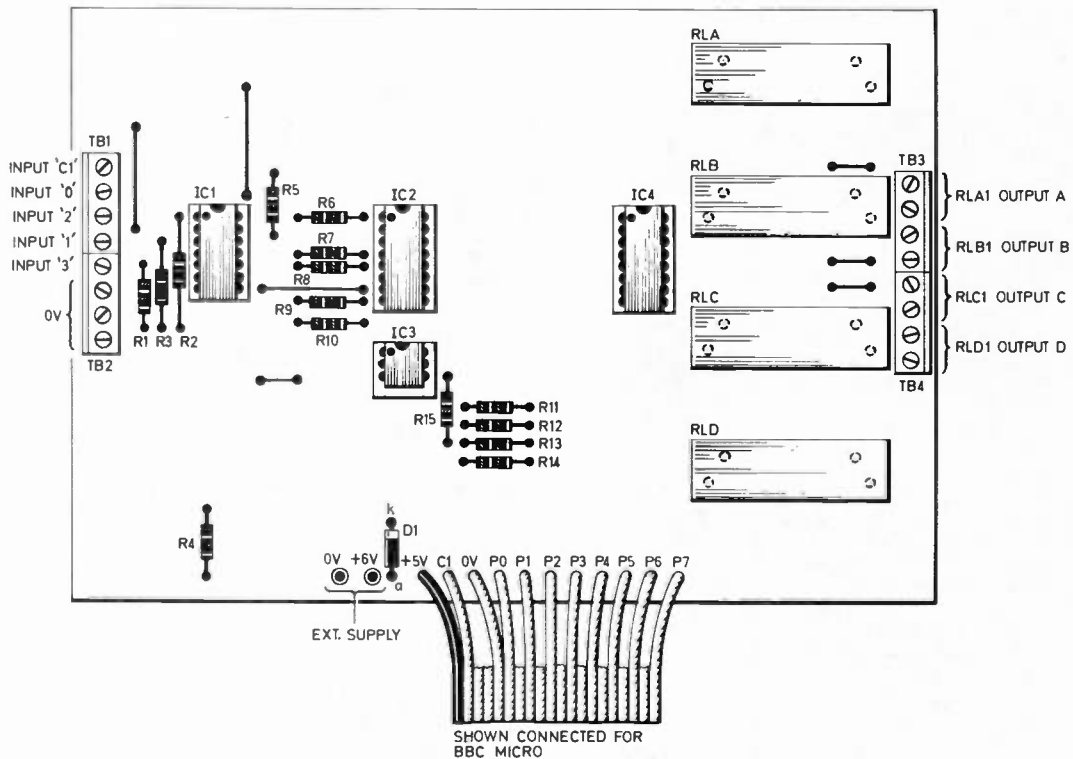


Fig. 1.17. The layout of the components on the topside of the User Port Control Board. The ribbon cable from the board to the computer is drawn here for the BBC Micro. Note that CA1 is used on this board, and forms the fifth input. The p.c.b. layout shown is an improved version of the original seen in the photographs.

associated output to go to logic 0. Resistors R1 to R5 pull the input down to 0V (=logic 0) in the absence of input signals.

A logic 0 output at the Schmitt will cause the cathode of the appropriate l.e.d. in the quad opto-isolator IC2 to go low, so turning the l.e.d. on. This turns on the associated photo-transistor in the isolator and its emitter goes high (due to the p.d. across R11-R15). The logic levels at these emitters are connected directly to P0-P3, which must be configured as inputs.

The Schmitt input circuitry ensures precise triggering, whilst the use of opto-isolation obviates the possibility of damage to the microcomputer in the event of excessive input voltages being applied to the board.

The edge-sensitive input circuitry is similar, a separate single opto-isolator IC3 being used to handle this signal.

## COMPONENTS

### Resistors

R1-R5 1k $\Omega$  (5 off)  
R6-R10 470 $\Omega$  (5 off)  
R11-R15 1.2k $\Omega$  (5 off)  
All  $\frac{1}{4}$ W carbon  $\pm 5\%$

### Semiconductors

IC1 7414 TTL hex Schmitt inverter  
IC2 ILQ74 quad opto-isolator 16-pin d.i.l.  
IC3 OP12252 single opto-isolator 6-pin d.i.l.  
IC4 ULN2003 7-stage Darlington driver  
D1 1N4001 silicon rectifier

### Miscellaneous

RLA, RLB, RLC, RLD p.c.b.-type encapsulated reed relay, 6-9V 700 ohm coil, single-pole n.o. 500mA contacts (4 off)  
TB1-TB4 p.c.b.-type 4-way terminal blocks (4 off)  
SK1 socket to suit user port of micro being used

**Printed circuit board:** single-sided size 164 x 114mm, EE PCB Service Order code 8307-02; d.i.l. sockets: 16-pin (2 off), 14-pin (1 off), 8-pin (1 off); 22 s.w.g. tinned copper wire (for board topside links); cable to connect user port connector to p.c.b.; Veropins (2 off).

See **Shop Talk** page 427

Guidance only  
Approx. cost

**£16**

excluding SK1 and cable

## OUTPUT

Output signals at the user port can be set at logic 0 or logic 1 by software control. The available current is very small and, in order to control lamps, motors and so on, some form of interface circuitry is necessary.

The user port control board employs Darlington driver/relay circuitry (IC4) and enables loads of up to 0.5A to be switched. The power for these must be derived externally from, for example, appropriate batteries.

The user port lines P4 to P7 are taken to four of the inputs of IC4—a 7-stage Darlington driver (the remaining stages are unused). A logic 1 on any line turns on the associated driver and actuates the relay to which it is connected. No back e.m.f. protection diodes are necessary, as they are included in IC4.

RLA to RLD are single pole/single throw, normally open relays. The devices specified have contacts capable of switching about 0.5A which should be suitable for small lamps, motors, and so on. Larger relays could be used, but the coil resistance should not be less than about 300 ohms if the current drawn from the user port +5V supply is to remain within its capability.

D1 provides a voltage drop of about 0.6V. So that if an external 6V battery is used, the supply to the board will be about 5.4V, which is suitable.

## PRINTED CIRCUIT BOARD

The circuitry is assembled on a single-sided p.c.b. The master pattern to be etched on the board is shown full size in Fig. 1.16, with the components to be mounted on the topside as indicated in Fig. 1.17. This board is available from the *EE Printed Circuit Board Service*, Order code 8307-02.

Beginning with the etched and drilled printed circuit board, begin by assembling the components according to Fig. 1.17 starting with the link wires, then the i.c. sockets, resistors, diode, terminal blocks, and finally the relays. Veropins were fitted to the p.c.b. to receive the external supply (+6V). They may be replaced with some other form of connector if preferred. All components should be soldered in carefully and a close inspection made for the presence of dry joints and solder bridges.

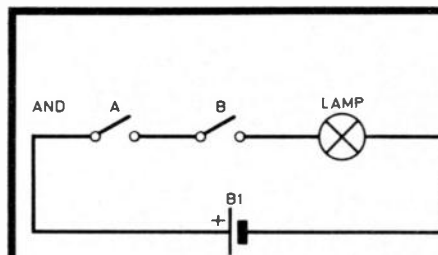


Fig. 1.18. A simple switch/lamp circuit to illustrate the logical AND operator.

The ribbon cable should be connected to the board in accordance with the information given in Fig. 1.17 and Fig. 1.14.

Integrated circuits should now be inserted carefully into their sockets, noting the orientation of the i.c. Note that IC3 is a 6-pin device to be located in an 8-pin socket. Make sure that it sits at the right end of the socket. □

## LOGICAL OPERATORS

It has been noted that the application demands the capability to control individual signal lines at the user port without changing the status of other signal lines. This can be achieved by using the logical operators AND or OR.

The only way to light the lamp in Fig. 1.18 is to close both switches A and B. No other combination of on and off will allow power to reach the lamp. This can be summarised in a truth table:

SWITCH		LAMP
A	B	
OFF	OFF	OFF
OFF	ON	OFF
ON	OFF	OFF
ON	ON	ON

If the binary bit 0 is assigned to the off state, bit 1 to the on state and the lamp is called the output, the truth table becomes:

A	B	OUT
0	0	0
0	1	0
1	0	0
1	1	1

The switches in the AND circuit can be rearranged to make a simple OR circuit as shown in Fig. 1.19. The lamp will light when either A OR B are closed. The various switch combinations can be summarised in a truth table as before:

SWITCH		LAMP
A	B	
OFF	OFF	OFF
OFF	ON	ON
ON	OFF	ON
ON	ON	ON

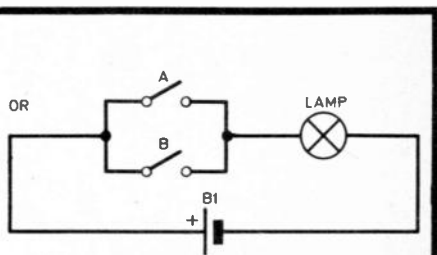


Fig. 1.19. A simple switch/lamp circuit to illustrate the logical OR operator.

This table can then be converted to the more familiar binary version shown below:

A	B	OUT
0	0	0
0	1	1
1	0	1
1	1	1

It is possible to send a particular bit from a logical low state (0) to a logical high state (1) using the BASIC binary logical operator OR, for example:

```
10 PRINT 0 OR 1
RUN
1
```

If a particular bit is already set high (1) then the BASIC binary logical operator AND may be used to clear it (0), for example:

```
10 PRINT 1 AND 0
RUN
0
```

These logical operations are performed in bit-wise fashion which means that each bit of the result is obtained from the corresponding bits of those being manipulated. Thus it is possible to change single bits in a particular memory location without changing the status of other bits. These techniques allow the programmer to control individual lines provided at the user port.

Line 10 in each program sets up the data direction register so that the user port signal lines are mixed inputs and outputs for the control board.

## HANDSHAKING

Many microcomputers have an edge-sensitive handshake line available at the user port. This signal line, which functions as input only, is used to allow the efficient transfer of data between the computer and an external device. Control of this function within the VIA is accomplished primarily through the use of two additional registers, the Peripheral Control Register (PCR) and the Interrupt Flag Register (IFR). It is not possible to check the logic state of this handshake line but a logic signal change can be detected.

The PCR controls the mode of operation of the input handshake line. If a positive transition (low to high) is to be detected on this line then a single bit must be set in the PCR. This same bit must be cleared to allow the detection of a negative transition (high to low). The fact that an active transition has occurred on the edge-sensitive line will be signalled by the setting of a flag in the IFR.

The relationship between the PCR and IFR is summarised in Fig. 1.20.

If the binary value 1 is placed in the correct bit position in the PCR the flag in the IFR will be set on an active positive transition on the handshake line. (To detect an active negative transition it is

### Example 1

Set bit 7 in the I/O register and hence switch a relay on P7 without affecting the status of other output lines.

Use logical operator OR.

BIT NUMBER	7	6	5	4	3	2	1	0
ARGUMENT 1	0	0	1	0	0	0	0	0
ARGUMENT 2	1	0	0	0	0	0	0	0
RESULT	1	0	1	0	0	0	0	0

BBC Model B microcomputer: 10 ?65122=240  
20 ?65120=?65120OR128

VIC-20 microcomputer: 10 POKE37138,240  
20 POKE37136,PEEK(37136)OR128

PET microcomputer: 10 POKE59459,240  
20 POKE59457,PEEK(56457)OR128

Commodore 64 microcomputer: 10 POKE56579,240  
20 POKE56577,PEEK(56577)OR128

### Example 2

Clear bit 6 in the I/O register and hence close a relay on line 6 without affecting the status of other output lines.

Use logical operator AND.

BIT NUMBER	7	6	5	4	3	2	1	0
ARGUMENT 1	1	1	1	1	0	0	0	0
ARGUMENT 2	1	0	1	1	1	1	1	1
RESULT	1	0	1	1	0	0	0	0

BBC Model B microcomputer: 10 ?65122=240  
20 ?65120=?65120AND191

VIC-20 microcomputer: 10 POKE37138,240  
20 POKE37136,PEEK(37136)AND191

PET microcomputer: 10 POKE59459,240  
20 POKE59457,PEEK(56457)AND191

Commodore 64 microcomputer: 10 POKE56579,240  
20 POKE56577,PEEK(56577)AND191

### Example 3

Check whether bit 1 in the I/O register is set and hence decide whether the P1 input line is logic high.

Use logical operator AND.

BIT NUMBER	7	6	5	4	3	2	1	0
ARGUMENT 1	0	1	0	0	1	0	1	0
ARGUMENT 2	0	0	0	0	0	0	1	0
RESULT	0	0	0	0	0	0	1	0

BBC Model B microcomputer: 10 ?65122=240  
20 IF?65120AND2THEN40  
30 GOTO 20  
40 PRINT"LOGIC HIGH"  
50 END

VIC-20 microcomputer: 10 POKE37138,240  
20 IFPEEK(37136)AND2THEN40  
30 GOTO 20  
40 PRINT"LOGIC HIGH"  
50 END

PET microcomputer: 10 POKE59459,240  
20 IFPEEK(59457)AND2THEN40  
30 GOTO 20  
40 PRINT"LOGIC HIGH"  
50 END

Commodore 64 microcomputer: 10 POKE56579,240  
20 IFPEEK(56577)AND2THEN40  
30 GOTO20  
40 PRINT"LOGIC HIGH"  
50 END

### BBC MICROCOMPUTER

```

10 ?65122=240
20 ?65132=?65132OR16
30 IF?65133AND16THEN50
40 GOTO30
50 PRINT"FLAG SET"
60 ?65120=0
70 END
    
```

### VIC-20 MICROCOMPUTER

```

10 POKE37138,240
20 POKE37148,PEEK(37148)OR16
30 IFPEEK(37149)AND16THEN50
40 GOTO30
50 PRINT"FLAG SET"
60 POKE37136,0
70 END
    
```

### PET MICROCOMPUTER

```

10 POKE59459,240
20 POKE59468,PEEK(59468)OR1
30 IFPEEK(59469)AND2THEN50
40 GOTO30
50 PRINT"FLAG SET"
60 POKE59457,0
70 END
    
```

The corresponding program for the **Commodore 64 Microcomputer** will be published later in the series.

necessary to clear the correct bit position in the PCR.)

The Commodore 64 has a Complex Interface Adapter (CIA) rather than the VIA that has been discussed. The edge sensitive handshake line will set bit 4 in

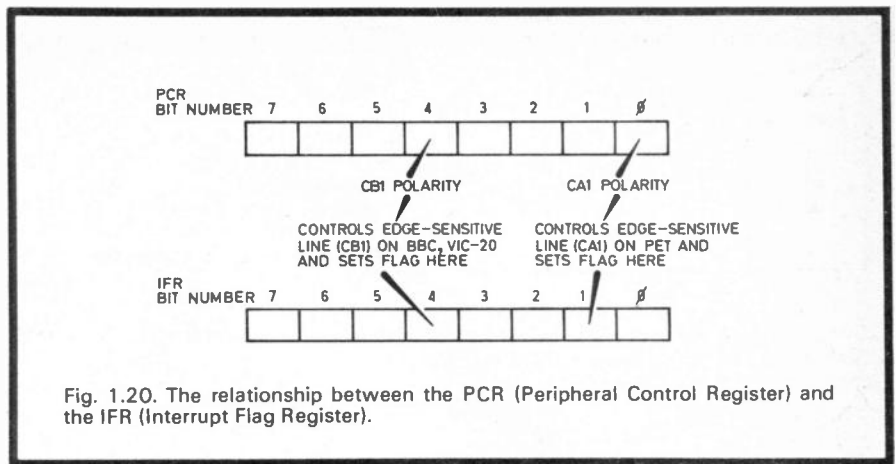


Fig. 1.20. The relationship between the PCR (Peripheral Control Register) and the IFR (Interrupt Flag Register).

the Interrupt Control Register (memory location 56589) on a negative transition on the Flag 2 line.

The programs listed below show how the handshake line might be used to detect an active transition:

**LINE 10**—sets up the data direction register so that the user port signal lines are mixed inputs and outputs (P7–P4 outputs, P3–P0 inputs).

**LINE 20**—determines the nature of the active transition which will trigger the handshake flag using the peripheral control register.

**LINE 30**—starts a loop to check whether the handshake flag in the interrupt flag register has been set.

**LINE 60**—writes a “dummy” variable to the I/O register which clears the handshake flag in the IFR.

It must be stressed that once the flag in the IFR has been set it will remain so unless some operation clears it. This can be achieved by explicitly clearing the correct bit in the interrupt flag register or a dummy read or write to the I/O register as shown above.

ZX81 users can follow this series by adding an I/O User Port to their machine. Such a device will be the subject of our *Special Report* next month.

**Next month: Experiments with the User Port Control Board.**

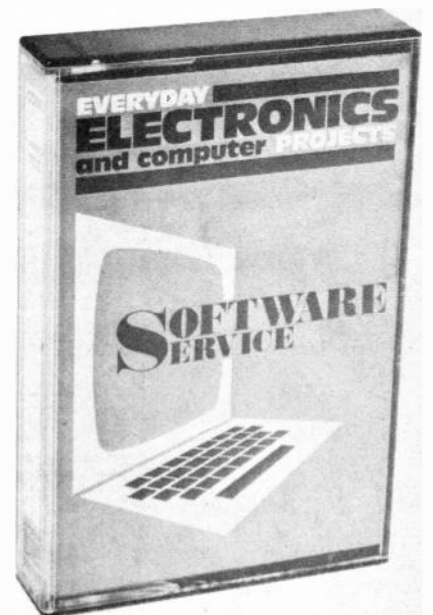
# EVERYDAY ELECTRONICS SOFTWARE SERVICE

The EE Software Service provides an easy and reliable means of program entry for our computer-based projects. All programs have been tested by us and consist of two good quality copies of the working program on cassette tape. Certain program listings are also available.

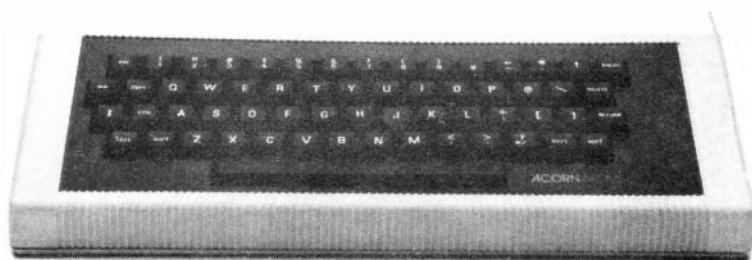
All prices include VAT, postage and packing. Remittances should be sent to Everyday Electronics Software Service, Editorial Offices, King's Reach Tower, Stamford Street, London SE1 9LS. Cheques should be crossed and made payable to IPC Magazines Ltd.

PROJECT TITLE	CASSETTE CODE	CASSETTE COST	LISTING CODE	LISTING COST
ZX81 SPEED COMPUTING SYSTEM (Feb 83)	T001	£2.95	L001	£2.95
REAL-TIME CLOCK (Apple) (May 83)	T002	£2.95	L002	£2.95
REAL-TIME CLOCK (BBC) (May 83)	T003	£2.95	L003	£2.95
EPROM PROGRAMMER (TRS-80 & GENIE) (June 83)*	T004	£3.95	N/A	—

\* Includes Command List with examples.



# CYCLIC REDUNDANCY CHECK for the ACORN ATOM



BY R.A. HALL

**W**HAT is CRC? The initials CRC stand for Cyclic Redundancy Check. What does it do? There is no short answer to that question but it is possible to explain it as follows.

Consider any part of the memory in a linear way, for example a piece of tape on which is printed a series of 0's and 1's (binary digits or bits). Each of these bits are used in blocks of eight (known as a byte). Imagine that the tape is passing in front of you from right to left and that you are looking through a window such that you can see only two bytes (16 bits) at a time. As the tape moves to the left, a time will come when a 1 will appear at the left side of the window.

When this occurs the right-hand side 8-bits are Ex-ored with #2D. At the instant that the end of the tape is reached the number that is remaining in the window is a unique number for that particular piece of tape—or area of memory. It is this uniqueness that prompts the choice of the word "signature"—once a signature for a program has been obtained, if so much as one bit is subsequently in error, its presence will be indicated by a different signature.

In practice locations #A0, #A1 are used as the window and the accumulator is used to put the next 8-bits of memory into the window so the memory itself remains undisturbed. Locations #90 and #91 are used to "point" to the memory area being looked at and #92 and #93 hold the "end" address.

## WHY DO ATOM USERS NEED CRC?

Normal named files (programs) have a sum error check but this is not infallible as occasions have frequently arisen where one error cancels another one out, hence a real error has slipped through and the program crashes when RUN is executed. This presents no problem if the offending error is in a PRINT statement for example, but when it occurs in an operational instruction the consequences are fatal.

Many machines use a true CRC check as the program is transferred from tape to memory—the Atom has one built in if you are fortunate enough to be a disc user.

The reason for the Atom failing with the checksum is this: the program tape-header stores a number (mod 256) that is the sum of all the bytes in the block. Each byte of course has its own hex value. Therefore it is similar to the following sum where the result is the same but the string of figures giving the result is not.

$$3+5+7+9+1+1+3 = 29$$
$$3+5+9+9+1+1+1 = 29$$

The result, 29 represents the "checksum" and the other numbers represent the individual bytes.

The only disadvantage with the Atom CRC is that it is lost when you switch off the power to the computer. I have found also that a couple of games' programs wish to be resident in part of the same area of memory and as a result the CRC gets shunted about a little when the main program is run.

In machines with "built in CRC" it is contained in the ROM, but Atom users will have to be content to store their CRC in a little used RAM area.

Most programs reside in the area #2900 to #3BFF in the expanded version. For many reasons we often need to know if the program we've just dumped to tape is a good copy, that is, will it reload satisfactorily? The only way to do this is to reload it and RUN it, but if the reloaded program is faulty we've just written over the original—and lost it!

On many other machines such as the BBC for example, you could dump your known good program to tape and \*LOAD. The program enters the computer (it will not actually be kept), and a CRC is done and any loading errors will be indicated—no errors means a good load, that is, there is a good copy on tape. If any errors are indicated we still have the original program and can save it again.

You can, with the program given here, do this with the Atom. It's not quite so easy as the direct ROM-type CRC obviously but you are now able to carry out such a check and ensure that you have a good copy.

The procedure is:

1. Load the CRC program.
2. Write/load a program into #2900 to #3BFF.
3. Make sure it is a good working program.
4. Save the program.
5. \*Load the program into the area commencing at #8200 (graphics area).
6. Obtain a CRC signature for both programs.

If the signatures are the same then so are the programs—down to the last bit. However do not be led to believe that if the signatures happen to be one hex digit different then the program error consists of only one byte—not true.

If the signatures and hence the programs are not identical the possible causes are:

1. Correct save to tape but bad reload.
2. Correct save and reload but the indicated error is in fact caused by a RAM fault: this is very unlikely but not impossible.
3. Bad save to tape caused by (usually) poor tape or tape-recorder mis-match.

It is now your task to decide exactly what the cause is. CRC will tell you if there is an error but, sadly, will give no indication as to where the error is. If the error happens to be situated where it does not matter (for example, in a PRINT statement) so much the better—otherwise it is possible to repeatedly bisect the program and check each half until the error is located.



## WHERE DO WE STORE THE CRC?

It seems that the area #3CA to #3FC is free to store the CRC, except possibly for disc systems—but then you're not interested in CRC anyway. Also #21C to #23F is free and it is in these areas that the two parts of the CRC are stored.

## THE PROGRAM

The program uses ROM routines and it can best begin by typing in the "Source" program shown right.

This program is in BASIC and can be saved in the usual way, after having RUN it. After running the program the machine code will be located from #21C to #3CA. As there is a considerable area between the two machine code blocks that is unwanted you may choose whether to \*SAVE #21C to #3FF (30 seconds at 300 baud) or SAVE the two separate blocks #21C to #23F and #3CA to #3FF. Furthermore you may choose to save these as named or unnamed programs. I used CRC at 1200 baud in one block and it takes just five seconds to load. I keep it at the front of a tape, hence it is easy to find.

Keying <BREAK> will not destroy it—that is only done by switching off the power.

Having loaded the program you use it by typing LINK#3CA. An "S" (for start of area) will appear and you type in, omitting the # prefix, the location you wish to start at, press <RETURN> and an "E" will appear. Here, type in the memory location you wish to finish at, press <RETURN> and after a few seconds up pops the signature. Try S=C000, E=CFFF and you should get D67D—quick isn't it?

If you have a DISATOM chip fitted then type !#180=#3CA and instead of LINK#3CA you can use <SHIFT> X to use the check.

```

20P.$21
25!£180=£3CA
30P=£3CA;[
40LDA@£53
50JSR&CD0F
60LDY@£00
70LDX@£90
80JSR&F893
90LDA@£45
100JSR&CD0F
110LDY@£00
120LDX@£92
130JSR&F893
140LDY@£00
150STY&A0
160STY&A1
170JSR&021C
180LDX@£90
190JSR&FA08
200BNE@£03E8
210JSR&021C
220LDX@£A0
230JSR&F7F1
240JMP&C55B;]
260P=£21C;[
270LDX@£08
280CLC
290LDA(£90),Y
300LSR A
310RDL&A0
320RDL&A1
330BCC@£0230
340PHA
350LDA&A0
360EOR@£2D
370STA&A0
380PLA
390DEX
400BNE@£0221
410RTS
415]
420P.$6
430END
    
```

```

d021C A2 08 LDX@£08
d021E 18 CLC
d021F B1 90 LDA(£90),Y
d0221 4A LSR A
d0222 26 A0 ROL &A0
d0224 26 A1 ROL &A1
d0226 90 08 BCC &0230
d0228 48 PHA
d0229 A5 A0 LDA &A0
d022F 49 2D EOR@£2D
d022D 85 A0 STA &A0
d022F 68 PLA
d0230 CA DEX
d0231 00 EE BNE &0221
d0233 60 RTS
    
```

```

d03CA A9 53 LDA@£53,S
d03CC 20 0F CD JSR &CD0F
d03CF A0 00 LDY@£00
d03D1 A2 90 LDX@£90
d03D3 20 93 F8 JSR &F893
d03D6 A9 45 LDA@£45,E
d03D8 20 0F CD JSR &CD0F
d03DB A0 00 LDY@£00
d03DD A2 92 LDX@£92
d03DF 20 93 F8 JSR &F893
d03E2 A0 00 LDY@£00
d03E4 84 A0 STY &A0
d03E6 84 A1 STY &A1
d03E8 20 1C 02 JSR &021C
d03EB A2 90 LDX@£90
d03ED 20 08 FA JSR &FA08
d03F0 00 F6 ENE &03E8
d03F2 20 1C 02 JSR &021C
d03F5 A2 A0 LDX@£A0
d03F7 20 F1 F7 JSR &F7F1
d03FA 4C 5B C5 JMP &C55B
    
```

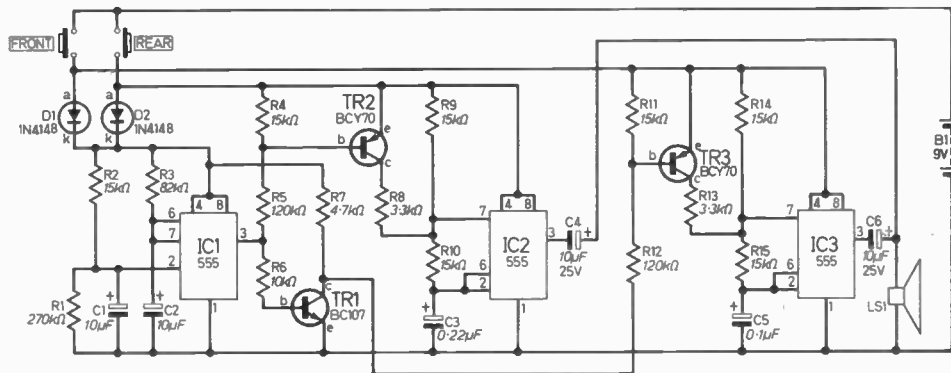
Acknowledgements for the thinking behind this program must go to J. C. Rockett and J. R. Stevenson, these are genuine people of Procyon Ltd. who have

allowed me to pick their brains, unravel some of the delectable mysteries of the Acorn Atom and appreciate what an excellent micro it really is. □

# CIRCUIT EXCHANGE

## TWO-WAY DOORBELL

**M**OST doorbells sound exactly the same whether front or back door buttons are pressed. This can cause all sorts of problems; which door do you answer when you hear the bell ring? The circuit given here solves this problem; the front produces a "ding-dong" sound, whilst the back door produces a "dong-ding". The circuit consists of two 555 astable oscillators, IC1, 2, and one 555 monostable, IC3. When the front button is pressed, D1 conducts and C1 is charged through R1, setting the monostable, which produces a half-second pulse.



Oscillator IC2 produces a high frequency note, which is lowered when TR2 is switched off by the monostable. Hence the note produced will be a "ding-dong" sound. The back doorbell works in a similar way, but this time the monostable output is inverted by TR3 to produce the

opposite effect — a "dong-ding".

Tony Johns,  
E. Grinstead,  
Sussex.

**MORE ON PAGE 435**

# AUTOMATIC GREENHOUSE WATERING SYSTEM

BY J. LEWIS

A MAJOR problem of greenhouse or conservatory cultivation is that of ensuring adequate watering, especially when the owner is away on holiday.

Commercial watering systems are far from cheap and usually supply drips of water at regular intervals regardless of the weather conditions. Thus on hot days the plants may be underwatered but on cool days they receive too much water. The automatic system described here allows the plants to take as much water as they need and enables them to be left for a long time with a minimum of attention.

## UNIT DESCRIPTION

The greenhouse plants should be in plastic pots in large shallow gravel trays lined with capillary matting. This is readily available in rolls from garden centres and is easily cut to size. The matting must overhang the edge of the bench and dip into a trough of plastic rainwater gutter which is fixed on the edge of the bench, as shown in Fig. 1.

The gutter contains water and this is drawn up by capillary action so that the

matting on the trays is always wet. The compost of all the plants will then be kept at the correct moisture level.

The main water reservoir is a large bucket or dustbin full of water. A probe detects the water level in the gutter and an electronic circuit controls an electric windscreen washer pump which refills the gutter from the main reservoir. A probe in the main water reservoir detects when it is empty and this prevents the pump from operating. If this were not included then the pump would operate continuously if the main water reservoir ran dry.

## CIRCUIT DESCRIPTION

Transistors TR2 and TR4 are connected as a high gain Darlington pair as shown in Fig. 2. When the probes (across TB1/1 and TB1/2) in the gutter are wet, sufficient current flows in the base of TR2 to turn on the transistors and produce a logic 0 at pins 1 and 2 of IC1a; a logic 1 is produced on these pins when the probes are dry.

The probes across TB1/3 and TB1/4 in the main water reservoir are connected

to transistors TR1 and TR3. These transistors are connected as a Darlington pair in the emitter follower mode. Water connecting the probes produces a logic 1 at pins 4 and 5 of IC1a, while lack of water produces a logic 0 on these pins.

IC1a is a TTL 4-input NAND gate with a Schmitt trigger action which ensures a very reliable switching action as the water level changes. When the main water reservoir is sufficiently full and the gutter water level has fallen to below the probe, all the inputs to IC1a are at logic 1 and the output on pin 6 is at logic 0. After inversion by IC1b, a logic 1 is produced on pin 8 and this logic state causes the pump to be switched on to restore the water level in the gutter.

When the gutter probes are once more wet, pin 8 goes to a logic 0 which switches off the pump. If the water level in the main water reservoir falls to uncover the probes this also puts a logic 0 on pin 8 which prevents the pump from operating regardless of the state of the gutter probes.

No damage will be caused to the cir-

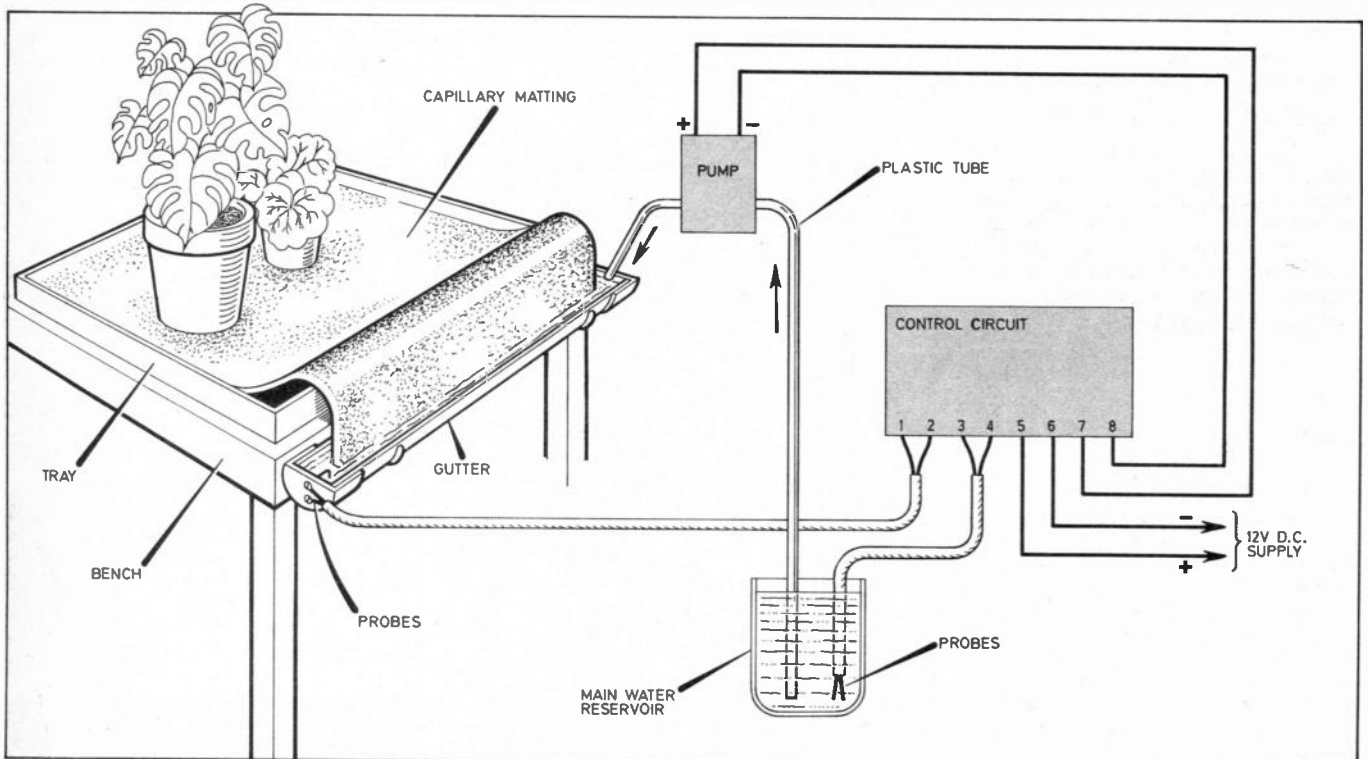


Fig. 1. Complete installation diagram for the Automatic Greenhouse Watering System showing the positioning of the capillary matting.

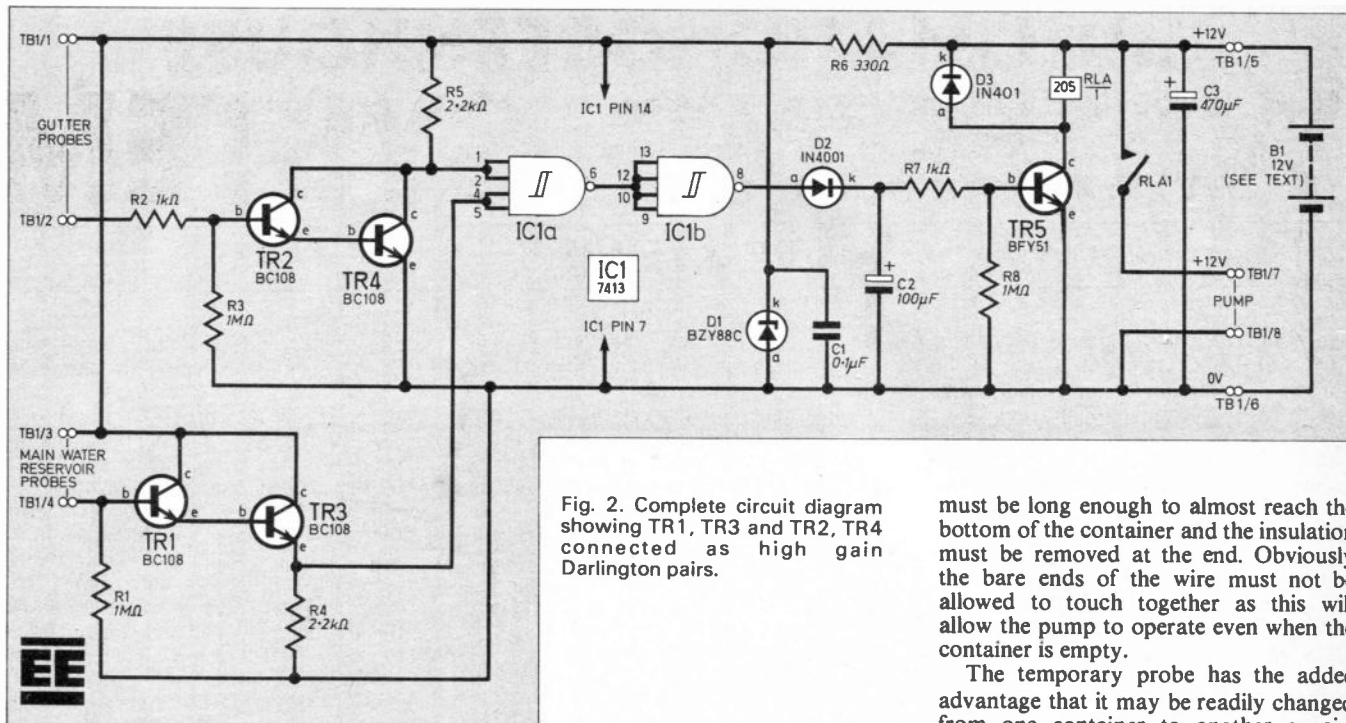


Fig. 2. Complete circuit diagram showing TR1, TR3 and TR2, TR4 connected as high gain Darlington pairs.

circuit if the probes are accidentally short-circuited.

The output from IC1b on pin 8 switches on transistor TR5 which controls the current through the relay RLA. The relay contacts are normally open, and close to connect the pump (connected across TB1/7 and TB1/8) to the 12V supply. The charge stored in capacitor C2 keeps the pump switched on for a few seconds after the gutter probes are wet. This reduces the frequency of on-off operations of the pump.

Diode D3 prevents damage to transistor TR5 as the current through the relay coil is switched off. Resistor R6 and Zener diode D1 produce a stable 5V supply from the main 12V supply for IC1 which is a TTL integrated circuit. C1 removes any noise spikes from the 5V supply line and C3 helps to smooth the main 12V supply. This supply is connected via TB1/5 and TB1/6.

## CONSTRUCTION

### COMPONENT BOARD

The components are laid out on a piece of 0.1 inch matrix stripboard which is 16 strips by 51 holes and the layout is shown in Fig. 3. A 14-pin d.i.l. socket is recommended for the integrated circuit which should only be inserted when all the soldering is completed. Care should be taken not to overheat the transistors and diodes while soldering them into position. The integrated circuit is a TTL device and so it can be handled without worrying about static electricity.

Note that the diodes and electrolytic

capacitors must only be connected one way round. Incorrect connection will result in damage to the components. When the circuit is operating satisfactorily a coat of waterproof varnish will help to prevent ill-effects from moisture. It should also be fitted into a moisture-proof box with the terminal block (TB1) on the outside. The terminal block connections are shown in Fig. 4.

### GUTTER PROBE

The lower probe is simply a one inch long 2BA bolt which is bolted firmly at the bottom of the end section of the gutter. A washer is required on both sides of the plastic section and a solder tag gives a good electrical connection.

The upper probe is made from thick copper wire, one end of which is bolted to the end section of the gutter. The other end of the copper wire is sharply pointed and touches the water surface at right angles (Fig. 5).

The correct water level must be determined by experiment. If it is too low then capillary action will not be strong enough and the mat will be too dry. Too high a water level will make the mat far too wet; a vertical rise of about 75mm should be about right. The weight of water in the gutter could be substantial and enough support clips should be used.

### MAIN RESERVOIR PROBE

Two bolts may be fitted low down on the main reservoir although this may be left until the choice of container has been finalised.

A temporary probe may be made from twin core cable secured at the top of the reservoir by a bulldog clip. The cable

must be long enough to almost reach the bottom of the container and the insulation must be removed at the end. Obviously the bare ends of the wire must not be allowed to touch together as this will allow the pump to operate even when the container is empty.

The temporary probe has the added advantage that it may be readily changed from one container to another as circumstances dictate.

## COMPONENTS

### Resistors

R1,3,8	1MΩ (3 off)
R2,7	1kΩ (2 off)
R4,5	2.2kΩ (2 off)
R6	330Ω 1W
All 1/8W carbon ±5% unless otherwise stated	

### Capacitors

C1	0.1μF ceramic
C2	100μF 25V elect.
C3	470μF 25V elect.

### Semiconductors

D1	BZY88C 5.1V 400mA Zener diode
D2,3	IN4001 rectifier (2 off)
TR1,2,3,4	BC108 npn silicon (4 off)
TR5	BFY51 npn silicon
IC1	7413 TTL dual 4-input Schmitt trigger NAND gate

### Miscellaneous

RLA	Miniature high power relay, 12V, 120-205Ω coil, contacts rated at 12V, 7A
-----	---

Case, 135 x 50 x 46mm (A8S case type 2005); 0.1 inch matrix stripboard 16 strips by 51 holes; 8-way terminal block; connecting wire.

Approx. cost Guidance only **£10.00**

see SHOPTALK page 427

## POWER SUPPLY

A 12V d.c. supply capable of providing about 4A is required. Obviously, a greenhouse is a difficult place to use mains electricity and great care must be taken to ensure complete safety. This means the use of an earth leakage circuit breaker and a top quality electrical system.

The power supply could be situated in a garage or similar building near the greenhouse and the 12V supply could be fed to the greenhouse through a suitable heavy duty cable.

If a suitable supply is not available then a fully charged car battery should

give enough power for a week or so. Obviously the owner should check this before going on holiday. Dry batteries are unlikely to supply the heavy current drawn by the pump for any length of time.

## PUMP

The pump is a car windscreen washer pump which can be purchased from any car accessory shop. Care must be taken to connect it the right way round, this should be clearly marked on it.

The end of the tubing in the reservoir should be covered with a filter to prevent

damage to the pump caused by dirt. It may be necessary to also weight this end of the tube to prevent it from lifting out of the water.

At the gutter end of the tubing it is important that the water is not pumped in too close to the probe to prevent erratic switching.

## CASE

As previously mentioned it is advisable to mount the component board in a moisture-proof box, and any box with dimensions 135 x 50 x 46mm should be suitable. □

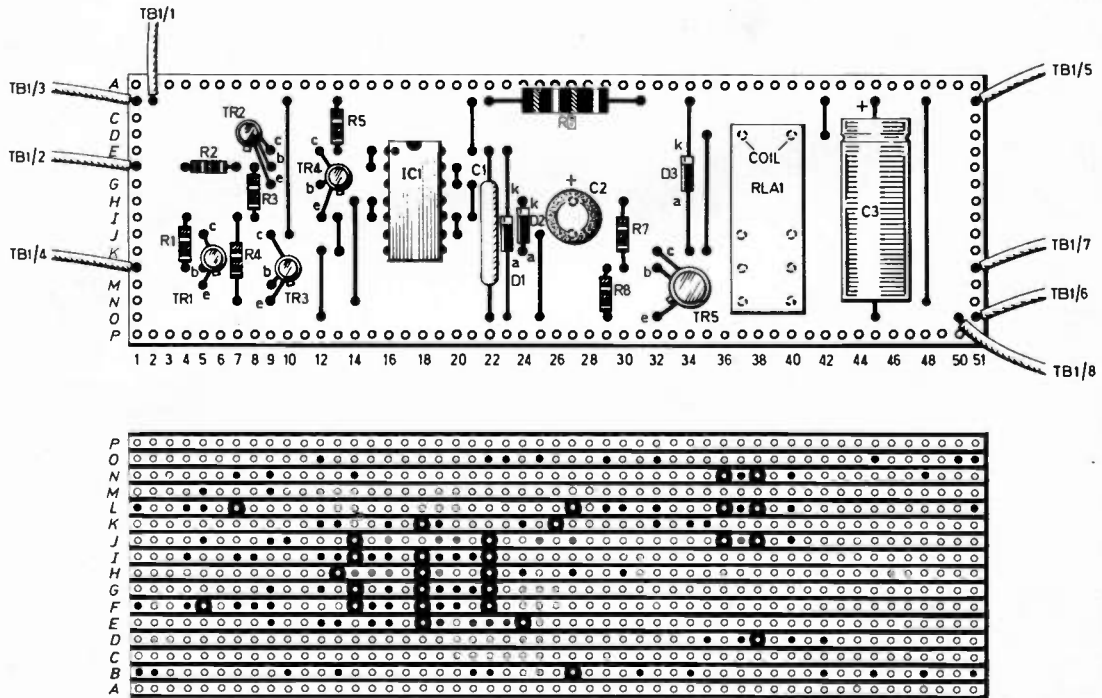


Fig. 3. The layout of the components on the topside of the board with the breaks in the copper strips shown on the underside.

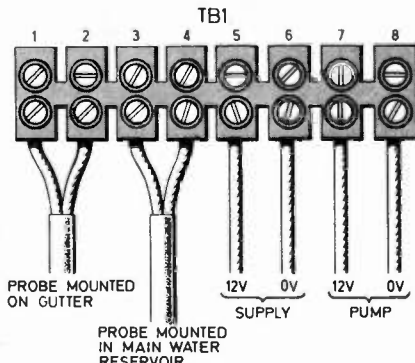


Fig. 4. Terminal block connections.

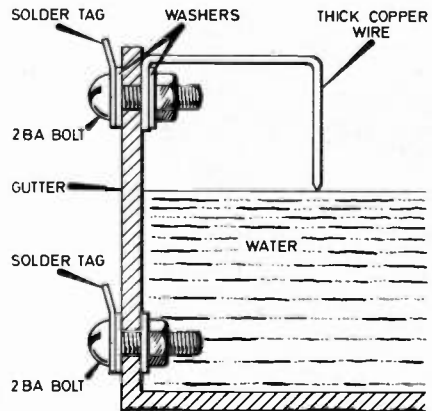
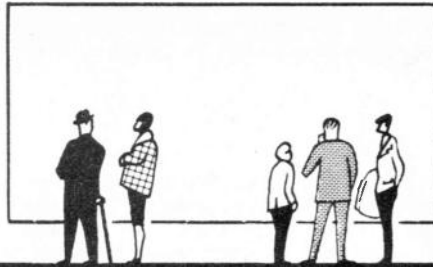


Fig. 5. Suggested mounting arrangements for the gutter probes.

# SHOP TALK



BY DAVE BARRINGTON

## Soldering Kit

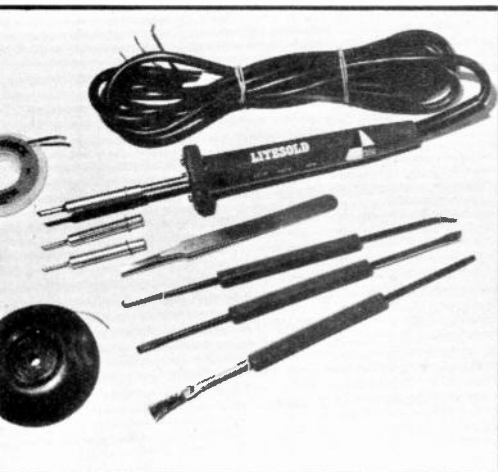
A new soldering kit that provides all that is necessary for soldering and desoldering of most electronic projects, and is ideal for beginner and expert alike, has just been put together by **Light Soldering Developments**.

Designated the SK18, the kit is centred around their high efficiency 18W mains iron, which won a Design Centre Award. The iron is fitted with a 3.2mm "slide-on" copper bit. Two alternative, 1.6mm and 2.4mm, bits are included.

Also provided are a 3 metres reel of 18 s.w.g. flux-cored solder, stainless steel tweezers, three double-ended soldering aid tools and a reel of desoldering braid. The desoldering braid acts like a wick and when immersed in molten solder around a connection draws the liquid solder away from the joint, allowing removal of the suspect component.

The SK18 comes in a clear p.v.c. wallet and is available direct from Litesold at a special mail-order price of £14.55, including postage and VAT. Further details and order forms can be obtained from: **Light Soldering Developments Ltd., Dept EE, 97/99 Gloucester Road, Croydon, Surrey CR0 2DN.**

The SK18 Soldering Kit from Light Soldering Developments.



## CONSTRUCTIONAL PROJECTS

### Greenhouse Watering System

The relay used in the *Greenhouse Watering System* prototype was a miniature mains relay with 5A contacts. This was obtained from Maplin, order code YX98G. It is quite in order to use other relays provided the contacts are rated at 5A or above, and the coil resistance is approximately 120 to 300 ohms.

The pump used to circulate the water was a Unipart car windscreen washer pump suitable for a Mini. Many of the motor spares shops carry windscreen washer pump kits and these may be worth further investigation.

### Pulse Generator

The mains transformer used in the *Pulse Generator*—Test Gear '83 Series—is a printed circuit board mounting type. The prototype used a 6VA PC Mounting (3VA per sec.) obtained from Verospeed, order code 89-21542A. This transformer has two 9V secondary windings.

The Siemens type capacitors are stocked by Electrovalue, Ambit, Cricklewood and Rapid Electronics. The semiconductors should be available from Cricklewood, Rapid, Magenta and Circuit Board Components.

### Digi Alarm Wristwatch Amplifier

The Electret microphone insert for the *Digi Alarm* is available from most Tandy stores and carries the catalogue number: 270-092A. Several of our advertisers stock similar devices and these can be used in this circuit. However, they have not been bench tested.

The reed relay is a 6 to 9V type (RS 249 092A) and the 3 to 16V audible warning device (RS 249 794) should be ordered through your local RS Components stockist.

### Tri Boost Guitar Tone Controller

As the circuit board for the *Tri Boost* is supported by the "range" control VR1, it is important to use a p.c.b. mounting potentiometer. These are stocked by most of our component advertisers.

Inductors with values of up to 4 Henrys are readily available from Maplin, but a useful alternative to keep in mind is that miniature p.c.b. type transformers, such as the LT700, can be used as inductors. These can be bought fairly cheaply, or, of course, salvaged from old transistor radios.

The actual value of their inductance need not be known since it is just a matter of "trial by ear" to combine the right values of capacitors to give the desired effect.

### Binary Bandit Game

The press switches used in the prototype *Binary Bandit* are the types stocked by multistores for light switches. However, any suitable switch may be used here.

Be sure to obtain the press-to-break and press-to-make types. It may be wise to order from one of our advertisers as they will understand what is required when purchasing.

### Microcomputer Interfacing Techniques

Most of the components used in the *Microcomputer Interfacing Techniques* projects are listed by RS Components and can be ordered through any *bona fide* trader. They will not supply to the general public.

A similar d.i.l. switch, RS code 335-801, for the *User Port I/O* board is also available from Maplin: order code XX27E.

The i.d.c. ribbon cable for connecting the boards to the computer is now stocked by most advertisers. The connector at one end of the cable will have to match the computer used and readers should consult their manual and computer supplier.

The p.c.b. 0.2in terminal blocks used in the *User Port Control* board are made by Bulgin and available through RS stockists.

Any relay that is capable of working from 5V and has a coil resistance greater than 300 ohms will suffice. The type used in our model was a p.c.b. reed relay stocked by RS and should be ordered as: 348 970 form A code Green.

The p.c.b. has been designed around the RS relay and if an alternative type is used "flying" leads may need to be attached to the relays and then wired to the board.

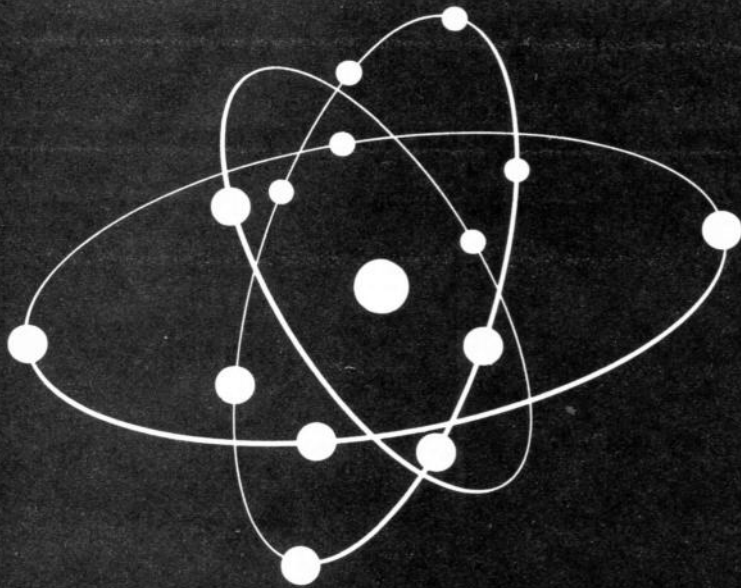
The ULN2003 7-stage Darlington driver appears to be only available from RS and Cricklewood Electronics. The OP12252 opto-isolator may be substituted with the IL74. Both the IL74 and the ILQ74 opto-isolators are available from Bi-Pak.

## EE PRINTED CIRCUIT BOARD SERVICE

Printed circuit boards for certain EE constructional projects are now available from the EE PCB Service. These are fabricated in fibre-glass, and are fully drilled and roller tinned. All prices include VAT and postage and packing. Remittances should be sent to: EE PCB Service, Everyday Electronics Editorial Offices, King's Reach Tower, Stamford Street, London SE1 9LS. Cheques should be crossed and made payable to IPC Magazines Ltd.

PROJECT TITLE	Order Code	Cost
Eprom Programmer (TRS-80)	8306-01	£6.95
Eprom Programmer (Genie)	8306-02	£6.95
Eprom Programmer (TRS-80 & Genie)	8306-03	£1.50
<i>Microcomputer Interfacing Techniques</i>		
User Port Input/Output	8307-01	£2.65
User Port Control	8307-02	£2.85

# ELECTRONICS and the ELECTRON



## Part 3 CONDUCTION IN VARIOUS MATERIALS BY J. B. DANCE

LAST month we reviewed the basic ideas of conduction in various materials. We will now look a little deeper into this matter.

### CURRENTS IN METALS

When a current flows in a metal, the negatively charged electrons have to make their way amongst the atoms in the material towards the positive connection. If the temperature of the metal rises, the atoms are agitated to a greater extent by the heat energy and tend to get in the way of the electrons proceeding towards the anode.

Thus the resistance of a metal increases with rising temperature and the mobility of the electrons falls as their frequency of collision with the atoms increases. The rate of increase of the resistance of a metal with temperature is not very great. An increase of resistance is, of course, the same as a fall in the conductivity.

Let us now try to look more closely at the electrons in a metal. First of all let us assume that no voltage is applied across

the metal. The heat energy in the metal causes the electrons to move rapidly in random motion, rather like a swarm of bees in an enclosed box, but there is no general trend for them to move in any particular direction. This random motion occurs with all small particles and is known as the *Brownian movement*.

The random movement can be stopped only by cooling the material to the absolute zero of temperature. The speed at which the electrons move in their random motion is very high—something like 100,000m/sec or 224,000 miles per hour or 62 miles/second. However, the electrons seldom move more than one hundred millionth of a centimetre (about the diameter of an atom) before they undergo a collision.

### NOISE

The random movements we have been describing constitute electric currents, although we do not often notice such current, since on an average the flow of an electron in one direction is usually balanced by the flow of another one in the opposite direction.

These minute randomly directed electric currents in the input circuits of high gain amplifiers do appear as "noise" in the loudspeaker to which the amplifier is connected. However, this is not the only cause of noise. The frequency of the noise generated by the random currents extends over an extremely wide frequency bandwidth; it is known as "white noise" because, like white light, it consists of a mixture of all frequencies. Such noise is heard as a hiss, since the high frequencies are heard more prominently than the low frequencies.

### STEADY CURRENTS

We will now consider the flow of electrons in a metal under an applied voltage. A single electron carries a charge of  $1.6 \times 10^{-19}$  coulomb; thus the number of electrons carrying a charge of 1C is  $1/1.6 \times 10^{-19} = 6.25 \times 10^{18}$  (= 6,250,000,000,000,000,000) electrons. This enormous number of electrons is required because the charge of an individual electron is so very small.

A current of 1 amp flows when 1 coulomb of charge flows past any point in the circuit each second. Thus this current consists of a flow of  $6.25 \times 10^{18}$  electrons per second.

### SPEED

There are an enormous number of free electrons in a piece of copper—about  $10^{23}$  electrons per  $\text{cm}^3$ . If we assume they all move under an applied voltage, the

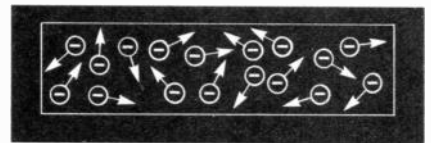


Fig. 3.1. The random motion of electrons in a piece of metal; this random movement is due to the heat energy agitating the electrons.

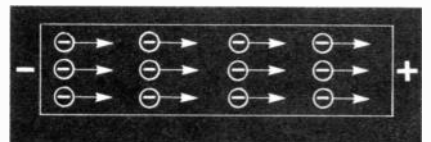


Fig. 3.2. The steady movement of electrons towards the anode. The random motion superimposed on this steady motion is not shown here.

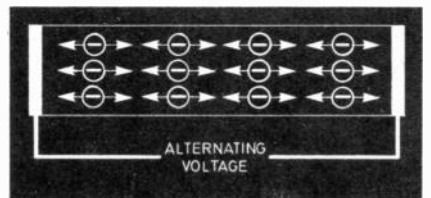


Fig. 3.3. The to and fro motion of electrons in a wire under an alternating voltage. The random motion is not shown.

speed at which the electrons move towards the positive connection in a block of metal of 1sq cm in cross section will be about  $6.25 \times 10^{18}/10^{23}$  or roughly 0.00006cm/sec when current is 1 amp.

In the case of a wire of small diameter, the rate at which the electrons flow at the same current of 1 amp will be much greater. For example, in a wire of cross sectional area 0.1mm<sup>2</sup>, the mean rate of flow will be roughly 0.06cm/sec, but this velocity is still quite small.

Superimposed on the general tendency of the electrons to flow in the direction of the applied field is the far faster random motion we have discussed previously. The electron cloud moves forward very slowly as a whole, whilst the individual electrons are "buzzing around like flies" at a high speed.

## ALTERNATING CURRENTS

If one considers an electron flowing in a wire which carries a current at the normal 50Hz mains frequency, it will have a slow "to and fro" motion imposed on top of its random thermal motion. It moves in one direction for only 1/100 second before it moves in the opposite direction for the same time. The distance it moves in each direction in a wire of cross section 0.1mm<sup>2</sup> is only about  $0.06 \times 1/100 = 0.0006$ cm when the current is 1 amp.

In the case of an electron in the coaxial lead from an f.m. radio aerial operating at about 100MHz, the amount of movement in each direction is far smaller still. The current flowing may be of the order of

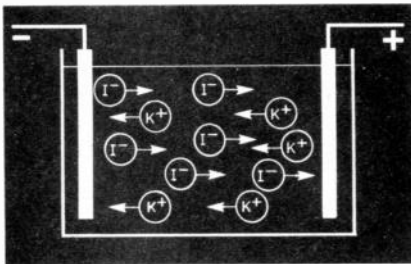


Fig. 3.4. The passage of a current through potassium iodide either as the molten salt or in aqueous solution. (Potassium ions are shown as K<sup>+</sup> and iodine ions as I<sup>-</sup>.)

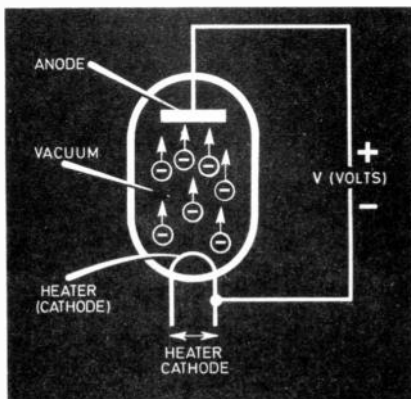


Fig. 3.5. The passage of electrons from a heated cathode to the positive anode in a vacuum tube or thermionic valve.

10μA or 1/100,000 amp. Thus the distance through which an electron moves backwards and forwards during each half cycle is 0.06cm divided by 100,000 and also divided by 200,000,000 (this last factor allows for the 100MHz frequency) if the effective cross sectional area of the lead is 0.1mm<sup>2</sup>.

Thus the electron moves backwards and forwards a distance of only about 0.000,000,000,000,003cm. This is far, far smaller than the diameter of an atom and even much smaller than the diameter of the nucleus of an atom.

Although the electrons move so slowly under electric potentials in metals, the "push" exerted when a voltage is applied across a wire travels very rapidly indeed—nearly at the speed of light if the wire is away from most other materials. Thus signals can travel extremely rapidly in a wire, but it is amazing to think that these signals are being carried along by particles which are themselves undergoing rapid random thermal motion with a very slow general movement under the influence of the applied potential.

Is not truth stranger and more beautiful than science fiction?

## CONDUCTION IN LIQUIDS

If one takes a salt, such as potassium iodide or sodium chloride, and tries to pass an electric current through the solid material, one will find that no appreciable current will flow. The material is a good insulator, since although enormous numbers of positive and negative charges are present, these charges are all held firmly in position and are not free to move under the influence of the applied electric field. It is electrostatic forces which hold them.

If, however, the solid salt is melted, it will be found to become conducting. Let us consider the case of potassium iodide. The melting of this solid will free the positively charged potassium ions and the negatively charged iodine ions so that they can move through the material. Any sudden separation of the two kinds of charged ion is out of the question, since if even a small fraction of the ions of either charge came together in one part of the solid, enormous voltages would be developed.

However, when electrodes are put in the liquid and a voltage applied to these electrodes, the positively charged potassium ions move slowly towards the negative electrode and the negatively charged iodine ions move slowly towards the positive electrode. When the iodine ions reach the anode, they give up an electron to the anode and form iodine which is a violet vapour at the temperature of the molten salt. Similarly, potassium metal can be liberated at the cathode.

## SOLUTIONS

Pure water contains very few ions and is therefore a very poor conductor of electricity. If some substances such as sugar or alcohol are dissolved in the water, these materials do not form ions and the

water remains a very poor conductor.

If, however, a salt such as potassium iodide is dissolved in the water, the presence of the water will reduce the electrostatic forces between the potassium and iodine ions. Both types of ion therefore become free to move towards one of the electrodes. Thus the solution is a conductor of electricity.

We can summarise by saying that salts become conductors when they are either melted or dissolved in water. In addition, solutions of acids or alkalis in water are conductors, but pure water is a very poor conductor. In water which has been exposed to air, even the carbon dioxide of the air increases the conductivity of the water, since it dissolves to form a weak acid (carbonic acid).

When a current is passed through a liquid, chemical changes usually occur. For example, iodine is liberated when a current is passed through a solution of potassium iodide or through this salt in the molten state. An exception is the passage of a current through mercury or any other molten metal where the current is carried by electrons without any chemical change.

The flow of current through an aqueous solution of copper sulphate containing copper electrodes does not produce any net chemical change, but separate chemical changes occur at each of the electrodes with the net result that copper moves from anode to cathode.

## ELECTRONS IN A VACUUM

The thermionic valves found in old radio receivers contain a heated cathode in an evacuated tube. The cathode emits electrons; one can think of the electrons as being "boiled off" by the high temperature in much the same way water molecules can be boiled off liquid water.

In a radio valve, X-ray tube, cathode ray tube or other type of electronic tube the emitted electrons are attracted to the anode by the positive potential which is normally applied to the latter. As an electron moves to the anode, it is accelerated and travels faster and faster in the same way that an object falling under gravity.

The speed with which the electron strikes the anode is dependent only on the voltage between the anode and the cathode. If this voltage is V volts the speed at which the electron hits the anode is about  $590,000\sqrt{V}$  m/sec or  $370\sqrt{V}$  miles per second. If the anode to cathode potential is only a modest 100V, the electrons strike the anode with a velocity of 3,700 miles per second.

At very high voltages (above about 10kV) the speed of the electrons arriving at the anode is no longer proportional to the square root of the applied voltage or otherwise they would be moving at speeds greater than that of light when the voltage reaches about 250kV. Einstein's relativity theory shows that neither electrons nor any other type of known particle can move faster than light.

Next month we shall consider the flow of current in semiconductor materials.

# DIGI ALARM WRISTWATCH AMPLIFIER

BY D. E. SMITH

**M**ANY people own a digital watch with a built-in alarm. However, one only needs to have a late night, followed by an important meeting early the next morning, to realise the acoustical inadequacy of the watch's transducer when attempting to wake you.

By setting the alarm on your watch and placing it on top of the Digi Alarm, you are awakened the following morning by a far louder audio signal (80dB at 1 metre), which should awaken even the soundest of sleepers. An l.e.d. is also mounted on the front panel to enable the Digi Alarm to be located in the dark.

## CIRCUIT DESCRIPTION

The circuit consists of three main stages: a.f. amplifier, rectifier and relay driver. The digital watch alarm signal is acoustically coupled to the electret microphone insert. The signal then travels via C2 to the base of TR1, which forms an a.f. amplifier. See Fig. 1.

By feeding the amplified signal through C3 to the diodes D1 and D2 the signal is rectified, converting it into a positive voltage. This voltage is used to turn on TR2, which then operates the relay RLA1. When the relay contacts close, a voltage is fed to the audio warning device (WD1) and l.e.d. (D4).

## WARNING DEVICE

The time constants of C4 and R4 have been chosen so that WD1 bleeps in time with the digital watch signal. If it is found that WD1 latches on and sounds con-

tinuously, changing C4 or R4 to a slightly lower value will cure the problem.

However, should you require the facility for a continuous tone (when triggered by the watch), slightly increase the values of R4 and C4. As the current consumption in the standby mode is only 0.1mA the battery life should be considerable.

## PRINTED CIRCUIT BOARD

The components are mounted on a single-sided p.c.b. of approximate dimensions 56 x 50mm as shown in Fig. 3. All components other interconnections are shown in Fig. 2.

The case chosen for this project was a Verobox measuring 110 x 68 x 33mm and has an aluminium front panel. The warning device should be mounted onto the front panel using double-sided adhesive tape. You will notice that a small 3.5mm hole has been drilled in the front panel for WD1. This hole is small but will not stop any of the sound from WD1.

The microphone is fixed to the top half of the Vero case by first drilling a 10.7mm hole in the casing, then whilst holding the microphone in position, running a quick-setting epoxy resin around the circumference of the microphone. Make sure that the microphone is flush with the top of the case. This ensures that when a digital watch is placed on top of the case, both microphone and watch make close contact with each other.

Take care when positioning the relay RLA1, as there is little room between the relay and WD1 on the front panel. □

## COMPONENTS

### Resistors

R1	3.3M $\Omega$
R2	10k $\Omega$
R3	470 $\Omega$
R4	330k $\Omega$
R5	330 $\Omega$
All $\frac{1}{4}$ W carbon $\pm 5\%$	

See  
**Shop  
Talk**  
page 427

### Capacitors

C1	100 $\mu$ F 25V elect.
C2	2.2 $\mu$ F 10V elect.
C3,4	1 $\mu$ F 10V elect. (2 off)

### Semiconductors

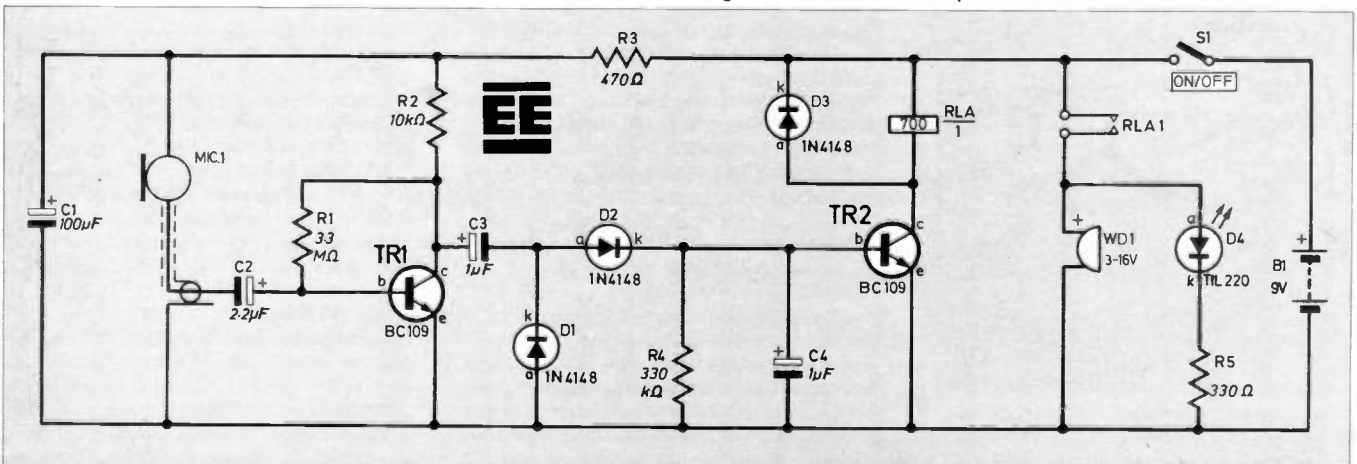
D1,2,3	1N4148 silicon signal diode (3 off)
D4	TIL220 3mm red l.e.d.
TR1,2	BC109 silicon npn (2 off)

### Miscellaneous

S1	on/off miniature toggle reed relay, 6-9V, 700 $\Omega$ coil with 500mA rated n.o. contacts
RLA	700 $\Omega$ coil with 500mA rated n.o. contacts
MIC1	Electret microphone insert
WD1	3-16V miniature piezo-electric transducer
Verobox (type 65-2036H), 110 x 68 x 33mm; single-sided p.c.b. 56 x 50mm; PP3 battery and connector; l.e.d. mounting bezel; 7/0.2mm wire.	

Approx. cost  
Guidance only **£11.00**

Fig. 1. Complete circuit diagram for the Digi Alarm Wristwatch Amplifier.





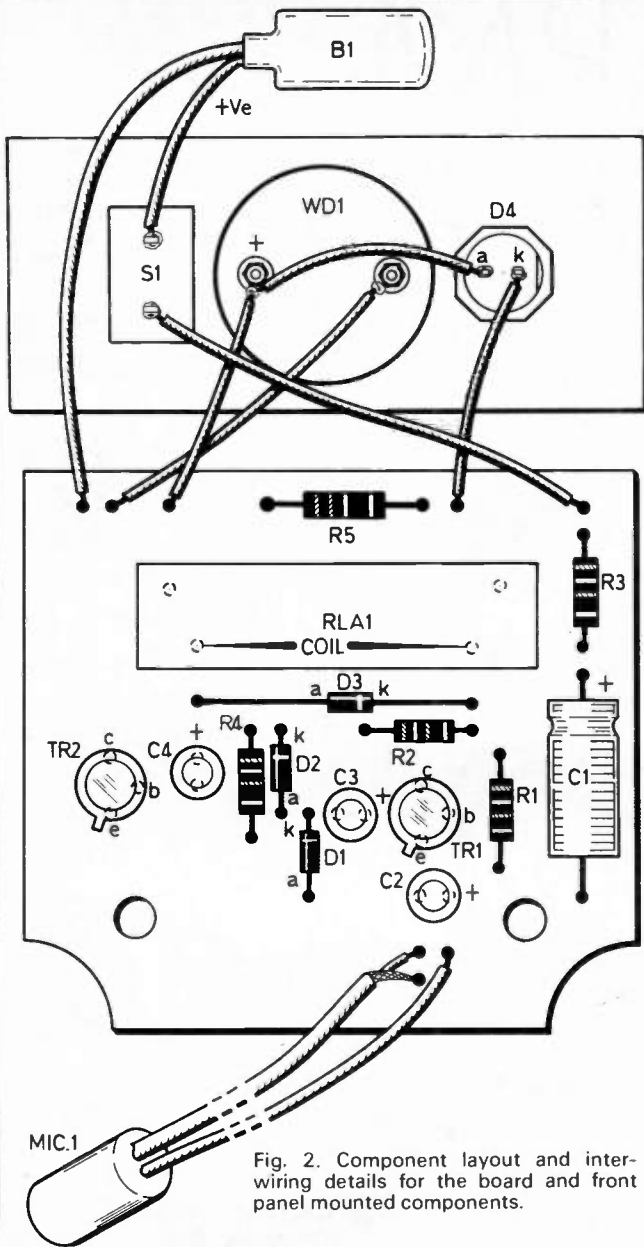
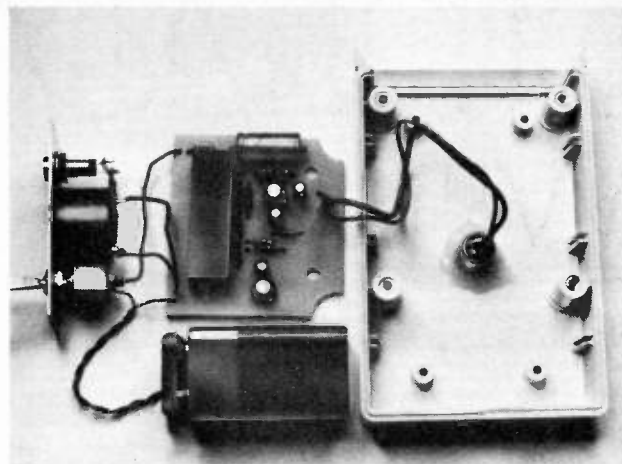
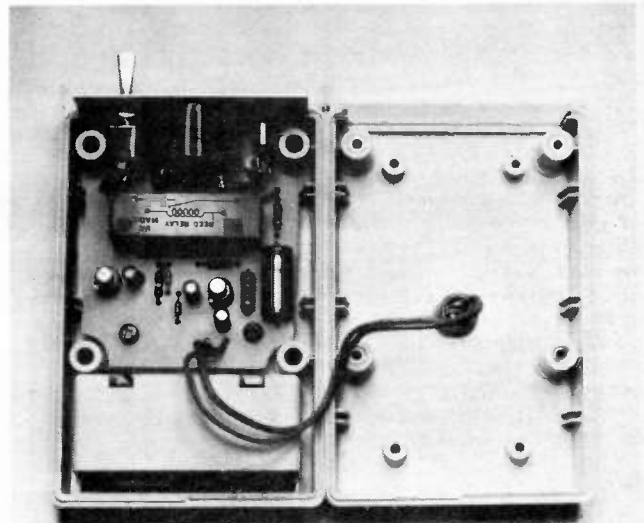


Fig. 2. Component layout and interwiring details for the board and front panel mounted components.

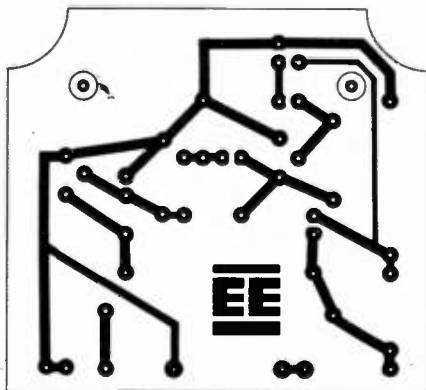


Completed front panel (containing l.e.d., audio warning device and on-off switch) and circuit board wiring prior to inserting in the case. The microphone sensor is glued in the case lid.

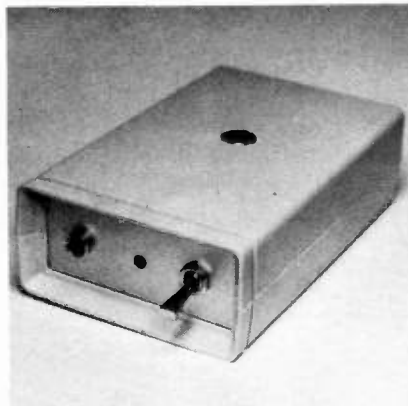


Location of the microphone insert in the lid and the printed circuit board in the base of the case.

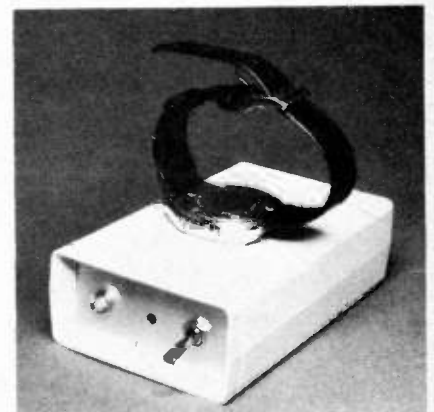
Fig. 3. Full size printed circuit board master.



Front view of the completed prototype and position of the microphone insert.



Prototype unit ready for use with a wristwatch mounted over the microphone insert.



# TRI BOOST

## GUITAR TONE CONTROLLER

BY J. D. ROGERS

CONSIDER the following points: the most commonly required tonal corrections to electronic instruments and amplifiers are "not enough" types, that is, not enough treble, not enough middle or not enough bass. Guitarists tend to use the boost halves of tone controls in preference to the cut, and still sometimes need more. Boosts of low, mid or high frequencies may be needed temporarily, just for a solo break for example.

This project takes all these points into account and provides, in a compact unit, the facility to add extra gain in either the low, middle or high parts of the audio range. It is, in effect, a quality treble booster, mid booster and bass booster all rolled into one. The type of boost can be preselected on the rotary control and is switched in and out by the foot switch.

### FILTER

There is a particular region of response where a cut rather than a boost can be usefully applied in many situations with the benefit of more clarity. This is the area between *real* bass and mid, the area that often causes boominess. Therefore, as well as the boosts the Tri Boost also has a switchable output filter which cuts into the above mentioned area.

The unit is easy to construct with Veroboard, it uses two transistors, a simple s.p.s.t. foot switch and a handful of other components, all of which are readily available.

Input impedance suits all instruments and the unit runs on a single 9V battery which is switched on by inserting a jack into the input socket. Drain is very low at less than 2mA so a small PP3 type can be used.

### CIRCUIT DESCRIPTION

The circuit diagram is shown in Fig. 1. TR1 is fed with the audio input through d.c. blocking capacitor C1 and biased via R4 from potential divider R2/R3. C2 ensures that there is no noise in the bias supply. Since TR1 has equal value emitter and collector resistors (R5 and R6), the gain at the collector will be near unity, and so the unit will normally give an output identical in volume to the input.

Any decrease in the impedance from the emitter to earth however, will increase the gain at the collector. The top of S1 (the foot switch) is a.c. coupled to the emitter and can therefore be regarded as a "boost point". Any impedance, whether it be resistive, capacitive or otherwise, between here and signal earth will in-

crease the gain of TR1 (but cannot upset the d.c. conditions because of the presence of C3).

So, a resistor added from the boost point to earth would give a flat gain increase, equal at all audio frequencies, a small capacitance would increase gain only at high frequencies, while an inductor would give extra gain only at low frequencies since its impedance is greater towards higher frequencies.

In the unit, VR1 the RANGE potentiometer, is arranged so that when set fully clockwise, L1 is shorted out and has no effect, but C6 is left directly across the boost point and earth, resulting in treble boost. Fully anti-clockwise, C6 is shorted out and L1 is now across boost point and earth, so the result is bass boost.

Halfway, L1 and C6 are in series between the boost point and earth and form a resonant circuit. A property of the latter is that it has least impedance at resonance so the result is that mid frequencies are boosted in preference to highs and lows.

TR2 is an emitter follower, directly biased from the collector of TR1. It adds no gain itself, but it ensures correct operation of TR1 by providing a buffering action and also provides a low impedance drive to the output and the filter.

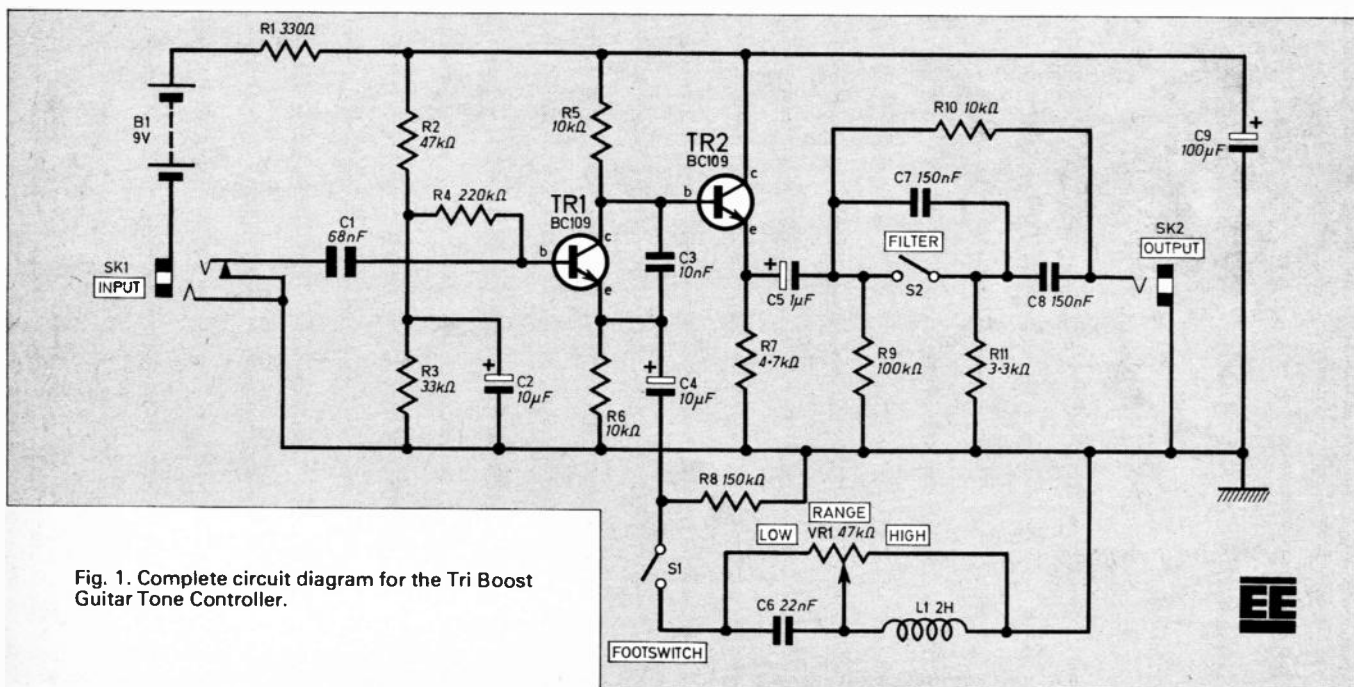
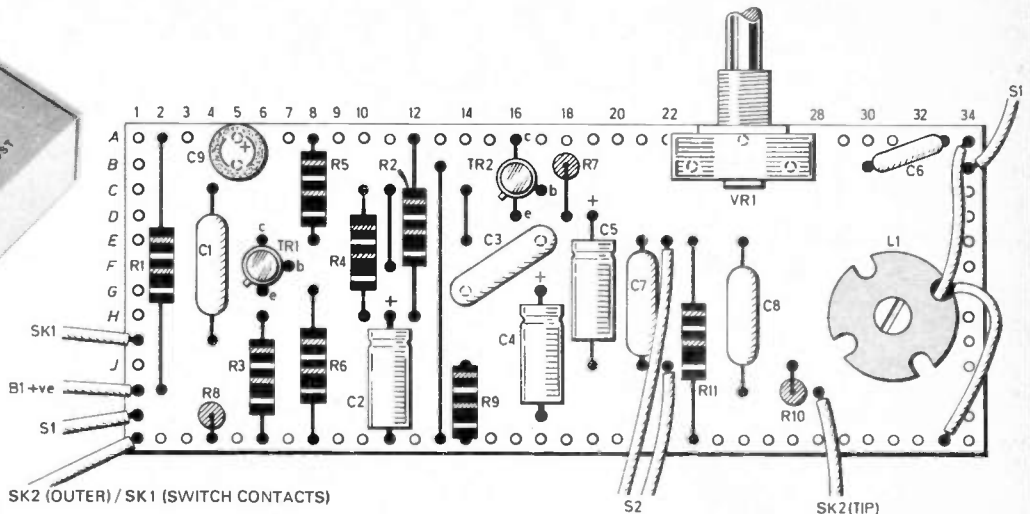


Fig. 1. Complete circuit diagram for the Tri Boost Guitar Tone Controller.





Topside of finished prototype showing the positioning of foot switch.



## COMPONENTS

### Resistors

R1	330Ω
R2	47kΩ
R3	33kΩ
R4	220kΩ
R5,6,10	10kΩ (3 off)
R7	4.7kΩ
R8	150kΩ
R9	100kΩ
R11	3.3kΩ
All 1/4W carbon ±5%	

See  
**Shop  
Talk**  
page 427

### Capacitors

C1	68nF polyester
C2,4	10μF axial elect. (2 off)
C3	10nF polyester
C5	1μF axial elect.
C6	22nF polyester
C7,8	150nF polyester (2 off)
C9	100μF axial elect.

### Semiconductors

TR1,2	BC109C npn silicon (2 off)
-------	----------------------------

### Miscellaneous

S1	s.p.s.t. push-button foot switch
S2	s.p.s.t. miniature toggle
SK1	0.25in stereo jack with switched contacts
SK2	0.25in mono jack
VR1	47kΩ linear potentiometer, p.c.b. mounting
L1	2H high inductance wound core
B1	9V PP3 battery
Aluminium case, 102 x 70 x 38mm (Maplin AB9); 0.1in matrix stripboard, 13 strips by 34 holes; control knob; battery clip; 7/0.2mm equipment wire; rubber feet (4 off).	

Approx. cost  
Guidance only

**£8.00**

Note: The link from 11c to 11f can be replaced with a 100μH r.f. choke if the user's guitar or amplifier normally suffer from radio interference (taxis, and so on).

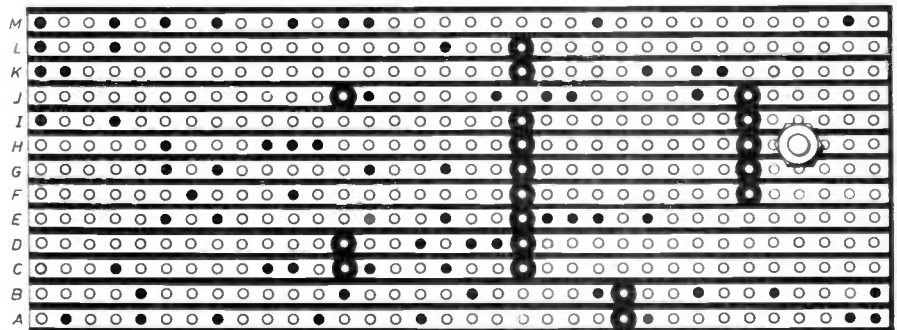


Fig. 3. Component board showing the position of VR1, which is a p.c.b.-mounted type, and underside of board showing breaks to be made in the copper strips.

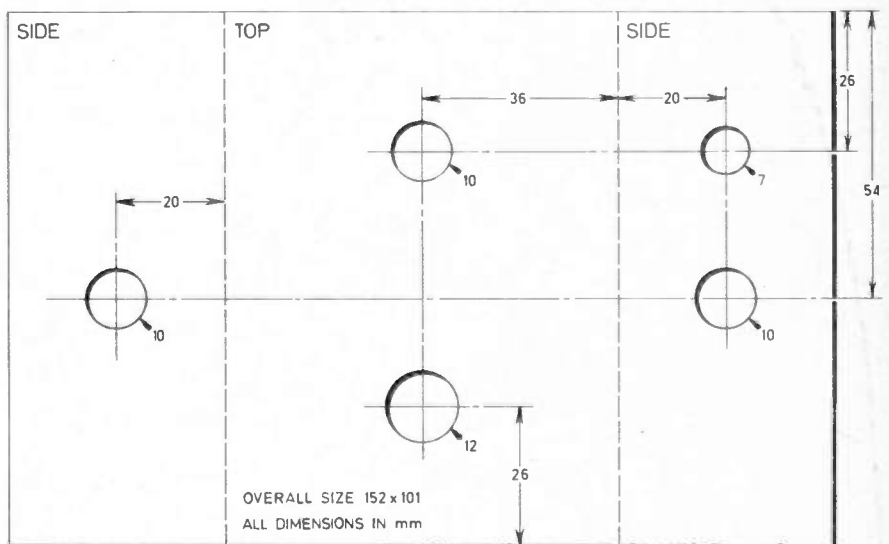


Fig. 2. Drilling information for the case showing the positioning of the five holes.

The output filter has no effect when S2 is closed, but when open it gives cut of low-mid, without sacrificing real bass which is free to pass via R10. The function of R1 and C9 are to smooth the battery supply. R8 is to earth-reference the boost point side of C3 and so make all boost controls scratch/click free by ensuring that no d.c. level is present. R9 does the same job for the output filter.

# CONSTRUCTION

## ASSEMBLY

The Veroboard design uses direct mounting of the potentiometer VR1 to reduce interwiring and also conveniently hold the board in position in the case. Using the recommended case it may appear to be a close fit, but so long as the given dimensions and instructions are followed everything will fall easily and neatly into place.

Construction is made much easier if operations are carried out in the following order:

1. Drill the five holes in the case, following the dimensions given in Fig. 2 as closely as possible.
2. Clean the case before lettering with rub-down transfers such as Letraset. Spray with a clear varnish such as Letraset 101 aerosol to fix the lettering.
3. Cut the Veroboard to size, 13 strips by 34 holes and make the breaks in the

copper strips as shown in Fig. 3, and drill the small hole to mount L1.

4. Solder all components except VR1 onto the board, not forgetting the three links. It is easiest to do these first, followed by the resistors, capacitors then the transistors and finally L1.

5. VR1 must be of the p.c.b.-mounting type, such as those supplied by Maplin. Cut its spindle to length, then bend the centre pin so that this will fall on the *next* row of holes on the Veroboard to the outside two pins. Veroboard holes are slightly too small for these pins and so the three holes where VR1 fits (see Fig. 3) must be *slightly* enlarged using a spike or small drill. VR1 can now be soldered onto the board. "Tin" VR1's pins first and use a reasonable amount of solder to make these joints since VR1 physically supports the board. This completes the circuit board assembly.

6. Mount into the case the two jack sockets, the foot switch and toggle switch. Bend back the two contacts of the metal jack socket so that these will not come too close to the circuit board when this is installed. This can be seen in the photographs.

7. With the case lying on its back and the completed circuit board resting "North" of it on the bench, wire all components, using a 7/0-2mm wire as shown in Fig. 4. The reason for wiring up in this position is to ensure that should the board need any attention, its leads will have enough slack to allow it to be lifted clear of the case to work on.

8. Mount the board by inserting VR1 after first placing two or three spacing washers on the potentiometer. The board is designed to fit diagonally across the case, see photograph and diagram.

9. Tidy up the routing of all wires, fix the knob onto VR1, connect fresh battery and screw the case together. Finally, put four stick-on rubber feet under the case.

## IN USE

The bass and treble boosts at either end of VR1's range may be too much for some tastes, so in these cases it is best to slightly back off VR1 from extreme positions.

A typical use of the filter switch is to improve the quality of acoustic guitar with a microphone, as the filter can reduce the boomy feedback that plagues this type of set up.

## OPTIONS

The previously mentioned concept of a "boost point" means that the main circuit (all above S1 in Fig. 1) can in fact be used as a fool-proof "base" on which to form *any* type of booster. The constructor need not stick to the "Tri" arrangement of the prototype unit, but may experiment to obtain whatever best suits the particular instruments.

These may range from the person who only requires say a fixed amount of mild lift above certain frequencies, to another who may require a more flexible system offering variable boost.

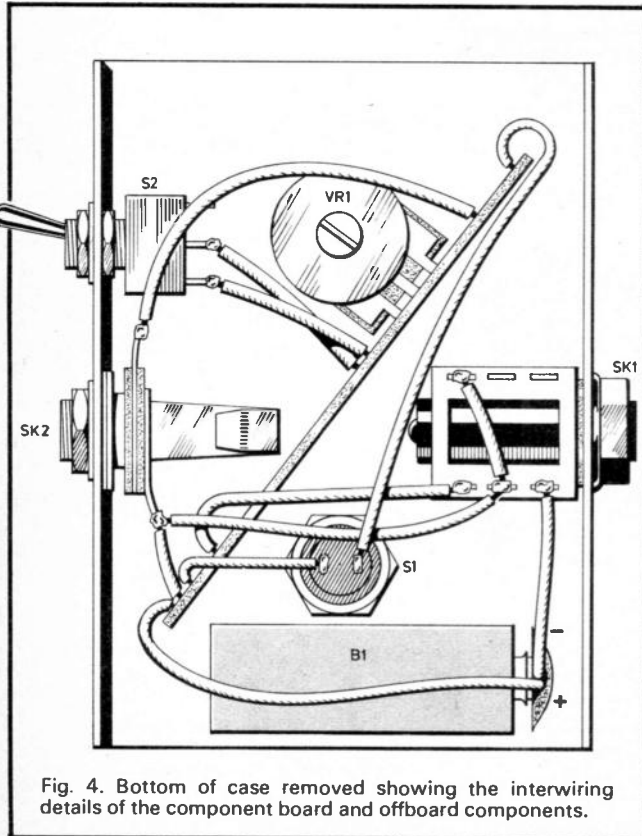
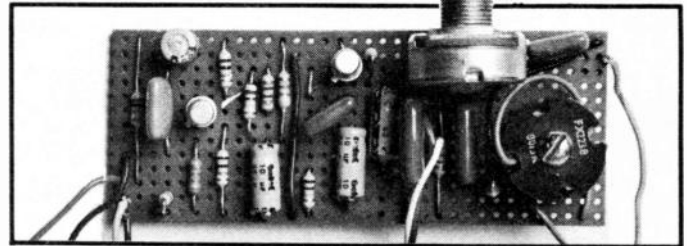
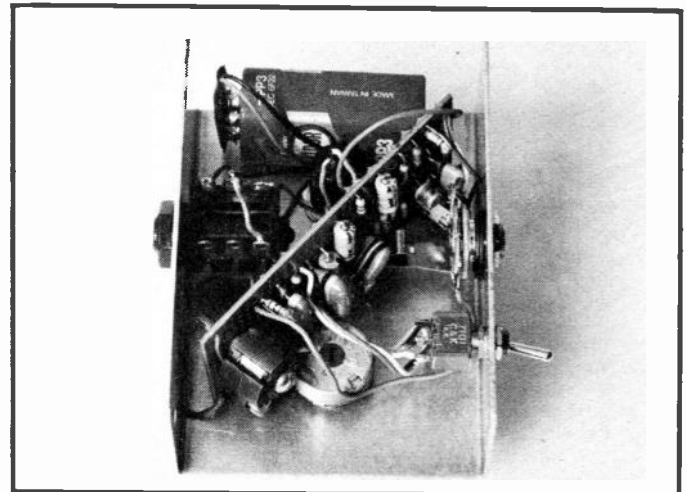


Fig. 4. Bottom of case removed showing the interwiring details of the component board and offboard components.



Component board showing the positioning of VR1.



Bottom of case removed showing the positioning of components inside the case.

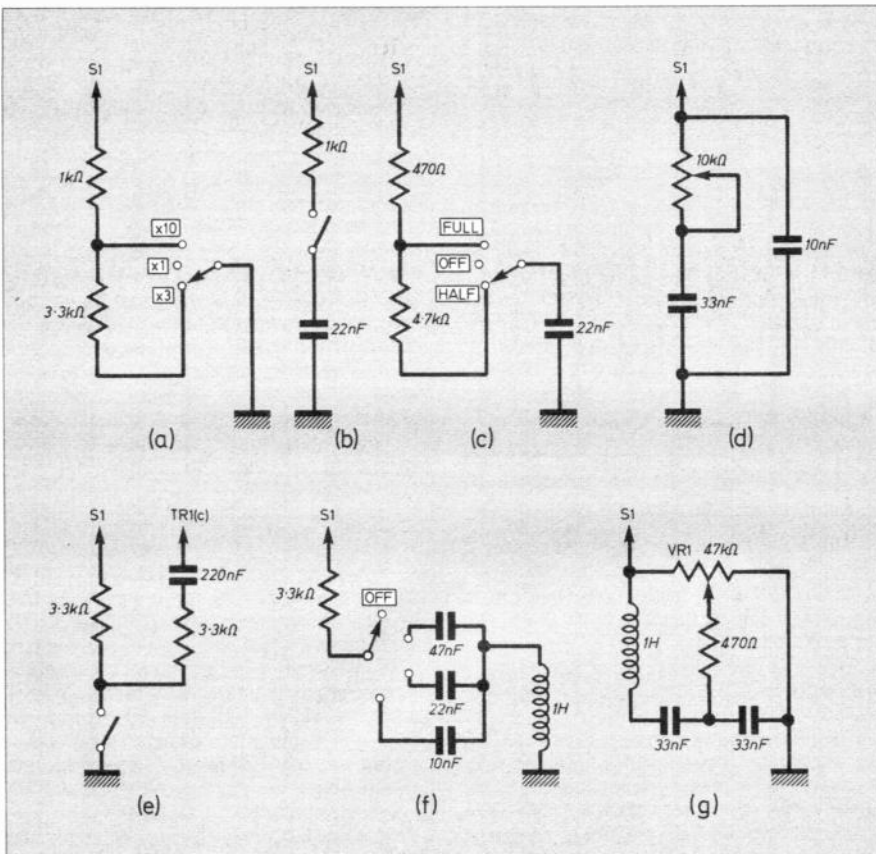


Fig. 5. Examples of boost or control configurations constructed with various components (a) Plain Gain Boost (b) Simple Fixed Boost (c) Two Level Boost (d) Variable Boost (e) Bass Boost without an Inductor (f) Switchable Frequency Band Boost and (g) shows an add-on for more variations, leaving C6/L1 connected as in Fig. 1.

It is an easy matter to try out other arrangements by simply building the whole Tri Boost as described, but leaving out VR1, C9 and L1. Two leads are then temporarily brought out, one from boost point and the other from earth.

The constructor is then free to experiment with any combinations of capacitors, resistors, inductors, potentiometers and switches of any type between these two points to give any desired boosts or control configurations.

No harm can be done by any arrangements here, and there are no "rules" so anything goes, the only limits are imagination and what components are available. Some tried and tested examples are given in Fig. 5 (a to g) to indicate general principles.

Use of a breadboard would make it easier to try out ideas. Having found your custom sound, or most useful control arrangement, the components can then be permanently installed in the case.

It doesn't matter whether these "amateur-derived" boost networks are technically correct, worked out mathematically or are conventional, if it sounds right to the individual then really that is the only valid criterion on which to judge. □



## PRACTICAL ELECTRONICS

### ULTRALIGHT

—Automatic lighting and intruder alarm.

### Four TIMER PROJECTS

—A versatile range for measurement and control

### Special Feature FARILIGHT MUSIC COMPUTER

—A review of this fascinating instrument.

**Plus: Spacewatch. Free Readers' Adverts. Patents Review. Microfile. Semiconductor Circuits.**

It's ALL in  
**PRACTICAL ELECTRONICS**  
July issue on sale NOW!

# CIRCUIT EXCHANGE

## CAR CIRCUIT TESTER

THIS circuit was designed to be a very simple and cheap fault-finding aid for car electrics. The few components allow it to be packaged in, say, an old clear ball point pen tube. The probe could be fashioned from a brass screw, and the complete tester is small enough to be carried around in the car tool-kit.

The advantage of this circuit is that it gives a positive indication of both parts that are live and parts that are at chassis potential—as opposed to being isolated.

With 12 volts applied to the circuit from a pair of wires with battery clips attached to the car battery, no current flows because the battery potential will be insufficient to overcome the two Zener voltages, and the forward bias voltage drops of the two l.e.d.s.

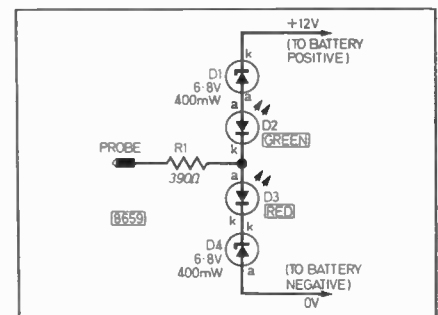
When the probe is touched to a "live" (+12V or near potential) part, the 12 volts are applied across R1, D3, D4 which causes the RED l.e.d. D3 to light.

When the probe is touched to a part at chassis potential, 12 volts are applied across D1, D2 and R1 and the GREEN l.e.d. lights.

If the connections to the battery should be inadvertently reversed no damage will occur, the l.e.d.s simply remaining extinguished.

The two colours of l.e.d.s would be swapped for positive earthed vehicles.

C. Fancourt,  
Charvil,  
Reading,  
Berks.



**MORE ON PAGE 439**

# MEASUREMENT OF AUDIO AMPLIFIER PARAMETERS

BY E. A. RULE\*

**D**URING the past few years, EVERYDAY ELECTRONICS has published a considerable number of articles on audio equipment and also various items of related test equipment. These have ranged from very simple bench amplifiers to complicated FM stereo tuners, amplifiers, such as the EE2020 published in December 1978, and the 50 watts Public Address System (May–August 1982).

As a result of these articles there have been a number of requests for an article on making measurements on audio equipment built by the home constructor so that comparisons may be made with similar commercial equipment.

Most manufacturers publish very full technical specifications for their equipment and there are many arguments as to the methods used to obtain the performance figures published. However, it is not intended to get involved with arguments of that nature here, but to show how the basic specification parameters may be measured with the use of equipment that is available to many home constructors.

## BASIC TEST EQUIPMENT

The minimum test equipment required is a **signal generator** covering the range of 20Hz to 20kHz and preferably having an attenuator to control its output amplitude, and an **output meter** which will measure the output voltage expected from the amplifier over at least the audio frequencies involved.

Other desirable items are an **oscilloscope (c.r.o.)** and a **harmonic distortion measuring set**. A **dummy load** is also required.

The dummy load should be of a value of 8 ohms and of suitable wattage rating to withstand the full expected output of the amplifier under test. For up to 25 watts the CGS type HSA25 or the Welwyn type WH25 would be suitable. (IMPORTANT. Do not use resistance wire from fire elements as these sometimes contain iron and this can cause very high distortion at high frequencies and give misleading results.)

The load resistors should be within 2 per cent of 8 ohms and be mounted on suitable heatsinks such as the RS type 401-403, one for each load (two for stereo amplifiers).

## SIGNAL GENERATOR

A simple signal generator will suffice for measuring power output, but if it is intended to measure distortion and frequency response the generator will have to have very low distortion and also a level output over its frequency range. An instrument which also has a square-wave output would be useful for certain tests.

The harmonic distortion content of the signal generator should be at least ten times better than the level expected from the amplifier if accurate and meaningful measurements are to be made. This means of course that if an amplifier is rated at 0.1 per cent total distortion, then ideally the generator should be less than 0.01 per cent and these are not cheap. However it is possible to get useful measurements with generators which have a distortion content of around 0.05 per cent or so.

The same can be said of output level; if you are expecting the amplifier to have a frequency response within plus or minus 1dB the generator should be level to within 0.1dB. It is possible to overcome this particular problem by first measuring the actual output from the generator over its frequency range and then comparing this with the output from the amplifier when using the same generator and output meter, the difference between the two would be the response of the amplifier. More about this aspect later.

## OUTPUT METER

The output meter should have a level response over the audio frequency range to be measured and if possible have a dB scale as well as the normal voltage scales. It will need to cover the a.c. voltage range

of from around 25 volts maximum (78 watts across 8 ohms) down to 25 millivolts minimum (−60dB); actually a wider range than this is to be preferred.

The general specification of the output meter should be ten times better than the specification you expect from the amplifier undergoing test. Any errors in the test equipment are compounded and can lead to large overall errors.

For example, when measuring a 50 watts output, if the load and meter are accurate to 2 per cent each, the 50 watts output could read either 53.08 watts (resistor low, meter high) or 47.01 watts (resistor high, meter low). A total variation of 6.07 watts or over 12 per cent error in power measurement. So be warned, do not read more into your measurements than the accuracy of your equipment will allow.

## OSCILLOSCOPE

A simple oscilloscope (c.r.o.) will be satisfactory for most audio work as it will be used mostly to indicate clipping points at maximum power. However, a c.r.o. with a wide bandwidth is required if square-wave tests are to be made, and for audio work a minimum bandwidth of 5MHz is required. A double beam c.r.o. would be very helpful, but is not vital as simple switching can be used for checking stereo equipment.

## HARMONIC MEASURING SET

Instruments to measure harmonic content take many forms and can be quite expensive, but one suitable for our needs is the Audio Test Set described by F. C. Judd in the May and June 1981 issues of EVERYDAY ELECTRONICS. This has a fixed frequency (1kHz) very low distortion oscillator, a wide range audio millivolt meter, and a harmonic measuring set which will read down to 0.05 per cent total harmonic distortion. The oscillator has a distortion of around 0.02 per cent so reasonably accurate measurements can be made using this Audio Test Set on amplifiers of around 0.2 per cent (or lower with a little care).

## TEST SET-UP

Fig. 1 shows a typical test set-up for measuring the power output and distortion of an amplifier using the EE Audio Test Set mentioned above. Full details of how to make the measurements with this test set were given in the June 1981 issue of EVERYDAY ELECTRONICS and it is not proposed to repeat them here, however a few general tips will be given.

First of all, connect the output of the oscillator directly to the input of the distortion measuring set and take a measurement of the actual distortion of the test set-up. This reading is the best you will obtain even if the amplifier you test is perfect and has no distortion at all! In other words, it sets your limits and in practice you should only attempt to measure to around two to three times the figure

\*T. & T. Electronics.

obtained if you want to be reasonably accurate.

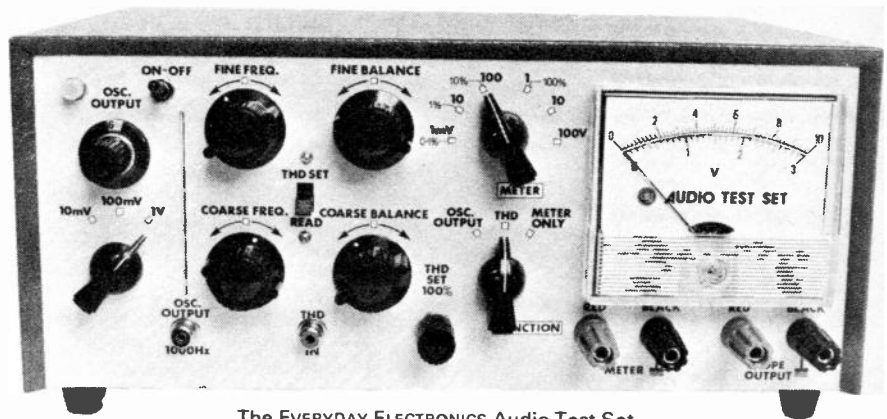
As a rough guide, if you add the possible error in dBs of all the test equipment together, you will have some indication of the accuracy that you can obtain with the equipment being used. Don't be surprised at the result! An overall figure within 2 or 3dB is quite reasonable for the type of equipment the average home constructor is likely to have. Overall test figures to within 1dB call for very expensive equipment and to measure to the best commercial standard calls for a second mortgage!

The reason that attention has been drawn to this question of overall accuracy is that it is all too easy to worry about small variations in performance between amplifiers, which are in fact less than the variations in the actual test equipment itself.

## POWER OUTPUT

It is most likely that power output will be the first measurement you will want to take. Fig. 2 shows the normal set up for this. If possible the power amplifier should be tested first on its own, that is without any control unit in circuit.

With many amplifiers the tape monitor input connects directly to the power amplifier and by-passes the earlier stages. However, if this is not possible, simply set any tone controls to their "flat" position and switch any filters out. Use either a aux or tuner input, although any input which has a flat frequency response will do. Do not use the disc input for this test.



The EVERYDAY ELECTRONICS Audio Test Set.

Set the signal generator to 1kHz and its attenuator to minimum output voltage. Make sure that you have the dummy load connected across the amplifier output (both channels if stereo).

Inject a 1kHz sine-wave signal into one channel and connect the output meter and c.r.o. across the output on the same channel.

Switch the amplifier on and turn any volume control to maximum, then slowly increase the output from the generator until an output is obtained on the meter and/or c.r.o. Increase the level of signal until the peaks of the waveform start to "flatten". Reduce the signal to a point where this "flattening" is only just visible.

Note the voltage on the meter. The power output is calculated by this voltage squared divided by the load resistance.

For example, if the maximum output voltage is 13.5 volts, then

$$\frac{13.5 \times 13.5}{8} = 22.78 \text{ watts}$$

A fair rating for the amplifier in this case would be 20 watts.

Repeat the measurement on the other channel. You now have the output for each channel in turn. Now feed the signal into both channels at the same time and check the voltage across each output. It will now be lower. This is the power output with both channels driven. For example, if you now get 12.5 volts across each output, the power will be

$$\frac{12.5 \times 12.5}{8} = 19.53 \text{ watts each}$$

so again a fair rating for this amplifier would be 20 plus 20 watts.

To compare this rating with a commercial design you must first pre-condition the amplifier by running it at one third of its maximum power for one hour, and then take the full power measurement. This will test the amplifier when it is quite hot and give the worse case measurement. Often the output will be less after this pre-conditioning period. However, for normal domestic use this pre-conditioning is not required, a simple measurement is enough.

## FREQUENCY RESPONSE

The set-up for frequency response measurement is the same as in the power test except that all measurements are taken at a power output of less than 1 watt. The signal generator must now have a variable frequency output which at least covers the range of 20Hz to 20kHz. If possible the power amplifier should again be checked without any control unit in circuit or if this is not possible with any tone controls set for a flat response.

First, set the input frequency to 1kHz, and adjust the input signal to set the indication on the output meter to a suitable reading which will now be our reference level for 0dB. If the meter has a dB scale this can be used with the meter range switch on the 3-volt range (or a lower range); the main thing is to keep the

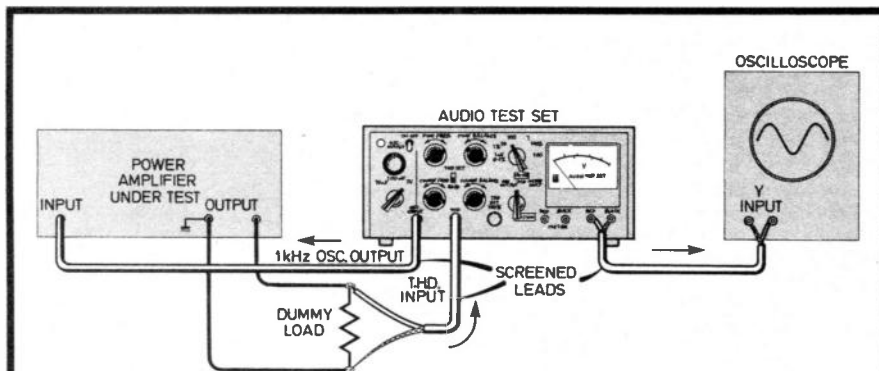


Fig. 1. Test set-up for measuring power output and distortion of an amplifier using the EE Audio Test Set.

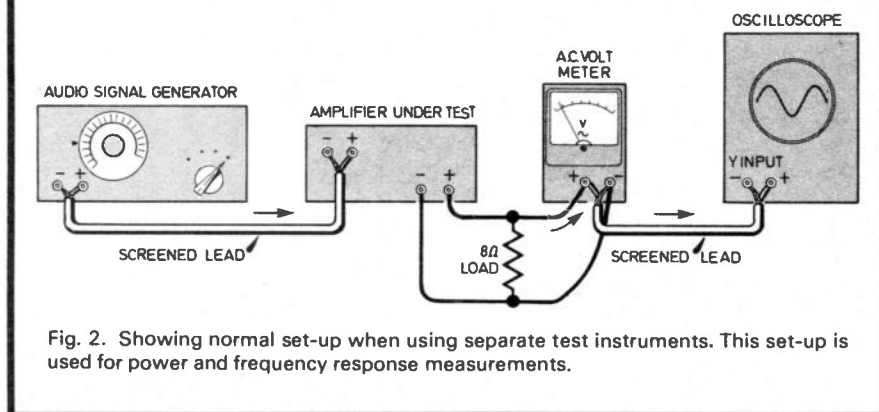


Fig. 2. Showing normal set-up when using separate test instruments. This set-up is used for power and frequency response measurements.

power output as low as practical while taking frequency measurements.

Having noted our reference level, change the input frequency over the range to be measured and note any change in output level; this change in dBs is the frequency response of the amplifier section being tested. The same method is now used for each input, and with the tone controls in each position, and then repeated again with any filters switched in. This way each of these items can be checked in turn to see what its effect is on the frequency response.

### DISC EQUALISING

The disc equalising can also be checked in the same way but due to the very wide amplitude change at the very low and very high frequencies and the very sensitive input, special precautions are needed to avoid hum and enable accurate results to be obtained.

First make up an attenuator so that the output from the generator is reduced to one tenth or better still one hundredth of its normal output. Fig. 3 shows a suitable network. Set the generator to 1kHz as before and adjust its output to give our reference level on the meter when feeding into the disc input.

Change the frequency from 1kHz to 20kHz and plot the readings obtained on graph paper. It may require the meter range to be changed while doing this as the output will fall about 20dB (ten times) as the frequency is increased.

Reset to 1kHz, reduce the input amplitude so that the meter indicates -20dB, that is ten times lower than before. This is now our 0dB reference.

Change the input frequency from 1kHz to 20kHz and plot the readings as before but this time the readings will increase 20dB as the frequency is lowered and again it may require the meter range to be changed.

### RIAA EQUALISING

A better way to check the RIAA equalising on the disc input would be to make the circuit up shown in Fig. 4. This

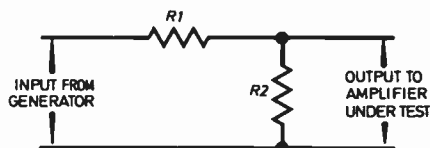


Fig. 3. Two networks which can be used to reduce the output from the generator to a suitable level for the disc input and avoid hum problems.

Network A, reduction 10 times (20dB).  
 $R1 = 10k\Omega$   $R2 = 1k\Omega$   
 Network B, reduction 100 times (40dB).  
 $R1 = 100k\Omega$   $R2 = 1k\Omega$

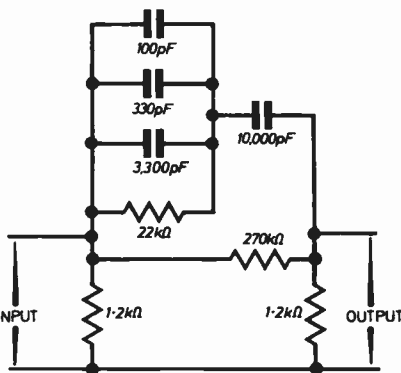


Fig. 4. Circuit for obtaining an inverse RIAA recording curve. By feeding the signal from the generator through this network to the disc input of the amplifier, the overall frequency response should be "flat". Accuracy of network is plus or minus 0.5dB 20Hz to 20kHz. Components should all be 5 per cent or better.

converts the generator output to the inverse RIAA curve and if the signal is fed via this into the disc input and the RIAA correction in the amplifier is correct, the output will remain flat over the audio range 20Hz to 20kHz. This makes it much easier to read on the meter and avoids errors due to changing ranges.

Many amplifiers have a rumble filter built into the RIAA equalising curve and this may show a fall off in response at the lower frequencies and a response 3dB down at around 20Hz is fairly normal.

### RIAA\* REPLAY CURVE

Frequency Hz	dB	Frequency Hz	dB
20	-18.6	1,500	+1.4
30	-17.8	2,000	+2.6
50	-17.0	3,000	+4.7
60	-16.1	4,000	+6.6
70	-15.3	5,000	+8.2
80	-14.5	6,000	+9.6
100	-13.1	7,000	+10.7
150	-10.2	8,000	+11.9
200	-8.3	10,000	+13.7
400	-3.8	12,000	+15.3
500	-2.6	14,000	+16.6
700	-1.2	16,000	+17.7
1,000	0.0	18,000	+18.7
		20,000	+19.6

This is the standard replay curve used in all modern hi fi amplifiers and is also covered by British Standard 1928-1955.

\*Record Industry Association of America.

### SIGNAL-TO-NOISE

The amount of noise present in any amplifying system is one of the more important parameters and measuring this is fairly simple. The simplest way is to relate the amount of noise present relative to the power output of the amplifier.

To do this, first decide which input you are going to measure. Inject a signal and adjust its level until the amplifier indicates maximum power on the output meter. This is a reference point and we will make this equal to 0dB.

The volume control should be at maximum and any other controls set for an overall flat response. Remove the input signal and put a short circuit across the input terminals. The amount the output falls on the meter will be the signal-to-noise ratio.

For example, if our maximum output reading was 13.5 volts, and when the signal was removed and the input shorted out, the reading fell to 13.5 millivolts (1000 times less), then the signal-to-noise ratio is 1000 times or -60dB.

However, this method of measurement with the volume at maximum will not give a true figure of the noise present in practice when the volume control is used at a lower setting. To measure the more practical signal-to-noise ratio, set the input signal as before then reduce the volume control until the output has dropped by 20dB (ten times). Remove the input signal and note how far the output drops relative to the reading on the output meter, so the new reading with the volume turned down by 20dB becomes our new reference of 0dB.

On many amplifiers the results will be worse with the volume control turned down than when it is at maximum and this method gives a result more in keeping with the normal practical use of the system.

In fact the frequency response could also be checked with the volume control turned down as sometimes there is a fall off in the high frequency response compared with it at maximum.

### OTHER MEASUREMENTS

There are many other measurements that could be made and a few will be suggested here with a brief description on how to measure them.

**Cross-talk.** This is measured by putting the output meter on one channel while driving the other one to the full power reference level. The reading obtained relative to the full output from the other channel is the cross-talk.

For example: Full power channel A equals 13.5 volts, output from undriven channel equals 0.135 volt, cross-talk is 40dB down (100 times). This should be checked at various frequencies.

**Power Bandwidth.** Measured in the same way as power output but by using different frequencies find the point where the power is down to half (-3dB).



For example, if the power output is down to half power at 50Hz and 15kHz, the power bandwidth is 50Hz to 15kHz. This could also be measured for a given distortion level. Thus a specification could read: Power bandwidth 20Hz to 20kHz, 25 watts at 0.5 per cent total harmonic distortion (THD). In other words the amplifier will give a minimum of 25 watts over that range with less than 0.5 per cent distortion.

**Damping Factor.** This is the ratio of effective output impedance relative to the rated output impedance. For example, if the rated output impedance is 8 ohms and the actual output impedance is 0.1 ohm then the damping factor is 80. To measure, inject a signal at 50Hz and with the dummy load removed measure the voltage across the output, set for a con-

venient reading on the meter, say 10 volts. Then connect the dummy load and note the drop in reading. For example, 0.2 volt drop, divide the original reading (10 volts) by the drop (0.2 volt),  $10/0.2 = 50$ , this is the damping factor. This can also be checked at different frequencies.

**Input Sensitivity.** This is the level of signal required at the particular input which will provide full power at the output of the amplifier under test.

**Overload Factor.** This is the maximum input that can be applied to the input under test without causing distortion to rise above a reference level. The volume control is reduced as the input is increased to prevent overloading of the power output stages.

**Stability.** Normally checked by feeding

a square-wave signal to the input and looking at the c.r.o. to see if there is any sign of oscillation with various types of output loads.

For example: With no load; with  $2\mu\text{F}$  and 8 ohms; with  $2\mu\text{F}$  on its own; and so on.

There are many more tests that may be made and a good book on this subject is the *Audio Technician's Bench Manual* by John Earl. Amplifier testing is a skilled job and a full day can often be spent just taking the basic measurements. Quite expensive equipment is required if you wish to obtain accurate results comparable with commercial practice but it is hoped that this article will at least enable you to make basic measurements on your home constructed equipment with test gear that is generally available to the home constructor. □

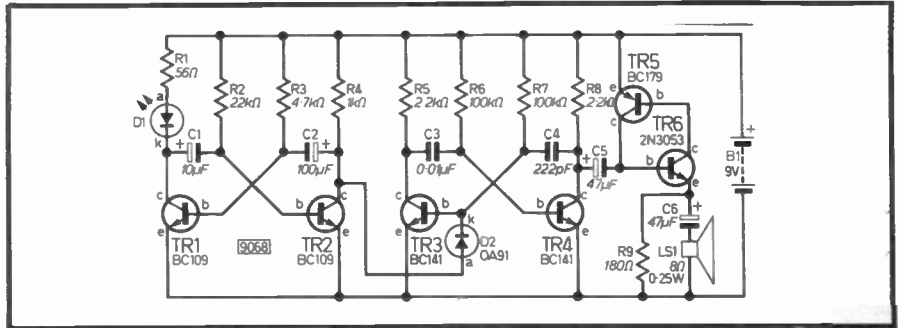
# CIRCUIT EXCHANGE

This is the spot where readers pass on to fellow enthusiasts useful and interesting circuits they have themselves devised. Payment is made for all circuits published in this feature. Contributions should be accompanied by a letter stating that the circuit idea offered is wholly or in significant part the original work of the sender and that it has not been offered for publication elsewhere.

## FLASHING LIGHT BLEEPING SIREN

THIS is an all transistor circuit. TR1 and TR2 form a slow speed oscillator which gates a higher-frequency oscillator comprising of TR3, TR4 and related passive components. Capacitor C5 couples the audio signal to a Darlington amplifier TR5 and TR6, and the output is taken from the low impedance emitter across a 180 ohm resistor. The l.e.d. flashes D1 on and off in accordance with the bleep pulses.

Toh Eng Kiong,  
Singapore.

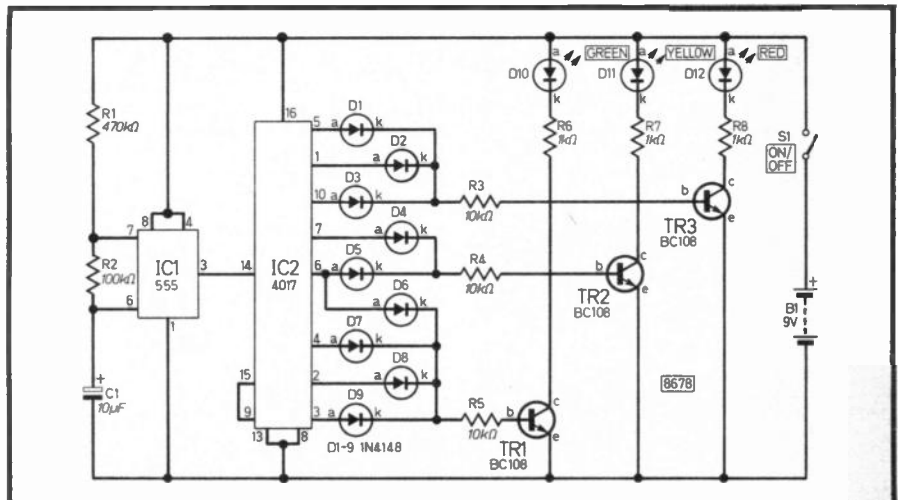


## MODEL TRAFFIC LIGHTS

THIS circuit is ideal for model railways, being used to simulate red traffic lights. The 555 timer and associated components provide an oscillator with a time constant of five seconds, which can be altered by changing C1.

The output of the 555 (IC1) is taken to the 4017BE (IC2), which switches each of its eight outputs in turn. D1-9 directs the outputs to one of the three transistors, with each one controlling one of the three l.e.d.s. These simulate the traffic light colours and should be 0.125 inch dia. l.e.d.s for a "00" scale layout.

D. Pritchard,  
Clanfield,  
Hants.



MORE ON PAGE 450

# FOR YOUR ENTERTAINMENT

BY BARRY FOX

## Wrong Line

Do you want to buy a new, legal telephone? I did, about two months ago, and found out first hand what a mess the whole liberalisation policy is still in.

Thanks to laws enacted by the Department of Industry I should be able to tell at a glance whether any phones on sale in the shops are authorised or not; authorised phones have to be marked with a green circle and unauthorised phones labelled with a red triangle. But in London I found many shops well stocked, with unauthorised phones, sometimes unmarked.

The salesmen often tried hard to sell me unauthorised equipment. They gave completely wrong advice. For instance, one told me that authorised phones are available only from British Telecom. But of course the whole point of the Government's liberalisation policy is to create competition for British Telecom.

I asked the Department of Industry what it was doing about shops that broke the law, didn't mark phones correctly and told "fibs" to customers. The answer was very vague. The DI says it writes to shops that break the telephone marking law. It could prosecute but it hasn't. The spokesman didn't even ask me where I'd seen unmarked phones. Doubtless this explains why so many shops are still breaking the law.

I wanted a wall telephone and found one shop that had an approved model made in England. But although it's designed as a wall phone the shop couldn't sell me a wall bracket. "They haven't yet been designed," I was told.

Not believing the shop, I telephoned British Telecom's sales office for my area. It took me three calls to reach the right office. First the operator put me through to the wrong sales office for my area. Then that office referred me to another office which also turned out to be wrong. Finally through to the right office, a BT salesperson said yes, they had the phones in stock. But wall brackets wouldn't be available until "around June".

## Washing Up Time

As I write this, Leyland workers have just finished their strike over washing up time, that's to say the right to knock off a few minutes early every day to wash. Over the last ten years I have visited factories all round the world and in the most successful countries (Germany and Japan) have noted a quite different approach to working hours.

In those countries everyone arrives ahead of start time and are already at their desks or production line posts as the clock strikes the beginning of a working day. They leave only after the clock has struck the end of the day. In Japan the workers then gather together for what they call quality control circles, to discuss how they can improve production.

In Britain, and most other Western countries, we expect to arrive as the clock

strikes and then get ready for work. At the end of the day we start getting ready early to leave as the clock strikes.

In the electronics factories now run by the Japanese in Britain, such as National Panasonic, Sony and Toshiba, the first thing the staff have to learn is that working hours mean working hours. Anyone arriving even a minute late stands to have their pay docked and risks the sack. So how can Japanese electronics companies in Britain implement rules like this, while British Leyland risks a strike? There's a very simple answer.

## The Japanese Way

When the Japanese open a new factory in Britain, or take over an existing plant, they start from scratch and employ workers only on the clear understanding that they know and understand the Japanese rules. It needs a very clever management to change the rules while a factory is still running the old way.

The Toshiba TV factory in Plymouth was originally owned by Rank-Bush-Murphy. It didn't make money and in 1978 Rank joined forces with Toshiba on the same premises. That also didn't make money. So two years ago Toshiba bought Rank out. Now the factory is making money, Toshiba is taking on more workers and pushing up production to 160,000 colour TV sets a year with a shop-floor workforce of 340.

Compare that to the GEC-Hitachi joint venture: In 1977 Hitachi planned to build its own TV factory in Britain. But the other British manufacturers objected and Hitachi bought a half share in GEC's existing factory. It's been losing money ever since.

## Isolate Your Problems

Anyone into home computing with a cassette save and load system will soon find out the disadvantages of relying on domestic tape as a storage medium. There are the obvious problems, like the time it takes. It is also not easy to find a cassette recorder that has an adequate frequency response, runs reliably at the right speed and has the right range of output and input signal levels.

Less obvious, there's the hidden problem of mains-borne interference. If someone in the house switches on a light, or electric fire, or if the central heating or refrigerator thermostat kicks in while you are transferring data to or from tape, you will end up with a glitch in the program.

If the spike is bad enough you may even end up with a glitch in the data temporarily stored in the computer RAM. You then unwittingly transfer that to tape for storage, and are stuck with a corrupt program for the future.

Recently the workforce went on strike because their pay was frozen for the third year running and bonuses were cut.

After 800 redundancies last year the GEC-Hitachi factory in South Wales has a shop-floor workforce of 1,200 producing around the same number of sets a year as Toshiba plans to produce with a shop-floor workforce of 340.

## Clear Of Fog

There's a delightful end tag to my previous story (March 1983) on how British Leyland is leaving out fog-light wires from Metro cars, even though they are shown in the circuit diagram, because it saves BL a few pence. The customer then has to pay a garage pounds to fit the wire.

It took me literally months to get a straight answer from the BL management, and a scrappy Xeroxed sheet showing me where the missing wire should be fitted to the printed circuit board. But I was still stymied because I needed a special connector to clip the wire to the p.c.b.

They then gave me a part number so that I could order the vital connector from an authorised BL dealer. But the dealer couldn't get one because the part number didn't exist. Finally, three and a half months after my initial query, BL sent me the vital tiny connector clip in an envelope.

So after three and a half months of correspondence and phone calls I was finally able to make the wiring of my new Metro car match the circuit diagram and switch on my fog lights. By then the fog season had passed! At times like these it's not hard to see why the BL workforce are at odds with their management.

The answer is very simple, all you do is buy a mains-isolating transformer to put in circuit with the computer and tape recorder.

In an isolating transformer the primary and secondary coils are quite separate, not joined together as in an auto transformer. You feed 240 volts into the primary and get 240 volts out of the secondary. But interference spikes can't get through, because the transformer acts as a giant choke. Incidentally, an isolating transformer also makes equipment safer, because there is less risk of a shock from live mains running down to earth through your body.

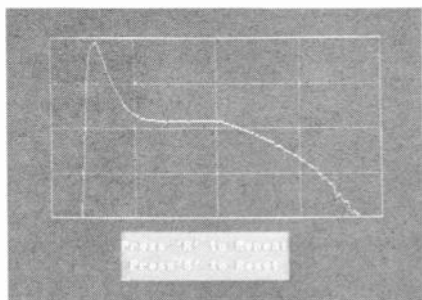
Transformers of this type are expensive because they have to handle high power, but fortunately the drain from a small computer and tape recorder is very low, often a total of no more than 25 watts.

# AUGUST ISSUE

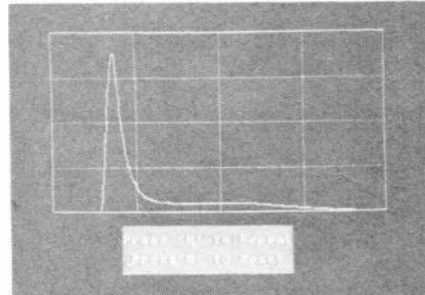
## POWER CONTROLLER

A HEAVY DUTY A.C. MAINS POWER CONTROLLER DESIGNED ESPECIALLY FOR DIMMING LARGE FILAMENT LAMPS OF THE KIND USED FOR STAGE LIGHTING. ALSO SUITABLE FOR CERTAIN OTHER TYPES OF LOAD UP TO 1kW.

## Your BBC Micro becomes a Storage 'scope with this Interface



PROVIDES A LOW-FREQUENCY STORAGE OSCILLOSCOPE FACILITY WHICH WILL BE FOUND USEFUL WHEN EXPERIMENTING WITH SOUND EFFECT, SYNTHESISER AND OTHER SOUND GENERATOR CIRCUITS. DISPLAYS AMPLITUDE ENVELOPE ON LIN. AND LOG. SCALES WHEN USED WITH SOFTWARE PROVIDED. SAMPLING RATE: 100/SEC.



## ALSO INTERFACING TECHNIQUES Part 2

HOME SYSTEMS  
MONITOR

CAR INTRUDER  
ALARM

EVERYDAY  
**ELECTRONICS**  
and computer PROJECTS

AUGUST 1983 ISSUE ON SALE FRIDAY, JULY 15

### WANDERER MAKES FIRST LEGAL CLAIM

**A**PRIL saw the launch of Britain's first legal cordless telephone, approved by both the Home Office and British Telecom. Called the Fidelity Wanderer, and manufactured by Fidelity Radio PLC of London NW10, it does not require a licence and is simply installed with a standard British Telecom socket and a mains outlet.

The Wanderer is a result of research undertaken at British Telecom's laboratories at Martlesham, Suffolk, and the portable handset, which incorporates the push button dialling and ringing tone, can be used at up to 200m away from the base unit. It is likely to retail at around £170 and is expected to find popularity with both business user and consumer alike.

Initially, the cordless telephone is being supplied to 200 selected customers, including a number of disabled and elderly subscribers, and is expected to go on sale to the general public this month and be fully available on a nationwide basis by early autumn. Calls are charged at the rate applicable.

In use, the Wanderer sounds no different from a conventional fixed telephone and is operated in the same way. The cordless handset runs from rechargeable batteries which are charged (probably overnight) by the base unit and can give up to five hours continuous use from a fully charged set of Ni-Cad batteries.



one assigned to each handset/base unit pair, thus the odds of any two units in the same area operating on the same code are quite high.

#### Frequencies

Operating on frequencies of 47.46/47.54MHz from handset to base and 1.642/1.728MHz from base to handset, it also has a unique built-in Securitron system of digital coding which prevents unauthorised dialling from other handsets in the same locality. There are in fact over 20,000 different electronic "signatures",



In the US and Canada, where cordless telephones have been on sale for 14 years with considerably fewer channels, neither interference nor poaching have manifested themselves as a problem.

#### Other Features

Additional features include a re-dial facility which automatically calls a number should it be engaged at the first attempt and a

novel "scratch pad" memory into which the user can enter a number during a call and then dial it when the line is cleared. A call button is positioned on the base unit to page the handset user.

The Wanderer will be available from many retail outlets including Boots, Comet, Dixons, John Lewis, Rumbelows and from the Micro Equipment Centre, Bath. The telephone point must be installed by British Telecom.

### COMING EVENTS

*The Leeds Electronics Show takes place from 5 to 7 July 1983 at the University of Leeds.*

*A seminar programme will be organised by The Institution of Electrical Engineers and The Institution of Electronic and Radio Engineers.*

★ ★ ★ ★

### CAST '83

*The UK's cable and satellite industry are getting a double boost in 1983. The impending publication of HM Government's White Paper, and the International Cable & Satellite Television Exhibition and Conference at the National Exhibition Centre, Birmingham between 11 to 14 September are certain to strengthen Britain's involvement in this new field.*

*Britain is represented by British Telecom, Thorn EMI, GEC, Mullard (Philips), Racal, British Aerospace and Rediffusion, among many others. A strong contingent of overseas manufacturers have also bought space.*

★ ★ ★ ★

*The British Amateur Electronics Club is to hold its annual Exhibition in Penarth, Wales, on 16 to 24 July.*

*For more details contact: The Secretary, Mr. J. G. Margetts, 113 South Road, Horndean, Hants PO8 0ER.*

### High Street Sales

Many more High-Street outlets are now stocking Britain's top selling home computer, the Sinclair ZX Spectrum.

Joining W H Smith's, which is currently selling several thousand Spectrums per week, are selected branches of Boots, Currys, Greens—Debenham's in-store subsidiary—and John Menzies.

At the same time John Lewis, House of Fraser, Rank Xerox and many smaller retailers and computer stores will be supplied by Sinclair's UK distributor, Prism Microproducts.

**Because of a large number of enquiries from the public about the Telecommunications Bill, the Radio Regulatory Department of the Home Office has produced an addition to its series of CB information sheets which explains the Bill's wireless telegraphy provisions.**

**The world-beating computerised cargo system developed by British Telecom, currently used in the control of 30 per cent of the UK's overseas trade, is to go on sale round the world.**

### COMPLAINT

Zilog Inc has filed a complaint against Nippon Electric Company Ltd for patent and copyright infringement, unfair competition and trademark violation involving Zilog's Z80 8-bit microprocessor integrated circuits.

Also named in this complaint are two American subsidiaries of the Japanese company, NEC Electronics (USA) Inc and NEC Home Electronics (USA) Inc. The complaint was filed in the United States District Court for the Northern District of California in San Francisco, California.

## CAN YOU TAKE THE PAICC?

Forsaken by Prestel and desperately short of dealers, the Penwith Area of Cornwall now has an up and running computer club. PAICC (Penwith Area Independent Computer Club) hopes to change all that neglect. The Club is non-profit making, non-aligned for both the professional and amateur user. It aims to promote computer literacy in the area and to stimulate the use of computers in local education.

The PAICC Founding Committee includes a representative for women; for local industry; for education; for business applications; for home users and for under 18s.

The club is at present meeting every Friday in a well-equipped room above the Penzance Micro

Centre who have allowed the club access to some of their equipment and use of a part of their premises, at least initially.

PAICC is fully affiliated to the ACC and prospective members should phone one of the following: Steven Ericsson Zenith on Hayle 754845, Paul Whitehead on Penzance 66336 or Miss Hillage on Sennen 500. These cover the full Penwith Area so phone your local number.

## Down to Earth

British Telecom announced it had submitted planning applications for two alternative sites for its third Earth satellite station.

The first site is on the former aerodrome at Henstridge in Somerset, and the second at Benjafield Farm in the village of Milton on Stour, three miles north of Gillingham in Dorset.

## TELEMATICS GRANT

The University of Essex is to receive a grant of more than £500,000 from British Telecom over the next five years to fund telecommunications studies.

British Telecom has been supporting work at Essex since 1967, both financially and through technical co-operation. The new grant extends the corporation's support for telematics and will also finance post-graduate studies in the field of teletraffic engineering. This post-graduate scheme will be the first at a British university designed to train teletraffic engineering specialists.

## Alas Poor Oric . . .

A lot of confusion has arisen recently concerning the 16K Oric home computer's availability to mail order customers. Well, for those who have previously ordered one, they should now "know him well" (with apologies to the Bard!) as the first stocks of the 16K version were ready for despatch during early May.

Customers who were supplied with the 48K machine on loan in place of their ordered 16K are being notified that the manufacturers are now in a position to supply the 16K or alternatively, they can purchase the 48K they have been using at a 25 per cent discount.

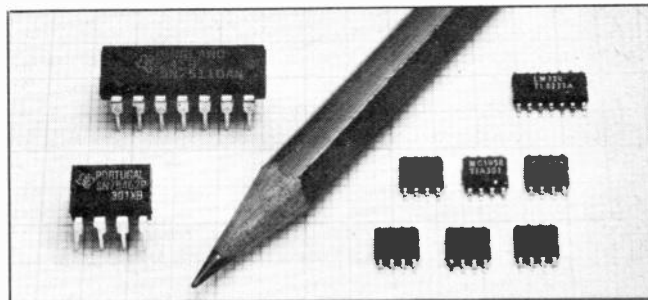
Overseas demand for the 16K Oric has been enormous and once existing mail order commitments have been met, most available units will be shipped to wholesalers abroad. This means that retail stocks of the 16K will not be available in the UK until July at a price still to be discussed.

*However, since Oric Products' own mail order operation has stopped accepting orders, the 48K version is now available in the high street, backed by a £50,000 advertising campaign and full colour point-of-sale displays. Amongst those stocking the Oric are W H Smith, Dixons, Greens, Laskeys and most major specialist outlets.*

*In addition, Oric are announcing their first batch of specially commissioned software also to be available from dealers. There are five titles in the series, all requiring the 48K machine.*

*They include: Multigames, a compendium of family games; Flight, an aircraft simulation; and Zodiac, a role playing adventure. These three will retail at £7.95 each. For slightly more, at £9.99 each, comes the Chess tape with five levels of play, and Oric Base, a data management program. Following shortly is a Forth tape and user manual costing £17.95.*

## Surface Mounted I.C.s



The fast growing components distribution specialists, United Components Ltd has just signed an agreement with Texas, for the distribution of surface-mounted components.

These include a range of low-power Schottky, memories and microprocessor chip carriers and now a range of linear devices. Included in the range will be equivalents to the 555 timer and 741 op-amp.

The new devices take up roughly one third of the board area of their dual-in-line equivalents.

## Teletex Research

ORACLE has been conducting a major research study into teletext usage in Great Britain since the service was launched as an advertising medium late in 1981.

The latest results, just released, show that at the beginning of 1982 the national teletext set

count stood at 300,000. By the end of the year the number had more than doubled to 800,000 and the growth particularly accelerated in the last quarter of 1982. RSGB's survey confirms this with 71 per cent of owners sampled having had their set for one year or less and 48 per cent for less than six months.

## Aladdin's Cave

EMOS Ltd the newly-formed member of the Grenson Electronics Group has just opened a large warehouse in Daventry, dedicated to the sale of components to all types of electronic hobbyists.

"Our policy is to buy high quality components and re-sell at extremely competitive prices," says Managing Director, Stuart Taylor. "We have already put into stock over 5000 different types of component, with a value approaching half a million pounds."

The warehouse, which is open from 9a.m. to 4p.m. Monday to Saturday, complements the EMOS Mail Order operation which has now been operating successfully for the last six months.

"We believe that our service is unique to this part of the Midlands, and we have already had satisfied customers travelling many miles to visit us," continued Taylor. "The place is like an Aladdin's cave for the enthusiast."



# The Story of a School Radio Club

by D.J. Fry B.Ed. G4JSZ

AS A FOLLOW-UP to *Forming an Electronics Club* (EE April 1982), readers and school teachers in particular may be interested in the story of our Club nine years after formation.

I joined the staff of this school in 1973; it was one of the first purpose-built comprehensive schools in the County, and now it is the largest. The response to starting an "Electronics Club" was very modest, in fact only two boys were interested, one of whom now works for the local police force repairing communications equipment; while the other, at the time of writing, is believed to be somewhere in the South Atlantic!

For the first two years we were very "electronics" orientated. We had £6 from School Funds which we used to buy two soldering irons (and we still have them!). Most of our activities involved constructing simple magazine projects, and studying basic theory. However, it soon became obvious that something more was needed, and that a dynamic approach would provoke more interest.

During the following two years we embarked on visits to a local MEB sub-station, a BBC transmitting station and some of the most popular amateur radio rallies. We are most fortunate in having two mini-buses, which we were able to put to good use. The PTA gave us a grant to buy some tools and a communications receiver, and in return for these gifts, we helped to sell tickets for their social events, cleared up after these and even washed up for them! We began a Club project to build a robot using washing machine parts, but after the control equipment was built interest died off, and the project was a failure.

## Parents' Evenings

In the next two years we started putting on demonstrations during Parents' Evenings, to give them an idea what the Club was all about. Many of the boys (most of the interest is shown by boys, although we have had three competent young lady members), were reaching an excellent standard in home-built equipment and our reputation as an active and successful Club was growing. We were given the use of a small room, "the shack", and with the support of the Headmaster things began to take off.

Most of our activities take place at lunch-

time; each day we concentrate on an interest such as construction, morse code practice, time "on the air", and theory. It became necessary to separate the beginners from the more experienced members in these theory sessions, in order to concentrate on the basics, although the one essential feature of the Club is that membership includes the full age range.

Half way through this phase in our development, our interests became more orientated towards amateur radio. Acquiring an amateur licence has since become the main aim of all members. We rebuilt my own 2-metre valve transmitter and converted it from AM to FM, so that we could communicate with other radio hams. Interest in amateur repeaters and in operating transmitters grew and eventually two boys (and one of the fathers!) achieved success in the Radio Amateurs Exam.

Membership always seems to hover around the even dozen mark, although one year ago after the vast amount of publicity given to CB, I was faced with nearly forty beginners! Luckily this number thinned down to six when it became obvious that electronics and radio involved more than calling "one four, for a copy"!

## Outside Activities

During the last three years our involvement in activities outside the School has grown. We put on a display of home-built electronics gadgets and an amateur station at the Schools Science Fair in Hereford, and although we did not win any prizes, all those who took part found it an enjoyable experience with plenty to see and learn. We have developed strong ties with Worcester and District Amateur Radio Club to which many of the boys belong; and the school provides the venue for the Radio Rally which has been held here for the last two years.

Cutbacks within the education service have obviously affected our resources so I have had to find other ways of raising money. The Worcester Club has helped us to purchase a 2-metre transceiver and power supply. I had some badges made and the sale of these has enabled us to buy an aerial and posters.

A direct appeal to parents raised enough money to buy the case hardware and component lists 1 and 2 for the *EE Minilab*. We spent the winter building this, and it now

stands as the basis of learning for both beginners and amateurs in the Club. I have been able to raise money by lending out our equipment in return for "donations" to Club funds, although this does not amount to much it keeps us going in batteries and the occasional catalogue.

Our Club has now produced six licenced amateurs; the seventh is awaiting his call-sign. What sort of people are they? In my experience they are slightly introverted, honest, absolutely dedicated, often eccentric, but always loyal!

## Current Interests

And what of the future? Well, although I wholeheartedly agree with T. T. de Vaux-Balbirnie that broad aims are essential, it is apparent that with different personalities and new technology these change. Currently our interests are divided between Electronics, Amateur Radio and Computers. The "glue" that always seems to hold everyone together is a mutual interest in experimenting of any sort, and regular "doses" of formal theory sessions. We find that *EVERYDAY ELECTRONICS* provides a varied diet to support this interest, and articles such as *Square One* always appeal to the newcomers.

Buying complete kits of components has proved to be very much more successful than obtaining the bits separately, and the slightly higher cost of doing this far outweighs the extra time taken to find different components from various suppliers. It can also save postage!

We have no formal structure of organising the Club. People seem to drop in to find out what we do, as casually as they drop out for some reason. We have a rota for tasks such as switching off the power, tidying up and locking up, and occasionally we have a purge to clean the place out. If we need specialised equipment such as oscilloscopes, labpacks and the like the Science Department is usually willing to lend us these.

Our goals are made in the context of the next piece of equipment we need; currently this includes a digital readout kit for our receiver, and a 2-metre aerial.

The Radio Club as it is known does tend to "take me over" and here in our school it has become more of an institution over the years!

# LETTERS

## Computer Bandwagon

Sir—I first bought your journal 10 years ago, two years before I retired, and have enjoyed it until recently.

You have now decided to join all the other available journals on the computer band wagon. I regret that you have not managed to be the only journal with very little or no computer articles. I have therefore cancelled my regular order.

In my opinion the computer projects are too advanced for readers at which EE was directed. No doubt you suffer from marketing managers as I used to do. I only wish they had been correct occasionally.

F. G. R. Rice,  
Sidmouth,  
Devon.

*I am truly sorry to learn that we are now apparently losing a reader of some ten years' standing. I appreciate that you are not interested in computers, but I consider we have maintained the right balance with our contents and computer projects which we are now featuring, have not been included at the expense of other designs having perhaps a wider or more general appeal. For example, our June and July issues each contain five projects apart from the computer ones.*

*I do not know your own particular interests but these varied projects demonstrate that this magazine continues to be very broad in its outlook and that we continue to cover all aspects of applied electronics.*

*We of course continue with such items as Square One and in the Autumn we shall be commencing our latest Teach-In series. This will run for twelve months and will cater for beginners and also those who wish to brush up on their knowledge of electronics in general.*

*I trust you will continue to derive pleasure from this hobby, whether or not you do decide to discontinue reading this magazine.—Ed.*

## Short-Wave Reception

Sir—Can you please tell me how I can receive broadcasts from various stations around the world on the short-wave band? I'd like to know what times they are on the air and the best times I can tune in from here in Malta.

I tried to receive Radio Australia, but without any luck, so can you help me please? Thank you for now, and keep up the good work of EVERYDAY ELECTRONICS. It's very educational, and I'd recommend it to all students of electronics.

Charles Fenech,  
Zurrieq,  
Malta.

Pat Hawker replies:

*Consistent reception of programmes from distant countries on short-waves usually requires a good deal of information about programme and frequency schedules (that is at what local time are programmes beamed on suitable frequencies towards*

*your country). On short-wave, optimum frequencies change with the time of day and the season (and more gradually with the 11-year sunspot cycle).*

*It also requires a receiver that can be tuned accurately to a specific frequency—often not possible on many receivers not intended specifically for short-wave reception. There can also be the problem of interference from other stations due either to the overcrowding of the 49, 41, 31, 25, 19, 17 and 15-metre bands, or to the deliberate jamming that often wipes out large sections of the bands. Perhaps the need for information and some experience is why so many short-wave listeners become more interested in just seeking to identify and "log" distant stations and do not worry much about the programmes.*

*For information on stations, times and frequencies "World Radio TV Handbook" is an excellent source. Most broadcasters will provide information on their own schedules, frequencies and guidance by letter or "over-the-air"; the BBC, for example, has a weekly "Waveguide" programme that goes out four times each week: Mondays 0915; Tuesdays 0100; Wednesdays 0430 and 1735—all times in GMT (UT) on the "World Service". Radio Australia provides a daily programme beamed to Europe and should not be difficult to find around 9570kHz (31-metre band) in the European morning.*

## Diminished Pleasure

Sir—As a regular reader and with an interest in computers I was initially pleased to see the greater emphasis on the latter in the May issue of your magazine, especially the electronic details of the "Real Time Clock". Owning a UK101 already (including several project-built interfaces), yours looked very interesting and relatively easy to adapt to any other 6502-based machine, although the two p.c.b.'s described were specific for the BBC and APPLE II machines. However, my pleasure diminished when I found that the software even for testing the interface was only available on cassette for the two machines.

Having read your Editorial I appreciated both the concept of covering a range of currently popular machines and the fact that you can supply the software in a convenient and tested form. But it means that readers not using the specific machines have no access to the software even if they are prepared to modify circuits suited to their own machines. As you state, many of the designs will be capable of wider application, but there does not appear to be any way of obtaining the necessary programs unless you publish them either in the article concerned or make them available as a separate listing in addition to the cassettes.

Software for testing such interfaces as VIA's and PIA's is difficult enough especially when unknown chips such as the MM58174 or other new ones are involved and this would put off many prospective builders even when they are capable of the relevant electronic changes.

I realise that in many instances the extended/non-standard BASIC or machine code vectors of many machines would make a quick conversion difficult and I am not asking that you become involved in such an exercise, however, the availability of REMed/labelled copies of the cassette programs in LISTed form would be a convenient guide as it has been over the years with other magazine programs.

For the convenience value and the fact that a cassette cost is involved, the prices of your cassette program appears to be very reasonable and yet there may be readers who prefer to enter their own and so obtain a better grasp of the program, also finances may dictate this even in this affluent age. Apart from this, when a reader has purchased a magazine I think that he expects the essential Listings to always be available, and if it is too long to include in the article, to follow the usual practice of being made available on receipt of a SAE to the Editorial Office.

If this practice is to continue I personally would seriously think of giving up the magazine but I would be interested in other readers' points of view.

N. L. Smith,  
Stoke-on-Trent, Staffs.

*Dealing with these queries in paragraph order:*

(1) *The TEST routine part of the CLOCK program could have appeared in the article as it was not unduly long, but this alone would have been of minimal use without the INITIALISATION and SETTING UP routines. To include these would have taken considerable page space which is in contention with our software policies.*

(2) *If the listing does not appear in the article, due to its length, it may be purchased through the EE Software Service. This is in addition to the cassette version.*

(3) *We believe sufficient information was provided in the article to allow the user to address, set-up and read the special chips used in this design.*

(4) *Such listings are now available as mentioned in (2).*

(5) *A reader can expect to find very long listings in a "software" magazine. Everyday Electronics has no intention of becoming such a magazine. It is chiefly concerned with "hardware" and detailed circuit and construction details. Free listings would short-circuit the software service. We believe the charge for this service is very reasonable, considering the convenience to the user in relieving him/her of the laborious task of entering long programs via the keyboard.—Ed.*

## Correspondence Club

Sir—I am writing to inform your readers of the formation of the "National Electronics Correspondence Club".

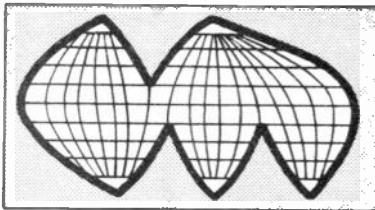
Primarily the club is to be of use to the hobbyist who is remote from any local club facilities (especially our disabled counterparts), by providing a communications link between members sharing similar interests within the electronics hobby. Members will receive a bi-monthly newsletter containing hints and tips on project construction, topical features, points of view, circuit ideas and members' advertisements, plus special offers on components, tools, etc, and each member will be at liberty to correspond with the club and other members for help or advice on most aspects of electronics.

Membership is £4.50 per annum, which includes the newsletter, administration and postage costs.

Interested parties should write enclosing 25 pence for full details and membership application. (Refundable on membership.)

Mr. E. Foley (Secretary),  
95 Albert Road,  
Levenshulme,  
Manchester M19 2FU.

# RADIO WORLD



BY PAT HAWKER G3VA

## RTTY And The Legal Maze

Last November I noted the legal maze that surrounds so many aspects of consumer electronics, including the provisions of the Wireless Telegraphy Acts in respect of radio transmissions other than those of "authorised broadcasting stations for general reception and from licensed amateur stations".

For many years the television licence set this out in detail, the full schedule, including the statement: "If any message, other than a message for the receipt of which the use of the apparatus is authorised, is unintentionally received no person shall make known its contents, origin, destination or existence, or the fact of its receipt, to any person other than a duly authorised officer of Her Majesty's Government, a person acting under the authority of the Secretary of State or a competent legal tribunal, and shall not reproduce in writing, copy, or make any use of such message or allow it to be reproduced in writing, copies or made use of". With such a schedule, the owner of any h.f. receiver is clearly in danger of committing an offence almost every time he switches it on! On the other hand, American listeners are simply forbidden (under their 1934 Communications Act) from divulging the contents of any non-broadcast radio transmission they receive.

Unnoticed by the media, the current television licence has been greatly simplified and no longer contains any reminder of the formidable "Schedule" (though of course listeners are still bound by the same Wireless Telegraphy Acts): it now permits you "to install and use . . . television receiving equipment"—no mention of radio or messages but a reminder that "this licence permits you to do only what is stated on the licence".

## RTTY Guide

Where does this leave, for example, the growing number of home computer enthusiasts, who have discovered that with the aid of a stable receiver, a "terminal unit", a home computer and suitable software, it is possible to display on a TV screen radio-teleprinter (rtty) transmissions, not only from radio amateurs but from the many commercial point-to-point transmissions, including press traffic. It would be difficult to argue that such reception was "accidental" or "unintentional" or even that any of the messages were broadcast for general reception. Yet it is surely legal for non-amateurs to receive rtty transmissions from licensed amateurs.

Recently Gilfer Associates (52 Park Avenue, PO Box 239, Park Ridge, N.J., 07656, USA) has published the second edition of Oliver P. Ferrell's "Guide to RTTY Frequencies," a 192-page book priced

\$9.95, listing the frequency, callsign, location, power speed and shift, plus a schedule of over 5,000 RTTY stations and frequencies in use; divided into listing by frequency and reverse listing by callsign.

The lists include weather, press, coast stations, aeronautical, commercial traffic and some military and embassy stations and nets. The book also provides some useful short articles on RTTY reception. Interesting to read but illegal to use?

## Teletext

An entirely legal form of high-speed "Electronic-RTTY" now in use in a million British homes is teletext, as provided by the Oracle and Ceefax services on all four television programme services. It is now just over ten years since the development of the original system and it was in 1974 that a unified British teletext specification was drawn up, although several years passed before television receivers with reasonably-priced teletext decoders were available.

The system got off to a rather slow start but times have changed and in 1982 alone some 571,000 teletext-type sets were delivered to the trade, an increase of 168 per cent on 1981, including 200,000 in the final quarter of the year. The British Radio and Electronic Equipment Manufacturers' Association states: "The progress of teletext in the UK and Western Europe continues to give great satisfaction with some 2-million teletext receivers supplied".

BBC and IBA engineers have recently been jointly awarded a 1983 "Queen's Award for Technological Achievement," acknowledging the support given by ITV, industry and Government in what is becoming an important British contribution to broadcasting.

I must admit that at first I was a little uncertain as to how many viewers would want a continuous news and information service but I now find the service increasingly useful, the more so as one finds out all the various facilities offered by the current remote-control units not all of them fully explained in the instruction leaflets issued by manufacturers.

## Fading

For listeners on h.f. there can be few more difficult problems than the degree of fading, including the distortion associated with selective fading, experienced on so many signals. Basically most fading is caused by the simultaneous reception of two or more signals coming along more than one path and consequently changing in and out of phase—although there are other causes, including the rotation of polarisation of signals during their passage through the ionosphere.

Many listeners find that fading is considerably more pronounced on signals coming from transmitters hundreds rather than thousands of miles away. Sometimes, as other writers have noted, it is as though a black hole has suddenly opened in the ionosphere as signals zoom down from S9 plus 50dB to barely readable.

In using the new "WRAC-band" of 10.1MHz, I have noticed how much more fading there is on low-power European signals than on either the 7MHz or 14MHz bands, whereas when long-distance signals are coming through they tend to be consistent for long periods at a time. But, despite the fading, 10.1MHz is a most welcome addition for the c.w. operator. Being only 50kHz wide, efforts are being made to discourage s.s.b. phone operation in this band, though not always successful.

Some different-sounding British amateur callsigns are likely to be heard before long on both h.f. and v.h.f. bands. The Home Office is to issue G0 (G-zero) callsigns to new Class A licensees when the G4 sequence is exhausted. Even sooner G1 (G-one) callsigns will be popping up on v.h.f. as the present G6 sequence for Class B licences is almost finished.

## Vintage Form-filling

Douglas Byrne, G3KPO, the honorary curator of the *Wireless Museum* at Ryde, Isle of Wight, recently sent me a most interesting copy of an application form of the type used in 1921 in order to apply for "Authority to use Sending Apparatus" under the terms of the original Wireless Telegraphy Act of 1904. No mention of any examinations, although you were expected to disclose among other things whether you had scientific qualifications or experience in working wireless sending apparatus.

Also you were expected to declare particulars of any radiotelegraphy proficiency certificates you held, speed of your sending and receiving, the power you intended to use for spark and/or valve, the full address of each station "to which it is proposed to transmit" including names and addresses, sketch of the aerial which you desired to use, and diagrams of apparatus both for transmission and reception.

Later, in the 1930s, I recall that there was a printed rather than a duplicated form with some different requirements of which perhaps the most tricky was having to explain in detail just what scientific experiments you intended to carry out to justify your need for an "experimental" transmitting licence. If you were unwise enough, for example, to suggest only that you wished to develop improved transmitting equipment, the licensing authority (then the Post Office) would cunningly reply that such work could be carried out satisfactorily on an "artificial aerial" and would proceed to issue only an "artificial aerial licence." These had a three-letter callsign but no "G" prefix.

I held an AA licence for a year or two since you had to be 16 years old in order to qualify for a radiating licence. My call was 2BUH, until I got my radiating licence in 1938.



**NEW · NEW · NEW · NEW**  
**PRODUCTS**  
**NEW · NEW · NEW · NEW**

**ANTISTATIC  
 DESOLDER  
 PUMP**



**A** NEW antistatic desolder pump is now available from **OK Industries UK Ltd.** The desolder pump has a tip made of a special bronze alloy composition designed for long life. Moreover, static discharges automatically through the hand of the earthed operator making the DP-2 suitable for removing sensitive CMOS components.

Suction is regulated to prevent damage to delicate circuitry and the tool, which is self cleaning on each stroke, offers full industrial performance and reliability.

Full details of the Antistatic Desolder Pump, which is priced at £13.91 excluding carriage and VAT, are available from:

*OK Industries UK Ltd.,  
 Dept EE, Dutton Lane,  
 Eastleigh, Hants SO5 4AA.*

**HAND TOOLS**

**A** NEW range of hand tools for the electronics industry is now available from **Eraser International** and are manufactured by their Rush Wire Stripping and Wybar Lead Forming Division.

Hand tools are available for both cutting and stripping wires and cables and for cutting and forming of the lead legs of electronic components. A new 4-page brochure is available free to engineers within the industry.

A number 6 wire stripper which is self adjusting is priced at

around £12.50 and a hand cable stripper PSC-1 is priced at £15.15. For further details and prices contact:

*Eraser International Ltd., Dept EE,  
 Unit M, Portway Industrial Estate,  
 Andover, Hants SP10 3LU.*

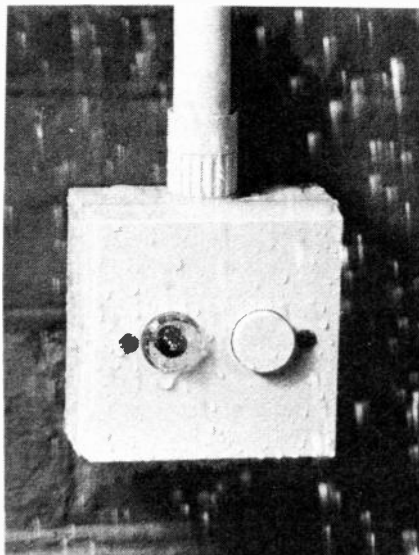
**INFRA RED OPERATED SWITCH**

**A** SPLASHPROOF, outdoor remote or manual light switch has been added to the range of remote control switches from **Superswitch Electric Appliances**.

The splashproof version, model 2715, is a surface mounting type with the infra red sensor and manual switching button located on the front panel. The hand-held infra red transmitter will trigger the switch from a distance of up to 50ft and will operate through glass. Coming home at night, in the rain, a driver can turn on the outside lights without having to leave the car or open the window.

The switch will handle tungsten lamps or resistive loads up to 5A maximum, with a maximum of 2.5A for fluorescent or inductive loads. It is claimed that it may be mounted with conduit entry above, below or at the side of the switch box, with no danger of seepage from rainwater.

It can be installed in one- or two-way switching circuits, has three modes of operation, set up



by an internal switch during installation. The options are: switched on by infra red beam,

off manually; switched on as long as either infra red or manual switch is pressed, but goes off when released; switched on and subsequently off by either infra red transmitter or manual switch. Further information and details of local stockists can be obtained from:

*Superswitch  
 Electric Appliances  
 Ltd., Dept EE,  
 Station Trading  
 Estate, Camberley,  
 Surrey GU17 9AH.*

**SLIM-LINE  
 SPEAKER**

**T**wo new miniature loudspeakers just announced by Mullard are claimed to be the thinnest ever offered. Both are only 5mm in depth, the smallest (AD01980) has a 34mm diameter cone whilst the larger (AD01985) has a 38mm cone.

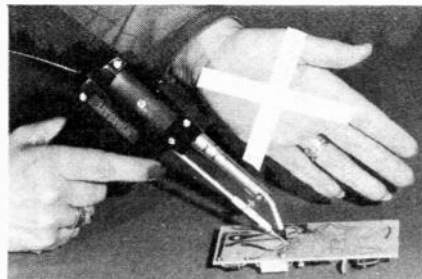
The loudspeakers can handle 300mW r.m.s. and have a 400Hz to 3kHz frequency range. Each is offered with impedances of 8 ohms, 15 ohms and 25 ohms.

Applications cover a wide range of professional and semi-professional equipment. One idea could be their use as earphones in rally driving helmets for driver/co-driver communications.

Addresses of nearest stockists can be obtained from:

*Mullard Ltd., Dept EE,  
 Mullard House, Torrington Place,  
 London WC1E 7HD.*

**SELF-FEED SOLDERING GUN**



**T**HE need for a third hand for those tricky soldering jobs has been eliminated with the introduction of the **Hakko MG Self-Feed Soldering Gun** from **Litesold**. At the squeeze of the trigger, it feeds a controlled length of solder to the joint every time. The length of solder fed to the joint is adjustable and can also be varied by control of the trigger movement.

Solder may be fed from standard reels, mounted or hung on the bench, or an optional spool holder can be loaded with a suitable quantity, and mounted on the gun. Pushing the trigger

upwards releases the solder feed for quick replacement.

Both the heating element and the long life soldering tip are easily replaceable when required. The gun is supplied with two solder feed nozzles one for 0.8-1.2mm solder and one for 2.0-2.3mm solder.

Two models are available; a 40W iron with a 4mm diameter tip priced at £22.04 and a 60W iron with a 6mm tip priced at £22.56. Full details from:

*Light Soldering Developments Ltd.,  
 Dept EE, Spencer Place,  
 97-99 Gloucester Road,  
 Croydon, CR0 2DN.*

# SQUARE ONE FOR BEGINNERS

THE semiconductor diode is basically a *p-n* junction. This means it is constructed from two types of semiconductor, an *n-type* and a *p-type* material. This creates a junction between the two types of semiconductor material and at this junction, a depletion layer is formed. The depletion layer, under normal circumstances, cannot pass a current and therefore forms an insulator.

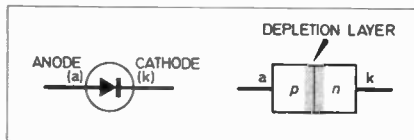


Fig. 1. The circuit symbol and basic construction of a *p-n* junction diode.

Fig. 1 shows this and the general circuit symbol for a semiconductor diode. Note that the *p-type* semiconductor forms the anode (a) and the *n-type* is the cathode (k).

## FORWARD BIASING

If an electric potential is applied to the junction with the positive to the anode (*p-type*), then the depletion layer is reduced and a current will flow. In this condition, the diode is said to be **forward biased**.

If the potential on the diode is reversed, that is, with the positive on the cathode (*n-type*), the depletion layer is increased and no current can flow. The diode is now said to be **reverse biased**.

In this way, the semiconductor diode can be thought of as a valve, only allowing a current to flow in one direction. There is, in fact, a small leakage current that flows when the diode is reverse biased but this will normally be negligible.

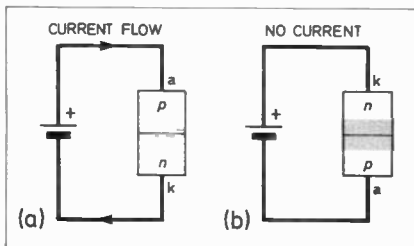


Fig. 2. Diagram showing (a), a forward biased diode and (b), a reverse biased diode. Note the difference in the width of the depletion layer (shaded).

The diagrams shown in Figs. 2(a) and 2(b) give these two basic configurations. Note that when the diode is conducting in the forward biased condition, there will be a potential difference across it, known as the forward voltage drop.

## TYPES OF DIODE

There are two main categories of diode: **rectifier** and **signal diodes**. The rectifier diode is used in power supply applications to produce d.c. from a.c. and can carry large currents and work at high voltages. However, they can only operate at low frequencies, that is, in the order of the mains frequency of 50 or 60Hz.

On the other hand, the signal diode functions at very high frequencies and finds its application in logic elements and r.f. circuits. They are physically smaller than rectifier diodes and can only work at much lower voltages and currents.

These two types of diode are made from either **Germanium** or **Silicon** and each material has its own particular properties. Germanium diodes have a low forward voltage drop in the region of 0.2V and a maximum junction temperature limit of 75°C and find favour in radio frequency detectors and demodulators.

Silicon diodes have a higher forward voltage drop of about 1V but the limit for the junction temperature is 200°C making this type ideally suited for power applications and rectifiers.

## SPECIALISED DEVICES

In addition to the two main types of diode, there are many specialised diode devices which the constructor will come into contact with. A brief description of some of these devices is given below.

**Zener diode.** As previously stated, when a diode is reverse biased, a small leakage current flows. If the reverse voltage is increased, a point will be reached when breakdown occurs and a large current will flow. For normal diodes, this breakdown voltage will be very high.

Zener diodes, however, are manufactured to have a predictably low breakdown voltage, typically in the range 2.7V to 75V. This is achieved by making the *p-n* junction with a deliberately narrow depletion layer. This characteristic makes the Zener diode suitable for reference voltage devices in power supply regulators.

**Varicap diode.** The depletion layer in a reverse biased *p-n* junction displays a capacitive effect and the varicap diode (also known as a *varactor diode*) makes use of this property. As the reverse voltage across the device is varied, so the width of the depletion layer varies and the capacitance changes in proportion.

For a 5V change in reverse bias voltage, a typical varicap diode will change in capacitance from 10pF to 50pF. This capacitive effect is utilised in radio and TV tuning circuits.

**Light emitting diode.** This type of diode, usually abbreviated to l.e.d., will behave as a normal diode but with the ex-

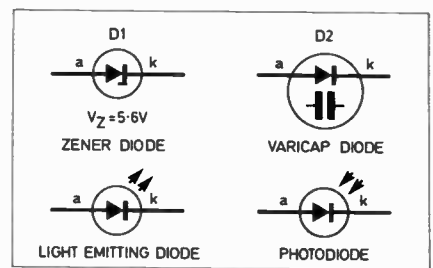


Fig. 3. Semiconductor diode circuit symbols. Note the Zener voltage ( $V_z$ ) is quoted for the Zener diode.

ception that it emits light when forward biased. They are still *p-n* junction devices but made from different semiconductor materials (see *Square One*, January '83) and are available in red, green, orange/yellow and more recently, in blue.

The l.e.d. has a high forward voltage drop, in the range 1.5 to 2.5V (depending on the colour) and will emit light with forward currents of between 5 and 30mA. Some care must be taken when using l.e.d.s to ensure this current is not exceeded so in almost all cases, a series resistor must be included.

As most l.e.d.s are used as indicators, they are packaged in lamp-like plastic cases and with the aid of a special clip, can be front panel mounted.

**Photodiode.** When in darkness, the only current flowing in a reverse biased photodiode will be the very small leakage current of about 10µA. However, when the photodiode is illuminated, this current increases by a factor of ten. The response to changes in light level in a photodiode is linear and very fast, making it ideal for high speed detection circuits and light level metering.

It will conduct normally when forward biased. The circuit symbols for this device and the other special types of diode discussed are shown in Fig. 3.

## MARKINGS

With the exception of the l.e.d., photodiode and some high power diodes, most devices are axial components (that is, similar in appearance to a resistor). The cathode end is usually indicated with a broad band.

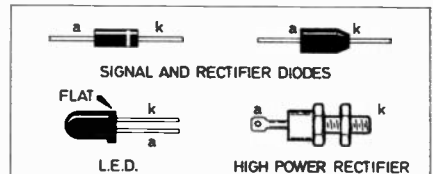


Fig. 4. Typical diode outline drawings.

An alternative way of indicating the cathode, is a slight tapering of the component body at the appropriate lead. This is shown in Fig. 4.

One other convention for marking the cathode, particularly on circuit diagrams and component layout drawings, is with a positive (+) sign. The reason for this is that, with conventional current flow (from positive to negative), the cathode is the end from which the current flows out on a forward biased diode.

# THREE FOR FREE FROM GSC



## EXPERIMENTOR BREADBOARDS

No soldering modular breadboards, simply plug components in and out of letter number identified nickel-silver contact holes. Start small and simply snap-lock boards together to build a breadboard of any size.

All EXP Breadboards have two bus-bars as an integral part of the board, if you need more than 2 buses simply snap on 4 more bus-bars with the aid of an EXP 4B

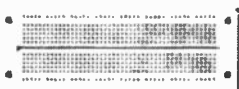
**EXP 325 £2.00** The ideal breadboard for 1 chip circuits. Accepts 8, 14, 16 and up to 22 pin ICs. Has 130 contact points including two 10 point bus-bars.



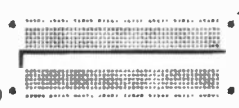
**EXP 350 £3.45** Specially designed for working with up to 40 pin ICs perfect for 3 & 14 pin ICs. Has 270 contact points including two 20 point bus-bars.



**EXP 300 £6.00** The most widely bought bread-board in the UK. With 550 contact points, two 40 point bus-bars, the EXP 300 will accept any size IC and up to 6 x 14 pin DIPS. Use this breadboard with Adventures in Microelectronics.



**EXP 600 £7.25** Most MICROPROCESSOR projects in magazines and educational books are built on the EXP 600



**EXP 650 £4.25** Has 6" centre spacing so is perfect for MICROPROCESSOR applications.



**EXP 4B £2.50** Four more bus-bars in "snap-on" unit.



The above prices are exclusive of P&P and 15% VAT

**THE GSC 24 HOUR SERVICE TELEPHONE (0799) 21682**  
With your Access, American Express, Barclaycard number and your order will be in the post immediately  
**GLOBAL SPECIALTIES CORPORATION**



G.S.C. (UK) Ltd, Dept. 4TT  
Unit 1, Shire Hill Industrial Estate,  
Saffron Walden, Essex CB11 3AQ.  
Tel: Saffron Walden (0799) 21682  
Telex: 817477

## Available from selected stockists ELECTRONICS BY NUMBERS

### No. 10 SOIL MOISTURE TESTER

No more wilting houseplants with this soil moisture test. Just place the probes into the soil and it will light up to tell you whether the soil is "too wet" or "too dry". You don't even need green fingers.

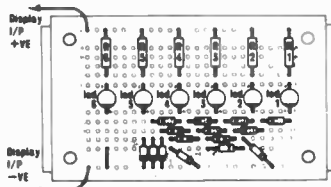
### No. 11 DIGITAL ROULETTE

The suspense and excitement of the casino in your own home. Just press the button, the circle of lights go round and there is the sound of the roulette wheel as well, both gradually slowing down to reveal the winning number.

### No. 12 EGG TIMER

How do you like your eggs done, hard or soft, just set the timer and it will sound when the egg is done to your liking. Long battery life because it switches itself off automatically. So get cracking now!

Want to get started on building exciting projects, but don't know how? Now using EXPERIMENTOR BREADBOARDS and following the instructions in our FREE 'Electronics By Numbers' leaflets, ANYBODY can build electronic projects. For example, take one of our earlier projects, a L.E.D. Bar Graph;



You will need: One EXP 300 or EXP 350 breadboard 15 silicon diodes 6 resistors 6 Light Emitting Diodes  
Just look at the diagram. Select R1, plug it into the lettered and numbered holes on the EXPERIMENTOR BREADBOARD, do the same with all the other components, connect to the battery, and your project's finished. All you have to do is follow the large, clear layouts on the 'Electronics by Numbers' leaflets, and ANYBODY can build a perfect working project.

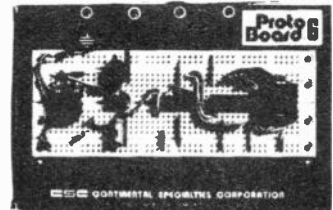
Electronics by Numbers  
Projects No 10, No 11, No 12

For full detailed instructions and layouts of Projects 10, 11 and 12, simply take the coupon to your nearest GSC stockist, or send direct to us; and you will receive the latest 'ELECTRONICS BY NUMBERS' leaflet.

If you have missed projects, 1, 2 and 3, or 4, 5 and 6, or 7, 8 and 9, please tick the appropriate box in the coupon.

## PROTO-BOARDS

The ultimate in breadboards for the minimum of cost  
Two easily assembled kits.



PB6 Kit, 630 contacts, four 5-way binding posts accepts up to six 14-pin Dips.  
**PROTO-BOARD 6 KIT £11.00**



PB 100 Kit complete with 760 contacts accepts up to ten 14-pin Dips, with two binding posts and sturdy base. Large capacity with Kit economy.

**PROTO-BOARD 100 KIT £14.25**

## IT'S EASY WITH G.S.C.

TO RECEIVE YOUR FREE COPY OF PROJECTS 10, 11 and 12

### Just clip the coupon

Give us your name and full postal address (in block capitals). Enclose cheque, postal order or credit card number and expiry date, indicating in the appropriate number (the breadboards) you require.

### For immediate action

The GSC 24 hour, 5 day a week service. Telephone (0799) 21682 and give us your Access, American Express or Barclaycard number and your order will be in the post immediately.

EXPERIMENTOR BREADBOARDS	CONTACT	IC CAPACITY 14 PIN DIP	UNIT PRICE INC P&P & 15% VAT	Qty req
EXP 325	130	1	£3.16	
EXP 350	270	3	£4.83	
EXP 300	550	6	£8.05	
EXP 600			£9.48	
EXP 650	270	use with 0.6 pitch Dip's Strip Bus Bar	£5.75	
EXP 4B	Four 40 Point Bus Bars		£3.73	

PROTO BOARDS	CONTACT	IC CAPACITY 14 PIN DIP	UNIT PRICE INC P&P & 15% VAT	Qty req
PB6	630	6	£13.80	
PB100	760	10	£17.53	

NAME .....  
ADDRESS .....  
.....  
.....  
I enclose cheque/P.O. for £.....  
Debit my Barclaycard, Access,  
American Express card No. ....  
..... Expiry date .....

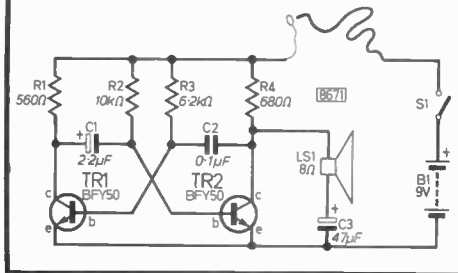
If you missed project No's  
1 to 9 tick box.   
For Free catalogue tick box

GSC (UK) Ltd., Dept. 4TT Unit 1, Shire Hill Estate, Saffron Walden, Essex CB11 3AQ.  
Tel: Saffron Walden (0799) 21682. Telex: 817477.

# CIRCUIT EXCHANGE

This is the spot where readers pass on to fellow enthusiasts useful and interesting circuits they have themselves devised. Payment is made for all circuits published in this feature. Contributions should be accompanied by a letter stating that the circuit idea offered is wholly or in significant part the original work of the sender and that it has not been offered for publication elsewhere.

## SHAKY HAND GAME



TRANSISTORS TR1 and TR2 form an astable multivibrator and a loudspeaker is connected in the collector circuit of TR2. The positive side of the battery supply is completed via a length of uninsulated wire, suitably bent; and a loop of bare wire is manoeuvred along the bent wire. If contact is made, the circuit is brought in operation and an audible sound produced.

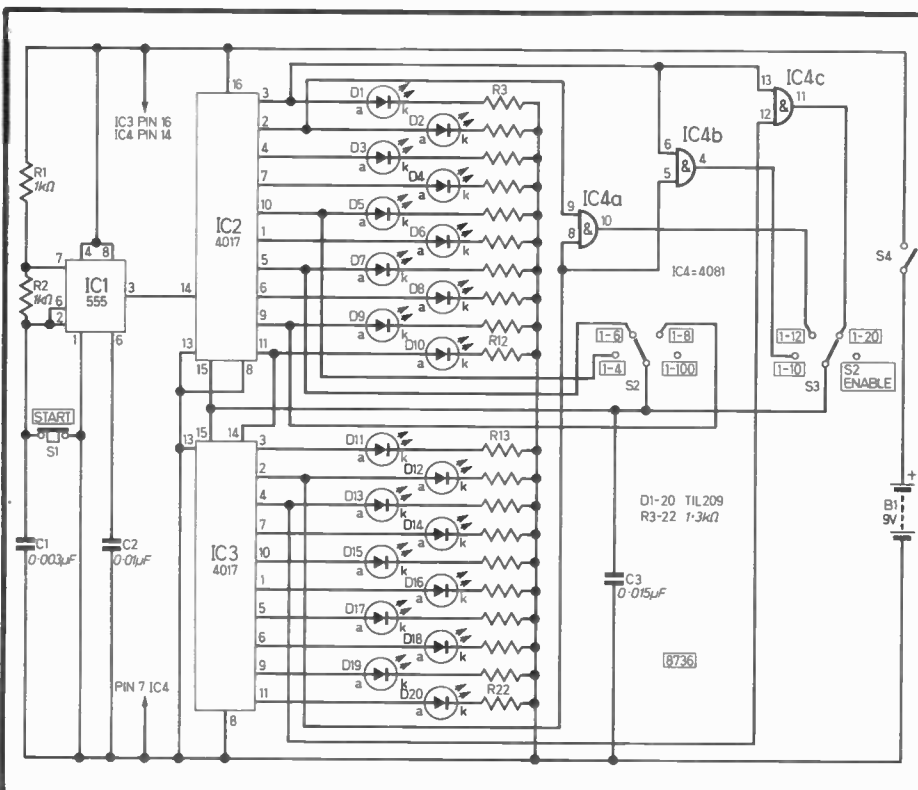
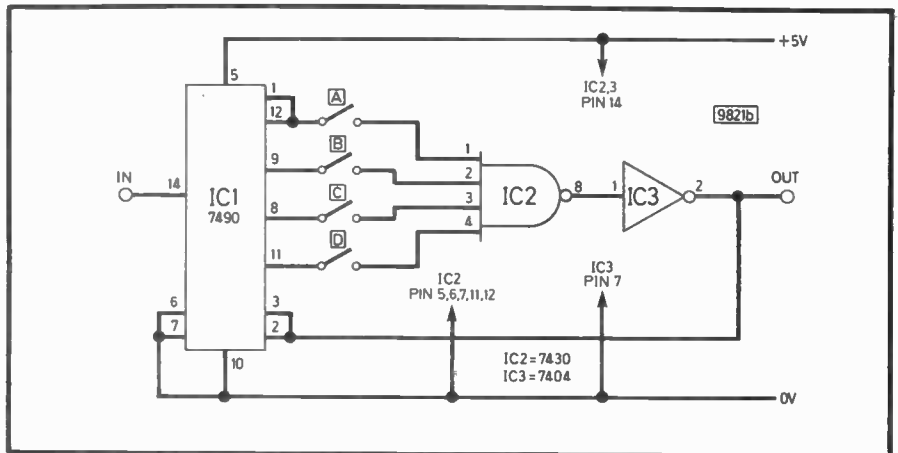
David Smith,  
Treeton,  
S. Yorkshire.

## PROGRAMMABLE DIVIDER

THIS circuit is extremely useful for the digital experimenter, and can divide the incoming digital signal by any whole number between two and ten. When all inputs are at a logic "1" the output becomes "0", is inverted and becomes the output pulse and resets the counter to

zero. To operate: for example, if division by six is required (6 = 0110 in b.c.d.) switches B and C are closed. The A and D inputs are floating, that is, at logic "0" and when B and C outputs become logic "1" the counter is reset.

M. Betts, Lewes, Sussex.



## ELECTRONIC DICE GENERATOR

THIS circuit generates numbers as follows: 1-4, 1-6, 1-8, 1-10, 1-12, 1-20, 1-100, for use in such games as TSR's *Dungeons and Dragons*, etc. The l.e.d.s driven by IC2 are units, arranged 1, 2, 3, 4, 5, 6, 7, 8, 9, 0. The l.e.d.s driven by IC3 are tens arranged thus 0-9. Thus if pins 10 of IC2, 3 are high, "45" will be displayed.

IC4 and switches S2, S3 co-ordinate reset pulses to the counters (IC2,3) for differing ranges. The circuit is totally random; on the 1-100 range each number is displayed 1600 times a second! IC1 clocks the circuit and is allowed to function when S1 is depressed. (S1 is a push-to-break, non-locking mini switch.)

Thomas Haine,  
Earley,  
Berks.

MORE ON PAGE 462

---

# COMPUTER PROJECTS

## PUBLISHED OVER THE PAST 12 MONTHS

---

**2K RAM PACK FOR SINCLAIR ZX81**

*Also:* Capacitance/Frequency Meter; Magnetic Lock; V.C.O. Sound Effects Unit; In-Car P.S.U.; Light Activated Switch.

**April 1982**

**KEYBOARD SOUNDER FOR SINCLAIR ZX81**

*Also:* C.B. Power Supply; Nightlight; Seat Belt Reminder; Public Address System (pt 2); Egg Timer.

**June 1982**

**TEMPERATURE INTERFACE FOR TANDY TRS-80**

*Also:* (Aug) C. B. Roger Bleeper; Two-Tone Doorbell; Quiz Master; Instrument Pre-Amp; Public Address System (pt 4). (Sept) Sound Splitter; C.B. Battery Charger; Screen Washer Delay; Monthly Planner; Continuity Tester.

**Aug/Sept 1982**

**EXPANSION SYSTEM FOR SINCLAIR ZX81**

*Also:* Sine Wave Generator; General Purpose Pre-Amp; Optical Tachometer; Lights On Alert; Simple S.W. Radio.

**October 1982**

**TAPE CONTROLLER FOR SINCLAIR ZX81 AND SPECTRUM**

*Also:* Combination Lock; Digital Metronome; Oscilloscope Companion; Photo Finish; Beat The Relay.

**November 1982**

**EXTRA RAM FOR SINCLAIR ZX81**

*Also:* Security Vari-Light; Car Indicator Alarm; Velocity Measurer; Electric V/I Meter; 5V Regulated Supply.

**December 1982**

**A TO D CONVERTER FOR PET**

*Also:* Personal LS Amplifier; Coulomb Meter; Opto Repeater; Double Dice.

**January 1983**

**SPEED COMPUTING SYSTEM FOR SINCLAIR ZX81**

*Also:* Pushbike/Motorbike Alarm; Beehive Temperature Meter; Short Interval Timer; Speech Processor.

**February 1983**

**EPROM PROGRAMMER FOR ACORN ATOM**

*Also:* (March) Multi-Station Intercom; Car Thermometer; Buzz Off!; Dual Power Supply.

**Feb/March 1983**

**EXPANDED ADD-ON KEYBOARD FOR SINCLAIR ZX81**

**March/April 1983**

**AMPLIFIER FOR SINCLAIR SPECTRUM**

*Also:* (April) Function Generator; Novelty Egg Timer; Flanger Sound Effect; Neon Nightlight; Car Radio Booster.

**April 1983**

**REAL-TIME CLOCK FOR APPLE II and BBC MICRO  
TEMPERATURE SENSOR FOR PET and VIC 20**

*Also:* Guitar Headphone Amplifier; MW Personal Radio; Laboratory Amplifier; Model Train Controller; Moisture Detector.

**May 1983**

**EPROM PROGRAMMER FOR TRS-80 and GENIE**

*Also:* Push Button Combination Lock; Caravan Power Supply; Caravan Fridge Alarm; Transistor Tester; Envelope Shaper for Bass Guitar.

**June 1983**

All the above are fully illustrated, detailed constructional articles. Back numbers £1.00 (inclusive of p&p) per copy currently available from: Post Sales Department, IPC Magazines Ltd., Lavington House, 25 Lavington Street, London SE1 0PF.

Stocks of back issues are limited. In the event of non-availability a photocopy of the relevant article will be supplied.

Please enclose appropriate remittance and specify month of issue and title of article required.

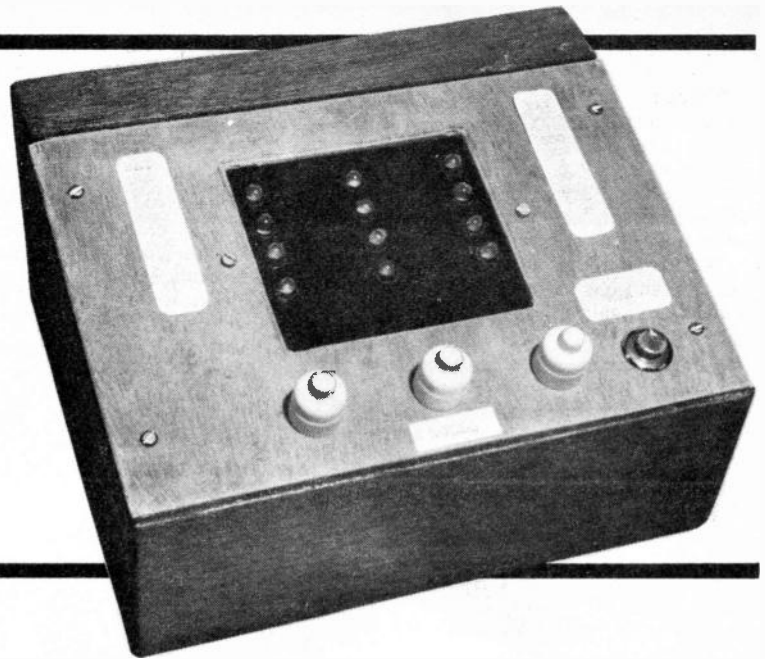
---

**EVERYDAY**  
**ELECTRONICS**  
and computer PROJECTS

---

# BINARY BANDIT GAME

BY F. G. RAYER



INSTEAD of the usual fruits and other symbols, there are three vertical rows of four l.e.d.s used in this game. The control of each vertical row is separate from that of the others, and the columns change at different speeds. All change under a SPIN control, but any may be retained by means of separate HOLD controls.

Various wins arise from the matching or part matching of the columns in the horizontal direction, in a similar way to that of the mechanical one-armed bandit machine.

The way in which the circuit operates will become clear from Fig. 1. Here, the left hand section of the three sections is shown in detail. As the middle section B and right hand section C duplicate the circuit, they are not repeated.

## DISPLAY

This display (circuit A) consists of the four light emitting diodes as shown in Fig. 1. These are mounted vertically one above the other, and form the left hand column of the display. IC1 is a decimal divider which receives pulses at pin 14, and provides a binary output at pins 11, 9, 8, 12 and 1. The four l.e.d.s light and are extinguished in the same sequence for each 10 pulses at pin 14. The l.e.d.s may be all the same colour, or altered to red, green and yellow.

## MULTIVIBRATOR

Transistors TR1 and TR2 form the multivibrator, and pulses for IC1 are from the collector of TR2. The HOLD switch is of a type normally closed. The SPIN switch is normally open. Current is available at the positive and negative lines shown, so long as the game is being played.

When the SPIN push switch S1 is pressed, TR1 and TR2 generate pulses, and IC1 provides a binary output from these, so that the l.e.d.s change rapidly. When the spin switch is released, pulses from the multivibrator cease, so the dis-

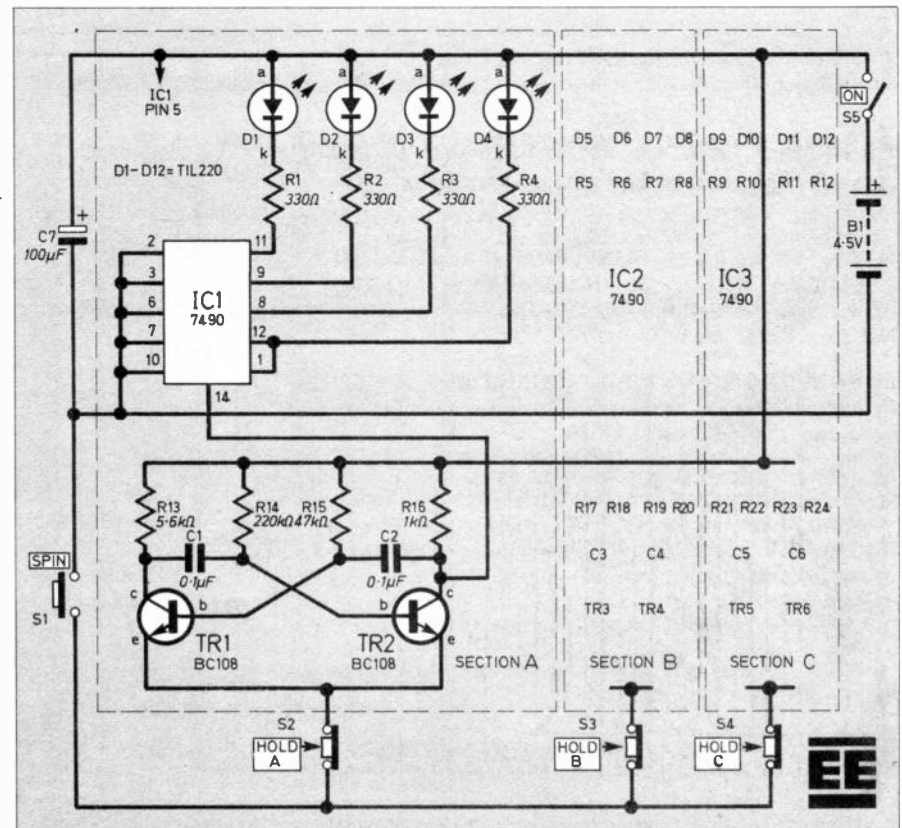
play depends on the last state of IC1. This remains showing until the SPIN switch is again closed.

To give the player rather better chances, the HOLD switch can be pressed before operating the SPIN switch. So the voltage does not reach TR1/TR2, and this display remains unchanged. However, the other displays (unless interrupted by a HOLD) will change.

Values from 180Ω upwards were tried for R1-12, 330Ω gives a good compromise between brightness, current drawn, and power passed by IC1.

The capacitors C1 and C2 need not be of the same value, and 30V 0.1μF disc ceramics were used for convenience. The resistors R13, 14, 15, can be modified considerably, but R16 needs to be about 1kΩ to drive IC1.

Fig. 1. Circuit diagram for one reel or vertical column of the Binary Bandit Game. The circuit is repeated for the other columns but certain component values differ as indicated in the Components List.



## REPEATED CIRCUITRY

Circuit *B* is repeated in the same way, except that some of the multivibrator values are modified, so that the l.e.d.s change at a different rate. It has its own HOLD push-to-break switch *S3*, which allows any display here to be retained while the others operate.

Again, circuit *C* duplicates the earlier circuits, and has its own HOLD switch *S4*. Values are again modified, for a different running rate.

The Hold switches (*S2*, 3, 4) are, of course, to allow a good column to be retained while the others are changed, or to let the player keep two matching columns displayed, while playing to get the third correct. They considerably increase winning chances.

The three circuits are constructed together on a single board. This is a complete, working assembly, including the l.e.d.s which project through holes in the case, or in a panel drilled for the purpose.

Current drain is about 120mA, which makes running from a dry battery possible. The large capacitor *C7* is not duplicated, only one being used for the whole board.

## MOMENTUM CAPACITORS

It is easy to add an effect similar to that of mechanical momentum to any or all sections, but the capacitors for this are too large to fit the board very easily. A capacitor to provide this effect is connected from the positive line to emitters of *TR1* and *TR2*. A quite large value is required, 3300 $\mu$ F to 4700 $\mu$ F is suitable. When a section is fitted with such a capacitor, changing of the display does not halt immediately the SPIN button is released.

## HOW IT WORKS

Three multivibrators, operating at different speeds, provide pulses for three decade counters giving binary output.

The outputs are displayed on three columns each having four l.e.d.s.

Various combinations provide a win and it is possible to hold any vertical column while further attempts change the other columns.

The display for any one column may be 0-9 as follows:

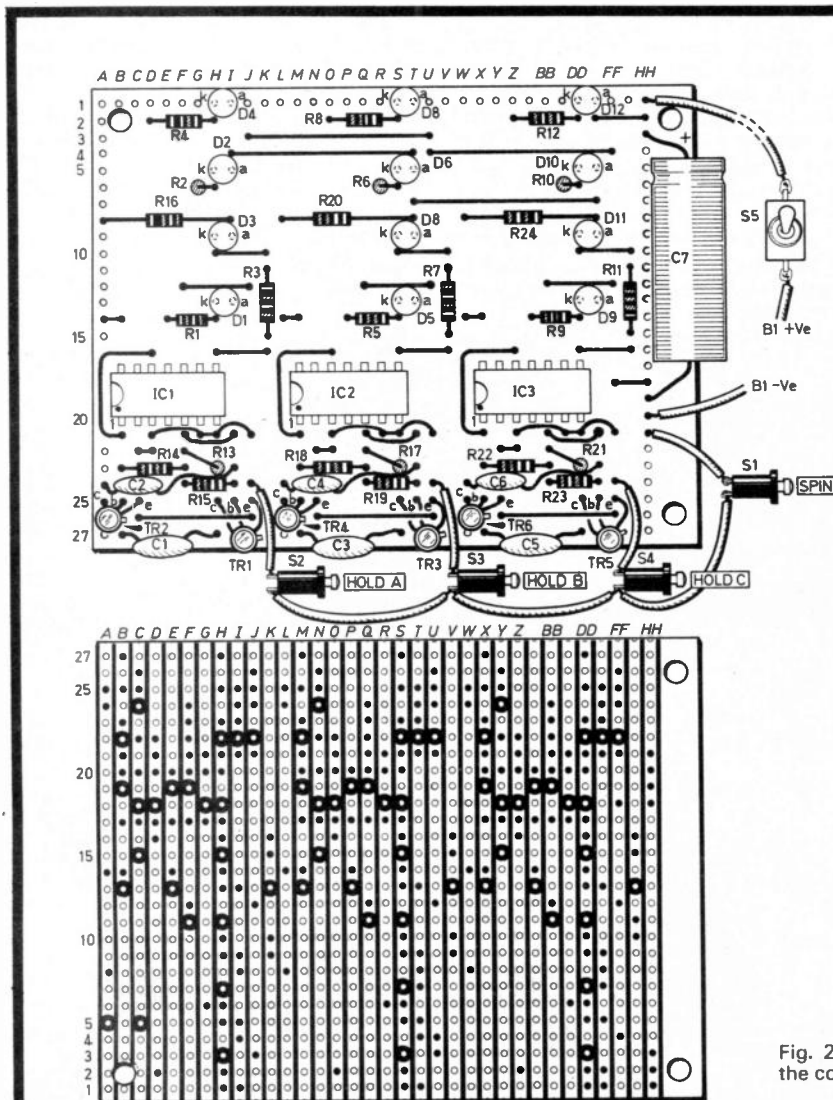
```

0 X 0 X 0 X 0 X 0 X
0 0 X X 0 0 X X 0 0
0 0 0 0 X X X X 0 0
0 0 0 0 0 0 0 0 X X
    
```

Here, 0 denotes an illuminated l.e.d. Pay out rates (toy money, sweets) for 1 unit per attempt can be:

```

000 pays 1      000      000
                  000 pays 4      000
                  000 pays 9
000
000              0 0
000              0 pays 7
000 pays 15     0 0 (2,5,2)
    
```



## COMPONENTS

### Resistors

R1-12	330 $\Omega$ (12 off)
R13,17,21	5.6k $\Omega$ (3 off)
R14	220k $\Omega$
R15	47k $\Omega$
R16,20,24	1k $\Omega$ (3 off)
R18	820k $\Omega$
R19	56k $\Omega$
R22	1M $\Omega$
R23	68k $\Omega$
All $\frac{1}{4}$ W carbon $\pm$ 5%	

### Capacitors

C1-6	0.1 $\mu$ F ceramic (6 off)
C7	100 $\mu$ F 10V elect.

### Semiconductors

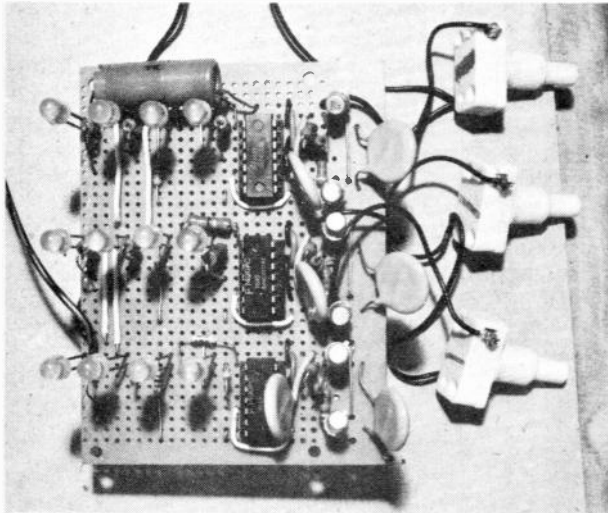
D1-12	5.5mm l.e.d. (12 off)
TR1-6	BC108 silicon <i>n</i> p <i>n</i> (6 off)
IC1,2,3	7490 decade counter

### Miscellaneous

S1	press-to-make
S2,3,4	press-to-break
S5	on-off toggle
0.1in matrix stripboard, 34 strips by 27 holes; case, 165 x 139 x 63.5mm (front) x 89mm (rear) (see text);	
14-pin d.i.l. holder (3 off).	

Approx. cost **£10.50**  
Guidance only

Fig. 2 (left). Circuit board component layout, breaks in the copper strips (underside) and interwiring details.



Spin push-switches wired to the completed circuit board.

## COMPONENT BOARD

The component board is a piece of 0.1in matrix stripboard having 34 strips by 27 holes. Fig. 2 is the whole of the component board. First establish correct polarity for the l.e.d.s then fit these as shown, making sure that you space and position them accurately before soldering.

Note that all the breaks in the stripboard are shown in Fig. 2. Holders are used for the i.c.s with the pin connections being made under the board. Pins 2, 3, 6,

and 7 on each of the i.c.s are connected under the board.

After completing the left hand section, connect the positive and negative supply lines to a 4.5V supply. Run a flexible lead from S1 to the negative line, the l.e.d.s should change rapidly, and remain lit with S1 disconnected.

Circuit B and circuit C can be completed, by copying the board for circuit A. Difficulties seem unlikely, if it is remembered that each of the three circuits are separate from each other.

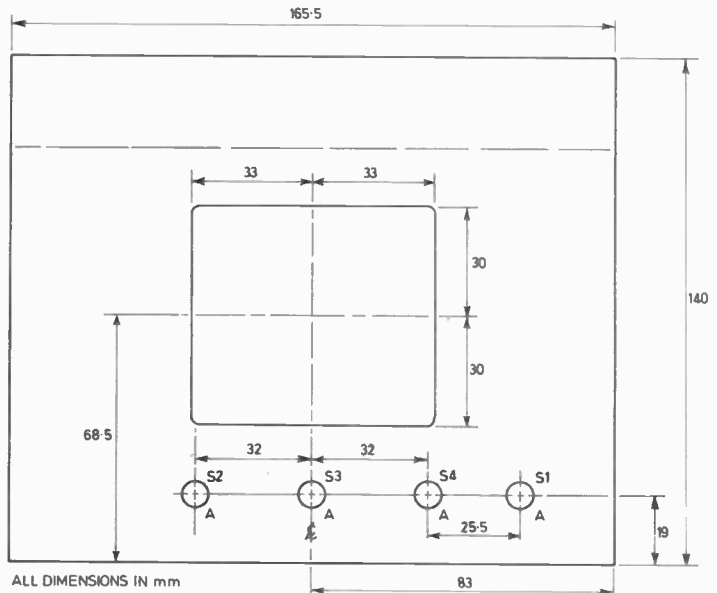


Fig. 3. Suggested drilling and measurements for a suitable front panel.

## CASE

The case is made from thin wood, 165 × 139 × 63.3mm (front) × 89mm (rear), although any case of similar dimensions would be suitable.

Twelve holes for the l.e.d.s were drilled in thin s.r.b.p. 102 × 76mm. The sheet is then fitted over the l.e.d.s and is held in place by four 1½in 6BA bolts. Two 8BA bolts may then be used to secure the assembly behind the 66 × 60mm aperture cut into the case as shown in Fig. 3. □

# BOOK REVIEWS

## ELECTRONICS FOR TECHNICIANS

**Author** G. D. Bishop  
**Price** £4.95 Limp edition  
**Size** 232 × 203mm. 136 pages  
**Publisher** Macmillan Press  
**ISBN** 0-333-34027-2

AS THE name suggests "Electronics For Technicians" is a book devoted to giving trainee technicians a thorough grounding in electronics. The book contains ten chapters starting with semiconductor diodes which defines the role of the conductor and insulator in electronic theory.

The remaining chapters deal with transistors, amplifiers, power amps, noise, feedback, waveform, generators and switches, integrated circuits, stabilised power supplies and finally logic elements and circuits.

Every chapter is defined with an easy explanation and is accompanied by a set of questions with which you may test your learning power. There are plenty of diagrams to help you understand the theory in each chapter and also to aid you in constructing your own circuit diagrams. Overall, a very useful book which would benefit any newcomer to electronics.

R.A.H.

## THE BBC RADIOPHONIC WORKSHOP

**Author** D. Briscoe/R. C. Bramwell  
**Price** £7.75 Limp edition  
**Size** 246 × 180mm. 175 pages  
**Publisher** British Broadcasting Corporation  
**ISBN** 0-563-20150-9

FORMED in 1958 the BBC's Radiophonic Workshop has for many years been producing weird and wonderful sounds. Perhaps the most well known television show that the Workshop has designed sounds for is "Doctor Who".

The book gives a very detailed account of how the Workshop was originally started by a group of music enthusiasts and then later began to change the listening habits of millions of people.

The book contains twelve chapters on the history of the Workshop and how talent such as D. Briscoe, one of the pioneers of new sounds, helped to establish it. For anyone interested in sound this book gives you a true insight into the trials and tribulations of producing sound for broadcasting.

R.A.H.

## Books in Brief

**V.H.F./U.H.F. Manual** Edited by G. R. Jessop (Radio Society of Great Britain). Hardback £8.50 (£10.31 by post from RSGB Worldwide). This is the fully revised and expanded fourth edition of a well established reference work covering all aspects of the spectrum above 30MHz. The theory of propagation, aerials, and a wealth of practical designs for receiving and transmitting equipment, and much more is included in the 528 pages.

**Introducing Computers** by Malcolm Peltu (The National Computing Centre, Manchester). Limp £5.50. A comprehensive but concise guide to computing, and other information technologies. Ideal for the non-technical reader wishing to obtain a good grounding in the subject.



★ COMPARE OUR PRICES ★

TRANSISTORS			DIODES		ELECTROLYTIC CAPACITORS		
AC128	20	BC348	9	BRY39	36	1N5405	15
AC176	23	BC348B	9	BU126	99	RADIAL PCB. (Values in uF). 6.3V;	
AC187	22	BC349A	8	BU205	135	330 7p; 220 19p; 10V; 220 7p; 330	
AC188	22	BC351	8	BU208	149	8p; 470 9p; 1000 16p; 2200 26p.	
AF124	55	BC394	19	BU208A	185	16V; 10 4p; 22 5p; 47 6p; 100 7p;	
BC107	10	BC461	32	BU326A	125	220 8p; 470 12p; 1000 20p; 25V; 10	
BC108C	12	BC477	28	MJ2955	30	4p; 22 5p; 33 5p; 47 6p; 100 7p;	
BC109C	12	BC478	29	MPSA56	25	220 10p; 330 12p; 470 14p; 1000	
BC142	23	BC479	29	MPSH55	20	28p; 63V; 1 4p; 4.7 5p; 10 5p; 22	
BC143	23	BC547	6	MPSL08	20	6p; 100 13p; 220 21p; 470 28p.	
BC147A	8	BC547C	7	OC71	25		
BC148A	8	BC549	7	SX3703	12		
BC149	8	BC549C	8	TIP29	30		
BC188A	7	BC557B	8	TIP30	35		
BC171A	8	BC558	8	TIP31A	35		
BC171B	7	BC558B	8	TIP31B	37		
BC177	18	BCY70	16	TIP31C	37		
BC178	18	BCY72	17	TIP32A	30		
BC179	18	BD131	35	TIP32C	37		
BC182	8	BD132	35	TIP33A	30		
BC182B	9	BD135	32	TIP36B	149		
BC182L	7	BD136	30	TIP41A	45		
BC182LB	9	BD138	30	TIP41C	48		
BC183	8	BD139	35	TIP42A	45		
BC183L	8	BD140	35	TIP42C	49		
BC184	8	BD237	40	TIP47	58		
BC184B	9	BD238	40	TIP48	58		
BC184L	7	BD243AX35	TIP2955	62			
BC207B	12	BD437	46	TIP3055	55		
BC212	8	BD907	59	TIP90	20		
BC212L	8	BD908	59	2N706	20		
BC213	8	BF181	28	2N2222	10		
BC213L	8	BF195	12	2N2222A	20		
BC213C	9	BF196	12	2N2304	18		
BC214	8	BF197	12	2N2305	22		
BC214L	8	BF198	10	2N2305A	25		
BC237B	7	BF199	12	2N2907A	25		
BC239B	9	BF246L	45	2N3053	23		
BC258A	7	BF246LA	45	2N3054	52		
BC206A	17	BF246LB	45	2N3055	40		
BC261	16	BF259	30	2N3055H	40		
BC261A	16	BF337	35	2N3442	109		
BC307	10	BF338	32	2N3771	145		
BC307B	8	BF458	40	2N3773	195		
BC308	10	BF459	40	2N3819	17		
BC317	11	BF595	10	2N3804	10		
BC327	12	BF595C	10	2N3806	10		
BC328	12	BFY50	23	2N5447	14		
BC337	11	BFY51	20	2N5449	16		
BC338	12	BFY52	20	2N6028	30		

Trade/Retail supply of Electronic Components & Equipment

**A. M. ELECTRONICS**

5 WILSON STREET, LEICESTER LE2 0BB. Tel. 0533 538195

**SPECTRUM**

24 LINE INPUT/OUTPUT PORT .....	£18.95
(motherboard not required)	
MOTHERBOARD — SIX SLOTS .....	£26.50
MOTHERBOARD PCB ONLY .....	£6.50
SPECTRUM 28-WAY CONNECTOR .....	£3.25
MALE CONNECTOR .....	£1.90
34-WAY RIBBON CABLE .....	per metre £1.80

**ZX81**

40-KEY KEYBOARD .....	£20.00
SPARE KEYS .....	each £0.30
MOTHERBOARD — TWO SLOTS .....	£15.00
24-LINE INPUT/OUTPUT PORT .....	£18.95
16K RAM PACK .....	£22.95
MUSIC BOARD .....	£18.95
23-WAY FEMALE CONNECTOR .....	£2.50
MALE CONNECTOR .....	£1.60
24-WAY RIBBON CABLE .....	per metre £1.40
GETTING ACQUAINTED WITH YOUR ZX81 .....	£5.95
PROGRAMMING FOR REAL APPLICATIONS .....	£6.95
REAL APPLICATIONS TAPE .....	£11.44
MASTERING MACHINE CODE .....	£7.50

Prices are for built items, Postage 40p under £4.00.  
Export postage (surface) £1.80. Send SAE for full catalogue.  
Cash with order or Access

**REDDITCH ELECTRONICS**

DEPT. EE5  
21 FERNEY HILL AVENUE  
REDDITCH, WORCS B97 4RU

**YOU CAN MAKE IT**

with **EVERYDAY ELECTRONICS** and computer PROJECTS **BUT DO**

**MAKE SURE OF YOUR COPY EVERY MONTH**

August issue on sale Friday 15 July 1983 (see page 441 for details)

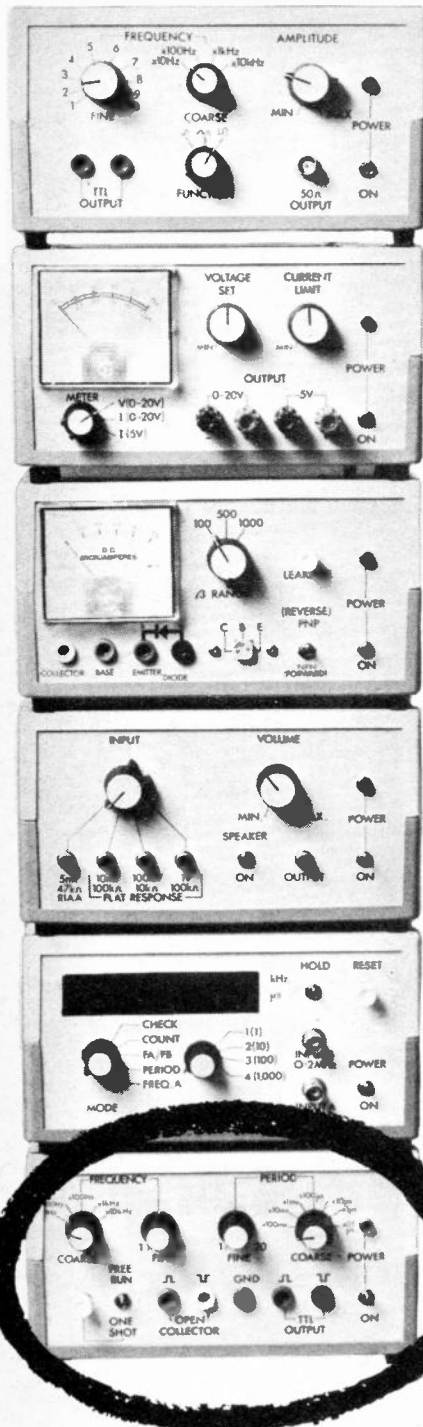
**PLACE AN ORDER**

with your

**NEWSAGENT NOW!**

**THE TEST GEAR 83 SERIES CONSISTS OF:**

- DUAL POWER SUPPLY ● FUNCTION GENERATOR ● TRANSISTOR TESTER  
PULSE GENERATOR ● LABORATORY AMPLIFIER ● FREQUENCY METER**



**D**ESPITE living in an essentially analogue world, a large proportion of electronic projects use digital circuitry. Widely available integrated circuits offer the designer a range of building blocks from simple gates to complex counters and shift registers, often for the price of a few transistors. In order to design and test digital circuits, a pulse generator is required. The unit described here will satisfy the needs of the home constructor at a reasonable cost.

The unit provides both TTL and open collector (for use with CMOS logic) complementary outputs. Facilities are provided to generate either a single pulse or a continuous stream. The pulse repetition frequency can be varied between 1Hz and 100kHz and the pulse duration from 0.1µs to 2s.

As with the Function Generator, maximum benefit will be gained when the unit is used with an oscilloscope. Simple tests can be carried out at low speeds with a logic probe.

In line with the other instruments in the *Test Gear 83* series (except the Transistor Tester), the Pulse Generator is mains powered.

### CIRCUIT DESCRIPTION

The circuit diagram of the unit is shown in Fig. 1. The circuit can be split into sections. The power supply will be considered first.

The circuit is very conventional, based around the 7805 three terminal regulator integrated circuit, IC5. The a.c. input is provided by the transformer and is rectified and smoothed by the bridge rectifier D1-D4, and the capacitor C18, respec-

tively. The capacitors C19 and C20 are to prevent high frequency oscillations. Capacitors C1 and C17 provide distributed decoupling close to the i.c.s.

### PULSE GENERATOR

The Pulse Generator section is centred around a monostable multivibrator, the 74121 (IC3). The width of the output pulse is controlled by an R-C network connected to pins 11 and 10. Coarse period control is provided by S3 and capacitors C9-C15. Fine period control is by VR2.

### OUTPUTS

The TTL outputs are buffered by inverters, IC4. The open collector outputs are implemented in transistors TR1 and TR2. When using the Pulse Generator with CMOS logic, the open collector outputs should be used. The desired output is connected to the input and a pull-up resistor of between 1 and 10 kilohms should be wired from the input to the positive supply.

This ensures that the signals are not only of the correct level, but that an input is not applied to the CMOS input with no supply connected, a potentially destructive situation.

### TRIGGERING

Two methods are provided for triggering the monostable multivibrator. For a continuous stream of pulses a 555 timer (IC1) is used in the astable mode. The pulse repetition frequency (p.r.f.), is determined by an R-C network. Coarse frequency control is provided by switching the timing capacitor, S1 and C2-C7. Fine adjustment of the frequency is accomplished by VR1. Care should be taken when using the Pulse Generator not to set a period greater than the p.r.f. will allow.

The frequency of operation is given by:

$$p.r.f. = \frac{1.44}{(R1 + VR1 + 2R2) \times C1} \text{ Hz}$$

One-shot operation allows the Pulse Generator to provide a single pulse of controllable duration at a manually determined rate. The switch is debounced by two NAND gates (IC2a and b) connected as a bistable. A third NAND gate (IC2c) is used as a monostable to provide the narrow triggering pulses required by the main monostable multivibrator, IC3.

### SPECIFICATIONS

<b>Operational modes:</b>	single pulse or continuous stream.
<b>Pulse repetition frequency:</b>	variable between 1Hz and 100kHz.
<b>Pulse duration:</b>	variable between 0.1µs and 2s.
<b>Output conditions:</b>	TTL (buffered) and open collector (for CMOS logic)

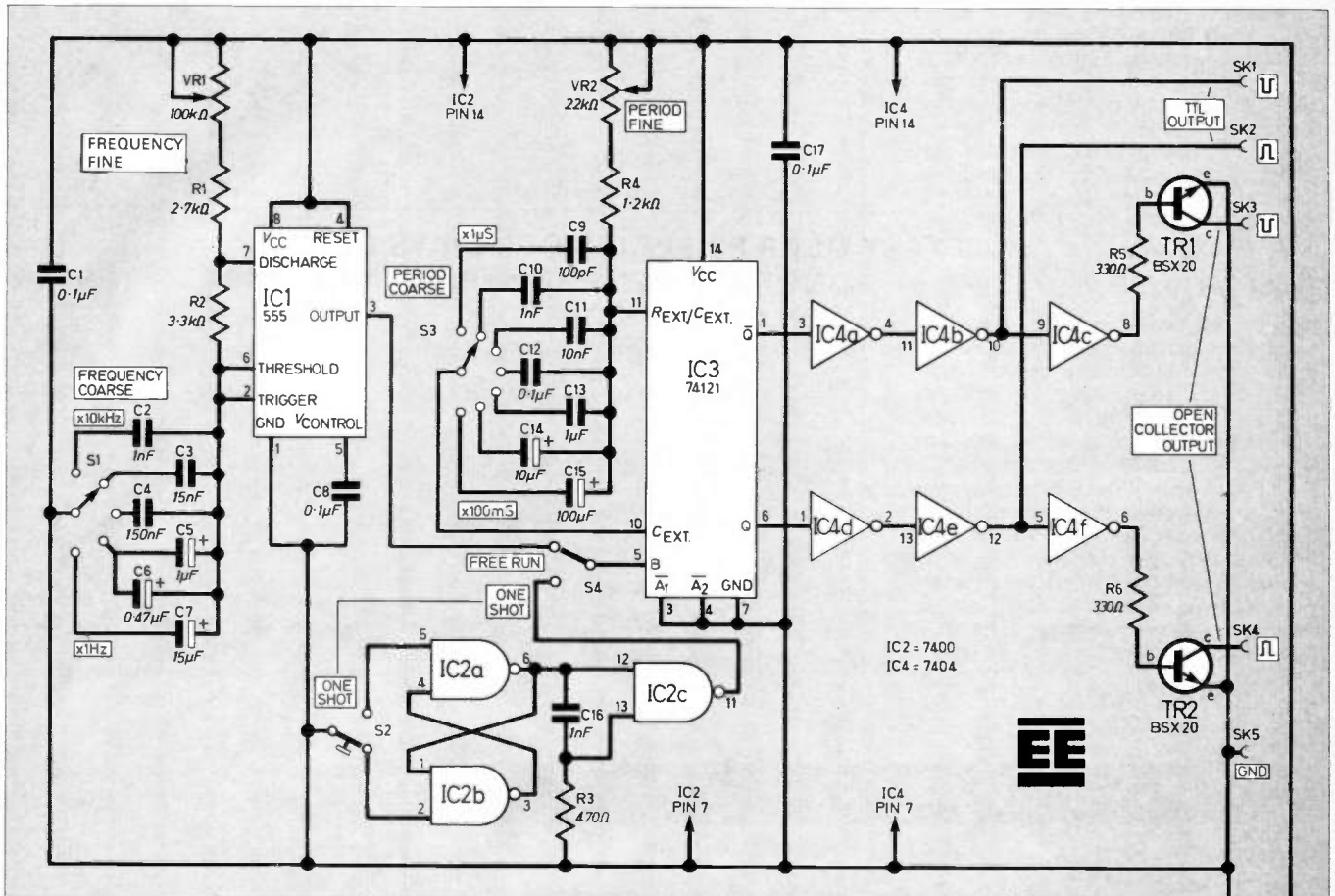
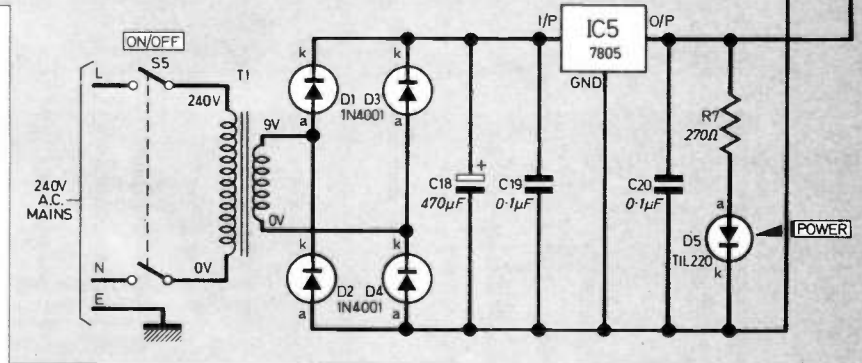


Fig. 1. Complete circuit diagram for the Pulse Generator. The power supply section is shown on the right.

**COMPONENTS**  
 approximate  
 cost **£24**



## CONSTRUCTION

### CIRCUIT BOARD

Begin construction with the circuit board. When etching the board, pay special attention to the positioning of the mounting holes, as they are designed to align with the moulded pillars in the base of the case. It may be necessary to change the mounting holes for the mains transformer, according to the one purchased. So it is advisable to check this prior to making the board.

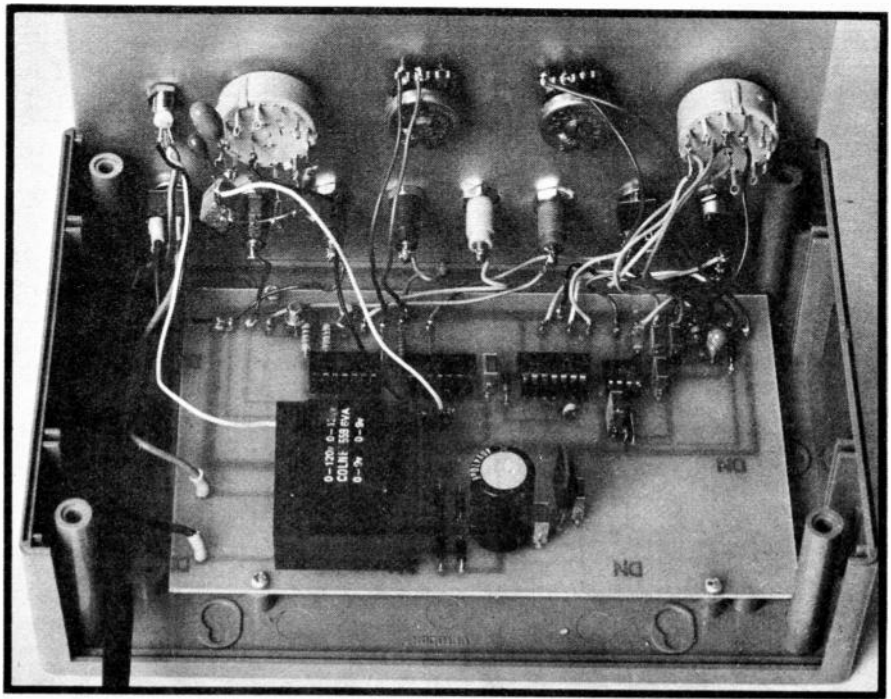
The prototype boards were laid out with etch-resistant dry transfers. The p.c.b. artwork and component layout diagram is shown in Fig. 2.

All the components with the exceptions of C9 to C15 are mounted on the board. The components should be soldered to the board in the normal manner beginning with the passive components and the wire links, working through to the semiconductors. It is recommended that d.i.l. sockets are used for the integrated circuits. It will be found helpful if Veropins are inserted in the board where the flying leads leave it.

## CASE

Once the circuit board is complete, preparation of the case can begin. The prototype was housed in a Verocase type 202-21036C. This should be available through normal Vero distributors. Separate the two halves of the case and remove the front and rear panels. To assist marking out and to protect the panels from scratching, it is advisable to fasten a piece of graph paper with double-sided tape to the front panel.

Mark the centres of the holes in accordance with Fig. 3 and then lightly centre-punch them. For the large holes it is better to drill a small pilot hole (about 3mm) first.



The completed prototype with top removed to show wiring to front panel components and positioning of circuit board.

## COMPONENTS

### Resistors

R1	2.7k $\Omega$	R5	330 $\Omega$
R2	3.3k $\Omega$	R6	330 $\Omega$
R3	470 $\Omega$	R7	270 $\Omega$
R4	1.2k $\Omega$	All $\frac{1}{4}$ W carbon $\pm 5\%$	

### Capacitors

C1	0.1 $\mu$ F	C11	10nF
C2	1nF	C12	0.1 $\mu$ F
C3	15nF	C13	1 $\mu$ F
C4	150nF	C14	10 $\mu$ F 25V tantalum
C5	1 $\mu$ F 35V tantalum	C15	100 $\mu$ F 25V tantalum
C6	0.47 $\mu$ F 35V tantalum	C16	1nF miniature plate ceramic
C7	15 $\mu$ F 35V tantalum	C17	0.1 $\mu$ F Siemens
C8	0.1 $\mu$ F Siemens	C18	470 $\mu$ F 40V elect.
C9	100pF polystyrene	C19	0.1 $\mu$ F
C10	1nF Siemens	C20	0.1 $\mu$ F

### Semiconductors

D1-4	1N4001 silicon rectifier (4 off)
D5	TIL220 0.2in red l.e.d.
TR1, 2	BSX20 npn silicon fast switching (2 off)
IC1	555 timer
IC2	7400 TTL quad 2-input NAND gate
IC3	74121 TTL monostable multivibrator
IC4	7404 TTL hex inverter
IC5	7805 5V, 1A regulator

See  
**Shop  
Talk**  
page 427

### Miscellaneous

T1	6VA mains transformer with two 9V secondaries, p.c.b. mounting
S1,3	s.p. 12-way midget rotary with adjustable stop
S2	s.p.d.t. miniature push-button
S4	s.p.d.t. miniature toggle
S5	d.p.d.t. miniature mains toggle
VR1	100k $\Omega$ control potentiometer
VR2	22k $\Omega$ control potentiometer
SK1-5	4mm insulated banana sockets (5 off—colours to suit)

Verocase type 202-21036C; single-sided p.c.b. size 100 x 160mm (Eurocard); control knob with pointer (4 off); 8-pin d.i.l. holder; 14-pin d.i.l. holder (3 off); grommet; P-clip; mains cable; 7/0.2mm wire; 14/0.2mm wire; mounting screws; l.e.d. chrome bezel; Veropins.

Only one hole is required on the rear panel, for the mains lead grommet.

## FINAL ASSEMBLY

The p.c.b. should be screwed to the pillars in the bottom of the case with self-tapping screws. Attach sufficient lengths of wire to the Veropins. 7/0.2mm wire should be used for all connections except the mains wiring which should be 14/0.2mm.

Before mounting the front panel components, it is a good idea to apply the dry transfer lettering. A thin coat of protective lacquer will help to prevent the lettering from being scratched off. See photograph for front panel markings.

When the lacquer is thoroughly dry the components can be bolted to the panel and the wiring completed in accordance with Fig. 4. The capacitors C9 to C15 are soldered directly to the terminals of S3 as shown. The leads must be carefully preformed to avoid damage to the component and a piece of solid wire is used as a common connection.

## IN USE

Most digital circuits have a clock generator. It may be simple such as a digital dice or as complicated as a microprocessor, but the Pulse Generator can be used to replace this clock and either run the circuit faster or slower than is normally intended.

For example, a digital clock is constructed and it would be desirable to observe the entire 24-hour period in a few minutes. This can be accomplished by replacing the clock's timing generator, normally derived from a crystal oscillator or the a.c. mains, with the Pulse

# PULSE GENERATOR

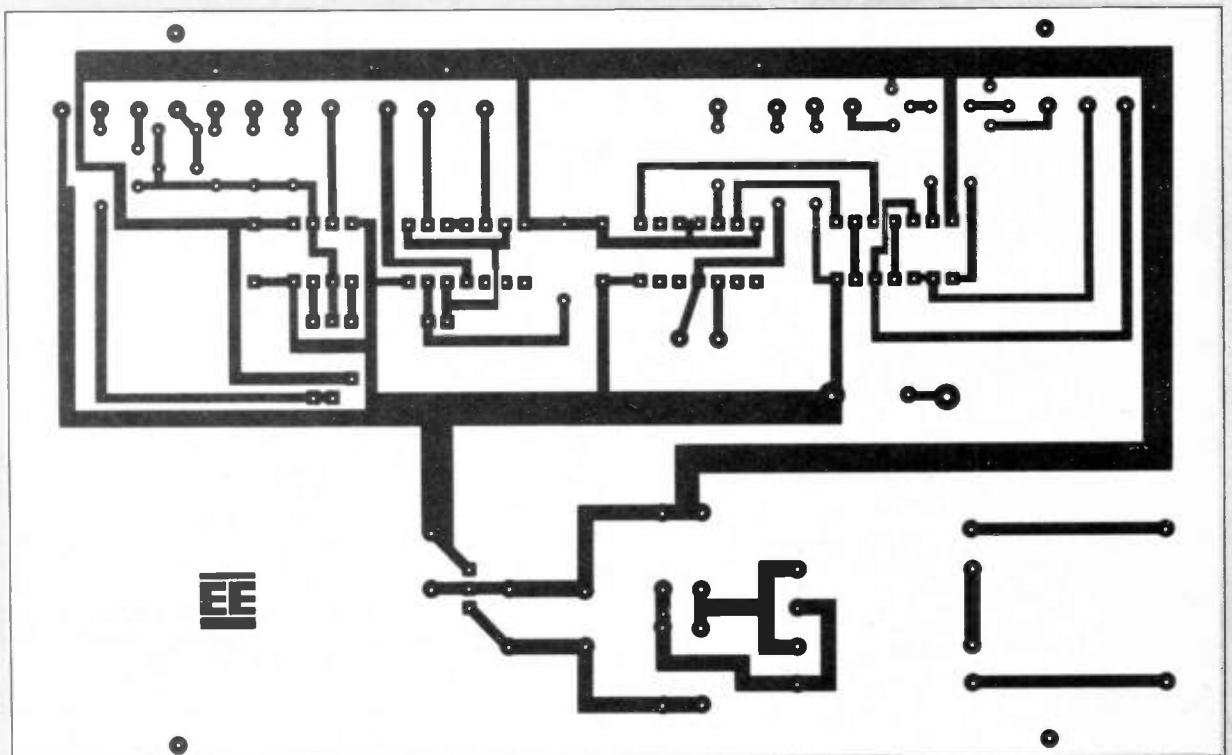
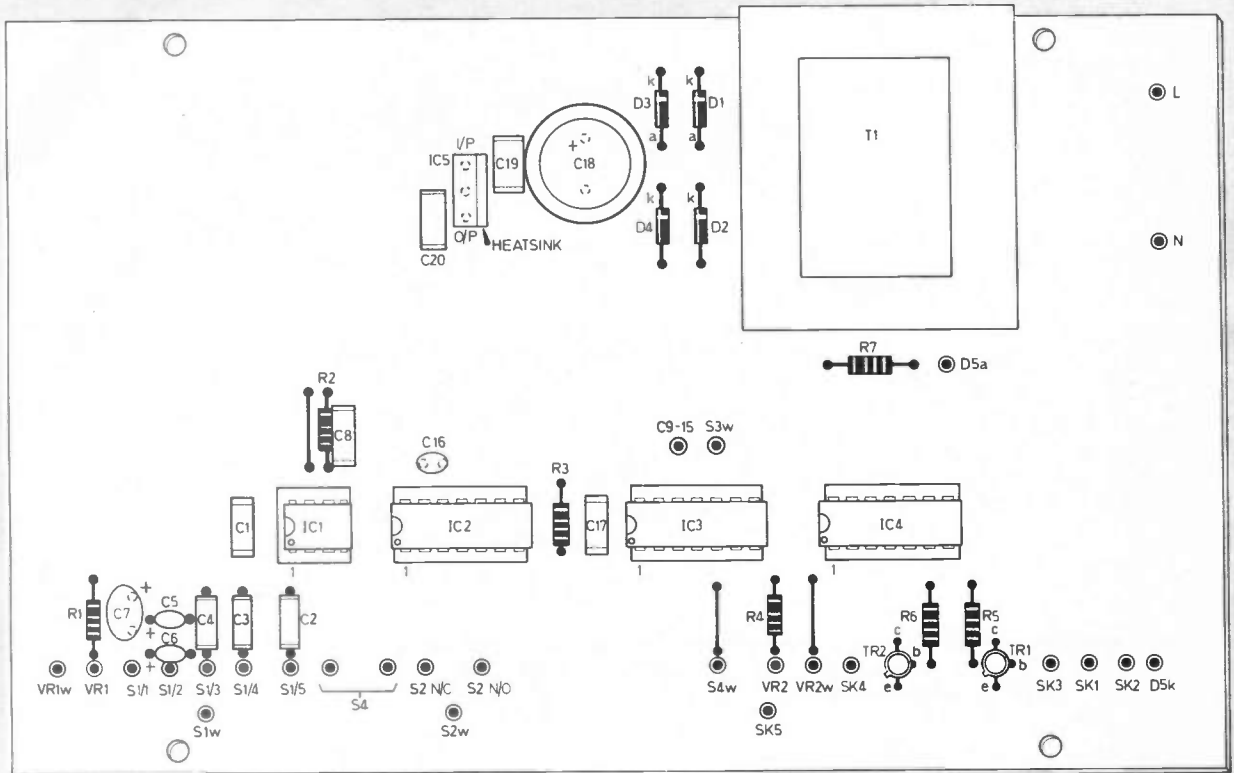


Fig. 2. Component layout and full-size printed circuit board master.

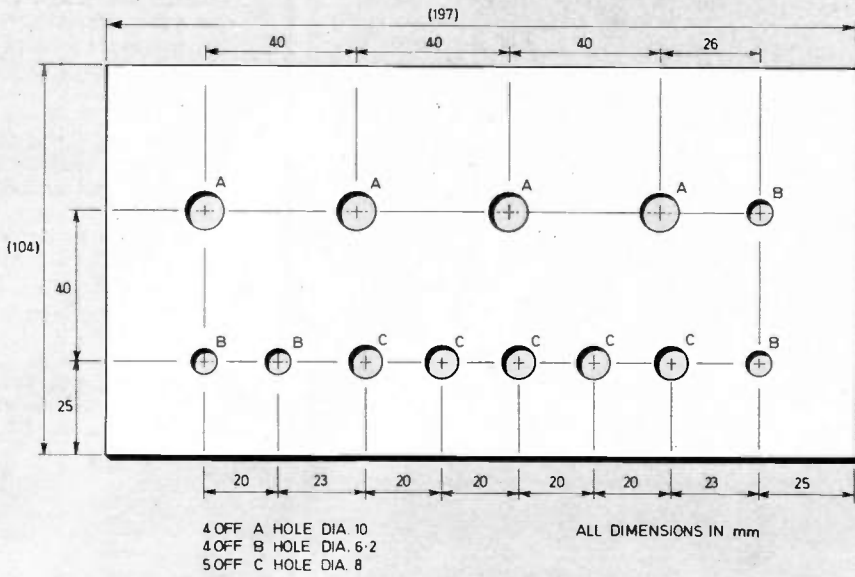


Fig. 3. Front panel dimensions and drilling details.

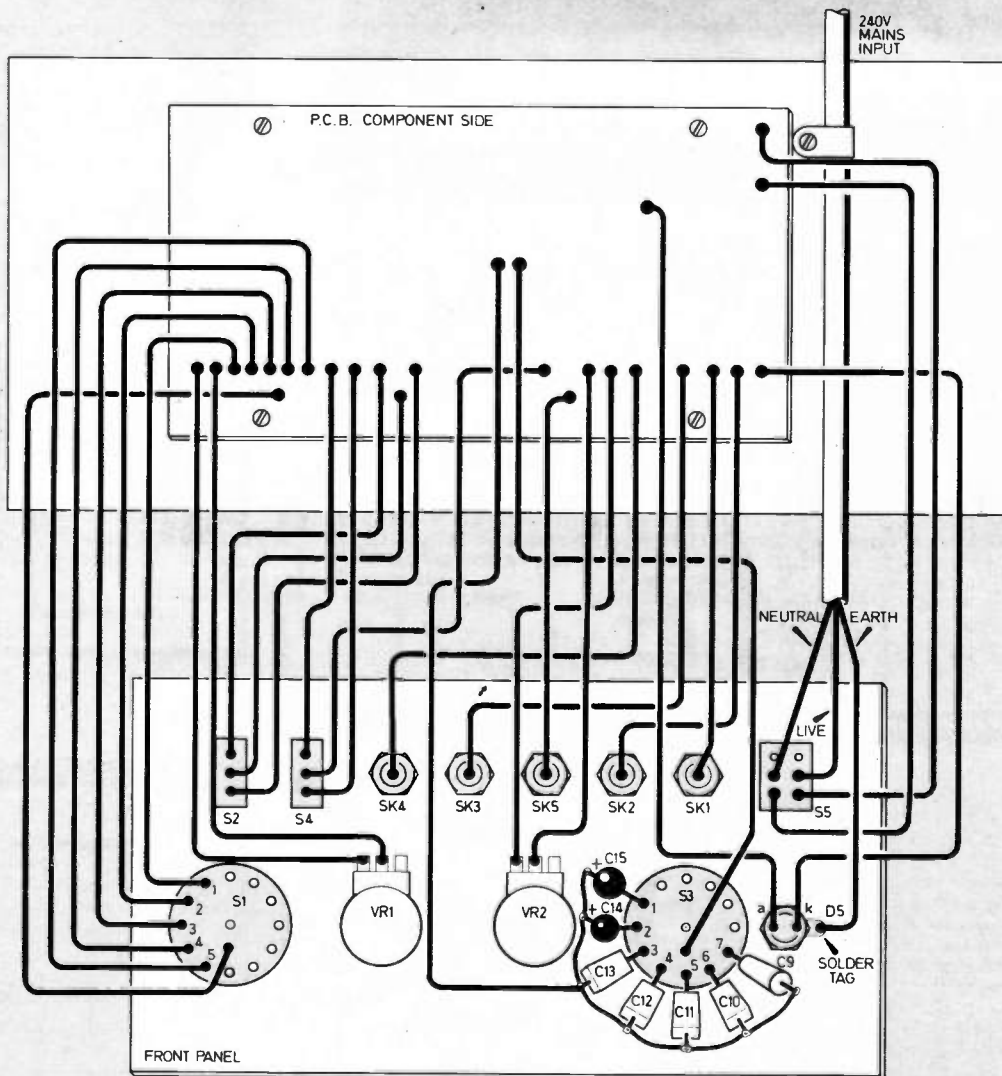
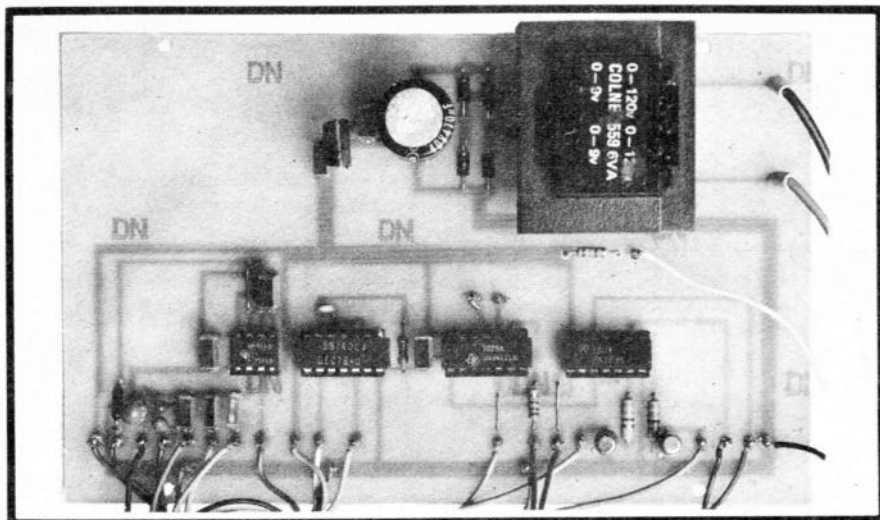


Fig. 4. Interwiring details to the front panel and circuit board.



The completed circuit board ready for wiring to the front panel.

# COUNTER INTELLIGENCE

BY PAUL YOUNG

## Counter Attractions

I must confess that I am puzzled by one thing and that is, the apparent decline in amateur construction. I am not unduly depressed by it because I am sure it is only a passing phase but out of curiosity I thought I would investigate the reasons for it. The most obvious reason is that the constructor has been wooed away by another hobby or even another facet of electronics.

I decided that this probably began with the arrival of the metal detector. Many designs appeared and I have no doubt that many were made. Then our constructor would try it out on some treasure seeking exercise and even if he didn't hit the jackpot, he might have decided it was so fascinating that he abandoned all his other pursuits.

The next set-back might have been the arrival of Citizens Band Radio when the thought of becoming a broadcaster and speaking to the world was irresistible. Unfortunately not many constructional kits were available, and after the initial set-backs and confusion over the choice of a.m. or f.m., sales of ready made sets slumped so disastrously that some first class new equipment could be picked up for a song.

Finally along came the micro computer and with it the TV games, that must have accounted for quite a few defectors.

I will freely admit that all this is conjecture but what led me to this conclusion was the following: Last October *Everyday Electronics* published a project for making a simple short wave receiver. Normally I would have expected at least fifty to have been made. It so happened that a friend of mine had the entire supply of the coils which were stipulated in the design, so I

could make a reasonable check on the number constructed. It was ten!!

I know my findings may be wrong, but even if they are correct I will wager that those that have strayed from the path of one of the most fascinating hobbies, namely electronic constructing, will sooner or later return to the fold.

## Doom and Gloom Merchants

Anyone who reads the popular press may well be dismayed by the predictions of the Doom and Gloom merchants. You know the sort of thing they talk about. They say that even if we are not annihilated, pollution or atomic radiation will finish us off and even if that fails, with the population explosion we shall starve to death. For good measure they add that by the year 2050 we shall have run out of coal, oil, and electrical energy. No cars, no transport, and the unemployed running into billions.

Now what I want to know is, how is electronics going to help, in other words is "Electronics" on the side of the angels, that is of course, you and me?

Working backwards through the list we start with unemployment. In the short term I think electronics will create more jobs, but in the long term it must have the reverse effect so that the only cure will be job sharing or a shorter working week. Coal and oil will be replaced by nuclear energy which will produce the electricity. There are many people who are against the use of nuclear reactors and this is understandable on the grounds of safety but they can be made perfectly safe as witness the Canadian system called "Can Do" and already the French obtain over 80 per cent of their electrical needs from nuclear power.

Generator. The speed can be changed at will. In its simplest terms, the Pulse Generator should be considered as a square-wave oscillator whose frequency and mark-to-space ratio can be varied over a wide range.

No facilities are provided to calibrate the generator, this was not thought to be a disadvantage since in critical applications, the output is set with an oscilloscope.

As previously stated, the period (pulse width) of each pulse must not be set so as to be greater than the p.r.f. allows. For example, if the Pulse Generator is set to a frequency of 10Hz, the duration of one cycle will be 100ms, therefore a period of greater than this figure will not work.

Similarly, for a frequency of 100kHz, the period must not exceed 10µs. The maximum time of one cycle can be calculated by  $t$  (time) =  $1/f$ , where  $f$  = frequency. □

## Fallacies

It was during my research that I came across a book that I can recommend to the pessimists, it is called, "How to get to the Future, Before it gets to You" by Shepherd Mead published by Michael Joseph. The author points out many fallacies in the forecasts of the "D" and "G" merchants. For a start, the expected pollution is wrong because the increase is worked out exponentially while the remedies are shown as linear!!

Shepherd Mead paints a rosy picture of an all electronic future, with the wife doing all her shopping with a computer and a video screen and the husband always working from home, by means of computers and videos wired directly to his office.

This is the only point on which I disagree with him. It is already possible for many thousands to work from home, using computers, but a recent survey shows that the majority of people prefer to go to work, they like the change of scenery and the company. As so often happens in these matters, the experts overlook the human factor. We are a gregarious lot on the whole.

## PLEASE TAKE NOTE

Real Time Clock, Apple (May 1983)

There is a labelling error on the circuit diagram (Fig. 2) and the component layout diagram (Fig. 4). In Fig. 2, the Apple contact labelled 38 should in fact read 40. In Fig. 4, the lead from IC1 pin 25 should go to edge contact 40, and not 38 as shown.

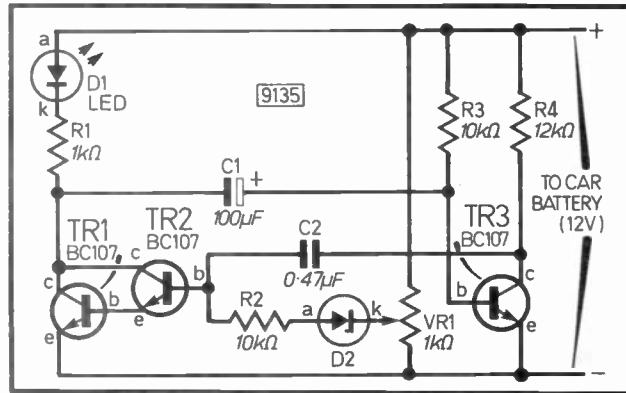
# CIRCUIT EXCHANGE

This is the spot where readers pass on to fellow enthusiasts useful and interesting circuits they have themselves devised. Payment is made for all circuits published in this feature. Contributions should be accompanied by a letter stating that the circuit idea offered is wholly or in significant part the original work of the sender and that it has not been offered for publication elsewhere.

## CAR VOLTAGE MONITOR

THIS circuit is designed for monitoring the 12V batteries of motor cars. All the three battery states are indicated by a single l.e.d., D1. The l.e.d. is on when there is sufficient voltage, it starts flashing as the voltage falls to a preset value (determined by VR1) and it is off for still smaller battery voltages.

The heart of the circuit is a multi-vibrator. Transistor TR1 gets the required base current when there is sufficient supply voltage. So the circuit starts to oscillate very fast and D1 seems to illuminate continuously rather than to



blink. When the voltage falls to the preset value, D2 shows a high impedance. So the oscillation frequency falls and D1 appears to blink.

For still smaller voltages the frequency of oscillation falls, as the impedance of D2 increases. For very low voltages D1 is extinguished.

J. Sreekumar,  
Cochin,  
India.

## OP-AMP TESTER

THIS Op-Amp Tester checks the important parameters and has a l.e.d. to indicate the condition of the op-amp.

The parameters which are checked by the tester are gain, stability, input offset voltage and input bias current. The tester, which itself uses two op-amps, can test internally compensated op-amps such as 741 and uncompensated op-amps such as the 709 and 748. Both 8-pin and 14-pin sockets are provided.

IC1 is used as a square-wave generator and the op-amp being tested is used as an inverting amplifier with gain of 100. The output of IC1 is applied to both IC2 and (through voltage divider R4 and R5) to the unit being tested. The output of the latter is applied as a second input to IC2 which is used as a summing amplifier.

If the op-amp being tested is good, its output is exactly equal the squarewave applied to IC2 through R11. When these

two signals cancel, there is zero output from IC2 and l.e.d. D1 will not light.

If the op-amp being tested is faulty, the two inputs to IC2 will not cancel and D1 lights. Before D1 turns on, however, the output of IC2 must not exceed the threshold determined by the forward voltage-drops of two of the bridge diodes and D1. Assuming a failure, this threshold will be exceeded if the op-amp has a gain of less than 60, an input offset voltage greater than 30mV or an input bias current greater than 3 microamps.

Any of the IC op-amps should have parameter values better than these. Similarly the l.e.d. turns on if the op-amp is unstable in the test circuit or has any short or open circuitry.

**Operation.** With no op-amp in either test socket, depress S1. The l.e.d. should flash on and off, indicating that the circuit is working properly.

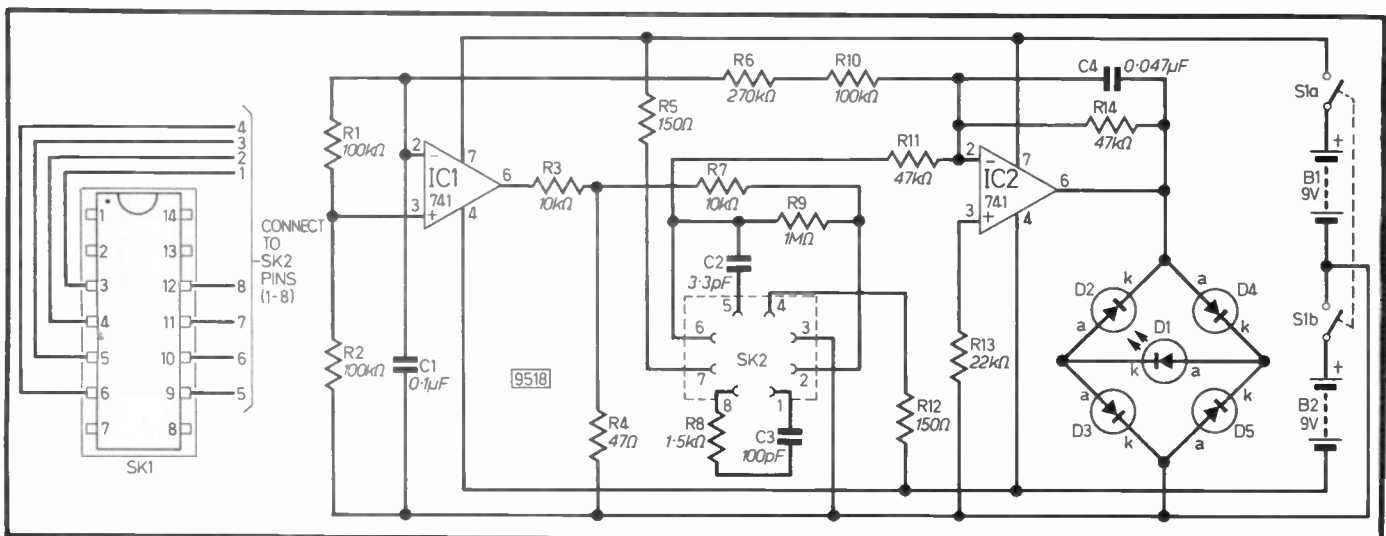
To test an op-amp, plug it into the

appropriate test socket and operate S1. If the op-amp is good the l.e.d. will not flash.

Any of the i.c. op-amps with the same pin configuration as the 709 can be checked, including 101, 301, 740, 741 and 748; units with other pin configurations such as dual op-amps, can also be tested if extra test sockets are wired in parallel with existing sockets.

Since different op-amps have different specifications, a good indication does not necessarily guarantee that the op-amp meets all of the requirements. However, for nearly all practical applications, the tester will provide a valuable go/no-go decision. The tester will be particularly useful for sorting through bargain, untested op-amps and for quickly isolating the trouble in an op-amp circuit that doesn't work.

Hamid Reza Nameri,  
Tehran, Iran.





# THE COMPLETE PACKAGE! MICROPROFESSOR PLUS THE STUDENT WORK BOOK



**A low cost tool for learning, teaching and prototyping.**

Micro-professor is a low-cost Z80 based micro computer which provides you with an interesting and inexpensive way to understand the world of microprocessors.

Micro-Professor is a complete hardware and software system and is a superb learning tool for students, hobbyists and microprocessor enthusiasts, as well as an excellent teaching aid for instructors of electrical engineering and computer science courses.

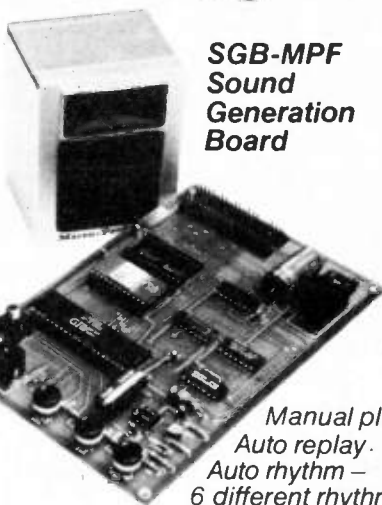
Micro-Professor **£99.50**  
(+£4.00 p&p)

Now with the Student Work Book available Flight offer you the complete package. An easy to follow manual that will help further your understanding of microprocessors.

Student Work Book **£16.00**

**FLIGHT**  
Electronics Ltd.

Micro-Professor is a trade mark of Multitech Industrial Corporation. Z80 is a trade mark of Zilog Inc.

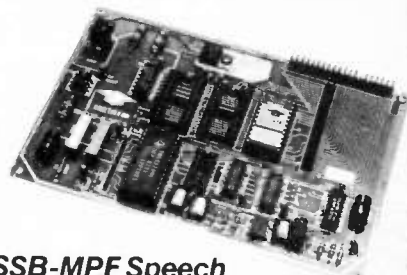


**SGB-MPF  
Sound  
Generation  
Board**

Manual play,  
Auto replay.  
Auto rhythm –  
6 different rhythms,  
Sound Synthesizer  
and Hi-fi speaker.

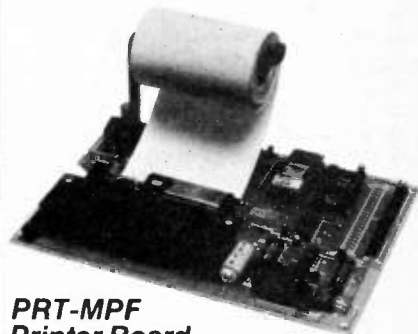
**EPB-MPF EPROM  
Programming Board**

For all +5V 1KB/2KB/4KB EPROMS  
Read/ Copy/List/Verify Capability.



**SSB-MPF Speech  
Synthesizer Board**

A vocabulary of up to 400 words based on the TMS 5200 chip.



**PRT-MPF  
Printer Board**

Memory dump utility. BASIC program listing. Z80 disassembler.

Please send me	Qty
Micro-Professor	£99.50
	(+£4.00 p&p)
Student Work Book	£16.00
SGB-MPF board	£79.50
EPB-MPF board	£99.50
SSB-MPF board	£99.50
PRT-MPF board	£86.25

I enclose cheque/P.O. for £.....

Name .....

Address .....

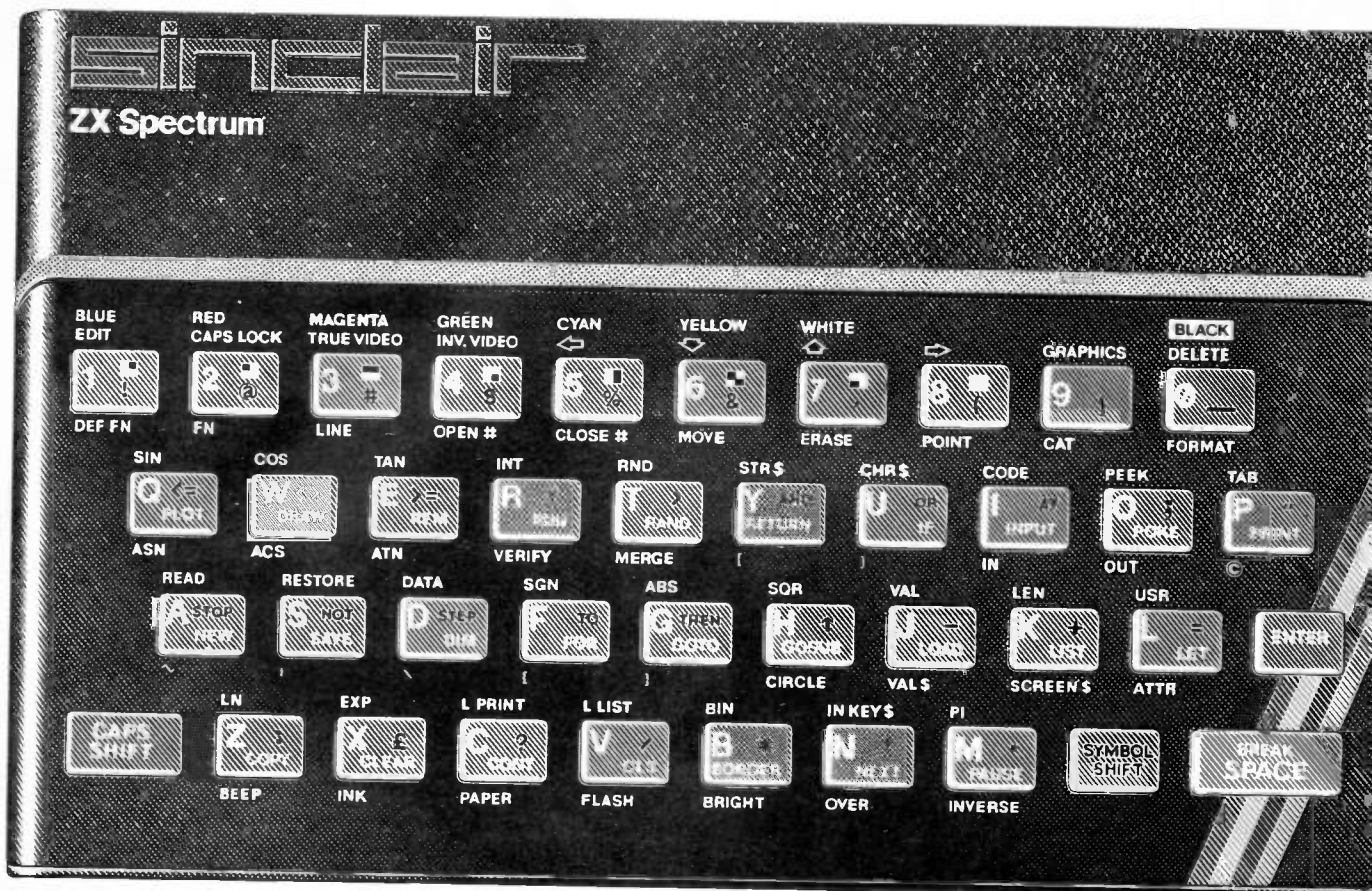
Mail Order only  
Prices include VAT. Please  
allow 28 days for delivery.



By phone or post

**FLIGHT ELECTRONICS LTD.**  
Quayside Rd. Southampton,  
Hants SO24AD. Telex. 477793.  
Tel. (0703) 34003/27721.

# Sinclair ZX Spect



## The growing range of Spectrum Software



You'll know already that the Spectrum has generated an enormous range of peripherals and independent software. Our own range is growing very fast and is shown in the Sinclair Software Catalogue - free with every ZX Spectrum.

# rum-news!

**16K now  
£99.95**

*Previously £125.*

**48K now  
£129.95**

*Previously £175.*



**ZX Printer now  
£39.95**

*Previously £59.95*

**How to order your ZX Spectrum**  
Access, Barclaycard or Trustcard holders  
- call 01-200 0200 24 hours a day, every  
day. By FREEPOST - use the coupon  
below. Please allow up to 28 days for  
delivery. 14-day money-back option.

**sinclair  
ZX Spectrum**

Sinclair Research Ltd., Stanhope Road,  
Camberley, Surrey, GU15 3PS.  
Tel: 0276 685311. Reg no: 1135105.

At last, a 16K colour computer  
with graphics for under £100!

Why have we done it?

Partly because the sheer  
volume of Spectrums sold (over  
300,000 so far) has brought  
down unit production costs.

And partly, of course,  
because we hope you'll buy a  
Sinclair computer - and not  
some competitor's promise!  
We've all heard about colour  
computers breaking the £100  
barrier. Here's the computer  
that's done it. A colour computer  
with advanced graphics that's  
fully supported, and widely  
available.

Right now, you can order a  
Sinclair Spectrum at these  
prices direct from Sinclair on  
the order form below. And to  
make it even easier to handle  
high-level computing at the

lowest possible price, we've  
cut the cost of the printer, too.  
At £39.95, it's almost  
unbelievable!

At prices like these, there's  
really no reason to wait.

To: Sinclair Research, FREEPOST, Camberley, Surrey, GU15 3BR.

Qty	Item	Code	Item Price £	Order Total £
	Sinclair ZX Spectrum - 16K RAM version	3000	99.95	
	Sinclair ZX Spectrum - 48K RAM version	3002	129.95	
	Sinclair ZX Printer	1014	39.95	
	Printer paper (pack of 5 rolls)	1008	11.95	
	Postage and packing: orders under £90	0028	2.95	
	orders over £90	0029	4.95	
			Total £	

Please tick if you require a VAT receipt

\* I enclose a cheque/postal order payable to Sinclair Research Ltd for £

\* Please charge to my Access/Barclaycard/Trustcard account no.

\* Please delete/complete as applicable.

Signature \_\_\_\_\_ PLEASE PRINT

Name: Mr/Mrs/Miss \_\_\_\_\_

Address \_\_\_\_\_

\_\_\_\_\_ EVE 907

FREEPOST - no stamp needed.

Prices apply to UK only.

Export prices on application.

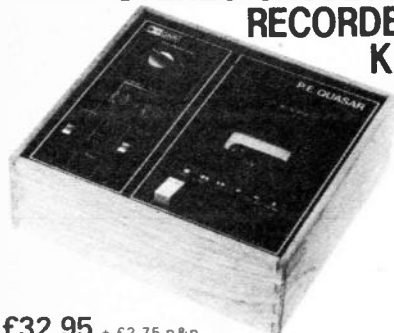
# T.V. SOUND TUNER BUILT AND TESTED



In the cut-throat world of consumer electronics, one of the questions designers apparently ponder over is "Will anyone notice if we save money by chopping this out?" In the domestic TV set, one of the first casualties seems to be the sound quality. Small speakers and no tone controls are common and all this is really quite sad, as the TV companies do their best to transmit the highest quality sound. Given this background a compact and independent TV tuner that connects direct to your Hi-Fi is a must for quality reproduction. The unit is mains operated. This TV SOUND TUNER offers full UHF coverage with 5 pre-selected tuning controls. It can also be used in conjunction with your video recorder. Dimensions: 1 1/4" x 8 1/2" x 3 1/4".

**£24.95** + £2.00 p&p. E.T.I. kit version of above without chassis, case and hardware. £12.95 plus £1.50 p&p

## PRACTICAL ELECTRONICS STEREO CASSETTE RECORDER KIT



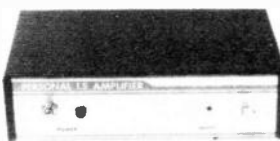
**£32.95** + £2.75 p&p

• NOISE REDUCTION SYSTEM • AUTO STOP • TAPE COUNTER • SWITCHABLE E.O. • INDEPENDENT LEVEL CONTROLS • TWIN V.U. METER • WOW & FLUTTER 0.1% • RECORD/PLAYBACK I.C. WITH ELECTRONIC SWITCHING • FULLY VARIABLE RECORDING BIAS FOR ACCURATE MATCHING OF ALL TAPES. Kit includes tape transport mechanism, ready punched and back printed quality circuit board and all electronic parts. i.e. semiconductors, resistors, capacitors, hardware top cover, printed scale and mains transformer. You only supply solder and hook-up wire. Featured in April issue P.E. Reprint 50p. Free with kit. Self assembly simulated wood sleeve - £4.50 + £1.50 p&p.

**SPECIAL OFFER!**  
£31.00 plus £2.75 p&p  
Complete with case.

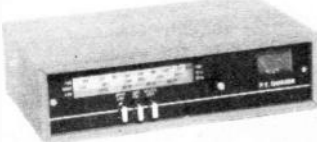
## PERSONAL LS AMP KIT

Amplifier for your personal stereo cassette player as featured in January issue of Everyday Electronics. Turn your personal stereo into a mains powered home unit.



Parts: Stereo power amp PCB with all components, £3.50 + 75p p&p. Power supply unit, £1.95 + £1.50 p&p. Pair of 4 1/2" elliptical speakers, £1.50 the pair, + £1.00 p&p. Input & output sockets & plugs, £1.50. Recommended case (for the power supply and amp only), £2.95 + 80p p&p. P&P inclusive price of £1.75 for two or more articles.

## VHF STEREO TUNER KIT



This easy to build 3 band stereo AM/FM tuner kit is designed in conjunction with Practical Electronics (July '81 issue). For ease of construction and alignment it incorporates three Mullard modules and an I.C. IF. System. FEATURES: VHF, MW, LW Bands, interstation muting and AFC on VHF. Tuning meter. Two back printed PCB's. Ready made chassis and scale. Aerial: AM - ferrite rod, FM - 75 or 300 ohms. Stabilised power supply with 'C' core mains transformer. All components supplied are to strict P.E. specification. Front scale size: 10 1/2" x 2 1/2" approx. Complete with diagram and instructions.

• **SPECIAL OFFER!** •

£13.95 (w/out case)  
Plus £2.50 p&p.

Self assembly simulated wood cabinet sleeve to suit tuner only. Finish size: 11 1/2" x 8 1/2" x 3 1/4". £3.50 Plus £1.50 p&p.

## 125W HIGH POWER AMP MODULES

**£10.50** + £1.15 p&p  
**£14.25** + £1.15 p&p

The power amp kit is a module for high power applications - disco units, guitar amplifiers, public address systems and even high power domestic systems. The unit is protected against short circuiting of the load and is safe in an open circuit condition. A large safety margin exists by use of generously rated components, result, a high powered rugged unit. The PC board is back printed, etched and ready to drill for ease of construction and the aluminium chassis is preformed and ready to use. Supplied with all parts, circuit diagrams and instructions.

ACCESSORY: Stereo/mono mains power supply kit with transformer. £10.50 plus £2.00 p&p.



### SPECIFICATIONS:

Max. output power (RMS): 125W.  
Operating voltage (DC): 50 - 80 max.  
Loads: 4 - 16 ohms.  
Frequency response measured @ 100 watts: 25Hz - 20KHz.  
Sensitivity for 100 watts: 400mV @ 47K.  
Typical T.H.D. @ 50 watts, 4 ohms: 0.1%.  
Dimensions: 205 x 90 and 190 x 36 mm.

## BSR RECORD DECK

Manual single play record deck with auto return and cueing lever. Fitted with stereo ceramic cartridge 2 speeds with 45 rpm spindle adaptor ideally suited for home or disco. 13" x 11" approx. £12.95 + £1.75 p&p.



**SPECIAL OFFER!** Replacement stereo cassette tape heads - £1.80 ea. Mono £1.50 ea. Erase 70p ea. Add 50p p&p to order.

## STEREO CARTRIDGES



**PHILIPS**  
Magnetic cartridge with diamond stylus. Model No. GP.397 III. Output 2mV. Separation 22dB. Stylus 0.6mm diameter. **£3.95 each plus 60p p&p.**

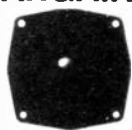
### GARRARD

Sonotone Garrard Ceramic cartridge. 75mV. With turnover Sapphire stylus. **£2.95 plus 60p p&p.**



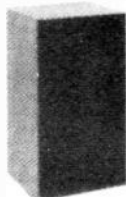
## HI-FI TWEETER BARGAIN

**GOODMANS TWEETERS**  
8 ohm soft dome radiator tweeter (3 1/2" sq.) for use in up to 40W systems, with 2 element crossover **£3.95 each** (p&p £1) or **£6.95 pair** (p&p £1.50)



## SPEAKER KIT

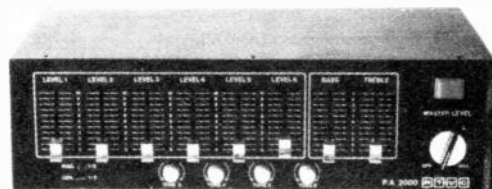
**2 WAY 10 WATT**  
B" bass/mid range and 3 1/4" tweeter. Complete with screws, wire, crossover components and cabinet. Cabinet comes in flat pre-mixed D.I.Y. form. Finish - chipboard covered wood simulate. size 14 1/2" x 8 1/2" x 4". **PAIR FOR ONLY £12.50 plus £1.75 p&p.**



## MONO MIXER AMP

Ideal for Church halls & Clubhouses. **£45.00** + £2.00 p&p.

**50 WATT** Six individually mixed inputs for two pick ups (Cer. or mag.), two moving coil microphones and two auxiliary for tape tuner, organs, etc. Eight slider controls - six for level and two for master bass and treble, four extra treble controls for mic. and aux. inputs. Size: 13 1/2" x 6 1/2" x 3 1/4" app. Power output 50 watts R.M.S. (cont.) for use with 4 to 8 ohm speakers. Attractive black vinyl case with matching fascia and knobs. Ready to use



Matching AKG Microphone to suit (with speech and music filter). Complete with lead. **ONLY £9.95 plus 75p p&p.**

All mail to:  
**21A HIGH STREET, ACTON W3 6NG.**  
Note: Goods despatched to U.K. postal addresses only. All items subject to availability. Prices correct at 30/5/83 and subject to change without notice. Please allow 14 working days from receipt of order for despatch. RTVC Limited reserve the right to up-

date their products without notice. All enquiries send S.A.E.

**ALL CALLERS TO: 323 EDGWARE ROAD, LONDON W2. Telephone: 01-723 8432.** (5 minutes walk from Edgware Road Tube Station) Now open 6 days a week 9 - 6. Prices include VAT.

Telephone or mail orders by ACCESS welcome.



## PREVIOUSLY ADVERTISED STILL AVAILABLE

Tape punch and reader	£22.50
4 x 13 amp socket outlet	£4.95
Bench isolating transformer 250 watt	£7.75
BOAC in-flight stereo unit	£1.50
Drill assortment 4 each 25 sizes between .25mm & 2.5mm	£11.50
Flood lamp waterproof GEC	£9.90
Battery condition tester, less box	£1.75
Nicad chargers, mains	£0.75
Flourescent inventor 13 watt from 12v	£3.50
Cassette mechanism with heads	£4.50
Ten digit stitch pad-pb phone etc.	£1.95
Uniselector 2 pole 25 way	£4.60
Water valve mains operated	£2.50
Luminous switch mains up to 20 amp.	£1.15
Counter 6 digit mains operated	£1.15
ditto 12v resettable	£3.45
Double glazing clear PVC sheet, 23 1/2" wide-per running ft.	£0.15
Locking mechanism with 2 keys	£1.15
Magnetic Clutch	£4.50
Mouth operated suck or blow switch	£2.30
Fire alarm break glass switch	£3.75
Solenoid with slug 8-12v battery op	£1.82
ditto 230v mains	£2.30
Jug heater 250w at 230v	£7.50
Quick cuppa 250w heater, mains	£3.95
ditto, 100w 12v	£3.95
Timer Omron STP NH 110v AC Coil	£6.90
Key switch with 2 keys dp mains	£1.75
Air valve mains operated	£3.75
Latching relay mains operated	£3.50
Dry film lubricant aerosol can	£0.65
Coin op switch, cased with coin tray	£4.60
Auto transformer 1000 watts (plus postage for transformer)	£19.50 £3.00



**8 POWERFUL MODEL MOTORS**  
(all different)  
for robots, meccanos, drills, remote control planes, boats, etc. £2.95.

### MAINS POWERED UNIT

6 - 12 v with reversing and speed control totally enclosed - £4.60

### 12 volt MOTOR BY SMITHS

Made for use in cars, etc. these are series wound and they become more powerful as load increases. Size 3 1/2" long by 3" dia. They have a good length of 1/4" spindle - Price £3.45.  
Ditto, but double ended £4.25.  
Ditto, but permanent magnet £3.75.



### EXTRA POWERFUL 12v MOTOR

Made to work battery lawnmower, this probably develops up to 1/2 h.p., so it could be used to power a go-kart or to drive a compressor, etc. etc. £7.95 + £1.50 post.  
(This is easily reversible with our reversing switch - Price £1.15).

### BUILD A PASSENGER LOCO

Set of four 12 volt motors to drive passenger locomotive - £29.50  
With address where to buy other parts.

### THERMOSTAT ASSORTMENT

10 different thermostats. 7 bi-metal types and 3 liquid types. There are the current stats which will open the switch to protect devices against overload, short circuits, etc., or when fitted say in front of the element of a blow heater, the heat would trip the stat if the blower fuses; appliance stats, one for high temperatures, others adjustable over a range of temperatures which could include 0 - 100°C. There is also a thermostatic pod which can be immersed, an oven stat, a calibrated boiler stat, finally an ice stat which, fitted to our waterproof heater element, up in the loft could protect your pipes from freezing. Separately, these thermostats could cost around £15.00 - however, you can have the parcel for £2.50.

### - BARGAIN OF THE YEAR -

#### The AMSTRAD Stereo Tuner.

This ready assembled unit is the ideal tuner for a music centre or an amplifier, it can also be quickly made into a personal stereo radio - easy to carry about and which will give you superb reception.

Other uses are as a "get you to sleep radio", you could even take it with you to use in the lounge when the rest of the family want to view programmes in which you are not interested. You can listen to some music instead.

Some of the features are: long wave band 115 - 270 KHz, medium wave band 525 - 1650KHz, FM band 87 - 108MHz, mono, stereo & AFC switchable, tuning meter to give you spot on stereo tuning, optional LED wave band indicator, fully assembled and fully adjusted. Will wiring up data showing you how to connect to amplifier or headphones and details of suitable FM aerial (note ferrite rod aerial is included for medium and long wave bands. All made up on very compact board.

Offered at a fraction of its cost: only £6.00 + £1.50 post + insurance.

## THIS MONTH'S SNIP

### PRESTEL ADAPTOR

Converts your T.V. to a Viewdata Terminal, enables you to dial the various data pages and computers through British Telecom. Uses the Oracle VD100 board - and has loud speaking amplifier, push button tele dial with auto re-dialing facilities, lead with plug - fits telephone socket. Nicely encased this unit measures approx. 12 x 10 1/2 x 2 1/2. We are told that these were to be sold at £150 each - We offer them at £55 plus £2 post, brand new and unused, believed in good working order but at this price no guarantee other than completeness is given.

### SUPER HI-FI SPEAKER CABINETS

Made for an expensive Hi-Fi outfit - will suit any decor. Resonance free. Cut-outs for 8" woofer and 4" tweeter. The front material is Dacron. The completed unit is most pleasing. Supplied in pairs, price £6.90 per pair (this is probably less than the original cost of one cabinet) carriage £3.00 the pair

### GOODMANS SPEAKERS

6 1/2" 8 ohm 25 watt £4.50, 2 1/2" 8 ohm tweeter. £2.50. No extra for postage if ordered with cabinets. Xover £1.50.  
Ditto but Audax 8" speaker and 4" tweeter. £7.50 + £3.50.

### LAST FEW - Order now or be too late DISCO PANEL

Make your party or disco more thrilling - add to your record player or amp, a multi-coloured, sound-enhanced lighting display. Made for Amstrad their ref. No. RP10. Mains operated stereo or mono controlled - has 48 coloured lamps (plus 4 spares) and light level control. Brand new and unused - offered at a never to be repeated price of £5.75 plus £2.00 post.

### TELEPHONE ITEMS:

Pick-up coil - sucker attached	£1.15
Phone plug - 4 pin GPO type	£0.85
Modern desk telephone - GPO type	£7.50
Heavy black old type GPO phone	£5.50
GPO outside bell unit	£6.50

**QUANTITY BUYERS** - Please phone for our Bulk Buyers List - discount prices will amaze e.g. Mains trans. 12v 1/2a and 6v 1a @50p each!



### VENNER TIME SWITCH

Mains operated with 20 amp switch, one on and one off per 24 hrs. repeats daily automatically correcting for the lengthening or shortening day. An expensive time switch but you can have it for only £2.95. These are without case but we can supply a plastic case - £1.75.

Also available is adaptor kit to convert this into a normal 24 hr. time switch but with the added advantage of up to 12 on/off's per 24 hrs. This makes an ideal controller for the immersion heater. Price of adaptor kit is £2.30.

## 50 THINGS YOU CAN MAKE

Things you can make include Multi range meter, Low ohms tester, A.C. amps meter, Alarm clock, Soldering iron minder, Two way telephone, Memory jogger, Live line tester, Continuity checker, etc. etc., and you will still have hundreds of parts for future projects. Our 10Kg parcel contains not less than 1,000 items - panel meters, timers, thermal trips, relays, switches, motors, drills, taps, and dies, tools, thermostats, coils, condensers, resistors, neon, earphone/microphones, nicad charger, power unit, multi-turn pots and data on the 50 projects.

**YOURS FOR ONLY £11.50 plus £3.00 post.**

### MINI-MULTI TESTER

Deluxe pocket size precision moving coil instrument, jewelled bearings; 2000 o.p.v. mirrored scale.

11 instant range measures:

DC volts 10, 50, 250, 1000.

AC volts 10, 50, 250, 1000.

DC amps 0 - 100 mA.

Continuity and resistance 0 - 1 meg ohms in two ranges. Complete with test leads and instruction book showing how to measure capacity and inductance as well. Unbelievable value at only £6.75 + 60p post and insurance.

**FREE** Amps range kit to enable you to read OC current from 0 - 10 amps, directly on the 0 - 10 scale. It's free if you purchase quickly, but if you already own a Mini-Tester and would like one, send £2.50.



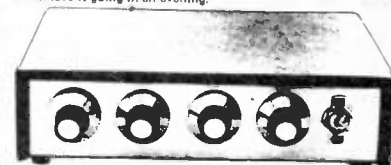
## J. BULL (Electrical) Ltd.

(Dept. EE), 34-36 AMERICA LANE, HAYWARDS HEATH, SUSSEX RH16 3QU. Established 30 YEARS

**MAIL ORDER TERMS:** Cash, P.O. or cheque with order. Orders under £12 add 60p service charge. Monthly account orders accepted from schools and public companies. Access & Barclay orders accepted day or night. Haywards Heath (0444) 454563. Bulk orders: write for quote. Delivery by return. Shop open 9.00 - 5.30, Mon to Fri, not Saturday.

## 3 CHANNEL SOUND TO LIGHT

Now supplied with fully prepared metal work and p.c.b. You'll have it going in an evening.



Complete kit of parts for a three channel sound to light unit controlling over 2000 watts of lighting. Use this at home if you wish but it is plenty rugged enough for disco work. The unit is housed in an attractive two tone metal case and has controls for each channel, and a master on/off. The audio input and output are by 1/4" sockets and three panel mounting fuse holders provide thyristor protection. A four pin plug and socket facilitate ease of connecting lamps. Special price is £14.95 in kit form or £25.00 assembled and tested. Case & metal Chassis No. Fully punched and prepared.

### EXTRACTOR FANS

Mains operated - ex-computer.

Woods extractor

5" - £5.75, Post £1.25

6" - £6.95, Post £1.25

5" Planair extractor

£6.50, Post £1.25.

4" x 4" Muffin 11.5v.

£4.50, Post 75p.

4" x 4" Muffin 230v.

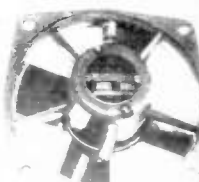
£5.75, Post 75p.

9" American made

£11.50, post £2.00.

12 volt 6 1/2" extractor

£6.90, post £1.50.



## MILLIONS OF HOMES WILL BE BURGLED

Let it be yours be one of them. Install our burglar alarm. Complete kit includes 6" external alarm bell, mains power unit control box with key switch, 10 window/door switches, 100 yards of wire. With instructions £29.50.

### IONISER KIT

Refresh your home, office, shop, work room, etc. with a negative ION generator. Makes you feel better and work harder - a complete mains operated kit, case included. £11.95 plus £2.00 post.

### MINI MONO AMP

on p.c.b., size 4" x 2" approx. Fitted volume control and a hole for a tone control should you require it. The amplifier has three transistors and we estimate the output to be 3W rms. More technical data will be included with the amplifier. Brand new, perfect condition, offered at the very low price of £1.15 each, or 10 for £10.00.



## OTHER POPULAR PROJECTS

3 Channel sound to Light - with fully prepared metal case	£14.95
Ditto - made up	£25.00
Big Ear, listen through walls	£9.50
Robot controller - receiver/transmitter	£9.50
Ignition kit - helps starting, saves petrol, improves performance	£13.95
Silent sentinel Ultra Sonic Transmitter and receiver	£9.50
Car Light 'left on' alarm	£3.50
Secret switch - fools friends and enemies alike	£1.95
3 - 30v Variable Power Supply	£13.80
2 Short & Medium Wave Crystal Radio	£3.99
3v to 16v Mains Power Supply Kit	£1.95
Light Chaser - three modes	£17.50
Mullard Unilux Hi Fi stereo amplifier with speakers.	£16.75
Radio stethoscope - fault finding aid	£4.80
Mug Stop - emits piercing squawk	£2.50
Morse Trainer - complete with key	£2.99
Drill control kit	£3.95
Drill control kit made up	£6.95
Interrupted beam Kit	£2.50
Transmitter Surveillance Kit	£2.30
Radio Mike	£6.90
FM receiver kit - for surveillance or normal FM transmissions	£3.50
Seat Belt Reminder	£3.00
Car Starter Charger Kit	£14.00
Soil heater for plants or seeds	£16.50
Insulation Tester - electronic megger	£7.95
Battery Shaver or Fluorescent from 12v	£6.90
Matchbox Radio - receives Medium Wave	£2.95
Mixer Pre-amp - disco special with case	£16.00
Aerial Rotator - mains operated	£29.50
Aerial direction indicator	£5.50
40 watt amp - hi-fi - 20hz - 20KHz	£9.50
Microvolt multiplier - measure very low currents with ordinary multimeter	£3.95
Pure Sine Wave Generator	£5.75
Linear Power output meter	£11.50
115 Watt Amplifier 5hz - 25KHz	£13.50
Power Supply for one or two 115 watt amps	£17.50
Stereo Bass Booster, most items	£8.95

**HOBBY HERALD  
HAS ALL THE  
LATEST NEWS  
FOR THE  
ELECTRONICS  
HOBBYIST**

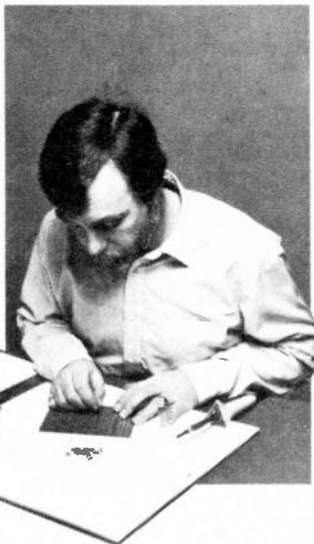
When you need to update yourself with all that is available in the "Do-it-yourself" market, then you need the Hobby Herald.

Packed with product information essential to the electronics enthusiast, this new electronics catalogue lists over 60 exciting products ranging from All Purpose Cutters to Verobloc, the solderless breadboard. All products are available throughout the U.K. from over 200 stockists.

# HOBBY HERALD

Alternatively ordering products through the Herald is simplicity itself, and you can pay by either cheque, Barclaycard or Access. So make sure you get your copy of Hobby Herald by ringing

**(04215) 62829.**



BICC-Vero Electronics Ltd.,  
Industrial Estate,  
Chandlers Ford, Hampshire,  
SO5 3ZR.



## SOLDERING/TOOLS

ANTEX X5 SOLDERING IRON 25W	£5.48
SOLDERING IRON STAND	£1.98
SPARE BITS, Small, standard, large, 68p each. For X5+X25	
SOLDER, Handy size	99p
SOLDER CARTON	£1.84
DESOLDER BRAID	69p
HEAT SINK TWEEZERS	29p
DESOLDER PUMP	£6.48
HOW TO SOLDER LEAFLET	12p
LOW COST CUTTERS	£1.69
LOW COST LONG NOSE PLIERS	£1.68
WIRE STRIPPERS & CUTTERS	£2.69
PRECISION PETITE	
12V PCB DRILL	£11.67
DRILL STAND	£7.98
GRINDING STONE	50p
GRINDING WHEEL	50p
SAW BLADE	85p
BRASS WIRE BRUSH	50p
BURR	50p
VERO SPOT FACE CUTTER	£1.49
PIN INSERTION TOOL	£1.98
VEROPINS (pk of 100) 0.1"	£2p
MULTIMETER TYPE 1 (1,000 opv)	£5.48
CROCODILE CLIP TEST LEAD SET, 10 leads with 20 clips	99p
RESISTOR COLOUR CODE	
CALCULATOR	21p
CONNECTING WIRE PACK TYPE ED, 11 colours	40p
ILLUMINATED MAGNIFIERS	
Small 2" dia. (5x mag)	£1.14
Large 3" dia. (4x mag)	£2.40
CAST IRON VICE	£2.98
SCREWDRIVER SET	£1.98
POCKET TOOL SET	£3.98
DENTISTS INSPECTION MIRROR	£2.95
JEWELLERS EYEGLASS	£1.50
PLASTIC TWEEZERS	89p



**MULTIMETER TYPE 2. (YN360TR) 20K o.p.v.** with transistor tester. £14.75  
AC + DC volts. DC current. 4 very useful resistance ranges. We've used it and we like it.



**HELPING HANDS JIG £6.30**  
Heavy base. Six ball and socket joints allow infinite variation of dial through 360°. Has 2 1/2" diameter (magnifier attached), used and recommended by our staff.

**PAIR OF PROBES WITH LEADS (cc). 77p**  
**O MAX PUNCHES**  
3/8" £2.98; 1/2" £3.06; 5/8" £3.17; 3/4" 3.24.

Speakers Min 8 ohm 87p; 64 ohm 89p; 80 ohm 98p.		PCB etching kit	£4.98
Crystal earpiece	85p	ZX61 edge connector	£2.25
Magnetic earpiece	18p	Ferrite rod 5 inch	59p
Stethoscope attachment	69p	PP3 clips 10p. PP9 clips 11p.	
Mono headphones	£2.98	2 Station Intercomm	£7.48
Stereo headphones	£4.35	IC Sockets 8 pin 16p; 14 pin 17p; 16 pin 18p.	
Telephone pickup coil	72p	Traditional Style Bell	£1.75
Min buzzer 6V 50p. 12V 65p.		Public Address Mic 50K	£4.40
Euro breadboard	£8.40	Mic Insert Crystal	45p
S Dec breadboard	£3.98	Cassette Mic	£1.29p
Bimboard breadboard	£6.98	Pillow Speaker	95p
Verobloc breadboard	£4.20	Horn Speaker 5 1/2" 8 ohm	£6.76

## MAGENTA ELECTRONICS LTD

### TITAN TRANSFORMERS DUNCOMBE STREET, GRIMSBY, SOUTH HUMBERSIDE DN32 7EG.

#### INVERTERS

12/24 volt DC input from car battery to 240 volt AC output at 100, 250, 500 and 1000 VA.

Plus, powerlift, autocharger, powersaver, powermonitor, autochangeover and battery isolator as optional extras.

#### TRANSFORMERS

12/24 volt }  
30/60 volt } Range

Autotransformers, safety isolating equipment P.C.B's etc.

#### BATTERY CHARGERS - 2 volt.

#### ADAPTORS

6 volt to 7.5 volt to 9 volt switchable. 300MA regulated  
6 volt to 7.5 volt to 9 volt switchable. 250MA unregulated

Send SAE for prices and info. by return.

Mail Order Prompt Service

### TALK TO THE WHOLE WORLD

#### Study now for the RADIO AMATEUR'S EXAMINATION

We have had 40 years successful experience  
in training men and women for the  
G.P.O. Transmitting licence.



FREE R.A.E. brochure without obligation from:—

British National Radio & Electronics School  
READING, BERKS. RG1 1BR

Name .....

Address .....

EE/7/817

BLOCK CAPS PLEASE

# E.E. PROJECT KITS

I.C.s  
TRANSISTORS  
CAPACITORS

TOOLS  
RESISTORS  
HARDWARE

CASES  
KITS  
PCB's

# MAGENTA

Make us your No. 1 SUPPLIER OF KITS and COMPONENTS for E.E. Projects. We supply carefully selected sets of parts to enable you to construct E.E. projects. Kits include ALL THE ELECTRONICS AND HARDWARE NEEDED. Printed circuit boards (fully etched, drilled and roller lined) or Veroboard are, of course, included as specified in the original article, we even supply I.C.s, screws and I.C. sockets. **PIECES INCLUDE CASES unless otherwise stated. BATTERIES ARE NOT INCLUDED. COMPONENT SHEET INCLUDED.** If you do not have the issue of E.E., which includes the project—you will need to order the instruction reprint at an extra 45p each.

- MODEL TRAIN CONTROLLER May 83 £25-17  
GUITAR HEADPHONE AMPLIFIER May 83 £27-20  
MV PERSONAL RADIO less case May 83 £6-93  
LABORATORY AMPLIFIER Apr 83 £30-98  
MOISTURE DETECTOR May 83 £30-98  
CAR RADIO POWER BOOSTER April 83 £10-98  
FUNCTION GENERATOR April 83 £41-98  
FLANGER SOUND EFFECTS April 83 £21-98  
NOVELTY EGG TIMER April 83 less case £4-98  
ZX SPECTRUM AMPLIFIER Apr 83 £8-98  
DUAL POWER SUPPLY March 83 £53-98  
MULTISTATION INTERCOM March 83 master + 1 slave £43-02  
Extra slave £5-46  
BUZZ OFF March 83 £4-10  
CAR THERMOMETER March 83 £23-98  
SPEECH PROCESSOR Feb. 83 £10-66  
PUSH BIKE ALARM Feb. 83 £11-32  
MOTOR BIKE ALARM Feb. 83 £14-46  
DOUBLE DICE Jan. 83 £10-82  
ELECTRONIC V/I METER Dec. 82 £11-38  
ZX TAPE CONTROL Nov. 82 £5-48  
PHOTO FINISH Nov. 82 £37-70  
SINE WAVE GEN Oct. 82 £14-65  
G. P. PRE-AMP Oct. 82 £5-64  
LIGHTS ON ALERT Oct. 82 £4-25  
CONTINUITY CHECKER Sept. 82 £4-97  
SOUND SPLITTER Sept. 82 £15-77  
SOUND RECOMBINER Sept. 82 £37-70  
SCREEN WASH DELAY Sept. 82 £4-48  
INSTRUMENT PRE AMP Aug. 82 £7-82  
TWO TONE DOORBELL ALARM Aug. 82 less case and bell transformer £8-82  
CB ROGER SLEEPER Aug. 82 £8-47  
2-WAY INTERCOM July 82 no case £4-11  
ELECTRONIC PITCH PIPE July 82 £4-91  
REFLEX TESTER July 82 £7-07  
SEAT BELT REMINDER June 82 £3-73  
EGG TIMER June 82 £4-95  
TWO TONE TRAIN HORN WITH REMOTE TRIGGER OPTION May 82 £11-26  
CAR LED VOLTMETER less case May 82 £2-89  
LIGHTNING CHESS BUZZER May 82 £6-20  
V.C.O. SOUND EFFECTS UNIT Apr 82 £11-56  
CAMERA OR FLASH GUN TRIGGER Mar 82 £12-41 less tripod bushes  
POCKET TIMER Mar 82 £3-71  
GUITAR TUNER Mar 82 £15-63  
SIMPLE STABILISED POWER SUPPLY Jan. 82 £24-58  
MINI EGG TIMER Jan. 82 £3-94  
SIREN MODULE Jan. 82 less speaker, £3-57  
MODEL TRAIN CHUFFER Jan. 82 £8-27  
GUITAR ADAPTOR Dec. 81 £3-78  
ELECTRONIC IGNITION Nov. 81 £25-98  
SIMPLE INFRA RED REMOTE CONTROL Nov. 81 £16-98  
PRESSURE MAT TRIGGER ALARM Nov. 81 £8-27 less mats.

- EXPERIMENTER CRYSTAL SET. Nov. 81. Less aerial. £5-99.  
Headphones. £2-98 extra.  
CAPACITANCE METER. Oct. 81. £23-51.  
SUSTAIN UNIT. Oct. 81. £12-78.  
'POPULAR DESIGNS'. Oct. 81.  
TAPE NOISE LIMITER. £4-57.  
HEADS AND TAILS GAME. £2-52.  
CONTINUITY TESTER. £3-95.  
PHOTO FLASH SLAVE. £3-46.  
FUZZ BOX. £7-29.  
OPTO ALARM. £6-78.  
SOIL MOISTURE UNIT. £5-81.  
ICE ALARM. £7-89.  
0-12V POWER SUPPLY. Sept. 81. £17-98  
CMOS CAR SECURITY ALARM. Sept. 81. £2-88  
CMOS DIE. Sept. 81. £7-99  
CMOS METRONOME. Aug. 81. £8-23.  
COMBINATION LOCK. July 81. Less case. £19-58.  
BURGLAR ALARM SYSTEM. June 81 less bell, loop & Mic's. £40-98.  
LIGHTS REMINDER AND IGNITION LOCATOR E.E. May 81. £5-66.  
SOIL MOISTURE INDICATOR E.E. May 81. £4-09.  
GUITAR HEADPHONE AMPLIFIER E.E. May 81. £4-23.  
PHONE BELL REPEATER / BABY ALARM E.E. May 81. £5-66.  
INTERCOM. April 81. £22-23.  
SIMPLE TRANSISTOR & DIODE TESTERS. Mar. 81. Ohm meter version £2-02. Led version £2-73  
MINI SIREN. Mar. 81. £8-84.  
LED DICE. Mar. 81. £8-44.  
LED FLASHER. Mar. 81. £4-29.  
MODULATED TONE DOORBELL. Mar. 81. £8-64.  
POWER SUPPLY Mar. 81. £53-47.  
THREE CHANNEL STEREO MIXER. Feb. 81. £18-89.  
SIGNAL TRACER. Feb. 81. £9-17 less probe.  
NI-Cd BATTERY CHARGER. Feb. 81. £13-81.  
ULTRASONIC INTRUDER DETECTOR. Jan. 81 less case. £53-47.  
2 NOTE DOOR CHIME. Dec. 80. £10-32.  
LIVE WIRE GAME. Dec. 80. £11-78.  
GUITAR PRACTICE AMPLIFIER. Nov. 80. £12-82 less case. Standard case £3-88. High quality case £8-37.  
SOUND TO LIGHT. Nov. 80. 3 channel. £21-34.  
TRANSISTOR TESTER. Nov. 80. £11-63 inc. test leads.  
AUDIO EFFECTS UNIT FOR WEIRD SOUNDS. Oct. 80. £13-11.  
BICYCLE ALARM. Oct. 80. £10-35 less mounting brackets.

- Handbook of Integrated Circuits (IC's) Equiv. & Substitutes £1-95  
First Book of Hi-Fi Loudspeaker Enclosures 99p  
28 Tested Transistor Projects £1-25  
Solid State Short Wave Receivers for Beginners £1-25  
50 Projects Using IC CA3130 £1-25  
A Practical Introduction to Digital IC's £1-25  
How to Build Advanced Short Wave Receivers £1-95  
Beginners Guide to Building Electronic Projects £1-95  
Essential Theory for the Electronics Hobbyist £1-95  
First Book of Transistor Equivalents and Substitutes £1-50  
Second Book of Transistor Equivalents and Substitutes £1-75  
Chart of Radio, Electronic, Semi-conductor and Logic Symbols 50p  
How to Build Your Own Metal and Treasure Locators £1-95  
50 Circuits Using Germanium, Silicon and Zener Diodes £1-95  
50 Projects Using Relays, SCR's and TRIACS £1-50  
50 (FET) Field Effect Transistor Projects £1-75  
Digital IC Equivalents and Pin Connections £3-50  
Linear IC Equivalents and Pin Connections £3-50  
50 Simple L.E.D. Circuits £1-50  
How to Make Walkie-Talkies £1-95  
Projects in Opto-Electronics £1-95  
Mobile Discotheque Handbook £1-35  
Electronic Projects for Beginners £1-95  
Popular Electronic Projects £1-95  
Electronic Music and Creative Tape Recording £1-95  
Practical Electronics Calculations and Formulae £2-95  
Electronic Security Devices £2-95  
How to Build Your Own Solid State Oscilloscope £1-95  
50 Circuits Using Germanium, Silicon and Zener Diodes £1-50  
Second Book of CMOS IC Projects £1-50  
Practical Construction of Pre-amps, Tone Controls, Filters & Attn. £1-45  
Beginners Guide to Digital Techniques 99p  
Beginners Guide to Microprocessors and Computing £1-95  
Counter, Driver and Numerical Display Projects £1-75  
Transistor Radio Fault-Finding Chart 50p  
Electronic Household Projects £1-75  
Electronic Test Equipment Construction £1-75  
Practical Computer Experiments £1-75  
Radio Control for Beginners £1-95  
Popular Electronic Circuits - Book 1 £1-75  
Electronic Synthesiser Projects £1-75  
Electronic Projects Using Solar Cells £1-95  
International Transistor Equivalents Guide £2-95  
An Introduction to BASIC Programming Techniques £1-95  
Simple L.E.D. Circuits - Book 2 £1-75  
Easy Electronics - Crystal Set Construction £1-95  
Electronic Projects for Cars and Boats £2-25  
How to Identify Unmarked IC's £6p  
Multi-Circuit Board Projects £1-95  
30 Solderless Breadboard Projects - Book 1 £2-25  
International Diode Equivalents Guide £2-25  
The Art of Programming the 1K ZX81 £1-95  
How to Get Your Electronic Projects Working £2-50  
The Art of Programming the 16K ZX81 £2-25  
Practical Electronic Building Blocks - Book 1 £2-50  
The Art of Programming the ZX Spectrum £2-50  
Semiconductor Data Book Newnes £7-98  
Basic Electronics. Theory and practice £3-98  
Elementary Electronics. Sladdin. Excellent theory and 35 constructional projects. Uses 5 Dec. First steps to CSE level. £5-75  
Interfacing to Microprocessors and Microcomputers £4-75  
Microprocessors for Hobbyists £5-55  
Burglar Alarm Systems £3-90  
Electronics, Build and Learn £3-90  
Electronic Projects in Music £3-90  
Electronic Projects for Home Security £3-90  
Questions and Answers Electronics £2-70  
Electronic Projects in the Car £4-80  
110 Electronic Alarm Projects £5-98  
Computing is Easy £4-25  
ZX81 Users Handbook £5-75  
ZX81 Basic Book £5-75  
Byteing Deeper into your ZX81 £6-45  
The ZX Spectrum Explored £6-45  
50 Cmos IC Projects £1-35  
52 Projects using IC741 £1-25  
IC555 Projects £1-95  
IC555 Projects £1-35  
IC555 Projects £1-50  
Single IC Projects £1-75  
Electronic Games £1-75  
A Microprocessor Primer £1-95  
Remote Control Projects £1-75  
Power Supply Projects £1-75  
VMOS Projects £1-95
- Digital IC Projects £1-95  
How to use Op-Amps £2-25  
Audio Projects £1-95  
Electronic Timer Projects £1-95  
Model Railway Projects £1-95  
IC Projects for Beginners £1-95  
Mini Matrix Board Projects £1-95  
Aerial Projects £1-95  
Modern Op-Amp Projects £1-95  
The Pre-Computer Book £1-95

## E.E PCB's

- Lab Amplifier May 83 £3-78  
Temp Sensor Pet + VIC20 May 83 £13-38  
Car Radio Booster Apr. 83 £1-99  
Function Generator Apr. 83 (set of 2) £7-47  
Spectrum Amplifier Apr. 83 £1-71  
Dual Power Supply Mar. 83 (set of 2) £5-70  
Car Thermometer Mar. 83 £2-11  
Multi Station Intercom Master Mar. 83 £2-18  
Short Interval Timer Feb. 83 £3-36

- Opto Repeater Jan. 83 £1-94  
Columb Meter Jan. 83 £3-52  
Security Vari Light Dec. 82 (set of 2) £4-46  
Oscilloscope Companion Nov. 82 £6-31  
Digital Metronome Nov. 82 (set of 2) £4-63  
Combination Lock Nov. 82 £1-78  
Optical Techo (set of 2) Oct. 82 £6-40  
Temperature Interface TRS 80 Aug. 82 £2-99  
Keyboard Sounder June 82 £1-74  
50W PA System (set of 3) May 82 £13-98  
VCO Sound Effects Apr. 82 £1-87  
2K Ram Pack Apr. 82 £2-31

## 30 SOLDERLESS BREADBOARD PROJECTS

Book 1 by R. A. Penfold

Clear verobloc layouts and circuit diagrams. Includes fuzz box, radio, metronomes, timers, transistor checker, switches etc. Introduction gives basic information on components including resistors, capacitors, I.C.s, transistors, photocells etc. Ideal for beginners as well as those with some experience.

Complete kit including Verobloc, book and components (less batteries) £24-75  
Less book £22-50, less verobloc £20-25. Book only £2-25.

## MORE KITS AND COMPONENTS IN OUR LISTS

FREE PRICE LIST  
Price list included with orders or send see (9 x 4) CONTAINS LOTS MORE KITS, PCB's & COMPONENTS

## ELECTRONICS CATALOGUE

Illustrations, product descriptions, circuits all included. Up-to-date price list enclosed. All products are in stock lines for fast delivery.  
Send 80p in stamps or add 80p to order.

Free to Schools/Colleges requested on official letterhead.

MAGENTA gives you FAST DELIVERY OF QUALITY COMPONENTS & KITS. All products are stock lines and are new & full specification. We give personal service & quality products to all our customers—HAVE YOU TRIED US?

## MAGENTA ELECTRONICS LTD.

EM52, 135 HUNTER ST.,  
BURTON-ON-TRENT  
STAFFS, DE14 2ST.  
MAIL ORDER ONLY.  
0283 65435, Mon-Fri 9-5.  
Access/Barclaycard (Visa) by phone or post.

Add 45p p&p to all orders.  
Prices include VAT.  
See all enquiries.  
Official orders welcome.  
OVERSEAS: Payment must be sterling.  
IRISH REPUBLIC and BFPO: UK PRICES.  
EUROPE: UK PRICES plus 10%.  
ELSEWHERE: write for quote.



## TEACH-IN 82

All top quality components as specified by E.E. FREE COMPONENT IDENTIFICATION SHEET. Follow this educational series and learn about electronics.

List 1 & 2 £27-98. List 3 £5-98.  
ALL 3 TOGETHER £33-48.  
WOODEN CASE KIT £11-98.

## INTRODUCING ELECTRONICS

INTRODUCING ELECTRONICS  
6 part series E.E. Oct. 82-Mar. 83.  
No soldering. Connections via screw terminal blocks. Very clear drawings showing how to connect components. Covers the basis of electronics. Components (less batteries) parts 1-6 £6-98. Reprints 45p each extra.

## ADVENTURES WITH DIGITAL ELECTRONICS

Entertaining and Instructive. Includes details of some digital IC's and 8 projects: shooting gallery, 2 way traffic lights, electronic adder, computer space invaders game etc. No soldering.

Adventures with Digital Electronics Book £3-25

Component pack including Breadboards £42-50 less batteries

## ADVENTURES WITH MICROELECTRONICS

Similar to 'Electronics' below. Uses I.C.s. Includes dice, electronic organ, doorbell, reaction timer, radio etc. Based on Bim-board 1 bread board.  
Adventures with Microelectronics £2-98

Component pack £29-64 less battery.

## ADVENTURES WITH ELECTRONICS

An easy to follow book suitable for all ages. Ideal for beginners. No soldering, uses an S-Dec breadboard. Gives clear instructions with lots of pictures. 16 projects—including three radios, siren, metronome, organ, intercom, timer, etc. Helps you learn about electronic components and how circuits work. Component pack includes an S-Dec breadboard and all the components for the projects.  
Adventures with Electronics £2-85. Component pack £18-98 less battery.

by Tom Duncan

## Miscellaneous

### THE SCIENTIFIC WIRE COMPANY

PO Box 30, London E.4. 01 531 1568

ENAMELLED COPPER WIRE					
SWG	1 lb	8 oz	4 oz	2 oz	
8 to 34	3.30	1.90	1.00	0.80	
35 to 39	3.52	2.10	1.15	0.85	
40 to 43	4.87	2.65	2.05	1.46	
44 to 47	8.37	5.32	3.19	2.50	
48 to 49	15.96	9.58	6.38	3.69	
SILVER PLATED COPPER WIRE					
14 to 30	7.09	4.20	2.43	1.72	
TINNED COPPER WIRE					
14 to 30	3.97	2.41	1.39	0.94	
FLUXCORE SOLDER					
	5.75	3.16	1.73	0.96	

Prices include P & P vat. Orders under £2 add 20p. SAE for list of copper and resistance wire. Dealer enquiries welcome.

**DIGITAL WATCH REPLACEMENT PARTS.** Batteries, displays, backlights, etc. Also reports, publications, charts. SAE for full list. PROFORDS, Conners Drive, Holmer Green, Bucks HP15 6SGA.

**CONVERT TV into large screen oscilloscope.** Easy built unit plugs into TV aerial socket (all external). Circuit & plans £3. J. Bobker, 29 Chadderton Drive, Unsworth, Bury, Lancs.

**LEARN ELECTRONICS WITHOUT SOLDER**



Build electronic circuits without solder on a Roden S-Dec. This has built-in contacts and holes into which you plug your components. Suitable for all ages. Can be used time after time. Ideal gift for students or experimenters. Full instructions and 2 circuit diagrams with each S-Dec.

Send cheque or P.O. to:  
Roden Products, Dept EE  
High March, Daventry,  
Northants, NN11 4DE

£4.99

including p & p

## Security

FREE

CATALOGUE OF BURGLAR

ALARM

EQUIPMENT

TOP QUALITY D.I.Y. SYSTEMS AND PARTS AT TRADE PRICES

SEND S.A.E. OR PHONE:  
**C-TEC SECURITY, Dept. EE,  
60, MARKET ST, WIGAN  
(0942) 42444**



## ORDER FORM PLEASE WRITE IN BLOCK CAPITALS

Please insert the advertisement below in the next available issue of **Everyday Electronics** for

Insertions. I enclose Cheque/P.O. for £.....  
(Cheques and Postal Orders should be crossed Lloyds Bank Ltd. and made payable to Everyday Electronics)


**NAME** .....

**ADDRESS** .....

.....

**EVERYDAY ELECTRONICS**  
Classified Advertisement Dept., Room 2612,  
King's Reach Tower, Stamford Street, London SE1 9LS  
Telephone 01-261 5042

**Rate:**  
31p per word, minimum 12 words. Box No. 60p extra.

Company registered in England Registered No 53626 Registered Office King's Reach Tower, Stamford Street, London SE1 9LS

7/83

# EVERYDAY ELECTRONICS and computer PROJECTS

Reach effectively and economically to-days enthusiasts anxious to know of your products and services through our semi-display and classified pages. Semi-display spaces may be booked at £7.24 per single column centimetre (minimum 2.5cm). The prepaid rate for classified advertisements is 31 pence per word (minimum 12 words), box number 60p extra. All cheques, postal orders, etc., to be made payable to

## ALARMS

FREE CATALOGUE!

ADE

OUR GREAT NEW ILLUSTRATED CATALOGUE IS PACKED WITH INFORMATION ON SUPERB QUALITY, PROFESSIONAL BURGLAR ALARM EQUIPMENT

AT UNBEATABLE PRICES!

SEND SAE OR PHONE NOW FOR YOUR COPY



**THIEFCHECK BURGLAR ALARM D-I-Y SYSTEM**



**MAIN DISTRIBUTOR**

**A D ELECTRONICS**  
DEPT EE  
217 WARBECK MOOR  
AINTREE LIVERPOOL  
19 0HU/051 523 8440

When replying to Classified Advertisements please ensure:

- (A) That you have clearly stated your requirements.
- (B) That you have enclosed the right remittance.
- (C) That your name and address is written in block capitals, and
- (D) That your letter is correctly addressed to the advertiser.

This will assist advertisers in processing and despatching orders with the minimum of delay.

**BURGLAR ALARM EQUIPMENT.** Free catalogue. C.W.A.S. Ltd., 0274-308920, showrooms open 9-5, Mon-Sat.

## Receivers & Components

**ELECTRONIC COMPONENTS MERSEYSIDE,** Myca Electronics, 2 Victoria Place, Seascombe Ferry, Wallasey, L44 6NR. Mail order. Send 50p for price list refundable off first order. 051-638 8647.

AERIAL BOOSTERS

NEXT TO THE SET FITTING.

B45H/G-UHF TV, gain about 20dbs, tunable over the complete UHF TV Band. Price £8.70. BIT-VHF/FM RADIO, gain about 14dbs, when on the off position connects the aerial direct to the radio. Price £7.70. All boosters we make work off a PP3/006p/6F22 type battery or 8v to 18v DC. P&P 30p per order.

**ELECTRONIC MAILORDER LTD, 62 Bridge St., Ramsbottom, Lancs, BL0 9AG. Tel: (070682) 3036.**  
Access/Visa cards welcome. S.A.E. Leaflets.

BUMPER BOX OF BITS

WOW!!! We've got so many components in stock we can't possibly list them all!! - So buy a box, in it you'll find resistors, capacitors, displays, switches, panels with transistors, diodes, IC's etc. coils, pots... and so on. All modern parts - guaranteed at least 1000 items, minimum weight 10lbs. ONLY £8.50 inc.

"JUST OUT! 40 page catalogue ONLY 50p."

ELECTRONICS WORLD

1d Dews Road, Salisbury, Wilts, SP2 7SN  
(Prop: Westbrough Ltd)

TURN YOUR SURPLUS capacitors, transistors etc., into cash. Contact Coles Harding & Co., 103 South Brink Wisbech, Cambs. 0945-584188. Immediate settlement.

COMPONENT PARCELS & COMPUTER PARTS

**PACK 1.** (490x300x195mm). Calculator & computer panels packed with components, (chips, etc.). Capacitors, resistors (High stab), transistors, LEDs, Copper clad board (Thin, double sided etc.). Power diodes & transistors etc. £8.00 inc.

**PACK 2.** (400x250x145mm). As above but smaller box. £5.00 inc. Ideal for experimenters, constructors, etc.

EX-COMPUTER PARTS

E.G. Extractor Fans, 5", 230v, 50hz, £5.30 p.p. £1.25. Also available Keyboards, VDU's, Regulated PSU's (5v, 12v, 24v). Disc drives, etc.

Please send SAE for lists.

C. LANGHAM

Bryn Bugelliaid,  
Nebio, Penygroes,  
CAERNARFON, GWYNEDD, LL54 6EB.



**CONQUER THE CHIP**—master modern electronics the practical way by seeing and doing in your own home. Write for your free colour brochure now to **BRITISH NATIONAL RADIO & ELECTRONICS SCHOOL**, Dept C3, Reading, Berks RG1 1BR.

**Service Sheets**

**BELL'S TELEVISION SERVICE** for service sheets on Radio, TV etc. £1.25 plus SAE. Service Manuals on Colour TV and Video Recorders, prices on request. SAE with enquiries to: **BTS**, 190 King's Road, Harrogate, N. Yorkshire. Tel: 0423 55885.

**COMPLETE, FULL-SIZE SETS ANY PUBLISHED** service sheets £2 & Isae, except CTVs/Music Centres from £3 & Isae. Manuals from 1930 to latest. Quotations, free 50p magazine, price lists, unique technical publications for Isae. Repair data/circs almost any named TV/VCR £8.50 by return. **T.I.S.E.E.**, 76 Church Street, Larkhall, Lanarks, ML9 1HE, Phone (0698) 883334.

# AT YOUR SERVICE

Everyday Electronics and Computer Projects and crossed "Lloyds Bank Ltd." Treasury notes should always be sent registered post. Advertisements, together with remittance, should be sent to the Classified Advertisement Department, Everyday Electronics and Computer Projects, Room 2612, IPC Magazines Limited, King's Reach Tower, Stamford St, London SE1 9LS. (Telephone 01-261 5942).

## HOW DARE THEY!

If you see an advertisement in the press, in print, on posters or a cinema commercial which makes you angry, write to us at the address below. (TV and radio commercials are dealt with by the I.B.A.)

**The Advertising Standards Authority.** ✓  
If an advertisement is wrong, we're here to put it right.

ASA Ltd, Brook House, Torrington Place, London WC1E 7HN.



**METERS: 110 x 82 x 35mm**  
30µA, 50µA, 100µA. **£6.75.** Post 50p.

**METERS: 45 x 50 x 34mm**  
50µA, 100µA, 1mA, 5mA, 10mA, 25v, 1A, 2A, 5A 25V. **£3.54.** Post 30p.

**METERS: 60 x 47 x 33mm**  
50µA, 100µA, 1mA, 5mA, 10mA, 100mA, 1A, 2A, 25v, 50v, 50-0-50µA, 100-0-100µA. **£5.87.**  
VU meters **£5.87.**  
Post on above meters 30p.

**Silicone grease 50g £1.32.**  
Post 16p.

**NI-CAD BATTERY CHARGER**  
Led indicators charge-test switch. For PP3, HP7, HP11 & HP2 size batteries.  
Price **£6.85.** Post 94p.

**MULTI-METER 7N 360TR**

20,000 ohm/volt  
DC Volts: 0.1, 0.5, 2.5, 10-150-250-1,000v.  
AC Volts: 10-50, 250-1,000  
RESISTANCE RANGES  
X1, X10, X1K, X10K  
**£15.20**  
P.&P. 94p.



**TRANSFORMERS 240v Primary**

3-0-3v	100mA	<b>82p</b>
6-0-6v	100mA	<b>87p</b>
6-0-6v	250mA	<b>£1.21</b>
12-0-12v	50mA	<b>87p</b>
12-0-12v	100mA	<b>97p</b>
9-0-9v	75mA	<b>87p</b>
9-0-9v	250mA	<b>£1.33</b>

Post on above transformers 48p.

9-0-9v	1A	<b>£2.00</b>
12-0-12v	1A	<b>£2.50</b>
15-0-15c	1A	<b>£2.95</b>
6.3v	1½A	<b>£2.00</b>
6-0-6v	1½A	<b>£2.20</b>

Post on above transformers 94p.

All above prices include V.A.T. Send 80p for fully illustrated catalogue with 1983 price list. S.A.E. with all enquiries. Special prices for quantity quoted on request. For a new price list only send large s.a.e.

All goods despatched within 3 days from receipt of the order.

## M. DZIUBAS

158 Bradshawgate, Bolton, Lancs. BL2 1BA.

### INDEX TO ADVERTISERS

AD Electronics .....	470	C TEC Security .....	470	Maplin Electronics .....	Cov. IV
AM Electronics .....	455	Dziubas M. ....	471	R & TVC .....	466
Audio Electronics .....	402	Electronics Hobbies Fair .....	472	Rapid Electronics .....	405
Bicc Vero .....	468	Electronics Mail Order Ltd. ....	470	Redditch Electronics .....	455
Bi-Pak .....	404	Electronics World .....	470	Rodem Products .....	470
B.K. Electronics .....	Cov. III	Electronize Design .....	Cov. II	Scientific Wire Co. ....	470
B.N.R.E.S. ....	406, 468	Flight Electronics .....	463	Sinclair Products .....	464, 465
Bull J. ....	467	G.S.C. ....	449	Sparkrite .....	408
Cambridge Learning .....	402	I.C.S. Intertext .....	404	Titan Transformers .....	468
Circuit Board Components .....	407	Magenta Electronics .....	468, 469	T.K. Electronics .....	404
Cricklewood Electronics .....	402			Wilmslow Audio .....	402
C. Langham & Co. ....	470				

# The Big Event for '83

Sponsored by Everyday Electronics, Practical Electronics and Practical Wireless

The first Electronic Hobbies Fair in 1982 immediately established itself as the foremost consumer electronics exhibition—the biggest attendance and the largest number of exhibitors.

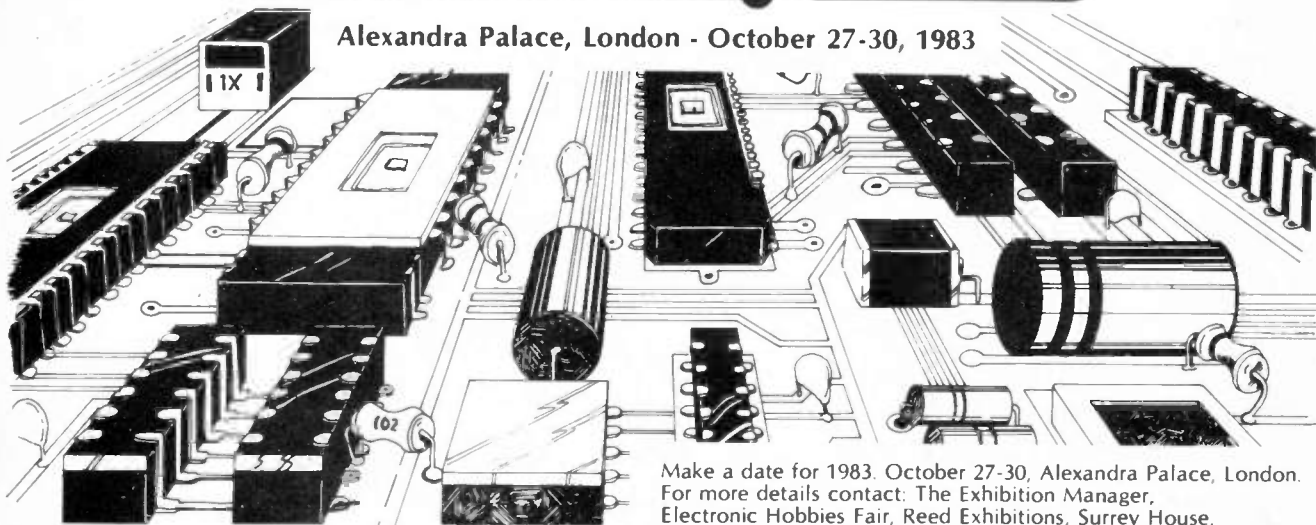
The 1983 Fair will build on the success and the experience of the first year. It will be 1983's largest and most influential

shop window for the whole range of electronic equipment and components for the electronics hobby enthusiast—constructional projects, home computers, amateur radio, video games, musical instruments and peripheral equipment—whether for the beginner, the specialist or the all-round enthusiast.



## ELECTRONIC HOBBIES FAIR

Alexandra Palace, London - October 27-30, 1983



Make a date for 1983. October 27-30, Alexandra Palace, London. For more details contact: The Exhibition Manager, Electronic Hobbies Fair, Reed Exhibitions, Surrey House, Throwley Way, Sutton, Surrey SM1 4QQ

Please send more information on Exhibition stand space

Please ask a salesman to telephone

Name \_\_\_\_\_

Position \_\_\_\_\_

Company \_\_\_\_\_

Address \_\_\_\_\_

Telephone Number \_\_\_\_\_



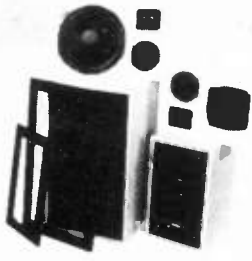
The Exhibition Manager  
Electronic Hobbies Fair  
Reed Exhibitions  
Surrey House, Throwley Way  
Sutton, Surrey SM1 4QQ



### MULLARD SPEAKER KITS

Purposefully designed 40 watt R.M.S. and 30 watt R.M.S. 8 ohm speaker systems recently developed by MULLARD'S specialist team in Belgium. Kits comprise Mullard woofer (8" or 5") with foam surround and aluminium voice coil. Mullard 3" high power domed tweeter. B.K.E. built and tested crossover based on Mullard circuit, combining low loss components, glass fibre board and recessed loudspeaker terminals. SUPERB SOUNDS AT LOW COST. Kits supplied in polystyrene packs complete with instructions. 8" 40W system — recommended cabinet size 240 x 216 x 445mm  
Price £14.90 each + £2.00 P & P.  
5" 30W system — recommended cabinet size 160 x 175 x 295mm  
Price £13.90 each + £1.50 P & P.

Designer approved flat pack cabinet kits, including grill fabric. Can be finished with iron on veneer or self adhesive vinyl etc.  
8" system cabinet kit £8.00 each + £2.50 P & P.  
5" system cabinet kit £7.00 each + £2.00 P & P.



### STEREO CASSETTE TAPE DECK MODULE

Comprising of a top panel and tape mechanism coupled to a record/play back printed board assembly. Supplied as one complete unit for horizontal installation into cabinet or console of own choice. These units are brand new, ready built and tested.

Features: Three digit tape counter. Autostop. Six piano type keys: record, rewind, fast forward, play, stop and eject. Automatic recording level control. Main inputs plus secondary inputs for stereo microphones. Input Sensitivity: 100mV to 2V. Input Impedance: 68K. Output level: 400mV to both left and right hand channels. Output Impedance: 10K. Signal to noise ratio: 45dB. Wow and flutter: 0.1%. Power Supply requirements: 18V DC at 300mA. Connections: The left and right hand stereo inputs and outputs are via individual screened leads, all terminated with phono plugs (phono sockets provided). Dimensions: Top panel 5 1/2 in x 11 1/2 in. Clearance required under top panel 2 1/2 in. Supplied complete with circuit diagram and connecting diagram. Attractive black and silver finish.  
Price £26.70 + £2.50 postage and packing.  
Supplementary parts for 18V D.C. power supply (transformer, bridge rectifier and smoothing capacitor) £3.50.



### LOUDSPEAKERS

15" 100 watt R.M.S. (HI-FI, P.A., DISCO, BASS GUITAR) Die cast chassis, 2" aluminium voice coil, white cone with aluminium centre dome. 8 ohm imp., Res. Freq. 20Hz., Freq. Resp. to 2.5KHz., Sens. 97dB (As photograph). Price: £32.00 + £3 carriage.

12" 100 watt R.M.S. (HI-FI) Die cast chassis. 2" aluminium voice coil. Black cone. 8 ohm imp., Res. Freq. 20Hz., Freq. Resp. to 4.5KHz. Sens. 95dB. (As photograph). Price: £23.50 + £3 carriage.  
8" 50 watt R.M.S. (HI-FI, P.A.) 1 1/2" aluminium voice coil. White cone. 8 ohm imp. Res. Freq. 40Hz., Freq. Resp. to 6KHz. Sens. 92dB. Also available with black cone fitted with black metal protective grille. (As photograph). Price: White Cone £8.90, Black cone/grille £9.50 P&P £1.25.

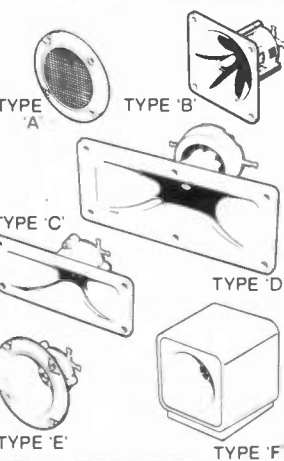
12" 85 watt R.M.S. MCKENZIE C1285GP (LEAD GUITAR, KEYBOARD, DISCO) 2" aluminium voice coil, aluminium centre dome, 8 ohm imp., Res. Freq. 45Hz., Freq. Resp. to 6.5KHz., Sens. 98dB. Price: £22.00 + £3 carriage.

12" 85 watt R.M.S. MCKENZIE C1285TC (P.A., DISCO) 2" aluminium voice coil. Twin cone. 8 ohm imp., Res. Freq. 45Hz., Freq. Resp. to 14KHz. Price: £22 + £3 carriage.  
15" 150 watt R.M.S. MCKENZIE C15 (BASS GUITAR, P.A.) 3" aluminium voice coil. Die cast chassis, 8 ohm imp., Res. Freq. 40Hz., Freq. Resp. to 4KHz. Price: £47 + £4 carriage.



### PIEZO ELECTRIC TWEETERS MOTOROLA

Join the Piezo revolution. The low dynamic mass (no voice coil) of a Piezo tweeter produces an improved transient response with a lower distortion level than ordinary dynamic tweeters. As a crossover is not required these units can be added to existing speaker systems of up to 100 watts (more if 2 put in series). FREE EXPLANATORY LEAFLETS SUPPLIED WITH EACH TWEETER.



TYPE 'A' (KSN2036A) 3" round with protective wire mesh, ideal for bookshelf and medium sized Hi-Fi speakers. Price £4.29 each.

TYPE 'B' (KSN1005A) 3 1/2" super horn. For general purpose speakers, disco and P.A. systems etc. Price £4.99 each.

TYPE 'C' (KSN6016A) 2" - 5" wide dispersion horn. For quality Hi-Fi systems and quality discos etc. Price £5.99 each.

TYPE 'D' (KSN1025A) 2" - 6" wide dispersion horn. Upper frequency response retained extending down to mid range (2KHz). Suitable for high quality Hi-Fi systems and quality discos. Price £7.99 each.

TYPE 'E' (KSN1038A) 3 1/4" horn tweeter with attractive silver finish trim. Suitable for Hi-Fi monitor systems etc. Price £4.99 each.

TYPE 'F' (KSN1057A) Cased version of type 'E'. Free standing satellite tweeter. Perfect add on tweeter for conventional loudspeaker systems. Price £10.75 each  
P&P 20p ea. (or SAE for Piezo leaflets).



### OMP 80 LOUDSPEAKER

The very best in quality and value.

Ported tuned cabinet in hard-wearing black vinyl with protective corners and carry handle. Built and tested, employing 10in British driver and Piezo tweeter. Spec: 80 watts RMS. 8 ohms. 45Hz-20Hz. Size: 20in x 15in x 12in. Weight: 30 pounds.

Price £49.00 each  
£90 per pair  
Carriage £5 each £7 per pair

### BK ELECTRONICS

Prompt Deliveries  
VAT inclusive prices.  
Audio Equipment  
Test Equipment  
by  
Thandar  
and  
Leader

### PANTEC

HOBBY KITS. Proven designs including glass fibre printed circuit board and high quality components complete with instructions.

FM MICROTRANSMITTER (BUG) 90/105MHz with very sensitive microphone. Range 100/300 metres. 5 x 46 x 14mm (9 volt)  
Price: £6.58.

DIGITAL THERMOMETER -99 C to +99.9 C. LED display. Complete with sensor. 70 x 70 mm (9 volt) Price: £22.94

3 WATT FM TRANSMITTER / WATT 85/115MHz varicap controlled professional performance. Range up to 3 miles 35 x 84 x 12 mm (12 volt) Price: £10.64

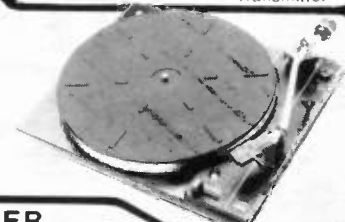
SINGLE CHANNEL RADIO CONTROLLED TRANSMITTER/RECEIVER 27MHz Range up to 500 metres. Double coded modulation. Receiver output operates relay with 2amp/240 volt contacts. Ideal for many applications. Receiver 90 x 70 x 22 mm 9/12 volt) Price: £14.38. Transmitter 80 x 50 x 15 mm (9/12 volt) Price: £9.15. P&P All Kits +50p S.A.E. for complete list.



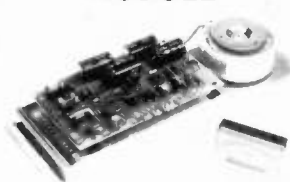
3 watt FM Transmitter

### BSR P256 TURNTABLE

P256 turntable chassis • S shaped tone arm • Belt driven • Aluminium platter • Precision calibrated counter balance • Anti-skate (bias device) • Damped cueing lever • 240 volt AC operation (Hz) • Cut out template supplied • Completely manual arm. This deck has a completely manual arm and is designed primarily for disco and studio use where all the advantages of a manual arm are required.  
Price £31.35 each. £2.50 P&P



### OMP POWER AMPLIFIER MODULE



New model.  
Improved specification

NEW OMP100 Mk.II POWER AMPLIFIER MODULE Power Amplifier Module complete with integral heat sink toroidal transformer power supply and glass fibre p.c.b assembly. Incorporates drive circuit to power a compatible LED Vu meter. New improved specification makes this amplifier ideal for P.A., Instrumental and Hi-Fi applications.  
SPECIFICATION  
Output Power:— 110 watts R.M.S.  
Loads:— Open and short circuit proof 4/16 ohms.  
Frequency Response:— 15Hz - 30KHz -3dB. T.H.D.:— 0.01%  
S.N.R. (Unweighted):— -118dB ±3.5dB  
Sensitivity for Max Output:— 500mV @ 10K  
Price: £31.99 + £2.00 P&P  
Vu Meter Price — £7.00 +P&P

### HOME PROTECTION SYSTEM

Better to be 'Alarmed' than terrified. Thandar's famous 'Minder' Burglar Alarm System. Superior microwave principle. Supplied as three units, complete with interconnection cable FULLY GUARANTEED.

Control Unit — Houses microwave radar unit, range up to 15 metres adjustable by sensitivity control. Three position, key operated fascia switch — off — test — armed 30 second exit and entry delay

Indoor alarm — Electronic swept freq siren. 104dB output

Outdoor Alarm — Electronic swept freq siren 98dB output. Housed in a tamper-proof heavy duty metal case.

Both the control unit and outdoor alarm contain rechargeable batteries which provide full protection during mains failure. Power requirement 200/260 Volt AC 50/60Hz. Expandable with door sensors, panic buttons etc. Complete with instructions  
SAVE OVER £100 Usual price £228.85 — B.K.E.'s BARGAIN PRICE £128.00 + £5.00 P&P

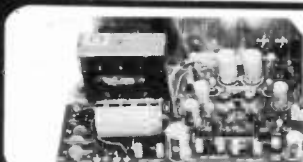
SAE for colour brochure.



### STEREO POWER AMPLIFIER CHASSIS

Very useful stereo amplifier chassis complete with power supply. Ready built and tested. (Pre-amp. required).

Specification:  
Power output:— 8 watts R.M.S. per channel into 8 ohms.  
Frequency Response:— 40Hz to 40KHz  
Input Sens. for Max. Output:— 100mV  
Power Requirement:— 220/240V, 50/60Hz.  
Supplied complete with circuit diagram and connection diagram. Ideal for many applications.  
Price:— £9.99 + £1.50 P & P



# B.K. ELECTRONICS

UNIT 5, COMET WAY; SOUTHEND-ON-SEA, ESSEX, SS2 6TR

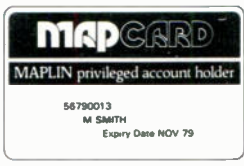
★ SAE for current lists ★ Official orders welcome ★ All prices include VAT ★ Mail order only ★ All items packed (where applicable) in special energy absorbing PU foam. Callers welcome by prior appointment, please phone 0702-527572



Send now for an application form — then buy it with MAPCARD.

MAPCARD gives you real spending power — up to 24 times your monthly payments — instantly!

# Maplin News



## Sole UK Agents for Heathkit

NOW THE world-famous Heathkit range of superb electronic kits is available from Maplin — the newly appointed exclusive UK distributor. Kits range from a simple clock for beginners to a unique Robot (see pic) with which you can learn about robotics.

There is a range of training courses covering electronics and computing topics, many containing constructional projects. For full details, pick up a copy of the latest Maplin magazine or write for a free copy of our Heathkit catalogue. Order As XH62S.



## GREAT PROJECTS FROM E&MM



OUR NEW book "Best of E&MM Projects Vol. 1" brings together 21 fascinating and novel projects from E&MM's first year.

Projects include Harmony Generator, Guitar Tuner, Hexadrum, Syntom, Auto Swell, Partylite, Car Aerial Booster, MOS-FET Amp and other musical, hi-fi and car projects. ORDER AS XH61R. PRICE £1.

## Computer Shopping Arrives

AS FROM June 1st you can place orders directly with our computer from your personal computer. The computer shopping revolution has arrived! To communicate, you'll need a modem (our RS232 compatible modem kit is LW99H price £39.95) and an interface (our ZX81 interface LK08J price £24.95 is available already with many more for most popular micros coming soon).

Just dial us up on 0702 552941 and you'll be able to interrogate our stock file then place your order, type in your credit card number and a few minutes after you hang up your order will print out in our warehouse ready for packing. And all without saying a word.

Try out the future way of shopping now! You'll see immediately what stock we've got available and you'll discover how easy it is to ensure your order is exactly right. And you'll see precisely what the current price is for each item and what total amount will be charged to your credit card. It all helps to make buying easier. So give us a ring now!

## Maplin's Fantastic Projects

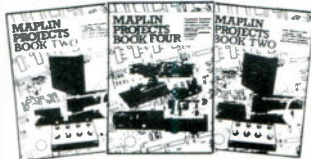
FULL DETAILS in our project books. Price 70p each.

In Book 1 (XA01B) 120W rms MOSFET Combo-Amplifier • Universal Timer with 18 program times and 4 outputs • Temperature Gauge • Six Vero Projects.

In Book 2 (XA02C) Home Security System • Train Controller for 14 trains on one circuit • Stopwatch with multiple modes • Miles-per-Gallon Meter.

In Book 3 (XA03D) ZX81 Keyboard with electronics • Stereo 25W MOSFET Amplifier • Doppler Radar Intruder Detector • Remote Control for Train Controller.

In Book 4 (XA04E) Telephone Exchange for 16 extensions • Frequency Counter 10Hz to



600MHz • Ultrasonic Intruder Detector • I/O Port for ZX81 • Car Burglar Alarm • Remote Control for 25W Stereo Amp.

In Book 5 (XA05F) Modem to European standard • 100W 240V AC Inverter • Sounds Generator for ZX81 • Central Heating Controller • Panic Button for Home Security System • Model Train Projects • Timer for External Sounder.

In Book 6 (XA06G) Speech Synthesiser for ZX81 & VIC 20 •

Module to Bridge two of our MOSFET Amps to make a 350W Amp • ZX81 Sound on your TV • Scratch Filter • Damp Meter • Four Simple Projects.

In Book 7 (XA07H) \*Modem Interface for ZX81/VIC20 • Digital Enlarger Timer/Controller • DXers Audio Processor • Sweep Oscillator • Minilab Power Supply • Electronic Lock • and others.

\*Projects for Book 7 were in an advanced state at the time of writing, but contents may change prior to publication (due 14th May 1983).

## 25W Stereo MOSFET Amplifier



- \* Over 26W/channel into 8Ω at 1kHz both channels driven.
- \* Frequency response 20Hz to 40kHz ± 1dB.
- \* Low distortion, low noise and high reliability power MOSFET output stage.
- \* Extremely easy to build. Almost everything fits on main pcb, cutting interwiring to just 7

wires (plus toroidal transformer and mains lead terminations).

\* Complete kit contains everything you need including pre-drilled and printed chassis and wooden cabinet.

Full details in Projects Book 3. Price 70p (XA03D). Complete kit only £55.20 incl. VAT and carriage (LW71N).

## MATINEE ORGAN

EASY-TO-BUILD, superb specification. Comparable with organs selling for up to £1000.

Full construction details in our book (XH55K). Price £2.50. Complete kits available. Electronics (XY91Y) £299.95\*. Cabinet (XY93B) £99.50\*. Demo cassette (XX43W) £1.99.

\*Carriage extra



## Maplin's New 1983 Catalogue

Over 390 pages packed with data and pictures and all completely revised and including over 1000 new items.

On sale in all branches of WH SMITH. Price £1.25.



### POST THIS COUPON NOW!

Please send me a copy of your 1983 catalogue. I enclose £1.50 (inc. P&P). If I am not completely satisfied I may return the catalogue to you and have my money refunded. If you live outside the UK send £1.90 or 10 International Reply Coupons.

Name .....

Address .....

.....

.....

Post Code .....

EE7/83

MAPLIN ELECTRONIC SUPPLIES LIMITED, P.O. Box 3, Rayleigh, Essex SS6 8LR. Telephone: Sales (0702) 552911 General (0702) 554155.

Shops at: 159 King St., Hammersmith, London W6. Tel: 01-748 0926. 284 London Rd., Westcliff-on-Sea, Essex. Tel: (0702) 554000. Lynton Square, Perry Barr, Birmingham. Tel: (021) 356 7292.

Shops closed Mondays.

All prices include VAT & carriage. Please add 50p handling charge to orders under £5 total value.