

ELECTRONICS

in ACTION

January 1994 £2.25

Class A Amplifier

Full Construction Details

Liquid Crystals

The New Breed

The Harmoniser

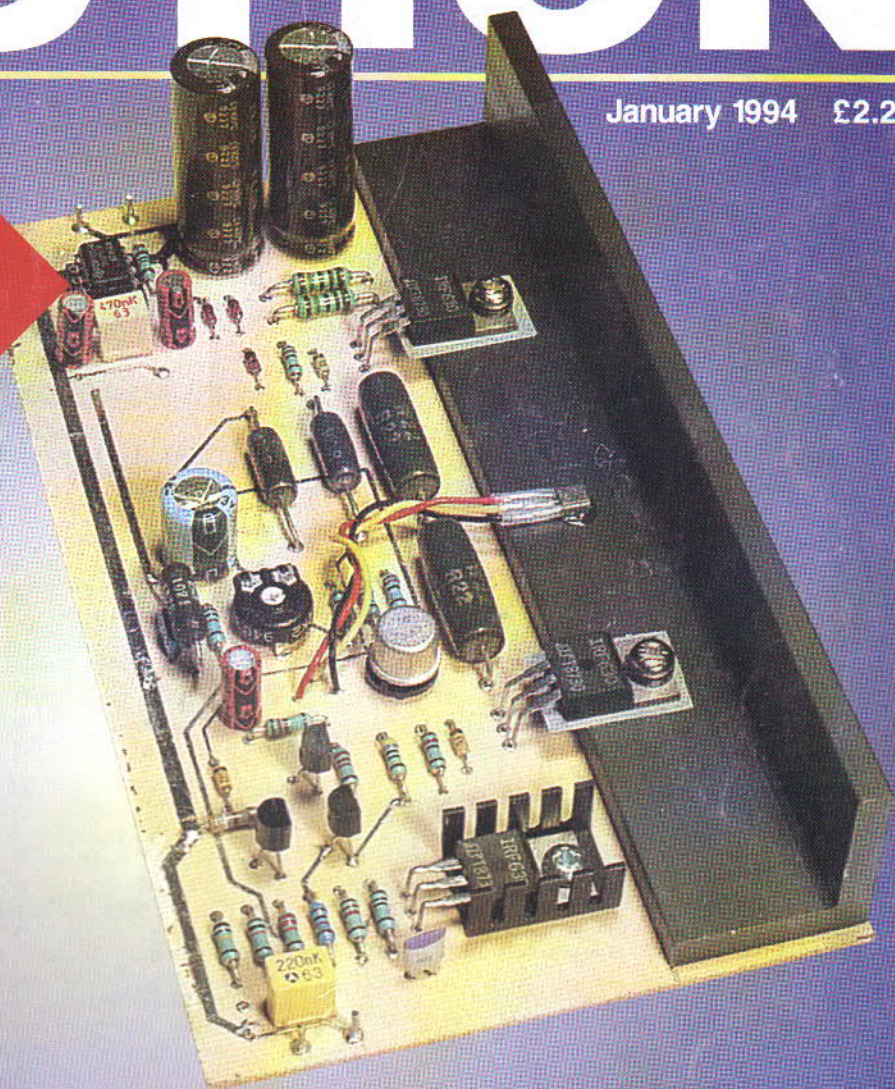
Keeping in tune with yourself

The Switcher

Adding a VCA

Remote Possibilities

The *Ultimate* Lazy VCR Controller



Ideas Forum

Your thoughts in the Think Tank

Helping the Disabled

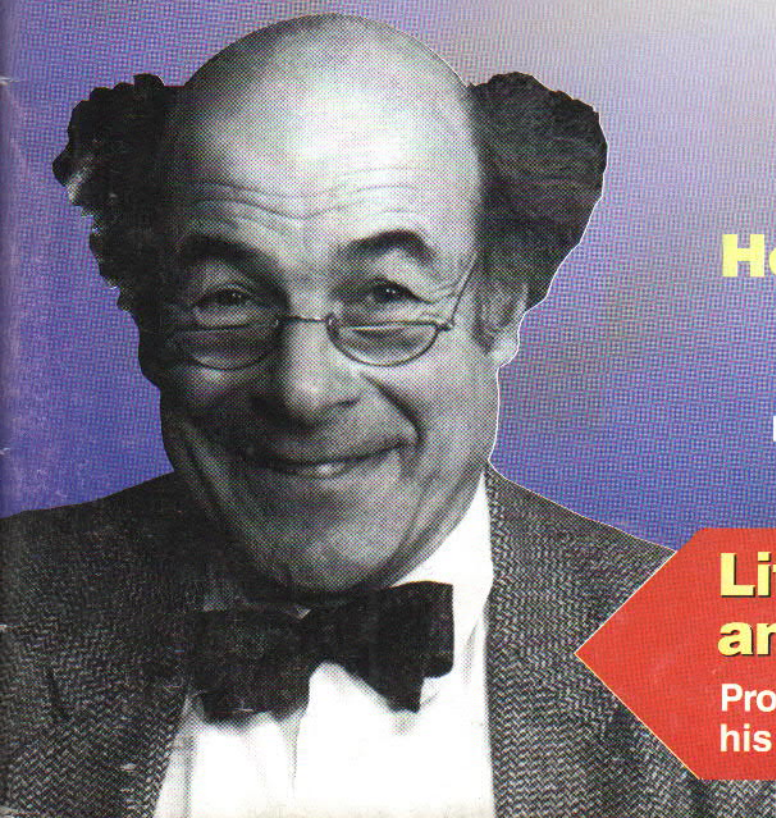
Design and action from REMAP

Technoshop

Bringing the world of technology closer together

Life, the Universe and Everything

Professor Heinz Wolff and his view of the future



ISSN 0964-3564

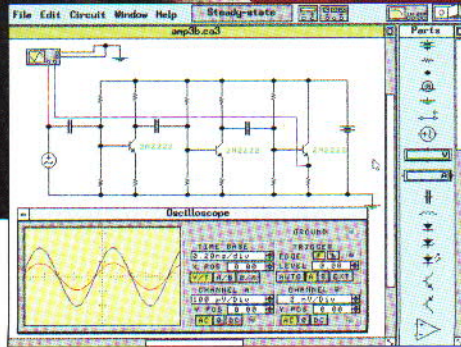
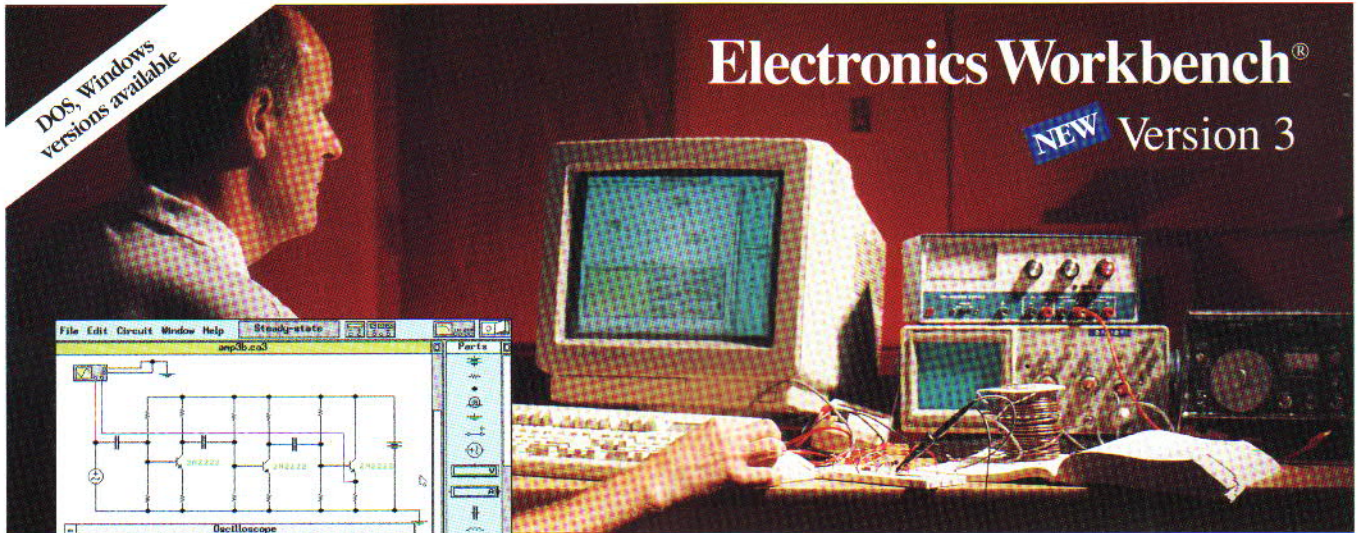


Design and Verify Circuits. Fast.

DOS, Windows
versions available

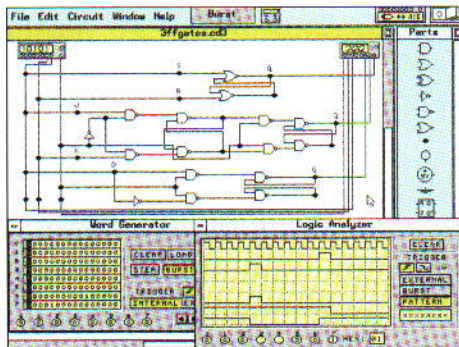
Electronics Workbench®

NEW Version 3



Analog Module includes:

- complete control over all component values
- ideal and real-world models for active components
- resistors, capacitors, inductors, transformers, relays, diodes, Zener diodes, LEDs, BJTs, opamps, bulbs, fuses, JFETs, and MOSFETs
- manual, time-delay, voltage-controlled and current-controlled switches
- independent, voltage-controlled and current-controlled sources
- multimeter
- function generator (1 Hz to 1 GHz)
- dual-trace oscilloscope (1 Hz to 1 GHz)
- Bode plotter (1 mHz to 10 GHz)
- SPICE simulation of transient and steady-state response



Digital Module includes:

- fast simulation of ideal components
- AND, OR, XOR, NOT, NAND and NOR gates
- RS, JK and D flip-flops
- LED probes, half-adders, switches and seven-segment displays
- word generator (16 eight-bit words)
- logic analyzer (eight-channel)
- logic converter (converts among gates, truth table and Boolean representations)

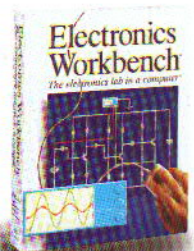
Complement Your Test Bench

Here's why Electronics Workbench belongs on *your* test bench: Wires route themselves. Connections are always perfect. And the simulated components and test instruments work just like the real thing. The instruments are indestructible and the parts bin holds an unlimited supply of each component. The result: thousands of electronics professionals and hobbyists save precious time and money. **Over 90% would recommend it to their friends and colleagues.** Electronics Workbench: the ideal, affordable tool to design and verify your analog and digital circuits before you breadboard.

And now the best is even better - Electronics Workbench Version 3.0 is here. It simulates more and bigger circuits, and sets the standard for ease of use. Guaranteed!

NEW Features in Version 3

- new components include JFETs, MOSFETs, voltage-controlled and current-controlled sources and manual, time-delay, voltage-controlled and current-controlled switches
- real-world models for opamps, BJTs, JFETs, MOSFETs and diodes - over 100 models available
- MS-DOS version now supports up to 16 MB of RAM for simulation of bigger circuits
- new Microsoft® Windows™ version available
- technical support now also available on CompuServe®



Just £199!

Electronics Workbench®

The electronics lab in a computer™

Call: (0827) 66212



ROBINSON MARSHALL (EUROPE) LTD.

17 Middle Entry, Tamworth, Staffordshire, England B79 7NJ

Fax: (0827) 58533

*30-day money-back guarantee.

Shipping charges - UK £4.99. All prices are plus V.A.T.
All trademarks are the property of their respective owners.



ISSUE 4 VOLUME 1

EDITOR

Paul Freeman-Sear

SUB EDITOR

Helen Armstrong

DESIGNER

Susan Campbell

TECHNICAL ILLUSTRATION

PJF

ADVERTISING SALES

Gilly Martin

CONTRIBUTORS

Andrew Armstrong

Helen Armstrong

Steve Brown

Andrew Chadwick

Douglas Clarkson

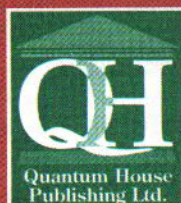
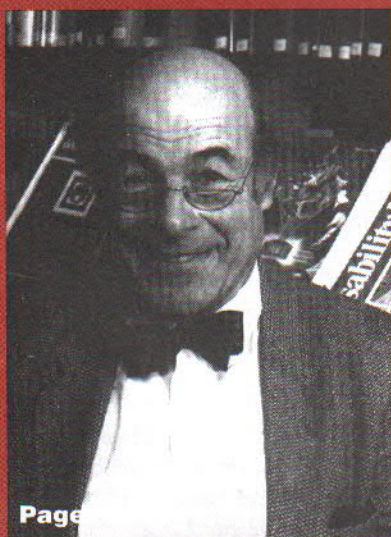
Mike Meechan

Brian Padgett

Tom Scarff

Paul Stenning

Professor Heinz Wolff



PO BOX 600, BERKHAMSTED
HERTS HP4 1NL
TELEPHONE 0442 842069
FAX 0442 842279

4 Here is the news...

What's going on in the technology world
A news view from all points of the compass

9 REMAP

Technical help for the disabled. A report by Andrew Chadwick.

16 Class A Power Amplifier

Andrew Armstrong presents a new design for the hi-fi experimenter.

18 The Harmoniser

A project to change the pitch of your voice. Tom Scarff provides the perfect accompaniment.

24 Signal to Noise

A selection of your views and/or grievances

26 The Home of the Future

Your household electrical appliances could be automated by computer control or even remotely by telephone. Steve Brown from Celtel Ltd. provides a company view.

32 Remote Possibilities

Paul Stenning takes it easy and controls his video cassette recorder from anywhere in the house.

38 The power behind the MOSFET

Andrew Armstrong concludes his look at power MOSFETs.

42 The Switcher Part 3

This month Mike Meechan deals with an optional volume control circuit for his hi-fi switcher.

52 Take your Pics

Keep a look out for this great offer of a £4 voucher from Boots.

54 Electronics Workbench Review

Andrew Armstrong reviews the latest software.

58 Liquid Crystals Get Sharper and Faster

Douglas Clarkson reports on the latest developments LCD technology.

60 Ideas Forum

The place where innovative ideas turn into great inventions.

62 Technoshop

Find out the latest offers, exchanges and requirements in the pursuit of design excellence.

64 Future View

Professor Heinz Wolff talks to Paul Freeman-Sear about Life, the Universe and everything.

A life saving tag

I suspect that most of us will not forget the tragic death of the little two year old, after he was taken from a shopping precinct. In order to prevent such things happening again, wouldn't it be a good idea to electronically tag young children. The aim is simple, provide the child with a short range transmitter that emits a pre-programmed digital code. Parents would carry around with them a normally silent receiver. When the child wanders out of a given range, the receiver would emit warnings to the parents. Another level of sophistication would be to locate or direction-find the child using a simple antenna.

Such tagging has been used experimentally on prisoners and would certainly serve a useful purpose here. So here is an open invite to all you designers to come up with a simple, but very effective project.

Finally it is still very gratifying to here your comments about our magazine. It is a pleasure to know we are providing an alternative and different outlook on the business of electronics. Keep your ideas and comments rolling in.

Paul Freeman-Sear

Every care is taken when compiling the magazine. However, the publishers cannot be held legally responsible for errors in the magazine or from loss arising from those errors. Any errors discovered will be published in the next available edition of the magazine.

Electronics in Action is published on the third Thursday of the month preceding the cover date. The magazine contents remain the copyright of Quantum House Publications Ltd. All prices contained in the magazine are correct at time of going to press. The publishers or the advertisers cannot be held responsible for any variations in price or availability after the magazine has gone to press.

Published by **Quantum House Publications Ltd**, PO Box 600, Berkhamsted, Herts HP4 1NL. Newstrade distribution by Seymour, Windsor House, 1270 London Rd, Norbury, London SW16 4DH Tel: 081 679 1899. Reproduction by Island Graphics, Chesham, Bucks. Tel: 0494 773082. Printed by Wiltshire (Bristol) Ltd, Philip St, Bedminster, Bristol BS3 4DS. Tel: 0272 760076

NEWS



Bright New Monitor

Monitor screen clarity is priority for serious computer-users.

Mitsubishi has designed a new aperture-grille shadow-mask for its Diamondtron non-glare K-coated monitor tubes to produce what the company claims are the highest-quality monitors on the market. Advanced autotracking, freedom from raster moire-patterning, and high-quality focusing over the whole screen with the new Mitsubishi NX-DBF gun are featured.

Software running under Microsoft Windows allows the PC to talk directly to the monitor for initial set-up and all other parameters, including resolution, grey scale, display size, brightness, contrast and colour. The automatic

power management is controllable through the software: the monitor can be preset to dim its own screen, and later shut down, if it is left unused for a period while switched on - a boon for users who wander off, forgetting to turn down the brightness.

The Diamondtron's electron gun produces a small flying-spot at a higher than usual cathode current and modifies the beam on the fly to produce a distortion-corrected spot over the screen area. The static spot size at 0.5mA is around 1.1 mm compared to 1.4mm on an equivalent conventional gun. Longer monitor life is promised as a result of scandium oxide used in the cathode gun. The monitor's newly-developed K screen coating gives contrast enhancement between 5 and 20 percent and a paper-white display. Typical screen resolution is 1280 x 1024 pixels, with a maximum of 1600 x 1200.

Mitsubishi Electric UK Ltd.
0707 276 100.

Interfacing Without Agony

Plug-and-Play is a new standard for adding interface boards to computer networks without the prolonged agony of configuring both the operating system and the interface board until they are willing to talk to each other.

With plug-and-play, as the name suggests, when the new board is plugged in, the computer's BIOS will scan for the new card and interrogate it for configuration information. The card and the computer can then "negotiate" with each other for an available memory slot, and the new system should be up and running in a short time.

Plug-and-play is a new standard and not many machines have it yet, but it should make life for computer end-users

easier in the future. Advanced Micro Devices (AMD) has just added three new members to its PCnet family of single-chip Ethernet controllers for PC motherboards, so the family now supports all local bus standards, and Microsoft's new ISA Plug and Play configuration standard. This puts the functions of a complete bus-mastered Ethernet adapter board onto one chip.

PCnet-PCI and PCnet-326 support high-speed PCI and VL local bus designs, and PCnet-ISA+ is the first Microsoft ISA Plug and Play compatible Ethernet chip. AMD also provides the full range of software drivers supporting virtually all local area network operating systems. The Microsoft ISA Plug and Play specification has been endorsed by a number of hardware and software sellers. The PCnet range uses bus-master architecture based on Novell NE2100/1500T adapter cards, so that a single set of software drivers can be used right

across the family.

The hardware needs about 5 square inches of board space to implement (for example) a 10Base-T Ethernet system, small enough to design into PC motherboards for networking.

Rabbit Hangs Up

Rabbit, the last living example of CT2-based one-way mobile telephone, has died out. Hutchinson Telecom closed its Rabbit service at the end of the year, after a two-year bid to establish the one-way cordless digital pocket telephone service which left it with only 9,000 subscribers.

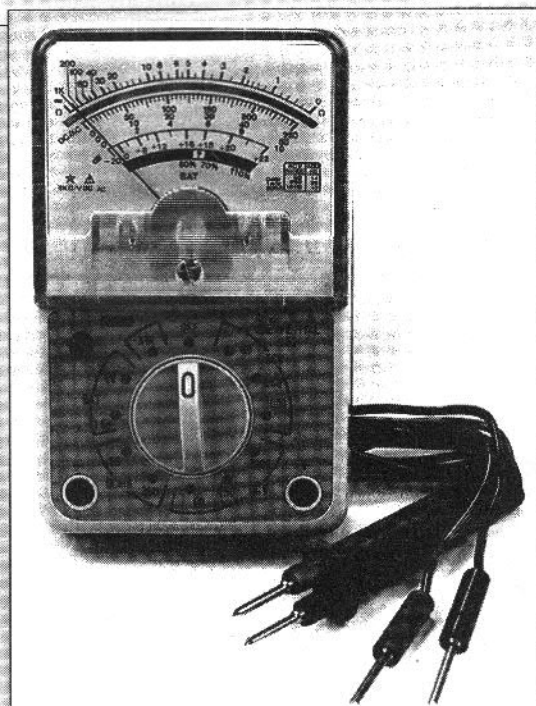
One-way mobile phone was an idea which was either going to run and run, or drop dead. Unfortunately, in economic terms, it did the latter. Various operators, including BT and Mercury, tried to make a go of it without success.

Stocking Fillers

Maplin have a compact three-in-one cycle computer on their stocking-filler list. Time, speed, distance on a 30 x 23 mm LCD will tell you how quickly you are outrunning the Boxing Day turkey sandwiches. Speed and distance are calculated from the output of the wheel-mounting sensor, allowing for wheel size. The timer can be a journey timer, trip timer or 24-hour clock. Speed can be set for average, actual or maximum speed, and distance selected for trip or total. The computer also functions as a trip time alarm, speed alarm and trip distance alarm. Special offer price is £19.95, and the main unit clips and unclips easily to foil zero-outlay bike-accessory collectors.

For those staying indoors, Maplin has a low-cost, high-quality pocket analogue multimeter. The Precision Gold 108 has a sensitivity of 2000 ohms/volt for AC and DC ranges. Functions are AC and DC voltage, DC current, resistance, battery check and decibels. The meter is accurate to 5% of full scale deflection on AC voltage and 4% on DC voltage and current ranges. Special offer price is £9.95 with a 1.5V battery included. Precision Gold is described as rugged and accurate, so you can nip outside to check your vehicle electrics or even take it with you on your bike.

Maplin (Sales) 0702 554161. Maplin consumer prices include VAT. £9.95 post and packing charge on most normal-sized orders by mail.



Rabbit was the last survivor.

Hutchinson is reorganising its UK telecoms business and will concentrate on two-way cellular, paging and PCN (Microtel personal communications network) operations, launching the latter in April. It looks as though we all hate being interrupted by phone less than we thought we did.

The Workgroup Computing Show

Network computing was one of those dreams that came true, but left everyone still dreaming that one day it would work without a hitch. Quick interchange of information, files from other parts of the system, work passed round quickly between colleagues, fast access to all parts of the job without moving people or paperwork. The network would open the filing cabinet, unroll the drawings, draw up the plans, pass the budget, claim the expenses, circulate the memos, convene the meeting or conduct a conversation without leaving the computer terminal.

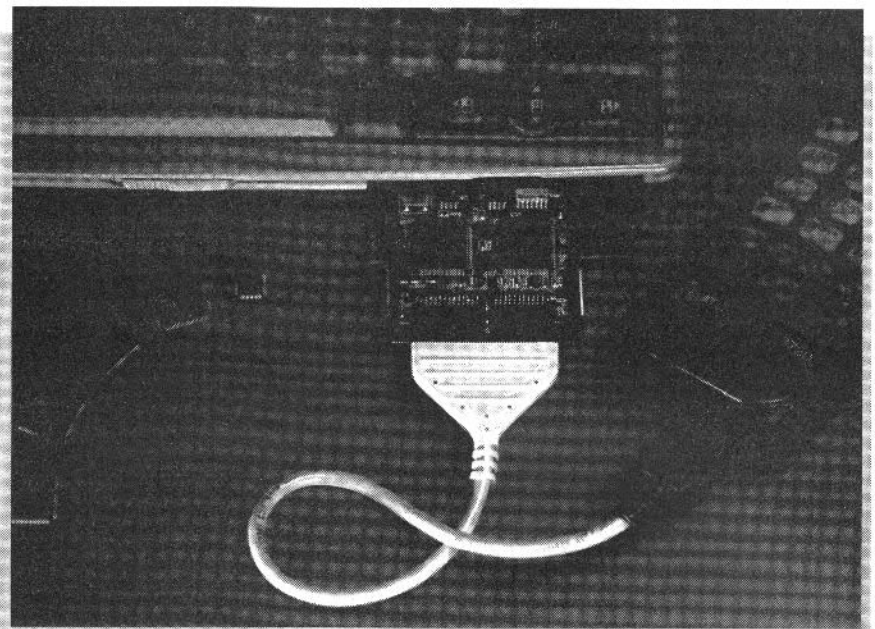
This Utopia is still in waiting. Networks are commonplace now, but so is the cry "The network's down!" As with most computer developments in their early years, the hardware and software were not advanced enough for the task they had to undertake.

Time has brought advances in speed and memory which make efficient networking simpler and more plausible. User interface software has advanced, or at least grown more complex and ingenious.

Networking is gradually acquiring a new image and appearing under a new name: Workgroup computing.

If there is a big difference between plain networking and workgroup computing, it is that software is now highly organised towards a goal - producing a report, booking a journey, filing or retrieving sales returns, file-sharing on design jobs, and so on. The results of these processes are passed on to the next stage of the job - publishing the report, requesting petty cash, analysing figures - via the network, and the response fed back along the same path.

The Workgroup Computing show at London's Olympia on 3-5 November



Modem Chip Integration

New high-speed modem chips now have voice, cellular phone and V.32terbo modem capabilities in one chipset. This means smaller chips, and ultimately cheaper and more function-packed modems. Chips produced by AT&T cover 9600 and 14400bit per second data rates, and are designed for desktop, laptop, and very-thin-line PCMCIA computer applications. Continuing the trend towards greater and greater integration, the new BMC microcontroller integrates microcontroller functions, power

management and a 16C550 type UART with 16-byte FIFOs on one device, allowing smaller built-up sizes. Manufacturers only need to add memory chips and a DAA (data access arrangement).

The AT&T chipsets come in three varieties: a "Classic" data/fax type, a data/fax/voice option for telephone answering machines, and a data/fax/cell option for cellular telephone systems. The Classic set supports the full range of fax/data standards, including the AT command set, V.42bis, V.32terbo, V.17, V.27ter and V.21 (ch2).

The AT&T Dataline can be contacted on (US) +44 732 741221 or +44 732 742999.

demonstrated that workgrouping is a computing revolution on the brink of happening - as soon as currently-cautious managers are convinced that new installations will bring relief instead of grief. Busy but not packed, the show attracted mainly flocks of engineering and computing consultants looking for solutions to pass on to their clients.

Many of the world's leading hardware and software houses had high-tech stands at the show, competing for acoustic space in a stream of lectures and demonstrations reminiscent of a gannet colony.

Wordperfect (0932 850555) was promoting two software packages, WordPerfect Office 4.0 and Wordperfect Informs. Forms are important news in workgrouping. I watched as a travelling expenses form automatically switched its signature box from "Manager's signature" to "Managing Director's Signature" as the claim reached £9.95. The signatures themselves - the most

personal part of the senior manager's arsenal of authority - are stored in security databases, using RSA Security Data technology as approved by the USAF and security sealed. The computer signs the authorisation with the stored signature. If anyone tries to tamper, it raises the alarm.

Forms like purchase orders can save their contents straight to a central database - recording, for instance, that so many thousand widgets are on their way to Stores - acting as a mini front-end interface for the worker who uses them.

Office 4.0, in the meantime, was demonstrating information-switching and response between the "green file" and the "yellow file". WordPerfect Office is a set of workgroup tools encompassing e-mail, calendar, scheduler and task management, managed by (I quote) workflow functions of ordered distribution, rules and status tracking. Words like "strategy for information sharing", "workgroup-enabled" and



Flashcard

The Mitsubishi card in the picture is a little unusual - it's a mixed-technology plug-in memory card, carrying SRAM and Flash memory for PCMCIA (sub-notebook) computers, or OTPROM (one-time programmable) and EPROM memory useful for multifunction terminals and instrumentation, on the same unit.

The mixed cards can carry up to 2 megabytes of memory and achieve up to 10,000 Flash memory programming/erasing cycles.

"modularity" were flying around. It seems that established office network users are naturally more interested in pinning their existing applications together with workflow management software than starting from scratch with a new system. WordPerfect Office also remains the only workgroup application that allows users to communicate across three platforms - PC, Apple Mac and Unix - in a variety of message formats. Flexibility is premium when so much has already been invested in kit.

More investment seems likely. One seeker from an MOD site said that his offices used networking and liked it, but with fewer and fewer people employed in the service they needed state-of-the-art software at a lower cost. He didn't know if they would find it. For organisations like the MOD, data security is both essential and expensive.

Software managed people

Rank Xerox XSoft (0753 550022) showed off document management software. GlobalView allows the creation, management, retrieval, sharing and distribution of documents. Shared Document overlays users' existing software to give distributed applications for directory, filing, mailing and printing, with transparent access to the network services. InConcert is software which actually claims to manage people as well as procedures, prompting and tracking every stage of a task, delivering business documents - spreadsheets, forms, graphics and so on - , and providing complete progress reports to its manager.

Lotus (Staines) was promoting Lotus Notes, a client-server environment that allows its users (clients) to communicate over local (LAN) or wide-area (WAN) networks with a document database residing in one or more shared computers (servers). As an open system,

it runs on all the well-known networks and desktop systems and can import files from most popular desktop applications. Lotus Notes replicates the data on each server computer as needed, so that everyone has access to it, and supports remote users by modem and e-mail. The same graphical interface appears across Windows, Macintosh, OS/2 Presentation Manager, OpenLook, Unix Motif and other platforms. Familiarity, flexibility and access to existing software and hardware are the watchwords.

Canadian company Delrina (081 207 3163) was demonstrating Formflow, an interactive object-oriented forms creation and processing program linkable to many major database applications - and into industry-standard e-mail for routing forms and information. The keyword here seems to be easy development of new forms to suit the business, even for non-programmers, and general simplicity of use. Delrina was also showing WinFax Pro for Networks. WinFax accesses up to four fax modems simultaneously on a network, or routes to the available modem if the others are in use. It receives faxes to screen, to printer, or as a background task if the user is otherwise occupied. Or alert the user if it has been set to do so. One advantage is that users are no longer queuing in a corner of the office to use the one available manual fax machine.

IBM (Personal Systems Enquiry 0256 841818) took over a sizeable part of the top floor, bathed it in blue light and uniform blue sweatshirts to show off industrial-level solutions for nearly any data need you might like to name, particularly relating to its IBM OS/2 LAN Management strategy (as they market it, being too large to describe in terms of packages or ranges). A recent release is VisualAge client/server

"power tool" which allows system programmers to build up applications visually from existing software components quickly. Again, the theme is best use of already-existing resources, as well as the vast IBM support machine in the background. IBM is a Corporation's Corporation.

Over 80 exhibitors were showing wares at Workgroup Computing. Visitors were consistent in their response: they were already using networks and wanted to see the latest possibilities. There was a caution all round, sparked mainly by the knowledge that new software technology takes a long time to bed in. "It wasn't a product two years ago, but we think it is now," one consultant said of a new release of a name-brand package. "We know what computers can do for individual people, now we want to see what they can do for the business." A consultant advising small firms reckoned that he would wait 18 months before he entrusted his clients to the latest update of another well-known system. "I'll have to be here a bit longer," said a senior manager early in the afternoon. "You need to spend a good day here to digest everything."

Some of the demonstrations were marvels of clarity, but the complexity of complete document management by computer is such that the clerk of the future will have to be more organised and more literate even than today before the paperless office becomes a reality.

Changes

Genalog Ltd. provides chip-specific adaptors from surface-mount format to pin grid array format for Motorola MC68340, MC68333 and MC68360, and Intel 80486SX processors. Adaptors also convert various other SMT packages to PGA and other through-hole configurations, with pin compatibility, allowing use of cheaper flat-pack chips on PCBs designed for PGA-format chips. Genalog also supplies a 2mm male IDC dual-row cable assembly with a low body height of only 5.08 mm (0.2 mm), giving a depth less than 10mm when mated to various surface mount and PTM sockets.

Contact: Genalog Ltd. Tel.0580 753754.

Next Month

J&N Bull Electrical will be presenting their complete catalogue within Electronics in Action. Make sure you don't miss out. Order our February issue from your local newsagent now

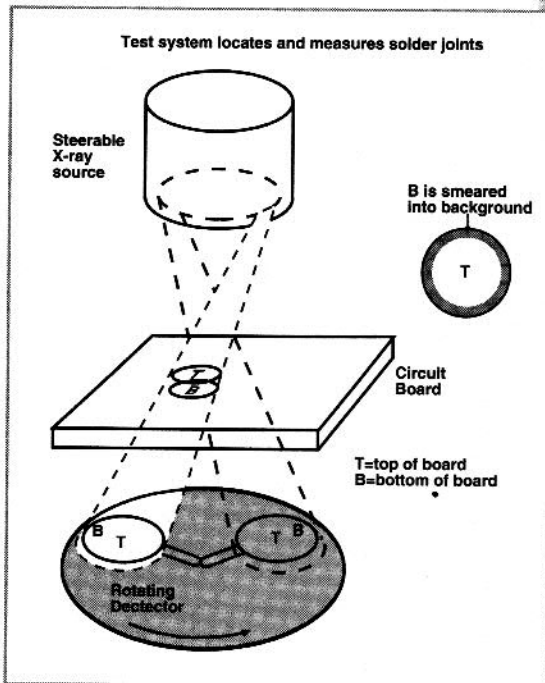
Research World

Technical Advances from around the Globe

ELECTRONICS in ACTION

8

JANUARY 1994



Board tester

A US company, Four Pi Systems Corp., is preparing to beta test its new 5DX X-ray board tester. The machines test for solder-joint defects by taking cross-sectional X-ray images of the connections between chips and boards. With the 5DX throughput has been increased by 30% over the previous 3DX generation. The 5DX can operate in-line, performing the dual function of inspection and test. It inspects boards at an image rate of 50 to 150 joints per second. Since the machine does its imaging in tomographic slices, only the plane where the solder paste meets board pads (or the device leads) is captured. Images of ICs themselves are screened out, as are images of anything mounted on the other side of the board, leaving a clearer view of the connections.

At the same time, a real-time stream of physical measurements is made, including average solder thickness, fillet height and void volume. This data can be used directly for statistical process control, allowing operators to identify a variation in the manufacturing process before it veers out of spec and causes defects.

Solder thickness from 0.0125 to 0.625mm can be measured with a standard deviation of less than 4%. The largest size board the 5DX can handle is 18 x 18". Throughput depends on several factors, but the 5DX can inspect and test an average board - which the company defines as one with 4,000 joints - in about 2 minutes.

Test algorithms are available for a variety of joint types, including J leads, ball-grid arrays (BGA), gull-wing leads, tape-automated bonding and others. There are three different models, depending on lead pitch (0.5mm and up, 0.4mm and up, 0.3mm and up).

Visual inspection of joints is difficult, and sometimes impossible, with new chip-mounting technologies such as flip-chip and BFA.

Electronic whiteboard

Also in the US, Microfield Graphics Inc. of Beaverton, Oregon, has introduced a peripheral device that combines the functions of a wall-mounted whiteboard with the capabilities of a personal computer. Called Softboard, it displays on a PC or Macintosh screen information that users write on its surface with coded colour markers.

In addition, the information displayed can be stored, printed or transmitted in real time to other locations over conventional telephone lines. Likewise, a special encoded eraser lets users simultaneously erase data from the Softboard and the computer display.

While the initial offering is aimed at large conference rooms, smaller sizes (24 x 36" writing area) are in development for offices.

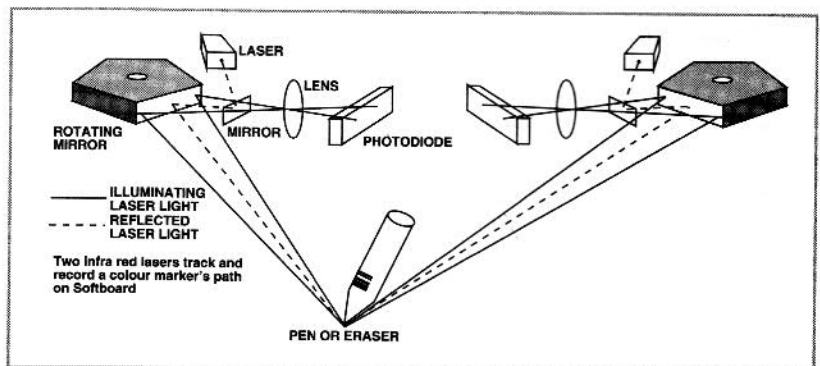
The dry-erase colour markers have bar codes on their tips, so the computer can capture information written on the Softboard. Colour monitors display the colours used. Each screen is saved in a computer file, and can be concurrently shared by other computers connected to Softboard via modem, or played back when required. Consequently, participants in meetings and work sessions can keep records without having to transcribe notes.

The enabling technology uses digital signal processing. The chip computes the angle of the encoded marker or eraser and is based on input from two infrared lasers that scan the entire area of the Softboard using rotating, five-sided mirrors.

The DSP used is Texas Instruments' programmable 40MHz TMS320C26, which is rated at 10 Mips. When a user

writes on the Softboard, the lasers locate, identify and track the position of the marker/eraser in real time.

The lasers are placed on the top corners of the board. The laser scanning frequency is 416 scans/second (see diagram).



The pen positioning is triangulated from the reflected beams, and sampled at a rate of 80 samples/s. That data is next sent to a photodiode that generates video signals for conversion into digital data by a 6-bit analogue-to-digital converter. At a rate of 5 to 10MHz, the converted data is then fed to the DSP chip, which computes the x-y coordinates in serial-data-stream format for transmission to the host computer via RS-232 interface.

REMAP

Technical Help for Disabled People

By Andrew Chadwick

Part 1

Authority representatives but any disabled person can contact REMAP directly. The

wider range available but there are still many cases where no suitable device exists or a piece of commercial equipment requires modification to suit a particular individual. This is the area in which REMAP operates. Although REMAP is a registered charity and covers the whole of the country its aim is to provide practical help and keep bureaucracy to a minimum. A National Committee co-ordinates activities by means of a number of Regional Organisers. The committee also arranges insurance cover and organises the small amount of fund-raising required.

The main work of REMAP is

Occupational Therapists on the panel provide specialised medical knowledge and are aware of the range of commercial aids available. If there is already a suitable device on the market they can normally arrange to supply it. Otherwise the problem is discussed at the meeting and then assigned to a particular engineer who will be responsible for the design and construction of an appropriate piece of equipment. A number of visits to the client and a certain amount of trial and error are usually required before a satisfactory solution is found. Panel members are all volunteers and materials are often unwanted or scrap material from home or industry and so there is no cost to the disabled person. Much equipment is manufactured at member's homes but for large or specialised jobs the help of local industry may be sought. The equipment constructed by REMAP panels covers a very wide range from simple mechanical gadgets to complex electronic systems. A selection of the more interesting cases is included in the REMAP yearbook which is available from the address given at the end of the article, price £3 including postage and packing.

Past achievements

The type of challenge presented to panels in the electronics field is illustrated by a job that appears in the current yearbook.

This is an epilepsy alarm which was designed for a nine year old girl who suffered fits when asleep. It could lead to injury or death if not attended to. The system consists of a battery operated sensing unit and radio transmitter that is placed in the bed and a remote receiver to sound an alarm. The receiver is a proprietary item intended for use as a radio door bell. It is normally situated in

One of the aims of Electronics in Action is to promote active development of new ideas by you, the reader. Features such as Ideas Forum and Technoshop are intended to present challenges to your ingenuity and stimulate new applications for electronics. However it may surprise



The Epilepsy Alarm

you to know that there is an organisation that has been doing just that since 1965! The name of the organisation is REMAP and it was founded by Pat Johnson an engineer at ICI Billingham. Its aim is to provide equipment for disabled people which will help them lead as normal and independent a life as possible. When REMAP was founded there was very little equipment manufactured commercially. Nowadays there is a much

carried out by about 100 local panels located throughout the country. Each panel consists of volunteer engineers of all disciplines, craftsmen and handymen together with representatives of the local Health Authority Occupational Therapy and Social Services departments. Each panel has its own chairman and secretary and meets regularly to discuss jobs in progress.

Most jobs are initiated by the Health

her parents bedroom but can be up to 200m away. A block diagram of the sensing unit is shown in Figure 1. The vibration detector is a trembler type similar to those used in car alarms but with greater sensitivity. The alarm had to be sensitive enough to detect the onset of a fit but be immune to normal bed movement. This was achieved by requiring 16 consecutive pulses in a 20 second period before the alarm sounded. It is now no longer necessary for the girl to share her room with someone else yet she can be confident that her parents will be alerted if she has a fit.

REMAP awards

There is also an annual REMAP award for aids and equipment designed by panels with four prizes being awarded, the first one of £250. The judges look for novelty and ingenuity in the solution of an actual case that has been completed by the panel.

I have been a member of my local REMAP panel for about 7 years and my special interest in electronics has resulted in me being asked to tackle a number of interesting problems.

The first request that deserves a mention was for a reward toy for a class of children with severe mental and visual handicap. Reward toys are a very common method of training the handicapped and consist of a device that produces whatever the user views as a reward, such as music, in response to the performance of some action. This may be as simple as pressing the correct one of a pair of buttons or, something more complicated like going to the toilet (see Part 2 next month).

The idea was to encourage children to explore their environment. The final design consisted of a standard electronic doorbell which was modified to house the control circuit shown in Figure 2. This was linked by means of DIN plugs and sockets and ribbon cable to up to 6 pushbutton units which were simply plastic boxes with a large pushbutton switch on top.

In operation the teacher presses the reset button on the control unit

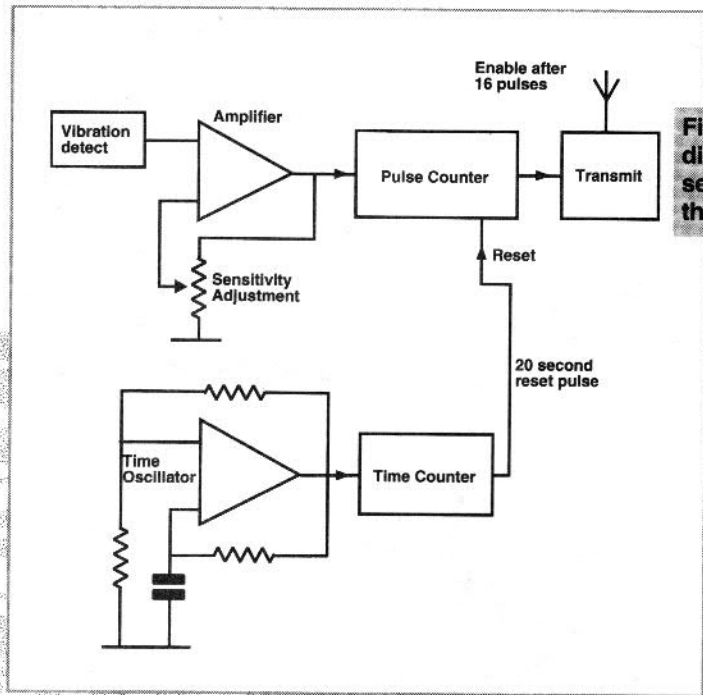


Fig.1 Block diagram of the sensing unit of the epilepsy alarm

and the pupil then presses the first pushbutton. This triggers the electronic bell circuit so that a single tune is produced. However the control circuit ensures that holding down the button or pressing it again will not produce any further sound. The pupil must find his way along the brightly coloured ribbon cable to the next pushbutton to produce a further tune. If he reaches the end of the chain the circuit automatically resets to the first pushbutton. More next month.

If you would like to know the location of the nearest REMAP panel then please contact:

Eur Ing J J Wright
REMAP GB
Hazeldene
Ightham
Sevenoaks
Kent
TN15 9AD
Tel: 0732 883818

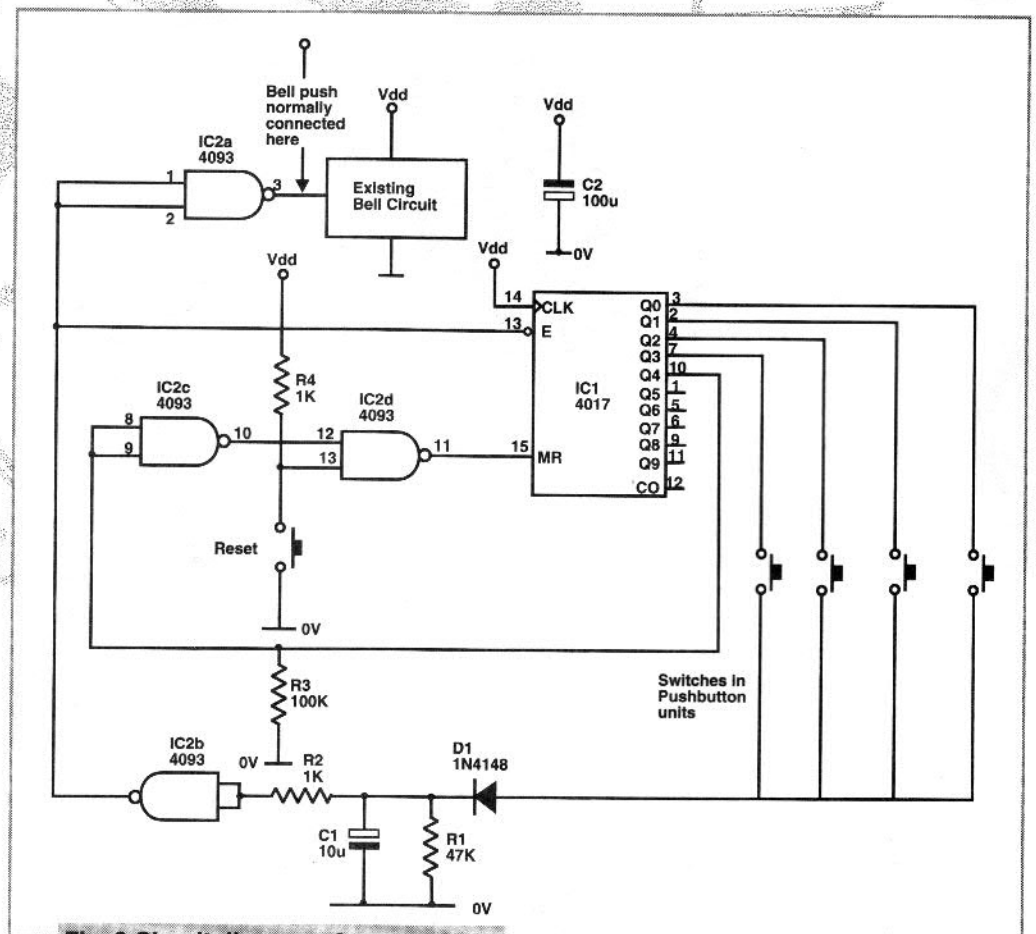
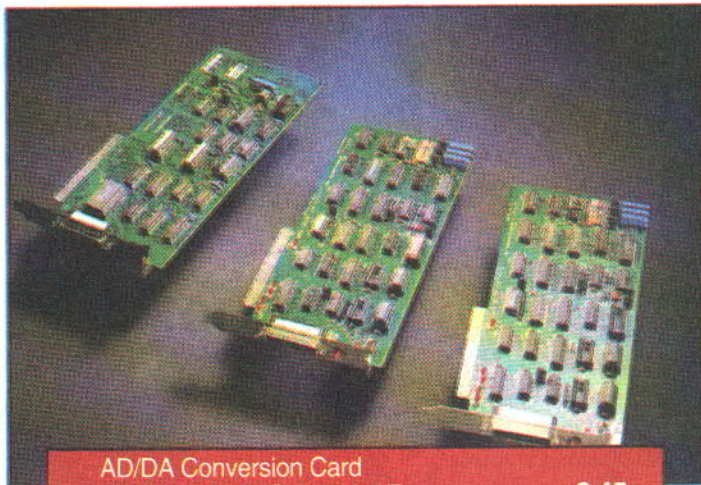
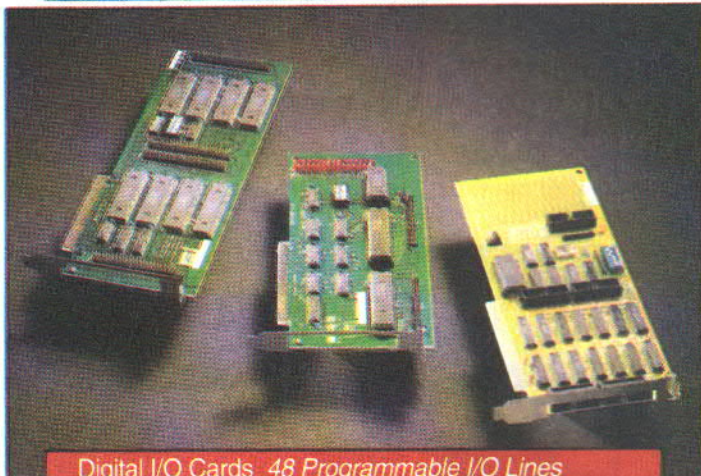


Fig. 2 Circuit diagram of a reward toy

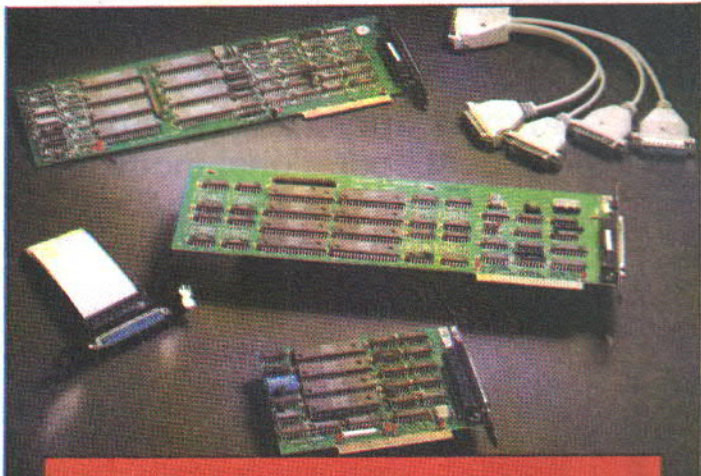
Roline Systems Ltd



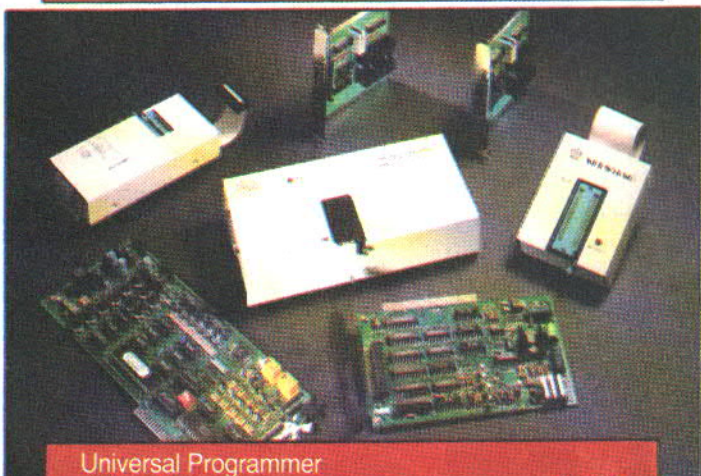
AD/DA Conversion Card
12 Bit Res, 16 Channels I/P From £ 45



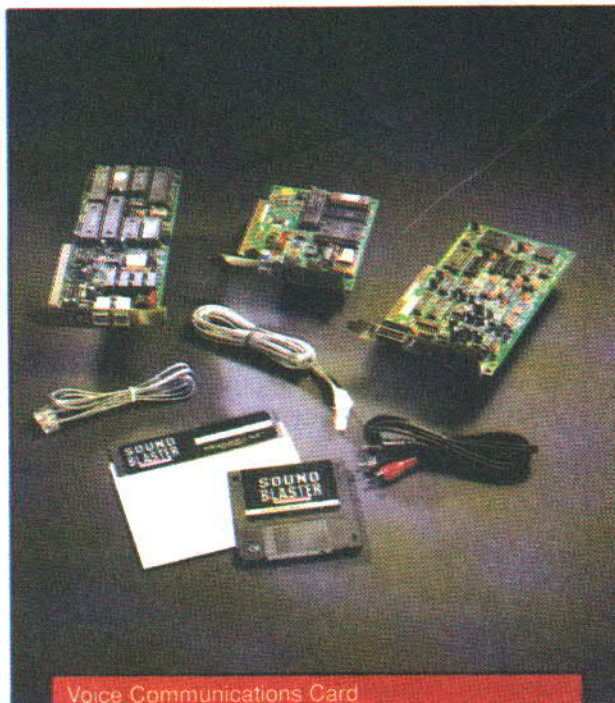
Digital I/O Cards: 48 Programmable I/O Lines
(3 Independent 16 Bit Counters) From £ 23



8 Port RS-232 Card with Software From £ 115



Universal Programmer (A11-3A) From £ 395



Voice Communications Card
Intelligent Telephone Card From £ 175

PC Based Industrial and Lab, Data Acquisition, Control and Measurement, Instrument Cards

- | | |
|-----------------------------|--------------------------|
| AD/DA Cards | Interface Converters |
| Plus Accessories & Software | Relay Output Cards |
| C.P.U. Boards | RS 232 Cards |
| Device Programmers | Single, 2, 4, 8, 16 Port |
| Digital I/O Cards | RS 422 Cards |
| I EEE 488 Cards | Single, 2, 4, 8, Port |
| Industrial Chassis | PC ROM Disk Cards |
| Industrial Control Cards | Slot Extender Cards |

Specialist PC & Multimedia Add-on Cards

PC - Telecommunication Cards

Fax Modem Cards

Voice Recognition Cards

Voice Digitiser Cards

Video/TV - PC - Video/TV Cards

Sound Cards

Components

- | | |
|--------------------|------------------------|
| Cases | Monitors |
| Floppy Disk Drives | Mother Boards |
| Hard Disk Drives | Cache Controller Cards |
| From 40MB to 2.1GB | Network Cards |
| Keyboards | Tape Back Up Units |



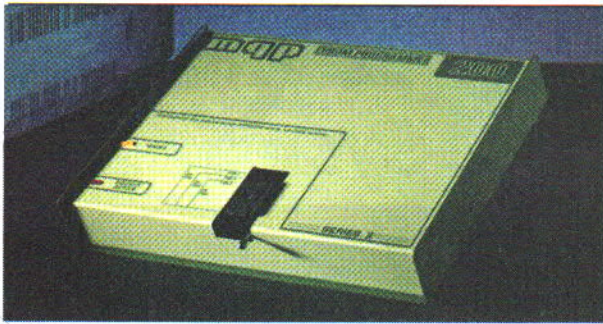
For further information, Product/Price List

Call Us On:

Tel: 0902 20267 Fax: 0902 28439

Roline Systems Ltd, Imex House,
Imex Business Park, Upper Villiers Street,
Wolverhampton, West Midlands. WV2 4NU

SYSTEM 200 DEVICE PROGRAMMER



SYSTEM: Programs 24,28,32 pin EPROMs, EEPROMs, FLASH Memories and EPROM Emulators as standard, quickly, reliably and at low cost. Expandable to cover virtually any programmable part including serial EEPROMs, PALs, GALs, EPLDs and microcontrollers, in many different packages.

DESIGN: Not a plug-in card but connecting to the PC serial or parallel port; it comes complete with powerful yet easy to use software, cable and manual.

SUPPORT: UK design, manufacture and support. Same day dispatch, 12 month warranty. 10 day money back guarantee.

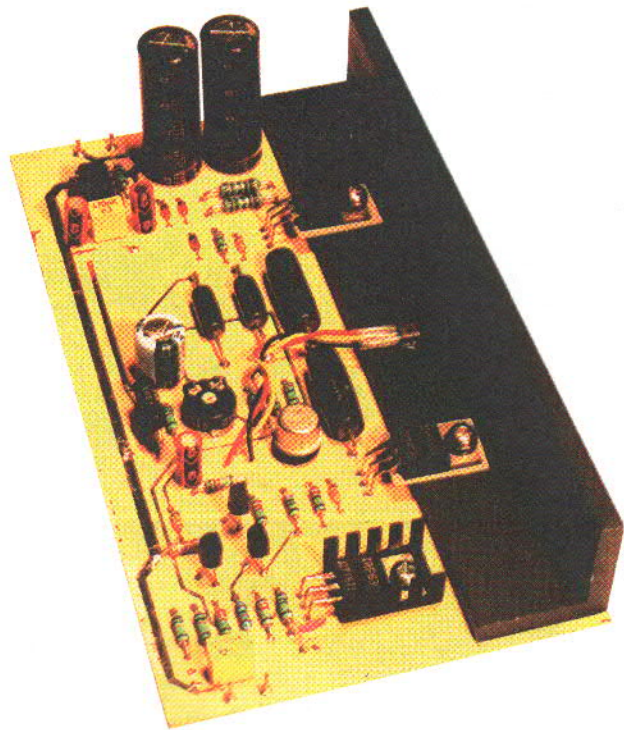


MQP ELECTRONICS Ltd
Park Road Centre
Malmesbury, Wiltshire SN16 0BX. UK
Tel: 0666 825146 Fax: 0666 825141



ASK FOR FREE INFORMATION PACK

GERMANY 089/4602071
NORWAY 0702-17890
SWEDEN 8 590 754 04
ITALY 02 92 10 35 54
FRANCE 1 69 30 13 79
Also from VEROSPEED UK



Class A Power

Andrew Armstrong provides the best operational mode for a power amplifier. Part 1 Circuit description .

Actually the title is a bit of a con, because this amplifier is not intended to work in class A all the time. It is a class A/B amplifier, but with the class A portion forming a much larger part of the operating range than usual. The efficiency of a pure class A amplifier at full output doesn't exceed about 30%, and is less at lower powers. To be able to provide 50W maximum, a class A amplifier would have to dissipate 150W (or more due to inefficiencies) constantly.

This amplifier is intended to work as a good compromise, with class A operation at the lower power levels at which crossover distortion is more of a problem.

As an added advantage, the output impedance of a class A amplifier is inherently lower than that of a class B amplifier. Negative feedback can lower the output impedance of any amplifier to

Baylin Publications

ALL ITEMS EX-STOCK.
Ku Band Satellite TV, Theory, Installation & Repair
4th Edition.
Footprints, dish theory, cables, site survey, polar mount adjustment.
£25.

European Scrambling Systems, Circuits, Tactics & Techniques. By John McCormac, digital sound, smart cards, pirate decoders, for hackers. **£32.**

World Satellite TV & Scrambling Methods. 2nd Edition, by Baylin, Madox & McCormac for the service engineer. **£29.**

Home Satellite TV Installation Videotape. Forty minutes VHS Pal. See how 3 metre dishes are installed. **£27.**

Satellite Installation Guide. 3rd Edition. By John Breeds. **£13.**

The Satellite Book. 2nd Edition. A complete guide to satellite TV. Theory and practice by John Breeds. **£31.**

World Satellite Almanac. 3rd Edition by Mark Long. 300 Footprints, Frequencies, Transponder Loading, Orbital Assignments. **£69.**

World Satellite Annual. Update by Mark Long. **£39.**

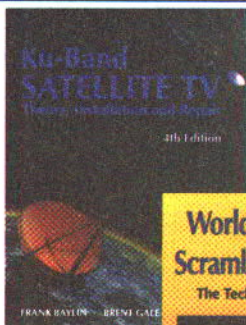
TVRO System Analysis and Aiming Software. 5.25 or 3.5 disk, (DOS 3.2). Calculates dish size and lists coordinates of all satellites in view. **£39.**

Satellite Toolbox Software, for IBM Comp. Hard Disk-5.25 or 3.5. **£59.**

Wireless, Cable & SMATV, Microwave broadcasting & cable TV. **£35.**

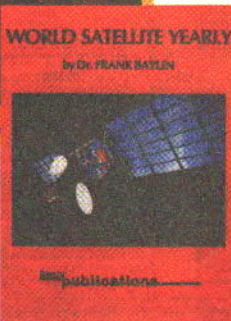
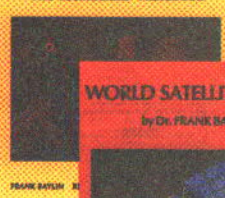
World Satellite Yearly by Dr. Baylin, Loading and 200 Footprints. **£38.**

PRICES INCLUDE P. & P. UK. Airmail Europe add 10%. Outside Europe +20%.



24 River Gardens,
Purley, Reading.
RG8 8BX. England.
Tel/Fax 0734-414468
Mobile 0836-582785
Pay by: UK£ cheque,
Access, Mastercard,
Visa,
C.O.D.

**World Satellite TV
and
Scrambling Methods**
The Technicians' Handbook



impressively low levels, but the impedance rises with frequency because of the delays in the loop. Add some non-linearities corrected by the negative feedback, and I can imagine that the process of the amplifiers output damping any tendency of the loudspeaker or crossover unit to ring could add a trace of transient distortion. Perhaps this is part of the explanation for the very "clean" sound of a class A amplifier at moderate sound levels.

I have no objective distortion measurements on this amplifier, but it showed no detectable waveform distortion on sinewave tests with an oscilloscope.

On squarewave tests, a waveform with approximately 4µs risetime fed in showed a 4µs risetime on the output. This test was carried out with the input filtering capacitor, C4, removed.

coupled into a long tailed pair, and its frequency response is limited at 72KHz at -3dB, well above audio frequency. This can be reduced by the effects of signal source impedance, but is not likely to be reduced close to the audio range.

The long tailed pair has a constant current source as the tail, so that the current does not depend at all on power supply voltage, and hence cannot be affected by noise and hum. The dissipation of the constant current source is limited by R6, which also prevents any interaction between the constant current source and the long tailed pair transistor impedances.

The value of R7 is chosen so that, for a typical turn-on voltage for TR5, approximately half the tail current must flow in TR2. Purists may choose to measure the voltage across R7 in use

to control the loop gain at one point with one time constant. Left to itself, the circuit will limit its response by device parameters, and in cases where the frequency limiting effect of two stages is similar, the phase shift can reach 180 degrees before the loop gain falls below 1, and oscillation will result. The trick is to find out which stage imposes the severest frequency limitation and add sufficient extra to guarantee stability. The gain of the driver stage is limited by R14. This makes the performance of different samples of the amplifier more uniform, and, by linearising the stage, reduces a potential source of local distortion which the negative feedback would have to control. In effect R14 provides some negative feedback, but it is local to the stage, so that the problems of delay in the loop which can make too much negative feedback a bad idea do not apply.

TR4 sets the output bias voltage, and hence the quiescent current. To stabilise the quiescent current as the output stage warms up, an E line transistor is used, and is glued to the heatsink. Ideally, thermal epoxy should be used. I didn't have any when I built the prototype so I used a two part cyanoacrylate adhesive, which sets quickly and hard if the accelerator is used. The thermal conductivity seemed adequate under test, and the quiescent current was reasonable stable.

The current for the driver stage flows through R10, D1 and R11. Bootstrapping is provided by C5, so that the current in R11 remains substantially constant throughout the entire signal range, though, of course, C5 is charged via R10 and D1 only when the instantaneous signal voltage is below the positive supply rail by an amount at least equal to the voltage across C5.

The output stage itself is of quasi-complementary design. TR7 is an N-channel FET working as a source-follower, with its gate protected from over-voltage by R15 and ZD2. TR6 and TR8 together form the complementary transistor. R19 and R20 add a little extra quiescent current stabilisation, while R21 and C6 ensure that the output sees a resistive load at high frequencies. Negative feedback is provided by R8, R25, and R9. R25 was an addition at the layout stage. It seemed a bad move to run a track carrying the full output signal past the input stages, but equally it is not ideal to run a long track connected directly to the negative feedback point.

MOSFET Amplifier

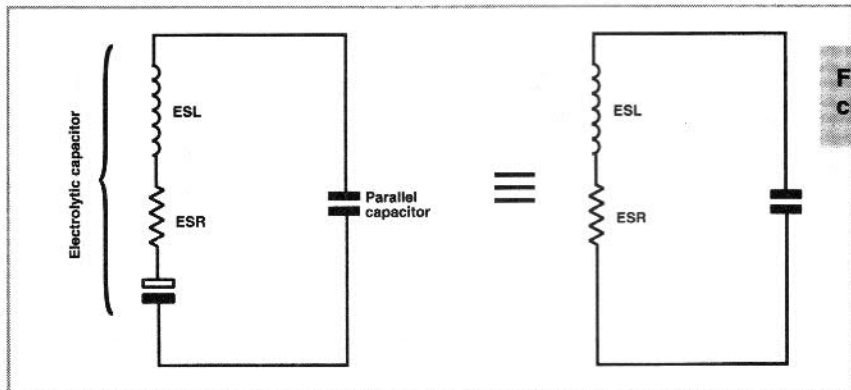


Fig.1 Equivalent circuit elements

The Signal Path

The philosophy of this design was to have a clean and simple signal path with as fast a response as possible, then to limit its frequency response in as few places as possible. The minimum turned out to be one place inside the loop to prevent instability, and at the input to limit the signal bandwidth to less than the amplifier bandwidth, so that it is never asked to do anything beyond its capabilities.

There is an op-amp, but it is not in the signal path.

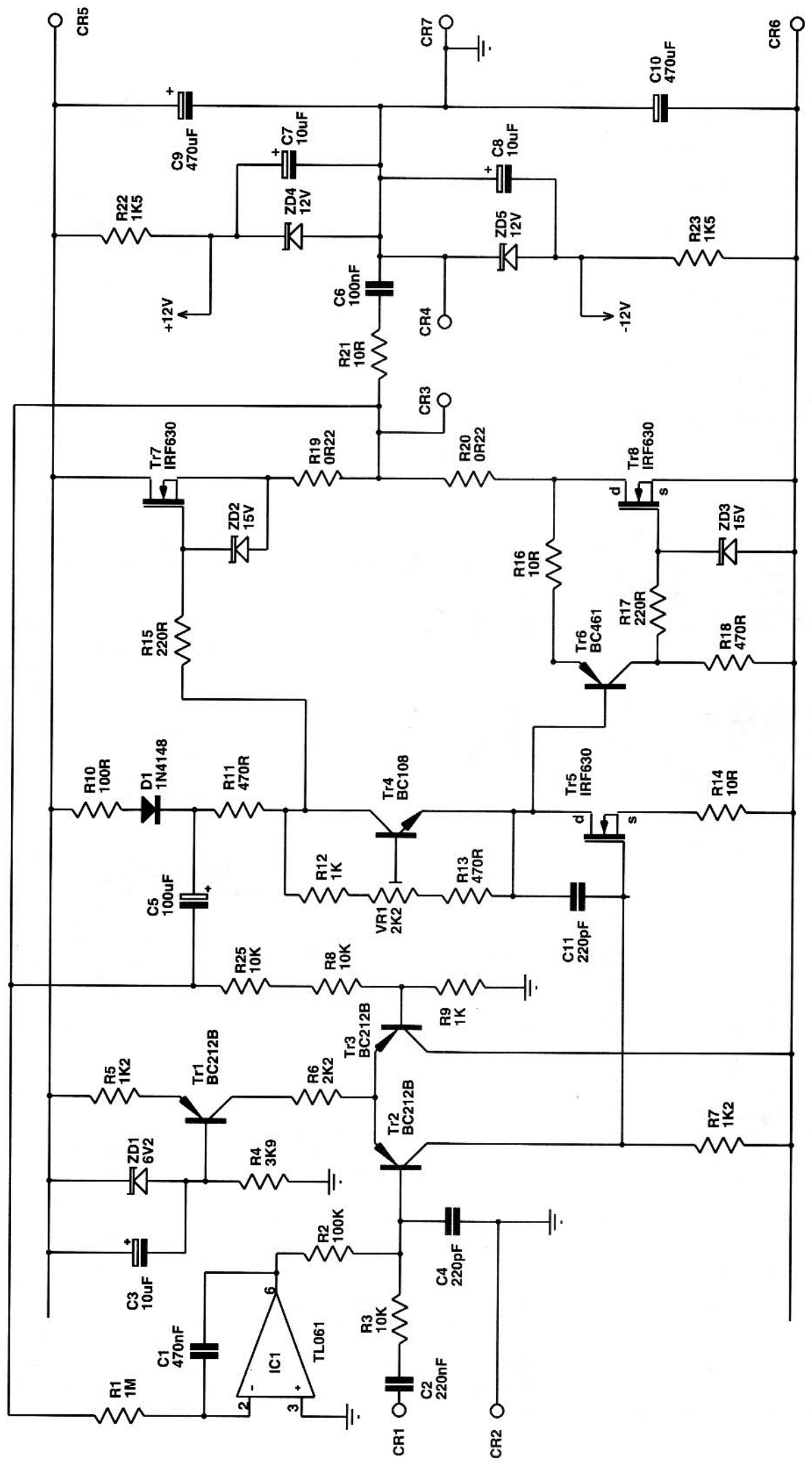
Starting at the input, the signal is AC

and then recalculate it if necessary to balance the long tailed pair. Personally I don't think that this level of care will normally yield a detectable improvement.

The output stage is driven by TR5. It is in the driver stage that the frequency response is limited inside the feedback loop. C11 rolls off the response to approximately 600KHz itself, but it is in parallel with the drain to gate capacitance of TR5, so that the actual response is limited to approximately 300KHz

The function of this frequency rolloff is

Fig.2 Complete circuit of power amplifier



A resistor at each end of the track seemed the best answer.

DC Offset

This amplifier uses an op-amp, but not in the signal path. Op-amps can be very useful, but it can cause problems to include them within the feedback loop of a multi-stage amplifier. The extra delay imposed can permit individual stages to be overloaded while the negative feedback settles, and the extra gain inside the loop can make it difficult to stabilise the amplifier without unduly vicious frequency tailoring. Here, however, the op-amp performs the useful function of stabilising the DC output level of the amplifier, while not taking any direct part in the signal processing. The op-amp, IC1, integrates the output voltage of the amplifier and adjusts the bias of TR2 to bring the average DC level as close to zero as the inherent offset of the op-amp in use. A fet input op-amp is used because it has a very low bias current, and can therefore successfully be used with a high source resistance. This permits an adequate time constant to be obtained, while using a non-polarised capacitor as integration capacitor.

The op-amp is powered from decoupled, zener regulated supplies because it cannot operate on such high power supply voltages as the rest of the amplifier.

Assembly

It is best to build the amplifier on the PCB designed for it. The layout does affect the performance, and this layout is designed to keep heavy circulating currents clear of the sensitive input stages. In particular, the local decoupling capacitors chosen for this project have a particularly low ESR and ESL (equivalent series resistance and equivalent series inductance).

It is the fashion in some hi-fi circles to add non-polarised capacitors in parallel with electrolytics to lower their impedance at high frequency. I do not think this is a good idea unless the characteristics of the electrolytic are well known and consistent. Because electrolytic capacitors have inductance, it is possible for a resonance to occur. To understand this, see Figure 1 I have managed to measure this resonance in practice. On a switched mode power supply under test, the addition of a 220nF transformed a

150mV spike into a 50mV ring lasting the whole ON time of the switching transistor. Though the spike had a higher amplitude, the ring contained more energy.

The two output MOSFETs need to be insulated from the heatsink bracket by silicone rubber pads, or by mica washers and heatsink grease. The heatsink bracket itself should be coated with heatsink compound before it is bolted to the heatsink.

Do not be fooled by the 6W resistors used on the prototype for R19 and R20. The prototype layout was carried out quickly, and has been revised for the pcb service.

Power Supply

No power supply has been shown here. The prototype has so far only been used on a regulated supply, though it is designed to work on unregulated one. You may carry out your own experiments, or wait until next month when I will provide a suitable power supply design.

I am sure that a +/- 25V regulated supply will work well, because I have tested the amplifier using such a supply.

More on construction next month.

SPECIAL OFFER

Those Engineers Ltd

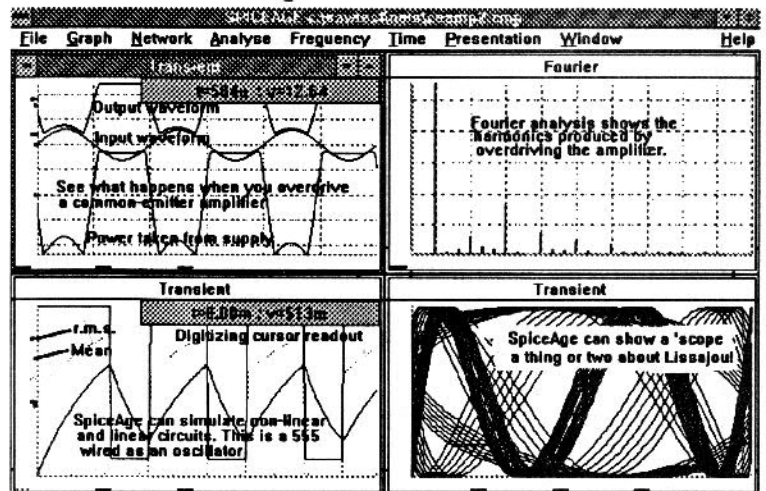


SpiceAge for Windows for £95 incl VAT for a limited period.

We are offering a special version of SpiceAge for Windows to students and serious hobbyists. The version will analyse medium sizes of circuits and may be upgraded to the professional version for the price difference.

SpiceAge is the program used by professional circuit designers that lets you "breadboard" even before you plug in your soldering iron. It gives you quiescent DC voltages, frequency response curves and 'scope-like traces of your circuit ideas. Imagine how easy it is

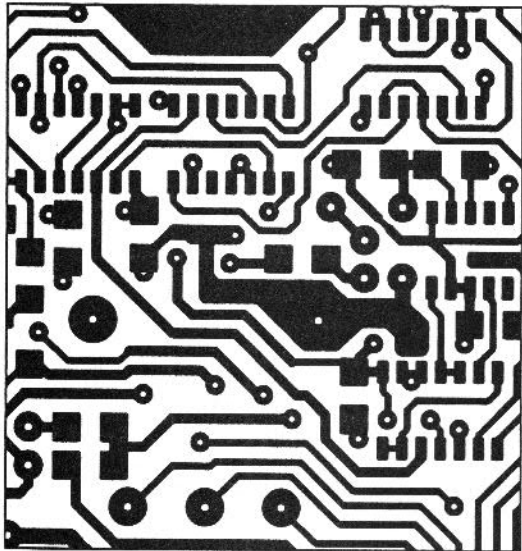
to test new components and values without the risk of smoke! SpiceAge has a friendly editor that lets you tell it what components to put in your circuit and how to connect them. SpiceAge has a "lab" full of "test equipment" to let you inject signals and "probe" for voltages, currents, dissipations, dB gains, phase angle, group delay and power consumption.



Requires Windows 3.0 or higher. S.A.E. please for information pack or £5 for demonstration kit. ACCESS/VISA or cheque with order. Please state disk size. Those Engineers Ltd, Dept Ek03, 31 Birkbeck Road, London NW7 4BP. Tel 081-906 0155, Fax 081-906 0969.

EASY-PC, SCHEMATIC and PCB CAD

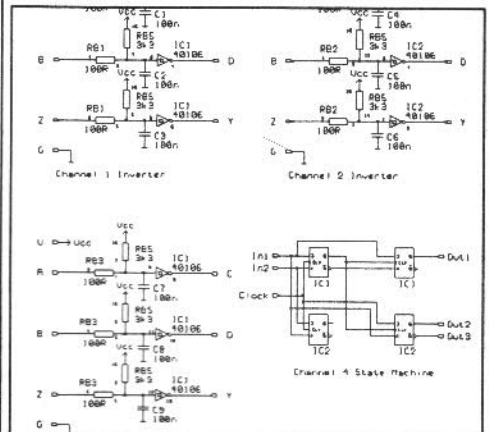
Over 17,000 Installations
in 70 Countries World-wide!



- Runs on:- PC/XT/AT/ 286/ 386/ 486 with Hercules, CGA, EGA or VGA display and many DOS emulations.
- Design:- Single sided, Double sided and Multi-layer (8) boards.
- Provides full Surface Mount support.
- Standard output includes Dot Matrix / Laser / Ink-jet Printer, Pen Plotter, Photo-plotter and N.C. Drill.
- Tech Support - free.
- Superbly easy to use.

**Still
Only
£98.00!**
Plus P&P+VAT

**BRITISH
DESIGN
AWARD
1989**

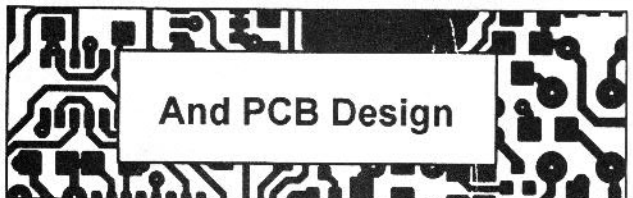
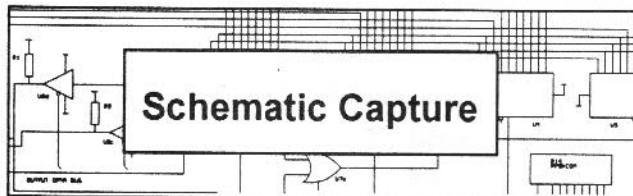


Options:-500 piece Surface Mount Symbol Library £48,
1000 piece Symbol Library £38, Gerber Import facility £98.

Electronic Designs Right First Time?

Ask for our fully functional Integrated Demo

Integrated Electronics CAD



For Less than £400/\$775!

Affordable Electronics CAD

EASY-PC: Low cost, entry level PCB and Schematic CAD.	\$195.00	£98.00
EASY-PC Professional: Schematic Capture and PCB CAD. Links directly to ANALYSER III and PULSAR.	\$375.00	£195.00
PULSAR: Low cost Digital Circuit Simulator ~ 1500 gate capacity.	\$195.00	£98.00
PULSAR Professional: Digital Circuit Simulator ~ 50,000 gate capacity.	\$375.00	£195.00
ANALYSER III: Low cost Linear Analogue Circuit Simulator ~ 130 node capability	\$195.00	£98.00
ANALYSER III Professional: Linear Analogue Circuit Simulator ~ 750 node capability.	\$375.00	£195.00
Z-MATCH for Windows: NEW Windows Smith-Chart program for RF Engineers .	\$475.00	£245.00
<i>We operate a no penalty upgrade policy. You can upgrade at any time to the professional version of a program just for the difference in price.</i>	<i>US\$ prices include Post and Packing.</i>	<i>Sterling £ prices exclude P&P and VAT</i>

For full information, Write, Phone or Fax:-

Number One Systems Ltd.

REF: EIA, HARDING WAY, ST.IVES, HUNTINGDON, CAMBS, ENGLAND, PE17 4WR.

Telephone: 0480 461778 (7 lines) Fax: 0480 494042

International: +44 -480-461778, Fax:+44-480-494042



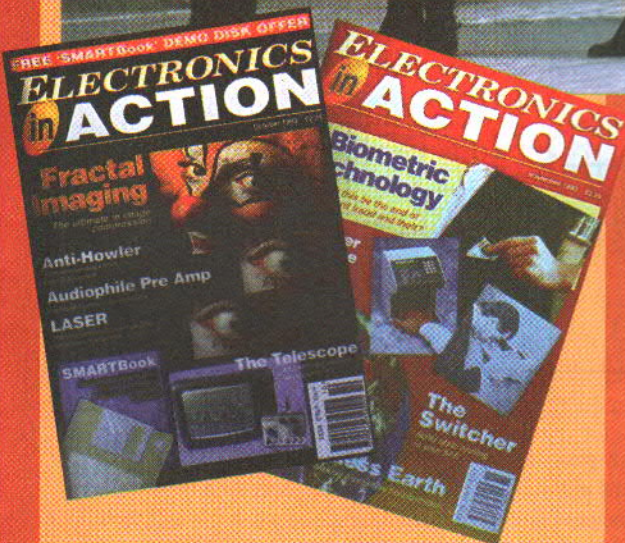
- TECHNICAL SUPPORT FREE FOR LIFE!
- PROGRAMS NOT COPY PROTECTED.
- SPECIAL PRICES FOR EDUCATION.

ACCESS, AMEX, MASTERCARD, VISA Welcome.

Don't wait in line!

I hope this won't take long. I've got to get to the newsagent for a copy of Electronics in Action before the run out!

Oh I got mine a week ago! Took out a subscription you see. I've already built this months class A amplifier



Take out a 12 month subscription to Electronics in Action now and you will receive a 25% discount* off our normal rate. Just imagine a full year of electronics and technology delivered to you before the newsagents. Don't wait your turn, get in front.

*Offer Available on UK subscriptions only

To make sure that you are ahead of the rank and file all you need do is fill in the coupon and send it with a cheque or postal order for the appropriate amount.

UK (special offer price) — £20.25
Overseas (surface mail) — £42

Then we will send you 12 issues full of news, views, features and projects from the world of electronics and technology.

SUBSCRIPTIONS

Please start my 12 month subscription to Electronics in Action from the issue

Please print your name and address in **BLOCK CAPITALS**

Name

Address

Postcode

I enclose a cheque/postal order (payable to Electronics in Action) for £.....

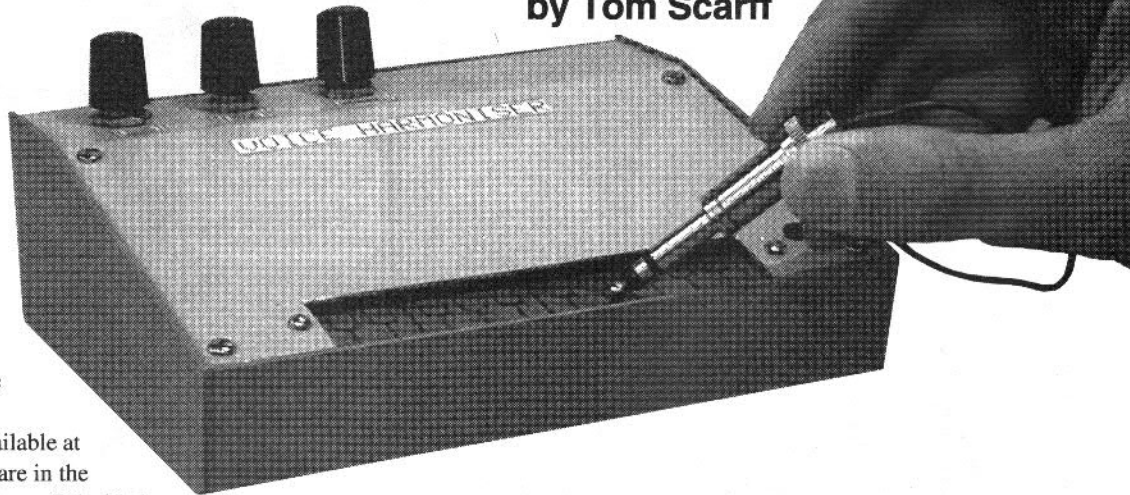
Please send this form to: **Electronics in Action, PO Box 600, Berkhamsted, Herts. HP4 1NL**

No queues, No postage, No hassle

FINAL MONTH AT SPECIAL OFFER PRICE

Voice Harmoniser

by Tom Scarff



Ever wanted to be in perfect harmony with yourself? Well from a singing point of view this unit allows you to achieve that goal. There are a couple of vocal harmony processors available at present but their prices are in the hundreds of pounds range so I decided to design and build my own unit.

Digital Section

The circuit is based around the MSM6322 real time audio pitch controller. The IC contains a fourth order low pass filter and an eight bit analogue to digital converter for input signals and a nine bit digital to analogue converter and third order low pass filter for the output signal. It also contains a built in microphone and line preamplifier. The block diagram and associated pinouts of IC3 are shown in Figures 1 and 2 and Table 1.

The circuit is set to operate in binary mode by connecting the mode select (MS) pin to the supply voltage. This enables the IC to be controlled by the binary code that is fed to input pins 5,2,1 and 3, according to the pitch conversion table shown in Table 2. From the table it can be seen that both the

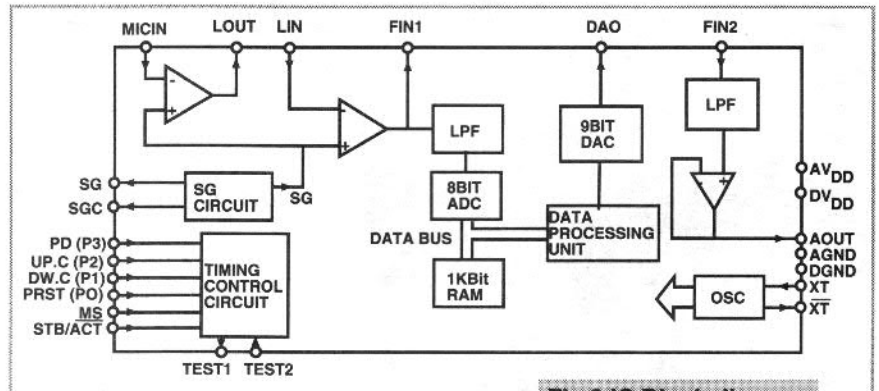


Fig.2 IC Block diagram

sampling frequency and the low pass filters are variable relative to the pitch changes, which reduces the chances of aliasing occurring.

Compression involves reducing the dynamic range of the input signal being processed so that with a 2:1 compression ratio if the input increases by 12dB then the output increases by only 6dB.

Conversely expansion increases the dynamic range, so when the input to the expander increases by 6dB the output will increase by 12dB, which is a 1:2 expansion ratio or, alternatively, if the input falls by 6dB the output drops 12dB. At the same time the noise introduced in the system will be reduced

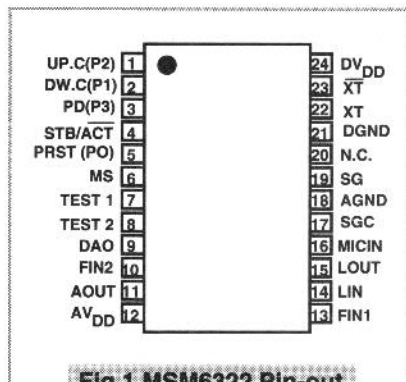


Fig.1 MSM6322 Pin-out

The Works

Analogue Section

The microphone input is fed to two pre-amplifiers, one contained in IC3 whose mid-band gain is set by $R2/R1$, and a direct feed based around IC5A whose mid-band gain is set by $(1+R3/R4)$, and used in the non-inverting mode to allow in-phase mixing of the direct and effect voices. A summing amplifier IC5B combines three inputs: direct voice, effect voice and external source and

feeds them to the line output.

In order to improve the signal-to-noise ratio the audio signal is routed through a compander consisting of compression via IC4B and expansion via IC4A. The mic amplifier output from IC3 is fed to the compressor IC4B and then to a line amplifier in IC3 whose mid-band gain is set by $R14/R13$. The analogue output, Aout, from IC3 is fed via expander IC4A to the summing amplifier IC5B.

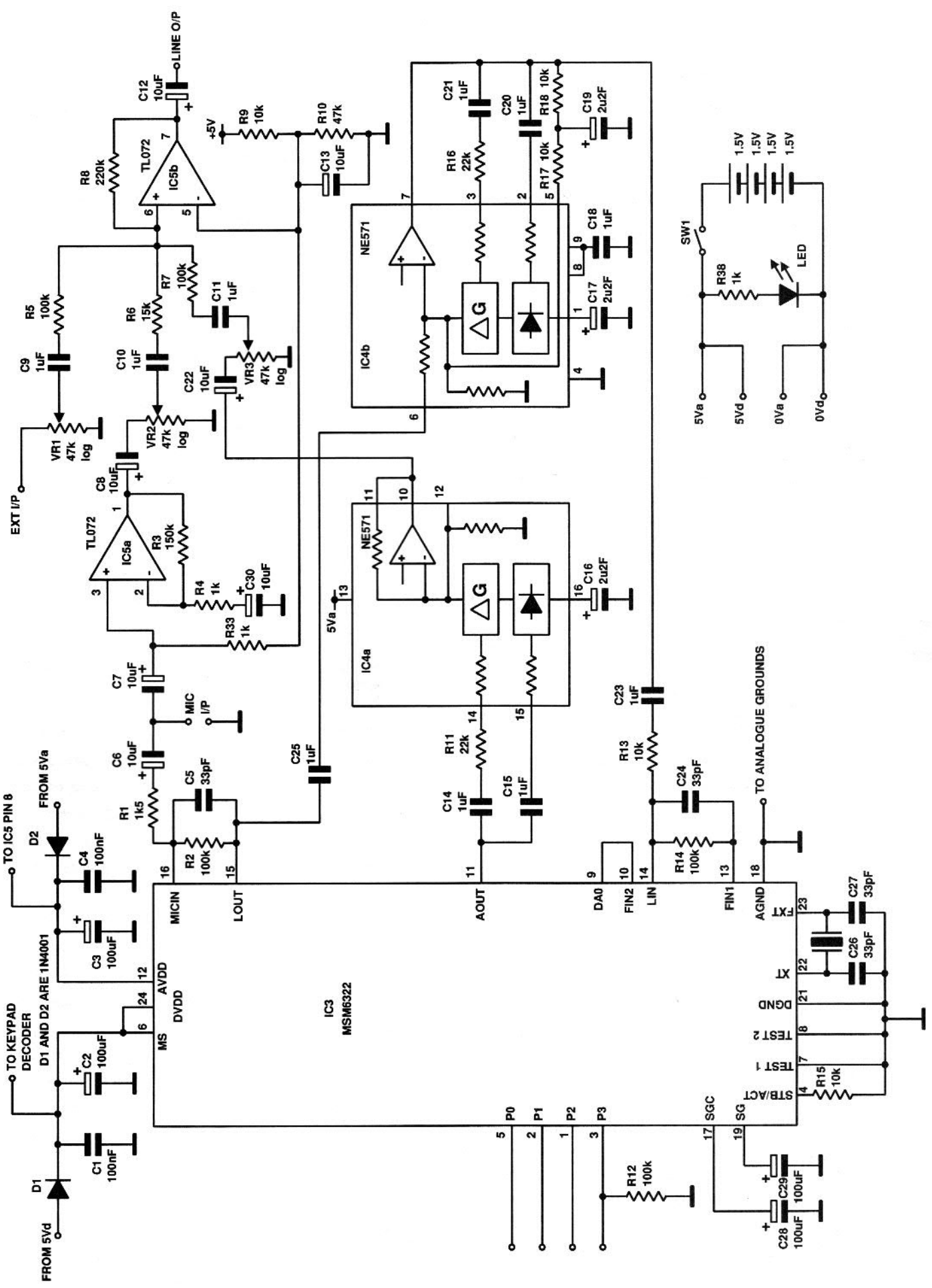


Fig.3 Voice Harmoniser circuit

*...the keypad encoder
and voice
harmoniser are built
on separate PCBs.
More than one pitch
controller could then
be used...*

on expansion since it was not subject to the initial compression treatment and is therefore expanded downwards below the lowest dynamics of the audio signal. This process is illustrated in Figure 5.

Operation

The PCB keyboard switches are designed in the shape of a musical keyboard for an octave above and below middle C, which when selected gives no pitch change. The selection is achieved by connecting +5V via the limiting resistor R37 to the required PCB keyboard input. This allows the relative harmony to be selected no matter what key a person sings in, so that if a fourth above is required then F above middle C (ie five semitones up) is selected and the output produced is a relative fourth above the input.

So when a song is being sung the harmony at the output can be changed by the keyboard selection at any part in the song. However since there are only 16 possible pitch changes every semitone of the keyboard is not operational. The pitch changes that are available are shown in Table 2.

The relative levels of the direct and harmonised voices can be controlled via the built in mixer controls VR2 and VR3. Also the external input, controlled via VR1, can be fed from a previously recorded mix of voices thus allowing the building of exciting multi-part harmonies.

Table 1 Pin Functions

Pin Name	Pin Number	DI/AI/AO	Function
MICIN	16	AI	Input to mic preamp. Must be capacitively coupled
LOUT	15	AO	Output of mic preamp
LIN	14	AI	Input to line amp. Must be capacitively coupled to either LOUT or the line out signal from audio sources
FIN1	13	AO	Sets the input audio signal amplitude in combination with the LIN pin
STB/ $\overline{\text{ACT}}$	4	DI	Chip select pin. The processing is interrupted by stopping clocks other than the oscillator when the chip select pin is at the H level
TEST1	7	DI	Manufacturers test pins
TEST2	8		Must be connected to 0V
XT, $\overline{\text{XT}}$	22,23		External capacitors are connected here to stabilise the internal analogue voltage references of $\frac{1}{2}AV_{DD}$
DAO	9	AO	Output from the digital to analogue converter
FIN2	10	AI	Input pin for internal low pass filter (for output)
AOUT	11	AO	Output of low pass filter (for output)
D _{GND}	21		Digital power supply pins
DV _{DD}	24		
A _{GND}	18		Analogue power supply pins
AV _{DD}	12		

Note: DI Digital Input AI Analogue input AO Analogue output

Table 2 Pitch Conversion table

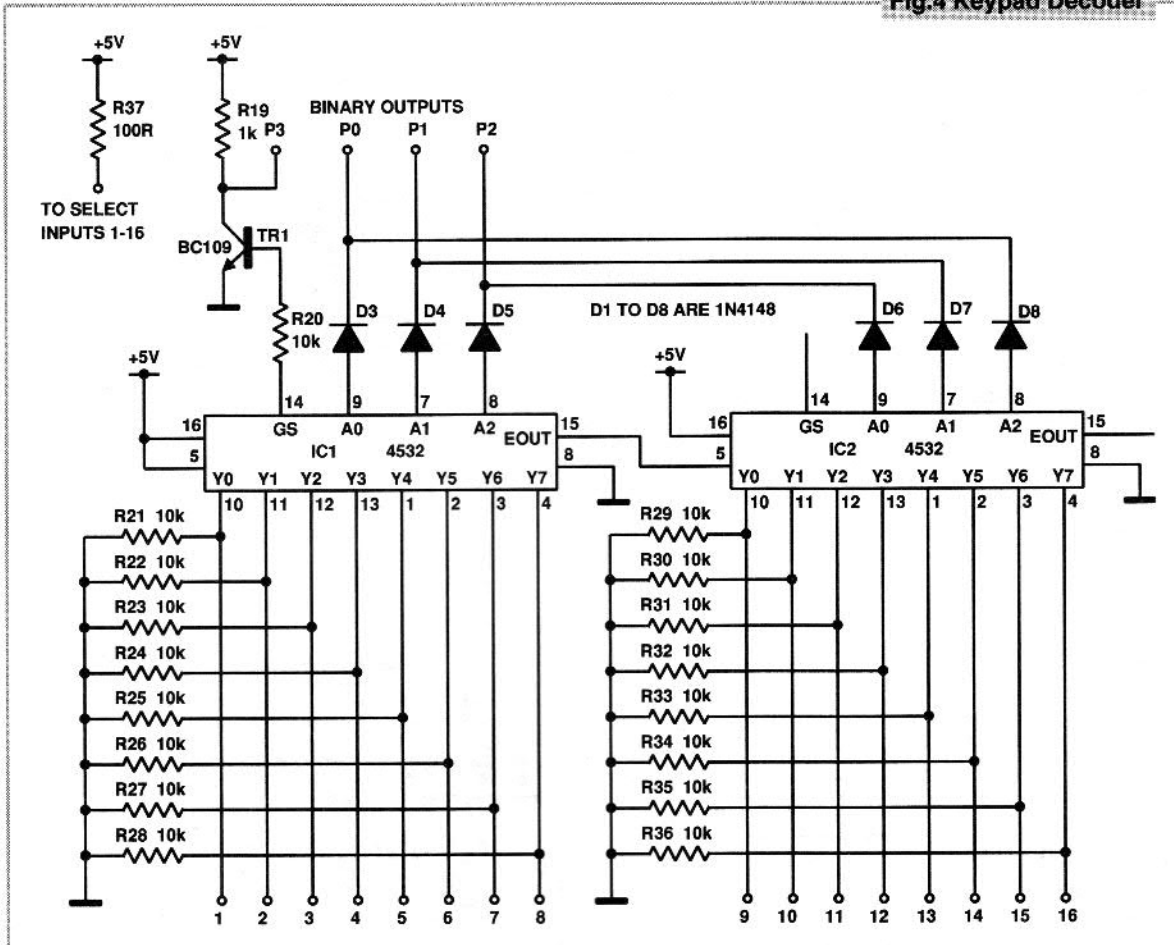
BIN Mode settings				Scale Stage	DA sampling cycle(μ s) frequency (KHz)	LPF cut-off frequency (KHz)	Pitch Change
P3	P2	P1	P0				
Not available				16	60/16.6	7.6	1 octave up
1	1	1	1	15	71/14.0	7.6	9 semitones up
1	1	1	0	14	76/13.1	5.7	8 semitones up
1	1	0	1	13	80/12.5	5.7	7 semitones up
1	1	0	0	12	90/11.1	5.7	5 semitones up
1	0	1	1	11	95/10.5	5.7	4 semitones up
1	0	1	0	10	101/9.9	4.56	3 semitones up
1	0	0	1	9	113/8.84	4.56	1 semitone up
1	0	0	0	8	120/8.33	3.8	No pitch change
0	1	1	1	7	127/7.87	3.8	1 semitone down
0	1	1	0	6	143/6.99	3.26	3 semitones down
0	1	0	1	5	151/6.62	3.26	4 semitones down
0	1	0	0	4	160/6.25	3.26	5 semitones down
0	0	1	1	3	180/5.55	2.85	7 semitones down
0	0	1	0	2	190/5.26	2.53	8 semitones down
0	0	0	1	1	202/4.95	2.53	9 semitones down
0	0	0	0	0	227/4.4	2.07	1 octave down

Power Supply

The circuit is designed for battery operation using 4 off 1.5V type AA batteries, and the current consumption is 20mA. The analogue and digital power supplies need to be kept isolated to reduce the chance of digital noise introducing itself

into the analogue signal path. The 6V battery feeds the digital supply inputs of IC1, IC2, IC3 via D1 and via D2 to the audio DC supply input of IC3,4 and IC5. The earth PCB tracks for the digital and audio circuits are kept separate and joined only at the battery terminals.

Fig.4 Keypad Decoder



The Works

The binary code is derived from the keyboard via the two linked 8 to 3 priority encoders IC1 and IC2. These encoders convert 16 inputs into the required 4-bit binary number to operate the pitch controller IC3. Since no pitch change occurs with the binary input equal to 1000 this is achieved by taking the gate-select (GS) pin of IC1, which is normally low with no input selected, to the

transistor Tr1 which acts as an inverter, thus providing the required high output on the most significant binary (MSB) bit.

However when any of the 8 inputs of IC1 are selected then the GS pin goes high and the transistor output goes low, with the corresponding 3-bit binary number being fed out via the diodes D3, D4 and D5 to the pitch harmoniser IC3 binary inputs. So since the MSB is set to zero

these 8 selections from 0000 to 0111 produce corresponding downward pitch changes.

Similarly the 8 inputs when selected on IC2 produce a binary output via diodes D6, D7 and D8. However in this case the GS pin of IC1 remains low, so the transistor inverter output is high, giving a binary output ranging from 1000 to 1111 corresponding to upward pitch changes.

Construction

The components should be mounted in the following order: links, resistors, diodes, DIL sockets, capacitors and last, electrolytic capacitors. The 4MHz crystal should be mounted flat on the PCB with its legs connected at 90 degrees into the PCB. The microphone input should be connected to the jack-socket via screened cable to reduce the chances of noise and hum pickup.

The MSM6322 IC3 is a surface mounted device and is soldered to the underside of the PCB. When mounting this component the smallest possible size soldering bit should be used (<1mm), with 22SWG solder. Place the IC squarely on all 24 pins and solder the opposite diagonal pins first, then solder the remaining pins allowing several

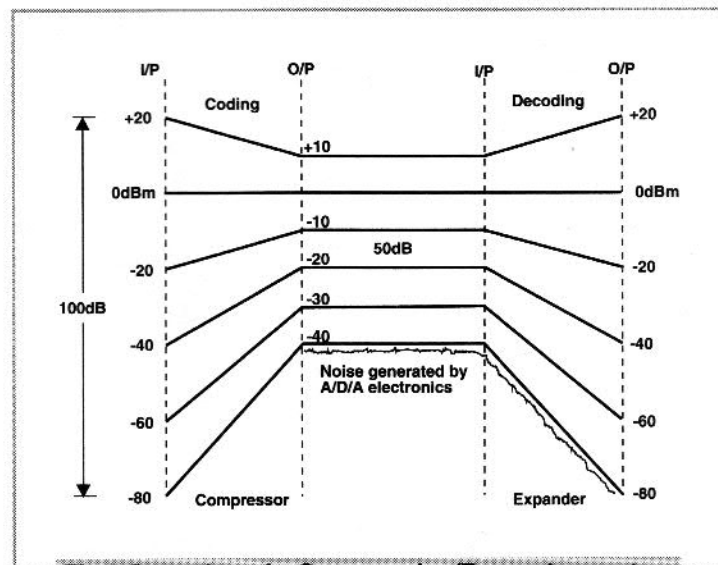
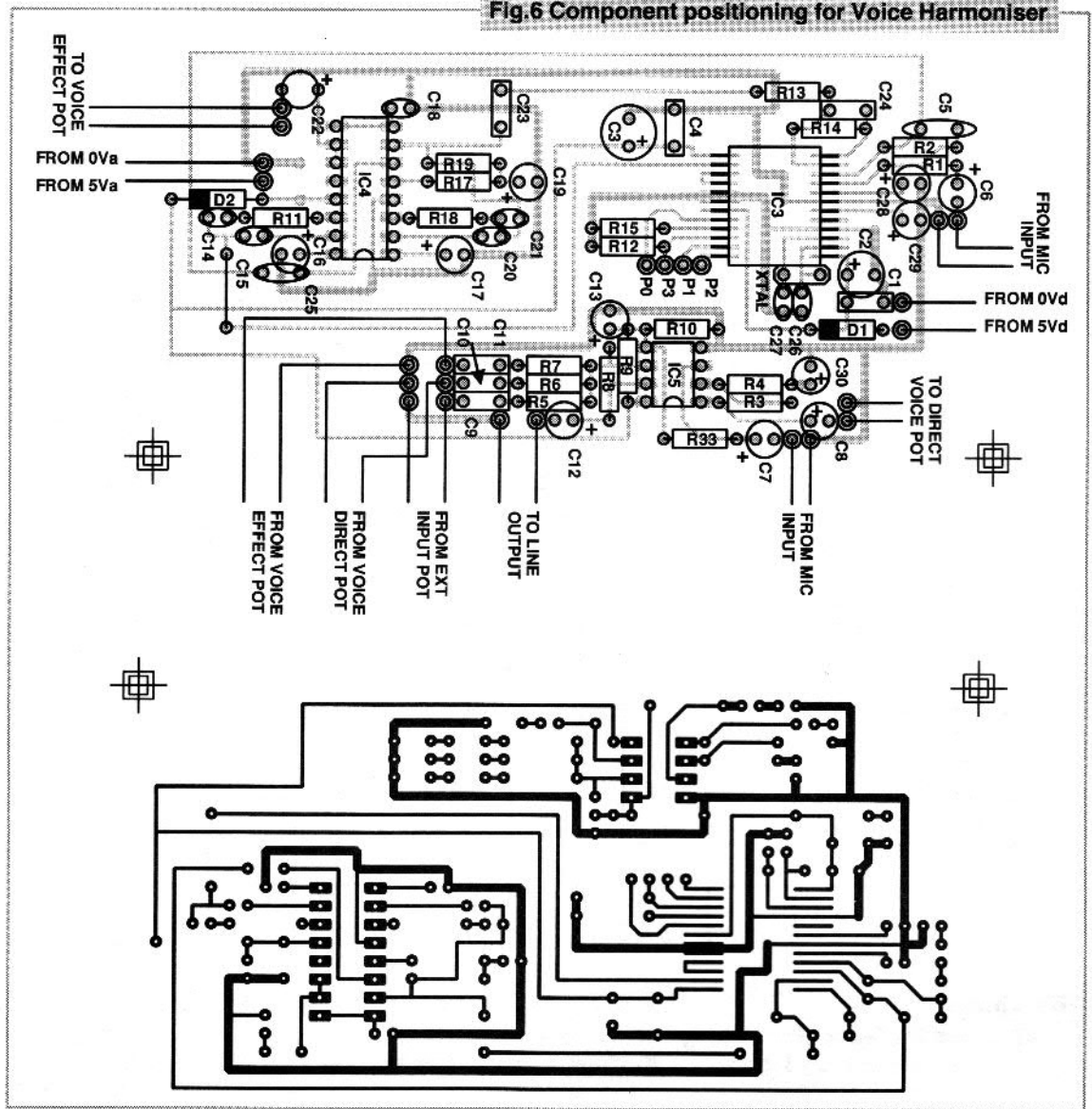


Fig.5 Operation of a Compression/Expansion system


Fig 6 Component positioning for Voice Harmoniser



seconds between each solder joint to allow the IC to cool down. The other ICs are mounted in DIL sockets to allow ease of changing for test or fault-finding purposes. Also the correct orientation of IC3 is achieved by noting pin 1 being marked on the PCB.

The Keyswitch Encoder PCB is mounted so that the PCB musical keyboard can be accessed and played via an electronic control stick consisting of a conductor mounted in an insulated container. I used the centre conductor on a 1/4 inch jack-plug.

Further Development

To allow further development the keypad encoder and voice harmoniser are built on separate PCBs. More than one pitch controller could then be used to produce up to four or five-part harmonies controlled via the output port of a microprocessor. These harmonies could be stored in preset programmes or controlled in real-time by an external synthesiser keyboard through MIDI. 

Parts

Resistors

(All 1/4W Metal Film)

R1	1K5
R2,5,7	100K
R12,14	100K
R6	15K
R3	150K
R8	220K
R9,10	47K
R11,16	22K
R13,15,17	10K
R18,19	10K
R21-28	22K SIL
R29-36	22K SIL
R4,20	1K
R38,39	1K
R37	100
VR1,2,3	47K Log

Semiconductors

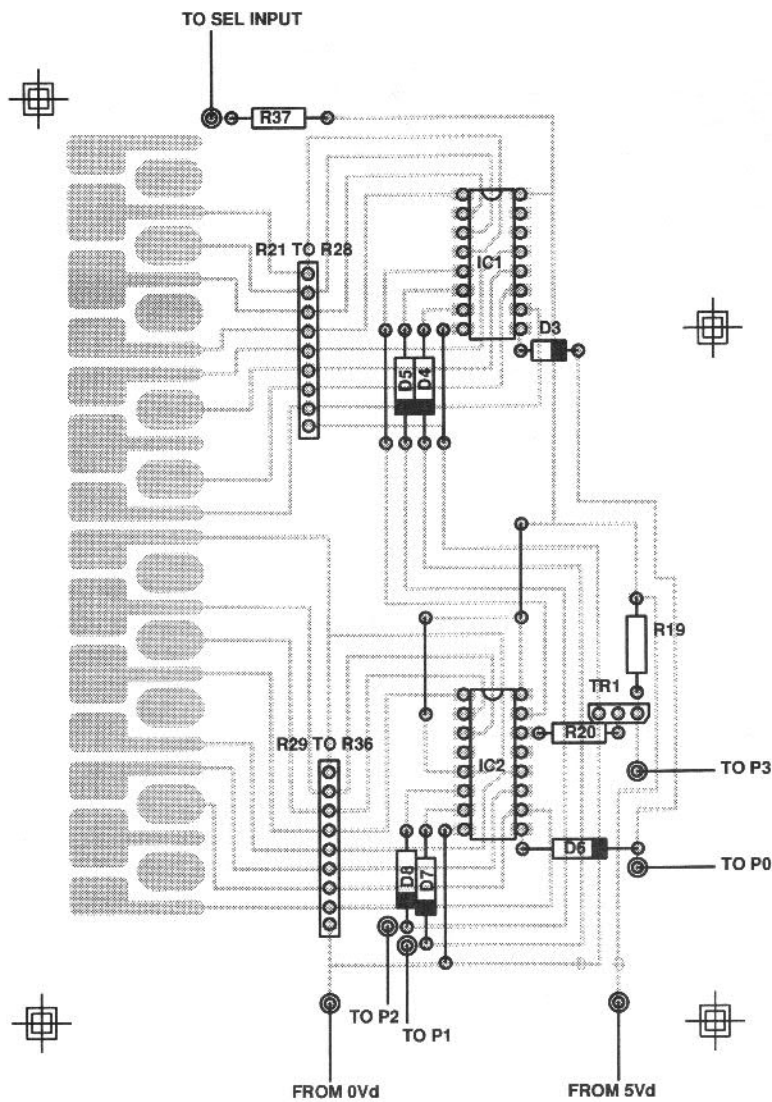
IC1,2	4532
IC3	MSM6322
IC4a,b	NE571
IC5a,b	TL072
D1,2	1N4001
D3,4,5	1N4148
D6,7,8	
Tr1	BC109

Capacitors

C1,4	100nF/16V Minidisc
C2,3	220µF/10V Min Elect
C28,29	100µF/10V Min Elect
C5,24	33pF Ceramic
C26,27	
C6,7,8	10µF/16V Min Elect
C12,13	
C22,30	1µF (non-electrolytic)
C9,10	
C11,14	1µF (non-electrolytic)
C15,18	
C20,21	2µF/16V Min Elect
C23,25	
C16,17,19	2µF/16V Min Elect

Additional Items

IC holders 8-pin (1 off)
16-pin (3 off)
Xtal 4MHz
SPST switch
LED
6mm jack sockets (3 off)
4 x 1.5V battery holder and enclosure, of external size 170 x 143 x 55/31mm.



REMEMBER THESE?

Next month
John Linsley Hood
will be jogging your
memory with the first
part of his series

**'The Evolution of
Audio Amplifier
Design'**

Fig.7 Component positioning for Keypad decoder

Signal to NOISE

A Selection of your views and thoughts

Tele-scope Offer

As a contributor to EIA, the following appears to be a biased view, but this is not the case.

I would like to congratulate everyone involved with EIA for producing an extremely interesting, varied and different magazine. I look forward to reading each issue. Whilst some other electronics magazines appear to be faltering or cost cutting, your new publication is going from strength to strength.

Speaking as a contributor, I find it very easy to write for EIA, unlike some magazines who seem to regard contributors as a necessary nuisance.

Whilst writing, I would like to reiterate my offer published in issue two. I am willing to donate my proto-type Tele-scope project to a suitable charitable or non profit making organisation. I am

particularly keen to give it to a school or club where many people, preferably children, can gain advantage from it. Would any interested parties please write to me via the EIA offices by January 31st.

The response to this offer when it first appeared at the end of the article was not particularly encouraging, hopefully, reprinted here in the letters page, more people will see it!

**Paul Stenning
Hereford**

Launching EIA is most welcome!

There has not been a publication since the 70s solely devoted to practical matters and I'm sure will be welcomed by the fraternity of project builders.

Like HWC Hollings in the December issue, I too have an affinity for electro-music and would welcome

constructional articles on keyboards, expanders and sequencers. However if Mr Hollings would care to get in touch with me via the EIA office, I can oblige with a photo stat of the pipe voicings of the Blackpool Organ, I believe the voicings to produce 'The Sound' are Tibia 8 & 16 strings or reeds.

I have asked Yamaha for the information on the rendering of the tune 'Beside the seaside' on their keyboard PSR5700 (an organ voice) and they replied that the R & D fellows in Japan have the answer.

So much for my comments. May I wish you full steam ahead for the magazine. I am sure it will cater for many and perhaps looking further ahead to car utilities like an exhaust gas analyser.

Another well-past retirement reader, wishing you every success.

W Robinson, Walsall

PCB DESIGN SOFTWARE

RANGER 1 XT/AT PC Circuit — PCB

From Circuit Design
Through to Artwork
In One Package!

£100

Fully Integrated
AutoRouter

£50

Exchange your easy PC
For a free AutoRouter

RANGER 2 XT/AT + 386 PC

It has all the features you will ever need
at an outstanding price. But now with a new 2
layer 386 Ripup & Retry AutoRouter

£599

Option Pack 100% Router
Simultaneous 6 layer Ripup & Retry
AutoRouter with via Minimisation.
Autocad DXF in & out. GERBER in.

£350



Call us for details & demo disk on 0705 591037

SEETRAX
CAE



Seetrax CAE, Hinton Daubney House, Broadway Lane, Lovedean, Hants. PO8 0SG

Tel: 0705 591037 Fax 0705 599036

COMPONENTS

74LS SERIES	74LS258	0.23	AM27S20	1.99	TRANSISTOR	BFX87	0.43
74LS500	74LS259	0.48	AM27S29	8.99	AC125	BFX88	0.43
74LS501	74LS260	0.28	AM27S37	4.99	AC126	BFY50	0.28
74LS502	74LS266	0.14	AM27S47	4.99	AC127	BFY51	0.25
74LS503	74LS273	0.31	AM27S49	18.99	AC128	BFY52	0.27
74LS504	74LS280	0.85	AM2841	8.75	AC176	BFY53	0.46
74LS505	74LS283	0.48	AM2901	28.99	AC187	BFY55	0.46
74LS507	74LS290	0.23	AM2918	4.50	AC188	BSX20	0.26
74LS508	74LS293	0.23	AM2952	8.99	AD142	BSX29	0.52
74LS509	74LS295	0.57	AM2955	8.99	AD161	BSY95A	0.46
74LS510	74LS298	0.62	AM2981B	4.99	AD162	BU205	1.39
74LS511	74LS299	1.16	AM29822	8.99	AF124	BU206	1.40
74LS512	74LS322	1.56	AM500	9.60	AF126	BU208	1.55
74LS513	74LS352	0.78	AM7910	14.50	BC107	MJ2955	0.75
74LS514	74LS353	0.86	AM7911	8.99	BC108	MJE340	0.35
74LS515	74LS365	0.23	AM8035	8.99	BC108B	MJE520	0.44
74LS516	74LS366	0.26	AM9122-25	2.78	BC108C	MJE521	0.59
74LS515	74LS367	0.25	AM9122-35	9.99	BC109	MJE3055	0.84
74LS520	74LS368	0.27	AM9150-35	14.99	BC109C	MPSA05	0.27
74LS521	74LS373	0.31	AM91L12	4.99	BC140	MPSA06	0.27
74LS522	74LS374	0.31	AM91L22-45	9.99	BC141	MPSA12	0.27
74LS524	74LS375	0.33	AM92L44	8.99	BC142	MPSA56	0.17
74LS526	74LS377	0.31	AM9551	8.99	BC143	MPSU06	0.55
74LS527	74LS378	0.61	AMPAL16H	15.00	BC147	TIP29A	0.30
74LS528	74LS390	0.24	AMZ8120	12.99	BC148	TIP29B	0.30
74LS530			CA3046	0.35	BC149	TIP29C	0.31
74LS532			CA3080E	0.49	BC157	TIP30	0.31
74LS533			CA3130E	0.73	BC158	TIP30A	0.31
74LS537			CA3140E	0.38	BC159	TIP30B	0.30
74LS538			CA3240E	0.99	BC160	TIP30C	0.30
74LS540			CA3290	1.35	BC169C	TIP31A	0.30
74LS542			CNY51	2.99	BC169C	TIP31B	0.30
74LS544			CNY71	1.40	BC171	TIP31C	0.31
74LS547			D2125H-2	2.50	BC177	TIP32A	0.30
74LS548			D2147	9.30	BC178	TIP32B	0.30
74LS549			D2148	7.75	BC179	TIP32C	0.31
74LS551			D4016C-5	7.50	BC182	TIP33A	0.65
74LS554			D416C	1.80	BC182L	TIP33C	0.67
74LS555			D8041	12.99	BC183	TIP34A	0.78
74LS573			D8048C-127	5.50	BC183L	TIP34C	0.74
74LS574			D8155	18.99	BC184	TIP35A	0.99
74LS575			D8251	8.99	BC184L	TIP35C	0.99
74LS526			D8253C-2	10.19	BC212	TIP36A	0.99
74LS577			HD465D8255		BC213	TIP36C	0.99
74LS583			D9331	6.80	BC213L	TIP41A	0.35
74LS585			DAC0800L	14.99	BC214	TIP42A	0.35
74LS586			DF320ADJ	5.80	BC214L	TIP120	0.37
74LS588			DG126	1.75	BC237B	TIP121	0.34
74LS590			DG189	5.80	BC238B	TIP122	0.36
74LS591			DG190AP	3.80	BC308B	TIP141	1.05
74LS592			DG308	2.80	BC327	TIP142	1.05
74LS593			DP304	5.20	BC328	TIP147	1.10
74LS595			DP8308	3.75	BC329	TIP2955	0.59
74LS596			DS8838	3.75	BC337	TIP3055	0.60
74LS597			H104D	6.80	BC338	ZTX107	0.17
74LS598			H117	2.80	BC477	ZTX108	0.17
74LS599			H11A2	9.50	BC478	ZTX109	0.17
74LS600			H11C4 (OPT)	1.99	BC479	ZTX100	0.16
74LS601			H148	5.75	BC517	ZTX302	0.19
74LS602			H157	1.75	BC547B	ZTX341	0.22
74LS603			HD45505	6.99	BC548B	ZTX500	0.14
74LS604			HD46505	5.50	BC549B	ZTX501	0.22
74LS605			HD48850	9.75	BC557B	ZTX502	0.22
74LS606			HD63A03	8.99	BC558B	ZTX504	0.22
74LS607			HM6116P-2	0.98	BCY90	2N2219A	0.27
74LS608			ICL7106	4.85	BCY71	2N2222A	0.15
74LS609			ICL8038	3.05	BCY72	2N2369	0.23
74LS610			ICM7555	0.29	BD115	2N2484	0.24
74LS611			ICM7556	0.78	BD131	2N2646	0.57
74LS612			IH5025	6.50	BD132	2N2904	0.24
74LS613			IH5029	5.25	BD136	2N2904A	0.24
74LS614			IH5033	5.75	BD135	2N2905	0.20
74LS615			IM6403	7.60	BD136	2N2905A	0.20
74LS616			IMS1400.35	3.99	BD137	2N2906A	0.20
74LS617			IM1600.45	13.99	BD138	2N2907A	0.19
74LS618			IT132	15.99	BD139	2N2907	0.19
74LS619			KR2376	8.99	BD140	2N2926	0.14
74LS620			KR3600	19.50	BF180	2N3053	0.26
74LS621					BF182	2N3054	0.83
74LS622					BF185	2N3055	0.55
74LS623					BF194	2N3442	1.32
74LS624					BF195	2N3702	0.09
74LS625					BF196	2N3703	0.09
74LS626					BF197	2N3704	0.09
74LS627					BF198	2N3705	0.09
74LS628					BF199	2N3706	0.09
74LS629					BF257	2N3707	0.09
74LS630					BF258	2N3773	1.68
74LS631					BF259	2N3819	0.26
74LS632					BF337	2N3866	0.99
74LS633					BFR40	2N3903	0.09
74LS634					BFR80	2N3904	0.09
74LS635					BFR01	2N3905	0.09
74LS636					BFX29	2N3906	0.09
74LS637					BFX84	2N4026	0.16
74LS638					BFX85	2M6027	0.33

EXCLUSIVE!
 WE NOW SUPPLY KITS OF PARTS
 FOR ALL THE PROJECTS
 FEATURED IN
ELECTRONICS
in
ACTION
 CALL NOW FOR PRICE
 OR SEND A LARGE
S.A.E. FOR LIST
AND
OUR FREE CATALOGUE.



POSTAGE AND PACKING AT 0.99 p PER ORDER
 ALL PRICES ARE PLUS VAT AT 17.5 %
 NO MINIMUM ORDER. NO COUNTER FACILITIES.

VOLTAGE REGS	DIODES.	AXIAL ELECTROLYTIC
78L05 0.21	IN4001 10 PACK 0.22	1UF 25VOLT 0.06
78L12 0.21	IN4002 .. 0.23	2.2UF 25VOLT 0.06
78L15 0.21	IN4003 .. 0.24	4.7UF 25VOLT 0.07
79L05 0.23	IN4004 .. 0.25	10UF 25VOLT 0.07
79L12 0.23	IN4006 .. 0.26	10UF 63VOLT 0.08
79L15 0.23	IN4007 .. 0.27	22UF 35VOLT 0.08
7805 0.23	IN4148 .. 0.22	47UF 16VOLT 0.06
7812 0.23	IN914 5 PACK 0.20	47UF 25VOLT 0.06
7815 0.23	1N4149 .. 0.40	100UF 16VOLT 0.09
7905 0.25	OA47 .. 0.95	100UF 25VOLT 0.09
7912 0.25	OA90 .. 0.20	100UF 63VOLT 0.12
7915 0.25	OA91 .. 0.45	220UF 16VOLT 0.10
78S05 0.37	ZENERS AVAILABLE AT	220UF 25VOLT 0.11
78S12 0.37	1.3W 0.07	470UF 16VOLT 0.19
LM323K 1.95		470UF 25VOLT 0.22
LM317T 0.43		1000UF 16VOLT 0.25
LM200 0.78		1000UF 25VOLT 0.35
LM723 0.34		2200UF 16VOLT 0.45
		2200UF 25VOLT 0.52
		2200UF 35VOLT 0.64
		3300UF 35VOLT 1.90
		ALSO AVAILABLE (SEE LAST MONTHS ADVERT)
		TANTALUM CAPS.
		RADIALECTROLYTS.
		LED'S WIRE NEONS.
		SOLAR
		CELLS CRYSTALS
		RECTIFIERS, PLUGS,
		SOCKETS ADAPTERS,
		COMPUTER DISCS,
		MOTORS.
		SPECIAL OFFERS:
		AIRCRAFT CIRCUIT
		BREAKERS.
		3A, 5A, 7.5A, 10A,
		PUSH BUTTON TYPES.
		1.00 !!!
		COMPUTER PRINTER
		LEADS
		HIGH QUALITY 25 PIN
		MALE D CONNECTOR
		TO 36 PIN CENTRONICS
		1.5M
		4.99 !!!

ALSO IN STOCK.
 4000 SERIES
 74HC SERIES
 TANTALUM S
 L.E.D.S
 DISPLAYS.
 PLUGS
 SOCKETS
 LEADS
 RADIAL ELECT.
 CAPS.
 FUSES.
 DISCS
 RECTIFIERS
 POTS.

EXPRESS COMPONENTS
 P.O. BOX 517.
 HOVE.
 EAST SUSSEX. BN3 5QZ
SALES: 0273-771156
FAX: 0273-206875

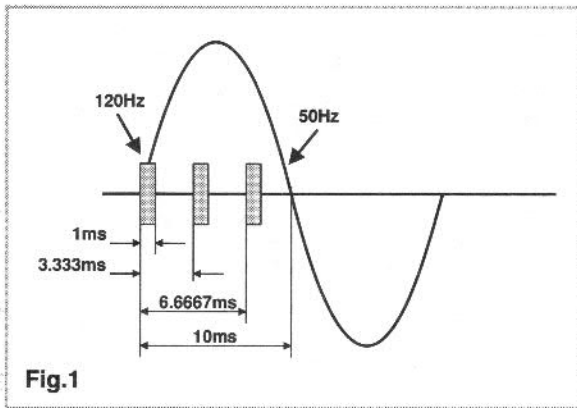


Fig. 1

How would you like to be able to turn your coffeemaker on automatically before you get out of bed in the morning, or turn your washing machine on from the next room? Or perhaps even draw the curtains without moving from your comfy chair, or turn off your child's radio or night light from your bedside?

Perhaps you could do all these and many another function just by phoning home from anywhere in the world!

CelTel has launched a range of home automation products which will do all this and more. The X10-Powerhouse home automation system consists of central control consoles and remote receiver modules. The controllers transmit signals to the modules over existing house wiring. Lamps plug into lamp modules, appliances into appliance modules, and wall light switches can be replaced with wall switch modules. The operator can then control virtually everything electrical in the home.

Home automation has definitely arrived. Some people may glaze over at the thought, considering it to be just a hobby for boffins. In fact, it isn't: it's simple to install and inexpensive enough for any home.

Home automation offers two major advantages: the ability to control a number of devices, such as domestic appliances, heating and entertainment systems, from a central control panel, and the ability to monitor, over-ride and change the original instructions from outside the home, using the telephone or

other means. In an environment where an increasing number of parents are returning to their careers after bringing up their families, home automation could help out.

Systems can be programmed to fit in with domestic needs, but if plans change and you have to work late at the office the instructions can be altered over the phone.

Home automation also offers help to the disabled and elderly, giving them control of their home from an armchair or bed.

To give you some idea, before was disbanded, the National Economic Development Office (NEDO) estimated the world demand for this type of control as a market of around £8,000M, and predicted that this would grow to about £2,000M in the UK alone by the year 2000.

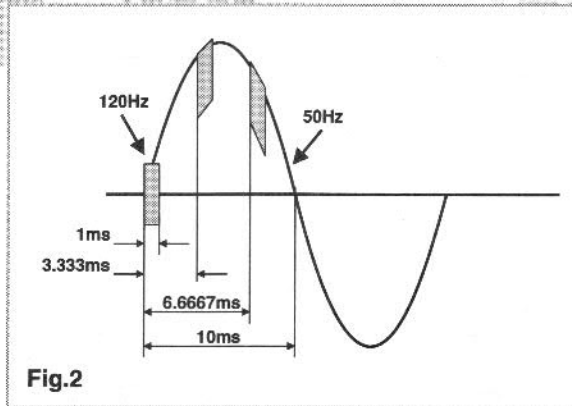


Fig. 2

Where it all began

The technology used in home automation was developed way back in the late 60s by a group of engineers in Glenrothes, Scotland, who began designing microelectronic chips at the time when large scale integration circuits (LSI) were first being introduced. The company's basic philosophy was simple: to design products which used readily-available ICs to meet specific

objectives, suitable for high volume, low-cost production in the Far East. The result would be to keep the prices down to highly competitive levels.

The Corporate View

The company first launched itself onto the US market in 1978. Prior to this, two label agreements had been signed, one with Sears Roebuck and the other with Radio Shack (the American electrical supplier linked with Tandy's in the UK). Significant shipments began the following year.

Today, Radio Shack is the biggest customer for the X-10 system. To date, more than 30 million X-10 units have been shipped to customers worldwide, meaning more than 2 million homes in the US and Canada. More recently X-10 turned its attention to the UK market through CelTel, which is now their sole European distributor.

The X-10 code format is the de facto standard for Power Line Carrier (PLC) transmission. The method of communicating is by superimposing a binary code onto the mains supply. X-10 transmissions are synchronised to the zero crossing point of the AC power line. A binary 1 is represented by a 1-millisecond burst of 120kHz at the zero crossing point, and a binary 0 by the absence of this 120kHz. These 1-millisecond bursts are actually transmitted three times to coincide with the zero crossing points of all three phases in a three phase distribution system.

Figure 1 shows the timing relationship of these bursts relative to zero crossing. For clarity, the signals in Figure 1 are shown as they would be seen through a high pass filter. The

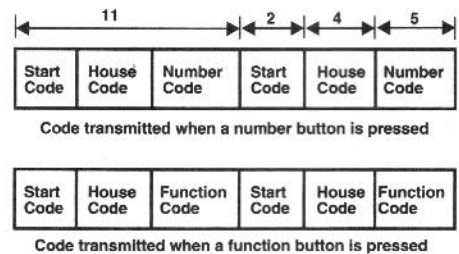


Fig. 3

The Home of

50Hz waveform is only shown for reference. In reality the signals are actually superimposed onto the 50Hz waveform (Figure 2).

A complete code transmission encompasses eleven cycles of the power line. The first two cycles represent a Start Code; the next four cycles represent the House Code, and the last five cycles represent either a Number Code (1 to 16) or a Function Code (On, Off etc).

This complete block (Start Code, House Code, Key Code) is always transmitted in groups of two with three power line cycles between each group of two codes. Bright and dim are exceptions to this rule and are transmitted (at least twice) with no gaps between codes (Figure 3).

Within each block of data, each four or five bit code is transmitted in true and complement form on alternate half cycles of the power line, that is, a 1-millisecond burst of signal is transmitted on one half cycle (Binary 1); no signal is transmitted on the next half cycle, (Binary 0). As previously mentioned, the X-10 range consists of controllers and appliance modules.

The Modules

The wall Switch Module replaces existing wall switches in a room, allowing lights to be turned on or off, or dimmed as required. The Lamp Module features an on/off and dimming facility for free-standing lamps that would normally be plugged into a wall socket. The Appliance module can be used to control equipment normally plugged into

a 13-amp wall socket.

The Controllers

Mini and Maxi Controllers control between 8 and 16 individual modules or groups of modules. A Mini timer is a controller with a clock enabling up to four of the units to be pre-programmed to turn on/off once or twice in a 24 hour period. Other modules have a built-in photocell, and will turn on up to four lights when the sun goes down, turning them on again automatically at dawn. The Telephone Responder will allow you to call home from anywhere in the world and control your system. Just like an answering machine, it plugs into a standard mains outlet and telephone jack. It takes about 30-35 seconds to answer. After hearing three tones, you enter your commands from the telephone's touch-tone keypad to turn on or off any of up to 10 modules.

Applications are wide ranging. You can call your holiday home and turn on heating or air conditioning before you visit. Similarly, you can call your main home and turn the heating on before you return from your holidays. You can also flash selected lights around the house when the phone rings - infinitely useful



if you have a family member who is hard of hearing. If there's a heatwave while you're away, you can call home and turn on your sprinkler system. Or off in the case of a hosepipe ban!

Lastly, the Home Automation

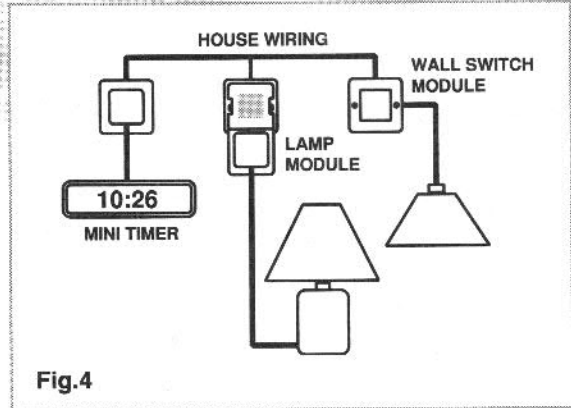


Fig.4

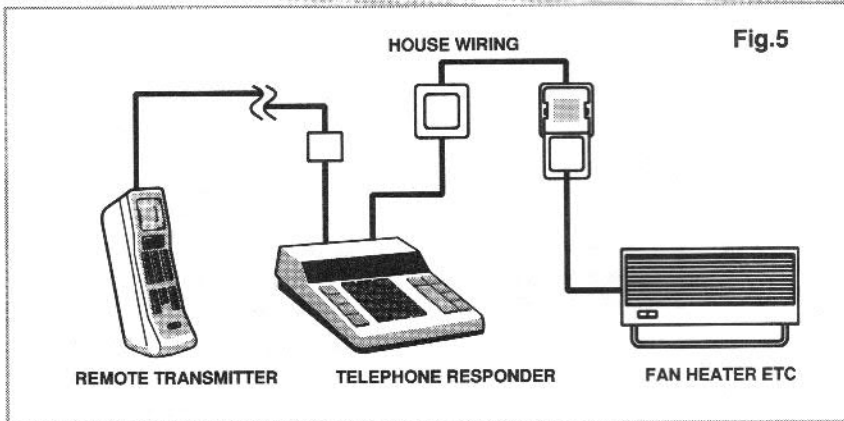


Fig.5

Interface will link into a computer enabling up to 256 individual or groups of modules to be controlled automatically. The Interface was evolved in the US in early 1983 following the home computer price wars, which drove retail prices down sharply. Buying shot up, and many people bought computers with nothing more in mind than to play video games. In three months, X-10 designed and developed a \$70 retail package of hardware and software that gave a personal computer the power to control anything electrical in the home using X-10 technology. The CelTel Home Control Interface allows a personal computer to control lights, appliances, heating and cooling, all in the aid of convenience, security and energy savings. Furthermore, the

the Future

by Steve Brown
Managing Director,
Celtel Ltd

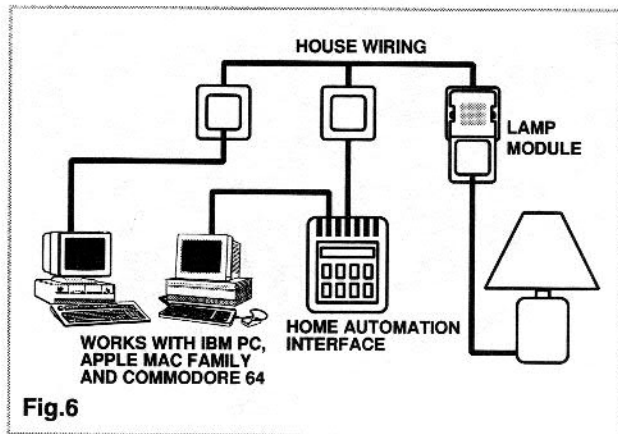


Fig.6

computer interface is actually a self-contained micro-computer that does not continuously tie up a personal computer while it performs home control functions.

Home Control software has been developed for the most popular personal computers, including the IBM PC and compatibles, and the Apple Macintosh. The only hardware changes from one machine to another are related to the connecting data cable. The key differences are in the specific software presentation displayed on a video monitor while the user is programming the interface.

If you use a different computer, you can write your own software with the aid of the programming guide supplied. The Interface can address all 256 X-10 codes (16 Unit Codes X 16 Housecodes). The actual number of modules which can be controlled is software dependent (256 for IBM and Macintosh, 72 for Apple IIe/IIc, 95 for Commodore 64/128). You can program a variety of times and days and the brightness level of lights.

The Interface can store 128 'Timed Events'. It has its own real time clock,

and battery back-up to protect its settings in case of a power failure. An ideal tool for those who like to experiment with their computer is to use the interface's real time clock to add a clock to their own system for use with other programs. Take in inputs to your computer (through joystick ports and so

On a very simple level, a basic system can be yours for about £100 - the cost of a mini controller and three modules.

on) so that your program can make decisions based on these inputs and download instructions to the Interface. You could turn on outside lights when a photocell tells your computer that it's dark outside, or turn off a water heater when your computer detects that power use has exceeded a predetermined limit. Combine the CP-290 with the telephone

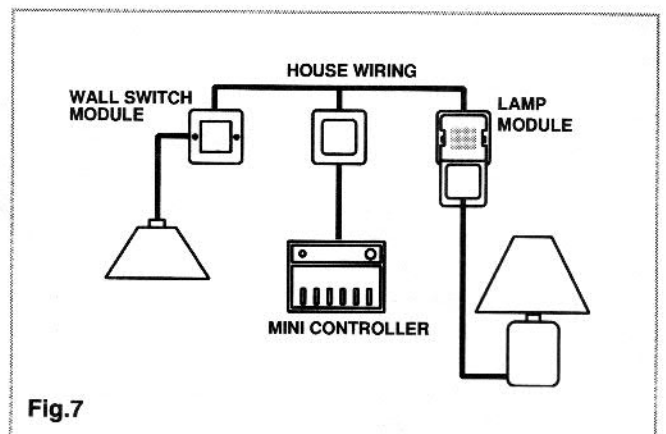


Fig.7

responder and you have a system which can be operated from anywhere in the world!

The system also provides an effective home security system in the shape of the DIY SK 8000 home security kit, which works as follows: the sensor units are battery powered and communicate to a base control station via radio frequency (RF) signals. The sensors are monitored by the base station and faults registered. The base station communicates to the audio alarm and light modules via signals through mains wiring. The system components are placed where required, their batteries connected and a code button operated to "register" the units to the base console. There is an Arm button which is operated after you leave home, and a Disarm button operated by a remote control key fob as you return. Each system can have up to eight individual controllers to cater for every member of the family, and extra units are available which enable the system to be expanded to include a maximum of 16 separate sensors to protect all doors and windows in the house.

With its range of 30 metres, the unit could be used to protect the family car or tools in the garage. Another big plus point with wireless systems such as this is simply the fact that they are wireless! On a practical level carpets do not to have to be taken up for new wiring. In the case of outhouses or outbuildings, protection can be provided without having to rip up concrete or lawns to lay cable.

On the home entertainment front, Powermid, X-10's remarkable remote control extender system, is proving a winner. The first of the X-10 Powerhouse products to hit the UK market, it is now in more than 30 countries. DTI-approved, it allows remote controlled equipment to be controlled from more than one room

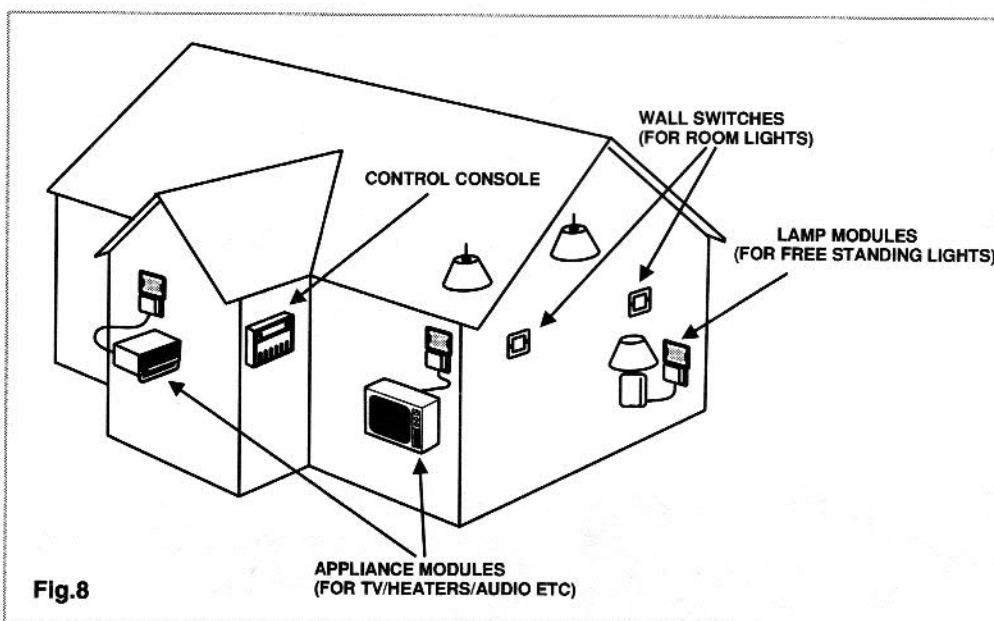


Fig.8

in the house. It consists of a pair of pyramid shaped boxes, one of which, the receiver, has a short telescopic aerial. The transmitter is plugged into the mains supply in the room from which the user wishes to operate, and the receiver in the room where the equipment is situated. The user then simply points the remote control at the transmitter to send a radio message to its counterpart, which then controls the equipment in any way it is told. Powermid is particularly useful where satellite television is wired through to a second room - and current statistics show that 17% of homes with dishes have done just that. If you're one of them you will appreciate the problem of changing channels!

Powermid can also be used with other infra-red remote controlled equipment such as VCRs and audio equipment.

In conclusion, the intelligent home has arrived. On a very simple level, it can be yours for about £100 - the cost of a mini controller and three modules. But for less than £500 you could fully automate an entire three bedroom semi.

For further details contact Celtel on 0256 474900.

Special Readers Offer

Celtel - sole European distributors of the X-10 Powerhouse system are offering *Electronics in Action* readers the chance to start automating their homes with the X-10 Powerhouse start-up kit for the

specially discounted price of **£69.99***

- A mini timer (controls up to 8 X-10 modules)
- A lamp module
- An appliance module

Give your home the lived in look while you are out or enjoy a fresh cup of coffee when you wake, happy in the knowledge that electronics is doing the work for you.

Please send me..... X-10 Powerhouse start-up kits at the offer price of £69.99. The kit includes a mini timer, lamp module and appliance module. I enclose a cheque/postal order for..... (Ref EIA)

Please print your name in **BLOCK CAPITALS**

Name

Address

..... Postcode

Please send to: **Celtel Ltd, PO Box 135, Basingstoke, Hants RG25 2HZ**

*normally over £90



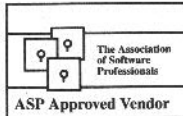
PC TECHNICAL SHAREWARE

Would you like to see the best range of low cost technical and scientific public domain & shareware for IBM PC in the UK?

HUGE RANGE includes: PACKET, FAX, RX/TX control, PCB design, Circuit and Antenna analysis, QSO logging, CAD Electronic & MECH Engineering, SCIENTIFIC, MATHS & STATS, MEDICAL, PROGRAMMING, SOURCE CODE, DATA, EDUCATIONAL, WINDOWS, BUSINESS and lots more
Write, phone or Fax today for your free 124 page printed catalogue



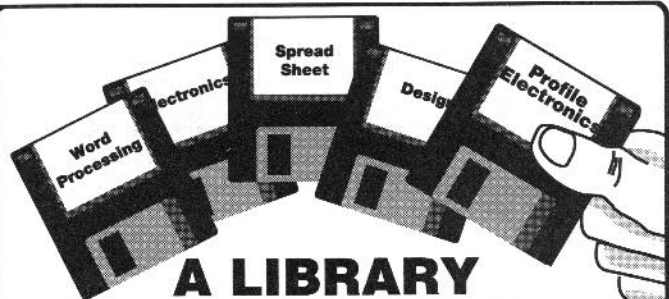
The Public Domain Software Library
Winscombe House,
Beacon Rd,
Crowborough, Sussex TN6 1UL
Tel:0892 663298, Fax:0892 667473



PROMOTE YOURSELF

If your company has not placed an advertisement in *Electronics in Action*, then you are missing out on getting through to scores of readers exactly what you have to offer.

Telephone Gilly Martin on 0442 842069 for an immediate booking and get yourself known



A LIBRARY OF IBM-PC SOFTWARE at your fingertips

SHAREWARE is the **TRY-BEFORE-YOU-BUY APPROACH TO SOFTWARE:**
You pay a nominal charge for program distribution to cover disks, copying, carriage, etc.

ONLY IF YOU FIND A PACKAGE USEFUL
ARE YOU THEN REQUIRED TO PAY A REGISTRATION FEE
(to the software author), which allows you to continue using it.

THIS CAN WORK OUT CONSIDERABLY LESS EXPENSIVE THAN BUYING SIMILAR SOFTWARE IN THE CONVENTIONAL WAY.

Electronics design on your PC

- Now simple & AFFORDABLE !

ENGINEERING - GRAPHICS - BUSINESS - PC-TUTORIALS
- CALCULATIONS - SCIENCE - EDUCATION

Re-inventing the wheel? Don't do it! Quickly select software tailored to your needs from the many 1000's of packages available in the Public Domain, and as Shareware. We distribute IBM-PC compatible programs exclusively on carefully grouped sets of high quality disks
- which saves you time, and money.

Ask for our latest catalogue!

CAD/CAM - PCB DESIGN - CIRCUIT EMULATION & TEST
- PC-ENGINEERING - RADIO - COMM'S

Profile Electronics (EIA)
"Getting the job done"

100-102 Woodhouse Road, Leytonstone, London, E11 3NA.
Tel: 081-470 2038 (24 hours) Mail order only



Chelmer Valve Company for High Grade Audio Valves

Major Brands e.g Mullard, Brimar, Philips, GE (UK), GE(USA), etc.

A2900 GEC.....£12.00	GZ34 Mullard.....£10.00
E80F Philips.....£10.00	GZ37 Mullard.....£7.00
ECC81/CV4024 Mullard.....£6.00	6CA7/EL34 GE.....£9.50
ECC82/CV4003 Mullard.....£6.00	6L6GA Sylvania.....£7.00
ECC88 Mullard.....£6.00	6SN7GT Brimar.....£4.50
E88CC Mullard.....£8.50	6V6GT Brimar.....£4.00
EF86/CV4085 Mullard.....£8.50	12A17WC Sylvania.....£6.00
EL84 Mullard.....£6.00	6146B GE.....£15.00
EL84 GE (USA).....£5.00	6550A GE.....£15.00
GZ32 Mullard.....£8.00	7581 GE.....£12.00
GZ33 Mullard.....£8.00	

CVC PREMIUM: Our own BRAND from selected worldwide sources, processed in our special facility to provide low noise/hum/microphony Pre-Amp valves and Power Valves burnt-in for improved stability and reliability.

PRE-AMP VALVES

ECC81/12A7.....£5.00
ECC82/12AU7.....£4.00
ECC83/12AX7.....£5.00
ECC85.....£4.00
ECC88.....£5.00
EF86.....£4.00
E81CC (GOLD PIN).....£6.00
E82CC (GOLD PIN).....£6.00
E83CC (GOLD PIN).....£6.00
E88CC (GOLD PIN).....£7.00
E80F.....£9.00
E83F.....£5.50
6SL7GT.....£4.00
6SN7GT.....£4.20

POWER VALVES - contd.

E841/7189A.....£15.00
KT66.....£9.20
KT88.....£12.50
KT88 (GOLD Q).....£18.50
6L6GC.....£6.50
6L6WGC/5881.....£8.00
6V6GT.....£5.00
6146B.....£10.20
6336A.....£30.00
6550A.....£11.00
RECTIFIERS
GZ33.....£4.50
GZ34/SAR4.....£5.00
5U4G.....£5.00
5Y3GT.....£3.20
5Z4GT.....£3.50
SOCKETS
B9A (PCB).....£1.60
B9A (CHASSIS).....£1.60
OCTAL (CHASSIS).....£1.75
4PIN (UX4).....£3.00
4PIN (for 211).....£11.00

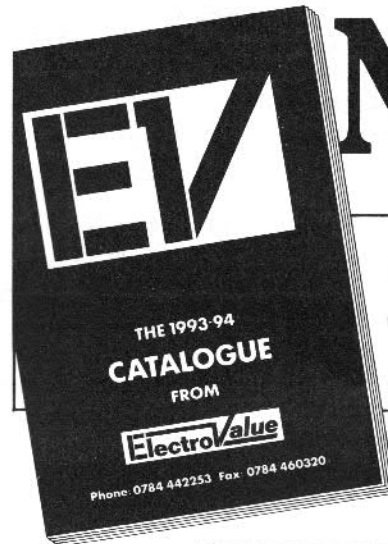
POWER VALVES

2A3 (OCTAL) or (4pin).....£14.00
211.....£22.00
300B.....£9.50
811A.....£9.50
845.....£29.90
EL34/6CA7.....£7.50
EL84/6BQ5.....£4.00

Add £1.00 per valve for matching if required.
Plus Post & Packing £3.00 + VAT at 17.5% for UK/Europe.

Send Fax order with cheque or credit card details to:
Chelmer Valve Co., 130 New London Rd, Chelmsford, Essex CM2 0RG
Tel: (0245) 265865 Fax: (0245) 490064

READY NOW



**Every keen
constructor
needs it**

THE 1993-94

Electro/Value CATALOGUE

Profusely illustrated, this 140+ page A4 size catalogue packs a wealth of information on items from the highly sophisticated to modest but essential screws, washers and wire, etc. With 28 years in personal mail order service we know how much you rely on quality of goods above everything plus back-up service from the supplier *i.e.* Electrovalue. We've got the catalogue you want *and we deliver the goods!*

To get your Catalogue
Send cheque or postal order for £1.50 to address on coupon or phone your Credit Card No. & its expiry date. Catalogue comes with two £1 vouchers, each for spending with orders value £10 or more.

*Shops at

Egham, Surrey
28 St. Jude's Road, Englefield Green.
Tel: 0784 434757.

Burnage, Manchester
680 Burnage Lane
Tel. 061 4324945.

*PERSONAL SHOPPERS, NOT MAIL ORDER

DISTRIBUTORS FOR

SIEMENS

PROFESSIONAL ELECTRONIC PRODUCTS

SEMICONDUCTORS OPTO-ELECTRONICS

FERRITES CONNECTORS SWITCHES CAPACITORS INDUCTORS etc.

Inverter toroidal transformers 225A 10.5-0-10.5 primary 0-260-285 secondary £29.95	LEDs 3mm or 5mm red or green 6p each yellow 11p each	DC-DC converter Reliability model V12P5 12V in 5V 200mA out 300V input to output isolation with data £4.95 each or pack of ten £39.50	Hour counter used 7 digit 240V AC 50Hz £1.45
High intensity red, green or yellow 5mm 30p each cable ties 1p each or £5.95 per 1000 £49.50 per 10,000	Small stepping motor 4 phase 12V 7.5' step 500ohms £8.95	QUERTY keyboard 58 key Quality switches new £5.00	Airpac AB2903-C large stepping motor 14V 7.5' step 270ohm 68mm dia body 6.3mm shaft £8.95 or £200.00 for a box of 30
SAA1027 stepping motor driver chip £4.95	HI-quality photo resist copper clad epoxy glass boards	Polyester capacitors box type 22.5mm lead pitch	Philips 123 series solid aluminium axial leads
Dimensions single sided double sided	3x4 inches £0.95 £1.07	0.9uf 250VDC 18p each 14p 100+ 9p 1000+	33uF 10V & 2.2uF 40V 40p each, 25p 100+
4x8 inches £2.40 £2.68	6x12 inches £5.37	1uf 250VDC 20p each, 15p 100+, 10p 1000+	Philips 108 series 22uF 63V axial 30p each 15p 1000+
12x12 inches £10.66		2.2uf 250VDC 30p each, 20p 100+, 15p 1000+	Multilayer AVX ceramic capacitors all 5mm pitch 100V
Rechargeable Batteries		3.3uf 100VDC 30p each, 20p 100+ 15p 1000+	100pF, 150pF, 220pF, 10,000pF(10n) 10p each
AA(HP7)500mAH £0.99		1uf 50V bipolar electrolytic axial leads 15p each	5p 100+ 3.5p 1000+ 500pF compression trimmer 60p
AA 500mAH with solder tags £1.55		7.5p 1000+ 0.22uF 250V polyester axial leads 15p each	40uF 370VAC motor start capacitor(dielectric type containing no pcb's) £5.95 or £49.50 for 10
AA 700mAH £1.95		7.5p 100+	Welwyn W23 9W 120ohm 35p each 20p 100+
C(HP11) 1.8AH £2.20		680 ohm 2W metal film resistor 4p 100+-2p 1000+	2000 ohm 2W carbon resistors. Very low inductance ideal for RF circuits 270ohm 2W, 680ohm 2W 25p each 15p 100+
C 2AH with solder tags £3.60		1000 ohm 2W carbon resistors. Very low inductance ideal for RF circuits 270ohm 2W, 680ohm 2W 25p each 15p 100+	We have a range of 0.25w 0.5w 1w and 2w solid carbon resistors please send SAE for list.
D(HP2) 1.2AH £2.60		1000 ohm 2W carbon resistors. Very low inductance ideal for RF circuits 270ohm 2W, 680ohm 2W 25p each 15p 100+	Intelligent 4 digit alphanumeric (5x7 dot 0.145") red LED display 12 pin 0.6 inch wide package Siemens type DLH1414 £2.50 each £2.00 30+ data sheets £1.00
D 4AH with solder tags £4.95		1000 ohm 2W carbon resistors. Very low inductance ideal for RF circuits 270ohm 2W, 680ohm 2W 25p each 15p 100+	AMD 27256-3 EPROMS £2.00 each £1.25 100+ DIP switch 3PCO 12 pin (ERG SDC-3-023)
PP3 8.4V 110mAH £4.95		1000 ohm 2W carbon resistors. Very low inductance ideal for RF circuits 270ohm 2W, 680ohm 2W 25p each 15p 100+	60p each 40p 100+
1/2AA with solder tags £1.55		1000 ohm 2W carbon resistors. Very low inductance ideal for RF circuits 270ohm 2W, 680ohm 2W 25p each 15p 100+	Disk drive boxes for 5.25 disk drive with room for a power supply light grey plastic 67x268x247mm
Sub C with solder tags £2.50		1000 ohm 2W carbon resistors. Very low inductance ideal for RF circuits 270ohm 2W, 680ohm 2W 25p each 15p 100+	£7.95 or £49.50 for 10
AAA (HP16) 180mAH £1.75		1000 ohm 2W carbon resistors. Very low inductance ideal for RF circuits 270ohm 2W, 680ohm 2W 25p each 15p 100+	Hand held ultrasonic remote control £3.95
1/3 AA with tags (Philips CTV) £1.95		1000 ohm 2W carbon resistors. Very low inductance ideal for RF circuits 270ohm 2W, 680ohm 2W 25p each 15p 100+	CV2486 gas relay 30 x 10mm dia with 3 wire terminals will also work as a neon light 20p each or £7.50 per 100
Standard charger charges 4 AA cells in 5 hours or 4Cs or Ds in 12-14 hours+1xPP3 (1,2,3 or 4 cells may be charged at a time) £5.95		1000 ohm 2W carbon resistors. Very low inductance ideal for RF circuits 270ohm 2W, 680ohm 2W 25p each 15p 100+	A23 12V battery for car alarms or lighters 75p each £50.00 per 100
High power charger as above but charges the Cs and Ds in 5 hours AAs Cs and Ds must be charged in 2s or 4s £10.95		1000 ohm 2W carbon resistors. Very low inductance ideal for RF circuits 270ohm 2W, 680ohm 2W 25p each 15p 100+	
Special offers please check for availability		1000 ohm 2W carbon resistors. Very low inductance ideal for RF circuits 270ohm 2W, 680ohm 2W 25p each 15p 100+	
F cells 32dia x 87mm £3.95		1000 ohm 2W carbon resistors. Very low inductance ideal for RF circuits 270ohm 2W, 680ohm 2W 25p each 15p 100+	
F cell with solder tags 1.2V £4.30		1000 ohm 2W carbon resistors. Very low inductance ideal for RF circuits 270ohm 2W, 680ohm 2W 25p each 15p 100+	
42x 16mm dia 1.2V £1.45		1000 ohm 2W carbon resistors. Very low inductance ideal for RF circuits 270ohm 2W, 680ohm 2W 25p each 15p 100+	
stick of 4 171mmx16mm dia with red & black leads 4.8V £5.95		1000 ohm 2W carbon resistors. Very low inductance ideal for RF circuits 270ohm 2W, 680ohm 2W 25p each 15p 100+	
4 cell battery 94x25mm dia (1/2C cells) £3.50		1000 ohm 2W carbon resistors. Very low inductance ideal for RF circuits 270ohm 2W, 680ohm 2W 25p each 15p 100+	
Computer grade capacitors with screw terminals		1000 ohm 2W carbon resistors. Very low inductance ideal for RF circuits 270ohm 2W, 680ohm 2W 25p each 15p 100+	
3800uF 20V £2.50 8700uF 10V £1.95		1000 ohm 2W carbon resistors. Very low inductance ideal for RF circuits 270ohm 2W, 680ohm 2W 25p each 15p 100+	
6800uF 15V £2.95 10000uF 16V £1.50		1000 ohm 2W carbon resistors. Very low inductance ideal for RF circuits 270ohm 2W, 680ohm 2W 25p each 15p 100+	
5800uF 60V £4.95		1000 ohm 2W carbon resistors. Very low inductance ideal for RF circuits 270ohm 2W, 680ohm 2W 25p each 15p 100+	
7segment common anode LED display 12mm £0.45		1000 ohm 2W carbon resistors. Very low inductance ideal for RF circuits 270ohm 2W, 680ohm 2W 25p each 15p 100+	
LM2931A T5.0 low drop out 5V regulator		1000 ohm 2W carbon resistors. Very low inductance ideal for RF circuits 270ohm 2W, 680ohm 2W 25p each 15p 100+	
TO220 package £0.85		1000 ohm 2W carbon resistors. Very low inductance ideal for RF circuits 270ohm 2W, 680ohm 2W 25p each 15p 100+	
7812 and 7912 12V 1A regulators £20.00 per 100		1000 ohm 2W carbon resistors. Very low inductance ideal for RF circuits 270ohm 2W, 680ohm 2W 25p each 15p 100+	
LM337K TO3 case Variable regulator £1.60		1000 ohm 2W carbon resistors. Very low inductance ideal for RF circuits 270ohm 2W, 680ohm 2W 25p each 15p 100+	
£1.10 100+		1000 ohm 2W carbon resistors. Very low inductance ideal for RF circuits 270ohm 2W, 680ohm 2W 25p each 15p 100+	
GaAs FET low leakage current S8873 £12.95 each		1000 ohm 2W carbon resistors. Very low inductance ideal for RF circuits 270ohm 2W, 680ohm 2W 25p each 15p 100+	
£9.95 10+ 7.95 100+		1000 ohm 2W carbon resistors. Very low inductance ideal for RF circuits 270ohm 2W, 680ohm 2W 25p each 15p 100+	
BS250 P channel MOSFET £0.45		1000 ohm 2W carbon resistors. Very low inductance ideal for RF circuits 270ohm 2W, 680ohm 2W 25p each 15p 100+	
BC558 transistor £3.95 per 100		1000 ohm 2W carbon resistors. Very low inductance ideal for RF circuits 270ohm 2W, 680ohm 2W 25p each 15p 100+	
74LS05 hex inverter £10.00 per 100		1000 ohm 2W carbon resistors. Very low inductance ideal for RF circuits 270ohm 2W, 680ohm 2W 25p each 15p 100+	
used 8748 Microcontroller £3.50		1000 ohm 2W carbon resistors. Very low inductance ideal for RF circuits 270ohm 2W, 680ohm 2W 25p each 15p 100+	
SL952 UHF Limiting amplifier LC 16 surface mounting package with data sheet £1.95		1000 ohm 2W carbon resistors. Very low inductance ideal for RF circuits 270ohm 2W, 680ohm 2W 25p each 15p 100+	
AM27502 £1.25 each 90p 100+		1000 ohm 2W carbon resistors. Very low inductance ideal for RF circuits 270ohm 2W, 680ohm 2W 25p each 15p 100+	
CD4007UB 10p 100+ 6p 1000+		1000 ohm 2W carbon resistors. Very low inductance ideal for RF circuits 270ohm 2W, 680ohm 2W 25p each 15p 100+	
Sinclair light gun terminated with a jack plug and PP3 clip gives a signal when pointed at 50Hz flickering		1000 ohm 2W carbon resistors. Very low inductance ideal for RF circuits 270ohm 2W, 680ohm 2W 25p each 15p 100+	

All products advertised are new and unused unless otherwise stated. Wide range of CMOS TTL 74HC 74F Linear Transistors kits. Rechargeable batteries capacitors tools etc always in stock. Please add £1.95 towards P&P

VAT included in all prices

JPG ELECTRONICS
276-278 Chatsworth Road
Chesterfield S40 2BH
Access/Visa Orders
(0246) 211 202

Callers welcome

**ELECTROVALUE LTD., UNIT 3, CENTRAL TRADING ESTATE,
STAINES, MIDDX TW18 4UX**
Tel: 0784 442253 Fax: 0784 460320

Your 1993/94 Catalogue please, to

Name

Address

Block letters please, and POST CODE

I enclose cheque/postal order for £

AE

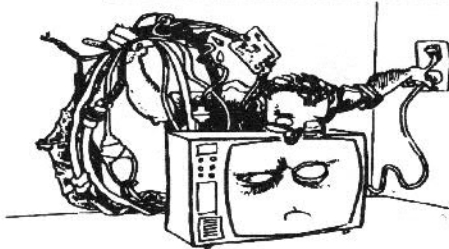
If not using coupon please quote this journal when writing.



TECHNICAL BOOKS



A selection from our range of books for the repair trade



TELEVISION CHASSIS GUIDE.
Full cross reference for all models
Order MP-18. £5.95.

TELEVISION EQUIVALENTS
Lists models which are the same
Order MP-150. £5.95.

FAULT LISTS FOR TELEVISIONS.
Hundreds of specific faults for
dozens of different makes and
models.
Order MP-205. £6.95.

TELETEXT REPAIR MANUAL.
Covers SAA range of boards.
Order MP-38. £6.95.

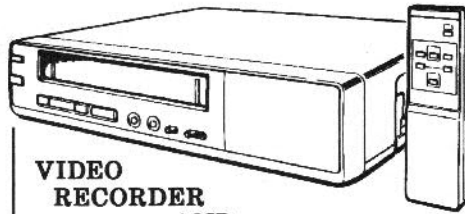
**TELEVISION REMOTE CONTROL
CIRCUITS.**
Dozens of Diagrams on many
remotes.
Order MP-167. £10.00.

TV POWER SUPPLY CIRCUITS.
Dozens of P.S. circuit stages.
Order MP-219. £10.00.

**SCART EUROCONNECTOR
SYSTEM.**
Comprehensive details of the system.
Order MP-21. £3.00.

**P.C. HARD DISC DRIVE
REFERENCE MANUAL.**
Comprehensive Drive Details.
Order MP-84. £5.00.

P.C. DIAGNOSTICS SOFTWARE.
Dozens of programs to aid you in
diagnostics of PC's and Drives etc.
2 sets of 7 x 3.5" Discs per set.
Set 1. Order MP-250. £12.50.
Set 2. Order MP-251. £12.50.



**VIDEO
RECORDER
AND
CAMCORDER EQUIVALENTS.**
Full Cross-reference guides.
Makes A-J. Order MP-217. £5.95.
Makes K-Z. Order MP-218. £5.95.

FAULT LISTINGS FOR VIDEO.
Lists Hundreds of Faults for
dozens of makes and models.
Volume 1. MP-206. £6.95.
Volume 2. MP-228. £6.95.

**VHS VIDEO RECORDER
PRINCIPLES.**
Detailed guide on how it works.
Order MP-58. £3.95.

VIDEO TEST JIG.
Special cassette lets you operate
the machine in test mode.
Order VTJ. £15.00.

VIDEO HEAD CLEANING KIT.
Special kit with comprehensive
instructions on how to service heads.
Order VHCK. £4.00.

VIDEO RECORDER FAULTS.
Unique repair guide for beginners.
Order MP-5. £3.95.

**WIRE ANTENNAS FOR
H.F. OPERATORS.**
THE aerial book for Amateurs.
Order MP-243. £5.95.

**REEL TO REEL TAPE
RECORDER SERVICING.**
Theory and circuits for repairs.
Order MP-201. £5.00.

**TRANSISTOR RADIO REPAIR
GUIDE.**
Comprehensive servicing charts.
Order MP-7. £2.50.

RECORD PLAYER SPEED DISC.
Get your phonograph up to speed.
Order MP-8. £1.00.

**SWITCH MODE POWER SUPPLY
I.C. TYPE TDA-4600.**
Circuitry and operation explained.
Order MP-37. £6.00.

**VOLTAGE REGULATORS,
STABILISERS
& POWER SUPPLIES.**
Identification and specifications.
Order MP-9. £3.00.

CMOS DATABOOK.
Pinouts and circuits for 4000 series.
Order MP-10. £5.00.

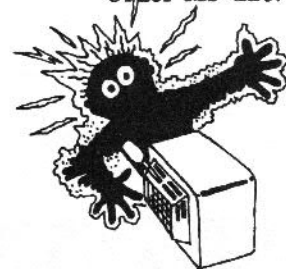
TTL DATABOOK.
Pinouts and circuits for 7400 series.
Order MP-34. £5.00.

TRANSISTOR EQUIVALENTS.
Includes details on testing them.
Order MP-24. £3.00.

**OFFICE EQUIPMENT
EQUIVALENTS.**
Photocopiers & Fax machines
covered.
Order MP-200. £6.00.

**TELEPHONE CODE LOCATION
GUIDE.**
Find the Town from the Phone Code.
Order MP-19. £4.00.

**MANUFACTURERS
EQUIVALENTS.**
What makes are the same.
Order MP-220. £3.00.



SHOCKINGLY
GOOD BOOKS

SERVICE MANUALS
available for most equipment.

Order TODAY using Access/Visa for immediate despatch.

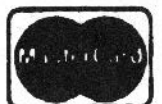
All orders plus £2.35 Post and Packing. (Overseas £5.00)

The above selection are just a few of the Hundreds of Unique Repair and Data Guides shown in our **FREE** catalogue - Yours for the asking.
Sent **FREE** with all orders or send 2 x 1st class stamps for your copy **TODAY!**

MAURITRON TECHNICAL SERVICES (EA)

47A High Street, Chinnor, Oxfordshire, OX9 4DJ.

Tel:- 0844-351694. Fax:- 0844-352554.



of red filter material is then fitted behind the cutout, in the prototype this was held in place by the PCB and LED. If the filter has a non-reflective surface this should face outwards. The PCB is positioned in the case immediately behind the window, and fitted with M3 screws, nuts and spacers. The two coax sockets are fitted on the opposite end of the case to the window.

The infrared transmitter is housed in a type MB3 plastic box, 118mm x 98mm x 45mm. A similar rectangular window is made in one end, 50mm * 14mm. The red filter material is again retained by the PCB and LEDs. The PCB is fitted behind the window, with the red LED in the centre of the window. The

transformer and connectors may now be fitted. The hole for the power cable should be fitted with a grommet, and the cable secured. The transformer should ideally be fitted with nylon screws.

Cutting tidy rectangular holes in plastic cases is not easy! The author drilled a series of small holes around the outside, removed the centre section, and then filed the edges smooth - a time-consuming approach. If a fretsaw is available this could significantly reduce the amount of filing required. Do not rush this section if you want to achieve a tidy job.

The red filter material used in the prototype was obtained from RS, however any type should be suitable. Thin material (0.5 - 1.0mm) is ideal since this can be cut with a pair of scissors. Test that the material chosen does not block infrared, by holding it in front of a remote control, and checking that the range is not significantly reduced.

The units can then be wired up as shown in Figure 3. The two core mains flex is joined to the transformer leads with a choc-block connector. The secondary leads from the transformer connect to the terminals on the PCB as shown. The screen connectors of the two coax connectors should be linked with a

heavy piece of wire - the braid from a piece of screened cable is suitable. Connect the silver mica capacitor directly between the centre conductor pins.

The inductors consist of about five turns of enamelled wire, approx. 22 SWG. Cut four 5" lengths and wind the six turns round the shank of a 3mm drill bit, towards one end of the wire. Connect the inductor wires as shown in figures 3a & 3b, with the coil towards the coax sockets.

Testing

No setting up is required, testing merely involves connecting the two sections and seeing if they work! When testing, ensure that the light from the transmitter does not reach the receiver, or feedback will cause odd results.

Connect the two sections with a good length coaxial aerial cable between the Link sockets. Alternatively a length of two-core cable may be used; this may be soldered directly to the pins on the PCB's for convenience.

Connect the transmitter section to the mains and position it such that it is pointing at a video recorder, from about 2 metres away. Take the receiver and the video's remote control into another room, and try using the remote control about 2 metres from the receiver.

When the remote control is

Fig.3a Component positioning and interconnections of receiver

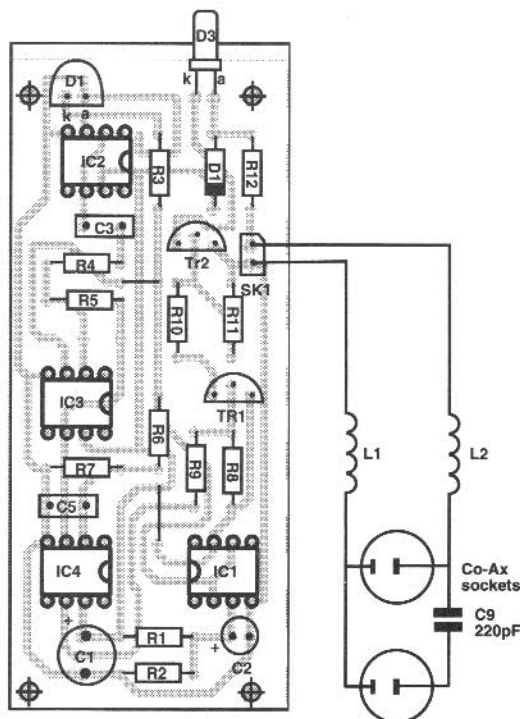
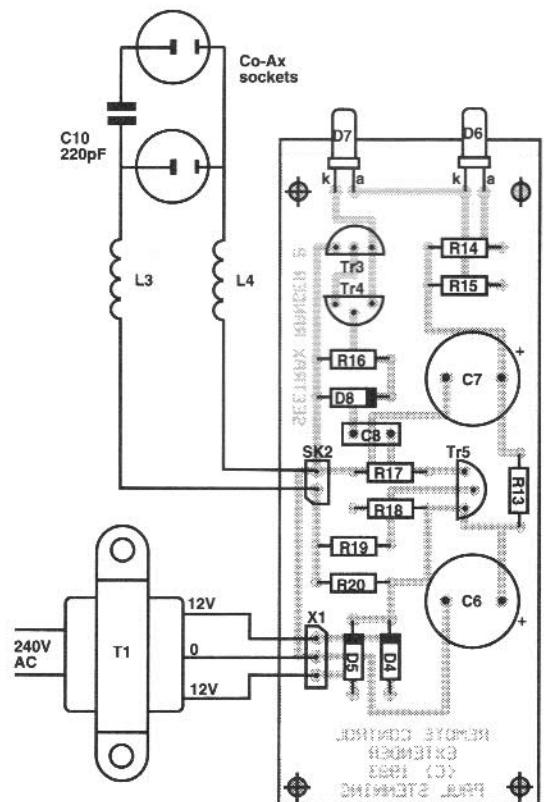


Fig.3b Component positioning and interconnections of transmitter and power supply



operated, the red LEDs on the receiver and transmitter should flash. If the channel change buttons are operated, the corresponding changes should be heard from the TV in the other room.

Fault Finding

If the unit does not work, there are a few points to check before embarking on a full faultfinding procedure.

First check the power supply voltages. There should be about 18V across C6 and C7, and around 15V at SK2. The power supply rail in the receiver should be about 13V, and the voltage on pin six of IC1 should be half this.

Check the polarity of D1, this device is used in reverse biased mode, and should have around 6V across it when the unit is inactive. Measure the voltage on pin six of IC2, if the voltage is around one volt or less then D1 is probably the wrong way round. If the input of IC2 is touched with a finger the red LEDs should light or flicker. Make sure the infrared sensitive face of D1 is towards the window - with the half-round types available from Maplin (TIL100 equivalent) this is the curved side.

Check that the LEDs are the right way round. The details in catalogues and data sheets can be confusing when it comes to identifying the polarity of LEDs, and different manufacturers use different arrangements. However, there is a foolproof method. Look at the innards of the LED from one side, the larger piece of metal is the cathode and the smaller bit is the anode. The author always uses this technique and it hasn't failed him yet! Check the aerial fly-leads for continuity and short circuits. One of the two purchased by the author for these units was found to be open-circuit on the centre core!

If all this checks out, it's down to good old fashioned fault finding procedures. The circuit is not complicated so this should not take too long. As mentioned before, make sure the infrared output of the transmitter does not reach the input of the receiver.

Installation and Use

In the interests of safety, all equipment should be isolated from the mains before making any connections.

The receiver should be positioned about one metre from the television, in clear sight of the normal viewing positions. Unplug the aerial cable from the TV, and connect it to the Link socket of this unit. Using a standard aerial fly-lead, connect the TV socket on this unit to the aerial socket on the TV.

The transmitter positioning is more involved, and is left to the ingenuity of the individual constructor. The unit needs to be located so that the infrared output reaches the front of the equipment to be controlled. In addition the cables need to reach (or be extended), and the installation should look tidy if peace is to be maintained! The prototype was placed on a cabinet on an adjacent wall. Even though the infrared beam reached the equipment at an angle of about 45 degrees, no communication problems were experienced.

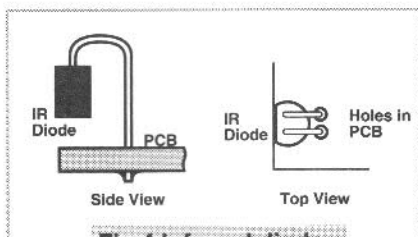


Fig.4 Infrared diode positioning on board

It may be easier in some cases to mount the infrared LED remotely, and link it to the electronics with a length of thin two core cable. Two or three LEDs could be wired in series, and placed near the receivers on the control equipment.

Some constructors may wish to experiment by bouncing the infrared beam off any reflective surface, although sometimes the distances involved may be too great.

There will presumably already be a Y-splitter connected to the output of the video recorder, with its outputs connected to the local and remote TV

sets. Unplug the lead to the remote TV, and connect it to the Link socket on the infrared transmitter unit. Connect the Video socket on the infrared transmitter to the splitter.

Note that the infrared transmitter and infrared receiver must be at opposite ends of the link cable. There must be no splitters, attenuators, filters or other

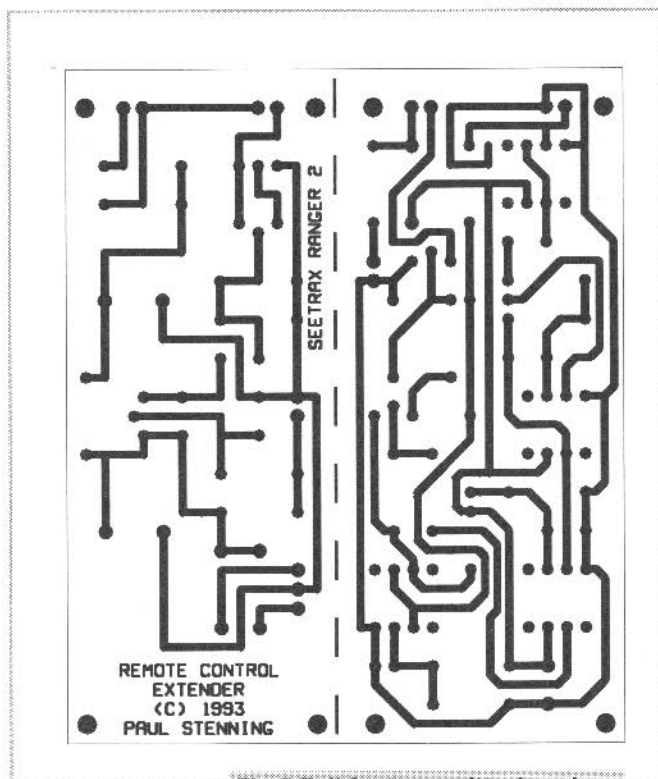


Fig.5 Foil for transmitter/receiver

equipment between the two units, since this will block or load the DC path.

Finally connect the system to the mains (via a 3-Amp fuse) and test it.

If the LED on the receiver remains lit, it is picking up interference from something. Try moving it further away from the TV set or other electronic equipment.

The receiver should respond from a distance of about three metres, if the remote control is aimed reasonably accurately. The range will vary somewhat with different makes of remote control. If the signal is weak the LED may still flash, but the remote equipment will fail to respond. This is caused by the receiver picking up only part of the signal. Try moving closer or putting new batteries in the remote control.

The transmitter should control the equipment from a distance of three metres or more, although this will drop off as the angle increases. Again this will vary with different equipment.

There should be no reduction in picture quality with this system installed. In areas of very poor reception it may be



preferable to install a separate cable for this system. Thin two-core cable (used for doorbells and speakers) is ideal. In this case, omit L1 to L4, C9, C10, and coax sockets from the units. Fit spring loaded loudspeaker terminals or similar, connected directly to the PCBs.

Hopefully, this unit will allow you to be even lazier, but don't forget to take the remote control with you. Happy viewing.

Acknowledgement

The author would like to thank Seetrex CAE for their continued help and support with the superb Ranger 2 electronic CAD software.



Resistors

(0.25W, 5% or better)

- R1,2,6 10K
- R3,7 100K
- R4,11,16 1K0
- R5 2M2
- R8,10,18 4K7
- R9,19 22K
- R12,13 220R
- R14 22R
- R15 10R
- R17 330R
- R20 470R

Capacitors

- C1 470µ 16V
- C2 10µ 16V
- C3 1n0
- C4 (See Text)
- C5 10n
- C6 1000µ/25V
- C7 2200µ/25V
- C8 2n2
- C9,10 220p Silver Mica

Semiconductors

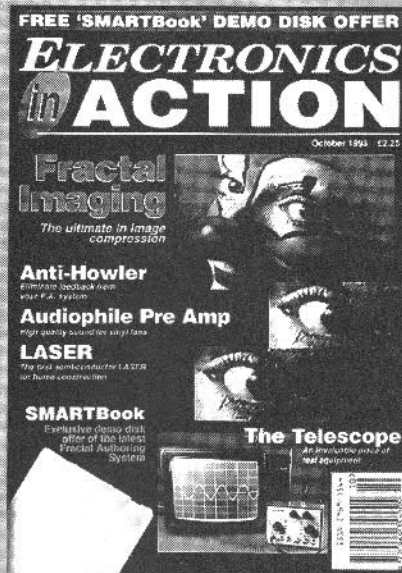
- D1 IR Photodiode
- D2,4,5 1N4001
- D3,6 Red LED
- D7 IR LED
- D8 1N4148
- TR1,5 BC558
- TR2,4 BC548
- TR3 ZTX650
- IC1 741
- IC2,3 LF351
- IC4 CA3140

Additional Items

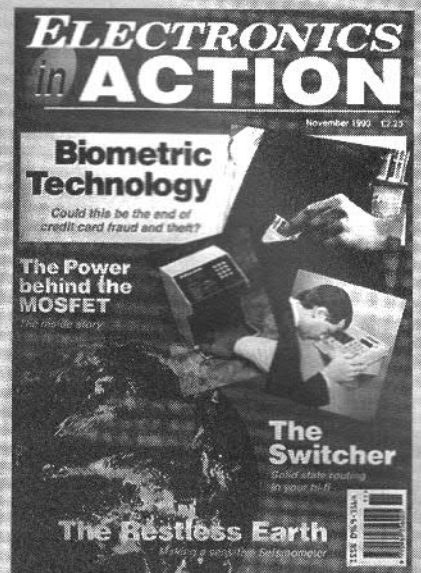
- PCB
- 12-0-12V 100mA Transformer
- 2 Cases (see text)
- Red Filter
- 4 Co-Ax Sockets
- 22 SWG Enamelled Wire for L1-L4
- 2 Aerial Fly-Leads or Leads to Suit
- 2 Core 3 Amp Mains Flex
- 13 Amp Plug with 3 Amp Fuse

Parts

BACK NUMBERS



October 1993



November 1993

Did you miss issues 1 to 3?

Sorry to say you missed so much. However all is not lost. To secure one or any of these issues just fill in the coupon below and mail it to us. We will do the rest.



December 1993

BACK NUMBERS

Please print your name in **BLOCK CAPITALS**

Name

Address

..... Postcode

Please send me.....issue(s) of your October '93 edition
 Please send meissue(s) of the November '93 edition
 Please send meissue(s) of the December '93 edition
 Each copy including postage & packing, costs £2.50

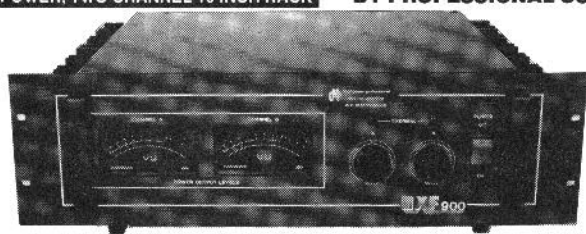
I enclose a cheque/postal order for

Please send to: **Electronics in Action, PO Box 600, Berkhamsted, Herts. HP4 1NL**

You may photocopy this coupon if you do not want to spoil your magazine

OMP MOS-FET POWER AMPLIFIERS
HIGH POWER, TWO CHANNEL 19 INCH RACK

THOUSANDS PURCHASED BY PROFESSIONAL USERS



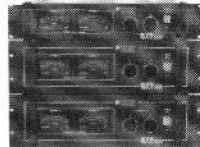
THE RENOWNED MXF SERIES OF POWER AMPLIFIERS
FOUR MODELS:- MXF200 (100W + 100W) MXF400 (200W + 200W)
MXF600 (300W + 300W) MXF900 (450W + 450W)

ALL POWER RATINGS R.M.S. INTO 4 OHMS, BOTH CHANNELS DRIVEN
FEATURES: ★Independent power supplies with two toroidal transformers ★ Twin L.E.D. Vu meters ★ Level controls ★ Illuminated on/off switch ★ XLR connectors ★ Standard 75mV inputs ★ Open and short circuit proof ★ Latest Mos-Fets for stress free power delivery into virtually any load ★ High slew rate ★ Very low distortion ★ Aluminium cases ★ MXF600 & MXF900 fan cooled with D.C. loudspeaker and thermal protection.

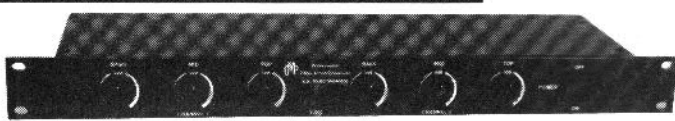
USED THE WORLD OVER IN CLUBS, PUBS, CINEMAS, DISCOS ETC.

SIZES:- MXF200 W19"xH3 1/2" (2U)xD11"
MXF400 W19"xH5 1/4" (3U)xD12"
MXF600 W19"xH5 1/4" (3U)xD13"
MXF900 W19"xH5 1/4" (3U)xD14 1/2"

PRICES:- MXF200 £175.00 MXF400 £233.85
MXF600 £329.00 MXF900 £449.15
SPECIALIST CARRIER DEL. £12.50 EACH



OMP XO3 STEREO 3-WAY ACTIVE CROSS-OVER

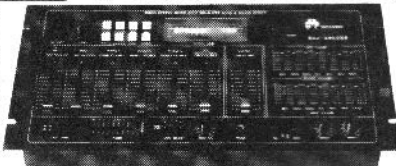


Advanced 3-Way Stereo Active Cross-Over, housed in a 19" x 1U case. Each channel has three level controls: bass, mid & top. The removable front fascia allows access to the programmable DIL switches to adjust the cross-over frequency: Bass-Mid 250/500/800Hz, Mid-Top 1.8/3/5KHz, all at 24dB per octave. Bass invert switches on each bass channel. Nominal 775mV input/output. Fully compatible with OMP rack amplifier and modules.

Price £117.44 + £5.00 P&P

STEREO DISCO MIXER SDJ3400SE ★ ECHO & SOUND EFFECTS★

STEREO DISCO MIXER with 2 x 7 band L & R graphic equalisers with bar graph LED Vu meters. **MANY OUTSTANDING FEATURES:-** including Echo with repeat & speed control, DJ Mic with talk-over switch, 6 Channels with individual faders plus cross fade, Cue Headphone Monitor, 8 Sound Effects. Useful combination of the following inputs:- 3 turntables (mag), 3 mics, 5 Line for CD, Tape, Video etc.

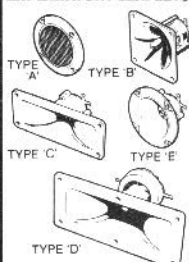


Price £144.99 + £5.00 P&P

SIZE: 482 x 240 x 120mm

PIEZO ELECTRIC TWEETERS - MOTOROLA

Join the Piezo revolution! The low dynamic mass (no voice coil) of a Piezo tweeter produces an improved transient response with a lower distortion level than ordinary dynamic tweeters. As a crossover is not required these units can be added to existing speaker systems of up to 100 watts (more if two are put in series). **FREE EXPLANATORY LEAFLETS ARE SUPPLIED WITH EACH TWEETER.**



TYPE 'A' (KSN1036A) 3" round with protective wire mesh. Ideal for bookshelf and medium sized Hi-Fi speakers. **Price £4.90 + 50p P&P.**
TYPE 'B' (KSN1005A) 3 1/2" super horn for general purpose speakers, disco and P.A. systems etc. **Price £5.99 + 50p P&P.**
TYPE 'C' (KSN1016A) 2"x5" wide dispersion horn for quality Hi-Fi systems and quality discos etc. **Price £6.99 + 50p P&P.**
TYPE 'D' (KSN1025A) 2"x6" wide dispersion horn. Upper frequency response retained extending down to mid-range (2KHz). Suitable for high quality Hi-Fi systems and quality discos. **Price £9.99 + 50p P&P.**
TYPE 'E' (KSN1038A) 3 3/4" horn tweeter with attractive silver finish trim. Suitable for Hi-Fi monitor systems etc. **Price £5.99 + 50p P&P.**
LEVEL CONTROL Combines, on a recessed mounting plate, level control and cabinet input jack socket. 85x85mm. **Price £4.10 + 50p P&P.**

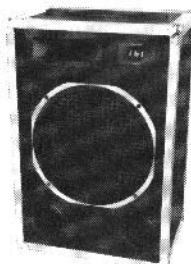
IBI FLIGHT CASED LOUDSPEAKERS

A new range of quality loudspeakers, designed to take advantage of the latest speaker technology and enclosure designs. Both models utilize studio quality 12" cast aluminium loudspeakers with factory fitted grilles, wide dispersion constant directivity horns, extruded aluminium corner protection and steel ball corners, complemented with heavy duty black covering. The enclosures are fitted as standard with top hats for optional loudspeaker stands.

POWER RATINGS QUOTED IN WATTS RMS FOR EACH CABINET
FREQUENCY RESPONSE FULL RANGE 45Hz - 20KHz

IBI FC 12-100WATTS (100dB) PRICE £159.00 PER PAIR
IBI FC 12-200WATTS (100dB) PRICE £175.00 PER PAIR
SPECIALIST CARRIER DEL. £12.50 PER PAIR

OPTIONAL STANDS PRICE PER PAIR £49.00
Delivery £6.00 per pair



IN-CAR STEREO BOOSTER AMPS



PRICES: 150W £49.99 250W £99.99
400W £109.95 P&P £2.00 EACH

THREE SUPERB HIGH POWER CAR STEREO BOOSTER AMPLIFIERS
150 WATTS (75 + 75) Stereo, 150W Bridged Mono
250 WATTS (125 + 125) Stereo, 250W Bridged Mono
400 WATTS (200 + 200) Stereo, 400W Bridged Mono
ALL POWERS INTO 4 OHMS
Features:
★ Stereo, bridgable mono ★ Choice of high & low level inputs ★ L & R level controls ★ Remote on-off ★ Speaker & thermal protection.

OMP MOS-FET POWER AMPLIFIER MODULES SUPPLIED READY BUILT AND TESTED.

These modules now enjoy a world-wide reputation for quality, reliability and performance at a realistic price. Four models are available to suit the needs of the professional and hobby market i.e. Industry, Leisure, Instrumental and Hi-Fi etc. When comparing prices, NOTE that all models include toroidal power supply, Integral heat sink, glass fibre P.C.B. and drive circuits to power a compatible Vu meter. All models are open and short circuit proof.

THOUSANDS OF MODULES PURCHASED BY PROFESSIONAL USERS



OMP/MF 100 Mos-Fet Output power 110 watts R.M.S. into 4 ohms, frequency response 1Hz - 100KHz -3dB, Damping Factor >300, Slew Rate 45V/uS, T.H.D. typical 0.002%, Input Sensitivity 500mV, S.N.R. -110 dB. Size 300 x 123 x 60mm.
PRICE £40.85 + £3.50 P&P



OMP/MF 200 Mos-Fet Output power 200 watts R.M.S. into 4 ohms, frequency response 1Hz - 100KHz -3dB, Damping Factor >300, Slew Rate 50V/uS, T.H.D. typical 0.001%, Input Sensitivity 500mV, S.N.R. -110 dB. Size 300 x 155 x 100mm.
PRICE £64.35 + £4.00 P&P



OMP/MF 300 Mos-Fet Output power 300 watts R.M.S. into 4 ohms, frequency response 1Hz - 100KHz -3dB, Damping Factor >300, Slew Rate 60V/uS, T.H.D. typical 0.001%, Input Sensitivity 500mV, S.N.R. -110 dB. Size 330 x 175 x 100mm.
PRICE £81.75 + £5.00 P&P



OMP/MF 450 Mos-Fet Output power 450 watts R.M.S. into 4 ohms, frequency response 1Hz - 100KHz -3dB, Damping Factor >300, Slew Rate 75V/uS, T.H.D. typical 0.001%, Input Sensitivity 500mV, S.N.R. -110 dB, Fan Cooled, D.C. Loudspeaker Protection, 2 Second Anti-Thump Delay. Size 385 x 210 x 105mm.
PRICE £132.85 + £5.00 P&P



OMP/MF 1000 Mos-Fet Output power 1000 watts R.M.S. into 2 ohms, 725 watts R.M.S. into 4 ohms, frequency response 1Hz - 100KHz -3dB, Damping Factor >300, Slew Rate 75V/uS, T.H.D. typical 0.002%, Input Sensitivity 500mV, S.N.R. -110 dB, Fan Cooled, D.C. Loudspeaker Protection, 2 Second Anti-Thump Delay. Size 422 x 300 x 125mm.
PRICE £259.00 + £12.00 P&P

NOTE: MOS-FET MODULES ARE AVAILABLE IN TWO VERSIONS: STANDARD - INPUT SENS 500mV, BAND WIDTH 100KHz. PEC (PROFESSIONAL EQUIPMENT COMPATIBLE) - INPUT SENS 775mV, BAND WIDTH 50KHz. ORDER STANDARD OR PEC.

LOUDSPEAKERS



LARGE SELECTION OF SPECIALIST LOUDSPEAKERS AVAILABLE, INCLUDING CABINET FITTINGS, SPEAKER GRILLES, CROSS-OVERS AND HIGH POWER, HIGH FREQUENCY BULLETS AND HORNS, LARGE (A4) S.A.E. (60p STAMPED) FOR COMPLETE LIST.

McKenzie and Fane Loudspeakers are also available.

EMINENCE:- INSTRUMENTS, P.A., DISCO, ETC

ALL EMINENCE UNITS 8 OHMS IMPEDANCE
8" 100 WATT R.M.S. ME8-100 GEN. PURPOSE, LEAD GUITAR, EXCELLENT MID, DISCO. **PRICE £32.71 + £2.00 P&P**
RES. FREQ. 72Hz, FREQ. RESP. TO 4KHz, SENS 97dB.
10" 100 WATT R.M.S. ME10-100 GUITAR, VOCAL, KEYBOARD, DISCO, EXCELLENT MID. **PRICE £33.74 + £2.50 P&P**
RES. FREQ. 71Hz, FREQ. RESP. TO 7KHz, SENS 97dB.
10" 200 WATT R.M.S. ME10-200 GUITAR, KEYB'D, DISCO, VOCAL, EXCELLENT HIGH POWER MID. **PRICE £43.47 + £2.50 P&P**
RES. FREQ. 65Hz, FREQ. RESP. TO 3.5KHz, SENS 99dB.
12" 100 WATT R.M.S. ME12-100LE GEN. PURPOSE, LEAD GUITAR, DISCO, STAGE MONITOR. **PRICE £35.64 + £3.50 P&P**
RES. FREQ. 49Hz, FREQ. RESP. TO 6KHz, SENS 100dB.
12" 100 WATT R.M.S. ME12-100LT (TWIN CONE) WIDE RESPONSE, P.A., VOCAL, STAGE MONITOR. RES. FREQ. 42Hz, FREQ. RESP. TO 10KHz, SENS 98dB. **PRICE £36.67 + £3.50 P&P**
12" 200 WATT R.M.S. ME12-200 GEN. PURPOSE, GUITAR, DISCO, VOCAL, EXCELLENT MID. **PRICE £46.71 + £3.50 P&P**
RES. FREQ. 58Hz, FREQ. RESP. TO 6KHz, SENS 98dB.
12" 300 WATT R.M.S. ME12-300GP HIGH POWER BASS, LEAD GUITAR, KEYBOARD, DISCO ETC. **PRICE £70.19 + £3.50 P&P**
RES. FREQ. 47Hz, FREQ. RESP. TO 5KHz, SENS 103dB.
15" 200 WATT R.M.S. ME15-200 GEN. PURPOSE BASS, INCLUDING BASS GUITAR. **PRICE £50.72 + £4.00 P&P**
RES. FREQ. 46Hz, FREQ. RESP. TO 5KHz, SENS 99dB.
15" 300 WATT R.M.S. ME15-300 HIGH POWER BASS, INCLUDING BASS GUITAR. **PRICE £73.34 + £4.00 P&P**
RES. FREQ. 39Hz, FREQ. RESP. TO 3KHz, SENS 103dB.

EARBENDERS:- HI-FI, STUDIO, IN-CAR, ETC

ALL EARBENDER UNITS 8 OHMS (Except EB8-50 & EB10-50 which are dual impedance tapped @ 4 & 8 ohm)
BASS, SINGLE CONE, HIGH COMPLIANCE, ROLLED SURROUND
8" 60WATT EB8-50 DUAL IMPEDANCE, TAPPED 4/8 OHM BASS, HI-FI, IN-CAR. **PRICE £8.90 + £2.00 P&P**
RES. FREQ. 40Hz, FREQ. RESP. TO 7KHz, SENS 97dB.
10" 50WATT EB10-50 DUAL IMPEDANCE, TAPPED 4/8 OHM BASS, HI-FI, IN-CAR. **PRICE £13.65 + £2.50 P&P**
RES. FREQ. 40Hz, FREQ. RESP. TO 5KHz, SENS 99dB.
10" 100WATT EB10-100 BASS, HI-FI, STUDIO. **PRICE £30.39 + £3.50 P&P**
RES. FREQ. 35Hz, FREQ. RESP. TO 3KHz, SENS 96dB.
12" 100WATT EB12-100 BASS, STUDIO, HI-FI, EXCELLENT DISCO. **PRICE £42.12 + £3.50 P&P**
RES. FREQ. 26Hz, FREQ. RESP. TO 3 KHz, SENS 93dB.
FULL RANGE TWIN CONE, HIGH COMPLIANCE, ROLLED SURROUND
5 1/2" 60WATT EB5-60TC (TWIN CONE) HI-FI, MULTI-ARRAY DISCO ETC. **PRICE £9.99 + £1.50 P&P**
RES. FREQ. 63Hz, FREQ. RESP. TO 20KHz, SENS 92dB.
6 1/2" 60WATT EB6-60TC (TWIN CONE) HI-FI, MULTI-ARRAY DISCO ETC. **PRICE £10.99 + 1.50 P&P**
RES. FREQ. 38Hz, FREQ. RESP. TO 20KHz, SENS 94dB.
8" 60WATT EB8-60TC (TWIN CONE) HI-FI, MULTI-ARRAY DISCO ETC. **PRICE £12.99 + £1.50 P&P**
RES. FREQ. 40Hz, FREQ. RESP. TO 18KHz, SENS 99dB.
10" 60WATT EB10-60TC (TWIN CONE) HI-FI, MULTI ARRAY DISCO ETC. **PRICE £16.49 + £2.00 P&P**
RES. FREQ. 35Hz, FREQ. RESP. TO 12KHz, SENS 98dB.

TRANSMITTER HOBBY KITS

PROVEN TRANSMITTER DESIGNS INCLUDING GLASS FIBRE PRINTED CIRCUIT BOARD AND HIGH QUALITY COMPONENTS COMPLETE WITH CIRCUIT AND INSTRUCTIONS

3W TRANSMITTER 80-108MHz, VARICAP CONTROLLED PROFESSIONAL PERFORMANCE, RANGE UP TO 3 MILES, SIZE 38 x 123mm, SUPPLY 12V @ 0.5AMP.
PRICE £14.85 + £1.00 P&P

FM MICRO TRANSMITTER 100-108MHz, VARICAP TUNED, COMPLETE WITH VERY SENS FET MIC, RANGE 100-300m, SIZE 56 x 46mm, SUPPLY 9V BATTERY.
PRICE £8.90 + £1.00 P&P

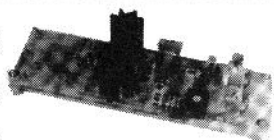


PHOTO: 3W FM TRANSMITTER

The Power behind the MOSFET

Part 3

From flyback converters to high current analogue switches, Andrew Armstrong provides a guide to the MOSFET

In this final part of the power MOSFETs series, I shall illustrate a transformer coupled flyback converter, which is a widely used isolated type of power supply for mains and DC-DC converter use. For contrast I shall show the design of a micropower linear regulator, a low-loss reverse battery protection circuit, and a high power analogue switch.

The circuit of Figure 1 shows the output stage of a transformer-coupled flyback converter. The means of powering the control chip is illustrated separately in Figure 2, in order to break down the process into related parts. When the output of the control chip switches on, the gate capacitance of TR1

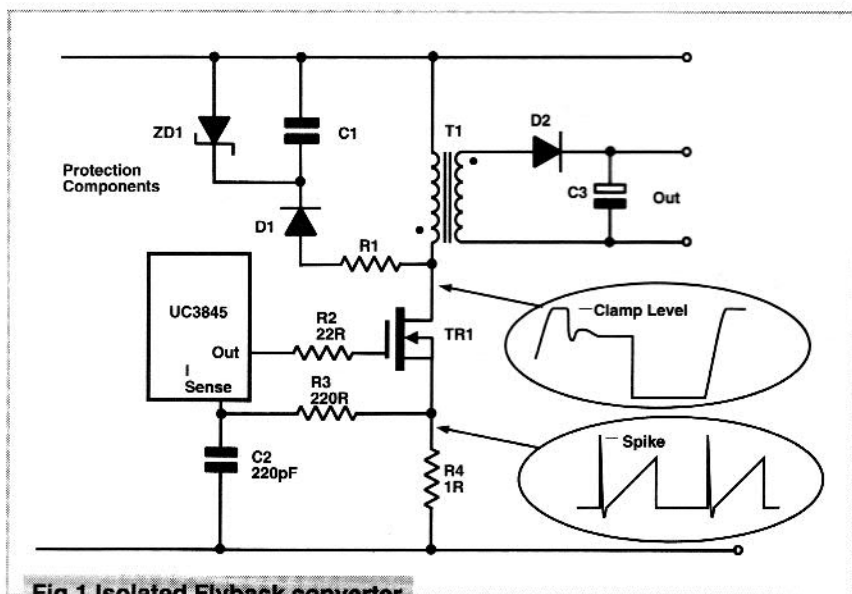


Fig.1 Isolated Flyback converter

is charged via R2, to limit the peak current drawn from the control chip. After an initial switch-on spike, the current in the primary of T1 ramps up more or less linearly as energy is stored magnetically in the core. The current is sensed by measuring the voltage drop in R4. The filtering network formed by C2 and R3 filters out the worst of the switch-on spike. When the current has ramped up to the level set by the control chip (either the current limit value or a lower value determined by the voltage control loop), the output of the chip is switched off, so that TR1 switches off to as well.

Leakage Reactance

At this point, most of the energy stored in the magnetic core starts to discharge into the output. However, a small proportion of the magnetic flux linking the primary does not also link the secondary. This effect is referred to as leakage reactance, and it has the same effect as a small extra inductance placed in series with the primary. The energy stored in this part of the inductance cannot be transferred to the secondary, and will discharge itself wherever it can. If no specific discharge path is provided, this energy will charge up the drain capacitance of the mosfet and, if in so doing the voltage rises high enough, will destroy the MOSFET.

A snubber network consisting of R1, D1, C1 and ZD1 is provided to place a resistive load onto the leakage reactance once the voltage overshoot has reached a certain level. These components are chosen in the light of the characteristics of T1, and the voltage

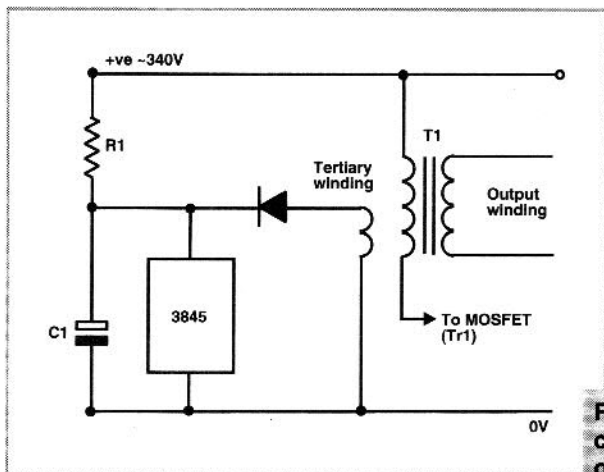


Fig.2 Powering the control chip in an off-line switcher

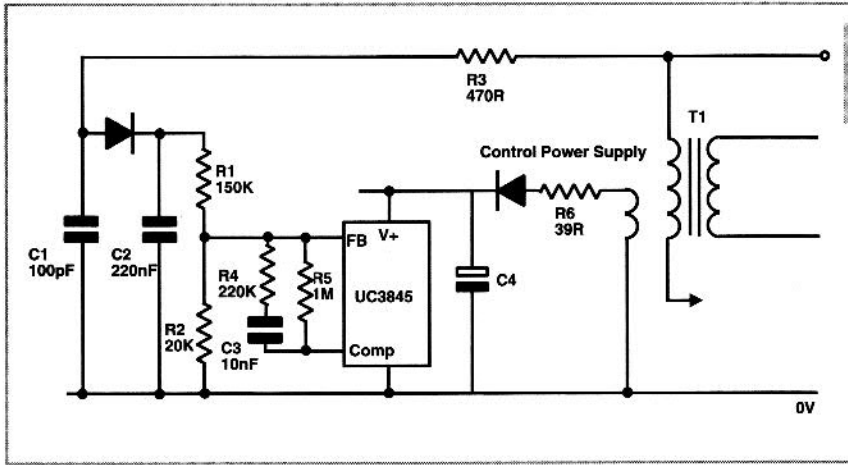


Fig.3 Deriving voltage feedback from tertiary winding

need only supply enough current to charge the capacitor slowly while also supplying the quiescent current of the control chip.

Voltage feedback to control the output voltage of the converter can be provided in several ways. If very accurate output regulation is not required, then the power supply to the control chip may be potted down to the voltage control input. This power supply voltage approximately reflects the output voltage, but because of the leakage reactance, the output voltage will sag under load by perhaps 5%. If a slightly superior feedback is required, then the circuit of Figure 3 can be employed.

rating of TR1. The higher the voltage rating of TR1, the less energy needs to be dissipated in the snubber network, and hence the higher the efficiency of the circuit.

draw a low quiescent current, and to start switching at a significant higher voltage than that at which they stop. Power up then occurs as follows: C1 charges to the upper voltage, typically 16 volts, then the chip starts to switch. It

Control Power

Power to drive the control chip is normally derived as shown in Figure 2. While the circuit is running, power is derived from the output. This is an efficient method of providing the correct voltage for the chip. Unfortunately, it does not work until the circuit has commenced switching, which cannot happen until the chip has been powered up. In order to make the circuit start in the first place, an auxiliary source of power is provided via a dropper resistor from the unregulated supply.

This supply is likely to be rectified mains, with an approximate DC level of 340 volts. To provide the current required to operate the chip from this voltage would cause a lot of dissipation in R1. So, most of switched mode power supply control chips are designed to

continues to provide output drive pulses until its voltage falls to typically 10 volts and, long before then, if nothing is wrong with the power supply, the chip is being powered from its own output. R1

This minimises the effect of the flyback spike, and other leakage reactance effects on the measuring voltage.

In applications where you really must have accurate output voltage control, an opto-isolator is normally used to provide the feedback signal. To do this, it is normal to use a voltage regulator and an op-amp powered from the output to drive the opto-isolator, as illustrated in Figure 4. Note the capacitor between the base and emitter of the opto-isolator transistor. This is to keep switching noise from being picked up and amplified by the high impedance of the base of the transistor. Too high a value of capacitor will introduce phase shifts within the control loop bandwidth and make the circuit oscillate.

Fig.4 Opto-isolated feedback for an isolated flyback converter

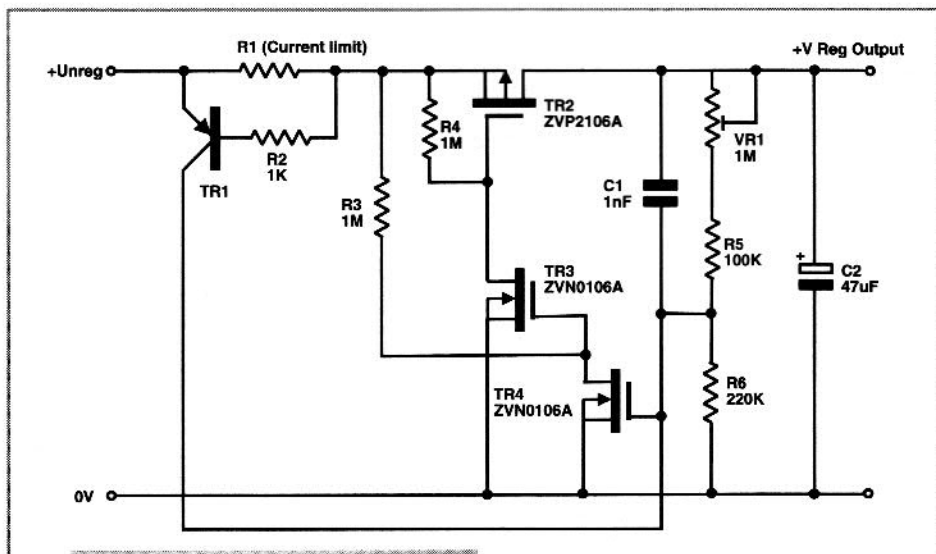
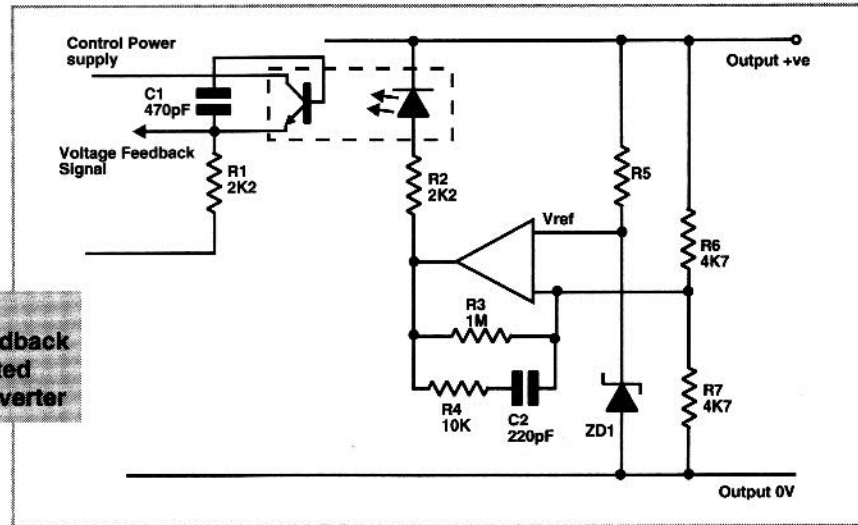
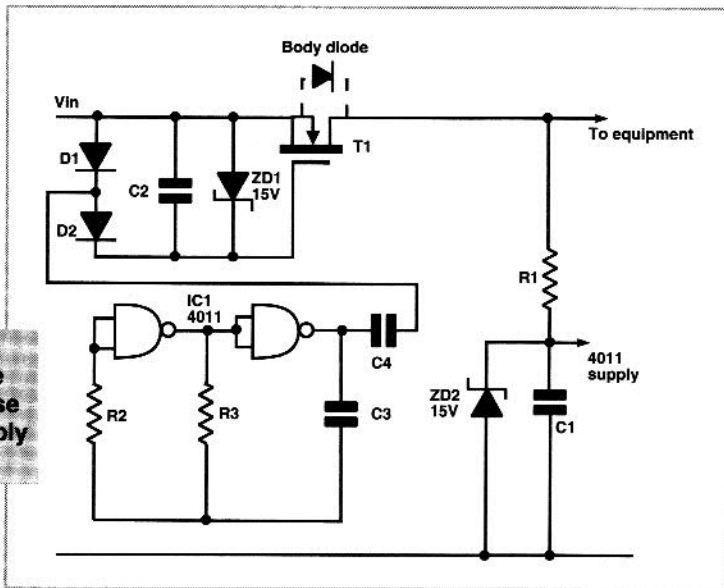


Fig.5 Micropower linear regulator

Fig.6 Very low voltage drop reverse power supply protection



Micropower Linear

Much as I like switched mode power supplies, even I have to admit that there are some occasions when they are inappropriate. Figure 5 shows a linear regulator which consumes very little quiescent current, and which is therefore ideal for battery powered equipment. It uses a p-channel FET as the pass transistor, so it can give very low input to output voltage drop, and, because the pass transistor is not of a type which draws base current, it can give this low voltage drop without the normal penalty of a high power consumption when providing a high output current. Its output voltage is set by the turn-on voltage of TR4. This can vary from device to device, so this is a circuit which absolutely must include a voltage adjustment pot. That is no doubt one reason why this type of design is not used in standard 3-terminal voltage regulators. Among other reasons are the fact that the turn-on voltage of TR4, and hence the output voltage, is not completely stable with temperature, and that the response of the circuit to changing load is very slow, so it must have a significant value of output capacitance. Finally, it is vulnerable to damage by input voltage spikes which, with this simple circuitry, can induce a high voltage across the gate insulator of TR2, causing instant destruction. However, this is not a problem for a battery powered system (except car electrical systems, which can produce spikes).

Reverse Protection

Have you ever come across the situation where you want to add reverse battery protection to a design, but you cannot afford the voltage drop of a series diode? One answer is to use a parallel

diode and a fuse, so that reverse power supply connection will blow the fuse. This is certainly better than nothing when it comes to protecting valuable equipment, but it can be a nuisance. The circuit of Figure 6 shows one answer. I have used this design in a situation where a circuit was drawing 10 amps from a 12-volt car electrical system, and even the voltage drop and dissipation of a Schottky diode was causing a problem. It works as follows: when power is applied, current initially flows through the reverse body diode of T1. At the same time, IC1 starts to generate a square wave and charge up C2. This turns on T1, so that the channel starts to conduct. Some of the best modern power mosfets have on-resistances as low as 10-20 milliohms, giving a voltage drop of 0.1 to 0.2 volts at 10 amps.

The same principle can be applied to equipment powered from a lower voltage, where the voltage drop of a Schottky diode may still be a problem even at lower current levels than 10 amps. This technique is only relevant in those rare cases where the absolute minimum voltage drop is needed, but in those cases it is a life-saver.

Analogue Switching

MOSFETs are commonly used to switch analogue signals in chips such as the 4066 and the 4053. These are fine to switch low-powered signals, but sometimes higher power or higher voltage is needed. That is where the circuit of Figure 7 can help. Depending on the type of mosfet chosen, this circuit can switch amps of signal at a voltage limited by the gate breakdown voltage of the FETs. Currently I am attempting to use this principle in switching drive current to a series of multiplexed magnetic excitation wires in a magnetic code reader.

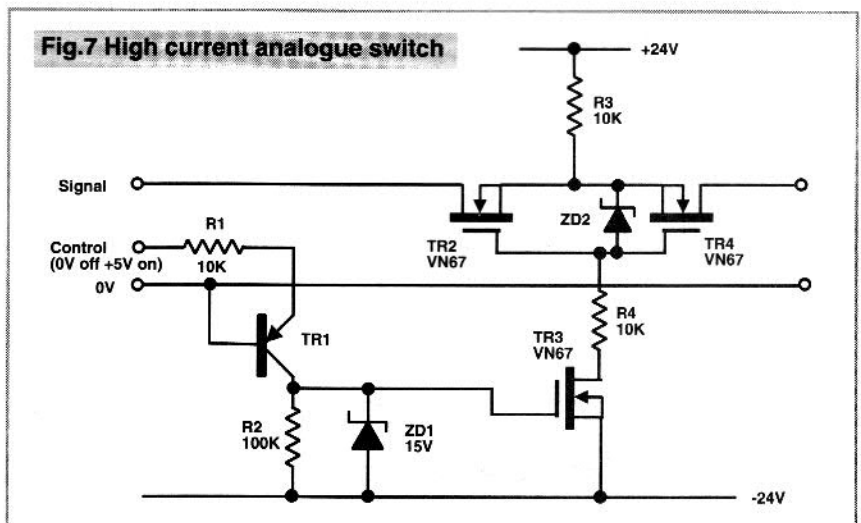
Audio Amplifiers

FETs are often used in audio amplifier designs because they are thought to give an inherently cleaner performance. I suspect that part of the reason for this is that FETs perform more like valves than like bipolar transistors, and there is a fashion for valve amplifiers among some hi-fi enthusiasts. However, it is true to say that the crossover region in a conventional MOSFET class A/B amplifier, is not so sharp as that in a bipolar transistor amplifier. This reduces the need for the negative feedback to correct errors, and may reduce both intermodulation distortion and transient intermodulation distortion.

It is slightly more difficult to bias the output stage in a mosfet power amplifier, and because of the variation between devices a quiescent current adjustment pot is almost always required. However, the improved linearity in the crossover region can allow simple mosfet designs to perform very well and, in my view, power MOSFETs are marginally to be preferred to bipolar transistors for most audio amplifier applications.

EIA

Fig.7 High current analogue switch



MAILTECH

ELECTRONIC COMPONENTS

PROJECT BOXES A range of high quality boxes moulded in black high impact ABS, easily drilled or punched to produce a professional looking end product

TYPE	W	L	H	PRICE
T2	75	56	25	£0.77
T4	111	57	22	£0.92
MB1	79	61	40	£1.35
MB2	100	76	41	£1.47
MB3	118	98	45	£1.71
MB4	216	130	85	£5.19
MB5	150	100	60	£2.35
MB6	220	150	64	£3.95
MB7	177	120	83	£3.42
MB8	150	80	50	£2.22

All sizes are in millimetres

MICRO SWITCH roller arm operation spdt 40p each

MINIATURE TOGGLE SWITCHES

spdt	60p each	spdt 3 position c/off	70p each
dpdt	70p each	dpdt 3 position c/off	80p each
spdt biased	60p each	spdt 3 position c/off biased both ways	70p each
		dpdt 3 position c/off biased one way	80p each
			50p each

MINIATURE PUSH TO MAKE SWITCH

DIL RELAYS 5 volt dp/changeover 12 volt dp/changeover 60p 10 for £5.00 80p 10 for £6.00

RELAY 10 amp contacts sp/changeover 12 volt coil
CAR HORN RELAY in metal can with fixing lug, s/pole on 10 amp contacts £1.00 each 6 for £5.00
20 AMP RELAY dp on 12 volt coil £1.50 each 4 for £5.00 50p each 10 for £4.00

REED RELAY 12 volt 50p each 10 for £4.00
240 VOLT AC RELAY. 3-pole c/o 10 amp contacts £1.50 each 4 for £5.00

SEMICONDUCTORS - TRANSISTORS - ICS - DIODES - REGULATORS - ETC

VOLTAGE REGULATORS
1 amp 7805/7812/7815 all 33p each. 7905/7912/7915 all 39p each
2 amp 78505/785212 54p each
100mA 78L05/78L12/78L15 all 26p each. 79L05/79L12/79L15 all 29p each
Adjustable LM317T 47p each. LM723 29p each, L200 £1.28 each
Transistors TIP2955 70p each, TIP 3055 70p each
2N3053 29p each, 2N3055 70p each, 2N4403 28p each, 2N3819 40p each
MICRO IC'S - Z80A CPU £1.20; Z80A PIO £1.50; Z80B SIO-1 £4.00

'D' CONNECTORS

	plug	socket	cover
9 pin	30p	30p	35p
15 pin	40p	40p	35p
25 pin	50p	50p	40p

SPECIAL OFFER PROJECT BOX
In white high impact ABS 50 x 70 x 25mm 60p each 10 for £5.00

OPTO DEVICES - LEDS - ETC

5mm rnd red/yellow/green/amber 10p each 12 for £1.00 any mix
5mm rnd high brightness red/green 20p each 6 for £1.00 any mix
5mm rnd flashing red 60p each, yellow/green 70p each
5mm rnd bi-colour 35p each, tri-colour 45p each
LED mounted in chrome bezel red, yellow or green 30p each, 4 for £1
LED mounted in a black bezel red only 25p each, 5 for £1.00
PLASTIC BEZEL for 5mm rnd leds 10 for 40p
High brightness bi-colour i.e.d., rectangular, red/green, two leads 40p each

RESET TIMER PCB

Gives a timed relay closure following a momentary input. Requires 12V d.c. supply SP c/o relay output LED indication. 19 different time intervals from 25sec to 35min 20sec. £5.98 each.

UNIVERSAL BELL TIMER

10 or 20 minute bell cut off +ve or -ve trigger* timed relay contacts. £4.96

ALARM CONTROL UNIT

Single zone alarm control unit built into a domestic light switch box. Ideal for home, caravan, boat, garage, shed etc.
Facilities: - Normally closed loop for pir sensors, door/window contacts etc. Normally open loop for pressure mats. 24-hour loop for personal attack button Visual indication that the system is operational.
Automatic entry/exit delay.
Automatic system reset.
Alarm output cmos logic level.

SIREN
12 volt dc for external use 115db £8.95

PRICE COMPLETE WITH FULL INSTRUCTIONS £8.95

TEMPERATURE PROBE High quality resistive temperature sensor mounted in a plastic covered probe. Resistance at 25°C 10kohm ± 70ohms Data supplied £3.96 each
3.5m JACK LEAD 7 metres of twin flex (white) with a 3.5mm jack plug on one end £1.00 each, 3 for £2.00, 5 for £3.00.

PASS SWITCH A high security keyswitch mechanism (double pole changeover) mounted in a aluminium die cast box with an anti-tamper micro switch fitted to the lid £5.85 each

EX INSTALLATION SENSORS tested working.

Type 1. Measures 180 x 112 x 70mm with walk test led, relay output and tamper protection. 12 volt dc supply required £8.50 each
Type 2. As above but a smaller unit 123 x 62 x 50mm £11.75 each
Type 3. Ceiling mounting passive, infra red sensor 360° detection, 12V d.c. supply relay output, tamper circuit and pulse count option. Data supplied. £15.70 each

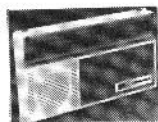
DOOR/WINDOW CONTACTS Surface or flush mounting, white £1.10 each
JUNCTION BOX white 6 way 60p

Please note: There may be variations in the size of the above passive infra red sensors depending on stock at the time of ordering. But the unit will certainly be within the stated sizes.

DUAL TECH SENSOR Microwave and passive infra-red combined. Separate led indication for each function. Measures 120 x 75 x 50mm. 12 volt d.c. supply, Relay output. Tamper protection. £29.95 each

ALARM CONTROL PANEL ST3000

"Wire free alarm control panel, detectors communicate with the panel by means of radio transmitters". Speech synthesis for programming and general operating guidance". Built in user programmable telephone dialler". Up to 32 transmitters can be used". Programmable exit/entry and bell timers". Programmable user codes". Full installation data supplied, the only thing that has to be handwired is the output to the siren/bell unit (not supplied)". These control panels cost over £300.00. Yours for only £59.95. Suitable **PASSIVE INFRA SENSOR/TX £25.85**
Battery operated, available in 8m range, 10m range or 25m range.



UNIVERSAL TX

For connection of normally open or closed contacts e.g. door/window switches, pressure mats etc. £17.63

BREADBOARDS - CAPACITORS - SOLAR CELLS - HEATSHRINK - ETC

SOLAR CELL 2 volt 150mA max, size 60 x 100mm £1.35 each 5 for £6
BNC SOCKETS 50 ohm single hole fixing 50p each 10 for £4.00

MERCURY TILT SWITCH Standard on/off £1.00 each
4 Contact (Directional) £1.50 each
PIEZO VIBRATION SENSOR with data sheet £1.00 each

BREADBOARD 173 X 65mm 840TP £5.25 each
TEXT TOOL ZIF SOCKET 28 pin zero insertion socket £5.95 each

MINIATURE PIEZO SIREN 12V DC 100dB with mounting bracket £4.23
INTERNAL PIEZO ALARM 12V DC 100dB mounted in white plastic box 114 x 44mm £4.70
POWER SUPPLY Cased power supply unit 220/240 vac to 9.1 volt DC at 2.1 Amp £7.64
MAINS FILTER Chassis mounted IEC Mains plug with integral 3 amp mains filter £3.97 each
MAINS LEADS IEC type 3 pin mains socket and lead (2m) £1.96 each
COAX TV PHONO LEAD Length 2m £1.00 each, 3 for £2.00
EPROMS 27C256 - 30 27C512 - 25 once used but never used EPROM. Mounted on a plastic carrier, can be removed from carrier or used with low insertion force socket. £7.64 each
27C256 £1.00 each 6 for £5.00 **27C512** £1.20 each 5 for £5.00
Suitable for low insertion force socket 28 pin 40p each, 3 for £1.00
100dB PIEZO SOUNDER 2KHz note, 3-12VDC 40mA, 45mm dia x 26mm £1.76
MULTITURN PRESETS 20mm RECT, 500R, 1K, 5K, 10K, 20K, 50K, 100K, 1M 40p each, 3 for £1.00

VIBRATION SENSITIVE ALARM BOARD WITH PIEZO SOUNDER Originally a bike alarm. There is a short delay after activation then the piezo sounnder operates for a preset period. £3.76 each
Or the above alarm board with custom designed case, fixing clip and keyswitch £9.95

INFRA-RED BREAK BEAM Transmitter and receiver p.c.b. with 2 lens assemblies. 12V d.c. supply. These are ex-installation units and are not guaranteed to be working. £4.96 pair

RECHARGEABLE BATTERIES

AA (HP7) 600 mA H £1.02 each C (HP11) 1200 mA H £2.29 each
D (HP2) 1200 mA H £2.40 each PP3 8.4V 100 mA H £4.77 each
FLOURESCENT LIGHT INVERTOR. Drives an 8 watt tube directly from 6V d.c. Data supplied £4.50 each

£1.00 BARGAIN PACKS

SUB-MINIATURE TOGGLE SWITCHES PCB Mounting

BO01 SP on 4 £1.00
BO02 DP on 3 for £1.00
BO03 3 x DP 3 pos. centre off
BO04 DIL SWITCHES 4-way SP on 3 for £1.51
BO05 DIL SWITCHES 8-way SP on 2 for £1.00
BO06 DIL SWITCHES 12-way 90deg SP on 2 for £1.00
BO07 12 x PP3 BATTERY SNAPS
BO08 1 x CAPACITOR 1 FARAD 5.5 VOLT 20mm dia x 7mm high
BO09 INSTRUMENT KNOBS (0.25" SHAFT High quality grey plastic knob. collet fixing 15mm dia, 5 for £1.00
BO10 as above but 29mm dia, 3 for £1.00
BO11 4 x MAGNETIC EARPIECE 8 ohm with 3.5mm plug
BO12 4 x 28 WAY TURNED PIN DIL SOCKET
BO13 15 x 12 VOLT WIRE-ENDED LAMPS
BO14 8 x 2 PIN DIN PLUGS screw terminal connection
BO15 2 x LIGHT DEPENDENT RESISTOR Less than 200 Ohms in daylight, greater than 10 megohms in darkness
BO16 1 x KEYPAD 20 key in 5 x 4 matrix bubble type switch contacts
BO17 2 x PIEZO BUZZERS approx 3 to 20 volt DC.
BO18 5 x 78M12 VOLTAGE REGULATORS positive 12V 500mA
BO19 4 x TL082CP bi-fet op-amps
BO20 20 x ASSORTED LEDS full spec. various shapes and sizes
BO21 3 x INFRA-RED DIODE TX/RX PAIRS made by Honeywell (no info)
BO22 4 x CONSTANT CURRENT LED 5mm round red 2-18V DC or AC nominal 14mA
BO23 50 x 1N4148 diode
BO24 2 x INFRA-RED TRANSISTOR FPT5133
BO25 5 x DIACS
BO26 2 x BDX33C 10 amp 100V npn transistor
BO27 12 x 2N3702 Transistor
BO28 12 x 2N3904 Transistor
BO29 12 x BC337 Transistor
BO30 4 x LM317T Variable regulator mounted on a small heat sink
BO31 2 x MAN6610 2 digit 0.6" 7 segment display Com anode amber
BO32 3 x PHONO TO PHONO LEAD 63cm long
BO33 15 x RECTANGULAR RED LEDS 6 x 6x 2mm stackable
BO34 1 x PHOTO SENSITIVE SCR mounted on a PCB, data sheet supplied
BO35 4 x IEC Panel Mounting Mains Plug Snap fix
BO36 5 x ASSORTED PIEZO TRANSDUCERS
BO37 5 LENGTHS OF HEATSHRINK SLEEVING 8mm dia. 400mw long
BO38 25 x CERAMIC DISC CAPACITORS 0.1 mfd 63V
BO39 15 x MONOLITHIC CERAMIC CAPACITORS 0.1 mfd 63V, in a dil package
BO40 25 x ASSORTED ELECTROLYTIC CAPACITORS PCB mounting useful values
BO41 25 ASSORTED PRE-SET RESISTORS
BO42 6 x 3.5mm LINE JACK SOCKETS (mono)
BO43 6 x 3.5mm JACK PLUG (mono)
BO44 8 x 3.5mm CHASSIS SOCKET (wono)
BO45 2 x TRIACS 800 volt 8 amp
BO46 12 x BC213L Transistor
BO47 12 x MIN SLIDE SWITCH dpdt
BO48 15 x MIN CERMET TRIMMER POTS (good range of values)
BO49 1 x PCB WITH TWO LARGE LEDS 15mw square, one red and one green
BO50 1 x 12V DC RELAY 4-pole c/o with plug in base
BO51 4 x LM324 quad op-amps
BO52 4 x 555 Timer
BO53 5 x 741 op-amp
BO54 25 x 1N4001 diode
BO55 20 x 1N4007 diode
BO56 1 x SLOTTED OPTO
BO57 1 x DAC08 Digital to analogue converter with data
BO58 4 x OPTO ISOLATOR
BO60 3 x C106D Thyristor
BO61 5 x 78M05 VOLTAGE REGULATORS positive 5 volt 500mA
BO62 10 x TACTILE SWITCHES miniature pcb mounting switches with a positive tactile action

Please use order code when ordering the bargain packs

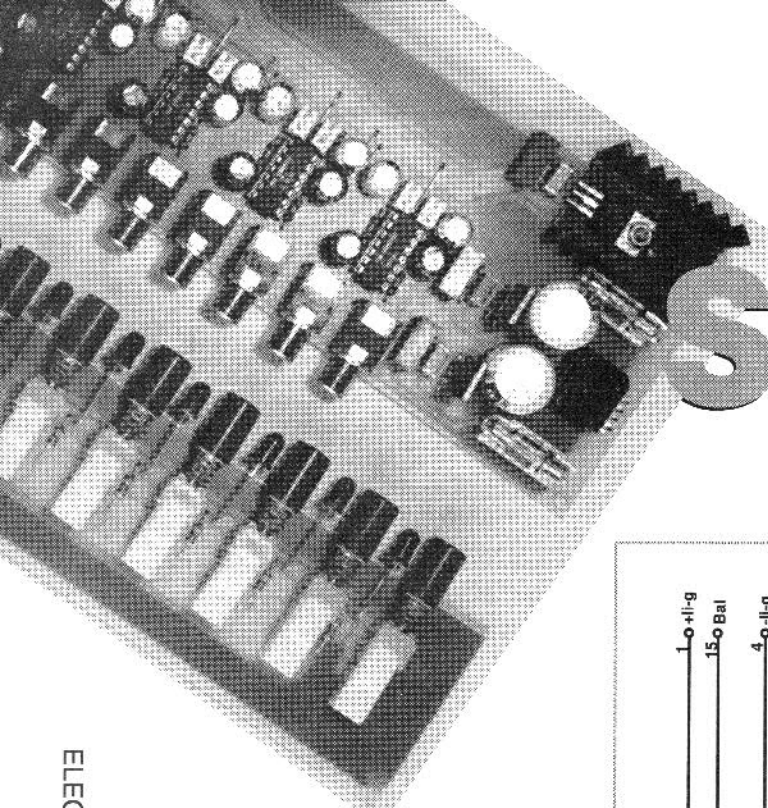
Please make cheques and postal orders payable to Mailtech.

All prices include VAT.

Please add 75p postage to all orders.

At the moment it is not possible to have a full telephone answering service. But we will have the phone definitely manned on Tuesdays, Wednesdays and Thursdays between 10am and 4pm.

Dept EA, Mailtech
PO Box 16 Ludlow
Shropshire SY8 4NA
Tel:058 474475



The Switcher

Part 3

We undertake an in-depth analysis of the SSM2018 VCA, and show how it fits into an optional Volume Control circuit in The Switcher. By Mike Meechan.

An OVCE IC uses a somewhat unusual operational voltage-controlled element (OVCE for short) in its architecture. This allows many different configurations to be realised simply by altering the device feedback connections. This type of circuit topology combines the function of an op-amp and a voltage-controlled amplifier into a single integrated device, and because two traditionally separate blocks are combined in a single package, much higher performance can be achieved from it.

The OVCE is comprised of three basic elements

- 1 Input differential pair and compensation network
- 2 Programmable current splitter which generates the biasing current for the gain core
- 3 Four transistor gain core (a dual two-quadrant multiplier) and the output buffers

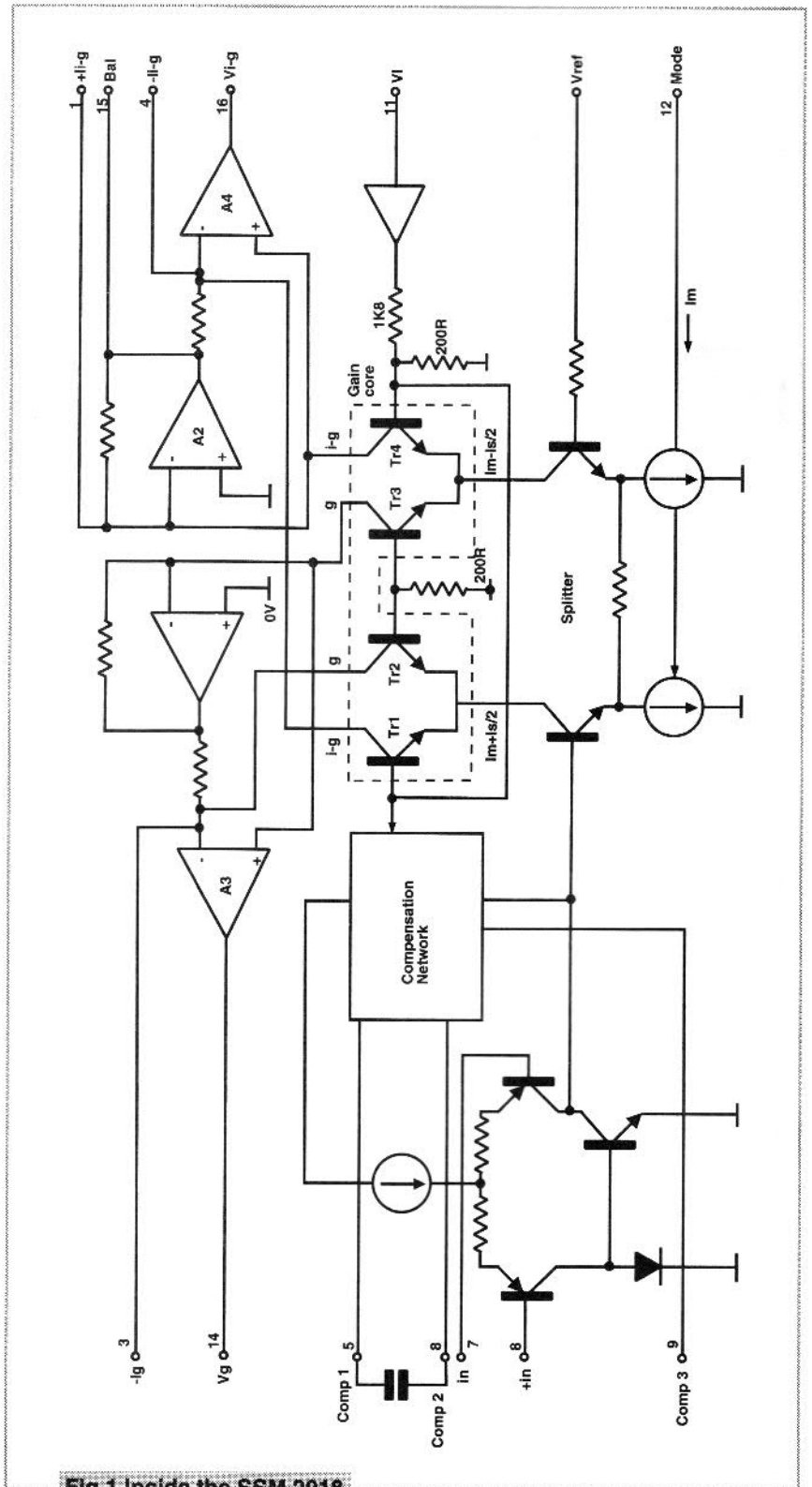


Fig.1 Inside the SSM 2018

Figure 2 shows the OVCE device symbol, and Figure 1 gives details of the various component parts of it.

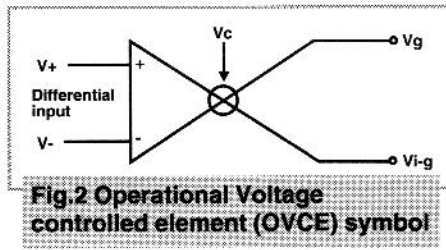


Fig.2 Operational Voltage controlled element (OVCE) symbol

Differential Pair

The differential pair structure is identical to that of operational amplifiers, creating a single-ended output current which is proportional to the differential input voltage. Traditionally, maintaining optimal compensation over a wide range of selected gains has been a problem faced by the designers of all variable gain amplifiers. The problem is solved in the SSM 2018 by fitting an adaptive network. This is connected after the input section and effectively divides the external compensation capacitor by a value corresponding to the current value of device gain. In a VCA configuration, the network maximises the internal closed loop gain of the device independently of overall system gain. Conversely, where the IC is configured as a voltage-controlled potentiometer, global feedback remains constant with changes in gain, and the adaptive network is defeated, replaced instead by a fixed value of compensation capacitor. In panning circuits requiring moderate gain, the value of the compensation capacitor can be reduced in order to obtain wider signal bandwidth.

Programmable Current Splitter

The current generated by the input differential pair is split and used to drive the the gain core transistors. Each transistor is driven with currents containing equal and opposite signal components. The common mode component of these two currents, I_M ,

determines the class of operation of the device. The current injected into pin 12, and which is determined by an external bias resistor, corresponds to this common-mode component. It follows that there is a trade-off between noise from the semiconductors of the gain-core section, and the magnitude of this current.

The Gain Core

The gain core consists of two very carefully matched differential pairs. These utilise large-geometry, high gain transistors which are designed to produce minimum noise and distortion. Again, refer to Figure 1. The differential pair - which is forward-biased by the current source - divides the tail current I into two currents I_{C1} and I_{C2} according to the applied voltage V_B . Since the transistors have high beta, I_F is approximately equal to I_C , and can be expressed in the form;

$$I_C = I_S \times \exp(a V_{BE})$$

where I_S is the reverse saturation current
Since

$$I_{C1} + I_{C2} = I, \text{ and } V_{BE} = V_{BE1} - V_{BE2}$$

the ratio of currents can be expressed as follows:

$$1 = \frac{\exp(aV_C)}{1 + \exp(aV_C)}$$

and

$$1-G = \frac{I_{C1}}{I} = \frac{1}{1 + \exp(aV_C)}$$

These relationships are precisely reproduced in both pairs of the gain core. This results in differential collector currents which accurately correspond to a function of the applied control voltage. This IC is unique in that it provides both gain-multiplied and remainder-multiplied outputs, and so provides for an infinite number of gain block configurations. The differential outputs of the gain core transistor pairs are applied to differential current-to-single ended voltage converters comprised of buffers A1 to A4, with A1

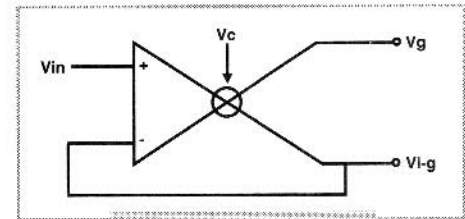


Fig.3 OVCE Follower/VCA connection

and A2 configured as precision current mirrors, whilst A3 and A4 behave as current-to-voltage converters. The connections to A2 have been arranged so that the user is able to balance the current mirror gain. Doing this achieves perfect symmetry in the positive and negative half-cycles of the output waveform. The error contributions from the current mirror circuitry are cancelled because the non-inverting inputs of A3 and A4 are connected to the inverting inputs of A1 and A2 respectively. Because of this arrangement of the internal architecture, any additional current sourcing components required for high output drive applications must be connected outside the feedback loops and buffered in order that OVCE

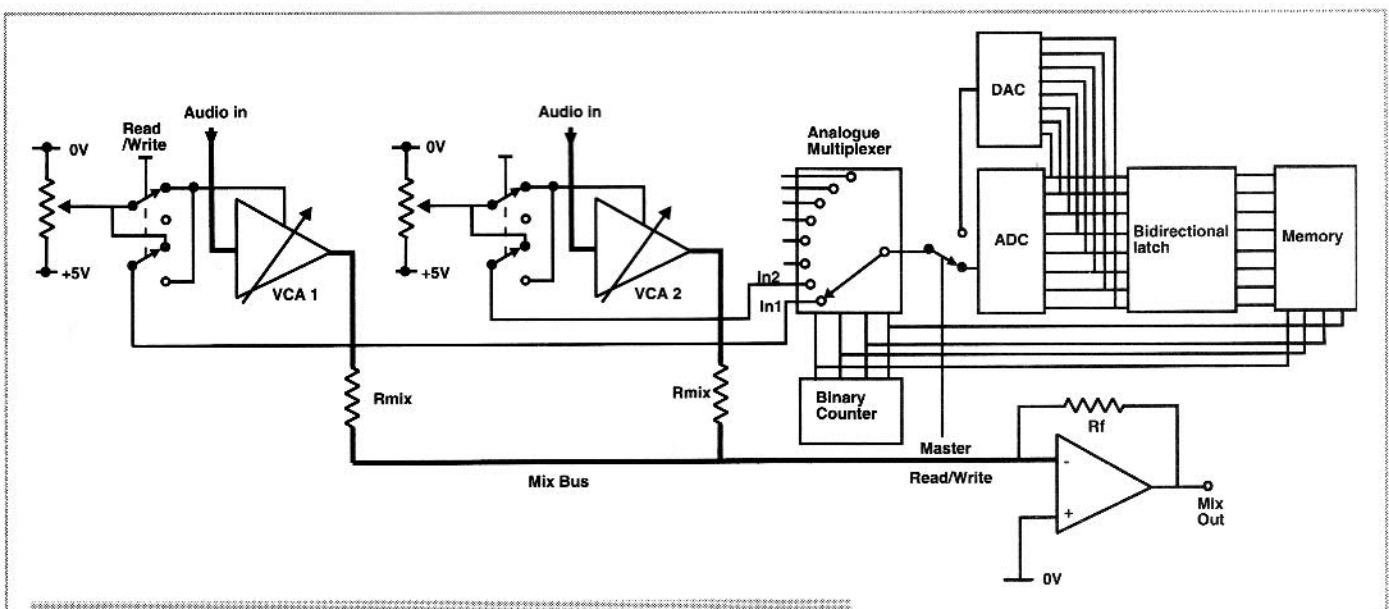


Fig.4 VCA application in typical mixing desk fader automation system

response and dynamic range aren't compromised.

Real Applications

The OVCE has two inputs, V_G and V_{1-G} . Both respond to the input waveform but in a ratio determined by the magnitude of the control voltage V_C applied to Control Port, Pin 11. The transfer function for each of the two inputs is as follows;

$$V_G = \{V_+ - (V_-G.A)\}$$

and $V_{1-G} = \{V_+ - (V_-1-G.A)\}$

where **A** is the open loop gain of the circuit and

$$G = \frac{\exp(aV_C)}{1+\exp(aV_C)}$$

Consequently, the ratio of the outputs is;

$$\frac{V_G}{V_{1-G}} = \exp(a.V_C)$$

The control constant a is approximately -4 at room temperature. In the interests of an easy explanation of the OVCE operation under real signal conditions, assume now that the input voltages are both equal, and refer to Figure 3 which shows the basic VCA realisation. V_{IN} drives the non-inverting input, while the V_{1-G} output pin is tied to the inverting input. (This is analogous, in many ways, to the simplification done when considering negative feedback in basic op-amp configurations). In closed loop operation, we assume that both inputs are at approximately the same voltage, and so the V_{1-G} output follows the input for all control inputs. However, since

$$V_G = V_{1-G} \times \exp(a.V_C)$$

then $V_G = V_{IN} \times \exp(a.V_C)$

The transfer function, therefore, is for a voltage follower at the V_{1-G} output, and that of an exponential Voltage Controlled Amplifier at the V_G output. As with operational amplifier circuits, the hard-wired direct feedback connection could be replaced by any reasonable network to yield the desired transfer function.

The VCA and The Switcher - A Marriage Made in Heaven?

One of the main attractions of the SSM 2018 device - apart from its superb sonic performance and reasonable cost/easy availability - is in the low number of parts needed to realise a workable, good-sounding circuit. A further desirable attribute is that there is a maximum of only two trim pots which need adjusting

The Works

There are three parts to the VCA. These are the Front Panel Interface incorporating the Up/Down Counter section, the D/A Converter and the VCA itself. We'll look at each in turn.

Front Panel Interface/Up Down Counter

The heart of the system, (apart from the VCA, which is fairly dumb and does what it is ordered), is the counter section of ICs 5 and 6. These are 4-bit binary up/down counters with terminal count (TC) and presettable (jam) input facilities. On power up, the PL parallel load pin is held high while C4 charges through R4. This allows the value stored on the parallel input pins P_0 to P_3 to be latched through to the counter output pins Q_0 to Q_3 on each device. This 8 bit number corresponds to an attenuation setting of 20dB - any live signal source connected to the input selection circuitry is thus muted to a safe level on power-up.

Once the capacitor is fully charged, the parallel load pin is held low and further parallel loading into the counter from this particular source is inhibited. The counter can now operate normally, ie under full control of the clock and up/down signals. The oscillator is a semi-latching ring-of-two astable type (comprised, somewhat fortuitously, of IC2c and IC3c, "leftover" gates of ICs 2 and 3). The semi-latching astable differs from the more conventional gated type in that the clock signal does not terminate immediately after the gate signal is removed (which would mean that any noise present at the gate terminal would appear at the output). This attribute means that it allows only whole cycles of the clock through, and so is immune to noisy gating pulses, a feature which lends itself ideally to our application since we have interfaced the circuit directly to the front panel switches. The gate signal for IC2c NAND is derived both from the front panel switches, SW1 and SW2, and from the output of IC3c NOR (via the diode OR gate of D1-D3 and R2). As soon as the astable is gated from an external source - via D1 or D2, the output of IC3c NOR self latches the gating via D3 for the duration of one half clock cycle, thus eliminating the effects of a noisy external source. This oscillator runs at a frequency of around 20Hz. This means that it takes approximately 13

seconds to change the attenuation from full to zero but it is a simple matter to change this frequency to suit personal preference.

It has to be said that for most listeners, the 8 bit accuracy of the attenuation setting is slight overkill, but it is actually much harder to reduce the resolution of the incremental changes than to accept the system as it stands and the resultant small changes in volume level from one 8 bit setting to the next. While the oscillator is enabled, an LED connected to the output of it flashes to indicate that the system is operating correctly. When full volume or maximum attenuation levels have been reached, the LED is extinguished to indicate that the available range of control has been exhausted.

Local (front panel) control of volume level is expedited through SW1 and SW2. Pressing SW1 generates a logic low when depressed. This is NANDed in IC1a with the signal from the appropriate part of the Infra Red Remote Control board (which is normally also pulled high), and so a logic high is generated. This sets bistable IC4b, forcing its Q output high and the two counters into count up mode. While the button is depressed, clock signals are gated on by the enabled AND combination of IC1c NAND/IC3b NOR gate. (The inhibit signal, a NORed version of the two terminal count signals from the counter, will be at a logic low unless full count - all - 1s has been detected in "count up", or empty count when counting down. This "inhibit" signal is NANDed with the Q complement output of IC4b and so the NAND gate of IC2b remains high unless inhibit and this pin are high simultaneously. When this happens, the corresponding NAND output is forced low and disables the AND gates formed from the NAND/inverter combination of ICs 2c and 3b. The astable, when this state has been forced, is no longer gated on. Conversely, pressing SW2 clears bistable IC4b, forcing its output low and the counters into count down mode. Again, clock signals are gated through to the counters only while the IC2a/3a AND combination isn't inhibited by the "all 0s" detection circuitry of IC3d and IC2d).

Just what does happen when the counter Q outputs reach the "all 1s"

state when counting up and the "all 0s" state when counting down? The Terminal Count pin - which generates a logic low when all of the Q outputs are high and the device is counting UP, or a logic low when all of the Q outputs are low and the device is counting DOWN, and is normally used to cascade devices - is employed here to disable the oscillator when a "counter full" or a "counter empty" state is detected in count up and count down modes of operation respectively. The TC signals from each of the counters are NORed by IC3d and so an "inhibit" signal is generated whenever both TC pins are simultaneously at a logic low level ie full count in the down or up direction respectively has been reached. NANDing this signal with the UP/DN signal gives a high (disable) signal for the UP switch, while inverting the UP/DN signal, (using the not Q output), and NANDing this with the INHIBIT signal generates a disable signal for the DOWN switch. The attached truth table shows what all of this means.

You may be wondering why the front panel labelling of the volume control switches is reversed in comparison to the action that it has upon the counters (ie the "down" switch causes the system to count up and vice versa). This is because full attenuation corresponds to +5V or thereabouts, so an all 1s output from the counters causes the full analogue output voltage from the DAC.

SW3 provides the Mute function. C1, R1, part of the resistor array, and IC1b debounce the switch and the resulting, clean, negatively-going pulse is used to toggle bistable IC4b. The not Q output of this is used as a secondary Parallel Load signal (ORed with the "power on" pulse) and loads a value into the counter registers which, again, corresponds to 20dB of attenuation. LED 2 is driven directly from the not Q output and gives some indication of when the Mute condition has been invoked by the user.

As well as control signals from the front panel pushbuttons, control of the counters can also be invoked from the remote handset and are input to the board via PL2. In essence, the UP and DOWN signals from the remote control receiver section are ORed with those of the pushbuttons. Part of the count inhibit interlock

system of the front panel pushbuttons co-exists with the up and down signals which originate from this section, with the remote inhibiting logic being essentially another part of the main inhibit circuitry.

The Mute function is realised similarly. This section will be covered in more detail in the Remote Control section when it is presented next month.

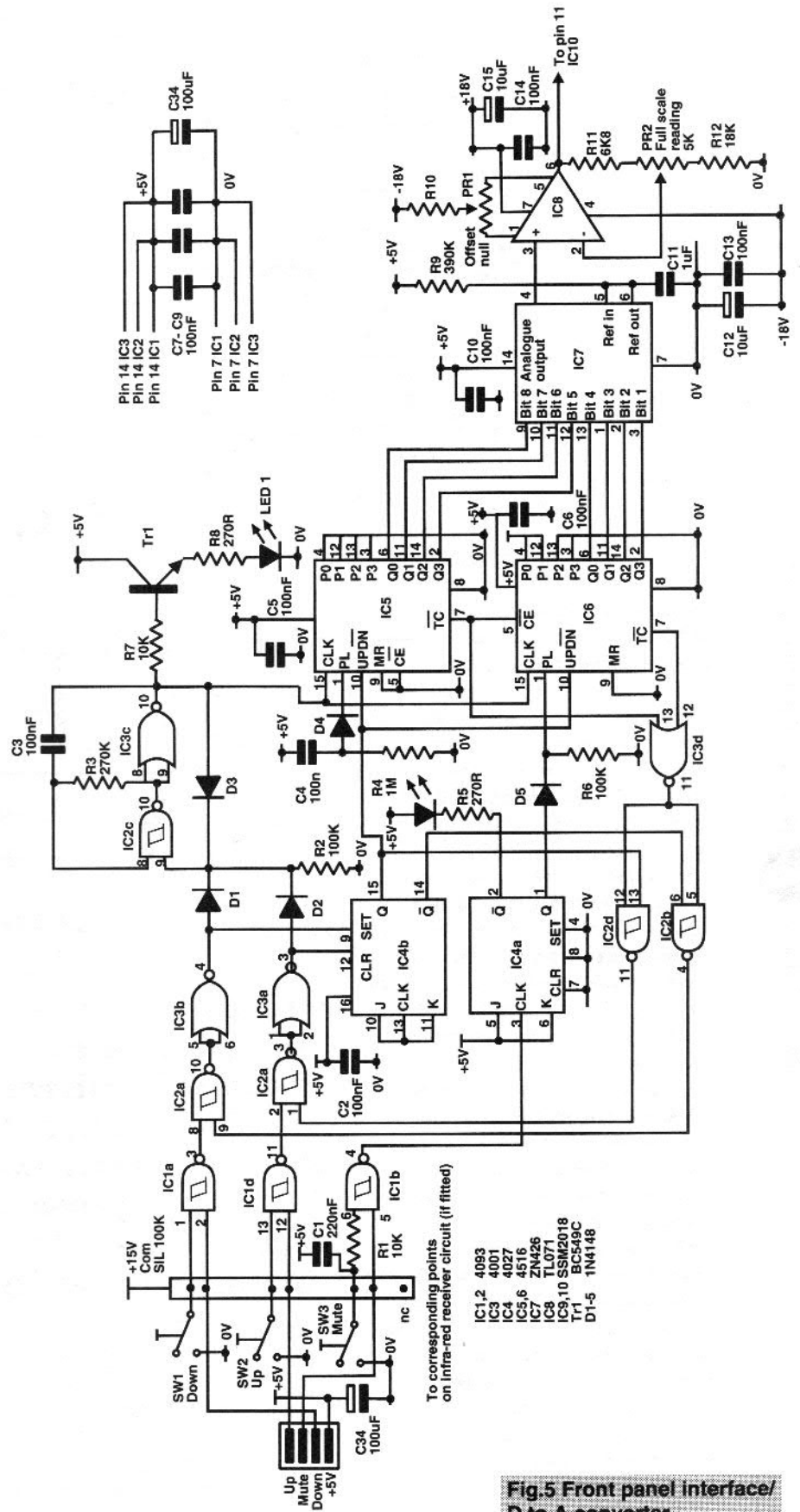
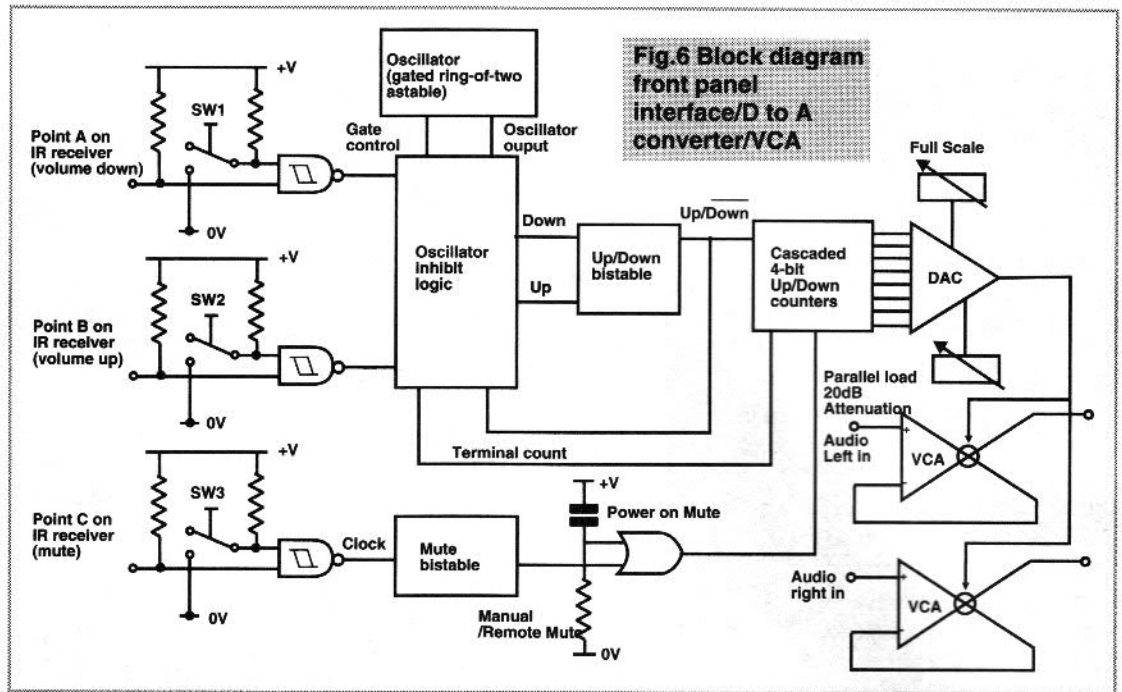


Fig.5 Front panel interface/ D to A converter

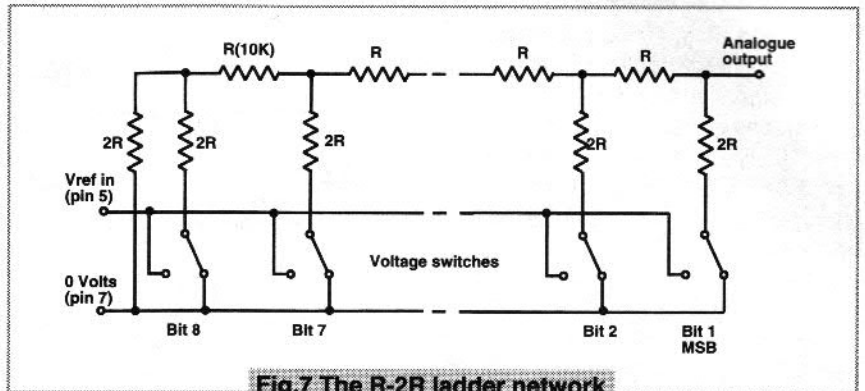


for correct audio performance, and one of these - the offset adjustment - is more of a nicety than a necessity, especially in less critical applications. However, it does have some effect on control feedthrough performance, as does the symmetry adjustment pot. This control, too, could be considered optional when the device is operated in pure Class A. I say this because many hobbyist constructors balk at the thought of having to tune or fine tune a design before it will work properly, and abandon the project rather than persevere with a few simple adjustments requiring only the most rudimentary test equipment, and the bare minimum of manual dexterity.

Constructors of this ilk need have absolutely no misgivings of this nature as far as The Switcher VCA is concerned - it performs commendably well with no trimming whatsoever, although it has to be said that ultimate performance is attained only after a little tinkering and SOME patience on the part of the constructor. I'm sure I'm right in saying that out-and-out audiophiles who demand the best of their equipment won't mind this, and indeed will consider it time well spent as they strive to attain audio perfection (or as near as you can get with a £4.00 chip and a handful of components)!

Design Considerations

I mentioned the AD7110 CMOS audio attenuator last month, and also the fact that its price put it out of bounds as far as our application was concerned. Nevertheless, it is a feature-packed IC, not least because it accepts a digital number directly as the control for the



Cheaper versions - which dispense with the on-chip reference - are available, but the cost of a precision bandgap reference diode quickly gobbles any apparent saving

gain or attenuation setting of the device. Some background information as regards the normal implementation of VCA ICs might be in order if we are to realise why direct digital control of attenuation is a very desirable attribute.

Most VCAs find primary use in sound processing units and mixer automation systems. The early FX units made only very limited use of microprocessors - they undertook some of the housekeeping of the unit, controlled the front panel display and perhaps scanned a keyboard. However, much of the audio signal control was

still done using conventional pots and knobs, with signal control still effectively realised in the analogue domain. Nowadays, cheaper processors, interface adapters, A/D converters etc mean that all of the signal control is done in the digital domain, since numerical values are much easier to store, manipulate and access later if they are kept in the digital domain and represented as binary numbers. This is to the extent that the control of some parameters - which would be much better left and done in the analogue domain, where continuous rather than discrete control can be realised - can now only be accessed via up/down keys or intricate menu systems.

The fader automation systems of professional mixing desks do illustrate the point clearly. Consider Figure 4 which shows a typical arrangement. The fader is used to derive a DC control voltage, which, in Manual mode, provides direct control of the VCA attenuation level and indirect control of the audio level (since no audio actually passes THROUGH the fader). Often, rather than needlessly impair the quality

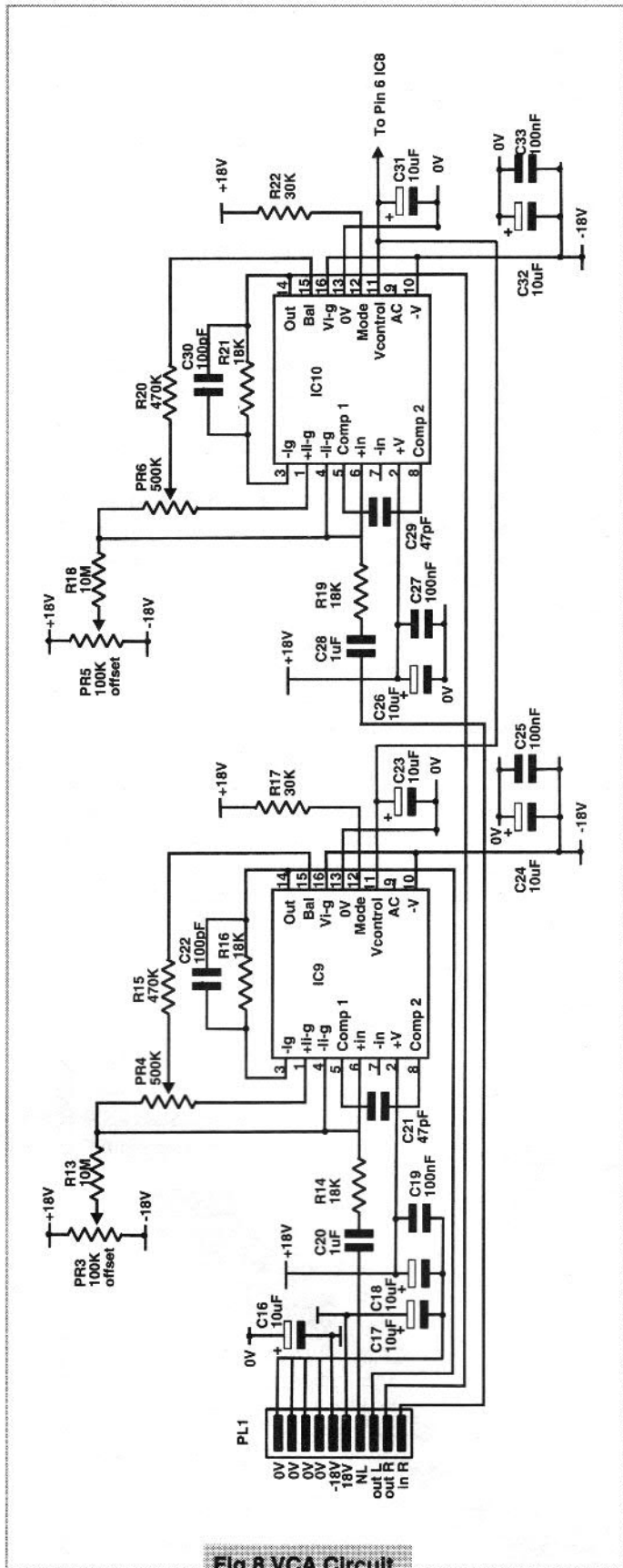


Fig. 8 VCA Circuit

VCA

Just about all of the VCA architecture has been explained already in the main body of text. We'll deal, therefore, only with its application in The Switcher Volume Control board here. Signal input is via pins 9 and 12 of PL1. The SSM 2018 is configured in VCA mode using differential current feedback. Trim controls for both symmetry and offset have been included, but either or both of them could be omitted if the class of operation permits and the constructor wishes to save money. It should be reiterated, however, that omission of the trim components worsens control feedthrough.

Amplifier A4 is defeated to allow the differential current feedback method of operation outlined earlier. This enhances the frequency response and slew rate characteristics of the OVCE. Feedback from the $+I_{1-o}$ output to the inverting input, and from $-I_{1-o}$ input to the non-inverting output creates differential virtual ground inputs. This allows inverting or non-inverting configurations. In our application, input is via one 18K resistor, and the device is operated in non-inverting single-ended input mode of operation. The inverting input is thus left unconnected. The shunting capacitors, C22 and C30, across the feedback resistors R16 and R21 respectively, roll off gain around 50KHz. The programming resistors, R17 and R22, are shown as being 30K in value. This gives the lowest possible distortion figure at the expense of a slight increase in noise, ie Class A operation. I found that with Class A, noise performance was still good enough that it could be considered to be typically below the noise floor of most pieces of equipment likely to be connected to The Switcher. The trade-off in noise/distortion performance only really becomes of significance when a number of VCA controlled inputs are feeding onto a common bus (ie in a mixing desk). Under these circumstances, noise rapidly can become objectionable because there is a 3dB increase in noise voltage for every doubling of the number of sources feeding to and sharing a common bus - noise signals are uncorrelated so that vector summation of the voltages concerned is done, rather than just simple doubling (which would, instead, give rise to a 6dB increase). This is where the ability to program the devices to trade distortion against noise becomes important. It is the eternal question of the audio designer - what distortion level gives acceptable noise performance?

particular unique address, in some form of memory - RAM, floppy or hard disk. All of the aforementioned would comprise a "record" operation.

Replaying the gain setting for a particular channel at a particular point in the mix would involve pulling the numerical fader attenuation level from memory, matching its address with that of one of the channels, latching it into the channel's local memory (an 8-bit latch), then converting this binary word

of the audio by passing it through a superfluous piece of electronics, audio is routed away from the VCA and does not pass through the fader when the automation facilities of the system aren't required. Also, the fader generates a DC voltage proportional to its setting, so the system is still able to memorise, fader

settings for any channels configured to have their VCA's OUT of the audio pathway. This analogue DC voltage is multiplexed along with all of the outputs from the other channels' VCAs, converted to an 8 or a 12-bit binary word using an A-to-D converter, and stored, together with the channel's

into an analogue voltage which the VCA recognises as an attenuation or gain setting. There are a lot of conversions from analogue to digital, and back again, and involve numerous converters and or multiplexers. Using a digital input VCA makes life a lot easier for the designer.

Our design faces the same problems, albeit on a smaller scale, and without any storage medium being required, although the system must power up in a safe output attenuated state if speakers and the neighbours' nerves/goodwill are to be preserved. Rather than fiddle about with presettable up/down ramp generators, sample-and-holds, summers, analogue multiplexers etc, I've used digital circuitry throughout. (Stored binary number values don't change, but analogue voltages can drift and do all manner of nasty things). The final 8-bit number which represents the volume level required of the system is then stored and converted into an analogue voltage which is used to control the VCA.

D/A Converter

The D/A Converter (IC8) is one of the cheapest available since it dispenses with facilities such as tri-state outputs, separate analogue and digital grounds, latches, write enable and output enable pins and so on. For our application, these and related items are superfluous, so it is nonsensical to use an IC with features we don't need. It is made by Ferranti and since it is one of their earlier types, it couldn't be described as state-of-the-art. Nevertheless, it performs adequately well in an undemanding application such as ours.

The device in question is the ZN426E, a 14 pin device with just three other pins in addition to the 8 binary input ones. These are V_{REFIN} , V_{REFOUT} and ANALOGUE OUT. (Cheaper versions which dispense with the on-chip reference are available, but the cost of a precision bandgap reference diode quickly gobbles any saving). Furthermore, there are no complicated trim or null procedures to follow, so setting it up and using it is easy - the ZN426E is made for our application. The DAC is a voltage switching type and employs an R-2R ladder network and an array of precision bipolar switches in addition to a precision voltage reference. The R-2R ladder network is shown in Figure 7. Each 2R element of the network is connected either to 0V or to V_{REF} by transistor switches which have been specifically designed for low offset voltage (1mV maximum which equates to 1LSB. Binary-weighted voltages are produced at the output of the R-2R ladder, the value depending on the digital number applied to the bit inputs. A precision active bandgap circuit, which is the equivalent of a 2.5V zener diode with very low slope impedance, is used as a chip reference voltage, although V_{REFIN} and V_{REFOUT} pins allow connection of an external reference if desired. Although the ZN426 gives an analogue output voltage directly at pin 4 - no current-to-voltage conversion is therefore necessary - a buffer amplifier is required to remove the offset voltage inherent to the D-A process, and also to

calibrate the converter. Furthermore, Z_{IN} of the buffer amplifier should be in the region of 6K if temperature drift (caused by the temperature coefficient of the Analogue Output resistance, R_{O2}) is to be minimised. There are two trims to be made - PR1 nulls any offset and is adjusted for 0V when all of the input data bits are set to logic 0. PR2, on the other hand, adjusts Full Scale Reading (FSR) and is adjusted with all of the input bits set to logic 1.

Mixing analogue and digital signals on the same board can cause all manner of problems. While audio consists of a continuously changing signal, digital signal transfer involves step responses. In a well-designed system, never the twain shall meet, so that digital noise - switching transitions and spikes are isolated absolutely from analogue noise inherent to any VCA applications. Performance in this respect depends upon careful design of the PCB, with analogue and digital grounds carefully isolated, all ICs decoupled near the ICs in question, ground plane-type audio signals, with sensitive signal pathways kept clear of potentially noisy digital tracks. This design adheres rigorously to these demands, and superlative sonic performance is thus assured.

Next month, we finalise the constructional details of the VCA and the yet-to-be-shown Remote Control.

References

Ferranti Data Converter Technical Handbook
Analog Devices Data Sheet - SSM 2018
Voltage-Controlled Amplifier/OVCE EIA

Parts

Front Panel Interface/DAC/VCA

Resistors

R1,7	10K
R2,6	100K
R3	270K
R4	1M
R5,8	270R
R9	390R
R10	0R
R11	6K8
R12,14	
R16,19	18K8K
R21	18K
R13,18	10M
R15,20	470K
R17,22	30K
PR1	10K vertical multiturn preset
PR2	5K vertical multiturn preset
PR3,5	100K horizontal preset
PR4,6	500K horizontal preset
SIL1	100K 7-way single-in-line resistor array

Capacitors

C1	220n polyseter
C2-10,13	
C14,19	
C25,27,33	100n polyester
C11,20,28	1u0 polyester/ polycarbonate
C12,15-18	
C23,24	
C26,31,32	10µF
C21,29	47p polystyrene
C22,30	100p polystyrene
C34	100µ 25V miniature electrolytic

Semiconductors

IC1,2	4093
IC3	4001
IC4	4027
IC5,6	4516
IC7	ZN426
IC8	TL071
IC9,10	SSN2018
LED1,2	0.1" Red LED
D1-5	1N4148
Tr1	

Additional Items

PL1	10 way Minicon right-angled plug
PL2	4 way Minicon plug
SW1-3	DPDT Alps non-latching pushbutton
PCB	
DIL sockets	to suit

HART

HART AUDIO KITS – YOUR VALUE FOR MONEY ROUTE TO ULTIMATE HI-FI

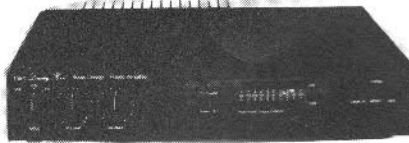
HART KITS give you the opportunity to build the very best engineered hi-fi equipment there is, designed by the leaders in their field, using the best components that are available.

Every HART KIT is not just a new equipment acquisition but a valuable investment in knowledge, giving you guided hands-on experience of modern electronic techniques.

In short HART is your 'friend in the trade' giving you, as a knowledgeable constructor, access to better equipment at lower prices than the man in the street.

You can buy the reprints and construction manual for any kit to see how easy it is to build your own equipment the HART way. The FULL cost can be credited against your subsequent kit purchase. Our list will give you fuller details of all our Audio Kits, components and special offers.

AUDIO DESIGN 80 WATT POWER AMPLIFIER.



This fantastic John Linsley Hood designed amplifier is the flagship of our range, and the ideal powerhouse for your ultimate hi-fi system. This kit is your way to get £K performance for a few tenths of the cost! Featured on the front cover of 'Electronics Today International' this complete stereo power amplifier offers World Class performance allied to the famous HART quality and ease of construction. John Linsley Hood's comments on seeing a complete unit were enthusiastic:- "The external view is that of a thoroughly professional piece of audio gear, neat elegant and functional. This impression is greatly reinforced by the internal appearance, which is redolent of quality, both in components and in layout." Options include a stereo LED power meter and a versatile passive front end giving switched inputs using ALPS precision, low-noise volume and balance controls. A new relay switched front end option also gives a tape input and output facility so that for use with tuners, tape and CD players, or indeed any other 'flat' inputs the power amplifier may be used on its own, without the need for any external signal handling stages. 'Slave' and 'monobloc' versions without the passive input stage and power meter are also available. All versions fit within our standard 420 x 260 x 75mm case to match our 400 Series Tuner range. ALL six power supply rails are fully stabilised, and the complete power supply, using a toroidal transformer, is contained within a heavy gauge aluminium chassis/heatsink fitted with IEC mains input and output sockets. All the circuitry is on professional grade printed circuit boards with roller tinned finish and green solder resist on the component ident side, the power amplifiers feature an advanced double sided layout for maximum performance. All wiring in this kit is pre-terminated, ready for instant use!

RLH11 Reprints of latest articles.....£1.80
K1100CM HART Construction Manual.....£5.50

LINSLEY HOOD 1400 SERIES ULTRA HIGH-QUALITY PREAMP

Joining our magnificent 80 Watt power amplifier now is the most advanced preamplifier ever offered on the kit, or indeed made-up marketplace. Facilities include separate tape signal selection to enable you to listen to one programme while recording another, up to 7 inputs, cross recording facilities, class A headphone amplifier, cancellable 3-level tone controls and many other useful functions, all selected by high quality relays. For full details see our list.

Send or phone for your copy of our List (50p) of these and many other Kits & Components. Enquiries from Overseas customers are equally welcome, but PLEASE send 2 IRCs if you want a list sent surface post, or 5 for Airmail.

Ordering is easy. Just write or telephone your requirements to sample the friendly and efficient HART service. Payment by cheque, cash or credit card. A telephoned order with your credit card number will get your order on its way to you THAT DAY.

Please add part cost of carriage and Insurance as follows:-**INLAND Orders up to £20 - £1.50, Orders over £20 - £3.50. Express Courier, next working day £10.**
OVERSEAS - Please see the ordering information with our lists.

LINSLEY HOOD 'SHUNT FEEDBACK' R.I.A.A. MOVING COIL & MOVING MAGNET PICKUP PREAMPLIFIERS



Modern, ultimate sound systems are evolving towards built-in preamplifiers within or near the turntable unit. This keeps noise pickup and treble loss to a minimum. We now offer two units, both having the sonically preferred shunt feedback configuration to give an accurate and musical sound, and both having the ability to use both moving magnet and moving coil cartridges.

Kit K1500 uses modern integrated circuits to achieve outstanding sound quality at minimal cost. The very low power requirements enable this unit to be operated from dry batteries and the kit comes with very detailed instructions making it ideal for the beginner. K1500 Complete kit with all components, printed circuit board, full instructions and fully finished case.....£67.99
Instructions only.....£2.80
Kit K1450 is a fully discrete component implementation of the shunt feedback concept and used with the right cartridge offers the discerning user the ultimate in sound quality from vinyl disks. Can be fitted inside our 1400 Preamp, used externally or as a standalone unit. It has a higher power requirement and needs to be powered from our 1400 Series preamplifier or its own dedicated power supply. K1450 Complete Discrete Component RIAA Phono Preamp.....£109.58
Factory Assembled and Tested.....£159.58
K1565 Matching Audio Grade Power Supply with potted toroidal transformer and limited shift earthing system.....£79.42
Factory Assembled and Tested.....£118.42
U1115 Power Interconnect Cable.....£7.29

SPECIAL OFFER PRECISION Triple Purpose TEST CASSETTE TC1DD.

Are you sure your tape recorder is set up to give its best? Our latest triple purpose test cassette checks the three most important tape parameters without test equipment. Ideal when fitting new heads. A professional quality, digitally mastered test tape at a price anyone can afford.

Test Cassette TC1DD.....Our price only £10.99.

DISK-COUNT Classical CDs.

Top Quality, Full Digital (DDD) Compact Disks of the great classical favourites.

Like everyone else we didn't like the idea of paying silly prices for CDs. After a long search we have now located a source of top quality classical recordings at prices that make you suspect the quality - until you try them! Send for our list of titles.

CD ROMs

Like music CDs these have overpriced for some time but with low prices of CD ROM drives the multimedia revolution is with us now. Send for our list of titles. Most popular up to now have been "Too Many Typefonts" with 514 TrueType fonts along with 393 ATM and lots of others.

"Shareware Overload" with over 6100 programs extending to 550MB and "Kodak Photo CD Access". The first two are only £12.95, the Kodak only £24.

TECHNICAL BOOKSHELF

Modern Books. Selected to represent the state of the art today.

"THE ART OF LINEAR ELECTRONICS."

J.L. Linsley Hood.

Just Out! Hot off the Press, the definitive electronics and audio book by the renowned John Linsley Hood.

This 300+ page book will give you an unparalleled insight into the workings of all the types of audio circuits. Learn how to read circuit diagrams and understand amplifiers and how they are designed to give the best sound. The virtues and vices of passive and active components are examined and there are separate sections covering power supplies and the sources of noise and hum. As one would expect from this writer the history and derivation of audio amplifier circuitry have an entire chapter, as does test and measurement equipment.

Copiously illustrated this book is incredible value for the amount of information it contains on the much neglected field of linear, as opposed to digital, electronics. Indeed it must be destined to become the standard reference for all who work, or are interested in this field.

SPECIAL OFFER.

With each book purchased you may request a FREE extended index, written by the author, exclusively from HART. 0-7806-0868-4.....£16.95

Don't forget most of our kits have reprints of articles by John Linsley Hood that you can purchase separately.

"THE ART OF SOLDERING"

R Brewster.

Absolutely essential reading for anyone who ever picks up a soldering iron. Written from knowledge gained in a lifetime in the field, this is the first book ever solely devoted to this essential and neglected skill for all electronic enthusiasts. Covers everything from the correct choice of soldering iron and solder to the correct procedures to follow with many illustrations and practical exercises.

0-85935-324-3.....£3.95

"AUDIO" F.A. Wilson.

320 pages. 178 x 111. Publ. 1985

BP111 "AUDIO" by F.A. Wilson.....£3.95

"AN INTRODUCTION TO LOUSPEAKERS & ENCLOSURE DESIGN" V Capel.

160 pages. 178 x 111. Publ. 1988

BP256.....£2.95

"LOUDSPEAKERS FOR MUSICIANS" V Capel.

176 pages. 178 x 111. Publ. 1991.

BP297.....£3.95

"HOW TO USE OSCILLOSCOPES & OTHER TEST EQUIPMENT" R. A. Penfold.

112 pages. 178 x 111. Publ. 1989

BP267.....£3.50

Classica from the "Golden Age"

"THE WILLIAMSON AMPLIFIER."

D.T.N. Williamson.

In April 1947, Williamson's power amplifier, using excellent quality push-pull output valves, a special output transformer, and a highly filtered power supply, became an overnight success. The author takes the reader deep into his design considerations, offering practical advice on how to build the units plus concise instructions on setting up the new amp. A cult classic.

1947, Reprinted 1990. 40 pages.

0-9624-1918-4.....£4.95

LOUDSPEAKERS; THE WHY AND HOW OF GOOD REPRODUCTION.

G.A. Briggs

This easy-to-read classic, last revised in 1949, introduces the reader to concepts such as impedance, phons and decibels, frequency response, response curves, volume and watts, resonance and vibration, cabinets and baffles, horns, room acoustics, transients, crossovers, negative feedback, Doppler and phase effects, and much more. A provocative survey of the right questions about sound reproduction.

1949 reprinted 1990. 88 Pages. 215 x 140

0-9624-1913-3.....£6.95

COMPUTER TITLES.

"A CONCISE ADVANCED USERS GUIDE TO MS DOS"

N. Kantaris.

144 pages. 198 x 130. Publ. 1992

BP264.....£3.95

"A CONCISE USERS GUIDE TO MS DOS 5"

N. Kantaris.

144 pages. 198 x 130. Publ. 1992.

BP318.....£4.95

"MAKING MS DOS WORK FOR YOU"

N. Kantaris & P.R.M. Oliver

160 pages. 198 x 130. Publ. 1993.

BP325.....£4.95

"A CONCISE USERS GUIDE TO WINDOWS 3.1"

N. Kantaris.

160 pages. 198 x 130. Publ. 1992.

BP325.....£4.95



QUALITY AUDIO KITS

24 hr. SALES LINE (0691) 652894

ALL PRICES INCLUDE UK/EC VAT

HART ELECTRONIC KITS LTD
3 PENYLAN MILL
OSWESTRY, SHROPSHIRE
SY10 9AF

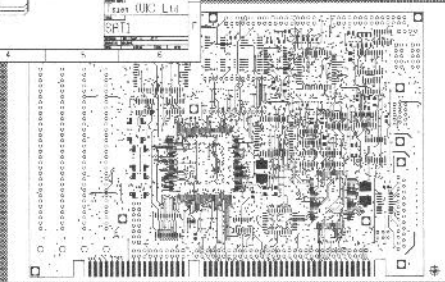
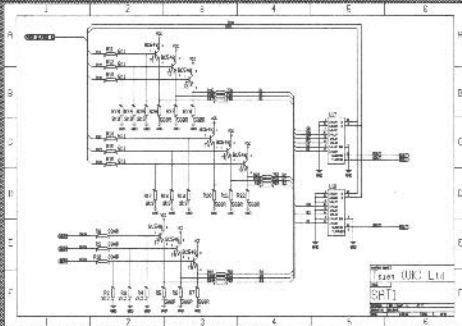
At last, a fully functional upgradeable PCB CAD system to suit any budget. Substantial trade-in discounts are available against other "professional" PCB design packages ...

... call now for details.

Board Capture

Schematic Capture Design Tool

- Direct netlist link to BoardMaker2
- Forward annotation with part values
- Full undo/redo facility (50 operations)
- Single-sheet, multi-paged and hierarchical designs
- Smooth scrolling
- Intelligent wires (automatic junctions)
- Dynamic connectivity information
- Automatic on-line annotation
- Integrated on-the-fly library editor
- Context sensitive editing
- Extensive component-based power control
- Back annotation from BoardMaker2



BoardMaker

BoardMaker1 - Entry level

- PCB and schematic drafting
- Easy and intuitive to use
- Surface mount and metric support
- 90, 45 and curved track corners
- Ground plane fill
- Copper highlight and clearance checking

BoardMaker2 - Advanced level

- All the features of BoardMaker1 +
- Full netlist support - BoardCapture, OrCad, Schema, Tango, CadStar and others
- Full Design Rule Checking both mechanical and electrical
- Top down modification from the schematic
- Component renumber with back annotation
- Report generator - Database ASCII, BOM
- Thermal power plane support with full DRG

NEW

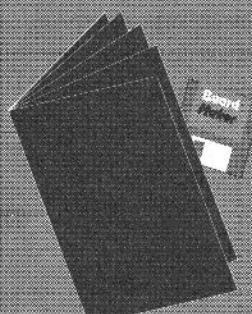
Board Router

Gridless re-entrant autorouter

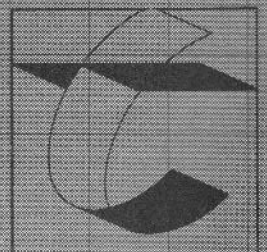
- Simultaneous multi-layer routing
- SMD and analogue support
- Full interrupt, resume, pan and zoom while routing

Output drivers - Included as standard

- Printers - 9 & 24 pin Dot matrix, HPLaserjet and PostScript
- Penplotters - HP, Graphtec & Houston
- Photoplotters - All Gerber 3X00 and 4X00
- Excellon NC Drill and Annotated drill drawings (BM2)



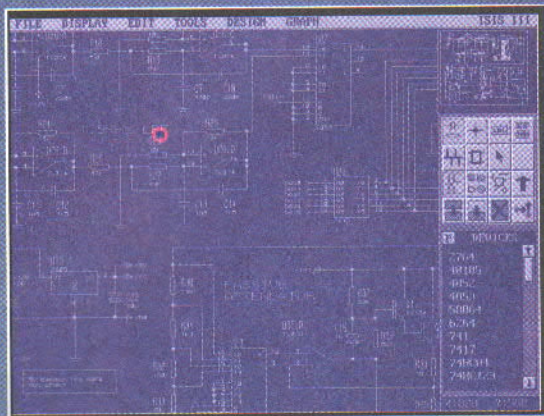
Call, write or fax for more information
or a full evaluation kit
Tsien (UK) Limited
Aylesby House
Wenny Road, Chatteris
Cambridge
PE16 6UT
Tel (0354) 695959
Fax (0354) 695957



tsien

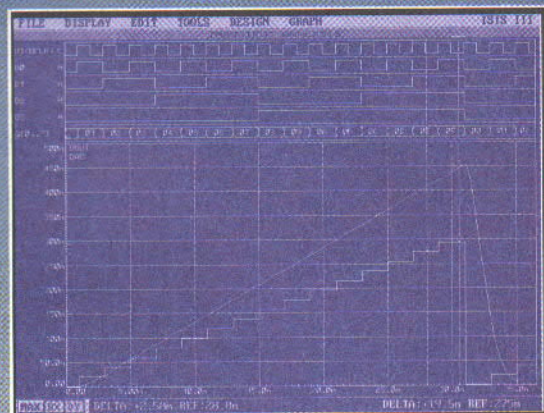
PROTEUS

The Complete Electronics Design System



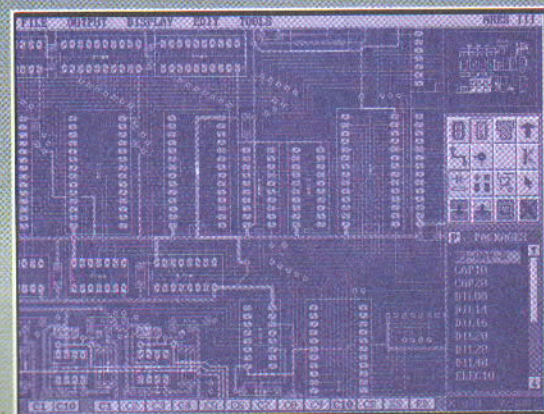
Schematic Capture

- Easy to Use Graphical Interface.
- Netlist, Parts List & ERC reports.
- Hierarchical Design.
- Extensive component/model libraries.
- Advanced Property Management.
- Seamless integration with simulation and PCB design.



Simulation

- Non-Linear & Linear Analogue Simulation.
- Event driven Digital Simulation with modelling language.
- Partitioned simulation of large designs with multiple analogue & digital sections.
- Graphs displayed directly on the schematic.



PCB Design

- Multi-Layer and SMT support.
- Unlimited Design Capacity.
- Full DRC and Connectivity Checking.
- Advanced Multi-Strategy Autorouting.
- Output to printers, plotters, Postscript, Gerber, DXF and DTP bitmaps.
- Gerber View and Import capability.

Labcenter
Electronics

Write, phone or fax for your free demo disk, or ask about our full evaluation kit.
Tel: 0274 542868. Fax: 0274 481078.
14 Marriner's Drive, Bradford BD9 4JT.



Following on from our Photo CD article and competition last month, we present another great offer for you from Boots the Chemist.

Take Your Pics



Imagine seeing your own photos on TV. Now you can, thanks to the new Kodak Photo CD system and Boots the chemists. Kodak Photo CD uses digital technology to scan your colour photos, store them on a Photo CD disc, and then play them on television with stunning clarity.

Simply take your photos on any 35mm camera, take your film to your Boots photographic department for developing and transfer to a Kodak CD disc as well as your usual negatives and glossy prints, slip the disc into a Kodak Photo CD player and enjoy your memories in bright, high-resolution colour on any TV.

And when you're not viewing your photographs, you can also listen to your

favourite CD audio discs, and get superb sound from your stereo, thanks to Kodak's advanced bitstream technology.

Your pictures have never been so powerful, and now they come with extra spending power.

The coupon on the opposite page allows Electronics In Action readers to save £4 when they buy a new Photo CD disc and transfer 30 or more images to it at any Boots store. Simply cut out the coupon and hand it in when you take your film for processing.

Your new CD will typically hold around 100 images, and you can take it back to add more any time until it's full.

Kodak has combined the best of traditional 35mm photography with digital image storage to create Photo



Kodak Photo CD Transfer Service

	135	Minimum Order	Retail Price	Service Time
Transfer of images from colour print film at time of processing (images will be transferred in frame number sequence)	✓		1-28 £12.99* 29+ £16.99* *(price includes full set of 6" x 4" prints)	7 days
Transfer of images from negatives/slides	✓	10	60p per image	7 days
Duplicate Photo CD	✓		£24.95 including disc	7 days
Thermal Prints				
10" x 8"	✓		£6.95	7 days
7" x 5"	✓		£4.95	7 days
6" x 4"	✓		£3.95	7 days

*Price does not include the Photo CD disc (£4.99)

CD. Your photo CD player plays audio CDs too - the best of both sound and vision just gets better.

Digital recording created a sound revolution with audio CD - now Kodak has created a vision revolution with CD and 35mm photography. Share your memories with friends and family on TV! Obviously the better the set, the better the image; but, as you'd expect from Kodak, the picture quality is outstanding with sharp, vibrant colours from well-exposed originals. Even less-than-perfect exposures can look better with Photo CD. And as the picture resolution from Kodak CD technology far outstrips the capabilities of current TVs, the picture will only get better as televisions



continue to improve.

Once you have your favourite photos safely stored on Photo CD, you can take them back too add more images at any time while there is space on your disc, and you can order new prints, copies of the disc, copies of selected prints or high-quality enlargements, all to the highest resolutions possible in the medium. You can take your old photos and negatives to have their images added to disc as well if you like. What could be more versatile? The choice is yours.

The Kodak PCD 265 Photo CD Player lets you view your pictures in any order, tell the player to skip any you'd rather not see again, advance the pictures manually or automatically at your own

speed using a remote control, and move or rotate the image. The player's memory can store these preferences for each disc and recall them whenever you play it. The PCD 265 is also a superb audio CD player with the search, scan, programme and random play features you would expect on any high-quality audio CD player.

In addition to the features on the PCD 265, the Kodak CD Player PCD 865 gives you enlargement and cropping facilities for each picture on the disc, rotating, repositioning, zooming and even cropping the images to remove unwanted features and expand the portion you like best, all from the remote controller. The player's memory stores and recalls these for each disc. The CD audio functions also include additional Time Edit and favourite track selection features.

Take advantage now of this special Christmas/New Year offer from Boots the chemists' photo department.

Save £4 when you transfer 30 or more images onto a new Photo CD.

This coupon entitles you to £4 off when you purchase a new Photo CD and transfer 30 or more images onto it, at any Boots store. Please present this coupon when handing your film in for processing.

This coupon cannot be redeemed against any other item, service, product or transaction. Only one coupon per transaction. No other discount may be used in conjunction with this coupon. Valid until 31 March 1994.

To the Sales Assistant:
Please attach this coupon to the outside of the customers order docket.



KPC 739
KPC 761

Software Review

Electronics Workbench V.3

by Andrew Armstrong

Electronics Workbench is an electronics simulation package running under DOS, Windows 3.1, or Macintosh. The review copy was the educational version running under DOS.

There are separate analogue and digital simulation programs. They have the same appearance and user interface, but they are different .EXE files run from the DOS prompt.

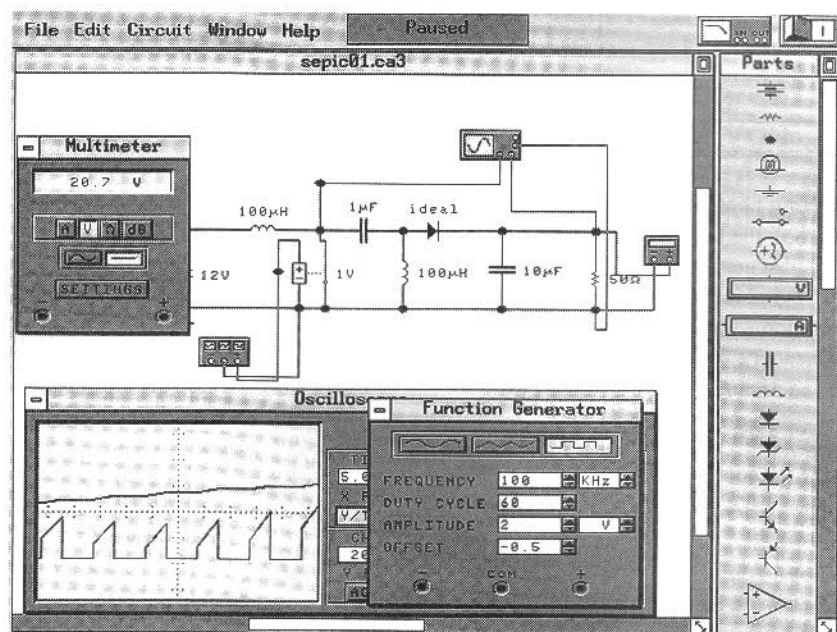
Installation is simple. The program is protected, which means that you have to install from the original disks, which cannot be write protected, and can only install the program once. If you want to run it on a new machine, you need to run a de-install program before it can be reinstalled. A faux pas with the disks could be expensive, since backups of the original disks will not work. I am concerned that the program may have written a hidden file on to my hard disk, and may not work again if I run a disk defragmentation program. I have not tried this!

The only other point to note is that a mouse is needed to use Electronic Workbench, but computer rodents are increasingly common so few people will find this a drawback.

In Use

In my view it is good if a program can be used without too much reading of the instruction book. The operation of Electronics Workbench is sufficiently clear that I could use it immediately. As you can see from the screen shots, there is a strip (referred to as the components bin) down the right containing components. To input a circuit diagram, you simply drag copies of components from the component bin and position them on the screen.

Holding down the mouse button and dragging from component end to component end makes a connection. The thing which fooled me briefly was the



need to drag a junction point component to a wire before another wire can join it. I found this slightly irritating, and wished for automatic wire joining. Also, if components are not spaced far enough apart, a junction point placed on the wire between them will not join, and later on a cryptic error message such as "A capacitor is open circuit" will appear.

The program automatically routes the connection with conventional right angle bends, though sometimes it does not do so in the way one would expect.

It is not always possible to make straight lines between components straight. There tends to be a jag one way or the other because the components will not always line up. Also, though components can be rotated, they cannot be mirrored.

Overall, however, drawing a circuit is simple and quick.

The workbench analogy is carried forward into the circuit measurements. Various instrument icons can be positioned and connected to the circuit. The instrument can be zoomed to show the controls and display, though too many zoomed instruments clutter the display area. The DOS version did not

seem able to use the full super VGA resolution available, which might have ameliorated this effect, though of course the Windows version would display in the normal Windows resolution.

Analogue instruments include an oscilloscope, multimeter, and a Bode plotter. This last displays a frequency response curve, with either log or linear axes. The screen shot of the low pass filter example shows the Bode plotter in use. The display has no scaling on the axes, but measurements of the cursor position are shown to the bottom right of the instrument.

These instruments can only be used once. That is a shame, as I would have liked to see four traces, for which two oscilloscopes would have been needed.

The two circuits shown so far are the examples supplied with the software. Naturally, I wanted to try some examples of my own devising as well. The screen shot on the left shows the principle of a SEPIC converter, a type of switched mode power supply whose output voltage can be above or below its input voltage. Only the basic principle is simulated, because it would be difficult to simulate the control loop. The results pictured, showing circuit operation before the

output has settled as expected, and show a possible resonance to be avoided by the control loop design.

Models

Very few device models are provided with this package, but it is possible to edit the models which are provided and then save them under different names. In this way, a useful library can be built up.

For educational purposes, circuits with faults can be produced, so that the student can have the task of deducing what is wrong. The faults can be hidden, and later displayed after entering a password. Other restrictions can be placed on the student, such as disallowing the use of any analogue instrument, or hiding the components bin so that only components already placed in the work area can be used.

The digital simulation program is limited in that it cannot simulate analogue effects. However, it contains some tools which have no equivalent on the real-world workbench. There is a converter which can turn a truth table into a Boolean equation, for example. One can derive a truth table from a circuit, convert it to a Boolean expression, simplify it, and then convert it then back into a circuit. This is certainly an easy way to optimise combinational logic, though it may not always conveniently use up the remaining gates from odd CMOS or TTL packages instead of using a new logic function on an extra chip.

A useful function of Electronics Workbench is its ability to capture any part or all of the screen as a PCX file. It is by using this screen capture function that the illustrations shown here were produced.

Other Remarks

When I tried to load the biggest example

circuit, I received the error message "out of memory - circuit not loaded". After checking the documentation, I tried loading the program in the protected mode, on the theory that this should make more of my system's memory available to the program. Unfortunately, the memory extender provided with the system is only intended for a 286-based computer, and it crashed the keyboard driver of the 486 machine after I used the keyboard to change a component value. The program appeared to continue working, but the machine would not accept any further keyboard input (even at the DOS prompt) until after a hard reset.

The workaround I have found is to load the workbench program from a batch file which starts with the line:

```
KEYB US
```

and finishes with the line:

```
KEYB UK+ [DRDOS 6 syntax]
```

to reload the UK keyboard driver to make the £ sign work

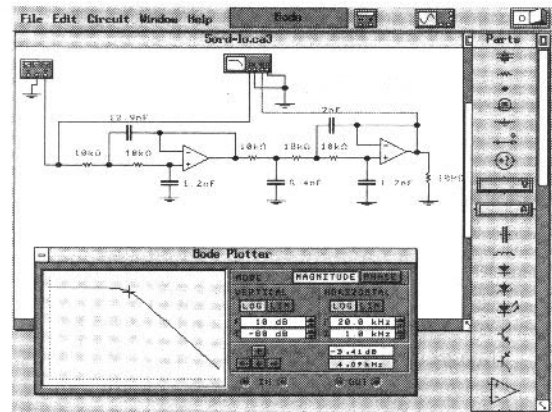
One bugbear of computer simulation is that it can fail to converge on a solution. Sometimes a small change to a component value is all that is needed to make a simulation work. I only encountered this once, and changing an 11k resistor to 11.1k solved the problem.

Another common problem is that the simulation step size can be too large to give accurate results, and can require several attempts to make acceptable. This problem did not show itself at all while I was using Electronics Workbench, so it appears that the program is more than usually resistant to step-size snags.

The program was reviewed on a

'486DX/33 machine with 8MB of RAM. Simulation worked at a reasonable speed, and I never found myself impatient, though I do not know how much it would slow down on a machine without a co-processor.

Subsequently a copy of Electronics



Workbench for Windows was supplied for evaluation. There was insufficient time to review it in detail, but it appeared to have exactly the same functions as Electronics Workbench for DOS.

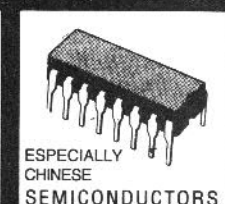
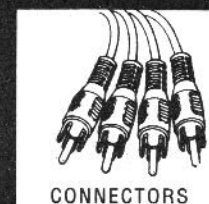
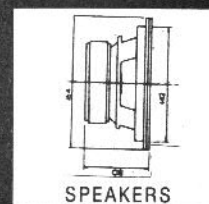
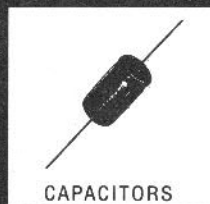
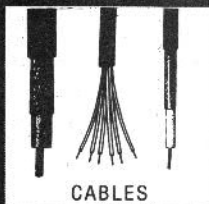
It uses the full resolution of the Windows display drivers, so that more of a large circuit can be displayed on screen at once. Because it does not use the DOS memory extender, the clash with the keyboard driver did not occur.

The windows product seems to do the same job as the DOS version, but it is easier to use and can provide a better screen display, if you have a high resolution graphics card.

The simulation speed seems similar as well, so I can unequivocally say that I prefer the Windows product.

The software package is available from Robinson Marshall (Europe) Tel:0827 66212 for more details.

Call us now! We have the widest range of components available - At competitive prices!



CRICKLEWOOD
ELECTRONICS

Cricklewood Electronics Ltd, 40 Cricklewood Broadway, London NW2 3FT
Telephone: 081 452 0161 Fax: 081 208 1441

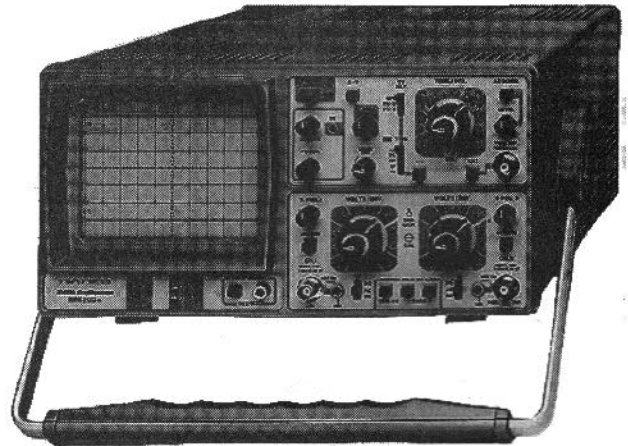
All Major Credit Cards Accepted



AN EXCLUSIVE READERS OFFER FROM

Cirkit

**SAVE OVER £30 OFF
EUROPES MOST
POPULAR 'SCOPE**



The Hameg HM203-7 dual channel 20MHz 'scope is Europe's most popular general purpose oscilloscope. Designed for applications in industry and education, the HM203-7 is equally at home for amateur use with its many versatile operating modes and easy-to-use front panel layout. Both vertical amplifiers have variable sensitivity down to 1mV/cm over the full bandwidth of DC to 20MHz. The channels can be operated separately or in alternate or chopped mode, in addition as both channels can be inverted, and the sum or difference of the two signals can be displayed. Triggering is stable with a 5mm display height up to at least 40MHz; the alternate mode enables two asynchronous signals to be displayed

simultaneously. A special feature of the Hameg 'scopes is the built-in component tester, designed for maintenance and testing. Semiconductors can be tested, without damage and the results displayed on the screen. The HM203-7 is supplied complete with two x10 probes, mains lead and manual.

Specification

Vertical

Bandwidth (-3dB): DC-20MHz
Sensitivity: 1mV/div (with x5 amp)
Ranges: 5mV/div-5V/div (10 steps)
Variable: 1:<2.5
Risetime: 17.5ns
Accuracy: ±3%
Max Voltage: 400V DC + peak AC
Impedance: 1MΩ /25pF
Coupling: DC, AC, GND
Modes: Ch1, CH2, Alt, Chop, Add
X-Y operation: Ch1, Y axis: Ch2, X axis

Horizontal

Bandwidth (-3dB): DC to 3.0MHz
External: via Ch2
Phase shift: within 3% DC-220kHz

Timebase

Sweep time: 0.2µs/div-0.1s/div (18 steps)
Variable: 1:2.5
Magnification: x10

Trigger

Mode: Auto/Norm with level cont.
TV Sync Separator: TV-H, TV-V
Source: Ch1, Ch2, Line Ext Alt.
Coupling: AC, DC, LF, HF
Threshold (int): ±0.5 div
Slope: pos or neg

General

Component Tester:
Voltage: 8.5V rms (max)
Current: 24mA (max)
Freq: 50-60Hz
CRT: 8x10cm, 2kV, internal gratical
Calibrator: 1kHz sq. wave, 0,2V & 2V
Power: 240Vac, 50-60Hz, 37W
Dimensions: 285 x 145 x 380mm
Weight: 7.5kg

Usual Price: £425.35

Offer Price: £395.00

Please add £4.60 for next day delivery

Oscilloscope Offer

Print your name in **BLOCK CAPITALS**

Name

Address

..... Postcode

Please send me.....Hameg HM 203-7 Ocilloscope

I enclose a cheque/postal order formade payable to Cirkit Distribution Ltd.

Please send your coupon and remittance to:

EIA Reader Offer, Cirkit Distribution Ltd, Park Lane, Broxbourne, Herts EN10 7NQ

Terms and Conditions

The offer is subject to availability and closes on 20th January 1994. The offer is open to those resident in the UK only. Allow 28 days for delivery



AMSTRAD DMP4000 Entire printer assemblies including printhead, platen, cables, stepper motors etc. Everything but the electronics and case. Good stripper!! Clearance price just £5 REF: MAG5 or 2 for £8 REF: MAG8

VIEWDATA SYSTEMS Brandnew units made by TANDATA complete with 1200/75 built in modem, infra red remote controlled keyboard. BT approved, Prestel compatible, Centronice printer port, RGB colour and composite output (works with any TV) complete with power supply and fully cased. Price is just £20 REF: MAG20 Also some customer returned units available at £10 each REF: MAG10

PPC MODEM CARDS. These are high spec plug in cards made for the Amstrad laptop computers. 2400 baud dial up unit complete with leads. Clearance price is £5 REF: MAG5P1

INFRA RED REMOTE CONTROLLERS Originally made for hi spec satellite equipment but perfect for all sorts of remote control projects. Our clearance price is just £2 REF: MAG2

TOWERS INTERNATIONAL TRANSISTOR GUIDE. A very useful book for finding equivalent transistors, leadouts, specs etc. £20 REF: MAG20P1

SINCLAIR C5 MOTORS We have a few left without gearboxes. These are 12v DC 3,300 rpm 6"x14", 14" OP shaft. £25 REF: MAG25

UNIVERSAL SPEED CONTROLLER KIT Designed by us for the above motor but suitable for any 12v motor up to 30A. Complete with PCB etc. A heat sink may be required. £17.00 REF: MAG17

VIDEO SENDER UNIT. Transmits both audio and video signals from either a video camera, video recorder, TV or Computer etc to any standard TV set in a 100' range! (tune TV to a spare channel) 12v DC op. Price is £15 REF: MAG15 12vpsu is £5 extra REF: MAG5P2

***FM CORDLESS MICROPHONE** Small hand held unit with a 500' range! 2 transmit power levels. Reqs PP3 9v battery. Tuneable to any FM receiver. Price is £15 REF: MAG15P1

LOW COST WALKIE TALKIES Pair of battery operated units with a range of about 200'. Ideal for garden use or as an educational toy. Price is £8 a pair REF: MAG8P1 2 x PP3 req'd.

***MINATURE RADIO TRANSCIVERS** A pair of walkie talkies with a range of up to 2 kilometres in open country. Units measure 22x5x215mm. Complete with cases and earpieces. 2xPP3 req'd. £30.00 pair REF: MAG30.

COMPOSITE VIDEO KIT. Converts composite video into separate H sync, V sync, and video. 12v DC operation. £8.00 REF: MAG8P2.

LQ3500 PRINTER ASSEMBLIES Made by Amstrad they are entire mechanical printer assemblies including printhead, stepper motors etc etc in fact everything but the case and electronics, a good stripper! £5 REF: MAG5P3 or 2 for £8 REF: MAG8P3

PHILIPS LASER 2MW helium neon tube. Brand new full spec £40 REF: MAG40. Mains power supply kit £20 REF: MAG20P2. Fully built and tested unit £75 REF: MAG75.

SPEAKER WIRE Brown two core, 100 foot hank £2 REF: MAG2P1

LED PACK of 100 standard red 5mm leds £5 REF: MAG5P4

JUG KETTLE ELEMENTS good general purpose heating element (about 2kw) ideal for all sorts of heating projects etc. 2 for £3 REF: MAG3

UNIVERSAL PC POWER SUPPLY complete with flyleads, switch, fan etc. Two types available 150w at £15 REF: MAG15P2 (23x23x23mm) and 200w at £20 REF: MAG20P3 (23x23x23mm)

OZONE FRIENDLY LATEX 250ml bottle of liquid rubber, sets in 2 hours. Ideal for mounting PCB's, fixing wires etc £2 each REF: MAG2P2

***FM TRANSMITTER** housed in a standard working 13A adapter! the bug runs directly off the mains so lasts forever! why pay £700? or price is £26 REF: MAG26 Transmits to any FM radio.

***FM BUG KIT** New design with PCB embedded coil for extra stability. Transmits to any FM radio. 9v battery req'd. £5 REF: MAG5P5

***FM BUG BUILT AND TESTED** superior design to kit, as supplied to detective agencies etc. 9v battery req'd. £14 REF: MAG14

TALKING COINBOX STRIPPER originally made to retail at £79 each, these units are designed to convert an ordinary phone into a payphone. The units we have generally have the locks missing and sometimes broken hinges. However they can be adapted for their original purpose or used for something else?? Price is just £3 REF: MAG3P1

100 WATT MOSFET PAIR Same spec as 2SK343 and 2SJ413 (8A, 140v, 100w) 1N channel and 1P channel, £3 a pair REF: MAG3P2

VELCRO 1 metre length of each side 20mm wide (quick way of fixing for temporary jobs) etc £2 REF: MAG2P3

MAGNETIC AGITATORS Consisting of a cased mains motor with lead. The motor has two magnets fixed to a rotor that spin round inside. There are also 2 plastic covered magnets supplied. Made for remotely stirring liquids! you may have a use? £3 each REF: MAG3P3 2 for £5 REF: MAG5P6

TOP QUALITY SPEAKERS Made for Hi Fi televisions these are 10 watt 4R jar made 4" round with large shielded magnets. Good quality general purpose speaker. £2 each REF: MAG2P4 or 4 for £5 REF: MAG8P2

TWEETERS 2" diameter good quality tweeter 140R (would be good with the above speaker) 2 for £2 REF: MAG2P5 or 4 for £3 REF: MAG3P4

AT KEYBOARDS Made by Apricot these quality keyboards need just a small modification to run on any AT, they work perfectly but you will have to put up with 1 or 2 foreign keycaps! Price £5 REF: MAG8P3

XT KEYBOARDS Mixed types, some returns, some good, some foreign etc but all good for spares! Price is £2 each REF: MAG2P6 or 4 for £6 REF: MAG8P4

PC CASES Again mixed types so you take a chance next one off the pie! £12 REF: MAG12 or two identical ones for £20 REF: MAG20P4 component pack bargain 1,000 resistors + 1,000 capacitors (all same value) £2.50 a pack. REF: MAG2P7

**1994 CATALOGUE
OUT NOW**

BULL'S BULLETIN BOARD MASSIVE

WAREHOUSE CLEARANCE
FANTASTIC **£20.00** REDUCTION

REFURBISHED PC BASE UNITS
COMPLETE WITH KEYBOARD

FROM ONLY **£29.00**

AMSTRAD 1512 BASE UNITS

GUARANTEED

PERFECT WORKING ORDER.

A LOW COST INTRODUCTION TO THE HOME COMPUTER MARKET.

AMSTRAD 1512SD

1512 BASE UNIT, 5.25" FLOPPY DRIVE AND
KEYBOARD. ALL YOU NEED IS A MONITOR AND
POWER SUPPLY. WAS £49.00

NOW ONLY **£29.00**

REF: MAG29

AMSTRAD 1512DD

1512 BASE UNIT AND KEYBOARD AND TWO
5.25" 360K DRIVES. ALL YOU NEED IS A MONITOR
AND POWER SUPPLY WAS £59.00

NOW ONLY **£39.00**

REF: MAG39

SOLAR POWER PANELS

3FT X 1FT 10WATT GLASS PANELS

14.5v/700mA

NOW AVAILABLE BY MAIL ORDER

£33.95

(PLUS £2.00 SPECIAL PACKAGING CHARGE)

TOP QUALITY AMORPHOUS SILICON CELLS HAVE ALMOST A
TIMELESS LIFESPAN WITH AN INFINITE NUMBER OF POSSIBLE
APPLICATIONS, SOME OF WHICH MAY BE CAR BATTERY
CHARGING, FOR USE ON BOATS OR CARAVANS, OR ANY
WHERE A PORTABLE 12V SUPPLY IS REQUIRED. REF: MAG34

ALSO 1FT X 1FT GLASS SOLAR PANELS 12v 200mA
ONLY £15.00. REF: MAG15P3

FREE SOFTWARE!

Brand new, UNUSED top quality Famous brand
licensed software discs. Available in 5.25" D5DD or 5.25"
HD only. You buy the disk and it comes with free BRAND
NEW UNUSED SOFTWARE. We are actually selling you the
floppy disc for your own "MEGA CHEAP" storage facilities,
if you happen to get software that you want/need/like as
well..... you get a "MEGA BARGAIN" too!

D5DD PKT10 £2.99 REF: MAG3P7 PKT100 £16.00 REF: MAG16
HD PKT10 £3.99 REF: MAG4P3 PKT100 £28.00 REF: MAG26P1

LARGER QUANTITY PRICES AVAILABLE ON APPLICATION

*****WE BUY SURPLUS STOCK*****

TURN YOUR SURPLUS STOCK INTO CASH.
IMMEDIATE SETTLEMENT. WE WILL ALSO QUOTE FOR
COMPLETE FACTORY CLEARANCE.
COMING SOON

1994 CATALOGUE.

PLEASE SEND 42P, A4 SIZED SAE FOR YOUR FREE COPY.
MINIMUM GOODS ORDER £50. TRADE ORDERS FROM GOVERNMENT, SCHOOLS,
UNIVERSITIES, & LOCAL AUTHORITIES WELCOME. ALL GOODS SUPPLIED SUBJECT TO
OUR CONDITIONS OF SALE AND UNLESS OTHERWISE STATED GUARANTEED FOR 30
DAYS. RIGHTS RESERVED TO CHANGE PRICES & SPECIFICATIONS WITHOUT PRIOR
NOTICE. ORDERS SUBJECT TO STOCK. QUOTATIONS WILLINGLY GIVEN FOR QUANTITIES
HIGHER THAN THOSE STATED.

*SOME OF OUR PRODUCTS MAY BE UNLICENSABLE IN THE UK

BULL ELECTRICAL
250 PORTLAND ROAD HOVE SUSSEX
BN3 5QT

MAIL ORDER TERMS: CASH PO OR CHEQUE
WITH ORDER PLUS £3.00 POST PLUS VAT.

PLEASE ALLOW 7 - 10 DAYS FOR DELIVERY

TELEPHONE ORDERS WELCOME

TEL: 0273 202500

FAX: 0273 202407



COMMODORE MICRODRIVE SYSTEM mini storage device for C64's 4 times faster than disc drives, 10 times faster than tapes. Complete unit just £12 REF: MAG12P1

SCHOOL STRIPPERS We have quite a few of the above units which are 'returns' as they are quite comprehensive units they could be used for other projects etc. Let us know how many you need at just 50p a unit (minimum 10).

HEADPHONES 16P These are ex Virgin Atlantic. You can have 8 pairs for £2 REF: MAG2P8

PROXIMITY SENSORS These are small PCB's with what look like a source and sensor LED on one end and lots of components on the rest of the PCB. Complete with flyleads. Pack of 5 £3 REF: MAG: 3P5 or 20 for £8 REF: MAG8P4

FIBRE OPTIC CABLE Made for Hewlett Packard so pretty good stuff! you can have any length you want (min5m) first 5m £7 REF: MAG7 thereafter £1 a metre (ie 20m is £22). REF: MAG1 Max length 250m.

SNOOPERS EAR? Original made to clip over the earpiece of telephone to amplify the sound-it also works quite well on the cable running along the wall! Price is £5 REF: MAG5P7

DOS PACKS Microsoft version 3.3 or higher complete with all manuals or price just £5 REF: MAG5P8 Worth it just for the very comprehensive manual! 5.25" only.

DOS PACK Microsoft version 5 Original software but no manuals hence only £3 REF: MAG3P6 5.25" only.

FOREIGN DOS 3.3-German, French, Italian etc £2 a pack with manual. 5.25" only. REF: MAG2P9

MONO VGA MONITOR Made by Amstrad, refurbished £49 REF: MAG49

CTM644 COLOUR MONITOR Made to work with the CPC464 home computer. Standard RGB input so will work with other machines. Refurbished £59.00 REF: MAG59

JUST A SMALL SELECTION of what we have - to see more get our 1994 catalogue (42p stamp) or call in Mon-Sat 9-5.30

HAND HELD TONE DIALERS Ideal for the control of the Response 200 and 400 machines. £5 REF: MAG5P9

PIR DETECTOR Made by famous UK alarm manufacturer these are hi spec, long range internal units. 12v operation. Slight marks on case and unboxed (although brand new) £8 REF: MAG8P5

WINDUP SOLAR POWERED RADIO AM/FM radio complete with hand charger and solar panel! £14 REF: MAG14P1

COMMODORE 64 Customer returns but ok for spares etc £12 REF: MAG12P2 Tested and working units are £69.00 REF: MAG69

COMMODORE 64 TAPE DRIVES Customer returns at £4 REF: MAG4P9 Fully tested and working units are £12 REF: MAG12P5

COMPUTER TERMINALS complete with screen, keyboard and RS232 input/output. Ex equipment. Price is £27 REF: MAG27

MAINS CABLES These are 2 core standard black 2 metre mains cables fitted with a 13A plug on one end, cable the other. Ideal for projects, low cost manufacturing etc. Pack of 10 for £3 REF: MAG3P8 Pack of 100 £20 REF: MAG20P5

SURFACE MOUNT STRIPPER Originally made as some form of high frequency amplifier (main chip is a TSA5511T 1.3GHz synthesiser) but good stripper value, an excellent way to play with surface mount components £1.00 REF: MAG1P1.

MICROWAVE TIMER Electronic timer with relay output suitable to make enlarger timer etc £4 REF: MAG4P4

PLUG 420? showing your age? pack of 10 with leads for £2 REF: MAG2P11

MOBILE CAR PHONE £5.99 Well almost complete in car phone excluding the box of electronics normally hidden under seat. Can be made to illuminate with 12v also has built in light sensor so display only illuminates when dark. Totally convincing! REF: MAG6P6

ALARM BEACONS Zenon strobe made to mount on an external bell box but could be used for caravans etc. 12v operation. Just connect up and it flashes regularly! £5 REF: MAG5P11

FIRE ALARM CONTROL PANEL High quality metal cased alarm panel 350x165x80mm. Comes with electronics but no information. £15 REF: MAG15P4

SUPER SIZE HEATSINK Superb quality aluminium heatsink. 365 x 183 x 61mm, 15 fins enable high heat dissipation. No holes! £9.99 REF: MAG10P1P

REMOTE CONTROL PCB These are receiver boards for garage door opening systems. You may have another use? £4 ea REF: MAG4P5

LOPTX Line output transformers believed to be for hi res colour monitors but useful for getting high voltages from low ones! £2 each REF: MAG2P12 bumper pack of 10 for £12 REF: MAG12P3.

PORTABLE RADIATION DETECTOR

£49.99

A Hand held personal Gamma and X Ray detector. This unit contains two Gelger Tubes, has a 4 digit LCD display with a Piezo speaker, giving an audio visual indication. The unit detects high energy electromagnetic quanta with an energy from 30KeV to over 1.2MeV and a measuring range of 5-9999 UR/h or 10-99990 Nr/h. Supplied complete with handbook.

REF: MAG50

Liquid Crystals Get Sharper and Faster

by Douglas Clarkson

Liquid crystal technology, an overlap between the electronics and optics industry continues to be exploited for their speed and display quality.

Up until the mid 1960s liquid crystals were more of a scientific curiosity than the key technology which they are today. Such devices were initially developed at RCA where very basic effects were first demonstrated in 1968.

In normal liquids such as water and alcohol, the molecules tend to exist as independent units. With liquid crystals, however, the shape of the molecules can encourage them to orientate in preferred directions. Where liquid crystal molecules are 'thread like', for example, they can align so they all point in the same direction.

This preferred orientation can be influenced primarily by the direction of an electric (or magnetic) field and also by surfaces with which the liquid crystal is in contact. Treating the surface can make the molecules attach in a preferred direction. The direction in which the molecules tend to align is called the 'director'. Usually the electric field alters the orientation of the liquid crystal molecules. A typical electric field used to switch the liquid crystals is around 400 V/cm. In the case of a liquid film of 25 micron thickness, this corresponds to an applied voltage of 1V.

Basic Liquid Crystal Technology

Liquid crystals in display applications make extensive use of polarisation effects involving light. It is common for the upper surface of a liquid crystal display to include a linear polariser which transmits only light polarised in the axis of the polariser. In the popular 'twisted nematic' mode of liquid crystal this direction of light polarisation is



twisted by the configuration of the liquid crystals and reflected through a polarising layer on the base of the device. The reflected light from the base layer is again twisted so that it can pass through the upper polariser and the surface appears bright. In the 'on' state this twisting of light is inhibited and light will not be reflected from the lower layer - the device appears dark. The crystal operates by exploiting light polarisation, though during the 'ON' phase the applied electrical signal has to be present to maintain liquid crystal orientation.

New Ferro-Electric Liquid Crystals

The development of a new liquid crystals which can be switched more rapidly and 'remembers' its optical state without the need to be refreshed is opening up a new range of applications for liquid crystal technology. So called ferro-electric liquid crystals have been shown to demonstrate very much faster switching rates. They are between 100 and 1000 times faster than conventional

switching rates of around 0.02 ms. While the potential of ferro-electric liquid crystals has been known for some time, problems with their orientation stability has till now restricted their commercial development.

CRL (Central Research Laboratories) of Hayes, Middlesex, and part of the Thorn-EMI group have, however, succeeded in developing a stable ferro-electric liquid crystal which requires very little power to operate. Development work was undertaken as part of an ESPRIT collaborative programme. This FELICITA initiative demonstrated a 300 dots per inch (DPI) image bar operating at a print speed of 45 pages per minute in 1992.

The ferro-electric liquid crystal is switched between two states of molecule alignment by application of electric fields. The liquid crystal is behaving as if it exists in two distinct states and that it can be flipped between states by the superposition of appropriate electrical field across the crystal. It is also not necessary to

maintain the electric field to keep the liquid crystal orientation. The liquid crystal is behaving like an electronically switched optical memory.

Their success at CRL relates to maintaining liquid crystal stability. The design of ferro-electric liquid crystal displays is generally similar to those of standard nematic type. Usually, the upper and lower polarising layers have the same polarisation direction.

The most striking demonstration of a ferro-electric liquid crystal display is image retention even when electrical power is removed. This offers immediate advantages in display drive circuits of where a signal needs only to be applied to a display element if its display level needs to be changed. Also, this is exactly the technology required for lap and palm top PCs in order to minimise power supply requirements and complex drive circuits.

Applications

The achievement of significantly faster switching times has also significantly extended the use of such new liquid crystal technology. While such ferro-electric liquid crystals are being developed as display elements in PCs and have potential for TV displays. One new application area which is attracting considerable attention is as a high

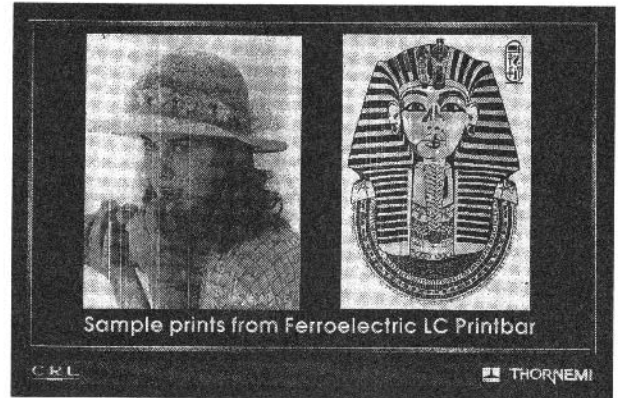
inch. The principle of such a unit is shown in Figure 1. CRL are developing such products in association with the LASOR company. Products are being developed initially for high quality print applications in graphics design and publishing.

There is significant interest, also, in developing this technology as 'dry' film processors in a range of medical applications primarily relating to x-ray hard copy from digital radiology systems in hospitals. There is increased environmental pressure to replace existing chemical methods of film processing with such new technologies. The compact nature of the active head of such linear spatial light modulators is expected to make devices incorporating such units considerably more compact than present equivalent technology.

Once the technology is proven in the 'high' end of the printing market, then applications will be taken up across a broader range of print applications. In terms of printing speed however, the time to print a line across a linear spatial light modulator will not be limited by the process of switching the liquid

processing hardware and software.

CRL are also developing spatial light modulators devices as arrays of liquid crystal elements which can be switched by computer control. One device, a 320 x 320 element spatial light modulator has been developed which



can be interfaced to an IBM PC. Each element is 80 microns in size and with a 5 micron dead space between elements. Images from frame memory can typically be transferred to the display in 5ms. Such devices are becoming increasingly used in photonic switching in lightwave research and development. It is possible to couple the output of specific pixels to fibre optic cables. Such spatial light modulators can be used in elements of optical computing systems.

Spatial light modulators are in effect specialised shutters with no moving parts. There is considerable scope to use such technology in applications where highly accurate control of light exposure is required. Applications include, for example, light control for ultra fast photography where mechanical shutter speeds are either too slow or introduce timing errors or are expensive by virtue of their complex construction. There may be applications in conventional camera design where shutter mechanisms could be made from ring like sections of liquid crystal which could be selected both on an area basis for aperture setting and also for exposure timing.

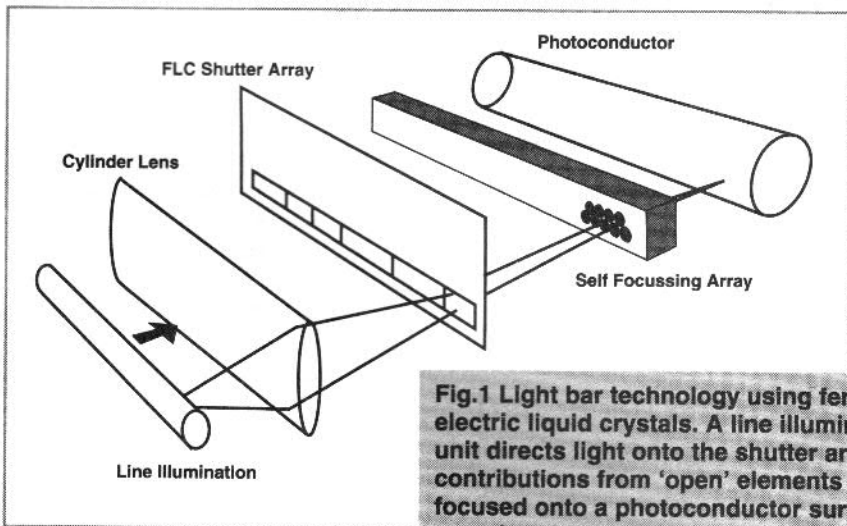


Fig.1 Light bar technology using ferro-electric liquid crystals. A line illumination unit directs light onto the shutter array and contributions from 'open' elements are focused onto a photoconductor surface mapping the corresponding charge density to an image. The photoconductor could be replaced with a self developing 'dry' film.

resolution linear type spatial light modulator. In this application each element within the array can be switched to transmit or not transmit light. Such spatial light modulators can switch at rates of around 200µs with a spot size of 20 microns and with a 10 micron 'indent'. Switch rates can be reduced to 100µs.

Such devices are being developed into light bars of width up to 13.5 inches and with a dot resolution of 2540 per

inch. The principle of such a unit is shown in Figure 1. CRL are developing such products in association with the LASOR company. Products are being developed initially for high quality print applications in graphics design and publishing.

There is significant interest, also, in developing this technology as 'dry' film processors in a range of medical applications primarily relating to x-ray hard copy from digital radiology systems in hospitals. There is increased environmental pressure to replace existing chemical methods of film processing with such new technologies. The compact nature of the active head of such linear spatial light modulators is expected to make devices incorporating such units considerably more compact than present equivalent technology.

Summary

For the first time fast response/low power liquid crystal technology has become available. While initial applications are likely to appear in high quality graphics reproduction systems, in time a much broader range of products will come to exploit the merits of such technology.


$$E=mc^2$$

January

Some of your ideas

House/Car Security

This is a popular area of interest and now exploited by many companies. However, there are still many areas to be covered - like disabling the car engine and using combination locks.

Spectrum Analyser card for PCs.
Audio/Video compressor to give constant output level.

Indoor plant moisture measuring system. These are not new, but could the needs of a plant be combined with a room humidifier?

Photography

F stop timer

Watkins factor timer

Flash meter

Colour analysers, exposure meter/timer

Digital signal processor projects.

These projects should be all the rage in years to come.

Charger for normal batteries.

Watch out, there a few existing ideas patented already

Radio/TV computer link

Computer controlled audio - RS232 linked

Interfacing VDU to VHF/UHF receivers

More computer and computer software interfacing with radio and TV receivers. Could the software be a 'Window' on the world?

TV colour pattern test pattern generator - watch this space in the next six months.

Multi-media interfaces. These may be the gadgets of the 21st Century but does anybody have the project ideas for them?

Kirlian camera project. There must be an aura surrounding this one.

Digital voice recorder/player

Angle and pressure sensors

Technology for the garden

12V seed propagator

Outside LASER security beam

Proximity lighting switches for low voltage garden illumination. Not like PIR high power security lighting, these lights could provide the right mood to finalise the landscape.

Ideas Forum

You have replied with some of your project thoughts and ideas on what you would like to see in the magazine. Time to take out a pencil and paper and get designing.

Ever wondered what to do with your spare time? Why not examine the ideas to the left and see if they can provide a spark of an idea that you can develop into something worthwhile. It could be that you are at home, school, college or university and have to make an electronic or allied project for your coursework and you are wondering what to do.

The ideas page is intended to be a regular feature. As soon as you think or know the idea can be achieved by

yourself, and it might be a variation on any of the suggestions here, try and get a working prototype together. We would like to see your efforts in print, so send in with the details to us here at: Electronics in Action, PO Box 600, Berkhamsted, Herts HP4 1NL. You will be rewarded for your efforts seen in print. The ideas presented here may even be a cause to write in to our letters page to discuss the ideas you have.

Some of them may well have been designed and built at commercial level and high cost but it may be you have thought of a quick and easy route to achieving the same end and at lower cost. Your thoughts could also lead to other less costly innovative ideas.

The ideas do not appear in any particular order so keep a look out every month. Very soon Electronics in Action could be printing lists of 'Centres of Excellence' where it would be the place to be for an informal chat and to openly discuss these and other ideas in a sort of brainstorming session.

At Your Service

In order to build some of the creations appearing in this magazine, you may wish to fabricate them on a printed circuit board. It just so happens that Electronics in Action can provide these at very reasonable cost if the need arises. Just simply fill in your details in the box, send in your payment and we'll do the rest. You may photocopy the form if you wish as we know some of you do not like destroying the magazine.

Payment must be received with order, either postal-order or cheque made payable to: **Electronics in Action.**

Please print your name and address in **BLOCK CAPITALS**

Name

Address

..... Postcode

Send the completed coupon (include 80p for postage and packing) to:

At Your Service, Electronics in Action
PO Box 600, Berkhamsted, Herts. HP4 1NL

Please enter amount required in appropriate box

- QH0194-1 The Harmoniser (2 boards) £10.00
- QH0194-2 Power Amplifier (double sided) £7.00
- QH0194-3 Remote Control Extender £5.00

December issue

- QH1293-1 Guitar Tremolo £5.00
- QH1293-2 Switcher Main board £10.00
- QH1293-3 Switcher Front panel £6.00
- QH1293-4 Video Editing Unit £8.00

November issue

- QH1193-1 Power Supply (double sided) £6.00
- QH1193-2 Telescope Input board £5.50
- QH1193-3 Drainpipe Seismometer £5.50

October issue

- QH1093-1 Telescope Main Board £12.00
- QH1093-2 Hi-fi Preamp £4.50
- QH1093-3 Laser Zone £5.00
- QH1093-4 Anti-howler (double sided) £5.50
- QH1093-5 Sig Gen board £4.50
- QH1093-6 Crossover unit £3.00

Total remittance including P&P £

Allow 28 days for delivery

JANUARY 1994

91

ELECTRONICS in ACTION

ADVERTISERS' INDEX

BK Electronics	37	Mailtech Electronic Components	41
Baylin Books	12	Mauritron	31
J & N Bull	57	MQP Electronics	12
Chelmer Valve Company	30	Profile Electronics	29
Cirkit	OBC	Public Domain Software	29
Cricklewood Electronics	55	Robinson & Marshall	IFC
Electrovalue	30	Roline	11
Express Components	25	Seetrax	24
Hart Electronics	49	Those Engineers	15
JPG Electronics	30	Tsien (UK) Ltd	50
Labcenter Electronics	51		

Technoshop

Electronics in Action in co-operation with The Technology Exchange Ltd, the international technology matchmaking service based in the UK, will be bringing you each month a selection of technology partnership opportunities to which you are invited to respond.

The Technology Exchange, which was formed in 1985 as a not-for-profit technology sourcing service to industry, holds a bi-annual 'Technoshop' Technology Transfer Fair at Heathrow Airport and several 'Techmart' Fairs overseas for the United Nations (UNIDO).

For this issue of Electronics in Action, we are presenting a series of offers of licence, joint venture and patents rights for sale from organisations in 34 countries.

If you would like to have an introduction to any of the sources of the offers describes in these profiles, please write to the The Technology Exchange quoting the reference number at the head of the entry and giving full contact details for the contact person in your own organisation and your requirements for a new product or process development.

The only cost associated with this process is a simple £10 plus VAT introduction fee for each entry to which you respond. For this we will send you full contact details for the source of the offer and invite them to send you more detailed information about their offer.

The code letters at the head of each offer indicate the stage of development, type of offer and the type of organisation making the offer as indicated in the table

Each entry is preceded by a reference number and letters indicating STATUS, OFFER and SOURCE.

Please respond directly to:

The Technology Exchange Ltd
Wrest Park
Silsoe
Bedford
MK45 4HS
or Fax: 0525 860664
Phone: 0525 860333

The payment of £10 plus VAT (£11.75) per item should be sent with your requests.

KEY

Example: **S P O L S J**

Status Offer Source

Status: Indicates the stage of development.

P Patent or design only	M Laboratory model	W Working prototype
U Pre-production units available	F In current production	C Commercialised

Offer: Indicates the type of agreement sought.

L Manufacture under licence	S Design and/or patent for sale	J Joint venture offer
------------------------------------	--	------------------------------

Source: Indicates the type of organisation making the offer.

C Limited Company	E Educational Institution	R Independent Research Organisation
G Government Research	P Private Individual	

805020 P L U Submersible television exploratory vehicle 'Steve'

This invention describes a remotely controlled device for exploring and mapping submerged geological cavities. It provides a means for exploring flooded underground cavities where the floor is silty or the passages are too narrow to use manual exploration. The device is sufficiently small and inexpensive.

505037 F S/L C Multiplexing signal conditioners

For instrumentation, automatic test equipment and process control applications. Novel output multiplexing capability allows many transducers to be measured by few A to D convertors. Very small size, plastic moulded DIN rail mounted with finger proof terminals. 1000V isolated and low cost, non-isolated ranges cover temperature, pressure, voltage and current.

305077 G Electromagnetic radiation transducer

Transducers transform invisible electromagnetic radiation into the visible one. They can be used in opto and micro electronics for the laser system and electron microscope tuning, for visual evaluation of light spot uniformity and as gamma-radiation dose meters. Luminescent composition, operating in clearance and reflection mode is the base of visualisers.

105136 F J G Switching germanium tunnel diodes

Switching tunnel diodes are extremely fast, p-type germanium diodes with peak current of 50mA. These devices fabricated with KVARZ's new sandwich pellet and are housed in a sub-miniature epoxy package. Designed for use in ps switching circuits for voltage sharp change shaping with an edge of picosecond duration. They are key elements in wideband pulse-oscilloscopic radiomeasuring equipment.

805138 W L G Magnetic valve-type reactor

This is a high power inductive reactance, smoothly regulated in its value by magnetic biasing of magnetic circuit with direct current. The reactor magnetic circuit is of a special transformer type design which cores operate in high saturation conditions. The cores incorporate mains, control and the converter transformer windings in one.

505158 W J G Miniature fibre optic gyroscope

This includes a multiturn coil of the single mode, small diameter fibre is maintained polarisation; phase modulator; two fused tapered couplers; fibre crystal polariser; super luminescence diode; photo-diode and electronic circuit card. All optic elements are formed in series on a continuous strand of fibre. Fibre crystal

polariser is fabricated under unique technology.

105469 P L **Printed circuit manufacturing process involving raised contacts**

Enables electrodeposition of contacts at any desired location and provides simple protective coating operations. It can be applied to any rack including card carrying baskets. Advantages include reduced cost and higher reliability.

105483 W L/J C **Magnetic tape for unwinding device with intermediate storage**

Enables a viewer to visualise recorded programmes from the beginning of retransmission with a slight time lag. Applications include: professional and public video, industrial vision, storage of computer data, air traffic control, defence.

105484 W L C **Acoustical listening and recording aid for birdwatchers**

A directional stereo microphone and amplifier combination with easy to use paraboloidal reflectors for efficient sound collection. It will be used by amateur and professional ornithologists and professional wild animal researchers.

105497 W L G **Self powered micro-miniature transmitter**

The microtransmitter is a self-powered microminiature solid state transmission and telemetry device that transmits an electromagnetic pulse in excess of 1 kilometre. The current configuration employs a laser diode and is powered by solar cells; however, it can be configured to employ radio frequency and battery power. Applications currently envisioned include tracking, telemetry, surveillance and data acquisition and transmission applications.

105536 W L G **A process for manufacturing multilayer capacitors**

Multilayer capacitors are currently constructed with metal electrodes of high palladium alloys. This process can be used to manufacture multilayer electronic devices having more silver rich metals in the construction process, enhancing the usefulness of the chips while lowering the value.

905605 W L U **Charge based multiplier circuit**

Generates a charge packet proportional to the product of an input signal and a weight voltage. An exponential pulse is formed which is representative of the input signal. The circuit generates an output charge proportional to the product of the peak magnitude of the exponential pulse and the exponential decay time constant, which is represented by the weight voltage. The output charge can be generated as a charge onto an output bus for positive results, or the amount can be depleted from the bus for negative results.

5886 P S U **Minimum pulse width (MPW) power amplifier**

The MPW power amplifier is a feedback controlled transconductance switching power amplifier intended for driving inductive loads. The primary intent of this invention is to achieve the high efficiency of a switching amplifier without some of the drawbacks such as high complexity, low bandwidth and short pulse fault susceptibility in prior designs.

905922 M J C **Electrical powerline signalling systems**

A patented system allows for data transmission over considerable distances via electrical power distribution lines. The principle of the new system has been proved to work and investment is now required in order to develop and build a series of prototype systems. The technology will allow remote reading and tariff programming of domestic/business electricity meters through existing cables.

605926 L/J M C **Electronic network for connecting sensors to a computer or microprocessor**

The sensors can measure a range of variables such as temperature, voltage, switch closures etc. and provide control of lights and motors etc. Many of these sensors can be connected together with a single two core cable and linked back to the computer to allow measurement and control. The sensors and computer interface electronics are very cheap to produce from easily available components, but have a very high functional specification. This opens up a wide range of potential applications.

905931 W J R **Sparkless 1-gang 1-way switch**

No mechanical or moving parts. It can be operated by touch. The plastic plate is also available in a waterproof version.

406028 W L V **Class E AC-AC converter**

This technology uses a single switch that operates only at low voltage or current, and at low time derivative of voltage or current, thereby achieving very high conversion efficiency. Variation and control of the output waveform requires less complex circuits.

706029 W L U **Electronic AC voltage controller**

The electronic AC voltage controller detects lapses of AC power and slowly reapplies AC voltage to the load when power is restored. This invention may also be used as an AC regulator.

106066 M L G **Photorecording element and liquid crystal cell comprising the same**

A photorecording element is disclosed which consists of a transparent substrate, a molecular layer of an organic compound with an ability to change structure reversibly by virtue of light and disposed in direct contact with the transparent substrate and a layer of liquid crystals disposed in direct contact with the molecular layer. A liquid crystal cell comprising the photorecording element is also disclosed.

6075 W L G **Induced base bipolar transistor**

The base of the transistor is electrically induced and compatible with a channel of a field effect transistor. The transistor has compatibility with FET in the structure and fabrication steps. The induced base has the lowest thickness in principle compared with conventional bases made by impurity doping and this leads to high frequency, high speed operation.

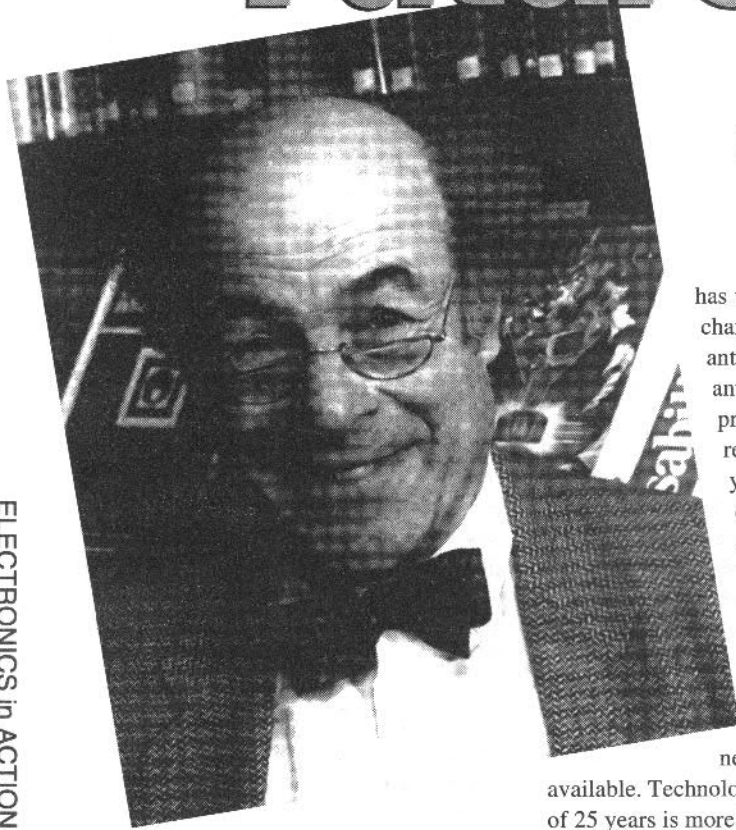
106078 M L G **Josephson transmission line device**

This Josephson transmission line device is a new digital or analogue superconducting electronic device which has the characteristics of ultra high speed operations and ultra low power dissipation.

MORE TECHNOSHOP NEXT MONTH

Future View

Professor Heinz Wolff talks to Paul Freeman-Sear about Life, the Universe and everything



has undergone large changes, there were no antibiotics or many antibacterials, but providing you were reasonably well off, you would have no difficulty acclimatising. In a later TV programme, 1948-1984, we discovered that in 1948 almost every everyday necessity was

available. Technology over a generation of 25 years is more a question of being affordable than new. The Commodore Pet with a 4k memory 15 or 18 years ago cost me as much as a 486DX computer today.

Nearly everything worthwhile - railways, telephones, much of the heavy technology - was invented in the extraordinarily productive Victorian eras. Then there was a plateau and nothing changed dramatically for a long time. Then came all these advances in computing and technology.

So if I had to forecast for 2000 to 2030 it could be consolidation. Management skills must include limiting the speed at which people get information. People seem to become hypnotised by their screens, because information is appearing which seems to need a response. They no longer have time to think, but feel that everything has to be reactive.

I have also been impressed recently by the fact that the better communication becomes, the less governable a country becomes. It could be a principle of managing large numbers of people that if they all know equal amounts, however democratic this may be, they become unmanageable.

Will greater communication cause more global conflict, then?

A couple of wars - the Gulf war and Bosnia - have already been fought under the eyes of the cameras. There were British and American correspondents in Baghdad during the Gulf war. The danger of insult to one side, with a cry for immediate retaliation because it is known almost at once, may be disruptive. But the Hot Line clearly is a good thing - if the mad president could say "I'm terribly sorry, but we've accidentally let off a missile targeted on Minsk. We can tell you the trajectory, do your best to shoot it down!" And spy satellites have probably helped by preventing large secret arms build-ups.

Moving to another specialist area of yours, what do you feel about the habitation of space?

I don't think the colonisation of space will be an outlet for overpopulation. I think space is a symbol, a large-scale cultural activity, the next big challenge. Otherwise, it would be difficult to argue the need for a space colony other than a domestic one for communications satellites, but humanity has always required challenge. All stable civilisations have set themselves large-scale constructional programmes, whether the Incas or the Egyptians or Stonehenge, even tiny communities like the Easter Islanders with their figures. Whenever mankind has failed to set itself challenges it went into decline. When you have a problem, it's very much a necessity, for instance, the challenge of having a major highly technological enemy. In the arms race, there was a balance of terror to maintain, and what was cleverest and most versatile in technology and science was harnessed. This in a sense has fallen apart, nothing has taken its place. Perhaps what the Russians and the Americans are doing with the space station program is the beginning of other joint experiments, which is one way mankind sublimates this need for challenge.

EIA: *In our October issue last year Future View looked at computer-linked videophones. How do you see visual telephony in the future?*

HW: The videophone may be something nobody desperately requires. It might avoid the need for face to face meetings, but in most countries shopping by television, for instance, hasn't really caught on. I suspect that meeting people is a fundamental social phenomenon which can only be imperfectly substituted by the videophone.

As for handwriting computers, a lot was made of keyboard phobia, but business people are used to keyboards now.

The qwerty keyboard was designed to slow people down!

But people can't think infinitely fast. This is the whole concept of what I call mental roughage! In 1983 I told journalists that technology rushing past us was not as true as people thought. I asked them to imagine going back to 1933, 50 years earlier. Home was likely to have central heating, certainly a maid - a very versatile domestic appliance - radio, telephones, cars and planes were there. Television wasn't there. Medicine

Where do you think is the best place to put a space station? What about the zero point between the earth and the moon if you are investigating microgravity?

Well, microgravity can be investigated in an earth orbit, and it's very much easier to get there, to resupply it. The only way a space station makes sense is as a base camp, a proving ground for technology to go further. How to work in microgravity is a problem we have to solve, but it's only as important as other branches of investigative science.

What puzzles me is the false economics of it: if a country has unemployment, and a project doesn't require a major proportion of the

the problems in science and technology and mathematics is that people need to know it at two levels. There's what I call "Science for the Citizen", which is the title of a book written around 1939 with all the science which everybody ought to know. This is different from science for somebody who wants to use it professionally. It's difficult to teach pure physics to children without a certain mathematical ability, but everybody could have science or technology or mathematics for citizens, which allows them to cope with the television set and the mortgage, how baking powder works, how vaccines work. It would be taught differently, probably by different people. These two strands of education are becoming incompatible.

with numbers and language, which is partly practice and partly didactic, is a good idea. Unless the child can read, most knowledge remains inaccessible. Yet there are 13-year-olds who cannot read with pleasure or confidence. And it seems to me to be almost criminal to operate an educational system which doesn't open the gates of competence and manipulation and numeracy and so on. Then I think you've got to have a bit of science, doing experiments or problem-solving, finding the density of mercury, or making an electronic oscillator and so on.

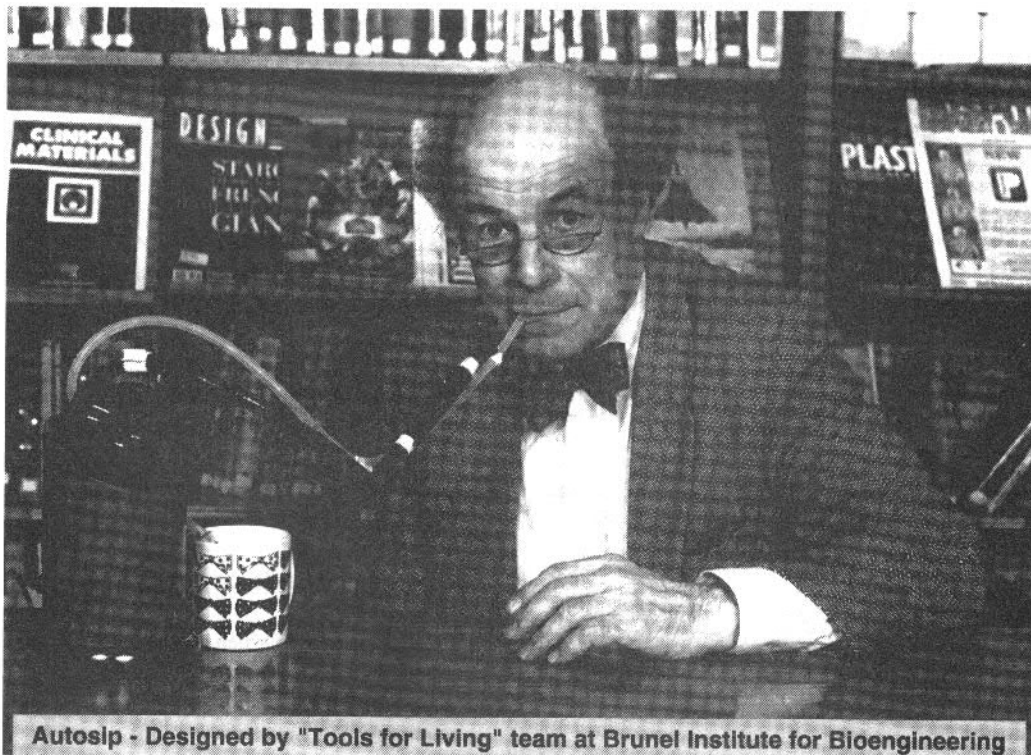
This gives pleasure and excitement. But schools now find things which used to be interesting are no longer permissible, because they are regarded as dangerous. Yet there is no statistically valid evidence that any appreciable number of children have been hurt learning science in schools. Bicycling to school is an infinitely more dangerous process.

So are we now overprotective, worried about the consequences?

Almost any human activity which is advantageous has a small overhead of risk. Take that very tragic accident with the van. If driving pupils to a concert is now inhibited, it would be a great pity. Every advantage you give your children does have a bit of risk attached - skateboarding, bicycling, climbing, and somehow society has to accept that if

people take all reasonable care they should be absolved from blame. Otherwise society will strangle itself in its own health and safety regulations.

Certainly for young men and probably for all people risk is a bit like vitamins. If you prevent people from taking risks then they manufacture their own, and quite often these are anti-social. Risk-taking is absolutely fundamental to humanity and probably one of the things that drives us forward - some people take to the Stock Exchange, some people climb, some have extra-marital affairs. Humans go out of their way to take risks for thrills. Society will have to allow people to take risks if it wants to bring things like vandalism and crime under control. There have to be many dimensions of risk-taking to suit all tastes.



Autoslp - Designed by "Tools for Living" team at Brunel Institute for Bioengineering

country's resources, the work will reduce unemployment and create a degree of social harmony. So I am sceptical when some European minister says there's something they can't afford to do. All that happens is that the money rotates more quickly. I would love some economist to explain it.

Do you think we doing enough in schools with new technology courses?

I now think it's a mistake to introduce technology into schools except as a vocational subject. Pupils should either come out of school able to perform at a practical level, or technology should be taught as a cultural subject, about what it does and can do for society. One of

When GCSE first came along the intuitive element was introduced - put a set of bits and pieces in front of the child, a few basic questions, and ask them to put them together and come up with some results.

I now think the fashion for learning by experiment is a mistake. It would be wonderful if you had all the time in the world, but to solve problems without knowing about them is an extremely frustrating process, and it's only the brightest child who I think has the ability to garner the knowledge reasonably quickly. Children enjoy going through manipulative forms of education like doing sums, because once you learn them, you can get the right answer. To teach children practical skills

What about a lateral approach to design, with greater risks, and the possibility of a giant leap ahead?

I think this is only true of technology. It doesn't do society much good, because it's only a tiny proportion of society which is involved in this. The criminalising and vandalising classes by and large are not in the engineering or creative professions, but they have the same need for risk. I don't know whether virtual reality can satisfy some of this; I suspect not. I suspect there has to be a real risk, a bit of real danger, to satisfy the more extreme form. We are only a trivial number of generations away from a tribal hunting structure, where survival of a tribe was dependent on the young men, who were largely expendable, taking risks.

A creative person is also prepared to take risk. The apparent different success rates in creativity between man and women may be partly explained because, for very good biological reasons, women are probably more risk-averse than men, because the whole responsibility for the continuance of the tribe rests with them. You don't need many men for the race to continue. On the other hand, women can work on risk-averseness to overcome the apparently different success rate in the creative stakes between the sexes. Lack of opportunity should be a decreasing factor.

What about your interest in designing systems for the disabled?

It is the proportion of over-80s which will increase. It is an important humanitarian problem that society hasn't the mechanisms yet for a world where it is possible to compensate for physical wearing-out, but not for the mental part. I do believe that mankind has become what it is through the cooperation of hand, eye and brain, and if it hadn't been for these magnificent hands we've got, we wouldn't have developed the brain. We are throughout our lives dependent on tools of all kinds. In early human civilisation, the elderly did not play much part because there weren't many of them. Now we require a toolkit for this section of the population. We've called these Tools for Living. The real reason for founding the Institute, ten years ago was to put myself in the Tools for Living business, to see whether it's possible to mobilise technology for this section of the population, to make it easier for them to care for themselves,

and for other people to care for them. Possibly even - this is highly controversial - to allow people to have a better assessment of themselves if they feel that enough's enough. Even 50 years ago I lectured about how it would become respectable to make a decision while in your right mind, as distinct from appointing an executioner by having somebody writing on your hospital notes 'do not resuscitate', that you really feel that 75 or 78 or 85 years are enough and you want a way out. These are all implications of technology.

I'm always rude to green ecologists unless they have a definite policy on population

You mentioned health checks. Do you think that we will all be 'called in' every so often by the turn of the century?

I think it would all be voluntary. People already have medicals even though the preventative effect of regular medicals is not proven. People might be educated to be more aware of the signals their bodies send them. We still have more sensitive transducers inside ourselves to tell us that we are not well than are easily available diagnostically.

It would be intolerable to be compulsorily health-checked. The authority could say, well, you are no longer roadworthy, I'm afraid you've only got another six months! But I think there would be a withdrawal of the State from whole areas of human activity, a rather tough time for people who either aren't able, or haven't the means, to look after themselves or their future.

Do you think that charities should take a greater involvement?

They already do. I work with a number of charities, and if I was to show my political colours I would say that none of us has nay rights but we all have obligations, which means looking after the people worse off than yourself. And I think we have now seen that a society which stands on its rights is probably not a very effective society. It's a very disputable point, and it used to be one of the big divisions between political opinions. Personally I believe that

charities are a very important force in society, both for the people who give, and who take.

The human race has astonishing powers of survival and adaptability. Think what humanity can survive, from solitary confinement in Siberia for thirty years, to space flight. I have no fears about the survival of mankind, because mankind will simply adapt. Even if we made a mistake which wiped out 99% of us, 100 years later we'd be back. However, this might be not a good prospect for the individual.

Do you think global pollution has been blown out of proportion?

This is what the Gaia Hypothesis is about. The earth is quite capable of looking after itself. But it's probably not a good idea to pour mercury or cadmium into the sea. I wouldn't necessarily take the same view about the greenhouse effect, because it is swings and roundabouts ...

Maybe its just a blip in history. We think that there's an excess of CO₂ at the moment, but ...

Long before oxygen, there was almost certainly a lot more CO₂. Perhaps also the use of solar and nuclear energy may make it unnecessary to burn fossil fuels, so the problem may only be there for a few years.

What about population growth?

I'm always rude to green ecologists unless they have a definite policy on population. If the population grows unchecked the world will become a less pleasant place. I would like to show that - not by coercion, as the Chinese are apt to do, but by demonstrating to people that they will be looked after in old age, they don't have to have lots of children just as an old age provision. I spent a summer in Norway, a particularly empty country, and it is a less stressful society. I think mankind is a relatively solitary animal, living in family groups ... not like an ant.

If the population of Britain was cut by 10% to about 40 million, the road and rail system would be big enough, there wouldn't be a housing problem. I don't think that this can be contemplated, but in most developed countries populations are barely being maintained. Certainly in a place like Russia, populations are now dropping.

GOOD SCIENCE MAKES SENSE IN ANYBODY'S LANGUAGE

WIN AN ALL EXPENSES PAID TRIP TO THE USA

Over the years The Daily Telegraph has offered a popular platform for scientists who wish to communicate their findings to a broad community of people who take an active interest in science and technology.

Yet the British public at large tend to regard scientists as poor communicators. The Daily Telegraph Young Science Writer Awards 1994 offers an opportunity to bridge the divide: write an article which informs and entertains the public, and the winners will have their articles published on the Wednesday science page of Britain's most popular quality daily newspaper.

Other prizes include substantial cash awards plus an all expenses paid week-long trip to New Orleans for the 1995 Meeting of the American Association for the Advancement of Science. In addition, first prize winners will receive £500 and an invitation to meet Britain's most distinguished scientists at the British



Association's festival of science at Loughborough University - Science in the World Around Us, which runs from September 5-9, 1994.

The competition is open to 16-19 year olds (inclusive at February 26, 1994), who should write about the scientific discovery of their choice, and to 20-28 year olds (inclusive at February 26, 1994) who should write about any recent scientific discovery or research. If research is described, it may be their own.

For a leaflet with more details, please contact your school head of department or your postgraduate dean of studies. Alternatively, you can write direct to: The Daily Telegraph Young

Science Writer Awards 1994,

P.O. Box 26, Ashwell, Nr Baldock, Herts SG7 5RZ, or call 0462 74 3018 for more information.



The Daily Telegraph

The Competition closing date is February 26, 1994.

CIRKIT ELECTRONIC CONSTRUCTORS CATALOGUE

- ◆ 240 Pages
- ◆ 26 Sections
- ◆ Over 4000 lines
- ◆ Send for your copy today!

£1.90
+30p p+p



Cirkit

Cirkit Distribution Ltd

Park Lane • Broxbourne • Hertfordshire • EN10 7NQ • Tel: Sales (0992) 448899 • Fax (0992) 471314