



PROGRAMMABLE LOGIC CONTROLLERS AND

# LADDER LOGIC

From hardware symbols to logic control - step by step

## AUDIO POWER METER

Measures 100W Of Actual Power To A Loudspeaker

## REGULATED INTERNAL PSU

Surface Mount Low Power Switch-Mode Power Supply

## WOBBULATOR

IF Passband Response Displayed On A 'Scope

### PLUS

- CAR VIGILANTE
- MILLIVOLT METER
- CHRISTMAS TREE LIGHT CHECKER



Vol. 27 Issue: 13 Price £2.75  
4th December - 31st December 1998

# Electronics Principles 5.0

If you are looking for an easy and enjoyable way of studying or improving your knowledge of electronics then this is the software for you.

By Clive W. Humphris.

The screenshot shows the 'OSCILLATORS: Wien Bridge Oscillator' window. It displays a circuit diagram with an operational amplifier, resistors R1, R2, R3, R4, and capacitors C1, C2. The circuit is configured with positive feedback through R1 and C1, and negative feedback through R2 and C2. The text indicates a natural resonance frequency of 636.6198Hz, which is forced to 1kHz. Calculations on the left show:  $X_{C1,2} = \frac{1}{2 \times \pi \times F \times C1,2} = 1.5915k$ ,  $Z1 = Z_{R1, C1} = \sqrt{R^2 + X_{C1}^2} = 2.9636k$ ,  $Z2 = Z_{R2, C2} = \frac{R \times X_{C2}}{\sqrt{R^2 + X_{C2}^2}} = 1.3426k$ ,  $I = \frac{V_{in}}{Z1 + Z2} = 700\mu A$ , and  $V_{out} = I \times Z2 = 939.8mV$ . A graph shows a sine wave output. The bottom of the window has buttons for 'Calculations', 'Topic Notes', and 'Printing'.

"One rather good program that I've found is Electronics Principles. The range of electronics covered is very wide, from simple atomic structure to the workings of the latest microcontrollers."

I was very impressed ... it ran smoothly and without problems on several IBM PCs."

Tex Swann, Technical Projects Sub Editor, Practical Wireless magazine June 1998.

"Electronics Principles is a well thought out and comprehensive program that is also easy to install and stable in operation. It can be wholeheartedly recommended."

Robert Penfold, Everyday Practical Electronics magazine, October 1998.

**ACTIVE FILTERS: RC Low Pass Active Filter.**

Constructing low frequency passive filters often requires the use of inductors which can have large values and therefore are both expensive and bulky. The same low frequency cut-off points can be determined using active filters, where inductors are rarely used owing to their d.c. resistance. The simple circuit shown has a roll-off of -20dB per decade. To achieve steeper slopes the circuits can be...

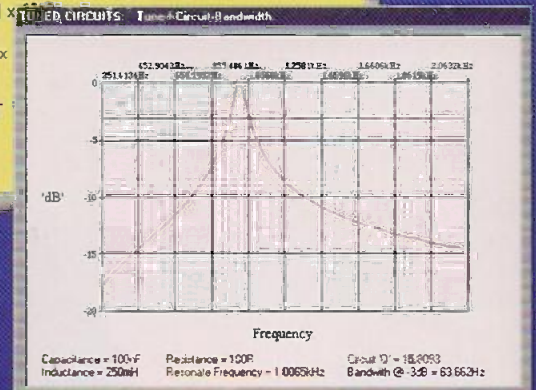
The formulae impedance R determine the of C2 will sign gradually red output by red a high imped

**OSCILLATORS: Astable Multivibrator.**

Period 't1' =  $0.7 \times .000001 \times \dots$

Period 't2' =  $0.7 \times .00001 \times \dots$

Frequency =  $\frac{1}{.007 + .175}$



**Electronics Principles 5.0 £99.95\***  
multi-user Site Licence £495.95\*

Windows 3.1, 3.11, NT, '95 & '98  
Please state CD-ROM or disks.

EPT Educational Software, Pump House, Lockram Lane, Witham, Essex, UK, CM8 2BJ.

Tel/Fax: 01376 514008. sales@eptsoft.demon.co.uk http://www.eptsoft.demon.co.uk

\*UK and EC countries add £2 per order for post & packing. VAT should be added to the total.

Outside Europe £3.50 for air mail postage by return.

Switch, Delta, Visa and Mastercard orders accepted - please give card number and expiry date.

Cheques & Postal Orders should be made payable to EPT Educational software.

# Contents

**Volume 27  
No.13**

**Next Issue  
1st January 1999**

## **& Features Projects**

### **Programmable Logic Controllers and Ladder Logic 10**

Programmable logic controllers are in effect dedicated computers designed to control networks of relays in automated machinery. The specialised programming language is can be downloaded from a PC, and looks disarmingly like an ordinary schematic. Stephen Fleetham explains the difference.

### **A Microcontroller-Based Programmable Logic Controller 16**

This logic controller and interface board designed by Stephen Fleetham provide a practical means to trying some of the principles in the Ladder Logic feature in this issue.

### **Christmas Tree Light Tester 22**

No more bulb-twiddling and pine needles in the finger's with Bart Trepak's electrical field detector that singles out the trouble-making lamp. It can also be used as a continuity tester for small component.s



### **Audio Power Meter 26**

Robert Penfold's audio meter measures actual power, rather than volt-amperes. Designed to measure audio power delivered to a loudspeaker, it can measure ac (or dc) power over a range wider than the audio frequency band.

### **Car Vigilante 34**

Bob Noyes's Car Vigilante watches for traffic approaching from the rear when your car is parked and switches on your parking lights (or extra parking lights) to give your car added visibility.

### **Timing In Electronics (Part 7): Timing Systems 40**

For special timing requirements there is scope for designing and building your own system. Owen Bishop has designed an example of a practical timing circuit using techniques described in this series to boost a home security system and other process control applications.

### **International Model Show 47**

Europe's premier model show is coming to Olympia immediately after Christmas.

### **Index for 1998 51**

The current year's contents index for ETI.

### **A Radio Wobbulator 52**

The alignment of radio receivers can be optimised with Raymond Haigh's low-cost unit which enables the radio's IF response to be displayed on an oscilloscope screen.

### **Regulated Battery PSU 58**

This small surface-mount switched mode power supply was designed with the Wobbulator in mind, but it has many other applications. It is a cheaper alternative to PP3s as an internal power supply for most battery-powered projects.

### **Audio Millivolt Meter 63**

Tony Sercombe's audio millivoltmeter is designed to read AC signals accurately over the audio range. It has six ranges and reads up to 50kHz.

## **Regulars**

**News 4,5,6,7,9**

**PCB foils 66,67**

**ETI PCB Service 68**

**Practically Speaking 73**

Terry Balbirnie describes how a reed switch can be operated by an electric current.

**Round the Corner 74**



SUBSCRIPTIONS  
& BACK ISSUES HOTLINES:  
**01858 435344**

ORDERS:  
ENQUIRES:  
**01858 435322**

Lines Open 9am - 6.30pm

## **Subscribe & Save**

Phone the  
hotline and take  
advantage of  
our special offer  
detailed on  
page 33.

## RSGB/RA Young Amateur of the Year Winners

The winner of the 1998 Young Amateur of the Year Award is 17-year-old Mark Shepherd M0AGQ/G7WHL from Brighton.

The Young Amateur of the Year Award is organised jointly by the Radio Society of Great Britain and the Radiocommunications Agency and aims to encourage young people to take up and further their interest in amateur radio.

Mark is involved with the organisation of the amateur radio club at his school and its emergence as a bona fide radio club in 1996. He has been Secretary of the club for the last three years. Among the events he has organised this year are contests such as IOTA (Island on the Air)

and special events stations. He has also staged electronics and radio displays which have resulted in several pupils joining the club. Having combined all this with his A level studies, Mark continues with revision classes for the RAE (Radio Amateurs' Examination) and practice Morse lessons. A particular interest is packet radio, and Mark has spent a great deal of time and effort developing as a sysop and running a bulletin board station (BBS).

Mark was presented with the first prize of £300 by the RA's director of Spectrum Services, Hazel Canter, at the RSGB's annual HF Convention at Windsor in October. He also received a certificate signed by Peter Mandelson, Secretary of State for Trade and Industry, and will be invited to the RA's Radio Monitoring Centre at Baldock, Herts, for the traditional conducted tour.

The worthy runner up is 16-year-old Peter Evans M0BOO from Orpington, Kent. Peter is a keen and active member of two clubs, of one of which he is a founder member and Chairman. He is a qualified Novice instructor and has recently facilitated one to one Morse tutoring during his school lunch breaks. ETI is glad to hear that Peter is also a keen "homebrew" constructor, building receivers and antennas.

Peter received a £50 cheque from the RA and will also be invited to visit the Baldock Monitoring Station. He was also presented with an Icom IC-T22E 144 MHz FM handheld transceiver, donated by Icom (UK) Ltd.

Dale Blackman, marketing manager at Icom, said "The Young Amateur of the Year Award is very important to us as it brings together the ham enthusiasts of the future."



Winner old Mark Shepherd M0AGQ/G7WHL from Brighton

Photos Courtesy of the RSGB



Runner up Peter Evans M0BOO from Orpington

Photos Courtesy of the RSGB

The Young Amateur of the Year Award is announced in the spring of each year and is normally open to any resident of the UK, Channel Islands or the Isle of Man who had not reached his or her 18th birthday by the 31st July of the previous year. Applicants must demonstrate an interest in some of the following:

- Construction of radio equipment, good operating skills, use of radio to help in the community; and
- Encouragement of others and involvement in a school or scientific project involving radio.

**For further information please contact The Radio Society of Great Britain, Lambda House, Cranbourne Road, Potters Bar, Herts EN6 3JE. Tel 01707 659015.**

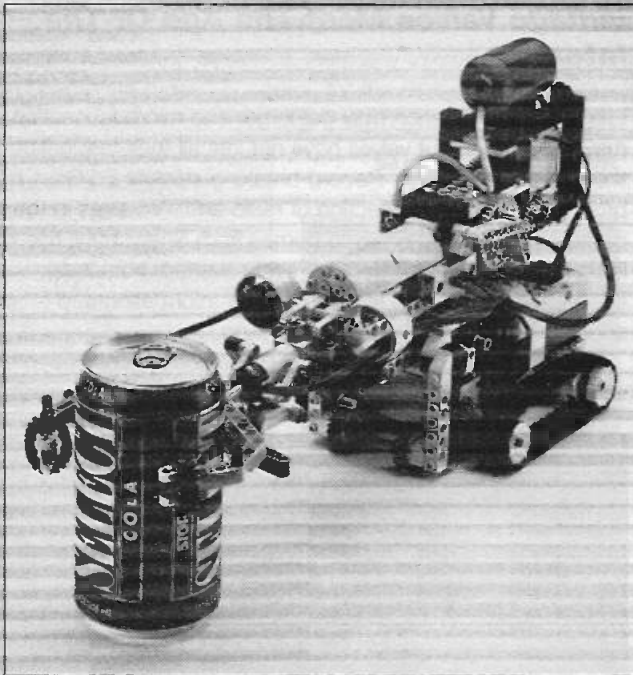
## Lego Bricks Hook Up With PCs for Robot Development Kit

Classic construction toy company Lego have invented a programmable building brick.

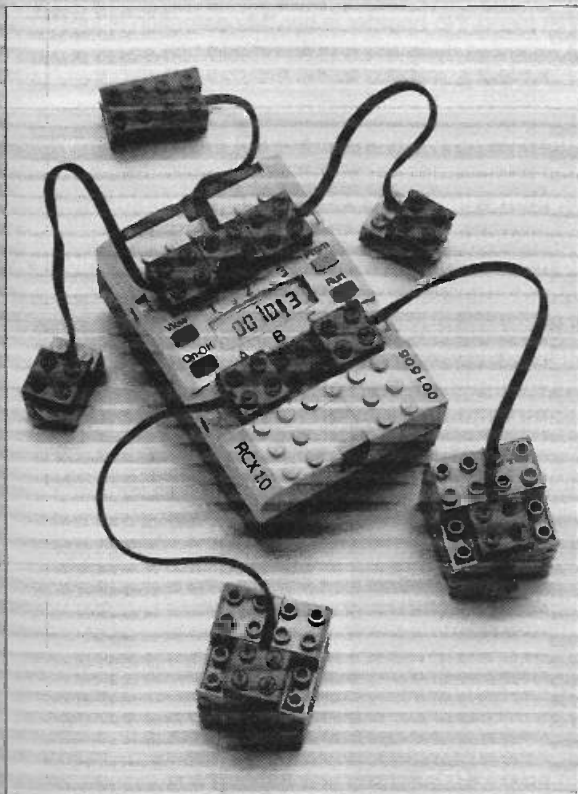
At the heart of the new Lego Mindstorms Robotics Invention System is the RCX, a special Lego brick embedded with an 8-bit microprocessor that accepts programs downloaded from a PC. The processor also has 16K of rom, 512 bytes of internal sram and 32K of external sram, and talks to the PC via a serial port. The RCX Microcomputer has its own CD-rom based RCX Code, a user-friendly programming language designed to create programs to drive mini-robots built using the Mindstorms robotics pack.

Lego call the Mindstorms system "the challenge of the future for 12- to 14-year-olds", but the 700-piece Robotics Invention System is likely to attract the attention of more senior users, perhaps taking the time-honoured place of the model railway set as the ideal Christmas present for the kids to watch Dad play with.

The 700-piece set includes two motors, light- and touch-sensors, and building parts including mechanisms, gears and wheels. It can also incorporate parts from the existing Lego Technics series, including the hydraulics employed in the cola-can lifting mobile robot arm shown in the photograph.



The RCX Lego microcomputer with two motors, two touch sensors and a light sensor



A robotic arm built with parts from Lego Mindstorms and Lego Technics

New owners of the Robotics Invention System also get a "constructopaedia" building guide with suggestions on how to build modules and achieve various effects. These will not be the "complete building plans" included with earlier Lego sets. Achieving a complete model will be "all part of the challenge" to the inventors.

However, to assist in their quest for new ideas, new owners will automatically become members of the Mindstorms Internet community, based at the website [www.LEGOMINDSTORMS.com](http://www.LEGOMINDSTORMS.com), where users can create personal homepages, upload programs, display their inventions, talk to other users and consult Lego experts from Lego via chat rooms and message boards. Each user will receive a Robotics Network membership with their set, with an exclusive number to log on to the website for the first time. The website will present new robot-building challenges which can be downloaded.

The Mindstorms system is the result of co-operation with the Media Lab at the Massachusetts Institute of Technology (MIT), already famous for its walking robots (see The Robobugs of MIT in ETI December 1996).

Expansion sets including Robo-Sports and Extreme Creatures should be available before the end of the year.

To run the complete system, you need a minimum Pentium 90MHz processor, Windows 95, 50 MB hard disk space, a CD-rom drive, 16 MB of ram and VGA display (256 colours) and preferably a Soundblaster sound card or compatible.

**For information about stores selling or displaying Lego Mindstorms, contact 0845 606 2043.** They can also answer questions about computer compatibility, or pass you to someone who has more detailed information.

## Vintage Valves Meet The Age Of The Internet

Large scale integration may get larger and micro fabrication may get smaller, but valves have not lost all their fascination in the age of the Internet. Record-breaking student Ed Ross has probably the largest collection of radio and TV valves in the country. 18-year-old Ed, who comes from Shewsbury, has at least 3,000 valves and pursues every avenue, from local second-hand shops to the Internet, for information and contacts to keep his collection growing.

It seems that Ed is not the only collector who places a value on valves. Dr. Donald Klipstein, of a magnetics research



company near the city of Philadelphia in the USA, has his own valve museum. Ed and Dr. Klipstein made international contact via the Internet, and Ed's name now appears on a brass plaque in the museum, thanking him for a donation of rare valves.

Ed says that his passion for valves was sparked off by his father's own collection of vintage radios, and followed up by reading electronics magazines. Keeping his feet firmly both in the past and the future, Ed is now studying on a three-year Network Information Management course at Bradford University. He's also staying practical by working on the design of a Theramin, based on five valves and two aerials, for a guitarist friend. No hoarder is he: "My collection is functional. The valves are all there to be used or sold," he says.

## Squires Model and Craft Tool Catalogue Now Out

This is a catalogue intended mainly for model builders, but that does not prevent it from containing a good range of electronic components. There are no surface mount components, and no power mosfets, or indeed fets of any description, but most other types of electronic components are represented.

Of course, many electronics projects need more than just electronic components, and this catalogue will be helpful there. If you want an electric motor and some sort of mechanical drive to agitate a pcb etching tray, this is one place to try.

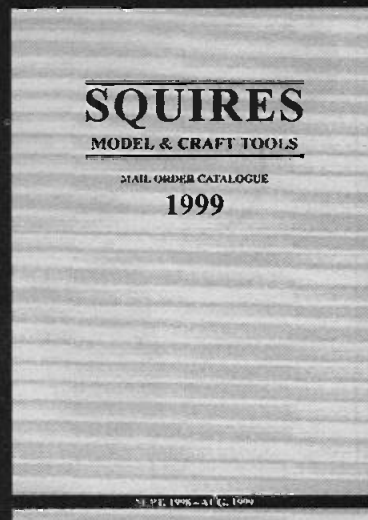
There are tools such as cutting discs, micrometers, more files and abrasives than I have seen before. In the materials section there are plastic sections (such as U channel), metal rods and bars, brass wire, and other items useful for the non-electronic parts of a project.

The catalogue has some components which are not very widely available, such as tuning capacitors and solar panels. There are also a couple of bench drills which look as if they might be ideal for drilling printed circuit boards.

Although you would need to look elsewhere for specialised ics, mosfets and all surface mount components, there is a wide enough range of electronic components for many normal projects. There is also a range of cases, electronic and mechanical tools, and other items to make the rest of the project easier.

This is a very useful catalogue, and reading through it may well make you think of an interesting project or two.

For a copy of the catalogue and further information contact Squires Model and Craft Tools, 100 London Road, Bognor Regis, West Sussex PO21 1DD. Tel. 01243 842424 Fax 01243 842525.



## Vann Draper Market Grundig Instrument Range in the UK and Ireland

Van Draper Electronics has signed an agreement with Grundig Test and Measuring System in Germany to market Grundig's products in the UK and the Republic of Ireland. This will make Van Draper the prime UK source for the Grundig instrument range, previously not directly available in the UK.

Van Draper has marketed its own range of general purpose instruments since 1990, and also provides a list of high quality instruments from a number of other sources including the full Kenwood range.

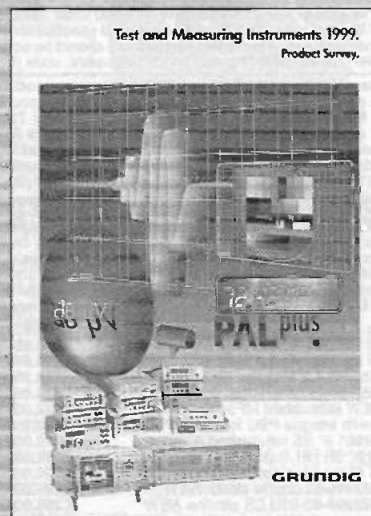
The Grundig range comes in three categories:

**Laboratory and Service Measuring Instruments:** including power supplies, function generators, sine wave and arbitrary generators, universal counters, LF and RF millivoltmeters, digital multimeters, automatic LCR meters and oscilloscopes, with emphasis on microprocessor control, RS232 and IEEE interfaces.

**Video Measuring Instruments:** including PALplus studio encoders/decoders, video generators, terrestrial and satellite TV generators and monitor testers.

**Antenna Measuring Instruments:** including combination measuring receivers, antenna measuring receivers, satellite measuring receivers plus level and noise measuring instruments.

**For more information on the Grundig lines and other products in the Vann Draper range please contact Vann Draper Electronics Ltd., Unit 5, Canal St., South Wigston, Leicester LE18 2PL. Tel 1006 2771400 Fax 0116 2773945. Email sales@vanndraper.co.uk Web www.vanndraper.co.uk.**



## Motorists Rely More Upon Traffic Warning Systems For Journey Planning

A detailed survey of its members carried out by the RAD (Royal Automobile Club) revealed that motorists change their journey plans when given access to relevant, real-time travel information. The survey showed that motorists consider alternative routes, times and even modes of transport if provided with information sufficiently in advance of their journey.

The research is related to the continued expansion of the RAC's Traffic Alert 1210 telephone-based traffic information service. Four key groups of travellers were identified, and the different ways in which they use information provided by traffic information services. The information offered includes journey delay times, incident and roadwork information and alternative route planning. The four groups are:

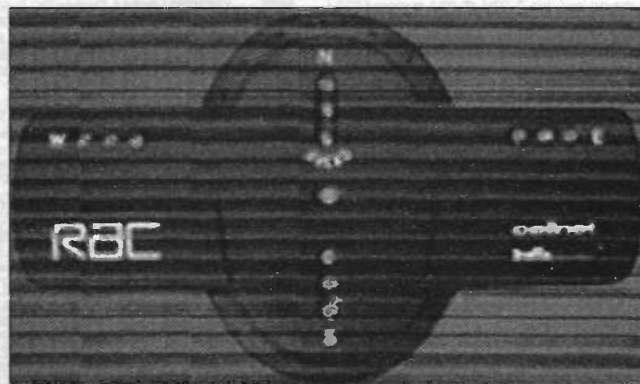
- **Motorway commuters:** high level of local road knowledge. Journey time is critical, and traffic information is used to avoid short term delays and make informed decisions about alternative routes.
- **Motorway business travellers:** regular motorway users with limited local road knowledge. Use advance information to plan routes and journey times, reinforced with an in-car unit during the journey.
- **Anxious motorway users:** travel infrequently and dislike motorway journeys. Use in-car congestion warning devices to provide advance information about hold-ups, and adjust their driving accordingly.

- **Trunk road users:** rarely use motorways. Require regular local traffic and travel information for local roads. Trafficmaster's trunk road sensor network will be launched in late 1998 and will be linked to the RAC's Traffic Alert 1210.

RAC's Managing Director of Membership Findlay Caldwell says "More than 1.2 million drivers are caught in congestion on British motorways every day. The research has shown that, given timely and relevant information, travellers do reconsider journey plans and change them if appropriate."

**For more information on the RAC and RAC Traffic Alert phone 0990 722722.**

More motorists are turning to various phone-based and in-car traffic warning systems as congestion resulting from accidents and other incidents traps more motorists in static motorway queues without warning from traffic authorities.



Surplus always wanted for cash!

# THE ORIGINAL SURPLUS WONDERLAND!

THIS MONTH'S SELECTION FROM OUR VAST EVER CHANGING STOCKS

Surplus always wanted for cash!

## THE AMAZING TELEBOX

Converts your colour monitor into a QUALITY COLOUR TV!



TV SOUND & VIDEO TUNER  
CABLE COMPATIBLE

The TELEBOX is an attractive fully cased mains powered unit, containing all electronics ready to plug into a host of video monitors made by makers such as MICROVITEC, ATARI, SANYO, SONY, COMMODORE, PHILIPS, TATUNG, AMSTRAD etc. The composite video output will also plug directly into most video recorders, allowing reception of TV channels not normally receivable on most television receivers\* (TELEBOX MB). Push button controls on the front panel allow reception of 8 fully tunable 'off air' UHF colour television channels. TELEBOX MB covers virtually all television frequencies VHF and UHF including the HYPERBAND as used by most cable TV operators. A composite video output is located on the rear panel for direct connection to most makes of monitor or desktop computer video systems. For complete compatibility - even for monitors without sound - an integral 4 watt audio amplifier and low level Hi Fi audio output are provided as standard.

TELEBOX ST for composite video input type monitors £36.95  
TELEBOX STL as ST but fitted with integral speaker £39.50  
TELEBOX MB Multiband VHF/UHF/Cable/Hyperband tuner £69.95  
For overseas PAL versions state 5.5 or 6 MHz sound specification.  
\*For cable / hyperband signal reception TELEBOX MB should be connected to a cable type service. Shipping on all Teleboxes, code (B)

NEW

State of the art PAL (UK spec) UHF TV tuner module with composite 1V pp video & NICAM hi fi stereo sound outputs. Micro electronics all on one small PCB only 73 x 160 x 52 mm enable full software control via a simple 2 wire link to any IBM type computer. Supplied complete with simple working program and documentation. Requires +12V & +5V DC to operate. BRAND NEW - Order as MY00. Only £49.95 code (B)

## FLOPPY DISK DRIVES 2 1/2" - 14"

Massive purchases of standard 5 1/4" and 3 1/2" drives enables us to present prime product at industry beating low prices! All units (unless stated) are BRAND NEW or removed from often brand new equipment and are fully tested, aligned and shipped to you with a full 90 day guarantee. Call for over 2000 unlisted drives for spares or repair.

- 3 1/2" Panasonic JU363/4 720K or equivalent RFE £24.95(B)
- 3 1/2" Mitsubishi MF355C-1.4 Meg. Laptops only £28.95(B)
- 3 1/2" Mitsubishi MF355C-D. 1.4 Meg. Non laptop £18.95(B)
- 3 1/2" Teac FD-55GFR 1.2 Meg (for IBM PCs) RFE £18.95(B)
- 5 1/4" Teac FD-55F-03-U 720K 40/80 (for BBC's etc) RFE £28.95(B)
- 5 1/4" BRAND NEW Mitsubishi MF501B 360K £22.95(B)
- Table top case with integral PSU for HH 5 1/4" Flopp or HD £28.95(B)
- 8" Shugart 800/801 8" SS refurbished & tested £210.00(E)
- 8" Shugart 810 8" SS HH Brand New £195.00(E)
- 8" Shugart 851 8" double sided refurbished & tested £260.00(E)
- 8" Mitsubishi M2894-63 double sided NEW £295.00(E)
- 8" Mitsubishi M2896-63 02U DS slimline NEW £285.00(E)
- Dual 8" cased drives with integral power supply 2 Mb £499.00(E)

## HARD DISK DRIVES

- 2 1/2" TOSHIBA (19 mm H) MK2101MAN 2.16 Gb. New £199.00
  - 2 1/2" TOSH (12.5 mm H) MK11002MAY 1.1 Gb laptop. New £115.00
  - 2 1/2" to 3 1/2" conversion kit for PC's, complete with connectors £12.95
  - 3 1/2" FUJI FK-309-26 20mb MFM I/F RFE £59.95
  - 3 1/2" CONNER CP3024 20 mb IDE I/F (or equiv.) RFE £59.95
  - 3 1/2" CONNER CP3044 40mb IDE I/F (or equiv.) RFE £69.00
  - 3 1/2" RODIME R03057S 45mb SCSI I/F (Mac & Acorn) £69.00
  - 3 1/2" QUANTUM 40S Prodrive 42mb SCSI I/F, New RFE £49.00
  - 3 1/2" WESTERN DIGITAL 850mb IDE I/F New £185.00
  - 5 1/4" MINISCRIBE 3425 20mb MFM I/F (or equiv.) RFE £49.95
  - 5 1/4" SEAGATE ST-238R 30 mb RLL I/F Refurb £69.95
  - 5 1/4" CDC 84205-51 40mb HH MFM I/F RFE tested £69.95
  - 5 1/4" HP 87548 850 Mb SCSI RFE tested £99.00
  - 5 1/4" HP C3010 2 Gbyte SCSI differential RFE tested £195.00
  - 8" NEC D2246 85 Mb SMD Interface. New £199.00
  - 8" FUJITSU M2322K 160Mb SMD I/F RFE tested £195.00
  - 8" FUJITSU M2322K 2 Gb SMD I/F RFE tested £345.00
- Many other drives in stock - Shipping on all drives is code (D)

## TEST EQUIPMENT & SPECIAL INTEREST ITEMS

- MITS. FA3445ETKL 14" Industrial spec SVGA monitors £245
- 1KW to 400 kW - 400 Hz 3 phase power sources - ex stock £90A
- IBM 8230 Type 1. Token ring base unit driver £760
- Wayne Kerr RA200 Audio frequency response analyser £2500
- IBM 53F5501 Token Ring ICS 20 port lobe modules £750
- IBM MAU Token ring distribution panel 8228-23-5050N £95
- AIM 501 Low distortion Oscillator 9Hz to 330KHz. IEEE £550
- ALLGON 8360.11805-1880 MHz hybrid power combiners £250
- Trend DSA 274 Data Analyser with G703(2M) 64 Vb £90A
- Marconi 6310 Programmable to 2 to 22 GHz sweep generator £6500
- Marconi 2022C 10KHz-1GHz RF signal generator £1550
- Marconi 2030 opt 03 10KHz-1.3 GHz signal generator, New £5150
- HP1650B Logic Analyser £3750
- HP3781A Pattern generator & HP3782A Error Detector £90A
- HP6621A Dual Programmable GPIB PSU 0-7 V 160 watts £1800
- HP6264 Rack mount variable 0-20V @ 20A metered PSU £675
- HP54121A DC to 22 GHz four channel test set £90A
- HP8130A opt 020 300 MHz pulse generator, GPIB etc £8500
- HP A1. A0 8 pen HPGL high speed drum plotters - from £950
- EG-G Brookdeal 95035C Precision lock in amp £650
- View Eng. Mod 1200 computerised inspection system £90A
- Sony DXC-3000A High quality CCD colour TV camera £1100
- Kethley 590 CV capacitor / voltage analyser £90A
- Riscal ICR40 dual 40 channel video recorder system £3750
- Flickers 45KVA 3 ph On Line UPS - New batteries £9500
- ICI R8030UV34 Cleanline ultrasonic cleaning system £90A
- Mann Tally MT645 High speed line printer £2200
- Intel SBC 486/133SE Multibus 486 system. 8Mb Ram £945
- Siemens K4400 64Kb to 140Mb demux analyser £2950

## IC's - TRANSISTORS - DIODES

OBSOLETE - SHORT SUPPLY - BULK

6,000,000 Items EX STOCK

For MAJOR SAVINGS - CALL OR SEE OUR WEBSITE

## VIDEO MONITOR SPECIALS

One of the highest specification monitors you will ever see - At this price - Don't miss it!!

Mitsubishi FA3415ETKL 14" SVGA Multisync colour monitor with fine 0.28 dot pitch tube and resolution of 1024 x 768. A variety of inputs allows connection to a host of computers including IBM PCs in CGA, EGA, VGA & SVGA modes. BBC, COMMODORE (including Amiga 1200), ARCHIMEDES and APPLE. Many features: Etched faceplate, text switching and LOW RADIATION MPR specification. Fully guaranteed, supplied in EXCELLENT little used condition. Tilt & Swivel Base £4.75 Only £119 (E) Order as MTS-SVGA

VGA cable for IBM PC included. External cables for other types of computers CALL

As New - Ex Demo 17" 0.28 SVGA Mitsubishi Diamond Pro monitors Full multisync etc. Full 90 day guarantee. £325.00 (E)

Just In - Microvitec 20" VGA (800 x 600 res.) colour monitors. Good SH condition - from £299 - CALL for info

PHILIPS HCS35 (same style as CM8833) attractively styled 14" colour monitor with both RGB and standard composite 15.625 KHz video inputs via SCART socket and separate phono jacks. Integral audio power amp and speaker for all audio visual uses. Will connect direct to Amiga and Atari BBC computers. Ideal for all video monitoring / security applications with direct connection to most colour cameras. High quality with many features such as front concealed flap controls, VCR correction button etc. Good used condition - fully tested - guaranteed Dimensions: W14" x H12 1/4" x 15 1/2" D. Only £99 (E)

PHILIPS HCS31 Ultra compact 9" colour video monitor with standard composite 15.625 KHz video input via SCART socket. Ideal for all monitoring / security applications. High quality, ex-equipment fully tested & guaranteed (possible minor screen burns). In attractive square black plastic case measuring W10" x H10" x 1 1/2" D. 240 V AC mains powered. Only £79.00 (D)

KME 10" 15M10009 high definition colour monitors with 0.28" dot pitch. Superb clarity and modern styling. Operates from any 15.625 KHz sync RGB video source, with RGB analog and composite sync such as Atari, Commodore Amiga, Acorn Archimedes & BBC. Measures only 13 1/2" x 12" x 11". Good used condition. Only £125 (E)

## 20" 22" and 26" AV SPECIALS

Superbly made UK manufacture. PIL all solid state colour monitors, complete with composite video & optional sound input. Attractive teak style case. Perfect for Schools, Shops, Disco, Clubs, etc. In EXCELLENT little used condition with full 90 day guarantee.

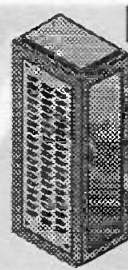
20"....£135 22"....£155 26"....£185 (F)

## DC POWER SUPPLIES

Virtually every type of power supply you can imagine. Over 10,000 Power Supplies Ex Stock Call or see our web site.

## LOW COST PC'S

Always over 1000 PC's from stock. 1000's of spares and accessories. Call or see our web site for info.



## 19" RACK CABINETS

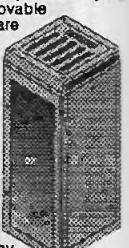
Superb quality 6 foot 40U Virtually New, Ultra Smart Less than Half Price!

Top quality 19" rack cabinets made in UK by Optima Enclosures Ltd. Units feature designer, smoked acrylic lockable front door, full height lockable half louvered back door and louvered removable side panels. Fully adjustable internal fixing struts, ready punched plus rear mounted integral 12 way 13 arg socket switched mains distribution strip make these racks some of the most versatile we have ever sold. Racks may be stacked side by side and therefore require only two side panels to stand singly or in multiple bays. Overall dimensions are: 77 1/2" H x 32 1/2" D x 22" W. Order as: OPT Rack 1 Complete with removable side panels. £345.00 (G) OPT Rack 2 Rack. Less side panels £245.00 (G)

Over 1000 racks, shelves, accessories 19" 22" & 24" wide 3 to 46 U high. Available from stock !!

## 32U - High Quality - All steel RakCab

Made by Eurocraft Enclosures Ltd to the highest possible spec. rack features all steel construction with removable side, front and back doors. Front and back doors are hinged for easy access and all are lockable with five secure 5 lever barrel locks. The front door is constructed of double walled steel with a 'designer' style smoked acrylic front panel to enable status indicators to be seen through the panel, yet remain unobtrusive. Internally the rack features fully slotted reinforced vertical fixing members to take the heaviest of 19" rack equipment. The two movable vertical fixing struts (extras available) are pre punched for standard 'cage nuts'. A mains distribution panel internally mounted to the bottom rear, provides 8 x IEC 3 pin Euro sockets and 1 x 13 amp 3 pin switched utility socket. Overall ventilation is provided by fully louvered back door and double skinned top section with top and side louvers. The top panel may be removed for fitting of integral fans to the sub plate etc. Other features include: fitted castors and floor levelers, pre-punched utility panel at lower rear for cable / connector access etc. Supplied in excellent, slightly used condition with keys. Colour Royal blue External dimensions mm=1625H x 635D x 603W (64" H x 25" D x 23 1/2" W) Sold at LESS than a third of makers price !!



A superb buy at only £245.00 (G) 42U version of the above only £345 - CALL

## BATTERY SCOOP - 50% off !!

A special bulk purchase from a cancelled export order brings you the most amazing savings on these ultra high spec 12v DC 14 Ah rechargeable batteries. Made by Hawker Energy Ltd, type SBS15 featuring pure lead plates which offer a far superior shelf & guaranteed 15 year service life. Fully BT & BS6290 approved. Supplied BRAND NEW and boxed. Dimensions 200 wide, 137 high, 77 deep. M6 bolt terminals. Fully guaranteed. Current makers price over £70 each! Our Price £35 each (C) or 4 for £99 (D)

## RELAYS - 200,000 FROM STOCK

Save ££££'s by choosing your next relay from our Massive stocks covering types such as - Military, Octal, Cradle, Hermetically Sealed, Contactors, Time Delay, Reed, Mercury Wetted, Solid State, Printed Circuit Mounting. CALL US WITH YOUR NEEDS. Many obsolete types from stock. Save ££££'s

## LOW COST RAM & CPU'S

INTEL 'ABOVE' Memory Expansion Board. Full length PC-XT and PC-AT compatible card with 2 Mbytes of memory on board. Card is fully selectable for Expanded or Extended (286 processor and above) memory. Full data and driver disks supplied. RFE. Fully tested and guaranteed. Windows compatible. £59.95 Half length 8 bit memory upgrade cards for PC AT XT expands memory either 256k or 512k in 64k steps. May also be used to fill in RAM above 640k DOS limit. Complete with data. Order as: XT RAM UG. 256k. £34.95 or 512k £39.95

- 1 MB x 9 SIMM 9 chip 120ns Only £8.50
- 1 MB x 9 SIMM 3 chip 80 ns £10.50 or 70ns £11.95
- 1 MB x 9 SIMM 9 chip 80 ns £10.50 or 70ns £11.75
- 4 MB 70 ns 72 pin SIMM - with parity. Only £35.00
- INTEL 486-DX33 CPU £199.95 INTEL 486-DX66 CPU £59.00
- FULL RANGE OF CO-PROCESSOR'S EX STOCK - CALL FOR £££
- MOTOROLA 25 Mhz 68040 (XC68040RC25M) CPU'S £59.00 shipping charges for RAM / CPU upgrades is code B

## SOFTWARE SPECIALS

NT4 WorkStation, complete with service pack 3 and licence - OEM packaged. Special Price ONLY £99.00 Microsoft - Windows for Workgroups 3.11 & DOS 6.22. Supplied on 3 1/2" disks with licence & concise documentation. £39.95 DOS 5.0 on 3 1/2" disks with concise books c/w QBasic. £14.95 Wordperfect 6 for DOS supplied on 3 1/2" disks with manual £24.95 shipping charges for software is code B

# DISTEL on the web !! - Over 16,000,000 Items from stock - www.distel.co.uk



ALL MAIL & OFFICES  
Open Mon - Fri 9.00 - 5:30  
Dept ET, 32 Biggin Way  
Upper Norwood  
LONDON SE19 3XF

LONDON SHOP  
Open Mon - Sat 9:00 - 5:30  
215 Whitehorse Lane  
South Norwood  
On 68A Bus Route  
N. Thornton Health & Selhurst Park SR Rail Stations

NEW DISTEL ©  
Visit our web site  
www.distel.co.uk  
email admIn@distel.co.uk

ALL ENQUIRIES  
0181 679 4414  
FAX 0181 679 1927

All prices for UK Mainland. UK customers add 17.5% VAT to TOTAL order amount. Minimum order £10. Bona Fide account orders accepted from Government, Schools, Universities and Local Authorities - minimum account order £50. Cheques over £100 are subject to 10 working days clearance. Carriage charges (A)=£3.00, (A1)=£4.00, (B)=£5.50, (C)=£8.50, (D)=£12.00, (E)=£15.00, (F)=£18.00, (G)=CALL. Allow approx 6 days for shipping - faster CALL. All goods supplied to our Standard Conditions of Sale and unless stated guaranteed for 90 days. All guarantees on a return to base basis. All rights reserved to change prices / specifications without prior notice. Orders subject to stock. Discounts for volume. Top CASH prices paid for surplus goods. All trademarks, trademarks etc acknowledged. © Display Electronics 1998. E & O 06/98



## Changes to the 10GHz Amateur Band In February 1999

The Radiocommunications Agency has announced the date for future change to the 10 GHz amateur radio band. Part of the band will be withdrawn, but there will be a small overall increase in the spectrum allocation for amateurs.

The current allocations is:

10.00 - 10.15 GHz and 10.30 - 10.50 GHz for the terrestrial service

10.45 - 10.50 GHz for the amateur satellite service

From 1 February 1998, the allocation will be:

10.00 - 10.125 GHz and 10.225 - 10.475 GHz for the terrestrial service

The amateur satellite allocation will remain unchanged.

The Agency states that it will continue to balance the needs of radio amateurs with regard to this part of the spectrum with the demands of new and existing radio services. The Agency has recently introduced an allocation at 136 kHz for amateurs.

**For further information, contact the RA's public enquiry line on 1071 211 0211 (textphone 0171 215 6740 for people with hearing impairment).**



## Extended Frequencies for Low Power Devices

New and extended frequency allocations for Low Power Devices exempt from licensing have been announced by the Radiocommunications Agency. The current frequency allocation of 433.72 - 434.12 MHz will be extended to 433.05 - 434.79 MHz. The limitation of its use to Vehicle Radio Activated Key Entry Systems will be relaxed to accommodate General Telemetry and Telecommand applications. Audio, speech or music is not permitted in this band. Equipment must be Type Approved to ETSI specification EN 300 220-1, as recommended in the CEPT/ERC recommendation 70-03. Maximum power will be 10mW.

Controversy has previously arisen in connection with this band when it was found that legitimate Amateur Radio transmissions were capable of interfering with Vehicle Entry Systems. In some cases users were locked out of their cars, or vehicles immobilised, a considerable problem to car manufacturers providing radio activated entry systems. The ultimate origin of the allocation of an Amateur band to vehicle entry systems has not been published. However, the

provisions for the extended band state clearly that "Manufacturers will be required to make it clear to potential customers that equipment may suffer interference from other legal users of this band, such as the Radio Amateurs, and will not be protected from such interference. The onus will be on the manufacture to produce

equipment to an adequate standard."

The current frequency allocation of 863.00 - 864.00 MHz for Cordless Audio Equipment will be extended to 865.00 MHz. Equipment must be Type Approved to the ETSI Specification EN 300 220-1 until ETSI publish a suitable product standard. Maximum power will be 10mW.

A new frequency allocation of 868.00 - 870.00 MHz has been made for General Telemetry and Telecommand applications. Equipment must be Type Approved to the ETSI specification EN 300 220-1. The band is split into sub-bands, and the maximum radiated power permitted will depend on the specific sub-band in use. RA information sheet RA114 Annex 3 summarises the relevant information.

The current frequency allocation of 2.400 - 2.483 GHz will be opened to General Telemetry and Telecommand applications including Visual Image Transmission Equipment. Equipment must be Type Approved to the ETSI specification I-ETS 300 440. For VITE the maximum permitted bandwidth will be 20 MHz. Maximum power will be 10mW. The band will continue to be shared with other applications. The Specification remains ETS 300 328.

The relevant Licence Exemption Statutory Instrument will be amended later this year. Users may operate type approved equipment which complies with the relevant standard in the appropriate frequency band. Users are being invited to apply for a licence from the Technology Sectors Unit (Low Power Section), which will be issued free until the new Statutory Instrument is in place.

The updated allocations harmonise the UK with the rest of Europe and were applied from 31 August.

**For further information contact the Radiocommunications Agency, Technology Sectors Unit (Low Power Section) Tel. 0171 211 0153.**



## OVERSEAS READERS

To call UK telephone numbers, replace the initial 0 with your local overseas access code plus the digits 44.



# Programmable Logic Controllers and Ladder Logic

***Programmable logic controllers are a hardware means of controlling machinery by a circuit-like programming language that can be programmed through an interface from a PC. Ladder diagrams look disarmingly like ordinary schematics, but they are no such thing ...***

***Stephen Fleetham***

**O**nce upon a time, ladder diagrams were produced to specify the hard wiring of **relay control circuits**. Despite a sometimes confusing resemblance, the meaning of the symbols used to represent the relay contacts and coils differed from those used in electronics everywhere else, with a set of normally open contacts, for example, being drawn very much the same as a capacitor. This notation could be seen as a primitive form of a diagrammatic programming interface. This may have come about because Boolean algebra was not so accessible to the people (usually electricians) who had to program these systems (by wiring them up). Consequently, the approach to designing these systems may seem unfamiliar to readers more comfortable with Boolean algebra, Next State tables and so on.

However, as hard-wiring changes required significant costly re-work, a more flexible approach was obviously needed. Consequently, Programmable Logic Controllers and relay ladder logic were developed. These were evolved from the original relay ladder logic used to implement industrial control schemes, using relays to implement compound and sequential functions.

Control functions could now be implemented and changed in software rather than in hardware rewiring. The Programmable Logic Controller now provided the electrical-electronic interface between the field devices and the relay ladder-control software.

## **History**

The transition from hard-wired logic to Programmable Logic Controllers did not happen overnight, and what follows is a brief history of this evolution.

To the industrial manufactures supplying the relay-based control equipment, it was obvious there was a need to develop a more flexible and adaptive control philosophy. The first products to result were hybrid systems, with the individual logic elements AND, OR, TIMER, COUNTER, SHIFT REGISTER etc.

assembled into small hardware modules about the size of a pack of playing cards, with all the electrical connections brought out to pins on the base of the module.

The first step in design was to draw up control schemes. These allowed the necessary logic blocks to be determined. The logic blocks were then mounted in a rack and the electrical connections made by wire-wrapping the relevant pins together.

As the technology advanced, further logic was developed. Probably the most important was the Sequencer, a means of controlling the flow of logic sequentially by a program stored in eeprom memory.

The next stage in the evolution of the modern Programmable Controller was to incorporate all these logic elements into one module and control it with **software**.

Initially these controllers were very large, consisting of a rack housing the backplane, power supply, central processing unit (CPU), memory (magnetic core in the earliest units) and all of the input-output modules.

All that now remained was a means of programming the processor memory. This was accomplished using a hand-held programmer consisting of a keypad and LEDs. Mnemonics were used to represent the basic ladder instructions. These early devices were sometimes difficult to use and restricted in what they could achieve.

The technology developed rapidly over the years to what we have today, Programmable Logic Controllers that are physically compact (often around the size of an ordinary PC), have a rich and powerful instruction set, allow networking, support intelligent operator interfaces, and so on.

## **The future**

Over the years Programmable Logic Control technology has rapidly developed, to the extent that high level languages such as C may be used as the preferred programming language. At the same time, PC technology has been developing in the opposite direction, becoming increasingly rugged and suitable

for operation on the shop floor.

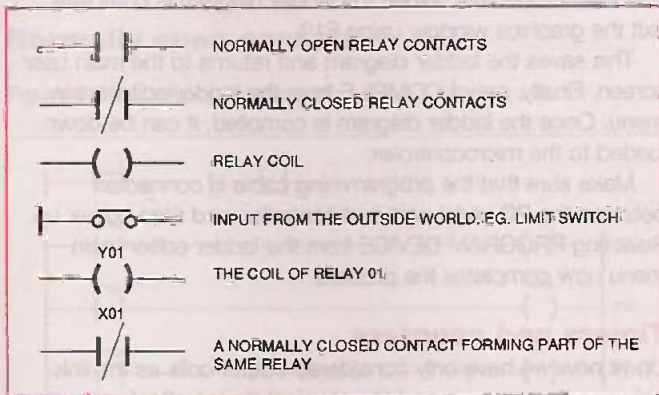
Clearly these two technologies have the potential to combine and merge, providing processing and control platforms that could only be dreamed of several years ago.

The future may well produce intelligent sensors with a 'PLC on a chip', providing parallel distributed processing, and allowing the sensor to provide the primary control function.

### The symbols

As noted above, the symbols used in ladder logic have quite different meanings from those used in normal electronics. See figure 1. Relay parts are numbered using a convention where Yxx refers to an input, and Xxx to an output.

Figure 1: a key to ladder logic symbols used in this article



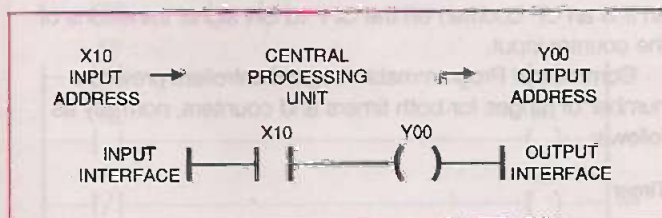
This notation originated from a time when control panels were wired up using relay logic. Nowadays the relay is used as a logic symbol for this sort of control programming, in effect a graphical method to input Boolean algebra. In principle, at least, control functions specified in this way could be executed by a box full of clattering relays instead of by a processor.

### How it works

A Programmable Logic Controller is made up of the following parts (see figure 2):

- A central processing unit
- A program memory
- Input interface
- An output interface

Figure 2: the internal functioning of a programmable logic controller



### A typical Programmable Logic Controller

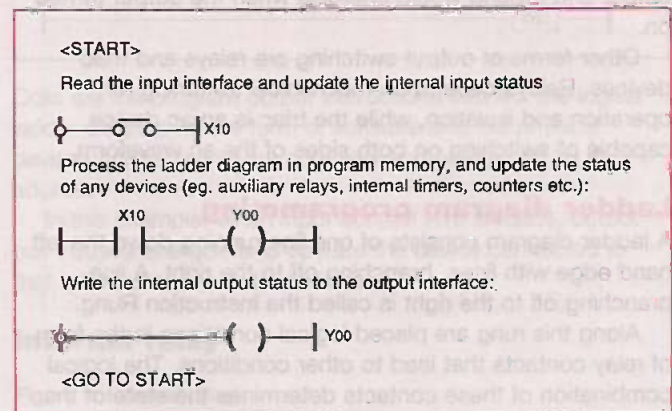
Controller operation is reasonably straightforward, and most operate on a scan basis. This is in contrast to the approach used in other types of controller, where interrupts may be used to make the unit respond to changes on inputs. A scan based system cannot cope with events which require a response in a shorter time than one complete pass through the program. This is unlikely to pose a problem when the item being controlled is mechanical.

At the start of the scan the inputs are read and the internal input status is updated. The central processing unit now reads the relay ladder program from memory and executes the instructions. Internal devices (internal relays etc.) are updated as the scan continues.

At the end of a scan, all program instructions will have been executed. This is the point at which the outputs are refreshed or updated to reflect any changes brought about by a change in input status. See figure 3.

For example:

Figure 3: a single scan of the Programmable Logic Controller



The central processing unit and memory are the heart of any Programmable Logic Controller, as it is here the program instructions are read from memory and then executed. All the processing and control is undertaken here. There are a number of different types of memory available. Most current controllers use random access memory (ram).

This type of memory is volatile. If the power is removed, the memory contents are lost. To prevent this, controllers employ a battery to take over automatically if the supply is switched off, allowing the memory contents to be retained.

Some controllers use erasable programmable read only memories (eproms). A programmer is needed to an eprom, and, once loaded, it become a read-only device and requires no battery to retain data when the power is removed. The only way to erase the old program is to expose the device to a powerful source of ultra violet light.

EEPROMS, or electrically erasable programmable read only memories, are becoming more popular and function very much like an eprom except that they are erased electrically.

### Input and output interfaces

As the input signals can vary from low power dc to high voltage ac, these signals need to be conditioned and isolated from the internal electronics of the controller.

Isolation excludes noise, and conditioning converts the signals to a level the controller can safely handle. Most use optical isolation, which converts the electrical signal to light and optically couples them.

Conversely, the internal output signals need to be changed to a level high enough to drive external field devices. This is achieved by using transistors for dc, triacs for ac, and relays for volt-free applications.

The concept of input and output Sink and Source causes a great deal of confusion and needs to be well understood. The input/output structure of a Programmable Logic Controller consists of two main types: sink and

source. Sink may be thought of as an open collector transistor which, when driven ON, is able to "sink" a voltage applied to it, so that any load connected between the output and a suitable voltage would energise when the output was turned on.

This also applies to inputs. Typically the electrical signal is conditioned and filtered, and then passes through a photo diode to sink the input and provide an ON indication to the controller.

Source may be considered as an open emitter transistor which, when driven ON, would "source" a voltage to the load connected to it, so that a load connected between the output and ground would energise when the output turned on.

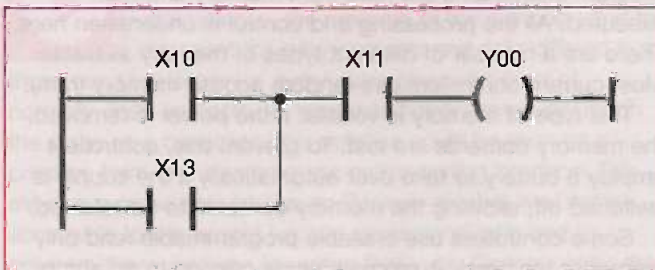
Other forms of output switching are relays and triac devices. Relays depend on mechanical switching for operation and isolation, while the triac is an ac device, capable of switching on both sides of the ac waveform.

### Ladder diagram programming

A ladder diagram consists of one line running down the left hand edge with lines branching off to the right. A line branching off to the right is called the Instruction Rung.

Along this rung are placed logical conditions in the form of relay contacts that lead to other conditions. The logical combination of these contacts determines the state of the output coil on the extreme right hand side. See figure 4.

Figure 4: a typical ladder rung



Rungs can branch apart and rejoin. Vertical lines are called OR branches (X10 or X13); these combine with horizontal AND lines containing further conditions (X10 or X13 and X11, and so on)

The characters above the condition indicate its type: whether it is the input, the contact of a coil, and so on, and also the address assigned to it. The state of the contact (open or closed) determines the execution condition of following contacts.

The creation of an executable ladder diagram control scheme is basically a three-stage process: (1) draw the ladder diagram (2) compile it (3) download the software to the programmable controller.

A PC is used to develop the ladder diagram, using an intuitive user-friendly graphical environment which provides pull-down menus and dialogue boxes. Within this environment a graphic window is opened allowing the ladder diagram to be drawn using familiar ladder elements such as contacts, coils, etc., which are selected and displayed at the bottom of the screen.

When this process is completed, the ladder diagram is compiled and downloaded to the programmable controller. The relay ladder logic will now be executed when the programmable controller is put into RUN.

### Basic procedures

There are a number of steps involved in creating an executable ladder logic scheme using the pc based editing tools. Obtain a list of all the input/output devices and assign an I/O address to each device. Select EDIT from the ladder editor main menu to open a new project file. Then, using the function keys to select the relevant logic symbol, draw the ladder on the screen.

For example, to monitor the state of an input in the form of a limit switch, and to drive a relay output: First assign an I/O address, for example, X10 for the limit switch and Y00 for the relay. Using the function keys, select a normally open contact and address it as 10, then select a coil and address it 00.

You have just created a ladder rung consisting of one contact driving a coil, so that the relay will energise when the limit switch operates. When the ladder diagram is complete, exit the graphics window using F10.

This saves the ladder diagram and returns to the main user screen. Finally, select COMPILER from the ladder editor main menu. Once the ladder diagram is compiled, it can be downloaded to the microcontroller.

Make sure that the programming cable is connected between the PC serial port and controller, and then power up. Selecting PROGRAM DEVICE from the ladder editor main menu now completes the process.

### Timers and counters

Up till now we have only considered output coils as the link between the program and the physical device attached to the controller. We now develop the idea of special function coils in the form of timers and counters.

The symbol for both is very similar to that of an ordinary output coil, however, each device has a K constant associated with it. In the case of a timer this value would be the pre-set delay duration before the timer will operate. In the case of the counter it would be the number of OFF to ON signal transitions before the counter output coil would energise.

Before we discuss the operation of both the timer and counter and introduce additional elements necessary to control the devices output coil operation, it is important to understand how the Programmable Logic Controller handles timer and counter data.

Most assign two data registers to the devices, one to hold the fixed K value, the other to hold the actual count or time. This is the actual value that is manipulated. On reset this location is simply loaded with the original K value, and when enabled the data register contents decrement (or increment if it is an UP counter) on the OFF to ON signal transitions of the counter input.

Commercial Programmable Logic Controllers provide a number of ranges for both timers and counters, normally as follows:

#### Timer

1 msec 0.001 sec  
10 msec 0.01 sec  
100 msec 0.1 sec

#### Counter

8-bit byte 0 - 255 counts  
16-bit integer word  
32-bit double word

Integer words allow a maximum of only 32,767 because bit 16 is used to supply the sign when equal to 1 indicates a negative number in the range -1 to -32767.

### Ladder diagram instructions

Throughout the next section new instructions will be presented in a consistent form of title line, example ladder diagram and finally an explanation of the ladder presented.

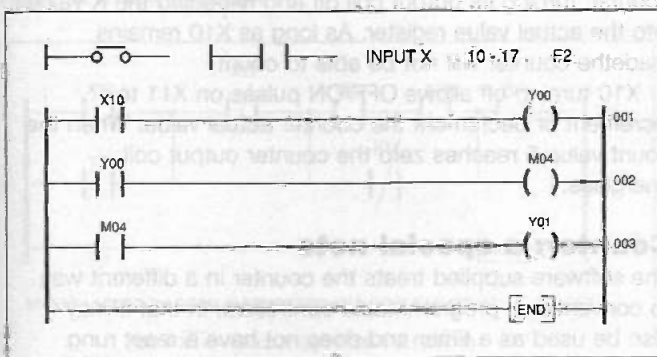
**Figure 5** shows a sample title line for a normally open contact.

Figure 5: an example title line.

CONTROL SCHEME SYMBOL	GRAPHICAL LADDER SYMBOL	ELEMENT TYPE	VALID ADDRESS RANGE	EDITOR FUNCTION KEY
		INPUT X	10 - 17	F2

## Normally open contact

Figure 6: Normally open contact

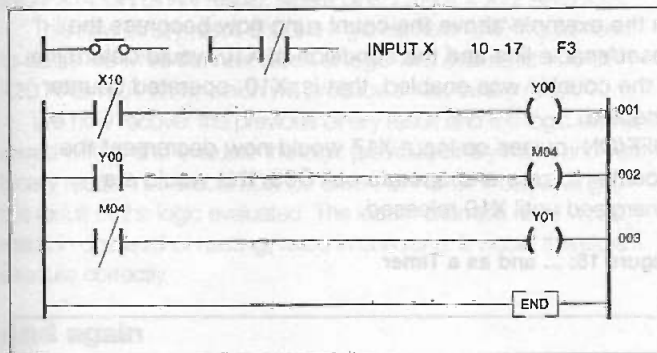


When the controller simulates a ladder relay circuit, what it does is to read any external inputs as already described, then it executes each "rung" in turn, with the results from earlier rungs being available as inputs to later ones.

A normally open contact is ON if the device assigned to its address is operated and OFF if the device is released. When input X10 is energised, output coil Y00 is turned ON, and the normally open contact of Y00 in turn operates internal relay M04. The contact of M04 then operates the coil of Y01.

## Normally closed contact

Figure 7: Normally closed contact



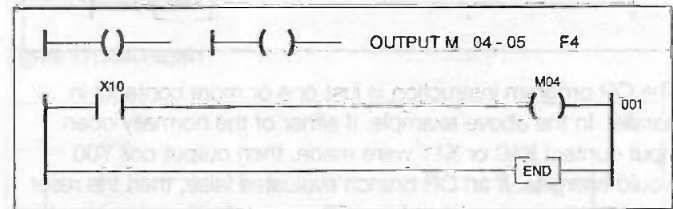
A normally closed contact is ON if the device assigned to its address is released, OFF if the device is operated.

In the initial state with input contact X10 off, output coil Y00 is on and Y01 is off. Normally open contact Y00 operates turning internal relay M04 on, while normally closed contact M04 now operates, turning the output coil Y01 off. When X10

is operated the output coil Y00 is turned off, contact Y00 is released, in turn releasing auxiliary coil M04, the normally closed contact of M04 now operates and turns Y01 on.

## Output coil

Figure 8: Output coil

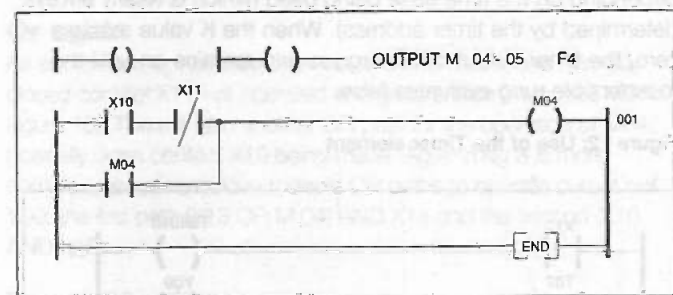


Coils are the program output instructions that link the logical ladder diagram in the form of software and the physical devices connected to the controller and referenced by its address.

In this example, when input contact X10 is made, output coil Y00 will energise and operate the device connected to that address on the output interface.

## Internal relay

Figure 9: Internal relay

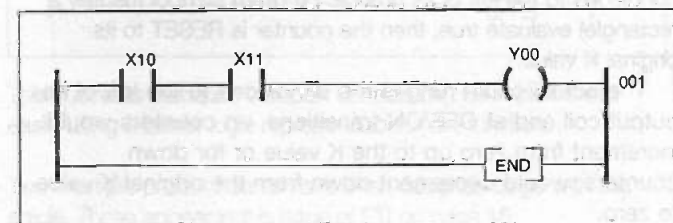


Internal relay coils only exist within the programmable controller, and are used when additional logic is required, eliminating the expense of additional hardwired devices. In the above example, when input contact X10 is made and provided X11 is not operated, coil M04 will energise and operate. The coil will now hold on via its own normally open contact M04 closing, and will remain energised until normally closed contact X11 operates.

This is a typical use of an internal relay as a simple latch.

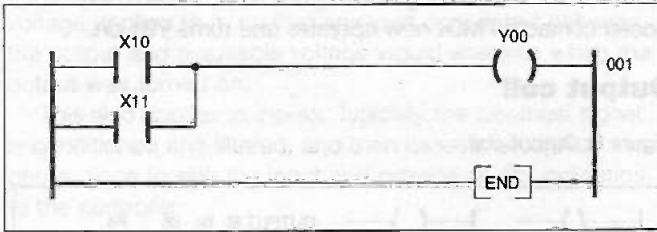
## And

Figure 10: And



An AND program instruction may be considered as two or more series contacts. In the above example, if both normally open contacts X10 and X11 were made, then the output coil Y00 would turn on. If either contact is OFF then the output coil would also be off.

Figure 11: Or



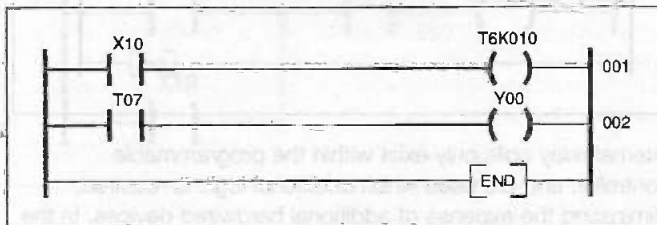
The OR program instruction is just one or more contacts in parallel. In the above example, if either of the normally open input contact X10 or X11 were made, then output coil Y00 would energise. If an OR branch evaluates false, then the reset of the ladder to the right of the OR branch for that rung would also be false.

### Timer

As mentioned earlier, the timer is represented as a special function coil with an additional element, a reset enable rung. This is the row of conditions to the left of the coil. If they evaluate true, the timer is enabled but the coil does not immediately operate, as would be the case with an ordinary output coil.

What now happens is that the pre-set constant K value will decrement once every 0.1, 0.01, and 0.001 seconds depending on the time base being used (which is nearly always determined by the timer address). When the K value reaches zero, the timer output coil energises and remains on until the reset/enable rung evaluates false.

Figure 12: Use of the Timer element



If X10 is open, the timer is disabled and the pre-set K value loaded into the actual value register. X10 now operating allows the timer to decrement the actual value until zero is reached. The output coil now energises and remains on until the reset/enable rung evaluates false.

### Counter

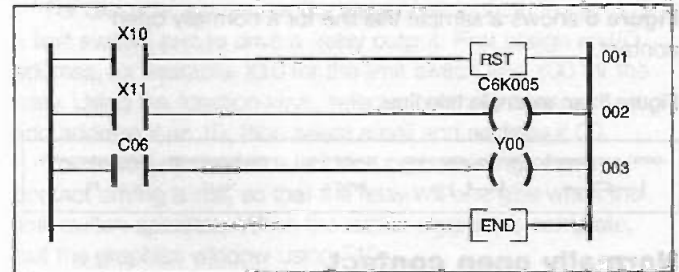
The counter does not have a reset/enable rung as such, instead it uses a special program instruction called RST. If the conditions to the left of its graphic program symbol (usually a rectangle) evaluate true, then the counter is RESET to its original K value.

The actual count rung is the conditions to the left of its output coil and at OFF/ON transitions, up counters would increment from zero up to the K value or for down counters, would decrement down from the original K value to zero.

If the condition to the left of the coil were true, this would enable the count. Therefore, a means of preventing the counter from counting on each scan of the ladder is needed. Counters are only allowed to count on detecting an edge transition, that is, going from logic 0 to logic 1, and a ladder scan could spuriously register as such a transition.

These timer types, on reaching either zero or the K value according to whether the timer uses a down counter or an up counter, the counters output coil would energise and stay energised until the reset instruction evaluated true.

Figure 13: Use of the Counter element. Rung 1 is the reset rung, rung 2 is the timer one, with the timer "coil" designated C6.



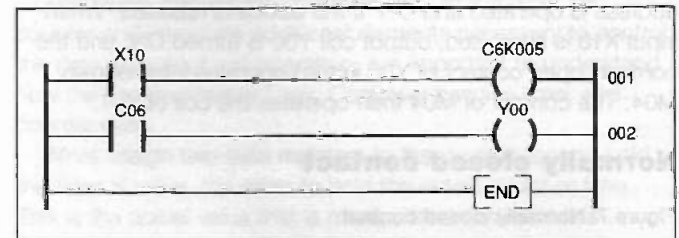
In the above example, input contact X10 made resets the counter, turning its output coil off and reloading the K value into the actual value register. As long as X10 remains made the counter will not be able to count.

X10 turning off allows OFF/ON pulses on X11 to increment or decrement the counter actual value. When the count value 5 reaches zero the counter output coil energises.

### Counter: a special note

The software supplied treats the counter in a different way to conventional programmable controllers, in that it may also be used as a timer and does not have a reset rung associated with it. Selection of the operating mode is made by defining the source of its OFF/ON pulses. For a timer, 0 selects the internal 100ms time base, 17 selects the counter mode and uses input X17 as the OFF/ON source.

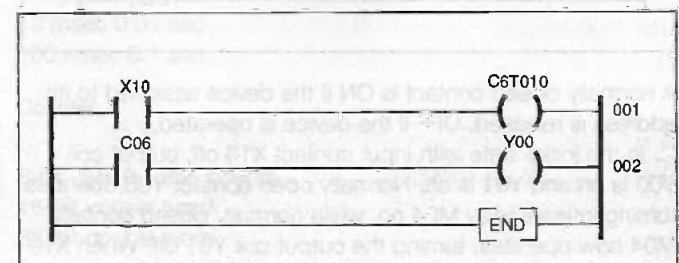
Figure 14: the Counter used as a counter ...



In the example above the count rung now becomes the reset/enable line and the condition of X10 would determine if the counter was enabled, that is, X10 operated counter enabled.

OFF/ON pulses on input X17 would now decrement the counter to zero and operate coil C06, this would stay energised until X10 released.

Figure 15: ... and as a Timer



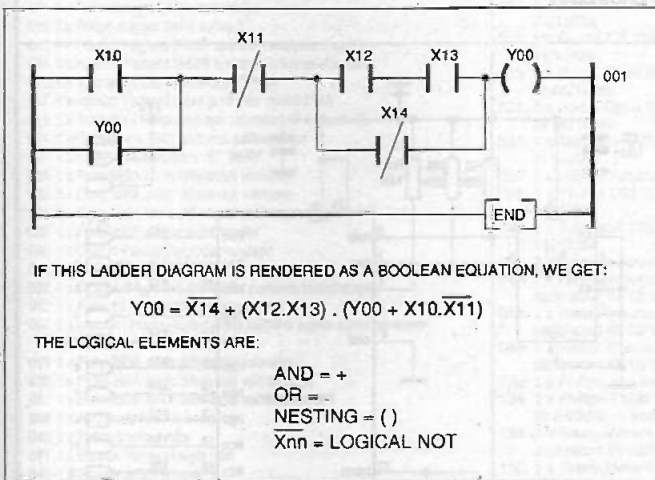
When used as a timer the count rung still becomes the reset/enable line and the condition of X10 would determine if the timer was enabled, that is, X11 operated timer running. The internal 100ms time base would now be the source and, with a K value of ten, would result in a 1 second delay. On reaching zero the timer coil T06 would operate and would stay energised until X10 released.

### Introducing Compound Ladder Logic

First I will look at nesting. Complex logic rungs often produce a logic expression that cannot be evaluated without saving the result of previous conditions already evaluated. When this occurs, the result and its logic element need to be saved before the next logical conditions are evaluated. Once these new conditions are evaluated, the previous result and logic element are recovered and combined with the next condition or block of conditions.

As this may be confusing, lets take a look at an example (figure 16) and work through it.

Figure 16: a nesting example



Note: The Software made available for use with the project boards that will appear in ETI shortly supports one level of nesting only.

As can be seen from the brackets, there are two occasions when nesting is needed. If we start from the left hand side of the equation, the condition NOT X14 and its logic element OR would need to be saved before the condition (X12 AND X13) was evaluated. After these two conditions are evaluated the previous condition and logic element would now be recovered resulting in (NOT X14 OR binary result), where binary result = X12 AND X13.

This new binary result and the logic element AND would need to be saved while the next block of logic was evaluated Y00 OR (X10 AND NOT X11), which will produce a new binary result.

We now recover the previous binary result and the logic element saved with it, and evaluate the logic previous binary result and new binary result. Y00 would now be driven ON or OFF depending on the result of the logic evaluated. The ladder example used would result in one level of nesting, twice in one rung. It would therefore execute correctly.

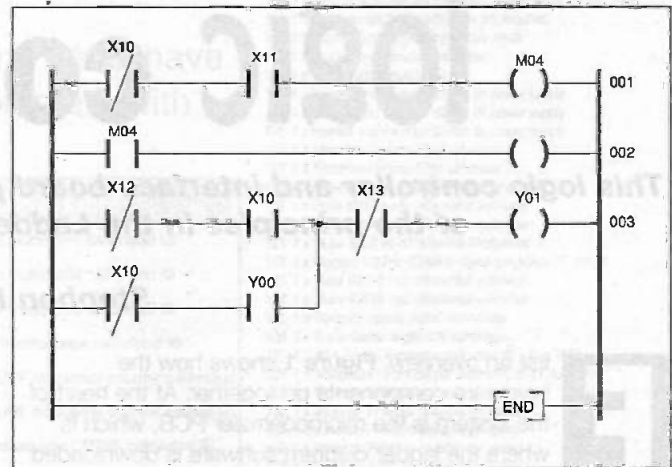
### And again

If normally closed contact X10 was not operated, normally open

contact X11 operating would energise internal relay M04, which in turn would operate output coil Y00 (figure 17).

Rung 3 is more complex in that there are now two separate AND paths, NOT X12 AND X10 and NOT X10 AND Y00. If normally closed contact X13 is not operated, either contact X10 or Y00 going true would result in the output coil Y01 operating, provided both normally closed contacts X10 and X11 remain in the released condition.

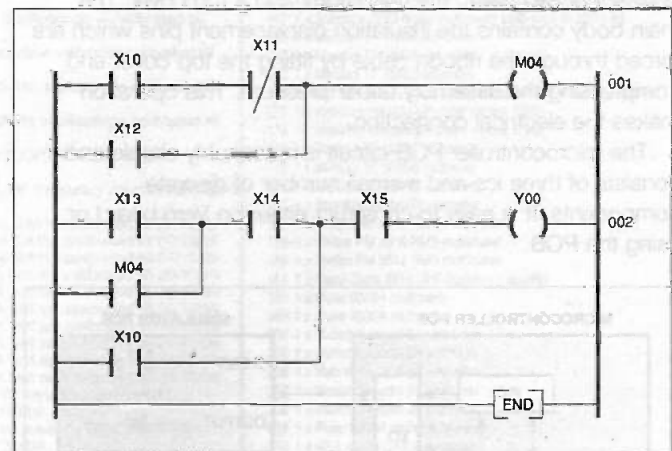
Figure 17: AND again



### Or again

As shown below, normally open contact X10 made, and normally closed contact X11 not operated energises auxiliary relay coil M04 (figure 18). There is also another OR path for the operation of M04, normally open contact X10 being made. Again rung 3 is more complex, as we now have multiple OR paths to operate output coil Y00: the first path (X13 OR M 04) AND X14 and the second (X10 AND X15):

Figure 18: OR again



This illustrates that quite complex controls can be implemented easily using a ladder logic representation of the function.

Two example project boards have been designed to go with this article. These appear in this issue of ETI on page 16.

# TELL THEM YOU SAW IT HERE...

Readers: Please mention  when replying to advertisements

To advertise in ETI, call Mark Colyer on 01322 660070

# A microcontroller-based programmable logic controller

*This logic controller and interface board provide a practical means of trying some of the principles in the Ladder Logic feature in this issue.*

**Stephen Fleetham**

**F**irst an overview. **Figure 1** shows how the hardware components go together. At the heart of the system is the microcontroller PCB, which is where the ladder diagram software is downloaded and executed. To accomplish this we need to use the ladder logic editor/compiler software running on a standard PC.

Now some form of interface between the microcontroller PCB and the external hardware must be provided. For this project a simple 'user hardware' eight-in-four-out PCB is used. Connections between the two boards is made using a 16-way ribbon cable, which plugs into the 16-way dip sockets on both pcbs. The ribbon cable is terminated at either end with 16 way IDC connectors.

For those not familiar with the technology, the connector consists of two parts, the main body and a top cover. The main body contains the insulation displacement pins which are forced through the ribbon cable by fitting the top cover and compressing the assembly under pressure. This operation makes the electrical connection.

The microcontroller PCB circuit is reasonably simple and consists of three ics and a small number of discrete components. It is easy to construct either on Vero board or using the PCB.

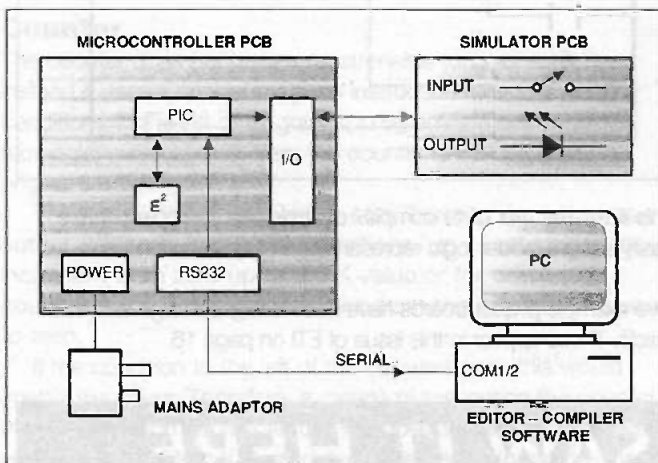


Figure 1: an overview: the microcontroller pcb and simulator pcb connected to a mains adaptor and a PC

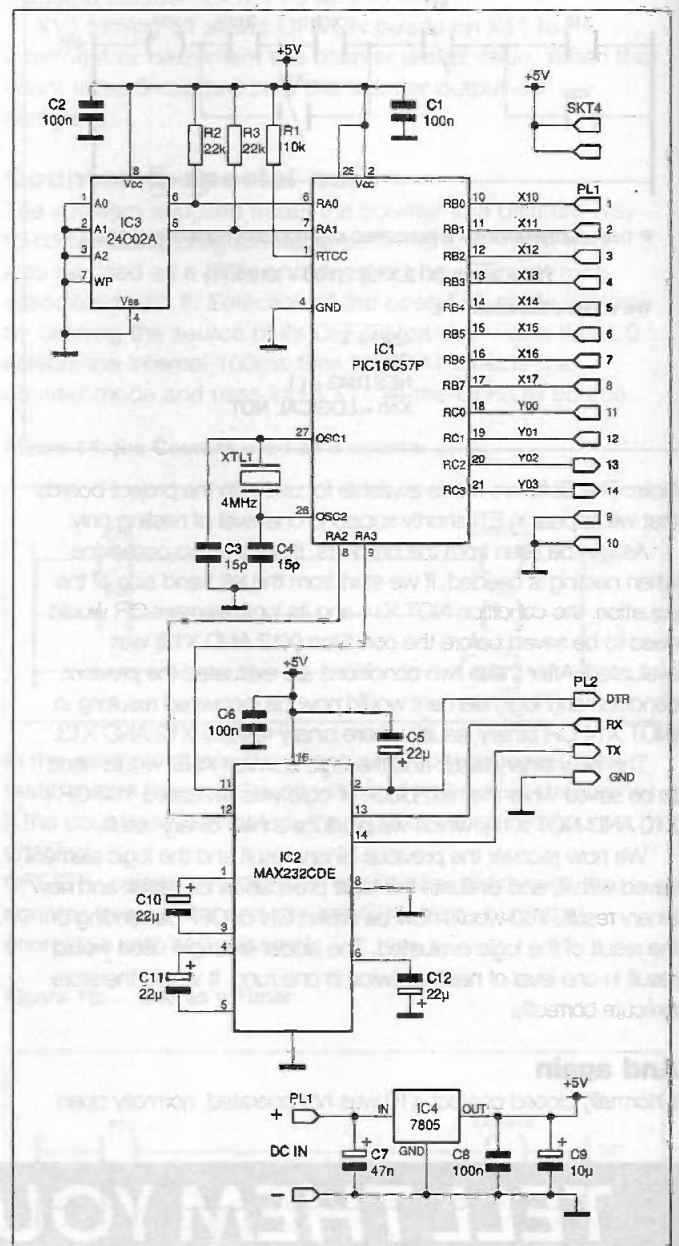


Figure 2: the circuit of the microcontroller board



# Babcock Materials Management Disposals Division

Douglas Road, Rosyth Royal Dockyard, Rosyth, Fife KY11 2YD

**Regional Marketing Contractor for the Ministry of  
Defence in Scotland and Northern Ireland**

The following Electrical Test Equipment is offered for  
sale by tender.

**Close date: 15th December 1998.** Many items have  
been recently calibrated and come complete with  
calibration certificates

- 003 1 x Fluke 8000A digital multimeter
- 005 1 x Farnell DM141 multimeter
- 006 1 x PulseTek pulse generator type 233
- 007 1 x Gould 20MHz digital storage type 1421
- 008 1 x Hewlett Packard 400F AC voltmeter cal till 23/1/99
- 009 1 x Hewlett Packard 3400A rms voltmeter
- 010 1 x Hewlett Packard 3400A rms voltmeter
- 011 1 x Tektronix type 321A oscilloscope
- 012 1 x Bridge megger tester series 2
- 013 1 x Hewlett Packard 8555A spectrum analyser rf section
- 014 1 x Hewlett Packard 8553B spectrum analyser rf section
- 015 1 x Tektronix D755 oscilloscope OPT66
- 017 1 x Hewlett Packard pulse generator model 214A
- 018 1 x Tektronix 212 oscilloscope calibrated till 4 March 00
- 021 1 x Racal Dana 9901 universal counter timer
- 022 1 x Fluke Y2003 calibrator ET 264C
- 024 1 x Fluke 893A ac/dc differential voltmeter
- 025 1 x Fluke 893A ac/dc differential voltmeter
- 026 1 x Fluke 893A ac/dc differential voltmeter
- 029 1 x Fluke 931B differential voltmeter
- 030 1 x Oaklon 4 speed hygrothermograph
- 031 1 x Eurotherm 239 test unit
- 032 1 x Druck Ltd type DPI 600 digital pressure indicator
- 033 1 x Fluke 931B rms differential voltmeter
- 034 1 x Marconi Instruments 10MHz 520MHz arm/fm signal generator TF2015
- 035 1 x Fluke 893A ac/dc differential voltmeter
- 036 1 x Fluke 893A ac/dc differential voltmeter
- 037 1 x Fluke 893A ac/dc differential voltmeter
- 038 1 x Armstrong Helicoid workshop
- 040 1 x Thermometer probe
- 041 1 x Benson Verners height ruler
- 046 1 x Jenway 3020PH meter
- 047 1 x Neotronics Ltd oxygen sensor type: OYO x 91
- 048 1 x Techne illuminated magnetic stirrer IMS-1
- 049 1 x Teledyne Brown portable oxygen analyser
- 050 1 x Tacussel pH-meter millivoltmeter type: P61
- 051 1 x Meterlab PHM 201 portable pH meter
- 052 1 x Meterlab PHM 201 portable pH meter
- 053 1 x Meterlab PHM 201 portable pH meter
- 054 1 x Meterlab PHM 201 portable pH meter
- 055 1 x Tektronix type 284 pulse generator
- 056 1 x Fluke 8200A digital voltmeter
- 057 1 x Hewlett Packard 5328A Universal counter
- 058 1 x Hewlett Packard 141T display section, 1 x Hewlett Packard 85528 IF section
- 059 1 x Hewlett Packard 8555A spectrum analyser RF section
- 060 1 x Hewlett Packard 8005B pulse generator
- 061 1 x Hewlett Packard 3490A multimeter
- 062 1 x HSA avometer type DA116 signal generator
- 063 1 x Tektronix 7633 oscilloscope
- 064 1 x Hewlett Packard 400F ac voltmeter
- 065 1 x Dana model 5000 digital multimeter
- 066 1 x Dana model 5000 digital multimeter
- 067 1 x Spectral dynamics SD375 dynamic analyser II
- 068 1 x Dana model 5000 digital multimeter
- 069 1 x Tektronix 7633 oscilloscope calibrated till 25/7/99
- 070 1 x Hewlett Packard 8680C signal generator calibrated till 18/2/00
- 071 1 x Hewlett Packard 53456 electronic counter
- 072 1 x Fluke model 887AB ac/dc differential voltmeter
- 073 1 x Maury sliding termination model: 2505C
- 074 1 x Racal Dana 9904M universal counter timer
- 075 1 x Racal Dana 9904M universal counter timer
- 076 1 x Philips PM3240 oscilloscope
- 077 2 x Tacussel pH meters P60 o/w spares
- 078 1 x Tektronix type 453 oscilloscope
- 079 1 x Gould Digital storage oscilloscope 054000
- 080 1 x Gould Digital storage oscilloscope type: 051100-SI
- 081 1 x Hewlett Packard type: 180C oscilloscope
- 082 1 x Hewlett Packard oscilloscope
- 083 1 x Hewlett Packard type: 180C oscilloscope
- 084 1 x Hewlett Packard 350D attenuator set
- 085 1 x Bender PRD3001 insulation monitoring device
- 086 1 x Hewlett Packard model 4288 clip on demiliammeter
- 087 1 x Crypton electrical tester
- 088 1 x Tivatsu S5-5416A synroscope dc-40MHz
- 089 1 x Tivatsu S5-5416A synroscope dc-40MHz
- 090 1 x Tivatsu S5-5416A synroscope dc-40MHz

## CALIBRATED

- 001 1 x Fluke 8050A digital multimeter calibrated till 07/10/99
- 002 1 x Fluke 8600A digital multimeter calibrated till 07/10/99
- 004 1 x Fluke 8600A digital multimeter calibrated till 07/10/99
- 016 1 x Gould OS 1100-SI oscilloscope calibrated till 11/10/99
- 019 1 x Racal Dana 9916 UHF frequency counter calibrated till 06/10/99
- 020 1 x Racal Dana 9916 UHF frequency counter calibrated till 06/10/99
- 023 1 x Tektronix D755 oscilloscope OPT66 calibrated till 11/10/99
- 027 1 x HSA avometer type DA116 calibrated till 07/10/99
- 028 1 x Philips OM 3217 50MHz oscilloscope calibrated till 11/10/99
- 039 1 x Solartron 7051 digital voltmeter calibrated till 11/10/99
- 042 1 x Edgcombe voltage tester calibrated till 12/10/99
- 043 1 x Heme International ac/dc clip-on ammeter calibrated till 12/10/99
- 044 1 x Heme International ac/dc clip-on ammeter calibrated till 12/10/99
- 045 1 x Heme International ac/dc clip-on ammeter calibrated till 12/10/99
- 133 1 x Philips oscilloscope calibrated till 28/09/99
- 134 1 x Philips PM3217 50MHz oscilloscope — calibrated till 28/9/99 — limited use
- 135 1 x Tequipment oscilloscope D755 OPT66 — calibrated till 28/9/99
- 136 1 x Tequipment D83 oscilloscope calibrated till 27/09/99
- 137 1 x Tequipment D83 oscilloscope calibrated till 29/9/99
- 138 1 x Gould OS1100-S1 oscilloscope — calibrated till 29/9/99
- 139 1 x Datron 1041 multifunction voltmeter calibrated till 30/9/99
- 140 1 x Philips PM3217 50MHz oscilloscope calibrated till 29/9/99
- 141 1 x Philips PM3217 50MHz oscilloscope calibrated till 29/9/99
- 160 1 x Tektronix model 212 (OPT 2) oscilloscope — calibrated till 11/10/99
- 163 1 x Racal Dana 9916 UHF frequency counter calibrated till 06/10/99
- 164 1 x HSA avometer type DA116 calibrated till 07/10/99
- 165 1 x HSA avometer type DA116 calibrated till 07/10/99
- 166 1 x HSA avometer type DA116 calibrated till 07/10/99
- 184 1 x Metrohm model 9A test set calibrated till 20/10/99
- 185 1 x Metrohm model 9A test set calibrated till 18/10/99
- 186 1 x Metrohm model 9A test set calibrated till 20/10/99
- 187 1 x Metrohm model 9A test set calibrated till 18/10/99
- 188 1 x Metrohm model 9A test set calibrated till 21/10/99
- 189 1 x Metrohm model 9A test set calibrated till 21/10/99
- 190 1 x Metrohm model 9A test set calibrated till 18/10/99
- 191 1 x Edgcombe model V8 insulation and continuity tester calibrated till 21/10/99
- 192 1 x Edgcombe model V8 insulation and continuity tester calibrated till 21/10/99
- 193 1 x Heme model 1000 clip on ammeter calibrated till 21/10/99
- 194 1 x Tektronix model 475 oscilloscope calibrated till 18/10/99
- 195 1 x Gould model OS1100-SI oscilloscope calibrated till 18/10/99
- 196 1 x Philips PM3217 oscilloscope calibrated till 15/10/99
- 197 1 x Philips PM3217 oscilloscope calibrated till 15/10/99
- 198 1 x Fluke model 77 digital multimeter calibrated till 15/10/99
- 199 1 x Fluke model 77 series 2 digital multimeter calibrated till 15/10/99
- 200 1 x Fluke model 77 digital multimeter calibrated till 15/10/99
- 201 1 x Tektronix model 212 (OPT 2) mini oscilloscope calibrated till 18/10/99
- 202 1 x Thorn EMI model: B183 LCR meter calibrated till 21/10/99
- 203 1 x Racal Dana model 9916 UHF frequency counter calibrated till 15/10/99

- 091 1 x Metrohm model 9A voltage tester
- 092 1 x Metrohm model 9A voltage tester
- 093 1 x Metrohm model 9A voltage tester
- 094 1 x Metrohm model 9A voltage tester
- 095 1 x Metrohm model 9A voltage tester
- 096 1 x Metrohm model 9A voltage tester
- 097 1 x Metrohm model 9A test unit
- 098 1 x Metrohm model 9A test unit
- 099 1 x Metrohm model 9A test unit
- 100 1 x Edgcombe 250U test unit
- 101 1 x Edgcombe line/earth load tester
- 102 1 x Metrohm V8 test unit
- 103 1 x Edgcombe test unit
- 104 1 x Edgcombe test unit
- 105 1 x Hewlett Packard 4329A high resistance meter calibrated till 17 Jan 1999, limited use only
- 106 1 x Hewlett Packard 5253B frequency converter 50-500MHz
- 107 1 x Megger elec test unit BM8 Mk2
- 108 1 x Megger elec test unit BM8 Mk2 calibrated till 19 Dec 1998
- 109 1 x Fakerscope 2500 calibration not required
- 110 1 x Wayne Kerr wedge temperature meter
- 111 1 x Crockatt salinometer test meter
- 112 1 x Fluke 8030A multimeter
- 113 1 x Hewlett and Packard 6299A dc power supply
- 114 1 x Hewlett and Packard 6299A dc power supply
- 115 1 x Hewlett and Packard 6299A dc power supply
- 116 1 x Metrohm Hensan E588 pH meter
- 117 1 x Metrohm Hensan E588 pH meter
- 118 1 x Fluke 893A ac/dc differential voltmeter
- 119 1 x Fluke 893A ac/dc differential voltmeter
- 120 1 x Fluke 893A ac/dc differential voltmeter
- 121 1 x Fluke 893A ac/dc differential voltmeter
- 122 1 x Marconi 10MHz-520MHz signal generator TF 2015A
- 123 1 x Fluke 9031B rms differential voltmeter
- 124 1 x Fluke 9031B rms differential voltmeter
- 125 1 x Compact optical digital tachometer
- 126 1 x G allenkamo anglehead centrifuge
- 127 1 x HSA DA116 Avometer calibrated till 1 Aug 1999
- 128 1 x Adjustable height caliper calibrated till 21 July 2000
- 129 1 x Meterlab PHM201 portable pH meter
- 130 1 x Meterlab PHM201 portable pH meter
- 131 1 x Meterlab PHM201 portable pH meter
- 132 1 x Meterlab PHM201 portable pH meter
- 142 1 x Tektronix D755 OPT66 oscilloscope
- 143 1 x Tektronix D755 OPT66 oscilloscope
- 144 1 x English Electric Valve Co Ltd P442US charger unit
- 145 1 x Thander TM451 multimeter calibrated till 12 March 99
- 146 1 x HSA DA116 avometer calibrated till 30 July 99
- 147 1 x Metrohm model 9A voltmeter
- 148 1 x Comark C9007 digital thermometer
- 149 1 x Comark C9007 digital thermometer
- 150 1 x Comark C9007 digital thermometer
- 151 1 x Comark C9007 digital thermometer
- 152 1 x Comark 2007 thermometer
- 153 1 x HSA Avometer type: DA116 calibrated till 01/08/99
- 154 1 x Fluke 80E voltage divider
- 155 1 x Philips PM 32/7 oscilloscope
- 156 1 x Philips PM 32/7 oscilloscope calibrated till 20/11/98
- 157 1 x Wandel & Goltermann DF-64 error ratio measuring set
- 158 1 x Kent Industries electrolytic conductivity measuring set
- 159 1 x Kent Industries electrolytic conductivity measuring set
- 161 1 x Tektronix model 212 (OPT 2) oscilloscope
- 162 1 x Tektronix model 212 (OPT 2) oscilloscope calibrated till 22/01/99
- 167 1 x Solartron 7050 digital multimeter calibrated till 29/01/99
- 168 1 x Marconi TF 1600B voltmeter
- 169 1 x Marconi TF 1600B voltmeter
- 170 1 x Marconi TF 1600B voltmeter
- 171 1 x Mel One Inc particle counter complete with model 219 printer
- 172 1 x Metrohm Hensan pH meter model: E588
- 173 1 x Metrohm Hensan pH meter model: E588
- 174 1 x Marconi TF 2600B voltmeter
- 175 1 x Marconi TF 2600B voltmeter
- 176 1 x Marconi TF 2600B voltmeter
- 177 1 x Metrohm model 9A voltmeter
- 178 1 x Philips RM 2518 RMS multimeter
- 179 1 x Philips PM 2518 RMS multimeter
- 180 1 x Philips PM 2518 RMS multimeter
- 181 1 x Racal Dana 9916 UHF frequency counter
- 182 1 x Fluke 8030A multimeter
- 183 1 x Fluke 8030A multimeter
- 204 1 x Metrohm model 9A voltmeter
- 205 1 x Metrohm model 9A voltmeter
- 206 1 x Metrohm model 9A voltmeter
- 207 1 x Metrohm model 9A voltmeter
- 208 1 x Metrohm model 9A voltmeter
- 209 1 x Fluke 8600A digital multimeter
- 210 1 x HSA model DA116 avometer
- 211 1 x Marconi 2833A digital line monitor
- 212 1 x Marconi TF 2807A PCM multiplex tester

For further information, viewing  
arrangements and tender documents,  
quote ref DSA/071/98

Contact:

Stephen Watson or

Louise Boyle

Tel: 01383 422258

Fax: 01383 423022

**Babcock  
International**

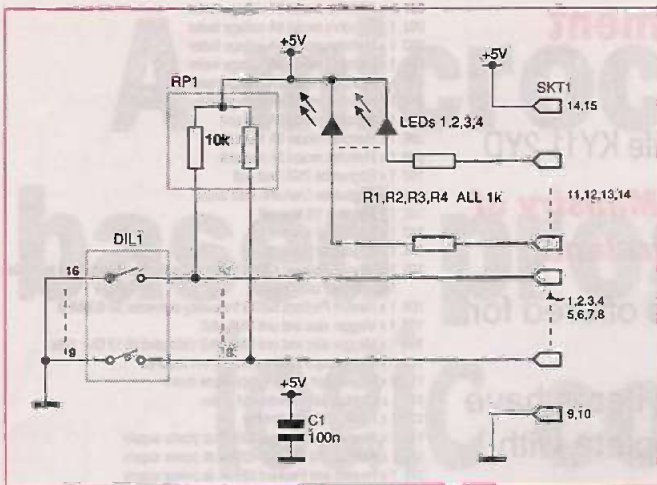


Figure 3: the circuit of the simulator board

If we now refer to figure 2, the microcontroller IC1 controls the hardware operation and is supplied pre-programmed with a 'runtime' software package. This software determines the condition of the inputs, then reads in a byte of binary code from eeprom IC3.

Looking at the main ic first, IC1 is a PIC microcontroller which is a programmable device here configured to provide the input/output and serial communication ports. This also generates the necessary timing and clock signals to program the on-board memory device IC3. The on-chip one time programmable memory contains a runtime software package.

This software controls the operation of the pcb by reading the input ports evaluating the eeprom stored binary logic and driving the outputs as necessary. The logic instructions along with input and output address are embedded in this binary byte.

Serial communications is also provided by IC1, which takes the internal data and generates, through software, the timing necessary to send and receive start/stop and data bits to and from IC2. This software implements an on board UART, saving the cost of an additional external component.

As the pcb provides a RS232 serial port a means of changing the +5V TTL level signals to the positive and negative voltages defined by the RS232 specification is needed. This is provided by IC2, which contains a charge pump circuit. This, with the use of a small number of external capacitors can generate +/- 10VDC and convert between RS232 and TTL voltage levels.

This only leaves the operation of IC3 to be explained. This is an electrically erasable programmable read only memory. Eeproms are programmed serially as opposed to conventional memory which is either byte or word parallel format. Some means of synchronising this serial transfer is required. IC1 provides this timing by generating a clock signal on pin RA0, allowing the hit data on RA1 to be transferred to IC3.

The LED on the microcontroller pcb gives an indication of the current state of operation. If it remains on or off it indicates microcontroller execution halted; if it is pulsing then the system is running.

Finally, IC4 regulates the input voltage down to the 5V DC for the operation of the hardware, by converting an unregulated input supply in the range of +8 to 15VDC down to +5VDC. Its input voltage should not fall below 8V during the lowest point of the ripple (if an unregulated supply is used) at the maximum load. If a voltage above around 10V is used, it would be advisable to use a heatsink on the regulator.

If the power supply is towards the higher limit specified above, the heatsink on the voltage regulator, IC4, may need to be quite substantial.

### Microcontroller pcb construction

To enable a single sided pcb to be produced there are a number of wire links to be fitted, using scrap component leads. It is best to fit and solder these first.

Next fit and solder all resistors before the other components are inserted. The ic sockets and PL2 are next, note the orientation of the pins, pin 1 of each socket is towards the top of the board. Insert and solder the remaining capacitors and IC4. Care must be taken to ensure the voltage regulator IC4 is inserted correctly; the metal tab for an optional heatsink must be to the right when looking down from the top.

Now visually inspect the pcb for dry joints or short circuits, which are the most common causes for a circuit to fail to operate correctly. Also, check that all component leads and wire links are soldered.

With IC1, IC2, and IC3 removed, connect the external power source (between +9 to +24VDC at around 250mA) and check with a meter the voltage regulator is delivering +5VDC +/- 10 percent. If excessive current is drawn from the 5V supply, a heatsink may be attached to the metal tab on IC4.

Finally fit IC1, IC2, and IC3 and ensure that pin 1 of the IC matches pin 1 of the socket installed. The power supply to the pcb should be greater than 8VDC and less than 15VDC at around 250mA.

To program, power up the pcb and attach a 9-pin serial lead to the PC. Run the Editor/Compiler software (com1 is the default communication port. Use the command line argument /com2 to select com2) and using the menu, select the operation required.

### Simulator pcb construction

If we now look at figure 3 & 4, the second small I/O pcb is very simple, and consists of an 8-way dil switch DIL1 simulating eight digital inputs, and LEDs 1,2,3,4 providing four simulated digital outputs.

The construction of the PCB is easy. Fit and solder all the components making sure RP1 and SK1 pin 1 are in the correct location as indicated on the layout, and take care to ensure the LEDs are fitted correctly with the flat side going to R1,2,3,4.

The simulated inputs and outputs are connected to the microcontroller pcb by the 16-way IDC ribbon cable assembly mentioned earlier

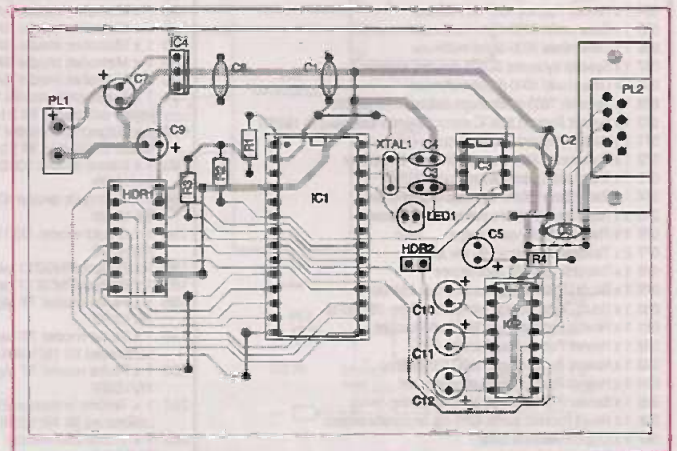


Figure 4: the component layout of the microcontroller pcb

**Resistors**

R1	10K 0.25 watt resistor
R2	22K 0.25 watt resistor
R3	22K 0.25 watt resistor
R4	3K0 0.25 watt resistor

**Capacitors**

C1,2,6,8	100nf ceramic disk
C3,4	15pf ceramic disk
C5,10,11,12	22uf 40V electrolytic
C7	47uf 35V electrolytic
C9	10uf 10V electrolytic

**Semiconductors**

IC1	PIC 16C57P Microcontroller - see below
IC2	MAX232CPE TTL to RS 232 conversion
IC3	24C02A EEPROM relay ladder logic data
IC4	7805 voltage regulator
XTL1	4MHZ Ceramic resonator
LED1	general purpose LED

**Miscellaneous**

PL1	2 way power
PL2	9 pin D type female
SKT1	40 pin DIL socket
SKT2	16 pin DIL socket
SKT3	8 pin DIL socket
SKT4	16 pin DIL socket
PCB1	optional printed circuit board
HDR2	2-pin header
Heatsink for IC4	

**A REAL WORLD APPLICATION: A MOTOR CONTROLLED ROLLER BLIND**

This example of real-world programming discussed may be programmed into the microcontroller board, and using the project PCBs the ladder logic software may be run and monitored using the software package mentioned previously.

The purpose of this example is to show how ladder diagram programming and microcontrollers can replace conventional hardwired control schemes. The design of associated hardware

**All components**

RP1	4k7 8-way resistor pull up
R1,2,3,4	1k 0.25 watt resistors
C1	100nf ceramic disk
LED 1,2,3,4	
SKT1	16 pin dil socket
DIL1	8 way direct in line switch
PCB1	printed circuit board (optional)
Cable assembly	6way IDC ribbon cable

IC1 contains a 'runtime' software package and also a software key to allow the supplied Ladder Editor/Compiler to run in full development mode. The ladder logic compiler/editor software and the self teaching/user manual, on which these articles are based are also available from **Micro Technical Services** (see the end of this article).

is not covered, and is left as an exercise for the reader, however, the input - output simulator may be used to allow the ladder diagram to be run and the resulting operation monitored. **Figure 5** shows an example of the power wiring needed to control a conventional heavy-duty motor driven roller blind.

An example of a hard wired relay control scheme to control the operation of the roller blind is given in **figure 6**, the operation of which is quite straightforward.

The next thing to be done is to put together the control scheme. First draw up an input output schedule which specifies the electrical nature of each input output as in **table 1**.

Input	Description	Tag
X11	Up push button	PB1
X12	Down push button	PB2
X13	Emergency stop	ES1
X14	Upper limit switch	ULSW
X15	Lower limit switch	LLSW
X16	Motor over current	OL
X17	Safety switch	SFW

Output	Description	Tag
Y00	Up relay	RL1
Y01	Down relay	RL2

Table 1: the I/O schedule

The hard wired relay control scheme is then translated to its ladder diagram equivalent, **figure 8**. Obviously the two are very similar, however, on this diagram certain devices only exist within the Programmable Logic Controller, such as auxiliary relay M04.

This is the software that links the logical internal elements, the contacts coils etc., to the real world physical devices, the relays, limit switch etc. It also provides the sequential control and operation of the external components based upon the condition of the inputs of the Programmable Logic Controller.

The actual wiring diagram is now drawn up **figure 9**. Notice the simplicity of the layout when compared to the hard wired relay control scheme. Any mistakes in the logical operation of the roller blind can now be quickly rectified by altering the ladder diagram, and reprogramming the Programmable Logic Controller. This is significantly easier and cheaper than having to rewire a conventional hard wired relay panel.

**Hardwired circuit description**

On pressing the up push button PB1 control relay RL1 operates and normally open auxiliary contact of RL1 operating holds the control relay in. The push button may now be released.

At the same time the three-phase contacts make apply mains to the motor which now starts to raise the roller blind. The motor continues to operate until the normally closed upper limit switch ULSW operates. This releases relay RL1 and the motor is stopped.

To lower the roller blind the down push button PB2 is operated, RL2 energises and normally open auxiliary contact of RL2 operating holds the control relay in, the push button may now be released. This drives the roller blind down until its closed position is reached, which is detected by the normally closed lower limit switch LLSW.

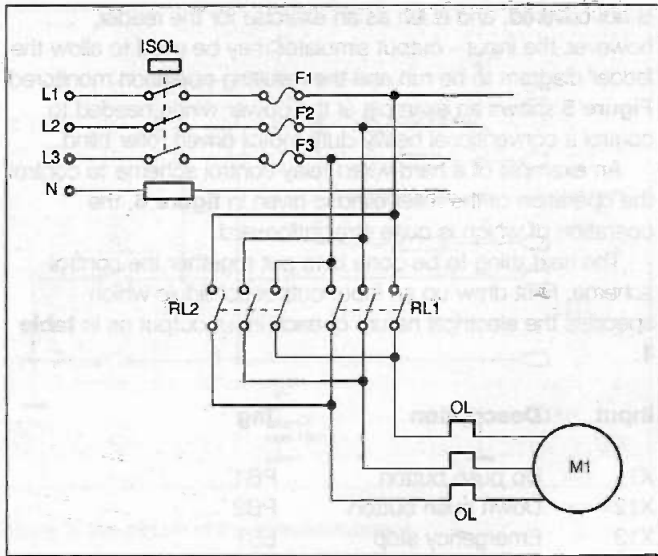


Figure 5: an example of the power wiring needed to control a conventional motor-driven roller blind

To provide a measure of safety, the motor is protected from over current by overload OL. An emergency stop switch ES1 is provided as a means to release both up and down relays, stopping any roller blind movement.

As an added precaution a 'bump strip' SFW is fitted to detect any contact with an object while the roller blind is being lowered. Any contact detected would stop the roller blind by releasing the down relay RL2 removing the drive to the motor.

### Ladder diagram circuit description

Master current overload normally closed contact X16 operates internal relay M04, this acts as a safety circuit to release output coils Y00 and Y01 should X16 operate due to overcurrent.

Rung 2 provides the door up logic as normally open contact X11 operating energises output coil Y00, this causes output coil Y00 to latch on via its own normally open contact Y00. Normally closed contact Y00 ensures that the down coil Y01 is not able to be driven while the door is opening.

The door will now open until the normally closed contact X14 upper limit switch operates. This releases Y00, removing power to the motor via RL1 contactor.

The down control is taken care of by Rung 3, operation is similar to the up control already discussed, however, for safety sake a 'bump strip' is attached to the leading edge of the door. This operates normally closed contact X17 in the event of the door making contact with an object while being shut, which releases Y01 which in turn removes the power via contactor RL2.

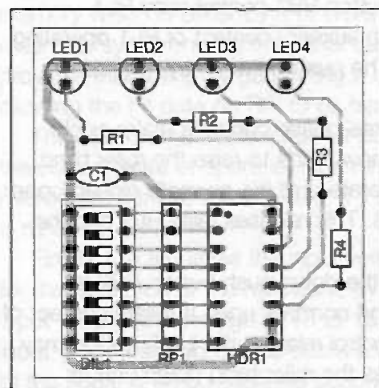


Figure 7: the component layout of the simulator pcb

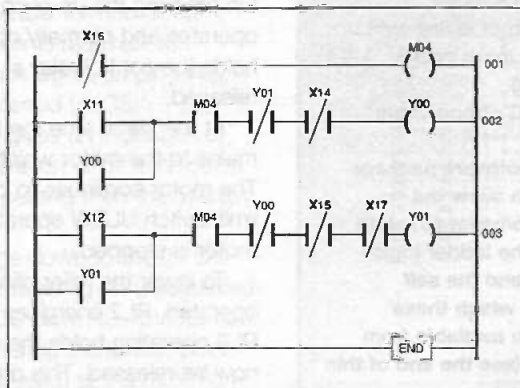


Figure 8: the hard-wire control scheme of figure 6 translated into an equivalent ladder diagram

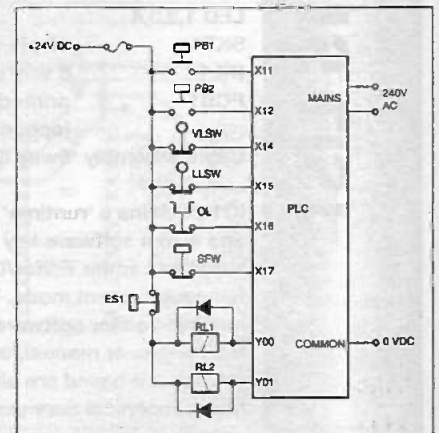


Figure 9: the actual wiring diagram generated from the ladder diagram in figure 8

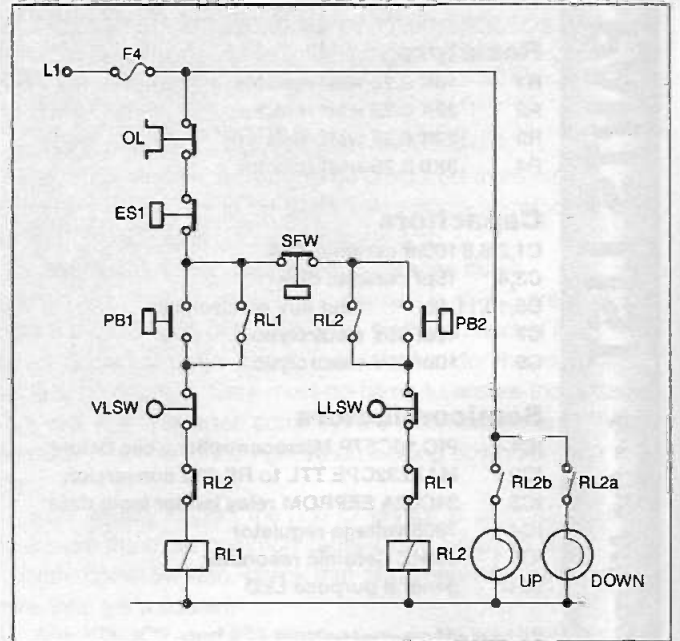


Figure 6: a example of a straightforward hard-wired relay control scheme

An example of the ladder diagram needed to control the roller blind was given in figure 8.

### An important note

In practice, the emergency stop button should ALWAYS be hardwired to allow physical disconnection of the mains power to the control relays, and normally the switch will be mechanically latched off until reset.

I hope that these practical examples and the previous feature on the subject have helped to open the door to Programmable Logic Control and ladder logic.

### Hardware and Software

The following items are available to accompany this article:

IC1 and IC3 (IC3 is initialised with a default ladder run so that there is no need for the bootstrap loader): £14.99 plus £2.75 post and packing.

Software £14.99 plus £2.50 post and packing.

**Orders and enquiries to: Micro Technical Services, Unit 13, Graham Potter Enterprise Units, Pinehurst, Swindon, Wilts, SN2 1RL.**

# Microcontroller Development from Forest...

## LOOK AT OUR NEW MICRO BASIC AND 32 BASIC DE

**FED's PIC BASIC products - straightforward, capable, powerful, rapid development.** Operating in a Windows Development Environment our modules need no assembler or UV eraser to program your PIC's, and operate from a serial link to your PC. The 16C74 module features - 8k EEPROM, up to 2000 lines of BASIC, 27 lines of programmable I/O, 8 A/D inputs, Interrupt driven serial RS232 interface, Peripheral I<sup>2</sup>C bus interface, LCD display driver routines, up to 178 bytes for variables and stack, extendible with optional external RAM and all the standard 16C74 features. 16C57 version still available - ask for details.

### NEW !! -- PIC BASIC MICRO MODULE

**Run 16C74 FED PIC BASIC on a module which is only 65x27mm and is plug compatible with the 16C74 device**

Uses Surface Mount techniques and includes power supply, serial interface and oscillator. Operate as a standalone module, or plug the module as a daughter card directly in place of a 16C74 into your application circuit.

**32 Bit Development environment.** Our PIC BASIC development environment is now supplied as a 32 bit Windows version with code highlighting and improved facilities, and makes use of long filenames and W95/98 controls.

**Supplied free of charge with any of our BASIC products or upgrade for £5.00.**

**COMPILER HALF PREVIOUS PRICE I-** The FED PIC BASIC compiler for the 16C74. It produces hex code to program your 16C74 directly with no need for external EEPROM. Compatible with the EEPROM versions of PIC 16C74 BASIC modules - develop on an EEPROM based module then compile and program your PIC chips directly.

**PIC BASIC Micro-Module Pre-Built (8K EEPROM) 4MHz, £35.00, 20MHz £40.00**  
**16C74 Module Kit (8k EEPROM, 4MHz) £35.00, Pre-built £42.00**  
**16C74 Module Kit (8k EEPROM, 20MHz) £40.00, Pre-built £46.00**  
**Compiler - £30.00**



**Forest Electronic Developments**  
 60 Walkford Road, Christchurch, Dorset, BH23 5QG.  
<http://dSPACE.dial.pipex.com/robin.abbott/FED>  
 01425-274068 (Voice/Fax)

### PIC & AVR Microcontroller Programmers

**PIC Serial** - Handles newer PIC devices in a 40 pin multi-width ZIF socket. 16C55X, 16C6X, 16C7X, 16C8X, 16F8X, 12C508, 12C509, PIC 14000 etc. Also In-Circuit programming. **Price: £40/kit, or £45 built & tested.**  
**PIC Introductory** - Programs 8 & 18 pin devices: 16C55X, 16C61, 16C62X, 16C71, 16C71X, 16C8X, 16F8X, 12C508, and 12C509 etc. **Price £20/kit.**  
**AVR** - Programs all current DIP devices in a 40 pin ZIF. **Price: £35/kit £40 built & tested.**

All programmers operate on PC, using standard RS232 serial interface. No hard to handle parallel cable swapping! Programmers are supplied with instructions, Windows 3.1/95/98/NT, and programming software for the AVR or PIC.

### AVR, PIC, & HC11 Windows Based Development:

Simulator allows assembly and simulation of your AVR, PIC or HC11 projects in **one Windows program**. Incorporate multiple files, view help file information directly from code, edit within project, build/track errors directly in source, then simulate. Simulator has many breakpoint types, follow code in source window, set breakpoints in source. Run, single step, or step over. **Logic Analyser Display!** Track variable values and trace for display on the Trace Analyser. **Input stimuli includes clocks, direct values and serial data.** Profiler - examine and time frequently called routines use the information to optimise out bottle necks. PIC Version Simulates up to 50 times faster than MPSIM!

**Cost £20.00. Specify W3.1, or W'95/98 (32 bit) and AVR/PIC/HC11 version**

#### AVR & PIC devices

PIC16C74/JW Erasable 20MHz £18.00 PIC16C558 £5.00

Prices are inclusive. Add £3.00 for P&P and handling to each order. Cheques/POs payable to Forest Electronic Developments, or phone with credit card details.



## HOW DOES YOUR EQUIPMENT MEASURE UP? AT STEWART OF READING THERE'S ALWAYS SCOPE FOR IMPROVEMENT!

**PHILIPS PM3217 - Dual Trace 50MHz Delay**  
 This is really a very good oscilloscope including 2 probes. Pouch & Front cover Only **£300**

**GOULD OS300 Dual Trace 20MHz Light weight. Very good value**  
**ONLY £160**

**THIS IS THE BEST SHEEP SCOPE YOU WILL EVER BUY!!!**

**GOULD OS1100 Dual trace, 30MHz delay, very bright. Supplied with manual and 2 probes.**  
**£200**

**TEKTRONIX 2215 - Dual Trace 60MHz Sweep Delay, Includes 2 probes, Only**  
**£350**

**TEKTRONIX 400 SERIES**

466 Digital Storage Dual Trace 100MHz Delay	£350
466 Analog Storage Dual Trace 100MHz Delay	£250
465 Dual Trace 350MHz Delay Sweep	£750
475 Dual Trace 300MHz Delay Sweep	£450
465 Dual Trace 100MHz Delay Sweep	£360

**HC 3502 - Dual Trace 20MHz Delay**  
 5m-20Div: 0.2 secs  
 0.5 Sec/Div, X Y, X5 Magnifier, TVSync etc  
 Un-Used **£180**

**TEKTRONIX 2465A 4Ch. 35MHz Delay Sweep Cursors etc** £2500  
**TEKTRONIX 2445Z-45A/B 4Ch. 150MHz Delay Sweep Cursors etc** £3000  
**TEKTRONIX TAS Dual Trace 100MHz Delay Cursors** £700  
**TEKTRONIX 2226 Dual Trace 100MHz Delay Cursors** £700  
**HP1475 555711 4Ch 100MHz Delay Sweep** £550  
**PHILIPS 3055 2-1 Ch 50MHz Dual Tr** £475

**NOW THIS IS RIDICULOUS**

**MARCONI 2019 Synthesised AM/FM Sig Gen 80KHz-1040MHz LCD Display Keyboard entry.** **£900 ONLY**

**MARCONI 2017 Phase Lock AM/FM Sig Gen 10KHz-1024MHz £1200**  
**Marconi 2022A/C Synthesised AM/FM Sig Gen 10KHz-1GHz £1500**  
**H.P. 8672A Synthesised Sig Gen 2-18GHz £6000**

**H.P. 86F40A AM/FM Sig Gen 500KHz-1024MHz £450**  
**500KHz-512MHz Version - £250**

**FARNELL PSG1000 Syn AM/FM Sig Gen 10KHz-1GHz. Portable** £995  
**FARNELL PSG520 Sig Gen 10KHz-520MHz Portable** £740  
**RACAL 9081 Syn AM/FM Sig Gen 5-520MHz** £400  
**MARCONI TF2015 AM/FM Sig Gen 5-520MHz** £175  
**MARCONI 6311 Prog Sweep Gen 10MHz-20GHz** £4000  
**H.P. 3235A Syn Function Gen 21MHz** £650  
**PHILIPS PM5134 Sweep Func Gen 0.001Hz-20MHz** £300  
**PHILIPS PM5132 Sweep Func Gen 0.1Hz-2MHz** £200  
**MARCONI 2305 Modulation Meter 500KHz-2GHz** from £1200  
**FARNELL AMM2000 Automatic Mod Meter. 10Hz-2.4GHz. Unused** £1250  
**RACAL 9006 Automatic Mod Meter 1.5MHz-2GHz** £220

### SPECTRUM ANALYSERS

**H.P. 8562A Synthesised 1KHz - 22GHz** £10,000  
**H.P. 8565A 0.01 - 22GHz** £3600  
**H.P. 8590A 100Hz - 1.8GHz (75ohms)** £2500  
**H.P. 8559A with Main Frame 0.01 - 21GHz** £2500  
**H.P. 8558B with Main Frame 100kHz - 1500MHz** £1900  
**ADVANTEST TRM131 10KHz - 3.5GHz** £3600  
**ADVANTEST TRM132 100KHz - 1GHz** £1200  
**MARCONI 2382 100Hz - 400MHz High Resolution** £2200  
**MARCONI 2370 30Hz - 110MHz** from £500  
**HP141 Systems 8553 1KHz - 110MHz** from £500  
**8554 500KHz - 1250MHz from £750; 8555 10MHz - 18GHz** from £1000

**FARNELL LF1 Sine/Sq Oscillator 10Hz - 1MHz** **£75**  
**LEVELL TG2000DMP RC Oscillator 1Hz - 1MHz Sine/Square. Meter, Battery Operated (Batteries not supplied)** **£50**

**Classic AVO Meter - A Digital AVO 118**  
 3.5 digit Complete with Batteries & Leads. **Only £30**

**METROHM 9A - 500V Battery Meggar (a useful back-up for fault finding) Complete with Batteries & Leads. Only** **£35**

**Solartron 7045 - 4.5 Dig. Bench Multimeter with leads** **£45**

**Solartron 7150 DMM 6.5 digit True RMS IEEE £300**

**WAYNE KERR AMM255 Automatic Modulation Meter AM/FM 1.5MHz-2GHz 3.5 digit Unused** **£500**

**GOODWILL GFG 8010G FREQUENCY COUNTER Range 1Hz - 120MHz 8 digit display 15mV RMS sensitivity** **Unused £75**

**ANALOGUE MULTIMETER Model HC260TR AC/DC volts DC current 10 amps; 17 ranges; Continuity Buzzer; Transistor Tester Unused £15**

### DMS 3850A Digital Storage/DMM

Handheld LCD display, 2 Channels 50ms/s. Auto range 4 Digit DMM/Capacity/frequency counter. Battery operation or external 7.5-9.5V i.e. AC adaptor (not supplied). RS232 comes in black carrying pouch complete with 2 scope probes; DMM leads; Manual. For only £400

**DTS 40 Digital Storage**

**Dual Trace 40MHz 20 MS/s Storage. Cursors + On screen readout, Sweep Delay, interface etc etc. Supplied unused in original box complete with 2 probes and manual.**  
**Amazing Value £400**

**DTA 20 Dual Trace 20MHz**

**All mag TV Trig etc. unused and boxed with 2 probes and manual. £225**

**00KHz - 100MHz; FM 0 - 1000KHz; Output - 19dB 99dB AM 0-60%; 32 parasit memory; Digital display frequency and output**  
**Used £450 Unused £750**

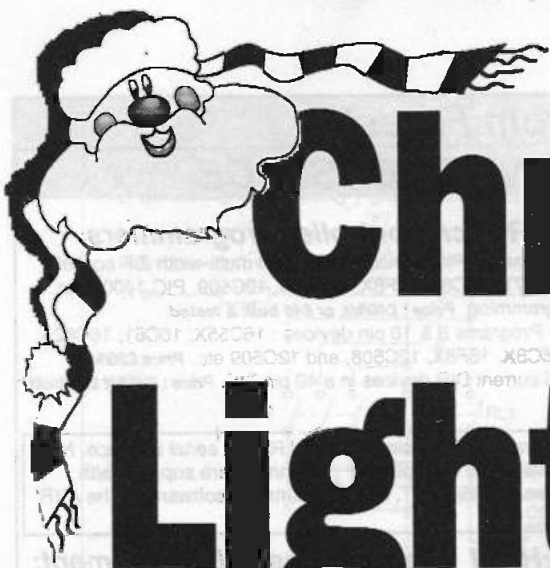
**KENWOOD FL180A WOW/FLUTTER METER 0.003%-10%. Freq 30Hz/3.15KHz RMS/AVERAGE/PEAK. Weighted filters. Digital display of rpm; 4 digit Freq counter 0.01KHz-2.999KHz/0.01KHz-550KHz**  
**Used £400 Unused £500**

**POWER SUPPLY Model HSP3010 0-30 volts; 0-10 amps current limiting; 2 meters**  
**Used £160**

**GOODWILL GVT427 DUAL CHANNEL AC MILLIVOLTMETER 10PV 300V in 12 ranges Frequency 10Hz - 1MHz**  
**Used £100 Unused £125**

**STEWART OF READING**  
 110 WYKEHAM ROAD, READING, BERKS RG6 1PL  
 Telephone: (0118) 9268041 Fax: (0118) 9351696  
 Callers welcome 9am-5.30pm Monday to Friday (other times by arrangement)

**Used equipment - Guaranteed. Manuals supplied**  
 This is a VERY SMALL SAMPLE OF STOCK SAE or telephone for lists. Please check availability before ordering. CARRIAGE all units £16. VAT to be added to total of goods and carriage



# Christmas Lights Tester

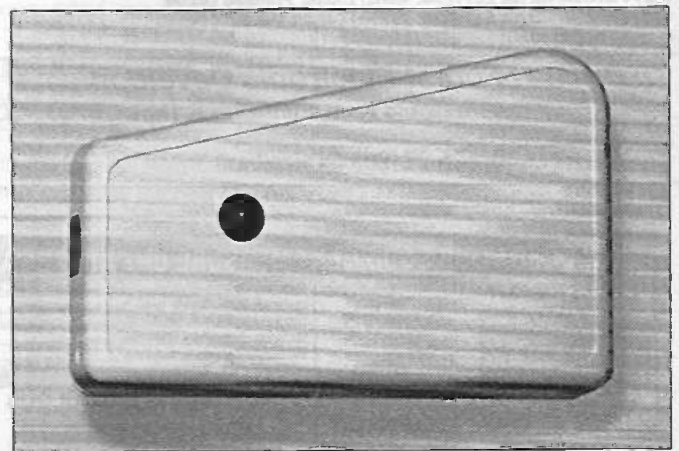


**This neat little Christmas Box helps to track down those elusive "off" lights by detecting an electric field. It can also be used for continuity-testing small components.**

**Bart Trepak**

**C**hristmas comes but once a year and when it does ... as well as bringing good cheer it also brings the usual crop of seasonal questions. Will the mother in law be coming to stay again this year? ... what will Santa bring me? ... is it worth putting a fiver on a white Christmas? ... *will the Christmas lights light?* ... Being an electronics designer, I am unable to give a solution to many of these problems but this article should help to fix the last one should it occur - and experience shows that it usually does.

Murphy's law - the one that states that if anything can go wrong then it will - operates all the year round. With a 40-lamp set of Christmas tree lights, there are at least 40 things to go wrong (41 if we count the mains fuse), so it's a fairly safe bet that they will not work first time when they are brought out of hibernation. As the lamps are connected in series, any one lamp failing or not making a good contact with its connector will result in the whole chain failing to light. Many newer lamp sets are fitted with special lamps which go short circuit when they fail so that even when one lamp fails, the circuit is maintained and only that lamp fails to light. This makes it easy to spot and replace the offending lamp. If more than a few lamps fail in this mode, however, and go unnoticed (as can easily happen with small bulbs on a large tree), a greater stress is placed on the remaining lamps as the current through the chain increases. This may eventually cause the fuse (or the fuse lamp) to blow.



Even with these lamps fitted and the fuse intact, it is still possible for one or two lamps to fail to make proper contact with their connectors. Even one faulty contact, irrespective of the condition of the lamps, will cause the chain to fail. Most lamp sets have a rather crude arrangement for connecting lamps to their holders, relying on a tight push fit and a specially shaped plastic lamp base which causes the two bare lamp wires to come into contact with two small brass or copper plates within the holder. Having been stored for a year in what are probably not ideal conditions, the lamps can easily work loose or the contacts oxidise resulting in the set failing the following

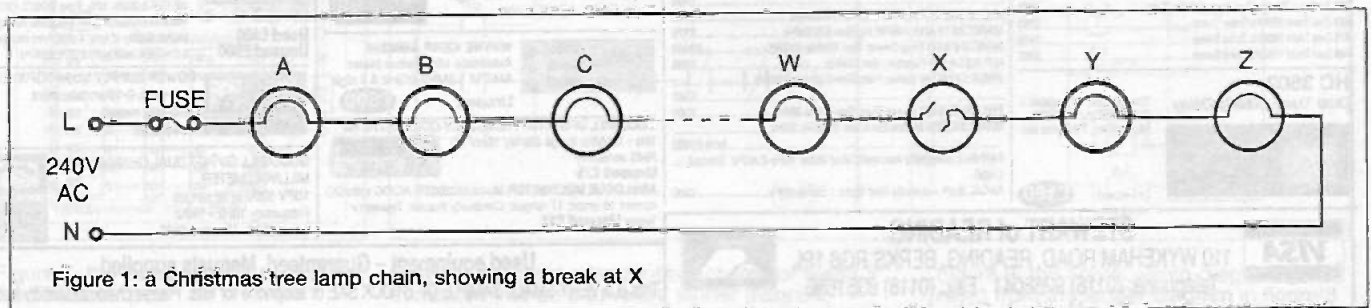


Figure 1: a Christmas tree lamp chain, showing a break at X

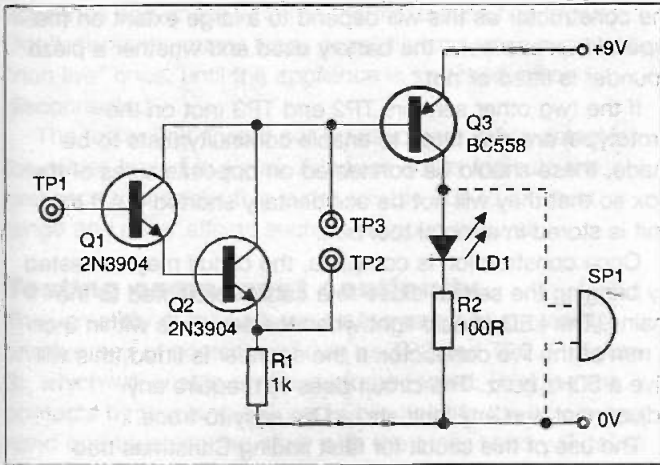


Figure 2: the circuit of the Christmas lamp tester

year. You are then left scratching your head to try to decide on the quickest way to pinpoint the trouble.

The normal procedure adopted is to start at one end of the chain, remove each lamp in turn and re-seat it in its holder, testing the whole chain each time to see if this has cured the fault. With the older lamps, each lamp will also need to be tested to ensure that it has not gone open circuit. Typically, the fault will be located in one of the last lamps in the chain. Add to this a failure when the set is already on the tree, with sharp pine needles sticking into your fingers each time a new lamp is removed or fitted, the children anxious to get on with decorating the tree and the dog sniffing around the base. This is something you can do without, isn't it?

The answer, of course, must be to pick one end of the chain and then quickly nip round and start at the other end ... in which case the fault will be found in one of the first lamps to be tested. If it were only that simple!

### The best present from Santa?

Surprisingly, the electronic answer is nearly that simple, as the following circuit shows. It will enable the problem to be pinpointed quickly and easily without the need to disconnect all the bulbs or any of the other aggravation. Not only that, but the unit will probably be found very useful during the rest of the year for a variety of tests on fuses, lamps, mains cables and so on.

Any conductor such as a chain of Christmas lamps connected to the mains will have an electric field associated with it. This is true even if no current is flowing in the conductor, and it will also be the case if there is a break in the chain. This circuit is designed to detect this. Figure 1 shows a set of lights connected to the mains with a break in the circuit at point X due to the lamp being blown or not fitted correctly. Beginning at the live terminal therefore, the field will exist at points A, B, C, etc. all the way along the conductor until point X is reached. At this point, there will be no field and the circuit will indicate this problem area. All you have to do then is test the lamp, clean the contacts or simply push the lamp firmly into its holder. If more than one lamp or connector is faulty, the first one in the chain will show up. When this has been rectified, subsequent ones can be found.

There is a small problem with this arrangement, and this is due to the fact that most lamp sets, if not all, are wired exactly as shown in figure 1 and not with the lamps spaced equally along whole the length of the conductor.

The long neutral tail is then twisted around the other conductor, so that it is impossible to test one wire without the other being present. As long as the chain is connected to the mains as shown, with the lamps nearer the live end there will be no problem, as it is the Live wire which is responsible for the electric field.

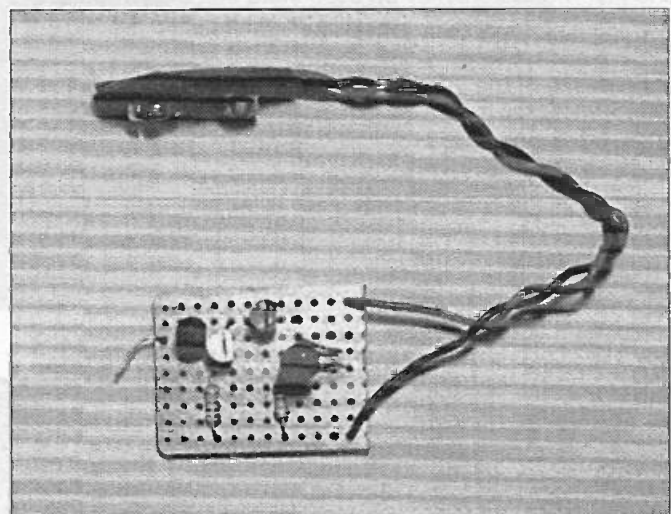
The neutral wire is of course at (nearly) earth potential and so the field due to this is at most very small - the tester should then respond only to the field due to the Live wire and the absence of this field can therefore be easily detected. Assuming that the chances of a break in the actual neutral wire are small (and indeed, if this were the case, the chain would probably not be worth repairing), any faults will therefore lie either with the lamps themselves or with their holders. With a break at X, all the wires to the left of this point will show a field while those to the right will not, as they will be at neutral potential.

If the chain is connected to the supply the other way around, however, with the terminal marked L on the diagram going to N and N to L, there would be an electric field along the whole length of the chain irrespective of a break, because the conductor connected to L would run along the whole length of the chain. Of course, on Christmas lights both conductors are usually coloured green, so that it is impossible, without unravelling them, to tell which is which. Should the chain fail to work, but a field is nevertheless detected along the whole length of the cable, the connections to the chain should be swapped either by reversing the plug in the case of a 2-pin mains connector, or by re-wiring the mains plug.

### Detecting electric fields

An electric field can be detected simply by placing a conducting probe (that is, a piece of wire or a plate) within it. Once in the field, the probe will assume the potential of the field at that point. With an alternating voltage, the field will of course also be alternating. The problem is to produce a meaningful display from this. Connecting a normal voltmeter to the probe and earth will not usually show a reading because this will load it too much. What is needed is a high input impedance buffer or amplifier if we want to drive some sort of indicator.

This circuit consists of a very high gain amplifier with a high input impedance consisting of only three transistors, two resistors and an LED, as the diagram of figure 2 shows. The first two transistors are connected as a Darlington, giving a combined current gain equal to the



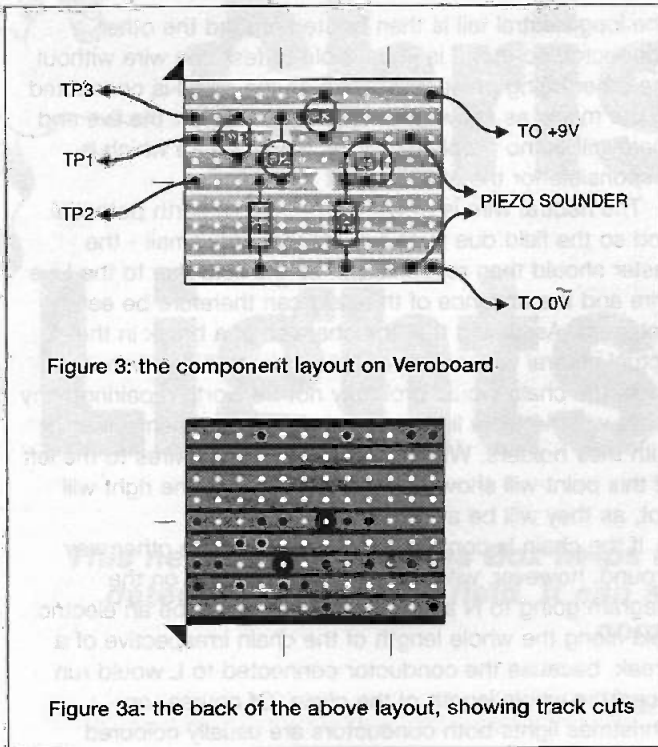


Figure 3: the component layout on Veroboard

Figure 3a: the back of the above layout, showing track cuts

product of their individual gains. With the devices specified, this should be around 10,000. The input impedance will be around 10 megohms.

The current from this is fed directly to the base of a PNP transistor which drives the LED. An optional piezo sounder can also be connected if an audio indication of the field is required.

The circuit will operate on any voltage down to around 3 volts, so that any battery from a 9-volt PP3 to two 1.5-volt AAA cells can be used although, at the lower voltages, the sound obtained from the piezo will not be so loud. The current consumption of the circuit, even when it is operating, is so small that no on/off switch is required and batteries should last for virtually their shelf life.

### Construction and uses

The circuit is small enough that the unit could be conveniently constructed on a piece of strip-board. A suitable layout for this is shown in **figure 3** but the layout is not critical and can easily be altered. Most of the components will probably be to hand, but they are all of easily obtainable kinds. Almost any other high gain NPN and PNP transistors may be used (note that the pin-outs may vary) and Darlington transistors such as the BC517 could also be used in place of the two NPN devices. Note the pin-outs of the 2N3904 (**figure 4**), which differ slightly from many other small signal transistors. This should be borne in mind if other types are used instead.

The sensor TP1 I originally breadboarded consisted of a drawing pin connected to the base of the first transistor by a short wire. The one on the cased unit (see photograph) is simply a strip of strong copper foil folded over the edge of the lower part of the case. (We had one of those component supply problems here: the technician couldn't find a drawing pin.) The sensor is mounted on the outside of a plastic box at a convenient point together with the circuit which may be secured to the box by means of the LED clip as there are no heavy components to be supported. The size and internal layout of the box is left to

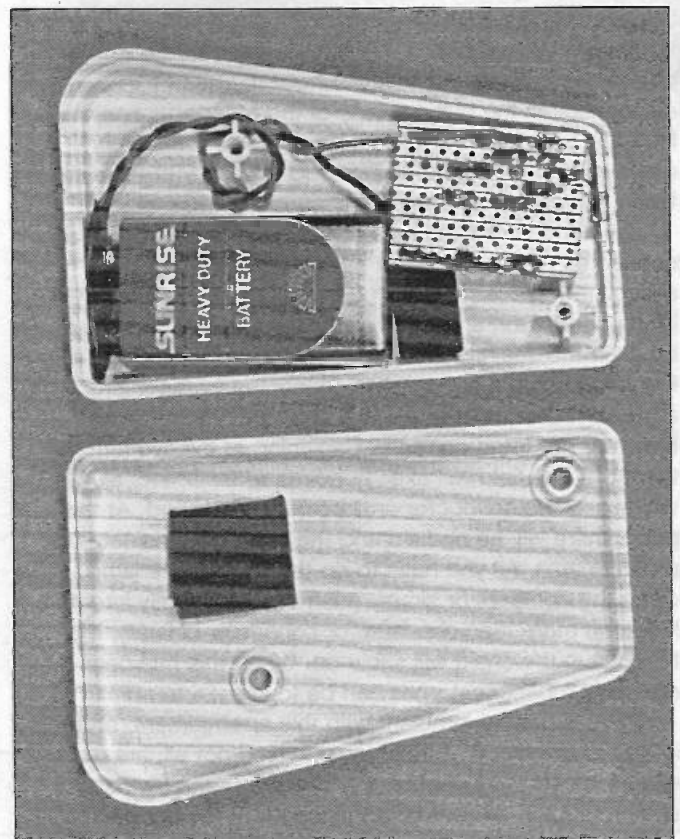
the constructor as this will depend to a large extent on the type of box available, the battery used and whether a piezo sounder is fitted or not.

If the two other sensors TP2 and TP3 (not on the prototype) are also fitted to enable continuity tests to be made, these should be connected on opposite sides of the box so that they will not be accidentally shorted out if the unit is stored in a metal tool box.

Once construction is complete, the circuit may be tested by bringing the sensor close to a cable connected to the mains. The LED should light when the sensor is within 3 or 4 mm of the live conductor. If the sounder is fitted, this will give a 50Hz buzz. The circuit does not require any adjustment and any fault should be easy to trace.

The use of this circuit for fault finding Christmas tree lights (or tracing any break in a live conductor) is quite simple and consists of running the sensor along the chain between the lamps until the LED fails to light which will indicate the position of the fault. The tester will also be useful in general electrical work around the house such as testing if a mains cable is live prior to carrying out some work near it. This has a great advantage over using, for instance, a mains tester screwdriver or a voltmeter, which require a direct contact with the conductor, as the insulation does not need to be removed. However, you must **REMEMBER TO TEST THE UNIT BEFORE USE** especially if any work is to be carried out on a conductor, as the LED could fail to light because the battery is flat or disconnected (for example). It may also not work with cables inside a metal conduit, as these often produce no external field to be detected.

Another function which is often required is testing the mains fuse in a plug fitted to an appliance. Plug the appliance into the mains socket (make sure the mains socket is switched on) and use of the tester will indicate whether the appliance cable is live. If it is not, unplug the





appliance and check whether the mains fuse has blown. Don't dismantle mains leads or appliances, even apparently "non live" ones, until the appliance is switched off and disconnected.

The tester unit should not be used as a cable detector for cables buried in a wall. Although it may indicate the presence of a cable, this is not reliable due to its short range and other effects such as damp in the wall.

### Testing component continuity

The versatility of the unit can be increased by providing another pair of contacts (shown as TP2 and TP3 on figure 3), which will enable continuity to be tested. Bridging the contacts by touching one pad while holding the box in one hand and touching the other with the other hand will cause the LED to light by providing a base current for Q3. This will allow fuses and lamps to be tested by touching the sensor with one lead while holding the component by the other. With a bit of practice, diodes, LEDs and even capacitors

may be tested. Diodes and LEDs will cause the LED to light when connected one way around but not the other while with capacitors, the LED will light briefly as the capacitor charges although with larger values the LED may stay on for several seconds.

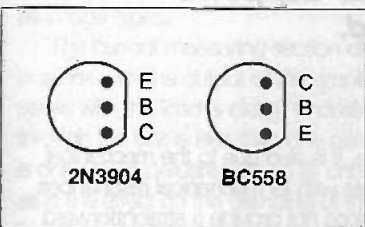


Figure 4: the pin-outs for the 2N3904 and BC558. Other transistors can be used, but note that the 2N3904 has a slightly unusual pin arrangement and adjust accordingly if substituting

## PARTS LIST

for the Christmas Lights Tester

### Resistors

- R1 1k
- R2 100R

### Semiconductors

- Q1,Q2 2N3904 NPN transistor
- Q3 BC558 PNP transistor
- LD1 Red LED

### Miscellaneous

- Stripboard (9 strips x 13 holes), battery connector, metal-headed drawing pins, Piezo element (optional); box.

With electrolytics which have a higher leakage current, the LED may remain on with a reduced brightness while smaller capacitors (less than 100nF) may not light the LED for long enough to be noticed. If the test points are shorted together, the maximum current will be limited by R1 to around 9mA with a 9-volt battery so that semiconductor junctions may be tested safely. LEDs connected directly to the test points will light if connected the right way around (cathode to TP2) so that the polarity of diode components can also be determined.

Unlike many Christmas presents which may lie forgotten after a few days or weeks, this one could still be in use the following November and turn out to be the most useful present from Santa - even if you had to make it yourself!

# SQUIRES

## MODEL AND CRAFT TOOLS

A comprehensive range of Miniature Hand and Power Tool  
and now an extensive range of  
Electronic Components  
featured in a fully illustrated

336-page Mail Order Catalogue

# 1999 Issue

*SAME DAY DESPATCH  
FREE POST & PACKING*

For your free copy of our catalogue  
write, telephone or fax to:

**Squires, 100 London Road,  
Bognor Regis, West Sussex  
PO21 1DD**

EUROCAR



**Tel: 01243 842424**

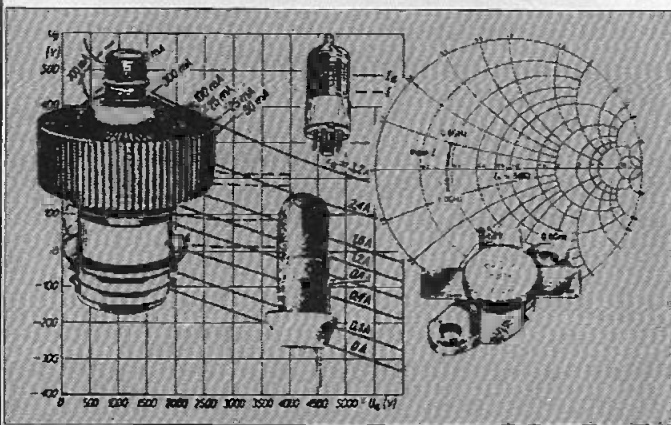
**Fax: 01243 842525**



## CHELMER VALVE COMPANY

*If you need Valves/Tubes or RF  
Power Transistors etc. ...then try us!*

We have vast stocks, widespread sources  
and 35 years specialist experience in meeting our  
customers requirements.



*Tuned to the needs of the Radio Amateur*

Chelmer Valve Company, 130 New London Road,  
Chelmsford, Essex CM2 0RG, England.

**Tel: 44-01245-355296/265865**

**Fax: 44-01245-490064**

# Audio Power Meter

**This meter measures actual power, rather than volt-amperes. Designed to measure audio power delivered to a loudspeaker, it can measure ac (or dc) power over a range wider than the audio frequency band.**

**Robert Penfold**

**M**easuring the output power of an audio amplifier is something that is actually quite easy in principle if you are prepared to do some simple arithmetic and use accurately known load resistances. Power is equal to voltage multiplied by current, so it is basically just a matter of measuring the output voltage from the amplifier, and then using Ohm's Law to calculate the current. Multiply the output voltage by the output current and you have the output power of the amplifier.

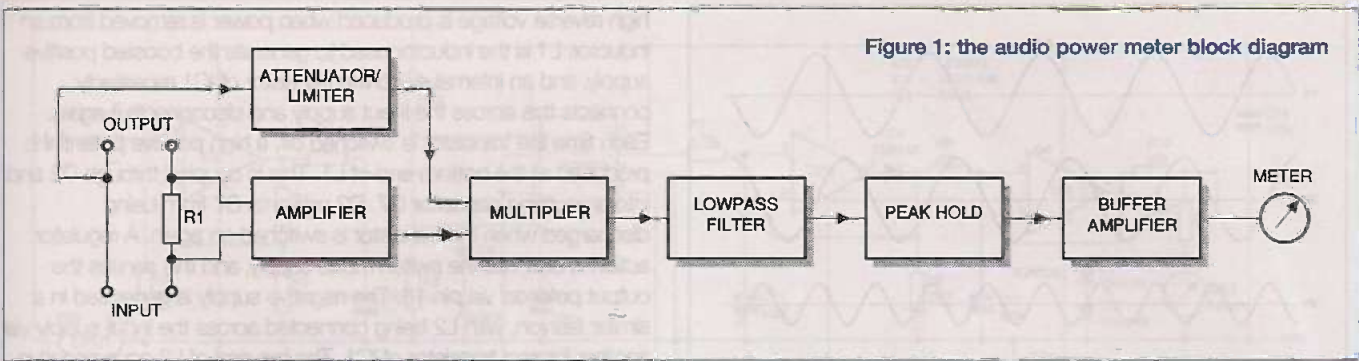
Matters are not quite so straightforward when using an actual loudspeaker rather than a resistor to act as a dummy load. Although a loudspeaker may have a nominal impedance of (say) 8 ohms, it represents a complex load having impedance which varies significantly with changes in frequency. This is partly due to the fact that the coil of a moving coil loudspeaker is inevitably inductive and

does not provide pure resistance. It is also due to the mechanical nature of a loudspeaker, complete with its mechanical resonances and all the rest. A loudspeaker does not provide a straightforward load that can be expressed in terms of simple inductance and resistance. You can calculate the output power of an amplifier working on the basis of the loudspeaker genuinely having its marked impedance, but the power rating derived using this method could be well wide of the mark. It is for this reason that power-rating measurements are normally made using a resistive dummy load and not a loudspeaker.

Life would clearly be much easier if audio output power could be measured using a piece of test gear that measured the true output power regardless of whether the load was resistive, capacitive, inductive, or any combination of these. It would also be helpful if it did the calculating for you and provided a direct readout of output



Figure 1: the audio power meter block diagram



power. This is precisely the function of this project, which measures average output power from zero to 100 watts. The reading is provided on a moving coil meter that has a normal forward-reading linear scale. Consequently, there is no need to recalibrate the scale. The unit is powered from a 6-volt battery, which means that none of the inputs of the unit are earthed. It should therefore work perfectly well with amplifiers that have neither output at earth potential, such as bridge types.

The current measuring section of the circuit places 30 milliohms in series with the output of the amplifier. Any additional resistance in series with the load is clearly undesirable, but the power loss through the unit is less than one percent with a four ohm load, and is only 0.375 percent with an 8-ohm load. This is totally insignificant, as is the affect on the damping of the loudspeaker. The unit can therefore used to monitor the output of an amplifier while it is in normal use without producing any significant degradation in performance. In order to calibrate the unit a high-power 4- or 8-ohm dummy load is required, together with a meter capable of measuring AC voltage accurately.

### System operation

In order to produce an output power reading, the circuit must measure the output voltage and current multiply the two readings together, and then average the resultant signal to produce a DC output voltage. This voltage is proportional to the average output power of the amplifier. It is possible to obtain the desired effect using digital or analogue techniques, but the design featured here uses purely analogue circuitry. The block diagram of figure 1 shows the general scheme of things used in this output power meter.

The power meter is added into the two leads, which connect the output of the amplifier to the loudspeaker or dummy load. This enables both voltage and current to be measured. R1 is included in series with one of the leads, and the voltage developed across this

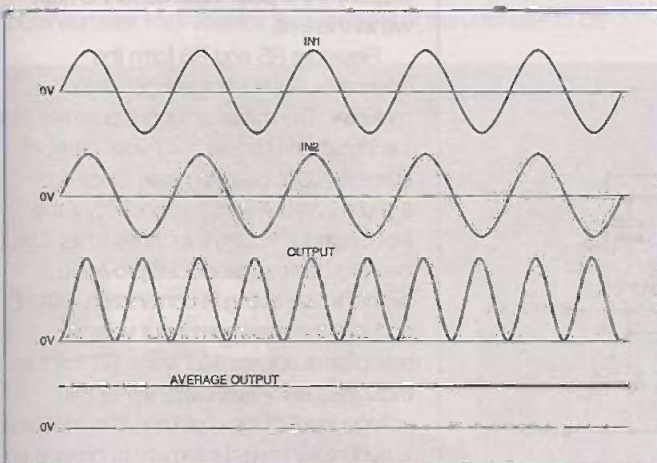


Figure 2: with in-phase input signals the multiplier provides frequency doubling and effectively full-wave rectifies the input signal

resistor is proportional to the current flowing through it. The value of R1 must be very low so that it does not significantly add to the load impedance or significantly impair the damping factor of the amplifier, but this gives only a modest signal voltage even when high output currents are present. An amplifier is therefore used to boost this signal to a level that will drive the multiplier properly. The other input of the multiplier is fed with the output voltage from the amplifier, but at high output powers this signal will exceed the maximum usable input voltage for the multiplier. In fact it could be high enough to damage the multiplier chip. An attenuator reduces the input voltage to a more suitable level for the multiplier, and a limiter circuit ensures the safety of the multiplier chip if a severe overload should occur.

### Phase relationships

When the load is purely resistive the inputs to the multiplier will be in phase, as in the top waveforms of figure 2. Although one might expect the output waveform to be much the same as that of the input signals, this is not the case. The output is actually at double the input frequency. The salient point here is that multiplying two negative quantities produces a positive result. This produces positive peaks on the output signal for both the negative and positive peaks at the input, and a consequent frequency doubling action. Of more importance in the present context, the output signal is always positive. There is no need to provide any rectification prior to smoothing the signal to produce a DC output level. The output of the multiplier can be fed direct to the lowpass filter.

If the load is not purely resistive, but includes capacitive and/or inductive reactance, the voltage and current signals will not be precisely in phase. In an extreme example the two input signals would be 90 degrees out of phase, giving the waveforms of figure 3. This still gives a frequency doubled output signal, but we are now multiplying voltages that have mixed polarity for 50 percent of the time. This means that the output signal is negative for 50 percent of the time, and the average output voltage is zero. The circuit therefore registers zero output power. This is correct, because the power supplied to the load on one set of half cycles is being returned on the other, and there is no power dissipation in the load. The output current that flows is so-called "imaginary" current, and not the "real" output current that flows into a resistive load. Whatever combination of resistance, inductance, and capacitance the load provides, this power meter will ignore "imaginary" output current and accurately reflect the true output power of the amplifier.

Returning to the block diagram of figure 1, the lowpass filter smoothes the output from the multiplier to produce a DC output potential that is proportional to the average output power of the amplifier. The time constant of the filter is kept reasonably short so that meter responds quickly to changes in the power level, but with some types of input signal this could give rapid movements from the meter's pointer, making it difficult to read. A peak hold circuit is therefore used between the output of the lowpass filter and the input of the meter circuit. This has a fast attack time but a much

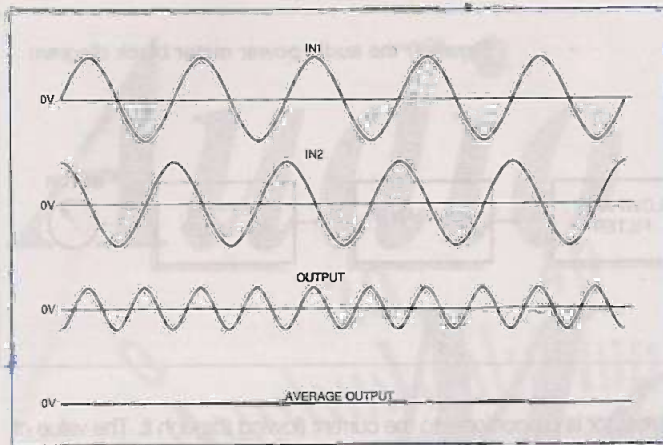


Figure 3: with the inputs 90 degrees out of phase the average output power is zero

lower decay time, so that peak readings are displayed long enough for them to be read easily. The unit therefore reads in terms of what I suppose could be termed peak average output power, but not peak output power. A buffer amplifier ahead of the meter circuit ensures that the peak-hold circuit operates into suitably high load impedance.

### Power supply circuit

Ideally the unit should be battery powered so that it is "floating", with no part of the circuit earthed. Unfortunately, the circuit requires dual balanced 15-volt supplies, which makes direct battery power rather impractical. These days there are no difficulties in deriving this type of supply from a low voltage battery using a switch mode power supply. The supply circuit used here (figure 4) is based on the Maxim MAX743 switch mode power supply chip, which can be set to provide dual balanced 12- or 15-volt supply rails. In this case 15-volt supplies are required, and the relevant control input at pin 11 is therefore connected to the 0-volt rail. A 4.5-volt battery is not quite up to the task of powering this circuit, but a 6-volt battery would exceed the maximum permissible input potential of 6 volts. The output voltage of a fresh 6-volt battery is actually about 6.4 to 6.5 volts. A 6-volt battery is used to power the circuit, but rectifier D1 is included at the input to provide a voltage drop of about 0.6 to 0.7 volts. This ensures that IC1 is kept within its proper working limits.

This is not really the place for a detailed discussion of switch mode power supplies, but the basic way in which this circuit functions is quite straightforward. Generation of both the boosted positive supply and the negative supply is reliant on the fact that a

high reverse voltage is produced when power is removed from an inductor. L1 is the inductor used to generate the boosted positive supply, and an internal switching transistor of IC1 repeatedly connects this across the input supply and disconnects it again. Each time the transistor is switched off, a high positive potential is produced at the bottom end of L1. This is coupled through D2 and into smoothing capacitor C7. D2 prevents C7 from being discharged when the transistor is switched on again. A regulator action is built into the switch mode supply, and this senses the output potential via pin 16. The negative supply is generated in a similar fashion, with L2 being connected across the input supply via another internal transistor of IC1. The top end of L2 goes negative each time this transistor switches off. The negative pulses are coupled to smoothing capacitor C8 via D3, and the feedback input of the regulator circuit is at pin 9. The other capacitors are various decoupling and compensation components.

The circuit provides well stabilised output potentials, and the MAX743 can handle output currents of up to 100 milliamps. In this case the output current is little more one tenth of that figure, but the voltage step-up provided by the circuit means that the input current is much higher than the output current. The MAX743 provides the high efficiency associated with switch mode supplies, and the drain from the four AA cells is only about 100 milliamps or so. This should give around 20 hours of operation from each set of four AA cells. It would probably be more economic to use larger cells if the unit will be left running for long periods. If mains power is preferred, the easiest solution is to use a 5-volt regulated battery eliminator as the power source. This must be a type having a properly regulated output, and it must be rated at about 150 milliamps or more. Do not use a non-regulated five-volt battery eliminator as this could result in damage to IC1.

### The main circuit

The main circuit for the audio power meter project appears in figure 5. R1 is the resistor in series with the load, and IC2 is the amplifier at the current input. This is a straightforward non-inverting amplifier having a voltage gain of just under 50. The bifet operational amplifier specified for IC2 provides a good combination of low noise performance and DC accuracy. Its output feeds the appropriate input of the multiplier via a simple lowpass filter (R4 - C9), but this filter has no significant affect at audio frequencies. It is intended to prevent any stray pick up of radio frequency signals from reaching the multiplier and causing erroneous results. The multiplier will accept input signals of up to 10 volts peak (positive and negative), which equates to a peak input current of just under seven amps.

Note that the unit can only operate properly if the peak input current is kept within this limit.

Resistors R5 and R6 form the attenuator at the voltage input of the multiplier. The maximum input potential that the circuit can handle is 43 volts peak, or some 86 volts peak to peak. Once again, the unit can only function correctly if the input signal is kept within these limits. The back-to-back zener diodes provide a simple limiter action in conjunction with R5, and limit the maximum input voltage to the multiplier at approx 12.7 volts. C10 is the radio frequency filter capacitor at the voltage input of the multiplier. The multiplier is accurately scaled internally to provide an output potential that is equal to  $(X * Y)/10$ . For example, with 6 volts at input X and 5

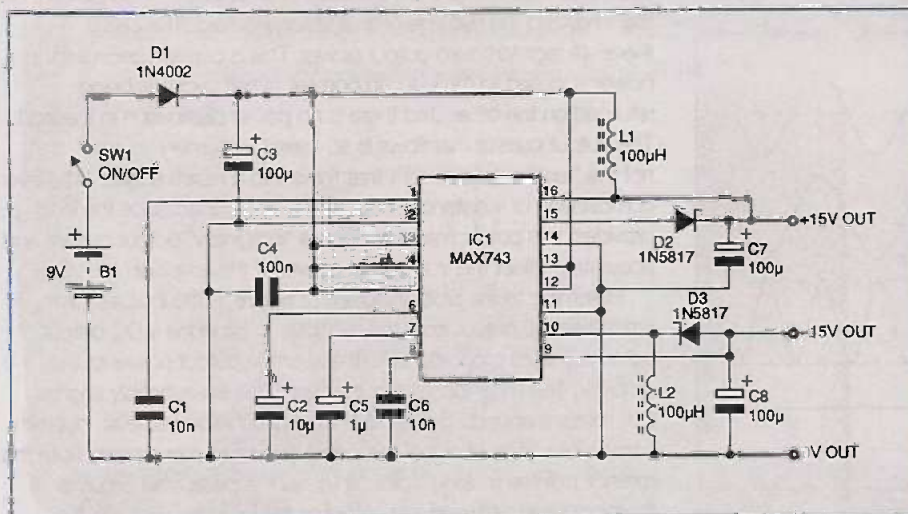


Figure 4: the circuit diagram for the supply voltage generator

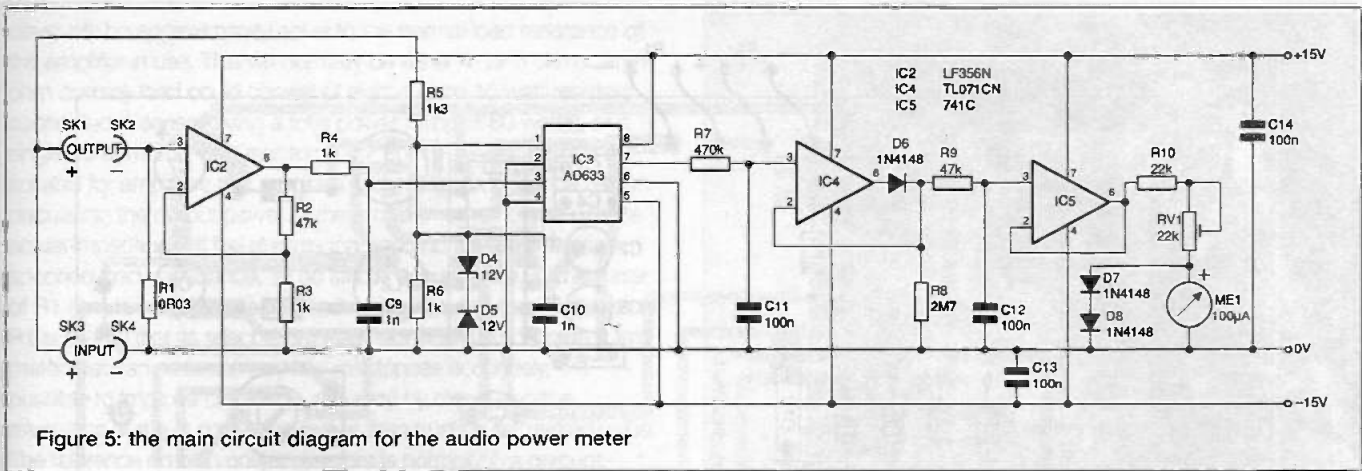


Figure 5: the main circuit diagram for the audio power meter

volts at input Y, 3 volts is produced at the output ( $6 * 5 = 30, 30/10 = 3$ ). The guaranteed precision of the AD633 makes it easy to obtain accurate and repeatable results. Of course, the choice of which input handles the current signal and which handles the voltage signal is purely arbitrary. Whether you multiply voltage by current or current by voltage you end up with the same answer! In this case the voltage signal is applied to the X input, and the current signal is applied to the Y input. The AD633 actually has two sets of differential inputs, but this facility is not required in the present application. Therefore, the two inverting inputs are simply connected to the zero volt supply rail. There is a summing input at pin 6, but this is of no use in this application and is also connected to the 0-volt supply rail. The AD633 is not totally free from the usual DC input and output offset voltages, but these are too small to be worth trimming out. In this application the meter reading falls to an insignificant level long before the offset voltages start to have a noticeable affect on accuracy.

R7 and C11 form the lowpass filter at the output of the multiplier. The time constant of this network has been kept quite short so that the unit has a fast response time. Some users may prefer to use a longer time constant, and this is easily achieved by increasing the value of C11. Operational amplifier IC4 is used in a standard peak-hold circuit which has D6 to prevent capacitor C12 from discharging into the output circuit of IC4. The diode is included in the negative feedback circuit so that the feedback compensates for the non-linearity through the diode. The relatively low value of resistor R9 gives the circuit a fast attack time, and the very much higher value of R8 produces a much slower decay time. With a rapidly changing input level this holds peak readings long enough for them to be easily read. IC5 is used as the buffer amplifier ahead of the voltmeter, and this ensures that the meter circuit places minimal loading on C12. Preset potentiometer RV1 enables the sensitivity of the voltmeter to be

varied, and acts as the calibration control. D7 and D8 protect the meter if IC5 should produce an excessive output voltage.

As a point of interest, the circuit is DC coupled throughout, and will therefore measure DC powers that are within its maximum voltage, current, and power limits.

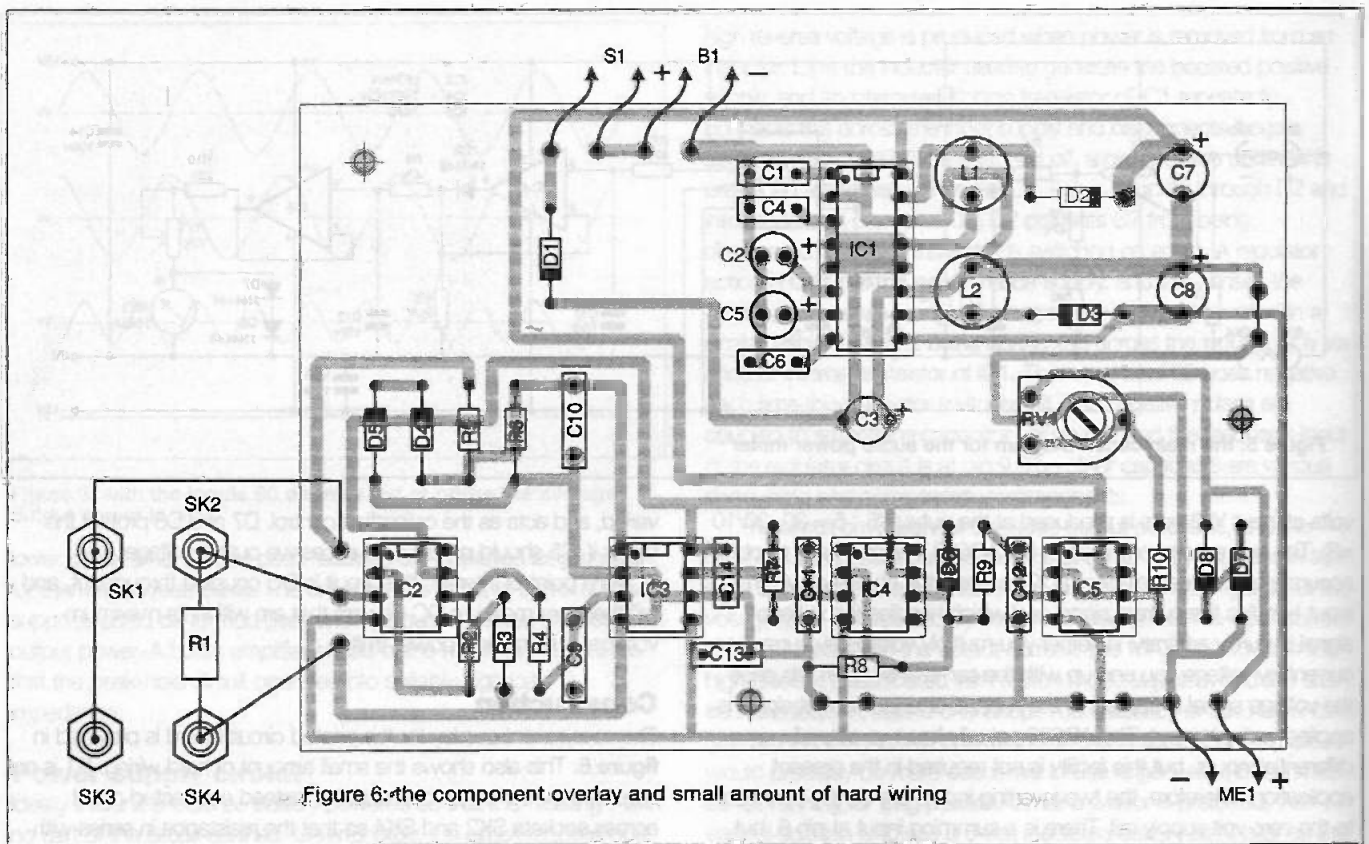
### Construction

The component overlay for the printed circuit board is provided in figure 6. This also shows the small amount of hard wiring. R1 is not mounted on the circuit board, but is instead connected direct across sockets SK2 and SK4 so that the resistance in series with the load is minimised. This method also avoids having any high currents on the circuit board. Construction of the circuit board is largely straightforward, but bear in mind that the MAX743 is a MOS device, and that the usual antistatic handling precautions must be observed when dealing with it. The AD633 is not a cheap component, and it should be fitted in a holder rather than being a soldered direct to the board. In fact, I would strongly recommend using holders for all the integrated circuits.

Several of the components in the switch mode power supply circuit are worthy of special mention. The MAX743 itself is available from Maplin, as are the 1N5817 Schottky diodes. There are definite advantages to Schottky diodes in switch mode power supplies due to their low forward voltage drops and fast switching times. Ordinary silicon rectifiers would at best give very much reduced efficiency, and might fail to work at all in this circuit. Inductors L1 and L2 must be miniature radial components intended for operation in switch mode power supply circuits. Due to the very low output currents involved here there is no need to opt for high current inductors. In fact high current components are unlikely to fit into the available space. Simple radio frequency chokes are unlikely to work adequately in this application, and could result in damage to IC1. Maplin "miniature radial lead inductors" are used on the prototype, but any similar components should work equally well. Smoothing capacitors C7 and C8 must be low ESR components, and efficient operation of the circuit **cannot** be guaranteed using bog-standard capacitors. **Note that IC1 may be destroyed if the circuit is operated with C7 or C8 absent.** The AD633 is available from Farnell.

Any medium-sized metal or plastic instrument case should comfortably accommodate this project. The meter and on/off switch are mounted on the front panel, and the four sockets are fitted at the rear of the unit. In practice the four "sockets" will have to be spring connectors or some other form of heavy-duty connector that is suitable for use with high power amplifiers and loudspeakers. As pointed out previously, R1 is mounted between SK2 and SK4. There should be no difficulty connecting it reliably, provided the tags of the sockets and the leadouts of R1 are generously tinned with

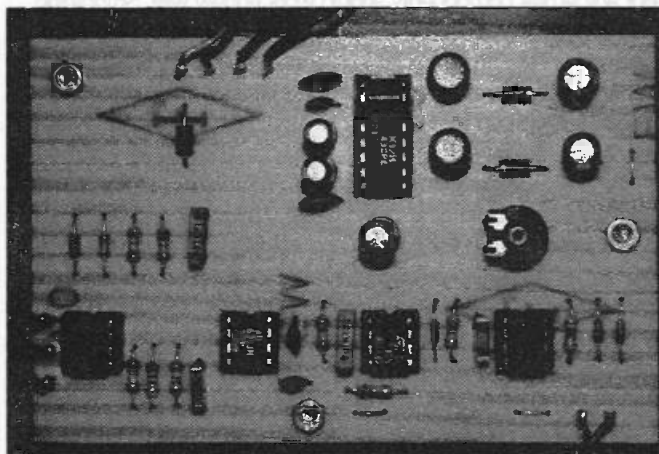




solder prior to making the connections. Sockets SK1 and SK3 are linked by an insulated wire that must be a heavy-duty type capable of carrying currents of several amps.

Fitting the meter on the front panel is rather awkward, as a large round cutout of about 38 millimetres in diameter is required. The slow way of making this cutout is to use a miniature round file, coping saw, or something of this general type. Unless you are very skilled at this type of thing it is better to cut just inside the line marking the required cutout, and then file out the hole to exactly the required size using a large half-round file. The quick way is to use one of the hole or "tank" cutters that are available from most DIY superstores. These can be adjusted to cover a wide range of hole sizes, and will complete the task in a matter of seconds. However, they are only usable in something like a brace or a power drill that can produce very slow rotation speeds.

The printed circuit board is mounted on the base panel of the case, leaving sufficient space for the battery pack to the rear or to one side, depending on the design of the case. The board is mounted using the usual plastic stand-offs or mounting bolts plus spacers. To complete the unit the small amount of hard wiring is then added.



As described here, the meter can only monitor one output of a stereo amplifier. For stereo operation it is basically just a matter of making up two units, one for each stereo channel. If desired, the two circuits can be housed in one large case, with a common on/off switch having separate poles for the two circuits. It is preferable to keep the two circuits electrically isolated from one another so that problems are avoided when testing awkward amplifiers such as bridge types. This means having a separate battery and switch mode power supply for each channel.

### Calibration

In order to calibrator the unit it is necessary to use the basic set up outlined in figure 7. The signal generator feeds a sinewave signal into the audio amplifier, which drives a resistive load (not a loudspeaker) via the power meter. An AC voltmeter monitors the voltage across the load so that the audio output power can be calculated. The test frequency should be chosen to be within the frequency range which the AC voltmeter can measure accurately. If the specification of the meter is not available, it is a safe assumption that it will be designed to work well at mains frequencies, and that 100Hz should cause no problems. To calculate the output power simply square the output voltage and then divide this figure by the load impedance in ohms. In order to calibrate the unit accurately it is necessary use an output power that represents something like 50 to 100 per cent of the full-scale reading, or around 50 to 100 watts in other words. Presumably anyone building a project of this type will have access to suitably beefy power amplifiers.

The resistor used for the dummy load must have a power rating that enables it to take the calibration power without sustaining any damage. In practice this means using several resistors connected in series or parallel, or using a single high-power resistor having a close approximation to the required value. Note that high power resistors are normally reliant on a large heatsink, and should not be operated close to their maximum power ratings unless fitted on a suitable heatsink. The resistance of the dummy load should

obviously be approximately equal to the normal load resistance of the amplifier in use. This will normally be either 4- or 8 ohms. An 8-ohm dummy load could consist of eight 1-ohm 10 watt resistors connected in series (giving a total power rating of 80 watts), or a single 10 ohm 100 watt resistor. A 4.7 ohm 100 watt resistor is suitable for amplifiers that require a 4-ohm load impedance. When calculating the output power of the amplifier remember to use the actual impedance of the dummy load and not the amplifier's specified load impedance. To be strictly accurate the 30 milliohms of R1 should be added to the load resistance, but the resistance of R1 is so low that its affect is not really significant. If you have a test meter that can measure very low resistances accurately, it is possible to improve calibration accuracy by measuring the resistance of the dummy load rather than trusting its marked value. The tolerance on high power resistors is normally five percent, incidentally.

As an example of calibrating the unit, suppose that a 10-ohm 100-watt resistor provides the load. Adjusting the controls of the signal generator and the amplifier to provide 30 volts across the load would give an output power of 90 watts ( $30 \times 30 = 900$ ,  $900/10 = 90$  watts). RV1 in the power meter circuit would then be adjusted for a reading of 90 on the meter.

If required, the full-scale value can be reduced or increased by altering the sensitivity of both the current and voltage sensing circuits. Bear in mind that it is not simply a matter of (say) halving the sensitivity of both circuits in order to double the full-scale value. This is something where the square rule applies, and doubling the full scale input voltage/current quadruples the full-scale power reading. To obtain a full scale value of 200 watts the full scale voltage and current would have to be increased by a factor of 1.414 (the square root of two). This requires R5 to be increased to a value that raises the total resistance through R5 and R6 by a factor of 1.414, which works out at 6.08k. R5 would therefore have to be increased to just over 5k, and 5.1k is the nearest preferred value. The sensitivity of the current sensing circuit can be reduced by lowering the closed loop voltage gain of the input amplifier (IC2) or by reducing the value of R1. Reducing the value of R1 is preferable as it keeps dissipation in this component to a minimum. Finding a suitable component might be difficult, but adding a resistor in parallel with R1 provides an alternative. Adding a 0.05-ohm resistor in parallel with R1 gives a combined resistance that is slightly too low, but raising the value of R2 to 56k would compensate for this.

Reducing the full-scale value to 20 watts requires a five fold increase in sensitivity, which means an increase in sensitivity by a factor of 2.24 (the square root of five) at each input. A large increase in the voltage gain of IC2 is undesirable because it could produce problems with offset voltages and generally compromise performance. Raising the value of R1 is also undesirable, as it could significantly reduce damping of the load. Probably the best solution is to use a mixture of increased gain and a higher value for R1. A value of 0.05 ohms for R1 and 68k for R2 should give

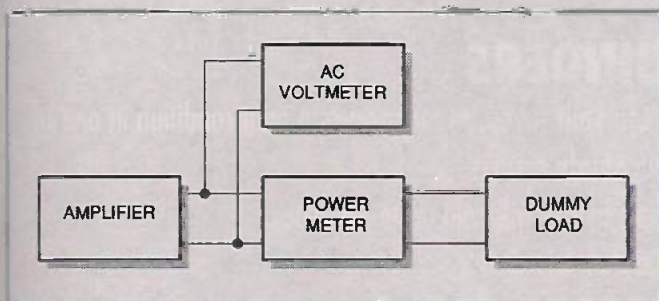
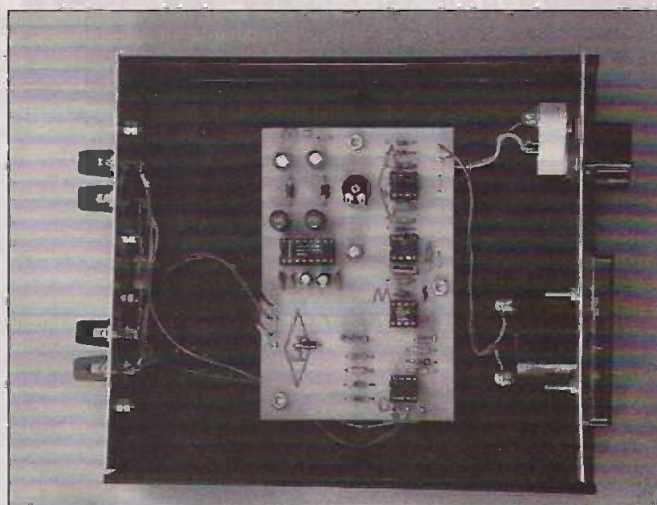


Figure 7: the setup used when calibrating the audio power meter



satisfactory results. This would accommodate a maximum current of just under three amps. The total resistance through R5 and R6 would have to be reduced by a factor of 2.24, giving a figure of 1.92k. R5 would therefore have to be reduced to 910 ohms, which would accommodate input potentials up to 19 volts.

## PARTS LIST for the Audio Power Meter

### Resistors

All 0.25W 5 percent carbon film unless noted

R1	0R03 2.5W 5 percent silicone coated
R2,9	47k
R3,4,6	1k
R5	3k3
R7	470k
R8	2M7
R10	22k
RV1	22k min hor preset

### Capacitors

C1,6	10n disc ceramic
C2	10u 25V radial elect
C3,7,8	100u 16V low ESR
C4,13,14	100n disc ceramic
C5	1u 50V radial elect
C9, 10	1n polyester
C11, 12	100n polyester

### Semiconductors

IC1	MAX743
IC2	LF351N
IC3	AD633JN
IC4	TL071CN
IC5	741C
D1	1N4002
D2, 3	1N5817
D4 to D8	1N4148

### Miscellaneous

SW1	Rotary on/off switch
ME1	100uA moving coil panel meter
B1	6V (4 x AA cells in holder)
SK1 to SK4	2-way loudspeaker connector
L1, 2	100uH

Plastic or metal instrument case, printed circuit board, 4 x 8-pin dil holder, 16-pin dil holder, control knob, battery connector (PP3 type), wire, solder, etc.

A 4- or 8-ohm dummy load is also needed for calibration purposes.

# CROWNHILL ASSOCIATES LIMITED

The Old Bakery, New Barns Road,  
Ely Cambs. CB4 7PW

Tel: +44 (0)1353 666709 Fax: +44 (0) 1353 666710

Low cost professional quality Smart Card Systems

## CHIPDRIVE EXTERN

Intelligent programmer for Smart Cards using the International Standard T=0 or T=1 protocols also Memory and Secure Memory using PC, 2-wire & 3-wire interfaces

Supplied with software to read and write to most popular secure smart cards . inc GSM, PAY PHONE and ACCESS CONTROL cards.

T=0 or T=1 @ 3.579MHz

RS232 @ 9600 -11500 bps

Internal Supply / NI-MH

Size: 100x70x80 mm Weight 660 Gram

Supplied with Cardserver.dll API for easy development of SmartCard Applications using Visual Basic, Delphi or C++

CE Compliant



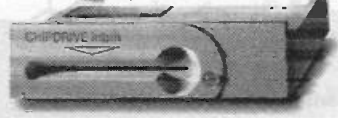
£69 + VAT

P&P £7.50

## Chip Drive Intern

3.5" floppy bay version of the CHIPDRIVE. Applications are available to provide SmartCard controlled access of data on Hard drives or "PC-LOCK", to control access to the whole PC Fully Compatible with TOOLBOX for systems development. Supplied with cardserver.dll API

£85 + £5 P&P + VAT



Most popular smart cards are plastic, the size of a credit card, with an embedded microprocessor containing an operating system and erasable non-volatile memory.

Physical protection against unauthorized tampering with the card is provided through the following scheme:

The microprocessor and memory are created as a single chip. This ensures there are no data paths that can be monitored or probed. This chip is connected to a thin circuit board and encapsulated with an epoxy. The "module" is then glued within a well milled into the plastic card. This prohibits physical access to the microprocessor and provides a more durable medium than magnetic stripe cards.

ChipDrive Developer Kit  
micro, sample cards and Toolbox  
£99.95 + P&P + VAT

## NEW CHIPDRIVE - micro

Fully Compatible with TOOLBOX for application development. Featuring the same functionality as Chip Drive Extern but in a small neat low cost package, similar in size to a smart card. Supplied with cardserver.dll API

£65 + £5 P&P + VAT



<http://www.towitoko.co.uk>  
<http://www.crownhill.co.uk>  
<http://edsim.cambs.net>

TOOLBOX



Driver and application software is available for the CHIPDRIVE family of terminals including the command set DLL for Windows 3.11/95/NT, easy to use 16 and 32 Bit DLLs with just one function call to the "CardServer", a powerful Background task which relieves the application programmer from device and card administration. Featuring automatic protocol and card type detection. Allowing several applications to access one terminal dependent on the type of card inserted. Supplied on CD ROM containing cardserver.dll, applications and source code examples.

£29.95 + £5 P&P + VAT

The microprocessor operates under control of a "built in" program called an operating system. A serial interface - which makes it impossible to access the memory directly - is employed to communicate with the card. An ISO (International Standards Organization) protocol is used to exchange commands and data with the card.

Finally, Holograms, signature stripes, photos, etc can be applied to the card for additional security. And the card can be custom printed with your artwork.

Crownhill can supply OPEN ARCHITECTURE cards, that will allow you, the end user to create your own operating system, to control access to the EEPROM memory of up to 64Kbits (8Kbytes) in size. Crownhill have off the shelf operating systems for Control access. Electronic purse and Portable Document applications. Others can be written to your specification.

## SMARTCARDS Available from Stock:

GemPlus, Atmel, Xicor, Siemens, SGS Crownhill and more.....  
SLE4442, 4432, 4418, 4428, 4404, AT88SCxx, AT24c01-16,  
GPM103, GFM1K, 2K, 4K, GPM416 Phone Cards, Loyalty Cards

## THE SMARTEST SOLUTION

Crownhill can offer a broad range of smart cards from just £1.00, and Smart Card sockets for just £1.45 ea. PIC Microchip based Smart Cards now available at just £4.50 ea.....DEVELOP YOUR OWN SMART CARD! Crownhill can supply over 150 different types of IC from more than 12 silicon suppliers, which can all be incorporated into smart card format. Some cards are available from stock, most are manufactured to the customers' specification.

# ELECTRONICS DIRECT

## SUBSCRIBE & SAVE WITH ELECTRONICS DIRECT

Our subscription deals just get better and better - you can save almost £20 if you subscribe today!

### ETI, code: 0215

Electronics Today International - The Project Magazine for all Electronics Constructors.

The single source guide to electronics for today and tomorrow, packed with numerous projects for enthusiasts of all abilities. The detailed features and up-to-the-minute news items keep all readers fully informed of the latest, exciting developments in this ever changing hobby, whilst the equipment reviews ensure that you always know exactly what to buy.

15 issues for the price of 13

UK: NOW ONLY £35.75 YOU SAVE £5.50

Europe: £43.42, Overseas: £47.84, USA: \$79.00

30 issues for the price of 26

UK: NOW ONLY £71.50 YOU SAVE £13.75

Europe: £86.84, Overseas: £95.68, USA: \$158.00.

### ACORN ARCHIMEDES WORLD, code: 0215

In the constantly changing world of IT, it is vital to keep abreast of all the latest trends and developments. Of course, this is easier said than done. However, you CAN keep fully informed by reading Acorn Archimedes World, Britain's most respected computing magazine devoted to all Acorn 32-bit RISC OS systems. The wide ranging editorial brings you in-depth hardware and software reviews, evaluates new products and forecasts what will happen next, and includes a dedicated educational section. Each issue also comes with a free cover-mounted disc, often containing complete, usable programs as well as workable and playable demos.

15 issues for the price of 13

UK: NOW ONLY £51.35 YOU SAVE £7.90

Europe: £60.45 Overseas: £66.56, USA: \$109.00

31 issues for the price of 26

UK: NOW ONLY £102.70 YOU SAVE £19.75

Europe: £120.90, Overseas: £133.12, USA: \$218.00

REMEMBER, it's always cheaper to subscribe and you avoid future cover price increases!

All savings are based upon buying the same number of issues from your newsagent, UK only.



## BINDERS

Keep your favourite magazines in mint condition in one of our sturdy binders.

Each binder will hold up to 13 issues.

Code: bind 02

£7.50 U.K. £8.00 Overseas

BINDERS AVAILBALE

● ETI ● ARCHIMEDES WORLD



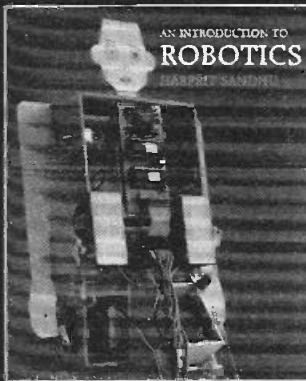


'Electronics Direct' is the One Stop Shop for all your computing, electronics and amateur radio needs from Nexus Direct. We are offering some sensational deals on Subscriptions, Books & Reader Offers - all available direct by mail order. Remember, all our prices include postage and packing - so there are no hidden extras to add! You can order by phone, fax or use the coupon.

# ELECTRONICS DIRECT

Please order all your goods using the coupon below ensuring you fill in all sections OR simply use our order hotline. Thank you.

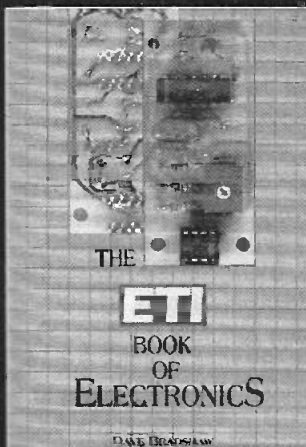
## SAVINGS ON BOOKS



### AN INTRODUCTION TO ROBOTICS.

A fascinating and unique book that breaks new ground by exploring the exciting world of robotics in a clear and concise way. Both the theoretical and practical aspects are presented in an uncomplicated fashion using everyday English, which makes this an ideal book for the amateur. Divided into two sections, the first part explains how and why robots work and are controlled, while the second shows you how to make a simple two legged humanoid robot that can be programmed to walk. There are no complicated formulas or equations to grapple with or incomprehensible circuit diagrams to decipher - this robot can be built on your kitchen table and can be run from any personal computer! All you need are model aeroplane servos, a controller, a power supply and some plywood - and all parts are easily available in the UK and the USA. This is a book that will be of interest to modellers and everyone with a fascination for things mechanical and electronic.

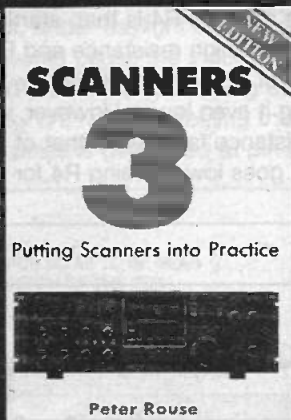
Code: NB299  
ONLY £11.95 UK £12.95 Overseas



### ETI BOOK OF ELECTRONICS

This is the perfect book for beginners, offering a clear and concise introduction to both the theories and principles of electronics. Each chapter also allows you to put this theory into practice with an easy to follow project to make, including a loudspeaker divider, continuity tester, 'brown-out' alarm, freezing alarm, loudspeaker, mini-amplifier and a burglar alarm.

Code: NB214  
ONLY £12.95 UK £13.95 Overseas



### SCANNERS 3 - PUTTING SCANNERS INTO PRACTICE

This is the fourth revised and completely updated edition of Scanners, the complete VHF/UHF radio listeners guide, containing everything you need to know to put your scanner to better use. There is a great deal more information than ever before on frequency listing; in particular, actual frequencies used by coastal stations, airfields and the emergency services. Also included for the first time is a section on the HF (short wave) band as many scanners now cover this range.

Code: NB217  
ONLY £11.95 UK £12.95 Overseas



### SCANNERS 2 INTERNATIONAL

The companion book to 'Scanners' provides even more information on the use of VHF and UHF communication bands, and gives details on how to construct accessories to improve the performance of scanning equipment. The book is international in its scope and contains frequency allocations for all three ITU regions, including country-by-country variations.

Code: NB216  
ONLY £11.95 UK £12.95 Overseas

# BOOKS DIRECT

### SUBSCRIPTIONS

Magazine	Code	No. of Issues	Price
.....	.....	.....	£.....
.....	.....	.....	£.....
.....	.....	.....	£.....
Total Subscription Value			£.....

Subscription No. if renewing .....

### READERS OFFERS/BOOKS/BINDERS

Title	Code	Qty	Price
.....	.....	.....	£.....
.....	.....	.....	£.....
.....	.....	.....	£.....
.....	.....	.....	£.....
.....	.....	.....	£.....

Total Order Value £

### METHOD OF PAYMENT

The total value of my order is £ .....  
I enclose a Cheque/P.O. made payable to  
**Nexus Special Interests Ltd.** or please debit my  
Mastercard/Visa/AMEX account

Card No. [.....]

Expiry ...../..... Signature .....

### Your Details

Name: (Mr/Mrs/Miss) .....

Initial ..... Surname .....

Address: .....

Postcode/Zipcode ..... Country .....

Telephone: .....

### Send to:

**Electronics Direct**  
**Nexus House**  
**Azalea Drive**  
**Swanley**  
**Kent**  
**BR8 8HU**

### Please Note

All prices include P&P where appropriate. All subscriptions start with the first available issue. Every effort will be made to despatch your order within 14 days but please allow up to 28 days for delivery. Individual items may be dispatched separately. These offers are not to be used in conjunction with any other promotion.

Please tick this box if you do not wish to receive direct mail from other companies



# ELECTRONICS DIRECT

**Express Order Hotline**  
**01322 616300**

9am - 5pm Monday - Friday

# Car Vigilante

**If you can park legally without lights, but you are still concerned about the safety of your car, the Vigilante will detect approaching traffic on your side of the road and switch your parking lights on for a predetermined time.**

**Bob Noyes**

**T**he Vigilante was designed to help protect my car from accidental damage when parked at the roadside overnight. The law says that a car can be left at the roadside at night without its lights on under certain circumstances, but even then there is always a risk of another driver not seeing it until too late. Although it is preferable to leave a parking light on overnight, the continuous drain of around 2 amps for up to fifteen hours at a time in the winter can play havoc with the battery, so that the car will not start in the morning - playing havoc with your day.

This project was designed to detect an approaching car from the rear of your car by detecting the oncoming headlights. When the photo sensor detects a light, it switches on the parked car's side lights for a period of time that is pre-settable; both near and offside lights can be activated, although some cars only have an offside parking light facility.

## The circuit in detail

The circuit of the Vigilante is shown in figure 1, and the component layout in figure 2. The Vigilante uses a modern mini photocell which is available from all main component suppliers such as Rapid, Maplin, ElectroMail and so on. Unlike the old "ORP 12" and similar devices that required

loads of candle power to turn on or conduct, this little beauty reads over 1 megohm in total darkness, falls to around 20 kilohms at light levels where it is just possible to read its resistance on a liquid crystal multimeter display and falls to below 5k in bright sunlight. Somewhere in that range is near total darkness but a noticeable reduction in resistance when in the outer limits of a car's headlights. To reduce the effect of background light such as moonlight or distant street lamps and to focus the photo cell on to traffic approaching from the rear, the LDR is mounted on the PCB, but at least 20mm from the hole in the outer box (figure 3).

When light does fall on the photo cell or LDR the voltage across it falls; this is due to the potential divider effect of R1, RV1 and the LDR.

If R1 and RV1 stay the same but the resistance of the LDR decreases, the voltage fed to pin 3 of IC1 must fall. R4 produces some level of hysteresis, which stops the Vigilante from triggering several times at dusk and dawn as the natural light levels change slowly.

The effect of R4 is that, starting in dark conditions, the LDR has a high resistance and R1, RV1 relatively low so the output of IC1 is high. R4 is now effectively across R1/RV1, making it even lower. However, when light falls on the LDR its resistance falls below that of R1, RV1/R4 and the output of IC1 goes low, causing R4 for all intents and purposes to

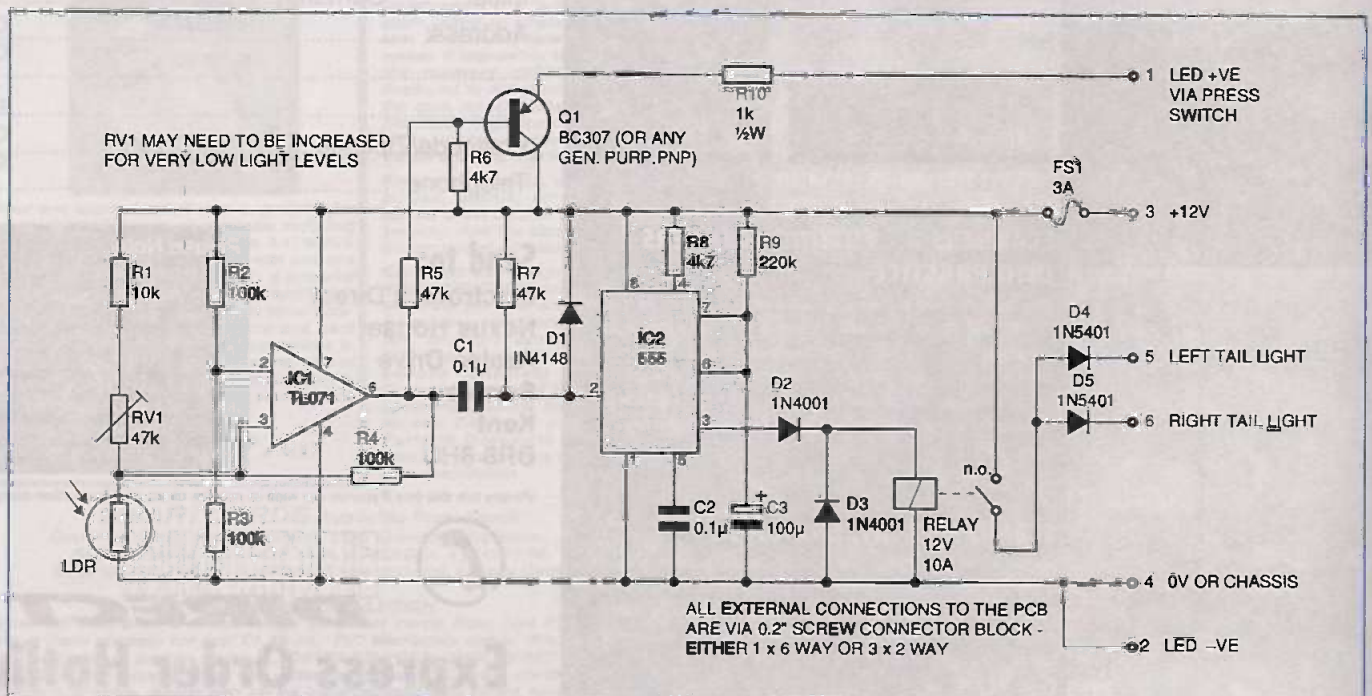


Figure 1: the circuit of the Vigilante. The normally closed contact of the relay is not used

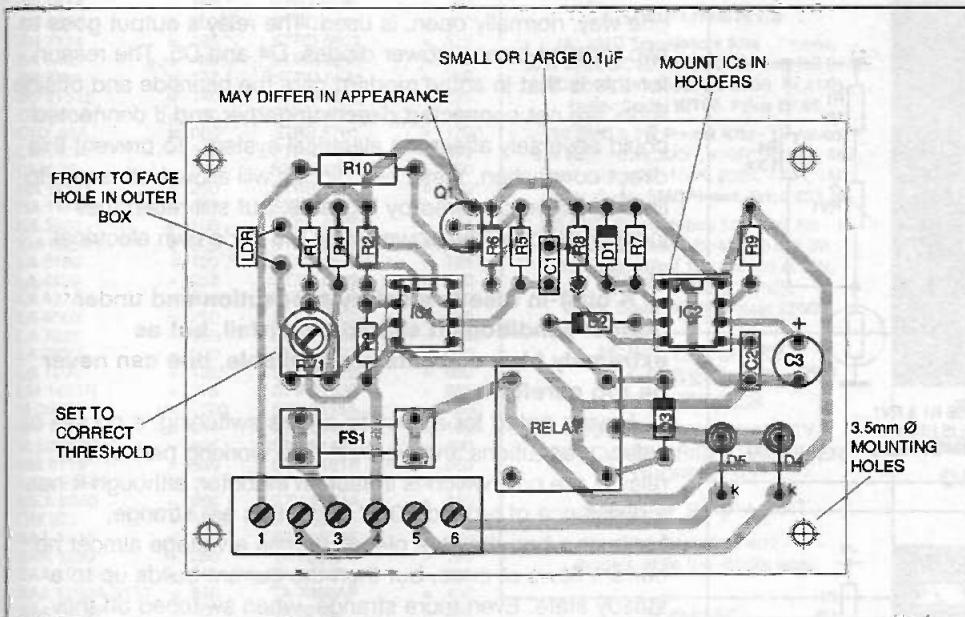


Figure 2: the component layout of the Vigilante pcb

be across the LDR, and reducing its effective resistance in the potential divider. Although this change is relatively small, it has the effect of accelerating the voltage swing at pin 3 of IC1 through the threshold of half volts set by R2/R3 (see figures 4a and 4b).

The output of the op amp IC1 is capacitively coupled to the input of IC2. IC2 is a 555 timer wired in monostable mode, the time constant of which is set by R9 and C3; this may be altered to suit prevailing conditions. Reducing the value of R9 shortens the time period that the car's lights are on and increasing it lengthens the time period. IC2 must be capacitively coupled to IC1 or, under daylight conditions, the output of IC1 being low would cause the input pin 2 on the 555 to be low. This would prevent it from timing out, causing the car's lights to stay on, rather defeating the object. Using C1, only a low pulse is generated at pin 2 by

turns on, it draws several times its normal current because the element is cold. This high initial current is why mains bulbs normally fail on switch-on and seldom fail in continuous use. In this case we have four bulbs in parallel, so the initial switch on current could easily be 10 amps or

the high to low transition of IC1. R7 maintains the high condition the rest of the time, allowing the 555 to time out. D1 prevents any spikes generated from damaging the 555.

The output of the 555 is limited to around 200 mA, which is not enough to power the side lights of a car directly. Around 2 amps steady current is required, so some sort of power switch is needed. Normally a solid state solution is better than one that contains moving parts. Output of the 555, pin 3 could be increased with the use of a power transistor or darlington, and a couple of amps steady state is no problem. However - and this must be taken into consideration - when a light bulb

- Switches on your parking lights temporarily when traffic is detected from behind
- Reduces battery drain when parked
- Can be set up at different angles
- Wiring for cars with four sidelights connected together and for cars with separate nearside and offside wiring.

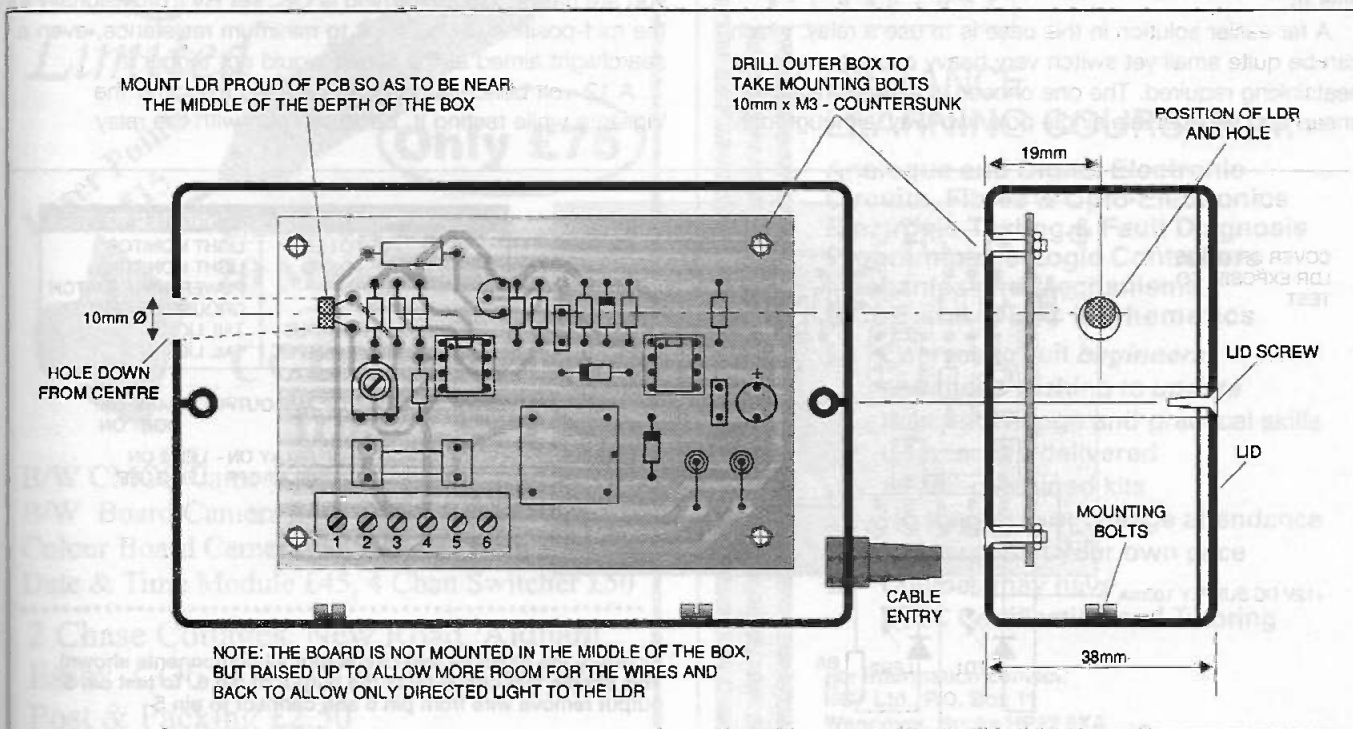


Figure 3: mounting positions for the pcb in its box

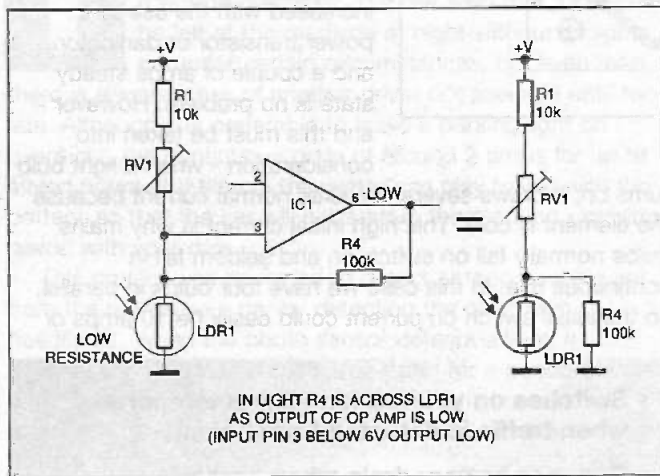
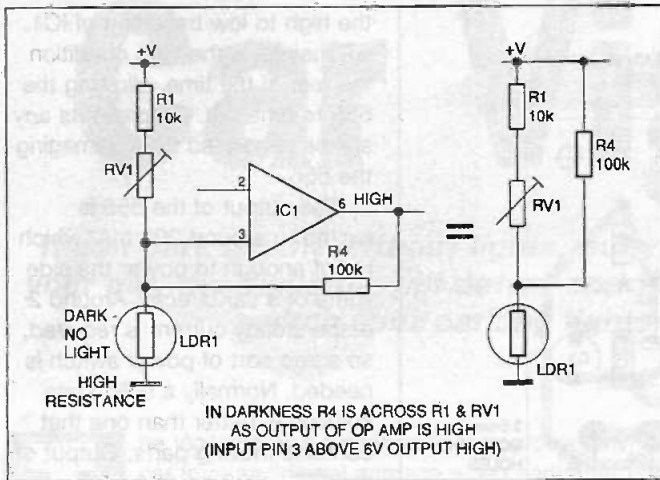


Figure 4a and b: hysteresis around IC1

more, albeit for a fraction of a second, so an extremely high power device would be required. It would have to be driven hard in order to make sure that when turned on there was no appreciable voltage across it, to reduce any heating effects.

A far easier solution in this case is to use a relay, which can be quite small yet switch very heavy currents, with no heatsinking required. The one chosen is a small, relatively cheap and very reliable single pole two-way, although only

one way, normally open, is used. The relay's output goes to two forward-biased power diodes, D4 and D5. The reason for this is that in some modern cars the nearside and offside lights are not connected directly together and if connected could adversely affect the electrical system. To prevent this direct connection, these two diodes will allow both sides to light up when powered by Vigilante, but still retain their independence when powered by the car's own electrical system.

**A built-in fuse is a safety precaution and under normal conditions it should never fail, but as extremely high currents are available, one can never be too careful.**

Having opted for a relay to do the switching, a couple of safety precautions are required. The working part of the relay is the coil, which is in fact an inductor, although it has a resistance of around 300R. Inductors are strange, because when they are placed across a voltage almost no current flows at once, but then the current builds up to a steady state. Even more strange, when switched off they generate a voltage opposite to the one that has powered them. This voltage produced by the coil is called back EMF (electromotive force), and without the presence of the protection diodes it can give quite a kick. To prevent this induced voltage from doing any damage to the 555 which is powering the coil, two diodes are used. One of these, D3, is across the relay; this is normally reversed biased to the voltage powering the relay. The other, D2, is in series with the relay. This is normally forward biased. These protective diodes prevent the back EMF from getting into the 555 and dump it safely into the supply.

### Setting up and testing

After the PCB has been assembled and cleaned it should be inspected for dry joints, unsoldered joints, shorts and all the usual suspects. All components should be checked; the diodes, IC2, the transistor and C3 are all polarity-conscious and must be mounted the right way round. When you are happy that everything is OK, set RV1 provisionally in the mid-position. If you set it to minimum resistance, even a searchlight aimed at the circuit would not trigger it!

A 12-volt bench supply can be used to power the Vigilante while testing it, because even with the relay

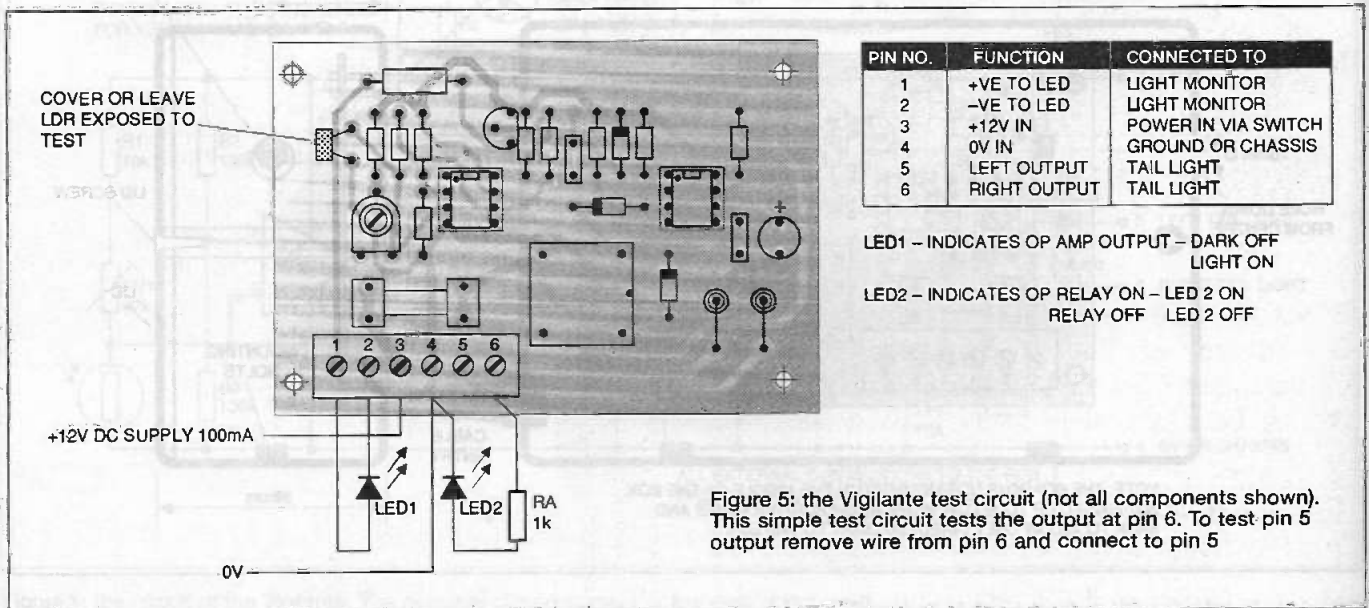


Figure 5: the Vigilante test circuit (not all components shown). This simple test circuit tests the output at pin 6. To test pin 5 output remove wire from pin 6 and connect to pin 5

AN 5150	= 299	STR 44115	= 475
AN 5515	= 160	STR 90120	= 400
AN 5521	= 100	STRD 5441	= 400
AN 7174	= 495	STRD 6802	= 375
BA 5405	= 180	STRM 6545	= 775
BS 7766	= 175	STRM 6546	= 795
BU 27515	= 1400	STRM 6549	= 725
CNX 62A	= 080	STRM 6559	= 900
CNX 82A	= 060	STRS 5701	= 1700
CNX 83A	= 080	STRS 5717	= 550
CNY 70	= 350	STRS 5741	= 600
HA 11377	= 250	STRS 5941	= 700
HA 11744	= 650	STRS 6307	= 450
KA 2101	= 100	STRS 6309	= 550
KIA 6289H	= 200	STRS 6525	= 1350
LA 3180	= 120	STRS 6545	= 725
LA 4120	= 270	STRS 6707	= 800
LA 4270	= 300	STRS 6708	= 550
LA 4505	= 220	STRS 6709	= 850
LA 7225	= 250	STRZ 2152	= 1000
LA 7830	= 090	STV 5180D	= 400
LB 1294	= 125	STV 2102B	= 650
LM 1881N	= 375	STV 2110B	= 685
M 29381	= 1500	STV 2118A	= 1000
M 71081	= 610	STV 2118B	= 1085
M 523075P	= 900	STV 2145	= 400
MB 8719	= 360	STV 2151A	= 950
MDA 2050	= 350	STV 2160	= 500
MEA 2050	= 250	STV 8224A	= 450
OM 370	= 1515	STV 9379	= 400
SAA 1025	= 250	STV 9379F	= 415
SAA 1250	= 250	TA 7280P	= 190
SAA 1293-3	= 515	TA 7318P	= 490
SAA 1293A-31TT	= 850	TA 7898AP	= 400
SAA 3004P	= 400	TA 8216	= 300
SAA 7000	= 550	TA 8218N	= 500
SAA 9057	= 475	TDA 1170S	= 135
SAF 1039P	= 590	TDA 2579A	= 210
SMR 4000	= 825	TDA 3502	= 360
STK 441	= 980	TDA 3780	= 500
STK 463	= 850	TDA 4505M	= 450
STK 4046/v	= 1200	TDA 4944	= 175
STK 4151/2	= 850	TDA 7256	= 400
STK 4162/2	= 790	TDA 8218	= 300
STK 4843	= 2100	TDA 8740	= 500
STK 5481	= 470	TDA 8880	= 500
STK 7233	= 550	TEA 2114	= 250
STK 730-060	= 845	TEA 5114	= 200
STK 730-080	= 600	TEA 6101	= 550
STK 78603	= 850	TEA 8170	= 240
STR 5412	= 280	TFMS 6300	= 170
STR 7001	= 500	TFMS 1380	= 085
STR 16006	= 500	TFMS 3360	= 170

### NEW STOCK - SMD COMPONENTS

(A) SMD Transistors Kits - 7 types.  
10 of each BC 807v40, BC 817v40, BC 846B, BC 850C, BC 856B, BC 860B, IN 414B.  
Order Code: **KIT08**. Price £7.85.

(B) SMD 0.2W Preset Kits - 13 valves,  
5 of each 100R, 220R, 470R 1K, 2K2, 4K7, 10K, 22K, 47K, 100K, 220K, 470K, 1M.  
Order Code: **SMOPreset**. Price £32.50.

(C) SMD Electrolytics 105 PBG Kit - 15 valves of 5 each 22/47/100 at 6.3V, 10/22/47/470 at 16V, 33/100 at 25V, 1/2.2/4.7/10/22/47 at 50V.  
Order Code: **KIT20**. Price: £20/25

### HURRY, HURRY, FOR REMOTE CONTROLS

DUE TO LARGE QUANTITY PURCHASE, PRICES HAVE BEEN DROPPED TO:

**£4.50 + p&p + VAT**

Ring for makes and models while the stocks lasts.

### KONIG TRANSFORMERS AND VIDEO HEADS

AT VERY COMPETITIVE PRICES

Please ring for makes and models

**KONIG FOR QUALITY AND REPUTATION FOR THE LAST 35 YEARS**

## 1998/1999 CATALOGUE

335 PAGES A4 SIZE AVAILABLE FROM SEPTEMBER 1998

To secure your copy please send £3 p&p and is refundable after purchase of £100 within 3 months

Order your copy by Post/Fax/Phone

**FOR MORE BARGAINS AND NEW PRODUCTS PLEASE USE OUR 1998/1999 CATALOGUE IT'S A MONEY-SAVER...**



Please phone us for the types not listed. Please add £1 p&p for orders over £3 and £2.50 for orders under £3 plus p&p and VAT at 17.5% on the total.

Trade counter now open: Mon-Fri 9am-5.30pm, Sat 9am-3pm

**J.J. COMPONENTS**

Rear of 243/247 EDGWARE ROAD, COLINDALE, NW9 6LU

Sales Hotlines: 0181 205 9055

Fax Admin: 0181 205 2053

Free Fax Order Line: 0800 318 498

Suppliers of Quality Electronic Thingsies at Very Friendly Prices

**Nuts Limited**

Laser Pointers £15



**Only £75**

**OsziFox Probe  
20 Mhz Oscilloscope**

**CCD Cameras  
from £35**

B/W CMOS Camera £35  
B/W Board Camera £40, Cased from £50  
Colour Board Camera £85, Cased from £125  
Date & Time Module £45, 4 Chan Switcher £50

2 Chase Cottages, New Road, Aldham, Essex CO6 3QT Tel. 01206 213322  
Post & Packing £2.50

All Money, Cheques, P.O.'s, Visa & Access Accepted.



## DISTANCE LEARNING COURSES in:

Analogue and Digital Electronic Circuits, Fibres & Opto-Electronics  
Electronic Testing & Fault Diagnosis  
Programmable Logic Controllers  
Mechanics and Mechanisms  
GCSE and BTEC Mathematics

- Courses to suit *beginners* and those wishing to *update* their knowledge and practical skills
- Courses are delivered as self-contained kits
- No travelling or college attendance
- Learning is at your own pace
- Courses may have BTEC Certification and Tutoring

For information contact:  
NCT Ltd., P.O. Box 11  
Wendover, Bucks HP22 6XA  
Telephone 01296 624270; Fax 01296 625299  
Web: <http://www.nct.ltd.uk>

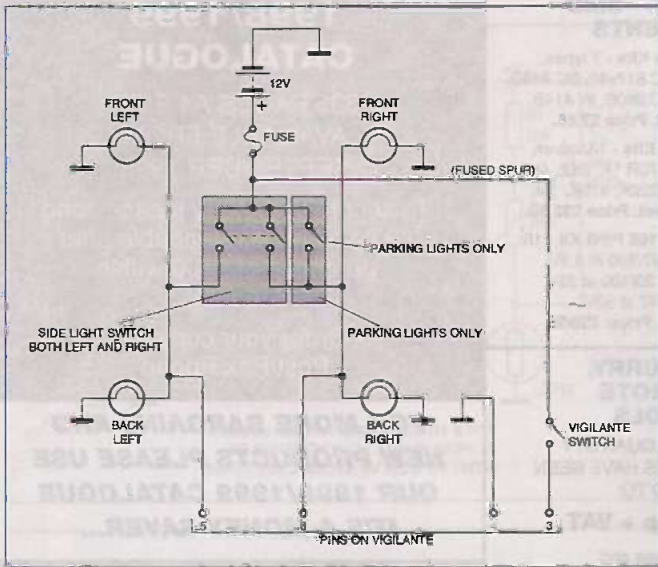


Figure 8: LED1 option, plus ON/OFF LED

energised the total current consumed by the PCB is only about 50mA.

The final setting of RV1 is done basically by trial and error. A simple test circuit is shown in figures 5 a and b. To help with setting, LED1, which is powered by Q1, indicates the status of IC1. If IC1's output is high the LED is off, that is, the LDR says "dark". The LED comes on when the LDR senses light (such as an oncoming car's headlights).

LED1 can be permanently wired or can be omitted once the circuit is up and running; another idea, as its only use it to aid with setting up RV1, is to wire it through a press-to-make switch so that it only comes on when the switch is pressed (see figure 8).

When the LDR is fully covered, LED1 should extinguish and when a little light falls on the LDR, LED1 should come on. The trial and error bit comes in judging the light expected when the Vigilante is installed. RV1 is adjusted as required (once installed it can be readjusted, all we are doing now is getting the feel for it and testing that everything is working). As soon as the LDR is covered again LED1 goes out immediately. During this time, odd clicks will have been heard from the relay but it is hard to judge what

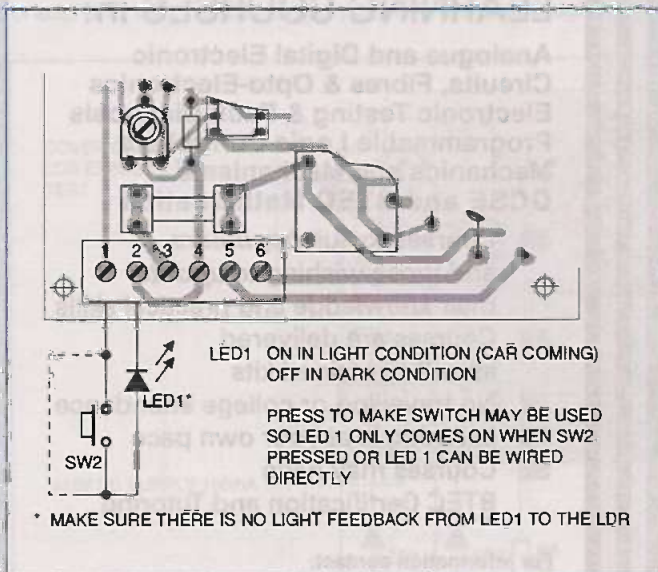


Figure 6a: wiring to the car: four wires required. Separate left and right car sidelights

is happening just from them. By using LED2 and the 1k resistor RA (figure 5a and b), the relay can be monitored. Once the LDR is triggered by light, both LEDs come on; as soon as the light is removed LED1 goes out but LED2 stays on until the 555 times out; this time-out period is set by R9 and can be changed, as discussed earlier.

## Installation

Once the circuit has been tested and a feel for the setting of RV1 established, the Vigilante is ready to be mounted in the car. When it is mounted, the hole for the light to enter must always be pointing in the right direction to detect oncoming traffic. This will vary depending upon the road in question. Traffic may come directly from behind, or, if the road has a bend, it may approach at an angle. Before drilling holes in the parcel shelf or wherever, it is a good idea to wire the Vigilante in and test it under night conditions before finally mounting it. It does not have to be mounted at the back of the car. It can be mounted on the dash so long as it has line of sight out of the back window. Once the position has been chosen, the Vigilante can be wired as required.

On cars with all four side lights connected together only three wires are required (figure 6a). On cars with separate wiring for rearside and offside, all four wires are required (figure 6b). It is recommended that both rear lights are wired, because if the offside lights only are used, inevitably some twit will try to drive up the inside.

To locate the correct wires in the car's electrical system the manual for that particular car should be consulted. This should not only give the full wiring circuit, but should also give the colours of the wires. If in any doubt, always ask a qualified engineer. After fitting the Vigilante, all the car's electrical system should be checked just to make sure no wires have fallen off or been damaged. Vigilante's power switch can normally be mounted in one of the spare switch positions found in most cars; these are pre-formed and cut in the dash but fitted with a plastic cover. Remove the cover and obtain a similar-looking switch from the dealer garage. A single pole on-off, capable of handling 5 amps, is all that is required (figure 7). A monitor LED can be wired as shown in figure 7, and some switches already have one built in.

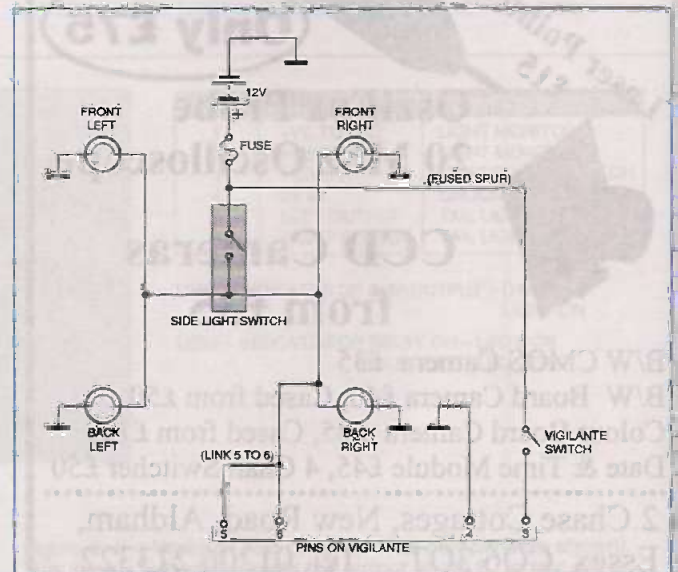


Figure 6b: wiring to the car: three wires required. Left and right lights are joined within the car

# PARTS LIST for the Vigilante

## Resistors

R1	10k
R2, 3, 4	100k
R5,7	47k
R6,8	4k7k
R9	220k
R11	1k 0.5 W

## Capacitors

C1,2	100n disk 25V
C3	100n radial 25V

## Semiconductors

Q1	BC307
IC1	TL071
IC2	NE555
D1	1N4148
D2,3	1N4001
D4,5	1N5401
LDR1	11k (Maplin AZ 81C)

## Miscellaneous

- Relay 12V 10 amp (Maplin JM67X)
- Box 114mm x 74mm x 38mm (Maplin LF01B)
- Connector strip x 3 (Maplin J792A)
- LEDs x 2 5mm
- Fuse clips x 2 20mm (Maplin KU 27E)

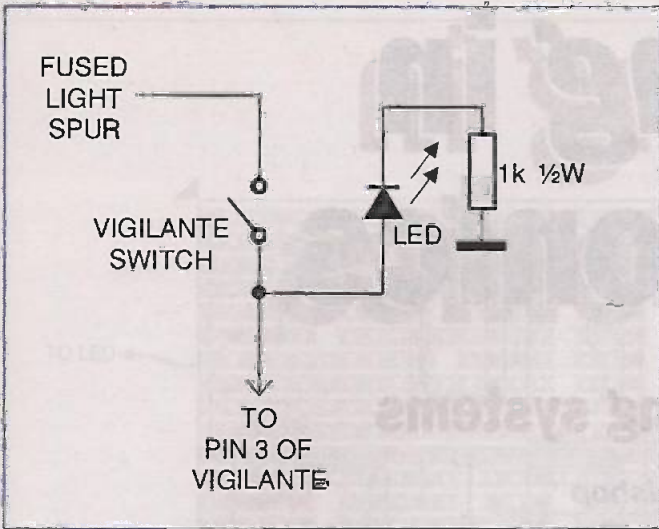


Figure 7: wiring an LED to indicate that the Vigilante is switched on

If there is no provision for extra switches a bracket, bent and drilled, can be made or bought from somewhere like Halfords and fitted under the dash. When wiring, always use a stranded wire well above the expected rating; in this instance use 32/0.2mm, which has a rating of 6 amps, well above the expected current of 2 amps. If the wires have to pass through metal bulkheads or similar, always use rubber grommets to ensure the wires are not damaged by the sharp edges of the metal. Again, if in doubt, always ask a qualified engineer.

It goes without saying that all wires should be hidden for neatness and safety; if any wires are exposed they should be covered in something like spiral wrap to help protect them and provide extra strength.



### MEMORY MASTER

Hand Held Serial Memory Management Unit. Read, Write, Copy, Edit & Store 24C01,02,04,08,16,32,65,93C06,26,46,56,66 Found in Car Radios & Dashboards, Satellite, Television, Video and D2Mac Cards. LCD Screen 16 Key keypad. Internal 128kb memory.

£99.95

### UNIVERSAL PIC PROGRAMMER

Read/Write/Copy PIC's 52, 54+A, 55, 56, 57+A, 58A, 61, 62, 64, 65, 71, 73+A, 74, 83, 84, 554, 558, 620, 621, 622, 14000, 12C508/9. Memory 24C01, 2, 16, 32, 65. Universal ZIF socket. best value on the market. FREE Software upgrades.

£49.95

### GAL PROGRAMMER

Read/write/copy SGS / NSC / Lattice etc 16V8A/B/D/Z AND 22V10 standard JEDEC files. Smart case with ZIF. Supplied with PSU. Manual & Compiler software.

£49.95

### STANDARD ISO SMARTCARD PROGRAMMER

Read. Program ISO7816 Cards (GSM, VC, etc). Supplied with ISO card information & operating software.

£25.00

### SERIAL EEPROMER

Read/Write all 8 pin Serial EEPROMs. 24, 93, 85 series. 12C, MicroWire etc. Found in Satellite, Digital Dashboards & TVs, Centronics port self powered.

£34.95

### EPROM EMULATOR

128k by 8 bit or 2 x 64k by 8 bit. Software to Read/Write when connected to target board. CPU's or Car EM Systems.

£59.95



### DELUXE SMARTCARD PROGRAMMER

Read/Write/Copy ALL types of Smartcard ISO, Memory, PIC, GSM, VideoCrypt, Telephone, D2Mac, etc. Supplied with interesting Card information, and software.

£79.95

### MEGAPROM EPROM PROGRAMMER

Programs up to 8 Meg devices (32pin), including EEPROM, FLASH and 24X series. Built in Ram tester. Universal quality ZIF socket, free software updates.

£69.95

### PIC ICE II

In Circuit Emulator for 54/55/56/57/71/84 PICs. A/D emulated for 16C71. Supplied with leads, manual and hardware projects.

£59.95

### PIC12C508/9 ICE and PROGRAMMER

In Circuit Emulator and programmer. Supplied with Software, Data sheets Manual, leads, 10 breadboard circuits which include DVM, Stopwatch, Smoke Alarm, Sound & Light.

£59.95

### CODEMASTER

Hand Held D2mac / VC2 programmer 32 Char LCD screen & Keyboard. Store up to 7 Cards in unit. Supplied with Latest D2mac, VC2 Codes.

£99.95

### P87C51/52 PROGRAMMER

Read/Write/Copy all makes of 87C51/52 including ATMEL 89 Flash types. Supplied with Assembler, and BASIC compiler (produces 80551 M/Code). Smart case, 40 pin ZIF.

£59.95

ALL PRODUCTS REQUIRE AN IBM PC TO OPERATE UNLESS OTHERWISE STATED.

FOR FURTHER INFORMATION SEE OUR WEB SITE OR TELEPHONE/FAX.

<http://LET.cambs.net/>

[johnmorr@mail.keyworld.net](mailto:johnmorr@mail.keyworld.net)



DISTRIBUTORS  
UK CROWN HILL  
SPAIN COELMA  
FRANCE MULTIPOWER 0033169301379

Telephone  
01353 666709  
00341 3290523



All products manufactured in MALTA and carry 12 months Parts & Labour guarantee.

**LEADING EDGE TECHNOLOGY LTD**  
WHITE ROSE HOUSE, XINTILL STR, TARXIEN PLA11 MALTA

P/P UK, EEC £4.00 NO VAT CHARGED.

ALL MAJOR CREDIT CARDS ACCEPTED

# Timing in Electronics

## Part 7: Timing systems

Owen Bishop

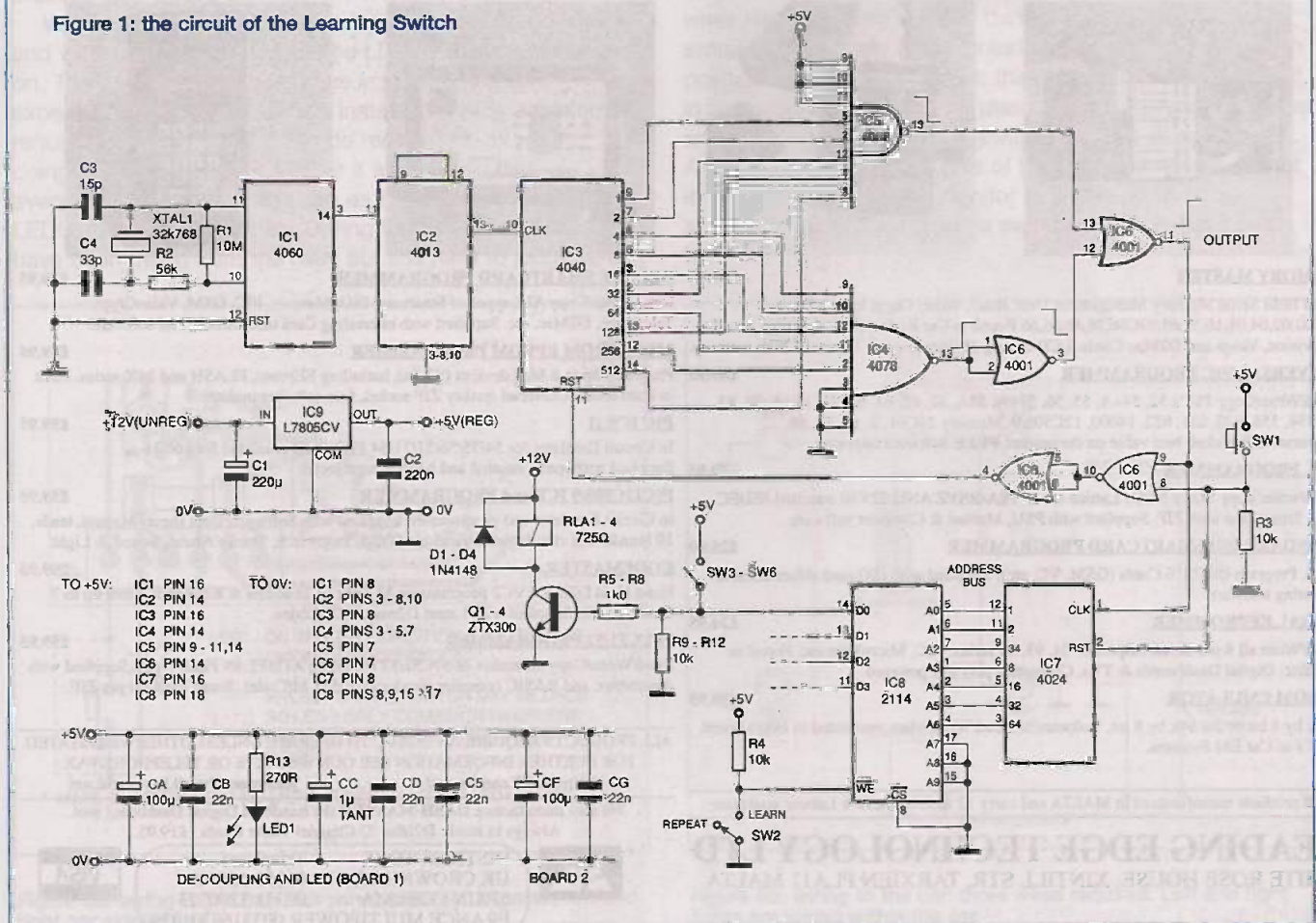
**T**his series has described two basic techniques for timing. In one technique, a capacitor is charged either once only (monostable) or repeatedly (astable). In the other, a quartz crystal is made to oscillate at its resonant frequency and the alternating current generated is used to drive a tuned oscillator.

The charging capacitor method is the easiest to use, but the crystal gives the most accurate and stable times. By various methods, often involving a chain of digital counters, the time period may be extended for longer periods of time, or for controlling processes that are to run for relatively long periods. By electronically gating the

timer, often using the output from a sensor circuit, it is possible to measure very short periods. The outcome may be a flashing indicator LED, a bleep from an AWD or a numerical result on a 7-segment display. These are the essential elements of a timing system.

A range of elementary circuits has been described in this series, with practical examples. There are many ways of combining these and tailoring a system to suit special requirements. If all you need is a time-keeping electronic clock, it is best to buy one, as there are hundreds of kinds available at low prices. But for special requirements there is scope for designing and building your own system. There is a multitude of ways of fitting together

Figure 1: the circuit of the Learning Switch





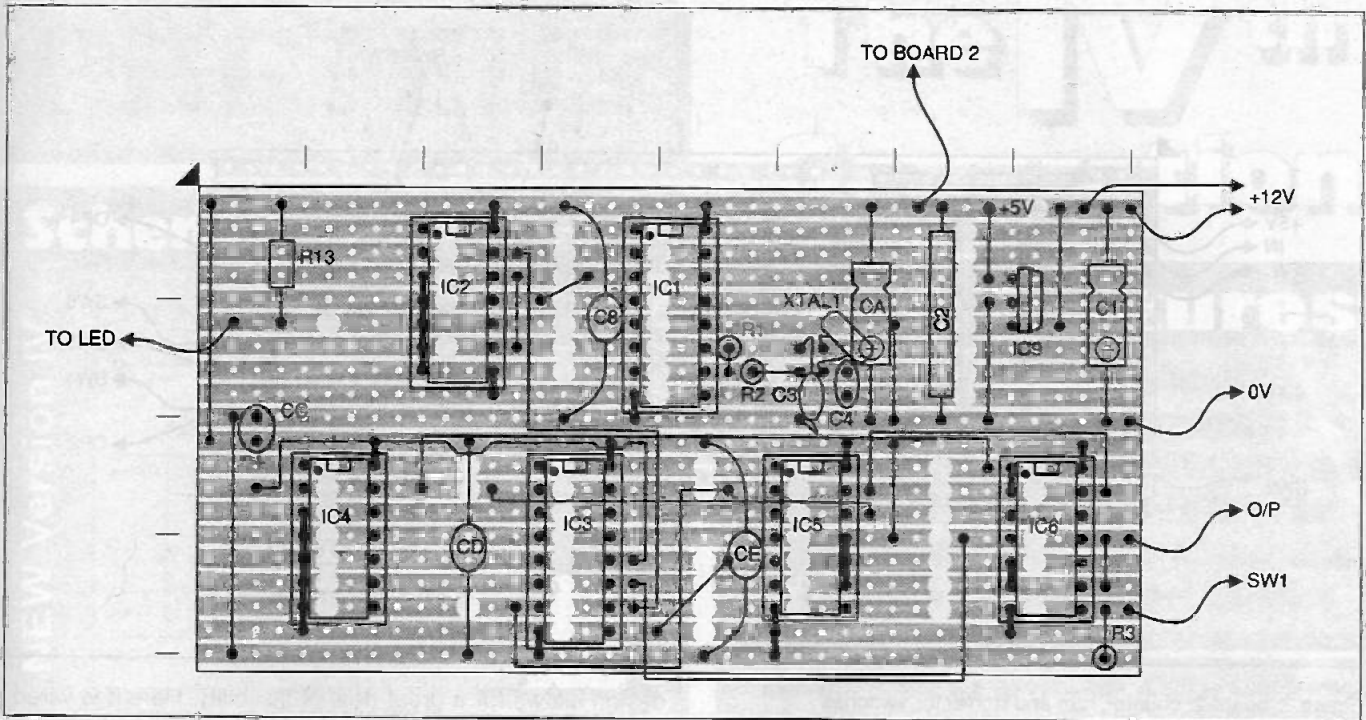
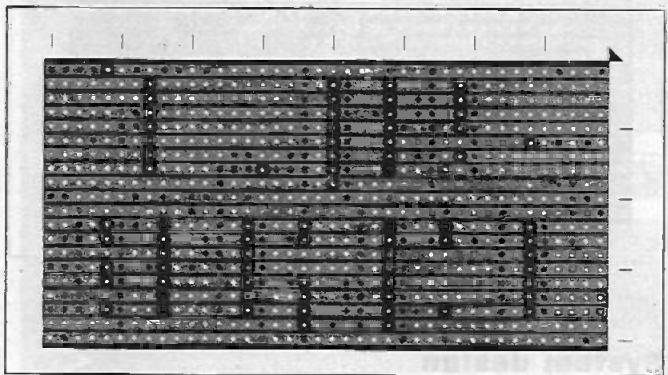


Figure 2: board 1 of the Learning switch: the timing circuits and +5 V supply

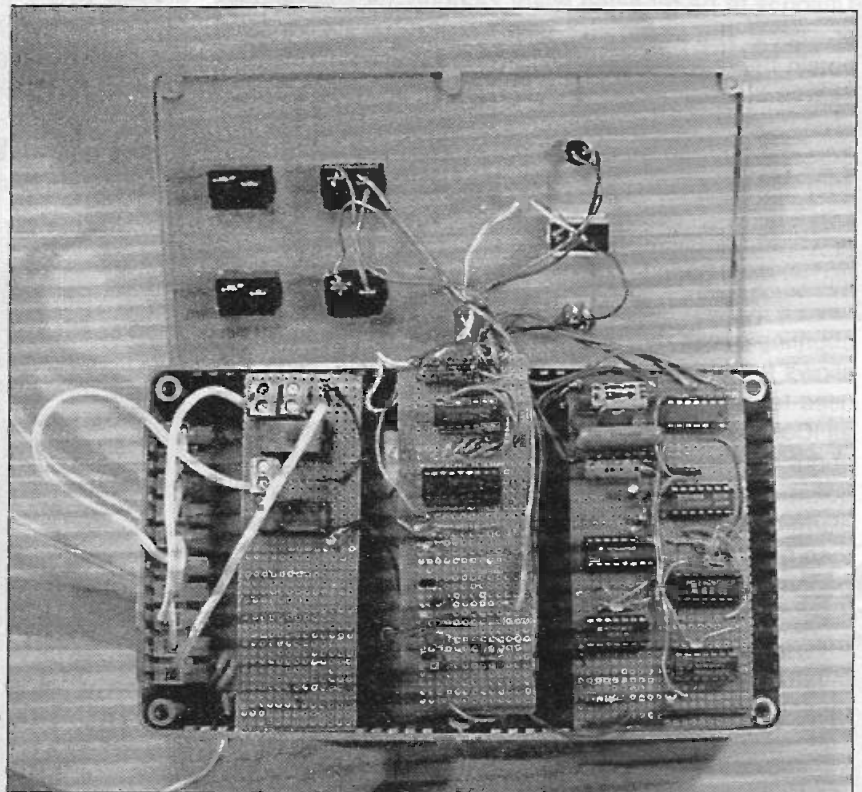


the circuits described in this series, and we leave this to your inventiveness and ingenuity. As an example, however, of how to tackle the system design, we have here a practical timing circuit to boost a home security system. It could also have applications in process control because it fundamentally acts by switching on lamps, a TV set, or almost any other kind of electrically-powered device.

### Learning switch

The circuit can control up to four devices independently, switching them at preset times, repeating every 24 hours. With home security, the main purpose is to make the house appear occupied when it isn't. Room lighting is switched on and off at irregular intervals, especially during the evening and early morning. The TV or radio is switched on for periods. It can switch other devices such as a vacuum cleaner, or anything else which can be heard or seen from outside the house and which will give a prospective intruder the idea that someone is at home. The fact that the four channels are independently switched gives many different combinations.

The circuit operates in two modes, learning and repeating. In learning mode the devices are switched on and off manually over a period of 24 hours. This programs the timing, the details of which are stored in ram. After 24 hours the device is switched to repeat mode, and then the circuit automatically repeats the settings of the previous 24 hours at the approximate times at which they occurred. To change the sequence at any time, simply switch to learning mode, make the changes manually (no need to do this for the whole 24 hours if you want to leave parts of the programme



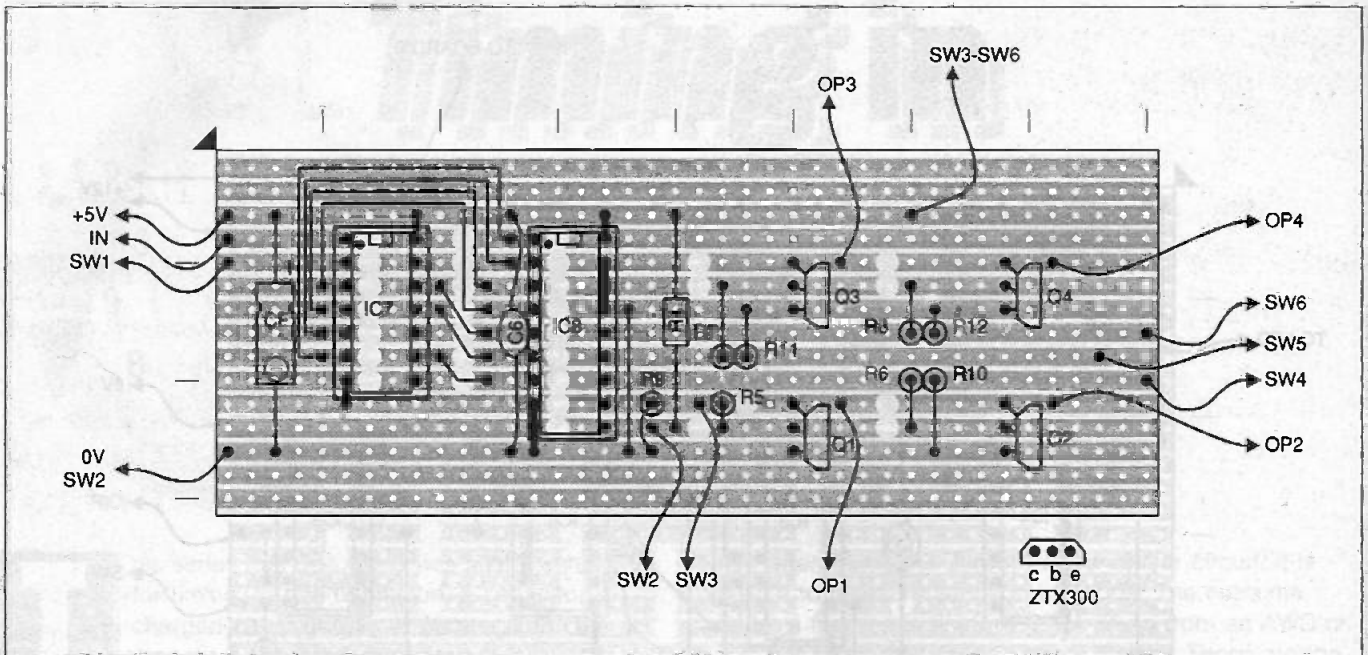
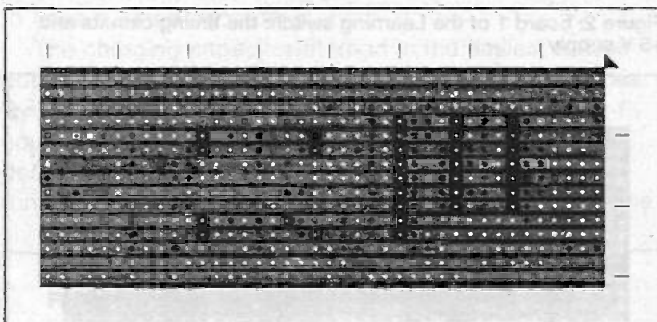


Figure 3: board 2: counter, ram and transistor switches



unchanged), then switch back to repeat mode.

### System design

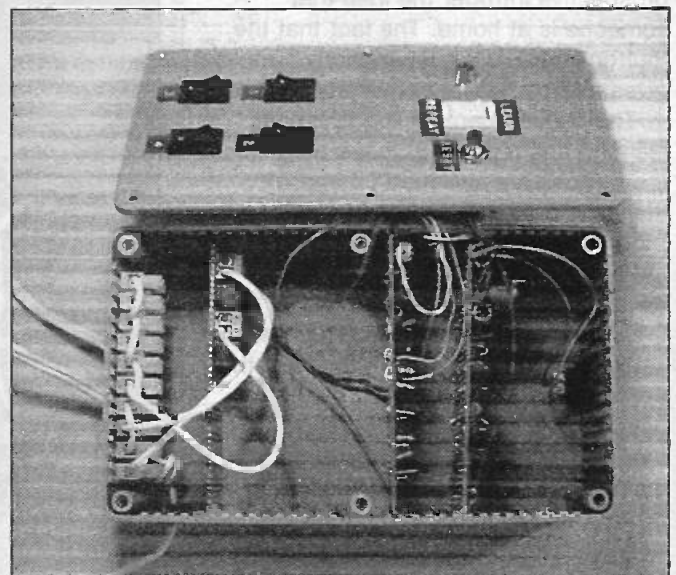
Timing is to be repeated every 24 hours for several days or weeks. The timing unit must be a crystal clock to obtain the required precision over a long term. The top third of figure 1 shows that the system includes a 1 Hz crystal clock, consisting of IC1 and IC2, as first described in Part 2 (Issue 7/1998). The circuit must be able to switch the devices on and off for periods appreciably longer than 1 second, but short enough to provide a frequently-changing output. Many automatic timers allow times to be set in quarters of an hour. We need a similar facility in this circuit. The seconds-counting circuit described in Part 6 (Issue 12/1998) allows for periods of up to 34 minutes so this could be used for the next stage. This circuit appears in figure 1 as IC3, IC4 and IC5. There are two points to notice about the seconds counter: the original design was to count seconds for exactly 5 minutes. It was to sound an alarm or flash an LED when 5 minutes had elapsed, and then needed manual resetting to time another 5-minute period. This slightly different version of the original design makes use of the two spare NOR gates in IC6 to reset the counter automatically when it reaches its preset count. The counter can also be reset at any other stage by pressing SW1.

The other point about this version of the seconds counter is that it is wired for a different period. This

design allows for a great deal of flexibility. Here it is wired to run for 675 seconds (11.25 minutes). This may seem like an odd period to work with, but the reason for choosing it more straightforward than it looks. A 24-hour day contains 86400 s, which splits up neatly into 128 periods each 675 s long. And 128 is equal to 27, which has a nice binary feel to it. To wire it to count to 675, we first calculate that 675 is equal to  $512 + 128 + 32 + 2 + 1$ . Expressed as a binary number, this is 1010100011.

Figure 1 shows that digits that are to be zeros at the end of 675 s are wired to IC4 (NOR) while those that are to be '1's are connected to IC5 (NAND). The output at pin 11 of IC6 is normally low but goes high during the 675th second.

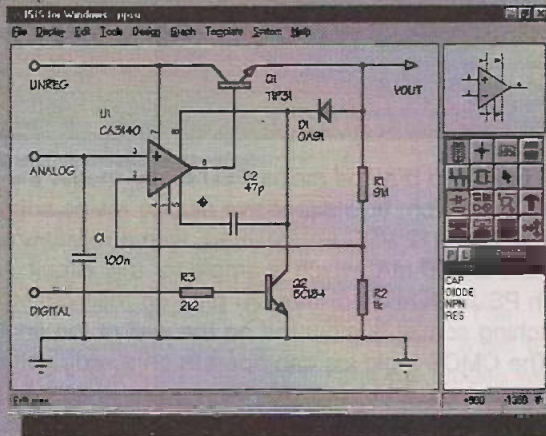
In figure 1 the output of the seconds counter is fed to a 7-stage binary counter (IC7), which is incremented every 675 s. Its seven stages are connected to the seven lower bits of the address bus of IC8, which is a ram ic. In 24 hours the address on the bus increases from 0000000 to 1111111 (0 to 127) addressing each of 128 memory locations in turn. The cycle repeats every 24 hours. This uses only a fraction of the 1024 locations in the 2114 ic but we need only 128. The three upper lines of the



# PROTEUS

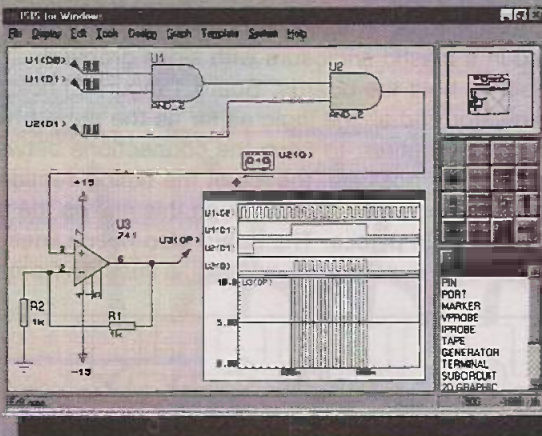
## Schematic Capture

NEW Version IV



- Produces attractive schematics like you see in the magazines.
- Netlist, Parts List & ERC reports.
- Hierarchical Design.
- Full support for buses including bus pins.
- Extensive component/model libraries.
- Advanced Property Management.
- Seamless integration with simulation and PCB design.

## Simulation



- Non-Linear & Linear Analogue Simulation.
- Event driven Digital Simulation with modelling language.
- Partitioned simulation of large designs with multiple analogue & digital sections.
- Graphs displayed directly on the schematic.

**FREE**  
SOFTWARE  
ISIS & ARES Lite  
Schematic & PCB  
Design

**SHAREWARE VERSIONS  
AVAILABLE TO DOWNLOAD  
FROM OUR WEBSITE.**

<http://www.labcenter.co.uk>

**labcenter**  
Electronics

# The IV<sup>th</sup> Generation

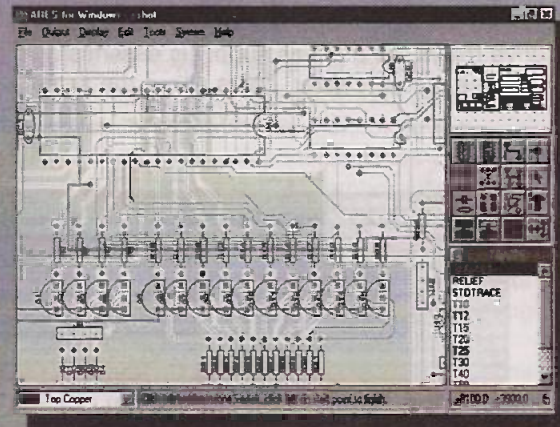
## New Features

- Component Auto-Placer
- Pinswap/Gateswap Optimizer
- Background Regeneration of Power Planes
- Enhanced Autorouting with Tidy Pass
- Full Control of Schematic Appearance
- Extensive New Component Libraries

Available in 5 levels - prices from £295 to £1625 + VAT.  
Call now for further information & upgrade prices.

## PCB Design

NEW Version IV



- Automatic Component Placement.
- Rip-Up & Retry Autorouter with tidy pass.
- Pinswap/Gateswap Optimizer & Backannotation.
- 32 bit high resolution database.
- Full DRC and Connectivity Checking.
- Shape based gridless power planes.
- Gerber and DXF Import capability.

**"PROTEUS**  
is particularly good  
with its rip-up-and-retry  
**autorouter"** EWW January 1997

Write, phone or fax for your free demo disk, or ask about our full evaluation kit.  
Tel: 01756 753440. Fax: 01756 752857. EMAIL: [info@labcenter.co.uk](mailto:info@labcenter.co.uk)  
53-55 Main St, Grassington, BD23 5AA. WWW: <http://www.labcenter.co.uk>

Fully interactive demo versions available for download from our WWW site.  
Call for educational, multiuser and dealer pricing - new dealers always wanted.  
Prices exclude VAT and delivery. All manufacturer's trademarks acknowledged.

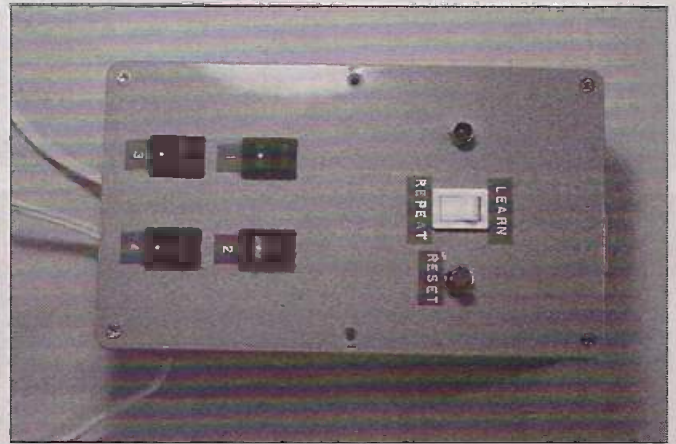
address bus are permanently wired to 0V, as is the chip select (CS-bar) input.

The ram is put into learning (writing) mode by a low logic level at its write-enable (WE-bar) input. This is normally held high by pull-up resistor R4 but can be pulled down by closing SW2.

The memory locations of the 2114 are four bits wide so the data bus has four lines. Each of these has the same circuit attached to it, shown only once in figure 1. In learning mode the data terminals act as inputs. Input is either low, with SW3 open and the input pulled down by R9, or high with SW3 closed. When SW3 is closed and a '1' is being written to ram, the high voltage on the data bus also switches transistor Q1 on, and relay RLA1 is energised. This switches on a lamp or other mains-powered device. During the next 24 hours of learning, the address produced by IC7 cycles through from 0 to 128 and the state of the switches at the end of each 11.25-min period is recorded in ram. Then SW2 is switched to repeat mode. The data terminals now act as outputs, so that the ram now places stored the data on the data bus. At this stage the switches SW3 to SW6 must all be open. A '1' in the data turns on the corresponding transistor and activates a relay. In this way the devices are switched on and off at approximately the same times (to within 11.25 min) that they were switched on and off during the learning phase.

### Power supply

The circuit has to operate for days on end, and has to drive relays, so a mains supply is essential. On the premise that it is safer, costs about the same, and is far



less hassle to buy the mains PSU ready-made, the circuit is powered from an inexpensive plug-in mains adaptor. This delivers 12 VDC unregulated, with a maximum current of 500 mA, which is ample for this circuit. Most such PSUs have a 2.5-mm DC plug on their outlet so a matching socket is mounted on the wall of the enclosure.

The CMOS logic ics can operate on a wide voltage range, but the 2114 requires 5V regulated, so a L7805 CV regulator is used to supply the logic. The relays are powered from the 12V unregulated supply, which means that switching relays on and off is less likely to produce spikes of the logic supply.

**The power for the lamps and other devices comes from the mains, though you could devise a completely low-voltage system if you prefer. If you have not previously built mains-powered circuits, consult a suitably experienced person before embarking on this project.**

### Circuit boards

The circuit is built on three rectangles of strip-board housed in a plastic enclosure with sides grooved internally to hold the boards. Board 1 (figure 2) holds the 5 V regulator and all the logic as far as the output from the seconds counter. To keep the connections between ics as short as possible, the ics of the timing section are all on the same board, even though this makes the board a bit crowded in places. The board also needs lines for the 0V and 5V supply. Only two signal lines go from

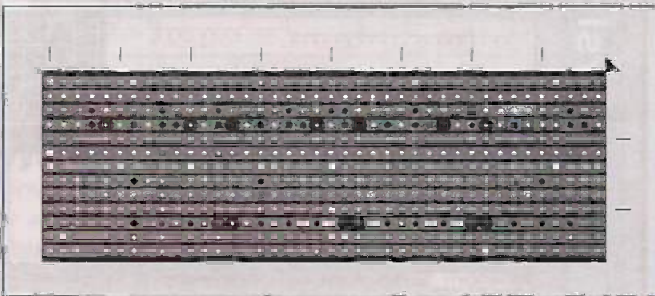
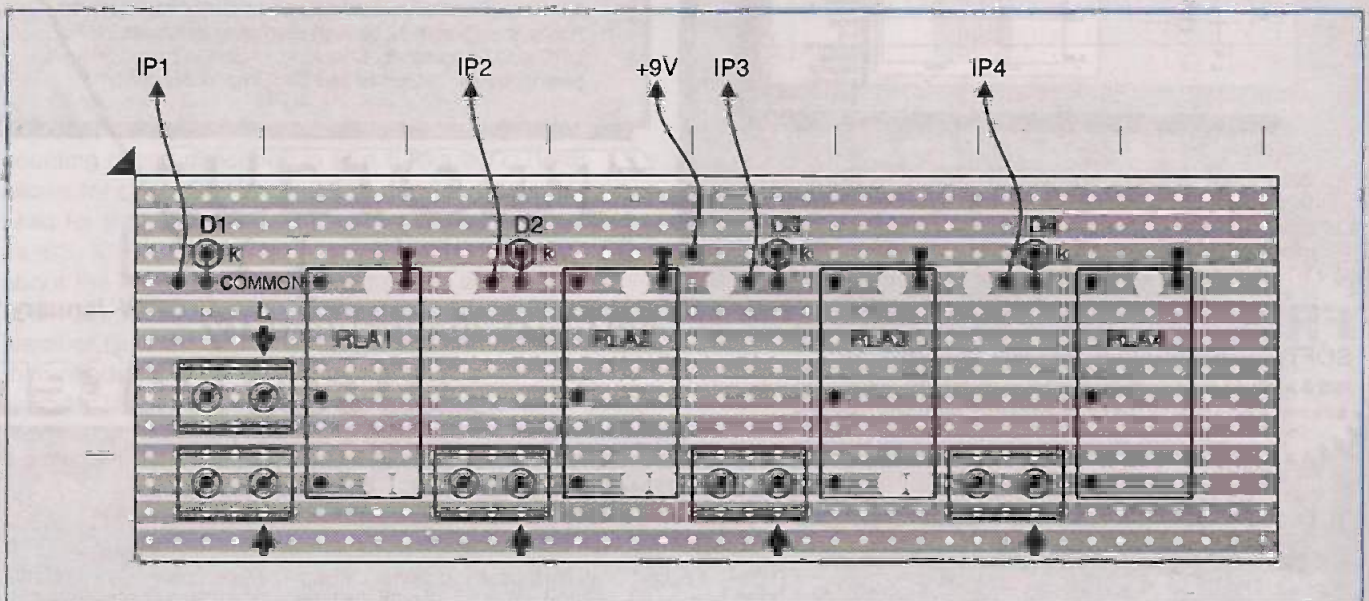


Figure 4: board 3: relays



Board 1 to Board 2 (figure 3), which carries the period counter (IC7), the ram, and the switching circuits. The collectors of the transistors are connected to the relays on Board 3 through the terminal pins OP1, OP2, OP3 and OP4. The switches that control the transistors during learning mode are connected to the pins marked SW3, SW4, SW5 and SW6. Pins SW3-SW6 provides a common connection to the +5 V supply for these switches. Although the circuit will drive up to four devices, there is no need to install all of these at the start. The photos show only two transistors installed, with room to add two more later.

Board 3 (figure 4) holds the relays (two shown installed in the photograph), and care has been taken to keep mains wiring away from the wires of the logic circuits. The connections from OP1 to OP4 on Board 2 are wired to terminals IP1 to IP4 on this board. Note the diodes wired across the coils to prevent damage due to emfs induced in the coils at switch-off. Mains connections to the board are made through screw terminal blocks. These are two-way blocks but only one terminal (indicated by an arrow) is used in each block. Both terminals are soldered to the board to give additional security. The relay contacts are connected electrically as in figure 5. The unit has a lead connecting it to a 13A plug. Up to four leads from the unit to four standard 13A 3-pin sockets into which the controlled devices are plugged. Although not shown in figure 5, these sockets should also be wired to the earth line of the mains supply. Even

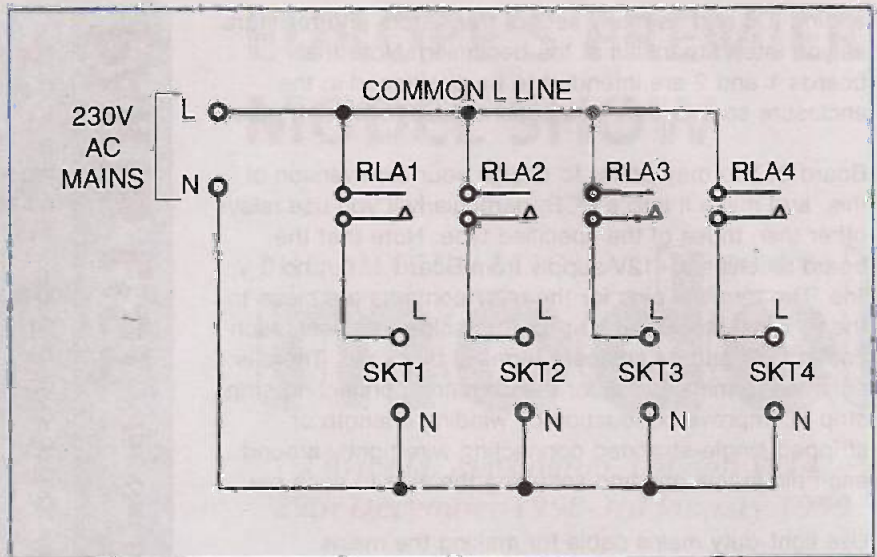


Figure 5: connections between relay contacts and mains power sockets

though the controlled devices may not require connections to earth, it is good practice not to allow unearthed earth terminals in sockets.

### Construction

The circuit boards are cut to fit securely in the vertical grooves in the wall of the enclosure. A board between 40 and 41 holes wide, tapering slightly toward the bottom, fits neatly into the specified enclosure. Cut the board 41 holes wide, use a file to reduce its width to fit.

Board 1: Build the 5V power supply first (figure 1) and check the output voltage. Next build the 1Hz clock (IC1 and IC2) and check its operation by monitoring the output from IC2 pin 13. Assemble the seconds counter IC3, IC4 and IC4. Temporarily connect pin 11 to the 0V rail, so that you can check that IC3 is counting properly. Then assemble IC6 but check that its logic acts correctly before connecting its inputs to IC4 and IC5 and its output to IC3. Wire SW1 between the terminal pin at S40 and the +5 V line. When all is complete, the output from IC6 pin 11 (the 'OP' terminal pin at P40) is normally low but rises to high for 1 second at the end of each 11.25-second period. Board 1 has a number of decoupling capacitors connected between the +5 V and 0 V lines. The board also has a resistor R13 which is the series resistor for the pilot lamp, LED1.

Board 2: Mount IC7 (figure 3), make the power line connections between this board and Board 1 and wire the terminal pin at E1 to S1. Temporarily connect the terminal pin at D1 to IC2 pin 13. This provides a 1Hz signal for checking the operation of the counter of IC7, so saving time. If all is correct, wire the D1 pin to the O/P pin at P40 on Board 1. Complete the board by

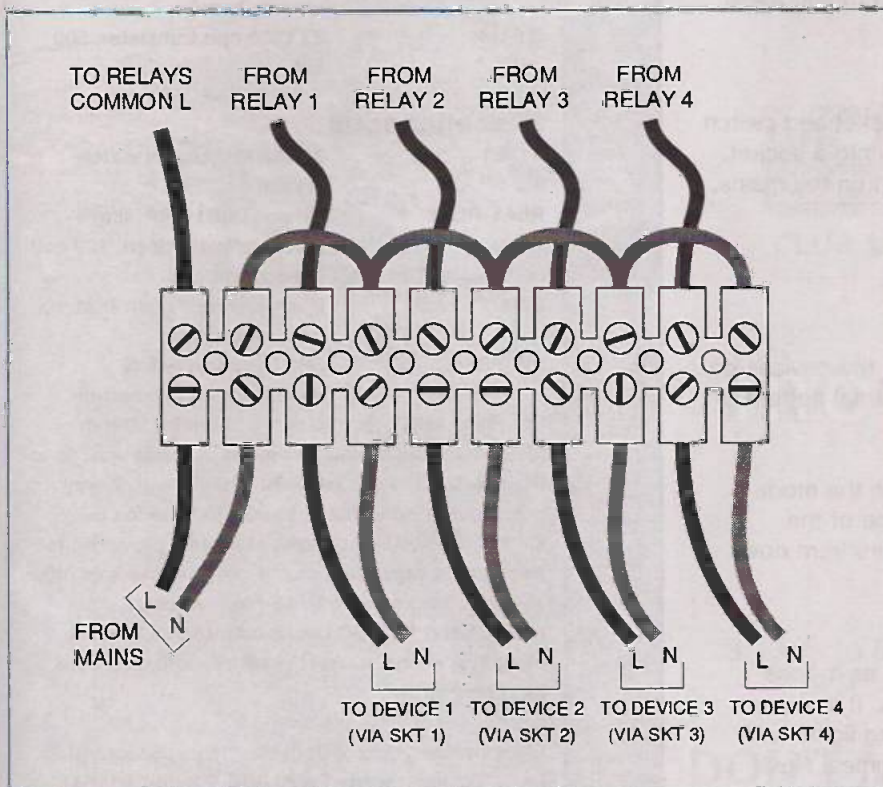


Figure 6: wiring the 10-way terminal block

adding IC8 and as many sets of transistors and resistors as you intend to install at the beginning. Note that boards 1 and 2 are intended to be positioned in the enclosure so that their component sides face each other.

Board 3: You may prefer to design your own version of this, and make it into a PCB, particularly if you use relays other than those of the specified type. Note that the board receives a +12V supply from Board 1, but no 0 V line. The terminal pins for the relay contacts are close to the terminal blocks on strip L. Run solder between each contact pin and its adjacent terminal block pin. There is only one terminal block for the common connecting strip-strip H. Improve conduction by winding a length of stripped single-stranded connecting wire tightly around each pin in this row and soldering the wire to each pin.

Use light-duty mains cable for making the mains connections to Board 3. All connections run from the board to a 10-way terminal block bolted to the wall of the enclosure (figure 6). If you are including earth wires you may decide to use a 12-way block and allocate two ways for anchoring these.

Otherwise, saw off two ways from a 12-way block. The wires labelled 'from mains' in figure 6 pass out through the wall of the enclosure and are terminated with a 13A plug. Those labelled 'To device n' pass out to 13-amp sockets. The sockets may be mounted on the same board or you may have single or double trailing sockets on the end of each lead. If the leads are reasonably long, some of the lamps may be located in an adjoining room to produce a more realistic effect. The relays specified are rated at 5A, so this load should not be exceeded. The prototype was wired with 3A cable and this is sufficient for powering mains lamps and radio sets. If you wish to switch heavier loads, substitute 12V relays with heavy-duty contacts and redesign Board 3 to suit these relays.

## Operation

1. Plug the 12 V power supply into the socket and switch it on. The LED lights. Plug the mains plug into a socket. Plug the devices into their sockets. Switch on the mains.
2. Turn the mode select switch to 'Learn'.
3. Note the time.
4. Use the four control switches to switch the devices on and off at various times, following your normal pattern of use of these devices.
5. 24 hours after the time noted in (3), turn the mode switch to 'Repeat'. The operating sequence of the previous 24 hours is repeated ever 24 hours from now on.

## The hardware solution

The circuit described in this part operates as it does because of the logic inherent in its circuits. It is a hardware solution to the problem of making lights and other devices come on at predetermined times. Next month we present a project which does similar things, but based on a software solution.

# PARTS LIST

for the Learning Switch Resistors

## Resistors

(1 percent metal film 0.25W)	
R1	10M
R2	56k
R3, R4, R9-R12	10k
R5-R8	1k0
R13	270

## Capacitors

C1	220uF axial electrolytic
C2	220nF metallised polyester
C3	15pF metallised ceramic plate
C4	33pF metallised ceramic plate
CA, CB, CD, CE, CG	22nF ceramic disc (decoupling)
CC	1uF tantalum bead
CF	100uF axial electrolytic

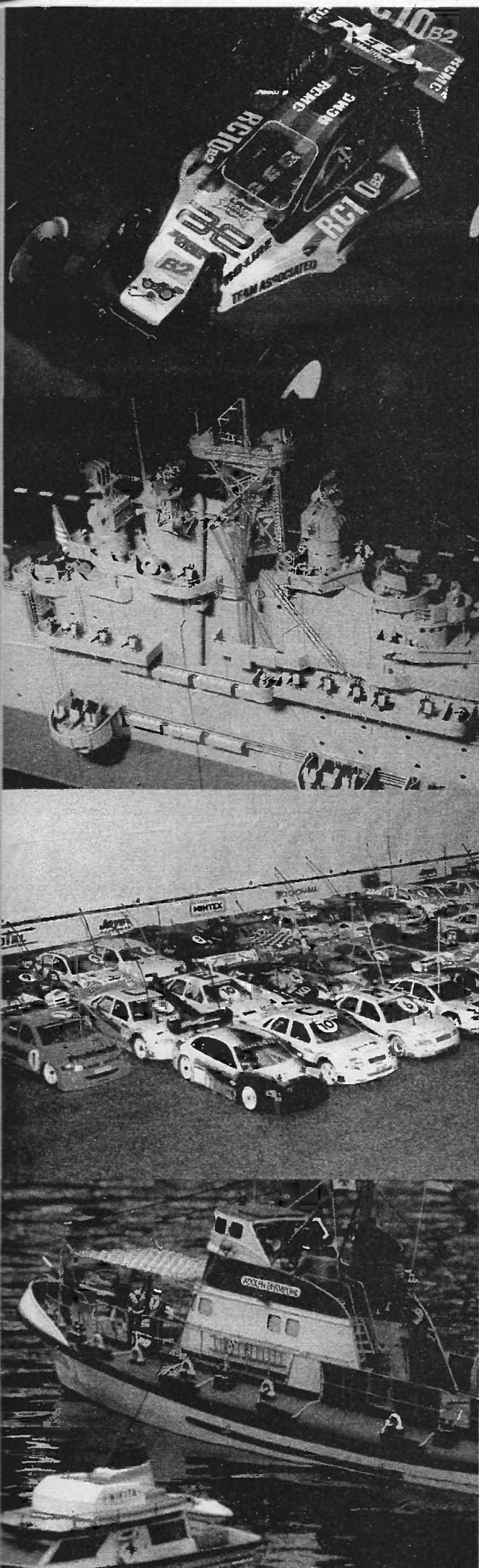
## Semiconductors

D1-D4	1N4148 silicon diode
IC1	cmos 4060 14-stage binary ripple counter (with internal oscillator)
IC2	cmos 4013 dual D-type flip-flop
IC3	cmos 4040 12-stage binary ripple counter
IC4	cmos 4078 8-input NOR gate
IC5	cmos 4068 8-input NAND gate
IC6	cmos 4001 quadruple 2-input NOR gate
IC7	cmos 4024 7-stage binary ripple counter
IC8	2114 1024 (4-bit sram)
IC9	L7805CV 5V regulator 1A.
LED1	5mm light-emitting diode (in chrome bezel)
Q1-Q4	ZTX300 npn transistor, 500 mA

## Miscellaneous

XTAL1	32.768 kHz digital watch crystal
RLA1-RLA4	Omron G6B1114P, single-pole, normally-open, 12V coil (Electrovalue)
SW1	Push-to-make push-button, panel-mounting
SW2-SW6	SPST rocker switch, panel-mounting, snap-in
Standard ABS box, 190 mm (110 mm (60 mm (Electrovalue, 508-942), stripboard (three boards to fit enclosure), 1mm terminal pins (23 off), 2-way pcb mounting terminal blocks (301 series or similar, 5 off), 12-way power terminal block, bolts and nuts to secure block, 14-pin ic sockets (5 off), 16-pin ic sockets (2 off), 18-pin ic socket, unregulated 12 V DC mains adaptor, 13A mains plug, 13A mains sockets (4 off), 2-core or 3-core 3A mains cable.	

Electrovalue: Unit 5, Beta Way, Thorpe Industrial Park, Egham, Surrey TW20 8RE, UK. Tel. 01784 433604.



# EUROPE'S PREMIER MODEL SHOW

THE INTERNATIONAL SHOW

# model

Olympia, Kensington, London W14  
29th December 1998-3rd January 1999

INCORPORATING



RACING ARENA

INDOOR MODEL FLYING  
SPONSORED BY

**R/C Scale Aircraft**

**RCME &**

**AERO**  
MODELLER

**MODEL ENGINEER**

CLUB VILLAGE

**MODEL BOATS**  
UK'S BEST SELLER  
BUILDING NEWS REVIEWS REPORTS

BOATING ARENA

LONDON  
**model**  
RAILWAY EXPO

OPENING HOURS:

9.30am to 6.00pm daily (including New Year's Day)  
(9.30am- to 5.30pm Sunday 3rd January 1999)

**DON'T MISS THE MODELLING  
EVENT OF THE YEAR**

The International Model Show is Europe's premier modelling event, bringing together several spectacular modelling events under one roof at London's Olympia.

With 50,000+ visitors, hundreds of trade stands, club displays and thousands of models on show - including competition displays covering every modelling discipline - this is the most important date in every modeller's calendar.

**INDOOR MODEL FLYING DISPLAY**  
THE WORLD'S BEST DISPLAY OF INDOOR R/C FLYING  
- Run by the internationally respected BMFA

- ▲ A wide range of trade flying teams will once again entertain the crowds with a variety of model aircraft
- ▲ Shane Harding with yet another first
- ▲ The amazing skills of Paul Heckles
- ▲ Dart flying - bigger and better

- ▲ The James Bond Special - complete with pyrotechnics
- ▲ Free flight fun for all
- ▲ Control line Phantom racing
- ▲ OPITEC trophy glider competition (*Friday*)
- ▲ Hands-on control line for kids with the Flying Dutchman
- ▲ Pylon racing - fast and furious!
- ▲ Fancy dress day - all pilots in fancy dress (*Saturday*)
- ▲ Round the pole electric balloon bursting with Charlie Newman and the Oxford MAC
- ▲ Prizes and surprises for the kids
- ▲ Amazingly light and slow - microfilm indoor models with John O'Donnell
- ▲ Ornithopters with John White

**PLUS!** For the first time the National Final of The British Model Aerospace Challenge - an exciting new indoor model aircraft building and flying competition for the under 14s - will be held at the IMS.



R/C Scale Aircraft

RCME &

AERO MODELLER

Silent Flight

**MPBA MODEL BOAT RACING AND DISPLAYS**  
ON EUROPE'S LARGEST PORTABLE BOAT POOL  
ORGANISED BY THE MODEL POWER BOAT ASSOCIATION

- ▲ WWII sea battle re-enactments with pyrotechnics
- ▲ Sailing ships
- ▲ Navigation competitions
- ▲ Submarine display
- ▲ Scale events
- ▲ Specialised children's events and competitions
- ▲ Varied daily set piece displays
- ▲ Trade demonstrations
- ▲ Fun and vintage vessels
- ▲ Model yachting displays
- ▲ Other spectacular displays

MODEL BOATS



THE SECOND

LONDON  
**model**  
RAILWAY EXPO

**BIGGER AND BETTER!**

THE GRAND HALL GALLERY WILL BE PACKED WITH THE UK'S PREMIER MODEL RAILWAY DISPLAYS AND TRADERS

- ▲ Dozens of displays and layouts - from N to 2½" gauges
- ▲ More layouts and displays from leading clubs and societies
- ▲ Many new trade stands
- ▲ Take a trip on the Olympian Railway - the UK's longest indoor railway!
- ▲ Static and live steam railways from SM&EE
- ▲ Engineering workshop



RACING ARENA



SEE THE BEST AT THE IMS

- ▲ Fast and furious racing model car racing action
- ▲ This year's show features a totally redesigned circuit sponsored by Skoda
- ▲ Come and watch the UK's top drivers battle it out in the famous IMS Racing Championships
- ▲ Exciting new classes including rally and touring cars
- ▲ Experience the thrills and spills of model car racing on the Schumacher have-a-go race track
- ▲ See all the latest new cars and equipment on display

MAGNIFICENT MILITARY DISPLAYS

- ▲ Full size vehicles with their model counterparts
- ▲ Video presentations
- ▲ Living history groups
- ▲ Full size wargames tables
- ▲ Wargames tables for beginners
- ▲ Display cases full of display and competition models
- ▲ Model displays by Military Modelling contributors
- ▲ Building and painting demonstrations by military modelling experts
- ▲ Two full size displays of military vehicles giving excellent opportunities for photographs/research

**MILITARY REGIMENT**  
MODELLING THE MILITARY HERITAGE COLLECTION

PRACTICAL  
**WARGAMER**





**PLASTIC MODELLING GALLERY**  
RUN BY THE INTERNATIONAL PLASTIC MODELLERS  
SOCIETY (UK)

- ▲ Demonstrations of the intricate skills involved in plastic modelling
- ▲ Displays by invited clubs from the IPMS - including tanks, figures, aircraft and all aspects of plastic modelling
- ▲ An extensive array of built up models
- ▲ Hints and tips freely exchanged

**Scale**  
**MODELS**  
INTERNATIONAL

**MODEL  
ENGINEER**

**CLUB VILLAGE**

**THIS YEAR THE CLUB VILLAGE WILL BE HOSTING A  
VARIETY OF CLUBS, ORGANISED BY THE SOUTHERN  
FEDERATION OF MODEL ENGINEERING SOCIETIES**

- ▲ Display of running V/C engines
- ▲ Gas turbine collection of model engines
- ▲ A special display to celebrate 90 glorious years of the Stephenson Society
- ▲ Hot air engine displays and competitions
- ▲ Ask the experts! Advice and guidance will be freely available from the ever-popular Society of Model & Experimental Engineers stand and workshop throughout the duration of the show
- ▲ Study the wide ranging display of locomotives from the drawing boards of other designers including Martin Evans, Don Young, JI Austen-Walton, Henry Greenly
- ▲ Enthuse over the many traction and stationary engines on parade
- ▲ Sit and talk through your technical problems with experts in the model engineering clinic
- ▲ Wonder over the selected work of famous model engineers
- ▲ Thrill to the crackle of exhausts and the smell of special oils during the daily V/C engine running demonstrations
- ▲ Marvel at the clocks on display and the skill of the amateur horologists who built them
- ▲ Displays will feature lots of background information on the exhibits, including some little known facts
- ▲ Wonder at what you see, as the Society of Ornamental Turners demonstrate the capabilities of a Holzappfel lathe

**MODEL  
ENGINEER**

**MODEL  
ENGINEER  
WORKSHOP**



**SOUTHERN  
FEDERATION  
OF MODEL  
ENGINEERING  
SOCIETIES**

**THE GREATEST MODEL SHOP ON EARTH!**

The biggest and best selection of trade stands ever means that you will be able to meet your every modelling need - and pick up a bargain at the same time!

**NEW COMPETITIONS FOR THE KIDS**

The younger members of the family will be entertained by a range of new attractions, including displays and giant models from K'NEX who will also be hosting a children's model building competition throughout the International Model Show. With daily prizes of K'Nex Construction Kits for the best model and a 'Best of Show' award for the outstanding model built during the event, this is sure to be a winner!

**K'NEX**

**THE MODELLING WORLD'S CREME DE LA CREME**  
THE CREAM OF COMPETITION MODELS REPRESENTING  
EVERY MODELLING DISCIPLINE

The centrepiece of every International Model Show is the display provided by entries to the various modelling competitions - renowned for their stunning levels of craftsmanship. From sailing ships to rockets, from locomotives to military dioramas, models of breathtaking precision and beauty and every shape and size can be seen and wondered at: to win a coveted Bronze, Silver or Gold medal at The International Model Show is the modelling world's highest accolade, and competitors come from around the world - as well as all parts of the UK - to participate.

Models are judged against a set standard by renowned modellers from each discipline whose work is held in the highest regard, so it's possible that more than one model in any class may be awarded a gold or silver medal. Models of this standard are highly sought after by private collectors and museums and often change hands through famous British auction houses for many thousands of pounds; some are almost priceless.

Besides the prestigious medals, in most classes trophies are awarded which have been donated in memory of some of the hobby's most famous personalities.

As well as providing a platform for the recognition of the best in modelling from around the world, the competition display provides a breathtaking spectacle for everyone who visits the show.



**ADVANCE DISCOUNT TICKET PRICES:**

	On the door	In advance	No. required	£ total
<b>ONE DAY TICKET</b>				
Adult	£8.00	£6.50	.....	.....
Senior Citizen	£6.00	£5.00	.....	.....
Child	£5.00	£4.00	.....	.....
<b>FAMILY TICKET</b>				
Family (2 adults + up to 4 children)	£22.00	£19.00	.....	.....
<b>TWO DAY TICKET</b>				
Adults	£15.00	£12.00	.....	.....
Senior citizens	£11.00	£9.00	.....	.....
<b>SEASON TICKET</b>				
<i>(for the duration of the show)</i>				
Adults	£30.00	£28.00	.....	.....
Senior citizens	£22.00	£20.00	.....	.....
<b>GROUP &amp; SCHOOL BOOKINGS</b>				
<i>(For 10 or more, only available in advance)</i>				
Adults		£6.00	.....	.....
Senior Citizens		£4.50	.....	.....
Children/Pupils		£3.50	.....	.....
<i>(aged 5 to 16 inclusive)</i>				

N.B. One teacher is admitted free per ten pupils with school bookings.  
 State number of free teacher tickets required .....Free

**TOTAL ENCLOSED** £ \_\_\_\_\_

- I enclose a cheque made payable to Nexus Media Ltd  
 or  
 Please charge my :  Access  Visa  Amex  Mastercard

Cardholder's Name: .....

Card Number:

Expiry date: .....

Signature: ..... Date: .....

**YOUR DETAILS**

Title (Mr/Mrs etc.): ..... First name: .....

Surname: .....

Address: .....

Post/Zip Code: .....

Country: .....

Tel: .....

Return your completed coupon to : Advance Tickets, International Model Show, Nexus Special Interests, Nexus House, Swanley, Kent, BR8 8HU, UK.

IMS/ A B C D E F G

- Please tick if you do not wish to receive direct mail from other companies

For group discounts and details of season tickets, or to order advance tickets, call our **ADVANCE TICKET HOTLINE 01322 616300**

**INTERNATIONAL: 00 44 1322 616300**

**ADVANCE TICKET ORDERS MUST BE RECEIVED BY WEDNESDAY 16TH DECEMBER TO GUARANTEE RECEIPT**

Advance tickets are not refundable

**DISCOUNT ADVANCE TICKETS.**

*Avoid the queues and save money by booking now*

Even bigger discounts are available for group bookings.

**PLUS**

Book in advance and receive a discount voucher entitling you to 50p off the show guide at the exhibition.

Simply complete your details on the coupon opposite.

**HOW TO GET THERE**

**By Rail**

Kensington Olympia BR station is right next to the exhibition hall - served by regular direct trains from Gatwick Airport, East Croydon, Clapham Junction, Watford Junction, Milton Keynes, Northampton, Rugby and Willesden Junction. Many other stations are served with just one change. This station also provides an Intercity link between Manchester - Birmingham - London - Brighton - Dover. The North London Line also provides a link from Clapham Junction - Olympia - Willesden.

**FOR FULL DETAILS OF TRAIN TIMES AND FARES, PLEASE CALL THE NATIONAL RAIL ENQUIRIES SERVICE ON 0345 484 950 (24 HOURS)**

**By Tube:**

Take the District or Piccadilly Line to Earl's Court Underground station, where a connecting westbound District Line service to Olympia runs every 10-15 minutes.

**By Road:**

A few minutes drive from the M4/M40 and Central London, based on the Hammersmith Road, Olympia has its own multi-storey and plenty of NCP spaces near by. Discount car parking can be booked IN ADVANCE by calling City & Central on 0171 795 1155 by 1/12/98.

**FOR LONDON PUBLIC TRANSPORT INFORMATION PLEASE CALL 0171 222 1234 (24 HOURS)**



**NEXUS**

Nexus Special Interests  
 Nexus House  
 Azalea Drive  
 Swanley  
 Kent  
 BR8 8HU, UK



# ETI Contents Index - 1998

This index is divided into two sections: Technical and Construction, which features all articles on a constructional project or containing construction-related information, and Features, which contains our leading topic features and shorter features

## Technical and Construction

18-Channel Infra-Red Remote Controller	Vol. 27 No. 9
27C16 Eeprom Programmer	Vol. 27 No. 5
AA Cell Eliminator (Power Supply)	Vol. 27 No. 3
Aquaprobe	Vol. 27 No. 7
Audio Power Meter	Vol. 27 No. 13
Auto Cupboard Light	Vol. 27 No. 2
AVR Microcontroller programmer	Vol. 27 No. 5
Bart's Bath Duck	Vol. 27 No. 9
BB Ranger Shooting Scorer	Vol. 27 No. 4
Beerstat	Vol. 27 No. 12
Capacitance Meter (five-way)	Vol. 27 No. 3
Car Vigilante	Vol. 27 No. 13
Centronics Mini-Lab Data Logger: Analogue Channels	Vol. 27 No. 8
Christmas Tree Light Tester	Vol. 27 No. 13
Circuits for Music Lovers Part 1	Vol. 27 No. 11
Circuits for Music Lovers Part 2	Vol. 27 No. 12
Collected Circuits: DC Voltage Converters	Vol. 27 No. 1
Computer Aided Design on a Shoestring	Vol. 27 No. 11
Digital Tic Tac Toe	Vol. 27 No. 4
DIY PCs Part 1: Upgrade Basics	Vol. 27 No. 7
DIY PCs Part 2: Major Upgrades	Vol. 27 No. 8
DIY PCs Part 3: The BIOS and the Hard Disks	Vol. 27 No. 9
DIY PCs Part 4: Further Notes	Vol. 27 No. 10
Double-Bass Tuner with PIC	Vol. 27 No. 3
Easy Parker	Vol. 27 No. 8
Fast Fivers 10: Touch Lamp	Vol. 27 No. 8
Fast Fivers 8: Digital Die	Vol. 27 No. 3
Fast Fivers 9: Audible Logic Probe	Vol. 27 No. 5
Fishbiter Bite Detector	Vol. 27 No. 12
Fridge Thermometer	Vol. 27 No. 5
GCSE Grounding: Bargraph Module	Vol. 27 No. 3
GCSE Grounding: Sound Effect Module	Vol. 27 No. 4
GCSE Grounding: Universal Sensor Module	Vol. 27 No. 1
GCSE Grounding: Versatile Alarm Module	Vol. 27 No. 2
More out of PICs Part 2: Diagnostics and Interrupts	Vol. 27 No. 7
More out of PICs Part 3: 7-Segment Displays	Vol. 27 No. 8
More out of PICs Part 4: The I2C Bus	Vol. 27 No. 9
More out of PICs Part 5: Eeprom Programmer	Vol. 27 No. 10
More out of PICs Part 6: Arithmetic Routines	Vol. 27 No. 11
More out of PICs Part 1: Advanced Programming	Vol. 27 No. 6
Guardian Light	Vol. 27 No. 5
Headlight Delay	Vol. 27 No. 6
High Quality 100W Mosfet Power Amplifier Part 1	Vol. 27 No. 7
High Quality 100W Mosfet Power Amplifier Part 2	Vol. 27 No. 8
HT-8955 Digital Echo/Reverb	Vol. 27 No. 6
Hush Noise Reduction Unit	Vol. 27 No. 5
Infra-Red Theramin	Vol. 27 No. 2
In-Line Mains Monitor	Vol. 27 No. 7
Ionising Radiation and Ionisation Chambers	Vol. 27 No. 10
LED Voltmeter for 12V Battery Check	Vol. 27 No. 4
Line-up Oscillator with Glitch	Vol. 27 No. 4
Magnetic Card Reader for the PC	Vol. 27 No. 10
Magnetic Swipe Card Reader	Vol. 27 No. 5
Making PSC Masks	Vol. 27 No. 13
Medium Wave Loop Aerial	Vol. 27 No. 3
MIDI Drum Pads	Vol. 27 No. 3
MIDI Processor with PIC	Vol. 27 No. 11
Millivolt Meter	Vol. 27 No. 13
One-Shot Timer	Vol. 27 No. 2
PCB Etching Tank	Vol. 27 No. 13
PC-Controllable 4-Line Dot Matrix Display Part 1	Vol. 27 No. 10
PC-Controllable 4-Line Dot Matrix Display Part 2	Vol. 27 No. 11
PC-Controllable 4-Line Dot Matrix Display Part 3	Vol. 27 No. 12
PC-Controlled Sine Wave Generator	Vol. 27 No. 10
Pision Analogue Data Logger	Vol. 27 No. 13
Q Meter Adapter	Vol. 27 No. 9
Radio Interference Filter for VHF	Vol. 27 No. 4
Regulated Battery PSU	Vol. 27 No. 13
RS232 I/O Card for Pision 3s and PCs	Vol. 27 No. 3

S or J Omega? (Filter Maths)	Vol. 27 No. 12
Simple Signal Generator	Vol. 27 No. 6
Single Pushbutton Electronics Security Switch	Vol. 27 No. 8
Six and One Mini Six-Interval Games Timer	Vol. 27 No. 6
Six and Two Multi-Channel Control Centre Smartcam	Vol. 27 No. 1
Spiced Circuits Part 6: Software Variations	Vol. 27 No. 1
Spiced Circuits Part 7: Logic Simulation and Maths	Vol. 27 No. 4
Switched Mode Internal Power Supply	Vol. 27 No. 2
Technical Tips	Vol. 27 No. 9
Temperature and Humidity Logger for PC	Vol. 27 No. 12
The Orphan Decibel	Vol. 27 No. 4
The Versatile Diode	Vol. 27 No. 11
Thomas Edison's 1885 Train Telegraph System	Vol. 27 No. 6
Three-Range Inductance Meter	Vol. 27 No. 4
Timing Part 1: Basic Timing	Vol. 27 No. 6
Timing Part 2: More About Astables	Vol. 27 No. 7
Timing Part 3: The Long and The Short	Vol. 27 No. 9
Timing Part 4: Displaying Time	Vol. 27 No. 10
Timing Part 5: Starting and Stopping	Vol. 27 No. 11
Timing Part 6: Counting Seconds	Vol. 27 No. 12
Timing Part 7: Timing Systems	Vol. 27 No. 13
Tiny Traffic Lights	Vol. 27 No. 8
Tracking Filter Guitar Effect	Vol. 27 No. 10
UHF Model Radio Control System Part 2	Vol. 27 No. 6
UHF Radio Model Control System Part 1	Vol. 27 No. 5
Versatile Loop Alarm	Vol. 27 No. 11
Wobblulator	Vol. 27 No. 13

## Features

AVR: The New Chip on the Block	Vol. 27 No.3
Data on the Airwaves (Digital radio and history)	Vol. 27 No.10
Fun with Filters	Vol. 27 No.12
Getting to Know Surface Mount Technology	Vol. 27 No.7
Inside Microcontrollers	Vol. 27 No.1
Introducing Digital TV	Vol. 27 No.2
Ladder Logic	Vol. 27 No.13
Power Management for the Global Green Cat	Vol. 27 No.11
The Eye that Never Sleeps	Vol. 27 No.8
The Finger that No-One Forgets	Vol. 27 No.9
The Shape of Screens to Come	Vol. 27 No.6
Understanding Robots	Vol. 27 No.4
What's Flat, Shiny and Exterminates CRTs?	Vol. 27 No.5

## Practically Speaking (short notes)

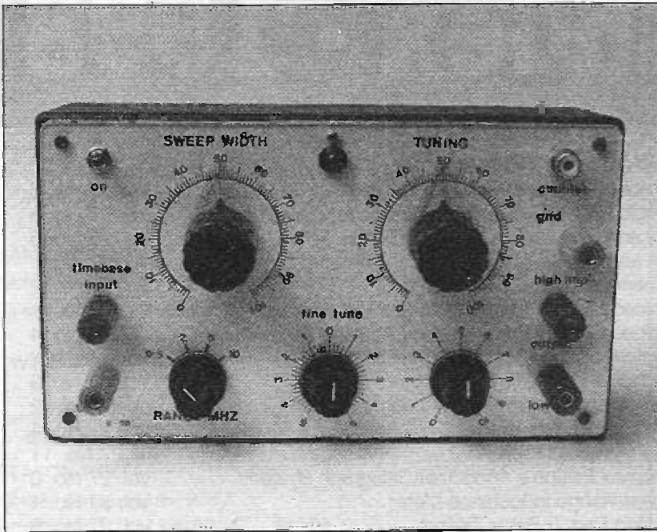
Combining resistors or capacitors	Vol. 27 No.2
Fuses and fuseholders	Vol. 27 No.7
Fuses, RCDs and circuit breakers	Vol. 27 No.8
Fuses: anti-surge and ratings	Vol. 27 No.6
Micrometers: converting a micrometer to volts	Vol. 27 No.3
Potentiometers	Vol. 27 No.10
Reed switches: operating with a magnet	Vol. 27 No.12
Reed switches: operating with an electric current	Vol. 27 No.13
Re-scaling an analogue panel meter	Vol. 27 No.5
Rotary pots and switches	Vol. 27 No.9
Variable resistors: achieving a required value	Vol. 27 No.11

## Back issues and copy articles

Back issues of ETI for the previous twelve months can be obtained from **Back Issues, Readers' Services Department, Nexus Special Interest, Nexus House, Azalea Drive, Kent BR8 8HU**. Volume 27 issue 1 is £2.50 plus 70p post and packing. Vol 27 issues 2 - 13 £2.75 plus 70p post and packing.

Enquiries about copies of articles from older issues should be sent with details of the title, month and year of the magazine and the name of the article (PCB code numbers do not apply), to the Photocopying Service, Readers Services Department at the address above. Prices are £3.50 for the first article or part article, £1.50 per article thereafter. Postage and handling in the UK £1.00. Overseas plus 30 per cent or order price (£1.50 minimum carriage). A search fee of £3.50 will be applicable where full details of name and location of the article are not supplied. Please contact the Readers Services Department should you require assistance. **Please do not address requests for Backissues or Photocopies to ETI or they will end up in the wrong department.**

Only PCBs listed on our PCB Service page are currently available.



# A radio Wobbulator Unit

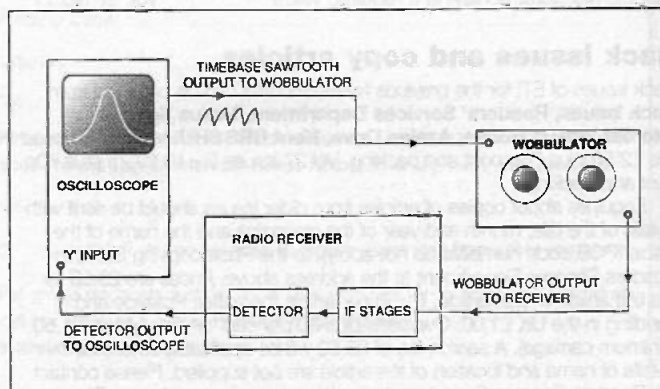
**Alignment of radio receivers can be optimised by means of this low-cost unit which enables their IF response to be displayed on an oscilloscope screen.**

**Raymond Haigh**

**E**xperienced radio set builders can align an IF strip, with a fair degree of accuracy, by ear. One step onwards, connecting a high impedance voltmeter across the AGC line, gives a visual indication of peak response, and alignment is speeded up and becomes more precise.

Using a wobbulator represents the ultimate refinement of this process. An instrument of this kind enables the response curve of the IF strip to be displayed on an oscilloscope screen, and performance can be optimised with extreme accuracy. Bandwidth at various attenuation factors is displayed, permitting a compromise to be effected between sensitivity, selectivity and audio frequency response. While this facility is seldom needed for domestic portables, it does become more important when more complex receivers are under alignment.

Experimenters are making increasing use of low cost, surplus crystals, resonant between about 4 and 10 MHz, in the construction of IF ladder filters. The performance of these filters, especially when they are used for speech-signal reception, is critically dependant on component values and input and output impedances. Using a wobbulator to display the response on an oscilloscope makes it much easier to carry out adjustments.



**Figure 1: the connections between the Wobbulator, the radio receiver and the oscilloscope**

## Principles of operation

A wobbulator is no more than a signal generator giving a frequency which is repeatedly swept over the IF passband of the receiver under test. Frequency variation is controlled by the timebase or horizontal output of the oscilloscope with which the unit is used. In this way the sweep is synchronised, and the oscilloscope displays the response curve of the receiver's IF stages.

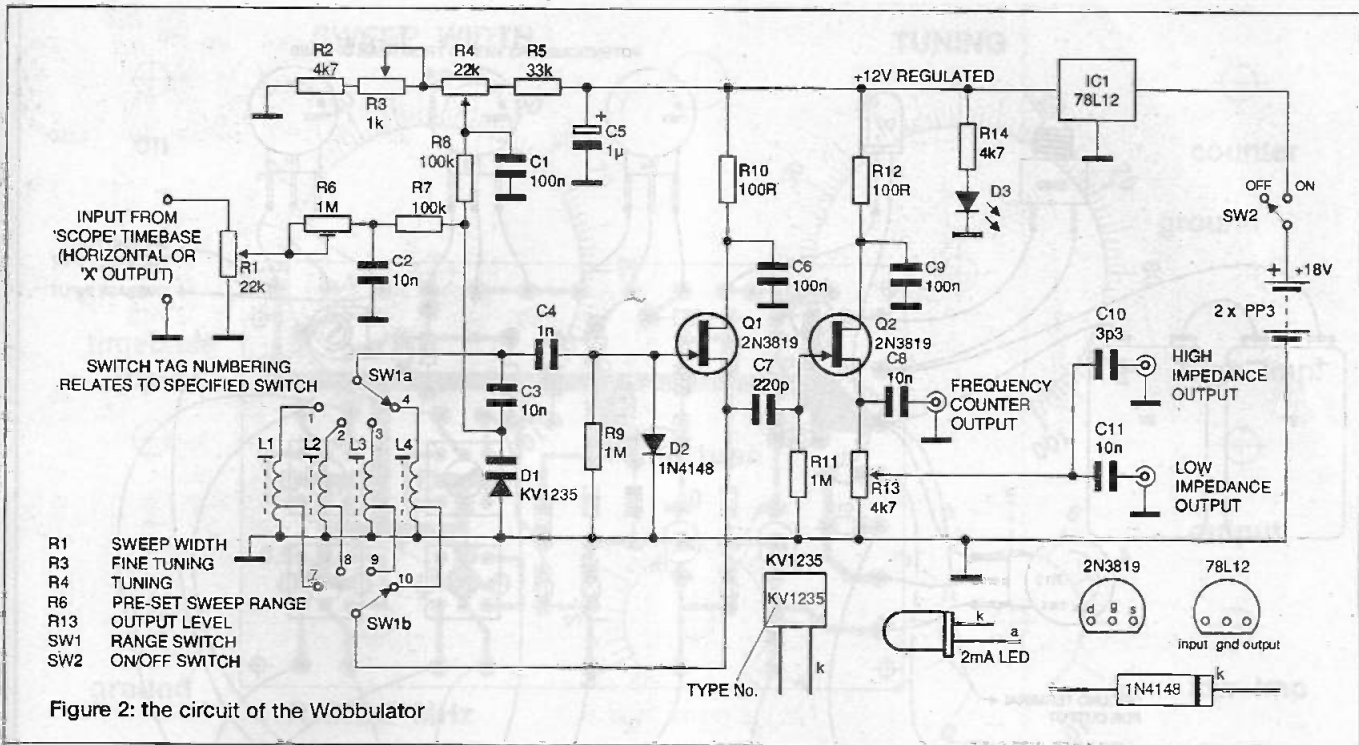
**Figure 1** shows how the wobbulator, oscilloscope and receiver are connected together. It should be noted that the RF signal is rectified by the detector before being connected to the 'Y' input, and a high performance oscilloscope with an extended frequency response is not required. So long as the timebase sawtooth waveform is available externally, almost any basic oscilloscope will suffice.

## Varying the frequency

Early instruments of this kind used a motor-driven tuning capacitor to shift the frequency of the oscillator. During the valve era, reactance valve circuits were developed, and this enabled the frequency to be varied electronically. Subsequent advances in semiconductor technology produced the varactor or varicap diode, which exploits the way the capacitance of a semiconductor junction (and hence the frequency of the tuned circuit in which it is used) can be changed by varying a reverse bias voltage.

Frequency can also be shifted by varying the supply voltage to the valve or transistor in the oscillatory circuit. This method carries the risk of introducing amplitude modulation (which would distort the oscilloscope display), and it can be difficult to secure sufficient swing. It is, however, effective as a means of varying the frequency of a multivibrator, and oscillators of this kind, which are tuned by RC rather than LC circuits, have formed the basis of some wobbulator designs intended for the alignment of 450-470 kHz IF stages.

Unfortunately, the operation of multivibrators becomes less predictable as frequency is increased, and it was decided that using a varicap diode to shift the frequency of a conventional Hartley oscillator would ensure more repeatable results in a unit designed for operation up to 15MHz.



### The circuit

The circuit of the wobbulator is given in **figure 2**. The fet Q1 is the active device in the Hartley oscillator circuit which is tuned by inductors L1-L4, and a varicap diode, D1. Gate and source of Q1 are connected to the appropriate coil by range switch SW1.

C3 is a DC blocking capacitor for the reverse bias which tunes the varicap diode, and R9 ensures the correct biasing of Q1. Diode D2, stabilises the bias on Q1 and ensures consistent operation and constant output levels across the four switched ranges. R10 and C6 decouple the oscillator from the supply rail.

The output is taken from the source of Q1 and connected to the gate of Q2 via coupling capacitor C7. Source-follower (or common drain) buffer stage Q2 minimises loading on the oscillator and isolates it from the equipment under test in order to prevent any frequency pulling or other disturbance to its operation. R11 ensures the correct biasing of the buffer stage, R12 and C9 decouple it from the supply line, and the output is developed across source load potentiometer R13.

The potentiometer R13 sets the output at an appropriate level. The low value DC blocking capacitor C10 enables the signal to be injected into a high impedance circuit without excessively disturbing its operation. The output via the higher value blocking capacitor, C11, should be chosen when the injection point presents a low impedance, or when the connecting lead must be screened. Constructors who have access to a frequency counter may wish to use it with the wobbulator, and the counter output socket is connected to the source of Q2 via blocking capacitor C8. (The wobbulator output potentiometer is usually turned well down, and the voltage on the slider is not sufficient to trigger most counters.)

Current drawn by the unit is approximately 10mA, and operation by batteries is, therefore, perfectly feasible. Bias for the tuning diode is derived from the power supply rails, and precautions must be taken to ensure that tuning doesn't drift with falling battery voltage. Accordingly, two PP3 batteries are connected in series to give a nominal 18V, and this is held at 12V by means of the 100mA regulator, IC1. Tantalum capacitor

C5 is included to bypass any electrical noise generated by the regulator ic.

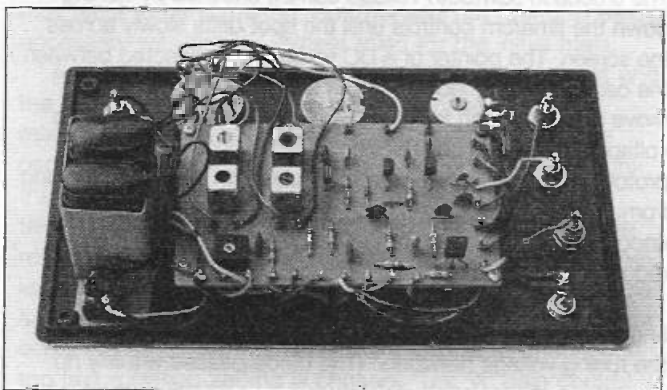
Equipment of this kind can be inadvertently left switched on. Low current LED D3 and dropping resistor R14 are included to minimise the chance of this happening.

### Oscillator tuning

Wobbulators often incorporate a conventional air-spaced variable capacitor to set the oscillator to the IF centre frequency. A varicap, wired in parallel with it, and coupled to the oscilloscope timebase, produces the frequency sweep.

Silicon rectifier diodes (such as the 1N4001) are sometimes deployed as varicaps, as they also exhibit a capacitance change across the junction as a reverse bias is varied. However, using diodes of this kind can reduce the 'Q' factor of the tuned circuit and inhibit oscillation, especially when more than one is used to increase the capacitance swing.

This wobbulator is tuned, and its frequency shifted, by a single varicap diode of the type developed for medium wave receivers. These devices provide a capacitance swing of around 450pF with a tuning voltage range of 2 to 9V, and exhibit a 'Q' factor of at least 200. Although they are more expensive than a rectifier diode, the need for a conventional tuning capacitor is avoided and the overall saving in cost is



The interior assembly and PCB of the wobbulator

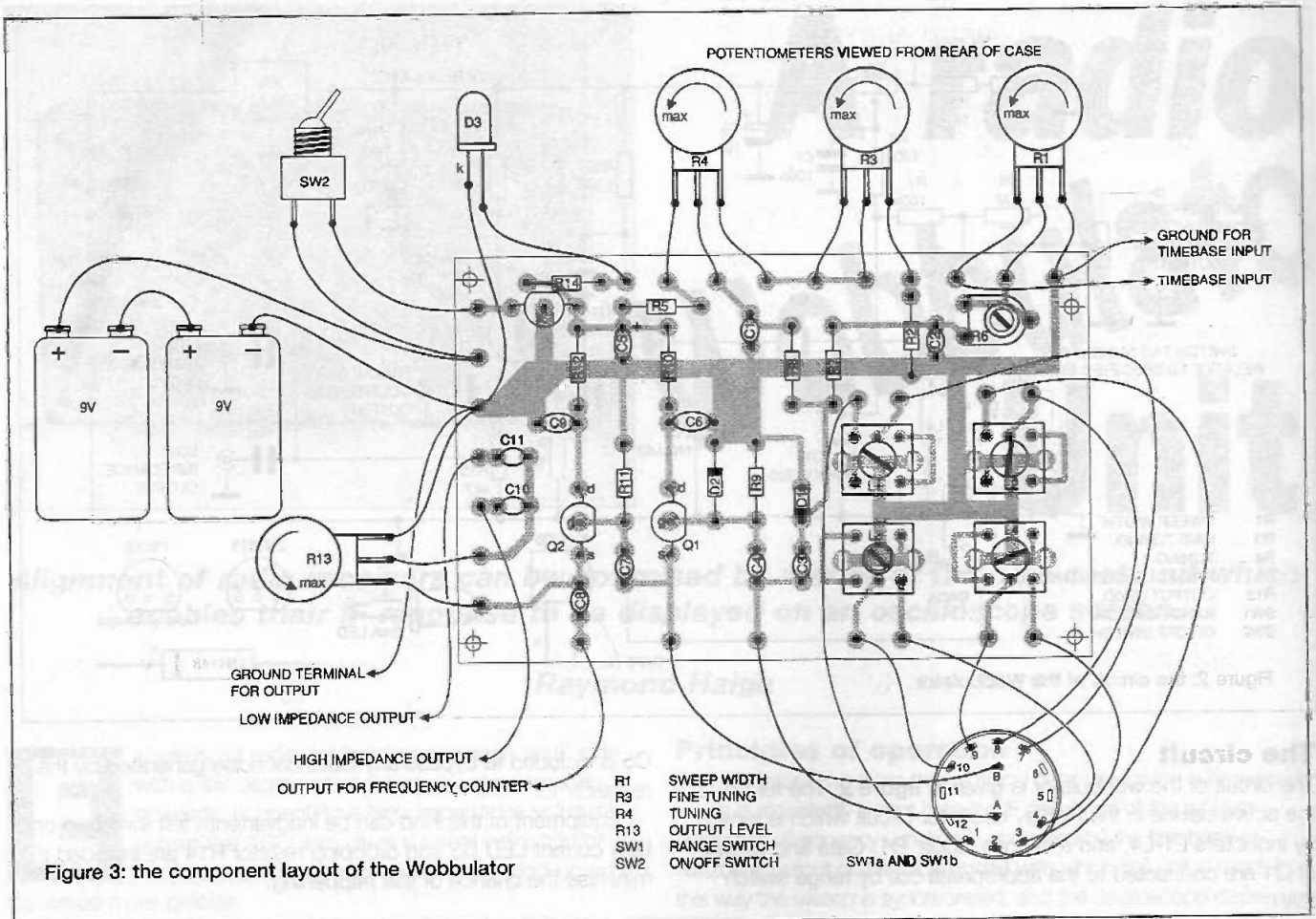


Figure 3: the component layout of the Wobbulator

significant. More important, wide frequency sweeps are easy to obtain, and the full IF passband, together with a portion of the RF spectrum on either side, can be displayed.

The capacitance/tuning voltage relationship of the chosen diode is very linear up to about 6V. Between 6 and 9V the rate of capacitance change falls. Below about 1V, the 'Q' factor of the diode reduces.

Tuning bias for the diode is taken from the slider of potentiometer R4, and fixed resistors R5 and R2, limit the voltage swing from around 1V to 5.5V. Potentiometer R3 acts as a fine tuning control, and C1 eliminates potentiometer wiper noise.

### Timebase input

Potentiometer R1 determines the amplitude of the sweep input voltage, and pre-set resistor R6 enables the range of this control to be adjusted to suit most modern oscilloscopes. The timebase sawtooth voltage can be checked by turning down the time/cm controls until the spot drifts slowly across the screen. The pointer of a DC voltmeter, connected between the oscilloscope timebase output and ground, should then move slowly enough for the minimum and maximum sweep voltages to be read off. The oscilloscope used with the prototype wobbulator generated a sawtooth waveform running from around 15 to 25V. If much higher voltages than this are encountered, wire a resistance in series with R1 in order to reduce the input to the required level.

Again, C2 eliminates potentiometer wiper noise, and R7 and R8 isolate the varicap diode, at signal frequencies, from the tuning voltage networks. (The diode passes virtually no current, so the isolating resistors have no effect on the tuning voltage.)

### Components

The Toko coils, varicap diode and low current LED can be obtained from Cirkit Distribution Ltd., Park Lane, Broxbourne, Herts., EN10 7NQ. Tel. 01992 448899.

The varicap diodes are supplied in snap-apart packs of two (KV1236) or three (KV1235) for ganged receiver tuning. The price of both packs is currently the same, so constructors may as well purchase three diodes and put the spares to good use in other equipment. The less expensive BB212, also listed by Cirkit and available as a two-pack, was not tried, but it should prove suitable.

An inexpensive, two pole, six way plastic-cased Lorin rotary switch can be used for SW1. This item, together with the remaining parts, is available from a number of suppliers, including Cirkit.

### Construction

All of the components, with the exception of the switches, potentiometers, and the LED indicator, are mounted on a small PCB. The component side of the board is illustrated in figure 3. Vero pins, inserted at the lead-out points, will simplify the task of wiring up the off-board components.

It is convenient, with equipment of this kind, to have the input and output sockets mounted on the front panel. This does necessitate a slightly larger case, but the unit can still be accommodated in a standard plastic box with external dimensions of 196 x 112 x 62mm.

Figure 4 shows the front panel layout adopted for the prototype unit. The dials and control annotations are marked out on white card using rub-down transfers, and the finished panel is protected from soiling by a sheet of thin perspex (the type of material used for DIY double glazing). For reasons

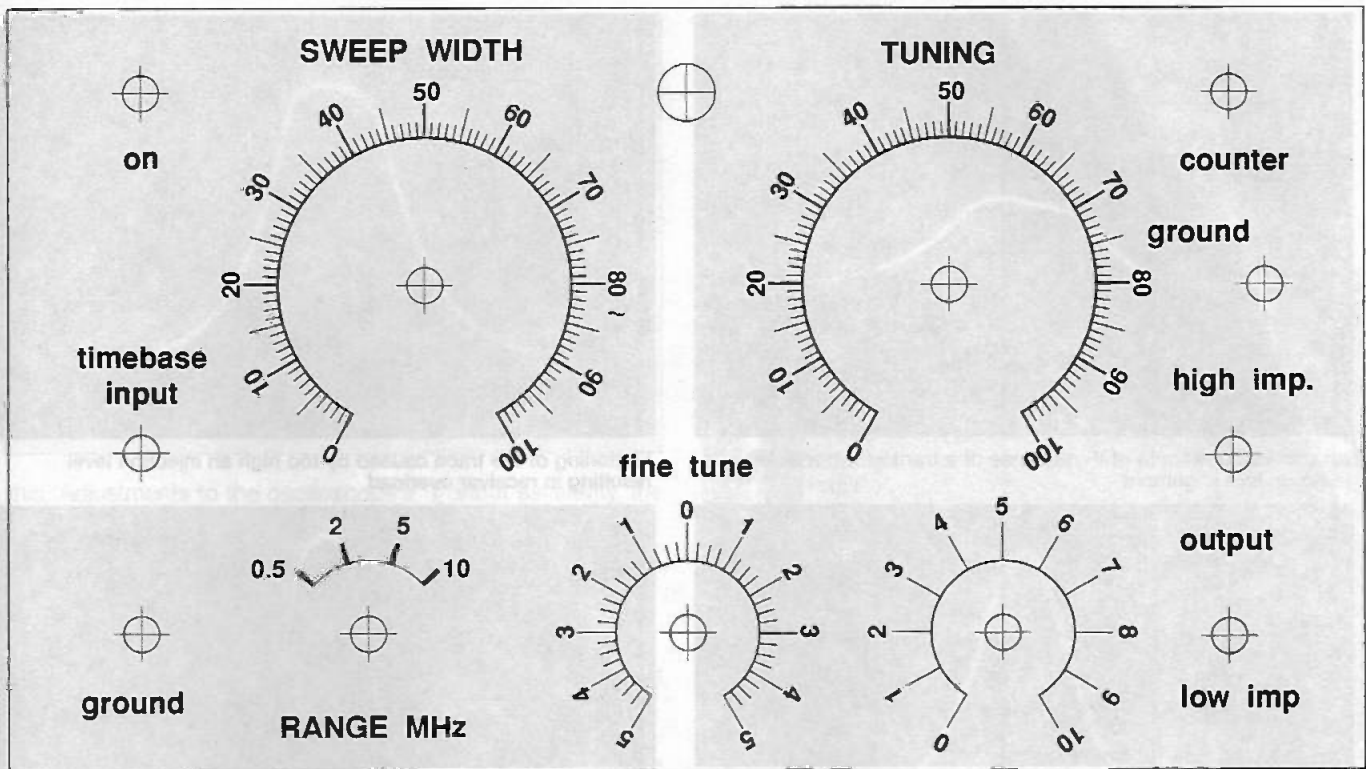


Figure 4: the front panel of the Wobbulator prototype, actual size.

which will become clear later, it is neither feasible nor necessary to calibrate the tuning dial.

Switches, potentiometers, terminals and circuit board are all mounted on the lid of the box and the assembly is depicted in the photographs. The battery holder is formed from scrap aluminium sheet and held in place by the on/off switch bush and one of the terminals.

Remember to check the orientation of semiconductors and the tantalum capacitor, and to check the PCB for poor soldered joints and bridged tracks, before mounting it in position.

### Setting up and testing

Connect up the batteries. Current consumption should be in the region of 10mA and the voltage at the output of IC1 should be precisely 12V.

Set R1 and R3 to mid travel and use a radio receiver or frequency counter to check that the oscillator is working on all four ranges and can be tuned by R4. With no input from the oscilloscope timebase, coverage of the prototype unit is as follows:

Range 1	350 - 600 kHz
Range 2	1 - 2 MHz
Range 3	3 - 6 MHz
Range 4	6 - 14 MHz

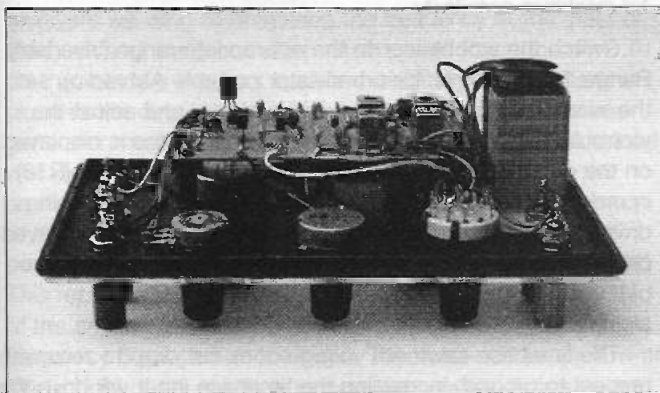
The above tuning ranges can be varied, within reasonably wide limits, by adjusting the inductor cores. Note that with L1, L2 and L3, inductance increases, and frequency lowers, as the cores are driven down. The core of L4 has to be set flush with the top of the can for maximum inductance.

Connecting the timebase input increases the reverse bias on the varicap diode and, for a given setting of the tuning control, makes the frequency of oscillation increase. In practice, the unit should produce linear displays of IF systems centred at up to 15 or 16 MHz.

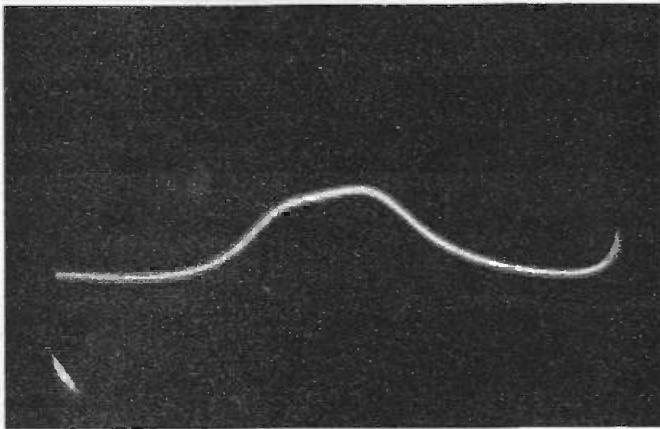
### Using the Wobbulator

The connections between the wobbulator, oscilloscope and receiver under test were shown in figure 1. Keep the wobbulator close to the receiver so that the signal injection lead can be as short as possible. The connection between the receiver's detector and the 'Y' input of the oscilloscope may have to be screened, but this was not found to be necessary with the equipment used for the initial trials.

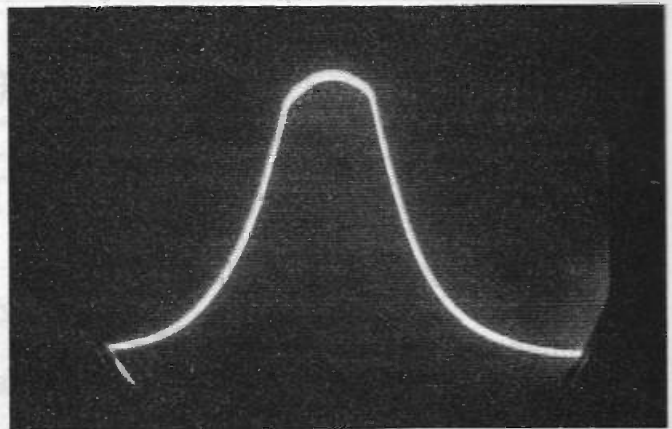
A transistor portable radio can be used for the test and the signal should be injected into the base of the mixer/oscillator transistor. Connect the 'Y' input of the oscilloscope to the audio side of the diode detector. Link the ground terminal on the oscilloscope to the ground terminal on the wobbulator and the ground plane on the receiver. The oscilloscope timebase should be set for the lowest possible sweep rate consistent with an acceptable amount of flicker in the trace. (The display will be distorted, especially when narrow band filters are being checked, if too fast a sweep setting is chosen). The 'X' gain control should be turned well down.



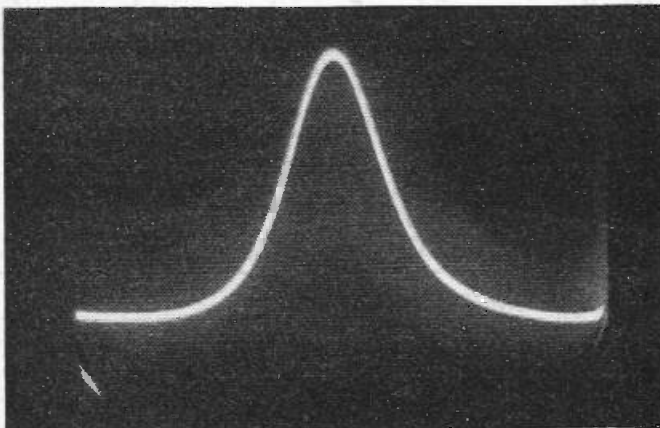
The assembly showing the knobs in place on the front panel.



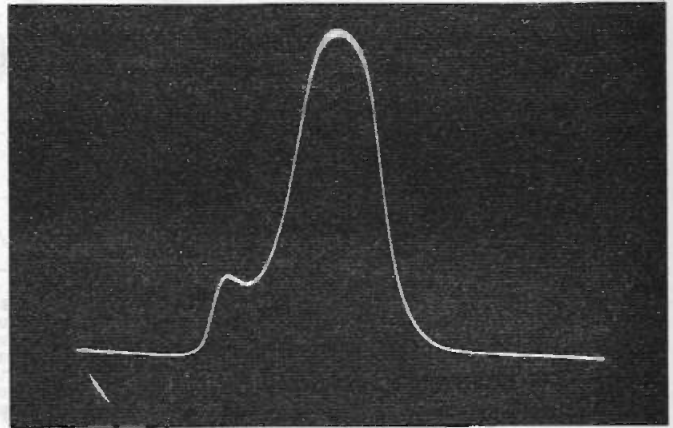
An oscilloscope trace of IF response of a transistor portable radio, before alignment



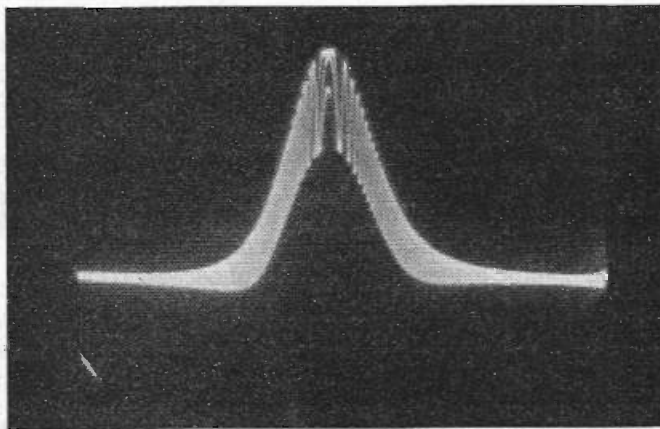
Flattening of the trace caused by too high an injection level resulting in receiver overload



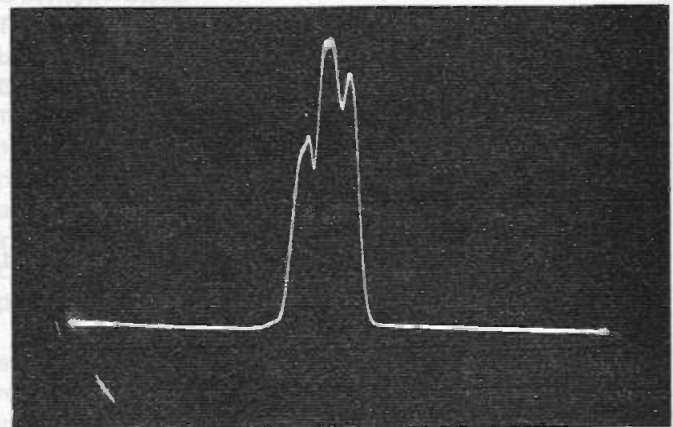
An oscilloscope trace of the same radio, after alignment



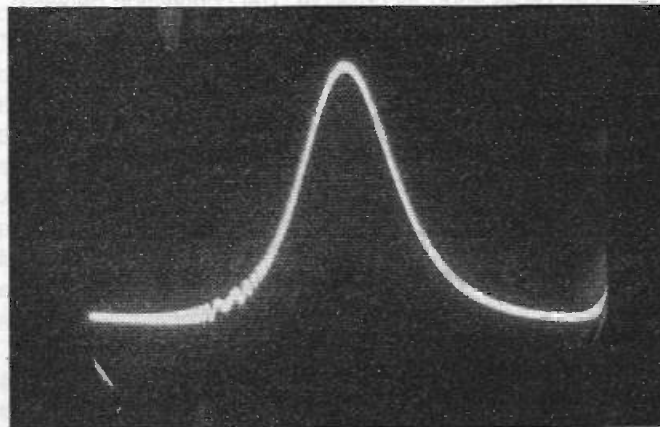
The trace produced by an IF strip comprising four tuned transformers and an inexpensive 4-kHz mechanical filter. Receiver aligned for maximum sensitivity



Using a second signal generator to pinpoint frequency along trace: zero beat point at crest of peak and second generator dial reading 460 kHz



The trace produced by an IF strip comprising four tuned transformers and a 2.6 kHz ceramic filter. Again, receiver aligned for maximum sensitivity

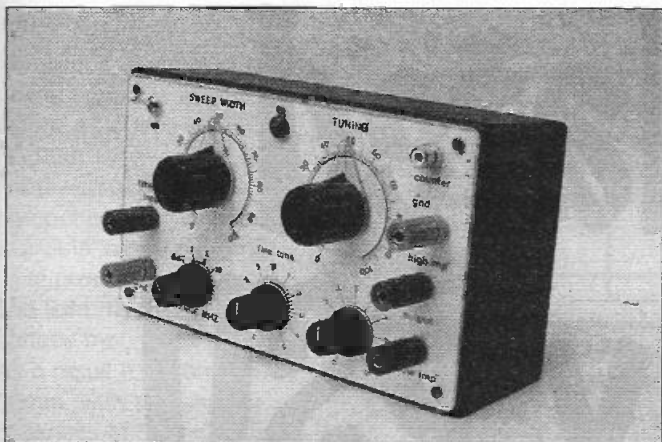


As the previous photo, but with the zero beat point set close to the floor of the trace and the second generator dial reading 470 kHz

Switch the wobbulator to the appropriate range (invariably Range 1, or 0.5MHz, for a transistor portable AM radio), set the sweep width control to about half travel and adjust the wobbulator tuning until the receiver's IF response is displayed on the oscilloscope screen. Turn down the signal level (R13) in order to check that the receiver's IF stages are not being driven into clipping: this results in a flattening of the displayed peak, as shown in the photograph of the oscilloscope trace of IF response of a transistor portable radio, before alignment.

The timebase sawtooth voltage does not drop to zero with respect to ground. Increasing the timebase input will drive the wobbulator frequency higher as well as shifting it more, and the tuning control has to be turned back to compensate for





this. Adjustments to the oscilloscope's 'Y' input sensitivity, the 'X' gain control, wobbulator output and sweep width all affect the profile of the display. Turning up the sweep width control will reduce the width of the passband profile because it is, occupying a smaller proportion of the frequency range displayed on the screen.

This all sounds rather complicated but, in practice, the unit is very easy to set up and operate.

Most domestic receivers in current production have the detector diode wired to give a negative-going output. This will generate a trough rather than a peak on the screen. The trace is, however, still perfectly useable.

Adjustment of the IF transformer cores will, of course, change the profile of the display. In the case of most domestic receivers, they should be adjusted for the highest peak. Turning up the 'Y' sensitivity and adjusting the other oscilloscope controls until the tip of the peak almost fills the screen enables the cores to be set with extreme accuracy.

Some authorities recommend that the receiver's oscillator stage and AGC network should be disabled in order to avoid any distortion of the trace. However, if the injected signal is kept as low as possible, and if the aerial is disconnected from the receiver (tune portables to a silent part of the dial), no problems should be encountered with spurious responses.

The effectiveness of the simple output attenuation control diminishes as frequency increases, especially when the high impedance feed is used, and it may be necessary to place the signal lead close to the injection point, rather than make a direct connection, in order to keep amplitude sufficiently low.

Some of the traces likely to be encountered are shown in the trace photographs.

### Measuring the IF bandwidth

Constructors involved in experimental work with radio receivers will wish to determine the frequency at the crest of the peak and at various attenuation points down the skirt. To do this, place the output lead from another signal generator close to the output terminal of the wobbulator. The second generator must be tuned to the receiver's IF, its output turned well down, and modulation switched off. The trace on the oscilloscope will become fuzzy and broader. If the frequency of the second generator is now swept slowly across the IF passband, a gap or notch will move along the broader trace. This represents the zero-beat position, where the frequency of the second generator precisely coincides with the frequency displayed on the trace. The notch will be shallow at the bottom of the skirts, where receiver sensitivity is low, and deep at the crest of the peak, where receiver sensitivity is at its greatest.

### Multiple conversion receivers

Additional equipment is needed to investigate the response of front-end IF filters in multiple conversion receivers, as they do not feed directly into the detector and signal levels can be too low to produce a display on the oscilloscope. A suitable RF probe unit, which amplifies and detects the signal, will be described in a subsequent issue of ETI.

## PARTS LIST for the Wobbulator

### Resistors

Fixed resistors are 5 percent tolerance, 0.25 watt

R1, R4	22k linear pot
R2, R14	4k7
R3	1k linear pot
R5	33k
R6	1M preset horiz pot
R7, R8	100k
R9, R11	1M
R10, R12	100R
R13	4k7 linear pot

### Capacitors

All ceramic unless otherwise stated.

All 25V working or greater.

C1, C6, C9	100nF
C2, C3, C8, C11	10nF
C4	1nF
C5	1uF tantalum
C7	220pF
C10	3p3

### Inductors

All by Toko

L1	RWO6A7752EK (green core)
L2	154FN8A6438EK (violet/deep red core)
L3	154FN8A6439EK (yellow core)
L4	KXNK3767EK (pink core)

### Semiconductors

IC1	78L12 (12V regulator, rated 100mA)
Q1, Q2	2N3819
D1	KV1235 or KV1236 (varicap diode, see text)
D2	1N4148
D3	2mA LED

The Toko coils, varicap diode and 2mA LED can be obtained from Cirkit Distribution, Ltd., Park Lane, Brxbourne, Herts. EN10 7NQ. Tel: 01992 448899.

### Switches

SW1	2-pole 6-way, Lorlin plastic cased rotary switch.
SW2	Single-pole single-throw toggle switch.

### Miscellaneous

Materials for PCB, Vero pins and hook-up wire. Stand offs for mounting PCB and self-tapping screws. Control knobs, terminals, phono socket for counter, LED holder, battery connectors. Plastic box or other enclosure, materials for front panel and scrap aluminium for battery holder.



## The design

The circuit diagram of this power supply is shown in figure 1. It uses an LT1303CS8 switched mode supply chip. All the components for this design are available from Electromail.

In order to make it small and light, this project uses surface mount components. As a result it is 56mm x 36mm, with a maximum thickness of 6.5mm. It is designed to fit on the back of an AA battery pack. It is not much wider than a 2-cell pack, and is completely covered by a 4-cell rectangular pack.

Switched mode power supplies, left to themselves, generate interference which is both radiated, and conducted along the input and output wires. This design incorporates filters which minimise this effect, and a circuit board layout which keeps the radiating tracks as small as possible.

Starting at the input, C1 and L1 form a filter which attenuates any interference getting out via the input connection. The prototype had too low a noise level on the input to be detectable on an oscilloscope with a maximum sensitivity of 50mV/cm.

Continuing from the input, the next part of the circuit is the low battery warning circuit. This uses the on-chip voltage reference and comparator to switch on a led if the input voltage falls below 3.84V. R3 and R4 set the voltage, and R2 adds a small amount of hysteresis.

C2 and C3 are there to minimise the supply ripple as the chip switches. The 100uF capacitor must be a low esr (equivalent series resistance) type, because of the high ripple current flowing. In addition, a ceramic capacitor is added to increase the decoupling at high frequencies, specifically to minimise switching spikes on the input voltage.

At this point it is worth noting that when the switching transistors in IC1 switch on, there is a current spike caused by the capacitance of D1 and the stray capacitance of L2. Of the two, the capacitance of D1 is much greater. Part of the reason to need low esr capacitors and a ground plane is to minimise the interference which actually gets out of the unit. The losses caused by diode capacitance can form a significant part of the overall circuit loss if the choice of diode is not ideal. It is important to have a diode with a low enough voltage drop at its operating current not to dissipate too much power in resistive losses in the diode. However the lower the ON resistance of the schottky diode, the higher its capacitance, and all the energy stored in the capacitance of the diode will be lost at the time of switching.

There does exist a much more complicated power supply topology which can recover some of its energy, but it is not appropriate at these power levels.

The output storage capacitors C4 and C5 are more critical than the input capacitors in keeping the level of interference right down. On the input capacitors, the current drawn is typically continuous with triangular ripple

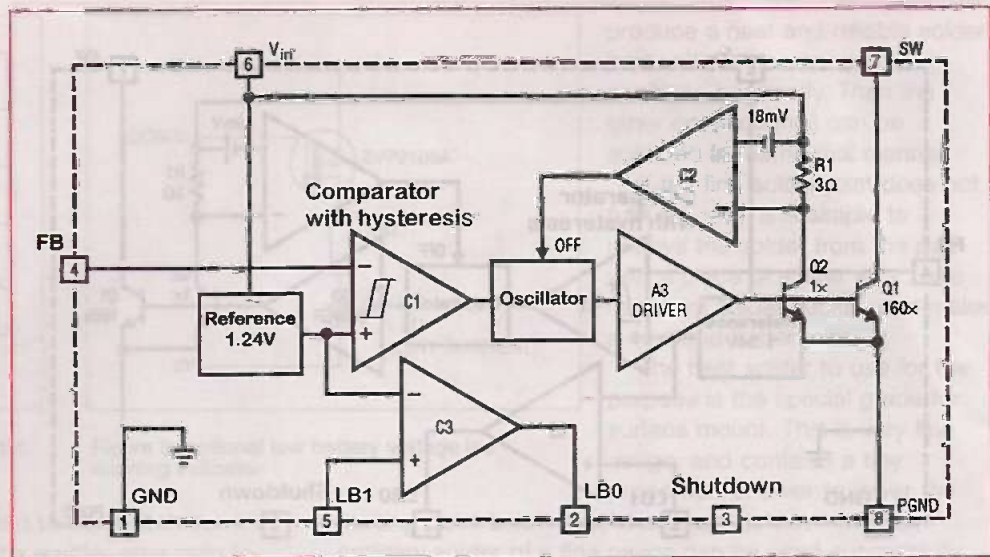


Figure 2: block diagram illustrating the functioning of the LT1303

at the switching frequency. However, the current supplied to the output capacitors by D1 is in discontinuous pulses with a sharp rising edge. Also, the current required to charge the capacitance of D1 when the switching transistors turn on must flow through the output capacitors, and this current is only limited by the resistance of the circuit and the maximum current capability of the switching transistors. If standard rather than low esr capacitors are substituted for C2 and C5, then the circuit is unlikely to work very well.

The output voltage of the circuit is set by its internal voltage reference and by the potential divider resistors from the output voltage. An extra resistor, R7, has been added to the circuit after the first prototype (on the photographed PCB) was made. This has been added to permit finer adjustment of the output voltage. For example, it was only possible to set the output to 11.3V rather than the preferred voltage of 12 volts using just two resistors from the E12 series. (E24 series resistors are not so widely available in 0805 surface mount packages.)

## The LT1303

This dc-dc converter ic has particular virtues which suit this type of application. First of all, its quiescent current (that is, with input connected but no load) is 120uA. Secondly, its switching transistors have a typical voltage drop of only 170mV at 1A. This is particularly important at low input voltages. With 2V input, 170mV represents a loss of 8.5 percent.

This is undoubtedly a compromise, in that a lower saturation voltage could have been obtained only at the expense of a higher operating current, which would waste more power than would a drop of 170mV.

Operation of the LT1303 is best understood by referring to the block diagram shown in figure 2. When C1's negative input, related to the output voltage by the appropriate resistor-divider ratio, is higher than the 1.24V reference voltage, C1 (comparator 1)'s output is low. C2, A3 and the oscillator are turned off, drawing no current. Only the reference and C1 consume current, typically 140uA.

When comparator 1's negative input drops below 1.24V and overcomes the 6mV hysteresis, C1's output goes high, enabling the oscillator, current comparator (C2) and

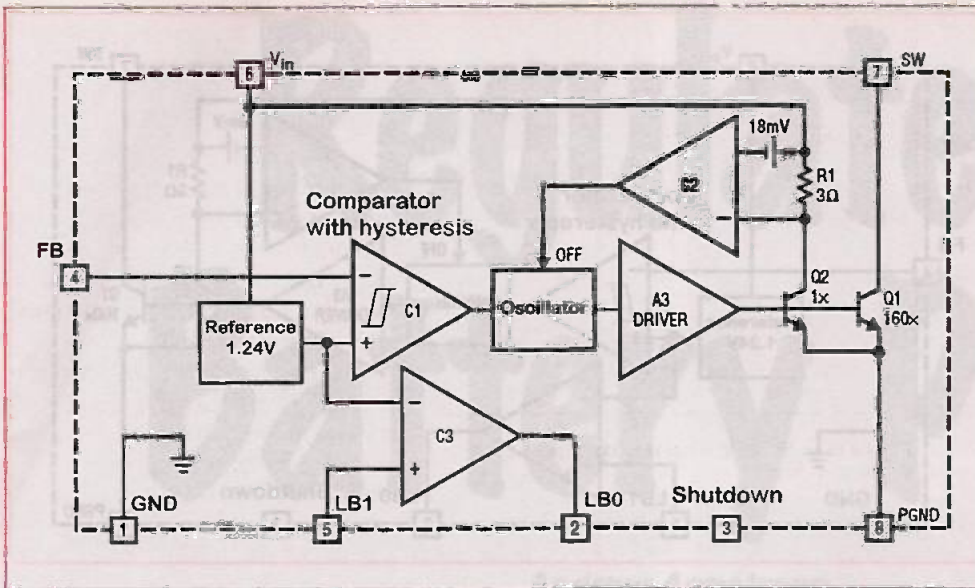


Figure 3: the switching waveform, and the ripple on the output. This is shown with the oscilloscope on AC coupled, and shows the reduction of voltage when the switching stops briefly

translates to around 60mV on the 12V output.

However, if extremely low output ripple is needed, the inductance of L3 can be increased (at the expense of slightly increased I<sup>2</sup>R loss due to its higher resistance), and an electrolytic capacitor in the circuit powered by this supply can then reduce the ripple to extremely low levels while permitting the necessary ripple on C4 and C5.

If switch current reaches 1A, causing Q2 to trip, switch on-time is reduced and off-time increases slightly. This allows continuous operation during bursts. Comparator 2 monitors the voltage across

driver A3. Quiescent current increases to 2mA as the device goes into active switching mode. Q1 then turns on in controlled saturation for nominally 6us or until current comparator 2 trips, whichever comes first. The switch then turns off for approximately 1.5us, then turns on again.

The LT1303's switching causes current to alternately build up in the inductor (L2 on the schematic) and feed into output capacitor C4 in parallel with C5 via DI, increasing the output voltage. When the output is high enough to cause comparator 1 output to go high, switching action ceases. The output capacitors supply current to the load until the output voltage decreases enough to force the output of comparator 1 high, and the entire cycle repeats. **Figure 3** illustrates the effect of this on the output voltage.

The extra filtering in this circuit makes the ripple almost sinusoidal, although there is significant harmonic energy present on the top of C4 and C5. It also makes it possible to reduce the output ripple more than would otherwise be possible. Here is the reason: The hysteresis of the first comparator guarantees that there will be a ripple of 6mV at the feedback pin, at the lower, burst frequency. This

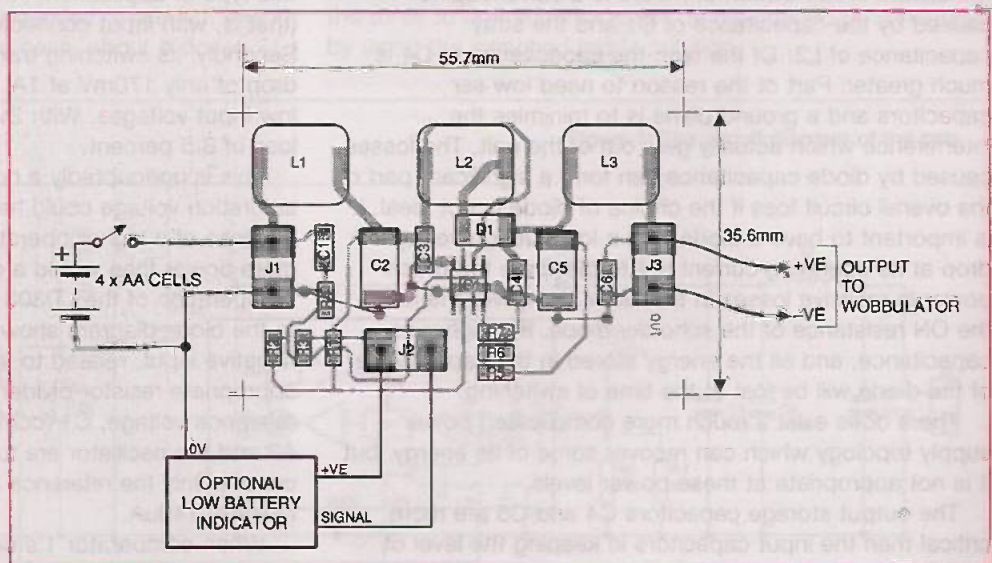
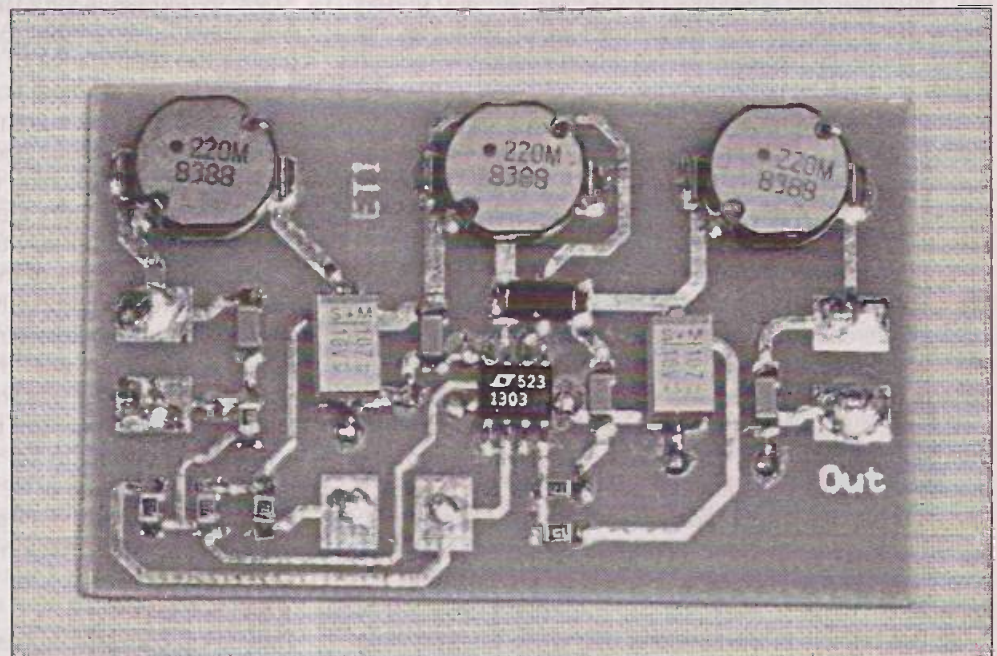


Figure 4: PCB component placement diagram.

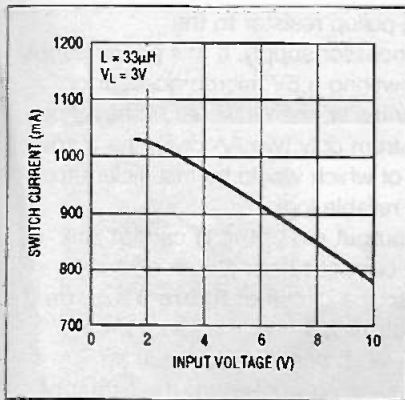


Figure 5: Typical switching current limit plotted against voltage supply

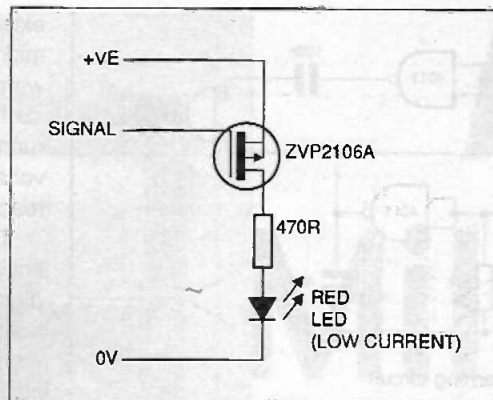


Figure 6: optional low battery voltage led warning indicator

3R resistor which is directly related to the switch current. Q2's collector current is set by the emitter-area ratio to 0.6 percent of Q1's collector current.

When R1's voltage drop exceeds 18mV, corresponding to 1A switch current, comparator 2's output goes high, truncating the on time portion of the oscillator cycle and increasing off-time. This method of measuring an accurate proportion of the total current is only possible if the two transistors are made on the same substrate, so this sort of technique is not possible with separate discrete semiconductors. Note, however, that power mosfets with two source connections, one passing most of the current and one passing a small proportion, are made for this sort of use.

### Assembly

The component layout and wiring is shown in figure 4. This circuit has all connection except for some of the ground tracks on the top side. It is intended that a ground plane be used on the underside to maximise the efficiency and minimise radiated interference. Before fitting any components, the eight circular pads with holes in them should be linked to the groundplane using thin tinned copper wire.

If only a single sided pcb is available, then a good substitute is to use a piece of self-adhesive copper tape, or failing that a thick piece of tinned copper wire on the underside of the pcb, then use the thinner tinned copper wire to link this to the ground pads.

There is more than one approach to surface mount assembly by hand. Some people advocate the use of solder paste. To use this, you apply paste to the pads, then position the components, The paste is sticky enough to hold the components in place, and they can be soldered using a hot air gun or a small soldering iron. In this latter case each component may need to be held down while being soldered. Otherwise there is a risk, particularly with the smaller components, that the surface tension of the molten solder may make them stand upright, prohibiting soldering to the other pad(s). This is commonly referred to as "tombstoning".

I have always found that approach messy, and would recommend instead that one pad from each component footprint has a small blob of solder attached to it, applying heat for the minimum time necessary to achieve this so as not to burn away all the flux. Then pick up the component with a small pair of tweezers, and hold it in place while remelting the solder on to the pad. It should be possible to

produce a neat and reliable solder joint, with the component positioned correctly. Then the other connection(s) can be soldered in the normal manner.

If the first solder joint does not turn out well, it is simple to remove the solder from the pad with a piece of solder wick, or a miniature solder sucker, and make a new and better joint.

The best solder to use for the purpose is the special grade for surface mount. This is very fine gauge, and contains a tiny proportion of silver to lower the

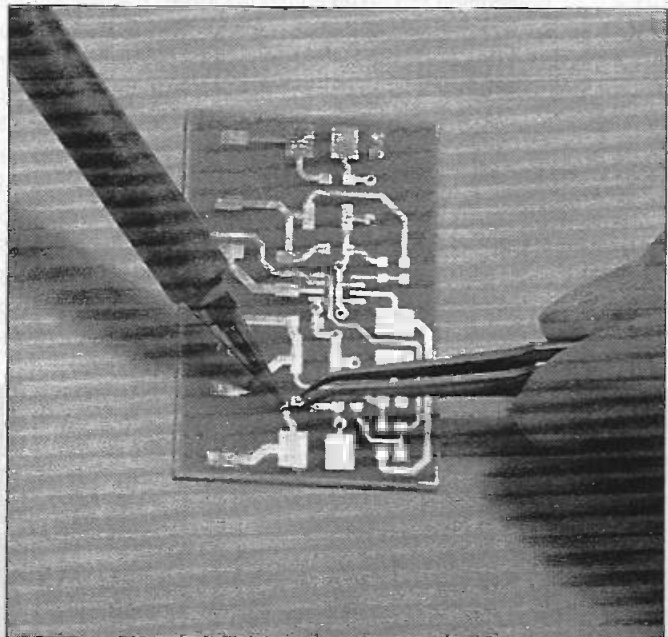
melting point below that of ordinary solder. However, ordinary solder of a fine gauge can be used successfully, with just a little more care.

### Applications

The component values used here are chosen to give a 12V output from a four-cell pack of AA cells. The circuit is suitable for a range of input and output voltages, with the change of several component values. Indeed, other projects currently at the planning stage may use this circuit as the power source.

The maximum output voltage available without damage to the ic is 25V, though prudence might dictate never exceeding 24V. The maximum input voltage is 10V, while the ic is guaranteed to operate at 1.8V. When used to convert battery supplies, between two and six alkaline cells in series may be used as the power source. If nickel cadmium cells are used, three to seven in series would be appropriate. Four cells in series gives a good supply for most purposes, whether alkaline or nickel cadmium cells are used.

The output power is limited primarily by the current limit of the switching transistors, and the input voltage. To take a simple example, if the switch limits the average input current to 500mA, and the input voltage is 6V, then the maximum output power is  $6V \times 0.5A = 3W$ , less the losses in the circuit, giving around 2.5 watts output.



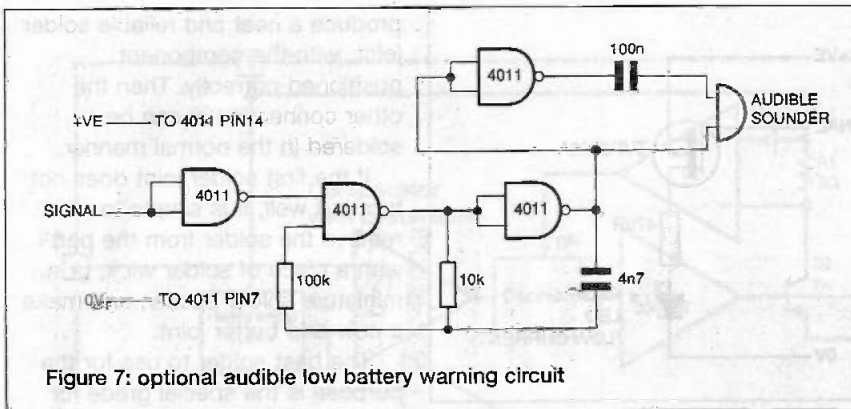


Figure 7: optional audible low battery warning circuit

The graph of typical switching transistors current limit against input voltage is shown in figure 5. This is the peak current limit, so that the average will be somewhat lower. If the average current is only 10 percent lower than the peak, then at an input voltage of 2V, the theoretical maximum input power would be 1.836W. In practice, it would probably be reasonable to expect over a watt of output at a moderate voltage stepup, and less at a higher output voltage.

The reason that the output power would be lower at a higher output voltage is that, while the switch is off and the inductor is delivering power to the load, its current will decline more rapidly if the load voltage is higher. This will increase the ripple current, thus lowering the average current and hence lowering the input power.

On equipment which is dual powered, battery or mains adaptor powered, this circuit can be very useful. So long as the mains adaptor supplies enough power to make the unit work at sufficient voltage for the power throughput demanded, and does not exceed the required output voltage, then an unregulated supply can be used for equipment needing to run from a regulated voltage.

Table 1 shows component values and suggested battery configurations for a range of voltages up to 15V. If higher output voltages are needed, then C5 must be replaced with a component having a higher voltage rating.

Nominal Voltage	R5	R6	R7
15V	100k	10k	100k
12V	100k	12k	270k
9V	47k	8.2k	82k
6V	39k	10k	N/A
5V	47k	18k	100k

Table 1: resistor values for different output voltages

There is a low battery output on this unit. It would be suitable for use as a warning input to a microprocessor, to give adequate warning of power failure. In this application, it might be necessary to increase the value of R1 and use an

external pullup resistor to the microprocessor supply. If this power supply were powering a 5V microprocessor or microcontroller, then it would probably be running from only two AA cells, the output voltage of which would be insufficient to reach a reliable logic 1.

The output pin of the ic cannot sink enough current to run a light emitting diode, so the circuit of figure 6 may be used externally to drive a low current warning led if one is required. If an audible warning is needed, the circuit of figure 7 will be suitable.

The prototype pcb was tested, and the following figures were measured:

	Input	Output
V	5.94	11.32
I	245mA	111.9mA
Watts	1.455	1.267

This gives an efficiency of 87 percent.

PARTS LIST

**Resistors: all 0805 5% unless otherwise stated**

R1, R5	100k (Electromail 137-449)
R2	1M (Electromail 137-562)
R3	22k (Electromail 137-360)
R4	10k (Electromail 137-326)
R6	12k (Electromail 137-332)
R7	270k (Electromail 137-499)

**Capacitors**

C1, C3, C4, C6	100nF 1206 case, X7R dielectric (Electromail 264-4179 or 211-3401)
C2, C5	100uF low ESR tantalum X-case capacitor (Electromail 238-9210)

**Semiconductors**

D1	RB160L-40 Schottky diode (Electromail 263-6869)
IC1	LT1303CS8 dc-dc converter ic (Electromail 197-1874)

**Miscellaneous**

L1, L2, L3	22uH inductors (Electromail 278-7917)
------------	---------------------------------------

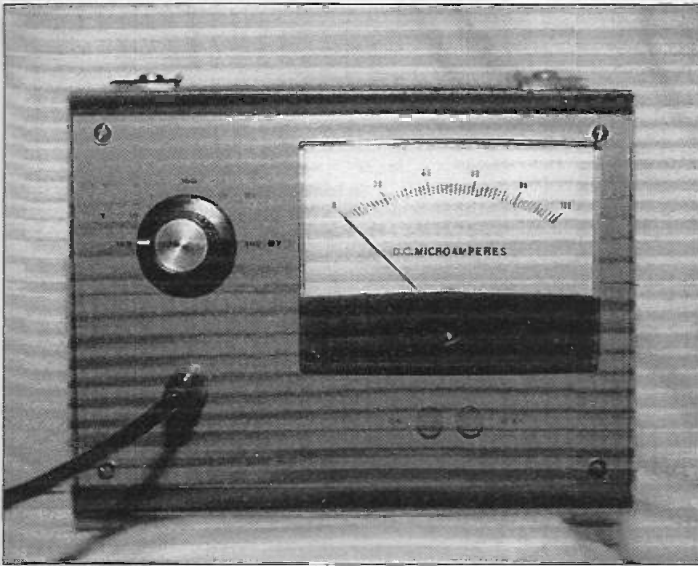
Battery holder for 4 AA cells (e.g. Electromail 494-628)

# TELL THEM YOU SAW IT HERE...

Readers: Please mention **ETI** when replying to advertisements



To advertise in ETI, call Mark Colyer on 01322 660070



# Audio Millivolt Meter

**An audio millivoltmeter is designed to read AC signals accurately over the audio range. This six-range millivolt meter also reads up to 50kHz.**

**Tony Sercombe**

**A** millivolt meter is a useful piece of equipment to have in the workroom, particularly if you are dealing with very low levels of AC at audio frequencies and above. Such instruments are expensive and may be hard to justify in many cases. Commercial meters also have some facilities that you may not require very often. An alternative is to construct your own. If some limitations in terms of ultra precise accuracy and the number of facilities are accepted, a useful instrument can be constructed, that with care should give you years of service.

## Description

As will be seen in **figure 1**, the circuit consists of an fairly wide band amplifier, preceded by a high impedance buffer, followed by a full wave bridge rectifier, and powered by the usual split supply.

The prototype has six ranges from 1 millivolt to 100 volts, in step multiples of x10. The response is flat to 50kHz, the limit of the test generator, and the input impedance is almost 20M. There is a separate on/off switch and battery test switch. The signal to be measured is fed via a 56nF capacitor to the top of the resistor chain. The signal is tapped off at six points on the divider chain by the wiper of the range selector switch. The first ic stage uses a TL071 which is connected as a high impedance buffer amplifier, which has unity voltage gain. However, the input impedance of this stage is very high and is quoted as 1 tera-ohm, or one million megohms. The total resistance of the chain is 19.99M. This resistance in parallel with the input gives, for practical purposes, the same 19.99 megohms input resistance. If 1 percent tolerance resistors are used for the chain, then the total tolerance will be within 1 percent. The resistors I have used throughout the circuit are from the Maplin High Stability 0.6W range.

The next part of the circuit is an amplifier with a gain of 40 dB, or x100. In fact, the gain is x101, which is the result of working out  $R1+R2/R1$ . It uses the CA3130 ic. This is required to obtain sufficient bandwidth at this gain. The ic is not

compensated, and in some examples of the circuit it may need a compensation capacitor between pins 1 and 8. In the prototype a 2.2pF capacitor was fitted, and as previously stated the response was flat to 50kHz. This may perhaps be regarded as optional, and in the prototype was fitted under the board, directly to the pins of the ic socket, to minimise lead length. The stage has basic supply decoupling.

The final ic is a TL071, also connected in the non-inverting mode. It has pre-set variable gain to adjust the calibration, and drives a full wave bridge rectifier, which, together with two protection diodes, feeds the meter. Offset nulling is required here, and is provided by the preset control RV2. This stage has basic supply decoupling also.

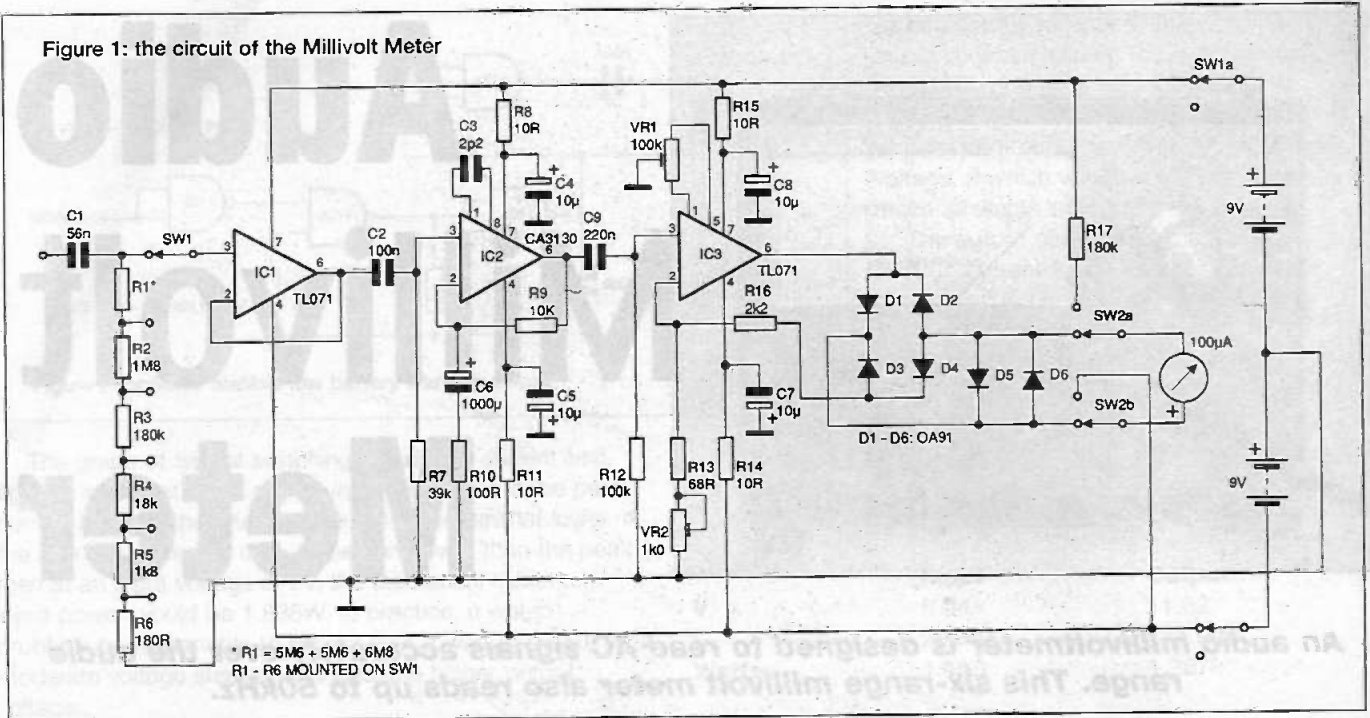
A metal case must be used to house the meter, otherwise extraneous electrical noise will severely interfere with readings. For the same reason, the switch needed separate screening in the prototype. Because of this sensitivity to electrical interference, a mains supply unit was not considered. Generally a supply of this type is more economical in the long term than battery power. However the problems encountered in this case would be very considerable, as the best of transformers must leak some flux, and this alone would be enough to upset readings, and it is not envisaged the unit will be left switched on for long periods anyway. If required, a self-contained 3mm flashing led could be fitted to the front panel to give a visual indication of ON status, while going some way to conserving power. However it should be well decoupled close to the panel, and supplied from the total battery voltage using the appropriate value of decoupling resistor.

## Construction

The component layout is shown in **figure 2**. Once the passive components and ic sockets have been fitted to the board, it should be checked for any mistakes in soldering, track breaks etc. The ics may now be inserted into their sockets. Do not use anything made of metal to insert IC2. A piece of card or plastic or even a thumbnail is best for this.

It will be easiest to assemble the front panel parts first. Drill

Figure 1: the circuit of the Millivolt Meter



and fit the meter movement, the switches and BNC socket first of all. The switch assembly must now be made. The input resistors are mounted on the switch by their leads, and are small and light enough to be self-supporting. A 12-way switch is used, and stopped off at 6 ways; the spare tags may be used to support the resistors where more than two are fitted between ranges. Keep them in an upright position as far as possible.

Next, you need to make a screening sleeve. Most model shops sell tin or brass sheet in thicknesses of a few thousandths of an inch. This may be turned into a sleeve and spot soldered three or four times along the seam. A piece of paper or plastic sheet can be used as a lining to prevent shorts, and the top bent over and soldered. When the switch is fixed to the front panel and the 56nF capacitor wired from the BNC socket and the screened input cable attached, the sleeve may be pushed over the assembly and spot glued at its bottom edge with epoxy resin. Take care that the resistor wiring is correct before fitting the sleeve. Next, put the PCB in its intended case so that the track is close to the metal floor, and wire up the rest of the connections. At this point a tag

should be fitted somewhere close by, and all separate pieces of the case wired to it, including the zero volt track on the PCB. The BNC earth return and front panel can share the input cable screen. Do not fix the PCB down permanently just yet, in case a 2.2pF capacitor needs to be fitted to IC2

### Calibration and use

When all external connections have been checked, power may be applied. Firstly, set the range selector to 100V. Put a temporary short across the input of IC2 to ground. Next, put the meter in its intended operating position and check that the pointer is at zero. If not, adjust carefully with the set-screw on the front panel. Switch on and note the meter movement. In all probability the pointer will swing hard over to the end stop. In any event it will leave the zero mark. This is corrected by adjustment of the offset null via RV2. An insulated trimming tool should be used for this. It will be found that precise adjustment is a little tricky, and once the approximate point has been reached, a very small movement is all that is needed to bring the pointer to zero once more.

Switch off and remove the short. An input signal of about

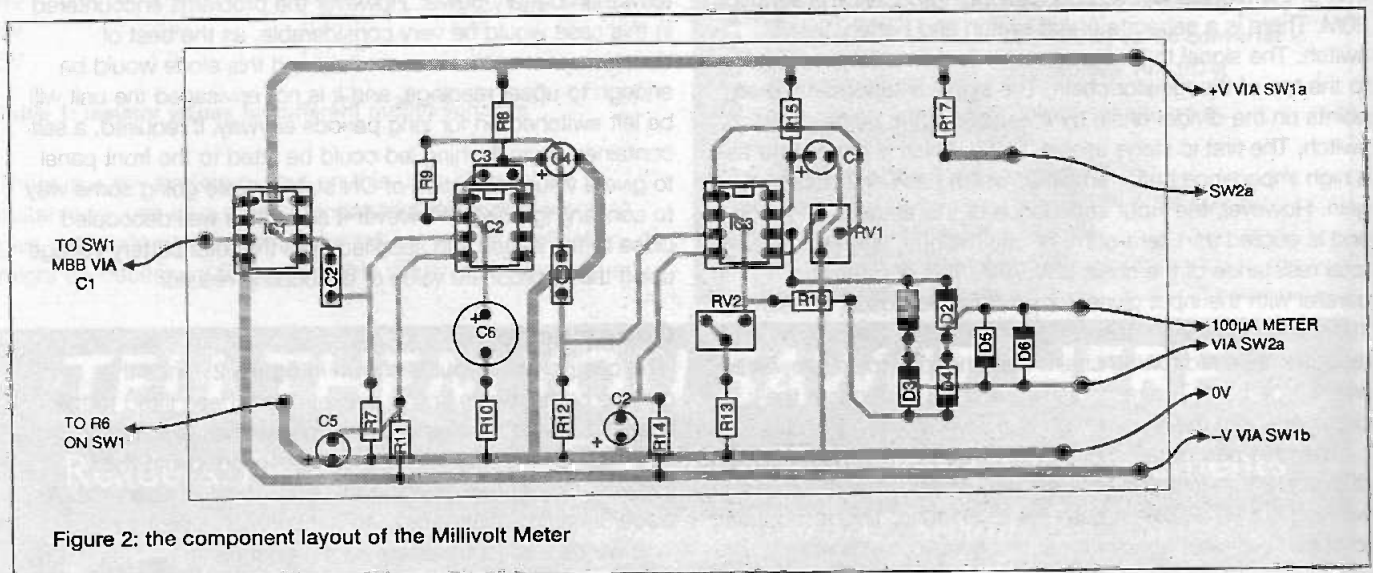
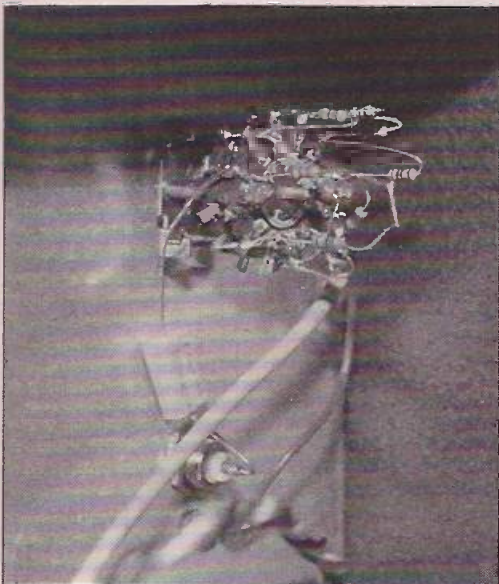
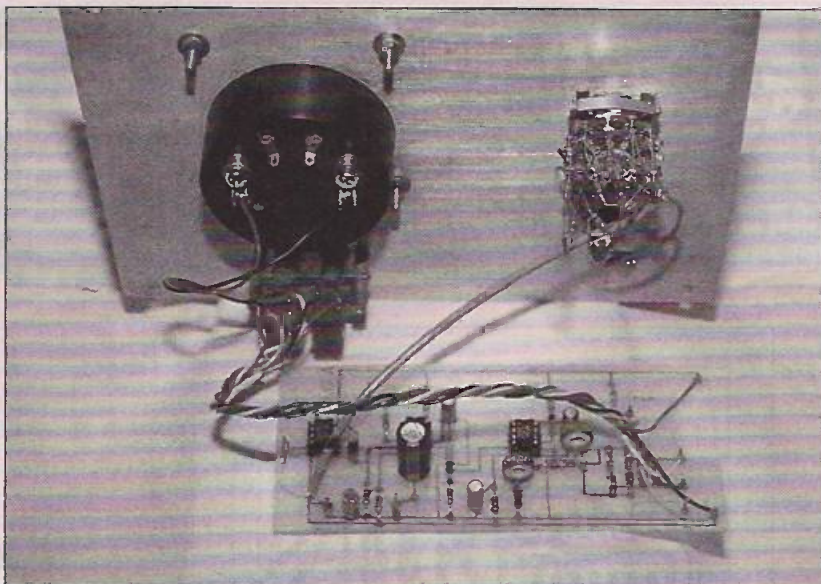


Figure 2: the component layout of the Millivolt Meter





The resistor assembly on SW2



The board wired up to the front panel furniture

1kHz needs to be applied at somewhere near the maximum level of one of the ranges. This will then take into account the 2-3 percent accuracy of the meter. This degree of accuracy is usual for analogue meters. A signal generator is ideal for this purpose, and another meter is also required. If these are unavailable, perhaps a local technical college or a colleague may be able to help.

Set a voltage up, say 9 volts on the reference meter, and carefully adjust RVI to obtain the same reading. The above procedure may be repeated to get the best accuracy. When set, the presets can be locked with a drop of paint if the construction of the preset permits this.

If the meter should exhibit any unexpected movements, or swing over to maximum on some ranges, the 2.2pF capacitor should be connected directly to the pins of the socket, under the PCB. Do not use a capacitance of much more than this, as it will curtail the high frequency performance. The case can now be fully assembled. It will be noticed that when the assembly is complete. If the crocodile clips at the end of the test lead are left floating, arbitrary readings will be seen on the more sensitive ranges. This is normal for such a high impedance and sensitivity, and is simply electromagnetic noise. In use, this will be masked by the voltage being measured. When measuring an unknown voltage always start with the range switch set to the 100 volt range, and decrease as necessary. Although the movement is diode-protected, and in fact will stand a fair degree of overload for short periods, this should not be relied upon totally. As a final point, the battery test switch should give a reading of almost full scale with fresh batteries. When this has fallen to 60 on the scale, both batteries should be replaced. A red line or mark could be drawn on the scale to mark this point, but great care would be needed so as not to cause damage to the movement.

**PARTS LIST** for the Millivolt Meter

**Resistors**

All resistors Maplin "M" range

R1	5M6+5M6+6M8
R2	1M8
R3	180k
R4	18k
R5	1k8
R6	180R
R7	39k
R8	10R
R9	10k
R10	100R
R11	10R
R12	100k
R13	68R
R14	10R
R15	10R
R16	2k2
R17	180k
RVI	100k
RV2	1k0

**Capacitors**

C1	56nF
C2	100nF
C3	2p2 (if required)
C4,C5,C7,C8	10uF
C6	1000uF
C9	220nF


**Semiconductors**

C2	CA3130
D1-D6	0A91

**Miscellaneous**

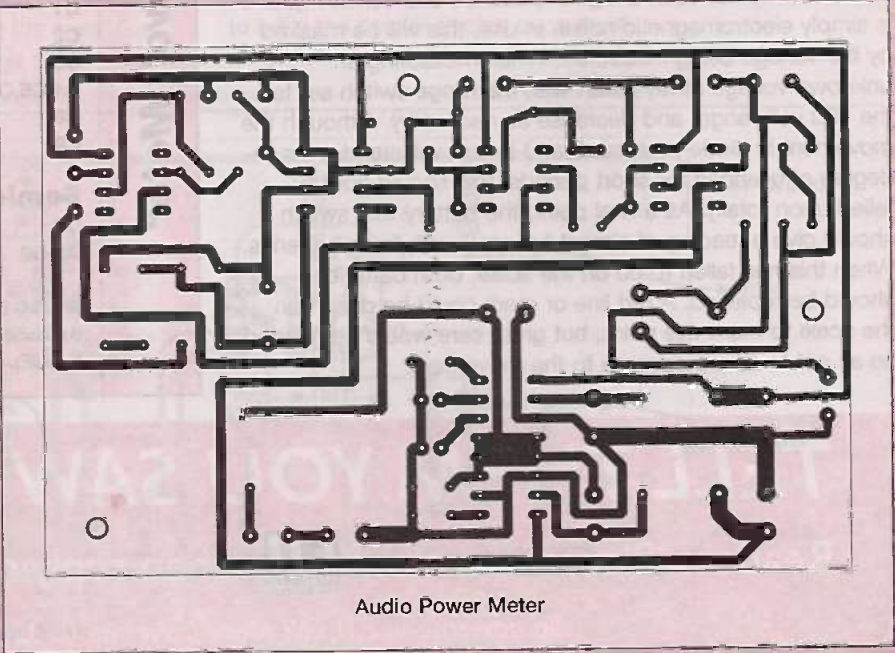
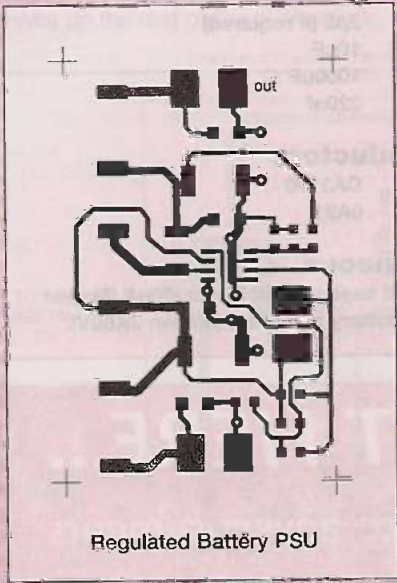
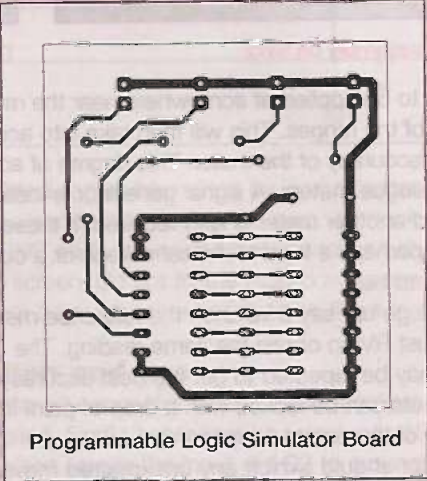
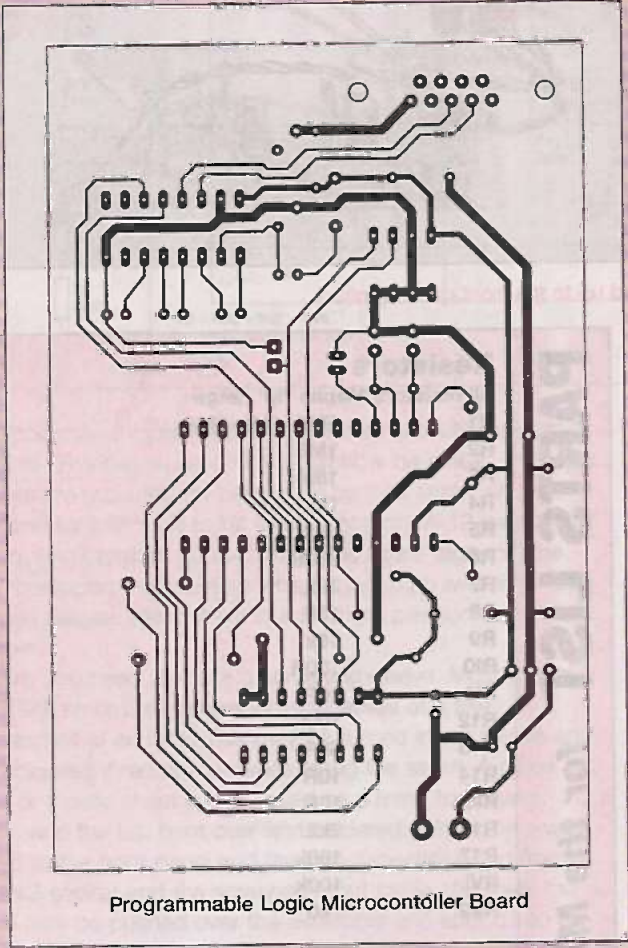
Switches and case to suit. Meter 100uA (Maplin YJ96E). 2 x battery holders 2 (Maplin JK6SV).

**TELL THEM YOU SAW IT HERE...**

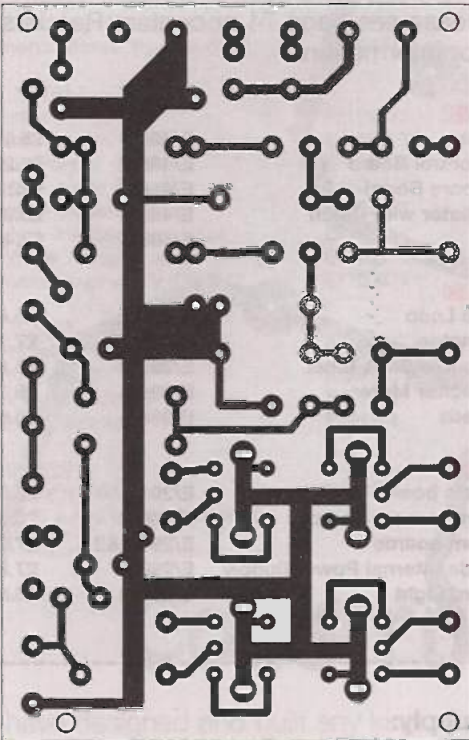
Readers: Please mention  when replying to advertisements

To advertise in ETI, call Mark Colyer on 01322 660070

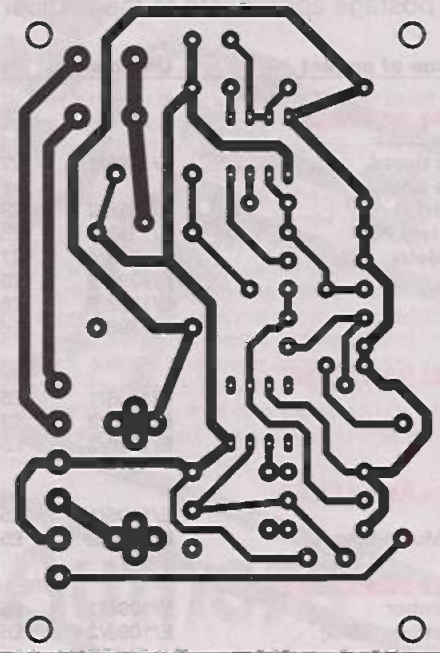
# FOILS FOR THIS ISSUE



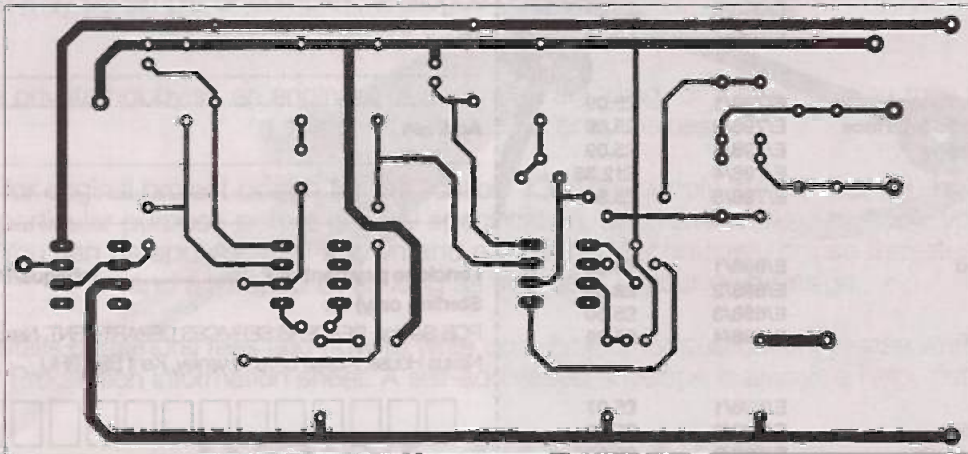
# FOILS FOR THIS ISSUE



Wobbulator



Car Vigilante



Millivolt Meter

ETI can supply printed circuit boards for most of our current projects - see the list below for boards available. For recent boards not listed, check the constructional article for an alternative supplier.

Please use this order form or a copy of it. Check that all relevant information is filled in, including the Unit Order Code, and that you have signed the form if sending a credit card number. Overseas customers please add postage appropriate to the number of

units you are ordering. Make cheques/POs/money orders, in £ sterling only, payable to Nexus Special Interest Limited. Please allow 28 days for delivery. Access/Visa orders may be made on 01442 266551 (ask for Readers Services).

Only boards listed here are available from our PCB Service. For past issues of magazines, or binders, please see page 74 or contact Readers Services for information.

Name and issue of project	Unit code	Price
<b>ETI PCB Service Issue 13-1998</b>		
Programmable Logic Microcontroller Board	E/1398/1	£7.32
Programmable Logic Simulator Board	E/1398/2	£5.09
Regulated Battery PSU	E/1398/3	£5.09
Audio Power Meter	E/1398/4	£7.32
Car Vigilante	E/1398/5	£5.64
Millivolt Meter	E/1398/6	£6.77
Wobblulator	E/1398/7	£6.22
<b>ETI PCB Service Issue 12 1998</b>		
Beerstat	E/1298/1	£5.09
Fishbiter	E/1298/2	£5.09
Smooth Fuzz	E/1298/3	£5.09
<b>ETI PCB Service Issue 11 1998</b>		
Loop Alarm	E/1198/1	£5.09
Ricky Sound (Music Lovers)	E/1198/2	£5.09
<b>ETI PCB Service Issue 10 1998</b>		
Ionisation Chamber	E/1098/1	£5.09
Ionisation Chamber (SMD)	E/1098/2	£5.09
PIC Development Board: see also issue 6	E/698/1	below.
<b>ETI PCB Service Issue 9 1998</b>		
Q Meter	E/998/2	£5.09
Bath Duck	E/998/3	£5.09
<b>ETI PCB Service Issue 8 1998</b>		
PIC Electronics Security Switch	E/898/1	£5.09
PIC Multiplexed LED Display	E/898/2	£5.09
PIC Non-multiplexed LED Display	E/898/3	£5.09
Easy Parker	E/898/4	£6.77
Tiny Traffic Lights	E/898/5	£5.09
Q Meter	E/898/6	£5.09
Bath Duck	E/898/7	£5.50
<b>ETI Issue 7 1998</b>		
PIC 16C74 Development Board	E/798/1	£5.09
Surface Mount Diagnostic Interface	E/798/2	£5.09
Surface Mount Logic Probe	E/798/3	£5.09
Mains Monitor	E/798/4	£12.33
Aquaprobe	E/798/5	£5.50
<b>ETI Issue 6 1998</b>		
PIC Development Board	E/698/1	£5.50
Signal Generator	E/698/2	£8.99
Headlight Delay Unit	E/698/3	£5.50
6-Interval Games Timer	E/698/4	£5.09
<b>ETI Issue 5 1998</b>		
UHF Transmitter (DS)	E/598/1	£5.07
UHF Transmitter Encoder	E/598/2	£5.09
UHF Receiver Front End (DS)	E/598/3	£5.07
UHF Receiver IF stage (DS)	E/598/4	£5.07
Fridge Thermometer	E/598/5	£5.50
AVR Controller	E/598/6	£5.50
27C16 Eprom Programmer	E/598/7	£7.87
Guardian Light	E/598/9	£6.22

<b>ETI Issue 4 1998</b>			
LED Voltmeter	E/498/1	£5.64	
BB Ranger Control Board	E/498/2	£6.22	
BB Ranger Score Board	E/498/3	£22.89	
Line-Up Oscillator with Glitch	E/498/4	£8.99	
Tic Tac Toe	E/498/5	£8.44	
<b>ETI Issue 3 1998</b>			
Medium Wave Loop	E/398/1	£5.64	
AA Cell Eliminator	E/398/2	£7.32	
PIC Based Double Bass Tuner	E/398/3	£5.64	
5 Range Capacitor Meter	E/398/4	£6.77	
MIDI Drum Pads	E/398/5	£5.64	

<b>ETI Issue 2 1998</b>			
Smartcam main board	E/298/1	£5.09	
Smartcam opto-sensor board	E/298/2	£5.09	
Both smartcam boards	E/298/1&2	£7.00	
Switched Mode Internal Power Supply	E/298/5	£7.87	
Auto Cupboard Light	E/298/3	£5.64	

Please supply:  
Quantity Project Unit Order Code Price Total price

Quantity	Project	Unit	Order Code	Price	Total price

Prices are inclusive of post and packing in the UK. Overseas Post and Packing (if applicable): Add £1 per unit

Name .....

Address .....

I enclose payment of £ ..... (cheque/PO/money order in £ Sterling only) to:

PCB Service, READERS SERVICES DEPARTMENT, Nexus Special Interests Ltd., Nexus House, Azalea Drive, Swanley, Kent BR8 8HU

Signature: .....

Card expiry date: .....

**ETI Issue 1 1998**

Control Centre Desk-Top Unit	E/0198/1	£8.99
Control Centre Main Section	E/0198/2	£7.87

**ETI Issue 13 1997**

4-Go Rocket Launcher - main board	E/1397/1	£5.64
4-Go Rocket Launcher - relay board	E/1397/2	£6.22
Mighty Midget	E/1397/3	£9.54

**ETI Issue 12 1997**

PC Phonecard Reader: ITT Cannon only	E/1297/1	£6.22
Minute Minder	E/1297/2	£13.98
Medium Wave Receiver - RF board	E/1297/3	£11.76
Medium Wave Receiver - Tuning board	E/1297/4	£5.09
Medium Wave Receiver - Audio board	E/1297/5	£5.09
Medium Wave Receiver - PSU board	E/1297/6	£6.77

**ETI Issue 11 1997**

Total Harmonic Distortion Meter	E/1197/1	£13.43
Alphanumeric Morse Touchkey	E/1197/2	£5.09

**ETI Issue 10 1997**

The IQ Tester	E/1097/1	£5.64
Fake Flasher	E/1097/2	£5.09
DC Motors (Part 2)	E/1097/3	£6.77
Valve Tester - Main Board	E/1097/4	£21.22
Valve Tester - Socket Board	E/1097/5	£5.09
Valve Tester - Heater Regulator	E/1097/6	£5.09
All three Valve Tester boards	E/1097/4/5/6	£30.30
The IQ Tester (previously E/897/2)	E/1097/7	£5.64

**ETI Issue 9 1997**

Eprom Emulator	E/997/1	£16.49
The Power Supply	E/997/2	£5.09
Electronic Door Chimes	E/997/3	£5.09
Digital Power Supply	E/997/4	£10.11

**ETI Issue 8 1997**

The Brake Light Tester	E/897/1	£5.09
------------------------	---------	-------

DC Motors (3 experimental boards)

DC Motors: The first Control Unit	E/897/3	£5.09
DC Motors: The 4046 Circuit	E/897/4	£5.09
DC Motors: The Crystal Drive Circuit	E/897/5	£5.09
All three DC Motors boards	E/897/3/4/5	£11.50

**ETI Issue 7 1997**

Eprommer: main board (double sided)	E797/1	£13.32
Eprommer: PSU board	E797/2	£5.64
Eprommer: personality modules (double sided):	E797/3	
Any ONE module board: £5.09; two modules: £7.90; three modules: £11.85; four modules: £15.80; five modules: £19.75; All six modules: £23.70		

Please specify which Eprom modules you require. Modules are for 2716, 2732, 2764, 27128, 27256 or 27512. One order code/overseas postal charge applies whether a selection or all six personality module boards are ordered.

Are Your Lights On?	E/797/4	£5.09
Peak Reading VU Meter	E/797/5	£5.09

**Terms of trade**

Terms strictly payment with order. We cannot supply credit orders, but will supply a proforma invoice if requested. Proforma orders will not be processed until payment is received. All boards are manufactured from the foils that appear in the ETI Foils Pages for the appropriate issue. Please check that our foils are suitable for the component packages you intend to use before ordering as we cannot supply modified boards or replace boards that have been modified or soldered. Boards are only supplied in the listed units. Sorry, we cannot break units. Prices and stock may be altered without prior notice. Prices and stock listed in this issue supersede prices and stock appearing in any previous issue. ETI, Nexus Special Interests and their representatives shall not be liable for any loss or damage suffered howsoever arising out of or in connection with the supply of printed circuit boards or other goods or services by ETI, Nexus Special Interests or their representatives other than to supply goods or services offered or refund the purchaser any money paid in respect of goods not supplied.

# Construction Authors

If you have designed and built any kind of electronics gadget for yourself, your home, your friends or your business, it may be suitable for publication in ETI.

## Read on!

You may have a one-off project you would like to share; you may be a regular constructor with a new design you are especially pleased with, or you may be a pro designer trying out ideas and looking for feedback.

Your ideas may be simple or complex, analogue or digital, computer-related or rooted in tradition, elaborately cased or (in some cases) not cased at all.

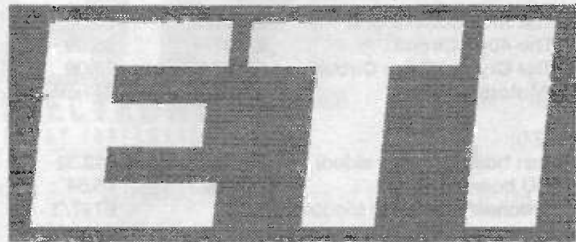
You may be a private hobbyist, an engineer of advanced standing, or a student. You may be yourself and a soldering iron, a club or a business.

ETI is looking for original project design for publication. 'Original' simply means that you have designed the project for a particular purpose or to a general specification, and have worked out how you want to do it for yourself. You can be applying well-known and established techniques, or use the latest components and applications, as long as the result is your own design.

For further details of authors' fees and how to write up a project for publication, please write to ETI for our Potted Project Production information sheet. A self-addressed envelope is always a help, but not a necessity.

## WRITE FOR ETI!

Much as we like all mod cons, project authors do not have to produce CAD output, professionally drafted plans or Shakespearean prose. ETI's mission is to publish projects and how to articles. ETI does not buy news items from outside contributors. ETI commissions a small number of full length and short feature articles from experienced independent contributors.



# Classified



## Mark Colyer 01322 660070

Send your requirements to:  
ETI Classified Department, Nexus, Nexus House,  
Azalea Drive, Swanley, Kent BR8 8HY  
Lineage: 85p per word (+VAT) (minimum 20 words)  
Semi display: (minimum 3cms)  
£12.50 + VAT per single column centimetre



Ring for information on series bookings/discounts.  
All advertisements in this section must be pre-paid.  
Advertisements are accepted subject to the terms and conditions  
printed on the advertisement rate card (available on request).

### FOR SALE

#### VARIABLE VOLTAGE TRANSFORMERS

INPUT 220/240V AC 50/60  
OUTPUT 0-260V

	Price	P&P	
0.5KVA 2.5 amp max	£33.00	£6.00	(£45.83 inc VAT)
1KVA 5 amp max	£45.25	£7.00	(£61.39 inc VAT)

**PANEL MOUNTING**

0.5KVA 2.5 amp max	£34.00	£6.00	(£47.00 inc VAT)
1KVA 5 amp max	£46.25	£7.00	(£62.57 inc VAT)
2KVA 10 amp max	£65.00	£8.50	(£86.36 inc VAT)
3KVA 15 amp max	£86.50	£11.63	(£111.63 inc VAT)

5KVA 25 amp max £158.00 Plus Carriage & VAT  
10KVA 45 amp max £308.00 Plus Carriage & VAT  
10KVA 9 PHASE Star £295.00 Plus Carriage & VAT

Buy direct from the Importers. Keenest prices in the country

**COMPREHENSIVE RANGE OF TRANSFORMERS-LT-ISOLATION & AUTO**  
(110-240V Auto transfer either cased with American socket and main lead or open frame type. Available for immediate delivery)

**500VA ISOLATION TRANSFORMER**  
New manuf. surplus 'C' Core 'topicalised with top plate and solder connections. 0.24V AC Prim. 5-0-100-110-120V & Screen Sec. Wt 10.5K. Size: H195 x 155 x 130mm. Price £35.00. Case £7.00 (49.94 inc.)

#### RANGE OF XENON FLASH TUBES

Write/Phone your enquiries

#### ULTRA VIOLET BLACK LIGHT BLUE FLUORESCENT TUBES

4ft 40 watt £14.00 (cable only)	(£16.45 inc VAT)
2ft 20 watt £9.00 (cable only)	(£10.58 inc VAT)
12in 8 watt £4.80 + 75p p&p	(£6.52 inc VAT)
9in 6 watt £3.96 + 50p p&p	(£5.24 inc VAT)
6in 4 watt £3.96 + 50p p&p	(£5.24 inc VAT)

**230V AC BALLAST KIT**  
For either 6in, 9in or 12in tubes £8.05 - £14.40 p&p (£8.75 inc VAT)  
The above Tubes are 3500/4000 angstrom (350-400nm) ideal for detecting security markings, effects lighting & Chemical applications.  
Other Wave Lengths of U.V. TUBE available for Germicidal & Photo Sensitive applications.  
Please telephone your enquiries.



#### 400 WATT BLACK LIGHT BLUE UV LAMP

GES Mercury Vapour lamp suitable for use with a 400W P.F. Ballast  
£38.95 INCL P&P & VAT

#### 12V D.C. BILGE PUMPS

500 GPH 15ft head 3 amp £19.98  
1750 GPH 15ft head 9 amp £34.55  
Also now available 24V D.C. 1750 GPH 15ft head 5 amp £35.55.  
All designed to be used submerged. PRICES INCLUDE P&P & VAT

#### SUPER HY-LIGHT STROBE KIT

Designed for Disco, Theatrical uses etc.  
Approx. 16 joules. Adjustable speed £50.00 + £3.00 p&p (£62.28 inc VAT)  
Case and reflector £24.00 + £3.00 p&p (£31.73 inc VAT)  
SAE for further details including Hy-Light and Industrial Strobe Kits.

### SERVICE TRADING CO

57 BRIDGMAN ROAD, CHISWICK, LONDON W4 5BB  
TEL 0181-995 1560 FAX 0181-995 0549  
ACCOUNT CUSTOMERS MIN. ORDER £10



Ample Parking Space

**5KVA ISOLATION TRANSFORMER**  
As New Ex-equipment fully shrouded Line Noise Suppression. Ultra Isolation Transformer with terminal covers and Knock-out cable entries. Primary 120/240V Secondary 120/240V 50/60 Hz. .005 PF Capacitance. Size L.37 x W.19 x H.16cm Weight 42 Kilos. PRICE £120.00 +VAT  
ex-warehouse. Carriage on request.

**24V DC SIEMENS CONTACTOR**  
Type 3TH8022 DB 2 x NO and 2 x NC 230V AC 10A contacts Screw or Din Rail fixing. Size H 120 x W 45 x 0.75mm. Brand New Price £7.63 incl. P&P and VAT.

**240V AC WESTCOOL SOLENOIDS**  
TT2 Mod 1 flat. 1 Max stroke 1/4 in. Base mounting 1/2in. stroke 5lbs pull approx. TT6 Mod 1 Rat. 2 Max stroke 1/8 in. Front mounting 1/2in. Front mounting 1/2 in. stroke 15lbs pull approx. Price incl. p&p & VAT. TT2 £5.88, TT6 £8.81. SERIES 400 £7.64.

**AXIAL COOLING FAN**  
230V AC 120mm square x 38mm 3 blade 10 watt Low Noise fan. Price £7.29 incl. P&P and VAT. Other voltages and sizes available from stock. Please telephone your enquiries.

**INSTRUMENT CASE**  
Brand new Manuf. by Introl L31 x H18 x 19cm deep. Removable front and rear panel for easy assembly of components. Grey finish complete with case feet. PRICE £16.45 INCL P&P & VAT 2 off £28.20 inclusive.

**DIE CAST ALUMINIUM BOX**  
with internal PCB guides. Internal size 265 x 165 x 50mm deep. Price £9.93 incl p&p & VAT. 2 off £17.80 incl.

**230V AC SYNCHRONOUS GEARED MOTORS**  
Brand new Oval Gearbox Crouzet type motors H 85mm x W 55mm x D 35mm die shaft x 10mm long. 8 RPM anti cv 29 99 incl p&p & VAT. 20 RPM anti cv Depth 40mm £11.16 incl p&p & VAT.

**SOLID STATE EHT UNIT**  
Input 230/240V AC. Output approx 15KV. Producing 0mm spark. Built-in 10 sec timer. Easily modified for 20sec, 30 sec to continuous. Designed for boiler ignition. Dozens of uses in the field of physics and electronics, eg supplying neon or argon tubes etc. Price less case £8.50 + £2.40 p&p (£12.81 inc VAT) HMS

**EPROM ERASURE KIT**  
Build your own EPROM ERASURE for a fraction of the price of a made-up unit kit of parts less case includes 12in 8 watt 2537 Angst Tube Ballast unit, pair of bi-pin leads, neon indicator, on/off switch, safety microswitch and circuit £15.00 + £2.00 p&p (£19.98 inc VAT)

**WASHING MACHINE WATER PUMP**  
Brand new 240V AC. fan cooled. Can be used for a variety of purposes. Inlet 1/2in. outlet 1 in. dia. Price includes p&p & VAT. £11.20 each or 2 for £20.50 inclusive.

### SWC SCIENTIFIC WIRE COMPANY

ENAMELLED COPPER WIRE  
TINNED WIRE SILVER  
PLATED COPPER WIRE  
SOLDER EUREKA WIRE  
NICKEL CHROME WIRE  
BRASS WIRE LI TZ WIRE  
BIFILAR WIRE MANGANIN  
WIRE TEFEZEL WIRE NICKEL  
SAE BRINGS LIST 18 RAVEN  
RD LONDON E18 1HW  
FAX 0181 559 1114

### TRANSFORMERS

**VVT** Variable Voltage Technology Ltd

#### TRANSFORMERS

For valve and transistor circuits  
HT Filament chokes high & low voltage  
Standard and custom design  
large and small quantities  
Unit 24E, Samuel Whites Estate, Medina Road, Cowes, Isle of Wight PO31 7LP  
Tel 01983 280592 Fax 01983 280593

### SOFTWARE

#### PIC Principles software

Now available as a separate module of Electronics Principles 5.0.

Provides a thorough introduction and understanding of the PIC devices and contains a huge amount of additional information.

See inside front cover for details.

### PLANS

**ELECTRONIC PLANS**, laser designs, solar and wind generators, high voltage teslas, surveillance devices, pyrotechnics and com-puter graphics tablet. 150 projects. For catalogue, SAE to Placentre Publications, Unit 7, Old Wharf Industrial Estate, Dymock Road, Ledbury, Herefordshire, HR8 2HS.

### QUARTZ CRYSTALS

**QUARTZ CRYSTALS 100 KHz - 100 MHZ** at low cost. Full list available and technical advice. Q-Electronic Design Associates. Tel: 0181-391-0545. Fax: 0181-391-5258.

### ELECTRONIC MANUFACTURING

**EQT LTD** STEVENAGE

Professional Sub-Contract Manufacturing and Suppliers to the Electronics Industry

Phone Steve on (01438) 360406 or fax details of your requirements to us on (01438) 352742.

EQT LTD., UNIT 5, First Floor, Caxton Point, Bessmer Drive, Stevenage HERTS SG1 2XT

### PRINTED CIRCUIT BOARDS

#### PRINTED CIRCUIT BOARDS

##### DESIGNED & MANUFACTURED

- PROTOTYPE OR PRODUCTION QUANTITIES
  - FAST TURNROUND AVAILABLE
  - PCBs DESIGNED FROM CIRCUIT DIAGRAMS
  - ALMOST ALL COMPUTER FILES ACCEPTED EasyPC / Aries / VuTrax / CadStar Gerber / HPGL / IDraw and many others.
  - ASSEMBLY & TEST AVAILABLE
- TELEPHONE 01232 738897  
INTERNATIONAL +44 1232 738897
- agar** FAX - 01232 738897  
Circuits Email - agar @ argonet.co.uk  
Unit 5, East Belfast Enterprise Park, 308 Abernethy Road, Belfast, BT5 4GX

#### G.C.L. BUBBLE ETCH TANKS

MANUFACTURE, SUPPLY,  
SERVICE + REPAIR OF PRINTED  
CIRCUIT BOARD EQUIPMENT  
TEL / FAX 01388 601582

#### P.C.B. PROCESSING TANKS

- 1) DEVELOP TANK (HEATED)  
SPRAY WASH TANK  
BUBBLE ETCH TANK (HEATED)  
TIN TANK (HEATED)  
(ALL SEPARATE UNITS)
- 2) M3 PROCESSOR  
DEVELOP TANK  
SPRAY WASH TANK  
BUBBLE ETCH TANK
- 3) M4 PROCESSOR  
DEVELOP TANK  
SPRAY WASH TANK  
BUBBLE ETCH TANK  
TIN TANK

To Advertise in the next  
available issue of ETI  
call Mark Colyer  
**01322 660070**  
Remember classified get  
results fast



# CONTROL & ROBOTICS from Milford Instruments

## BASIC Stamps-

- Re-Programmable
- BASIC language
- RS232 Serial ports
- 8 or 16 I/O lines
- SPI/DTMF
- Fast development



## Scenic

- Fastest 8-bit micro
- 50MIPS
- Flash Eprom
- 18/28 pins
- PIC16C5x pin replacement



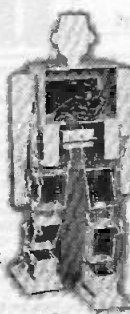
## Serial LCDs

- RS232 Serial interface
- 2x16 to 4x40
- Simple 3-pin connection
- Integral Keypad option
- Large Numerics option
- Driver chips available for OEM use



## Robotics

- Humanoid
- 5-Axis Arm
- Walking Insect



## 3-Axis Machine

- Stamp 2 based
- Drills PCBs
- 3-Axis movement
- Stepper drive
- 4 thou resolution
- Win 3.1 software

## Servo Controller

- Control up to 8 servos
- RS232 Commands



## IR Decoder

- Uses any remote
- 7 digital outputs
- Toggle/momentary
- Re-Programmable



Milford Instruments 01977 683665 www.milinst.demon.co.uk

Amiga genlock pcb (untested) for fitting videos it has a 23pin D lead to plug into the computer and pcb pins for composite video in and out. When no video input is connected the normal computer display is shown on the composite video out when the video input is added the white areas on the screen are replaced by the video image. The pcb is powered from the computer. £19.98

## WATCH SLIDES ON TV

"Liesegang diav" automatic slide viewer with built in high quality colour tv camera, composite video output with a BNC plug. In very good condition with few signs of use £108.00

Board cameras all with 512x512 pixels 4.4x2.3mm sensor with composite video out. All need to be housed in your own enclosure and have fragile exposed surface mount parts and require 10 to 12vdc power supply 47MIR size 80x36x27mm with 6 infra red leds (gives the same illumination as a small torch would) £50.00+vat = £58.75

40MP size 39x38x23mm spy camera with a fixed focus pin hole lens for hiding behind a very small hole. £57+vat = £66.98

40MC size 39x38x28mm camera for 'C' mount lens this gives a much clearer picture than the small lenses £88.75

standard 'C' mount lens F1.8 16mm for 40MC £26.43+vat = £31.06

waterproof camera with stylish tilt & swivel case £82.76 + vat = £109.00 or 10+ £89.32 + vat = £104.55

DTA30 Hand held transistor analyser it tells you which lead is the base, the collector and emitter and if it is NPN or PNP or PNP. HMA20 hand held MOSFET analyser identifies gate drain and source and if P or N channel. DTA30 & HMA20 £38.34 each DCA50 component analyser with led readout identifies transistors mosfets diodes & LEDs lead connections £69.95

Speaker cabinets 2 way speaker systems with motorola tweeters

speaker dia	15"	12"	8"
power rating	250WRMS	175WRMS	100WRMS
impedance	8ohm	8ohm	8ohm
frequency range	40hz-20khz	45hz-20khz	60hz-20khz
sensitivity (1W/1m)	97db	94db	92db
size in mm	500x720x340	450x840x345	315x450x230
weight	21.1kg	18.8kg	7.4kg
price each for black vinyl coating	£138.85	£89.99	£54.94
grey felt coating	£158.97**	£119.97**	£64.99

(\* = not normally in stock allow 1 week for delivery)

Power amplifiers 19" rack mount with gain controls  
 STA150 2x160Wrms (40hm load) 14kg £202.11  
 STA300 2x190Wrms (40hm load) 11kg £339.00  
 STA900 2x490Wrms (40hm load) 15kg £585.00

LEDs 3mm or 5mm red or green .7p each yellow 11p each cable test 1p each £5.95 per 1000 £49.50 per 10,000

Rechargeable Batteries  
 AA(HF7) 500mAh £0.99  
 AA 500mAh with solder tag £1.55  
 AA 950mAh £1.75  
 C(HP11) 1.2AH £2.20  
 C 2AH with solder tags £3.80  
 D(HP2) 1.2AH £2.60  
 D 4AH with solder tags £4.95  
 PPS 8 4V 110mAh £4.95  
 1/2AA with solder tags £1.55

Sub C with solder tags £2.50  
 AAA (HF16) 180mAh £1.75  
 1/3 AA with tags (phipaCTV) £1.95

Nickel Metal Hydride AA cells high capacity with no memory. If charged at 100ma and discharged at 250ma or less a 1300mAh capacity (lower capacity for high discharge rates) £2.95

Special offers please check for availability  
 stick of 4 42 x 16mm nicad batteries 171mm16mm dia with red & black leads 4.8v £3.95  
 5 button call 6V 280mAh battery with wires (Varta 5x2500K) £2.45

Orbital 868 battery pack 12v 1.60AH contains 10 sub C cells with solder tags the size most commonly used in cordless screwdrivers and drills 22 dia x 42mm tall it is easy to crack open and have fragile exposed surface mount parts and requires 10 to 12vdc power supply 47MIR size 80x36x27mm per box of 14BCI box 190x106x50mm with slots for a pcb the lid contains an edge connector (12 way 8mm pitch) and screw terminals to connect in wires and 5 side in cable blank. £2.95

GAAS FET low leakage current S8873 £12.95 each £9.95 10+ 7.95 100+BC547A transistor 20 for £1.00

SL952 UHF limiting amplifier LC 16 surface mounting package with data sheet £1.95

DC-DC converter Reliability model V12PS 12v in 5v 200ma out 300v input to output isolation with data £4.95 each or 10 £49.50

Alpax AB2903-C large stepping motor 14v 7.5' step 27ohm 68mm dia body 6.3mm shaft £8.95 or £200.00 for a box of 30

Polyester capacitors box type 22.5mm lead pitch 0.9v 250vdc 15p each 14p 100+ 9p 1000+1uf 250Vdc 20p each 15p 100+ 10p 1000+Polypropylene 1uf 400Vdc (Wima MHP10) 27.5mm pitch 32x29x7mm case 75p each 50p 100+Philips 123 series solid aluminum axial leads 33uf 10v & 2.2uf 40v 40p each, 25p 100+ Solid carbon resistors very low inductance ideal for RF circuits 27ohm 2W, 68ohm 2W 25p each 15p each 100+ we have a range of 0.25w 0.5w 1w and 2w solid carbon resistors please send SAE for list MX180

Digital multimeter 17 ranges 1000Vdc 750Vac 2Mohm 200mA transistor Hfe 9v and 1.5v battery test £2.95 Hand held ultrasonic remote control £3.95

CV2498 gas relay 30 x 10mm dia with 3 wire terminals will also work as a neon light 20p each or £8.50 per 100 VartaBm 3R00NH Streamer tape commonly used on nc machines and printing presses etc. It looks like a normal cassette with a slot out out of the top £4.95 each (£3.75 100+)

Heatshank compound tube £0.35 HV3-2405-ES 5-24v 50mA regulator in 18-254vac input 8 pin DIL package £3.49 each (100+ 2.25)

all products advertised are new and unused unless otherwise stated wide range of CMOS TTL 74HC 74F Linear Transistors lots rechargeable batteries capacitors tools etc always in stock Please add £1.95 towards P&P (orders from the Scottish Highlands, Northern Ireland Isle of Man, Isle of Wight and overseas may be subject to higher P&P for heavy items).

vat included in all prices

JPG Electronics 276-278 Chatsworth Road Chesterfield S40 2BH

Mastercard/Visa Orders (01246) 211202 fax 550959 callers welcome 9-30am to 5-30pm Monday to Saturday

## JPG ELECTRONICS

E 11 276-278 Chatsworth Road:

Chesterfield S40 2BH

Access Visa Orders (01246) 211202 fax 550959 Callers Welcome 9 30am-5 30pm Monday-Saturday

## EQT LTD STEVENAGE

Second hand data books available - please fax details of your requirements to us.

### Professional Sub-Contract Manufacturing & Suppliers to the Electronics Industry

Do you have a requirement for any of the following services:

- |   |                                      |
|---|--------------------------------------|
| PCB Assembly (Conventional and Surface Mount)                 | Product Design/Consultation          |
| Wave & Hand Soldering   | Full Procurement Service             |
| Complete Equipment Manufacture                                | PCB Test & "Burn in" Facilities      |
| Device Programming from hand written sheets or PC 3 1/2" disc | Enclosure Design & Manufacture       |
| Cable Harness Assembly/loom Manufacture                       | PCB Artwork Manufacture              |
| Card Cage and Module Wiring                                   | Circuits Drawn Professionally        |
| Full Inspection   | Kit Procurement & Supply             |
|   | Component Sales                      |
|   | Refurbishment a speciality           |
|   | Top Quality Work at Reasonable Rates |

Phone Steve on (01438) 360406 or fax details of your requirements to us on (01438) 352742

EQT LTD, UNIT 5, First Floor, Caxton Point, Bessemer Drive, Stevenage HERTS SG1 2XT

## WAUGH INSTRUMENTS LTD

REPAIR & RECALIBRATE  
 OSCILLOSCOPES  
 ALL MAKES AND MODELS  
 NATIONWIDE  
 COLLECTION & DELIVERY

FREE ESTIMATES

Llangollen, Clwyd, N. Wales LL20 7PB

PHONE: 01691 718597

## ADVERTISERS INDEX

Agar	70
Babcock International	17
Chelmer Valves	25
Crownhill Associates	32
Display Electronics	8
Electromail	IBC
EPT Educational Software	IFC
EQT	72
Forest Electronics	21
GCL Bubble Etch Tanks	70
JJ Components	37
JPG	72
Labcentre	43
Leading Edge Technology	39
Milford Instruments	72
NCT	37
No Nuts	37
Plancentre	70
Q-Electronic Design	70
Scientific Wire Co	70
Squires	25
Stewart of Reading	21
Swift Eurotech	IBC
Telnet	IBC
Variable Voltage Technology	70
Waugh Industries	72



# PRACTICALLY SPEAKING

By Terry Balbirnie

**L**ast month in *Practically Speaking*, I looked at the magnetic reed switch and how it may be made to work using a permanent magnet. This month I shall continue by describing seeing how a reed switch can be operated by an electric current.

## All wound up

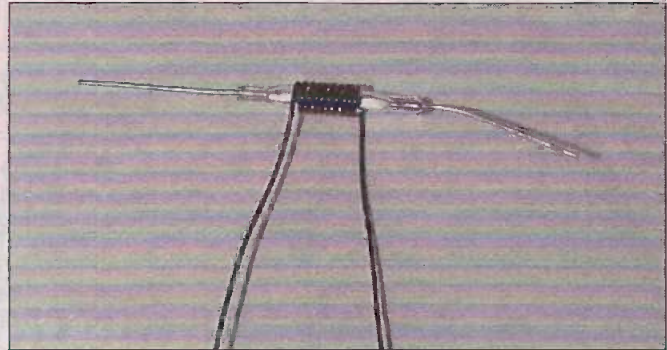
A reed switch will respond to a magnetic field produced electrically. This may be done by winding a coil of insulated wire around its body and passing a current through it (as shown in the photograph). The effect is the same as if a permanent magnet had been used. Enamelled copper wire is usually used, although the ordinary plastic insulated variety will do for experimental purposes. Note that the sense of magnetisation of the reeds will depend on the direction of the current and the direction in which the turns are wound. For most purposes this does not matter because the reed ends will always take up opposite poles and therefore attract.

For the circuit designer, this idea gives a rough and ready way of indicating when current rises above a certain value. It could be used to give an audible warning if a battery was short-circuited, for example. The current needed to close the contacts depends on the pull-in sensitivity of the reed switch and the number of turns on the coil. The sensitivity is expressed in amp-turns (AT) which, for a typical small device, could be some 20 to 50AT. Suppose, for a particular specimen, it is 30AT. This means that one amp flowing through 30 turns will be sufficient to close the contacts. Alternatively, two amps through 15 turns or 100mA through 300 turns, and so on, will have the same effect. Note that the published sensitivity figure (for example, that given in the supplier's catalogue) is for "definite" operation. In practice, the switch will usually work with fewer turns. Making use of this fact is fine when you are constructing a device for one off use. If designing for others, however, such as a project for publication or a device for a client, always stick within the manufacturer's specifications, or you will find that some units do not perform reliably.

## Realisation

The circuit shown in **figure 1** is a simple over-current warning device. The buzzer sounds if the current in the circuit being monitored exceeds a certain value. Here, a simple battery and bulb circuit is shown. The approximate number of turns of wire needed for the coil is found by taking the published sensitivity figure and dividing it by the required trip current. Some adjustment to the number of the turns will be needed at the end for the reason above. Note that, where a large current is involved, the wire will need to be of sufficient thickness to prevent overheating.

A further application of the reed switch is as an equal-current indicator (see **figure 2**). Suppose two coils, A and B, having an equal number of turns are wrapped around the reed switch body. The turns in A are wound in the opposite direction to those of B. One



A reed switch with a current coil wound around the body. The coil must fit well without cracking the glass case

connection may be common to both coils A and B (as shown), or they could be completely separate. The number of turns is sufficient to close the reed switch when a certain chosen current flows in either coil.

Look at the positive pole of battery B1. Conventional current flows from here through either lamp LP1 if SW1 is closed, or lamp LP2 if SW2 is closed. Note, however, that the current flows through coil A or B in the opposite direction. With either lamp operating, the reed switch contacts will therefore "make" and buzzer, BUZ1, sounds using its own battery, B2. With both SW1 and SW2 closed, the effect of coil A is to neutralise the magnetic effect of B and the buzzer will remain off. Even if the current in each coil was slightly different, the buzzer would still not sound because the residual magnetic effect would be too little to operate the switch.

This idea could be used, for example, to sense when one of the brake lights on a car was not working. Of course, you could make this circuit operate with unequal currents by adjusting the number of turns on each coil.

Next month, I shall look at encapsulated reed switches and reed relays and how they may be used in simple designs.

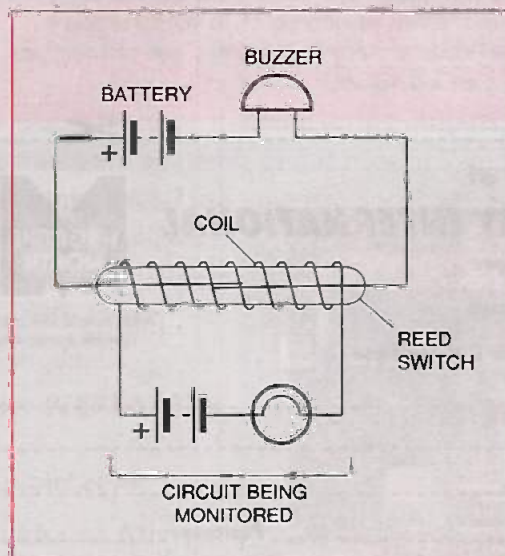


Figure 1: an over-current warning device using a reed switch

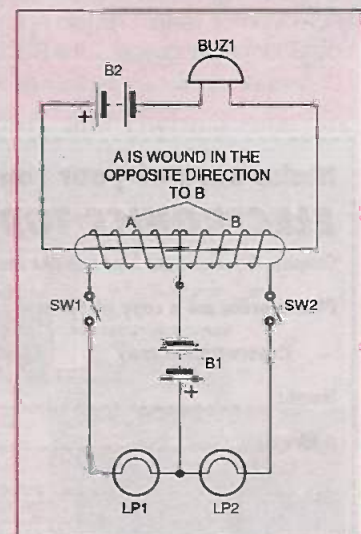


Figure 2: an equal-current indicator. Here two coils are using, with windings in opposite directions

# Round the Corner

**W**ith very rare exceptions, projects for home constructors specify classic through-hole components. However, surface mount technology has become more accessible to us.

In this issue there is a power supply project which uses surface mount components. It has not been made as small as possible, only as small as is needed to fit beneath a set of the batteries intended to run it. Effectively, it makes a 6.5mm-thick layer under the battery holder, and may not even need an increased case size to fit it in.

There are now some components no longer available in through-hole format, although this is not the case with most home construction components. Few lone builders attempt a multilayer PC motherboard with hundreds of hours of design effort given to signal integrity. The fact that the glue-logic chips for the processor are only available in a surface mount package with pins too closely spaced for hand-soldering is unlikely to trouble most of us. However, there are some useful components that are only available in surface mount, and can yet be used by the home constructor.

As described in our feature on surface mount components in Issue 7 this year,

passive component sizes are specified by the imperial measurement system. An 0805 size resistor is 0.08 inches by 0.05 inches. In my experience, from the perspective of someone with none too steady hands, and who wears spectacles for very fine work, hand-soldering components sizes down to 0805 is no problem. Down to 0603 is more tricky but still quite practical, and 0402 requires the use of magnifying goggles and lots of coffee and patience.

Now that several suppliers selling to hobbyists stock a good range of surface mount parts, I believe that surface mount projects are practical for most people and an interesting design area to get into. I reckon that the judicious use of surface mount technology will add a new dimension of magic to home construction, with the ability to make very small projects with large functionality.

Another surface mount project is at the planning stage now, and if you the readers like the idea, we can do more. Tell us whether you would like to see more surface mount projects. If you would, we will try to see that surface mount projects make a regular appearance in ETI. Write to us or contact us on our email address [eti@aaelectron.co.uk](mailto:eti@aaelectron.co.uk) and tell us what your preferences are, and what your experience with surface mount construction (if any) has been so far.

## Next Month

Volume 28 No 1 of *Electronics Today International* will be in your newsagents on 1st January 1999 ... Microchips can make a miraculous difference to the health of people with severe disabilities such as blindness. We report ... Pei An and Pinhua Xie describe a PIC-driven analogue data interface for the Psion 3 and PC ... Richard Grodzik has designed an RGB Monitor Tester ... Robin Abbott returns with an Introduction to VDHL hardware development language ... the Barcode Reader is ready and waiting ... see you next year.

*Contents are in preparation but are subject to space and availability.*

## Make sure of your copy of **ELECTRONICS TODAY INTERNATIONAL**

Complete this coupon and hand it to your newsagent

Please order me a copy of *ETI* every month

Reserve me a copy

Deliver it to my home

Look for this symbol which guarantees a good order or delivery service



Name: \_\_\_\_\_

Address: \_\_\_\_\_  
\_\_\_\_\_  
\_\_\_\_\_

Postcode: \_\_\_\_\_

*ETI* is distributed to newsagents wholesalers by Comag Magazines Marketing, Tavistock Road, West Drayton, Middlesex, UB7 7QE.

Tel: 01895 444055 Fax: 01895 433602.



Published by

Nexus Special Interests Limited  
Nexus House, Azlea Drive,  
Swanley, Kent BR8 8HU

Tel: 01322 660070 Fax: 01322 615636

Sorry, we cannot answer queries about projects or other technical queries on the phone. Our administration assistant Jenny can often help with other queries about this issue

Our web is <http://www.aaelectron.co.uk/eti/>

Email address: [eti@aaelectron.co.uk](mailto:eti@aaelectron.co.uk)

Please note! This is currently only an editorial web site. Please send enquiries about subscriptions, advertising etc. to Nexus Special Interests' postal address above.

## EDITORIAL

Editor

Helen Armstrong

Administration Assistant

Jenny Etheridge

Consultant

Andrew Armstrong

## PRODUCTION

Designer

Paul Forster

Technical Illustrator

John Puczynski

Production Executive

Marie Quilter

Classified Production Executive

Pat Wollington

Printed By

Wiltshire Ltd, Bristol

Origination by

Atelier, St Austell

## SALES

Midland and Southern Area Sales

Mark Colyer

01322 660070

Northern Area Sales

Denise Barrow

0161 776 4460

Newstrade Sales Manager

David Pagendam

## MANAGEMENT

Group Managing Director

Tony DeBell

Divisional Managing Editor

Dawn Frostdick-Hopley

Divisional Sales Manager

Roy Kemp

Circulation Manager

William Pearson

Group Marketing Manager

Aileen O'Connor

## SUBSCRIPTIONS

UK Orders 01858 435344

Enquiries 01858 435322

USA: Wise Owl Worldwide Publications, 4314 West 238th Street, Torrance, CA 90505-4509, USA. For VISA/Mastercard orders phone: (310) 375 6258 Fax: (310) 375 0548. Pacific Time, 9am - 9pm weekdays 10am - 6pm weekends. Visa/MC/Discover accepted.

READERS SERVICES

Back issues (last 12 months) £3.20 per issue if available. Binders for ETI: £7.50 each including UK post and packing. Overseas please add £1.50. Cheques to Nexus Special Interest at Nexus House, or phone VISA/Mastercard orders to Readers Services Department 01322 660070

Northern Sales Office

Nexus Media Ltd., Carrington Business Park,  
Manchester Road, Carrington, Manchester M31 4YR



© Nexus Special Interests Limited 1998

All rights reserved

ISSN 0142-7229

The Publisher's written consent must be obtained before any part of this publication may be reproduced in any form whatsoever, including photocopies, and information retrieval systems. All reasonable care is taken in preparation of magazine contents, but the publishers, editors and their agents cannot be held legally responsible for loss howsoever arising from errors or other published material.

# 1



## Technical products ....yours for under £4

The Electromail CD-ROM Catalogue provides a virtual technical superstore, product encyclopaedia, and a help line with round-the-clock service - the moment you slip it into your computer!

It's quite amazing just how much you can get out of it. Products from batteries to bearings, fuses to fans, semi-conductors to computers, hand to power tools. On-line advice, and access to a full library of data sheets, providing detailed information on almost every product in our range.

But the best thing about Electromail, is that it's open just when you want to go shopping. 24 hours a day. 365 days a year.

And in most cases your order will be despatched on the very



a more professional choice

same day you order (failing that, the next working day).

The Electromail CD-ROM Catalogue offers you more products and services than any of the alternatives. Send for your copy and get a head

start in your business, your home or hobby ... and at just £3.99 with free delivery, it's not worth struggling on without it!

### HOW TO ORDER



Tel 01536 204555 or Fax 01536 405555

When ordering by fax or phone quote stock no. 313-6988 and have your credit card details handy. Alternatively, you can open your own Electromail account - please ask for details.

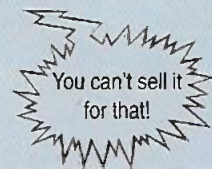
Electromail, P.O. Box 33, Corby, Northants, NN17 9EL. Tel: 01536 204555 Fax: 01536 405555

# EDWIN NC

Electronics Design

## Professional Electronics Design

### 90% Discount



- Genuine, professional EDA software *with no limitations!* - and **YOU** can afford it!
  - EDWin NC comes from Visionics: one of the *longest established, most experienced* producers of professional EDA systems, so it's fully proven in professional work.
  - Now you can have this best-selling non-commercial version of the software at just **10% of the normal price**, with no limits in its capabilities.
- It does just about everything you could want!*



Schematics, simulation, PCB layout, autorouting, manufacturing outputs, EMC and Thermal Analysis.

Many more advanced features are available and it runs in Windows 3.x, 95 or NT.

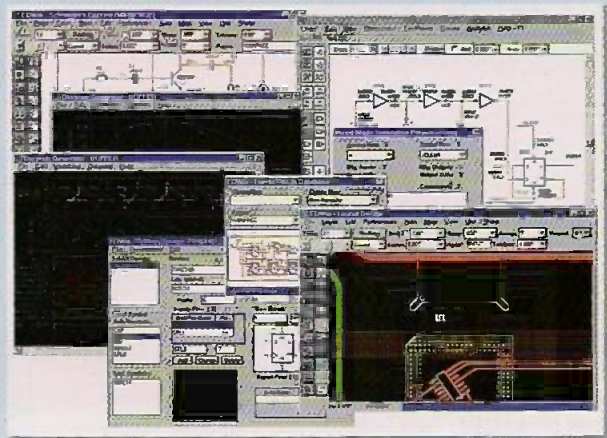
- **Where's the catch?** It's for non-commercial use, but companies may order for evaluation purposes. Prices start from just £49.00 for the basic system, up to only £235.00 for the full system including all available modules!

Order and information hotline: 01992 570006

Fax 01992 570220

E-mail: [swift.eu@dial.pipex.com](mailto:swift.eu@dial.pipex.com)

Swift Eurotech Ltd., Twankhams Alley,  
160 High Street, Epping, Essex, CM16 9AQ



Don't forget - Phone Today for Your 90% Discount!



**8 CAVANS WAY,  
BINLEY INDUSTRIAL ESTATE,  
COVENTRY CV3 2SF**  
Tel: 01203 650702  
Fax: 01203 650773  
Mobile: 0860 400683

(Premises situated close to Eastern-by-pass in Coventry with easy access to M1, M6, M40, M42, M45 and M69)

## OSCILLOSCOPES

Beckman 9020 - 20MHz - Dual Channel.....	£150
Cossor 3102 - 60MHz Dual Channel.....	£260
Gould OS 245A/250/255/300/3000/3351/4000.....	from £125
Hewlett Packard 180A/180C/181A/182C.....	from £200
Hewlett Packard 1740A, 1741A, 1744A, 100MHz dual ch.....	from £350
Hewlett Packard 54100D - 1GHz Digitizing.....	£650
Hewlett Packard 54203A - 50MHz Digitizing.....	£150
Hewlett Packard 54201A - 300MHz Digitizing.....	£350
Hitachi V650F - 60MHz Dual Channel.....	£125
Hitachi V152FV302BV302FV353FV550B/V650F.....	from £125
Intron 2020 - 20MHz Digital Storage (NEW).....	£650
Iwatsu SS 5710/SS 5702 - 20MHz.....	from £125
Kikusui COS 6100 - 100MHz, 5 Channel, 12 Trace.....	£475
Kikusui 5100 - 100MHz - Dual Channel.....	£350
Meguro - MSO 1270A - 20MHz Digital Storage (NEW).....	£650
Nicolet 310 - L.F. D.S.O. with twin Disc Drive.....	£550
Nicolet 3091 - L.F. D.S.O.....	£900
LeCroy 9450A - 300MHz/400 Ms/s D.S.O. 2 ch.....	£2250
Philips PM 3211PM 3212PM 3214PM 3217PM 3223A/PM 3240/PM 3243/PM 3244/PM 3261/.....	from £125
Philips PM 3262/PM 3263/PM 3540.....	from £125
Philips PM 3295A - 400MHz Dual Channel.....	£1750
Philips PM 3335 - 50 MHz/20Ms/s D.S.O. 2 ch.....	£1500
Philips PM 3055 - 50 MHz DUAL Timebase.....	£450
Tektronix 434 - 25MHz - 2 Channel Analogue Storage.....	£250
Tektronix 454 - 150MHz - 2 Channel.....	£400
Tektronix 468 - 100MHz D.S.O.....	£750
Tektronix 2213 - 60MHz Dual Channel.....	£425
Tektronix 2221 - 60MHz Digital Storage 2 Channel.....	£1500
Tektronix 2215 - 60MHz Dual trace.....	£450
Tektronix 2235 - 100MHz Dual trace.....	£300
Tektronix 2235 - Dual trace 100MHz (portable).....	£750
Tektronix 2225 - 50MHz dual ch.....	£450
Tektronix 2440 - 300 MHz/500 Ms/s D.S.O. 2 Ch.....	£3750
Tektronix 455 - 50MHz Dual Channel.....	£350
Tektronix 464/466 - 100MHz An storage.....	from £350
Tektronix 465/465B - 100MHz dual ch.....	from £350
Tektronix 475/475A - 200MHz/250MHz Dual Channel.....	from £475
Tektronix 485 - 350MHz - 2 channel.....	£900
Tektronix 5403 - 60MHz - 2 or 4 Channel.....	from £250
Tektronix 7313, 7603, 7613, 7623, 7633, 100MHz 4 ch.....	from £300
Tektronix 7704 - 250MHz 4 ch.....	from £650
Tektronix 7904 - 500MHz.....	from £850
Trio CS-1022 - 20MHz - Dual Channel.....	£125

Other scopes available too

### SPECIAL OFFER

HITACHI V212 - 20MHz DUAL TRACE.....	£180
HITACHI V222 - 20 MHz DUAL TRACE + ALTERNATE MAGNIFY.....	£200

## SPECTRUM ANALYSERS

Advantest 4133B - 10KHz - 20GHz (60GHz with external mixers) + Ext. Keyboard.....	£7250
Advantest 4131B - 10KHz - 3.5GHz.....	£4950
Ando AC8211 - Spectrum Analyser 1.7GHz.....	£2950
Anritsu MS610B - 10KHz - 2GHz - (Mint).....	£4750
Anritsu MS341A + MS3401B - (10Hz - 30MHz).....	£3995 + £4995
Anritsu MS62B - 10KHz - 1700MHz.....	£2500
Avcom PSA65 S - 1000MHz - portable.....	£1500
Hewlett Packard 3580A - 5Hz-50KHz.....	£995
Hewlett Packard 1827 with 8559A (10MHz - 21GHz).....	£3750
Hewlett Packard 35601A - Spectrum Analyser Interface.....	£1000
Hewlett Packard 3562A Dual Channel Dynamic Sig. Analyser.....	£7500
Hewlett Packard 3562A Dual Channel Dynamic Sig. Analyser.....	£7500
Hewlett Packard 853A - 8558B - 0.1 to 1500MHz.....	£3250
Hewlett Packard 1827 + 8558B - 0.1 to 1500MHz.....	£2750
Hewlett Packard 8754A - Network Analyser 4-1300MHz.....	£2000
Hewlett Packard 8591A - 9KHz - 1.8GHz.....	£4995
Hewlett Packard 8594E - 9KHz - 2.9GHz.....	£7000
Hewlett Packard 3582A - 0.02Hz - 25.6KHz (dual ch.).....	£2000
Hewlett Packard 3585A - 20Hz - 40MHz.....	£4995
Hewlett Packard 8754A (opt. H26) - 4MHz - 2.6GHz.....	£2950
IFR 7750 10KHz - 1GHz.....	£3250
Marconi 2370 - 10MHz.....	£995
Marconi 2371 - 30KHz - 200MHz.....	£1250
Meguro MSA 4901 - 1-300GHz (AS NEW).....	£1500
Meguro MSA 4912 - 1-1GHz (AS NEW).....	£1995
Poirad 641-1 - 10MHz - 18GHz.....	£1500
Rohde & Schwarz - SWOB 5 Polyskop 0.1 - 1300MHz.....	£1800
Takeda Riken 4132 - 1.0GHz Spectrum Analyser.....	£2500
Tektronix 7L18 with mainframe (1.5-60GHz with external mixers).....	£2000
Tektronix 495P - 100Hz - 1.8GHz programmable.....	£4950

## MISCELLANEOUS

Adret 740A - 100KHz - 1120MHz Synthesised Signal Generator.....	£800
ANRITSU ME 462B DFZ Transmission Analyser.....	£3000
Cambridge JP30 - 30KV Insulation Tester.....	£1500
Anritsu MG642A Pulse Pattern Generator.....	£1500
Dranzet 526 - AC/DC - Multifunction Analyser.....	£850
EIP 331 - Frequency counter 18GHz.....	£700
EIP 545 - Frequency counter 18GHz.....	£1500
EIP 545A - Frequency counter 18GHz.....	£1600
EIP 575 - Frequency counter 18GHz.....	£1750
Farnell AP70-30 Power Supply (0-70V/30A) Auto Ranging.....	£750
Farnell TSV-76 MKII Power Supply (70V - 5A or 35V - 10A).....	£250
Farnell DSG-1 Synthesised Signal Generator.....	£125
Farnell ESG-1000 Synthesised Signal Generator 1GHz (as new).....	£1650
Flure 5100A - Calibrator.....	£2500
Guilidine 9152 - T12 Battery Standard Cell.....	£550
Hewlett Packard 331A - Distortion Analyser.....	£300
Hewlett Packard 3336C - Synthesised Signal Generator (10Hz - 21MHz).....	£1000
Hewlett Packard 3437A System voltmeter.....	£350
Hewlett Packard 3456A Digital voltmeter.....	£850
Hewlett Packard 3438A Digital multimeter.....	£200
Hewlett Packard 3488A - Switch/Control Unit.....	£650
Hewlett Packard 35600A Dual Ch. Dynamic Signal Analyser.....	£3750
Hewlett Packard 3711A/3712A/3791B/3793B Microwave Link Analyser.....	£2250
Hewlett Packard 3325A - 21MHz Synthesiser/Function Gen.....	£1500
Hewlett Packard 3488A - HP - 1B Switch control unit (various Plug-ins available).....	£650
Hewlett Packard 3455A 6 1/2 Digit M/Meter (Autocal).....	£750
Hewlett Packard 3479A - Multimeter (5 1/2 Digit) + HP - 1B.....	£550
Hewlett Packard 3586A - Selective Level Meter.....	£1000
Hewlett Packard 3776A - PCM Terminal Test Set.....	£1500
Hewlett Packard 3779A/3779C - Primary Mux Analyser.....	from £600
Hewlett Packard 3784A - Digital Transmission Analyser.....	£4995
Hewlett Packard 37900D - Signalling Test Set (No 7 and 1SDN).....	£6000
Hewlett Packard 4262A - Digital LCR Meter.....	£1350
Hewlett Packard 4275A - LCR Meter (Multi-Frequency).....	£3950
Hewlett Packard 4338A - Millionmeter (As New).....	£2000
Hewlett Packard 4342A 'O' Meter.....	£995

Hewlett Packard 435A or B Power Meter (with 8481A/8484A).....	from £750
Hewlett Packard 4279A - 1MHz C-V Meter.....	£4500
Hewlett Packard 4948A - (TIMS) Transmission Impairment M/Ser.....	£1500
Hewlett Packard 4972A - Lan Protocol Analyser.....	£1750
Hewlett Packard 5420A Digital Signal Analyser.....	£350
Hewlett Packard 5335A - 200MHz High Performance Systems Counter.....	£600
Hewlett Packard 5314A - (NEW) 100MHz Universal Counter.....	£250
Hewlett Packard 5316A - Universal Counter (IEEE).....	£500
Hewlett Packard 5183 - Waveform Recorder.....	£1750
Hewlett Packard 5238A Frequency Counter 100MHz.....	£250
Hewlett Packard 5370A - 100MHz Universal Timer/Counter.....	£450
Hewlett Packard 5384A - 225 MHz Frequency Counter.....	£650
Hewlett Packard 5385A Frequency Counter - 1GHz - (HP1B) with OPTS 001/003/004/005.....	£995
Hewlett Packard 6253A Power Supply 20V - 3A Twin.....	£200
Hewlett Packard 6255A Power supply 40V - 1.5A Twin.....	£200
Hewlett Packard 6266B Power Supply 40V - 5A.....	£220
Hewlett Packard 6271B Power supply 60V - 3A.....	£225
Hewlett Packard 6622A - Power Supply, Dual O/P.....	£1650
Hewlett Packard 6623A - Power Supply, Triple O/P.....	£1750
Hewlett Packard 6652A - Power Supply (0 - 20V, 0 - 25A).....	£1250
Hewlett Packard 6264B - Power Supply (0 - 20V, 0 - 25A).....	£400
Hewlett Packard 7475A - 6 Pen Plotter.....	£250
Hewlett Packard 7550A - 8 Pen Plotter A3/A4.....	£450

### HEWLETT PACKARD 6261B

Power Supply 20V-50A £450 Discount for Quantities

Hewlett Packard 83555A - Millimeter - Wave source Module 93-50GHz.....	£4250
Hewlett Packard 8015A - 50MHz Pulse Generator.....	£750
Hewlett Packard 8405A - Vector Voltmeter.....	£350
Hewlett Packard 8165A - 50MHz Programmable Signal Source.....	£1650
Hewlett Packard 8350B - Sweep Oscillator Mainframe (various Plug-Ins available) extra.....	£2650
Hewlett Packard 8152A - Optical Average Power Meter.....	£1250
Hewlett Packard 8158B - Optical Attenuator (OPTS 002 + 011).....	£1100
Hewlett Packard 8180A - Data Generator.....	£1500
Hewlett Packard 8182A - Data Analyser.....	£1500
Hewlett Packard 8350B - Sweep Oscillator Mainframe (various plug-in options available).....	£2500
Hewlett Packard 8354A - Wave Source Module 26.5 to 40GHz.....	£3500
Hewlett Packard 8620C Sweep oscillator mainframe.....	from £250
Hewlett Packard 8656A - Synthesised Signal Generator (990MHz).....	£2000
Hewlett Packard 8656B - Synthesised Signal Generator.....	£2950
Hewlett Packard 8750A Storage normaliser.....	£375
Hewlett Packard 8756A - Scalar Network Analyser.....	£1500
Hewlett Packard 8757A - Scalar Network Analyser.....	£2250
Hewlett Packard 8903A - Audio Analyser (20Hz - 100KHz).....	£2600
Hewlett Packard 8903C - Distortion Analyser (Mint).....	£2000
Hewlett Packard 8958A - Cellular Radio Interface.....	£2000
Hewlett Packard 8901A - Modulation Analyser.....	£2400
Hewlett Packard 8920A - RF Comms Test Set.....	£6000
Hewlett Packard 8922B - GSM Radio Comms Test Set.....	£9995
Hewlett Packard P382A Variable Attenuator.....	£250
Hewlett Packard 1603D - Logic Analyser (43 Channels).....	£650
Hewlett Packard 16500A - Fitted with 16510A/16515A/16530A/16531A - Logic Analyser.....	£4000
Hewlett Packard 11729B - Carrier Noise Test Set.....	£2000
Krohn-Hite 2200 Lin/Log Sweep Generator.....	£995
Krohn-Hite 4024A Oscillator.....	£250
Krohn-Hite 5200 Sweep, Function Generator.....	£350
Krohn-Hite 6500 Phase Meter.....	£250
Leader 3216 - Signal Generator (100KHz - 140KHz z) AM/FM/CW with built-in FM stereo modulator (mim).....	£995
Marconi 2019 - 80KHz - 1040MHz Synthesised Sig. Gen.....	£1450
Marconi 2019A - 80KHz - 1040MHz - Synthesised Signal Generator.....	£1600
Marconi 2022A - 10KHz - 1GHz AM/FM Signal Generator.....	£2000
Marconi 2041 - (10KHz - 2.7GHz) Low Noise.....	£7500
Marconi 2305 - Modulation Meter.....	£1995
Marconi 2610 - True RMS Voltmeter.....	£850
Marconi 2871 Data Comms Analyser.....	£1000
Marconi 2955 - Radio Comms Test Set.....	£3000
Marconi 6960 - Power Meter & Sensor.....	from £950
Philips PM 5167MHz function gen.....	£400
Philips 5190 L.F. Synthesiser (G.P.I.B).....	£800
Philips 5193 Synthesised Function Generator.....	£1500
Philips 5518 Synthesised Function Generator.....	£1500
Philips PM5515 - TV Pattern Generator.....	£350
Philips PM5716 - 50MHz Pulse Generator.....	£525
Philips PM6552 - 1.5GHz Programmable High Resolution Timer/Counter.....	£900
Philips PM6673 - 120MHz High Resolution Universal Counter.....	£430
Prema 4000 - 6 1/2 Digit Multimeter (NEW).....	£450
Racal 1992 - 1.3GHz Frequency Counter.....	£800
Racal Dana 9081/9082 Synth sig. gen. 520MHz.....	from £500
Racal Dana 9084 Synth. sig. gen. 104MHz.....	£450
Racal Dana 9303 RF Level Meter & Head.....	£2650
Racal Dana 9917 UHF frequency meter 560MHz.....	£175
Racal Dana 9302A RF multivoltmeter (new version).....	£375
Racal Dana 9082 Synthesised am/fm sig. gen. (520MHz).....	£500
Racal 9301A - True RMS RF Multivoltmeter.....	£300
Racal 6111/6151 - GSM Radio Comms Test Set.....	£POA
Rohde & Schwarz LFM2 - 60MHz Group Delay Sweep Gen.....	£1600
Rohde & Schwarz Scud Radio Code Test Set.....	£300
Rohde & Schwarz CMS 54 Radio Comms Monitor.....	£6250
Rohde & Schwarz CMTA 94 GSM Radio Comms Analyser.....	£7500
Schaffner NSG 203A Line Voltage Variator Simulator.....	£950
Schaffner NSG 222A Interference Simulator.....	£850
Schaffner NSG 223 Interference Generator.....	£650
Schaffner WSG 431 Electrostatic Discharge Simulator.....	£1250
Schlumberger 4031 - 1GHz Radio Comms Test Set.....	£4995
Schlumberger 2720 1250MHz Frequency Counter.....	£500
Schlumberger 7060/7065/7075 Multimeters.....	from £350
Schlumberger Stablcock 4040 Radio Comms Test Set.....	£3500
Solartron 1250 - Freq. Response Analyser.....	£2500
Stanford Research DS 340 - 15MHz Synthesised Function (NEW) and arbitrary waveform generator.....	£1200
Syston Donner 6030 - Microwave Frequency Counter (26.5GHz).....	£2500
Tequipment CT71 Curve Tracer.....	£250
Tektronix TM5003 + AFG 5101 Arbitrary Function Gen.....	£1500
Tektronix 1240 Logic Analyser.....	£500
Tektronix DAS9100 - Series Logic Analyser.....	£900
Tektronix - Plug-ins - many available such as SC504, SW503, SG502.....	£POA
PG508, PG504, FG503, TG501, TR503 + many more.....	£POA
Tektronix AM503 + TM501 + P6302 - Current Probe Amplifier.....	£995
Tektronix PG506 + TG501 + SG503 + TM503 - Oscilloscope Calibrator.....	£1995
Tektronix AA5001 + TM5006 M/F - Programmable Distortion Analyser.....	£1995
Tektronix 577 - Curve Tracer.....	£1150
Time 9811 Programmable Resistance.....	£400
Time 9814 Voltage Calibrator.....	£550
Toellner 7720 - Programmable 10MHz Function Gen (AS NEW).....	£700
Valhalla Scientific - 272A Programmable Resistance Standard.....	£POA
Wandel & Goltermann PF-J - Error/Jitter Test Set.....	£1250
Wandel & Goltermann PCN4.....	£1100
Wandel & Goltermann PCN4 (+ options).....	£9950
Wayne Kerr 4225 - LCR Bndge.....	£600
Wayne Kerr 6425 - Precision Component Analyser.....	£275
Wayne Kerr 8905 - Precision LCR Meter.....	£850
Wavetek 171 - Synthesised Function Generator.....	£250
Wavetek 172B Programmable Sig Source (0.0001Hz - 13MHz).....	£POA
Wavetek 184 - Sweep Generator - 5MHz.....	£250
Wavetek 3010 - 1-1GHz Signal Generator.....	£1250
Wiltron 6409 - RF Analyzers (1MHz - 2GHz).....	£POA
Wiltron 6620S - Programmable Sweep Generator (3.6 - 6.5GMz).....	£650

**MANY MORE ITEMS AVAILABLE -  
SEND LARGE S.A.E. FOR LIST OF EQUIPMENT  
ALL EQUIPMENT IS USED -  
WITH 30 DAYS GUARANTEE.  
PLEASE CHECK FOR AVAILABILITY BEFORE  
ORDERING - CARRIAGE & VAT TO BE ADDED  
TO ALL GOODS**