

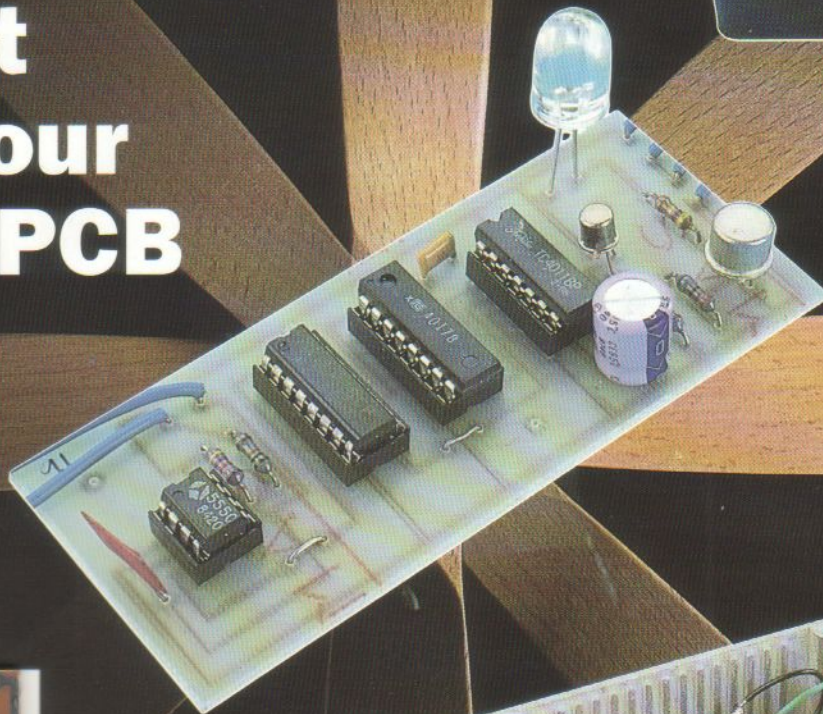


**ELECTRONICS**  
TODAY INTERNATIONAL

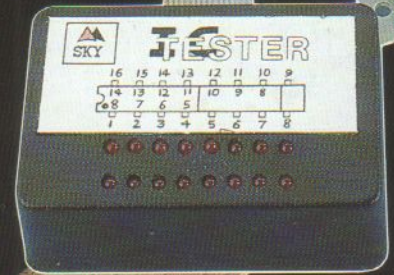
MARCH 1993 £1.95

# ULTRA-BRIGHT LED STROBOSCOPE

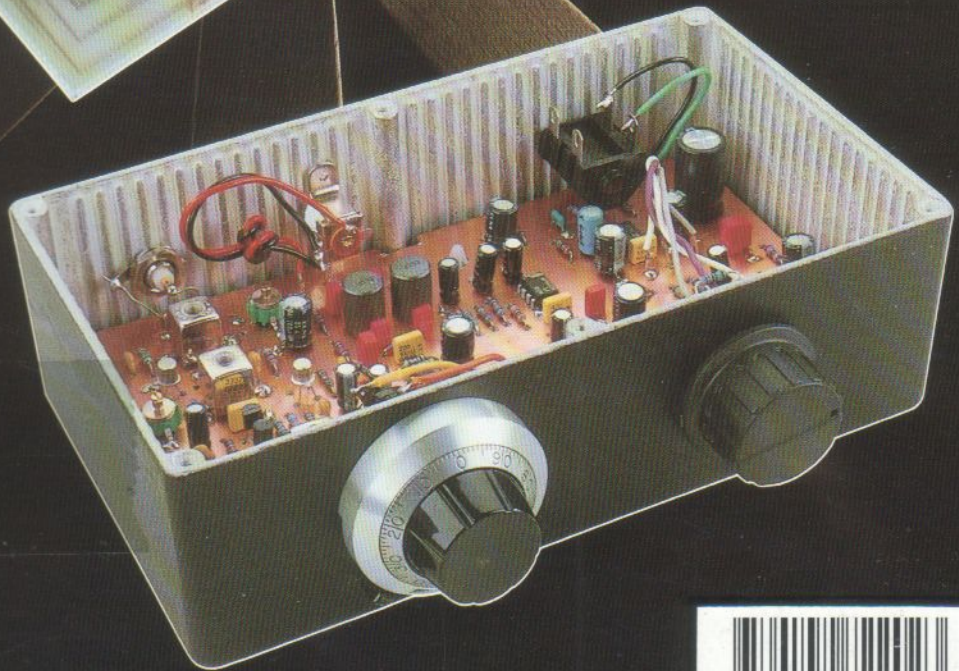
## Build it using our Cover PCB



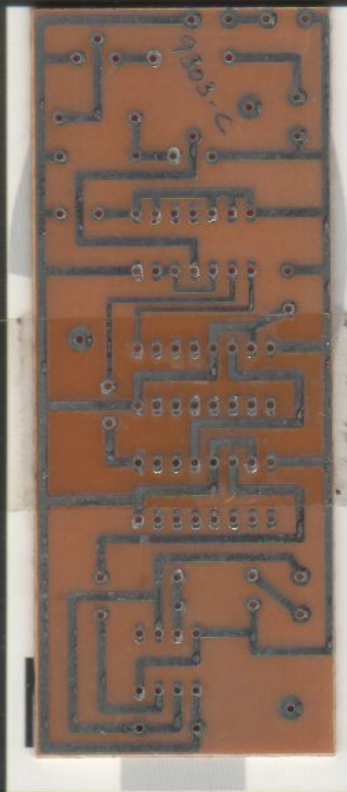
# IC TESTER



# Ni-Cd BATTERY CHARGER



# DIRECT CONVERSION RECEIVER



Argus SPECIALIST PUBLICATION **BEST VALUE**



**OMP MOS-FET POWER AMPLIFIERS**  
HIGH POWER, TWO CHANNEL 19 INCH RACK

**THOUSANDS PURCHASED BY PROFESSIONAL USERS**



**THE RENOWNED MXF SERIES OF POWER AMPLIFIERS**  
FOUR MODELS:- MXF200 (100W + 100W) MXF400 (200W + 200W)

MXF600 (300W + 300W) MXF900 (450W + 450W)

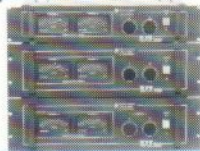
ALL POWER RATINGS R.M.S. INTO 4 OHMS, BOTH CHANNELS DRIVEN

**FEATURES:** \* Independent power supplies with two toroidal transformers \* Twin L.E.D. Vu meters \* Level controls \* Illuminated on/off switch \* XLR connectors \* Standard 775mV inputs \* Open and short circuit proof \* Latest Mos-Fets for stress free power delivery into virtually any load \* High slew rate \* Very low distortion \* Aluminium cases \* MXF600 & MXF900 fan cooled with D.C. loudspeaker and thermal protection.

USED THE WORLD OVER IN CLUBS, PUBS, CINEMAS, DISCOS ETC.

**SIZES:-** MXF200 W19"xH3 1/2" (2U)xD11"  
MXF400 W19"xH5 1/4" (3U)xD12"  
MXF600 W19"xH5 1/4" (3U)xD13"  
MXF900 W19"xH5 1/4" (3U)xD14 1/4"

**PRICES:-** MXF200 £175.00 MXF400 £233.85  
MXF600 £329.00 MXF900 £449.15  
SPECIALIST CARRIER DEL. £12.50 EACH



**OMP VARISPEED TURNTABLE CHASSIS**



\* Manual arm \* Steel chassis \* Electronic speed control 33 & 45 R.P.M. \* Vari pitch control \* High torque servo driven DC motor \* Transit screws \* 12" die cast platter \* Neon strobe \* Calibrated balance weight \* Removable head shell \* 1/2" cartridge fixings \* Cue lever \* 220/240V 50/60Hz \* 390x305mm \* Supplied with mounting cut-out template.

**PRICE £61.30 + £3.70 P&P**

**OPTIONAL MAGNETIC CARTRIDGES**

**STANTON AL500mkII** **GOLDRING G950**  
PRICE £16.95 + 50P P&P PRICE £7.15 + 50P P&P

**STEREO DISCO MIXER DJ6500**

**\* WITH ECHO \***

**STEREO DISCO MIXER** with 2 x 7 band L & R graphic equalisers with bar graph LED Vu meters. **MANY OUTSTANDING FEATURES:-** including Echo with repeat & speed control, DJ Mic with tone control & talk-over switch, 7 Channels with individual faders plus cross fade, Cue Headphone Monitor. Useful combination of the following inputs:- 3 turntables (mag), 3 mics, 5 Line for CD, Tape, Video etc.

**Price £134.99 + £5.00 P&P**



**SIZE: 482 x 240 x 120mm**

**PIEZO ELECTRIC TWEETERS - MOTOROLA**

Join the **Piezoelectric revolution!** The low dynamic mass (no voice coil) of a Piezo tweeter produces an improved transient response with a lower distortion level than ordinary dynamic tweeters. As a crossover is not required these units can be added to existing speaker systems of up to 100 watts (more if two are put in series). **FREE EXPLANATORY LEAFLETS ARE SUPPLIED WITH EACH TWEETER.**



**TYPE 'A' (KSN1036A)** 3" round with protective wire mesh. Ideal for bookshelf and medium sized Hi-Fi speakers. Price £4.90 + 50p P&P.  
**TYPE 'B' (KSN1005A)** 3 1/2" super horn for general purpose speakers, disco and P.A. systems etc. Price £5.99 + 50p P&P.  
**TYPE 'C' (KSN1016A)** 2" x 5" wide dispersion horn for quality Hi-Fi systems and quality discos etc. Price £6.99 + 50p P&P.  
**TYPE 'D' (KSN1025A)** 2" x 6" wide dispersion horn. Upper frequency response retained extending down to mid-range (2KHz). Suitable for high quality Hi-Fi systems and quality discos. Price £9.99 + 50p P&P.  
**TYPE 'E' (KSN1038A)** 3 3/4" horn tweeter with attractive silver finish trim. Suitable for Hi-Fi monitor systems etc. Price £5.99 + 50p P&P.  
**LEVEL CONTROL** Combines, on a recessed mounting plate, level control and cabinet input jack socket. 85x85mm. Price £4.10 + 50p P&P.

**OMP LINNET LOUDSPEAKERS**

**THE VERY BEST IN QUALITY AND VALUE**

Made especially to suit today's need for compactness with high output sound levels, finished in hard wearing black vinyl with protective corners, grille and carrying handle. Each unit incorporates a 12" driver plus high frequency horn for a full frequency range of 45Hz-20KHz. Both models are 8 Ohm impedance. Size: H20" x W15" x D12".

**CHOICE OF TWO MODELS**

**POWER RATINGS QUOTED IN WATTS RMS FOR EACH CABINET**

OMP 12-100WATTS (100dB) PRICE £163.50 PER PAIR  
OMP 12-200WATTS (200dB) PRICE £214.55 PER PAIR

SPECIALIST CARRIER DEL. £12.50 PER PAIR



**IN-CAR STEREO BOOSTER AMPS**

**THREE SUPERB HIGH POWER CAR STEREO BOOSTER AMPLIFIERS**

150 WATTS (75 + 75) Stereo, 150W Bridged Mono  
250 WATTS (125 + 125) Stereo, 250W Bridged Mono  
400 WATTS (200 + 200) Stereo, 400W Bridged Mono  
**ALL POWERS INTO 4 OHMS**

**Features:**  
\* Stereo, bridged mono \* Choice of high & low level inputs \* L & R level controls \* Remote on-off \* Speaker & thermal protection.



**PRICES:** 150W £49.99 250W £99.99  
400W £109.95 P&P £2.00 EACH



POSTAL CHARGES PER ORDER £1.00 MINIMUM. OFFICIAL ORDERS FROM SCHOOLS, COLLEGES, GOVT. BODIES, PLCs ETC. PRICES INCLUSIVE OF V.A.T. SALES COUNTER, VISA AND ACCESS ACCEPTED BY POST, PHONE OR FAX.



**OMP MOS-FET POWER AMPLIFIER MODULES** SUPPLIED READY BUILT AND TESTED.

These modules now enjoy a world-wide reputation for quality, reliability and performance at a realistic price. Four models are available to suit the needs of the professional and hobby market i.e. Industry, Leisure, Instrumental and Hi-Fi etc. When comparing prices, NOTE that all models include toroidal power supply, integral heat sink, glass fibre P.C.B. and drive circuits to power a compatible Vu meter. All models are open and short circuit proof.

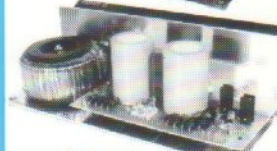
**THOUSANDS OF MODULES PURCHASED BY PROFESSIONAL USERS**



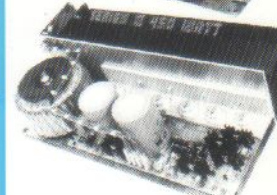
**OMP/MF 100 Mos-Fet** Output power 110 watts R.M.S. into 4 ohms, frequency response 1Hz - 100KHz -3dB, Damping Factor > 300, Slew Rate 45V/uS, T.H.D. typical 0.002%, Input Sensitivity 500mV, S.N.R. -110 dB. Size 300 x 123 x 60mm.  
**PRICE £40.85 + £3.50 P&P**



**OMP/MF 200 Mos-Fet** Output power 200 watts R.M.S. into 4 ohms, frequency response 1Hz - 100KHz -3dB, Damping Factor > 300, Slew Rate 50V/uS, T.H.D. typical 0.001%, Input Sensitivity 500mV, S.N.R. -110 dB. Size 300 x 155 x 100mm.  
**PRICE £64.35 + £4.00 P&P**



**OMP/MF 300 Mos-Fet** Output power 300 watts R.M.S. into 4 ohms, frequency response 1Hz - 100KHz -3dB, Damping Factor > 300, Slew Rate 60V/uS, T.H.D. typical 0.001%, Input Sensitivity 500mV, S.N.R. -110 dB. Size 330 x 175 x 100mm.  
**PRICE £81.75 + £5.00 P&P**



**OMP/MF 450 Mos-Fet** Output power 450 watts R.M.S. into 4 ohms, frequency response 1Hz - 100KHz -3dB, Damping Factor > 300, Slew Rate 75V/uS, T.H.D. typical 0.001%, Input Sensitivity 500mV, S.N.R. -110 dB, Fan Cooled, D.C. Loudspeaker Protection, 2 Second Anti-Thump Delay. Size 385 x 210 x 105mm.  
**PRICE £132.85 + £5.00 P&P**

**NOTE: MOS-FET MODULES ARE AVAILABLE IN TWO VERSIONS: STANDARD - INPUT SENS 500mV, BAND WIDTH 100KHz. PEC (PROFESSIONAL EQUIPMENT COMPATIBLE) - INPUT SENS 775mV, BAND WIDTH 50KHz. ORDER STANDARD OR PEC.**



**Vu METER** Compatible with our four amplifiers detailed above. A very accurate visual display employing 11 L.E.D.s (7 green, 4 red) plus an additional on/off indicator. Sophisticated logic control for very fast rise and decay times. Tough moulded plastic case, with acrylic tinted front. Size 84 x 27 x 45mm.  
**PRICE £8.70 + 50p P&P**

**LOUDSPEAKERS**

**LARGE SELECTION OF SPECIALIST LOUDSPEAKERS AVAILABLE, INCLUDING CABINET FITTINGS, SPEAKER GRILLES, CROSS-OVERS AND HIGH POWER, HIGH FREQUENCY BULLETS AND HORNS, LARGE (A4) S.A.E. (50p STAMPED) FOR COMPLETE LIST.**

P - From McKenzie Professional Series  
S - From McKenzie Studio Series

**McKENZIE:- INSTRUMENTS, P.A., DISCO, ETC**

**ALL McKENZIE UNITS 8 OHMS IMPEDANCE**

- 8" 100 WATT P C8-100GP GEN. PURPOSE, LEAD GUITAR, EXCELLENT MID, DISCO. RES. FREQ. 80Hz, FREQ. RESP. TO 7KHz, SENS 96dB. **PRICE £31.45 + £2.00 P&P**
- 10" 100WATT S C10-100GP GUITAR, VOICE, KEYBOARD, DISCO, EXCELLENT MID. RES. FREQ. 72Hz, FREQ. RESP. TO 6KHz, SENS 97dB. **PRICE £38.89 + £2.50 P&P**
- 10" 200WATT S C10-200GP GUITAR, KEYB'D, DISCO, EXCELLENT HIGH POWER MID. RES. FREQ. 69Hz, FREQ. RESP. TO 5KHz, SENS 97dB. **PRICE £53.21 + £2.50 P&P**
- 12" 100WATT P C12-100GP HIGH POWER GEN. PURPOSE, LEAD GUITAR, DISCO. RES. FREQ. 49Hz, FREQ. RESP. TO 7KHz, SENS 98dB. **PRICE £40.35 + £3.50 P&P**
- 12" 100WATT P C12-100TC (TWIN CONE) HIGH POWER, WIDE RESPONSE, P.A., VOICE, DISCO. RES. FREQ. 45Hz, FREQ. RESP. TO 12KHz, SENS 97dB. **PRICE £41.39 + £3.50 P&P**
- 12" 200WATT S C12-200B HIGH POWER BASS, KEYBOARDS, DISCO, P.A. RES. FREQ. 45Hz, FREQ. RESP. TO 5KHz, SENS 99dB. **PRICE £71.91 + £3.50 P&P**
- 12" 300WATT S C12-300GP HIGH POWER BASS, LEAD GUITAR, KEYBOARDS, DISCO ETC. RES. FREQ. 49Hz, FREQ. RESP. TO 7KHz, SENS 100dB. **PRICE £95.66 + £3.50 P&P**
- 15" 100WATT P C15-100BS BASS GUITAR, LOW FREQUENCY, P.A., DISCO. RES. FREQ. 40Hz, FREQ. RESP. TO 5KHz, SENS 98dB. **PRICE £59.05 + £4.00 P&P**
- 15" 200WATT P C15-200BS VERY HIGH POWER BASS. RES. FREQ. 40Hz, FREQ. RESP. TO 3KHz, SENS 98dB. **PRICE £80.57 + £4.00 P&P**
- 15" 250WATT P C15-250BS VERY HIGH POWER BASS. RES. FREQ. 39Hz, FREQ. RESP. TO 4KHz, SENS 99dB. **PRICE £90.23 + £4.50 P&P**
- 15" 400WATT P C15-400BS VERY HIGH POWER, LOW FREQUENCY BASS. RES. FREQ. 40Hz, FREQ. RESP. TO 4KHz, SENS 100dB. **PRICE £105.46 + £4.50 P&P**
- 18" 500WATT S C18-500BS EXTREMELY HIGH POWER, LOW FREQUENCY BASS. RES. FREQ. 27Hz, FREQ. RESP. TO 2KHz, SENS. 98dB. **PRICE £174.97 + £5.00 P&P**

**EARBENDERS:- HI-FI, STUDIO, IN-CAR, ETC**

**ALL EARBENDER UNITS 8 OHMS** (Except EB8-50 & EB10-50 which are dual impedance tapped @ 4 & 8 ohm)

- BASS, SINGLE CONE, HIGH COMPLIANCE, ROLLED SURROUND**
- 8" 50watt EB8-50 DUAL IMPEDANCE, TAPPED 4/8 OHM BASS, HI-FI, IN-CAR. RES. FREQ. 40Hz, FREQ. RESP. TO 7KHz, SENS 97dB. **PRICE £8.90 + £2.00 P&P**
- 10" 50WATT EB10-50 DUAL IMPEDANCE, TAPPED 4/8 OHM BASS, HI-FI, IN-CAR. RES. FREQ. 40Hz, FREQ. RESP. TO 5KHz, SENS. 99dB. **PRICE £13.65 + £2.50 P&P**
- 10" 100WATT EB10-100 BASS, HI-FI, STUDIO. RES. FREQ. 35Hz, FREQ. RESP. TO 3KHz, SENS 96dB. **PRICE £30.39 + £3.50 P&P**
- 12" 100WATT EB12-100 BASS, STUDIO, HI-FI, EXCELLENT DISCO. RES. FREQ. 26Hz, FREQ. RESP. TO 3KHz, SENS 93dB. **PRICE £42.12 + £3.50 P&P**
- FULL RANGE TWIN CONE, HIGH COMPLIANCE, ROLLED SURROUND**
- 5 1/4" 60WATT EB5-60TC (TWIN CONE) HI-FI, MULTI-ARRAY DISCO ETC. RES. FREQ. 63Hz, FREQ. RESP. TO 20KHz, SENS 92dB. **PRICE £9.99 + £1.50 P&P**
- 6 1/2" 60WATT EB6-60TC (TWIN CONE) HI-FI, MULTI-ARRAY DISCO ETC. RES. FREQ. 38Hz, FREQ. RESP. TO 20KHz, SENS 94dB. **PRICE £10.99 + 1.50 P&P**
- 8" 60WATT EB8-60TC (TWIN CONE) HI-FI, MULTI-ARRAY DISCO ETC. RES. FREQ. 40Hz, FREQ. RESP. TO 18KHz, SENS 89dB. **PRICE £12.99 + £1.50 P&P**
- 10" 60WATT EB10-60TC (TWIN CONE) HI-FI, MULTI ARRAY DISCO ETC. RES. FREQ. 35Hz, FREQ. RESP. TO 12KHz, SENS 98dB. **PRICE £16.49 + £2.00 P&P**

**TRANSMITTER HOBBY KITS**

**PROVEN TRANSMITTER DESIGNS INCLUDING GLASS FIBRE PRINTED CIRCUIT BOARD AND HIGH QUALITY COMPONENTS COMPLETE WITH CIRCUIT AND INSTRUCTIONS**

**3W TRANSMITTER** 80-108MHz, VARICAP CONTROLLED PROFESSIONAL PERFORMANCE, RANGE UP TO 3 MILES, SIZE 38 x 123mm, SUPPLY 12V @ 0.5AMP. **PRICE £14.85 + £1.00 P&P**

**FM MICRO TRANSMITTER** 100-108MHz, VARICAP TUNED, COMPLETE WITH VERY SENS FET MIC, RANGE 100-300m, SIZE 56 x 46mm, SUPPLY 9V BATTERY. **PRICE £8.80 + £1.00 P&P**

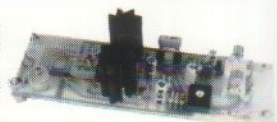


PHOTO: 3W FM TRANSMITTER

**B.K. ELECTRONICS**

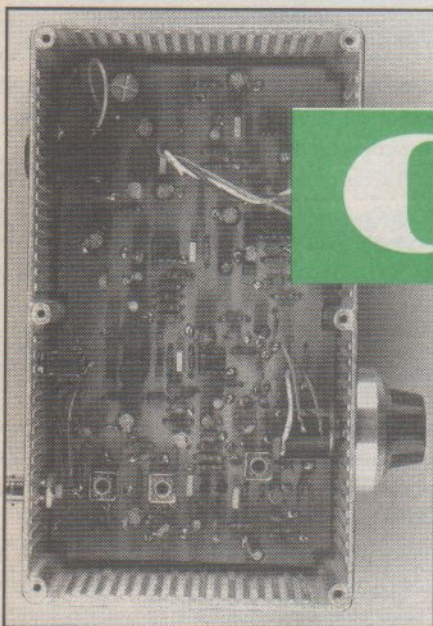
UNITS 1 & 5 COMET WAY, SOUTHEND-ON-SEA, ESSEX. S52 6TR.

Tel: 0702 - 527572 Fax: 0702 - 420243





**Volume 22 No.3**  
**March 1993**



Page 41

# Features & Projects

**Nickel-Cadmium battery charger** ..... 12  
Andrew Armstrong provides the details.

**Integrated Circuit tester** ..... 16  
Test the logic state of individual ICs at a glance using this tester. Shabaz Yousaf explains.

**LED Stroboscope** ..... 18  
Robert Penfold is back with an easy-to build stoboscope for analysing small but local oscillations.

**Moving-coil meter circuits** ..... 24  
Ray Marston takes a look at a variety of circuit applications for the moving coil meter.

**Disco Amiga Part 2** ..... 34  
Use your Amiga computer to provide some home lighting effects. Magnus Pihl continues the saga.

**Direct conversion receiver** ..... 41  
Try building this Amateur radio receiver with built-in automatic gain control. The project is described by David Silvester.

**The AutoMate Mixing Desk Part 10a** ..... 49  
Mike Meechan produces an accurate Peak Programme Meter (PPM) as a stand-alone unit or for use in the Automate mixer.

# Contents

## Regulars

**Open Channel** ..... 4

**News** ..... 5

**News Stateside** ..... 9

**Subscriptions** ..... 38

**PCB Foils** ..... 58

**PCB Service** ..... 60

## Editorial

by Paul Freeman

**E**vesdropping is back in fashion - and I don't mean listening at the door or viewing spy satellite data, for these could be argued, are regular features of current life. No, it's the roombugs or phone taps imposed upon those carrying out very public roles, who are subject to the latest media scrutiny.

The insatiable demand for finding out secrets about others without them knowing has grown thanks to the help given by an increased electronics capability and availability. For an electronic surveillance business, marketing their latest gadgets, the time has never been better.

The latest reasons for intrusion into private lives is not so much about exposing criminal activity, but revealing interper-

sonal behaviour for the sake of a 'fast buck'.

It might help, if those closely followed by the media, communicate using a message scrambling technique when they use a telecoms network be it by wire or by radio on the cellnet system. As we know, a conversation transmitted electromagnetically can easily be received using a 'scanner' radio.

However, could these lax arrangements form the basis for an official leak? We might never know.

ETI has experienced this interest in surveillance after running a series on the subject way back in 1989. It seems there is an extra sense of satisfaction to not only listening-in but knowing the bug was created with your own hands.



# OPEN CHANNEL



**I**t takes a computer to know a computer. Many computer users know the problem - getting their machine to talk to someone else's is fraught with difficulties. Unless both machines are connected properly and both are running the right software, chances are they'll not communicate at all.

Of course, you can buy a proper network, cables and software and so on so all computers in an office, say, are plugged into the local area network. Usually there's a file server comprising a dedicated computer and high-capacity hard disk drive through which all the rest pass their communications. Each distributed computer then has access to the hard disk drive for storage of data, applications and files.

The only problem with this is that the software to do it, running on each computer in the network, needs RAM to run. If you've a computer with only limited RAM (say, you have only the DOS limit of 640 Kbyte) then it's possible the network software takes up just sufficient of your RAM to prevent your usual applications from running.

There are moves afoot - Windows for Workgroups, for example - which hope to get over this using the extended memory which Windows can access. In such a case, the network is usually described these days as a peer-to-peer network as no particular server is used.

Ironically, Windows users might like to think the idea is new, but it's not. Apple Macintosh computers have been able to do it for eight years, with their in-built LocalTalk network hardware and AppleTalk software. What's more a Mac network's easier to setup (plug a lead into a serial port of each computer) and use (allocating a file or folder for the network).

Ironically again, it's just a pity it takes the add-on extra of something like Windows to draw most people's attention first to a graphical user interface and from thence to the Mac's inherent abilities.

## Learn Your Lesson

Acorn Computers, the manufacturer of (among others) the BBC range of computers is looking to future generations of school computers. Acorn sees the child in tomorrow's schools as having a computer of its own. Such a one-per-child machine will be hand-held and provide the power at least of existing 486-based desktop personal computers (or Macintosh II machines).

The machine will be inexpensive (it will need to be), and function around the 32-bit reduced instruction set computer (RISC) microprocessor I've mentioned before in Open Channel, the ARM 600 series. This chip is developed and made by Advanced RISC Machines of Cambridge, a company jointly owned and funded by Acorn and Apple Computers.

Acorn's one-per-child project forms part of the POWER project which, in turn, is part of the ESPRIT III (POWER stands for Portable Workstation for Education in Europe; ESPRIT stands for European Strategic Program for Research in Information Technology - learn this by Friday, I'll be testing you then) program, which has the aim of increasing the general competitiveness of European industries in infor-

mation technology areas.

To achieve the aim, the POWER project brings together a wide range of European companies which are all leaders in their own fields. Acorn hopes the one-per-child computer will be available in about three years time and will cost no more than around £250.

## Let Dead Dogs Lie

Two things happened yesterday (I'm writing this around the middle of December) which I feel I'm obliged to mention. They're both examples of what I consider to be bad planning and lack of commitment to projects.

First, last night I noticed the NICAM icon on my stereo television had finally lit up on the two BBC channels. I live in the Midlands and receive broadcasts from the Waltham transmitter which, if I've got my geography right, is somewhere in Lincolnshire. We've had NICAM stereo broadcasts on the independent channels for a while now, but the BBC has always seemed to resist the notion of upgrading its transmitter because I guess the extra population coverage didn't really warrant the expense. Finally, however, it's done and we've got our better BBC sound. I might add that this has finally occurred some three years after the programme to provide national coverage started.

There are still areas of the country uncovered by NICAM sound transmission, despite the BBC being incidental in developing the system in the first place, and despite the original concept being seen as a satellite TV killer. Satellite TV, on the contrary however, is now very much not killed and in fact getting stronger by the day. Maybe rapid and complete national coverage of NICAM would have prevented many people buying satellite TV systems, maybe not. Who knows? Maybe also most people don't care. But one thing's for sure - there's no point in developing a system to do a job then not investing enough money in it to do the job quickly and efficiently. You might as well not do the job at all.

The other thing which happened yesterday (well, OK, on the 18 December if you must know the exact date) was the Independent Television Commission's refusal to grant a licence to Channel 5 Holding's application to run the proposed new terrestrial television channel.

I've no criticism here of the ITC. After all, they're in the best position to know if an applicant has the wherewithall and the financial backing to run a new national television service. They've no axes to grind, they want to do what's best.

No, my criticism goes deeper than that and stems from a more basic question. Why, if there's no organisation which is prepared or able to put together a decent proposal to run a new national television service, was the idea of the service raised in the first place? I'm sure anyone would be justified in thinking the whole thing rather a waste of time, money and manpower. I know I do, and unless the situation is reviewed and the service made more attractive to prospective operators the people who dreamed up the idea in the first place (the Government) should just as sloppily put it down again.

Keith Brindley





**N**ow available from Anders Electronics is the new Sanyo VGA colour LCD panel. With its low-power circuitry, the Sanyo

LCD provides a high quality backlit 256-colour display and requires just 5W power supply, including the cold-cathode fluores-

cent backlight.

The compact panel is 8.5mm thick, ideal for building into miniature, lightweight, portable equip-

# ETI NEWS

## LOW POWER COLOUR LCD PANEL

ment. The display has a fast response to eliminate 'ghosting' and enable the use of a mouse.

Pixel format is 640 x 400 (VGA).

The Sanyo LCD has wide ranging applications including EPOS terminals and banking equipment, telecommunications and industrial control. For further information contact:

**Lynn McGoohan,**  
**Anders Electronics Limited,**  
**Tel: 071-388 7171**  
**Fax: 071-387 2951**

## NEW PCB DESIGN SOFTWARE RUNS UNDER WINDOWS

**P**entica Systems has introduced the TangoPRO series of IBM PC compatible electronic design automation (EDA) software. TangoPRO is an entirely new range of printed circuit board design tools, bringing workstation-style performance and ease of use to PC compatible EPA tools.

With a 32-bit architecture, running under Microsoft Windows 3.1, TangoPRO is aimed at professional PCB designers. Advanced features for enhanced productivity include a sub-micron database, copper pour, curved tracks, one tenth-degree rotation, true metric support, and an optional rip-up and reconstruct auto-router.

The integrated TangoPRO suite consists of an advanced PCB layout tool, an optional fast, high-completion auto-router, and the Library Manager which integrates libraries of schematic and component data. Support of up to

16Mbytes of extended memory allows a virtually unlimited number of components per design.

TangoPRO imports netlists from popular schematic capture programs such as TangoSchematic, OrCAD, Schema and ViewLogic.

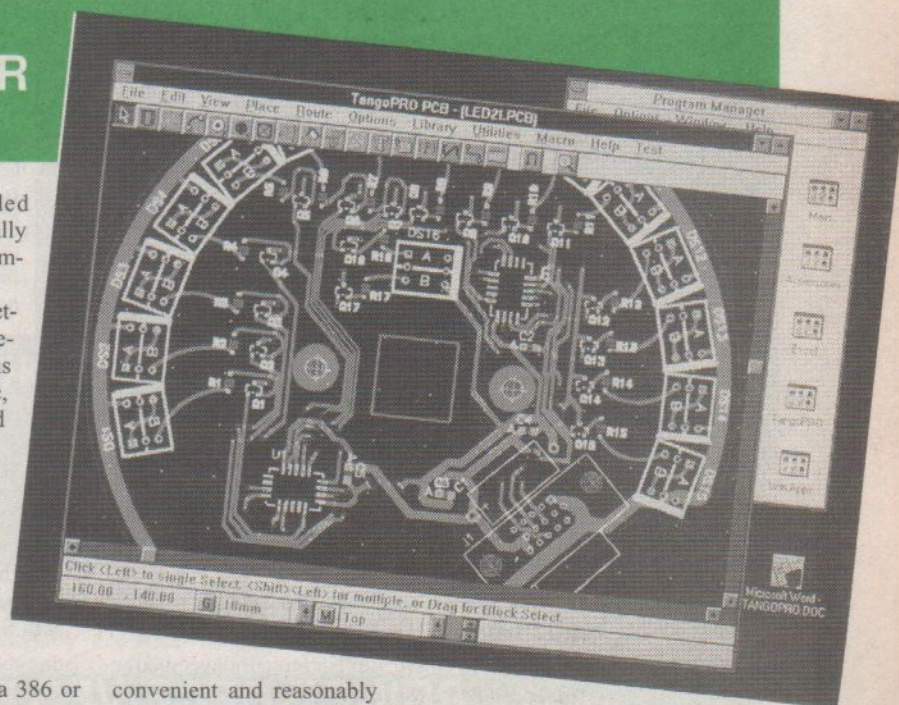
Available as an option to TangoPRO PCB is TangoPRO Route, a 32-bit auto-router with a unique 'rip-up and reconstruct' algorithm providing fast refresh of complex PCBs.

TangoPRO requires a 386 or 486-based IBM PC or compatible, MS-DOS 5.0 or later, Microsoft Windows 3.1, 8Mbytes of RAM (16Mbytes for the Route option), 10Mbytes hard disk space, and a Microsoft or compatible mouse.

Users of entry-level DOS-based Tango programs will have a

convenient and reasonably priced upgrade path: TangoPRO can read their files directly without cumbersome translation, and users can upgrade to TangoPRO with full credit for their earlier programs. For further information contact:

**Liz Darkin,**  
**Pentica Systems Limited,**  
**Tel: (0734) 792101**  
**Fax: (0734) 774081**





## SOLAR-POWERED PLANT TURNER

The new Maplin Plant Turner will support up to 30lbs weight and slowly turn the plant during the day. This will help to promote healthier, well-developed plants, and no more lopsided plants.

The small solar panel is attached to a 3ft long flying lead, so the cell can be positioned for maximum sunlight. The turn-

table is 155mm in diameter and has a raised edge, and is finished in two-tone green plastic.

Other possible uses include displays in shop windows or to create an eye-catching display inside cabinets. Bright incandescent light will also operate the Plant Turner.

The price of the Plant Turner is £6.95 (to include VAT).

## MMIC SWITCHES

A series of low cost GaAs FET TIC switches and attenuators are now stocked by Cirkit. These surface mount devices are particularly suited for cellular phone applications.

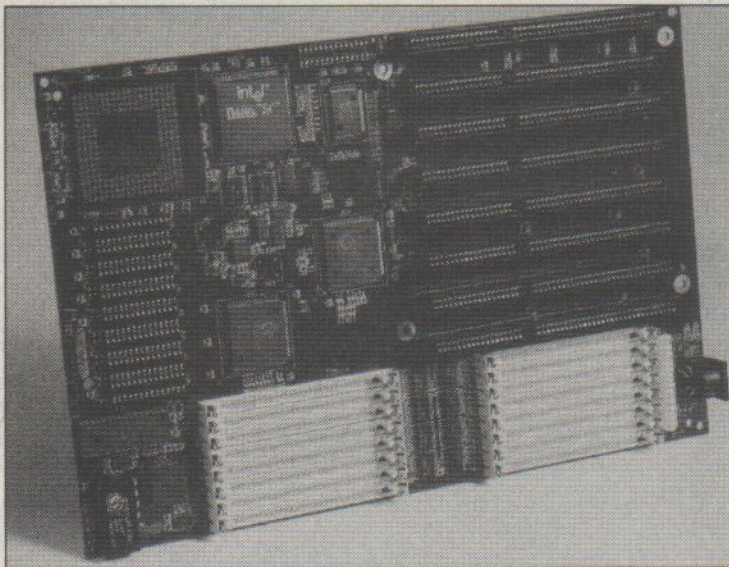
The AS002M2-12 is a single pole, double throw RF switch operating up to 2.5GHz. The switches can be arranged in series for multiple throws and for higher isolation applications. Insertion

loss is 0.8dB (max), isolation 35dB (min) and VSWR 1.3:1 (max); each measured at 1GHz. Nominal impedance is 50R and current consumption very low at 50µA (-5V). A low impedance ground for the switch is obtained through three of the eight leads.

Other types in the range include, double pole switches, 4 way switches, attenuators and control FETs.



## NEW EURO 486 PC MOTHERBOARD



British company Array Technology has begun its prom-

ised European response to the Far Eastern PC board 'invasion' with

the launch of the most flexible, high performance 486 motherboard in the world.

Cheekily called the Taipei, the 80486SX/DX Baby AT motherboard can accept every variant of the Intel 486 chip and allows OEMs the opportunity to carry out upgrades without the need to change components.

While the Taipei is available with 20MHz, 25MHz, 33MHz or 50MHz processors, any eventual upgrade can be achieved through changes to the jumper settings, including the change of clock speeds.

The Taipei Baby AT uses the Symphony SL82C460 chip set and is compatible with both SX and DX versions of the

486 processor, including the low cost PQFP.

At the other end of the scale, the forthcoming P24T is supported using a 238 pin 'overdrive' socket. A board can therefore be supplied with a 486SX processor and no cache, all the way up to 66MHz 486DX2 with 256KBytes cache.

The Taipei uses FLASH EPROM, enabling the end user to upgrade BIOS from floppy disk.

Other features of the motherboard include 16 SIMM sockets in four banks supporting an enlarged memory up to a total of 64MBytes of RAM with a separate cache controller.

Further information is available from the Sales Department, Array Technology, Tel: 0276 691799.

## PRINCE RECEIVES SMART BOOK

HRH The Prince of Wales was presented with a fractal 'SmartBook' picture book on a floppy disk by Wirral Metropolitan College at a ceremony in Birkenhead. The SmartBook, documenting work undertaken for

The Prince's Trust, was authored by the college using a SmartBook Authoring System.

The SmartBook Authoring System enables authors to combine 100 pages of text with 100 full colour 24-bit photographic

pictures into a Smartbook on a single 1.44Mb floppy disk. This is made possible by Iterated Systems' Fractal Transform image compression technology, which achieves compression ratios of up to 100:1 while retaining high lev-

els of image integrity.

The SmartBook Authoring System is £600 plus VAT. Educational discounts are available. Contact Iterated Systems.



## GOVERNMENT SPENDING ON SCIENCE AND TECHNOLOGY MUST BE REFOCUSSED, SAYS IEE

**I**ncreasing Britain's industrial prosperity should be a principal aim of the forthcoming White Paper on Science and Technology claims the Institution of Electrical Engineers (IEE) in its submission to the Office of Science and Technology.

The IEE response highlights several factors which have contributed to the current weakness of Britain's manufacturing industry, namely: a lack of government support for engineering R&D, particularly in the area of applied specific research; a shortage of 'industry orientated' and innovative professional engineers and a

financial climate which discourages innovation and emphasises current year profits rather than future potential.

"Whilst science is important" says the IEE "the wealth and well-being of the nation is strongly dependent on its engineering and manufacturing base. The Government must give more support to engineering and technology and create an environment in which the innovation process ranging from basic research, to directed strategic and applied research and specific product development can operate successfully".

"Increasing the resources de-

voted to basic research will not directly improve the UK's industrial performance" says the IEE response. "Strategic and applied engineering research is the bridge between basic research and product innovation and increased funds need to be focussed on this critical area by re-allocation of resources".

With regard to the current lack of innovation skills the IEE submission recommends a restructuring of postgraduate engineering education to develop commercially oriented and technically competent engineering and industrial managers. It also advo-

cates the setting up of 'Intermediate Institutes' adapted from the German Technical Universities and Fraunhofer Centres. "The Faraday Centres as currently proposed" says the IEE "fall far short of what is required".

In seeking a solution to the current poor UK environment for long term innovation and product development the IEE recommends the introduction of tax incentives such as 150% tax allowances, for qualifying R&D projects on the basis that their success will generate additional Corporation Tax in later years.

## NEW NICKEL METAL HYDRIDE BATTERIES

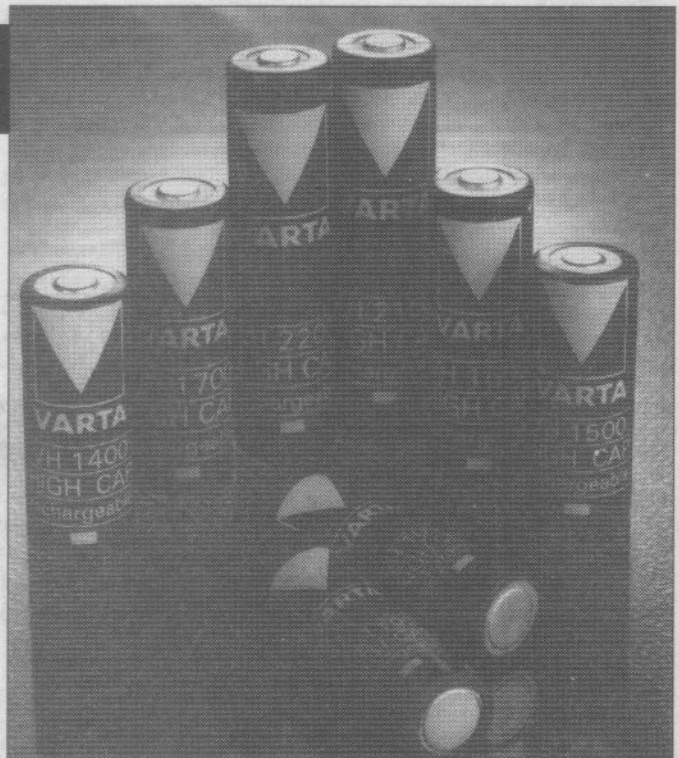
**V**arta, Europe's largest battery manufacturer, has announced the launch of portable nickel metal hydride (Ni-MH) rechargeable batteries - the 'green', high performance alternative to Nickel-Cadmium.

Varta's Ni-MH batteries provide over 50% more energy density (Wh/kg) than Nickel Cadmium cells. This makes them ideal for '3-C' applications (computers, portable communications, and consumer electronics) and means that equipment designers can continue the trend of size reduction

with increased power supply duration.

Each Varta Ni-MH cell achieves over 500 IEC cycles and has a high drain capability of over 3 CA. They can be fast or trickle charged, and have an in-built protection against overcharge and overdischarge.

Ni-MH batteries have been developed to address environmental concerns about the heavy metal content of nickel cadmium cells. Consequently, the new cells contain 0% lead, 0% mercury and 0.4% cadmium.



## CAMBRIDGE PROFESSOR AIMS AT HIGH SPEED TELECOMMS NETWORKS

**B**ill Crossland, a scientist from BNR Europe, Northern Telecom's R&D subsidiary, has been appointed as Cambridge University's first Research Professor of Photonics. He will take up his duties within the University's Department of Engineering in early November.

The research chair in photonics is funded by Northern Telecom Europe, with additional support from the Newton Trust, and is

established to explore new ways in which optics might simplify the architecture of telecommunications transmission networks and switching systems.

Just as electronics is concerned with the movement of electrons, so photonics is concerned with the transmission and control of light (photons); a growing science as the telecommunications industry increasingly uses light frequencies to send digital sig-

nals along high capacity optical fibre networks.

At Cambridge, Professor Crossland will spearhead a five-year programme to develop communications architectures using reliable and efficient parallel optical space switching arrays, capable of simultaneous high-speed switching of voice, video, graphics, text and data. Such technology would contribute to the design of complex fibre networks and lead to a dramatic increase in the provision of telecom services to the home; for example, dial-up video, banking and shopping serv-

ices on demand. The technology will also contribute to ongoing programmes at Cambridge working on three-dimensional images for television and switchable dynamic holograms.

Professor Sir David Williams, Vice-Chancellor, University of Cambridge, says; "We are fortunate indeed in attracting Professor Crossland to this Research Professorship. He is an eminent scientist in his own right, internationally acknowledged for his development of liquid crystals for flat panel television and computer displays. His election further



strengthens the University's position as a world centre for research into fibre based communications systems, as well as supporting our graduate students in this growing area of technology."

Ian Vance, group managing director, BNR Europe Limited adds, "Bill Crossland's appointment is the latest achievement in a long association between our

company and the University's Department of Engineering; developed over 20 years through a number of important research collaboratives.

The new chair will help us understand and exploit the power of photonics which is one of the great engineering challenges of today. Professor Crossland's work at Cambridge will not only contribute to Northern Telecom's long

term technology understanding but also enhance the company's FiberWorld vision of low cost, high performance, service rich fibre networks."

The Northern Telecom Research Professorship of Photonics will add to Cambridge University's already strong reputation for developing optoelectronic components, recently winning much praise for its work on the design

of a cross point switch using a LASER amplifier. Northern Telecom is one of the largest European suppliers of telecommunications equipment and will be providing technical assistance to the new chair through BNR Europe - itself a leading research organisation in optoelectronics.

## NEW WIRELESS SECURITY SYSTEM

Every hour more than 70 homes are burgled in the UK - And according to the latest figures just issued from The Home Office the statistics are rising.

Losses from these burglaries cost in excess of £590-million plus all the heartache, inconvenience - and the resulting higher insurance bills.

Against this background of rising burglaries comes the launch of the X10 Powerhouse Security System - a completely wireless DTI approved home security system from Cotel Ltd.

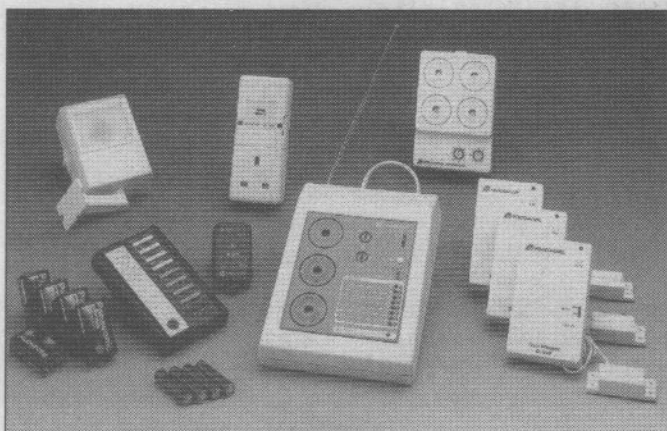
Taking less than an hour to install with no additional wiring, the Home Security Kit -SK 8000 - will retail for about £225. It includes base control console (with built-in audio alarm), 2 remote controllers (including one key fob), 3 door/window sensors,

a passive infrared movement detector, plus a powerful siren and lamp module.

It operates as follows. The sensor units are battery powered and communicate to a base control station via radio frequency (RF) signals. The sensors are monitored by the base station and faults registered. The base station communicates to an audio alarm and light modules via signals through the existing mains wiring.

The system components are placed where required, their batteries being connected or plugged into the mains and a code button operated to 'register' the units to the base console.

This enables anybody to have an effective security system installed and operating with the minimum of disruption.



Features include an Arm button which is operated after you leave the home and a Disarm button operated by a remote control key fob as you approach the house. Each system can have up to 8 individual controllers to cater for

every member of the family.

An additional benefit of the SK8000 Home Security Kit is that it can be used to control the lights too!

Further information from Cotel Ltd, Tel: 0256 64324.

## BUILD YOUR OWN PC

The new range of kits from Maplin Electronics provide the opportunity to build your own fully functional, IBM compatible computer with little or no previous experience. All the necessary component modules, cables and instructions are supplied. All the boards are assembled and no soldering is required.

The MAPLIN kits are IBM-AT compatible and use either the 80286 CPU, or the 80386SX. Both

these are 100% object code compatible with the 8088 and 8086 microprocessors. All the kits include 1Mb of RAM (expandable to 16Mb), a hard disk, high density floppy drive, extended keyboard and VGA graphics card. The VGA (Video Graphics Array) is compatible with CGA, EGA and Hercules, in mono or in colour, in addition to its own high resolution performance in VGA mode. There are four kits in all,

each CPU version is also available with a VGA mono or Super-VGA colour monitor.

The basic specifications for all kits are:

286 16MHz or 386SX or 386SX motherboard with 6 expansion slots; 1Mb of memory; VGA graphics card with 512K RAM (for 800 x 600 resolution, 256 colours); integrated disk controller with I/O card and 2 x serial ports, 1 x parallel and 1 games

port; 3.5inch 1.44Mb floppy disk drive (can also read 720K disks); 43Mb, low-profile ID hard disk drive, steel slide-in style desk-top case with 200W power supply, 101/102 key extended keyboard, monitor, MS-DOS 5.0.

Prices are: 286PC Mono Kit £505.00 286PC Colour Kit £540.00 386PC Mono Kit £675.00 (all include VAT)

## BINATONE CUTS THE CORD:

If the cordless phone was starting to look outmoded against a newer breed of mobiles, then Binatone has come up with a new cordless to set the record straight and prove that mobility doesn't have to come with a huge price tag.

The new Dialatron ZX2CH will be available in retail outlets from the end of January. At a cost

of £79.99 and with Mercury compatibility the new phone will be an inexpensive alternative to the customer who sometimes wants a phone and at other times wants the flexibility of a mobile.

A common complaint of previous cordless phones has been interference on the line; but this time Binatone is one step ahead of the critics. The ZX2CH has a

two channel mode which allows the caller to switch to an alternative channel if interference is experienced.

With clarity of calls guaranteed, the owner of the ZX2CH can enjoy the confidence of knowing that the phones' one million combination security code ensures that other cordless users cannot breach the line, but still has a memory to

hold nine of those numbers which need to be within easy reach.

Like its fellow cordless, the Dialatron Relay 200, also has user replaceable batteries, a mute button and line hold facility with melody and a base station which also acts as a telephone.



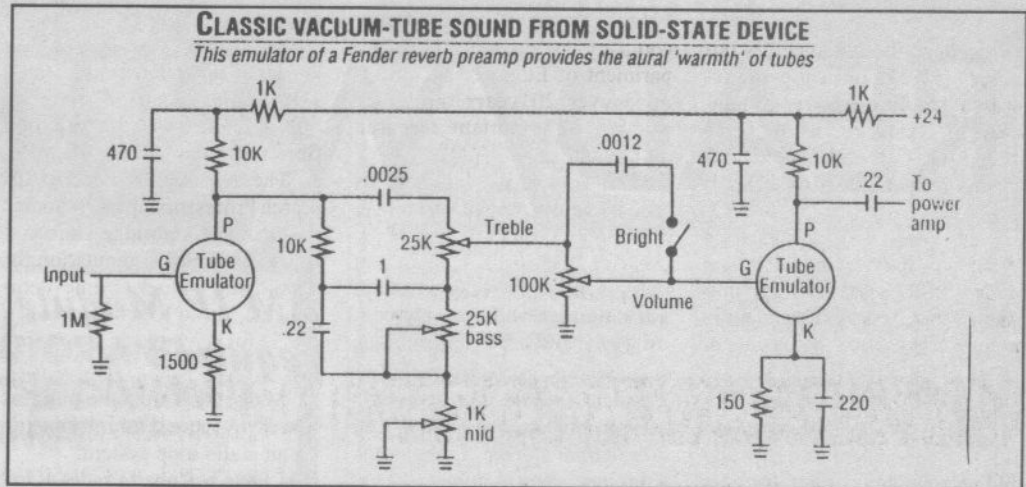
...Stateside...

## Solid state emulation of vacuum tube

**A** designer of custom electronic systems, Eric Pritchard, is claiming an achievement that should be music to the audiophile's ears: development of the first successful solid-state emulation of the vacuum tube.

Called the Tube Emulator, it can be designed into classic vacuum-tube audio circuits and, according to the designer, audiophiles who have heard the result say it is indistinguishable from the real thing.

Emulating the vacuum tube may not seem a particularly formidable challenge, but previous attempts to build tube-quality audio systems in solid state have



failed.

Pritchard undertook the Tube Emulator project as an offshoot of his business, Metif of Berkeley Springs, which builds custom audio and camera control equipment for the entertainment industry. He concluded that the problem common to all previous approaches was the attempt to emulate an entire audio circuit. Since the vacuum tube is the critical component that distinguishes classical audio systems from modern solid-state versions, Pritchard decided to concentrate on the simpler problem of building a solidstate drop-in replacement for the tube.

It took him six years of research to come up with a solid-stage tube equivalent.

"The dynamics of the grid are crucial and turn out to be governed by non-linear differential equations that can only be solved with computers, if at all. Since the tube disappeared from electronics at about the time the computer was invented, exact models of tube dynamics were never developed," Pritchard noted. Engineers thus were compelled to work with a crude linear model of vacuum tube response. "While the model was adequate for design purposes, it did not address the tube's unique audio qualities.

Pritchard built tube-emulator versions of the classic electric-guitar pre-amp circuits as test beds for his creations. Because he had set out to emulate the tube, rather than a whole circuit, different versions of the emulator could be easily dropped into the circuit.

Confident that his design has passed the ultimate test, Pritchard has founded a company, Deja Vu Audio, to market the Tube Emulator. The circuit is currently realised in a discrete version. The next step will be to work up a hybrid version for electric guitar makers.

## New chip

**A** single-chip array processor demonstrated recently at Bell Communications Research Corp. Inc. performs relational database searches at more than 2 billion

results/second. The 40-MHz processor uses a systolic architecture to run an innovative data-partitioning scheme devised by VLSI researchers at the Massachusetts Institute of Technology. The chip can accept a 32-bit data element

on every clock cycle.

While the relational approach to organizing large data pools enables users to interact with data in a natural language setting, it also adds a large computational overhead. That burden is turning

into a major barrier as the size of databases increases.

The new chip will permit system designers to build dedicated parallel processors that directly implement the relational paradigm.

## Predicting non-linear optical interactions

**A** new theory that predicts strong non-linear optical interactions resulting from optical "pumping" of electrons in materials has been verified in an experiment at the University of Pennsylvania.

Optics experts in the university's department of physics were able to amplify the non-linear properties of diphenylhexatriene (DPH) by a factor of 1,000 simply by illuminating the organic compound with laser light tuned to a specific frequency.

DPH is one of a family of

compounds that make an ideal medium for building optical information-processing systems, except that they strongly absorb light in the process.

Since absorption losses result from electrons moving from lower to higher energy levels, the University of Pennsylvania team reasoned that if the electrons were raised to higher energy levels en masse before a signal pulse arrived, the pulse would be able to pass through the material without loss.

By illuminating a sample of DPH with a nanosecond pulse of laser light tuned to the absorption frequency, the researchers discovered that subsequent picosecond pulses passed through without absorption. With absorption effects out of the way, the excited electrons increased the

deflection of the test beam by large factors, indicating strong third-order non-linear effects.

If such third-order effects could be harnessed in practical devices, a new range of optical applications would emerge.

## Flat panel design

**S**andia National Laboratories and Photonics Imaging are developing flatpanel-display manufacturing technology.

The two companies recently signed a cooperative research and development agreement under which they will jointly develop a validated software system that can be applied to flat-panel design and manufacture.

Sandia has expertise in modelling the interaction between materials and plasmas, and it will use that experience to analyze and create various computational models of their operation. Those models will then be used to improve display efficiencies and other parameters of colour plasma display panels.

Photonics produces a variety of flat-panel displays - from just a few centimetres to approximately 1.5 metres in diagonal length.

**MORE  
STATESIDE  
NEXT  
MONTH**



# READ/WRITE **ETI** Letters

## More Power To The Zig-zags

Please give us back our traditional symbols and names - zig-zags for resistors, mhos for conductance, circles for meters. It is much easier to find out and understand than a multitude of rectangles, I do not want to become an ex reader of ETI because the diagrams are so plain and boring.

**J Treeby,  
Plymouth**

*I was wondering when somebody would comment on this issue. Many years ago electronic symbols were quite different, particularly between the UK and USA (Do you remember the British Post Office Logic symbols?). Since then there has been a gradual change from our original symbols to American logic symbols (influence of Texas Instruments) in the first instance to the 'box' for the resistor recently. It then makes us realise how influential American products and ideas are even through the Japa-*

*nese route.*

*As far as the UK is concerned, it seems we are being pulled by the arms in both directions into the European way of thinking with metrication and the 'Community' from one direction and the all powerful industrial, technological might of the US from the other. It is no wonder we are presently dealing with dual systems in the UK.*

*Back to the symbols, ETI held on to most of the traditional designs until recently, when Desk Top Publishing took over using many software packages available for drawing.*

*I would like to hear the views of readers to see what the strength of opinion is before being swayed one way or the other. -Ed.*

## Any Moves on the LED Front?

After reading the letter in Read/Write December from Mr Eaton regarding a LED message indicator, I thought I would bring to your notice that in ETI a number of years ago, there was an LED Message Panel project. It included a program and the use of the Sinclair ZX Spectrum. I would therefore suggest your printed circuit firm re-issue the PCB for readers to buy. All you need to do is re-run the article.

I would like to see ETI publish an up-to-date version which can be used by itself or with the Spectrum, BBC micro or Amiga.

**Alan Hall,  
Glasgow**

*You are correct, ETI published a project called 'Message Panel' in October-November 1982 and*

*was programmed from the 'ZX' computers. Unfortunately, the PCB is not available for that project anymore (but many others are). Yes we would like to publish an updated version one that includes a greater number of characters on display at any one time, however we are always open to other ideas on the same theme. - Ed.*

## Power at the Right Place and the Right Time

I am an undergraduate at City University studying electrical and electronic engineering and would be most grateful for some information or helpful hints on a project I am working on.

I am currently working in a

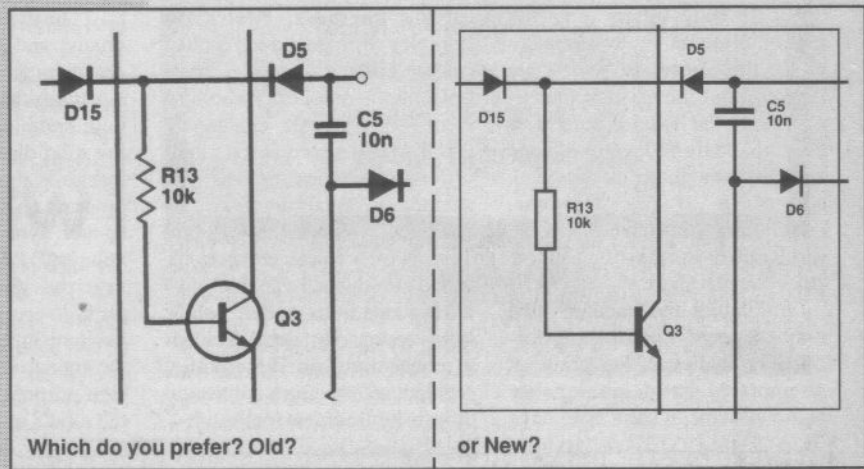
## AM IF Module required

Many thanks for the publication of my request for information on an audio loop system.

I have a Roberts radio R700 (1966-67) and is of sentimental value. I require an AM IF module for it and I wonder would any

reader have an old model that they do not use. The module and the AM oscillator coil are easily removed. Perhaps some of the very old dealers throughout the country may have some old stock, I will pay the cost of postage if not excessive.

**Mr P Trayers,  
Merseyside  
L63 3DX.**



group that is advising a company, Intermediate Technology (a charity involved in helping underdeveloped countries help themselves), on a project to improve power distribution to remote villagers in Nepal. At present power distribution relies on the villagers acquiring vehicle batteries and shuttling them between recharging points and their homes. Due to the distances involved and the weight of the batteries the villagers tend to leave it to the last minute before recharging. This is leading to seriously reduced battery lives and the villagers having to somehow get more batteries which they cannot easily afford.

We are working on methods of reducing the distances the villagers have to haul the batteries, efficient recharging methods and discharge limiting the batteries. This involves looking into power distribution networks, inverters, basic recharging circuits and very basic discharge limits to be attached to the batteries. Any viable solutions have to be cheap and use components, skills and equipment that are available in Nepal.

Since over the years your wonderful magazine has produced so many varied projects and discussed a wide variety of topics I thought it would be foolish to ignore such a source of technical know-how. I would be most grateful if you send me any useful information hints or references to back copies or books.

**Peter Wivall,  
Ashord, Middx.**

*Enough of the flannel! Looking at our projects over the last twenty years, we have presented a variety of battery chargers but nothing on the problems of power distribution in Third world countries.*

*To minimise battery movement, solar powered recharging would be quite attractive as there is plenty of sunshine. The drawback is the expense at present. Alternative local sources of generation might also be considered temporarily like wind, geothermal and hydro-electric, until cables can be laid. I suggest you find out what the UK electricity generating companies might say about the problem. - Ed.*





**UK DISTRIBUTOR AND STOCKIST FOR THE COMPLETE ILP RANGE**

- ★ AMPLIFIER MODULES
- ★ PRE-AMPLIFIERS
- ★ 100V LINE TRANSFORMERS
- ★ TOROIDAL TRANSFORMERS
- ★ LIGHTING TRANSFORMERS

*Write, phone or fax for data and prices*

**Jaytee Electronic Services**

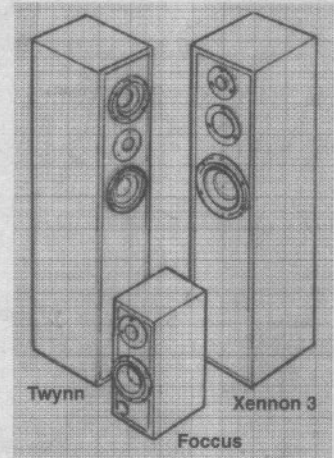
143 Reculver Road, Beltinge, Herne Bay, Kent CT6 6PL  
Telephone: (0227) 375254. Fax: (0227) 365104

**DYNAUDIO®**  
AUTHENTIC FIDELITY

Dynaudio is considered one of the most distinguished manufacturers in audio. By means of untiring and successful research and exceptional solutions to questions of concept, design and construction Dynaudio has acquired this excellent reputation, yet

success has not altered their independence and single minded concentration on creating products of the highest quality. Dynaudio continues to search for solutions to the basic problems of loudspeaker engineering and then puts these solutions to the test in loudspeakers of their own design. This is especially true for chassis technology. They have set the standards that others must follow.

There are three new speaker kits available from Wilmslow Audio, each kit contains all necessary components to build a superb pair of speakers. 18mm M.D.F. flat pack cabinets are also available.



	Plus Kit	Carr/Ins	Total Kit	Carr/Ins
Gemini	£590.00	£10.00	£645.00	£15.00
Foccus	£360.00	£10.00	£395.00	£15.00
Twynn	£425.00	£10.00	£510.00	£18.00
Xennon 3	£675.00	£10.00	£750.00	£20.00
Finale	£1200.00	£15.00	£1600.00	£25.00

**Wilmslow Audio**

Dept. ETI  
Wellington Close,  
Parkgate Trading Estate  
Knuttsford, Cheshire  
WA16 8DX  
Tel: (0565) 650605  
Fax: (0565) 650080

DIY Speaker catalogue £2.00  
post free (export £3.50)



Telephone credit card orders welcome



Open Tuesday to Saturday, 4 demonstration rooms available.

**LOW COST RANGER 1 PCB DESIGN FROM SEETRAX**

- Circuit Schematic
- Circuit Capture
- PCB Design
- Host Of Outputs



**ALL-IN-ONE DESIGN SYSTEM.....£100**

**FULLY INTEGRATED AUTO ROUTER.....£50**

*Ask about trade-in Deals! Call Now For Demo Disk on 0705 591037*

**WHAT THE PRESS SAID ABOUT RANGER 1**

For most small users, Seetrax Ranger 1 provides a sophisticated system at an affordable price. It is better than Easy PC or Tsien's Boardmaker since it provides a lot more automation and takes the design all the way from schematic to PCB - other packages separate designs for both, that is, no schematic capture. It is more expensive but the ability to draw in the circuit diagram and quickly turn it into board design easily makes up for this.

**Source JUNE 1991 Practical Electronics**



Seetrax CAE, Hilton Daubnay House, Broadway Lane, Lovedean, Hants, PO8 0SG. TEL. 0705 591037. FAX. 0705 599036



# Ni-Cd Battery Charger

*A small but useful  
project for beginners  
by Andrew Armstrong.*

The best way to charge nickel cadmium cells is to use a constant current source. A Nickel-Cadmium cell has a very low internal resistance, so, if a constant voltage charger is used, minor voltage variations will alter the current substantially. The voltage of a cell changes while it is being charged, so constant voltage charging is quite useless.

The first obvious answer would be to use a constant voltage higher than needed to charge the battery, and to supply the battery via a resistor to limit the current. This approach does work, but the charging current still decreases as the battery charges. If the voltage dropped across the resistor is a substantial fraction of the fully charged battery voltage, then the variation is less, but a lot of power is dissipated in the resistor. If, on the other hand, the voltage dropped across the resistor is only a small percentage of the battery voltage, the current will fall markedly as the battery charges.

This could be an advantage if the battery might be left on

charge for a long time before anyone remembers to disconnect it, because overcharge at a low current will cause less harm to the battery, but it is disadvantageous if the battery has to be charged and then used. In this case, a known charging current will guarantee full charge after a set period of time.

It is normal to refer to charging current as a proportion of the ampere hour capacity of the battery, so for example the C rate of charge would deliver 2Ah per hour to a 2Ah battery. The efficiency of charging a 'Nicad' is such that more ampere hours of charge than the nominal capacity of the cell must be supplied to charge it completely.

It is normal to charge 'Nicads' at the c/10 rate for 14 or 16 hours, according to the instructions for the particular cell type. For example, a 2Ah battery would be charged at 0.2A for 14 hours to charge it fully. This rate is chosen because it is the highest rate at which overcharge can continue for a moderate period of time with little damage. If a timer is incorporated to switch off the charge after a required time, or if temperature sensors are employed to detect the increase in

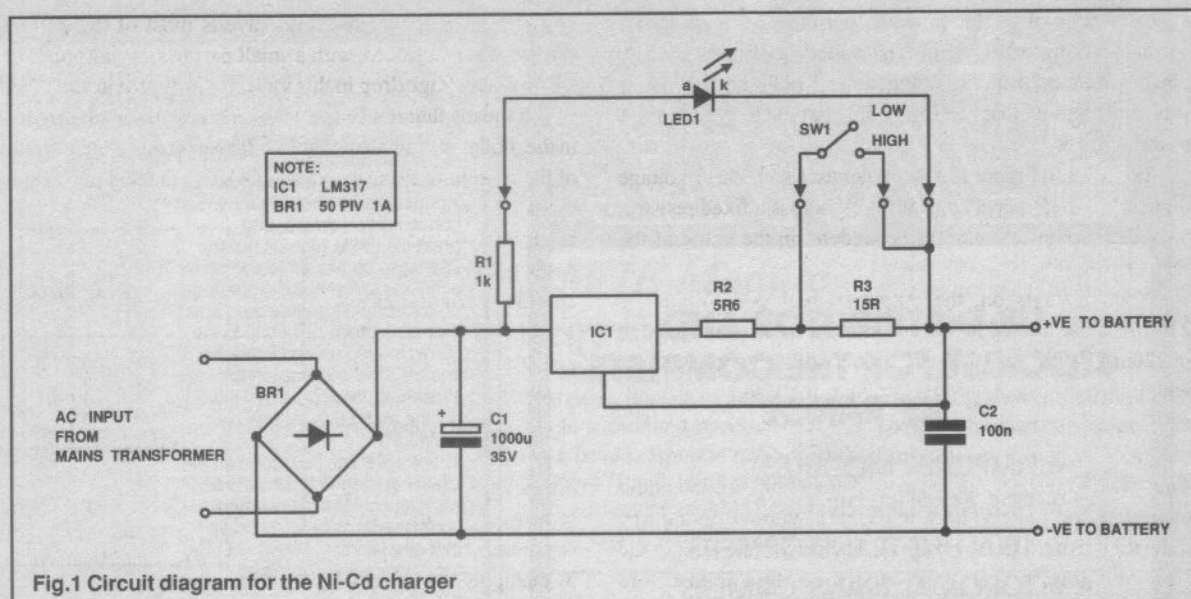


Fig.1 Circuit diagram for the Ni-Cd charger

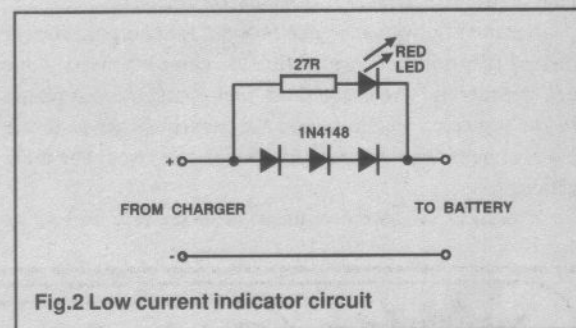


Fig.2 Low current indicator circuit

battery temperature due to overcharge, faster charging regimes are possible. Seven-hour rather than fourteen-hour charging is acceptable for most types of cell, and the very best can be charged in as little as half an hour.

The charger in this project was designed to charge a battery pack in 14 hours, with a trickle charge option can be used to maintain the charge in the battery pending use, without causing damage due to overcharge. It also has an LED indicator to show whether or not charging current is flowing, and whether trickle or full charge current is in use.

The circuit, shown in Figure 1, was built to charge a set



of ten C cells of 2.2Ah capacity, permanently built into a special lighting effect unit. The battery pack was used to power a powerful quartz halogen car headlamp bulb, so it was vital to know that it started fully charged to get adequate power from it.

As shown in Figure 1, the charger uses an LM317 voltage regulator to maintain a constant 1.2V across a fixed resistor, providing a constant current dependent on the value of the resistor.

When SW1 is on, the output current is  $1.2V/5.6R = 214mA$ , close enough to the recommended charging current of 220mA. With the switch off, the charging current is 58mA, which is approximately the c/38 charging rate.

The LED indicator is powered by the voltage drop in the regulator, so that it is extinguished when there is no load. This was important, because a connection failure could otherwise leave the battery uncharged without giving any indication that there is a problem. The current flowing in the LED also goes to charge the battery, so an additional 5 to 10mA must be added to the currents calculated above.

Because the output voltage of the transformer decreases as the load is increased, the LED is brighter on low charging current, and dimmer on high current. This is opposite from what most people would expect, but it did not seem worth the complexity to make it work the other way round.

The transformer voltage must be chosen to match the battery to be charged, so that the LM317 always has enough voltage across it to work, but is not called on to dissipate too much power. To charge the 12V (nominal) battery pack, a 15V 6VA transformer was used. Other voltages may be selected as appropriate.

The reasoning to select transformer output voltage is as follows: The positive and negative peak output voltage of the transformer is  $2 \times$  stated voltage. The reservoir capacitor would charge to this voltage, less the voltage drop in the bridge rectifier, but for the clipping of the tips of the sine wave output as soon as load current is drawn. So the capacitor voltage is approximately (rated voltage  $\times 2$ ) - rectifier drop - sag. If the rectifier drops 1.6V on load, and the sag is about 15%, then the reservoir capacitor voltage on load with a 15V transformer would be 16.7V.

The use of a voltage regulator to set the charging current instead of a resistor is not justified in cases where only one cell at a time is to be charged. In such cases, the dissipation in the regulator would exceed the power delivered to the battery, and a simple current limiting resistor would be more efficient.

If an LED indicator is required in such a case, the circuit

of Figure 2 may be used. This diverts most of the current through the 1A diodes, with a small part passing through the LED. The voltage drop in this indicator is approximately 2V, which means that if a D cell is to be charged the dissipation in the diodes will total almost 2W. It also means that the value of the current limiting resistor must be calculated taking this extra drop into account. It is probably best in such cases to check that the charging current is as expected once the calculated resistor value has been inserted. Transformer always give the right answer. Clearly, the charging currents may be selected for different capacities of battery pack, by changing the values of R2 and R3. If a pack of AA sized cells is to be charged, the LED current (which is added to the charging current) may be a substantial fraction of the total charging current needed. For such low current charging (20mA is the normal figure for such cells), it is probably better to use a current limiting resistor in series with an LED.

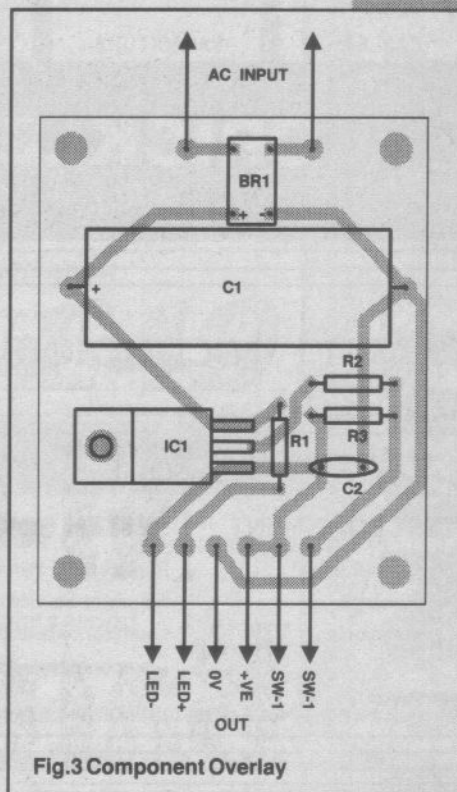


Fig.3 Component Overlay

## PARTS LIST

### RESISTORS

R1	1k
R2	5R6
R3	15R

Note: The values of R2 and R3 should be recalculated for different battery capacities.

### CAPACITORS

C1	1000 $\mu$ 35V axial electrolytic
C2	100n 0.2" pin spacing polyester or ceramic.

### SEMICONDUCTORS

BR1	1A 50V DIL bridge
IC1	LM317 voltage regulator
LED1	Any red LED

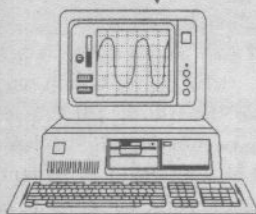
### MISCELLANEOUS

SW1	Miniature on/off switch Heatsink for LM317
	Mains transformer, chosen to suit battery pack.

£29.95

## 8-bit A to D

For PC's & 100% Compatibles



- \* Plugs into printer port.
- \* Up to 25 KHz sampling.
- \* 0 to 5V input range.
- \* Software drivers in C and BASIC
- \* Voltmeter/Oscilloscope software including source code.
- \* 3.5" or 5.25" disk (Please specify)
- \* Price includes Post & Packing

MAIL ORDER TO:  
Cheques & Postal  
Orders only please

C.P. Technology  
Red Lion Yard, Market Place  
Blandford, DORSET DT11 7EB

## EQT LTD STEVENAGE

Professional Sub-Contract Manufacturing & Suppliers to the Electronics Industry

Do you have a requirement for any of the following services:

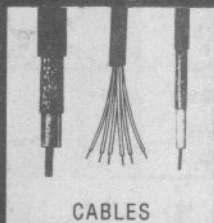
PCB Assembly (Conventional and Surface Mount)	Product Design/Consultation
Wave & Hand Soldering	Full Procurement Service
Complete Equipment Manufacture	PCB Test & "Burn in" Facilities
Device Programming from hand written shts or PC 3 1/2" disc	Enclosure Design & Manufacture
Cable Harness Assembly /loom Manufacture	PCB Artwork Manufacture
Card Cage and Module Wiring	Circuits Drawn Professionally
Full Inspection	Kit Procurement & Supply
	Component Sales
	Refurbishment a speciality
	Top Quality Work at Reasonable Rates

Phone Tracey on (0438) 310066 or Fax details of your requirements to us on (0438)315829

EQT LTD, BTC, Bessemer Drive, STEVENAGE, HERTS, SG1 2DX



**Call us now! We have the widest range of components available – At competitive prices**



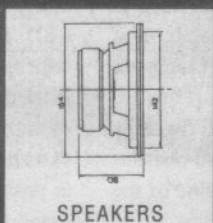
CABLES



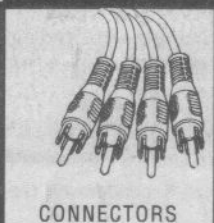
CAPACITORS



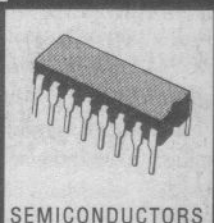
VIDEO HEADS



SPEAKERS



CONNECTORS



SEMICONDUCTORS

**CRICKLEWOOD ELECTRONICS**

Cricklewood Electronics Ltd. 40 Cricklewood Broadway, London NW2 3ET.  
Telephone: 081 452 0161 Faxsimile: 081 208 1441

All Major Credit Cards Accepted



Hesing Technology **H<sub>T</sub>**

Cromwell Chambers, 8 St. Johns Street,  
Huntingdon, Cambs. PE18 6DD

Tel: (0480) 433156  
Fax: (0480) 413357

**TEST EQUIPMENT**

Supply  
Maintenance  
Commissioning

**SYSTEM CONSULTANCY**

Replacement Parts  
Supply of Service &  
Operators Manuals  
Components

Distributors for:  
WAUGH INSTRUMENTS, RAMTEST LTD, KRENZ ELECTRONICS, PANTHER

**OMNI ELECTRONICS**

174 Dalkeith Road, Edinburgh EH16 5DX • 031 667 2611

The supplier to use if you're looking for —  
★ A WIDE RANGE OF COMPONENTS AIMED AT THE HOBBYIST ★  
★ COMPETITIVE VAT INCLUSIVE PRICES ★  
★ MAIL ORDER - generally by RETURN OF POST ★  
★ FRIENDLY SERVICE ★



Open: Monday-Thursday 9.15-6.00  
Friday 9.15-5.00 Saturday 9.30-5.00



**M & B RADIO (LEEDS)**  
THE NORTH'S LEADING USED TEST/EQUIPMENT DEALER

**OSCILLOSCOPES**

Tektronix 2445A 150MHZ Four Trace £1500  
Tektronix 475 200MHZ Oscilloscopes with probes/manual £400  
Tektronix 465B 100MHZ with Digital Multimeter (as new) £475  
Tektronix 465B 100MHZ Dual Trace £375  
Tektronix 465 100MHZ Dual Trace £300  
Tektronix 466 100MHZ Storage with DVM option £450  
Kikusui CO56100 100MHZ 5 channel £550  
Iwatsu SS6122 100MHZ 4 trace + cursors £900  
Tektronix 5103/5B 10M T.B. 2-5A20N Differential plugins £195  
Philips PM3217 50MHZ Dual Trace with probes/manual £375  
Philips 3200 15MHZ Mains/Batt portable £90  
Tektronix T935A 35MHZ Dual Trace Portable £175  
Ballantine 1022B 15MHZ Dual Trace Batt Portable £195  
Tequipment D32 15MHZ Dual Trace Batt Portable £135  
Hitachi V650F 60MHZ 3 Trace £275  
Hitachi V222 20MHZ Dual Trace £225  
Gould OS3600 100MHZ Dual Trace with DVM Opt £275  
Gould OS4000 10MHZ Dual Trace Digital Storage Scope £195  
Gould OS250B 15MHZ Dual Trace Complete with Probe/Manual £125  
Gould OS1420 20MHZ Digital Storage Oscilloscope £325  
Farnell DTC12 12MHZ Dual Trace/Component Tester £195  
Farnell DT12-5 12MHZ Dual Trace £160  
Tequipment D67A 35MHZ Dual Beam £195  
Tequipment DM64 20MHZ Storage Oscilloscope £135  
HP 1727A 275MHZ Storage Oscilloscope £450

**SIGNAL GENERATORS**

Marconi 2019A 1040MHZ AM/FM £1950  
Marconi 2018 520MHZ AM/FM £850  
Marconi 2017 10KHZ to 1024MHZ £2250  
HP 8640B 1024MHZ Complete with opt 001/002/003 £1550  
Wavetek 2520 200KHZ to 2.7GHZ Synthesized £1950  
Marconi 2015/2171 Synchronizer 10MHZ to 520MHZ AM/FM/CW £325  
Singal Generator (as new condition) £195  
Marconi 2016A 10KHZ to 120MHZ (RF Trip) £145  
Marconi 2016 10KHZ to 120MHZ AM/FM £2250  
Farnell SSG2000 10KHZ to 2GHZ Synthesized £2250  
Farnell SSG1000 10KHZ to 1GHZ Synthesized £1500  
Farnell SSG520 520MHZ Synthesized £500  
Farnell SSG520-TTS520 Mobile Radio Test Station (pair) £900  
Adret 740A 10KHZ to 2.7GHZ Synthesized Generator £1950  
Adret 20230A 1MHZ Synthesized Source £195  
Polrad 1106ET 1.8 to 4.6GHZ Complete with Modulator £550  
Wavetek 193 20MHZ Sweep Function Generator £295  
Philips 5324 100KHZ to 110MHZ AM/FM/Sweep £200

Easton 3552B Broadband RF Amplifier £1000  
Kalamus Wideband RF Amplifier 5 to 1000MHZ £750  
Farnell LA520 RF Amplifier 1.5 to 520MHZ £175  
Farnell LFM2 Sine Square Wave Oscillator £85  
Farnell LFM4 Oscillator £200  
Farnell TM8 True RMS Sampling RF Millivoltmeter 1GHZ £350  
Racal Dana 9301A True RMS Voltmeter £450  
HP 340A True RMS Voltmeter £145  
HP 3403C True RMS Voltmeter £150  
Racal Dana 1998 Frequency Counter £750  
Racal 9841 3GHZ Frequency Counter £225  
Marconi 2432A 500MHZ Frequency Counter £200  
Narda 3020A Bi Directional Coupler 50 to 1GHZ £250  
Narda 3001-30 Directional Coupler 460 to 960 MHZ £85  
Narda 3022 Bi Directional Coupler 1 to 4GHZ £250  
Narda 769/6 150W 6BB High Power Att (NEW) £100  
Bird Tenuline 8343 100W 6DB Att £100  
Bird Termaline 8201 50 OHM 500W £100  
HP 9133 Computer 150 Touch Screen/Printer £500  
Racal Dana 1002 Thermal Printer £150  
HP 3455A High Stability Voltmeter GPIB £1200  
HP 3478A LCD Digital Multimeter £400  
HP 3468D Digital Multimeter 51/2 Digit £400  
HP 5306 GPIB Multimeter/Counter £225  
HP 8750A Storage Normalizer £400  
HP 5382A 225MHZ Frequency Counter £195  
HP 461A Amplifier 1KHZ 150MHZ £100  
HP 6294 PSU 0 to 60 Volts 1AMP £85  
HP 3556A posphometer £50  
HP 4271B 1MHZ Digital LCR Meter £950  
Tektronix 521A PAL Vectorscope £1000  
Tektronix 1481R Waveform Monitor £500  
Tektronix 141A PAL Test Signal Generator £750  
Racal Dana 5002 Wideband Levell Meter £750  
Racal Dana 9303 True RMS RF Level Meter £750

**SPECTRUM ANALYSERS**

Tektronix 495P 1.5GHZ Programmable £3500  
H/P 8556B 1.5GHZ 182T Main Frame £1800  
H/P 141T 8552B IF 8554B 1250MHZ + 8553B 110MHZ Complete £2250  
Audio o RF System £2350  
H/P 8555B 18GHZ Plugin (New Boxed) £2000  
Rohde/Schwarz ZAM 52 20GHZ Scalar Network Analyser £2000  
Wayne Kerr RA200/ADS1/ALM2 Frequency Response Analyser (As New) £650  
H/P 3580A 5HZ to 50KHZ Spectrum Analyser (New) £2000  
H/P 8566B 22GHZ Spectrum Analyser £1700

**TEST EQUIPMENT**

Marconi 2955 Communications Test Set £3000  
Marconi 2950 Mobile Radio Test Set £250  
Dymer 2085 AF Power Meter £225  
Marconi TF2331 Distortion Factor Meter £295  
HP 651B Test Oscillator £200  
HP 333A Distortion Meter £225  
Marconi 2305 Modulation Meter £1600  
Efratom FRT Atomic Frequency Standard £2500  
Fluke 540B Thermal Transfer Standard £850  
Bradley 232 AC Calibration Source £1000  
Bradley 156 Oscilloscopes Calibrator £200  
Wayne Kerr ATC Measuring Set £150  
HP 745A AC Calibrator £750  
HP 8405A Vector Voltmeter + Accessories £1000  
Fluke 103A Frequency Comparator £500  
Bicctest T431M Cable Test Set £250  
Cossor 437 Cable Logger £250  
HP 435B Power Meter 8482+30DB ATT (As New) £975  
HP 435A Power Meter 8482H Head £650  
Marconi 6960 RF Power Meter 6912 Head 30KHZ to 4.2GHZ 6920 Head 10MHZ to 20GHZ £1000  
HP 394A Variable Attenuator 1GHZ to 2GHZ £400  
PowerSense Line Analyser £450  
Leader LCT910A CRT Tester/Rejuvenator £195  
Amber 4400A Multipurpose Audio Test Set £550  
Ferrograph RTS2/ATU1 Tape Recorder Test Set £300  
Racal Dana 6000 Microprocessing DVM £350  
Racal Dana 9000 Microprocessing Timer Counter 510MHZ £295  
Philips PM2434 DC Microvoltmeter £75  
Racal Dana 488 IEEE STD 488 Bus Analyser £250  
Sinadder 3 Meter £145

**BULK PURCHASE SPECIALS**

HP 180 50MHZ Oscilloscopes Tested £145  
Marconi 1101 RC Oscillator 20CS to 20KCS £45  
Avo 8 Multimeters Case + Battery Leads £25  
Unaohm EP594 TV Field Strength Meter 48 to 860MHZ £55  
Adcois 777 Desoldering Station £150  
Fluke 8000A High Grade Digital Multimeter £100

**RADIO EQUIPMENT**

Racal RA1792 HF Receivers £1800  
Racal RA2309B + RA2295 90 to 400MHZ £950  
Eddystone 7700 150 to 500MHZ £185  
Eddystone 9905 250 to 850MHZ £195  
Philips 88MHZ to 108MHZ Broadcast TX £4000

ALL PRICES PLUS VAT AND CARRIAGE

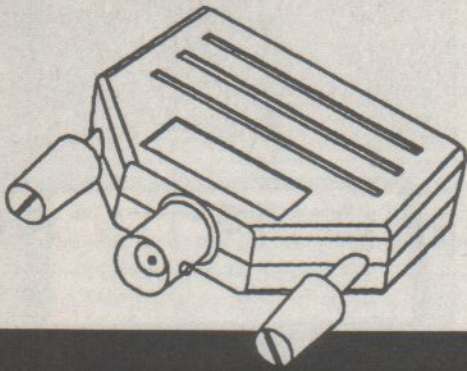
**86 Bishopsgate Street, Leeds LS1 4BB**  
**Tel: 0532 435649 Fax: (0532) 426881**



# Low cost data acquisition for IBM PCs & compatibles...

All our products are easy to install - they connect directly to either the printer or serial port and require no power supply. They are supplied with easy to use software which collects data for either display or print-out.

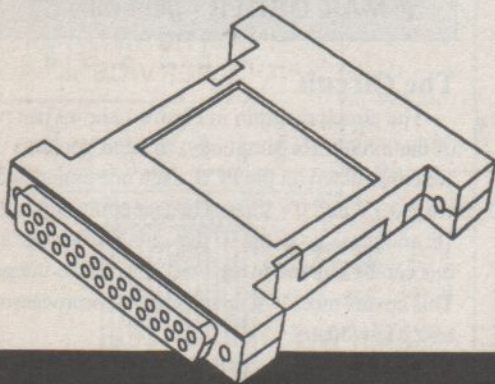
## ADC-10



- 8 - bit resolution
- one channel
- 10-25k samples per second
- Oscilloscope/Voltmeter software
- 0-5 V input range
- Connects to printer port

**£49**

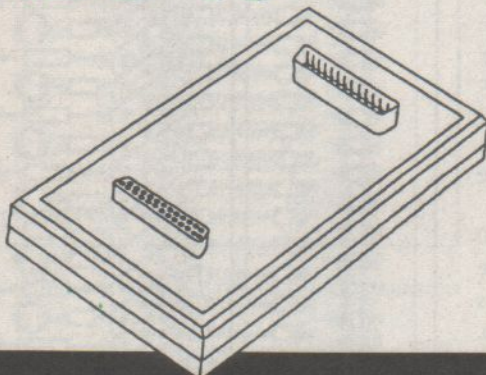
## ADC-11



- 10 - bit resolution
- 11 channel
- 5-10k samples per second
- Data logger software
- 0-2.5 V input range
- Connects to printer port

**£75**

## ADC-16



- 8, 12, 16-bit resolution + sign
- 8 s/e or 4 differential inputs
- 2 16 or 300 8-bit samples per second
- $\pm 2.5$  V input range
- Data logger software
- Connects to serial port

**£99**

All prices exclusive of V.A.T.

## PICO TECHNOLOGY LTD

Broadway House, 149 - 151 St Neots Road, Hardwick, Cambridge, CB3 7QJ



Tel: 0954 - 211716

Fax: 0954 - 211880

PICO TECHNOLOGY



# IC Tester

*An easy-to-build IC tester for the laboratory by Shabaz Yousaf*

The project described here can be used to check many kinds of ICs in-circuit. Often if a circuit is faulty and an integrated circuit is suspected, all that can be done is to take readings with a multimeter at various terminals of the IC, and these are compared with expected readings from a circuit diagram. The obvious disadvantage is that only one terminal can be examined at a time, and here is where the IC Tester comes in. It clips over any IC of up to 16 pins. The LEDs on the front panel then light

## HOW IT WORKS

Diodes D1-32 are used to divert the voltage on each test pin. If the voltage is positive, it goes to the +ve supply line. Current at the base of a transistor will turn it on, thus lighting the relevant LED. With a voltage of 20V at the base, and taking a voltage drop of 0.7V through each diode, a current of 18.6mA flows through the LEDs.

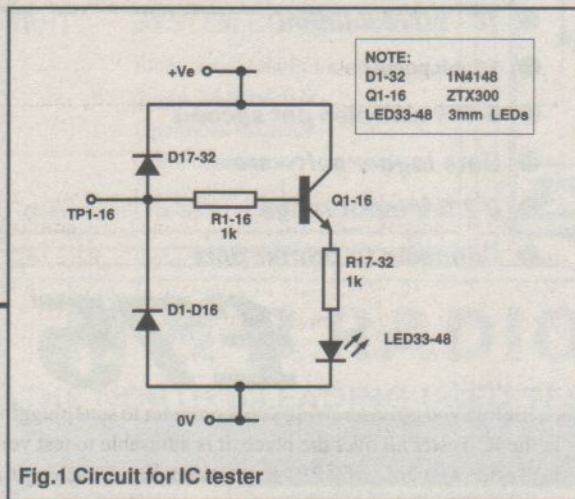


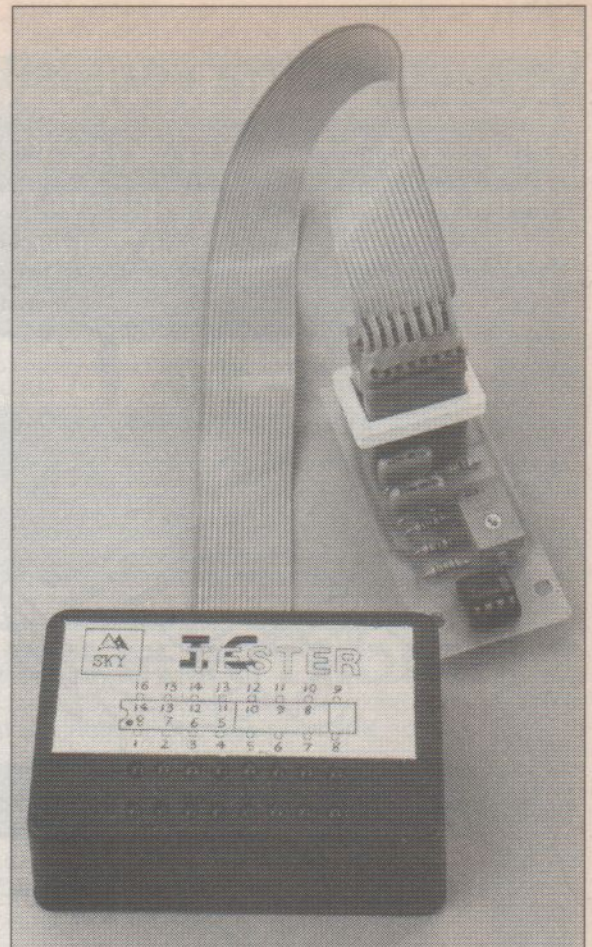
Fig.1 Circuit for IC tester

up to indicate the voltage (relative to 0V, or the most negative PD) on each pin. Clearly this is not exactly as accurate as a voltmeter, but often all that is needed is a rough idea

of the voltage on each pin, the most obvious example being a logic IC.

This design can be used to test ICs operating from 3 to 20 volts, although at the lower voltages the display will be quite dim. The tester does not require any batteries, as it draws its power from the circuit under test, via the IC it is clipped to.

The IC tester is not in the same league as logic analysers and multiple-trace oscilloscopes, but nevertheless is a very useful gadget to have on the test bench. It is invaluable in schools, where pupils can use it as a sort of 'multiple logic probe' for evaluating the operation of logic gates. Although the component count is quite high (there are no less than 96 components on a board measuring 43x45mm, which equates to a component density of 32 components per square inch!!!). It is a reasonable cheap device, so several could be knocked up for a classroom.



## The Circuit

The circuit diagram in Figure 1 shows just one-sixteenth of the circuit, for simplicity. Sixteen versions of the circuit are constructed on the PCB, each one connected to the other via the +V and 0V lines. The test points are numbered TP1-16, and these go to the IC test clip. Rather like a clothes peg, this can be clipped to any - 0.3" pitch DIL integrated circuit. This covers most ICs, apart from microprocessors, EPROMs and a few others.

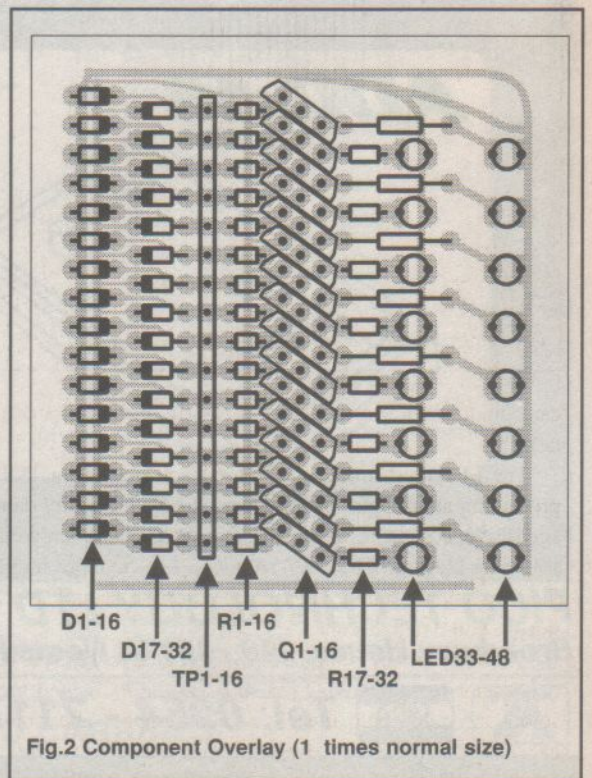


Fig.2 Component Overlay (1 times normal size)



The LEDs in the prototype were standard 3mm red ones, but the use of high efficiency LEDs will give an improved display at the lower voltages.

The design uses an individual transistor for each IC pin, which may seem unnecessarily complicated, considering that two octal driver ICs could have been used instead. However, this would have restricted the voltage range to around 4-6V, which would mean that only TTL devices could be tested. If, however, this is all you want from an IC Tester, replacing resistors R17-32 with 270R will give a much brighter display.

Almost any transistor could have been used in this design, but due to size of the PCB, only the compact ZTX300 will do.

### Construction

Figure 2 shows the component overlay for the PCB. Starting from the left, first solder in the diodes D1-32. These are specified in the parts list as 1N4148 types, but almost any small-signal silicon diodes will do. Indeed, the prototype actually used diodes of unknown specification, which were purchased in bulk.

Next, solder in resistors R1-16, transistors Q1-16 then resistors R17-32. If you are using the normal 0.25W resistors, they will have to be mounted vertically on the board. If you

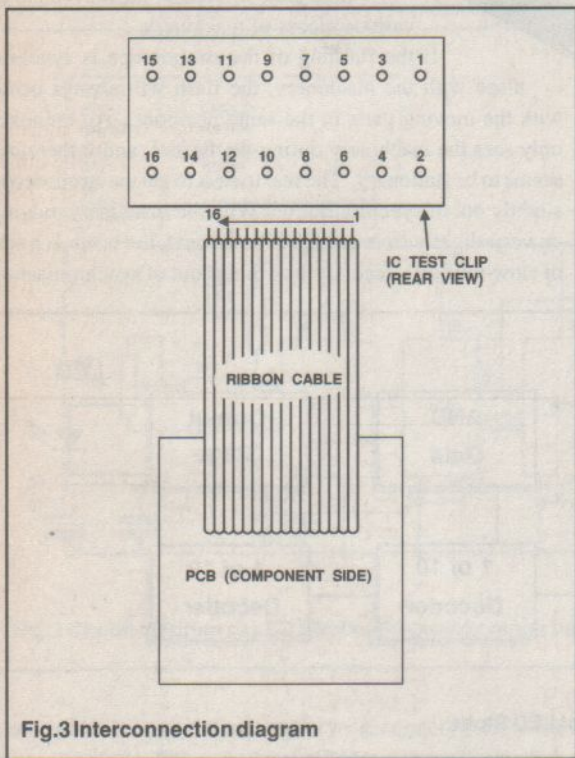


Fig.3 Interconnection diagram

can obtain the miniature 0,125W types, these will fit horizontally.

The LEDs are soldered onto the track side of the PCB, protruding about 5mm off the board. LEDs are easily damaged by excess heat, so extreme care must be taken while soldering these in. The 3mm types seem to be more fragile than 5mm types, so it is advisable to purchase a couple more, in case you damage some.

The sixteen-way ribbon cable is soldered to TP1-16, but it is easier to solder PCB pin strips to the PCB, and then solder the cable onto them (see photograph). The ribbon cable must be soldered to the test clip in the correct order, to get an intelligible display, as shown in Figure 3. All the odd-

numbered wires are soldered to the top row of the test clip, and the even numbered wires to the bottom row,

The IC tester is such a compact device, it will fit in virtually any enclosure. Figure 4 shows the front panel and hole-drilling template for the recommended case. In order to ensure accurate drilling of the holes, a photocopy of Figure 4 was stuck onto the case with tape, and the hole positions marked with a centre-punch. If you are using an electric drill, running it at a slow speed will prevent the plastic from melting. A shallow notch will be required at the back of the

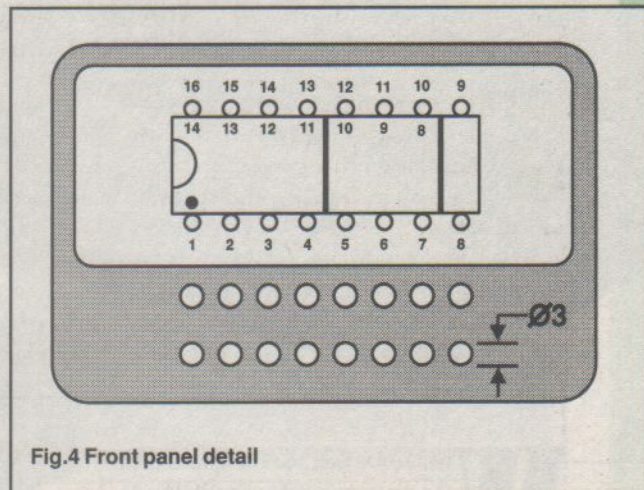


Fig.4 Front panel detail

case for the ribbon cable.

The PCB is gently pushed into place, and, assuming that the LEDs and the holes are nicely aligned, no problems should be encountered. The PCB is secured in place with a piece of foam (to squash the PCB in place), or some glue. Finally, the lid is screwed onto the case.

### Testing

Before you go unscrewing your computer to start plugging in the IC Tester all over the place, it is advisable to test your IC Tester. Get hold of a PP3 battery and clip. Touching the negative (black) lead to any pin on the test clip, running the red lead across the other pins should cause the relevant LED to light in sequence. This is not a thorough test, so you may feel like breadboarding a few simple logic circuits, and using the IC tester to verify the expected results. The device can also be used with analogue audio circuits, although the results are sometimes unexpected. The best light display can be obtained by plugging it onto chips inside a computer. The author hasn't blown his computer up just yet, although it did crash when fiddling with the clock generator ICs.

### PARTS LIST

**RESISTORS** all 1/4 or 1/8W  
R1-32 1k

### SEMICONDUCTORS

D1-32 1N4148  
D33-48 3mm high efficiency red LEDs  
Q1-16 ZTX300

### MISCELLANEOUS

16 pin 0.3"pitch IC test clip  
Box  
Foam or glue  
PCB, PCB pins

### BUYLINES

All components are easily available. The box and IC test clip were purchased from Electrovalue. Greenweld sell packs of diodes at very reasonable prices.



# LED Stroboscope



*Robert Penfold constructs a portable strobe using our cover PCB*



**W**hen LEDs first became available to the electronic hobbyist they made an immediate impact, and seemed to feature in practically every project. If there was no good excuse for including a LED or two, then a poor one would suffice. Despite their popularity, the early LEDs had rather poor performance. In particular, even when run at 20 milliamps or so they were often not particularly bright. They would produce a reasonable amount of light from low currents, and in the interest of battery economy were often run at quite modest currents. However, in even moderately bright conditions it was often impossible to see whether or not a LED was switched on.

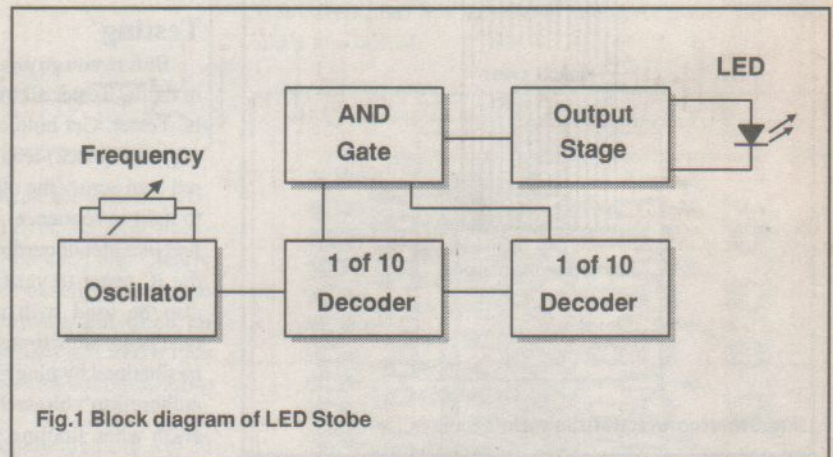
Matters have gradually improved over the years, and there are numerous 'mega' LEDs to be found in any of the larger component catalogues. The maximum light output levels have gradually increased as first 'high-brightness' types appeared, then 'super-bright' LEDs, and then 'ultra-bright' LEDs became available. The manufacturers seem to have run out of superlatives for anything beyond the latest 'hyper-bright' LEDs. These offer a typical light output of 1.6cd at 20 milliamps, which is a few hundred times higher than the LEDs I first used nearly twenty years ago. Apparently some recent LEDs achieve even higher outputs, but as yet I have not tried out anything beyond a 1.6cd type.

## Stroboscope

The high light output levels of the new hyper-bright LEDs opens up new applications. In the past stroboscopes for educational and scientific use have been based on flash tubes, which provide very high light output levels and suitably brief flashes. Anyone who has studied physics at

school should remember using these units to 'freeze' the movement of various pieces of machinery.

If the flashing of the stroboscope is synchronised with the machinery, the flash will always occur with the moving parts in the same positions. An onlooker only sees the machinery during the flashes, and it therefore seems to be stationary. The real trick is to get the stroboscope slightly out of synchronisation. With the machinery moving on very slightly from one flash to the next, the result is a sort of slow-motion effect. Getting things out of synchronisation



in the opposite direction has much the same effect, but the machine will seem to run in reverse.

Conventional stroboscopes are not necessarily very complex, but they do require some special and relatively expensive components. Also, high voltages are involved, which no doubt deters many from building this type of equipment. A modern LED offers a simple, inexpensive, and safe alternative, but it has to be pointed out that an LED, even one of the best modern types, offers a far lower light output level. An LED based stroboscope is only usable with small pieces of machinery, and in a well darkened room. Although it has its limitations, an LED stroboscope makes an interesting 'fun' project which can be built at minimal cost.



## Flashing LEDs

On the face of it an LED stroboscope is just a very simple flashing LED type project. In reality matters are rather more complicated since the LED must be flashed very briefly if the desired slow-motion effect is to be obtained. It is the mark-space ratio of the drive signal that is crucial. Suppose that the stroboscope is being used to 'freeze' a drive shaft, and that it will flash once per rotation of the drive shaft. If the LED is switched on for (say) 25% of the time by a 1 to 3 mark-space ratio, the shaft would rotate through 90 degrees during each flash. This would clearly give such a blurred image that it would be of no real value.

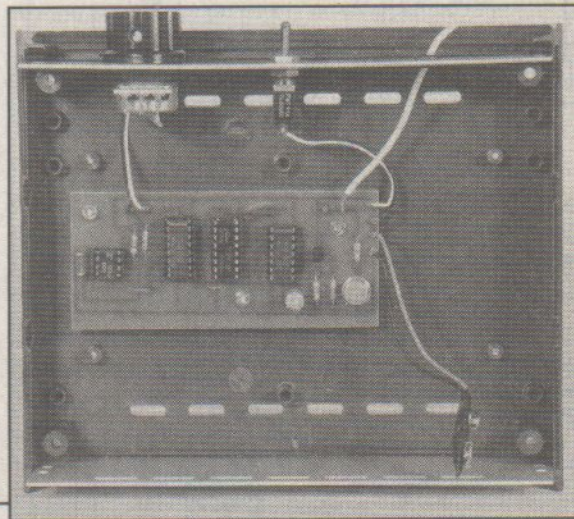
Ideally the mark-space ratio would be very high indeed, at perhaps 1 to 1000. As is usually the case when designing electronic circuits, there are conflicting interests. A high mark-space ratio means that the average LED current is very low, with a corresponding low LED brightness. If we take the 1 to 1000 mark-space ratio, a pulse current of 20 milliamps would give an average current about 1000 times less, or about 20 microamps in other words. This would probably not produce a discernible light output from the LED.

Another problem with a high mark-space ratio is that it requires a wide bandwidth from the LED in order to prevent the pulses from becoming smeared. With a maximum pulse frequency of a few hundred Hz the LED would require a

of around 10 milliamps, and reasonable LED brightness. It also gives a reasonably sharp 'frozen' image.

## System Operation

At its most basic the circuit could simply consist of an oscillator having a suitable mark-space ratio. The problem with this approach is that the frequency of oscillation must be variable so that the flashes can be accurately synchronised with the machinery. It is difficult to produce a variable



Note:	
IC1	L555CP
IC2, IC3	4017BE
IC4	4011BE
Q1	BC549
Q2	BC141
LED1	14Cd HIGH INTENSITY LE

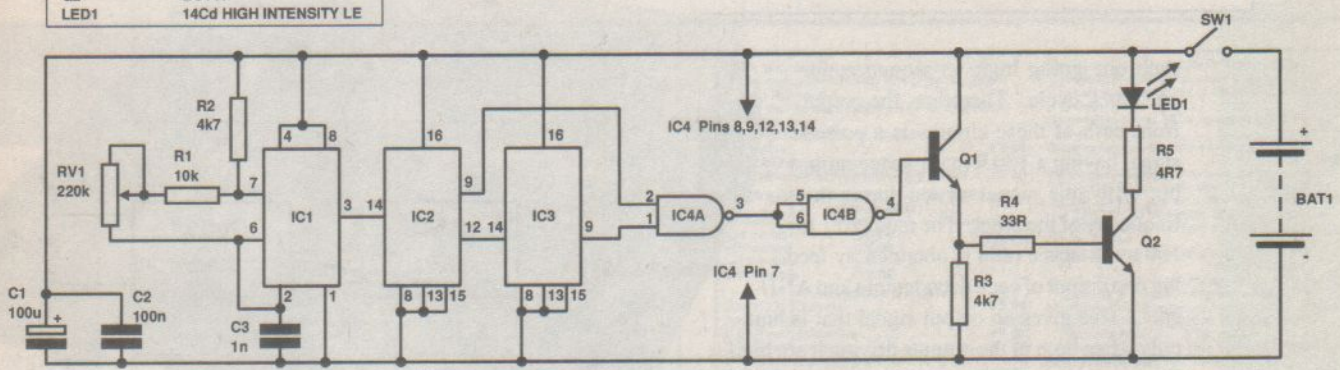


Fig.2 Circuit diagram of LED Strobe. Frequency range being about 20-400Hz

bandwidth of a few MHz in order to accurately follow the drive signal. Unfortunately, most LEDs are relatively slow by semiconductor standards, and do not have suitably wide bandwidths.

To some extent the problem of reduced average current can be combatted by using a high pulse current. Although most LEDs have a maximum continuous forward current rating of only about 30 milliamps, they can usually take peak currents of around one amp provided the mark-space ratio is high enough to keep the average current down to a safe level. However, the actual 'on' time of the LED must be quite short so that on each pulse the LED does not have time to break down or simply burn out. After some experimentation I settled for a mark-space ratio of about 1 to 100 and a pulse current of about 1 amp. This gives an average LED current

frequency oscillator that will accurately maintain a high mark-space ratio. It is better to use a simple oscillator plus some logic circuitry. The block diagram of Figure 1 helps to explain the way in which the unit functions.

A variable frequency oscillator provides a clock signal at one hundred times the output frequency. This operates over a frequency range of approximately 2 to 40kHz, giving an output frequency range of around 20 to 400Hz. This may seem to be a rather low maximum output frequency, but 20 to 400Hz equates with an RPM range of 1200 to 24000. This should be adequate for most purposes, and probably represents something close to the maximum range that the LED can handle successfully.

The oscillator drives two one of ten decoder circuits connected in series. A circuit of this type has ten outputs with



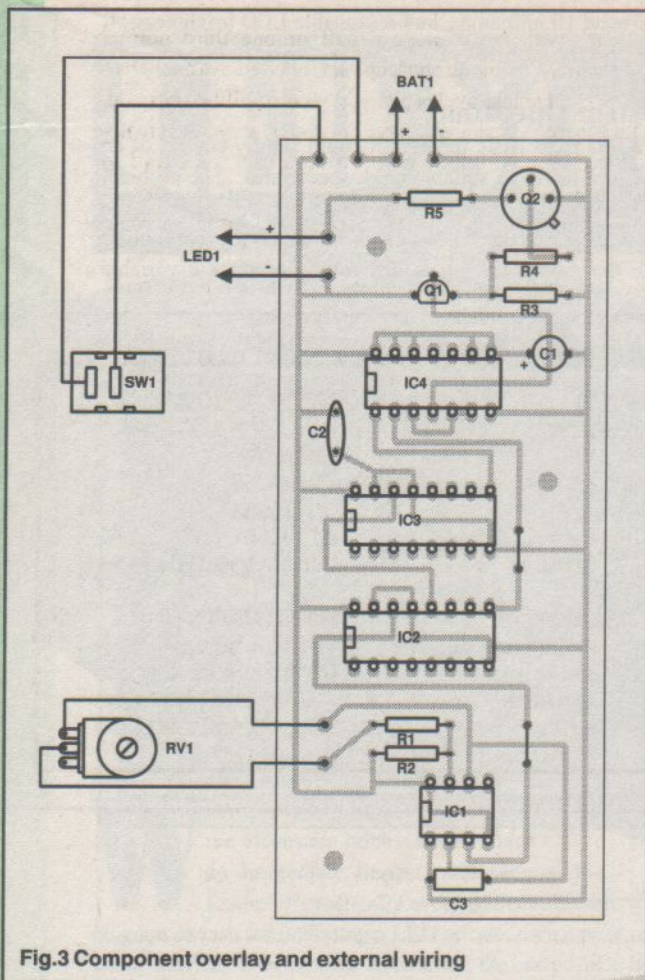


Fig.3 Component overlay and external wiring

each one going high, in sequence, for one clock cycle. Therefore, the output from both of these circuits is a pulsed signal having a 1 to 9 mark-space ratio, but with one signal at ten times the frequency of the other. The required 1 to 100 mark-space ratio is obtained by feeding one output of each decoder into an AND gate. This gives an output signal that is high only when both of the outputs driving it are high. This occurs on one clock cycle per hundred input cycles. To be strictly accurate the actual mark-space ratio is 1 to 99 rather than 1 to 100, but this is of no practical significance. A simple two transistor output stage drives the LED with a suitably high pulse current.

### Circuit Operation

Figure 2 shows the full circuit diagram for the LED Stroboscope. The variable frequency oscillator is a straightforward 555 astable circuit having RV1 as the frequency control. I did not find it too difficult to accurately adjust the output frequency using RV1, but simply add a 4k7 linear potentiometer in series with RV1 if a fine frequency control is required. A low power version of the 555 timer is used in order to keep down the current consumption of the circuit, and provide better battery life. The current consumption of the circuit is actually little more than the 10 milliamps drawn by the LED.

IC2 and IC3 are the one of ten decoders. These are both CMOS 4017BEs connected as simple divide by ten circuits.

Note that it does not matter which one of the ten outputs of each device is used to drive the gate circuit. Whether the LED is activated on 43rd pulse in each count or the 89th makes no difference, it will still be pulsed for one clock cycle in every hundred cycles. For the record, the LED is pulsed when the count on IC2 and IC3 is 88.

The AND gate function is provided by IC4. This is actually a NAND gate followed a second gate wired to give an inverter action. The other two gates in IC4 are left unused, but their inputs are wired to the positive supply to prevent spurious operations. The output stage has Q1 as an emitter follower driver stage, and Q2 as a common emitter switch to drive the LED (LED1). R5 is a current limiting resistor.

### Construction

Details of the printed circuit component layout and the small amount of point-to-point wiring are provided in Fig.3. The board is very simple and straightforward to build, but do not overlook the two link wires. The four integrated circuits are CMOS types, but the L555CP used for IC1 has built-in protection circuits which render the usual anti-static handling precautions unnecessary. It is probably best to fit all four integrated circuits in holders anyway. Note that any low power 555 should be suitable for IC1 (L555CP, ICM7555CP, TLC555CP, etc.). At this stage only fit single-sided pins to the board at the positions where connections to off-board components will eventually be made.

Due to the limited light output of the LED it is best to mount LED1 in its own



probe-like case. Any small plastic or metal case should suffice. The probe case used for the prototype is a plastic type having outside dimensions 124 by 33 by 30 millimetres. This is somewhat larger than is really necessary, but it is convenient in use. I tried Maplin 8 and 10 millimetre diameter hyper-bright LEDs for LED1, and the 8 millimetre type seems to give the best results. This is due to the more even intensity across the beam of light - there is no apparent difference in their light output levels.

Any LED having a light output of about 1.6cd or more at 20 milliamps should be usable, provided it has a reasonably narrow viewing angle (i.e. about 25 degrees or less). The higher the light output rating the better. It might be worth looking through a few recent catalogues to see what is available. These components are not particularly expensive, so it costs little to experiment with different types.

The main case can be virtually any small instrument type,



but make sure you choose one that can accommodate the relatively bulky battery. The latter consists of six HP7 size cells in a plastic holder. Connections to the holder are made via a standard PP3 battery clip.

The general layout of the unit is not critical, and any reasonably sensible layout will do. The LED probe can be connected to the main unit via a two way plug and socket, but direct connection to the circuit board is probably a better method in this case. If you use a plug and socket, use a type that can comfortably accommodate fairly high currents.

### In Use

Once the small amount of point-to-point wiring has been added the unit is ready for testing. Initially it is probably best to have a 100R resistor in series with LED1. This will keep the LED current to a safe level if there should happen to be a fault that results in LED1 being switched on continuously. Bear in mind that such a fault would give the LED a life expectancy of well under a second. Once you have established that the unit is functioning correctly the extra resistor can be removed.

At the low frequency end of the range the LED will noticeably flicker. At most frequencies though, it will appear to light up continuously. You can confirm that it is still flashing by simply waving the LED around. This will produce a 'dotted line' rather than a continuous line of light.

Optimum results will be obtained with the unit set for one flash per rotation, swing, or whatever, of the moving part that is being 'frozen'. If you set the unit for two or three flashes per mechanical cycle a double or triple image will be

produced (with each image a half or one third normal brightness). With the stroboscope set for one flash every two or three mechanical cycles a single image will be obtained, but the 'frozen' image will have reduced clarity. It is really a matter of experimenting with various settings for RV1 to find the one that gives the correct type of synchronisation.

One final point is that due care should be taken when operating near any piece of machinery. Even small pieces of machinery can inflict nasty injuries if you are not careful. Always keep well clear of any moving parts.

### PARTS LIST

#### RESISTORS

- R1 10k
- R2,3 4k7
- R4 330R
- R5 4R7
- RV1 220k lin pot

#### CAPACITORS

- C1 100u/10V radial electrolytic
- C2 100n ceramic
- C3 1n polyester

#### SEMICONDUCTORS

- IC1 L555CP, ICM555, etc
- IC2,3 4017BE
- IC4 4011BE
- Q1 BC549
- Q2 BC141
- LED1 Ultra-bright LED (see text)

#### MISCELLANEOUS

- SW1 SPST min toggle
- B1 6xHP7 size cells in holder
- Case, LED holder, Control knob, battery clip, small case for LED.

### BUYLINES

A 10mm diameter 14Cd Ultra-bright LED is available from RS Components £8.75 (Code no. 577-825)

## HALCYON ELECTRONICS

Test equipment, video monitors, amateur radio gear, printers, power supplies, communications, disk drives, multimeters, oscilloscopes, scientific instruments, connectors, component bridges, frequency counters, signal generators, computers.

BBC-B & MASTER COMPUTERS	From £99	BELL & HOWELL 658 16mm SOUND PROJECTOR	£95
ANTIQUE TEST EQUIPMENT	POA	BERTAN 205A-05A 0-5KV 5mA	£59
TEK 4658 100MHZ DUAL TRACE DEL T/B	£475	BRANDENBURG 470 0-2.5KV 5mA	£29
HP 1740A 100MHZ DUAL TRACE DEL T/B	£450	H.P. 6521A 0-1KV 200mA	£95
KENWOOD/TRIO CS2070 70MHZ 4 Trace	£395	FERRANTI 26 LASER PSU 600v-1.6KV 15mA	£39
HP 1722A 275MHZ DUAL TRACE, ETC	POA	KINGSHILL CF9162 TWIN 0-150v 200mA	£49
HAMEG HZ65 COMPONENT TESTER	£29	FARNELL E350 0-350v 100mA, 2 x 6.3V	£49 to £69
TEKTRONIX 520 521A PAL V/SCOPES	From £475	DEFIBRILLATOR 50-400 JOULES BATT/MAINS	£49
TELEQUIPMENT D67A 25MHZ, 2T, DEL T/B	£215	FARNELL FG1 FUNC GEN. 2-2.2MHZ	£129
H.P. 1700A 35MHZ DUAL TRACE	£249	COMMUNICATIONS RECEIVERS, VARIOUS	POA
TEK 453 50MHZ DUAL TRACE DEL T/B	£249	200W U.V. SOURCE WITH TIMER.	£65
SCOPEX 4D25 25MHZ DUAL TRACE	£169	PERISCOPE MILITARY No. 43 Mk.3	£19
BECKMAN 9020 20MHZ DUAL TRACE	£249	LCR MARCONI TF1313A 0.1%	£95
DATA PRECISION 6000 WITH 611 PLUG-IN AND 681 DISK DRIVE UNIT	£995	LCR MARCONI TF2701 IN SITU	£125
HAMEG 203-5 20MHZ, 2 TRACE, COMP TESTER	£249	LCR MARCONI TF868B	£69
HITACHI VC 6015 10MHZ DIGITAL STORAGE	£345	LCR COMPONENT COMPARATOR AVO CZ457-S	£75
H.P. 1340A X-Y DISPLAYS	£99	WAYNE KERR B321 LOW IN. BRIDGE	£39
LEADER LBO-9C ALIGNMENT SCOPE	£195	HP1901A -05A -08A -17A 25MHZ PULSE GEN	£125
TEK 5L4N 100KHZ SPECT ANAL WITH 5110 M/F, 2x 5A18N, 5B10N TIME BASE	£750	SCRS78N GIBSON GIRL EMERGENCY XMITTER	£75
TELEQUIPMENT D75, 50MHZ, 2 TRACE DEL T/B	£225	LEVELL TM6B MICRO V-METER 450MHZ	£95
TEKTRONIX 7403N, DF1, 7D01 LOGIC ANAL	£495	LEVELL TM3B MICRO V-METER 3MHZ	£85
TEK 545/585 SERIES PLUG-INS	From £10	TU88/TU98 TUNER UNITS BRAND NEW	£29/£39
WANDEL/GOLTERMANN SPM-2 LEVEL METER	£169	OERTLING V20 SINGLE PAN BALANCES 200GM	£95
WANDEL/GOLTERMANN SPM-3 LEVEL METER	£189	ANALYTICAL BALANCES WITH WEIGHTS 250GMM	£69
WANDEL/GOLTERMANN PS-3 SIGNAL GEN	£169	UDI 2026 SONAR SCANNER, SURFACE UNIT	£895
MARCONI TF2304 AM/FM MOD METER PRBLE	£249	UPA CAVIDERM CD6 P.T.H. TESTER	£750
RACAL 9059 F/CTR 560MHZ MAINS/BATT	£145	MARCONI MARINRE KESTREL 3	£49
19" RACKS, 20U, 31" DEEP	£125	DECADE R/C/V/ BOXES	FROM £15
HP 3490A DMM AC/DC/V OHMS 6-DIGIT	£125	KAYE DEE, PNEUMO UV EXP UNIT 390x260mm	£175
XFORMERS SEC 30-0-30V 20A, UNIV PRIS, C-Case	£20	VACUUM PUMPS TYP 100 MBAR (28L/MIN)	£95
CONSTANT VOLTAGE TRANSFS 150VA-2KV	POA	COSSOR CRMS33A VHF NAV/COM RF SIG GEN	£750
MARCONI TF2331 DISTN FACTOR METER	£175	COSSOR CRM511 ILS/VOR AUDIO SIG GEN	£175
MARCONI TF2300 FM/AM MODULATION METER	£195	TOPAZ 91007-11 7.5KVA 120/240-120/240 ISOL	£175
TEKTRONIX 834 PROG DATA COMMS TESTER	£395	KINGSHILL NS1540 15V 40A PSU CASED, AS NEW	£195
		HP 626A, 628A, SIG GENS, LAST FEW	£25 ea

LIST AVAILABLE, BUT 1000% OF UNLISTED BARGAINS FOR CALLERS ALL PRICES EXC. OF P&P AND VAT  
**QUALITY ELECTRONIC EQUIPMENT ALWAYS WANTED.**  
 423, KINGSTON ROAD, WIMBLEDON CHASE, LONDON SW20 8JR  
 SHOP HOURS 9-5.30 MON-SAT. TEL 081-542 6383

LEDs 3mm or 5mm red or green 6p each, yellow 11p each. High intensity red, green or yellow, 5mm 30p each.

Cable ties 1p each, £5.95 per 1000. £49.50 per 10,000

Stepping motor 4 phase 12V 7.5' step 50 ohms..... £9.95

SAAT027 stepping motor driver chip..... £3.95

FM Transmitter kit, good quality sound..... £8.60

High quality photo resist copper clad epoxy

Dimensions	single sided	double sided
3x4 inches	£0.95	£1.07
4x8 inches	£2.40	£2.68
6x12 inches	£5.37	-
12x12 inches	£10.66	-

Rechargeable Batteries

- AA (HP7) 500mAH..... £0.99
- AA 700mAH..... £1.95
- C 2AH with solder tags..... £3.60
- D 4AH with solder tags..... £4.95
- 1/2AA with solder tags..... £1.55
- AAA (HP18) 180mAH..... £1.75
- AA 500mAH with solder tags..... £1.55
- C (HP1) 1.8AH..... £2.20
- D (HP2) 2.2AH..... £2.60
- PP3 8.4V 110mAH..... £4.95
- Sub C with solder tags..... £2.50
- 1/3 AA with tags (Philips CTV)..... £1.95

Standard charger, charges 4 AA cells in 5 hours or 4Cs or Ds in 12-14 hours + 1xPP3 (1, 2, 3 or 4 cells may be charged at a time)..... £5.95

High power charger, as above but charges the Cs and Ds in 5 hours. AAs, Cs and Ds must be charged in 2s or 4s..... £10.95

Special offers - please check for availability

- F cells 32dia x 87mm..... £3.95
- F cell with solder tags, 1.2V..... £4.30
- D (HP2) 2.2AH..... £5.95
- 42mm x 16mm dia. 2V..... £1.45
- Stick of 4 171mm x 16mm dia. with red & black leads 4.8V..... £5.95
- 4 cell battery 94mm x 25mm dia. (1/2C cells)..... £3.50

Computer grade capacitors with screw terminals:

- 3800uF 20V £2.50; 8700uF 10V £1.95;
- 6800uF 15V £2.95; 10000uF 16V £1.50

7 segment common anode led display..... £0.45

- LM2931AT 5.0 low drop out 5V regulator TO220 package..... £0.85
- 7812 and 7912 12V 1A regulators..... £20.00 per 100
- LM337K TO3 case variable regulator..... £1.60
- 100 + £1.10
- BS250 P channel mosfet 45p, BC559 transistor..... £0.45
- 7ALS05 hex inverter..... £10.00 per 100
- Used 8748 Microcontroller..... £3.50
- SL952 UHF Lincing amplifier LC 16 surface mounting package with data sheet..... £1.95
- AM2750Z..... £1.25 each 90p 1000 + CD4007U..... 10p 100 + 6p 1000 + TV Mains switch, 4A double pole with momentary contacts for remote control, pack of 10 £3.95
- box of 60 £19.95

DC-DC converter, Reliability model, V1 2P5, 12V in 5V 200mA out, 300V input to output, Isolation with data. £4.95 each or pack of 10 - £39.50

Hour counter used 7 digit 240V ac 50Hz..... £1.45

Resistor pack 2500 resistors 1/8-2W 50 different values..... £8.95

Resistor jumbo pack 25000, 1/4 and 1/2W resistors our choice of values and size, will be mainly in boxes or rolls of 1000, 2000 and 5000 of one type..... £25.00

Qwerty keyboard, 58 key good quality switches, new..... £5.00

Qwerty keyboard with serial output, no data (used)..... £6.00

Polyester capacitors, box type, 22.5mm lead pitch

- 1uF 250V dc 20p each, 15p 100 + 10p 1000 + 2.2uF 250V dc 30p each, 20p 100 + 15p 1000 + 3.3uF 100V dc 30p each, 20p 100 + 15p 1000 + 1uF 50V bipolar electrolytic axial leads, 15p each, 7.5p 1000 + 0.22uF 250V polyester axial leads, 15p each, 100 + 7.5p each

Philips 123 series solid aluminium axial leads:

- 33uF 10V & 2.2uF 40V 40p each, 25p 100 + Multilayer AVX ceram capacitors, all 5mm pitch, 100V 100pF, 150pF, 220pF, 10,000pF (10n) 10p each, 5p 100 + 3.5p 1000 + Welwyn W23 9W 120 ohm 35p each, 20p 100 + 680 ohm 2W metal film resistor, 4p 100 + 2p 1000 +

Solid carbon resistors, very low inductance, ideal for RF circuits, 270hm 2W, 680hm 2W 25p each, 15p each 100 +, we have a range of 0.25W, 0.5w, 1w and 2w solid carbon resistors - please send SAE for list

Intellegat 4 digit alphanumeric (5x7 dot 0.145") red LED display, 12 pin 0.6 inch wide package, Siemens type DLR1414 £2.50 each, £2.00 30 +, data sheets £1.00

AMD 27256-3 Eproms £2.00 each, £1.25 100 + DIP switch 3PCO 12 pin (ERG SDC-3-023) 60p each, 40p 100 +

Disk Drive Boxes for 5.25 disk drive with room for a power supply light grey plastic 67x268x247mm £7.95 or £49.50 for 10 Hand Held Ultrasonic remote control £3.95 Computer grade 5800uf 60v capacitors with screw terminals..... £4.95 CV 2486 gas relay 30mm x 10mm dia with 3 wire terminals will also work as a neon light 20p each £7.50 per 100 A23 12v car alarm remote control and lighter battery 75p each £50.00 100 + 40 of 370vac motor start capacitor (dielectric type containing no PCBs) £5.95 each £49.50 for 10.

All products advertised are new and unused unless otherwise stated.

Wide range of CMOS TTL 74HC 74F Linear Transistor kits, rechargeable batteries, capacitors, tools etc. always in stock

Please add 95p towards P&P VAT included in all prices

**JPG ELECTRONICS**  
 276-278 Chatsworth Road  
 Chesterfield S40 2BH  
 Access Visa Orders:  
 (0246) 211202  
 Callers welcome



# EXPRESS COMPONENTS

74LS SERIES		74LS273		4511		LM335Z		2.2UF 25V		TNC 50R PLUG		RD138		2N2907		74HC243	
74LS00	0.10	74LS279	0.25	4512	0.28	LM339	0.34	3.3UF 25V	0.16	TNC CHFS SOC	0.65	BD139	0.19	2N2907A	0.19	74HC244	0.34
74LS01	0.10	74LS280	0.86	4514	0.30	LM348	0.32	4.7UF 25V	0.18	PL259 PLUG	0.55	BD140	0.23	2N2926	0.14	74HC245	0.49
74LS02	0.10	74LS283	0.49	4513	0.77	LF351	0.35	6.8UF 25V	0.20	REDUCER (PL259)	0.16	BF180	0.30	2N3053	0.26	74HC251	0.28
74LS03	0.10	74LS290	0.24	4516	0.30	LF353	0.35	10UF 25V	0.22	PL259 SOCKET	0.55	BF182	0.30	2N3054	0.85	74HC253	0.28
74LS04	0.10	74LS293	0.24	4518	0.26	LF356	0.79	15UF 16V	0.28	COAX PLUG	0.18	BF185	0.30	2N3055	0.56	74HC257	0.28
74LS05	0.10	74LS295	0.58	4520	0.25	LM358	0.26	22UF 16V	0.28	COAX LINE SOC	0.38	BF194	0.18	2N3442	1.34	74HC259	0.34
74LS06	0.39	74LS296	0.63	4521	0.62	LM380	1.10	33UF 16V	0.50	SCART PLUG	0.65	BF195	0.18	2N3702	0.09	74HC266	0.25
74LS07	0.39	74LS299	1.18	4526	0.39	LM381	2.60	47UF 16V	0.62	IEC CHFS PLUG	0.49	BF196	0.18	2N3704	0.09	74HC273	0.34
74LS08	0.10	74LS322	1.58	4527	0.38	LM386	0.46	68UF 6V	0.72	IEC LINE SOCKET 1.70	1.80	BF197	0.19	2N3705	0.09	74HC280	0.36
74LS09	0.12	74LS323	1.78	4528	0.39	LM393	0.27	100UF 10V	1.40	IEC 2M LEAD	2.40	BF199	0.19	2N3706	0.09	74HC299	0.59
74LS10	0.10	74LS347	0.90	4529	0.43	ZN414Z	0.99	100UF 16V	1.70	1/4" MONO PLUG	0.18	BF257	0.32	2N3773	1.78	74HC354	0.42
74LS11	0.10	74LS348	1.18	4532	0.31	ZN416E	1.59	CERAMIC CAPACITORS		1/4" STEREO PLUG 0.29	0.29	BF258	0.35	2N3866	1.18	74HC356	0.44
74LS12	0.10	74LS352	0.78	4534	2.20	ZN423	1.45	1.8PF	0.05	2.5 MONO PLUG	0.12	BF259	0.32	2N3903	0.09	74HC365	0.32
74LS13	0.10	74LS353	0.88	4536	0.96	ZN424P	1.20	2.2PF	0.05	3.5 MONO PLUG 0.20	0.20	BF259	0.35	2N3904	0.09	74HC366	0.32
74LS14	0.22	74LS363	1.38	4538	0.36	ZN425E	4.90	3.3PF	0.05	TOGGLE SWITCHES		BF259	0.32	2N3905	0.09	74HC367	0.25
74LS15	0.12	74LS364	1.38	4541	0.30	ZN426E	2.90	4.7PF	0.05	SPDT 3A 250V	0.57	BF259	0.38	2N3906	0.09	74HC368	0.25
74LS20	0.12	74LS365	0.24	4543	0.45	ZN427E	9.40	6.8PF	0.05	DPDT 3A 250V	0.62	BF259	0.38	2N4062	0.16	74HC373	0.34
74LS21	0.12	74LS366	0.28	4555	0.33	ZN435E	7.90	10PF	0.05	MINIATURE PUSH TO MAKE SWITCHES		BF259	0.38	FETS		74HC374	0.34
74LS22	0.12	74LS367	0.26	4556	0.33	ZN443E	6.25	15PF	0.05	RED	0.19	BF259	0.38	BF244B	0.34	74HC390	0.44
74LS24	0.33	74LS368	0.28	4560	1.17	ZN448E	9.20	18PF	0.05	BLACK	0.19	BF259	0.38	BF256B	0.36	74HC393	0.32
74LS26	0.12	74LS373	0.32	4566	1.95	SL486	2.70	22PF	0.05	GREEN	0.19	BF259	0.38	BF258	0.36	74HC423	0.36
74LS27	0.12	74LS374	0.32	4572	0.24	SL490	2.35	33PF	0.05	BLUE	0.19	BF259	0.38	BF259	0.36	74HC533	0.42
74LS28	0.12	74LS375	0.34	4584	0.23	NE531	1.54	47PF	0.05	YELLOW	0.19	BF259	0.38	2N3819	0.39	74HC534	0.42
74LS30	0.12	74LS377	0.32	4585	0.32	NE544	2.75	56PF	0.05	WHITE	0.19	BF259	0.38	2N3820	0.58	74HC563	0.46
74LS32	0.13	74LS378	0.62	4724	0.69	NE555	0.19	68PF	0.05	ROTARY SWITCHES		BF259	0.38	BFY50	0.28	74HC564	0.46
74LS33	0.13	74LS379	0.86	40106	0.30	7555	0.41	82PF	0.05	1 POLE 12 WAY	0.75	BF259	0.38	BFY51	0.25	74HC573	0.42
74LS34	0.13	74LS385	2.22	40109	0.49	NE565	0.34	100PF	0.05	2 POLE 6 WAY	0.75	BF259	0.38	BFY52	0.25	74HC574	0.42
74LS38	0.13	74LS386	0.46	40163	0.45	NE565	1.49	120PF	0.07	3 POLE 4 WAY	0.75	BF259	0.38	BFY53	0.46	74HC640	0.60
74LS40	0.13	74LS390	0.25	40174	0.33	NE566	1.10	150PF	0.07	4 POLE 3 WAY	0.75	BF259	0.38	BFY54	0.26	74HC643	1.10
74LS42	0.23	74LS393	0.24	40175	0.35	NE567	0.35	180PF	0.07	DIL SWITCHES		BF259	0.38	BFY55	0.46	74HC646	0.72
74LS44	1.62	74LS395	0.32	40193	0.59	NE570	2.35	220PF	0.07	4 WAY 8 PIN	0.49	BF259	0.38	BFY56	0.26	74HC648	1.10
74LS47	0.50	74LS396	1.68	VOLTAGE REGS		NE571	1.98	270PF	0.07	6 WAY 12 PIN	0.69	BF259	0.38	BFY57	0.46	74HC688	1.48
74LS48	0.46	74LS398	1.22	78L05	0.23	LM710	0.80	330PF	0.07	8 WAY 16 PIN	0.79	BF259	0.38	BFY58	0.46	74HC726	0.26
74LS49	0.62	74LS399	0.62	78L12	0.23	LM725	4.80	390PF	0.07	TRANSISTORS		BF259	0.38	BFY59	0.46	74HC800	0.34
74LS51	0.11	74LS445	1.50	78L15	0.23	741	0.17	470PF	0.07	AC125	0.30	BF259	0.38	BFY60	0.46	74HC801	0.34
74LS54	0.11	74LS490	0.90	79L05	0.27	LM747	0.38	560PF	0.07	AC126	0.29	BF259	0.38	BFY61	0.46	74HC802	0.34
74LS55	0.13	D CONNECTORS		79L12	0.27	LM748	0.30	680PF	0.07	AC127	0.29	BF259	0.38	BFY62	0.46	74HC803	0.34
74LS73	0.20	SOLDER BUCKET		79L15	0.27	TBA810	0.67	820PF	0.07	AC128	0.28	BF259	0.38	BFY63	0.46	74HC804	0.34
74LS73A	0.26	9 PIN SOCKET		79L15	0.27	TBA820	0.38	1NF	0.07	AC176	0.34	BF259	0.38	BFY64	0.46	74HC805	0.34
74LS74	0.16	9 PIN PLUG		7812	0.27	ML924	4.65	1N5F	0.07	AC177	0.35	BF259	0.38	BFY65	0.46	74HC806	0.34
74LS74A	0.18	15 PIN SOCKET		7815	0.27	ML926	4.25	2N2F	0.07	AD182	1.90	BF259	0.38	BFY66	0.46	74HC807	0.34
74LS75	0.21	15 PIN PLUG		7905	0.37	ML927	4.25	3N3F	0.07	AD184	0.96	BF259	0.38	BFY67	0.46	74HC808	0.34
74LS76	0.22	25 PIN SOCKET		7912	0.37	TDA1024	1.80	4N7F	0.07	AD186	0.85	BF259	0.38	BFY68	0.46	74HC809	0.34
74LS76A	0.24	25 PIN PLUG		7915	0.37	SAA1027	3.20	6N8F	0.07	AF124	0.48	BF259	0.38	BFY69	0.46	74HC810	0.34
74LS77	0.42	25 PIN PLUG		78505	0.48	LN1034E	3.20	10NF	0.07	AF126	0.76	BF259	0.38	BFY70	0.46	74HC811	0.34
74LS83	0.34	4000 SERIES		78S12	0.48	LM1458	0.30	100NF	0.07	BC107	0.12	BF259	0.38	BFY71	0.46	74HC812	0.34
74LS85	0.34	4000	0.16	LM317T	0.43	ULN2003	0.39	POLYESTER/MICA CAPACITORS 15V		BC107B	0.13	BF259	0.38	BFY72	0.46	74HC813	0.34
74LS86	0.22	4001	0.16	LM323K	2.49	ULN2004	0.42	1NF	0.05	BC108	0.11	BF259	0.38	BFY73	0.46	74HC814	0.34
74LS90	0.50	4002	0.16	LM338K	4.95	TDA2004	1.75	2N2	0.05	BC109	0.13	BF259	0.38	BFY74	0.46	74HC815	0.34
74LS91	0.29	4006	0.31	IC SOCKETS		TDA2030	1.18	4N7	0.05	BC110	0.14	BF259	0.38	BFY75	0.46	74HC816	0.34
74LS92	0.24	4007	0.16	8 PIN	0.06	ULN2064	1.20	2N2	0.05	BC111	0.14	BF259	0.38	BFY76	0.46	74HC817	0.34
74LS93	0.38	4008	0.30	14 PIN	0.10	ULN2065	1.20	4N7	0.05	BC112	0.14	BF259	0.38	BFY77	0.46	74HC818	0.34
74LS94	0.46	4010	0.22	16 PIN	0.14	ULN2068	1.20	10N	0.05	BC113	0.14	BF259	0.38	BFY78	0.46	74HC819	0.34
74LS107	0.25	4011	0.15	18 PIN	0.14	XR2206	4.20	22N	0.05	BC114	0.14	BF259	0.38	BFY79	0.46	74HC820	0.34
74LS109	0.25	4012	0.15	18 PIN	0.14	UA2240	2.60	47N	0.05	BC115	0.14	BF259	0.38	BFY80	0.46	74HC821	0.34
74LS112	0.25	4013	0.16	20 PIN	0.15	ULN2803	0.64	100N	0.05	BC116	0.14	BF259	0.38	BFY81	0.46	74HC822	0.34
74LS113	0.25	4014	0.29	24 PIN	0.18	LM2917N8	2.60	220N	0.05	BC117	0.14	BF259	0.38	BFY82	0.46	74HC823	0.34
74LS114	0.25	4015	0.30	28 PIN	0.20	CA3046	0.35	470N	0.05	BC118	0.14	BF259	0.38	BFY83	0.46	74HC824	0.34
74LS122	0.33	4016	0.17	40 PIN	0.24	CA3080E	0.71	680N	0.05	BC119	0.14	BF259	0.38	BFY84	0.46	74HC825	0.34
74LS123	0.33	4017	0.24	RESISTORS		CA3130E	0.97	POLYSTYRENE CAPACITORS I20V		BC120	0.13	BF259	0.38	BFY85	0.46	74HC826	0.34
74LS125	0.28	4018	0.26	ALL 1/4 WATT MF 1% 10		CA3140E	0.55	47PF	0.09	BC121	0.13	BF259	0.38	BFY86	0.46	74HC827	0.34
74LS126	0.21	4019	0.18	FOR 0.15 (1 VALUE)		MC3302	0.60	68PF	0.09	BC122	0.13	BF259	0.38	BFY87	0.46	74HC828	0.34
74LS132	0.28	4020	0.30	INDIVIDUAL RESIS		MC3340	1.75	82PF	0.09	BC123	0.13	BF259	0.38	BFY88	0.46	74HC829	0.34
74LS133	0.25	4021	0.30	TORS 0.03 EA.		LM3900	0.70	100PF	0.09	BC124	0.13	BF259	0.38	BFY89	0.46	74HC830	0.34
74LS136	0.21	4022	0.32	SKELETON PRESETS		LM3909	1.45	220PF	0.09	BC125	0.13	BF259	0.38	BFY90	0.46	74HC831	0.34
74LS137	0.62	4023	0.16	0.10 ANY VALUE.		LM3911	2.20	330PF	0.09	BC126	0.13	BF259	0.38	BFY91	0.46	74HC832	0.34
74LS138	0.24	4024	0.21	STANDARD POTS 1/4"		LM3914	2.65	470PF	0								



**MICROWAVE CONTROL PANEL.** Mains operated, with touch switches. Complete with 4 digit display, digital clock, and 2 relay outputs one for power and one for pulsed power (programmable). Ideal for all sorts of precision timer applications etc. **Now only £4.00 ref 4P151.** Good experimenters board.

**FIBRE OPTIC CABLE.** Stranded optical fibres sheathed in black PVC. Five metre length £7.00 ref 7P29R or £2 a metre.

**12V SOLAR CELL.** 200mA output ideal for trickle charging etc. 300 mm square. Our price £15.00 ref 15P42R. Gives up to 15v.

**PASSIVE INFRA-RED MOTION SENSOR.** Complete with daylight sensor, adjustable lights on timer (8 secs -15 mins), 50' range with a 90 deg coverage. Manual override facility. Complete with wall brackets, bulb holders etc. Brand new and guaranteed. **Now only £19.00 ref 19P29**

**VIDEO SENDER UNIT** Transmit both audio and video signals from either a video camera, video recorder or computer to any standard TV set within a 100' range! (tune TV to a spare channel). 12v DC op. £15.00 ref 15P39R Suitable mains adaptor £5.00 ref 5P191R. Turn your camcorder into a cordless camera!

**FM TRANSMITTER** Housed in a standard working 13A adaptor (bug is mains driven). £26.00 ref 26P2R. Good range device.

**MINIATURE RADIO TRANSCEIVERS** A pair of walkie talkies with a range of up to 2 kilometres. Units measure 22x52x155mm. Complete with cases and earpieces. £30.00 ref 30P12R

**FM CORDLESS MICROPHONE.** Small hand held unit with a 500' range! 2 transmit power levels. Reqs PP3 battery. Tuneable to any FM receiver. Our price £15 ref 15P42AR.

**12 BAND COMMUNICATIONS RECEIVER.** 9 short bands, FM, AM and LW DX/local switch, tuning 'eye' mains or battery. Complete with shoulder strap and mains lead. £19 ref 19P14R. Ideal for listening all over the world.

**CAR STEREO AND FM RADIO.** Low cost stereo system giving 5 watts per channel. Signal to noise ratio better than 45db, wow and flutter less than .35%. Neg earth. £19.00 ref 19P30

**LOW COST WALKIE TALKIES.** Pair of battery operated units with a range of about 200'. Our price £8.00 a pair ref 8P50R. Ideal for garden use or as an educational toy.

**7 CHANNEL GRAPHIC EQUALIZER** plus a 60 watt power amp! 20-21KHZ 4-8R 12-14v DC negative earth. Cased. £25 ref 25P14R.

**NICAD BATTERIES.** Brand new top quality. 4 x AA's £4.00 ref 4P44R. 2 x C's £4.00 ref 4P73R. 4 x D's £9.00 ref 9P12R. 1 x PP3 £6.00 ref 6P35R Pack of 10 AAA's £4.00 ref 4P92R.

**TOWERS INTERNATIONAL TRANSISTOR SELECTOR GUIDE.** The ultimate equivalents book. New ed. £20.00 ref 20P32R.

**GEIGER COUNTER KIT.** Complete with tube, PCB and all components to build a battery operated geiger counter. £39.00 ref 39P1R

**FM BUG KIT.** New design with PCB embedded coil. Transmits to any FM radio. 9v battery req'd. £5.00 ref 5P158R. 35mm square.

**FM BUG** Built and tested superior 9v operation £14.00 ref 14P3R

**COMPOSITE VIDEO KITS.** These convert composite video into separate H sync, V sync and video. 12v DC. £8.00 ref 8P39R.

**SINCLAIR C5 MOTORS** 12v 29A (full load) 3300 rpm 6"x4" 1/4" O/P shaft. New. £20.00 ref 20P22R. Limited stocks.

As above but with fitted 4 to 1 inline reduction box (800rpm) and toothed nylon belt drive cog £40.00 ref 40P8R. 800 rpm.

**ELECTRONIC SPEED CONTROL KIT** for C5 motor. PCB and all components to build a speed controller (0-95% of speed). Uses pulse width modulation. £17.00 ref 17P3R. Potentiometer control.

**SOLAR POWERED NICAD CHARGER.** Charges 4 AA nicads in 8 hours. Brand new and cased £6.00 ref 6P3R. 2x cell model £6.00.

**ACORN DATA RECORDER ALF503** Made for BBC computer but suitable for others. Includes mains adapter, leads and book. £15.00 ref 15P43R

**VIDEO TAPES.** Three hour superior quality tapes made under licence from the famous JVC company. Pack of 10 tapes **Now low price £15.00 ref J15P4**

**PHILIPS LASER. 2MW HELIUM NEON LASER TUBE.** BRAND NEW FULL SPEC £40.00 REF 40P10R. MAINS POWER SUPPLY KIT £20.00 REF 20P33R READY BUILT AND TESTED LASER IN ONE CASE £75.00 REF 75P4R.

**12 TO 220V INVERTER KITs** supplied it will handle up to about 15 w at 220v but with a larger transformer it will handle 80 watts. Basic kit £12.00 ref 12P17R. Larger transformer £12.00 ref 12P41R.

**VERO EASI WIRE PROTOTYPING SYSTEM** Ideal for designing projects on etc. Complete with tools, wire and reusable board. **Now low bargain price only £2.00 ref B2P1**

**25 WATT STEREO AMPLIFIER IC.** STK043. With the addition of a handful of components you can build a 25 watt amplifier. £4.00 ref 4P69R (Circuit dia included).

**BARGAIN NICADS AAA SIZE 200MAH 1.2V PACK OF 10** £4.00 REF 4P92R, PACK OF 100 £30.00 REF 30P16R

**FRESNEL MAGNIFYING LENS** 83 x 52mm £1.00 ref 8D827R. **12V 19A TRANSFORMER** Ex equipment £20 but OK.

**ULTRASONIC ALARM SYSTEM.** Once again in stock these units consist of a detector that plugs into a 13A socket in the area to protect. The receiver plugs into a 13A socket anywhere else on the same supply. Ideal for protecting garages, sheds etc. Complete system now only £19 !!!

**POWER SUPPLIES** Made for the Spectrum plus 3 give +5 @ 2A, +12 @ 700mA & -12 @ 50mA. £8 ref Q8P3

**UNIVERSAL BATTERY CHARGER.** Takes AA's, C's, D's and PP3 nicads. Holds up to 5 batteries at once. New and cased, mains operated. £6.00 ref 6P36R.

**IN CAR POWER SUPPLY.** Plugs into cigar socket and gives 3,4,5,6,7,5,9, and 12v outputs at 800mA. Complete with universal spider plug. £5.00 ref 5P167R.

**RESISTOR PACK.** 10 x 50 values (500 resistors) all 1/4 watt 2% metal film. £5.00 ref 5P170R.

**QUICK CUPPA?** 12v immersion heater with lead and cigar lighter plug £3.00 ref 3P92R. Ideal for tea on the move!

**LED PACK.** .50 red, .50 green, .50 yellow all 5mm £8.00 ref 8P52

**IBM PRINTER LEAD.** (D25 to centronics plus) 2 metre parallel. £5.00 ref 5P186R. 3 metre version £6.00 ref 6P50.

**WINDUP SOLAR POWERED RADIO!** FM/AM radio takes rechargeable batteries. Complete with hand charger & solar panel 14P200R. Set of 2 AA nicads £2 ref L2P9

**PC STYLE POWER SUPPLY** Made by AZTEC 110v or 240v input. +5 @ 15A, +12 @ 5A, -12 @ 5A, -5 @ .3A. Fully cased with fan, on/off switch, IEC inlet and standard PC fly-leads. £15.00 ref F15P4

**TELEPHONE HANDSETS** 10 brand new handsets with mic and speaker only £3.00 for 10 ref 3P146R

**BENCH POWER SUPPLIES** Superbly made fully cased (metal) giving 12v at 2A plus a 6V supply. Fused and short circuit protected. For sale at less than the cost of the case! Our price is £4.00 ref 4P103R

**SPEAKER WIRE** Brown twin core 100 feet for £2.00 REF 2P79R

**MICROSCOPE 1200X MAGNIFICATION** Brand new complete with shrimp hatchery, shrimps, prepared slides, light etc. £29.00 ref J29P4.

**LIGHT ALARM SYSTEM** Small cased alarms that monitor a narrow beam area for sudden changes in light level. Complete with siren that sounds for a preset time when unit is triggered. £7.00 ref J7P1

**720K 3 1/2" DISC DRIVE FOR £9** Brand new units made by JVC complete with tech info just £9.00!! They have a metal tab instead of a button and you may want to fit an led. Combined power and data cable easily modified to IBM standard. ref L9P2

**MONO VGA MONITORS £59** Standard IBM compatible monitor made by Amstrad. New our price just £59. Ref 59P4RB.

**CAR BATTERY CHARGER** Brand new units complete with panel meter and leads. 6 or 12v output £7.00 ref J7P2.

**CUSTOMER RETURNED SPECTRUM +2** Complete but sold as seen so may need attention £25.00 ref J25P1 or 2 for £40.00 ref J40P4

**CUSTOMER RETURNED SPECTRUM +3** Complete but sold as seen so may need attention £25.00 ref J25P2 or 2 for £40.00 ref J40P5

**AMSTRAD 1640DD BASE UNITS**

**BRAND NEW AND CASD**

**TWO BUILT IN 5 1/4" DRIVES**

**MOTHER BOARD WITH 640K MEMORY**

**KEYBOARD, MOUSE & MANUAL**

**OUR PRICE JUST**

**£79!!!!**

**SCART TO D TYPE LEADS**

Standard Scart on one end, Hi density D type (standard VGA connector) on the other. Pack of ten leads only £7.00 ref 7P2R

**OZONE FRIENDLY LATEX** 250ml bottle of liquid rubber sets in 2 hours. Ideal for mounting PCB's fixing wires etc. £2.00 each ref 2P379R

**VIEWDATA SYSTEMS** Brand new units made by TANDATA complete with 1200/75 built in modem infra red remote controlled qwerty keyboard BT approved Prestel compatible, Centronics printer port RGB colour and composite output (works with ordinary television) complete with power supply and fully cased. Our price is only £20.00 ref 20P1R

**COMMODORE 64 COMPENDIUM** Pack consisting of a Commodore 64 computer, power supply, data recorder and software. All for £69 ref Q69P1

**PPC MODEM CARDS** Made for the Amstrad PPC1640/1512 range these are plug in modules that operate at 2400 baud. No data. £15 ref Q15P5.

**AMSTRAD LQ3500 PRINTER ASSEMBLIES** Entire mechanical assemblies including print head, platen, cables, stepper motors etc etc. Infact everything bar the electronics and case! Our price just £10 ref Q10P3.

**AMSTRAD DMP4000 PRINTER ASSEMBLIES** Entire printer assemblies including print head, platen, cables, stepper motors etc. Everything bar the electronics and case. Our price just £20 ref Q20P2

**TOROIDAL TRANSFORMER** 146VA with tappings at 8v, 10v and 32v will give 50v at 3A or 32 at 4A etc. Centre tapped primary. £9 ref Q9P2. Fixing kit is £2 ref Q2P1.

**AERIAL BRACKETS** Wall plate 7.5" sq complete with raw bolts, 10" stand off brackets with standard tube clamps. Will take up to 2" mast. Substantial bracket (would take body weight). £7 ref Q7P1.

**TV SOUND RECEIVERS** Popular units that with the addition of a speaker act as a tv sound receiver. Ideal as a stand alone unit or for connecting into Hi Fi! £12 ref Q12P4

**2,000 COMPONENTS FOR £3** Yes thats right! just send us £3 and you can have 1,000 resistors plus 1,000 capacitors! Our choice of value. Order ref Q3P1.

**ETRI FANS** Mains, 11 watt 80mm diameter. £6. Ref Q6P3.

**LIGHTGUNS** Originally made for the Spectrum+2 but may have other uses (good stripper). £2 Ref Q2P3

**GX4000 GAMES CONSOLES** Complete with motor racing game, psu and joystick. £15 ref Q15P3. Extra 4 games £12 ref Q12P2

**VCR RABBIT SYSTEM** Lets you control your VCR from a second set using the VCR remote control. Retail £99 ours £39!!!

**BULL ELECTRICAL**

250 PORTLAND ROAD HOVE SUSSEX

BN3 5QT TELEPHONE 0273 203500

MAIL ORDER TERMS: CASH PO OR CHEQUE

WITH ORDER PLUS £3.00 POST PLUS VAT.

PLEASE ALLOW 7 - 10 DAYS FOR DELIVERY



FAX 0273 233077



**CAMERAS** Customer returned units. 3 for £10 ref L10P2.

**STEAM ENGINE** Standard Mamod 1332 engine complete with boiler piston etc £30 ref 30P200

**TALKING CLOCK** LCD display, alarm, battery operated. Clock will announce the time at the push of a button and when the alarm is due. The alarm is switchable from voice to a cock crowing! £14.00 ref 14P200.R

**HANDHELD TONE DIALLERS** Small units that are designed to hold over the mouth piece of a telephone to send MF dialling tones. Ideal for the remote control of answer machines. £5.00 ref 5P209R

**AMAZING TALKING COINBOX!** Fully programmable talking, lockable coinbox BT approved, retail price is £79 ours is just £29! ref J29P2.

**ANSWER PHONES £15** Customer returned units with 2 faults one we tell you how to fix the other you do your self! £18 ref J18P2 or 4 for £60 ref J60P3 BT approved (retail price £79.95! each)

**COMMODORE 64 MICRODRIVE SYSTEM** Complete cased brand new drives with cartridge and software 10 times faster than tape machines works with any Commodore 64 setup. The original price for these was £49.00 but we can offer them to you at only £25.00! Ref 25P1R

**90 WATT MAINS MOTORS** Ex equipment but ok Good general purpose unit £9.00 ref F9P1

**HI FI SPEAKER BARGAIN** Originally made for TV sets they consist of a 4" 10 watt 4R speaker and a 2" 140R tweeter. If you want two of each plus 2 of our crossovers you can have the lot for £5.00 ref F5P2.

**EMERGENCY LIGHTING SYSTEM** Fully cased complete with 2 adjustable flood lights. All you need is a standard 6v lead acid battery. Our price is just £10 ref J10P29

**AMSTRAD 464 COMPUTERS** Customer returned units complete with a monitor for just £35! These units are sold as faulty and are not returnable.

**WOLSEY DMC DECODERS** Made for installation in hotels etc as the main set receiver no data but fully cased quality unit. £20 ref K20P1. Suitable psu £8 ref K8P3.

**REMOTE CONTROLS** Brand new infra red CONTROLS originally made for controlling WOLSEY satellite receivers. £2 ea ref K2P1 or 20 for £19 ref K19P1.

**TELEPHONES** Modern 1 piece phones BT approved. Last no radial. £8 ref K8P1.

**386 TOWER SYSTEMS** Tower case 52cmx40cmx20cm. 2 fans, speaker, 275w psu, IEC I/L and O/L, 386 m/board with onboard disc controller, ethernet, display driver, parallel and serial ports. There are several IC's missing from the m/board plus no data! £79 ref K79P1.

**DOS PACKS** Complete set of PC discs with MS DOS 3.2, Locomotive basic, gemdosk and gem paint. No manuals, 5 1/4" discs. £10 ref K10P2

**CORDLESS TIE CLIP MICROPHONE** transmits between 88-108MHz FM 5.2cm x 2cm, uses LR44 watch battery. Complete with wire aerial & battery. £16 ref K16P1.

**CHASSIS MOUNT TRANSFORMERS** 240v primary, 12v secondary 20VA £2 ref K2P2

240v primary, 18v secondary 10A (split winding). £10 ref L10P1

**100 RED LED PACK (5MM) £5 REF K5P2**

**12V STEPPER MOTOR** Ideal for models etc. 3" dia. £2 ref J2P14.

**INFRA RED BEAM SWITCH** 24v DC 5m range source & sensor housed in plastic case. £12 ref J12P1.

**CAPACITOR BARGAIN PACK 100 CERAMICS £2 REF J2P2.**

**SPECTRUM JOYSTICKS TWO FOR £5 REF J5P2.**

**AMSTRAD PC CASE, POWER SUPPLY AND 720k FLOPPY DRIVE** ALL THIS FOR £30 REF Q30P15

**BUMPER PACK NO 1** 10 of our popular £1 packs for just £5 our choice of contents.

**BUMPER PACK NO 2** 25 of our popular £1 packs for just £12. Our choice of contents.

**LCD 1 X 32 DISPLAY** Bargain price of just £3 complete with loads of data for a similar display. £3 ref L3P1.

**USEFUL POWER SUPPLIES.** 18v 900mA dc output (regulated) fully cased with mains cable and DC out cable. £6 ref K6P1.

**UNCASD PC POWER SUPPLIES.** Standard PC psu without case, fan etc. Good for spare or low cost PC! £4 ref L4P6.

**RADAR DETECTORS.** Detects X & K bands (ie speed traps). Not legal in the UK so only available if you intend to 'export' it. £59 ref J59P1.

**100 WATT MOSFET PAIR.** Same spec as 2Sk343 and 2Sj413 (8A, 140v, 100w) 1 N channel and 1 P channel. £3 a pair ref J3P9.

**LOW COST CAPS.** 1,000 capacitors £3 (33uf, 25v) ref J3P10.

**VELCRO.** 1 metre length 20mm wide, blue. £2 ref J2P16.

**JUG KETTLE ELEMENTS.** Good general purpose heating element just £3 ea ref £3P8 or 5 for £10 ref J10P3.

**VERY BIG MOTOR.** 200v induction 1.1kw 1410 rpm 10"x7" GEC 1" keyed shaft. Brand new. £95 ref J95P1.

**BIG MOTOR.** 220-240v 1425rpm 2.8A 5/8th" keyed shaft GEC 6.5" x 8" complete with mounting plate. £38 ref J38P1.

**SMALL MOTOR.** Electrolux 160 watt 3,000 rpm, 220-240v 5/8" shaft. precision built £18 ref J18P1.

**EPROMS 27C64 PACK OF 10 £7 REF M7P1.**

**EPROMS 27C256 PACK OF 10 £9 REF M9P1.**

**EPROMS 27C512 PACK OF 10 £10 REF M10P1.**

**MODEMS FOR £1.25?** These modems are suitable for stripping only hence they are only 4 for £5 ref J5P3.

**SOLAR POWERED WOODEN MODELS.** Complete with solar panel, motor and full instructions. £9 ref J9P2. 3 diff £20 ref J20P3.

**SOUND OPERATED LIGHT.** Clap your hands and light comes on. Turns after preset delay. (4 AA's req'd). £2 ref J2P3.

**FERGUSON SRB1 REMOTE CONTROLS.** Brand new units ideal for a spare or have two remotes! £4 each.

**5 1/4" 360K DISC DRIVE** Made for AMSTRAD 1640/1512 machines. White front. Our price just £9 ref Q9P1.

**1993 CATALOGUE AVAILABLE WITH ALL ORDERS IF REQUESTED OTHERWISE A4 SAE FOR FREE COPY.**



Ray Marston takes an in-depth look at modern electronic analogue volt, current, and resistance meter circuitry in this three-part mini-series.

The effective performance of a moving-coil meter can be greatly enhanced by combining it with one or more transistors, FETs, or ICs; such circuits can be made to act as sensitive AC or DC current meters, or as high impedance volt or millivolt meters, or as linear-scale ohmmeters, etc. This 3-part series takes an in-depth look at a variety of electronic analogue meter circuits of these basic types.

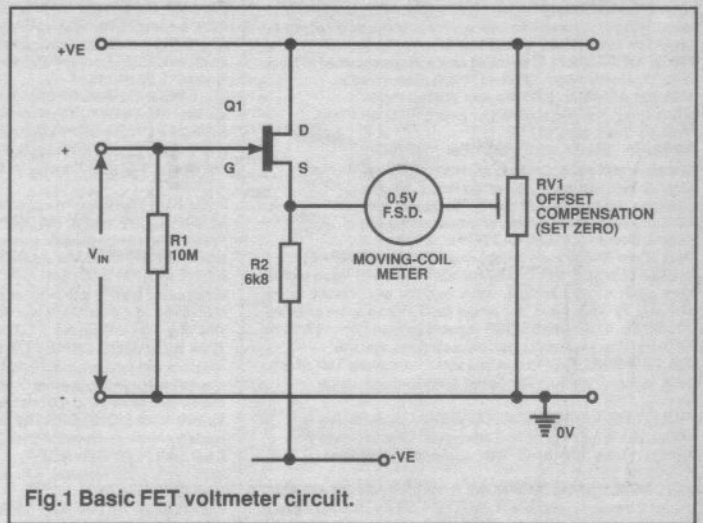


Fig. 1 Basic FET voltmeter circuit.

# Moving Coil Meters

1

## FET Voltmeters.

A true voltmeter consumes zero input current and has an infinite input impedance. A reasonable approximation to this ideal can be obtained by driving a simple moving-coil voltmeter via a voltage-following buffer stage, as shown in the basic circuit of Figure 1. Here, Q1 is an enhancement-mode JFET and generates a positive source voltage when the

resistor is connected across the JFET's input to prevent the build-up of static charges when the input is open circuit.

Figures 2 and 3 show practical 3-range versions of the above circuit, designed to give FSD voltage ranges of 0.5V, 5V, and 50V; each circuit is protected from input overload damage via R4. In each case, RV1 is used to set the meter's basic FSD sensitivity on the 0.5V range, and RV2 is the SET ZERO control.

The Figure 2 circuit is similar to that already described, but uses the simple R6,RV2,R7 potential divider to give offset (Set zero) compensation and to generate a -4V rail from the single supply battery; this circuit is consequently prone to zero-point drift with changes in temperature and supply voltage and needs frequent set-zero control retrimming; drift can be greatly reduced by using a regulated 12V supply.

Figure 3 is a low-drift version of the circuit. Here, Q1 and Q2 are wired as a voltage-following differential amplifier in which any drift occurring on one side of the circuit is automatically countered by a similar drift on the other side, thus giving good overall stability.

Q1 and Q2 must be selected JFETs, with their  $I_{DSS}$  values matched to within 10%. The circuit can use any supply in the 12 to 18V range.

## Basic Op-Amp DC Meter Circuits.

The best way to make a precision electronic analogue DC meter is to wire the moving-coil meter into the feedback loop

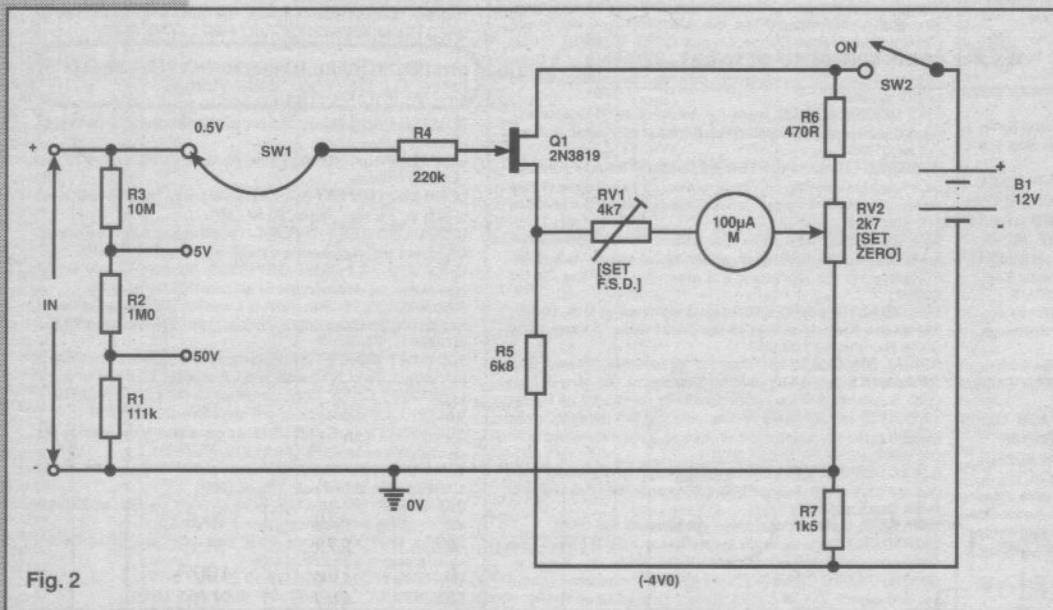


Fig. 2

input voltage is zero; the moving-coil meter is set to read 0.5 volts FSD and is wired between the source and an offset compensation voltage point which equals the zero-input source voltage; the meter thus reads zero when the input voltage is zero, and reads FSD with an input of +0.5V. Note that the JFET's source resistor (R2) is taken to a negative supply voltage to enhance circuit linearity, and that a 10M



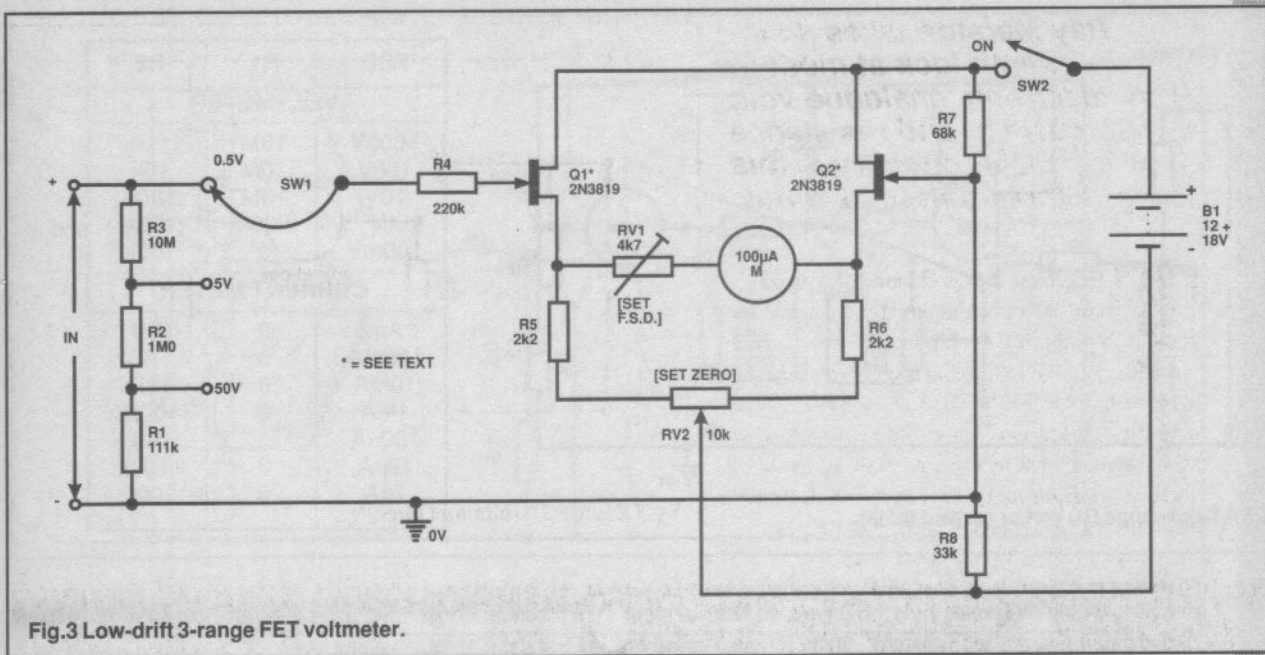


Fig.3 Low-drift 3-range FET voltmeter.

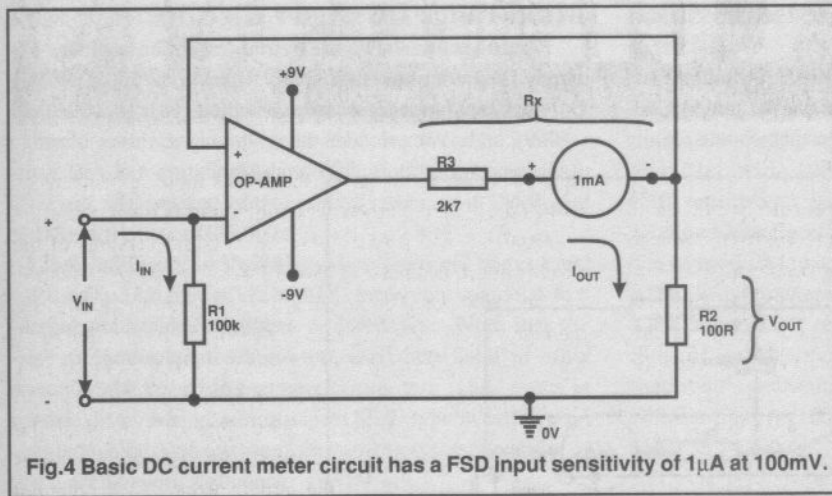


Fig.4 Basic DC current meter circuit has a FSD input sensitivity of 1µA at 100mV.

of a modified op-amp DC voltage follower (unity-gain non-inverting amplifier), as shown in the basic circuit of Figure 4. Note here that  $V_{out} = V_{in}$ , that  $R_x$  represents the series value of  $R_3$  and the meter's internal resistance, and that  $I_{out} = V_{in}/R_2$  and is independent of the  $R_x$  value (provided that the sum of  $R_x$  and  $R_2$  volt drops is less than the op-amp's

ble its FSD value.

The basic Figure 4 circuit can, by suitable choice of the  $R_2$  and  $R_3$  values, be used to raise the effective sensitivity of any 50µA to 2.5mA moving-coil meter to 1µA at 100mV, irrespective of the meter's internal resistance value, and gives that meter automatic overload protection. In

positive saturation voltage. Thus, when  $R_2$  has the 100R value shown the 1mA meter reads FSD at an input of 100mV, and (since a current of only 1µA flows in 100k input resistor  $R_1$  under this condition) the overall circuit has an FSD input sensitivity of 1µA at 100mV. Also note that  $R_3$  (together with the series resistances of  $R_2$  and the meter's coil) limits the maximum output current to less than 3mA when the op-amp output is saturated, and thus provides the meter with automatic overload protection by limiting its maximum current to less than tre-

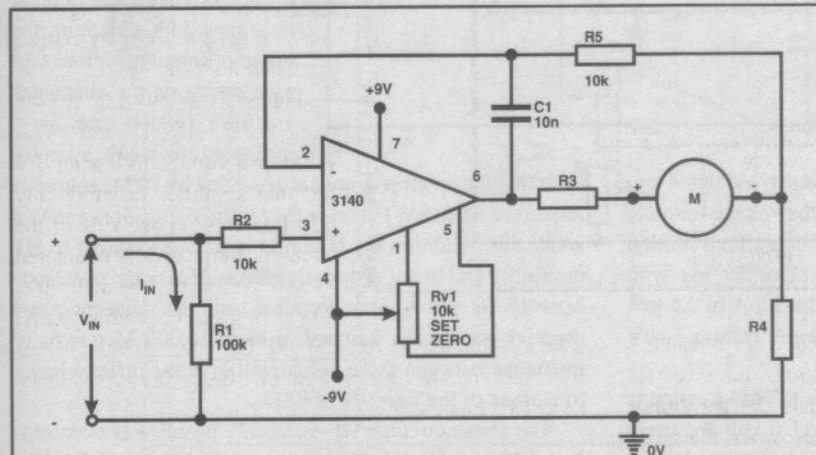
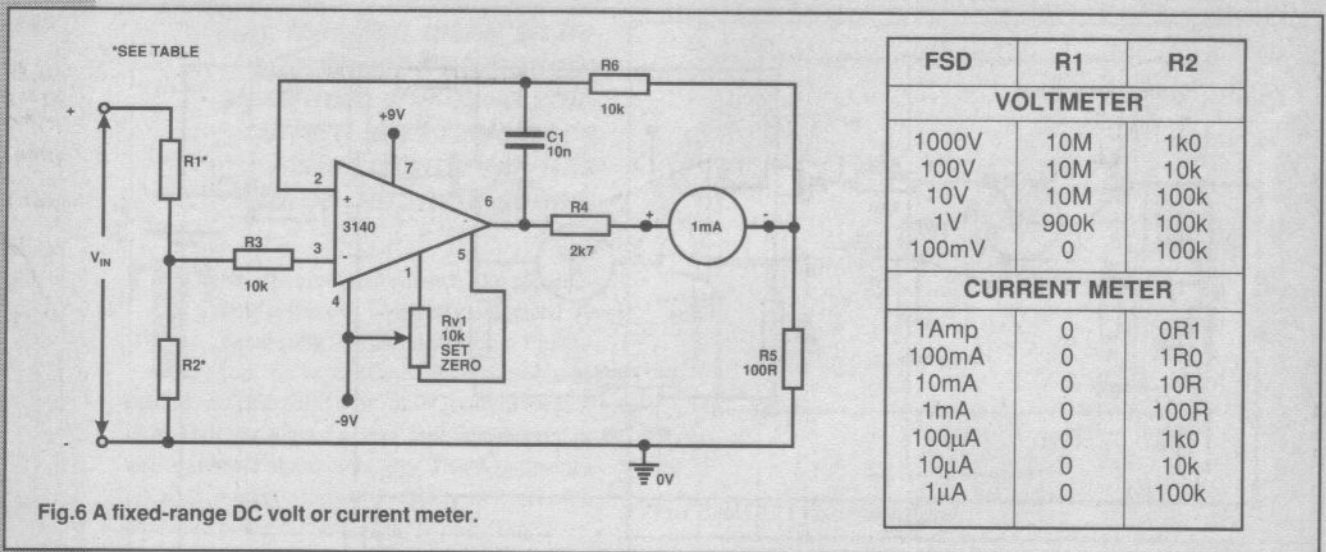


Fig.5 This circuit gives any of the listed current meters an effective FSD input sensitivity of 1µA at 100mV.

METER FSD CURRENT	R3 VALUE	R4 VALUE
50µA	47k	2k0
100µA	27k	1k0
250µA	10k	400R
500µA	4k7	200R
1mA	2k7	100R
2.5mA	1k0	40R





FSD	R1	R2
<b>VOLTMETER</b>		
1000V	10M	1kΩ
100V	10M	10k
10V	10M	100k
1V	900k	100k
100mV	0	100k
<b>CURRENT METER</b>		
1Amp	0	0R1
100mA	0	1R0
10mA	0	10R
1mA	0	100R
100μA	0	1kΩ
10μA	0	10k
1μA	0	100k

Fig. 6 A fixed-range DC volt or current meter.

practice, the op-amp must be a FET type, so that its input impedance does not significantly shunt R1, and must be provided with facilities such as input-overload protection, set-zero control, and stability enhancement. Figure 5 shows a practical version of such a circuit.

The Figure 5 circuit uses a 3140 MOSFET op-amp, and has input overload protection provided via R2 and has set-zero offset nulling provided via RV1 (which should ideally

a potential divider that gives a 100mV output at the desired FSD input voltage value.

### Multi-range DC Meter Circuits.

Figure 7 shows the Figure 6 circuit modified to act as a 12-range DC voltmeter that spans 100mV to 500V. SW1 provides four ranges of decade switching (x1, x10, x100, and x1000), and SW2 provides three alternative values of range multiplication (x1, x2.5, or x5) by setting the circuit's basic FSD sensitivity to either 100mV (= x1), 250mV x2.5), or 500mV (= x5). The SW1 ranging is achieved by switching the input voltage to various points on the decade attenuator network, which keeps the op-amp's input permanently grounded via 110k of fixed resistance.

Figure 8 shows a multi-range DC voltmeter with an input impedance of 10M on all ranges. Here, the input voltage is permanently connected to the top of the decade attenuator chain, and ranging is achieved by switching the op-amp's input to various tapping points on the attenuator via SW1 (which must be a make-before-break switch).

Note that the op-amp's input is grounded by 10 Megohms of resistance when SW1 is set to the '100mV' position, and that under this condition the circuit is highly susceptible to HF instability and to the disturbing effects of leakage resistance between its pin-3 input terminal and the adjacent pin-4 negative supply rail terminal; a mere 10,000 Megohms of resistance between these points will give the meter a negative offset of 9mV (= 9% of FSD).

The above circuit's HF instability problem is overcome by wiring the C1-R1 network between the op-amp's pin-3 and ground, to restrict the circuit's frequency response. The leakage resistance problem is overcome by careful design

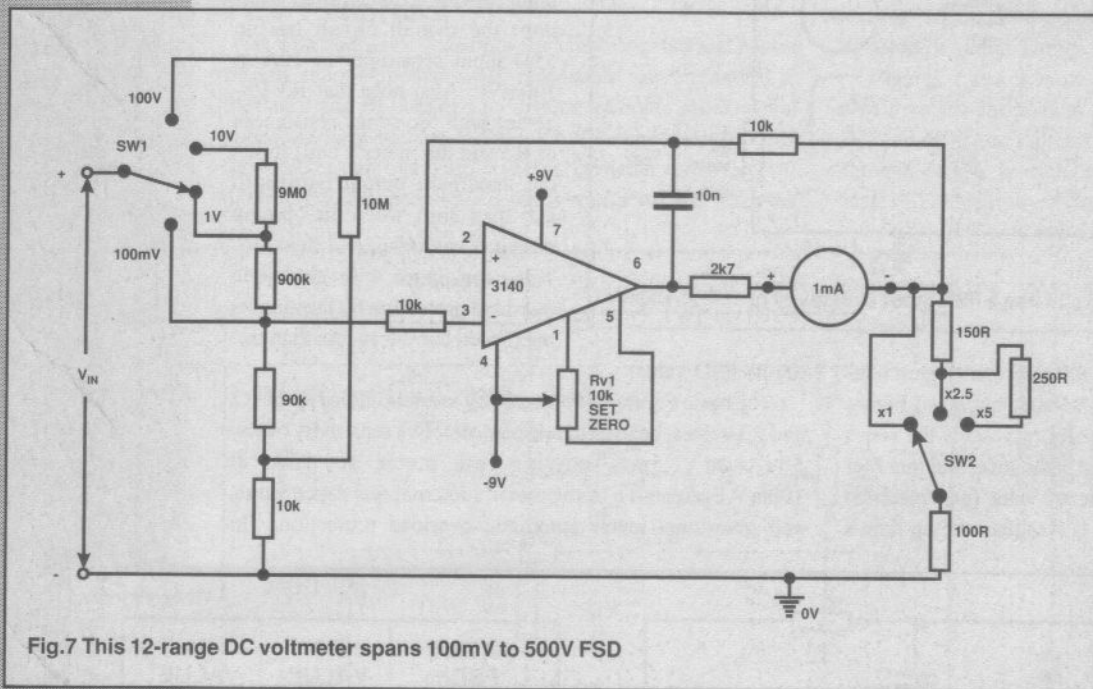


Fig. 7 This 12-range DC voltmeter spans 100mV to 500V FSD

be a multi-turn pot). The 3140 (like most wideband op-amps) tends to be unstable when used in the voltage follower mode, so C1-R5 are used to enhance its operating stability. The table shows suitable R3 and R4 values for use with meters having standard sensitivities in the 50μA to 2.5 mA range. The circuit consumes about 2.6mA from a +/-9V supply when its output is set to zero.

Figure 6 shows how the above circuit (a 1mA version is shown here) can be used as a single-range DC volt or current meter. R1's value is zero in the 'current meter' mode, and R2 is used as a shunt that generates 100mV at the desired FSD current value; in the 'voltmeter' mode R1-R2 are used as



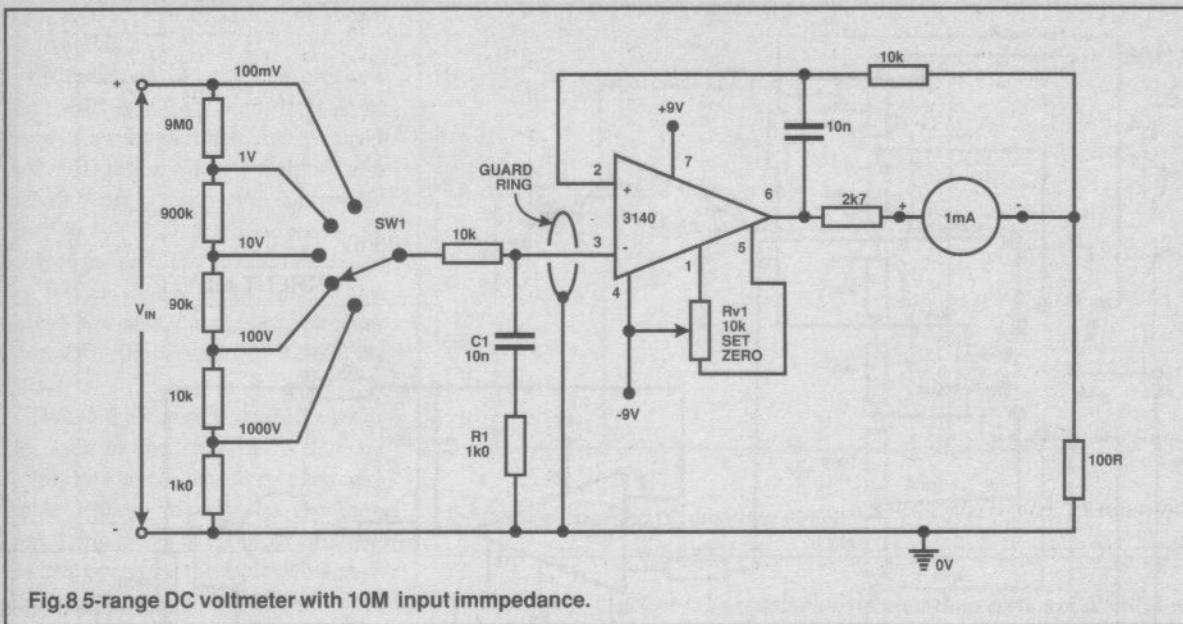


Fig.8 5-range DC voltmeter with 10M input impedance.

and construction of the circuit's printed circuit board (PCB), in which the PCR area surrounding pin-3 of the op-amp is given a grounded 'guard ring', as shown in Figure 9.

Figure 10 shows how the basic Figure 6 circuit can be modified for use as a DC current meter that spans 1µA to 1 Amp in seven decade ranges. This circuit can be made to span 1µA to 5 Amp in 21-ranges by modifying its output to give x1, x2 5, and x5 range multiplication, as in the Figure 8 circuit.

Finally, Figure 11 shows how the circuits of Figures 8 and 10 can be combined to make a DC meter that spans 1A to 5 Amps and 100mV to 500V in 30-ranges. Note that the 'decade multiple of 9' resistors used here (and in other circuits) can be made by either wiring two '18A' types in parallel or by wiring a '6R8' and a '2k2' type in series, e.g., a 9k0 resistor can be made from two 18k types in parallel or from a 6k8 and a 2k2 value in series.

### DC Millivoltmeter Circuits

The basic Figure 5 'DC meter' circuit is a unity-gain non-inverting amplifier with 100mV FSD sensitivity. Figure 12 shows how the circuit can be modified to act as a DC millivoltmeter with a maximum FSD sensitivity of 1mV by making the circuit's gain variable between unity (at 100mV FSD) and x100 (at 1mV FSD) via SW1. Note that

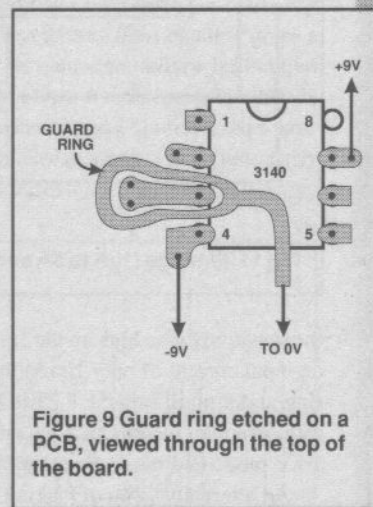


Figure 9 Guard ring etched on a PCB, viewed through the top of the board.

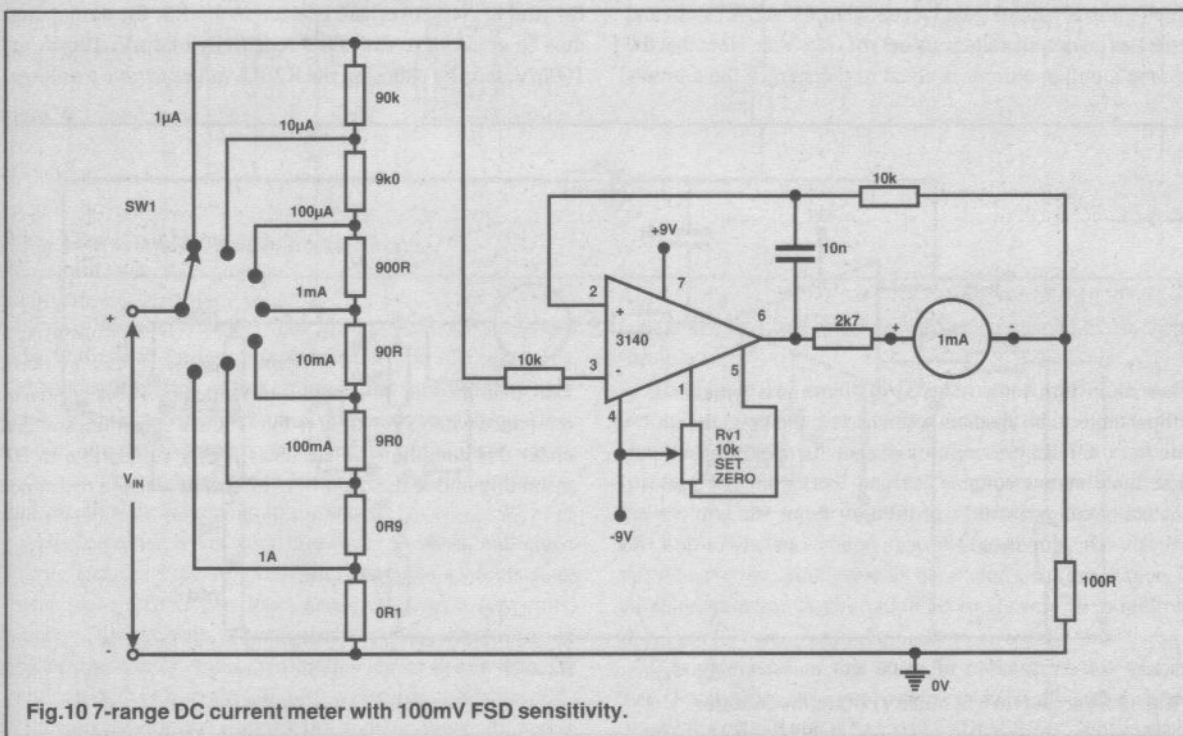


Fig.10 7-range DC current meter with 100mV FSD sensitivity.



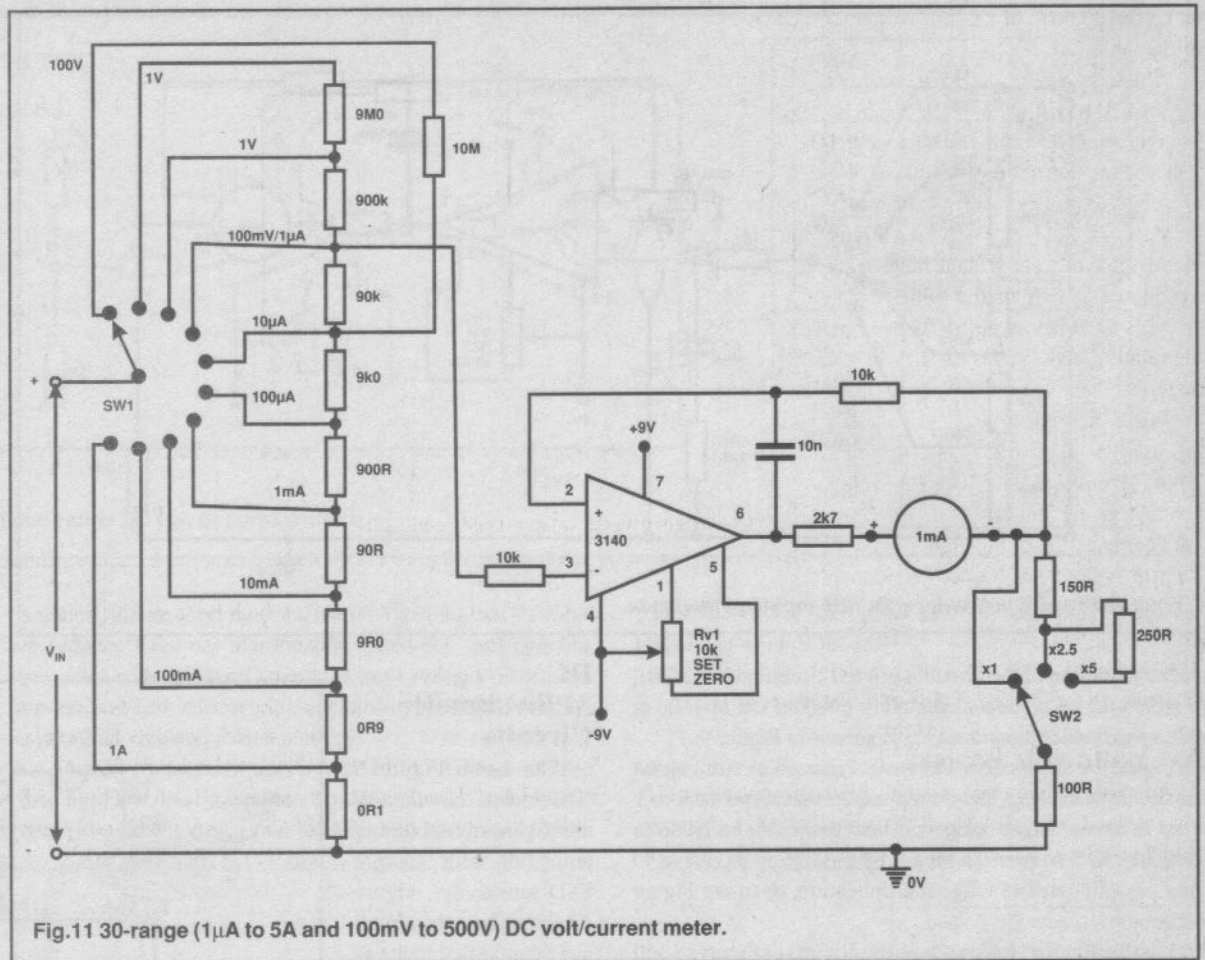


Fig.11 30-range (1μA to 5A and 100mV to 500V) DC volt/current meter.

the sensitivity is so high on the 1mV range (it reads FSD with an input current of only 10nA) that the use of a PCB guard ring and a multi-turn SET ZERO (RV1) control is mandatory; even so, the circuit's balance is prone to drift on this 1mV range and needs frequent retrimming.

An alternative way of making a DC millivoltmeter is via the basic op-amp inverting DC amplifier circuit of Figure 13, which gives a voltage gain (A) equal to the  $A_2/A_1$  ratio and generates an output voltage ( $V_{out}$ ) of  $-A \times V_{in}$ . Note that the op-amp's output current is equal to the sum of the currents

flowing in  $R_2 (= I_F)$  and  $R_L (= I_L)$ , and that if  $R_2$  is at least 100 times greater than  $A_1$  the  $I_{out}$  value will, most practical purposes, equal  $I_L$ . In this latter case the circuit can be used as a DC millivoltmeter by connecting it as shown in Figure 14.

In Figure 14 the 1mA meter is wired in series with the op-amp output and made to read FSD at an output of 100mV via  $R_4$ , and is given overload protection via  $R_3$ ; the circuit can thus be given an overall FSD sensitivity of 1mV, 10mV, or 100mV, etc., by choosing the  $R_2/R_1$  values to give a voltage

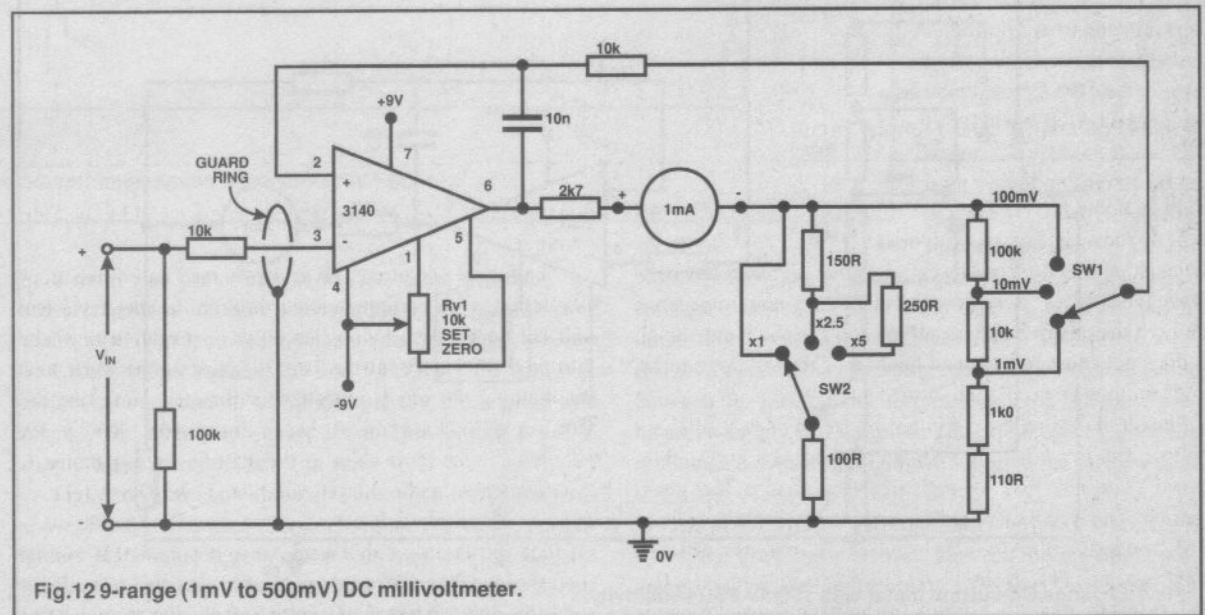


Fig.12 9-range (1mV to 500mV) DC millivoltmeter.



gain of x100, x10, or x1, etc., as shown in the table.

Alternatively, Figure 15 shows how the basic inverting amplifier can be used as a converter that enables any 1 volt FSD meter with a sensitivity of 1 mA or better to read values in the range 1mV to 10V FSD, at a basic sensitivity of 1M0 per volt. The voltage range is set by R1, as shown in the table. This circuit's accuracy is not influenced by the relative impedances of R2 and the meter.

When the Figure 14 and 15 circuits are used on the 1mV range they are highly sensitive to the effects of op-amp noise, leakage impedances, and thermoelectric action in the input circuitry. To help overcome these problems, each circuit must be provided with an input guard ring, must have its bandwidth reduced via C1 and C2, and must have its SET ZERO control enhanced by the addition of a 22k resistor between RV1 slider and pin-4 of the op-amp, as shown.

### AC Voltmeter Basics

A moving-coil meter inherently reads mean values of DC current, but can be persuaded to respond to AC voltages by feeding them to the meter via a suitable rectifier network and

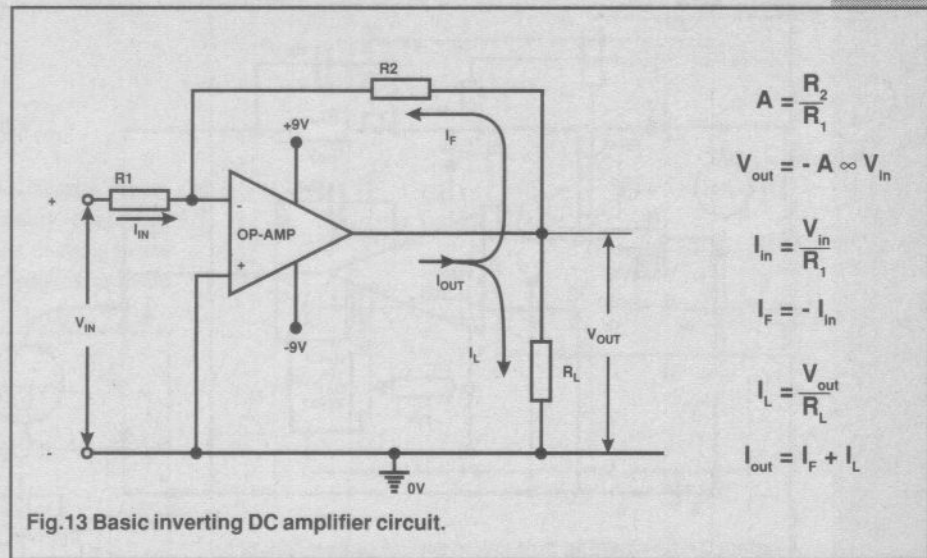


Fig.13 Basic inverting DC amplifier circuit.

meter-driving rectifier circuits which have symmetrical input impedances but have only one active diode in series with the meter and thus have improved linearity.

The Figure 16b design is a widely used one that gives a pseudo full-wave rectifier action; on positive half-cycles current flows via Rm-D1 and then divides, part flowing via C2 and part flowing via the meter and C1; on negative half-cycles the current flows via D2-Rm, partly via C1 and partly via C2 and the meter; the circuit's conversion efficiency

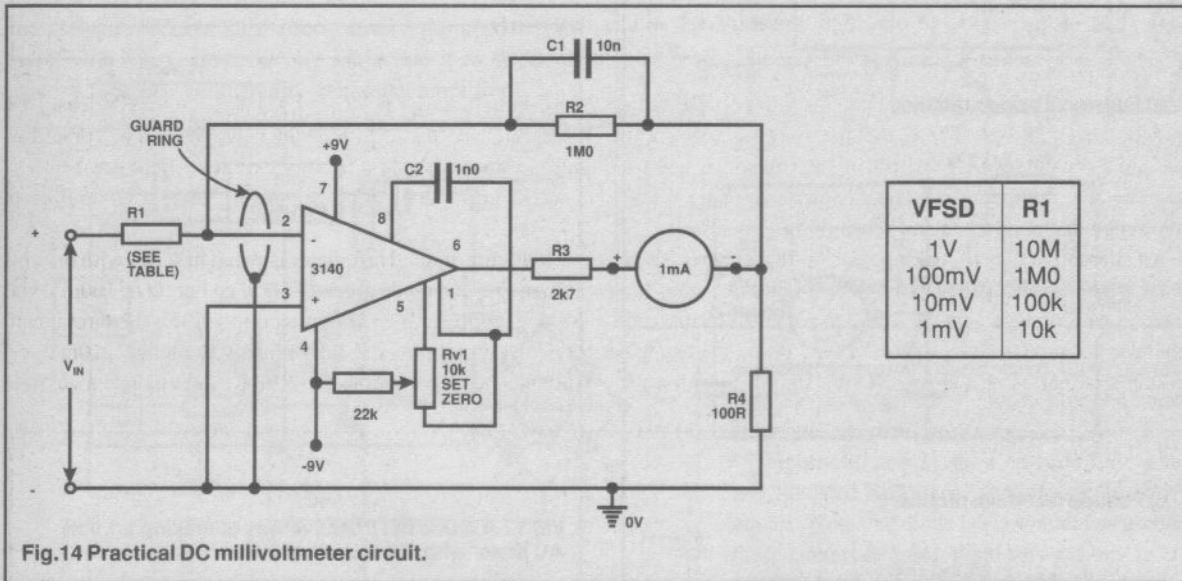


Fig.14 Practical DC millivoltmeter circuit.

voltage multiplier resistor. The most popular circuit of this type is the well-known bridge-rectifier one of Figure 16a. One major attraction of this circuit is that (unlike many half-wave types of rectifier) it presents the same input impedance on both the positive and negative halves of the input signal; it does not cause unbalanced loading of the voltage source, and can thus be accoupled to the source.

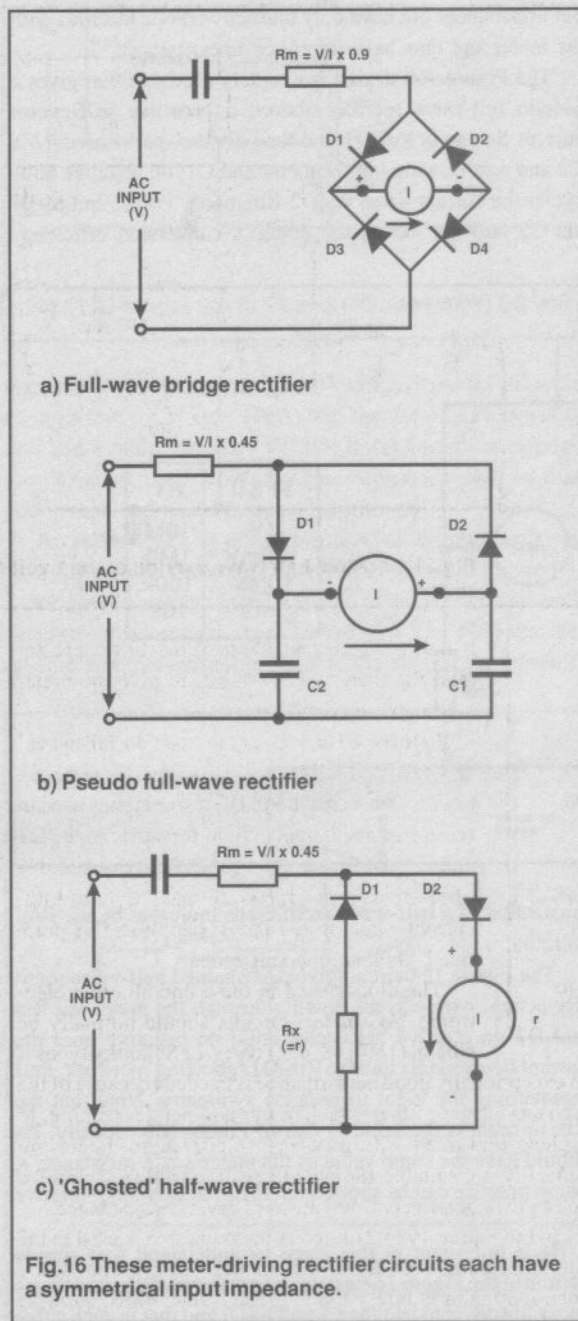
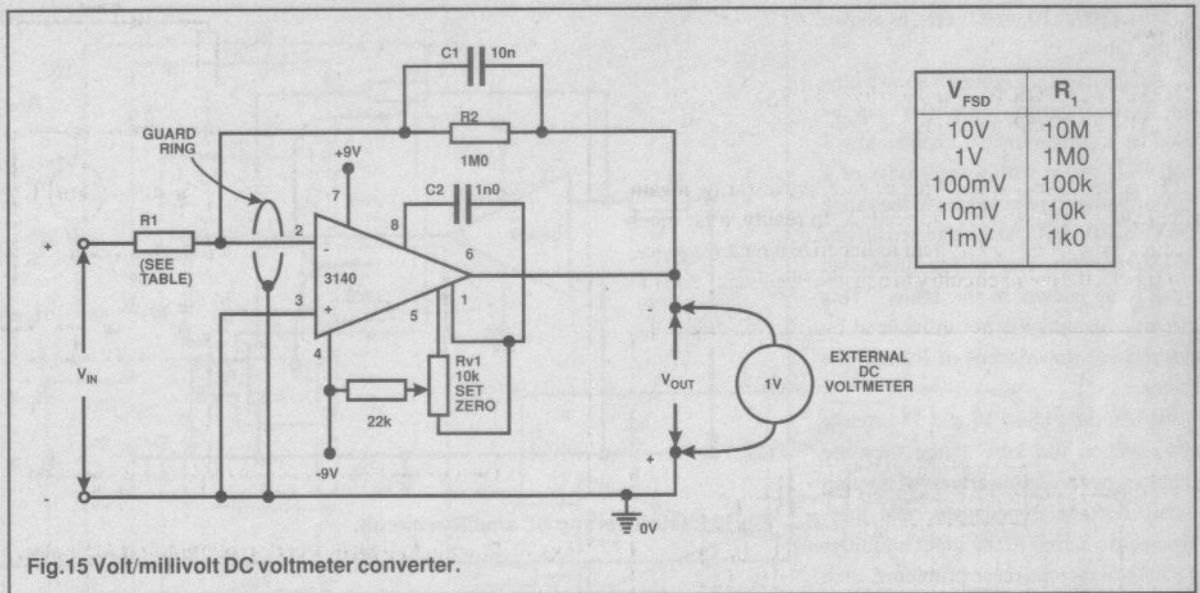
Diode rectifiers are very non-linear devices, and cause simple rectifier-type AC voltmeters to have a highly non-linear scale response to low-value (less than a few volts) inputs. This problem is particularly acute with the Figure 16a bridge circuit, since two diodes are in series with the meter on each half-cycle (D1-D4 on positive halfcycles, D2-D3 on negative ones). Figures 16b and 16c show alternative

equals that of a half-wave rectifier, as indicated by its 'Rm' formula.

The Figure 16c circuit gives unashamed half-wave rectifier action, with current flowing through the meter via Rm and D2 on positive halfcycles only; on negative ones the current flows via Rx and the Rm-D1 'ghosting' network, thus maintaining the input impedance symmetry. Note that the Rm formula is the same as that of Figure 16b. Ideally, Rx should have the same value as the meter's coil resistance, r, but in practice can be shorted out if Rm is very large relative to r.

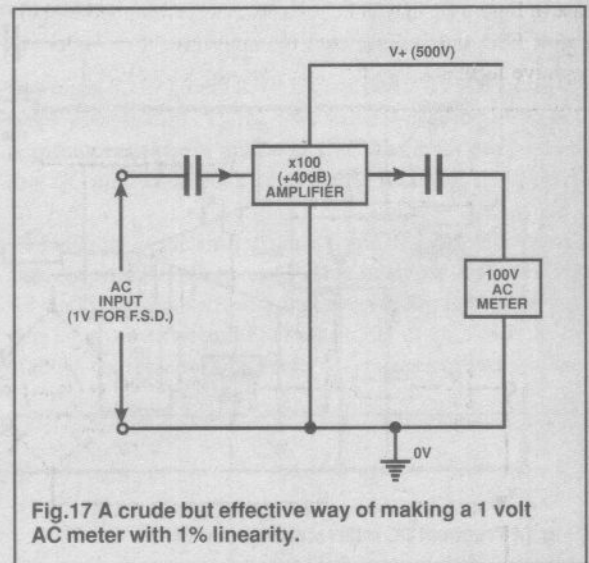
It is important at this stage to understand that simple meters of the Figure 16 type can be used at fairly low voltages (possibly down to less than 1 volt FSD) and that in such cases





there is not the slightest difficulty in getting them to operate with an FSD frequency response that extends to tens or hundreds of MHz. Their major problem is that they have a very non-linear scale response at low voltages, and this is the major area where electronics can be used to enhance their performance.

To give a linear scale response, an AC meter's instantaneous current must be directly proportional to the instantaneous input voltage; in a conventional meter this action occurs



when  $R_m$  is very large relative to the rectifier's impedance and the input voltage is very large relative to the rectifier's forward volt drop. Typically, linearity is about 3% of FSD in a 10 volt meter, and about 1% in a 100 volt meter. Thus, one obvious way to make a highly linear meter with an FSD sensitivity of 1 volt is to connect the basic meter to read 100 volts FSD (to give the desired linearity) and then drive it via a  $\times 100$  ( $+40\text{dB}$ ) amplifier, so that it reads FSD with an AC input of 1 volt, as shown in Figure 17.

The crude technique of Figure 17 has obvious drawbacks in terms of power supply requirements, but it does serve to illustrate the fundamental fact that a meter's scale response can be linearized with the aid of amplifier gain. Rough rules of thumb for the minimum required gain factors are as



follows:

$$\text{GAIN FACTOR for 3\% linearity} = 10/V_{\text{FSD}}$$

$$\text{GAIN FACTOR for 1\% linearity} = 100/V_{\text{FSD}}$$

Thus, to make a 100mV meter with 1% linearity, a gain of at least x1000, or 60dB, is needed. In reality, a far more practical way of using this gain to linearize a meter is to use it to subject the meter circuitry to negative feedback, as in the

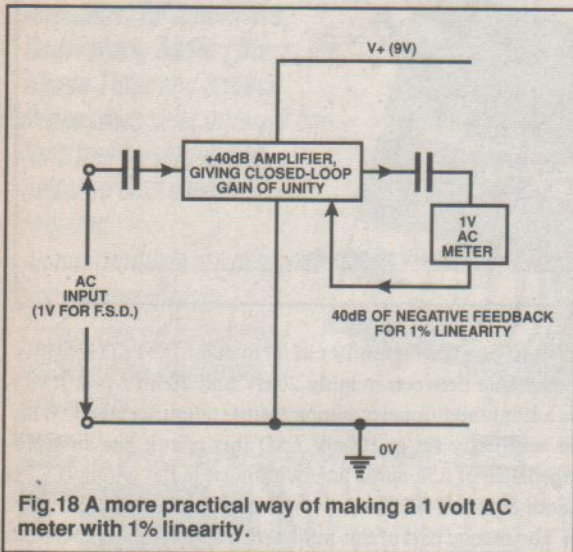


Fig.18 A more practical way of making a 1 volt AC meter with 1% linearity.

case of Figure 18, in which the basic meter is designed to read 1 volt FSD but is linearized by subjecting it to 40dB of negative feedback via the unity-gain input amplifier.

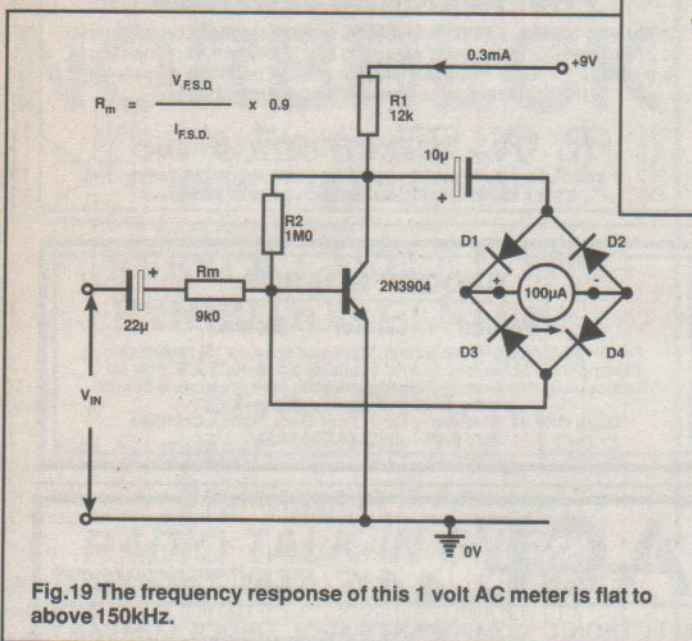


Fig.19 The frequency response of this 1 volt AC meter is flat to above 150kHz.

### Transistor AC Meter Circuits

Figure 19 shows a practical example of a 1 volt FSD AC meter using the feedback linearizing technique on a bridge rectifier type of meter network. This simple circuit draws a quiescent current of about 0.3mA, has an FSD frequency response that is absolutely flat from below 15Hz to above 150kHz, and has 1% linearity up to 100 when using 1N4148 silicon diodes, or to above 150kHz when using BAT85 Schottky types. The R1 value of this circuit is chosen to give

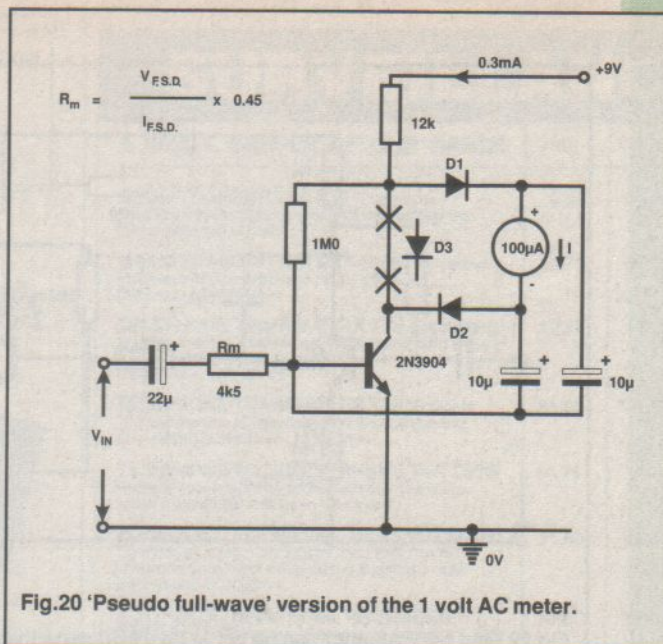


Fig.20 'Pseudo full-wave' version of the 1 volt AC meter.

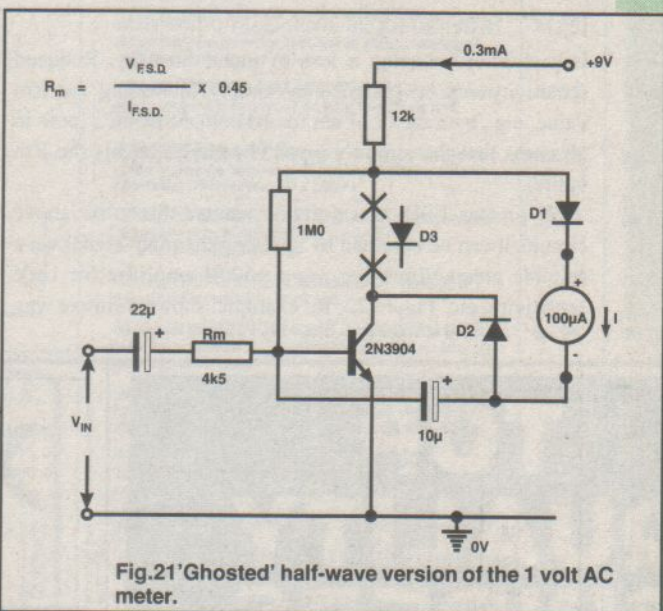


Fig.21 'Ghosted' half-wave version of the 1 volt AC meter.

a quiescent current about three times greater than the meter's FSD value, to give the meter automatic overload protection.

Figures 20 and 21 show 'pseudo full-wave' and 'ghosted half-wave' versions of the above circuit. Note that diode D3 is sometimes used in these circuits to apply slight forward bias to D1 and D2 and thus help improve linearity, but this often causes the meter to pass a 'standing' current when no AC input is applied; this practice is thus not recommended.

The diodes used in these and all other electronic 'AC meter' circuits should normally be silicon (1N4148, etc.) types, or Schottky types if an exceptionally good performance is needed (because of the high sensitivity of these, the circuit may need screening, to exclude unwanted A.F. pick-up). Germanium diodes are generally not suitable for use in negative feedback circuits, due to their relatively low values of reverse impedance.

In the Figure 19 to 21 circuits the transistor is used in the common emitter mode; in this mode a single transistor's open-loop gain is rarely much greater than 40dB, so these circuits can not give a FSD input sensitivity greater than 1



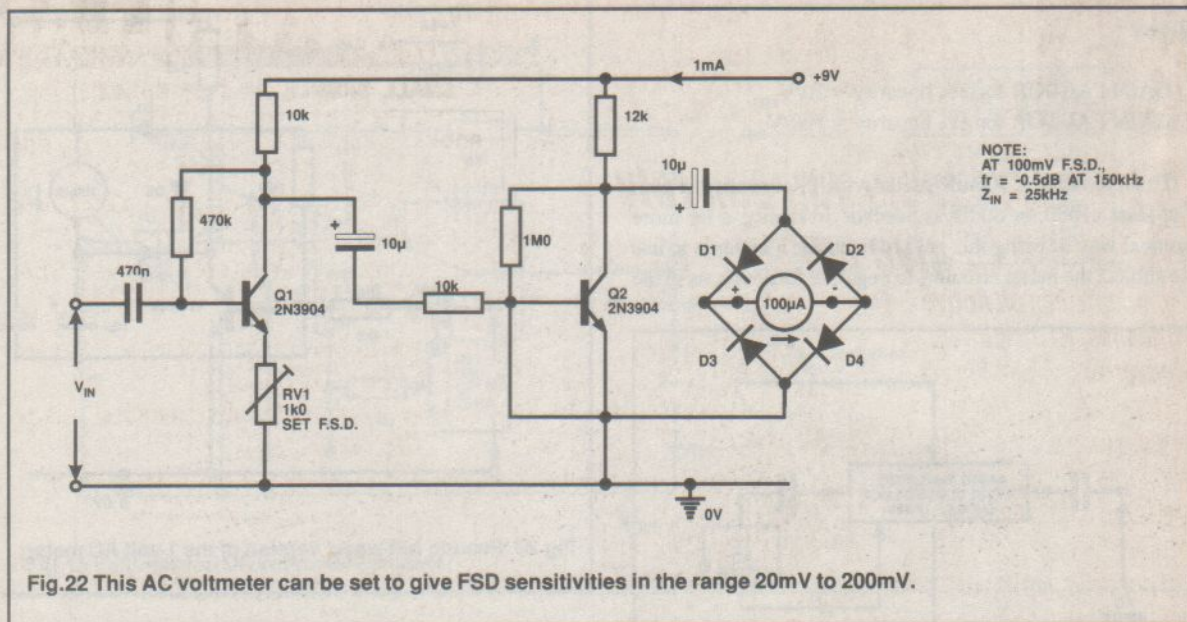


Fig.22 This AC voltmeter can be set to give FSD sensitivities in the range 20mV to 200mV.

volt without incurring a loss of meter linearity. Reduced sensitivity can be obtained by simply increasing the  $R_m$  value, e.g., by a factor of ten for 10 volts FSD, etc., (note in all cases that the circuit's input impedance equals the  $R_m$  value).

If greater FSD sensitivity is wanted from the above circuits it can be obtained by applying the input signal via a suitable preamplifier, i.e., via a +60dB amplifier for 1mV sensitivity, etc. Figure 22, for example, shows a simple way

of modifying the Figure 19 circuit to make the FSD sensitivity variable between roughly 20mV and 200mV (via RV1) via a single additional common emitter amplifier stage. With the sensitivity set at 100mV FSD this circuit has an input impedance of 25k and a bandwidth that is flat within 0.5dB (about 5%) to 150kHz.

The second part of this mini-series looks at op-amp based AC volt/millivolt meter circuits, and at precision AC/DC voltage converters.

# TOP QUALITY BINDERS

TO TREASURE YOUR COLLECTION OF



12 copies of your magazine kept in pristine condition in these classic, sturdy binders

Please supply binder/s at only £6.95 each, including postage & packing (UK only, Overseas please add £1.50).

I enclose my cheque M/O for £ ..... made payable to ASP or please debit my Access/Visa Expiry

.....

Signature .....  
**PLEASE FILL IN THE FOLLOWING IN BLOCK CAPITALS:**

Name .....

Address .....

..... Post Code .....

Send this coupon and payment to: ASP ETI Binders Offers, Argus House, Boundary Way, Hemel Hempstead, Herts HP2 7ST.  
 Or why not order by phone? Call us on (0442) 66551  
 You may receive further information which may be of interest to you.  
 Please allow 28 days for delivery

## PROFESSIONAL SERVICES

We offer a full R.F. DESIGN SERVICE from design and development to prototype. Our extensively equipped laboratory with screened room is available for EMC PRE-TESTING to ensure products comply with the EC Directive on emissions and susceptibility.

**R. N. Electronics** EMC  
 1 ARNOLDS COURT, ARNOLDS FARM LANE, MOUNTNESSING  
 ESSEX CM13 1UT. Tel: 0277 352219 Fax: 0277 352968

## BADGER BOARDS

### Printed Circuit Boards

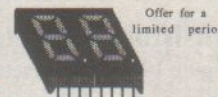
Prototype-Singles-Multiple runs. Minimum charge £15.00. Artwork, Plotting from Schematic to final board layout. Send S.A.E. now for Catalogue of Kits-Boards-Projects available. Many magazine boards produced for individual customers.

Dept: HRT 87, Blackberry Lane, Four Oaks, Sutton Coldfield, B74 4JF \*\*\* 021-353 9326

# AGE A & G ELECTRONICS

ELECTRONIC COMPONENTS MAIL ORDER COMPANY

**1992-93 CATALOGUE IS AVAILABLE NOW.**



- Please Send £2 for your copy
- FAST SERVICE Value £2.00 & Advance Ticket to "All Formats Computer Show"
  - LOW PRICES Value £4.00 With Every Catalogue!
  - LARGE DISCOUNTS

100 Park Avenue, London E6 2SR.  
 Tel: 081 552 2386 Fax: 081 471 7968





**DATONG**  
ELECTRONICS LIMITED

Clayton Wood Close  
West Park  
Leeds LS16 6QE  
Tel: 0532 744822  
Fax: 0532 742872

## For products you can rely upon to give amazing results

For information on **Active Antennas, RF Amplifiers, Converters, Audio Filters, the Morse Tutor and Speech Processors** send or telephone for a free catalogue and selective data sheets as required.

All our products are designed and made in Britain.

Orders can be despatched within 48 hours subject to availability.



— VISA AND ACCESS WELCOME —



Don't miss the **LARGEST** single day show in the U.K.

# NORBRECK

Radio, Electronics and Computing Exhibition

by the Northern Amateur Radio Societies Association at the

**NORBRECK CASTLE HOTEL**

**EXHIBITION CENTRE,**

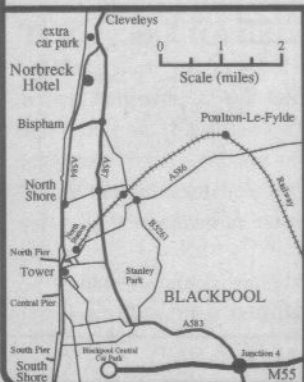
QUEENS PROMENADE, NORTH SHORE,

**BLACKPOOL**

on Sunday, March 21st, 1993

Doors open at 11 a.m.

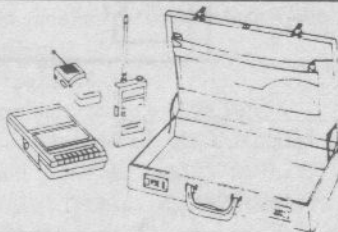
**RADIO TALK-IN ON S22**



- \* Over 100 trade stands
  - \* Club stands
  - \* Bring & Buy stand
  - \* Amateur Computer stands
  - \* RSGB stand and book stall
  - \* Construction competition
  - \* Organised by over 50 clubs
  - \* Facilities for the disabled
  - \* Free car parking
  - \* Overnight accommodation at reduced rates - contact hotel
- Admission £1.50 (OAP's £1, under 14's free)  
Exhibition Manager: Peter Denton, G6CGF, 051-630-5790

# SURVEILLANCE

A SMALL SAMPLE OF OUR RANGE	KIT	MODULE	PROF. FINISHED
<b>ROOM TRANSMITTER RT1</b> An extremely sensitive miniature transmitter with long battery life. Dimensions: 20 x 20mm	9.95	13.75	19.00
<b>MAINS TRANSMITTER MT4</b> Can be connected inside any equipment that is mains powered. Dimensions 35 x 20mm	19.75	31.50	45.00
<b>TELEPHONE TRANSMITTER TTS</b> Small enough to conceal within a telephone. Will transmit both sides of a conversation (series connection) Dimensions: 10 x 20mm	12.75	17.50	25.00
<b>TELEPHONE TRANSMITTER TTP</b> Similar to TTS will monitor all telephones on the line (parallel connection) Dimensions: 15 x 27mm	21.95	31.50	45.00
<b>TELEPHONE SOCKET TRANSMITTER TSTS</b> Replace your telephone socket with this one within which a transmitter has been concealed.	14.74	-----	29.00
<b>ROOM AND TELEPHONE TRANSMITTER RTT</b> Operates as a room transmitter, then switches to telephone transmitter mode during telephone calls. Dimensions: 30 x 25mm	31.50	45.50	65.00
<b>AUTOMATIC TELEPHONE RECORDER SWITCH TRS2</b> Record telephone conversations with this interface unit and your own tape recorder. Dimensions: 36 x 50mm	16.80	25.90	39.00
<b>AUTOMATIC TELEPHONE RECORDER ATR1</b> Adapt the tape recorder included to record telephone calls automatically.	34.95	-----	59.00
<b>TELEPHONE TAP ALERT TTA1</b> Visual warning of any invasions of privacy on your telephone line. Dimensions: 38 x 52mm	21.95	31.50	45.00
<b>RF DETECTOR RFD1</b> Highly sensitive hand-held detector. Range between 10Mhz and 600Mhz. Silent operation. Dimensions: 70 x 50mm	42.75	69.00	95.00
<b>CAMERA DETECTOR CD8</b> Detects hidden video cameras (even miniature CCD models). Dimensions: 63 x 38mm	69.00	89.00	125.00
<b>RECORDING BRIEFCASE RBC1</b> Build your own discrete recording briefcase.	-----	-----	145.00
<b>SHOTGUN MICROPHONE AMPLIFIER SMA</b> Ideal for surveillance. The amplifier will pick up sounds from a long distance.	24.95	36.00	45.00
<b>SIGNALLING TRANSMITTER SIGT</b> Sends a continual audio pulse. Can be integrated into alarm, tracking or warning systems. Dimensions: 20 x 50mm	21.95	34.89	45.00
<b>REMOTE SWITCHING SYSTEM RSS</b> Transmitter/receiver set. Applications include car security and remote control of household appliances. Dimensions: Single channel transmitter; 45 x 35 x 12mm, Receiver; 50 x 60 x 25mm Double channel transmitter; 56 x 35 x 10mm, Receiver; 50 x 60 x 25mm		Single channel Double channel	39.00 49.00
<b>TELEPHONE AMPLIFIER TA5</b> Connected directly to the telephone, this unit will amplify both sides of a telephone call. Dimensions: 25 x 52mm	10.95	16.95	19.95
<b>PROFESSIONAL SOUND TO LIGHT UNIT SK72</b> Custom built for disco or home use. Audio signal divided into bass, mid and treble bands, with internal microphone and spotlight option. Dimensions 210 x 45mm	21.95	32.49	44.95
<b>1.5-12V POWER SUPPLY PSU</b> Versatile low cost unit with variable or fixed voltage control (specify on ordering). Regulation better than 1%. Dimensions: 60 x 43mm	9.95	15.95	-----
<b>MICRO LIVE WIRE DETECTOR LWD</b> Without actual connection will warn of the presence of AC mains live. Dimensions: 40 x 25mm	9.95	16.95	-----
<b>MICRO METAL DETECTOR MMD</b> Detect the presence of ferrous and various non-ferrous metals. Useful for all those DIY jobs. Dimensions: 40 x 25mm	9.95	16.95	-----



Please add £2.00 P & P to all orders and 17.5% VAT on all U.K. orders.

For full catalogue please send two 1st class stamps or 2 IRC'S

172 Caledonian Road  
Dept ET

London N1 0SG

CANAL

BRIDGE AUDIO

071-837 4423

VISA



Magnus Pihl continues with his computer controlled lightshow for the Amiga.

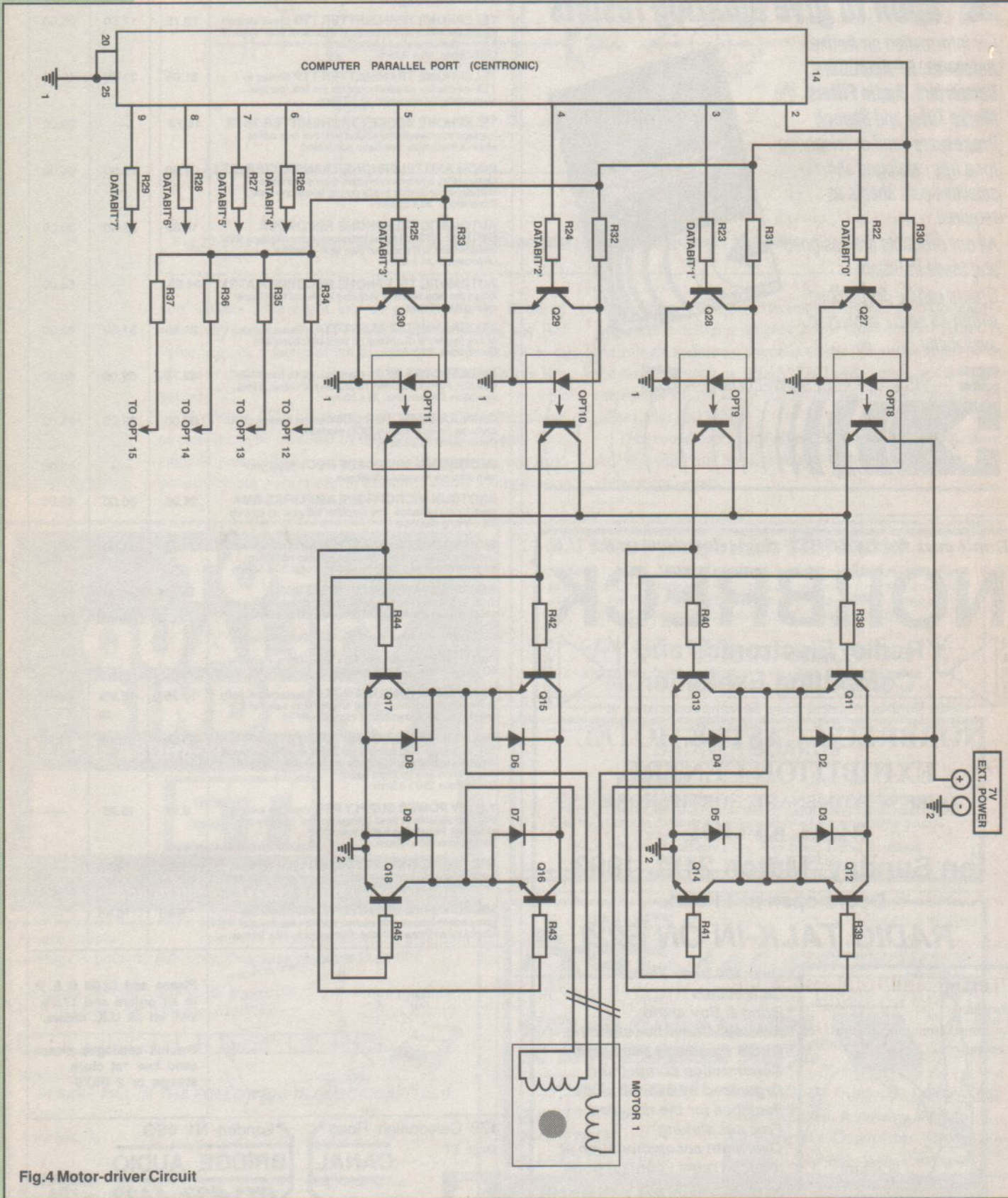


Fig.4 Motor-driver Circuit



We now move on to the construction. Fit both interfaces with their component parts. If you haven't got a stroboscope, you can buy Velleman's K2601 and mount it inside an old bedroom lamp. Make sure the Xenon-tube doesn't reach the metallic reflector, as their is over 3000V inside that tube, and on the card so a short-circuit isn't the best thing you could do to it. Mount the strobe and spotlights in the desired positions. Be sure they are mounted safely, as there are high voltages around when the lamps are illuminated. Mounting the light units to the stepper motors can be easily carried out. Buy a 'U-bolt', and lock it against the rotating axis with the two nuts. Take an old pocketlamp and throw the handle away, so you only have the light dispenser with lens and reflector left. Paint the lens red or green (or in that colour you want) with a permanent overhead pen. Use stout wire and tape to fasten it to the axis and the U-bolt. Lamp cables should be of multi-strand type to withstand constant movement. Hide all cables in trunking and connect all cables to the connectors on the interfaces.

The external voltage is taken from a laboratory power supply, a home-built stabilized power supply, or a ordinary power-supply bought from any electronic dealer. Be sure it can supply at least 2A. For those who want to build their own, wouldn't have any problem with the construction, so there is no reason to draw any schematics for that.

### The Special Parts.

Be sure that you are using bipolar (4 cables) motors with higher resistance than 38 ohm. Otherwise you'll need a higher current power supply and transistors. The motor must be so strong so it can rotate easily with a 80Nmm force. The lamps on the motor should be 7.2V, 500mA. Do not get any closer to 7V, otherwise you might be changing them all the time.

Spotlights: Use normal coloured 40W spotlights. Don't use higher wattage, even if the triacs can take over 3000W.

Remember that the triacs aren't coupled with any coil or capacitor, which might result in radio disturbances.

### Testing and troubleshooting..

Make sure you've checked everything, so nothing is wrong. Plug in the 25-pin. DSUB connector in your computer and turn it on. If it doesn't start normally, or at all, immediately turn your computer off. The problem is somewhere before the optoswitches, if no connection is between both sides. If it operates as normal, then turn on the external power.

Initiate the interfaces and try to get any lamp to light. If all lamps are okay, then write the listed program into an Amiga

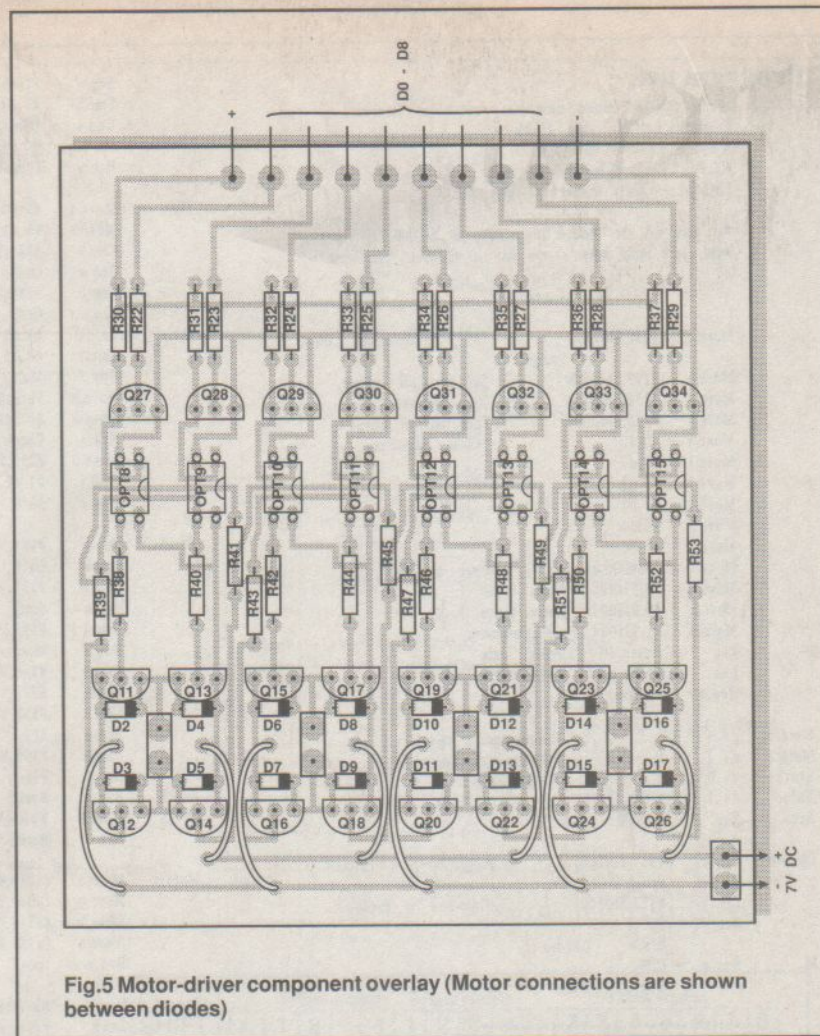


Fig.5 Motor-driver component overlay (Motor connections are shown between diodes)

assembler (Devpack is preferred) and run it, or write your own program using the "1/2 phase excitaion" diagram to test the motors. Don't think everything will run as you want immediately, it took me a month to develop this project with researching, building and programming.. Minor alterations might be carried out by changing the program. If you've got a laboratory power supply with a current-meter, you can easily see if current is passing through the motor. Normally the stepmotor axis can be moved easily without using any force, but when current is passing through one or both coils, you need to force it. An oscilloscope is preferred to find faults here. To test if the motor is working when not in the circuit is easy. Short-circuit the two leads from each coil. If it's harder to turn them, they probably are working well.

### Progammimg

The program listed is written in Devpack assembler for Amiga, but the hardware should work on any computer with a centronics port. For those who do not own an assembler, an Amigabasic test program is written here Good luck, and enjoy your lightshow!!

Initializing the interfaces

Amiga Assembler: Move.b #255,\$bfe301

Move.b #199,\$bfd200

Amiga Basic: Poke &12575489,255

Poke &12571136,199

Choosing a lamp.

Amiga Assembler: Move.b #n,\$bfd000

Amiga Basic: Poke #n,\$12570624,n

Where 'n' is a number between 248-255.



## Program list.

As told before, this is Amiga assembler written in Devpack...

Program: Left-Alt, then CTRL  
 Show: RETURN, then CTRL  
 HELP: Park motors and quit.  
 ESC: Drop motors and quit.

All data will be located in memory at \$60000. If you want, you could save it and use it whenever you want.

```

Move.b #Sff,$bfe301 ; Stt datasignalerna till
                                output
Move.b #199,$bfd200 ; Set ports to output.
Move.b #255,$bfe101 ; Zero databus.
Move.b #255,$bfd000 ; Turn off all lamps.
Move.l #0,d0 ; Clear registers.
Move.l #0,d1
Move.l #0,d2
Move.l #0,d3
Move.l #0,d4
Move.l #0,d6
Move.l #60000,a2 ; Place to write data.
Move.b #0,$7f000 ; Status motor 1.
Move.b #0,$7f002 ; Status motor 2.
Move.b #1,$7f004 ; Programstatus.
Lea Hasta,a0 ; Motor1 data.
Lea Vista,a1 ; Motor2 data.
Bra.s Choose

Motor1 ds.l 0 ; Positionsdata motor1.
Motor2 ds.l 0 ; Positionsdata motor2.
Status ds.b 1 ; Programstatus.
Value ds.l 1
Area Equ $60000

Choose Cmp.b #537,$bfe01 ; Programming = Left-Alt.
        Prog
        Cmp.b #577,$bfe01 ; Discoshow = Right-Alt.
        Beq.w XL
        Bra.w Choose
XL Bsr.s CTRL
        Bra.s DShow

*****
*****
***

Prog Btst #14,$dff002 ; Fast clearing of
                                programmemory.
        Bne.s Prog
        Move.l #Area,$dff054
        Move.w #0,$dff066
        Move.l #01000000,$dff040
        Move.w #64*900+20,$dff058
        Bsr.s CTRL
        Bra.w Main

CTRL Cmp.b #539,$bfe01 ; Wait for startcommand = CTRL.
        Bne.s CTRL ; (Music synchronisation)
        Rts

DShow Move.l #5100,d5 ; Timer
        Move.b #0,Value
        Cmp.b #541,$bfe01 ; HELP, Park motors, quit.
        Beq.w OutF
        Cmp.b #575,$bfe01 ; ESC, Drop motors, quit.
        Beq.w OutQ
DShowi Sub.l #1,d5
        Cmp.l #0,d5
        Bne.s DShowi
        Move.b (a2),Value
        Move.b #0,Status
        Bra.s Check1
DShowj Move.b #255,$bfd000
        Add.l #1,a2
        Bra.s DShow

Check1 Cmp.b #541,Value ; HELP, Park motors, quit.
        Beq.w OutF
        Cmp.b #575,Value ; ESC, Drop motores, quit.
        Beq.w OutQ
        Cmp.b #55f,Value ; Rotating lights.
        Beq.w Motors
        Cmp.b #55d,Value ; Spot1
        Beq.w SP11
        Cmp.b #55b,Value ; Spot2
        Beq.w SP21
        Cmp.b #559,Value ; Stroboscope.
  
```

```

        Beq.w Flash1
        Cmp.b #1,Status
        Beq.s DShowj
        Move.b #1,Status
        Bra.w DShowj

Main Move.l #5100,d5 ; Timer
        Move.b #0,Value
        Cmp.b #541,$bfe01 ; HELP, Park motors, quit.
        Beq.w OutF
        Cmp.b #575,$bfe01 ; ESC, Drop motors, quit.
        Beq.w OutQ
Maini Sub.l #1,d5 ; Synchronisize.
        Cmp.l #0,d5
        Bne.s Maini
        Move.b #bfe01,Value ; Check keyboard.
        Move.b #0,Status
        Bra.s Check ; SHOW!
Back2 Move.b #255,$bfd000 ; Turn off all lamps.
        Add.l #1,a2 ; Increase in memorylist.
        Bra.s Main

Check Cmp.b #541,Value ; HELP, Park motors, quit.
        Beq.w OutF
        Cmp.b #575,Value ; ESC, Drop motors, quit.
        Beq.w OutQ
        Cmp.b #55f,Value ; Rotating lights.
        Beq.s Motors
        Cmp.b #55d,Value ; Spot1
        Beq.w SP1
        Cmp.b #55b,Value ; Spot2
        Beq.w SP2
        Cmp.b #559,Value ; Stroboscope.
        Beq.w Flash
Backh Bra.s Back2
Back3 Move.b Value,(a2) ; Write value.
        Bra.s Back2

Motors Move.b (a0)+,d0 ; Get motor 1 data.
        Move.b (a0)+,d1
        Move.b (a1)+,d2 ; Get motor 2 data.
        Move.b (a1)+,d3
        Bra.s LoopX

Start Lea Hasta,a0 ; New list motor1.
        Lea Vista,a1 ; New list motor2.
        jmp $fc0000

LoopX Cmp.b #0,d0 ; Check if list is empty.
        Beq.w Start
        Cmp.b #0,d2
        Beq.w Start
        Move.b #250,$bfd000 ; Turn on lamp 1.
        Cmp.b #5,d0
        Beq.w O
        Cmp.b #6,d0
        Beq.w Q
TBax Dbf d1,LoopX
TBaz Move.b #254,$bfd000 ; Turn on lamp 2.
        Cmp.b #5,d2
        Beq.w OK
        Cmp.b #6,d2
        Beq.w OK
Back Dbf d3,TBaz
        Move.l #0,d0
        Move.l #0,d1
        Move.l #0,d2
        Move.l #0,d3
        Bra.w Back2

O Sub.b #1,$7f000 ; Count steps.
        Move.b #9+16,$bfe101
        Bsr.w Loop
        Move.b #8+16,$bfe101
        Bsr.w Loop
        Move.b #10+16,$bfe101
        Bsr.w Loop
        Move.b #2+16,$bfe101
        Bsr.w Loop
        Move.b #6+16,$bfe101
        Bsr.w Loop
        Move.b #4+16,$bfe101
        Bsr.w Loop
        Move.b #5+16,$bfe101
        Bsr.w Loop
        Move.b #1+16,$bfe101
        Cmp.b #0,$7f004 ; Check with status where to
                                go next.
        Bne.w TBax
        Bra.w Out
OK Sub.b #1,$7f002
  
```



Move.b #144+1,\$bfe101  
 Bsr.w Loop  
 Move.b #128+1,\$bfe101  
 Bsr.w Loop  
 Move.b #160+1,\$bfe101  
 Bsr.w Loop  
 Move.b #32+1,\$bfe101  
 Bsr.w Loop  
 Move.b #96+1,\$bfe101  
 Bsr.w Loop  
 Move.b #64+1,\$bfe101  
 Bsr.w Loop  
 Move.b #80+1,\$bfe101  
 Bsr.w Loop  
 Move.b #16+1,\$bfe101  
 Bsr.w Loop  
 Cmp.b #0,\$7f004  
 Bne.w Back  
 Bra.w Cnt1

Q Add.b #1,\$7f000  
 Move.b #1+16,\$bfe101  
 Bsr.w Loop  
 Move.b #5+16,\$bfe101  
 Bsr.w Loop  
 Move.b #4+16,\$bfe101  
 Bsr.w Loop  
 Move.b #6+16,\$bfe101  
 Bsr.w Loop  
 Move.b #2+16,\$bfe101  
 Bsr.w Loop  
 Move.b #10+16,\$bfe101  
 Bsr.w Loop  
 Move.b #8+16,\$bfe101  
 Bsr.w Loop  
 Move.b #9+16,\$bfe101  
 Bsr.w Loop  
 Bra.w TBax

QX Add.b #1,\$7f002  
 Move.b #16+1,\$bfe101  
 Bsr.w Loop  
 Move.b #80+1,\$bfe101  
 Bsr.w Loop  
 Move.b #64+1,\$bfe101  
 Bsr.w Loop  
 Move.b #96+1,\$bfe101  
 Bsr.w Loop  
 Move.b #32+1,\$bfe101  
 Bsr.w Loop  
 Move.b #160+1,\$bfe101  
 Bsr.w Loop  
 Move.b #128+1,\$bfe101  
 Bsr.w Loop  
 Move.b #144+1,\$bfe101  
 Bsr.w Loop  
 Bra.w Back

SP1 Move.l #\$1a00,d5 ; Turn on SPOT 1.  
 Move.b #248,\$bfd000  
 BP1 Sub.l #1,d5  
 Cmp.l #0,d5  
 Bne.s BP1  
 Bra.w Back3

SP2 Move.l #\$1a00,d5 ; Turn on SPOT 2.  
 Move.b #252,\$bfd000  
 BP2 Sub.l #1,d5  
 Cmp.l #0,d5  
 Bne.s BP2  
 Bra.w Back3

Flash Move.l #\$1a00,d5 ; Use stroboscope.  
 Move.b #249,\$bfd000  
 FL1 Sub.l #1,d5  
 Cmp.l #0,d5  
 Bne.s FL1  
 Bra.w Back3

SP11 Move.l #\$1a00,d5 ; Turn on SPOT 1.  
 Move.b #248,\$bfd000  
 BP11 Sub.l #1,d5  
 Cmp.l #0,d5  
 Bne.s BP11  
 Bra.w DShowj

SP21 Move.l #\$1a00,d5 ; Turn on SPOT 2.  
 Move.b #252,\$bfd000  
 BP21 Sub.l #1,d5  
 Cmp.l #0,d5  
 Bne.s BP21

Bra.w DShowj

Flash1 Move.l #\$1a00,d5 ; Use stroboscope.  
 Move.b #249,\$bfd000  
 FL1 Sub.l #1,d5  
 Cmp.l #0,d5  
 Bne.s FL1  
 Bra.w DShowj

OutQ Move.b #255,\$bfe101  
 Move.b #255,\$bfd000  
 Move.b Value,(a2)  
 Rts

OutF Move.b Value,(a2)  
 Move.b #0,\$7f004 ; Park motors.

Out Cmp.b #0,\$7f000  
 Beq.s Cnt1  
 Bchg #1,\$bfe001  
 Bsr.w O

Cnt1 Cmp.b #0,\$7f002  
 Beq.s Cnt2  
 Bsr.w OX  
 Cnt2 Move.b #255,\$bfe101  
 Rts

Loop Move.l #\$a00,d5 ; Step/timecycle  
 Loop2 Dbf d5,Loop2  
 Rts

Hasta Dc.b 6,30,5,10,6,15,6,5,5,15,5,10,6,15,6,10,5,40  
 Dc.b 6,40,5,30,6,40,5,20,6,15,5,45  
 Dc.b 6,50,5,5,5,5,5,5,5,10,5,10,6,5,5,25  
 Dc.b 6,5,6,5,6,5,6,15,5,5,6,5,6,5,6,5,5,40  
 Dc.b 5,50,6,50,5,10,6,5,5,15,6,20,5,25,6,25,  
 0,0,0,0

Vista Dc.b 6,50,5,5,5,5,5,5,6,5,5,10,5,10,6,5,5,25  
 Dc.b 6,5,6,5,6,5,6,15,5,5,6,5,6,5,6,5,5,40  
 Dc.b 5,50,6,50,5,10,6,5,5,15,6,20,5,25,6,25  
 Dc.b 6,30,5,10,6,15,6,5,5,15,5,10,6,15,6,10,5,40  
 Dc.b 6,40,5,30,6,40,5,20,6,15,5,45,0,0,0,0

SHIFT No.	1-Phase excitation				2-Phase excitation				1-2 Phase excitation							
	1	2	3	4	1	2	3	4	1	2	3	4	5	6	7	8
MOTOR	+	-	-	-	+	+	-	-	+	+	-	-	-	-	-	-
COIL1	-	+	-	-	-	-	+	+	-	-	-	-	+	+	+	-
COIL2	+	-	-	+	+	+	-	-	+	+	+	-	-	-	-	+
	-	-	+	+	-	-	+	+	-	-	-	-	+	+	-	+

Fig.6 Table of excitation polarity for the motors

## PARTS LIST

(Note this list replaces any quoted list last month)

### RESISTORS

R1,4,7,10,13,16,19,30-37 330R  
 R2,3,5,6,8,9,11,14,17,20,22-29 10k  
 R12,15,18,21,38-53 4k7

### CAPACITORS

C1 100nF/16V

### SEMICONDUCTORS

IC1 74LS42  
 Q1,3,5,7,8,9,10,27-34 BC546B  
 Q2,4,6 BD683  
 Q11-26 BC337-25  
 TR1-4 TIC225D  
 OPT1-3,8-15 PC715  
 OPT4-7 MOC3021  
 D1-17 1N4003

### MISCELLANEOUS

RLY1 Relay 6V 500V-0.5A contacts MZP A001 4205  
 K1 25pin DSUB male  
 Case to K1  
 Suitable connections to outputs  
 13way cable  
 Plastic case to mount the card in. (with cooling)



# SPRING INTO ACTION ... Take out a subscription

# *now!*



## **SUBSCRIPTION**

### **HOTLINE**

**0737 768611**

### **Subscription Rates**

#### **One Year**

**U.K £23.40 (post free)**

**Europe £29.50**

**Sterling Overseas £31.00**

**U.S Dollars Overseas \$62**

#### **Two Years**

**U.K. £46.80 (post free)**

**Europe £59**

**Sterling Overseas £62**

**U.S. Dollars Overseas \$124**

**Yes, I want to subscribe to E.T.I for:**

one year  two years.

**Please commence my subscription with**

.....issue.

**I enclose my cheque/M.O for £ ..... payable to ASP or please debit my Access/Visa**

**Card no: .....**

**Expiry no: .....**

**NAME .....**

**SIGNATURE .....**

**ADDRESS .....**

.....

.....

.....**POST CODE**.....

**Please return coupon to E.T.I  
Argus Subscription Services,  
Queensway House, 2 Queensway, Redhill, Surrey  
RH1 1QS.**

**Please note you may receive further information about offers and services which maybe of particular interest to you.**



# BARGAINS - Many New Ones This Month

**THIS MONTH'S SNIP** is a 250 Watt Toroidal Transformer which has tapped mains input and 3 secondaries: 230V 1 amp 20V and 6V but if these voltages are not quite what you want it is very easy to add an extra winding, 4 turns adds or subtracts 1 volt. You can also use this as a 250 watt isolation. Price only **£10** but it's heavy so please add **£2** carriage if not collecting. Order Ref. 10P97.

**INFRA RED RECEIVER CONTROLLER** made by Thorn to channel switch their T.V. receivers. Mounted on panel with luminous channel indicator, mains on/off switch, leads and plugs all yours for **£2**, Order Ref. 2P304.

**HIGH QUALITY KEY SWITCH** single pole on/off or changeover through panel mounted by hexagonal nut. Complete with 2 keys. Regular price **£3**, our price **£1.50**, Order Ref. 1.5P12.

**DIGITAL MULTI TESTER M3800** single switching covers 30 ranges including 20A a.c. and d.c. 10 meg input impedance, 3 1/2 LCD display. Complete with manual and leads. Currently advertised by many dealers at nearly **£40**, our price only **£25**, Order Ref. 25P14.

**ANALOGUE TESTER**. Input impedance 2K ohms per volt. It has 14 ranges, a.c. volts 0-500, d.c. volts 0-500, d.c. current 500 micro amps at 250 milliamp, resistance 0-1 meg-ohm, decibels 20 - +56dB. Fitted diode protection, overall size 90 x 60 x 30mm. Complete with test prods, price **£7.50**, Order Ref. 7.5P8.

**2" 50 OHM LOUDSPEAKER** replacement for pocket radio, baby alarm, etc. Also makes good pillow phone. 2 for **£1**, Order Ref. 905.

**13A SWITCHED SOCKETS** on standard switch plates but coloured. Ideal in workshop, cellar, etc. British made. Twin switched, **£1.50**, Order Ref. 1.5P13, single switched **75p**, Order Ref. 75P1.

**LCD CLOCK MODULE** 1.5V battery-operated, fits nicely into our **50p** project box, Order Ref. 876. Only **£2**, Order Ref. 2P307.

**OPTICAL INSTRUMENTS KIT** makes microscope and six other optical instruments, **£15**, Order Ref. 15P28.

**SINTINEL COMPONENT BOARD** amongst hundreds of other parts, this has 15 ICs all plug in so don't need de-soldering. Cost well over **£100**, yours for **£4**. Order Ref. 4P67.

**9V 2-1A POWER SUPPLY** made for Sinclair to operate their 128K Spectrum Plus 2. **£3**, Order Ref. 3P151.

**LINEAR HEATING TUBES**. Quartz glass. 360W 110V so you need 2 in series which would give you 720W. 2 for **£1**, Order Ref. 907.

**12V 250 MILLIAMP SOLAR POWER**. Could keep that 12V battery charged where there is no access to the mains. **£15**, Order Ref. 15P47.

**EXTRA LIGHTWEIGHT STEREO HEADPHONES**. Adjustable headband. Suitable for use with all types of cassette players and radios, only **£1** per pair, Order Ref. 898.

**6-12V AXIAL FAN**. Japanese-made 12V d.c. battery operated, brushless axial fan. 93mm square, its optimum is 12V but it performs equally well at only 6V and its current then is only 100mA, price only **£4**, Order Ref. 4P65. Mains power unit to operate this at variable speeds **£2**, Order Ref. 2P3.

**ELECTRONIC BUMP & GO SPACESHIP** sound and impact controlled responds to claps and shouts and reverses or diverts should it hit anything! Kit with really detailed instructions, will make ideal present for budding young electrician. Should be able to assemble but you may have to help with the soldering of the components on the PCB. Complete kit, **£8.95**, Order Ref. 9P9.

**20W 4 OHM SPEAKER** made by Goodmans for Ford, this is mounted on a panel and has an anodized cone protector cover but can be easily removed from this. It's a beautiful reproducer and the replacement price is nearly **£20**. Yours for only **£3**, Order Ref. 3P145.

**20W 4 OHM TWEETER** also made by Goodmans for Ford, mounted on a baffle but easily unscrewed from this. Yours for **£1.50**, Order Ref. 1.5P9.

**1KW BLOW HEATER**. Only 6" wide so ideal where space is limited - under a desk or similar - or can be made into a portable heater for defrosting pipes, etc. Complete little unit, although motorized, is virtually silent in operation. Price **£5**, Order Ref. 5P23.

**WHERE YOU UNLUCKY** during any of the cold spells? Did any of the pipes in your loft freeze and then burst? Some friends of ours were away at the time and had ceilings come down. It could be just as cold this winter but you can avoid pipes freezing by winding our waterproof heating wire around them. Operating cost, even without thermostat, is only a few pence per week. 15m length consumes about 25 watts. This is the length we recommend for the normal house and the cost is **£5.00**, Order Ref. 5P109. Or, if you want specified length, send **35p** per metre.

**AMSTRAD KEYBOARD MODEL KB5**. This is a most comprehensive keyboard, having over 100 keys including, of course full numerical and qwerty. Brand new, still in maker's packing, **£5**, Order Ref. 5P202.

**F.M. CORDLESS RADIO MIKE** hand-held battery-operated professional model, has usual shaped body and head and is tuneable to transmit and be picked up on the F.M. band of any radio. Yours for only **£8.50**, Order Ref. 8.5P1.

**4 MORE SPEAKERS: Order Ref. 1.5P11** is Japanese-made 6 1/2", 8 ohm, rated at 12W max. This is a very fine reproducer. The makers are SANYO. Yours for **£1.50**.

**Order Ref. 900** is another Far East made 6 1/2", 4 ohm, 12W max speaker. Very nicely made, using Japanese Hitachi tools and technique, only **£1**.

**Order Ref. 896** is 6 1/2", 6 ohm, 10W, exceptionally good sounder and yours for only **£1**.

**Order Ref. 897** is another 8 ohm speaker rated at 5W but its unusual feature is that it has a built-in tweeter. Price still only **£1**.

**MOVEMENT ALARM** goes off with slightest touch, ideal to protect car, cycle, doorway, window, stairway, etc. etc. Complete with Piezo shrieker, ready to use. Only **£2** (PP3 battery not supplied). Order Ref. 2P282.

**SOLAR ENERGY EDUCATIONAL KIT** an ideal present for electronics students. Kit comprises 8 solar cells, one solar motor, fan blades to fit motor and metal frame to hold it to complete a free-standing electric fan. A really well written instruction manual makes this a lovely little present. Price **£8**, Order Ref. 8P12B.

**PROJECT BOX** a first-class, Japanese two-part moulding size 95mm x 66mm x 23mm. Will hold a PP3 battery and a PCB and is ideal for many projects, nicely finished and very substantial. 2 for **£1**, Order Ref. 876.

**12V 2A MAINS TRANSFORMER** upright mounting with mounting clamp. Price **£1.50**, Order Ref. 1.5P8.

**AM/FM RADIO CHASSIS** with separate LCD clock module, complete with loudspeaker and ready to go, price is **£3.50**, Order Ref. 3.5P5.

## LIMITED SUPPLY ITEMS

are only described in our newsletter. Many appear in our current issue. If you order something this month you will receive this.

**2, 3 AND 4 WAY TERMINAL BLOCKS** the usual grub screw types. Parcel containing a mixture of the 3 types, giving you 100 ways for **£1**, Order Ref. 875.

**12/24V DC SOLENOID**. The construction of this is such that it will push or pull as the plunger is a combined rod and piston. With 24V this is terrifically powerful but is still quite good at 12V and, of course, it can be operated by any intermediate voltage. Price **£1**, Order Ref. 877.

**2M 3-CORE LEAD** terminating with flat pin instrument socket, **£1**, Order Ref. 879. Ditto but with plug on the other end so that you could use this to extend an instrument lead. **£1.50**, Order Ref. 1.5P10.

**MULTI-CORE CABLES** all with 8A 230V cores so suitable for disco and other special lighting effects. With earthen woven screen and thick pvc outer. 3 core, **30p** per metre, 16 core, **50p** per metre, 18 core, **80p** per metre, 25 core, **£1** metre and 36 core, **£1.50** per metre.

**SAFETY LEADS** curly so they contract but don't hang down. Could easily save a child from being scalded. 2 core, 5A, extends to 3m, **£1**, Order Ref. 846, 3 core, 13A, extends to 1m, **£1** each, Order Ref. 847, 3 core, 13A, extends to 3m, **£2** each, Order Ref. 2P290.

**ULTRA SONIC TRANSDUCERS** 2 metal cased units, one transmits, one receives. Built to operate around 40kHz. Price **£1.50** the pair, Order Ref. 1.5P/4.

**100W MAINS TRANSFORMERS** normal primaries 20-0-20 at 2.5A or 30V at 3.5A, **£4**, Order Ref. 4P24. 40V at 2.5A, **£4**, Order Ref. 4P59. 50V at 2A, **£4**, Order Ref. 4P60.

**PHILIPS 9" HIGH RESOLUTION MONITOR** black & white in metal frame for easy mounting, brand new still in maker's packing, offered at less than price of tube alone, only **£15**, Order Ref. 15P1.

**16 CHARACTER 2-LINE DISPLAY** screen size 85mm x 36mm, Alpha-numeric LCD dot matrix module with integral micro processor made by Epson, their Ref. 16027AR, **£8**, Order Ref. 8P48.

**INSULATION TESTER WITH MULTIMETER** internally generates voltages which enables you to read insulation directly in megohms. The multimeter has four ranges. AC/DC volts, 3 ranges DC milliamps, 3 ranges resistance and 5 amp range. These instruments are ex British Telecom but in very good condition, tested and guaranteed OK, probably cost at least **£50** each, yours for only **£7.50**, with leads, carrying case **£2** extra, Order Ref. 7.5P/4.

**MAINS 230V FAN** best make "PAPST" 4 1/2" square, metal blades, **£8**, Order Ref. 8P8.

**2MW LASER** Helium neon by Philips, full spec. **£30**, Order Ref. 30P1. Power supply for this in kit form with case is **£15**, Order Ref. 15P16, or in larger case to house tube as well **£18**, Order Ref. 18P2. The larger unit, made up, tested and ready to use, complete with laser tube **£69**, Order Ref. 69P1.

**1/3 HP 12V MOTOR - THE FAMOUS SINCLAIR C5** brand new, **£15**, Order Ref. 15P8. **SOLAR CHARGER** holds 4 AA nicads and recharges these in 8 hours, in very neat plastic case, **£6**, Order Ref. 6P3.

**FERRITE AERIAL ROD** 8" Long x 3/8" diameter, made by Mullard. Complete with 2 coil formers. 2 for **£1**, Order Ref. 832B.

**AIR SPACED TRIMMER CAPS** 2-20 pf ideal for precision tuning UHF circuits. 4 for **£1**, Order Ref. 818B.

**FIELD TELEPHONES** just right for building sites, rallies, horse shows, etc., just join two by twin wire and you have two way calling and talking and you can join into regular phone lines if you want to. Ex British Telecom in very good condition, powered by batteries (not included) complete with shoulder slung carrying case, **£9.50**, Order Ref. 9.5P/2.

**MAINS ISOLATION TRANSFORMER** stops you getting "to earth" shocks. 230V in and 230V out. 150watt upright mounting, **£7.50**, Order Ref. 7.5P/5 and a 250W version is **£10**, Order Ref. 10P79.

**MINI MONO AMP** on PCB. Size 4" x 2" with front panel holding volume control and with spare hole for switch or tone control. Output is 4 watt into 4 ohm speaker using 12V or 1 watt into 8 ohm using 9V. Brand new and perfect, only **£1** each, Order Ref. 495.

**ATARI 65XE** at 65K this is quite powerful, so suitable for home or business, unused and in perfect order but less PSU, only **£19.50**, Order Ref. 19.5P/5B.

**80W MAINS TRANSFORMERS** two available, good quality, both with normal primaries and upright mounting, one is 20V 4A, Order Ref. 3P106 the other 40V 2A, Order Ref. 3P107, only **£3** each.

**PROJECT BOX** size approx 8" x 4" x 4 1/2" metal, sprayed grey, louvred ends for ventilation otherwise undrilled. Made for GPO so best quality, only **£3** each, Order Ref. 3P74.

**EXPERIMENTING WITH VALVES** don't spend a fortune on a mains transformer, we can supply one with standard mains input and secs. of 250-0-250V at 75mA and 6.3V at 3A. **£5**, Order Ref. 5P167.

**15W 8 OHM 8" SPEAKER & 3" TWEETER** made for a discontinued high quality music centre, gives real hi-fi, and only **£4** per pair, Order ref. 4P57.

**WATER PUMP** very powerful, an ideal shower controller, mains operated, **£10**, Order Ref. 10P74.

**0-1MA FULL VISION PANEL METER** 2 1/2" square, scaled 0-100 but scale easily removed for re-writing, **£1** each, Order Ref. 756.

**PCB DRILLS** 12 assorted sizes between .75 and 1.5mm, **£1** the lot. Order Ref. 128.

Prices include V.A.T. Send cheque/postal order or ring and quote credit card number. Add **£3** post and packing. Orders over **£50** post free.

**M & B ELECTRICAL SUPPLIES LTD.,**  
Pilgrim Works (Dept ETI)  
Stairbridge Lane,  
Bolney, Sussex, RH17 5PA  
Telephone or Fax: 0444 881965



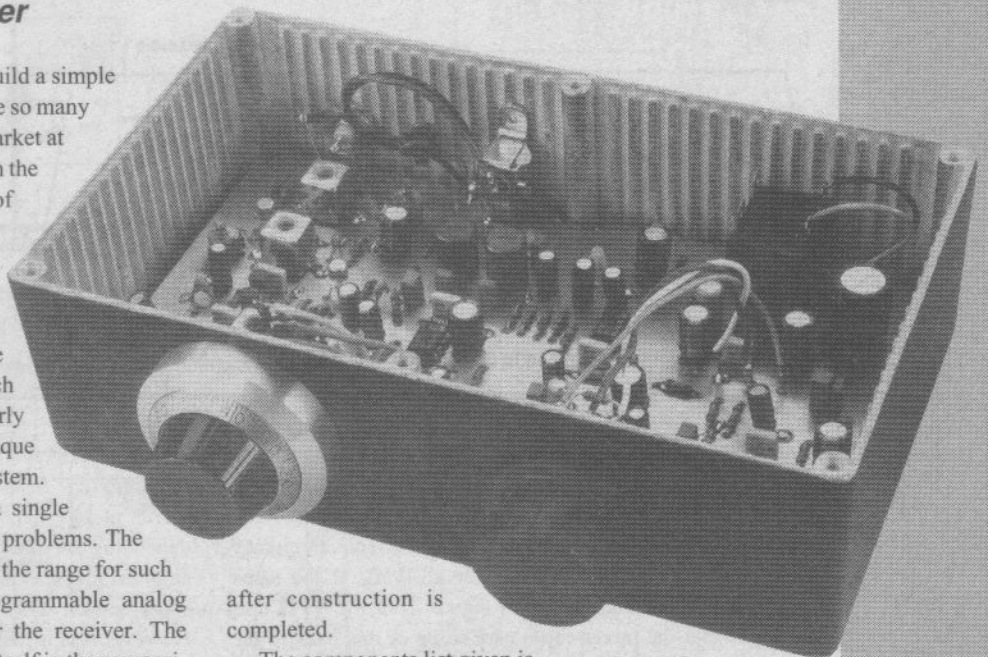




# Direct Conversion Receiver with AGC

by David Silvester

**W**hy should anyone want to build a simple radio receiver when there are so many excellent products on the market at the present time. For those in the know the answer is simple, the joy of hearing voices out of thin air on a receiver you have built yourself is vastly greater than that achieved whilst listening to a purchased commercial receiver. There is adequate evidence of this in the popularity of such receiver projects. Such home built receivers are of necessity fairly simple using the direct conversion technique rather than the complicated superhet system. Equally they tend to be restricted to a single amateur band to ease the RF alignment problems. The project in this case is probably the top of the range for such a simple receiver since it uses a programmable analog compandor to provide audio AGC for the receiver. The reason for going to such lengths reveals itself in the comparison of this receiver with others without the AGC. If you are tuning across the band with the radio set up to listen for low level signal then sooner or later you will hit a high level



after construction is completed.

The components list given is for the authors favourite listening band of 20 metres (14.0 to 14.35MHz). When considering the amateur bands 20 metres is just about the upper frequency limit that direct

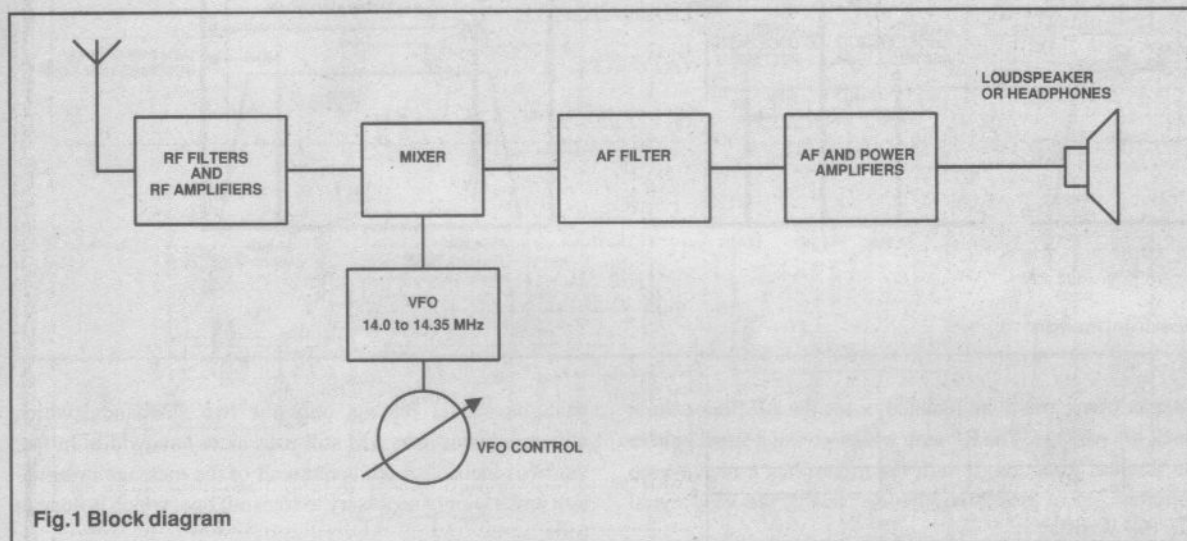


Fig.1 Block diagram

signal. The effect without AGC is very painful on the ears the author having resorted to ripping off the headphones to stop the pain. AGC gets over that difficulty but the receiver becomes more complicated and ends up with 144 components on the single PCB which some may feel takes it out of the simple receiver bracket. The radio is however easy to construct and tune since there are few adjustments to make

conversion receivers can be used on, as above this drift and pickup problems become tricky to overcome. Above 20 metres the option of a converter prior to a lower frequency receiver becomes the best option. This band can be reasonably guaranteed to have something of interest going on at all times of the day and night. The circuit can be retuned for other bands and this is covered later in the text.



## Circuit Operation

I hope that readers familiar with the direct conversion technique will forgive me for including the information in the next few paragraphs although they explain some of the effects found in the receiver and may be of interest.

Consider the block diagram of the direct conversion receiver shown as Figure 1. The signal from the antenna passes to the RF filter circuit directly. This is a tuned coil that

amplifier to drive a set of headphones or a small loudspeaker. The author prefers headphones as it stops the family being driven mad with the odd noises that SSB reception produces.

To examine the direct conversion technique for the reception of SSB let us look at an incoming upper sideband signal that would have had a 14.200MHz carrier if this were not removed prior to transmission, see Figure 2a. The incoming audio is normally filtered to give a set of frequencies from

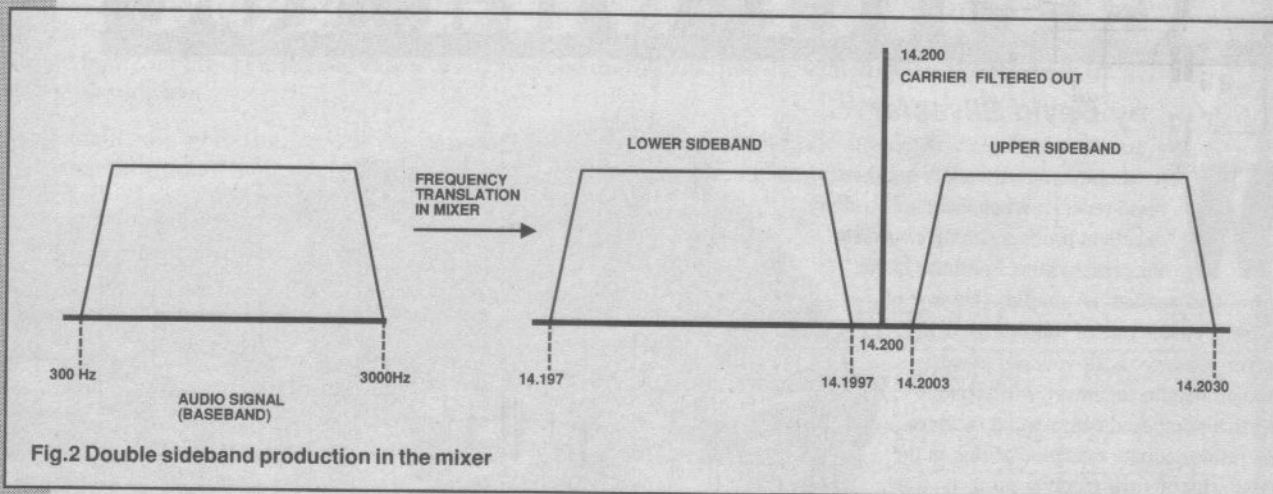


Fig.2 Double sideband production in the mixer

selects the 20 metres band and provides the impedance change to convert the antenna input of 50R to that required by the RF amplifier. The RF amp stage is not just to provide gain. It must be remembered that the variable frequency oscillator (VFO) and the RF filter all work at the same frequency. With high levels of signal from the VFO it is possible that the mixer could pass some of this back to the

300 to 3000Hz, this range providing sufficient bandwidth for intelligibility. In the transmit mixer the modulation of the carrier at 14.2MHz generates a number of possible outputs depending on how the mixer system is configured. The simplest gives an output that consists of two sidebands and some carrier. This is the AM of the medium waveband. However AM is inefficient and other mixer types can elimi-

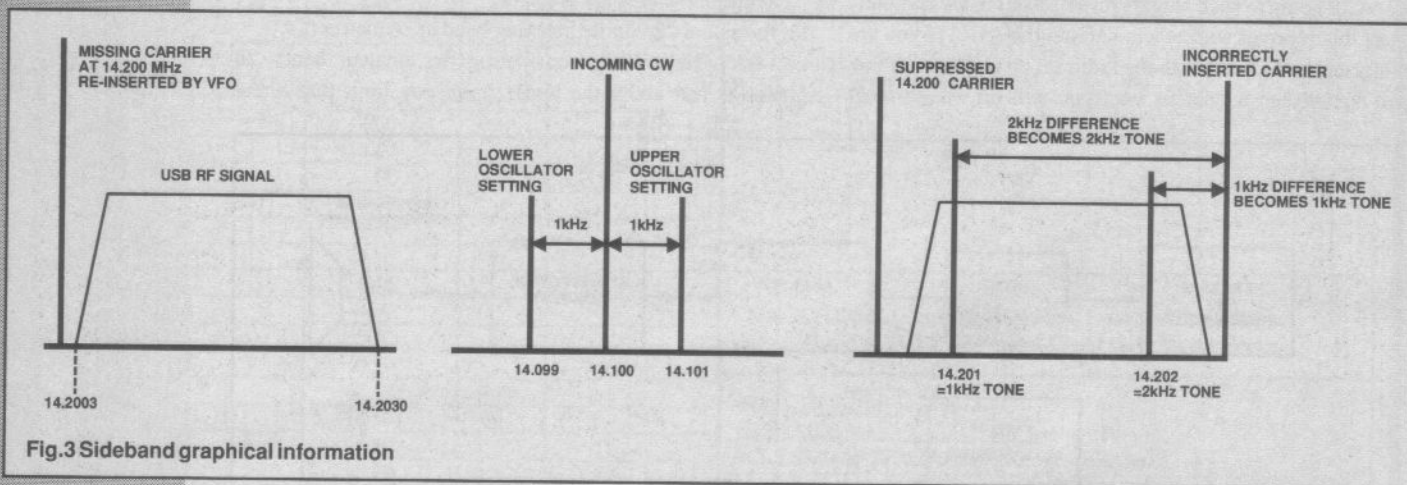


Fig.3 Sideband graphical information

antenna where it will be radiated, since the RF filter cannot block its passage. The RF amp whilst giving a small gain in the forward direction, ie into the mixer, has a much more important job of preventing the feedback of the VFO signal into the antenna.

The mixer has two input signals the amplified antenna input covering the 20 metre band and the single stable frequency from the VFO. In the mixer the difference signal is generated along with many others and this difference signal consists of an audio band which is removed by the AF filter for further amplification. The other frequencies are all rejected. The final stage is a high gain AF amplifier which in this design has audio AGC (Audio Gain Control) and a power

nate the carrier leaving only the two sidebands, which although better than AM still uses extra bandwidth. In fact the two sidebands both contain all of the message information and it is only necessary to transmit one, which is done in SSB.

In the direct conversion receiver we mix the single sideband signal frequencies that have been transmitted with a stable 14.200MHz provided by the VFO, Figure 3a. In the receive mixer the sum and difference frequencies are generated and the difference, which is an audio signal is filtered out from the rest. The principals of reception are also true for lower sideband and CW signals. The signal will still be resolved if the VFO is very slightly offset from the correct



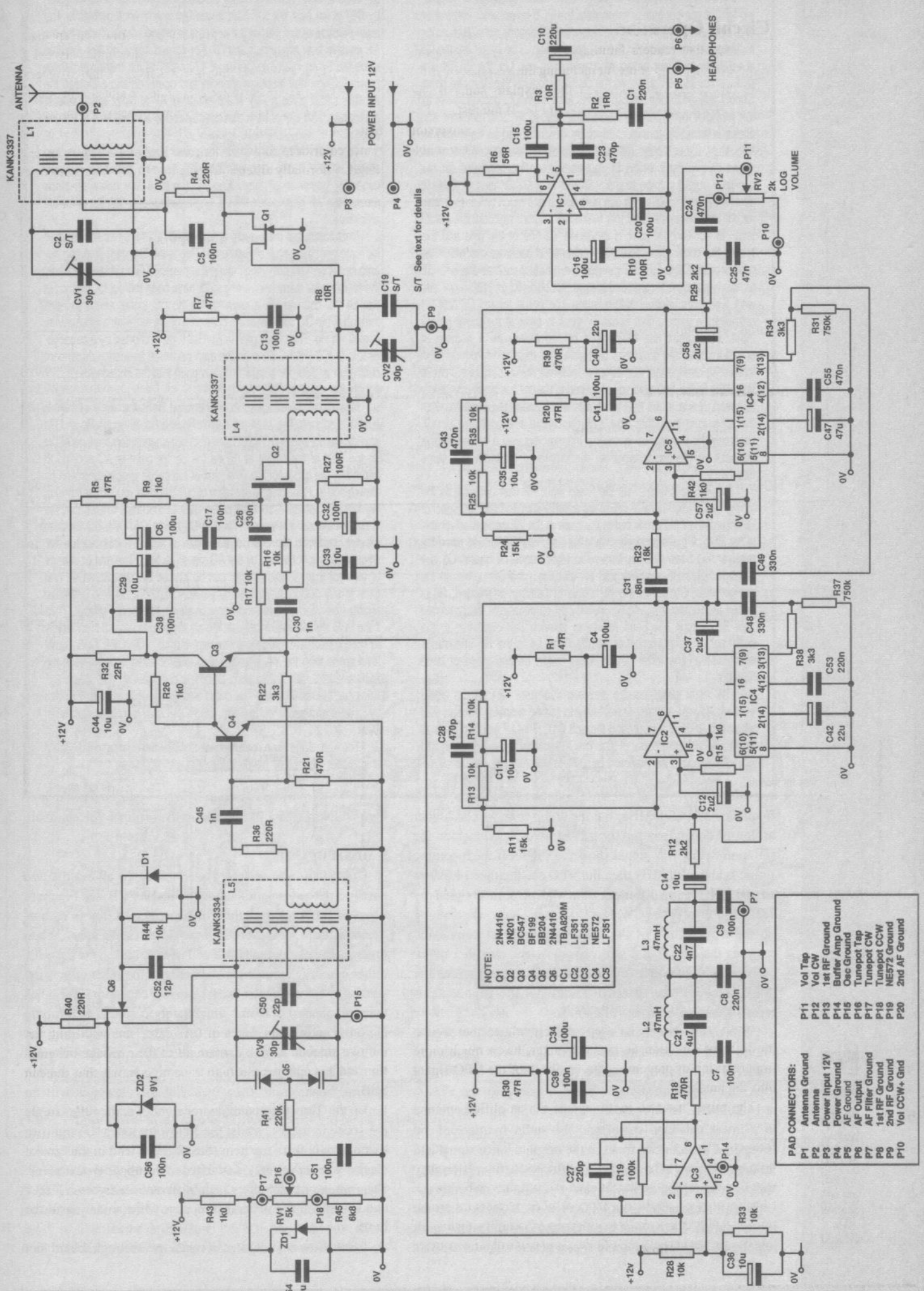


Fig.4 Complete circuit diagram

NOTE:

- Q1 2N4416
- Q2 3N201
- Q3 BC547
- Q4 BF199
- Q5 BF204
- Q6 2N4416
- IC1 TBA620M
- IC2 LF351
- IC4 NE572
- IC5 LF351

- PAD CONNECTORS:
- P1 Antenna Ground
  - P2 Antenna
  - P3 Power Input 12V
  - P4 Buffer Amp Ground
  - P5 Power Ground
  - P6 AF Output
  - P7 Tunept Tap
  - P8 AF Filter Ground
  - P9 1st RF Ground
  - P10 2nd RF Ground
  - P11 Vol Tap
  - P12 Vol CW
  - P13 1st RF Ground
  - P14 Buffer Amp Ground
  - P15 Osc Ground
  - P16 Tunept Tap
  - P17 Tunept CW
  - P18 1st RF Ground
  - P19 NES72 Ground
  - P20 2nd AF Ground



## How it Works

Figure 4 shows the full working circuit. In this drawing the numbering for the components is taken from the PCB layout after completion and also after renumbering from top left to bottom right. Hence the numbers on the schematic are not sequential. The circuit around Q6 is a Hartley oscillator based on a purchased coil. Q5, the BB204 is a dual varicap diode that allows the oscillator to tune the 20 metre band. Control voltage for the varicap comes from a ten turn potentiometer as this provides the necessary slow tuning needed for SSB reception and allows a numerical turn indicator to be fitted that can be calibrated for frequency. Zener diodes ZD1 and ZD2 provide voltage stabilisation for the oscillator itself whilst D1 provides negative feedback for the oscillator output voltage to maintain this at a stable level. A 2N4416 device has been chosen for use here as it has a much closer tolerance for its  $I_{dss}$  parameter and this makes for a more reproducible output level. In addition the case is grounded via one of the pins and this makes the circuit less sensitive to extraneous capacitances within the radio's case. Other RF FET devices can be used such as the BF245B as this has a closely controlled  $I_{dss}$ , whilst MPF102 or 2SK55 will also work with more variable output levels. The circuit around Q3 and Q4 provides the gain to give about 5V peak to peak at the mixer gate 2 input. This circuit has been used by the author on a number of occasions and has proved to be stable and easy to reproduce. One interesting change that was taken to increase the stability of the circuit is that the ferrite threaded adjuster fitted to the coil has been completely removed. It was found that this ferrite was causing the largest part of the long term drift that was experienced in the oscillator circuit. Lowering the inductance in such a manner required a corresponding increase in the capacitance of the circuit to maintain the same frequency.

The RF input has L1 as the tuned input RF filter, with C3 as the tuning capacitor. There is space for another parallel tuning capacitor C2 included on the circuit but in the case of the 20 metre receiver this is not fitted. A place has been made for it on the PCB for use when the receiver has been modified to tune to other frequency bands. Q1 is a grounded gate RF amplifier with R4 stabilising the DC current in the device whilst C5 allows the RF signal to pass un-attenuated. R8 is added to the circuit to add RF stability as on occasions the grounded gate FET circuit has been known to develop self oscillation to the detriment of its operation as an amplifier. L4 is the RF impedance conversion to the mixer gate 1 input and a second stage of band filtering.

The mixer circuit uses a common dual gate FET as the active element. The AF signal passes away to the AF amplifier through C26 whilst the RF shorts to ground through C17. The AF signal passes to the first AF amplifier/buffer of IC3. This IC has a low gain (10 times) and a frequency response tailored by C27 to cut off high frequency AF

signals that may result from close SSB signals. The rate of cut-off given by C27 is not high but sufficient to prevent interference problems. The main purpose of this part of the circuit is to provide the buffering for the AF passive filter around L2 and L3. For correct operation this requires to be fed by an input impedance of 470 ohms which the mixer cannot provide. Given that input impedances and operating into a 2k load the AF filter circuit gives a very sharp cut off of AF at 3kHz which selects a separate SSB signal from that directly above and below it in the RF band.

To prevent feedback through the power supplies affecting any two stages of the radio each section has its own separate resistor/capacitor power input filter. Equally separate low noise op-amps provide the AF gain rather than a single package containing all of the amplifiers.

Next comes the main audio amplifier with its AGC circuit. Consider for a moment the circuit of Figure 5a. This is the standard inverting op-amp circuit with Ra providing the input impedance and Rb the feedback, the resistors for the non-inverting input have been left out for clarity. Ra can be AC coupled via a capacitor as no DC signal needs to pass through it, the DC current for the operation of the amplifier's input device comes via Rb. The circuit gain is  $Rb/Ra$ . If Rb is shorted by a capacitor as it is in IC3 (R19-C27) then the gain becomes frequency dependant cutting off at 6dB per octave from the point that the impedance of C27 equals the value of R19.

Now move on to Figure 5b. In this case Ra is the same as before but Rb is split into two separate halves Rc and Rd. Although Rc and Rd provide the op-amp's DC input current requirement it can have no effect on the gain of the circuit at AF as the centre point is AC shorted to ground by the capacitor Ca. The gain of the circuit is now controlled by impedance X. Returning to the main circuit diagram you can see that in the first AGC stage X consists of the parallel influence of C28 and the circuitry between IC4's pins 7 and 5. Capacitor C37 is a DC block to prevent incorrect operation of IC4. IC4 contains a variable resistor whose value is controlled by the AC signal on pin3. The rate of change of value of this variable resistor can be altered by capacitors C42 and C53. In this design they allow the variable resistors value to decrease rapidly (the attack phase) and increase slowly (the decay phase). Thus if the SSB signals level increases rapidly the stage gain will drop rapidly to compensate maintaining a constant output. When the SSB signal level drops then the stage gain will slowly increase again. In fact the AGC amplifier needs two such stages to provide the AGC characteristics that the radio needs. The circuit was first seen in an article written by DF4SQ and published in *Sprat*, the GQRP club magazine in autumn 1991.

The final stage is an audio power amplifier based on the TBA820M chip, about which little needs to be said.

frequency of 14.200MHz, but the audio tone will be higher or lower depending on the offset error. Consider the situation with a CW signal shown in Fig3b. If the incoming signal is at 14.100MHz then the VFO set at either 14.099 or 14.101MHz, both differing from the incoming signal by 1kHz will resolve the CW as a 1kHz tone. Now when tuning up the CW section of the band with a direct conversion receiver the CW signal will appear twice. This is a major problem with the direct conversion receiver, but remember this is a receiver costing tens of pounds not a communications receiver costing best part of £1000.

With a single sideband signal an interesting effect occurs. Figure 3c shows our upper sideband signal with the missing carrier at 14.200MHz. As earlier if the VFO is at 14.200MHz then a normal audio signal is heard, but suppose the VFO is at 14.203MHz. In this case the original USB signal is treated as a lower sideband signal and the audio frequencies are inverted. Consider two tones in the original voice signal and let them be say 1kHz and 2kHz. After SSB conversion they will be transmitted as 14.201 and 14.202MHz respectively.

If now at reception the VFO is at 14.203MHz then the mixer and AF filter select the differences as the audio tones and the 14.202MHz incoming signal gets resolved as a 1kHz

tone whilst it was a 2kHz tone in the original voice signal.

## Construction

Construction of the radio is simple since all but the two potentiometers are mounted on the single PCB, see Figure 6. There is however a method of construction that is recommended due to the closeness of the parts in some areas. When ordering the components you will need to look at the parts list rather carefully since the pin spacing of the leads affects the suitability for use on the PCB. Consider capacitor C14: It has the symbol name of RE0.1 which refers to a radial electrolytic capacitor with a pin space of 0.1 inch. Thus providing the voltage exceeds 12V any radial electrolytic of 10 $\mu$  will work for C14 but choose too high a voltage rating and the pin spacing increases to 0.15 inch and the capacitor will no longer fit. Thus the manufacturer symbol name refers to the pin space in inches, whilst the following letter 'G' signifies that one wire from the item (the negative lead in the case of electrolytic capacitors) is attached to the upper groundplane. Thus when ordering there is no difference between a RE0.1 and a RE0.1G the difference occurs when soldering to the PCB.

Construction should start with the through board pin



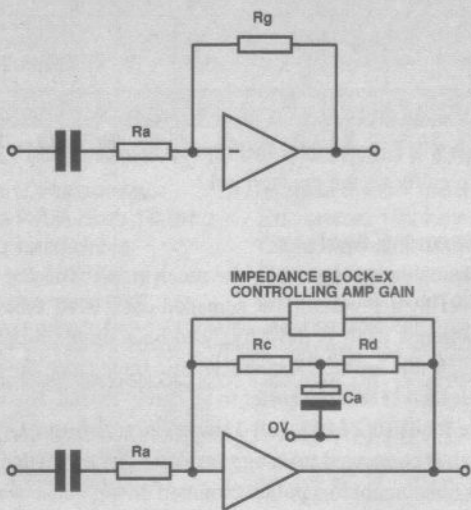


Fig.5

connections. The PCB uses a double sided construction with the upper surface used as a solid groundplane. If you have purchased a ready made board this should have rings etched around many of the holes where the component is not designed to connect to the groundplane. However there are 12 which do not have these rings they are the ground connections to the lower tracked layer. Connections P1, P4, P5 and P10 use 1mm PCB pins (Maplin Part FL23A) that are soldered to both the lower pad and the upper groundplane, and later provide a place to attach the off board ground wires.

connections that will have holes in the groundplane around them and are only soldered to the lower tracked layer.

The construction of the rest of the PCB is easy providing care is taken. The thick lines protruding from some of the components shown in Figure 6 are those soldered to the upper groundplane. To do this successfully you will need a medium power soldering iron as the groundplane sinks heat effectively and it is easy to make a faulty dry joint which will stop the receiver in its tracks. In the case of the inductors L1, L4 and L5 the case tabs are bent outwards and soldered to ground after the other connections have been made. It is probably easier to work either from one side of the PCB to the other or from the centre outwards rather than say fit all of the capacitors first as this will lead to difficulty in making some of the groundplane connections. Fig7 shows the way the leads were bent in the prototype. There are three large holes for the PCB supports into which clip in supports are pushed. These hold the board away from the metal of the case used in the final stage.

After completion of the PCB it can be tested by making rough connections to the board and listening for an incoming signal. Prior to powering up remove the ferrite core of L5 and set C46 to about half capacitance. You may need to twist the adjustments of C3 and C18 for a reasonable signal but it will not be necessary to move the ferrite adjusters in L1 and L4. If all is satisfactory at this stage than the final part of fitting the radio into it's case can begin. The PCB has been made as

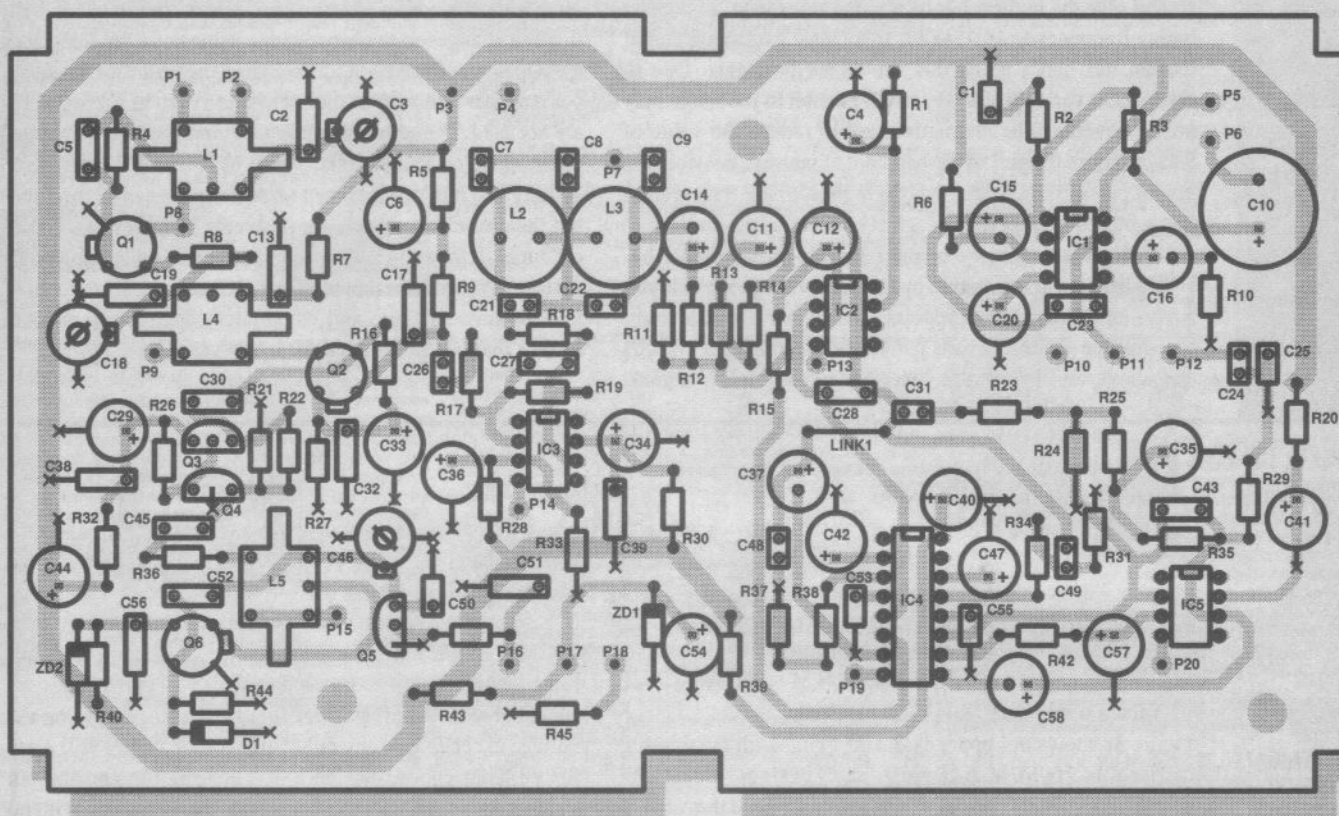


Fig.6 Component overlay (crosses indicate ground plane connections)

P7, P8, P9, P13, P14, P15, P19 and P20 are short through PCB pins (Maplin Part FL82D) that just connect the groundplane to a lower track in places where soldering to the upper layer directly is difficult. P2, P3, P6, P11, P12, P16, P17, P18 are the remaining 1mm PCB pins for off board

a close fit into a standard diecast aluminium box. It is merely necessary to drill the box to accommodate the 10 turn pot and it's indicator knob, the AF log pot and the holes for the RF, power and AF connectors. If the box is not pre-painted then this may be done next. Once dry the main PCB is stuck into



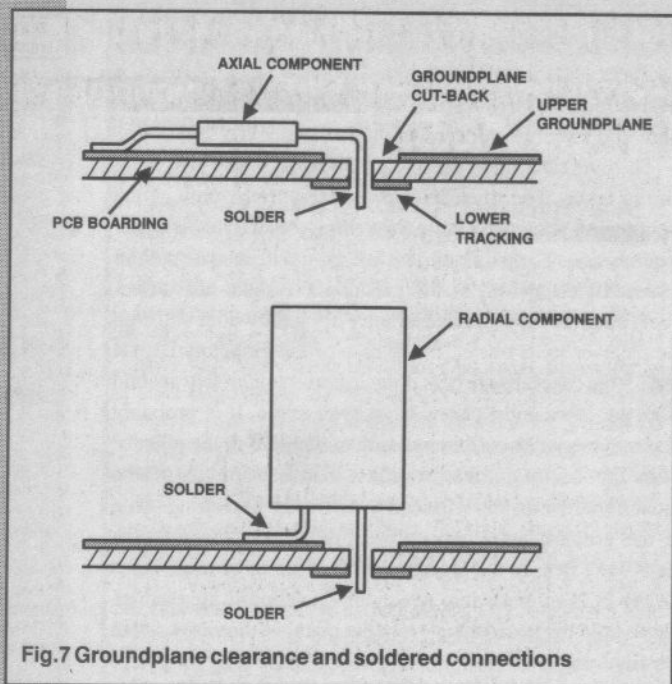


Fig. 7 Groundplane clearance and soldered connections

the box with spots of glue on the PCB supports. Then fit the connectors and pots. Lastly solder all of the connections to the off board components.

### Alignment

The setting up of the radio is very easy especially if you have access to a frequency counter. Connect the counter to gate 2 of Q2 and set the ten turn pot fully clockwise, which should give the highest frequency. By adjusting C46 set this higher frequency to 14.35MHz. If you check the other end of the ten turn pot's range this should be 14.0MHz. Due to component variability a very small portion of the range may not be covered. The alternatives are to reduce the value of R45 or ignore the part of the band not of interest, possibly the lowest part of the CW band or the highest of the SSB section that tends to be less used.

Without a frequency counter the set-up technique becomes trickier. It is possible just to accept the range that you have with C46 set at the midpoint. The 20 metre band is fairly obvious due to the CQ calls put out by the amateurs on SSB and above and below this there are bands of CW signals

which mark the edges. With a frequency marker received signals will indicate the 14MHz point then the 100kHz above this to calibrate the ten turn pot.

### Antenna Erection

The antenna required by the receiver is connected to the receiver by a standard 50R screened coax BNC connector. The antenna itself is most likely to be a simple dipole and although this has a 75R characteristic impedance the match to the receiver will not suffer to any great extent. The simple dipole consists of two 16ft 11inch wire elements. One end of each is connected to an egg insulator and to a thin rope to allow attachment to a pulley mounted on the house wall and to the garden fence at the far end. In the centre is an insulating piece of plastic that holds the wires and allows connection of the downlead, which is a section of 75R twin downlead, NOT COAX. Inside the house is a home made balun unit connecting to the receiver via a length of 50R coax. Living on the south coast it was easy to get the rope from a local yacht chandlery and the insulators, wire and central adaptor came from a local Ham Radio store. The design for the balun and the antenna can be found in most of the Ham Radio books (HF Antennas for all Locations by L. A. Moxon G6XN is recommended) whilst the balun core is made from any small ferrite core mine being 0.8 OD by 0.25 ID by 0.25 high.

### Modifications

As I have said earlier it is possible to tune the receiver to many other bands by resetting the tuned circuits. This will involve changes to the capacitance values of C46, C19, and C2 which was the reason for including the positions for these components although in the 20 metres receiver C2 and C19 are not used. The author can only recommend alteration to the other amateur bands since these have most of the SSB activity that it is legal to listen to. AM signals can be resolved but the carrier causes whistle problems if it is even slightly off tune. This design when compared to earlier project is much more usable because of the AGC and as an introduction to both amateur radio and electronics construction gives a project that can be enjoyed for many years.

## PARTS LIST

### RESISTORS (0.25W metal film)

R1,5,7,20,30	47R
R2	1R0
R3,8	10R
R4,36,40	220R
R6	56R
R9,15,26,42,43	1k0
R10,27	100R
R11,24	15k
R12,29	2k2
R13,14,16,17,25,28,33,35,44,10k	
R18,21,39	470R
R19	100k
R22,34,38	3k3
R23	18k
R31,37	750k
R32	22R
R41	220k
R45	6k8
RV1	5k ten turn pot
RV2	2k log ten turn pot with dial

### CAPACITORS

C1,8,53	220n poly
C3	68n poly
CV1,2,3	30p TRIMCAP30G
C4,6,15,16,20,34,41	100µ elect
C5,7,9,13,17,32,38,39,51,56	100n ceram
C10	220µ elect
C11,14,29,33,35,36,44,54	10µ elect
C12,37,57,58	2µ2 elect
C2,19	Not fitted
C21,22	4n7 poly
C23,28,43	470p poly
C24,55	470n poly
C25	47n poly
C26,48,49	330n poly
C27	220p poly
C30,45	1n poly
C40,42	22µ elect
C47	47µ elect
C50	22p ceram
C52	12p ceram

### SEMICONDUCTORS

Q1,6	2N4416
Q2	3N201
Q3	BC547
Q4	BF199
Q5	BB204
ZD1,2	9V1 400mW
D1	1N4148
IC1	TBA820M PowerAmp
IC2,3,5	LF351 Op-Amp
IC4	NE572 AGC IC

### INDUCTORS

L1,4	KANK3337 Toko
L2,3	47mH (181LY473J) Toko
L5	KANK3334 Toko

### MISCELLANEOUS

Diecast Aluminium Box 190x110x60mm  
 pot knob  
 BNC socket & plug  
 Power socket & plug  
 Jack socket & plug  
 PCB standoffs 1/4 inch approx  
 Wire for connections  
 Components to make a 14MHz dipole antenna



Surplus always  
wanted for cash!

# THE ORIGINAL SURPLUS WONDERLAND!

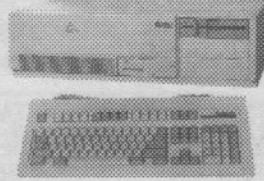
Surplus always  
wanted for cash!

## COMPUTER SCOOPS

### PC-AT 386 20-DX FULLY LOADED FOR £449!

- 20 Mhz DX processor
- 2 megs RAM. Exp 10 meg
- 40 meg hard drive
- 1.2 meg 5-1/4" floppy
- 32K cache exp. 64K
- Installed VGA card
- Enhanced 102 key k/board
- Complete with MS-DOS 4.01
- 2 serial 1 parallel ports
- 8 free slots- 6 off 16 bit!

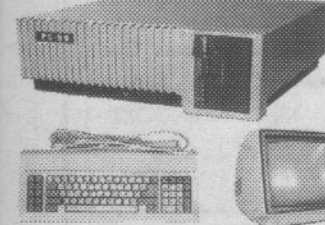
The MP386 quality made by Mitsubishi to last a lifetime! Brand new with all manuals and software plus Super PC-Quick Disk Accelerator for lightning disk access. **£449 (F)** Only.....



### A COMPLETE IBM PC COMPAT SYSTEM FOR ONLY £99!!

Just plug in and go - fully expandable - the Display PC-99! System supplied complete with 12" mono monitor, 84 key keyboard, 360k 5-1/4" floppy disk drive, 256K RAM, 2 serial and 1 parallel port plus DOS with manual. Many other features include 7 slot backplane, all metal case, 150 watt PSU and US made motherboard. In very good used condition with 90 day guarantee. At the unique price of:

**Optional FITTED extras:** 640K RAM £39. 12" CGA colour monitor with card £89. 2nd 5-1/4" 360K floppy £29.95. 20 mbyte MFM hard drive £99. 31mbyte RLL hard drive £125. **£99 (E)**



## MONITORS

### MONOCHROME MONITORS

#### THIS MONTH'S SPECIAL!

There has never been a deal like this one! Brand spanking new & boxed monitors from NEC, normally selling at about £140! These are over-engineered for ultra reliability. 9" green screen composite input with etched non-glare screen plus switchable high/low impedance input and output for daisy-chaining. 3 front controls and 6 at rear. Standard BNC sockets. Beautiful high contrast screen and attractive case with carrying ledge. Perfect as a main or backup monitor and for quantity users!

**£39.95 each (D) or 5 for £185 (G)**

### COLOUR MONITORS

#### HI-DEFINITION COLOUR MONITORS

14" Philips Model CM8873 VGA multi-sync all the way up to 34kHz with 640 x 480 resolution. This one has everything! Two switches enable you to select CGA, EGA or VGA and digital/analog. Unusual for a professional monitor, sound is also provided, with a volume control. There is also a special "Text" switch for word processing, spreadsheets and the like. Compatible with virtually all computers including IBM PC's, Amiga, Atari, BBC, Archimedes etc. Good used condition (possible minor screen burns) 90 day guarantee. 15" x 14" x 12". Only.....**£139 (E)**

Philips 9CM073 similar (not identical) to above for EGA/CGA PC and compats. 650 x 350 resolution. With Text switch with amber or green screen selection. 14"W x 12"H x 13-1/2"D.....**£99 (E)**

KME 10" high definition colour monitors. Nice tight 0.28" dot pitch for superb clarity and modern styling. Operates from any 15.625 khz sync RGB video source, with RGB analog and composite sync such as Atari, Commodore Amiga, Acorn Archimedes & BBC. Measures only 13.5" x 12" x 11". Also functions as quality TV with our RGB Telebox. Excellent used condition with 90 day guarantee. case. Only.....**£145 (E)**

Brand new Centronic 14" monitor for IBM PC and compatibles at a lower than ever price! Completely CGA equivalent. Hi-res Mitsubishi 0.42 dot pitch giving 669 x 507 pixels. Big 28 Mhz bandwidth. A super monitor in attractive style moulded case. Full 90 day guarantee. Only.....**£129 (E)**

NEC CGA 12" IBM-PC compatible. High quality ex-equipment fully tested with a 90 day guarantee. In an attractive two tone ribbed grey plastic case measuring 15"L x 13"W x 12"H. The front cosmetic bezel has been removed for contractual reasons. Only.....**£69 (E)**

20", 22" and 26" AV SPECIALS Superbly made UK manufacture. PIL all solid state colour monitors, complete with composite video & sound inputs. Attractive teak style case. Perfect for Schools, Shops, Disco, Clubs. In EXCELLENT little used condition with full 90 day guarantee. **20"....£135 22"....£155 26"....£185 (F)**

CALL FOR PRICING ON NTSC VERSIONS!

Superb Quality 6 foot 40u 19" Rack Cabinets

Massive Reductions Virtually New, Ultra Smart! Less Than Half Price!

Top quality 19" rack cabinets made in UK by Optima Enclosures Ltd. Units feature designer, smoked acrylic lockable front door, full height lockable half louvered back door and removable side panels. Fully adjustable internal fixing struts, ready punched for any configuration of equipment mounting plus ready mounted integral 12 way 13 amp socket switched mains distribution strip make these racks some of the most versatile we have ever sold. Racks may be stacked side by side and therefore require only two side panels or stand singly. Overall dimensions are 77-1/2"H x 32-1/2"D x 22"W. Order as:

**Rack 1** Complete with removable side panels.....**£275.00 (G)**  
**Rack 2** Less side panels.....**£145.00 (G)**

COOLING FANS

3 inch AC 112" thick **£ 8.50 (B)**  
92 mm AC 230 v. 18mm thick **£12.95 (B)**  
3 1/2 inch AC ETRI slimline. Only 1" thick. **£ 9.95 (B)**  
3 1/2 inch AC 230 v. 8 watts. Only 3/4" thick **£12.95 (A)**  
4 inch AC 110/240v 112" thick. **£10.95 (B)**  
10 inch AC round. 3 1/2 thick. Rotron 110v **£12.95 (B)**  
60 mm DC 1 v. thick. No. 812 for 6/12v. 814 24v. **£15.95 (A)**  
80 mm DC 5 v. Papst 8105G 4w. 38mm. RFE. **£19.95 (A)**  
92 mm DC 12v. 18 mm thick. Denzitron. **£ 9.95 (A)**  
92 mm AC 230 v. Denzitron as previous **£10.25 (A)**  
4 inch DC 12v. 12w 1 1/2" thick **£12.50 (B)**  
4 inch DC 24v 8w. 1" thick. **£14.50 (B)**

## FLOPPY DISK DRIVES

### 5 1/4" from £22.95 - 3 1/2" from £21.95!

Massive purchases of standard 5 1/4" and 3 1/2" drives enables us to present prime product at industry beating low prices! All units (unless stated) are removed from often brand new equipment and are fully tested, aligned and shipped to you with a 90 day guarantee and operate from standard voltages and are of standard size. All are IBM-PC compatible (if 3 1/2" supported).

- 3.5" Panasonic JU363/4 720K\* **£21.95 (B)**
- 3.5" Mitsubishi MF355C-L 1.4 Meg. Laptops only\* **£29.95 (B)**
- 3.5" Mitsubishi MF355C-D 1.4 Meg. Non laptop\* **£29.95 (B)**
- 5.25" EXTRA SPECIAL BRAND NEW Mitsubishi MF501B 360K. Absolutely standard fits most computers **£22.95 (B)**
- \* Data cable included in price.

- Shugart 800/801 SS refurbished & tested **£175.00 (E)**
- Shugart 851 double sided refurbished & tested **£275.00 (E)**
- Mitsubishi M2894-63 double sided switchable hard or soft sectors- BRAND NEW **£250.00 (E)**

Dual 8" drives with 2 mbyte capacity housed in a smart case with built in power supply! Ideal as exterior drives! **£499.00 (F)**

End of line purchase scoop! Brand new NEC D2246 8" 85 megabyte of hard disk storage! Full CPU control and industry standard SMD interface. Ultra hi speed transfer and access time leaves the good old ST506 interface standing. In mint condition and comes complete with manual. Only.....**£299 (E)**

## THE AMAZING TELEBOX!

Converts your colour monitor into a QUALITY COLOUR TV!!



TV SOUND & VIDEO TUNER!

The TELEBOX consists of an attractive fully cased mains powered unit, containing all electronics ready to plug into a host of video monitors made by manufacturers such as MICROVITEC, ATARI, SANYO, SONY, COMMODORE, PHILIPS, TATUNG, AMSTRAD and many more. The composite video output will also plug directly into most video recorders, allowing reception of TV channels not normally receivable on most television receivers (TELEBOX MB). Push button controls on the front panel allow reception of 8 fully tuneable 'off air' UHF colour television or video channels. TELEBOX MB covers virtually all television frequencies VHF and UHF including the HYPERBAND as used by most cable TV operators. Composite and RGB video outputs are located on the rear panel for direct connection to most makes of monitor. For complete compatibility - even for monitors without sound - an integral 4 watt audio amplifier and low level Hi Fi audio output are provided as standard.

- Telebox ST for composite video input monitors **£32.95**
- Telebox STL as ST but with integral speaker **£36.50**
- Telebox MB as ST with Multiband tuner VHF-UHF-Cable. & hyperband for overseas PAL versions state 5.5 or 6mhz sound specification. **£69.95**
- Telebox RGB for analogue RGB monitors (15khz) **£69.95**

Shipping code on all Teleboxes is (B)  
RGB Telebox also suitable for IBM multisync monitors with RGB analog and composite sync. Overseas versions VHF & UHF call. SECAM / NTSC not available.

## No Break Uninterruptable PSU's

Brand new and boxed 230 volts uninterruptable power supplies from Densel. Model MUK 0565-AUAF is 0.5 kva and MUD 1085-AHBH is 1 kva. Both have sealed lead acid batteries. MUK are internal, MUD has them in a matching case. Times from interrupt are 5 and 15 minutes respectively. Complete with full operation manuals.....**MUK.....£249 (F) MUD.....£525 (G)**

## POWER SUPPLIES

Power One SPL200-5200P 200 watt (250 w peak). Semi open frame giving +5v 35a, -5v 1.5a, +12v 4a (8a peak), -12v 1.5a, +24v 4a (6a peak). All outputs fully regulated with over voltage protection on the +5v output. AC input selectable for 110/240 vac. Dims 13" x 5" x 2.5". Fully guaranteed RFE. **£85.00 (B)**

Power One SPL130. 130 watts. Selectable for 12v (4A) or 24 v (2A). 5v @ 20A. ± 12v @ 1.5A. Switch mode. New. **£59.95 (B)**

Astec AC-8151 40 watts. Switch mode. +5v @ 2.5a. +12v @ 2a. -12v @ 0.1a. 6-1/4" x 4" x 1-3/4". New **£22.95 (B)**

Greendale 19AB0E 60 watts switch mode. +5v @ 6a. ±12v @ 1a. +15v @ 1a. RFE and fully tested. 11 x 20 x 5.5cms. **£24.95 (C)**

Conver AC130. 130 watt hi-grade VDE spec. Switch mode. +5v @ 15a. -5v @ 1a. ±12v @ 6a. 27 x 12.5 x 6.5cms. New. **£49.95 (C)**

Boshert 13090. Switch mode. Ideal for drives & system. +5v @ 6a, +12v @ 2.5a, -12v @ 0.5a, -5v @ 0.5a. **£29.95 (B)**

Farnell G6/40A. Switch mode. 5v @ 40a. Encased **£95.00 (C)**

Farnell G24/5S. As above but 24v @ 5a. **£65.00 (C)**

## BBC Model B APM Board

WIN £100 CASH! MOST NOVEL DEMONSTRATABLE APPLICATION!

BBC Model B type computer on a board. A major purchase allows us to offer you the PROFESSIONAL version of the BBC computer at a parts only price. Used as a front end graphics system on large networked systems the architecture of the BBC board has so many similarities to the regular BBC model B that we are sure that with a bit of experimentation and ingenuity many useful applications will be found for this board!! It is supplied complete with a connector panel which brings all the I/O to 'D' and BNC type connectors - all you have to do is provide +5 and ± 12 v DC. The APM consists of a single PCB with most major ic's socketed. The ic's are too numerous to list but include a 6502, RAM and an SAA5050 teletext chip. Three 27128 EPROMS contain the custom operating system on which we have no data. On application of DC power the system boots and provides diagnostic information on the video output. On board DIP switches and jumpers select the ECONET address and enable the four extra EPROM sockets for user software. Appx. dims: main board 13" x 10". I/O board 14" x 3". Supplied tested with circuit diagram, data and competition entry form.

Only **£29.95** or 2 for **£53 (B)**

## SPECIAL INTEREST

Trio 0-18 vdc bench PSU. 30 amps. New **£ 470**  
Fujitsu M3041 600 LPM band printer **£2950**  
DEC LS/02 CPU board **£ 150**

Rhode & Schwarz SBUF TV test transmitter 25-1000mhz. Complete with SBTf2 Modulator **£6500**  
Calcomp 1036 large drum 3 pen plotter **£ 650**  
Thurlby LA 160B logic analyser **£ 375**  
1.5kw 115v 60hz power source **£ 950**

Anton Pillar 400 Hz 3 phase frequency converter 75Kw **POA**  
Newton Derby 400 Hz 70 Kw converter **POA**  
Haefely Impulse Testers P6T and PEMI 12; good cond. **POA**  
Sekonic SD 150H 18 channel Hybrid recorder **£2000**  
HP 7580A A1 8 pen high speed drum plotter **£1850**  
Kenwood DA-3501 CD tester, laser pickup simulator **£ 350**

## BRAND NEW PRINTERS

Microline 183. NLQ 17x17 dot matrix. Full width. **£139 (D)**  
Hyundai HDP-920. NLQ 24x18 dot matrix full width. **£149 (D)**  
Qume LetterPro 20 daisy. Qume QS-3 interface. **£39.95 (D)**  
Centronics 152-2 9 x 7 dot matrix. Full width. **£149 (D)**  
Centronics 159-4 9 x 7 dot matrix. Serial. 9-1/2" width **£ 99 (D)**

1992 Winter Issue of Display News now available - send large SAE - PACKED with bargains!

DISPLAY

MAIL ORDER & OFFICES  
Open Mon-Fri 9.00-5.30  
Dept ET, 32 Biggin Way,  
Upper Norwood,  
London SE19 3XF.

LONDON SHOP  
Open Mon-Sat 9-5.30  
215 Whitehorse Lane,  
South Norwood,  
London, SE25.

DISTEL © The Original  
Free dial-up database!  
1000's of items On Line  
V21, V22 & V22 bis  
**081-679-1888**

ALL ENQUIRIES  
**081-679-4414**  
Fax- 081-679-1927



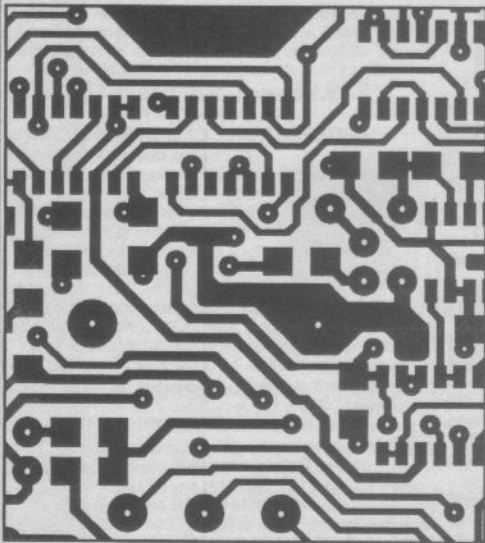
-ELECTRONICS-

All prices for UK Mainland. UK customers add 17.5% VAT to TOTAL order amount. Minimum order £10. PO orders from Government, Universities, Schools & Local Authorities welcome-minimum account order £30. Carriage charges (A)=£2.00. (A1)=£3.75. (B)=£5.50. (C)=£8.50. (D)=£11.50. (E)=£14.00. (F)=£18.00. (G)=Call. Scotland surcharge: call. All goods supplied subject to our standard Conditions of Sale and unless otherwise stated guaranteed for 90 days. All guarantees on a return to base basis. Rights reserved to change prices & specifications without prior notice. Orders subject to stock. Quotations willingly given for higher quantities than those stated. Bulk surplus always wanted for cash.

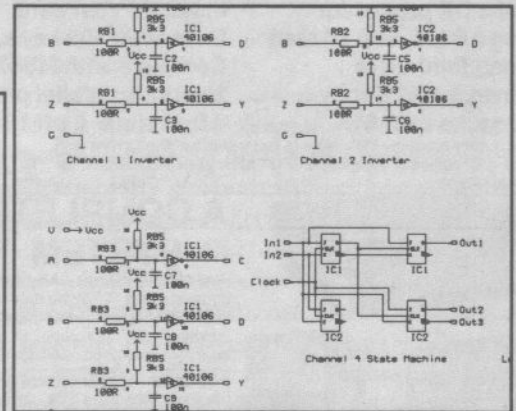


# EASY-PC PCB and Circuit Diagram CAD

Forget using tapes and lightbox! Create your Circuit Boards using CAD - like the professionals.



- Runs on PC/XT/AT etc. with Hercules, CGA, EGA or VGA display and many DOS emulations.
- Design Schematics Single and Double sided and Multilayer boards including Surface Mount.
- Standard output includes Dot Matrix / Laser / Inkjet Printer, Pen Plotter, Photo-plotter and N.C. Drill.
- Extremely powerful.
- Very easy to use.



**EASY-PC**

Technical support is free, for life!

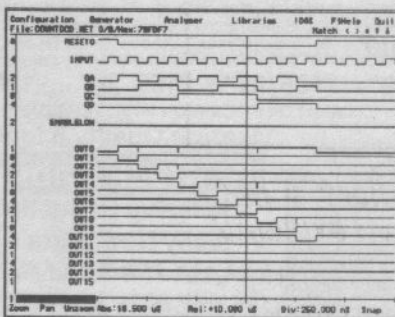
**Only £98.00!**

Plus P&P+VAT

Over 13,000 Installations in 70 Countries Worldwide!

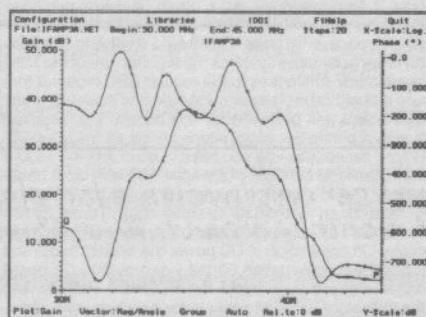
Options:-500 piece Surface Mount Symbol Library £48, 1000 piece Symbol Library £38, Gerber Import facility £98.

## DIGITAL SIMULATION from £98



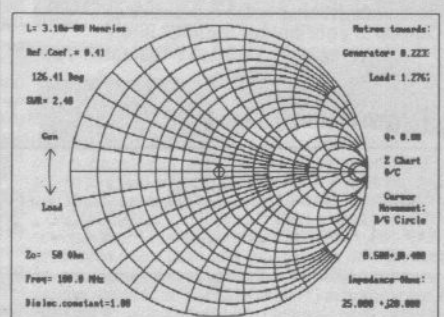
- At last! A full featured Digital Circuit Simulator for less than £1000!
- PULSAR allows you to test your designs without the need for expensive test equipment.
- Catch glitches down to a pico second per week!
- Includes 4000 Series CMOS and 74LS Libraries. 74HC/HCT libraries only £48.00 each.
- Runs on PC/XT/AT/286/386/486 with EGA or VGA.

## ANALOGUE SIMULATION from £98



- NEW powerful ANALYSER III has full graphical output.
- Handles R's, L's, C's, Bipolar Transistors, FET's, OP-amp's, Tapped and Untapped Transformers, and Microstrip and Co-axial Transmission Lines.
- Plots Input / Output Impedance, Gain, Phase & Group Delay.
- Covers 0.001 Hz to > 10GHz
- For PC/XT/AT/286/386/486 with EGA or VGA.
- Very fast computation.

## SMITH CHART CAD £195



- Z-MATCH II simplifies RF matching and includes many more features than the standard Smith Chart.
- Handles transmission line transformers, stubs, discrete components, S Parameters etc.
- Supplied with many worked examples.
- Superbly easy to learn and use.
- Runs on IBM PC/XT/AT/386/486, CGA, EGA, VGA.
- Ideal for Education and Industry.

For full information, Write, Phone or Fax:-

**Number One Systems Ltd. I**

REF: ETI, HARDING WAY, ST.IVES, HUNTINGDON, CAMBS, ENGLAND, PE17 4WR.

Telephone: 0480 61778 (7 lines) Fax: 0480 494042

International: +44-480-61778, Fax: +44-480-494042 ACCESS, AMEX, MASTERCARD, VISA Welcome.

• See us at the CAD CAM Show, Stand 600 NEC 9-11 March 1993



# Anniversary AutoMate Mixer

10a

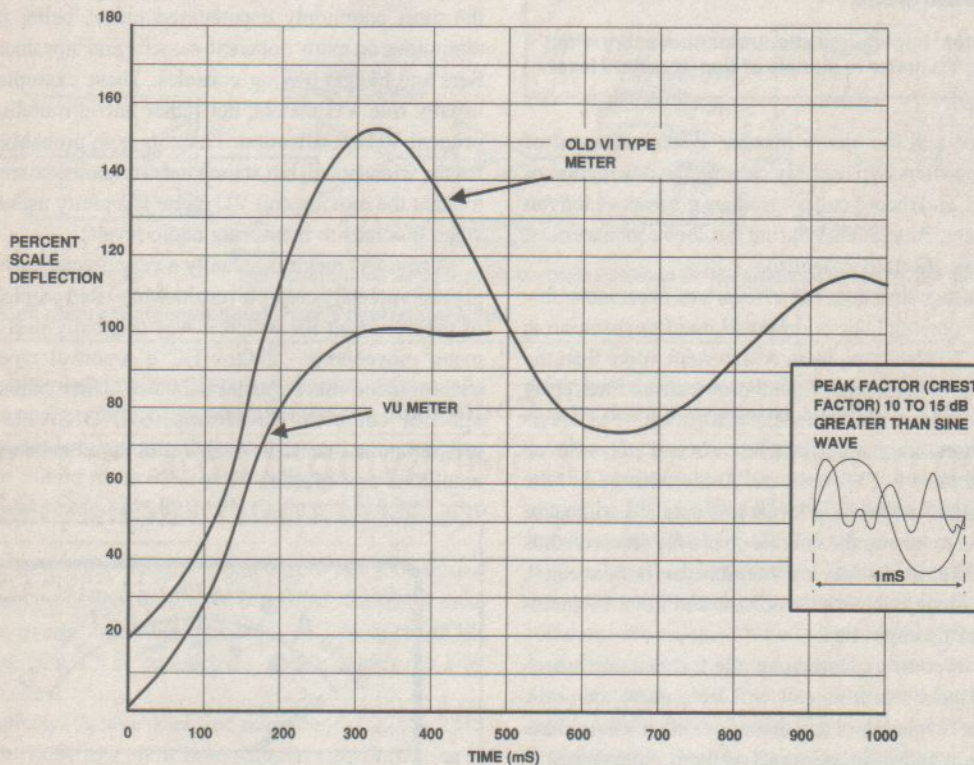


Fig.1 VU/VI meter ballistics

*Does the step from little acorn to great oak involve a log amplifier? If not, why not? In preparation for next month's project, Mike Meechan explains.*

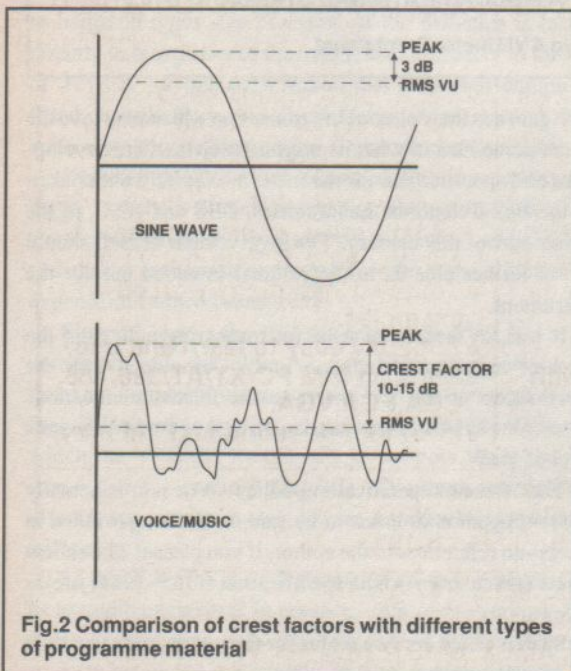


Fig.2 Comparison of crest factors with different types of programme material

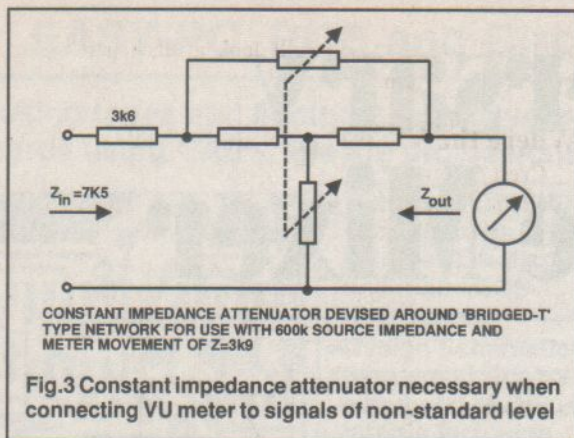
**T**he AutoMate series is almost one year old, and with this in mind, we've decided next month to give an 'Anniversary' present in the form of a front cover PCB for an LED Peak Programme Meter project, as fitted to some modules of the console. The topic of switching will thus be confined to the backburner until the May issue. As a prelude to the practical, constructional aspects of the meter which we'll present next month, we're presently going to look at why meters are important, what they do, and how the different types were evolved.

## Meters - What Purpose do they Fulfil?

In any studio or broadcast environment, indication and control of the programme level leaving the desk is of paramount importance, since every recording and transmission medium has very definite, and indeed finite, headroom limitations.

In a recording studio environment, a maximum signal level in excess of this limit - overload - causes analogue tape recorders to saturate and distort, absolute bedlam in a digital recording system where the 'all 1's' situation has





been exceeded and the binary number system runs out of steam, PA amplifiers clip horribly causing the destruction of speaker cones, and record cutters produce grooves which run into one another. Any listener during the above scenarios, is, needless to say, mortally offended.

In a broadcast situation, the effects are even more far-reaching -the potential for widespread aural devastation is omnipresent. To elaborate, in an AM system, more than the sacrosanct 100% figure for modulation causes interfering splatter up and down the radio dial whilst with FM, over-deviation causes co-channel interference and plays havoc with discriminators in FM receivers. At the other end of the 'dial' so to speak, modulation levels less than 5% will cause an AM listener to turn up the volume on his/her receiver, thus increasing background noise. It is therefore the 'in-betweens', the dynamic range, which is important and must be monitored if it is to be controlled.

We have, of course, glossed over the fact that any broadcast establishment worth its salt will have more than one, single point of level control and quite possibly a whole chain of compressors and limiters, some of them quite brutal in action, such that neither the over-modulation nor the increased background noise situation can ever happen. Nevertheless, the scenario serves as a good example of the requirement for good metering.

Furthermore, monitoring video and audio becomes necessary if the balance leaving the studio is not to be altered by a transmitter site limiter or clipper, and there will also exist many pieces of equipment through which the signal must pass, and which also must not be overloaded.

Okay, so we've determined that metering in just about any audio system is a good idea. It might therefore be a good idea to look at different kinds of metering and the effects/results that they produce.

### Audio Metering - A Brief History

We're now ready to take an in-depth look at the metering used in professional audio systems. Any meter, for whatever purpose, is merely a measuring instrument. If our demand is for precise measurement, a precise measuring instrument must be used. And so it is with the instruments in a mixing console or any other type of audio apparatus purporting to be of a professional or semi-professional origin. The quality and precision of the meters are linked ultimately to both the use to which the particular apparatus will be put, and also to the cost of the unit.

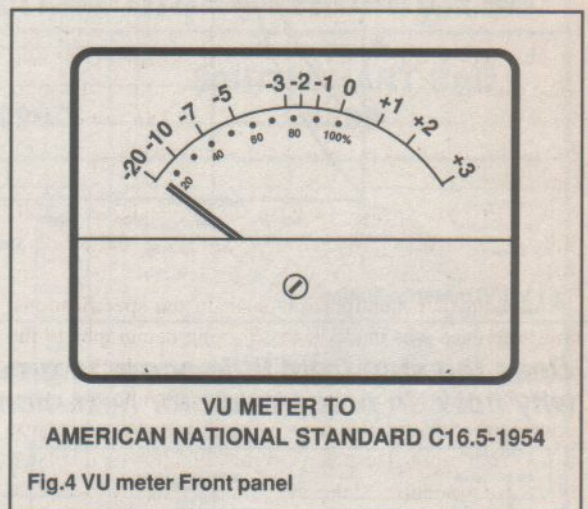
In essence, there are only two types of meter - the W type and the Peak Programme type. Derivations and mutations of

both types do exist but we'll NOT concern ourselves with those at this time. We'll look at the VU and the PPM in turn, starting with the meter. In this way, little convincing will be required of the necessity there was to develop another type of meter - the peak programme meter - to alleviate some of the problems associated with the VU type.

### The VU Meter

The VU meter is actually a special form of the little-known VI (Volume Indication) meter and is used to measure the POWER levels of audio frequency signals. It is probably the most commonly encountered meter, being just about ubiquitous on many domestic cassette and tape decks, amplifiers and budget mixing consoles. These examples are not usually true VU meters, but rather horrid mutations of the original VU specification. That this is so probably accounts for the widespread, but somewhat erroneous, laymens' opinion that the moving coil VU meter is a pretty useless beastie when it comes to measuring audio levels.

A true VU meter is actually a very precise instrument. It gives completely credible results when used within the range of measurement for which it was originally designed. The meter movements - 200µA DC d'Arsonval types for the trivia-minded -have special ballistics. These ballistics average out complex waveforms to INDICATE properly programme material which varies simultaneously in both amplitude and speech.



Again it is the Volume Unit truncation which may give the reader some idea of what its original use was. The development and specification for the meter was jointly undertaken by the Bell Telephone Laboratories, CBS and NBC, in the earlier part of this century. The involvement of Bell should give a further clue as to the original intended use for the instrument.

It was, in fact, to be used for measuring/indicating the level of signal on telephone lines. Coincident with the introduction of the VU meter to the telecommunications industry in 1939 was the standardisation of a new reference level of 1mW.

The W meter specification, believe it or not, is actually quite stringent and, it has to be said, rather long-winded in places -no references to the author, if you please! The salient points (taken from ANSI specification C16.5-1961) are as follows:-

**Scale.** There are two scales for the meter, one to be used



when the instrument is fitted to recording apparatus or test equipment and the other when it is to be used for broadcast monitoring purposes. The scale ranges from -20 to +3VU and also has a percent modulation scale ranging from 0 to 100%, the 100% position coinciding with the 0VU mark.

**Dynamic characteristics.** These provide a measure of the meter performance when it is subjected to both steady-state and transient input signals. When connected across a 600R line, the application of a short burst of 1kHz tone (which

understand all of these, we'll look at each part of the specification in turn.

## Where the VU meter Fails

### Crest factor

No, nothing at all to do with surfing although it DOES have something to do with waves! A VU meter is true RMS meter, that is, it indicates the RMS value of a waveform, so long as the waveform is simple in nature. For such a

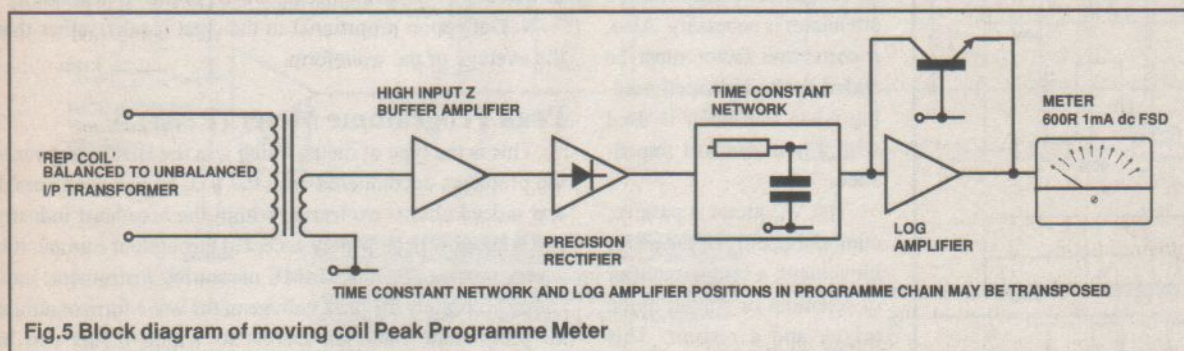


Fig.5 Block diagram of moving coil Peak Programme Meter

would cause a reading of 0W if applied continuously) should cause an overshoot of not less than 1% nor more than 1.5%. Further, at this level of tone, the meter ballistics are such that the needle should reach 99% of its deflection in 0.3s.

**Frequency response.** Basically flat to within 0.5dB up to 16kHz.

**Impedance.** This is an important one. When a 1kHz sine wave causing a deflection to 0W is applied, the meter must present an overall bridging impedance of 7.5k to the 600R line across which it is connected. This includes the 3.6k series resistor.

**Sensitivity.** A sine wave of magnitude 1.228V RMS (4dB above 1mW in a 600R line) should cause deflection to 0VU.

Although not mentioned as such in the specifications, brief reference was made in the opening paragraphs to the importance of ballistics. Ballistics encompass both the mechanical and electrical characteristics built into the meter movement, and certainly with moving coil types, - as opposed to bargraph types - the precision of the ballistics is related directly to the quality of the meter, and ultimately to the cost of it. (It is for this very reason that consumer equipment fitted, supposedly, with a VU meter has, in fact, no such thing but a very poor replica, with a cheap meter movement).

Conventionally, a given characteristic - in a moving coil meter - can be achieved by shaping the pole pieces or by counterweighting the pointer mechanism - parallel shunt resistances across the meter achieve the same effect at the expense of reduced sensitivity.

Figure 1 shows the ballistic response of the VU when compared with the older VI type. The graph shows the transient overshoot characteristics of both types when a 1s long 1kHz tone is applied. Note in particular the manner in which the VI meter continually overshoots while the VU comes to rest - settles - after 0.3s. This same overshooting effect is apparent to an even greater degree with a typical AC voltmeter.

So much for the specifications - what does it all mean to us as audio engineers? In essence, each of the various parts of the specification not only dictates how the meter should perform but just as importantly, in what aspects it cannot. To

waveform (a sine wave, say), the peak of the wave is only 2 or 3dB above the indicated value.

Complex waveforms such as those present with speech or music, however, may have a peak value some 12 to 16dB above the RMS value and the difference between the two is known as the CREST FACTOR this means peak value minus RMS value equals crest factor. The ballistics of the VU cause it to read somewhere between peak and RMS values in the instance such complex waveforms. Since typical programme material consists in the main of waveforms which are complex in nature, the VU can underread substantially on instantaneous peaks, 8 to 14dB being a not uncommon figure. This is mainly because it cannot follow small instantaneous peaks. In simple terms, the more IMPULSIVE the input signal, the greater the error between the displayed reading and the peak value. See Figure 2.

Different types of programme material have different crest factors - percussion instruments can have values up to 20dB, piano lies somewhere between 12 and 15dB and speech around the 8 to 10dB mark. To protect against these unseen overloads, a lead or safety margin is sometimes inserted into the circuit. This makes it more sensitive by an accurately prescribed margin (and can be varied depending on the type of material), so that the system is protected against transients up to a certain predetermined level. On a related note, the ballistics of the VU meter happen to correlate quite nicely with the level-integrating properties of the human ear. Because meter deflection is proportional to the energy of the wave, the VU is reckoned in some quarters to give an accurate indication of how loud, subjectively, different pieces of programme material are, in order to match them evenly. There do exist, however, methods of testing the VU to demonstrate that its ability to measure subjective loudness, can, in fact, cause inaccuracies in some instances. In fairness, it must be said that the PPM gives no indication whatsoever, accurate or inaccurate, of the subjective loudness of the programme material - more of this, and the importance of it, later.

It is also important to note that the VU is in fact a POWER METER, intended to work with a specified impedance of 600R. Its use with any other impedance necessitates re-



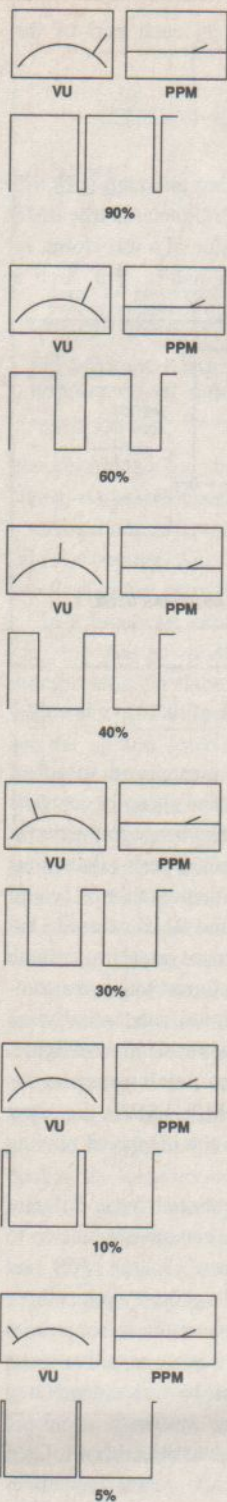


Fig.6 Diagram showing effect on VU and PPM types when peak amplitude is constant but average value is decreased

calibration. Figure 3 shows a typical arrangement. Use with impedances other than the specified one has to be done carefully - an impedance of 3600R must always be presented to the meter movement (or meter ballistics will be affected), so that a constant impedance attenuator is necessary. Also, a correction factor must be added to the indicated reading when the meter is used with a non-standard impedance.

The VU meter is passive, comprising only of the meter movement, a bridge rectifier of selenium or copper oxide origin, and a resistor. This being the case, it must, of course, derive all of its power from the source being measured. As a rule, the power absorbed is small enough to be ignored, but at high powers, the drop in signal level because of the absorption of power by the meter circuit can become important.

The bridging action of the unbuffered meter circuitry also causes harmonic distortion in the signal being measured, distortion at a level high enough not to be ignored (0.3%) in any quality audio system.

Finally, the scale is a somewhat curious semi-logarithmic affair, cramped at one end and expanded at the other. This is so that each of the dB markings can be represented by whole numbers rather than fractions. Refer to Figure 4 - this type of scale can make it difficult to read accurately, as can the very short fall or decay time of the meter movement.

### Improving on the VU

We should now be aware of the shortcomings of the VU meter. To improve upon it, any new type of meter must have the following features:-

1. Improved ballistic response so that transients and potentially damaging peaks can be detected fast enough to do something about them. It could then be used with consistent results with many different types of programme material. Decay time slow enough that the operator can read the peak

values accurately.

2. Active in nature so that it can be used both with lines of different impedances (without recalibration) and different levels without causing any distortion to the programme material under test, that is, a voltmeter rather than a power meter.

3. Have a better scale - dB linear - so that accurate signal level measurements can be made over the entire scale range. Also, white on black rather than black on buff, as in the case of the VU. A simplified scale would improve 'readability'.

4. Deflection proportional to the crest (peak), rather than the average of the waveform.

### Peak Programme Meter (PPM)

This is the type of meter which was the BBC's answer to the problems encountered with the VU. Its use is universal, and indeed almost exclusive, within the broadcast industry and it has now been widely accepted throughout Europe. It is a very precise PROGRAMME measuring instrument, indicating accurately the peak voltage of the wave form of almost all programme material. Levels to within 0.5dB can be resolved on a normal BBC BS4297a PPM scale. I have qualified carefully the type of PPM because there do exist about two or three different internationally-recognised deri-

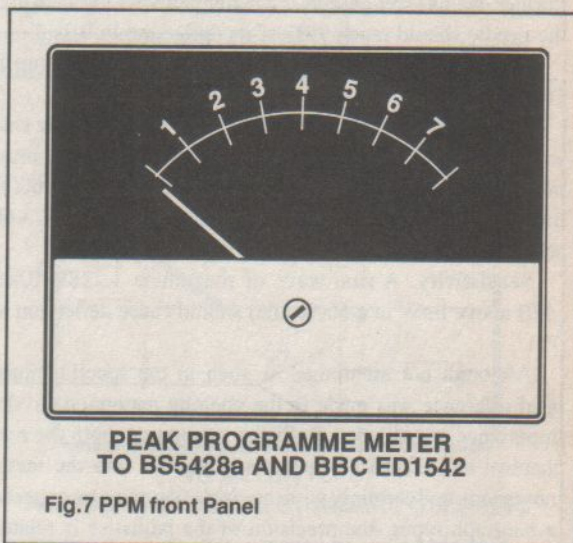


Fig.7 PPM front Panel

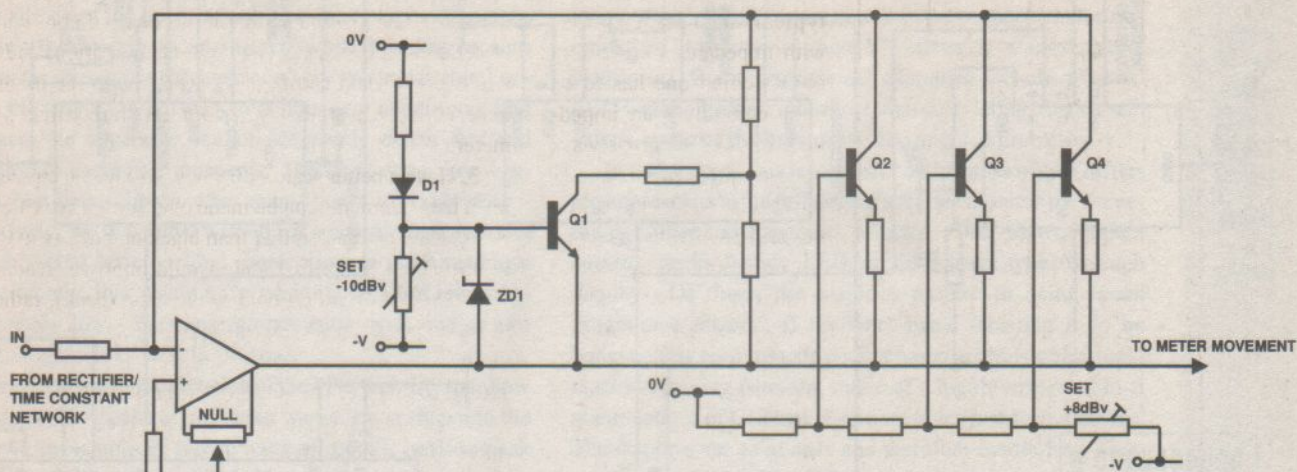
vations throughout Europe and the States. These are the EBU, the Nordic N9 and the DIN 45 406 types. Essentially, they all do the same thing. Differences manifest themselves as minor changes to the meter ballistics, scale markings or full scale deflection, but type each follows an identical underlying philosophy of design and the points that separate each of the three types are indeed slight. It should be noted that VU meters are still used in broadcast establishments, but as an aid to line-up only, NOT as a programme measuring apparatus.

The PPM has five main elements, these being the meter itself, the input buffer amplifier, precision rectifier, time constant network and a log amplifier. See Figure 5.

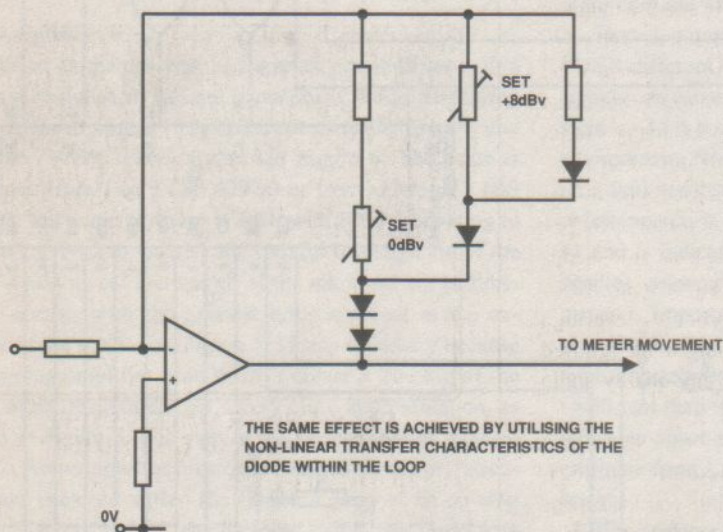
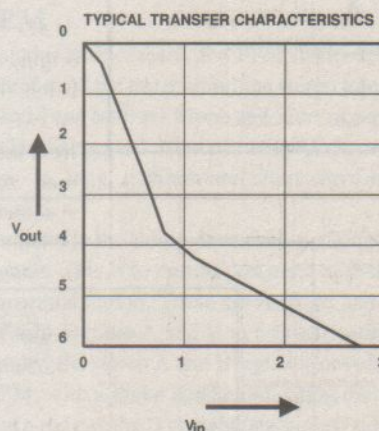
#### Input Amplifier

This is a high impedance amplifier (nominally 20k) which ensures that the meter is buffered from the signal source which it is measuring. Proper broadcast types will also include a 'rep coil' or repeater coil. This is a 1:1 audio transformer which allows absolute isolation from the source





LOGGING OF INPUT SIGNAL IS ACHIEVED BY ENCLOSING TRANSISTORS WITHIN THE FEEDBACK LOOP OF AN OP-AMP. TRANSISTORS ARE SWITCHED INTO THE FEEDBACK PATH (HENCE AFFECT LOOP GAIN) AT DIFFERENT MAGNITUDES OF  $V_{out}$  OF THE AMPLIFIER. TRANSFER CHARACTERISTIC, AS SHOWN, APPROXIMATES A LOG LAW.



THE SAME EFFECT IS ACHIEVED BY UTILISING THE NON-LINEAR TRANSFER CHARACTERISTICS OF THE DIODE WITHIN THE LOOP

Fig.8 Methods of achieving the logging response needed for the PPM

being measured. This satisfies requirement one for a meter which will not affect the circuit to which it is connected, nor will require recalibration when connected to a different impedance.

**Rectifier**

This is a precision rectifier which allows the meter to respond to both positive and negative peaks. It is active in nature and so gives proper, accurate results even with low level signals below the nominal 0.6V drop of a normal diode. This circuitry satisfies requirement 4.

**Time Constant Network**

The time constant network creates the necessary meter rise and fall times of 80ms and 15 respectively (DIN 45 406 standard), 12ms and 2.85 (BBC ED 1542 / BS 4297a), and

5ms and 1.75 (Nordic N9). This satisfies requirement 2, which is for a meter with ballistics suited to the accurate reading of results by a human operator and 4, to a certain extent.

Rise time is not instantaneous as it is with some types of meters. Instead, there is a rigidly defined 'integration time' of 12ms. This integration time has been carefully chosen such that only those peaks which are audible - and which might cause an amplifier to clip or a transmitter to over-modulate - are indicated. The rise time-constant takes into account the accurately-defined mechanical characteristics of the meter such that the electrical -CR- time constant required is just 2.5ms.

In this way, short-duration transients which are otherwise inaudible to the human hearing system, and harmless to any electronic reproducing or amplification apparatus connected



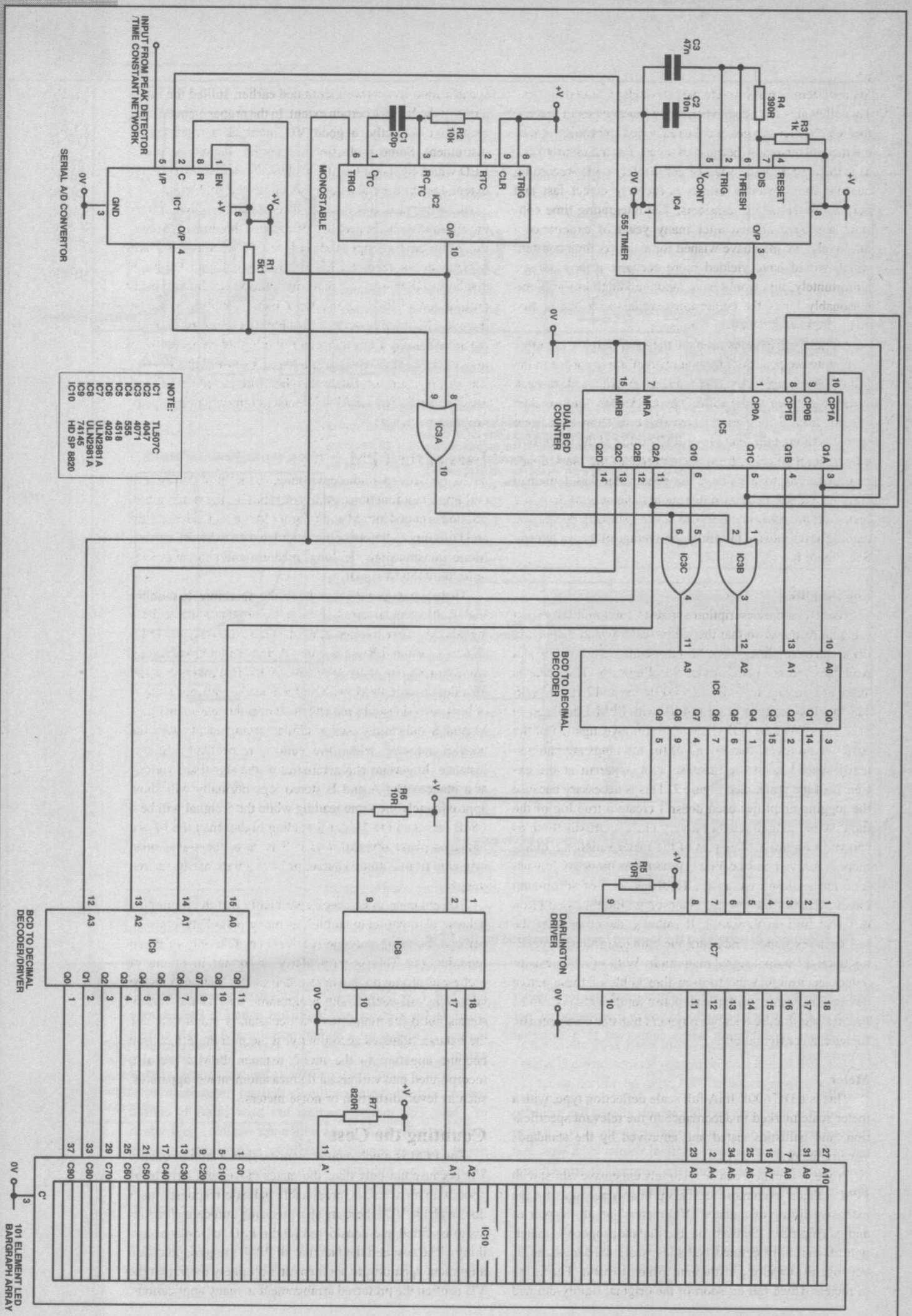


Fig.9 Professional audio application for LED bargraph display



to the system, are allowed to pass through without detection. This alleviates the need, when using many types of meters, to allow the meter to go 'into the red' when recording because the meter over-reads (because of a very fast attack time) or - as is the case with the VU - of deliberately under-recording because the apparatus cannot adequately detect fast and potentially damaging transients. The integrating time constant has been chosen after many years of experience - intuitively, we may have wished for a shorter time constant which would have yielded more accurate peak readings. Unfortunately, this would have made modulation levels unreasonably low - the compromise value, with one or two misgivings, works well in practise.

An excellent demonstration of the PPM's ability to follow accurately the peaks of any input waveform is shown in the following example. A square wave of specific peak-to-peak value is inputted to the PPM. The mark:space ratio is then altered, from a long mark/short space to short mark/long space. Although the average or RMS value of the waveform changes dramatically, from one extreme of the Mark:Space control setting to the other, the peak value has remained constant and the meter reading should indicate as such. A VU meter, on the other hand, would show a steadily decreasing reading as it followed faithfully the average of the waveform. See Figure 6.

#### Log Amplifier

This is, as the description suggests, an amplifier with a log gain response so that the meter scale, whilst displaying dB's, can have a linear - and hence operationally friendly and readable - front panel scale. See Figure 6. The scale is annotated from 1 to 7 (BS 4297a) or from -12 to +12 (BS 4297b). The scale partition is 4dB, with PPM 1 equating to -12dBu, PPM 2 to -8dBu, etc. Careful investigation of the scale would reveal that not all of the markings are equidistantly-spaced, with the greatest error apparent at the extremes of the scale. See Figure 7. This is necessary because the logging amplifier used doesn't create a true log of the input signal magnitude, but a very close approximation, as shown in Figure 8. This part of the meter satisfies requirement 2. Active non-linear devices (such as diodes or transistors) are enclosed within the feedback loop of an op-amp circuit. Each of the devices enclosed within this loop has a different turn-on threshold. It follows, therefore, that the feedback resistance, and hence the loop gain, alters depending upon the output signal magnitude. With suitable resistor values determining the turn-on thresholds of these active devices, a quasi-logarithmic response for the network can be synthesised. Figure 8 shows a typical transfer characteristic for such a configuration.

#### Meter

This is a DC 600R lma full scale deflection type, with a meter scale marked in accordance to the relevant specification, and ballistics tested and approved by the standards governing body.

Proper VU meters can be relatively expensive whilst with PPM's, this is even more so. This probably accounts for the extensive fitting of mutated 'VU meters' on all manner of audio equipment. It must be said that the proper VU meter, with its carefully defined ballistics, scale markings, etc. is very useful measuring instrument to have to hand. The fitting of meters which fall far short of the original rigidly-defined

specification has, as we mentioned earlier, sullied the reputation of the VU to a certain extent. In the proper element, and employed correctly, a good VU meter is a most useful instrument. Some professional examples include a 'peak' LED which lights on transients, thus alleviating, to a certain extent, some of the previously-documented problems.

In many ways, this is an ideal combination of two differing approaches to the problem of accurate monitoring. Something similar has happened with the PPM. Many modern cassette decks feature LED or fluorescent-type bargraph displays. Of these, the majority purport to being 'peak programme meters', if the front panel labelling is to be believed. My own cassette deck at home, a semi-professional machine coming from the stable of a highly respected hi-fi manufacturer of Oriental origin, includes just such a device. The displays are solid state and therefore inertia-less. They are therefore PEAK READING meters rather than true peak programme meters.

#### Uses of the PPM

In a broadcast studio environment, the PPM fulfils several important functions. At the transmitter, the stereo transmission is coded into M and S form - Mono and Side, or Sum and Difference - before being modulated on to the RF carrier. Mono transmissions, ie, long, medium and short wave require only the M signal.

There is a requirement in the studio, therefore, to monitor FOUR different signals. This is to ensure that none of these signals can cause overmodulation. These are A, B, M and S signals - Left and Right become A and B in a broadcasting environment. Normally, the stereo A and B signal is covered on a dual needle PPM, with a green needle indicating the A or left (port) side and a red one the B or right (starboard) side. M and S indication uses a similar arrangement, with the needles coloured white and yellow, respectively, in this instance. Important characteristics of the signal are yielded at a glance. The A and B stereo legs normally will show approximately the same reading while the S signal will be 4 - 8dB less than the M. An S reading higher than the M one indicates phase-reversal, and if S is zero, the signal must originate from a mono source, or have a very narrow stereo image.

The engineer must check continually that the programme balance is 'mono-compatible', as many radio listeners will, perhaps, be using portable receivers capable only of mono reproduction. This is particularly important in drama or orchestral productions where much of the 'action' may be happening off-centre. The programme may sound fine in stereo, but if the mono mix isn't constantly monitored, and the balance adjusted accordingly, some peculiar effects can become apparent to the mono listener. PPM's are also incorporated into various audio measurement test apparatus, such as level, distortion or noise meters.

#### Counting the Cost

The PPM is much more expensive than a similar quality VU because not only does the meter movement have to be good with an accurate, predictable ballistic response - as it does with the VU - there are also precision outboard electronics to be fitted and considered (and a PSU to power everything). The cost and the fact that all PPM's require precision alignment apparatus to set them up accurately mean that the VU is often the preferred arrangement in many applications,



since it needs only one adjustment and no off-board electronics or power supply.

Recent innovations and developments in indicator device technology - gas discharge, LCD and plasma displays - have brought the cost of these down to cost levels make them a viable financial proposition for use in commercial products. Since they are, in essence, digital in nature, these devices lend themselves readily to control by microprocessors and associated electronics. This means that many facilities which could never be made available on an analogue, moving coil-style meter present themselves as possible options.

These options include the possibility of direct interfacing with digital audio bitstreams (with no A/D, D/A conversions necessary), peak hold and various other memorising functions, control of display brightness in response to ambient light conditions, etc. Figure 9 shows a typical arrangement for control of the Hewlett-Packard 101 element light bar. This type of display is now finding its way into many professional digital audio applications such as CD or DAT mastering suites. Some can interface directly to the recording equipment (Sony PCM 3324 or PCM 3328 multitrack recorders) via the AES/EBU or SDIF (RS 422) data protocols. Attack time for these types is specified as being so many sample periods in length. Perhaps, this is the metering of the future.

In the example shown, the analogue input voltage is applied to a TL057 A/D convertor which has seven bit resolution. The digital output of this is in serial form and is

a pulse-width-modulated waveform of width corresponding to magnitude of the analogue input voltage.

The 4518 is a dual BCD counter configured as a 0 to 99 counter with the 'A' outputs corresponding to the 'units' and the 'B' outputs to the 'tens'. The 'one' outputs are decoded by the 4028 BCD-to-decimal decoder and used to drive the ULN2981A driver IC. This is used to source the anodes of the bargraph array with 80mA peak/segment. The 'tens' outputs from the 4518 drive the group cathodes through a 74145 BCD decoder/driver. The circuit multiplexes through 100 to 91, then 90 to 81 and so on and so forth. During the time that the output from the A/D is low, the corresponding display elements will be illuminated. The A/D output is reset each time the 4518 resets whilst a high output from the A/D disables the display by forcing the 4028 input pins into an invalid state.

Next month, for all of you itching to use a soldering iron in this project, we present on the front cover a PCB with which you can build a true studio-standard LED Peak Programme Meter.

## References

Audio Cyclopaedia (edited by Glen M. Ballou) - VI Meters and Devices (Glen M. Ballou) Howard W. Sams

Sound Recording Practise (edited by John Borvork) - Radio Broadcasting (Dave Fisher) Oxford University Press

Hewlett Packard Optoelectronics Catalogue - Application Note 1007

## NEXT MONTH - PART 2 USES THE COVER PCB TO CONSTRUCT THE PPM

### Technical Information Services

76 CHURCH STREET, LARKHALL,  
LANARKSHIRE, ML9 1HE  
TEL/FAX: (0698) 884585 Mon-Fri 8.30am - 5.00pm  
TEL/FAX: (0698) 883334 Outwith business hours

Write now with an SAE for your FREE QUOTE  
+ FREE CATALOGUE

SUPPLIER OF:

## SERVICE MANUALS SHEETS + CIRCUITS

We offer:-  
ANY 20 MANUALS FOR ONLY £7.50 each.  
For one payment of £150 you can order any 20 Manuals of any value, Post Free, over any period of time.

★ REPLACEMENTS & REFUNDS ★  
if anything is unreadable

★ DIAGRAMS ON A2 pages ★  
TWICE the size of A3 diagrams & unavailable from any other Technical Information Supplier

"Remember we also sell hundreds of technical books"

WE NOW HAVE A  
LIBRARY SERVICE

For the Loaning of Service Information.  
PLEASE CALL FOR ALL INFORMATION

WE ALSO HAVE HUNDREDS OF OTHER TOP  
SELLING TITLES!

we run another Library, for  
P.C.- GAMES SOFTWARE  
WRITE FOR DETAILS

### WE HAVE THE WIDEST CHOICE OF USED OSCILLOSCOPES IN THE COUNTRY

TEKTRONIX 7000 range Plug-in Oscilloscopes  
7603 with 7A26 & 7B53A Dual Trace 100MHz Delay Sweep  
& Cursors ..... £450  
7403N with 7A18 & 7B50 Dual Trace 60MHz ..... £300

Other Plug-in options available i.e. 4 Trace etc  
TEKTRONIX 2336 Dual-Trace 100MHz Delay Sweep  
Ruggedised ..... £1000  
IWATSU S55711 Four channel 100 MHz Delay Sweep £700  
HITACHI V1050F Dual Trace 100 MHz Dual TB with 4  
Channel Mode ..... £450  
TEKTRONIX 475 Dual Trace 200MHz Delay Sweep ..... £550  
TEKTRONIX 465 Dual Trace 100MHz Delay Sweep ..... £450  
TEKTRONIX 2213 Dual Trace 60MHz ..... £350  
TEKTRONIX 2225 Dual Trace 50MHz Alternate TB

Magnification ..... £450  
PHILLIPS PM3217 Dual Trace 50MHz Delay Sweep ..... £400  
HITACHI V650F Dual Trace 60 MHz Delay Sweep ..... £400  
GOULD OS1100 Dual Trace 30MHz ..... £160  
GOULD OS300 Dual-Trace 20 MHz ..... £200  
GOULD OS250B Dual Trace 15MHz ..... £125  
KIKUSUI S530 Dual Trace 30 MHz ..... £200  
TRIO CS1720 Programmable 20 MHz Dual Trace £300  
HAMEG 235 3 Dual-Trace 20MHz Digital Storage ..... £450  
THIS IS JUST A SAMPLE - MANY OTHERS AVAILABLE

PHILLIPS PM5193 PROGRAMMABLE  
SYNTHESIZER/FUNCTION GENERATOR  
0.1MHz, IEEE-488. As new ..... £1500

MARCONI 2610 True RMS Voltmeter ..... £800  
FARNELL Syn Oscillator OSG1 - 0.000Hz-99.99kHz £275  
MARCONI TF2015 AM/FM 10-520MHz Sig Gen ..... £300  
MARCONI TF2015 without Synchroniser TF2171 ..... £150  
MARCONI TF2016 AM/FM 10kHz-120MHz with TF2173 £300  
MARCONI TF2016 without Synchroniser TF2173 ..... £150  
MARCONI SANDERS Sig Sources. Various models. Covering  
400MHz-8.5GHz ..... from £200  
RACAL Instrumentation Recorders  
Store 4D and Store 7D ..... from £500  
KEITHLEY 224 Programmable Current Source ..... £1000  
FERROGRAPH RTS2 Recorder Test Set ..... from £200  
GOULD BIOMATION K5000 Logic Analyser ..... £500  
H.P. PULSE GENERATOR type 214B ..... £750  
RACAL/DANA 1991 Nanosecond Universal Counter ..... £800

FARNELL SSG520 Synthesised Sig Gen 10-  
520MHz ..... £400  
FARNELL TTS520 Transmitter Test Set Consisting of RF/  
AF Counter, RF Mod Meter, RF Power Meter, AF  
Voltmeter, AF Distortion Meter, AF Synthesiser ..... £400  
SOLD as a pair for ONLY ..... £750

SPECTRUM ANALYSERS  
TEKTRONIX 494P 10kHz - 21GHz (325 GHz with  
additional mixers) ..... £15,000  
HP 1411 with 855A & IF plug-in 10MHz - 18GHz £2,000  
HP 1411 with 855A & 8552B 500kHz - 1250MHz £1,300  
HP 1401 with 855A & 8552A 500kHz - 1250MHz £1,000  
HP 1411 with 855A & 8552B 20kHz - 300kHz ..... £1,000  
HP 1401 with 855A & 8552A 1kHz - 110MHz ..... £800  
MARCONI TF 2370 30Hz - 110MHz ..... £1,500  
HP 182c with 855B 100kHz - 1500MHz ..... £1,500

PHILLIPS PM2534 Multifunction DMM 3 1/2-8 1/2 digit  
GPB-IEEE ..... ONLY £450  
THURLBY PL320T-GP Bench PSU 0-30V 2-Amp  
Twice with GP1B ..... £350  
HAND-HELD MULTIMETERS - 3.5 digit DM105-14  
Ranges DC-2Amps ..... Only £18  
M2355 - 32 Ranges AC/DC 10 Amps. Diode/Transistor  
Tester: Freq counter etc ..... Only £32.50

RACAL/DANA Syn Sig Gen 9084 0.01-104MHz ..... £500  
RACAL/DANA RF Power Meter 9104 ..... £800  
RACAL/DANA 9341 Databridge. Automatic measurements of  
L.C.R. & D. .... £350  
WAYNE KERR B424 RCL Meter. LCD Display ..... £125  
WAYNE KERR 4210 LCR Meter. Accuracy 0.1% ..... £800  
AVO AC/DC Breakdown Leakage & Ionisation Tester  
RM215L/2 ..... £600

MARCONI DIGITAL FREQUENCY METERS  
Type 2430A 10MHz-80MHz ..... £125  
Type 2431A 10MHz-200MHz ..... £150  
MARCONI UNIVERSAL COUNTER TIMERS  
Type 2437 DC-100MHz ..... £175  
Type 2436 DC-520MHz ..... £225

FARNELL PSU TVS70 MK2 70V 5A; 30V 10A ..... £300  
FARNELL PSU H60/25 0-60V; 0-25Amps Metered ..... £400  
FARNELL PSU L30E 0-30V; 0-5Amps Metered ..... £80  
TELEQUIPMENT C171 Curve Tracer ..... £250  
MARCONI TF2700 Universal Counter from £125  
MARCONI TF2337A Auto Distort Meter 400Hz/1kHz  
0.01% ..... £175  
AVO Valve Characteristic Meter VCM163 ..... £300

AVO MULTIMETERS  
MODEL 8 or 9 (what's available) ..... £40 each  
Test Set No. 1 8X, 95X ..... from £50  
8 Mk 5 with Carrying Case ..... £90  
8 Mk 6 with Carrying Case ..... £120  
All Meters Supplied with Batteries & Leads

### NEW EQUIPMENT

HAMEG OSCILLOSCOPE HM1005 Triple Trace 100MHz  
Delay Timebase ..... £847  
HAMEG OSCILLOSCOPE HM604 Dual Trace 60 MHz Delay  
Sweep ..... £853  
HAMEG OSCILLOSCOPE HM203 7 Dual Trace 20MHz  
Component Tester ..... £362  
HAMEG OSCILLOSCOPE HM205 3 Dual Trace 20MHz  
Digital Storage ..... £853

All other models available -  
all oscilloscopes supplied with 2 probes  
BLACK STAR EQUIPMENT (P&P all units £5)  
APOLLO 10-100MHz Counter Timer Ratio/Period/Time  
interval etc ..... £222  
APOLLO 100 - 100MHz (As above with more functions) £325  
METEOR 100 FREQUENCY COUNTER 100MHz ..... £199  
METEOR 500 FREQUENCY COUNTER 600MHz ..... £135  
METEOR 1000 FREQUENCY COUNTER 1GHz ..... £178  
JUPITOR 500 FUNCTION GEN 0.1Hz-500Hz Sine/Sq/  
Tri ..... £110  
ORION COLOUR BAR GENERATOR PAI/TV/Video ..... £229  
All other Black Star Equipment available

OSCILLOSCOPE PROBES Switchable x 1 x 10 (P&P £11)

Used Equipment - Guaranteed. Manuals supplied if possible. This is a VERY SMALL SAMPLE OF  
STOCK. SAE or Telephone for lists. Please check availability before ordering.  
CARRIAGE all units £16. VAT to be added to total of Goods and Carriage.



STEWART OF READING

110 WYKEHAM ROAD, READING, BERKS RG6 1PL  
Tel: (0734) 268041 Fax: (0734) 351 696. Callers welcome 9am-5.30pm Mon-Fri (until 8pm Thurs).

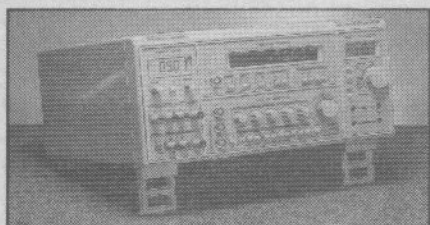




# QUALITY INSTRUMENTS AT EXCEPTIONAL VALUE

## MULTI INSTRUMENT

**MX9000**



## MULTI INSTRUMENT

The MX9000 combines four instruments to suit a broad range of applications in both education and industrial markets including development work stations where space is at a premium.

The instruments include:

1. A triple output power supply with LCD display offering 0-50V 0.5A, 15V 1A, 5V 2A with full overcurrent protection;
2. An 8 digit LED display 1Hz - 100MHz frequency counter with gating rates of 0.1Hz, 1Hz, 10Hz and 100Hz providing resolution to 0.1Hz plus attenuation inputs and data hold;
3. A 0.02Hz to 2MHz full featured sweep/function generator producing sine, square, triangle, skewed sine, pulse and a TTL output and linear or logarithmic sweep. Outputs of 50Ω and 600Ω impedance are standard features;
4. An auto/manual 3 1/2 digit LCD multimeter reading DCV, DCA, ACV, ACA, resistance, and relative measurement with data hold functions.

The MX9000 represents exceptionally good value at only £399.00 plus VAT (468.83).

## DIGITAL MULTIMETERS

**183, 185, 187, 285**



## DIGITAL MULTIMETERS

The 180 series of high performance multimeters provide advanced features and are supplied complete with probes, battery and rubber holster. The case is dust and splash proof making it ideal in most environments. Designed to meet IEC348 Class II safety standard.

183 - 3 1/2 digit large LCD display, ACV, DCV, ACA, DCA resistance, continuity buzzer, diode test, hold, basic accuracy 0.5%. £39.50 plus VAT (46.41).

185 - 3 1/2 digit LCD, bar graph, ACV, DCV, ACA, DCA, resistance, continuity buzzer, diode test, hold, temperature (-40°C to 1370°C), capacitance (1pf to 40uf), frequency (1Hz to 200kHz), max min, edit, % compare, basic accuracy 0.3%. £74.50 plus VAT (£87.54)

187 - 3 1/2 digit LCD, bar graph, ACV, DCV, ACA, DCA, resistance, continuity buzzer, diode test, hold, temperature (-40° to 1370°C), frequency (1Hz to 200kHz), max min, edit, %, compare, basic accuracy 0.3%, auto ranging, £99.50 plus VAT (£116.91)

285 - As 185 except 4 1/2 digit true RMS, basic accuracy 0.05%. £109.50 plus VAT (128.66).

## FREQUENCY COUNTERS

The SC-130 and SC-40 are full featured, micro processor based, hand held frequency counters providing portability and high performance. Both instruments provide measurement of frequency, period, count and RPM plus a view facility enabling min, max, av and difference readings.

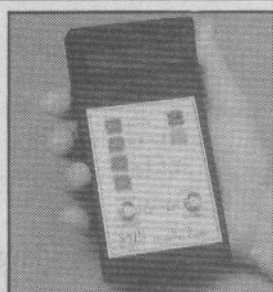
SC-130: 5Hz 1.3GHz, 8 digit readout, sensitivity typically 10mV, high impedance input, battery condition indicator. £109.00 plus VAT (128.08)

SC-40: As SC-130 except 5Hz to 400MHz. £89.00 plus VAT (£104.58)

## LCR METER

The MIC-4070D LCD digital LCR meter provides capacitance, inductance, resistance and dissipation measurement. Capacitance ranges are from 0.1pf to 20,000uf plus dissipation. Inductance ranges from 0.1pH to 200H plus a digital readout of dissipation. Resistance ranges from 1mΩ to 20MΩ. Housed in a rugged ABS case with integral stand it is supplied complete with battery and probes at £85.00 plus VAT (£99.88).

## COUNTERS SC-130, SC-40 LCR METER MIC-4070D



**SAJE**  
ELECTRONICS

For further information contact SAJE now on tel (0223) 425440 or fax (0223) 424711, or for fast delivery send your order direct enclosing cheque/postal order made payable to SAJE ELECTRONICS to: SAJE Electronics, 117 Lovell Road, Cambridge, CB4 2QW. Free postage for UK orders, for overseas orders add £10.00. Trade orders welcome.

# HRT

*Incorporating SCANNERS INTERNATIONAL*  
**HAM RADIO TODAY**

**HRT is Ham Radio explained, appreciated and discussed from a practical point of view.**

There are features on construction, conversions, packet radio and club news to appeal to experts and novices alike.

**FIRST with news, FIRST with reviews, HAM RADIO - Today!**

  
SUBSCRIPTION & BACK ISSUES  
**HOTLINE**  
0737 768611

Published 1st  
Friday of  
every month  
only £1.70

Order your copy from a newsagent now or subscribe and we'll deliver every issue FREE!\*

\* UK only

# AQUARIUM

**Dazzling pictorial displays of aquarium fish together with essential data and hobby information presented in 100 pages brimming with facts and up to the minute news.**

Aquarium gives you the best advice on keeping healthy fish and offers an alternative monthly A-Z feature building to a complete reference of fish around the world.

**THE FACTS ON FISHKEEPING, PONDS AND AQUARIA**

  
SUBSCRIPTION & BACK ISSUES  
**HOTLINE**  
0737 768611

Published 3rd  
Friday of  
every month  
only £1.75

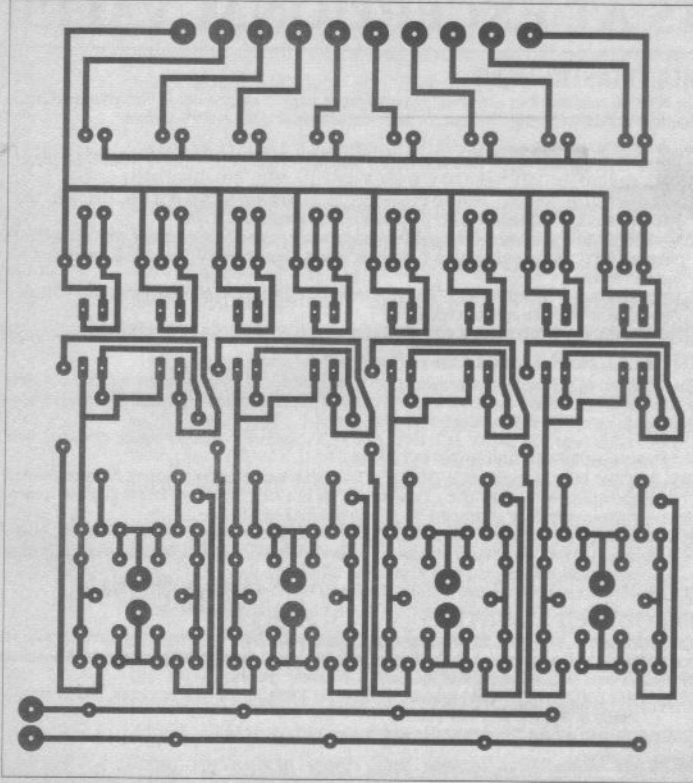
Order your copy from a newsagent now or subscribe and we'll deliver every issue FREE!\*

\* UK only

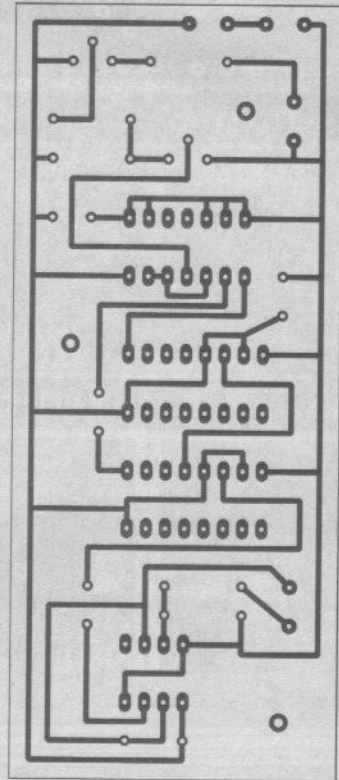


# PCB Foils

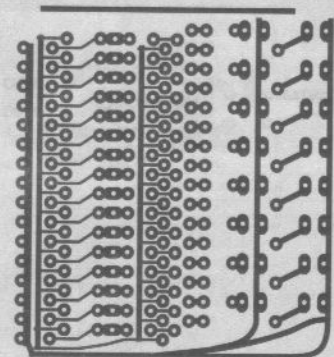
The PCB foil patterns presented here are intended as a guide only. They can be used as a template when using tape and transfer for the creation of a foil.



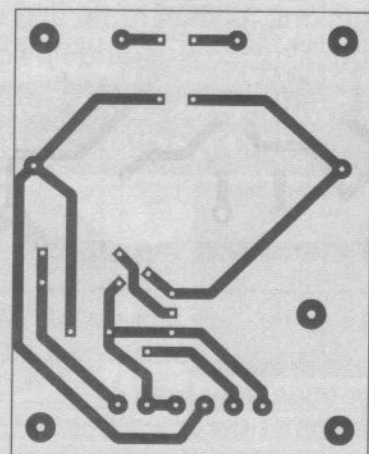
Disco Amiga (Motor Control Board)



LED Stroboscope



IC Tester



Ni-Cd Battery Charger



## EPROM Programmer Jan/Feb '93

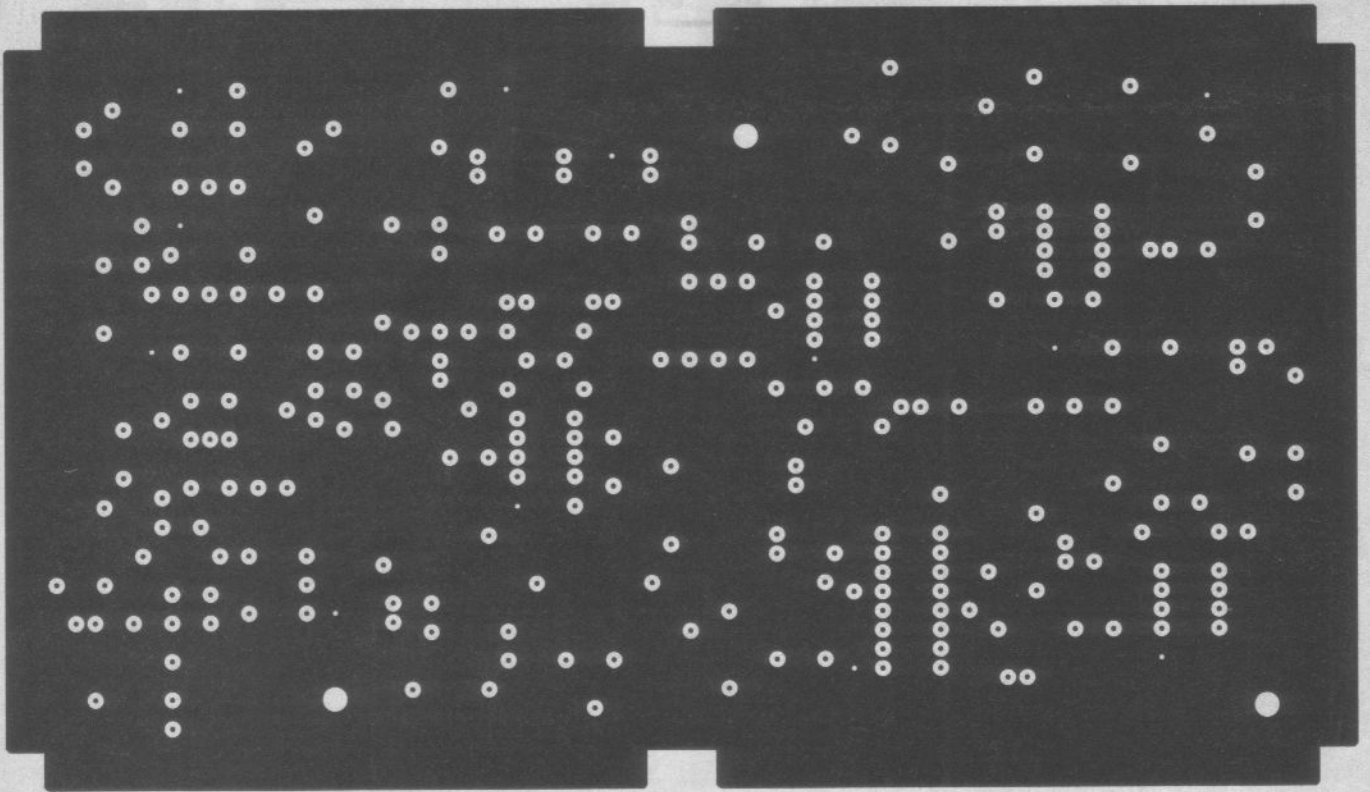
Fig.1 Section of IC4 with pins 1&2 should be IC4a and IC4a should be labelled IC4c. Fig.2 PROG PULSE signal from IC15c pin 8 should be PROG PULSE-. RN1 common pin should be shown connected to V+. IC9 outputs on pins 16 and 1 should be R/W- and R/W respectively. Fig.3a R/W signal into D2 should be R-/W.

Fig.4 C12 has been omitted. It should be in the line from IC19 pin 6 and the junction of Q11,Q12 and Q15, to GND (drawn between Q14 and Q16). As drawn the output from IC19 is shorted to GND.

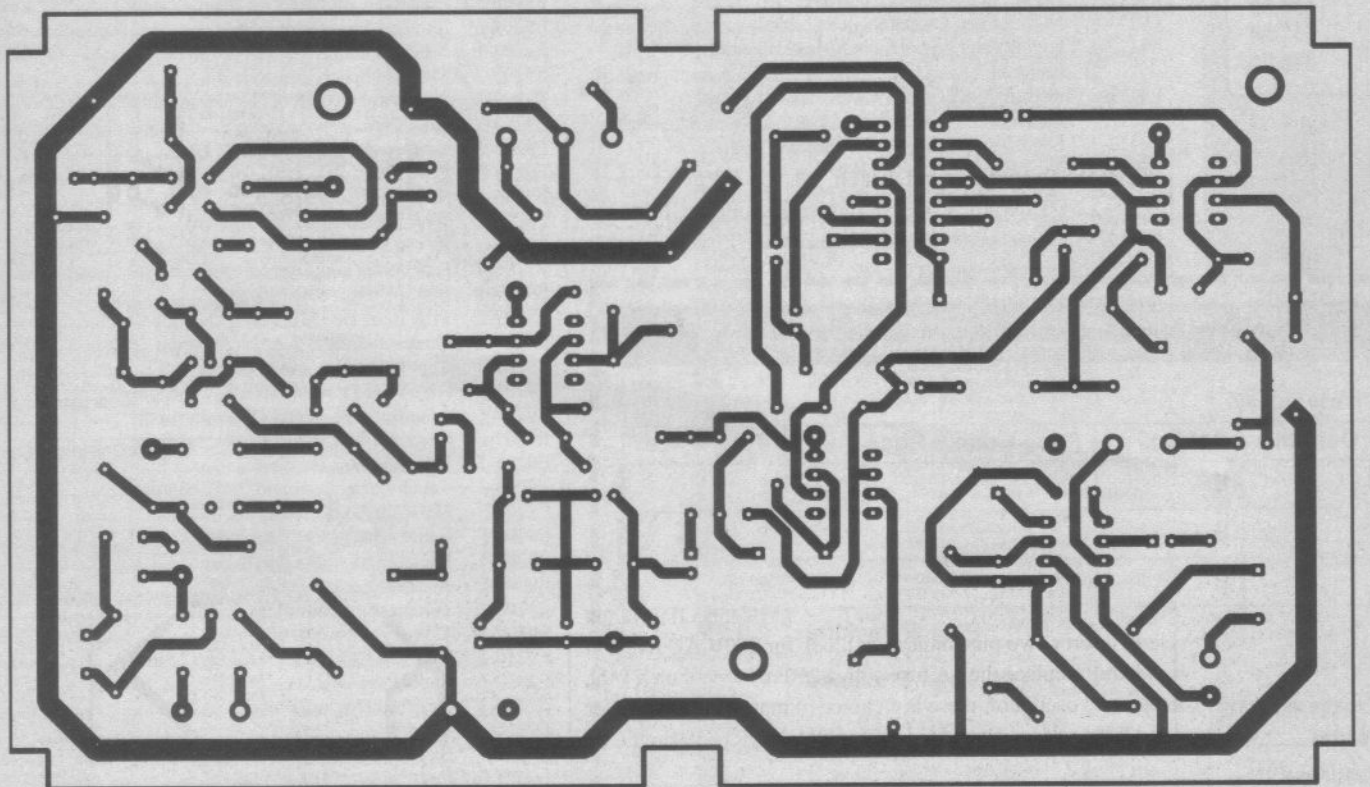
## Remote controlled receiver Jan '93/Transmitter Feb '93

Delete C1a. For C1 use a 470n AC 250/500 XY Capacitor (Maplin UL61R). Remove the three pin connecting block and insert a two pin connecting block for 250V AC live and neutral. Replace the 1A fuse with a 250mA type. For XT the ceramic oscillator, there is a choice of matching pairs either 500kHz or 455kHz (455kHz Maplin UL61R). C6 should be 100n and C5 should be 470n. In the transmitter overlay (Fig.2) R4 (750k) and R5 need to be transposed and positive of C1 is to the left. In Fig.1 R1,2,3 should be 1R as parts list IC1 pin 18,C1,C2 and C3 should be connected to earth (dot join missing). An isolating power supply transformer was tried in a proto-type instead of the mains capacitor but gave unsatisfactory results. This was probably due to RF interference with the transformer in close proximity to to the IR detector.





Direct Conversion Receiver (Component side)



Direct Conversion Receiver (solder side)



TELEPHONE  
ORDERS  
may be made on  
**(0442)**  
**66551**  
ACCESS or VISA



# PCB Service March

Price code	Price (inc. VAT)
C	£1.80
D	£2.50
E	£3.25
F	£4.00
G	£4.75
H	£5.50
J	£6.62
K	£7.20
L	£8.80
M	£10.60
N	£13.10
O	£15.80
P	£17.90
Q	£21.80
R	£23.90
S	£25.90
T	£29.00
U	£32.20
V	£35.80
W	£37.90
X	£40.70

E9303-1	Ni-Cd Battery Charger	E
E9303-2	IC Tester	E
E9303-3	Disco Amiga (Motor Driver Board)	H
E9303-4	Direct Conversion Receiver (Double Sided)	N
E9303-FC	LED Stroboscope	F
E9302-1	EPROM Programmer (Double Sided)	N
E9302-2	Sound to MIDI Board	L

PCBs for the remaining projects are available from the companies listed in Buylines.

Use the form or a photocopy for your order. Please fill out all parts of the form. Make sure you use the board reference numbers. This not only identifies the board but also tells you when the project was published. The first two numbers are the year, the next two are the month.

Terms are strictly payment with order. We cannot accept official orders but we can supply a proforma invoice if required.

Such orders will not be processed until payment is received.

E9111-3	Nightfighter Mode Selection (2 sided)	J
E9111-4	Nightfighter- Display Board (2 sided)	M
E9111-5	Nightfighter - Bass Beat Trigger (2 sided)	L
E9111-6	Nightfighter- Sequence Select (2 sided)	H
E9111-7	Nightfighter - Master Controller PSU	K
E9111-8	Nightfighter- Output Switch (2 sided)	M
E9112-1	Nightfighter Sensor Switch Master Control (2 sided)	L
E9112-2	Nightfighter Sensor Switch Channel Control (2 sided)	L
E9112-3	Nightfighter Sensor Switch Sound Trigger	H
E9112-4	Nightfighter Connector Board	F
E9112-5	Nightfighter Sensor Switch PSU	K
E9112-6	Nightfighter 8-Channel Input Interface (2 sided)	P
E9112-7	Power On and Overload Regulator	P
E9201-1	Laboratory Power Supply	F
E9201-2	Test Card Generator Board	M
E9201-3	LED Star (2 sided)	L
E9201-4	Enlarger Timer Main PCB (2 sided)	N
E9201-5	Enlarger Timer Selector Board (2 sided)	K
E9201-6	Enlarger Timer Switch PCB	E
E9203-1	MIDI Switcher- Main Board	L
E9203-2	MIDI Switcher- Power Supply	E
E9203-3	Sine Wave Generator (surface mount)	F
E9204-1	Auto Car Lights	F
E9205-1	Bat Detector	F
E9205-2	Pond Controller	E
E9206-FC	Stereo amplifier	G
E9206-2	Xenon flash trigger Main Board	J
E9206-3	Xenon flash trigger Flash Board	F
E9206-4	Scanner for audio generator	D
E9207-1	Improved Rear Bike Lamp	D
E9207-2	Mini Baby Bug Monitor	C
E9207-3	Ultrasonic Audio Sender (2 boards)	H
E9207-4	Camera Add-on unit (4 boards)	O
E9207-5	AutoMate 5V/48V Mixer power supply	J
E9207-6	AutoMate Precision 17V power supply	J
E9207-FC	Surround Sound Decoder	F
E9208-1	Dynamic Noise Limiter	F
E9208-2	Touch Controlled Intercom (2 boards)	H
E9208-3	MIDI Keyboard	K
E9208-FC	Battery charger	F
E9209-1	Intercom for light aircraft	H
E9209-2	Alarm protector	C
E9209-3	Temperature controller	M
E9209-FC	45W Hybrid power amp	F
E9210-1	Universal I/O Interface for PC (2 Sided)	N
E9210-2	Rapid Fuse Checker	E
E9210-3	Heartbeat/Audio Listener	E
E9210-FC	Wizards Hat	E
E9211-1	Electronic Die	E
E9211-FC	Car Alarm	F
E9212-1	Digital Circuit Tester	F
E9212-2	Communications Link by RS232	L
E9212-FC	Mains Inverter	E
E9301-2	Fading Festoonery	G
E9301-FC	Infra Red Receiver	F
E9302-FC	Infra Red Transmitter	E
E9302-3	Puddle Tec	E

**ETI PCB Service, Reader's Services, Argus House,  
Boundary Way, Hemel Hempstead HP2 7ST**

Please Supply:

Quantity	Ref No.	Price Code	Price	Total Price
	E		£	£
	E		£	£
	E		£	£
Post & Packing				£ 0.75
Total Enclosed				£

Please send my PCBs to:

Name .....

Address .....

.....Postcode .....

**CHEQUES SHOULD BE MADE PAYABLE TO ASP Ltd.**

#





**8 CAVANS WAY, BINLEY INDUSTRIAL ESTATE,  
COVENTRY CV3 2SF, ENGLAND.  
TELEPHONE (0203) 650702. FAX (0203) 650773**

**KEITH MORRIS  
Tel: 0203 650702  
Fax: 0203 650773**

**LIST OF TEST EQUIPMENT AVAILABLE**

**OSCILLOSCOPES**

HEWLETT PACKARD	1740A-100 MHz Dual Trace	£300
HEWLETT PACKARD	1741A-100 MHz Dual Trace Analogue Storage Scope	£325
HEWLETT PACKARD	1744A-100 MHz Dual Trace Analogue Storage Scope	£325
HEWLETT PACKARD	182C-100 MHz 4 Channel fitted with 1809A 4 channel Vertical amplifier and 1825A time base & delay generator	£300
PHILIPS	3211 - 15 MHz Dual Trace	£150
PHILIPS	3217 - 50 MHz Dual Trace	£200
PHILIPS	3226 - 15 MHz Dual Trace	£150
PHILIPS	3240 - 50 MHz Dual Trace	£225
PHILIPS	3261 - 120 MHz Dual Trace	£275
GOULD	OS4200 - 50 MHz Digital Storage Scope Dual Trace	£250
TELEQUIPMENT	DM64 - 50 MHz Dual Trace	£125
TELEQUIPMENT	D75 - 50 MHz Dual Trace	£150
TEKTRONIX	7603 - 100 MHz 4 Channel	£250
TEKTRONIX	7313 - 100 MHz 4 Channel Analogue Storage Scope	£275

HEWLETT PACKARD	182T with 8755B Swept Amplitude Analyser	£250
HEWLETT PACKARD	180TR with 8755B Swept Amplitude Analyser	£250
PHILIPS	PM 8226 Six Line Pen Recorders	£399
HEWLETT PACKARD	RMS Voltmeter - Models 400E/400FL/400F	From £125
HEWLETT PACKARD	Test Oscillator 6518 10 Hz to 10 MHz	£150
LYONS	Pulse Generators Type PG2B 0-10 MHz	£250
MARCONI	Electronic Voltmeter TF 2604	£50
TECHTEST	Model 260 1.5 GHz Linear Up Converter Input 240 MHz 350 MHz Output 1440 - 1550 MHz	£399

HEWLETT PACKARD	3730A Down Converter with 3738A Oscillator - 6.3 GHz - 8.5 GHz Down to 70 MHz	£1K
WANDEL & GOLTERMANN	Display Unit SG3 200 Hz - 20 MHz	£300
HEWLETT PACKARD	8745A "S" Parameter Test Set (0.1 GHz - 2 GHz)	£499
ADRET	Codasyn 301 Synthesiser 0 - 1 MHz	£150
WANDEL & GOLTERMANN	PS 6 Level Generator 6 KHz - 18.6 MHz	£400
WANDEL & GOLTERMANN	PS 60 Level Generator 6 KHz - 18.6 MHz	£500
WANDEL & GOLTERMANN	SPM 60 Level Meter 6 KHz - 18.6 MHz	£500
WANDEL & GOLTERMANN	PS 12 Level Generator 200 Hz - 4.5 MHz and 200 Hz - 6 MHz	£500
WANDEL & GOLTERMANN	SPM 12 Level Meter 200 Hz - 4.5 MHz and 20 Hz - 6 MHz	£500
SIEMENS	D2008 Level Meter 200 Hz - 18.6 MHz	£400
HEWLETT PACKARD	8620C Sweep Oscillator Mainframes	£499
HEWLETT PACKARD	RMS Voltmeters - 3406A - Broadband Sampling Voltmeters	£150
HEWLETT PACKARD	Logic Analysers with Pods - 1615A	£200
MARCONI	FM/AM Modulation Meter TF 2300 5.5 - 1000 MHz	£150
AVO	C2457/8 Component Comparators	£50
MARCONI	Type 6057B/1 Signal Source 4-8 GHz	£499
HATFIELD	Type 1000 Psophometer	£100
HATFIELD	Type 1015 Level Measuring Set	£100
RADIO SPARES	Mains Filters (Isolating Transformers) EPMS - 207481 By Solgtron/Wayne Kern/Weir/Countant and Farnell - such as L301, LT301, L3905, E350, L30F, L1210C etc	From £25 to £120
POWER SUPPLIES	Fluke 8010A/8050A/8800A/8600A	£100/£125/£80/£75
DIGITAL MULTIMETERS	Solartron 7045/IM14202	£50
	Gould Alpha III and Alpha IV	£15
AVO'S	Model 8 and Selectcasts	£10 to £40
FREQUENCY COUNTERS	Racal 9520/9903/9905	£15/£100/£125
	Advance TC17A	£75

CAPACITANCE/INDUCTANCE/RESISTANCE DECADE BOXES - MANY TYPES	£5 TO £15	
PRINTERS	Newbury 8510RM/8300SRM £10	
	Centronics (Line Printers) 781/702/352 £10	
VDU MONITORS 71 (ASH ROW - BURNT HILL)	£10	
MARCONI	TF 2356 - 20MHz Oscillator	£300
WILTRON	560 - Network Analyser	£1000
OFF AIR FEQU.STD	Celerfac	£75
RACAL DANA 202	Logic Analyser + 6800 Disassembler	£325
MARCONI	2306 Programmable Interface	£125
HEWLETT PACKARD	1640B - Serial Data Analyser	£600
RACAL DANA	9084 Synthesised Sig. Generator (0.01-104MHz)	£320
TEKTRONIX	TM5003 - AFG 5101 - Programmable Arbitrary Functional Gen	£1500
MARCONI	2435 - Dig Freq Counter (2GHz)	£550
TEKTRONIX	603 Storage Monitors x2	£50
KIKUSUI	5091 Alignment Scope	£150
AIM LIMITS COMPARTOR 402 WITH LCR DATABRIDGE 401		£250
DRANETZ PHASE METER		£100
ADRET	2230A Frequency Synthesiser - Up to 1MHz	£200

FISCHERSCOPE BETA 2060	(Non destructive coating thickness measuring instruments - based on the Beta Backscatter principle)	} £3K
FISCHER	Printer F3050	
FISCHER	Proprietary SD	
FISCHER	Proprietary S (Electrophotographic Porosity Tester)	
FISCHER	Through-Hole Plating Measurement Device	
FISCHERSCOPE BETA 2040 COATING THICKNESS COMPUTER		
FISCHER	WP24DH - Hand Press	
FISCHER F1-12	Press	
ALL ABOVE CAN BE PURCHASED AS JOB LOT		

METROHM	Polarecord (Polarograph) - 626	} £1K
METROHM	VA-Timer 621	
METROHM	VA Stand (For Polarographic and Voltammetric Analysis)	
OERTLING	R40 Scales	£100
OERTLING	O40 Scales	£100
DEMITRON	Non Destructive Thickness Tester	£250
PROJECTINA	CH9435 Photomicroscope (Swiss Made)	£1K
CI ELECTRONICS	Microforce Balance MK2 Analogue Control Unit	£200
BRYANS SOUTHERN	Series 4000 Ultra Violet Oscillograph	£350
C&N ELECTRICAL	Type 7800 Series 3 - Coordinate Marking Out Table (XY Moving Microscope)	£250
METROHM	Pats Testers	£70
WPA	Long Scale Galvanometer	£50
PYE	Scalamp Fluxmeter	£50
CORNING EEL	Unigalvo	£50
MEECO INSTRUMENTS	Electrolytic Water Analyser	£150
BRYANS	2900 A3 XY Recorder	£200
MULTICORE SOLDERABILITY TEST MACHINE MK III		£300

BENTHAM THE FOLLOWING EQUIPMENTS HAVE JUST ARRIVED IN STOCK. (PRICES ON APPLICATION) £200

HEWLETT PACKARD	3763A Error Detectors	} Microwave Link Analysers
HEWLETT PACKARD	3762A Data Generators	
HEWLETT PACKARD	15520A Return Loss Hybrids	
HEWLETT PACKARD	X752C Adaptors	
HEWLETT PACKARD	938A Frequency Doublers	
HEWLETT PACKARD	I/P 9GHZ to 13GHZ - 9P 18GHZ to 26GHZ	
HEWLETT PACKARD	3702B I.F. Baseband Receiver	
HEWLETT PACKARD	3705A Differential Phase Detector	
HEWLETT PACKARD	3710A I.F. Baseband Transmitter	
HEWLETT PACKARD	3716A Baseband Transmitter	
HEWLETT PACKARD	3200B VHF Oscillator 10MHz - 500MHz	} Component Test Sets
HEWLETT PACKARD	8750A Storage Normalisers	
HEWLETT PACKARD	4204A Oscillator (10Hz to 1MHz)	
HEWLETT PACKARD	196A Oscilloscope Cameras	
PHOTODYNE	1800 Fibre Optic Attenuators	
TEKTRONIX	7904 500MHz Oscilloscopes	
TEKTRONIX	4041 Disc Drives	
TEKTRONIX	4926 Disc Drives	
TEKTRONIX	1103 Tek Probe Power Supply	
TEKTRONIX	7623A Oscilloscopes (100MHz)	
KINGSHILL	150 Power Supply (300V-10A)	
MARCONI	TF 1073A R/F Attenuators 0-100db.	
MARCONI	TF 2801/4 Error Detectors	
MARCONI	TF 23701/1 Spectrum Analysers (110MHz)	
MARCONI	TF 2909 Grey Scale Generators	
MARCONI	TF 2905/6M Sine/Square Pulse & Bar Generators	
MARCONI	TF 2802/2 Pattern Generator & SLMS	
MARCONI	TF 2606 Differential Voltmeters	
MARCONI	TF 1313A Universal Bridges	
MARCONI	TF 2213A/1 X-Y Display	
MARCONI	TF 1245 20-300MHz Oscillator with 6057B/1 Signal Source	
MARCONI	Insertion Loss Test Set	
MARCONI	Power Supply Double 30V-3A	
NARDA	5073 Reflectometer Coupler (1.7-4.2GHz)	
NARDA	5074 Reflectometer Coupler (3.7-8.7GHz)	
NARDA	5075 Reflectometer Coupler (7-12.4GHz)	
NARDA	757 Attenuators - various	
ELECTROSTATIC	5KZ Voltmeter	
BRANDEBURG	2475R Photomultiplier Power Supply (2KV)	
ANDERSON	Prom Eraser	
GOULD	J3B 10KHz - 100KHz Oscillator	
GOULD	DM12 True RMS Voltmeter	
S.T.C.	74216A Audio Noise Generator	
S.T.C.	GT9A Milliwatt Test Sets (Power Meter)	
S.T.C.	156A Milliwatt Test Sets (Power Meter)	
EDGECOMBE	P.A.T.S. Testers	
J.J. LLOYDS	G35 Tuned Detectors	
ADVANCE	J2 A.F. Signal Generators (15-50KHz)	
GAY/MILANO	F.T.M. Fast Transient Monitors	
FLUKE	8922A True RMS Voltmeters	
ROBAND	500 Voltmeters (1KV)	
550	Fibre Optic Power Meters	
STSTRON DONNER	101D Pulse Generators	
TELETRON	J5008 Composite Transmission Test Set	
RACAL	1200 Universal Switch Controllers	
RACAL	9303 True RMS R/F Level Meters with 11-1478 Sensing Heads	
RACAL	1015 Level Measuring Sets (30Hz-120KHz)	
HATFIELD	1016 Level Oscillator Sets (30Hz-120KHz)	
SIEMENS	W2008 Level Oscillators (200Hz-18.6MHz)	
SIEMENS	D2008 Level Meters (200Hz-18.6MHz)	
SIEMENS	Low Pass Filters 2.4GHz, 3.3GHz & 4.3GHz	
SIEMENS	REL 3R 114E Inductance Bridges (0.1µH-1000H)	
TREND	1-9-1 Data Transmission Test Sets	
TREND	1-4 Data Transmission Test Sets	
PHILIPS	3211 Oscilloscopes (15MHz)	
PHILIPS	3217 Oscilloscopes (50MHz)	
PHILIPS	3226 Oscilloscopes (15MHz)	
PHILIPS	3261 Oscilloscopes (120MHz)	
PHILIPS	3240 Oscilloscopes (50MHz)	
PHILIPS	PG75A Pulse Generators	
LYONS	RGI Noise Generators (0-100KHz)	
WANDEL & GOLTERMANN	PSGI Test Signal Generators (4.433618MHz)	
WANDEL & GOLTERMANN	ORTI Regenerator Test Sets	
WANDEL & GOLTERMANN	TFPM43 Level Meter (10KHz 14MHz)	
BRADLEY	192 Oscilloscope Calibrators	
LEVELL	TG200M RC Oscillators	
LEVELL	Transistor Decade Oscillator	
RHODE & SCHWARZ	UHF Resonance Frequency Meters	
RHODE & SCHWARZ	BN4150 Noise Generators	
WAYNE KERR	B642 Universal Bridges	
WAYNE KERR	TE200 Transducers	
DELTEST	Family Module General Purpose	
DELTEST	Family Module Linear Devices	
DELTEST	Family Module Digital Devices	
DELTEST	Family Module Remote Test Head	
DELTEST	Family Module Power Supply Unit	
G.E.C.	Audio Noise Generators	
G.E.C.	Variable Low Pass Filters	
G.E.C.	Flash Testers	
ENGLISH ELECTRIC	Insulation Testers	
D.T.L.S.	64 Kbit Test Sets	
INTEL (INTELLEC MDS)	Universal Prom Programmers	
BRYANS	X-Y Recorders	
FILTRONIC	Network Measurement Sets	
WANDEL & GOLTERMANN	AZD-1 Display Expanders	
DANBRIDGE	Capacitance Deviation Bridges	
ARRA	TT Line Attenuators	
AZTECH	Isolated Line Conditioners.	

**ALL EQUIPMENT IS USED, WITH 30 DAYS GUARANTEE.  
PLEASE CHECK AVAILABILITY BEFORE ORDERING.**

**CARRIAGE CAN BE ARRANGED - VAT TO BE ADDED TO TOTAL PRICE OF ALL GOODS AND CARRIAGE.**





# HART AUDIO KITS - YOUR VALUE FOR MONEY ROUTE TO ULTIMATE HI-FI

HART KITS give you the opportunity to build the very best engineered hi-fi equipment there is, designed by the leaders in their field, using the best components that are available.

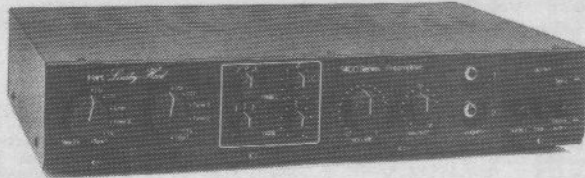
Every HART KIT is not just a new equipment acquisition but a valuable investment in knowledge, giving you guided hands-on experience of modern electronic techniques.

In short HART is your 'friend in the trade' giving you, as a knowledgeable constructor, access to better equipment at lower prices than the man in the street.

You can buy the reprints and construction manual for any kit to see how easy it is to build your own equipment the HART way. The FULL cost can be credited against your subsequent kit purchase.

Our list will give you fuller details of all our Audio Kits, components and special offers.

## LINSLEY HOOD 1400 SERIES ULTRA HIGHQUALITY PREAMP



Joining our magnificent 80 Watt power amplifier, in an identical sized, cosmetically matched case, is the most advanced preamplifier ever offered on the kit, or indeed made-up marketplace.

Facilities include separate tape signal selection to enable you to listen to one programme while recording another, up to 7 inputs, cross recording facilities, class A headphone amplifier, cancellable rumble filter and triple slope tone controls along with many other useful functions. All signal selection and switching is done by high quality sealed relays with special low noise driver stages. All outputs are fully buffered and an ultra low impedance output is provided for driving long lines to remote mounted power amplifiers, ideal for armchair control of speakers with integrated power amps.

Among the many features contributing to ultimate quality are a totally external power supply with potted toroidal transformer, capable of also driving the optional external or internally fitted K1450 RIAA preamplifier for vinyl disks.

Any piece of electronic equipment with this wealth of features and sheer quality cannot be cheap, the total cost of the components alone is over £425. You get all the John Linsley Hood design skill and the HART engineering free at our incredible complete kit price of only.....£382.41

For further details of our range of kits see our regular full page advert in Everyday Electronics, or for complete information send or 'phone for your copy of our List (50p) of these and many other Kits & Components.

Enquiries from Overseas customers are equally welcome, but PLEASE send 2 IRCs if you want a list sent surface post, or 5 for Airmail. Ordering is easy. Just write or telephone your requirements to sample the friendly and efficient HART service. Payment by cheque, cash or credit card. A telephoned order with your credit card number will be on its way to you THAT DAY. Please add part cost of carriage and insurance as follows:-

**INLAND:** Orders up to £20 - £1.50. Orders over £20 £3.50. Express Courier, next working day. £10

## LINSLEY HOOD 'SHUNT FEEDBACK' R.I.A.A. MOVING COIL & MOVING MAGNET PICKUP PREAMPLIFIERS



Modern, ultimate sound systems are evolving towards built-in preamplifiers within or near the turntable unit. This keeps noise pickup and treble loss to a minimum. We now offer two units, both having the sonically preferred shunt feedback configuration to give an accurate and musical sound, and both having the ability to use both moving magnet and moving coil cartridges.

Kit K1500 uses modern integrated circuits to achieve outstanding sound quality at minimal cost. The very low power requirements enable this unit to be operated from dry batteries and the kit comes with very detailed instructions making it ideal for the beginner.

K1500 Complete kit with all components, printed circuit board, full instructions and fully finished case ..... £67.99  
Instructions only ..... £2.80

Kit K1450 is a fully discrete component implementation of the shunt feedback concept and used with the right cartridge offers the discerning user the ultimate in sound quality from vinyl disks. Can be fitted inside our 1400 Preamp, used externally or as a standalone unit. It has a higher power requirement and needs to be powered from our 1400 Series preamplifier or its own dedicated power supply.

K1450 Complete kit of board mounting parts for discrete component RIAA preamplifier ..... £61.06  
1500/2-8 Case to suit, including Hardware ..... £39.22  
K1565 Power Supply in matching case. Features shielded toroidal transformer and upgrade path to full preamp power supply ..... £79.42

## OTHER HART QUALITY KITS AND COMPONENTS

- Linsley Hood 80W Power Amplifier
- Linsley Hood Audiophile Tuner System
- Alps Precision Low-Noise Stereo Pots.
- Linsley-Hood Cassette Recorder Circuits
- High Quality Replacement Cassette Heads
- Stuart Reel-To-Reel Tape Recorder Circuits
- Reel To Reel Heads
- Tape Recorder Care Products

Further details of all these are in our list.

## QUALITY AUDIO KITS

**24hr SALES LINE**  
(0691) 652894  
Fax (0691) 662864

**ALL PRICES INCLUDE VAT**  
AT 17.5%



## JUST LOOK AT WHAT'S AVAILABLE FROM BONEX .....

### Balance Mixers

### Batteries

Button Cells, Ni-cads,  
Battery Holders,  
Battery Eliminators,  
Ni-cad Chargers,

### Boxes

ABS Plastic, Die-cast,  
Hand-Held Enclosures,

### Bridge Rectifiers

### Bulbs

Audio, BBC, Camcorder,  
Cassette/Calculator, Mains,  
Computer, IBM PC/AT,  
Serial, Monitor Extension,  
Parallel, Patch/Video Leads,  
Scart Cables, Serial Printer,  
Video/Audio Dubbing Kit,

### Cable Ties

### Capacitors

Ceramic Discs  
Ceramic Feedthroughs,  
Chip, Electrolytics,  
Monolithics, Mylars,  
Polycarbonates,  
Polystyrenes, Polyesters,  
Tantalum Beads,

### Capacitors Variable

Film Dielectric Trimmers,  
Ceramic Trimmers,

### CMOS Devices

### Computer Accessories

Adaptors 9W to 25W,  
Data Switch Boxes,  
Gender Changers,  
RS232 - Patch Boxes, Null  
Modems, Plug in Testers,  
Surge Protectors,  
Surge Protector Plugs,

### Connectors

Audio Adaptor/Plugs,  
Banana Connectors,  
Binding Posts BNCs ,  
Centronics, D,  
D High Density,  
DC Power , DIL IC ,

DINs , IDCs , Edge , F,  
Jack 2.5mm, 3.5mm, 6.3mm,

Mains , Microphones ,

Molex , N-Type, Phono,

PL259 , RF Adaptors,

Scart , TNC, Terminal

Strips, TV , XLR,

Crocodile Clips

Crystals

Desolder Pumps

Diodes

Plastic IN4000 / IN5400,

Toko Varicaps

Signal Diodes,

Zener, BZYs and BZXs,

### Drills

Bits and Burrs,  
Expo ,  
Pin Chucks,  
Power Supplies,  
Saws and Slitting Discs,

### Fans

Feet, Rubber

### Ferrites

### Filters

FM Ceramics, Mechanical  
IF's, Ceramic Resonators,  
Crystal, Helicals, NTSC /  
PAL, Pilot Tone, Quadrature  
Detector, Satellite TV, Video,

### Fuses

### Grommets

### Howes Kits

### Heatinks

### Inductors Fixed

### Inductors Moulded

### Inductors Surface Mount

### Inductors Variable

### Infra-red Source Sensor

### Insulating Tape

### Integrated Circuits

### CMOS,

### Eproms,

### Linears,

### Memory,

### TTL,

### Kits and Modules

L.E.D.s, 3mm and 5mm

### Light Dep Resistors

### Loudspeakers

### Microphone Inserts

### Multimeters

### Neon Indicators

### Nuts and Bolts

### Opto Switches

### Optoisolators

### P.C.B.s

Copper Clad , Etch Resist

Transfers, Photo Resist,

Pins, Proto-type,

Polishing Mops

### Potentiometers

Control Pots, 16mm, 24mm,

Pre-sets, Horizontal/Vertical

Trimmer Pots,

### Power Supplies

### Relays

### Resistors

Carbon Film, Metal Oxide,

Wirewound,

### Screening Cans

### Semi's Mount Kits

### Solder

### Soldering Irons

### Switches

DIL, Key, Microswitches,

Push, Rotary, Slide, Toggles,

### Test Leads

### Test Probes

### Tools

Crimping, Cutters,

Files, Insertion,

Reamers,

Screwdrivers,

Strip Board, Trimtools,

Toroid Cores

### Thyristors

### Transformers, Mains

### Transistors

Audio Power,

Darlington, F.E.T.s

GaAsFETs,

Low Power RF,

Microwave,

MosFETs,

Power RF,

Small Signal,

VMOS,

### Triacs

### TTL

### Video Modulators

### Voltage Regulators

### Wire

Enamelled Copper,

Tin Plated,

Silver Plated,

Zero Insert Force

### Sockets



12 Elder way  
Langley Business Park  
Slough  
Berkshire SL3 6EP . Telephone : 0753 549502 Fax : 0753 543812

CATALOGUE AVAILABLE

**SPECIAL OFFER**  
**SBL-1 BALANCE MIXERS £3.75**



# Classified



**James Gale**  
**0442 66551**

Send your requirements to:  
ETI Classified Department, ASP, Argus House,  
Boundary Way, Hemel Hempstead, HP2 7ST  
Lineage: 60p per word (+VAT) (minimum 15 words)  
Semi display: (minimum 2.5cms)  
£15.00 per single column centimetre (+VAT) } Per  
Electromart £24.00 (+VAT) } Insertion

Ring for information on series bookings/discounts.  
All advertisements in this section must be prepaid.  
Advertisements are accepted subject to the terms and conditions  
printed on the advertisement rate card (available on request).



## FOR SALE

## HOME AUTOMATION

**LAMP MODULE** Plugs in to wall socket to control incandescent lamps up to 300W  
Responds to ON/OFF/DIM/BRIGHT commands from controllers. LMS65 £22.45

**MINI TIMER** Timed control of up to 4 modules twice a day. Also features direct ON/OFF/DIM/BRIGHT control plus clock functions. MT522 £29.95.

**ENERLOGIC 1400e Controller**  
The first intelligent home automation system. A remarkable hardware + software package that adds brains to the range of X-10 modules and controllers. £349.95

Part of a remarkable range of home automation components from  
**SMART HOUSE SYSTEMS LTD**  
3 Buchanan Street, Largs, Ayrshire KA30 8PP  
Tel: 0475 672589

**UNDERSTANDING & INSTALLING HOME SYSTEMS, How to Automate Your Home**  
The best practical guide to date for the home automation enthusiast. Packed full of advice and ideas on installing home systems and equipment. 140 pages and 120 illustrations of the most up to date data on home automation. £22.95

## COOKE INTERNATIONAL

SUPPLIER OF QUALITY USED TEST INSTRUMENTS

ANALYSERS, BRIDGES, CALIBRATORS, VOLTMETERS, GENERATORS, OSCILLOSCOPES, POWER METERS. ETC ALWAYS AVAILABLE

ORIGINAL SERVICE MANUALS FOR SALE  
COPY SERVICE ALSO AVAILABLE

EXPORT, TRADE AND U.K. ENQUIRIES WELCOME  
SEND S.A.E. FOR LISTS OF EQUIPMENT AND MANUALS ALL PRICES EXCLUDE VAT AND CARRIAGE  
DISCOUNT FOR BULK ORDERS SHIPPING ARRANGED

OPEN MONDAY TO FRIDAY 9AM - 5PM

**ELECTRONIC TEST & MEASURING INSTRUMENTS**  
Unit Four, Fordingbridge Site, Main Road, Barnham, Bognor Regis, West Sussex, PO22 0EB  
Tel (+44) 0243 545111/2 Fax (+44) 0243 542457

**THANDOR TD201** Digital Storage Unit. Boxed. Full instructions. £100. Davy, 16 Frith Road, Dover, Kent. CT16 2PY.

**TO ADVERTISE IN ETI TELEPHONE**  
**0442 66551**

### VARIABLE VOLTAGE TRANSFORMERS

INPUT 220/240V AC 50/60  
OUTPUT 0-260V

	Price	P&P
0.5KVA 2.5 amp max	£29.00	£4.65
	(£39.54 inc VAT)	
1KVA 5 amp max	£37.40	£6.25
	(£51.29 inc VAT)	
2KVA 10 amp max	£54.00	£7.80
	(£72.62 inc VAT)	
3KVA 15 amp max	£71.50	£7.80
	(£93.18 inc VAT)	
5KVA 25 amp max	£126.50	
	(Plus Carriage)	

Buy direct from the Importers. Keenest prices in the country

**COMPREHENSIVE RANGE OF TRANSFORMERS-LT-ISOLATION & AUTO**  
(110-240V Auto transfer either cased with American socket and mains lead or open frame type. Available for immediate delivery.

**ULTRA VIOLET BLACK LIGHT FLOURESCENT TUBES**

4ft 40 watt £12.00 (callers only)	(£14.10 inc VAT)
2ft 20 watt £7.44 + £1.25 p&p	(£10.21 inc VAT)
13in 10 watt £5.80 + 75p p&p	(£7.70 inc VAT)
12in 8 watt £4.80 + 75p p&p	(£6.52 inc VAT)
9in 6 watt £3.96 + 50p p&p	(£5.24 inc VAT)
6in 4 watt £3.96 + 50p p&p	(£5.24 inc VAT)

**230V AC BALLAST KIT**  
For either 6in, 9in or 12in tubes £5.50 + £1.15 p&p (£7.81 inc VAT)

For 13in tubes £6.00 + £1.35 p&p (£8.64 inc VAT)

**400 WATT UV LAMP**  
Only £34.00 + £2.50 p&p (£42.89 inc VAT)

**160 WATT SELF BALLASTED BLACK LIGHT MERCURY BULB**  
Available with BC or ES fitting, price inc VAT & p&p and VAT £25.55

**12V D.C. BILGE PUMPS**

500 GPH 15ft head 3 amp £18.21  
1750 GPH 15ft head 3 amp £31.73  
Also now available: 24V D.C. 1750 GPH 15ft head 5 amp £32.90. All designed to be used submerged. PRICES INCLUDE P&P & VAT

**EPROM ERASURE KIT**  
Build your own EPROM ERASURE for a fraction of the price of a made-up unit kit of parts less case includes 12in 8 watt 2537 Angat Tube Ballast unit, pair of bi-pin leads, neon indicator, on/off switch, safety microswitch and circuit £14.00 + £2.00 p&p (£18.80 inc VAT)

**SUPER HY-LIGHT STROBE KIT**  
Designed for Disco. Theatrical use etc. Approx 16 joules. Adjustable speed £50.00 + £3.00 p&p (£62.28 inc VAT)

Case and reflector £24.00 + £3.00 p&p (£31.73 inc VAT). SAE for further details including Hy-Light and industrial Strobe Kits.

## SERVICE TRADING CO

57 BRIDGMAN ROAD, CHISWICK, LONDON W4 5BB  
FAX 081 995 0549 081-995 1560  
ACCOUNT CUSTOMERS MIN. ORDER £10

Showroom open Monday/Friday



Ample Parking Space

### "BOFFINS SPECIAL" - UNIQUE OFFER

Surplus Precision Medical Unit. Internally in excellent condition. Designed primarily to eject a precise controllable amount of fluid from a medical syringe (letter not supplied). Contains the following removable components: Dual Micro Processor Boards and EPROMS Escap Precision 12V DC Motor with 300:1 Gear Box and optical encoder coupled to a precision threaded drive mechanism. Mains supply with 6 x 1.5V Ni-Cad A.A. cells back-up L.C.D. Digital read-out 17mm high with legends. Audible warning.

These are sold for the dismantling of the exceptional quality components. Regret no circuits available. Ridiculously low price: £16.00 + £4.00 p&p (£23.50 incl VAT)

### WIDE RANGE OF XENON FLASH TUBES

Write/Phone your enquiries

**12V D.C. GEARED MOTOR**

12V D.C. Reversible precision-built Motor Output speeds no load approx. 12V-26 rpm; 9V-20 rpm; 6V-12 rpm. Will work at lower voltages and still retain a reasonable torque. Ideal for robotics etc. Size: L 40mm, W 29 mm, H 39mm. Shaft: 3mm dia x 10mm long. Price: £8.00 + 50p p&p (£10.00 inc VAT)

**TORIN CENTRIFUGAL BLOWER**

230V AC, 2.800 RPM, 0.9 amp, 130mm diameter, impeller outlet 53 x 37mm, overall size 195 x 160 x 150mm, long. Price £17.50 + £2.50 p&p (£23.50 inc VAT)

**SOUND STATE RELAY**

7 amp +/- 240V A.C. when mounted on suitable Heat-sink. Can be driven from T.T.L. or Computer output between 3-10V D.C. Size: 24mm x 17mm x 15mm high. Fixing centres 30mm (TO-3). Price: £3.00 + 40p p&p (£4.00 inc VAT)

**GEARED MOTORS**

71 RPM 20lb inch torque reversible 115V AC input including capacitor and transformer for 240V AC operation. Price inc VAT & p&p £23.50.

**SOLID STATE EHT UNIT**

Input 230/240V AC. Output approx 15kV, Producing 10mm spark. Built-in 10 sec timer. Easily modified for 20 sec, 30 sec to continuous. Designed for boiler ignition. Dozens of uses in the field of physics and electronics, eg supplying neon or argon tubes etc. Price less case £8.50 + £2.40 p&p (£12.81 inc VAT) NMS

**SAVE POUNDS!!!**  
Build your own forged beam note detector. Can detect counterfeit/feils amongst a quantity of notes. Complete kit of parts less case. 240V a.c. including 5" uV black light tube, starter and holder, a pair bi-pin tube holders. Total price including p&p & VAT only £13.06

**RHEOSTAT**

50W 2 ohm 5 amp ceramic power rheostat. price inc VAT & p&p £10.61

**MICROSWITCH**

Pye 15 amp changeover lever microswitch, type S171 Brand new price 5 for £7.05 inc VAT & p&p

### CATALOGUE £1.00 + 25p P&P

LEDs 3mm or 5mm red or green 5p each yellow 11p each  
High intensity red, green or yellow 5mm 30p each  
Cable ties 1p each 35 p&p per 1000 £49.50 per 10,000  
Sleeping motor 4 phase 12v 7.5 step 50 ohms £8.95  
SAA1027 stepping motor driver chip £3.95  
FM Transmitter kit good quality sound £8.80  
High quality photo resist copper clad epoxy glass boards  
Dimensions single sided double sided  
3x4 inches £0.95 £1.07  
4x6 inches £2.40 £2.66  
6x12 inches £3.37  
12x12 inches £10.66  
Special Offers  
Computer grade capacitors with screw terminals 36000uf 20v £2.50  
87000uf 10v £1.95, 66000uf 15v £2.95, 10000uf 16v £1.50  
7 segment common anode led display 12mm £0.45  
LM2591A/5.0 low drop out 5v regulator TO220 package £0.85  
DS250 P channel model 52.45, 6055A transistor £3.95 per 100  
74LS05 hex inverter £10.00 per 100, used 8748 Microcontroller £3.50  
TV Mains switch 4A double pole with momentary contacts for remote control pack of 10 £3.95 box of 60 £19.95  
DC/DC converter Reliability model V10P5 12v in 5v 200ma out 300v input to output isolation with data £4.95 each or pack of 10 £36.50  
Hour counter used 7 digit 240v ac 50Hz £1.45  
Resistor pack 2500 resistors 1/8-2W 50 different values £8.95  
QWERTY keyboard 58 keypadd quality switches new £5.00  
QWERTY keyboard with serial output no data (used) £5.00  
Wide range of CMOS TTL 74HC 74F Linear Transistors kits rechargeable batteries capacitors tools etc always in stock. Please add 5p towards P&P not included.

**JPG ELECTRONICS**  
275-276 Chatsworth Road Chesterfield S40 2BH  
Access/Visa Orders (0246) 211202 callers welcome

### \*\*\* LOW COST IBM SHAREWARE \*\*\* HIGH QUALITY MEDIA \*\*\*

★ ANALOGUE & DIGITAL SIMULATION ★ TEST ★ PCB DESIGN ★ TUTORIAL ★ BUSINESS ★

Vast technical experience and expertise is available through 1000's of powerful software tools both in the Public Domain and as shareware. By distributing sets of HD disks we can offer an unprecedented selection for your evaluation at a fraction of what you would pay a normal PD/shareware library for distribution.

Write NOW before you spend EEE's elsewhere!  
Electronics on your PC - without breaking the bank!

\*\*\*\*\* SEMICONDUCTOR CLEARANCE \*\*\*\*\*

★ MICROPROCESSORS ★ MEMORY ★ INTERFACE ★ LOGIC ★ LINEAR ★ DISCRETES ★

Our semiconductor clearance continues with low prices too numerous to advertise, eg. 27C265 £1.61, 280A-CPU £0.69, NE5532 £0.36, CA3140 £0.22 INCLUDING VAT!!! Extensive lists £1.

+++ 10% Educational Discount +++  
Profile Electronics (ETI), 100-102 Woodhouse Road, Leytonstone, London E11 3NA

## WANTED

TURN YOUR SURPLUS TRANSISTORS, ICs ETC INTO CASH immediate settlement.

We also welcome the opportunity to quote for complete factory clearance.

Contact: **COLES-HARDING & CO.**

Sandall Road, Wisbech, Cambs PE13 2PS

BUYERS OF SURPLUS INVENTORY ESTABLISHED OVER 15 YEARS

Tel: 0945 584188

Fax: 0945 475216

**WANTED RE-USABLE AND ALL TYPES OF ELECTRIC SCRAP**

P.C.B.'s, PLUGS AND SOCKETS, EDGE CONNECTIONS, TEST EQUIPMENT, VALVES, ETC. PAID ON CLEARANCE.

A.R.S.

2 NORMANS LANE, RABLEY HEATH, WELWYN, HERTS AL9 9TQ

TEL: 0438 812193 FAX: 0438

812387 MOBILE: 0860 214302



FOR SALE

# Micro AMPS 8051

"C" COMPILER £125

BASIC COMPILER £99

ICE51 £225

ICE51+ £495

ICE751 £495

66 SMITHBROOK KILNS, CRANLEIGH,  
SURREY GU6 8JJ UK

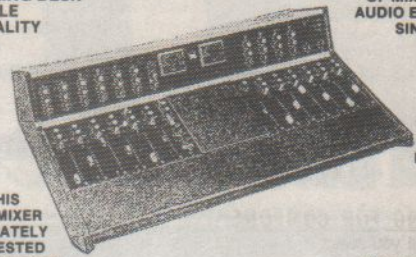
Tel: +44(0)483268999

Fax: +44(0)483268397



THE AFFORDABLE COMMUNITY  
BROADCAST MIXING DESK  
ELEGANT IN STYLE  
SOUND AND QUALITY  
THE NO SQUARE  
BOX LOOK

MANUFACTURERS  
OF MIXERS AND  
AUDIO EQUIPMENT  
SINCE 1951



TRIED AND  
PROVEN  
PRODUCTS

EVERY PART OF THIS  
FULLY MODULAR MIXER  
AVAILABLE SEPARATELY  
IN KIT FORM OR TESTED  
SUB UNITS FOR DESIGNER  
CONSTRUCTORS CLIENT DESKS

- ☆ Uncluttered Operational Area
- ☆ Presenter Designed Layout
- ☆ Full remote Control Facilities
- ☆ The Low Profile User Friendly

WORKS: UNIT D,  
318 HIGH ROAD  
BENFLEET, ESSEX SS7 5HB

VISIT OUR  
WORKING STUDIO  
AND TEST DRIVE THIS DESK  
PHONE: 0268 793256

## PARTRIDGE ELECTRONICS

A.C. PARTRIDGE LTD.

PHONE: 0268 793381 FAX: 0268 565759

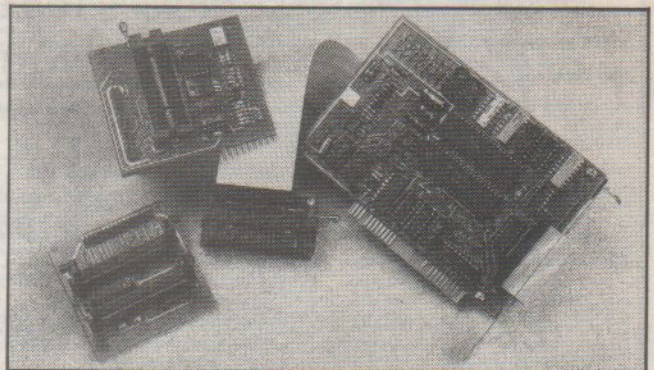
## KITS

**NEW VHF MICROTRANS-  
MITTER KIT** tuneable 80-  
135MHz, 500 metre range,  
sensitive electret microphone, high  
quality PCB, Special offer  
complete kit only £5.95, assembled  
and ready to use £9.95 inclusive  
P&P. 3 Watt FM transmitter kit  
£14.95. Credit card orders  
telephone 021 411 1821, Fax 021  
411 2355. Cheques/PO's to:  
Quantek Electronics, (Dept ET1), 3  
Houldey Road, Birmingham, B31  
3HL. Send 2 x 1st class stamps  
for details of these and other kits.

**HEATHKIT.** U.K. spares and  
service centre/Educational  
Products Distributor. Cedar  
Electronics, 12, Isbourn Way,  
Winchcombe, Cheltenham  
GL54 5NS Tel. (0242) 602402.

## PC EPROM PROGRAMMER

- ✓ Reads, verifies and programs devices from 2716 up to 27080 (8 Megabits)
- ✓ Programs
  - EPROMs E<sup>2</sup>PROMs Flash EPROMs
  - 16 bit wide EPROMs
  - Intel 8748 and 8751 families
- ✓ Automatically sets programming voltage
- ✓ Minimum memory requirement only 512k
- ✓ Supports Binary, Intel Hex and Motorola S formats
- ✓ Split and shuffle for programming sets of EPROMs
- ✓ Several programming algorithms - Including Quick Pulse and Intelligent Algorithms
- ✓ Load and save to disk
- ✓ Editor with several entry modes including string and hex
- ✓ MACRO capability for single key-stroke operation
- ✓ 1 year warranty



only **£139.00**

Contact SMART Communications for our full range of programmers including stand-alone programmers, gang programmers and our comprehensive universal device programmer

2 Field End, Arkley, Barnet, Herts EN5 3EZ Telephone: 081-441 3890

# SMART COMMUNICATIONS







# ETI

ELECTRONICS  
TODAY INTERNATIONAL

## EDITORIAL

Editor *Paul Freeman*

## CREATIVE

Art Editor *Peter Kirby*

Designer *Iain Houston*

Technical Illustration *Tony Burlinson*

Photography *Manny Cefai*

## ADVERTISEMENT SALES

Advertisement Manager

*Mark Linacre*

Advertisement Sales

*Michele Donovan*

Advertisement Copy Control

*Marie Quilter*

Key Accounts Manager

*Donna Wells*

## MANAGEMENT

Managing Director

*Terry Pattison*

Circulation & Promotions Manager

*Debra Stupple*

Managing Editor

*Mark Neeter*

Production Manager

*Tony Dowdeswell*

Group Editor

*Stuart Cooke*

Group Advertisement Manager

*Claire Jenkinson*



ISSN  
0142-7229

ETI is normally published on the first Friday in the month preceding the cover date. The contents of this publication including all articles, plans, drawings and programs and all copyright and all other intellectual property rights therein belong to Argus Specialist Publications. All rights conferred by the Law of Copyright and other intellectual property rights and by virtue of international copyright conventions are specifically reserved to Argus Specialist Publications and reproduction requires the prior written consent of the company ©1990 Argus Specialist Publications. All reasonable care is taken in the preparation of the magazine contents, but the publishers cannot be held legally responsible for errors. Where mistakes do occur, a correction will normally be published as soon as possible afterwards. All prices and data contained in advertisements are accepted by us in good faith as correct at the time of going to press. Neither the advertisers nor the publishers can be held responsible, however, for any variations affecting price or availability which may occur after the publication has closed for press.

● Subscription rates... UK £23.40 Europe £29.50 Sterling Overseas £31.00 US Dollars Overseas \$62.00

Published by Argus Specialist Publications, Argus House, Boundary Way, Hemel Hempstead HP2 7ST. Telephone (0442) 66551. UK newstrade distribution by SM Distribution Ltd, 6 Leigham Court Road, London SW16 2PG. Telephone 081-667 8111. Overseas and non-newstrade sales by Magazine Sales Department, Argus House, Boundary Way, Hemel Hempstead, HP2 7ST. Telephone (0442) 66551. Subscriptions by Argus Subscription Services, ETI, Queensway House, 2 Queensway, Redhill, Surrey RH1 1QS. US subscriptions by Wise Owl Worldwide Publications, 4314 West 238th Street, Torrance, CA90505 USA. Telephone (310) 375 6258. Typesetting and origination by Ebony, Liskeard, Cornwall. Printed by Wiltshire Ltd. Bristol.



Argus House, Boundary Way,  
Hemel Hempstead HP2 7ST  
Telephone (0442) 66551 Fax (0442) 66998

# Next Month

Our April issue will contain the latest design for a Peak Programme Meter. This can be constructed as a stand-alone project or incorporated in the Automate mixing desk, currently running. Either way, the PCB which comes to you on the front cover, can be used for one channel of audio. If you want stereo then buy two mags, it's cheaper than ordering another one through our PCB service.

Continuing with the audio theme, we have a microphone pre-amplifier for the hi-fi enthusiast.

Those with interests in Astronomy and Electronics could be intrigued in our remote controlled servo-mechanism for larger amateur telescopes. This sophisticated project will track stars and help minimise vibration using cordless technology.

These together with other regular features make up the April issue of ETI.

**On sale at your newsagents Friday 5th March**

*The above articles are in preparation but circumstances may prevent publication*

# Last Month

Our February issue featured:

Diodes  
EPROM Programmer Part 2  
Op-Amps  
Infra-Red remote controlled dimmer Part 2  
Sound to MIDI Processor  
Puddletec (Water detector)  
Disco Amiga (Computer lights) Part 1  
Tech Tips

Back issues can be obtained from Argus Subscription Services.  
Address in column to left.

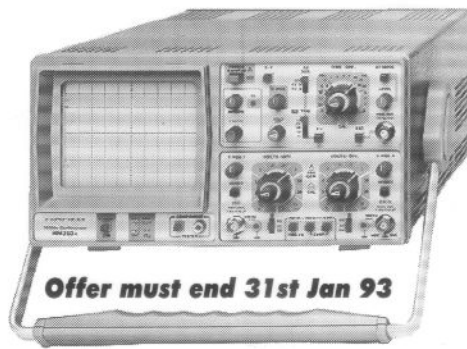
## ADVERTISERS' INDEX

AG ELECTRONICS .....	32	JPG .....	21
BK ELECTRONICS .....	IFC	M&B ELECTRONICS .....	39
BADGER BOARDS .....	32	M&B RADIO .....	14
BONEX .....	62	MAPLIN ELECTRONICS .....	OBC
CP TECHNOLOGY .....	13	NORTHERN AMATEUR RADIO .....	33
CANAL BRIDGE AUDIO .....	33	NUMBER ONE SYSTEMS .....	48
CHELMER VALVE Co. ....	40	OMNI ELECTRONICS .....	14
CIRKIT .....	IBC	PICO TECHNOLOGY .....	15
CRICKLEWOOD ELECTRONICS .....	14	RN ELECTRONICS .....	32
DATUNG .....	33	SAJE ELECTRONICS .....	57
EQT .....	14	SEETRAX .....	11
HART ELECTRONICS .....	62	STEWARTS OF READING .....	56
HALCYON ELECTRONICS .....	21	TECHNICAL INFORMATION .....	56
HESING TECHNOLOGY .....	14	TELNET .....	61
J&N BULL .....	22,23	WILMSLOW AUDIO .....	11
JAY TEE ELECTRONICS .....	11		



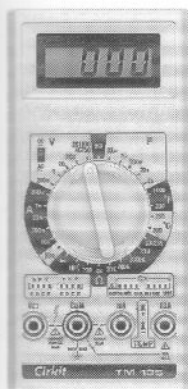
# £30 off Europe's best selling oscilloscopes!

- Excellent quality, built to last a life time
- 2 year warranty
- Each 'scope supplied with 2 sets x10 probes, manual and mains lead.



Offer must end 31st Jan 93

PART NO.	DESCRIPTION	USUAL PRICE	OFFER PRICE
HM203-7	20MHz, dual channel	£397.15	<b>£367.00</b>
HM205-3	20MHz, storage 'scope	£716.75	<b>£686.00</b>
HM604	60MHz, dual channel	£716.75	<b>£686.00</b>
HM1005	100MHz, 3 channel	£930.60	<b>£899.00</b>



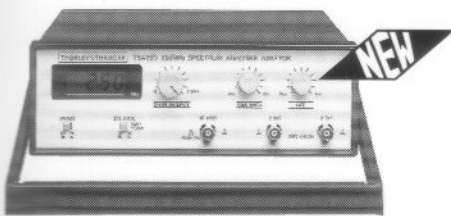
## MULTIMETERS

The D-MM good value meters are now even D-MMer good value!!

The TM series of low cost meters, with 3½ digit LCDs, full overload protection, strong ABS cases and packed with features. Supplied with test leads, battery and manual.

Offer must end 31st Jan 93

PART NO.	DESCRIPTION	USUAL PRICE	OFFER PRICE
TM 5315	DC current (10A) continuity and diode test	£19.99	<b>£19.25</b>
TM 5365	Capacitance and frequency (200kHz) ranges	£36.50	<b>£29.99</b>
TM 5375	Frequency range (20MHz) and HFE test	£36.95	<b>£31.49</b>
TM 115	AC & DC current (10A), HFE and continuity test	£32.50	<b>£30.99</b>
TM 175	Freq. (15MHz), capacitance ranges with HFE, diode, continuity & LED test	£53.60	<b>£45.00</b>
TM 8020	3¾ digit display, freq. (4MHz) capacitance (40uF), AC+DC current to 20A	£54.76	<b>£49.95</b>
TM 8030	3¾ digit display, freq (4MHz), temp. (inc probe), AC+DC to 20A	£59.96	<b>£55.49</b>
7705	Capacitance meter, 1pF to 20,000uF	£39.82	<b>£35.90</b>



## SPECTRUM ANALYSER ADAPTOR

The new TSA250 will adapt any conventional 'scope into a highly cost effective spectrum analyser. With numerous applications in RF design and development work, EMC investigations, and education.

TSA250 **£399.00**

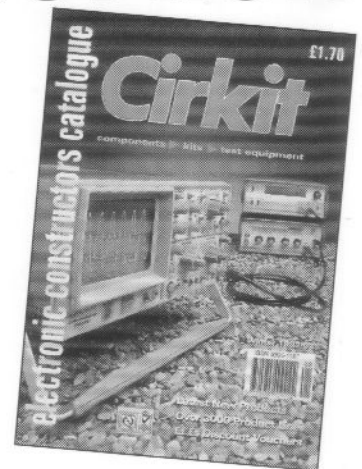
- 400kHz to 250MHz frequency range
- LC display of centre frequency
- Calibration marker

# Cirkit

## CIRKIT DISTRIBUTION LTD

Park Lane · Broxbourne · Hertfordshire · EN10 7NQ Telephone (0992) 444111 · Fax (0992) 464457

# OUT NOW!



**The Brand New Cirkit Electronic Constructors Catalogue Winter 92/93**

- 192 pages
- £££'s worth discount vouchers
- 100s new products.....

**Books** - the latest titles.

**Capacitors** - new range ceramic discs, extended ranges electrolytic and polyester types.

**Computers** - new CAD PCB layout software.

**Connectors** - extended ranges of BNC, Jacks, XLR and PCB types.

**Filters** - new narrow band ceramic and low pass TV filters.

**Hardware** - additions include new range control knobs, cabinet hardware and heatsinks.

**Inductors** - more additions to our already extensive range.

**Kits** - new additions to the Velleman range.

**Rigs** - handheld 'CB' transceivers, wavemeters, scanning receiver accessories and aerials.

**Semls** - new linear ICs, transistors and a complete new range of LEDs including blue types.

**Speakers** - new radio mic systems.

**Test Equipment** - new hand-held frequency meter and satellite TV dish alignment system.

**And much more besides.....**

- Available at larger newsagents, from 12th November, or directly from Cirkit.

**£1.70**  
+ 30p p&p

All prices include VAT at 17.5%.

Postage and packing; standard £1.40, next day delivery £4.60.

Prices correct at time of going to press, but may change in line with exchange rate fluctuations.





BUYER'S GUIDE TO ELECTRONIC COMPONENTS 1993

# Maplin



BS 5750  
Part 2 1987  
Level B:  
Quality Assurance  
RS12750



**Order your copy of the New MAPLIN Catalogue on sale NOW!**  
Pick up a copy from any branch of WHSMITH or from our chain of shops for just £2.95 or  
post this coupon now to receive your copy for just £3.45 inc. p&p. If you live outside the  
U.K. send £5.50 or 14 IRC's for Airmail in Europe/surface mail, outside Europe,  
or £10.65 or 27 IRC's for Airmail outside Europe,  
I enclose £3.45/£5.50/£10.65 (delete as applicable).

Name.....  
Address.....  
Post Code.....  
Send to Maplin Electronics,  
P.O. Box 3, Rayleigh,  
Essex, England,  
SS6 8LR.  
E193

**Over 700 product packed pages with  
hundreds of brand new products.  
On sale now, only £2.95**

Available from all branches of WHSMITH and  
Maplin shops nationwide. Hundreds of new  
products at super low prices!