

electronics today

INTERNATIONAL

JUNE 1986

£1.20

NEW SYNTH'S FROM OLD...

Sonate C-Dur

Allegro moderato

Dem Fürsten Nicolaus Esterházy gowidmet

16

Midi to CV Converter



PLUS

RF OSCILLATORS

GRANNY ISOLATOR

THE UPGRADEABLE AMP

OMP POWER AMPLIFIER MODULES

* PRICES INCLUDE V.A.T. * PROMPT DELIVERIES * FRIENDLY SERVICE * LARGE S.A.E. 28p STAMP FOR CURRENT LIST

OMP POWER AMPLIFIER MODULES

Now enjoy a world wide reputation for quality, reliability and performance at a realistic price. Four models available to suit the needs of the professional and hobby market - i.e. Industry, Leisure, Instrumental and Hi-Fi etc. When comparing prices, NOTE all models include toroidal power supply, integral heat sink, glass fibre P.C.B. and Drive circuits to power compatible Vu meter. Open and short circuit proof. **Supplied ready built and tested.**



OMP100 Mk II Bi-Polar Output power 110 watts R.M.S. into 4 ohms. Frequency Response 15Hz - 30KHz -3dB. T.H.D. 0.01%. S.N.R. -118dB. Sens for Max output 500mV at 10K. Size 355 x 115 x 65mm. **PRICE £33.99 + £3.00 P&P.**



OMP MF100 Mos-Fet Output power 110 watts R.M.S. into 4 ohms. Frequency Response 1Hz - 100KHz -3dB. Damping Factor 80. Slew Rate 45V uS. T.H.D. Typical 0.002%. Input Sensitivity 500mV. S.N.R. -125dB. Size 300 x 123 x 60mm. **PRICE £39.99 + £3.00 P&P.**

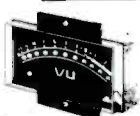


OMP/MF200 Mos-Fet Output power 200 watts R.M.S. into 4 ohms. Frequency Response 1Hz - 100KHz -3dB. Damping Factor 250. Slew Rate 50V uS. T.H.D. Typical 0.001%. Input Sensitivity 500mV. S.N.R. -130dB. Size 300 x 150 x 100mm. **PRICE £62.99 + £3.50 P&P.**



OMP/MF300 Mos-Fet Output power 300 watts R.M.S. into 4 ohms. Frequency Response 1Hz - 100KHz -3dB. Damping Factor 350. Slew Rate 60V uS. T.H.D. Typical 0.0008%. Input Sensitivity 500mV. S.N.R. -130dB. Size 330 x 147 x 102mm. **PRICE £79.99 + £4.50 P&P.**

NOTE Mos Fets are supplied as standard (100KHz bandwidth & Input Sensitivity 500mV). If required P.A. version (50KHz bandwidth & Input Sensitivity 775mV). Order Standard or P.A.



Vu METER Compatible with our four amplifiers detailed above. A very accurate visual display employing 11 L.F.D. diodes (7 green, 4 red) plus an additional on/off indicator. Sophisticated logic control circuits for very fast rise and decay times. Tough moulded plastic case with tinted acrylic front. Size 84 x 27 x 45mm. **PRICE £8.50 + 50p P&P.**

LOUDSPEAKERS 5" to 15" up to 400 WATTS R.M.S. Cabinet Fixing in stock. Huge selection of McKenzie Loudspeakers available including Cabinet Plans. Large S.A.E. (28p) for free details.



POWER RANGE
 8" 50 WATT R.M.S. Hi-Fi Disco.
 20 oz magnet. 1" ally voice coil. Ground ally fixing escutcheon. Res. Freq 40Hz. Freq Resp to 6KHz. Sens 92dB. PRICE £10.99. Available with black grille £11.99. P&P £1.50 ea.
 12" 100 WATT R.M.S. Hi-Fi Disco.
 50 oz magnet. 2" ally voice coil. Ground ally fixing escutcheon. Die cast chassis. White cone. Res. Freq 25Hz. Freq Resp to 4KHz. Sens 95dB. PRICE £28.60 + £3.00 P&P ea.

McKENZIE
 12" 85 WATT R.M.S. C1285GP Lead guitar keyboard Disco.
 2" ally voice coil. Ally centre dome. Res. Freq 45Hz. Freq Resp to 6.5KHz. Sens 98dB. PRICE £28.70 + £3.00 P&P ea.
 12" 85 WATT R.M.S. C1285TC P.A. Disco. 2" ally voice coil. Twin cone.
 Res. Freq 45Hz. Freq Resp to 6.5KHz. Sens 98dB. PRICE £29.20 + £3.00 P&P ea.
 15" 150 WATT R.M.S. C15 Bass Guitar Disco.
 3" ally voice coil. Die cast chassis. Res. Freq 40Hz. Freq Resp to 4KHz. PRICE £54.99 + £4.00 P&P ea.
 10" 60 WATT R.M.S. C1060GP Gen. Purpose. Lead Guitar/Keyboard Mid. P.A.
 2" voice coil. Res. Freq 75Hz. Freq Resp to 7.5KHz. Sens 99dB. PRICE £19.15 + £2.00 P&P.
 10" 200 WATT R.M.S. C10200GP Guitar, Keyboard, Disco.
 2" voice coil. Res. Freq 45Hz. Freq Resp to 7KHz. Sens 101dB. PRICE £51.00 + £3.00 P&P.
 15" 200 WATT R.M.S. C15200 High Power Bass.
 Res. Freq 40Hz. Freq Resp to 5KHz. Sens 101dB. PRICE £59.45 + £4.00 P&P.
 15" 400 WATT R.M.S. C15400 High Power Bass.
 Res. Freq 40Hz. Freq Resp to 4KHz. Sens 102dB. PRICE £85.00 + £4.00 P&P.

WEM
 5" 70 WATT R.M.S. Multiple Array Disco etc.
 1" voice coil. Res. Freq 52Hz. Freq Resp to 5KHz. Sens 89dB. PRICE £19.99 + £1.50 P&P ea.
 8" 150 WATT R.M.S. Multiple Array Disco etc.
 1" voice coil. Res. Freq 48Hz. Freq Resp to 5KHz. Sens 92dB. PRICE £29.49 + £1.50 P&P ea.
 10" 300 WATT R.M.S. Disco. Sound re-enforcement etc.
 1" voice coil. Res. Freq 35Hz. Freq Resp to 4KHz. Sens 92dB. PRICE £33.49 + £2.00 P&P ea.
 12" 300 WATT R.M.S. Disco. Sound re-enforcement etc.
 1" voice coil. Res. Freq 35Hz. Freq Resp to 4KHz. Sens 94dB. PRICE £41.49 + £3.00 P&P ea.

SOUNDLAB (Full Range Twin Cone)
 5" 60 WATT R.M.S. Hi-Fi Multiple Array Disco etc.
 1" voice coil. Res. Freq 63Hz. Freq Resp to 20KHz. Sens 86dB. PRICE £9.99 + £1.00 P&P ea.
 6" 60 WATT R.M.S. Hi-Fi Multiple Array Disco etc.
 1" voice coil. Res. Freq 56Hz. Freq Resp to 20KHz. Sens 89dB. PRICE £10.99 + £1.50 P&P ea.
 8" 60 WATT R.M.S. Hi-Fi Multiple Array Disco etc.
 1" voice coil. Res. Freq 38Hz. Freq Resp to 20KHz. Sens 89dB. PRICE £12.99 + £1.50 P&P ea.
 10" 60 WATT R.M.S. Hi-Fi Disco etc.
 1" voice coil. Res. Freq 35Hz. Freq Resp to 15KHz. Sens 89dB. PRICE £16.49 + £2.00 P&P.

PANTIC HOBBY KITS. Proven designs including glass fibre printed circuit board and high quality components complete with instructions.

FM MICROTRANSMITTER (BUG) 90/105MHz with very sensitive microphone. Range 100/300 metres. 57 x 46 x 14mm (9 volt). Price: £8.62 + 75p P&P.
3 WATT FM TRANSMITTER 3 WATT 85/115MHz varicap controlled professional performance. Range up to 3 miles. 35 x 84 x 12mm (12 volt). Price: £14.49 + 75p P&P.
SINGLE CHANNEL RADIO CONTROLLED TRANSMITTER/RECEIVER 27MHz. Range up to 500 metres. Double coded modulation. Receiver output operates relay with 2amp/240 volt contacts. Ideal for many applications. Receiver 90 x 70 x 22mm (9/12 volt). Price: £17.82. Transmitter 80 x 50 x 15mm (9/12 volt). Price: £11.29. P&P + 75p each. S.A.E. for complete list.



POSTAL CHARGES PER ORDER £1.00 minimum. OFFICIAL ORDERS WELCOME. SCHOOLS, COLLEGES, GOVERNMENT BODIES, ETC. PRICES INCLUSIVE OF V.A.T. SALES COUNTER VISA/ACCESS. C.O.D. ACCEPTED.

BURGLAR ALARM

Better to be 'Alarmed' than terrified. Thandar's famous 'Minder' Burglar Alarm System. Superior microwave principle. Supplied as three units complete with interconnection cable. **FULLY GUARANTEED.**

Control Unit - Houses microwave radar unit, range up to 15 metres adjustable by sensitivity control. Three position key operated fascia switch - off - test - armed. 30 second exit and entry delay.

Indoor alarm - Electronic swept freq siren 100dB output.

Outdoor Alarm - Electronic swept freq siren 98dB output. Housed in a tamper-proof heavy duty metal case.

Both the control unit and outdoor alarm contain rechargeable batteries which provide full protection during mains failure. Power requirement 200/260 Volt AC 50/60Hz. Expandable with door sensors, panic buttons etc. Complete with instructions. **SAVE £138.00** Usual Price £228.85
BKE's PRICE £89.99 + £4.00 P&P
 Why buy a collection of self assembly boards?

IDEAL for Work-shops, Factories, Offices, Home, etc. Supplied ready built.



OMP LINNET LOUDSPEAKERS

The very best in quality and value. Made specially to suit today's need for compactness with high sound output levels. Finished in hard wearing black vinyl with protective corners, grille and carry handle. All models 8 ohms. Full range 45Hz - 20KHz. Size 20" x 15" x 12". Watts R.M.S. per cabinet. Sensitivity 1W 1mtr dB.

OMP 12-100 Watts 100dB. Price £149.99

OMP 12-200 Watts 102dB. Price £199.99

per pair. Delivery Securicor £8.00 per pair.



OMP 19" STEREO RACK AMPS



Professional 19" cased Mos-Fet stereo amps. Used the World over in clubs, pubs, discos etc. With twin Vu meters, twin toroidal power supplies, XLR connections. MF600 Fan cooled. Three models (Ratings R.M.S. into 4ohms). Input Sensitivity 775mV.
 MF200 (100 + 100)W. £169.00 Securicor
 MF400 (200 + 200)W. £228.85 Delivery
 MF600 (300 + 300)W. £274.85 £10.00

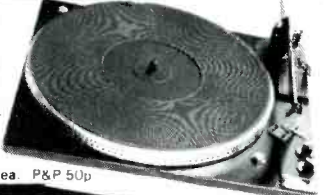
1 K-WATT SLIDE DIMMER

- Control loads up to 1Kw
- Compact Size
- 43mm x 110mm x 25mm
- Easy snap in fixing through panel cabinet cut out
- Insulated plastic case
- Full wave control using 8 amp triac
- Conforms to BS800

Suitable for both resistive and inductive loads. Innumerable applications in industry, the home and disco's, theatres etc.
PRICE £13.99 + 75p P&P

BSR P295 ELECTRONIC TURNTABLE

Electronic speed control 45 & 33 1/3 rpm. Plus Minus variable pitch control. Belt driven. Aluminium platter with grooved rim. Cue lever. Anti-skate fibras device. Adjustable counter balance. Manual arm. Standard cartridge fixings. Supplied complete with cut out template. D.C. Operation 9.14v D.C. 65mA.
Price £36.99 + £3.00 P&P



ADC Q4 mag. cartridge for above. Price £4.99 ea. P&P 50p

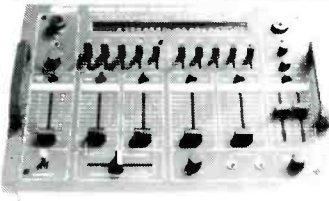
PIEZO ELECTRIC TWEETERS MOTOROLA

Join the Piezo revolution. The low dynamic mass (no voice coil) of a Piezo tweeter produces an improved transient response with a lower distortion level than ordinary dynamic tweeters. As a crossover is not required these units can be added to existing speaker systems of up to 100 Watts (more if 2 put in series). **FREE EXPLANATORY LEAFLETS SUPPLIED WITH EACH TWEETER.**

TYPE 'A' (KSN2036A) 3" round with protective wire mesh. Ideal for bookshelf and medium sized Hi-Fi speakers. Price £4.90 each + 40p P&P.
TYPE 'B' (KSN1005A) 3" super horn. For general purpose speakers, disco and P.A. systems etc. Price £5.99 each + 40p P&P.
TYPE 'C' (KSN6016A) 2" x 5" wide dispersion horn. For quality Hi-Fi systems and quality discos etc. Price £6.99 each + 40p P&P.
TYPE 'D' (KSN1025A) 2" x 6" wide dispersion horn. Upper frequency response retained extending down to mid range (2KHz). Suitable for high quality Hi-Fi systems and quality discos. Price £9.99 each + 40p P&P.
TYPE 'E' (KSN1038A) 3 1/2" horn tweeter with attractive silver finish trim. Suitable for Hi-Fi monitor systems etc. Price £5.99 each + 40p P&P.
LEVEL CONTROL Combines on a recessed mounting plate. Level control and cabinet input jack socket. 85 x 85 mm. Price £3.99 + 40p P&P.

STEREO DISCO MIXER

STEREO DISCO MIXER with 2 - 5 band L & R graphic equalisers and twin 10 segment L.E.D. Vu Meters. Many outstanding features. 5 Inputs with individual faders providing a useful combination of the following:
 3 Turntables (Mag). 3 Mics. 4 Line plus Mic with talk over switch. Headphone Monitor. Pan Pot. L & R Master Output controls. Output 775mV. Size 360 x 280 x 90mm.
Price £134.99 + £3.00 P&P

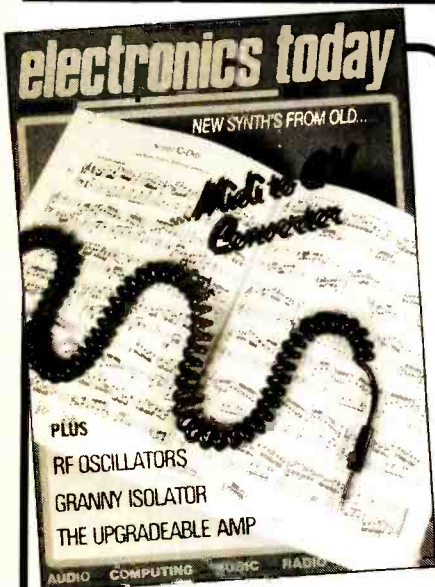


B. K. ELECTRONICS DEPT ETI

UNIT 5, COMET WAY, SOUTHEND-ON-SEA, ESSEX, SS2 6TR TEL: 0702-527572

electronics today

INTERNATIONAL JUNE 1986 VOL 15 NO 6



Gary Herman: Editor
Ian Pitt: Deputy Editor
Paul Chappell: Project Editor
Jerry Fowler: Technical Illustrator
Paul Stanyer: Ad. Manager
Duncan Neilson
 Classified Sales Executive
Andrew Sellwood: Copy Control
Dave Bradshaw: Group Editor
 - Electronics
Peter Welham: Managing Director

PUBLISHED BY:
 Argus Specialist Publications Ltd.,
 1 Golden Square, London W1R 3AB.
DISTRIBUTED BY:
 Argus Press Sales & Distribution Ltd.,
 12-18 Paul Street, London EC2A 4JS
 (British Isles)

PRINTED BY:
 The Garden City Press Ltd.
COVERS DESIGNED BY:
 Argus Press Design.
COVERS PRINTED BY:
 Alabaster Passmore.



Member of the
 Audit Bureau
 of Circulation

Electronics Today is normally published on the first Friday in the month preceding cover date. The contents of this publication including all articles, designs, plans, drawings and programs and all copyright and other intellectual property rights therein belong to Argus Specialist Publications Limited. All rights conferred by the Law of Copyright and other intellectual property rights and by virtue of international copyright conventions are specifically reserved to Argus Specialist Publications Limited and any reproduction requires the prior written consent of the Company. © 1986 Argus Specialist Publications Ltd. All reasonable care is taken in the preparation of the magazine contents, but the publishers cannot be held legally responsible for errors. Where mistakes do occur, a correction will normally be published as soon as possible afterwards. All prices and data contained in advertisements are accepted by us in good faith as correct at time of going to press. Neither the advertisers nor the publishers can be held responsible, however, for any variations affecting price or availability which may occur after the publication has closed for press.

■ Subscription Rates. UK: £18.10. Overseas: £22.50. USA: \$29.50. Airmail: £49.50.

EDITORIAL AND ADVERTISEMENT OFFICE

1 Golden Square, London W1R 3AB. Telephone 01-437 0626.
 Telex 8811896.

FEATURES

- | | |
|--|--|
| DIGEST7
We DIG deepEST (ouch!). | FIBRE OPTICS AND LASERS ... 24
Roger Bond continues communicating. |
| READ/WRITE16
The consequence of foolishness... | GRANNY ISOLATOR52
A circuit solution for all those with noisy grandparents, by Andrew Armstrong. |
| RF OSCILLATORS19
Hand on Hartley, Joe Pritchard gives his verdict on radio frequencies. They're the Colpitts. (Don't all Clapp). | TECH TIPS54
Designs of de times. |

PROJECTS

- | | |
|--|---|
| MIDI-CV CONVERTER29
Robert Penfold describes a project to breathe digital life into analogue synths. | structional details of this VLF transceiver. |
| UPGRADEABLE AMP34
Graham Nalty introduces the amp you can amplify on. | 80M DIRECT CONVERSION RECEIVER44
S. Niewiadomski practices what he preaches by building the 80m receiver. |
| THE ETI TROGLOGRAPH38
Mike Bedford brings you the con- | DIGITAL SOUND SAMPLER ... 48
At last, the digital board. |

ETCETERA

- | | |
|--|---|
| REVIEWS60
We review the smallest CD player in the world. | SCRATCHPAD62
Flea-byte jumps back. |
| OPEN CHANNEL61
Keith Brindley on the line. | ALF'S PUZZLE63
Alf builds his pma-po. |
| PLAYBACK61
Andy Armstrong Cs D different CD techniques (groan!). | CROSSWORD66 |

INFORMATION

- | | |
|----------------------------------|----------------------------------|
| COUPONS6 | PCB FOIL PATTERNS56 |
| NEXT MONTH'S ETI12 | CLASSIFIED ADS64 |
| READER'S SERVICES51 | AD INDEX66 |
| PCB SERVICE55 | |

SWITCHES TOGGLE 2A 250V SPST 35p DPDP 48p SUB-MINI 10p SPST on/off 58p SPDT cover 58p SPDT centre off 85p SPDT biased both ways 105p DPDT 6 lags 80p DPDT centre off 86p DPDT biased both ways 145p DPDT 3 positions on/off 185p 4-pole 2 way 220p SLIDE 250V DPDT 1A 14p DPDT 1A cr/off 15p DPDT 1A 13p PUSH BUTTON 6A with 10mm Button SPDT latching 150p DPDT latching 200p DPDT moment 200p MINI Non Locking Push to Make 15p Push to Break 25p DIGITAST Switch Assorted Colours 75p each ULTRASONIC TRANSDUCERS 40 KHz 475p GAS/SMOKE DETECTORS TGS812 or TGS813 £6 each Holders for above 40p TRANSFORMERS 3.0-3V, 6.0-6V, 9.0-9V, 12.0-12V, 15.0-15V @ 100mA PCB mounting, Miniature, Split bobbin 3VA: 2x6V/0.25A, 2x9V/0.15A, 2x12V/0.12A 2x15V/0.2A 6VA: 2x6V/0.5A, 2x9V/0.3A, 2x12V/0.25A, 2x15V/0.2A Standard Split Bobbin type 6VA: 2x6V/0.5A, 2x9V/0.4A, 2x12V/0.3A, 2x15V/0.25A 12VA: 2x4.5V/1A, 2x5V/1A, 2x9V/0.6A, 2x12V/0.5A, 2x15V/0.4A, 2x20V/0.3A, 3x5p (35p DPDP) 0.5A, 2x15V/0.5A, 2x9V/1.2A, 2x12V/1A, 2x15V/0.8A, 2x20V/0.6A 50VA: 2x6V/4A, 2x9V/2.5A, 2x12V/1.5A, 2x20V/1.2A, 2x25V/1A, 2x30V/0.8A, 2x50p+250p 50VA: Outputs +5V/1A +12V +20V -5V -12V at 1A 100VA: 2x12V/4A, 2x15V/3A, 2x20V/2.5A, 2x25V/2A, 2x30V/1.5A, 2x50V/1A 95p (75p TAP charge to be added over and above our normal postal charge)	DIP SWITCHES (SPST) 4 way 85p 6 way 80p, 8 way 85p, 10 way 125p (SPDT) 4 way 190p ROTARY SWITCHES (Adjustable Stop type) 1 pole/2 to 12 way, 2 pole/2 to 6 way, 3 pole/2 to 4 way, 4 pole/2 to 3 way 55p ROTARY: Mains DP 250V 4 Amp on/off 88p ROTARY: (Make-a-switch) Make a multiway switch. Shifting assembly has adjustable stop. Accommodates up to 6 wafers (max 6 pole/12 way + DP switch). Mechanism only 90p WAFERS: (make before break) to fit the above switch mechanism 1 pole/12 way, 2 pole/6 way, 3 pole/4 way, 4 pole/3 way, 6P/2 Way 65p Mains DP 4A Switch to fit Spacers 4p. Screen 8p.	VERO VERO BOARDS 0.1 2" x 1" 30p 2" x 3" 110p 2" x 5" 110p 3" x 3" 110p 3" x 5" 125p 3" x 17" 400p 4" x 17" 550p V/O Board 195p D/P Board 395p Vero Strip 95p COPPER CLAD BOARDS Fibre Single Double-glass sided sided 6" x 6" 100p 125p 6" x 12" 175p 225p PHOTO DECS Verolock 480p S Dec 350p Euro-board 590p Bimboard 575p Superstrip 552 1300p VERO PINS per 100 Single Ended 55p Double ended 60p Wire Wrap S/E 155p Wire Wrap D/E 255p VERO TOOLS Spot face cutters 150p Pin inserter 100p VERO WIRING PEN: Spool 380p Spare Spool 75p Combs 8p Pen: Spool: Combs 599p DIL SOCKETS Low Wire Turned Pin Prot Wrap Pin 8 8p 20p 18p 22 22p 60p 28p 16 10p 40p 28p 18 16p 40p 33p 20 20p 58p 37p 22 22p 60p 42p 24 25p 68p 42p 28 28p 78p 52p 40 30p 89p 72p ANTEX SOLDERING IRON C-15W 60p CS17W 820p G-18W 82p X525W 650p Spare tips, assorted size 20p Spare elements 15p Iron stand with sponge 195p SOLDERCON PINS ideal for making SIL or DIL Sockets 100 pins 35p 500 pins 100p ALUM BOXES 3 x 2 x 1 85p 4 x 2 x 2 100p 4 x 2 x 2 103p 4 x 4 x 2 105p 4 x 4 x 2 120p 5 x 4 x 2 120p 5 x 2 x 1 110p 5 x 2 x 2 120p 6 x 4 x 2 120p 6 x 4 x 3 150p 7 x 5 x 3 180p 8 x 6 x 3 210p 10 x 4 x 3 240p 10 x 7 x 3 275p 12 x 5 x 3 280p 12 x 8 x 3 295p SIL SOCKET 6/11 pitch 20 way 25p 65p	ICD CONNECTORS PCB Plugs with Pins 10 way 85p 16 way 75p 20 way 90p 26 way 105p 34 way 115p 40 way 140p 50 way 165p 60 way 195p Female Header Pins 65p 75p 90p 105p 130p 145p 175p 210p Female Card Edge Connect 100p 230p 185p 320p 335p 350p 495p EURO CONNECTORS Gold Flashed Contacts Female Socket Pins Male Pins Plug Angle Pins DIN41617 31 way 125p DIN41612 2 x 32 A + B 200p DIN41612 2 x 32 A + C 225p DIN41612 3 x 32 A + B + C 280p 290p 295p 300p DIL PLUG (Header) 14 pin 40p 16 pin 45p 24 pin 85p 28 pin 150p 40 pin 200p RIBBON CABLE price per foot Grey Color 10 way 15p 16 way 25p 20 way 30p 24 way 40p 28 way 55p 34 way 60p 40 way 70p 50 way 100p 64 way 120p ZIF TEXT TOOL DIL SOCKETS 24 pin 550p 28 pin 695p 40 pin 804p 'D' CONNECTORS Male Solder lugs 55p Angle pins 110p PCB pins 100p Solder lugs 90p Angle pins 150p PCB pins 100p Covers 75p IDC 25 way 'D' Plug 385p Socket 450p Female Solder lugs 80p Angle pins 175p PCB pins 100p Solder lugs 125p Angle pins 200p PCB pins 125p 70p 70p 85p AMPHENOL CONNECTORS 10C SOLDER 24 way IEEE plug 465p 24 way IEEE sxt 485p 36 way Centronics plug 375p 36 way Centronics sxt 480p 40p 450p	PANEL METERS FSD 60 x 46 x 35mm 0-50uA 0-100uA 0-500uA 0-1mA 0-5mA 0-10mA 0-50mA 0-100mA 0-500mA 0-1A 0-2A 0-25V 0-50V 0-300V AC 520p RELAYS Miniature, enclosed, PCB mount. SINGLE POLE Changeover RL-91 205R Coil, 12V DC, (10V5 to 19.5V), 10A at 30V DC or 250V AC 195p DOUBLE POLE Changeover, 6A 30V DC or 250V AC RL-113 53R Coil, 6V DC (5V4 to 9V9) 190p RL-114 111 205R Coil, 12V DC (10V7 to 19.5V) 195p RL-114 140 740R Coil, 24V DC (22V to 37V) 200p ASTEC UHF MODULATORS Standard 6MHz 375p Wideband 8MHz 550p BUZZERS miniature, solid-state 6V, 9V & 12V 70p PIEZO TRANSDUCERS FB2720 70p LOUDSPEAKERS Miniature, 0.3W-8 Ohm 2in, 2in, 2in, 3in 80p 2 1/2in, 4in, 6 1/2in or 8in 200p 7 x 5 1/2in 225p 8 x 5 1/2in 250p VIDEO MONITORS ● ZENITH - 12" Green, Hi-Resolution Popular £72 ● MICROVITEC 1431, Standard Res. Colour RGB input 14" incl cable £179 ● MICROVITEC 1451 14" Medium resolution £229 ● KAGA 12" Med-res. RGB Colour. Has flicker-free characters. Ideal for BBC, Apple, VIC, etc. £225 (car £7) ● KAGA 12" As above but Hi-Resolution £310 (car £7) ● Connecting Lead for KAGA £3 Carriage £7 Securicor
---	---	--	---	--

CMOS 4000 20 4001 20 4002 20 4006 70 4007 20 4008 60 4009 40 4010 40 4011 20 4012 70 4013 30 4014 50 4015 40 4016 25 4017 45 4018 55 4019 35 4020 50 4021 55 4022 60 4023 20 4024 35 4025 40 4026 90 4027 30 4028 40 4029 45 4030 40 4031 125 4032 65 4033 130 4034 145 4035 70 4036 250 4037 115 4038 75 4039 270 4040 45 4041 55 4042 45 4043 45 4044 50 4045 110 4046 60 4047 50 4048 50 4049 25 4050 25 4051 50 4052 50 4053 60 4054 70 4055 70 4056 85 4057 1000 4059 40 4060 70 4061 500 4062 986 4063 80 4066 20 4067 230 4068 20 4069 20 4070 22 4071 20 4072 20 4073 20	4075 25 4076 80 4077 25 4078 25 4081 20 4082 20 4085 60 4086 60 4089 120 4093 25 4094 70 4095 70 4096 100 4097 260 4098 70 4099 110 4100 45 4161 98 4162 98 4163 98 4164 98 4165 98 4166 98 4167 98 4168 98 4169 98 4170 98 4171 98 4172 98 4173 98 4174 98 4175 105 4176 105 4177 105 4178 105 4179 105 4180 105 4181 105 4182 105 4183 105 4184 105 4185 105 4186 105 4187 105 4188 105 4189 105 4190 105 4191 105 4192 105 4193 105 4194 105 4195 105 4196 105 4197 105 4198 105 4199 105 4200 105 4201 105 4202 105 4203 105 4204 105 4205 105 4206 105 4207 105 4208 105 4209 105 4210 105 4211 105 4212 105 4213 105 4214 105 4215 105 4216 105 4217 105 4218 105 4219 105 4220 105 4221 105 4222 105 4223 105 4224 105 4225 105 4226 105 4227 105 4228 105 4229 105 4230 105 4231 105 4232 105 4233 105 4234 105 4235 105 4236 105 4237 105 4238 105 4239 105 4240 105 4241 105 4242 105 4243 105 4244 105 4245 105 4246 105 4247 105 4248 105 4249 105 4250 105 4251 105 4252 105 4253 105 4254 105 4255 105 4256 105 4257 105 4258 105 4259 105 4260 105 4261 105 4262 105 4263 105 4264 105 4265 105 4266 105 4267 105 4268 105 4269 105 4270 105 4271 105 4272 105 4273 105	OPTO ELECTRONICS LEDs with clips TIL209 10 TIL211 GRN 14 TIL212 Yel 14 TIL220 2 Red 12 2 Green Yellow or Amber 14 0.2 Bi colour 104 Red/Green 100p Green/Yellow 115p 0.2 Tri colour Red/Green/Yellow 85 Hi-Brightness Red 58 High Br Green or 68 Flashing red 55 0.2 red 55 Square LEDs: Red 30 Green Yellow 30 Rectangle Stackable LEDs Red Green or Yellow 18 Triangular LEDs Green or yellow 22 LD271 Infra Red 48 SFH205 Detector 48 TIL32 Infra Red 52 TIL78 Detector 55 TIL38 50 TIL100 75 BARRGRAPH ARRAY Ten Segments 150 MV5164 Red 225 MV54164 Grn 230 ISOLATORS IL74 75 ILD74 145 ILD74 275 TIL111/2/4 70 ILCT6 Darlington 135 TIL117 125 ILN33 Photo Darlington 136 7 Segment Displays TIL312 3 CA 120 TIL313 3 CC 120 TIL321 5 CA 140 TIL322 5 CC 140 TIL729 7 CC 140 DL704 3 CC 125 DL707 3 CA 125 FND057 Red 120 FND050 130 3 Green CA 150 3 x 7 Red CA 150 3 x 7 Green CA 150 LCD 3 Digits 496 LCD 4 Digits 530 LCD 6 Digits 625 REFLECTIVE Optical Switch 225 SLOTTED Optical Switch similar to RS Components 295 SLOTTED Optical Switch similar to RS Components 295
---	---	--

SPECIAL OFFER

ACCESS & VISA orders

Just phone your orders through, we do the rest.

D923 50234

1+	10+
2764-250ns	185p
27128-250ns	255p
6116LP-3	170p
6264LP-150ns	325p

COMPUTER CORNER

BBC Master 128K Microcomputer **£425**
 Seikosha GP50A & GP50S Printers **£69**
 Epson LX80 Dot matrix Printer **£189**
 LX80 Tractor Feed Attachment **20**
 LX80 Cut Sheet Feeder **49**
 Epson FX85 Dot matrix Printer **315**
 Centronics GLP (NLQ) Printer **£105**
 Tractor feed attachment for GLP **£9**
 KAGA/TAXAN KP810 Printer **£179**
 KAGA/TAXAN KP910 Printer **335**
 Brother HR15 Daisy Wheel Printer **285**

Securicor Carriage on above **£7**
 Cable for above Printers to interface to BBC Micro **£5**
 TEK EPROM ERASER with safety switch. Erasers up to 25 EPROMS **£28**
 Spare UV Lamp (Bulb) **£8**

CALL IN AT OUR RETAIL SHOP FOR A DEMONSTRATION OF ANY OF THE ABOVE PRODUCTS. BE SATISFIED BEFORE YOU BUY. YOU MAY WRITE IN FOR OUR DESCRIPTIVE MICRO CATALOGUE.

SPDOS

The only professional Disc Interface for the Spectrum Micro.

SPECIAL OFFER £65

Gang of Eight, EPROM Programmer
 Copies up to eight at a pass 2716 to 27256. EPROM type is set by switches. Erasure is checked automatically. Simple control. Alpha liquid crystal display. Chexsum facility 6 hex digits. FAST or NORMAL programming. **£385**

MENTA - The Z80 TUTOR
 Designed for Schools and Colleges to teach Z80 Machine code. Menta uses TV for display. Shows STACK & PROGRAM in HEX. Editing facility includes direct keyboard ASSEMBLER, RS-232 Output DISASSEMBLER. Used to write & debug short machine code routines. Menta is a complete controller with 24 bits of I/D used for ROBOTICS. **£99**

5 1/4" Disc Drives for the BBC

(All Drives are supplied with Power Supply and Utilities Disc)

- CS200 - Epson Single 200K, 40 track Double sided **£116**
- CS400S - Mitsubishi Single 400K, Double sided, 40/80 track switchable **£124**
- CD400 - Epson dual 400K, 40 track, Double sided **£205**
- CD800S - Mitsubishi dual 800K, Double sided 40/80 track switchable **£219**
- TWIN Disc drive case with Power supply and Cables to house your own drives **£35**
- All Single Drives with Power supply are supplied in a twin case for later inclusion of a second drive (Securicor Carriage on Drives £7)
- DISC INTERFACE KIT complete **£48**
- DFS Manual (comprehensive) (NO VAT) **£7**

Top Quality 5" Discs

- 10 - M4 Single Side Double Density 40 track **£10**
- 10 - M5 Double Side Double Density 40 track **£12**
- 10 - M7 Double Side Double Density 80 track **£17**

BBC & MICROCOMPUTER & ACCESSORIES

BBC Model B PLUS £365

We stock the full range of BBC Micro peripherals, Hardware & Software like, Disc Drives (Top quality Epson & Mitsubishi), Disks, Printers, printer, Paper, Interface Cable, Dust Covers, Cassette Recorder & Cassettes, Monitors, Connectors (Ready made Cables, Plugs & Sockets), Plotter (Graphic Table) EPROM Programmer, Lightpen Kit, Joysticks, Sideways ROM Board, EPROM Eraser, Machinecode ROM. The highly sophisticated Watford's 16K BEEB DFS, WORDWISE, BEEB-CALC, Software (Educational Application & Games), BOOKS, etc. etc. Please send SAE for our descriptive leaflet.

DIGEST

Dog Eats Dog

Less than a month after the computer supplement of one national newspaper predicted that Sinclair Research was to unveil a direct competitor to the Amstrad PCW8256, Amstrad relieved Sinclair of its responsibilities by buying the company's home computer assets.

The announcement of the £5m deal was made at a press conference on 7 April, jointly hosted by Sir Clive Sinclair, the founder and chairman of Sinclair Research Ltd., and Alan Sugar, founder and chairman of Amstrad Consumer Electronics PLC.

The surprise move came as the conclusion of months of speculation as to the future of Sinclair Research. Although separated from the collapsed Sinclair Vehicles, Sinclair Research is 80% owned by Sir Clive Sinclair whose personal fortune was severely eroded by the failure of the C5 electric vehicle.

Sinclair Research had also massively over-produced for the crisis Christmas of 1984. The seasonal nature of the home computer trade meant that Sinclair could not hope to recover until over a year later but the decline in sales already indicated a loss of between £15 and £16m during 1985.

Towards the end of last year, Sinclair announced a rescue package involving a commitment by high-street retailers, Dixon's, to take £10m worth of Sinclair products. It seems to have been too little, too late.

The Spectrum 128 was not launched early enough to grab the Christmas market and the rest of the Sinclair range failed to sell in large enough volumes despite massive discounting. In effect, many Sinclair products were being sold at cost price.

Details of the Amstrad-Sinclair deal are murky, beyond the fact that Amstrad has bought Sinclair's stock, goodwill and rights to manufacture and use the Sinclair trade name. Sinclair claims that it had fulfilled the terms of the 1985 rescue package and paid off its debts by the deadline of 1 April. However, it has been alleged that

Sinclair Research was still in debt to the tune of £20m and that major creditors refused to give the company any more leeway. It has also been suggested that the takeover was initiated with the active involvement of Dixon's.

The deal adds a further 40% by volume of the British home computer market to Amstrad's 20% and leaves Sugar's company in a strong position in every sector of the British computer market up to and including small businesses. With profits of £27.5m for the first six months of its financial year to December 1986, Amstrad is almost certainly the UK's leading consumer electronics company, although year-end results will probably show a lower total.

Alan Sugar says that his company will support Sinclair products for a minimum of five years. The QL — which has not been in production for a year — is now formally dropped and rumour has it that Amstrad's bottom-end computers will now be badged 'Sinclair'. It is also widely believed that the Amstrad name will go further up-market with the launch of an IBM PC compatible from the company later this year.

Sinclair Research is now reduced to a holding company overseeing three areas of involvement in high technology: a telecommunications products company in Winchester, the MetaLab research organisation and the wafer-scale integration project which Sinclair and Ivor Catt hope will produce a commercially viable single chip occupying the complete area of a silicon wafer.

● Crisis continues in the UK computer market with Olivetti's recent announcement that it has failed to convince the European market to buy Acorn's BBC range of computers. The former white-hope of the industry — Apricot Computers — have announced that the US trading company, Apricot Inc., in which it holds a 19.9% stake has returned a £14m trading loss for 1985 — its first year of operation. The company is selling its stake to the US managers of Apricot Inc. Apricot had intended to go into profit by the beginning of this year, while it has actually continued to make a loss.



The Colour Blue

At the recent Comdex show in Los Angeles, the world's leading computer company, IBM, launched a laptop PC with integral twin 3½-inch disc drives. The company also announced a new model PC AT and three new PC XT's all with optional 3½-inch drives.

The 3½-inch format represents a major departure for IBM whose enormous resources and influence have, until now, been put behind 5¼-inch floppies. All major software houses in the US have agreed to produce 3½-inch versions of their product.

It seems inevitable that the 5¼ inch disc, like the 8 inch before it, is now on its way out. The weight of IBM's decision is bound to be felt even by home computer users in time.

Bytes Per Cent

The launch of Atari's new desktop personal computer, the 1040ST, may represent a breakthrough as big as those made with the first Apple, the ZX80 or the Commodore 64.

The 1040ST comes complete with 1Mbyte of on-board DRAM for a mere \$999. Like the 520ST, the machine uses a 68000 CPU. Atari seem to have ironed-out most of the problems associated with the 520ST and the new machine is more than a match for Commodore's much vaunted Amiga. The \$999 price tag includes a monochrome monitor and integral 3½-inch double-sided disc drive. At less than one dollar per kilobyte, the 1040ST is five times better value than the Amiga, around 20 times better value than the Mac and PC AT and an astonishing 150 times better value than the original TRS-80 of less than ten years ago.

For KITS & COMPONENTS - Choose the easy way - with

TK

SEND SAE NOW

for our **FREE CATALOGUE**
Or ring: **01-567 8910** for
the **LOWEST** prices on -

CMOS	CONNECTORS	BOOKS
TTL	REGULATORS	TOOLS
LINEAR	MICROPROCESSORS	PCBs
SCRs	SPEAKERS	CRYSTALS
LEDs	HEATSINKS	SWITCHES
NICADS	MULTIMETERS	RELAYS

AND **LOTS LOTS** MORE

We also **STOCK** over 30 KITS for Timers, Remote Control, Disco Lights, Temperature Control. etc. **PLUS** a wide range of **VELLEMAN** and **PANTEC** KITS.

TK ELECTRONICS
13 BOSTON RD
LONDON W7 3SJ

SEND 9" x 6" SAE OR CALL AT SHOP
MON-FRI 9-5pm
SATURDAY 10-4pm

Z80A CPU £2.19
(5 for £9.95) + VAT

FREE P&P on orders over £20 (UK only), otherwise add 75p + VAT. Overseas P&P. Europe £2.75. Elsewhere £6.50. Giro No. 529314002. **SCHOOL OR LOCAL AUTHORITY ORDERS WELCOME.** Goods by return subject to availability.

ETI PCB Service

Last month we held-over the PCB Service page, expressing the hope that this did not represent the start of a new round of problems with our suppliers.

Our hope was not fulfilled. After just a few months our new suppliers are already finding it difficult to cope with the running of the service. We are happy to say that they have cleared almost all of the backlog which had built up, but they have now terminated the contract and will not be supplying any further boards. For this reason we have not printed the PCB Service page again this month.

The Service offers a large number of different boards, some of them in very small quantities, and this is not necessarily the most

attractive of propositions to a commercial management. Bearing in mind this and the problems we had last time, we cannot offer any guide as to how long it will be before we are able to offer boards again. We will obviously do our best to find a new supplier as quickly as possible.

In the meantime, we can only suggest that our readers treat this as an opportunity to discover (or rediscover) the joys of PCB production. For those unfamiliar with the process, a brief description appears in the article 80m Direct Conversion Receiver in this month's ETI. We will also do our best to find alternative sources for individual boards (authors, kit suppliers, etc.) but this is unlikely to affect more than a small percentage of our projects.

We offer our sincere apologies to readers for this new round of problems.



Versatile Heatsink Cases

Lincoln Binns have introduced a range of extruded aluminium cases which feature integral heatsinking, optional protection against moisture ingress and a system which allows power semiconductors to be mounted in thermal contact with the case walls without the need for drilling. Other items such as feet, mounting brackets, PCB's, etc can also be attached without drilling and the cases can be slotted together in various combinations to form larger units.

The external walls of the cases have dove-tailed grooves which provide the means whereby cases may be slotted together. The dove-tails also serve as the fins of a heatsink. Various runners slide into these grooves to carry rubber feet, mounting brackets, etc.

Internally, the cases have a series of slots for PCB mounting and a further set of dove-tailed grooves on one face. These can

be used with a slide-in carrier which holds power semiconductors. In this way, the semiconductors remain in close thermal contact with the case when in position but can be removed easily along with the PCB for servicing. The slide-in carrier also provides a certain amount of heatsinking on its own, allowing equipment to be tested for short periods outside of the case without the need to extend leads or rig up a temporary heatsink.

A range of end-plates complete the cases, along with sealing gaskets which provide moisture protection. The end-plates overlap the external grooves on two sides to retain fittings and to provide support where several cases are slotted together.

The cases are available in nine sizes from 32 x 63 x 40mm up to 47 x 108 x 220mm in either a natural or black anodised finish and are supplied with matching end-plates. Prices range from £1.35 to £8.80 exclusive of VAT and postage. All accessories are supplied as extras.

Lincoln Binns Ltd, PO Box 110, Haywards Heath, West Sussex, RH17 5YU, tel 0444-451 418.

Happy Memories

Part type	1 off	25-99	100 up
4116 150ns	1.25	1.15	1.10
4164 150ns Not Texas	.98	.88	.80
41256 150ns	2.50	2.35	2.10
2114 200ns Low Power	1.75	1.60	1.55
6116 150ns	1.45	1.30	1.20
6264 150ns Low Power	2.85	2.55	2.35
2716 450ns 5 volt	2.95	2.65	2.45
2732 450ns Intel type	2.75	2.45	2.25
2764 250ns Suit BBC	1.90	1.75	1.70
27128 250ns Suit BBC	2.50	2.25	2.05
27256 250ns	3.95	3.75	3.60

Low profile IC sockets: Pins	8	14	16	18	20	24	28	40
Pence	5	9	10	11	12	15	17	24

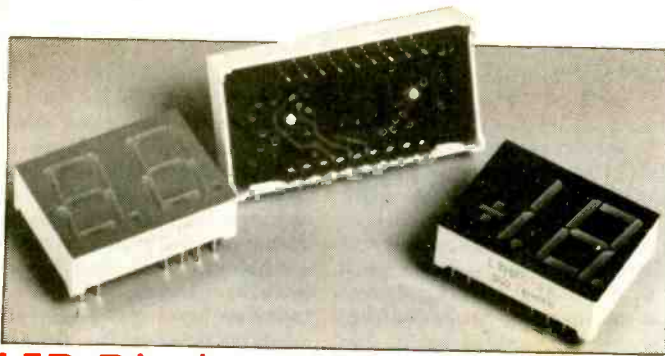
Available now — The ROAM BOARD for the BBC Micro. Reads Roms via a Low Insertion Force Socket and saves their contents as files, then reloads a file into its sideways Ram as required.

Full details on request.

74LS series TTL, wide stocks at low prices with DIY discounts starting at a mix of just 25 pieces. Write or 'phone for list.

Please add 50p post & packing to orders under £15 and VAT to total. Access orders by 'phone or mail welcome. Non-Military Government & Educational orders welcome. £15 minimum.

HAPPY MEMORIES (ETI),
Newchurch, Kington, Herefordshire, HR5 3QR.
Tel: (054 422) 618



LED Displays With Integral Drivers

A new range of seven-segment LED displays from Selectronic feature built-in serial-input driver ICs. They come in the same size of package as existing displays and therefore offer a net saving in board space compared with using separate components.

The displays are manufactured by Taiwan Liton and come in a range of five types. The LTM8529x, LTM8530x and LTM8522x displays have 1½, 2 and 3 digits respectively, a character height of 0.56" (14.2mm) and come in red, bright red, high-efficiency red, green, and orange. The LTM8328P and LTM8328KP are four-digit displays with 0.3" high

characters and are available only in bright red. The final member of the new range is the LTM8494 which has two 14-segment 'starburst digits' which are 0.54" high.

The integral IC is an M5450 which contains a 35-bit register, 35 LED driver output and a brightness control. Data input to the displays requires two signals, a clock signal and the serial data. Each digit is individually addressable and will continue to display the last character stored until new data is received. The maximum voltage is 15V.

Selectronic Ltd, The Old Stables, 246 Market Square, Witney, Oxfordshire OX8 6AL, tel 0993 - 73888.

Digitally Assisted Television

Research engineers at the BBC have proposed a system whereby high data rate digital signals would be transmitted with the analogue television picture signal to provide supplementary information and control.

Among the possible uses for such signals is to indicate which parts of a television picture contain movement and which don't. By updating only those parts which are moving, the bandwidth required would be reduced.

Early experimental results indicate that HDTV (high definition television) picture quality can be achieved using this system even

when the bandwidth has been reduced by a factor of between two and four.

Another possible use for DATV (digitally assisted television) is to carry information which would allow sequentially scanned pictures to be transmitted with interleaved scanning (again, to save the bandwidth) and then reconstructed.

The BBC describe DATV as "... a powerful technique to squeeze HDTV signals through the bottleneck of transmission channels using the sort of technology which will be in our homes in the 1990s". They say they are confident that it will play an important role in establishing a European Broadcasting strategy for high definition television.

BBC Engineering Information Department, Broadcasting House, London W1A 1AA, tel 01-927 5432.

● When Richard Branson's *Virgin Atlantic Challenger II* attempts to break the world record for crossing the Atlantic, it will be packed full of equipment supplied by Rascal Electronics. As well as providing radar and communications systems, Rascal plan to use the vessel as a test-bed for their new integrated navigation system.

● The new Rapid Electronics catalogue runs to 96 A4 pages and lists over 3,500 items. They offer same-day despatch on all orders. The catalogue costs £1.00 including postage (free to schools, private companies, etc.). Rapid Electronics Ltd, Hill Farm Industrial Estate, Boxted, Colchester, Essex CO4 5RD, tel 0206 - 36730.

CRICKLEWOOD ELECTRONICS LTD

FREE! catalogue

It's no secret...

that there is a real difference at Cricklewood Electronics. That's why you should never be without the FREE CRICKLEWOOD ELECTRONICS COMPONENTS CATALOGUE, for sheer variety, competitive prices and service from the U.K.'s number one 100% component shop. No gimmicks, no gadgets or computers, just components, millions of them, all easily available by mail order, calling or credit card telephone orders. Just pick up the phone (or a pen) to get your FREE copy now (no SAE required). You have nothing to lose.

CRICKLEWOOD ELECTRONICS LIMITED
40 Cricklewood Broadway, London NW2 3ET
Tel: 01-450 0995/01 452 0161
Telex: 91 4977

<p>OSCILLOSCOPES</p> <p>COSSOR CDU150. Dual Trace 35MHz Solid State. Portable 8x10cm display. With Manual. £200</p> <p>TELEQUIPMENT D61 Dual Trace 10MHz. With Manual. £150</p> <p>ADVANCE OS250TV. Dual Trace 10MHz. With Manual. £160</p> <p>S.E. LABS SM111. Dual Trace 18MHz Solid State. Portable AC or External DC operation 8x10cm display. With Manual. £150</p> <p>TELEQUIPMENT D43 Dual Trace 15MHz. With Manual. £100</p> <p>TELEQUIPMENT S54A Single Trace 10MHz. Solid State. With Manual. £110</p> <p>TELEQUIPMENT S43 Single Trace 25MHz. With Manual. £75</p>	<p>LABGEAR COLOURMATCH PATTERN GENERATOR</p> <p>Type CM6038-DB Crosshatch/Grey Scale/Blank Raster. Mains or Battery. ONLY £12 each (P&P £2)</p> <p>ADVANCE AM/FM SIGNAL GENERATOR Type SG63A 7.5-230MHz. £75</p> <p>ADVANCE AM SIGNAL GENERATOR SG62B 150KHz-220MHz. £45</p> <p>ADVANCE AM SIGNAL GENERATOR Type 62. 150KHz-220MHz. £30</p> <p>METRIX WOBBLULATOR Type 210. 5-220MHz. £20</p> <p>PHILIPS WOBBLULATOR GM2877S 5-220MHz & 440-880MHz. £100</p> <p>LABGEAR COLOUR BAR GENERATOR CM6037 (P&P £4). £60</p> <p>VIDEO CIRCUITS V31A CRT ANALYSER/BOOSTER (Scratched Case). £60</p> <p>WAYNE KERR COMPONENT BRIDGE B521 (CT375) 100uH-500KHz. 1pF-5F. 1 milliohm-1000ohms. £35</p> <p>RACAL 32MHz UNIVERSAL COUNTER TIMER Type 836. £50</p> <p>MARCONI TF2604 (Later version of TF 1041 VTVM) 20Hz-1500MHz. AC/DC/Ohms AC 300mV-300V FSD. £60</p> <p>MARCONI VALVE VOLTMETER TF2600 10Hz-100MHz. 1mV-300V FSD. £40</p> <p>PHILIPS COLOURBAR GENERATOR type 5501 (P&P £5). £100</p> <p>PHILIPS COLOURBAR GENERATOR type 5508 Video out. Many Functions. £125</p> <p>TES FIELD STRENGTH METER type HC661 in Carrying Case (P&P £5). £80</p>
<p>PHILIPS DIGITAL MULTIMETERS</p> <p>4 digit, auto ranging. Complete with batteries and leads. (p&p £5)</p> <p>TYPE PM2517X (LCD). £75</p>	<p>MULTIMETERS</p> <p>AVO 8 Mk 4 Complete with batteries & leads £60</p> <p>AVD 8 Mk 2 Complete with batteries & leads £50</p> <p>AVO TEST SET No 1 (Military version of AVO 8) Complete with batteries, leads & Carrying Case. £65</p> <p>AVO Model 7x. Complete with batteries, leads & carrying case. £40</p> <p>AVO Model 73. Pocket Multimeter (Analogue) 30 ranges. Complete with batteries & leads. £18</p> <p>AVO 72 - Similar to above but no AC current range. With batteries & leads. £10</p>
<p>AVO TRANSISTOR TESTER TT169</p> <p>Handled. GO/NO GO for In-situ Testing. Complete with batteries, leads & instructions. (p&p £3) NOW ONLY £12</p>	<p>NEW EQUIPMENT</p> <p>HAMEG OSCILLOSCOPE 605. Dual Trace 60MHz. Delay Sweep. Component Tester. £515</p> <p>HAMEG OSCILLOSCOPE 205.5. Dual Trace 20MHz. Component Tester. £270</p> <p>All Other Models Available.</p> <p>BLACK STAR COUNTER TIMERS P&P £5</p> <p>APOLLO 10 - 100MHz Ratio/Period/Time Interval etc. £219</p> <p>APOLLO 100 - 100MHz (As above - with more functions). £285</p> <p>BLACK STAR FREQUENCY COUNTERS P&P £4</p> <p>Meteor 100 - 100MHz. £99</p> <p>Meteor 600 - 600MHz. £126</p> <p>Meteor 100 - 1GHz. £175</p> <p>BLACK STAR JUPITOR 500 FUNCTION GENERATOR. Sine/Square/Triangle. 0.1Hz - 500KHz. P&P £4 £110</p> <p>HUNG CHUNG DMM 6010. 3½ digit. Hand held 28 ranges including 10 Amp AC/DC. Complete with batteries & leads. P&P £4. £33.50</p> <p>OSCILLOSCOPES PROBES. Switched x1; x10 P&P £2. £11</p>
<p>PROFESSIONAL 9" GREEN SCREEN MONITORS made by KGM for REUTERS Gives quality 80 column x 24 line display. Composite video in. Cased. Good condition. ONLY £32 each</p> <p>DISK DRIVE PSU.240V 1N: 5V 1.6A & 12V 1.5A out. Size: W125mm. H75mm. D180mm. Cased. Un-used. Only £10.00 each (P&P £2)</p> <p>Qwerty keyboard (as in Lynx Micro). Push to make. Cased. £5 each (P&P £2)</p> <p>Various 5 ¼" Floppy Disk Drives and Stepping Motors Available</p>	<p>This is a VERY SMALL SAMPLE OF STOCK. SAE or Telephone for Lists. Please check availability before ordering. CARRIAGE all units £12. VAT to be added to Total Goods & Carriage.</p>
<p>STEWART OF READING 110 WYKEHAM ROAD, READING, BERKS RG6 1PL Telephone: 0734 68041</p> <p>Callers welcome 9 am-5.30 pm Mon-Fri. (until 8 pm Thurs)</p>	

BEST PRICE DEVICES

ALL THE LATEST FASTEST MEMORIES NOT TO BE CONFUSED WITH SLOWER OLD STOCK OFFERED ELSEWHERE

DRAM		EPROM	
5v NMOS 150nS		5v NMOS 250nS	
4164 64k x 1	£1.20	2716 2k x 8	£3.25
41256 256k x 1	£2.75	2732 4k x 8	£3.25
4416 16k x 4	£2.80	2764 8k x 8	£1.95
41464 64k x 4	£5.90	27128 16k x 8	£2.85
SRAM		27256 32k x 8	
5v CMOS 150nS		5v CMOS 250nS	
6116 2k x 8	£1.50	27C64 8k x 8	£8.50
6264 8k x 8	£3.50	27C256 32k x 8	£15.00

EX - EQUIPMENT MEMORY BARGAINS

Guaranteed UV Erased, Cleaned and Tested

4116 16k x 1 DRAM	60p	2732 4k x 8 EPROM	£1.50
2716 2k x 8 EPROM	£1.50	2764 8k x 8 EPROM	£1.50

LINEAR BARGAINS

TL072CP	50p	NE555	19p	LM358	39p
TL074CN	80p	LM311P	39p	SN75154N	95p
TLO82CP	40p	LM324	39p	OPO7CP	£1.00
TLO84CP	85p	LM348N	39p		

REGULATORS

7812	35p	78M12	35p	LM337	£1.00
------	-----	-------	-----	-------	-------

10% DISCOUNT

ON ORDERS OVER £25 REGARDLESS OF MIX PLEASE ADD 15% V.A.T. SENT POST FREE

ORDERS UNDER £25 ADD 15% V.A.T. PLUS 50p P&P. OVERSEAS ORDERS WELCOME ADD £2.00 P&P TO ALL ORDERS (NO V.A.T.)

SEND LARGE S.A.E. FOR LISTS OF 74HC CMOS, 4000 CMOS, MICROPROCESSORS & PERIPHERALS, DISK CONTROLLERS, ETC.

TECHNICAL ADVICE, DATA SHEETS, ETC. A PLEASURE PHONE OUR 24 HOUR SERVICE 0933 626420

ALL ORDERS DESPATCHED BY RETURN FROM LARGE STOCKS

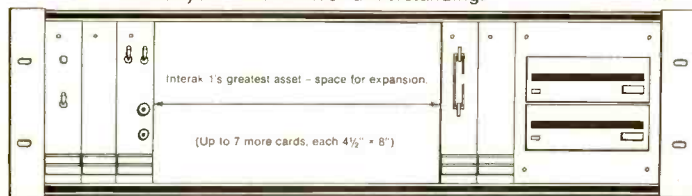
MICROKIT LIMITED
MANOR PARK RAUNDS NORTHANTS NN96PD

Interak 1

AN EXPANDABLE DISK-BASED Z80A DEVELOPMENT SYSTEM YOU CAN BUILD YOURSELF!

Universities, Colleges, Industry, Enthusiasts:

Unlike home computers, development systems have entirely "open" architectures, use standard TTL etc. chips (ie no ULA's!), and are built in a proper engineering fashion. Usually these superior products carry a correspondingly superior price tag, but you can build Interak yourself board by board and thus afford a system which would normally be out of your reach and/or understanding.



YOUR OWN EXPANSION (EG SPEECH, SOUND, EPROM, PRINTER, MODEM, TAPE, RELAY, CONTROL, INTERFACING, ETC ETC) ASCII BOARD 2 - 1 MBYTE 3 1/2" DISKS (EXAMPLE)

The initial development system has 64K of RAM, a 4 MHz Z80A CPU, parallel ASCII keyboard interface, VDU interface (TV set or monitor), and a floppy disk drive interface for up to 4 drives. Any size (including 8" double density) can be used, but our 1 Megabyte 3.5" drives are proving very popular because they can fit into the system rack, (and they only cost £87.00 each + VAT). CP/M 2.2 is available, giving access to thousands of "public domain" programs.

The system can be described as "future proof" because it uses plug in 4.5" x 8" cards in an industrial quality 19" 3U rack. We have been established since 1970, and this system was first made in 1977 so (unlike almost all other computers) it has stood the test of time.

Send two second class stamps, or telephone for a detailed descriptive leaflet, specification, prices, etc.

Greenbank

Greenbank Electronics (Dept T6E), 92 New Chester Road, New Ferry, Wirral, Merseyside L62 5AG. Tel: 051-645 3391

NEWS:NEWS:NEWS:NEWS

Charging On

Two recent reports on the state of the international battery market predict rapid and major changes in the next few years.

In particular, both suggest that we will soon see batteries which are built into a product and never need changing or re-charging during the working life of that product.

The two reports come independently from major market research organisations. They point out that there have been more developments in the last decade than in the previous four decades and that we are already beginning to see 'lifetime' batteries in some products such as calculators and watches. With a new generation of lithium batteries, soon to appear, this practice could extend to devices such as radios, VCRs and computers.

The new lithium primary batteries will not only carry more energy than existing types, they will also have a much longer shelf life. This is an important consideration if the battery is to be an integral part of a product which may be stored and unused for long periods.

Developments in the field of rechargeable batteries have moved just as quickly. Existing nickel-cadmium types will be superseded by a new generation of rechargeable cells based on lithium-molybdenum disulphide technology. These have around twice the energy density of nickel-cadmium types and a shelf life nearly ten times as long. They are expected to become commercially available within the next year.

The car battery market will not be left behind. Already small sealed units are beginning to replace the traditional lead-acid type with its poor cold weather performance and frequent need for topping up. The changes which take place in the next few years are expected to go far beyond this.

The Report "Business Opportunities for Batteries and Battery Materials" was produced by SRI International, Menlo Park, California, tel 415 - 859 4276. The other report is entitled "Battery Technologies And Emerging Markets" and is published by International Resource Development Incorporated, 6 Prowitt Street, Norwalk, Connecticut USA, tel 203 - 866 7800.

Video Cassette Lock

There are a number of devices on the market which will prevent unauthorised use of a video cassette recorder, but this is the first gadget we have seen which locks the cassettes themselves. It allows cassettes to be protected against accidental erasure or unauthorised viewing whilst leaving the recorder itself free to replay or record other material.

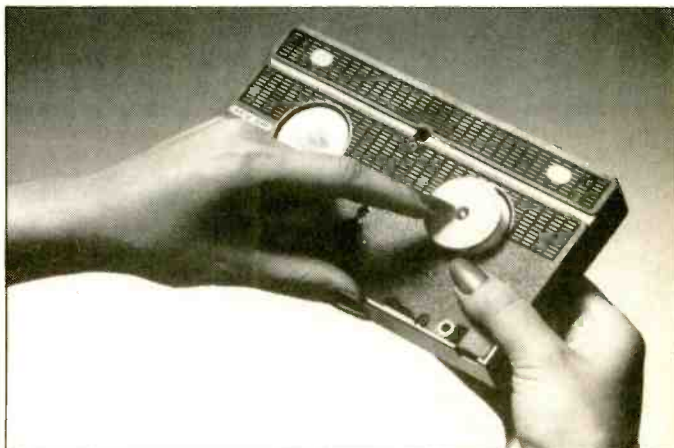
The lock consists of a plastic disc with spring-loaded tabs which clips into one of the cassette sprocket holes.

This prevents the cassette being loaded into the recorder but will

not damage either the cassette or the machine. Once in place, the lock can only be removed with the key provided and the manufacturers say that any attempt to remove it by force will cause visible damage to the cassette.

The locks are brightly coloured to provide an immediate visual indication that a cassette must not be tampered with. They are supplied in packs of three with one key and the recommended retail price is £2.99. The model currently available is only suitable for use with VHS cassettes but a Beta version will be introduced shortly. They will be sold through high street newsagents and department stores.

Video Cassette Lock (UK) Ltd, PO Box 202, Leicester, tel 0533 - 555 180.





Flatpack Electrolytic Capacitors

Sprague claim that their new 88D series represents a major development in aluminium electrolytic capacitors. They offer low inductance and low equivalent series resistance (ESR) and come in flat, square packages which allow a high board packing density to be achieved.

The capacitors are available in two case sizes with values from 56u to 18000u and with voltage ratings from 3 to 450V DC. An internally connected bus bar construction enables them to withstand high ripple currents,

the maximum DC load current being 25A. The equivalent series inductance is typically 4nH in a low voltage circuit and the ESR is $\pm 30\%$ at 25°C from 20kHz to 500kHz. The operating temperature range is from -40°C to +85°C.

Sprague expect the 88D series to find applications in the latest generation of switch-mode power supplies.

Sprague Electric UK Ltd, Airtech 2, Fleming Way, Crawley, West Sussex RH10 2YQ, tel 0293 - 517 878.

● All owners of Avometer type 1000 and 1001 analogue multi-meters are advised to check them following the discovery of a potentially dangerous fault in the design. The suspect instruments have serial numbers in which the second letter is C or D or which contain adjoining letters AE, BE, CE or DE. They will be modified quickly and free-of-charge if returned (in a package marked FOR MODIFICATION) to Thorn EMI Instruments Ltd, Parts and Service Centre, Archcliffe Road, Dover, Kent CT17 9EN, tel 0304 - 202 620.

● Thermalloy have introduced several new products, among them a solder-on heatsink for axial lead devices such as resistors and diodes and a clip-on T0-220 heat-sink which is as efficient as many full-size, bolt-on types. They are described in the latest literature which can be obtained from MCP Electronics Ltd, 26-32 Rosemount Road, Alperion, Wembley, Middlesex HA0 4QY, tel 01-902 6146.

● NEC's 24-page Speech Flyer covers their range of components, boards and complete systems relating to speech technology. The devices described

include waveform speech synthesisers, speech processors, compressors and word recognition systems. Copies of the booklet can be obtained from NEC Electronics (UK) Ltd, Block 3, Carfin Industrial Estate, Motherwell ML1 4UL, tel 0698 - 732 221.

● Wind-your-own kits for laminated transformers have been around for some time, but Electronics and Computer Workshop Ltd are the first company we have come across offering a kit for toroidal transformers. They offer VA ratings of 50, 120, 225, 500 and 1000 and all types are supplied with a pre-wound 250V primary. Fully inclusive prices range from £12.46 for the 50VA model to £48.76 for the 1000VA model. ECW Ltd, 171 Broomfield Road, Chelmsford, Essex CM1 1RY, tel 0245 - 262149.

● A new 178-page catalogue from analogic describes their range of high precision A to D and D to A converters and associated devices. It covers their full product line and includes applications notes, glossaries of terms and 'tutorials'. Contact Jim Lewis, Operations Manager, Analogic Ltd, 68 High Street, Weybridge KT13 8BN, tel 0932 - 56011.

ILP TRANSFORMERS

FROM

JAYTEE

ILP Toroidal Transformers are now available through Jaytee. The UK Distributor with the availability and service to match the quality of the toroidals.

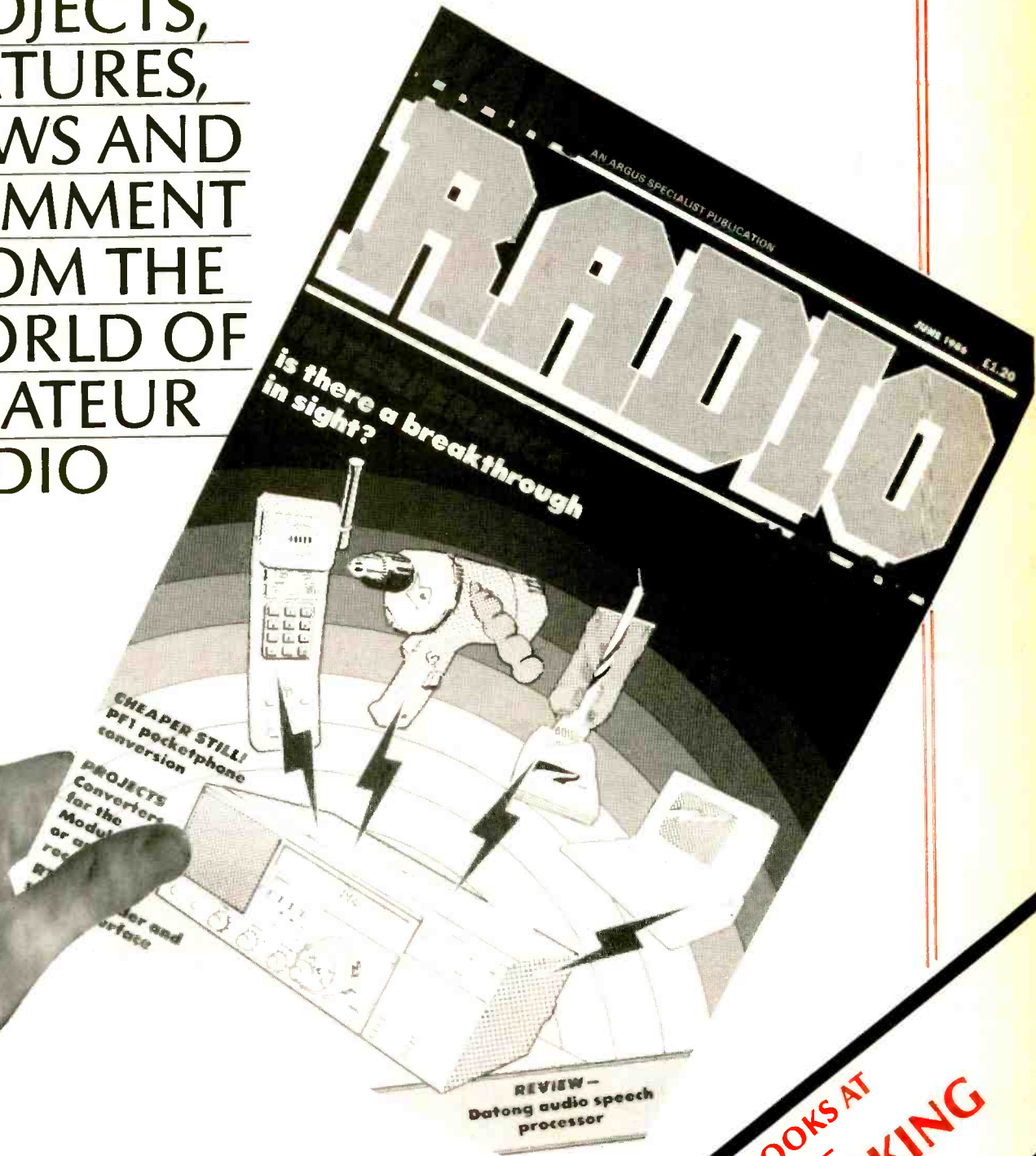
Jaytee Electronic Services
Dept ETI4, 143 Reclver Road, Beltinge, Herne Bay, Kent CT6 6PL
Telephone: (0227) 375254

FOR FREE DATA PACK PLEASE WRITE TO OUR SALES DEPT.

TYPE	SERIES NO.	SEC. VOLTS	R.M.S. CURRENT	TYPE	SERIES NO.	SEC. VOLTS	R.M.S. CURRENT	TYPE	SERIES NO.	SEC. VOLTS	R.M.S. CURRENT
15VA Regulation 19% 62 x 34 (See diagram) 0.35 Kgs Mounting bolt M4 x 12	03010	6-6	1.25	160VA Regulation 8% Size A B C 110 45 50 1.8 Kgs Mounting bolt M5 x 50	53011	9+9	8.89	025VA Regulation 4% Size A B C 140 70 75 5.0 Kgs Mounting bolt M8 x 90	93017	30+30	10.41
	03011	9+9	0.83		53012	12+12	6.66		93018	35+35	8.92
	03012	12+12	0.63		53013	15+15	5.33		93026	40+40	7.81
	03013	15+15	0.50		53014	18+18	4.44		93025	45+45	6.94
	03014	18+18	0.42		53015	22+22	3.63		93033	50+50	6.25
	03015	22+22	0.34		53016	25+25	3.20		93042	55+55	5.68
	03016	25+25	0.30		53017	30+30	2.66		93028	110	5.68
03017	30+30	0.25	53018		35+35	2.28	93029		220	2.84	
30VA Regulation 18% Size A B C 70 35 37 0.45 Kgs Mounting bolt M5 x 50	13010	6-6	2.50		53026	40+40	2.00		93030	240	2.60
	13011	9+9	1.66		53028	110	1.45				
	13012	12+12	1.25	53029	220	0.72					
	13013	15+15	1.00	53030	240	0.66					
	13014	18+18	0.83								
	13015	22+22	0.68								
	13016	25+25	0.60								
50VA Regulation 13% Size A B C 80 40 43 0.9 Kgs Mounting bolt M5 x 50	23010	6+6	4.16	225VA Regulation 7% Size A B C 110 50 55 2.2 Kgs Mounting bolt M5 x 60	63012	12+12	9.38	ILP TRANSFORMERS ARE NOW SUPPLIED WITH DUAL PRIMARIES PERMITTING 110V OR 220/240V OPERATION			
	23011	9+9	2.77		63013	15+15	7.50				
	23012	12+12	2.08		63014	18+18	6.25				
	23013	15+15	1.66		63015	22+22	5.11				
	23014	18+18	1.38		63016	25+25	4.50				
	23015	22+22	1.13		63017	30+30	3.75				
	23016	25+25	1.00		63018	35+35	3.21				
	23017	30+30	0.83		63026	40+40	2.81				
	23028	110	0.45		63025	45+45	2.50				
	23029	220	0.22		63033	50+50	2.25				
23030	240	0.20	63028	110	2.04						
80VA Regulation 12% Size A B C 95 40 43 1.0 Kgs Mounting bolt M5 x 50	33010	6+6	6.66	73013	15+15	10.00	THE TOROIDAL POWER TRANSFORMER Offers the following advantages:- SMALLER SIZE AND WEIGHT TO MEET MODERN 'SLIMLINE' REQUIREMENTS. LOW ELECTRICALLY INDUCED NOISE DEMANDED BY COMPACT EQUIPMENT. HIGH EFFICIENCY ENABLING CONSERVATIVE RATING WHILST MAINTAINING SIZE ADVANTAGES. LOWER OPERATING TEMPERATURE.				
	33011	9+9	4.44	73014	18+18	8.33					
	33012	12+12	3.33	73015	22+22	6.82					
	33013	15+15	2.66	73016	25+25	6.00					
	33014	18+18	2.22	73017	30+30	5.00					
	33015	22+22	1.81	73018	35+35	4.28					
	33016	25+25	1.60	73026	40+40	3.75					
33017	30+30	1.33	73025	45+45	3.33						
120VA Regulation 11% Size A B C 95 45 50 1.2 Kgs Mounting bolt M5 x 50	43010	6-6	10.00	73028	110	3.00		PRICES			
	43011	9+9	6.66	73028	110	2.72					
	43012	12+12	5.00	73029	220	1.36					
	43013	15+15	4.00	73030	240	1.25					
	43014	18+18	3.33								
	43015	22+22	2.72								
	43016	25+25	2.40								
	43017	30+30	2.00								
	43018	35+35	1.71								
	43028	110	1.09								
43029	220	0.54									
43030	240	0.50									
500VA Regulation 5% Size A B C 135 60 65 4.0 Kgs Mounting bolt M8 x 70	83016	25+25	10.00	SIZES							
	83017	30+30	8.33								
	83018	35+35	7.14								
	83026	40+40	6.25								
	83025	45+45	5.55								
	83033	50+50	5.00								
	83042	55+55	4.54								
	83028	110	4.54								
	83029	220	2.27								
	83030	240	2.08								
ALL ABOVE PRICES INCLUDE VAT AND CARRIAGE. QUANTITY DISCOUNTS AVAILABLE FOR 6 OR MORE OF ANY ONE TYPE											

HAM RADIO TODAY ON SALE NOW

PROJECTS,
FEATURES,
NEWS AND
COMMENT
FROM THE
WORLD OF
AMATEUR
RADIO



THE JUNE ISSUE LOOKS AT
INTERFERENCE —
**WILL YOU BE PICKING
IT UP?**

NEWS:NEWS:NEWS:NEWS:

DIARY

British Electronics Week — April 29–May 1st

Earls Court and Olympia, London. See April '86 ETI or contact Evan Steadman Services Ltd, The Hub, Emson Close, Saffron Walden, Essex CB10 1HL, tel 0799-26699.

Communications '86 — May 13–15th

Metropole Hotel, NEC, Birmingham. Exhibition and conference organised by the IEE which aims to provide a forum for designers and other engineers involved in communications. For details contact the IEE at the address below.

Ichiban: The Japanese Approach To The Training Of Technicians And Engineers — May 15th

Royal Angus Thistle Hotel, Birmingham, 6.00 pm. Lecture organised by the IEE. For details, contact them at the address below.

Electrical Insulation Conference — May 19–22nd

Brighton. See March '86 ETI or contact the British Electrical and Allied Manufacturers Association, Leicester House, 8 Leicester Street, London WC2H 7BN, tel 01-437 0678.

Hertz and Randall — Pioneers of Radiation — May 29th

Institution of Electrical Engineers, London, 6.00 pm. Lecture by Dr. M.J. Lazarus of Lancaster University. For details contact the IEE at the address below.

Advanced Infrared Detectors And Systems — June 3–5th

Institution of Electrical Engineers, London. See March '86 ETI or contact the IEE at the address below.

Network '86 — June 10–12th

Wembley Conference Centre, London. For details see March '86 ETI or contact Online at the address below.

Power Electronics And Variable Speed Drives — June 10–12th

Institution of Electrical Engineers, London. Conference covering the integration of microprocessors, power electronics and machines. For details contact the IEE at the address below.

The Scottish Electronics Show — June 10-12th

The Anderston Centre, Glasgow. Exhibition and conference covering services and equipment associated with the design, testing and manufacture of electronic components and products. Contact Network Events Ltd, Printers Mews, Market Hill, Buckingham MK18 1JX, tel 0280-815 226.

The International ISDN Conference — June 10-12th

Wembley Conference Centre, London. Conference on the Integrated Services Digital Network with separate events schedules covering the commercial and technical aspects. Contact Online at the address below.

Scottish Technology Week — June 17-19th

The Scottish Exhibition & Conference Centre, Glasgow. Single event which combines the Scottish Electronics Technology Show (formerly the Scottish Electronics Production Show), OEM Scotland and the Scottish Factory Efficiency Show. Contact Cahners at the address below.

Computer '86 — June 24-26th

G-Mex Exhibition Centre, Manchester. Computer exhibition aimed at business and industry, formerly known as the Northern Computer Show. Contact Reed Exhibitions, Surrey House, 1 Throwley Way, Sutton, Surrey SM1 4QQ, tel 01-643 8040.

Addresses:

Cahners Exhibitions Ltd, Chatsworth House, 59 London Road, Twickenham, Middlesex TW1 3SZ, tel 01-891 5051.

Institution of Electrical Engineers, Savoy Place, London WC2 0BL, tel 01-240 1871.

Online Conferences Ltd, Pinner Green House, Ash Hill Drive, Pinner, Middlesex HA5 2AE, tel 01-868 4466.

DIGITAL ELECTRONICS

MADE
EASY



SUPERKIT £22.00

SUPERKIT II £16.00

(£35.00 if bought together)

The SUPERKIT series introduces beginners to practical digital electronics. SUPERKIT (SUP I) is the first kit, which contains an instruction manual, a solderless breadboard, and components (7 integrated circuits, switch, resistors, capacitors, LEDs and wire). It teaches boolean logic, gating, flipflops, shift registers, ripple counters and half adders. SUPERKIT II (SUP II) extends SUPERKIT. It contains an instruction manual and components (10 integrated circuits, 7-segment display, resistors, capacitors and wire), and explains how to design and use adders, subtractors, counters, registers, pattern recognisers and 7-segment displays.

DIGITAL COMPUTER LOGIC	£7.00
DIGITAL COMPUTER DESIGN	£9.50
MICROPROCESSORS & MICROELECTRONICS	£6.50

The SUPERKIT series is backed by our theory courses. DIGITAL COMPUTER LOGIC (DCL), the beginners' course, covers the use and design of logical circuits, flipflops and registers. DIGITAL COMPUTER DESIGN (DCD), a more advanced course, covers the design of digital computers both from their individual logic elements and from integrated circuits. MICROPROCESSORS and MICROELECTRONICS (MIC) teaches what a microprocessor is, how it evolved, how it is made and what it can do.

GUARANTEE. If you are not completely satisfied, return the item to us in good condition within 28 days for a full refund. All prices include worldwide surface postage (ask for prepayment invoice for airmail). Orders despatched within 48 hours. Overseas payment by international credit card or by bank draft drawn on a London bank.

CAMBRIDGE LEARNING LTD, Unit 13, FREEPOST, St. Ives, Huntingdon, Cambs. PE17 4BR, England. Telephone: 0480 67446.

VAT No. 313026022 Transcash No. 2789159 Reg. No. 1328762

Please send me (initial letters used):

..... SUP I	@ £22.00 DCL	@ £7.00
..... SUP II	@ £16.00 DCD	@ £9.50
..... SUP I + II	@ £35.00 MIC	@ £6.50

Full details of all your courses (please tick)

I enclose a cheque/PO payable to Cambridge Learning Ltd. for £

Please charge my credit card, No. Expiry date

Telephone orders from credit card holders accepted on 0480 67446 (24 hrs).

Name

Address

.....

..... Signature

CAMBRIDGE LEARNING LTD

Unit 13, Rivermill Site, FREEPOST,
St. Ives, Huntingdon, Cambs PE17 4BR
England.



BBC Micro Computer System

BBC Master Series
 AMB15 BBC MASTER Foundation computer 128K £435 (a)
 AMB12 BBC MASTER Econet computer 128K (only ANFS) £348 (a)
 AMC06 Turbo (65C102) Expansion Module £107 (b)
 ADF13 Rom Cartridge £13 (d)
 ADF10 Econet Module £43 (c)
 ADJ22 Ref. Manual Part I £14.50 (c)
 ADJ23 Ref. Manual Part II £14.50 (c)
 ADJ24 Advanced Ref. Manual £19.50 (c)

ACORN ADD-ON PRODUCTS
 Z80 2nd Processor £329 (a)
 6502 2nd Processor £162 (b)
 Multiform 280 2nd Processor £299 (b)
 Acorn Teletext Adaptor £125 (b)
 Acorn IEEE Interface £278 (a)

UPGRADE KITS
 1770 DFS Upgrade for Model B £43.50 (d)
 1.2 OS ROM £7.50 (d)
 DNFS ROM £17.50 (d)
 ADFS Rom (for B with 1770 DFS & B Plus) £26 (d)

64K Upgrade Kit for B Plus £35 (d)

ECONET ACCESSORIES
 Econet Starter Kit £85 (d)
 Econet Socket Set £34 (c)
 Econet Bridge £174 (b)
 File Server Level 1 £75 (d)
 File Server Level II £210 (d)
 Printer Server Rom £41 (d)
 10 Station Lead set £26 (c)
 Adv. Econet User Guide £10 (d)

COMMUNICATIONS ROMS
 ZEP £25 (d)
 Communicator £49 (d)
 Commstar £28 (d)
 DATABEEB £24 (d)

BBC FIRMWARE & SOFTWARE
 Database Management Systems, Word Processors, Languages, Spreadsheets, Utilities
 ZEP £199 (a)
 FXDP 240: ZEP 100 with Technomatic PDP800P dual drive with built in monitor stand £469 (a)
 For full details on the wide range of above packages please write to us.

TORCH UNICORN products including the IBM Compatible GRADUATE In stock
 For detailed specification or information on our comprehensive BBC range please write to us.

DISC DRIVES

These are fully cased and wired drives with slim line high quality mechanisms. Drives supplied with cables manuals and formatting disc suitable for the BBC computer. All 80 track drives are supplied with 40/80 track switching as standard. All drives can operate in single or dual density format.

PD800P (2 x 400K/2 x 640K 40/80T DS) with built in monitor stand £289 (a)	3.5" DRIVES
PD800 (2 x 400K/2 x 640K 40/80T DS) £269 (a)	1 x 400K/1 x 640K 80T DS TS35 £115 (b)
TS400 1 x 400K/1 x 640K 40/80T DS £119 (b)	2 x 400K/1 x 640K 80T DS TD35 £205 (b)
PS400 with psu 1 x 400K/1 x 640K 40/80T DS £139 (b)	PS35 1 with psu £130 (b)
	PD35 2 with psu £220 (b)

3M FLOPPY DISCS

High quality discs that offer a reliable error free performance for life. Each disc is individually tested and guaranteed for life. Ten discs are supplied in a sturdy cardboard box.

5 1/4" DISCS	3 1/2" DISCS
40 SS DD £10:50 (d)	80T SS DD £18 (d)
40T DS DD £12:75 (d)	80T DS DD £25 (d)
80T SS DD £14.75 (d)	

DISC ACCESSORIES

FLOPPICLENE Disc Head Cleaning Kit with 20 disposable cleaning discs ensures continued optimum performance of the drives 3 1/2" £16 (d), 5 1/4" £14.50 (d)

Single Disc Cable £6 (d)	Dual Disc Cable £8.50 (d)
10 Disc Library Case £1.80 (c)	30 Disc Case £6 (c)
40 Disc Lockable Box £14 (c)	100 Disc Lockable Box £19 (c)

MICROVITEC

All 14" monitors now available in plastic or metal cases, please specify your requirement.

14" RGB	14" RGB with PAL & Audio
1431 Std Res £1795 (a)	1431 AP Std Res £199 (a)
1451 Med Res £2291 (a)	1451 AP Med Res £275 (a)
1441 Hi Res £375 (a)	
Swivel Base for Plastic 14" Microvitecs £20 (c)	

20" RGB with PAL & Audio

2030CS Std Res £380 (a) 2040CS Hi Res £685 (a)

TAXAN 12" RGB

SUPERVISION III with amber/green option £345 (a)
 MITSUBISHI XC1404 14" RGB Med Res IBM & BBC Compatible...£249 (a)

MONOCHROME MONITORS:

TAXAN KX1201G Hi Res 12" Etched Green Screen £90 (a)
 TAXAN KX1203A Hi Res 12" Etched Amber Screen £105 (a)
 PHILIPS BM7502 12" Hi Res Green Screen £75 (a)
 PHILIPS BM7522 12" Hi Res Amber Screen £79 (a)
 Swivel Base for Kaga Monochrome fitted with Digital Clock £21 (c)

SPECIAL OFFER

2764-25 £2.20
 27128-25 £2.50
 6264LP-15 £3.40

ATTENTION

All prices in this double page advertisement are subject to change without notice.
ALL PRICES EXCLUDE VAT
 Please add carriage 50p unless indicated as follows:
 (a) £8 (b) £2.50 (c) £1.50 (d) £1.00

Serial Mini Patch Box

Allows an easy method to reconfigure pin functions without rewiring the cable assy.
 Jumpers can be used and reused. £22 (d)

Serial Mini Test

Monitors RS232C and CCITT V24 Transmissions, indicating status with dual colour LEDs on 7 most significant lines.
 Connects in Line. £22.50 (d)

PRINTERS

EPSON
 LX-80NLQ £195 (a)
 FX85 (80col) NLQ 8K RAM £315 (a)
 Optional Tractor Feed £20 (c)
 FX105 (136col) £449 (a)
 JX80 4 colour printer £435 (a)
 LQ800 (80col) £595 (a)
 LQ1500 (136col) 2K buffer £875 (a)
 LQ1500 (136col) 32K buffer £950 (a)

Integrex Colour Printer £569 (a)

PLOTTERS
 Epson H180: A4 4 colour Plotter...£345 (a)

TAXAN
 KP810 80 Col NLQ £180 (a)
 KP910 156 Vol NLQ £339 (a)
 JUKI 6100 Daisy Wheel £289 (a)
 HR15LX (Serial) £285 (a)
 HR15LX (Serial) £365 (a)

Paper:
 2000 Sheets Fanfold:
 9.5" x 11" £13 (b)
 14.5" x 11" £18.50 (b)
 Labels: (per 1000)
 3.5" x 17/16" Single row £5.25 (d)
 27/16" x 17/16" Triple row £5.00 (d)

ACCESSORIES

EPSON
 FX plus sheet feeder £129.00 (b)
 LX80 Sheet feeder £49.00 (b)
 Paper Roll Holder £17.00 (d)
 FX80 Tractor attachment £37.00 (c)
 Interfaces: 8143 RS232 £28.00 (c)
 8148 RS232 + 2K £57.00 (c)
 8132 Apple II £80.00 (c)
 8165 IEEE + cable £65.00 (c)

Serial & Parallel Interfaces with larger buffers available.
 Ribbons: RX/FX/MX80 £5.00 (d)
 RX/FX/MX100 £10.00 (d)
 LX80 £5.00 (d)

Spare pens for H180 £7.50/set (d)
 FX80 Tractor Attachment £37 (c)

KAGA TAXAN
 RS232 Interface + 2K Buffer £85 (c)
 Ribbon KP810/910 £6.00 (d)

JUKI:
 RS232 Interface £65 (c)
 Spare Daisy Wheel £14.00 (d)
 Ribbon £2.50 (d)
 Sheet Feeder £182 (a)
 Tractor Feed Attachment £129 (a)

BROTHER HR15:
 Sheet Feeder £189 (a)
 Tractor Feeder £99 (a)
 Ribbons Carbon or Nylon £4.50 (d)
 Red Correction Ribbon £2.00 (d)

BBC Printer Lead:
 Parallel (42") £7.00 (d)
 Serial £7.00 (d)
 Printer Leads can be supplied to any length.

MODEMS

— All modems listed below are BT approved

MIRACLE 3000:
 A new range of microprocessor based modems offering of upto 2400 baud, full duplex. Features include 'HAYES' protocol compatibility, auto answer, auto dial, speed buffering, printer port, data security option etc. Mains powered.
 WS3000 V2123 (V21 & V23) £295 (b)
 WS3000 V22 (as above plus 1200 baud full duplex) £495 (b)
 WS3000 V22bis2400 (as above plus 2400 baud full duplex) £650 (b)

MIRACLE 2000
 A world standard modem covering V21, V23 (Bell 103/113/108 outside UK) and including 75, 300, 600, 1200 baud ratings. Optional Auto dial, auto answer cards, complete control from computer keyboard. WS2000 £102 (b)

GEC DATACHAT 1223:
 BAPT approved modem complying with CCITT V23 standard. Supplied with software £86 (b)
 Data Cables for above modems available for most computers.

Serial Test Cable

Serial Cable switchable at both ends allowing pin options to be re-routed or linked at either end using a 10 way switch making it possible to produce almost any cable configuration on site.
 Available as M/M or M/F £24.75 (d)

GANG OF EIGHT INTELLIGENT FAST EPROM COPIER

Copies up to eight eproms at a time and accepts all single rail eproms up to 27256. Can reduce programming time by 80% by using manufacturer's suggested algorithms. Fixed Vpp of 21 & 25 volts and variable Vpp factory set at 12.5 volts. LCD display with alpha moving message. £395 (b).

SOFTY II

This low cost intelligent eprom programmer can program 2716, 2516, 2532, 2732, and with an adaptor, 2564 and 2764. Displays 512 byte page on TV — has a serial and parallel I/O routines. Can be used as an emulator, cassette interface. Softy II £195 (b)
 Adaptor for 2764/2564. £25.00 (c)

UV ERASERS

All erasers with built in safety switch and mains indicator.
 UV1 B erases up to 6 eproms at a time. £47 (c)
 UV1 T as above but with a timer £59 (c)
 UV140 erases up to 14 eproms at a time. £88 (b)
 UV141 as above but with a timer. £88 (b)

I.D. CONNECTORS

(Speedblock Type)		Header	Recep	Edge
No of ways	Plug	tackle	Conn.	
10	90p	85p	120p	
20	145p	125p	195p	
26	175p	150p	240p	
34	200p	160p	320p	
40	220p	190p	340p	
50	235p	200p	390p	

D CONNECTORS

No of Ways: 9 15 25 37

MALE:
 Ang.Pins 120 180 230 350
 Solder 60 85 125 170
 IDC 175 275 325 -

FEMALE:
 St Pin 100 140 210 380
 Ang.pins 160 210 275 440
 Solder 90 130 195 290
 IDC 195 325 375 -
 St Hood 90 95 100 120
 Screw 130 150 175 -
 Lock

TEXTPOOL ZIF

SOCKETS 28-pin £9.00 24-pin £7.50 40-pin £12

EDGE CONNECTORS

	0.1"	0.156"
2 x 16-way (commodore)	—	300p
2 x 10-way	150p	—
2 x 12-way (vic 20)	—	350p
2 x 18-way	—	140p
2 x 23-way (ZX81)	175p	220p
2 x 25-way	225p	220p
2 x 28-way (Spectrum)	200p	—
2 x 36-way	250p	—
1 x 43-way	260p	—
2 x 22-way	190p	—
2 x 43-way	395p	—
1 x 77-way	400p	500p
2 x 50-way (S100conn)	600p	—

EURO CONNECTORS

	Plug	Socket
DIN 41612	—	—
2 x 32 way St Pin	230p	275p
2 x 32 way Ang Pin	275p	320p
3 x 32 way St Pin	260p	300p
3 x 32 way Ang Pin	375p	400p
IDC Skt A + B	—	400p
IDC Skt A + C	—	400p

For 2 x 32 way please specify spacing (A + B, A + C).

MISC CONNS

21 pin Scart Connector. 200p
 8 pin Video Connector. 200p

AMPHENOL CONNECTORS

	Solder	ZDC
36 way plug	500p	475p
36 way skt	550p	500p
24 way plug	—	—
IEEE	475p	475p
24 way skt	—	—
IEEE	500p	500p
PCB Mtg Skt Ang Pin	—	—
24 way 700p	—	36way 750p

GENDER CHANGERS

25 way D type
 Male to Male £10
 Male to Female £10
 Female to Female £10

RS 232 JUMPERS

(25 way D)
 24" Single end Male £5.00
 24" Single end Female £5.25
 24" Female Female £10.00
 24" Male Male £9.50
 24" Male Female £9.50

RIBBON

(grey/metre)		
10-way	40p	34-way 160p
16-way	60p	40-way 180p
20-way	85p	50-way 200p
26-way	120p	64-way 280p

DIL HEADERS

	Solder	IDC
14 pin	40p	100p
16 pin	50p	110p
18 pin	60p	—
20 pin	75p	—
24 pin	100p	150p
28 pin	160p	200p
40 pin	200p	225p

TECHNOLINE VIEWDATA SYSTEM

Using 'Prestel' type protocols for information and orders phone 01-450 9764. 24 hour service, 7 days a week.

READ/WRITE

Adzap And After

Dear Sir,

You will be delighted to know that we of JESOS (Joint Effort to Save Our Sanity from adverts) have had the 'JOSEPH' injunction quashed on appeal. The circuit of the Adzap is now available together with a complementary device, the AFOO(L) iPRL. This can easily be fitted to the Adzap and removes all TBM* from broadcast television. This includes the synthetic and cloned percussion sounds, non-musical repetitive drones, etc, now added to most programmes, trailers, previews, run-downs, etc. It also includes 85% of so-called pop 'music' in the content of such programmes. There is no injunction on TBM but there should be — permanently!

Thanks for the April fool jape — pity it's not true.

Yours sincerely,
Eric A. Cook,
Hemel Hempstead.

*TBM = That Bloody Music.

Dear Mr Eaty-Eye,

AP(R)iLFOOL, eh? Very interesting, but stupid. How to stop your VCR taping the adverts is with a zero-crossing detector connected to the TV audio and any home micro. This can spot the characteristic frequency swoops of the hysterically enthusiastic voices and will also trap many game shows, QED, Tomorrow's World, Ian MacNough What's-his-name, Blue Peter and indeed most of the stuff that you would only want to record if you were breaking in a stubborn video for somebody.

And why don't you give NEC's

address? Is the 7220 a hoax too? And how long is it since you printed a picture of a naked woman? Pull your socks up or you'll go the way of Computing Age and you wouldn't want that now, would you.

Apart from that it's all good stuff and I wouldn't hesitate to recommend it to anyone.

Yours sincerely,
Tim Hunt,
Radstock,
Bath.

Dear Sir,

After reading the Adzap article in the April issue I felt I should write to you regarding Specialist Semiconductors' marketing policy.

By marketing a product which will upset the finances of established companies, Specialist has, it seems to me, severely damaged its own chances of success.

Firstly, by implementing the device solely in hardware, only advertisements can be avoided. Surely a software solution or a keypad for user input would be more advisable, allowing other types of programmes such as 'Dallasty' or Wogan to be excluded?

Secondly, Specialist seem to have totally ignored the Transmitted Signal Subsidiary Status Byte (TSSSB) which contains more detailed information rather than simply identifying the general type of programme being transmitted. For example, a person intending to buy a new car or home computer might wish to see adverts for these items only. This would be possible using TSSSB, as the following table shows:

Advert Type	Bit 0	Bit 1	Bit 2	Bits 3-7
Food/drink (including Nescafe)	0	0	0	
Transport (including BR)	1	0	0	
Communication	0	1	0	Manufacturers
Music (including Sigue Sigue Sputnik)	1	1	0	identity
Household items	0	0	1	code
Government adverts (eg, Monergy)	1	0	1	
Unused — reserved for future use	0	1	1	
April Fool messages	1	1	1	

I can only hope that Specialist use the period of the injunction to upgrade their product.

Yours faithfully,
Russell Haggart,
Potters Bar.

DES Demeaners

Dear Sir,

Having read the data encryption articles in the September 1985 and April 1986 issues of ETI, I would like to offer my own encryption system which I think is more secure than the standard DES. It works like this.

The electronic equivalent of a one-time pad would generate a random bit stream and this would then be passed through a DES IC. The resulting output would still be entirely random and would be used to encipher plaintext on a letter-by-letter basis.

The one-time bit stream previously offered to the DES would be passed through it a second time but with the use of different keys. This second batch of DES output would differ completely from the first, but would still be of random character. Further plaintext could be enciphered by this means, and the process could be repeated as often as necessary, the DES keys being changed for each transit.

The object is to use the one-time random sequence repeatedly, so obviating the normal disadvantage of the one-time method in which very large amounts of cipher material have to be prepared and stored.

Yours faithfully,
S. Cook,
Bude,
Cornwall.

We should perhaps point out to avoid confusion that if you use a random sequence more than once, it isn't 'one-time'. However, that's just a matter of terminology, and we take your point that it would be very useful to be able to generate a random sequence with the DESirable properties of a one-time pad, without the disadvantages. — Ed.

Dear Sir,

In the article 'Practical Data Encryption' in the April issue of ETI, Paul Chappell rightly states that '... you could produce similar results by writing your own routine to generate pseudo-random numbers, without using the WD2002 at all. So you can, as long as you bear in mind that the receiver of the message must be able to decrypt your message...' But he then goes on to state, quite wrongly '... which precludes using the computer's own random number generator'.

What seems to have been forgotten is that the Beeb's RND function may be 'seeded' to enable both the sender and receiver to generate the same string of random numbers. I have devised a program which makes use of this facility which may be of interest to you (See Tech Tips — Ed).

Keep up the good work with the magazine.

Yours faithfully,
Rex Palmer,
Walton-on-Thames,
Surrey.

Paul Chappell replies:

To our surprise, the Practical Data Encryption circuit has brought in a good deal of mail from readers, many offering their own methods of generating pseudo-random numbers. The article was pitched at a very elementary level, and maybe this was a mistake in view of the grasp of the principles involved that many of our readers have shown. Perhaps a brief comment on one or two of the suggestions would be in order.

The most popular 'alternative DES' suggestion is to use the standard configuration of a shift register with feedback to generate pseudo-random strings. The sequences produced in this way have many of the 'noise-like' properties of a true random sequence, which makes them suitable for statistical problems, and so on. For data encryption, I'm afraid they are not at all suitable. The reason is that the simple method of generation yields an equally simple method of attack. If the person intercepting the encrypted message can also obtain a copy of the plaintext (by bribery?), the solution of a relatively small number of linear equations will enable them to

generate the entire sequence and decrypt any subsequent messages with ease. Similar principles apply to many of the pseudo-random generators, whether in hardware or software, and I would be most surprised if the BBC's random number generator is any different in this respect. If you would like to pursue this, the paper mentioned below gives full details.

The DES algorithm itself is not a mathematically elegant process; it achieves its ends by brute force. A brief description of the process will give you an idea of its complexity, and also its crudity. The right half of the input block (32 bits) undergoes a linear transformation which results in a block of 48 bits. This is added modulo 2 to a 48 bit long subset of the key block. The result is split into eight six-bit blocks, each of which undergoes another transformation into a four-bit block. The four bit blocks are reassembled into a 32-bit block; this undergoes a permutation and is then added modulo two to the left-hand half of the original input block. The two halves are then interchanged. This process is repeated 16 times, each time with a different subset of the keyblock, using the resulting block from the previous cycle as the new input. It's a complicated process, and therein lies its only strength. It's based on the doubtful theory that the more you mess about with the input, the more difficult it will be to sort it out again. In terms of applying a simple set of linear equations to determine the sequence, this is indeed correct, but the sheer haphazardness of the process results in a number of 'weak' keys under which the data is very poorly encrypted. Having said that, I'm judging it by rather different standards from the systems mentioned earlier. Given the choice between a pseudo-random generator of the home-computer type and DES with its very weakest key, I'll take the DES!

I don't mean to disparage the efforts of amateurs in any way — after all, as far as data encryption is concerned, I am one myself! Many of the advances in modern cryptography have come about as a result of people who take an interest in the subject and look on it in a fresh, new way. But I'm afraid you'll have to look a little further than the obvious methods — they have all been considered before and discarded for very good reasons.

For details of shift-register based encryption systems, ask your local library to get you a copy of: 'The Protection of Data by Cryptography' by D.W. Davies and D.A. Bell; National Physical Laboratory Report COM98, January 1978.

If you have any difficulty in obtaining a copy of the DES standard through your local library, it can be obtained from: Microinfo Ltd., P.O. Box 3, Hamlet House, Alton, Hants GU34 1EF (tel. Alton 84300). There will be a charge of about £4 for it — 'phone them first to make sure of the current price.

An introduction to linear binary functions (linear in this context meaning that superposition etc. is applicable), and to maximal sequences, pseudo-random sequences, and so on is: 'Binary Sequences' by G. Hoffman de Visme, published by the English Universities Press.

Sins Of Emission

Dear Sir,

I read with interest the 'thought processes' involved in the design of the John Linsley Hood portable PA, and would like to point out a slight error in Figs. 2 and 3 on page 20 (ETI April 1986). These illustrations show the DC/DC convertor used in the final design, but the symbol used to represent the Darlington pairs is incorrect. It shows two NPN transistors with their emitters connected together and the collector of the first driving the base of the second. This configuration will not work! The correct arrangement, of course, is with the two collectors connected together and the emitter of the first driving the base of the second.

I have been buying your magazine for almost a year now and consider it to be the best there is. As electronics is a major part of the course I am doing, I find some of the articles of immense value and interest. Keep up the good work.

Yours faithfully,
John Walsh,
Cork,
Ireland.

Umm! Yes, well, we're glad you spotted that! Since it was in the April issue, we could pretend it was intended to fool people. Unfortunately, some of you might start wondering who the real April Fools are

AUNTIE STATIC'S PROBLEM CORNER

Dear Auntie,

I am building a VCO which uses copper wire and metal film resistors to achieve temperature compensation in the exponential generator circuit. I would be interested to know how the series resistors values are calculated to achieve a particular temperature coefficient and what the effect of using different resistor types is.

A.J. Dolan,
Ilford,
Essex.

I'm sure all ETI readers are aware that the value of any resistor will change with variations in temperature. The extent of the variation depends on the type of resistor, and for some kinds it can be quite alarmingly high. It is not unusual for carbon composition types to have a temperature coefficient of more than ± 1000 PPM (parts per million) per $^{\circ}\text{C}$, which means that a 1M Ω resistor would change in value by 1k Ω for every $^{\circ}\text{C}$ change in temperature. Carbon film types tend to be better for low values of resistance — the Mullard CR16 series, for instance, has a temperature coefficient below -300 PPM per $^{\circ}\text{C}$ for resistance values up to 10k or so. For higher resistance values, the temperature coefficient increases, and values above a few megohm can be as bad as composition types in this respect. Metal film types will often have a temperature coefficient of 50 PPM per $^{\circ}\text{C}$ or better.

With the obvious exception of thermistors, which are resistors deliberately made to have an extremely high negative temperature coefficient, the resistance variations are generally regarded as a nuisance which resistor manufacturers try to keep to an acceptably low level. In some instances, however, the effect can be useful to cancel out other temperature effects in a circuit, as in the case of your VCO.

Without knowing the details of your circuit, I can't comment on the way the resistors are used. However, if I take the VCO contained in the NE567 phase locked loop as an example it will give you an idea of the principles involved. With a supply voltage of 9V, the variation in oscillator frequency with temperature in this IC is fairly linear from -25°C to

$+75^{\circ}\text{C}$, and it drops by 5% over this range (from manufacturers' data). Let's suppose that this frequency change is unacceptably high for your particular application, and you'd like to reduce it in the simplest possible way. A drop of 5% over a 100°C range can be expressed as a frequency variation of -500 PPM per $^{\circ}\text{C}$. The oscillator frequency is inversely proportional to the value of the frequency setting resistor, so let's suppose you choose a type which also has a temperature coefficient of -500 PPM per $^{\circ}\text{C}$. Choose the resistor so that its nominal value, specified at 25°C , makes the oscillator frequency correct at 25°C . Ignoring the VCO's own frequency drift for a moment, the increase in value of the resistor will cause the set frequency at -25°C to be $f \times 1000/1025$, where f is the correct frequency which was set at -25°C (remember that the frequency is inversely proportional to the resistance). But the VCO's own temperature dependence makes it run 2.5% faster at -25°C so the actual frequency will be $f \times (1000/1025) \times (1025/1000) = f$. In other words, the frequency will not change at all! A similar calculation will show that it is also unchanged at 75°C , and at any temperature in between!

If you think this is too good to be true, you're right! Things are never quite perfect in electronics. The variation in frequency with temperature of the uncompensated VCO is not quite linear (nor will the variation in resistance be, for that matter) and

production spreads mean that there will be differences in slope between one NE567 and the next. There is also the problem of finding resistors with precisely specified temperature coefficients which precisely match the requirements of the VCO. However, you can reasonably expect the temperature stability of the VCO to be improved by a factor of 10 simply by choosing a suitable type of resistor, and very much more if you are prepared to make slightly more elaborate arrangements.

What happens if you can't find a resistor type with a suitable temperature coefficient to match your circuit? Let's suppose that you have found a supplier of resistors with a -500 PPM/ $^{\circ}\text{C}$ rating, and your particular circuit requires -250 PPM/ $^{\circ}\text{C}$ for compensation? The usual approach is to find another type of resistor with a very low temperature coefficient, low enough to be ignored for practical purposes, and to put the two types in series. With the nice and easy figures I've chosen (that's the advantage of making them up) the two resistors would be equal in value. Let's suppose that you need 20k; use 10k with as near as damn it zero temperature variation, and 10k with 500 PPM/ $^{\circ}\text{C}$ variation. The variation in the second resistor, expressed as a portion of the entire 20k, will be 250 PPM/ $^{\circ}\text{C}$ as required. If you are keen to take the coefficients of both resistors into account, the coefficient for the combined resistor (in this case) will be half the total of the coefficients for the two individual resistors.

Auntie.

PLEASE, PLEASE, PLEASE ...

Address all correspondence to the Editor, Electronics Today International, 1 Golden Square, London W1R 3AB. ASP Ltd publish a number of other magazines beside ETI, and in spite of their superior intellects and triple honours degrees our mailroom staff are frequently unable to guess the intended destination of letters addressed simply to The Editor, 1 Golden Square. Letters like this tend to end up in the offices of obscure magazines whose staff have never heard of ETI, often to lie undisturbed at the bottom of an in-tray for years!

It will also help us if you can indicate on the envelope which department the letter is intended for (Read/Write, Tech Tips, Technical Enquiries, etc) and avoid dealing with several matters in one letter. This particularly applies to letters containing money. We sometimes receive letters from people who require backnumbers, PCBs, and photocopies and enclose a single cheque to cover all three. The inevitable shuffling around between departments this entails (some of them in London and some in Hemel Hempstead) slows things down an awful lot and we suspect that most people would rather pay a little more in postage and issue several cheques in order to avoid the delay. **ETI**

RF OSCILLATORS

For those whose specialism lies elsewhere, Joe Pritchard tells all you'll ever need to know about sine wave oscillators operating at radio frequencies.

The sinusoidal oscillator is simply an amplifier which contains enough positive feedback for oscillation to be maintained. The frequency of these oscillations is set by the presence in the feedback path, or in another part of the amplifier, of a filter — usually a piezoelectric crystal or a tuned circuit made up of inductors and a capacitors — an LC circuit. These are the three fundamental parts of a sinusoidal RF oscillator: the amplifier, the feedback loop and the tuned circuit.

The Amplifier

Simple RF oscillators are usually based around a single stage amplifier — like those shown in Fig. 1. Bipolar or FET devices can be used, and should be operated as simple linear amplifiers. The majority of components in most simple RF oscillators are therefore for biasing. With bipolar transistors as the active component, the aim of the biasing is to get a quiescent (no input signal) voltage across the collector and emitter (V_{ce}) which is about half the supply voltage.

This enables the output voltage from the amplifier to swing between 0V and V_{cc} for an input that fluctuates around 0V, without distorting the waveform. The virtues of class A amplification are simplicity and low component count. Biasing arrangements should be familiar from ET1 and most textbooks. Indeed, almost any single-transistor amplifier could be used as the basis of an RF amplifier, with the following provisos:

- It should have voltage or current gain of more than unity where voltage or current feedback is to be used;
- It should be able to operate at the appropriate frequency;
- Any phase change between input and output should be borne in mind.

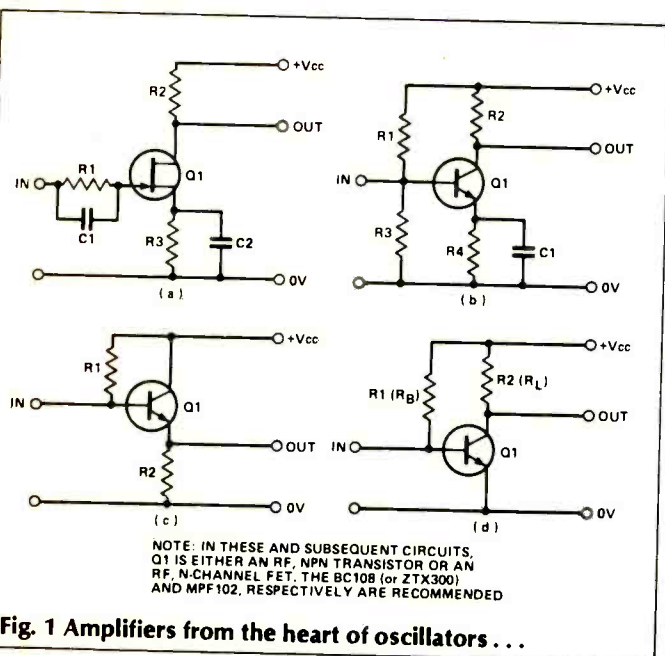


Fig. 1 Amplifiers from the heart of oscillators . . .

The Filter

All filters serve the same purpose — to discriminate between signals of different frequencies. Inductors and crystals are commonly used in RF circuits because at high frequencies they are compact and efficient. For AF oscillators they would be too bulky.

Figure 2 shows some basic filter networks. Resonant frequency — the frequency at which the network impedance is lowest — is determined by the dimensions of the inductors, capacitors and crystals used. For an LC circuit, it is given by:

$$f_{req} = \frac{1}{2\pi\sqrt{LC}}$$

In a perfect world, no other frequencies would get through the filter. A good quality real filter will pass very few additional frequencies and a measure of quality is the Q of the filter (Fig. 3). A high Q is desirable in any tuned circuit where signals of mainly one frequency are required. Although Q depends on component values, it can be modified by the way in which the filter is connected, or coupled, to the rest of a circuit.

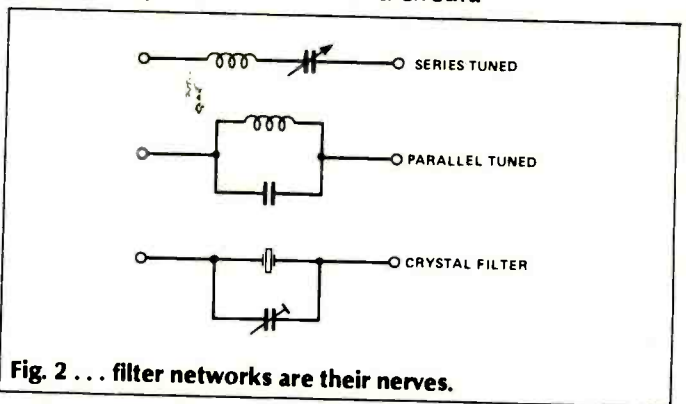


Fig. 2 . . . filter networks are their nerves.

For example, connecting the network across a relatively low impedance increases Q. In bipolar circuits, especially for LC filters, the coupling between filter and amplifier input is often more complicated. For example, taps on the coil are sometimes used to reduce the loading of the filter by the amplifier.

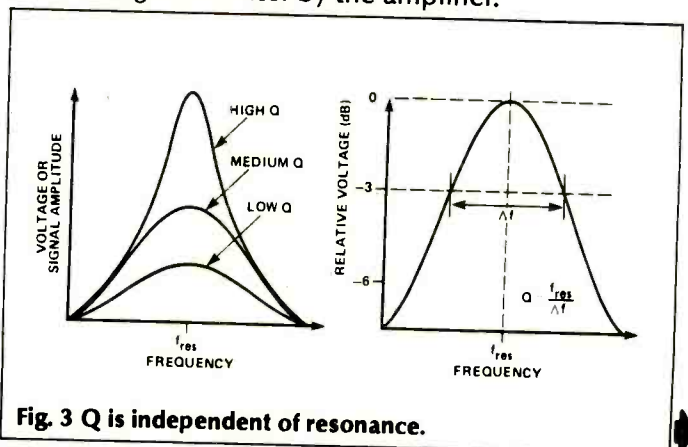


Fig. 3 Q is independent of resonance.

Leaving circuit configuration aside for the time being, the Q of a tuned circuit using coils and capacitors is limited by the losses in the tuned circuit. Most of these losses arise due to the resistance of the coil, and the Q of a coil can be approximated by:

$$Q_{\text{coil}} = 2\pi fL/R$$

where R is the DC resistance of the coil.

The Q of a coil can vary from one to a few hundred, that of a capacitor from 100 to 10,000. The Q of a crystal can be as high as 40,000. The Q of a filter or element of a filter is the ratio of its reactance at a particular frequency to its resistance. Due to the very high resistance of good capacitors, most of our losses in Q will be due to the coil. The high Q of a crystal allows us to be a little less particular about coupling it to an amplifier — even component values display wide tolerance.

Figure 4 shows one possible coupling arrangement of filter and amplifier. On switch on, small noise voltages in the circuit will be amplified and will appear at the output. Due to the tuned circuit, noise within the resonant band of frequencies will be preferentially amplified. Feedback is a means of sustaining this amplification and building on it.

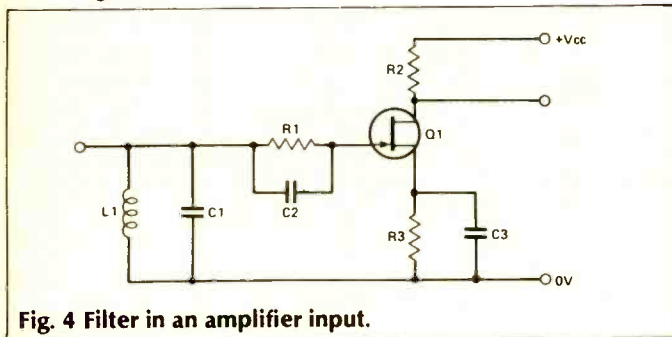


Fig. 4 Filter in an amplifier input.

The Feedback Loop

Part of the output signal must be fed back to the input in such a way as to reinforce the signal. As well as being of the correct frequency, the feedback must be in phase with the input signal. In the Fig. 4 circuit, the feedback path must introduce a phase change — the amplifier itself making good any losses that occur in the circuit.

Two types of feedback loop are shown in Fig. 5. In Fig. 5a, LP provides feedback. Providing the appropriate phase change is simply a matter of which way round the coils are wound and connected. The distance between L1 and LF determines the amount of feedback introduced

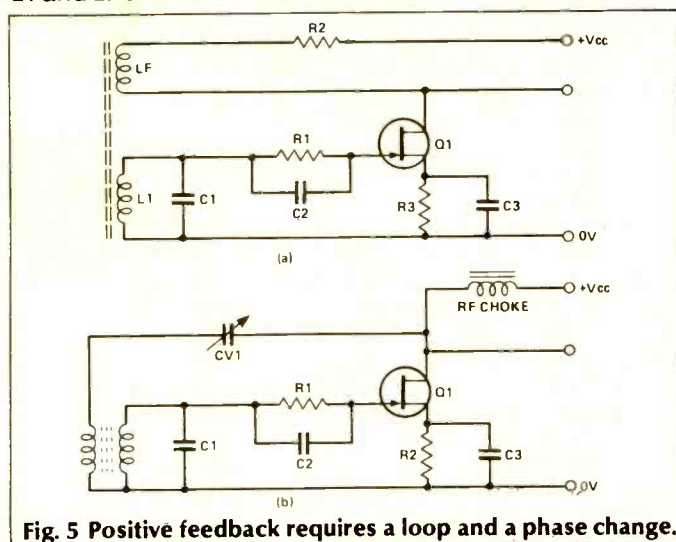


Fig. 5 Positive feedback requires a loop and a phase change.

in the circuit. This should be the minimum required for steady oscillation, but it will vary with the frequency of operation. Figure 5b is the same basic circuit but with the variable capacitor, CV1, providing control over the amount of feedback.

This circuit is virtually a regenerative radio receiver — an amplifier brought just below the threshold of oscillation, the point at which it gives maximum gain.

A feedback loop can be purely capacitive, which means that the amount of feedback could be adjusted with a variable capacitor allowing for different transistor characteristics. Variability is also required if the circuit is to be operated over a wide range of frequencies, as the amount of feedback required to sustain oscillation in some circuits is frequency dependent. Some RF circuits don't appear to have a feedback path at all. In these, feedback is often provided via the internal capacitances of the transistor used in the amplifier.

Oscillators

A healthy circuit should produce at its output a signal of the desired frequency which is reasonably stable, has a good waveform and is without other frequencies present. Even a good oscillator may fall down in one of these areas. So, before we go on to look at some actual circuits, let's examine some of the problems to look out for.

Drift: This is a slow variation, up or down, in frequency of oscillation. It can be caused by ageing of components in the circuit or, more often, by temperature changes. As the circuit warms up (literally) we can expect slight variations in frequency. These can be compensated for, but applications requiring high frequency accuracy demand a temperature controlled environment. The ageing problem can only really be compensated for by using a high Q filter and good quality parts in the first place.

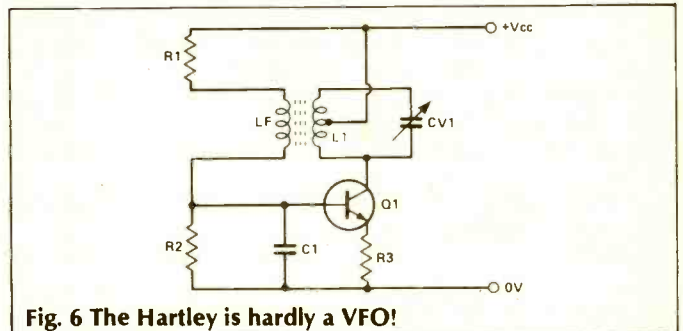


Fig. 6 The Hartley is hardly a VFO!

Pulling: This refers to the slight alteration in operating frequency that can occur if a circuit being driven by the oscillator loads the oscillator and actually changes operating characteristics. This can be avoided by not taking signals from the feedback path of the oscillator, using loose coupling between driven circuit and the oscillator or using a buffer amplifier.

Frequency Dependence of Output: Some oscillators, such as the version of the Hartley oscillator shown in Fig. 6, suffer from a variation in the output voltage with the frequency of operation. The simple answer to this is not to use such circuits for variable frequency oscillators!

Mechanical Instability: Construction techniques must ensure that there is no variation of frequency or output voltage with mechanical vibration of the type that the circuit is likely to get in use.

High Harmonic Output: The signal generated by the circuit at the frequency set by the filter used is called the fundamental frequency of the oscillator. However, outputs may also be given at frequencies which are exact multiples of the fundamental. These are the harmonics

of the signal, and in most cases we want to try and reduce them. The size of these harmonics usually decreases as their order increases. They are usually caused by non-linearity within the amplifier stage. This may be caused by poor construction. Dry solder joints can act as a semiconductor diode, and the resultant non-linearity can cause such problems. In some cases, of course, (square-wave generators, for example) harmonics are desirable.

High Noise: Noisy transistors will introduce noise voltages to the amplifier, and this may widen the band of frequencies generated by the oscillator, effectively decreasing Q. This noise effect is likely to be important only in circuits with very high Q. In general, FET devices have a lower noise than bipolar transistors.

Distortion: Distortion can be reduced by ensuring that the amplifier isn't operated in a non-linear fashion. One cause of this not dealt with above (High Harmonic Output) is excessive feedback, making the amplifier saturate. Reducing feedback to a level compatible with reliable oscillation is a good idea. High Q circuits and loose coupling of the oscillator to other circuits will also help.

Crystal Oscillators

Crystals provide us with a very stable source of RF signals capable of producing almost any suitable frequency up to about 20MHz. The limit isn't arbitrary — it's just that a crystal whose fundamental frequency is this high is only about 0.1mm thick!

Crystals can produce signals of even higher frequencies. We could, for example, use a circuit to generate harmonics of a lower frequency crystal and then tune following circuitry to select the desired harmonic, or we could use a technique by which the crystal is caused to oscillate at a frequency near one of its odd harmonics. Special crystals are available which do this in preference to vibrating at the fundamental, called overtone crystals. They allow crystal control at VHF (They are called overtone frequency crystals, not harmonic frequency crystals, because the crystal doesn't vibrate at an exact harmonic frequency.)

A crystal is a mechanical device that, when excited by an alternating voltage at close to its resonant frequency, vibrates in sympathy. It can also be viewed as a high Q tuned circuit, as shown in Fig. 7. Crystals have two frequencies at which their electrical characteristics change. At f_1 , the impedance drops to DC resistance, R. This is called the Series Resonant Frequency. At f_2 , the crystal acts as a parallel tuned circuit, and the frequency is the Parallel Resonant Frequency. These frequencies are within 1% of each other.

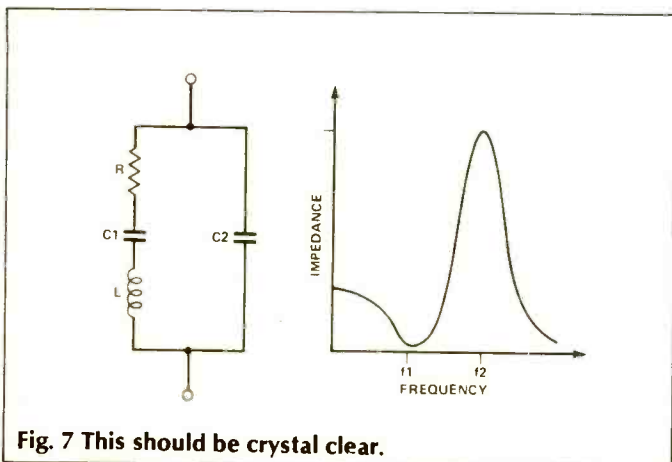


Fig. 7 This should be crystal clear.

The circuits in Fig. 8 are typical of simple crystal oscillators. In Fig. 8a, the crystal provides both feedback and filter. The RF choke provides a load resistance at radio frequencies, and ensures that the crystal is the only path for the RF voltages amplified by the transistor.

Fig. 8 b is a useful circuit for marking the lower end of the 80m Amateur band. The coupling between the circuit and the receiver being set up should be kept loose. In many cases the signal can be transferred from oscillator to receiver by wrapping a piece of insulated wire from the output of the oscillator around the aerial input of the receiver!

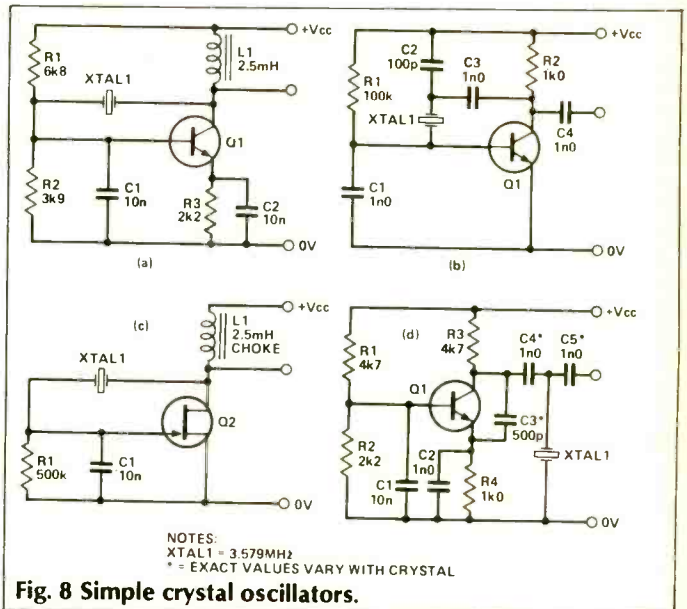


Fig. 8 Simple crystal oscillators.

Possible Problems

There aren't many with crystal oscillators, providing that the crystal is reasonably active at the frequency of interest. Although designed to produce a fixed frequency, it's possible to slightly detune a crystal around its designated frequency by putting a trimmer capacitor of 15 to 25pF across it. This is necessary in applications where absolute accuracy of frequency is needed. The trimmer can adjust the crystal oscillator until it is spot on.

Crystals do age, which is one cause of loss of activity. Violent mechanical shock or excess heating can also damage crystals, so be careful with that soldering iron! The frequency of oscillation of a crystal can also vary with ambient temperature, but only by a small amount. The amount of frequency change is measured in terms of parts per million per degree centigrade, or ppm/°C for short. It can be positive, which indicates that an increase in temperature will lead to an increase in frequency, or negative.

The actual drift for a given crystal depends upon the way in which the crystal was cut, or manufactured. The cuts know as AT, BT and GT are best in this respect, having very low or zero drifts. The AT and BT crystals can work at frequencies of up to eight and 20MHz, respectively. GT is limited to frequencies up to 500kHz. The worst drifts that you're liable to meet are from the cuts known as X and Y, which have drifts of around -25ppm/°C and +75 ppm/°C, respectively.

Temperature dependency can be exacerbated by the presence of high currents flowing through the crystal at the resonant frequency. Some oscillators are designed to be used in ovens, thermostatically controlled boxes to

keep the crystal at a constant temperature.

Figure 9 shows a circuit in which both crystal and LC filters are used. The biasing arrangement is such that harmonics will be generated. The circuit across the output can be tuned to an harmonic frequency. This is, in fact, a simple form of frequency multiplication.

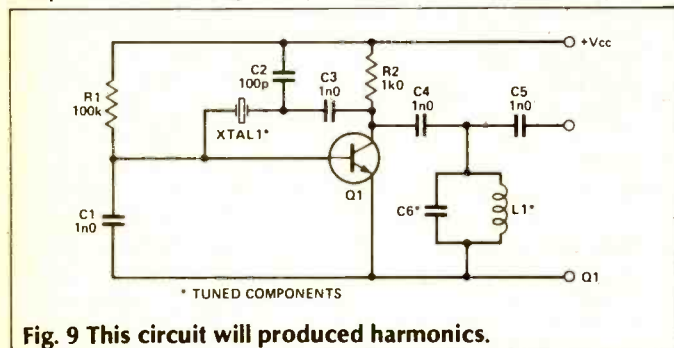


Fig. 9 This circuit will produced harmonics.

Figure 10 shows a circuit that gives a very high harmonic output, and demonstrates a further method of producing an RF signal when the waveform isn't important. Square waves are easily produced by logic or switching circuits, and generate an absolute swarm of harmonics. This circuit is a simple calibrator, generating frequencies at 1MHz and 100kHz which can be used roughly to calibrate short wave receivers. A 10kHz marker could easily be provided by adding a further 7490 (IC2).

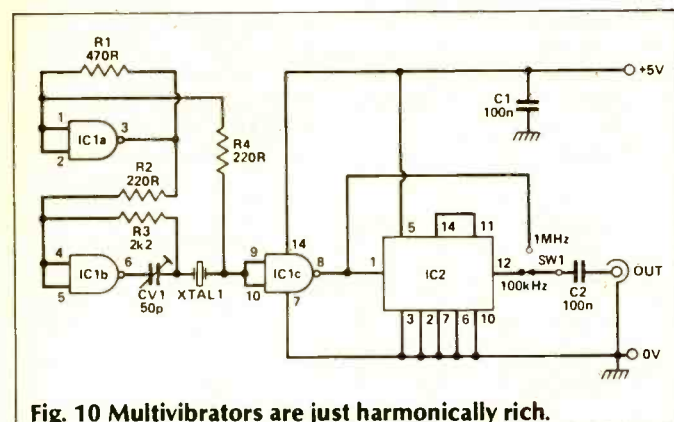


Fig. 10 Multivibrators are just harmonically rich.

Setting up the circuit for accurate 1MHz operation is fairly simple. Select the 100kHz marker, which will generate harmonics at 200kHz longwave. Loosely couple the output from the circuit to the radio — just standing the calibrator next to the set will often provide a sufficient signal. You'll probably hear a whistle. Now adjust CV1 until the whistle disappears. The calibrator is set. The harmonics from this circuit are audible to well above 30MHz.

LC Oscillators

The filter in an LC circuit is made from a capacitor and an inductor. If a variable frequency is required, it's most convenient to use a variable capacitor. Again, there are a variety of circuit configurations that an LC oscillator can be based on, and here we'll only discuss the best known types.

No matter how good an LC filter is, it will always be less efficient than crystal filters. They can still be very good, provided that a few pointers are followed.

Most of the losses in a LC filter will come from the coil, so this should be as good as possible. You'll find it convenient to wind your own for many applications, as you can't just buy particular inductance values like you can

resistors! An approximate value of the inductance of a coil is given by:

$$L + a^2 N^2 / 4d$$

where N is the number of turns, L is the inductance in microhenries, d is the length of the winding in centimetres and a is the radius of the winding in centimetres. The equation can be rearranged to give the number of turns for a particular inductance. If this approach is used, a wire diameter must be chosen to give a suitable winding length. The equation is useful, but needs a little trial and error in it's application. It is meant for single layer coils only. It also applies to core-less coils. A ferrite core will tend to increase the inductance of a given coil and a brass core will reduce it. A useful approach to coil design is to construct a coil smaller than that required, then bring it to the appropriate value using a core. This can be adjusted until the filter is resonant at the frequency of interest.

The coil should have a low DC resistance. Thicker wire, or Litz wire, which is many stranded wire, are preferred. Both these give low losses. The former on which the coil is wound should be non-metallic, for similar reasons of low loss. It should also be rigid, so one of the rigid plastics is suitable. For reliable and accurate work, wood is no good and neither are the 'softer' plastics such as PVC. Apart from the construction techniques used in the coil, the inductance can be modified by mechanical vibration causing the turns of the coil to vibrate and move with respect to one another. This is easily dealt with by using something like Bostik to stick the turns down or by having a former with ridges in to hold the turns rigid. On a similar type of problem, coils wound of thick wire can be self supporting. You can occasionally get slight fluctuations in frequency if the temperature changes as the copper used in the coil expands and contracts.

To prevent losses from the coil, it should be positioned on the circuit board at least two coil diameters from other components. This is another good reason for making small coils. You can also screen the coil with a metal can, though this will cause a slight difference in the inductance of the coil.

Finally, if a core is used, ensure that it is a tight fit within the former so that it doesn't wobble. This would have a radical effect on the coil inductance and hence on the frequency of operation. The core, if ferrite, should only be adjusted with a suitable tool. It should be non metallic, as this would affect the inductance as well as the act of adjusting the core — not very useful if the coil's inductance changes when you remove the tool! Secondly, ferrite cores are fragile, and it's possible to shatter a core if you are careless in adjusting it.

As to the tuning capacitor, whether fixed or variable, it should be high quality device with a low variation of capacitance with temperature. For fixed capacitors, ceramic or mica components are best. For variable devices, air spaced capacitors are superior to the ones with solid dielectric. They should also be kept scrupulously clean, as grit on the plates of the capacitor can cause variations in capacitance as the capacitor is adjusted in addition to the expected frequency change. These frequency scintillations are random and very annoying.

They should be rigidly mounted, and are often equipped with an extension spindle and a slow motion drive, thus allowing very fine adjustments in frequency to be made. Variable capacitors will also have temperature problems, due to the contraction and expansion of the vanes. This can be counteracted by the use of special capacitors.

For example, if a capacitor has a positive temperature coefficient (it's capacity increases with temperature) then a unit with a negative temperature coefficient (capacity decreases with increasing temperature) can be connected in parallel with it. If the compensating capacitor has roughly the same magnitude of capacitance change with temperature as the main capacitor, varying only with direction, then the temperature effects can be almost nulled out.

Types Of LC Oscillator

Figure 11 shows two alternative arrangements of the Hartley oscillator. The main characteristic of the Hartley Oscillator is that the tuning coil is tapped part way along its length, the ratio of L1 to L2 having an effect on the circuit behaviour. The frequency of oscillation is theoretically set by equation:

$$f = 1/2\pi\sqrt{(L1 + L2) CV1}$$

but the values of resistors used in the biasing arrangements can have some effect on frequency. Generally, R1 should be kept as high as possible.

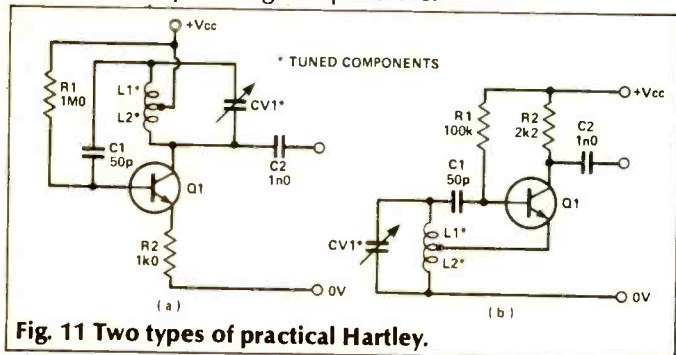


Fig. 11 Two types of practical Hartley.

In both cases, the degree of coupling between filter and amplifier is set by C1, and this should be set as small as possible to give loose coupling. A trimmer can be used here if desired. The value required is frequency dependant to some extent. C2 serves to couple the output of the oscillator to other circuits, and should be as small a value of capacitance as possible so as not to load the oscillator too much. An alternative method of removing a signal from the oscillator is to wind an additional coil on to the former of L1 and L2. The signal will be available from this winding.

A circuit that is in many ways similar to the Hartley Oscillator is the Colpitts circuit; here the filter is again tapped, but this the tap is in the capacitive part of the tuned circuit. This is shown in Figure 12. Here, R1, R2, R3 and C5 form the biasing arrangement of the circuit. C3 provides the feedback path and so should be reasonably small to provide, as in the Hartley circuit, the minimum amount of feedback needed to sustain oscillation. The frequency of oscillation is given by:

$$F = 1/(2\pi\sqrt{(L/C1) + (L/C2)})$$

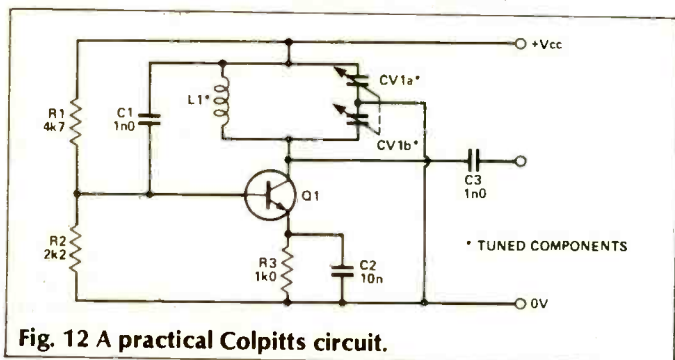


Fig. 12 A practical Colpitts circuit.

Both the Colpitts and the Hartley configurations are good, general purpose circuits, providing reasonable stability, good output level and a reasonable span of frequency change for a given coil/variable capacitor combination. Possible points to consider when you're trying to decide which to use are as follows. The Colpitts circuit is better for applications where plug in coils are used to produce a wide ranging VFO; the coils only need two connections, not three. However, the Colpitts oscillator may need a two gang tuning capacitor if the full range possible for a given coil is to be tuned. A third popular LC oscillator is the Clapp circuit, shown in Figure 13. It is effectively a modified Colpitts circuit, in which the modifications serve to reduce the loading of the tuned circuit by the amplifier. Another feature of the circuit is that for a given variable capacitor/coil configuration, the range of frequencies tuned is not as wide as with the Hartley or Colpitts circuits.

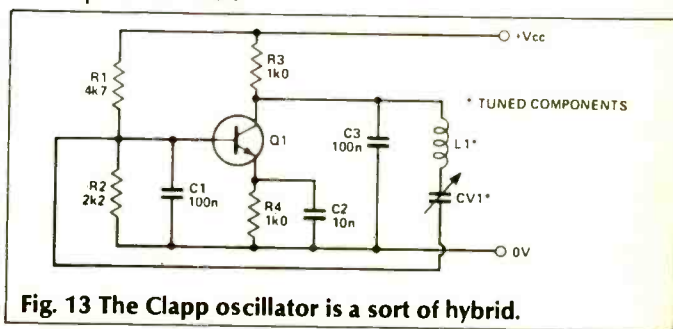


Fig. 13 The Clapp oscillator is a sort of hybrid.

There are other configurations, of course, and many of the crystal oscillator circuits we've seen will work in an LC circuit if the crystal is replaced by a tuned circuit (and vice versa). Figure 14 shows the basic circuits of Hartley, Colpitts and Clapp oscillators, taking no account of DC conditions.

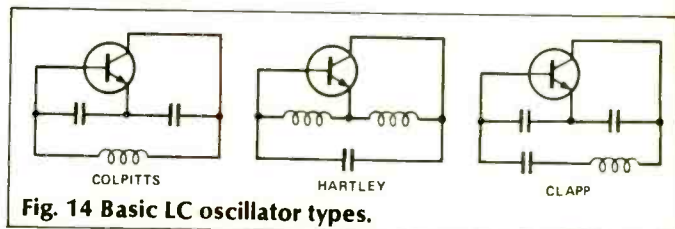


Fig. 14 Basic LC oscillator types.

Practical Pointers

Mechanical construction of such units should be rigid. Hanging components between terminals on tag strips isn't really suitable. Tuning filter components should be kept as far as is practicable from magnetic fields or heat sources, and some RF oscillators, especially those for use in radio transmitters or high accuracy RF signal generators, are built in to metal boxes with only the power and signal leads coming out. Care should be taken to keep coils away from metallic objects to cut down losses, and so it's often not a good idea to try and cram an RF oscillator in to a small a space as possible, as this can introduce losses and can lead to unwanted feedback in the circuit.

Fluctuations in the power supply voltage can cause changes in the frequency generated, and so this should be stabilised. A suitable Zener diode and current limiting resistor across the power supply will stabilise the supply voltage. Also, the supply to the oscillator should be decoupled with a ceramic capacitor (10 — 100n) to prevent RF currents circulating around the rest of the circuits of the equipment. On a similar track, any connections to electrical ground should be brought to one place wherever possible.

FIBRE OPTICS AND LASERS

Having looked at lasers and other light sources in last month's article, Roger Bond moves on to consider light detectors and the optical fibres used in communications systems.

It is alright to use lasers for burning holes in metals, but if they are to be used for communications we need a suitable detector to act as a receiver.

The two most commonly used detectors are avalanche photo diodes (APDs) and positive negative intrinsic (PIN) diodes. The former have gains of up to 1000 whereas PINs have gains of only up to 100. Gains of 100 are adequate for most applications and PINs respond faster than APDs. The weak signal is boosted by using FET amplifiers immediately after the detector.

PIN detectors consist of a sandwich of positive and negative layers between which is an intrinsic layer of low concentration N-type impurity. A good detector will have low capacitance in order to speed the signal through and this can be achieved by increasing the thickness of the intrinsic layer. On the other hand, the thicker the intrinsic layer is, the greater the leakage current. In practice an intrinsic layer of 100 μm is used. The total chip size is the same as for lasers, about 400 μm square.

In N-type material electrons are the majority carriers and holes the minority carriers. The opposite is true for P-type material. If a reverse bias is applied to the junction, only the minority carriers will flow across it. The result is to clear the minority carriers to the majority side, creating a depletion region. This depletion region speeds the signal across the detector junction and is called the reach through effect.

The structure of an APD detector is shown in Fig. 1a. Electrons in the N+ region can start an avalanche and to assist this, the junction is located close to the surface to catch the light. A guard ring is included to protect the junction against strong fields which could damage it.

Figure 1b shows the characteristic of an APD. The forward

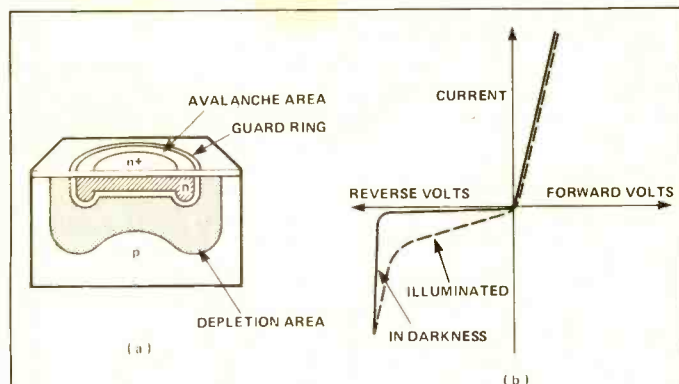


Fig. 1 The construction and voltage/current characteristics of an avalanche photodiode (APD).

ward voltage-current characteristic shows no change in the presence of light and is therefore of no practical use. However in the reverse direction the characteristic exhibits a slope when exposed to light.

In order to operate the diode in this reverse mode, high DC voltages are required, typically 100V. This is unfortunate since DC voltages require thicker conductors than AC voltages. Where APDs are used in repeaters on optical fibre links these voltages must be fed out on conventional metal conductors.

One further characteristic of a detector which is of importance is the dark current. This is the leakage

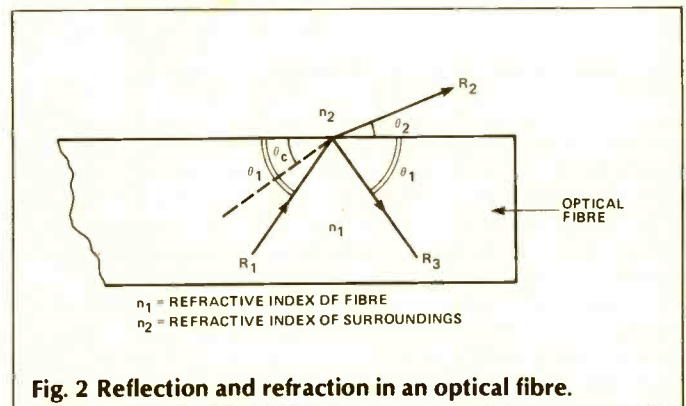


Fig. 2 Reflection and refraction in an optical fibre.

current which flows through the diode when it is not exposed to light. The dark current represents a threshold, and any signal below this level will be lost. Germanium APDs have higher dark current than silicon APDs but they can be used at longer wavelengths. Typical wavelengths for communications purposes are 0.85 μm , 1.3 μm and 1.55 μm . Silicon APDs are sufficient for the lowest wavelength but at 1.3 μm and 1.5 μm , germanium APDs are needed.

Optical Fibres

If light is to be used as a carrier of information then a suitable medium must be chosen. What better choice than glass? Optical fibre is just that, pure glass with chemical impurities and physical deformities removed.

The propagation of light down an optical fibre involves consideration of both refraction, reflection and refractive index. From Fig. 2, it can be seen that an internal ray of light striking the circumference of a fibre will either be reflected inwards or refracted out. It will be reflected if it makes an angle with the fibre wall greater than a critical angle θ_c . All the power will then be retained within the fibre.

If the fibre is covered with material of refractive index higher than the fibre then some of the power is refracted out of the fibre into the ray R2. Total internal reflection can be regained by decreasing the angle θ_1 . Conversely, if the fibre is covered in material of a lower refractive index than the fibre, rays making angles greater than θ_1 will be reflected internally and power will be retained within the fibre.

Optical fibres are usually manufactured by one of two main methods, the double crucible method and the Corning method.

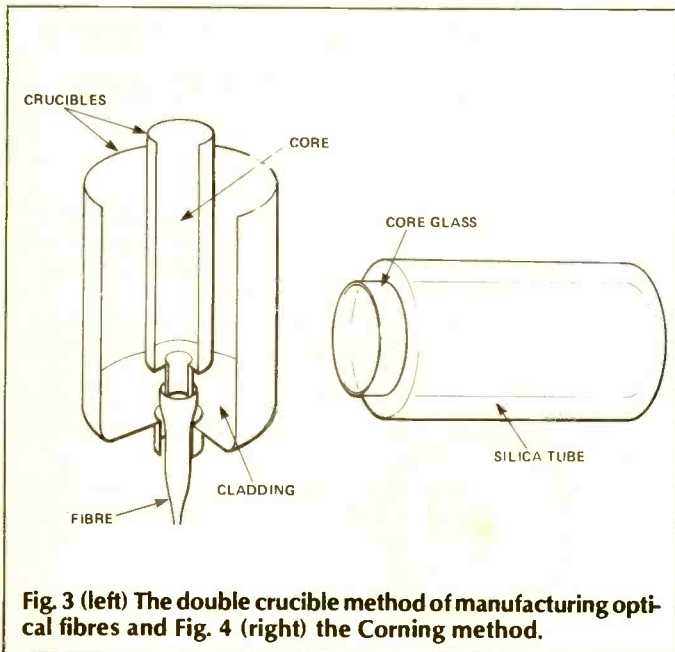


Fig. 3 (left) The double crucible method of manufacturing optical fibres and Fig. 4 (right) the Corning method.

Figure 3 shows the double crucible method. Pure glass to form the cladding is placed in the outer crucible and doped glass (to give it a higher refractive index) is placed in the inner crucible. Originally a platinum crucible was used but the glass absorbed impurities from the crucible. To overcome this, a 5MHz field is created across the molten glass. This allows the process to take place at 130°K, less than the temperature that would be required without the RF field, and a silica crucible can then be used. The composite fibre is pulled gently from the bottom of the crucible.

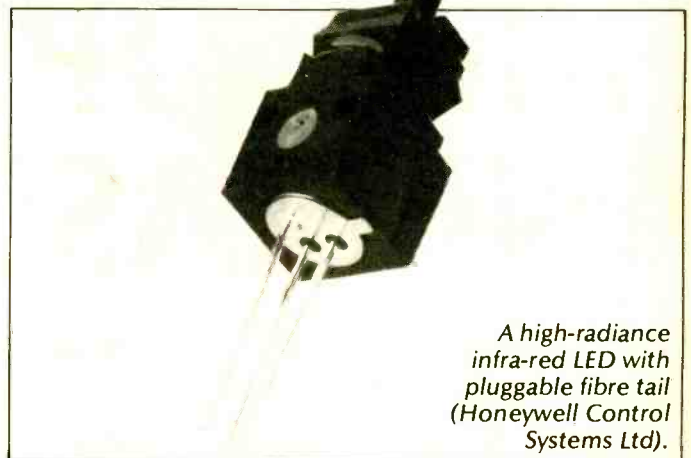
The principle of the Corning method is shown in Fig. 4. An oxygen flame is used to deposit the cladding on the inside surface of a hollow tube, then the core is deposited, again using the oxygen flame. To give the core a higher refractive index than the cladding, silica doped with the oxides of titanium, phosphorous, germanium or aluminium is used. This tube is then collapsed into a fibre.

A variation of the Corning method is to use a starting rod and deposit glass on the end. Another variation is to use a rotating mandrel and deposit the core on it, then the cladding. This is the opposite process to the hollow tube method described above.

Propagation Modes

The three methods of light propagation currently used with optical fibres are known as monomode, multimode and graded index. They are illustrated in Fig. 5.

In monomode propagation, the light used must be of a single frequency. This demands a laser because the output from LEDs contains more than one frequency. Propagation is to all intents and purposes straight down the centre of the fibre with little reflection or bouncing. Because of this, the signal travels very quickly and a com-



A high-radiance infra-red LED with pluggable fibre tail (Honeywell Control Systems Ltd).

paratively narrow fibre can be used. The core diameter of a typical fibre for use in monomode applications would be about 6µm.

In multimode propagation, a light source which emits at more than one frequency is used. This would normally be a LED which, as we noted last month, produces light over a bandwidth of about 20nm compared with the 1nm bandwidth of a laser. The result of using several light frequencies is that each travels by a different path, some travelling straight down the centre of the fibre while others bounce back and forth between the side walls of the fibre at different rates. Because of this, some components of the signal will travel more quickly than others and will arrive at the detector earlier.

Because a number of different paths are taken by the multimode signal, the optical fibres used must be of a larger diameter than those which suffice in monomode operation. The core diameter usually employed is about 50µm, and as we noted last month, some types of LEDs are manufactured with a 50µm indent in the top to allow a simple and optically-efficient connection to be made to the fibre. By comparison, the small cores used in monomode propagation are quite difficult to align when joining fibres.

The main operational difference between the two systems is the bandwidth available for modulation. Because multimode propagation involves the use of more than one frequency, the useful bandwidth is limited. Imagine, for example, an audio signal at 10kHz. If it is a pure frequency, it can be modulated with any other frequency below 10kHz without difficulty. However, if the frequency is not a pure one and there are side-

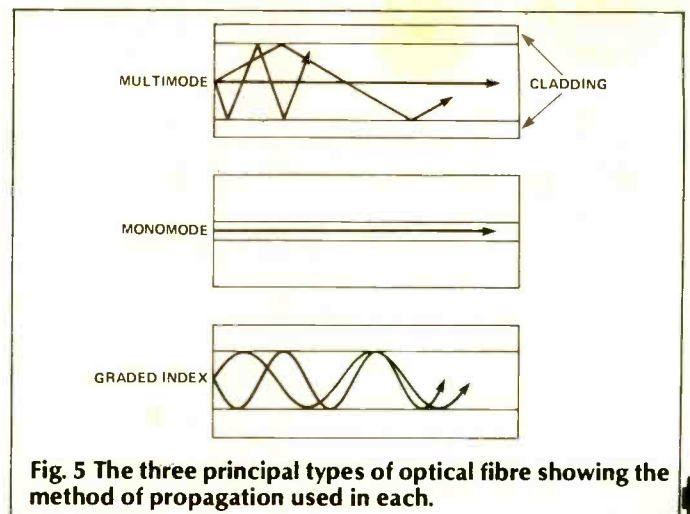
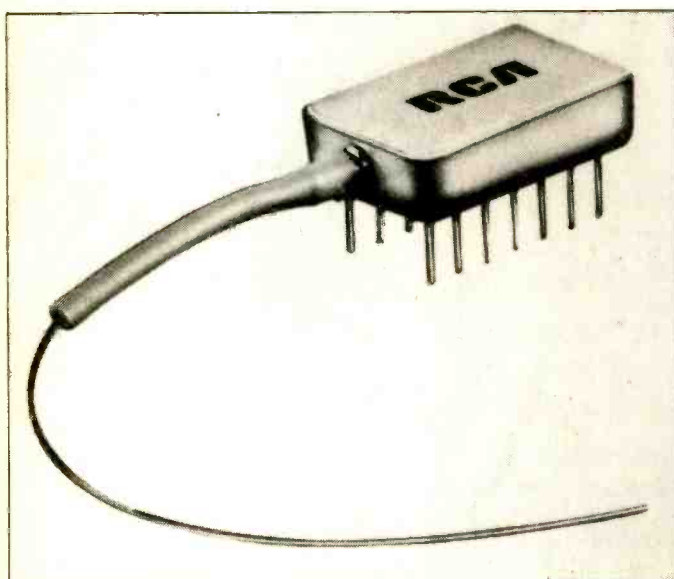


Fig. 5 The three principal types of optical fibre showing the method of propagation used in each.



A PIN photodiode with internal preamplifier (RCA).

tones present, these will also be modulated and the maximum available bandwidth will be limited to the difference between these side-tones and the fundamental. On a 10kHz signal with side-tones at, say 9kHz and 11kHz, using a modulating frequency of more than 1kHz will cause the modulation on these sidebands to overlap, and it will then be impossible to correctly extract the modulation signal at the detector.

Both monomode and multimode propagation use optical fibres in which there is a sharp difference in refractive index between the cladding and the core. In general, the refractive index of the cladding material will be about 1.5% lower than that of the core. In the third propagation system illustrated in Fig. 5, graded index propagation, this sharp change does not exist. Instead, the junction between the core and the cladding is doped so that there is a gradual change of index, hence the name. This has the effect of bending the rays as they approach the cladding rather than reflecting them. Graded index propagation represents a compromise

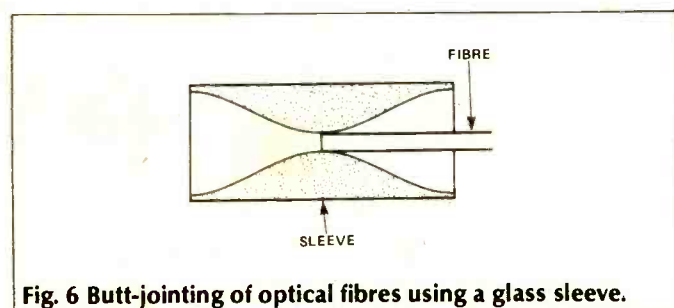


Fig. 6 Butt-jointing of optical fibres using a glass sleeve.

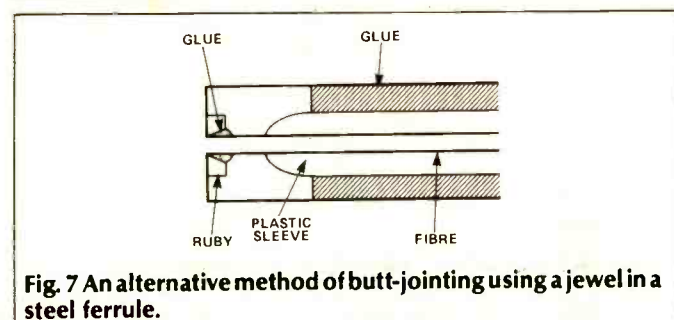


Fig. 7 An alternative method of butt-jointing using a jewel in a steel ferrule.

between the systems used in the other two modes. Graded index fibres can be manufactured using either of the processes described earlier, the doping impurities being allowed to diffuse through both core and cladding uniformly.

Loss In Fibres

The principal causes of loss in optical fibres are scattering and absorption of the light.

Scattering is caused by physical deformities in the glass which change its refractive index (Rayleigh Scattering). Physical deformities also arise due to bubbles of air or water. Both can be dispelled by boiling the glass before turning it into fibre. Once the fibre has been produced nothing can be done, hence the necessity for starting with pure glass. Unfortunately, scatter loss occurs around 0.85 μm to 0.95 μm , which is the wavelength over which present communications systems operate.

Absorption takes place because of chemical impurities in the glass. Metal oxides each give their characteristic hues. Rubies are red because the chrome impurity absorbs all the other colours except red. Similarly, titanium causes sapphires to appear blue and iron oxide will give a green hue. Any chemical impurity will cause

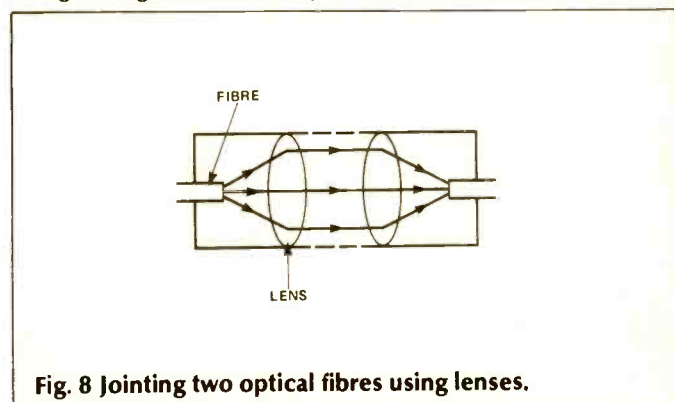


Fig. 8 Jointing two optical fibres using lenses.

some part of the colour spectrum to be absorbed, leading to losses.

From the above it can be seen that physical deformities and chemical impurities must not be introduced into the fibre during manufacture, and if there are any impurities in the raw materials, they must be extracted before the material is used.

Fibre Jointing

The most common and obvious method of jointing is to butt two fibres up close to each other or butt joint and fuse them together. A third method is to use lenses so that the fibre is mounted at the focal point of the lens.

In butt jointing, the mating faces must be vertical and without blemishes and irregularities. There are times when fibres need to be joined in the field, and a special tool is used to give a nice clean cut. A glass sleeve can be used to keep the fibres together (Fig. 6). One end of the sleeve receives a fibre and is heat shrunk to grip the fibre. The other fibre can then be cemented in.

Another type of butt joint uses a steel ferrule and a watchmaker's jewel. These jewels are fairly cheap, and the big advantage is that holes of the correct size can be drilled in them more accurately than in other materials. Figure 7 shows the arrangement. The fibre surface is flush with the jewel surface.

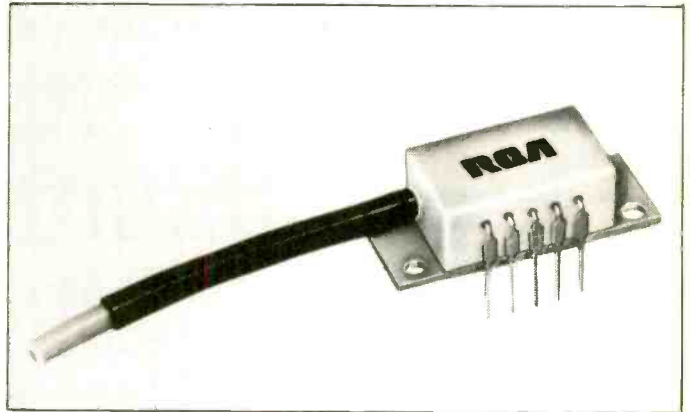
If a fibre is to be 'welded' to another, the cores must be aligned. A core may not be exactly concentric with its cladding, but it does not matter if the cladding is not aligned. As a first approximation, micrometer gauges can

FEATURE: Fibre Optics

be used to align the fibres by the cladding, but with 6 um cores in monomode fibres, even slight misalignment could mean wasted power. So as a second approximation, light can be shone through the joint and the coupling efficiency checked using a microprocessor. Small corrections are made, then a spark discharged across the joint and the fibres fused. The equipment to do all this is available and it need not be bulky. The unit developed by BICC, for example, is only the size of a small case.

Lens joints are manufactured in a factory for later assembly in the field. Each joint comes in two halves (Fig. 8), with each fibre mounted at the focal point of its lens. The whole contraption screws together when needed.

The above are all examples of fibre to fibre joints, but the same ideas apply in jointing fibres to light sources or light detectors. Butt jointing can be used, as in the case described earlier where a diode is made with a 50 um



A gallium-aluminium-arsenide laser module operating at 820nm (RCA).

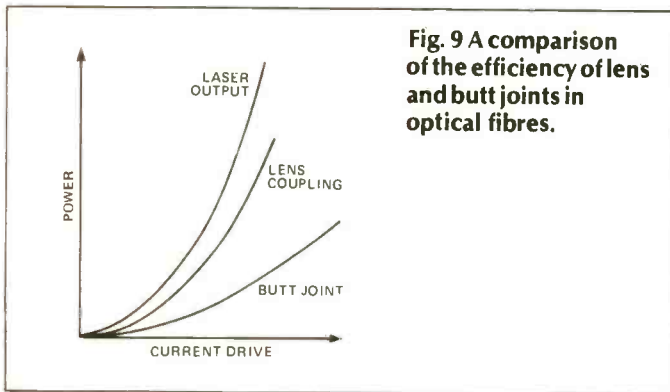


Fig. 9 A comparison of the efficiency of lens and butt joints in optical fibres.

well so that it can take a 50 um multimode fibre. Lens joints are also used to focus the energy from a light source, and lens joints are more efficient than butt joints in coupling energy from source to fibre. The curves of Figure 9 show what proportion of total energy from a light source is coupled into a fibre using lens and butt joints.

Next month's concluding article will examine the use of fibre optics and lasers in communications and in a variety of other applications from medicine to entertainment.

ETI

★ SECURITY MODULES ★

A COMPLETE SECURITY SYSTEM FOR ONLY £39.95 + V.A.T.

contains:

- Control Unit CA 1250
- Enclosure & mechanical fixings HW 1250
- Key Switch & 2 Keys KS 3901
- L.E.D.'s LED 1
- 5W Horn Speaker HS 588
- 4 High quality surface mounting Magnetic Switches MS 1025

With only a few hours of your time it is possible to assemble and install an effective security system to protect your family and property, at the amazingly low cost of £39.95 + V.A.T. No compromises have been made and no corners have been cut. The outstanding value results from volume production and direct supply. Assembly is straightforward with the detailed instructions provided. When installed you can enjoy the peace of mind that results from a secure home. Should you wish to increase the level of security, the system may be extended at any time with additional magnetic switches, pressure pads or ultrasonic sensors. Don't wait until it's too late - order today.

Order Code: CS 1370

DIGITAL ULTRASONIC DETECTOR US 5063

- * Adjustable range up to 25ft.
- * 3 levels of discrimination against false alarm.
- * Crystal controlled.
- * Low-consumption 12V operation.
- * Built-in delays & fixed alarm time.

An advanced ultrasonic movement detector which employs digital circuit techniques to provide a superior performance for security, automatic light switching and industrial applications.

Suitable metal enclosure £2.95 + V.A.T.

ALARM CONTROL UNIT CA 1250 £19.95 + V.A.T.

The heart of any alarm system is the control unit. The CA 1250 offers every possible feature that is likely to be required when constructing an installation or simply controlling a single magnetic switch on the front door.

- * Built-in electronic siren drives 2 loud speakers
- * Provides exit and entrance delays together with fixed alarm time
- * Battery back-up with trickle charge facility
- * Operates with magnetic switches, pressure pads, ultrasonic or I.R. units
- * Anti-tamper and panic facility
- * Stabilised output voltage
- * 2 operating modes full alarm/anti-tamper and panic facility
- * Screw connections for ease of installation
- * Separate relay contacts for external loads
- * Test loop facility

Suitable enclosure for CA 1250 as shown in Complete Security System - HW 1250 Price £9.50 + V.A.T.

Only £13.95 + V.A.T.

EXTENDED SYSTEM CS 1480 Price £62.50 + V.A.T.

This system contains, in addition to the CS 1370, an ultrasonic detector type US 5063 + its enclosure, an additional horn speaker and a further 2 magnetic switches. This system represents outstanding value for money for the high level of security provided.

Order Code: CS 1480

INFRARED SYSTEM IR 1470

- * Operates over distance up to 50ft.
- * LED indicator for easy alignment.
- * 12V low current operation.
- * Single hole mounting.

The IR 1470 provides an invisible beam of light which, when interrupted energises a built-in relay in order to operate external switches or equipment. Ideal for use in security, photographic, or industrial applications.

Price only £25.61 + V.A.T.

Suitable power supply and timed switching unit for use with IR 1470, etc. Price £13.95 + V.A.T.

RISCOMP LIMITED

Add 15% VAT to all prices

U.K. orders at 70p P&P, export postage at cost

Units on demonstration Shop hours 9.00 to 5.30 p.m. Closed all day Wednesday Saturday 9.00 to 1.00 p.m.

Write or telephone for full details of our complete range

Order by telephone or post using your credit card

Dept. ETI 15
51 Poppy Road,
Princes Risborough,
Bucks HP17 9DB
Tel: (064 44) 6326

AUDIO KITS PRECISION AUDIO COMPONENTS

Your hi-fi amplifier will sound FANTASTIC with AUDIOKITS precision audio components

- Holco H8 0.5% metal film resistors
- IAR Wondercaps
- Ultra low noise (0.55nV/√Hz) Transistors
- Gold plated plugs, sockets, switches etc
- Low ESR computer grade electrolytics
- Polycarbonate capacitors

COMPETITIVE PRICES ON METAL FILM RESISTORS
BEST PRICES ON "C" GAIN TRANSISTORS (BC184C, BC214C, BC307C, BC547C etc)

SAE FOR PRICE LIST
AUDIOKITS, 6 Mill Close, Borrowash, Derby, DE7 3GU
Telephone 0332 674929

MAKE YOUR INTERESTS PAY!

More than 8 million students throughout the world have found it worth their while! An ICS home-study course can help you get a better job, make more money and have more fun out of life! ICS has over 90 years experience in home-study courses and is the largest correspondence school in the world. You learn at your own pace, when and where you want under the guidance of expert 'personal' tutors. Find out how we can help YOU. POST or phone today for your FREE INFORMATION PACK on the course of your choice. (Tick one box only!)

Electronics <input type="checkbox"/>	Radio, Audio and TV Servicing <input type="checkbox"/>
Basic Electronic Engineering (City & Guilds) <input type="checkbox"/>	Radio Amateur Licence Exam (City & Guilds) <input type="checkbox"/>
Electrical Engineering <input type="checkbox"/>	Car Mechanics <input type="checkbox"/>
Electrical Contracting/Installation <input type="checkbox"/>	Computer Programming <input type="checkbox"/>
GCE over 40 'O' and 'A' level subjects <input type="checkbox"/>	

ICS Name _____

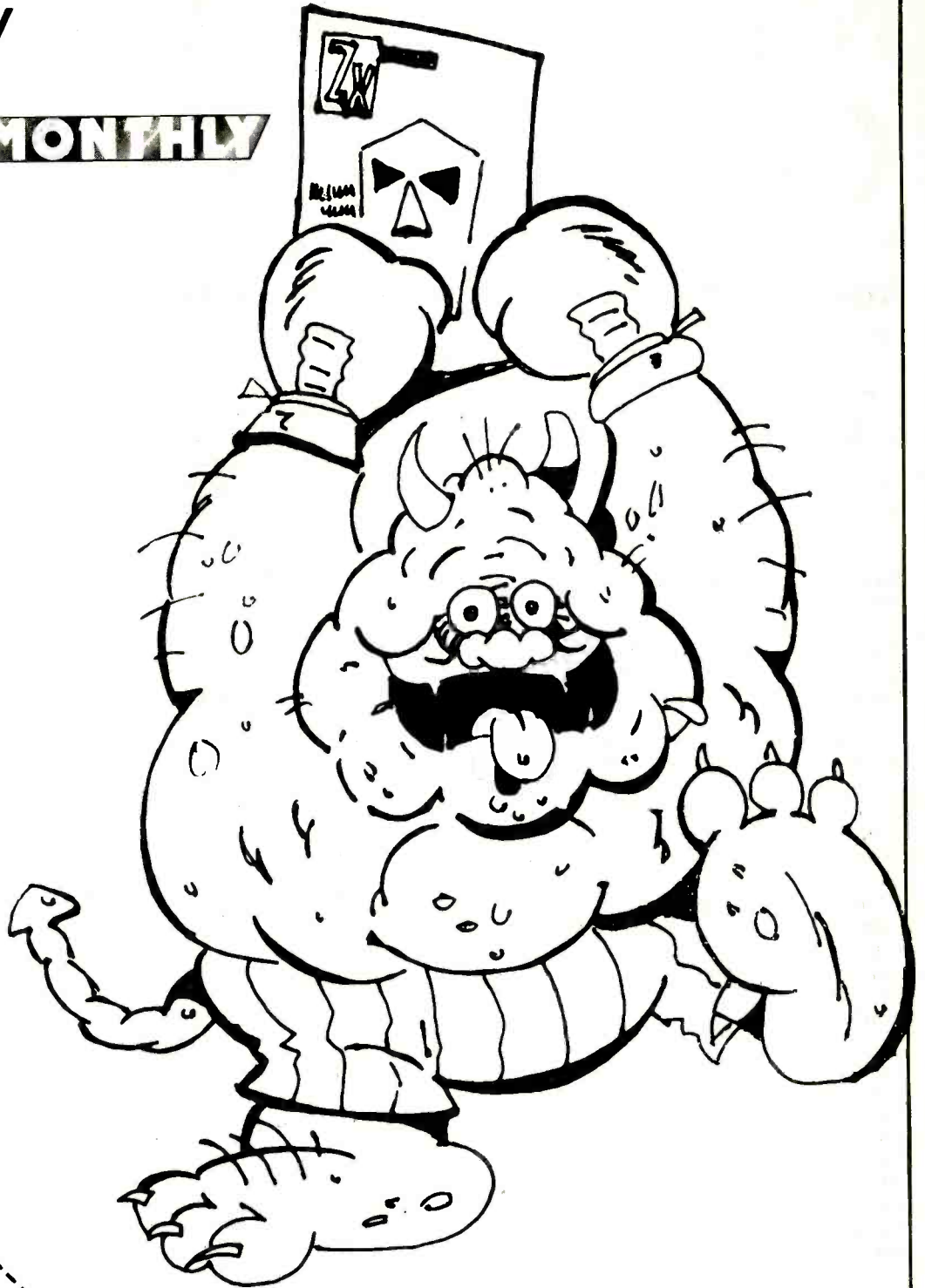
Address _____ P. Code _____

International Correspondence Schools, 312/314 High St. Sutton, Surrey SM1 1PR. Tel: 01-643 9568 or 041-221 2926 (24 hrs) Dept. EBS66

AVOID THE MONSTER RUSH FOR THE NEW



MONTHLY



Please begin my subscription(s) to ZX COMPUTING MONTHLY with the
 I enclose my cheque/postal order for £..... made payable to Argus Specialist Publications Ltd.
 or debit £..... from my Access/Barclaycard No. | | | | | | | | | | to issue.
 valid from
 NAME (Mr/Mrs/Miss)
 ADDRESS
 Postcode
 Signature
 Date

SUBSCRIPTION RATES

- £15.00 for 12 issues U.K.
- £18.00 for 12 issues Overseas Surface Mail
- £61.20 for 12 issues Overseas Airmail



Send this form with your remittance to:
**INFONET LTD., Times House, 179 The Marlowes,
 Hemel Hempstead, Herts. HP1 1BB.**

Please use **BLOCK CAPITALS**
 and include post codes

MIDI TO CV CONVERTER

R.A. Penfold describes a converter which allows computers and instruments equipped with a MIDI interface to control synthesisers fitted with gate and CV inputs.

A MIDI interface now seems to be a standard feature on synthesisers and it is also appearing on other instruments such as electronic pianos and portable keyboards. While it undoubtedly provides an easy means of connecting a number of instruments to form a very versatile and powerful system, it cannot be used with synthesisers more than a couple of years old because it is totally incompatible with the old gate/CV control system.

This is a pity, because an old monophonic synthesiser linked to a new polyphonic MIDI-equipped instrument offers interesting possibilities. The monophonic instrument could produce excellent sounds for lead use or perhaps be set to produce percussive sounds, while a MIDI-equipped instrument or a home-computer plus a suitable interface could be used as the system controller.

Driving gate and CV inputs from a MIDI output is quite possible if a suitable converter is included in the system, but ready-made units tend to be quite expensive. This unit provides MIDI to CV conversion with a choice of MIDI channels, but is comparatively inexpensive to build.

Grabbing A Byte

In order to understand how the conversion can be provided, it is first necessary to have a basic understanding of the two systems. The CV system is well known and uses a logarithm scaling of 1V per octave, which is equivalent to 83.3mV per semitone. On/off switching of the notes is controlled via the gate input, which will normally accept standard 5 volt logic levels.



MIDI stands for Musical Instruments Digital Interface, and is a serial interface similar to the standard RS232C and RS423 types. However, there are important differences, one of which is that MIDI is a form of current loop system with an optoisolator on all inputs. This is primarily to avoid problems with

hum loops. It operates at a high baud rate of 31.25k baud, which is higher than any standard RS232C or RS423 baud rate. The format of the word is the popular 1 start bit, 8 data bits, 1 stop bit, and no parity type.

On the software side, note information is sent in groups of three bytes. In order to switch a

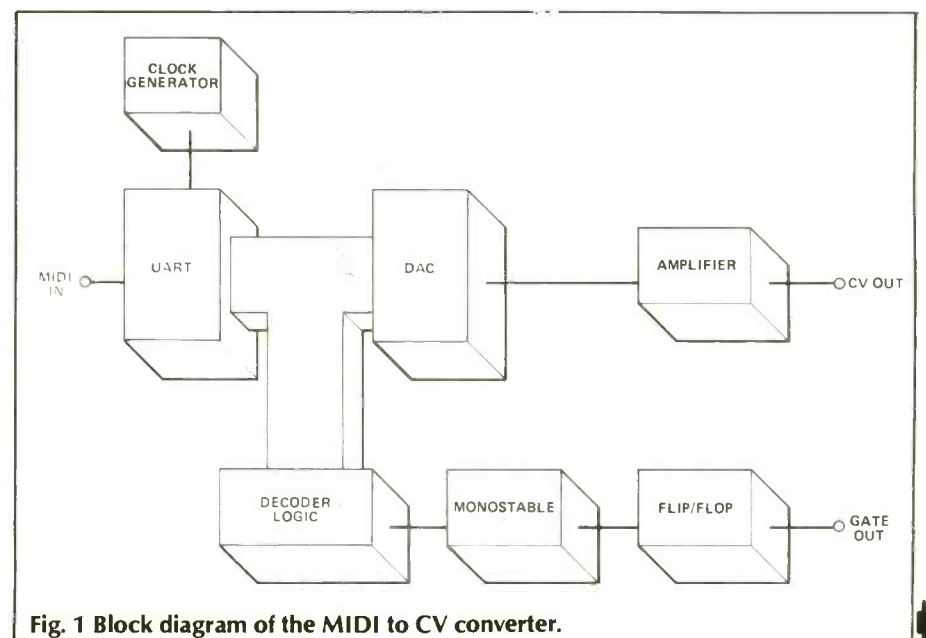


Fig. 1 Block diagram of the MIDI to CV converter.

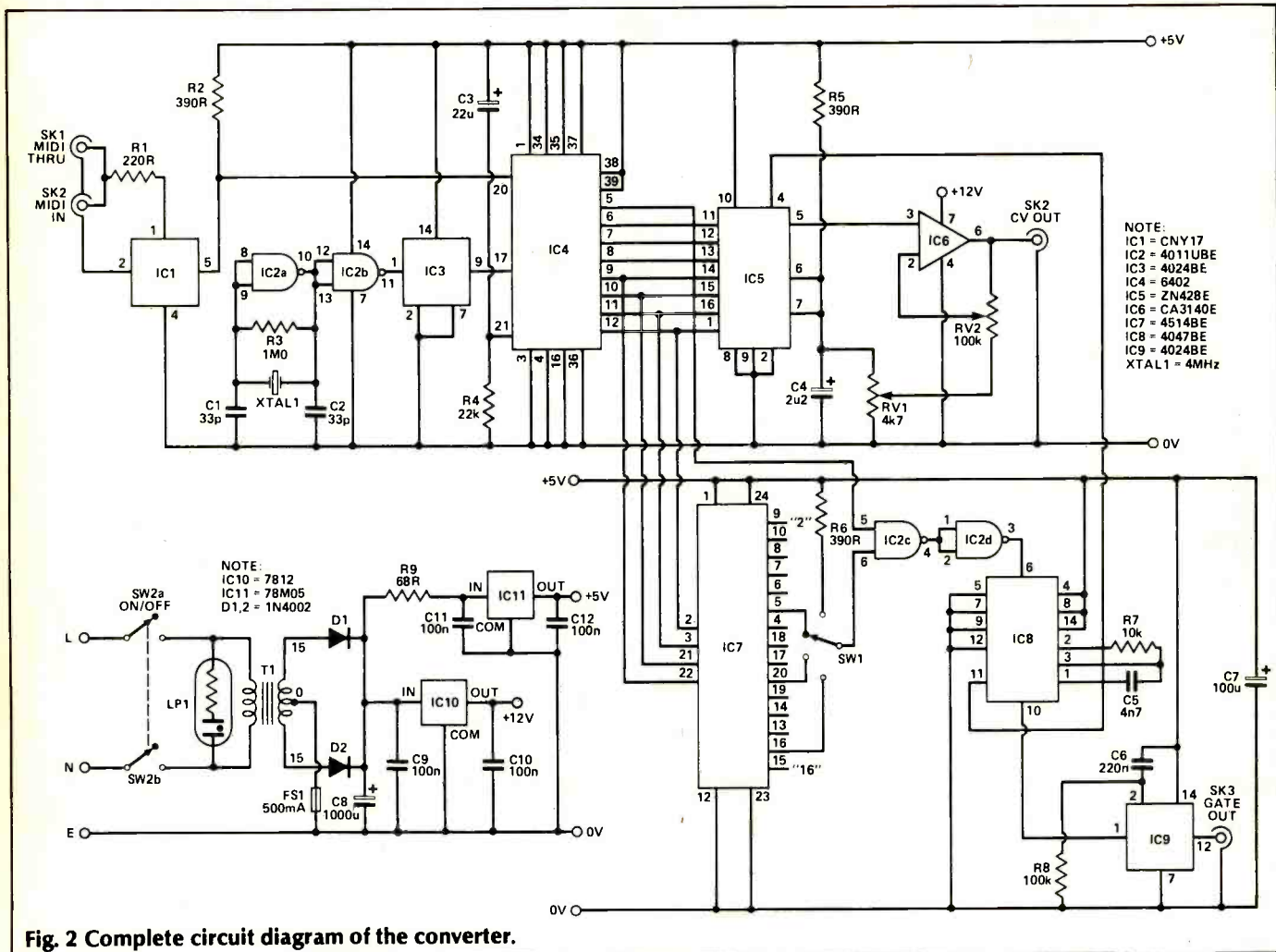


Fig. 2 Complete circuit diagram of the converter.

HOW IT WORKS

Serial to parallel conversion is provided by the UART, IC4, and pins 35 to 39 are programmed to set up the device for the correct word format. The clock frequency must be 16 times the baud rate which is 500kHz in this case. This is derived from a 4MHz crystal oscillator (IC2a) and three stages of a binary ripple counter (IC3). Because of this fairly high operating frequency, IC2 should be an unbuffered device (4011UBE) rather than a buffered type. IC1 is the opto-isolator at the input, and this is a high speed, high efficiency type. IC5 is the DAC, the popular Ferranti ZN428E device. This has a built-in 2.55 volt reference source which gives output increments of 10mV, but here the LSB is simply tied to ground and the increments are boosted to 20mV. IC6 provides a voltage gain of just over 4 times to boost the increments to the required 83.3mV. RV1 enables the output voltage to be offset downwards by up to 2.55 volts so that the synthesiser will give the correct note and octave for a given MIDI value.

IC7 is a 4 to 16 line decoder and is used

to provide 15 outputs which correspond to MIDI channels 2 to 16. The outputs of the UART seem to be briefly reset to zero before taking up a new set of output states, and this renders the channel 1 output of IC7 unuseable. SW1 enables either one of three channels or the 'omni' mode to be selected, where R6 provides a permanent high signal level. IC2c and IC2d gate the output of SW1 with the MSB of the UART to produce the trigger signal for the monostable (IC8). With the bytes from the UART spaced at least 320us apart, a pulse length of around 200us ensures that the UART has an adequate settling time and that the correct byte is not missed. The not Q output of IC8 drives the latch input of IC5, while the Q output drives flip/flop IC9. C6 and R8 reset IC9 at switch-on so that it commences with the correct (low) output state.

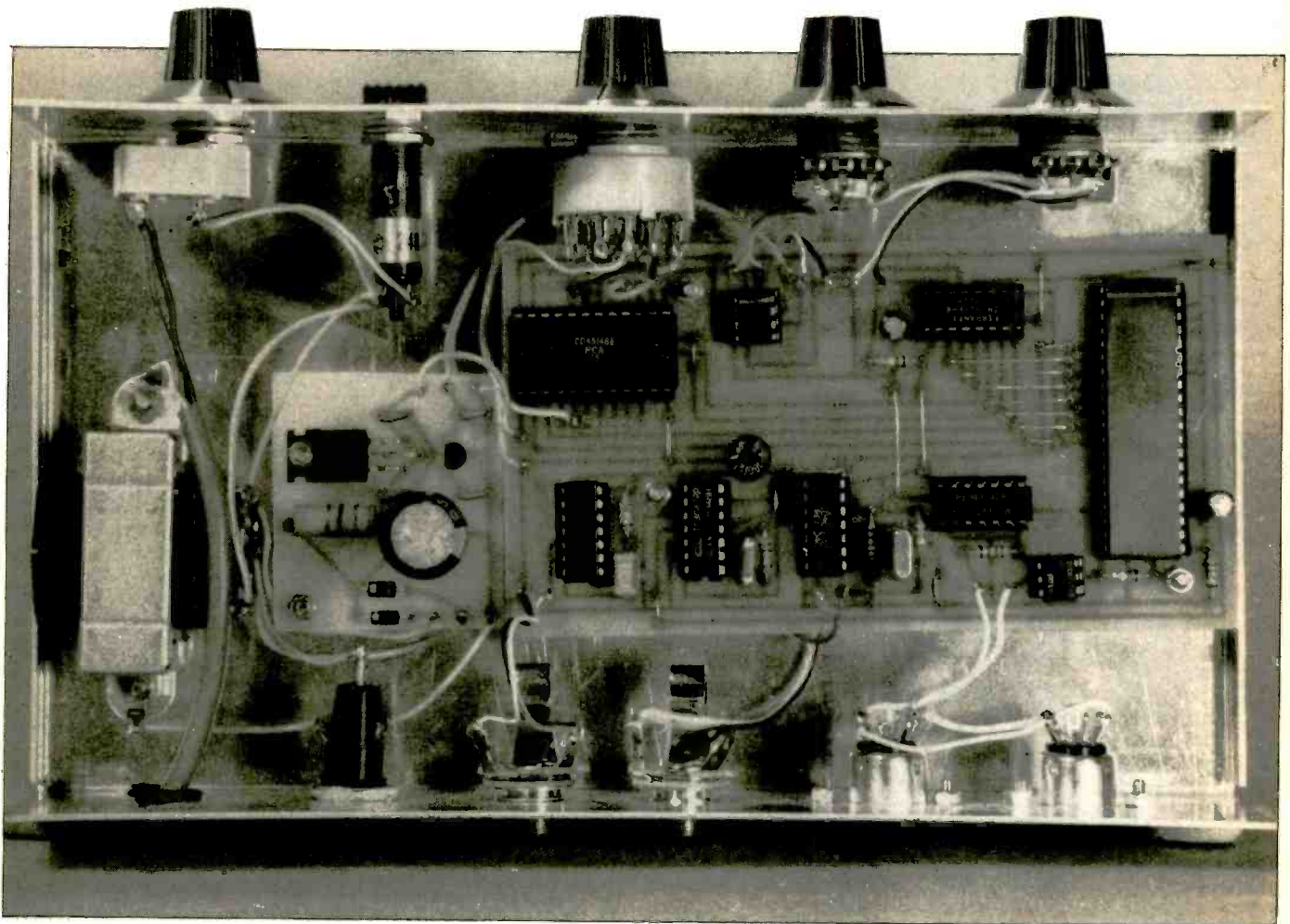
The circuit requires a +5V supply capable of delivering around 100mA, and a 12 or 15 volt supply giving about 4mA. It might be that there is some item of equipment in the system which can pro-

vide this, but in most cases a built-in mains power supply will be needed. The circuit shown here is an entirely conventional type based on a couple of monolithic voltage regulators. R9 helps to reduce the dissipation in IC11, and the latter does not generate sufficient heat to merit the use of a heatsink.

BUYLINES

Most of the components are available from the major component retailers, and the only unusual components are the CNY17 opto-isolator and the 6 pin DIL integrated circuit holder. Both of these are stocked by Electrovalue Ltd. T1 can be any mains transformer having either a 15-0-15 volt secondary or twin 15 volt secondaries wired in series and a current rating in the region of 150 to 350mA. IC2 must be a 4011UBE and not a 4011BE. The UBE type is stocked by Maplin. The PCBs will (eventually!) be available from our PCB Service, but see the note in News Digest.

PROJECT: MIDI Converter



note on the first byte has 1001 in binary (144 in decimal) as the most significant nibble, and a channel value of 0000 to 1111 in binary (0 to 15 in decimal) as the least significant nibble. Things are confused slightly by the general use of MIDI channel numbers from 1 to 16, rather than 0 to 15, and the actual value used to select a channel is therefore one less than the channel number. The second byte is the note value from 1 to 127, and $\frac{1}{2}$'s provides semitone increments with middle C at a value of 60. The third byte contains the velocity value, and this is again in the range 1 to 127 (with 127 representing maximum velocity). Obviously not all instruments are touch sensitive, so a dummy velocity value must be sent in the case of non-touch sensitive instruments in order to maintain compatibility between all MIDI instruments.

The system for switching off a note is basically the same, with three bytes again being used. The only difference is that the header code in the first byte is 1000 in binary (128 in decimal) instead of 1001.

A microprocessor-based system is the obvious basis for a

MIDI to CV converter, but would be a fairly complex and costly solution. The system finally devised has a UART (universal asynchronous receiver transmitter) to provide serial to parallel conversion, followed by a DAC (digital to analogue converter) and some simple logic circuitry. The block diagram of Fig. 1 shows the arrangement used.

A crystal controlled clock generator sets the UART at the appropriate baud rate and as soon as a fresh byte of data has been received it is transferred to the parallel output. The seven least significant lines are fed to a DAC and an amplifier which together convert the received note values into corresponding DC output voltages. With the note values held in the middle of three byte groups, some means of selecting only the correct byte in each group must be found.

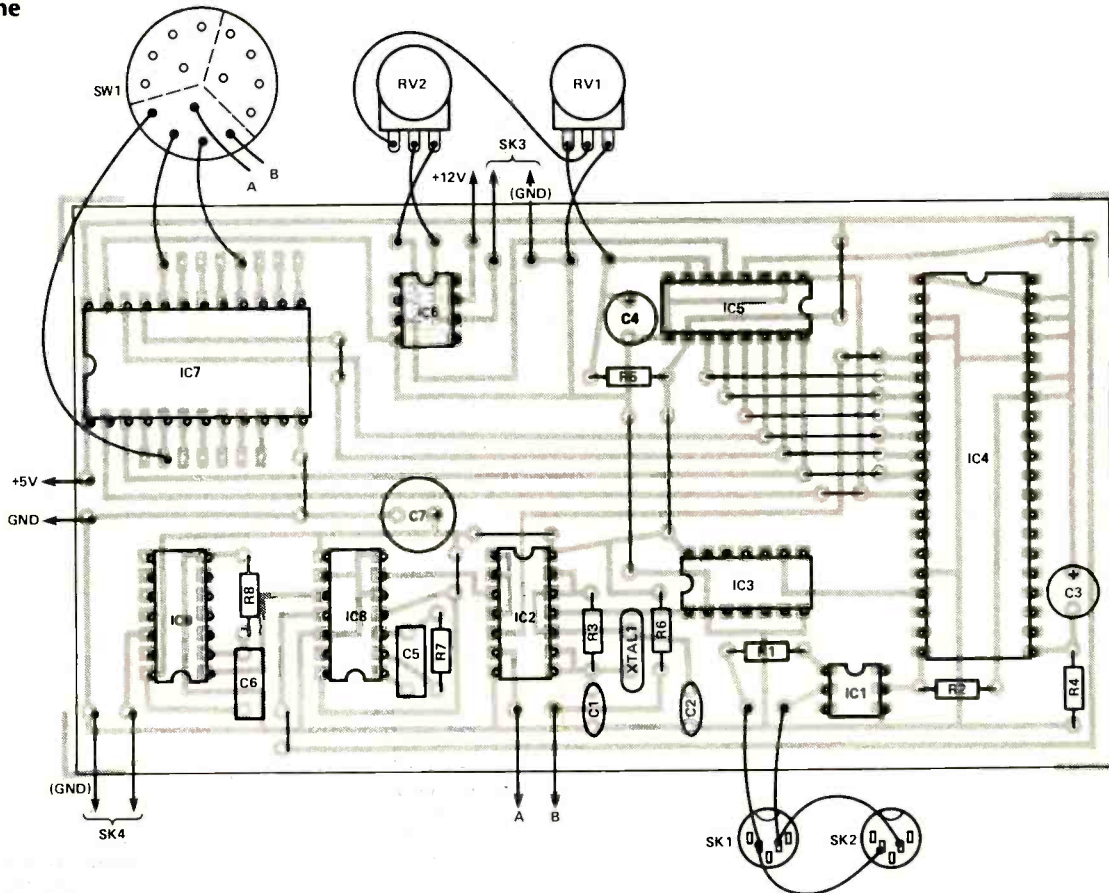
When operating in the most simple MIDI mode, the 'omni' mode, the unit is triggered by the most significant bit going low when the note value byte is received. This system is viable as the MSB is always high when the note-on or note-off header code is received, but is low when the note

and velocity values are received. This high-to-low transition is used to trigger a monostable, and the trailing edge of its output pulse is used to latch data from the UART into the built-in data latches of the DAC. The monostable simply provides a short delay to make sure that the outputs of the UART have had time to stabilise in their new states before the data is latched into the DAC.

The omni mode is of limited practical value, and for most purposes the 'mono' mode is much better. This has each channel of an instrument assigned to a separate MIDI channel. The analogue synthesiser can then be set to play along with one channel of another instrument, or in a computer controlled set-up it could be assigned to an independent channel, effectively giving the system an extra channel. In the mono mode the decoder processes the four least significant bits, so that a note value is only latched into the DAC when the correct channel number is present. The unit can be set to any channel from 2 to 16.

The gate signal is derived from the output of the monostable using a flip-flop divide-by-two

Fig. 3 Component overlay for the main board.



circuit. When a note-on code is detected, the monostable toggles the output of the flip-flop high and sets the output low again when the note-off code is detected. The latches in the DAC are activated by both note-on and note-off codes, but this does not upset the operation of the unit as both codes are followed by the current note value. The CV output will therefore continue to provide a valid output voltage after the gate pulse has ceased, which is essential when the synthesiser's envelope generator is set for a long decay time.

Construction

Apart from the panel mounted components and T1, all the other components are mounted on the printed circuit boards. The power supply board is so simple that it is difficult to envisage any problems here, but the main board needs to be treated with more respect. Start with the link wires and either keep them sufficiently taut to avoid any possibility of short circuits or use insulated sleeving. Add pins at the points where

connections to off-board components will be made, then install the passive components. Finally, add the integrated circuits. As these are mostly MOS devices, fairly expensive types, or both, it is advisable to use holders for all nine of them.

Mechanically the unit is arranged with T1 and the two circuit boards mounted across the middle of the case where they are

well clear of the panel mounted components. The boards must be mounted using stand-offs or with spacers over the mounting bolt so that the undersides of the boards are held well clear of the case. Solder tags fitted on the mounting bolts of T1 provide chassis connection points. The controls and LP1 are mounted on the front panel with the sockets and the fuseholder fitted on the rear panel.

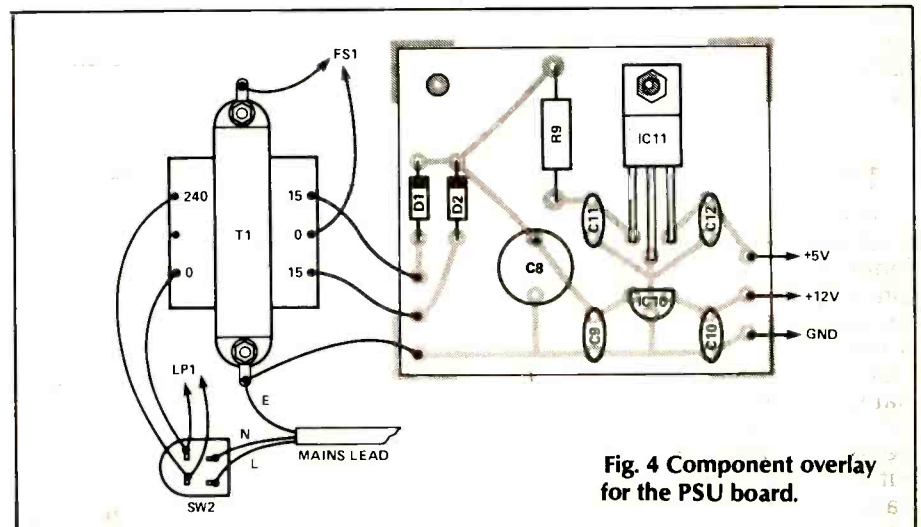


Fig. 4 Component overlay for the PSU board.

PARTS LIST

RESISTORS (all 1/4 W 5% unless stated)

R1	220R
R2, 5, 6	390R
R3	1M0
R4	22k
R7	10k
R8	100k
R9	68R 1W
RV1	4k7 linear potentiometer
RV2	100k linear potentiometer

CAPACITORS

C1, 2	33p ceramic plate
C3	22u 16V radial electrolytic
C4	2u2 63V radial electrolytic
C5	4n7 polyester layer
C6	220n polyester layer
C7	100u 10V radial electrolytic
C8	1000u 25V radial electrolytic
C9, 10, 11, 12	100n ceramic

SEMICONDUCTORS

IC1	CNY17 opto-isolator
IC2	4011UBE

IC3, 9	4024BE
IC4	6402
IC5	ZN428E
IC6	CA3140E
IC7	4514BE
IC8	4047BE
IC10	78L12
IC11	78M05
D1, 2	1N4002

MISCELLANEOUS

SW1	4-way 3-pole rotary switch
SW2	rotary mains switch
LP1	panel-mounting neon with integral resistor
FS1	20mm 500mA quick-blow fuse and panel-mounting holder
T1	15-0-15 volt mains transformer, 150 to 330mA secondary current
SK1, 2	5-way DIN sockets (180 degree)
SK2, 3	mono 1/4" jack sockets
X1	4MHz HC-18/U crystal

PCBs; 230 x 133 x 63mm metal instrument case; IC sockets, 1 off 40 pin DIL, 1 off 24 pin DIL, 1 off 16 pin DIL, 4 off 14 pin DIL, 1 off 8 pin DIL, 1 off 6 pin DIL; four control knobs; mains lead, solder-tags, fixings, case feet, PCB pillars, etc.

counterclockwise and RV2 at a roughly mid setting, the CV output voltage should vary in sympathy with the note played on the MIDI synthesiser, and the gate output should go positive while a key is depressed. Adjusting RV1 and RV2 is a matter of first setting RV2 for the correct pitch with the top note of the MIDI synthesiser's keyboard operated, then adjusting RV1 for the correct pitch with the lowest key operated. This procedure should be repeated a few times until good tracking is obtained over the full compass. By advancing RV1 in a clockwise direction the pitch range can be moved down one or two octaves, but adjustment of RV1 will probably necessitate slight readjustment of RV2 as well. It is probably best to adjust RV1 to shift the range down by a single octave, but this really depends on the precise voltage-to-pitch relationship of your synthesiser.

Expansion

If several gate and CV outputs are required, one way of achieving this would be to use a separate unit for each channel. A more economic solution would be to use a common UART and decoder for all channels, with these driving separate gates, monostables, DACs, and flip/flops. If more than two DACs are to be driven, the outputs of IC4 would probably need to be buffered.

The hole for the mains lead is drilled in the rear panel and should be fitted with a grommet to protect the cable. The case must be connected to the mains earth lead for safety reasons.

There is only a limited amount of hard-wiring needed to complete the unit and none of it should give rise to any real problems, but take due care when wiring up the power supply. SW1 is wired to the board to select the three MIDI channels you require, or a switch with more than four ways can be used if you require a greater number of channels.

Testing

The way in which the converter is connected into the MIDI system depends on the particular set up concerned, and can range from the simple two synthesiser set-up of Figure 4(a) to a more sophisticated arrangement such as that shown in Figure 4(b). Five way DIN leads of up to 15 metres long are used for all interconnections, but if you are making up your own leads note that only pins 4 and 5 are used.

Initial testing is most easily carried out with the unit connected to a synthesiser as in Figure 5(a) and set to the omni mode. With RV1 set fully

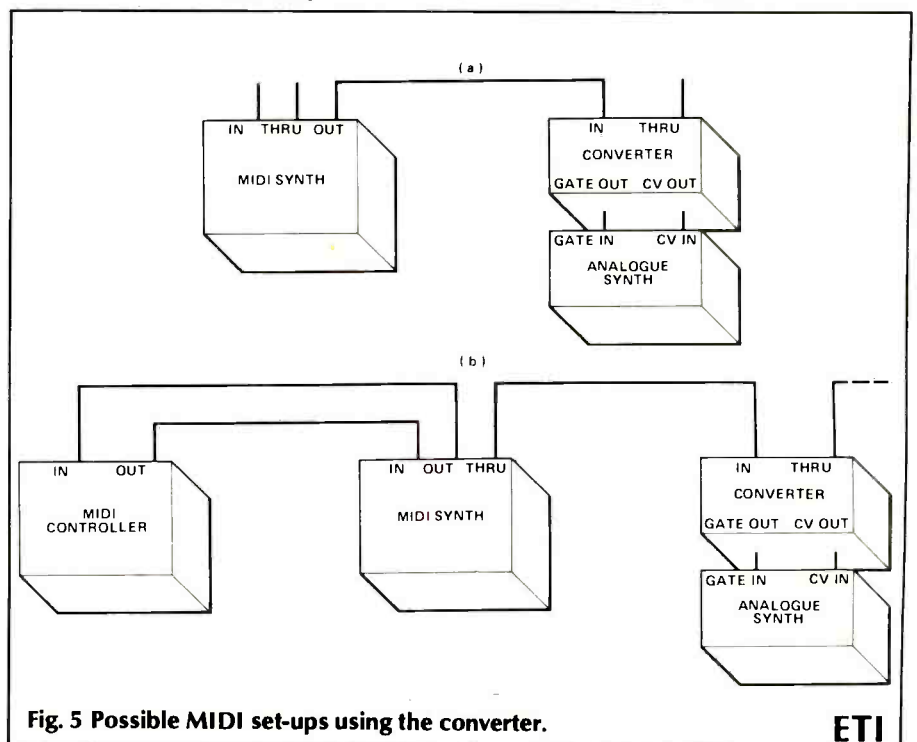


Fig. 5 Possible MIDI set-ups using the converter.

ETI

UPGRADEABLE AMPLIFIER

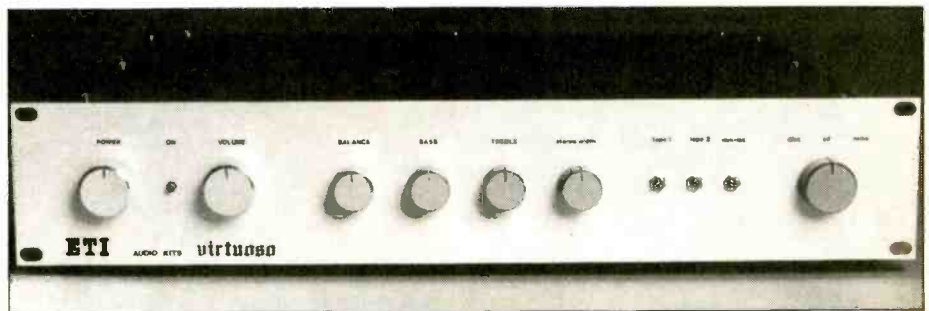
Graham Nalty introduces his latest design with some thought-provoking comments on hi-fi amplifier design.

The amplifier which forms the subject of this series of articles has been designed so that it will be very easy to build. In its simplest form it offers good sound quality at a very reasonable cost, but once built, it can be improved in stages to offer even higher sound quality. The improvements include substituting components of higher quality, using better cables for internal wiring and adding separate power supply electronics for different parts of the circuit. The final result is an amplifier of outstanding performance, yet all the modifications required are quite straightforward and are easy to implement and test.

Power Supply

No part of an amplifier has a greater effect on the overall sound quality than the power supply yet comparatively little has been written about PSUs compared with the dozens of different amplification stage circuits published in various magazines.

The most effective way of



upgrading a preamp or power amp is to replace the mains transformer with a larger one. In a preamp which may draw only tens of milliamps, a transformer with a secondary capable of delivering several amps is very cost effective in terms of sound quality. The problem in using such a large transformer is that it makes it difficult to eliminate hum from low level circuitry, particularly if you want to use a switch on the front panel to select between moving coil and moving magnet inputs. A steel case would be needed as aluminium cases give rise to screening problems. Of course, you can use a battery power

supply, eliminating the hum problem and giving excellent sound quality. It is a practical alternative, especially with rechargeable Ni-cads, but it is also quite expensive.

One of the prime requirements for a stereo amplifier is good stereo imaging. Most commercial amplifiers use one supply to power both left and right channels. The use of separate supplies for each channel of an amplifier will make a big overall improvement. This can easily be verified if you have two samples of a low priced amplifier. Whatever source you use (disc is best for this demonstration) connect one

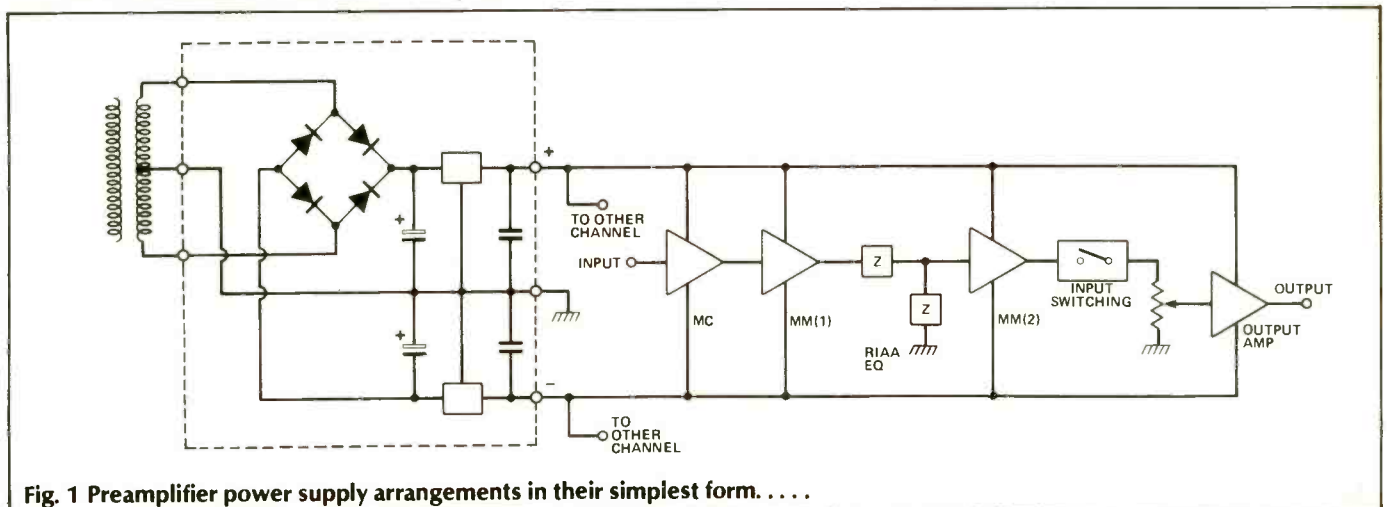
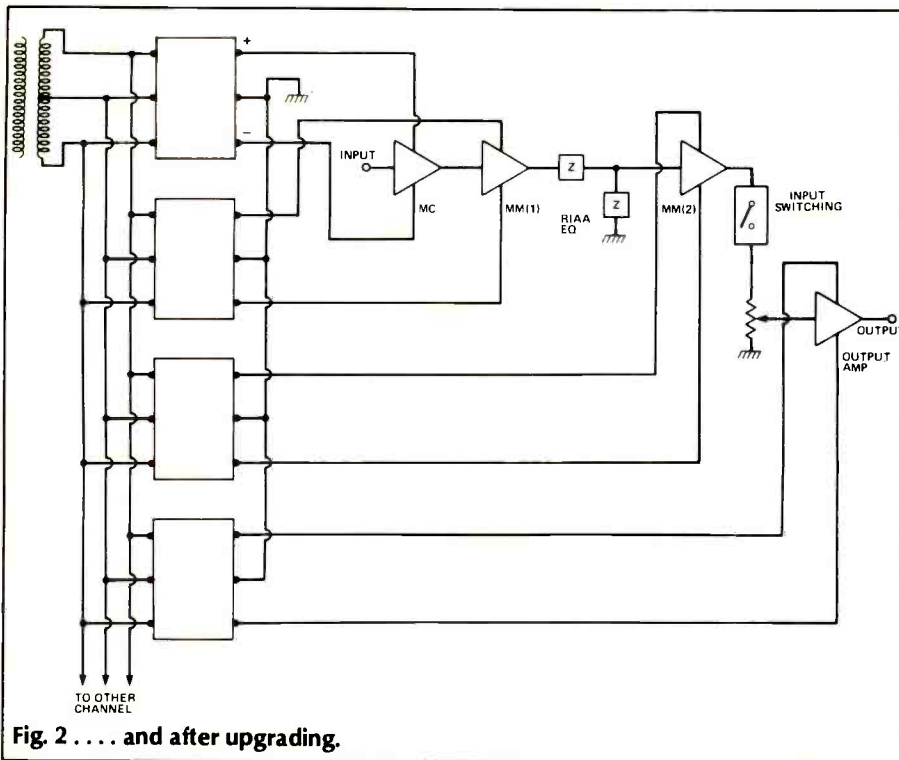


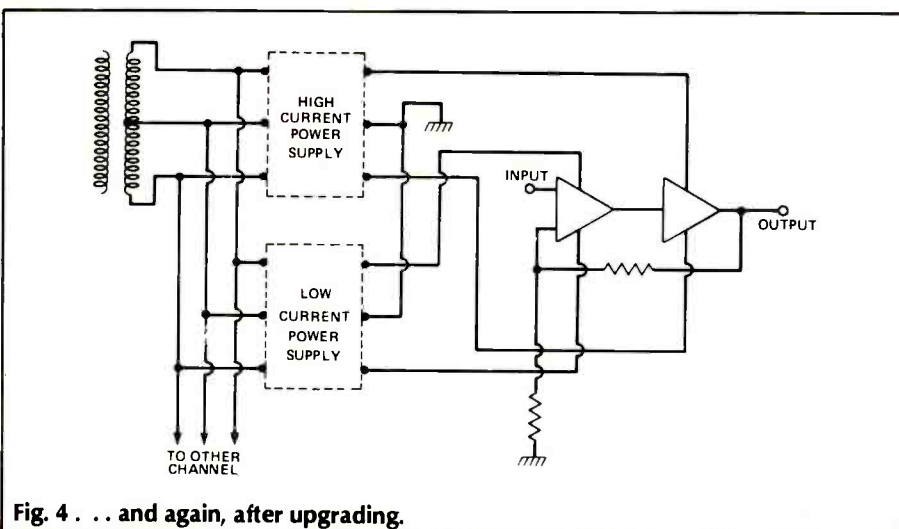
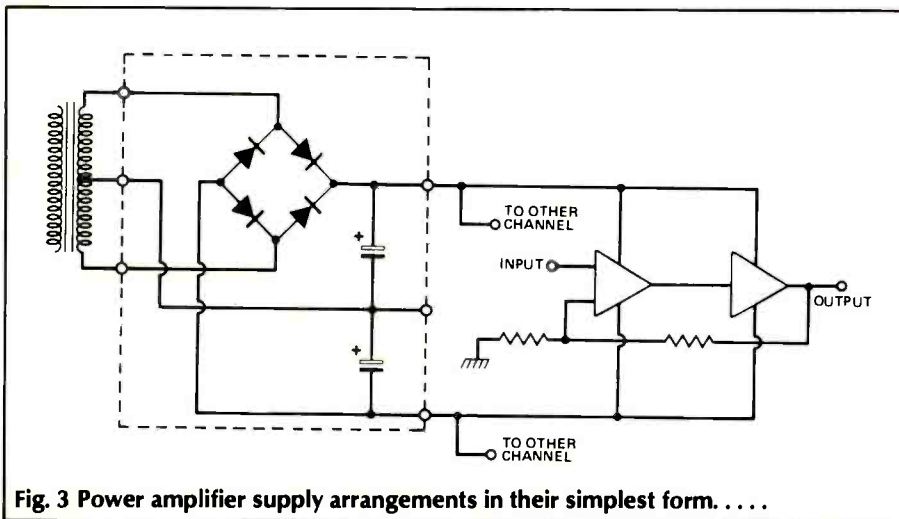
Fig. 1 Preamplifier power supply arrangements in their simplest form. . . .



amplifier from source to speakers for one channel and the second amplifier for the other channel. You should notice a big improvement in clarity and stereo imagery compared with using one amplifier in stereo. This is probably the main reason why some people have a preference for bridged power amplifiers.

In practical terms, the use of two mains transformers is not as cost effective as doubling the size of the transformer. The cost of two transformers rated at X VA is twice the cost of one whereas a single transformer with a rating of 2X VA may only cost about 25% more than a single one. Additionally, a single large transformer will give a tighter, cleaner sound if not quite as good imagery as two smaller ones. Most of our perception of stereo image location is via high frequency sounds, and the use of separate rectifiers and smoothing capacitors for each channel affords greater separation at high frequencies than low frequencies. This renders the additional advantage of separate transformers of small benefit by comparison.

In its simplest form this amplifier uses a single power supply. It can be improved step by step, first by adding a second rectifier, capacitor and regulator set, then by providing separate supply electronics for the disc circuits and output circuits (that is, those which come after the volume control). The final level of improvement is to use separate supplies for each stage of amplification in the preamp and separate electronics for the high and low current parts of the power amplifier. Figures 1 and 3 show the power supplies for preamp and power amp in the simplest form and Figs. 2 and 4 show the final versions after all upgrading.



Components

A good amplifier needs good components, and one feature of this amplifier project is that improvements in sound quality can be made simply by changing components.

If you are a relative newcomer to electronics as a hobby, you may be reluctant to spend a lot of money on the project because you are not certain how it will turn out. In this case, there is nothing to stop you using standard components such as carbon resistors, electrolytic capacitors

Type	Brand	Range	Tolerance	Temperature Coefficient PPM/°C	Voltage Coefficient PPM/V	Noise $\mu\text{V/V}$
Carbon	Piher PR50	1R0-1M0	5%-20%	180-500	5	0.1-1
		1M0-10M	5%-20%	500-800	5	
Metal Oxide	Electrosil TR5	10R-1M0	2%	200		0.2
Metal Film	Neohm LR1	10R-1M0	1%	50	10	0.05
	Welwyn MFR4	10R-1M0	1%	50		
Semi Precision Metal Film	Holco H8	10R-1M0	0.5%	50	5	0.2
Precision Metal Film	Holco H8	100R-250K	0.1%	15	5	0.2
	Resolute RC 65	200R-1M0	0.05%-1%	5-100	negligible	
Ultra Precision Metal Film	VTM MAR 7	10R-3M0	0.01%-0.5%	2-15		not measurable
	Welwyn 48XX	3R5-300K	0.01%-1%	1	zero	

Table 1 A comparison of the specifications of various resistor types.

Type	Brand	Range	Voltage	Power Factor at	Frequency
Aluminium	Sprague 509D	10u-2200u	16	0.16	120
		10u-2200u	25	0.14	120
		4.7u-1000u	40	0.12	120
		1u0-220u	63	0.09	120
		0.47u-100u	100	0.08	120
Tantalum	Sprague 499D	100u-220u	6.3-35	0.1	100
		10u-47u		0.08	100
		1.5u-6.8u		0.06	100
		100n-10u		0.04	100
Polyester	LCR MKT	10n-10u	160-630	0.01	1000
Polycarbonate	Suflex CPC	10n-4.7u	63-250	0.003	1000
		6.8u-10u		0.005	1000
Polypropylene	LCR KP/DMT	150n-1.5u	160-400	0.0005	1000
Polystyrene	Suflex EXF	200p-250n	30-160	0.0003	1000

Table 2 A comparison of the specifications of various types of capacitor.

and low gain transistors, and the amplifier will still work and will not sound bad.

But if you share my view that a job that is worth doing is worth doing well, you will want to start with components which are of good quality but reasonably priced. For each part of the project, a 'designer approved' economy kit of components will be specified. At the same time higher quality components will be specified so that you can upgrade or start at an intermediate version.

Close tolerance metal film resistors are now available at low cost and I have specified these for all parts of the circuit handling the audio signal. Researchers who have carried out listening tests report that metal film resistors offer a detectable improvement in sound over metal oxide types which in turn are better than

carbon types. Table 1 shows the specifications for a selection of different types of resistors. There are a number of manufacturers of metal film resistors of comparable specification, and although differences have been reported between different brands (Ref 1) I do not propose to identify or specify any preferences.

There is also evidence that semi-precision and precision types offer further improvements in sound quality over 'general purpose' metal film types (Ref 1). At this point things become expensive as the best precision resistors will cost several pounds each in small quantities. If you are going to use precision types and wish to be as economical as possible, a sensible rule to apply is to use a higher grade for loading resistors and feedback resistors and a lower grade for resistors

whose distortions can be reduced by negative feedback.

A great deal has been written about the influence of capacitors on audio sound quality. The International Audio Review (Ref 2) has reported on capacitors in great detail. Leading authorities believe that the main cause of audible distortion in capacitors is dielectric absorption and have developed methods to measure it. (Refs 3, 4). My own experiences back up the work of these and other researchers, and I would accept as a general rule a correlation between capacitor types with low dielectric loss and good sound quality. Mechanical considerations must also affect the sound quality of capacitors and this includes the internal construction and the firmness with which the capacitor can be attached to the PCB. Table 2 shows some typical

characteristics of different capacitor types.

In keeping with my policy of using good quality components, polyester capacitors will be specified for all functions except the main rectifier smoothing, where a polyester capacitor of smaller value will be placed in parallel with the electrolytics. Upgrading of the capacitors will be by changing the polyester capacitors to polycarbonate and then to polypropylene, and by placing additional low value polystyrene types in parallel with all capacitors over 100n.

There is not much scope for upgrading semiconductors, other than using ultra low noise types in the moving coil input.

Wires And Cables

A wire is an amplifier without gain. This comment may be a parody on a well-known phrase, but all cables do change the sound quality of the signal passing through them. Some change the balance between different frequency ranges whilst others maintain the frequency balance but reduce the clarity. There are no perfect cables, but some of the more expensive types do give a better sound quality.

If this is your first amplifier project you may be quite happy to use inexpensive cables and you will still end up with a good amplifier. At a later date you can change to more expensive cable types and by experimenting make a really worthwhile improvement to the sound quality.

When upgrading, it is important to change the cables carrying power supplies as well as those carrying the audio signal.

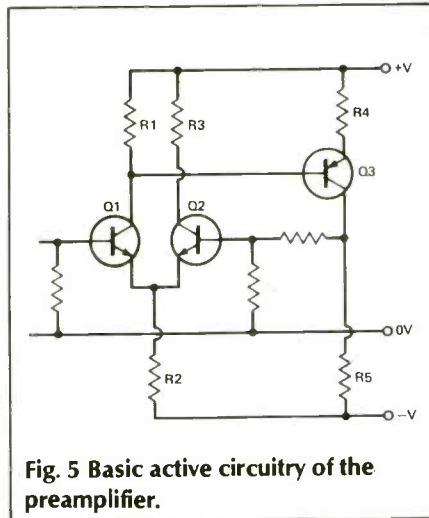


Fig. 5 Basic active circuitry of the preamplifier.

Circuitry

The requirement for the active circuitry is that it should be easy to build and test but should be capable of outstanding sound quality at the end of the upgrading process. A preamp could be built without negative feedback, and would be easier to test since feedback loops make it difficult to find the location of a fault. But we have to use negative feedback in the power amplifier, and it is a good idea to use a circuit in the preamp which will be fairly similar to that used in the power amp.

The discrete op-amp circuit of Fig. 5 is ideal for the purpose. Readers who have seen Stan Curtis's excellent preamp design in July 1981 using a seven transistor op-amp may be disappointed at first, but I can assure them that if they follow the upgrading procedures they will change their minds. One of the upgrading procedures is to replace resistors R2 and R5 with FET constant current diodes which

give much greater power supply ripple rejection than one-transistor or two-transistor current sources. Another advantage of the FET is that in the case of a fault in the circuit, it can be checked simply by replacing it with a resistor of the correct value.

Resistors R3 and R4 are included solely for the purpose of enabling the collector currents of Q2 and Q3 to be measured. R4 reduces the amount of negative feedback in the circuit. Some designers like to use circuits with large amounts of negative feedback whilst others prefer a modest amount of feedback. Whilst varying the amount of feedback will change the sound a bit, the exact amount of feedback is of secondary importance unless you go to extremes. And knowing the limits of the amount you can use is one of the secrets of good amplifier design.

References

1. Hifi News March 1985. p47. Arresting resistors by C. Breunig.
2. IAR Hotline 13. The sonic importance of passive parts. International Audio Review, 2449 Dwight Way, Berkeley, CA 94704. USA
3. Audio Amateur. 4/1980. Dielectric Absorption in Capacitors. by R. Marsh.
4. Hifi News August 1985. p15. letter from J. Curl.

Next month's article will cover the construction of the moving coil input stage in both its basic and upgraded forms.

ETI

RACK MOUNTING CABINET

* Suitable for instruments, high quality amplifiers and many other purposes * Black anodised aluminium front panel enhanced with two handles * Aluminium version, wholly made of black anodised aluminium sheets * Metal version, rear box is manufactured from steel painted in black with aluminium front panel. Customer who requires further details, please send SAE.

Panel Size W H (Inch)	Rear Box W H D	Price Steel	AL
19x2.5	17x2x10	22.50	27.50
19x3.5	17x3x10	24.50	29.50
19x5.25	17x5x10	26.50	31.50
19x3.5	17x3x12	26.50	30.50
19x5.25	17x5x12	27.50	32.50
19x5.75	17x5x12	28.50	33.50
* 17x2.5	15.5x2x9	16.50	20.50
* 17x3.5	15.5x3x9	17.00	—
* 19x3.0	17x2.5x10	—	20.50
* 19x4.0	17x3.5x10	16.50	19.50
* 19x4.0	17x3.5x12	19.50	22.50



* Discontinued sizes, special price valid while stock last. Please add £3.00 P/P for the first item and £1.50 for each additional item. Quantity discount available. A limited quantity of electronic kits at give away prices. Large SAE for details. Mail order only. To order send cheque/postal order, same day dispatch for PO, 7 days for cheque clearance. Mail order only.

T J A DEVELOPMENT
53 Hartington Road, London E17 8AS



BINDERS

FOR YOUR VALUABLE COLLECTION OF ELECTRONICS TODAY INTERNATIONAL MAGAZINES
• SMART • EASY TO USE • TOP QUALITY
To ASP Readers Services, PO Box 35, Wolsey House, Wolsey Road, Hemel Hempstead, Herts HP2 4SS (0442-41221)

£5.20 inc P&P

Please supply.....Electronics Today International Binders @ £5.20 inc. P&P

Total £ (Please make cheques payable to ASP Ltd.)

Years Required — 198.....198.....198.....198.....

Name

Address

Please allow 21 days for delivery



THE ETI TROGLOGRAPH

Readers of last month's article will know that Mike Bedford has the low-down. As he describes the Troglograph design and construction from a puddle in the middle of Gaping Gill, we ask if he's not caving but drowning ...?

The design for a VLF transceiver took some weeks of theoretical and practical work. Several prototypes were developed and each one was tested in the field. The starting point for the whole process was to break the system up into its major component parts — aerial, transmitter and receiver. A single aerial is used for both transmitter and receiver sections of each transceiver, and the designer's major concern, in the first instance, was portability.

The Aerial

Two main types of aerial are used in inductive communication. The first is the loop antenna and the second is a pair of widely spaced ground rods which, in effect, cause a large area of the earth to act as a current carrying

loop. The latter aerial is also used for earth mode communication — closely related to inductive communication.

Only the loop aerial was considered for the Troglograph, since portability was a prime concern — especially in potentially small cave passages — and the ability to transmit a predictable field and sense its angle and direction is crucial to radio location.

The formula governing the field strength transmitted by a current carrying coil is

$$H = INA$$

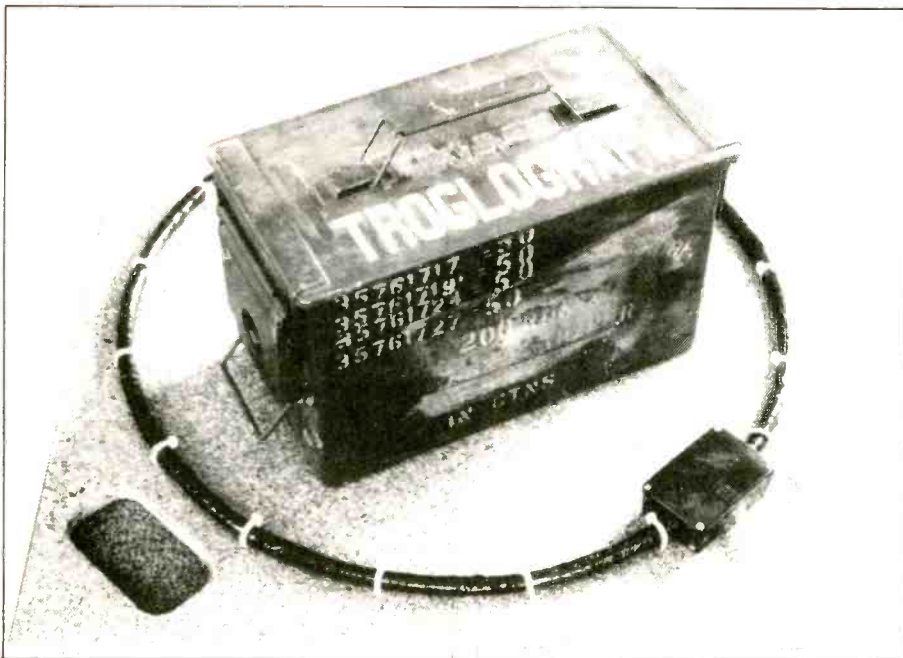
where I is the loop current, N is the number of turns on the loop and A is its area. Clearly a large diameter loop with a large coil area is a comparatively easy way to maximize field strength. Because the aerial had to be carried down

tight passages a diameter of only 19 inches was picked. It would be interesting to experiment with large diameter loops for the surface station. These would give greater range when direction finding is not required.

Having fixed the diameter, the number of turns and the wire gauge (which affects resistance and hence current) need to be chosen. For transmission, there is no advantage in increasing the number of turns to a coil without also increasing wire diameter. If the number of turns is doubled, resistance will also double and current will halve — which cancels out the effect of increasing the number of turns. The wire gauge can be increased to restore the effect, but you will have four times the weight of copper wire. Quite apart from cost considerations, weight increase is something which should be avoided in portable equipment.

All this is particularly relevant when you remember that the magnetic field decays with the cube of the distance, which means that to double transmitter range, an eightfold increase in field strength is required needing 32 times the weight of copper wire! The conclusion is that, for a given wire gauge, there is no advantage in increasing the number of turns beyond those required to give a sufficiently high resistance to keep the final amplifier current within specification.

Since the received signal strength is proportional to the number of turns on the receiving aerial and since there is a clear advantage in using the same aerial for transmission and reception, we need to compromise. The actual specification for the Troglograph chosen was 120 turns of 22SWG enamelled copper wire. If a source



The Troglograph

of inexpensive copper wire is available, the constructor could try 240 turns of 18SWG, which would give about 1.6 times the range if used for both transmitter and receiver.

The specified coil has a DC resistance of 8 ohms. Its inductance of 18mH will give a reactance of 384ohms at the chosen operating frequency. This inductance needs to be tuned out in a series tuned circuit in order to get the impedance down to 8 ohms and achieve the required current. For reception, on the other hand, the coil should be configured in a parallel tuned circuit resonant at the operating frequency. This will maximize the impedance and consequently the voltage induced in the coil by the magnetic field.

The Transmitter

Research suggests that frequencies in the 3kHz region are quite suitable for CW and direction finding, being low enough to be largely unaffected by passage through limestone and high enough to be clear of the stronger harmonics of 50Hz power lines which can cause significant interference even in remote areas. Since 32.768 kHz crystals, as used in digital watch circuits, are cheap and easy to get, the actual frequency chosen was 3.2768 kHz, which can be generated easily from this crystal by use of a TTL divide-by-ten chip.

The transmitter requirements are therefore a 32.768kHz

oscillator, a decade divider, a power amplifier and a keying circuit. The keying circuit is a switchable option to a morse key for use in direction finding. This automatically keys the transmitter on and off, making reception easier than it would be with a steady carrier at low signal strengths.

The only other decision which needs to be made about the transmitter is its power. Since the aerial coil resistance is fixed, the transmitter characteristic which affects the coil current is the applied voltage. Increasing coil current by increasing the voltage has the effect of increasing power dissipation by the square of the voltage increase. In portable equipment, power requirements have to be kept as low as possible. To take the example of doubling the range again, the current requires an eight fold increase and the power would have to increase by 64 times. Once again a compromise between radiated field and the price and portability of the equipment has to be reached. A 24V supply — easily provided by a pair of 12V, 2.6AH lead acid batteries — was selected.

Since digital techniques are used for signal generation, square waves will be fed to the aerial. In normal radio transmitters this would be guarded against to avoid trouble with the harmonics which would be generated. This is not a major problem in this design, because the aerial is a medium Q

turned circuit which ensures that the harmonics will be very much attenuated with respect to the fundamental. When the inverse cube law is considered, it will be realised that any surviving harmonics will only travel a very short distance before becoming quite undetectable.

The Receiver

In its simplest form, the receiver may consist of a tuned aerial connected to an audio amplifier driving a pair of headphones. Significantly more gain can be achieved by connecting the aerial in a Q-multiplier configuration which, in effect, cancels out the resistance of the coil and increases sensitivity and selectivity.

It is quite impossible to use magnetic headphones in such a configuration. These generate their own magnetic field which would feed back into the aerial and cause self oscillation. Even if crystal headphones are used, there is still a limit to the amount of amplification which can be achieved before the magnetic field radiated from the circuit wiring causes feedback.

The solution to the problem is to use a technique similar to that used in superheterodyne receivers (Fig. 5). A local oscillator is used to translate the frequency of the received signal so that it can be amplified without the fear of instability. In addition, an active bandpass filter is included after the frequency conversion stage to reduce interference.

Since the Troglograph is a transceiver, there is an advantage in sharing portions of the circuit between the receiver and the transmitter to reduce overall circuit complexity. This explains the choice of 2.048kHz as the local oscillator frequency, since it can be generated from the transmitter's 32.768kHz oscillator by use of a divide-by-16 chip. The resultant received frequency of 1.2288kHz (3.2768 minus 2.048) is a quite acceptable audio tone.

Construction

The construction of the main circuit board is quite straightforward. A PCB should be used to give a more rugged construction than obtainable with, say, Veroboard. In the interests of a good, solid construction — which is very important for a piece of portable equipment likely to be

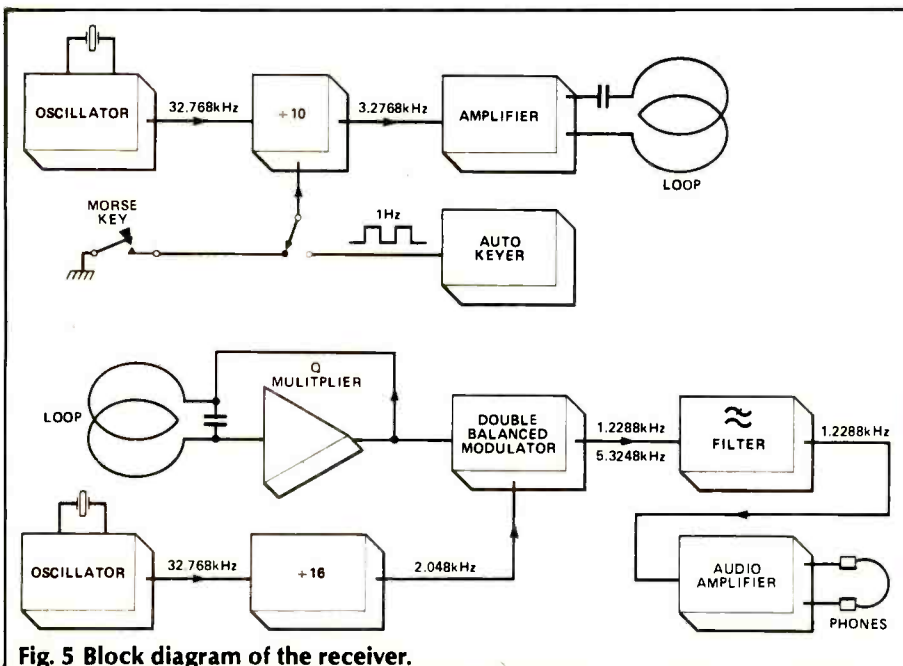


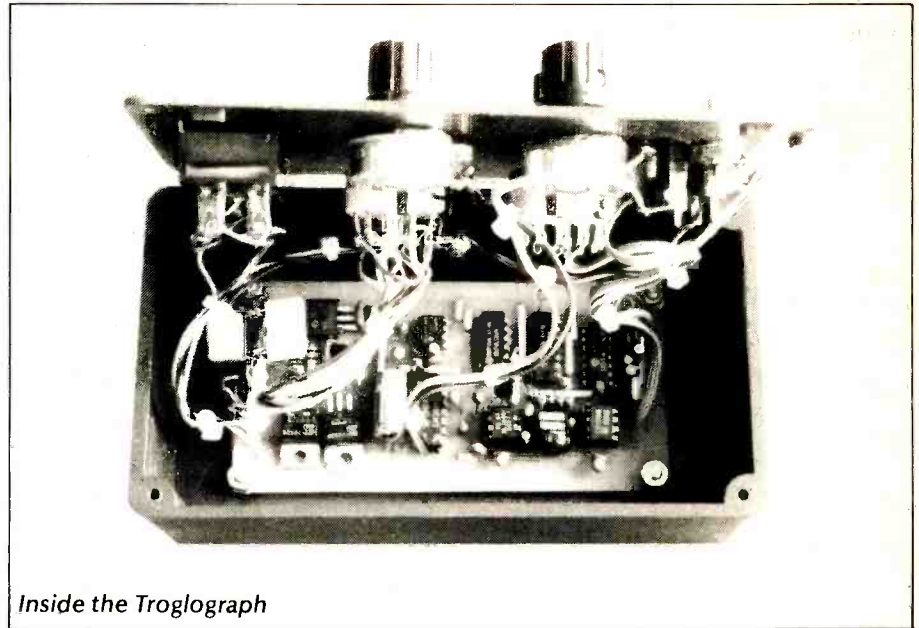
Fig. 5 Block diagram of the receiver.

subjected to rough conditions underground — sockets should not be used for the ICs.

Those who take this comment with a pinch of salt should note that it is not uncommon even for 28-pin devices to jump straight out of their sockets when a PCB is dropped three feet onto a hard floor. The lack of sockets means that some care needs to be taken in soldering the ICs, especially IC4 which is a CMOS device requiring the usual precautions.

The PCB can be conveniently housed in an ABS plastic box, mounting the various switches, sockets and potentiometers in the top as appropriate. A strong rocker switch should be used for the power switch (SW3), these being less prone to accidental switching when subjected to mechanical shock than toggle or slider switches. Note that R23 is wired directly on to switch SW2 and is not mounted on the PCB.

Only two aspects of the circuit require setting up. The first of these is the active filter in the receiver, the centre frequency of which is controlled by RV2. This can be easily adjusted once two



Inside the Troglgraph

rigs have been built. RV2 is simply tuned for maximum received signal strength on one rig while the other is transmitting. The other part of the circuit which requires specific setting-up is the selection of C19, the capacitor used to tune the loop aerial to resonance. The equation used to calculate the

value of this capacitor is:

$$C = 1/4\pi^2 L f^2$$

where L is the inductance of the coil in Henrys and f is the frequency in Hertz — 3276.8. Although the inductance should be accurately measured if at all possible and the value for C

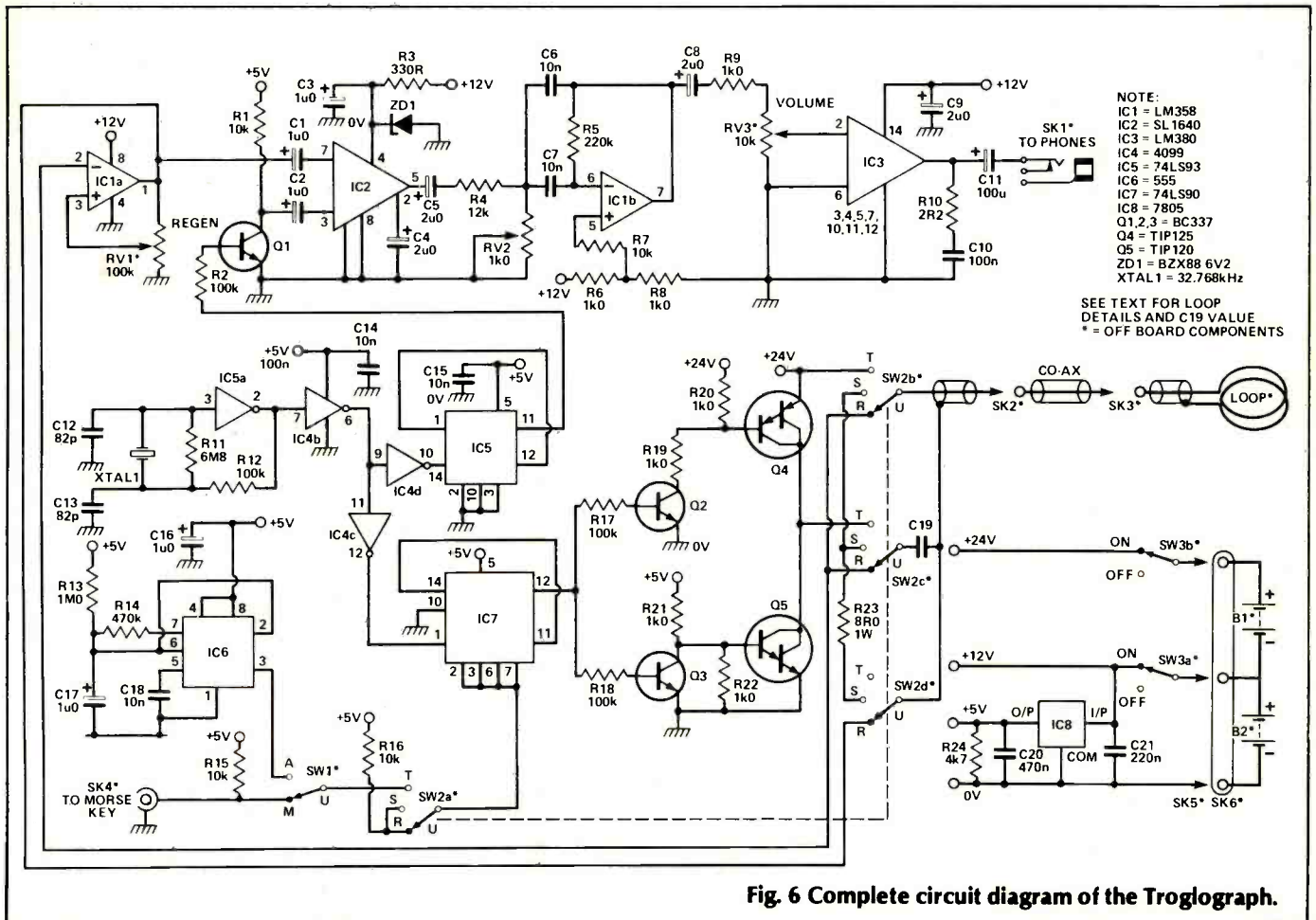


Fig. 6 Complete circuit diagram of the Troglgraph.

PROJECT: Troglolith

calculated, not everyone will have inductance measuring facilities. So long as the coil is wound as described and the number of turns carefully counted to avoid mistakes, the inductance will be about 18.6mH — making a capacitor value of 126.5nF.

This capacitor will need to be made up from a number of smaller capacitors and these will have to be measured in order to obtain the required accuracy. This is important since most capacitors have a tolerance of only 20% or 10% at the best, and if C19 is wrong by more than 4nF, the transmitted current will drop by half. A space for this capacitor has been artworked on the PCB. Since it will have to be made up from a number of capacitors, it may be found easier in terms of space to wire it between SW2 and SK2 on the underside of the top cover.

The winding up of the loop aerial is a tedious task and is probably better undertaken 50 turns or so at a time! The following

method was found quite effective by the author:

Take a piece of chipboard and mark on the surface a 19" diameter circle. Now take sixteen 2" nails and make a right-angled bend in each using a vice and hammer. These nails should then be hammered into the board, spaced evenly around the circumference of the circle with the nail heads pointing away from the centre. One end of the copper wire should then be fixed to the board and the coil wound in the U-shaped channel formed between the two edges of the nails and the surface of the boards.

Once the required number of turns have been wound, the coil can be secured by wrapping insulating tape around the windings at a number of points around the circumference. It is now safe to remove the loop from the board. A co-ax socket should then be soldered to the two free end of the copper wire after which the whole assembly should be

made thoroughly watertight by the use of copious quantities of insulating tape and varnish.

The co-ax socket is mounted in a very small ABS plastic box which is subsequently filled with plastic padding to prevent the ingress of water. A dummy plug filled with plastic padding and tethered to the loop should be provided for transit to avoid mud and water making its way into the socket.

For a more rugged construction, the completed loop could be attached to a square of well varnished chipboard but, if ease of portability is more important and radio location is not to be used, the loop could be carried loose. For radio location, the cave loop will require a spirit level attaching to the board to ensure that it has been positioned precisely horizontally. The surface loop, on the other hand, would need an accurate inclinometer to measure vertical angles of null.

It just remains to provide a robust means of carrying the

HOW IT WORKS

IC4a and b are configured as a standard crystal oscillator circuit providing the 32.768kHz master clock signal. This is buffered by IC4c and d which feed the two LS TTL dividers. This double buffering is used since each of the 4049's six gates will only drive one TTL load, despite the IC being intended for interfacing CMOS to TTL.

IC7, a 74LS90 decade counter, derives the transmit frequency of 3.2768kHz from the master clock. This IC is connected in bi-binary mode (divide-by-five followed by divide-by-two) producing a symmetrical divide-by-ten count on the Q_A output, pin 12. The function of the 74LS90 divider is controlled by the logic level on pins 2, 3, 6 and 7. If a logic high is applied to all these pins, the output on pin 12 will go to a constant high. A logic low will enable the chip's normal divide function. This gives a simple means of keying the transmitter.

With switch SW1 in the M position, the logic level at socket SK4 is connected to these control inputs, allowing a morse key to be used. With the switch in the A position, the output of IC6, an NE555 timer, controls the divider chip producing tone bursts at a fixed rate. The NE555 is connected in an astable configuration, giving a 1Hz output with an equal mark-space ratio and providing the automatic keying needed for direction finding.

The 3.2768kHz signal is passed from IC7 to Q2 and Q3 which drive the final output stage consisting of the darlington transistors Q4 (PNP) and Q5 (NPN). In the transmit position, switch SW2 connects the loop and C19 in the required series tuned circuit configuration.

For reception, IC1a — an LM358 op-amp — is connected as a Q-multiplier with the aerial in the negative feedback loop and a potentiometer, RV1, in the positive feedback loop. This potentiometer controls the degree of feedback which in effect cancels out the resistance of the loop, increasing the sensitivity and selectivity. If the control is advanced too far, the amplifier will become unstable and oscillate at the resonant frequency. With SW2 in the receive position, the loop and C19 will be connected as a parallel tuned circuit.

The output of this first stage is fed to the input of IC2, an SL1640 double balanced mixer. A DBM is a device which takes two frequencies and generates the mix products while attenuating the input frequencies so that they do not appear at the output. The result of mixing two frequencies f1 and f2 is the sum f1+f2 and the difference f1-f2. In this circuit the two input frequencies are provided by the received signal (3.2768kHz) and by the master oscillator via IC5, a 74LS93 divide-by-16 device.

The 74LS93 is a similar device to the 74LS90, but has a four-stage binary counter and gives an output frequency of $32.768/16 = 2.048\text{kHz}$. The SL1640 presents too great a load to be driven directly by an LS TTL output. So Q1 is used to give a higher current driving capability. The value of R1 was chosen so that the voltage output would be 200mV as required by the SL1640.

The DBM outputs both a sum and a difference frequency — 5.3248kHz and 1.2288kHz in this case. 1.2288kHz is quite an acceptable audio tone. IC1b is configured as a Sallen-Key bandpass filter with a medium Q. The resonant fre-

quency of the filter is fine tuned by RV2 to 1.2288kHz.

These stages of the receiver circuit are designed to attenuate input signals of frequencies other than 3.2768kHz, so reducing interference. It has been suggested that an active filter would actually generate interference in the form of cross modulation. In field tests, interference levels were not found to be sufficiently high for this to occur. The filter output is then fed to IC3, an LM380 audio amplifier, and level is controlled by RV3. The output feeds a pair of headphones via socket SK1.

The T/R switch, SW2, has a 3rd position marked 'S' which stands for 'safe' or 'standby'. On the first prototype this position wasn't present and it was found that on switching from TX to RX the LM358 and, occasionally, the expensive SL1640 ICs were destroyed. This was put down to the fact that C19 gets charged to a high potential (since it forms part of a resonant circuit the voltage will be greater than 24V) during TX, the potential being discharged across IC1 on switching to RX. The purpose of the 'S' position therefore (which comes between RX and TX on the rotary switch) is to discharge the capacitor across R23 before connecting it to the receiver input stage.

The final transmitter amplifier is driven directly from the dual battery +24V supply. A +12V supply from a single battery is used for powering the LM358 and LM380 and the SL1640 is powered from this supply in conjunction with the 6.3V zener diode which gives the required supply. The +5V supply for the logic ICs is generated from the +12V supply by IC8, a 7805 voltage regulator.

equipment. The loop aerial is of such size that it will have to be carried separately. The remaining equipment consists of the transceiver, two 12V lead acid batteries, a pair of headphones, a morse key and a lead for connecting the aerial. Carrying these separately would both be very inconvenient and make them prone to damage by water.

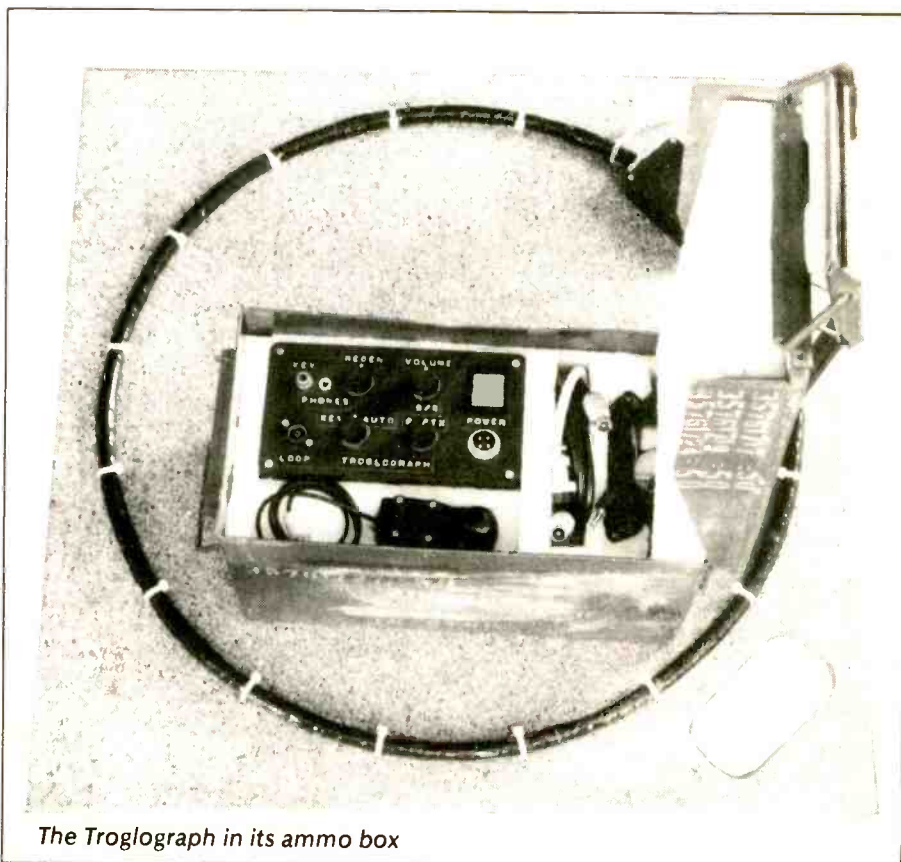
Ammo boxes make a very convenient container. These are widely used by potholers to carry photographic equipment underground. They are of a strong construction with a tight waterproof seal and are available at modest cost from army surplus stores and caving shops. The preferred size is 12"x6"x7", which will easily accommodate the equipment. In order to give extra protection against shock and ensure that the various items do not knock against each other the box can be filled completely with a dense foam rubber into which pockets are cut of just the right size to take batteries, ABS plastic box, headphones, morse key and anything else you may need.

BUYLINES

Nothing problematic about the electronic components. The SL1640 is available from Cirkit and the PCB will be available from us, but see the note in News Digest. Batteries can be bought from electronic component suppliers or, more cheaply, from suppliers of burglar alarm equipment. Large quantities of enamelled copper wire are likely to prove expensive — shop around the surplus stores or try the Scientific Wire Company, 118 Forest Drive, London E17 (tel: 01-531 1568). Ammo boxes are widely available from army surplus stores or caving shops. Morse keys are available from amateur radio shops, sometimes from surplus shops and even from Maplin, PO Box 3, Rayleigh, Essex SS6 8LR (0702-552911). The Maplin models — which will require housing and connection to a suitable lead — are LQ00A for beginners at £1.95 and LQ01B at £4.95. You may prefer something rather more compact — especially to take the Troglograph caving — in which case it would be an easy matter to make a boxed and water-proof keyer using any suitable momentary contact push-to-make switch. Although not absolutely necessary, waterproof connectors may be a good idea. Cirkit, Park Lane, Broxbourne Herts (0992-444111) carry a range of Bulgin connectors with 18 varieties including BNC co-ax and 3-pin panel mounting going under the generic name 'Buccaneer'. Finally, the recommended headphones are sold for personal stereos and are widely available and inexpensive.

PARTS LIST

RESISTORS (all ¼W, 5%)		IC3	LM380
R1, 7, 15, 16	10k	IC4	4049
R2, 12, 17, 18	100k	IC5	74LS93
R3	330R	IC6	NE555
R4	12k	IC7	74LS90
R5	220k	IC8	7805
R6, 8, 9, 19, 20, 21, 22	1k0	Q1, 2, 3	BC337
R10	2R2	Q4	TIP125
R11	6M8	Q5	TIP120
R13	1M0	ZD1	BXZX88 6V2 zener
R14	470k		
R23	8R, 1W	MISCELLANEOUS	
R24	4k7		SK1
RV1	100k variable	3.5mm jack socket	SK2, SK3
RV2	1k0 min vert preset	Belling Lee co-ax sockets	
RV3	10k log variable	SK4	Phono socket
		SK5	3-pin panel mounting plug (CB mic connector suitable)
CAPACITORS		SK6	In-line socket to match SK5
C1, 2, 3, 16, 17	1µ 16V tant		
C4, 5, 8, 9	2µ 16V tant		
C6, 7	10n polyester		
C10	100n polyester		
C11	100µ 25V electrolytic		
C12, 13	82p ceramic		
C14, 15, 18	10n ceramic		
C19	400V polyester (see text)		
C20	470n polyester		
C21	220n polyester		
SEMICONDUCTORS			
IC1	LM358		
IC2	SL1640		
			SW1 SPDT; SW2 4P3T rotary; SW3 DPST; B1, B2 12V 2.6/1.9AH lead acid batteries; XTAL1 min 32.768kHz crystal; 120 turns of 22SWG enamelled copper wire on a 19 inch former (1.5kg); co-ax cable and two Belling Lee co-ax plugs; small ABS box (71x46x22mm) for loop termination; large ABS (box 99x119x44mm) for main board; ammo box (12"x6"x7"); foam rubber to pack ammo box; morse key with phono plug on lead; 32R phones fitted with 3.5mm jack plug; PCB.



The Troglograph in its ammo box

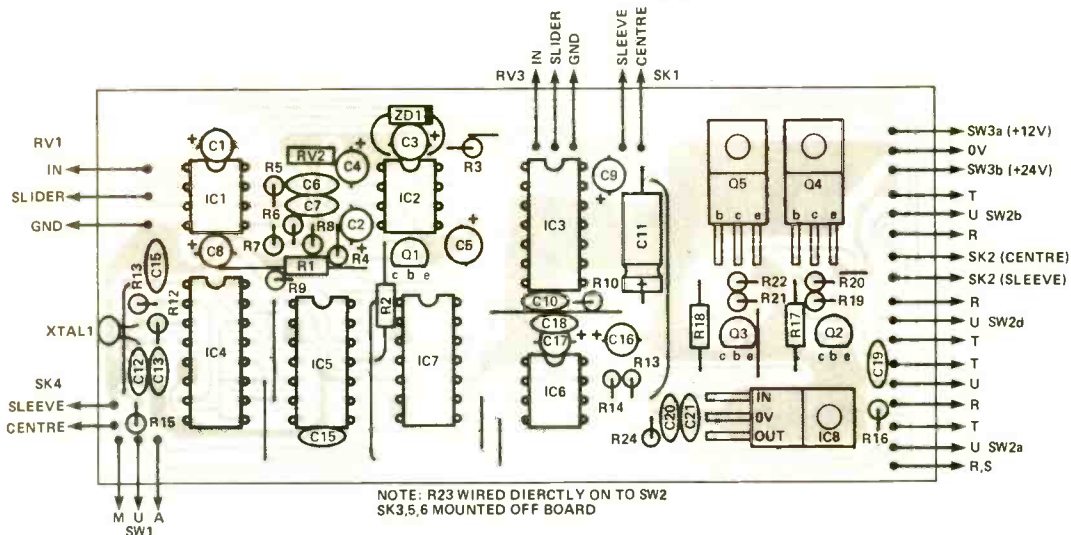


Fig. 7 Overlay diagram for the Troglolograph.

ETI

Master Electronics - Microprocessors - Now! The Practical Way!

- Electronics - Microprocessors - Computer Technology is the career and hobby of the future. We can train you at home in a simple, practical and interesting way.
- Recognise and handle all current electronic components and 'chips'.
- Carry out full programme of experimental work on electronic computer circuits including modern digital technology.
- Build an oscilloscope and master circuit diagram.
- Testing and servicing radio - T.V. - hi-fi and all types of electronic/computer/industrial equipment.



New Job? New Career? New Hobby?

SEND THIS COUPON NOW.

FREE! COLOUR BROCHURE

Please send your brochure without any obligation to

OR TELEPHONE US 062 67 6114
OR TELEX 22758 (24 HR SERVICE)



NAME

ADDRESS

- I am interested in
- ELECTRONICS
 - MICROPROCESSORS
 - RADIO AMATEUR LICENCE
 - CITY & GUILDS EXAMS

Other Subjects

British National Radio & Electronics School P.O. Box 7, Teignmouth, Devon, TQ14 0HS

INSTRUMENTS COMPONENTS EQUIPMENT ACCESSORIES

FREE CATALOGUE

On request with orders or send S.A.E. (Min 12" x 9") 30p stamp UK. (Export - send £1 with address). Price £1 to callers. All prices exclude VAT - please add 15% UK orders.

DC POWER SUPPLIES

Input 240V A/C. Stabilised variable output voltages.
Direct meter reading volts and amps.

243 0/24 volts 0/3 amps DC	£53.35
245 0/24 volts 0/5 amps DC	£63.04
154 5/15 volts 0/4 amps DC	£43.43

ALSO 13.8 volts DC 3 amp max. fixed voltage supply (no meter). £13.00 (UK C/P £1.50 any model)

GENERATORS

240V A/C operation. (UK C/P Free)
20D RF. 5 ranges 100 KHZ to 110 MHz (300 MHz harmonics)
AM Int/ ext mod. AF O/P 1 KHZ

220 Audio 4 ranges. 20 Hz to 200 KHZ sine and square.	£78.22
---	--------

OSCILLOSCOPES

220/240V AC Input. Dual trace with component testers. 8 x 10cm green screen. (UK TNT delivery £10.00)

203 Dual 20 MHz	£270.00
204 Dual 20 MHz. Sweep delay.	£365.00
605 Dual 60 MHz. Sweep delay.	£515.00

OPTIONAL PROBES in wallet with adaptors.
Switchable X1 and X10. £10.00
OST5m 5 MHz single trace 3" CRT £139.09

COMPUTER DISKS

(UK C/P £1.00 per 10. £2.00 per 100) 5 1/4" 48 TPI 40 Track DS.00.
Per 10 £14.75 Per 100 £130.00
D and IDC connectors - best prices in UK!

LOGIC PULSER

2 freqs. 0.5HZ and 500 MHz £23.00

LOGIC PROBE

80 MHz max. TTL. CMOS. memory £23.00

DIGITAL METERS

(UK C/P 65p)

508 15 range	£19.96
528T 13 range + TR check	£26.04
909 19 range + TR check	£31.26
6010 28 range 10A AC/DC	£33.50
HC5010 28 range 10A AC/DC + buzzer	£36.50
DM73 Auto range pen + buzzer	£36.30
578 20 range auto range + memory + hold	£34.50

ANALOGUE METERS

(UK C/P 65p)

1015 15 range 10 K/V	£7.50
1035 19 range 20/V 10A DC	£9.52
1028Z 19 range 20 K/V + Hfe	£12.61
2020 20 range 20 K/V + Hfe	£19.09
174m 26 range 50 K/V with case	£19.09

LCD DIGITAL CAPACITANCE METERS

(UK C/P £1.00)
6013 LCD 8 ranges 200 pF to 2000 MFD batt. operated £59.00
CM200 Bench version (batt./mains) £89.00

FREQUENCY COUNTERS

220/240V AC. Sine/square/triangle and TTL output. 0.1 Hz to 500 KHZ. +/- 30V O/P. Model 500 £110.00 (UK C/P £1.00)

100 MHz 2 ranges	£99.00
600 MHz 3 ranges	£126.00
1000 MHz 3 ranges	£175.00
1500 MHz 3 ranges	£199.00

FUNCTION GENERATOR

220/240V AC. Sine/square/triangle and TTL output. 0.1 Hz to 500 KHZ. +/- 30V O/P. Model 500 £110.00 (UK C/P £1.00)

NICADS

Rechargeable batteries. (UK C/P 65p)
per 4: mixed 8 - Irax AA size 4 for £3.04
C size 4 for £7.39 D size 4 for £7.83

ORDER BY POST OR PHONE. OPEN 6 DAYS A WEEK FOR CALLERS.

HENRY'S AUDIO ELECTRONICS

301 Edgware Road, London W2 1BW. 01-724 3564
404 Edgware Road, London W2 1ED. 01-723 1008
Sales and Account enquiries: 01-258 1831

DISCOUNTS Available for all education/training. Export supplied.

80m DIRECT CONVERSION RECEIVER

S. Niewiadomski concludes his description of this project for the 80m amateur band.

With the exception of the controls, the sockets and the power-on LED, all of the components mount directly onto a single-sided PCB. Ready-etched boards will be available from our PCB Service, but it is not difficult to etch your own if you prefer. It is some time since we last described the process so it won't hurt to go through it again here.

The first stage is to either photocopy the pattern shown on the foil patterns page or trace the hole positions onto a piece of transparent or translucent paper. If the photocopying method is used, make sure that the original dimensions are maintained on the copy, as many photocopiers produce distorted copies.

Cut a piece of single-sided copper-clad board to the correct size and shape and stick the photocopy or tracing onto the board. Mark the position of each hole (including the 3mm fixing holes) onto the board with a centre punch and hammer. Then remove the paper and drill and deburr the 3mm fixing holes. Clean the board with a liquid abrasive cleaner such as Jif, then rinse and dry it.

The track pattern can now be carefully drawn on the board with an etch resist or Dalo pen, using the hole marks as a guide to the track positions. It can be seen that only the minimum amount of

copper is removed from the board, the unetched area being used as an earth plane. This improves the RF performance of the PCB and means that the board is etched quickly, using up only a small amount of etchant.

When all the tracks and the earth have been drawn, allow the ink to dry for at least 15 minutes. Insert a piece of insulated wire through two of the fixing holes and immerse the board in a bath of ferric chloride solution trackside-up. Agitate the solution by moving the board around using the wire until etching is complete. Because so little of the original board surface is exposed, etching will be rapid. Remove the board from the solution, rinse it, and clean off the resist ink with a suitable solvent. Drill the remaining holes with a 1mm drill, then open out the holes shown to 1.5mm. The board is now ready to have the components mounted on it.

Work methodically, starting at one corner of the board and progressing to the opposite corner mounting each component as it occurs but leave the semi-conductors until last. This system

is to be preferred to mounting say all the resistors first, then the capacitors, and so on as it results in less errors. Take the normal handling precautions with the JFETS, ensuring that your soldering iron is earthed. On the prototype receiver, all the ICs were fitted in sockets without any problems occurring. Fault-finding is made much simpler if a suspect IC can easily be removed. When all the components have been fitted onto the board, carefully check the orientation of the polarity sensitive devices, and ensure that no solder bridges or splashes exist.

The Case

A ready-made case is used to house the receiver, greatly simplifying the metal working required. Drilling and cutting details for the chassis are given in Fig. 2. It is best to obtain all the components which have to be mounted on the chassis before starting work because physical details might differ slightly from those on the prototype. Any type of LED may be used for the power-



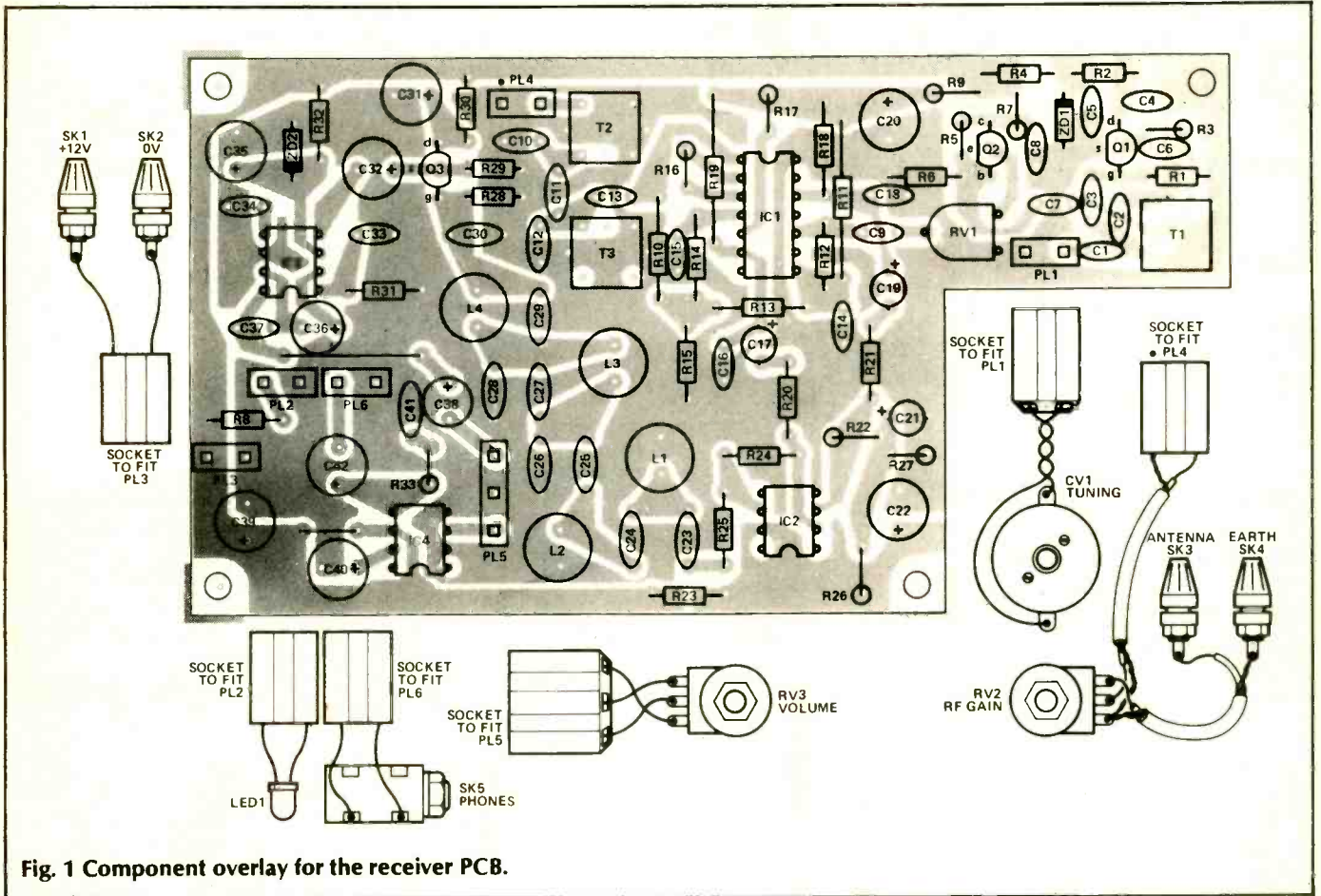


Fig. 1 Component overlay for the receiver PCB.

PARTS LIST

RESISTORS (all 1/4 W, 5%)

R1, 22	100k
R2, 7, 9, 16, 23, 30, 33	100R
R3	150R
R4	270R
R5	22k
R6, 17, 20, 21	10k
R8	1k5
R10, 14, 15, 25-29	1k0
R11	1k2
R12	560R
R13	820R
R18, 19	2k7
R24	39k
R31	1M0
R32	390R
RV1	470R horizontal skeleton preset
RV2	470R linear potentiometer
RV3	10k logarithmic potentiometer

CAPACITORS

C1	390p ceramic
C2	270p ceramic
C3	100p ceramic
C4-6, 8, 14-16, 18, 34	10n disc ceramic

C7, 9	1000p ceramic
C10, 12	39p ceramic
C11	6p8 ceramic
C13	22p ceramic
C17, 19, 38	1u0 35V tantalum
C20, 22, 31, 32, 35, 39, 42	100u 25V radial electrolytic

C21, 40	10u 16V tantalum
C23, 25	270n polyester
C24	180n polyester
C26	100n polyester
C27	12n polyester
C28	120n polyester
C29	33n polyester
C30	82n polyester
C33	47u 6V3 tantalum
C36	2u2 16V tantalum
C37	4n7 ceramic
C41	47n polyester
CV1	100p variable capacitor, Jackson type CB04

SEMICONDUCTORS

IC1	MC1496
IC2	TK071
IC3	SL6270C
IC4	LM386
Q1, 3	BF256
Q2	BF241
ZD1, 2	6V2 400mW zener
LED1	red LED

MISCELLANEOUS

L1, 2	390mH (Toko)
L3	47mH (Toko)
L4	39mH (Toko)
PL1-4, 6	3-way 0.1"pitch PCB plug
PL5	5-way 0.1"pitch PCB plug
SK1	red 4mm terminal
SK2	black 4mm terminal
SK3	blue 4mm terminal
SK4	white 4mm terminal
SK5	terminal mono 1/4" jack socket
T1	KANK3337R (Toko)
T2, 3	KANK3333R (Toko)

PCB; case, 154 x 120 x 45mm; stick-on feet, 4 off; two-speed reduction drive, Jackson type 4511/DRF; dial for CV1 (see text); metal for CV1 mounting bracket; control knobs, 2 off small and 1 off large; IC sockets if required, 3 off 8-pin DIL and 1 off 14-pin DIL; cable shells and crimp terminals to suit PL1-6, 5 off 3-way and 1 off 5-way; nuts, bolts, studding, co-axial wire, etc.

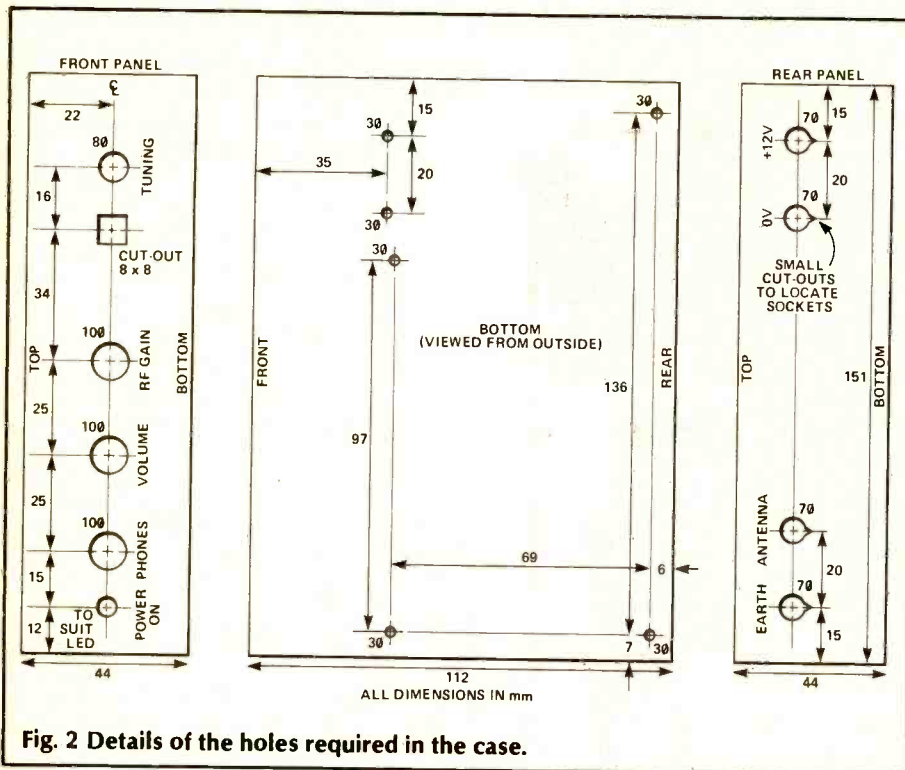


Fig. 2 Details of the holes required in the case.

on indicator, or it could be omitted altogether.

Figure 3 shows the dimensions for the aluminium bracket on which CV1 and the slow motion drive are mounted. Again it is best to cut, bend and drill this bracket before drilling the chassis so that slight inaccuracies can be corrected without having to file oval holes. Figure 4 shows the tuning dial, which on the prototype was made from unetched single-sided PCB material. This is easy to work and gives an acceptable background to rub-on lettering when the dial is calibrated.

When the chassis metalwork is finished and all the components have been shown to fit onto it correctly, the front panel can be rubbed-down and painted if required. Lettering can be applied and finally a coat of clear lacquer sprayed on as protection.

Figure 5 shows how the slow motion drive and CV1 are fitted to their mounting bracket. Two 25mm lengths of 6BA studding and 6BA nuts are required to space the drive from the bracket. The tuning dial is secured to the slow motion drive with two 8BA screws.

The positions of the major items which fit into the chassis can be seen in the photograph. The PCB is held in place by 1/2" long 6BA screws which are first fixed in the chassis with two 6BA nuts. The

board is then fitted over the protruding parts of the screws and further 6BA nuts used to secure it.

The wiring details are given in Fig. 1 and can be checked against the photograph. All connections to the PCB are via plugs (on the board) and sockets (on the wires). The connections between SK3, SK4, RV2 and PL4

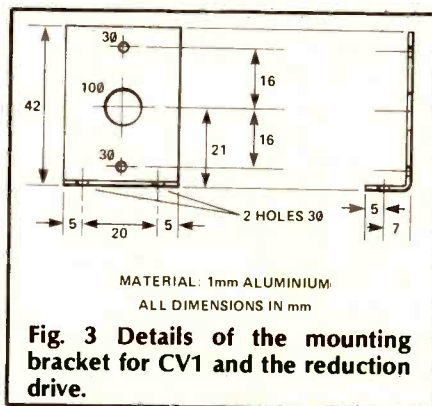


Fig. 3 Details of the mounting bracket for CV1 and the reduction drive.

are made using miniature co-axial cable. Wire the other connections using twisted pairs (or triple in the case of RV3) and fit sockets at the PCB ends.

One nice feature of direct conversion receivers is that they are generally easy to align, and this one is no exception. When all the wiring has been completed and carefully checked, connect a well-stabilised 12 volt supply capable of providing about 100mA. If available, use a milliammeter with an FSD of at least 100mA and connect it in series with one supply lead. Switch on and check that the current is about 65mA. If it is significantly more than this, switch off quickly and re-check all the wiring. Look also for short circuits on the PCB.

When all seems to be well and the supply current is at about 65mA, check that the power-on LED lights. If it does not, it is probably connected the wrong way round.

Alignment

Despite any advice I might give here about methodical checking and alignment, the chances are that you will want to plug in your headphones and have a listen. Go ahead — the beauty of a direct conversion receiver is that there is a good chance you will hear some stations as it is tuned.

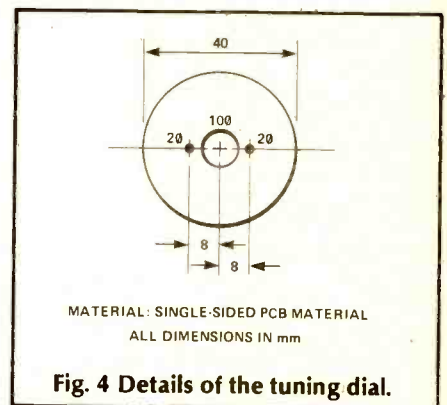


Fig. 4 Details of the tuning dial.

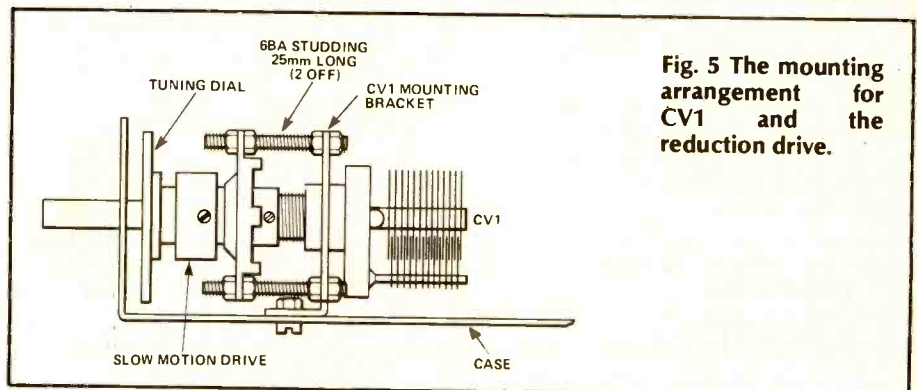
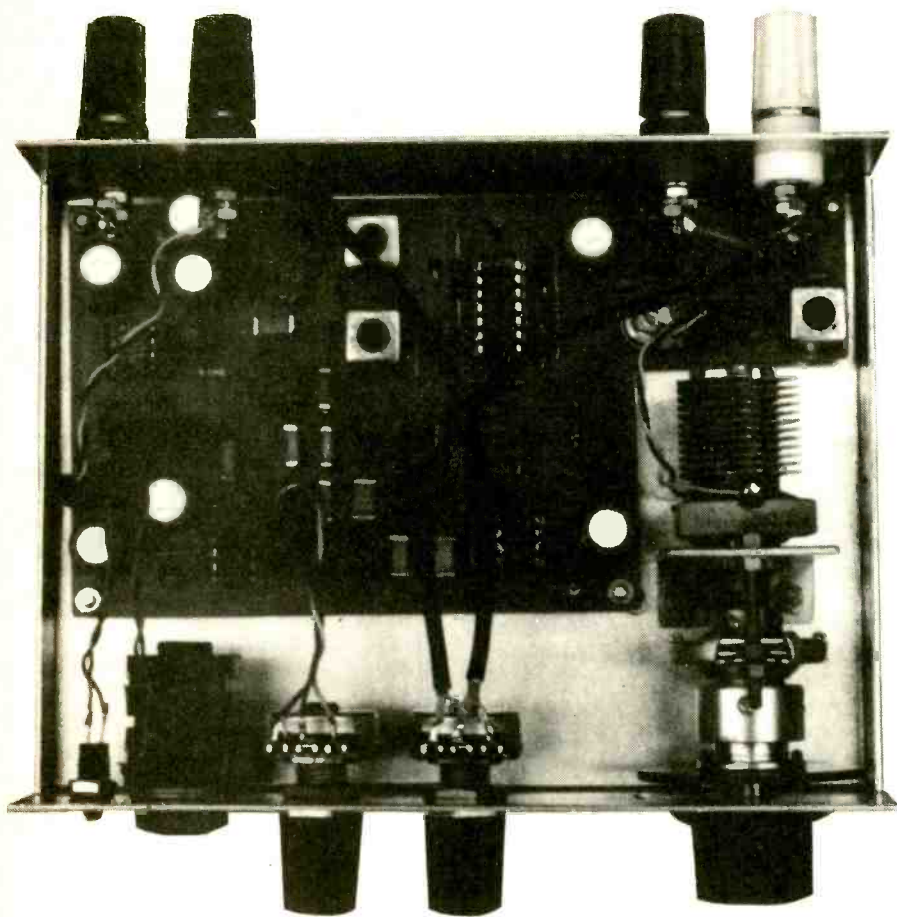


Fig. 5 The mounting arrangement for CV1 and the reduction drive.

PROJECT: 80m Receiver



The first task of alignment is to get the VFO output level and frequency coverage correct so that the whole of the 80m band can be received. If an oscilloscope is available, monitor the wiper of RV1 and adjust it to obtain an output of approximately 300mV peak-to-peak. If an oscilloscope is not available, set RV1 to about mid-way and its final adjustment can be made by listening to its effects on received stations.

To set the frequency range of the VFO accurately, a frequency counter or a receiver (preferably with digital read-out) is required. Set CV1 to maximum capacitance (that is, with its vanes fully meshed) and adjust the core of T1 to give a frequency of about 3450 kHz. Now swing CV1 to minimum capacitance and check that the frequency is around 3850kHz. These extremes are not critical and if a smaller or larger range is obtained, it does not matter as long as the range of 3500–3800kHz is covered. For the avid experimenter, the range can be altered by changing C1 and C2 if, for example, the CW section of the band (3500–3600kHz) is not required.

The only other adjustment which has to be carried out is the peaking of the input RF filter coils, T2 and T3. If a signal generator is available, set it to approximately mid-band (say 3650kHz) and tune the VFO to give an audio frequency beat. Adjust the cores of T2 and T3 alternately while monitoring the output of IC2 until maximum signal is obtained. When this has been done, the tuning dial can be calibrated by setting the signal generator in 50kHz steps and marking the tuning dial with the positions at which zero beats are obtained. When the whole band has been covered, remove the tuning dial and neatly Letraset and lacquer it. This completes alignment.

Using The Receiver

The results obtained from any receiver depend greatly on the antenna used and the amount of practice and patience exercised by the user. Acceptable results can be obtained with a simple indoor antenna consisting of a few metres of wire draped around a room. Better results will be obtained with an outdoor antenna.

This can range from a simple 'long wire' mounted as high and as far away from obstructions as possible to an antenna designed specifically for the 80m band.

There was not enough room to mount a loudspeaker in the case of the receiver, but if a small enough loudspeaker can be found or a larger case is used, by all means use an internal loudspeaker. There is enough power to drive an external loudspeaker if required, or low impedance headphones can be used.

Receiving SSB transmissions can be a little difficult at first. Tune around the band on the fast speed of the slow motion drive until a transmission is heard, then back-off the tuning on its low rate. Two tuning positions will be found where the voice pitch sounds correct, but one will result in garbled speech and the other in intelligible speech. If distortion is heard, rotate the RF gain control anti-clockwise until it disappears.

It is worthwhile commenting on the performance of the audio AGC IC used. After setting the volume control for a comfortable listening level, local and more distant stations can be tuned in and heard at the same level without adjusting the volume control. This contrasts with the normal performance of direct conversion receivers where changes in the input signal level result in changes of the audio output and frequent adjustments of the volume control are necessary.

BUYLINES

The electrolytic and polyester capacitors used in the prototype were all made by Siemens and can be obtained from Electrovalue, 28 St. Judes Road, Englefield Green, Egham, Surrey TW20 0HB, tel 0784 - 33603. The MC1496 is available from Cirkit and Technomatic, the TL071 from Technomatic and Electrovalue, the SL6270 from Cirkit and the LM386 from Technomatic. Wafford can supply all four devices. The Toko coils and transformers are all available from Cirkit and from Bonex Ltd, 102 Churchfield Road, Acton London W3 6DH, tel 01-992 7748. The Jackson products (CV1 and the reduction drive) can be obtained from WPO Communications, 20 Farnham Avenue, Hassocks, West Sussex, tel 079 18-6149. Cirkit stock suitable PCB plugs and sockets and the case can be obtained from Electrovalue, catalogue number SB2. The PCB will be available from our PCB Service, but see the note in News Digest.

DIGITAL SOUND SAMPLER

Paul Chappell discusses the construction and setting-up of the digital board.

The component layout for the digital board is shown in Fig. 1. All the ICs can be socketed, if you wish, since there are no through connections made on their leads. The bad news is that this means a lot of through connections made by wire links, so be careful not to miss any.

In the light of experience, it has been necessary to make a few minor changes to the circuit which appeared in the February 1986 issue of ETI. IC10 has been changed to an LS151, since we discovered that the LS152 was virtually unobtainable. It does exactly the same job. C4 and C5 in the phase locked loop section have to be chosen as a compromise between various performance factors, and higher values have been chosen than those originally specified. It was found necessary to apply a hardware reset to IC16, so the preset pin (pin 4) of this IC now goes to the main reset line. If you find any discrepancies between the circuit and the PCB, the board is correct. The one substantial change is shown in Fig. 2.

Testing

The first steps are best carried out without the computer or the analogue board connected. IC1 must oscillate at a frequency close to 2MHz, so solder in a 1k resistor for R2 and a 1k pot on flying leads (short ones!) for RV1. Adjust RV1 so that the frequency at IC2 pin 2 is 2MHz. The waveform at this point must have an even mark to space ratio, and a slight adjustment to the value of R16 may be needed to achieve this.

Next, check that square waves of different frequencies, from approx. 4kHz to 8 kHz, are appearing at the outputs of IC2. This IC is a frequency divider which divides down the input to pin 2 to produce frequencies corresponding to an octave of the equal tempered musical scale.

The function of IC2 is to select one of these frequencies from IC2 according to the code on pins 15, 14, 13 and 11. If some frequency or other in the range 4kHz to 8kHz is present on pin 10, you can proceed to set up the phase-locked loop. If you are really keen to test this IC thoroughly, the way to proceed is as follows:

Remove IC9 from its socket, and apply binary codes to the select pins of IC3 (pins 15, 14, 13 and 11). As pull-up resistors normally hold these pins to a logic '1', all you need to do is to ground the pins where you want a logic '0'. Stepping through from 0000 to 1011 should select all the outputs of IC2 one at a time. 1100 to 1111 should result in pin 10 remaining at logic '0', since the corresponding inputs are tied to logic '1' and the output of the IC inverts.

To set up the phase locked loop, set RV2 to mid position and remove R3 from the circuit to allow the oscillator in IC4 to run freely. The loop contains a divider chain consisting of IC5, IC6 and IC7 which divides the output frequency from IC4 pin 9 by 200. We are aiming for a frequency of about 6kHz at the phase comparator input (IC4 pin 3), so C6 and CV1 must be adjusted to give an output of 1.2MHz. A value of 470p for C6 and 100p for CV1 should allow the output to be set to this frequency. To trim the frequency further, use a double beam 'scope synchronised to IC2 pin 10, and adjust CV1 until the trace from IC4 pin 3 stands still and has the same number of pulses per division as the trace from IC2 pin 10. Don't worry if the trace from IC4 won't stand perfectly still; it's the number of pulses per division that is important. As a phase locked loop with a divider chain can easily lock onto harmonics, make sure to get this adjustment right. If you cannot

get the frequency low enough, increase the value of C6, and vice-versa.

PARTS LIST

RESISTORS

(all 1/4 Watt 5% unless stated)

R1	68k
R2	see text
R3	22k
R4	10k
R5	1k0
R6	1k0
R7	1k8
R8	100R
R9	330R
R10, 11, 12, 13	4k7
R14	1k0
R15	470R
R16	47k

CAPACITORS

C1	100p ceramic
C2	10n ceramic
C3	10μ 6V tant
C4	470n 6V tant
C6	see text
C7	10μ 6V tant

All decoupling capacitors, 100n ceramic

SEMICONDUCTORS

IC1	74CO4
IC2	M083
IC3	74C150
IC4	NE564
IC5	74LS163
IC6, 7, 11	74LS162
IC8	74LS374
IC9	7407
IC10	74LS151
IC12, 14, 15, 16, 17, 22	74LS74
IC18	74LS132
IC19	74LS02
IC20, 21	74LS00
IC23, 24	74LS541

MISCELLANEOUS

8-way, 12-way and 15-way 0.1" pitch Molex connectors, 5-way 0.2" pitch connector, IC sockets as required, PCB.

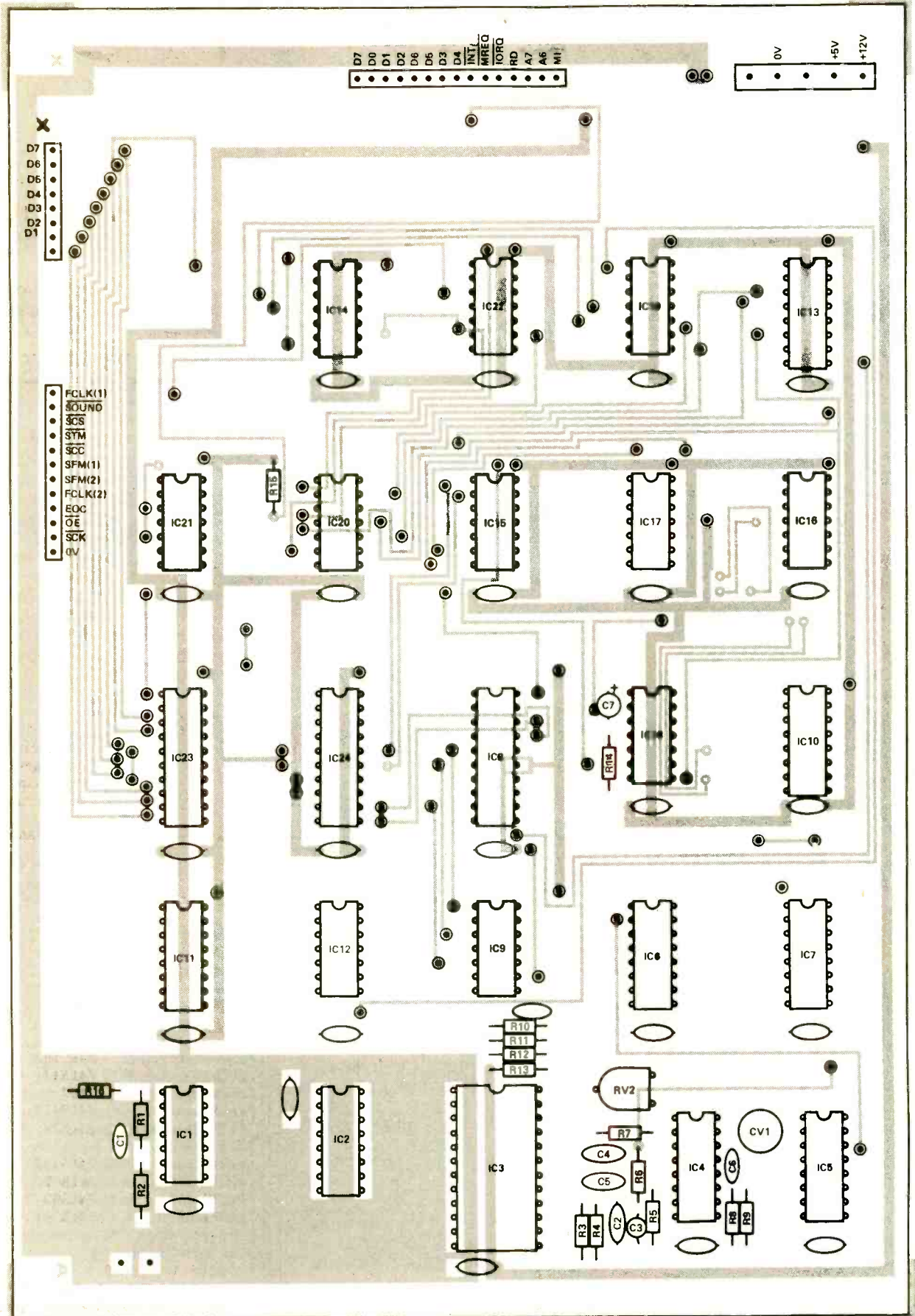


Fig. 1 Component layout for sound sampler digital board.

**NEXT
MONTH**

AN ARGUS SPECIALIST PUBLICATION

electronics today

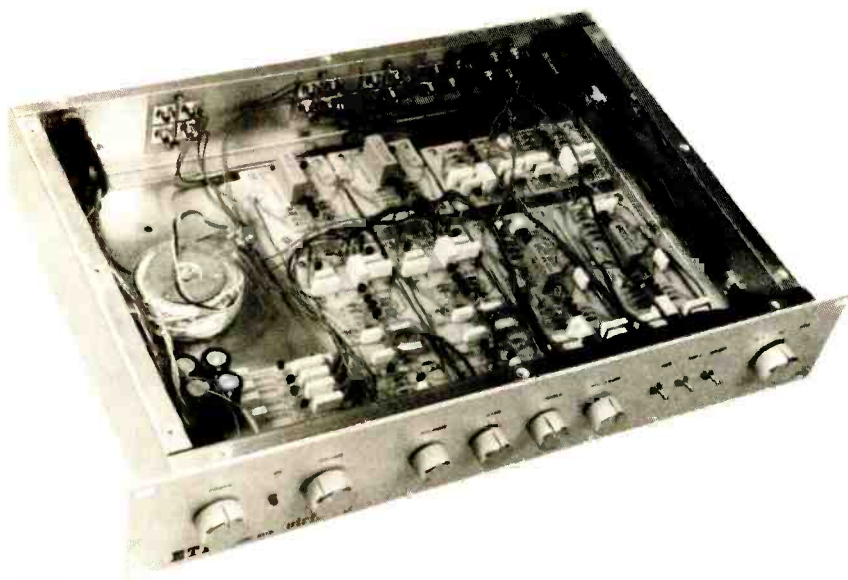
INTERNATIONAL



In next month's ETI we'll be bringing you up to date on the satellite world, building the pre-amp stage of our upgradeable amp (catering for MM, MC, CD, tuner and two tape inputs), rounding off the digital sound sampler with details of the software, power supply and suggested casing arrangements and starting off a course in computer aided circuit design for the home micro.

Sounds too good to be true?

WE'RE KEEPING TRACK OF DEVELOPMENTS



Well, there's even more to come!

There'll be an ionizer to build — by popular request — and a motor controller for a BBC micro. We have technical features, news from the world of electronics, opinions (and how!), ideas, information, puzzles, a crossword and even the odd pun — and most are very odd indeed. So don't be the last person on your block to know what's going on — be like Etienne, buy ETI.

**THE JULY ISSUE OF ETI ON SALE JUNE 6th
RUN — DON'T WALK — TO YOUR
NEAREST NEWSAGENT**

GRANNY ISOLATOR

Andrew Armstrong introduces the concept of the opto-isolated-OAP.

One of the privileges of retirement is staying up late. No more trains to catch, no more clocking on, no more propping up the eyelids over a cup of instant coffee, trying to look lively when your boss (or, alternatively, your employees) drops by after the late late night-before. You can play pool till 6 am, carouse till the second cock or watch the Open University into the wee small hours, and suffer no consequence more serious than an unexpected parcel arriving at 7.30 am.

Another privilege of retirement is the freedom to go to bed at 9 pm with a good book (or whatever) with no fear that that vital report won't be ready the following morning, or that your office togs aren't pressed. The catch is that privilege (1) and privilege (2) don't make good next-door neighbours, especially if you are a little hard of hearing (as is a friend of mine) and a light sleeper (as is her neighbour). My friend likes to keep her television company till closedown, at a volume level which keeps her neighbour awake till closedown. They appealed to me for a solution.

The obvious solution to listening and watching late at night is to use headphones. Some televisions are equipped with headphone adaptors, but the majority are not. Television sets are live to the mains, so direct connection of headphones is not safe. Hence this project is an isolator.

Frequency Response

The most obvious means of connecting headphones to a television is to use a loudspeaker transformer. I considered this and rejected it for two reasons. First of all I could not find a suitable transformer in any of my catalogues, and second I wanted to modify the frequency response to improve the intelligibility of speech even at the expense of some musical quality. A boost to the middle frequency range, relative to the bass and treble, can provide higher intelligibility for a given volume. This, I hoped, would reduce the likelihood of hearing fatigue being induced by wearing headphones for longish periods.

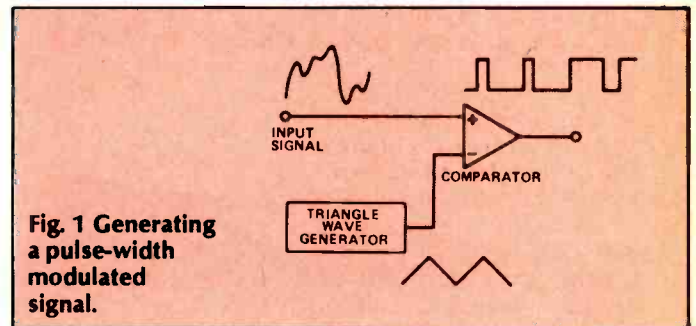
The scheme I settled on was to transfer the signal from television to headphones via an opto-isolator, and some associated electronics.

I have tried using an opto-isolator for this type of task before, with little success. Using a simple system of linear signal transfer, with the base of the phototransistor unconnected, there was nothing I could do to prevent it from picking up a loud buzzing, presumably related to the switched mode power supply, the rectifiers, or the timebase. A pulse width modulation system seemed much more promising, and now seems to work well.

Such a system is more complicated than a straightforward linear system, but the results appear to justify it. The scheme for generating a pulse width modulated signal is shown in Figure 1. This leads neatly to the next design decision, the choice of switching frequency.

It also gives rise to another consideration. The average opto-isolator, when used in its normal manner, cannot switch cleanly at this speed. It gives out a rather limp-looking triangle wave. In order to make it operate faster, the collector/base junction of the phototransistor has to be connected as a photodiode. This, of course, gives virtually no signal output, as can easily be determined from the Law of Conservation of Misery.

The signal from the opto-isolator therefore has to be



squared up by a comparator before it is of any use, after which the high frequency component of the waveform is filtered out, leaving the averaged audio signal. This can be amplified by a conventional amplifier circuit, and fed to a pair of headphones. The amplifier circuit shown here uses an op-amp and transistors, simply because these components were to hand at the time of building. A small amplifier IC would be equally suitable.

Circuit Details

Some of the details of the circuitry comprising the blocks described deserve mention. First of all, the frequency shaping network is designed to produce a voltage gain of two at the extremes of the frequency range, but to provide a gain of almost five in the middle of its frequency range. The corner frequencies are nominally 234 Hz and 3386 Hz.

The triangle wave generator produces a waveform of approximately 1V peak to peak, at a frequency of approximately 45 kHz. A fast op-amp which is not unity-gain stable is used as a comparator, and a unity-gain-stable version of the same thing is used as the integrator. In order to prevent the power supply from influencing the waveform, the square wave signal fed to the inte-

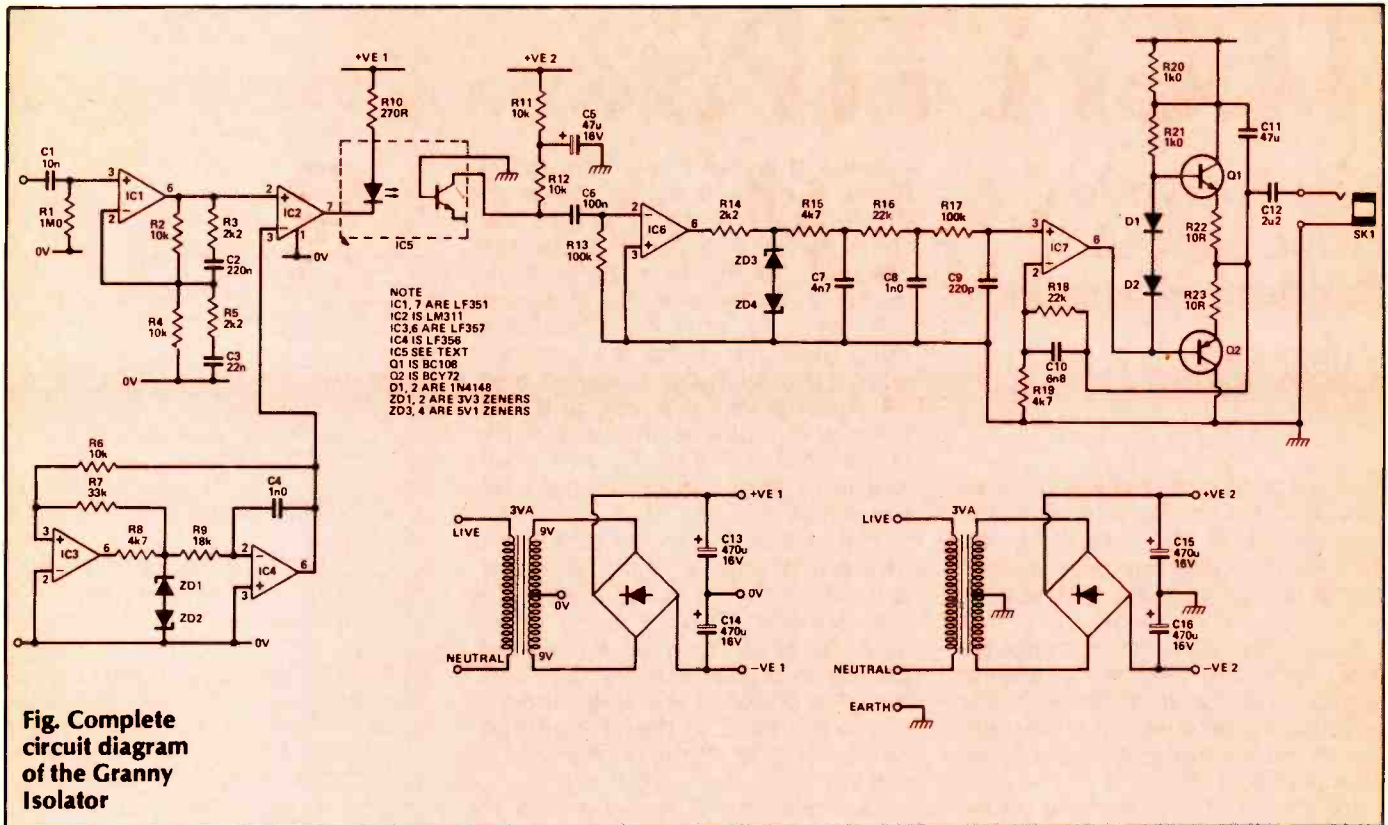


Fig. Complete circuit diagram of the Granny Isolator

grator is clipped symmetrically by a pair of back-to-back zener diodes, so it cannot run into the supply rails.

The triangle waveform is compared with the audio signal to generate the switching waveform. The choice of the LM311 comparator for this job was largely because it has an output stage which can sink substantial currents to 0V, even though it is powered from + and - supplies.

The optoisolator can be almost any ordinary transistor type, but Darlington types are not suitable. There are also a few transistor types which are not fast enough. I used a 4N27 from the bits box.

On the 'safe' side of the circuit, the supply to the collector of the opto-isolator is decoupled by a 47μ capacitor, because the power supply does not use voltage regulators, and thus will cause hum on the sound given half a chance. The output from this is fed to another LF357 used as a comparator, and once again its output is clipped by back-to-back zener diodes to prevent the power supply ripple from interfering with the sound. After this the signal is fed to a cascaded RC filter which reduces the 45kHz components of the signal to negligible levels, while leaving the audio. A bit of extra rolloff is provided in the amplifier, by C10, to attenuate any high frequency hiss and interference which may be present.

The output of the amplifier is coupled to the headphones via 2μ2 capacitor, which is an unusual value to use. This was chosen because the original circuit picked up a background hum of 50Hz, which could not be eliminated by any other simple means. The 2μ2 capacitor, in conjunction with the impedance of the headphones, attenuates such low frequencies.

The Headphones

Suitable headphones for this job are ones which are comfortable to wear for a long time, without costing an arm and a leg. There do exist monophonic headphones specially designed for TV and video listening, a fact which I did not discover until I went shopping for a suit-

able set. The pair I found, for those who may be interested, are the Ross RE-228TV, which I purchased for £11.50 in the Tottenham Court Road, although others are available. These headphones are wired for mono, and are provided with a volume control near the headphone end of the lead. The lead itself is about three times as long as on most phones, to enable the viewer to sit at a comfortable distance from the set. Other types of headphone will do as well: I was looking for a pair which were light, had largeish, foam earpads and for preference a bit of padding in the headpiece. The large 'earmuff' type phones tend to be heavy for an elderly person, and personal stereo headphones are often hideously uncomfortable after prolonged wearing. But everyone has their own preference.

There was one small modification to make (isn't there always?). The left and right earpieces were wired in parallel, which gave a very harsh law on the volume control. Connecting them in series improved the responsiveness greatly. The earpieces each have an impedance of 30 ohms, and the volume control is a 500 ohm pot.

Installation

The circuit is provided with a high impedance input, so that it is able to pick up a signal from the volume control of the television set. In the event I discovered that the set in question used a voltage controlled sound IC, so there is no signal on the volume control. The loudspeaker terminals provided a very acceptable signal instead, and the loudspeaker was muted with a switch.

Whatever signal takeoff you use, the procedure is to adjust the signal into the isolator box so that it is just below the clipping level. After this initial adjustment is made, the volume may always be adjusted on the headphones' volume control. For most signal takeoff points this initial adjustment may be made with the volume control on the set, but if that is not practical a preset can easily be added to the isolator board. **ETI**

TECH TIPS

Data Encryption Using Seeded Random Numbers

Rex Palmer,
Walton-on-Thames,
Surrey.

This programme (which I have called DEnS or Data Encryption non Standard) is a modified version of the program used in the article 'Practical Data Encryption' in the April 1986 issue of ETI. It runs on the BBC microcomputer and uses the 'seeded' random number facility so that both the sender and receiver of a message can generate the same set of random numbers.

In the program the 'key block' and 'initial block' are combined to

provide the 'seed' and the 'initial block' is used to set the range of the random numbers that give the shifts for the cypher. These blocks are both loaded from data statements as in the original program but they are now only five sets long. Each set contains a number which should be between 0 and 99. Alternatively the 'key' and 'initial block' could be numbers in the range 1-2147483647 and the maths in lines 200-250 could be simplified.

You will also have noticed that Mode 6 is selected (line 20). This is because the values in lines 570-620 & 680-750 have been modified to allow the use of all the printable characters on the BBC microcomputer including 'space'. Mode 6 is used so that the printed characters match those marked on the keys.

(See also the letters on DES in Read/Write — Ed.)

```

100 REM ***DeNS PROGRAM***
110 REM by Rex Palmer, Mar 86.
120 MODE 6
130 REM ***KEY BLOCK***
140 S=0
150 FOR I=1 TO 5
160 READ Key
170 S=S*100+Key
180 NEXT
190 REM ***INITIAL BLOCK***
200 R=0
210 FOR I=1 TO 5
220 READ Int
230 R=R*100+Int
240 NEXT
250 :
260 :
300 K%=2147483647:M%=2000000000
310 S=S+R
320 IF S>K% REPEAT S=S-M%:UNTIL S<=K%
330 S=RND(-S)
340 IF R>K% REPEAT R=R-M%:UNTIL R<=K%
350 R=R MOD 256 +8
360 :
370 :
400 REM ***MAIN PROGRAM***
500 INPUT "Input E to encrypt or D to decrypt":R$
510 IF R$="E" THEN 540
520 IF R$="D" THEN 650
530 CLS:PRINT "Mistake":GOTO 500
540 REM ***ENCRYPTION***
550 PRINT "Plaintext","Ciphertext"
560 P$=GET$:
570 P=ASC(P$)-32
575 IF P<0 OR P>94 THEN 560
590 K=RND(R)
600 X=K MOD 95
610 C=(P+X) MOD 95
620 C$=CHR$(C+32)
630 PRINT P$,C$
540 GOTO 560
650 REM ***DECRYPTION***
650 PRINT "Ciphertext","Plaintext"
670 P$=GET$:
680 P=ASC(P$)-32
685 IF P<0 OR P>94 THEN 670
700 K=RND(R)
710 X=K MOD 95
720 C=P-X
730 IF C<0 THEN C=C+95
750 C$=CHR$(C+32)
760 PRINT P$,C$
770 GOTO 670
775 REM ***KEY BLOCK DATA***
780 DATA 71,2,49,85,26
785 REM ***INIT BLOCK DATA***
790 DATA 11,22,33,44,55
    
```

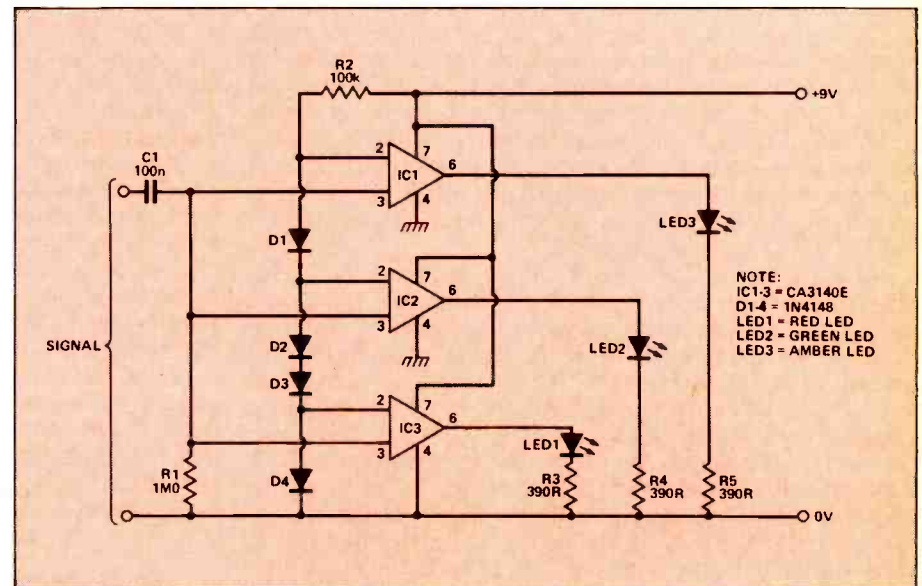
Easier Loading For Spectrums

Charles Rowbotham
Arnside
Cumbria

Cassette Tape is an inexpensive storage medium for microcomputer programs but many users finding difficulty in LOADING. This is usually because of noise or incorrect signal level.

This circuit is a peak voltage detector which uses three CA3140E op-amps wired up as differential amplifiers, with the inverting inputs held at a fixed positive voltage and the tape signal fed to the non-inverting inputs. An LED is connected to each output via a 390R resistor to earth. The 3140 has a slew rate of 13 volts per microsecond, so immediately the voltage on pin 3 exceeds that on pin 2, the amplifier swings into saturation and the corresponding LED lights — and vice versa.

The voltages on the inverting inputs of IC1, IC2 and IC3 are held at 2.0, 1.5 and 0.5 volts respectively by the chain of 1N4148 diodes connected to V+ via the 100k resistor, each diode dropping 0.5 volts. The CA 3140 behaves as a half-wave rectifier; when the voltage exceeds



0.5 volts the red LED lights, when it exceeds 1.5 volts the green LED lights and above 2 volts the yellow LED lights. The 1MΩ input impedance is high enough to have no effect on the signal.

The Sinclair power supply is used to provide the current and a positive connection only is needed, the 0 volts connection is made via the braid on the Ear socket cable.

In use the signal level is adjusted so that the yellow (amber) LED just glows when LOADING a program; the red and green LEDs should

then be brightly lit and flicker in unison. If the green LED flickers erratically or extinguishes momentarily, the tape is badly modulated. Should the yellow LED flash brightly, signals at too high a level are being fed in, and should the red LED flicker or flash on a silent part of the tape, noise is present which may affect LOADING.

The unit is equally suited to the ZX81 with only a slight modification. The ZX81 optimum signal level is 2 volts peak, so just add another diode to the chain between IC2 and IC3.

SERVICE SHEET

Enquiries

We receive a very large number of enquiries. Would prospective enquirers please note the following points:

- We undertake to do our best to answer enquiries relating to difficulties with ETI projects, in particular non-working projects, difficulties in obtaining components, and errors that you think we may have made. We do not have the resources to adapt or design projects for readers (other than for publication), nor can we predict the outcome if our projects are used beyond their specifications;
- Where a project has apparently been constructed correctly but does not work, we will need a description of its behaviour and some sensible test readings and drawings of oscillograms if appropriate. With a bit of luck, by taking these measurements you'll discover what's wrong yourself. Please do not send us any hardware (except as a gift!);
- Other than through our letters page, Read/Write, we will not reply to enquiries relating to other types of article in ETI. We may make some exceptions where the enquiry is very straightforward or where it is important to electronics as a whole;
- We receive a large number of letters asking if we have published projects for particular items of equipment. Whilst some of these can be answered simply and quickly, others would seem to demand the compiling of a long and detailed list of past projects. To help both you and us, we have made a full index of past ETI projects and features available (see under Backnumbers, below) and we trust that, wherever possible, readers will refer to this before getting in touch with us.
- **We will not reply to queries that are not accompanied by a stamped addressed envelope** (or international reply coupon). **We are not able to answer queries over the telephone.** We try to answer promptly, but we receive so many enquiries that this cannot be guaranteed.
- Be brief and to the point in your enquiries. Much as we enjoy reading your opinions on world affairs, the state of the electronics industry, and so on, it doesn't help our already overloaded enquiries service to have to plough through several pages to find exactly what information you want.

Subscriptions

The prices of ETI subscriptions are as follows:

UK:	£18.10
Overseas:	£22.50 Surface Mail
	\$29.50 Surface Mail (USA)
	£49.50 Air Mail

Send your order and money to: ETI Subscriptions Department, Infonet Ltd, Times House, 179 The Marlowes, Hemel Hempstead, Hertfordshire, HP1 1BB (cheques should be made payable to ASP Ltd). Note that we run special offers on subscriptions from time to time (though usually only for UK subscriptions, sorry).

ETI should be available through newsagents, and if readers have difficulty in obtaining issues, we'd like to hear about it.

Backnumbers

Backnumbers of ETI are held for one year only from the date of issue. The cost of each is the current cover price of ETI plus 50p, and orders should be sent to: ETI Backnumbers Department, Infonet Ltd, Times House, 179 The Marlowes, Hemel Hempstead, Hertfordshire HP1 1BB. Cheques, postal orders, etc should be made payable to ASP Ltd. We suggest that you telephone first to make sure there are still stocks of the issue you require: the number is (0442) 48432. Please allow 28 days for delivery.

We would normally expect to have ample stocks of each of the last twelve issues, but obviously, we cannot guarantee this. Where a backnumber proves to be unavailable, or where the issue you require appeared more than a year ago, photocopies of

individual articles can be ordered instead. These cost £1.50 (UK or overseas surface mail), irrespective of article length, but note that where an article appeared in several parts each part will be charged as one article. Your request should state clearly the title of the article you require and the month and year in which it appeared. Where an article appeared in several parts you should list these individually. An index listing projects only from 1972 to September 1984 was published in the October 1984 issue and can be ordered in the same way as any other photocopy. If you are interested in features as well as projects you will have to order an index covering the period you require only. A full index for the period from 1972 to March 1977 was published in the April 1977 issue, an index for April 1977 through to the end of 1978 was published in the December 1978 issue, the index for 1979 was published in January 1980, the 1980/81 index in January 1982, the 1982 index in December 1982, the 1983 index in January 1984, the 1984 index in January 1985 and the 1985 index in December 1985. Photocopies should be ordered from: ETI Photocopies, Argus Specialist Publications Ltd, 1 Golden Square, London W1R 3AB. Cheques, postal orders, etc should be made payable to ASP Ltd.

Write For ETI

We are always looking for new contributors to the magazine, and we pay a competitive page rate. If you have built a project or you would like to write a feature on a topic that would interest ETI readers, let us have a description of your proposal, and we'll get back to you to say whether or not we're interested and give you all the boring details. (Don't forget to give us your telephone number).

Trouble With Advertisers

So far as we know, all our advertisers work hard to provide a good service to our readers. However, problems can occur, and in this event you should:

1. Write to the supplier, stating your complaint and asking for a reply. Quote any reference number you may have (in the case of unsatisfactory or incomplete fulfilment of an order) and give full details of the order you sent and when you sent it.
2. Keep a copy of all correspondence.
3. Check your bank statement to see if the cheque you sent has been cashed.
4. If you don't receive a satisfactory reply from the supplier within, say, two weeks, write again, sending your letter recorded delivery, or telephone, and ask what they are doing about your complaint.

If you exhaust the above procedure and still do not obtain a satisfactory response from the supplier, then please drop us a line. We are not able to help directly, because basically the dispute is between you and the supplier, but a letter from us can sometimes help to get the matter sorted out. But please, don't write to us until you have taken all reasonable steps yourself to sort out the problem.

We are a member of the mail order protection scheme, and this means that, subject to certain conditions, if a supplier goes bankrupt or into liquidation between cashing your cheque and supplying the goods for which you have paid, then it may be possible for you to obtain compensation. From time to time, we publish details of the scheme near our classified ads, and you should look there for further details.

OOPS!

Corrections to projects are listed below and normally appear for several months. Large corrections are published just once, after which a note will be inserted to say that a correction exists and that copies can be obtained by sending in an SAE.

Low Cost Audio Mixer (June 1985)

In Fig. 6 on page 39, the PCB foil pattern has been incorrectly shown as though from the copper side. The board is shown correctly from the copper side in the foil pattern pages. In Fig. 10 on page 40, the positive power rail at lower left should be shown connected to pin 8 of the TL072s, IC1-5).

Noise About Noise (July 1985)

In Fig. 5 on page 24, no connection should be shown between the cathode of the diode and the negative side of the 470u capacitor.

Printer Buffer (July 1985)

The case specified is actually larger than the one used for the prototype. It will, of course, work perfectly well, but if you want to a compact unit use a Verocase 202-21038H (180 x 120 x 65mm) rather than a Verocase 202-21035. The regulator IC17 should be bolted to the back of the case to provide heatsinking or, alternatively, fitted with a TO220 heatsink.

Please note that the designer, Nick Sawyer, has been in touch to inform us that the refresh problem we mentioned in September ETI is dealt with in the printer buffer software. In this case there is no need to replace the TMS 4416 dynamic RAMs, although as far as we know the replacement parts mentioned (Hitachi HM48416 DRAMs) will cause no problems. The full text of Nick Sawyer's letter will appear next month. Meanwhile, our apologies for any confusion caused.

Cortex Parallel I/O (September 1985)

Pins 1 and 2 of IC2 have been swapped over on both the circuit diagram (Fig. 1) and the Veroboard overlay (Fig. 2). Pin 1 should connect to pin 16 on the header and pin 2 should connect to pin 2 on the header.

Intel 8294 Data Encryption Unit (September 1985)

It should be apparent from the text, page 35, that an actual program has been omitted. This program is for use with the SDK 8085 kit only, and copies may be obtained from us on receipt of a stamped addressed envelope.

Tech Tips — Novel Input Stage (October 1985)

The caption against the lower figure should read "Low noise output at minimum gain", not maximum gain.

Chorus Unit (November 1985)

IC3 is shown on the circuit diagram on page 49 connected to the 9V supply. It should be connected to the 5V supply. The foil pattern connections to this IC are correct.

Foil Patterns (November 1985)

The foil patterns for the Modular Test Equipment Waveform Generator and the Chorus Unit are shown from the component side rather than the copper side.

The Rhyth-Rom (November 1985)

R2 has been omitted from the parts list on page 35. Its value is 39k, as given on the circuit diagram. Also in the parts list, R821 should, of course, read R8-21.

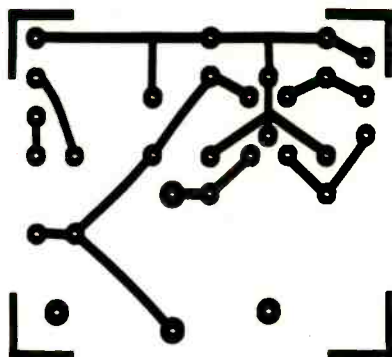
Cymbal Synth (November 1985)

R18 is labelled as R20 on the circuit diagram (page 59) and the real R20 is missing altogether. It should be shown connected between the base of Q3 and the +ve rail. The overlay diagram is correct in both cases.

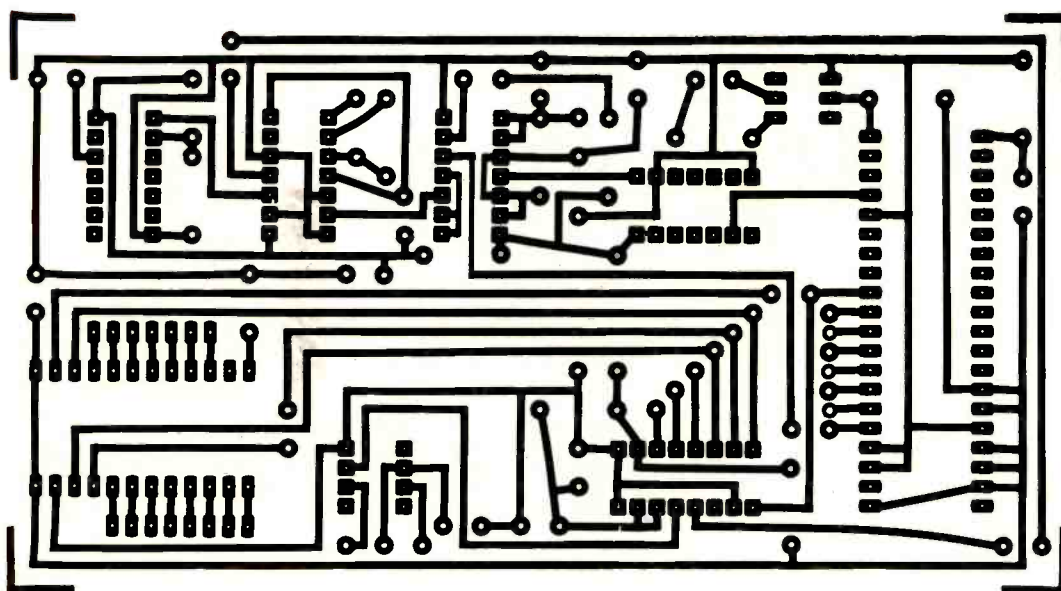
Digibaro (February 1986)

Capacitors C1, C3, C5 and C7 should be 470u 25V types as shown on the circuit diagram, not 47u 25V types as stated in the parts list. We have also been told that one of the companies mentioned in Buylines, Hawke Electronics, no longer supply the MPX100a pressure transducer. The other company recommended, Macro Marketing, should still be able to help.

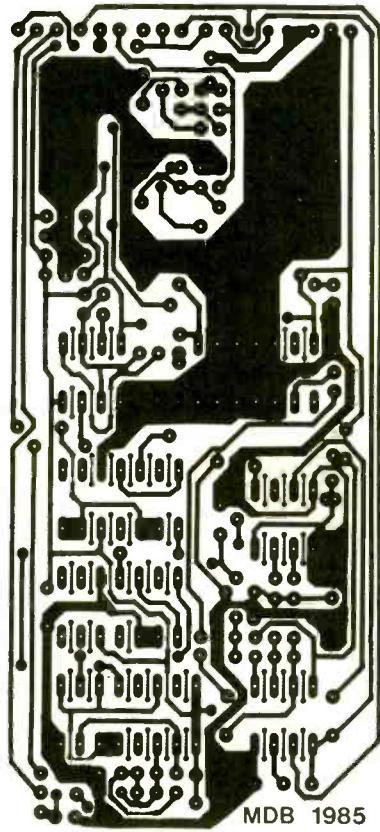
PCB FOIL PATTERNS



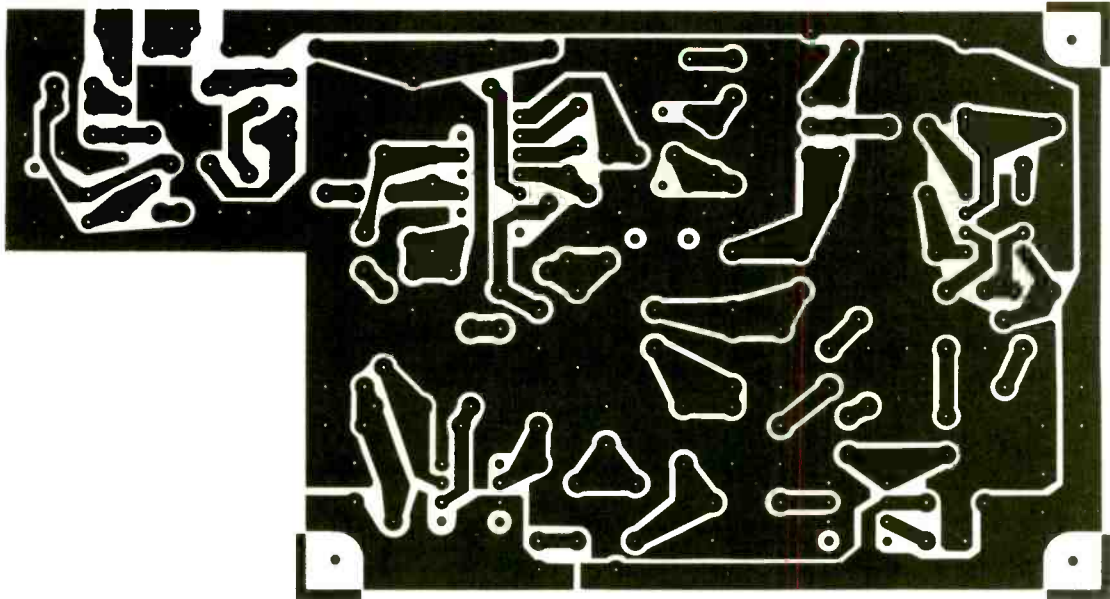
The MIDI to CV converter PSU board.



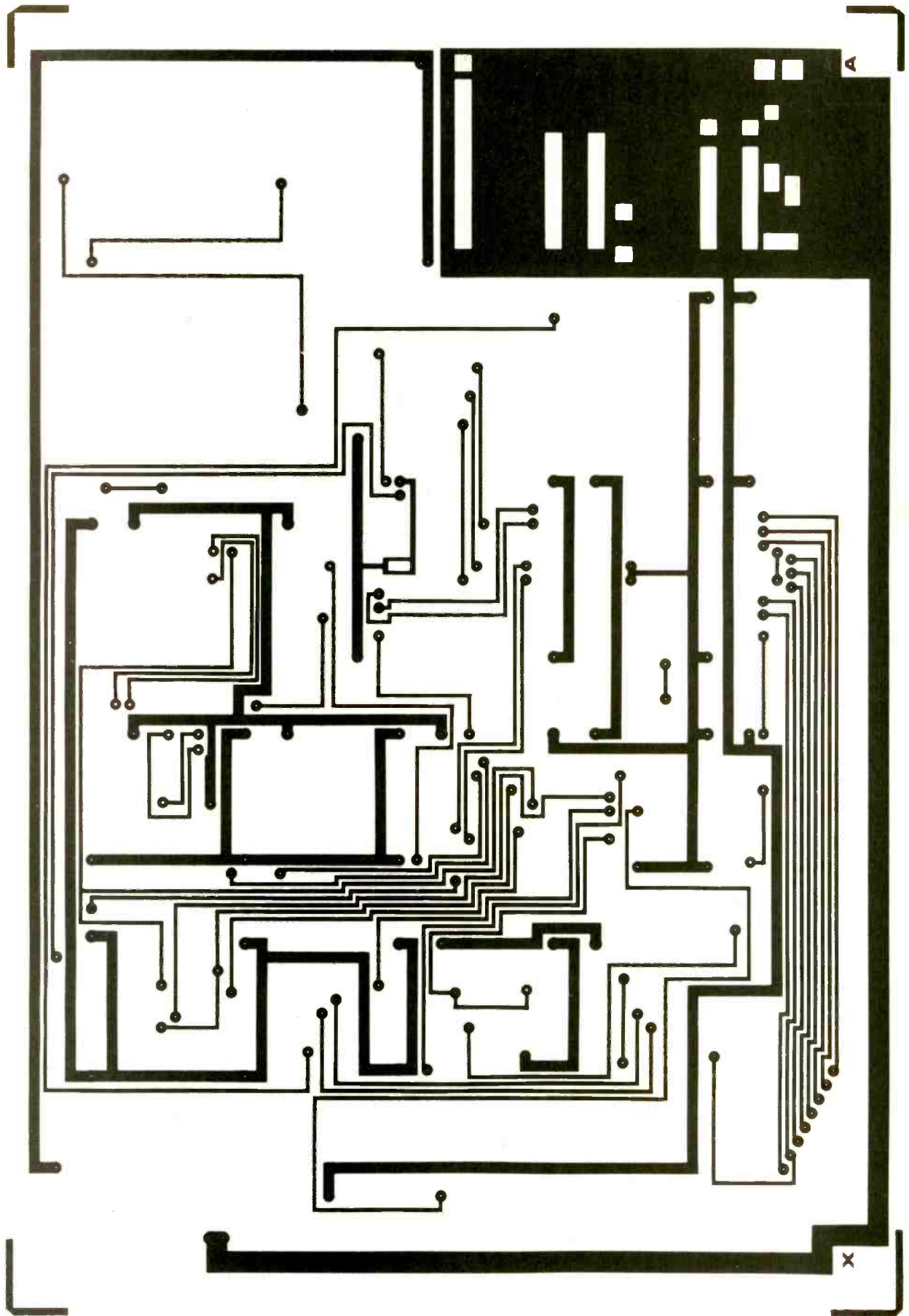
The main board of the MIDI to CV converter.



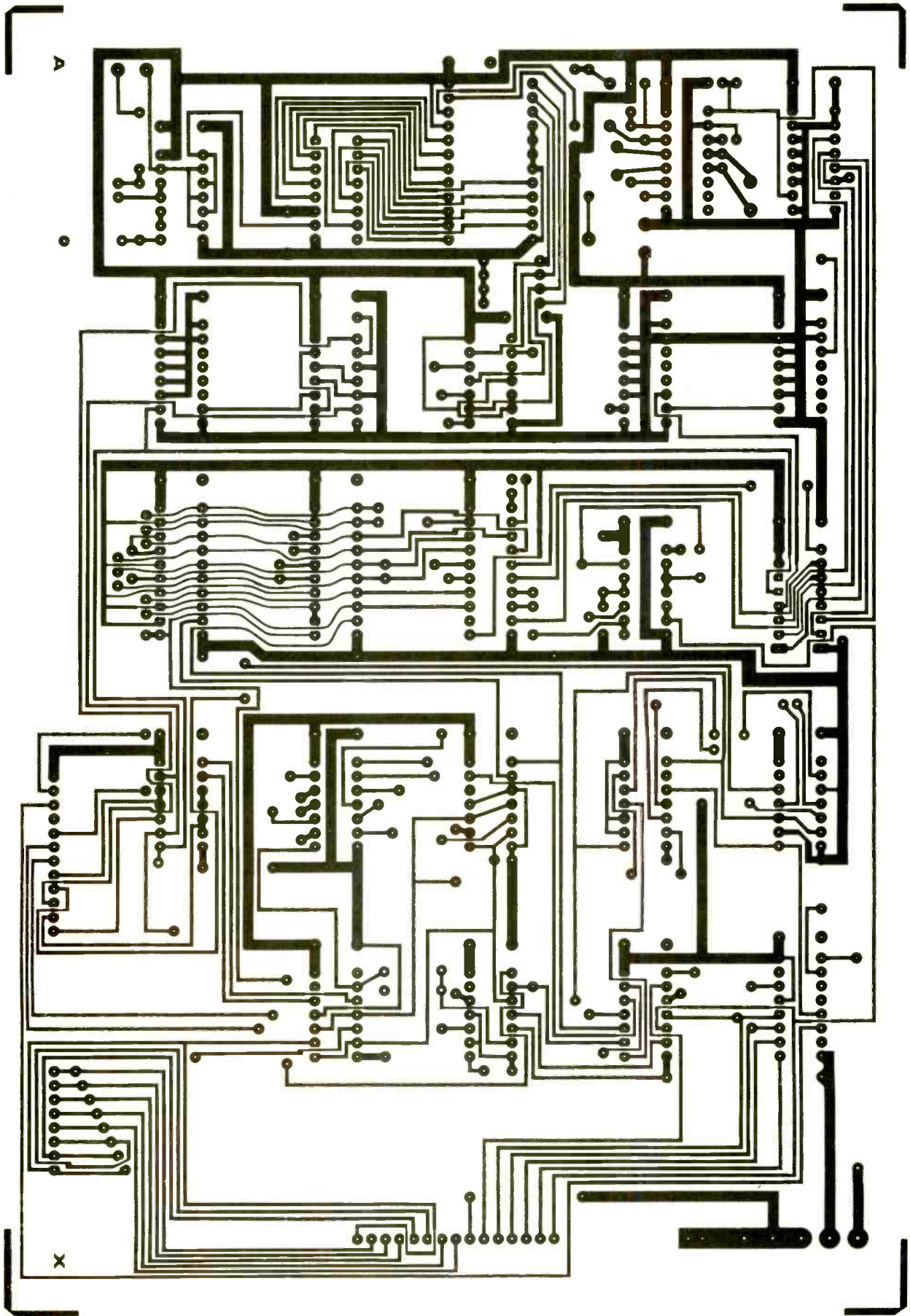
The foil pattern for the troglolith board.



The foil pattern for the 80m receiver board.



The top and bottom foils for the digital sound sampler board.



REVIEW

Sony Discman D50 MkII

price: £259.95

Given the success of the legendary Walkman easy-carry cassette player, it's hardly surprising that Sony have moved as fast as possible to squeeze the already compressed medium of compact disc (CD) into the same format. The Discman is just barely greater in length and breadth than the disc it plays, and together with its rechargeable battery pack is about as thick as four CD cases stacked together. It weighs about four times as much as a Sony Walkman, and comes with a black ribbed rubber carrying case and a broad woven shoulder strap.

There are only seven control buttons because the machine is so small, but it still offers a good range of facilities. The Discman can be programmed to play up to 16 tracks in any order, to repeat play all or part of a disc, or to play the tracks in a random order. This last is something of a gimmick which, perhaps, few people will be interested in.

Audible cueing is available, and I think this is impressive for such a small player. The liquid crystal readout shows what play and cue modes are selected, as well as displaying the track number and the elapsed time on that track. It can be switched to show the number of tracks and the total playing time remaining.

The battery pack is a sealed lead acid type instead of the more usual nickel cadmium. It is claimed to provide 4½ hours playing time when fully charged, and charging takes 8 hours. Five hours charging is claimed to provide 4 hours playing. I haven't measured this, but my experience suggests it can't be far wrong.

The power consumption is rated at 2.6 watts. This is a big improvement on the 4 watts consumption of the D50 Mk I. Considering the number of things which use power in a CD player — the motor which turns the disc, the servo, and the laser to name but a few, this is impressive.

The specifications say that a 16 bit DAC is used, that the dynamic range is greater than 90dB at 1kHz, and that the frequency response is flat to within 1/3dB from 20Hz to 20kHz. I deduce that the DAC is timeshared between left and right channels, with a brickwall audio filter to remove the sampling frequency (those unfamiliar with compact disc technology may be interested in this month's

Playback article, in which the subjects of conversion and filtering are dealt with in more detail).

I haven't got suitable test discs to verify these claims, but what I did instead was to compare it closely with my tried and trusted Philips CD104, using a wide variety of programme material including some digitally mastered discs. A word of explanation here — some discs are made from analogue masters which have been processed and mixed in analogue, some are made from analogue masters which have been mixed digitally, and some from digital masters which have been digitally processed throughout. The last type normally offers the best quality.

Hiss And Miss

Listening very hard to the Discman on headphones, I thought I detected a very slight harshness on some sibilants. On the other hand, sibilants sounded virtually the same on the Phillips machine. I never did determine for sure if it was just imagination. If the harshness was real, it was probably caused by non-monotonicity of the DAC giving rise to intermodulation.

Even on the digitally mastered discs, the overall noise level seemed to be limited by the source material. At least, there was a just audible drop in hiss between tracks. This suggests to me that the limit on signal-to-noise ratio is set by the analogue circuitry prior to the analogue-to-digital converter in the master studio recorder.

The facilities and the sound quality are suitable for use with a top quality living room hi-fi system. People who listen for the sake of the music will be pleased, while those who listen to pick nits will most likely be disappointed. There seems to be no point in buying anything larger.

Here's a nit to pick anyway. The Discman is so small that the disc is simply inserted under a hinged flap. To avoid exposure of the eyes to laser light, it switches off if the catch is released. It is, however, possible to release the catch while the disc is still turning, and I would surmise that it would be just possible to scratch the playing face of the disc before it stopped.



Though the sound is good enough for a full sized hi-fi system, a major part of the attraction of this machine must be that it is a Walkman-style portable. Slung over my shoulder, it did start to feel heavy after an hour, and I could not imagine going skiing with it. It's bulky enough to break a rib in a fall.

Even if it were lighter and thinner, there would be one overriding reason not to ski with it — it wouldn't track. Even jogging or fairly restrained dancing to the music upsets it. It normally just skips a few seconds under these circumstances, but once or twice it went into a sulk and turned itself off. It will track reliably when carried about so long as you just walk normally, but by no means is the Discman a sports accessory.

I think Sony acknowledge this in that the headphones they suggest for use with the Discman have a long lead. This is well suited to leaving the CD player on a convenient table as you move about the room. It is certainly useful to have a portable source of top quality sound. It is no longer necessary to remain rooted in the living room to listen to your CD.

One last thought along these lines. The Discman is good enough to make at least a step towards

doing something which record companies have been bleating about — killing home taping. When you have a portable CD player, who needs to make tape copies for the Walkman? Future generations of Discmen should make a bigger impact.

Other Connections

A power connector is available to connect up to a stereo amplifier (line out stereo minijack to twin phono plugs). It also has with it the rechargeable battery pack and the mains power unit/charger. The headphones are not included in the price — the recommended type are the Sony MDR M55 which have an RRP of £39.95.

The Discman should be available from all authorised Sony dealers before this reaches print.

Andrew Armstrong

PLAYBACK

The idea of digitising sound is not new, but until the advent of the compact disc there was no practical medium for bringing digitised audio into the living room (unless you happen to be Phil Collins).

The compact disc stores information in the form of small pits on a reflective surface, which can be read by a laser beam. The pits which the laser scans are not particularly large and a full length recording appears to need something like 600 megabytes, at one bit per pit, not including the parity bits. The disc itself is 4.75in in diameter.

Given this density of data, very accurate and stable servo control of the laser aiming and focussing is needed. As the disc rotates, slight warping can require the laser to refocus widely and continually. Similarly, an eccentricity too small to be noticed by the naked eye can amount to tens of tracks in width, so that the laser, in its own terms, must swing wildly around. On this microscopic scale, warping and eccentricity are impossible to eliminate. On top of all this, in a portable machine the servo must cope with the shake, rattle and roll of everyday travel.

Error Correction

The discs are produced by pressing. Though this is done in a clean room, there will inevitably be imperfections. The serial data is coded in such a way as to allow the read errors to be corrected.

The error correction system is quite complex but it is possible to give a simplified description. The first level of correction is based on the use of parity bits, in such a way that up to two bits in error out of any one data word can be corrected. In addition to this, if you visualise the data arranged in frames with successive words on successive lines, then the same error correction can be applied when the data is read in a vertical direction as in a horizontal direction.

If all this fails to correct corrupted data, the player mutes its output until valid data is present. For this reason, any error on the disc of sufficient size to affect the sound at all will cause a noticeable silent spot. I have already had to return one CD because it had a minute bubble moulded into it, causing half a second's silence in the middle of a track — very noticeable.

Conversion

Once valid digital data is available, it must be converted to an analogue signal before it is of any use. It is at this point that the quality of the disc player has most effect on the sound quality. The reasons for this are quite complicated.

The most obvious factor affecting sound quality is the number of bits the DAC (digital to analogue converter) has. The more bits, the smaller the steps into which the continuous analogue waveform is broken, and therefore the more accurate the reproduction. This, of course, only applies if the bits

actually mean something. To be meaningful, 16-bit conversion can only tolerate a DAC step size error a quarter of the size acceptable for 14-bit conversion.

The most important characteristic of the DAC is that it should be monotonic — that is to say that every increase in the binary number should produce an increase in the analogue output voltage. This is a tall order for a 16-bit DAC. In order to maintain credibility when changing from 0111111111111111 to 1000000000000000 the step size of the most significant bit must be accurate to about .0015%. Now where did I put the 0.001% resistors?

DAC errors, particularly monotonicity errors, cause both harmonic distortion and, perhaps more important at these rarified heights of quality, intermodulation.

Out of the DAC comes a waveform containing, in addition to the wanted audio, a signal at the sampling frequency (41.2kHz). Bearing in mind that the aim is to provide an audio response to 20kHz, a very sharp audio filter is required to attenuate the unwanted ultrasonic signal, leaving the wanted audio unaffected.

Oversampling

Some CD player manufacturers, notably Philips, get round the need for a 'brickwall' audio filter by using each sample four times, and implementing a digital filtering algorithm to tailor the response outside the audio range. This leaves the in-band performance virtually perfect. The ultrasonic

signal to be removed is now at a high enough frequency to allow a filter to remove it without repercussions in the audio range. This technique virtually forces the use of a separate DAC for each channel, because of the speed of conversion required.

On the other hand, using a brickwall filter, as Sony does, allows the same DAC to be multiplexed between the left and right channels. This reduces power consumption, which is important in a portable CD player. A possible problem with multiplexing the DAC is that the left and right channel signals are presented at different times. This should not affect the stereo image, but could cause trouble if the amplifier were to be used switched to mono. There are rumours that this problem came to light when the BBC first tried to use CD on air.

System Performance

Having mentioned some of the pitfalls and problems of CD technology, in my opinion most current CD players are so good that the listener will not notice any defect in the sound due to the CD player, even on the best programme material. Measurable defects just about become significant when the rest of the hi-fi system is beyond reproach, and is installed in a cellar lined with acoustic tiles! Listening on very good headphones also tends to emphasise any shortcomings. Compact disc is streets ahead of any other non-professional medium for perfect reproduction.

Andrew Armstrong

OPEN CHANNEL

With cellular radio services in the UK only a couple of years' old, there are already signs that the systems aren't all they are cracked up to be. Recent operational price rises alongside equipment price cuts suggest that operators are having to re-define their tactics as to how they market their wares.

Any existing services also have a limited operational span. A digital cellular radio system is planned for the 1990s, which is to follow a European standard, currently under negotiation. At present a number of companies (none of them British!) have built demonstration systems and the standard is soon to be announced.

I can't help the feeling that the many thousands of existing cellular radio users are going to be badly let down by the existence of this second wave of cellular technology.

Exchange Change

It appears that Mercury, the telephone rival to BT, is to launch a new service (new to this country, at least) which will effectively eliminate the need for customers to have on their premises a private automatic branch exchange (PABX). Typically, PABXs are used by customers with a large number of 'phone extensions to route incoming calls to the right extension and allow outgoing calls to be made from extensions. Internal calls between 'phone extensions on the PABX are made without access to the telephone network and are thus free. There are a few problems, however. First, PABXs for large organisations are complex, bulky (depend-

ing on the technology used), and costly. Also, once a customer has purchased a PABX he is stuck with its facilities and features, unless a complicated change is made (again, costly and what's more, time-consuming).

Mercury is to make use of a system which has been available in North America for a while now, known as virtual private network services or centrex (a shortened form of 'central exchange'). The service works by allocating part of a digital local exchange to a particular customer. No other telephone users can gain access to that part of the exchange, except via the customer's switchboard. So, in practice, the subsectioned part of the exchange acts just like a PABX except that it is not on the customer's premises. The customer merely rents the centrex service and is saved the problems of purchasing, servicing and housing a PABX. What facilities and functions the centrex service allows the

customer are determined purely by software (it's a digital local exchange, remember) so changes in the number of 'phone extensions, operating features etc, are a simple matter of changing a program or two — cheaply and quickly.

To say that virtual private network services herald the end of true PABX services is probably a bit of an overstatement, but Mercury's move must surely be sending a few jitters around PABX manufacturers' boardrooms at the moment. At a time when so many manufacturers are investing a great deal of money in this area, producing new yet relatively uninteresting PABXs, Mercury has simply looked at what is already in operation elsewhere in the world and seen a market need here. Virtual private network services are a true rival to PABX services and stand a good chance of wiping them out altogether.

Keith Brindley

or not, but until recently it was always said that Sugar's introduction to the electronics business was through starting up a little enterprise replacing damaged car aerials in a part of London where car aerials tended to be damaged quite a lot. But perhaps he's simply being prepared for his Nobel prize (or knighthood?).

One thing that does distinguish Sugar from Sinclair (which is sometimes difficult to do since both of them need a shave) is their marketing approach. I have to confess to being someone who has, in his time, owned both Sinclair and Amstrad products. The Amstrad product I once owned was a stereo amplifier, about which I had no complaints.

I remember that the output stage went once, but the amp was 'modular' and so I took out the module and sent it to Amstrad who sold me a cheap replacement part. The only problem was that the fault kept re-occurring (and not just in my amp, either). But, as I've said, I had no complaints since the unit was cheap to buy and cheap to fix and performed reasonably well. At the time, I wanted no more from my sound system.

It's been said, with justice I think, that Sugar's trick is to make cheap items look expensive. The buyer is impressed, thinking that he or she is getting all those facilities and all that sheen and surface finish for so little. The PCW8256 word processor, which has really made Sugar's name, looks like a computer costing twice or three times as much. In some ways, it performs like a computer costing twice or three times as much and — it must be said — it is deservedly popular among individual and small business users. But it is not the same as a computer costing twice or three times as much, any more than an Amstrad audio system is the same, as, say, even a Trio or a Technics system.

The fact is that Sugar is a salesman with something of the disreputable air of a market trader. He will offer you, the punter, an irresistible bargain at a ridiculously low price and then he'll cap it by throwing in a free gift or cutting the price in half. But, as they say in the Office of Fair Trading, 'caveat emptor', buyer beware. Nobody becomes 'a self-made multi-millionaire' (a newspaper description of Sugar) by giving things away.

... And The Spice Of Life

Perhaps the electronics business needs marketing nous like Sugar's. It is certainly something Sinclair could have done with.

Even if he misses the target more often than he hits it, Sinclair is an innovator. You won't catch Sugar trying to flog you a computer with a 68000-family chip in it — not today and certainly not two or three years ago. No, the good old Z80 is good enough for Amstrad machines, because it's tried and tested and, above all I'd say, because it's cheap. Sinclair goes out on a limb more times than he probably cares to remember. Often, it should be apparent to most people that the limb is very, very thin and breakable — but not to Clive. Sugar, on the other hand, only trusts the sturdiest sorts of branch — as befits a man much bulkier than Sinclair.

The Show Goes On

There is something of Laurel and Hardy about the pair. It's difficult to know who — Stan or Ollie — deserves the most sympathy — one, the artless fool, the other a scheming buffoon. Of course, Sinclair and Sugar are both, in their ways, enormously successful men and this alone sets them well apart from Stan and Ollie. All the same, I can't help but wonder what further amusements they may have up their sleeves for us.

Sugar, I'm told, intends to launch an IBM compatible PC on the market — and certainly he has recently been at pains to point out that he was always more interested in the business computer market than the very first Amstrad machine — the CPC464 — would suggest. Personally, I think he'll lose money on an IBM compatible, but the move would be appropriate to a man who probably sees himself as something of a giant-killer.

Sinclair, on the other hand, seems to have lost all interest in computers. The latest version of Sinclair Research will be a holding company looking after Clive's other interests — a cordless telephone being developed in Winchester as the first of a series of telecommunications products, a group undertaking research for large corporations (the so-called 'Metalab') and the completion of the much-vaunted wafer-scale integration project. Of these, only the third — wafer-scale integration — fits the Sinclair profile as an exciting and probably doomed adventure. Barclays Bank are backing the WSI project, but they may not have heard of Gene Amdahl and Trilogy. One source close to Sinclair has said that WSI 'is either dramatically right, or totally wrong'. With the backing of half-a-dozen major computer companies in Europe, Amdahl found that WSI was unworkable. Sinclair may know better, but somehow I doubt it.

AFFORDABLE ACCURACY

Quality Multimeters from

Cirkit



A comprehensive range of Analogue and (Pushbutton or Rotary Switched) Digital Models

ANALOGUE

HM-102BZ — 10ADC Range, 20kΩ/VDC. Buzzer. Battery Test Scale £12.50
19 measuring ranges
HM-102R — Low end voltage & current ranges, Jack for Audio o/p voltages ... £11.00
20 measuring ranges
HM-1015 — Rugged, Pocket sized meter, for general purpose use £7.50
16 measuring ranges

Battery, Test Leads and Manual included with each model.

Please add 15% for VAT and 60p for p&p

DIGITAL

HC-7030 0.1% Accuracy Standard Model £39.50
HC-6010 0.25% Accuracy Standard Model £33.50
HC-50101 0.25% Accuracy TR Test Facility £39.50
DM-105 0.5% Accuracy Pocketable £21.50

All models have full functions and ranges and feature: 3½ digit 0.5" LCD display — low battery indication — auto zero & auto polarity — ABS plastic casing — DC AC 10amp range (not DM-105) — Overload protection on all ranges — battery, spare fuse, test leads and manual

Full details and specification from:

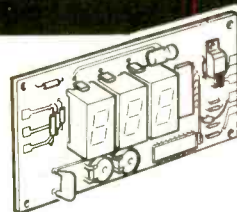
Cirkit Distribution Ltd

Park Lane, Broxbourne, Herts, EN10 7NQ
Telephone (0992) 444111 Telex 22478

TRADE ENQUIRIES WELCOME



DIGITAL VOLTMETER MODULE WITH HIGH BRIGHTNESS LED DISPLAY

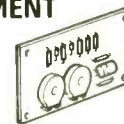


- * High accuracy ± 0.1% + 1 digit.
- * Operates from single supply 7-12V.
- * Reads - 99mV to 999mV which is easily extended.
- * Large Bright 0.43" LED Displays.

Only £14.95 + VAT

We are pleased to once again offer this tried and tested Digital Voltmeter module which is suitable for use in a wide range of test equipment. Supplied with full details describing how to easily extend the basic range, measure current resistance and temperature. The module, which is fully guaranteed, has been supplied to Electricity Authorities, Government Departments, etc. etc.

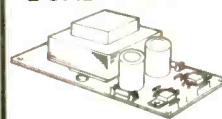
TEMPERATURE MEASUREMENT KIT DT10



Only £2.95 + VAT

A simple though effective module which, when constructed, provides a linear output of 10mV per °C over the temperature range +100°C to -10°C. The unit is ideal for use in conjunction with the above DVM module, providing an accurate digital thermometer suitable for a wide range of applications.

DUAL POWER SUPPLY PS 209



This fully built mains power supply provides two, 9V stabilised outputs up to 250mA each. The unit is ideally suited for use with the Digital Voltmeter and the Temperature Measurement unit DT10.

£5.65 + VAT

Order by post, order by phone
Add 15% V.A.T. to all prices
U.K. orders add 70p post & packing
Export orders - post & packing at cost



RISCOMP LIMITED

Dept ETI 15
51 POPPY ROAD,
PRINCES RISBOROUGH,
BUCKS
Tel: (084 44) 6326

ELECTRONICS TODAY INTERNATIONAL CLASSIFIED

Lineage:

45p per word (minimum 15 words)

Semi Display: (minimum 2 cms)

£11.00 per single column centimetre

Ring for information on series bookings/discounts

All advertisements in this section must be prepaid.

Advertisements are accepted subject to the terms and conditions printed on the advertisement rate card (available on request)



01-437 0699 Ext 291

Send your requirements to:
Duncan Neilson,
ETI Class. Dept.,
ASP Ltd.,
1 Golden Square,
London W1.

ALARMS

ALARMS

FREE BOOKLET

on
BURGLAR ALARMS
with

LOWEST U.K. DIY PUBLISHED PRICES

PHONE OR WRITE FOR YOUR COPY

051-523 8440

AD ELECTRONICS

217 WARBRECK MOOR
AINTREE, LIVERPOOL L9 0HU



LOWEST PRICED TOP QUALITY fire and Intruderr alarm equipment, etc. SAE for catalogue Security Services, 62 High St, Hythe, Kent CT21 5JR.

BURGLAR ALARM CONTROL PANEL KIT. Build this professionally designed kit yourself. Send for details. Pluto II for Fortronics, 565 Street Lane, Leeds LS17 6JA.

COMPONENTS

BARGAIN! 1000 1/4W 5% resistors brand-new. 30 values. 10R to 1M. £9.50 inc. Pluto II Fortronics, 565 Street Lane, Leeds. LS17 6JA.

EQUIPMENT

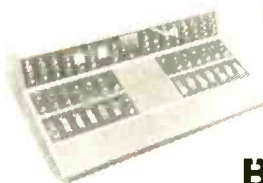
PRINTED CIRCUIT BOARDS one-offs and small quantities supplied. Artwork carried out. Fennell Industrial Electronics, 54 Watling Street, Nuneaton, Warks CV11 6JL. Tel: 0203 382296.

KITS

ETI KITS assembled and tested* by electronic trainees under supervision within a purpose built electronic workshop for as little as £10* (* depending on type of kit and complexity). Contact:- A.J. Smith, Dept K.A. Electronics Workshop, Lincoln I.T.E.C. Dean Road, Lincoln LN2 4JZ. Tel. 0522 43532.

6809 FLEX KIT SYSTEM, 16 slot motherboard. CPU, 64K RAM, 80 character colour display, 80/40 track S/or/D sided discs. FULL STOCK OF FLEX SOFTWARE VENTURE FORTH runs on a STANDARD flex random access file. ALSO 6809 for TANGERINES. S.A.E. for details.
R-ALLEN ENG
FORNCETT-END NORWICH.

EQUIPMENT



YOU ARE NEVER FAR FROM A
PARTRIDGE COMMUNITY BROADCAST MIXER

56 Fleet Road, Benfleet, Essex SS7 5JN
03745 3381 or 03745 3256 for full details

KITS

ELECTRONIC ORGAN KEYBOARDS and other parts being cleared out. Special Offer: Elvins Electronic Musical Instruments, 40A Dalston Lane, London E8.

ETI
AS SEEN BY 26,500
READERS EVERY
MONTH. JOIN THE
MARKET LEADER
NOW BY PHONING
01-437 0626 FOR
ADVERTISING
DETAILS

COMPUTER ADD-ONS

AMSTRAD OUTPUT PORT. Plugs into printer port and provides seven open-collector outputs. Easy to use from Basic or M/C. £14.95 inc. S.A.E. for details. NCJ Electronics, 13 Binfield Square, Ella Street, Hull HU5 3AP.

COILS & CHOKES

MAXI-Q

COILS AND CHOKES
PREVIOUSLY MADE BY DENCO
S.A.E. PRICE LIST

8 BRUNEL UNITS, BRUNEL RD,
GORSE LANE IND. ESTATE,
CLACTON, ESSEX CO15 4LU.
TEL: (0255) 424152

PHONE NOW FOR
DETAILS ON
01-473 0626

LANCASHIRE

ETESON ELECTRONICS
15B Lower Green,
Poulton-le-Fylde, Blackpool
Tel: (0253) 886107

Open: 9.30am-12.30, 1.30-5.30. Closed Wed & Sun.
Electronic Component Specialists



ELECTRO SUPPLIES
NORTHERN COMPONENT SPECIALISTS
Test Equipment, Computers, Peripherals
SEND FOR FREE CATALOGUE Trade Enquiries Welcome

45 LOWER HILLGATE,
STOCKPORT, CHESHIRE.
061 477 9272

also at SHAWCLOUGH ROAD,
WATERFOOT
ROSSENDALE BB4 9JZ.
0706 - 215556

LIVERPOOL

PROGRESSIVE RADIO
87/93 Dale Street. Tel 051 236 0154

47 Whitechapel. Tel 051 236 5489
Liverpool 2

THE ELECTRONICS SPECIALISTS
Open: Tues-Sat 9.30-5.30

SCOTLAND

VISIT SCOTLAND'S
NEWEST
COMPONENT SHOP
OMNI ELECTRONICS
174 Dalkieth Rd
Edinburgh EH16 5DX
Tel: 031 667 2611
Send S.A.E. for catalogue.
Open Mon-Sat 9am-6pm

E
L
E
C
T
R
O
M
A
R
T

E
L
E
C
T
R
O
M
A
R
T

KITS

J. Linsley Hood Designs

	P.P.	
Distortion Analyser Kit.	£25.00	£1.00
Millivoltmeter Kit.	£12.25	£0.75
Case and Panel for above	£12.00	£1.00
ETI Mostel P.A. Kit.	£51.00	£1.50
Audio Signal Gen. (.02%) Kit.	£28.50	£1.50
Audio Signal Gen. (.002%) Made	£46.00	£2.00
Fixed Freq. Sig./Gen. (.002%)	£14.00	£0.50
Case and Panel for above	£9.50	£0.75
Reg. P.S.U. 1.5/35 volts from	£12.80	£0.00

S.A.E. for full information.
TELERADIO ELECTRONICS
 325, Fore Street, London N9 0PE. Tel: 807 3719

FOR SALE

STEREOAMPS 120 WATT (60+60) . . . Case-D.I.N. sockets and controls . . . 9.40v/smoothing . . . Protected outputs 3/15 OHM tested and diagrams. £10 inc. Catalogue 50p. KIA, 8 Cunliffe Road, Ilkley.

NICADS

AA/HP7 Rechargeable Cells

4 for £2.30 or 10 for only £5.1 (ex. equip. tested & guaranteed)
 Universal Nicad Charger £8 with battery test facility and LED indicators or any combination PP3, AA, C&D cells

Above prices inclusive of p&p - goods sent by return

Croydon Discount Electronics (E)
 40 Lower Addiscombe Rd.
 Croydon CR0 6AA

NEW STOCK! Sinclair 16K rampacks for ZX81, £6 including VAT and postage. Halbar, Unit 1, Bury Walk, Bedford MK41 7BW.

LASER 2MW-HE-NE scanner head control desk. Spirographic effects, little used & data. Details upon request. SAE to D. Grubb, 2 Blanquettes Avenue, Worcester.

CORTEX COMPUTER £200 or offers. Fully functional with RS232, disc interface, single disc drive with integral PSU, E-bus components, C-DOS, word processor and all manuals. Tel: 01-735-8918 after 6pm.

POWER SUPPLIES

150W SWITCHMODE PSU. +5V at 8.4A; +12V at 4.8A; +24V at 1.7A; -12V at 0.2A. Perfect working order, over £70 in Henries Radio £29 + Carr. 0245-50927 after 6.00pm.

240v AC ELECTRICITY from two 12v batteries!! Encapsulated ready built electronic module with screw terminals!! Comprehensive instructions supplied. Just add transformer and other easily obtained accessories. 250W output. Limited number available. £25 (inclusive). **Chataigne Products**, Green Lane, Great Horkeley, Colchester, Essex, CO6 4HD. (Proprietor J.A. Richmond.)

KITS AND READY BUILT

FM TRANSMITTERS Same day despatch **MINIATURE MODEL** frequency 60-145 Mhz, range 1 mile. Glass fibre P.C.B. All components. Full instructions 9-12V operation, broadcast reception. Super sensitive microphone. Pick up on **FM/VHF** radio. £6.95 inc or ready built £8.95. Size 57 x 19 x 12mm. **HIGH POWER MODEL.** 3 watts 80-108 MHz Professional broadcast performance. Low drift varicap controlled. Range up to 7 miles. 12V operation. Any input audio/microphone. All components P.C.B. diagrams and instructions. Size 103 x 39 x 29mm. Kit 13.99 inc or ready built £18.99 inc. **TONE GENERATOR** 3-selectable functions; PIP, Warble and pulse tone. All components, instructions & P.C.B., feed into any audio input or transmitter, variable frequency and gating controls. 6-12V operation 53 x 38 x 14mm. £5.50 incl. **TONE GENERATOR POWER AMPLIFIER** All components, instructions and P.C.B. turnstone generator into a high power siren for alarms; 18 watts max. at 12-15V. 62 x 38 x 14mm £7.00 inclusive. **DIGITAL CLOCK/TIMER MODULE** 12/24 hour & seconds (0.7inch LED) display, 8-functions. Applications: uncommitted output transistor for switching on Tape-recorders; Lighting, Security, etc. External Loudspeaker Output. 84 x 38 x 16.25mm. Full instructions & Modular PCB £17.49 inclusive. **MAINS TRANSFORMER** for above if required: £5.24 incl. **DIGITAL CODE LOCK MODULE: 4 18V.DC** operation; 10.00 combination quality key pad; programmable code; low-power 3-outputs (0.2A); **3-LED** status indicators; All components, instructions & PCB. Applications; Alarms; garage doors; cars, etc. 39 x 62 x 9mm. Kit: £15.95 incl. Ready built; £19.95 incl. **ZENITH ELECTRONICS**, 21 Station Road Indust. Estate, Hailsham, E. Sussex BN27 2EW. Tel: 04353 2647.

PLANS & DESIGNS

AMAZING ELECTRONIC plans, lasers, gas, ruby, light shows, high voltage tester, van de graph surveillance devices ultrasonics, pyrotechnics, new solar generator, 150 more projects, catalogue. S.A.E. Plancentre, Old String Works, Bye Street, Ledbury HR8 2AA.



MISCELLANEOUS

THE SCIENTIFIC WIRE COMPANY

811 Forest Road, London E17.
 Telephone 01-531 1568

ENAMELLED COPPER WIRE				
SWG	1lb	2oz	4oz	2oz
8 to 34	3.63	2.09	1.10	0.88
35 to 39	3.82	2.31	1.27	0.93
40 to 43	6.00	3.20	2.25	1.61
44 to 47	8.67	5.80	3.49	2.75
48	15.96	9.58	6.38	3.69
SILVER PLATED COPPER WIRE				
14 to 30	9.09	5.20	2.93	1.97
TINNED COPPER WIRE				
14 to 30	3.97	2.41	1.39	0.94
Fluxcore Solder	5.90	3.25	1.82	0.94

Prices include P&P VAT.
 Orders under £2 add 20p.
 SAE for list of copper and resistance wire.
 Dealer enquiries welcome.

HEATHKIT U.K. Spares and service centre. Cedar Electronics, Unit 12, Station Drive, Bredon, Tewkesbury, Glos. Tel. 0684 73127.

REPAIRS

ZX SPECTRUM. VIC20, C64, BBC, QL 15 40/41 Commodore computers, printers and floppy discs. Send faulty machine to: Trident Enterprises Ltd., Unit 7, Wentworth Industrial Court, Goodwin Road, Britwell, Slough. Tel: 0753 21391.

FIXED CHARGE REPAIRS to Spectrum, Commodore, BBC, Electron E.G. Spectrum £17.95, Commodore £29.95. Mansfield Computers Tel: 0623 31202.

SERVICES

JBA ELECTRONICS

Specialists in manufacture and design of:
 Microprocessor, Telemetry, and Audio-based systems.

**UNIT 9,
 BRECON INDUSTRIAL ESTATE,
 BRECON, POWYS, S. WALES**
 Tel: (0874) 2563

FREE PROTOTYPE of the finest quality with every P.C.B. artwork designed by us. Competitive hourly rates, and high standard of work. Halstead Designs Limited, Finsbury House, 31 Head St. Halstead, Essex CO9 2BX. Tel: 0787 477408.

P.C.B. DESIGN and Layout. Manually taped artwork professionally produced at competitive prices. James Gledhill. 01-674-8511.

DESIGN SERVICES. microprocessor, special interfaces, analogue, digital, signalling, alarm systems, PCB design and artwork. Prototype and small batch production. **ALAB ELECTRONICS**, Grantham (0476) 860089.

SERVICES

FREELANCE electronic design and prototyping service. Hardware/software systems our speciality. Telephone with your requirements for our quote: Dynamic Data Technology 0970 615952.

SCOPES

TEKTRONIX OSCILLOSCOPES 547 Dual Trace 50MHz Delay Sweep £195. 545 B Dual Trace 24MHz Delay Sweep £135. 551 Dual Beam 24MHz £125. 556 Dual Beam Four Trace 50MHz Delay Sweep £345. 7 B 50A Time Base £295. 107 3n S Pulse Generator £45. Marconi TF868 LCR Bridge £85. Tequipment D83 Scope 50MHz Delay Sweep £385. Tel: 01-868 4221.

SPECIAL OFFERS

CLEARANCE BARGAIN!! Thousands of LED 7 Segment Display, brand new 14 pin DIL RED. 43 inch common anode display 0-9 with right and left decimal point in stock. 10 pieces £2.50 (25p each) 50 pieces £10.00 (20p each) 1000 pieces £15.00 (15p each) 1000 pieces £100.00 (10p each). Telephone your order to 0296 613816.

FREE MEMBERSHIP to a new national electronics club. For details and a free gift of components worth over £10 send only £1 p&p to **Woodside, Dowsett Lane, Ramsden Heath, Essex CM11 1JL.**

SWITCHES

VOICE/SOUND ACTIVATED SWITCHES. Easy to follow diagrams and uses only £1. Components and P.C.B.s available from HERRINGTON, 63 Homefarm Rd., Hanwell, London W7 1NL. Tel: 01-578 6627.

WANTED

Turn your surplus transistors, IC's etc., into cash. Immediate settlement. We also welcome the opportunity to quote for complete factory clearance. Contact:

Coles Harding & Co.
 103 South Brink
 Wisbech, Cambs.
ESTABLISHED OVER 10 YRS
 Tel: 0945 584188

**FOR THE LOW DOWN ON ADVERTISING
 PHONE 01-437 0626**

COMPUTER WAREHOUSE

1000's OF
BARGAINS
FOR CALLERS

THE "ALLADINS' CAVE OF COMPUTER AND ELECTRONIC EQUIPMENT

HOT LINE DATA BASE

DISTEL

The ORIGINAL FREE OF CHARGE dial up data base. Buy, browse or place YOUR OWN AD for goods or services to sell. 1000's of stock items, spares and one off bargains. Updated daily. **ON LINE NOW.** CCITT, 8 bit word, no parity. For 300 baud modems call 01-679 1888. For 1200-75 baud modems call 01-679 6183

FREE

Your monitor from its computer! For only £24.95 it becomes a SUPERB HIGH QUALITY * COLOUR * TV SET

The fabulous TELEBOX, an INVALUABLE MUST for the owner of ANY video monitor with a composite input, colour or monochrome. Made by a major UK Co. as a TOP QUALITY, stand alone UHF tuner and costing OVER £75 to manufacture, this opportunity to give your monitor a DUAL FUNCTION must not be missed! The TELEBOX consists of a compact, stylish two tone charcoal moulded case, containing ALL electronics tuner, power supply etc. to simply plug in and convert your previously dedicated computer monitor into a HIGH QUALITY COLOUR TV SET, giving a real benefit to ALL the family! Don't worry if your monitor doesn't have sound - THE TELEBOX even has an integral 4 watt audio amplifier for driving an external speaker, PLUS an auxiliary output for superb quality television sound via your headphones or HI FI system etc. Other features include: Compact dimensions of only 15.75" w x 7.5" d x 3.5" h, latest technology, BRITISH manufacture, fully tuneable 7 channel push button tuner, Auto AGC circuit, SAW filter, LED status indicator, fully isolated 240v AC power supply for total safety, Mains ON/OFF switch etc. Many other uses.

LIMITED QUANTITY - DON'T MISS THIS OFFER!!!

ONLY £24.95 OR £19.95 if purchased with ANY of our video monitors. Supplied BRAND NEW with full instructions and 2 YEAR warranty. Post and packing £3.50 *When used with colour crt.

COLOUR & MONOCHROME MONITOR SPECIALS

'SYSTEM ALPHA' 14" COLOUR MULTI INPUT MONITOR

Made by the famous REDIFFUSION Co. for their own professional computer system this monitor has all the features to suit your immediate and future requirements. Two video inputs: RGB and PAL Composite Video, allow direct connection to BBC/IBM and most other makes of micro computers or VCR's including our very own TELEBOX. An internal speaker and audio amp may be connected to computer or VCR for superior sound quality. Many other features: PIL tube. Matching BBC case colour, Major controls on front panel. Separate Contrast and Brightness - even in RGB mode. Separate Colour and audio controls for Composite Video input, BNC plug for composite input, 15 way 'D' plug for RGB input, modular construction etc.

This Must Be ONE OF THE YEAR'S BEST BUYS. PC USER Supplied BRAND NEW and BOXED, complete with DATA and 90 day guarantee. ONLY £149.00 as above OR IBM PC Version £165.00 15 Day 'D' skt £1.00. BNC skt 75p BBC interface cable £5.50

DECCA 80 18" COLOUR monitor, RGB input. Little or hardly used manufacturer's surplus enables us to offer this special converted DECCA RGB Colour Video TV Monitor at a super low price of only £99.00, a price for a colour monitor as yet unheard of! Our own interface, safety modification and special 16" high definition PIL tube, coupled with the DECCA 80 series TV chassis give 80 column definition and quality found only on monitors costing 3 TIMES OUR PRICE. The quality for the price has to be seen to be believed! Supplied complete and ready to plug direct to a BBC MICRO computer or any other system with a TTL RGB output. Other features are: internal speaker, modular construction, auto degaussing circuit, attractive TEAK CASE. Compact dimensions only 52cm W x 34" H x 24" D, 90 day guarantee. Although used, units are supplied in EXCELLENT condition. ONLY £99.00 + Carriage.

DECCA 80, 18" COLOUR monitor, Composite video input. Same as above model but fitted with Composite Video input and audio amp for COMPUTER, VCR or AUDIO VISUAL use. ONLY £99.00 + Carr.

REDIFFUSION MARK 3, 20" COLOUR monitor. Fitted with standard 75 ohm composite video input and sound amp. The large screen colour display is ideal for SCHOOLS, SHOPS, DISCOS, CLUBS and other AUDIO VISUAL applications. Supplied in AS NEW or little used condition ONLY £145.00 + Carr.

BUDGET RANGE EX EQUIPMENT MONOCHROME video monitors. All units are fully cased and set for 240v standard working with composite video inputs. Units are pre tested and set up for up to 80 column use. Even when MINOR screen burns exist - normal data displays are unaffected. 30 day guarantee.

12" KGM 320-1 B/W bandwidth input, will display up to 132 x 25 lines. £32.95
12" GREEN SCREEN version of KGM 320-1. Only £39.95
9" KGM 324 GREEN SCREEN fully cased very compact unit. Only £49.00

Carriage and insurance on all monitors £10.00

DC POWER SUPPLY SPECIALS

GOULD OF443 enclosed, compact switch mode supply with DC regulated outputs of +5v @ 5.5a, +12v @ 0.5a, -12v @ 0.1a and -23v @ 0.02a. Dim 18 x 11 x 6 cm. 110 or 240v input. BRAND NEW ONLY £16.95
GOULD G6-40A 5v 40 amp switch mode supply NEW £130.00
AC-DC Linear PSU for DISK drive and SYSTEM applications. Constructed on a rugged ALLOY chassis to continuously supply fully regulated DC outputs of +5v @ 3 amps, -5v @ 0.6 amps and +24v @ 5 amps. Short circuit and overvoltage protected. 100 or 240v AC input. Dim 28 x 12.5 x 7 cm. NEW £49.94
Carriage on all PSU's £3.00

KEYBOARDS

Manufacturer's BRAND NEW surplus. DEC L34 Uncoded keyboard with 67 quality gold plated switches on X-Y matrix - ideal micro conversions etc. £24.95
AMKEY MPNK-114 Superb word processor chassis keyboard on single PCB with 116 keys. Many features such as On board Micro, Single 5v rail, full ASCII coded character set with 31 function keys, numeric keypad, cursor pad and 9600 baud SERIAL TTL ASCII OUTPUT! Less than half price. ONLY £69.00 with data. Carriage on Keyboards £3.50



DON'T MISS THE CPM Deal OF THE CENTURY

The FABULOUS CPM TATUNG PC2000 Professional Business System

A cancelled export order and months of negotiation enables us to offer this professional PC, CPM system, recently on sale at OVER £1400, at a SCOOP price just over the cost of the two internal disk drives!! Or less than the price of a dumb terminal!!

Not a toy, the BIG BROTHER of the EINSTIEN computer, the DUAL PROCESSOR PC2000 comprises a modern stylish three piece system with ALL the necessities for the SMALL BUSINESS, INDUSTRIAL, EDUCATIONAL or HOBBYIST USER. Used with the THOUSANDS of proven, tested and available CPM software packages such as WORDSTAR, FAST, DBASE2 etc, the PC2000 specification, at our prices, CANNOT BE BEATEN!!

The central processor plinth contains the 64K, Z80A processor, DUAL TEAC 55F 5 1/4" CENTRONICS and system expansion ports, and if that's not enough a ready to plug into STANDARD "DRIVE" port for up to FOUR 8" disk drives, either in double density or IBM format. The ultra slim 92 key, detachable keyboard features 32 user definable keys, numeric keypad and text editing keys, even its own integral microprocessor which allows the main Z80A to devote ALL its time to USER programs, eliminating "lost character" problems found on other machines. The attractive, detachable 12" monitor combines a green, anti-glare etched screen, with full swivel and tilt movement for maximum user comfort. Supplied BRAND NEW with CPM 2.2, user manuals and full 90 day guarantee. Full data sheet and info on request.

PC2000 System with CPM Etc. COST OVER £1400

PC2000 Business System with CPM and 'Ready to Run' FAST Sales and Purchase ledger, supports up to 9000 Accounts, VAT etc. COST OVER £1700

PC2000 Wordprocessor System with CPM and TEC FP25 daisywheel printer

NOW only £399

NOW only £499
Carriage & Insurance £12.00

NOW only £799

MODEMS

Join the communications revolution with our super range of DATA MODEMS, prices and specifications to suit all applications and budgets.....

BRAND NEW State of the art products.
DACOM DSL2123 Multi standard 300-300, 1200-75 Auto answer etc. £268.00
DACOM DSL2123AQ Auto dial, smart mode with multi standard AUTO SPEED detect, and data buffer with flow control etc. £365.00
DACOM DSL2123GT THE CREAM of the intelligent modems, auto dial, auto call, index, buffer etc etc. £498.00
Stebeck SB1212 V22 1200 baud FULL DUPLEX, sync or async, optional auto dial. £465.00
TRANSDATA 307A Acoustic coupler 300 baud full duplex, originate only, RS232 interface. £49.00

Ex BRITISH TELECOM full spec, CCITT, ruggedised, bargain offers. Solid TESTED with data. Will work on any MICRO or system with RS232 interface.
MODEM 13A 300 baud unit, only 2" high fits under phone CALL mode only. £45.00

MODEM 20-1, 75-1200 baud. Compact unit for use as subscriber end to PRESTEL, TELECOM GOLD, MICRONET etc. £39.95 +pp £6.50
MODEM 20-2 1200-75 baud. Same as 20-1 but for computer end. £65.00 +pp £6.50
DATEL 2412. Made by SE Labs for BT this two part unit is for synchronous data links at 1200 or 2400 baud using 2780/3780 protocol etc. Many features include 2 or 4 wire working, self test, auto answer etc. COST OVER £800. Our price ONLY £199 +pp £8.00
DATEL 4800, RACAL MPFA800 baud modem, EX BT good working order, ONLY £295.00 +pp £8.00

SPECIAL OFFER

MODEM TG2393. EX BT, up to 1200 baud, full duplex 4 wire or half duplex over 2 wire line. ONLY £85.00 PER PAIR +pp £10.00

For more information contact our Sales Office.

MATRIX PRINTERS

SPECIAL BULK PURCHASE of these compact, high speed matrix printers. Built in Japan for the Hazeltine Corporation this unit features quality construction giving 100cps bidirectional, full pin addressable graphics, 6 type fonts, up to 9.5" single sheet or tractor paper handling, RS232 and CENTRONICS parallel interface. Many other features. BRAND NEW and BOXED. COST £420. Our price ONLY £199.00

RECHARGEABLE BATTERIES

Dry Fit MAINTENANCE FREE by Sonnenschein & Yuasa
A300 07191315 12v 3Ah NEW £13.95
A300 07191312 6v 3Ah NEW £9.95
A300 07191202 6-0-6v 1.8Ah TESTED Ex Equip £5.99

VDU TERMINALS

Standard VDU data entry terminals at give away prices!!
QUME QVT108. Current product, state of the art terminal with detachable keyboard, 12" Green screen, 2 page RAM, TVI 925, Hazeltine, ADMSA emulations, software setup, 25 x 80, Clock, Swivel and tilt base. Printer port, Function keys etc. BRAND NEW and BOXED AT ALMOST HALF PRICE ONLY £425.00
AJ510 - EX RENTAL, Z80 controlled, 15" green screen 24 x 80 display, graphics, cursor addressing, printer port etc. Very good condition TESTED complete with manual only £225.00
ADS5 520 - Dumb terminal, used, 12" b/w screen RS232 interface and printer port. TESTED. ONLY £125.00. Carriage on terminals £10.00. 100's of other terminals in stock. CALL for more details.

SURPLUS SPECIALS ON PRESTEL - VIEWDATA - TELEX

PLESSEY VUTEL, ultra compact unit, slightly larger than a telephone features A STANDARD DTMF TELEPHONE (tone dial) with 5 CRT monitor and integral modem etc. for direct connection to PRESTEL VIEWDATA etc. Designed to sell to the EXECUTIVE at over £600!! Our price BRAND NEW AND BOXED at only £99.00

DECCAFAX VP1 complete Professional PRESTEL system in slimline desk top unit containing Modem, Numeric keypad, CPU, PSU etc. Connects direct to standard RGB colour monitor. Many other features include: Printer output, Full keyboard input, Cassette port etc. BRAND NEW with DATA A FRACTION OF COST only £55.00

ALPHATANTEL. Very compact unit with integral FULL ALPHA NUMERIC keyboard. Just add a domestic TV receiver and you have a superb PRESTEL system and via PRESTEL the cheapest TELEX service to be found!! Many features: CENTRONICS Printer output, Memory dialling etc. Supplied complete with data and DIV mod for RGB or Composite video outputs. AS NEW only £125.00

Post and packing on all PRESTEL units £8.50

EX-STOCK INTEGRATED CIRCUITS

4164 200 ns D RAMS 9 for £11 4116 ns 1150 2112 £10.00 2114 £2.50 2102 £2.00 6116 £2.50 EPROMS 2716 £4.50 2732 £3.00 2764 £4.95 27128 £5.50 6800 £2.50 6821 £1 68A09 £8 68B09 £10 80B5A £5.50 80B8 £15 80B8 £8 NEC765 £8 WD2793 £28 B202A £22 B251 £7 8748 £15 Z80A DART £6.50 Z80A CPU £2.00. Thousands of IC's EX STOCK send SAE for list.

DISK DRIVES

Japanese 5 1/4" half height, 80 track double sided disk drives by TEAC, CANON, TOSHIBA etc. Sold as NEW with 90 day guarantee ONLY £85.00
TEC FB-503 Double sided HH 40 TRK NEW £75.00
SUGART SA400 SS FH 35 TRK £55.00
SIEMENS FD100 SS FH 40 TRK £65.00
Carriage on 5 1/4" drives £5.50

Brand NEW metal 5 1/4" DISK CASES with internal PSU, DSKC1 for 2 HH or 1 FH drive £29.95 +pp £4.00
DSKC 2 for 1 HH drive £22.95 +pp £3.50
DKSC 3 As DSK1 LESS PSU £12.95 +pp £2.50
DSKC 4 As DSK2 LESS PSU £10.95 +pp £2.00

8" IBM format TESTED EX EQUIPMENT.
SHUGART 800/801 SS £175.00 +pp £8.50
SHUGART 851 DS £250.00 +pp £8.50
TWIN SHUGART 951 1/2 2 Mb total capacity in smart case complete with PSU etc. £595.00

MITSUBISHI M2894-83 8" DS 1 Mb equiv. to SHUGART SA850B. BRAND NEW AT £275.00 +pp £8.50
DYSAN 8" Alignment disk £29.00 +pp £1.00
Various disk drive PSU's Ex Stock SEE PSU section.

HARD DISK DRIVES

DRE/DIABLO Series 30 2.5 Mb front load £525.00
Exchangeable version £295.00. ME3029 PSU £95.00
DIABLO 44/DRE4000A, B 5+5 Mb from £750.00
CDC HAWK 5+5 Mb £795.00. CDC 9782 80 Mb RMC3 etc. £2500.00

PERTEC D3422 5+5 Mb £495.00
RODIME 5 1/4" Winchester ex-stock from £150 CALL Clearance Items - Sold as seen - No guarantee.
ICL 2314 BRAND NEW 14" Mb Removable pack hard disk drive, cost over £2000 with data. ONLY £99.00
BASF 6172 8" 23Mb Winchester £199.00

Unless stated all drives are refurbished with 90 day guarantee. Many other drives and spares in stock - call sales office for details.

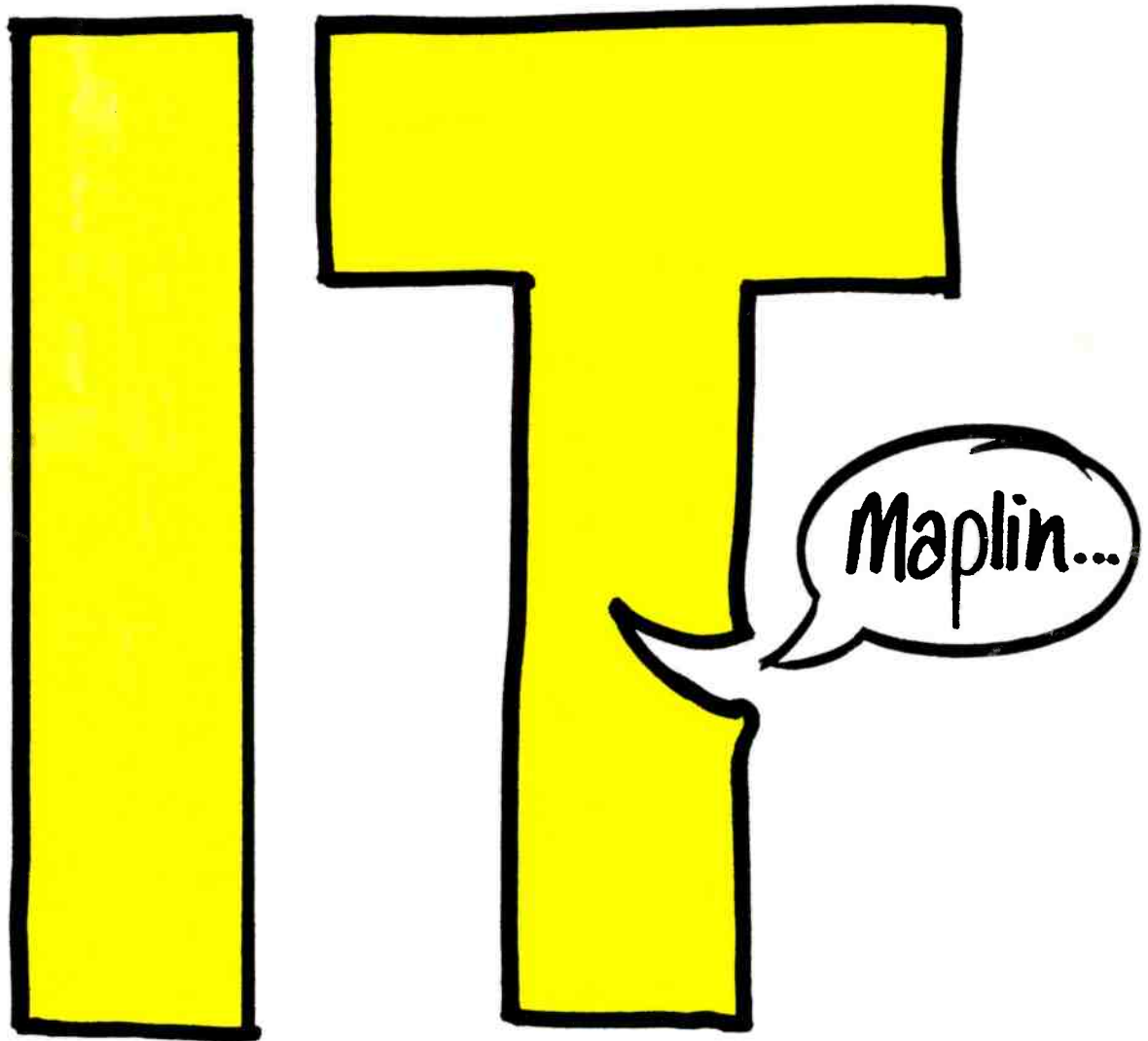
All prices quoted are for U.K. Mainland, paid cash with order in Pounds Sterling PLUS VAT. Minimum order value £2.00. Minimum Credit Card order £10.00. Minimum BONA FIDE account orders from Government Depts., Schools, Universities and established companies £20.00. Where post and packing not indicated please add £11.00 + VAT. Warehouse open Mon-Fri 9.30-5.30. Sat 10.30-5.30. We reserve the right to change prices and specifications without notice. Trade, Bulk and Export

32 Biggin Way, Upper Norwood, London SE19 3XF
Telephone 01-679 4414 Telex 894502 Data 01-679 1888

Display
-ELECTRONICS-

200

**Lowest possible prices?
Top quality components?
Fast reliable service?
Large range?**



..... it speaks for itself.

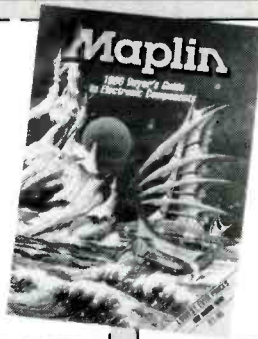
Pick up a copy of our new 1986 catalogue from any branch of W.H. Smith for just £1.45.
Or post this coupon now, to receive your copy by post for just £1.45 + 40p p & p. If you live outside the U.K. send £2.50 or 11 International Reply Coupons. I enclose £1.85.

Name

Address

.....

.....



MAPLIN ELECTRONIC SUPPLIES LTD.

Mail Order: P.O. Box 3, Rayleigh, Essex SS6 8LR.
Telephone: Southend (0702) 552911

SHOPS

- BIRMINGHAM Lynton Square, Perry Barr. Tel: 021-356 7292.
- LONDON 159-161 King Street, Hammersmith, W6.
Telephone: 01-748 0926.
- MANCHESTER 8 Oxford Road, Tel: 061-236 0281.
- SOUTHAMPTON 46-48 Bevois Valley Road, Tel: 0703 225831.
- SOUTHEND 282-284 London Rd, Westcliff-on-Sea, Essex.
Telephone: 0702-554000

Shops closed all day Monday.

ET/6 86