

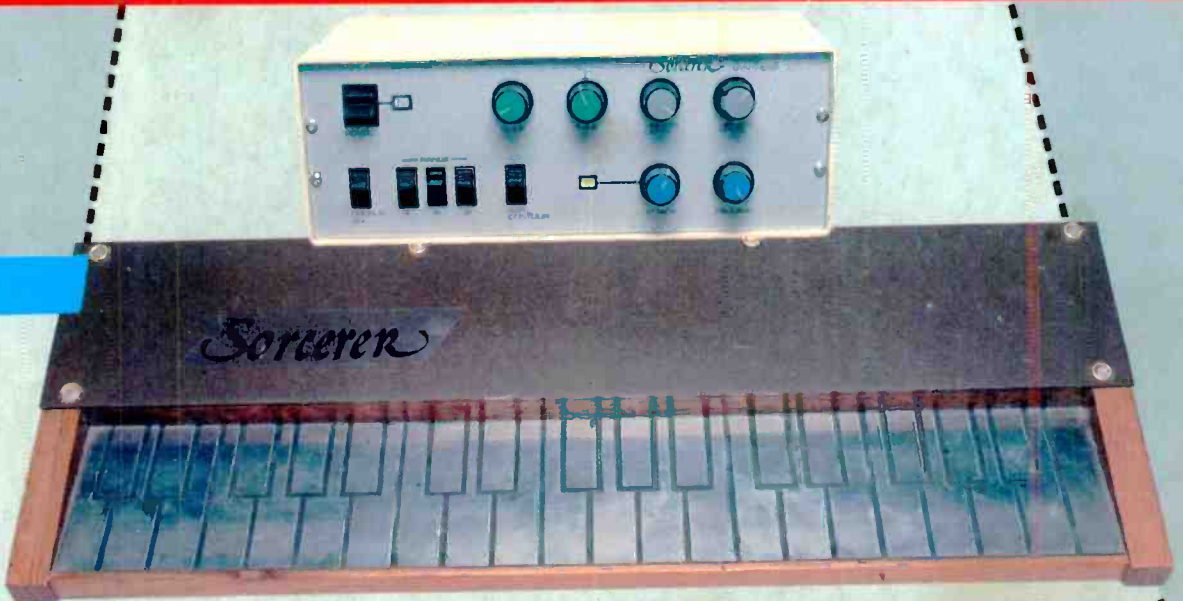
AN ARGUS SPECIALIST PUBLICATION

electronics today

INTERNATIONAL

AUGUST 1985 £1.10

T



THE SORCERER

STRING SYNTHESISER

PLUS

AUDIO ON VIDEO

ALL ABOUT A-TO-D AND D-TO-A

INTERFACE THE EX-42 TO
A BBC MICRO

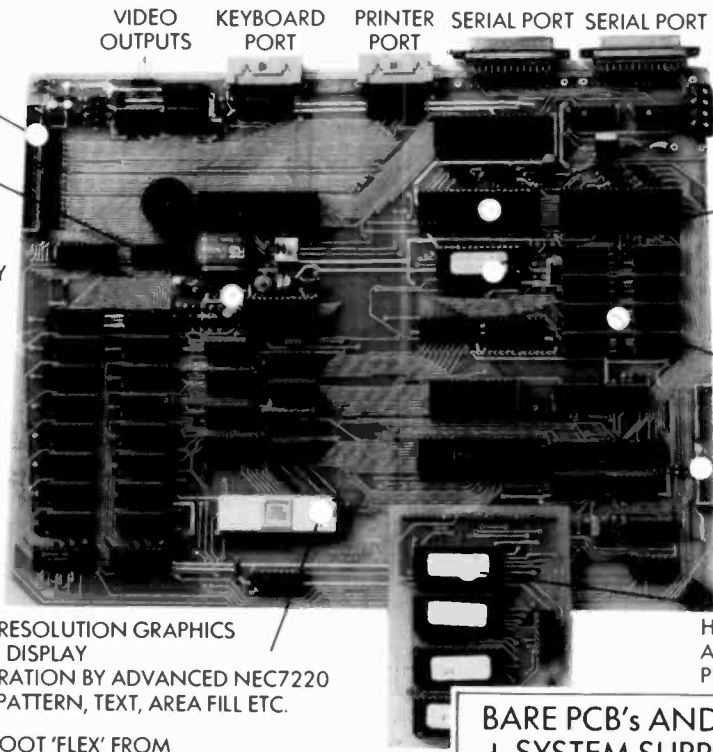
A FRESH LOOK AT RCL BRIDGES



AU

DIO... ROBOTICS...

MICROBOX II THE 6809 SINGLE BOARD COMPUTER THAT YOU BUILD YOURSELF



SYSTEM EXPANSION BUS
BATTERY BACKED REAL-TIME CLOCK/CALENDAR

128KBYTES SHARED MEMORY
RAMDISC
HIGH SPEED SILICON DISC ACTS LIKE A STANDARD 'FLEX' DISC

ALPHANUMERIC DISPLAY
108 x 24 CHARACTER FORMAT.
USER DEFINABLE CHARACTERS.

STANDARD VDU CONTROL FUNCTIONS.

EXTREMELY FAST, VERY HIGH RESOLUTION GRAPHICS
768 x 576 MONOCHROME DISPLAY
HARDWARE VECTOR GENERATION BY ADVANCED NEC7220 DEVICE. LINE, POINT, ARC, PATTERN, TEXT, AREA FILL ETC.

*NOTE: MICROBOX II WILL BOOT 'FLEX' FROM ANY STANDARD SYSTEM DISC.

Micro Concepts



Ex VAT

BARE PCB'S AND DOCUMENTATION
+ SYSTEM SUPPORT MONITOR
+ SYSTEM UTILITIES DISC - £95.00
FLEX + EDITOR + ASSEMBLER £75.00

8 SKILLICORNE MEWS · QUEENS ROAD · CHELTENHAM · GLOUCESTERSHIRE GL50 2NJ
Telephone: Cheltenham (0242) 510525

A. Marshall (London) Ltd.
Electronic Component Distributors
85 WEST REGENT STREET
GLASGOW G2 2OD
TELEPHONE: 041 332 4133

A. MARSHALL (LONDON) LTD

SPECIAL OFFER TO READERS OF ELEKTOR ELECTRONICS
SEND US ONLY 1/2 THE MARKED PRICE; ALL ITEMS EX STOCK

TRANSISTORS	2N3711	0.15	AF106	0.15	BC239C	0.15	BF183	0.30	ZTX530	0.27	SN7450	0.20	DIODES	CV7227	0.55	Z/OI/OOES	36V	0.10
	2N3711	1.70	AF280	0.50	BC250	0.15	BF195	0.27	ZTX531	0.27	SN7451	0.20	AA116	0.11	400mW		39V	0.10
	2N697	0.23	2N3772	1.90	BC115	0.19	BC251	0.15	BF199	0.18	SN7453	0.20	AA118	0.15	OD000	0.11	2V4	0.10
	2N698	0.80	2N3794	0.15	BC116	0.19	BC251B	0.15	BF225J	0.24	SN7454	0.20	AA119	0.15	GEK23A	0.10	2V7	0.10
	2N706A	0.22	2N3854A	0.20	BC118	0.19	BC253	0.15	BF255	0.20	CA3034	1.20	AA129	0.12	ITT44	0.10	3V	0.10
	2N708	0.25	2N3856A	0.25	BC132	0.23	BC256	0.15	BF271	0.20	CD4000	0.18	AA144	0.12	ITT920	0.10	3V3	0.10
	2N718	0.27	2N3905	0.15	BC136	0.15	BC256A	0.15	BF451	0.30	CD4012	0.20	AA153	0.10	ITT921	0.10	3V3	0.10
	2N753	0.25	2N3962	0.25	BC148B	0.15	BC260	0.15	BFX13	0.42	CD4017	0.50	SN7483	0.60	BA102	0.10	3V9	0.10
	2N914	0.20	2N4059	0.15	BC149C	0.15	BC262A	0.23	BFX86	0.40	CD4025	0.20	SN7484	1.20	BA130	0.12	4V3	0.10
	2N929	0.20	2N4060	0.15	BC154	0.27	BC262B	0.23	BSY28	0.30	CD4069	0.20	SN7491	0.63	BA142	0.12	4V7	0.10
	2N1131	0.30	2N4062	0.18	BC158	0.15	BC266	0.15	BSY54	0.25	CD4071	0.20	SN7492	0.30	BA144	0.10	7V5	0.10
	2N1507	0.15	2N4286	0.15	BC159	0.15	BC266A	0.15	BSY65	0.35	CD4072	0.20	SN7493	0.30	BA154	0.12	0A90	0.10
	2N1637	0.18	2N4288	0.15	BC159B	0.15	BC266B	0.15	ME0413	0.15	CD4073	0.20	SN7496	0.34	BA155	0.12	0A91	0.10
	2N1638	0.25	2N4898	1.40	BC167	0.15	BC308	0.15	ME4101	0.15	CD4075	0.20	SN74107	0.28	BA157	0.15	0A95	0.10
	2N1991	0.35	2N5033	0.40	BC167B	0.15	BC308A	0.15	ME4104	0.15	CD4082	0.32	SN74141	0.58	BA182	0.14	0A200	0.10
	2N2193	0.50	2N5129	0.15	BC168B	0.15	BC308B	0.15	MJ430	1.75	LF137414	0.40	SN74155	0.60	BA201	0.10	0A202	0.10
	2N2193A	0.55	2N5222	0.15	BC168C	0.15	BC309	0.15	MJ481	1.20	LM348B	0.90	SN74162	0.86	BA202	0.15	0A2200	0.10
	2N2217	0.25	2N5223	0.15	BC169B	0.15	BC347	0.15	MJ490	1.20	LM716	0.95	SN74180	0.85	BA243	0.10	0A2204	0.10
	2N2368	0.24	2N5246	0.32	BC170B	0.15	BC350	0.15	MPF103	0.36	LM923	0.44	SN74184	1.34	BA316	0.10	TV12	0.30
	2N2714	0.15	2N5247	0.26	BC171B	0.15	BC414	0.15	MPS368	0.15	LM7824C	1.00	SN74190	0.85	BA317	0.10	Z344	0.10
	2N2923	0.51	2N5448	0.15	BC172A	0.15	BC416A	0.15	MPS1A	0.24	SAS560	1.98	SN74198	1.40	BA318	0.18	IN659	0.10
	2N3133	0.25	2N6109	0.38	BC173	0.15	BC559	0.15	TIS45	0.55	SL701C	2.00	SN74198	1.40	BA318	0.18	IN659	0.10
	2N3392	0.15	40312	0.84	BC173B	0.15	BC559B	0.15	TIS46	0.65	SAS590	2.04	SN74198	1.40	BA318	0.18	IN659	0.10
	2N3393	0.15	40316	0.75	BC174B	0.15	BCV58	0.18	TIS49	0.67	SN7410	0.20	SN74151	0.35	BAV20	0.12	IN823	0.30
	2N3402	0.15	40363	1.20	BC178B	0.20	BCY72	0.20	TIS52	0.72	SN7412	0.18	SN74151	0.35	BAV20	0.12	IN916	0.10
	2N3415	0.15	40389	0.73	BC183A	0.15	BCY78	0.15	TIS58	0.77	SN7420	0.20	SN74153	0.35	BAV49	0.11	IN3193	0.60
	2N3566	0.15	40512	0.50	BC183C	0.15	BD116	0.75	TIS64	0.50	SN7423	0.25	SN74153	0.35	BAV49	0.11	IN3193	0.60
	2N3638	0.15	AC132	0.21	BC213B	0.15	BD138	0.35	TIS93	0.32	SN7440	0.20	SN74153	0.35	BAV49	0.11	IN3193	0.60
	2N3642	0.15	AC152	0.53	BC213L	0.15	BD540A	0.40	ZTX107	0.15	SN7441	0.65	SN76666	0.70	BY188	0.20	IS941	0.10
	2N3662	0.15	AC180	0.30	BC214	0.15	BDY17	1.80	ZTX109	0.17	SN7446	0.45	SO42P	1.18	CV5202	0.30	IS961	0.15
	2N3706	0.15	ACV22	0.65	BC214B	0.15	BF160	0.24	ZTX303	0.24	SN7447	0.45	TCA160C	2.25	CV7047	0.11	BAX13	0.10
	2N3708	0.15	ACV30	0.86	BC238B	0.15	BF177	0.25	ZTX330	0.24	SN7448	0.45	TMS4116	1.00	CV7071	0.11		

TRADE ENQUIRIES WELCOME

ADD 60p FOR POST & PACKING + 15% VAT

<p>WHERE TO FIND US</p>	<p>CALL IN AND SEE US</p> <p>9-5.30 MON TO FRI 9-5.00 SAT EXPRESS MAIL ORDERS ACCESS/BARCLAYCARDS WELCOME SAME DAY SERVICE</p>	<p>MAIL ORDER</p> <p>WE REGRET WE CANNOT ANSWER MAIL ORDER/ STOCK ENQUIRIES WITHOUT AN S.A.E. SAME DAY SERVICE TRADE AND EXPORT ENQUIRIES WELCOME</p>	<p>TELEPHONE</p> <p>MAIL ORDER 041-332-4133 SHOP AND STOCK ENQUIRIES 041-332-4133 TRADE 041-332-4135</p>
--------------------------------	---	--	---

electronics today

INTERNATIONAL

AUGUST 1985 VOL 14 NO 8

EDITORIAL AND ADVERTISEMENT OFFICE

1 Golden Square, London W1R 3AB. Telephone 01-437 0626.
Telex 8811896.



Gary Herman: Editor
Ian Pitt: Assistant Editor
Paul Chappell: Project Editor
Jerry Fowler: Technical Illustrator
Paul Stanyer: Ad. Manager
Caroline Faulkner:
Classified Sales Executive
Kerry Fowler: Copy Control
Dave Bradshaw: Group Editor
– Electronics
Peter Welham: Publishing Director
Jim Connell: Chairman

PUBLISHED BY:
Argus Specialist Publications Ltd.,
1 Golden Square, London W1R 3AB.
DISTRIBUTED BY:
Argus Press Sales & Distribution Ltd.,
12-18 Paul Street, London EC2A 4JS
(British Isles)

PRINTED BY:
The Garden City Press Ltd.
COVERS DESIGNED BY:
MM Design & Print.
COVERS PRINTED BY:
Alabaster Passmore.



Member of the
Audit Bureau
of Circulation

Electronics Today is normally published on the first Friday in the month preceding cover date. □ The contents of this publication including all articles, designs, plans, drawings and programs and all copyright and other intellectual property rights therein belong to Argus Specialist Publications Limited. All rights conferred by the Law of Copyright and other intellectual property rights and by virtue of international copyright conventions are specifically reserved to Argus Specialist Publications Limited and any reproduction requires the prior written consent of the Company. © 1985 Argus Specialist Publications Ltd □ All reasonable care is taken in the preparation of the magazine contents, but the publishers cannot be held legally responsible for errors. Where mistakes do occur, a correction will normally be published as soon as possible afterwards. All prices and data contained in advertisements are accepted by us in good faith as correct at time of going to press. Neither the advertisers nor the publishers can be held responsible, however, for any variations affecting price or availability which may occur after the publication has closed for press.

■ Subscription Rates, UK £16.30 including postage. For further details and Airmail rates etc, see the Readers' Services page.

FEATURES

- DIGEST** 7
Read all about it!
- READ/WRITE** 16
Some winning post.
- THE REAL COMPONENTS** 18
The topic receiving a little amplification from John Linsley Hood this month is linear ICs.
- FROM A TO D AND BACK AGAIN** 24
Stuart Smith takes a look at data conversion principles.
- TECH TIPS** 54
Circuit to us.

Our thanks to J.P. Guiver & Company Ltd who supplied the 'cello for the front cover.

PROJECTS


- RCL BRIDGE** 30
There's an immense gulf between sophisticated metering and the 'suck-it-and-see' approach to component measurement, but L. Boullart has found a way of bridging it.
- ETI 'SORCERER' STRING SYNTHESIZER** 36
Whether you go for the budget touch keyboard or hang the expense and use a full travel keyboard, Graeme Durant's versatile design won't leave you with your hands tied.
- EX42 INTERFACE FOR THE BBC** 41
Teach your BBC 'B' to type with this modification from Philip Ashby.
- EPROM EMULATOR** 46
At long last, the companion project to our recent 6802 development board.
- PRINTER BUFFER** 48
Nick Sawyer concludes his description with some notes on testing and use and a full listing.
- UNIVERSAL EPROM PROGRAMMER MKII** 51
The final part in this series of articles by Mike Bedford and Gordon Bennett.

ETCETERA

- REVIEWS** 59
This month we look at books on microcomputers and digital control.
- PLAYBACK** 60
Andrew Armstrong opens our new audio column with a look at Sony's system for recording digital audio on video cassettes.
- OPEN CHANNEL** 61
Keith Brindley considers the implications of a new chip set which aims to provide integrated voice and data communications.
- SCRATCH PAD** 63
Flea Byte invites you to come back and see his itchings.

INFORMATION

- NEXT MONTH'S ETI** 45
FOIL PATTERNS 56
PCB SERVICE 58
- READERS' SERVICES** 62
CLASSIFIED ADS 64
ADVERTISERS' INDEX 66

SWITCHES TOGGLE 2A 250V SPST 35p DPDP 48p 8UB-MIN TOGGLE SPST on/off 56p SPDT c/over 64p SPDT centre off 85p SPDT biased both ways 105p DPDT 8 tags 80p DPDT centre off 88p DPDT biased both ways 145p DPDT 3 positions on/on/off 185p 4-pole 2 way 220p SLIDE 250V: DPDT 1A 14p DPDT 1A c/off 15p DPDT 1/4A 13p PUSHBUTTON 6A with 10mm Button SPDT latching 150p DPDT latching 200p SPDT moment 150p DPDT moment 200p Mini Non Locking Push to Make 15p Push to Break 25p DIGITAST Switch Assorted Colours 75p each  GAS/SMOKE DETECTORS TGS812 or TGS813 £8 each Holders for above 40p	DIP SWITCHES (SPST) 10 way 85p; 6 way 80p; 8 way 85p; 10 way 125p (SPDT) 4 way 190p ROTARY SWITCHES (Adjustable Stop type) 1 pole/2 to 12 way; 2 pole/2 to 6 way; 3 pole/2 to 4 way; 4 pole/2 to 3 way 48p ROTARY: Mains DP 250V 4 Amp on/off 68p ROTARY: (Make-a-switch) Make a multiway switch. Shifting assembly has adjustable stop. Accommodates up to 6 wafers (max. 6 pole/12 way + DP switch). Mechanism only 90p WAFERS: (make before break) to fit the above switch mechanism. 1 pole/12 way; 2 pole/6 way; 3 pole/4 way; 4 pole/3 way; 6p/2 way 65p Mains DP 4A Switch to fit Spacers 4p. Screen 6p.	VEROBOARD 0.1in 2 1/2 x 3 1/2 95p 2 1/2 x 5 110p 3 1/2 x 3 110p 3 1/2 x 5 125p 3 1/2 x 17 420p 4 1/2 x 17 590p Pkt of 100 pins 55p Spot face cutter 150p Pin insertion tool 185p VERO WIRING PEN + spool 380p Spare spool 75p Combs 8p FERRIC CHLORIDE 1 lb bag Anhydrous 195p + 50p p&p ULTRASONIC TRANSDUCER 40KHz 475 pr	VC Board 195p DIP Board 395p Vero Strip 95p PROTO DEC Vero Board 400p S-Dec 395p Eurobreadboard 590p Bimboard 1 575p Superstar SS2 1350p DALO ETCH RESIST PEN Plus spare tip 100p	IDC CONNECTORS PCB Plugs Female Female with latch Header Card Pins Pins Plug Edge Strip Angle Conct 10 way 80p 99p 85p 120p 16 way 130p 150p 110p — 20 way 145p 166p 125p 195p 26 way 175p 200p 150p 240p 34 way 205p 236p 180p 320p 40 way 220p 250p 180p 340p 50 way 235p 270p 200p 395p 60 way — — 230p 495p	PANEL METERS FSD 60 x 46 x 35mm 0-50uA 0-100uA 0-50mA 0-1mA 0-5mA 0-10mA 0-50mA 0-100mA 0-500mA 0A 0.2A 0.25V 0.50V AC 0.30V AC "V" 490p each CRYSTALS 32.768KHz 100 100KHz 545 200KHz 370 455KHz 370 1MHz 285 1008MHz 275 1.28MHz 450 1.8MHz 200 1.8MHz 545 1.8432M 230 2.0MHz 225 2.4576M 200 3.12MHz 240 3.278M 150 3.5794M 88 3.6864M 300 4.0MHz 250 4.032MHz 290 24 way 40p 65p 4.9430M 200 4.43819M 100 4.608MHz 200 4.800MHz 200 5.0MHz 180 5.185MHz 300 5.24289M 390 6.0MHz 140 6.144MHz 140 6.5536MHz 225 7.0MHz 150 7.168MHz 200 7.328MHz 250 7.68MHz 200 8.0MHz 150 8.089333M 395 8.66723M 220 9.000MHz 200 10.00MHz 175 10.24MHz 200 10.5MHz 250 10.7MHz 150 12.0MHz 150 12.528MHz 170 14.31314M 300 15.0MHz 200 16.0MHz 200 18.0MHz 180 18.432M 150 19.368MHz 150 20.0MHz 200 24.0MHz 170 24.930MHz 325 26.69M 150 27.548M 170 27.15M 180 38.6667M 240 48.0MHz 240 10.0MHz 295 116.0MHz 300	RELAYS Miniature, enclosed PCB mount SINGLE POLE Changeover RL-91 205K Coil, 12V DC, (10V to 15V), 10mA at 30V DC or 250V AC 195p DOUBLE POLE Changeover, 6A 30V DC or 250V AC RL-113 53R Coil, 6V DC (5V to 9V) 190p RL-6 111 205R Coil, 12V DC (10V to 15V) 195p RL-6 114 740R Coil, 24V DC (22V to 37V) 200p ASTEC UHF MODULATORS Standard 6MHz 375p Wideband 8MHz 550p BUZZERS miniature, solid-state 6V, 9V & 12V 70p PIEZO TRANSDUCERS PB2720 70p LOUDSPEAKERS Miniature, 0.3W x 8 2 1/2, 3 1/2, 2 1/2, 3 1/2 80p 2 1/2, 4 1/2, 6 1/2, 8 1/2 6" x 4" 80p 7" x 5" 80p 8" x 5" 80p
ROCKER SWITCHES ROCKER: 5A/250V SPST 28p ROCKER: 10A/250V SPDT 38p ROCKER: 10A/250V DPDT c/off 85p ROCKER: 10A/250V DPST with neon 85p THUMBWHEEL Mini front mounting switches Decade Switch Module 275p B.C.D. Switch Module 295p Mounting Chucks (per pair) 75p JUMPER LEADS (Ribbon Cable Assembly) Length 14 pin 16 pin 24 pin 40 pin Single ended DIP (Header Plug) Jumper 24 inches 145p 185p 240p 380p Double ended DIP (Header Plug) Jumper 6 inches 185p 205p 300p 485p 12 inches 185p 215p 315p 480p 24 inches 210p 235p 345p 540p 36 inches 280p 370p 480p 525p IDC Female Header Socket Jumper Leads 35p 20pin 26 pin 34 pin 40 pin 180p 200p 280p 300p Double ended 280p 370p 480p 525p	COPPER CLAD BOARDS Fibre Single-Double glass sided sided 6 x 6 100p 125p 6 x 12 175p 225p EDGE CONNECTORS 1" 150p Low Wire 2 1/2 way — 78p Prof. Wipg 2 1/2 way — 180p 8 pin 8p 25p 2 1/5 way — 185p 14 pin 10p 35p 2 1/8 way 178p 160p 16 pin 10p 42p 2 1/2 way 200p 170p 18 pin 16p 52p 2 1/2 way 150p — 20 pin 20p 60p 2 1/2 way 250p 245p 22 pin 22p 65p 2 1/2 way 180p — 24 pin 25p 70p 2 1/2 way 280p — 28 pin 28p 80p 2 1/2 way 300p — 40 pin 30p 90p 2 1/2 way 320p — 2 1/2 way 400p — 2 1/2 way 800p —	DIL SOCKETS 1" 150p Low Wire 2 1/2 way — 78p Prof. Wipg 2 1/2 way — 180p 8 pin 8p 25p 2 1/5 way — 185p 14 pin 10p 35p 2 1/8 way 178p 160p 16 pin 10p 42p 2 1/2 way 200p 170p 18 pin 16p 52p 2 1/2 way 150p — 20 pin 20p 60p 2 1/2 way 250p 245p 22 pin 22p 65p 2 1/2 way 180p — 24 pin 25p 70p 2 1/2 way 280p — 28 pin 28p 80p 2 1/2 way 300p — 40 pin 30p 90p 2 1/2 way 320p — 2 1/2 way 400p — 2 1/2 way 800p —	EURO CONNECTORS Gold Flashed Contacts Female Socket Male Plug Strt Pins Angle Strt Pins Angle DIN41617 170p — — 175p DIN41612 275p — 220p 285p 2 x 32 A + B 285p — 240p 300p DIN41612 3 x 32 360p 385p 280p 395p A + B + C	RIBBON CABLE price per foot Grey Color 10 way 15p 25p 16 way 25p 40p 20 way 30p 50p 24 way 40p 65p 28 way 55p 80p 34 way 60p 85p 40 way 70p 90p 44 way 80p 105p 48 way 100p 135p 64 way 120p 160p ZIF TEXT TOOL DIL SOCKETS 24 pin 575p 28 pin 695p 40 pin 845p	'D' CONNECTORS 9 15 25 37 way way way way Male Solder lugs 55p 80p 120p 150p Angle pins 110p 175p 225p 300p PCB pins 100p 100p 160p 250p Female Solder lugs 90p 125p 180p 275p Angle pins 150p 200p 260p 390p PCB pins 100p 125p 195p 355p Covers 75p 70p 70p 85p IDC 25 way 'D' Plug 385p; Socket 450p 25 way 'D' CONNECTOR (RS232) Jumper Lead Cable Assembly 18" long, Single end, Male 475p 18" long, Single end, Female 510p 36" long, Double Ended, M/F 995p 36" long, Double Ended, F/F 995p	AMPHENOL PLUGS 24 way IEEE 485p 480p 36 way Centronics 450p 475p 36 way Female 480p 450p
TRANSFORMERS 3-0-3V, 6-0-6V, 9-0-9V, 12-0-12V, 15-0-15V @ 100mA PCB mounting Miniature, Split Bobbin 3VA: 2x5V-0.25A, 2x9V-0.15A, 2x12V-0.12A, 2x15V-0.1A 235p 6VA: 2x6V-0.5A, 2x9V-0.3A, 2x12V-0.25A, 2x15V-0.2A 280p 12VA: 2x6V-1.5A, 2x9V-1A, 2x12V-0.75A, 2x15V-0.5A 345p (35p p&p) 24VA: 2x6V-1.5A, 2x9V-1A, 2x12V-1A, 2x15V-0.75A 420p (40p p&p) 50VA: 2x6V-4A, 2x9V-2.5A, 2x12V-2A, 2x15V-1.5A, 2x20V-1.2A, 2x25V-1A, 2x30V-0.8A 520p (60p p&p) Specially wound for Multitrait computer PSUs 50VA: Outputs +5V/5A, +12V, +25V, -5V, -12V at 1A 100VA: 2x12V-4A, 2x15V-3A, 2x20V-2.5A, 2x25V-2A, 2x30V-1.5A, 2x50V-1A 965p (75p) P&P charge to be added over and above our normal postal charge	VOLTAGE REGULATORS 1A TO220 Plastic Casing +ve -ve 5V 7805 50p 7905 50p 12V 7812 50p 7908 60p 15V 7815 45p 7912 50p 18V 7818 45p 7915 50p 24V 7824 50p 7918 50p 7824 50p 100mA TO92 Plastic package 5V 78L05 30p 79L05 50p 6V 78L06 30p — 8V 78L08 30p — 12V 78L12 30p 79L12 50p 15V 78L15 30p 79L15 60p ICL7660 248p RC4134 375p RC4135 180p LM309K 135p LM317K 260p LM317KP 450p LM323K 450p LM337 175p LM723 Var 30p 78540 225p	SOLDERCON PINS Ideal for making SIL or DIL Sockets 100 pins 45p 500 pins 185p ALUM BOXES 3 x 2 x 1" 85p 4 x 2 1/2 x 2" 100p 4 x 2 1/2 x 2 1/2" 103p 4 x 4 x 2" 105p 4 x 4 x 2 1/2" 120p 5 x 4 x 1 1/2" 99p 5 x 4 x 2 1/2" 120p 5 x 2 1/2 x 1 1/2" 80p 5 x 2 1/2 x 2 1/2" 130p 6 x 4 x 2" 120p 6 x 4 x 3" 150p 7 1/2 x 3" 180p 8 x 4 x 3" 210p 10 x 4 x 3" 240p 10 x 7 x 3" 275p 12 x 5 x 3" 280p 12 x 8 x 3" 295p	ANTEX SOLDERING IRONS C15W 525p; CS17W 545p C18W 550p; XS25W 570p Spare Bits 85p; Elements 230p Iron Stand 175p; Heat Shunt 30p			

CMOS 4000 20 4001 25 4002 25 4006 70 4007 25 4008 60 4009 45 4010 40 4011 25 4012 25 4013 40 4014 30 4015 60 4016 40 4017 55 4018 60 4019 60 4020 80 4021 60 4022 70 4023 30 4024 50 4025 25 4026 90 4027 45 4028 45 4029 75 4030 35 4031 130 4032 65 4033 130 4034 148 4035 70 4036 250 4037 115 4038 75 4039 280 4040 80 4041 60 4042 50 4043 45 4044 50 4045 110 4046 60 4047 60 4048 55 4049 40 4050 35 4051 70 4052 60 4053 60 4054 85 4055 85 4056 85 4057 1000 4059 420 4060 70 4061 500 4062 988 4063 90 4066 45 4067 245 4068 25 4069 25 4070 25 4071 25	4072 25 4073 25 4075 25 4076 70 4077 25 4078 25 4081 25 4082 25 4083 180 4086 80 4089 125 4093 40 4094 70 4096 100 4097 275 4098 80 4099 110 4100 25 4161 98 4162 98 4163 98 4174 98 4175 98 4194 105 4408 850 4409 850 4410 850 4412 805 4415 590 4419 280 4422 770 4423 130 4435 850 4440 900 4450 360 4451 350 4452 450 4500 395 4501 40 4502 60 4503 40 4504 100 4505 350 4506 100 4507 45 4508 130 4510 55 4511 55 4512 55 4513 150 4514 115 4515 115 4518 55 4517 275 4519 50 4520 35 4521 115 4522 125 4526 60 4527 65 4528 70 4529 145 4530 90 4531 120 4532 85 4534 385	OPTO ELECTRONICS LEDs with clips TIL209 10 TIL211 GRN 14 TIL212 Yel 14 TIL220 2" Red 12 2" Green, Yellow or Amber 14 0.2" Bi colour 10 Red/Green 100p Green/Yellow 115p 0.2" Tri colour 104 Red/Green/Yellow 85 Hi-Brightness Red 58 4160 Yel 68 Yel 68 Flashing red 55 0.2" red 55 Square LEDs, Red 30 Green, Yellow 30 Rectangle Stackable LEDs Red, Green or Yellow 18 Triangular LEDs 22 Red 14 Green or yellow 22 LD271 Infra Red 48 SFH205 Detector 118 TIL32 infra Red 52 TIL78 Detector 55 TIL38 50 TIL100 75 BARGRAPH Red 10 segments 275 ISOLATORS IL74 145 ILD74 145 ILQ74 275 TIL111/2/4 70 ILC76 Darlington 135 TIL117 125 4N33 Photo 136 7 Segment Displays TIL312 3" CA 120 TIL313 3" CC 120 TIL321 5" CA 140 TIL322 5" CC 140 TIL729/730 140 DL704 3" CC 125 DL707 3" CA 125 FND357 Red 120 FND509 130 3" Green CA 150 3" Green CA 215 3 1/2" Red CA 150 3 1/2" Green CA 150 LCD 3 1/2 Digits 498 LCD 4 Digits 530 LCD 6 Digits 625 Reflective Switch 225 SL OTTED Optical Switch similar to RS Comp 295
--	---	---

TURNED PIN LOW PROFILE BT CONNECTOR

Professional DIL SOCKETS

8 pin	25p	LJU 1/4A	Mini Line Master	435
14 pin	40p	LJU 1/6A	Mini Line Slave	295p
16 pin	42p	LJU 2/4A	Line Master	370p
18 pin	47p	LJU 2/6A	Line Slave	250p
20 pin	60p	LJU 10/3A	Dual Splitter	550p
22 pin	70p	4 WAY	BT Plug	65p
24 pin	70p			
40 pin	120p			

COMPUTER CORNER

- EPSON RX80 Printer £209
- EPSON RX80 F/T Printer £219
- EPSON FX80 Printer £318
- EPSON FX100 Printer £429
- KAGA/TAXAN KP810 Printer £252
- KAGA/TAXAN KP910 Printer £339
- BROTHER MR15 Daisywheel £329

Cable for above printers to interface with BBC Micro £7

- TEX EPROM ERASER — Erases up to 25 Eproms. Has a built-in safety switch £30
- SPARE 'UV' Lamp Bulb £8
- C12 Computer CASSETTES in Library cases 35p
- 8 1/2" x 9 1/2" Fan Fold paper (1000 sheets) £7 (Carr. 150p)

[Security Carriage charge on printers is £7]
CALLINATORSHOPFORADEMONSTRATIONONANYOF THE ABOVE ITEMS. BE SATISFIED BEFORE YOU BUY OR WRITE IN FOR OUR DESCRIPTIVE MICRO PERIPHERALS LEAFLET.

DRIVES

DRIVES CASED with PSU & CABLES

- CS100 — Epson double sided 40 track 200K 5 1/4" Single disc drive £139
- CS400S — Mitsubishi Double sided 40 Track 400K 5 1/4" Single drive £145
- CD400 — EPSON Double sided 40 track 400K 5 1/4" TWIN disc drives £220
- CB000S — Mitsubishi double sided 80 track 800K 5 1/4" TWIN disc drives. £285
- DFS Manual (comprehensive) (NO VAT) £7
- TWIN Disc drive case with power supply to house your own drives. £38

NB! All single drives with power supply will be supplied in a twin case for later inclusion of a second Drive

N.B Carriage on Drives £7 securitor

SPECTRUM 32K UPGRADE

Upgrade your 16K Spectrum to full 48K with our RAM Upgrade Kit. Very simple to fit. Fitting instructions supplied. £22

BBC MICRO WORDPROCESSING PACKAGE

A complete wordprocessing package (which can be heavily modified to your requirements, maintaining large discount). We supply everything you need to get a BBC Micro running as a word-processor. Please call in for a demonstration

Example Package:
 BBC Micro, with DFS Interface, Wordwise, Twin 400K TEC Disc Drives, 12" High-res green monitor, Brother HR15 Daisywheel printer, Beebcalc & Database software on Disc, 10.3M Discs, 500 sheets of paper, 4 way mains trailing socket, manuals and all cables.

Only: £1,025

BBC & MICROCOMPUTER & ACCESSORIES

BBC Model B Only £299

We stock the full range of BBC Micro peripherals, Hardware & Software like, Disc Drives (Top quality Cumana & Mitsubishi), Diskettes, Printers, printer, Paper, Interface Cable, Dust Covers, Cassette Recorder & Cassettes, Monitors, Connectors (Ready made Cables, Plugs & Sockets), Plotter (Graphic Tablet) EPROM Programmer, Lightpen Kit, Joysticks, Sideways ROM Board, EPROM Eraser, Machinecode ROM. The highly sophisticated software's 16K BEEB DFS, WORDWISE, BEEB-CALC, FORTRESS (Educational Application & Games), BOOKS, etc. etc. Please send SAE for our description leaflet.

COMPUTER WAREHOUSE

1000's OF BARGAINS FOR CALLERS

THE 'ALADDIN'S' CAVE OF COMPUTER AND ELECTRONIC EQUIPMENT

RECHARGEABLE BATTERIES

Dry Fit Maintenance FREE by Sonnenschein. A300 07191315 12v 3 AH same as RS 591-770 NEW £13.95. A300 07191202 6-0-6 1.8 AH same as RS 591-382 EX EQUIP £4.99. Miniature PCB mount 3.6v 100 Mah as RS 591-477 NEW £1.00. SAFT VR2C 1.2v "C" size NICADS in 18 cell ex equipment pack. Good condition - easily split to single cells £10.50 + pp £1.90

HOT LINE DATA BASE

DISTEL ©

THE ORIGINAL FREE OF CHARGE dial up data base 1000's of stock items and one off bargains. ON LINE NOW - 300 baud, full duplex CCITT tones. 8 bit word, no parity

01-679 1888

Anderson Jacobson

AJ510 VIDEO DISPLAY TERMINAL



Made by one of the USA's largest peripheral manufacturers the AJ510 Professional VDU terminal has too many features to include in space available - just a few are: Internal Z80 cpu control, very readable 15" non glare green screen, 24 lines by 80 characters, 128 ASCII character set with lower case and graphics, standard RS232 interface, Cursor addressing, numeric key pad etc. Supplied in good TESTED second hand condition with full manual £225.00 + carr £10.00. Data sheet on request.

EX-STOCK INTEGRATED CIRCUITS

2732 ex equip £3.25, 2712B - 250ns NEW £12.00. 6116-200 £4.50, 6116-250 £3.95. 8264LP-150 £22.00, 4164-200 £3.50, 4864-150 £4.00, 4116-300, £1.20, 2114 £1.75, 6800 £2.50, 6821 £1.00, 68A09 £8.00, 68B09 £10.00, 68B09E £14.50, DB085AH-2 £12.00, DB086 £20.00, Z80A £22.99.

MAINS FILTERS

Cure those unnerving hang ups and data glitches caused by mains interference by mains interference SDSA As recommended by ZX81 news letter. matchbox size up to 1000 watt load £5.95 L2127 compact completely cased unit with 3 pin fitted socket Up to 750 watts £9.99

COOLING FANS

Keep your hot parts COOL and RELIABLE with our range of BRAND NEW professional cooling fans. ETRI 90XU01 Dim. 92 x 92 x 25 mm. Miniature 240 v equipment fan complete with finger guard. £9.95. GOULD JB-3AR Dim. 3" x 3" x 2.5" compact very quiet running 240 v operation. NEW £6.95. BUHLER 60.11.22. 8-16 v DC micro miniature reversible fan. Uses a brushless servo motor for extremely high air flow, almost silent running and guaranteed 10,000 hr life. Measures only 62 x 62 x 22 mm. Current cost £32.00. OUR PRICE ONLY £12.95 complete with data. MUFFIN-CENTAUR standard 4" x 4" x 1.25" fan supplied tested EX EQUIPMENT 240 v at £6.25 or 110 v at £4.95 or BRAND NEW 240 v at £10.50. 1000's of other fans Ex Stock. Call for Details. Post & Packing on all fans £1.60

A Major company's over production problems, and a special BULK PURCHASE enable TWO outstanding offers.

COLOUR MONITOR SPECIALS

'SYSTEM ALPHA' 14" Multi Input Monitor.

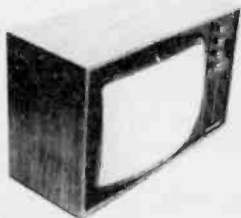
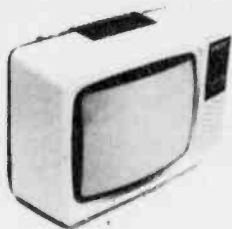
Made in the UK by the famous REDIFFUSION Co. for their own professional computer system this monitor has all the features to suit your immediate and future monitor requirements. Two types of video input, RGB and PAL Composite Video, allow direct connection to most makes of micro computers and VCR's. An internal speaker and audio amplifier may be connected to your system's output or direct to a VCR machine, giving superior colour and sound quality. Many other features include PIL tube, Matching BBC case colour, Major controls on front panel, Separate Contrast and Brightness - even in RGB mode, Two types of audio input Separate Colour and audio controls for Composite Video input, BNC plug for composite input, 15 way 'D' plug for RGB input, modular construction etc. etc.

This must be ONE OF THE YEAR'S BEST BUYS!!!

Supplied BRAND NEW and BOXED, complete with DATA and 90 day guarantee. SUPPLIED BELOW ACTUAL COST - ONLY £149.00 + Carr.

DECCA RGB 80-100 Monitor.

Little or hardly used manufacturer's surplus enables us to offer this special converted DECCA RGB Colour Video TV Monitor at a super low price of only £99.00, a price for a colour monitor as yet unheard of!! Our own interface, safety modification and special 16" high definition PIL tube, combine with the tried and tested DECCA 80/100 series chassis to give 80 column definition and picture quality found only on monitors costing 3 TIMES OUR PRICE. In fact, WE GUARANTEE you will be delighted with this product, the quality for the price has to be seen to be believed. Supplied complete and ready to plug direct to a BBC MICRO computer or any other system with a TTL RGB output. Other features include internal audio amp and speaker, Modular construction, auto degaussing 34 H x 24 D, 90 day guarantee. Supplied in EXCELLENT condition, ONLY £99.00 + Carr. Also available UN-MODIFIED but complete with MOD DATA. Only £75.00. Carriage and Insurance on monitors £10.00



BUDGET RANGE VIDEO MONITORS

At a price YOU can afford, our range of EX EQUIPMENT video monitors defy competition!! All are for 240v working with standard composite video input. Units are pre tested and set for up to 80 col use on BBC micro. Even where MINOR screen burns MAY exist - normal data displays are unaffected.

1000's SOLD TO DATE

12" KGM 320-321, high bandwidth input, will display up to 132 columns x 25 lines. Housed in attractive fully enclosed brushed alloy case. B/W only £32.95. 24" KGM large screen black & white monitor fully enclosed in light alloy case. Ideal schools, shops, clubs etc. ONLY £55.00 Carriage £10.00

DATA MODEMS

Join the communications revolution with our super range of DATA MODEMS with prices and types to suit all applications and budgets!! Most modems are EX BRITISH TELECOM and are made to the highest standard for continuous use and reliability. RS232 interfaces are standard to all our modems, so will connect to ANY micro etc. with an RS232 serial interface.

DATEL 2B see SPECIAL OFFER centre of this ad.

MODEM 13A, 300 baud. Compact unit only 2" high and same size as telephone base. Standard CCITT tones. CALL mode only. Tested with data. ONLY £45.00 + PP £4.50.

MODEM 20-1, 75-1200 baud. Compact unit for use as subscriber end to PRESTEL, MICRONET or TELECOM GOLD. Tested with data. £39.95 + PP £6.50.

MODEM 20-2, same as 20-1 but 1200-75 baud £99.00.

TRANSDATA 307A, 300 baud acoustic coupler. Brand new with RS232 interface. ONLY £49.95.

DACOM DSL2123 Multi Standard Modem. Switchable CCITT or USA BELL 103 standard V21 300-300, V23 75-1200, V23 1200-75 or 1200-1200 half duplex.

Auto answer via MODEM or CPU. CALL or ANSWER modes plus LED status indication. Dim 2.5" x 8.5" x 9". BRAND NEW fully guaranteed ONLY £268.00 + PP £4.50.

DATEL 2412 Made by SE LABS for BT this two part unit is for synchronous data links at 1200 or 2400 baud using 2780/3780 protocol. Many features include Auto answer, 2 or 4 wire working etc. etc. COST OVER £800. OUR PRICE £185.00.

DATEL 4800, RACAL MPS4800 high speed good condition £285.00 CARR £10.00

SPECIAL 300 BAUD MODEM OFFER

Another GIGANTIC purchase of these EX BRITISH TELECOM, BRAND NEW or little used 2B data modems allows US to make the FINAL REDUCTION, and for YOU to join the exciting world of data communications at an UNHEARD OF PRICE OF ONLY £29.95. Made to the highest POST OFFICE APPROVED spec at a cost of hundreds of pounds each, the 2B has all the standard requirements for data base, business or hobby communications. All this and more!!

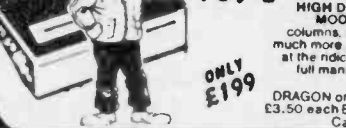
- 300 baud full duplex
- Full remote control
- CCITT tone standards
- Supplied with full data
- Modular construction
- Direct isolated connection
- CALL, ANSWER and AUTO modes
- Standard RS232 serial interface
- Built in test switching
- 240v Mains operation
- 1 year full guarantee
- Just 2 wires to comms. line

NOW ONLY £29.95

Order now - while stocks last. Carriage and Ins. £10.00

SAVE £250 SUPER PRINTER SCOOP

BRAND NEW CENTRONICS 739-2



ONLY £199

The "Do Everything Printer" at a price that will NEVER be repeated. Standard CENTRONICS parallel interface for direct connection to BBC, ORIC, DRAGON etc. Superior print quality with full pin addressable graphics and 4 type fonts plus HIGH DEFINITION internal PROPORTIONAL SPACED MODE for WORD PROCESSOR applications. 80-132 columns, single sheet, sprocket or roll paper handling plus much more. Available ONLY from DISPLAY ELECTRONICS at the ridiculous price of ONLY £199.00 + VAT Complete with full manual etc. Limited quantity - Hurry while stocks last. Options: Interface cable (specify) for BBC, ORIC, DRAGON or CENTRONICS 36 way pig £12.50. Spare ribbon £3.50 each BBC graphics screen dump utility program £8.60. Carriage and Ins. £10.00 + VAT

HUNDREDS OF PRINTERS EX STOCK FROM £49.00. Call Sales Office for Details.

1 only large CALCOMP 1036 AO 3 pen drum plotter and offline 915 magtape controller. Good working order. ADD VAT TO ALL PRICES £2500.00.

EX STOCK

DEC CORNER

PDP 1140 System comprising of CPU, 124K memory + MMU 16 line RS232 interface. RP02 40 MB hard disk drive. TU10 9 track 800 BPI Mag tape drive, dual rack system. VT52 VDU etc. Tested and running £3750.00

BA11-MB 3.5" Box PSU LTC £385.00

DH11-AD 16 x RS232 DMA interface £2100.00

DLV11-J 4 x EIA interface £310.00

DLVII-E Serial. Modem support £200.00

DUP11 Sych. Serial data i/o £650.00

DQ200 Dialog - multi RK controller £495.00

DZ11-B 8 line RS232 mux board £650.00

KDF11-B M8189 PDP 1123+ £1100.00

LA36 Decwriter EIA or 20 ma loop £270.00

LAX34-AL LA34 tractor-feed £85.00

MS11-JP Unibus 32 kb Ram £80.00

MS11-LB Unibus 128 kb Ram £450.00

MS11-LD Unibus 256 kb Ram £850.00

MSC480A Qbus (Equiv MSV11-L) 256 kb £499.00

PDP11/05 Cpu, Ram, i/o, etc. £450.00

PDP11/40 Cpu, 124k MMU £1850.00

RT11 ver. 3B documentation kit £70.00

RK05-J 2.5 Mb disk drives £650.00

KLBJA PDP 8 async i/o £175.00

MIBP PDP 8 Bootstrap option £75.00

VT50 VDU and Keyboard - current loop £175.00

VT52 VDU with RS232 interface £250.00

1000's of EX STOCK spares for DEC PDP8, PDP8A, PDP11 systems & peripherals. Call for details. All types of Computer equipment and spares wanted for PROMPT CASH PAYMENT.

DISPLAY ELECTRONICS

All prices quoted are for U.K. Mainland, paid cash with order in Pounds Sterling PLUS VAT. Minimum order value £2.00. Minimum Credit Card order £10.00. Minimum BONA FIDE account orders from Government Depts., Schools, Universities and established companies £20.00. Where post and packing not indicated please ADD £1.00 + VAT. Warehouse open Mon-Fri 9.30-5.30, Sat 10.30-5.30. We reserve the right to change prices and specifications without notice. Trade, Bulk and Export

32 Biggin Way, Upper Norwood, London SE19 3XF Telephone 01-679 4414 Telex 894502 Data 01-679 1888



DIGEST

TI Announce E-Beam Semi-Custom IC Service

Electronic Equipment manufacturers will soon be able to have small quantities of semi-custom ICs produced to their specific requirements at low cost and in about a third of the usual time. The service will be operated by Texas Instruments from their Bedford headquarters starting in the autumn and will use electron beam lithography, a technology which not previously been available commercially anywhere in the world.

TI will be supplying semi-custom chips based upon 3-micron single level HCMOS gate arrays. Customers will be able to design ICs on their own mini and micro computers using low-cost CAD packages supplied by Texas. Tested prototype ICs should be ready for delivery about two weeks after the design has been completed, a considerable improvement when compared with the six week period usually required by traditional procedures.

The electron beam system is faster because the circuit is literally carved out of a slice of silicon by a computer-guided beam.

This takes substantially longer than the usual photographic method, but the time and expense saved through not having to make an elaborate photographic mask more than makes up for this and there is the added advantage that even single chips can be produced economically. This will enable the facility to be used for prototyping as well as for low-volume production, and chips developed using the system can be transferred to standard fabrication plants for later mass production.

TI say that the introduction of this service will enable European electronics manufacturers to produce specialised equipment for low-volume markets and still make a profit. They hope that this will help to insulate the European industry from the problems of fluctuating demand and fierce price cutting which currently characterise the high-volume markets dominated by Japan and the USA.

Texas Instruments Ltd, Manton Lane, Bedford MK41 7PA, tel 0234 - 63211.



Liquid Crystal Shutter

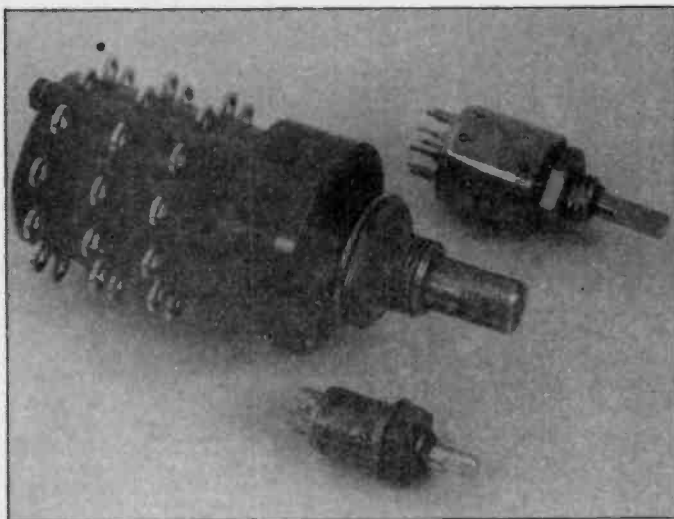
Epson have developed a liquid crystal display which is normally opaque but becomes transparent when activated. With a light placed behind it the unit combines all the advantages of LCDs with high brightness, and the manufacturers also expect it to find applications as a shutter in specialist cameras.

The display is known as the Black Shutter and uses a black dye which has very high light absorption qualities. This removes the need for the two polarisers found in conventional twisted nematic LCDs. The display has a contrast ratio of up to 25 to 1 and is available in two versions, one designed for use in cars which has a permitted temperature range of -30°C to

+80°C and the other designed for use in consumer goods and rated for use over the range -10°C to +60°C.

Conventional LCD displays offer low consumption but emit no light and have a restricted viewing angle. The back-lit Black shutter not only offers high brightness which allows it to be seen under any lighting conditions but also has a wide viewing angle and still uses little power. Epson anticipate applications in a wide range of consumer goods and in large indoor and outdoor display units such as those found at railway stations, airports, sports grounds, etc. The Black shutter is already being used both in the UK and in Japan for motor car instrumentation.

Epson (UK) Ltd, Dorland House, 388 High Road, Wembley, Middlesex HA9 6UH, tel 01-902 8892.



Enclosed Rotary Switches

Dean Electronics have introduced a range of rotary selector switches which are fully enclosed and can be sealed to provide protection from water, con-

taminants and most solvents. They are available in three sizes in a wide variety of contact arrangements and the manufacturers claim that they all meet or exceed the

relevant military specifications.

The 3600 series switches are the largest in the new range at 1" diameter and are available with from one to six poles and from four to twelve ways. The indexing varies with the number of positions, being either 30°, 36°, 45°, 60° or 90°. The positions are thus spaced evenly around the rotation of the switch and an adjustable end-stop is not necessary.

The 1800 series switches are 0.5" in diameter and are single pole with from two to sixteen ways. Three different indexing angles are available and they can be supplied with or without adjustable end-stops.

The smallest switches in the range are the 1500 series at 0.32" in diameter. They are available with two different indexing angles and have fixed end-stops. A number of switching arrangements can be accommodated and a printed circuit disc in the base of the switch allows BCD and other coding systems to be implemented.

All three sizes in the range have self-cleaning roller bearing contacts for high current carrying capacity and pure silver contacts to give low resistance. Hardened steel sprockets and ball bearing detent mechanisms ensure a positive detent action and the rotors and stators are moulded from diallyl phthalate thermosetting plastic to give excellent electrical and mechanical properties. The manufacturers claim a mechanical life in excess of 100,000 cycles.

The switches meet or exceed the applicable MIL-S-3768, Style SR20 requirements and can be supplied with an internal seal to provide full protection in harsh environments. They are expected to find applications in military equipment, in aircraft and in commercial fields such as industrial controls and medical electronics.

Dean Electronics Ltd, Glendale Park, Fernbank Road, Ascot, Berkshire SL5 8JB, tel 0344 - 885 661.

Rapid Electronics

MAIL ORDERS:
 Unit 1, Hill Farm Industrial Estate,
 Boxed, Colchester, Essex CO4 5RD.
 Tel. Orders: Colchester (0206) 36412.
 Telex: 987756.

ACCESS AND BARCLAYCARD WELCOME

MIN. D CONNECTORS

9 way	15 way	25 way	37 way
Plugs solder lugs 55p	66p	90p	150p
Right angle 90p	135p	200p	350p
Sockets solder lugs 80p	100p	135p	260p
Right angle 120p	160p	290p	420p
Covers 100p	90p	100p	110p



SOLDERING IRONS

Antex CS 17W Soldering iron 2.3 and 4.7mm bits to suit	43p
Antex FS 25W soldering iron 3.3 and 4.7mm bits to suit	85p
Solder pump desoldering tool	480p
Spare nozzle for above	70p
10 metres 22 swg solder	100p
0.5kg 22 swg solder	750p

CONNECTORS

01N Plug 5kt Jack Plug 5kt	2 pin 9p	9p	2.5mm 9p	10p
3 pin 12p	10p	3.5mm 9p	10p	
5 pin 13p	11p	Standard 16p	20p	
Phono 10p	12p	Stereo 24p	25p	
1mm 12p	13p	4mm 18p	17p	
UHF (CB) Connectors:				
PL259 Plug 40p, Reducer 14p				
SO239 square chassis skt 38p				
SO239S round chassis skt 40p				
IEC 3 pin 250V/6A				
Plug chassis mounting	38p			
Socket free hanging	60p			
Socket with 2m lead	120p			

SWITCHES

Submit toggle	
SPST 50p, SPDT 60p, DPDT 65p	
Miniature toggle	
SPDT 80p, SPDT centre off 90p	
DPDT 90p, DPDT centre off 100p	
Standard toggle:	
SPST 35p, DPDT 48p	
Miniature DPDT slide 14p	
Push to make 15p	
Push to break 22p	
Rotary type adjustable stop:	
1P12W, 2P6W, 3P4W all 55p each	
DIL switches:	
4SPST 80p, 6SPST 80p, 8SPST 100p	
Min. DPDT slide 14p Push make 15p	

SOCKETS

8 pin	7p	Wire-wrap 20p
14 pin	8p	45p
16 pin	10p	55p
18 pin	12p	60p
20 pin	13p	68p
22 pin	15p	75p
24 pin	17p	82p
28 pin	19p	95p
40 pin	25p	135p
Professional ZIP sockets:		
24 pin 43p		28 pin 48p
40 pin 59p		

MICRO

27128-250	650	6800	200	6522	330
6116P3	310	6802	280	6532	520
6264P15	850	6809	600	6551	540
4164-15	300	6810	140	8085A	320
41256-15	920	6821	140	8156	360
41256-15	2850	6840	360	8251	350
Z80A CPU	290	6850	165	8253	370
Z80A P10	320	6852	240	8255	320
Z80A CTC	320	6875	500	8259	400
Z80A S10	880	6880	100	MC1488	70
Z80A DMA	880	6502	370	MC1489	70

COMPONENT KITS

0.25W Resistor Kit. Contains 1000 0.25W 5% resistors from 4.7 ohms thru to 10M. Quantities depend upon popularity i.e. 10x10R, 30x470R, 30x10K, 25x470K. Just £7.90
 Ceramic capacitor Kit. Total of 250 miniature ceramic capacitors from 22pF to 0.1µF. Just £6.90
 Polyester capacitor Kit. Total of 110 miniature polyester capacitors from 0.01µF to 0.47µF. Just £6.90
 Preset Kit. Total of 110 miniature preset resistors from 100R to 1M. Horizontal mounting type. Just £6.90
 Radial Electrolytic Capacitor Kit. A pack containing a total of 93 miniature caps from 1µ to 2200µ. Just £7.50
 Nut and Bolt Kit. Contains 800 assorted items. 100 each 6BA 1/4", 1/2", 3/4", 1", 1 1/2", 2", 2 1/2", 3", 3 1/2", 4", 4 1/2", 5", 5 1/2", 6", 6 1/2", 7", 7 1/2", 8", 8 1/2", 9", 9 1/2", 10", 10 1/2", 11", 11 1/2", 12", 12 1/2", 14", 16", 18", 20", 22", 24", 26", 28", 30", 32", 34", 36", 38", 40", 42", 44", 46", 48", 50", 52", 54", 56", 58", 60", 62", 64", 66", 68", 70", 72", 74", 76", 78", 80", 82", 84", 86", 88", 90", 92", 94", 96", 98", 100". Just £3.20

LINEAR

IC7611	98	LM358	50	LM3915	265	NE567	130	TA1024	115	
ICL7621	190	LM370	210	LM1360C	110	NE570	370	TLO61	40	
555CMOS	80	LM380	80	MC1310	150	NE571	370	TLO62	65	
556CMOS	150	LM391	150	MC1496	70	NE5532	160	TLO64	105	
709	35	LM382	130	MC1497	75	NE555A	105	TLO71	38	
741	16	LM384	140	MC3340	130	RC4165	65	TLO72	60	
748	35	LM386	90	MC3902	30	RC4558	40	TLO74	110	
AY31270	720	LM387	120	ML922	390	SL486	195	TLO81	30	
AY38910	490	LM393	60	ML924	290	SL490	220	TLO82	50	
AY38912	330	LM399	48	ML925	290	SN76018	150	TLO84	105	
CA3045	65	LM711	60	ML927	210	SN76477	380	TL170	50	
CA3080E	65	LM725	75	ML928	210	SP8229	250	ZA2240	40	
CA3089	200	LM733	70	ML928	210	SP8262A	1245	XLN2003	80	
CA3090A/375	LM301A	30	LM741	16	ML929	210	Speech data	50	XLN2004	80
CA3130E	85	LM311	45	LM747	60	NE529	225	TBABC0	70	
CA3140E	85	LM318	135	LM748	35	NE531	135	TBA810	90	
CA3160	95	LM324	45	LM748	35	NE544	170	TBA820M	65	
CA3136	100	LM324Z	85	LM748	35	NE555	20	TBA950	220	
CA3189	260	LM335Z	125	LM748	35	NE566	45	TCA940	165	
CA3240E	100	LM339	40	LM748	35	NE565	115	TDA1024	300	
ICL7106	680	LM348	60	LM3914	285	NE566	140	TDA1022	490	

TRANSISTORS

AC125	35	BC158	11	BC558		2N1613	30	2N3906	10
AC126	30	BC158	10	BC557		2N4017	45	2N4017	45
AC127	30	BC159	10	BC557		2N4018	45	2N4018	45
AC128	30	BC160	40	BC557		2N4019	45	2N4019	45
AC176	25	BC158C	10	BC557		2N4020	45	2N4020	45
AC187	25	BC169C	10	BC557		2N4021	45	2N4021	45
AC188	25	BC170	8	BC557		2N4022	45	2N4022	45
AD142	120	BC171	8	BC557		2N4023	45	2N4023	45
AD161	42	BC172	8	BC557		2N4024	45	2N4024	45
AD162	42	BC177	8	BC557		2N4025	45	2N4025	45
AF124	60	BC178	16	BC557		2N4026	45	2N4026	45
AF126	50	BC179	18	BC557		2N4027	45	2N4027	45
AF139	40	BC182	10	BC557		2N4028	45	2N4028	45
AF186	70	BC182L	10	BC557		2N4029	45	2N4029	45
AF239	55	BC183	10	BC557		2N4030	45	2N4030	45
BC107	12	BC183L	10	BC557		2N4031	45	2N4031	45
BC108	12	BC184	10	BC557		2N4032	45	2N4032	45
BC108B	12	BC194L	10	BC557		2N4033	45	2N4033	45
BC108C	12	BC212L	10	BC557		2N4034	45	2N4034	45
BC109	12	BC213	10	BC557		2N4035	45	2N4035	45
BC109C	12	BC214	10	BC557		2N4036	45	2N4036	45
BC112	22	BC217	7	BC557		2N4037	45	2N4037	45
BC117	22	BC217	7	BC557		2N4038	45	2N4038	45
BC119	35	BC238	7	BC557		2N4039	45	2N4039	45
BC137	40	BC308	10	BC557		2N4040	45	2N4040	45
BC139	38	BC327	8	BC557		2N4041	45	2N4041	45
BC140	29	BC328	8	BC557		2N4042	45	2N4042	45
BC141	30	BC337	8	BC557		2N4043	45	2N4043	45
BC142	28	BC338	12	BC557		2N4044	45	2N4044	45
BC143	30	BC347	22	BC557		2N4045	45	2N4045	45
BC147	10	BC478	22	BC557		2N4046	45	2N4046	45
BC148	10	BC479	22	BC557		2N4047	45	2N4047	45
BC149	10	BC479	22	BC557		2N4048	45	2N4048	45
BC151	11	BC547	5	BC557		2N4049	45	2N4049	45

VERO

Verobloc	395
Veroboard Size 0.1 in matrix	
2.5 x 1	26
2.5 x 3.75	95
3.75 x 5	120
3.75 x 17	350
4.75 x 17	450
V.O board	195
Veroboard per 100	
Single sided	55
Double sided	65
Spot face cutter	145
Pin insertion tool	185
Wiring pen	375
Spare spool 75p	Combs

CABLES

20 metre pack single core connecting cable ten different colours. 75p
Speaker cable 10p/m
Standard screened 16p/m
Twin screened 24p/m
2.5A 3 core mains 26p/ft
10 way rainbow ribbon 23p/m
10 way rainbow ribbon 47p/ft
10 way grey ribbon 14P/ft
10 way grey ribbon 28p/ft

REGULATORS

78L05	30	79L05	45
78L12	30	79L12	45
78L15	30	79L15	45
7805	40	7905	45
7812	40	7912	45
7815	45	7915	45
LM317K	270	LM723	40
LM317T	90	78H05	550
LM323K	420		

DIODES

BY127	12	1N4002	5
0A47	10	1N4006	7
0A90	8	1N4007	7
0A91	7	1N5401	12
0A200	8	1N5404	16
0A202	8	1N5406	17
1N914	4	400MzWzn	6
1N4148	3	1.3W zeners	13

OPTO

3mm red	8	5mm red	8
3mm green	11	5mm green	11
3mm yellow	11	5mm yellow	11
Clips to suit - 3p each.			
Rectangular:			
red	12	TIL111	60
green	17	TIL78	40
yellow	17	OP2	85
IL074	95	LO74	185
TIL38	35	TIL100	75
2N5777	45	Tricolor Led	35
Seven segment displays:			
Com cathode.		Com anode.	
DL704 0.3"	95	DL707 0.3"	95
FDN5005 0.5"	100	FDN5070 0.5"	100
10 bar DIL LED display.	red	180	
5mm super bright LED 250mcd	red 30		

HARDWARE

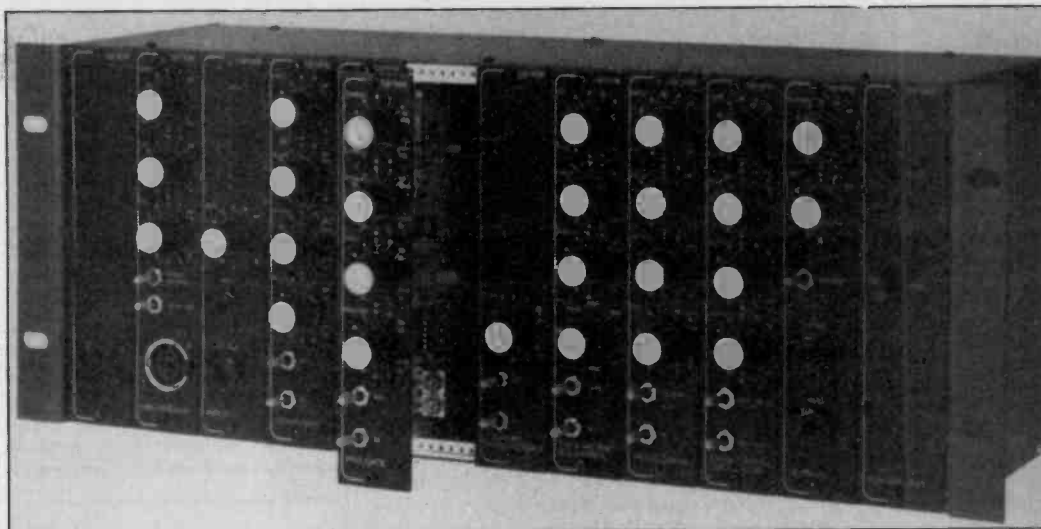
PP3 battery clips	6
Red or black crocodile clips	6
Black pointer control knob	

Modular Audio Processing System

Tanrak is a 19" subrack assembly which accepts a range of plug-in audio processing and effects modules. It is aimed at musicians, smaller studios and others on a tight budget, allowing a system to be built up gradually as finances allow, and to reduce costs still further the rack and modules are available in kit form.

Eight modules are currently available, a compressor/limiter, a parametric equaliser, a multi-delay unit which can be used for chorus and other effects, a noise gate, a dynamic filter, a modulation oscillator and input and output modules. Other modules are promised including an infinite flanger and a microphone preamplifier. The modules slot in to a 4U (7") high 19" subrack which can house up to eleven of them plus a DC power supply.

The system is designed so that signals enter the system via a front panel jack on the input module, are processed by switching in and adjusting other modules as required, and then leave via another front panel jack on the output module which also has a headphone monitor socket. When used in this way the system can



handle mono signals only, but each module has a series of jack sockets which protrude through the rear of the subrack and can be used as a patchbay to permit stereo and other arrangements in which modules handle different signals. The noise gate, noise filter and compressor limiter are stereo modules so only one of each would be needed for stereo operation. Other units would have to be used in pairs.

The modules all have a high specification and have been optimised for operation at -10dBv, although all will work quite happily at 0dBm. The power supply provides $\pm 12V$ DC at 500mA which is also available via a DIN socket on the rear

panel to drive other equipment or a slave rack should eleven modules not be sufficient. The socket can also be used to plug in a supply from an external power unit.

The modules have black anodised front panels with orange lettering and matching knobs and switches. The aluminium subrack has a textured stove finish and can be supplied with a matching set of metal cover plates if it is to be used free standing. Blanking panels are available to cover unused module positions.

The subrack costs £47.95 ready built (backplane assembled but supplied flat ready for screwing together) or £33.95 in kit form. The power unit costs £42.95

ready built or £33.95 in kit form and the other modules range in price from £46.95 ready built for the input and output models (£32.95 in kit form) up to £110.95 for the multi-delay unit (£79.95 in kit form). All prices include VAT and postage. For those who are little worried about tackling kit construction, the manufacturers also offer a get-it-going service which will repair any faults on a completed kit for a standard charge of 20% of the kit price.

For more information and detailed specifications of the various modules, contact Tantek Services, Enterprise House, Elder Way, Stevenage, Hertfordshire SG1 1TL, tel 10438 - 726155.



Budget Sound Level Meter

Testing for compliance with noise legislation requires expensive Type 1 sound level meters, but there are many applications where the sophistication of such instruments is unnecessary. With this in mind, Castle Associates have introduced a general purpose noise meter which is designed to offer accurate, repeatable noise measurements at low cost.

The GA301 Noise Survey Meter is a Type 3 instrument which covers the range 35-130 dB(A) in 10dB steps. The result is displayed on an analogue meter and a switch selects either fast or slow response. The specification exceeds the requirements of British Standard 5969 for Type 3 sound level meters and also meets or exceeds the requirements of the equivalent foreign standards.

Suggested applications for the GA301 include the balancing of noise levels in different areas covered by large public address systems and demonstrations of the physics of noise in schools and

other educational institutions. The meter could also be used to make initial surveys of noisy environments and for routine checking in factories, etc, allowing expensive Type 1 meters to be used only where there are definite grounds for suspecting a breach of the regulations. Any occupied area providing a reading within 3dB of the accepted limit (usually 90 dB(A) in this country) should be considered suspect and checked with a Type 1 instrument.

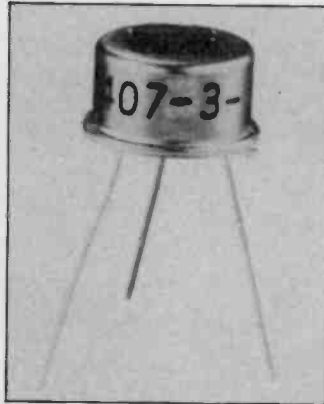
The GA301 is housed in a steel case which measures 175 x 54 x 60mm. A calibration unit is also available. As a special introductory offer, Castle Associates are offering a kit which consists of the GA301, the calibrator and accessories in a small attache for £135.00, the usual cost of the meter and the calibrator alone.

Castle Associates Ltd, Salter Road, Cayton Low Road Industrial Estate, Scarborough, North Yorkshire YO11 3UZ, tel 0723 - 584250.

Thermally Compensated Infra-Red Detector

Eltec Instruments have developed a pyroelectric infrared detector with a unique crystal arrangement which compensates for unwanted signals generated by fluctuations in the ambient temperature of the detector housing itself.

The Model 407 consists of two lithium tantalate sensing elements and a JFET source follower housed in a standard TO-5 transistor package with optical filter. One centrally located active sensing element is exposed to infra-red radiation entering through the detector optical filter window while the second compensating element is shielded from outside radiation. The elements are connected electrically in a parallel opposed configuration which produces cancellation of signals received by both as a result of



thermal changes in the detector housing.

The 407 has an optical bandwidth of 1.5 to 1000µm and an operating voltage range of 3-15V. The recommended operating temperature range is -10° to +50°C. Eltec say the device will allow reliable sensing in applications where temperature fluctuations previously presented a problem, and expect the 407 to be used in industrial control systems, infra-red telescopes and robotics as well as in a number of other applications.

Eltec Instruments Sa, Neugutstrasse 4, 8304 Wallisellen, Zurich, Switzerland.

Instant Thermal Joints

Charcroft Electronics are distributing a thermal jointing film which can be used instead of liquid thermal compound when assembling power semiconductors onto heatsinks. The film is coated on each side with a compound which remains solid at room temperature but turns to a liquid when heated, thus wetting the thermal joint each time the equipment is operated.

Charcroft claim that Crayotherm offers a high electrical resistance combined with a high thermal conductivity and that it avoids the mess and contamination

associated with liquid compounds. Unlike conventional elastomeric insulators, Crayotherm will not harden with time and component failure caused by reduced heat dissipation across the joint is eliminated.

The film can be supplied in roll or sheet form or pre-cut to fit popular semiconductor packages such as T03, T036, T066 and D04. Charcroft say they will gladly supply free samples to readers.

Charcroft Electronics Ltd, Charcoft House, Sturmer, Haverhill, Suffolk CB9 7XR, tel 0440 - 705700.

● Electrovalue have issued the June 1985 edition of their mail-order catalogue which remains valid until the end of September. The new catalogue has 48 A5 pages, four more than the previous issue, and includes an expanded range of test gear as well as other new lines and all the usual items. Electrovalue Ltd, 28 St. Judes Road, Englefield Green, Egham, Surrey TW20 0HB, tel 0784 - 33603.

● Impectrom are distributing a full-colour, 14-page, A4 catalogue from Sharp which describes their range of LEDs. The catalogue provides full technical information on over 500 LED indicators, arrays, backlights and alphanumeric and symbolic displays, and copies are available free-of-charge from Impectrom Ltd, Foundry Lane, Horsham, West Sussex RH13 5PX, tel 0403 - 50111.

FREE CAREER BOOKLET

Train for success, for a better job, better pay!

Enjoy all the advantages of an ICS Diploma Course, training you ready for a new, higher paid, more exciting career.

Learn in your own home. In your own time, at your own pace, through ICS home study, used by over 8 million already!

Look at the wide range of opportunities awaiting you. Whatever your interest or skill, there's an ICS Diploma Course there for you to use.

Send for your FREE CAREER BOOKLET today — at no cost or obligation at all.

GCE

Choose from over 40 'O' and 'A' level subjects.

COMPUTER PROGRAMMING <input type="checkbox"/>	CAR MECHANICS <input type="checkbox"/>
BOOK-KEEPING & ACCOUNTANCY <input type="checkbox"/>	INTERIOR DESIGN <input type="checkbox"/>
POLICE ENTRANCE <input type="checkbox"/>	HOTEL MANAGEMENT <input type="checkbox"/>
ELECTRONICS <input type="checkbox"/>	COMMERCIAL ART <input type="checkbox"/>

Please send FREE DETAILS for the courses ticked above.

Name _____

Address _____

P. Code _____

ICS

Dept. EB565, 312/314 High Street, Sutton, Surrey SM1 1PR. Tel: 01-643 9568/9 or 041-221 2926 (both 24 hours)

You can depend on

ELECTROVALUE

to supply the fine range of test & measurement gear by

thandar

Made in U.K.

FREE 44 PAGE PRICED AND ILLUSTRATED CATALOGUE ON REQUEST

● Over 6000 items stocked

- counters
- multimeters
- scopes
- signal generators etc.

ELECTROVALUE LTD 28 St. Jude's Road, Englefield Green, Egham, Surrey TW20 0HB Phone Egham (0784) 33603. Telex 264475 North Branch, 680 Burnage Lane, Manchester M19 1NA Telephone 061 432 4945 Please mention this publication when replying

BRITAINS FOREMOST QUALITY COMPONENT SUPPLIERS



Aid For People With Speech Impairments

Claudivs Converse is a speech synthesiser which can produce words, phrases and even sentences at the touch of a button. It has been developed by British Telecom to help people who cannot speak, and can be used both on its own and in conjunction with a telephone.

Claudivs stands for Calling Line Announcements Using Digitally Integrated Voice Synthesis, but is also named after the Roman emperor who had a speech defect. Up to 64 phrases selected by the user are recorded and then stored in digital form in the machine. This allows it to reproduce both male and female speech and to cope with any language.

A built-in loudspeaker allows Claudivs to be used on its own for normal conversations but it can also be directly connected to a telephone line. When so connected, four red buttons provide instant dialling of ambulance and other emergency service numbers and a message including the caller's home address is automatically sent.

About 120 of the units are already in use by BT customers and more are on the way at a cost of about £250.00 each. One of the first users of the device is Beattie Brooks of Littlehampton, Sussex, who lost her voice after a throat operation two years ago. In spite of her disability she is the local secretary for the RSPCA and raises money for them by making soft toys. Many of the phrases recorded on her machine were chosen in conjunction with a speech therapist to help her in this work.

British Telecom PLC, 81 Newgate Street, London EC1A 7AJ, tel 01-356 6591.

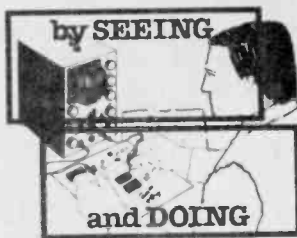
Does not having your own mains adaptor make you blue, are you red with rage because your adaptor doesn't work or just green with envy because your friend's does? Then despair no longer, for First Castle Components have launched a range of low voltage mains adaptors in colours to suit your every mood. Whether they

will also match your every equipment we do not know because the press release doesn't contain much technical information, but if you write to First Castle Components Ltd, 263 Church Road, Thundersley, Essex S57 4QN, they'll probably give it to you in black and white.

KITS		OPTO		LED CLIPS		LINEAR ICs			
CT1000KB* Cock/Timer	17.40	3mm red	9	5mm red	9	555	21	ML927	1.80
CT6000*† Programmable Timer	39.00	3mm green	12	5mm green	12	556	40	ML928	1.80
XX114 Relay Kit for above	3.90	3mm yellow	12	5mm yellow	12	741	22	ML929	1.80
XX101 Electronic lock	11.50	Rectangular square arrow or triangular Mat label				748	30	MM74C911	5.50
XX102* 3 Note Door Chime	5.50	Red 15	Green 18	Yellow 18		AD590	3.30	MM74C915	96
XX104 Solid State Switch	2.40	Bicolour	65	Flashing Red	50	AY38910	3.90	MM74C922	4.50
XX112 Mains Wiring Remote Control	42.00	Tricolour	32	Continuous	55	CA3080	65	MM74C926	4.90
XX113 MW Radio	5.50	Round	45			CA3130	85	NE567	1.25
XX126 OVM/Thermometer	15.50	Rectangular	45			CA3140	40	SS668	2.20
OL1000K 4 Ch Light Chaser	15.95	IL74TIL111	55	MOC3020	1.10	ICL7107	9.00	SS760	2.50
OL2100K 4 Ch Light Chaser	8.95	ILQ74	1.70	MOC3040	1.50	ICL7126	8.00	SAB0529	3.20
DLA11 Opto Input for above	7.00	DRP12	75	MEL11	35	ICM7555	55	SAB0600	2.50
DL3000K 3 Ch sound to light	12.95	Seven Segment LED Displays				ICM8038	3.10	SL440	1.85
TD300K† 300W Touchdimmer	7.75	DL704 3 cc	75	4 Dig 16' cc		LF351	40	SL441	1.35
TS300K† 300W Touchswitch	7.75	FN0500 5 ca	85	DIRECT DRIVE		LF353	70	SL486	1.85
LD300K† 300W Lightdimmer	3.95	FN0507 5 ca	85	Display	7.00	LF356	80	SL490	2.05
TDR300K† IR Remote Controlled Lightdimmer	14.95	400V TRIACS				LM324	50	SP0256	4.15
MK6* IR Transmitter for TDR300K & MK7	4.50	4A	49	8A	58	LM334Z	85	TBA800	70
TOEIK† Touchdimmer Evt	2.50	8A isolated	65	12A	85	LM335Z	1.20	TBA810AS	90
TSA300K† Time Delay Touch Switch (300W)	5.00	25A	2.10	85	95	LM339	40	TDA1024	1.20
MK1 Thermostat	4.60	8A sensitive	66	Dac	18	LM348	55	TDA4290	1.90
MK2 Solid State Relay	2.60	SPECIAL OFFERS				LM358	48	TLO61	70
MK4 Proportional Temperature Controller	6.50	2716	3.10	280A PIO	1.99	LM382	1.20	TLO62	42
MK5 Mains Timer	4.50	2732	3.20	280A CPU	1.99	LM381	1.40	TLO64	1.30
MK7 Single channel IR Receiver (240V)	10.50	2764	4.20	6821	1.40	LM382	1.10	TLO71	45
MK9 4 way Keyboard	1.90	27128 7.50 !!				LM386	88	TLO72	70
MK10 16 way Keyboard	5.40	COMPONENT PACKS				LM1035	3.95	TLO74	1.30
MK11 10 channel 1-3 analogue opto IR Receiver	13.50	1 650 Resistors 17R 10M			4.00	LM1058	34	TLO81	35
MK12 16 channel IR Receiver	13.50	2 40 16V Electrolytics 10 1000µF			1.25	LM1917	1.90	TLO82	48
MK13 11 way Keyboard	4.35	5 per value				LM3900	68	TLO84	1.00
MK14 AC Power Controller	5.20	3 50 - Polyester Capacitors				LM3909	80	TL170	50
MK15 Dual Latched SS Relay	4.50	0 01 1µF 250V 5 values				LM3911	1.75	TL507C	1.20
MK16 Mains-powered IR Transmitter	3.50	4 45 Presets 100R 1M			5.55	LM3914	2.85	TMS1121	8.50
MK17 Single channel IR Receiver (12V)	10.50	5 30 Low Profile IC Sockets			3.00	LM3915	2.85	TMS1601	9.50
MK18 Coded IR Transmitter	6.80	6 14 & 16 pin			2.40	LM13600	1.10	UA2240	1.45
MK19 DC Controlled Audio Amplifier	10.70	6 25 Red LEDs (5mm)			1.75	LS7210	4.75	ULN2003	75
*Includes box. †Includes frontpanel. All kits include PCBs, components and assembly instructions. For further details send S.A.E.		We stock: VERD, VELLEMAN KITS, PANTEC KITS, ANTEX IRONS, BOOKS FROM BABAM, T.I. AND ELEKTOR.		NOW IN STOCK		SP0256A12 4.15			

Master Electronics - Microprocessors - Now! The Practical Way!

- Electronics - Microprocessors - Computer Technology is the career and hobby of the future. We can train you at home in a simple, practical and interesting way.
- Recognise and handle all current electronic components and 'chips'.
- Carry out full programme of experimental work on electronic computer circuits including modern digital technology.
- Build an oscilloscope and master circuit diagram.
- Testing and servicing radio - T.V. - hi-fi and all types of electronic/computer/industrial equipment.



New Job? New Career? New Hobby?

SEND THIS COUPON NOW.

FREE! COLOUR BROCHURE
Please send your brochure without any obligation to

OR TELEPHONE: US 062 687 2598
OR TELEX 22758 (24 HR SERVICE)

I am interested in

ELECTRONICS

MICROPROCESSORS

RADIO AMATEUR LICENCE

CITY & GUILDS EXAMS

Other Subjects

British National Radio & Electronics School P.O. Box 7, Tighmouth, Devon, TQ14 0HS

BBC Micro Computer System

ACORN COMPUTER SYSTEMS

BBC Model B Special offer.....	£300 (a)
BBC Model B+Econet.....	£335 (a)
BBC Model B+DFS.....	£346 (a)
BBC Model B+DFS +Econet.....	£399 (a)
UPGRADE KITS	
A to B Upgrade Kit.....	£85 (d)
DFS Kit.....	£95 (d)
Econet Kit.....	£55 (d)
Speech Kit.....	£47 (d)
ACORN ADD-ON PRODUCTS	
Z80 2nd Processor.....	£348 (a)
6502 2nd Processor.....	£175 (a)
Teletext Adaptor.....	£190 (b)
IEEE Interface.....	£282 (b)
Prestel Adaptor.....	£99 (b)
RH Light pen.....	£39.50 (c)

BBC FIRMWARE

1.2 Operating System.....	£7.50 (d)
Basic II ROM.....	£22.50 (d)
View Word Processor ROM.....	£48.00 (c)
Wordwise.....	£34.00 (d)
BCPL ROM/Disc.....	£52.00 (b)
Disc Doctor/Gremlin Debug ROM.....	£28 (d)
EXMON/TOOL KIT ROM.....	£28 ea (d)
Printmaster (FX80)/Graphics ROM.....	£28 ea (d)
ULTRACALC spreadsheet ROM.....	£89 ea (c)

COMMUNICATION ROM

Termi Emulator.....	£28 (d)
Communicator.....	£59 (d)
Commstar.....	£29 (d)

TORCH UNICON products including the IBM Compatible GRADUATE in stock
For detailed specification on any of the BBC Firmware/Peripherals listed here
or information on our complete range please write to us.

PRINTERS

EPSON

RX80FT £225 (a) RX80T £215 (a) FX80 £315 (a) FX100 £435 (a)

KAGA TAXAN

KP 810 (80col) £255 (a) KP910 (156col) £349 (a)
JUKI 6100 £325 (a) BROTHER HR15 £325 (a)

ACCESSORIES

32K Internal Buffer Parallel £99 (b)

EPSON

Serial Interface: 8143 £28 (c); 8148 with 2K £59 (c)
Paper Roll Holder £17 (d); FX80 Tractor Attachment £37 (c)
Ribbons: FX/RX/MX80 £5 (d) FX/RX/MX100 £10 (d)
RX/FX80 Dust Cover £4.50 (d)

KAGA TAXAN

RS232 with 2K Buffer £85 (c) KP810/910 Ribbon £6.00 (d)

JUKI 6100

RS232 with 2K Buffer £65 (c) Ribbon £2.50 (d)
Tractor Attachment £99 (a) Sheet Feeder £180 (a)
BBC Parallel Lead £7 (d) Serial Lead £7 (d)
2000 Sheets Fanfold Paper with extra fine perforation
9.5" x 11" £13 (b) 14.5" x 11" £17.50 (b)
Labels per 1000's; single row 3 1/2" x 17 1/16" £5.25 (d)
Triple Row 27 1/16" x 17 1/16" £5 (d)

MODEMS

— All modems listed below are BT approved

MIRACLE WS2000:

The ultimate world standard modem covers all common BELL and CCITT standards up to 1200 Baud. Allows communication with virtually any computer system in the world. The optional AUTO DIAL and AUTO ANSWER boards enhance the considerable facilities already provided on the modem. Mains powered £129 (b), Auto Dial Board/Auto Answer Board £30 (c) each. (awaiting BT approval) Software lead £4.50.

BUZZ BOX:

This pocket sized modem complies with V21 300/300 Baud and provides an ideal solution for communications between users, with main frame computers and bulletin boards at a very economic cost. Battery or mains operated, £62 (c). Mains adaptor £8 (d).

BBC to Modem data lead £7.

TORCH UNICON products including the IBM Compatible GRADUATE in stock
For detailed specification on any of the BBC Firmware/Peripherals listed here
or information on our complete range please write to us.

GANG OF EIGHT INTELLIGENT FAST EPROM COPIER

Copies up to eight eproms at a time and accepts all single rail eproms up to 27256. Can reduce programming time by 80% by using manufacturer's suggested algorithms. Fixed Vpp of 21 & 25 volts and variable Vpp factory set at 12.5 volts. LCD display with alpha moving message. £395 (b).

SOFTY II

This low cost intelligent eprom programmer can program 2716, 2516, 2532, 2732, and with an adaptor, 2564 and 2764. Displays 512 byte page on TV — has a serial and parallel I/O routines. Can be used as an emulator, cassette interface. Softy II..... £195 (b)
Adaptor for 2764/2564. £25.00 (c)

UV ERASERS

All erasers with built in safety switch and mains indicator.
UV1 B erases up to 6 eproms at a time..... £47 (c)
UV1 T as above but with a timer..... £59 (c)
UV1-40 erases up to 14 eproms at a time..... £88 (b)
UV141 as above but with a timer..... £71 (b)

I.D. CONNECTORS

(Speedlock Type)			
No of ways	Header	Recept	Edge Conn.
10	90p	85p	120p
20	145p	125p	195p
26	175p	150p	240p
34	200p	180p	320p
40	220p	190p	340p
50	235p	200p	390p

D CONNECTORS

No of Ways 9 15 25 37

MALE:			
Ang. Pins	120	180	230 350
Solder	60	85	125 170
IDC	175	275	325 -

FEMALE:			
St Pin	100	140	210 380
Ang. pins	160	210	275 440
Solder	90	130	195 290
IDC	195	325	375 -
St Hood	90	95	100 120
Screw	130	150	175 -
Lock			

TEXTOL ZIF

SOCKETS	
28-pin	£8.90
24-pin	£7.50
40-pin	£12

EDGE CONNECTORS

2 x 6-way (commodore)	0.1"	0.156"	300p
2 x 10-way	—	—	150p
2 x 12-way (vic 20)	—	—	350p
2 x 18-way	—	—	140p
2 x 23-way (ZX81)	175p	220p	220p
2 x 25-way	225p	220p	220p
2 x 28-way (Spectrum)	200p	—	—
2 x 36-way	250p	—	—
1 x 43-way	260p	—	—
2 x 22-way	190p	—	—
2 x 43-way	395p	—	—
1 x 77-way	400p	500p	—
2 x 50-way (S100conn)	600p	—	—

EURO CONNECTORS

DIN 41612		Plug	Socket
2 x 32 way St Pin	230p	275p	—
2 x 32 way Ang Pin	275p	320p	—
3 x 32 way St Pin	260p	300p	—
3 x 32 way Ang Pin	375p	400p	—
IDC Skt A + B	400p	—	—
IDC Skt A + C	400p	—	—

For 2 x 32 way please specify spacing (A + B, A + C).

AMPHENOL CONNECTORS

Solder		ZOC
36 way plug	500p	475p
36 way skt	550p	500p
24 way plug	—	—
IEEE	475p	475p
24 way skt	—	—
IEEE	500p	500p
PCB Mtg Skt Ang Pin	—	—
24 way 700p	36way	750p

GENDER CHANGERS

25 way D type	—
Male to Male.....	£10
Male to Female.....	£10
Female to Female.....	£10

RS 232 JUMPERS

(25 way D)	
24" Single end Male	£5.00
24" Single end Female	£5.25
24" Female Female	£10.00
24" Male Male	£9.50
24" Male Female	£9.50

DIL SWITCHES

4-way	90p	6-way	105p
8-way	120p	10-way	150p

TELEPHONE CONNECTORS

4 way plug	110p
6 way plug	160p
6 way rt ang.skt	160p
Flexible cable	—
4 way	50p/m
6 way	72p/m

RIBBON CABLE

(grey/metre)	
10-way	40p
16-way	60p
20-way	85p
26-way	120p
34-way	160p
40-way	180p
50-way	200p
64-way	260p

DIL HEADERS

Solder		IDC
14 pin	40p	100p
16 pin	50p	110p
18 pin	60p	—
20 pin	75p	—
24 pin	100p	150p
28 pin	160p	200p
40 pin	200p	225p

MISC CONNS

21 pin Scart Connector	200p
8 pin Video Connector	200p

DISC DRIVES

These are fully cases and wired drives with slim line mechanisms of high quality, Shuggart A400 standard interface. Drives supplied with cables manuals and formatting disc suitable for the BBC computer. All 80 track drives are supplied with 40/80 track switching as standard. All drives can operate in single or dual density format.

1 x 100K 40T SS:TS55A.....	£85 (b)	PD200 with psu.....	£200 (a)
PS100 with psu.....	£123 (b)	2 x 400K 80/40T DS: TD800.....	£275 (a)
1 x 400K 40/80TDS:TS55F.....	£125 (a)	PD800 with psu.....	£300 (a)
PS400 with psu.....	£149 (b)	Plinth Version:	
Dual Drives:		2 x 100K 40T SS TD200P.....	£195 (a)
Stacked Version:		PD200P with psu.....	£220 (a)
2 x 100K 40T SS TD200.....	£175 (a)	2 x 400K 80T DS TD800P.....	£295 (a)
		PD800P with psu.....	£315 (b)

3M 5 1/4" FLOPPY DISCS

High quality discs that offer a reliable error free performance for life. Each disc is individually tested and guaranteed for life. Ten discs are supplied in a sturdy cardboard box.

40T SS DD £13 (c)	40T DS DD £18 (c)
80T SS DD £22 (c)	80T DS DD £24 (c)

DRIVE ACCESSORIES

FLOPPICLENE Disc Head Cleaning Kit with 20 disposable cleaning discs ensures continued optimum performance of the drives.....		£14.50 (c)	
Single Disc Cable.....	£6 (d) 10 Disc Library	Dual Disc Cable.....	£8.50 (d)
Case.....	£1.80 (c)	30 Disc Case.....	£8 (c)
40 Disc Lockable Box.....	£14 (c)	100 Disc Lockable Box.....	£19 (c)

MONITORS

MICROVITEC 14" RGB:

1431 Standard Resolution.....	£185 (a)
1451 Medium Resolution.....	£240 (a)
1441 Hi Resolution.....	£399 (a)
1431 AP Std Res PAL/AUDIO.....	£210 (a)
1451 AP Med Res PAL/AUDIO.....	£280 (a)
1451 DQ3 Med Res for QL.....	£239 (a)

Above monitors are now available in plastic or metal cases, please specify your requirement.

KAGA Super Hi Res Vision III RGB.....	£325 (a)
Hi Res Vision II.....	£225 (a)

MONOCHROME MONITORS 12":

Kaga Green KX1201 G Hi Res.....	£99 (a)
Kaga Amber KX1201 A Hi Res.....	£105 (a)
Sanyo Green DM8112CX Hi Res.....	£90 (a)
Swivel Stand for Kaga Monochrome.....	£21 (c)

All monitors are supplied with leads suitable for the BBC Computer. Spare leads available.

ATTENTION

All prices in this double page advertisement are subject to change without notice.

ALL PRICES EXCLUDE VAT
Please add carriage 50p unless indicated as follows:
(a) £8 (b) £2.50 (c) £1.50 (d) £1.00

SPECIAL OFFER

2764-25.....	£3.50
27128-25.....	£6.00
6264LP-15.....	£7.00

CONNECTOR SYSTEMS

I.D. CONNECTORS		EDGE CONNECTORS		AMPHENOL CONNECTORS		TELEPHONE CONNECTORS	
(Speedlock Type)		0.1" 0.156"		Solder ZOC		4 way plug 110p	
No of ways	Header Recept Edge Conn.	2 x 6-way (commodore)	— 300p	36 way plug	500p 475p	6 way plug	160p
10	90p 85p 120p	2 x 10-way	— 150p	36 way skt	550p 500p	6 way rt ang.skt	160p
20	145p 125p 195p	2 x 12-way (vic 20)	— 350p	24 way plug	—	Flexible cable	—
26	175p 150p 240p	2 x 18-way	— 140p	IEEE	475p 475p	4 way	50p/m
34	200p 180p 320p	2 x 23-way (ZX81)	175p 220p	24 way skt	—	6 way	72p/m
40	220p 190p 340p	2 x 25-way	225p 220p	IEEE	500p 500p	RIBBON CABLE	
50	235p 200p 390p	2 x 28-way (Spectrum)	200p	PCB Mtg Skt Ang Pin	—	(grey/metre)	
		2 x 36-way	250p	24 way 700p	36way 750p	10-way	40p 160p
		1 x 43-way	260p			16-way	60p 180p
		2 x 22-way	190p			20-way	85p 200p
		2 x 43-way	395p			26-way	120p 64-way 260p
		1 x 77-way	400p			DIL HEADERS	
		2 x 50-way (S100conn)	600p			Solder IDC	
D CONNECTORS		EURO CONNECTORS		GENDER CHANGERS		14 pin 40p 100p	
No of Ways 9 15 25 37		DIN 41612		25 way D type		16 pin 50p 110p	
MALE:		Plug Socket		Male to Male.....		18 pin 60p	
Ang. Pins	120 180 230 350	2 x 32 way St Pin 230p 275p		Male to Female.....		20 pin 75p	
Solder	60 85 125 170	2 x 32 way Ang Pin 275p 320p		Female to Female.....		24 pin 100p 150p	
IDC	175 275 325 -	3 x 32 way St Pin 260p 300p				28 pin 160p 200p	
FEMALE:		3 x 32 way Ang Pin 375p 400p				40 pin 200p 225p	
St Pin	100 140 210 380	IDC Skt A + B 400p					
Ang. pins	160 210 275 440	IDC Skt A + C 400p					
Solder	90 130 195 290						
IDC	195 325 375 -						
St Hood	90 95 100 120						
Screw	130 150 175 -						
Lock							
TEXTOL ZIF							
SOCKETS							
28-pin	£8.90						
24-pin	£7.50						
40-pin	£12						

LINEAR ICs COMPUTER COMPONENT

<table border="1" style="width: 100%; border-collapse: collapse;"> <tr> <th colspan="2">74 SERIES</th> <th>74279</th> <th>80p</th> <th>74LS290</th> <th>180p</th> <th>4008</th> <th>60p</th> </tr> <tr> <td>7400</td> <td>30p</td> <td>74285</td> <td>320p</td> <td>74LS290</td> <td>80p</td> <td>4010</td> <td>20p</td> </tr> <tr> <td>4701</td> <td>30p</td> <td>74290</td> <td>80p</td> <td>74LS292</td> <td>80p</td> <td>4011</td> <td>20p</td> </tr> <tr> <td>7402</td> <td>30p</td> <td>74293</td> <td>80p</td> <td>74LS293</td> <td>80p</td> <td>4012</td> <td>20p</td> </tr> <tr> <td>7403</td> <td>30p</td> <td>74296</td> <td>160p</td> <td>74LS296</td> <td>140p</td> <td>4013</td> <td>20p</td> </tr> <tr> <td>7404</td> <td>30p</td> <td>74301</td> <td>200p</td> <td>74LS297</td> <td>80p</td> <td>4014</td> <td>60p</td> </tr> <tr> <td>7405</td> <td>30p</td> <td>74305A</td> <td>80p</td> <td>74LS298</td> <td>100p</td> <td>4015</td> <td>70p</td> </tr> <tr> <td>7406</td> <td>30p</td> <td>74366A</td> <td>80p</td> <td>74LS299</td> <td>220p</td> <td>4016</td> <td>36p</td> </tr> <tr> <td>7407</td> <td>30p</td> <td>7436A</td> <td>80p</td> <td>74LS321</td> <td>370p</td> <td>4017</td> <td>55p</td> </tr> <tr> <td>7408</td> <td>30p</td> <td>74367A</td> <td>80p</td> <td>74LS323</td> <td>370p</td> <td>4018</td> <td>60p</td> </tr> <tr> <td>7409</td> <td>30p</td> <td>74368A</td> <td>70p</td> <td>74LS324</td> <td>420p</td> <td>4019</td> <td>60p</td> </tr> <tr> <td>7410</td> <td>30p</td> <td>74376</td> <td>110p</td> <td>74LS324A</td> <td>420p</td> <td>4020</td> <td>60p</td> </tr> <tr> <td>7411</td> <td>30p</td> <td>74390</td> <td>110p</td> <td>74LS348</td> <td>350p</td> <td>4021</td> <td>60p</td> </tr> <tr> <td>7412</td> <td>30p</td> <td>74393</td> <td>112p</td> <td>74LS352</td> <td>120p</td> <td>4022</td> <td>70p</td> </tr> <tr> <td>7413</td> <td>30p</td> <td>74480</td> <td>140p</td> <td>74LS353</td> <td>120p</td> <td>4023</td> <td>30p</td> </tr> <tr> <td>7414</td> <td>70p</td> <td>7443A</td> <td>100p</td> <td>74LS356</td> <td>210p</td> <td>4024</td> <td>48p</td> </tr> <tr> <td>7415</td> <td>30p</td> <td></td> <td></td> <td>74LS356A</td> <td>210p</td> <td>4025</td> <td>24p</td> </tr> <tr> <td>7416</td> <td>30p</td> <td></td> <td></td> <td>74LS366</td> <td>50p</td> <td>4026</td> <td>80p</td> </tr> <tr> <td>7417</td> <td>30p</td> <td></td> <td></td> <td>74LS367</td> <td>50p</td> <td>4027</td> <td>40p</td> </tr> <tr> <td>7418</td> <td>30p</td> <td></td> <td></td> <td>74LS368</td> <td>50p</td> <td>4028</td> <td>60p</td> </tr> <tr> <td>7419</td> <td>30p</td> <td></td> <td></td> <td>74LS369</td> <td>50p</td> <td>4029</td> <td>70p</td> </tr> <tr> <td>7420</td> <td>30p</td> <td></td> <td></td> <td>74LS370</td> <td>50p</td> <td>4030</td> <td>35p</td> </tr> <tr> <td>7421</td> <td>30p</td> <td></td> <td></td> <td>74LS373</td> <td>80p</td> <td>4031</td> <td>125p</td> </tr> <tr> <td>7422</td> <td>36p</td> <td></td> <td></td> <td>74LS374</td> <td>80p</td> <td>4032</td> <td>100p</td> </tr> <tr> <td>7423</td> <td>40p</td> <td></td> <td></td> <td>74LS375</td> <td>75p</td> <td>4033</td> <td>250p</td> </tr> <tr> <td>7424</td> <td>40p</td> <td></td> <td></td> <td>74LS377</td> <td>140p</td> <td>4034</td> <td>250p</td> </tr> <tr> <td>7425</td> <td>40p</td> <td></td> <td></td> <td>74LS378</td> <td>95p</td> <td>4035</td> <td>70p</td> </tr> <tr> <td>7426</td> <td>43p</td> <td></td> <td></td> <td>74LS379</td> <td>140p</td> <td>4036</td> <td>77p</td> </tr> <tr> <td>7427</td> <td>30p</td> <td></td> <td></td> <td>74LS381</td> <td>140p</td> <td>4037</td> <td>110p</td> </tr> <tr> <td>7428</td> <td>30p</td> <td></td> <td></td> <td>74LS390</td> <td>80p</td> <td>4038</td> <td>100p</td> </tr> <tr> <td>7429</td> <td>30p</td> <td></td> <td></td> <td>74LS393</td> <td>110p</td> <td>4039</td> <td>250p</td> </tr> <tr> <td>7430</td> <td>30p</td> <td></td> <td></td> <td>74LS396</td> <td>100p</td> <td>4040</td> <td>60p</td> </tr> <tr> <td>7431</td> <td>30p</td> <td></td> <td></td> <td>74LS399</td> <td>140p</td> <td>4041</td> <td>55p</td> </tr> <tr> <td>7432</td> <td>36p</td> <td></td> <td></td> <td>74LS405</td> <td>180p</td> <td>4042</td> <td>50p</td> </tr> <tr> <td>7433</td> <td>30p</td> <td></td> <td></td> <td>74LS446</td> <td>150p</td> <td>4043</td> <td>60p</td> </tr> <tr> <td>7434</td> <td>30p</td> <td></td> <td></td> <td>74LS467</td> <td>120p</td> <td>4044</td> <td>60p</td> </tr> <tr> <td>7435</td> <td>30p</td> <td></td> <td></td> <td>74LS480</td> <td>150p</td> <td>4045</td> <td>100p</td> </tr> <tr> <td>7436</td> <td>30p</td> <td></td> <td></td> <td>74LS485</td> <td>100p</td> <td>4046</td> <td>50p</td> </tr> <tr> <td>7437</td> <td>30p</td> <td></td> <td></td> <td>74LS491</td> <td>100p</td> <td>4047</td> <td>50p</td> </tr> <tr> <td>7438</td> <td>30p</td> <td></td> <td></td> <td>74LS500</td> <td>100p</td> <td>4048</td> <td>55p</td> </tr> <tr> <td>7439</td> <td>30p</td> <td></td> <td></td> <td>74LS501</td> <td>100p</td> <td>4049</td> <td>55p</td> </tr> <tr> <td>7440</td> <td>30p</td> <td></td> <td></td> <td>74LS502</td> <td>100p</td> <td>4050</td> <td>55p</td> </tr> <tr> <td>7441</td> <td>30p</td> <td></td> <td></td> <td>74LS503</td> <td>24p</td> <td>4051</td> <td>125p</td> </tr> <tr> <td>7442</td> <td>36p</td> <td></td> <td></td> <td>74LS504</td> <td>24p</td> <td>4052</td> <td>100p</td> </tr> <tr> <td>7443</td> <td>40p</td> <td></td> <td></td> <td>74LS505</td> <td>24p</td> <td>4053</td> <td>250p</td> </tr> <tr> <td>7444</td> <td>40p</td> <td></td> <td></td> <td>74LS506</td> <td>24p</td> <td>4054</td> <td>250p</td> </tr> <tr> <td>7445</td> <td>40p</td> <td></td> <td></td> <td>74LS507</td> <td>24p</td> <td>4055</td> <td>250p</td> </tr> <tr> <td>7446</td> <td>40p</td> <td></td> <td></td> <td>74LS508</td> <td>24p</td> <td>4056</td> <td>250p</td> </tr> <tr> <td>7447</td> <td>40p</td> <td></td> <td></td> <td>74LS509</td> <td>24p</td> <td>4057</td> <td>250p</td> </tr> <tr> <td>7448</td> <td>40p</td> <td></td> <td></td> <td>74LS510</td> <td>24p</td> <td>4058</td> <td>250p</td> </tr> <tr> <td>7449</td> <td>40p</td> <td></td> <td></td> <td>74LS511</td> <td>24p</td> <td>4059</td> <td>250p</td> </tr> <tr> <td>7450</td> <td>40p</td> <td></td> <td></td> <td>74LS512</td> <td>24p</td> <td>4060</td> <td>250p</td> </tr> <tr> <td>7451</td> <td>38p</td> <td></td> <td></td> <td>74LS513</td> <td>45p</td> <td>4061</td> <td>250p</td> </tr> <tr> <td>7452</td> <td>38p</td> <td></td> <td></td> <td>74LS514</td> <td>45p</td> <td>4062</td> <td>250p</td> </tr> <tr> <td>7453</td> <td>38p</td> <td></td> <td></td> <td>74LS515</td> <td>45p</td> <td>4063</td> <td>250p</td> </tr> <tr> <td>7454</td> <td>38p</td> <td></td> <td></td> <td>74LS516</td> <td>45p</td> <td>4064</td> <td>250p</td> </tr> <tr> <td>7455</td> <td>38p</td> <td></td> <td></td> <td>74LS517</td> <td>45p</td> <td>4065</td> <td>250p</td> </tr> <tr> <td>7456</td> <td>38p</td> <td></td> <td></td> <td>74LS518</td> <td>45p</td> <td>4066</td> <td>250p</td> </tr> <tr> <td>7457</td> <td>38p</td> <td></td> <td></td> <td>74LS519</td> <td>45p</td> <td>4067</td> <td>250p</td> </tr> <tr> <td>7458</td> <td>38p</td> <td></td> <td></td> <td>74LS520</td> <td>45p</td> <td>4068</td> <td>250p</td> </tr> <tr> <td>7459</td> <td>38p</td> <td></td> <td></td> <td>74LS521</td> <td>45p</td> <td>4069</td> <td>250p</td> </tr> <tr> <td>7460</td> <td>38p</td> <td></td> <td></td> <td>74LS522</td> <td>45p</td> <td>4070</td> <td>250p</td> </tr> <tr> <td>7461</td> <td>38p</td> <td></td> <td></td> <td>74LS523</td> <td>45p</td> <td>4071</td> <td>250p</td> </tr> <tr> <td>7462</td> <td>38p</td> <td></td> <td></td> <td>74LS524</td> <td>45p</td> <td>4072</td> <td>250p</td> </tr> <tr> <td>7463</td> <td>38p</td> <td></td> <td></td> <td>74LS525</td> <td>45p</td> <td>4073</td> <td>250p</td> </tr> <tr> <td>7464</td> <td>38p</td> <td></td> <td></td> <td>74LS526</td> <td>45p</td> <td>4074</td> <td>250p</td> </tr> <tr> <td>7465</td> <td>38p</td> <td></td> <td></td> <td>74LS527</td> <td>45p</td> <td>4075</td> <td>250p</td> </tr> <tr> <td>7466</td> <td>38p</td> <td></td> <td></td> <td>74LS528</td> <td>45p</td> <td>4076</td> <td>250p</td> </tr> <tr> <td>7467</td> <td>38p</td> <td></td> <td></td> <td>74LS529</td> <td>45p</td> <td>4077</td> <td>250p</td> </tr> <tr> <td>7468</td> <td>38p</td> <td></td> <td></td> <td>74LS530</td> <td>45p</td> <td>4078</td> <td>250p</td> </tr> <tr> <td>7469</td> <td>38p</td> <td></td> <td></td> <td>74LS531</td> <td>45p</td> <td>4079</td> <td>250p</td> </tr> <tr> <td>7470</td> <td>38p</td> <td></td> <td></td> <td>74LS532</td> <td>45p</td> <td>4080</td> <td>250p</td> </tr> <tr> <td>7471</td> <td>38p</td> <td></td> <td></td> <td>74LS533</td> <td>45p</td> <td>4081</td> <td>250p</td> </tr> <tr> <td>7472</td> <td>38p</td> <td></td> <td></td> <td>74LS534</td> <td>45p</td> <td>4082</td> <td>250p</td> </tr> <tr> <td>7473</td> <td>38p</td> <td></td> <td></td> <td>74LS535</td> <td>45p</td> <td>4083</td> <td>250p</td> </tr> <tr> <td>7474</td> <td>38p</td> <td></td> <td></td> <td>74LS536</td> <td>45p</td> <td>4084</td> <td>250p</td> </tr> <tr> <td>7475</td> <td>38p</td> <td></td> <td></td> <td>74LS537</td> <td>45p</td> <td>4085</td> <td>250p</td> </tr> <tr> <td>7476</td> <td>38p</td> <td></td> <td></td> <td>74LS538</td> <td>45p</td> <td>4086</td> <td>250p</td> </tr> <tr> <td>7477</td> <td>38p</td> <td></td> <td></td> <td>74LS539</td> <td>45p</td> <td>4087</td> <td>250p</td> </tr> <tr> <td>7478</td> <td>38p</td> <td></td> <td></td> <td>74LS540</td> <td>45p</td> <td>4088</td> <td>250p</td> </tr> <tr> <td>7479</td> <td>38p</td> <td></td> <td></td> <td>74LS541</td> <td>45p</td> <td>4089</td> <td>250p</td> </tr> <tr> <td>7480</td> <td>38p</td> <td></td> <td></td> <td>74LS542</td> <td>45p</td> <td>4090</td> <td>250p</td> </tr> <tr> <td>7481</td> <td>38p</td> <td></td> <td></td> <td>74LS543</td> <td>45p</td> <td>4091</td> <td>250p</td> </tr> <tr> <td>7482</td> <td>38p</td> <td></td> <td></td> <td>74LS544</td> <td>45p</td> <td>4092</td> <td>250p</td> </tr> <tr> <td>7483</td> <td>38p</td> <td></td> <td></td> <td>74LS545</td> <td>45p</td> <td>4093</td> <td>250p</td> </tr> <tr> <td>7484</td> <td>38p</td> <td></td> <td></td> <td>74LS546</td> <td>45p</td> <td>4094</td> <td>250p</td> </tr> <tr> <td>7485</td> <td>38p</td> <td></td> <td></td> <td>74LS547</td> <td>45p</td> <td>4095</td> <td>250p</td> </tr> <tr> <td>7486</td> <td>38p</td> <td></td> <td></td> <td>74LS548</td> <td>45p</td> <td>4096</td> <td>250p</td> </tr> <tr> <td>7487</td> <td>38p</td> <td></td> <td></td> <td>74LS549</td> <td>45p</td> <td>4097</td> <td>250p</td> </tr> <tr> <td>7488</td> <td>38p</td> <td></td> <td></td> <td>74LS550</td> <td>45p</td> <td>4098</td> <td>250p</td> </tr> <tr> <td>7489</td> <td>38p</td> <td></td> <td></td> <td>74LS551</td> <td>45p</td> <td>4099</td> <td>250p</td> </tr> <tr> <td>7490</td> <td>38p</td> <td></td> <td></td> <td>74LS552</td> <td>45p</td> <td>4100</td> <td>250p</td> </tr> <tr> <td>7491</td> <td>38p</td> <td></td> <td></td> <td>74LS553</td> <td>45p</td> <td>4101</td> <td>250p</td> </tr> <tr> <td>7492</td> <td>38p</td> <td></td> <td></td> <td>74LS554</td> <td>45p</td> <td>4102</td> <td>250p</td> </tr> <tr> <td>7493</td> <td>38p</td> <td></td> <td></td> <td>74LS555</td> <td>45p</td> <td>4103</td> <td>250p</td> </tr> <tr> <td>7494</td> <td>38p</td> <td></td> <td></td> <td>74LS556</td> <td>45p</td> <td>4104</td> <td>250p</td> </tr> <tr> <td>7495</td> <td>38p</td> <td></td> <td></td> <td>74LS557</td> <td>45p</td> <td>4105</td> <td>250p</td> </tr> <tr> <td>7496</td> <td>38p</td> <td></td> <td></td> <td>74LS558</td> <td>45p</td> <td>4106</td> <td>250p</td> </tr> <tr> <td>7497</td> <td>38p</td> <td></td> <td></td> <td>74LS559</td> <td>45p</td> <td>4107</td> <td>250p</td> </tr> <tr> <td>7498</td> <td>38p</td> <td></td> <td></td> <td>74LS560</td> <td>45p</td> <td>4108</td> <td>250p</td> </tr> <tr> <td>7499</td> <td>38p</td> <td></td> <td></td> <td>74LS561</td> <td>45p</td> <td>4109</td> <td>250p</td> </tr> <tr> <td>7500</td> <td>38p</td> <td></td> <td></td> <td>74LS562</td> <td>45p</td> <td>4110</td> <td>250p</td> </tr> </table>	74 SERIES		74279	80p	74LS290	180p	4008	60p	7400	30p	74285	320p	74LS290	80p	4010	20p	4701	30p	74290	80p	74LS292	80p	4011	20p	7402	30p	74293	80p	74LS293	80p	4012	20p	7403	30p	74296	160p	74LS296	140p	4013	20p	7404	30p	74301	200p	74LS297	80p	4014	60p	7405	30p	74305A	80p	74LS298	100p	4015	70p	7406	30p	74366A	80p	74LS299	220p	4016	36p	7407	30p	7436A	80p	74LS321	370p	4017	55p	7408	30p	74367A	80p	74LS323	370p	4018	60p	7409	30p	74368A	70p	74LS324	420p	4019	60p	7410	30p	74376	110p	74LS324A	420p	4020	60p	7411	30p	74390	110p	74LS348	350p	4021	60p	7412	30p	74393	112p	74LS352	120p	4022	70p	7413	30p	74480	140p	74LS353	120p	4023	30p	7414	70p	7443A	100p	74LS356	210p	4024	48p	7415	30p			74LS356A	210p	4025	24p	7416	30p			74LS366	50p	4026	80p	7417	30p			74LS367	50p	4027	40p	7418	30p			74LS368	50p	4028	60p	7419	30p			74LS369	50p	4029	70p	7420	30p			74LS370	50p	4030	35p	7421	30p			74LS373	80p	4031	125p	7422	36p			74LS374	80p	4032	100p	7423	40p			74LS375	75p	4033	250p	7424	40p			74LS377	140p	4034	250p	7425	40p			74LS378	95p	4035	70p	7426	43p			74LS379	140p	4036	77p	7427	30p			74LS381	140p	4037	110p	7428	30p			74LS390	80p	4038	100p	7429	30p			74LS393	110p	4039	250p	7430	30p			74LS396	100p	4040	60p	7431	30p			74LS399	140p	4041	55p	7432	36p			74LS405	180p	4042	50p	7433	30p			74LS446	150p	4043	60p	7434	30p			74LS467	120p	4044	60p	7435	30p			74LS480	150p	4045	100p	7436	30p			74LS485	100p	4046	50p	7437	30p			74LS491	100p	4047	50p	7438	30p			74LS500	100p	4048	55p	7439	30p			74LS501	100p	4049	55p	7440	30p			74LS502	100p	4050	55p	7441	30p			74LS503	24p	4051	125p	7442	36p			74LS504	24p	4052	100p	7443	40p			74LS505	24p	4053	250p	7444	40p			74LS506	24p	4054	250p	7445	40p			74LS507	24p	4055	250p	7446	40p			74LS508	24p	4056	250p	7447	40p			74LS509	24p	4057	250p	7448	40p			74LS510	24p	4058	250p	7449	40p			74LS511	24p	4059	250p	7450	40p			74LS512	24p	4060	250p	7451	38p			74LS513	45p	4061	250p	7452	38p			74LS514	45p	4062	250p	7453	38p			74LS515	45p	4063	250p	7454	38p			74LS516	45p	4064	250p	7455	38p			74LS517	45p	4065	250p	7456	38p			74LS518	45p	4066	250p	7457	38p			74LS519	45p	4067	250p	7458	38p			74LS520	45p	4068	250p	7459	38p			74LS521	45p	4069	250p	7460	38p			74LS522	45p	4070	250p	7461	38p			74LS523	45p	4071	250p	7462	38p			74LS524	45p	4072	250p	7463	38p			74LS525	45p	4073	250p	7464	38p			74LS526	45p	4074	250p	7465	38p			74LS527	45p	4075	250p	7466	38p			74LS528	45p	4076	250p	7467	38p			74LS529	45p	4077	250p	7468	38p			74LS530	45p	4078	250p	7469	38p			74LS531	45p	4079	250p	7470	38p			74LS532	45p	4080	250p	7471	38p			74LS533	45p	4081	250p	7472	38p			74LS534	45p	4082	250p	7473	38p			74LS535	45p	4083	250p	7474	38p			74LS536	45p	4084	250p	7475	38p			74LS537	45p	4085	250p	7476	38p			74LS538	45p	4086	250p	7477	38p			74LS539	45p	4087	250p	7478	38p			74LS540	45p	4088	250p	7479	38p			74LS541	45p	4089	250p	7480	38p			74LS542	45p	4090	250p	7481	38p			74LS543	45p	4091	250p	7482	38p			74LS544	45p	4092	250p	7483	38p			74LS545	45p	4093	250p	7484	38p			74LS546	45p	4094	250p	7485	38p			74LS547	45p	4095	250p	7486	38p			74LS548	45p	4096	250p	7487	38p			74LS549	45p	4097	250p	7488	38p			74LS550	45p	4098	250p	7489	38p			74LS551	45p	4099	250p	7490	38p			74LS552	45p	4100	250p	7491	38p			74LS553	45p	4101	250p	7492	38p			74LS554	45p	4102	250p	7493	38p			74LS555	45p	4103	250p	7494	38p			74LS556	45p	4104	250p	7495	38p			74LS557	45p	4105	250p	7496	38p			74LS558	45p	4106	250p	7497	38p			74LS559	45p	4107	250p	7498	38p			74LS560	45p	4108	250p	7499	38p			74LS561	45p	4109	250p	7500	38p			74LS562	45p	4110	250p	<table border="1" style="width: 100%; border-collapse: collapse;"> <tr> <th colspan="2">74LS SERIES</th> <th>74LS501</th> <th>24p</th> <th>74LS563</th> <th>210p</th></tr></table>	74LS SERIES		74LS501	24p	74LS563	210p	4024	48p
74 SERIES		74279	80p	74LS290	180p	4008	60p																																																																																																																																																																																																																																																																																																																																																																																																																																																																																																																																																																																																																																																																																																																																																																																																																																																		
7400	30p	74285	320p	74LS290	80p	4010	20p																																																																																																																																																																																																																																																																																																																																																																																																																																																																																																																																																																																																																																																																																																																																																																																																																																																		
4701	30p	74290	80p	74LS292	80p	4011	20p																																																																																																																																																																																																																																																																																																																																																																																																																																																																																																																																																																																																																																																																																																																																																																																																																																																		
7402	30p	74293	80p	74LS293	80p	4012	20p																																																																																																																																																																																																																																																																																																																																																																																																																																																																																																																																																																																																																																																																																																																																																																																																																																																		
7403	30p	74296	160p	74LS296	140p	4013	20p																																																																																																																																																																																																																																																																																																																																																																																																																																																																																																																																																																																																																																																																																																																																																																																																																																																		
7404	30p	74301	200p	74LS297	80p	4014	60p																																																																																																																																																																																																																																																																																																																																																																																																																																																																																																																																																																																																																																																																																																																																																																																																																																																		
7405	30p	74305A	80p	74LS298	100p	4015	70p																																																																																																																																																																																																																																																																																																																																																																																																																																																																																																																																																																																																																																																																																																																																																																																																																																																		
7406	30p	74366A	80p	74LS299	220p	4016	36p																																																																																																																																																																																																																																																																																																																																																																																																																																																																																																																																																																																																																																																																																																																																																																																																																																																		
7407	30p	7436A	80p	74LS321	370p	4017	55p																																																																																																																																																																																																																																																																																																																																																																																																																																																																																																																																																																																																																																																																																																																																																																																																																																																		
7408	30p	74367A	80p	74LS323	370p	4018	60p																																																																																																																																																																																																																																																																																																																																																																																																																																																																																																																																																																																																																																																																																																																																																																																																																																																		
7409	30p	74368A	70p	74LS324	420p	4019	60p																																																																																																																																																																																																																																																																																																																																																																																																																																																																																																																																																																																																																																																																																																																																																																																																																																																		
7410	30p	74376	110p	74LS324A	420p	4020	60p																																																																																																																																																																																																																																																																																																																																																																																																																																																																																																																																																																																																																																																																																																																																																																																																																																																		
7411	30p	74390	110p	74LS348	350p	4021	60p																																																																																																																																																																																																																																																																																																																																																																																																																																																																																																																																																																																																																																																																																																																																																																																																																																																		
7412	30p	74393	112p	74LS352	120p	4022	70p																																																																																																																																																																																																																																																																																																																																																																																																																																																																																																																																																																																																																																																																																																																																																																																																																																																		
7413	30p	74480	140p	74LS353	120p	4023	30p																																																																																																																																																																																																																																																																																																																																																																																																																																																																																																																																																																																																																																																																																																																																																																																																																																																		
7414	70p	7443A	100p	74LS356	210p	4024	48p																																																																																																																																																																																																																																																																																																																																																																																																																																																																																																																																																																																																																																																																																																																																																																																																																																																		
7415	30p			74LS356A	210p	4025	24p																																																																																																																																																																																																																																																																																																																																																																																																																																																																																																																																																																																																																																																																																																																																																																																																																																																		
7416	30p			74LS366	50p	4026	80p																																																																																																																																																																																																																																																																																																																																																																																																																																																																																																																																																																																																																																																																																																																																																																																																																																																		
7417	30p			74LS367	50p	4027	40p																																																																																																																																																																																																																																																																																																																																																																																																																																																																																																																																																																																																																																																																																																																																																																																																																																																		
7418	30p			74LS368	50p	4028	60p																																																																																																																																																																																																																																																																																																																																																																																																																																																																																																																																																																																																																																																																																																																																																																																																																																																		
7419	30p			74LS369	50p	4029	70p																																																																																																																																																																																																																																																																																																																																																																																																																																																																																																																																																																																																																																																																																																																																																																																																																																																		
7420	30p			74LS370	50p	4030	35p																																																																																																																																																																																																																																																																																																																																																																																																																																																																																																																																																																																																																																																																																																																																																																																																																																																		
7421	30p			74LS373	80p	4031	125p																																																																																																																																																																																																																																																																																																																																																																																																																																																																																																																																																																																																																																																																																																																																																																																																																																																		
7422	36p			74LS374	80p	4032	100p																																																																																																																																																																																																																																																																																																																																																																																																																																																																																																																																																																																																																																																																																																																																																																																																																																																		
7423	40p			74LS375	75p	4033	250p																																																																																																																																																																																																																																																																																																																																																																																																																																																																																																																																																																																																																																																																																																																																																																																																																																																		
7424	40p			74LS377	140p	4034	250p																																																																																																																																																																																																																																																																																																																																																																																																																																																																																																																																																																																																																																																																																																																																																																																																																																																		
7425	40p			74LS378	95p	4035	70p																																																																																																																																																																																																																																																																																																																																																																																																																																																																																																																																																																																																																																																																																																																																																																																																																																																		
7426	43p			74LS379	140p	4036	77p																																																																																																																																																																																																																																																																																																																																																																																																																																																																																																																																																																																																																																																																																																																																																																																																																																																		
7427	30p			74LS381	140p	4037	110p																																																																																																																																																																																																																																																																																																																																																																																																																																																																																																																																																																																																																																																																																																																																																																																																																																																		
7428	30p			74LS390	80p	4038	100p																																																																																																																																																																																																																																																																																																																																																																																																																																																																																																																																																																																																																																																																																																																																																																																																																																																		
7429	30p			74LS393	110p	4039	250p																																																																																																																																																																																																																																																																																																																																																																																																																																																																																																																																																																																																																																																																																																																																																																																																																																																		
7430	30p			74LS396	100p	4040	60p																																																																																																																																																																																																																																																																																																																																																																																																																																																																																																																																																																																																																																																																																																																																																																																																																																																		
7431	30p			74LS399	140p	4041	55p																																																																																																																																																																																																																																																																																																																																																																																																																																																																																																																																																																																																																																																																																																																																																																																																																																																		
7432	36p			74LS405	180p	4042	50p																																																																																																																																																																																																																																																																																																																																																																																																																																																																																																																																																																																																																																																																																																																																																																																																																																																		
7433	30p			74LS446	150p	4043	60p																																																																																																																																																																																																																																																																																																																																																																																																																																																																																																																																																																																																																																																																																																																																																																																																																																																		
7434	30p			74LS467	120p	4044	60p																																																																																																																																																																																																																																																																																																																																																																																																																																																																																																																																																																																																																																																																																																																																																																																																																																																		
7435	30p			74LS480	150p	4045	100p																																																																																																																																																																																																																																																																																																																																																																																																																																																																																																																																																																																																																																																																																																																																																																																																																																																		
7436	30p			74LS485	100p	4046	50p																																																																																																																																																																																																																																																																																																																																																																																																																																																																																																																																																																																																																																																																																																																																																																																																																																																		
7437	30p			74LS491	100p	4047	50p																																																																																																																																																																																																																																																																																																																																																																																																																																																																																																																																																																																																																																																																																																																																																																																																																																																		
7438	30p			74LS500	100p	4048	55p																																																																																																																																																																																																																																																																																																																																																																																																																																																																																																																																																																																																																																																																																																																																																																																																																																																		
7439	30p			74LS501	100p	4049	55p																																																																																																																																																																																																																																																																																																																																																																																																																																																																																																																																																																																																																																																																																																																																																																																																																																																		
7440	30p			74LS502	100p	4050	55p																																																																																																																																																																																																																																																																																																																																																																																																																																																																																																																																																																																																																																																																																																																																																																																																																																																		
7441	30p			74LS503	24p	4051	125p																																																																																																																																																																																																																																																																																																																																																																																																																																																																																																																																																																																																																																																																																																																																																																																																																																																		
7442	36p			74LS504	24p	4052	100p																																																																																																																																																																																																																																																																																																																																																																																																																																																																																																																																																																																																																																																																																																																																																																																																																																																		
7443	40p			74LS505	24p	4053	250p																																																																																																																																																																																																																																																																																																																																																																																																																																																																																																																																																																																																																																																																																																																																																																																																																																																		
7444	40p			74LS506	24p	4054	250p																																																																																																																																																																																																																																																																																																																																																																																																																																																																																																																																																																																																																																																																																																																																																																																																																																																		
7445	40p			74LS507	24p	4055	250p																																																																																																																																																																																																																																																																																																																																																																																																																																																																																																																																																																																																																																																																																																																																																																																																																																																		
7446	40p			74LS508	24p	4056	250p																																																																																																																																																																																																																																																																																																																																																																																																																																																																																																																																																																																																																																																																																																																																																																																																																																																		
7447	40p			74LS509	24p	4057	250p																																																																																																																																																																																																																																																																																																																																																																																																																																																																																																																																																																																																																																																																																																																																																																																																																																																		
7448	40p			74LS510	24p	4058	250p																																																																																																																																																																																																																																																																																																																																																																																																																																																																																																																																																																																																																																																																																																																																																																																																																																																		
7449	40p			74LS511	24p	4059	250p																																																																																																																																																																																																																																																																																																																																																																																																																																																																																																																																																																																																																																																																																																																																																																																																																																																		
7450	40p			74LS512	24p	4060	250p																																																																																																																																																																																																																																																																																																																																																																																																																																																																																																																																																																																																																																																																																																																																																																																																																																																		
7451	38p			74LS513	45p	4061	250p																																																																																																																																																																																																																																																																																																																																																																																																																																																																																																																																																																																																																																																																																																																																																																																																																																																		
7452	38p			74LS514	45p	4062	250p																																																																																																																																																																																																																																																																																																																																																																																																																																																																																																																																																																																																																																																																																																																																																																																																																																																		
7453	38p			74LS515	45p	4063	250p																																																																																																																																																																																																																																																																																																																																																																																																																																																																																																																																																																																																																																																																																																																																																																																																																																																		
7454	38p			74LS516	45p	4064	250p																																																																																																																																																																																																																																																																																																																																																																																																																																																																																																																																																																																																																																																																																																																																																																																																																																																		
7455	38p			74LS517	45p	4065	250p																																																																																																																																																																																																																																																																																																																																																																																																																																																																																																																																																																																																																																																																																																																																																																																																																																																		
7456	38p			74LS518	45p	4066	250p																																																																																																																																																																																																																																																																																																																																																																																																																																																																																																																																																																																																																																																																																																																																																																																																																																																		
7457	38p			74LS519	45p	4067	250p																																																																																																																																																																																																																																																																																																																																																																																																																																																																																																																																																																																																																																																																																																																																																																																																																																																		
7458	38p			74LS520	45p	4068	250p																																																																																																																																																																																																																																																																																																																																																																																																																																																																																																																																																																																																																																																																																																																																																																																																																																																		
7459	38p			74LS521	45p	4069	250p																																																																																																																																																																																																																																																																																																																																																																																																																																																																																																																																																																																																																																																																																																																																																																																																																																																		
7460	38p			74LS522	45p	4070	250p																																																																																																																																																																																																																																																																																																																																																																																																																																																																																																																																																																																																																																																																																																																																																																																																																																																		
7461	38p			74LS523	45p	4071	250p																																																																																																																																																																																																																																																																																																																																																																																																																																																																																																																																																																																																																																																																																																																																																																																																																																																		
7462	38p			74LS524	45p	4072	250p																																																																																																																																																																																																																																																																																																																																																																																																																																																																																																																																																																																																																																																																																																																																																																																																																																																		
7463	38p			74LS525	45p	4073	250p																																																																																																																																																																																																																																																																																																																																																																																																																																																																																																																																																																																																																																																																																																																																																																																																																																																		
7464	38p			74LS526	45p	4074	250p																																																																																																																																																																																																																																																																																																																																																																																																																																																																																																																																																																																																																																																																																																																																																																																																																																																		
7465	38p			74LS527	45p	4075	250p																																																																																																																																																																																																																																																																																																																																																																																																																																																																																																																																																																																																																																																																																																																																																																																																																																																		
7466	38p			74LS528	45p	4076	250p																																																																																																																																																																																																																																																																																																																																																																																																																																																																																																																																																																																																																																																																																																																																																																																																																																																		
7467	38p			74LS529	45p	4077	250p																																																																																																																																																																																																																																																																																																																																																																																																																																																																																																																																																																																																																																																																																																																																																																																																																																																		
7468	38p			74LS530	45p	4078	250p																																																																																																																																																																																																																																																																																																																																																																																																																																																																																																																																																																																																																																																																																																																																																																																																																																																		
7469	38p			74LS531	45p	4079	250p																																																																																																																																																																																																																																																																																																																																																																																																																																																																																																																																																																																																																																																																																																																																																																																																																																																		
7470	38p			74LS532	45p	4080	250p																																																																																																																																																																																																																																																																																																																																																																																																																																																																																																																																																																																																																																																																																																																																																																																																																																																		
7471	38p			74LS533	45p	4081	250p																																																																																																																																																																																																																																																																																																																																																																																																																																																																																																																																																																																																																																																																																																																																																																																																																																																		
7472	38p			74LS534	45p	4082	250p																																																																																																																																																																																																																																																																																																																																																																																																																																																																																																																																																																																																																																																																																																																																																																																																																																																		
7473	38p			74LS535	45p	4083	250p																																																																																																																																																																																																																																																																																																																																																																																																																																																																																																																																																																																																																																																																																																																																																																																																																																																		
7474	38p			74LS536	45p	4084	250p																																																																																																																																																																																																																																																																																																																																																																																																																																																																																																																																																																																																																																																																																																																																																																																																																																																		
7475	38p			74LS537	45p	4085	250p																																																																																																																																																																																																																																																																																																																																																																																																																																																																																																																																																																																																																																																																																																																																																																																																																																																		
7476	38p			74LS538	45p	4086	250p																																																																																																																																																																																																																																																																																																																																																																																																																																																																																																																																																																																																																																																																																																																																																																																																																																																		
7477	38p			74LS539	45p	4087	250p																																																																																																																																																																																																																																																																																																																																																																																																																																																																																																																																																																																																																																																																																																																																																																																																																																																		
7478	38p			74LS540	45p	4088	250p																																																																																																																																																																																																																																																																																																																																																																																																																																																																																																																																																																																																																																																																																																																																																																																																																																																		
7479	38p			74LS541	45p	4089	250p																																																																																																																																																																																																																																																																																																																																																																																																																																																																																																																																																																																																																																																																																																																																																																																																																																																		
7480	38p			74LS542	45p	4090	250p																																																																																																																																																																																																																																																																																																																																																																																																																																																																																																																																																																																																																																																																																																																																																																																																																																																		
7481	38p			74LS543	45p	4091	250p																																																																																																																																																																																																																																																																																																																																																																																																																																																																																																																																																																																																																																																																																																																																																																																																																																																		
7482	38p			74LS544	45p	4092	250p																																																																																																																																																																																																																																																																																																																																																																																																																																																																																																																																																																																																																																																																																																																																																																																																																																																		
7483	38p			74LS545	45p	4093	250p																																																																																																																																																																																																																																																																																																																																																																																																																																																																																																																																																																																																																																																																																																																																																																																																																																																		
7484	38p			74LS546	45p	4094	250p																																																																																																																																																																																																																																																																																																																																																																																																																																																																																																																																																																																																																																																																																																																																																																																																																																																		
7485	38p			74LS547	45p	4095	250p																																																																																																																																																																																																																																																																																																																																																																																																																																																																																																																																																																																																																																																																																																																																																																																																																																																		
7486	38p			74LS548	45p	4096	250p																																																																																																																																																																																																																																																																																																																																																																																																																																																																																																																																																																																																																																																																																																																																																																																																																																																		
7487	38p			74LS549	45p	4097	250p																																																																																																																																																																																																																																																																																																																																																																																																																																																																																																																																																																																																																																																																																																																																																																																																																																																		
7488	38p			74LS550	45p	4098	250p																																																																																																																																																																																																																																																																																																																																																																																																																																																																																																																																																																																																																																																																																																																																																																																																																																																		
7489	38p			74LS551	45p	4099	250p																																																																																																																																																																																																																																																																																																																																																																																																																																																																																																																																																																																																																																																																																																																																																																																																																																																		
7490	38p			74LS552	45p	4100	250p																																																																																																																																																																																																																																																																																																																																																																																																																																																																																																																																																																																																																																																																																																																																																																																																																																																		
7491	38p			74LS553	45p	4101	250p																																																																																																																																																																																																																																																																																																																																																																																																																																																																																																																																																																																																																																																																																																																																																																																																																																																		
7492	38p			74LS554	45p	4102	250p																																																																																																																																																																																																																																																																																																																																																																																																																																																																																																																																																																																																																																																																																																																																																																																																																																																		
7493	38p			74LS555	45p	4103	250p																																																																																																																																																																																																																																																																																																																																																																																																																																																																																																																																																																																																																																																																																																																																																																																																																																																		
7494	38p			74LS556	45p	4104	250p																																																																																																																																																																																																																																																																																																																																																																																																																																																																																																																																																																																																																																																																																																																																																																																																																																																		
7495	38p			74LS557	45p	4105	250p																																																																																																																																																																																																																																																																																																																																																																																																																																																																																																																																																																																																																																																																																																																																																																																																																																																		
7496	38p			74LS558	45p	4106	250p																																																																																																																																																																																																																																																																																																																																																																																																																																																																																																																																																																																																																																																																																																																																																																																																																																																		
7497	38p			74LS559	45p	4107	250p																																																																																																																																																																																																																																																																																																																																																																																																																																																																																																																																																																																																																																																																																																																																																																																																																																																		
7498	38p			74LS560	45p	4108	250p																																																																																																																																																																																																																																																																																																																																																																																																																																																																																																																																																																																																																																																																																																																																																																																																																																																		
7499	38p			74LS561	45p	4109	250p																																																																																																																																																																																																																																																																																																																																																																																																																																																																																																																																																																																																																																																																																																																																																																																																																																																		
7500	38p			74LS562	45p	4110	250p																																																																																																																																																																																																																																																																																																																																																																																																																																																																																																																																																																																																																																																																																																																																																																																																																																																		
74LS SERIES		74LS501	24p	74LS563	210p																																																																																																																																																																																																																																																																																																																																																																																																																																																																																																																																																																																																																																																																																																																																																																																																																																																				
7451	38p	74LS502	24p	74LS564	180p	4025	24p																																																																																																																																																																																																																																																																																																																																																																																																																																																																																																																																																																																																																																																																																																																																																																																																																																																		
7452	38p	74LS503	24p	74LS565	180p	4026	80p																																																																																																																																																																																																																																																																																																																																																																																																																																																																																																																																																																																																																																																																																																																																																																																																																																																		
7453	38p	74LS504	24p	74LS566	50p	4027	40p																																																																																																																																																																																																																																																																																																																																																																																																																																																																																																																																																																																																																																																																																																																																																																																																																																																		
7454	38p	74LS505	24p	74LS567	50p	4028	60p																																																																																																																																																																																																																																																																																																																																																																																																																																																																																																																																																																																																																																																																																																																																																																																																																																																		
7455	38p	74LS506	24p	74LS568	50p	4029	70p																																																																																																																																																																																																																																																																																																																																																																																																																																																																																																																																																																																																																																																																																																																																																																																																																																																		
7456	38p	74LS507	24p	74LS569	50p	4030	35p																																																																																																																																																																																																																																																																																																																																																																																																																																																																																																																																																																																																																																																																																																																																																																																																																																																		
7457	38p	74LS508	24p	74LS570	50p	4031	125p																																																																																																																																																																																																																																																																																																																																																																																																																																																																																																																																																																																																																																																																																																																																																																																																																																																		
7458	38p	74LS509	24p	74LS571	50p	4032	100p																																																																																																																																																																																																																																																																																																																																																																																																																																																																																																																																																																																																																																																																																																																																																																																																																																																		
7459	38p	74LS510	24p	74LS572	50p	4033	250p																																																																																																																																																																																																																																																																																																																																																																																																																																																																																																																																																																																																																																																																																																																																																																																																																																																		
7460	38p	74LS511	24p	74LS573	50p	4034	250p																																																																																																																																																																																																																																																																																																																																																																																																																																																																																																																																																																																																																																																																																																																																																																																																																																																		
7461	38p	74LS512	24p	74LS574	50p	4035	70p																																																																																																																																																																																																																																																																																																																																																																																																																																																																																																																																																																																																																																																																																																																																																																																																																																																		
7462	38p	74LS513	45p	74LS575	140p	4036	77p																																																																																																																																																																																																																																																																																																																																																																																																																																																																																																																																																																																																																																																																																																																																																																																																																																																		
7463	38p	74LS514	45p	74LS576	140p	4037	110p																																																																																																																																																																																																																																																																																																																																																																																																																																																																																																																																																																																																																																																																																																																																																																																																																																																		
7464	38p	74LS515	45p	74LS577	140p	4038	100p																																																																																																																																																																																																																																																																																																																																																																																																																																																																																																																																																																																																																																																																																																																																																																																																																																																		
7465	38p	74LS516	45p	74LS578	140p	4039	250p																																																																																																																																																																																																																																																																																																																																																																																																																																																																																																																																																																																																																																																																																																																																																																																																																																																		
7466	38p	74LS517	45p	74LS579	140p	4040	60p																																																																																																																																																																																																																																																																																																																																																																																																																																																																																																																																																																																																																																																																																																																																																																																																																																																		
7467	38p	74LS518	45p	74LS580	140p	4041	55p																																																																																																																																																																																																																																																																																																																																																																																																																																																																																																																																																																																																																																																																																																																																																																																																																																																		
7468	38p	74LS519	45p	74LS581	140p	4042	50p																																																																																																																																																																																																																																																																																																																																																																																																																																																																																																																																																																																																																																																																																																																																																																																																																																																		
7469	38p	74LS520	45p	74LS582	140p	4043	60p																																																																																																																																																																																																																																																																																																																																																																																																																																																																																																																																																																																																																																																																																																																																																																																																																																																		
7470	38p	74LS521	45p	74LS583	140p	4044	60p																																																																																																																																																																																																																																																																																																																																																																																																																																																																																																																																																																																																																																																																																																																																																																																																																																																		
7471	38p	74LS522	45p	74LS584	140p	4045	100p																																																																																																																																																																																																																																																																																																																																																																																																																																																																																																																																																																																																																																																																																																																																																																																																																																																		
7472	38p	74LS523	45p	74LS585	140p	4046	100p																																																																																																																																																																																																																																																																																																																																																																																																																																																																																																																																																																																																																																																																																																																																																																																																																																																		
7473	38p	74LS524	45p	74LS586	140p	4047	100p																																																																																																																																																																																																																																																																																																																																																																																																																																																																																																																																																																																																																																																																																																																																																																																																																																																		
7474	38p	74LS525	45p	74LS587	140p	4048	100p																																																																																																																																																																																																																																																																																																																																																																																																																																																																																																																																																																																																																																																																																																																																																																																																																																																		
7475	38p	74LS526	45p	74LS588	140p	4049	100p																																																																																																																																																																																																																																																																																																																																																																																																																																																																																																																																																																																																																																																																																																																																																																																																																																																		
7476	38p	74LS527	45p	74LS589	140p	4050	100p																																																																																																																																																																																																																																																																																																																																																																																																																																																																																																																																																																																																																																																																																																																																																																																																																																																		
7477	38p	74LS528	45p	74LS590	140p	4051	100p																																																																																																																																																																																																																																																																																																																																																																																																																																																																																																																																																																																																																																																																																																																																																																																																																																																		
7478	38p	74LS529	45p	74LS591	140p	4052	100p																																																																																																																																																																																																																																																																																																																																																																																																																																																																																																																																																																																																																																																																																																																																																																																																																																																		
7479	38p	74LS530	45p	74LS592	140p	4053	100p																																																																																																																																																																																																																																																																																																																																																																																																																																																																																																																																																																																																																																																																																																																																																																																																																																																		
7480	38p	74LS531	45p	74LS593	140p	4054	100p																																																																																																																																																																																																																																																																																																																																																																																																																																																																																																																																																																																																																																																																																																																																																																																																																																																		
7481	38p	74LS532	45p	74LS594	140p	4055	100p																																																																																																																																																																																																																																																																																																																																																																																																																																																																																																																																																																																																																																																																																																																																																																																																																																																		
7482	38p	74LS533	45p	74LS595	140p	4056	100p																																																																																																																																																																																																																																																																																																																																																																																																																																																																																																																																																																																																																																																																																																																																																																																																																																																		
7483	38p	74LS534	45p	74LS596	140p	4057	100p																																																																																																																																																																																																																																																																																																																																																																																																																																																																																																																																																																																																																																																																																																																																																																																																																																																		
7484	38p	74LS535	45p	74LS597	140p	4058	100p																																																																																																																																																																																																																																																																																																																																																																																																																																																																																																																																																																																																																																																																																																																																																																																																																																																		
7485	38p	74LS536	45p	74LS598	140p	4059	100p																																																																																																																																																																																																																																																																																																																																																																																																																																																																																																																																																																																																																																																																																																																																																																																																																																																		
7486	38p	74LS537	45p	74LS599	140p	4060	100p																																																																																																																																																																																																																																																																																																																																																																																																																																																																																																																																																																																																																																																																																																																																																																																																																																																		
7487	38p	74LS538	45p	74LS600	140p	4061	100p																																																																																																																																																																																																																																																																																																																																																																																																																																																																																																																																																																																																																																																																																																																																																																																																																																																		
7488	38p	74LS539	45p	74LS601	140p	4062	100p																																																																																																																																																																																																																																																																																																																																																																																																																																																																																																																																																																																																																																																																																																																																																																																																																																																		
7489	38p	74LS540	45p	74LS602	140p	4063	100p																																																																																																																																																																																																																																																																																																																																																																																																																																																																																																																																																																																																																																																																																																																																																																																																																																																		
7490	38p	74LS541	45p	74LS603	140p	4064	100p																																																																																																																																																																																																																																																																																																																																																																																																																																																																																																																																																																																																																																																																																																																																																																																																																																																		
7491	38p	74LS542	45p	74LS604	140p	4065	100p																																																																																																																																																																																																																																																																																																																																																																																																																																																																																																																																																																																																																																																																																																																																																																																																																																																		
7492	38p	74LS543	45p	74LS605	140p	4066	100p																																																																																																																																																																																																																																																																																																																																																																																																																																																																																																																																																																																																																																																																																																																																																																																																																																																		
7493	38p	74LS544	45p	74LS606	140p	4067	100p																																																																																																																																																																																																																																																																																																																																																																																																																																																																																																																																																																																																																																																																																																																																																																																																																																																		
7494	38p	74LS545	45p	74LS607	140p	4068	100p																																																																																																																																																																																																																																																																																																																																																																																																																																																																																																																																																																																																																																																																																																																																																																																																																																																		
7495	38p	74LS546	45p	74LS608	140p	4069	100p																																																																																																																																																																																																																																																																																																																																																																																																																																																																																																																																																																																																																																																																																																																																																																																																																																																		
7496	38p	74LS547	45p	74LS609	140p	4070	100p																																																																																																																																																																																																																																																																																																																																																																																																																																																																																																																																																																																																																																																																																																																																																																																																																																																		
7497	38p	74																																																																																																																																																																																																																																																																																																																																																																																																																																																																																																																																																																																																																																																																																																																																																																																																																																																							

READ/WRITE

Newrad

Dear Sir

ETI in conjunction with John Linsley Hood produced what appeared to be an excellent amplifier design. I would imagine that the design appealed to many electronics hobbyists and possibly like myself many of them were delighted that Newrad Instrument Cases was to supply a complete kit of parts. You will appreciate the major problems of electronics as a hobby: namely the supply of components of a suitable quality and the frequent inability to obtain an adequate professional enclosure for the finished item. I am always pleased when manufacturers such as Newrad Instrument Cases produce the parts in one complete package.

As an electronics hobbyist I could easily understand the difficulties experienced by Newrad Instrument Cases in obtaining parts, effecting changes in circuit design, and also anticipating the number of kits they would need. Even the greatest degree of understanding and patience wears a little thin after a year. I have telephoned Newrad Instrument Cases on numerous occasions and certainly over the last few months have been met by an Ansaphone machine during normal business hours although I admit that my letters have been answered promptly. It would also be worth noting that Mr. Phillips sounds a very reasonable person on the telephone but has had difficulty in fulfilling his promises particularly in respect of time, and has needed reminding on occasions.

The final promise for completion of this kit in respect of the item that Newrad should have found the most easy to produce, namely the case, promised for three weeks delivery some two months ago has finally worn my patience out. I wrote to Newrad Instrument Cases two weeks ago by recorded delivery letter threatening legal action if my money had not been returned by Monday, 3 June. It would appear that Newrad Instrument Cases are

uninfluenced by the right and proper use of the legal system and before proceeding further I felt I should inform you. I appreciate that you have no direct legal responsibility in the respect of the supply of the components by mail order but I am sure that you will accept a large moral responsibility for recommending Newrad Instrument Cases as the sole supplier for a product initiated by John Linsley Hood and Electronics Today International. I would imagine that a large number of your readers have ordered such kits from Newrad and, like myself some years ago, are probably not in a position to take on the companies who dishonour their public agreements. I am in a better position today to meet such people head-on and although I have no desire to be a martyr I am fully prepared to take this case to its limit and demonstrate that large numbers of people cannot be treated so shabbily.

I have spoken with my solicitor but am prepared to withhold instructions until the next publication of ETI in order that you may publish this letter in part or in whole and give me a much better idea of the scale of the problem that Newrad have created. I have no idea how many people are involved but, expressed in round figures, £100 or £250 units tens of time over, invested for the period of about a year, would come to an enormous sum of money. I would certainly welcome your own comments re the above and should you decide to publish the letter I would like to hear from anybody else in a similar situation to assess the full nature of the best.

Yours faithfully
Dr. P.A. Joiner
Caithness.

We have decided to print Dr Joiner's letter in full because, despite assurances from Newrad that the problems with the Linsley Hood MOSFET amplifier would be cleared up by now, we are still receiving complaints. We accept that we have a moral responsibility to our readers who may be being ill-served by Newrad despite having received an implicit

recommendation from us to deal with the company. In fairness, I should point out that the level of complaints has dropped off since Chris Phillips of Newrad gave his assurances. I should also point out that we can continue to recommend Newrad's products (including the JLH amplifier) without reservation. They are undoubtedly of high quality and good value. However, such recommendation is undermined if the products are unavailable, for whatever reason. Like Dr. Joiner, we urge any other readers still awaiting delivery of the JLH amplifier kit (in whole or part) to write to us (please don't phone) so we can gauge the extent of the problem, if problem there be. Armed with this information, we will be able to approach Newrad, if necessary, from a strong position in order to discharge our moral responsibility. Regrettably, the Mail Order Protection scheme — under the terms of which it is possible to claim compensation for goods paid for but not received — only applies in the case of a mail order supplier ceasing to trade. To the best of our knowledge, Newrad are not in this position. — Ed.

Seeing The Light

Dear Sir,

In my original article ('Large Digit Scoreboard', ETI, May 1985), I mentioned the trouble I experienced with lamps blowing and taking their Triacs with them. I have since found a solution, which is applicable to any Triac — controlled lamp project.

There are a number of situations where a Triac is used to control mains power to a bank of lamps, eg. the scoreboard, disco light shows, etc. In such situations, if a lamp blows it can form a momentary short circuit and the resulting current surge destroys the Triac. Typically, the Triac will go short circuit, and the other lamps in the bank will be permanently on.

The solution to this involves putting a current limiting resistance in series with the lamps, but for practical purposes a limiting resistor will be very wasteful of power. The answer is to wire the bank of lamps in series instead of

parallel. In this case, when a lamp fails, the others in the string act as a limiter and protect the Triac.

Naturally, the string of lamps acts as a potential divider, so each lamp must operate from a lower voltage than normal, much the same way as for a string of Christmas tree lights. If, for example, the bank contains five lamps, each one should be rated at $250/5 = 50V$ operation. A range of pygmy bulbs with ordinary bayonet bases called Sign bulbs is available from various suppliers. They are rated at 15W, with a variety of operating voltages, and selecting from these should fill most requirements.

This idea is adaptable even to applications where a Triac drives a single bulb. Providing it is not a drawback to replace the single bulb with a cluster of lower voltage bulbs, the modification can be made and the Triac duly protected.

Yours sincerely,
Ken Wood,
Ipswich.

Not so much a case of 'If at first you don't succeed, Triac again', more a case of a light subject treated series-ly ... Ed.

That's Silicon Ditch - it's where you end up if you don't make it in Silicon Glen!



ETI

WIN AN ENTERPRISE 64 MICRO!

Digital & Micro ELECTRONICS

The **Enterprise 64** is one of the very latest micros to appear on the home market. It combines many features not found together in one small package. For example; stereo sound, 256 colours, built in joystick, wordprocessor, 64k memory — expandable to 4000k!

The language is standard BASIC, as is the interfacing circuits to printers and even local area networking. We like the Enterprise so much that we are giving you the chance to win one FREE in our easy to enter competition in our next issue.

This together with; Audio Analyser, Syndrum, CPC RS232 Interface, plus features galore makes buying *Digital & Micro Electronics* your number one choice.

On Sale Friday 19th July!



THE REAL COMPONENTS

This month's topic is amplifiers in small packages, and as usual, John Linsley Hood has it all wrapped up.

In the late 1950s, it occurred to one of the semiconductor manufacturers in the USA that it would be possible to put together complete pieces of simple circuitry on a slice of P-type mono-crystalline silicon. The necessary components could be formed by suitable masking and diffusion processes.

For example, a resistor could be made by diffusing in a zig-zag track of fairly lightly doped N-type material, with a connector pad at each end (Fig. 1). A capacitor could be made by oxidising a small area of the silicon and putting a layer of evaporated aluminium metallising over

one which can use the substrate (usually connected to the +ve supply line) as its collector. If the circuit doesn't allow this, it is necessary to use the lateral construction in which the base region is formed by masking off a narrow strip, with the emitter and collector regions diffused into the N-type zone as close together as possible. Even so, and with the best mask technology in the world, the current gain of such a transistor may be only 5-10 and its HF response will be pretty miserable.

Within these limitations it was possible to make some useful circuit blocks, and the circuit and mask layout designers learnt from their experience. They certainly needed to, since some of the early ICs, from my painful recollections as a user, left a lot to be desired in both performance and reliability.

Modern circuit techniques and circuit designs have transformed this situation, and my honest opinion now is that, if there is an IC which will do what one needs, then it is pointless to try to do the job with discrete components other than in a few specialised applications. After all, some of the best electronic circuit designers in the world work for the IC manufacturers.

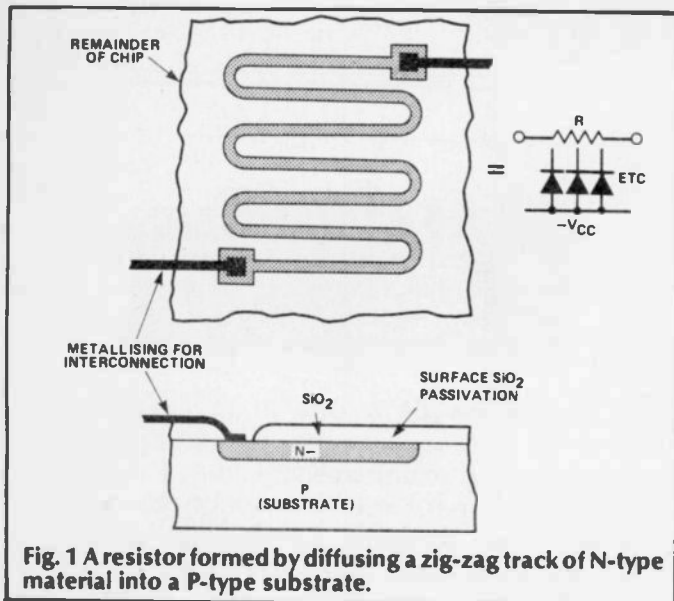


Fig. 1 A resistor formed by diffusing a zig-zag track of N-type material into a P-type substrate.

the top of it, with a buried N-type layer underneath as the other plate (Fig. 2). NPN and PNP transistors could be made as shown in Figs 3 and 4. However, there are snags.

Resistors and capacitors take up a disproportionate amount of room on the chip surface, unless the values are pretty small, and it is very difficult to get the values within limits closer than $\pm 30\%$. In addition NPN transistors are not likely to be very good ones in terms of noise, current gain, or breakdown voltage because they have to be made by three separate sequential diffusions (an N-type impurity, followed by a P-type impurity, followed by another N-type), each of which adds to the total impurity concentration within the collector, base and emitter region.

In the case of the PNP transistors shown in Fig. 4, the only one which is at all reasonable in performance is the

Operational Amplifiers

These, normally known just as op-amps, are the most common form of IC which the user of linear circuitry will encounter. They can be regarded simply as gain blocks

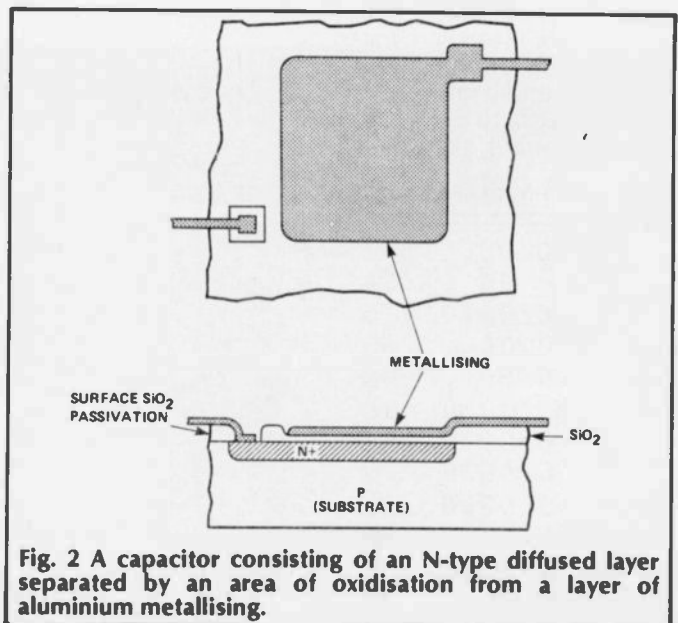


Fig. 2 A capacitor consisting of an N-type diffused layer separated by an area of oxidation from a layer of aluminium metallising.

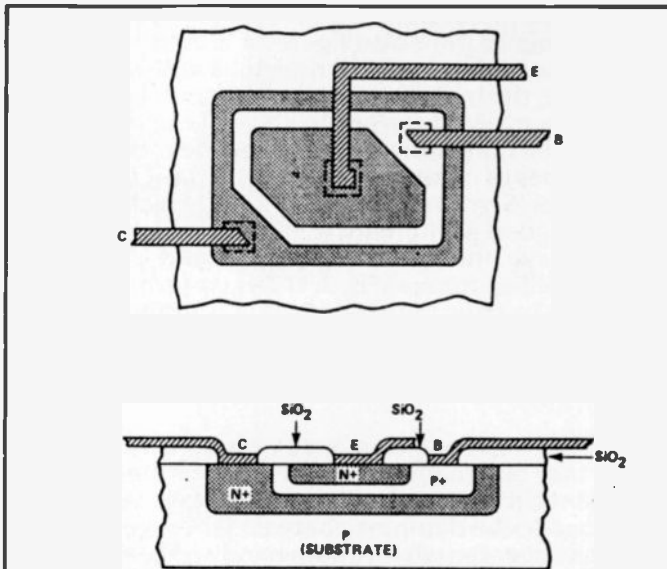


Fig. 3 An NPN transistor formed by diffusing three layers one on top of another into a P-type substrate.

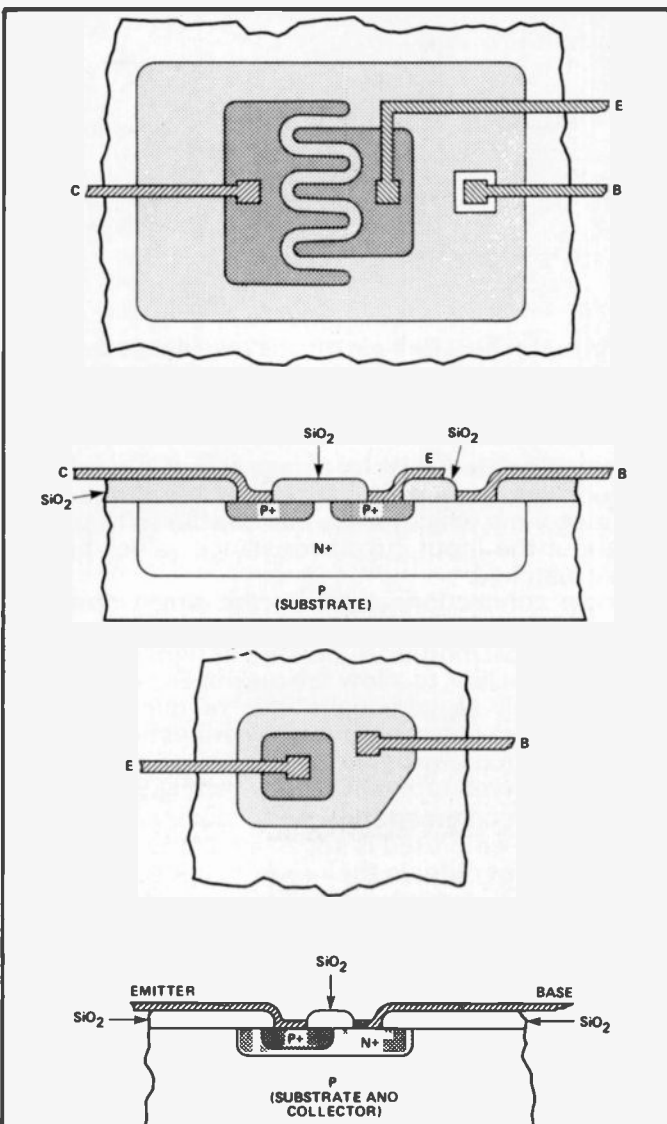


Fig. 4 PNP transistors formed by (a) lateral diffusions into a P-type substrate and (b) successive vertical diffusions into a P-type substrate.

of the form shown in Fig. 5, with a couple of input connections (one inverting and one non-inverting), an output pin, and a couple of leads for a dual rail supply. The supply voltage can lie anywhere between $\pm 1.5V$ and $\pm 18V$ depending on the op-amp specification.

The basic circuit layout employed is of the form shown in Fig. 6. The input transistors, Q1 and Q2, are connected as a long-tailed pair, Q5 is an amplifier stage, and Q6 and Q7 are a push-pull output stage biased into class

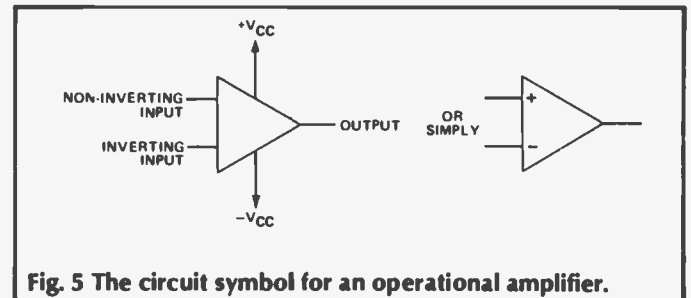


Fig. 5 The circuit symbol for an operational amplifier.

AB. In modern designs there will also be an internal HF compensation capacitor, which I have shown as C_c .

Although there has been a proliferation of op-amp types in the past decade, they all have certain features in common. These are an open loop gain (that is, the gain without externally applied negative feedback) in the range of 50,000–250,00, a low static power supply consumption, usually in the range 0.5–4 mA, a high common-mode rejection ratio (by which is meant the ability of the op-amp to ignore signals which are present simultaneously on both inputs while amplifying the difference between such signals) and a high degree of rejection of any voltage variations on the supply lines.

This latter feature allows the circuit designer to ignore the need for supply line decoupling in a way

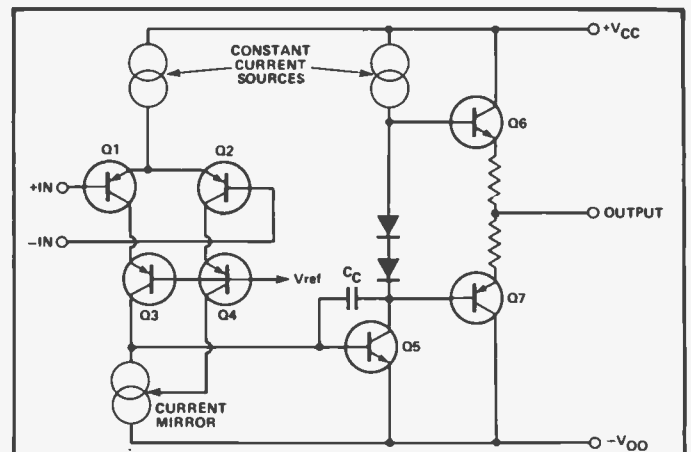


Fig. 6 Simplified internal circuitry of a basic operational amplifier.

which would have been disastrous for the valve circuit designer, and for which I, for one, am truly thankful.

Early general purpose op-amps were uncompensated. This meant that one had to be careful when applying negative feedback between the output and the inverting input, unless two external HF compensation networks of suitable values of R and C were connected between four of the pins.

At the time, this was a necessary requirement if a respectable HF bandwidth for the amplifier was to be achieved, but it was an inconvenience which one could

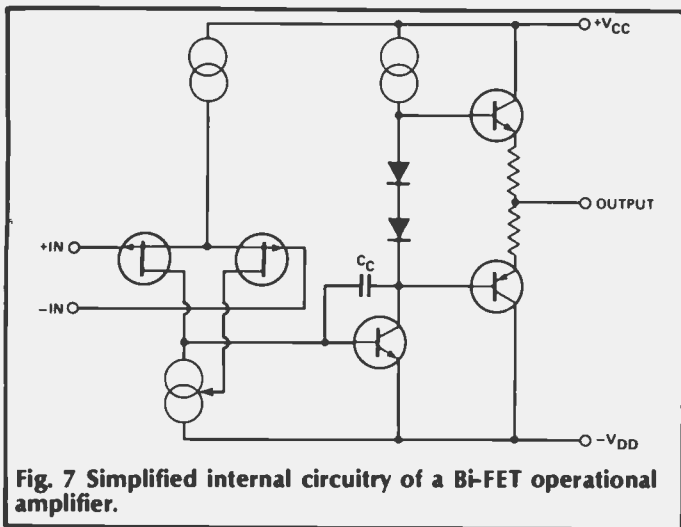


Fig. 7 Simplified internal circuitry of a Bi-FET operational amplifier.

well do without. Subsequent 'second generation' op amps like the familiar 741 had the worst-case HF compensation components built in, without too much sacrifice in performance.

A later development was to make dual and quadruple op amps in the same package. The dual ones, in an 8-pin DIL or TO5 pack, have become very popular.

Drawbacks

Early op-amps, while they did what they were supposed to, had a lot of snags, which were seldom mentioned in the makers' catalogue descriptions.

Noise This was partly due to the fact that the whole of the electronic circuitry floated on top of a P-type silicon slice and was isolated from it by reverse biased diode junctions. As I mentioned in an earlier article, the leakage currents in reverse biased diodes are very noisy. Also, the transistors used were heavily and multiply loaded with impurities, which certainly didn't do their noise figures much good.

Output overload Again, in early types, no specific form of output overload protection was employed, so if the output became short-circuited the op-amp would burn out.

Latch-up If the output was driven hard in one direction or the other, it often just stayed there, regardless of what the signal at the input subsequently did.

Input protection No specific protection was included to prevent damage to the device if the input was taken, quite legitimately within the supply voltage range of the IC, to an ill-chosen voltage level.

Frequency response This was often quite poor when any significant output load was applied or if a wide output voltage swing was required. The slewing rate could also be poor and often differed for positive-going and negative-going output swings.

Input impedance This could be quite low, and the input bias currents (those currents which must flow into the IC if it is to work) were often relatively high.

Third Generation Op-Amps

Most of these problems were removed in the second generation designs, such as the 741, but the problem of a relatively low input impedance remained, with a consequent need for a carefully matched resistance path in both the inverting and non-inverting input circuits. The HF bandwidth and noise figure were also not nearly as good as could be achieved with discrete components.

Careful attention to the doping of the various regions of the IC, and in the choice of dopants employed and the

way in which they are introduced, has led to great improvements in the noise figure of a modern IC op-amps. Improvements in circuit design have also helped.

However, the major breakthrough came when techniques were evolved for producing FETs on the same chip as bipolar transistors. This allowed the construction of Bi-FET types of op-amp such as the Texas TLO71 and the National Semiconductors LF351, which have a remarkably good performance.

These have the general circuit layout shown, in slightly simplified form, in Fig. 7. This is very similar to the 741, whose structure I illustrated in Fig. 6, except that the cascode-connected PNP input transistors (used to compensate for the poor performance of the lateral PNP types), have been replaced with P-channel junction FETs.

This gives a noise performance which is very nearly as good as that obtainable from the best of the discrete component circuit layouts, an output voltage swing very nearly equal to the difference between the +ve and -ve supply rails over the whole audio bandwidth, and a harmonic distortion, on loads of 4k7 or greater, which is

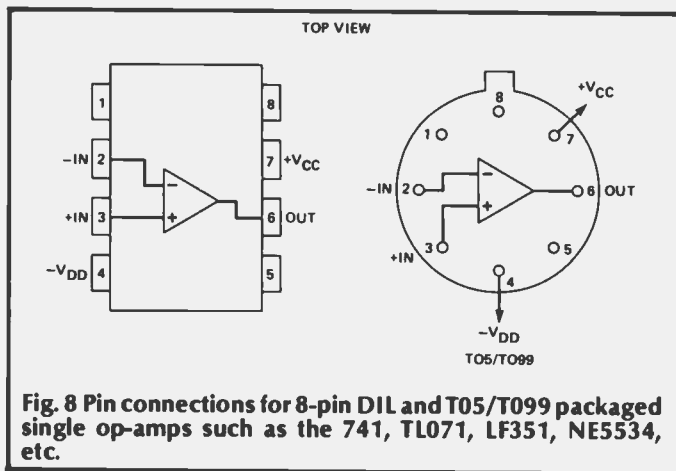


Fig. 8 Pin connections for 8-pin DIL and TO5/TO99 packaged single op-amps such as the 741, TL071, LF351, NE5534, etc.

typically well below 0.01% for a stage gain of 20x or less. In addition the input impedance is of the order of a million megohms, which means that one doesn't have to worry about the input circuit resistance values being precisely matched.

The pin connections used for the single op-amp designs are shown in Fig. 8.

A feature most modern IC op-amp designs possess is an offset-null facility, to allow the output DC voltage to be set precisely to zero volts plus or minus a few millivolts. This is commonly done by connecting a small trimmer potentiometer between pins 1 and 5 and taking the slider to the -ve supply rail, as shown in Fig. 9. It is wise to check the recommended connections and circuit values if the op-amp used is not a 741, LF351 or TL071 since some types differ in their requirements.

Nulling the DC output voltage (only practicable if the input voltages are near zero) is only necessary if the amplifier is being used in a DC application, such as a DC energised strain-gauge or thermocouple amplifier.

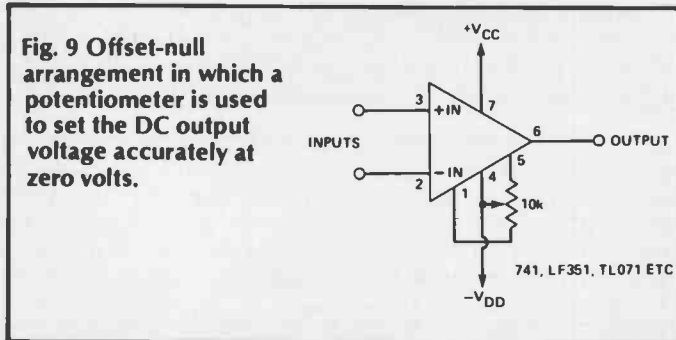
Since this isn't a very common application, the quite popular dual ICs such as the bipolar MC or LM 1458 or the LF353/TL072 BiFET types omit this connection. Their pin connection arrangements are shown in Fig. 10. With both inputs connected to the 0V line and a gain of up to 100x, a DC offset of less than 100mV would be expected even without any HF DC nulling.

The type of circuit used with an op-amp as a general purpose AC amplifier stage is shown in Figs. 11a and 11b.

FEATURE: Real Components

The non-inverting stage has a higher input impedance R_{in} , which can be as high as one likes, but a slightly worse distortion figure and an inferior sound in audio applications when compared with the phase-inverting circuit of Fig. 11b, in which the input impedance is equal to R_a .

This difference is due to a slight failure in the op-amp common mode characteristics. It is only worth worrying about this in 'ultimate Fi' audio applications. For all normal purposes there is no measurable difference between the two.



The third common configuration in both AC and DC usage is the unity-gain impedance converter layout of Fig. 11c. This will convert an input signal at the megohms level to a very nearly identical signal at an output impedance of less than 1k Ω .

In all of these applications, where negative feedback is being used to define the gain or improve the performance of the op-amp, it is prudent to include an output resistance of the order of 100-220 Ω . This will reduce the likelihood of the amplifier becoming unstable should the output load have a particularly unfavourable reactance characteristic. If the circuit is driving something whose input impedance is purely resistive, this can be omitted.

The circuit applications in which op-amps can be used would fill a book — indeed they have already filled several books — so this is not the place to compete with this outpouring of ingenuity. The thing to remember is that the more recent designs are, inevitably, better than the earlier ones, partly as a result of competition between manufacturers and partly because new design techniques are continually being discovered which lead to better products.

Also, one should remember that there are, as the old saying has it, horses for courses. If one wants a very high input impedance indeed, for use, perhaps with an ionisation chamber, but low noise and low distortion are not terribly important, then a MOSFET input op-amp

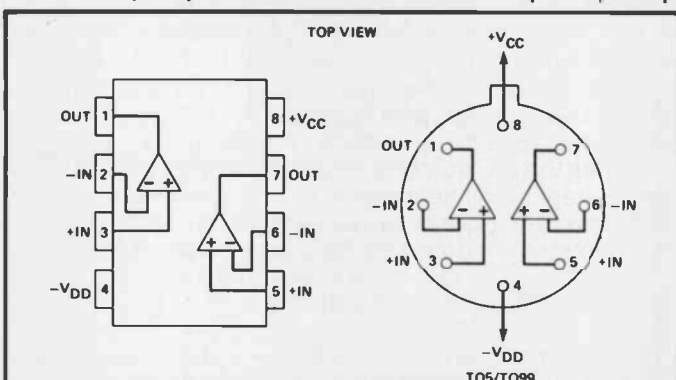


Fig. 10 Pin connections for 8-pin D1L and T05/T099 packed dual op-amps such as the MC1458, TL072, LF353, NE5532, etc.

like the RCA CA3140 or the more recent Intersil ICL 7611 DCPA, would be the best choice.

If on the other hand, very low noise indeed is required, perhaps for some audio application, but a high input impedance isn't particularly important, then the Signetics NE5534 or its dual package equivalent, the NE5532 would be a good choice. If cost is of no consideration whatever, a Precision Monolithics OP-27, currently the Rolls-Royce of bipolar op-amps, would make an enviable possession, particularly since it combines very low circuit noise with a very low DC drift and equally low distortion characteristics.

Other Op-Amp Types

Additional possibilities which exist in the op-amp field are devices like the TL061 (062 dual, 064 quad) series, which, in addition to a FET input, have a typical current consumption of 0.25mA per amplifier and are ideal where economy in use of supply current is desirable. Even more frugal is the OP-220 device with a consumption of 100 μ A, or the OP-420 quad op-amp which lives on a beggarly 50 μ A per amplifier.

Alternatively, ICs like the TL091 (092 dual) offer the facility of operation from a single line supply, provided

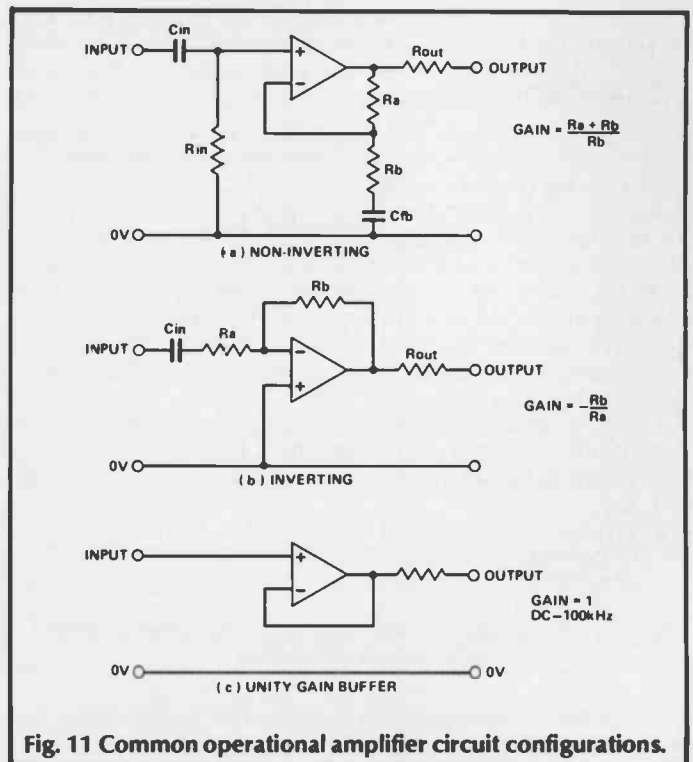


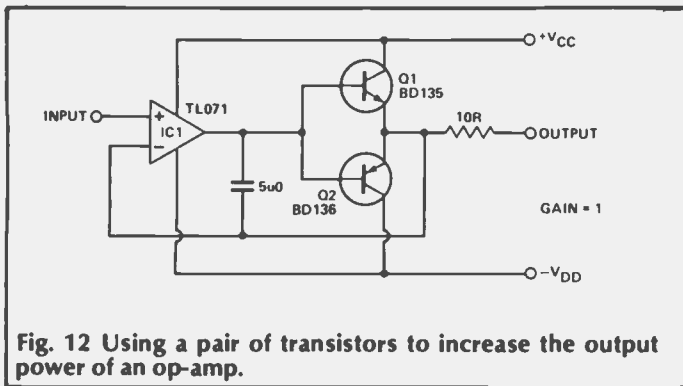
Fig. 11 Common operational amplifier circuit configurations.

that the input and output voltage swings are not required to go outside the supply voltage range.

Where DC amplification for strain gauges or similar low output transducers is required, the National Semiconductor LM725 or the Precision Monolithics OP-07, OP-27 or OP-37 devices would be preferable.

There are also IC op-amps aimed at very fast response, wide-bandwidth applications, such as the National Semiconductors LH0024 and LH0032 designs which have a 70MHz bandwidth, and the LH0063/HA5033 unity gain buffer ICs, which have a DC-100MHz pass-band. However, it should be remembered that such devices will require a lot of care in the layout design if stable operation is to be obtained.

If more muscle power is required there are also power op-amps, though a simple and relatively low-cost



industrial specification units will be better in this respect.

Input offset voltage drift is specified as a function of temperature and relates to the temperature stability of the circuit. It is influenced by care in matching the input transistor chip areas and doping levels, and is a parameter which is unlikely to be specified except in relation to Military op-amps or those which are intended for use in DC instrumentation applications.

Voltage Regulator ICs

The second class of linear ICs which I feel one should not try to do without is the three-terminal voltage regulator IC. This is an invaluable aid in ensuring that circuits work as well as one would hope by providing a

alternative is to hang a pair of transistors on the output of a conventional op-amp as I have shown in Fig. 12. Since the output transistors are zero biased they take very little quiescent current, but the residual crossover distortion would spoil the performance for audio use. If low THD is needed, the transistors must be biased into class A or class AB as shown in Fig. 13. This produces a very good headphone amplifier design.

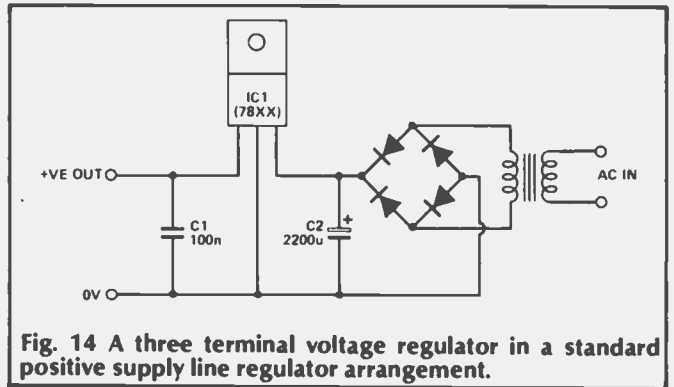


Fig. 14 A three terminal voltage regulator in a standard positive supply line regulator arrangement.

Interpreting The Specifications

Most of these are fairly simple to understand, but there are some IC parameters which are a bit confusing. Input Offset Voltage refers to the difference in the base-emitter voltages between Q1 and Q2 in Fig. 6. This

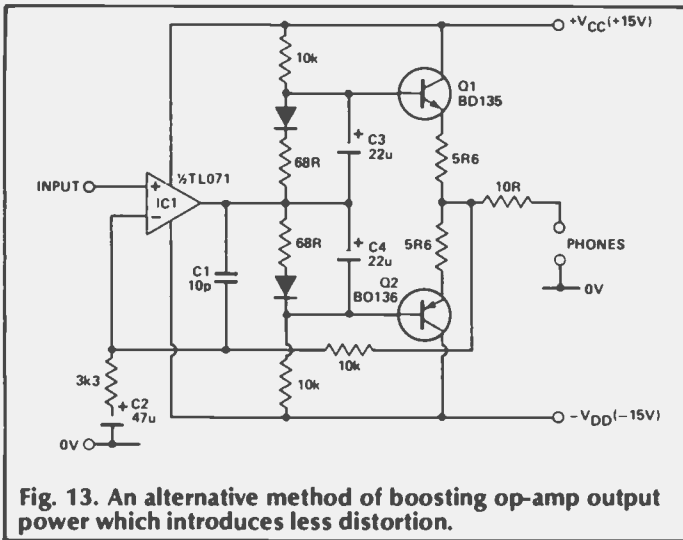


Fig. 13. An alternative method of boosting op-amp output power which introduces less distortion.

stable, precisely controlled, low ripple, low impedance and low noise DC supply line.

The type of circuit layout used is shown in Fig. 14 and the simplified internal circuitry is shown in Fig. 15. The only thing which it is necessary to remember in use is that the negative supply line regulators (usually listed as the 79 series) have a different pin configuration to the positive line (78 series) ones. The pin connections for a number of different packages are shown in Fig. 16.

In addition to the fixed output voltage types (7805, 7812, 7815, 7824 etc.) there are adjustable output voltage versions. These are good, but not quite as good in performance as their fixed voltage brothers.

At present, there is a general limitation of 40V as the maximum input voltage which may be applied. Higher

would give rise to a spurious apparent DC input signal, to be amplified by the op-amp voltage gain. Typical offset voltages for a 741 type op-amp would be in the range 2-5mV, in the absence of an offset trim adjustment. FET input op-amps would be worse than this were it not for the fact that they are usually laser trimmed to around the 2mV level.

Input Offset Current refers to the difference in the base currents of Q1 and Q2 in Fig. 6. It is usually a good bit less (5-10x) than the input bias currents, which are the actual base currents drawn by the input transistors. It will cause an unwanted voltage offset if the resistance of the two input circuit paths are unequal.

The input bias and offset currents in FET input op-amps are usually too low to be of great importance in normal circuitry.

All of these offset voltages will probably be worse at temperatures higher or lower than the 25°C figure normally specified for commercial grade ICs. Military or

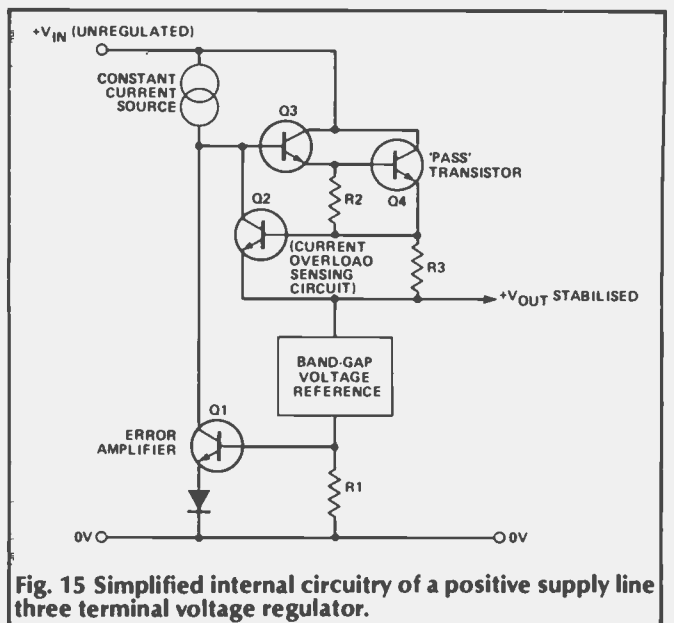


Fig. 15 Simplified internal circuitry of a positive supply line three terminal voltage regulator.

FEATURE: Real Components

voltage types are beginning to appear but at present they are very costly.

Unlike zener diodes, the three-terminal IC voltage regulators employ a relatively noise-free band-gap type of voltage reference which is compensated for temperature variations. They are amplified to give higher voltages than the 1.205V silicon band-gap potential (the voltage which a forward conducting diode would have at absolute zero temperature), and so are preferable as sources of stable DC potential. However, at least 5% of the rated output current must be drawn from the device if a good performance is to be achieved.

Typical output impedances for such a voltage regulator IC can be well below 0.1 ohms down to as low as 1Hz. It would require a decoupling capacitor of 1.5 farads to equal this! To ensure proper operation, the output capacitor, C1 in Fig. 14, should be at least 100n. More than 10u is unnecessary.

These ICs also contain internal circuit elements to provide protection against inadvertent output short-circuit or thermal overload due to a combination of excessive current and input-output voltage drop.

Other Linear ICs

There are an enormous number of other linear ICs, and every month new ones appear. These are mainly aimed at special fields of application, such as TV sets, FM tuners, various industrial and automotive applications and audio circuitry. The competition in the TV and audio field is largely for low cost units for the relatively undiscriminating user, and the more of the circuitry which can be done with ICs, the lower the price tag will be.

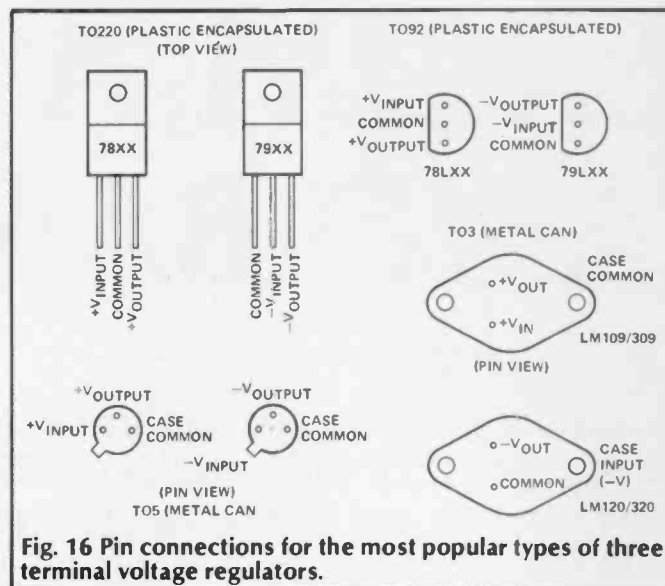
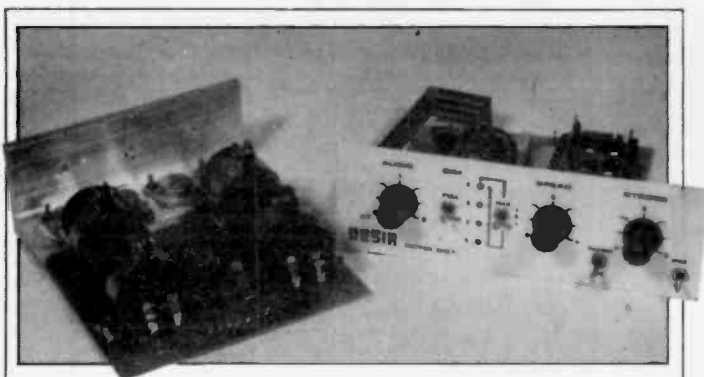


Fig. 16 Pin connections for the most popular types of three terminal voltage regulators.

It is a fascinating field to explore, but I always remember the dozens of special purpose ICs which I have seen in the past and which are now no longer made. I try to stick with the rather longer lived general purpose designs, of which the op-amps and the voltage regulators seem to be the most useful.

Next month I will look at the strengths and weaknesses of the various types of digital ICs, such as standard TTL, ECL, Schottky, LS, ALS, CMOS and HCMOS.

ETI



HIGH QUALITY ELECTRONIC MODULES

- 100W Mono & Stereo professional amplifiers shown in last months issue £98 & £140.
 - Disco Lighting Module 750 watts per chan, 4 chan, forward reverse chase £15.40.
 - Disco Sequencer Moduel 1024 sequnces, 1000 watts per chan ¼ chan (selectable), zero cross and inductive load. £40.65.
 - Amplifier Modules Mos-fet Low distortion .008%, on board protection fuses and power supply requires only transformer & heatsinks, saves £££'s.
- Amplifier chassis from 100W Mono to 250W Stereo. Professional Mos-fet for O.E.M. from £36.95. All amplifiers are fitted with redpoint black on Heatsinks for reliability. Input Impedance 47K ohm, Input sensitivity 0.775 volts. Total harmonic distortion .008%, Damp factor > 400, frequency response DC - 40KHZ & Slew rate 70 v/us.
- Heatsinks Ex Stock. 2.1 c/w redpoint heatsinks £2.50.
 - Send 20p and a large S.A.E. for specifications & price list on above products and more!!!

Send to:

TECHNOCROWN LTD
42 Fallowfield, Luton, Bedfordshire LU3 1PX
Tel: 0582-598167
Mail order only.

Postal charges per order £1. Welcome schools, colleges, and Trade. - Securicor £10.00 delivery.

ROBOTS

For Education, Training and Industry

NEPTUNE I

Kit from £1250

NEPTUNE II

Kit from £1725

MENTOR

Kit from £345

NEPTUNE I 6 axes; 8 bit control system; 2.5Kg capacity; 1120mm reach.

NEPTUNE II 7 axes; 12 bit control system; 2.5Kg capacity; 1120mm reach.

MENTOR DC servo desktop robot; 8 bit control system; 300gm capacity; 420mm reach.

Robots programmed from keyboard or hand-held simulator (model robot).

Robots may also be taught by 'lead by the nose' method.

Extensive software is supplied free with each robot.

Leads available for connection to BBC, ZX Spectrum, Apple IIe, Commodore 64 and VIC 20.

Most other micros are also easily usable with these robots.

Robots also available ready built.

Please phone for brochure: 0264 50093.

West Portway Industrial Estate, Andover SP10 3ET.

A private and independent company giving prompt, personal service.

Cybernetic Applications

FROM A TO D AND BACK AGAIN

Data converters are finding their way into an ever increasing range of electronic equipment, including a number of ETI designs. Stuart Smith takes a closer look at some of the more common types.

Nowadays, digital circuitry is very often used to process signals which originate in analogue form. The results of the processing may need to be reconverted into analogue form, and different conversion methods have been developed to meet the needs of different applications. These vary from the high speed/low precision requirements of a video digitiser to the slow speed/high precision of a digital voltmeter.

Back To Front

Digital to analogue converters (DACs) are the simplest and I'll describe them first.

Usually the output of a digital circuit is in the form of a set of words of fixed bit-length. Occasionally it takes the form of a frequency. A frequency-to-voltage converter

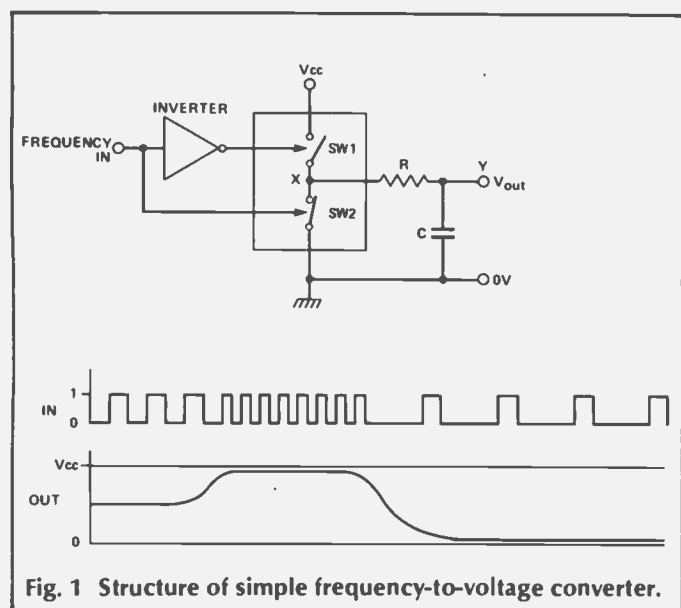


Fig. 1 Structure of simple frequency-to-voltage converter.

will serve for the latter kind of output and the general principle is shown in Fig. 1.

The node X is switched to either Vcc or 0V at a rate dependent on the input frequency. As long as the input pulses are of fixed width (which can be arranged using

edge-triggered monostables) the mean output voltage at Y is proportional to the input repetition frequency. If CMOS bilateral switches, such as the DG200 or 4066 types, are used for S1 and S2 their own ON resistance can provide the R component. The maximum input frequency is limited by the switching speeds of S1 and S2 and the minimum frequency by the value of C. If C is too high, the output will take a long time to respond to changes in frequency. If C is too small, the output will ripple as each input pulse arrives.

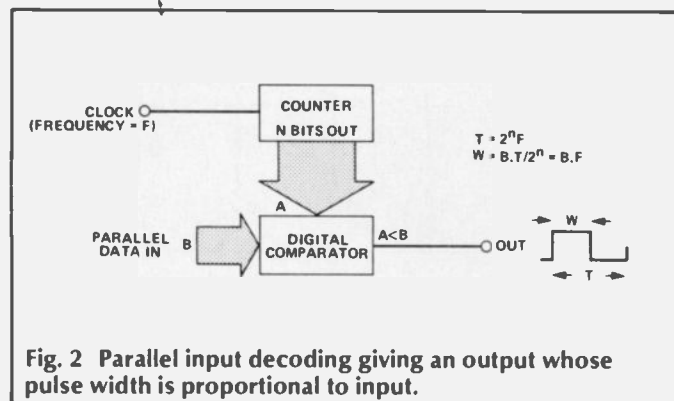


Fig. 2 Parallel input decoding giving an output whose pulse width is proportional to input.

Most digital circuits do not produce variable-frequency outputs — they give parallel digital data. To decode such inputs, the circuit of Fig. 1 can be effectively extended as in Fig. 2, although it is rather too slow for some applications. Instead of a variable rate, fixed width input, the technique uses variable width pulses at a fixed rate.

For higher speeds, the method of switching weighted resistors (Fig. 3) can be used. The illustration shows an 8-bit DAC with the weighted resistors so numbered that $R_x = R \cdot 2^{8-x+1}$. In general, an n-bit DAC can be constructed with $R_x = R \cdot 2^{n-x+1}$. In such an op-amp configuration, the inverting input is a virtual earth point and the current flowing in one of the resistors when it is switched in is V_{ref}/R_x . The output voltage due to that current will be $-V_{ref} \cdot (R/R_x)$ which simplifies to $-V_{ref} \cdot (R/(R \cdot 2^{8-x+1}))$ or $-V_{ref}/2^{8-x+1}$. For any particular input number, several resistors will be switched in and the output

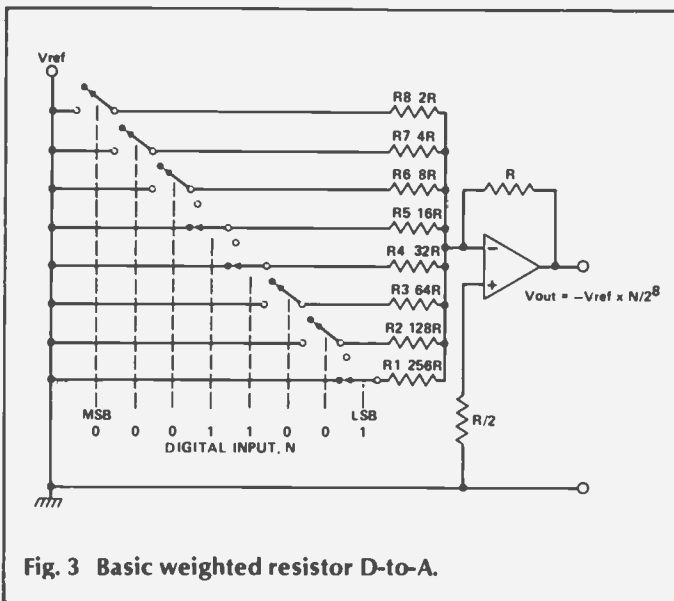


Fig. 3 Basic weighted resistor D-to-A.

will be summed. For example, if the input is binary 11001 (decimal 25), the output will be $V_{ref} \cdot (1/256 + 1/32 + 1/16)$ or $V_{ref} \cdot (25/256)$. A little calculation will show that the output of our 8-bit DAC will be $V_{ref} \cdot (A/256)$, where A is the number input in binary form. For an n-bit DAC, the output will be $V_{ref} \cdot (A/2^n)$.

In a practical circuit, the switches S1-S8 would have finite resistance and so the correct weighting of each input would be difficult to achieve. Apart from this problem, the type of converter shown in Fig. 3 requires a very large range of resistance values for even a modest ten bits. As the number of bits increase, the resistor tolerance constraints become tighter. Take the example of an input code change from 0111... to 1000... If the MSB resistor is one part in 2^{10} out then the analogue out-

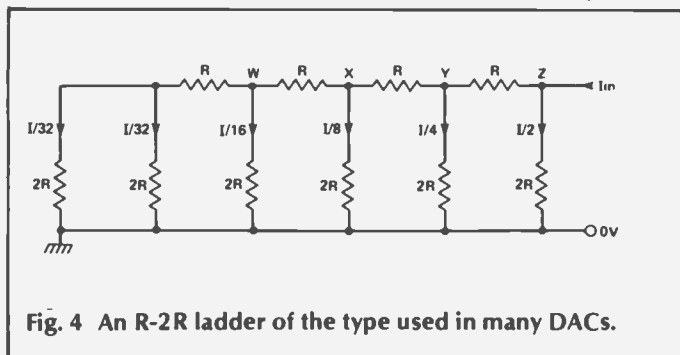


Fig. 4 An R-2R ladder of the type used in many DACs.

put of a ten-bit DAC may actually decrease on this major carry. In fact, accuracy should be to within a half of the LSB weighting or, in the case of a ten-bit DAC, to 0.05%.

Divide And Rule

Tolerances of this precision and beyond are difficult to maintain over a wide range of resistances and temperatures. It would, then, be useful to have a circuit which did not require such a large range of resistor values.

Such a circuit is the R-2R ladder network, a series of potential dividers which forms the basis of many DACs in use today (Fig. 4). It is widely used as part of the reference DAC in successive-approximation ADCs (see later).

At each node (W, X, Y, Z) current entering from the right 'sees' a resistance of 2R to the left and 2R down-

wards, so it divides equally down each arm. Thus binary weighting of currents is achieved in each vertical arm, and consequently, a binary weighting of voltages across the 2R resistors. By suitable adjustment of the resistors, a logarithmic weighting can be achieved.

The R-2R ladder is very often used in the configuration of Fig. 5, which shows a 5-bit DAC. The reference voltage, V_{ref} , is converted to a current $I_{ref} = V_{ref}/R_{in}$, flowing in the reference transistor Q1. The currents flowing in the other transistors can be switched to either the output or ground, depending on the setting of the bit switches. The switch resistance is unimportant because of the use of constant current sources T2 to T6.

In some commercial DACs the individual outputs may be switched to a true or complement current output; the sum of these two output currents is always equal.

The output of any DAC is proportional to the product of the voltage reference and input code. Some converters are designed so that the voltage reference may

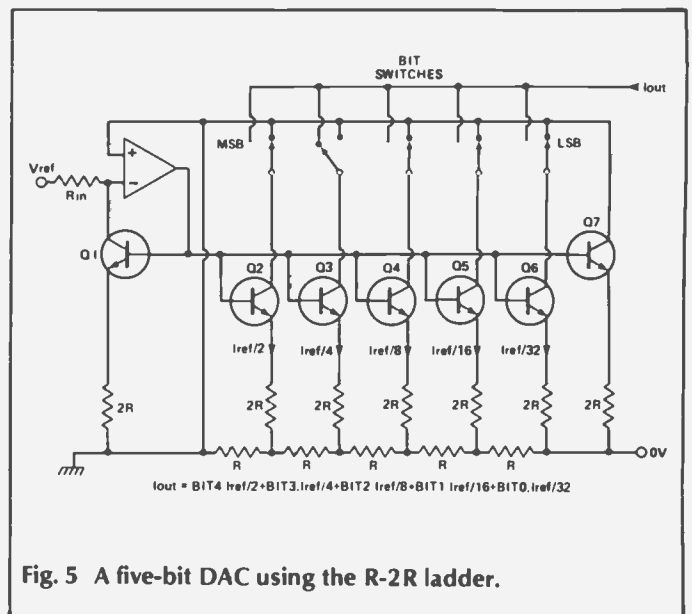


Fig. 5 A five-bit DAC using the R-2R ladder.

vary widely during operation — these types are designated 'multiplying' converters. A high quality multiplying DAC may be used as a digitally controlled attenuator in an audio system; the Analogue Devices AD7110 is an example of a DAC specifically tailored for this application — it attenuates input signals in 1.5dB steps according to input code.

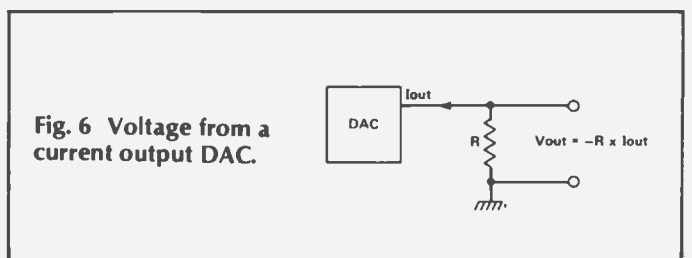
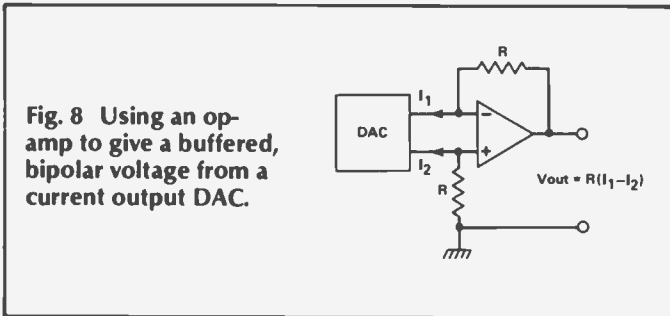
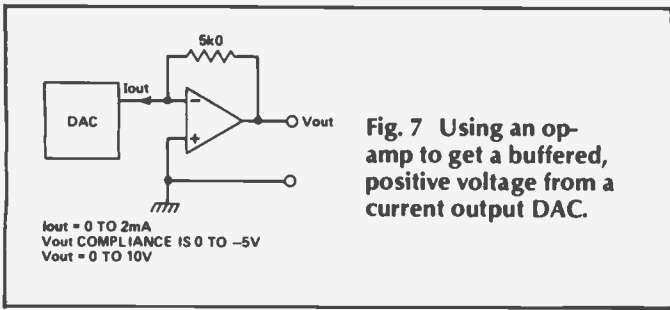


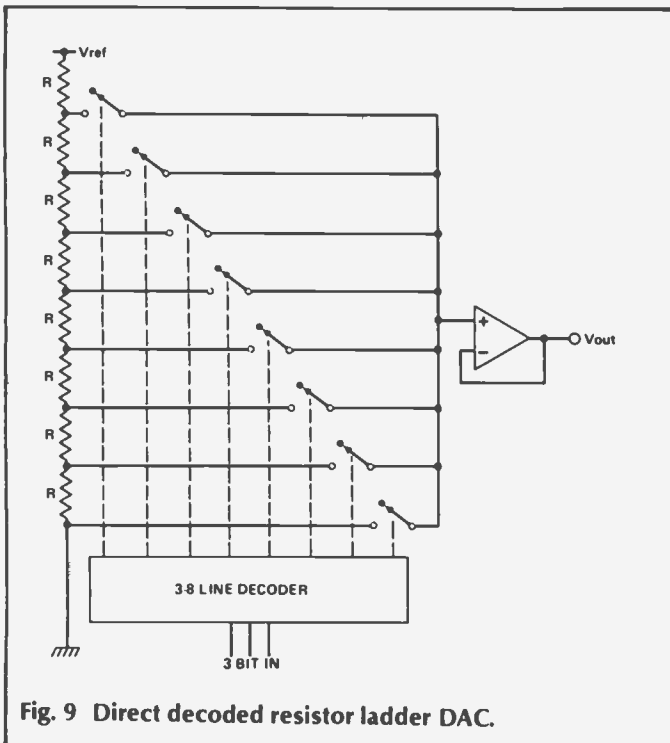
Fig. 6 Voltage from a current output DAC.

The output signal is often wanted as a voltage, rather than a current. Of course, this can be achieved with a resistor, but the output voltage will always be negative (Fig. 6). Also the output voltage swing is limited by the 'compliance' of the DAC outputs, which is the range of output voltages over which constant output current will be delivered. Some are not capable of maintaining constant output current unless the output voltage stays close



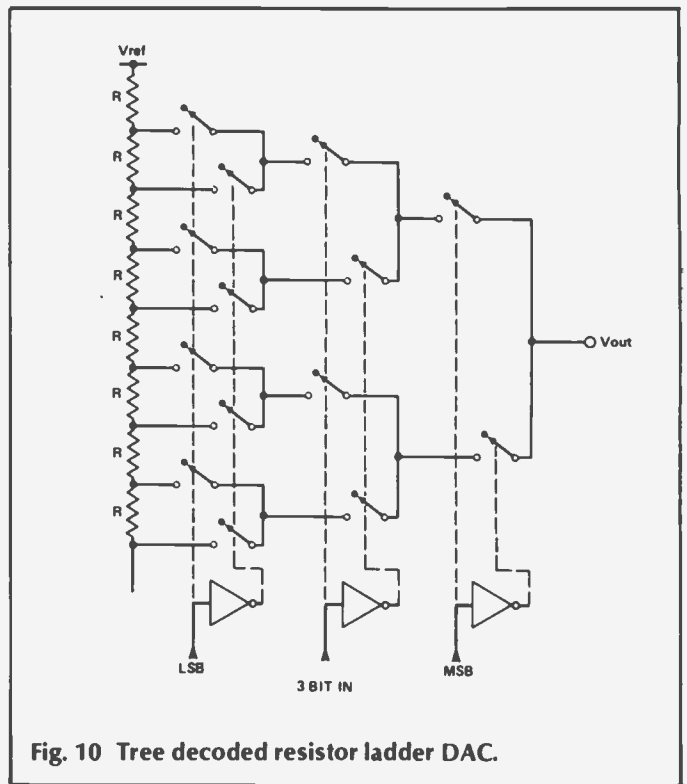
to zero. Finally, the output voltage will change if it is loaded by another resistance.

It is, then, quite usual to add an op-amp to provide gain, buffering and the correct polarity of output voltage. Some proprietary DACs incorporate an output op-amp to provide voltage output. Figures 7 and 8 show two methods of connecting a current-output DAC as a voltage-output device.



Another DAC structure in common use incorporates a ladder of equal-value resistors — 2^n of them for an n-bit converter. The reference voltage is applied across the ladder and a fixed fraction of it is tapped off by a series of switches. (Fig. 9).

This structure is unwieldy for many bits — at eight bits, an eight-line to 256-line decoder with 256 control lines is required. An alternative arrangement uses more switches but incorporates decoding in the wiring and

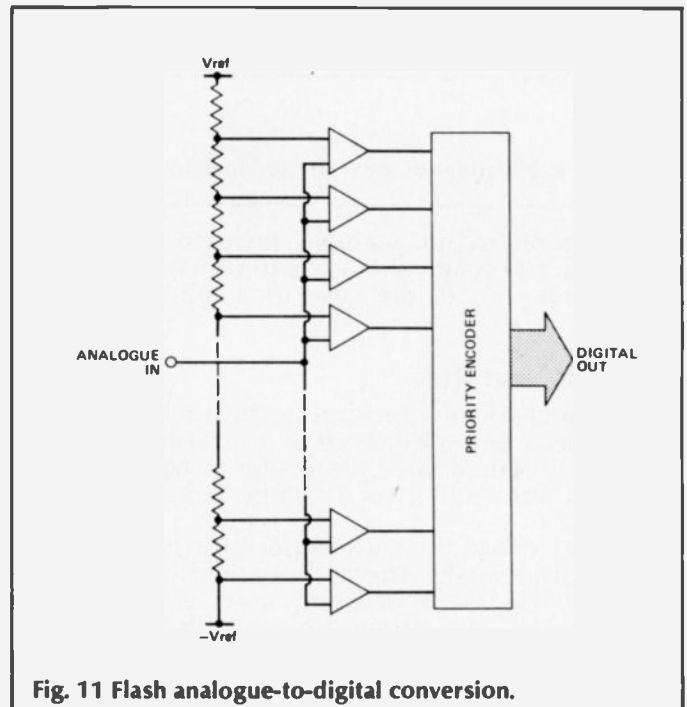


requires only $2 \cdot n$ control lines (Fig. 10). This method is known as tree decoding, and, since voltages are being switched, is probably best suited to MOS implementation, because MOS switches introduce no offset voltage.

Flash, Bang, Wallop . . .

The analogue-to-digital converter is a rather more complicated device than the DAC. ADCs often incorporate a DAC as a feedback element, to improve the performance of the ADC.

The most direct implementation of the A to D function is probably the parallel or 'flash' converter, so called



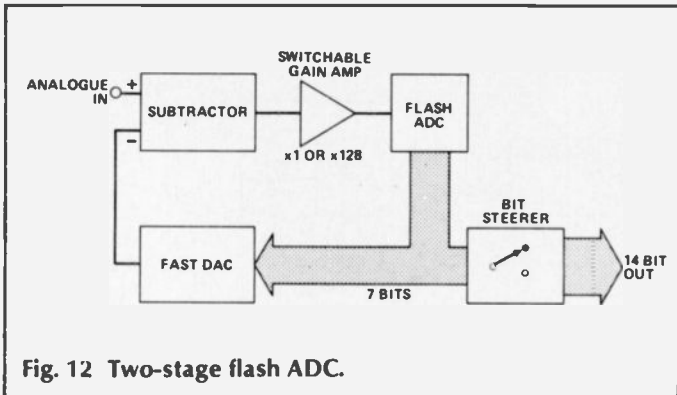


Fig. 12 Two-stage flash ADC.

because of its speed (up to 100 million conversions/sec) (Fig. 11).

A voltage reference is divided by an equal value resistor string into 2^n equal steps for n -bit conversion. These voltages are applied to the reference inputs of 2^n comparators. The input voltage is applied to all the comparators simultaneously. A priority encoder gives an n -bit digital output indicating where the comparator outputs change from low to high.

The flash converter is rather expensive — for ten bits no less than 1024 resistors and comparators are required, as well as a correspondingly large logic circuit to encode the output. An interesting variation on the flash converter, which sacrifices only a little of its speed whilst considerably reducing the complexity, is the two-stage converter, an example of which appears in Fig. 12.

During stage I, the analogue input is decoded with seven bit precision. A fast, accurate seven-bit DAC returns a value equivalent to the ADC output. The ADC output is stored to the most significant bits of the output register. The DAC output is stored for use in stage II. In

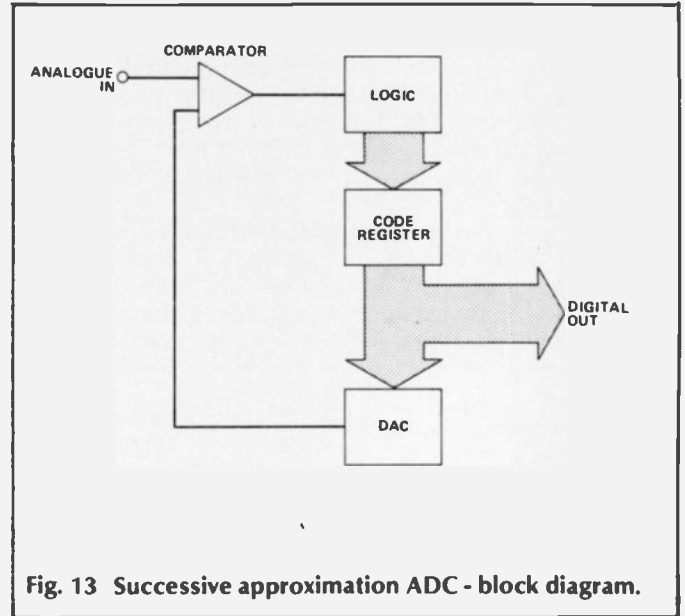


Fig. 13 Successive approximation ADC - block diagram.

stage II, the previous DAC output is subtracted from the analogue input, leaving a remainder which is some fraction of the converter's most significant bit. This fraction is amplified by 128 ($=2^7$) and converted by the flash converter to provide the seven least significant bits.

Successful Approximation

Another important ADC method is successive approximation, which is of medium to high speed (up to 50,000 10-bit conversions/sec). Successive approximation is probably the most popular ADC method today.

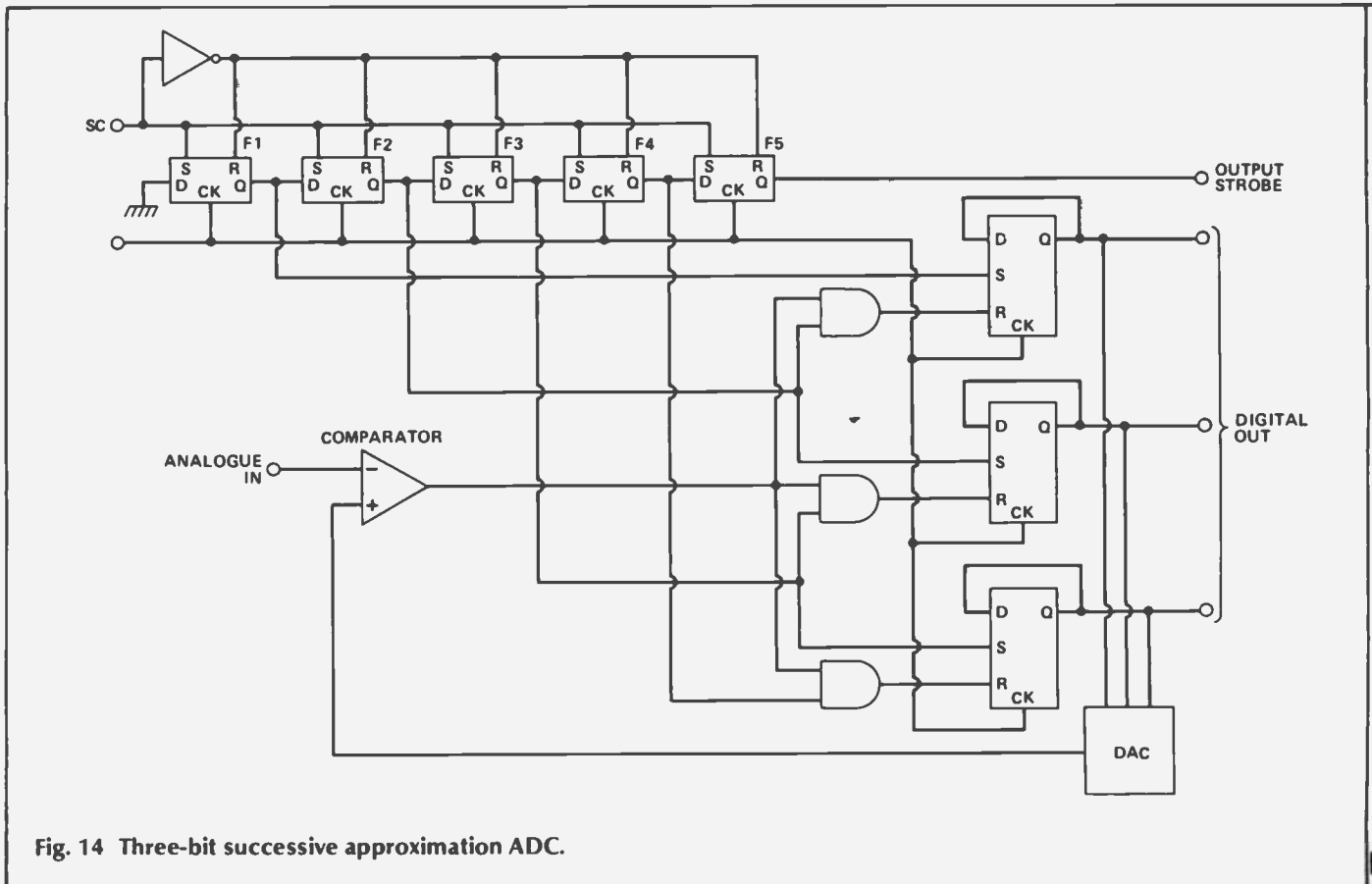


Fig. 14 Three-bit successive approximation ADC.

A block diagram of a successive approximation converter is shown in Fig. 13. A register is filled with ones in one bit position at a time. The register output is applied to a DAC and the resulting analogue output compared with the ADC input. On the basis of this comparison a decision is made on whether to retain the bit just tested or discard it. The total conversion time is approximately n times the DAC setting time.

The basic hardware implementation of a successive approximation (SA) register, using S-R flip-flops, is shown in Fig. 14. The top line of flip-flops is the sequencer, which puts a one in successive code register flip-flops, MSB first. The bottom line of flip-flops is the code register,

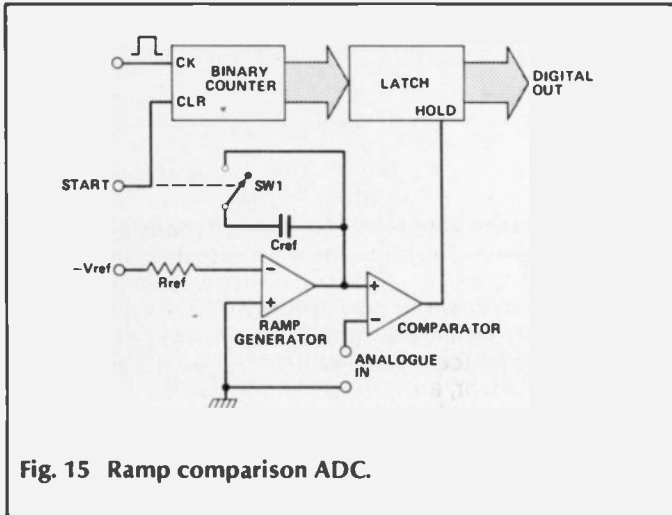


Fig. 15 Ramp comparison ADC.

which holds estimates of the digital code representing the input signal.

On receipt of a START CONVERT pulse, the sequencer is set to 1000, which sets the code register to 100. This code is applied to a DAC, and the resultant output is compared with the analogue input. If the estimated code is too high, the comparator output goes high. When a CLOCK pulse arrives, the sequencer output goes to 0100 and the R input of F2 will be 1, so the code register's MSB is reset to 0, and the new code is 010. At the next CK pulse F1 may be Reset, depending on the comparator state. This process repeats until all the bits have been tested.

During the SA process the analogue input must obviously remain constant. It is usual to sample and hold the input signal before applying it to the ADC.

If a high conversion speed is not required, a microprocessor (or microcomputer) can take the place of the

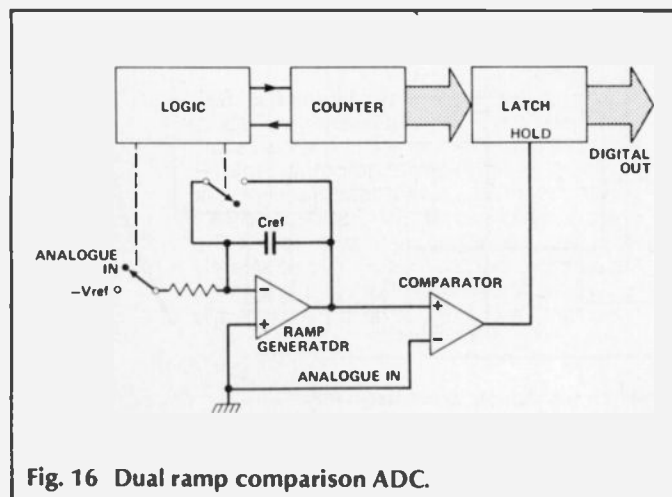


Fig. 16 Dual ramp comparison ADC.

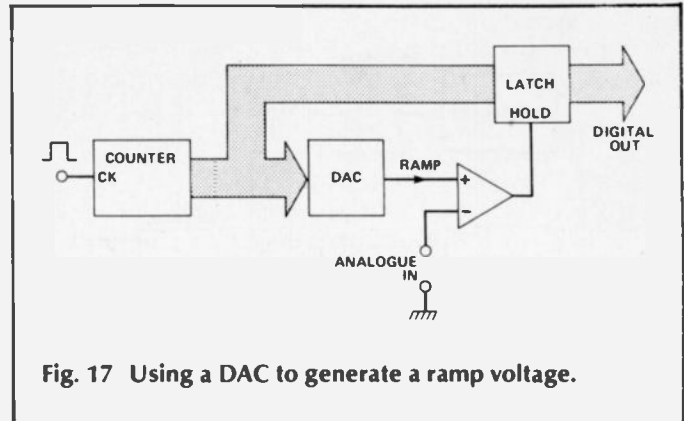


Fig. 17 Using a DAC to generate a ramp voltage.

SA hardware. The program is very simple, and may allow a high precision, low-speed ADC to be built using just a comparator and precision DAC in addition to the processor.

Ramp Until Ready

In the ramp method (Fig. 15), a ramp voltage is generated by an integrator, synchronised with a clock. The clock is applied to a counter, which is stopped when the ramp voltage equals the input voltage. At this time the counter output is a binary number proportional to the input voltage.

The dual slope integrating converter (Fig. 16) is an extension of this idea, and is a popular circuit in digital voltmeters. The integrating capacitor is charged first of all for a fixed time by a current $-V_{ref}/R_{ref}$, and then

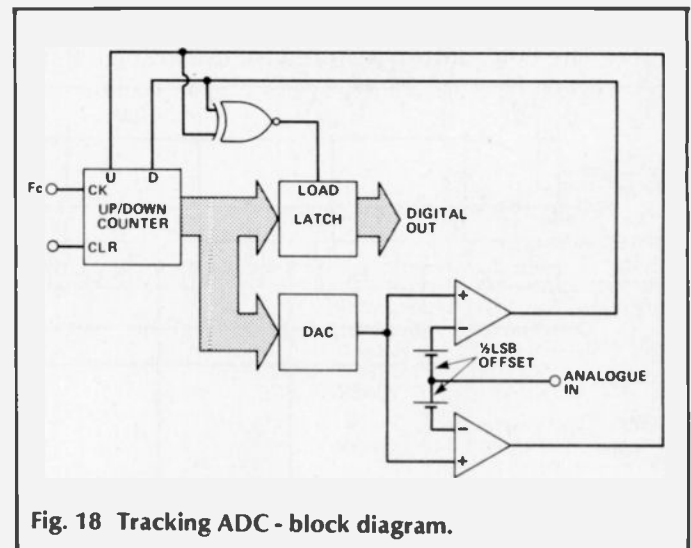


Fig. 18 Tracking ADC - block diagram.

discharged by the unknown current, V_{in}/R_{ref} , until the integrator output reaches zero. A counter times this discharge period and the number it reaches is proportional to the analogue input.

In this way the R_{ref} and C_{ref} need not be precision components, and the comparator specifications can be relaxed as it has only to compare with a ground reference. It is also possible to null out offsets before every conversion by introducing a third stage during which 0V is integrated and the resultant output stored.

Both these types of single and dual slope converters suffer from having to generate ramps by analogue means which are synchronised to digital circuitry. Another method uses a DAC on the counter output to generate a ramp voltage which is compared with the input voltage

FEATURE: Data Conversion

(Fig. 17). When the comparator changes state, the clock is stopped. The conversion time of this type of ADC varies with word length and input voltage. It takes less time to ramp up to a small input, and if fewer bits are used, fewer clock cycles are required to reach a given fraction of full scale.

A more elaborate scheme uses two comparators and an up/down counter. This is the tracking type of converter (Fig. 18). The maximum conversion rate depends on the rate of change of the input signal, not its absolute value. To prevent the output jittering about a code, the 1/2 LSB offsets shown are introduced to the comparators. If the input is within this LSB wide window the counter is held.

A final type of circuit is the non-linear converter, which operates by assigning more codes to low input voltages, giving a higher resolution. An example of a coding law for a three-bit non-linear device is shown in Fig. 19.

Some types of signal — for instance, speech — show predominantly low levels. An eight-bit non-linear converter might have effective 12-bit resolution for signals from 0 to 25% of full scale, and only four bits for signals from 75 to 100% of full scale. But if the signal spends 80% of its time between 0 and 25% of full scale, the effective signal-to-noise ratio is similar to that obtained from a 12-bit converter, but with only eight-bit complexity. These types of converters are used in telecommunications to reduce transmission bit-rates and hence bandwidth.

An example of this type of converter is the Precision Monolithics PMI DAC78, which uses the three most significant bits to select one of eight 'chords' of output —

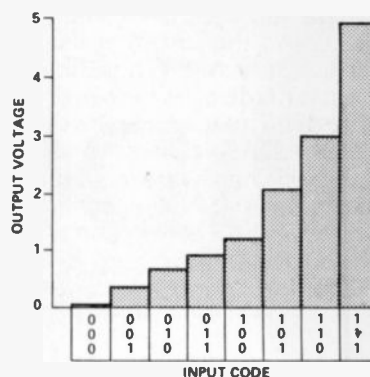


Fig. 19 An example of non-linear coding weighting low-value inputs.

shorter for lower input codes — and the next four bits to select one of 16 levels within each chord.

Data converters are now available in many guises to make their implementation easier, multiple converters in one package, time-multiplexed converters in one package, devices with serial digital inputs or outputs, and some which accept BCD rather than straight binary inputs. Special devices, designed to be easy to interface to a microprocessor, are also on the market.

This variety, combined with the falling cost of complex digital hardware, leads the way to a future where data converters are almost as commonplace as the op-amp.

ETI

cortex

HARDWARE
SOFTWARE

MDEX disc O/S + BASIC	£95
MDEX Professional Dev. Sys.	£275
CORTEX POWER-BASIC disc extensions	£43
MDEX Extensions	
Editor	£35
Relocating Assembler/linker	£35
FORTH — screen editor, assembler	£55
— graphics — better than BASIC	£35
PASCAL — by Pre Brinch Hansen	£35
QBASIC — fast BASIC compiler	£150
UCSD Pascal, SPL, META, WINDOW, SPELL	
CORTEX tape software	
Pengo — fast machine code action	£6
Golf — excellent animation	£6
Micropede — rampant caterpillar	£6
Space Bugs, Pontoon, Breakout	each £6
Cassette/CDOS word processor	£13
Add £2 for software on CDOS disc	
Disc Drives	
80 track double-sided double-density	£190
40 track single-sided double density	£120
E-BUS Floppy/Winchester Controller	£135
E-BUS 64/128 Kbytes DRAM card	£145/£245
E-BUS Joystick * centronics blakboard	£13
80*24 Character video blank card	£48

State disc format and add VAT to all prices

mpe

MICRO PROCESSOR ENG LTD
21 HANLEY ROAD SHIRLEY
SOUTHAMPTON
SO1 5AP
TEL: 0703 780084



Interak 1

A METAL Z80A COMPUTER

Colleges, Universities, Individuals: Build your own modular Z80A-based metal 19" rack and card Interak computer. Uses commonly available chips — not a single ULA in sight (and proud of it). If you can get your own parts (but we can supply if you can't) all you need from us are the bare p.c.b.s and the manuals.



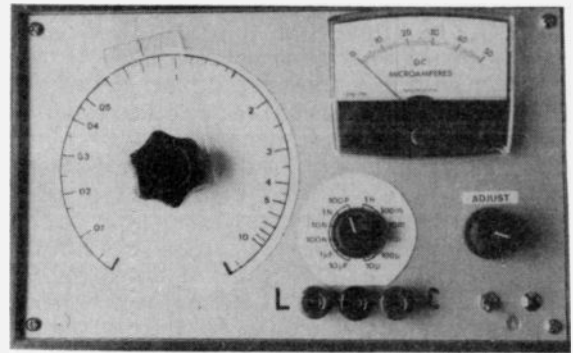
(P.c.b.s range in price from £10.95 to £17.75 + VAT; manuals £1 - £5.)

The Interaktion User Group has 14K BASIC, Assembler, Fig Forth, Disassembler, Debug, Chess and a Book Library, Newsletters etc. No fears about this one going obsolete — now in its fifth successful year! Send us your name and address with a 21p stamp and we'll send you 40 pages of details (forget the stamp if you can't afford it!) You've already got a plastic computer for playing games, now build a metal one to do some real work: Interak, Interak, Interak!

Greenbank

Greenbank Electronics (Dept T8E), 92 New Chester Road,
New Ferry, Wirral, Merseyside L62 5AG
Telephone: 051-645 3391

RCL BRIDGE



With precision autoranging digital meters available to test just about every electrical quantity, the humble measuring bridge has been rather neglected of late. L. Boullart feels it's time we took another look.

Is there still a need for a measuring bridge? As far as resistors are concerned a digital or FET multimeter will do the job just as well. We all know that digital capacitance meters can be very accurate pieces of gear, but they are quite expensive and I suspect that many hobbyists

don't have one. On the other hand, a measuring bridge — even a modern high-quality one — is reasonably cheap, and it is quite possible to obtain an accuracy of 1% or even better with a good design.

But doesn't it take longer to carry out a measurement? Not

really: I have never worked on a new design without it. Perhaps I am over-cautious, but I always test the capacitors, the resistors and the inductors before soldering them to the printed circuit board. If the design doesn't work properly from the start, at least I know it is not the Rs, Cs and Ls!

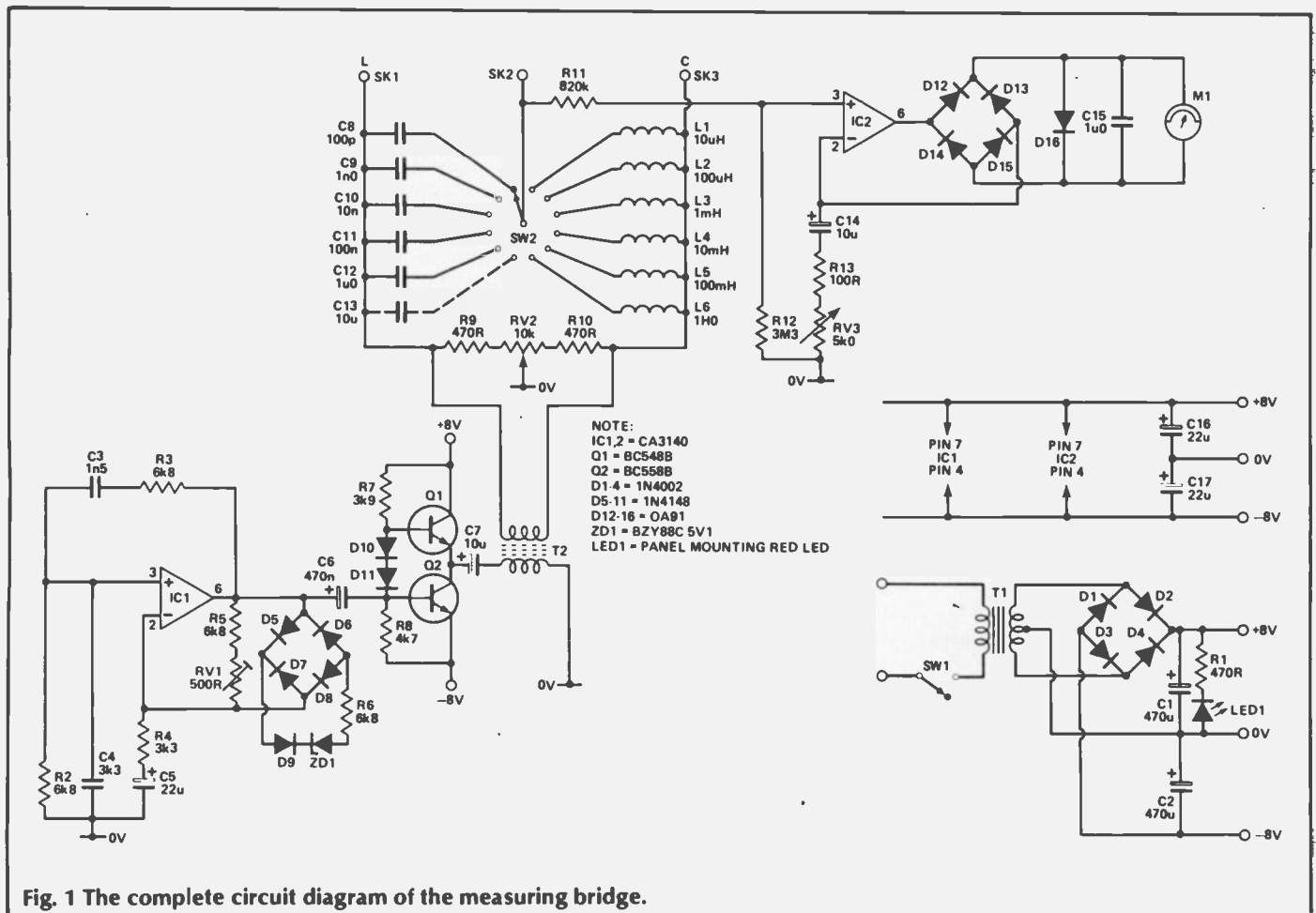


Fig. 1 The complete circuit diagram of the measuring bridge.

A measuring bridge consists of three parts:

- 1) a generator which feeds an AC voltage to the bridge
- 2) the bridge proper with switchable elements (capacitors, inductors, resistors)
- 3) a measuring amplifier to indicate the tuning of the bridge.

The Generator

In older bridges the generator often used the 50 Hz signal from the mains, injected into the circuit by means of a suitable transformer. However, such a low frequency will seriously limit the range of capacitors and inductors that can be measured.

Consider, for example, the impedance of a 10 uH inductor at 50Hz:

$$\begin{aligned} Z &= 2\pi fL \\ &= 6.28 \times 0.05 \times 0.01 \\ &= 0.00314 \text{ ohms} \end{aligned}$$

which means a virtual short circuit.

On the other hand, a capacitor of 10p will have an impedance:

$$\begin{aligned} Z &= \frac{1}{2\pi fC} \\ &= \frac{10^3}{6.28 \times 0.05 \times 10 \times 10^{-6}} \\ &= 318 \times 10^6 \Omega \end{aligned}$$

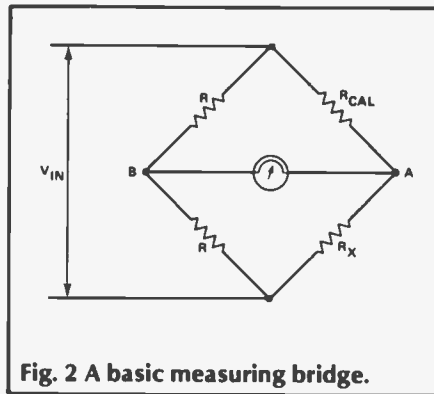


Fig. 2 A basic measuring bridge.

Clearly, we will have to look for a compromise.

First, let us assume a scale with a range from 0.1 to 10 times the central value, a sensible compromise of range and accuracy of reading. Next, what are the smallest and the largest values of C and L we wish to measure?

For capacitors there is no point in going below 10p and above 100u. Likewise, the inductance range should be from 1uH to 10H. Below 1uH, the influence of the connecting wires will cause appreciable reading errors and so will stray capacitances below 10p.

The lowest standard values in our bridge will then be 100p and 10uH and the highest will be 10u and 1H. A little calculation will show that a frequency of 15 kHz represents the best compromise. At this frequency, both the lowest

induct (10uH) and the highest capacitance (10u) will have an impedance of approximately 1R0.

It will be relatively easy to design an oscillator which can deliver a small voltage into a 1R0 load. The requirements for such an oscillator are:

- a) good frequency stability
- b) a modest amount of harmonic distortion, say $\pm 1\%$
- c) constant output voltage
- d) low-power output capability
- e) symmetrical output, isolated from earth
- f) simple circuitry.

These requirements can be met by using a standard op-amp, a Wien bridge oscillator and an external complementary output stage.

The Bridge

The working principle of a measuring bridge is illustrated in Fig. 2. The two resistors marked R are equal in value, R_{CAL} is the calibration resistor, R_X is the resistor whose value is being measured and M is an AC meter. When the voltages at A and B are equal, the bridge will be in equilibrium and the meter will read zero. This will occur when R_{CAL} is equal to R_X , so if a calibrated scale is provided for R_{CAL} the value of R_X can be read directly from it.

There are several possible circuit arrangements for a

HOW IT WORKS

The circuitry around IC1 is a Wien-bridge oscillator with an external complementary output stage. The stabilising element in the negative feedback path could be an RA 53 thermistor, but this is rather expensive, so a combination of silicon diodes and resistors has been used. The configuration is similar to the CA 3019 and gives excellent results as far as distortion and output stability are concerned.

Diodes D5-D8 form a bridge, which is stabilised by means of a series combination of resistor R7, diode D9 and zener ZD1. R5 and RV1 are shunted across the bridge and determine the onset of oscillation.

The oscillator frequency is fixed by R2, C4 and R3, C3, both networks having a period of 10.4 us. The output voltage is 3.9 V with rather better than 1% THD.

To feed the measuring bridge, 0.5 V RMS will be amply sufficient, and this supply voltage must be symmetrical to earth. An 8:1 transformer enables us to meet these requirements. The worst case loading on the secondary of this transformer is $Z = 1 \text{ ohm}$. This impedance, when transformed into the primary, is equivalent to 64R. The out-

put current is then 62.5mA and $P_{out} = 250mW$.

This is beyond the capabilities of the CA3140 so a low impedance output stage is required, the simplest solution being a complementary pair of NPN/PNP transistors such as the BC 548B/558B.

The complementary pair is designed as a separate unit with biasing current through R7, R8 and D10, D11. There is no quiescent current in Q1, Q2, but the transistors are on the verge of conduction.

Oddly enough, this gives best results on heavy loads, and the arrangement provides a slightly lower harmonic distortion — 0.8% for $V_{out} = 3.8 \text{ V RMS}$. The reason is that the distortions in the CA3140 and the complementary pair partly cancel.

The output of T2 feeds into the bridge itself, the network consisting of R9 and 10, RV2 and the switch-selected standard capacitors, C8-13 and standard inductors, L1-6. RV2 balances the bridge and has its wiper connected to ground. Since capacitive reactance falls with frequency and inductive reactance rises with frequency, the X and CAL positions for

these two components are the reverse of one another if the 0.1 to 10 balance scale is always to read in the right direction. For this reason, the standard capacitors are connected to one arm of the bridge and the standard inductors to the other.

Any voltage appearing when the bridge is out-of-balance will be fed via the potential divider R11/R12 into the non-inverting input of IC2, another CA3140 op-amp. A potentiometer, RV3, has been included in the gain setting network so that the sensitivity of the measuring amplifier can be reduced during initial balancing of the bridge. Another diode bridge, this time consisting of germanium diodes, drives the meter from the output of the op-amp.

The power supply is conventional in every respect. A centre-tapped transformer, T1, feeds four rectifiers in a bridge arrangement to provide positive and negative rails, each of which is provided with a single 470u reservoir capacitor. Two further electrolytic capacitors, C16 and 17, are included to aid smoothing and decouple noise, etc. picked up on the supply rails.

PARTS LIST

RESISTORS (all 0.3W 5% film unless otherwise stated)

R1	470R (not needed if LED1 has integral resistor)
R2, 3	6k8 1%
R4	3k3 1%
R5, 6	6k8
R7	3k9
R8	4k7
R9, 10	470R
R11	820k
R12	3M3
R13	100R (or 220R — see Buylines)
RV1	500R horizontal skeleton preset
RV2	10k linear wirewound potentiometer
RV3	5k0 Linear potentiometer (or 10k — see Buylines)

CAPACITORS

C1, 2	470u 16V radial electrolytic
C3, 4	1n5 1% polystyrene
C5	22u 16V radial electrolytic
C6	470n tantalum

C7, 14	10u tantalum
C8	100p 1% polystyrene
C9	1n0 1% polystyrene
C10	10n 1% polystyrene
C11	100n 1% (see text and Buylines)
C12	1u0 1% (see text and Buylines)
C13	10u axial electrolytic (see text)
C15	1u0 polycarbonate or tantalum

SEMICONDUCTORS

IC1, 2	CA3140
Q1	BC548B
Q2	BC558B
D1 - 4	1N4002
D5 - 11	1N4148
D12 - 16	0A91
ZD1	5V1 400nW zener
LED1	Panel-mounting red LED

MISCELLANEOUS

L1	10uH (Toko 144LY - 100)
L2	100uH (Toko 144HY - 101)

L3	1mH (Toko 181LY - 102)
L4	10mH (Toko 181LY - 103)
L5	100mH (Toko 181LY - 104)
L6	1H0 (Toko 239LY - 105)
M1	100uA panel meter (or 50uA — see Buylines)
SK1 - 3	4mm binding post terminals or similar
SW1	SPST miniature mains toggle switch
SW2	1 pole, 12 way rotary switch (see text)
T1	6-0-6V, 3VA PCB-mounting mains transformer
T2	Philips P22/13 pot core (or equivalent) with 120 turn primary and 15 turn secondary (see text).

PCB; case, Teko Desko TEK 363 or similar; knobs; mains cable and strain relief bush; nuts, bolts and pillars to support PCB; solder pins, connecting wire, etc.

measuring bridge, the two main ones being illustrated in Fig. 3. The arrangement shown at (a) is the simpler method because it is not symmetrical about earth and does not therefore require a transformer to couple it to the output from the AC generator. The circuit shown in Fig 3b is symmetrical about earth and does require a transformer but it is far less likely to suffer from the effects of stray capacitance. This is the arrangement which is used in this design, and the stray capacitance in the prototype is below 2p0.

There are six capacitance ranges and six inductance ranges on the prototype. It is not difficult to extend the bridge to measure resistance as well but this makes the range switching rather complicated and pushes up the cost.

A simpler alternative is to omit one of the standard capacitors. The range switch can be set to this blank position and an external decade resistance box connected in the L_x position, between the L and common terminals. An unknown resistance can then be connected in the C_x position (between the C and common terminals) and measurements carried out in the normal way.

Since electrolytic capacitors larger than 10u are difficult to measure accurately without a polarising current, the 10u range is

of limited value only. It can safely be discarded to leave a blank position, and if a high capacitance range is ever required a 10u capacitor can be connected externally.

The Measuring Amplifier

With a 500mV input to the bridge, a sensitivity of 10 mV full scale will be more than sufficient: a difference of 0.1 mV (1/100th of the full scale deflection) can still

easily be seen. This means a maximum sensitivity of 1 part in 5000 (500 mV/0.1 mV). If the diameter of the calibrating scale for RV2 is 90 mm (235 mm scale length), 1 part in 5000 averages 0.047 mm. Are your eyes good enough to detect that small an increment?

The amplifier itself is another standard op-amp, here arranged as a voltage follower. A potentiometer is included to vary the gain of the stage, allowing the sensitivity to be reduced to make initial balancing of the bridge easier.

Construction

The prototype was built into a grey ABS case with a sloping aluminium front panel. Almost all of the components, including the mains transformer, mount directly onto the printed circuit board. The remaining components mount through the front panel and the PCB is supported against the underside of the panel. This makes for a neat and compact assembly, and the only construction work required on the other half of the case is to provide a hole and strain relief assembly for the mains cable to pass through.

The pot core must be wound with 120 turns of 34 SWG enamelled copper wire to form the primary and 15 turns of 24 SWG

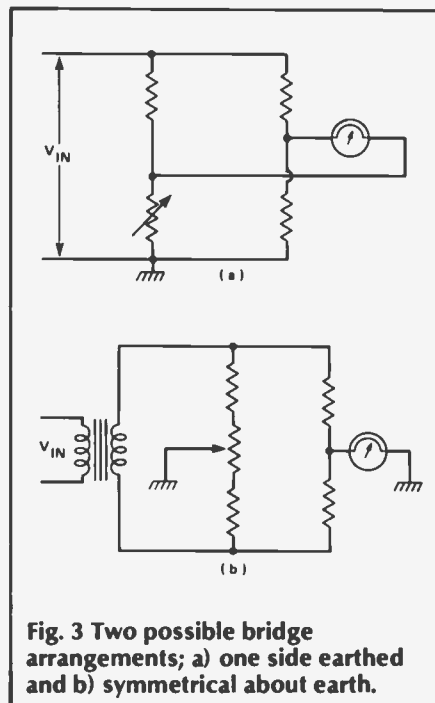


Fig. 3 Two possible bridge arrangements; a) one side earthed and b) symmetrical about earth.

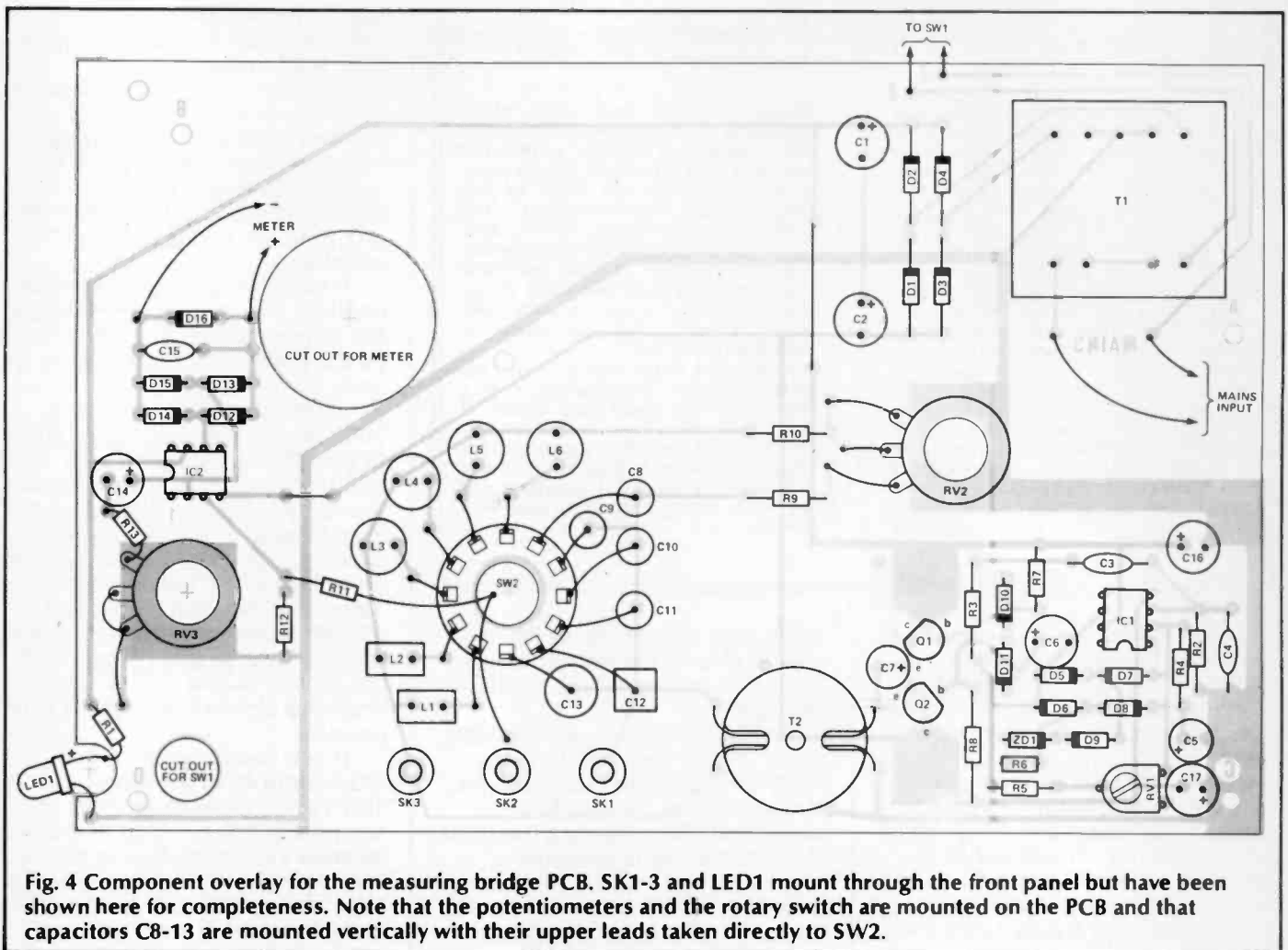


Fig. 4 Component overlay for the measuring bridge PCB. SK1-3 and LED1 mount through the front panel but have been shown here for completeness. Note that the potentiometers and the rotary switch are mounted on the PCB and that capacitors C8-13 are mounted vertically with their upper leads taken directly to SW2.

enamelled copper wire to form the secondary. Other pot cores could be used provided they have an inductance factor (A_s) of 250 nH/turn² or a turns factor (α) of 62.8 turns/mH.

Before starting to assemble the components onto the PCB, line-up the board behind the case front panel and mark and drill the necessary holes. It is a good idea to start with the holes for the two potentiometers and the rotary switch, then loosely assemble these components through the board and the panel to check that they line-up correctly. The board can then be clamped to the front panel using the switch and potentiometer mounting bushes while the remaining holes are drilled.

When the drilling is complete, begin assembling the PCB by installing the solder pins, the wire links, the IC sockets, SW2, the potentiometers, T1 and T2 and then the resistors, capacitors and inductors. Note that R15 is soldered into the board at one end and onto one of the contacts of

RV3 at the other end. R11 must be soldered directly to the wiping contact of SW2 and kept away from other parts in order to keep stray capacitances to a minimum.

The standard capacitors C8-13 should be mounted vertically with one lead soldered through the board and the other bent over and taken to the appropriate switch contact. If you have been unable to find 1% tolerance 100n and 1u0 capacitors for C11 and C12, leave these positions blank for the moment. Once the rest of the bridge is working, it can be used to select suitably accurate components from standard 5% and 10% stock.

If you intend to use the bridge for resistance measurements, you have the choice of either modifying the range switching arrangements or simply omitting one capacitor as discussed earlier. If you choose the latter option, simply leave out C13 and remember when you come to label the front panel that the 10u range should be marked external instead.

When all of the other components have been soldered into place, the diodes and then the transistors can be added. The extended copper pads around the collectors of Q1 and Q2 are intended to help heat dissipation, and the collector leads should be trimmed to 4mm or less before soldering. The other two leads on each transistor can be made a little longer to ease installation.

The remaining components should now be mounted on the front panel, these being the meter, the LED, SW1 and the three binding post connectors. It is important that the connectors are well isolated from the panel so as to keep stray capacitances to a minimum. This will largely depend on the construction of the connectors themselves, so choose fairly 'meaty' types which have as much plastic insulation between the metal conductor and the panel as possible. If stray capacitance is a problem, try cutting a single large hole in the panel and mount the connectors on a piece of paxolin or other insulating material.

BUYLINES

The resistors, the semiconductors and most of the capacitors are available from companies advertising in these pages and from the other usual sources. The inductors are all available from Cirkit, and West Hyde Developments stock the Teko case. Electrovalue can supply the pot core, a winding bobbin and a PCB mounting kit for the assembly. Their order codes are B65661 10250 A028 for the pot core, B65662 B0000 T001 or T002 for a single or double plastic bobbin, and B65665 C0004 X000 for the mounting kit. The pot core is available while stocks last at 60p, after which it will be replaced by a similar item, B65661 N0250 A022 which will cost £1.26.

Some of the 1% tolerance capacitors are available from Maplin but the 100n and 1u0 are not. Philips manufacture a range of polystyrene capacitors

designated C424 and C444 which includes a 100n type, and constructors who have access to trade component suppliers may be able to obtain some of these. We do not know of any manufacturer who produces 1u0 capacitors with a tolerance of 1%. Both types can be substituted by gathering together a number of wider tolerance capacitors and then using the otherwise completed bridge to select the most accurate. The procedure is described in the text.

Although a 100ua meter is specified in the parts list, the prototype used a 50ua Micronta meter from Tandy. If this or any other 50uA meter is used, R13 and RV3 should be exchanged for the values shown in brackets. Nothing else should present any problems and the PCB is available from our PCB Service.

Attach the PCB to the front panel using four spacers and countersunk-head bolts. Solder a pair of leads to the points marked XX on the PCB and connect the other ends to SW1. Connect up the meter carefully observing polarity and also solder leads from the PCB to the three connectors and to the LED. Note that R1 will not be needed if you use a panel-mounting LED which has an integral resistor. Insert the two ICs into their sockets, making sure that they are the right way around.

Feed the mains lead through a hole in the bottom half of the case, secure it with a strain relief bush and solder the live and neutral leads to the pads near T1 primary. Connect the earth lead to the front panel by means of a solder tag under one of the PCB support bolts. This will reduce the effects of hand capacitance when testing small capacitors.

Calibration

Before starting the calibration procedure, the oscillator must be adjusted. This is done with the preset resistor RV1, which must be set such that the amplification factor is just a little above 3. If the gain is below 3, the oscillation stops altogether, and if it is too much above 3 the wave-form becomes very distorted. RV1 must therefore be set very carefully just a little above the point where oscillation starts.

If this point is not within the range of the preset, it will be necessary to make a slight correction to R5 (6k8). This can easily be done by shunting R5

with a high value resistor (on the copper side of the printed circuit board). In the prototype, 270k was just right.

An oscilloscope or a distortion meter will be very helpful here, but if these are not available just make sure that the oscillator output is $3.9V \pm 2\%$. As a final test of correct working conditions, connect a 1R0 resistor across the secondary of T2. If the oscillator stops, the gain must be slightly increased by means of RV1.

Now we turn to the calibration. First we need a knob with a dial pointer, and this can be made from a piece of clear plastic glued to the underside of an instrument knob. You may be lucky enough to find a knob with threaded holes on the underside.

Make a provisional scale and tape it to the front panel, then turn SW2 to the free position. You will

need nine precision resistors of 100R and one of 1k0, preferably all of 0.5% tolerance.

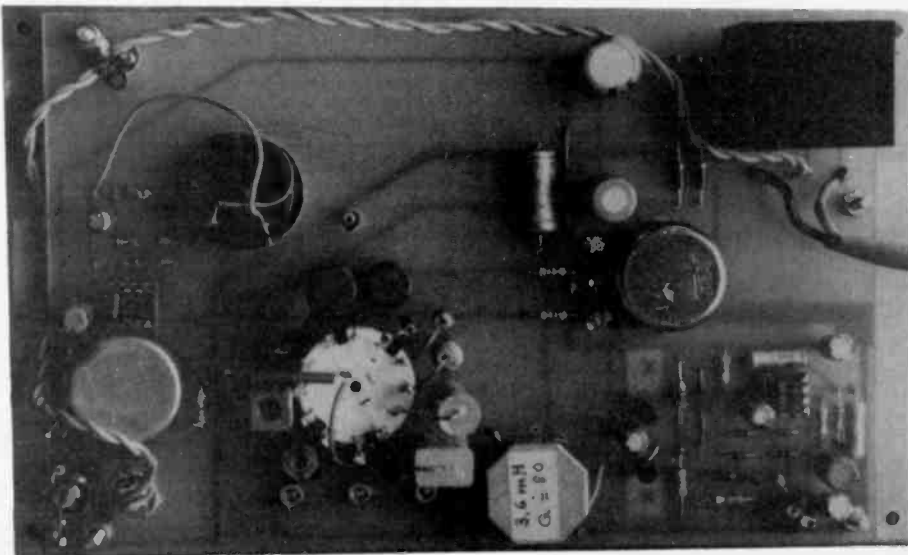
Connect a 100R resistor across C_x as the reference value and another 100R resistor across L_x . Adjust the calibration knob carefully to read a minimum on the meter and make a pencil mark on the scale. This will be the '1' position.

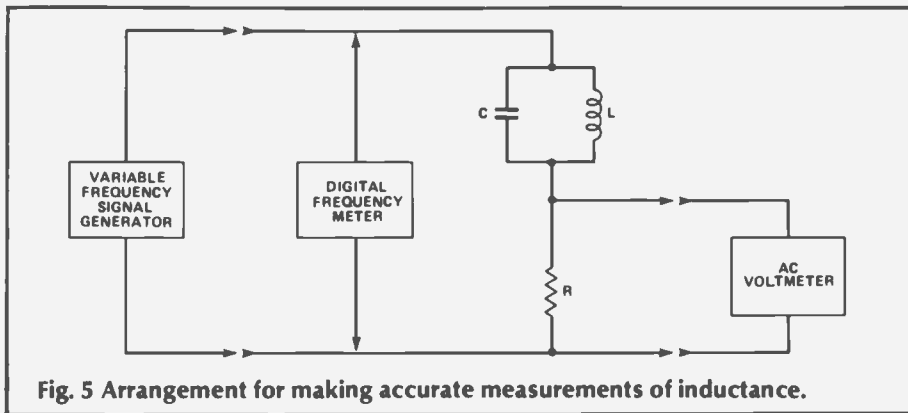
Next, connect two of these resistors in series across L_x , adjust the potentiometer for zero reading on the meter and mark a '2' on the scale.

Repeat the procedure with 300R to give the 3 position, 400R to give the 4 position and so on up to 10. Intermediate points can be found by using two 100R resistors in parallel as one series element, giving 1.5, 2.5, etc. To calibrate the other half of the scale, connect the 1k0 resistors across C_x as the reference and use series strings of the 100R resistors to obtain 0.1, 0.2 and so on and series-parallel chains to obtain the intermediate points.

If you were unable to find either or both of the 100n and 1u0 1% standard capacitors, you can now use the bridge to choose suitable examples. One method for selecting the 100n capacitor is to set the bridge to 10n and then test a batch of 100n capacitors until you find one which gives a reading sufficiently close to 10 on the scale.

A more accurate method is to connect several 1% 10n capacitors across the C_x connections and then select a 100n capacitor which gives a reading of 0.1 or 0.2 or whatever is appropriate for the number of capacitors you have used. The more capacitors (and therefore, the nearer their





the inductor can be calculated using the formula:-

$$f = \frac{1}{2\pi} \sqrt{\frac{1}{LC}}$$

Once the value of a particular inductor is known, it can be used to select other inductors by means of the procedure described for selecting capacitors.

Once the standard capacitors and inductors have all been soldered into place, the front panel can be secured to the bottom half of the case and a final calibrated scale prepared. It is a good idea to use a graduated arc and to plot a curve on millimetre scaled paper. This will reveal any serious errors arising from the calibration process and also yield a few extra intermediate points such as 1.1, 1.2, etc.

In use, the only point to remember is that there will be a residual capacitance of about 2pF which should be taken into account when measuring small capacitances.

combined capacitance is to 100n) the more accurate the selection will be. Once the 100nF capacitor has been selected, the process can be repeated to find a 1uF capacitor.

The inductors specified in the parts list all have a tolerance of ±5% except the 1H0 coil which has a tolerance of ±10%. These are rather low levels of accuracy but are generally regarded as acceptable for inductors. In my opinion it is not really worth spending much time and effort

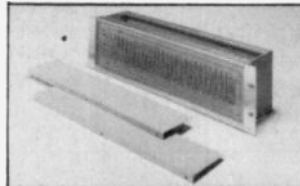
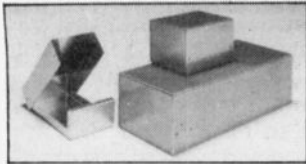
improving on these figures, but if you particularly want a high level of accuracy then the following method should enable you to achieve it.

Figure 5 shows the circuit to be used. C is a capacitor of ±1% tolerance or better and R is adjusted according to the impedance of LC at a given frequency. The frequency generator should be adjusted for minimum reading on the AC voltmeter and the frequency then noted using the DFM. The value of

ETI

Newrad

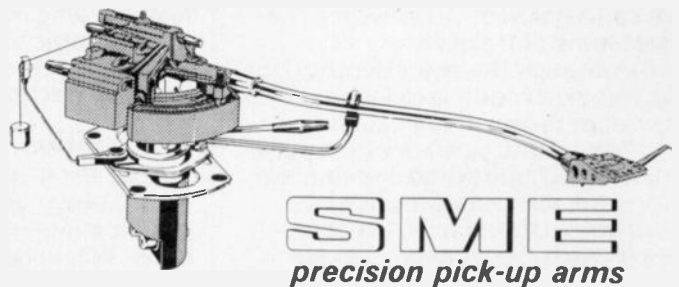
NEWRAD INSTRUMENT CASES LTD
Manufacturers for the Electronics Industry
UNIT 19 · WICK INDUSTRIAL ESTATE · GORE ROAD
NEW MILTON · HANTS · BH25 8SJ
Telephone: NEW MILTON 611295



WE MANUFACTURE BEAUTIFUL ENCLOSURES
At prices you will find difficult to beat.

Alloy boxes from 80p to rack mounted units from £15 and a host of ranges and sizes in between. Well made - well finished - and all British.

Send large SAE for catalogue which includes £5 in vouchers.



Please call or write:

SME Limited, Steyning, Sussex, BN4 3GY
Telephone: 0903 814321 Telex: 877808 G

If an advertisement
is wrong we're here
to put it right.

If you see an advertisement in the press, in print, on posters or in the cinema which you find unacceptable, write to us at the address below.

The Advertising Standards Authority. ✓

ASA Ltd, Dept 3 Brook House, Torrington Place, London WC1E 7HN

Please
mention
E.T.I.
when replying
to all
adverts

ETI SORCERER STRING SYNTHESIZER

Contrary to popular belief, writes designer and author Graeme Durant, a string synthesizer is not a machine for making twine. Relax and unwind as the yarn unfolds.

The string synthesizer originated in the 1970s, and perhaps owes more to organ developments than synthesizer technology; the basic instrument being polyphonic with preset sounds, usually generated by an organ-type frequency divider, gating and filtering, followed by a chorus generator to enhance the massed string quality.

Although the string synthesizer is very commonly used in many types of music today, due to its unique ability to fill out the sound of a small band without being too forward, it is usually used as a backing instrument to other keyboards. So, with an average

sort of selling price in the order of four hundred pounds for a commercial unit, the string synthesizer is often out of the reach of many amateur musicians, as a mere second instrument.

That is where the ETI Sorcerer comes in. For a mere fifty pounds outlay, the Sorcerer provides this lush backing sound albeit in monophonic form only, but with sufficient power to produce very emotive backdrops.

Facilities

The ETI Sorcerer is unlike most commercial synthesizers in that it is built along the lines of a general purpose analogue synth, using

similar circuit blocks such as VCOs and envelope generators. Its variable controls also mirror some of those more often found on analogue synths, providing great versatility and many sound options apart from the more usual string effects.

The basic keyboard is a three octave unit, but Sorcerer provides three switches akin to organ stops, which allow individual or simultaneous selection of three one octave spaced ranges. Selecting all three ranges allows an effect like holding down a bass note, a note an octave up and a note two octaves up. The results are extremely powerful. A glide



The Sorcerer processor.

control allows slewing between played notes and a fine tune control means Sorcerer can be tuned to other instruments. A vibrato effect is included, and controls are available to adjust its speed and depth. There is also an envelope contour generator with variable attack and release rates.

To simulate strings it is not necessary to go to the expense of using a full ADSR envelope generator, as on most analogue synths. An AR generator with a 'sustain on/off' switch is perfectly adequate. To produce the effect of massed instruments, a powerful chorus generator is included in the unit, which can be bypassed if desired for solo playing. The Sorcerer has a line output for an amplifier and a high impedance headphone output for use during recording.

The keyboard is a touch operated unit, chosen primarily for reasons of economy. A conventional keyboard can be used if preferred and the budget allows.

A three octave range is provided for by a PCB keyboard with full width keys. Being electronic, it has been designed to delay its response slightly to

simulate the time usually taken for key travel and to ensure reliable detection of touch. As a result, it will not respond to fast playing, but this was not considered a particular disadvantage since Sorcerer was designed for slow backing-type use anyway. The keyboard includes circuits which detect when more than one key is being pressed. These provide a sort of multiple trigger function, similar to 'two key roll-over' found on computer keyboards, so that as long as only one key is pressed, it will be the one which is sounding.

Block Diagram

Sorcerer is built up on six printed circuit boards with a separate power supply board. This allows a modular construction and the possibility of adding new modules for special effects. The keyboard forms two of these boards, producing a key voltage proportional to musical pitch and two timing signals — gate and trigger.

The key voltage goes on to the VCO board. This board centres around a precision voltage-to-frequency converter which outputs a pulse train at a multiple

of the desired frequency. A low frequency oscillator provides the modulation for vibrato. The pulse train is divided in frequency to the three required pitches, at one octave spacings, and the square pulses resulting are given the required width characteristics. After passing through octave selector switches, the three signals pass on to the chorus boards. Here, the three signals are individually filtered to produce sounds closer to strings, and then mixed to form one composite signal. The signal is fed either via parallel delay lines to gain a heavy chorus effect or directly off board if the chorus mode is not switched in.

The signal now reaches the final processing board, the envelope circuits. These give the signal the desired amplitude contour for the synthesis and allow variation of the amplitude attack and release rates, as well as selection of the sustain time. Synchronization is obtained from the trigger and gate signals from the keyboard. The output is then buffered and sent to the output jack, and to a low-power amplifier suitable for driving high impedance headphones.

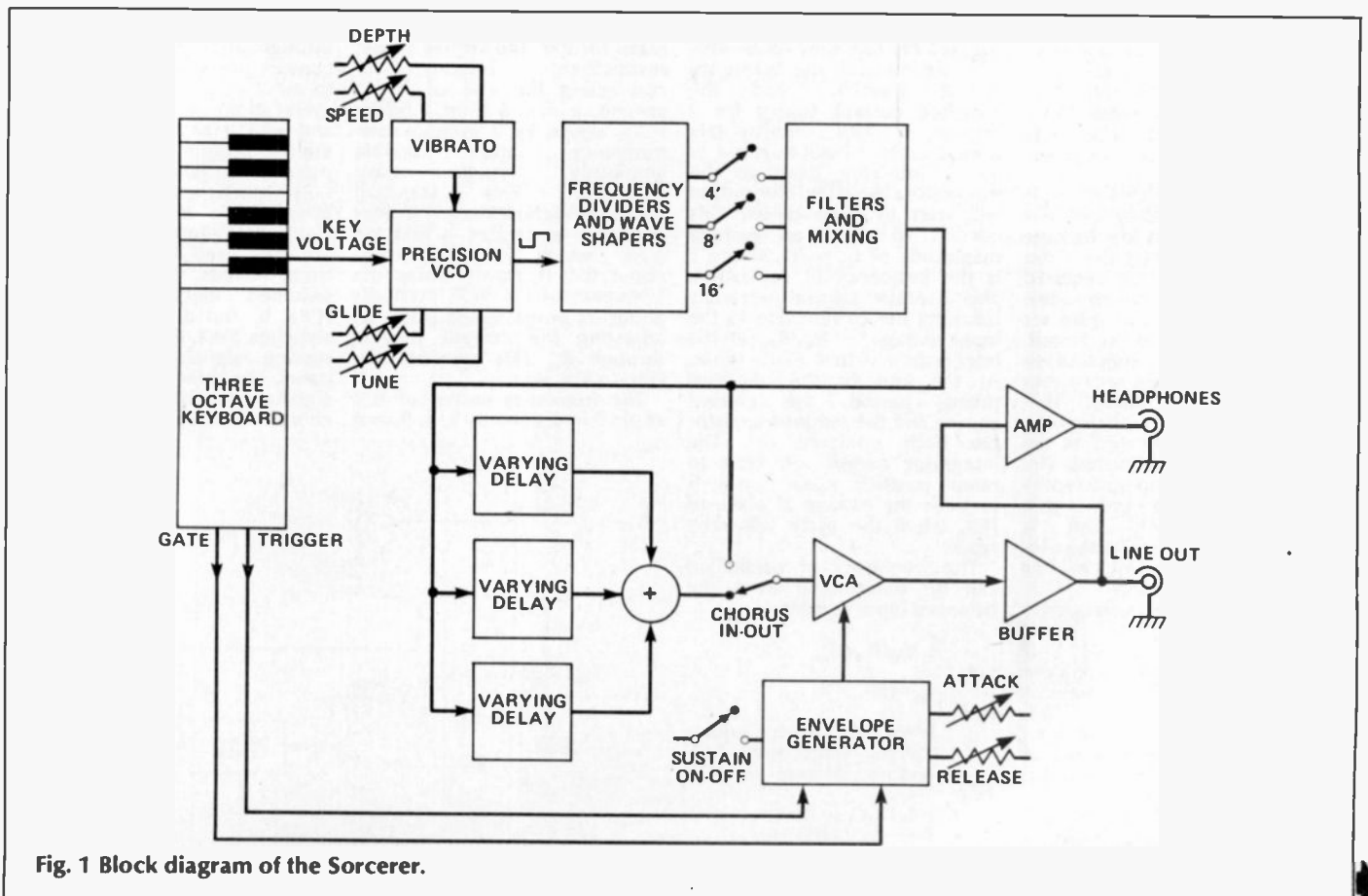


Fig. 1 Block diagram of the Sorcerer.

HOW IT WORKS VCO SECTION

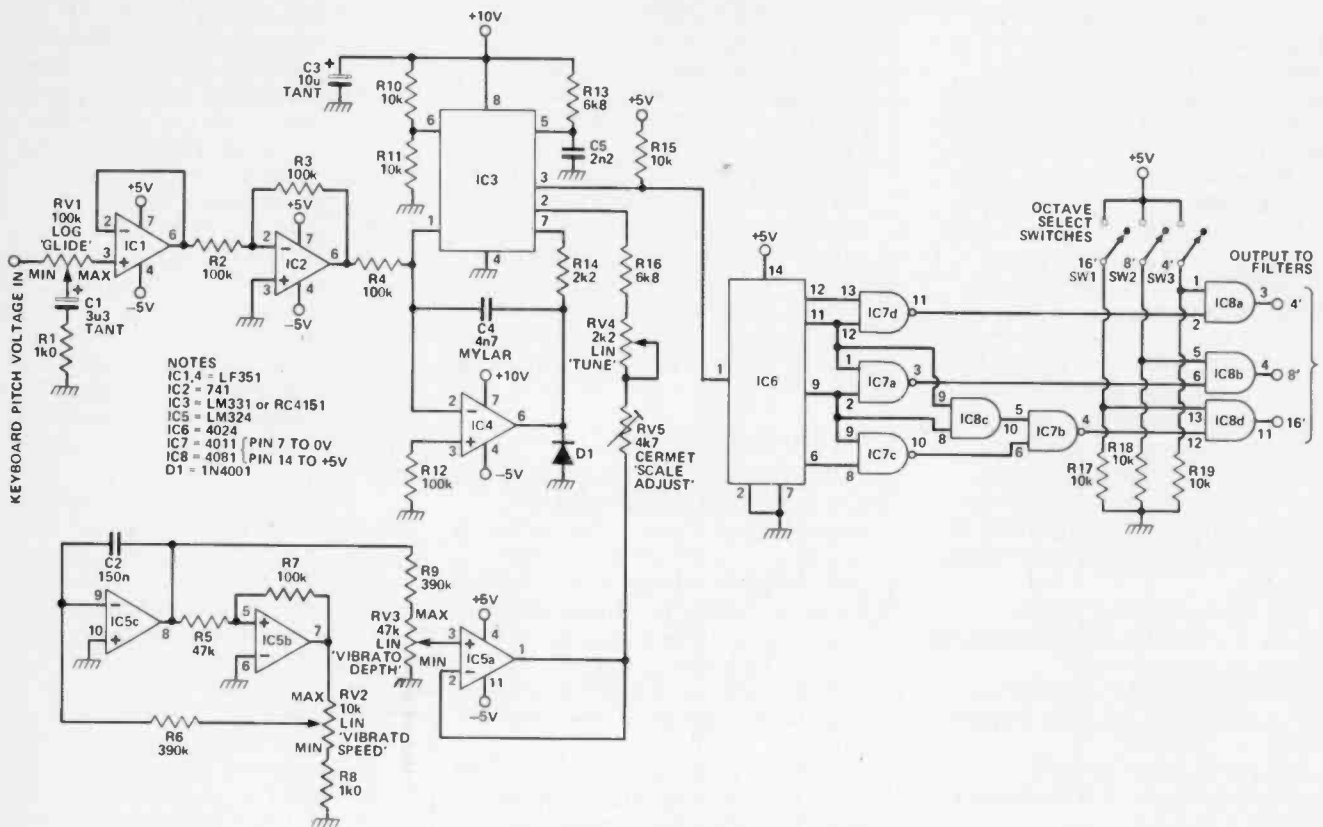


Fig. 2 Circuit diagram of the VCO section.

In Sorcerer, the VCO circuits are primarily concerned with converting the keyboard pitch voltage into a proportional frequency output. They also provide the facilities for glide and vibrato, and generate three one octave spaced pulse train outputs, with the correct mark-space ratios.

The keyboard pitch voltage is applied to one end of RV1, the glide control. C1, a low leakage tantalum capacitor at the slider of RV1, provides the required variable slewing between notes. The other end of RV1 goes via buffer to the rest of the circuit. The buffer, IC1, is required so that the glide control sees a very high impedance (about 10^{12} ohms) otherwise the pitch of the VCO would be affected as the glide control was adjusted. The pitch voltage is then inverted by IC2 wired as a unity gain inverting amplifier. This is necessary since the voltage-to-frequency circuit used requires a negative input voltage.

The voltage-to-frequency converter circuit is based around IC3 and IC4. IC3 is either an LM331 or equivalent RC4151 which is somewhat cheaper. IC4 is another LF351, this time chosen for its low input offset current, and is wired as integrator. A simplified circuit is shown in Fig. 3.

The output voltage of IC4 goes to one input of a comparator inside IC3 at pin 7. The other input, pin 6, goes to a

circuit point at half the supply voltage. When the voltage at pin 7 is the greater, the comparator triggers the one-shot timer. This will turn on both the frequency output transistor and the switched current source for a time $t = 1.1R_1C_1$. During this time, a current i will flow out of pin 1 into the input of the integrator. The integrator output will start to ramp down. This current will have an average magnitude of $I_{av} = itF$, where F is the frequency of oscillation. This average current perfectly balances the current due to the input voltage, $-V_{in}/R_{in}$ at the integrator's virtual earth input. At the end of the one-shot timing period, the current source and the output transistor are both switched off. The integrator output will start to ramp positive again, until it exceeds the voltage at pin 6 of IC3, when the cycle will start again.

The frequency of oscillation can be determined from the balanced input current:

$$-V_{in}/R_{in} = I_{av}$$

but

$$I_{av} = itF$$

and

$$i = V_{ref}/R_s, \text{ which equals } 1.9/R_s, \text{ since } V_{ref} = 1.9V \text{ and is internal to IC3.}$$

Also:

$$= 1.1R_1C_1 \text{ so that } F = -(V_{in}/2.09) \cdot (R_s/R_{in}) \cdot (R_1C_1) \text{ and } F \text{ is proportional to } -V_{in}.$$

In our case R_s is made up from R16, RV4 and RV5. The latter two variable resistors make for fine and course tuning respectively. Instead of connecting the end of R_s to ground, it is fed from a buffer IC5a, driven by a variable low-frequency and variable amplitude triangle wave generator. This standard integrator-Schmitt trigger oscillator generates a triangle wave which is symmetrical about 0V. It slowly varies the frequency of the VCO, cyclically about its programmed pitch, by adjusting the current flowing through R_s . This provides the vibrato function.

The frequency output of IC3 at pin 3 is divided by 2, 4, 8, and

16 at pins 12, 11, 9 and 6 and IC6 respectively, a CMOS ripple counter. These outputs pass through IC7 and IC8c, which convert the squarewave signals to pulse waves with a 25% duty cycle at the 4' and 8' outputs and with a 12.5% duty cycle at the 16' output. These particular pulse widths have harmonic contents which much more closely approximate the sound of a violin and cello respectively, and are thus used for the basis of these sounds. The outputs are switched electronically using IC8a, b, and d, via front panel switches SW1, 2, and 3, to save routing signals to the front panel. The three, octave-spaced, signals pass on to the filter/chorus boards.

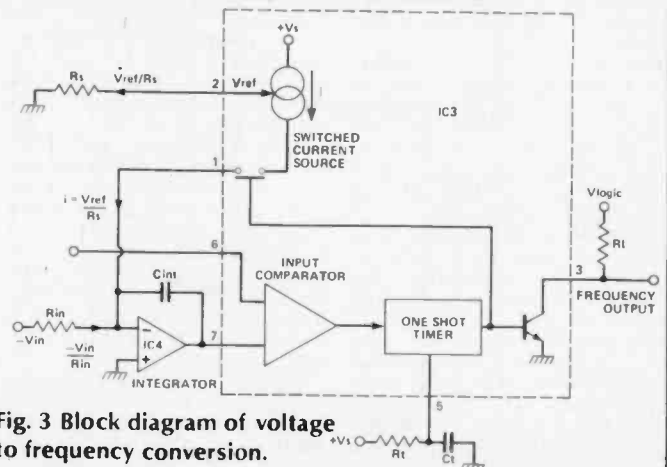
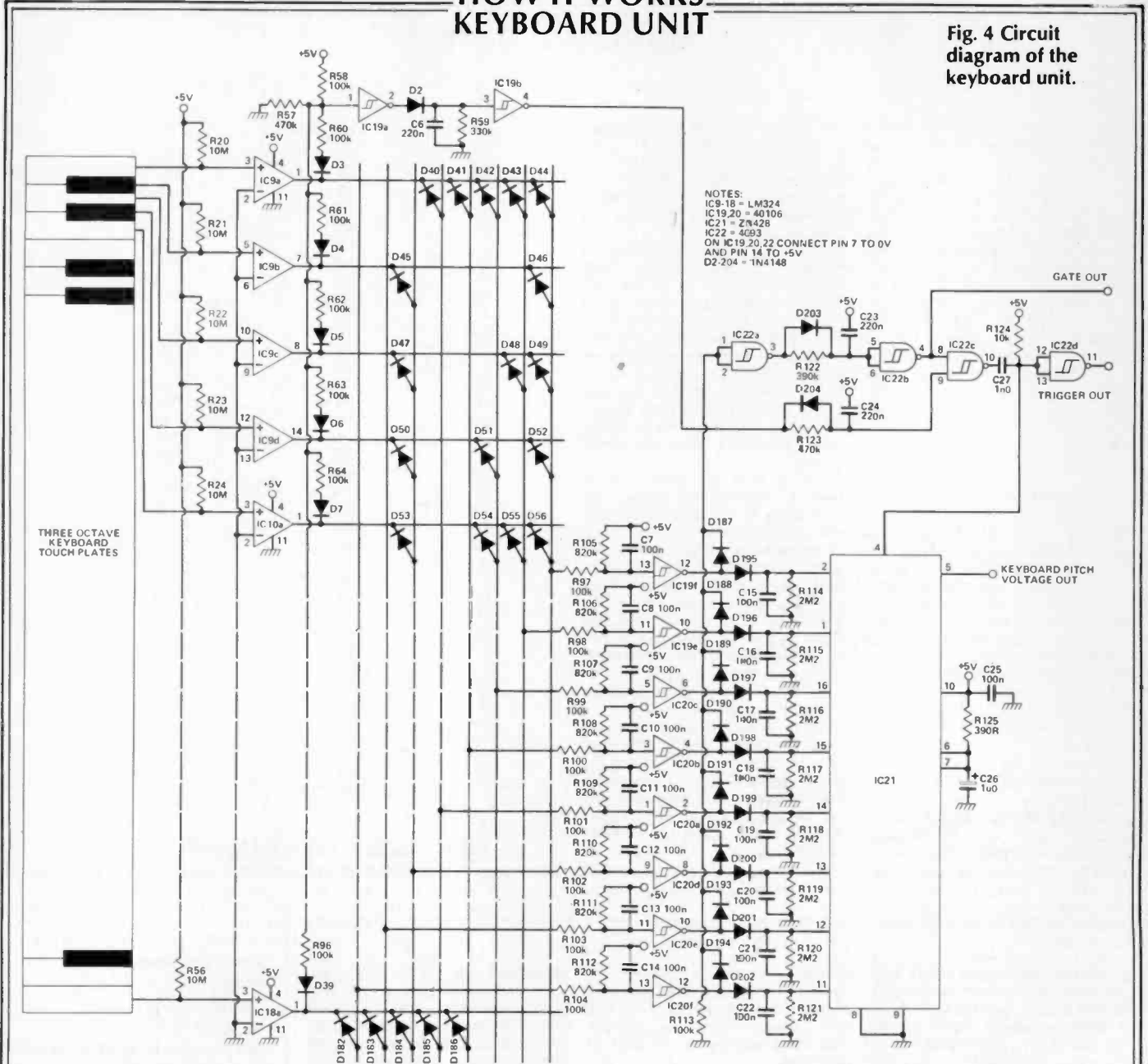


Fig. 3 Block diagram of voltage to frequency conversion.

HOW IT WORKS KEYBOARD UNIT

Fig. 4 Circuit diagram of the keyboard unit.



NOTES:
 IC9-18 = LM324
 IC19.20 = 40106
 IC21 = 2N428
 IC22 = 4093
 ON IC19.20.22 CONNECT PIN 7 TO V₊
 AND PIN 14 TO -5V
 D2-204 = 1N4148

The keyboard unit must take an input from the musician playing the keyboard, and produce information from the key operated, to tell the rest of the synthesizer what to do, and when to do it. This information is a voltage, proportional to the frequency of the required pitch, a trigger pulse produced every time a new note is operated and a gate pulse signal which is a local high for the duration of any key press.

Suitable touch switches come in three types, with different principles of operation. The simplest is the resistive type which detects the change of resistance between two contacts bridged by the fingers. This method was used some years back in an ETI project for a miniature organ keyboard. Although simple, it has serious

drawbacks — it is disabled by moisture and does not respond to musicians with dry skin! A much better, but more complex technique is to use the principle that a human body acts just like a small value capacitor with one end grounded, using a finger as the other connection. Such designs usually employ a high frequency oscillator and moderately complex detection circuits — not really suited to being reproduced thirty seven times on a keyboard! The technique chosen for Sorcerer uses hum-detection. The human body acts like a sort of aerial, picking up mains hum which can be detected using a high input impedance amplifier.

Each key is formed by an area of copper on the keyboard PCB, is linked to the non-inverting input of a low-power op-amp

and held to the supply voltage by a very large resistor. When the keys are untouched, the resistors pull the non-inverting inputs above the voltage of the inverting inputs, each tied to 0v, and so the op-amp outputs are high. When a key is touched, a 50Hz signal is injected into the non-inverting input of the appropriate op-amp. Since the op-amps are used here as large gain comparators, the output is in the form of a 50Hz pulse train between 0V and 3.5V which must be detected.

Each key is encoded with an eight-bit binary number which will eventually go for digital-to-analogue conversion. The coded numbers must be proportional to the required pitch voltages.

The relationship between the

frequency of the successive notes on a musical keyboard is exponential not linear. Each octave is a doubling in frequency and adjacent notes are multiples of the twelfth root of two in frequency! The usual method used in analogue synthesizers to achieve this musical scale is to design a keyboard which produces a linear voltage output, often a standard 1 volt/octave, passing this to a special VCO which responds in an exponential fashion. Thus, a simple keyboard is used to control a very complex and expensive VCO. The linear to exponential conversion technique is very prone to the effects of temperature change and component mismatch. If it can be avoided life becomes much simpler!

Sorcerer solves the problems

KEYBOARD UNIT

of stability and complexity at the price of precision. The keyboard produces an exponentially incremented pitch voltage output, using a series of exponentially related binary keycodes, and drives a linear VCO. Being digitally generated, the keyboard output is very stable, but since it is only limited to eight-bit precision, the voltages have small — but normally unnoticeable — errors referred to the exact voltage required.

The binary codes are programmed using a diode matrix. The key op-amp outputs are connected, where required, to the eight-bit data bus by reversed signal diodes D40 to D186, forming the exponential code (Table 1).

The data on the data bus is still in form of 50Hz pulse trains and must be made into steady logic levels to drive the digital-to-analogue converter. The signals on the data bus are low-pass filtered by R97 to R112 and C7 to C14 to remove the 50Hz component, and drive CMOS inverting Schmitt triggers in IC19 and IC20. If a data line is inactive, the input to the Schmitt is held high by one of R105 to R112. An active line produces a high at the Schmitt trigger output, and an inactive line a low.

The resulting steady codes are passed on to IC21, an eight bit digital-to-analogue conver-

ter, to be changed into the output pitch voltage. Diodes D195 to D202 and storage capacitors C15 to C22 ensure that data is valid even if a key is operated for less time than it takes the DAC to latch.

The gate signal is produced by using an eight input diode OR gate (D187 to D194 and R113) connected to the eight logic level data lines. Pin 3 of IC22 will go low when any key is pressed. A delay is produced on this falling edge by R122, D203 and C23, so that the output of IC22b will go high shortly after any key is pressed, giving the data lines time to settle down.

D3 to D39 and R60 to R96 feed a filter-Schmitt trigger circuit using IC19a and b, the output of which will go low if two or more keys are pressed at the same time inhibiting the trigger and latch. This signal has its rising edge delayed by R123, D204 and C24, so that the data lines can settle down when two keys are pressed simultaneously and one is then released.

IC22c, C27 and R124 produce a negative pulse when there is a change from no keys or more than one key being pressed. This pulse is used to update the digital-to-analogue converter latches, and in inverted form, via IC22d, used as the trigger signal for the envelope generator.

NOTE	EXP. COD	BINARY CODE
C	31	00011111
C#	33	00100001
D	35	00100011
D#	37	00100101
E	39	00100111
F	41	00101001
F#	44	00101100
G	46	00101110
G#	49	00110001
A	52	00110100
A#	55	00110111
B	59	00111011
C	62	00111110
C#	66	01000010
D	70	01000110
D#	74	01001010
E	78	01001110
F	83	01010011
F#	88	01011000
G	93	01011101
G#	98	01100010
A	104	01101000
A#	110	01101110
B	117	01110101
C	124	01111100
C#	131	10000011
D	139	10001011
D#	147	10010011
E	156	10011100
F	166	10100110
F#	175	10101111
G	186	10111010
G#	197	11000101
A	209	11010001
A#	221	11011101
B	234	11101010
C	248	11111000

Table 1 Sorcerer keyboard binary key codes.

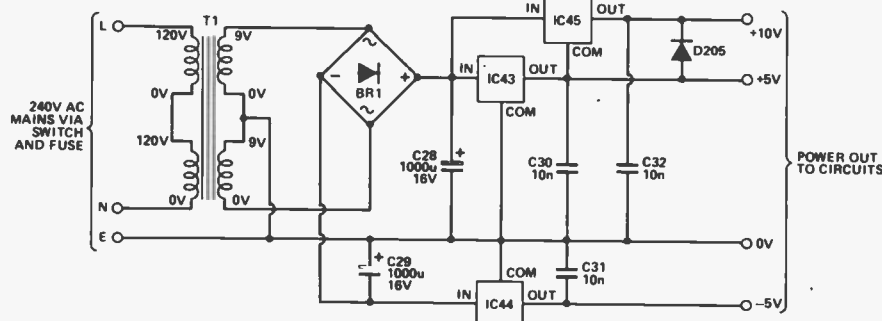
Usually, one of the most critical parts of a music synthesizer is the power supply unit. In an analogue design most of the synthesizer parameters are supply dependent. A professional machine must have a drift free tuning, and as a consequence the power supply design is very complex.

This is not the case in Sorcerer. All critical parts of this

design have local references of their own, most based on very stable band-gap devices in the ICs used. Thus a simply regulated supply is all that is required.

Sorcerer requires three power rails to run, and all of these are mains derived. A dual secondary 9V transformer, rated at 8 VA is used as a source. This is conventionally rectified and

smoothed by BR1, C28 and C29. IC42 provides a +5 volt regulated output, and IC43 a -5 volt supply. The other supply required is a +10 volt output. Since it is not common to find fixed ten volt regulators, a low current 5 volt device, IC44, is stacked on top of the main +5 volt rail. D205 ensures that the IC starts up correctly when driving a capacitive load.



NOTES:
IC43 = 7805
IC44 = 79L05
IC45 = 78L05
BR1 = W005
D205 = 1N4148

Fig. 5 Circuit diagram of the PSU

Since the Sorcerer is a project of considerable length, we have been obliged — for reasons of space — to split it up into a number of parts. The circuit diagrams and descriptions of the envelope shaping and chorus sections of the synthesizer will appear next month. We hope to publish the PCB foil patterns and component overlays the following month, along with constructional details, information about modifying the circuit for use with a conventional keyboard, details of the setting-up procedure, parts list and Buylines.

EX42 INTERFACE FOR THE BBC 'B'

In response to a flood of readers' queries, we present a project devised and typed by Philip Ashby using a BBC computer and an EX42 daisywheel typewriter, in which he tells us how he did it.

In ETI, October 1983, we featured an interface that enabled a Silver Reed EX 42 electronic typewriter to convince itself it was a computer printer. The economic arguments for using a typewriter rather than forking out for a daisy-wheel printer are still just as valid — and you get a good quality keyboard thrown in as well!

For this author, the interface in its original form proved capable of many hours of trouble-free listings when coupled to a Jupiter ACE. The home computing capacity has since been upgraded to a BBC B,

and with that came the promise of more work for the EX42: not just listings but text print-outs, too, from the word-processing package. A couple of extra ICs and 180 or so bytes of machine code make for a conversion kit, to give compatibility with the Centronics port on the Beeb.

Repeat

The basic interface remains intact (Fig. 1), so if you don't have the board go scurrying back to October 1983's ETI, p21. To recap briefly: the processor inside the

typewriter scans across an 8x8 matrix of switch contacts in the keyboard, looking to see which of the 8 horizontal lines has been connected to a vertical one. It does this by sending successive voltage pulses down each vertical and looking for them on the horizontals.

Connections run from the interface to each of the keyboard matrix lines in the typewriter. The interface 'fools' the typewriter's processor into thinking a physical contact has been made on the EX42 keyboard by mirroring the scanned pulse from an X line into the appropriate Y line.

Between them, the computer and interface have two major jobs: code translation (from output ASCII to a 6-bit code for the keyboard matrix) and overall control of data flow via the handshake lines.

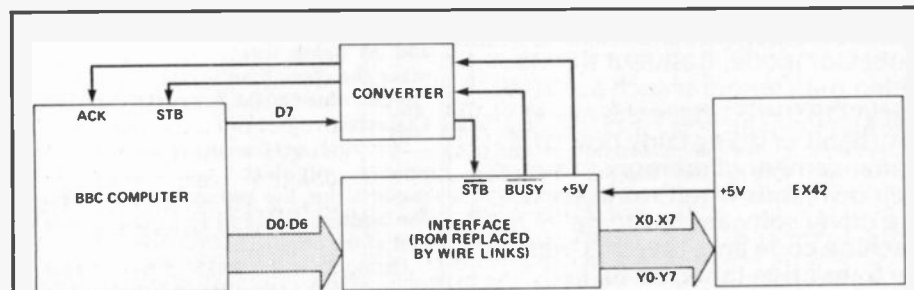


Fig. 1 Block diagram of conversion for original interface.

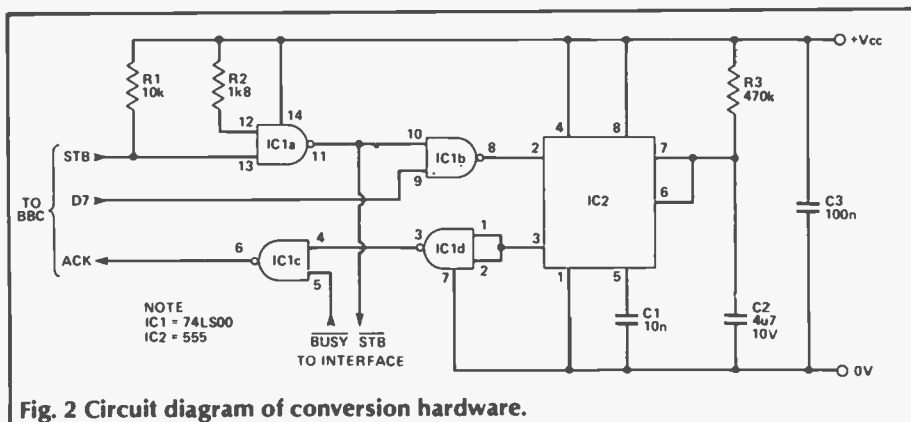


Fig. 2 Circuit diagram of conversion hardware.

HOW IT WORKS

IC2 in Fig. 4 forms a monostable timer with a period adjusted by R2 to approximately 2s. When triggered, it produces a positive pulse. The trigger to the timer is the output on D7 from the computer, gated with STROBE through the NANDs, IC1a and 1b. The timer will trigger with D7 at logic 1 and STROBE on a negative-going edge going low. Output of the timer then extends the the ACK pulse to 2 secs: otherwise ACK is the logical inverse of BUSY from the interface and would be high for about 100ms. The theoretical timer period is $1.1 \times R_3 \times C_2$. Adjust R3 if the actual period is too long or too short.

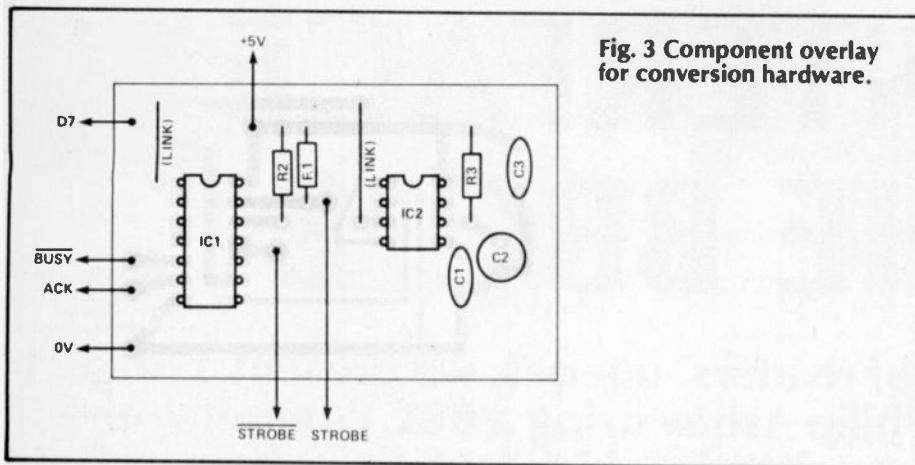


Fig. 3 Component overlay for conversion hardware.

Shake On It

There are two handshake lines between the interface and the computer (STROBE and ACKNOWLEDGE on the BBC Micro) and, as a first job for the adaptor, their polarity needs to be inverted.

The handshake lines work like this: the parallel printer port on the Beeb will pulse STROBE down to 0V when a set of valid data (the next character) exists on the lines. The data stays the same until the return handshake on ACKNOWLEDGE. The protocol for ACK is to go negative when the printer has done its work. (For those readers expecting a line called BUSY, it exists as a contact pin on the socket of the Beeb, but it isn't used for control purposes.)

Number Crunching

The translation from ASCII to keyboard code in the modified design is done by software in the micro, and data lines D0 to D5 carry the translated information.

D6 is used to signal a shift character to the typewriter, and D7 to indicate when a carriage return is being sent. The latter logic signal is used to trigger a 2s delay in the ACK pulse, to allow the printer head time to travel back to the left hand margin. It's strictly from the 'dirty tricks' side of electronic design: one 555 timer chip in hardware doing the job of several lines of software!

In contrast, software translation of ASCII to keyboard code was preferred because of the options available for future expansion — different character sets (if, say, you save up your pennies for a new daisy wheel), or specials such as underlining. Software, like life, is never as simple as you hope, and two obstacles hit you straight away. BASIC won't suffice if you

PARTS LIST

RESISTORS (all 5%, ¼W)

R1	10k
R2	1k8
R3	470k

CAPACITORS

C1	10n mylar or disc ceramic
C2	4u7
C3	100n mylar or disc ceramic

SEMICONDUCTORS

IC1	74LS00
IC2	NE555N

MISCELLANEOUS

26-way IDC connector and ribbon cable; PCB; thick gauge wire.

want to output text when in word-processor mode. Resident ROMs within the computer such as VIEW and WORDWISE have the rather nasy habit of doing fairly powerful rearrangement of memory to suit their own ends when storing text. The driver software has to be in machine code and, together with the translation table, be tucked away in memory out of reach of the word-processing program. They are listed here as programs in BASIC to generate the translation table and machine code routine, and then relocate them. Generation need only be done once for any one version of the character code.

The location to store the program in is page C: CO0h to CB8h. This is normally used to store the fonts for extended character sets, so it's rather unlikely that it will ever clash with print demands from the EX42 — unless you have a particularly exotic set of daisy-wheels!

The advantage of this location is that the area is not grabbed by

SOFTWARE

The software falls into three main areas: generation of the translation table; generation of the machine code translation program; and a routine to load these programmes and modify vectors used by the Operating System so that the programs are called when appropriate.

Listing 1 generates the translation table, the data for which is printed as Listing 2. The programme prompts you to enter the codes for each ASCII character, display the results, and assembles the code into an array called TABLE. The array is then stored in a file known as chars. Readers with utility programmes resident in their machines would obviously have quicker ways of locating the table in memory and storing to disc.

Lines 10 to 30 set up addresses used for temporary storage of registers and a value used later for a call to a routine in the Operating System (an OSBYTE call). Line 50 sets the compilation address of the code, and lines 40 to 70 set up the BASIC assembler for two passes. When the programme is activated, it will be entered whenever the computer wishes to store a character (held in a register) into a buffer. This is accomplished by changing the value of a vector used by the operating system, resident at 22Ah. The Operating System identifies the required buffer with a value in the X register held on entry to the routine. The value is 3 for the case of the print buffer, and this is checked by line 100, with branching on line 110.

If the print buffer is requested, the next job is to check whether it is full before attempting to fiddle the character! Lines 130 to 180 perform this task, and all being well, lines 190 to 220 make the change, using the code-table stored from OCO0h to translate the character.

The rest of the program restores various registers and assembles routines for the remaining branches. The address JUMPed to in line 260 is that of the original buffer routine.

Listing 3a is the BASIC program that assembles the translator machine-code program.

Listing 3b shows the screen display when the program is RUN and the code compiled. After compilation, type in *SAVE "mc" OC81 OCB3 to store the machine-code program.

You now have two files, "mc" and "chars" stored on tape or disc, and Listing 4 loads both of them into memory. It also activates them by inserting the program address (OC81h) into the vector location in memory (22Ah) used by the Operating System for buffer operations. For convenience, this has been created as a !BOOT file, assembled on disc, which will load and run on a SHIFT-BREAK. On completion, in this case, control is handed over to VIEW for word processing.

PROJECT: EX42/BBC Interface

```

10 CLS: PRINT TAB(5,5) "ASCII CHAR"
20 DIM TABLE(128)
30 FOR A=0 TO 31:TABLE(A) = 16:NEXT A
40 TABLE(10)=137
50 TABLE(13)=137
60 FOR A= 32 TO 128
70 PRINT TAB(5,7) SPC(15)
80 PRINT TAB(5,7); A;SPC(5);CHR$(A);
90 INPUT A1
100 TABLE(A) = A1
110 NEXT A
115 C = OPENOUT "chars"
120 FOR A= 0TO 128
130 PRINT A;SPC(5); TABLE(A)
160 BPUT# C,TABLE(A)
170 NEXT A
180 CLOSE# C
190 END
    
```

Listing 1 Translation table generator.

other languages or word-processing ROMs, at least not in the author's experience. An alternative location for disc users is page 8: 900h to 9B8h, an area normally used for tape buffers. The location of the program is set by lines 10, 20, 50 and 220 in Listing 3a and in Listing 4.

Construction and Installation

The convertor is assembled on a small PCB which sits piggy-back over the site of the interface's original EPROM, which should be removed and replaced with wire links (Fig. 2). Before fitting the convertor, connect the links from pins 2, 3, 4, 5, 6, 7 and 8

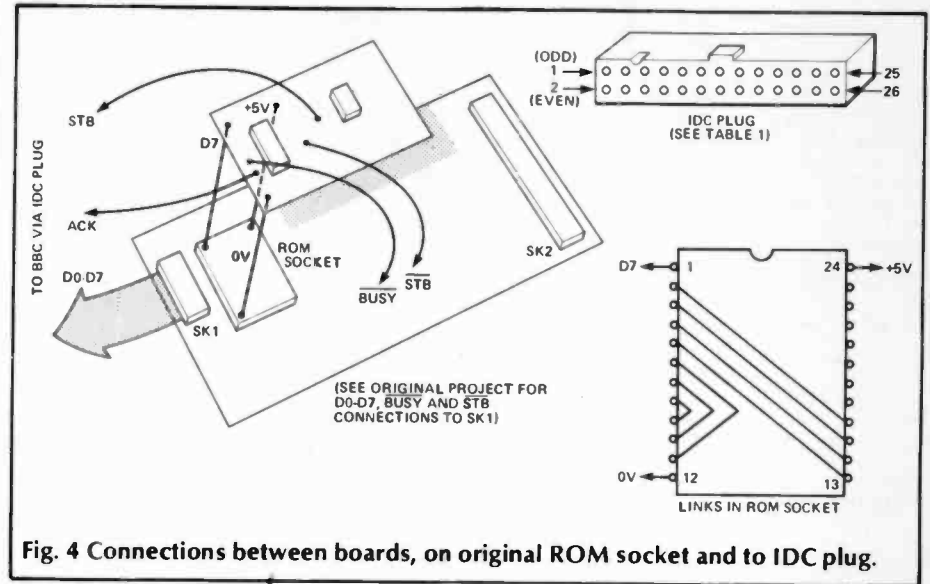


Fig. 4 Connections between boards, on original ROM socket and to IDC plug.

to pins 16, 15, 14, 13, 11, 10 and 9, respectively, on the EPROM socket. Three connections (D7, 0V and +5V) are made from the convertor to the interface, fitting pins 1, 12 and 24 in the EPROM socket. If these are made in thick gauge wire, they serve to anchor the boards together sufficiently (Fig. 2).

Connection to the micro is by means of 26-way ribbon cable, with an insulation displacement connector at the micro, which plugs into the parallel printer

socket on the underside of the computer. IDC connectors are the answer to many a constructor's prayer as a means of connecting so many wires at once: they can be bought ready assembled, but are simplicity itself to make up. Just position the cable over the plug, matching wires with contact points, fit the plastic cover plate, taking care to line it up, and tap gently with a hammer. With luck all connections are made at once and it then only remains to fit the strain relief clamp over the cable.

LOC	CONT	CH	LOC	CONT	CH	LOC	CONT	CH	LOC	CONT
0	16		32	1	@	64	10		96	68
1	16	!	33	71	A	65	87	a	97	23
2	16	"	34	103	B	66	93	b	98	29
3	16	£	35	90	C	67	94	c	99	30
4	16	\$	36	102	D	68	86	d	100	22
5	16	%	37	69	E	69	78	e	101	14
6	16	&	38	101	F	70	118	f	102	54
7	16	.	39	68	G	71	85	g	103	21
8	16	(40	100	H	72	117	h	104	53
9	16)	41	67	I	73	108	i	105	44
10	137	*	42	82	J	74	84	j	106	20
11	16	+	43	115	K	75	116	k	107	52
12	16	,	44	60	L	76	83	l	108	19
13	137	-	45	2	M	77	92	m	109	28
14	16	.	46	27	N	78	125	n	110	61
15	16	/	47	59	O	79	75	o	111	11
16	16	0	48	35	P	80	107	p	112	43
17	16	1	49	7	Q	81	79	q	113	15
18	16	2	50	39	R	82	110	r	114	46
19	16	3	51	6	S	83	119	s	115	55
20	16	4	52	38	T	84	77	t	116	13
21	16	5	53	5	U	85	76	u	117	12
22	16	6	54	37	V	86	126	v	118	62
23	16	7	55	4	W	87	111	w	119	47
24	16	8	56	36	X	88	127	x	120	63
25	16	9	57	3	Y	89	109	y	121	45
26	16	:	58	18	Z	90	95	z	122	31
27	16	;	59	51	[91	202	{	123	1
28	16	<	60	196	\	92	1		124	187
29	16	=	61	99]	93	138	}	125	1
30	16	>	62	194	^	94	1	~	126	1
31	16	?	63	123	_	95	66		127	16

Listing 2 Decimal data for translation table.

```

10 store = &0CB7
20 storey = &0CB8
30 OSBYTE = &FFF4
40 FOR opt%=0 TO 3 STEP 1
50 PZ=&0C81
60 [
70 OPT opt%
80 PHP
90 STY storey
100 CPX #&03
110 BNE exit
120 STA store
130 LDA #&80
140 LDX #&FC
150 LDY #&FF
160 JSR OSBYTE
170 CPX #&00
180 BEQ escape
190 LDA store
200 AND #&7F
210 TAX
220 LDA &0C00,X
230 LDX #&03
240 .exit PLP
250 LDY storey
260 JMP &E4B3
270 .escape LDA store
280 LDX #&03
290 JMP exit
300 ]
310 NEXT opt%
320 END
    
```

Listing 3a BASIC program to assemble translation program.

PROJECT: EX42/BBC Interface

```

0C81          UP1 opt%
0C81 08      PHP
0C82 8C B8 0C STY storey
0C85 E0 03   CPX #&03
0C87 D0 1B   BNE exit
0C89 8D B7 0C STA store
0C8C A9 80   LDA #&80
0C8E A2 FC   LDX #&FC
0C90 A0 FF   LDY #&FF
0C92 20 F4 FF JSR OSBYTE
0C95 E0 00   CPX #&00
0C97 F0 12   BEQ escape
0C99 AD B7 0C LDA store
0C9C 29 7F   AND #&7F
0C9E AA      TAX
0C9F BD 00 0C LDA &0C00,X
OCA2 A2 03   LDX #&03
OCA4 28      .exit PLP
OCA5 AC B8 0C LDY storey
OCA8 4C B3 E4 JMP &E4B3
OCAB AD B7 0C .escape LDA store
OCAE A2 03   LDX #&03
OCB0 4C A4 0C JMP exit
    
```

Listing 3b Runtime display of assembly program.

At the interface end, you can use a D-type plug and socket but with a little care and patience it's perfectly possible to do without this, and solder wires from the ribbon cable directly into the PCBs.

A reminder that BUSY and STROBE are connected from

converter to interface, while ACK and STROBE run from converter to micro. Connection details (courtesy of the BBC handbook) are shown in Table 1 and the IDC plug pin numbering can be seen in Fig. 2.

Signal	IDC wire no.
STROBE	1
DO	3
D1	5
D7	7
D3	9
D4	11
D5	13
D6	15
D7	17
ACK	19
Ground 20 (and all even nos.)	

Table 1 IDC plug connection details.

Further Developments

The one drawback to using D7 to signal carriage return is that the original design reserved this line to denote the alternative character set which is needed for certain ASCII characters (assuming you have that daisy-wheel fitted). This

```

*BUILD !BOOT (return), then type:
*LOAD chars 0C00
*LOAD mc 0C81
%&22A=&B1; %&22B=&0C
*WORD
(ESCAPE)
*OPT4,3 (return)
    
```

Listing 4 Program to assemble !BOOT file to load and run translation program from disc.

can still be done, but the penalty is a 2s delay every time such a character is printed. Further software could make use of the delay when back-spaces are output, for underlining. The keyboard code for a back-space is 25 (decimal) and this could be assigned to one of the unused ASCII codes and built into a specialised printer driver routine from the word-processor.

Further details of Operating System routines in the BBC Micro can be found in 'The Advanced User Guide For The BBC Micro', by Bray, Dickens and Holmes — published by the Cambridge Microcomputer Centre at £12.95.

ETI

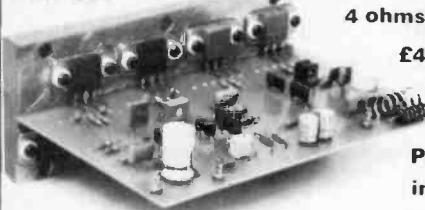
MOSFET POWER AMPLIFIERS

PAT 500

(Mono Unit)

PAT 500 illustrated 500w into 4 ohms, 280w into 8 ohms

£45.00 kit, £49.60 built



A range of 3 Mosfet Power amplifiers which incorporate the latest developments in Mosfet technology, using new techniques developed by CSL Sound Systems in the professional and Audiophile market these amplifiers outperform the standard Mosfet amplifiers in specification and musicality giving a smooth response throughout the audio range with dynamic low frequency performance often lacking in Mosfet amplifiers. All of the P.A.T. series use 160v Mosfets to give incredible headroom with exemplary distortion and noise levels.

PAT120 120w into 8 ohms
£18.50 kit, £21.00 built

PAT 200 200w into 8 ohms
£28.00 kit, £30.50 built

AMP - 01 - M

STATE OF THE ART PRE-AMP, NOW AVAILABLE, AS DESCRIBED IN HI-FI NEWS MAGAZINE, S.A.E. FOR DETAILS.

P.S.U Capacitors 15000 uf 100vw computer grade £6.95
10000uf 80vw industrial grade £4.80
400v 35amp bridge rectifiers £2.95
240v A.C. fan, 120mm, 90cfm £14.00
24v D.C. fan, 120mm, 90cfm £22.00
D.C. fan controller Increases fan speed as temperature rises £8.50

Fan guards for above fans, block plastic £1.45
Toroid 240v primary, 55-0-55sec, 160VA £11.50
Toroid 240v primary, 55-0-55sec, 300VA £16.50
Toroid 240v primary, 55-0-55sec, 625VA £26.50

Accessories



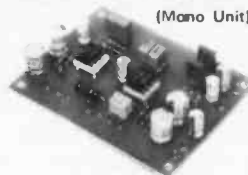
Prices do not include V.A.T

allow 70p per order for P & P. C.W.O

allow 14 days delivery.

AP100 Pre-amplifier

(Mono Unit)

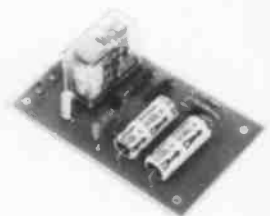


AP100 £9.80 kit, £11.45 built

Protection circuit

Protect your costly speakers from D.C. damage due to incorrect inputs or P.S.U. failures, this unit contains a heavy duty relay to disconnect the speakers if a D.C. condition appears at the amplifiers output.

£7.50 kit, £8.30 built



(Stereo unit)

Bargraph unit

A Stereo 2 x 10 LED unit, displays the output voltage of the PAT units in db's, green amber and one red LED give warning of clipping levels, each channel is adjustable to various loads and output powers. Note, this unit is fitted with flat top LEDs to allow a flush panel mounting.

£12.95 kit, £15.10 built

C.S.L Sound Systems

Unit 27, Tything Road West

Arden Forest Ind. est.

Alcester, Warwickshire B49 6EP

Tel: (0789) 764710

**NEXT
MONTH**

AN ARGUS SPECIALIST PUBLICATION

electronics today

INTERNATIONAL

E-Bus Board For The Cortex

Designed by Richard Roberts of Micro-Processor Engineering, this project will give the Cortex computer two digital joystick ports, a Centronics printer port and 22 bits of programmable input/output (PIO). The board was originally designed around the 74LS2001 Dynamic Memory Access Controller, a chip which is now rather difficult to obtain. To overcome this problem, the project includes details of a TTL header board which directly replaces the 74LS2001 and could also be used in other applications where this exotic IC is specified. Two further Cortex projects by the same designer are also in the pipeline, a twin RS232 board and a stereo sound board, and we hope to bring you these in the near future.

Flat Screen Television

People have been trying to produce flat screen televisions for a very long time, but most of the designs which have made it to the market place so far are based upon conventional cathode ray tube technology. Keith Brindley will be looking at the alternatives, including thin film transistors, liquid crystal displays, electroluminescence, plasma panels, vacuum fluorescence and electrochromic displays. He concludes that, whatever direction development takes, the television of the future will be very different from what we have now.

ROM Board For The Spectrum

Promised for this month but (blush, blush!) unavoidably held over, this project enables the Spectrum owner to enjoy the advantages of having a 'sideways ROM' facility similar to that found on some other micros. The ROM board disables the top 32K of RAM in the Spectrum and replaces it with between 2K x 8 and 32K x 8 of EPROM. The lower 16K of memory is left intact. Suitable for use with the popular 27 series of EPROMS (2716 to 27256), the design will give Spectrum owners some valuable flexibility.

Direct Injection Box

It is often necessary to split a signal from a musical instrument so that it can be fed to both the musician's own combo or amp and cab and also to the main PA system. The device used for this purpose is a direct injection box, a battery or phantom powered buffer amplifier which has one high impedance input and either one high and one low or two low impedance outputs. We have made our design battery powered so that it can be used with any system, and provided it with a high impedance input for the instrument and two low impedance outputs which should feed without problems into just about any amplifier or mixer input. In addition, we have incorporated an optional balancing arrangement on one of the outputs so that the box can be connected directly to mixers having balanced inputs.

Plus

Digest, Scratch Pad, Read/Write, Trains of Thought, Tech Tips, Open Channel, reviews and much more.

**THE SEPTEMBER ISSUE WILL BE ON SALE
FROM AUGUST 3RD. ORDER IT NOW TO
AVOID MISSING OUT!**

EPROM EMULATOR

At long last, this much-delayed project hits the pages of ETI. Design by new project editor, Paul Chappell.

The EPROM emulator described here is primarily intended to assist with the preparation of programs for the '6802 Evaluation board' (ETI, May 1985), although it can equally well be used with any other system using 2716 EPROMs. The circuit uses a bare minimum of parts and the cost and construction time should be similarly minimal.

In use, a computer is connected to port A, and port B goes to the EPROM socket of the circuit that will run the program. With S1 in the 'program' position, the program to be tested is loaded from the computer into the 6117 memory IC. SW1 is then set to the 'EPROM' position and the program is run. If the program fails to perform as intended, SW1 is

returned to the 'program' position and modifications are made from the computer. The new program can then be run, and so the process continues until the program does what is required of it.

Construction

The connections on the right hand side of the board are

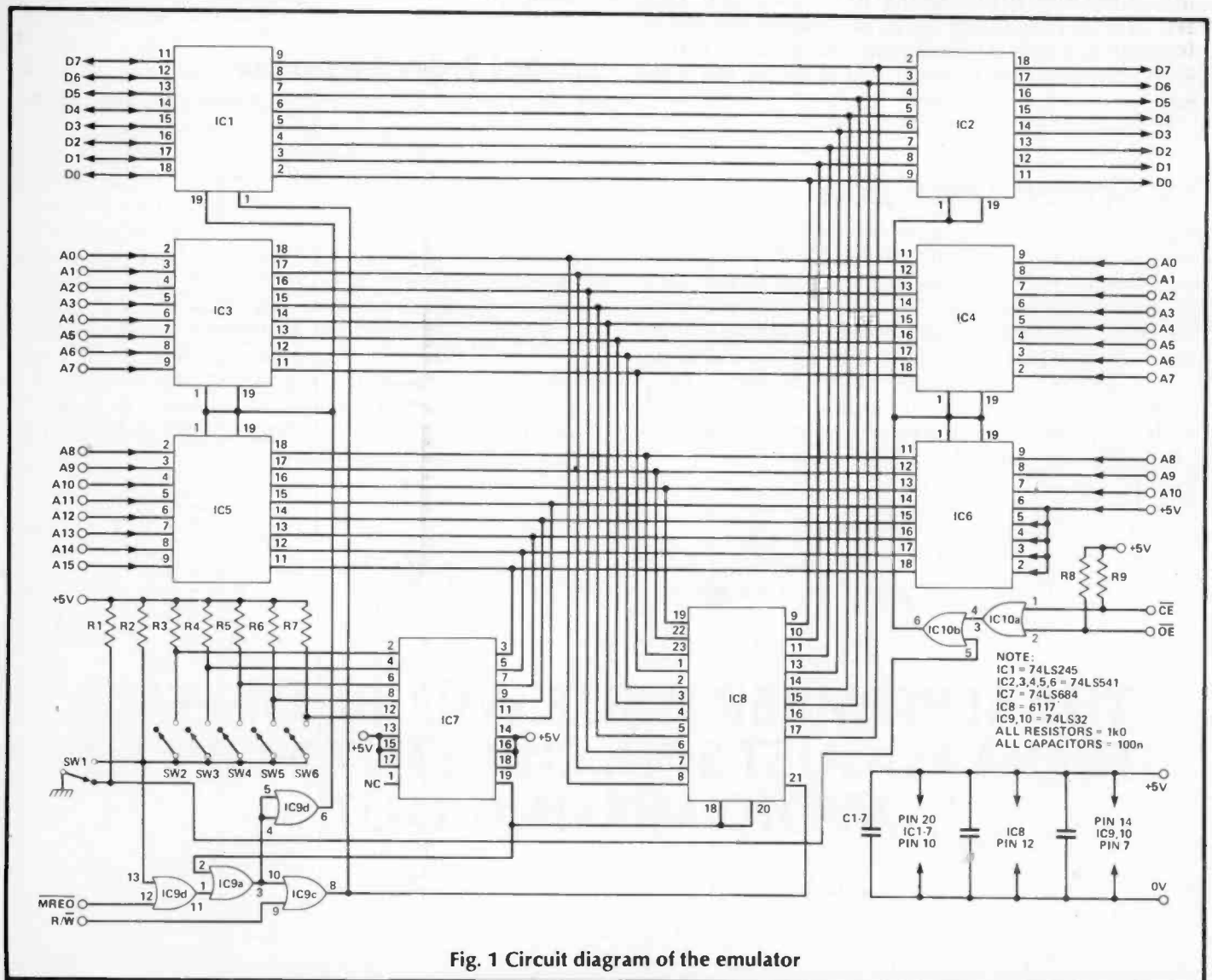


Fig. 1 Circuit diagram of the emulator

arranged so that a length of 24-way ribbon cable can be connected to a 24-pin DIL header to plug into the EPROM socket of the host system. If an insulation displacement type of header is used, the connections will automatically be in the right order; otherwise, wires should be soldered to alternate sides of the header, with the bottom connection to pin 24, the next to pin 1, next pin 23, then 2, and so on.

A double sided board is used, and where possible through connections have been made via component leads, so check the top (component side) of the board carefully to make sure that any pads around component leads have been soldered. Positions where a wire through-link is required are marked with a "*" on the component overlay. The memory IC can be socketed but the less expensive ICs should be soldered directly to the board to make it easier to solder the top side of the lead where this is required.

HOW IT WORKS

Switches SW2 to SW6 allow the emulator to be placed at any convenient point within the computer's memory map. If they are all set to 0, the emulator memory will represent the first 2K of the computer's memory, and each binary code increment will shift it upwards by 2K. Suppose your computer has 16K of memory and you would like the emulator location upwards by 16K, so the switches would have to be set to 00100, because this is the binary for '8', and you want a shift of 8 x 2K. The switch codes are, in fact, compared directly with the upper 5 address lines from the computer by IC7. IC1, IC3 and IC5 allow the computer access to the memory on the emulator board when a valid address and the appropriate control signals are received. The computer then writes to or reads from the emulator memory as if it were an extension of its own memory.

With switch SW1 in the 'EPROM' position, the computer no longer has access to the emulator's memory; instead, IC2, IC4 and IC6 are enabled by CE and OE signals from the host system, which will now have access to the emulator's memory for read operations only — as if it were an EPROM.

PARTS LIST

RESISTORS

R1-9 1k miniature carbon film

CAPACITORS

C1-10 100n disc ceramic

SEMICONDUCTORS

IC1 74LS245
IC2-6 74LS541
IC7 74LS684
IC8 6117
IC9 74LS32

MISCELLANEOUS

SW1 PCB mounting miniature SPST toggle switch
SW2-6 Six section, SP make DIL switch (one off)

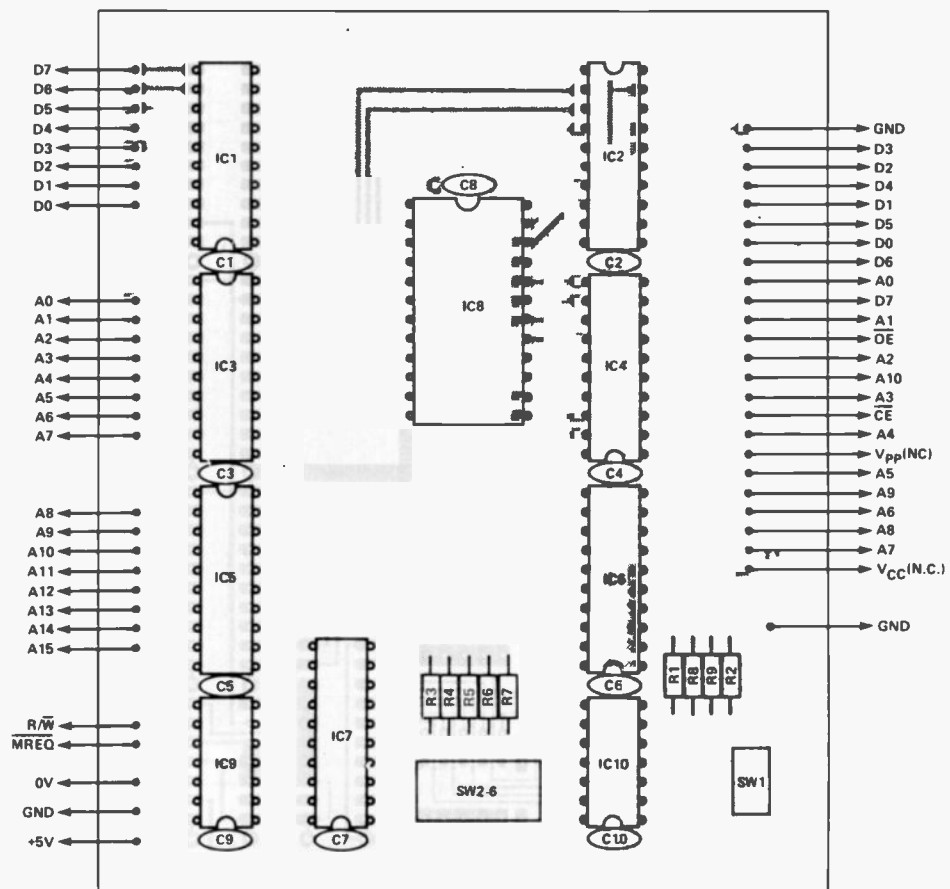
Length of 24-way ribbon cable; 24-way DIL plug; PCB; cable and socket for connection to computer.

BUYLINES

The components for the prototype were all supplied by Watford, who have everything in stock. The 6117 RAM and 74LS684 comparator might prove problematic if sought

from other suppliers, but everything else should be easily available. The PCB is supplied by ETI PCB Service.

Fig. 2 Component overlay of the emulator



PRINTER BUFFER

Following on from last month's article which covered the design and construction, Nick Sawyer describes the connection, testing and use of the buffer and presents a full listing of the EPROM contents.

It is recommended that the power supply is built and checked before adding anything else that could be damaged by a power supply fault. First solder in diodes D2 and D3, capacitors C3-8 and the 7805 voltage regulator, IC17. When wired up to the transformer and plugged into the mains, this combination should give five volts plus or minus 5% at the output of the regulator.

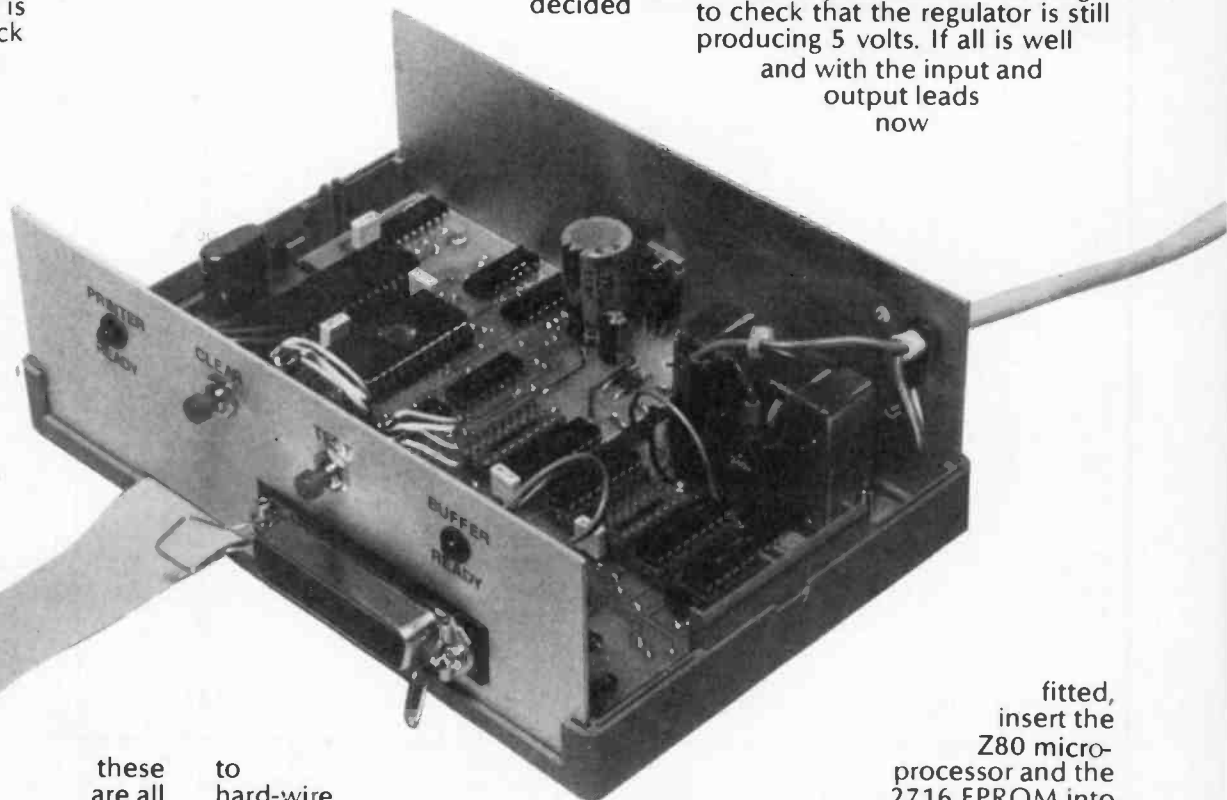
If the 5 volt supply is not present then check the orientation of the diodes, smoothing electrolytic and regulator as

It has to be decided at this point how the connections to the unit are going to be made. The best method of making the input connection is by mounting a right angle 36 way connector on the PCB. This means that the printer lead you were already using will plug straight into the buffer. As connectors are rather expensive however, it might be decided

socket. The other end of the cable can be terminated in a 36 way IDC connector ready for connection to the printer. The two LEDs and the two switches are mounted on the front of the box and wired to the relevant points on the printed circuit board.

Testing

It is a good idea at this stage to check that the regulator is still producing 5 volts. If all is well and with the input and output leads now



these are all that can be at fault. If all is well, disconnect from the transformer for ease of working and proceed with fitting the other components and sockets to the board.

to hard-wire straight into the board using either ribbon or conventional cable. It is suggested that the output connections are made using either a 26 way ribbon cable soldered direct into the PCB or a 26 way IDC plug and

fitted, insert the Z80 micro-processor and the 2716 EPROM into their respective sockets. Do not insert any of the dynamic RAM chips into their sockets at this stage. Connect the buffer output cable to a printer and switch both units on. The 'buffer ready' LED should illuminate after about a second if all is

0000	F3 L3 80 00 00 00 00 00 00 00 00 00 00 00 00 00	0400	33 33 11 00 20 21 00 04 7E FE FF CA 1E 04 DB FF
0010	00 00 00 00 00 00 00 00 00 00 00 00 00 00 00 00	0410	E6 80 CA 0E 04 7E 12 32 00 30 23 C3 08 04 21 D3
0020	00 00 00 00 00 00 00 00 00 00 00 00 00 00 00 00	0420	04 7E FE FF CA 37 04 DB FF E6 80 CA 27 04 7E 12
0030	00 00 00 00 00 00 00 00 F3 C3 00 04 00 00 00 00 00	0430	32 00 30 23 C3 21 04 D9 7B D9 47 FE 3F 3E 31 CA
0040	00 00 00 00 00 00 00 00 00 00 00 00 00 00 00 00	0440	4C 04 7B FE 7F 3E 33 CA 4C 04 3E 34 4F DB FF E6
0050	00 00 00 00 00 00 00 00 00 00 00 00 00 00 00 00	0450	80 CA 4D 04 79 12 32 00 30 7B FE 3F 3E 36 CA 6B
0060	00 00 00 00 00 00 C3 80 00 00 00 00 00 00 00 00	0460	04 7B FE 7F 3E 32 CA 6B 04 3E 3B 4F DB FF E6 80
0070	00 00 00 00 00 00 00 00 00 00 00 00 00 00 00 00	0470	CA 6C 04 79 12 32 00 30 DB FF E6 80 CA 85 04 3E 0D 12 32
0080	01 FF FF ED 56 01 00 80 3E 00 02 0A FE 00 CA 9A	0480	4B 12 32 00 30 DB FF E6 80 CA 85 04 3E 0D 12 32
0090	00 D9 L6 3F 0E 80 D9 L3 8B 00 01 00 C0 3E 00 02	0490	00 30 DB FF E6 80 CA 92 04 3E 0A 12 32 00 30 C3
00A0	0A FE 00 CA AF 00 D9 06 7F 0E C0 D9 C3 8B 00 01	04A0	00 05 21 E2 04 7E FE FF CA BD 04 DB FF E6 80 CA
00B0	00 00 D9 06 BF 0E 00 D9 21 00 40 36 00 23 7C 8B	04B0	AB 04 7E 32 00 20 32 00 30 23 C3 A5 04 C3 00 01
00C0	L2 8B 00 7D B9 L2 8B 00 3A 00 10 C3 00 01 00 00	04C0	52 61 6D 20 74 65 73 74 20 73 74 61 72 74 65 64
00D0	00 00 00 00 00 00 00 00 00 00 00 00 00 00 00 00	04D0	0A 0D FF 52 61 6D 20 70 72 65 73 65 6E 74 20 3A
00E0	00 00 00 00 00 00 00 00 00 00 00 00 00 00 00 00	04E0	20 FF 52 61 6D 20 74 65 73 74 20 63 6F 6D 70 6C
00F0	00 00 00 00 00 00 00 00 00 00 00 00 00 00 00 00	04F0	65 74 65 64 0A 0D FF 00 00 00 00 00 00 00 00 00
0100	01 00 40 11 00 40 21 00 00 3E FF 32 00 20 FB 00	0500	21 00 40 7D 84 2F 77 23 C3 80 05 00 00 00 00 00
0110	F3 C3 80 01 3E FF BD C2 21 01 D9 7B D9 BC CA 3E	0510	00 00 00 00 00 00 00 00 00 00 00 00 00 00 00 00
0120	01 DB FF E6 40 CA 3E 01 3A 00 10 02 23 03 3E 00	0520	00 00 00 00 00 00 00 00 00 00 00 00 00 00 00 00
0130	B9 C2 3E 01 D9 79 D9 8B C2 3E 01 01 00 40 7C 85	0530	00 00 00 00 00 00 00 00 00 00 00 00 00 00 00 00
0140	CA 00 01 DB FF E6 80 CA 11 01 1A 32 00 20 32 00	0540	00 00 00 00 00 00 00 00 00 00 00 00 00 00 00 00
0150	30 2B 13 3E 00 8B C2 11 01 D9 79 D9 BA C2 11 01	0550	00 00 00 00 00 00 00 00 00 00 00 00 00 00 00 00
0160	11 00 40 C3 11 01 00 00 00 00 00 00 00 00 00 00	0560	00 00 00 00 00 00 00 00 00 00 00 00 00 00 00 00
0170	00 00 00 00 00 00 00 00 00 00 00 00 00 00 00 00	0570	00 00 00 00 00 00 00 00 00 00 00 00 00 00 00 00
0180	00 00 00 00 00 00 00 00 00 00 00 00 00 00 00 00	0580	00 00 00 00 00 00 00 00 00 00 00 00 00 00 00 00
0190	00 00 00 00 00 00 00 00 00 00 00 00 00 00 00 00	0590	00 00 00 00 00 00 00 00 00 00 00 00 00 00 00 00
01A0	00 00 00 00 00 00 00 00 00 00 00 00 00 00 00 00	05A0	00 00 00 00 00 00 00 00 00 00 00 00 00 00 00 00
01B0	00 00 00 00 00 00 00 00 00 00 00 00 00 00 00 00	05B0	00 00 00 00 00 00 00 00 00 00 00 00 00 00 00 00
01C0	00 00 00 00 00 00 00 00 00 00 00 00 00 00 00 00	05C0	00 00 00 00 00 00 00 00 00 00 00 00 00 00 00 00
01D0	00 00 00 00 00 00 00 00 00 00 00 00 00 00 00 00	05D0	00 00 00 00 00 00 00 00 00 00 00 00 00 00 00 00
01E0	00 00 00 00 00 00 00 00 00 00 00 00 00 00 00 00	05E0	00 00 00 00 00 00 00 00 00 00 00 00 00 00 00 00
01F0	00 00 00 00 00 00 00 00 00 00 00 00 00 C3 14 01	05F0	00 00 00 00 00 00 00 00 00 00 00 00 00 00 00 00
0200	30 31 32 33 34 35 36 37 38 39 41 42 43 44 45 46	0600	7C D9 B9 D9 C2 03 05 7D FE 00 C2 03 05 11 FF 7F
0210	47 EB 21 A0 02 7E FE FF CA 2D 02 DB FF E6 80 CA	0610	1B C3 80 06 00 00 00 00 00 00 00 00 00 00 00 00
0220	1B 02 7E 32 00 20 32 00 30 23 C3 15 02 7A 0F 0F	0620	00 00 00 00 00 00 00 00 00 00 00 00 00 00 00 00
0230	0F 0F E6 0F 6F 26 02 DB FF E6 80 CA 37 02 7E 32	0630	00 00 00 00 00 00 00 00 00 00 00 00 00 00 00 00
0240	00 20 32 00 30 7A E6 0F 6F DB FF E6 80 CA 49 02	0640	00 00 00 00 00 00 00 00 00 00 00 00 00 00 00 00
0250	7E 32 00 20 32 00 30 7B 0F 0F 0F 0F E6 0F 6F DB	0650	00 00 00 00 00 00 00 00 00 00 00 00 00 00 00 00
0260	FF E6 80 CA 5F 02 7E 32 00 20 32 00 30 7B E6 0F	0660	00 00 00 00 00 00 00 00 00 00 00 00 00 00 00 00
0270	6F DB FF E6 80 CA 71 02 7E 32 00 20 32 00 30 DB	0670	00 00 00 00 00 00 00 00 00 00 00 00 00 00 00 00
0280	FF E6 80 CA 7F 02 3E 0D 32 00 20 32 00 30 DB FF	0680	00 00 00 00 00 00 00 00 00 00 00 00 00 00 00 00
0290	E6 80 CA BE 02 3E 0A 32 00 20 32 00 30 C3 00 03	0690	00 00 00 00 00 00 00 00 00 00 00 00 00 00 00 00
02A0	52 41 4D 20 66 61 69 6C 20 61 74 20 6C 6F 63 61	06A0	00 00 00 00 00 00 00 00 00 00 00 00 00 00 00 00
02B0	74 69 6F 6E 20 3A 20 FF 00 00 00 00 00 00 00 00	06B0	00 00 00 00 00 00 00 00 00 00 00 00 00 00 00 00
02C0	00 00 00 00 00 00 00 00 00 00 00 00 00 00 00 00	06C0	00 00 00 00 00 00 00 00 00 00 00 00 00 00 00 00
02D0	00 00 00 00 00 00 00 00 00 00 00 00 00 00 00 00	06D0	00 00 00 00 00 00 00 00 00 00 00 00 00 00 00 00
02E0	00 00 00 00 00 00 00 00 00 00 00 00 00 00 00 00	06E0	00 00 00 00 00 00 00 00 00 00 00 00 00 00 00 00
02F0	00 00 00 00 00 00 00 00 00 00 00 00 00 00 00 00	06F0	00 00 00 00 00 00 00 00 00 00 00 00 00 00 00 00
0300	21 CE 03 7E FE FF CA 1B 03 DB FF E6 80 CA 09 03	0700	7A B3 C2 10 06 21 00 40 C3 80 07 7E 2F 94 BD CA
0310	7E 32 00 20 32 00 30 23 C3 03 03 7B B2 0F 0F 0F	0710	17 07 B4 2F C3 10 02 23 7C D9 B9 D9 C2 80 07 7D
0320	0F 2F E6 0F 26 02 6F DB FF E6 80 CA 27 03 7E 32	0720	FE 00 C2 80 07 C3 A2 04 00 00 00 00 00 00 00 00
0330	00 20 32 00 30 7B B2 2F E6 0F 6F DB FF E6 80 CA	0730	00 00 00 00 00 00 00 00 00 00 00 00 00 00 00 00
0340	3B 03 7E 32 00 20 32 00 30 DB FF E6 80 CA 49 03	0740	00 00 00 00 00 00 00 00 00 00 00 00 00 00 00 00
0350	3E 0D 32 00 20 32 00 30 DB FF E6 80 CA 5B 03 3E	0750	00 00 00 00 00 00 00 00 00 00 00 00 00 00 00 00
0360	0A 32 00 20 32 00 30 21 DF 03 7E FE FF CA B3 03	0760	00 00 00 00 00 00 00 00 00 00 00 00 00 00 00 00
0370	DB FF E6 80 CA 70 03 7E 32 00 20 32 00 30 23 C3	0770	00 00 00 00 00 00 00 00 00 00 00 00 00 00 00 00
0380	6A 03 7B 0F 0F 0F 0F E6 0F 26 02 6F DB FF E6 80	0780	00 00 00 00 00 00 00 00 00 00 00 00 00 00 00 00
0390	CA BD 03 7E 32 00 20 32 00 30 7B E6 0F 6F DB FF	0790	00 00 00 00 00 00 00 00 00 00 00 00 00 00 00 00
03A0	E6 80 CA 9F 03 7E 32 00 20 32 00 30 DB FF E6 80	07A0	00 00 00 00 00 00 00 00 00 00 00 00 00 00 00 00
03B0	CA AD 03 3E 0D 32 00 20 32 00 30 DB FF E6 80 CA	07B0	00 00 00 00 00 00 00 00 00 00 00 00 00 00 00 00
03C0	BC 03 3E 0A 32 00 20 32 00 30 C3 00 01 44 61 74	07C0	00 00 00 00 00 00 00 00 00 00 00 00 00 00 00 00
03D0	61 20 77 72 69 74 74 65 6E 20 20 3A 20 FF 44 61	07D0	00 00 00 00 00 00 00 00 00 00 00 00 00 00 00 00
03E0	74 61 20 72 65 74 75 72 6E 65 64 20 3A 20 FF 00	07E0	00 00 00 00 00 00 00 00 00 00 00 00 00 00 00 00
03F0	00 00 00 00 00 00 00 00 00 00 00 00 00 00 00 00	07F0	00 00 00 00 00 00 00 00 00 00 00 00 00 C3 0B 07

Table 1 Full listing of the software which must be programmed into the 2716 EPROM.

well with the buffer, and the 'printer ready' LED should light and extinguish as the printer is put on-line/off-line.

If all is well press the test button. The printer should produce "RAM Test Started" followed immediately by "RAM Present : 16K" and ten seconds

later by "RAM Fail at Location 4000". This shows all is well, that the unit is functioning and that those expensive dynamic RAM chips can now be used. The first pair of RAMs is inserted (observing normal MOS precautions) in positions IC11 and IC14, the next pair in IC10 and IC13 and the

last pair in IC9 and IC12. Take great care that these devices are the right way around in their holders. The buffer will work with either 16, 32 or 48K of RAM provided the RAM chips are installed in the right sockets.

Having installed all the RAM you think necessary, switch every-

PROJECT: Printer Buffer

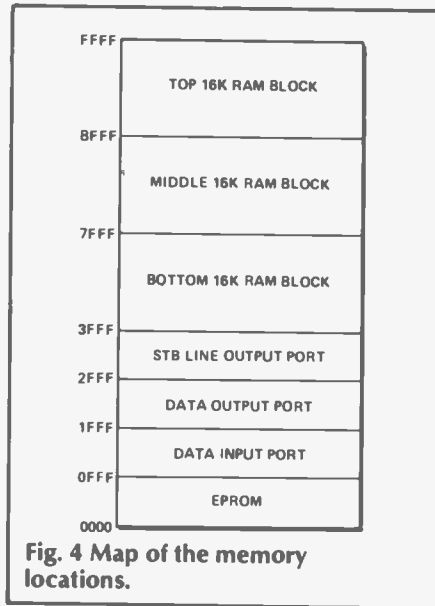
thing back on and repeat the test as above. The results should be the same except that the "RAM present" figure should reflect the amount of RAM that you have installed, and after ten seconds the printer should produce "Ram Test Passed".

The buffer is now ready to use. Plug in the lead from your computer and try LLIST on a fairly long program. The computer should come back READY within a few seconds, and the printer should carry on printing until it is finished — with no errors of course!

Faultfinding

Having built the buffer, if you are unfortunate enough to find that nothing happens when you switch on, check the obvious first. Is the printer on-line? If it is then the 'printer ready' LED should be glowing, if it is not, check carefully the output lead from the buffer to the printer.

Next check the 5 volt supply from the regulator. If it has dropped from five to only one or two volts, then it is likely that there is



either a short circuit between two solder joints or that a component has been soldered in the wrong way round. If this is the case a hot component will result and can easily be tracked down by the burning smell. If the 5 volt supply is still all right, then it is more likely that you have missed

a solder joint out. Check all the through board connections for continuity, and check especially the output wiring from the buffer to the printer plug.

If all still appears well but the buffer fails to function the services of an oscilloscope will ideally be required. Check first for a 2 MHz clock signal on pin 6 of the Z80, then check the operation of each address, data and control line. If they have a varying signal on them then all is well, otherwise suspect a short circuit at some point.

In Use

The use of the printer buffer is absolutely straight forward as it is completely transparent to the user and his computer. Merely leave the unit connected to the printer, and power it up whenever the printer is switched on. Any data sent from the computer will then be buffered and passed on at a speed suitable for your printer, leaving the computer free for use.

ETI

OMP POWER AMPLIFIER MODULES Now enjoy a world-wide reputation for quality, reliability and performance at a realistic price. Four models available to suit the needs of the professional and hobby market. i.e. Industry, Leisure, Instrumental and Hi-Fi etc. When comparing prices, NOTE all models include Toroidal power supply, Integral heat sink, Glass fibre P.C.B., and Drive circuits to power compatible Vu meter. Open and short circuit proof. **Supplied ready built and tested.**

- OMP 100 Mk II Amp. Module. 110w R.M.S. 4ohms I/P Sens 500mV — 10K Size 360 x 115 x 72mm Price: £32.99 + £2 50 P&P
- OMP/MF100 Mos-Fet. Very high spec 110w R.M.S. both 4 & 8ohms I/P Sens 500mV — 10K Size 300 x 123 x 60mm Price: £39.99 + £2 50 P&P
- OMP/MF200 Mos-Fet. Very high spec 200w R.M.S. 4ohms I/P Sens 500mV — 10K Size 300 x 150 x 100mm Price: £62.99 + £3 50 P&P
- OMP/MF300 Mos-Fet. Very high spec 300w R.M.S. 4ohms I/P Sens 500mV — 10K Size 330 x 147 x 102mm Price: £79.99 + £4 50 P&P

LARGE (28p) S.A.E. FOR CURRENT LIST

PIEZO ELECTRIC TWEETERS — MOTOROLA
Join the Piezo revolution. The low dynamic mass (no voice coil) of a Piezo tweeter produces an improved transient response with a lower distortion level than ordinary dynamic tweeters. As a crossover is not required these units can be added to existing speaker systems of up to 100 watts (more if 2 put in series) **FREE EXPLANATORY LEAFLETS SUPPLIED WITH EACH TWEETER.**

- TYPE 'A' (KSN2036A) 3" round with protective wire mesh, ideal for bookshelf and medium sized Hi-Fi speakers Price £4.90 each + 40p P&P
- TYPE 'B' (KSN1005A) 3 1/2" super horn. For general purpose speakers, disco and P.A. systems etc Price £5.99 each + 40p P&P
- TYPE 'C' (KSN6016A) 2" x 5" wide dispersion horn. For quality Hi-Fi systems and quality discos etc Price £6.99 each + 40p P&P
- TYPE 'D' (KSN1025A) 2" x 6" wide dispersion horn. Upper frequency response retained extending down to mid range (2KHz). Suitable for high quality Hi-Fi systems and quality discos Price £9.99 each + 40p P&P
- TYPE 'E' (KSN1038A) 3 1/2" horn tweeter with attractive silver finish trim. Suitable for Hi-Fi monitor systems etc Price £5.99 each + 40p P&P

Full specifications available on request.
NOTE Mos-Fets are supplied as standard (100KHz bandwidth & Input Sensitivity 500mV) If required, P.A. version (50KHz bandwidth & Input Sensitivity 775mV). Order — Standard or P.A.

19" STEREO RACK AMPS Professional 19" cased Mos-Fet stereo amps with twin Vu meters, twin toroidal power supplies, XLR connections MF600 Fan cooled. Three models (Ratings R.M.S. into 4ohms)

MF200 (100 + 100W)	£169 00	Securicor
MF400 (200 + 200W)	£228 85	Delivery
MF600 (300 + 300W)	£274 85	£10.00

LOUDSPEAKERS
Cabinet fixing in stock. S.A.E. for details.

LOUDSPEAKERS 5" to 18" Up to 300W R.M.S. S.A.E. for full lists. McKenzie speakers at advantageous prices. All speakers listed 8 ohm imp.

STEREO DISCO MIXER
STEREO DISCO MIXER with 2 x 5 band L & R graphic equalisers and twin 10 segment LED Vu Meters. Many outstanding features 5 inputs with individual faders providing a useful combination of the following — 3 Turntables (Mag), 3 Mics, 4 Line plus Mic with talk over switch Headphone Monitor Pan Pot L. & R. Master Output controls. Output 775mV. Size 360 x 280 x 90mm Price £134.99 — £3 00 P&P

POWER RANGE
8" 50 WATT R.M.S. Hi-Fi/Disco.
20 oz magnet 1 1/2" ally voice coil. Ground ally fixing escutcheon Res. Freq 40Hz Freq Resp to 6KHz Sens 92dB PRICE £10 99 Available with black grille £11 99 P&P £1 50 ea
12" 100 WATT R.M.S. Hi-Fi/Disco
50 oz magnet 2" ally voice coil. Ground ally fixing escutcheon Die cast chassis White cone Res. Freq 25Hz Freq Resp to 4KHz Sens 95dB PRICE £28 60 - £3 00 P&P ea
15" 100 WATT R.M.S. Hi-Fi/Disco
50 oz magnet 2" ally voice coil. Ground ally fixing escutcheon Die cast chassis White cone Res. Freq 20Hz Freq Resp to 2.5KHz Sens 97dB PRICE £37 49 - £3 00 P&P ea

PANTEC HOBBY KITS. Proven designs including glass fibre printed circuit board and high quality components complete with instructions.

- FM MICROTRANSMITTER (BUG) 90/105MHz with very sensitive microphone Range 100/300 metres 57 x 46 x 14mm (9 volt) Price: £8.62 x 75p P&P
- 3 WATT FM TRANSMITTER 3 WATT 85/115MHz varicap controlled professional performance Range up to 3 miles 35 x 84 x 12mm (12 volt) Price: £13.74 + 75p P&P

- SOUNDLAB (Full Range Twin Cone)
5" 60 WATT R.M.S. Hi-Fi/Multiple Array Disco etc.
1" voice coil Res. Freq 63Hz Freq Resp to 20KHz Sens 86dB PRICE £9 99 - £1 00 P&P ea
6 1/2" 60 WATT R.M.S. Hi-Fi/Multiple Array Disco etc.
1" voice coil Res. Freq 56Hz Freq Resp to 20KHz Sens 89dB PRICE £10 99 - £1 50 P&P ea
8" 60 WATT R.M.S. Hi-Fi/Multiple Array Disco etc.
1 1/2" voice coil Res. Freq 38Hz Freq Resp to 20KHz Sens 89dB PRICE £12 99 - £1 50 P&P ea
- McKENZIE
12" 85 WATT R.M.S. C1285GP Lead guitar/keybord/Disco
2" ally voice coil. Ally centre dome Res. Freq 45Hz Freq Resp to 6.5KHz Sens 98dB PRICE £24 99 - £3 00 P&P ea
12" 85 WATT R.M.S. C1285TC P.A./Disco 2" ally voice coil. Twin cone.
Res. Freq 45Hz Freq Resp to 14KHz PRICE £24 99 - £3 00 P&P ea
15" 150 WATT R.M.S. C15 Bass Guitar/Disco
3" ally voice coil. Ore-cast chassis Res. Freq 40Hz Freq Resp to 4KHz PRICE £49 99 - £4 00 P&P ea

POSTAL CHARGES PER ORDER £1.00 minimum
★ SAE for current lists. ★ Official orders welcome.

★ All prices include VAT. ★ Sales Counter. ★

B. K. ELECTRONICS

UNIT 5, COMET WAY, SOUTHEND-ON-SEA, ESSEX, SS2 6TR TEL: 0702-527572

UNIVERSAL EPROM PROGRAMMER MKII

This hex dump spells a fully operational EPROM Programmer — and you can't byte that. Gordon Bennett performed the magic.

Last month, lack of space obliged us to hold over the software listings for the EPROM Programmer. This month we remedy that omission with a complete hex dump of the Universal EPROM Programmer software. Unfortunately, space reasons forbid the publication of the complete disassembled listings — which runs to some 26 pages of print-out.

The hex dump provides everything you need in order to enter the code to run the programmer. Notes on the various locations involved can be found in last month's introductory article and below. If anyone should require the disassembled listing, for the purposes of modification or out of simple interest, we can provide a photocopy at a price of £3. Please send a cheque, made out to ASP Ltd., to ETI, Dept. UEP, 1 Golden Square, London W1R

3AB, and enclose a large stamped addressed envelope. The author will provide a ready programmed EPROM plus listing for £10.00 or a tape including source and object code (for use with the TUG two pass/assembler editor) for £5.00. Please write to 187 Beaulieu Gardens, Blackwater, Camberley, Surrey GU17 0LF. Note that this address is different from the one published last month, and is the correct address. Please allow 28 days for delivery on any of these items.

The following hex dump was performed using the DUMP command in the EPROM Programmer software. The first address on a line is the absolute address in memory, the second is the offset address from the current Base selected. Then there are 16 bytes of data and the final number is the checksum computed from that line of data. With reference to

last month's notes, the screen clear routine is located at EFEC h to EFFF h, inclusive. It may be removed for the addition of extra facilities in the program. It is called twice, by the command JSR CLRSCRN (the hex bytes 20 EC EF), at locations E9CF h and EA23 h (the header and the help routines). Locations E861 h through E8C8 h contain the type numbers of the EPROMs supported by the software. Length parameters are contained in the locations E8C9 h through E8D5 h. Messages used in the programme are contained in locations E8F6 h through E9C h. The table used to set up PIO ports for the EPROMs supported are contained in locations E806 h through E860 h. These tables could be altered to support different EPROMs, but — once again — close study of the disassembled listing is recommended.

The hex dump from E800 h to EFFF h.

E800	0000	4C	D8	E9	4C	E7	E9	3C	3C	3C	3C	3C	3C	34	34	34	34	0661
E810	0010	34	34	34	98	98	98	90	90	98	92	92	90	92	92	90	90	0814
E820	0020	18	18	18	08	08	18	10	10	10	10	10	10	00	88	88	88	0268
E830	0030	85	A5	88	22	C2	00	22	C2	C1	C5	01	01	01	01	01	10	0515
E840	0040	02	02	10	02	02	01	01	06	06	06	06	06	0A	06	06	0A	0058
E850	0050	06	06	06	06	01	01	01	01	01	00	01	01	00	01	01	01	0022
E860	0060	01	32	37	35	38	20	20	20	20	32	37	31	36	20	20	20	0287
E870	0070	20	32	35	31	36	20	20	20	20	32	37	33	32	20	20	20	029C
E880	0080	20	32	37	33	32	41	20	20	20	32	35	33	32	20	20	20	02BB
E890	0090	20	32	37	36	34	20	20	20	20	32	37	36	34	41	20	20	02C7
E8A0	00A0	20	32	35	36	34	20	20	20	20	32	37	31	32	38	20	20	02B5
E8B0	00B0	20	32	37	31	32	38	41	20	20	32	37	32	35	36	20	20	02EB

E8C0	00C0	20	32	37	35	31	32	20	20	20	03	07	07	0F	0F	0F	1F	01DE
E8D0	00D0	1F	1F	3F	3F	7F	FF	48	51	54	52	56	46	53	4E	44	42	053C
E8E0	00E0	23	EA	87	EB	8D	EB	28	ED	DF	EB	88	ED	84	ED	26	EB	0ACD
E8F0	00F0	38	EC	68	EB	EA	E9	45	50	52	4F	4D	20	54	59	50	45	072F
E900	0100	00	42	41	53	45	20	41	44	44	52	45	53	53	20	28	48	03D1
E910	0110	45	58	29	00	45	50	52	4F	4D	20	50	52	4F	47	52	41	0434
E920	0120	4D	4D	45	44	2C	20	56	45	52	49	46	59	49	4E	47	2E	0450
E930	0130	00	45	50	52	4F	4D	20	43	48	45	43	4B	20	46	49	4E	03FE
E940	0140	49	53	48	45	44	00	45	50	52	4F	4D	20	56	45	52	49	0446
E950	0150	46	49	45	44	20	4F	4B	00	45	50	52	4F	4D	20	45	52	040C
E960	0160	41	53	45	44	20	4F	4B	00	45	50	52	4F	4D	20	53	49	0416
E970	0170	5A	45	20	45	58	43	45	45	44	45	44	00	20	20	20	20	0376
E980	0180	20	20	20	00	45	52	52	4F	52	20	40	20	24	00	20	4D	02FB
E990	0190	45	4D	2E	3D	00	20	45	50	52	4F	4D	3D	00	20	42	41	0380
E9A0	01A0	53	45	20	3D	20	24	00	0D	20	20	20	2D	20	45	50	52	02DA
E9B0	01B0	4F	4D	20	55	54	49	4C	49	54	49	45	53	20	56	33	2E	044F
E9C0	01C0	37	35	2D	0D	0D	0D	45	6E	74	65	72	3A	2D	0D	00	20	0352
E9D0	01D0	EC	EF	A0	B1	20	6B	EF	60	20	C2	EA	20	DF	EA	20	CF	09AA
E9E0	01E0	E9	20	26	EB	20	68	EB	20	23	EA	EA	20	DF	EA	20	14	07C1
E9F0	01F0	EB	20	1D	F8	A5	01	48	20	0E	F8	68	A2	00	DD	D6	E8	07D9
EA00	0200	F0	08	E8	E0	0A	D0	F6	4C	EB	E9	8A	0A	AA	BD	E0	E8	0A73
EA10	0210	85	5C	E8	BD	E0	E8	85	5D	AD	F5	E8	48	AD	F4	E8	48	0AD3
EA20	0220	6C	5C	00	20	EC	EF	20	0C	F8	A0	9F	20	6B	EF	A9	00	Q749
EA30	0230	85	53	A5	52	0A	0A	0A	AA	BD	61	E8	20	0E	F8	E8	E6	0791
EA40	0240	53	A5	53	C9	08	90	F1	A0	A7	20	6B	EF	A5	4B	20	1A	0788
EA50	0250	F8	A5	4A	20	1A	F8	A2	00	BD	67	EA	C9	00	F0	07	20	07A9
EA60	0260	0E	F8	E8	4C	58	EA	60	0D	0D	28	48	29	65	6C	70	0D	05D0
EA70	0270	28	51	29	75	69	74	0D	28	54	29	65	73	74	0D	28	52	0479
EA80	0280	29	65	61	64	0D	28	56	29	65	72	69	66	79	0D	28	46	04A1
EA90	0290	29	61	73	74	20	50	72	6F	67	2E	0D	28	53	29	6C	6F	04E3
EAA0	02A0	77	20	50	72	6F	67	2E	0D	28	44	29	75	6D	70	0D	28	0486
EAB0	02B0	4E	29	65	77	20	74	79	70	65	0D	28	42	29	61	73	65	050E
EAC0	02C0	0D	00	A9	30	8D	21	BC	8D	23	BC	8D	27	BC	8D	2B	BC	06A0
EAD0	02D0	A9	FF	8D	20	BC	8D	22	BC	8D	26	BC	8D	2A	BC	60	A9	0867
EAE0	02E0	04	8D	27	BC	8D	2B	BC	8D	2A	BC	A9	90	8D	26	BC	A9	07AC
EAF0	02F0	34	8D	21	BC	8D	23	BC	A9	00	8D	25	BC	8D	20	BC	8D	0717
EB00	0300	22	BC	A9	FF	8D	24	BC	A9	04	8D	25	BC	A9	00	8D	24	0768
EB10	0310	BC	85	48	60	20	0C	F8	A9	3E	20	0E	F8	60	20	0C	F8	069E
EB20	0320	A9	24	20	0E	F8	60	20	0C	F8	A0	00	20	6B	EF	20	14	05C5
EB30	0330	EB	20	C4	EF	20	E6	EF	A2	00	86	52	A0	01	B1	0A	C9	0852
EB40	0340	20	F0	24	DD	61	E8	D0	05	C8	E8	4C	3D	EB	E6	52	A5	0930
EB50	0350	52	0A	0A	0A	C9	68	B0	04	AA	4C	3B	EB	20	0C	F8	A9	063E
EB60	0360	3F	20	0E	F8	4C	2E	EB	60	20	0C	F8	A0	0B	20	6B	EF	0673
EB70	0370	20	1D	EB	20	C4	EF	A0	00	20	17	F8	A5	13	85	4A	A5	06F6
EB80	0380	14	85	4B	20	0C	F8	60	20	0C	F8	4C	20	F8	A9	00	85	061E
EB90	0390	53	85	4C	85	4D	A9	FF	85	4E	A6	52	BD	C9	E8	E0	0C	08C3
EBA0	03A0	D0	0B	A9	7F	20	AD	EB	A9	80	85	4D	A9	FF	85	4F	20	0852
EBB0	03B0	CC	EC	A9	01	85	51	20	35	ED	20	44	EE	D0	06	A0	62	07A4
EBC0	03C0	20	6B	EF	60	A0	8E	20	6B	EF	20	7A	EF	A0	9F	20	6B	07D5
EBD0	03D0	EF	20	98	EF	20	A3	EF	D0	03	20	AA	EF	4C	B6	EB	20	08E1
EBE0	03E0	99	EC	20	CC	EC	20	59	EF	A9	80	85	51	A9	00	85	47	0839
EBF0	03F0	85	53	20	35	ED	20	44	EE	D0	13	20	DF	EA	A5	47	F0	0814
EC00	0400	06	A0	3B	20	6B	EF	60	A0	50	20	6B	EF	60	20	1F	EC	06B0
EC10	0410	A9	01	85	47	20	A3	EF	D0	03	20	AA	EF	4C	F2	EB	A0	087D
EC20	0420	8E	20	6B	EF	20	7A	EF	A0	98	20	6B	EF	20	90	EF	A0	0882
EC30	0430	9F	20	6B	EF	20	98	EF	60	20	99	EC	20	CC	EC	20	0C	07C9
EC40	0440	F8	A9	00	85	53	85	5E	85	5F	20	32	EE	F0	25	20	85	073A
EC50	0450	EF	20	E6	EF	20	7A	EF	20	E6	EF	20	E6	EF	A2	00	A1	099A

PROJECT: Programmer

EC60	0460	45	48	20	8D	EC	68	20	1A	F8	20	86	EC	F0	06	20	32	069A
EC70	0470	EE	D0	E7	60	A0	8B	20	6B	EF	A5	5F	20	1A	F8	A5	5E	08E3
EC80	0480	20	1A	F8	4C	3E	EC	E6	53	A5	53	C9	10	60	18	65	5E	06ED
EC90	0490	85	5E	A5	5F	69	00	85	5F	60	20	C4	EF	A0	02	20	17	0640
ECA0	04A0	F8	A5	13	85	4C	A5	14	85	4D	20	17	F8	A5	13	85	4E	06C6
ECB0	04B0	A5	14	85	4F	C5	4D	90	09	D0	06	A5	4E	C5	4C	90	01	06A3
ECC0	04C0	60	20	0C	F8	A9	3F	20	0E	F8	4C	C1	EF	38	A5	4C	E9	07A0
ECD0	04D0	01	85	55	A5	4D	E9	00	85	56	18	A5	4E	69	01	85	57	05E2
ECE0	04E0	A5	4F	69	00	85	58	18	A5	4A	65	55	85	45	A5	4B	65	061A
ECF0	04F0	56	85	46	20	0C	F8	60	A6	52	BD	06	E8	8D	23	BC	A9	075D
ED00	0500	00	8D	20	BC	A9	04	8D	25	BC	BD	13	E8	8D	26	BC	A9	0754
ED10	0510	12	8D	2A	BC	60	AD	2A	BC	49	10	8D	2A	BC	20	4F	EE	06A1
ED20	0520	AD	24	BC	85	50	A2	00	60	20	99	EC	20	CC	EC	20	59	075A
ED30	0530	EF	A9	00	85	51	A2	00	20	55	EE	20	F7	EC	20	4F	EE	07D3
ED40	0540	20	32	EE	F0	1F	20	D1	ED	20	15	ED	A4	51	F0	10	30	0774
ED50	0550	07	C9	FF	F0	E5	4C	64	ED	C1	45	F0	DE	4C	64	ED	81	0A33
ED60	0560	45	4C	3A	ED	60	A6	52	BD	06	E8	8D	23	BC	A9	00	8D	075D
ED70	0570	20	BC	A9	04	8D	25	BC	BD	20	E8	8D	2A	BC	BD	2D	E8	0801
ED80	0580	8D	26	BC	60	A9	01	85	48	20	99	EC	20	CC	EC	20	59	073C
ED90	0590	EF	A5	52	C9	06	90	07	A5	48	D0	03	4C	7E	EE	A2	FF	0865
EDA0	05A0	20	55	EE	20	65	ED	20	21	EF	20	4F	EE	20	32	EE	F0	0792
EDB0	05B0	1D	20	D1	ED	A2	00	A1	45	8D	24	BC	20	63	EE	A0	1D	071E
EDC0	05C0	A2	FF	CA	D0	FD	88	D0	FA	20	63	EE	4C	A3	ED	4C	F5	0818
EDD0	05D0	EE	A5	55	8D	22	BC	BD	54	E8	F0	08	A5	56	8D	20	BC	08A8
EDE0	05E0	4C	07	EE	AD	20	BC	05	59	8D	20	BC	A5	56	29	10	F0	06B5
EDF0	05F0	08	AD	20	BC	09	08	8D	20	BC	A5	56	29	08	F0	08	AD	05DC
EE00	0600	26	BC	09	01	8D	26	BC	A5	56	29	20	F0	08	AD	23	BC	0623
EE10	0610	09	08	8D	23	BC	A5	56	29	40	F0	08	AD	26	BC	09	02	0573
EE20	0620	8D	26	BC	A5	56	29	80	F0	08	AD	20	BC	09	8D	8D	20	06CA
EE30	0630	BC	60	E6	45	D0	02	E6	46	E6	55	D0	02	E6	56	A5	56	0889
EE40	0640	29	E7	85	59	A5	55	C5	57	D0	04	A5	56	C5	58	60	A0	07F0
EE50	0650	18	88	D0	FD	60	A9	00	8D	25	BC	8E	24	BC	A9	04	8D	078C
EE60	0660	25	BC	60	A6	52	BC	47	E8	B9	20	BC	5D	3A	E8	99	20	07F1
EE70	0670	BC	60	A2	FF	20	55	EE	20	65	ED	20	19	EF	60	A2	00	07BC
EE80	0680	86	5A	E8	86	5B	20	32	EE	20	44	EE	F0	68	20	72	EE	0813
EE90	0690	20	4F	EE	20	D1	ED	A2	00	A1	45	8D	24	BC	20	08	EF	0747
EEA0	06A0	A6	5A	E8	86	5A	A6	52	BD	D9	EF	C5	5A	F0	05	20	42	08BB
EEB0	06B0	EF	D0	DA	20	72	EE	20	4F	EE	20	D1	ED	A5	5A	0A	0A	0867
EEC0	06C0	A8	A6	52	E0	0C	D0	05	A0	02	4C	D8	EE	BD	D9	EF	C9	0963
EED0	06D0	0F	F0	05	98	38	E5	5A	A8	84	5B	20	08	EF	A6	52	BD	0766
EEE0	06E0	D9	EF	C5	5A	D0	98	20	42	EF	F0	93	20	39	EF	20	DF	096A
EEF0	06F0	EA	20	1F	EC	60	20	39	EF	AD	2A	BC	29	12	8D	2A	BC	06FE
EF00	0700	A0	1E	20	6B	EF	4C	E2	EB	20	63	EE	A4	5B	A2	90	CA	08BD
EF10	0710	D0	FD	88	D0	F8	20	63	EE	60	AD	26	BC	29	7F	8D	26	08D8
EF20	0720	BC	A5	52	C9	0C	F0	09	AD	2A	BC	09	1B	8D	2A	BC	60	070B
EF30	0730	AD	2A	BC	09	1A	8D	2A	BC	60	AD	26	BC	09	8D	8D	26	0654
EF40	0740	BC	60	A2	00	20	55	EE	20	F7	EC	20	39	EF	20	4F	EE	07C9
EF50	0750	20	D1	ED	20	15	ED	C1	45	60	A6	52	BD	C9	E8	C5	4F	08E0
EF60	0760	80	08	A0	72	20	6B	EF	4C	C1	EF	60	B9	F6	E8	C9	00	0900
EF70	0770	F0	07	20	0E	F8	C8	4C	6B	EF	60	A5	56	20	1A	F8	A5	07BD
EF80	0780	55	20	1A	F8	60	A5	46	20	1A	F8	A5	45	20	1A	F8	60	0680
EF90	0790	A0	00	B1	45	20	1A	F8	60	A0	00	A5	50	20	1A	F8	20	060F
EFA0	07A0	0C	F8	60	E6	53	A5	53	C9	0E	60	20	1D	F8	A5	01	C9	0770
EFB0	07B0	20	F0	0E	C9	0D	F3	A9	00	85	53	20	0C	F8	60	68		0724
EFC0	07C0	68	68	68	60	A2	00	20	1D	F8	E8	A5	01	C9	20	F0	EF	07C5
efd0	07D0	90	06	20	0E	F8	4C	C6	EF	60	00	00	00	00	00	00	0F	042C
EFE0	07E0	19	0F	0F	19	19	A9	20	20	0E	F8	60	A0	00	A9	20		043A
EFF0	07F0	99	00	02	99	00	03	C8	D0	F7	84	0A	A9	02	85	0B	60	05EF ETI

TECH TIPS

BCD To Binary Conversion

A.J. Holme
Warrington

The following circuit converts two binary-coded decimal digits into seven-bit binary form. The circuit was originally designed to produce a binary output from two BCD encoded thumbwheel switches. The ten digit bits are labelled T0 - T3 and the units digit bits are labelled U0 - U3. The encoding into binary bits uses two 7483 4-bit binary full adders with fast carry. It may be understood by considering the following sum:

```

      T3 T2 T1 T0 0 (2 x tens)
T3 T2 T1 T0 0 0 0 (8 x tens)
+      U3 U2 U1 U0 (units)
-----
B6 B5 B4 B3 B2 B1 B0 (binary)
    
```

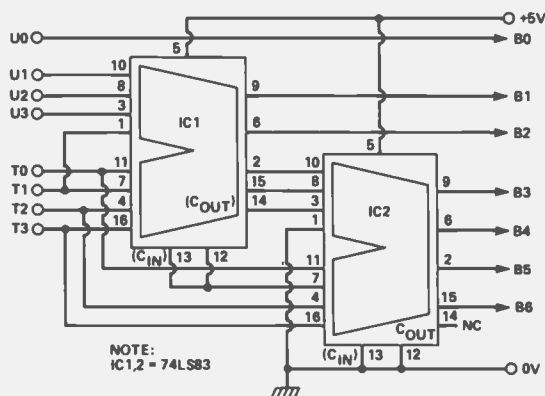
For example, the BCD representation of 94 is 1001 0100 (that is, a '9' followed by a '4'). Filling in the above sum, we get:

```

      1 0 0 1 0
    1 0 0 1 0 0 0
    +   0 1 0 0
    -----
    1 0 1 1 1 1 0
    
```

which is the binary representation of 94.

The two 7483s are configured so that all the relevant bits are added and the binary sum output in the appropriately labelled position. The 74283 could be used — it is functionally identical but has a somewhat more logical pin-out.



Two Utilities for ETI Spectrum/Centronics Interface

P.H. Sheather
Cranleigh
Surrey

Two programmes are presented here for the Spectrum Interface (ETI, December 1984). The first produces a printed listing of any BASIC programme between designated line numbers. Anyone who has significant experience of programme development and debugging will know that it is invaluable to be able to work on a printed listing rather than the VDU.

The second is a routine intended for use with graphics packages and enables the screen contents to be reproduced on the printer pixel by pixel.

The programmes are written for a 48K SPECTRUM and an EPSON FX80 printer. All necessary interface and printer initialisation is included.

Both programmes read from the screen buffer. In the first the

listing is automatically presented on the screen line by line, and transferred to the printer. In the second the screen display will have already been generated by the user.

Communication of commands or data to the printer is carried out by a handshaking subroutine like that of lines 9942 and 9944 of the BASIC programme, or its machine equivalent.

```

9900 REM BASIC LISTING PROGRAMME
*****
9902 GO TO 9914
9904 PRINT "BASIC LISTING"
9906 PRINT " "
9908 PRINT "MERGE programme for
listing"
9910 PRINT "Then use RUN 9900"
: GO TO 9999
9912 REM Select range of line nu
bers
9914 LET bas=65234
9916 INPUT "First line number?"
:111
9918 INPUT "Last line number?"
:111
9920 LET hb=INT (41/256)
9922 LET lb=41-256*hb
9924 POKE bas,lb
9926 POKE (bas+1),hb
9928 LET lline=65236
9930 LET hb=INT (11/256)
9932 LET lb=11-256*hb
9934 POKE lline,lb
9936 POKE (lline+1),hb
9938 GO TO 9948
9940 REM Handshaking subroutine
9942 IF IN 63<>0 THEN GO TO 9942
9944 OUT 123,n: RETURN
9946 REM Initialise interface
9948 OUT 255,79: PAUSE 10
9950 OUT 251,15: PAUSE 10
9952 REM Clear print buffer
9954 LET n=27: GO SUB 9942
9956 LET n=64: GO SUB 9942
9958 LET n=24: GO SUB 9942
9960 RANDOMIZE USR 65000
9962 CLS : PRINT AT 11,13:"D"
9964 GO TO 9999
9966 REM Autoload instructions
9968 LLEAR 64999: PRINT AT 11,13
: "WAIT": LOAD "ob":CODE 65000: R
UI 9904
    
```

```

FDEB ED 4B D2 FE 2A 04 FE 7C
FDF0 BB DA FE FD 7C BB C2 00
FDF8 FE 7D B9 D2 00 FE C9 00
FE00 3E 02 CD 01 16 CD 68 0D
FE08 00 3E 02 FD 36 02 00 CD
FE10 30 25 C4 01 16 DF CD 70
FE18 20 3B 14 DF FE 3B 2B 04
FE20 FE 2C 20 06 E7 CD 82 1C
FE28 18 0B CD E6 1C 1B 03 CD
FE30 DE 1C CD EE 1B CD 99 1E
FE38 ED 4B D2 FE 7B E6 3F 67
FE40 69 2B 22 49 5C 23 CD 6E
FE48 19 1E 01 CD 55 1B 23 7E
FE50 32 D2 FE 2B 7E 32 D3 FE
FE58 3E 7F D7 00 3E 00 32 D6
FE60 FE 3A D6 FE 4F 0C 79 32
FE68 D6 FE 3E 00 32 D7 FE 3A
FE70 D7 FE 47 04 78 32 D7 FE
FE78 3A D6 FE 4F 00 0D 05 CD
FE80 3B 25 CD F1 2B 57 00 FE
FE88 7F 20 0A 3A D7 FE FE 01
FE90 20 36 1B 3A 00 3A D7 FE
FE98 FE 01 20 1B 06 0A 3E 20
FEA0 CD AB FE 10 F9 1B 0D 00
FEA8 5F DB 3F FE 00 20 FA 7B
FEB0 D3 7B C9 00 7A CD AB FE
FEB8 00 3A D7 FE FE 20 20 AF
FEC0 3E 0A CD AB FE 1B 9A 00
FECB 3E 0A CD AB FE 00 C3 EB
FED0 FD 00 00 00 FF FF 00 00
    
```

```

FDEB 3E 4F D3 1F 06 00 1E 0A
FDF0 CD 3D 1F 3E 0F D3 FB 16
FDF8 00 0E 0A LD 3D 1F 3E 1B
FE00 CD 6D FE 3E 40 CD 6D 1E
FE08 3E 1B CD 6D FE 16 80 3E
FE10 1B CD 6D FE 3E 41 CD 6D
FE18 FE 3E 0B CD 6D 1E 3E 0A
FE20 CD 6D FE 3E 1B CD 6D FE
FE28 3E 2A CD 6D FE 3E 05 CD
FE30 6D FE 3E 00 CD 6D FE 3E
FE38 01 CD 6D FE 1E 00 26 00
FE40 2E 01 7A 95 47 AB D5 E5
FE48 CD LE 22 CD 94 1E E1 D1
FE50 CB 04 84 67 2C 7D FE 09
FE58 20 EB 7C CD 6D FE 1C 7B
FE60 FE 00 20 DA 7A D6 0B 57
FE68 FE 00 20 A3 C9 47 DB 3F
FE70 FE 00 20 FA 7B D3 7B C9
    
```

Clockwise from above: the BASIC listing program, hex dump of m/c listing program, the screen dump routine.

Mr Discrete's Car Alarm

Guy Mellor
Macclesfield

Most designs for car alarms use IC timers such as 555s, 14528s or 74221s, but here is a design that can readily be made from discrettes out of your junkbox.

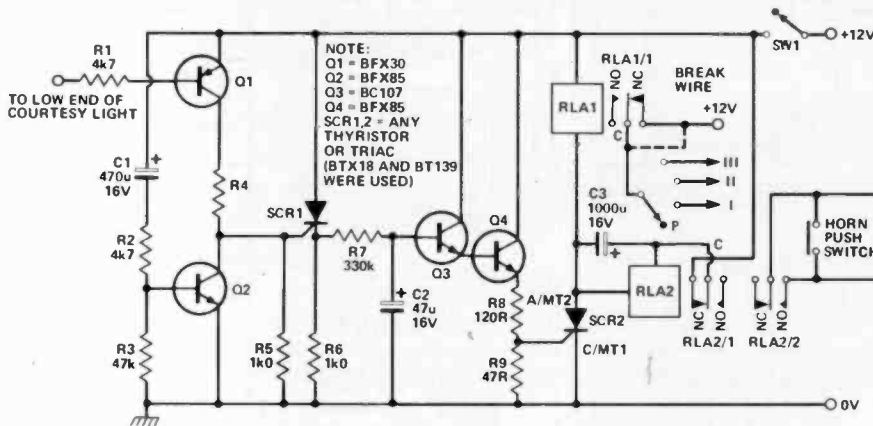
On power up, C1 will pass current until fully charged, keeping

Q2 turned on for about ten seconds. While Q2 is on, the gate of SCR1 is low, ensuring that the SCR is off. In this period it is safe to get out of the car as any turn on signal by the courtesy light to Q1 will be ignored. Assuming the car door is now shut the state of circuit is Q1 and Q2 off. Any intruder opening the door now will turn Q1 on which will put the gate of SCR1 high thus latching on. The voltage across C2 will now ramp up and the emitter of Q4 will follow it

until sufficient potential appears on the gate of SCR2 which will latch RLA1 on, disabling ignition, and the RLA2 will click on and off, sounding the horn intermittently.

None of the parts used are critical so no buying-in should be necessary, with the possible exceptions of SW1 and RLA2. SW1 is specified as a keyswitch, but any ordinary switch with 1A contacts can be used if its location is concealed. Do not conceal the switch too well, because the circuit only gives you about 9 seconds to turn the alarm off before it does the old waking the neighbours act. RLA2 is specified as a 2PCO with 20A contacts. In the prototype I used an 11 pin relay with 10A contacts, but since 11 pin relays are 3PCO, two of the NO pairs were connected in parallel for RLA2/2. RLA2/1 is still just one pair.

SCR2 is specified as a thyristor but the actual device I used was a BT139 (which is a triac). This is because I happened to have a BT139 which wanted using, and in any case, either a thyristor or a triac will do. The same design criteria apply to SCR1.



The listing programme has both BASIC and machine code parts. Type in the BASIC section first and save it with SAVE "list" LINE 9968 and verify. Do not attempt to run it without the machine code or it will almost certainly be lost. Enter the machine code with a hex loader or similar and save this on tape immediately after the BASIC with SAVE "obj" CODE 65000,240, and verify. It should now be possible to autoload the whole programme with LOAD "list". Operating instructions will be displayed on the VDU.

The BASIC programme starts at line 9900 so any programme to be listed should have a lower maximum line number than this.

The screen dump routine is quite independent of the other and may be placed in any convenient location in memory as it has no internal absolute jumps.

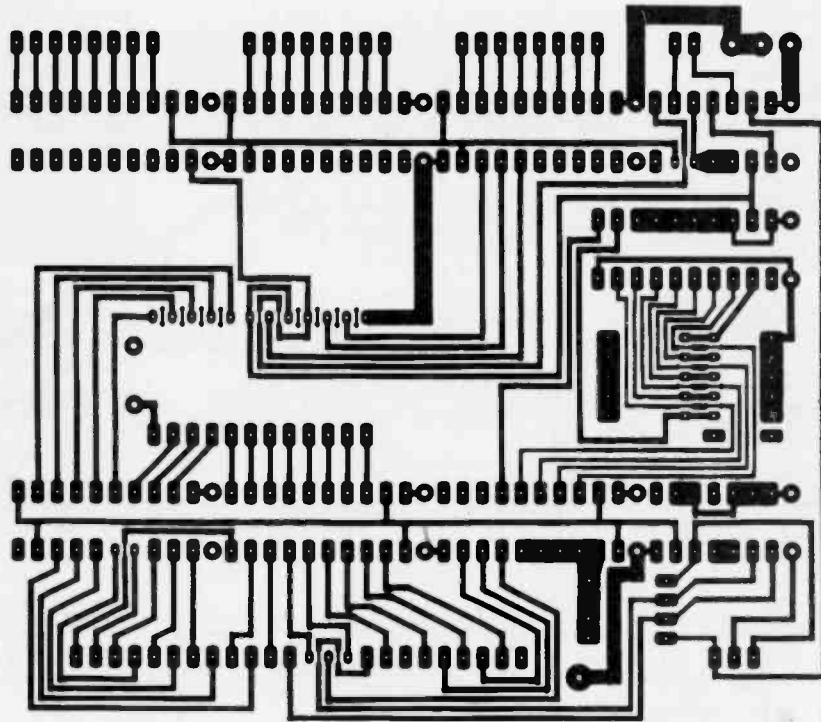
It should be entered with a hex loader to say 65000, and then saved with SAVE "scr" 65000.

To call it from a BASIC programme, a line of the form RANDOMISE USR 65000 would be used.

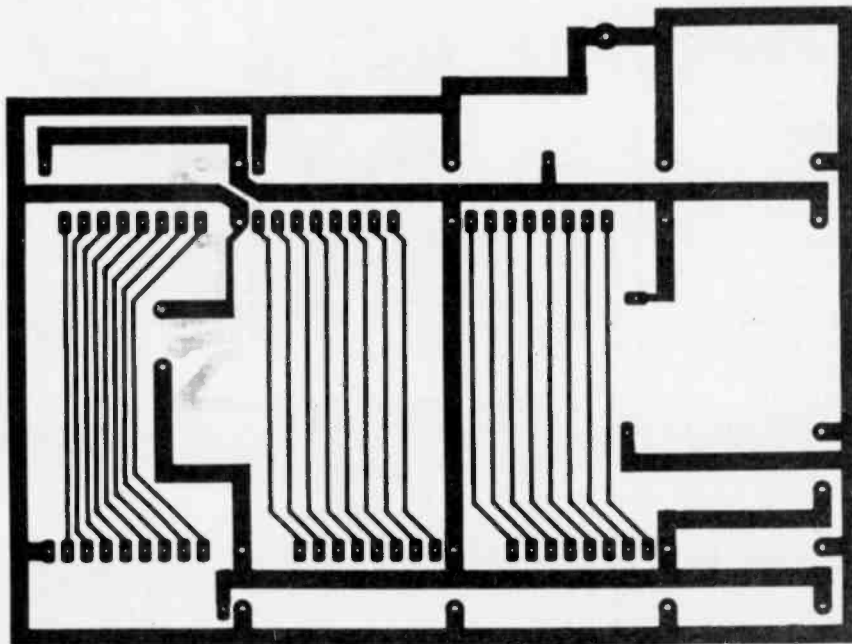
For those who wish, I can provide a tape with both programmes at a cost of £3. Requests should be addressed to 14 Waverleigh Road, Cranleigh, Surrey.



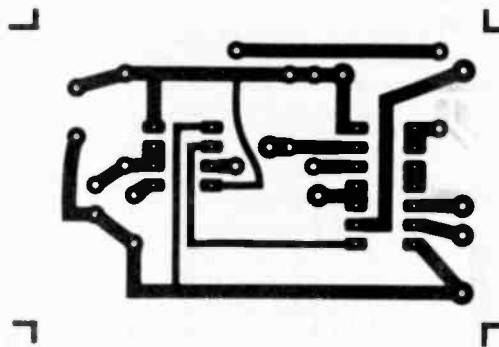
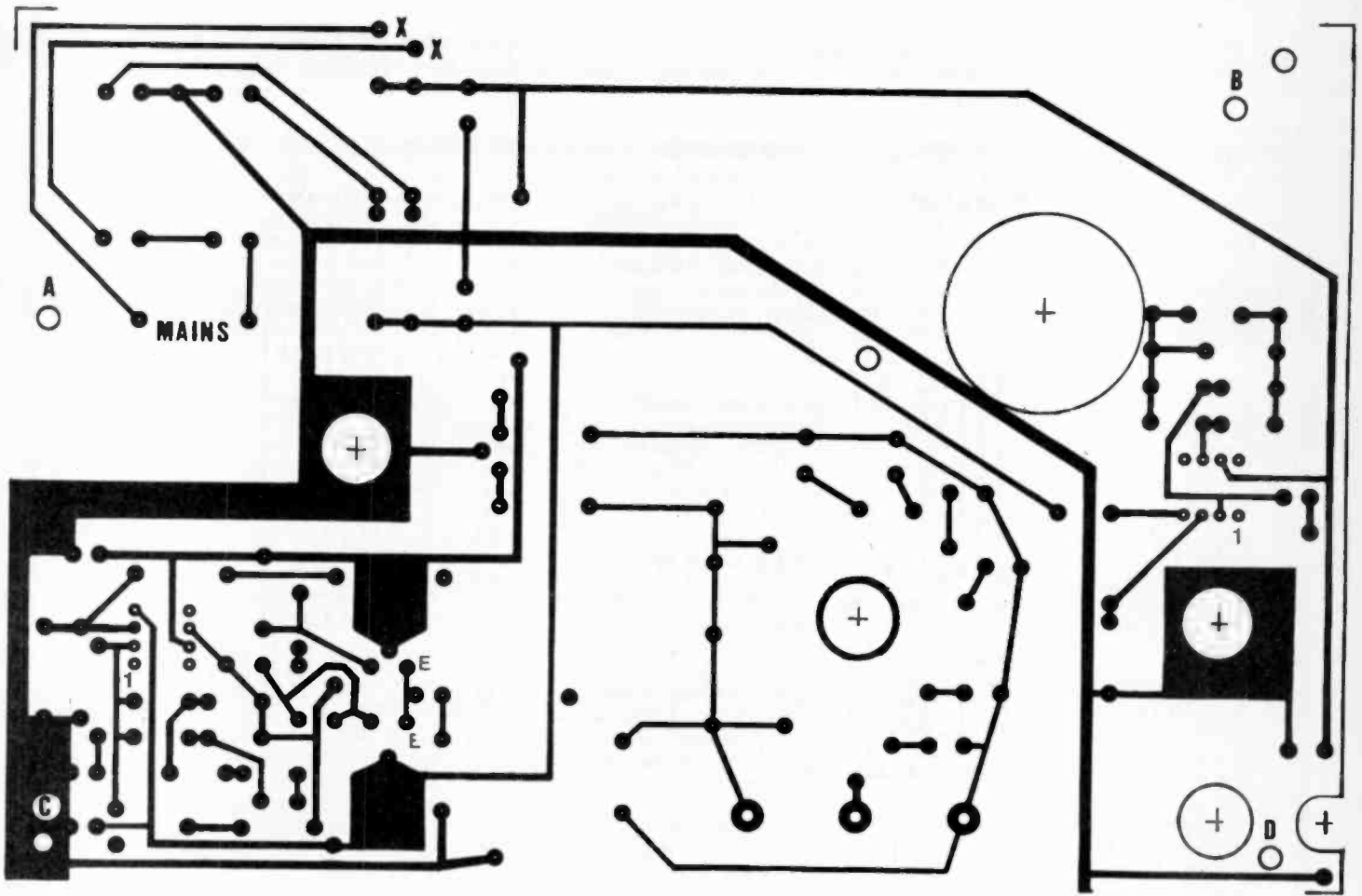
PCB FOIL PATTERNS



The top and bottom foils for the EPROM Emulator.



The foil pattern for the RCL Bridge PCB.



The EX42 Interface Board.

ETI PCB SERVICE

In order to ensure that you get the correct board, you must quote the reference code when ordering. The code can also be used to identify the year and month in which a particular project appeared: the first two numbers are the year, the third and fourth are the month and the number after the hyphen indicates the particular project.

Note that these are all the boards that are available — if it isn't listed, we don't have it.

Our terms are strictly cash with order — we do not accept official orders. However, we can provide a pro-forma invoice for you to raise a cheque against, but we must stress that the goods will not be dispatched until after we receive payment.

1981

- E/8109-1 Mains Audio Link (3 bds) ... 8.45
- E/8109-4 Laboratory PSU ... 5.21
- E/8110-1 Enlarger Timer ... 3.91
- E/8110-2 Sound Bender ... 3.05
- E/8111-1 Voice Over Unit ... 4.57
- E/8111-3 Phone Bell Shifter ... 3.40
- E/8112-4 Component Tester ... 1.71

1982

- E/8202-2 Allez Cat Pest Repeller ... 1.93
- E/8202-5 Moving Magnet Stage ... 4.01
- E/8202-6 Moving Coil Stage ... 4.01
- E/8203-4 Capacitance Meter(2bds) 11.66
- E/8205-1 DV Meg ... 3.13
- E/8206-1 Ion Generator (3 bds) ... 9.20
- E/8206-4 MOSFET Amp Module ... 7.80
- E/8206-5 Logic Lock ... 3.52
- E/8206-6 Digital PWM ... 3.84
- E/8206-9 Oscilloscope (4 bds) ... 13.34
- E/8212-2 Servo Interface (2 bds) ... 6.75
- E/8212-4 Spectracolumn ... 5.54

1983

- E/8301-1 Fuel Gauge ... 3.45
- E/8301-2 ZX ADC ... 2.59
- E/8301-3 Programmable PSU ... 3.45
- E/8303-1 SoundBoard ... 12.83
- E/8303-2 Alarm Module ... 3.62
- E/8303-3 ZX81 User Graphics ... 1.07
- E/8303-4 Logic Probe ... 2.50
- E/8304-1 Real Time Clock ... 8.74
- E/8304-4 Stage Lighting — Main ... 13.73
- E/8304-5 Stage Lighting — Display 3.45
- E/8305-1 Compressor/Limiter ... 6.19
- E/8305-2 Single PSU ... 3.16
- E/8305-3 Dual PSU ... 4.01
- E/8305-4.2 NDFL Amp ... 7.88
- E/8305-5 Balance Input Preamp ... 3.23
- E/8305-6 Stage Lighting Autofade ... 6.19
- E/8305-7 Stage Lighting — Triac bd ... 4.74
- E/8306-1 to 3 Pseudo ROM (3bds) ... 3.62
- E/8306-5 Atom Keypad ... 5.18
- E/8307-1 Flash Sequencer ... 2.67
- E/8307-2 Trigger Unit Main Board ... 2.67
- E/8307-3 Trigger Unit Transmitter 1.66
- E/8307-4 Switched Mode PSU ... 16.10
- E/8308-1 Graphic Equaliser ... 9.10
- E/8308-2 Servo Fail-Safe (4 off) ... 2.93
- E/8308-3 Universal EPROM prog ... 9.64
- E/8309-1 NiCad Charger/Regen ... 3.77
- E/8309-2 Digger ... 3.40
- E/8309-3 64K DRAM ... 14.08

- E/8310-1 Supply Protector ... 2.19
- E/8310-2 Car Alarm ... 3.98
- E/8310-3 Typewriter Interface ... 4.17
- E/8311-1 Mini Drum Synth ... 3.07
- E/8311-2 Alarm Extender ... 3.21
- E/8311-3 Multiswitch ... 3.59
- E/8311-4 Multiple Port ... 4.34
- E/8311-5 DAC/ADC Filter ... 3.22
- E/8311-6 Light Pen ... 4.60
- E/8311-7 Logic Clip ... 2.51
- E/8311-8 MC Head (JLLH) ... 3.17
- E/8312-1 Lightsaver ... 1.85
- E/8312-2 A-to-D Board ... 12.83
- E/8312-3 Light Chaser (2 bds) ... 7.54
- E/8312-4 ZX Alarm ... 6.04

1984

- E/8401-1 Vector Graphics ... 8.27
- E/8402-1 Speech Board (Mini-Mynah) ... 10.97
- E/8402-2 MP (Modular Preamp) Disc input (mono) ... 3.73
- E/8402-3 MP Output stage (stereo) 3.73
- E/8402-4 MP Relay/PSU ... 3.73
- E/8402-5 MP Tone, main (mono) ... 3.73
- E/8402-6 MP Tone, filter (stereo) ... 3.73
- E/8402-7 MP Balanced output (st) ... 3.73
- E/8402-8 MP Headphone amp (st) ... 3.73
- E/8402-9 MP Mother board ... 9.01
- E/8403-1 Power Meter ... 5.81
- E/8403-2 Z80 DRAM ... 9.79
- E/8403-3 Obedient Die ... 3.76
- E/8404-1 School Timer ... 4.07
- E/8405-1 Auto Light Switch ... 4.01
- E/8405-2 ZX81 EPROM Prog ... 10.53
- E/8405-3 Mains Borne RC ... 5.07
- E/8405-4 Centronics Interface ... 4.09
- E/8405-5 Vario ... 6.62
- E/8405-6 Midi Drum Synth ... 3.59
- E/8406-1 Oric EPROM Bd ... 19.58
- E/8406-2 Spectrum Joystick ... 3.30
- E/8407-1 Warlock Alarm ... 8.19
- E/8408-1 Joystick Interface ... 3.07
- E/8408-2 EPROM Emulator ... 9.11
- E/8408-3 Infrared Transmitter ... 3.70
- E/8408-4 Infrared Receiver ... 3.98
- E/8408-5 CMOS Tester ... 4.60
- E/8409-1 EX42 Kybd. Interface ... 3.82
- E/8409-2 Banshee Siren ... 3.19
- E/8409-3 Dry Cell Charger ... 2.80
- E/8410-1 Echo Unit ... 3.92
- E/8410-2 Digital Cassette ... 9.80
- E/8410-3 Disco/Party Strobe ... 4.80

- E/8411-1 AM/FM Radio (4 bds) ... 13.02
- E/8411-2 Control Port-control bd 12.15
- E/8411-3 Control Port-I/O bd ... 6.33
- E/8411-4 Capacitance Meter ... 3.55
- E/8411-5 Video Vandal (3 bds) ... 12.10
- E/8411-6 Temperature Controller ... 2.88
- E/8411-7 Mains Failure Alarm ... 2.54
- E/8411-8 Knite Light ... 3.25
- E/8411-9 Stage Lighting Interface ... 3.73
- E/8411-10 Perpetual Pendulum ... 3.14
- E/8412-1 Spectrum Centronics ... 3.51
- E/8412-2 Experimenter's DRAM ... 14.08
- E/8412-3 Active-8: Motherboard ... 9.37
- E/8412-4 Active-8: Protection Unit 3.67
- E/8412-5 Active-8: Crossover ... 3.67
- E/8412-6 Active-8: LF EQ ... 3.67
- E/8412-7 Active-8: Equaliser ... 3.67
- E/8412-8 Active-8: Delay Unit ... 3.67

1985

- E/8501-1 Active Bass Speaker ... 2.79
- E/8501-2 DRAM Card Update ... 3.66
- E/8501-3 Digital Delay (2 bds) ... 26.00
- E/8502-1 Digital Delay Expander ... 10.79
- E/8502-2 Data Logger ... 5.17
- E/8503-1 Combo preamplifier ... 4.49
- E/8503-2 THD meter mV & osc. bds 7.02
- E/8503-3 THD meter mains PSU ... 3.49
- E/8503-4 THD meter battery PSU ... 1.36
- E/8503-5 ParaGraph Equaliser IP/MSP & OP/PSU bds ... 9.30
- E/8503-6 ParaGraph Equaliser filter bd ... 4.51
- E/8504-1 Framestore Memory ... 11.53
- E/8504-2 Framestore ADC/DAC ... 5.23
- E/8504-3 Framestore Control ... 16.51
- E/8504-4 Buzby Meter ... 4.38
- E/8504-5 CCD Delay ... 3.70
- E/8505-1 6802 board ... 7.87
- E/8505-2 EPROM prog. upgrade ... 4.71
- E/8505-3 Scoreboard controller, PSU and opto-isolator bds ... 11.54
- E/8505-4 Scoreboard digit driver ... 4.11
- E/8505-5 Stereo Simulator ... 3.55
- E/8506-1 Audio mixer main bd ... 5.40
- E/8506-2 Audio mixer PSU bd ... 3.87
- E/8506-3 Audio mixer RIAA bd ... 2.36
- E/8506-4 Audio mixer tone ctrl ... 2.68
- E/8506-5 EPROM Prog MkII ... 14.25
- E/8507-1 Noise Gate ... 5.72
- E/8508-1 RCL Bridge ... P.O.A.
- E/8508-2 EX42/BBC Interface ... P.O.A.
- E/8508-3 EPROM Emulator ... P.O.A.

How to order: indicate the boards required by ticking the boxes and send this page, together with your payment, to: ETI PCB Service, Argus Specialist Publications Ltd, 1 Golden Square, London W1R 3AB. Make cheques payable to ETI PCB Service. Payment in sterling only please. Prices subject to change without notice.

Total for boards £
 Add 45p p&p 0.45
 Total enclosed £

**PLEASE ALLOW
28 DAYS FOR
DELIVERY**

Signed

Name

Address

REVIEWS

DIGITAL CONTROL SYSTEMS

Book

C.H. Houpis and G.B. Lamont

McGrawHill Book Co.
(UK) Ltd.
Shoppenhangers Road
Maidenhead
Berkshire
SL6 2QL

price: £34.95

Have you ever dreamed of finding a textbook on your favourite electronics topic that was readable, lucid, stimulating and exciting? One where the author's enthusiasm for the subject shone from every page?

You may have found your dream already, but — sad to say — I'll have to keep on dreaming. 'Digital Control Systems' is the intellectual equivalent of a stiff dose of castor oil — hard to swallow, and the chances are it won't do much good anyway.

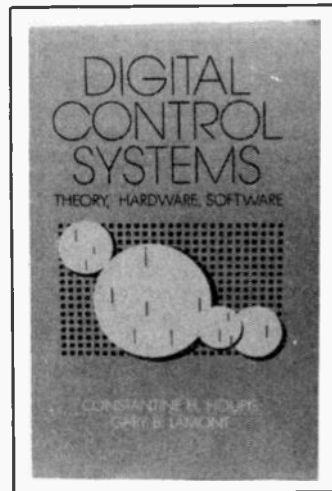
In the introduction, we are treated to some examples of control systems straight from 'The Boys' Own Book of Digital Control'. My favourite is the man on the motorbike with an American-style speed cop spying on him from behind an advertising hoarding. 'This example,' say the authors, 'illustrates the beauty of the human being operating as a digital control system.' The motorbike rider, it seems, represents a multiple-input, multiple-output (MIMO) control system. A few pages later, it's suggested that we might analyse such systems using the root-locus method, or — if all else fails — a quick blast of the state variables might do the trick. Okay, I'm game. How?

Unenlightened, we reach the next chapter, which begins with a ten-page explanation of the binary system (yawn!) followed by a potted version of 'How To Do Logic and Computers'. Then, without warning, we are plunged into an intensely mathematical analysis of a generalised control system which assumes the reader to be conversant with Fourier and Laplace Transforms.

In my estimation, the number of people who are *au fait* with Complex Frequency Domain analysis yet need ten pages to come to terms with the mysteries of binary arithmetic could be counted on the fingers of one elbow.

In fairness, this book probably contains as many facts to the square inch as any other text book. It is merely another example of the kind of sludge students have been subjected to since time immemorial. Polytechnics will love it. I don't.

Paul Chappell



MICRO COMPUTER HANDBOOK

Book

J.A. McCrindle (ed)
Collins Professional and
Technical Publishers
8 Grafton Street
London W1

price: £30

It could have been subtitled 'Everything you wanted to know

about microcomputers but were afraid to ask'. It is 622 pages long, which works out at about 5p a page, and it contains papers on everything from the origins of the microcomputer, through ICs, buses, peripherals and software to test instrumentation. The authors are drawn from the most august ranks — Marconi, Ferranti, Motorola, TI, BT, the University of Manchester, AMD, Intel, NEC, Hitachi, Zilog, Digital Research, Shugart, QUME, GEC, Hewlett Packard and Tektronix, to name some of them. All-in-all, it should be the last word in micros, but somehow something seems to be missing.

The problem, I think, is that the field is such a rapidly moving and expanding one that any book aiming at comprehensiveness is working at a severe disadvantage. For example, I could only find a throwaway reference to battery-backed, single-package RAMs such as the Mostek 48Z02, which has been around a couple of years now, in what is an otherwise useful chapter on memory devices. The Apple Macintosh is included as an unknown new Apple model. The IBM PC and PC XT are here but not the AT. There is less than a nod in the direction of data encryption. I couldn't find anything on HCMOS technology, although CMOS, NMOS and PMS are all there. The LSI 11 and 68020 mpus are barely mentioned. In the chapter on systems, the only manufacturers mentioned at any length are Apple, Commodore, IBM and Tandy (Radio Shack). DIL is dealt with but not JEDEC. V24/RS232 gets some treatment but there seems to be no mention of the Centronics standard. Indeed, there is very little of any depth on interfacing as such, but a considerable amount on buses, networks, printers and operating systems. There is almost nothing on modems and while there are useful chapters on high and low level languages, the treatment of applications (word-processing, spreadsheets and so on) is cursory, to say the least.

I could go on, but the point is well-made. Any reader of this book is likely to be able to construct their very own list of missing and shallowly treated topics at least as long as mine. They will also be able to point out all the apparent discrepancies in the emphasis on the topics that are covered. The

conclusion is really quite easy to draw.

In trying to cover the subject from as many angles as possible, the editor and publishers have foregone the selectivity that might have given this book a sharper focus. It doesn't take much to see that no-one involved in the production of the book is too clear as to the identity of its target market. In the preface, editor McCrindle writes 'I hope that this handbook, by providing in one volume, information on all facets of microcomputers, will prove an invaluable reference on a technology that has come so far in such a short space of time.' Inelegance part, the hope, I'm afraid, is forlorn. 'The book,' writes McCrindle, 'should be . . . of use to scientists, engineers, consultants and managers as well as lecturers and students.' This aim, transformed into an assertion by the simple expedient of replacing the word 'should' with the word 'will', is echoed in the blurb.

Parts of the volume will clearly be of use to managers, consultants and students — all of whom, it can be safely assumed, seek authoritative but palatable enlightenment. After all, many of the contributors know what they're talking about. Scientists, engineers and lecturers, however, would be advised to keep away from this book — unless, that is, they happen to be engaged in biology, bridge-building, English literature or some other field largely unrelated to microcomputers. Had the editor decided to go for a thoroughly popular approach, he might have been better rewarded, for there is a need for a book like this on the shelves of every informed citizen in any society under the impact of the microcomputer.

Had he decided to hit the technological nail squarely on the head, I might now be reviewing a valuable collection of technical papers. As it is, this is something of a curate's egg — part buyer's guide, part history, part introductory treatment of some complex topics, part technical manual and part survey. The parts are by no means equal: some may serve as useful additions to a reference library (even given a less than adequate index), while others may be wholly unsatisfactory or merely redundant.

Gary Herman ETI

PLAYBACK

A company called HHB were having a demonstration — something to do with digital audio, which the editor thought sounded interesting. It seemed worth dragging my lazy carcass down to the Smoke. While I was there, would I like to look at some new equipment that Marantz are meant to be exhibiting at the audio trade show?

After about an hour on the train going from the sticks to Euston station, and about twenty minutes travelling two stops on the tube, I arrived at HHB to find that a well organized exposition had just started. It was soon clear that HHB are a company who are firmly committed to the supply of digital audio recording equipment to professional studios.

Picture This

The equipment in question on this occasion is all Sony gear imported from Japan, and its function is to convert analogue audio signals into a digital form suitable for recording on a video cassette using an ordinary VCR. This is both more difficult and more useful than it may at first appear.

Because the video cassette machine requires a video signal to keep it in sync, the 16 bit digital audio has to be buffered to take account of the sync pulses (during which signals cannot be recorded) and then added to sync pulses to give a composite 'video' output. Once this process can be made to work reliably and economically, master tapes can be made and copied, yea unto the third and fourth generation, without degradation of quality.

Hi Numbers

The equipment which got the whole thing going properly were two processors intended for the hi-fi buff. For digital processors, these were and are very economically priced, though they cost more than the videocassette recorder they are intended to work with! The number of people willing to pay £700 for a PCM701ES, or £1,200 for a PCM F1, is clearly somewhat limited. Indeed, people who spend this much on an entire stereo system are probably an oppressed minority.

The people at HHB realised that, while this gear was a bit expensive for most hi-fi, it was very competitive as audio equipment. Its quality, in terms of frequency response and signal-to-noise ratio compared very favourably with analogue equipment.

At the same time, it was becoming clear that compact disc was here to stay, and that sooner or later this medium would find mass sales. In order to make good use of the quality available from this system, digital master tapes are essential. It would be absurd, after all, for the average domestic hi-fi user to have at their disposal equipment capable of better sound reproduction than is available from the master tapes.

The Hit Machine

Supporting HHB's claims about the quality of digital audio was a videotaped interview with Phil Collins, who takes his work home with him in the form of a PCM F1 processor. He commented that many musicians do not

that if they make good use of digital recording technology they won't have to.

Statistics

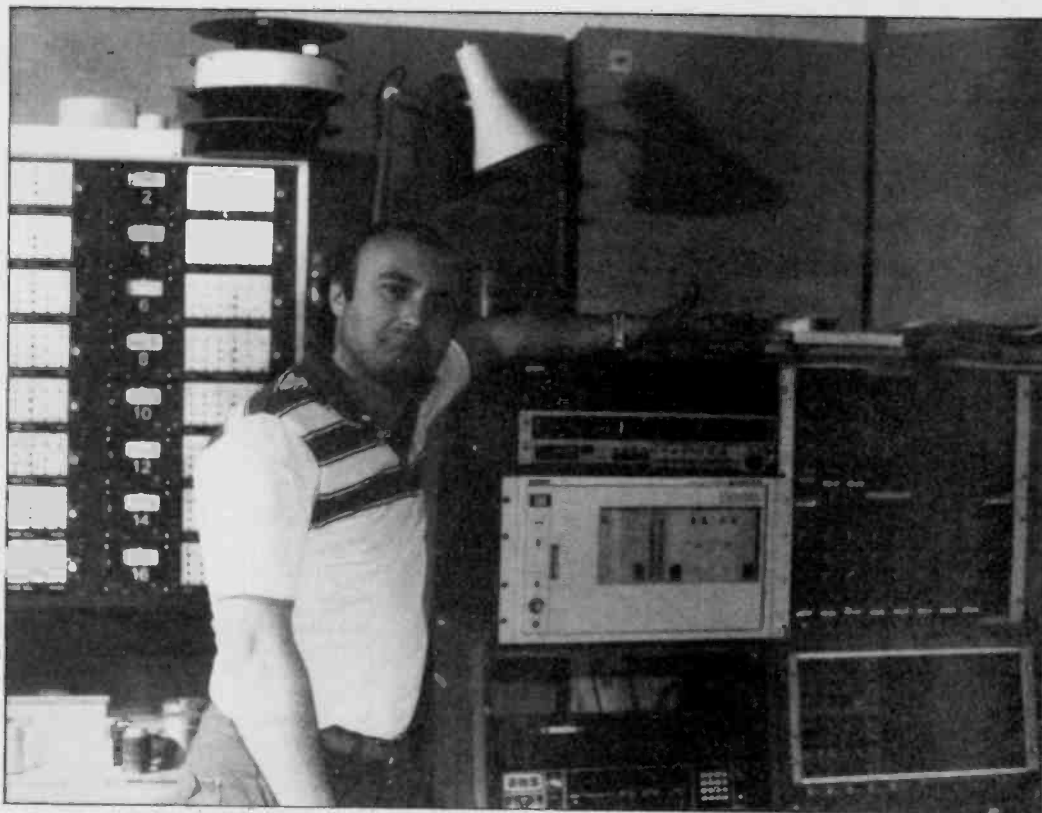
This was done in part to publicise the fact that Sony have, largely due to the influence of HHB, restarted production of their economical digital encoding units. Just as HHB had made a start on renting and selling these units, Sony decided that the domestic market for these items was not big enough to support production. They dismantled the plant! HHB smartly bought up all the stocks they could get their hands on, and started trying to talk Sony into restarting production. They thought that the next item in the range, a large scale professional

estimate for 1985 is 3 million.

CLUEdo

To assist the use of this digital equipment in recording studios, HHB have developed a computer-based editing aid, called Computer Logging Unit and Editor, which permits butt editing to the nearest frame. The only convenient means of editing with these cheap digital processors used to be by turning the signal into analogue form and back again.

Of course, editing to the nearest frame (or did they really mean field?) is not good enough to perform edits in the middle of a track on most rock music — doubly so at the PAL frame rate of 25 Hz as against the NTSC rate of 29.99



Easy lover loves his PCM 701ES and PCM 1610 digital sound processors.

'fine tune' the sound to the n-th degree because they know that by the time it gets onto the master disc no one will be able to hear it. He reckoned that in studios where digital recording is used, musicians can put in the effort to get sound quality spot on in the knowledge that people will have a chance to appreciate it. Well said. A far cry from the day when the LPs were so bad that you needed three or four tries to find a reasonable copy.

Maybe the record companies will go back to recycling the LP labels in order to lower the quality of LPs and 'encourage' people to change to the more expensive compact discs, but my guess is

processor costing a cool £15,000 was too costly for a number of professional applications.

The percentage growth in the use of digital equipment is rapid. In 1982, an estimated 1% of recording studios used digital equipment. In 1983 the number rose to 15% and in 1984 reached 40%. HHB estimates (hopes) that the figure will soon be 75%. Of the studios using digital, HHB expect that 80% will be using F1 and 701 processors supplied by them.

The growth in the use of digital technology in the recording studio runs parallel with the sales of compact discs in this country. These rose from ¼ million in 1983 to nearly 1 million in 1984. The

Hz. Still, different tracks can be joined together on one tape without the addition of noise and distortion, and the the information stored on disc by CLUE enables the recording engineer to work out what edits to carry out before transferring to more expensive equipment. CLUE controls the videocassette recorders for you, and finds the marked places, so there is time for the recording engineer to drink his coffee while the computer does some of the fiddly bits.

I must admit that I am moved to wonder why, with the buffering which is required anyway in the encoding system, they could not edit to the nearest line instead of

the nearest frame, and simply detect the end of the next digital word to use as the actual edit point. Maybe it's more difficult than it appears, but to me it seems like spoiling the ship for ha'p'orth of tar. Perhaps the people at HHB, CLUED up as they are, had a severely limited timescale and had to do what they could with equipment available off the shelf, and only minor mods.

All Gas And Gates

By no means all the applications for PCM 701 and F1 digital processors are in recording studios. The low background noise (approximately 6dB per bit or $6 \times 16 = 96$ dogbiscuits) make these digital processors useful for the accurate analysis required in speech recognition. British Telecom, among others, use the equipment for this purpose.

The Gas Board use the equipment to aid analysis of mechanical resonance in detecting metal fatigue. Nobody went into a lot of details about this, but apparently with analogue recording, the subtleties which actually indicate what is going on would be lost in the noise.

All this is a far cry from the origins of HHB's business. In 1976, when they started hiring

out PA equipment for bands doing live performances.

Sansui and Sensibility

After this, the piece of trade show I visited was a slight anticlimax. The people on the Marantz stand told me that I needed to talk to the technical man — I realised that — but several people were waiting to see him already. Could I come back in half an hour? I conceded that I could and wandered off to see what else was around.

One of the first products I looked at (because it was near the door) was a Sansui digital encoder designed to record audio on a VCR. This is definitely intended for the domestic market, as it only uses 14 bits rather than the 16 used by the Sony equipment. This would give a theoretical signal to noise ratio of 84dB at best, which is still good compared with other domestic recording equipment. The encoder has the advantage that it can record successfully on video recorders running at half speed. Thus, on VCRs with this extended play mode, up to eight hours of recording are possible on one tape. I wonder how bad the dropouts are in this mode, and what effect they have on the sound?

Much of the equipment on the Sansui display looked similar to that available in most hifi shops, but there were some novel items. One was a graphic equaliser incorporating remote control, and a bar display of settings. The remote control box slides into the front of the unit to work as the local controller if required. This unit formed part of a rack system, at the top of which was a stereo amplifier featuring what looked like a video game display. It was actually the function indicator and power level meter.

On the left, a parametric equaliser control panel looked like mission control but was well laid out and should be easy to use. The whole assembly, including tuner, dual cassette deck, and computerised turntable, is called an 'Intelligent Super Compo' but I reckon it's the operator who has to be intelligent. With two types of equaliser to set for the right frequency response it is definitely for the initiated.

Round and Surround

Back to Marantz. The technical man is tied up and could I come back a bit later? Grumble. Oh well, just one more time. The question is, if he is in that much

demand, why only one technical man?

A bit later he is still occupied and my feet are suffering from the strain so its down the road to the ETI offices for a sit down and a talk to the editor. A phone call to the Marantz offices resulted in a promise of information.

Sure enough, the man who had been in such heavy demand telephoned me a few days later to give me the lowdown on their new products. So new are they, that he had not had a chance to try them out properly himself before the show. The most interesting one is the Dolby surround sound decoder. It was news to me that rear channel information is encoded onto most pre-recorded stereo videocassettes. The surround decoder allows the viewer to make use of this information, and it includes a stereo amplifier, so just add speakers and sit back.

It might be a bit unnerving to hear the spaceship roar overhead while watching 'Star Wars' on a small screen, but people who hire videocassettes of a spectacular nature may often be very interested, particularly considering the £129 price tag.

Andrew Armstrong

OPEN CHANNEL

Advanced Micro Devices (AMD) has recently announced its intention to sample a chip set later this year, for integrating the simultaneous transmission, in digital form, of voice and data along a single telephone line. Such a chip set brings us one step nearer to the total integration of voice and data communications into one single network, as envisaged in the Integrated Services Digital Network (ISDN)

Chips With Everything

Although still a long way off, the ISDN will eventually replace the existing telephone network and many data networks too. It will be a purely digital network, and so each telephone terminal must be capable of converting the analogue voice signals to a digital form before transmission, and reconverting received digital signals into sound. Alongside the transmitted digital sound will be the capability to transmit data, too, at a fairly high rate —

in the region of 64,000 bits/sec.

For these purposes, some quite complex electronic circuits will be required, within each telephone terminal and within the many existing exchanges throughout the land; and of course the only way of approaching the problem is to design some chips to do the job. A number of semiconductor manufacturers are currently working on the designs.

The AMD chips set comprises five chips; the first two of which are the devices needed in the user's telephone terminal, the remaining devices are for exchanges. The company is to be congratulated for taking this brave step, given that worldwide standards are not yet finalised.

It really is about time that some of the governing bodies of the telecommunications world got their act together in this field. After all, how long do we want to be saddled with inferior data communications, at least when connected via the existing telephone network? It is rather archaic that to transmit data between telephone users we have to resort to devices which convert the digital data into analogue signals for transmission — modems. They're not exactly fast and they're certainly pricey.

The latest modem to hit the streets (in mid-May) follows CCITT Recommendation V32, which enables its use over ordinary dial-up telephone lines to a speed of only 9600bits/sec, at a cost of around £3000. Chicken feed? Hardly!

True, there are digital options such as Packet Switchstream, but they're costly too.

Pie in the Sky

Meanwhile, back to my favourite subject — or at least it seems to be my favourite subject; I've featured it quite regularly over the last few months — satellite television.

After long hassles over costs and finance, direct broadcasting by satellite (DBS) looks as if it may still get off the ground, if a little shakily. Only days before penning this column, the news broke that Unisat, the organisation which hopes to provide the satellites to be used, has finally re-tendered at a much lower price.

The Club of 21 (the operating consortium) appears to have won the round, after its gamble not to commit itself. Its argument was that Unisat's price was too high. Unisat finally appears to have agreed, and has given a number of options to

the Club of 21, one of which is a much lower costing of (only?) £290m over 10 years.

That option may not, of course, be the one which the Club of 21 picks, and it's unclear at the time of writing what the other options are... watch this space....

Money To Burn — But Whose?

Finally, a package has landed on my desk from the Department of Trade and Industry. Called 'The Development of the Liberalised Telecommunications Market in the United Kingdom — An Information Pack' it is an extremely glossy press and publicity gimmick which seems to have been sent out to just about anyone with anything to do with electronics, telecoms, or computers (the ETI office alone received two packs). Basically comprising issues six to fifteen of the Department's occasional news letter 'Ringing the Changes', it aspires to sum up all of the changes in the telecommunications field over the last couple of years, with regard to liberalisation. Very interesting, but how much did it all cost? Did it really do any good? Is that my income tax you're spending?

Keith Brindley ETI

SERVICE SHEET

Enquiries

We receive a very large number of enquiries. Would prospective enquirers please note the following points:

- We undertake to do our best to answer enquiries relating to difficulties with ETI projects, in particular non-working projects, difficulties in obtaining components, and errors that you think we may have made. We do not have the resources to adapt or design projects for readers (other than for publication), nor can we predict the outcome if our projects are used beyond their specifications;
- Where a project has apparently been constructed correctly but does not work, we will need a description of its behaviour and some sensible test readings and drawings of oscillograms if appropriate. With a bit of luck, by taking these measurements you'll discover what's wrong yourself. Please do not send us any hardware (except as a gift!);
- Other than through our letters page, Read/Write, we will not reply to enquiries relating to other types of article in ETI. We may make some exceptions where the enquiry is very straightforward or where it is important to electronics as a whole;
- We receive a large number of letters asking if we have published projects for particular items of equipment. Whilst some of these can be answered simply and quickly, others would seem to demand the compiling of a long and detailed list of past projects. To help both you and us, we have made a full index of past ETI projects and features available (see under Backnumbers, below) and we trust that, wherever possible, readers will refer to this before getting in touch with us.
- We will not reply to queries that are not accompanied by a stamped addressed envelope (or in international reply coupon). We are not able to answer queries over the telephone. We try to answer promptly, but we receive so many enquiries that this cannot be guaranteed.
- Be brief and to the point in your enquiries. Much as we enjoy reading your opinions on world affairs, the state of the electronics industry, and so on, it doesn't help our already overloaded enquiries service to have to plough through several pages to find exactly what information you want.

Subscriptions

The prices of ETI subscriptions are as follows:

UK:	£16.30
Overseas:	£18.30 Surface Mail
	\$24.00 Surface Mail (USA)
	£43.30 Air Mail

Send your order and money to: ETI Subscriptions Department, Infonet Ltd, Times House, 179 The Marlowes, Hemel Hempstead, Hertfordshire, HP1 1BB (cheques should be made payable to ASP Ltd). Note that we run special offers on subscriptions from time to time (though usually only for UK subscriptions, sorry).

ETI should be available through newsagents, and if readers have difficulty in obtaining issues, we'd like to hear about it.

Backnumbers

Backnumbers of ETI are held for one year only from the date of issue. The cost of each is the current cover price of ETI plus 50p, and orders should be sent to: ETI Backnumbers Department, Infonet Ltd, Times House, 179 The Marlowes, Hemel Hempstead, Hertfordshire HP1 1BB. Cheques, postal orders, etc should be made payable to ASP Ltd. We suggest that you telephone first to make sure there are still stocks of the issue you require: the number is (0442) 48432. Please allow 28 days for delivery.

We would normally expect to have ample stocks of each of the last twelve issues, but obviously, we cannot guarantee this. Where a backnumber proves to be unavailable, or where the issue you require appeared more than a year ago, photocopies of

individual articles can be ordered instead. These cost £1.50 (UK or overseas surface mail), irrespective of article length, but note that where an article appeared in several parts each part will be charged as one article. Your request should state clearly the title of the article you require and the month and year in which it appeared. Where an article appeared in several parts you should list these individually. An index listing projects only from 1972 to September 1984 was published in the October 1984 issue and can be ordered in the same way as any other photocopy. If you are interested in features as well as projects you will have to order an index covering the period you require only. A full index for the period from 1972 to March 1977 was published in the April 1977 issue, an index for April 1977 through to the end of 1978 was published in the December 1978 issue, the index for 1979 was published in January 1980, the 1980/81 index in January 1982, the 1982 index in December 1982, the 1983 index in January 1984 and the 1984 index in January 1985. Photocopies should be ordered from: ETI Photocopies, Argus Specialist Publications Ltd, 1 Golden Square, London W1R 3AB. Cheques, postal orders, etc should be made payable to ASP Ltd.

Write For ETI

We are always looking for new contributors to the magazine, and we pay a competitive page rate. If you have built a project or you would like to write a feature on a topic that would interest ETI readers, let us have a description of your proposal, and we'll get back to you to say whether or not we're interested and give you all the boring details. (Don't forget to give us your telephone number).

Trouble With Advertisers

So far as we know, all our advertisers work hard to provide a good service to our readers. However, problems can occur, and in this event you should:

1. Write to the supplier, stating your complaint and asking for a reply. Quote any reference number you may have (in the case of unsatisfactory or incomplete fulfilment of an order) and give full details of the order you sent and when you sent it.
2. Keep a copy of all correspondence.
3. Check your bank statement to see if the cheque you sent has been cashed.
4. If you don't receive a satisfactory reply from the supplier within, say, two weeks, write again, sending your letter recorded delivery, or telephone, and ask what they are doing about your complaint.

If you exhaust the above procedure and still do not obtain a satisfactory response from the supplier, then please drop us a line. We are not able to help directly, because basically the dispute is between you and the supplier, but a letter from us can sometimes help to get the matter sorted out. But please, don't write to us until you have taken all reasonable steps yourself to sort out the problem.

We are a member of the mail order protection scheme, and this means that, subject to certain conditions, if a supplier goes bankrupt or into liquidation between cashing your cheque and supplying the goods for which you have paid, then it may be possible for you to obtain compensation. From time to time, we publish details of the scheme near our classified ads, and you should look there for further details.

OOPS!

Corrections to projects are listed below and normally appear for several months. Large corrections are published just once, after which a note will be inserted to say that a correction exists and that copies can be obtained by sending in an SAE.

Digital Delay Line (December 1984 - January 1985)

In Fig. 6 on page 21 of the December issue, C19 and C20 are both 100uF. In Fig. 8 on page 62 of the January issue, C3 should be marked 33p. On the overlay diagram (Fig. 9, p.64), R37 is missing and should be connected between pin 3 of IC9 and the 0V line; R20 is missing and should be located in the holes immediately to the left of R18; R50 is missing and should be connected between pins 1 & 2 of IC14. Some components on the overlay have also been wrongly numbered:- C20 should be marked C19 and C21 should be marked C20; R12 (between ICs 5 & 6) should be marked R22; R48 should be R44, R49 should be R45, R57 should be R46, R51 should be R47, R50 should be R48, and R47 should be R49. The unmarked capacitor directly above what is now C19 is an un-numbered 100n ceramic. C30 does not appear on any diagram or parts list and this is correct.

On the digital board, IC24 in Fig.10 (p.55) is shown the wrong way around and IC35 at the bottom centre of the overlay should be marked IC25. The tracks to pins 8 and 9 of IC28 are the wrong way around but this should not affect the performance. It is quite easy to cut the tracks near the IC pins and connect across using wire links soldered into the adjacent through-board holes. D6 and R31 should be swapped over.

No frequency stabilising capacitor was included in the design but it has been found that in some cases the output frequency of IC30 is affected by stray capacitance and does not remain steady at 1MHz. This affects all the system timing. To overcome this problem, a 33pF capacitor should be carefully soldered directly on to pins 6 and 7 of IC30 on the underside of the board.

Single Board Controller (March 1985)

There were a number of errors in the parts list. RP2 is listed as a 10k SIL pack but is actually four separate resistors, and the same applies to RP3. RP4 is also listed as a SIL pack but should consist of seven commoned resistors. R13 is always required, not just when a cassette interface is used as stated.

The Real Components (May 1985)

In Fig. 1 on page 20, the connections for the Texas L and 2N transistors are incorrectly shown. They should read B, C and E from the top.

Heat Pen (June 1985)

The instruction in the penultimate paragraph on page 49 should read "... adjust RV2 for 2.73V ...", not 2.37V as stated.

Low Cost Audio Mixer (June 1985)

In Fig. 6 on page 39, the PCB foil pattern has been incorrectly shown as though from the copper side. The board is shown correctly from the copper side in the foil pattern pages. In Fig. 10 on page 40, the positive power rail at lower left should be shown connected to pin 8 of the TL072s, IC1-5).

Noise About Noise (July 1985)

In Fig. 5 on page 24, no connection should be shown between the cathode of the diode and the negative side of the 470uF capacitor.

Printer Buffer (July 1985)

The case specified is actually larger than the one used for the prototype. It will, of course, work perfectly well, but if you want a compact unit use a Verocase 202-21038H (180 x 120 x 65mm) rather than a Verocase 202-21035. The regulator IC17 should be bolted to the back of the case to provide heatsinking or, alternatively, fitted with a TO220 heatsink.

SCRATCH PAD

by Flea-Byte

To many readers, the abbreviation 'CIA' may be best known as one of a number of similar acronyms for devices used to interface microprocessors with the real world. To others, the three letters will be redolent of *unreality*.

The CIA (not just any old CIA, you understand) is the Central Intelligence Agency of the United States — one of eighteen such agencies operating in the home of the brave, land of the free. Known as 'the Company' to its employees, the CIA inhabits a strange world of fantasy spy games which it plays with deadly seriousness. You may recall that it was the CIA which once devised a plan to overthrow Fidel Castro by sending a squad of trained barbers over to Cuba to shave off his beard. The clean-shaven look, they reckoned in Langley, Virginia, would absolutely ruin Castro's street credibility! Exit one thorn in America's side — or (to be geographically more accurate) one pain in its backside.

We know this at least in part because the CIA maintains a curiously high profile — reckoning, perhaps, that either it is so powerful or its schemes are so lunatic that it will be all but invincible. Compared to the National Security Agency, the Department of Army Intelligence (a contradiction in terms according to Groucho Marx) or even the game old FBI, the CIA is a publicity-crazed strumpet.

So, scanning a journal called 'Mini-Micro Systems' that recently came my way, it came as no great surprise to find the CIA advertising for electronics engineers. These days, it would seem, barbers are out.

Don't all rush. There is a snag. You have to be an American citizen. It would probably help if you didn't serve on the USS Nimitz too. Oh, and you should have experience in Telecoms, Networking, Mini and Micro Systems, Logic Design or Firmware Development.

Once you've passed the interview and promised not to spy for anybody else, what delights can

you expect? The Company may be crazy, but it is no joke. Among its more notable achievements has been the overthrow of legitimate governments in Iran, Guatemala, Vietnam, Cambodia and Chile. It has propped up dictatorial regimes across the world and the shadowy presence of the CIA can be detected wherever dirty tricks are done.

For your part, you could find yourself working on 'computer systems and communications efforts unique to the CIA', according to the recruitment ad. Read 'bugging, surveillance and electronic eavesdropping'. The Company promises 'excellent compensation, comprehensive benefits, the opportunity for foreign travel, and the chance to advance the state of the art while contributing to the Agency's mission'.

Or, to put it another way, you could journey to exotic little countries like Nicaragua and help to subvert genuine democracies. Alternatively, you might find yourself deep in the heart of the Soviet Union, or even listening in to overseas phone calls at Menwith Hill in North Yorkshire. And even if you do find yourself in a Russian jail serving a twenty-year term, you can console yourself with the thought of that 'excellent compensation' and those 'comprehensive benefits', like a pension when you get out and a pill to salve your conscience.

... Not Tobie

Of course, we don't have any spies in our country, except those working for the other side. And I wouldn't dream of suggesting that there's anything underhand in the way the police or security agencies deal with British dissidents. In fact, we don't even have any dissidents. Dissidents are all Russian. I mention this just to ensure that you don't get the wrong idea from the following little tale.

It seems that Tony Wilson, coordinator of the Electronics for Peace group and an electronics engineer in the pay of the government, was attending a meeting in Scotland recently with some people from the Scottish Campaign to Resist the Atomic Menace (SCRAM) and Scientists Against Nuclear Arms (SANA). Now Wilson has recently been voted Electronics Personality of the Year in a ballot organised by 'Electronics Times' (ETI, July 1985). It is believed that the ballot was fair and above board — it is thought that it was even postal — and

Wilson was doubtless proud of the inexpensive little trophy he was awarded. Indeed, he had his trophy (known as a TOBIE) with him in his car. The strange thing is that the car was broken into and a bag containing the TOBIE and a few odds and ends was stolen. The thieves left some expensive electronic goodies also sitting in the car completely untouched. On the indubitable assumption that the runners-up in the TOBIE vote were not bad losers, there are two possible explanations for this curious theft. Either Wilson's award has annoyed somebody or Scottish thieves are notorious collectors of unsaleable baubles. Perhaps the Special Branch or MI5 will let me know if I've missed any pertinent points.

The Prince And The Leveller

'When His Royal Highness arrives,' said the man on the podium, 'you should all applaud but not stand up.' This was news to me — that you aren't required to rise when the Queen's consort enters a room. The room in question was the Great Hall at Westminster School and the occasion, the Young Electronics Designer of the Year awards, 1985, sponsored by Cirkuit Holdings plc, the component company, and organised by Professor John Eggleston of Warwick University.

Ironically, nobody had bothered to check the PA, which was not working when I arrived and the only person to think of doing a sound-check was presenter Petula Clark, an old show-biz pro. We were introduced to Ronald and Richard Bulgin (or was it Doug and Dinsdale) of Bulgin, the company which owns Cirkuit, and HRH duly arrived. Nobody stood up. On this occasion, the Prince had evidently not been engaged to speak, so he didn't say anything (at least, not so's I could hear). The tension mounted as we waited for the prizes to be announced. Eighteen finalists had been selected from 1,000 entrants (some being teams) and four finalists in both a senior and junior category would be rewarded with cash amounts of between £50 and £500 plus help with their careers and the chance to market their ideas. On top of that, Texas Instruments were offering a computer to the top school in the senior category and several calculators to the top school in the junior category.

The entries were judged for originality, construction, everyday usefulness and commercial feasibility. There seemed little

doubt that the last was going to be the most important consideration and some sophisticated but no doubt expensive designs that had made it to the final stood little chance of winning. Successful electronics design is often a case of using simple ideas to perform original tasks at as little cost as possible. Brilliant design may reveal genius, but in the real world genius is often an encumbrance to profitability.

There were plenty of devices employing tried and trusted ideas in crafty disguises — the rain detectors and LDR light detectors of every elementary electronics course. One LDR circuit even won first prize in the senior section — Jonathan Kempster's audible spirit level, which used the liquid in an ordinary spirit level to break a beam to an LDR. And my personal favourite design, the Heath-Robinsonian egg-dipping controller gained first prize in the junior section for Daniel Rodenhurst with a very simple circuit. What pleased me most, however, was the number of designs aimed at helping the disabled. So take this column's independent awards Christopher Howard, for your toy for the severely handicapped, Russell Vowles for your infra-red remote controller for immobolised people, Andrew Burrows for your granny alarm buzzer and junior entrant Gareth Arthurs for your milk tester for the partially sighted.

As a matter of fact, the editor tells me that readers can expect to see one or two of the designs appearing in these pages. Watch out for them.

No Mean Time

Hughes Aircraft, the company founded by the reclusive and eccentric Howard Hughes, has announced the development of a hydrogen maser clock accurate to one second in 30 million years. This beats the previous record (held by caesium and rubidium gas-cell atomic clocks) by a factor of about 100. The clock, which originally weighed 500 kilos, has been miniaturised for use in satellite-based navigation systems. It now weighs around 20 kilos and is about the size of a portable television. This may well mean that nobody will have an excuse to be late for work any more.

ELECTRONICS TODAY INTERNATIONAL CLASSIFIED

Lineage:

40p per word (minimum 15 words)

Semi Display: (minimum 2 cms)

£11.00 per single column centimetre

Ring for information on series bookings/discounts

All advertisements in this section must be prepaid.

Advertisements are accepted subject to the terms and conditions printed on the advertisement rate card (available on request)



01-437 0699 Ext 323

Send your requirements to:
Caroline Faulkner
ASP Ltd.,
1 Golden Square,
London W1.

ELECTROMART

ESSEX

R JONES ELECTRONICS

267 Rectory Rd., Grays, Essex
Tel: (0375) 33158 - 24hr answer phone
Components, IC's, Full After Sales Services
Electronic repairs - Industrial & Domestic
Open 9-5.30pm 6 days a week

LANCASHIRE

ETESON ELECTRONICS

E.E. 15B Lower Green,
Poulton-le-Fyde, Blackpool
Tel: (0263) 886107
Open: 9.30am-12.30 1.30-5.30. Closed Wed & Sun.
Electronic Component Specialists.

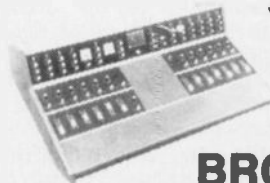
MERSEYSIDE

PROGRESSIVE RADIO

93 Dale Street. Tel 051 236 0982
47 Whitechapel, Tel 051 236 5489
Liverpool 2
'THE ELECTRONICS SPECIALISTS'
Open: Tues-Sat 9.30-5.30

ELECTROMART

YOU ARE NEVER FAR FROM A PARTRIDGE COMMUNITY BROADCAST MIXER



56 Fleet Road, Benfleet, Essex SS7 5JN
03745 3381 or 03745 3256 for full details

EPROM COPIER - STAND ALONE
2716-27128 £175.00
TELEPHONE CONVERSATION
RECORDER £75.00
2 LINES INTO 1 ANSWERING
MACHINE
Switching Unit £30.00

From L.K.F. Systems Ltd
St. Albans. Tel: 55084

USED TEST EQUIPMENT!

ELAN 548 EDITING PROGRAMMER £450
ELAN 540 EDITING PROGRAMMER £280
QP 4000 GANG PROGRAMMER £200
MSS ME10 ERASER (AS NEW) £50

A&B Electronics, Stonebridge Mills,
Stonebridge Lane, Wortley,
Leeds LS12 5NQ
Tel: 0532-832131

COMPUTER ADD-ONS

EXTERNAL VIDEO BOARD for the CORTEX and other computers using the TMS9929 V.D.P. Fully synchronises the computer to a video fed from camera or V.T.R. Produces a combined picture at the outputs. Unpopulated P.C.B. circuits and details - £30.00. Fully built £100.00. Tim Gray, 1, Larkspur Drive, Featherstone, Wolverhampton, West Mids. WV10 7TN.

*** **TANGERINE OWNERS** ***
6809 CPU board, Flex O/S, 14K RAM card overlay Tanex, 32K-RAM-EPROM-BATTERY BACKED BOARD address switchable page selectable all available from STOCK also all the hard to get Tangerine chips in stock, loads of FLEX programmes, power supplies, Access/Barclaycard, s.a.e. for details. Ralph Allen Engineering, Forncliffe-End, Norwich, NR16 1HT. Tel: 095389 420.

COLOUR GRAPHICS MEMORY ARDAY. Professionally designed, fully buffered, on-board shifts registers 4/8 planes 64K x 16/8 bits (4146). Unpopulated PCB + App. Circuits £125.00. SAE 65 Northgate St., Colchester, Essex CO1 1EY.

MICROCOMPUTER REPAIRS

ZX SPECTRUM. Vic20, C64, BBC, QL 15 40/41, Commodore computers, printers and floppy discs. Send faulty machine to: Trident Enterprises Ltd., 37 Linden House, Common Road, Langley, Slough, Berks. Tel: (0753) 48785.

WANTED

TURN YOUR SURPLUS transistors, IC's etc into cash. Contact Coles Harding & Co., 103 South Brink, Wisbech, Cambs. Tel: 0945 584188. Immediate settlement.

IDEAS INVENTIONS WANTED

American Co wants new product concepts patented or unpatented, simple or complex. Confidential disclosure guaranteed.

Call Invention Marketing Inc (of the USA), 01-434 1272 or write to our London Office.

Dept ETI, Victory House,
99/108 Regent Street,
London W1R 7HB.

ESR

13a Station Road
Cullercoats - North Shields
Tyne & Wear - NE30 4PQ

Telephone 091 2514363

TRANSISTORS - RESISTORS - CAPACITORS - DIODES - LED'S - SCR'S - ICS - VOLTAGE REGULATORS - DISPLAYS - AUDIO & EDGE CONNECTORS - VERO/PCB'S - INSTRUMENT CASES & BOXES - POWER AMPLIFIERS & MODULES - MICROPHONES & STANDS.

WRITE OR PHONE FOR FREE PRICE LIST.

GRIPMATE®

NEW!
ELECTRONIC ENGINEERS NEED
'EXTRA HANDS' FOR
SOLDERING GLUEING
AND ASSEMBLING

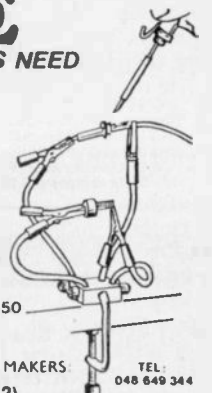
This essential compact tool comes complete with 4 croc-clip flexi-arms to hold components positively and rapidly with infinite positioning.....

ONLY **£4.85** USEFUL ACCESSORIES....
48mm 2.5x MAGNIFIER FLEXI-ARM £2.50
MAGNET FLEXI-ARM £1.50

ALL PRICES INCLUDE VAT+POST-PKG
SEND NOW! CHQ/PO OR SAE DETAILS DIRECT FROM THE MAKERS

KEMPLANT LTD (DEPT. 2)

DURFOLD WOOD, PLAISTOW, BILLINGSHURST, WEST SUSSEX RH14 0PN



TEL: 048 649 344

COMPONENTS

IRISH READERS

MAIL ORDER COMPONENTS

Top quality components
Great prices
Return-of-post service

Write or phone for free price list

WAVEFORM ELECTRONICS
12 Effra Road, Rathmines, Dublin 6.
Phone (01) 0001 If England 987507
Mail order only please

HUNT ELECTRONICS 1985.
COMPONENTS CATALOGUE.
send 50p in stamps. Refunded
with first order, to P.O. 57, Derby,
DE6 6SN. Tel: (0283) 703071.

NI-CAD BATTERIES. AA, 500
MAH £1.00. C 1200 MAH £2.00. D,
1200 MAH £2.20. PP3 110 MAH
£4.80. P&P 40p. Free price list!
Spectrum Radio & Electronics, 36
Slater St., Liverpool L1 4BX. 051-
709-4628.

64K D RAM 150ns £2.95, from
unfinished project. Any quantity
50p P&P. T. Stiernerling, 38 Cow-
per Rd., Bristol BS6 6NZ. Tel: 744
824. Only after 6pm.

CHEAP CASES

Absolute bargains, rack mounting & free stand-
ing. NEW, but manufacturers seconds. No
damage.

Send s.a.e. for list.

C. Phillips, 'The Laurels' Tiploe Road
Weston, New Milton, Hants BH25 5BJ
MAIL ORDER ONLY

RESISTORS, CAPACITORS.
1,000 mixed carbon film 1/4W, 1/2W,
1/2W, 2%, 5%, 10% resistors £2.95
+ 50p P&P. SAE for details to: D.J.
Hooker, Romney Marsh, Elec-
tronics, Clark Road, Greatstone,
New Romney, Kent TN28 8PB.

TRANSISTORS Special Offers.
No VAT to add. (P&P 50p on
orders under £20) AD161/AD162/
BD135/BD136/2N22 18A/2N3053/
2N5401 - all 30p each. BC114/
BC117/BF198 - all 15p each.
BC107/BC107B/BC108B/BC149/
BC159/BC182/BC209/BC320/
BF195 - all 10p each - HUNT
ELECTRONICS, P.O. Box 57,
Derby DE6 6SN.

TRANSISTORS

Guaranteed top-spec devices
BC107, hfe > 125, Ic0.1A, 50pc £7
BC109, hfe > 240, Ic0.1A, 50pc £9
BC184C, hfe > 450, Ic0.2A, 50pc £8
For 100+ pc deduct 15%
All orders add 40p P&P + 15% VAT
Connexion Services, P.O. Box 1
Ratby, Leicester LE8 0XU

MISCELLANEOUS

HEATHKIT U.K. Spares and ser-
vice centre. Cedar Electronics,
Unit 12, Station Drive, Bredon,
Tewksbury, Gloucs. Tel: 0684
73127.

ETI AUGUST 1985

KITS

**ELECTRONIC ORGAN KEY-
BOARDS** and other parts being
cleared out as special offer.
Elvins Electronic Musical
Instruments, 40A Dalston Lane,
London E8. 01-986 8455.

**MINIATURE FM TRANSMIT-
TERS.** Frequency 60-145 MHz,
range 1/2 mile S.G.F. - P.C.B. All
components. Full instructions 9-
12v operation, broadcast recep-
tion. Super sensitive microphone.
Pick-up on FM radio. £6.95 inc; or
ready built £8.95: Same day des-
patch - Zenith Electronics, 21
Station Rd., Industrial Estate,
Hallsham, E. Sussex BN27 2EW.

J. Linsley Hood Designs

Distortion Analyser kit £25.00 (p&p £1)
Millivoltmeter kit £12.25 (p&p 75p)
Case & Panel for above £12.00 (p&p £1)
ETI Mostel P.A. kit £51.00 (p&p £1.50)
Audio Signal Gen. (-02%)
£28.50 (p&p £1.50)
Audio Signal Gen. (002%)
£38.80 (p&p £2.00)
Fixed frequency Gen. £11.00 (p&p 50p)
Reg. P.S.U. 1.5/35 volts
from £12.80 (p&p 75p)
SAE for full information
Teleradio Electronics
325 Fore St., London N19 0PE
Tel: 01-807 3719

**PRINTED CIRCUIT BOARDS
AND PLANS TO BUILD:** Head-
light activated switches, timers,
metronomes, sirens etc. Two
ready drilled boards £2.85 p&p
50p. Send to: Chataignes Product,
Green Lane, Great Horkeley,
Colchester, Essex, CO6 4HO.

BOOKS & PUBS.

THE ART OF MICRO DESIGN

by A. A. Berk £14.95

PRACTICAL DESIGN OF DIGITAL CIRCUITS

by Ian Kempel £11.50

INTERACING TO MICRO'S AND MICROCOMPUTERS

by Owen Bishop £6.75

PRACTICAL ELECTRONICS HANDBOOK

by Ian Sinclair £6.75

FOUNDATIONS OF WIRELESS AND

ELECTRONICS 10th Edition

by M. G. Scroggie £9.95

* PRICES INCLUDE P&P *

Many more titles available
SAE for illustrated catalogue and
FREE MEMBERSHIP of our
EXCHANGE BOOK CLUB

JAMES ELECTRONICS (ETI)
PO Box 2, Rothwell, Leeds LS26 0UY

**WHO NEEDS A LOGIC
ANALYSER?** Illustrated guide
shows you how to decode micro-
processes Buff signals using a stan-
dard oscilloscope. Price £4.99 +
40p P&P. Crossed cheques/P.O.'s
to: Mr M Rimmer 20, Duddle Lane,
Walton-le-Dale, Preston, Lancs
PR5 4UD.

SERVICES

PCB DESIGN & LAYOUT.

Taped artworks to your
specifications and requirements.
TRAX Limited, 497 Hitchin Road,
Luton, Beds.

FREE PROTOTYPE of the
finest quality with every P.C.B.
artwork designed by us. Com-
petitive hourly rates, and high
standard of work. Halstead
Designs Limited. Tel: halstead
(0787) 477408.

ETI. VCDO authentic musical in-
struments in EPROM £9.95. O.
Lucas, 45 Fotherby Ct., Maiden-
head, Berks SL6 1SU.

JBA ELECTRONICS

Specialists in manufacture and
design of:
Microprocessor, Telemetry, and
Audio-based systems.

UNIT 1,

**BRECON INDUSTRIAL ESTATE,
BRECON, POWYS, S. WALES**
Tel: (0874) 5844

LOWEST PRICED TOP QUALITY
fire and intruder alarm equip-
ment, etc. S.A.E. for catalogue.
Security Services, 162 High St.,
Hythe, Kent CT21 5JR.

POWER SUPPLIES

CLAIRTRONIC 3-Pin Plug AC
Power Units. 240/12V at 400 mA
rms. 2-Metre Jack Lead. In-built
Thermal Fuse. Price £3.65. P&P &
VAT included. CLAIRTRONIC
LTD, Churchfield Road, Chalfont
St. Peter, Bucks. SL9 9EP.

ADAPTORS

TELETEXT (Ceefax/Oracle) ex-
ternal adaptors fit any television
free cordless remote control.
£159.95 inc. VAT and delivery.
Access/Visa. Nufax Ltd., Free-
post, Bristol BS6 7YZ. Tel: Bristol
(0272) 744500.

COURSES

CONQUER THE CHIP... Master
modern electronics the **PRACTI-
CAL** way by **SEEING** and **DOING**
in your own home. Write for your
free colour brochure, now to:
British National Radio & Elec-
tronics School, P.O. Box 7,
Teignmouth, Devon TQ14 0HS.

MICRO SOFTWARE TRAINING

Self-Paced, hand-on training on a variety
of machines (BBC, QL, APFICOT).
BASIC programming, W.P. Spread-
sheets, databases. Leaflet from:
Microcomputer Advisory Centre,
Polytechnic of the South Bank, Borough
Rd., London, SE1 0AA. Tel: 01-928 8989
ext. 2410.

FOR SALE

100W AMPLIFIER - £9.95 built
or use the same board for 50W,
150W, 200W into 4 or 8 ohms,
etc., by using alternative output
transistors and P.S.U. S.A.E. for
full details to: ESS Amplifica-
tion, 269 Hessele Road, Hull.

KIA RETURN AN AD No 21...
Built & tested amplifier modules
for your project... 30 watt/£3.79...
100 watt/£7.50... 60 + 60W/£10...
+ AD 21... - KIA, 8 Cunliffe
Road, Ilkley. (We repair ampli-
fiers fast!)

**TEKTRONIX OSCILLO-
SCOPES** 556 Dual Beam four
trace 50 MHz. Delay Sweep £395,
547 Dual trace 50 MHz Delay
Sweep display - switching £250
581A Dual trace 85 MHz £195
545A dual trace 24 MHz Delay
Sweep £135. A.F. Spectrum ana-
lyser system £225. Storage oscil-
loscopes, curve - tracers,
manuals, plug-ins, spares. NOVA
3 microcomputer. Other test equip-
ment. Tel: 01-868 4221.

SHEETMETAL FOLDERS. 24" x
166" vice or bench model £50
leaflet 01-890-7838 day/eves.

PLANS 'N DESIGN

AMAZING ELECTRONIC plans,
lasers, gas, ruby, light shows,
high voltage teslas, van de graph
surveillance devices, ultrasonics,
pyrotechnics, new solar
generator, 150 more projects,
catalogue. S.A.E. Plancentre,
Old String Works, Bye Street,
Ledbury HR8 2AA.

REPAIRS

POWER SUPPLY REPAIRS. We
offer a fast repair service on most
makers of DC power units in the
range of 1 amp to 30 amps. Crow
bars etc, also fitted. Full details
ring: 0536 743 496.

BOOKS

PARAPHYSICS JOURNAL
(Russian translation); psycho-
tronics, kirlianography, heli-
phonic music, telekinetics.
Computer software. S.A.E.
4 x 9", Paralab, Downton,
Wiltshire.

More This Month at Maplin

256K D-RAM 41256 - 150ns ONLY £6.95 (QY74R)
256K EPROM 27256 - 250ns ONLY £14.95 (QY75S).

Right-angle pcb mounting rotary switches: 1P12W - FT56L; 2P6W - FT57M; 3P4W - FT58N; 4P3W - FT59P. All £2.95 each.
Stepper motor 48 steps/rev, 12V 0.13A per phase, 4-phase unipolar, 57g, working torque 8mNm max. ONLY £9.95 (FT73Q).
Driver chip for motor: SAA1027 ONLY £3.75 (QY76H).

★SAVE★ 1 Kit containing everything you need: motor, SAA1027, data sheet and passives ONLY £13.35 (LK76H).



Sounds Terrific



Professional Quality High Power Loudspeakers featuring:

- ★ Virtually indestructible high-temperature, voice-coil reinforced with glass-fibre.
- ★ 100% heat overload tolerance.
- ★ Advanced technology magnet system.
- ★ Rigid cast alloy chassis.
- ★ Linen or Plastiflex elastomer surrounds.
- ★ 5-year guarantee (in addition to statutory rights).

Prices from £17.97

Send S.A.E. for our free leaflet XH62S.

Top Ten Kits



THIS/LAST MONTH	DESCRIPTION	CODE	PRICE BOOK
1. (1)	Live-Wire Detector	LK631	£2.95 14 XA14Q
2. (2)	75W Mosfet Amp.	LW51F	£15.95 Best E&MM
3. (4)	Car Burglar Alarm	LW78K	£7.49 4 XA04E
4. (3)	PartyLite	LW93B	£10.95 Best E&MM
5. (5)	Ultrasonic Intruder Dctr	LW83E	£10.95 4 XA04E
6. (9)	8W Amplifier	LW36P	£4.95 Catalogue
7. (7)	Light Pen	LK51F	£10.95 12 XA12N
8. (8)	Syntom Drum Synth.	LW86T	£12.95 Best E&MM
9. (6)	Computadrum	LK52G	£9.95 12 XA12N
10. (-)	Logic Probe	LK13P	£10.95 8 XA08J



Over 100 other kits also available. All kits supplied with instructions. The descriptions above are necessarily short. Please ensure you know exactly what the kit is and what it comprises before ordering, by checking the appropriate Project Book mentioned in the list above.

Is it a turtle?
Is it a robot?
Is it a buggy?
Yes! it's Zero 2.



- May be used by any computer with RS232 facility.
- Stepper Motor controlled.
- Half millimetre/half degree resolution.
- Uses ordinary felt-tip pens.
- Built-in 2-tone horn, line-follower. LED indicators.

The Zero 2 Robot is the first truly micro robotic system available and remarkably it costs less than £80. Complete kit (only mechanical construction required) £79.95 (LK66W). Full details of power supply and simple interfacing for BBC, Commodore 64 and Spectrum, in Maplin Magazine 15 price 75p (XA15R).

MAPLIN

MAPLIN ELECTRONIC SUPPLIES LTD

Mail-order: P.O. Box 3, Royleigh, Essex SS6 8LR.
Telephone: Southend (0702) 552911

SHOPS

- BIRMINGHAM Lynton Square, Perry Barr, Tel: 021-356-7292.
- LONDON 159-161 King Street, Hammersmith, W6. Telephone: 01-748 0926.
- MANCHESTER 8 Oxford Road, Tel: 061-236 0281.
- SOUTHAMPTON 46-48 Bevois Valley Road. Tel: 0703-225831
- SOUTHEND 282-284 London Rd, Westcliff-on-Sea, Essex. Telephone: 0702-554000. Shops closed all day Monday.

More Choice In Multimeters



A new range of very high quality multimeters offering truly amazing quality at the price.
Pocket Multimeter, 16 ranges, 2,000Ω/V DC/AC £6.95 (YJ06G)
M-102BZ with continuity buzzer, battery tester and 10A DC range, 23 ranges, 20,000Ω/V DC £14.95 (YJ07H)
M-2020S with transistor, diode and LED tester and 10A DC range, 27 ranges, 20,000Ω/V DC £19.95 (YJ08J)
M-5050E Electronic Multimeter with very high impedance FET input, 53 ranges, including peak-to-peak AC, centre-zero and 12A AC/DC ranges £34.95 (YJ09K)
M-5010 Digital Multimeter with 31 ranges including 20Ω and 20μA DC/AC FSD ranges, continuity buzzer, diode test, and gold-plated pcb for long-term reliability and consistent high accuracy (0.25% + 1 digit DCV) £42.50 (YJ10L)



The Maplin Service

All in-stock goods despatched some day for all orders received before 2.00 pm.
All our prices include VAT and carriage (first class up to 750g).
A 50p handling charge must be added if your total order is less than £5.00 on mail-order (except catalogue).



☎ Phone before 2.00 p.m. for same day despatch.

1985 CATALOGUE

Pick up a copy now at any branch of W.H. Smith or in one of our shops. Price £1.35, or by post £1.75 from our Royleigh address (quote CA02C).



All offers subject to availability. Prices firm until 10th August 1985.