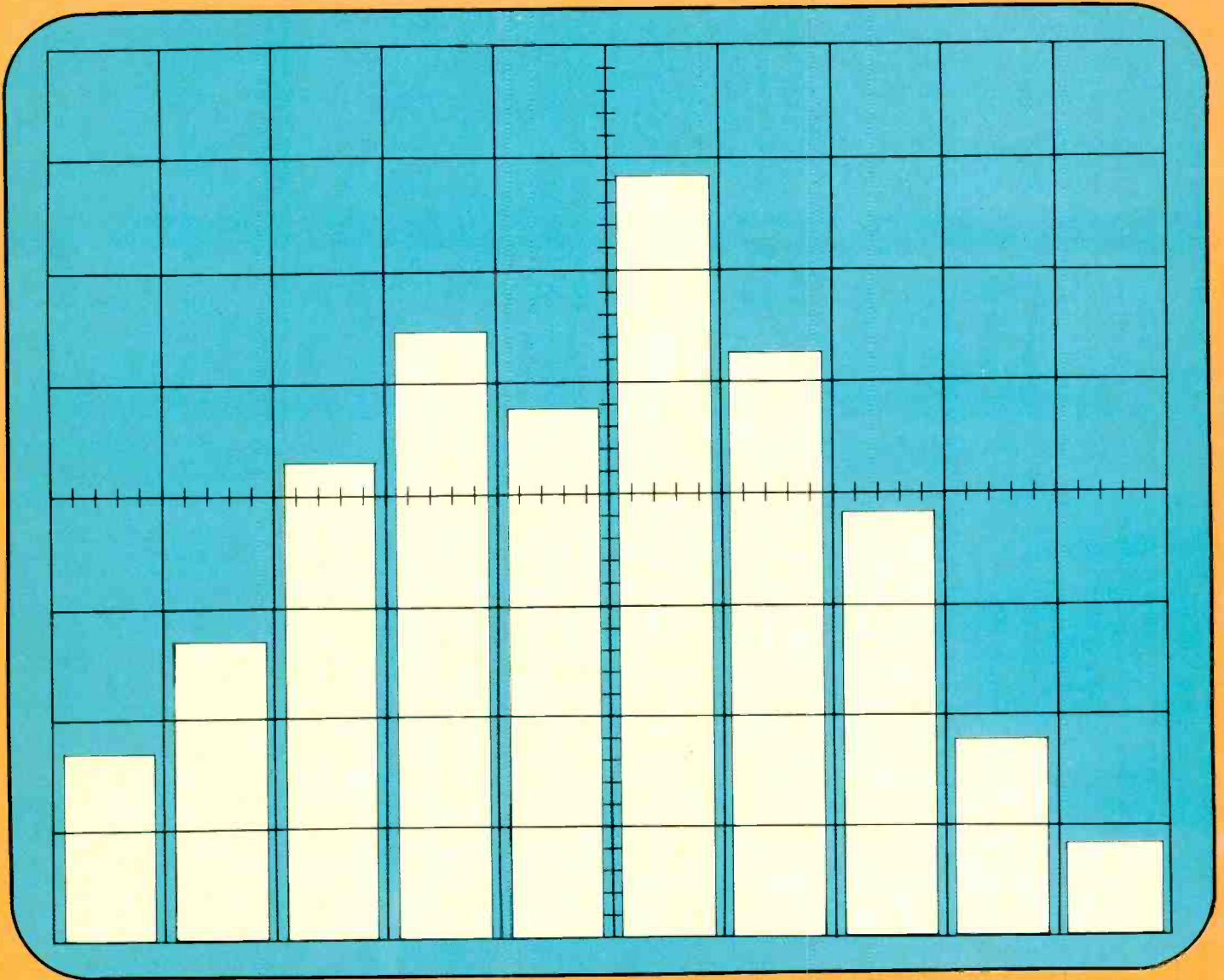


CANADA'S OWN ELECTRONICS MAGAZINE

\$1.25

# *electronics today*

JUNE 1978



## **Real-Time Audio Analyser**

**Review of the Fluke  
8020A Digital Multimeter**

**Catalogue Survey**

**Projects**

**Ultrasonic Switch**

**Phone Bell Extender**

DIODES/ZENERS				SOCKETS/BRIDGES				TRANSISTORS, LEDS, etc.			
1N914	100v	10mA	.05	8-pin pcb	.25	ww	.45	2N2222A	NPN	(2N2222 Plastic .10)	.15
1N4005	600v	1A	.08	14-pin pcb	.25	ww	.40	2N2907A	PNP		.15
1N4007	1000v	1A	.15	16-pin pcb	.25	ww	.40	2N3906	PNP	(Plastic)	.10
1N4148	75v	10mA	.05	18-pin pcb	.25	ww	.75	2N3904	NPN	(Plastic)	.10
1N753A	6.2v	z	.25	22-pin pcb	.45	ww	1.25	2N3054	NPN		.35
1N758A	10v	z	.25	24-pin pcb	.35	ww	1.10	2N3055	NPN	15A 60v	.50
1N759A	12v	z	.25	28-pin pcb	.35	ww	1.45	T1P125	PNP	Darlington	.35
1N4733	5.1v	z	.25	40-pin pcb	.50	ww	1.25	LED Green, Red, Clear, Yellow			.15
1N5243	13v	z	.25	Molex pins .01	To-3 Sockets	.45	D.L.747	7 seg 5/8" High com-anode		1.95	
1N5244B	14v	z	.25	2 Amp Bridge	100-prv	1.20	XAN72	7 seg com-anode (Red)		1.25	
1N5245B	15v	z	.25	25 Amp Bridge	200-prv	1.95	MAN71	7 seg com-anode (Red)		1.25	
							MAN3610	7 seg com-anode (Orange)		1.25	
							MAN82A	7 seg com-anode (Yellow)		1.25	
							MAN74A	7 seg com-cathode (Red)		1.50	
							FND359	7 seg com-cathode (Red)		1.25	

C MOS		- T T L -									
4000	.15	7400	.15	7473	.25	74176	1.25	74H72	.45	74S133	.40
4001	.15	7401	.15	7474	.30	74180	.75	74H101	.75	74S140	.55
4002	.20	7402	.20	7475	.35	74181	2.25	74H103	.75	74S151	.30
4004	3.95	7403	.20	7476	.40	74182	.95	74H106	.95	74S153	.35
4006	.95	7404	.15	7480	.55	74190	1.75			74S157	.75
4007	.35	7405	.25	7481	.75	74191	1.05	74L00	.25	74S158	.30
4008	.95	7406	.35	7483	.95	74192	.75	74L02	.25	74S194	1.05
4009	.45	7407	.55	7485	.75	74193	.85	74L03	.30	74S257 (8123)	1.05
4010	.45	7408	.25	7486	.25	74194	1.25	74L04	.30		
4011	.20	7409	.15	7489	1.35	74195	.95	74L10	.30	74LS00	.25
4012	.20	7410	.10	7490	.55	74196	1.25	74L20	.35	74LS01	.35
4013	.40	7411	.25	7491	.95	74197	1.25	74L30	.45	74LS02	.35
4014	.95	7412	.30	7492	.95	74198	2.35	74L47	1.95	74LS04	.30
4015	.90	7413	.35	7493	.35	74221	1.00	74L51	.45	74LS05	.45
4016	.35	7414	1.10	7494	.75	74367	.85	74L55	.65	74LS08	.25
4017	1.10	7416	.25	7495	.60			74L72	.45	74LS09	.35
4018	1.10	7417	.40	7496	.80	75108A	.35	74L73	.40	74LS10	.35
4019	.50	7420	.15	74100	1.15	75110	.35	74L74	.45	74LS11	.35
4020	.85	7426	.30	74107	.35	75491	.50	74L75	.55	74LS20	.25
4021	1.00	7427	.45	74121	.35	75492	.50	74L93	.55	74LS21	.25
4022	.85	7430	.15	74122	.55			74L123	.85	74LS22	.25
4023	.25	7432	.30	74123	.55	74H00	.15			74LS32	.40
4024	.75	7437	.30	74125	.45	74H01	.25	74S00	.35	74LS37	.35
4025	.30	7438	.35	74126	.35	74H04	.20	74S02	.35	74LS40	.45
4026	1.95	7440	.25	74132	1.35	74H05	.20	74S03	.30	74LS42	1.10
4027	.50	7441	1.15	74141	.90	74H08	.35	74S04	.30	74LS51	.50
4028	.95	7442	.45	74150	.85	74H10	.35	74S05	.35	74LS74	.65
4030	.35	7443	.65	74151	.65	74H11	.35	74S08	.35	74LS86	.65
4033	1.50	7444	.45	74153	.75	74H15	.45	74S10	.35	74LS90	.95
4034	2.45	7445	.65	74154	.95	74H20	.30	74S11	.35	74LS93	.95
4035	1.25	7446	.95	74156	.95	74H21	.25	74S20	.35	74LS107	.85
4040	1.35	7447	.95	74157	.65	74H22	.40	74S40	.20	74LS123	1.00
4041	.69	7448	.65	74161	.85	74H30	.20	74S50	.20	74LS151	.95
4042	.95	7450	.25	74163	.85	74H40	.25	74S51	.25	74LS153	1.20
4043	.95	7451	.25	74164	.60	74H50	.25	74S64	.20	74LS157	.85
4044	.95	7453	.20	74165	1.50	74H51	.25	74S74	.35	74LS164	1.90
4046	1.75	7454	.25	74166	1.35	74H52	.15	74S112	.60	74LS367	.75
4049	.45	7460	.40	74175	.80	74H53J	.25	74S114	.65	74LS368	.75
4050	.45	7470	.45			74H55	.20			74C04	.25
4066	.95	7472	.40							74C151	2.25
4069	.40										
4071	.35										
4081	.70										
4082	.45										
MC 14409	14.50										
MC 14419	4.85										

9000 SERIES	
9301	.85
9309	.35
9322	.75
95H03	1.10
9601	.45
9602	.45

LINEARS, REGULATORS, etc.			
MCT2	.95	LM320T5	1.65
8038	3.95	LM320T12	1.65
LM201	.75	LM320T15	1.65
LM301	.45	LM324N	.95
LM308 (Mini)	.95	LM339	.95
LM309H	.65	7805 (340T5)	.95
LM309K (340K-5)	.85	LM340T12	1.00
LM310	1.15	LM340T15	1.00
LM311D (Mini)	.75	LM340T18	1.00
LM318 (Mini)	.95	LM340T24	.95
LM320K5(7905)	1.65	LM340K12	1.65
LM320K12	1.65		
LM340K15	1.25	LM723	.50
LM340K18	1.25	LM725N	2.50
LM340K24	.95	LM739	1.50
78L05	.75	LM741 (8-14)	.25
78L12	.75	LM747	1.10
78L15	.75	LM1307	1.25
78M05	.75	LM1458	.95
LM373	2.95	LM3900	.50
LM380 (8-14 PIN)	.95	LM75451	.65
LM709 (8, 14 PIN)	.25	NE555	.50
LM711	.45	NE556	.95
		NE565	.95
		NE566	1.75
		NE567	1.35

MICRO'S, RAMS, CPU'S, ETC.	
74S188	3.00
1702A	4.50
MM5314	3.00
MM5316	3.50
2102-1	1.45
2102L-1	1.75
TR1602B	4.50
TMS 4044-45NL	14.50
8080AD	12.00
8T13	1.50
8T23	1.50
8T24	2.00
8T97	1.00
2107B-4, A	4.00
2708	11.50

# INTEGRATED CIRCUITS UNLIMITED

7889 Clairemont Mesa Blvd., San Diego, CA 92111 U.S.A.  
No Minimum

All prices in U.S. dollars. Please add postage to cover method of shipping. Orders over \$100 (U.S.) will be shipped air no charge. Payment should be submitted with order in U.S. dollars. All IC's Prime/Guaranteed. All orders shipped same day received.

SPECIAL DISCOUNTS	
Total Order	Deduct
\$35 - \$99	5%
\$100 - \$300	10%
\$301 - \$1000	15%
\$1000 - Up	20%

Phone (714) 278-4394 BarclayCard / Access / American Express / BankAmericard / Visa / MasterCard

**VOL. 2 NO. 6  
JUNE 1978**

Editor  
STEVE BRAIDWOOD BSc

Assistant Editor  
GRAHAM WIDEMAN BASC

Marketing Manager and Advertising  
PETER E. PRIEST  
Advertising Services  
SHARON WILSON  
Advertising Representatives

JIM O'BRIEN  
Eastern Canada JEAN SEGUIN &  
ASSOCIATES INC., 601 Cote Vertu,  
St. Laurent, Quebec H4L 1X8.  
Telephone (514) 748-6561.

Subscriptions Department  
BEBE LALL

Accounts Department  
SENGA HARRISON

Layout and Assembly  
GAIL ARMBRUST

Contributing Audio Editor  
WALLACE J. PARSONS

**EDITORIAL AND ADVERTISING  
OFFICES**

Unit 6, 25 Overlea Boulevard,  
Toronto, Ontario, M4H 1B1  
Telephone (416) 423-3262

Second Class Mail registration number 3955.  
Return postage guaranteed. Post Office returns  
to Unit 6, 25 Overlea Boulevard, Toronto,  
Ontario, M4H 1B1.

Published by Electronics Today  
International (Canada) Ltd.

Printed by Livingstone Printing Ltd.

News Stand Distribution Gordon &  
Gotch, Toronto.

Subscription Rates \$12.00 per year,  
\$20.00 for two years.

Copyright: All material is subject to world-wide  
Copyright protection. All reasonable care is  
taken to ensure the accuracy of the information.

**ALL ETI PCB PATTERNS ARE COPYRIGHT.  
NO COMPANY MAY SELL BOARDS TO OUR  
DESIGNS WITHOUT OUR PERMISSION.**

**INTERNATIONAL EDITIONS**

Electronics Today International  
25-27 Oxford St., London W1R 1RF, UK.  
Editor Halvor Moorshead.

Electronics Today International,  
Ryrie House, 15 Boundary St.,  
Rushcutters Bay, Sydney, Australia.  
Editor Collyn Rivers.

Electronica Top Internationaal,  
Postbus 260, Emmen, Holland.  
Editor Anton Kriegsman

Elrad,  
Kommanditgesellschaft, Bissendorfer  
Strasse 8, 3000 Hannover 61, Germany.  
Editor Udo Wittig.

# electronics today

international  
incorporating electronic workshop

CANADA'S ELECTRONICS MAGAZINE

## PROJECTS

- REAL-TIME AUDIO ANALYSER** ..... 22  
*Use your scope to display frequency response.*
- ULTRASONIC SWITCH** ..... 28  
*Use as an invisible switch or as a data link.*
- PHONE BELL EXTENDER** ..... 31  
*Extend the range of your bell without direct connection.*

## FEATURES

- AUDIO TODAY** ..... 8  
*Wally Parsons comments on the hifi scene.*
- CANADIAN COMPONENTS CATALOGUES** ..... 14  
*Where we get our information on components availability.*
- MAKING WAVES/ONE MAN'S VIEW** ..... 17  
*John Cox suggests reasons why a nation of lumberjacks is not okay.*
- DELHI ANTENNA STORY** ..... 20  
*Jim Essex reports on a Canadian success.*
- FLUKE 8020A DMM REVIEW** ..... 35  
*Every ohm should 'av one*
- DATA SHEET** ..... 40  
*TGS 812/813, gas sensors*
- YOUR PERSONAL R2D2** ..... 43  
*Brian Matthew's home-made robot*
- THE REAL R2D2** ..... 45  
*John Stears' multi-thousand dollar robot*
- ETI SOFTSPOT** ..... 47  
*Battle it out with fighter-planes and battleships*
- TECH TIPS** ..... 56  
*ETI's favorite section — ideas for experimenters*
- THE FUN OR ELECTRONICS** ..... 60  
*Paul Geiger's Cartoons*
- CLUB CALL** ..... 61  
*Canadian clubs for ETI readers*
- PROJECT FILE** ..... 64  
*Our new section to help project-builders*

## NEWS & INFORMATION

- |   |   |
|---|---|
| <b>News Digest</b> ..... 4                | <b>ETI Subscriptions</b> ..... 51       |
| <b>Microfile</b> ..... 6                  | <b>ETI Panel Transfers</b> ..... 59     |
| <b>Canadian Projects Book</b> ..... 11    | <b>741 Cook Book</b> ..... 59           |
| <b>Audio Today Letters</b> ..... 12       | <b>ETI Publications</b> ..... 62        |
| <b>Next Month's ETI</b> ..... 13          | <b>ETI Binders</b> ..... 63             |
| <b>ETI Circuits No. 1</b> ..... 27        | <b>Classified Advertising</b> ..... 63  |
| <b>Classified Advertising Info</b> ... 34 | <b>ETI Marketplace</b> ..... 66         |
| <b>ETI Back Issues</b> ..... 39           | <b>Reader Service Information</b> .. 66 |
| <b>ETI T-Shirts</b> ..... 42              |   |

# NEWS DIGEST



## Portable CB Analyzer

Sencore has begun the marketing of a new portable CB analyzer.

The CB49 weighs 10 pounds, and operates from batteries or AC. The tester is completely automatic, with all tests shown as good or bad on an analogue meter. This feature enables non-technical dealers to check out CB radios to be sure they are defective before sending them to a service center.

Every test is completely automatic: SWR, RF watts, percent modulation, distortion, or percent off channel, for the transmitter section. The receiver is checked in the same automatic way. The CB49 is the first CB analyzer to make the receiver sensitivity checks automatically, as an internal device

samples and compares signal to noise ratio and does the calculations.

The CB49 is equipped with the standard 8 ohm loudspeakers load, plus a special 3.2 ohm load for in-dash checks of the new radios that Motorola is gearing up to build for Ford this year. A DC voltage jack is provided to test the battery voltage in the automobile dash built-in relative field strength meter checks that the CB is working correctly and that the antenna has been installed properly.

The US price is \$695. Canadian representatives are Superior Electronics Inc., 1330 Trans Canada Highway South, Montreal, Quebec H9P 1H8.

## EICO Move

EICO (Canada) Limited have moved to PO Box 268, Richmond Hill, Ontario, L4C 4Y6. (Phone 883-9900.)

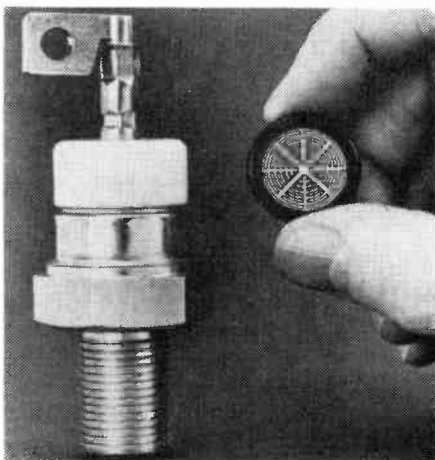
## ACA Catalogue

The 16-page ACA Electronic Centres catalogue came into the office recently. Contents are: digital multimeters, voltmeter accessories, digital thermometers, power supplies, oscilloscopes, counters, generators, and two pages of demos and specials. Available free from your ACA Electronics Centre — in Vancouver, Calgary, Montreal or Toronto.

## Rub-Down Resist

Ceres Electronics of Toronto announce a new material which should come as a godsend to everyone interested in making PCBs. Known as 'Ceresist', the product consists of 'rub down' dry transfers in typical PC patterns. (eg, IC pads, transistor pads, lines, etc.) These can be easily applied to PCBs, which are then ready for etching since the material has excellent resist properties. Ceresist can also be applied to paper for artwork masters that can be photographed for both photo-etch and silk screen processes — in fact, the material takes well on almost any surface, including clear film. Easy to apply, the product gives highly professional-looking results, is erasable, and costs less than many comparable products. Ceresist is stocked by Dominion Radio in Toronto and is also available by mail from Ceres (see ad in this issue), who will be glad to send further information.

Ceres, 53 Burnett Ave., Willowdale, Ontario M2N 1U2.



## Largest Transistor

A new high-current, high-voltage and fast-switching power transistor, with turn-on and turn-off times less than 0.5 us, is available from the Westinghouse Semiconductor Division. This large switching transistor, is particularly applicable to high frequency inverters, switching power supplies, power amplifiers, induction motor control, and chopper controls for vehicle drives.

Rated at 200 amps peak current, 450-550 volts, the D60T transistor has a gain of 10 at 50 amps. Its high power dissipation and low saturation voltage enables it to switch high-power loads at

high frequencies. Fast switching speed allows reduced size of magnetic components and more efficient energy use.

The transistor's simple turn-off eliminates the complicated commutating circuitry required with SCRs. An extensive safe operating area is provided for high-energy switching circuits.

For more information about the new D60T high-speed switching power transistor write to Semiconductor Division, Westinghouse Canada Limited, PO Box 510, Hamilton, Ont. L8N 3K2 or call (416) 528-8811.



Ford of Canada will introduce next fall two factory-installed options designed to improve the quality of their car stereos — a fully electronic radio and a high fidelity sound system.

The radio is combined with a quadrasonic 8-track tape player, and uses electronic memory for storage of favourite station frequencies. Touchbuttons are used to recall the frequencies, which are displayed digitally.

Production of the new radio at the Don Mills, Ont., plant of Philco-Ford of Canada has resulted in a \$6 million expansion program and the creation of 300 new jobs. In contrast to the current top-of-the-line AM/FM stereo radio with quad tape (top), the new radio eliminates the slide-rule dial and projecting knobs and buttons.

The 300 new jobs bring employment in Ford operations in Canada to more than 20,800 — up 2,100 in the past 12 months and the highest level since Ford was established in Canada in 1904.

## Digital S. Meter

The 'Signal-Hunter' digital S-meter has a three-digit LED display which reads to a tenth of an S unit. Signals over S9 are displayed directly in dB. The unit also works in the transmit mode to display relative power.



The photo-drawing illustrates two features not mentioned in the text of the Press Release we received: the display works with the unit switched off and there's an LED display with a special segment for the downstroke of "7". For more information contact: DIGI-COMM, Suite 110, 720 Ste-Catherine St. West, Montreal, PQ H3B 1B9. (514) 871-9433.

## 50 MHz Pulse Generator

A new 50 MHz pulse generator, the Wavetek 802, is now available in Canada from Allan Crawford Associates Ltd.

This new generator features variable pulse width and delay over the 5Hz to 50 MHz operating range. Continuous, triggered, gated and external width operation are selectable with single, double or complement pulse outputs.

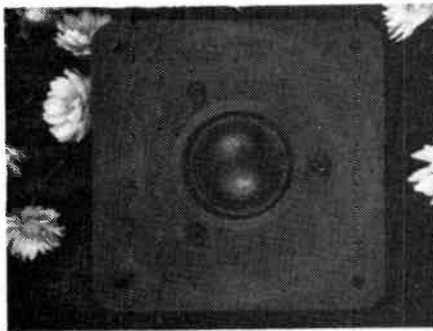
Four simultaneously available outputs further enhance the utility of the generator: the +/- 10 volt variable output, a fixed TTL output, a fixed TTL complement output and a TTL compatible sync output. The variable amplitude output features independently adjustable upper and lower pulse voltage levels.

For optimum loading, internal 50 ohm termination at the source, at the load, or both, gives additional versatility in minimizing signal reflections.

For more information contact Allan Crawford Associates Ltd., 6503 Northam Drive, Mississauga, Ontario L4V 1J2 (416) 678-1500.

## Dome Tweeter

The Electron Devices Division of Philips has just added the AD01600T8 tweeter to their DeForest Loudspeaker series for the home constructor of high quality enclosures.



This new square-frame model features a forward mounted textile — material dome radiator. Initially available in 8 ohm version. 4 ohm and 15 ohm versions will follow shortly. The tweeters meet DIN 45500 (specification for low distortion), feature very wide dispersion pattern and are ideal for use singly or in multiple arrays. The power rating is 40 watts RMS (system) per tweeter when crossed-over at 4 kHz or above.

The response extends to over 22 kHz and the (maximum) suggested resale price is \$27.50 each.



This 320 pound RCA vacuum switch tube is the world's most powerful of its kind and will be used in tests to prove feasibility of making electricity from nuclear fusion. The tube handles 25 million watts. Twelve similar tubes will be used in a nuclear fusion reactor being constructed at the Plasma Physics Laboratory of Princeton University.

## PETs Are Here (At last)

While CSA approval is still pending on Commodore PETs, Rick Denda of Marketron is importing them directly from the States and having them approved by Ontario Hydro. As far as we know these are the first PETs to be actually sold in Canada.

## New Calcs From Commodore

The P50 is a new single-chip programmable from Commodore due to be delivered mid-May. For \$32.95 you get 24 steps, allowing conditional branching, skip, and single-step operation. The usual scientific functions and memory are available. The display can show an 8-digit mantissa and the obvious 2-digit exponent. Power is from a common 9V battery.

Also new is Commodore's SR4912 scientific calculator for \$22.95. Fifty key functions, including memory, and an 8+2 ('12' character) display. Power is from a 9V battery.



## New Hammond Power Supplies

A wide range of open frame series regulated power supplies are now available off the shelf from the Hammond Manufacturing Company through leading Hammond distributors. The array of single output ranges from 5 to 250 V DC with currents ranging from 100 mA to 30 amps. There are dual, triple and quadruple output supplies for digital and microprocessor applications. Characteristic regulation is +0.05% line and +0.1% load.

Hammond extend a full two year warranty. Hammond Manufacturing Company Limited, 394 Edinburgh Road North, Guelph, Ontario N1H 1E5 (519) 822-2960.

## TV Production Workshops and Colour TV Courses

Sony Of Canada Ltd. will sponsor an "Advanced Television Production Workshop" in the following locations during 1978: Montreal, May 8-12 and November 27-December 1; Vancouver, June 12-16; Edmonton, October 16-20; Toronto September 18-22.

Sony will also sponsor a "Basic Colour Television System" course as follows: Toronto, June 6-8 and October 3-5; Vancouver, September 12-14; Montreal, December 13-15.

## Biomed Course

Fanshawe College, through its Faculty of Technology offers a two year post-graduate Biomedical Electronics program for electronics technicians. Entrance requirements are graduation from an electronics engineering technician program from a community college or equivalent.

The 52 week co-operative program is designed for the graduate Electronics Technician who wishes to prepare himself for a career in a health care environment. A technical report on the work experience is required for graduation. Fanshawe College, P.O. Box 4005, Terminal C, London, Ontario N5W 5H1 Telephone (519) 452-4191.

# microfile

## Two-Sided Floppies

Micropolis Corporation has extended the capacity of its 5¼-inch floppy disk subsystems with the first double-sided models with formatted file storage of up to near million bytes.

Micropolis Corporation, 7959 Deering Avenue, Canoga Park, California 91304 (213) 703-1121.

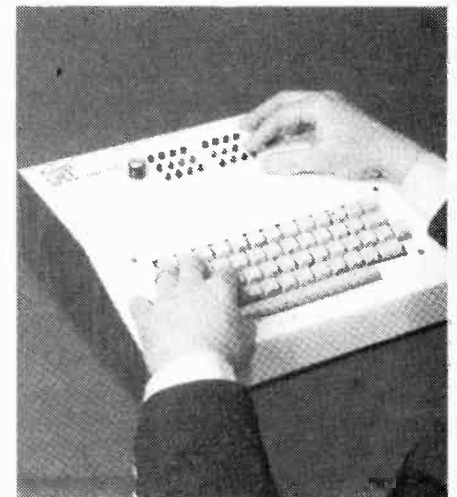
## RCA SOS 8085

RCA Corporation and Intel Corporation have signed an agreement whereby RCA will design high-density SOS (silicon-on-sapphire) versions of the Intel 8085 and 8048 microprocessors. Conversely, Intel will receive

information which will allow it to manufacture CMOS SOS versions of these components.

## CREI Micro Programme

Programme P680 is a new CREI course teaching minicomputer and microprocessor technology. The fifty assignments include four lab units and the student develops his own 6802-based microcomputer (but no video interface included), and gets a free TI-30 calculator. The course costs \$1600. More details from McGraw-Hill Continuing Education Centre, 330 Progress Avenue, Scarborough, Ontario, M1P 2Z5. Phone (416) 293-1911.



## EXORciser II

The capabilities needed to design and develop high performance microcomputer systems based on Motorola's M68BXX series of 2 MHz chips are now offered in the EXORciser II, an extended version of the widely-used EXORciser Development System. EXORciser II also directly supports designs based on the M68AXX (1.5 MHz) and M6800 (1.0 MHz) series. Optional modules are also available to configure EXORciser II for development of systems based on all other microprocessor and microprogrammable families offered by Motorola. These include the MC3870 Microcontroller, the MC141000

Microcomputer, and the MC2900 (TTL) and MC10800 (MECL) 4-bit slices.

EXORciser II features what Motorola call Dual Memory Map Mode which lowers development time and cost by allowing full use of the complete microprocessor addressing map, regardless of the addressing requirements of the EXORciser II and its system peripherals. With the dual mode feature, a more complete emulation and debugging of the user's system can be achieved since memory in the user's 65 kbyte map need not be allocated to the new EXbug program which can now reside in its own 65 kbyte map. If desired, EXbug 2 may

reside in the user's memory map as before.

EXORciser II is available now from Motorola sales offices and authorized distributors. Part numbers for the four configurations of EXORciser II are given below, and US prices: M68SDT1-2S"X", EXORciser II with 32K Static RAM, 110V, \$7850. M68SDT2-2S"X", EXORciser II with 32K Static RAM, 220V, \$7900. M68SDT1-2D"X", EXORciser II with 32 Dynamic RAM, 110V, \$7250. M68SDT2-2D"X", EXORciser II with 32 Dynamic RAM, 220V, \$7300. ("X" = A, B, or M for cassette, tape, or MDOS version of Assembler/Editor program)



## Four-disk system from Processor Technology

An integrated small computer system with four full-size floppy disks on-line has been introduced by Processor Technology Corporation. The new system, Sol System IV, includes the company's Sol-20 mainframe with 50,176 8-bit words of RAM memory, a Helios II Model 4 Disk Memory System, PTDOS Disk Operating System, Extended Disk BASIC, a video monitor and complete documentation. Total mass storage capability on four formatted disks is 1.5 million bytes.

The PTDOS Disk Operating System offers advanced functions including

complex editors, assembler, device-independent files, and random indexed files. Extended Disk BASIC was designed to obtain maximum performance from Sol/Helios hardware. The video display can be addressed randomly to any position on the screen so one can easily write powerful forms control procedures. Extended BASIC includes string and advanced file functions, timed input, complete matrix algebra, base 10 and natural logarithms, trigonometric functions, exponential numbers and 8-digit precision.

In addition to Extended BASIC, Processor Technology offers disk fortran and disk pilot languages as low cost options.

Suggested US price for Sol System IV fully assembled and factory tested is \$7995. Delivery from Sol computer dealers throughout the United States, Canada and internationally is stock to 90 days.

For complete information, please address Processor Technology Corporation, 7100 Johnson Industrial Drive, Pleasanton, CA 94566.

## Micros for Scientists and Engineers

There still might be time to register for the American Institute of Professional Education's 'Microprocessing Fundamentals' courses in five Canadian cities this May and June. AIPE is a non-profit organization, but the course still costs \$695. You get a KIM-1 and manual — to keep. Dates: Calgary, 23-25 May; Ottawa, 31 May-2 June; Edmonton, 6-8 June; Montreal, 13-15 June; Toronto, 20-22 June. More details: The American Institute for Professional Education, Brentwood Management Ltd., 212 Queen St., East Brampton, Ontario. Or phone 201-377-7400.

## Catalogue From E&L

A sixteen page microcomputer products catalogue containing complete descriptions and detailed specifications of the MMD-1 Mini-Micro Designer, and many other microcomputer products is available free from E&L Instruments, Inc. The 8080A based MMD-1, available in kit or fully assembled form, is part of an integrated educational and development system that includes the famous Bugbooks, and many other useful accessories.

E&L microcomputer products include many practical accessories for users of S-100 compatible systems. E&L Instruments, Inc., 61 First St., Derby, CT 06418 USA.

## Logic Analyzer Literature

The employment of general purpose logic analyzers to solve microprocessor problems is the topic of a new application note from the Biomation division of Gould, Inc. The brochure presents a practical approach to troubleshooting microprocessor-based systems utilizing the company's 1650-D logic analyzer, 116 display control accessory and two 10-TC probe pods. The application note uses detailed diagrams and scope CRT photos to help the reader easily step through the program execution. To get your copy of this application note, contact Bob Lorentzen, Applications Engineer, Digital Instruments, Gould-Biomation, 4660 Old Ironsides Drive, Santa Clara, CA 95050.



# Audio Today

Developments in audio reviewed by Wally Parsons

SHURE BROS. has recently launched an advertising campaign which emphasises the point (if you'll forgive the pun) that there is a lot more to a good pickup than the stylus and its shape and other characteristics. This is one of those obvious things which most of us take for granted. After all, we no longer use thorn needles held in place by a set screw. However, it is only natural that a manufacturer should lay emphasis on some particular aspect of design which distinguishes a new product from others, and at the present time this happens to be stylus shape.

But it is equally true to say that there is more to a pickup than the pickup; there is its termination, which is also the interface with a pre-amplifier. All too often the only aspect of pickup termination considered is the load resistance. Since this has been essentially standardized for stereo pickups at 47k, it is no longer something with which we need concern ourselves. Figure 1 shows the equivalent circuit of a magnetic pickup including its load and the preamp. Coil inductance  $L$  and load capacitance (including cable, preamp and strays) constitute a resonant circuit whose circuit is controlled by the internal resistance  $R_s$  and load resistance  $R_L$  (including preamp input resistance).

## COMPLIMENTARY CHARACTERISTICS

All too often it's assumed that the recommended load capacitance for a pickup is a maximum figure, and it doesn't matter what actual value is used as long as it does not exceed this figure, and that too much capacitance will reduce high frequency response. Nothing could be further from the truth.

The moving system of any pickup has a natural resonant period which results from the effective mass of the moving system referred to the tip, and the compliance of its suspension. This produces a resonant peak which may be damped to a greater or lesser degree. This results in a particular response curve due to the mechanical system. In order to achieve a flat response to a constant velocity, the electrical circuit must have a response which is complementary, and this response is shaped by the circuit elements shown in Fig. 1. In order to achieve specified performance then, we *must* provide the specified loading conditions.

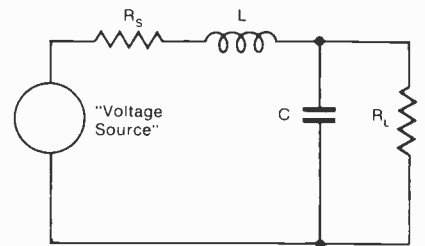
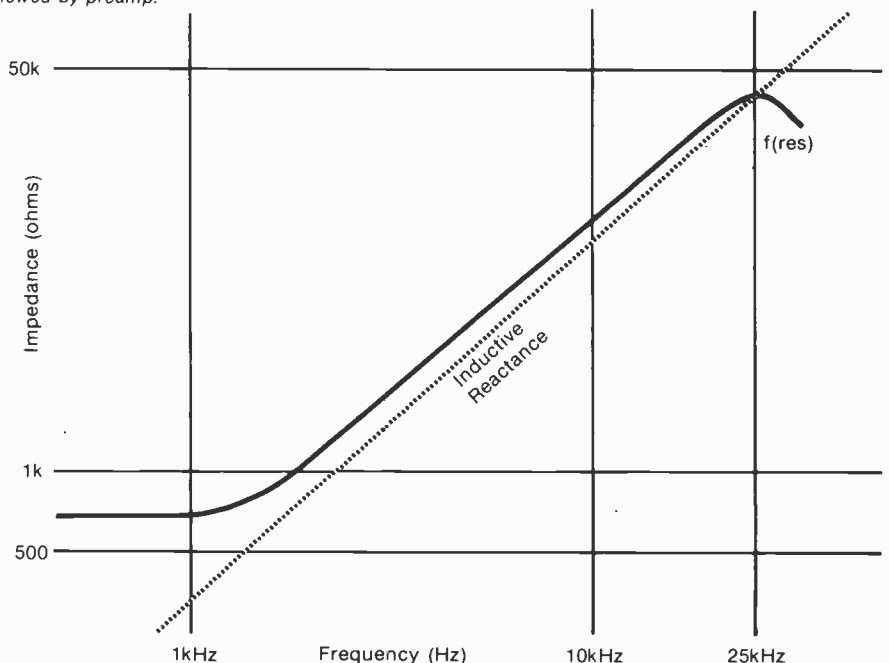


Fig. 1. Equivalent circuit of a magnetic pickup including load and preamp.

Fig. 2. Impedance vs. frequency plot of source viewed by preamp.





## NOTHING IS EVER SIMPLE

Since  $R_L$  includes the preamp's input resistance, including it in the calculations of fixed resistance is simple, provided either that  $R_{in}$  is very high, or is a constant value. But this is seldom the case, especially when feedback is applied to the input stage, and is further complicated when equalization is incorporated in the feedback loop. Feedback alters the amplifier input impedance, and a feedback equalizer introduces a feedback factor which is frequency dependent, therefore, the input impedance is frequency dependent. It is important therefore that the preamp be designed in such a way as to ensure that its input impedance makes a negligible contribution to the pickup load. With commercially built equipment we rarely have any control over these characteristics, and in any case manufacturers seldom supply such information.

Is it any wonder then that a pickup may deliver outstanding performance with one preamp and prove quite disappointing with another of similar, or even better quality. It's worth noting that moving coil pickups when matched to a pre-preamp are less subject to these conditions, and the pre-preamp's output being resistive is affected less by the preamp-equalizer's input characteristics, as compared to other magnetic types, and this may be a major factor in the audibly superior quality of such units. It also goes a long way toward explaining the fact that many radio stations achieve excellent sound considering that pickups used are chosen with ruggedness in mind and frequently will deliver unacceptable performance in a home system.

## LOOKING FROM THE OTHER DIRECTION

The circuit shown in Fig. 1 provides the source impedance for the preamp, and this impedance may look something like Fig. 2. This is quite a bit different from the simple resistance often assumed when designing a preamp. Since most preamps in use today use series summing (a later article will cover this subject) the feedback factor is modified by this impedance characteristic, and equalization accuracy is impaired. In addition, a complex and often unpredictable phase characteristic is introduced to affect the stability margin.

One solution is to use a differential input, but this is a noisier configura-

tion. However, since the final noise figure is influenced by the source impedance this may not always be a problem. In other words, the noise figure which results from the variable source impedance may be sufficiently higher than the theoretical minimum that in reality we end up with the same noise figure no matter which circuit is used.

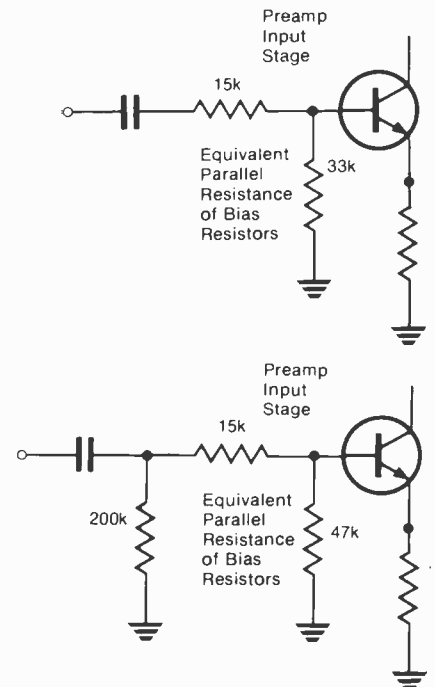
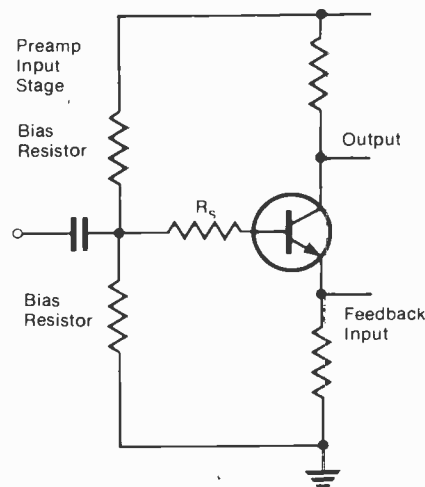
Another solution for use with preamps which already exist is the addition of series resistance to the input (Figure 3a), although one would at first expect this to increase noise level, the more nearly constant source impedance allows input stage current to be optimized for the series resistance itself, with the additional benefit of allowing a better match to a wider variety of pickups. It can also be helpful in reducing rf pick-up, especially if circuit layout permits insertion directly at the base lead of the input stage. It also means that pickup

load capacitance can be provided exclusively by the connecting cables and fixed capacitors. A suitable value for this resistance would be around 15k for most pickups, and should, if possible, be connected after the 47k load resistor, otherwise an additional load of 200k will be required, as in Fig. 3c.

If a pickup-preamp combination does not perform as well as the quality of each component suggests it should, there is a good chance of the kind of hidden mismatch which many people seem to think is mysterious. It isn't really, it's just a matter of looking at all the facts, and considering the interaction of all circuit elements.

Fig. 3b,c. Two alternative modifications to existing preamp input stages depending on bias resistor arrangement.

Fig. 3a. Preferred method of "swamping" cartridge inductance by adding series resistance  $R_s$ .



## Listen to a JENSEN

A truly superior group of speaker systems... the Spectrum Series from Jensen. A new plane of sound reproduction. Remarkable clarity. Admirable quality. And fullness of sound from the deepest lows to the top-of-the-scale highs. Beautifully finished natural hardwood veneer cabinets accommodate a family of advanced sound systems.

**Write today for Free catalogues and the name of your nearest Jensen Dealer —**

**len finkler ltd**  
 25 Toro Road, Downsview, Ont. M3J 2A6  
 (416) 630-9103 Telex 065-24010




# Audio Today

## CONNOISSEUR BD103/A

This is probably the lowest priced D.C. Servo Motor turntable on the market. Belt driven, and with 3 speeds and arm and Auto lift off, it comes complete with cover and base at \$299.50. Without the arm it's designated as the BD103 at \$239.50.

Connoisseur has been known since the year one for excellent performance at a low price, and although not designed to take abuse, their products have generally been very reliable. They also make what to my knowledge is the only turntable in kit form, the **Model BD-1**, at \$69.50.

Connoisseur is manufactured in England by A.R. Sugden, and distributed in Canada by Rocelco Inc., 160 Ronald Dr, Montreal P.Q. Postal Code H4X 1M8.

## PHILLIPS WOOFER

PHILIPS AD4050W Woofer is now being stocked. A 4" unit in the De Forest series, it features a 3 ounce Ticonal magnet, 1" voice coil and a 60 Hz resonant frequency, and is suitable for automotive use as well as small bass reflex systems. The magnet system is said to have a low external field.

For further information please contact Philips Electronics Ltd., 601 Milner Ave., Scarborough Ont M1B-1M8.

## KRIKET SPEAKERS

KRIKET KLASSIC speakers manufactured by Acoustic Fibre Sound Systems of Indianapolis, U.S.A. are now marketing a line of automotive speakers, both co-axial and dual range, in 5"x7" and 4"x10" sizes at prices ranging from \$17.50 to \$24.95. All types feature 10 oz ceramic magnet and 1" voice coils and claim a power handling capability of 25 W.

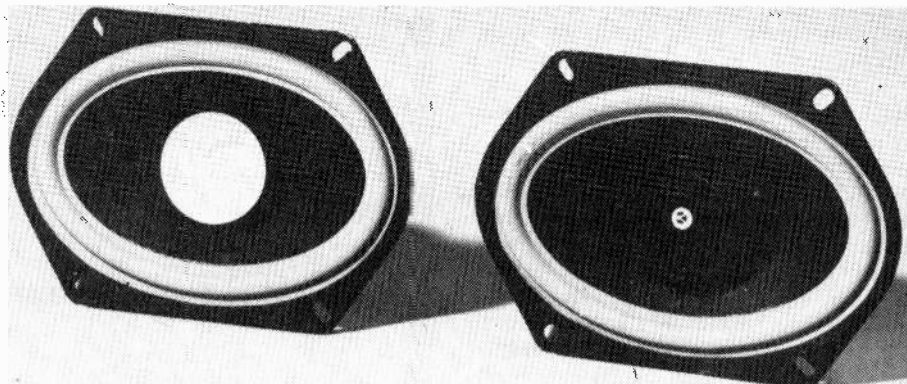
Canadian distribution is handled by Allcan Communications Ltd., 3335 North Service Rd., Yorkbury Sq., Burlington Ont., L7R-3Y7.

## TELEDAPTER

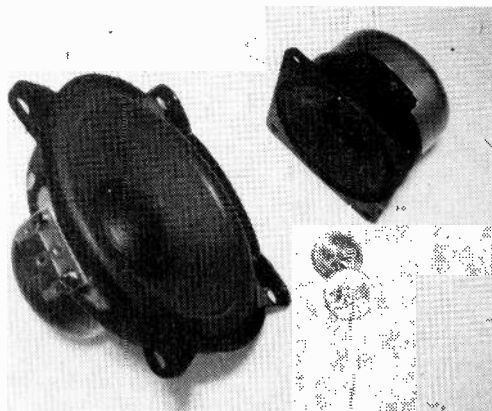
Television sound really is a lot better than your receiver would have you believe. TELEDAPTER manufactures the model TE-300 and the rack-mounted TE-300R TV Audio tuner to prove it. It is installed and used in the same way as an FM tuner except that it uses VHF/UHF channel selectors and is tuned like a TV set, completely bypassing the usually poor to atrocious sound system incorporated in most TV sets. In addition the unit



Connoisseur Transcription turntable BD103/A.



Automotive speakers from Acoustic Fibre Sound  
The Kriket Klassic 2731 and 2732



A couple of De Forest products  
from Philips.

features a simulated stereo output and will be convertible to true stereo when such transmissions are authorized. U.S. prices are \$169.95 for the TE-300 and \$249.95 for the TE-300R.

The company also manufactures a model TE-200 which produces a stereo simulation from any mono source including TV (which is taken from the speaker terminals) at \$19.95, U.S.

Write to Rhoades National Corp. Box

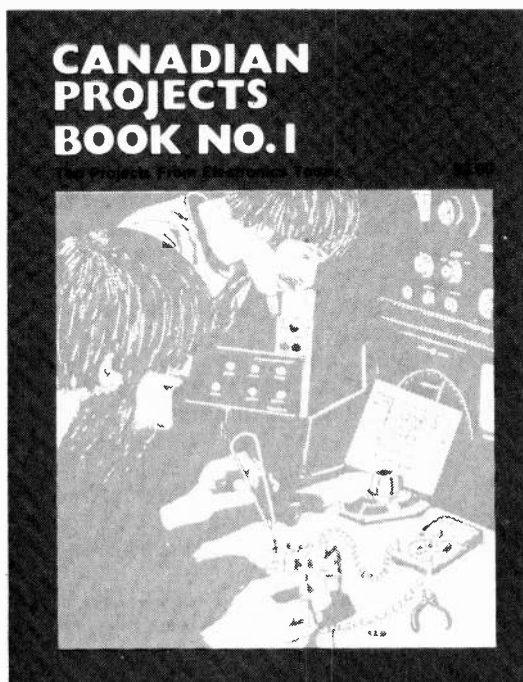
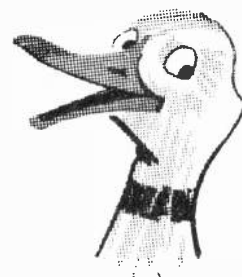
817, Hendersonville, Tennessee, 37075, U.S.A. Sorry, but I don't have a Canadian rep. listed.

When writing to manufacturers and distributors, please mention ETI. I thank you, Steve thanks you, and Caesar the cat thanks you.

## COMING SOON

Jensen 566 Triaxial speakers, and the new Stanton 881S pickup.

# I know where to find 6 projects never published in ETI- Canada!



## HEART-RATE MONITOR

By clipping an illuminated bulb to one side of your ear-lobe and clipping an LDR to the other side, you can monitor the changing translucency of the tissue as blood spurts through the blood vessels. The signal from the ear-lobe detector is cleaned up and squared off and then fed to a frequency-to-voltage convertor which, after buffering, drives an analogue meter. This project is not meant for use as a serious diagnostic instrument. It can be used by those experimenting in biofeedback or by sportsmen in training.

## DOUBLE DICE

A project to get you started in CMOS digital electronics. A decade counter is made to divide the output from an oscillator by six. The dice rolls while a button is pressed and continues to roll (now slowly) for a short while after release. Consumption from the battery is so low that we use no on-off switch. The results are truly random.

## TOUCH ORGAN

What's so neat about this project is that it is all on one PCB. Twenty-seven touch-switches are laid out on the copper side of the board to give a full two-octave keyboard and tremolo switch. There are two voices available, and a volume control. The project is easy to build, uses 12 ICs and runs from a 9V battery.

## PHASER

The effect of the phaser or phlanger will be well-known to readers who are interested in popular music. The ETI phaser achieves the desired effect by splitting an audio signal into two paths and re-mixing the components after one has undergone a phase change. This change takes place in six RC networks, each capable of 180° shift at high frequencies. This gives a comb-shaped response (3 minima) for the unit as a whole. The characteristic whooshing sound occurs when we change the resistive elements of each RC section (using a 4049 as six sets of complementary FETs) under voltage control from a triangle-wave oscillator.

## AUDIO LIMITER

This stereo device uses a 4049 CMOS hex-inverter IC to provide enhancement-mode FETs for use in a voltage-controlled attenuator circuit. The project can be used to limit audio peaks to prevent amplifier clipping, to reduce the dynamic range of a signal for recording, or as a voltage-controlled volume control for remote or automatic operation.

## SOUND-LIGHT FLASH

This project senses a change in light or sound and, after a predetermined delay, operates a photographic flash unit. You can photograph glass shattering, any violent impact splash, clap, explosion, etc.

They're in our "Canadian Projects Book No. 1", now available for \$3 a copy.

Please clip the coupon below and send to: **ETI Magazine**  
Unit 6, 25 Overlea Blvd., Toronto, Ontario, M4H 1B1

If you want to checkout the other projects in this book see the early issues of ETI Canada:

5W Stereo: Feb. 77  
Overted: July 77  
Bass Enhancer: Aug. 77  
Disco Modules: Mar. 77 & Apr. 77  
Metal Locator: March 77  
GSR Monitor: June 77  
Fuzz Box: May 77  
Mastermind: July 77  
Reaction Tester: Feb. 77  
Burglar Alarm: May 77  
Injector-Tracer: June 77  
Digital Voltmeter: July 77

<b>CANADIAN PROJECTS BOOK No 1</b>		PLEASE PRINT
NAME _____		
ADDRESS _____		
TOWN/CITY _____	PROVINCE/STATE _____	
CODE _____	DATE _____	
<input type="checkbox"/> Please send me one book. I enclose \$3.00.		<input type="checkbox"/> Please send me two books. I enclose \$6.00.
<input type="checkbox"/> Cheque enclosed. DO NOT send cash.		A/C No. _____
<input type="checkbox"/> Bill Mastercharge. <input type="checkbox"/> Bill Chargex.		Signature _____
		Expiry Date _____

# Audio Today Letters

Audio developments reviewed by ETI's Contributing Audio Editor Wally Parsons

Audio Today is ETI's new regular section dealing with news and views on topics ranging from loudspeaker design to audio circuits, from auditory perception to concert hall acoustics, from microphone techniques to designing domestic listening rooms.

If you want to express your views or report on news write to Audio Today, ETI Magazine, Unit Six, 25 Overlea Blvd, Toronto Ont. M4H 1B1.

## Recalcitrant Recorder

While visiting England last year, I purchased a combination AM/FM/Cassette player. I replaced the 250 V transformer with a 120 V unit. The frequency difference doesn't seem to affect its operation (it also runs on 6 V batteries).

But recently after obtaining a (5 pin) DIN patch cord to connect the recorder to my stereo (both of which accept the plug), I was unable to record directly from the amp to the recorder via the patch cord. The problem is a high-frequency sound (pulsating) which sounds like a chirping bird, and is generated only when recording from a phono input. The sound diminishes when I tape from the tuner (radio) input, or reel to reel tape.

Can you help? I don't want my recorder to be a synthesizer.

M.W., Scarborough Ont.

*It would help greatly if readers with problems supply as much information as possible, e.g. circuit diagrams, make and model of equipment, etc. Often the problem is due to some specific characteristic of the equipment, and with limited information I can only be of limited help. This is a good case in point. Ordinarily I should have thought that the problem would be most pronounced on FM external input. I suspect, though that there is output/input coupling within the DIN connector and/or bias signal on the line. Also, many recorders do not parallel the jack input and the DIN input, but each one operates at a different sensitivity and impedance. Some phono preamps become unstable when terminated in a load of too*

*low a resistance and/or excessive capacitance. In that case your best bet is either to increase the input resistance of the recorder with fixed resistors, or go to the separate line input jack (if there is one). If neither of these remedies is available, you may have to build a buffer which may consist of a 741 or similar type IC connected as a voltage follower. Have you tried driving the recorder from some other amplifier, and using the amplifier to drive another recorder? In the first case don't go through the switching system built into your present unit, but connect directly.*

## Compander Level

I am interested in building the ETI (Jan. 78) Compander but am not sure if it will work properly with my pre-amplifier. The compressor input seems to be specified at 1 volt. However, my pre-amp tape out only puts out 150 mV (max. pre-amp out only 550 mV) of signal. For optimum results does the compressor input have to be 1 V? If so could you supply me with a diagram of a simple low distortion pre-amp to run off the Compander power supply to raise my 150 mV to the required level. How much expander input voltage is needed?

B.F., Abbotsford B.C.

*The specifications show the MAXIMUM input voltage as 1 Volt. 150 mV will not overload the unit, and this is what counts. In any case, I doubt very much that this output figure for your pre-amp is anything other than a "nominal" figure based on some "nominal" input. After all, it's not like a power line which is fixed.*

## Hot Letter

I would like to say that I am enjoying ETI very much. I just can't seem to keep up with all the wonderful circuits being published. Please keep it up. I have a couple of suggestions:

1) More information on thermistors in general as I have experienced difficulty in finding any. Also what type of thermistor would be used in conjunction with the ETI Freezer Alarm project? The article omitted this. The LM3911 said little other than the sensor was built into the chip. No mention as to what one should hook up to the sensor from the freezer.

2) I have some rather good old tube type recording equipment. The heat of course is rather high as is the current consumption. I would like to up-date the gear without the expense of losing my tape deck to the scrap heap. How about getting the back room boys designing a good transistor playback-record amplifier, and maybe some info on tape heads.

Keep up the good work. I feel ETI is just about nicely balanced between practical and theoretical.

R.W., Mississauga Ont.

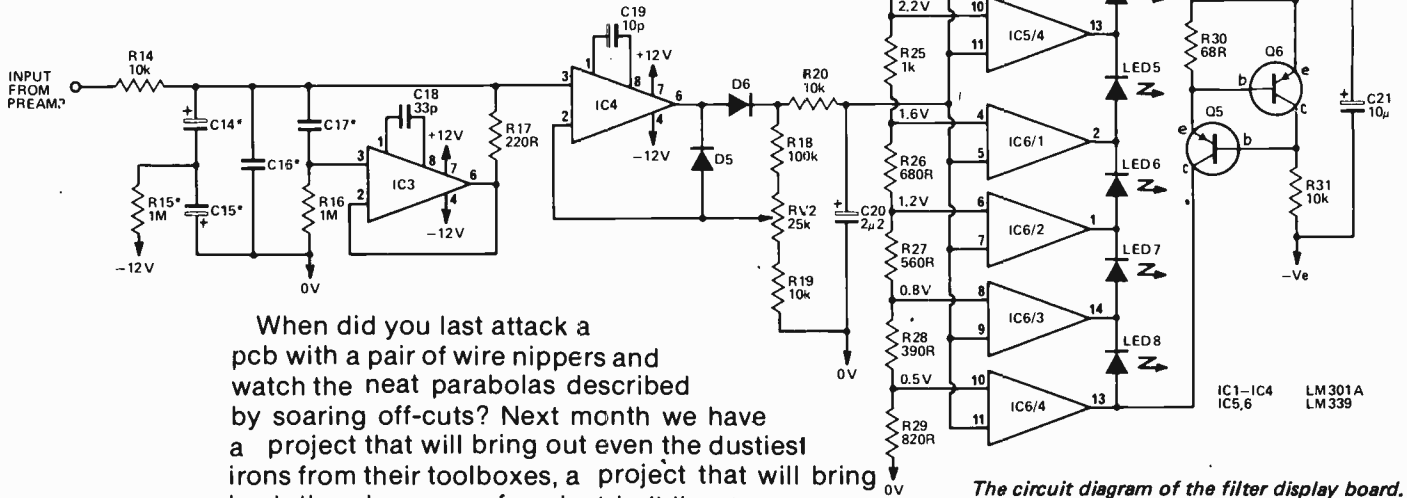
*Many thanks for the compliments; hope you like the new "Audio Today" feature. It's especially nice to hear from a fellow tube nut.*

*As it happens, I have two such recorders myself for which I plan to build new electronics in the future. If enough readers express interest it would be worthwhile developing a unit whose characteristics can be adjusted to match a wide variety of heads. To facilitate this I'd be happy to hear from readers with such equipment. Let me know what you have (make and model, and either age, or serial No. to help identify, if possible). The purpose here is to gain some idea as to how versatile such a project must be to be useful.*

*Howard W Sams publishes "ABC's of Thermistors", by Rufus P Turner, (20765) which you might find informative. Possibly we can do something on thermistors at a future date. As to the Freezer Alarm, I would suggest re-reading the data sheet in October 77 ETI. The LM3911 is a temperature controller with built-in sensor, and comparator input for operation from an external reference. The article omitted reference to a thermistor because it does not use one. You stick the whole LM3911 into the freezer and run a cable to the PCB as shown.*

# THE PERFECT PROJECT

When did you last inhale that exotic aroma of freshly burning solder flux?



The circuit diagram of the filter display board.

When did you last attack a pcb with a pair of wire nippers and watch the neat parabolas described by soaring off-cuts? Next month we have a project that will bring out even the dustiest irons from their toolboxes, a project that will bring back the pleasures of project-building to many lapsing enthusiasts, a perfect project.

You start with a hand-sized printed-circuit board and solder in two LM301 ICs and two LM339s. Using two transistors you make a constant-current source to limit the current through a chain of eight LEDs to 10mA. The 339 ICs (each a four-unit voltage comparator) are used to switch on the LEDs to give a bar-graph display analogous to the control voltage. This is simple stuff — easily within the scope of any ETI reader.

The finished board is to be used in the project to display the power content of an audio signal at a specific frequency. The two LM301s are used to (i) filter the audio, and (ii) rectify the audio and process the voltage to be fed to the comparators. The first IC is used as a gyrator which replaces the traditional inductor in a band-pass filter circuit. Here you brush-up your knowledge of filters and learn how to custom-design your own.

When you have got this board working and have experimented with the basic parameters (for fun) you can design another nine boards to monitor set frequencies across the spectrum. Then you can see how we did it and build up the extra boards. Add a board to handle buffering and noise generation, the simplest (isolated!) power supply ever and you have a space-age gadget for your hifi or a serious test instrument for your lab.

This project is required-building for all our readers.

Other projects in June ETI will be (if present plans are fulfilled): An accentuated-beat metronome. A proximity switch. An electronic race-track game.

The feature articles planned include the inside story on amateur radio, a survey of digital multimeters available in Canada, another of Wally Parson's technology-explained articles (this time he looks at 'Feedback' in electronic circuits), and possibly a look at Heathkit's pinball machine.

# Catalogue Survey

---

Here are some of the catalogues you should have to order electronic components through the mail.

---

Here we go again, telling you what you should have to be a good electronics enthusiast. A library of catalogues is essential to all project builders who want to do more than just put together kits. All catalogues are useful for finding sources of any parts you need, but generally much more is offered. Many catalogues provide data and specs for devices you might be having trouble with, and there is a lot you can learn (often you discover parts you never knew existed) by just reading through a catalogue.

Here we list some of the catalogues we use in ETI's editorial office, starting with the Fat Cats.

## ELECTRO SONIC

Eleven - hundred - and - sixty - odd pages qualifies Electro Sonic for the ETI King Katalog award. There's lots of photos and drawings and specs for all kinds of electronic stuff from micros to wire. The ICs come with data and applications circuits and the transistors have package drawings and basic specs. After the first 160 pages of semiconductors and 80 pages of passive components, the more boring (from the bedtime-reading viewpoint) hardware coverage starts. First there's 125 pages of Hammond products, a quarter of which is useful to people who have trouble finding transformers for projects. Then there's all the tools we

told you about last month and a whole heap of equipment, switches, pcb making materials, TV antennas, books (18 pages worth), you-name-it . . .

The catch is you have to pay \$10 for the catalogue, but it is worth it. Published 1978.

Electro Sonic Inc, 1100 Gordon Baker Road, Willowdale, Ontario, M2H 3B3.

## SAYNOR

Fat Cat number two comes from Saynor: 928 pages, but amazingly this one is free. At least it **was** free — Saynor might have to reprint if they get 25000 orders from ETI readers. To send the catalogue parcel post to BC costs \$1.75 for postage alone, so make suitable allowances if you want to order by mail. Published 1976.

There are no ICs listed, nine pages of transistors with brief specs, lots of SCRs, Triacs and rectifiers, the usual reams on switches, transformers, wire, hardware, plugs, sockets and terminals, and so on. For the tools coverage see ETI May 78.

Saynor Electronics Ltd, 99 Scarsdale Rd, Don Mills, Ontario, M3B 2R4.

## CESCO

The last of the big cats is from Cesco. Published in 1977. Three dollars (inc postage) gives you 352 pages of

products available from their centres in Quebec, Montreal, Ottawa and Toronto. The contents page reads like the other catalogues: first half of the book deals with the common components from semiconductors through to capacitors, and the second half is connectors, wire, switches, hardware, tools and books. Data is included for semiconductors — a useful reference — and the coverage of industrial products is extensive.

Cesco, 4050 Jean Talon Street, West, Montreal. Cesco, 24 Martin Ross Avenue, Toronto. Cesco, 1300 Carling Ave, Ottawa. Cesco, 98 Ouest St Vallier, Quebec.

## FUTURE

Future are planning a 1978 catalogue but at the moment the 1977 edition is current. You get 64 (about half ETI-sized) pages for \$1. Two-thirds of the line is semiconductors, with single-line descriptions. Lots of TTL, CMOS, linear ICs, and memories from 28 different companies. There's a limited range of passive components plus a line of RF wattmeters and accessories from Dielectric Communications.

Future Electronics Corp, 5647 Ferrier Street, Montreal, Quebec, H4P 2K5. Future Electronics Corp, 44 Fasken Drive, Unit 24, Rexdale, Ontario. (Note the phone number for the Toronto office is 675-7820; there is a misprint on the catalogue.)

## J & J

The 1978 J&J catalogue contains 64 full-sized pages of components for hobbyists or professionals. The speciality is semiconductors and surplus components (new and unused), from 20¢ 'disposable' transistors to microprocessor chips. There's reference data on transistors and 12 pages of 'kits' for projects (not ETI projects, and no cabinets included). Seven pages list Vero products and pcb materials. The quality of production and layout is first-class.

J&J also send out flyers every 6 to 8 weeks to advertise their bargains — the 'surplus' semiconductors, etc.

J&J Electronics Ltd, PO Box 1437, Winnipeg, Manitoba, R3C 2Z4.

## DOMINION

The latest Dominion catalogue was published inside last month's ETI so most readers will have a copy. The main catalogue was published in ETI last September and the next should appear this September. The catalogue is available from Dominion for 50¢; ETI back-issues cost \$2. Dominion handle lines from SGS Ates, SSS, Micro Electronics, Nissei, Elna, Philips, Injectorall, Ungar, Tenco, Jana, RSC, Marsland, Vista, Leader, and many more. Good for many components for the audio project builder, but poor coverage of ICs.

Dominion Radio and Electronics, 535 Yonge St, Toronto, Ontario, M4Y 1Y5

## SUPREME

In last year's catalogue survey the Supreme catalogue was a 60 page pocket-sized job. This year the catalogue is 252 pages, and full-size pages at that. Almost in our Fat Cat bracket.

The catalogue is very good as a reference for data and specs (that's all it is really — the price list is separate). In fact, we can vouch for the accuracy of some of the data — that which was ripped off from ETI.

The coverage is comprehensive: semiconductors, capacitors, hardware, tools (Alpha, Armaco, Lenline, Panavise . . . accidentally not mentioned as a supplier in last month's tools survey), etc. My only criticism is that the cheap paper used has a musty smell, probably because it's recycled paper.

The catalogue costs \$3, which is redeemable if you ask for it. (Unfortunately the wrong price is printed on the cover.)

Supreme Electronics Inc, PO Box 58276, Postal Station L, Vancouver, BC V6P 6E3.

## RADIO SHACK

The 1978 Radio Shack catalogue is available free from your local outlet. Components take 16 of the 164 pages, there's 3 pages of books, a couple of meters and power supplies, and 4 on electronic tools. A handy catalogue to have, because you don't have to order through the mail: just lock your workshop door, jump into the car, and wizz down to your local Shack. 'New for 78' includes a DIP switch, a right-angle LED socket, a DIP header, an 8080A, a wire-wrap tool, and some small components. PCB supplies, tubes, and antenna mounting hardware are other useful products.

Radio Shack have 640 stores across Canada.

## ETCO

Our latest ETCO catalogue is the November 77 edition but it's possible there's a more recent one out by now. The catalogue is a 32-pager, on newsprint, and, filled with 'scoop'/'hot buys'/'incredible'/'wow'/'value'/'while they last'/'Compare! Save!' Surplus bargains. It is not much help to a project builder who is looking for a component, but the interesting bargains are sure to give him ideas for new projects. For the hifi, CB, or amateur radio enthusiast it is worth a look through to see if anything grabs your fancy.

Etco Electronics, 183 Hymns Blvd, Point-Claire, PQ, H9R 1E9.

## CORONET

The 1978 catalogue from Coronet is 52 pages (unstapled) of semiconductors (mainly) and a few other components, like switches, plugs and sockets and PCB materials. Apart from the single-line descriptions there are a few pin-out diagrams: otherwise no data. No contents list either.

The influence of ETI is apparent — the only original circuits published are our copyright, copied from our Feb/77 issue. It would be nice if companies credited the magazine when they rip-

off our material — by rights they should pay for it in the first place.

Coronet Electronics, 649A Notre Dame St West, Montreal, Quebec, H3C 1H8.

## SUPERIOR

Superior are a big company with no general catalogue. They do not sell direct to the public from their Montreal HQ. One of the four main divisions sells (and makes) electronic components and test equipment (Sencore). They have several catalogues of interest to TV service people. There is a booklet explaining the range of Tech-Spray chemicals (like the chiller spray — which finds thermally intermittent components and cracked pcbs). Catalogue SP1178 covers chemicals and TV connectors, fuses, etc. There's catalogues for B&W and colour picture tubes, TV antennas and rotors.

Superior (Components Division), 1330 TransCanada Highway, Montreal, PQ H9P 1H8.

## ARKON

Not so much a catalogue, more a flyer, we received from Arkon an eleven-page bulletin listing kits, surplus equipment, computer accessories, and a few components.

Arkon Electronics Ltd, 91 Queen Street East, Toronto, Ontario M5C 1S1.

## TENCO/GLADSTONE/EDMUND

These catalogues are of interest to ETI readers but do not fall into the 'components' category. The Tenco catalogue has switches and cabinets, test gear, audio accessories, and auto accessories.

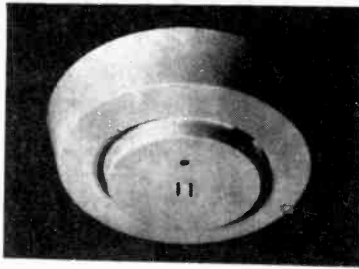
The Gladstone catalogue covers hifi (mainly), test equipment, and some bits and pieces.

The Edmund Scientific catalogue (sells for \$1) specialises in astronomy, optics, weather, biofeedback, and photography.

Tenco Electronics Ltd, 196 West 6th Ave, Vancouver, BC, V5Y 1K6. Tenco Electronics Ltd, 75 Denison Street, Markham, Ontario, L3R 1B5.

Gladstone Electronics, 1736 Avenue Road, Toronto, Ontario M5M 3Y7.

Edmund Scientific Products, 3500 Bathurst St, Toronto, Ontario, M6A 2C6.



# A BURNING NEED!

Protect Your Family by Installing an  
Early Warning

## DICON SMOKE DETECTOR

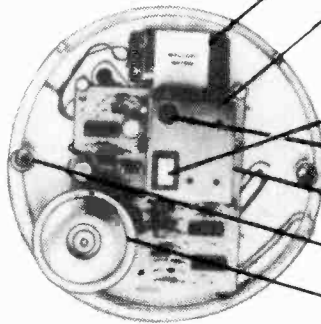
Over 80% of fire victims are not burned to death. They are ASPHYXIATED. The major killer is smoke, especially when you are asleep.

### LOUD 85 DECIBEL ALARM

Our DUAL IONIZATION CHAMBER senses invisible combustion particles, even before there is visible smoke at the beginning of a fire. This provides valuable, often crucial TIME TO ESCAPE.

only  
**\$33.95**  
each

Uses inexpensive,  
easy to obtain,  
DURACELL Battery



- BATTERY OPERATED:**  
Keeps working even if house power fails.  
Uses INEXPENSIVE, easy to obtain, Mallory 9 volt MN-1604 Duracell battery.
- DUAL IONIZATION CHAMBER:**  
Responds to fires in their earliest stages of development. Compensates for changes in humidity and temperature to VIRTUALLY ELIMINATE "NUISANCE ALARMS" caused by normal atmospheric changes in the home.
- LOW BATTERY WARNING:**  
Unit gives audible "click" every sixty seconds for a minimum of seven days when battery needs replacing.
- TEST BUTTON:**  
Pressing the button virtually duplicates the effect of smoke in the sensing chamber. Alarm sounds when button is pressed to test unit.
- OPERATING LIGHT:**  
This Light Emitting Diode (LED) flashes once every minute to confirm that the unit is receiving power from the battery.
- SUPERVISED SENSING SEMICONDUCTOR:**  
Continually on - should electrical continuity to this vital component break, the alarm will sound immediately.
- EASY INSTALLATION:**  
Two screws and anchors (supplied) provide mounting simplicity. Nothing else to connect.
- ALARM:**  
85 DECIBEL ALARM to alert sleeping occupants AUTOMATICALLY RESETS when the hazardous condition has passed.



Underwriters Laboratories of Canada  
listed and labelled

Suggested retail price \$49.95

RKG Hospitality Services direct mail price only \$33.95

plus \$1.95 shipping and handling.

Clip and mail to:

RKG Hospitality Services, Dept. 27A, P.O. Box 144  
Postal Station "R", 2 Laird Dr., Toronto, Ontario M4G 3T0

Please send me my Dicon Smoke/Fire Detector for only \$33.95 plus \$1.95 shipping and handling. Ontario residents please add 4% P.S.T.

Total cheque/money order enclosed \_\_\_\_\_

Name \_\_\_\_\_

Address \_\_\_\_\_

City \_\_\_\_\_ Prov. \_\_\_\_\_ P.C. \_\_\_\_\_

Please print clearly

Chargex.     Master Charge.    Expiry date \_\_\_\_\_

Credit card no. \_\_\_\_\_

Signature \_\_\_\_\_

COD orders. Please include \$1.50 (Non refundable)

**15 DAY  
MONEY BACK  
GUARANTEE**

**TWO YEAR  
Warranty  
against defects  
in workmanship  
and materials**



# A Lumberjack, But We're Not Okay

---

John Cox looks at the sociological and political explanations of why Canada doesn't have a thriving electronics industry, and offers some encouragement.

---

You might not expect 'politics' to be discussed in electronics magazines, but one of the functions of a magazine is to cast a look around at things which concern us generally, and, with a federal election in the offing, now seems a good time to tune in to what's going on (or isn't going on) in Ottawa. 'Parasitic oscillations' and 'spurious tweets' seem to describe things, though it would indeed be hard to fault the government's 'slew rate'...

As we all know, North America as a whole is in economic trouble, and this is due to changes which are really global in scope. While we obviously cannot blame the Canadian government for the entire situation, we can and should question whether we, as a nation with vast and relatively untapped resources, should turn out to be as vulnerable as we are.

There are signs that some politicians have come to realize that one major factor in our difficulties is our lack of secondary industries. We hew wood and fetch water admirably (this includes, of course, mining, growing wheat and chopping down trees), but when did you last see an IC with 'made in Canada' written on it? In the past, we paid for our imports of 'secondary' products with our exports of 'primary' ones, but in the present this does not work. Perhaps it is ironic that, at a period in history when people are seriously worried about natural resources running out, the world markets are saturated with raw materials and we actually have

difficulty selling them, but this is the position. (The president of one of our pulp and paper products companies recently noted that, were it not for the devaluation of the Canadian dollar, we would be exporting even less than we do!)

This is not the whole story, however, for even though our exports of raw materials provide most of our 'spending' money, they provide employment for relatively few people. Most of our population lives in a handful of cities strung out along the border, striving to make a living out of entrepreneurial and bureaucratic rather than productive skills.

As noted earlier, some politicians are beginning to see these aspects of the problem, but so far discussion of it has been on very general lines. This is where readers of this magazine come in, because any number of connections can be made between the overall situation and our field of electronics in particular.

You get an idea of the problem every time you build yourself an ETI project. About 90% of the components you use are imported from some other country. This means that you have a fork out an additional 11½% (or more) in excise tax, plus a considerable amount in overheads incurred by the extra work importing entails — while at the same time you are supporting foreign, rather than Canadian, labour! (While this is being written, a cut in provincial sales taxes is being announced. This may stimulate the economy slightly, but its effect in terms of job creation is limited,

because a large part of the spending dollar will go for imports.)

If you are hoping to make your career in electronics, you are directly involved whether you want to be or not. Without an electronics industry to speak of there simply are no openings for the majority of you — and such openings as there are exist mainly in the servicing and entrepreneurial side of the nearly non-existent industry. A while back, Mr Trudeau told an audience of arts students that if they couldn't find jobs in Canada, perhaps they should look elsewhere, and it would seem that the same advice applies to you! (Actually, the Prime Minister used the words, "if they don't like Canada..." It seems to me that this added insult to injury, and as far as inferences concerning patriotism were concerned, the boot should have been on the other side's collective foot. Perhaps it will prove to be so in the present election!)

Beyond all this is the consideration that electronics is a vital industry today. Government, business and finance are already so thoroughly computerised that we literally depend on imported technology to run the country. One could go on and on, but it is abundantly clear that if lack of secondary industries in general is a major factor in our depressed economy, then the absence of 'made in Canada' electronics is an outstanding example. (Indeed, one might be bold enough to suggest that, in a technological age, electronics is 'primary' rather than secondary. In which case, the situation has the

# Making Waves: One Man's View

makings of a calamity!)

As was stated above, traditionally we have paid for manufactured imports with raw materials exports. This was the line of least resistance — a line, it may be said, which seems to have a strong appeal to politicians. Now that we are beginning to hear mumblings about the need for secondary industry we realise that so far these mumblings are exceedingly vague, for the simple reason that politicians have never really focussed on the national needs in this direction before. Federal politics, in Canada, has always been a matter of going to Ottawa to plead for money for one's particular bailiwick. It is true that efforts have been made at the provincial level to promote industry, but again the lack of hard-nosed approach has been evident all too often (the ill-fated Bricklin car is an example of how politicians may be well intentioned, but impractical). It is strange, perhaps, that our latest Prime Minister considers himself a 'technocrat,' yet seems to have very little feeling for technology; at the same time, no one on the other side has either, so this remark is not intended to be partisan.

Similarly, because of our traditional role as hewers of wood and fetchers of water, we seem to have developed an inferiority complex in regard to technology. Politicians are not the only people who (seem to) have the innate feeling that certain things 'cannot be done' successfully in Canada. For instance, if you suggested that someone should start up a 'New Brunswick Instruments' or 'Newfoundland Semiconductor', you would be greeted with gales of laughter (check?) — yet such enterprises are just what Canada, to say nothing of New Brunswick and Newfoundland, needs!

Another 'psychological' complex is the idea that we can only build 'large' things, such as tractors, and that 'small' ones, such as microcircuits, are completely beyond us. This seems to derive from our self-image as a nation of lumberjacks, according to which the manufacture of transistors is tantamount to pressing wild flowers. Well, we're a lumberjack, but we're not okay. . . Finally, we have a fixation that we are a small nation in terms of population, and therefore can't do anything. This is certainly irrational in view of the present situation, where we have a very large number of people not doing anything because the economy gives them nothing to do.

From all this, it is clear that we have to change our thinking — and the

politicians have to bring their heads down out of the clouds and start paying much more attention to the real world, in very specific detail. Changing the economic structure of Canada will undoubtedly be difficult, but it is not a question of whether it can be done — it **must** be done!

For encouragement, we might take time out to look at some other countries for examples of how it can be. Holland, for instance, with 13M people yet boasts the mighty Philips organisation; W. Germany, France and Italy, all with more people than their natural resources can support and therefore engaged in constant struggle to survive, nevertheless have considerable 'home-grown' electronics industries. And while the UK isn't perhaps an example of 100% economic health, it does give us some object lessons. For instance, a commission was set up to decide which industries were most vital to the country, and electronics was high on the list of twenty which came out of this. As a result, government policies were instituted which gave priority to electronics, including massive support — and this explains why the UK is now contributing significantly to advances in the field, and indeed has companies which are rapidly expanding into the US manufacturing sector! If you sat down to build an ETI project in any of the common market countries, you'd be using components made (and very likely designed) right at home.

Canada will not change its situation without very considerable government support. As far as this writer is concerned, none of the political parties has come to grips with things, and for as long as they fail to do so our economic situation will grow worse, while the longer changes are postponed the more difficult it will be to make them. There are a number of steps the new government can take without taking an interminable length of time to indulge in theoretical claptrap. One would be to insist that multinational firms operating here should do a significant amount of research and development in Canada too. Another is that, since a great deal of electronics consists of manufacturing components into industrial and consumer devices, ways must be found to encourage component manufacture at home — at the same time as not penalising those who must import components not made here with heavy customs duties. These are just two examples of the kind of policies which must be developed immediately, and

which can only come about on the federal level.

It would be a truism to say that government should give leadership, but it appears from the record that somehow or other it is the people who have to lead the government right now. Of course, some of us have more clout than others — for instance, I've personally met at least two millionaires in the electronics business. (I don't know if they read ETI but I hope so!) But we all have **some** influence, and since our future depends on the electronics industry, we'd better find ways to make it felt, at all levels.

As an afterthought, electronics is a field which offers considerable and viable opportunities for relatively small businesses. If you can't get a job, maybe you can make one by starting a business yourself. This gives you a strong personal motivation for raising money and support, and automatically you will find yourself a 'campaigner.' But don't just leave it to 'big brother.' Get after him every way you can, and don't let up! Even if you feel you can't reach many people actively, you still have a chance to make your ideas felt at the ballot box, and if you sometimes wonder which side you ought to support, then ask yourself the question, 'Which side is supporting **me**?' (That's not selfishness — that's democracy!) If, in the final analysis, you can't find any evidence that either side intends to do anything for you, then take time out to go to a political meeting or talk to your MP, and ask him point blank what his policy is with regard to electronics. Sure, he'll probably reply that he doesn't condone 'bugging,' or expose that he's clueless — but that's your cue to wise him up as to just how important the issue is.

## MAKING WAVES

*John Cox suggested 'Making Waves' as a name for a regular column in ETI and sent us this piece to get it started. If you have any personal views (they don't have to concern electronics directly — but I have to be satisfied they are of interest to ETI's readers) you don't mind typing up (double spacing please), send them to Making Waves, ETI magazine, 25 Overlea Blvd., Toronto, Ontario M4H 1B1.*

*You might like to write in and say articles of this type have no place in an electronics magazine. . .*

*Steve Braidwood.*

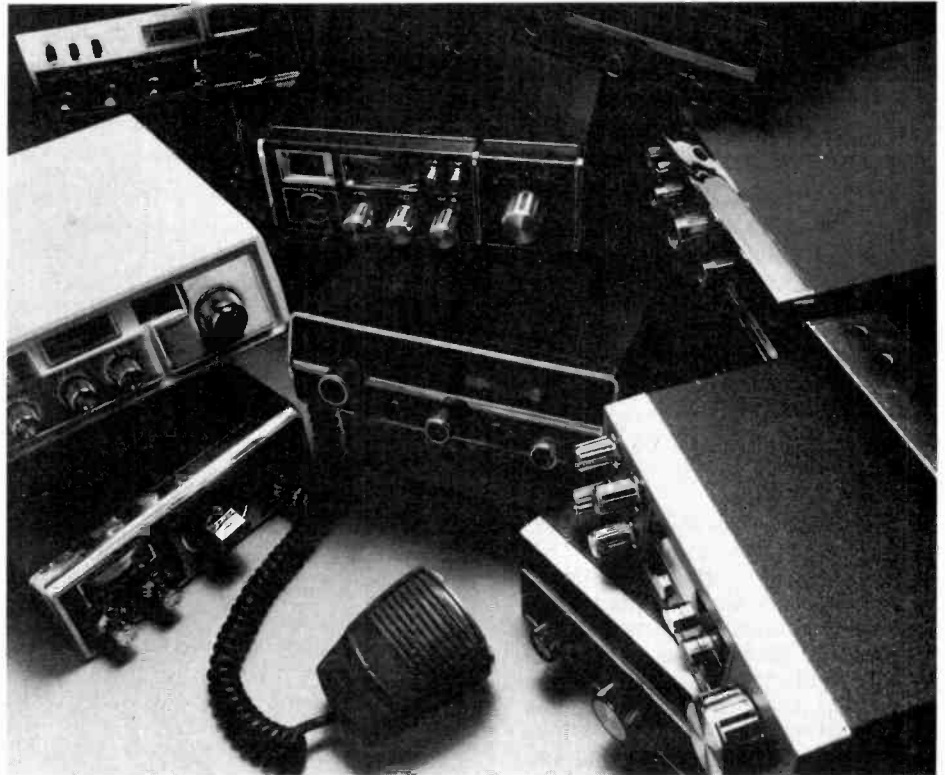
# 25 million reasons why you should look into NRI training in CB and Communications Servicing.

## The CB boom means big opportunities for qualified technicians... learn at home in your spare time

There are more than 25 million CB radios out there, millions more two-way radios, walkie-talkies, scanners, and other communications apparatus in use by business and industry, government, police and fire departments. And all of this equipment demands qualified technicians to install, maintain, and repair it. The man with the right skills can practically pick his job, even start a business of his own.

## Learn on your own 2-meter, digitally synthesized VHF transceiver or 40-channel CB

With NRI, you learn by doing, right in your own home in your free time. You use the NRI Discovery Lab™ to build and test a whole series of typical communications circuits, even assemble your own professional transistorized volt-ohm meter and a CMOS digital frequency counter. You erect and test various types



of antennas to gain a firm understanding of broadcasting principles. And finally, you assemble your own 2-meter transceiver for experiments in troubleshooting and servicing. As an alternate choice, you may elect to receive and experiment with a 40-channel CB to get more experience in this booming area.

## You learn in your own home, in your spare time, at your convenience

NRI's bite-size lessons and carefully matched practical experiments combine theory and bench work to give you the most effective training for your money. No need to quit your job or take night classes, you move ahead at the pace that suits you best. And NRI's professional instructor/engineers are always ready to help you with advice, explanations, and pointers as you progress toward your goal.

## 63 years and a million students worth of experience

Since our founding in 1914, over a million students have chosen NRI

technical training as the way to get ahead, the way to increased income and big opportunities. You owe it to yourself to see if this new and exciting field holds *your* future.

## Send for free catalog... No salesman will call

Find out all the facts about NRI's Communications or CB course. Or look into other areas of opportunity like TV and audio servicing, digital computer electronics, mobile communications, and more. Mail the postage-paid card for your free catalog showing courses, lessons, and equipment. There are more than 25 million good reasons why. If card has been removed, write to:



**NRI Schools**  
McGraw Hill Center for  
Continuing Education  
330 Progress Avenue  
Scarborough, Ontario M1P 2Z5

® Trademark McGraw-Hill

# Delhi Success

Jim Essex reports the success of one Canadian company in a competitive field.

When it comes to TV antennas, Delhi Metal Products have succeeded by the simple expedient of "watching your neighbour's antenna".

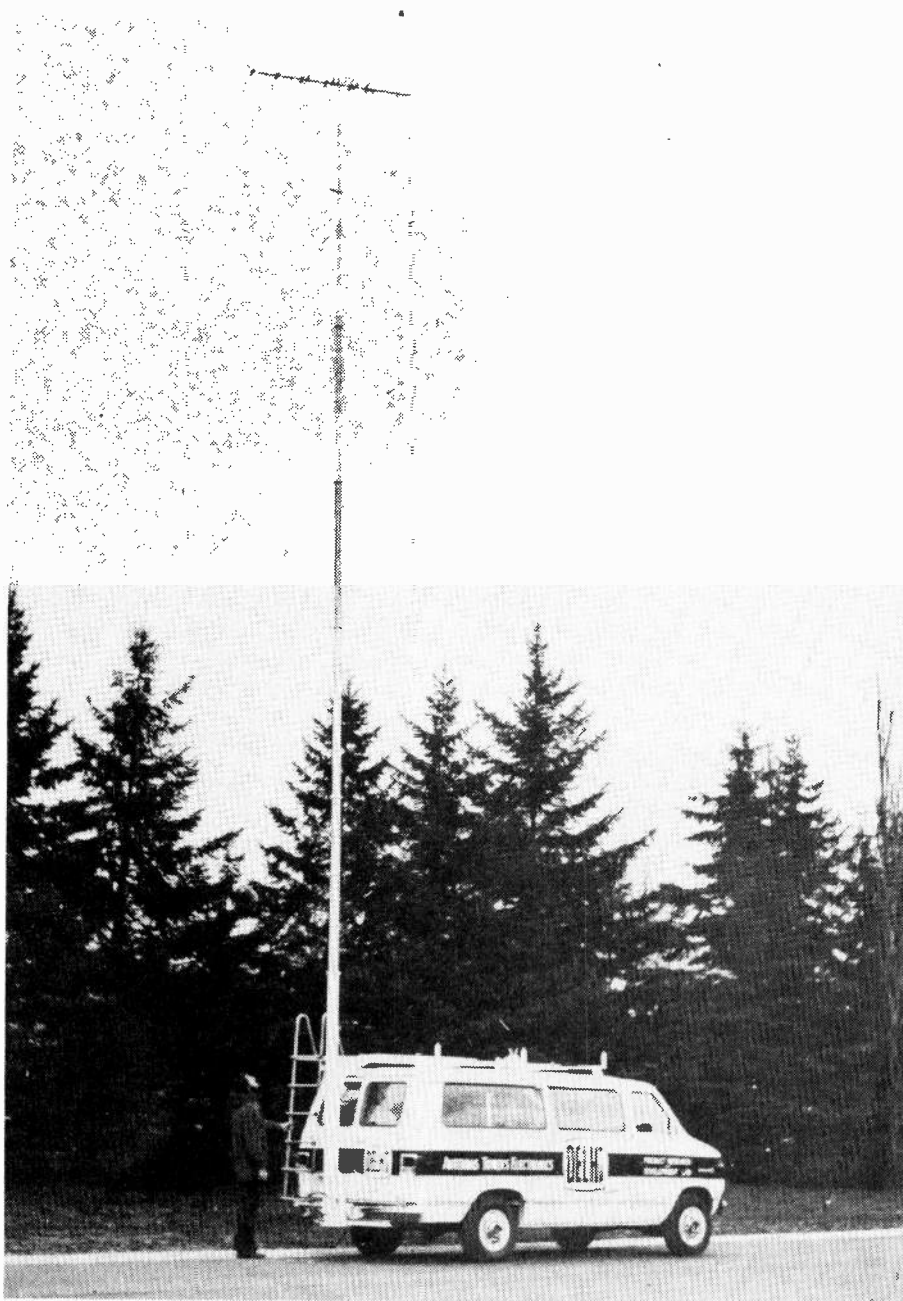
In the early 50s, when black & white TV came over the horizon faster than tomorrow's rising sun, Canadians were literally caught with their aerials down. Consequently, we had to rely on American antennas to satisfy our sudden TV demand.

But in the little town of Delhi, Ontario — perhaps better known for the tobacco industry which flourishes there — Mr. Ken Soul decided there must be a better way. He started putting together what he believed an antenna better suited to Canada's sparse transmitters and greater distances between cities. High gain antennas became his forte. A continually expanding line of antennas followed, which, according to Ed Laevens, Marketing Manager, has now resulted in a variety of designs to suit nearly every Canadian condition from metropolitan use to outer fringe. When all seemed fine, the blow fell.

## THE CHALLENGE FROM CABLE

The inevitable cable TV came with the 60s, and the fight was on, first, Delhi realized vast improvements would be needed if they were to wean cable TVers away from what amounted to 'spoon-feeding'. The docile environment bred by cable was bound to break, and they had to be ready. Besides, Canadians still like a bargain, and the continually rising cost for cable not to mention the installation charges, have made most of us pause.

How did they do it? Ed Adams, formerly of Sinclair Radio Labs, approached the problem from an unusual angle. After all, the empirical method had served this far, — why not continue using cut-and-try methods?"



The Delhi Mobile Lab.

Indeed the task of adjusting "theory to the practical" began really two decades before. The result? A mobile van with a 40 foot telescopic antenna. (see photo) Ed set about watching the neighbours antenna to see if he could do better. He did.

He not only evaluated, on-the-spot, antenna patterns, he put them on polar graphs and brought them into the lab and proved them.

In the field, he'd evaluate a particular area for best signal. Bracketing three categories — from say, lowest, to middle, and exceptional — three antennas could be selected, not only for best pix but best price as well.

## THE "QUEBECOIS"

An example of how this works is the story of the "Quebecois", a multi-element device sold in Quebec City and within a radius of 100 miles. It is designed specifically for channels 4, 5, and 11.

Prior to 1964, the independent Channel 4 was broadcasting in French. Ch. 5 broadcast in English as the CBC service network. In addition to the dual-channel yagi antenna ("yagi" from wartime fame when Canadian warships used this Japanese invented antenna to serve our radar), already providing adequate TV reception in the metro and fringe areas, Delhi covered a third channel. This was provided by 5 element single channel Ch 11 yagi.

Knowing the gains of the two, and combining this with the third, provided the basis for the performance of the "Quebecois". Thus, a unique Canadian flavor has not been left out — providing extreme gain for those out-of-the-way places, — not just in Quebec.

## UHF COVERAGE

Cable companies, of course, make much of their extra channels — which, effectively cover the UHF band. But Delhi combat this with their UHF SFA 1483 which goes from 14, clear to 83. This is a "Yagi" type that has no objection to being connected to a VHF antenna — without a coupler. All they ask is that it be three feet away from

your VHF antenna. It is ideal for fringe areas — something Canada has a lot of.

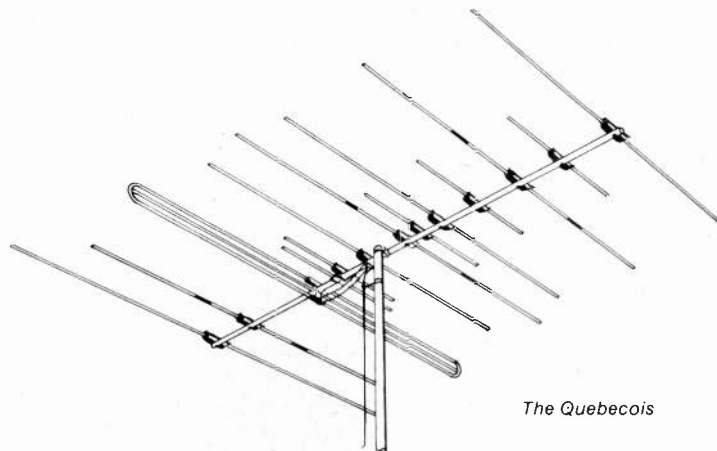
If you want to experiment, you can break off (or clip) the director tips on certain of the directors that'll raise the gain another 5 dB between chs 71-83. This will lower the gain 3 dB between 53 and 60, but if this is comtable with your particular area, you're home free! Watch your neighbour's antenna!

All Delhi's antennas have an anodised finish to withstand the Canadian climate. Along with double-dipped welded galvanized steel masts, the installations, are all-Canadian.

It may be over-simplifying the case to say all this came "from watching the other guy's antenna," but, — in simple truth, — how better can you judge what the competition's doing?



Inside the Delhi Lab.



The Quebecois

# Livingstone Electronics

Suite 201-801 York Mills Rd. Don Mills, Ontario M3B 1X7 No cod's. Ont. Res. add 4% PST. Mail order only. Prices include shipping costs. Component catalog \$1.00 — refundable with first order.

## TOP QUALITY KITS FOR ETI PROJECTS

Overled Kit ETI 417 ..... \$14.95  
 Bucket Brigade BD Kit 450A ..... \$40.00  
 Mixer Filter BD Kit 450B ..... \$15.00  
 MN3001 IC + Socket ..... \$25.00

### FREQUENCY SHIFTER

ETI 486 is the ideal solution to feedback problems in PA systems whether it's for music or speech compelte kit ..... \$55.00  
 Case, switch, jacks & Hdwre. .... \$15.00  
 ETI 581 Power supply ..... \$18.00

Gas Sensor Kit ETI 583 ..... \$40.00  
 Case for above ..... \$ 3.00  
 Sensor + Socket Spec. Type ..... \$10.00

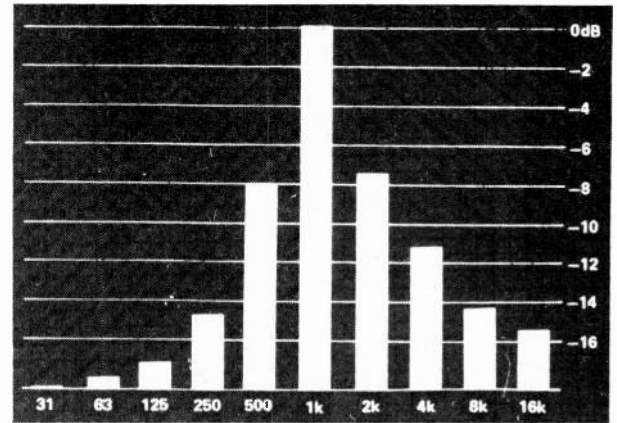
### ADD ON F.M. TUNER

ETI 713 F.M. Tuner Board features AFC, Mute defeat, Mono/stereo with stereo led. It has provisions to add a carrier strength, tuning and frequency meter as well as rotary potentiometer tuning — not included. Complete kit ... \$75.00

*We guarantee your satisfaction, with, our top quality components.*

# Audio Spectrum Analyser

Equalise systems for room acoustics accurately using this neat piece of 'test' gear.



AUDIO SPECTRUM ANALYSERS can be a valuable tool used in the setting up of a room acoustically with a graphic equalizer such as the ETI 487; to monitor program material or just as a gimmick to please yourself and friends.

Because this is such a nifty instrument, we have not one, but two Analyser projects. ETI 487 is a box which feeds an oscilloscope as the display, plans this month. Next month we've got an LED column display unit, ETI 489. ETI 487 is the more sophisticated, while 489 uses simplicity and modularity to provide non-scope-owners with similar capabilities.

When setting up rooms pink noise is pumped into the room using an amplifier. A microphone is then used to monitor the sound and its output is the input to the analyser. Now by adjusting the graphic equalizer a flat response can (hopefully) be obtained.

## DESIGN FEATURES

Spectrum analysis can be done by two main methods. The first is to have a tuneable filter which is swept across the band of interest. The output of the filter, when displayed on an oscilloscope, will be a frequency/amplitude graph of the input. While this gives a well-formatted and accurate display it is not "real time" in that if an event occurs at one frequency while the filter is sweeping elsewhere it will not be recorded. For this reason this method is used normally where the spectral content is constant

## SPECIFICATIONS

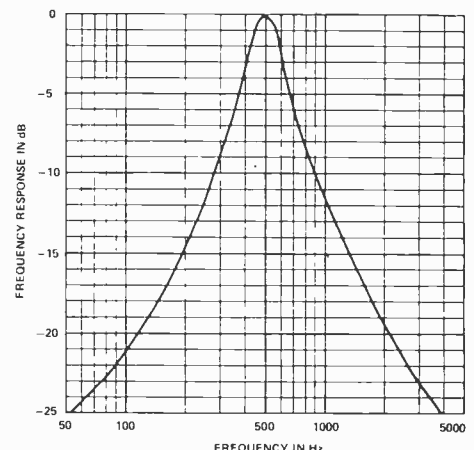
No. of bands	10
Frequencies	31, 63, 125, 250, 500, 1k, 2k, 4k, 8k, 16k
Filter characteristics	-12dB, one octave from nominal centre frequency
Display	CRO in XY mode
Input level	50mV - 10V
Input impedance	200k
Pink noise output	200mV
X output	± 4V approx
Y output	0V to 10V

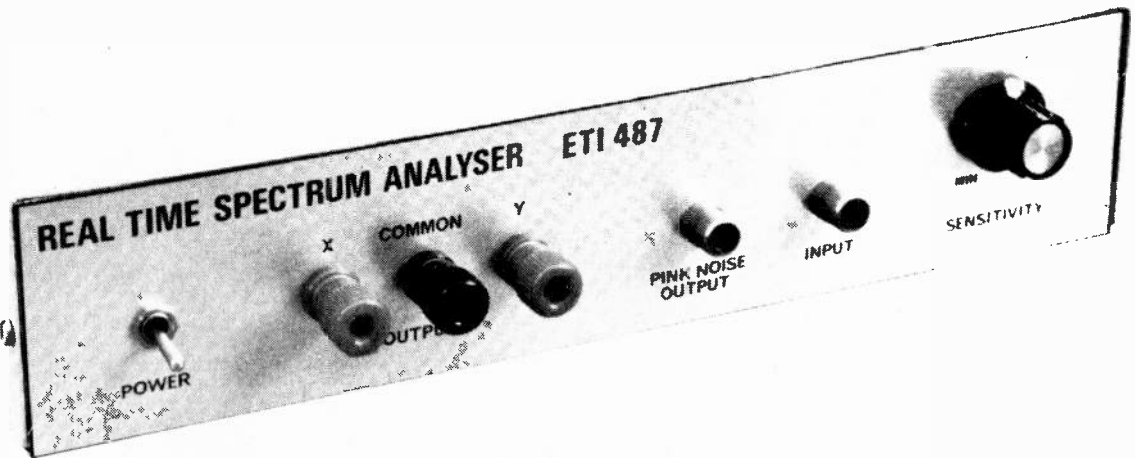
and the sweep is only over a small percentage of total frequency (such as the output of a radio transmitter).

For real time analysis the frequency spectrum is broken into bands using bandpass filters and the output of each rectified. The output from these rectifiers can be displayed on an oscilloscope as in this project or by columns of LEDs or similar methods. The number of bands and the dynamic range required determine the filters used. In this project where only about 20dB is required a single LC network is sufficient. Another unit we have built (not for a project) uses a 6 pole high pass filter followed by a 6 pole low pass one. This gives a flat response ( $\pm 1$ dB) over  $\pm \frac{1}{2}$  octave and is 36dB down 1 octave away. However, it uses 6 op amps and 2% capacitors and resistors in each filter.

*Text continues on P52.*

Fig. 1. The frequency response of the 500Hz filter. All other filters follow a similar curve.





## HOW IT WORKS

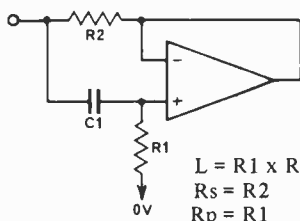
The unit can be broken into eight sections to help the explanation of how it works.

- (a) Input amplifier
- (b) Ten individual filters and rectifiers.
- (c) Ten way analogue switch with decade counter.
- (d) Staircase generator controlled by "c". (X output).
- (e) Log converter.
- (f) Ramp generator and comparator. (Y output)
- (g) A pink noise generator.
- (h) Power supply.

(a) The input amplifier has an input impedance of 220 k (set by R1) and a gain of 101  $((R3 + R2)/R2)$ . The output of the amplifier drives all ten filters and Q1 and Q2 are used to buffer IC1 to give the drive capability required.

(b) The ten filter-rectifiers are identical except for component values and a bias resistor in the three lowest frequency filters, where tantalum capacitors are used in series. The filter is a parallel LC network which, with a series resistor, gives a band-pass filter.

As large value inductors are expensive we have used an active one using an operational amplifier, two resistors and a capacitor. The value of such a network is as follows:



$$L = R1 \times R2 \times C1 \quad H$$

$$R_s = R2$$

$$R_p = R1$$

The frequency response of the networks is given in fig. 1.

The rectifier is a half wave type where the gain is variable from about 4 to 12. A diode from the output back to pin 2 keeps the op-amp in the linear region on the negative half cycle allowing operation up to the 16kHz of the top filter.

(c) The analogue switches IC23/1 - IC25/2 are controlled by IC22. This is a decade counter with 10 decoded outputs, each of which is high only for one clock period. As the analogue switches need a high to switch them on, only one will be selected at any one time.

(d) The output of the decade counter also controls the staircase generator IC28 with the weighting networks R58 - R72 giving equal steps of about 0.9 volts. Resistor R89 provides a bias current and the output of IC28 starts at about +4 volts and steps down in 0.9V steps to about -4.2 volts when the output switches back to +4 volts. This is used to drive the X input of the CRO. To add some width to the vertical lines, IC29/1 and IC29/2 form an oscillator of about 300 kHz and after filtering by R90 and C69 is coupled into the input of IC28 by R91.

(e) The output of the analogue switch is fed to the diode-resistor network (D21 - D26, R73 - R77) which gives a simple log conversion. This method is simple, needs no adjustments and is adequate for the purpose. As there is some loss in this network IC26 is used to provide a gain of three to recover this loss.

(f) The ramp generator is formed by the constant current (12μA) source and capacitor C71. The capacitor can be discharged by IC25/4 and the current source

is controlled by IC25/3. The voltage out of the log converter (IC26) can vary between zero and +10 volts and this is compared to the ramp voltage by IC30. The output of IC30 controls the oscillator formed by IC29/3 and IC29/4. When the ramp voltage exceeds the voltage from IC26 the output of IC30 goes high allowing the oscillator to start. This immediately discharges C71 and switches off the current source which causes the output of IC30 to go low again after only about 2μs. Diode D27 ensures however that the oscillator acts as a monostable giving an output of about 6μs to ensure the capacitor C71 is completely discharged. The output of IC29/4 also clocks IC22 which selects the next input. If the input from IC26 is ever negative and C71 cannot be discharged to less than this voltage, IC29/3 and IC29/4 will oscillate continuously at about 100kHz clocking IC22 until it finds an input higher. This prevents possibility of lockup if the offset voltages of the op-amps all go the wrong way.

(g) White noise is generated by the zener action of Q3 which is reversed biased. It is amplified by Q4 to give 200 mV of white noise on its collector. White noise however has equal energy per unit bandwidth and what we need is pink noise which has equal energy per percentage bandwidth (i.e., equal energy per octave). To convert white to pink we need a filter at 3 db/octave. This is performed by IC27 with the RC networks providing the necessary curve.

(h) The power supply is a simple rectifier type with IC regulators to give stable supply voltages.

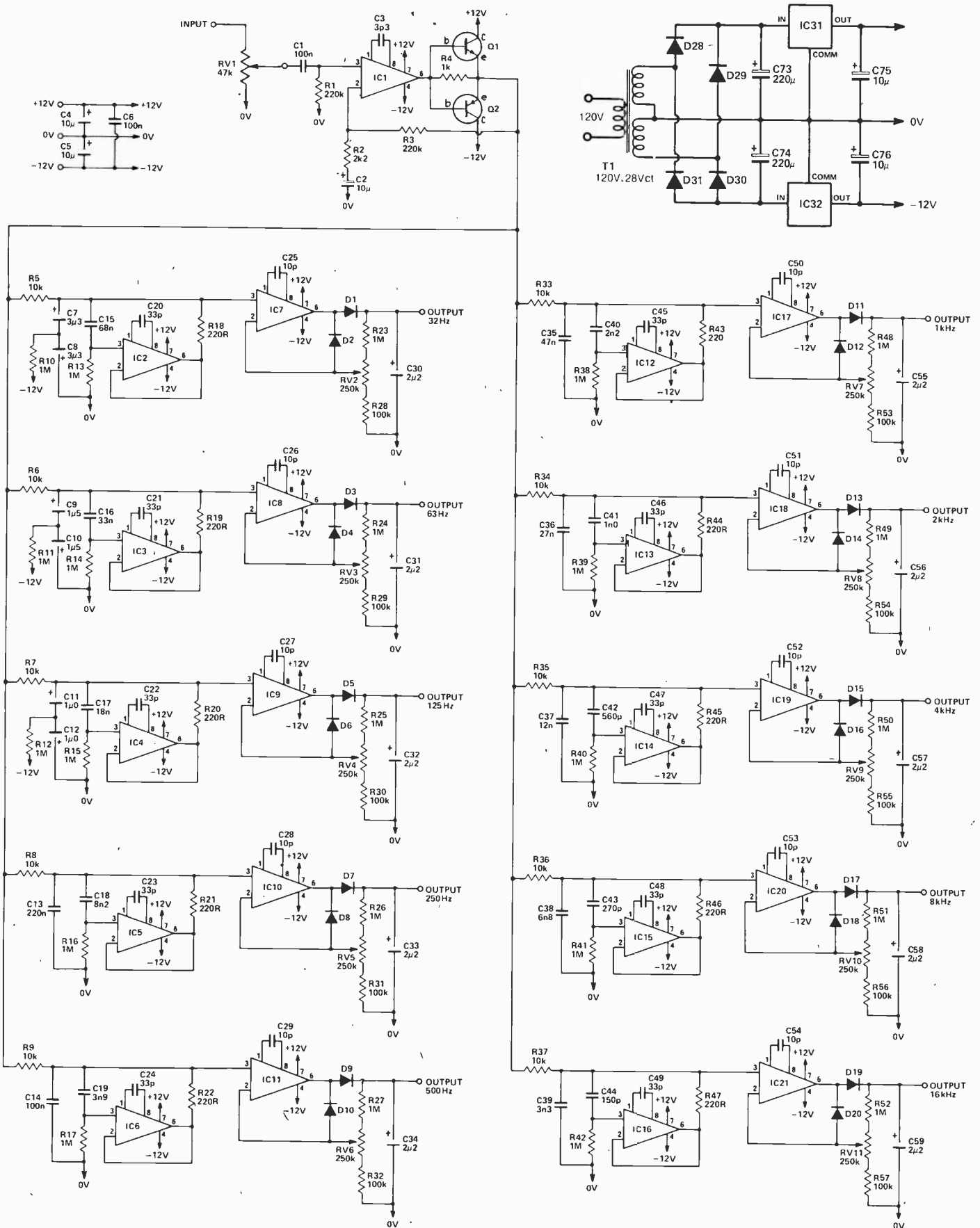
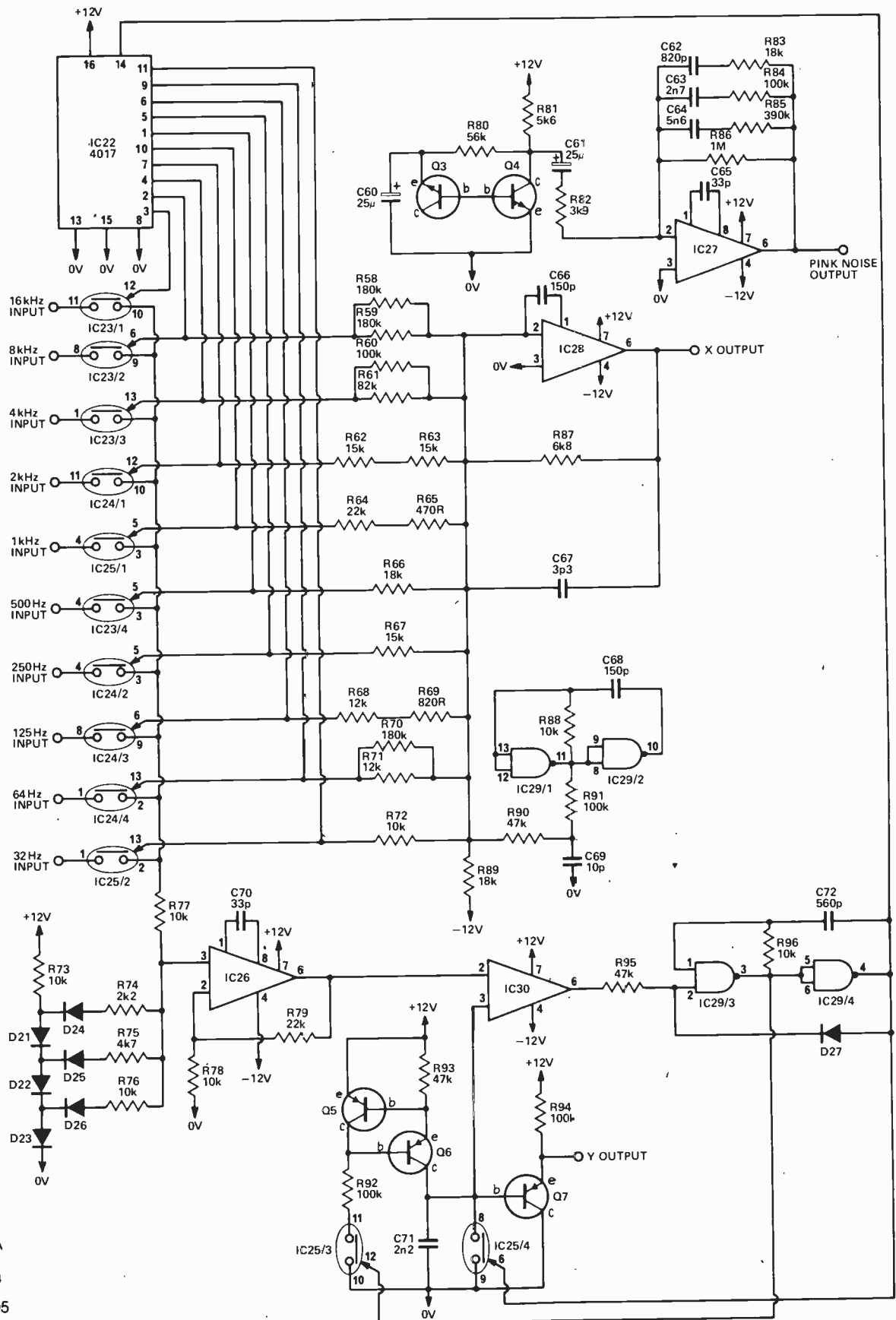


Fig. 2. The circuit diagram of the filter-rectifiers.





NOTES:  
 IC22 IS A 4017  
 IC23-IC25 ARE 4016  
 IC26-IC28 ARE 301A  
 IC29 IS A 4011B  
 IC30 IS A 301A  
 D21-D27 ARE 1N914  
 Q3, 4 ARE 2N3904  
 Q5-Q7 ARE 2N3905

Fig. 3. The circuit diagram of the logic circuitry.

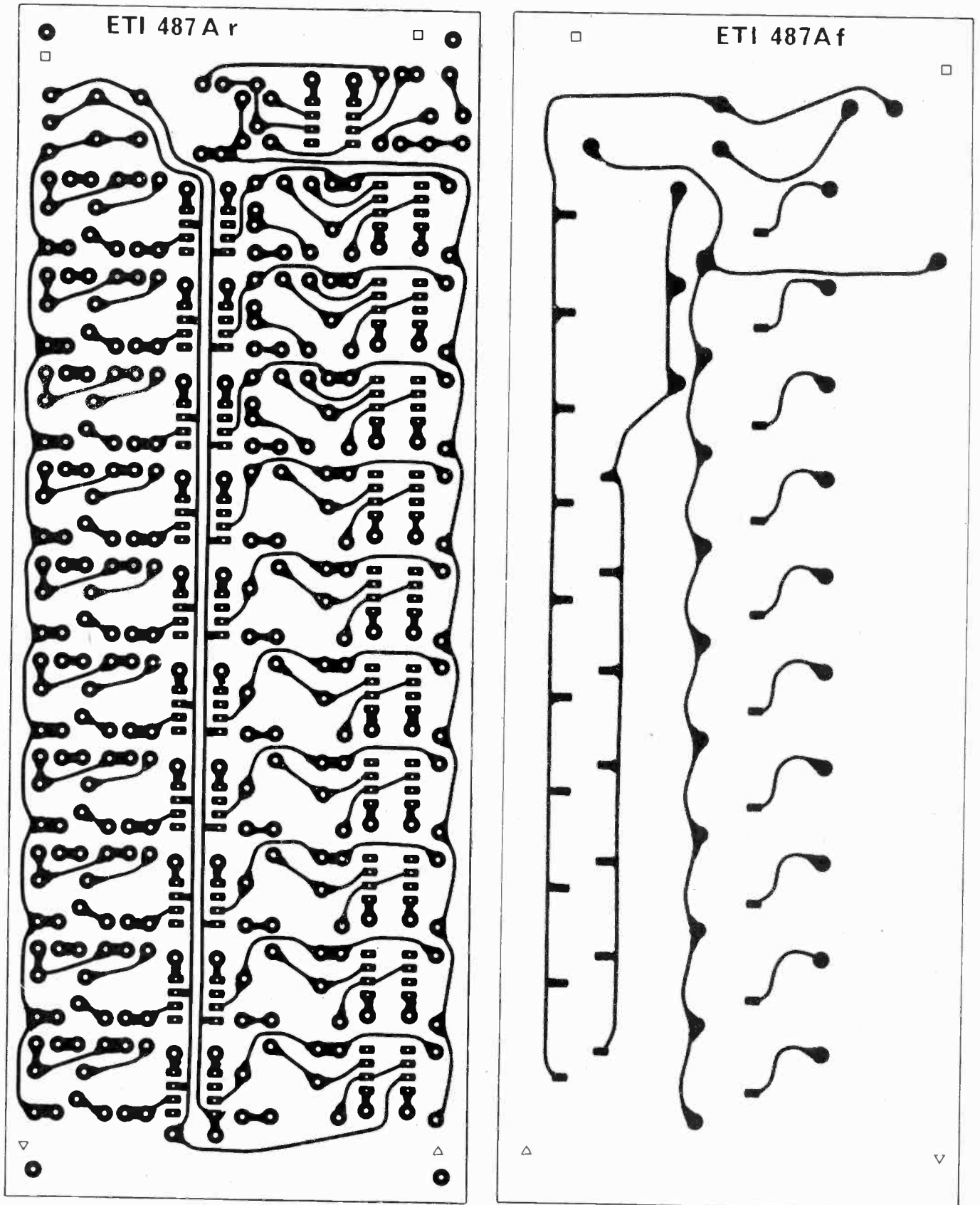


Fig. 4. Both sides of the ETI 487A board shown full size.

# Number One ETI CIRCUITS

The first in a new series  
of 'ideas books' for the experimenter

## Contents

### ALARMS

Basic Alarm  
Photo Intruder Alarm  
Intruder Alarm  
Photo Electric Relay  
Low Temperature/Lights out  
Temperature Sensor  
Coolant level  
Water Level  
Electronic Lock  
Car Battery Watchdog  
Simple Car Alarm  
Simple Lock

### AMPLIFIERS & PREAMPLIFIERS

High Input Impedance  
High Impedance Buffer  
Low Output Impedance  
High Input Impedance  
Low Frequency Extender  
Virtual Earth Preamp  
IC Tape Head Preamp  
Simple Stereo Tape Player  
2.5 Watt  
20 Watt Slave  
10 Watt  
Loudspeaker Microphone  
Voltage Controlled Amp  
Wide Band Amplifier  
Video Power Amp  
Broadband Amp

### SIGNAL PROCESSORS

Fuzz Box  
Guitar Fuzz  
Fuzz Box  
Waa Waa  
Disco Autofade  
Simple Autofade  
Information Transfer  
Optical Pulse Conditioner  
TV Sound Pickoff  
Cracklefree Potentiometer  
Voltage to Frequency  
Sine to Square Wave  
Precision AC to DC  
Voltage Processor  
Universal Meter  
Double Precision  
Fast Half Wave  
Simple Chopper  
Noise Rejecting SCR Trigger  
Phase Shifter

### SIGNAL GENERATORS

Simple  
Variable Duty cycle  
Fast Edge  
FET  
Improved Multivibrator  
Variable Duty cycle  
Stable RC  
Cheap (CMOS)  
Simple TTL XTAL  
Uncritical XTAL  
Pulse  
Zero Crossing  
Simple Pulse  
Needle Pulse  
Stable Linear Sawtooth  
Zener  
Noise  
Pink

Simple Relaxation  
Triangle with independent slope  
Exponential  
Widerange Multivibrator  
Multiple Waveform  
Linear Sweep  
Step Frequency  
Beeper  
7400 Siren  
Simple Siren  
Ship Siren  
Two Tone  
Toy Siren  
Kojak, Startrek, Z Cars  
Sound Effects  
Sound Effects

### FILTERS

Bandpass  
Low & High Pass  
Rejection Notch  
Bandpass  
Cartridge EQ & Rumble  
Hum Stopper  
Tape Hiss Reduction  
Simple Crossover

### DIGITAL

Thermometer  
Heads or Tails  
Binary Calculator  
Vollmeter  
Seven Segment to Decimal  
Die  
Random Binary  
CMOS Die  
Multiplexer Hints  
Learning Memory  
CMOS Clock

### POWER SUPPLIES

Constant  
Temperature Stable  
Constant  
Voltage Controlled  
Precision Voltage Divider  
Dual Polarity  
Simple Balanced  
Voltage Divider  
Low Regulated  
Short Circuit Protected  
Simple TTL Supply  
ZN414 Supply  
Stable Reference  
Transformerless inverter  
DC to DC AC  
Voltage Multiplier  
Automobile Converter  
Shaver Adaptor  
DC-DC  
High Voltage From Battery  
Variable +ve or -ve output  
Simple  
12V from Battery Charger  
Bucket Regulator  
Adjusting Zener Voltage  
Variable Zener  
Zener Boosting of Regulators  
High Power  
Electronic Fuse  
Better Fuse  
Regulator & Fuse  
Fast Acting  
SCR Crowbar  
Voltage Polarity  
NI CAD Discharge  
Current Limiting

### TEST

Diode Checker  
GO NO GO Diode Tester  
Zener Check  
GO NO GO Transistor Tester  
Quick JFET Test  
Current Gain Tester  
Basic Transistor Tester  
Simple Transistor SCR  
SCR Tester  
Crystal Check  
Crystal Checker  
Good/Bad Battery Tester  
Battery Tester  
Op-Amp Tester  
Op-Amp Checker  
Cheap Logic Probe  
Audible TTL Probe  
Audible Slow Pulses  
Logic Probe  
Logic Analyser  
I and O Display Probe  
Simple High Impedance  
Voltmeter  
Audio/Rf Tracer  
Thermocouple Thermometer  
Metering Stabilised supplies  
Simple Frequency Meter

### TIMERS & DELAYS

Low Standby Drain  
741 Timer  
Self Triggering Timer  
Pulse Timer  
Pulse Delay  
Voltage Controlled Monostable  
Sequential Relays  
Door Chime Delay

### SWITCHING

Touch Triggered Bistable  
Touch Sensitive Switch  
Electronic Switch  
Sound Operated 2 Way  
SPST Switch Flip Flop  
Two Signals on one Wire

### INDICATORS

Line-o-Light  
3 Step Level  
Light Level  
Light Level  
Bargraph Display  
Fuse Failure  
Blown Fuse  
Back Up Lamp  
DC Lamp Failure  
FM Tuner Station  
Current Flow  
Disco Cue

### FLASHERS

Dancing Lights  
Low Frequency Strobe

Flasher  
Ultra Simple

### POWER CONTROL

LDR Mains Control  
Floodlamp Control  
Zero Crossing Sync  
Train Controller  
Low Differential Thermostat  
Simple Temperature Control  
Full Wave SCR Control

### AUTOMOBILE

Brake Lamp Failure  
Courtesy Light Delay  
Simple Hazard Light  
Light Extender & Reminder  
Four Way Flasher  
Headlamp Dipper  
Wiper Delay  
Suppressed Zero Voltmeter  
Rev Counter/Tachometer  
Auxiliary Battery

### DETECTORS & COMPARATORS

Peak Detect & Hold  
Window Detector  
Peak Program  
Positive Peak  
Reaction Comparator

### RADIO FREQUENCY

Crystal Marker  
100 kHz Marker  
RF Voltmeter  
RF Detector  
LED RF Indicator  
RF Amplifier Protection  
FET-Radio  
Op-Amp Radio

### MISCELLANEA

Phase Locked Loop  
Touch Doorbell  
Phase Lock Control  
Audio Mixer  
Virtual Earth Mixer  
Pop Eliminator  
Loudspeaker Protection  
Digital Capacitance Probe  
Digital Tape Recorder Adaptor  
Breakdown Diode Substitution  
Dual Function Charger  
Dual Mode Amp

Capacitor Substitution  
Electronic Capacitor  
Speeding Up Darlington's  
Shutter Saver  
Thyristor Sensitivity  
Sound Operated Flash  
Strength Tester  
Logic Noise Immunity

### TIPS

Identifying 74 Series  
Supply Pins  
Soldering IC's  
Tinning With Solder Wick  
PCB Stencils  
Front Panel Finish  
DIL Drilling  
Fluorescent Starting  
Avoiding Insulated Heat Sinks  
TTL Mains Interface  
Boost Your Mains  
High Resistance on Low Meters  
High Voltage Electrolytics  
Transistor Identification  
Template & Heat Sink for  
Power Transistors  
Transistor Socket  
Solder Flow Problems  
Odd Resistor Values  
Resistors in parallel  
CMOS DIL Handling  
Identifying Surplus ICS  
Extending Battery Life  
Battery Snaps  
Power Supply or Battery  
Battery Checking  
Muck Remover  
Transformers in reverse  
Loudspeaker Checking  
Improving UJT Linearity  
Signal Tracer  
Crystal Earpieces  
Cheap Varicaps  
Zener Lifts Capacitor Rating

### DATA

741 Op-Amp Data  
BC 107-109 Data  
BC 177-179 Data  
CMOS & TTL Data  
2N3055 Data  
MJ2955 Data  
Bipolar Data Tables  
Bipolar FET's Rectifiers  
Diodes Pinouts Zener Misc

**SEND \$5.00 TODAY**  
To: ETI Circuits, ETI Magazine  
Unit 6, 25 Overlea Boulevard  
Toronto, Ont. M4H 1B1

# Ultrasonic Switch

Two-board design forms basis for a wide range of applications from door-bells to alarms, even data transmission!

THE USE OF an invisible beam to transmit information or to act as an alarm system has always been fascinating. We have described light operated systems of the infra-red (invisible), normal light and laser beam types. We have also published a radar alarm system. This unit uses a high frequency acoustical beam, well above the range of human hearing, which can be used simply as a door monitor, i.e. to give an alarm if the beam is broken, or can be modulated at up to

several hundred Hz. This will allow information to be transmitted

## CONSTRUCTION

The construction of the units is not critical — any method may be used although the PC boards are recommended. We didn't mount the relay on the PCB as it can vary in size and if the unit is later used with a modulated beam, the relay will not be needed.

The only adjustment on the unit is the sensitivity control and this should be set to give reliable operation. The transmitter needs a supply voltage of 8 V to 20 V at about 5 mA. This could come from the regulated supply on the receiver board.

If it is required to extend the effect of a quick break in the beam or a quick burst from the transmitter, the resistor R9 can be replaced by C4 and this will give a minimum operation time of about 1 second.

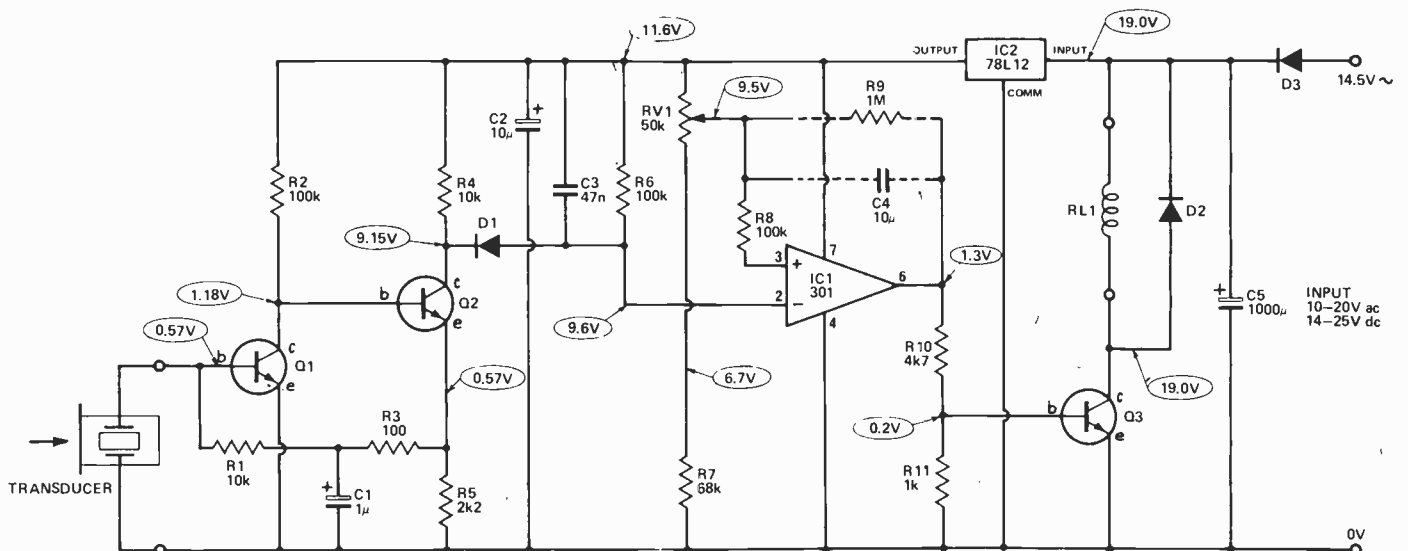


Fig. 1. Circuit diagram of the receiver.

NOTES:  
 VOLTAGES MEASURED WITH NO INPUT SIGNAL USING A VOLTMETER WITH 10 MEG OHM INPUT IMPEDANCE.  
 Q1-C3 ARE 2N3904  
 D1 IS 1N914  
 D2,D3 ARE 1N4001  
 C4 IS USED INSTEAD OF R9 IF A MONOSTABLE ACTION IS REQUIRED.

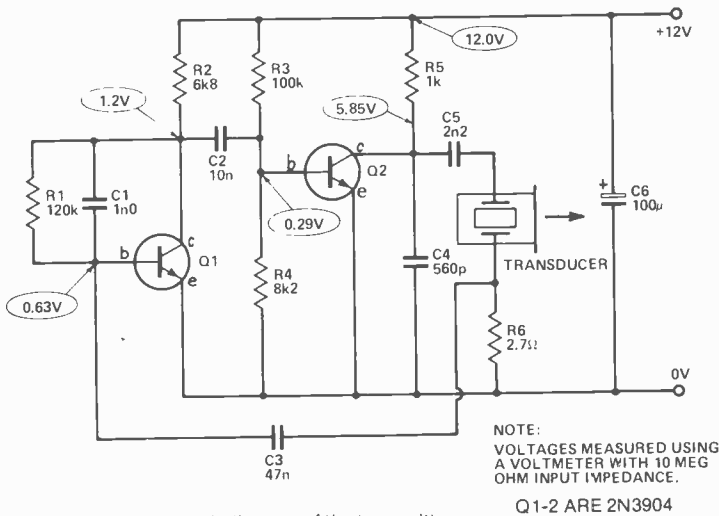


Fig. 2. Circuit diagram of the transmitter.

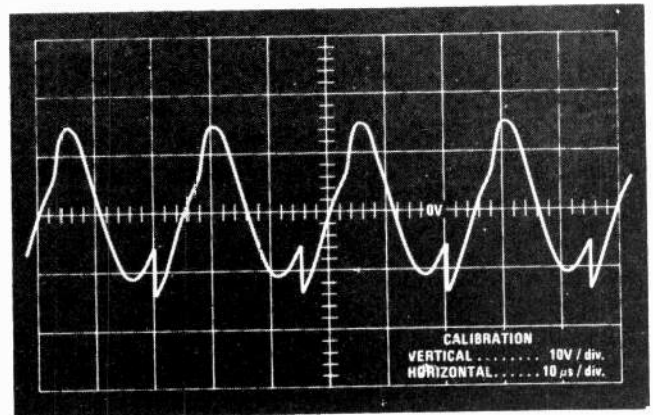


Fig. 3a. Waveform across the transducer on the transmitter.

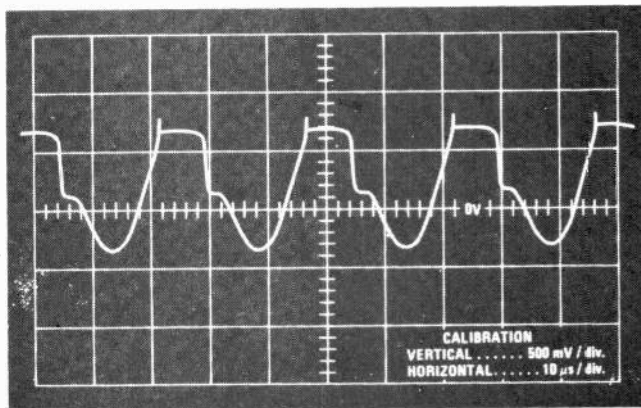


Fig. 3b. Voltage on the base of Q2 in the transmitter.

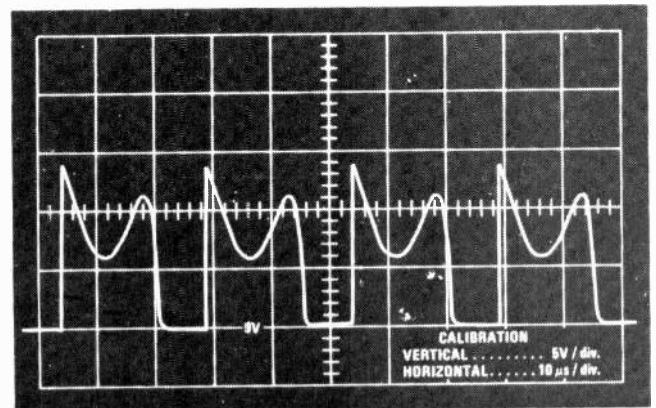


Fig. 3c. Voltage on the collector of Q2.

## HOW IT WORKS

### TRANSMITTER

This is an oscillator the frequency of which is determined by the transducer characteristics. The impedance curve of the transducer is similar to that of a crystal with a minimum (series resonance) at 39.8 kHz followed by a maximum (parallel resonance) just above it at 41.5 kHz.

In the circuit the two transistors are used to form a non-inverting amplifier and positive feedback is supplied via the transducer, R6 and C3. At the series resonant frequency this feedback is strong enough to cause oscillation.

Capacitors C1 and C4 are used to prevent the circuit oscillating at the third harmonic or similar overtones while C5 is used to shift the series resonant point up about 500 Hz to better match the receiver.

### RECEIVER

The output from the transducer is an a.c. voltage proportional to the signal being detected (40 kHz only). As it is only a very small level it is amplified by about 70 dB in Q1 and Q2. DC stabilization of this stage is set by R1 and R3 while C1 closes this feedback path to the 40 kHz a.c. signal.

The output of Q2 is rectified by D1 and the voltage on pin 2 of IC1 will go more negative as the input signal increases. If the input signal is strong the amplifier will simply clip the output, which on very strong signals will be a square wave swinging between the supply rails.

IC1 is used as a comparator and checks the voltage on pin 2, i.e. the sound level, to that on pin 3 which is the reference level. If pin 2 is at a lower voltage than

pin 3, i.e. a signal is present, the output of IC1 will be high (about 10.5 volts) and this will turn on Q3 which will close the relay. The converse occurs if pin 2 is at a higher voltage than pin 3.

A small amount of positive feedback is provided by R9 to give some hysteresis to prevent relay chatter. If R9 is replaced by the capacitor C4 the IC becomes a monostable and if the signal is lost for only a short time the relay will drop out for about 1 second. If the signal is lost for more than 1 s the relay will be open for the duration of the loss of signal.

We used a voltage regulator to prevent supply voltage fluctuations triggering the unit. The relay was not included on the regulated supply, allowing a cheaper regulator to be used.

# Ultrasonic Switch

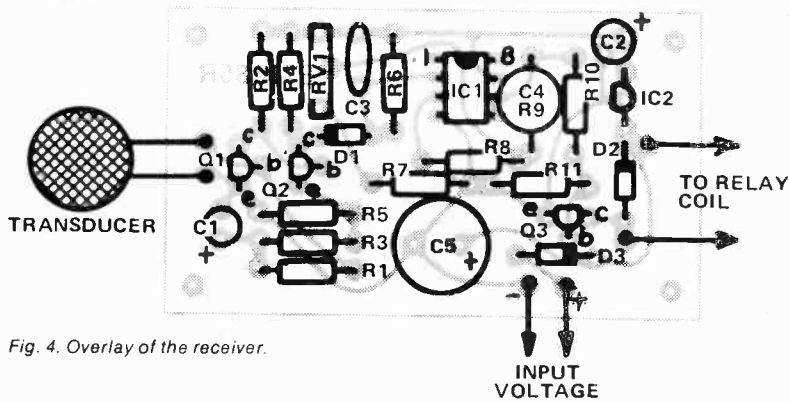
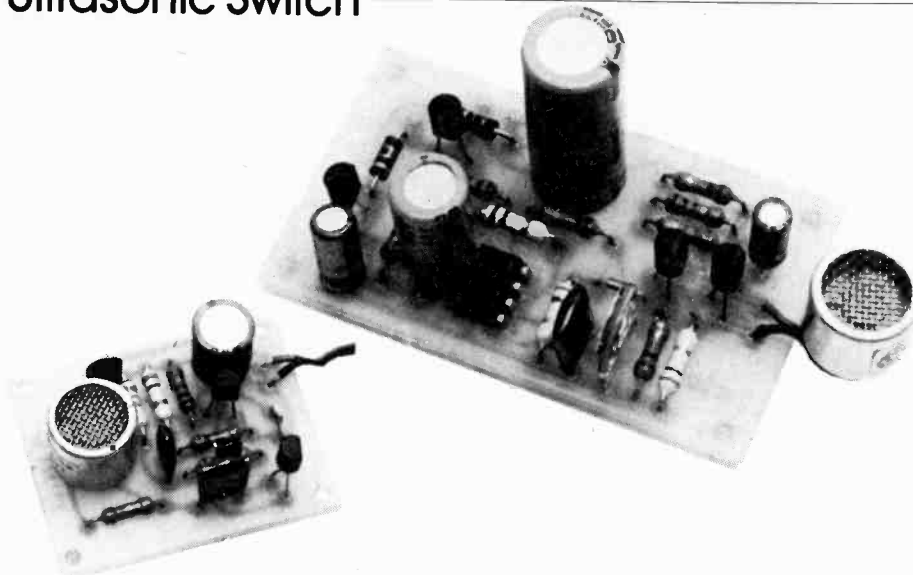


Fig. 4. Overlay of the receiver.

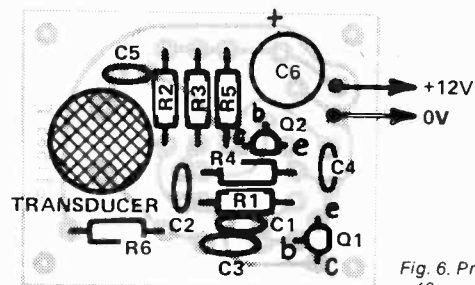
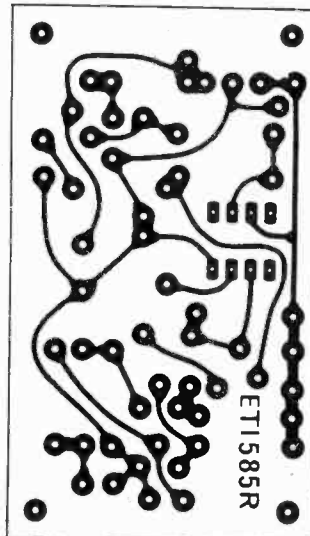
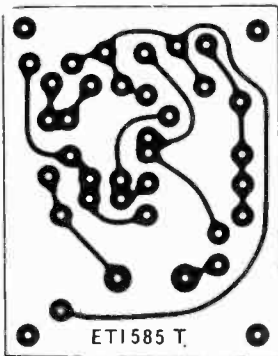


Fig. 5. Overlay of the transmitter.

Fig. 6. Printed circuit board of receiver. Full size 70 x 40mm.

Fig. 7. Printed circuit board of transmitter. Full size 46 x 36mm.



## RECEIVER

RESISTORS all ½ W 5%

R1,4	10k
R2,6,8	100k
R3	100R
R5	2k2
R7	68k
R9	1M
R10	4k7
R11	1k

POTENTIOMETER

RV1	50k preset
-----	------------

CAPACITORS

C1	1u 25 V electrolytic
C2	10u 25 V electrolytic
C3	47n polyester
C4	10u tantalum
C5	1000u 16 V electrolytic

SEMICONDUCTORS

Q1-Q3	2N3904
IC1	LM301A
IC2	78L12
D1	1N914
D2,3	1N4001

MISCELLANEOUS

PCB as pattern, 40 kHz receiver, 12 V relay, case to suit

## TRANSMITTER

RESISTORS all ½ W 5%

R1	120k
R2	6k8
R3	100k
R4	8k2
R5	1k
R6	2R7

CAPACITORS

C1	1n polyester
C2	10n polyester
C3	47n polyester
C4	560p
C5	2n2 polyester
C6	100u 25 V electrolytic

TRANSISTORS

Q1,2	2N3904
------	--------

MISCELLANEOUS

PCB as pattern, 40 kHz transmitter, case to suit.

Kits and parts (including transducers) for this project are available from Dominion, see their ad in this issue.

## SPECIFICATIONS

FREQUENCY RANGE	40 kHz 5 metres
MAXIMUM MODULATION FREQUENCY (NOT WITH RELAY OUTPUT)	250 Hz
OUTPUT	relay, closed when beam is made
POWER SUPPLY TRANSMITTER	14-25 V DC
RECEIVER	10-20 V DC 8-20 V DC, 4 mA

# Telephone Bell Extender

This simple project allows you to leave the phone unattended as you move about the house.

MANY TIMES WHILE you're working in the garden the phone may ring and by the time it is heard, if it is at all, it is often too late to reach the phone.

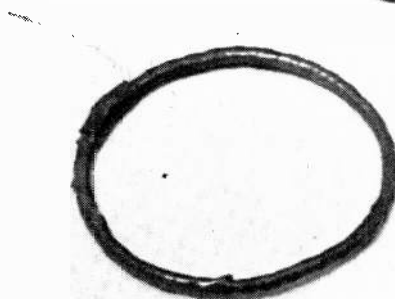
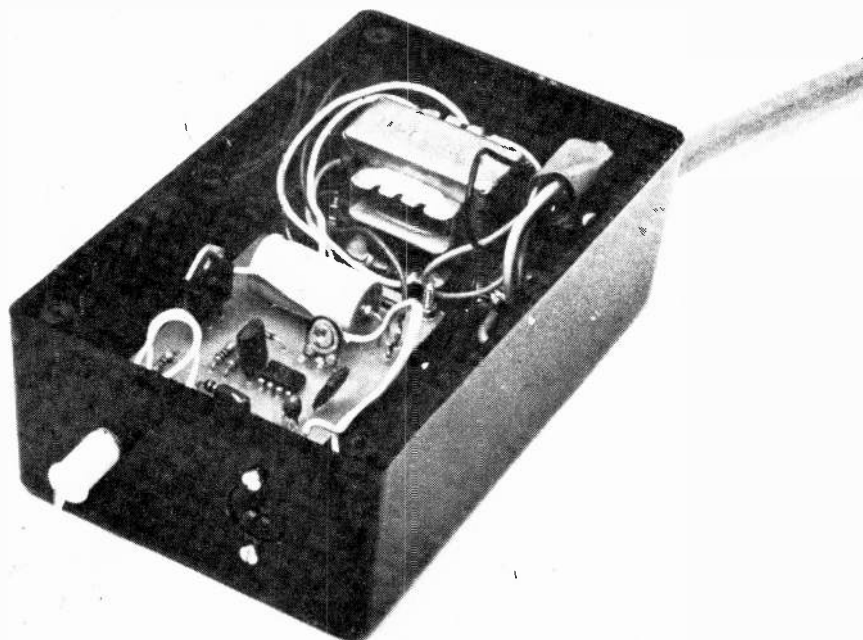
This bell extender will allow you to add, without touching the phone, an external bell, buzzer or speaker anywhere it is desired. When using a horn loaded speaker the sound level is high enough to be heard over high ambient noise making it ideal for the industrial environment.

## ADJUSTMENT

There are two controls to be set, these being sensitivity and volume. The volume can be set first by rotating RV1 until the tone starts then adjusting RV2 to give the desired volume. To adjust the sensitivity first tape the sensor coil to the underside of the phone and then adjust RV1 until the sound stops. Note however that it should be rotated slowly as C3 gives a delay on switch off. Check that picking up and replacing the phone does not operate the alarm then have someone phone you to check that the phone signal does. It may be necessary to experiment with the position of the pickup coil to get the best results.

## CONSTRUCTION

While any construction method could be used we recommend that the PC board be used and the overlay in Fig.3 be followed. The pickup coil was made out of 0.125 mm enamelled wire, although the gauge is not important,



coil wrapped with plastic insulation tape.

We built our unit into a small plastic box using an external speaker. The unit can be mounted anywhere suitable, taking care however with the 120V wiring. The speaker used will depend on the volume required with a large speaker producing more sound. If a horn speaker is used a very high sound level can be produced.

If it is required only to operate a buzzer the second IC can be altered to be an on-off device by deleting C5, R5, R6, D2 and RV2 and placing a jumper where C5 was.

with about 200 turns wound in a circle about 50 mm diameter. The wires can then be terminated to some thin plastic insulated wires (twin "speaker" wire is ideal) and then the complete

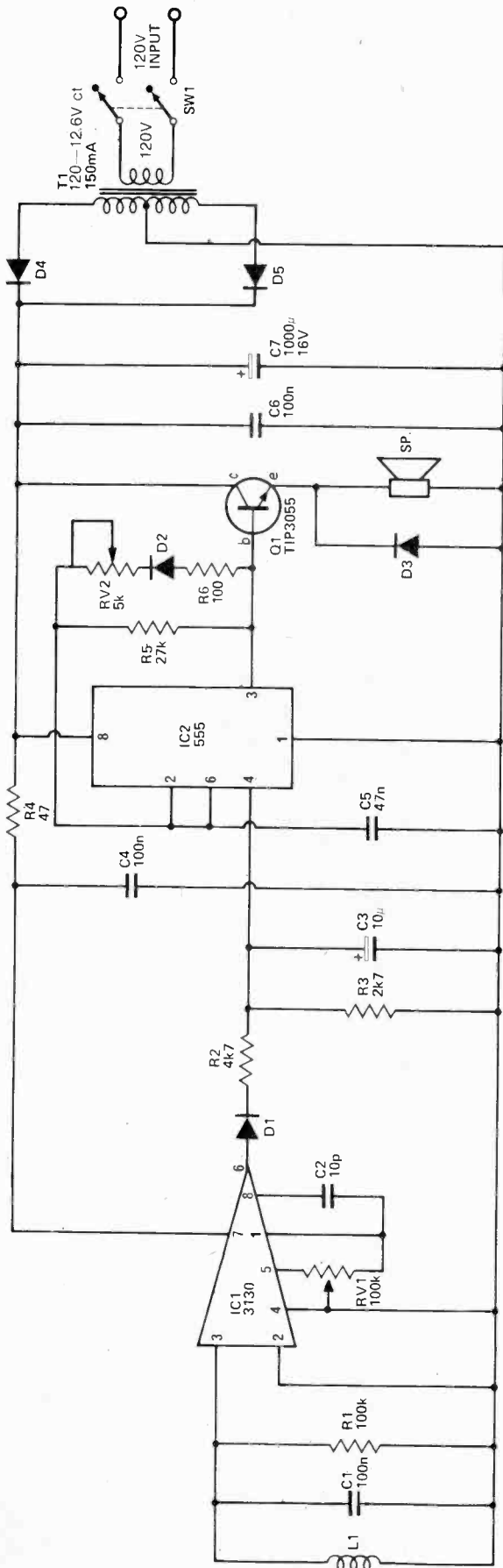


Fig. 1. Circuit diagram of the bell extender.

## HOW IT WORKS

Inside the telephone there is a solenoid which operates a striker which hits a pair of bells to give the ring tone. When it operates there is a high magnetic field generated and we detect this field to give the indication that the bell is ringing. To do this we use a wire coil under the telephone and use an IC to detect the presence of a signal. IC1 has its offset voltage adjusted by RV1 such that a slight positive voltage is needed to make the output go high. It is used in the open loop mode as a comparator only. The capacitor C1 is used to remove the unwanted higher frequency signals.

The oscillator used to operate the speaker is simply a 555 timer with a TIP3055 to buffer the output. The fre-

quency is determined by C5 and the volume by RV2. Changing the volume does change the frequency slightly. Oscillation can however only occur if the voltage at pin 4 is greater than 0.6V. If the output of IC1 is low, R3 ensures that pin 4 is less than this voltage. However when the bell rings the output of IC1 oscillates high and low in time with the ring tone of the bell. This lifts pin 4 high, allowing IC2 to oscillate and C3 holds pin 4 for a short time to prevent the oscillator turning on and off at the ring tone frequency.

The power supply is a simple full wave rectifier with no regulation with IC1 being decoupled further by R4 and C4. Batteries could be used but the drain is reasonably high.

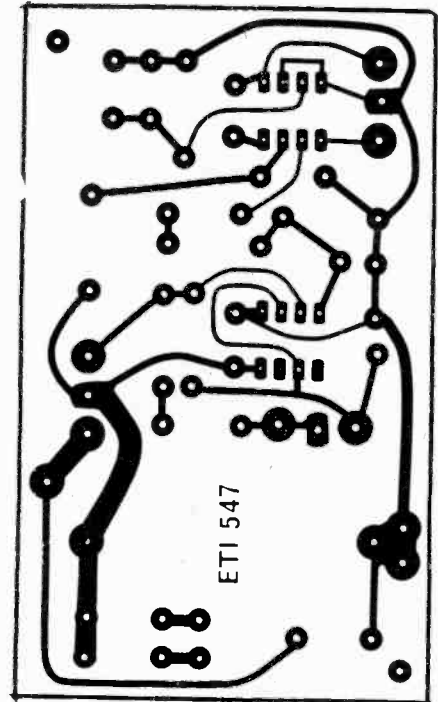


Fig. 2. Printed circuit layout. Full size 91 x 53 mm.



## PARTS LIST

- Resistors all 1/4W 5%  
 R1 100k  
 R2 4k7  
 R3 2k7  
 R4 47  
 R5 27k  
 R6 100
- Potentiometers  
 RV1 100k trim  
 RV2 5k trim
- Capacitors  
 C1 100n polyester  
 C2 10p ceramic  
 C3 10µ 16V electro  
 C4 100n ceramic  
 C5 47n polyester  
 C6 100n ceramic  
 C7 1000 µ 16V electro
- Semiconductors  
 IC1 CA3130  
 IC2 NE555  
 O1 TIP 3055  
 D1-D5 1N4001
- Miscellaneous  
 PC board  
 Transformer 120V — 12.6 V ct  
 On/off switch, line cord  
 Box, speaker, pickup coil

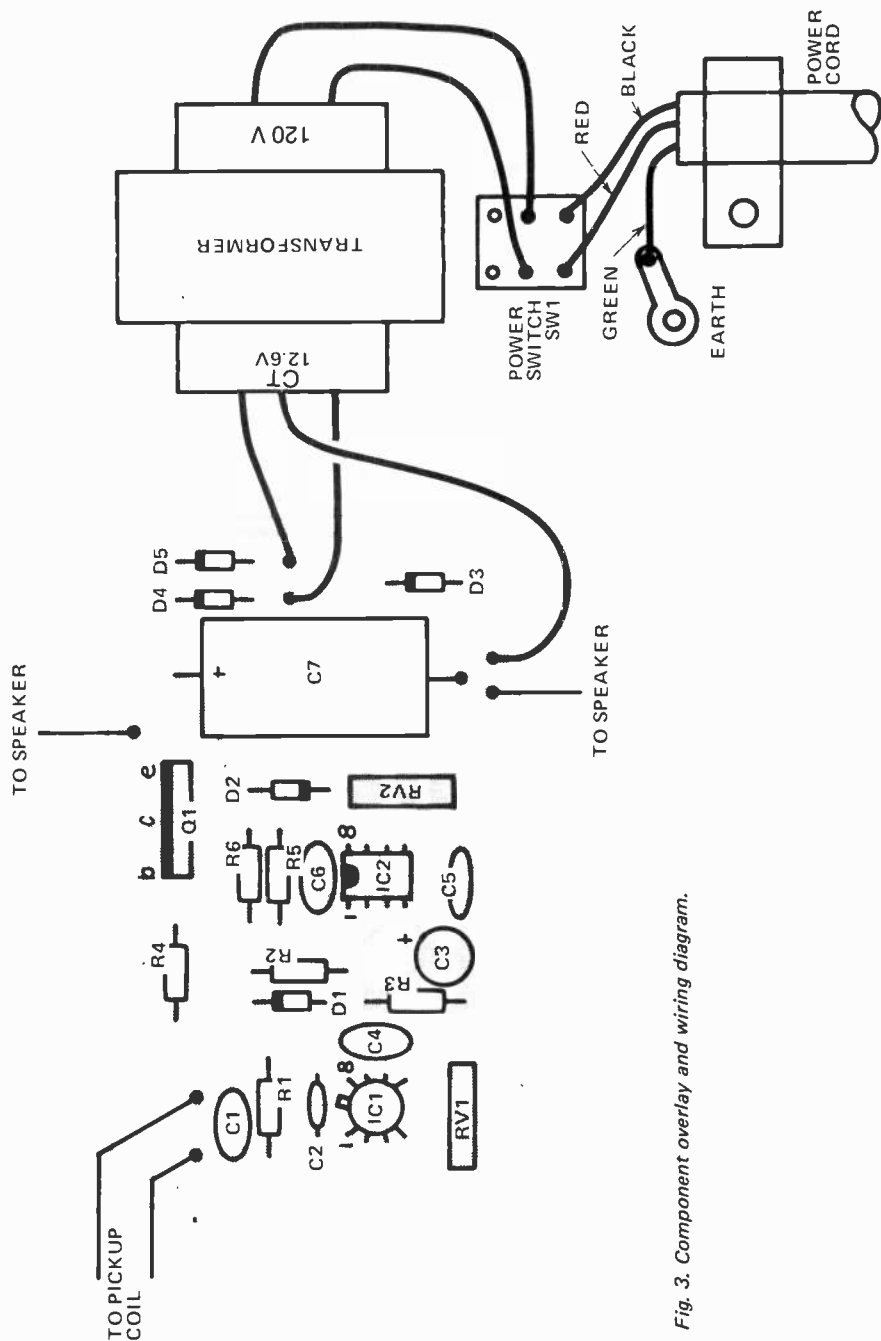


Fig. 3. Component overlay and wiring diagram.

This Is A *Mini-Ad!*

You Can Write, Draw or Advertise Anything You Like in This Space, for Only

**\$125**

FOR MORE DETAILS CALL

**Peter Priest**  
 on  
**416 423 3262**

**SERVING CANADIANS FOR OVER 25 YEARS**

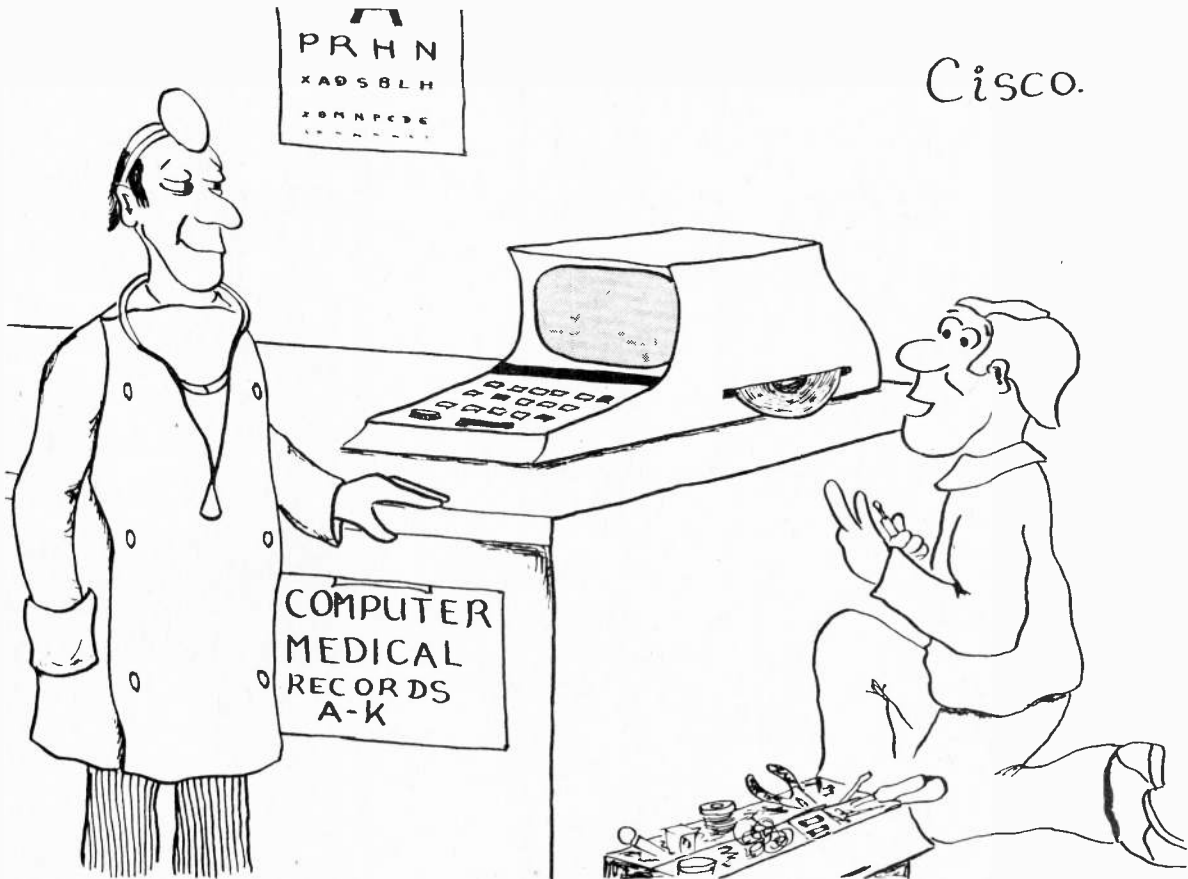
**UHF · VHF · FM VARACTOR TUNERS**  
*Solid State our Speciality*

We service more TV Tuners than all other tuner companies combined.

We also service all makes of TV cable converters.

**CASTLE TUNER SERVICE**  
 24 Cranfield Road,  
 East York, Toronto M4B 3H1  
 Tel: 752-7330/1

Cisco.



ER, IT'S GOT A SLIPPED DISK ...



**FOR THE LONG, MED OR SHORT HAUL...**

it's the new

ADJUSTABLE VACUUM STROKE



**US140 UNIVERSAL SOLDAPULL®**  
DESOLDERING TOOL



- LONG
- MED
- SHORT

FEATURE FOR FEATURE - A LOT OF TOOL FOR THE MONEY!

Compact tool for convenient tool box storage. Precision molded plastic barrel and low-mass plunger creates rapid vacuum impulse with negligible recoil. Three position plunger adjusts loading span to fit large or small hands. Ample vacuum for most circuit board desoldering requirements.

Write for complete Edsyn catalogue



**len finkler ltd**

25 Toro Road, Downsview, Ontario M3J 2A6  
telephone 630-9103 telex 065-24010

### Classified Advertising Rates

Minimum charge \$27.00 per insertion  
Minimum size One inch depth by one column wide (2 1/8").  
Allow 36 letters and/or spaces per line.  
**Bold face Heading and Signature \$3.00 extra.**  
Otherwise only **FIRST** word and **NAME** set in bold caps.

Nine lines of this size of type to one inch depth.

Nine lines of this size of type to one inch depth, including Heading and Signature and white space if used.

Advance payment required except for classified ads placed by recognized advertising agencies. P.O. Box not accepted unless advertisers provides permanent address and phone number. 10% discount on consecutive insertions without copy change. Copy must be received 8 weeks preceding month of issue.

### Semi-Display Advertising Rate

Camera ready copy must be supplied or work will be billed back to client. 10% discount on repeat insertions without change. Payment in advance, except for recognized agencies. Deadline 8 weeks preceding month of issue.

0.7" Led Clock Module **4 Digits Alarm Clock**

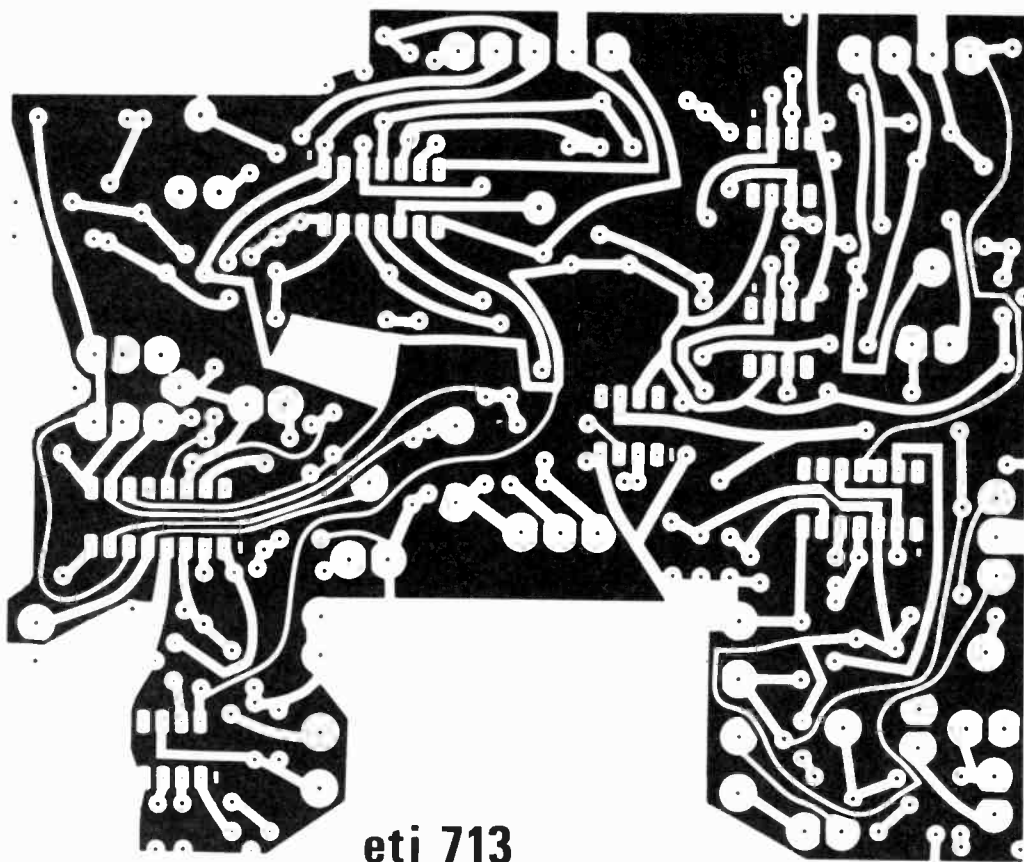


**\$13.50 EACH**  
LT701E, 60Hz 12 hr. display  
LT701G, 60 Hz 24 hr. display  
Power Supply 12V AC  
Ideal for panel clock, desk clock, or auto clock kit.

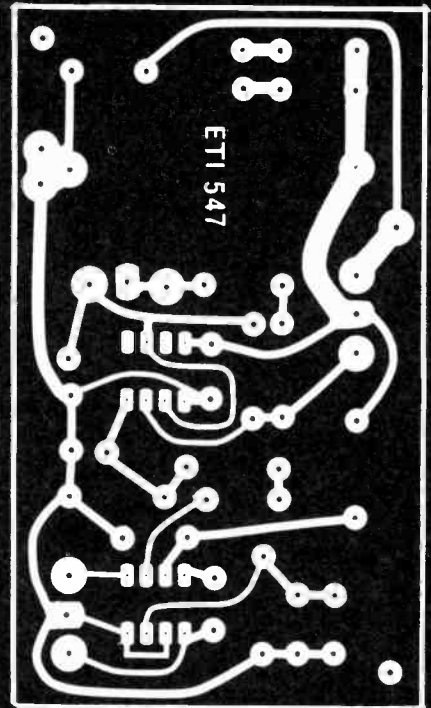
One size only  
One column, 2" wide by 1" inch depth  
Cost \$40.00 per insertion

COMPANY NAME AND ADDRESS HERE

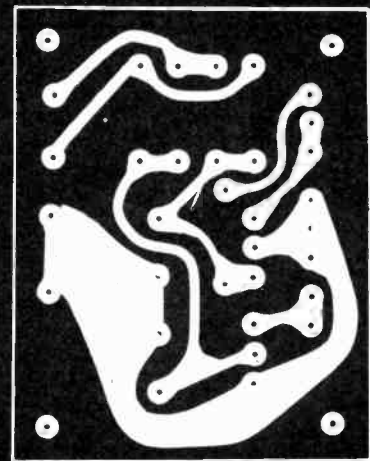
Send copy and cheque or money order to  
ETI Magazine; Classified Advertising Dept.,  
25 Overlea Blvd, Unit 6,  
TORONTO, Ontario, M4H 1B1



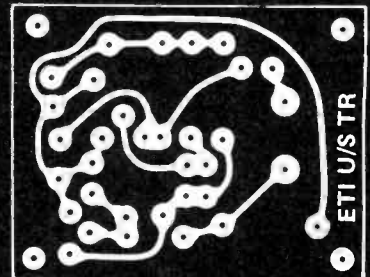
eti 713



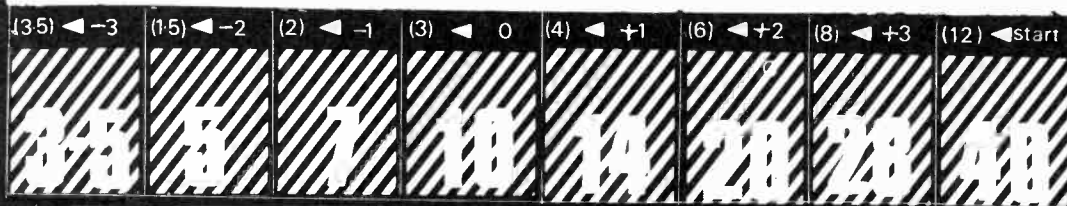
ETI 547



ETI 486

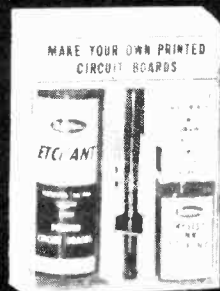


ETI U/S TR



**I  
N  
J  
E  
C  
T  
O  
R  
A  
L  
L**

Printed Circuit Board materials for hobbyist and Technician



From Fingers to Doughnuts a very complete line of quality materials Available from your local Component Store or call (416) 922-1818

HERE WE present negatives for May and June issues, plus Hammerthrow from March, minus the Audio Spectrum Analyser. We didn't feel tht the double sided Analyser boards are really suited to this method of production. These negs can be used with presensitized boards (eg. Injectoral). Typical exposure times under a No. 2 photoflood bulb with reflector at ten inches we expect to be around 20 minutes. Use test strip to make test exposures to find optimum exposure for your setup. Full details were given in Jan. 78 ETI.



ETI  
HAMMER  
THROW  
BOARD 'A'



BOARD  
'B'



ETI  
HAMMER  
THROW

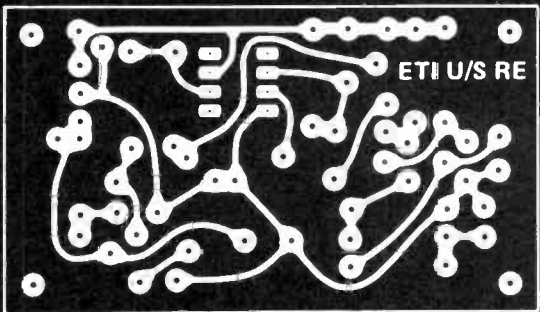


ETI 245

ETI PCB  
Negs



ETI HAMMER  
THROW PSU



ETI U/S RE

# Fluke 8020A: Meter for People

ETI staff were very pleased with this digital multimeter.

THE TRADITIONAL moving coil analogue scale multimeter which has served as prime tool for just about everyone involved with electricity is losing ground rapidly to comparatively new digital instruments. A widely held and generally valid, belief is that the reduction of moving parts from equipment and their replacement with electronics will result in improvement in performance and a quantum jump in reliability.

Early digital voltmeters were rather large, to say the least but of course we have all seen the effects of Large Scale Integration over the last few years. The 8020A Digital Multimeter from the John Fluke Manufacturing Co. takes advantage of the benefits of LSI to produce a good quality and very functional multimeter which will fit in a pocket. (Well, a large pocket.)

The 8020A is designed to meet the demands placed on a portable digital multimeter used in the field: it must be reliable, unaffected by rough handling, easy to use, must be small and light, run from batteries, stay calibrated over long periods, and must be cheap. To fit this bill, the 8020A's designers chose to use CMOS LSI for the circuitry, coupled with a liquid crystal display in a tough plastic moulded case. In fact, the single chip in the meter is made by Intersil and is very similar to the 7107 described in ETI Canada in February '78; this approach means a low component count, hence reduced costs.

Model 8020A features a total of 26 measurement ranges of six quantities. These quantities are AC and DC voltage, AC and DC current, resistance and conductance. Figure 1 shows how the user selects each function and range.

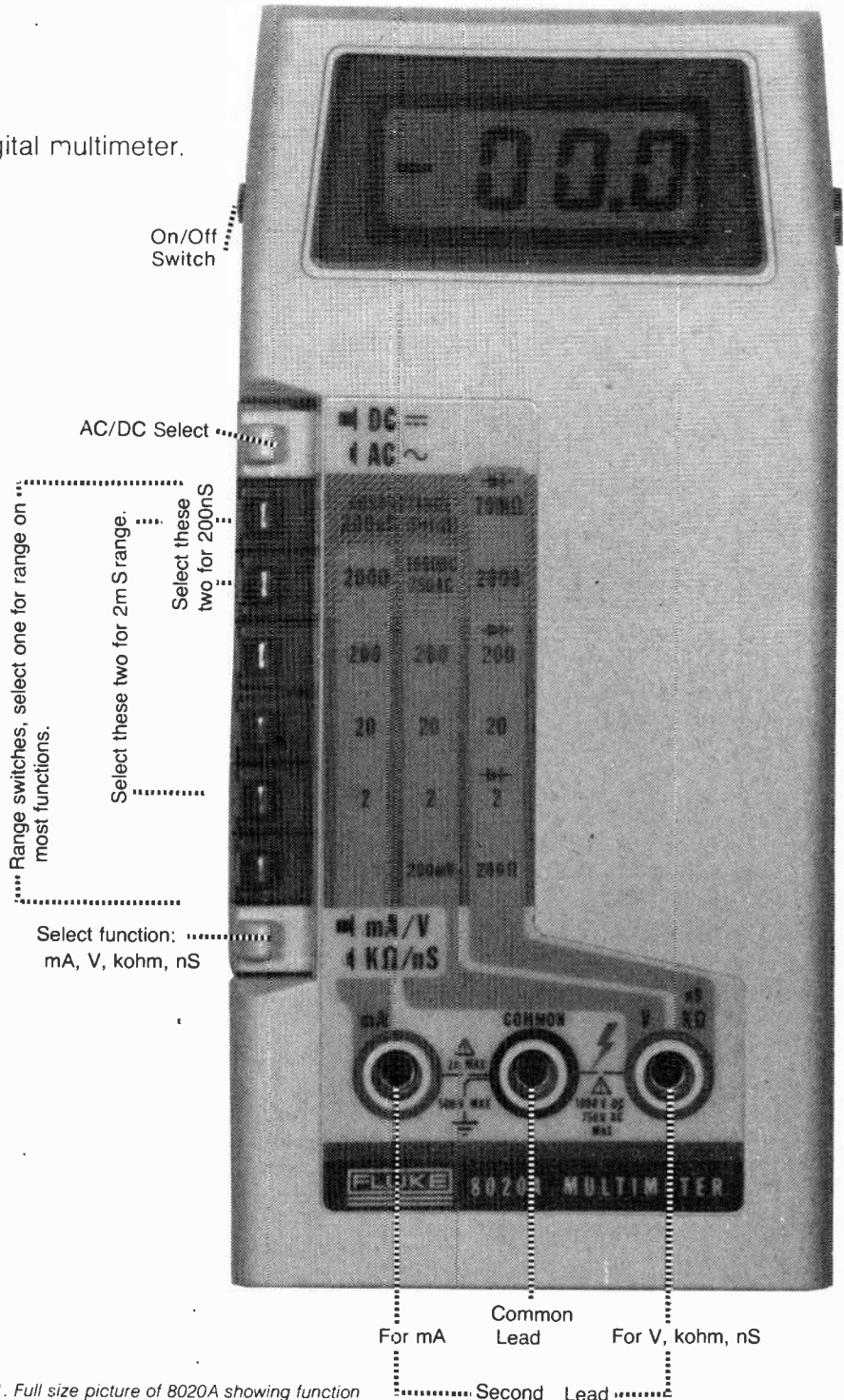


Fig. 1. Full size picture of 8020A showing function and range switching.

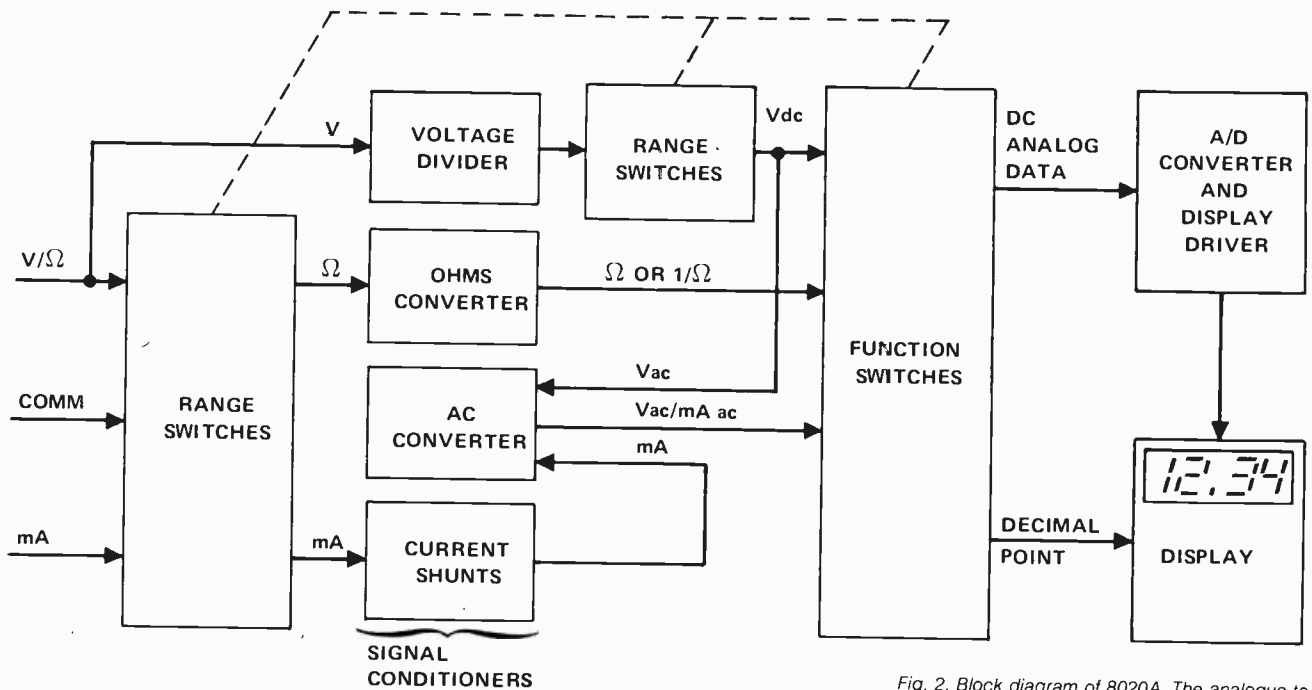


Fig. 2. Block diagram of 8020A. The analogue to digital convertor is the main intelligence block.

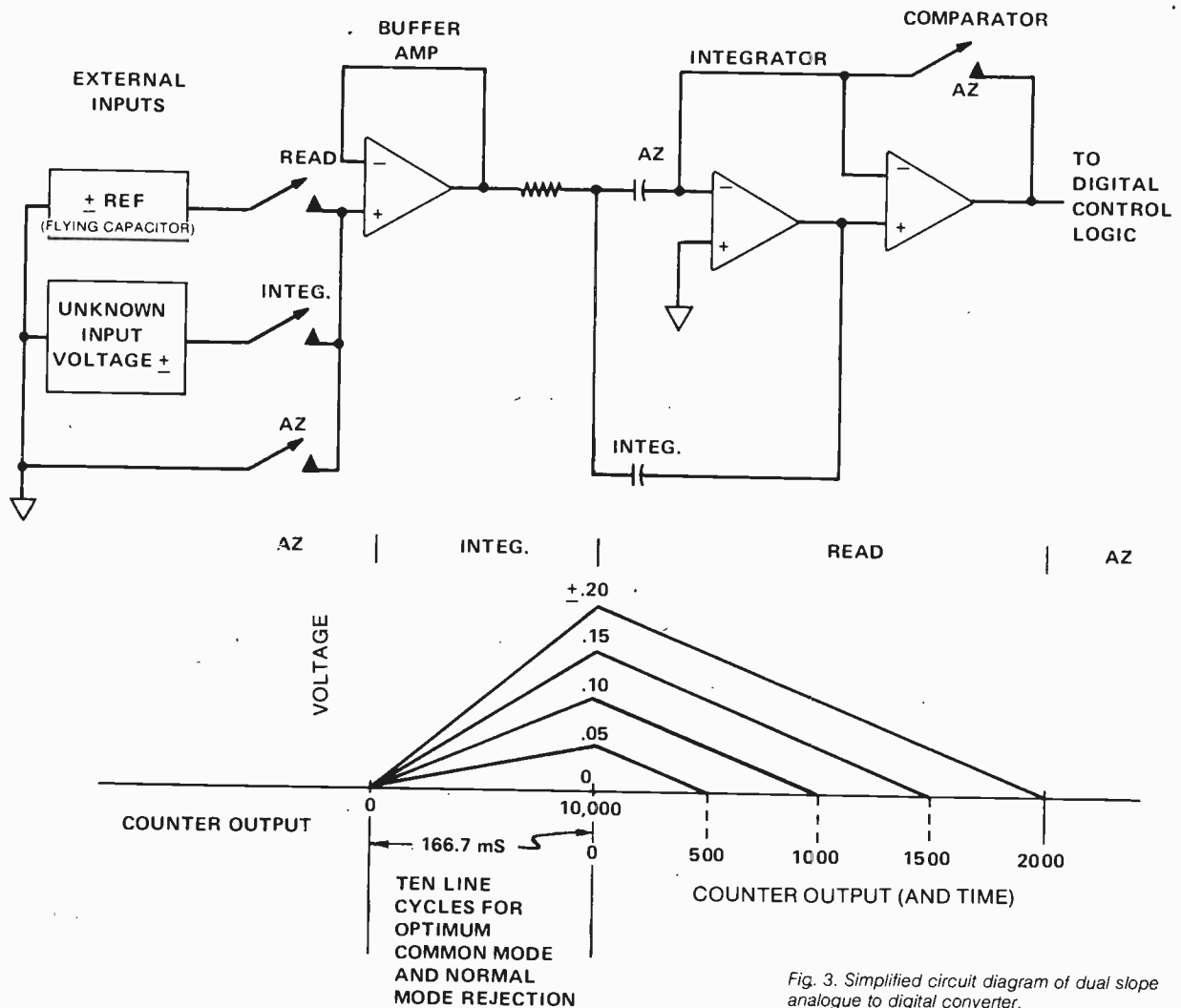
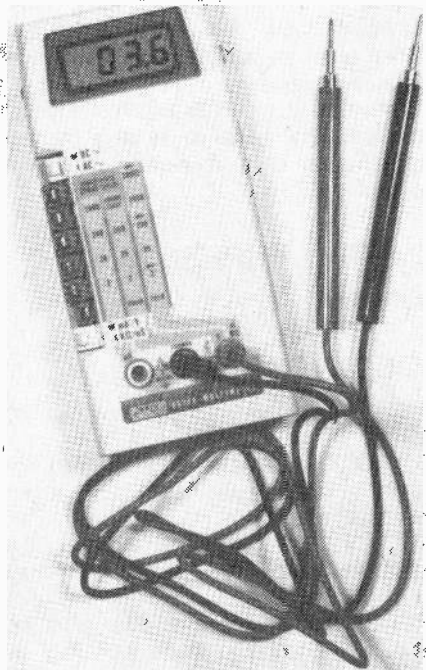


Fig. 3. Simplified circuit diagram of dual slope analogue to digital converter.



## INTERNALS

A block diagram of the whole meter system is shown in Fig. 2. The purpose of the entire "front end", switches and "signal conditioners" is to convert the input signal be it voltage, current etc. to a voltage in a suitable range for feeding the analogue to digital converter chip.

## A/D AND DISPLAY

A special chip was developed by Intersil in conjunction with Fluke to handle the functions of converting the analogue signal to digital form, displaying the result on a liquid crystal readout, plus taking care of autopolarity and overflow etc.

The basic functions of the converter itself are shown in Fig. 3. The well known "dual slope" method is employed.

At the start of a measurement cycle the entire circuit is "zeroed". Then the integrator "ramps up", integrating the unknown (in this example positive) input voltage for 10,000 counts of the crystal controlled 3.84 MHz clock. At the end of this period a set of counters start counting while the integrator ramps down integrating a (in this case negative) reference voltage. When the integrator reaches zero the count is latched into the display section of the chip, and the cycle starts afresh.

The main advantages of the dual slope method itself are two fold. First, both unknown and reference voltages are fed through the same circuit, so any offset

cancels. Secondly, the output is a convenient numerical format.

In the 8020 in particular a number of nice features are incorporated. The clock frequency was chosen so that an exact number of AC line cycles (60Hz) would be contained in the measurement period. Thus any 60Hz AC "hum" in a DC measurement will cancel. The integration period may be 1000 or 10,000 cycles, to give the flexibility of either +/-0.2V or +/-2.0V ranges into the A/D converter. Finally, in order to measure conductance (inverse of resistance) a special switching arrangement allows interchanging the unknown input and reference voltages.

The 8020A gave us the impression it was very professionally human-engineered. Even the feel was right, you get the idea that by pushing the right buttons you could get Scotty to beam down onto your workbench.

Having become accustomed to the convenience and accuracy of digital meters in general, the addition of battery powered portability is a big improvement, not only where AC power is not available (in the car, boat, cottage, etc) but even on the bench it makes the meter easy to move around. In the middle of a complicated test sequence when the test prods won't quite reach you don't have to spend 10 minutes figuring out which five pieces of equipment would be easiest to move over. The 9V battery, by the way, lasts for 100 to 150 hours for a regular type or 200

hours for alkaline. The meter will work down to a battery voltage of 6V, and gives you a low battery indication warning you when you are into the last few hours of operation.

The display visibility is impressive, in fact Fluke went to some pains to maximize the contrast of the 3½ digit LCD readout. In addition the case is designed so that the display is tilted for better readability. On the back of the case is a flip out stand for even more angle, which may also be used for hanging the meter up, which can be very convenient.

Operation of the selector switches is straight forward after initially learning what they all do, and the meter may be operated and held with one hand.

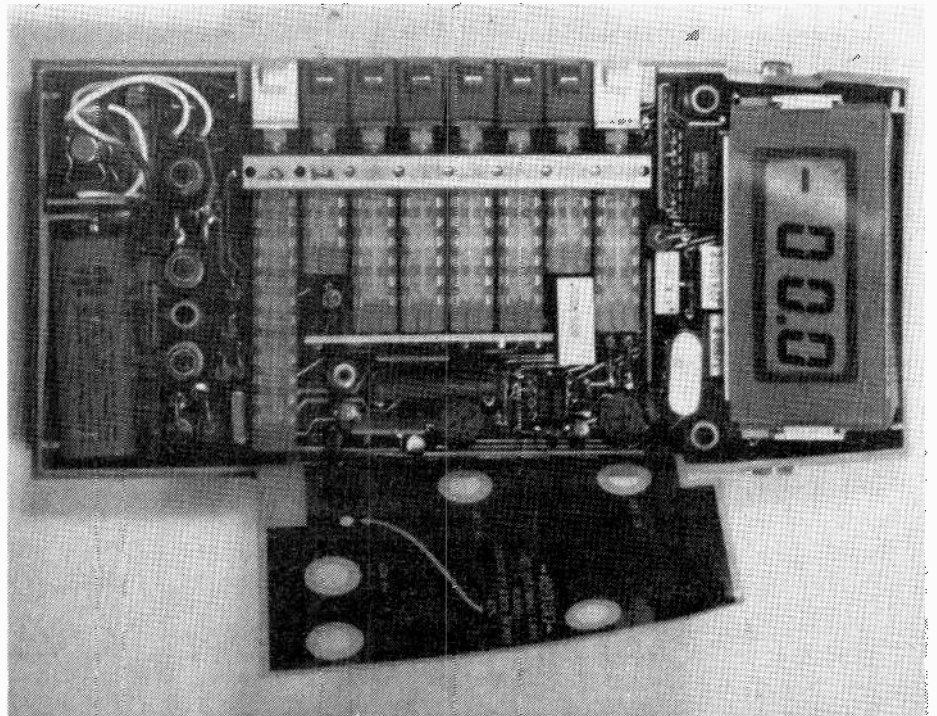
A useful assortment of probe tips is available. (Fig. 5).

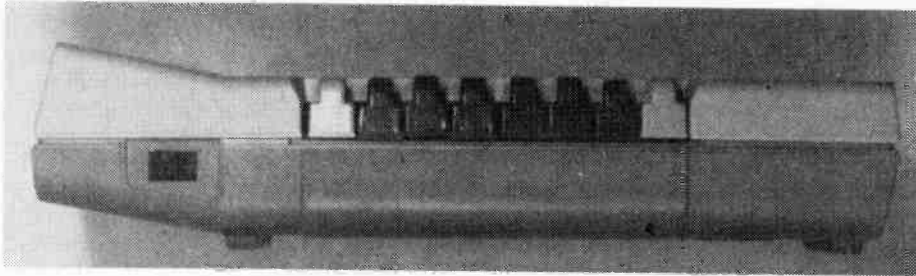
A calculator-style carrying case is handy to get and an AC adapter is available along with other accessories.

## SPECIAL ABILITIES

Aside from the "ordinary" measurements this meter can perform, it does a number of handy things not at first evident. When testing resistance in circuits involving transistors and diodes, one can either select the ranges with the diode symbol, or those without. In the ranges with, the voltage applied to the circuit by the meter is large enough to forward bias and turn on diodes and transistors,

Fig. 4. Inside the meter is a compact PCB with all parts mounted upon it.





whereas in the "without" ranges, the diodes and transistors remain off.

In order to measure large values of resistance (above 20M) two conductance ranges have been included. Conductance being the inverse of resistance is measured in units of 1/ohm, formerly called "mho", now known as seimens of S. 1S is of course 1 amp per volt. Using the conductance range, and conversion chart supplied, resistances up to 10,000 M may be measured, without the usual noise problems associated with high resistance measurement. The conductance ranges are useful for measuring capacitor and semiconductor leakage, and of particular note, transistor beta may be read off directly (see below).

On the AC functions it is worthwhile noting that this meter measures accurately up to 5kHz on some ranges.

### SUPER PROTECTION

As noted on the case of the meter, a very good protection circuit is incorporated. This allows up to 1000V DC or

750V RMS AC to be applied to the input terminals on voltage scales, 300V DC or RMS on resistance and conductance scales, with a 2A fuse for current range protection.

In addition the meter can handle at least 500V DC or RMS common mode, that is with respect to real ground. This enables the user to safely measure the voltage between two points which are at say 470.000V and 470.234V.

### MANUAL

The manual provided with the 8020A adds to the impression that the Fluke people really want to help you measure, not just sell you a meter. The booklet starts with a "let's get to know your meter" introduction. Then follows very comprehensive information on using each measurement function, such as different factors for different AC waveforms, and any effects that the meter has on the circuit under test. It was most impressive to see the manual give complete instructions on constructing and using a tester

attachment to determine type, collector-emitter leakage, and gain of a transistor, instead of trying to sell the tester as an accessory. (One resistor, one switch, one socket and one dual banana plug are all that's needed).

There are also chapters on the theory of operation, maintenance, testing, calibration, circuitry and information on accessories.

### OVERALL IMPRESSION

Impressed.

### SPECIFICATIONS

Some representative specs are given below.

DC VOLTS: Ranges +/- 200mV to +/- 1000V; Accuracy .25%; Input Impedance 10M.

AC VOLTS: Ranges 200mV to 750 RMS; Accuracy .75% to 5% according to frequency;

RESISTANCE: Ranges 200 to 20M; Accuracy .2% to 2% according to range.

CONDUCTANCE: Ranges 2mS, 200nS; Accuracy .3%, 2%.

DC CURRENT: Ranges +/-2mA to +/-2A; Accuracy .75%.

AC CURRENT: Ranges 2mA to 2A; Accuracy 1.5% to 2%.

Fluke products are available from: Allan Crawford Associates, with retail outlets in Toronto, Calgary, Vancouver and Montreal.

Fig. 5. Handy probe tips are available as accessories.

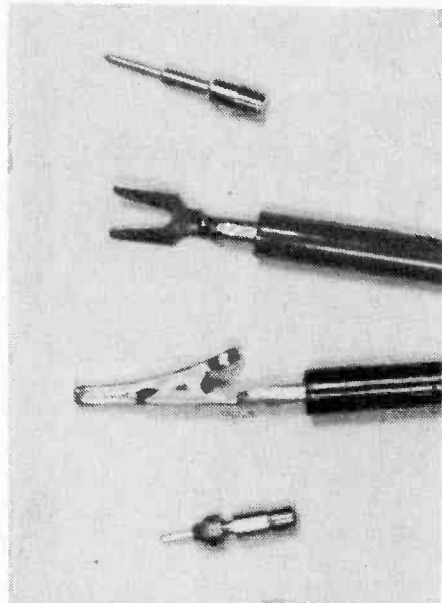
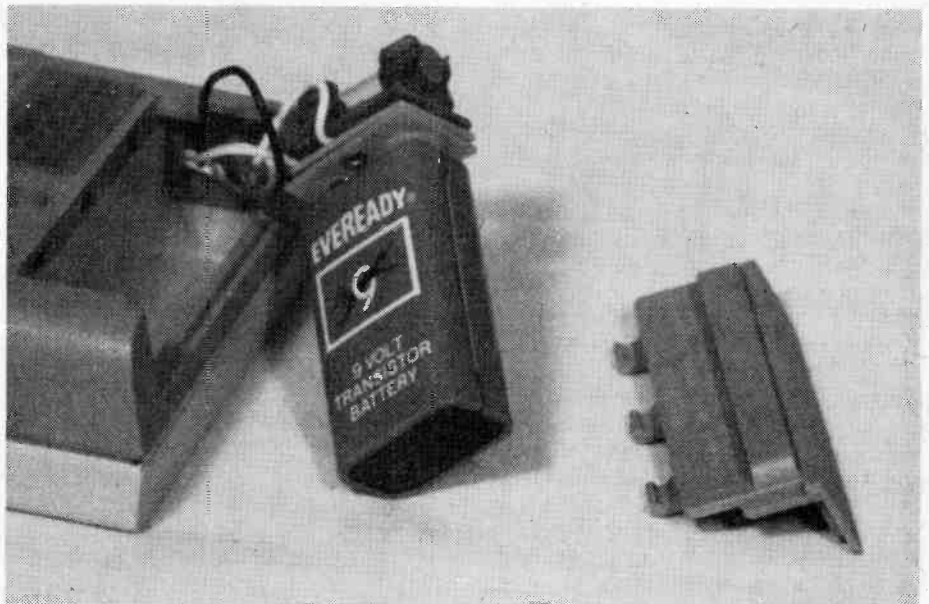


Fig. 6. This is about the only fault we can find in this product. The battery and fuse connector



arrangement is a little messy, not up to the "niceness" of the rest of the meter but quite useable.



# LOOK WHAT YOU'VE BEEN MISSING

Since we started publishing ETI in Canada the circulation growth has been dramatic. That means that there's thousands of our readers who have missed some terrific issues. The issues we can't supply are March 77, April 77 and August 77.

The chart shows just the main features and projects in the various issues we have available, but for some months we are selling out fast so you'd better hurry and get your copies now. Just send us \$2 (not cash) for each issue you require, to ETI BACKNUMBERS, Unit 6, 25 Overlea Blvd., Toronto, Ontario M4H 1B1.

**Features**

**THE CN TOWER: MORE THAN JUST A LANDMARK** 22  
*The technical features in the world's tallest building*

**BIORHYTHM CALCULATOR** 24  
*Find out your condition from a machine!*

**VCT** 31  
*Can these new devices kill off the op-amp?*

**555 TIMER APPLICATIONS** 35  
*38 circuits using this popular IC*

**YAMAHA B1 REVIEWED** 49  
*Powerful amplifier uses power FETs*

**SCOPE TEST YOUR CAR** 60  
*Tune your automobile with just a scope*

**MICROFILE** 65  
*Microprocessors and microcomputers for the hobbyist*

**Projects**

**FIVE WATT STEREO AMPLIFIER** 16  
*Use just two ICs to make this project*

**PHILIPS LOUDSPEAKER SYSTEM** 27  
*An off the shelf speaker!*

**REACTION TESTER** 52  
*Measure your reaction time against your friends*

**SHORT CIRCUITS** 55  
*PATCH DETECTOR  
HEADS OR TAILS  
SCR TESTER*

**FEB.**

**Features**

**PROJECTION TV** 20  
*The big screen in your home*

**741 COOKBOOK** 28  
*A thorough look at the Op Amp*

**CATALOGUE SURVEY** 51  
*A look at what's available from whom to whom*

**EASIER WAY TO MAKE PCB'S** 57  
*How to copy out E.T.'s patterns*

**CHOOSING A MICROCOMPUTER** 60  
*The choice is yours, choose wisely*

**Projects**

**BURGLAR ALARM** 13  
*For home or office, prevent intruders*

**CERAMIC CARTRIDGE PREAMP** 17  
*Circuits to boost performance*

**NI-CAD BATTERY CHARGER** 43  
*For home or office use*

**SHORT CIRCUITS** 47  
*BENCH POWER SUPPLY  
FUZZ BOX*

**STEREO RUMBLE FILTER** 54  
*Eliminate rumble in your music*

**MAY**

**Features**

**DIGITAL SOUND SYNTHESIS** 16  
*From monophonic to polyphonic*

**A GENERATION AWAY** 25  
*Evolution or revolution*

**MULTIMETER GUIDE** 30  
*Make sure you get what you want*

**LIQUID CRYSTAL DISPLAYS** 40  
*What goes on behind the screen*

**INTRODUCTION TO COMPUTERS** 44  
*What's involved and how it's evolved*

**Projects**

**G.S.R. MONITOR** 12  
*Learn to relax with this unit*

**TAPE/SLIDE SYNC** 36  
*Update your slide shows*

**SHORT CIRCUITS** 54  
*INJECTOR TRACER  
METRONOME  
DRILL CONTROLLER*

**JUNE**

**Features**

**A GENERATION AWAY 2** 10  
*Evolution or revolution*

**PL EXPLAINED** 17  
*The rise to technology*

**C.B. SUPPLEMENT** 27  
*Techniques and technology*

**INTRODUCTION TO COMPUTERS 2** 40  
*What's involved and how it's evolved*

**Projects**

**MASTERMIND** 21  
*Collaborating with a friend*

**DIGITAL VOLTMETER** 45  
*High accuracy, fast gear*

**SHORT CIRCUITS** 53  
*THE OVERLED  
TURN INDICATOR CANCELLER*

**JULY**

**Features**

**PICKUP PRINCIPLES** 20

**SCIENTIFIC CALCULATOR REVIEW** 26

**BITS BYTES AND BAUDS** 34

**INTRODUCTION TO THE OSCILLOSCOPE 2** 37

**ACTIVE FILTERS 2** 56

**Projects**

**AUDIO SWEEP OSCILLATOR** 10  
*For home or office use*

**SHORT CIRCUITS** 46  
*SOIL MOISTURE INDICATOR  
MICROAMP  
ELECTRONIC BONGOS  
ALARM ALARM*

**SEPT.**

**Features**

**VFETS FOR EVERYONE** 16

**MICROBIOGRAPHY** 23

**ELECTRONICS IN PHOTOGRAPHY** 34

**ACTIVE FILTERS 3** 46

**MURPHY'S LAW** 55

**COLOUR T.V. DEMISE** 61

**Projects**

**GRAPHIC EQUALISER** 9  
*Circuit design, no parts to worry*

**SHORT CIRCUITS** 40  
*LOUDHAILER  
CONTINUITY TESTER  
STEREO SIMULATOR*

**OCT.**

**Features**

**BASIC CONSTRUCTION METHODS** 8

**MICROBIOGRAPHY** 17

**LASERS AT PLAY** 24

**VFETS FOR EVERYONE Part 2** 33

**CHARGE COUPLED DEVICES** 41

**BITS BYTES AND BAUDS** 50

**THE FIRST CENTURY** 52

**Projects**

**DIGITAL THERMOMETER** 12

**SHORT CIRCUITS** 22  
*THREE-CHANNEL TONE CONTROL  
WATCHDOG*

**NOV.**

**PROJECTS**

**FIFTY WATT PER CHANNEL AMPLIFIER** 28  
*A versatile IC allows you several options*

**'SPIRIT LEVEL' INDICATION INDICATOR** 37  
*The most accurate the higher you score*

**EGG TIMER** 41  
*We can't leave our readers counting down to Easter*

**AM STEREO** 8  
*Two ICs do it better, now*

**BATTERIES** 12  
*The old standard, but what are they, and what are they used for?*

**THE TUBES THAT WON THE WAR** 23  
*All 12 that you use, or you used today*

**DATASHEET** 43  
*What's a datasheet and how to use it*

**THE ONE-ARMED MPU** 46  
*How to use a 1601 to replace hardware logic*

**MICROBIOGRAPHY** 51  
*The story of 1830 and 6530*

**BITS, BYTES, AND BAUDS** 57  
*Microprocessors and the logic analyzer*

**TECH TIPS** 61  
*Notes for experimenters*

**FEEDBACK** 64  
*Letters from our readers*

**DEC.**

**PROJECTS**

**ETI CLOCK** 21  
*A versatile IC allows you several options*

**LED PENDANT** 27  
*Electronic jewelry you can make as a gift*

**COMPANIES** 31  
*Our simple noise reduction device for the hi-fi constructor*

**NOISE REDUCTION TECHNIQUES** 8  
*A look at the different systems available*

**NOISE REDUCTION BY AUTO-CORRELATION** 12  
*A look at the Philips Linear 4000*

**MAKE PCB'S FOR BYT PROJECTS** 16  
*You can make your own boards at home*

**TRANSMISSION LINES** 18  
*How to get signals from A to B with minimum loss*

**DATA SHEET** 42  
*The L4001, true RMS to DC converter*

**CONVERT YOUR TV FOR VIDEO INPUT** 45  
*So you can enjoy your video game or computer without a modulator*

**BITS, BYTES AND BAUDS** 51  
*Bill Johnson introduces more basic computer concepts*

**MICROBIOGRAPHY** 56  
*This month the RCA 1605 microprocessor, COSMAC*

**TECH-TIPS** 61  
*Notes for Experimenters*

**FEEDBACK** 64  
*Letters from our readers*

**JAN.**

**PROJECTS**

**TACHOMONITOR** 25  
*A simple guide to effective gear changing*

**DIGITAL PANEL METER** 29  
*An accurate digital voltmeter with liquid crystal display*

**CB POWER SUPPLY** 44  
*A versatile design for using your mobile rig at home*

**FREEZER ALARM** 48  
*A simple way to safeguard against accidental defrosting*

**FEATURES**

**THE COMMODORE PET** 10  
*Answers to the questions everyone is asking*

**ELECTRETS EXPLAINED** 20  
*The magic ingredients of many microphones, cartridges and headphones*

**CLASS OF AUDIO AMPLIFIERS** 22  
*A new technique used in the Matchless Dynamometer range*

**DATASHEET** 32  
*The Intel 7107 digital panel meter IC*

**TRANSFORMERS** 32  
*How to choose them, how to use them*

**BITS, BYTES & BAUDS** 57  
*Bill Johnson's computer introduction*

**SINGULAR CAMBRIDGE PROGRAMMABLE CALCULATOR** 60  
*A cheap programmable with conditional branching*

**TECH TIPS** 66  
*Notes for experimenters*

**FEB.**

# TGS812/813 Gas Sensors

Here's what you need to know about those nifty Figaro gas sensors.

THE TGS 812/813 are semiconductor gas sensors suitable for general purpose combustible gas detection. They are manufactured by Figaro Engineering.

The sensor consists of a ceramic tube onto which is deposited a layer of the semiconductor (mainly tin dioxide) and the electrodes.

In fresh air the resistance of the semiconductor is constant, but as the concentration of the detectable gases increases and comes into contact with the sensor's surface, the resistance of the semiconductor changes.

In order to increase the response time of the device, the sensor is heated to a temperature between 200 and 400°C by a heated coil in the ceramic tube.

The sensitivity characteristics of the TGS sensors are altered by changes in atmospheric temperature and humidity. The detection principle of the sensor is based on chemical absorption and desorption of gases on the sensor's surface, and because these reactions are temperature dependent and water vapour can be considered a gas, the effects of temperature and humidity changes cannot be eliminated from the sensor. These effects can, however, be reduced by suitable circuit design (see Fig 7).

Livingstone Electronics has some Figaro sensors available (see their advertisement for address). Figaro Engineering Inc., has an office in the States their address is; 3303 Harbor Boulevard, Suite D-8, Costa Mesa, California 92626 U.S.A.

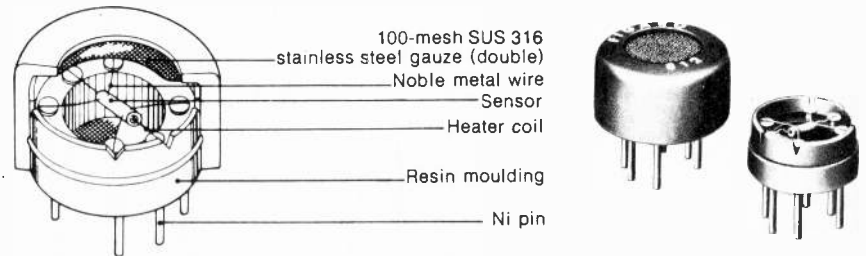


Fig 1. Mechanical structure of types 812 & 813 sensors.

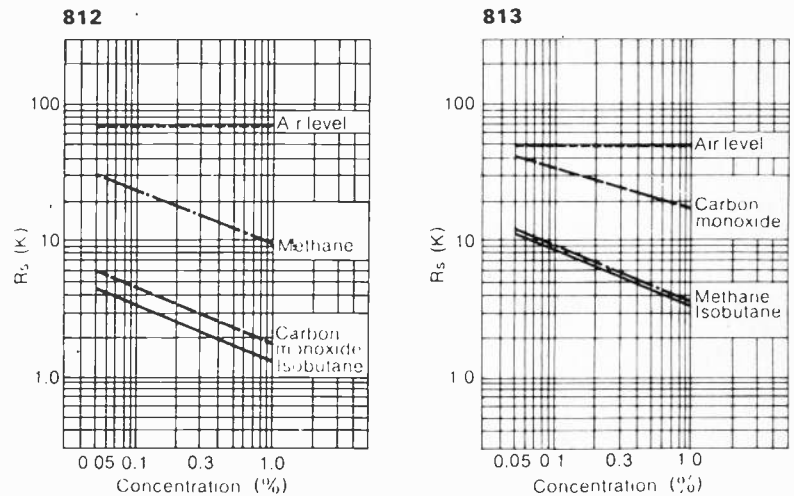
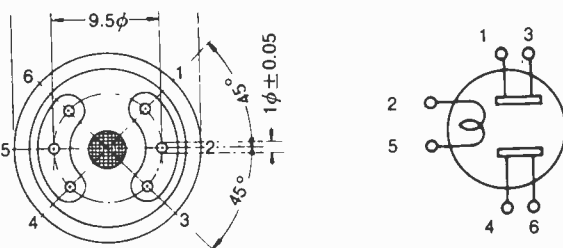


Fig 2. Sensor resistance ( $R_s$ ) changes with different concentrations of gas.



TYPE NO.	TGS 812/813
<b>TEST CONDITION</b>	
(A) Circuit Voltage (VC)	10V (A.C. or D.C.)
(B) Heater Voltage (VH)	5.0V (A.C. or D.C.)
Heater Power	
Dissipation (PH)	Approx. 650mW.
(C) Load Resistance (RL)	4K
<b>WARM-UP TIME</b>	
	Approx. 2 min.
<b>HEATER RESISTANCE (RH)</b>	
	38±3
<b>SENSOR RESISTANCE (RS)</b>	
	1 — 10K in Isobutance 1000ppm/air

Fig 3. Sensor characteristics.

Sensor type	Electrical ratings	Applications and Features
812	Vc: (Max.)24V Vh: 5.0V	General purpose combustible gas detection. Carbon Monoxide detection. High CO sensitivity enables most types of smoke to be detected.
813	Vc: (Max.)24V Vh: 5.0V	General purpose combustible gas detection. Methane detection. High CH sensitivity makes it suitable for Natural Gas detectors.

Fig 4. Differences in sensitivities between 812 & 813.

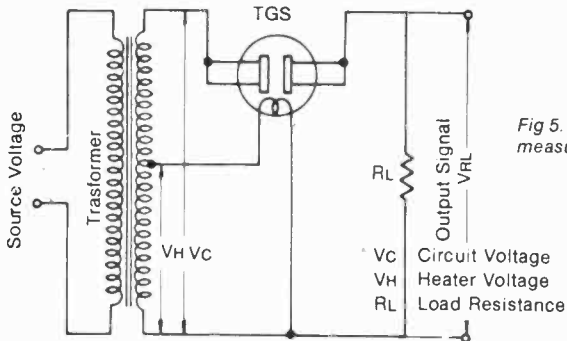


Fig 5. Basic test and measuring circuit.

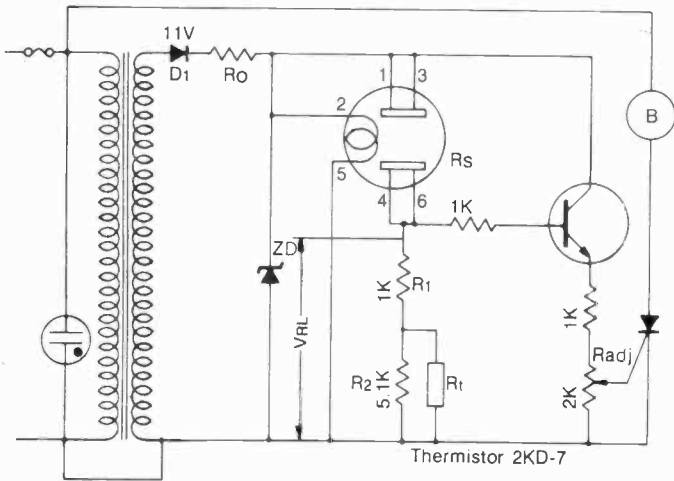


Fig 6. Circuit for use as a gas leak detector.

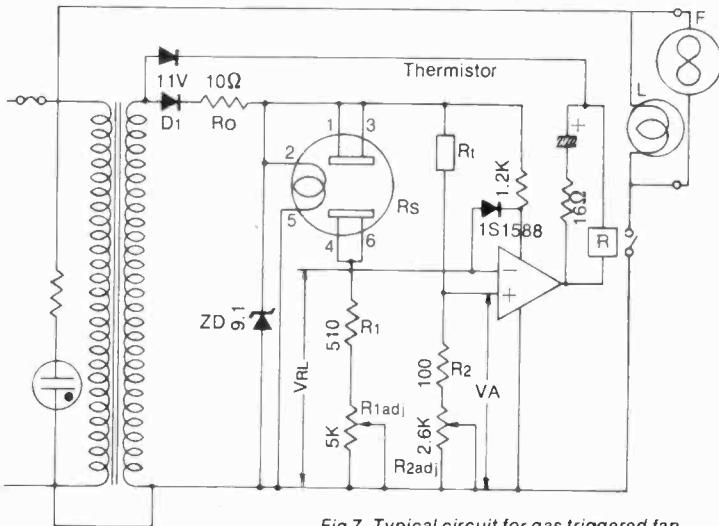


Fig 7. Typical circuit for gas triggered fan.

# Get your hands on a DMM today!

When you need a Digital Multi-Meter you need it today.

Now you can get instant in-stock availability of many popular models of DMM's, scopes, power supplies, waveform generators, and other electronic equipment at ACA Electronic Centres. Quality equipment at highly competitive prices. Shop-in-person convenience. Get your hands on the DMM you need today at the ACA Electronic Centre nearest you.



FLUKE 8020A  
3 1/2-digit DMM  
\$219\*

FLUKE 8020A 3 1/2-digit DMM \$219\*

**Measures:**

- Voltage AC/DC
- Current AC/DC
- Resistance
- Conductance (The only DMM with this available as a standard feature).
- Temperature (Requires optional 80T-150 probe)

**Features:**

- Unrivalled overload protection
- Low power ohms and diode test

\*Canadian price. Duty and FST included. Provincial taxes extra where applicable. Shop-in-person or by mail. Phone or write for free catalog.



**Allan Crawford Associates Ltd.**

Toronto: 6503 Northam Drive, Mississauga, 416/678-1500  
 Calgary: 2280-39th Ave. N.E. Calgary 403/276-9658  
 Vancouver: 116 East 3rd Street, Suite 203, North Vancouver 604/980-4831  
 Montreal: 1330 Marie Victoin Blvd., Longueuil 514/670-1212

# ETI T-SHIRTS

Just the thing to wear for your next job interview, for meeting the girlfriends' parents, seeing your bank manager... anytime you want to impress. Wear a new one on order these quality Canadian-made products made from fine-weave polyester-cotton. The shirts are coloured right or go with ETI — Canada's Electronics Magazine printed in navy blue. To order your shirt just send \$5.50 and size required to ETI T-Shirts, Unit Six, 25 Overlea Blvd., Toronto, Ont. M4H 1B1. Do not send cash, and remember to include your name and address. Special price on double orders: if you order two T-shirts you need only send \$10. Prices include postage and handling.

Ontario residents add 4% PST.

## BARGAINS GALORE

North Toronto's Newest Supplier  
for the Electronics Enthusiast  
Transistors, Capacitors, LED's, IC's, Pot's etc.  
Ham Equipment and Accessories

### DOOR OPENING SPECIALS!

Brand new merchandise  
Limit Two per Customer

8 Track Quad Tape Deck **\$15<sup>95</sup>**  
(less cabinet)

ZENON Strobe Disco Lites **\$32<sup>95</sup>**  
in Wood Cabinet

	Regular	Special
Kings Point Rechargeable Calculator Metric Conversion. NiCad Batteries	\$22.95	\$14.95
Adaptor/Charger	\$ 5.95	\$ 3.50
40-40 Watt Amplifier Kit	\$169.95	\$139.95
Argentronic Digital Electronic Clock Kit (Programmable for 12 or 24 hour setting)	\$ 29.95	\$ 24.95
Concerto Solid-State Micro Cassette Recorder Built-in Condensor Microphone. Battery with AC adaptor	\$ 69.95	\$ 49.95
Car Stereo Speakers 6"x9", 30 oz. magnet Coaxial woofer Tweeter	\$ 22.95	\$ 17.95
5 1/4" round speaker 12oz. magnet. Coaxial woofer tweeter	\$ 12.95	\$ 10.95
Car Stereo Cassette Player Tele-master AM/FM Radio Stereo Cassette Player 15 Watts per channel RMS	\$129.95	\$ 99.95
Automatic Regulated Power Supply 12V or 2 amp	\$ 39.95	\$ 29.95
Electronic Ignition Kit (Limited Supply) (First come first served, order now)	\$ 49.95	\$ 29.95

#### Specials on Small Parts

CAN ELECTROLYTIC 4000MF/80V/4Amp	\$3.50
2500MF/60V/2.5Amp	2.95
1000MF/50V/1.5Amp	2.50
CAPACITORS Radial Leads	
1000/35V	.55
1000/25V	.49
1000/16V	.25
RESISTORS 1/4 Watt	.04
1/2" STEREO JACKS	.39
AC Chassis Receptacles	.20
Mini Circuit Breaker	
1.6 Amp	.75
RCA 4 JACK Phono Strip	.79
IN5061 1.5 Amp 400V Diode	.20

Your North Toronto Dealer for  
HAMEG and LEADER Test Equipment JANA, INJECTORALL

Technical Books and Magazines. Come in and Browse before you Buy.  
Minimum Order \$10.00 Add 10% Shipping and Handling. No C.O.D.'s



## GENERAL ELECTRONICS

(Just south of Finch Ave.,) Ample parking in vicinity

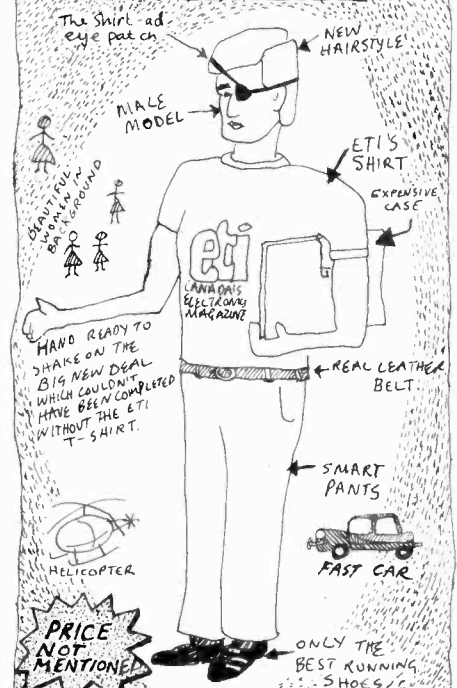
**5511 Yonge Street, Willowdale**  
**Toronto, Ontario M2N 5S3 Tel: (416) 221-6174**  
Hours 10:00 a.m.-9:00 p.m. Monday-Saturday

### The Real ETI T-Shirt Ad

Due to lack of suitable resources we were unable to prepare this ad properly in time. Please bear with us and try and imagine the ad as it was meant to appear - very slick like shirt ads in the other magazines.

DO NOT CONSCIOUSLY READ THIS MESSAGE

SUBLIMINAL MESSAGE ---  
**THIS COULD BE YOU!**



ADVERTISING COPY SAYING SOMETHING WHICH CONJURES UP AN IMAGE OF SUCCESS, WEALTH, RESPECTABILITY, ETC.

WHICH SIZE FOR YOU?  
SMALL: for small people    LARGE: for large people  
MEDIUM: 38"-40" chest    EXTRA-LARGE: bigger than large

# Your Personal R2D2

The special effects used in Star Wars have amazed millions. Brian Matthews was inspired enough to build his own version of R2D2. Wally Parsons investigates.

## "HOW TO LIVE WITH A ROBOT AND ENJOY IT"

THROUGHOUT THE HISTORY of humanity, one of man's major preoccupations, aside from murder, has been what might be called self replication. Statues and other figures, sometimes in the form of gods also created in man's image have always been with us, but especially fascinating has been the idea of creating life, or at least an imitation of it in human form, more or less. There is some reference to mechanical creatures in the Arabian Nights, although performance is attributed to magic, but the modern concept of a self-contained non-biological creature able to move about like a human being waited for the Industrial revolution and the development of science and engineering.

The word is really a Czech word meaning "worker" and first appeared in the English language in a play by Karel Kapek entitled "R.U.R." (short for "Rossum's Universal Robots"), in the mid-1930's. Since then, robots have been staples of science fiction where they have done everything from running complete space stations to playing winning baseball. Movies and television, leading from the rear, as usual, have finally caught on, giving us such things as a space Robinson Crusoe in which the most interesting character was a Robot, a six-million dollar robot, and even a robot cop (which is only reasonable, I guess).

And then "Star Wars". Even people who haven't seen the film know about the robots, just as a decade ago they knew about HAL, the computer of "2001: A Space Odyssey" whose functions made him, in a sense. But

where HAL was awesome, R2D2 of "Star Wars" is positively cute and even cuddly. Even to the point where already an active market is developing for R2D2 dolls.

But what if a doll is not good enough. Maybe you'd like the real thing, or at least something pretty close to it. No problem. Just build you own. That's what Brian Matthews did, and the results can be seen in the pictures on these pages.



## A MATTER OF PROPORTION

Wait a minute! It's all very well to say "build your own" but everyone knows that the original R2D2 carried a hefty five-figure price tag and was built with the resources of a large studio's full special effects department. But

engineers design while inventors invent, and many an amateur has accomplished the impossible because he didn't know it couldn't be done.

Now, Brian has been fooling with radio controlled models for several years, and although he has no real knowledge of electronics and only a high school knowledge of mechanical engineering, he has learned how to make things work. Combine this with amateur boat building, and a sharp eye for detail, along with about a thousand dollars and another R2D2 is born.

## A CASE OF ARTIFICIAL SYNTHETICS

When I first saw Brian's creation on television I assumed that a lot of metal-working and plastics fabrication had gone into his construction. Imagine my surprise when I looked inside to discover *plywood*. And the surprise was magnified by the fact that in person R2D2 seemed to be a work of metal and plastic, even to a domed head looking for all the world like anodized aluminum. But this is where the boat builder's skill came into play. The basic body is in the form of a barrel, fabricated from cedar strips glued together to form the barrel shape. Internal components are mounted on a wooden frame which also provide re-inforcement for the body.

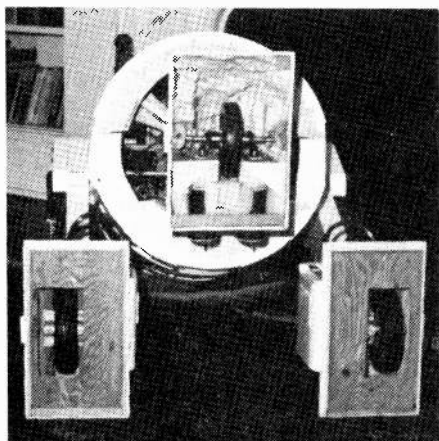
The dome head is the only real departure from the wooden construction, consisting of a single plexiglass dome  $\frac{1}{8}$ " thick fitted to a plywood platform in the centre of which is the coupling which fits into a motor at the top of the body, and allowing the head to rotate. Fitted within the head are various lights, pulsating and otherwise.

# R2D2

Sounds are produced by a means so simple as to be positively elegant: a cassette recorder fitted with a continuous loop tape and remotely activated. No synthesizers, no radio sound transmissions, just a recorder.

As for the locomotion, here some major departures are made from the original R2D2. While the latter used drive wheels in the base of each of the rear (side?) legs, and steered by rotating the front wheeled leg, Brian's version uses a front-wheel-drive system, although retaining the same steering system. Power is applied via 36:1 step-down gears from each of two 6 Volt motors mounted in the foot. These motors operate in forward or reverse, with two speeds available. The two side legs have wheels which are free-wheeling, and all have feet internally damped with expanded rigid styrofoam to provide sound deadening.

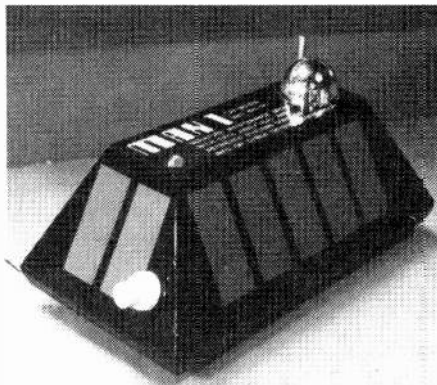
The two side legs are not articulated, that is to say they don't actually do anything except support the rest of the structure. The reason for this is quite simple: much of the design was dictated by parts availability.



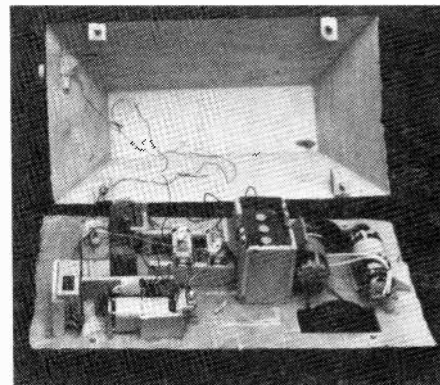
A rather "personal" view of Brian's R2D2.

## WHAT YOU HAVE IS WHAT YOU GET

These conditions also dictated much of the rest of the design. Hobby shops, radio-control dealers, and the like, were the source of many of the component parts, and as many of ETI's readers in smaller towns are aware, you can't always get what you want, so you make do with what you have and what you *can* get. For example, since many of the controls were from radio control sources, this meant a 6 V supply, thus locking the builder into 6 V operation.



Max 1, the Box relative, inside and out.



Two power systems are used, one is a 6V 14 AH lead acid battery to provide power for the motors, lights, tape machine, and the other is a NiCd system for the radio control equipment. These are the familiar servo systems and are operated via two RC receivers.

The radio control system consists of two Kraft transmitters and receivers, each of which provides up to five channels, for a total capability of ten channels. Seven channels are used in this version, and they handle the following functions: Sound, Head Turning, Spot Light, Light, Speed, Forward-reverse, and Steering.

R2D2 (Brian's version) stands 3.5 feet high, weighs 43 pounds with batteries, and will run for 2.4 hours on a single battery charge. Finish is enamel, plus silver laquer (mostly for the dome). He (it? she?) was built over a three month period, with 300 hours actual construction time, and was completed on December 23, 1977.

The little fellow seen in some of the pictures is named "Max" and was built

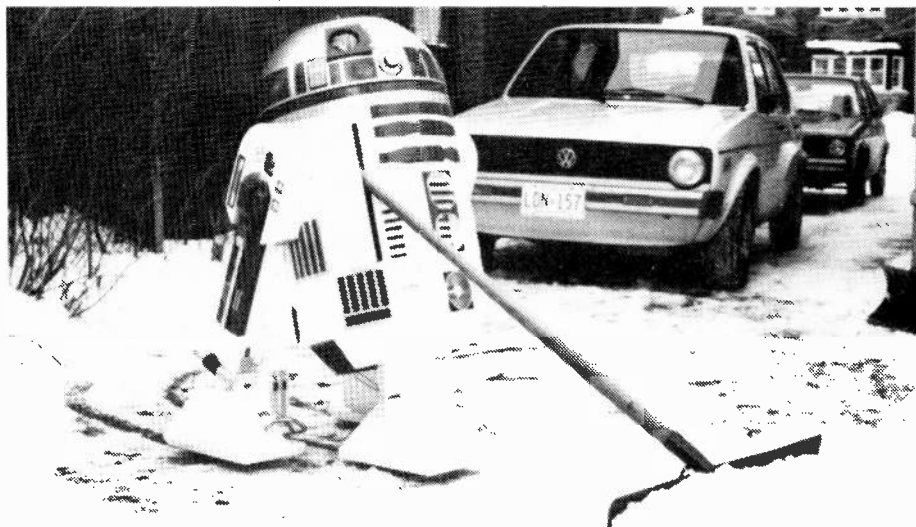
by Matthew Bridgen, a friend of Brian's and with whom he shares his RC hobby. Now Max is not exactly a "Star Wars" character, but was inspired by the Box robot that runs around the Imperial Death Star. When I first saw Max I immediately thought of one of those little dogs, all hair hanging down to the floor, and a little red tongue sticking out. He makes a great pet, and was built along the same general principles as R2D2. Actually, Max was patterned along the lines of general impressions gleaned from the movie.

How about R2D2, where did his plans come from? Oh, he was designed from magazine photos.

Readers wishing to meet Brian Matthews and his robot, may from time to time encounter them (closely?) in the observation deck and the restaurant atop the CN Tower where they've been well received by visitors and staff alike. As for Brian's family's reaction, R2D2 occupies an honoured position in the living room.

Meanwhile, Brian's working on a new robot.

*Imagine what fun magazine writers have thinking up captions for pictures like this!*



# The Real R2D2

Here's the inside story on the real (?) R2D2 built by mechanical wizard John Stears.

TWO VERSIONS of R2-D2 were made, one for Kenny Baker to fit inside and the three-legged radio controlled version. Our interest is centred on the radio controlled version.

R2 D2 has three forward speeds, but no reverse, and is steerable. Provision is made for the change from two legs to three legs by radio control, also when tilted the third leg drops automatically. The reason for this is that R2 would fall over if left on only two legs.

## MECHANICAL

In order to achieve forward motion, the two rear legs have individual traction motors which drive twin inline wheels. Steering is via the front drop leg, with a proportional self centring servo unit. The twin wheels in the steering foot remain parallel to the other wheels during turns.

The front leg and foot can be retracted inside the body. When the front leg drops it is held at the correct distance by wires, R2-D2 can then move off at full speed.

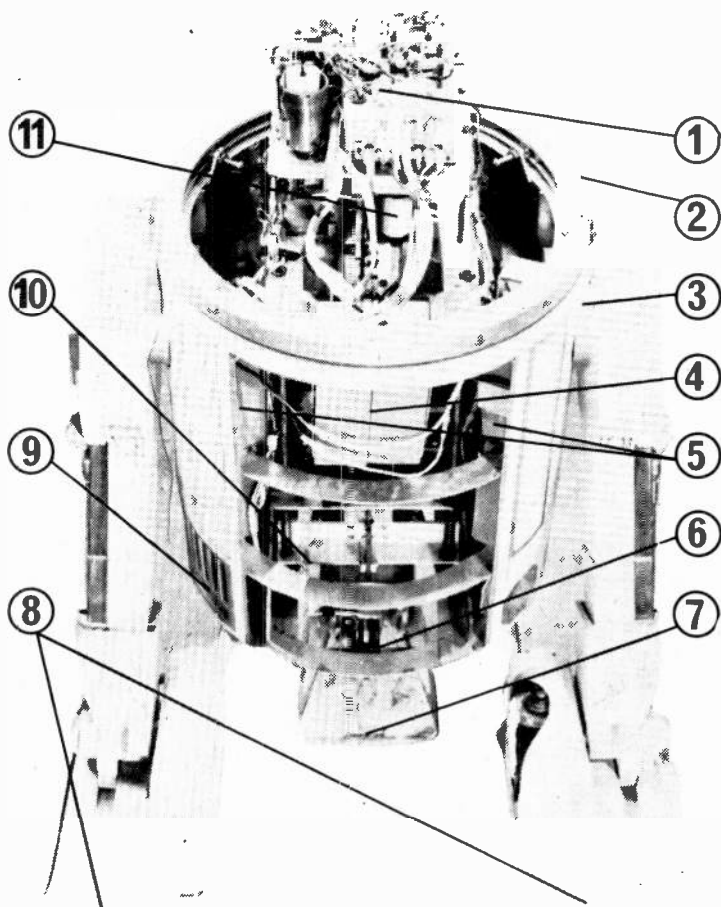
The casings for all the R2s were specially made by a company called Petric Engineering for the modest sum of \$35,000, which may seem a trifle high — but they were precision pieces of engineering to the highest standard, in fact John Stears says they were excellent value.

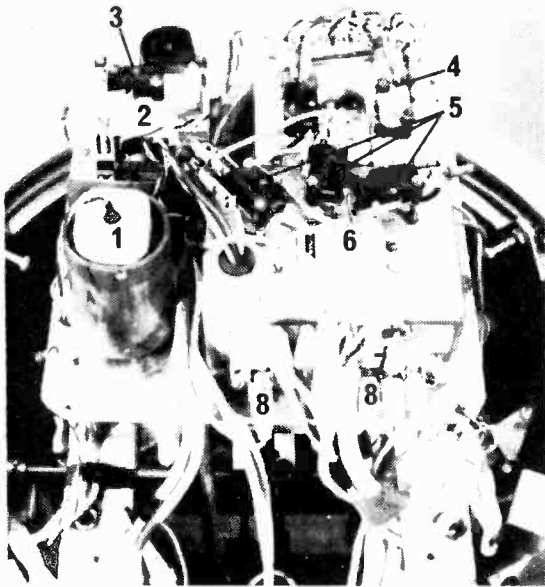
## CLEANING UP

For several of the scenes R2-D2 was made to appear thoroughly blasted, or covered in grime. The only way was to virtually blast it in real life, and then clean up for the next shot. While in the Tunisian desert John Stears was also continuously cleaning real dirt and sand from R2, it got in everywhere!

## GENERAL

1. Radio control gear
2. Head Ring
3. Shoulder bearing
4. Two 6V batteries for lights and steering (removable)
5. Six 6V batteries for traction (not removable)
6. Headlight switch
7. Front foot (steering)
8. Rear feet (traction)
9. Radio on off switch
10. Leg drop (mechanical)
11. Leg drop (electrical)



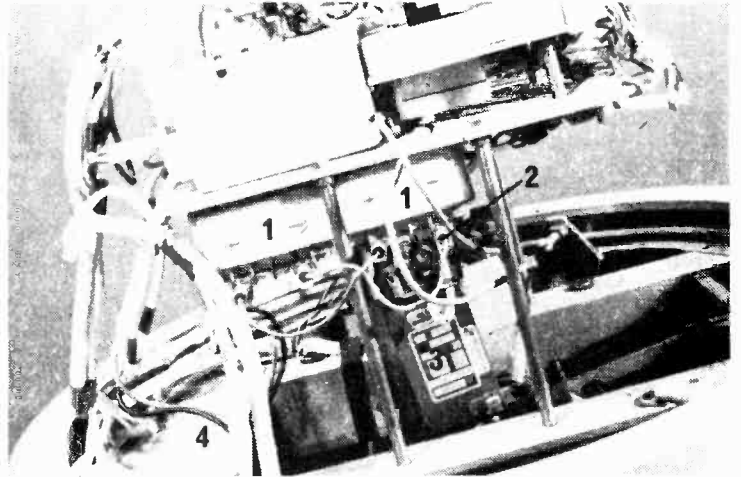


## RADIO CONTROL GEAR

1. Deac
2. Main receiver
3. Leg drop servo and microswitches
4. Steering servo and microswitches
5. Speed control microswitches
6. Speed control servo
7. Traction motor connections
8. Traction batteries charge terminals

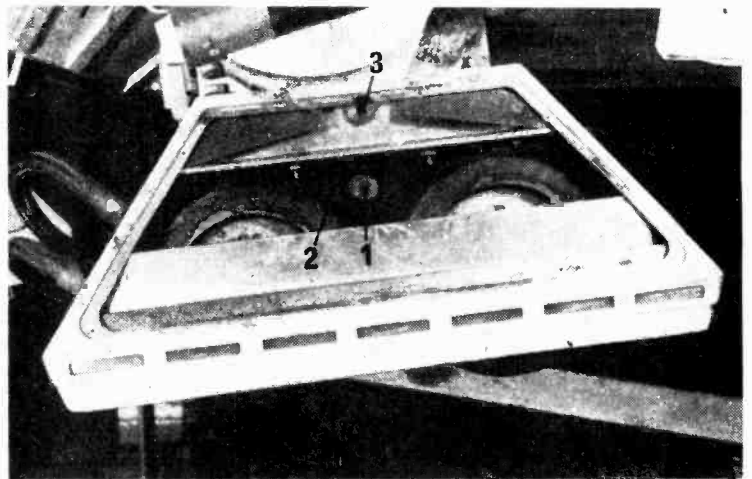
## DRIVING FOOT

1. Drive front gear box
2. Chain sprocket, both wheels in each foot driven by single chain
3. Foot retaining pin

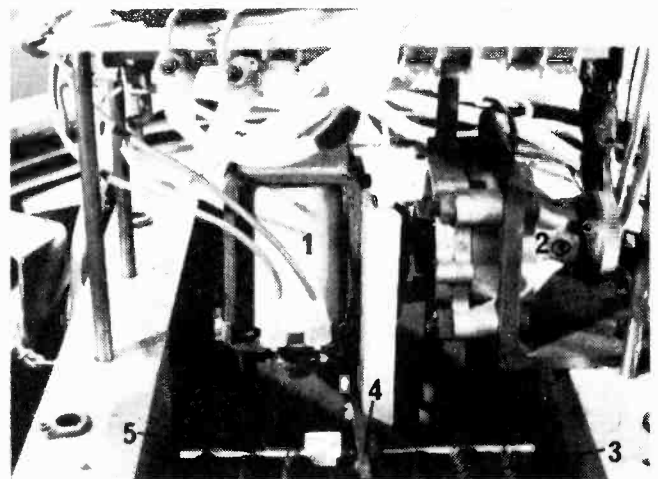
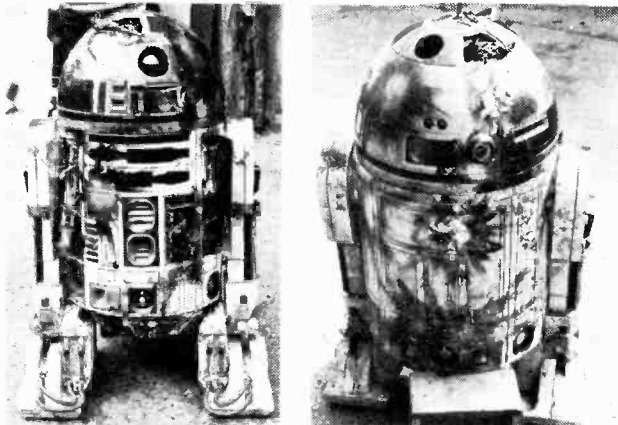


## PULSATING LIGHT DRIVES

1. Pulsating light control box
2. Pulsating light connections
3. Leg drop solenoid
4. Light and steering batteries



What a heartbreaking task - blasting such a beautiful piece of equipment!



## LEG DROP

1. Leg drop solenoid
2. Damper
3. Body tilt tension springs
4. Leg drop locking arm
5. Leg drop locking rod



# Air-Sea Battle

---

This challenging calculator game comes from "Calulatorist" Ken Wood of Goderich, Ontario.

---

MANY CALCULATOR games involve shooting at a target which may move in a variety of different ways. The fun in designing such a game lies in trying to simulate the movement and projectile characteristics of a real life situation. In this game Ken has included several features contributing to the skill needed and uncertainty encountered when ship and plane are engaged in "Air-Sea Battle". Ken describes his program.

Recently I purchased a Texas Instruments Model 59 magnetic card programmable calculator. Upon receipt of my machine I spent the whole day and most of the night poring over the 320 or so pages of documentation that are provided with the calculator. The following day I wrote the program which appears here in its revised form (each time I worked out a bug I discovered something I could add to make the game more interesting).

This program is based on a similar game program which was written in RPN for an HP-25 calculator. As a matter of fact, I first tried to translate the program directly from RPN to TI's algebraic notation. However, after puzzling over various unknown (to me) functions of the HP-25, not to mention the strange order that the recognizable ones were in, I decided to start from scratch. This turned out to be much to my advantage as far as ease of

programming is concerned. Also, in writing the program specifically for the TI-59, I was able to add several distinctive features to the game which were not included in the original version of the game.

The set-up of the game is this: you are in a ship at sea, and there is an enemy dive bomber spotted at a preset distance (I use 1000 metres). The object of the game is for you to shoot down the plane before it gets a chance to drop a bomb on your ship. You "shoot" at the aircraft once every second (not real time, of course) by entering a range estimate in metres. The plane's speed is known to be between 100 and 200 m/s and therefore, if you used 1000 m as the initial range, your first range estimate would be somewhere between 800 and 900 m. After you have entered your range estimate one of the following things will occur:

1. If your range estimate is +/- 5 m of the actual range, you score a direct hit and ten '1's will flash in the display indicating that you have won the game.

2. If your range estimate is +/- 10 m of the actual range, you score a near hit and a single digit will flash in the display. This digit is the number of near hits you have scored during the course of the game. If you get five near hits before the plane's range reaches zero, that is the equivalent of a direct hit and ten '1's will flash in the display once

again to indicate that you were victorious.

An interesting feature added to the game is the fact that each near hit you get slows the enemy plane down by 7 m/s. This must be taken into consideration if accuracy is to be maintained.

3. If the range reaches zero and you have not yet destroyed the plane, it will release its bomb. I have arranged it so that when this occurs there is a 90% chance that the bomb will hit and destroy your ship. This is indicated by a row of flashing '9's and means that you have lost the game. However, 10% of the time the gods will take pity on you and the bomb will miss the ship and land in the sea. When this occurs a single zero will flash in the display indicating that neither your ship nor the enemy plane was destroyed.

4. If your range estimate is off by more than 10 m and the range has not yet reached zero, then the calculator will display the approximate range error. The display will read 25, 50, 75, or 100. A display of 25 means that your estimate was off by between 10 and 25 m. A display of 75 means that your estimate was off by between 50 and 75 m, and so on. Any range error over 75 m causes a display of 100.

Originally my approximate range error was much more exact than this and also indicated whether the shot was

Second Cassette for Pet  
\$129.95  
80 Column Dot-Matrix  
Impact Printer \$850.00  
Floppy diskette to be  
available soon



Unbelievably versatile  
**THE PET HOME COMPUTER**  
\$1,200.00 is now available  
in Canada, 8K expanded  
Basic, 14K ROM  
IEEE-488 Intelligent  
Interface  
8K RAM User Memory

HCC Package A Software for PET: \$12.00 each or \$49.49 for complete Package.

A. Monitor B. Dissassembler C. Music D. Clock  
E. Graph F. Entry G. Process H. Mailing List

Above Software 1/2 price if you order PET from us.

**WE START DELIVERY PET (8K) FROM OUR STOCK NOW**

Complete HCC CRT Terminal PACKAGE \$530.00  
Including: RS232 and 20 ma current loop interface  
16 x 64 chars. on high quality monitor  
complete lower and upper case 128 character set  
Optional modem \$230.00

**SPECIAL FOR JUNE AND JULY**

5% discount on all TDL Hardware, including XITAN 1 to 4  
5% discount on North Star floppy disc drive and controller

8" IBM compatible diskette and 5" mini diskette \$5.50 each



**HOME COMPUTER CENTRE**  
6101 Yonge Street  
**WILLOWDALE, Ontario**  
M2M 3W2 Tel: (416) 222-1165

\*Pet software available  
on cassette  
20 programs

**\$49.95**

Want to own a  
computer?

**KIM-1**  
only **\$279.95**

8K RAM KIT  
**\$194.99**  
16K EPROM  
**\$194.99**

Voice synthesizer  
Music boards  
Video boards  
Software  
Literature  
Classes-Instruction  
(PROMS not included)

\$1.50 for our product  
catalogue ChargeX, Bank  
Americard accepted

KIM - PET - TDL - HORIZON - NORTHSTAR - POLYMORPHIC - DIGITAL SYSTEMS  
VECTORGRAPHIC - SPEECH LAB - JIM-PAK - O.K. MACHINES - CENTRONICS

too far or too close. However, this made the game very easy as it took away the element of luck and so I altered it to the above. Now, no matter how meticulous you are in your calculations you can still end up treading water in the middle of the ocean, much to the delight of the enemy pilot.

Figure 1 shows a diagram of the main logic flow of my program. Using this as a guide it should be fairly simple to write a version of this game in the language of your particular calculator. The program for TI-58 or TI-59 is listed in Fig. 2.

Figure 3 is a copy of the User Instructions for the Air/Sea Battle program. This can serve as a guide for playing the first couple of games until you get used to the playing sequence. The numbers in brackets are the values I use for the various factors but it would be a good idea to experiment with different values until you find those which suit you best. When you have done this you might want to enter them directly into the program in place of the storage locations that I have assigned to them. This would eliminate the bother of having to enter the factors each time the calculator is used for the game.

In any case, I hope you will enjoy trying to annihilate the ominous enemy bomber before it succeeds in its attempt to convey your ship to the bottom of the sea. Bombs away!

SOFTSPOT is ETI's programmable calculator software department. We know there are many of you who have gone to a lot of effort to write routines for your machines — how about sharing the fun. Send us a copy of your pet program, preferably with flow chart. To make things interesting we will restrict our choices to only those programs making use of loops or conditionals.

All programs we publish will be paid for.

Mail to: ETI Softspot  
Unit 6, 25 Overlea Blvd.,  
TORONTO, Ontario  
M4H 1B1

Don't forget to mention what kind of calculator you use — and we'd also be interested to know where you bought it.

## CM Electronics P.O. BOX 546 STATION T, CALGARY ALBERTA T2H 2H1

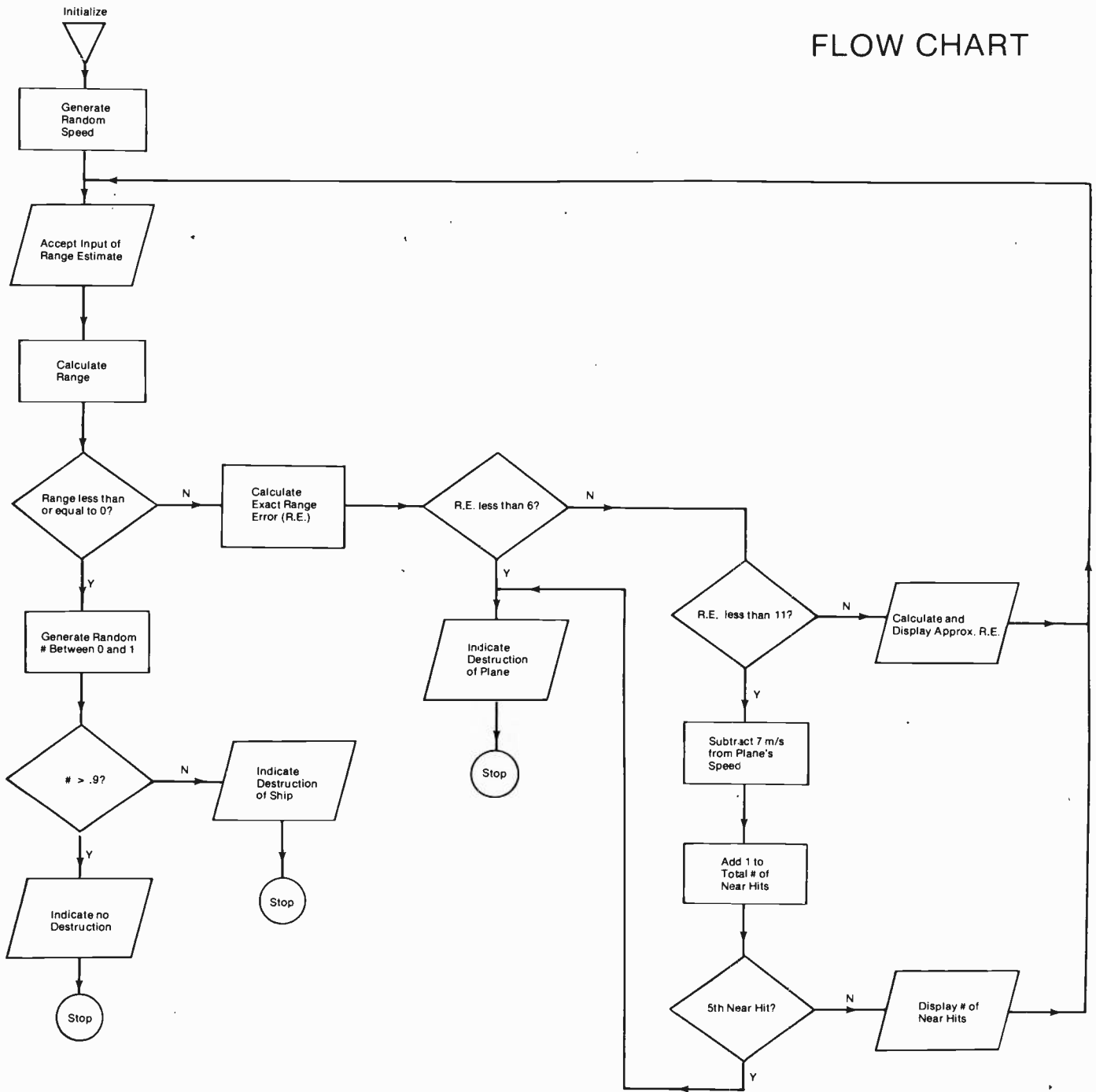
### WESTERN CANADA'S ELECTRONIC CENTRE

TTL		RESISTORS			LINEAR	
7400 \$ .24	7474 \$ .42	1/4 & 1/2 watt . . . . .04 ea. or \$ 3.00 per 100			LM301AN \$ .53	
7402 \$ .24	7475 \$ .64	YOUR CHOICE FOR MIXED VALUES			LM308N \$ 1.33	
7404 \$ .24	7476 \$ .48				LM311H \$ 1.32	
7406 \$ .32	7485 \$ 1.35				LM324N \$ 1.33	
7408 \$ .28	7486 \$ .42				LM376N \$ 1.60	
7410 \$ .24	7490 \$ .63				LM555N \$ .64	
7411 \$ .26	7491 \$ .90				LM556N \$ 1.18	
7413 \$ .54	7492 \$ .60				LM709CN \$ .49	
7414 \$ .98	7493 \$ .60				LM723CH \$ .75	
7416 \$ .33	74121 \$ .45				LM733CN \$ 1.46	
7417 \$ .33	74123 \$ .69				LM739CN \$ 1.66	
7420 \$ .25	74125 \$ .53				LM741CN \$ .47	
7427 \$ .40	74145 \$ 1.19				LM1458N \$ .78	
7430 \$ .24	74150 \$ 1.95				LM3900N \$ .92	
7432 \$ .33	74154 \$ 1.50					
7440 \$ .24	74161 \$ 1.14					
7441 \$ 1.19	74163 \$ 1.30					
7442 \$ .69	74177 \$ 1.09					
7447 \$ .98	74191 \$ 1.60					
7448 \$ 1.15	74192 \$ 1.14					
7450 \$ .25	74193 \$ 1.14					
7451 \$ .25	74194 \$ 1.14					
7473 \$ .42	74196 \$ 1.60					
					I.C. SOCKETS low profile	
					8 pin \$ .25	
					14 pin \$ .29	
					16 pin \$ .29	
					18 pin \$ .39	
					22 pin \$ .48	
					24 pin \$ .55	
					28 pin \$ .64	
					40 pin \$ .92	
					TRANSISTORS	
					2N2222 \$ .25	
					2N3055 \$ 1.00	
					2N3819 \$ .33	
					2N5525 \$ .40	
					2N6027 \$ .47	
					2N6028 \$ .47	
					TIP29A \$ .55	
					TIP30A \$ .65	

Send cheque or Money Order  
DO NOT SEND CASH

Further Prices Available Upon Request  
Orders under \$25 add \$1 Post. & Handling  
Minimum Order \$5.00 Please — Prices Subject To Change Without Notice

## FLOW CHART



### FLOW CHART SYMBOLS



Information Output



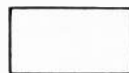
Branch



Program Entry Point



Data to be Input



Operations



End

PROGRAM

```

00 43 RCL
04 04 .
42 STO
03 03
00 0
42 STO
08 08
36 2nd Pgm
15 15
71 SBR
10 88 2nd DMS
53 (
24 CE
65 x
01 1
00 0
00 0
85 +
01 1
00 0
20 00 0
54 )
59 2nd Int
42 STO
01 01
25 CLR          Initalize
16 2nd A'
76 2nd Lbl
11 A
42 STO          Store Range
02 02          Estimate
53 (
43 RCL
03 03
75 -
43 RCL
01 01          Calculate
54 )          and store
42 STO          present
03 03          range
40 01 1
32 x ← t
43 RCL
03 03
22 INV
77 2nd x ≥ t   Range ≤ 0?
12 B
53 (
43 RCL
02 02
50 75 -
43 RCL
03 03          Calculate
54 )          Exact Range
50 2nd I x I   error (RE)
42 STO
05 05
43 RCL
06 06
60 32 x ← t
43 RCL
05 05
22 INV
77 2nd x ≥ t   RE < 6?
13 C
43 RCL
00 00
32 x ← t
43 RCL
05 05
70 22 INV
77 2nd x ≥ t   RE < 11?
14 D
43 RCL
05 05
32 x ← t
02 2
05 5

```

```

77 2nd x ≥ t
19 2nd D'
80 05 5
00 0
77 2nd x ≥ t
19 2nd D'
07 7
05 5
77 2nd x ≥ t
19 2nd D'
00 0
90 00 0
77 2nd x ≥ t
19 2nd D'
76 2nd Lbl   Calculate
19 2nd D'    & Display
95 =         Approx. RE
76 2nd Lbl
16 2nd A'
91 R/S
11 A
100 76 2nd Lbl
12 B         Drop bomb
36 2nd Pgm
15 15
71 SBR
88 2nd DMS
32 x ← t
93 •
09 9
77 2nd x ≥ t   Bomb hit?
110 15 E
00 0
85 +
85 +
91 R/S
81 RST
76 2nd Lbl
15 E
00 0
120 35 I/x     Display
91 R/S       Loss
81 RST
76 2nd Lbl
13 C
01 1
01 1

```

```

01 1
01 1
01 1
01 1
130 01 1
01 1
01 1
01 1
01 1
85 +
85 +
91 R/S      Display
81 RST      Win
76 2nd Lbl
14 D
140 07 7
22 INV
44 SUM
01 1
01 1
44 SUM
08 08
43 RCL
12 12
150 32 x ← t
43 RCL
08 08
77 2nd x ≥ t
13 C
43 RCL
08 08
85 +
85 +
91 R/S      Display #
11 A        near hits

```

EXECUTION

STEP	PROCEDURE	ENTER	PRESS	DISPLAY
1:	Enter Learn mode — Key in program — exit L.M.			
2:	Enter seed # for Pgm 15 of Library Module			
	(any # between 0 and 199 017)		2nd Pgm 15	0
3:	Store Initial Range (1000)	Seed #	E	Seed #
4:	Store definition of direct hit (6)	I.R. (1000) Sto	0	4 I.R. (1000)
5:	Store definition of near hit (11)	DODH (6) Sto	0	6 DODH (6)
6:	Store # of near hits needed to destroy plane	DONH (11) Sto	0	0 DONH (11)
	NONHTDP	(5) Sto	1	2 (5)
7:	Initialize	Rst	R/S	0
8:	Enter Range Estimate	Range Est.	R/S	(see above)
9:	Repeat Step #8 until a final result is obtained.			

# Where's the screwdriver?



In a tool box, tools and parts are everywhere. They're hard to find. They get lost. (And they get dirty.)

With a Platt tool case, that wouldn't happen. It's designed so you'll know where everything is. Smaller tools are in individual pockets in our patented one-piece pallet. Larger tools and parts are in compartments. And papers and order book are in lid pockets. (Everything is neat and clean.)

And Platt's tool case helps you look more professional. It comes in handsome, lightweight, durable ABS Thermoplastic. Or rich looking vinyl reinforced by ABS Thermoplastic. What's more, it also has a 5 year guarantee.

Contact us for complete information on Platt's full line of tool cases and your nearest distributor.

**platt**

Cases for business and industry.



**len finkler ltd**

25 Toro Road, Downsview, Ontario M3J 2A6  
telephone 630-9103 telex 065-24010



# SPECIAL

## 4K DYNAMIC RAMS

Access time 300ns

### TMS 4030

# \$2.00 EACH

2N3055	\$ .50	2N3054	\$ .35
CMOS —	CD4001	CD4007	CD4015
			.20¢ each

LINEAR IC's

MC 1458	dual op amp.	\$ .50
TL080	JFET input op amp.	\$ .75
MOC1001	opto coupler	\$ .50
PA301	audio amp 13W RMS	
\$15.00	2 modules and board	

COMPONENTS — Capacitors, Resistors, Trim Pots, Potentiometer, Hardware, Transistors.

**ACTIVE SURPLUS ANNEX**

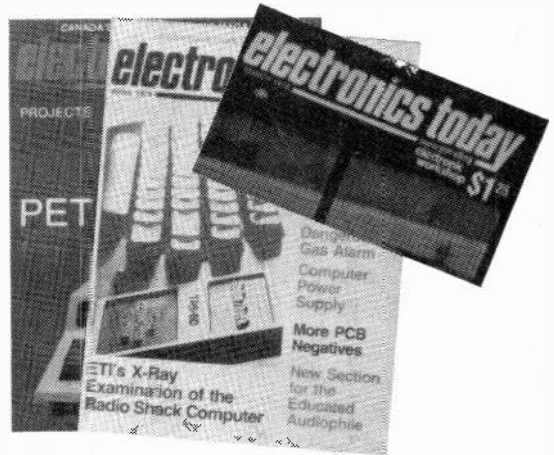
345 Queen St. West Toronto, Ontario

Telephone (416) 368-7936

**WE BUY AND SELL ANYTHING**

# 2.4 issues of ETI — FREE\* or 8 issues of ETI — FREE\*\*

\*you get twelve issues of ETI on a 1 year subscription for the price of 8.6 issues at your newsstand.



\*\*you get twenty-four issues of ETI on a 2 year subscription for the price of 16 issues at your newsstand (bigger savings if ETI's cover price increases!)

**WHEN WILL YOUR SUBSCRIPTION START?**

March ETI is mailed to subscribers in February and we have to tell our computer to make up labels in late January. So if you want your subscription to start with the March issue we have to receive your order by mid-January. For the September issue we have to know by mid-July; you typically have to wait six weeks between sending in your order and receiving your first subscription copy.

**To: ELECTRONICS TODAY INTERNATIONAL, Unit 6, 25 Overlea Blvd., Toronto, Ont. M4H 1B1**

Send me ETI for one year (12 issues) for \$12.00  Send me ETI for two years (24 issues) for \$20.00  
For U.S. add \$3.00 per year for postage, outside North America add \$5.00 per year.

6/78

PLEASE PRINT CLEARLY

NAME \_\_\_\_\_

ADDRESS \_\_\_\_\_

TOWN/CITY \_\_\_\_\_ PROVINCE/STATE \_\_\_\_\_

CODE \_\_\_\_\_ DATE \_\_\_\_\_

Cheque enclosed. DO NOT send cash.

Bill Mastercharge. A/C No. \_\_\_\_\_ Signature \_\_\_\_\_

Bill Chargex. A/C No. \_\_\_\_\_ Expiry Date \_\_\_\_\_

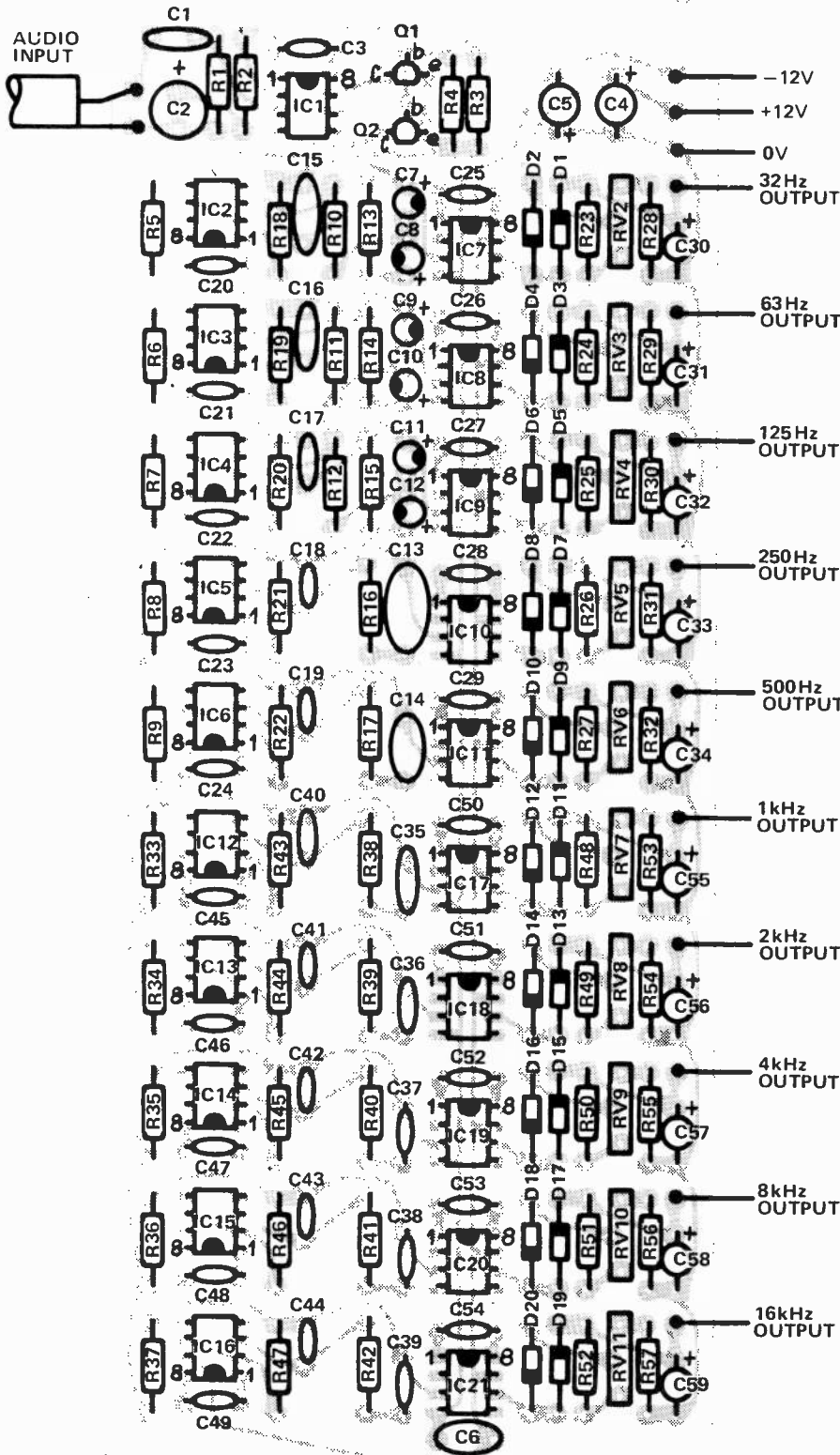


Fig. 5. The component overlay of the filter-rectifier board.

## PARTS LIST

RESISTORS	all 1/2W 5%
R1	220k
R2	2k2
R3	220k
R4	1k
R5-R9	10k
R10-R17	1M
R18-R22	220R
R23-R27	1M
R28-R32	100k
R33-R37	10k
R38-R42	1M
R43-R47	220R
R48-R52	1M
R53-R57	100k
R58,59	180k
R60	100k
R61	82k
R62,63	15k
R64	22k
R65	470R
R66	18k
R67	15k
R68	12k
R69	820R
R70	180k
R71	12k
R72,73	10k
R74	2k2
R75	4k7
R76-R78	10k
R79	22k
R80	56k
R81	5k6
R82	3k9
R83	18k
R84	100k
R85	390k
R86	1M
R87	6k8
R88	10k
R89	18k
R90	47k
R91,92	100k
R93	47k
R94	100k
R95	47k
R96	10k
POTENTIOMETERS	
RV1	47k log rotary
RV2-RV11	250k trim
CAPACITORS	
C1	100n polyester
C2	10µ 25V electro
C3	3p3 ceramic
C4,5	10µ 25V electro
C6	100n polyester
C7,8	3µ3 16V tantalum
C9,10	1µ5 16V "
C11,12	1µ0 16V "

## CONSTRUCTION

Due to the complexity of the unit it is recommended that PC boards are used. These boards are assembled as per the overlay diagrams. Watch the orientation of all the ICs, diodes, capacitors, etc., when installing them. Note that if the board is not a plated through type that the tracks on the top side of the board must also be soldered to the

## CAPACITORS

C13	220n	polyester
C14	100n	"
C15	68n	"
C16	33n	"
C17	18n	"
C18	8n2	"
C19	3n9	"
C20-C24	33p	ceramic
C25-C29	10p	"
C30-C34	2μ2	25 V electro
C35	47n	polyester
C36	27n	"
C37	12n	"
C38	6n8	"
C39	3n3	"
C40	2n2	"
C41	1n0	"
C42	560p	ceramic
C43	270p	"
C44	150p	"
C45-C49	33p	"
C50-C54	10p	"
C55-C59	2μ2	16 V electro
C60,61	25μ	16 V "
C62	820p	ceramic
C63	2n7	polyester
C64	5n6	"
C65	33p	ceramic
C66	150p	"
C67	3p3	"
C68	150p	"
C69	10p	"
C70	33p	"
C71	2n2	polyester
C72	560p	ceramic
C73,74	220μ	25 V electro
C75,76	10μ	25 V "

## SEMICONDUCTORS

IC1-IC21	LM301A
IC22	4017 (CMOS)
IC23-IC25	4016 (CMOS)
IC26-IC28	LM301A
IC29	4011B (CMOS)
IC30	LM301A
IC31	7812
IC32	7912
Q1	2N3904
Q2	2N3905
Q3,4	2N3904
Q5-Q7	2N3905
D1-D27	1N914
D28-D31	1N4001

## MISCELLANEOUS

PC boards ET1 487A, 487B  
Transformer 120V/28V @ 1A  
Case to suit  
3 wire line cord  
120V power switch  
Input / output terminals to suit

components. This prevents the use of sockets for the ICs but they are not really worth the cost for low priced ICs as used. Molex pins could be used if desired.

Note that a surplus Japanese transformer was used in our model, and the pcb designed for it. Either ensure that your type will fit, or redesign or eliminate the end of the 487B board.

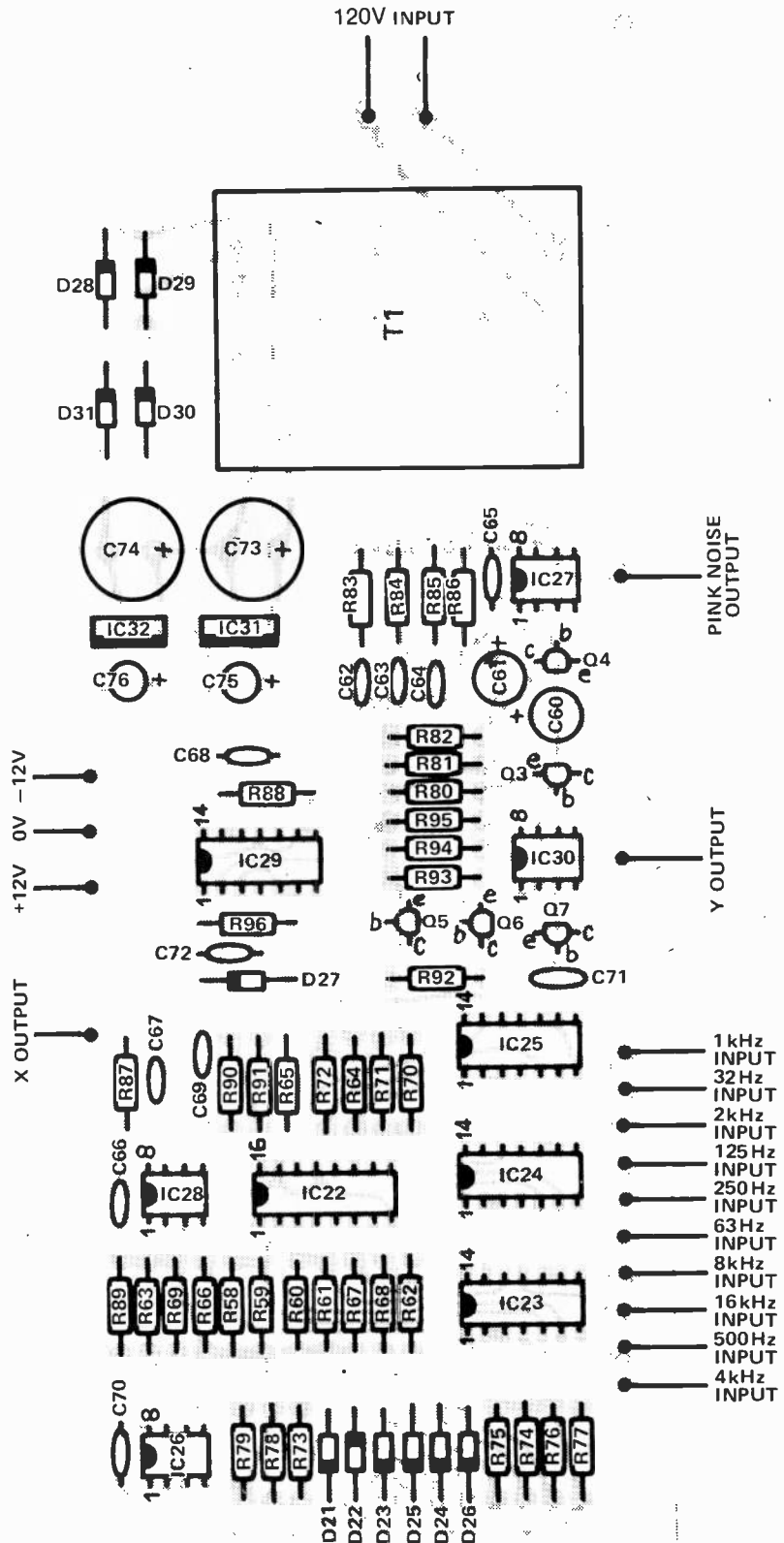


Fig. 6. The component overlay of the logic-power supply board.

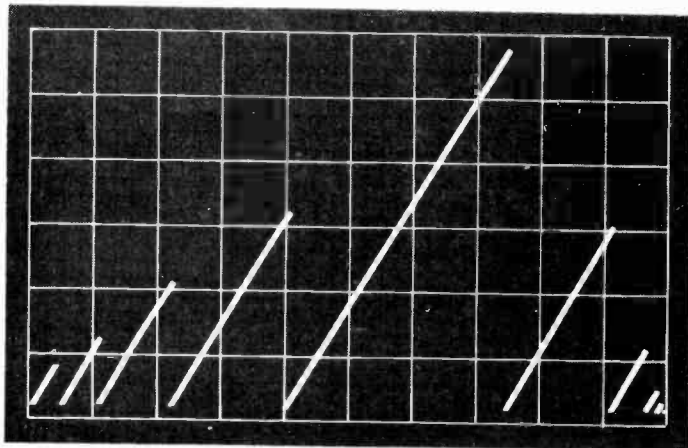


Fig. 7. The waveform on the Y output (vertical) with a 1kHz tone input. Note that the time between cycles varies with the height.

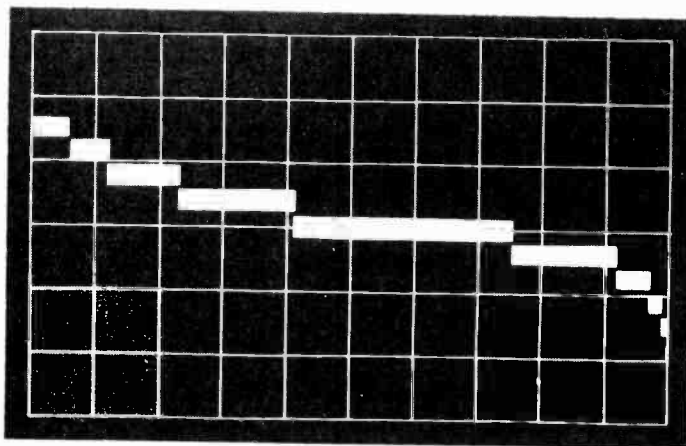


Fig. 8. The waveform on the X (horizontal) output. As this starts at +4 V which is the right hand side of the screen, the 16 kHz output is sampled first. Note that the time between steps corresponds to that in fig. 7.

## ALIGNMENT

This can be done using the pink noise generator or preferably with a sine wave oscillator.

Connect the unit to the oscilloscope switched into the X Y mode. With the unit switched on and a signal connected, adjust the X gain and shift to obtain a series of ten vertical bars across the screen. Increase the input signal until the columns will not get any higher. Adjust the Y gain and shift until the column is the height of the screen. Note that the scope should be dc coupled.

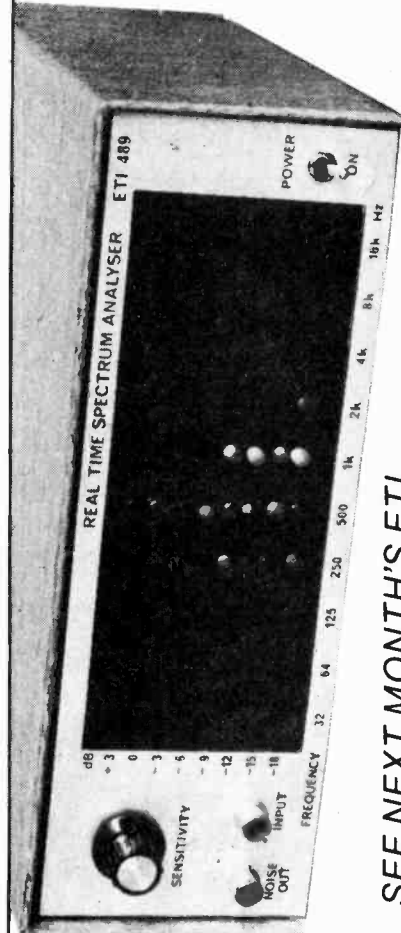
Now by sweeping the oscillator frequency it will be found that each column will come up in sequence. Adjust the frequency to peak the 16 kHz column. Now adjust RV11 to about 75% of its travel (wiper towards RV10) and then adjust the overall sensitivity control to give a column height of about 80%.

Now using the same amplitude adjust the signal generator frequency until the 8 kHz column peaks and adjust RV10 to give the same height. Each of the filters should be adjusted in the same way. Note that due to component variations the actual peak of a filter may not exactly coincide with its nominal frequency. Also the 16 kHz filter has the greatest loss which is the reason for starting with it near its maximum gain.

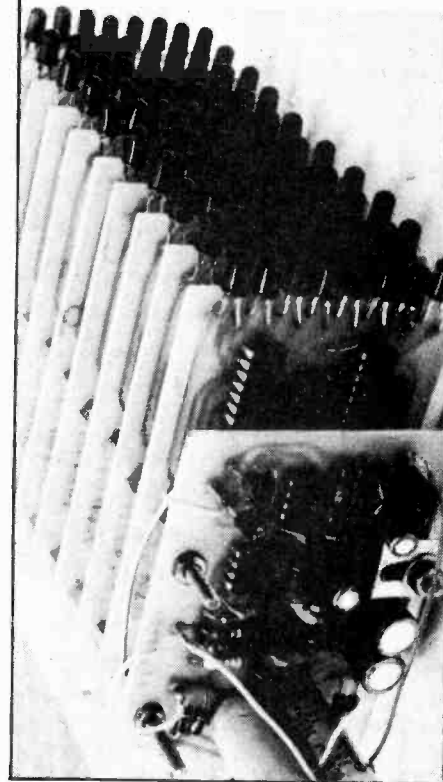
By taking the pink noise output to the input each column should be approximately the same height. Due to the nature of noise the top of the columns will jump up and down a little and this should be averaged out by the eye.

If an oscillator is not available the noise generator can be used and the potentiometers adjusted to give an even response. Also, if desired, a vertical dB scale can be made.

## AUDIO SPECTRUM ANALYSER MK2 SNEAK PREVIEW



SEE NEXT MONTH'S ETI





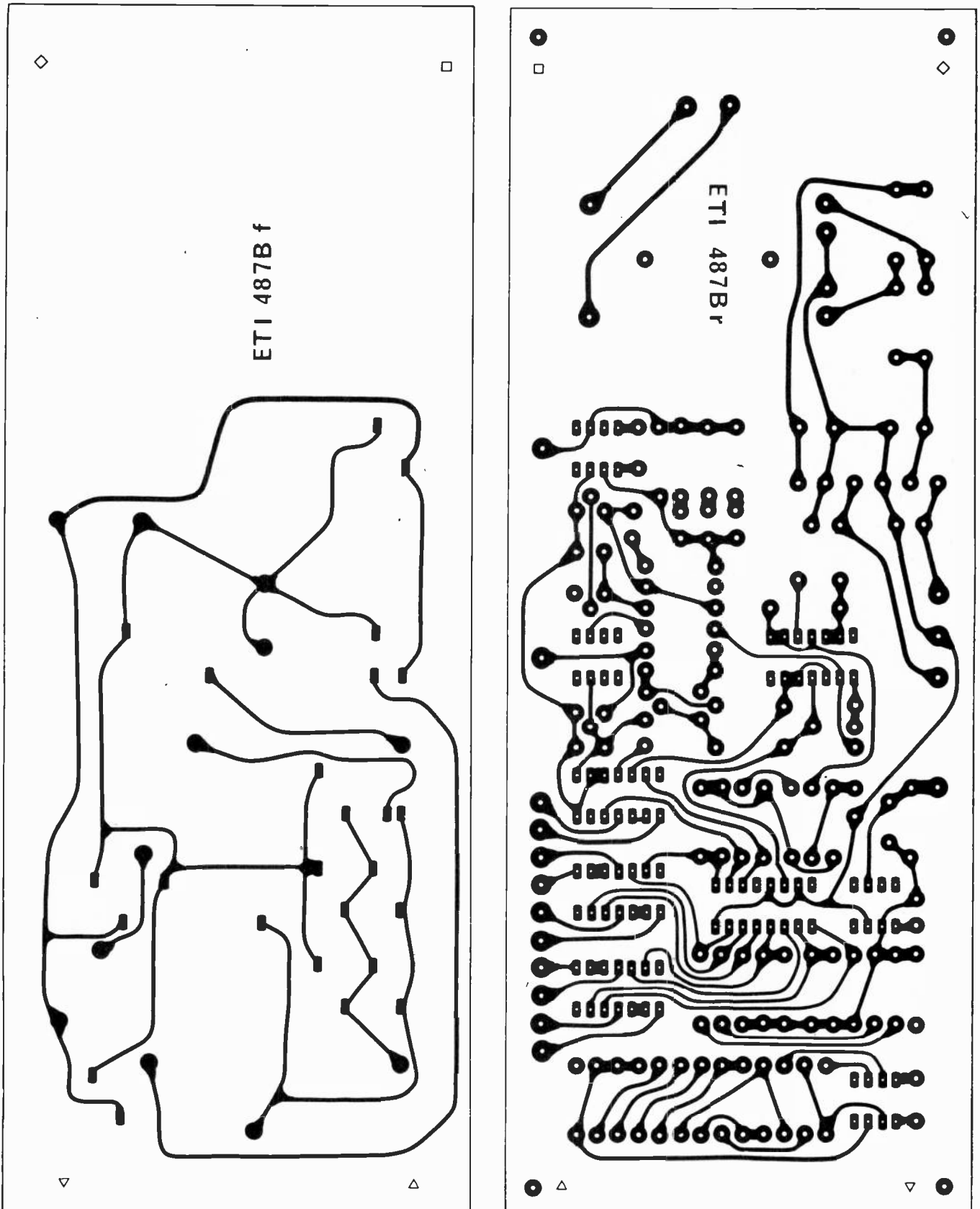


Fig. 9. Both sides of the ETI 487B board shown full size.

# Tech Tips

Tech-Tips is an ideas forum and is not aimed at the beginner. ETI is prepared to consider circuits or ideas submitted by readers for this page. All items used will be paid for. Drawings should be as clear as possible and the text should preferably be typed. Circuits must not be subject to copyright. Items for consideration should be sent to ETI TECH-TIPS, Electronics Today International, Unit 6, 25 Overlea Blvd., Toronto, Ontario, M4H 1B1.

## PROPER IDENTIFICATION FOR T.V. GAME CHIP

E. Parr

Many of the T.V. game circuits, whether ready built or as a magazine project, use the popular GI 8500 chip. The standard circuit gives white players, ball and court on a black background. The circuit described below gives a grey background, one white and one black player and a white ball and court. This is aesthetically more pleasing and has the advantage of making the squash game less confusing.

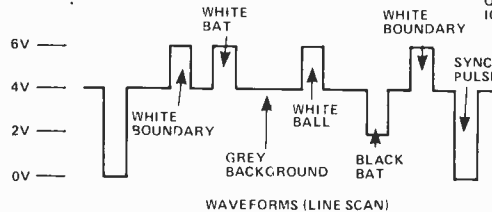
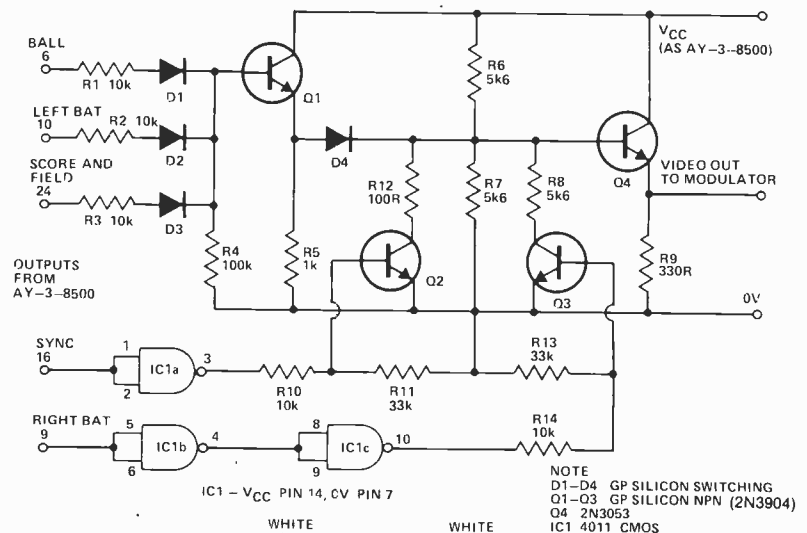
The modifications are shown below. The output on Q2 emitter spends the majority of the time at a "grey" level, and this "grey" voltage is defined at the junction of R6 and R7.

The three signals from the 8500 requiring a white output are Ball (pin 6), left player (pin 10) and the score and field (pin 24). These are "Or'ed" together by Q1 to produce a white level defined by the ratio of R1-R3 and R4. The white level on Q1 takes the output on Q1 to white via diode D4.

The one black signal is the right bat (pin 9). This is buffered by two stages of a CMOS 4011 chip, and turns on Q4. This takes the output to a black voltage defined by R6, R7, R8. If a white and black signal occur together

(as happens when the bats cross in squash) the white from Q1 will predominate.

The sync output from pin 16 is inverted and turns on Q3 pulling the output down to sync level, 0V.

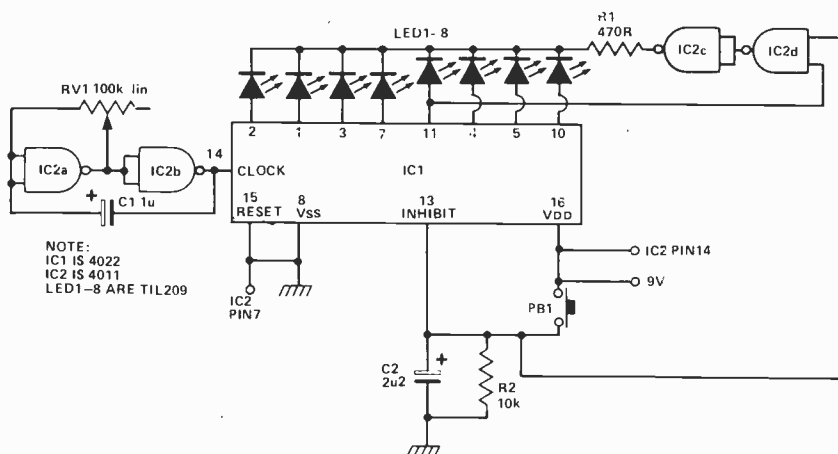


With the values shown and a supply of 9V the open circuit output voltages are White 6V, Grey 4V, Black 2V and sync bottom 0V. The output is positive going video.

## POT SHOT

A. Kenny

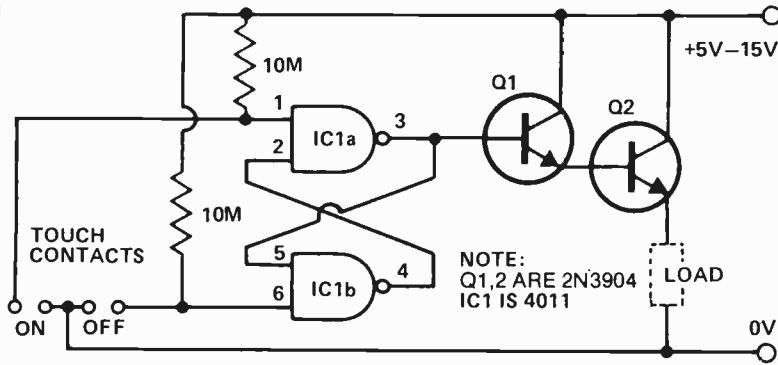
This is a circuit for a game of the shooting gallery variety. IC2a and b form an astable multivibrator clocking IC1 which causes LEDs 1-8 to flash in turn LED 5 is the "target" LED and the object of the game is to depress PBI just as LED 5 comes on. If this is done, the whole display is blanked for a few seconds signifying a hit. Otherwise, the LED which was lit remains lit. When the push button is released, C2 discharges through R2 taking 8 pin 13 low again and the LEDs will start to flash again.



# ETI Tech Tips

## LOW CURRENT TOUCH SWITCH

D. Ian



The cost of many CMOS ICs is now lower than a mechanical on/off switch. Using only one half of a 4011, plus a couple of general purpose transistors, a touch operated switch can be constructed which is ideal for many battery powered projects.

Assuming that the inputs to the remaining half of the 4011 are tied low, the current drawn in the off state

is almost negligible and battery life is hardly affected.

Touching the 'on' contacts with a finger brings pin 3 high, turning on the darlington pair and supplying power to the load (transistor radio etc). Q1 must be a high gain transistor, and Q2 chosen for the current required by the load circuit.

## INCREASING REGULATOR OUTPUTS

D. Self

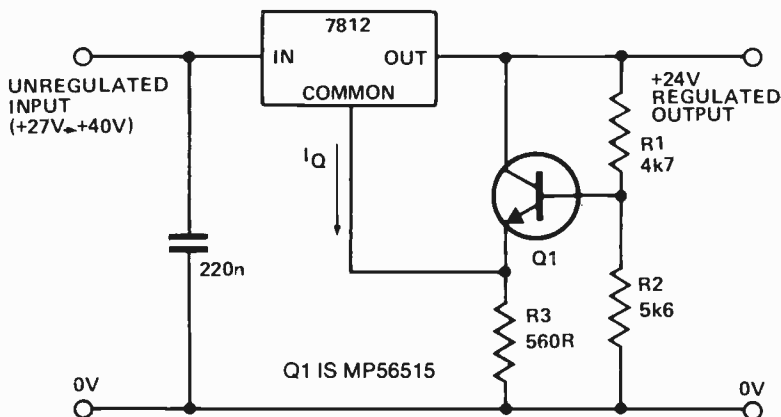
It is often necessary to arrange an integrated circuit 3-terminal voltage regulator to give a higher output voltage than that set by the regulator alone. The normal way of doing this is to connect the "common" terminal to the mid-point of a potential divider hung between the regulated output and ground. The regulator voltage now appears across the top divider resistor; hence, if for example equal divider resistors are used, the output voltage is twice that maintained by the regulator between its common terminal and output.

The problem with this method is that most IC regulators (eg the 78-series) have a small quiescent current (approx 10mA) flowing out of the common terminal to ground. The magnitude of this current is not

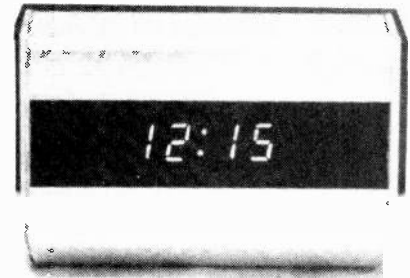
closely controlled, and hence the total output voltage becomes somewhat unpredictable due to this extra current flowing in the bottom half of the divider. Low divider resistor values help, but there are likely to be the complications of heat dissipation and inefficiency.

The circuit above avoids the problem by using transistor Q1 to generate a low impedance at the regulator common terminal by emitter-follower action, while transferring the voltage derived from a relatively high-resistance divider network. The value of R3 is not critical, but must be low enough to accept the highest likely quiescent current without causing Q1 to turn off.

The circuit shows a practical 24 Volt supply using a 7812 regulator.



## NATIONAL MA 1003 12 Volt Car/Boat Clock Module Crystal Controlled



Complete with Aluminum case and switches

Module only \$26.95  
Case only \$5.95

**\$29.95**

with all data



## SPEAKER CABINETS

3 Way 12" \$59.95 pr.  
6 Way 12" \$79.95 pr.  
3 Way 15" \$79.95 pr.

Many Others

Send for our FREE 1978 Catalogue

**ARKON ELECTRONICS LTD.,**  
91 Queen Street East, Toronto, Ont.  
M5C 1S1 Tel: (416) 868-1315

## Kits for ETI Projects

Now Available

ETI Project No. 134  
True RMS Voltmeter  
\$89.95

ETI Project No. 450  
Bucket Brigade  
Audio Delay Line  
\$48.50

ETI Project No. 486  
Frequency Shifter  
\$69.95

ETI Project No. 585  
Ultrasonic Switch  
\$29.95

DO NOT SEND CASH  
Cheque, Money Order  
or Master Charge  
include card expiry date  
and number

Allow 3 weeks for delivery



**DOMINION RADIO &  
ELECTRONICS**  
535 Yonge St. Toronto  
Ontario M4Y 1Y5

# FM STEREO TUNER KIT ONLY \$55.00

Here is what you get FM Tuner (Front End) IF Module, Multiplex Module, Power Supply Kit, Completer Kit (Meter, Choke, Cap's, R's, etc) and Technical Manual.

The Tuner and the Modules are assembled and aligned. No special instruments required.

## FEATURES

300 OHM Balanced Input  
Automatic Gain Control (AGC) is essential in Metropolitan and highly built up areas). AFC, Variable Muting, Signal Meter, Multiplex Filters and Stabilized Power Supply.  
You can order and build your Tuner in sections or as a complete kit.

Tuner and IF Module #KF002-2	<b>\$21.95</b>
Multiplex, Filter Module #MX F002	<b>\$13.75</b>
Power Supply Complete #PS F002	<b>\$13.75</b>
Completer Kit (Meter Choke R's Caps) #MC F002	<b>\$ 4.95</b>
Technical Manual #D1F002	<b>\$ 1.50</b>
	<b>\$55.90</b>

## DISCOUNT COUPON SPECIAL

on 8 track Player, Chassis, Top Quality (ALPS MOTOROLA) Deck complete with Walnut Cabinet **\$35.00**. Deck only **\$19.50**.

Extra 5% discount in Magnum Coupons on this item.

Available from the following authorized

Toronto Dealers

Arkon Electronics A-1 Electronics  
91 Queen St. E. 5062 Dundas St. W.

Dominion Radio & Electronics  
535 Yonge St.

Gladstone Electronics  
1736 Avenue Rd.

General Electronics  
5511 Yonge St. Willowdale

## MAGNUM DISCOUNT COUPONS WITH ALL PURCHASES

Canadian made stereo systems from \$55.95 Tac's, Clock Kits, The Shadow, Radar detector, for under dash installation. Parts, Knobs, Caps, R's, Hardware, PC's, Amp Kit 50/50 Watt.

Send for your FREE Catalogue.

**MAGNUM**  
electronics, inc.

72-74 Stafford Street, Toronto  
Ontario M6J 2R8 Tel., (416) 364-6754

## ETI Tech Tips

### GATED 123 OSCILLATORS

M. Jamès.

The action of two distinct types of gated oscillator is shown in Fig 1. Type A stops immediately the inhibit signal goes low, and starts immediately it goes high. (Hence fractional output pulses may be produced).

Type B finishes its current pulse before stopping when the inhibit signal goes low and like A starts immediately it goes high.

A is used when an oscillator has to be synchronized using pulses shorter than the output pulse and B is used when a number of whole pulses are required (the inhibit signal is obtained from the output of a counter).

It can be quite difficult to achieve a

type A oscillator that starts up without jitter using TTL. The circuit of Fig 2 shows how an SN74123 may be used to construct both types. A type A oscillator is obtained if the dotted connections are left out. The times  $t_1$  and  $t_2$  are set by the usual timing components see Fig 3 — the diode is needed if  $C_{ext} > 1000p$  (across PA — MA and PB — MB respectively). The times may be calculated using:—

$$t = 0.32RT C_{ext} (1 + 0.7/RT)$$

if the diode is not required and

$$t = 0.28RT C_{ext} (1 + 0.7/RT)$$

otherwise.

RT is in kilo-ohms,  $C_{ext}$  is in picofarads, t is in nanoseconds and the max value of RT is 20k.

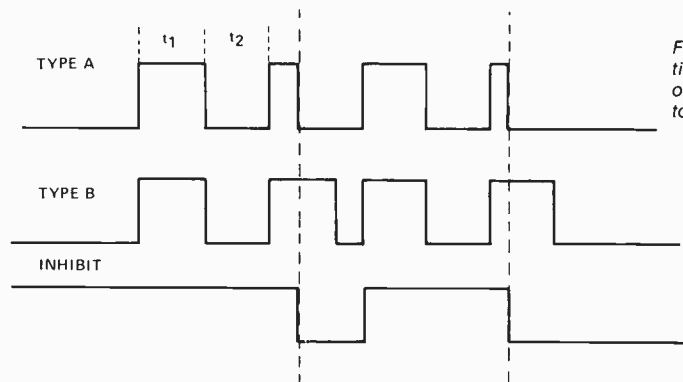


Fig. 1. Left — operation of the two types of oscillator with respect to the inhibit signal.

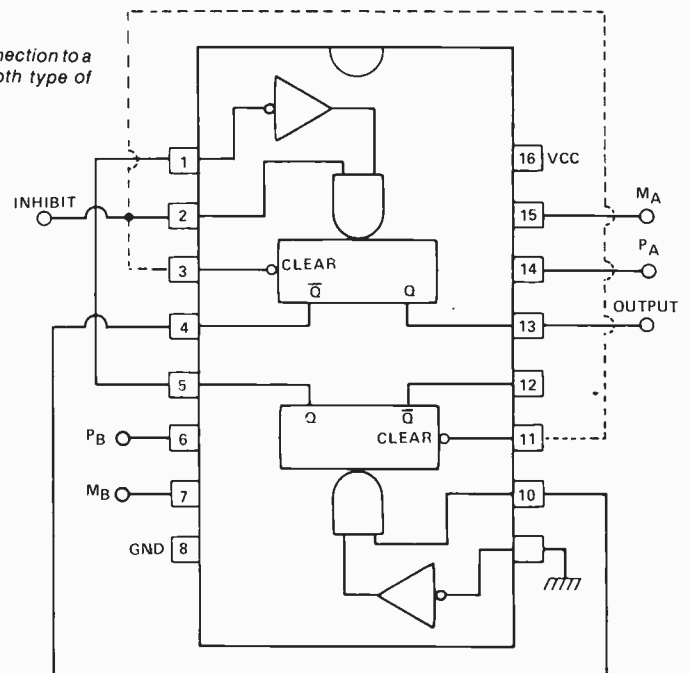
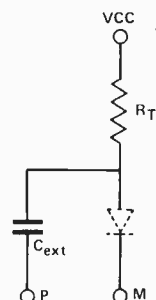


Fig. 2. Right — connection to a 74123 to obtain both type of gated oscillator.

Fig. 3. Below — arrangement of the timing components.



## All in ETI's 741 Cookbook:

Differential voltage comparator	boosted output
Open-loop inverting DC amplifier	Unity-gain inverting DC adder (audio mixer)
Closed-loop inverting DC amplifier	Unity-gain balanced DC phase splitter
Non-inverting DC amplifier	Unity-gain differential DC amplifier (subtractor)
Unity-gain DC voltage follower	Semi-log AC voltage amplifier
X100 inverting DC amplifier	Constant-volume amplifier
Variable gain inverting DC amplifier	1kHz tuned amplifier
High impedance x100 inverting DC amplifier	(twin-T, acceptor)
X100 inverting AC amplifier	1kHz notch filter
Non-inverting x100 DC amplifier	Variable low-pass filter
Non-inverting variable-gain DC amplifier	Variable high-pass filter
High input impedance, non-inv, x100 AC amplifier	Variable-voltage supply
Non-inverting x100 AC amplifier	Stabilised power supply
DC voltage follower	Stabilised power supply with overload protection
AC voltage follower	Precision half-wave rectifier
Very high input impedance voltage follower	Precision half-wave AC/DC convertor
Unidirectional DC v-follower, boosted output	DC voltmeter convertor
Bidirectional DC v-follower,	DC voltage or current meter
	Precision DC millivoltmeter
	Precision AC millivoltmeter
	Linear-scale ohmmeter
	Audio Wien-bridge oscillator
	Square-wave generator
	Precision temperature switch

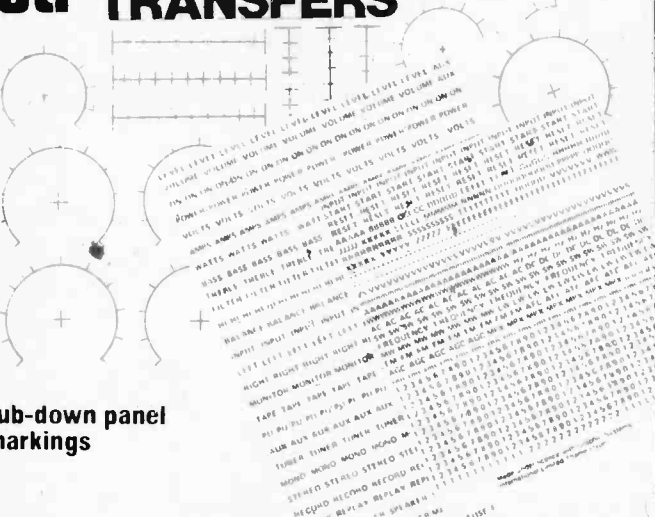
Available from ETI for \$2 (includes postage). Just order our May 1977 issue from ETI Back Issues Dept, Unit Six, 25 Overlea Blvd, Toronto, M4H 1B1.

Rapitape #

New from ETI

**eti PANEL TRANSFERS**

no 1



Rub-down panel markings

A really high quality system for finishing off your projects. The sheets include a mass of lettering and control scales for both rotary and linear pots.

The lettering is transferred simply by laying on to the panel and rubbing down — it's strong and permanent.

The markings are on two

sheets (a full-sized one cut in half for easy postage) and contain sufficient lettering for dozens of projects.

Send \$3.50 (including postage) to ETI PANEL TRANSFERS, Unit Six, 25 Overlea Blvd., Toronto, Ontario, M4H 1B1. Ontario Residents add 7% PST.

# THIS IS NO ORDINARY BATTERY



## CGE BRINGS YOU A BATTERY YOU MAY NEVER HAVE TO REPLACE

The distinctive "Plug" logo tells the story... "A battery that delivers portable power as reliable and continuous as your household outlet. That means always having fresh fully charged batteries on hand when you need them. No more forgetting to go to the store to replace work-out zinc carbon or alkaline batteries.

Ordinary 'throwaway' batteries get lazy from the first moment they are used — their power output declines steadily until finally you have to 'throw them away' not so with CGE batteries — they deliver a constant power output — which means you get constant bright light from your photoflash & clear constant sound reproduction from your cassette recorder.

"In terms of cost per hour of use... (the GE Nicad Battery)... is by far the most economical system available today"

ELECTRONICS TODAY — DECEMBER 1977  
One CGE Battery costs a bit more than one ordinary 'throwaway' battery but then one GE (Nicad) Battery\* will outlast 100 alkaline batteries and over 200-300 zinc carbon batteries.

### WARRANTY

All CGE Batteries and Accessories are warranted for a period of one year against defects in materials and workmanship.

Available from CGE Electronic Distributors, Department and Camera Stores coast to coast.

Ask your Representative about the new Rechargeable 6 Volt Lantern Batteries



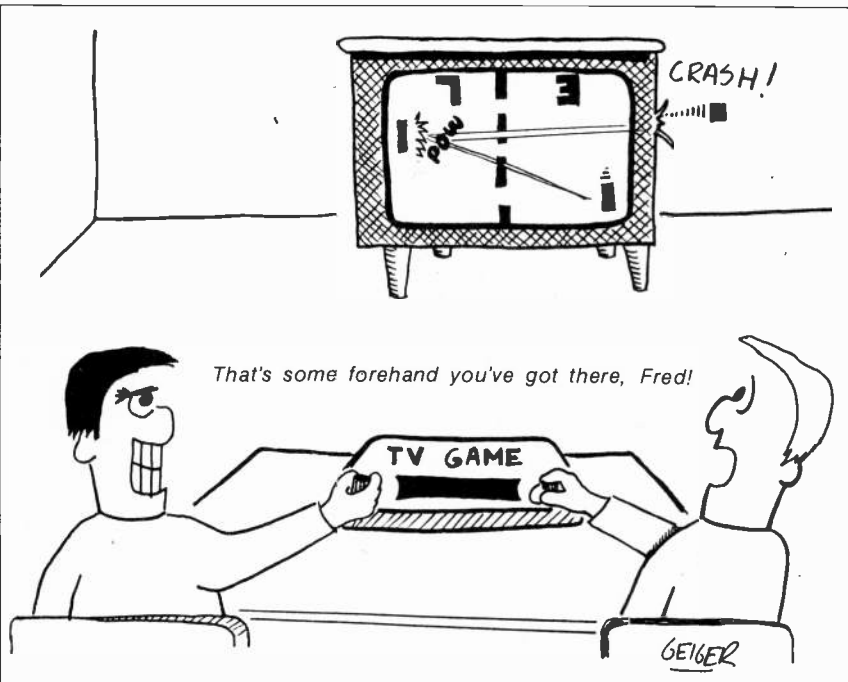
Canadian General Electric

ELECTRONIC COMPONENTS OPERATION

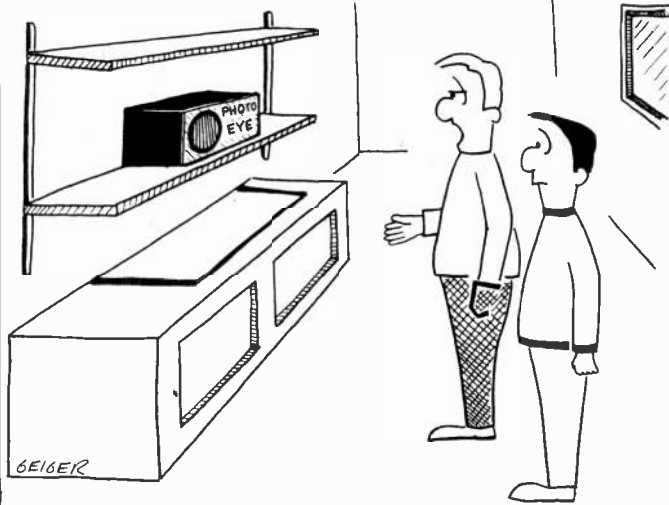
189 DUFFERIN STREET, TORONTO  
(416) 537-4481 MONTREAL (514) 733-9911

Test Data available on request

# The Fun of Electronics



A few weeks ago, I installed this burglar alarm. It sounds a horn whenever it detects the slightest motion anywhere in the room. So far, it's been responsible for sending 4 mosquitoes and 2 houseflies to a federal penitentiary.



... and this is our very latest model; the moment it detects fire, it detaches itself from your ceiling and runs out of your house screaming hysterically.



Dad seems to be under the impression that C.B. stands for "Constant Blabbering".



You know you've become an advanced experimenter when you can build things that you can't spell.



## LARCRSO Convention

October 13th, 14th and 15th will be Red Letter Days for London's Amateur Radio Club. The industrious committees are firming up their programmes, which now, more than ever, include "something for everyone" ... YLs and the Harmonics too!

A Friday night, "Oktoberfest-type" Eyeball, promises to be a gala affair and admission is free to all registrants and their spouses.

Saturday's program for the hams will include a veritable smorgasbord of topics: contesting, antennas, dxing. Modes such as FM, RTTY, ATV, SSB and CW will all have special prominence, as well as technical topics such as computers and AMSET. Of course there will be the forums for RSO, CARF, CRRL, and a DOC discussion will be on deck. Continuous movies on our hobby will be presented in another area of the huge, new, Downtown Holiday Inn.

At the Saturday night banquet, more prizes will be awarded and then comes dancing to the music of The Big Band Sounds provided by our full orchestra.

Sunday is Flea Market Day — the likes of which will boggle the imagination! If

all this sounds exciting — IT IS!

See you there.

Lloyd Wright, VE3CRF  
Convention Promotional Chairman  
London Amateur Radio Club Inc.,  
Convention Committee,  
P.O. Box 82, London, Ontario N6A 4V3

## Fort George ARC

Members: 41.

Associate members: 11.

President — Frank Vander Zande  
VE7AV.

Secretary - Dick Blokland VE7DUV

Treasurer — Ernie McDonald  
VE7BCD.

Meetings — 1st Tuesday of the month.  
at 7:30 p.m. at Boy Scout Hall (behind  
City Hall).

Newsletter — Monthly (except during  
summer).

Repeaters — 146.34 — 146.94  
146.28 — 146.88  
147.33 simplex.

Net — Sundays at 10 a.m. on 146.34-  
146.94 — informal, swap'n/shop, club  
business.

Diana Vander Zande,  
VE7DTO

# Club Call

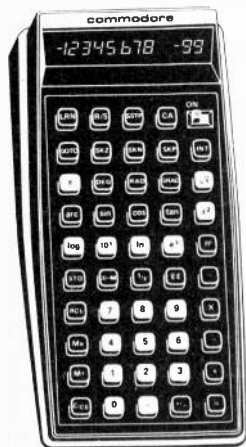
## PEE GEE AWARD

Sponsored by the Prince George Chamber of Commerce and the Fort George Amateur Radio Club

### REQUIREMENTS

1. Work 5 (five) amateur radio stations located in the city of Prince George. Also available to SWLs on a "heard" basis.
2. Phone, CW or mixed contacts permitted.
3. QSLs not required. Send log data only.
4. No charge for certificate.
5. Send your application to

Fort George Amateur Radio Club  
Box 835  
Prince George, BC,  
V2L 4T7.



Commodore  
Model: P-50

**SPECIAL  
OFFER**

**\$29<sup>95</sup>**

A/C adapter  
plus 9V battery  
at **\$6.95** additional.

Available, end of May  
so place your orders now  
as there is a big demand.

## SINGLE CHIP PROGRAMMABLE

This powerful programmable scientific calculator uses latest MOS Technology; enabling cost savings and providing one of the best all around values in scientific calculators we have offered in a long time.

Its 50 button keyboard not only includes programmable functions but a large array of preprogrammed scientific functions as well. There are 24 merged program steps with conditional and unconditional branching; 2 skip keys; GO TO, learn, run/stop and single step features. Preprogrammed scientific functions include: LOG, TRIG, functions and their inverse powers, squares, roots, reciprocal, Pi, factorial, degree/radian/grad function. 5 key memory. 12 digit LED display with scientific notation.

## NEW FROM COMMODORE

### COMMODORE SINGLE CHIP SCIENTIFIC

Model SR-4912 with same housing, 50 button keyboard as model shown above; has the following functions: TRIGS, LOGS and their inverses; powers, roots, squares, constant, reciprocal, pi, percent keys parenthesis, 5 key memory. Statistical mean, standard deviation deg-rad and polar-rect. Conversion keys and more. 12 digit LED display with scientific notation.

A/C adapter  
plus 9V battery  
available at  
**\$6.95** additional.

**SPECIAL OFFER** **\$19<sup>95</sup>**

## MARKETRON CORP. LTD.

1240 Bay Str. Mall  
TORONTO, Ontario M5R 2A7  
Tel: 416-923-1917

MARKETRON CORP. LTD.  
1240 Bay Str. Mall  
TORONTO, Ontario M5R 2A7  
No Risk 10 day money back (less mailing)

Send: Cheque  Money Order  Chargex   
Mastercharge  American express

Card Number \_\_\_\_\_ Expires \_\_\_\_\_

Card Holder Signature \_\_\_\_\_

\_\_\_\_\_ Commodore P-50 @ \$29.95 ea. \$ \_\_\_\_\_

\_\_\_\_\_ Commodore SR4912 @ \$19.95 ea. \$ \_\_\_\_\_

\_\_\_\_\_ A/C adapter & 9V battery @ \$6.95 ea. \$ \_\_\_\_\_

Ont. Res. add 4% P.S.T. \_\_\_\_\_ \$ \_\_\_\_\_

Mailing Charge \_\_\_\_\_ \$ 3.50

TOTAL ENCLOSED \_\_\_\_\_ \$ \_\_\_\_\_

Name \_\_\_\_\_

Street \_\_\_\_\_

City \_\_\_\_\_ Province \_\_\_\_\_ Postal Code \_\_\_\_\_

# 4 ETI Publications

Projects Books 3 & 4 now sold out.

## Canadian Projects Book No. 1

**\$3.00**

Top projects from the early issues of ETI's Canadian edition, plus some of the projects from the UK edition's issues which were distributed in Canada in 1976. All projects use parts available in Canada. Those projects from UK edition have been completely re-worked in Canada for Canadian constructors. Includes a series of modular disco projects, plus games, biofeedback, metal locator, etc.

## Circuits No. 1

**\$5.00**

A brand new concept from the house of ETI. More than 100 pages packed with a wide range of experimenters circuits. Based on the 'Tech Tips' section carried in the overseas editions of ETI, Circuits 1 is the first of a series of specials — produced for the enthusiasts who know what they want, but not where to get it! Circuits 1 will also act as a catalyst for further development of ideas, ideal for the experimenter. The collection of more than 200 circuits is complemented by a comprehensive index, making searches for a particular circuit quick and simple. Also, similar circuits can be compared easily, due to the logical layout and grouping used throughout. Last and by no means least, Circuits 1 has no distracting advertisements in the main section!

## Electronics — it's easy Volume 1

**\$3.50\***

The best introductory series to electronics ever published in a magazine. Volume three completing the series, will be available in a few months. Volume One introduces electronics to the beginner by going through the systems approach, basic concepts, meters and measurements, frequency and wavelengths, electronics and communication, capacitance and inductance, capacitive and inductive reactance, resistance, capacitance and inductance in combination, detection and amplification, elements of transistor amplifiers, emitter followers and DC amplifiers, and basic operational amplifiers.

## Electronics — it's easy Volume 2

**\$3.50\***

Volume Two introduces the sources of power, simple power supplies, how regulated power supplies work, general purpose supplies, generating signal waveforms, generating non-sinusoidal waveforms, all about electronic filters, more about filters, introducing digital systems, the algebra of logic, integrated circuit forms of logic functions, digital sub-systems, counters and shift registers.

**\$6.00 For Both\***

---

Send your order, with payment (not cash), to **ETI PUBLICATIONS**, Electronics Today International  
Unit Six  
25 Overlea Boulevard  
Toronto, Ontario  
M4H 1B1

Please specify which publications you require,  
and print your name and address clearly.



# BINDERS

In response to many requests from our readers we have arranged for binders to be made so that you can keep ETI's first Canadian volume together and protected from damage. The binders are covered in attractive leather-look black plastic and are designed to hold twelve issues. The ETI design is printed in gold letters on the spine.



The binders cost \$5.00 each, which includes postage and packaging. Do not send cash — you can pay by cheque, Mastercharge, or Chargex. Credit card orders must include your account number, the expiry date, and your signature. In all cases allow six weeks for delivery. Send your order to ETI Binders, Unit 6, 25 Overlea Blvd., Toronto, Ontario M4H 1B1. Don't forget to include your name and address. Ontario residents add 7% PST.

## CLASSIFIED

### PHYSICS-ELECTRONICS EXPERIMENTS

SCIENTIFIC MODELS FOR EXPERIMENTS 420 pgs, \$14.50. THE THEOREM BOOK, with many worked problems, 140 pgs. \$6.50. Author Dr. Harry E. Stockman. Fascinating models, Science Fair projects. Request flyers. SERCOLAB Box 78J, Arlington, Mass. 02174.

### NORTHERN BEAR ELECTRONICS

Box 7260, Saskatoon, Sask. S7K 4J2  
PCB's (Etched/Drilled) June ETI:  
Tel. Bell Ext. .... \$4.50  
Ultrasonic Sw/(Both Boards) .. 4.50  
Aud. Spec. Analyzer (2 sided) .16.95  
Etchant-2½ lbs dry ferric chloride will make approx. 1-1½ gal. .... 8.30  
40KHz Transducer ..... 9.50; 2/18.50  
CA3130 \$2.89, 78L12 .89, LM301 .65  
5V, 1A Reg. Pwr. Supply Kit ..... 10.95  
(Kits are less cabinets)  
+15V, .1A Kit, Ideal for Op Amps 19.95  
Add \$1 post/hand. Sask. orders 5% Tax,  
Money Order or Cert. Chq. ensures  
faster service.  
To our many customers, THANK YOU!

### AUDIO KITS

#### BUILD YOUR OWN AND SAVE

20W OTL Amp. + Tone Control Unit \$13.00  
30W+30W Stereo Amplifier . . . . \$35.00  
40W+40W OCL Stereo Amplifier . . \$49.00  
50W+50W Stereo Power Amplifier . \$34.00  
60W+60W OCL Stereo Amplifier . . \$63.00  
Free Catalogue  
AUDIOVISION SERVICE  
P.O. Box 955, Stn. B, Willowdale, Ont.  
M2K 2T6

### PCB BREAKTHROUGH ceresist<sup>c</sup> RUB-ON

TRANSFERS FOR PCBs  
Pads, ICs, Lines etc.

Use 3 ways—

- Apply to PCB and etch
- Use for paper artwork
- Works on clear films

Beats lacqueurs, tapes,  
PC pens!

### FAST — EASY ECONOMICAL

Send \$1 (refundable) for  
sample & lists. Discounts to  
schools, dealers etc. In  
Toronto, 'shop Dominion' for  
CERES products.

CERES

53 BURNETT AVE.  
WILLOWDALE, ONT.  
M2N 1V2

(Mail order only)



### J & J ELECTRONICS LTD.,

P.O. Box 1437 E,  
Winnipeg, Manitoba R3C 2Z4

Semiconductor Specialists  
Do you get our bargain flyers? Send  
\$1.00 to receive the current literature  
and specials and to be placed on the  
mailing list for the future publications.

### HAMTRADERS INC.

35 BRISBANE ROAD, UNIT 18  
DOWNSVIEW, ONTARIO M3J 2K1  
"CANADA'S FRIENDLIEST  
AMATEUR RADIO STORE"

Write for FREE literature  
Tel (416) 661-8800

### AMPLIFIER KITS, ELECTRONIC PARTS

New, expanded FREE '78 catalog,  
new lower competitive prices.

50W/50W complete stereo kits \$155.00  
60W low TID pow module \$38.00  
100W low TID pow module \$70.00  
Class-A 60W pow module \$130.00  
Stereo low TID pre-amp \$95.00  
Stereo Active tone-control \$40.00  
MJ802/MJ4502 5MHz 200W \$8.50/Pr.  
2N3055/MJ2955 2MHz 100W \$3.00/Pr.  
1N4148 .05, 1N4003 .10, 2N5088 .25  
LM-741 .30, LM-1310 1.50, LM-555 .55  
7400N .22, 7404N .22, 7490 .60  
Resistor .05, capacitor .10, etc.

Post. & pack. add 10%, Que.Res. add  
8% S.T.

### COMPUTRONICS

P.O. BOX 531, STAT. "H"  
MONTREAL, QUEBEC H3G 1R0

# ETI Project File

Updates, news, information, ETI gives you project support

## HOW'S YOUR EQUIPMENT?

We feel strongly that if you have a desire to be involved with practical electronics you should make things easy and satisfying for yourself by having the right tools. This includes "constructing" tools which we surveyed last month. More importantly (and generally more expensively too!), tools include those instruments which enable you to "see" into a circuit and observe exactly what's going on with the signals. Meters and oscilloscopes are without doubt the most helpful pieces of electronic equipment you can invest in.

To get our readers interested we are working on a series of features on meters and scopes, starting this month with a look at what to expect on a digital multimeter, using the Fluke 8020A as an example. Next month

there will be a survey of digital meters available in Canada, and where to get them. In August we'll take a look at an example of today's oscilloscopes, followed up in September with another survey, this time on the Canadian scope market. We hope you enjoy the series and that you too can be enthusiastic about electronics. John Cox says we need you. (See P17).

## EQUALISER KITS COMING!

Word from Livingstone Electronics is that they're working on a kit of the ETI Graphic Equaliser, which should be ready in the near future. So for all readers who have written to ask us where they can get one . . . stay tuned!

## READER'S PROJECT

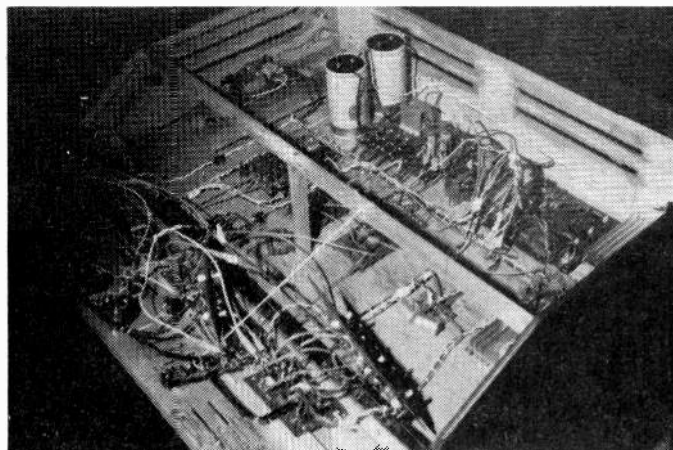
Mr. G. Hallee of Montreal wrote to us late last year describing the ETI

Disco set-up he was constructing. This project was published in the March 77 issue, and was reprinted in Canadian Projects No. 1. Mr. Hallee included pictures of the project, which as you can see was in an advanced stage of construction.

## PARTS PARTS PARTS

We are continually besieged with letters from readers asking where they can get parts in their area. Since we can't take a country-wide tour to check where all the electronics parts-places are, how about sending us a note on any stores you have found useful, what they are good for (if you own the place you can contribute too!) and so on. At some time in the future we would like to help out the "lost" readers by publishing a rundown of where to get what.

*ETI Disco project under construction by reader Mr. G. Hallee.*



PROJECT FILE is our department dealing with information regarding ETI Projects. Each month we will publish the Project Chart, any Project Notes which arise, general Project Constructor's Information, and some Reader's Letters and Questions relating to projects.

## PROJECT CHART

This chart is an index to all information available relating to each project we have published in the preceding year. It guides you to where you will find the article itself, and keeps you informed on any notes that come up on a particular project you are interested in. It also gives you an idea of the importance of the notes, in case you do not have the issue referred to on hand.

Every few months we print a pull out section in the magazine which may be used as a photographic negative for making printed circuit boards (as described in our January 78 issue). Each edition of this sheet contains projects from the preceding few issues. Information on where to find which negative is included in the chart.

## PROJECT NOTES

Since this magazine is largely put together by humans, the occasional error manages to slip by us into print. In addition variations in component characteristics and availability occur, and many readers write to us about their experiences in building our projects. This gives us information which could be helpful to other readers. Such information will be published in Project File under Project Notes. (Prior to May 78 it was to be found at the end of News Digest.)

Should you find that there are notes you wish to read for which you do not have the issue, you may

obtain them in one of two ways. You can buy the back issue from us (refer to Project Chart for date of issue and see also Reader Service Information on ordering). Alternatively you may obtain a photocopy of the note free of charge, so long as your request includes a self addressed stamped envelope for us to mail it back to you. Requests without SASE will not be answered.

## PROJECT CONSTRUCTOR'S INFORMATION

Useful information on the terminology and notation will be published each month in Project File.

## READER'S LETTERS AND QUESTIONS

Many readers write to us concerning their projects, bringing to our attention ambiguities in articles and difficulties which might be faced by many in some phase of obtaining parts in construction or trouble-shooting. Where a letter is of such general interest we may publish it, along with solutions or suggestions.

We like to see any comments from readers on projects they've built, modifications or success stories, and pictures too.

We obviously cannot troubleshoot the individual reader's projects, by letter or in person, so if you have a query we can only answer it to the extent of clearing up ambiguities, and providing Project Notes where appropriate. If you desire a reply to your letter it must be accompanied by a self addressed stamped envelope.

Write to: Project File  
Electronics Today International  
Unit 6, 25 Overlea Blvd.,  
TORONTO, Ontario  
M4H 1B1

## Component Notations and Units

We normally specify components using an international standard. Many readers will be unfamiliar with this but it's simple, less likely to lead to error and will be widely used sooner or later. ETI has opted for sooner!

Firstly decimal points are dropped and substituted with the multiplier, thus 4.7uF is written 4u7. Capacitors also use the multiplier nano (one nanofarad is 1000pF). Thus 0.1uF is 100n, 5600pF is 5n6. Other examples are 5.6pF = 5p6, 0.5pF = 0p5.

Resistors are treated similarly: 1.8M ohms is 1M8, 56k ohms is 56k, 4.7k ohms is 4k7, 100 ohms is 100F, 5.6 ohms is 5R6.

## Kits, PCBs, and Parts

We do not supply parts for our projects, these must be obtained from component suppliers. However, in order to make things easier we cooperate with various companies to enable them to promptly supply kits, printed circuit boards and unusual or hard-to-find parts. Prospective builders should consult the advertisements in ETI for suppliers for current and past projects.

Any company interested in participating in the supply of kits, pcbs or parts should write to us on their letterhead for complete information.

# ETI Project Chart June 77 to June 78

ISSUE DATE	ARTICLE	ISSUE DATE	ARTICLE	ISSUE DATE	ARTICLE
June 77	GSR Monitor	Nov 77	Watchdog	May 78	Acoustic Feedback Eliminator
Aug 77	Note: O	Jan 78	Neg.	June 78	Neg
June 77	Tape Slide Sync	Dec 77	50D50 Amplifier	May 78	Add-on FM Tuner
June 77	Injector Tracer	Jan 78	Neg.	June 78	Neg
June 77	Metronome	Feb 78	Note: T	June 78	Audio Analyser
June 77	Drill Controller	Dec 77	Spirit Level	June 78	Ultrasonic Switch & Neg
July 77	Mastermind	Jan 78	Neg.	June 78	Phone Bell Extender & Neg
Oct 77	Note: O	Dec 77	Egg Timer		
July 77	Digital Voltmeter	Jan 78	Neg.		
Sept 77	Note: N	Jan 78	Option Clock & Neg.		
or CPB1		Jan 78	LED Pendant		
July 77	Overled	May 78	Note: C		
July 77	Turn Indicator Cancellor	Jan 78	Compander & Neg.		
Aug 77	Skeet	Feb 78	Tachomonitor		
Nov 77	Notes: C, D,	Apr 78	Neg		
Aug 77	Dig. Freq. Meter	Feb 78	LCD Panel Meter		
Aug 77	Bass Enhancer	Apr 78	Note: C		
Aug 77	Tachometer	Apr 78	Neg.		
Sept 77	Audio Sweep Osc.	Feb 78	CB Power Supply		
Sept 77	Microamp	Apr 78	Neg		
Sept 77	Bongos	May 78	Note: N		
Sept 77	Alarm Alarm	Feb 78	Freezer Alarm		
Oct 77	Graphic Equaliser	Apr 78	Neg		
Feb 78	Note: D	Mar 78	Hammer Throw		
Oct 77	Loud Hailer	June 78	Neg		
Oct 77	Continuity Tester	Apr 78	Computer PSU & Neg.		
Oct 77	Stereo Simulator	Apr 78	Audio Delay Line & Neg		
Nov 77	Digital Thermometer	Mar 78	True RMS Meter		
Jan 78	Note: C, T, S,	Apr 78	Neg		
Jan 78	Neg.	Mar 78	Home Burglar Alarm		
Feb 78	Note: S	Apr 78	Gas Alarm & Neg.		
Nov 77	3-Channel Tone Control	May 78	White Line Follower		
Jan 78	Neg.	June 78	Neg		

## Canadian Projects Book

Audio Limiter	Metal Locator
5W Stereo	Heart-Rate Monitor
Overled	GSR Monitor
Bass Enhancer	Phaser
Modular Disco	Fuzz Box
G P Preamp	Touch Organ
Bal. Mic. Preamp	Mastermind
Ceramic Cartridge Preamp	Double Dice
Mixer & PSU	Reaction Tester
VU Meter Circuit	Sound-Light Flash
Headphone Amp	Burglar Alarm
50W-100W Amp	Injector-Tracer
Note: N Apr. 78	Digital Voltmeter

## Key to Project Notes

C:- PCB or component layout  
D:- Circuit diagram  
N:- Parts Numbers, Specs  
Neg:- Negative of PCB pattern printed  
O:- Other  
S:- Parts Supply  
T:- Text  
U:- Update, Improvement, Mods  
\*\*\*- Notes for this project of complicated nature write for details (enclose S.A.S.E., see text)

# Reader Service Information

## Editorial Queries

Written queries can only be answered when accompanied by a self-addressed, stamped envelope, and the reply can take up to three weeks. These must relate to recent articles and not involve ETI staff in any research. Mark your letter ETI Query.

## Projects, Components, Notation

For information on these subjects please see our Project File section.

## Sell ETI

ETI is available for resale by component stores. We can offer a good discount and quite a big bonus, the chances are customers buying the magazine will come back to you to buy their components. Readers having trouble getting their copy of ETI could suggest to their component store manager that he should stock the magazine.

## Back Issues and Photocopies

Previous issues of ETI-Canada are available direct from our office for \$2.00 each. Please specify issue by the month, not by the features you require. The following back issues are still available for sale.

1977  
February  
~~March~~  
~~April~~  
May  
June  
July  
~~August~~  
September  
October  
November  
December

1978  
January  
February  
March  
April  
May  
June

We can supply photocopies of any article published in ETI-Canada, for which the charge is \$1.00 per article, regardless of length. Please specify issue and article. (A special consideration applies to errata for projects, see Project File.)

**LIABILITY:** Whilst every effort has been made to ensure that all constructional projects referred to in this edition will operate as indicated efficiently and properly and that all necessary components to manufacture the same will be available, no responsibility whatsoever is accepted in respect of the failure for any reason at all of the project to operate effectively or at all whether due to any fault in design or otherwise and no responsibility is accepted for the failure to obtain any component parts in respect of any such project. Further no responsibility is accepted in respect of any injury or damage caused by any fault in the design of any such project as aforesaid.

# ETI MARKET PLACE

## FREE ADVERTISING

We will allow you up to twenty-five words to advertise items you want to buy or sell, or to publicise meetings of clubs, etc. Advertising will be accepted at our discretion — we will not accept commercial or any form of company advertising. For more insertions mail in again.

PLEASE SEND IN YOUR ADVERTISEMENT IN THIS FORM. USE AN EMPTY SEALED ENVELOPE, WITH YOUR MESSAGE ON THE BACK.

ETI MARKETPLACE  
UNIT 6, 25 OVERLEA BLVD,  
TORONTO, ONTARIO.  
M4H 1B1

FOR SALE ETI REACTION TESTER,  
\$30.95, ALLOW SIX MONTHS  
DELIVERY. ALSO MODERN CATS-  
WHISKER WIRELESS, \$11.49. J.J. FLASH  
APT. 1105, EARTH BLVD, VANCOUVER V5J7K6.

SELL LAVOIE SPECTRUM ANALYZER-SORNSSEN 1KW 117 VOLT CONSTANT VOLTAGE SUPPLY-48 VOLT 200 AMP DC SUPPLY-MAX POWELL JR., BOX 500, CARBONAR, NFLD.

FOR SALE: 8 RCASTEREO AMP. BOARDS. JUST ADD 42N3055'S FOR A 25W/CHAMP LOW THD. \$30 EACH. 494-8694 D DEDERER, 7 QUINCY CRES., WILLOWDALE, ONT. M2J 1C5.

FOR SALE: UNUSED HEATHKIT SELF-INSTRUCTIONAL COURSES. INCLUDES CASSETTES AND PARTS. 1) DC ELECTRONICS; 2) AC ELECTRONICS; 3) SEMI-CONDUCTOR DEVICES VALUE: \$200 SELL: \$50 EACH OR \$140 COMPLETE. 921-0033 OR 534-1797, TED DAVIS, 29 ELGAR AVE., SCARBOROUGH, ONT. M1J 1M3.

FOR SALE 3" COMPUTER VIDEO DISPLAY IN GOOD WORKING ORDER WITH SERVICING MANUAL. \$90.00 (INCLUDE SHIPPING) R. CHARRON, R.R. #3, ST-JEROME, QUEBEC J7Z 5T5.

WANTED OUT OF PRINT RCC TELEVISION SERVICE MANUALS. WILL PAY REGULAR PRICE J. GRENIER BOX 638, RR 2, GREELY, ONT. K0A 1Z0.

WANTED SCHEMATIC DIAGRAM FOR RBM-3 RECEIVER MODEL CCT-46076 J. S. ZYLA, BOX 100, MINTON, SASK.

NEEDED: ANY INFORMATION (ALIGNMENT INFO., SCHEMATIC, ETC.) ON THE XONEX TA-808. PLEASE SEND TO KEN MACDONALD, 815 NADINE AVE., LONDON, ONTARIO, N6C 4R8.

## ONT STOP MAILORDER SHOPPING AT LOW PRICES

21L02 (450 ns) Static Rams 100 @ \$1.10 ea.	1702A E-PROM 8 @ \$3.75 ea.	6502 Microprocessor 5 @ \$11.00 ea.	2708 (450 ns) E-PROM 8 @ \$11.00 ea.	21L02 (250 ns) Static Rams 100 @ \$1.36 ea.	Z-80A Microprocessor 5 @ \$25.00 ea.	8212 8 Bit I/O Port 25 @ \$3.00 ea.	4116 (200 ns) 16K Dyn. Ram 16 @ \$24.00 ea.
Z-80 Microprocessor 5 @ \$20.00 ea.	8224-4 Clk.Gen.&Dvr. 25 @ \$8.75 ea.	410D (200 ns) Static Ram 100 @ \$8.75 ea.	4096 Dynamic Ram 100 @ \$3.50 ea.	4200A (200 ns) Static Rams 25 @ \$10.00 ea.	74LS367 Hex Buffer 100 @ .70¢ ea.	74LS368 Hex Inverter 100 @ .70¢ ea.	2513 (5v) Character Gen. 5 @ \$9.00 ea.

### MICROCOMPUTER COMPONENTS

#### MICROPROCESSOR'S

F8	16.95
Z80	22.00
Z80A	28.00
CDP1802CD	19.95
2650	24.95
AM2901	22.95
6502	11.95
6800	18.95
6802	25.00
8008-1	9.95
8035	22.00
8080A	11.95
8085	11.95
TMS9900TL	75.00

#### 8080A SUPPORT DEVICES

8212	3.50
8214	9.00
8216	3.75
8224	3.50
8224-4	9.95
8226	3.95
8228	7.95
8230	7.50
8251	9.95
8253	21.95
8255	21.95
8257	21.95
8259	21.95
8275	25.00
8279	20.00

#### FLOPPY DISC CONTROLLER

1771B	55.95
1771B-01	57.95

#### KEYBOARD CHIPS

AY5-2376	13.75
AY5-3600	13.75

#### PROM'S

1702A	4.00
2704	15.00
2708	12.00
2716	30.00
2716 Intl	27.00
2758	26.60
D3601	4.50
D3604	13.00
5203AQ	5.00
5204AQ	7.50
6834	14.50
6834-1	14.95
82523B	4.00
825129B	4.25
8223B	3.50

#### 6800 SUPPORT

6810P	4.95
68B10P	6.00
6820P	7.50
6821P	7.50
6828P	11.25
6834P	16.95
6850P	9.75
6852P	11.75
6860P	10.00
6862P	14.50
6865P	28.00
6875P	8.75
6880P	2.50

#### Z80 SUPPORT DEVICES

3881	12.95
3882	12.95

#### STATIC RAMS

21L02	1.50	1.24	1.18
21L02 (350)	1.60	1.35	1.25
21L02 (250)	1.75	1.60	1.50
4110D	10.75	10.00	9.25
1101A	4.00	.90	.80
2101-1	2.95	2.75	2.60
2102	1.95	1.15	1.00
2111-1	2.95	2.80	2.69
2112-1	11.00	10.00	9.25
2125L	11.00	9.00	8.30
2147	37.50		
1110L	2.50	2.35	2.00
3106	3.75	3.70	3.25
3107	3.95	3.70	3.25
TMS-4044	9.95	9.00	8.95
4200A	12.95	10.00	9.25
TMS-4045	11.00	10.00	9.25
5101	8.30	7.40	7.25
74C89	3.25	3.05	2.85
7489	2.25	2.10	1.90
745201	4.50	4.00	3.75
P8101	4.25	3.40	2.80
P8155	17.00	14.00	
P8156	21.00	18.00	
8599	1.88	1.75	1.60
9102BPC	1.65	1.45	1.30

#### CHARACTER GENERATORS

2513	6.75
2513 5v upper	9.75
2513 5v lower	10.95
2516	10.95
MC1M571	10.95
MC1M571A	10.95
MC1M574	13.25
MC1M675	13.25

#### WAVEFORM GENERATOR

8038	3.50
MC4024	2.25
566	1.50

#### DYNAMIC RAMS

416D/4116	32.00
1103	1.00
2104	1.00
2107B	4.25
2107B-4	3.95
TMS4050	10.00
TMS4060	4.50
TMS4070-2	32.00
4096	4.00
4116/416D	32.00
MM5270	4.50
MC1M6605	5.00

#### USRT

S2350	10.75
-------	-------

#### UART'S

AY5-1013A	5.25
AY5-1014A	5.25
TR1602B	5.25
TMS6011	5.95
IM6402	10.80
IM6403	10.80

#### JADE 8080A KIT

AY5-1013A	5.25
AY5-1014A	5.25
TR1602B	5.25
TMS6011	5.95
IM6402	10.80
IM6403	10.80

#### MISC. OTHER COMPONENTS

N8T20	3.39
N8T26	2.10
N8T95	1.35
N8T96	1.35
N8T97	1.35
N8T98	1.35
81LS97	2.00
81LS97	2.00
1488	1.75
1489	1.75
D3205	4.00
D3207A	4.55
D3208A	14.20
D3211	10.00
B3222	9.75
B3242	10.15
D3245	5.60
C3404	6.75
P3408A	12.00
P4201A	5.20
MM5320	7.50
MM5369	1.90
TMS5501	24.95
DM8130	2.90
DM8131	2.90
DM8833	2.50
DM8835	2.50
DM8837	1.75
MKS0240	20.00
MKS0250	15.00

#### E-PROM BOARDS

MR 8 18K user 2708) KIT	\$99.50
with 1K RAM	
MR 16T 18K user 2716) KIT	\$99.50
with 1K RAM	
MM 16 18K user 2708) KIT	\$99.00
RAM/N/RAM 18K user any	
E PROM) KIT	\$117.00
JG 8:16 (user 2708 or 2716)	\$59.95
BARE BOARD KIT	\$30.00

#### TU-1

Convert T.V. set to Video Monitor.  
KIT ..... \$8.95

#### STATIC RAM BOARDS

8K	
250ns ASSEMBLED & TESTED	\$189.95
450ns ASSEMBLED & TESTED	\$149.75
250ns KIT	\$169.95
450ns KIT	\$125.00
BARE BOARD	25.00
6800 ADAPTER to S-100 System KIT	\$12.95

#### 16K

250ns ASSEMBLED & TESTED	\$435.00
450ns ASSEMBLED & TESTED	\$380.00
450ns KIT	\$335.00

#### 32K

250ns ASSEMBLED & TESTED	\$850.00
450ns ASSEMBLED & TESTED	\$775.00
450ns KIT	\$675.00

#### DYNAMIC RAM BOARDS

On board Refresh power is provided with no wait states or cycle stealing required.  
+8VDC 400MA DC. +18VDC 400MA DC and +18VDC 30MA DC

#### EXPANDABLE 32K

8K (375ns) KIT	\$151.00
16K (375ns) KIT	\$259.00
24K (375ns) KIT	\$367.00
32K (375ns) KIT	\$425.00

#### EXPANDABLE 64K

16K (375ns) KIT	\$281.00
32K (375ns) KIT	\$519.00
48K (375ns) KIT	\$577.00
64K (375ns) KIT	\$995.00

#### MOTHER BOARD'S - S-100 Style

13 slot - w/front panel slot	
BARE BOARD	\$35.00
KIT	\$95.00
22 slot	\$149.95
ASSEMBLED & TESTED	

#### THE PROM SETTER

WRITE & READ EPROM	
1702A - 2708 - 2716	
5204 - 6834	

\* Plug directly into your ALTAIR IMSAI Computer.  
\* Includes Main Module Board and External EPROM Socket Unit.  
\* The EPROM Socket Unit is connected to the Computer through a 25 pin connector.  
\* Programming is accomplished by the Computer.  
\* Just read in the Program to be Written on the EPROM into your Processor and let the Computer do the rest.  
\* Use Socket Unit to Read EPROM's Contents into your Computer.  
\* Software included.  
\* No external power supplies. Your computer does it all.  
\* Doubles as an Eight Bit Parallel I/O.  
\* Manual included.

#### KIT \$210.00

#### ASSEMBLED & TESTED \$375.00

#### KIM-1

#### ASSEMBLED & TESTED \$245.00

#### MEMORY PLUS

for KIM-1	
8K RAM (21L02)	
8K EPROM	
ASSEMBLED & TESTED	\$245.00

### JADE Z80 KIT

—with PROVISIONS for ONBOARD Z80 and POWER ON JUMP

**\$135.00 EA. (2MHz)**  
**\$149.95 EA. (4MHz)**

**BARE BOARD \$35.00**

### JADE Z80 "UPGRADE" KIT

Change your JADE 2MHz Z80 to a 4MHz version with this simple kit:

only \$17.95 with trade  
**\$49.95 purchase.**

To trade, you must give us your 2MHz Z80 chip and 8224 clock driver

The "UPGRADE KIT" includes:  
Z80A chip, 8224-4 clock driver, 1.8K resistor, 20 pf. capacitor, 38MHz crystal

#### COMPU TIME CT 100

Microprocessors need the power that a real-time clock can offer. Date and time becomes instantly available. COMPU/TIME does not have to be initialized every time the system is powered up. It possesses a crystal-controlled time base to obtain superior accuracy and has two settable coincidence counters. Time, date, and counters are set via software.

COMPUTATIONAL FUNCTION  
Microprocessors need to be complemented by hardware algorithms to free up memory pages dedicated to floating point routines and mathematical software. COMPU/TIME provides a 40 function calculator array so that algebraic, trigonometric, basic arithmetic problems can be solved without the need of developing sophisticated software.

COMPU/TIME CT100	\$199	KIT	\$245	Assembled
COMPU only	C101	\$149	KIT	\$189 Assembled
TIME only	T101	\$165	KIT	\$205 Assembled
COMPU/TIME PC Board only			\$80	

#### JADE VIDEO INTERFACE KIT

FEATURES **\$99.95**

S-100 Bus Compatible  
32 of 64 Characters per line  
16 lines  
Graphics (128 x 48 matrix)  
Parallel & Composite video  
On board low-power memory

Powerful software included for cursor, home, EOL, Scroll Graphics/Character, etc.  
Upper case, lower case & Greek  
Black-on-white & white-on-black

#### full ASCII PROFESSIONAL KEYBOARDS

Full 128 Character ASCII!  
Tri-Mode MOS Encoding!  
MOS DTL TTL Compatible Output  
Two-key Roll-over!  
Shift and Pulse Strobel!  
Level and Alpha Lock!  
Selectable Parity!  
Positive or Negative Logic!  
PRICING INFORMATION  
Model 756 (assembled) \$75.95  
Model 756K (kit) 64.95  
Model 702 Enclosure 29.95  
Model 710 Numeric Pad 9.95  
Model 756MF Mtg. Frame 8.95

#### CONNECTORS

DB - 25P	\$3.00
DB - 25S	\$4.00
COVER	\$1.50
44 Pin - PC & EYE	\$1.95
44 Pin - WW	\$2.50
86 Pin - (6800) PC	\$5.00
86 Pin - (COSMAC ELF) PC	\$5.00
100 Pin - (Altair) PC	\$4.50
100 Pin - (Im sai) PC	\$3.75
100 Pin - (Im sai) WW	\$4.25

### JADE REAL TIME CLOCK FOR S-100 BUS

1 MHz Crystal Oscillator  
Two independent interrupts  
One interrupt uses 16 bit counter in 10 USEC steps  
Other interrupt is in decade steps from 100 USEC to 10 sec.  
Both software programmable  
Board can be selected by 128 device code pairs.  
Complete documentation includes software to display time of day.  
Double sided solder mask  
Silk screen parts layout

JG-RT ASSEMBLED & TESTED \$179.95  
JG-RT KIT \$124.95  
BARE BOARD with Manual \$30.00

### TARBELL CASSETTE INTERFACE

- Plugs directly into your IMSAI or ALTAIR
- Fastest transfer rate - 187 (standard) to 540 bytes/second
- Extremely Reliable - Phase encoded (self-clocking)
- 4 Extra Status Lines, 4 Extra Control Lines
- 37-page manual included
- Device Code Selectable by DIP-switch
- Capable of Generating Kansas City tapes also
- No modification required on audio cassette recorder

JADE KIT' \$99.95 ASSEMBLED \$175.00  
\*16 month warranty from JADE! MANUAL \$4.00

### JADE PARALLEL/SERIAL INTERFACE KIT

S-100 **\$124.95 KIT**

2 Serial Interfaces with RS232 interfaces or 1 Kansas City cassette interface.  
Serial interfaces are crystal controlled.  
Selectable baud rates.  
Cassette works up to 1200 baud.  
1 parallel port.

### DATA COMMUNICATIONS ADAPTER

80-103A Serial I/O and FSK modem for professional and hobby communications.

- Completely compatible with your IMSAI, ALTAIR, SOL, or other S-100 microcomputers.
- Trademarks of "MITS," "Processor Technology"
- Designed for use on the dial telephone or TWX networks, or 2-wire dedicated lines, meets all FCC regulations when used with a CBT coupler.
- All digital modulation and demodulation with on board crystal clock and precision filter mean that NO ADJUSTMENTS ARE REQUIRED
- 90 day warranty and full documentation

PRICES: BARE BOARD and Manual \$49.95  
Assembled (48 hr. burn in) \$279.95  
JG-DCA KIT \$159.95

### NUMBER CRUNCHER

The CT200 is a number-oriented microprocessor intended for use in those applications that require fast versatile mathematical solutions.  
THIS IS NOT A CALCULATOR CHIP. THERE ARE NO KEY DELAYS.  
The CT200 has a unique architecture that is designed to be a TASK processing system within a system. This unique architecture will allow the CT200 to work and run with ANY S-100 BUS microprocessor system. It is completely compatible with 2MHz 8080 version also, 8080, 6800, 6502 microprocessor. A micro encoded instruction set allows programming in a calculator like language. The instruction set includes a full set of test and branch instructions. All decoding of S-100 bus signals for select or control functions is performed with strobed latches to eliminate the possibility of glitches.

PRICE \$249.00  
Includes Manual, ASSEMBLED & TESTED.

### JADE

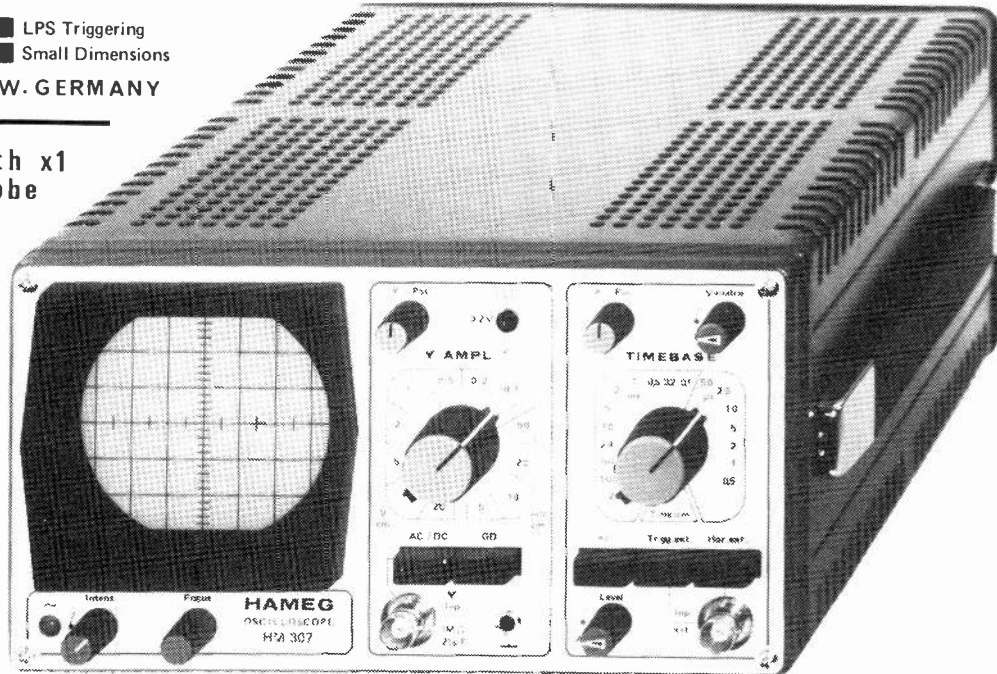
Discounts available at OEM quantities. All prices above are quoted in US\$ FOB Lawndale, Calif, USA. To expedite shipments please include international money order or bankers check payable against any USA bank in US\$, or affiliated credit cards of Bank America or Master Charge welcome (include card No., expiration date and signature). Add 10% of total order for postage. For orders less than \$10 add \$1.50 service charge. New catalog now available.

# HAMEG

# OSCILLOSCOPE HM 307

- Bandwidth DC - 10MHz
  - LPS Triggering
  - Screen 7 cm  $\phi$
  - Small Dimensions
- MANUFACTURED IN W. GERMANY**

## NEW with x1 probe



### Specifications

#### Vertical Amplifier Y

Frequency range 0 - 10MHz ( $\pm 3$ dB)  
 Risettime approx 35ns  
 Overshoot maximum 1%  
 Sensitivity 5mVpp/cm - 20Vpp/cm  
 Input attenuator with 12 positions  
 (1-2-5 sequence)  
 Deflection factor accuracy  $\pm 5\%$   
 Input impedance 1M $\Omega$ m//25pF  
 Input switchable DC-AC-GD  
 Max admissible input voltage 500V DC  
 Linearity error max 2%

#### Timebase

Sweep range 0.2s/cm - 0.5 $\mu$ s/cm,  
 with fine control 1-2.5 down to 0.2 $\mu$ s/cm  
 (18 positions with 1-2-5 sequence)  
 Sweep accuracy  $\pm 5\%$   
 Triggering: int or ext, pos or neg,  
 automatic or with adjustable level  
 Trigger frequency range 1Hz - 25MHz  
 Trigger threshold max 3mm

#### Horizontal Amplifier X

Frequency range 3Hz - 1MHz ( $\pm 3$ dB)  
 Sensitivity approx 0.75Vpp/cm  
 Input impedance approx 1M $\Omega$ m//25pF

#### Semiconductor Component Parts

6 IC, 30 transistors, 21 diodes,  
 5 silicon rectifiers

#### Miscellaneous

Cathode-ray tube 3RP1A with 7cm  $\phi$   
 Built-in square-wave generator 1kHz  
 for probe adjustment (0.2Vpp)  
 Electronic stabilization  
 for all supply voltages incl. high voltage  
 Mains supply 110, 127, 220, 237V AC  
 Admissible mains fluctuations  
 $\pm 10\%$ , 50-60Hz  
 Power consumption approx 24W  
 Weight approx 4.5kg  
 Case 212 x 114 x 265mm, anthracite,  
 with handle and tilt strrup

Subject to change

## 14 Day money back guarantee »»»

Purchase the model \*HM 307\* on a 14 day full money back guaranty. If for any reason you are dissatisfied or that it does not meet specifications; then return the unit along with proof of purchase and receive your full refund or credit. (Offer not valid where unit has been damaged or misused.)

# \$449<sup>95</sup> LIST

#### Available Accessories

10:1 and 100:1 probe, demodulating probe, various test leads, pre-amplifier, dual-trace adapter, viewing hood, carrying case, recording camera and instrument cart.

This small trigger oscilloscope with 7cm screen is especially designed for electronic service and advanced amateurs. Despite its simplicity it has many qualities of bigger oscilloscopes. The sensitivity of the measuring amplifier is sufficient to display also signals of a few mV without problems. The time deflection works with the new LPS trigger technique, developed by HAMEG. Signals of higher repetition frequency are also triggered absolutely jitter-free. All supply voltages are stabilized. The operating elements are clearly arranged just as is known from HAMEG instruments. A solid mechanical construction and optimum design of all technical details testify to the good value of this oscilloscope.

# HAMEG

IN CANADA DISTRIBUTED BY

## BCS ELECTRONICS LIMITED

Instruments For Industry and Service

980 ALNESS ST. UNIT 35  
 DOWNSVIEW, ONTARIO M3J 2S2  
 TEL: (416) 661-5586 - 661-5869

### DEALER INQUIRIES INVITED

Now available at the following:

#### TORONTO

Arkon Electronics Ltd.	91 Queen St., E.	868-1315
Computer Mart Ltd.	1543 Bayview Ave.	484-9708
General Electronics	5511 Yonge St.	221-6174
Westown Electronics Ltd.	656 The Queensway	251-4616

#### RICHMOND HILL

McEowan Instruments	414 Becker Road	884-8720
---------------------	-----------------	----------

#### WINNIPEG, MANITOBA

Fortin Electronics Corp.	660 King Edward St.	774-6286
--------------------------	---------------------	----------

#### ST. JOHN, NEW BRUNSWICK

FMP Enterprises	26 Sears St.	652-7287
-----------------	--------------	----------