

**SAMS**  
**PHOTOFACT**<sup>®</sup>  
**AUTO RADIO**  
**SERIES**



AR-73  
**73**  
 MARCH 1970



**CONTENTS**  
 REMOVAL INFORMATION PAGE 4

**BUICK**

Buick (70) 04BPB2  
 Riviera (70) 04EPB2

**CHEVROLET**

Corvette (69)  
 91VFP1 (7302721)

**CHRYSLER**

Chrysler (69)  
 2884 287 (402)  
 Imperial (69)  
 2884 289 (404)  
 Imperial (69½)  
 2884 847

**FORD**

Galaxie (69)  
 9FBF

**GMC**

GM Truck (68)  
 86TT431  
 GM Truck (69)  
 96TT411  
 GM Truck (69½)  
 96TT412

**OLDSMOBILE**

Olds (70) 03BPB1  
 Toronado (70) 03EPB1

**PONTIAC**

Pontiac (67½)  
 7298832-A  
 Pontiac (68)  
 7303302-A  
 Pontiac (69)  
 92BFP1 (7307412)

**UNIVERSAL**

Automatic  
 ACS-6000  
 Motorola  
 TM18A



\$3.25

\$4.10 IN CANADA

Cat. No. AR-73



# SAMS PHOTOFACT<sup>®</sup>

## AUTO RADIO SERIES



VOLUME

**73**



by the *Howard W. Sams* ENGINEERING STAFF



**HOWARD W. SAMS & CO., INC.**

INDIANAPOLIS INDIANA

**FIRST EDITION  
FIRST PRINTING—MARCH 1970**

**PHOTOFACT®  
AUTO RADIO SERIES  
VOLUME 73**

Copyright © 1970 by Howard W. Sams & Co., Inc.  
Indianapolis, Indiana 46206. Printed in the United States of America

All rights reserved. Reproduction or use, without express permission, of editorial or pictorial content, in any manner, is prohibited. No patent liability is assumed with respect to the use of the information contained herein.

The listing of any available replacement part herein does not constitute in any case a recommendation, warranty or guaranty by Howard W. Sams & Co., Inc., as to the quality and suitability of such replacement part. The numbers of these parts have been compiled from information furnished to Howard W. Sams & Co., Inc., by the manufacturers of the particular type of replacement part listed.

Library of Congress Catalog Card Number: 49-11493



# **TABLE OF CONTENTS**

<b>TRADE NAME AND MODEL</b>	<b>PAGE</b>
Automatic Model ACS-6000.....	5
Buick Models 04BPB2, 04EPB2.....	21
Chevrolet Model 91VFP1 (7302721).....	27
Chrysler Models 2884 287 (402) 2884 289 (404), 2884 847.....	41
Ford Model 9FBF.....	59
GM Models 86TT431, 96TT411, 96TT412 (7308166).....	81
Motorola Model TM18A.....	93
Oldsmobile Models 03BPB1, 03EPB1.....	99
Pontiac Models 92BFP1 (7307412) 7298832-A, 7303302-A.....	105

**Cumulative Index to Prior Volumes . . . . . 120**

# REMOVAL INSTRUCTIONS

## GENERAL REMOVAL INFORMATION

Most radios and speakers can be removed for service by following the steps shown in this block of information. Check the Make, Model, and Year of car listed below. If more specific instructions are required, they are shown.

- Step 1. Disconnect power, speaker and antenna leads.
- Step 2. Remove knobs.
- Step 3. Remove nuts from control bushings and cabinet braces.

Step 4. Remove radio from under dash.

- Step 5. Remove nuts holding speaker and remove speaker from under dash.

## BUICK - 1970

- Step 1. Remove screws from steering column trim panel and remove trim panel.
- Step 2. Disconnect left collar hose.
- Step 3. Remove screws from air-conditioning duct and remove.
- Step 4. Remove knobs and nuts from control bushing. Disconnect speaker connector and antenna lead.
- Step 5. Remove screw from bottom brace, and remove radio from under instrument panel.

## FORD - 1969 - GALAXIE

- Step 1. Remove knobs from radio, windshield-wiper control, windshield washer control, heater controls, and remove lighter element.
- Step 2. Remove screws from instrument panel cluster cover and remove cover.
- Step 3. Remove screw from bottom rear brace.
- Step 4. Remove nuts from front radio mounting.
- Step 5. Pull radio out of instrument panel and disconnect antenna lead, "A" lead, and Speaker leads.

## SPEAKER REMOVAL

- Step 1. Remove radio.
- Step 2. Remove screw from speaker mounting.
- Step 3. Remove speaker from under instrument panel.

## SPEAKER REMOVAL

- Step 1. Remove instrument panel cover.
- Step 2. Remove nuts from speaker mounting and remove speaker.

## RIVIERA - 1970

- Step 1. Remove ashtray and ash-tray housing.
- Step 2. Remove knobs and nuts from control bushing.
- Step 3. Disconnect speaker connector and antenna lead.
- Step 4. Remove screws from bottom brace.
- Step 5. Remove radio thru ash-tray opening.

## IMPERIAL - 1969 - 69 1/2

- Step 1. Remove Phillips screw from Face Plate and remove.
- Step 2. Remove nut from rear brace.
- Step 3. Disconnect "A" lead, speaker leads, and antenna.
- Step 4. Remove screws from front mounting.
- Step 5. Remove radio from under dash.

## SPEAKER REMOVAL

- Step 1. Remove radio.
- Step 2. Remove nuts from speaker mounting.
- Step 3. Remove speaker thru ash-tray opening.

## SPEAKER REMOVAL

- Step 1. Remove radio.
- Step 2. Remove screws from speaker mounting.
- Step 3. Remove speaker.

## CHRYSLER - 1969

- Step 1. Remove ashtray and ash-tray holder.
- Step 2. Remove screws from lower steering column cover and remove.
- Step 3. Remove screws from lower instrument panel cover and remove.
- Step 4. Disconnect antenna, "A" lead, Pilot lamp lead and speaker leads.
- Step 5. Remove screws from bottom front mounting.
- Step 6. Remove nut from rear mounting brace.
- Step 7. Remove radio from under instrument panel.

## OLDSMOBILE - 1970

- Step 1. Remove screws from air-conditioning duct and lower duct.
- Step 2. See General Removal Information.

## PONTIAC - 1967 1/2 - 68 - 69

BEAUMONT, BONNEVILLE, CATALINA

- Step 1. Remove screws from lower steering column cover and remove cover.
- Step 2. Remove screws from air-conditioning duct and pull down.
- Step 3. See General Removal Information.

## SPEAKER REMOVAL

- Step 1. Remove radio.
- Step 2. Remove nuts from speaker mounting.
- Step 3. Remove speaker from under instrument panel.

## PONTIAC - 1967 1/2 - 68 - 69

EXECUTIVE - GRAND PRIX

- Step 1. Remove screw from lower air-conditioning duct and remove duct.
- Step 2. See General Removal Information.

## CORVETTE - 1969

- Step 1. Remove console side covers.
- Step 2. Remove knobs and nuts from control bushings.
- Step 3. Remove screws from radio trim plate and remove plate.
- Step 4. Remove screws from lower padded dash cover and remove cover.
- Step 5. Disconnect speaker and antenna connectors.
- Step 6. Remove screw from side brace.
- Step 7. Tilt instrument panel cover forward and remove radio.

## TORONADO - 1970

Oldsmobile Dealer should remove radio because of Critical torques involved in steering-column replacement.

## SPEAKER REMOVAL

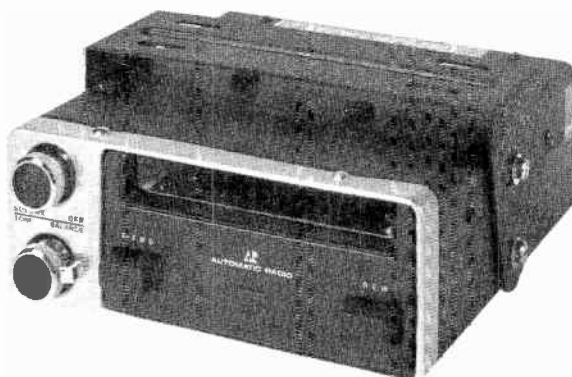
- Step 1. Remove screws from kick panels and remove panels.
- Step 2. Remove screws from speaker mountings and remove speaker.



# PHOTOFACT<sup>®</sup> with

# CIRCUITRACE<sup>®</sup>

For Supplier Address See PHOTOFACT Index



AUTOMATIC MODEL ACS-6000  
(4-Track Stereo Player)

## OPERATING INSTRUCTIONS

Insert cartridge until it locks and turns unit on.

Set operating controls as desired.

The cartridge will automatically eject at

the end of the tape and turn the unit off.

Press the Off button to eject the cartridge and turn unit off manually.

## SEQUENCE OF OPERATION

### Play

Pressing the cassette into the unit between Guides (57) and (60) moves Bearings (58) and (59) Bearings (58) and (59) press the posts on Panel Assembly (66) to cause Links (62) to pivot, swinging Assembly (66). Bearing (59) also actuates Switch (S1).

As Assembly (66) swings upward, Spindles (4), and (5) and the capstan are moved into proper positions in the cassette. The capstan pinches the tape against Roller (1). Plate (67) is released to allow Assembly (65) to pivot, pressing Shaft (9) against Spindle (4).

Assembly (66) is locked in the up position by Plate (35) and Roller (46) until Solenoid (M3) is energized.

The motor -- through Pulley (48), Belt (2), Flywheel (10), Belt (21), Pulley (11), Clutch (6), and Shaft (9) -- drives Spindle (4).

### Fast Forward (From Play)

Pressing the Fast Forward button moves Assembly (50) to slide Assembly (28). Assembly (28) pivots Assembly (24) to press Idler (12) against Spindle (4) and to move Idler (13) against Flywheel (10).

Assembly (50) also pivots Lever (52) to pivot Lever (51), sliding Lever (54) to press Spring (63A) to actuate Switch (S3). Lever (54) also pivots Assembly (32) to slide Plate (47), pivoting Plate (43). Plate (43) pivots Assembly (65), moving Shaft (9) from Spindle (4). Plate (47) also presses Spring (45) to press Plate (15) against Spindle (4) until Plate (43)

pivots Plate (44) to move Spring (45) from Plate (15), releasing Spindle (4).

Assembly (32) also pivots Plate (27), moving Roller (1) from the capstan and moving Head (M1) from the cassette. Plate (47) also moves Plate (68) to press Idler (13) against Flywheel (10). The motor -- through Pulley (48), Belt (2), Flywheel (10), Idler (13), Belt (3), and Idler (12) -- drives Spindle (4).

### Rewind (From Play)

Pressing the Rewind button moves Assembly (55) to slide Assembly (28). Assembly (28) pivots Assembly (24) to press Idler (12) against Spindle (5) and to move Idler (13) against Flywheel (10).

Assembly (55) presses Spring (63B) to actuate Switch (S4) and slides Lever (54) to press Spring (63A), actuating Switch (S3). Lever (54) pivots Assembly (32) to slide Plate (47), pivoting Plate (43) to pivot Assembly (65) to move Shaft (9) from Spindle (4). Plate (47) also presses Spring (45) to press Plate (15) against Spindle (4) until Plate (43) pivots Plate (44) to move Spring (45) from Plate (15), releasing Spindle (4). Simultaneously, Plate (47) moves Plate (68) to press Idler (13) against Flywheel (10).

Assembly (32) also pivots Plate (27), moving Roller (1) from the capstan and moving Head (M1) from the cassette.

The motor -- through Pulley (48), Belt (2), Flywheel (10), Idler (13), Belt (3), and Idler (12) -- drives Spindle (5).

AUTOMATIC MODEL ACS-6000

**HOWARD W. SAMS & CO., INC.** Indianapolis, Indiana 46206

© 1970 Howard W. Sams & Co., Inc. Printed in U. S. of America

TQ733

## ADJUSTMENTS

1. All voltage measurements referred to in this chart are made at a tape speed of 1 7/8 ips with an audio VTVM having a flat response to 100KC.
2. All torque measurements are made at a tape speed of 1 7/8 ips with a spring scale applied to a point 1 inch from spindle center.
3. All pressure measurements are made by using a spring scale to determine that point at which pressure is just removed.

ADJUST	REMARKS
Play Take-up Torque	Nominal value 1 oz. Controlled by condition of tire on take-up spindle and condition of Clutch (6).
Fast Forward Take-up Torque	Nominal value 1 oz. Controlled by condition of rubber parts in drive train.
Rewind Torque	Nominal value 1 oz. Controlled by condition of rubber parts in drive train.
Pressure Roller Pressure	Nominal value 8 oz. Controlled by moving Spring (8) from hole to hole.
Record/Play Head Azimuth	Connect an AC VTVM across left output, play an azimuth-test tape, and adjust B1 for maximum output.
Flywheel Play	Adjust B2 for a slight vertical play of the flywheel.
Output Level Balance	Set Balance control at center of rotation and apply a 1000-cycle tone across left and right sections of Head (M1). Adjust R3 and R4 for equal outputs.

## CLEANING

Clean all tape contact surfaces with a soft, lint-free material and head cleaner or methyl alcohol. Use alcohol to remove oil and grease from all driving surfaces.

CAUTION: Avoid getting head cleaner on any plastic surface.

## LUBRICATING

Lubricate bearings and bushings lightly with #20 machine oil. Use a light film of non-hardening grease on cam surfaces.

## HEAD DEMAGNETIZING

Demagnetize head when unit is serviced. Avoid using magnetic materials near head.

## TROUBLE CHART

SYMPTOM	REMARKS
Take-up erratic or inoperative in Play.	Spindle (4) dirty, worn, or binding. Shaft (9) dirty, worn, or binding. Clutch (6) dirty or worn. Pulley (11) dirty or binding. Belt (21) dirty or broken.
Take-up erratic or inoperative in Fast Forward.	Spindle (4) dirty, worn, or binding. Idler (12) dirty or binding. Belt (3) dirty or broken. Idler (13) dirty, worn, or binding.
Rewind erratic or inoperative.	Spindle (5) dirty, worn, or binding. Idler (12) dirty or binding. Belt (3) dirty or broken. Idler (13) dirty, worn, or binding.
Capstan does not rotate.	Belt (2) dirty, worn, or broken. Flywheel binding. Motor defective or not supplied with power.



## TROUBLE CHART (Continued)

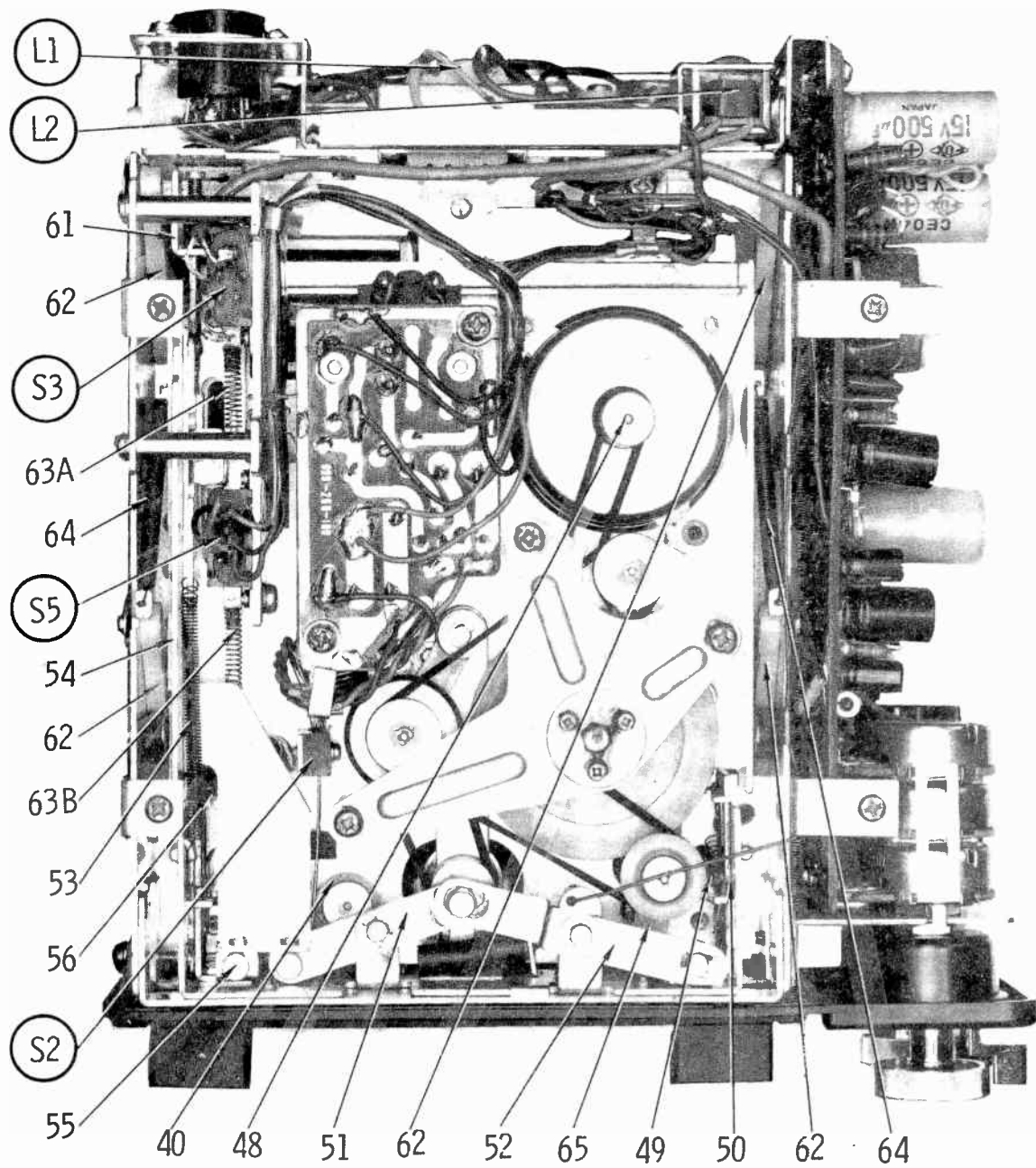
SYMPTOM	REMARKS
Tape rides up and down between capstan and pressure roller.	Capstan bent. Roller (1) worn. Excessive take-up torque.
Wow or Flutter.	Roller (1) dirty or worn. Belt (2) dirty or worn. Bearing (16) binding. Cassette defective. Motor defective. Excessive take-up torque.
Sound is weak or distorted.	Play Head (M1) dirty, misadjusted, or defective. Amplifier defective. Cassette defective. Plate (27) binding.
Automatic shut-off inoperative.	Assembly (40) dirty. Switch (S2) defective (sensors bent). Shut-off circuit defective. Solenoid (M3) defective.
Cassette does not lock in Play position.	Roller (46) broken. Spring (36) weak or missing. Plate (35) worn or binding.

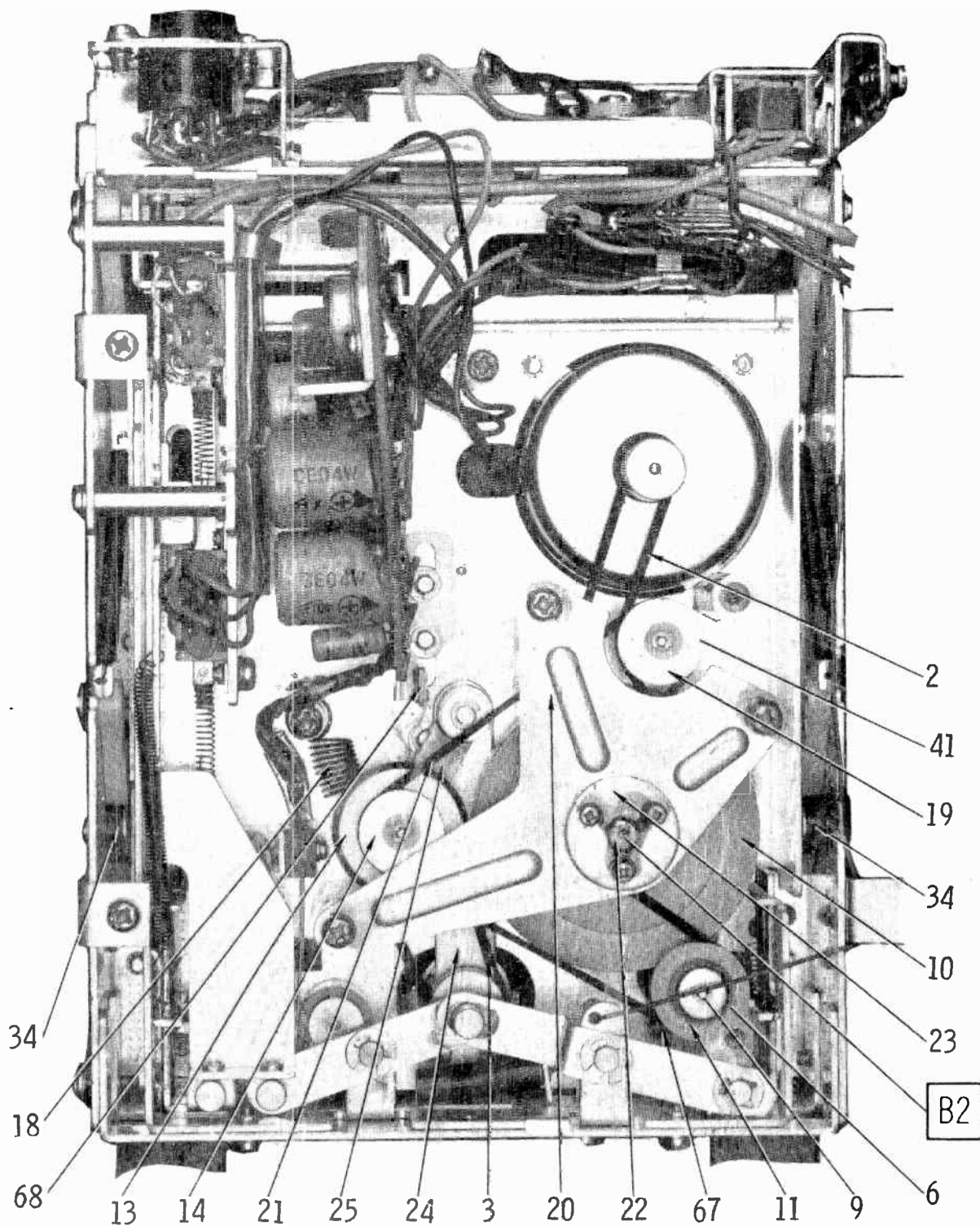
## MECHANICAL PARTS LIST

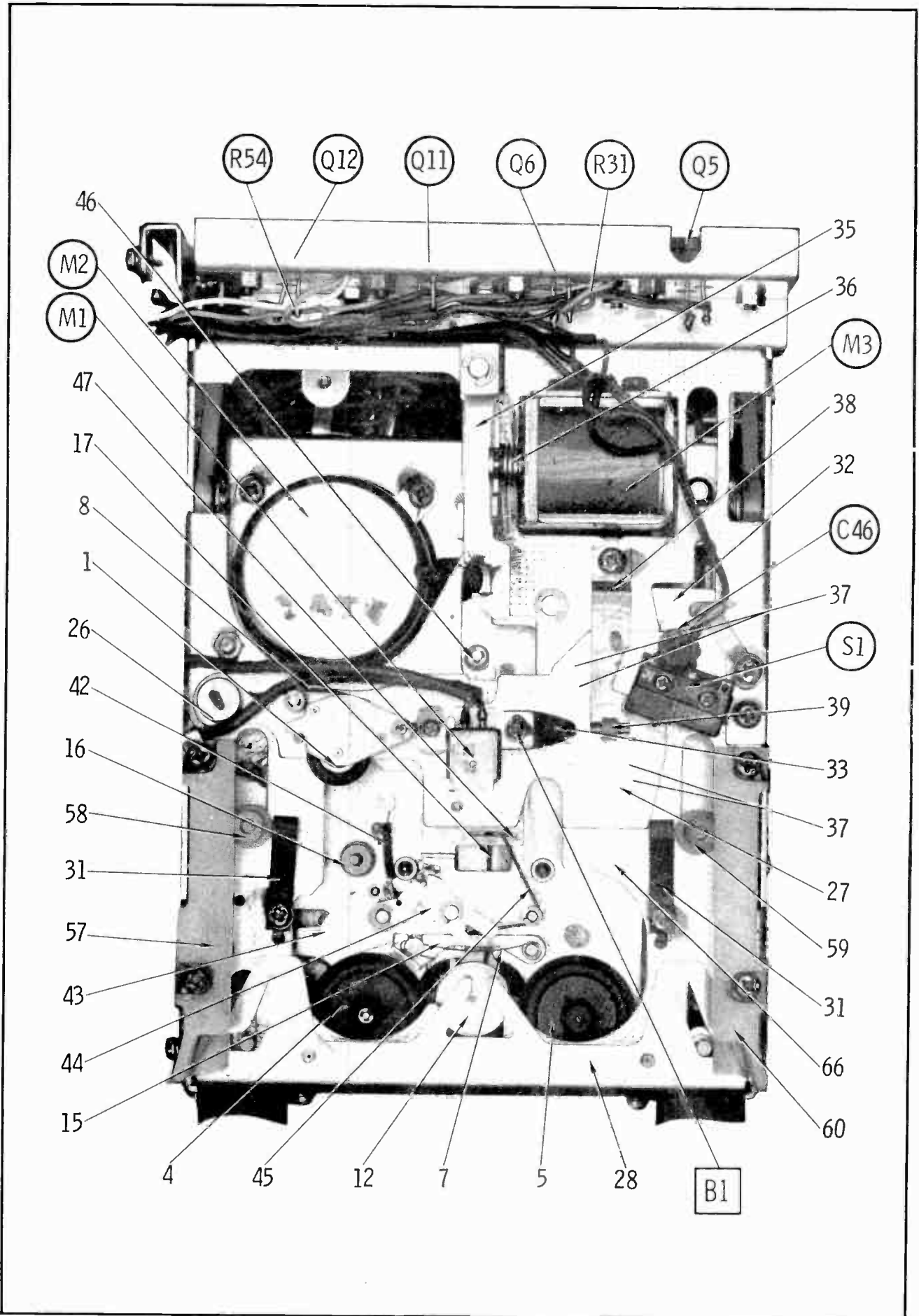
REF. NO.	PART NO.	DESCRIPTION	REF. NO.	PART NO.	DESCRIPTION
1	135A11109	Pressure (Pinch) Roller	36	45A11121	Plunger Spring
2 *	67A11148 *	Flywheel Belt *	37	45A11129	Steel Ball 1/16" (4 used)
3	(2)	Fast Wind Belt	38	52A11133	Slide Plate Pressing Spring
4	135A11142	Take-up Spindle Assembly	39	135A11134	Roller Assembly
5	135A11138	Supply Spindle Assembly	40	135A11140	Stopper Detecting Shaft Ass'y
6	(1)	Felt Take-up Clutch	41	69A11151	Interlinked Pulley "C"
7	45A11100	Brake Spring	42	45A11149	Action Plate Return Spring
8	45A11106	Pressure Roller Spring	43	52A11154	Driving Pin Plate
9	(1)	Take-up Shaft	44	52A11157	Brake Release Plate
10	54A11147	Flywheel	45	45A11158	Brake Transmission Spring
11	(1)	Take-up Clutch Pulley	46	67A11160	Lock Roller
12	(2)	Fast Wind Idler	47	52A11161	Brake Transmission Plate Ass'y
13	135A11188	Intermediate Idler	48	69A11173	Motor Pulley
14	135A11189	Interlinked Pulley "A" Idler	49	45A11192	Fast Forward Button Spring
15	52A11156	Brake Plate	50	135A11193	Fast Forward Push-button Ass'y
16		Capstan Upper Bearing	51	135A11196	Push-button Transmission
17	45A11162	Roller Positioning Spring			Lever "B"
18	45A11185	Mount Resetting Spring	52	52A11197	Push-button Transmission
19	69A11150	Interlinked Pulley "D"			Lever "A"
20	52A11172	Flywheel Support Plate	53	45A11198	Lever "C" Reset Spring
21 *	67A11143 *	Take-up Belt *	54	135A11199	Push-button Transmission
22	45A11169	Steel Ball			Lever "C"
23	52A11171	Capstan Lower Bearing	55	135A11200	Rewind Push-button Assembly
24	135A11163	Roller Arm Shaft Assembly	56	52A11201	Rewind Push-button Spring
25	135A11186	Interlocked Pulley Mount Ass'y	57	52A11203	Left Pack Guide
26	45A11088	Slide Plate Shock Spring	58	135A11205	Left Guide Pin Bearing
27	52A11089	Longitudinal Slide Plate	59	135A11206	Right Guide Pin Bearing
		Assembly	60	52A11207	Right Pack Guide
28	52A11094	Lateral Slide Plate Assembly	61	52A11208	Lever Guide
29	52A11098	Positioning Lock Plate Ass'y	62	135A11211	Link (4 used)
30	45A11099	Positioning Lock Spring	63	45A11215	Switch Spring (2 used)
31	52A11103	Pack Pressing Spring	64	45A11216	Panel Reset Spring (2 used)
32	52A11104	Action Lever Assembly	65	135A11145	Take-up Arm Assembly
33	52A11115	Head Adjusting Spring	66	52A11153	Panel Assembly
34	45A11119	Buffer Spring (2 used)	67	52A11137	Drive Pin Off Plate
35	52A11120	Lock Plate	68		Fast Wind Actuating Plate

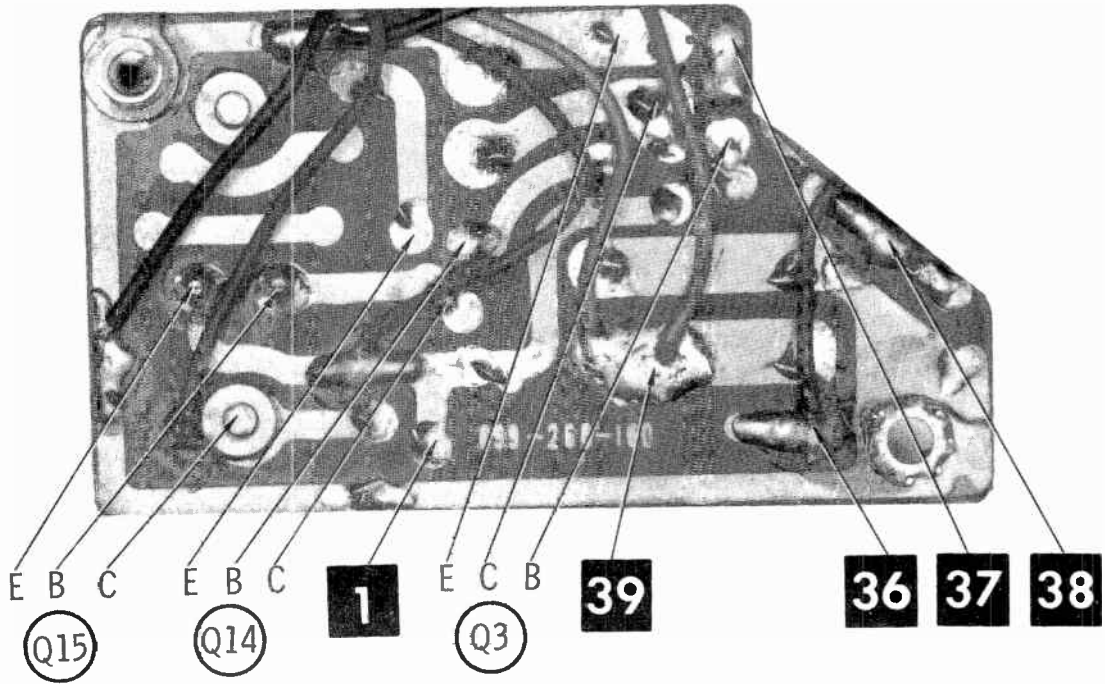
\* Flywheel Belt - WALSCO Replacement Number 1410-68. (1) Part of Assembly (65).  
 \* Take-up Belt - WALSCO Replacement Number 1410-64. (2) Part of Assembly (24).

**AUTOMATIC MODEL ACS-6000**

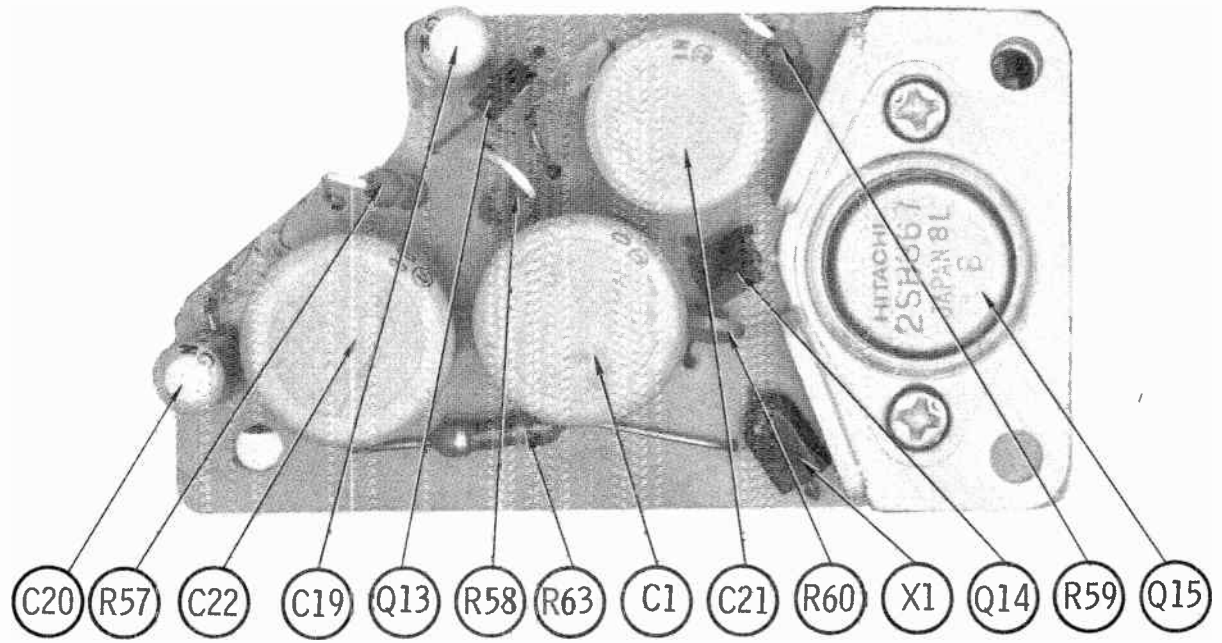


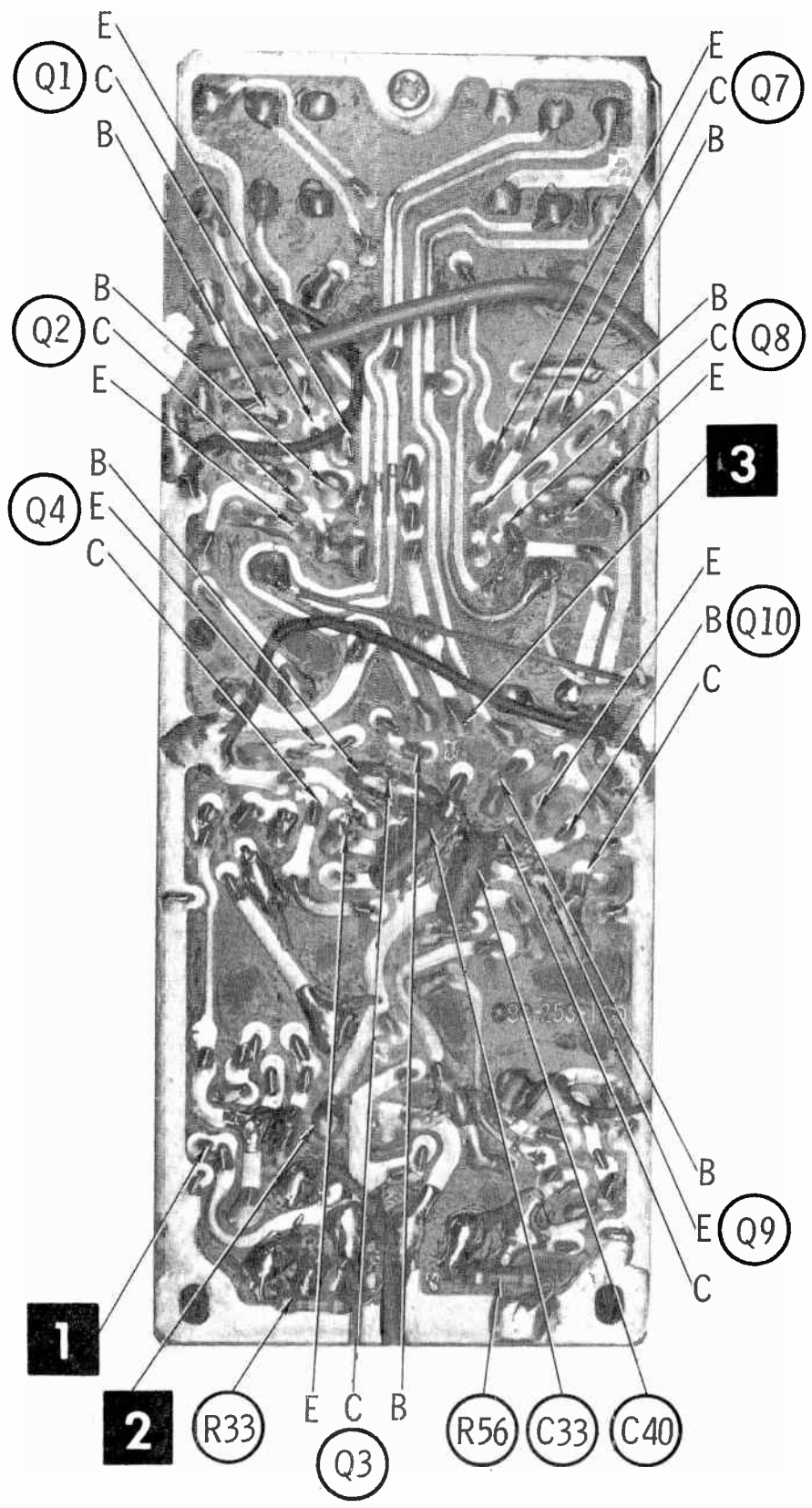




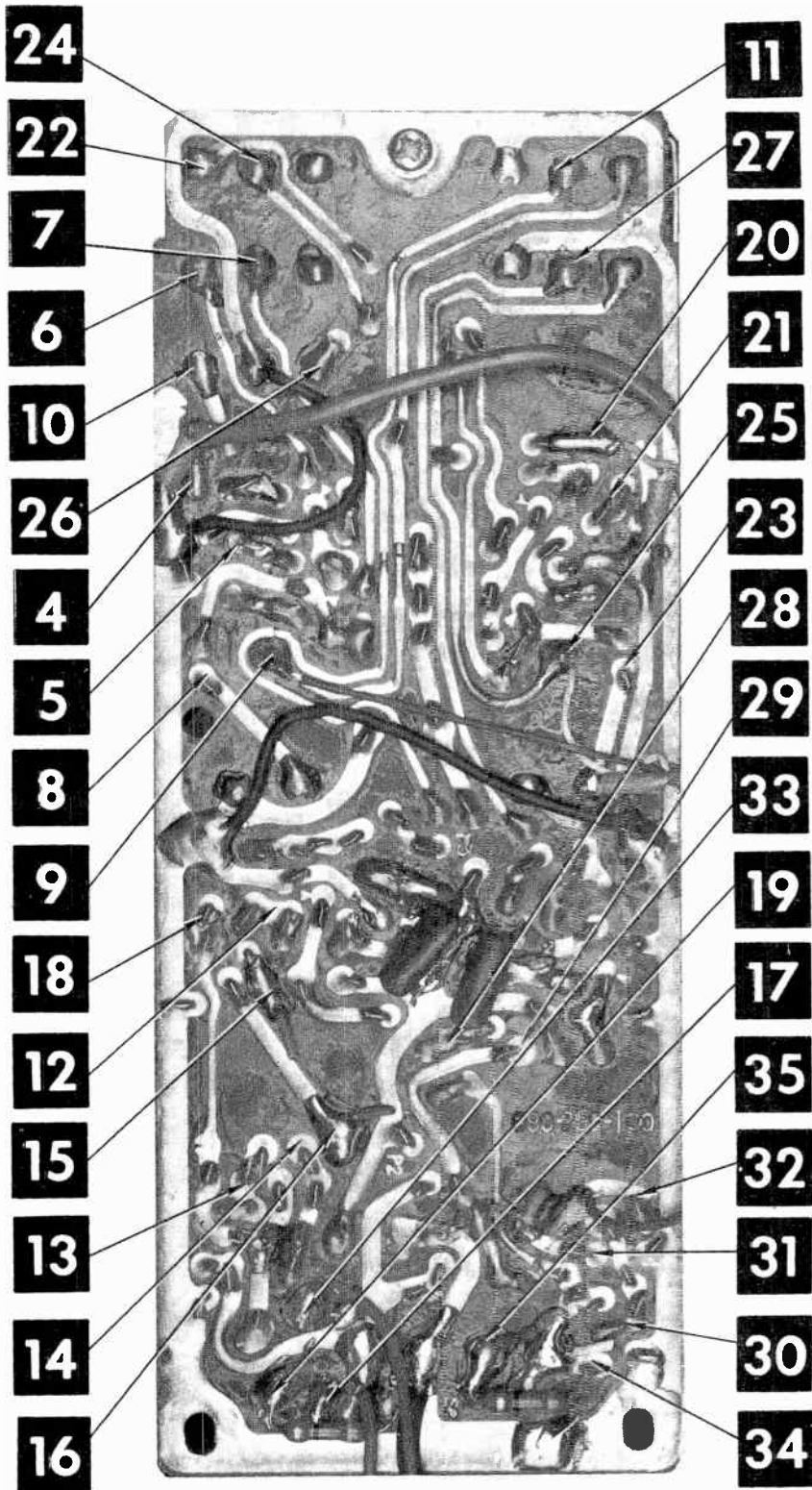


AUTOMATIC MODEL ACS-6000

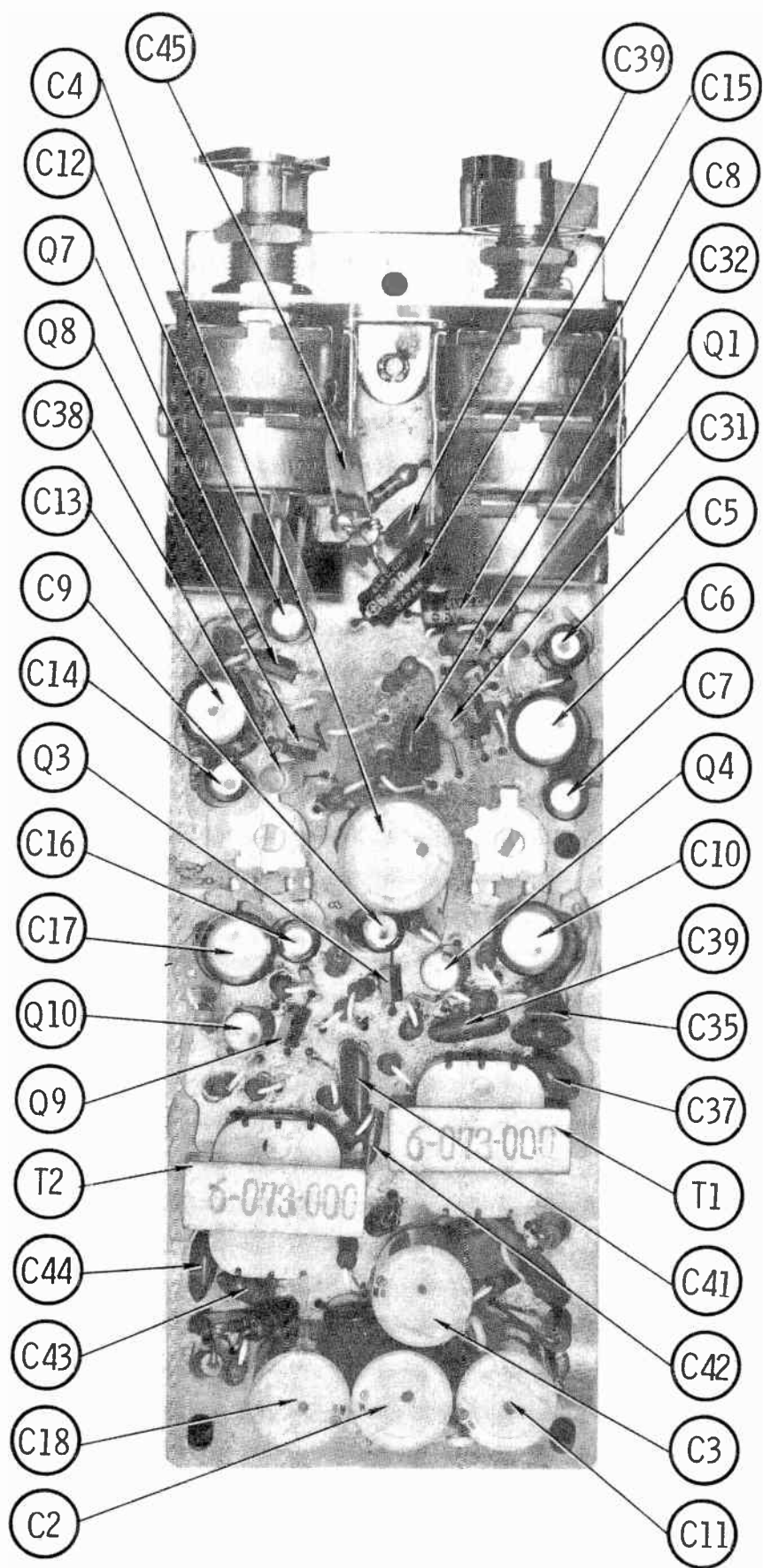




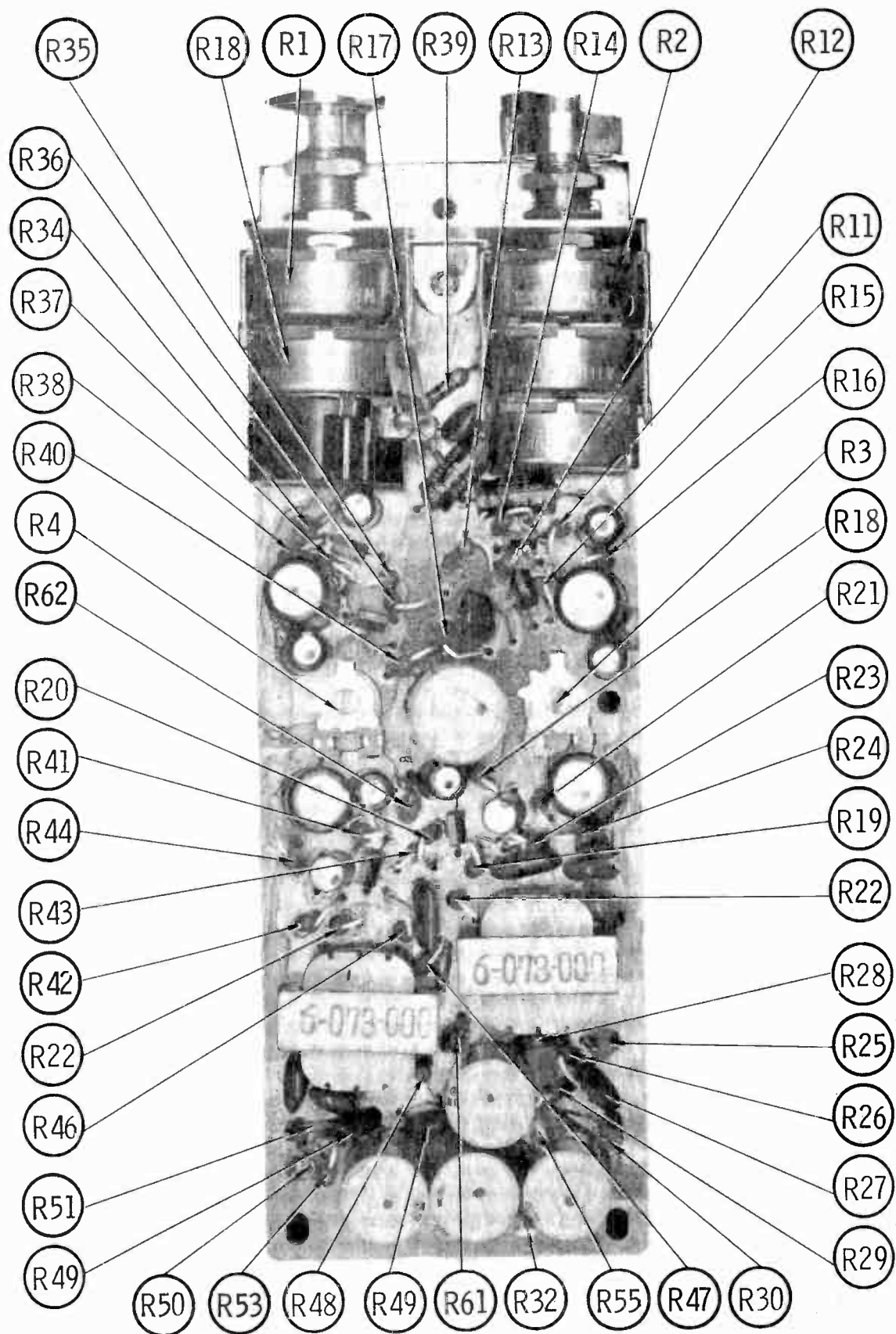
A Howard W. Sams **CIRCUITRACE** Photo



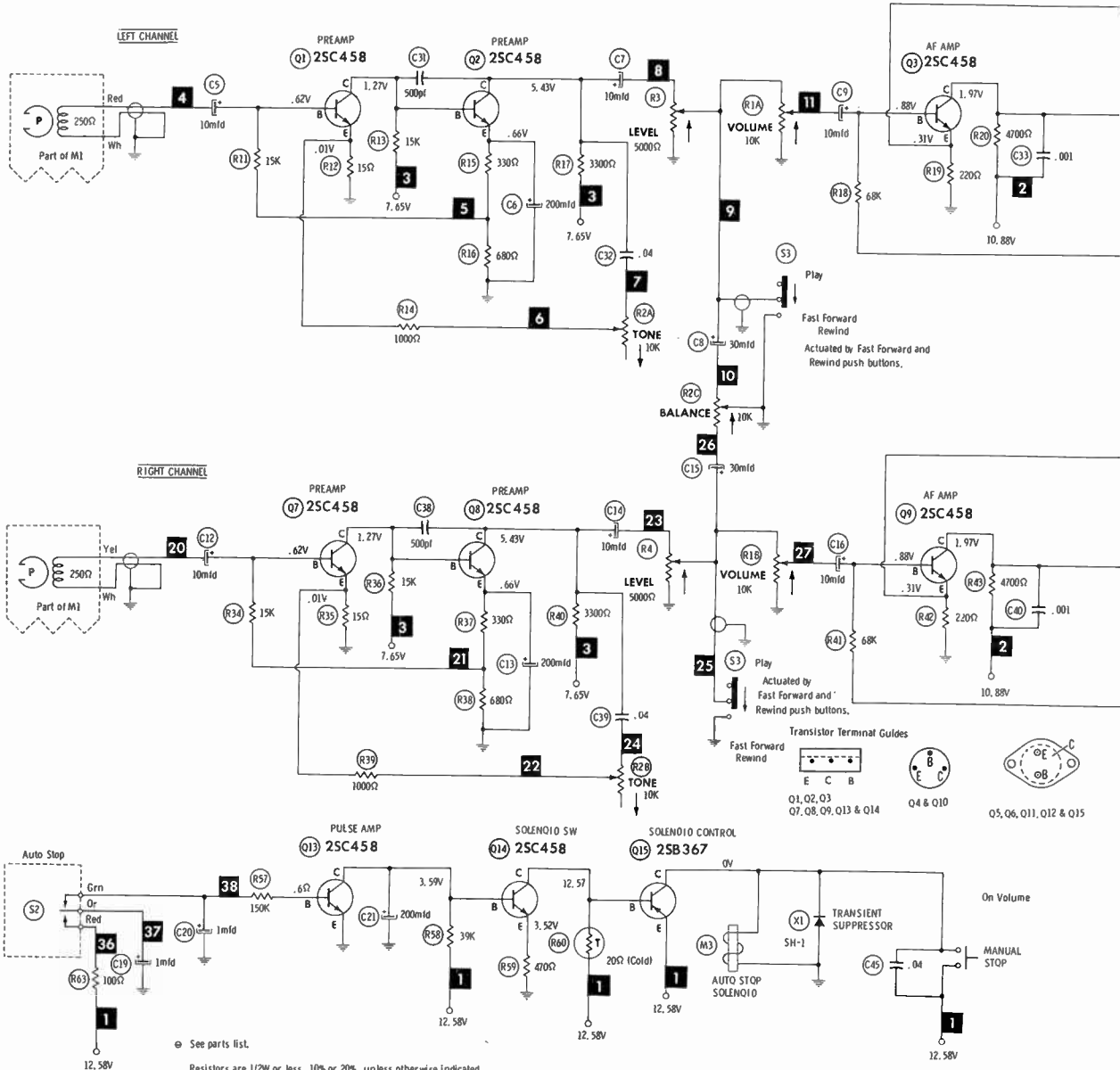
A Howard W. Sams **CIRCUITRACE** Photo







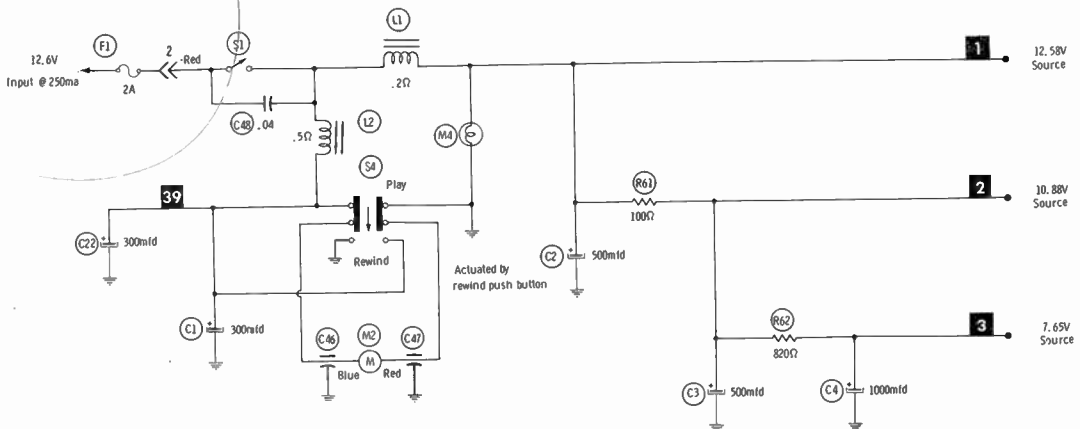
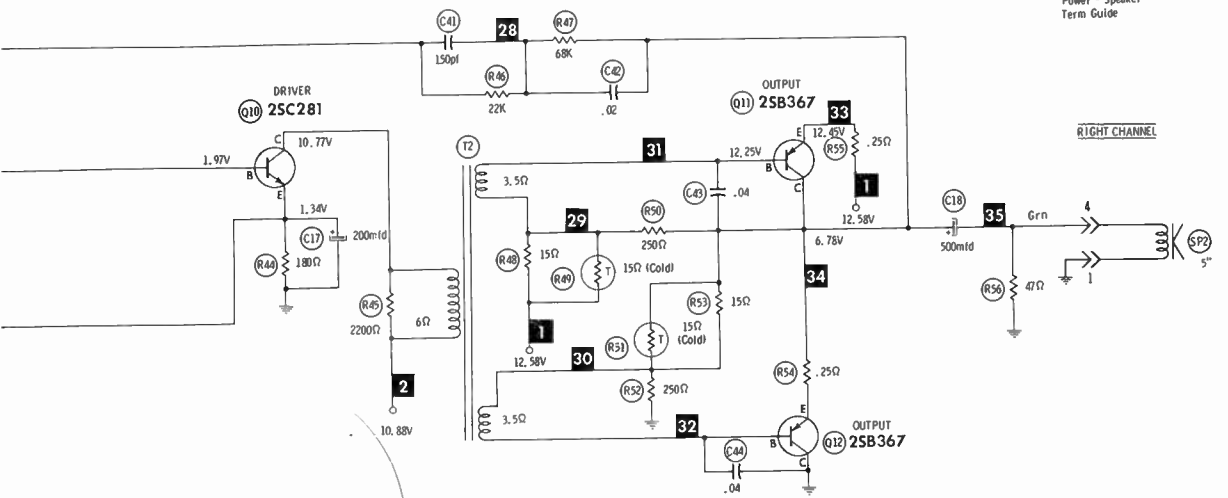
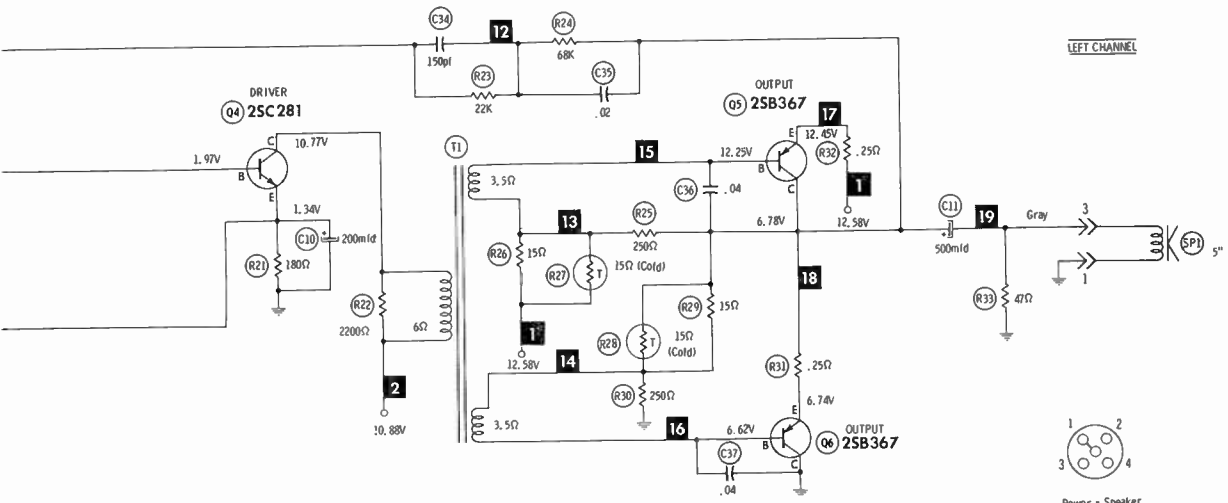
**NOTE: DEMAGNETIZE HEADS AFTER SERVICING**



See parts list.

Resistors are 1/2W or less, 10% or 20%, unless otherwise indicated.  
 Supply voltage maintained at rated value for measurements.  
 Voltage and resistance measured with V791K or equivalent meter,  
 no signal applied and controls adjusted for normal operation.  
 Controls viewed from actuator end. Arrow indicates clockwise rotation.  
 Numbers assigned to terminals may not be found on the unit.  
 Transistor resistances vary widely. No resistance measurements taken.

A PHOTOFAC STANDARD NOTATION SCHEMATIC  
 with CIRCUTRACE  
 © Howard W. Sams & Co., Inc. 1970



AUTOMATIC MODEL ACS-6000

# PARTS LIST AND DESCRIPTION

(When ordering parts, state Model, Part Number, and Description.)

Replacement parts shown may be superseded by the availability of newly introduced replacements.  
Have your local distributor check Sams COUNTER FACTS<sup>®</sup> for the most up-to-date replacement.

## WIRING DATA

General-use Unshielded Hook-up Wire .....	Use BELDEN No. 8530 (Solid) Available in 12 Colors 8524 (Stranded) Available in 12 Colors
Shielded Hook-up Wire .....	Use BELDEN No. 8885
Rear Seat Speaker Extension Cable .....	Use BELDEN No. 8782 (Stranded) Coded Parallel Leads
Bonding Strap .....	Use BELDEN No. 8661 (3/8 In.) or 8670 (3/4 In.)

## TRANSISTORS

ITEM No.	TYPE No.	FUNCTION	REPLACEMENT DATA					
			MFGR. PART No.	GENERAL ELECTRIC PART No.	INTERNATIONAL RECTIFIER PART No.	MOTOROLA PART No.	RCA PART No.	SYLVANIA PART No.
Q1	25C458	Preamp	20A10849	GE-20	TR-21	HEP53	SK3020	ECG 123
Q2	25C458	Preamp	20A10849	GE-20	TR-21	HEP53	SK3020	ECG 123
Q3	25C458	AF Amp	20A10849	GE-20	TR-21	HEP53	SK3020	ECG 123
Q4	25C281	Driver	6A11223	GE-20	TR-21	HEP719	SK3020	ECG 123
Q5	25B367	Output (1)	6A10855			HEP642		ECG 131MP*
Q6	25B367	Output (1)	6A10855			HEP642		ECG 131MP*
Q7	25C458	Preamp	20A10849	GE-20	TR-21	HEP53	SK3020	ECG 123
Q8	25C458	Preamp	20A10849	GE-20	TR-21	HEP53	SK3020	ECG 123
Q9	25C458	AF Amp	20A10849	GE-20	TR-21	HEP53	SK3020	ECG 123
Q10	25C281	Driver	6A11223	GE-20	TR-21	HEP719	SK3020	ECG 123
Q11	25B367	Output (1)	6A10855			HEP642		ECG 131MP*
Q12	25B367	Output (1)	6A10855			HEP642		ECG 131MP*
Q13	25C458	Pulse Amp	20A10849	GE-20	TR-21	HEP53	SK3020	ECG 123
Q14	25C458	Solenoid Switch	20A10849	GE-20	TR-21	HEP50	SK3020	ECG 123
Q15	25B367	Solenoid Control	6A10855					ECG 131

(1) When replacing, apply silicone grease to both sides of insulator. Tighten mounting screws securely.  
\* Matched Pair.

## POWER RECTIFIERS & SIGNAL DIODES

ITEM No.	MFGR. PART OR TYPE No.	REPLACEMENT RECTIFIERS & DIODES			REPLACEMENT RECTIFIERS	NOTES
		GENERAL ELECTRIC PART No.	INTERNATIONAL RECTIFIER PART No.	SYLVANIA PART No.	RCA PART No.	
X1	SH-1 (1A11184)	GE-504A	8D6 or 5A6-D	ECG 116 or ECG 117	SK3017A or SK3032	

## ELECTROLYTIC CAPACITORS

ITEM No.	RATING	REPLACEMENT DATA						
		AUTOMATIC PART No.	AEROVOX PART No.	CENTRALAB PART No.	CORNELL-DUBILIER PART No.	GENERAL ELECTRIC PART No.	MALLORY PART No.	SPRAGUE PART No.
C1	300 15V	20A10854	BCD15500	EA15-500	PC500-16	QT1-30A	MTV250DE15	TL-1165
C2	500 15V	20A10633	BCD15500	EA15-500	PC500-16	QT1-30A	MTV500DN15	TL-1166
C3	500 15V	20A10633	BCD15500	EA15-500	PC500-16	QT1-30A	MTV500DN15	TL-1166
C4	1000 10V							
C5	10 15V	20A10849	BCD25010	EP15-10	PC10-50	MT1-5	MTV10CB50	TE-1155
C6	200 6V	20A10634	BCD6200	EA6-250	PC200-16	MT1-23	MTV200CK10	TE-1104
C7	10 15V	20A10849	BCD25010	EP15-10	PC10-50	MT1-5	MTV10CB50	TE-1155
C8	30 6V	20A10637	CRE413A	EA6-25	AL30-6	MT1-13	MTA30D15	TL-1093
C9	10 15V	20A10849	BCD25010	EP15-10	PC10-50	MT1-5	MTV10CB50	TE-1155
C10	200 6V	20A10634	BCD6200	EA6-250	PC200-16	MT1-23	MTV200CK10	TE-1104
C11	500 15V	20A10633	BCD15500	EA15-500	PC500-16	QT1-30A	MTV500DN15	TL-1166
C12	10V 15V	20A10849	BCD25010	EP15-10	PC10-50	MT1-5	MTV10CB50	TE-1155
C13	200 6V	20A10634	BCD6200	EA6-250	PC200-16	MT1-23	MTV200CK10	TE-1104
C14	10 15V	20A10849	BCD25010	EP15-10	PC10-50	MT1-5	MTV10CB50	TE-1155
C15	30 6V	20A10637	CRE413A	EA6-25	AL30-6	MT1-13	MTA30D15	TL-1093
C16	10 15V	20A10849	BCD25010	EP15-10	PC10-50	MT1-5	MTV10CB50	TE-1155
C17	200 6V	20A10634	BCD6200	EA6-250	PC200-16	MT1-23	MTV200CK10	TE-1104
C18	500 15V	20A10633	BCD15500	EA15-500	PC500-16	QT1-30A	MTV500DN15	TL-1166
C19	1 15V	20A11181	BCD50001		PC1-100	MT1-1	MTV1CB50	TE-1148
C20	1 15V	20A11181	BCD50001		PC1-100	MT1-1	MTV1CB50	TE-1148
C21	220 15V	20A11178	BCD20200	EA15-250	PC200-16	MT1-23	MTV200CK15	TE-1164
C22	300 15V	20A10854	BCD15500	EA15-500	PC500-16	QT1-30A	MTV250DE15	TL-1165

# PARTS LIST AND DESCRIPTION (CONTINUED)

(When ordering parts, state Model, Part Number, and Description.)

Replacement parts shown may be superseded by the availability of newly introduced replacements.  
Have your local distributor check Sams COUNTER FACTS for the most up-to-date replacement.

AUTOMATIC MODEL ACS-6000

## CAPACITORS

ITEM No.	RATING	REMARKS	REPLACEMENT DATA					
			AEROVOX PART No.	CENTRALAB PART No.	CORNELL-DUBILIER PART No.	ELMENCO PART No.	MALLORY PART No.	SPRAGUE PART No.
C31	500		GPD X5F501K	DM-501	GP500	CCD-501	GP350	10TS-T50
C32	.04			DD-403			GP140	
C33	.001		GPD X5F102K	DM-102	GP1000	CCD-102	SM210	2SS-D10
C34	150		GPD X5F151K	DD-151	GP150	CCO-151	GP315	10TS-T15
C35	.02		TTP-02	CK-203	MGP02	CCD-203	TA120	TG-S20
C36	.04			DD-403			GP140	
C37	.04			DD-403			GP140	
C38	500		GPD X5F501K	DM-501	GP500	CCD-501	GP350	10TS-T50
C39	.04			DD-403			GP140	
C40	.001		GPD X5F102K	DM-102	GP1000	CCD-102	SM210	2SS-D10
C41	150		GPD X5F151K	DD-151	GP150	CCO-151	GP315	10TS-T15
C42	.02		TTP-02	CK-203	MGP02	CCD-203	TA120	TG-S20
C43	.04			DD-403			GP140	
C44	.04			DD-403			GP140	
C45	.04			DD-403			GP140	
C46		#130A11136						
C47		#130A11136						
C48	.04			DD-403			GP140	

# Automatic Part Number.

## CONTROLS (All wattages 1/2 watt, or less, unless listed)

ITEM No.	FUNCTION	RESIST-ANCE	REPLACEMENT DATA				
			MFGR. PART No.	CENTRALAB PART No.	CLAROSTAT PART No.	CTS-IRC PART No.	MALLORY PART No.
R1A	Volume, Left	10K	80A11069 (6809A1)				
B	Volume, Right	10K					
	Track Selector Switch						
R2A	Tone, Left	10K	80A11070				
B	Tone, Right	10K	(6809A2)				
C	Balance	10K					
R3	Level, Left	10K	80A12290				
R4	Level, Right	10K	80A12290				

## RESISTORS (Power and Special)

ITEM No.	RATING	REPLACEMENT DATA		
		IRC PART No.	WORKMAN PART No.	MFGR. PART No.
R27	15 (Cold)			5A11218
R28	15 (Cold)			5A11218
R49	15 (Cold)			5A11218

ITEM No.	RATING	REPLACEMENT DATA		
		IRC PART No.	WORKMAN PART No.	MFGR. PART No.
R51	15 (Cold)			5A11218
R60	20 (Cold)			Ta11183

## FILTER CHOKE

ITEM No.	RATINGS			REPLACEMENT DATA					NOTES
	CURRENT (Measured)	DC RES.	INDUCTANCE (0 CURRENT 1000~)	PART No.	MERIT PART No.	STANCOR PART No.	THORDARSON PART No.	TRIAD PART No.	
L1	190ma	.2	4mh	14A11080					
L2	50ma	.5	3mh	75A11074					

## PARTS LIST AND DESCRIPTION (CONTINUED)

(When ordering parts, state Model, Part Number, and Description.)

Replacement parts shown may be superseded by the availability of newly introduced replacements.  
Have your local distributor check Sams COUNTER FACTS® for the most up-to-date replacement.

### TRANSFORMER (Driver)

ITEM No.	TURNS RATIO			REPLACEMENT DATA					NOTES
	PRI.	SEC. 1	SEC. 2	PART No.	MERIT PART No.	STANCOR PART No.	THORDARSON PART No.	TRIAD Part No.	
T1	6	1	1	75A10965					

### SPEAKER

ITEM No.	TYPE	REPLACEMENT DATA		NOTES
		PART No.	QUAM PART No.	
SP1	5" PM 8 ohms	73B5996	5A07Z8	
SP2	5" PM 8 ohms	73B5996	5A07Z8	

### FUSE DEVICES

ITEM No.	DESCRIPTION	REPLACEMENT DATA						
		PART No.		BUSS PART No.		LITTELFUSE PART No.		WORKMAN PART No.
		DEVICE	HOLDER	DEVICE	HOLDER	DEVICE	HOLDER	DEVICE
F1	2 Amp			AGC3	HDJ	312002	150145	

### TAPE HEADS

ITEM No.	MEASURED			PART No.	NORTRONICS PART No.	DESCRIPTION
	INDUCTANCE	BIAS/ERASE VOLTS (RMS)	BIAS FREQ.			
M1	120mh			130A11112	5230 (1)	Cassette 4-Track Stereo Play (1) Use original mounting.

### MISCELLANEOUS

ITEM No.	PART NAME	PART No.	NOTES
M2	Motor	130A11175	
M3	Solenoid	130A11122	
S1	Switch, Power	94A11127	
S2	Switch, Auto-Stop	130A11166	
S3	Switch, Fast Forward	94A11214	
S4	Switch, Rewind	94A11214	

### CABINETS & CABINET PARTS (When ordering specify model, chassis & color)

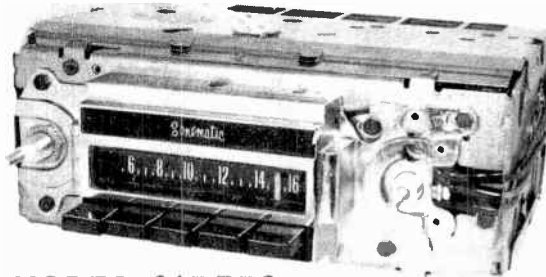
ITEM	PART No.	ITEM	PART No.
Escutcheon	54A11042	Knob, Fast Forward or Rewind	47A11039
Knob, Volume	47A11037	Indicator	135A11047
Knob, Balance	47A11036	Sub-Escutcheon	54A11046
Knob, Tone	47A11038		



# PHOTOFACT<sup>®</sup> with CIRCUITRACE<sup>®</sup>

For Supplier Address See PHOTOFACT Index

NOTE: Manufacturer Part Numbers Shown Are UNITED DELCO



MODEL 04BPB2

BUICK MODELS 04BPB2  
(70 BUICK)  
04EPB2  
(70 RIVIERA)

BUICK MODELS 04BPB2/EPB2

## ALIGNMENT INSTRUCTIONS

Check for specified source voltage.  
Use only enough generator output  
to provide a usable indication.  
Suggested Alignment Tools:

A1 thru A4...GENERAL CEMENT #5009,8728A,8987  
WALSCO #2531X, 2536  
A5 thru A8...GENERAL CEMENT #8290,8868,9087  
WALSCO #2525,2528,2587

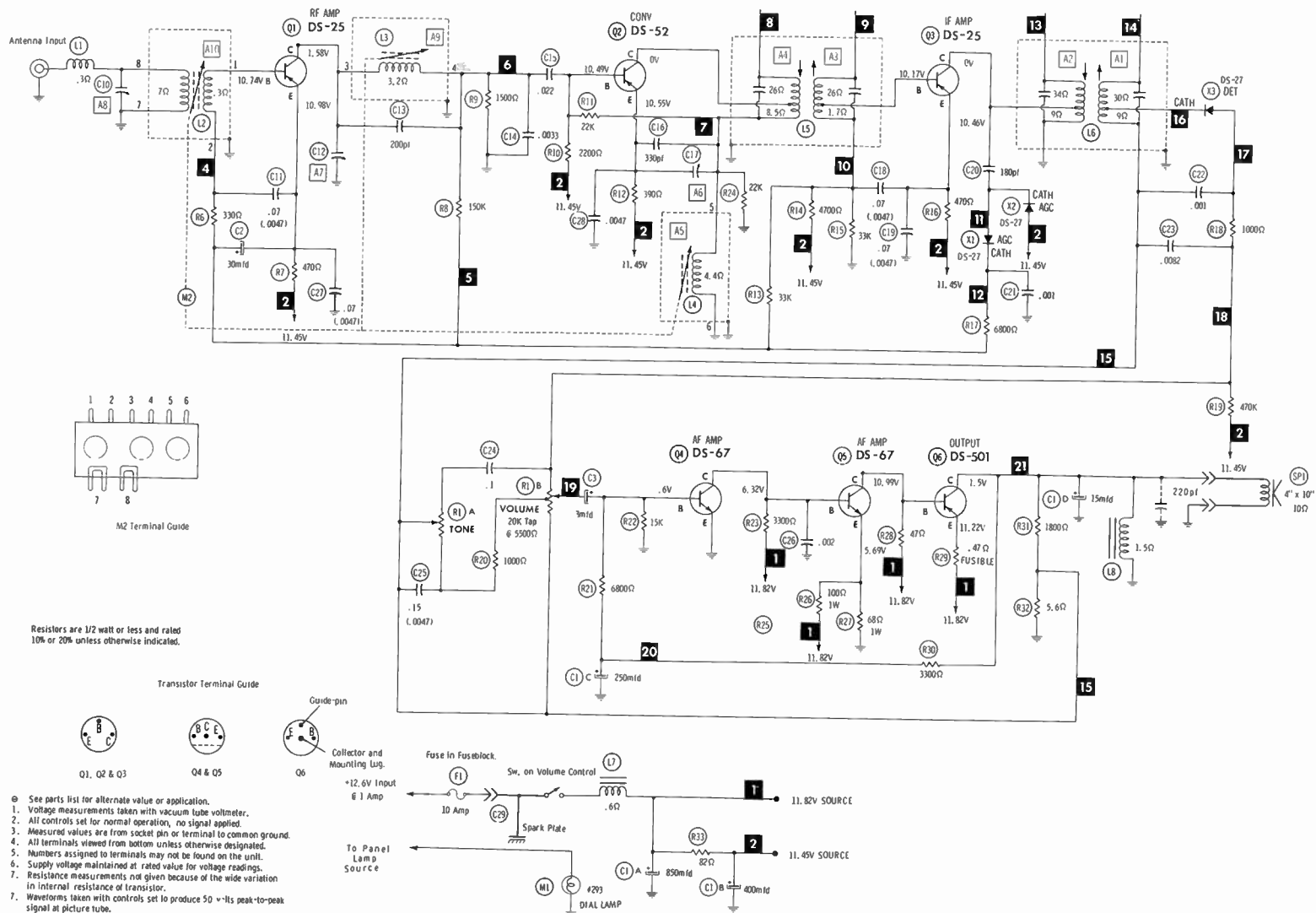
### PUSH-BUTTON ADJUSTMENT

1. Pull button out.
2. Tune manually to desired station.
3. Press button in firmly.
4. Repeat for remaining buttons.

	GENERATOR COUPLING	GENERATOR FREQUENCY	RADIO DIAL SETTING	INDICATOR	ADJUST	REMARKS
1.	High side thru .1mfd to point $\diamond$ A, low side to ground.	262KC 400 cycle modulation	High freq. end stop.	Output meter across voice coil.	A1,A2, A3,A4	Adjust for maximum.
Check setting of oscillator coil core (A5). Rear of core should be 1 3/8" from mounting end of coil form.						
2.	High side thru 82pf to antenna input, low side to ground.	1615KC	High freq. end stop.	Output meter across voice coil.	A6,A7, A8	Adjust for maximum.
3.	"	600KC	600KC signal	"	A9,A10	Adjust for maximum. Repeat Step 2.
With radio installed in car and antenna extended to desired height, tune in a weak station near 1400KC and adjust A8 for maximum output. Antenna adjustment (A8) is located behind tuning and dummy knobs.						

**HOWARD W. SAMS & CO., INC.** Indianapolis, Indiana 46206

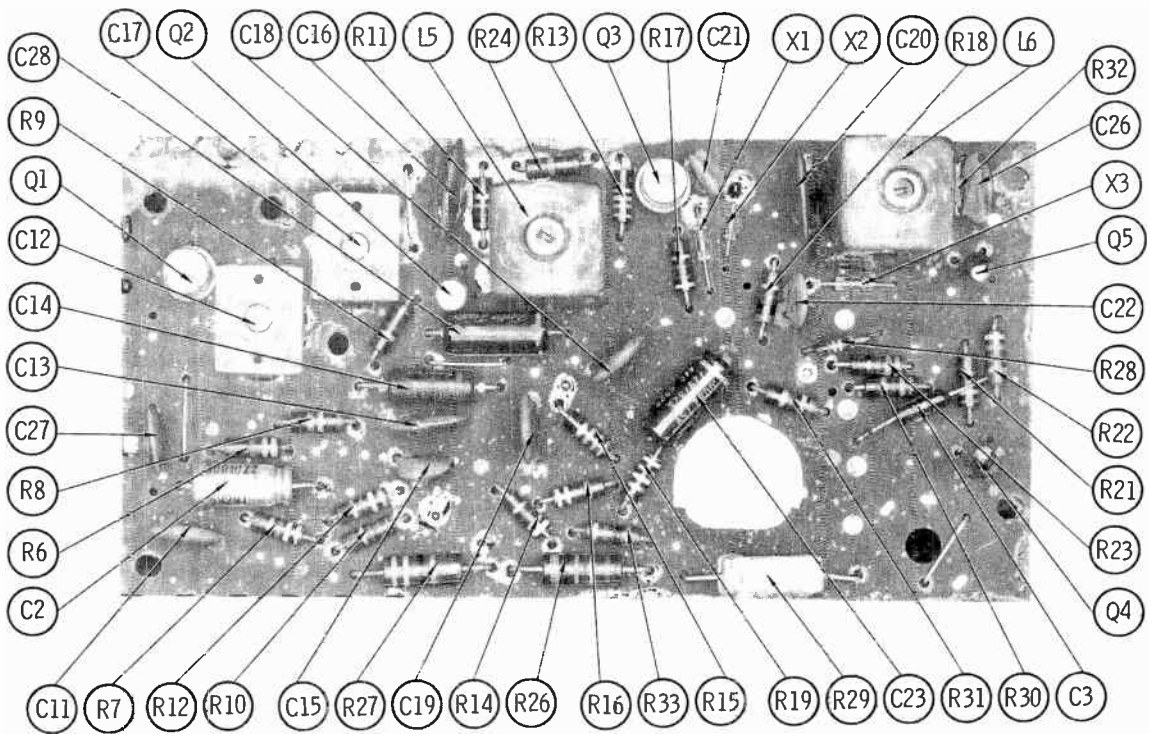
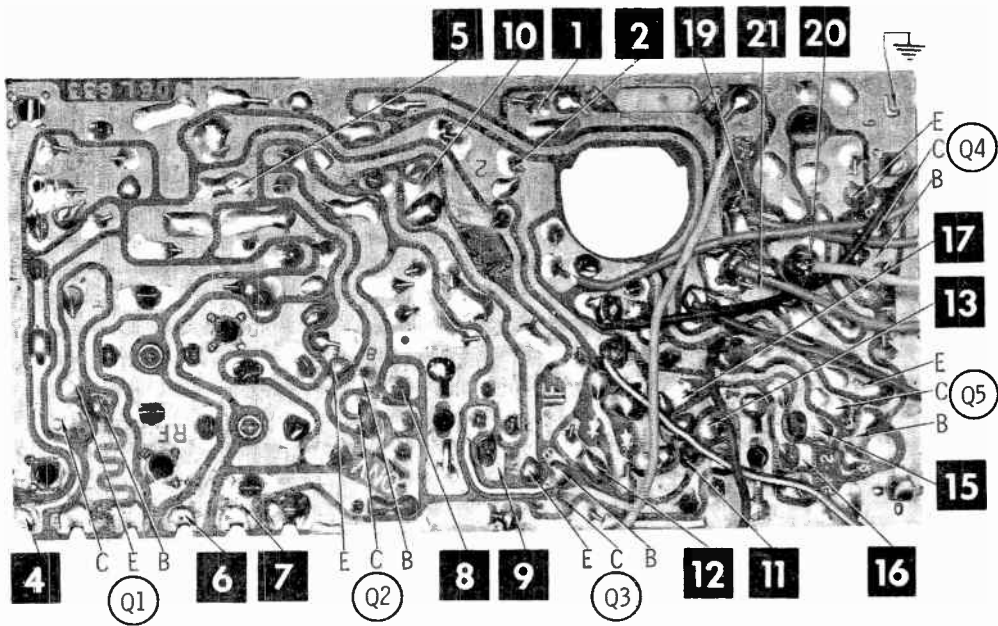
© 1970 Howard W. Sams & Co., Inc. Printed in U. S. of America TD700R



A PHOTOFAC STANDARD NOTATION SCHEMATIC  
with **CIRCUITRACE**  
© Howard W. Sams & Co., Inc. 1970

BUICK MODELS 04BP2/EPB2





BUICK MODELS 04BPB2 / EPB2

# PARTS LIST AND DESCRIPTION (CONTINUED)

(When ordering parts, state Model, Part Number, and Description.)

Replacement parts shown may be superseded by the availability of newly introduced replacements.  
Have your local distributor check Sams COUNTER FACTS for the most up-to-date replacement.

## TRANSISTORS

ITEM No.	TYPE No.	FUNCTION	REPLACEMENT DATA					
			MFGR. PART No.	GENERAL ELECTRIC PART No.	INTERNATIONAL RECTIFIER PART No.	MOTOROLA PART No.	RCA PART No.	SYLVANIA PART No.
Q1	DS-25	RF Amp	DS-25	GE-9	TR-14	HEP2	SK3006	ECG 126
Q2	DS-52	Converter	DS-25	GE-9	TR-14	HEP2	SK3006	ECG 126
Q3	DS-25	IF Amp	DS-25	GE-9	TR-14	HEP2	SK3006	ECG 126
Q4	DS-67	AF Amp	DS-66	GE-10	TR-21	HEP54	SK3020	ECG 123
Q5	DS-67	AF Amp	DS-66	GE-10	TR-21	HEP54	SK3020	ECG 123
Q6	DS-501	Output *	DS-501	GE-4	TR-03	HEP231	SK3012	ECG 105

\* When replacing, apply silicone grease to both sides of insulator. Tighten mounting screws securely.

## POWER RECTIFIERS & SIGNAL DIODES

ITEM No.	MFGR. PART OR TYPE No.	REPLACEMENT RECTIFIERS & DIODES			REPLACEMENT RECTIFIERS	NOTES
		GENERAL ELECTRIC PART No.	INTERNATIONAL RECTIFIER PART No.	SYLVANIA PART No.	RCA PART No.	
X1	DS-27	1N34AS	1N34A	ECG 109		
X2	DS-27	1N34AS	1N34A	ECG 109		
X3	DS-27	1N34AS	1N34A	ECG 109		

## ELECTROLYTIC CAPACITORS

ITEM No.	RATING	REPLACEMENT DATA						
		DELCO PART No.	AEROVOX PART No.	CENTRALAB PART No.	CORNELL-DUBILIER PART No.	GENERAL ELECTRIC PART No.	MALLORY PART No.	SPRAGUE PART No.
C1A	850 16V	7311993			DD0009A			
B	400 16V							
C	250 2V							
D	15 11.5Vrms							
C2	30 6V	7296313	BCD15025	EP15-25	PC30-35	MT1-13.5	MTV30CB25	TE-1132.1
C3	3 12V	7296348	PTT127	EA15-2	AL3-150	MT1-3	MTA3D50	TE-1122

## CAPACITORS

ITEM No.	RATING	REMARKS	REPLACEMENT DATA					
			AEROVOX PART No.	CENTRALAB PART No.	CORNELL-DUBILIER PART No.	ELMENCO PART No.	MALLORY PART No.	SPRAGUE PART No.
C10		#7294355						
C11	.07							
C12		#7287935						
C13	200 N750		N750-D1 200	DTN-200	N220	CCTN-201	CN7201	10TCU-T20
C14	.0033 75V		DBE6D33	CPR-3300J	6D33	6DP-1-332	PVC6233	6PS-D33
C15	.022		V1612S22		DPMS6S22	1DP-1-223	PVC1122	225P22391WD3
C16	330 N180					*	*	
C17		#7282165						
C18	.07							
C19	.07							
C20	180 N80					*	*	
C21	.001		GPD X5F102K	DM-102	GP1000	CCD-102	SM210	2SS-D10
C22	.001		GPD X5F102K	DM-102	GP1000	CCD-102	SM210	2SS-D10
C23	.0082 75V		DBE6D82	CPR-8200J	6D82	6DP-2-822	PVC6282	6PS-D82
C24	.1		TTP-1	CK-104			TA010	TG-P10
C25	.15 75V		DBE6P15		DPMS4P15	4DP-4-154	PVC6015	4PS-P15
C26	.002		GPD X5F202K	DM-202	GP2000	CCD-202	GP220	2SS-D20
C27	.07							
C28	.0047 75V		DBE6D5	CPR-5000J	DPMS6D5	1DP-1-502	PVC625	6PS-D50
C29		#7271564						

\* Not normally in distributor's stock. Available thru distributor on order to manufacturer.  
# Delco Part Number.

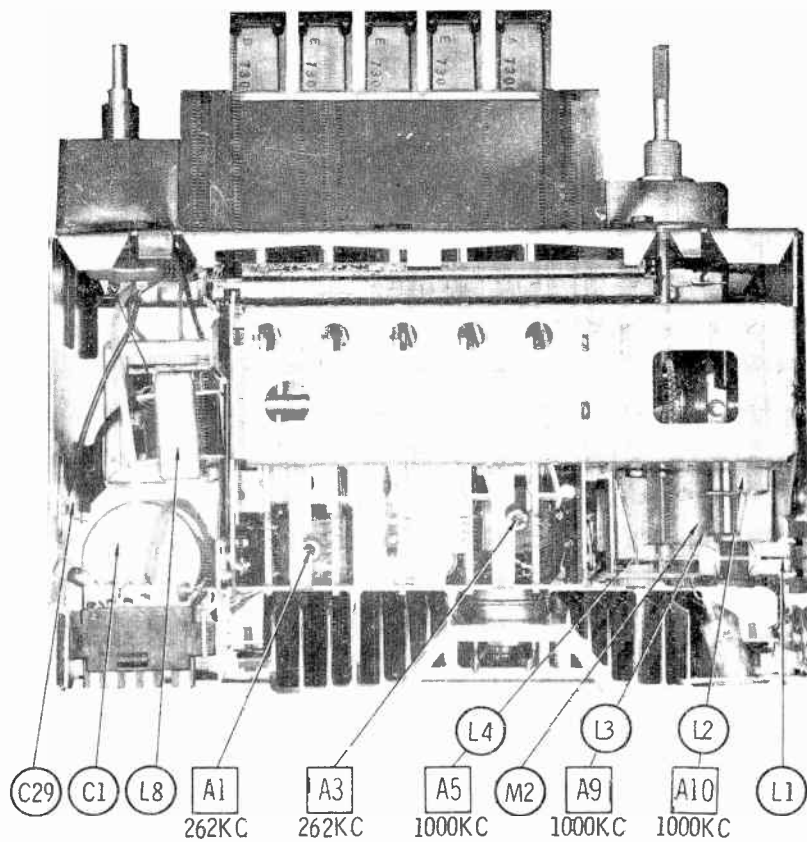
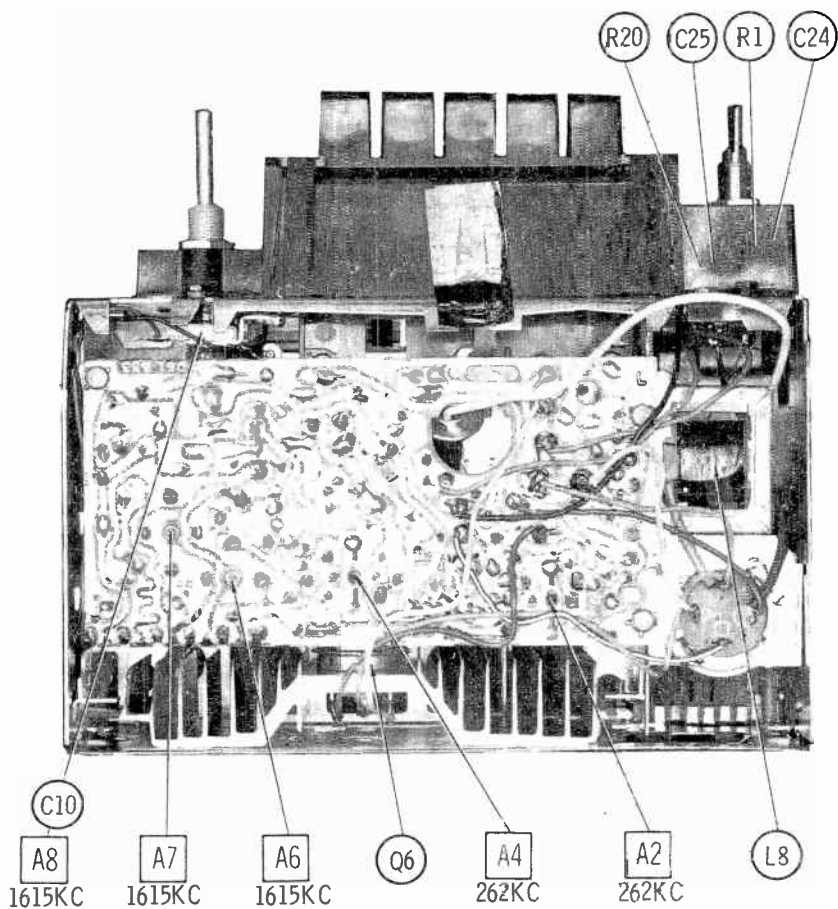
## CONTROLS (All wattages 1/2 watt, or less, unless listed)

ITEM No.	FUNCTION	RESIST-ANCE	REPLACEMENT DATA					
			MFGR. PART No.	CENTRALAB PART No.	CLAROSTAT PART No.	CTS-IRC PART No.	MALLORY PART No.	
R1A	Tone	100K	7304018	F2-100K, R14-25K, FFS102, RFS111, BB012, S8004, KR-4			* QJ-2526A	P15A, 4034, SH41, RU24T14, OX1062, IS1625, US41
B	Volume/Switch	20K Tap @ 9500 ohms						
R2	Bias	600 ohms 2 WATT	7286601	V-600	U39-600		110-600	MT600P

\* "Concentrikit" Equivalent = K8 Kit with base elements & shafts; B13-128, P22-103 (Panel)  
B19-119X, R16-118 (Rear)  
S6 (1) (Bushing)  
N4 (Nut)  
76-1 (Switch)

"SNAPTROL" = BUB (1), CF52, CR50T, SF7, SR8, GC, N4

(1) Alter bushing and adjust spacer nut (N4) to meet requirements.



## PARTS LIST AND DESCRIPTION (CONTINUED)

(When ordering parts, state Model, Part Number, and Description.)

Replacement parts shown may be superseded by the availability of newly introduced replacements.  
Have your local distributor check Sams COUNTER FACTS for the most up-to-date replacement.

### RESISTORS (Power and Special)

ITEM No.	RATING	REPLACEMENT DATA		
		IRC PART No.	WORKMAN PART No.	MFR. PART No.
R29	.47			7281890

ITEM No.	RATING	REPLACEMENT DATA		
		IRC PART No.	WORKMAN PART No.	MFR. PART No.

### COILS (RF-IF)

ITEM No.	USE	REPLACEMENT DATA			
		PART No.	MEISSNER PART No.	MILLER PART No.	WORKMAN PART No.
L1	RF Choke	7281946	19-1004	4610	T859
L2	Antenna	(1)			
L3	RF	(1)			
L4	Osc	(1)			
L5	Input IF	1221856	16-6704	6542	TA653
L6	Output IF	1221857	16-6705	6543	TA653

(1) Part of M2.

### FILTER CHOKE

ITEM No.	RATINGS			REPLACEMENT DATA					NOTES
	CURRENT (Measured)	DC RES.	INDUCTANCE (0 CURRENT 1000~)	PART No.	MERIT PART No.	STANCOR PART No.	THORDARSON PART No.	TRIAD PART No.	
L7	1 Amp	.6	8mh	1221623	C-4095	TC-2	TR-154	TY17XT	

### CHOKE (Audio Output)

ITEM No.	INDUCTANCE	REPLACEMENT DATA					NOTES
		PART No.	MERIT PART No.	STANCOR PART No.	THORDARSON PART No.	TRIAD PART No.	
L8	30mh	1222297					

### SPEAKER

ITEM No.	TYPE	REPLACEMENT DATA			NOTES
		PART No.	QUAM PART No.		
SP1	4" X 10" PM 10 ohms	1222661			

### FUSE DEVICES

ITEM No.	DESCRIPTION	REPLACEMENT DATA						
		PART No.		BUSS PART No.		LITTELFUSE PART No.		WORKMAN PART No.
		DEVICE	HOLDER	DEVICE	HOLDER	DEVICE	HOLDER	DEVICE
F1	3AG 10 Amp			AGC 10		311010		

### MISCELLANEOUS

ITEM No.	PART NAME	PART No.	NOTES
M1	Dial Lamp		#293
M2	Tuner Coil Assembly	7287957	

### CABINETS & CABINET PARTS (When ordering specify model, chassis & color)

ITEM	MODEL	PART No.	ITEM	PART No.
Escutcheon	04BP2	1222896	Knob, Dummy	1383646
Escutcheon	04EP2	1222914	Pushbutton #1	7312973
Dial Scale	04BP2	7307476	Pushbutton #2	7312974
Dial Scale	04EP2	7304014	Pushbutton #3	7312975
Dial Pointer		7313057	Pushbutton #4	7312976
Knob, Tuning or Volume		1231081	Pushbutton #5	7312977
Knob, Tone		1383647		

### WIRING DATA

General-use Unshielded Hook-up Wire	Use BELDEN No. 8530 (Solid) Available in 12 Colors
Shielded Hook-up Wire	8524 (Stranded) Available in 12 Colors
Rear Seat Speaker Extension Cable	Use BELDEN No. 8885
Bonding Strap	Use BELDEN No. 8782 (Stranded) Coded Parallel Leads
	Use BELDEN No. 8661 (3/8 In.) or 8670 (3/4 In.)

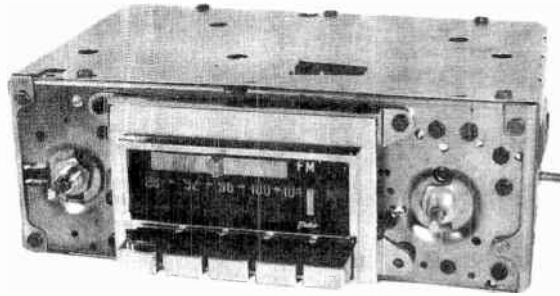


# PHOTOFACT<sup>®</sup> with

# CIRCUITRACE<sup>®</sup>

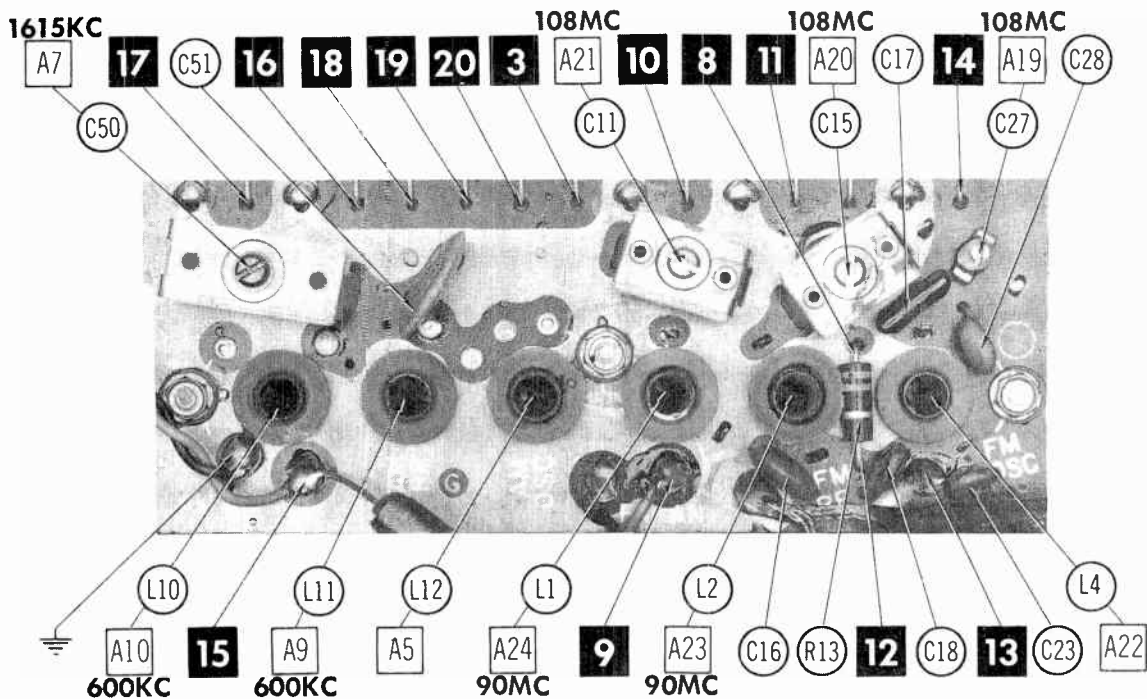
For Supplier Address See PHOTOFACT Index

NOTE: Manufacturer Part Numbers Shown Are UNITED DELCO



CHEVROLET MODEL 91VFP1  
(7302721)  
(69 CORVETTE)

CHEVROLET MODEL 91VFP1

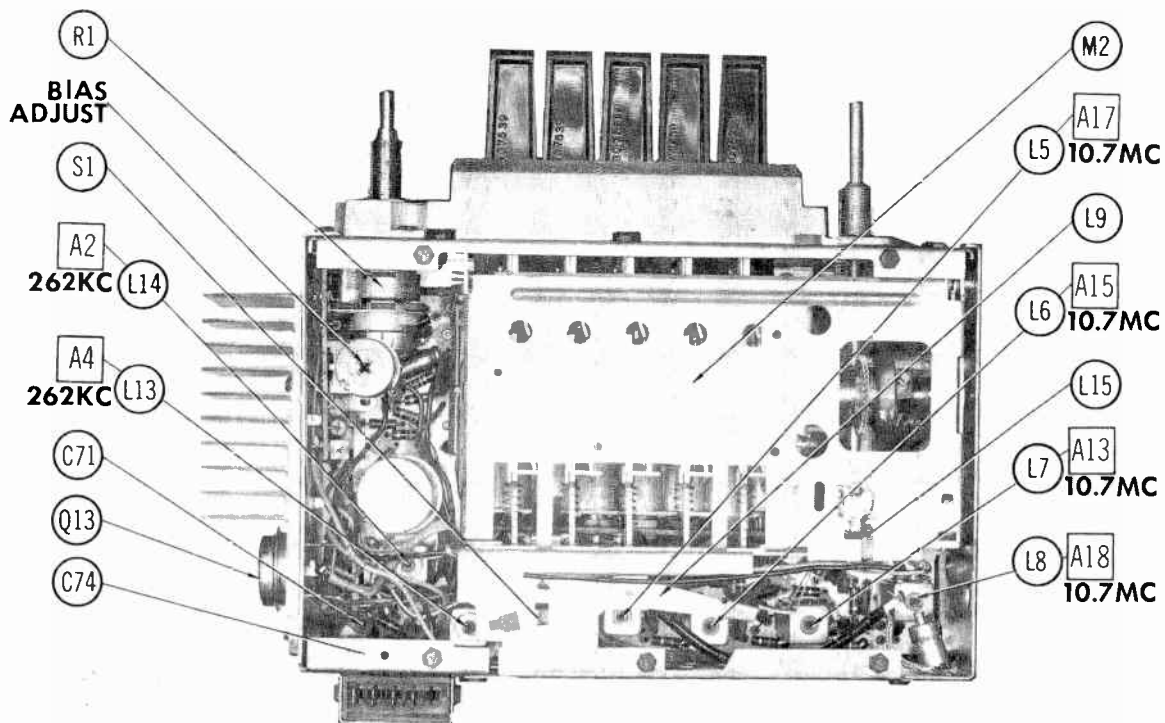
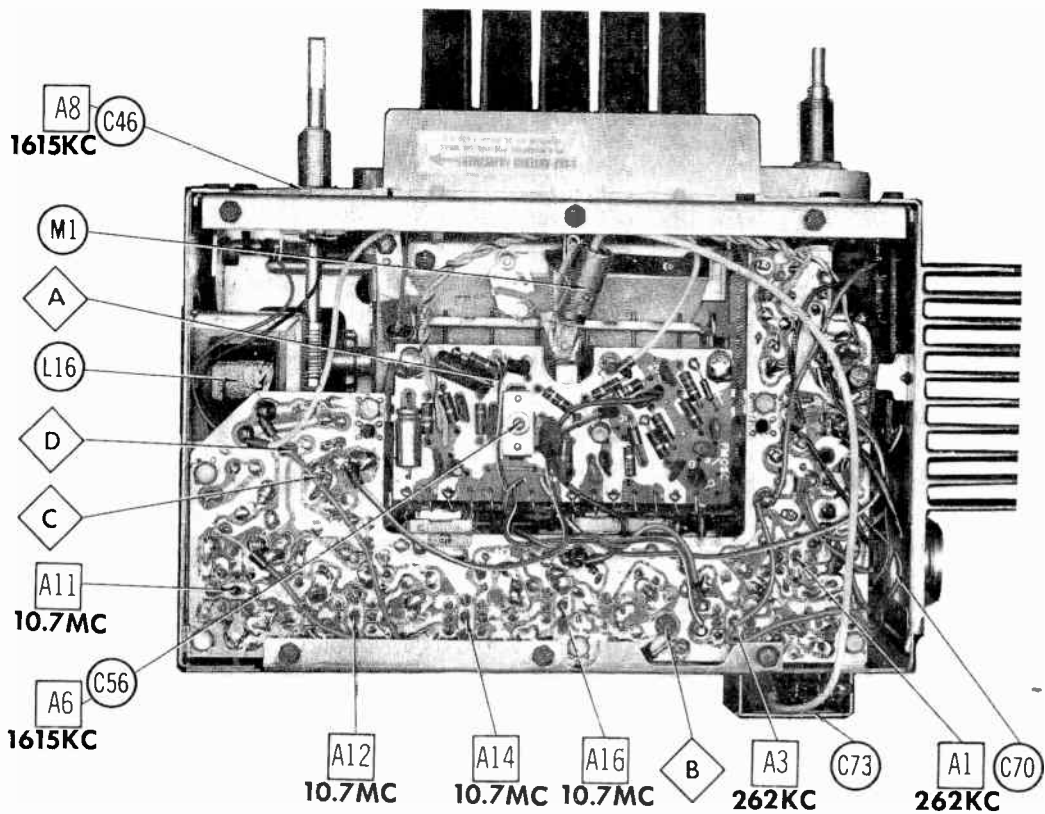


A Howard W. Sams CIRCUITRACE Photo

**HOWARD W. SAMS & CO., INC.** Indianapolis, Indiana 46206

© 1970 Howard W. Sams & Co., Inc. Printed in U. S. of America

TD653R



## ALIGNMENT INSTRUCTIONS

Check for specified source voltage.  
Use only enough generator output  
to provide a usable indication.  
Suggested Alignment Tools:

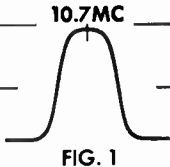
A1 thru A4, A11 thru A18...GENERAL CEMENT #9296,9297,9300  
WALSCO #2510,2546,2547  
A6,A7,A8,A20,A21,A22....GENERAL CEMENT #8290,8868,9087  
WALSCO #2525, 2528, 2587

### PUSH-BUTTON ADJUSTMENT

1. Pull button out.
2. Tune manually to desired station.
3. Press button in firmly
4. Repeat for remaining buttons.

GENERATOR COUPLING	GENERATOR FREQUENCY	RADIO DIAL SETTING	INDICATOR	ADJUST	REMARKS
1. High side thru .1mfd to point $\diamond A$ , low side to ground.	262KC 400 cycle modulation	High freq. end stop.	Output meter across voice coil.	A1,A2, A3,A4	Adjust for maximum.
Check setting of oscillator coil core (A5). Rear of core should be 1 3/8" from mounting end of coil form.					
2. High side thru 82pf to antenna input, low side to ground.	1615KC	High freq. end stop.	Output meter across voice coil.	A6,A7, A8	Adjust for maximum.
3. " "	600KC	600KC signal	" "	A9,A10	Adjust for maximum. Repeat Step 2.
With radio installed in car and antenna extended 31", tune in a weak station near 1400KC and adjust A8 for maximum output. Antenna adjustment (A8) is located behind Tuning & Dummy Knob.					

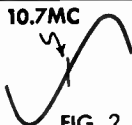
### FM IF ALIGNMENT USING AM SIGNAL GENERATOR—SELECTOR IN FM POSITION

GENERATOR FREQUENCY	RADIO DIAL SETTING	INDICATOR	ADJUST	REMARKS
High side of generator thru .001mfd to point $\diamond B$ , low side to ground. <span style="float: right;">10.7MC</span>				
4. 10.7MC Unmodulated	Point of non-interference	DC probe of VTVM to point $\diamond C$ , common to ground.	A11 thru A17	Adjust for maximum. 
5. " "	" "	DC probe of VTVM to point $\diamond D$ , common to ground.	A18	Adjust for zero reading. A positive or negative reading will be obtained on either side of the correct setting.

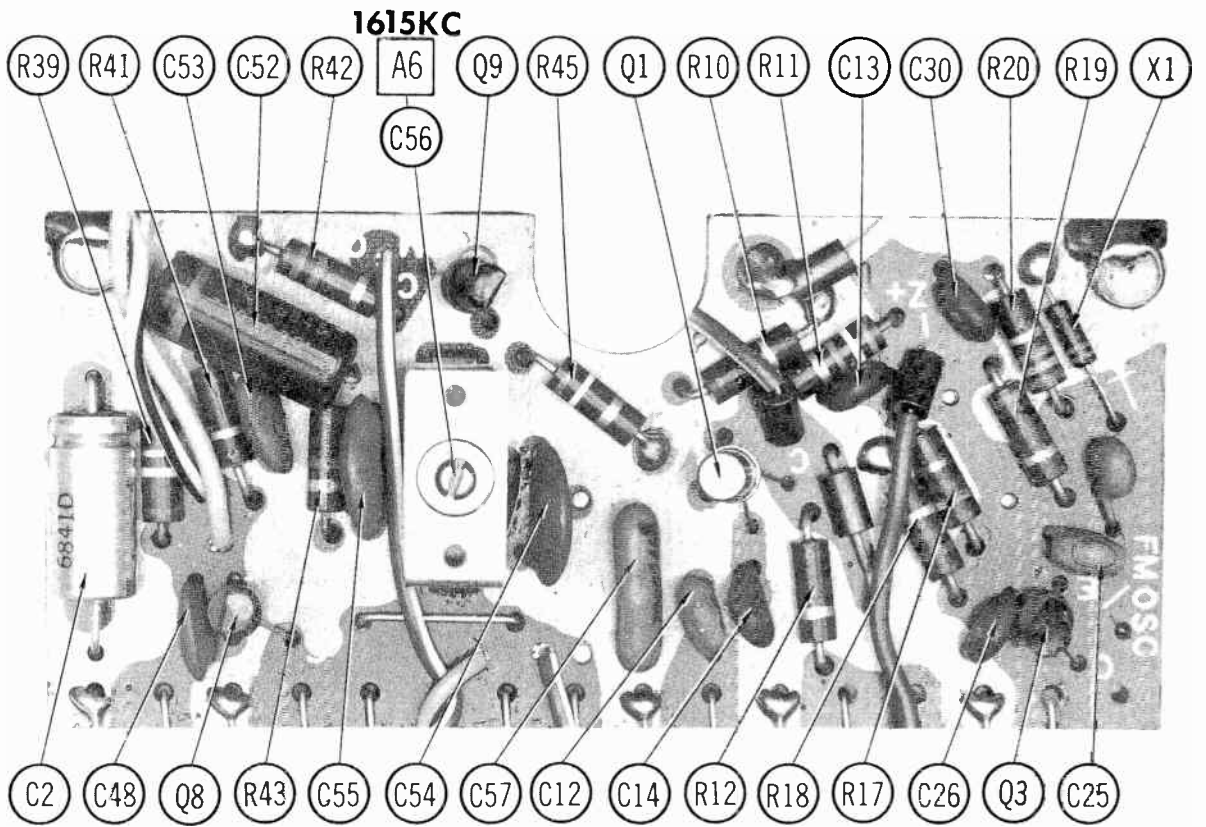
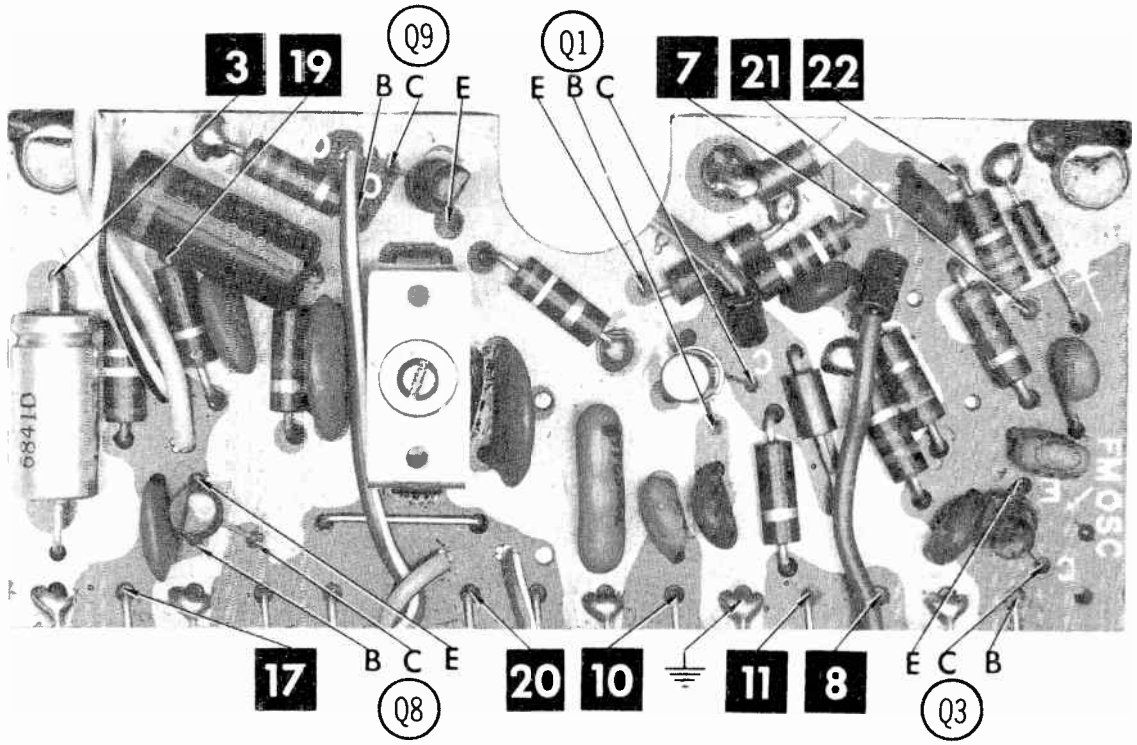
### FM IF ALIGNMENT USING FM SIGNAL GENERATOR—SELECTOR IN FM POSITION

GENERATOR FREQUENCY	RADIO DIAL SETTING	INDICATOR	ADJUST	REMARKS
High side of generator thru .001mfd to point $\diamond B$ , low side to ground. Use only enough marker signal for indication. Use 60 cycle frequency modulated signal with 450KC sweep. Use 60 cycle sawtooth voltage in scope for horizontal deflection.				
4. 10.7MC 450KC Sweep	Point of non-interference	Vert. amp of scope to point $\diamond C$ , low side to ground.	A11 thru A17	Disconnect stabilizing capacitor C4. Adjust for maximum gain and symmetry of response similar to Fig.1 with marker as shown. Reconnect C4.
5. " "	" "	Vert. amp of scope to point $\diamond D$ , low side to ground.	A18	Adjust A 18 (secondary) to place marker at center of "S" curve similar to Fig. 2. Readjust A 11 (primary) for maximum amplitude and straightness of line.

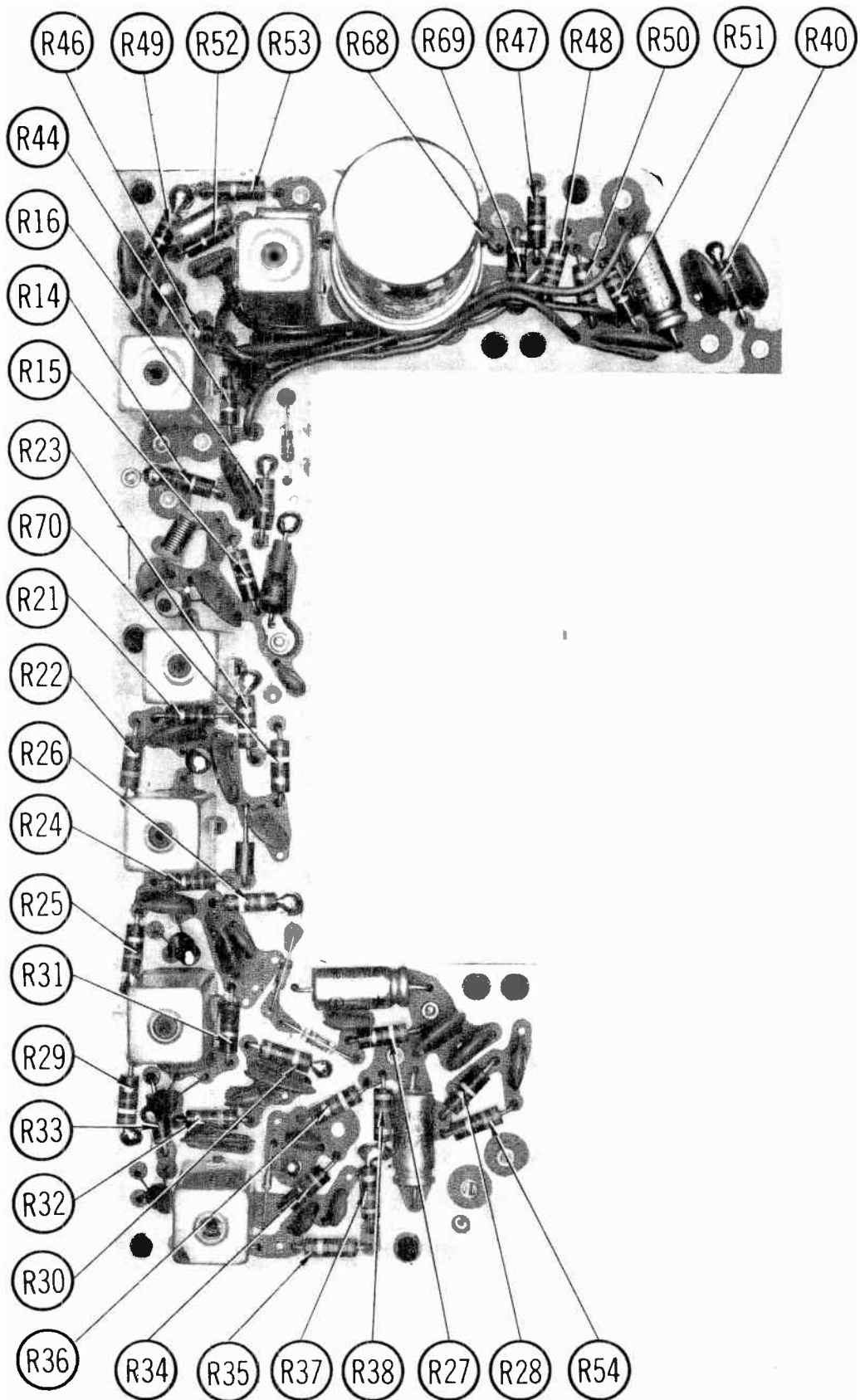
### FM RF ALIGNMENT—SELECTOR IN FM POSITION

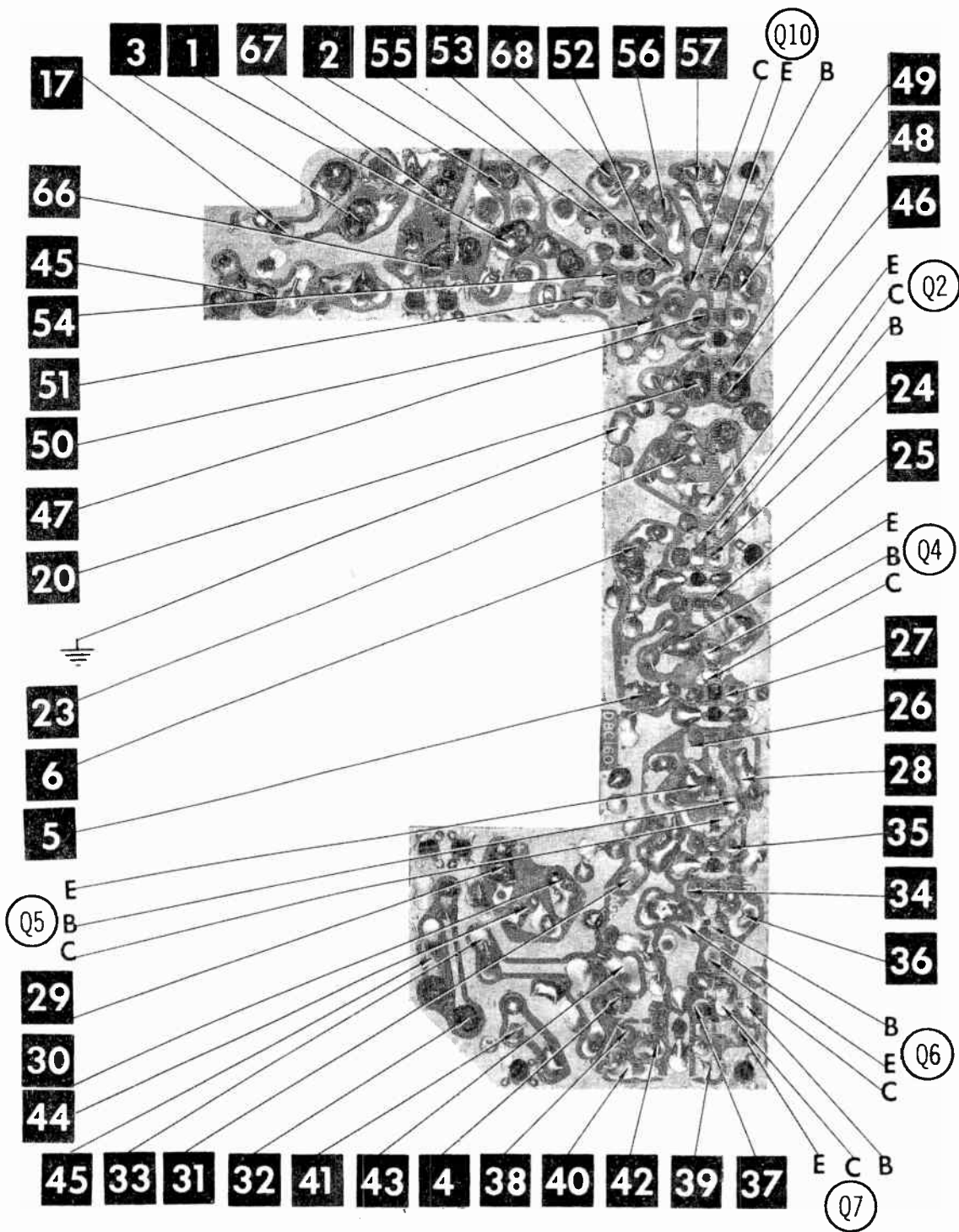
GENERATOR FREQUENCY	RADIO DIAL SETTING	INDICATOR	ADJUST	REMARKS
Connect generator across antenna terminals with 120-ohm carbon resistor in series with each lead. NOTE: Rear of Osc. core (A22) should be 1 3/8" from mounting end of Coil form. <span style="float: right;">10.7MC</span>				
6. 108MC	High freq. end	DC probe of VTVM to point $\diamond C$ , common to ground.	A19,A20, A21	Adjust for maximum. 
7. 90MC Unmodulated	Tune to signal.	" "	A23, A24	Rock tuning and adjust for maximum. Repeat steps 6 and 7 until no further improvement can be made.

CHEVROLET MODEL 91VFP1

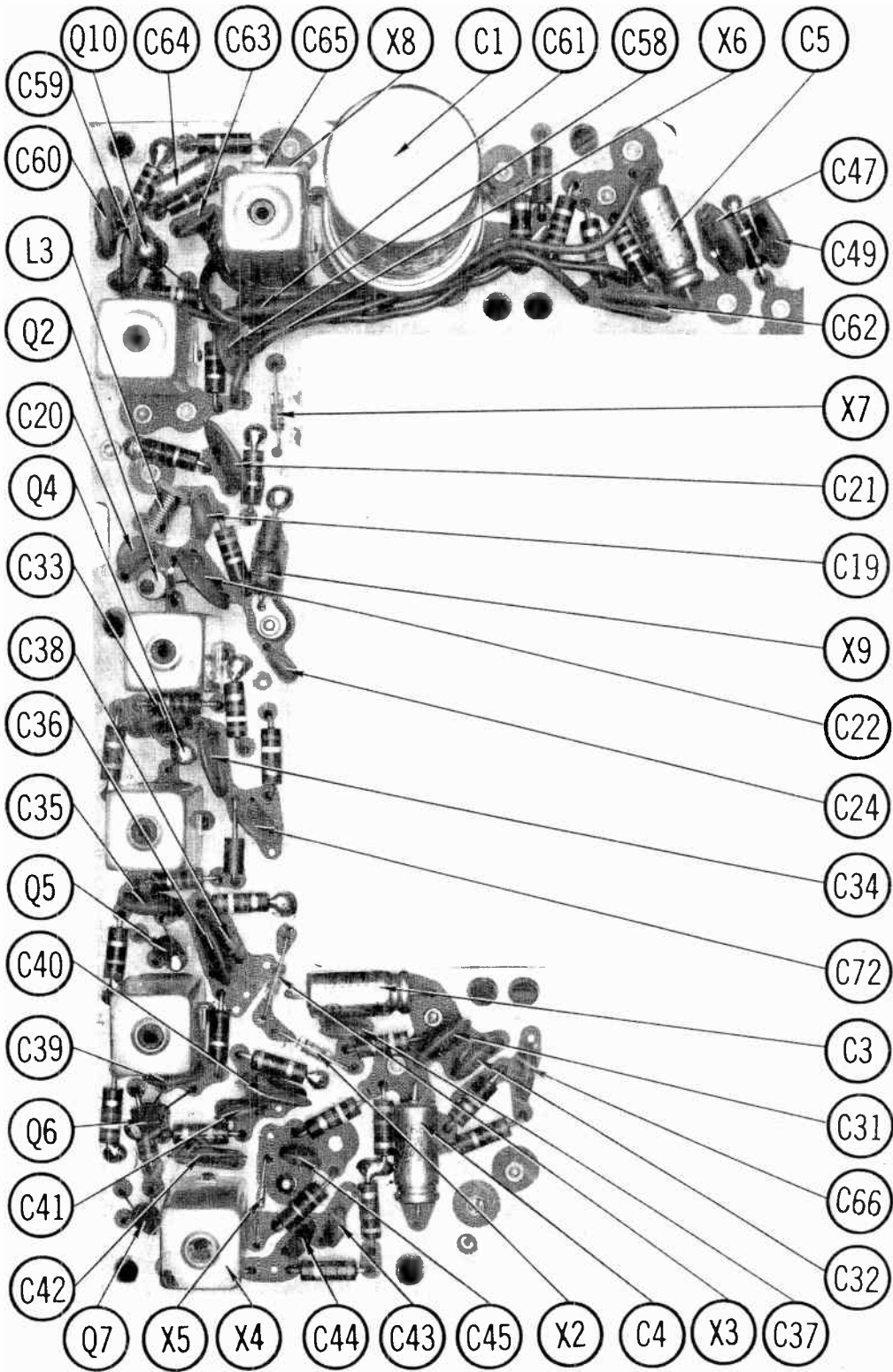


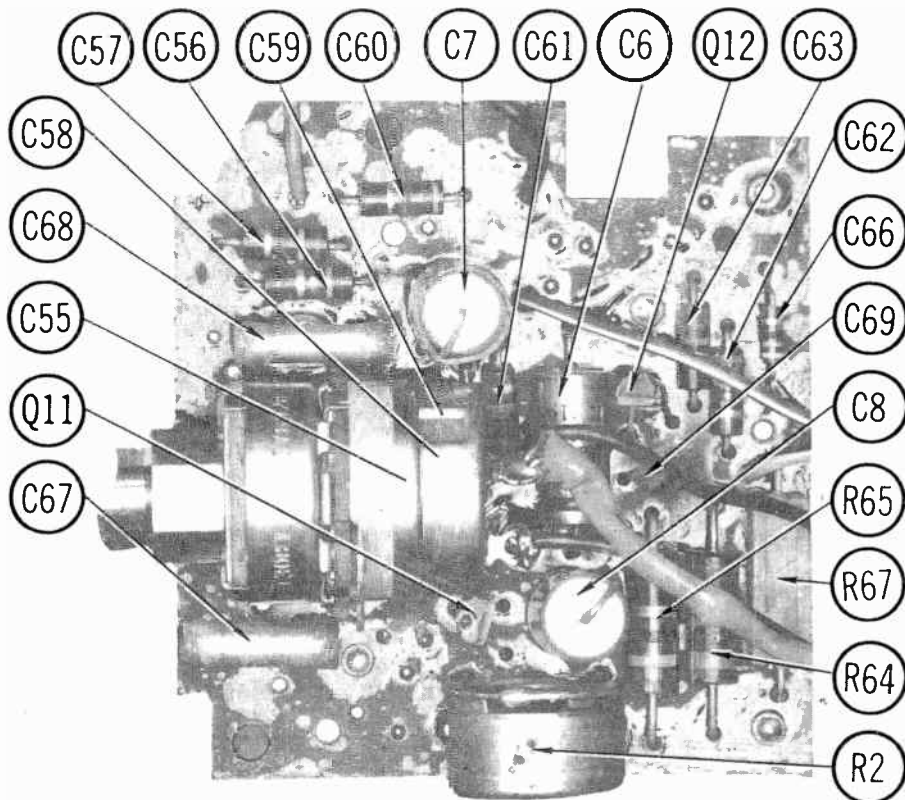
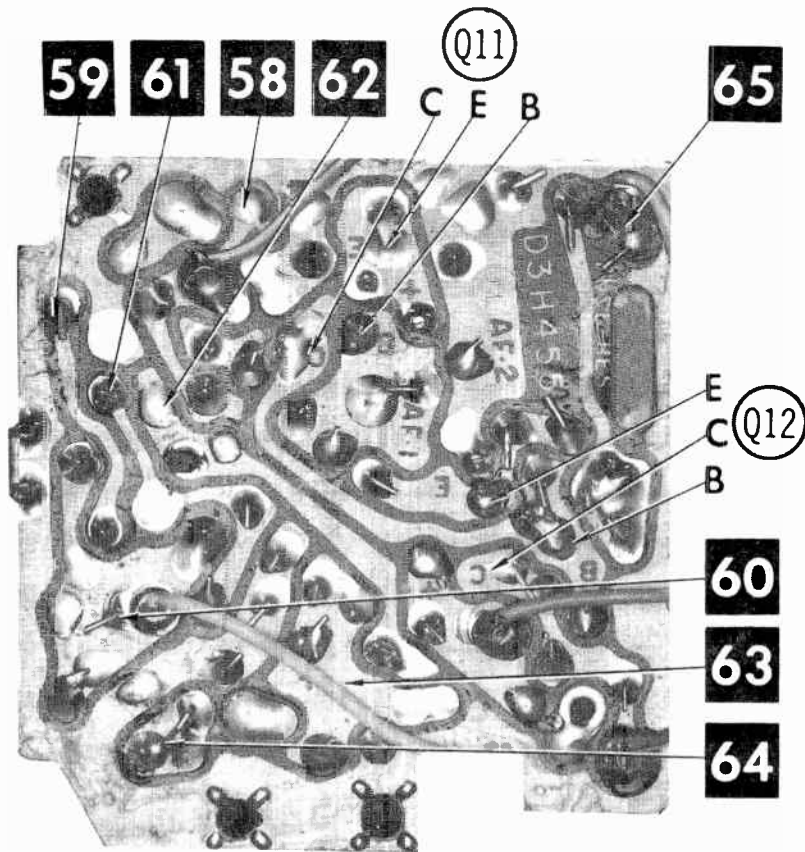






A Howard W. Sams **CIRCUITRACE™** Photo





# PARTS LIST AND DESCRIPTION

(When ordering parts, state Model, Part Number, and Description.)

Replacement parts shown may be superseded by the availability of newly introduced replacements.  
Have your local distributor check Sams COUNTER FACTS<sup>®</sup> for the most up-to-date replacement.

## WIRING DATA

General-use Unshielded Hook-up Wire .....	Use BELDEN No. 8530 (Solid) Available in 12 Colors 8524 (Stranded) Available in 12 Colors
Shielded Hook-up Wire .....	Use BELDEN No. 8885
Rear Seat Speaker Extension Cable .....	Use BELDEN No. 8782 (Stranded) Coded Parallel Leads
Bonding Strap .....	Use BELDEN No. 8661 (3/8 In.) or 8670 (3/4 In.)

## TRANSISTORS

ITEM No.	TYPE No.	FUNCTION	REPLACEMENT DATA					
			MFGR. PART No.	GENERAL ELECTRIC PART No.	INTERNATIONAL RECTIFIER PART No.	MOTOROLA PART No.	RCA PART No.	SYLVANIA PART No.
Q1	OS-78	FM RF Amp	OS-81	GE-17	TR-22	HEP50	SK3018	ECG 108
Q2	OS-78	FM Mixer	OS-81	GE-17	TR-22	HEP50	SK3018	ECG 108
Q3	OS-74	FM Oscillator	OS-74	GE-11	TR-21	HEP56	SK3018	ECG 108
Q4	OS-85	1st FM IF Amp	OS-74	GE-17	TR-21	HEP53	SK3018	ECG 108
Q5	OS-85	2nd FM IF Amp	OS-74	GE-17	TR-21	HEP53	SK3018	ECG 108
Q6	OS-73	3rd FM IF Amp	OS-74	GE-17	TR-21	HEP53	SK3018	ECG 108
Q7	OS-85	Limiter	OS-74	GE-17	TR-21	HEP53	SK3018	ECG 108
Q8	OS-71	AM RF Amp	OS-71	GE-20	TR-21	HEP53	SK3018	ECG 108
Q9	OS-72	AM Converter	OS-72	GE-20	TR-21	HEP53	SK3018	ECG 108
Q10	OS-72	AM IF Amp	OS-72	GE-20	TR-21	HEP53	SK3018	ECG 108
Q11	OS-67	AF Amp	OS-66	GE-10	TR-21	HEP54	SK3020	ECG 123
Q12	OS-66	AF Amp	OS-66	GE-10	TR-21	HEP54	SK3020	ECG 123
Q13	OS-501	Output *	OS-501	GE-4	TR-03	HEP233	SK3012	ECG 105

\* When replacing, apply silicone grease to both sides of insulator. Tighten mounting screws securely.

CHEVROLET MODEL 91VFP1

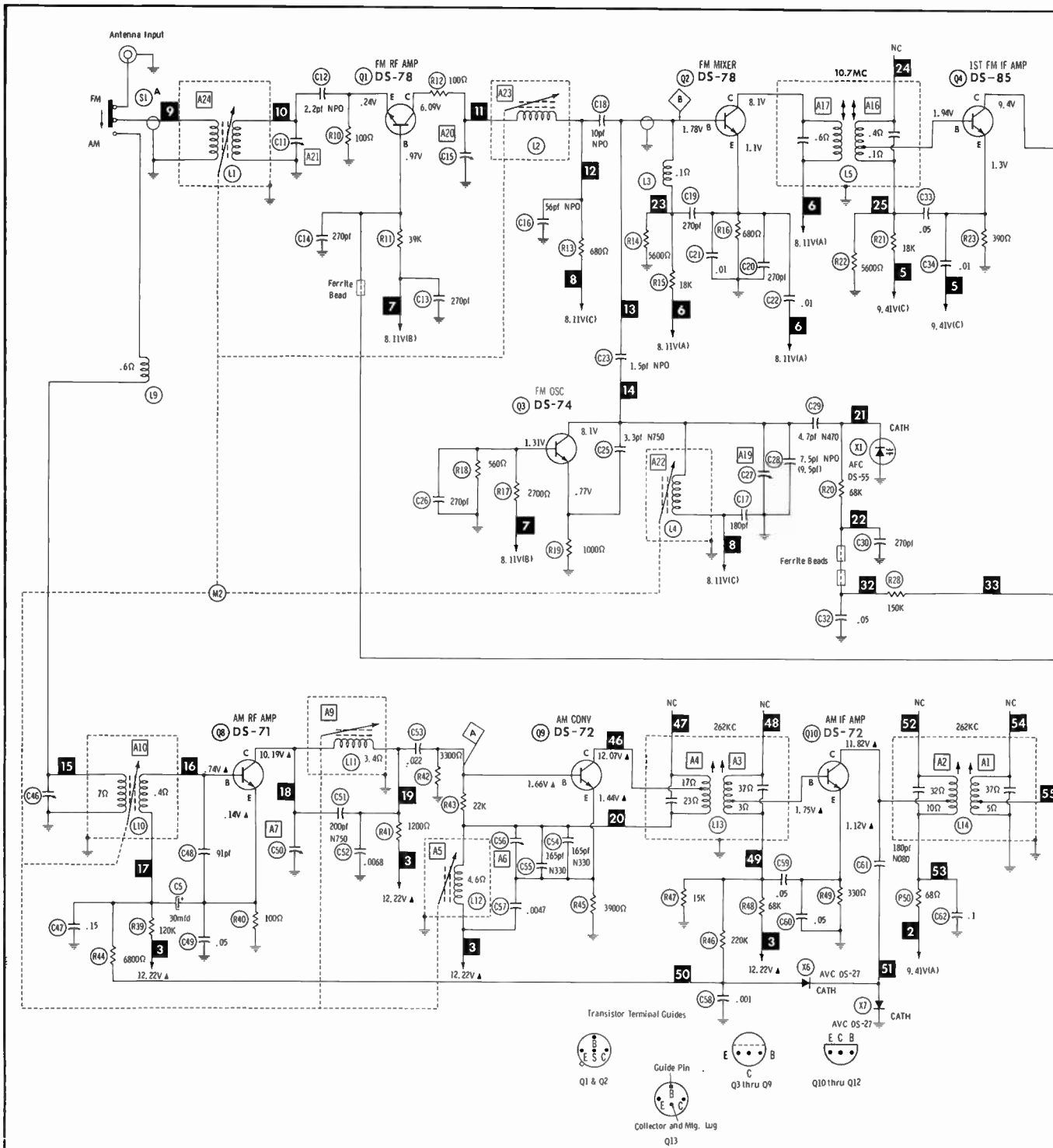
## POWER RECTIFIERS & SIGNAL DIODES

ITEM No.	MFGR. PART OR TYPE No.	REPLACEMENT RECTIFIERS & DIODES			REPLACEMENT RECTIFIERS	NOTES
		GENERAL ELECTRIC PART No.	INTERNATIONAL RECTIFIER PART No.	SYLVANIA PART No.	RCA PART No.	
X1	DS-55					
X2	DS-27	1N34AS	1N34A	ECG 109		
X3	DS-27	1N34AS	1N34A	ECG 109		
X4	DS-39 (1)	1N60	1N542 (1)	ECG 110 (1)		(1) Matched Pair
X5	DS-39	1N60				
X6	DS-27	1N34AS	1N34A	ECG 109		
X7	DS-27	1N34AS	1N34A	ECG 109		
X8	DS-27	1N34AS	1N34A	ECG 109		
X9	DS-49	GE-X11	1ZM8.2			Zener 8.2V

## ELECTROLYTIC CAPACITORS

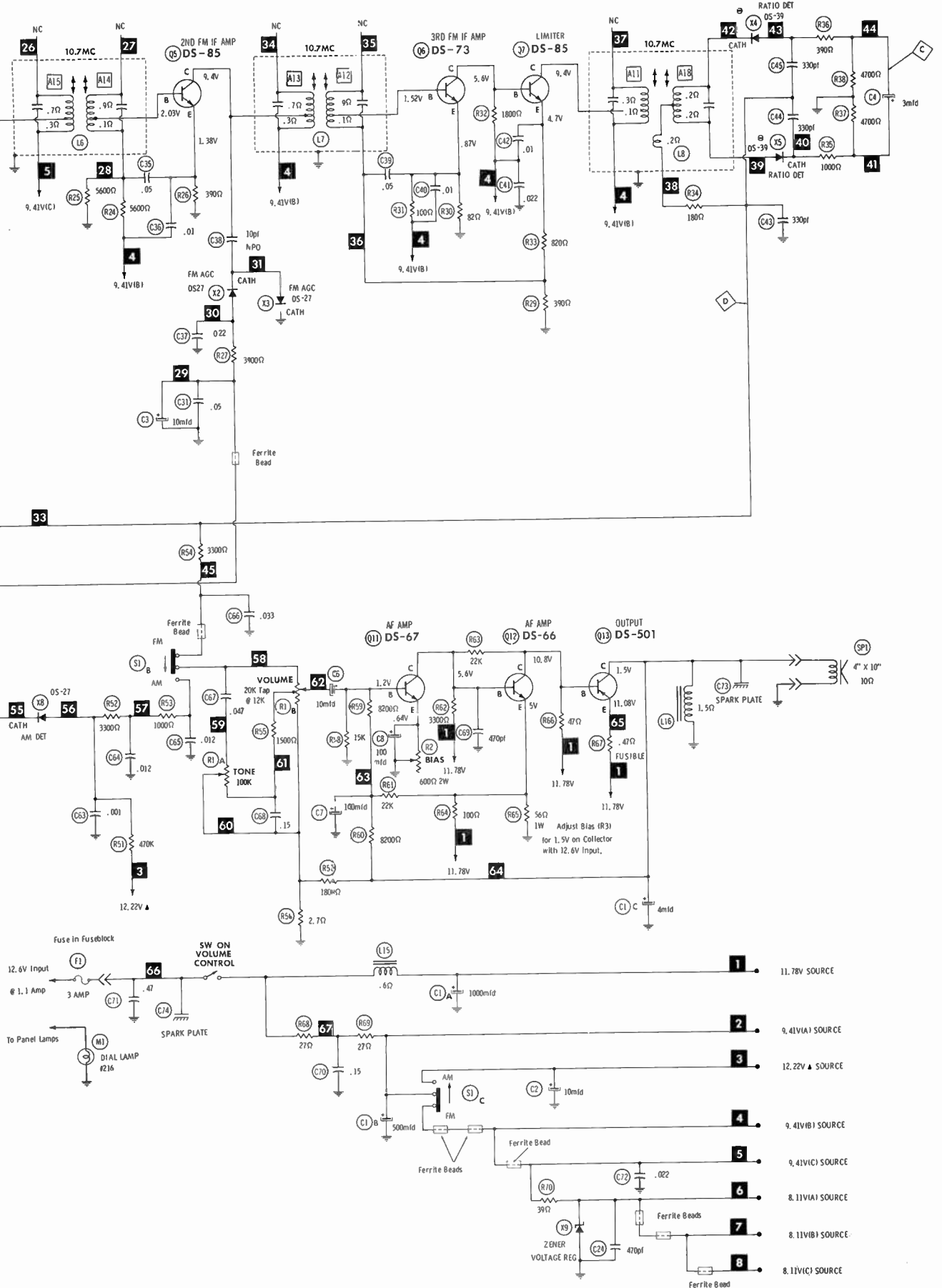
ITEM No.	RATING	REPLACEMENT DATA						
		PART No.	AEROVOX PART No.	CENTRALAB PART No.	CORNELL-DUBILIER PART No.	GENERAL ELECTRIC PART No.	MALLORY PART No.	SPRAGUE PART No.
C1A	1000 16V	7283675	AFH3-54-41		CCDD06		FPS300.91	PCL-3021.B
B	500 16V							
C	4 11.5Vrms							
C2	10 12V	7292738	PTT53	EA15-10	NLW10-15	MT1-5	MTA10035	TL-1128
C3	10 12V	7292738	PTT53	EA15-10	NLW10-15	MT1-5	MTA10035	TE-1128
C4	3 12V	7291860	PTT50	EA15-5	NLW3-15	MT1-3	MTA3050	TE-1122
C5	30 6V	7296313	PTT27	EA6-25	NLW30-6	MT1-13	MTA30D15	TE-1132.1
C6	10 12V	7292738	PTT53	EA15-10	NLW10-15	MT1-5	MTA10035	TL-1128
C7	100 4V	7291810	PTT30	EA6-100	NLW125-6	MT1-21	MTA125E6	TE-1102
C8	100 4V	7291810	PTT30	EA6-100	NLW125-6	MT1-21	MTA125E6	TE-1102

(CONTINUED ON PAGE 38)



© See parts list.  
 ▲ Measured with switching in "AM" position.  
 Resistors are 1/2W or less, 10% or 20%, unless otherwise indicated.  
 \* Supply voltage maintained at rated value for measurements.  
 Voltage and resistance measured with VTVM or equivalent meter.  
 no signal applied and controls adjusted for normal operation.  
 Numbers assigned to terminals may not be found on the unit.  
 Transistor resistances vary widely. No resistance measurements taken.

A PHOTOFAC STANDARD NOTATION SCHEMATIC  
 with **CIRCUITRACE**  
 © Howard W. Sams & Co., Inc 1970



CHEVROLET MODEL 91VFP1

# PARTS LIST AND DESCRIPTION (CONTINUED)

(When ordering parts, state Model, Part Number, and Description.)

Replacement parts shown may be superseded by the availability of newly introduced replacements.  
Have your local distributor check Sams COUNTER FACTS\* for the most up-to-date replacement.

## CAPACITORS

ITEM No.	RATING	REMARKS	REPLACEMENT DATA						
			AEROVOX PART No.	CENTRALAB PART No.	CORNELL-DUBILIER PART No.	ELMENCO PART No.	MALLORY PART No.	SPRAGUE PART No.	
C11		#7293221							
C12	2.2 NP0		NPO-DI 2.2	DTZ-2R2	CZ601CJ2R2D			CN0522	10TCC-V22
C13	270		GPD X5F271K	DD-271	GP270		CCD-271	GP327	5GA-T27
C14	270		GPD X5F271K	DD-271	GP270		CCD-271	GP327	5GA-T27
C15		#7291003							
C16	56 NP0			TCZ-56			CCTO-560	CN0456	10TCC-Q56
C17	180			DD-181	JBZ601YP181K		CCD-181	GP318	10TS-T18
C18	10 NP0		GPD X5F181K	DTZ-10	CZ601CG100J		CCTO-100	CND410	10TCC-Q10
C19	270		GPD X5F271K	DD-271	GP270		CCD-271	GP327	5GA-T27
C20	270		GPD X5F271K	DD-271	GP270		CCD-271	GP327	5GA-T27
C21	.01		TTP-01	CK-103	HOY101ZV103P		CCD-103	TA110	TG-S10
C22	.01		TTP-01	CK-103	HOY101ZV103P		CCD-103	TA110	TG-S10
C23	1.5 NP0		NPO-DI 1.5	DTZ-1R5				CN0515	10TCC-V15
C24	470		GPD X5F471K	DD-471	JBZ601YP471K		CCD-471	GP347	10TS-T47
C25	3.3		NPO-DI 3.3	DTZ-3R3				CN0533	10TCC-V33
C26	270		GPD X5F271K	DD-271	GP270		CCD-271	GP327	5GA-T27
C27		#7292611							
C28	7.5 NP0	#7300236							
C29	4.7 N470								
C30	270						*	*	10TCT-V47
C31	.05		GPD X5F271K	DD-271	GP270		CCD-271	GP327	5GA-T27
C32	.05		TTP-05	CK-503	HOV101ZV503Z		CCD-503	TA150	TGL-S50
C33	.05		TTP-05	CK-503	HOV101ZV503Z		CCD-503	TA150	TGL-S50
C34	.01		TTP-01	CK-103	HOY101ZV103P		CCD-103	TA110	TG-S10
C35	.05		TTP-05	CK-503	HOV101ZV503Z		CCD-503	TA110	TG-S10
C36	.01		TTP-01	CK-103	HOY101ZV103P		CCD-103	TA110	TG-S10
C37	.0022		GPD X5F222K	DD-222	JBX601YP222K		CCD-222	GP222	10TS-Q22
C38	10 NP0		NPO-DI 10	DTZ-10	CZ601CG100J		CCTO-100	CN0410	10TCC-Q10
C39	.05		TTP-05	CK-503	HOV101ZV503Z		CCD-503	TA150	TGL-S50
C40	.01		TTP-01	CK-103	HOY101ZV103P		CCD-103	TA110	TG-S10
C41	.022		TTP-02	CK-203	HOR101ZY203P		CCD-203	TA120	TG-S20
C42	.01		TTP-01	CK-103	HOY101ZV103P		CCD-103	TA110	TG-S10
C43	330		GPD X5F331K	DI-331	JBZ601YP331K		CCD-331	GP333	10TS-T33
C44	330		GPD X5F331K	DD-331	JBZ601YP331K		CCD-331	GP333	10TS-T33
C45	330		GPD X5F331K	DD-331	JBZ601YP331K		CCD-331	GP333	10TS-T33
C46		#7283618							
C47	.15		TTP-1	CK-104	HOV101ZV104Z			TA010	TG-P10
C48	91			TCN-91					
C49	.05		TTP-05	CK-503	HOV101ZV503Z		CCD-503	TA150	TGL-S50
C50		#7295193							
C51	200 N750		N750-DI 200	DTN-200			CCTN-201	CN7320	10TCU-T20
C52	.0068 75V		DBE6D68	CPR-6800J	WMF1D68		10P-1-682	PVC4268	6PS-D68
C53	.022		TTP-02	CK-203	HOR101ZV203P		CCD-203	TA120	TG-S20
C54	165 N330						*	*	
C55	165 N330						*	*	
C56		#7295192							
C57	.0047 75V		DBE6D5	CPR-5000J	WMF1D5		10P-1-502	PVC625	6PS-D50
C58	.001		GPD X5F102K	DM-102	JBZ601YP102K		CCD-102	SM210	25S-D10
C59	.05		TTP-05	CK-503	HOV101ZV503Z		CCD-503	TA150	TGL-S50
C60	.05		TTP-05	CK-503	HDV101ZV503Z		CCD-503	TA150	TGL-S50
C61	180 N080						*	*	10TCN-T18
C62	.1		TTP-1	CK-104	HOV101ZV104Z			TA010	TG-P10
C63	.001		GPD X5F102K	DM-102	JBZ601YP102K		CCD-102	SM210	25S-D10
C64	.012 75V		V1612S1	CPR-10000J	WMF1S1		10P-1-103	PVC211	225P10391WD3
C65	.012 75V		V1612S1	CPR-10000J	WMF1S1		10P-1-103	PVC211	225P10391WD3
C66	.033		TTP-03	CK-303			CCD-303	GP130	225P47391WD3
C67	.047 75V		V1612S47		DMF1S47		10P-2-473	PVC1147	TG-S30
C68	.15 75V		DBE6P15		DMF4P15		40P-4-154	PVC6015	225P47391WD3
C69	470		GPD X5F471K	DD-471	JBZ601YP471K		CCD-471	GP347	4PS-P15
C70	.15 75V		DBE6P15		DMF4P15		40P-4-154	PVC6015	10TS-T47
C71	.47 75V		DBE2P47		DPMS2P47		10P-4-504	PVC105	4PS-P15
C72	.022		TTP-02	CK-203	HOR101ZV203P		CCD-203	TA120	2PS-P50
C73		#7271564							TG-S20
C74		#7271564							

\* Not normally in distributor's stock. Available thru distributor on order to manufacturer.  
# Delco Part Number.



## PARTS LIST AND DESCRIPTION (CONTINUED)

(When ordering parts, state Model, Part Number, and Description.)

Replacement parts shown may be superseded by the availability of newly introduced replacements.  
Have your local distributor check Sams COUNTER FACTS' for the most up-to-date replacement.

### CONTROLS (All wattages 1/2 watt, or less, unless listed)

ITEM No.	FUNCTION	RESIST-ANCE	REPLACEMENT DATA				
			MFGR. PART No.	CENTRALAB PART No.	CLAROSTAT PART No.	CTS-IRC PART No.	MALLORY PART No.
R1A	Tone	100K	7303326	F2-100K, R14-25K, FFS015, RFS105, BB010, SB004, KR-7 V-600		* QJ-2540A	P15A, 4034, SH4250, RU253T53, OX875A, IS1250, US42 MR850T
B	Volume/Switch	20K Tap @ 9500 ohms					
R2	Bias	600 ohms 2 Watt	7294878		U39-600	110-600	

\* "Concentrikrit" Equivalent K-8 Kit with base elements & shafts 813-128, P21-029 (Panel)  
B19-119X, R16-106 (Rear)  
"SNAPTROL" equivalent - BUB (1), CF52, CR50T, SF5, SR4, N4, WF S6 (1) (Bushing)  
N4 (Nut)  
(1) Alter Bushing and adjust spacer nut (N4) to meet requirements. 76-2 (Switch)

### RESISTORS (Power and Special)

ITEM No.	RATING	REPLACEMENT DATA		
		IRC PART No.	WORKMAN PART No.	MFGR. PART No.
R67	.47 (Fusible)			7281890

ITEM No.	RATING	REPLACEMENT DATA		
		IRC PART No.	WORKMAN PART No.	MFGR. PART No.

### COILS (RF-IF)

ITEM No.	USE	REPLACEMENT DATA			
		PART No.	MEISSNER PART No.	MILLER PART No.	WORKMAN PART No.
L1	FM Antenna	(1)			
L2	FM RF	(1)			
L3	FM IF Trap (1uh)	7296856	19-1000	4602	T855
L4	FM Oscillator	(1)			
L5	FM Input IF	7296100			
L6	FM Interstage IF	7296101			
L7	FM Interstage IF	7296102			
L8	Ratio Detector	7299984			
L9	RF Choke (8uh)	7255738	19-1009	4611	T822
L10	AM Antenna	(1)			
L11	AM RF	(1)			
L12	AM Oscillator	(1)			
L13	AM IF Input	7295169			
L14	AM IF Output	7295170		8006	

(1) Part of M2.

### FILTER CHOKE

ITEM No.	RATINGS			REPLACEMENT DATA					NOTES
	CURRENT (Measured)	DC RES.	INDUCTANCE (0 CURRENT 1000~)	PART No.	MERIT PART No.	STANCOR PART No.	THORDARSON PART No.	TRIAD PART No.	
L15	1.1 Amp	.6	8mh	1221623	C-4095	TC-2	TR-154	TY17XT	

## PARTS LIST AND DESCRIPTION (CONTINUED)

*(When ordering parts, state Model, Part Number, and Description.)*

Replacement parts shown may be superseded by the availability of newly introduced replacements.  
Have your local distributor check Sams COUNTER FACTS\* for the most up-to-date replacement.

### CHOKE (Audio Output)

ITEM No.	INDUCTANCE	REPLACEMENT DATA					NOTES
		PART No.	MERIT PART No.	STANCOR PART No.	THORDARSON PART No.	TRIAD PART No.	
L16	30mh	1222297					

### SPEAKER

ITEM No.	TYPE	REPLACEMENT DATA		NOTES
		PART No.	QUAM PART No.	
SP1	4" X 10" PM 10 ohms	7307181	410A2Z10	

### FUSE DEVICES

ITEM No.	DESCRIPTION	REPLACEMENT DATA						
		PART No.		BUSS PART No.		LITTELFUSE PART No.		WORKMAN PART No.
		DEVICE	HOLDER	DEVICE	HOLDER	DEVICE	HOLDER	DEVICE
F1	3AG 10 Amp		In Fuse Block	AGC 10		311010		

### MISCELLANEOUS

ITEM No.	PART NAME	PART No.	NOTES
M1 M2 S1	Dial Lamp Tuner Coil Assy. Switch, Selector	1222504 7285141	#216

### CABINETS & CABINET PARTS (When ordering specify model, chassis & color)

ITEM	PART No.	ITEM	PART No.
Dial Drum Escutcheon Dial Blass	7303823 7303827 7303279	Pushbutton Knobs available from Chevrolet.	7303280



# PHOTOFACT<sup>®</sup> with

# CIRCUITRACE<sup>®</sup>

For Supplier Address See PHOTOFACT Index

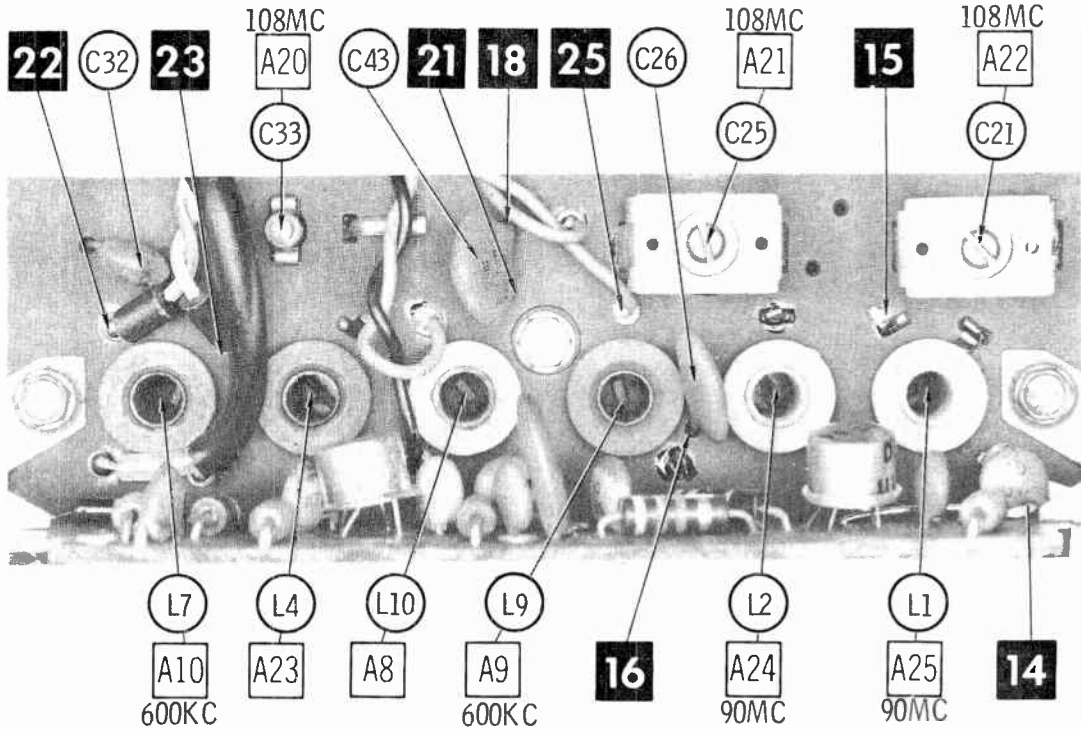
NOTE: Manufacturer Part Numbers Shown Are UNITED DELCO



MODEL 2884 287

CHRYSLER MODELS 2884 287 (402)  
 (69 Chrysler)  
 2884 289 (404)  
 (69 Imperial)  
 2884 847  
 (69 1/2 Imperial)

CHRYSLER MODELS 2884 287/289/847

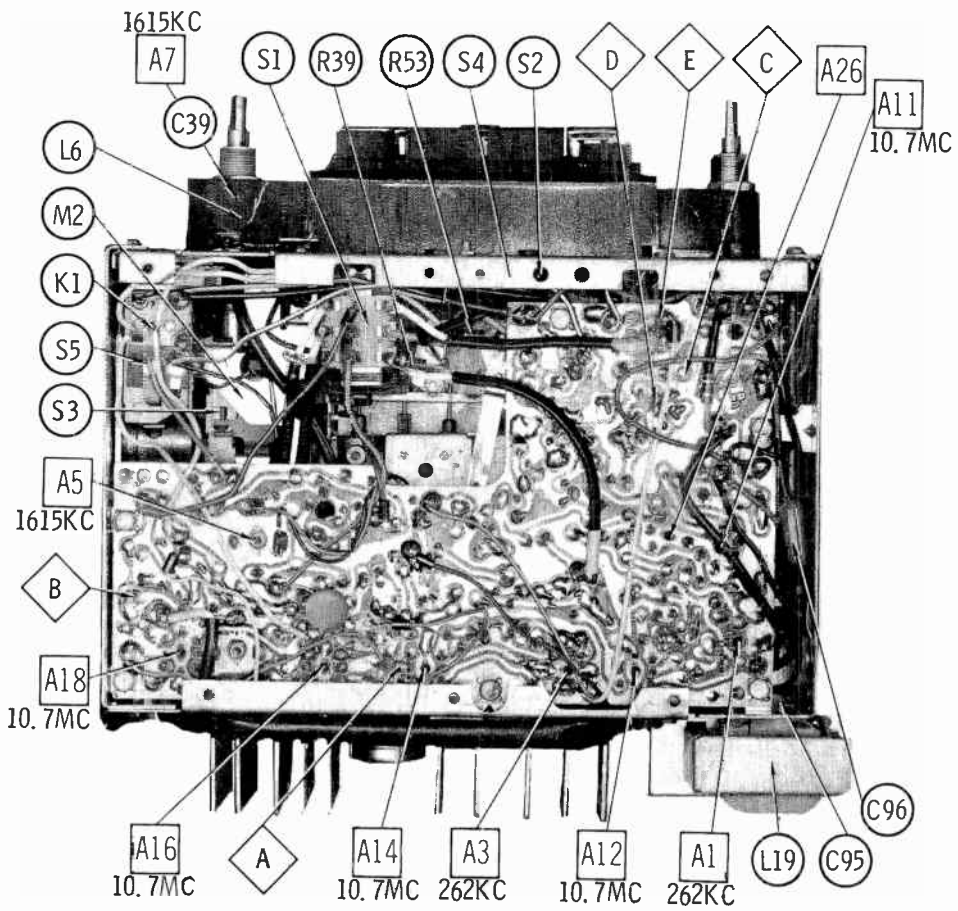
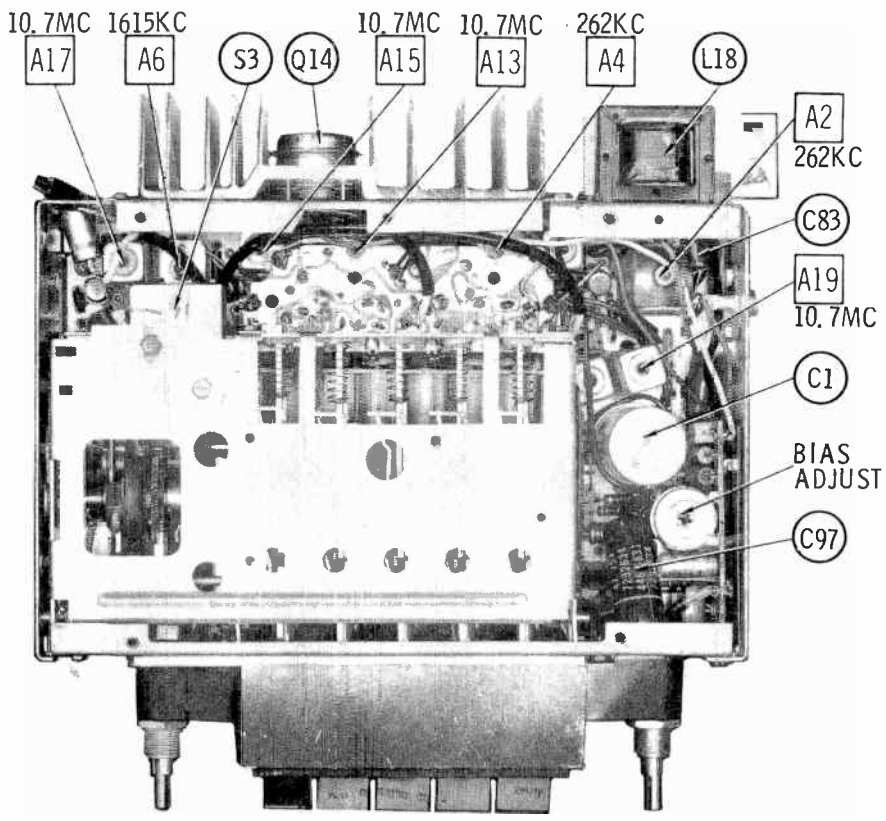


A Howard W. Sams CIRCUITRACE<sup>®</sup> Photo

**HOWARD W. SAMS & CO., INC.** Indianapolis, Indiana 46206

© 1970 Howard W. Sams & Co., Inc. Printed in U. S. of America

TD721



## ALIGNMENT INSTRUCTIONS

Check for specified source voltage.  
 Use only enough generator output  
 to provide a usable indication.  
 Suggested Alignment Tools: GENERAL CEMENT #      WALSCO #  
 A1 thru A4, A11 thru A18... 5009,8728A,8987...2531X, 2538  
 A5 thru A10, A19 thru A26.. 8290,8868,9087....2525,2528,2587

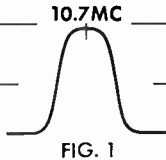
### PUSH-BUTTON ADJUSTMENT

1. Pull button out.
2. Tune manually to desired station.
3. Press button in firmly.
4. Repeat for remaining buttons.

	GENERATOR COUPLING	GENERATOR FREQUENCY	RADIO DIAL SETTING	INDICATOR	ADJUST	REMARKS
1.	High side thru .1mfd to point $\diamond A$ , low side to ground.	262KC 400 cycle modulation	High freq. end stop.	Output meter across voice coil.	A1,A2, A3,A4	Adjust for maximum.
Check setting of oscillator coil core (A5). Rear of core should be 1 3/8" from mounting end of coil form.						
2.	High side thru 82pf to antenna input, low side to ground.	1615KC	High freq. end stop.	Output meter across voice coil.	A6,A7, A8	Adjust for maximum.
3.	"	600KC	600KC signal	"	A9,A10	Adjust for maximum. Repeat Step 2.
With radio installed in car and antenna extended 33", tune in a weak station near 1400KC and adjust A8 for maximum output. Antenna adjustment (A8) is located behind Tuning & Dummy Knob.						

### FM IF ALIGNMENT USING AM SIGNAL GENERATOR—SELECTOR IN FM POSITION

High side of generator thru .001mfd to point $\diamond B$ , low side to ground.					
	GENERATOR FREQUENCY	RADIO DIAL SETTING	INDICATOR	ADJUST	REMARKS
4.	10.7MC Unmodulated	Point of non-interference	DC probe of VTVM to point $\diamond C$ , common to ground.	A11 thru A18	Adjust for maximum.
5.	"	"	DC probe of VTVM to point $\diamond D$ , common to ground.	A19	Adjust for zero reading. A positive or negative reading will be obtained on either side of the correct setting.

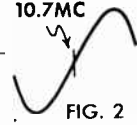


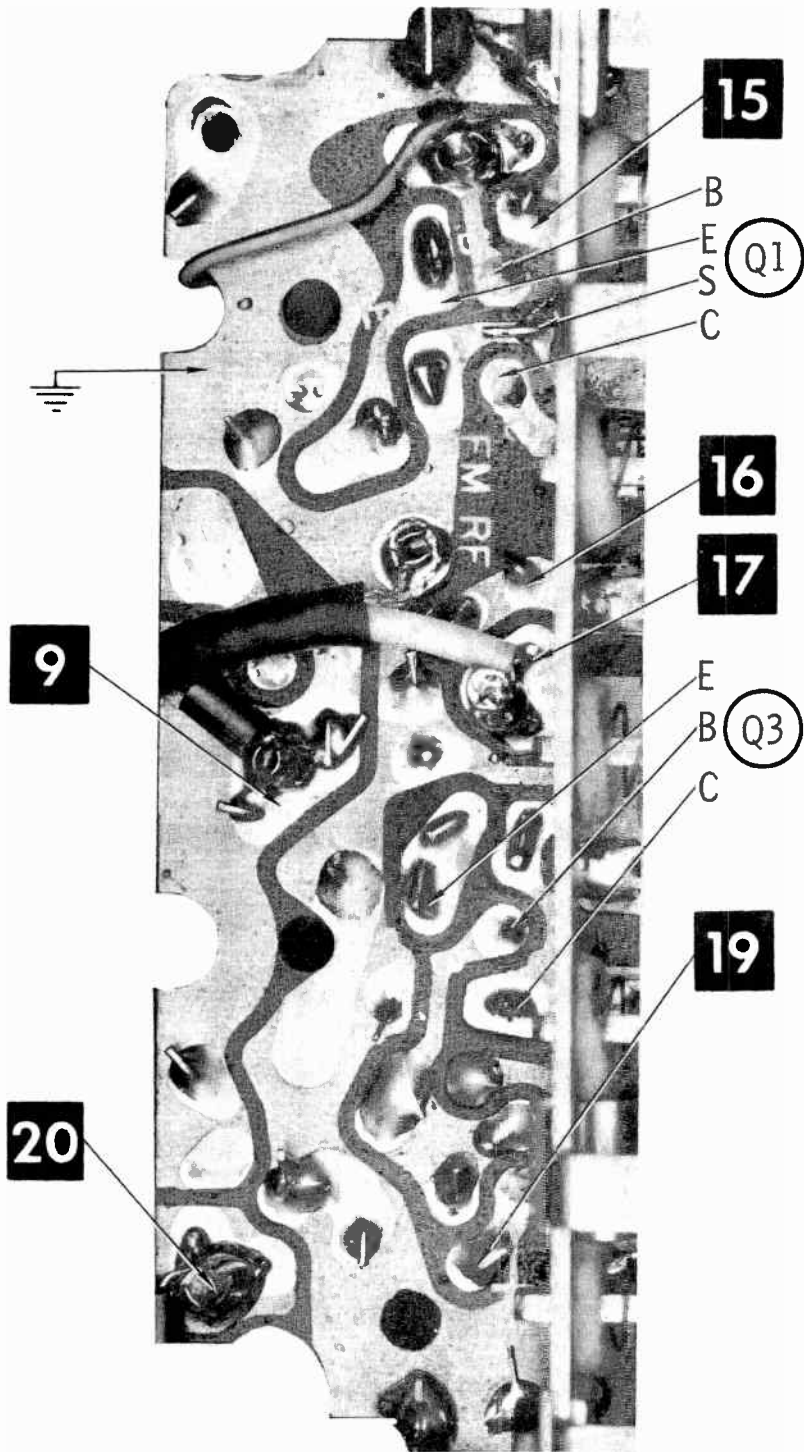
### FM IF ALIGNMENT USING FM SIGNAL GENERATOR—SELECTOR IN FM POSITION

High side of generator thru .001mfd to point $\diamond B$ , low side to ground. Use only enough marker signal for indication. Use 60 cycle frequency modulated signal with 450KC sweep. Use 60 cycle sawtooth voltage in scope for horizontal deflection.					
	GENERATOR FREQUENCY	RADIO DIAL SETTING	INDICATOR	ADJUST	REMARKS
4.	10.7MC 450KC Sweep	Point of non-interference	Vert. amp of scope to point $\diamond C$ , low side to ground.	A11 thru A18	Disconnect stabilizing capacitor C 6. Adjust for maximum gain and symmetry of response similar to Fig.1 with marker as shown. Reconnect C 6.
5.	"	"	Vert. amp of scope to point $\diamond D$ , low side to ground.	A19	Adjust A19 (secondary) to place marker at center of "S" curve similar to Fig. 2. Readjust A11 (primary) for maximum amplitude and straightness of line.

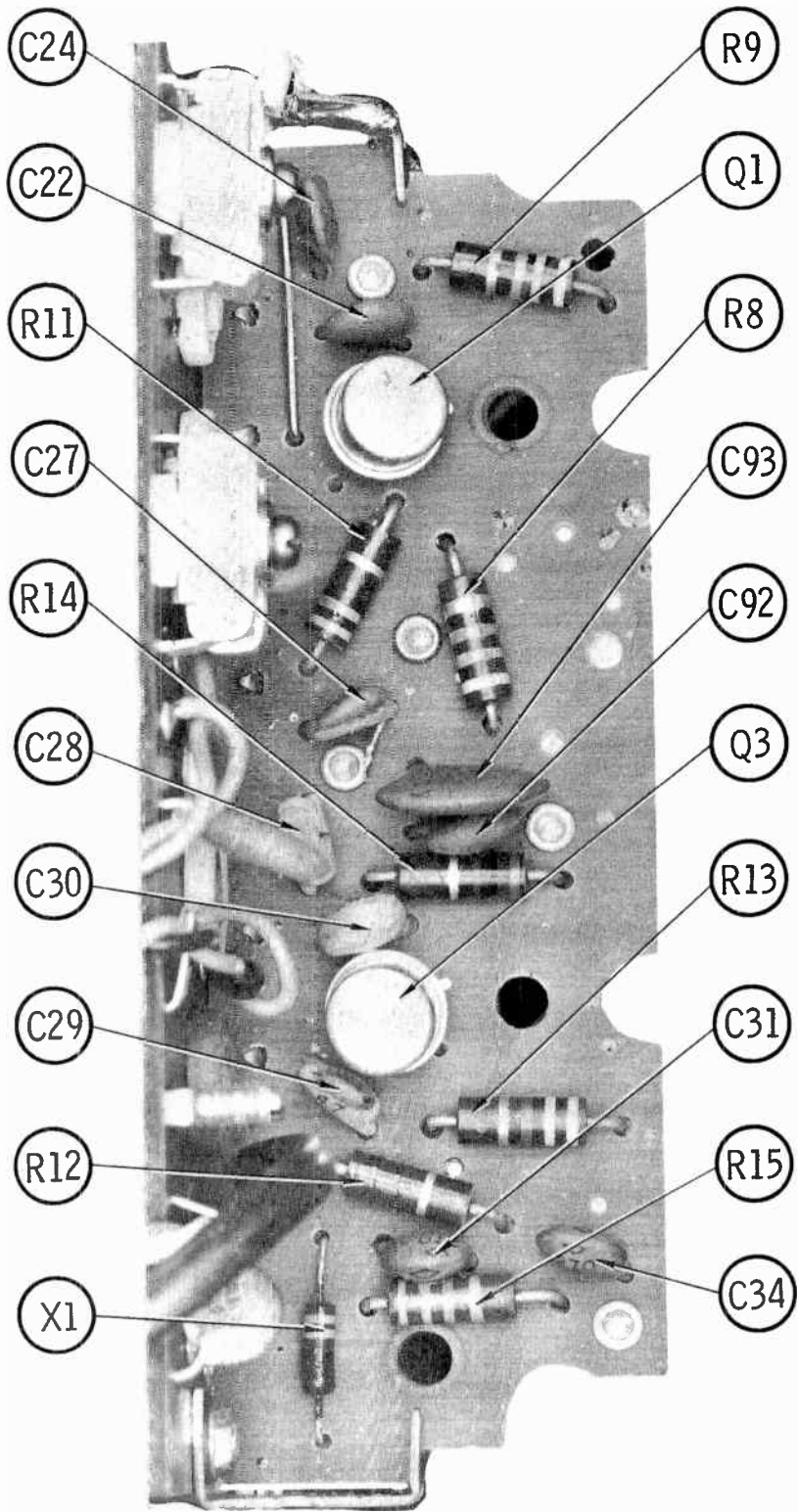
### FM RF ALIGNMENT—SELECTOR IN FM POSITION

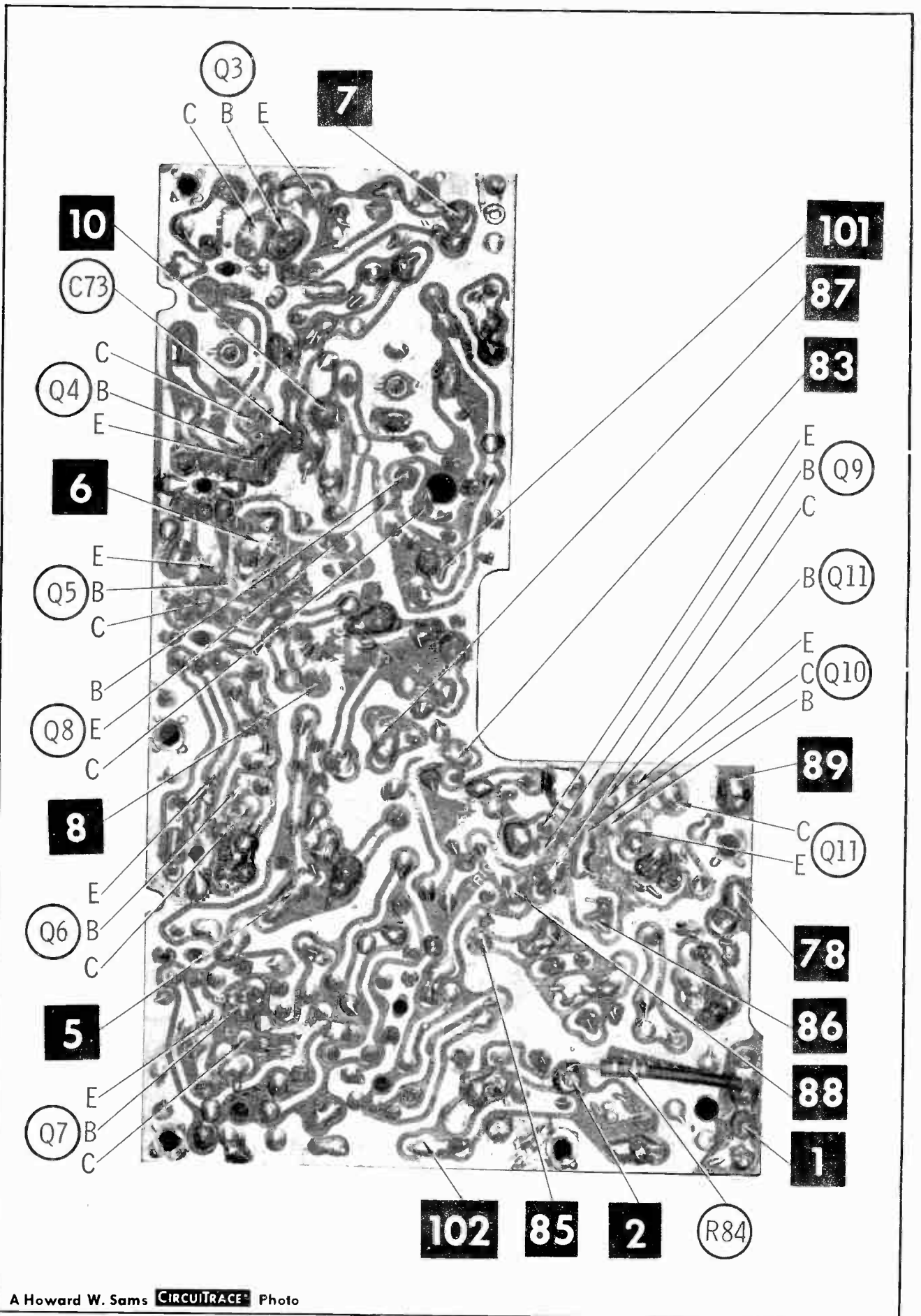
Connect generator across antenna terminals with 120-ohm carbon resistor in series with each lead. NOTE: Rear of Osc. Core (A23) should be 1 3/8" from mtg. end of coil form.					
	GENERATOR FREQUENCY	RADIO DIAL SETTING	INDICATOR	ADJUST	REMARKS
6.	108MC	High freq. end	DC probe of VTVM to point $\diamond C$ , common to ground.	A20, A21,A22	Adjust for maximum. Ground Point $\diamond E$ .
7.	90MC Unmodulated	Tune to signal.	"	A24, A26	Rock tuning and adjust for maximum. Repeat steps 6 and 7 until no further improvement can be made.
8.	108MC	High freq. end	"	A26	Adjust for MINIMUM.





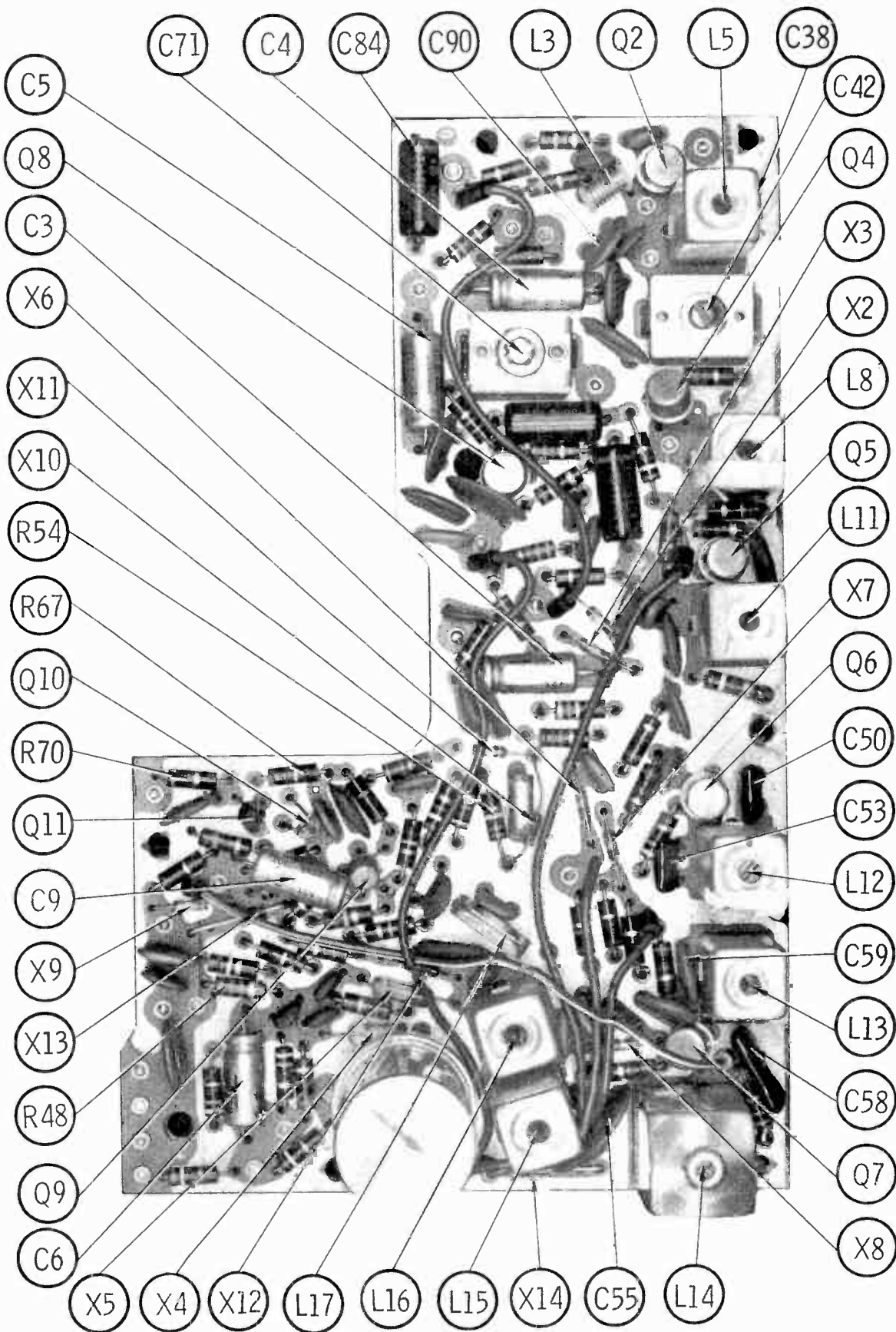
A Howard W. Sams **CIRCUITRACE** Photo

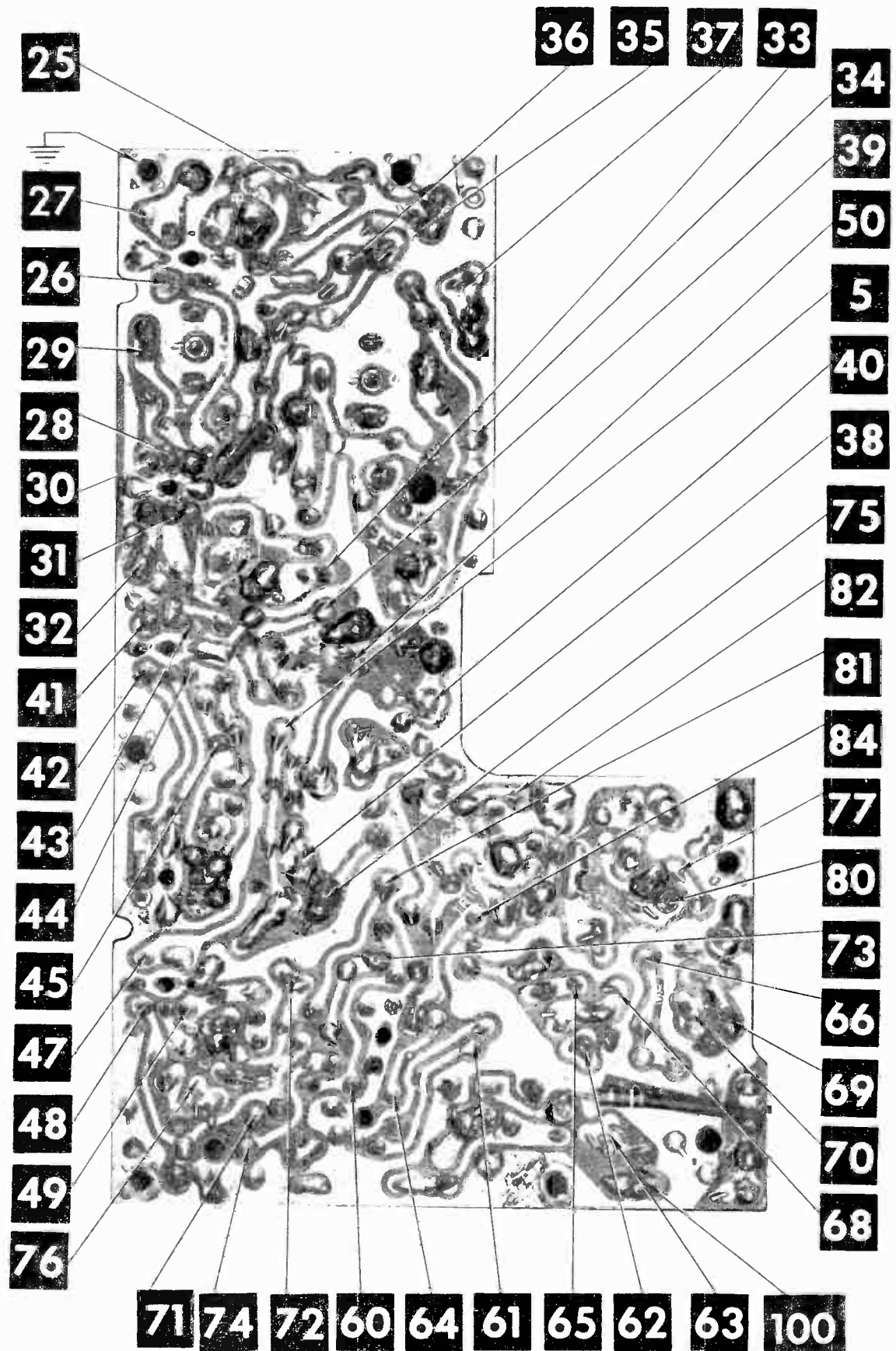




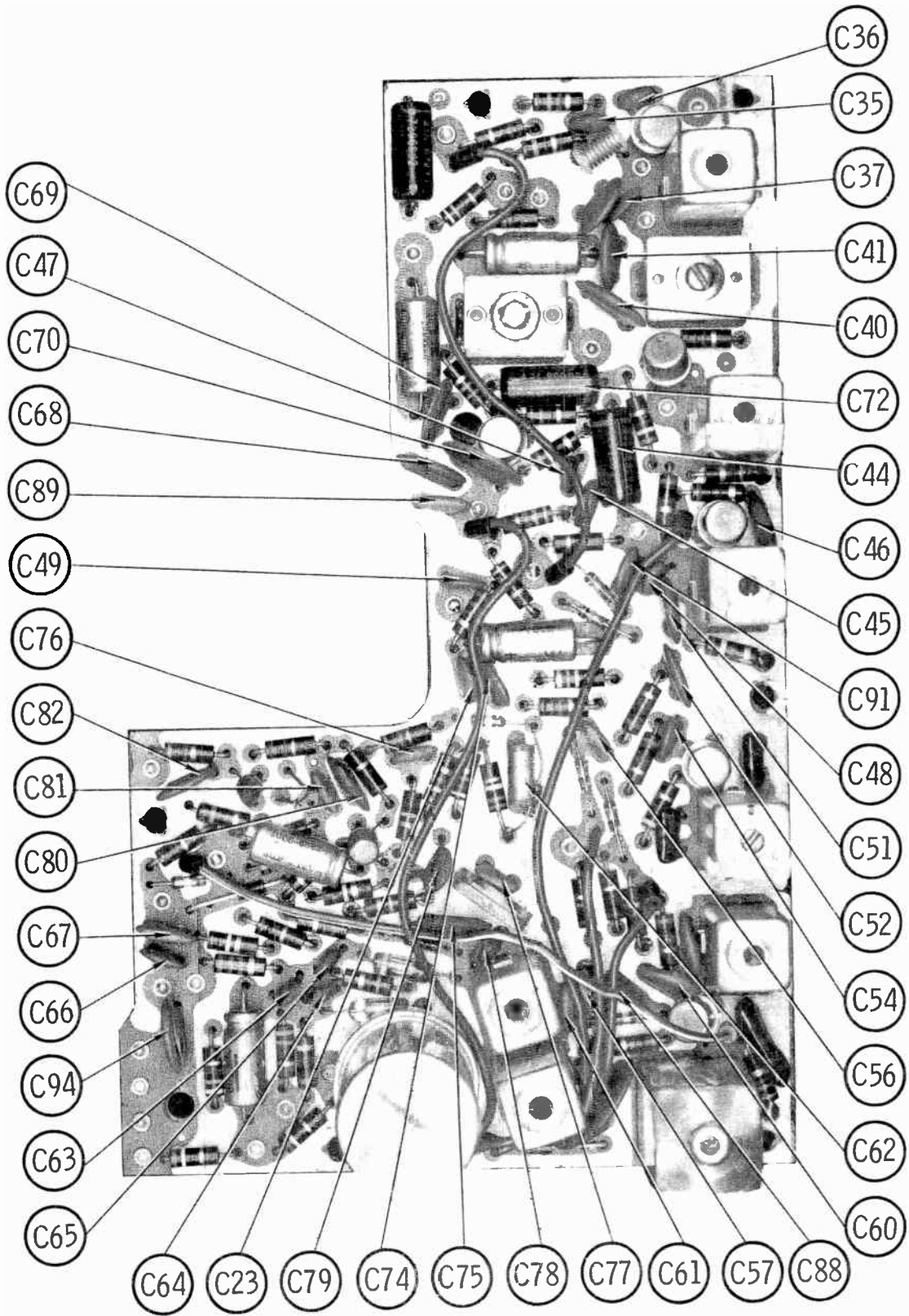
A Howard W. Sams **CIRCUITRACE** Photo

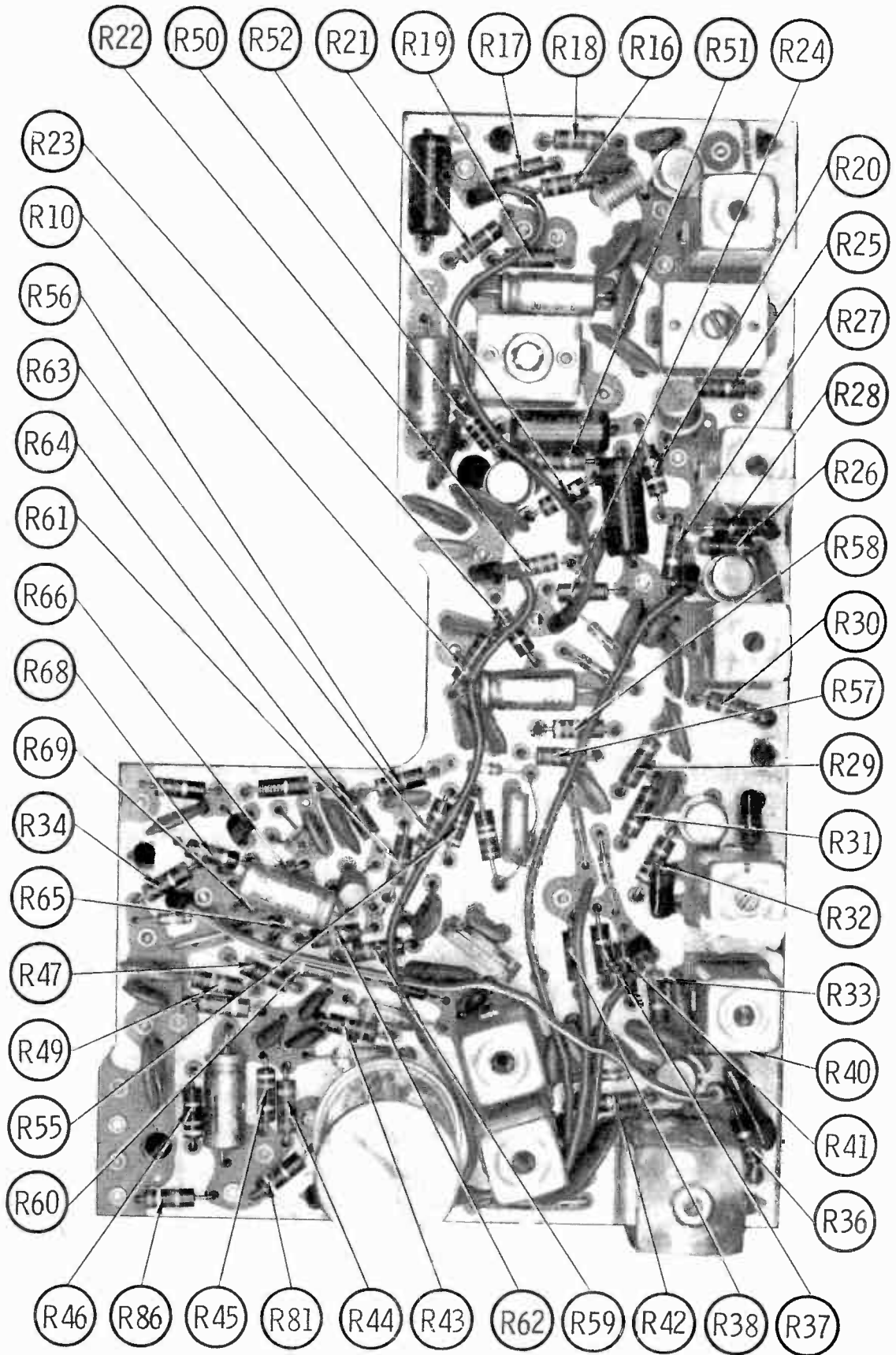


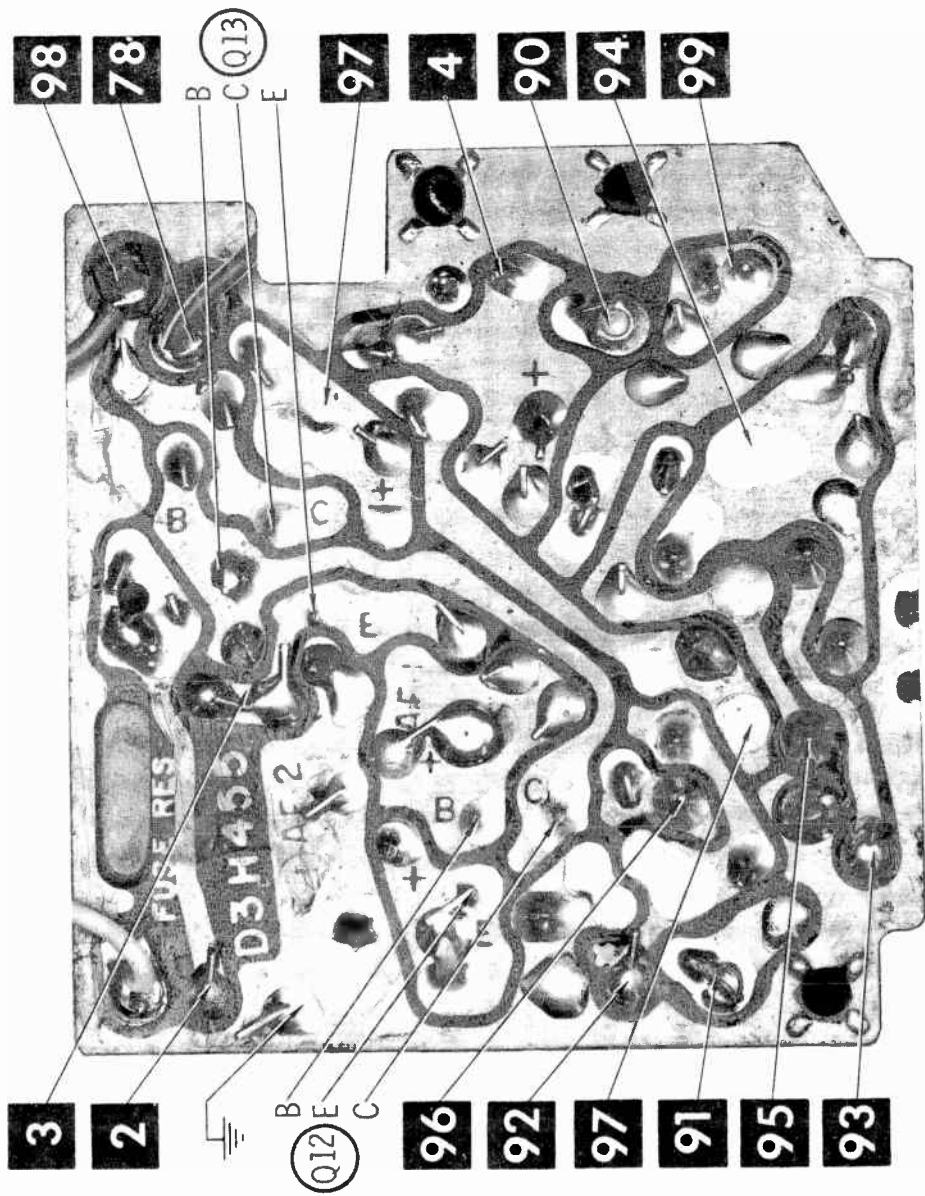


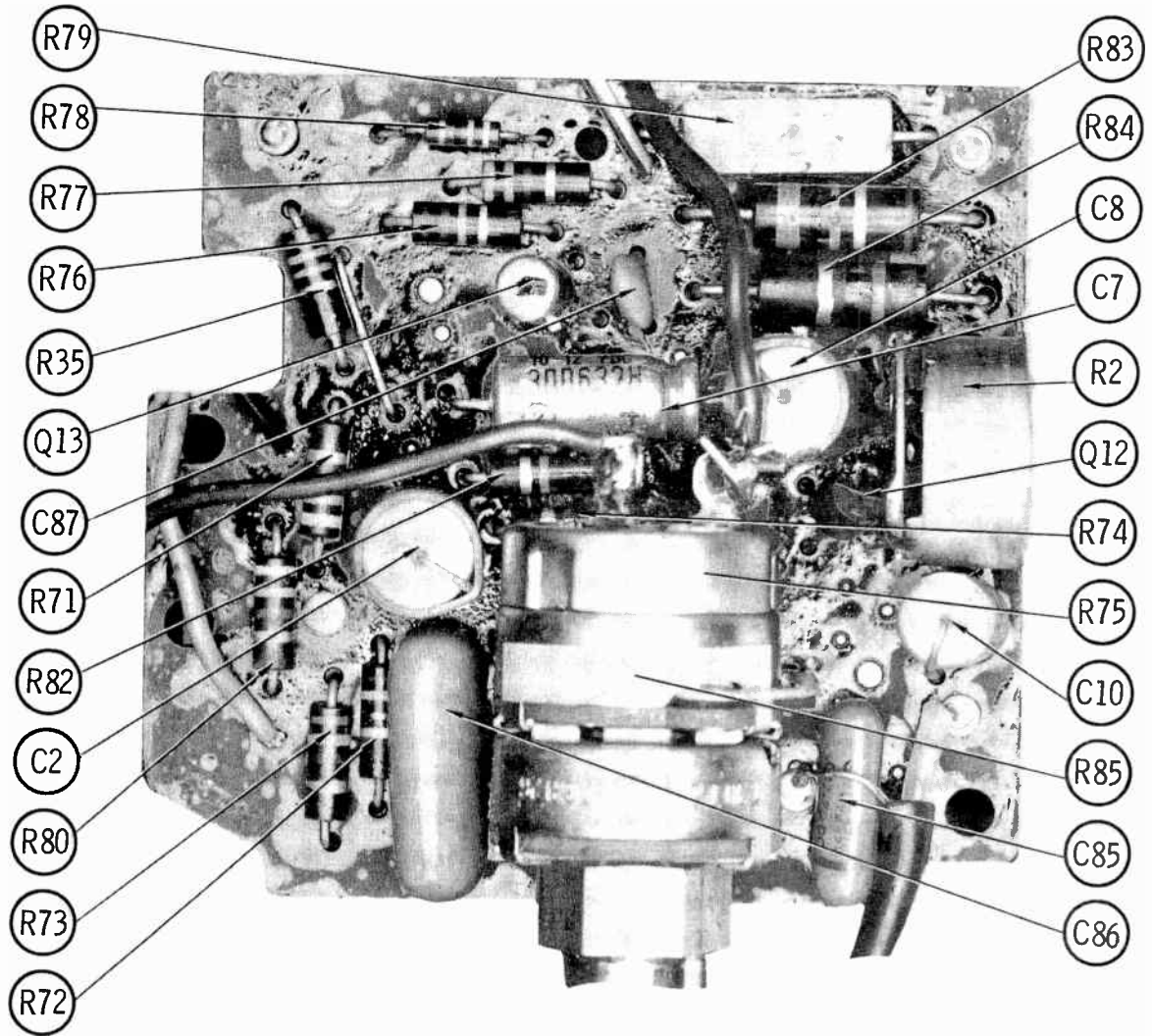


A Howard W. Sams **CIRCUITRACE** Photo









# PARTS LIST AND DESCRIPTION

(When ordering parts, state Model, Part Number, and Description.)

Replacement parts shown may be superseded by the availability of newly introduced replacements.  
Have your local distributor check Sams COUNTER FACTS' for the most up-to-date replacement.

## WIRING DATA

General-use Unshielded Hook-up Wire .....	Use BELDEN No. 8530 (Solid) Available in 12 Colors 8524 (Stranded) Available in 12 Colors
Shielded Hook-up Wire .....	Use 8ELDEN No. 8885
Rear Seat Speaker Extension Cable .....	Use 8ELDEN No. 8782 (Stranded) Coded Parallel Leads
Bonding Strap .....	Use 8ELDEN No. 8661 (3/8 In.) or 8670 (3/4 In.)

## TRANSISTORS

ITEM No.	TYPE No.	FUNCTION	REPLACEMENT DATA					
			MFGR. PART No.	GENERAL ELECTRIC PART No.	INTERNATIONAL RECTIFIER PART No.	MOTOROLA PART No.	RCA PART No.	SYLVANIA PART No.
Q1	DS-64	FM RF Amp	DS-41	GE-9	TR-17	HEP3	SK3006	ECG 126
Q2	DS-63	FM Mixer	DS-41	GE-9	TR-17	HEP3	SK3006	ECG 126
Q3	DS-64	FM Osc	DS-41	GE-9	TR-17	HEP3	SK3006	ECG 126
Q4	DS-56	AM RF Amp/1st FM IF Amp	DS-56	GE-9	TR-17	HEP3	SK3006	ECG 126
Q5	DS-63	AM Mixer/2nd FM IF Amp	DS-56	GE-9	TR-17	HEP3	SK3006	ECG 126
Q6	DS-63	AM IF/3rd FM IF Amp	DS-56	GE-9	TR-17	HEP3	SK3006	ECG 126
Q7	DS-63	4th FM IF Amp	DS-56	GE-9	TR-17	HEP3	SK3006	ECG 126
Q8	DS-25	AM Osc	DS-25	GE-9	TR-06	HEP635	SK3008	ECG 100
Q9	DS-77	Trigger	DS-77	GE-20	TR-21	HEP54	SK3020	ECG 123
Q10	DS-67	Relay Amp	DS-66	GE-20	TR-21	HEP54	SK3020	ECG 123
Q11	DS-67	Relay Control	DS-66	GE-20	TR-21	HEP54	SK3020	ECG 123
Q12	DS-67	AF Amp	DS-66	GE-20	TR-21	HEP54	SK3020	ECG 123
Q13	DS-66	AF Amp	DS-66	GE-20	TR-21	HEP54	SK3020	ECG 123
Q14	DS-501	Output *	DS-501	GE-4	TR-03	HEP233	SK3012	ECG 105

\* When replacing, apply silicone grease to both sides of insulator. Tighten mounting screws securely.

## POWER RECTIFIERS & SIGNAL DIODES

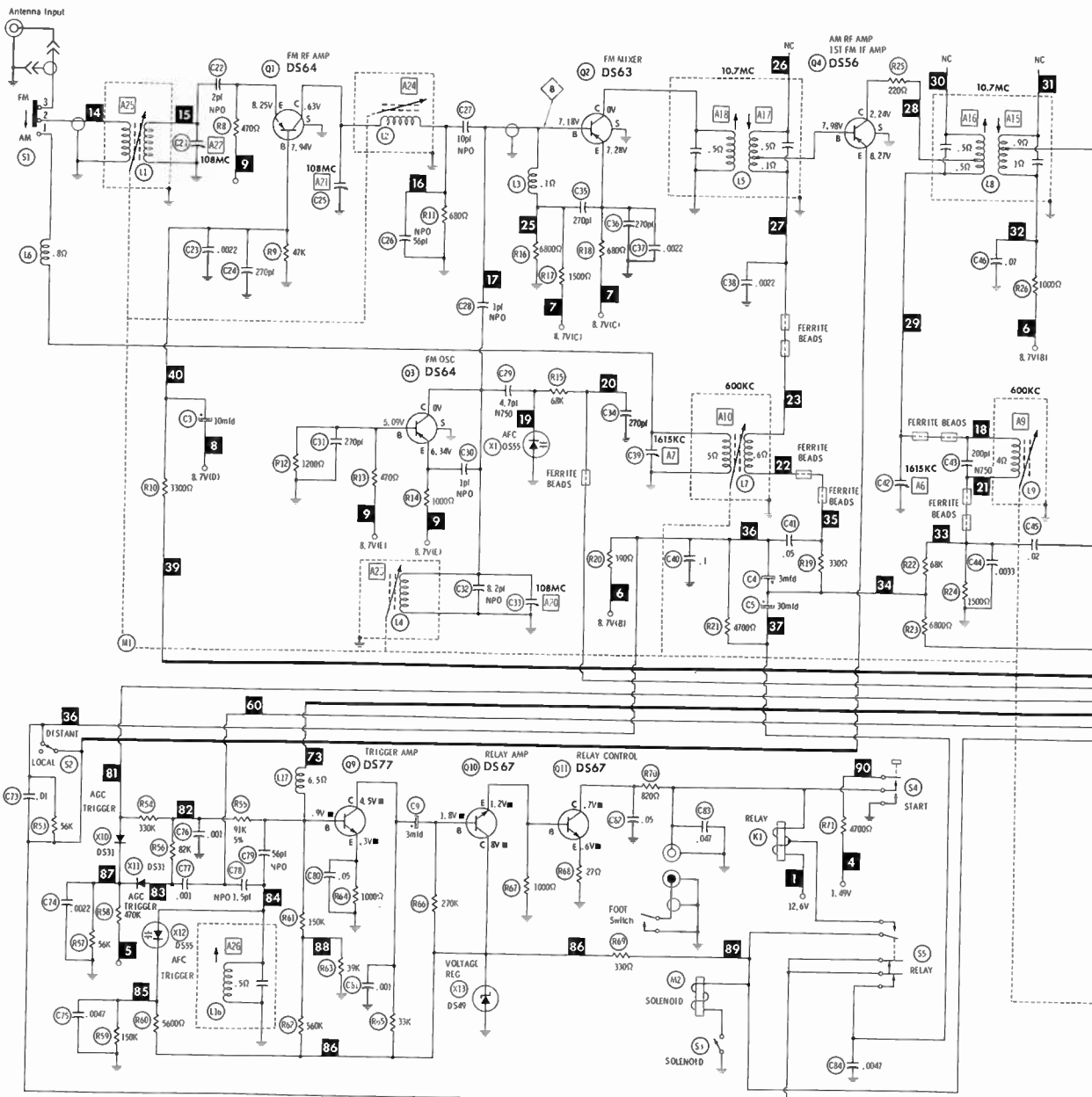
ITEM No.	MFGR. PART OR TYPE No.	REPLACEMENT RECTIFIERS & DIODES			REPLACEMENT RECTIFIERS	NOTES
		GENERAL ELECTRIC PART No.	INTERNATIONAL RECTIFIER PART No.	SYLVANIA PART No.	RCA PART No.	
X1	DS-55	(1)	1N34AS	1N34A	ECG 109	Varactor  (1) Matched Pair
X2	DS-27		1N34AS	1N34A	ECG 109	
X3	DS-27		1N60 (1)	1N542 (1)	ECG 110 (1)	
X4	DS-39		1N60			
X5	DS-39		1N34AS	1N34A	ECG 109	
X6	DS-27		1N34AS	1N34A	ECG 109	
X7	DS-27		1N34AS	1N34A	ECG 109	
X8	DS-27		1N34AS	1N34A	ECG 109	
X9	DS-27		1N34AS	1N34A	ECG 109	
X10	DS-31		1N82A	1N82A	ECG 111	
X11	DS-31		1N82A	1N82A	ECG 111	
X12	DS-55					
X13	DS-49		GE-X11	1ZM8.2		

## ELECTROLYTIC CAPACITORS

ITEM No.	RATING	REPLACEMENT DATA						
		PART No.	AEROVOX PART No.	CENTRALAB PART No.	CORNELL-DUBILIER PART No.	GENERAL ELECTRIC PART No.	MALLORY PART No.	SPRAGUE PART No.
C1A	1000 16V	7291356	PWH3-54-45		CC0007A		FPS300.93	PCL-3021.9
B	500 16V							
C	15 11.5V rms							
C2	100 4V	7291810	PTT30	EA6-100	NLW125-6	MT1-21	MTA125E6	TE-1102
C3	10 12V	7292738	PTT53	EA15-10	NLW10-15	MT1-5	MTA10D35	TL-1128
C4	3 12V	7291860	PTT50	EA15-5	NLW3-15	MT1-3	MTA3D50	TE-1122
C5	30 6V	7296313	CRE413A	EA6-25	AL30-6	MT1-13	MTA30D15	TL-1093
C6	3 12V	7291860	PTT50	EA15-5	NLW3-15	MT1-3	MTA3D50	TE-1122
C7	10 12V	7292738	PTT53	EA15-10	NLW10-15	MT1-5	MTA10D35	TL-1128
C8	100 4V	7291810	PTT30	EA6-100	NLW125-6	MT1-21	MTA125E6	TE-1102
C9	3 12V	7291860	PTT50	EA15-5	NLW3-15	MT1-3	MTA3D50	TE-1122
C10	10 12V	7292738	PTT53	EA15-10	NLW10-15	MT1-5	MTA10D35	TL-1128

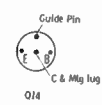
( CONTINUED ON PAGE 56 )

CHRYSLER MODELS 2884 287/289/847



Transistor Terminal Guides

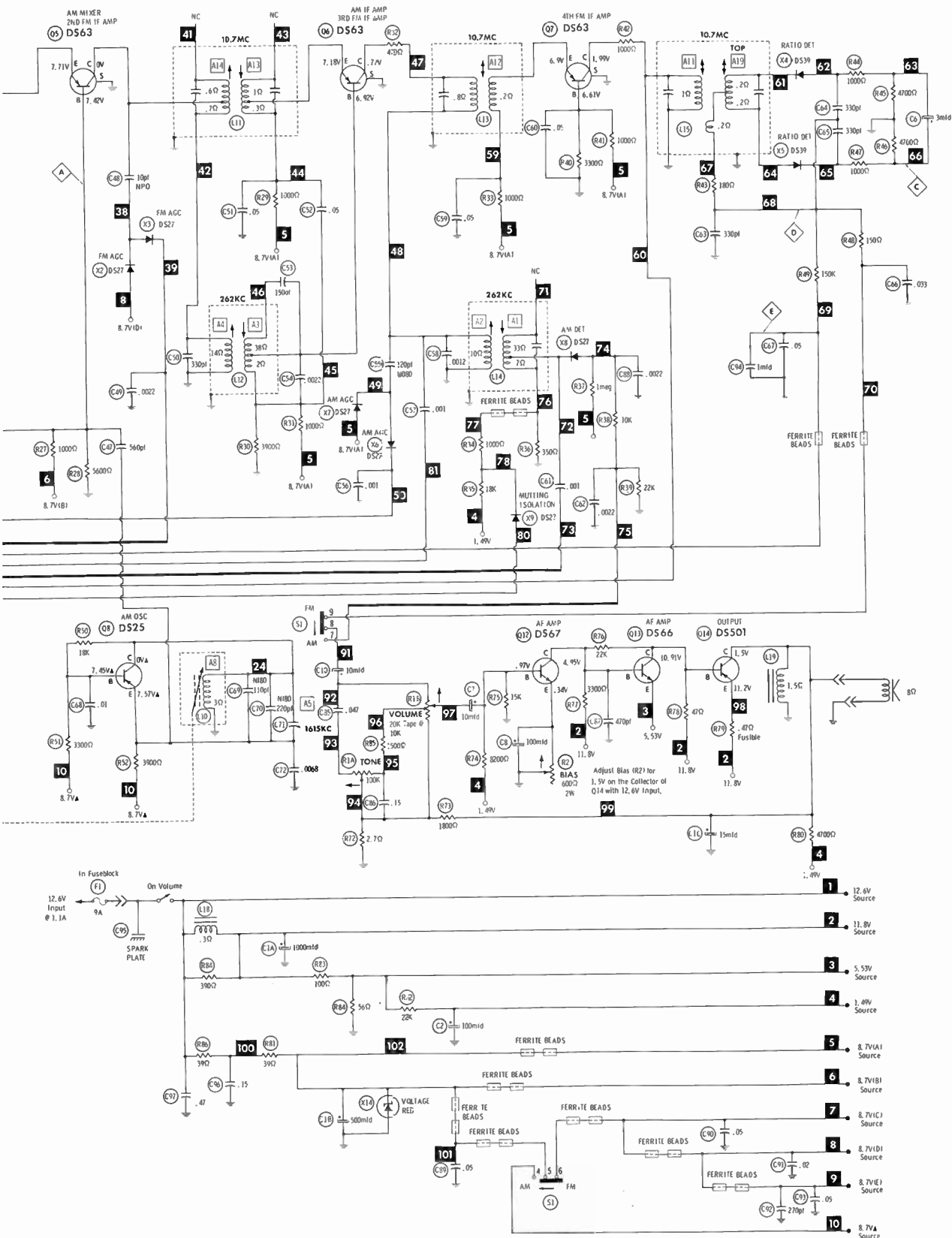
- 3 > 6 > 9 >
- 2 > 5 > 8 >
- 1 > 4 > 7 >
- S) Terminal Guide



- Measured with tuner seeking.
- Measurements taken with switching in position shown unless otherwise indicated.
- Measured with switching in "AM" position.
- Values shown in  $\Omega$  are used in some applications.
- Resistors are 1/2W or less, 10% or 20% unless otherwise indicated.
- Supply voltage maintained at rated value for measurements.
- Voltage and resistance measured with VVM or equivalent meter.
- No signal applied and controls adjusted for normal operation.
- Controls viewed from actuator end. Arrow indicates clockwise rotation.
- Numbers assigned to terminals may not be found on the unit.
- Transistor resistances vary widely. No resistance measurements taken.

A PHOTOFACT STANDARD NOTATION SCHEMATIC  
with **CIRCUITRACE**  
© Howard W. Sams & Co., Inc. 1970





CHRYSLER MODELS 2884 287/289/847

# PARTS LIST AND DESCRIPTION (CONTINUED)

(When ordering parts, state Model, Part Number, and Description.)

Replacement parts shown may be superseded by the availability of newly introduced replacements.  
Have your local distributor check Sams COUNTER FACTS\* for the most up-to-date replacement.

## CAPACITORS

ITEM No.	RATING	REMARKS	REPLACEMENT DATA						
			AEROVOX PART No.	CENTRALAB PART No.	CORNELL-DUBILIER PART No.	ELMENCO PART No.	MALLORY PART No.	SPRAGUE PART No.	
C21		#7293221							
C22	2 NPO		NPO-DI 2.2	DTZ-2R2	NP02P2			CN0522	10TCC-V22
C23	.0022		GPD X5F222K	DD-222	GP2200		CCD-222	GP222	10TS-D22
C24	270		GPD X5F271K	DD-271	GP270		CCD-271	GP327	5GA-T27
C25		#7291003							
C26	56 NPO			TCZ-56			CCT0-560	CN0456	10TCC-Q56
C27	10 NPO		NPO-DI 10	DTZ-10	NP010		CCT0-100	CN0410	10TCC-Q10
C28	1 NPO		NPO-DI 1.0	TCZ-1				CN0510	10TCC-V10
C29	4.7 N750			DTN-5	N5		CCTN-050	CN8547	10TCU-V47
C30	1 NPO		NPO-DI 1.0	TCZ-1				CN0510	10TCC-V10
C31	270		GPD X5F271K	DD-271	GP270		CCD-271	GP327	5GA-T27
C32	8.2		NPO-DI 8.2		NP08P2				10TCC-V82
C33		#7292611							
C34	270		GPD X5F271K	DD-271	GP270		CCO-271	GP327	5GA-T27
C35	270		GPD X5F271K	DD-271	GP270		CCD-271	GP327	5GA-T27
C36	270		GPD X5F271K	DD-271	GP270		CCD-271	GP327	5GA-T27
C37	.0022		GPD X5F222K	DD-222	GP2200		CCD-222	GP222	10TS-D22
C38	.0022		GPD X5F222K	DD-222	GP2200		CCD-222	GP222	10TS-D22
C39		#7283618							
C40	.1		TTP-1	CK-104				TA010	TG-P10
C41	.05		TTP-05	CK-503	MGP05		CCD-503	TA150	TG-L-S50
C42		#7298201							
C43	200 N750		N750-DI 200	DTN-200			CCTN201	CN7320	10TCU-T20
C44	.0033 75V		D8E6D33*						
C45	.02		TTP-02	CK-203	MGP02		CCD-203	TA120	TG-S20
C46	.07		TTP-05	CK-503	MGP05		CCD-503	TA150	TG-L-S50
C47	560		GPD X5F561K	DD-561	GP560		CCD-561	GP356	10TS-T56
C48	10 NPO		NPO-DI 10	DTZ-10	NP010		CCT0-100	CN0410	10TCC-Q10
C49	.0022		GPD X5F222K	DD-222	GP2200		CCD-222	GP222	10TS-D22
C50	330 5%		ADM-15-331	CPR-330J	CD15FD331J03		DM-10-301J	SX330	1FM-333
C51	.05		TTP-05	CK-503	MGP05		CCD-503	TA150	TG-L-S50
C52	.05		TTP-05	CK-503	MGP05		CCD-503	TA150	TG-L-S50
C53	150 5%		ADM-10-151	CPR-150J	CD15FD151J03		DM-10-151J	SX315	MS-315
C54	.0022		GPD X5F222K	DD-222	GP2200		CCD-222	GP222	10TS-D22
C55	120 N080						*	*	10TCW-T12
C56	.001		GPD X5F102K	DM-102	GP1000		CCD-102	SM210	2SS-D10
C57	.001		GPD X5F102K	DM-102	GP1000		CCD-102	SM210	2SS-D10
C58	.0012 5%		ADM-19-122	CPR-1200J			DM-15-122J	SX212	MS-212
C59	.05		TTP-05	CK-503	MGP05		CCD-503	TA150	TG-L-S50
C60	.05		TTP-05	CK-503	MGP05		CCD-503	TA150	TG-L-S50
C61	.001		GPD X5F102K	DM-102	GP1000		CCD-102	TA150	TG-L-S50
C62	.0022 75V		D8E6D22	CPR-2200J	6022		6DP-1-222	PVC6222	6PS-D22
C63	330		GPD X5F331K	DD-331	GP330		CCD-331	GP333	10TS-T33
C64	330		GPD X5F331K	DD-331	GP330		CCD-331	GP333	10TS-T33
C65	330		GPD X5F331K	DD-331	GP330		CCD-331	GP333	10TS-T33
C66	.033		TTP-03	CK-303			CCD-303	GP130	TG-S30
C67	.05		TTP-05	CK-503	MGP05		CCD-503	TA150	TG-L-S50
C68	.01		TTP-01	CK-103	MGP01		CCO-103	TA110	TG-S10
C69	110 N180						*	*	
C70	220 N180						*	*	
C71		#7282165							
C72	.0068 75V		D8E6D68	CPR-6800J	WMF1D68		1DP-1-682	PVC4268	6PS-D68
C73	.01		TTP-01	CK-103	MGP01		CCD-103	TA110	TG-S10
C74	.0022		GPD X5F222K	DD-222	GP2200		CCD-222	GP222	10TS-D22
C75	.0047		TTP-005	CK-502	MGP005		CCD-502	TA250	TG-D50
C76	.001		GPD X5F102K	DM-102	GP1000		CCO-102	SM210	2SS-D10
C77	.001		GPD X5F102K	DM-102	GP1000		CCD-102	SM210	2SS-D10
C78	1.5 NPO		NPO-DI 1.5	DTZ-1R5	NP01P5			CN0515	10TCC-V15
C79	56 NPO			TCZ-56			CCT0-56	CN0456	10TCC-Q56
C80	.05		TTP-05	CK-503	MGP05		CCD-503	TA150	TG-L-S50
C81	.001		GPD X5F102K	DM-102	GP1000		CCD-102	SM210	2SS-D10
C82	.05		TTP-05	CK-503	MGP05		CCD-503	TA150	TG-L-S50
C83	.047 75V		V1612S47		DPMS6S47		1DP-2-473	PVC1147	225P47391WD3
C84	.0047 75V		D8E6D5	CPR-5000J	DPMS6D5		1DP-1-502	PVC625	6PS-D50
C85	.047 75V		V1612S47		DPMS6S47		1DP-2-473	PVC1147	225P47391WD3
C86	.15 75V		D8E6P15		DPMS4P15		40P-4-154	PVC6015	4PS-P15
C87	470		GPD X5F471K	DD-471	GP470		CCD-471	GP347	10TS-T47
C88	.0022		GPD X5F222K	DD-222	GP2200		CCD-222	GP222	10TS-D22
C89	.05		TTP-05	CK-503	MGP05		CCD-503	TA150	TG-L-S50
C90	.05		TTP-05	CK-503	MGP05		CCD-503	TA150	TG-L-S50
C91	.02		TTP-02	CK-203	MGP02		CCD-203	TA120	TG-S20
C92	270		GPD X5F271K	DD-271	GP270		CCD-271	GP327	5GA-T27
C93	.05		TTP-05	CK-503	MGP05		CCD-503	TA150	TG-L-S50
C94	1 3V			UK-105				MAG31	HY-135
C95		#7271564							
C96	.15 75V		D8E6P15		DPMS4P15		4DP-4-154	PVC6015	4PS-P15
C97	.47 75V		D8E2P47		DPMS2P47		1DP-4-504	PVC105	2PS-P50

\* Not normally in distributor's stock. Available thru distributor on order to manufacturer.  
# Delco Part Number

## PARTS LIST AND DESCRIPTION (CONTINUED)

*(When ordering parts, state Model, Part Number, and Description.)*

Replacement parts shown may be superseded by the availability of newly introduced replacements.  
Have your local distributor check Sams COUNTER FACTS\* for the most up-to-date replacement.

### CONTROLS (All wattages 1/2 watt, or less, unless listed)

ITEM No.	FUNCTION	RESIST-ANCE	REPLACEMENT DATA				
			MFGR. PART No.	CENTRALAB PART No.	CLAROSTAT PART No.	CTS-IRC PART No.	MALLORY PART No.
R1A B	Tone Volume/Switch	100K 20K Tap @ 10K	7307212	F2-100K,R16-25K, BC112,SC004, FFS200,RFS208, KR-4		* QJ-2643A	P15A,5134, SH5250,RU24T14, OX2000,IS2500, US41
R2	Bias	600 2W	7294878 (7307217)(1)	V-600	U39-600	110-600	MR850T

\* "CONCENTRIKIT" Equivalent: K8 Kit with Base Elements & Shafts: B13-128,P13-200 (Panel),B19-119X,R9-211 (Rear), S28 (Bushing), N3 (Spacer Nut), 76-1 (Switch)  
"SNAPTROL" Equivalent: BU10 (2), CF52, CR68TT (3), SF45, SR52, N3, GC.  
(1) Used in some versions. (2) Alter Bushing to meet requirements. (3) Do not use 5000-ohm tap.

### RESISTORS (Power and Special)

ITEM No.	RATING	REPLACEMENT DATA		
		IRC PART No.	WORKMAN PART No.	MFGR. PART No.
R79	.47 (Fusible)			7281890

ITEM No.	RATING	REPLACEMENT DATA		
		IRC PART No.	WORKMAN PART No.	MFGR. PART No.

### COILS (RF-IF)

ITEM No.	USE	REPLACEMENT DATA			
		PART No.	MEISSNER PART No.	MILLER PART No.	WORKMAN PART No.
L1	FM Antenna	(1)			
L2	FM RF	(1)			
L3	FM IF Trap (.18 uh)	7291800			
L4	FM Osc	(1)			
L5	FM Input IF	7292791			
L6	RF Choke (8uh)	7309299	19-1009	4611	T822
L7	AM Antenna	(1)			
L8	FM Interstage IF	7291358			
L9	AM RF	(1)			
L10	AM Osc	(1)			
L11	FM Interstage IF	7291359			
L12	AM Input IF	7288144		8005	
L13	FM Interstage IF	7291360			
L14	AM Output IF	7293318			
L15	Ratio Detector	7294335			
L16	RF Trigger IF	7287612			
L17	RF Choke (100uh)	7294747	19-3100	6112	T341

(1) Part of M1

### FILTER CHOKE

ITEM No.	RATINGS			REPLACEMENT DATA					NOTES
	CURRENT (Measured)	DC RES.	INDUCTANCE (0 CURRENT 1000~)	PART No.	MERIT PART No.	STANCOR PART No.	THORDARSON PART No.	TRIAD PART No.	
L18	1.1 Amp	.6	8mh	1221623	C-4095	TC-2	TR-154	TY17XT	

CHRYSLER MODELS 2884 287/289/847

## PARTS LIST AND DESCRIPTION (CONTINUED)

*(When ordering parts, state Model, Part Number, and Description.)*

Replacement parts shown may be superseded by the availability of newly introduced replacements.  
Have your local distributor check Sams COUNTER FACTS for the most up-to-date replacement.

### CHOKE (Audio Output)

ITEM No.	INDUCTANCE	REPLACEMENT DATA					NOTES
		PART No.	MERIT PART No.	STANCOR PART No.	THORDARSON PART No.	TRIAD PART No.	
L19	35mh	7296712					

### SPEAKER

ITEM No.	TYPE	REPLACEMENT DATA		NOTES
		PART No.	QUAM PART No.	
	8 PM			Available from Chrysler Dealer

### FUSE DEVICES

ITEM No.	DESCRIPTION	REPLACEMENT DATA						
		PART No.		BUSS PART No.		LITTELFUSE PART No.		WORKMAN PART No.
		DEVICE	HOLDER	DEVICE	HOLDER	DEVICE	HOLDER	DEVICE
F1	SFE 9 Amp		In Fuse Block	SFE 9		307009		

### MISCELLANEOUS

ITEM No.	PART NAME	PART No.	NOTES
K1	Relay	7295713	
M1	Tuner Coil Assembly	7298186	
M2	Solenoid	1221409	
S1	Switch, Selector	7296365	
S2	Switch, Sensitivity	7308162	Model 287
		7311170	Model 289
S3	Switch, Solenoid	7268030	
S4	Switch, Start		
S5	Switch, Relay	7293447	

### CABINETS & CABINET PARTS (When ordering specify model, chassis & color)

ITEM	PART No.	ITEM	PART No.
Dial Drum, Model 287	7308214	Dial Glass	7306959
Dial Drum, Model 289	7308775	Dial Pointer	7306972
Escutcheon, Model 287	7308163	Push Button	7306688
Escutcheon, Model 289	7308205		

NOTE: Obtain knobs from Chrysler Dealer.

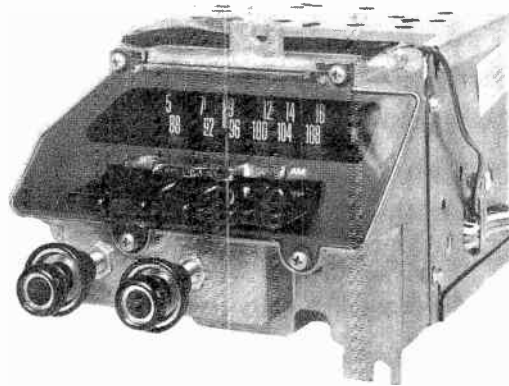


# PHOTOFACT<sup>®</sup> with

# CIRCUITRACE<sup>®</sup>

For Supplier Address See PHOTOFACT Index

NOTE: Manufacturer Part Numbers Shown Are BENDIX



FORD MODEL 9FBF  
(69 GALAXIE)

## ALIGNMENT INSTRUCTIONS

Check for specified source voltage.  
Use only enough generator output  
to provide a usable indication.

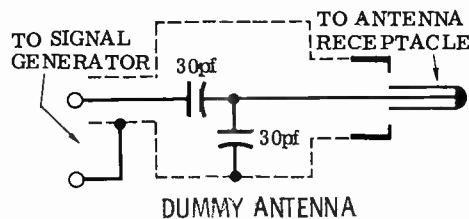
Suggested Alignment Tools: GENERAL CEMENT # WALSCO #  
A1 thru A4, A11 thru A22 .. 9300,9296,9297.. 2510,2546,2547  
A5, A6, A7, A23,A24, A25 .. 8290,8868,9087.. 2525,2528,2587

### PUSH-BUTTON ADJUSTMENT

1. Pull button out.
2. Tune manually to desired station.
3. Press button in firmly.
4. Repeat for remaining buttons.

	GENERATOR COUPLING	GENERATOR FREQUENCY	RADIO DIAL SETTING	INDICATOR	ADJUST	REMARKS
1.	High side thru .1mfd to point <b>A</b> , low side to ground.	262.5KC 400 cycle modulation	High freq. end stop.	Output meter across voice coil.	A1,A2, A3,A4	Adjust for maximum.
2.	Thru dummy antenna to antenna input.	1605KC	"	"	A5,A6, A7	"
Step 3 is not necessary unless tuner or associated components have been disturbed. If necessary, back tuning cores (A8,A9,A10) out of coils but not out of forms. Repeat Step 2.						
3.	Thru dummy antenna to antenna input.	1000KC	Tune to signal	Output meter across voice coil	A8,A9, A10	Adjust for maximum. Repeat Steps 2 and 3 until no further improvement is noted

With radio installed in car and antenna extended 33", tune in a weak station near 1400KC and adjust A7 for maximum output. Antenna adjustment (A7) is located lower Front Right Corner.



FORD MODEL 9FBF

**HOWARD W. SAMS & CO., INC.** Indianapolis, Indiana 46206

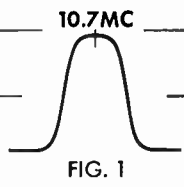
© 1970 Howard W. Sams & Co., Inc. Printed in U. S. of America

TD646

## ALIGNMENT INSTRUCTIONS (Continued)

### FM IF ALIGNMENT USING AM SIGNAL GENERATOR—SELECTOR IN FM POSITION

High side of generator thru .001mfd to point $\diamond B$ , low side to ground.					
GENERATOR FREQUENCY	RADIO DIAL SETTING	INDICATOR	ADJUST	REMARKS	
4.	10.7MC Unmodulated	Point of non-interference	DC probe of VTVM to point $\diamond C$ , common to ground.	A11 Thru A21	Adjust for maximum.
5.	"	"	DC probe of VTVM to point $\diamond D$ , common to ground.	A22	Adjust for zero reading. A positive or negative reading will be obtained on either side of the correct setting.

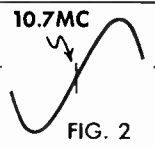


### FM IF ALIGNMENT USING FM SIGNAL GENERATOR—SELECTOR IN FM POSITION

High side of generator thru .001mfd to point $\diamond B$ , low side to ground. Use only enough marker signal for indication. Use 60 cycle frequency modulated signal with 450KC sweep. Use 60 cycle sawtooth voltage in scope for horizontal deflection.					
GENERATOR FREQUENCY	RADIO DIAL SETTING	INDICATOR	ADJUST	REMARKS	
4.	10.7MC 450KC Sweep	Point of non-interference	Vert. amp of scope to point $\diamond C$ , low side to ground.	A11 Thru A21	Adjust for maximum gain and symmetry of response similar to Fig. 1 with marker as shown.
5.	"	"	Vert. amp of scope to point $\diamond D$ , low side to ground.	A22	Adjust A 22 (secondary) to place marker at center of "S" curve similar to Fig. 2. Readjust A 11 (primary) for maximum amplitude and straightness of line.

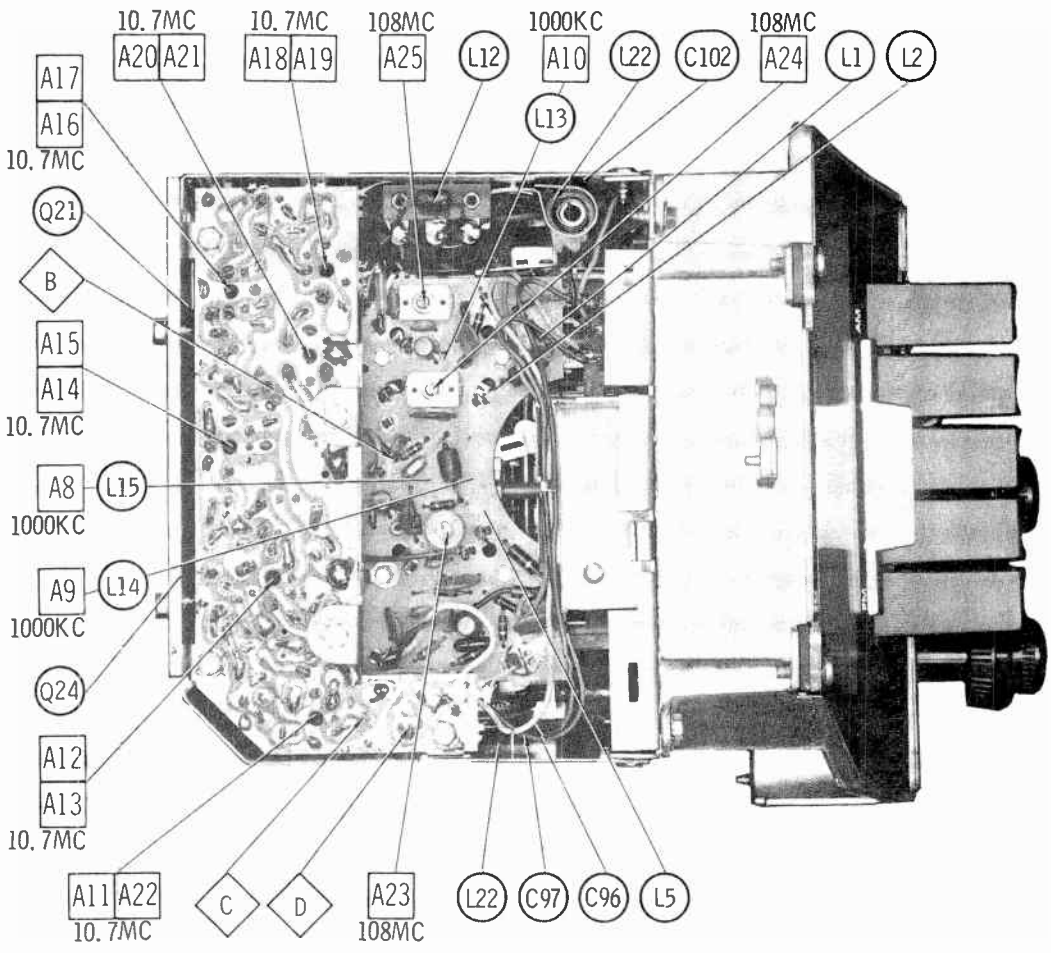
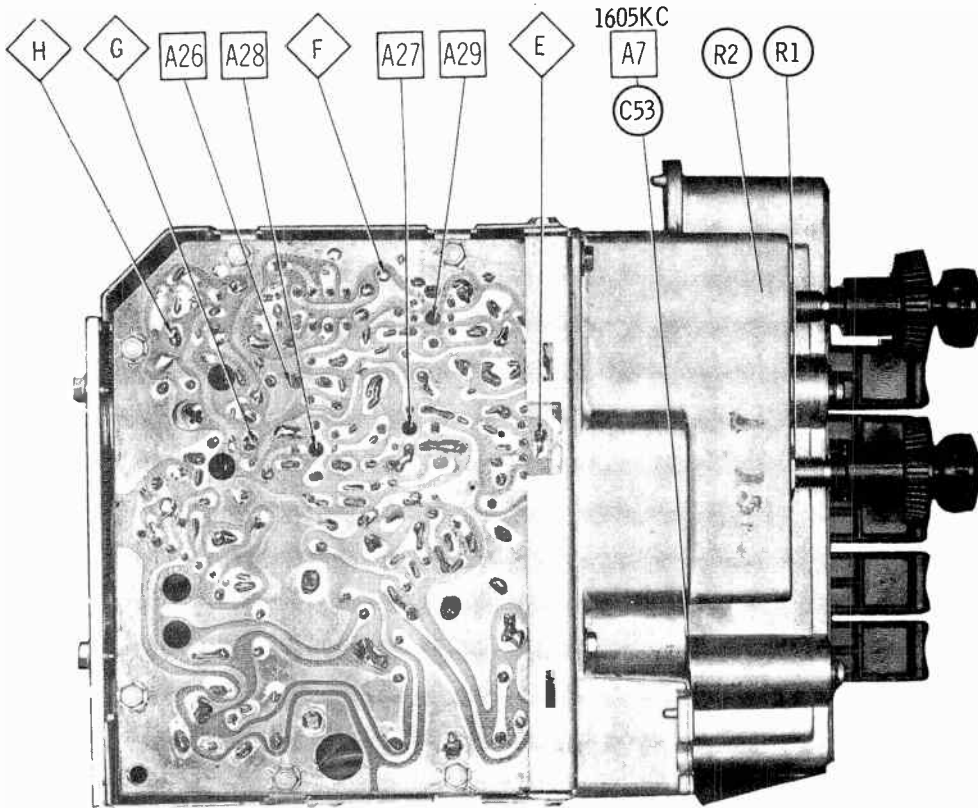
### FM RF ALIGNMENT—SELECTOR IN FM POSITION

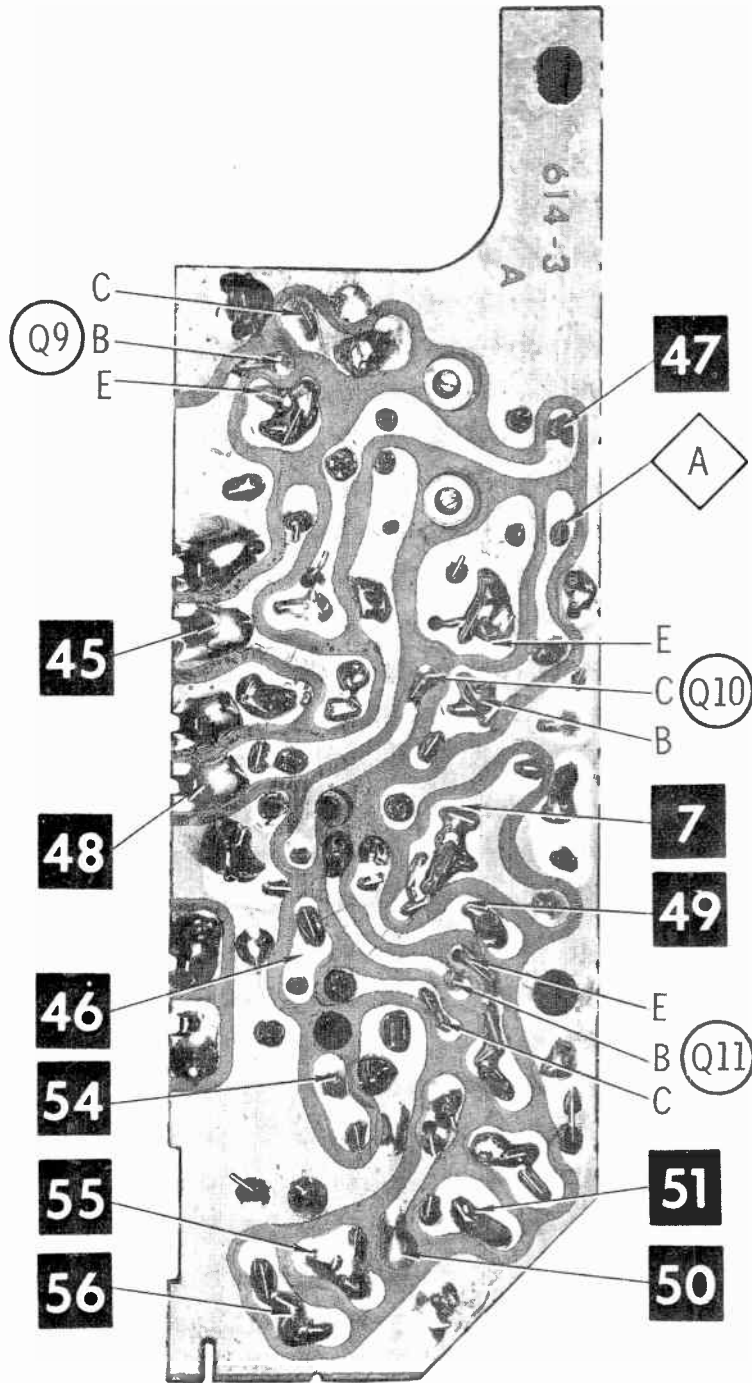
Connect generator across antenna terminals with 120-ohm carbon resistor in series with each lead.					
GENERATOR FREQUENCY	RADIO DIAL SETTING	INDICATOR	ADJUST	REMARKS	
6.	108.5MC	High freq. end	DC probe of VTVM to point $\diamond C$ , common to ground.	A23 A24 A25	Adjust for maximum.



### FM STEREO MULTIPLEX ALIGNMENT USING FM STEREO SIGNAL GENERATOR ( $\pm .0001\%$ ACCURACY)

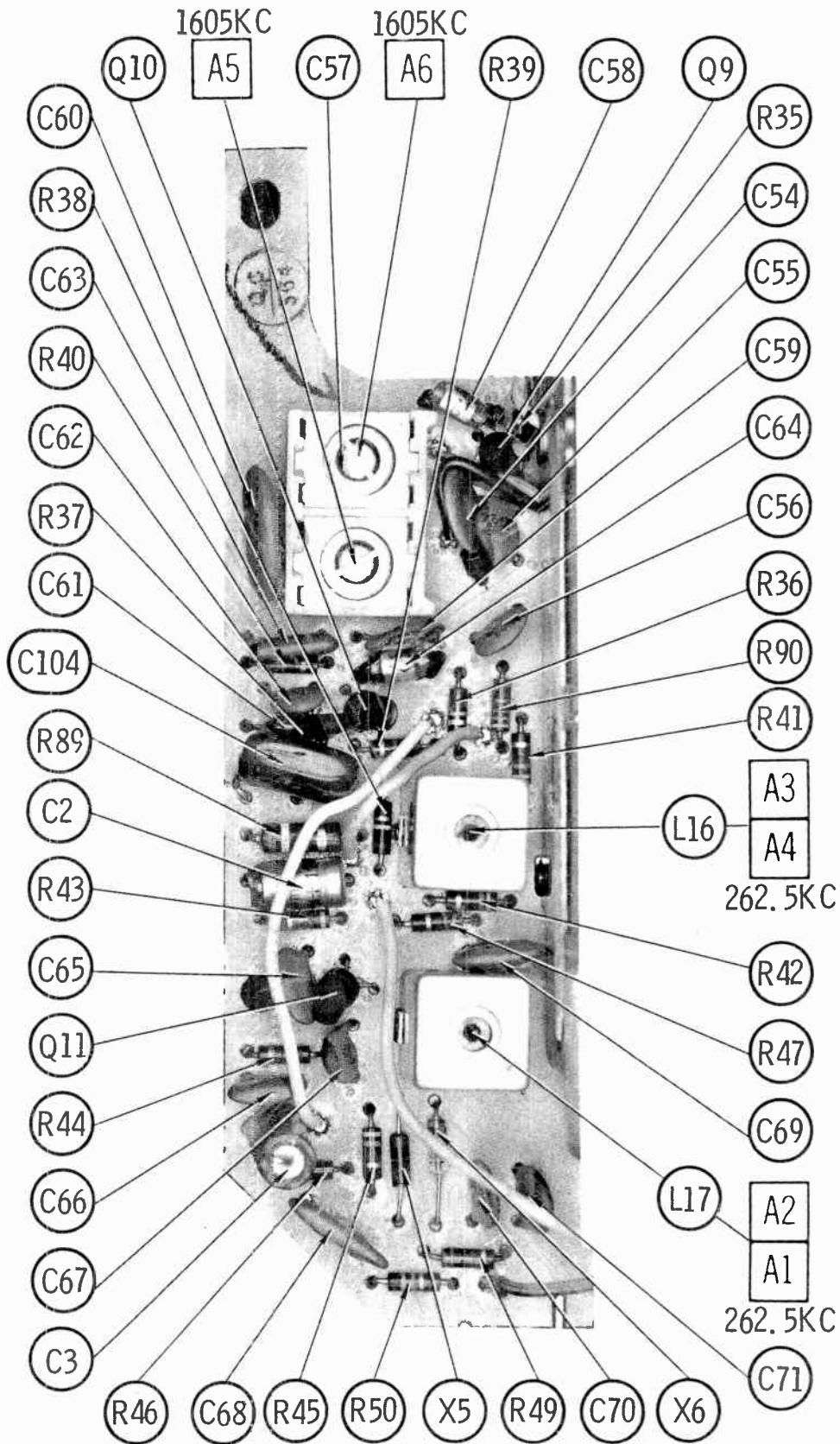
High side of generator thru 47K to point $\diamond E$ , low side to ground.				
GENERATOR FREQUENCY	INDICATOR	ADJUST	REMARKS	
7.	75KC	Vert. amp of scope thru 47K to point $\diamond F$ , low side to ground.	A26	Adjust for MINIMUM
8.	19KC	Vert. amp of scope thru 47K to point $\diamond G$ , low side to ground.	A27 A28, A29	Adjust for maximum.
9.	Modulated Left Channel	Vert. amp of scope to point $\diamond H$ , low side to ground.	A27, A28 A29, R3	Adjust for MINIMUM. This step should require only slight adjustment.
10.	Modulated Right Channel	Vert. amp of scope to point $\diamond J$ , low side to ground		Check for MINIMUM. If necessary make compromise adjustment of A27, A28, A29, R3.

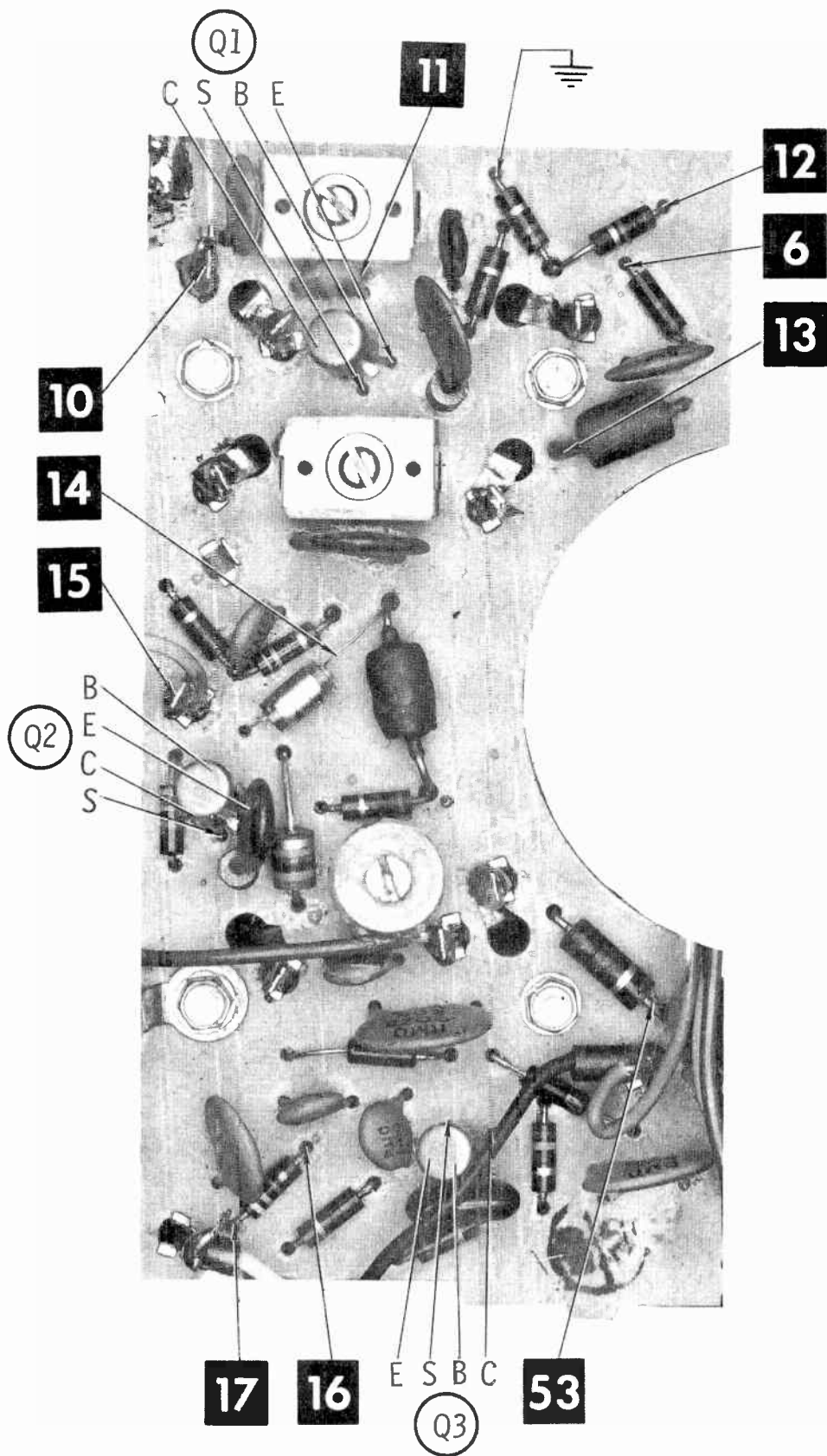




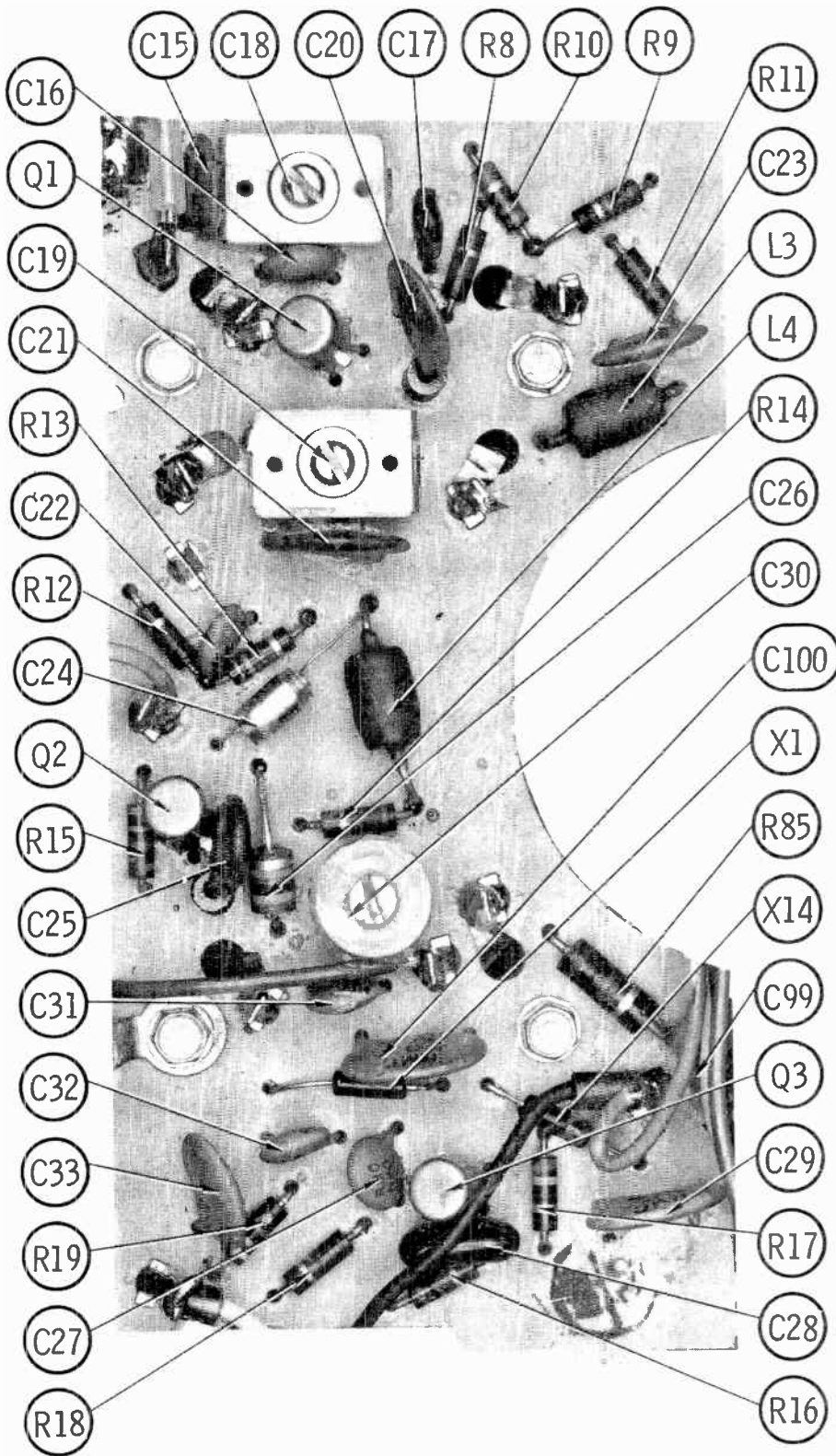
A Howard W. Sams **CIRCUITRACE** Photo

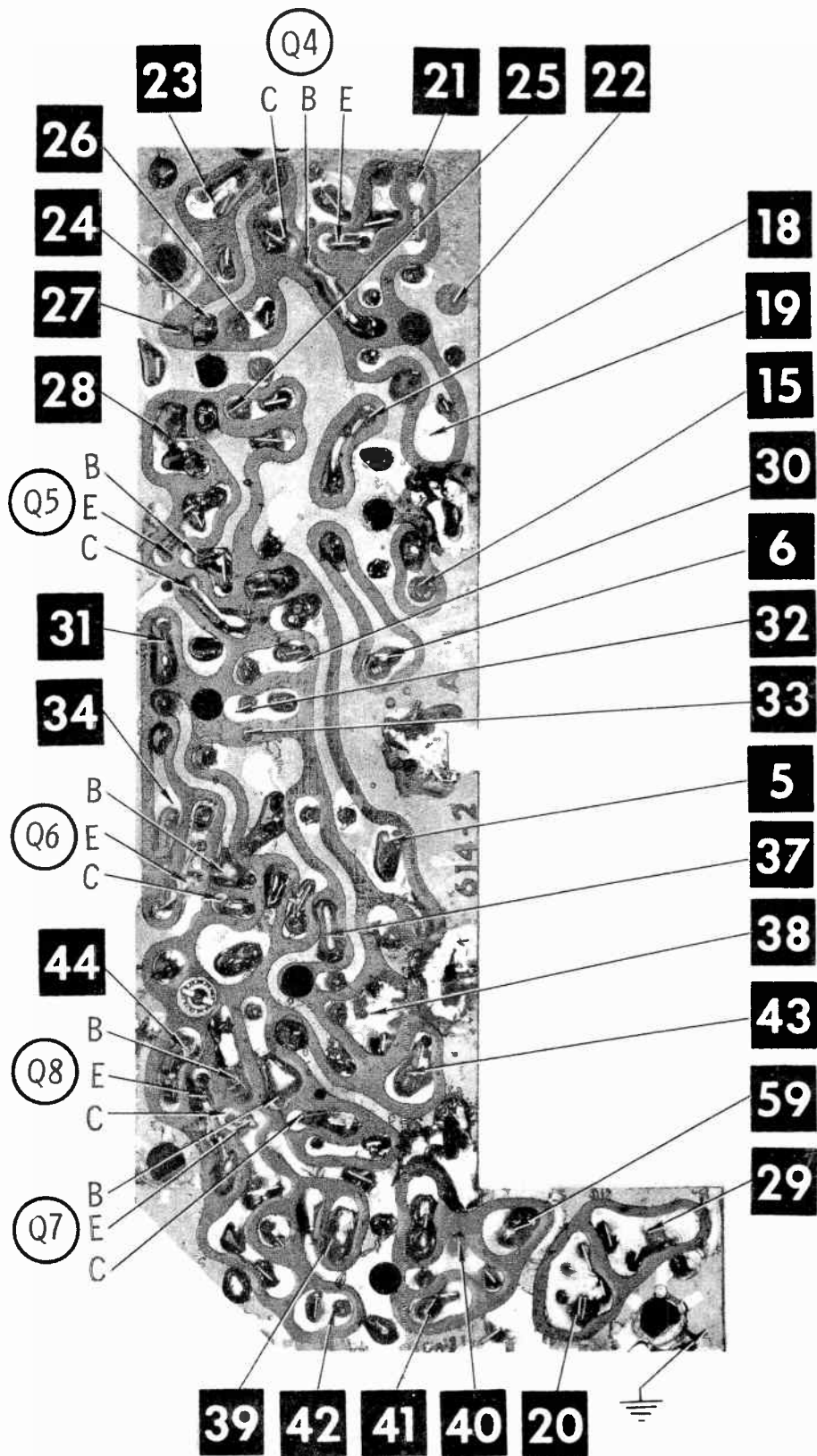




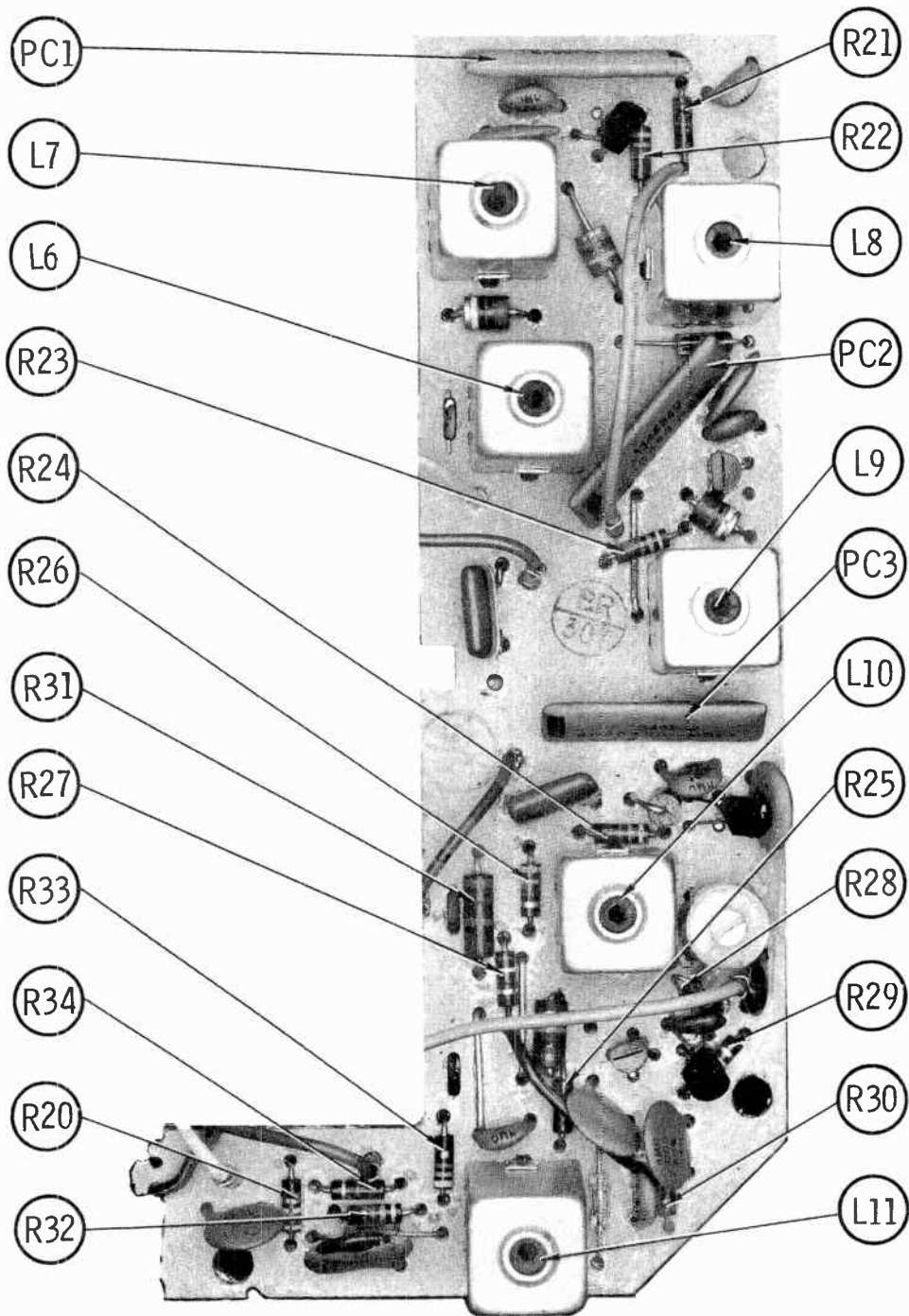


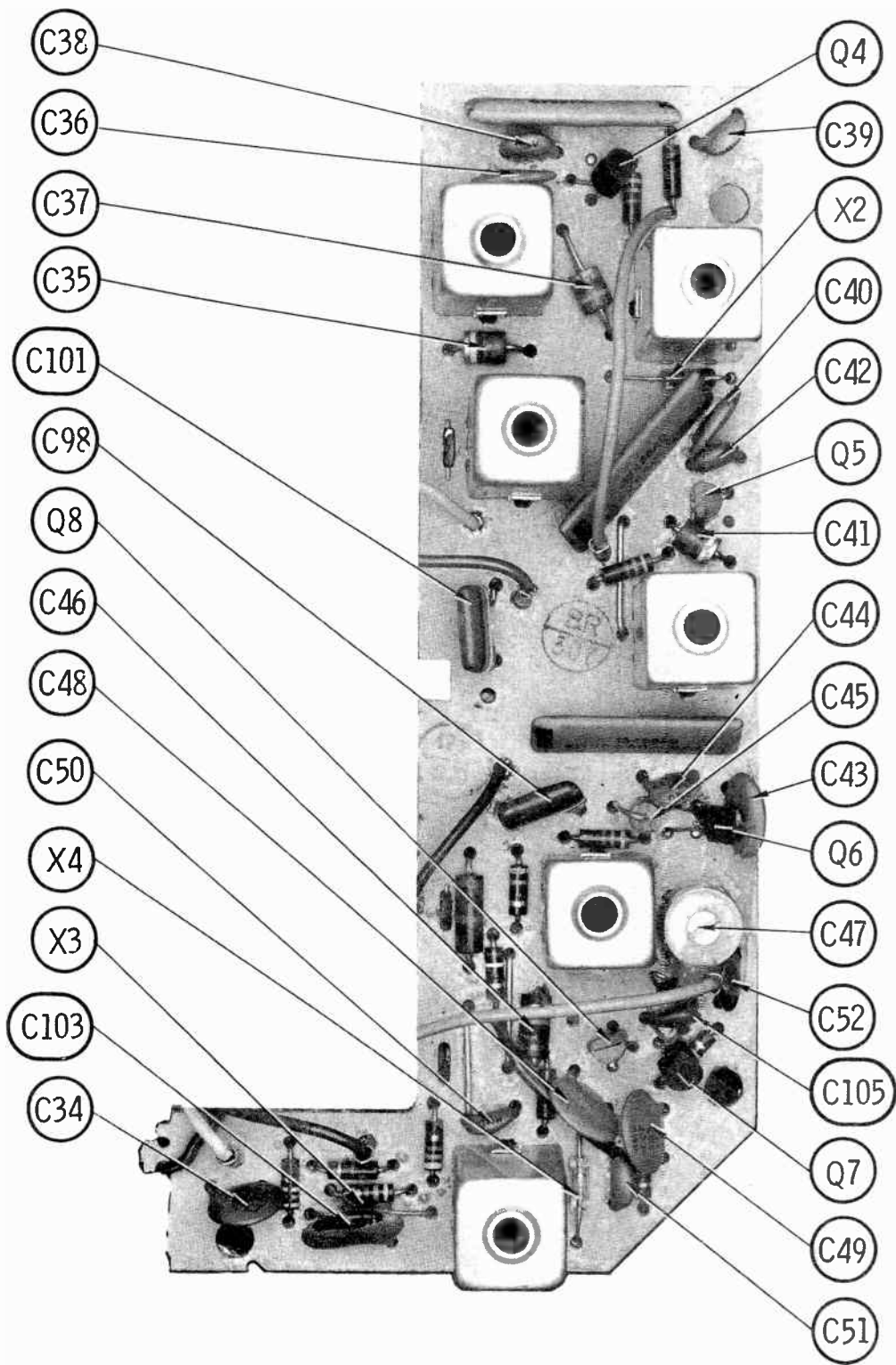
A Howard W. Sams **CIRCUITRACE** Photo

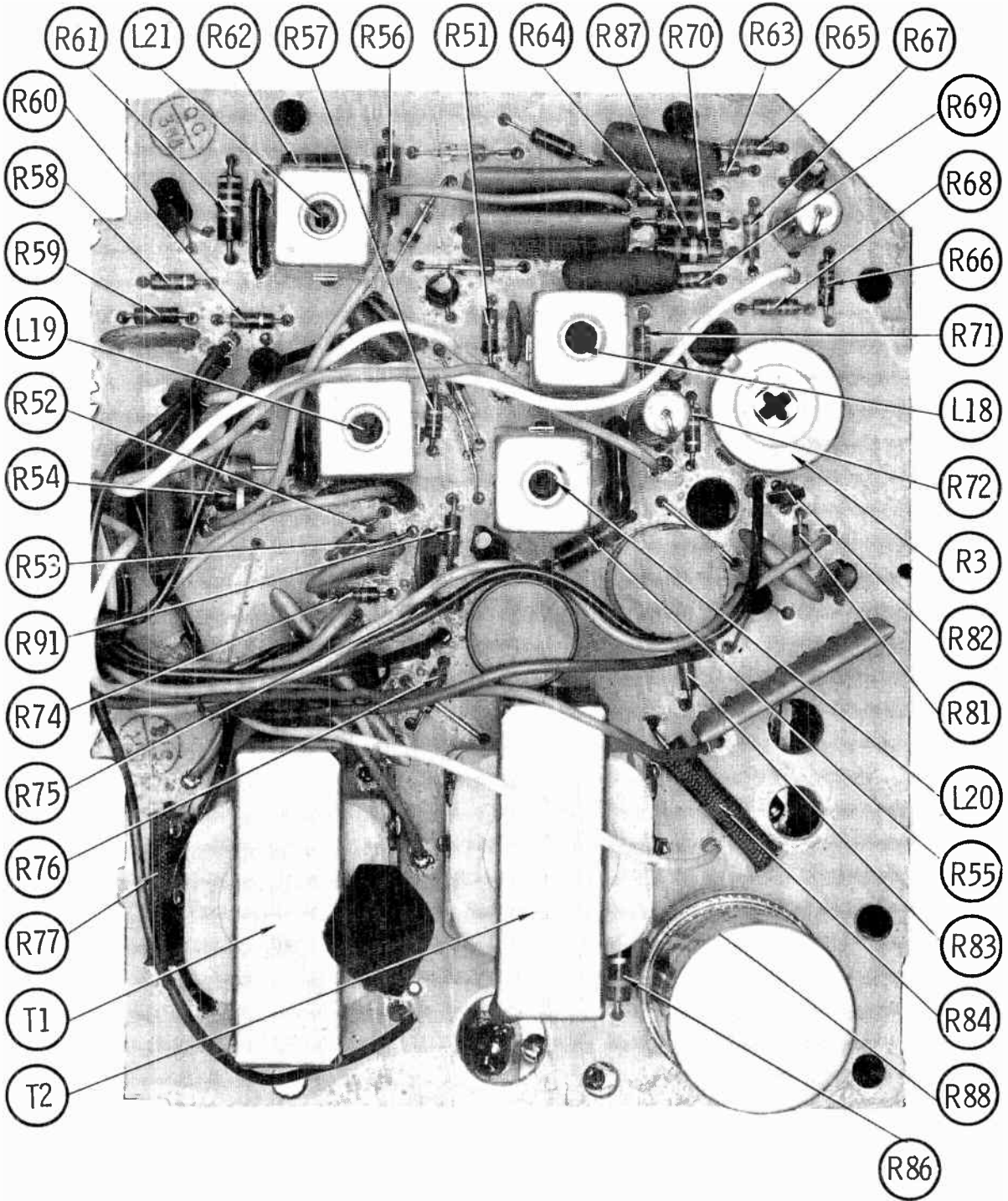


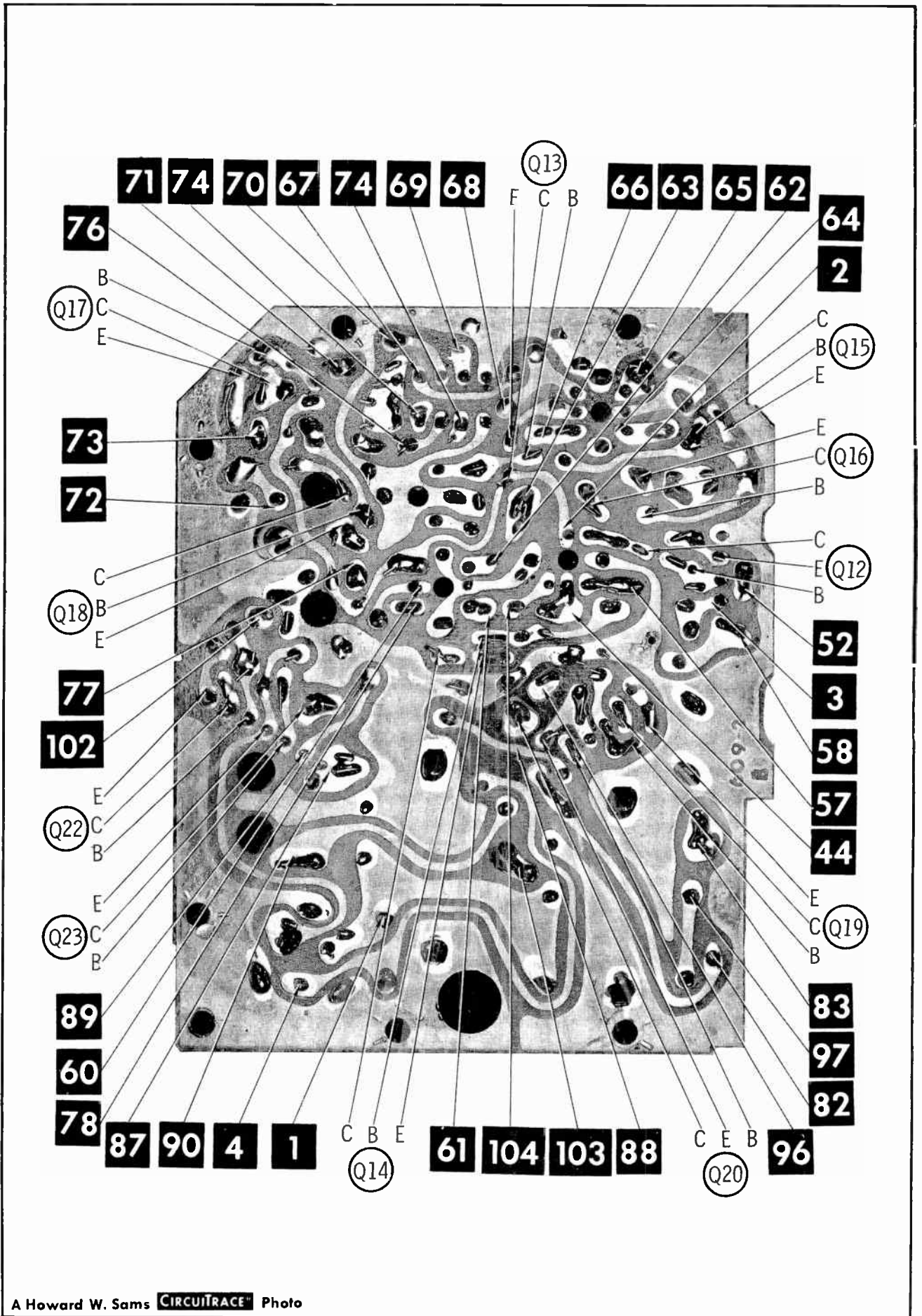


A Howard W. Sams **CIRCUITRACE** Photo



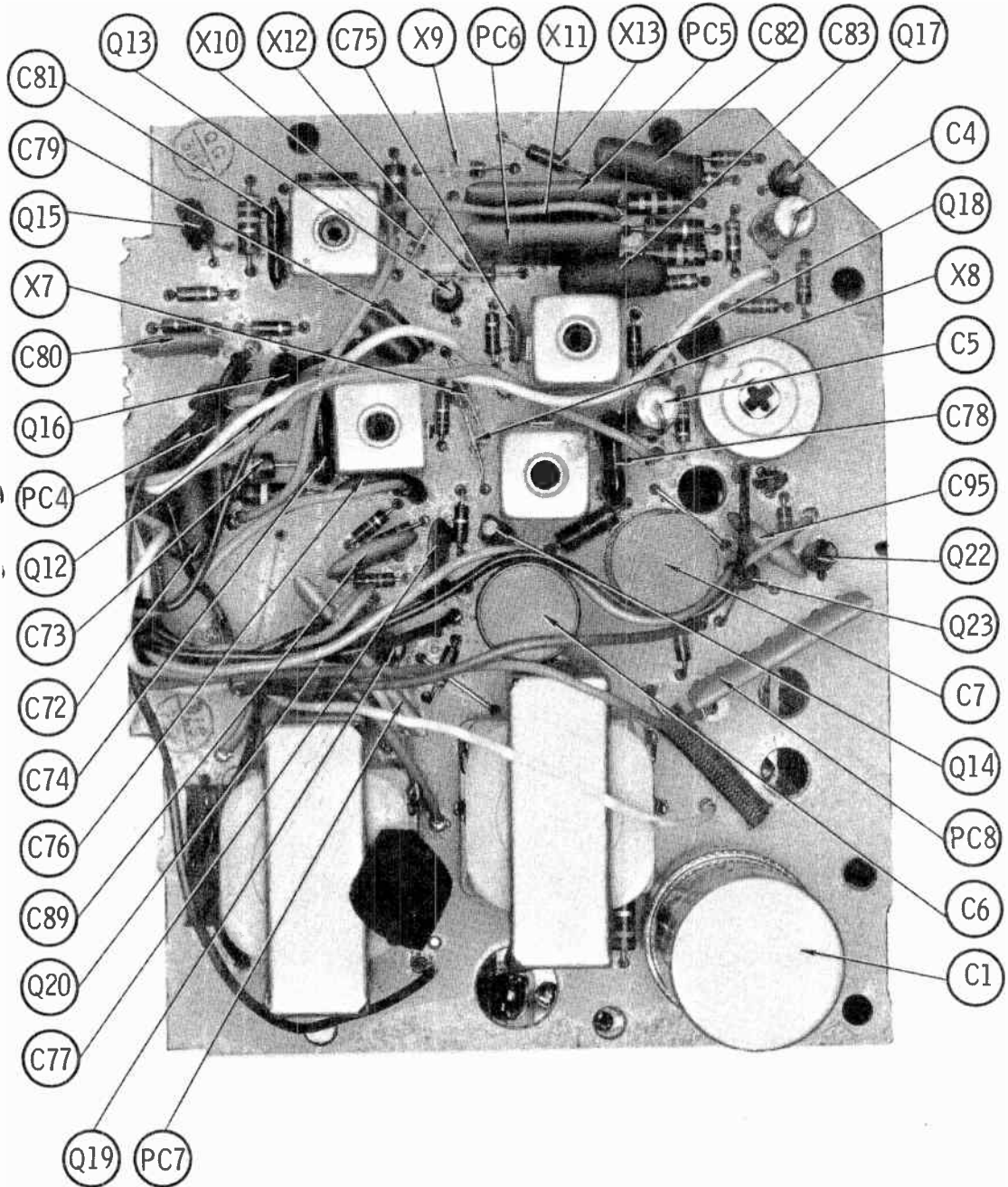


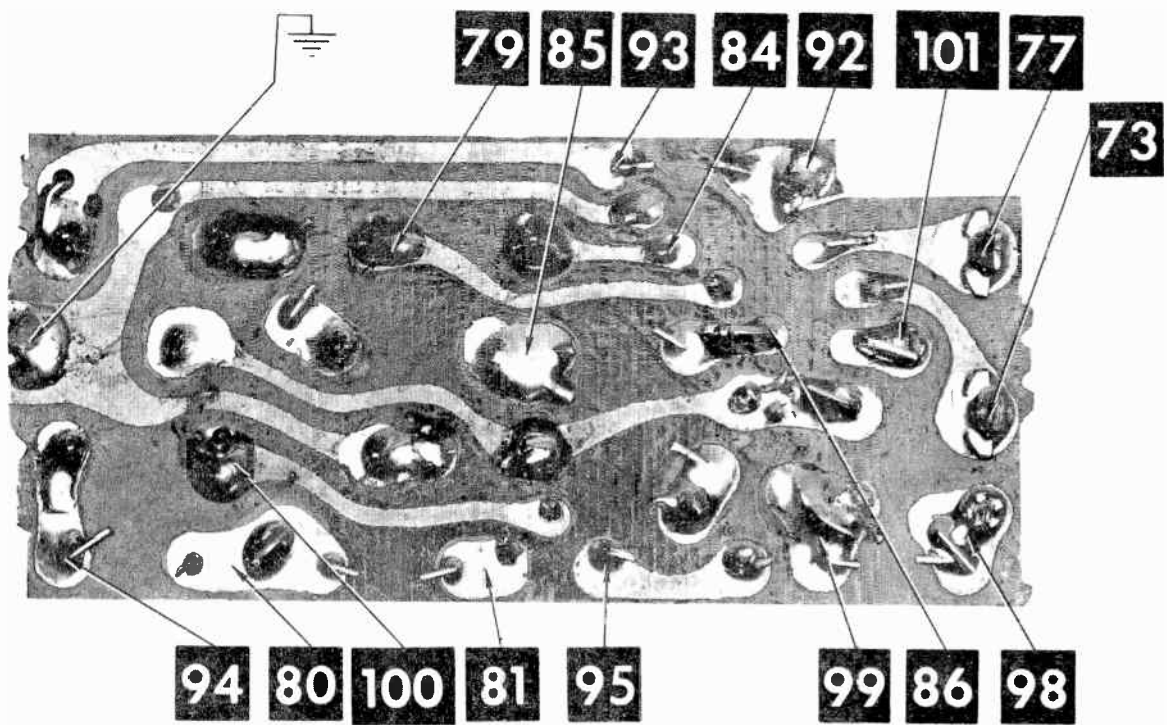
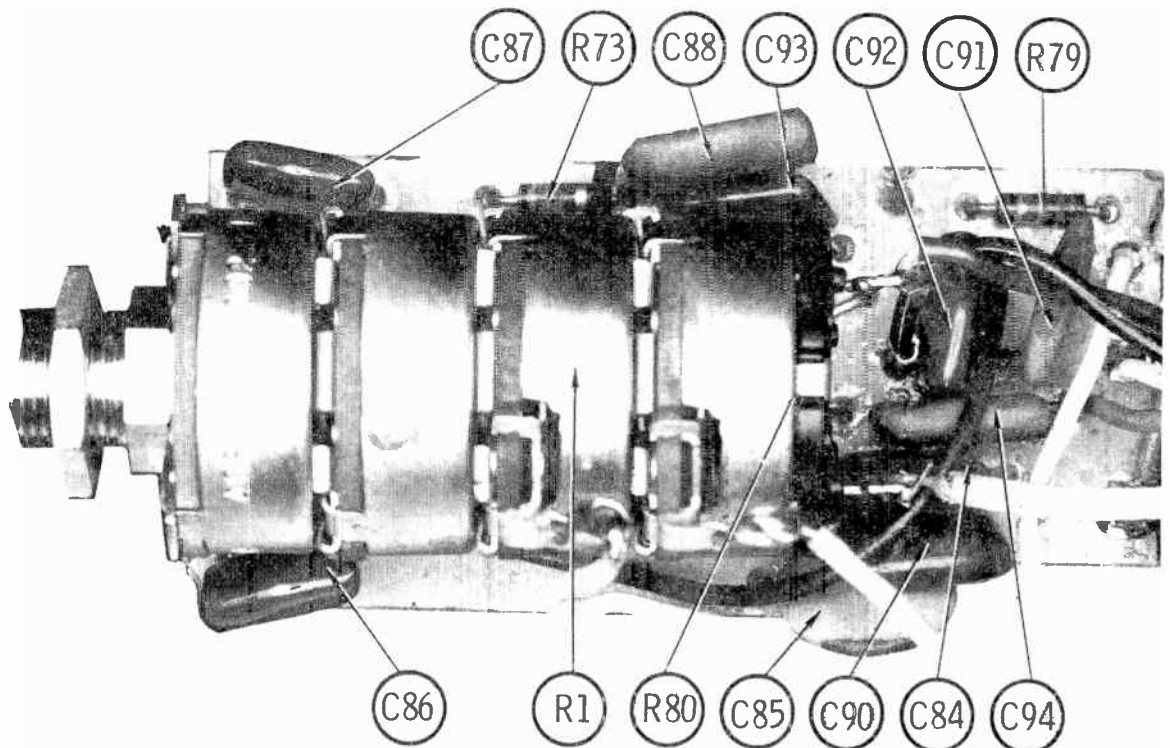




A Howard W. Sams **CIRCUITRACE** Photo







A Howard W. Sams **CIRCUITRACE** Photo

# PARTS LIST AND DESCRIPTION

(When ordering parts, state Model, Part Number, and Description.)

Replacement parts shown may be superseded by the availability of newly introduced replacements.  
Have your local distributor check Sams COUNTER FACTS for the most up-to-date replacement.

## TRANSISTORS

ITEM No.	TYPE No.	FUNCTION	REPLACEMENT DATA					
			MFG. PART No.	GENERAL ELECTRIC PART No.	INTERNATIONAL RECTIFIER PART No.	MOTOROLA PART No.	RCA PART No.	SYLVANIA PART No.
Q1		FM RF Amp	2092417-0711	GE-17	TR-22	HEP55	SK3018	ECG 108
Q2		FM Mixer	2092417-0712	GE-17	TR-22	HEP55	SK3018	ECG 108
Q3		FM Oscillator	2092417-0713	GE-17	TR-22	HEP55	SK3018	ECG 108
Q4		1st FM IF Amp	2092418-0717	GE-17	TR-22	HEP55	SK3018	ECG 108
Q5		2nd FM IF Amp	2092418-0716	GE-17	TR-22	HEP55	SK3018	ECG 108
Q6		3rd FM IF Amp	2092418-0717	GE-17	TR-22	HEP55	SK3018	ECG 108
Q7		FM Limiter	2092418-0716	GE-17	TR-22	HEP55	SK3018	ECG 108
Q8		MPX Switch	2092418-0718	GE-20	TR-22	HEP55	SK3018	ECG 108
Q9		AM RF Amp	2093308-0704	GE-20	TR-22	HEP54	SK3018	ECG 107
Q10		AM Converter	2093308-0705	GE-20	TR-22	HEP54	SK3018	ECG 107
Q11		AM IF Amp	2093308-0706	GE-20	TR-22	HEP54	SK3018	ECG 107
Q12		MPX Input AMP	2092609-0705	GE-10	TR-21	HEP54	SK3020	ECG 123
Q13		Bandpass Amp	2092609-0707	GE-10	TR-21	HEP54	SK3020	ECG 123
Q14		19KC Amp	2092609-0707	GE-10	TR-21	HEP54	SK3020	ECG 123
Q15		38KC Amp	2057013-0004	GE-21	TR-19	HEP51	SK3020	ECG 106
Q16		Stereo Indicator Lamp Switch	2057013-0701	GE-21	TR-19	HEP51	SK3020	ECG 106
Q17		Preamp	2092609-0707	GE-10	TR-21	HEP54	SK3020	ECG 123
Q18		Preamp	2092609-0707	GE-10	TR-21	HEP54	SK3020	ECG 123
Q19		AF Amp	2092609-0705	GE-10	TR-21	HEP54	SK3020	ECG 123
Q20		AF Amp	2057013-0004	GE-21	TR-19	HEP51	SK3025	ECG 106
Q21		Output	4080879-0001	GE-28		HEP700	SK3041	ECG 152
Q22		AF Amp	2092609-0705	GE-10	TR-21	HEP54	SK3020	ECG 123
Q23		AF Amp	2057013-0004	GE-21	TR-19	HEP51	SK3025	ECG 106
Q24		Output	4080879-0001	GE-28		HEP700	SK3041	ECG 152

FORD MODEL 9FB

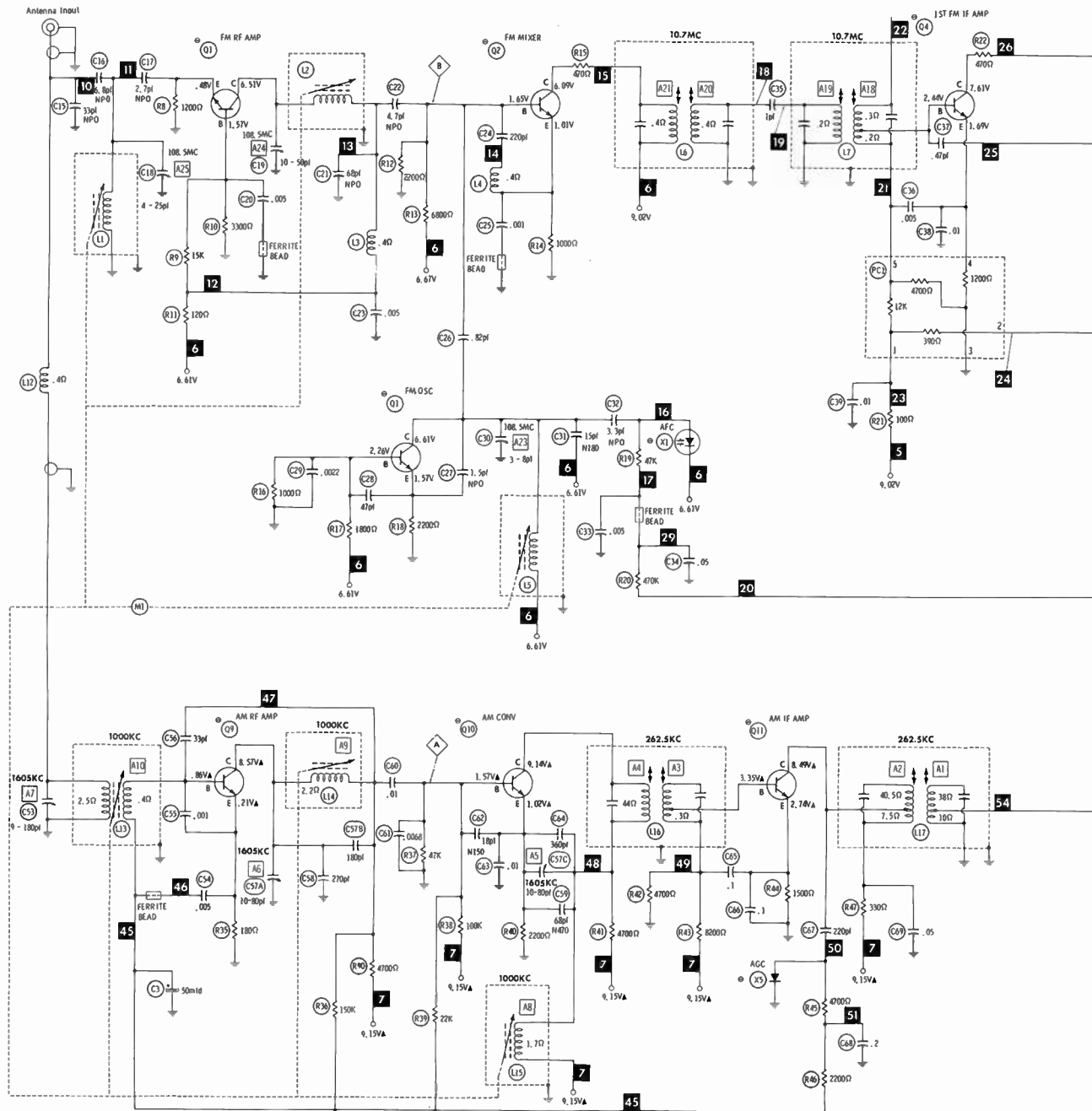
## POWER RECTIFIERS & SIGNAL DIODES

ITEM No.	MFG. PART OR TYPE No.	REPLACEMENT RECTIFIERS & DIODES			REPLACEMENT RECTIFIERS	NOTES
		GENERAL ELECTRIC PART No.	INTERNATIONAL RECTIFIER PART No.	SYLVANIA PART No.		
X1	2092055-0003					Varactor
X2	2092055-0001	1N34AS	1N34A	ECG 109		
X3	2092055-0007	1N34AS	1N34A			
X4	2092055-0007	1N34AS	1N34A	ECG 110 (1)		(1) Matched Pair.
X5	2092055-0708	1N82A	1N82A	ECG 112		
X6	2092055-0001	1N34AS	1N34A	ECG 109		
X7	2092055-0001	1N34AS	1N34A	ECG 109		
X8	2092055-0001	1N34AS	1N34A	ECG 109		
X9	2092055-0001	1N34AS	1N34A	ECG 109		
X10	2092055-0001	1N34AS	1N34A	ECG 109		
X11	2092055-0001	1N34AS	1N34A	ECG 109		
X12	2092055-0001	1N34AS	1N34A	ECG 109		
X13	2092055-0710		1ZM7.5	ECG 138		Zener
X14	2092055-0710		1ZM7.5	ECG 138		Zener

## ELECTROLYTIC CAPACITORS

ITEM No.	RATING	REPLACEMENT DATA						
		PART No.	AEROVOX PART No.	CENTRALAB PART No.	CORNELL-DUBILIER PART No.	GENERAL ELECTRIC PART No.	MALLORY PART No.	SPRAGUE PART No.
C1A	500 16V	2092983-0709	PWH3-00-95.1		CC0018A			PCL-3026.18
8	500 16V							
C	500 16V							
C2	20 16V	2090480-0718	CRE461A	EA15-25	AL25-16	MT1-10	MTA25020	TL-1157
C3	50 8V	2093667-0711	CRE467A	EA15-50	AL50-16	MT1-16	MTA50E15	TE-1133
C4	2 16V	2093667-0713	CRE751A	EA15-2	AL2-50	MT1-1	MTA2050	TE-1149
C5	2 16V	2093667-0713	CRE751A	EA15-2	AL2-50	MT1-1	MTA2040	TE-1149
C6	1000 6V	2090480-0720	PRS1230		WBR1000-16		TC610A	TL-1111
C7	1000 6V	2090480-0720	PRS1230		WBR1000-16		TC610A	TL-1111

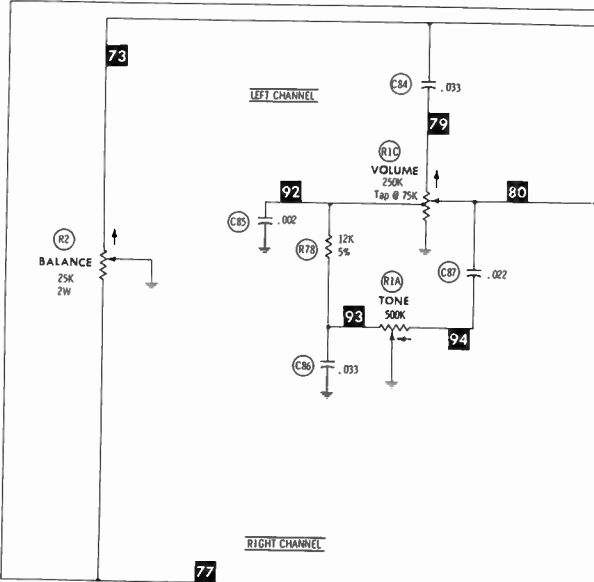
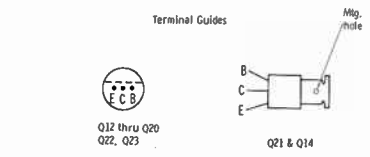
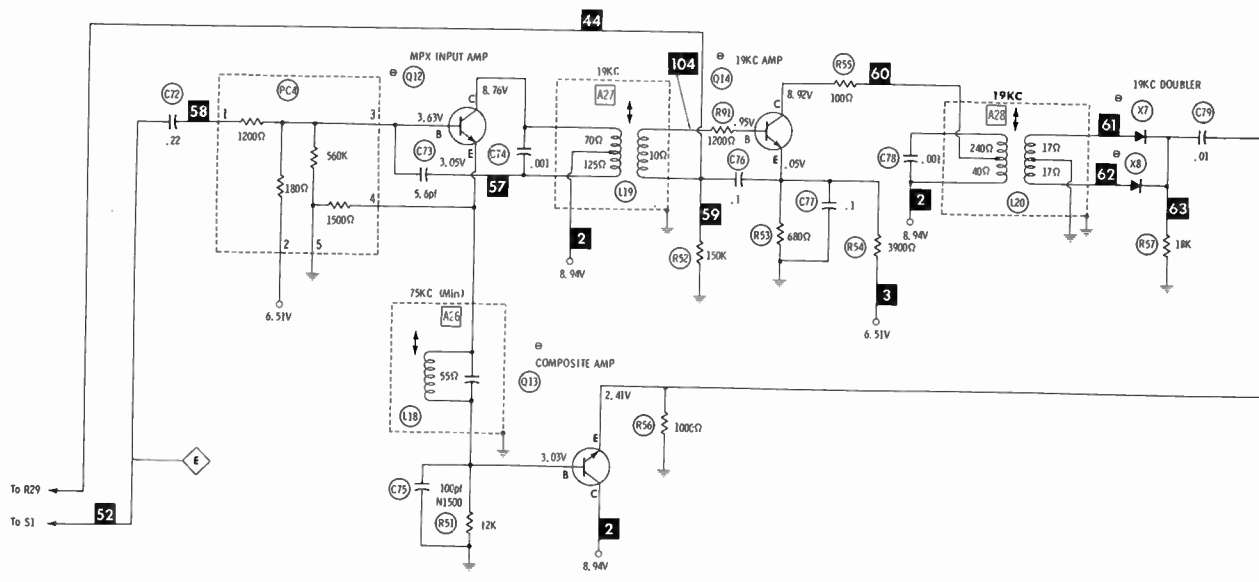
( CONTINUED ON PAGE 78



- See parts list.
- Measurements taken with switching in position shown unless otherwise indicated.
- ▲ Measured with switching in "AM" position.
- Resistors are 1/2W or less, 10% or 20% unless otherwise indicated.
- Supply voltage maintained at rated value for measurements.
- Voltage and resistance measured with VTVM or equivalent meter, no signal applied and controls adjusted for normal operation.
- Controls viewed from actuator end. Arrow indicates clockwise rotation.
- Numbers assigned to terminals may not be found on the unit.
- Transistor resistances vary widely. No resistance measurements taken.

A PHOTOFACIT STANDARD NOTATION SCHEMATIC  
with **CircuitRACE**  
© Howard W. Sams & Co., Inc. 1970

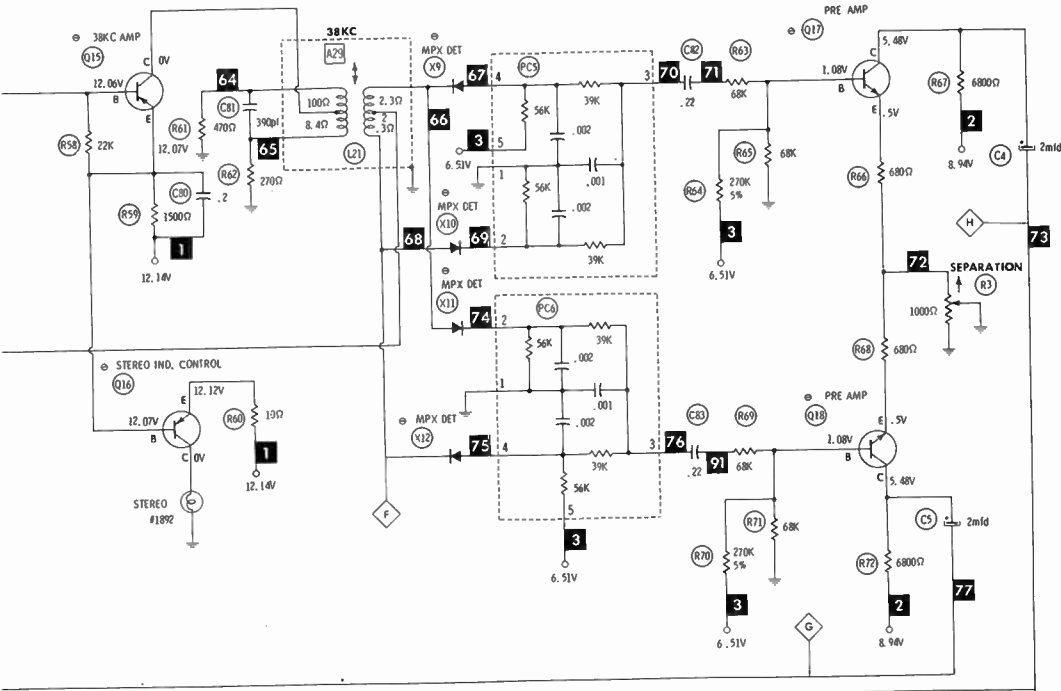




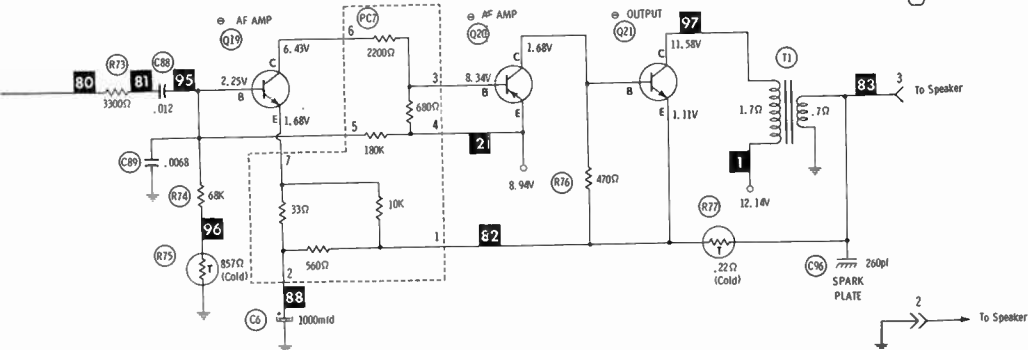
See parts list.  
 Measurements taken with switching in position shown unless otherwise indicated.  
 Resistors are 1/2W or less, 10% or 20%, unless otherwise indicated.  
 Supply voltage maintained at rated value for measurements.  
 Voltage and resistance measured with VTVM or equivalent meter, no signal applied and controls adjusted for normal operation.  
 Controls viewed from actuator end. Arrow indicates clockwise rotation.  
 Numbers assigned to terminals may not be found on the unit.  
 Transistor resistances vary widely. No resistance measurements taken.

A PHOTOFAC STANDARD NOTATION SCHEMATIC  
 with **CIRCUITRACE**  
 © Howard W. Sams & Co., Inc. 1970

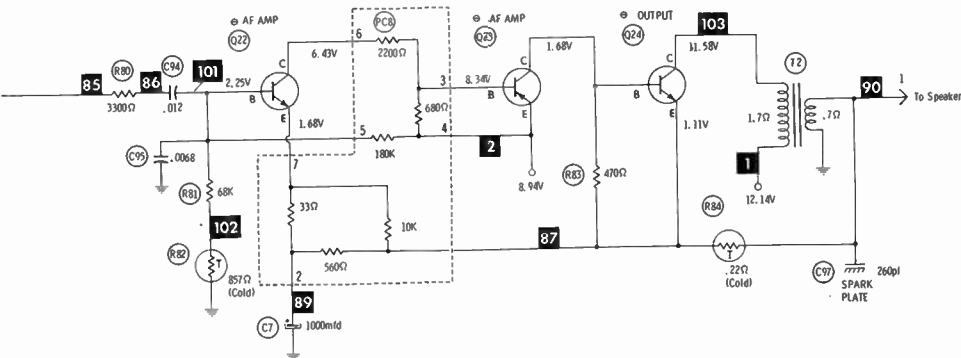
REFER TO PAGES 74-75 FOR AM-FM PORTION



LEFT CHANNEL



RIGHT CHANNEL



FORD MODEL 9FBF

# PARTS LIST AND DESCRIPTION (CONTINUED)

*(When ordering parts, state Model, Part Number, and Description.)*

Replacement parts shown may be superseded by the availability of newly introduced replacements.  
Have your local distributor check Sams COUNTER FACTS for the most up-to-date replacement.

## CAPACITORS

ITEM No.	RATING		REMARKS	REPLACEMENT DATA						
				AEROVOX PART No.	CENTRALAB PART No.	CORNELL-DUBILIER PART No.	ELMENCO PART No.	MALLORY PART No.	SPRAGUE PART No.	
C15	33	NPO	#2093115-0707 #2093115-0706	NPO-DI 33	DTZ-33	NP033	CCT0-330	CN0433	10TCC-Q33	
C16	6.8	NPO		NPO-DI 6.8	DTZ-6R8	NP06P8		CN0568	10TCC-V68	
C17	2.7	NPO		NPO-DI 3.0					10TCC-V30	
C18	4-25		#2093231-2828	TTP-005	CK-502	MGP005	CCD-502	TA250	TG-D50	
C19	10-50			NPO-DI 68	DTZ-68	CX601 CG680K	CCT0-680	CN0468	10TCC-Q68	
C20	.005			NPO-DI 4.7	DTZ-4R7	NP04P7		CN0547	10TCC-V47	
C21	68	NPO		TTP-005	CK-502	MGP005	CCD-502	TA250	TG-D50	
C22	4.7	NPO		GPD X5F102K	CPR-220J	CD10E221K500	DM-10-221J	SX322	MS-322	
C23	.005			DM-102		GP1000	CCD-102	SM210	2SS-D10	
C24	220			NPO-DI 1.5	DTZ-1R5	NP01P5		CN0515	10TCC-V15	
C25	.001			ADM-10-470	CPR-47J	CD10E470K500	DM-10-470J	SX447	MS-447	
C26	.82pf			GPD X5F222K	DD-222	GP2200	CCD-222	GP222	10TS-D22	
C27	1.5	NPO		#2094703-0701	NPO-DI 3.3	DTZ-3R3	NP03P3	*	* CN0533	10TCP-T18
C28	47	NPO			TTP-005	CK-502	MGP005	CCD-502	TA250	10TCC-V33
C29	.0022		TTP-05		CK-503	MGP05	CCD-503	TA150	TG-D50	
C30	3-8		NPO-DI 1.0		TCZ-1			CN0510	10TCC-V10	
C31	15	N180	TTP-005		CK-502	MGP005	CCD-502	TA250	TG-D50	
C32	3.3	NPO	TTP-01		CK-103	MGP01	CCD-103	TA110	TG-S10	
C33	.005		TTP-01		CK-103	MGP01	CCD-103	TA110	TG-S10	
C34	.05		TTP-005		CK-502	MGP005	CCD-502	TA250	TG-D50	
C35	1		NPO-DI 1.0		TCZ-1			CN0510	10TCC-V10	
C36	.005		TTP-01		CK-103	MGP01	CCD-103	TA110	TG-S10	
C37	.47pf		TTP-01	CK-103	MGP01	CCD-103	TA110	TG-S10		
C38	.01		TTP-005	CK-502	MGP005	CCD-502	TA250	TG-D50		
C39	.01		NPO-DI 1.0	TCZ-1			CN0510	10TCC-V10		
C40	.005		TTP-01	CK-103	MGP01	CCD-103	TA110	TG-S10		
C41	1.2		TTP-005	CK-502	MGP005	CCD-502	TA250	TG-D50		
C42	.01		NPO-DI 1.0	TCZ-1			CN0510	10TCC-V10		
C43	.005		TTP-01	CK-103	MGP01	CCD-103	TA110	TG-S10		
C44	.01		TTP-005	CK-502	MGP005	CCD-502	TA250	TG-D50		
C45	1.2		TTP-01	CK-103	MGP01	CCD-103	TA110	TG-S10		
C46	.12pf		NPO-DI 1.0	TCZ-1			CN0510	10TCC-V10		
C47	4-20		#2093231-2128 #2094703-0706	TTP-005	CK-502	MGP005	CCD-502	TA250	TG-D50	
C48	.005			TTP-01	CK-103	MGP01	CCD-103	TA110	TG-S10	
C49	.01			TTP-01	CK-103	MGP01	CCD-103	TA110	TG-S10	
C50	.01			TTP-005	CK-502	MGP005	CCD-502	TA250	TG-D50	
C51	.005			GPD X5F331K	DD-331	GP330	CCD-331	GP333	10TS-T33	
C52	330			TTP-005	CK-502	MGP005	CCD-502	TA250	TG-D50	
C53	9-180			TTP-005	CK-502	MGP005	CCD-502	TA250	TG-D50	
C54	.005			GPD X5F102K	DM-102	GP1000	CCD-102	SM210	2SS-D10	
C55	.001			NPO-DI 33	DTZ-33	NP033	CCT0-330	CN0433	10TCC-Q33	
C56	33			#2092422-0717	TTP-01	CK-103	MGP01	CCD-103	TA110	TG-S10
C57a	10-80				TTP-01	CK-103	MGP01	CCD-103	TA110	TG-S10
C57b	180				TTP-005	CK-502	MGP005	CCD-502	TA250	TG-D50
C57c	10-80		GPD X5F331K		DD-331	GP330	CCD-331	GP333	10TS-T33	
C58	270		TTP-01		CK-103	MGP01	CCD-103	TA110	TG-S10	
C59	68	N470	TTP-01		CK-103	MGP01	CCD-103	TA110	TG-S10	
C60	.01		TTP-005		CK-502	MGP005	CCD-502	TA250	TG-D50	
C61	.0068	100V	GPD X5F331K		DD-331	GP330	CCD-331	GP333	10TS-T33	
C62	18	N150	TTP-01		CK-103	MGP01	CCD-103	TA110	TG-S10	
C63	.01	100V	V1612S1		CPR-1000J	DPMS6S1	1DP-1-103	PVC211	10TCP-Q15	
C64	360		TTP-1	CK-104	CD15FD361J03	DM-10-361J	SX336	225P10391WD3		
C65	.1		TTP-1	CK-104			TA010	MS-336		
C66	.1		TTP-1	CK-104			TA010	TG-P10		
C67	220		GPD X5F221K	DD-221	GP220	CCD-221	GP322	TG-P10		
C68	.2		TTP-05	UK20-204	HCZ3R0XR224P		MAG12022	10TS-T22		
C69	.05		GPD X5F102K	CK-503	MGP05	CCD-503	TA150	HY-470		
C70	.001		GPD X5F102K	DM-102	GP1000	CCD-102	SM210	TGL-S50		
C71	.001		GPD X5F102K	DM-102	GP1000	CCD-102	SM210	2SS-D10		
C72	.22	25V	DBE6P22	DM-102	GP1000	CCD-102	SM210	2SS-D10		
C73	5.6				DPMS4P22	4DP-5-224	PVC4022	4PS-P22		
C74	.001							10TCC-V56		
C75	100	N1500		CPR-1000J	CD19F102J500	DM-19-102J	SX210	424ME1001J501		
C76	.1		TTP-1	TCL-100		*	CN15-310	10TCW-T10		
C77	.1		TTP-1	CK-104			TA010	TG-P10		
C78	.001			CK-104			TA010	TG-P10		
C79	.1	100V	DBE2P1	CPR-1000J	C019F102J500	DM-19-102J	SX210	424ME1001J501		
C80	.2				DPMS2P1	1DP-2-104	PVC101	225P10491WD3		
C81	390			UK20-204	HCZ3R0XR224P		MAG12022	HY-470		
C82	.22	25V	ADM-15-391	CPR-390J	CD15F391K500	DM-10-391J	SX339	MS-339		
C83	.22	25V	DBE6P22		DPMS4P22	4DP-5-224	PVC4022	4PS-P22		
C84	.033	100V	DBE6P22		DPMS6S33	4DP-5-224	PVC4022	4PS-P22		
C85	.002		DBE6S33		DPMS6S33	4DP-2-333	PVC6133	4PS-S33		
C86	.033	100V	GPD X5F202K	DM-202	GP2000	CCD-202	GP220	2SS-D20		
C87	.022	100V	DBE6S33		DPMS6S33	4DP-2-333	PVC6133	4PS-S33		
C88	.012	25V	V1612S22		DPMS6S22	1DP-1-223	PVC1122	225P22391WD3		
C89	.0068		V1612S15	DD-153	DPMS6S15	1DP-1-153	PVC2115	225P15391WD3		
C90	.033	100V	GPD X5R682K	DD-6 82	GP6800	CCD-682	GP268	5GA-D68		
C91	.002		DBE6S33		DPMS6S33	4DP-2-333	PVC6133	4PS-S33		
C92	.033	100V	GPD X5F202K	DM-202	GP2000	CCD-202	GP220	2SS-D20		
C93	.022	100V	DBE6S33		DPMS6S33	4DP-2-333	PVC6133	4PS-S33		
C94	.012	100V	V1612S22		DPMS6S22	1DP-1-223	PVC1122	225P22391WD3		
C95	.0068		V1612S15	DD-153	DPMS6S15	1DP-1-153	PVC2115	225P15391WD3		
			GPD X5R682K	DD-682	GP6800	CCD-682	GP268	5GA-D68		



## PARTS LIST AND DESCRIPTION (CONTINUED)

*(When ordering parts, state Model, Part Number, and Description.)*

Replacement parts shown may be superseded by the availability of newly introduced replacements.  
Have your local distributor check Sams COUNTER FACTS for the most up-to-date replacement.

### CAPACITORS (cont)

ITEM No.	RATING	REMARKS	REPLACEMENT DATA						
			AEROVOX PART No.	CENTRALAB PART No.	CORNELL-DUBILIER PART No.	ELMENCO PART No.	MALLORY PART No.	SPRAGUE PART No.	
C96	260	#2093050-0710							
C97	260	# 2093050-0710							
C98	.01	75V	V1612S1	CPR-10000J	DPMS6S1	1DP-1-103	PVC211	225P10391W03	
C99	.05		TTP-05	CK-503	MGP05	CCD-503	TA150	TGL-S50	
C100	.0022		GPO X5F222K	00-222	GP2200	CCD-222	GP222	10TS-022	
C101	.01	75V	V1612S1	CPR-10000J	DPMS6S1	10P-1-103	PVC211	225P10391W03	
C102	260	#2093050-0710							
C103	47	NPO	NPO-DI 47	DTZ-47	CX601CG470K	CCT0-470	CN0447	10TCC-Q47	
C104	.1	100V	DBE2P1		DPMS2P1	10P-2-104	PVC101	225P10491W03	
C105	15	N180				*	*	10TCP-T18	

# Bendix Part Number.

\* Not normally in distributor's stock. Available thru distributor on order to manufacturer.

### CONTROLS (All wattages 1/2 watt, or less, unless listed)

ITEM No.	FUNCTION	RESISTANCE	REPLACEMENT DATA				
			MFGR. PART No.	CENTRALAB PART No.	CLAROSTAT PART No.	CTS-IRC PART No.	MALLORY PART No.
R1A	Tone	500K	4080543-0002				
B	Tone	500K					
C	Volume	250K Tap @ 75K					
0	Volume/Switch	250K Tap @ 75K					
R2	Balance	25K 2Watt	4080697-0001				
R3	Separation	1000 2Watt	2056612-0706	V-1000	U39-1000	P115R102R	MR1000T

### RESISTORS (Power and Special)

ITEM No.	RATING	REPLACEMENT DATA		
		IRC PART No.	WORKMAN PART No.	MFGR. PART No.
R75	857 ohms (Cold)			220269-0021
R77	.22 ohms (PTC)			2090948-0020

ITEM No.	RATING	REPLACEMENT DATA		
		IRC PART No.	WORKMAN PART No.	MFGR. PART No.
R82	857 ohms (Cold)			220269-0021
R84	.22 ohms (PTC)			2090948-0020

### COILS (RF-IF)

ITEM No.	USE	REPLACEMENT DATA			
		PART No.	MEISSNER PART No.	MILLER PART No.	WORKMAN PART No.
L1	FM Antenna	(1)			
L2	FM RF	(1)			
L3	RF Choke (2uh)	2092210-0007	19-1002	74F226AP	TA812
L4	IF Trap (1uh)	2092210-0005	19-1000	4602	T855
L5	FM Oscillator				
L6	FM Input IF	2057713-0701			
L7	FM Interstage IF	2057713-0702			
L8	FM Interstage IF	2057713-0703			
L9	FM Interstage IF	2057713-0704			
L10	FM Interstage IF	2057713-0705			
L11	Discriminator	2057714-0701			
L12	RF Choke (2uh)	2092210-0007	19-1002	74F226AP	TA812
L13	AM Antenna	(1)			
L14	AM RF	(1)			
L15	AM Oscillator	(1)			
L16	AM Input IF	2057715-0701			
L17	AM Output IF	2057715-0702			
L18	67KC Trap	2057742-0701			
L19	19KC	2057742-0703			
L20	19KC	2057742-0703			
L21	38KC	2057742-0704			

(1) Part of M1.

FORD MODEL 9FBF

## PARTS LIST AND DESCRIPTION (CONTINUED)

*(When ordering parts, state Model, Part Number, and Description.)*

Replacement parts shown may be superseded by the availability of newly introduced replacements.  
Have your local distributor check Sams COUNTER FACTS<sup>®</sup> for the most up-to-date replacement.

### FILTER CHOKE

ITEM No.	RATINGS			REPLACEMENT DATA					NOTES
	CURRENT (Measured)	DC RES.	INDUCTANCE (0 CURRENT 1000~)	PART No.	MERIT PART No.	STANCOR PART No.	THORDARSON PART No.	TRIAD PART No.	
L22	1.15 Amp	.3 ohm	1.5MH	2D92D5D-074D					

### TRANSFORMER (Audio Output)

ITEM No.	IMPEDANCE		REPLACEMENT DATA					NOTES
	PRI.	SEC.	MPGR. PART No.	MERIT PART No.	STANCOR PART No.	THORDARSON PART No.	TRIAD PART No.	
T1	17 ohms	8 ohms	2D92823-0705					
T2	17 ohms	8 ohms	2092823-0705					

### SPEAKER

ITEM No.	TYPE	REPLACEMENT DATA			NOTES
		PART No.	JENSEN PART No.	QUAM PART No.	
	Obtain From Ford Dealer				

### FUSE DEVICES

ITEM No.	DESCRIPTION	REPLACEMENT DATA						
		PART No.		BUSS PART No.		LITTELFUSE PART No.		WORKMAN PART No.
		DEVICE	HOLDER	DEVICE	HOLDER	DEVICE	HOLDER	DEVICE
F1	SFE 2D		In Fuse Block	SFE 20		307020		

### MISCELLANEOUS

ITEM No.	PART NAME	PART No.	NOTES
M1	Tuner	2094851-0518	GIC
	Coil Assembly	2057171-0009	
PC1	FM IF Network	4080680-0001	
PC2	FM IF Network	4080680-0001	
PC3	FM IF Network	4080680-0001	
PC4	MPX Input Network	2057719-0701	
PC5	MPX Det. Network	4080681-0001	
PC6	MPX Det. Network	4080681-0001	
PC7	AF Amp Network	2057720-0002	
PC8	AF Amp Network	2057720-0002	
S1	Switch, Selector	2092719-07D9	

### CABINETS & CABINET PARTS (When ordering specify model, chassis & color)

ITEM	PART No.	ITEM	PART No.
Escutcheon	4080780-0501	Knob, Tuning or Volume	4080934-0001
Dial Glass	4080200-0510	Knob, Tone or Balance	4080933-0001
Stereo Indicator Lens	2093760-0005	Pushbutton	4080545-0001
Dial Pointer	2090129-0108		

### WIRING DATA

General-use Unshielded Hook-up Wire	Use BELDEN No. 8530 (Solid) Available in 12 Colors
	8524 (Stranded) Available in 12 Colors
Shielded Hook-up Wire	Use BELDEN No. 8885
Rear Seat Speaker Extension Cable	Use BELDEN No. 8782 (Stranded) Coded Parallel Leads
Bonding Strap	Use BELDEN No. 8661 (3/8 In.) or 867D (3/4 In.)

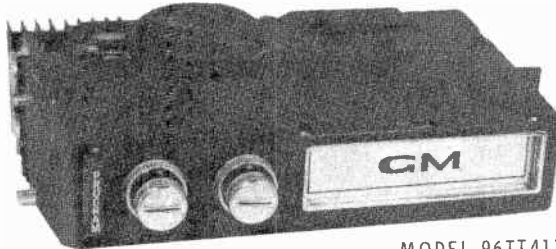


# PHOTOFACT<sup>®</sup> with

# CIRCUITRACE<sup>®</sup>

For Supplier Address See PHOTOFACT Index

NOTE: Manufacturer Part Numbers Shown Are UNITED DELCO



MODEL 96TT411

GM MODELS 86TT431  
(7308166)  
(68 GMC Truck)  
96TT411  
(7308166)  
(69 GMC Truck)  
96TT412  
(7308166)  
(69 1/2 GMC Truck)  
(8-Track Stereo Player)

## OPERATING INSTRUCTIONS

Insert cartridge until it locks and turns unit on.

Set operating controls as desired.

Press program, selector to play desired tracks, or allow unit to select tracks automatically.

Remove cartridge to turn unit off.

## CLEANING

Clean all tape contact surfaces with a soft, lint-free material and head cleaner or alcohol. Use alcohol to remove oil and grease from all driving surfaces.

## LUBRICATING

Lubricate bearings and bushings lightly with #20 machine oil. Use a light film of non-hardening grease on cam surfaces.

## HEAD DEMAGNETIZING

Demagnetize head when unit is serviced. Avoid using magnetic materials near head.

GM MODELS 86TT431, 96TT411/412

**HOWARD W. SAMS & CO., INC.** Indianapolis, Indiana 46206

© 1970 Howard W. Sams & Co., Inc. Printed in U. S. of America TQ607R

## TROUBLE CHART

SYMPTOM	REMARKS
Capstan does not rotate.	Belt (1) dirty, worn, or broken. Assembly (10) binding. Motor defective or not supplied with power.
Track-shift mechanism inoperative.	Switch (S2) dirty Cam (3) binding or worn. Pawl (4) worn. Arm (6) binding. Solenoid (M3) defective or not supplied with power. Cartridge defective. Lower cam bearing installed too deeply in casting. Assembly (14) binding or worn.
Wow or Flutter.	Belt (1) dirty or worn. Capstan dirty or binding. Cartridge defective. Motor defective. Speed regulator circuit defective.
Sound weak or distorted.	Head dirty, misaligned, or defective. Cartridge defective. Amplifiers defective.
Tape is pulled from cartridge.	Cartridge defective. Capstan dirty or scored.

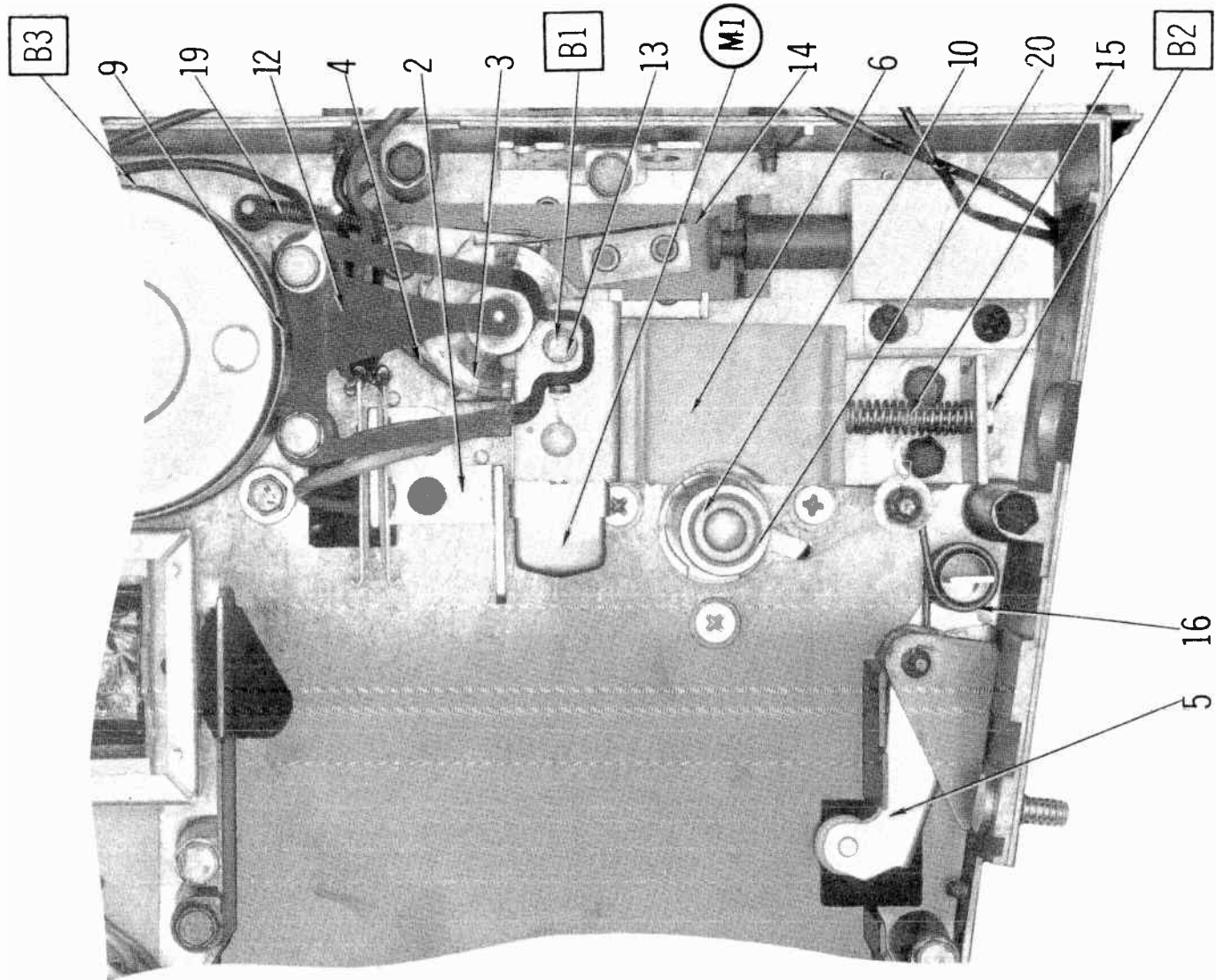
## ADJUSTMENTS

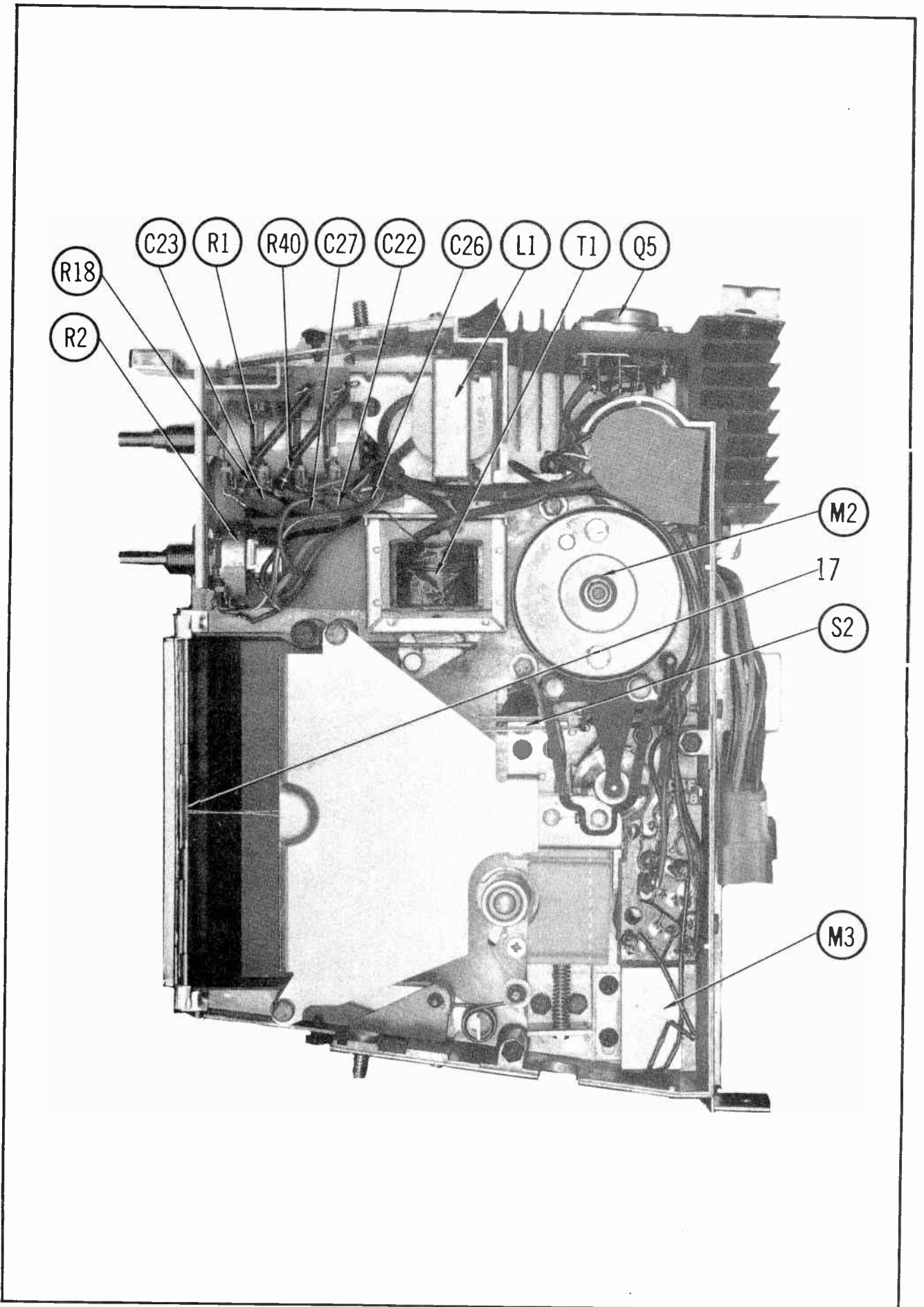
ADJUST	REMARKS
Head Height	Play a test cartridge, follow instructions with cartridge, and adjust B1 for proper response.
Head Azimuth	Connect an AC VTVM across right output. Play a test cartridge and adjust B2 for maximum.
Motor Speed	Play a test cartridge with a timed-interval track, follow instructions with cartridge, and adjust B3 for correct interval between tones. (Make only a slight adjustment before rechecking speed.)
Flywheel Play	Adjust B5 for a slight vertical play of flywheel.
Hum Reduction	Rotate motor for MINIMUM hum and position Shield (9) for MINIMUM hum.
Solenoid Position	Loosen the solenoid mounting screws and position the solenoid until the finger on Slide (14) clears the tooth on Cam (3) by 1/32 inch when the solenoid plunger is fully retracted.

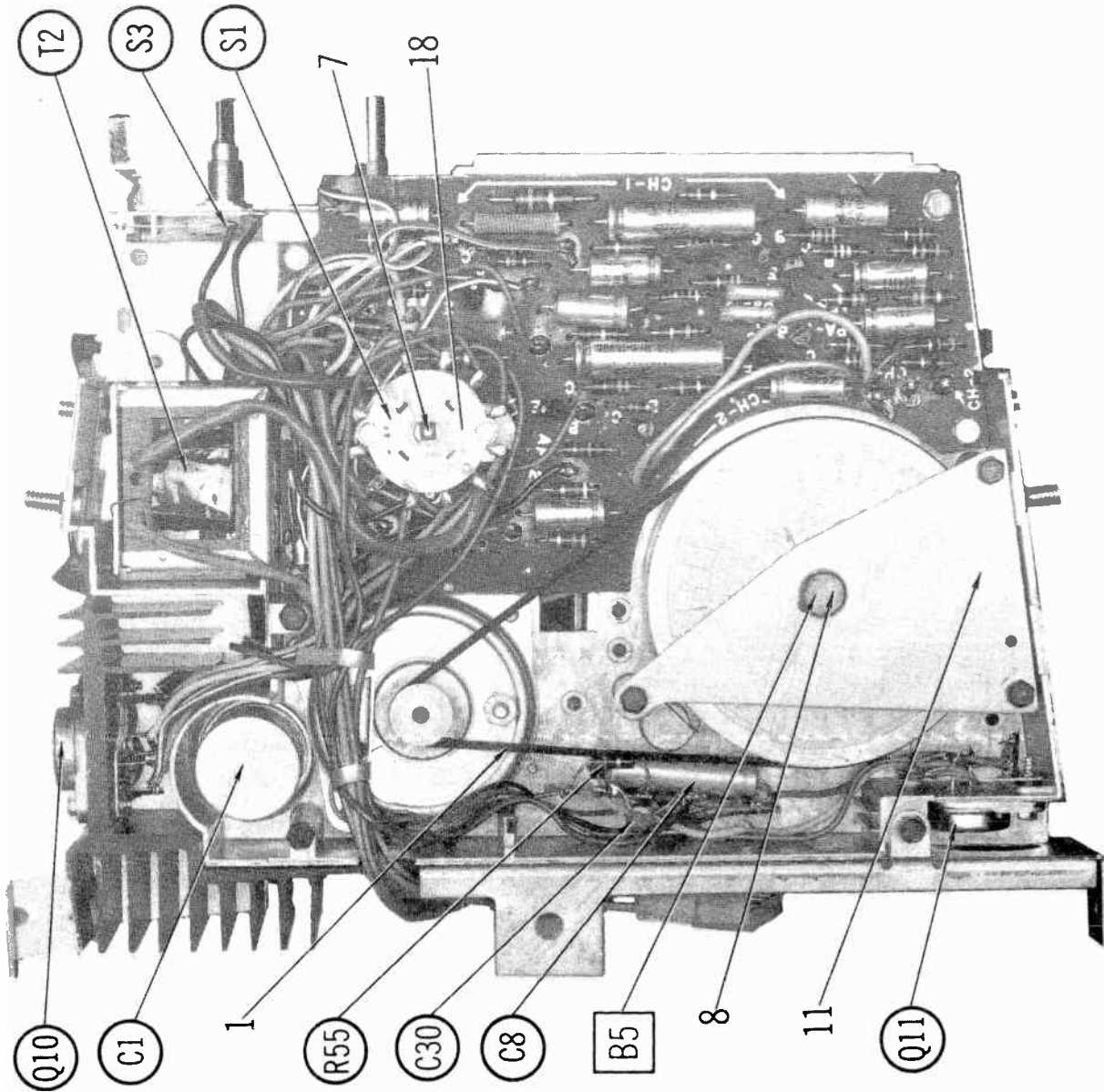
## MECHANICAL PARTS LIST

REF. NO.	PART NO.	DESCRIPTION	REF. NO.	PART NO.	DESCRIPTION
1*	7304589*	Belt* (2 used)	11	7304224	Thrust Bearing Plate
2	7305811 (1)	Tape Guide Assembly	12	7304249	Retainer Assembly
3	7310096	Cam Assembly	13	7304578	Head Height Adjustment Screw
4	7304226	Pawl	14	1222930 (2)	Slide Assembly
5	7305877	Cartridge Lock Arm Assembly	15	7304444	Azimuth Adjust Tension Spring
6	7305875	Head and Parallelogram Arm Assembly	16	7304222	Cartridge Arm Lock Spring
7	7305559	Switch Arm Assembly	17	7307337	Cartridge Door Spring
8	7304225	Nylon Capstan Thrust Bearing	18	7304234	Switch Return Spring
9	7306985	Motor Shield	19	7304235	Slide Return Spring
10	7304935	Capstan, Flywheel, and Bearing Assembly	20	7304796	Tape Stripper

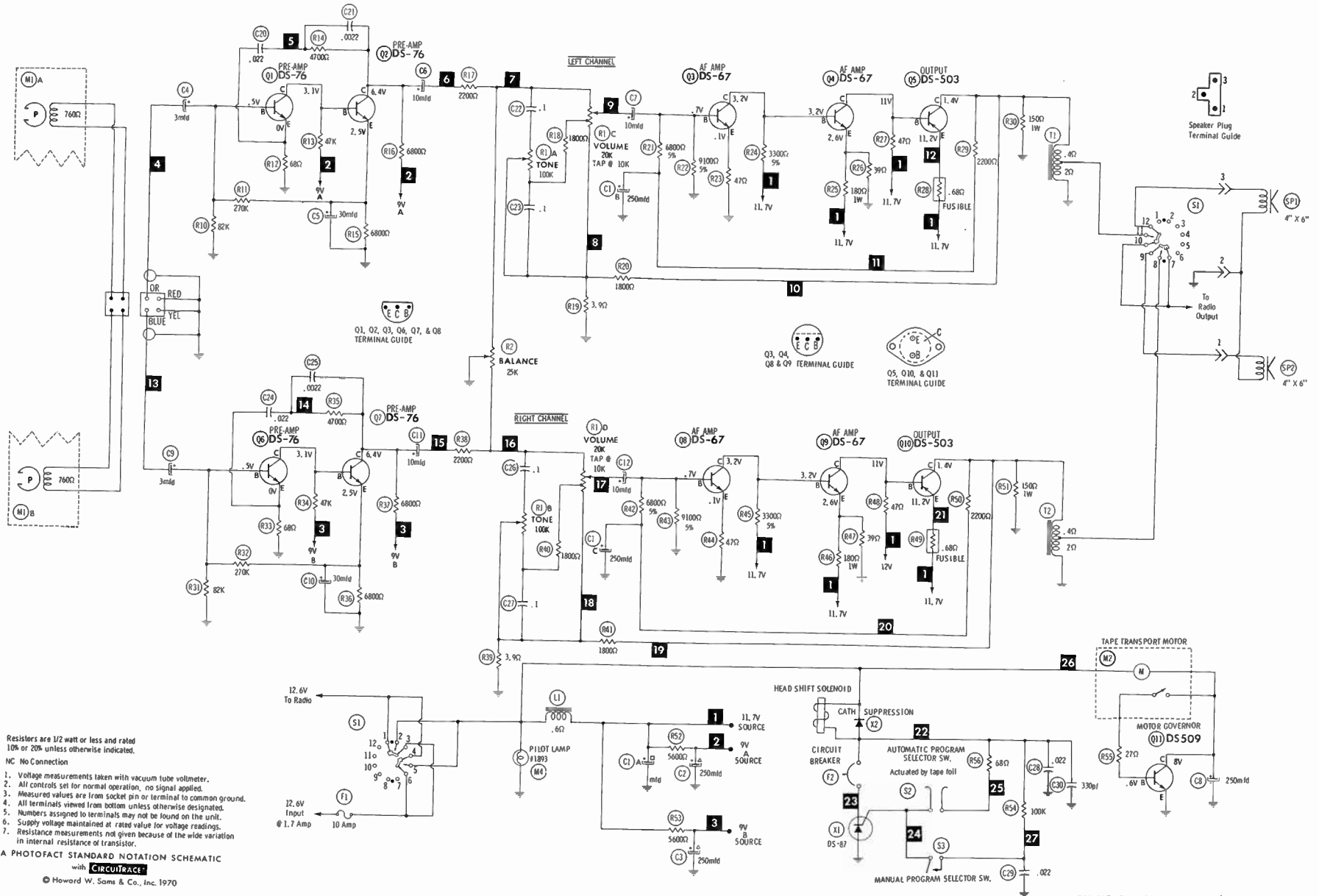
\* Belt - WALSCO Part No. 1499-33 (Replace both belts). (2) Models ending in 412 use Part No. 7313405.  
(1) Models ending in 412 use Part No. 7313401.







**NOTE: DEMAGNETIZE HEADS AFTER SERVICING**



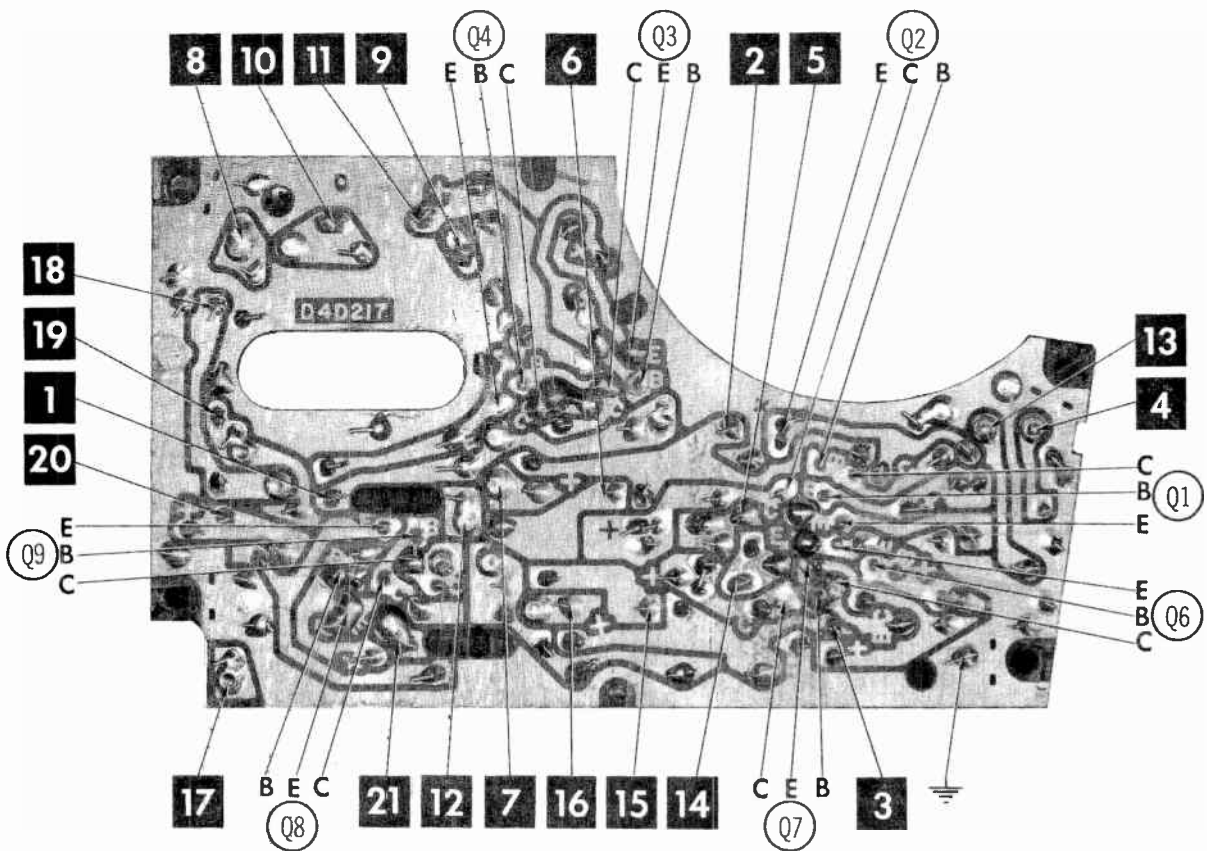
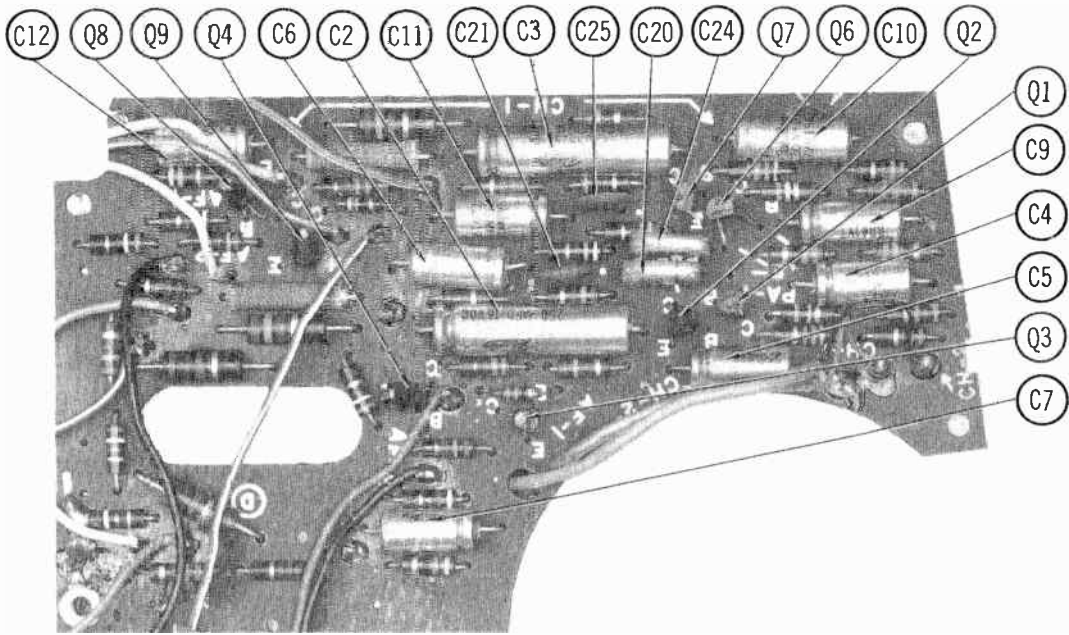
- Resistors are 1/2 watt or less and rated 10% or 20% unless otherwise indicated.  
 NC No Connection
1. Voltage measurements taken with vacuum tube voltmeter.
  2. All controls set for normal operation, no signal applied.
  3. Measured values are from socket pin or terminal to common ground.
  4. All terminals viewed from bottom unless otherwise designated.
  5. Numbers assigned to terminals may not be found on the unit.
  6. Supply voltage maintained at rated value for voltage readings.
  7. Resistance measurements not given because of the wide variation in internal resistance of transistor.

A PHOTOFAC STANDARD NOTATION SCHEMATIC with **CIRCUTRACE**

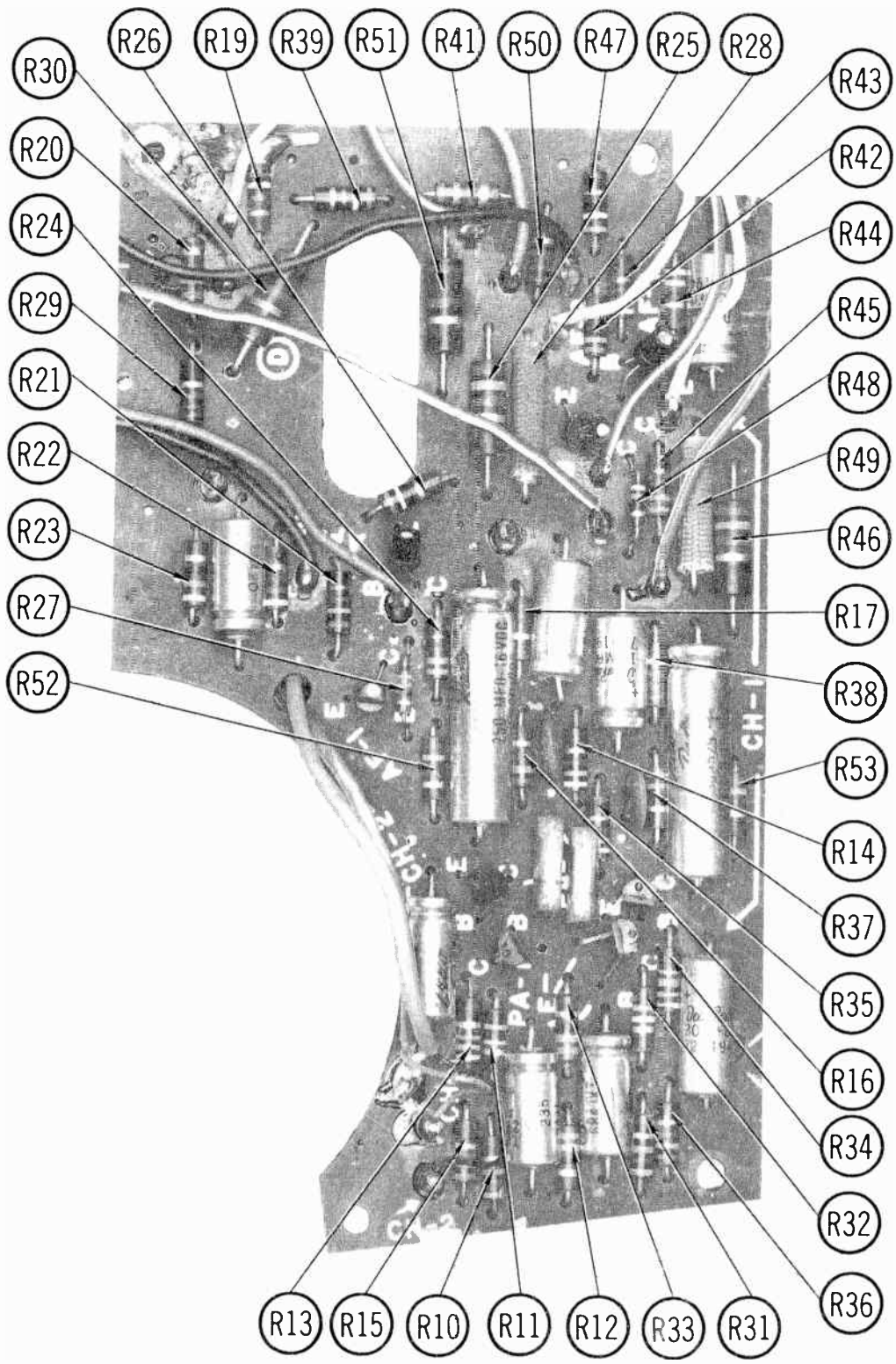
© Howard W. Sams & Co., Inc. 1970

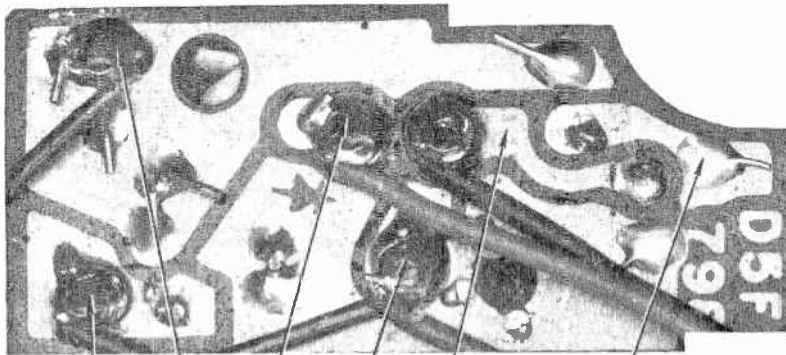
GM MODELS 86T431, 96T411/412



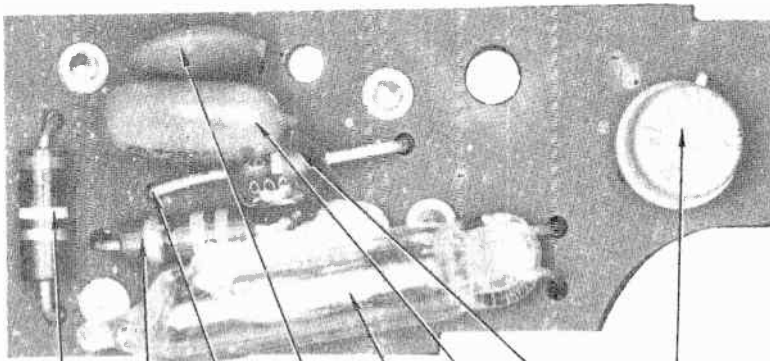


A Howard W. Sams **CIRCUITRACE** Photo





**27** **22** **25** **26** **24** **23**



**R54** **R56**  **C29** **F2** **C28** **X2** **X1**

GM MODELS 86TT431, 96TT411/412

# PARTS LIST AND DESCRIPTION

(When ordering parts, state Model, Part Number, and Description.)

Replacement parts shown may be superseded by the availability of newly introduced replacements. Have your local distributor check Sams COUNTER FACTS<sup>®</sup> for the most up-to-date replacement.

## TRANSISTORS

ITEM No.	TYPE No.	FUNCTION	REPLACEMENT DATA					
			MFGR. PART No.	GENERAL ELECTRIC PART No.	INTERNATIONAL RECTIFIER PART No.	MOTOROLA PART No.	RCA PART No.	SYLVANIA PART No.
Q1	DS-76	Preamp	DS-76	GE-10	TR-21	HEP53	SK3020	ECG 123
Q2	DS-76	Preamp	DS-76	GE-10	TR-21	HEP53	SK3020	ECG 123
Q3	DS-67	AF Amp	DS-66	GE-20	TR-21	HEP54	SK3020	ECG 123
Q4	DS-67	AF Amp	DS-66	GE-20	TR-21	HEP54	SK3020	ECG 123
Q5	DS-503	Output *	DS-501	GE-3	TR-01	HEP232	SK3009	ECG 104
Q6	DS-76	Preamp	DS-76	GE-10	TR-21	HEP53	SK3020	ECG 123
Q7	DS-76	Preamp	DS-76	GE-10	TR-21	HEP53	SK3020	ECG 123
Q8	DS-67	AF Amp	DS-66	GE-20	TR-21	HEP54	SK3020	ECG 123
Q9	DS-67	AF Amp	DS-66	GE-20	TR-21	HEP54	SK3020	ECG 123
Q10	DS-503	Output *	DS-501	GE-3	TR-01	HEP232	SK3009	ECG 104
Q11	DS-509	Motor Reg.*	DS-509	GE-14	TR-26	HEP704	SK3036	ECG 130

\* When replacing, apply silicone grease to both sides of insulator. Tighten mounting screws securely.

## POWER RECTIFIERS & SIGNAL DIODES

ITEM No.	MFGR. PART OR TYPE No.	REPLACEMENT RECTIFIERS & DIODES			REPLACEMENT RECTIFIERS	NOTES
		GENERAL ELECTRIC PART No.	INTERNATIONAL RECTIFIER PART No.	SYLVANIA PART No.	RCA PART No.	
X1	DS-87 (SCR)					
X2	DS-79					

## ELECTROLYTIC CAPACITORS

ITEM No.	RATING	REPLACEMENT DATA						
		PART No.	AEROVOX PART No.	CENTRALAB PART No.	CORNELL-DUBILIER PART No.	GENERAL ELECTRIC PART No.	MALLORY PART No.	SPRAGUE PART No.
C1A	1500 16V	7310473						TVL-3027.12
B	250 16V							
C	250 16V							
C2	250 16V	7307357	PRS1210	EA15-250	WBR300-35	QT1-30A	MTA250F15	TE-1165
C3	250 16V	7307357	PRS1210	EA15-250	WBR300-35	QT1-30A	MTA250F15	TE-1165
C4	3 12V	7291860	PTT127	EA15-2	AL3-150	MT1-3	MTA3D50	TE-1122
C5	30 6V	7296313	PTT27	EA6-25	AL30-6	MT1-13	MTA30D15	TE-1132.1
C6	10 12V	7292738	PTT114	EA15-10	AL10-25	MT1-5	MTA10D35	TL-1128
C7	10 12V	7292738	PTT114	EA15-10	AL10-25	MT1-5	MTA10D35	TL-1128
C8	250 16V	7307357	PRS1210	EA15-250	WBR300-35	QT1-30A	MTA250F15	TE-1165
C9	3 12V	7291860	PTT127	EA15-2	AL3-150	MT1-3	MTA3D50	TE-1122
C10	30 6V	7296313	PTT27	EA6-25	AL30-6	MT1-13	MTA30D15	TE-1132.1
C11	10 12V	7292738	PTT114	EA15-10	AL10-25	MT1-5	MTA10D35	TL-1128
C12	10 12V	7292738	PTT114	EA15-10	AL10-25	MT1-5	MTA10D35	TL-1128

## CAPACITORS

ITEM No.	RATING	REMARKS	REPLACEMENT DATA					
			AEROVOX PART No.	CENTRALAB PART No.	CORNELL-DUBILIER PART No.	ELMENC0 PART No.	MALLORY PART No.	SPRAGUE PART No.
C20	.022 100V		V1612S22		DMF1S22	10P-1-223	PVC1122	225P22391WD3
C21	.0022		GPD X5F222K	DD-222	J8X601YP222K	CCD-222	GP222	10TS-022
C22	.1		TTP-1	CK-104	H0V101ZV104Z		TA010	TG-P10
C23	.1		TTP-1	CK-104	H0V101ZV104Z		TA010	TG-P10
C24	.022 100V		V1612S22		DMF1S22	10P-1-223	PVC1122	225P22391WD3
C25	.0022		GPD X5F222K	DD-222	J8X601YP222K	CCD-222	GP222	10TS-022
C26	.1		TTP-1	CK-104	H0V101ZV104Z		TA010	TG-P10
C27	.1		TTP-1	CK-104	H0V101ZV104Z		TA010	TG-P10
C28	.022 75V		V1612S22		DMF1S22	10P-1-223	PVC1122	225P22391WD3
C29	.022		TTP-02	CK-203	H0R101ZV203P	CCD-203	TA120	TG-S20
C30	330		GPD X5F331K	DD-331	J8Z601YP331K	CCD-331	GP333	10TS-T33

# PARTS LIST AND DESCRIPTION (CONTINUED)

(When ordering parts, state Model, Part Number, and Description.)

Replacement parts shown may be superseded by the availability of newly introduced replacements. Have your local distributor check Sams COUNTER FACTS® for the most up-to-date replacement.

## CONTROLS (All wattages 1/2 watt, or less, unless listed)

ITEM No.	FUNCTION	RESIST-ANCE	REPLACEMENT DATA				
			MFGR. PART No.	CENTRALAB PART No.	CLAROSTAT PART No.	CTS—IRC PART No.	MALLORY PART No.
R1A	Tone	100K	7305432				
B	Tone	100K					
C	Volume	20K Tap @ 6000					
D	Volume	20K Tap @ 6000	7305433				
R2	Balance	50K					

## RESISTORS (Power and Special)

ITEM No.	RATING	REPLACEMENT DATA		
		IRC PART No.	WORKMAN PART No.	MFGR. PART No.
R28	.68 ohm (Fusible)			7287480

ITEM No.	RATING	REPLACEMENT DATA		
		IRC PART No.	WORKMAN PART No.	MFGR. PART No.
R49	.68 ohm (Fusible)			7287480

## FILTER CHOKE

ITEM No.	RATINGS			REPLACEMENT DATA					NOTES
	CURRENT (Measured)	DC RES.	INDUCTANCE (0 CURRENT 1000~)	PART No.	MERIT PART No.	STANCOR PART No.	THORDARSON PART No.	TRIAD PART No.	
L1	1.7A	.6	8mh	1221623	C-4095	TC-2	TR-154	TY17XT	

## TRANSFORMER (Audio Output)

ITEM No.	IMPEDANCE		REPLACEMENT DATA					NOTES	
			MFGR. PART No.	MERIT PART No.	STANCOR PART No.	THORDARSON PART No.	TRIAD PART No.		
	PRI.	SEC.							
T1	12 Tap	@ 10	7282057						
T2	12 Tap	@ 10	7282057						

## SPEAKER

ITEM No.	TYPE	REPLACEMENT DATA		NOTES
		MFGR. PART No.	QUAM PART No.	
SP1	4" x 6" PM 10 ohms	1222940	46M1Z10	Tilt Cab Truck
	4" x 10" PM 10 ohms	7310296	410M2Z10	
SP2	4" x 6" PM 10 ohms	1222940	46M1Z10	Tilt Cab Truck
	4" x 10" PM 10 ohms	7310296	410M2Z10	

GM MODELS 86T1431, 96T1411/412

# PARTS LIST AND DESCRIPTION (CONTINUED)

(When ordering parts, state Model, Part Number, and Description.)

Replacement parts shown may be superseded by the availability of newly introduced replacements.  
Have your local distributor check Sams COUNTER FACTS<sup>®</sup> for the most up-to-date replacement.

## FUSE DEVICES

ITEM No.	DESCRIPTION	REPLACEMENT DATA						
		PART No.		BUSS PART No.		LITTELFUSE PART No.		WORKMAN PART No.
		DEVICE	HOLDER	DEVICE	HOLDER	DEVICE	HOLDER	DEVICE
F1 F2	AGC 10A Circuit Breaker	7306041	7305588	AGC10	HHJ	311010	150145	

## TAPE HEADS

ITEM No.	MEASURED			PART No.	NORTRONICS PART No.	DESCRIPTION
	INDUCTANCE	BIAS/ERASE VOLTS (RMS)	BIAS FREQ.			
M1	420mh			7305875	5800*	8-Track Stereo Play *Use original mounting.

## MISCELLANEOUS

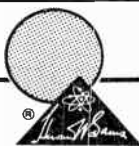
ITEM No.	PART NAME	PART No.	NOTES
M2	Motor	7306712	* May be used in some versions.
M3	Solenoid	1222819	
		1222985 *	
M4	Lamp, Indicator	7296866	
S1	Switch, Power	7300557	
S2	Switch, Automatic Selector	7305811	
S3	Switch, Manual Selector	1222835	
		7313402 *	

## CABINETS & CABINET PARTS (When ordering specify model, chassis & color)

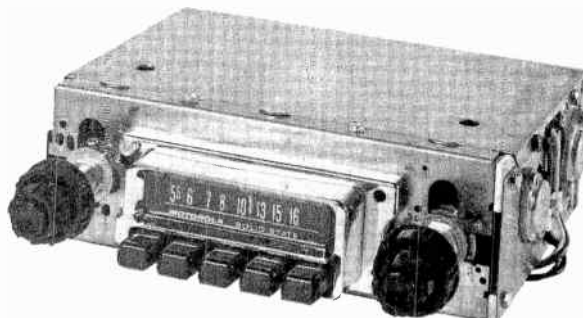
ITEM	PART No.	ITEM	PART No.
Knob, Volume or Balance	400537	Escutcheon	7307543
Knob, Tone	400538	Door	1222937
Knob, Dummy	400539		

## WIRING DATA

General-use Unshielded Hook-up Wire .....	Use BELDEN No. 8530 (Solid) Available in 12 Colors
	8524 (Stranded) Available in 12 Colors
Shielded Hook-up Wire .....	Use BELDEN No. 8885
Rear Seat Speaker Extension Cable .....	Use BELDEN No. 8782 (Stranded) Coded Parallel Leads
Bonding Strap .....	Use BELDEN No. 8661 (3/8 In.) or 8670 (3/4 In.)



For Supplier Address See PHOTOFACT Index



MOTOROLA MODEL TM18A

## ALIGNMENT INSTRUCTIONS

Check for specified source voltage.  
Use only enough generator output to provide a usable indication.  
Suggested Alignment Tools:

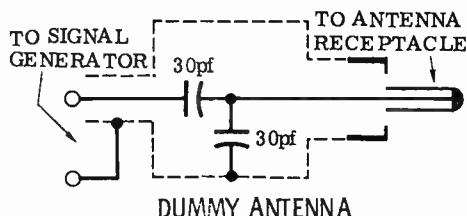
	GENERAL CEMENT	WALSCO
A1 thru A4 .....	#9296,9297,9300	.....#2510,2546,2547
A5 thru A8 .....	#8290,8868,9087	.....#2525,2528,2587

### PUSH-BUTTON ADJUSTMENT

1. Pull button out.
2. Tune manually to desired station.
3. Press button in firmly.
4. Repeat for remaining buttons.

	GENERATOR COUPLING	GENERATOR FREQUENCY	RADIO DIAL SETTING	INDICATOR	ADJUST	REMARKS
1.	High side thru .1mfd to point <b>A</b> , low side to ground.	262KC 400 cycle modulation	High freq. end stop.	Output meter across voice coil.	A1,A2, A3,A4	Adjust for maximum.
2.	Thru dummy antenna to antenna input.	1615KC	"	"	A5,A6, A7,A8	"
Step 3 is not necessary unless tuner or associated components have been disturbed. If necessary, back tuning cores(A9,A10,A11,A12)out of coils but not out of forms. Repeat Step 2.						
3.	Thru dummy antenna to antenna input.	1000KC	Tune to signal	Output meter across voice coil	A9,A10 A11,A12	Adjust for maximum. Repeat Steps 2 and 3 until no further improvement is noted

With radio installed in car and antenna extended to desired height, tune in a weak station near 1400KC and adjust A8 for maximum output. Antenna adjustment (A8) is located on Rear above Antenna Input.

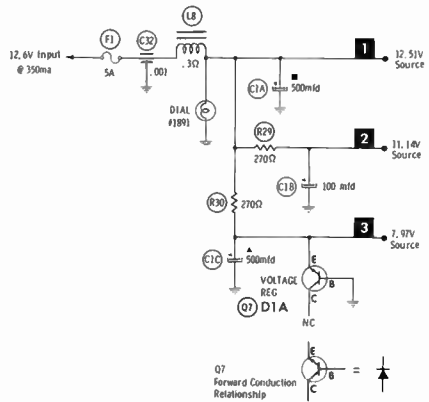
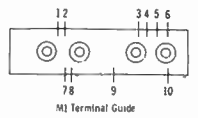
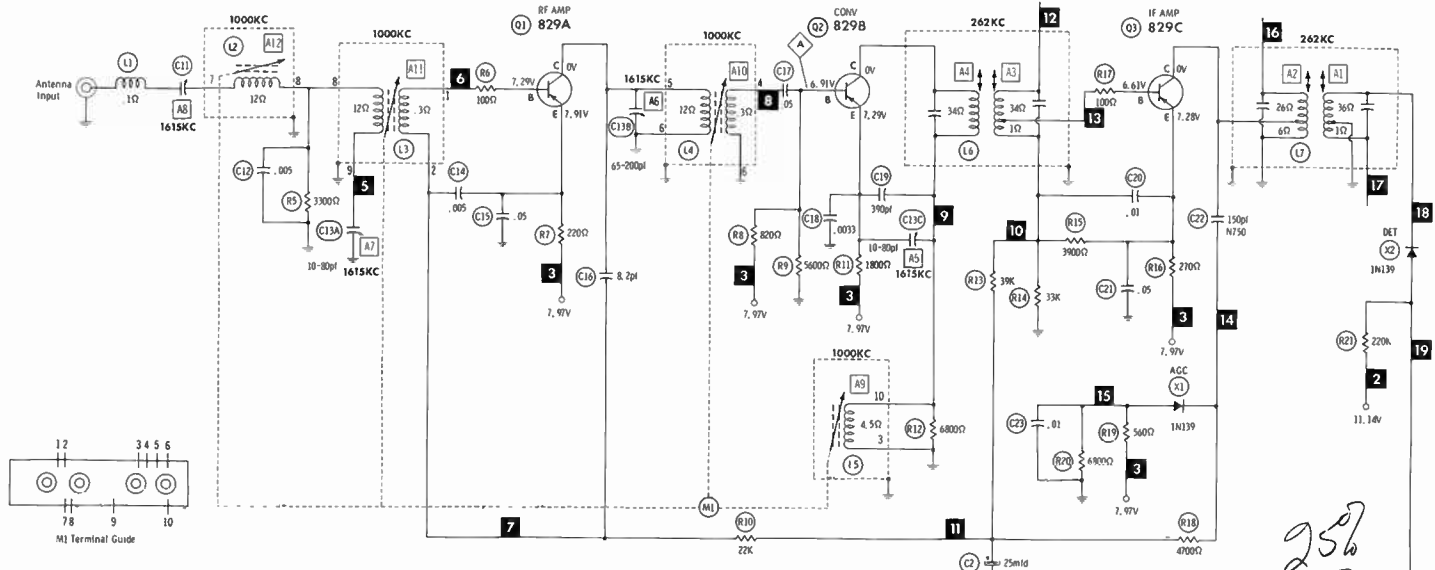


MOTOROLA MODEL TM18A

**HOWARD W. SAMS & CO., INC.** Indianapolis, Indiana 46206

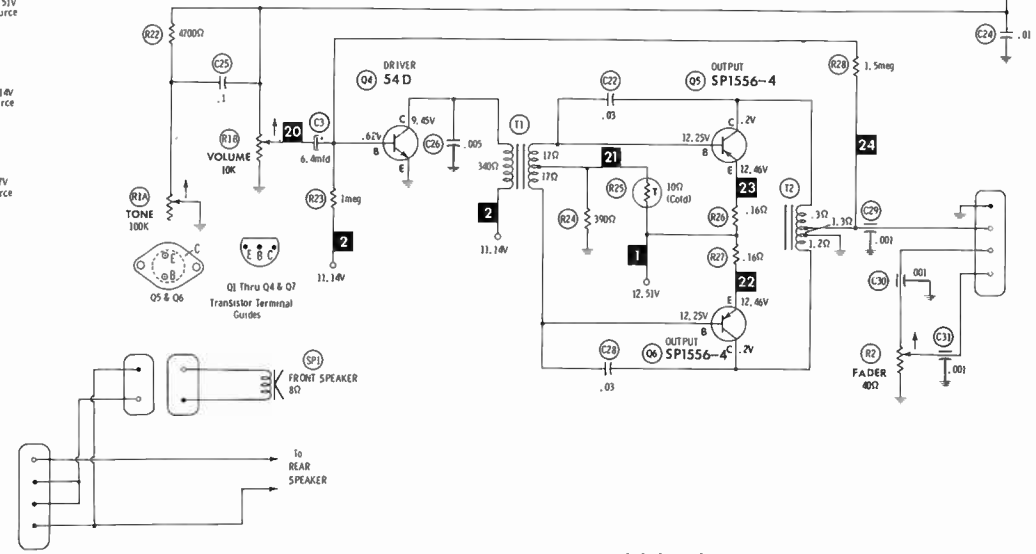
© 1970 Howard W. Sams & Co., Inc. Printed in U. S. of America

TD740



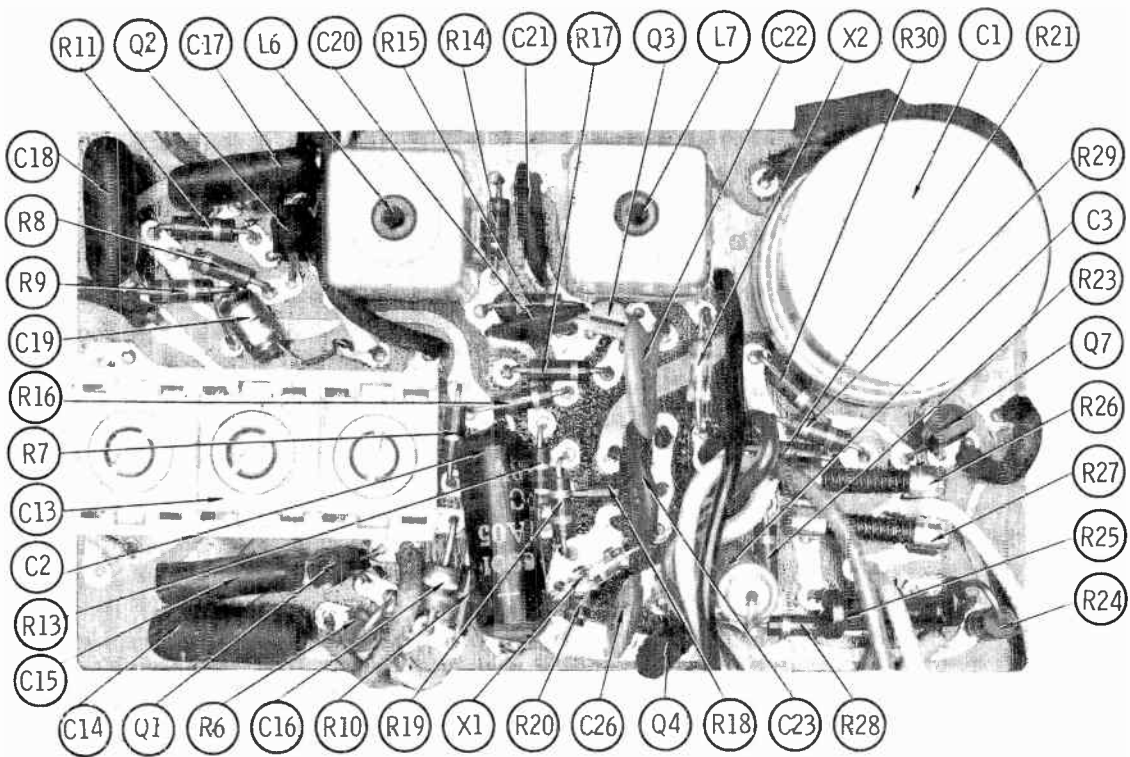
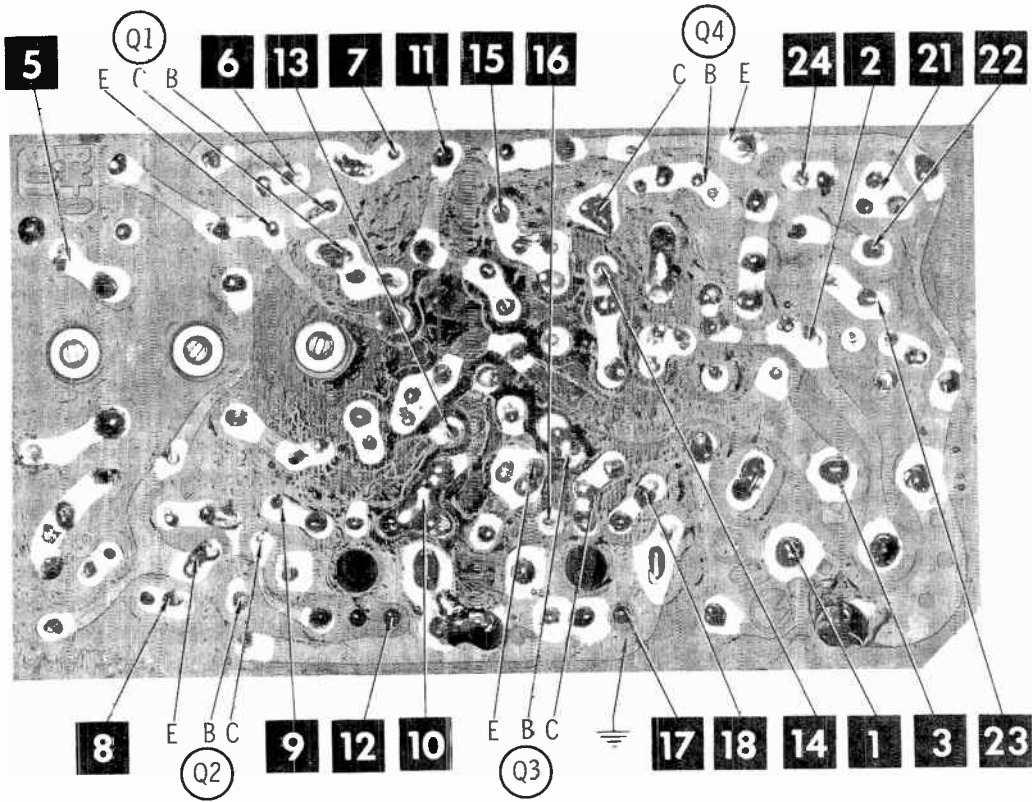
Resistors are 1/2W or less, 10% or 20% unless otherwise indicated. Supply voltage maintained at rated value for measurements. Voltage and resistance measured with VTM or equivalent meter. No signal applied and controls adjusted for normal operation. Controls viewed from actuator end. Arrow indicates clockwise rotation. Numbers assigned to terminals may not be found on the unit. Transistor resistances vary widely. No resistance measurements taken.

A PHOTOFACIT STANDARD NOTATION SCHEMATIC with **CIRCUITRACE**  
 © Howard W Sams & Co., Inc. 1970



MOTOROLA MODEL TM18A





MOTOROLA MODEL TM18A

# PARTS LIST AND DESCRIPTION

(When ordering parts, state Model, Part Number, and Description.)

Replacement parts shown may be superseded by the availability of newly introduced replacements.  
Have your local distributor check Sams COUNTER FACTS for the most up-to-date replacement.

## TRANSISTORS

ITEM No.	TYPE No.	FUNCTION	REPLACEMENT DATA					
			MFGR. PART No.	GENERAL ELECTRIC PART No.	INTERNATIONAL RECTIFIER PART No.	MOTOROLA PART No.	RCA PART No.	SYLVANIA PART No.
Q1	829A	RF Amp	48S134830	GE-22	TR-19	HEP57		ECG 106
Q2	829B	Converter	48S134831 (1)	GE-22	TR-19	HEP57		ECG 106
Q3	829C	IF Amp	48S134832	GE-22	TR-19	HEP57		ECG 106
Q4	540	Driver	48S134831 (1)	GE-20	TR-21	HEP726	SK3020	ECG 123
Q5	SP1556-4	Output (2)	48S134761	GE-13MP*	TR-01	HEP623	SK3013*	ECG 104MP*
Q6	SP1556-4	Output (2)	48S134759 (1)	T	TR-01	HEP623		
Q7	D1A	Voltage Regulator	48S134761					
			48S134759 (1)	GE-20	TR-21		SK3020	ECG 123
			48S134912					

(1) Manufacturer Recommendation.

\* Matched Pair.

(2) When replacing, apply silicone grease to both sides of insulator. Tighten mounting screws securely.

## POWER RECTIFIERS & SIGNAL DIODES

ITEM No.	MFGR. PART OR TYPE No.	REPLACEMENT RECTIFIERS & DIODES			REPLACEMENT RECTIFIERS	NOTES
		GENERAL ELECTRIC PART No.	INTERNATIONAL RECTIFIER PART No.	SYLVANIA PART No.	RCA PART No.	
X1	IN139	IN295	IN295	ECG 109		
X2	IN139	IN295	IN295	ECG 109		

## ELECTROLYTIC CAPACITORS

ITEM No.	RATING	REPLACEMENT DATA						
		PART No.	AEROVOX PART No.	CENTRALAB PART No.	CORNELL-DUBILIER PART No.	GENERAL ELECTRIC PART No.	MALLORY PART No.	SPRAGUE PART No.
C1a	500 16V	23S184A06	PWH3-00-95		CC0018A	XC3-48	PPF300.18	PCL-3026.11
C1b	100 16V							
C1c	500 16V							
C2	25 25V	23S187A02	PTT82	EA30-25	WBR25-50	MT1-11	MTA25E35	TE-1207
C3	6.4 40V	23S187A01	CRE755A	EA5-10	AL10-150	MT1-5	MTA6050	TE-1303.1

## CAPACITORS

ITEM No.	RATING	REMARKS	REPLACEMENT DATA						
			AEROVOX PART No.	CENTRALAB PART No.	CORNELL-DUBILIER PART No.	ELMENCO PART No.	MALLORY PART No.	SPRAGUE PART No.	
C11	.005	100V	#20A542758	DBE605	CPR-5000J	OPMS605	1DP-1-502	PVC625	6PS-050
C13a	10-80		#20D64352A05						
C13b	65-200								
C13c	10-80								
C14	.005	100V		DBE605	CPR-5000J	OPMS605	1DP-1-502	PVC625	6PS-050
C15	.05	100V		DBE655		OPMS655	6DP-3-503	PVC615	6PS-550
C16	8.2					NP08P2			10TCC-V82
C17	.05	100V		OBE655		OPMS655	6DP-3-503	PVC615	6PS-550
C18	.0033	100V		OBE6033	CPR-3300J	6D33	6DP-1-332	PVC6233	6PS-D33
C19	390				CPR-390J	CD15FD391J03	DM-10-391	SX339	MS-339
C20	.01			TTP-01	CK-103	MGP01	CCD-103	TA110	TG-S10
C21	.05			TTP-05	CK-503	MGP05	CCD-503	TA150	TGL-S50
C22	150	N750		N750-D1 150	OTN-750	N150	CCTN-151	CN7315	10TCU-T15
C23	.01			TTP-01	CK-103	MGP01	CCD-103	TA110	TG-S10
C24	.01			TTP-01	CK-103	MGP01	CCD-103	TA110	TG-S10
C25	.1			TTP-1	CK-104		CCD-103	TA110	TG-S10
C26	.005			TTP-005	CK-502	MGP005	CCD-502	TA250	TG-D50
C27	.03			TTP-03	CK-303		CCD-303	GP130	TG-S30
C28	.03			TTP-03	CK-303		CCD-303	GP130	TG-S30
C29	.001	#21A560232		EF-6-1000	FT-1000		CCF-102		BH-340
C30	.001	#21A560232		EF-6-1000	FT-1000		CCF-102		BH-340
C31	.001	#21A560232		EF-6-1000	FT-1000		CCF-102		BH-340
C32	.001	#21A560232		EF-6-1000	FT-1000		CCF-102		BH-340

## CONTROLS (All wattages 1/2 watt, or less, unless listed)

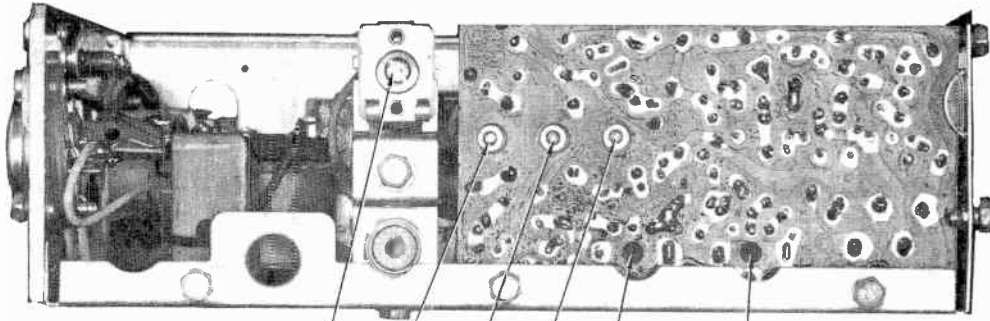
ITEM No.	FUNCTION	RESISTANCE	REPLACEMENT DATA					
			MFGR. PART No.	CENTRALAB PART No.	CLAROSTAT PART No.	CTS-IRC PART No.	MALLORY PART No.	
R1A	Tone	100K	18C64256801	F2-100K, R2-10K, 8B106, FFS110, RFS200, KR-4			* QJ-2640A	P15A, 4138, RU14A, OX1625, 1S2062, US41
8	Volume/Switch	10K						
R2	Fader	40 2Watt	18842217B01					

\* "Concentrik" Equivalent K-8 Kit with Base Elements & Shafts; B13-128, P22-121 (Panel)  
813-116, R1-130 (Rear)  
S51 (Bushing)  
76-1 (Switch)

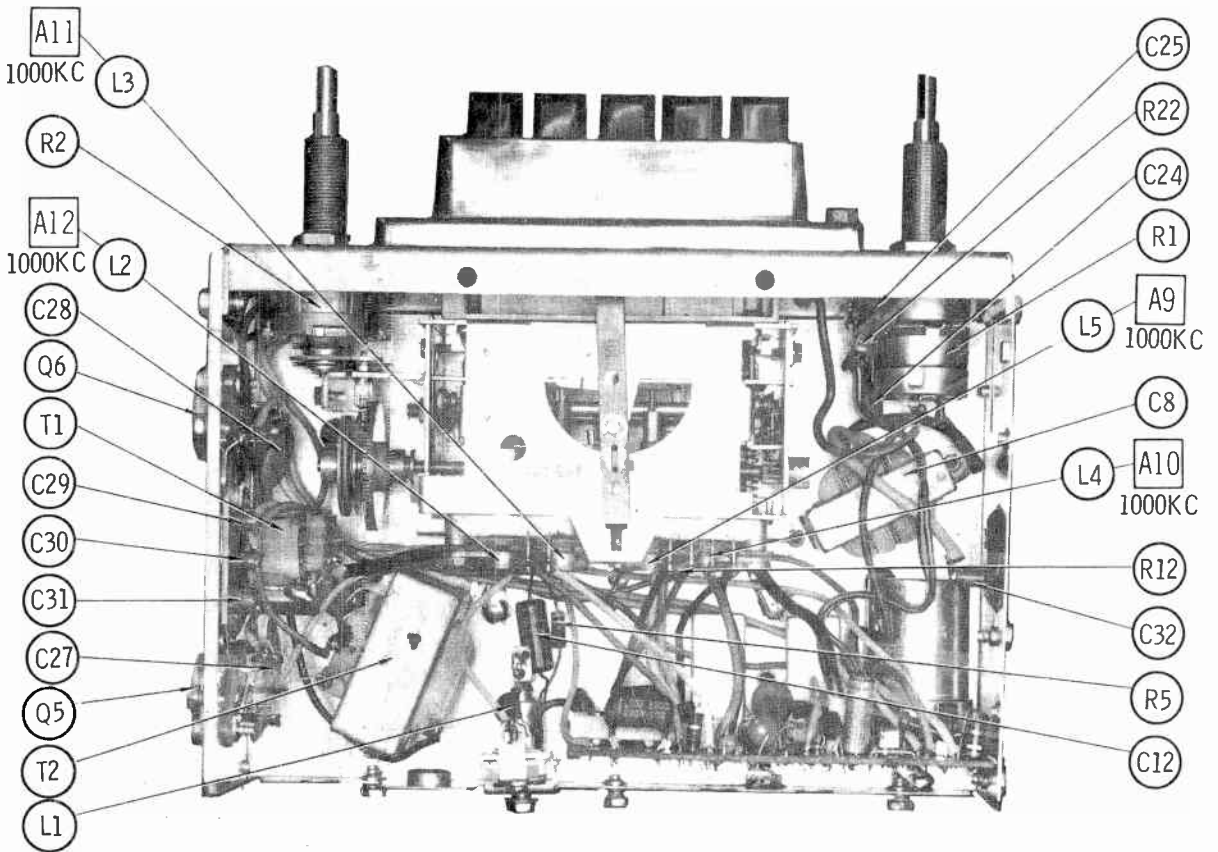
"SNAPTROL" BU8, (1) CF52, CR52, SF13, SR48, GC

(1) Alter Bushing to meet requirements.

( CONTINUED ON PAGE 98 )



- (C11)
- [A8] 1615KC
- [A7] 1615KC
- [A5] 1615KC
- [A6] 1615KC
- (L6)
- [A4] 262KC
- [A3] 262KC
- (L7)
- [A2] 262KC
- [A1] 262KC



## PARTS LIST AND DESCRIPTION (CONTINUED)

(When ordering parts, state Model, Part Number, and Description.)

Replacement parts shown may be superseded by the availability of newly introduced replacements.  
Have your local distributor check Sams COUNTER FACTS for the most up-to-date replacement.

### RESISTORS (Power and Special)

ITEM No.	RATING	REPLACEMENT DATA			ITEM No.	RATING	REPLACEMENT DATA		
		IRC PART No.	WORKMAN PART No.	MFR. PART No.			IRC PART No.	WORKMAN PART No.	MFR. PART No.
R25 R26	10 (Cold) .16			6K544646 17B64753A01	R27	.16			17B64753A01

### COILS (RF-IF)

ITEM No.	USE	REPLACEMENT DATA			
		PART No.	MEISSNER PART No.	MILLER PART No.	WORKMAN PART No.
L1	RF Choke (1.8UL)	24C64003B02	19-1001	74F186AP	T810
L2	Antenna	(1)			
L3	Antenna	(1)			
L4	RF	(1)			
L5	Oscillator	(1)			
L6	Input IF	24C64327A03		8009	
L7	Output IF	24C64327A02		8010	

(1) Part of M1

### FILTER CHOKE

ITEM No.	RATINGS			REPLACEMENT DATA					NOTES
	CURRENT (Measured)	DC RES.	INDUCTANCE (0 CURRENT 1000~)	PART No.	MERIT PART No.	STANCOR PART No.	THORDARSON PART No.	TRIAD PART No.	
L8	350ma	.3	1.9MH	25C64172A05	C-4095	TC-1	TR-157	TY16XT	

### TRANSFORMER (Audio Output)

ITEM No.	IMPEDANCE		REPLACEMENT DATA					NOTES
	PRI.	SEC.	MFR. PART No.	MERIT PART No.	STANCOR PART No.	THORDARSON PART No.	TRIAD PART No.	
T1	12	8	25D64023A07					
	AUTOFORMER							
	12	Tap @ 8						

### TRANSFORMER (Driver)

ITEM No.	TURNS RATIO			REPLACEMENT DATA					NOTES
	PRI.	SEC. 1	SEC. 2	PART No.	MERIT PART No.	STANCOR PART No.	THORDARSON PART No.	TRIAD Part No.	
T1	9	1		25O64174A05					

### SPEAKER

ITEM No.	TYPE			REPLACEMENT DATA		NOTES
				PART No.	QUAM PART No.	
SP1	4" X 10"	PM	8 ohms	50O64089802	410M278	

### FUSE DEVICES

ITEM No.	DESCRIPTION	REPLACEMENT DATA							
		PART No.		BUSS PART No.		LITTELFUSE PART No.		WORKMAN PART No.	
		DEVICE	HOLDER	DEVICE	HOLDER	DEVICE	HOLDER	DEVICE	
F1	1AG 5	65S122345	1V64964A32	AGA5	HAF	301005	150145		

### MISCELLANEOUS

ITEM No.	PART NAME	PART No.	NOTES
M1	Tuner Coil Assembly	1U43500A46 1V42200867	ATS-650

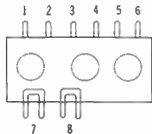
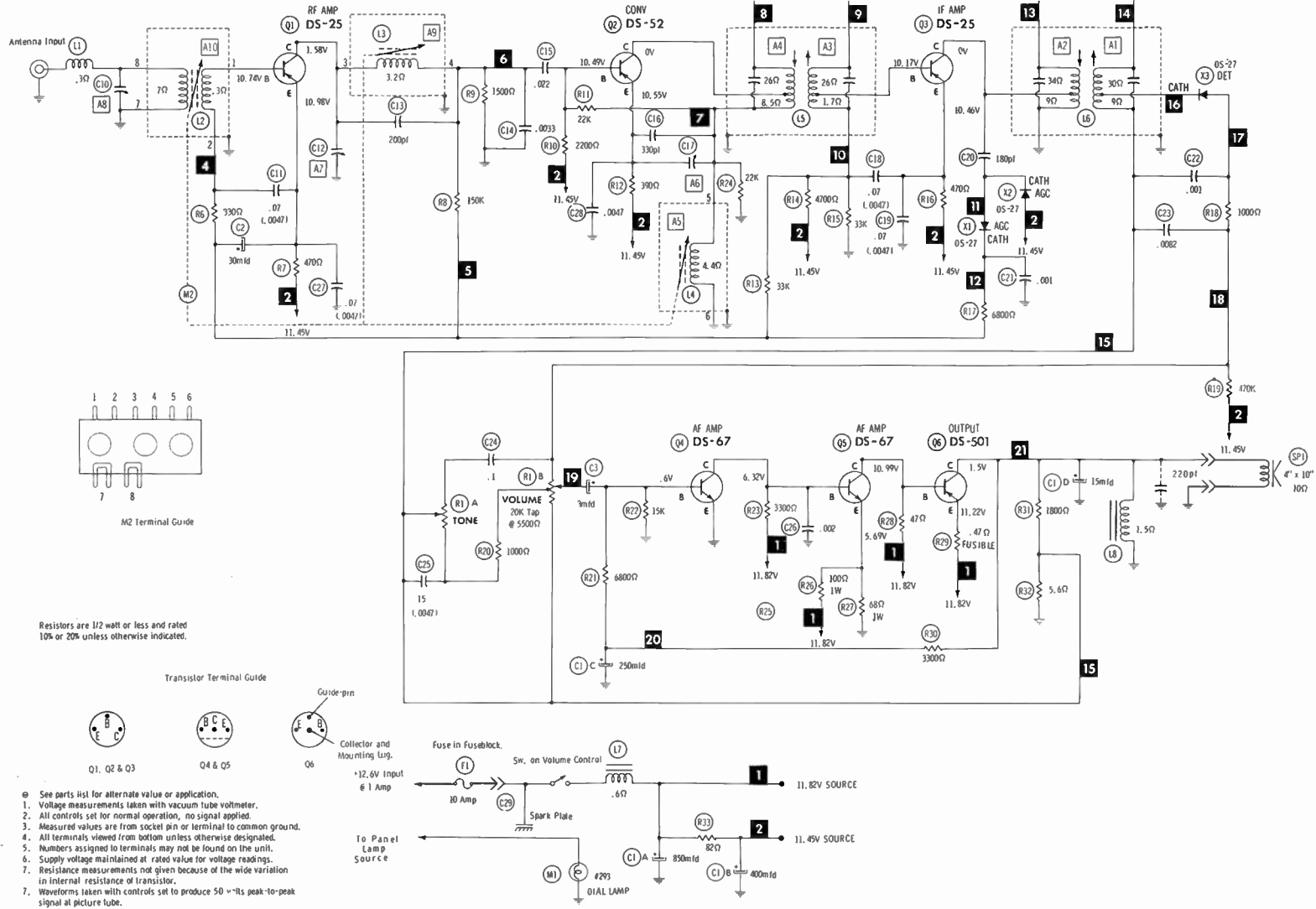
### CABINETS & CABINET PARTS (When ordering specify model, chassis & color)

ITEM	PART No.	ITEM	PART No.
Escutcheon	13C64661A01	Oial Glass	34B64272B01
Knob, Tuning or Volume	36B543382	Oial Pointer	52A40244827
Knob, Tone or Dummy	36B543398	Push Button	38C41956B01

### WIRING DATA

General-use Unshielded Hook-up Wire .....	Use BELDEN No. 8530 (Solid) Available in 12 Colors 8524 (Stranded) Available in 12 Colors
Shielded Hook-up Wire .....	Use BELDEN No. 8885
Rear Seat Speaker Extension Cable .....	Use BELDEN No. 8782 (Stranded) Coded Parallel Leads
Bonding Strap .....	Use BELDEN No. 8661 (3/8 In.) or 8670 (3/4 In.)





M2 Terminal Guide

Resistors are 1/2 watt or less and rated 10% or 20% unless otherwise indicated.

Transistor Terminal Guide



Q1, Q2 & Q3



Q4 & Q5

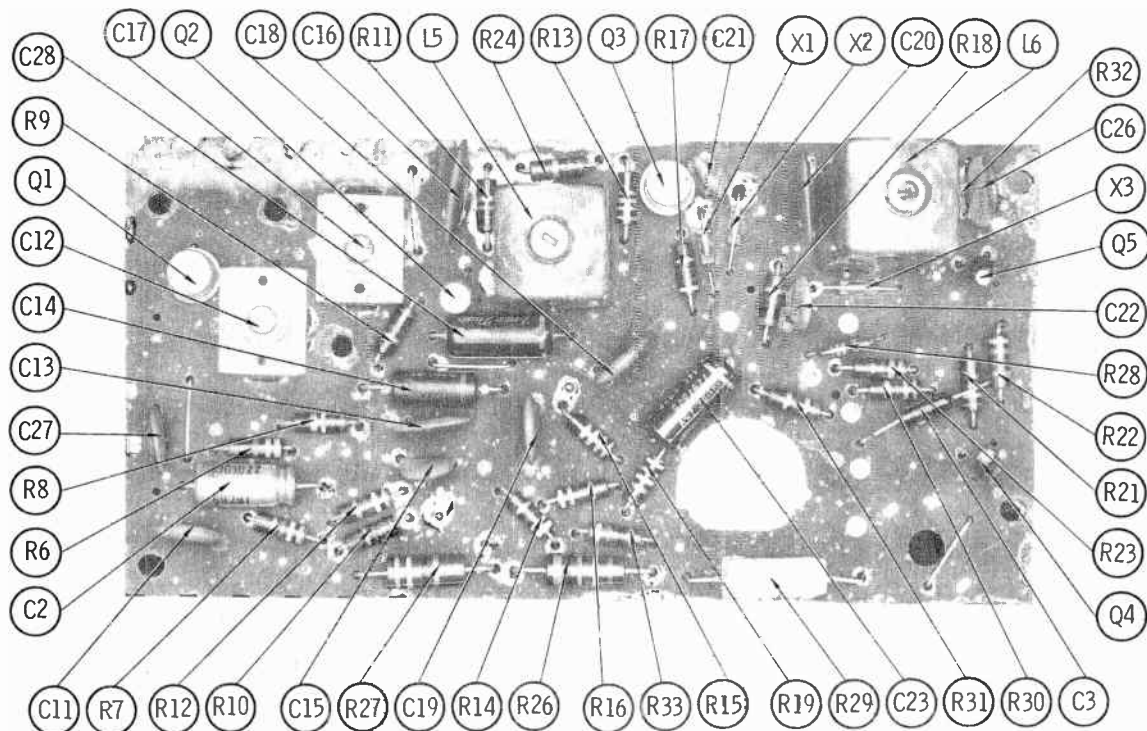
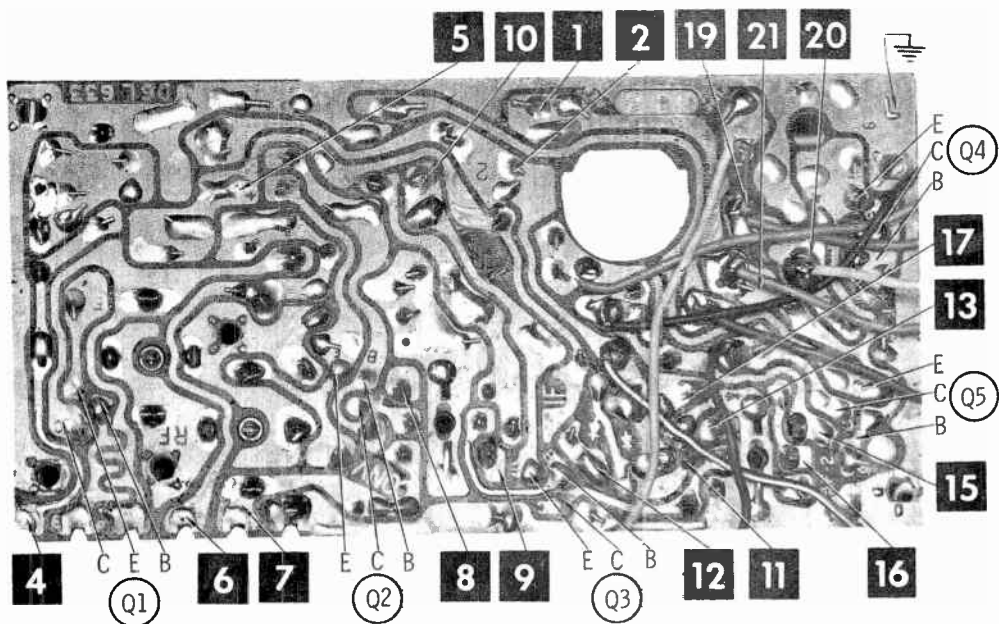


Q6

- ④ See parts list for alternate value or application.
- 1. Voltage measurements taken with vacuum tube voltmeter.
- 2. All controls set for normal operation, no signal applied.
- 3. Measured values are from socket pin or terminal to common ground.
- 4. All terminals viewed from bottom unless otherwise designated.
- 5. Numbers assigned to terminals may not be found on the unit.
- 6. Supply voltage maintained at rated value for voltage readings.
- 7. Resistance measurements not given because of the wide variation in internal resistance of transistor.
- 7. Waveforms taken with controls set to produce 50% peak-to-peak signal at picture tube.

A PHOTOFAC STANDARD NOTATION SCHEMATIC  
with **CIRCUITRACE**  
© Howard W. Sams & Co., Inc. 1970

OLDSMOBILE MODELS D38PB1/EPB1



OLDSMOBILE MODELS 03BPB1/EPB1

## PARTS LIST AND DESCRIPTION (CONTINUED)

(When ordering parts, state Model, Part Number, and Description.)

Replacement parts shown may be superseded by the availability of newly introduced replacements.

Have your local distributor check Sams COUNTER FACTS for the most up-to-date replacement.

### TRANSISTORS

ITEM No.	TYPE No.	FUNCTION	REPLACEMENT DATA					
			MFGR. PART No.	GENERAL ELECTRIC PART No.	INTERNATIONAL RECTIFIER PART No.	MOTOROLA PART No.	RCA PART No.	SYLVANIA PART No.
Q1	DS-25	RF Amp	DS-25	GE-9	TR-14	HEP2	SK3006	ECG 126
Q2	DS-52	Converter	DS-25	GE-9	TR-14	HEP2	SK3006	ECG 126
Q3	DS-25	IF Amp	DS-25	GE-9	TR-14	HEP2	SK3006	ECG 126
Q4	DS-67	AF Amp	DS-66	GE-10	TR-21	HEP54	SK3020	ECG 123
Q5	DS-67	AF Amp	DS-66	GE-10	TR-21	HEP54	SK3020	ECG 123
Q6	DS-501	Output *	DS-501	GE-4	TR-03	HEP231	SK3012	ECG 105

\* When replacing, apply silicone grease to both sides of insulator. Tighten mounting screws securely.

### POWER RECTIFIERS & SIGNAL DIODES

ITEM No.	MFGR. PART OR TYPE No.	REPLACEMENT RECTIFIERS & DIODES			REPLACEMENT RECTIFIERS	NOTES
		GENERAL ELECTRIC PART No.	INTERNATIONAL RECTIFIER PART No.	SYLVANIA PART No.		
X1	DS-27	1N34AS	1N34A	ECG 109		
X2	DS-27	1N34AS	1N34A	ECG 109		
X3	DS-27	1N34AS	1N34A	ECG 109		

### ELECTROLYTIC CAPACITORS

ITEM No.	RATING	REPLACEMENT DATA						
		DELCO PART No.	AEROVOX PART No.	CENTRALAB PART No.	CORNELL-DUBILIER PART No.	GENERAL ELECTRIC PART No.	MALLORY PART No.	SPRAGUE PART No.
C1A	850 16V	7311993			DD0009A			
B	400 16V							
C	250 2V							
D	15 11.5Vrms							
C2	30 6V	7296313	BCD15025	EP15-25	PC30-35	MT1-13.5	MTV30CB25	TE-1132.1
C3	3 12V	7296348	PTT127	EA15-2	AL3-150	MT1-3	MTA3350	TE-1122

### CAPACITORS

ITEM No.	RATING	REMARKS	REPLACEMENT DATA					
			AEROVOX PART No.	CENTRALAB PART No.	CORNELL-DUBILIER PART No.	ELMENCO PART No.	MALLORY PART No.	SPRAGUE PART No.
C10		#7294355						
C11	.07	#7287935						
C12								
C13	200 #750		N750-DI 200	DTN-200	N220	CCTN-201	CN7201	10TCU-T20
C14	.0033 75V		DBE6033	CPR-3300J	6D33	6DP-1-332	PVC6233	6PS-D33
C15	.022		V1612522		OPMS6S22	1DP-1-223	PVC1122	225P22391WD3
C16	330 N180	#7282165				*	*	
C17	.07							
C18	.07							
C19	.07							
C20	180 N80							
C21	.001		GPD X5F102K	DM-102	GP1000	CCD-102	SM210	2SS-D10
C22	.001		GPD X5F102K	DM-102	GP1000	CCD-102	SM210	2SS-010
C23	.0082 75V		DBE6032	CPR-8200J	6D82	6DP-2-822	PVC62B2	6PS-D82
C24	.1		TTP-1	CK-104			TA010	T6-P10
C25	.15 75V		DBE6P15		OPMS4P15	4DP-4-154	PVC6015	4PS-P15
C26	.002		GPD X5F202K	DM-202	GP2000	CCD-202	GP220	2SS-020
C27	.07							
C28	.0047 75V		DBE6D5	CPR-5000J	DPMS605	10P-1-502	PVC625	6PS-D50
C29		#7271564						

\* Not normally in distributor's stock. Available thru distributor on order to manufacturer.  
# Delco Part Number.

### CONTROLS (All wattages 1/2 watt, or less, unless listed)

ITEM No.	FUNCTION	RESISTANCE	REPLACEMENT DATA					
			MFGR. PART No.	CENTRALAB PART No.	CLAROSTAT PART No.	CTS-IRC PART No.	MALLORY PART No.	
R1A	Tone	100K	7303158 (1)	F1-100K, R14-25K, FFS015, RFS109, BB012, SB004, KR-4			* QJ-2527A	P15L, 4058, SH4250, RU253T53, OX937A, IS1500, US41
B	Volume/Switch	20K TAP @ 5500						P15L, 4100, SH4250, RU253T53, OX1062, IS1687, US41
A	Tone	100K	7303271 (2)	F1-100K, R14-25K, FFS102, RFS112, BB014, SB004, KR-4			"QJ-2523A	
B	Volume/Switch	20K TAP @ 5500	RFS112,					

\* "Concentrik" equivalent = K-8 Kit with base elements & shafts; B11-128, P21-009 (Panel)

B19-119X, R9-115 (Rear)

"Snaprol" equivalent = BU8 (1), CF13, CR50T, SF5, SR7, N4, GC

S46 (Bushing)

N4 (Nut)

76-1 (Switch)

° "Concentrik" equivalent = K-8 with base elements & shafts; B11-128, P22-103 (Panel)

B19-119X, R26-121 (Rear)

"Snaprol" equivalent = BU8 (3), CF13, CR50T, SF7, SR8, N4, GC

S6 (1) (Bushing)

N4 (Nut)

76-1 (Switch)

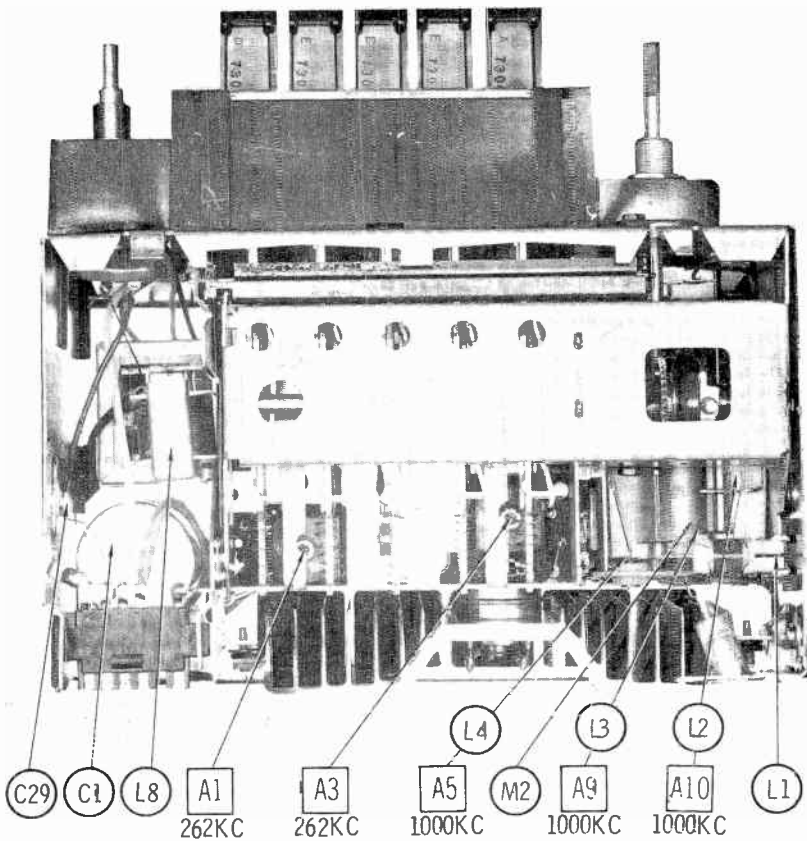
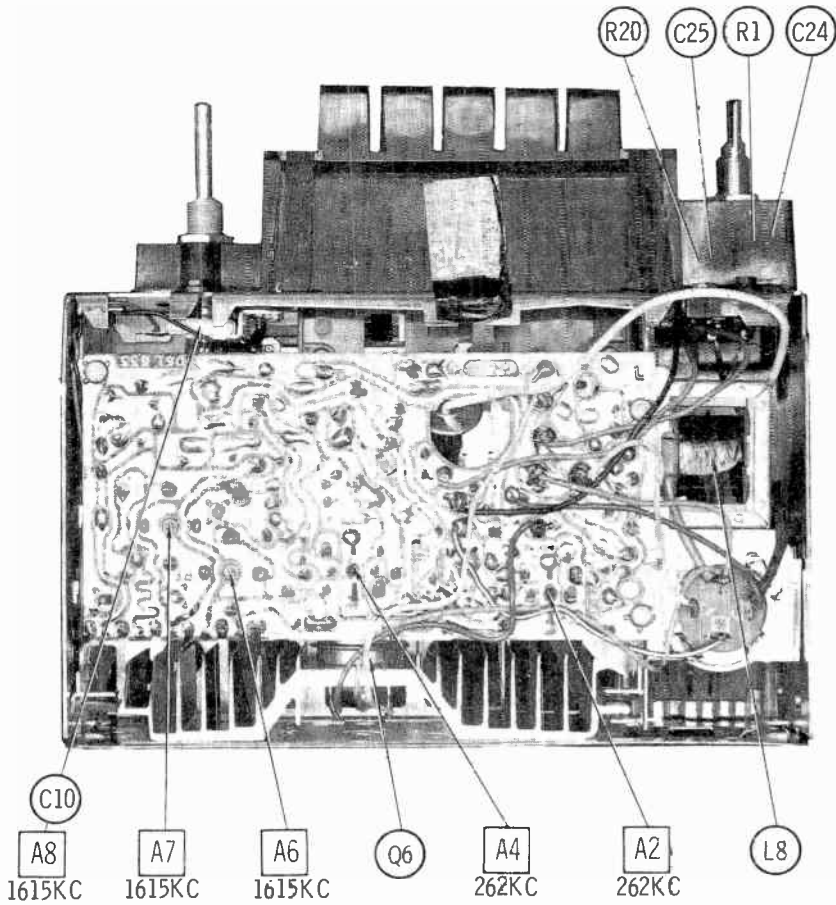
(1) Used in model 03BPB1 (1970 Oldsmobile);

(2) Used in model 03EPB1 (1970 Toronado)

(3) Alter bushing and adjust spacer nut (N4) to meet requirements.

(CONTINUED ON PAGE 104)





## PARTS LIST AND DESCRIPTION (CONTINUED)

(When ordering parts, state Model, Part Number, and Description.)

Replacement parts shown may be superseded by the availability of newly introduced replacements.

Have your local distributor check Sams COUNTER FACTS for the most up-to-date replacement.

### RESISTORS (Power and Special)

ITEM No.	RATING	REPLACEMENT DATA		
		IRC PART No.	WORKMAN PART No.	MFGR. PART No.
R29	.47			7281890

ITEM No.	RATING	REPLACEMENT DATA		
		IRC PART No.	WORKMAN PART No.	MFGR. PART No.

### COILS (RF-IF)

ITEM No.	USE	REPLACEMENT DATA			
		PART No.	MEISSNER PART No.	MILLER PART No.	WORKMAN PART No.
L1	RF Choke	7281946	19-1004	4610	T859
L2	Antenna	(1)			
L3	RF	(1)			
L4	Osc	(1)			
L5	Input IF	1221856	16-6704	6542	TA653
L6	Output IF	1221857	16-6705	6543	TA653

(1) Part of M2.

### FILTER CHOKE

ITEM No.	RATINGS			REPLACEMENT DATA					NOTES
	CURRENT (Measured)	DC RES.	INDUCTANCE (0 CURRENT 1000~)	PART No.	MERIT PART No.	STANCOR PART No.	THORDARSON PART No.	TRIAD PART No.	
L7	1 Amp	.6	8mh	1221623	C-4095	TC-2	TR-154	TY17XT	

### CHOKE (Audio Output)

ITEM No.	INDUCTANCE	REPLACEMENT DATA					NOTES
		PART No.	MERIT PART No.	STANCOR PART No.	THORDARSON PART No.	TRIAD PART No.	
L8	30mh	1222297					

### SPEAKER

ITEM No.	TYPE	REPLACEMENT DATA			NOTES
		PART No.	JENSEN PART No.	QUAM PART No.	
SPI	4" X 10" PM 10 ohms 4" X 10" PM 10 ohms	7311413 7289969			Model: 03BPB1 Model: 03EPB1

### FUSE DEVICES

ITEM No.	DESCRIPTION	REPLACEMENT DATA							
		PART No.		BUSS PART No.		LITTELFUSE PART No.		WORKMAN PART No.	
		DEVICE	HOLDER	DEVICE	HOLDER	DEVICE	HOLDER	DEVICE	
F1	3AG 10 Amp			AGC 1C		311010			

### MISCELLANEOUS

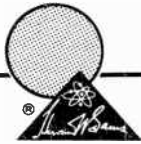
ITEM No.	PART NAME	PART No.	NOTES
M1	Dial Lamp		#293
M2	Tuner Coil Assembly	7287957	

### CABINETS & CABINET PARTS (When ordering specify model, chassis & color)

ITEM	MODEL	PART No.	ITEM	MODEL	PART No.
Escutcheon	03BPB1	7304547	Knob, Tuning or Volume		402071
Escutcheon	03EPB1	7303873	Knob, Tone		402072
Dial Glass	03BPB1	7299139	Knob, Dummy		402074
Dial Glass	03EPB1	7292730	Pushbutton	03BPB1	1222926
Dial Pointer	03BPB1	7299148	Pushbutton	03EPB1	1222788
Dial Pointer	03EPB1	7292860			

### WIRING DATA

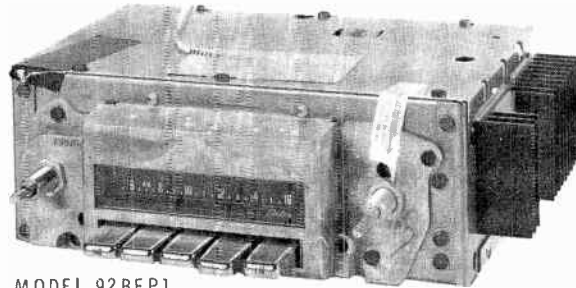
General-use Unshielded Hook-up Wire	Use BELOEN No. 8530 (Solid) Available in 12 Colors 8524 (Stranded) Available in 12 Colors
Shielded Hook-up Wire	Use BELOEN No. 8885
Rear Seat Speaker Extension Cable	Use BELOEN No. 8782 (Stranded) Coded Parallel Leads
Bonding Strap	Use BELOEN No. 866i (3/8 In.) or 8670 (3/4 In.)



# PHOTOFACT<sup>®</sup> with CIRCUI TRACE<sup>®</sup>

For Supplier Address See PHOTOFACT Index

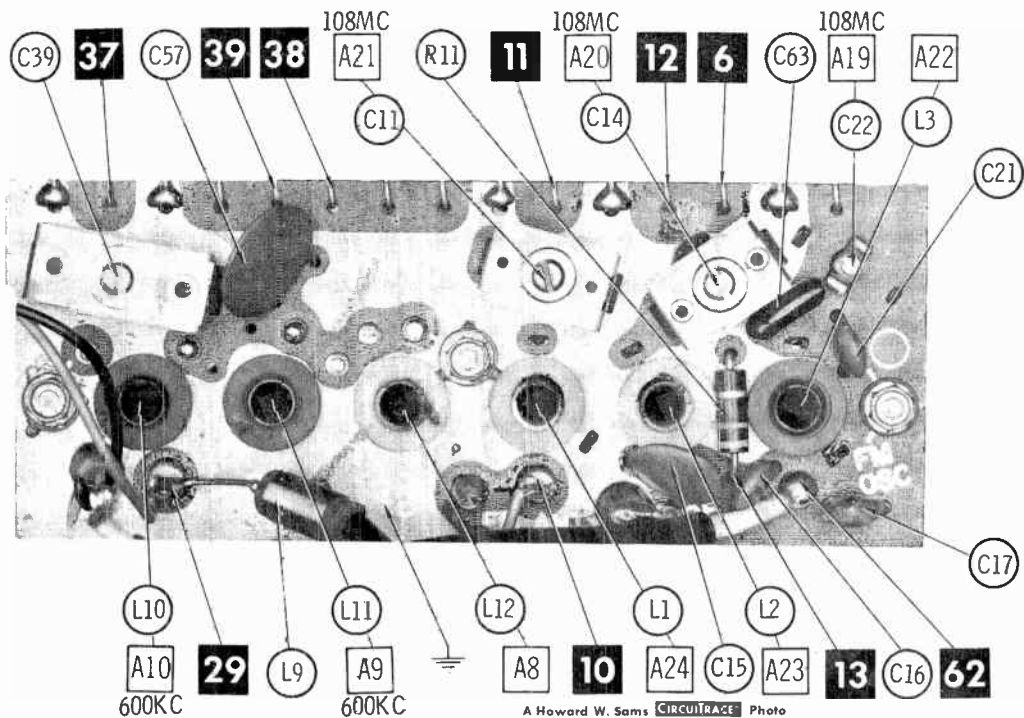
NOTE: Manufacturer Part Numbers Shown Are UNITED DELCO



MODEL 92BFP1

PONTIAC MODELS 92BFP1  
 (7307412)  
 (69 Pontiac)  
 7298832-A  
 (67 1/2 Pontiac)  
 7303302-A  
 (68 Pontiac)

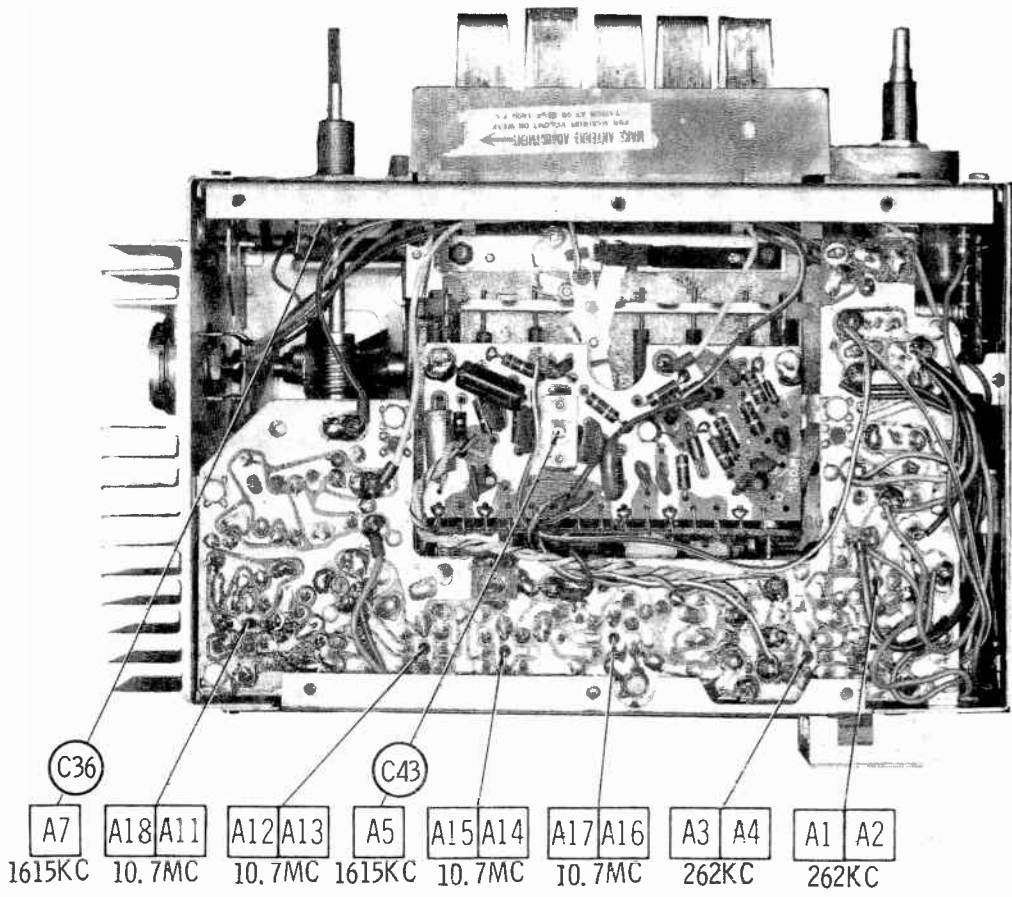
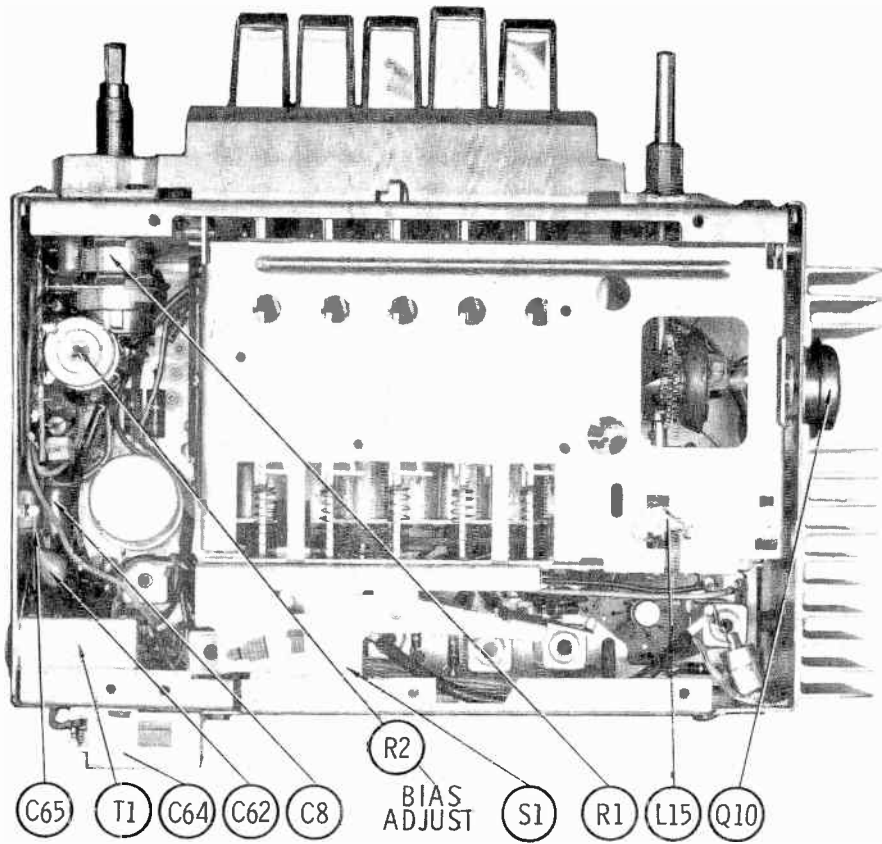
PONTIAC MODELS 92BFP1, 7298832-A, 7303302-A



**HOWARD W. SAMS & CO., INC.** Indianapolis, Indiana 46206

© 1970 Howard W. Sams & Co., Inc. Printed in U. S. of America

TD724



## ALIGNMENT INSTRUCTIONS

Check for specified source voltage.  
Use only enough generator output to provide a usable indication.  
Suggested Alignment Tools:

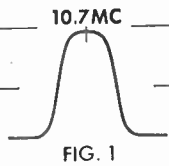
A1 thru A4, A11 thru A18... GENERAL CEMENT #9296, 9297, 9300  
WALSCO #251C, 2546, 2547  
A6, A7, A8, A20, A21, A22... GENERAL CEMENT #8290, 8868, 9087  
WALSCO #2525, 2528, 2587

### PUSH-BUTTON ADJUSTMENT

1. Pull button out.
2. Tune manually to desired station.
3. Press button in firmly.
4. Repeat for remaining buttons.

	GENERATOR COUPLING	GENERATOR FREQUENCY	RADIO DIAL SETTING	INDICATOR	ADJUST	REMARKS
1.	High side thru .1mfd to point $\diamond$ A, low side to ground.	262KC 400 cycle modulation	High freq. end stop.	Output meter across voice coil.	A1, A2, A3, A4	Adjust for maximum.
Check setting of oscillator coil core (A5). Rear of core should be 1 3/8" from mounting end of coil form.						
2.	High side thru 82pf to antenna input, low side to ground.	1615KC	High freq. end stop.	Output meter across voice coil.	A6, A7, A8	Adjust for maximum.
3.	"	600KC	600KC signal	"	A9, A10	Adjust for maximum. Repeat Step 2.
With radio installed in car and antenna extended 31", tune in a weak station near 1400KC and adjust A8 for maximum output. Antenna adjustment (A8) is located behind Tuning & Dummy Knob.						

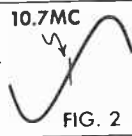
### FM IF ALIGNMENT USING AM SIGNAL GENERATOR—SELECTOR IN FM POSITION

	GENERATOR FREQUENCY	RADIO DIAL SETTING	INDICATOR	ADJUST	REMARKS
High side of generator thru .001mfd to point $\diamond$ B, low side to ground.					
4.	10.7MC Unmodulated	Point of non-interference	DC probe of VTVM to point $\diamond$ C, common to ground.	All thru A17	Adjust for maximum. 
5.	"	"	DC probe of VTVM to point $\diamond$ D, common to ground.	A18	Adjust for zero reading. A positive or negative reading will be obtained on either side of the correct setting.

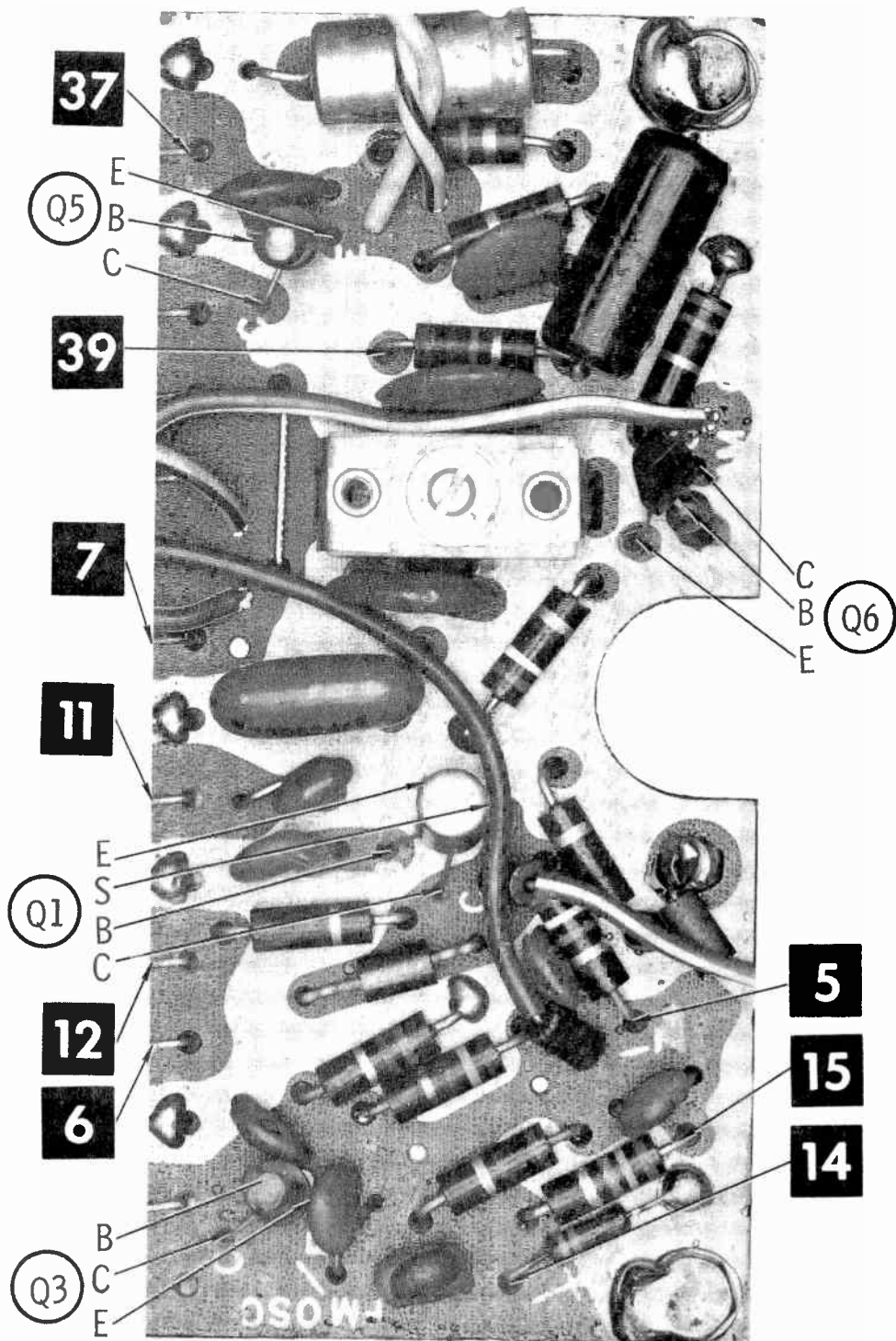
### FM IF ALIGNMENT USING FM SIGNAL GENERATOR—SELECTOR IN FM POSITION

	GENERATOR FREQUENCY	RADIO DIAL SETTING	INDICATOR	ADJUST	REMARKS
High side of generator thru .001mfd to point $\diamond$ B, low side to ground. Use only enough marker signal for indication. Use 60 cycle frequency modulated signal with 450KC sweep. Use 60 cycle sawtooth voltage in scope for horizontal deflection.					
4.	10.7MC 450KC Sweep	Point of non-interference	Vert. amp of scope to point $\diamond$ C, low side to ground.	All thru A17	Disconnect stabilizing capacitor C 3. Adjust for maximum gain and symmetry of response similar to Fig. 1 with marker as shown. Reconnect C 3.
5.	"	"	Vert. amp of scope to point $\diamond$ D, low side to ground.	A18	Adjust A18 (secondary) to place marker at center of "S" curve similar to Fig. 2. Readjust A 11 (primary) for maximum amplitude and straightness of line.

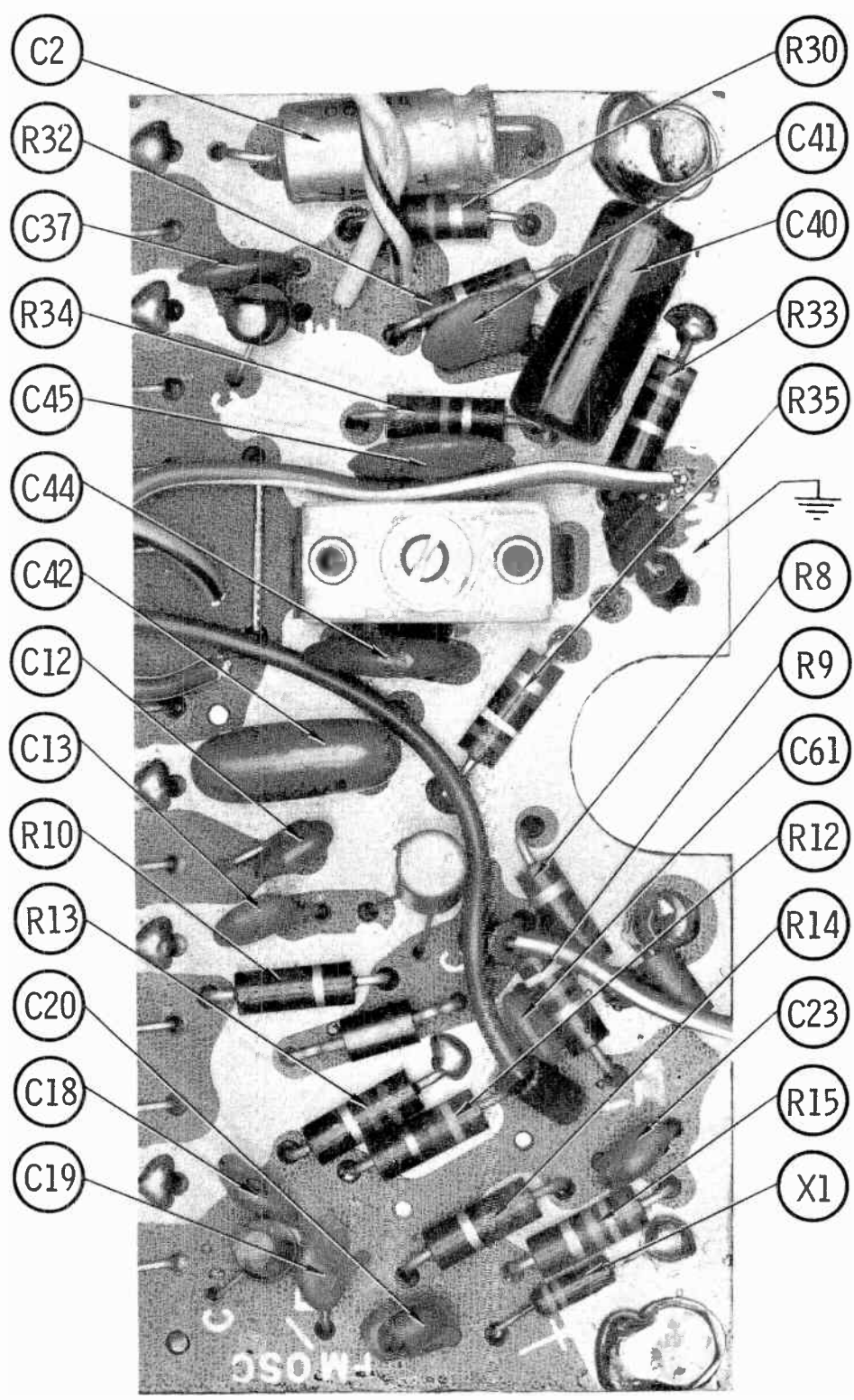
### FM RF ALIGNMENT—SELECTOR IN FM POSITION

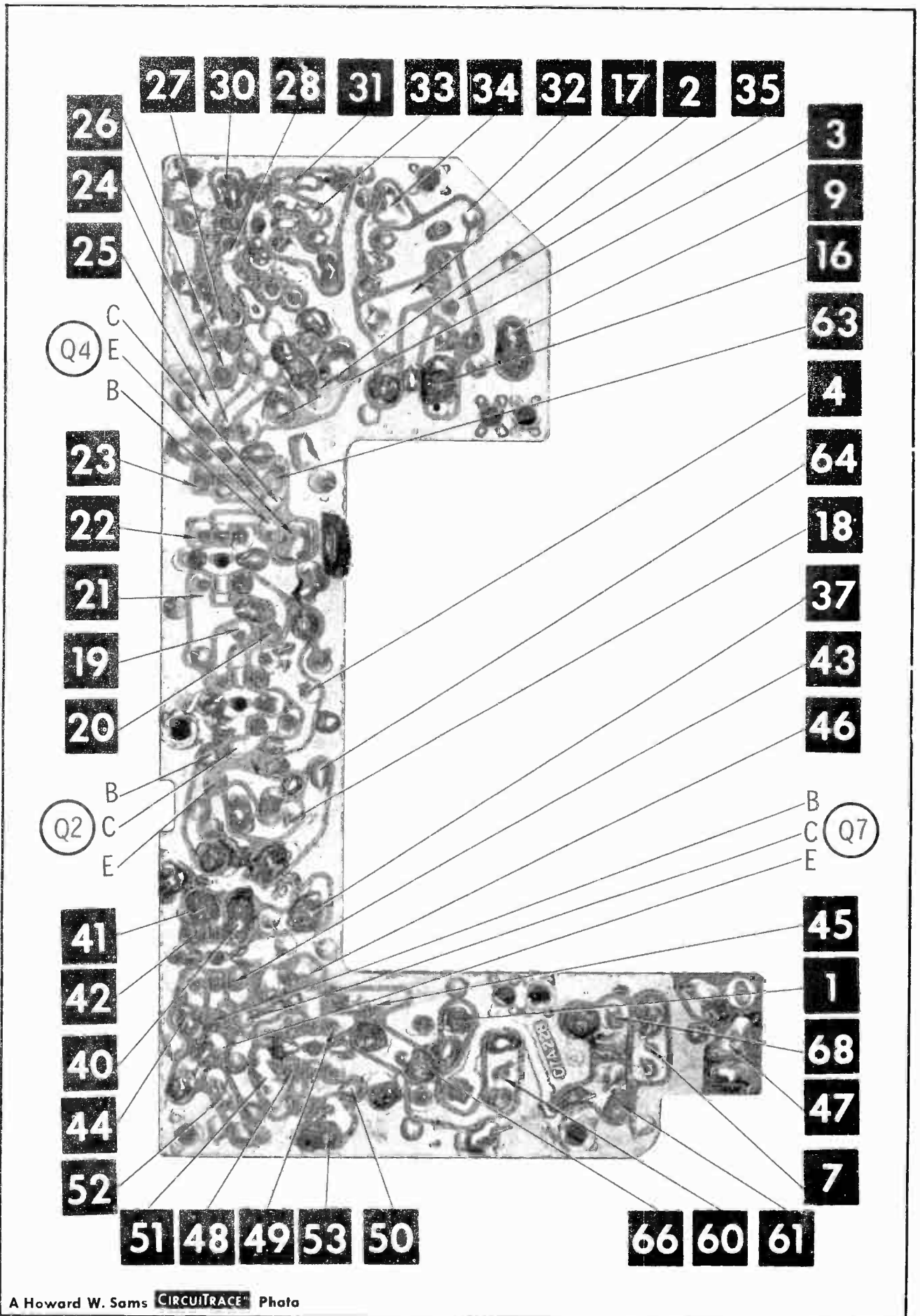
	GENERATOR FREQUENCY	RADIO DIAL SETTING	INDICATOR	ADJUST	REMARKS
Connect generator across antenna terminals with 120-ohm carbon resistor in series with each lead. NOTE: Rear of Osc. core (A22) should be 1 3/8" from mounting end of Coil form.					
6.	108MC	High freq. end	DC probe of VTVM to point $\diamond$ C, common to ground.	A19, A20, A21	Adjust for maximum. 
7.	90MC Unmodulated	Tune to signal.	"	A23, A24	Rock tuning and adjust for maximum. Repeat steps 6 and 7 until no further improvement can be made.

PONTIAC MODELS 92BFPI, 7298832-A, 7303302-A



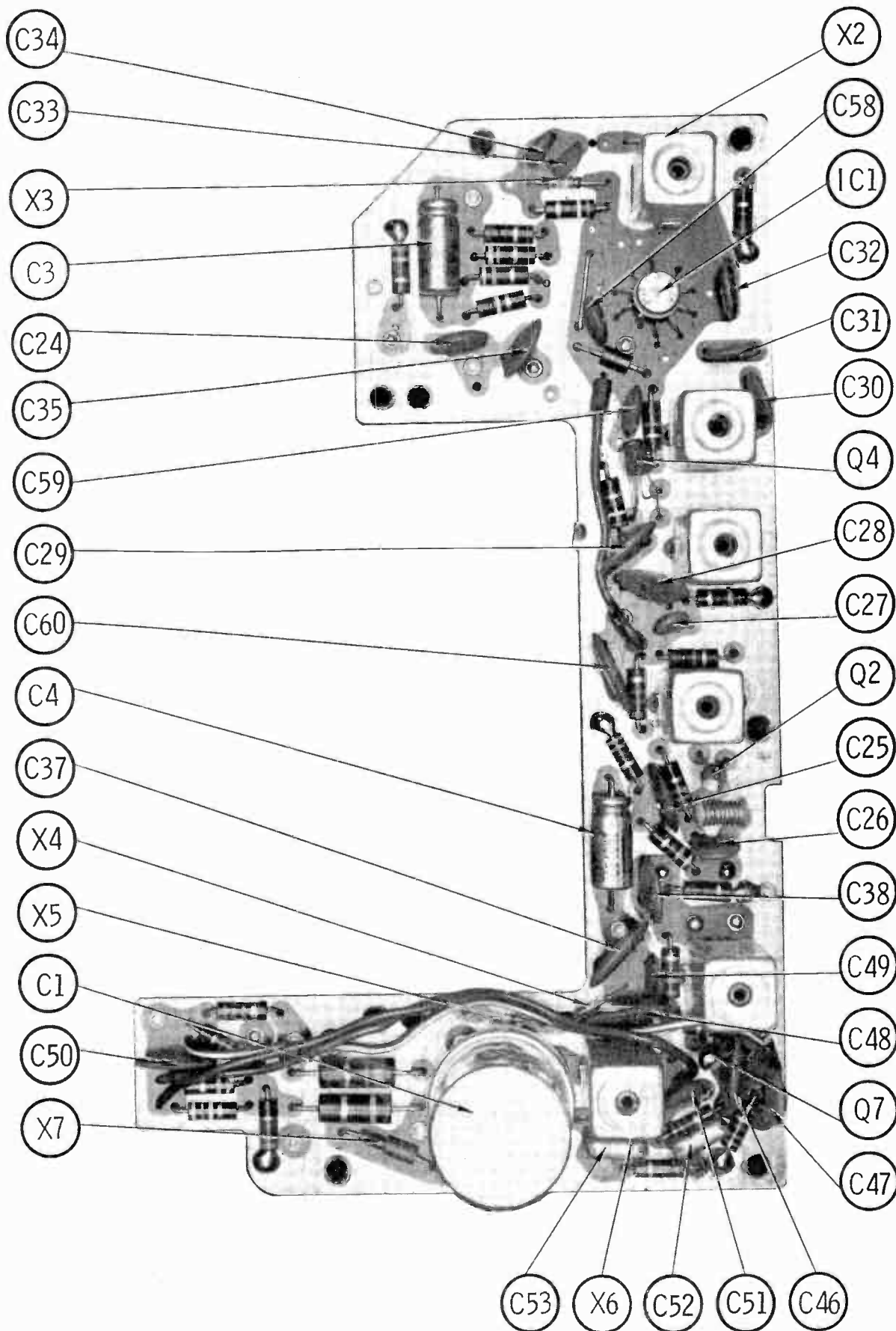
A Howard W. Sams **CIRCUITRACE** Photo

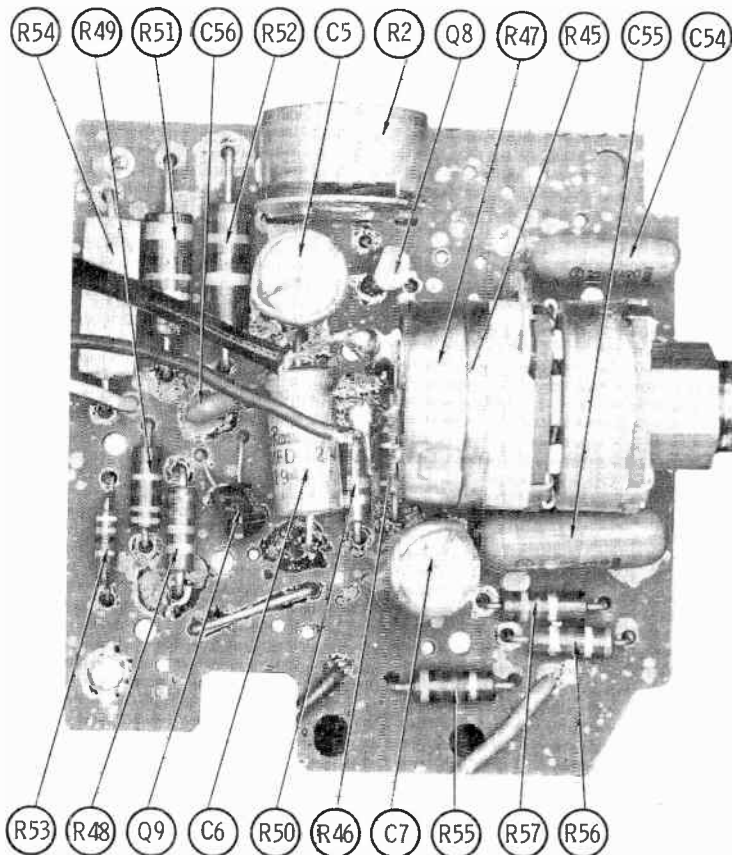
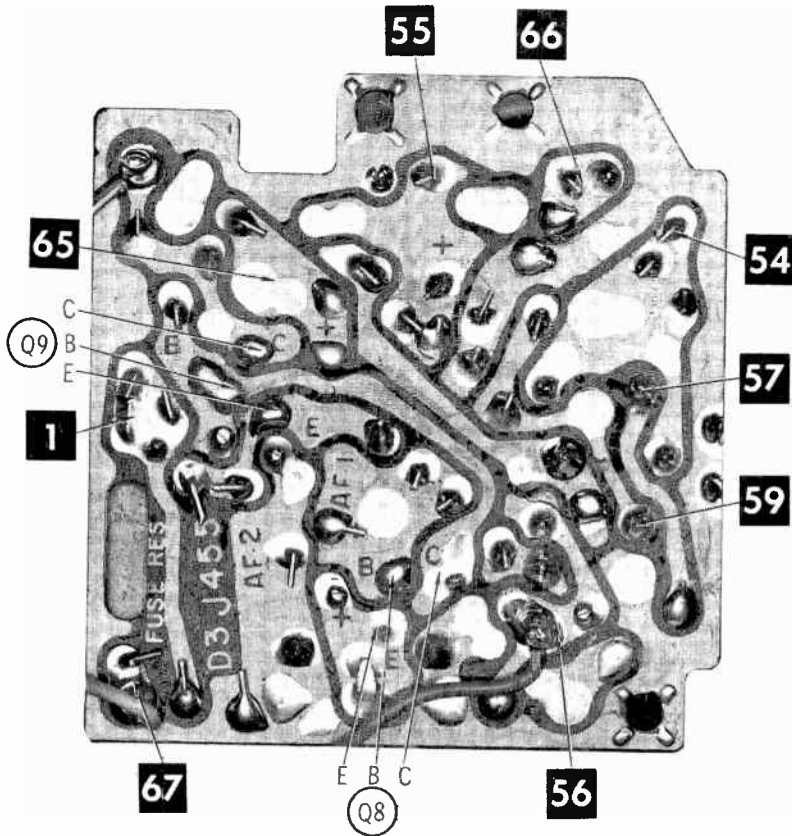


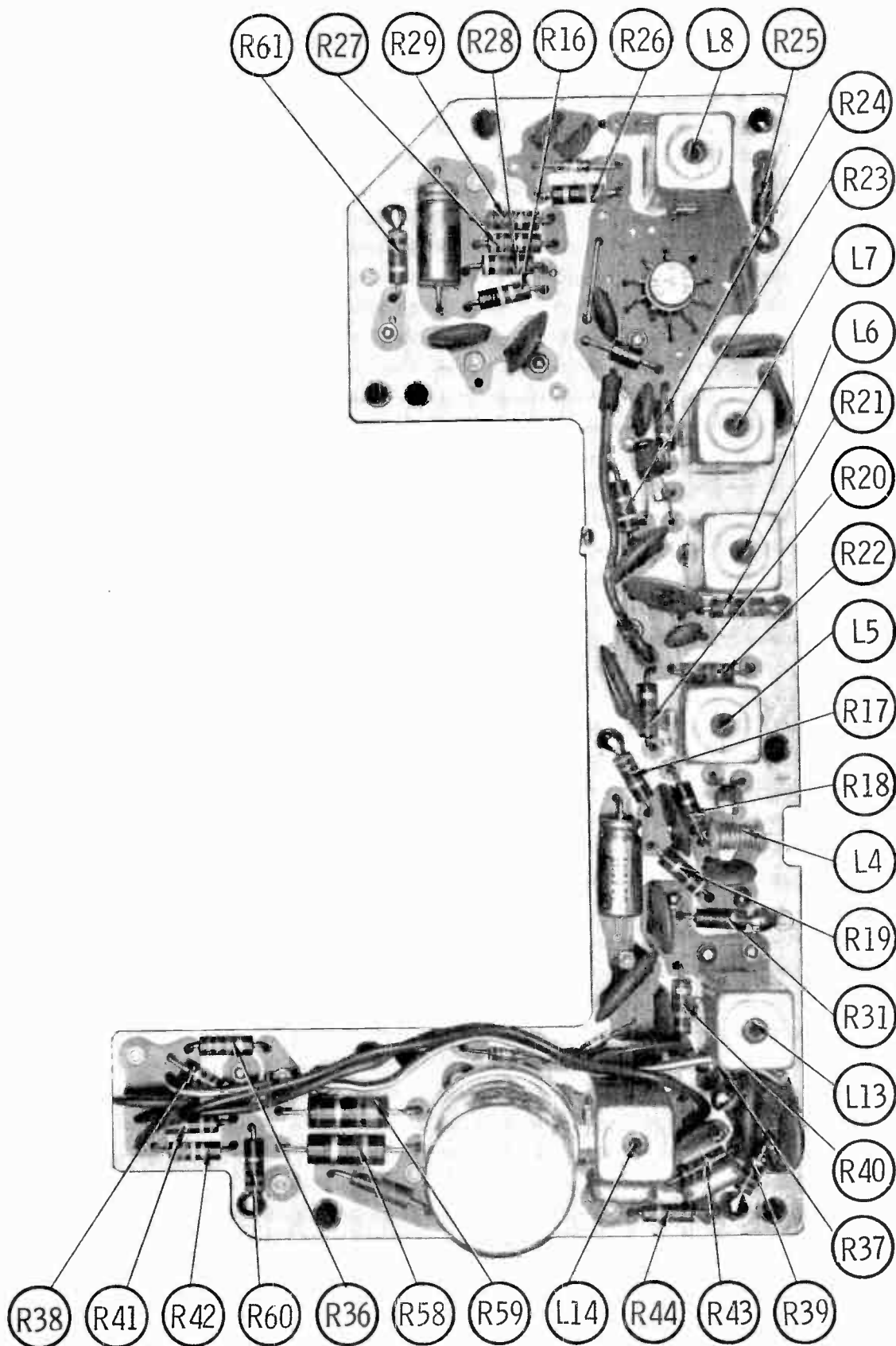


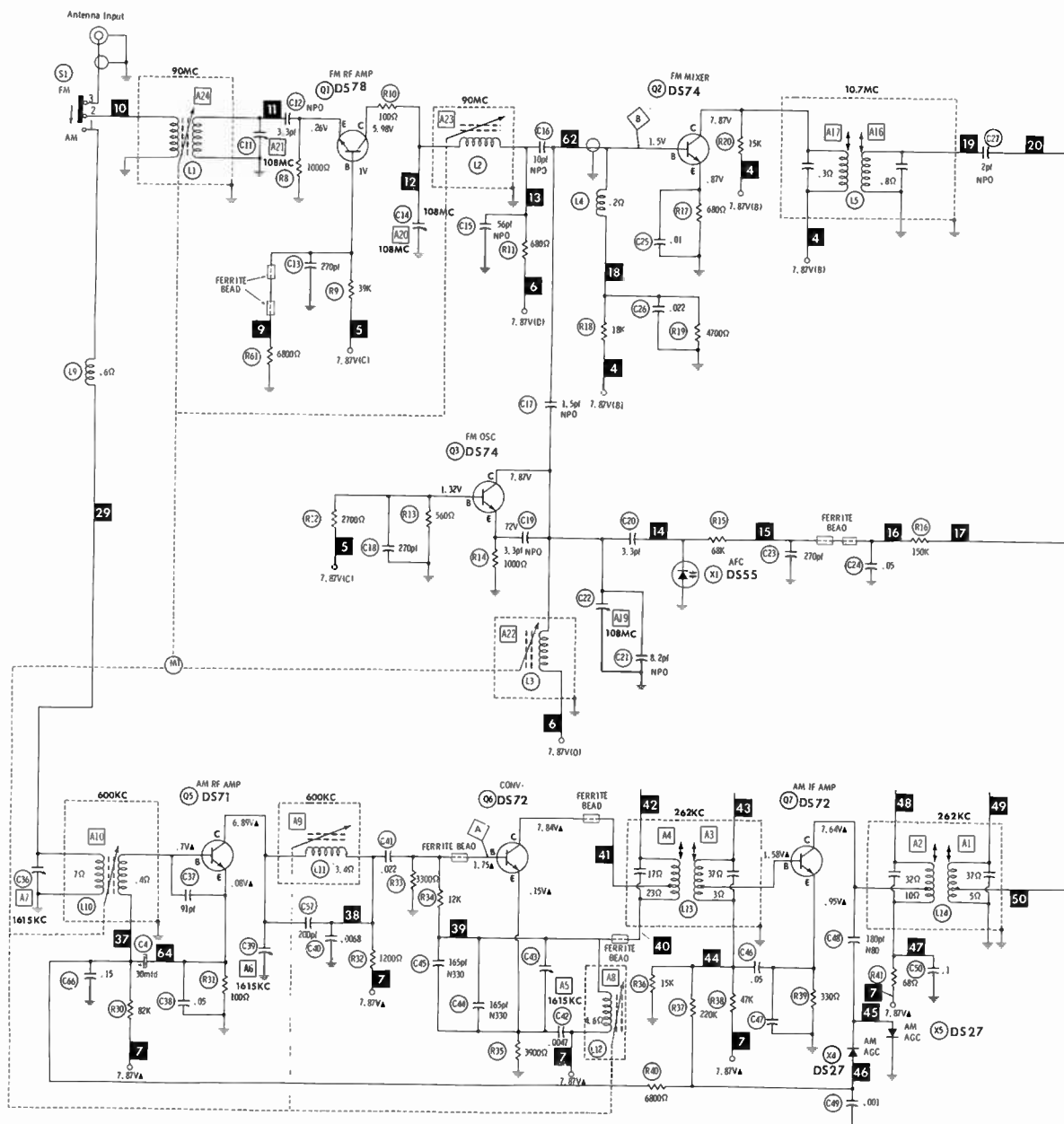
A Howard W. Sams **CIRCUITRACE** Photo





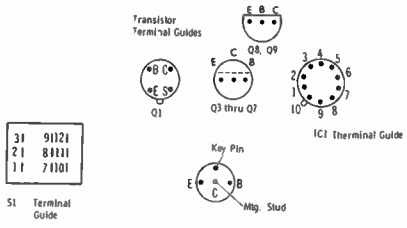




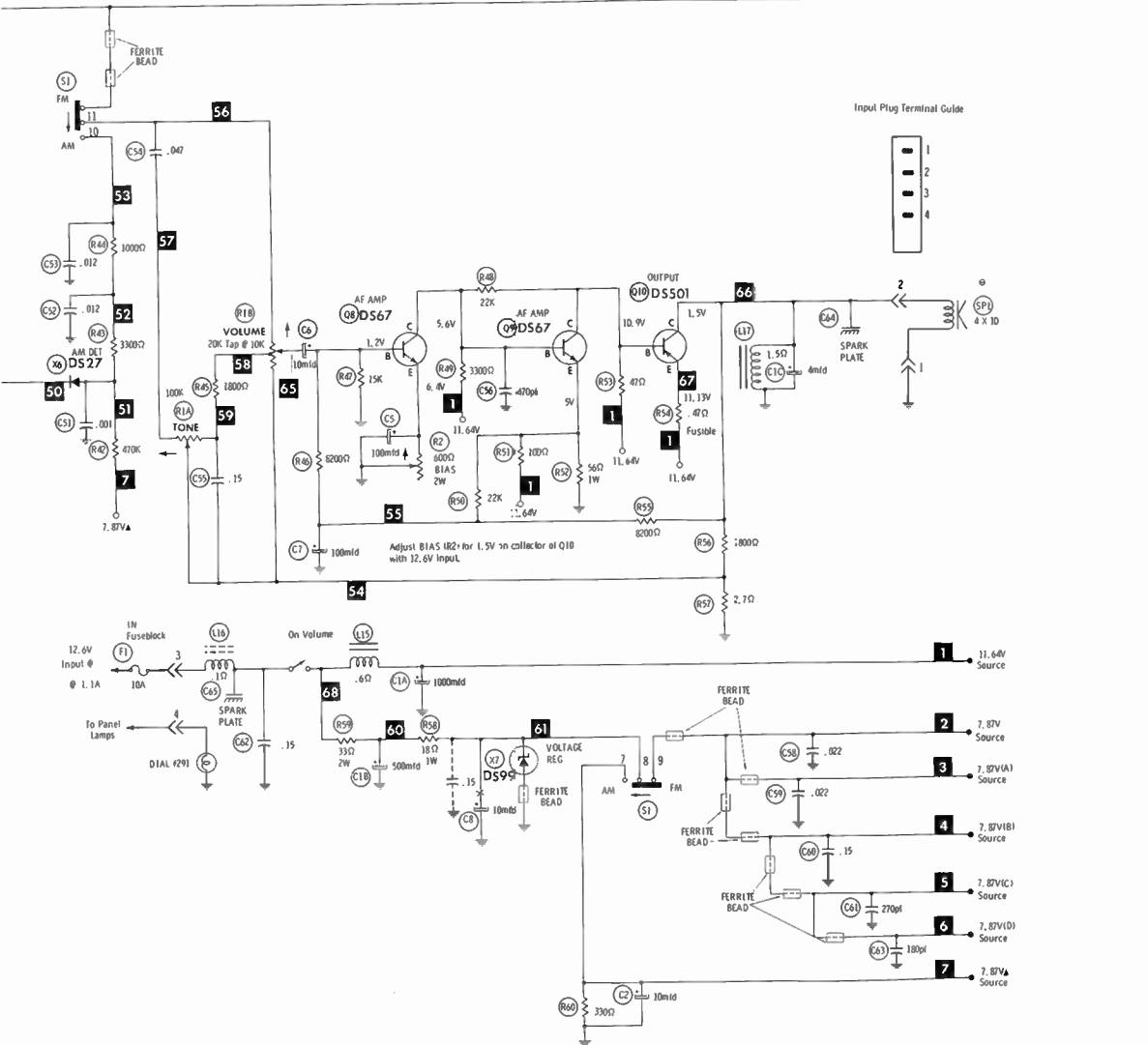
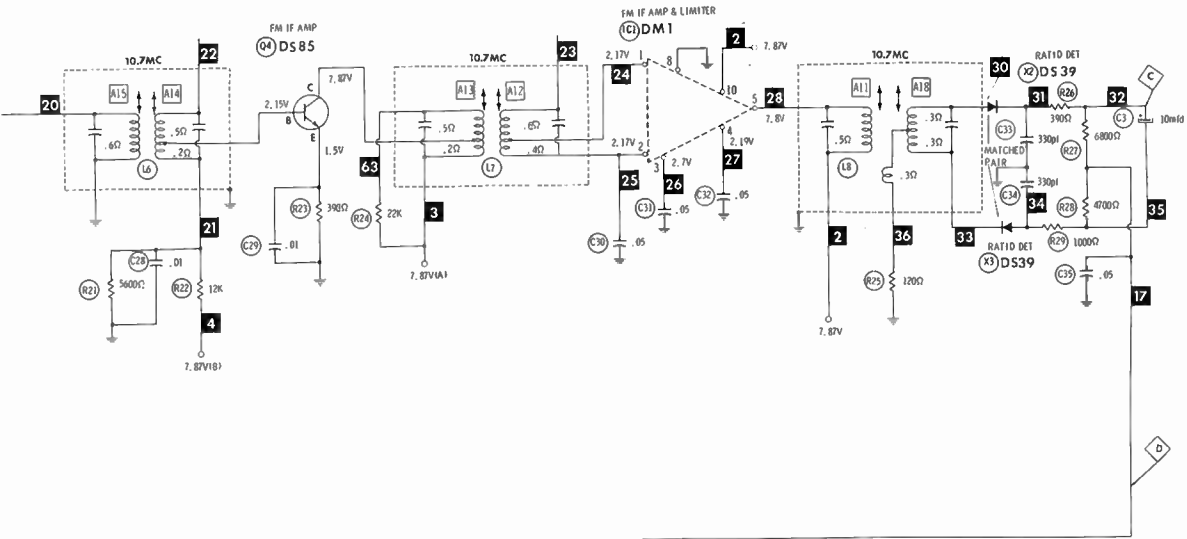


--- Indicates connection used in some versions.  
 -x- Indicates connection not used in some versions.  
 Measurements taken with switching in position shown unless otherwise indicated.  
 ▲ Measured with switching in "AM" position.

Resistors are 1/2W or less, 10% or 20% unless otherwise indicated.  
 Supply voltage maintained at rated value for measurement.  
 Voltage and resistance measured with VTVM or equivalent meter, no signal applied and controls adjusted for normal operation.  
 Controls viewed from actuator end. Arrow indicates clockwise rotation.  
 Numbers assigned to terminals may not be found on the unit.  
 Transistor resistances vary widely. No resistance measurements taken.



A PHOTOFACIT STANDARD NOTATION SCHEMATIC  
 with **Circuitrace**  
 © Howard W. Sams & Co., Inc. 1970



PONTIAC MODELS 92BFP1, 7298832-A, 7303302-A

## PARTS LIST AND DESCRIPTION

(When ordering parts, state Model, Part Number, and Description.)

Replacement parts shown may be superseded by the availability of newly introduced replacements.  
Have your local distributor check Sams COUNTER FACTS for the most up-to-date replacement.

### TRANSISTORS

ITEM No.	TYPE No.	FUNCTION	REPLACEMENT DATA					
			MFGR. PART No.	GENERAL ELECTRIC PART No.	INTERNATIONAL RECTIFIER PART No.	MOTOROLA PART No.	RCA PART No.	SYLVANIA PART No.
Q1	DS-78	FM RF Amp	DS-81	GE-17	TR-22	HEP50	SK3018	ECG 108
Q2	DS-74	FM Mixer	DS-74	GE-17	TR-01	HEP56	SK3018	ECG 108
Q3	DS-74	FM Osc	DS-74	GE-17	TR-01	HEP56	SK3018	ECG 108
Q4	DS-85	FM IF Amp	DS-74	GE-17	TR-01	HEP53	SK3018	ECG 108
Q5	DS-71	AM RF Amp	DS-71	GE-20	TR-01	HEP53	SK3018	ECG 108
Q6	DS-72	AM Conv	DS-72	GE-20	TR-01	HEP53	SK3018	ECG 108
Q7	DS-72	AM IF Amp	DS-72	GE-20	TR-01	HEP53	SK3018	ECG 108
Q8	DS-67	AF Amp	DS-66	GE-10	TR-01	HEP54	SK3020	ECG 123
Q9	DS-67	AF Amp	DS-66	GE-10	TR-01	HEP54	SK3020	ECG 123
Q10	DS-501	Output *	DS-501	GE-4	TR-03	HEP233	SK3015	ECG 105

\* When replacing, apply silicone grease to both sides of insulator. Tighten mounting screws securely.

### INTEGRATED CIRCUITS

ITEM No.	FUNCTION	MFGR. PART No.	REMARKS
IC1	FM IF & Limiter	DM-1	

### POWER RECTIFIERS & SIGNAL DIODES

ITEM No.	MFGR. PART OR TYPE No.	REPLACEMENT RECTIFIERS & DIODES			REPLACEMENT RECTIFIERS	NOTES
		GENERAL ELECTRIC PART No.	INTERNATIONAL RECTIFIER PART No.	SYLVANIA PART No.	RCA PART No.	
X1	DS-55					Varactor (1) Matched Pair
X2	DS-39	1N60	1N542 (1)	ECG 110 (1)		
X3	DS-39	1N60				
X4	DS-27	1N34AS	1N34A	ECG 109		
X5	DS-27	1N34AS	1N34A	ECG 109		
X6	DS-27	1N34AS	1N34A	ECG 109		
X7	DS-99				Zener	

### ELECTROLYTIC CAPACITORS

ITEM No.	RATING	REPLACEMENT DATA						
		PONTIAC PART No.	AEROVOX PART No.	CENTRALAB PART No.	CORNELL-DUBILIER PART No.	GENERAL ELECTRIC PART No.	MALLORY PART No.	SPRAGUE PART No.
C1A	1000 16V	7283675	AFH3-54-41		CC0006		FPS300.91	PCL-3021.8
B	500 16V							
C	4 11.5V rms							
C2	10 12V	7292738	PTT53	EA15-10	NLW10-15	MT1-5	MTA10035	TL-1128
C3	10 12V	7292738	PTT53	EA15-10	NLW10-15	MT1-5	MTA10035	TL-1128
C4	30 6V	7296313	CRE413A	EA6-25	AL30-6	MT1-13	MTA30015	TL-1093
C5	100 4V	7291810	PTT30	EA6-100	NLW125-6	MT1-21	MTA125E6	TE-1102
C6	10 12V	7292738	PTT53	EA15-10	NLW10-15	MT1-5	MTA10035	TL-1128
C7	100 4V	7291810	PTT30	EA6-100	NLW125-6	MT1-21	MTA125E6	TE-1102
C8	10 12V	7292738	PTT53	EA15-10	NLW10-15	MT1-5	MTA10035	TL-1128

# PARTS LIST AND DESCRIPTION (CONTINUED)

(When ordering parts, state Model, Part Number, and Description.)

Replacement parts shown may be superseded by the availability of newly introduced replacements.  
Have your local distributor check Sams COUNTER FACTS for the most up-to-date replacement.

## CAPACITORS

ITEM No.	RATING	REMARKS	REPLACEMENT DATA						
			AEROVOX PART No.	CENTRALAB PART No.	CORNELL-DUBILIER PART No.	ELMENCO PART No.	MALLORY PART No.	SPRAGUE PART No.	
C11		#7293221							
C12	3.3 NPO		NPO-DI 3.3	DTZ-3R3	NPO3P3			CN0533	10TCC-V33
C13	270		GPD X5F271K	DD-271	GP270		CCD-271	GP327	5GA-T27
C14		#7291003							
C15	56 NPO			TCZ-56			CCT0-560	CN0456	10TCC-Q56
C16	10 NPO		NPO-DI 10	DTZ-10	NPO10		CCT0-100	CN0410	10TCC-Q10
C17	1.5 NPO		NPO-DI 1.5	DTZ-1R5	NPO1P5			CN0515	10TCC-V15
C18	270		GPO X5F271K	DD-271	GP270		CCD-271	GP327	5GA-T27
C19	3.3 NPO		NPO-DI 3.3	DTZ-3R3	NPO3P3			CN0533	10TCC-V33
C20	3.3 NPO		NPO-DI 3.3	DTZ-3R3	NPO3P3			CN0533	10TCC-V33
C21	8.2 NPO		NPO-DI 8.2	DTZ-3R3	NPO8P2				10TCC-V82
C22		#7292611							
C23	270		GPO X5F271K	DD-271	GP270		CCD-271	GP327	5GA-T27
C24	.05		TTP-05	CK-503	MGP05		CCD-503	TA150	TGL-S50
C25	.01		TTP-01	CK-103	MGP01		CCD-103	TA110	TG-S10
C26	.022		TTP-02	CK-203	MGP02		CCD-203	TA120	TG-S20
C27	2 NPO		NPG-DI 2.2	DTZ-2R2	NPO2P2			CN0522	10TCC-V22
C28	.01		TTP-01	CK-103	MGP01		CCD-103	TA110	TG-S10
C29	.01		TTP-01	CK-103	MGP01		CCD-103	TA110	TG-S10
C30	.05		TTP-05	CK-503	MGP05		CCD-503	TA150	TGL-S50
C31	.05		TTP-05	CK-503	MGP05		CCD-503	TA150	TGL-S50
C32	.05		TTP-05	CK-503	MGP05		CCD-503	TA150	TGL-S50
C33	330		GPD X5F331K	DD-331	GP330		CCD-331	GP333	10TS-T33
C34	330		GPD X5F331K	DD-331	GP330		CCD-331	GP333	10TS-T33
C35	.05		TTP-05	CK-503	MGP05		CCD-503	TA150	TGL-S50
C36		#7300228							
C37	91			TCN091					
C38	.05		TTP-05	CK-503	MGP05		CCD-503	TA150	TGL-S50
C39		#7295193							
C40	.0068 75V		DBE6068	CPR-6800J	WMF1D68		10P-1-682	PVC4268	6PS-D68
C41	.022		TTP-02	CK-203	MGP02		CCD-203	TA120	TG-S20
C42	.0047 75V		DBE605	CPR-5000J	DPMS605		10P-1-502	PVC625	6PS-D50
C43		#7295192							
C44	165 N330						*	*	
C45	165 N330						*	*	
C46	.05		TTP-05	CK-503	MGP05		CCD-503	TA150	TGL-S50
C47	.05		TTP-05	CK-503	MGP05		CCD-503	TA150	TGL-S50
C48	180 N80						*	*	10TCN-T18
C49	.001		GPD X5F102K	DM-102	GP1000		CCD-102	SM210	2SS-D10
C50	.1		TTP-1	CK-104				TA010	TG-P10
C51	.001		GPD X5F102K	OM-102	GP1000		CCD-102	SM210	2SS-D10
C52	.012 75V		V1612S1	CPR-10000J	DPMS6S1		10P-1-103	PVC211	225P10391W03
C53	.012 75V		V1612S1	CPR-10000J	DPMS6S1		10P-1-103	PVC211	225P10391W03
C54	.047 75V		V1612S47		DPMS6S47		10P-2-473	PVC1147	225P47391W03
C55	.15 75V		OBE6P15		OPMS4P15		40P-4-154	PVC6015	4PS-P15
C56	470		GPD X5F471K	OD-471	GP470		CCD-471	GP347	10TS-T47
C57	200 N750		N750-01 200	DTN-200			CCTN-201	CN7320	10TCU-T20
C58	.022		TTP-02	CK-203	MGP02		CCD-203	TA120	TG-S20
C59	.022		TTP-02	CK-203	MGP02		CCD-203	TA120	TG-S20
C60	.15		TTP-1	CK-104				TA010	TG-P10
C61	270		GPO X5F270K	OD-271	GP270		CCD-271	GP327	5GA-T27
C62	.15 75V		DBE6P15		OPMS4P15		40P-4-154	PVC6015	4PS-P15
C63	180		GPD X5F181K	DD-181	GP180		CCD-181	GP318	10TS-T18
C64		#7271564							
C65		#7271564							
C66	.15		TTP-1	CK-104				TA010	TG-P10

\* Not normally in distributor's stock. Available thru distributor on order to manufacturer.  
# Delco Part Number.

PONTIAC MODELS 92BFP1, 7298832-A, 7303302-A

## PARTS LIST AND DESCRIPTION (CONTINUED)

(When ordering parts, state Model, Part Number, and Description.)

Replacement parts shown may be superseded by the availability of newly introduced replacements.  
Have your local distributor check Sams COUNTER FACTS for the most up-to-date replacement.

### CONTROLS (All wattages 1/2 watt, or less, unless listed)

ITEM No.	FUNCTION	RESIST-ANCE	REPLACEMENT DATA				
			MFGR. PART No.	CENTRALAB PART No.	CLAROSTAT PART No.	CTS-IRC PART No.	MALLORY PART No.
R1A B	Tone Volume/Switch	100K 20K Tap @ 10K	7308260 (1)	F1-100K, R14-25K, FFS114,RFS205, BB112,SB006,KR-4		* QJ-2644A	P15L,4158, SH4375,RU24T14, OX1812A,IS2250, US41
A B	Tone Volume/Switch	100K 20K Tap @ 8500	7300096 (2)	F2-100K,R14-25K, FFS108,RFS203, BB104,SB004,KR-4		# QJ-2235A	P15A,4114, SH4375,RU24T14, OX1500A,IS2187, US41
R2	Bias Bias	600 2W 600 2W	7294878 (1) 7296937 (2)	V-600 V-600 (3)	U39-600 U39-600 (3)	110-600 110-600 (3)	MR600P MR600P (4)

\* "CONCENTRIKIT" Equivalent: K-8 Kit with Base Elements & Shafts: B11-128,P17-123 (Panel),B19-119X,R26-206 (Rear), S8 (Bushing), N4 (Spacer Nut), 76-1 (Switch)

"SNAPTROL" Equivalent: BU8(5), CF13,CR50T,SF14,SR15,N4,GC

# "CONCENTRIKIT" Equivalent: K-8 Kit with Base Elements & Shafts: B13-128,P22-115(Panel), B19-119X,R9-202 (Rear), S51 (Bushing), N4 (Spacer Nut), 76-1 (Switch)

"SNAPTROL" Equivalent: BU8 (5), CF52, CR50T, SF11, SR13, N4, GC

(1) Used in Model 92BFP1 (2) Used in Models 7298832-A & 7303302-A

(3) Cut off one of the end terminals.

(4) Ground center terminal to case and cut off one of the end terminals.

(5) Alter Bushing and adjust spacer nut (N4) to meet requirements.

### RESISTORS (Power and Special)

ITEM No.	RATING	REPLACEMENT DATA		
		IRC PART No.	WORKMAN PART No.	MFGR. PART No.
R54	.47 (Fusible)			7281890

ITEM No.	RATING	REPLACEMENT DATA		
		IRC PART No.	WORKMAN PART No.	MFGR. PART No.

### COILS (RF-IF)

ITEM No.	USE	REPLACEMENT DATA			
		PART No.	MEISSNER PART No.	MILLER PART No.	WORKMAN PART No.
L1	FM Antenna	(1)			
L2	FM RF	(1)			
L3	FM Osc	(1)			
L4	10.7MC Trap (1uh)	7296856	19-1000	4602	T855
L5	FM Input IF	7305472			
L6	FM Interstage IF	7305473			
L7	FM Interstage IF	7305474			
L8	Ratio Detector	7305475			
L9	RF Choke (8uh)	7255738	19-1009	4611	T822
L10	AM Antenna	(1)			
L11	AM RF	(1)			
L12	AM Osc	(1)			
L13	AM Input IF	7295169			
L14	AM Output IF	7295170			

(1) Part of M1.

### FILTER CHOKE

ITEM No.	RATINGS			REPLACEMENT DATA					NOTES
	CURRENT (Measured)	DC RES.	INDUCTANCE (0 CURRENT 1000~)	PART No.	MERIT PART No.	STANCOR PART No.	THORDARSON PART No.	TRIAD PART No.	
L15	1 Amp	.6	8mh	1221623	C-4095	TC-2	TR-154	TY17XT	
L16	1.15 Amp	.1	300uh	7302543					



## PARTS LIST AND DESCRIPTION (CONTINUED)

*(When ordering parts, state Model, Part Number, and Description.)*

Replacement parts shown may be superseded by the availability of newly introduced replacements.  
Have your local distributor check Sams COUNTER FACTS for the most up-to-date replacement.

### CHOKE (Audio Output)

ITEM No.	INDUCTANCE	REPLACEMENT DATA					NOTES
		PART No.	MERIT PART No.	STANCOR PART No.	THORDARSON PART No.	TRIAD PART No.	
L17	30mh	1222297					

### SPEAKER

ITEM No.	TYPE	REPLACEMENT DATA		NOTES
		PART No.	QUAM PART No.	
SP1	4" x 10" PM 10 ohms 4" x 10" PM 10 ohms	7311412 7291442	410A2Z10	Model 92BFP1 Models 7298832-A, 7303302-A

### FUSE DEVICES

ITEM No.	DESCRIPTION	REPLACEMENT DATA						
		PART No.		BUSS PART No.		LITTELFUSE PART No.		WORKMAN PART No.
		DEVICE	HOLDER	DEVICE	HOLDER	DEVICE	HOLDER	DEVICE
F1	3AG 10 Amp		In Fuse Block	AGC10		311010		

### MISCELLANEOUS

ITEM No.	PART NAME	PART No.	NOTES
M1 S1	Tuner Coil Assembly Switch, Selector	1222504 7309152	

### CABINETS & CABINET PARTS (When ordering specify model, chassis & color)

ITEM	PART No.	ITEM	PART No.
Dial Drum	7303794	Knob, Tuning or Volume	9794856
Dial Pointer	7307461	Knob, Tone	9791115
Push Button	7307451	Knob, Dummy	9784349

### WIRING DATA

General-use Unshielded Hook-up Wire .....	Use BELDEN No. 8530 (Solid) Available in 12 Colors 8524 (Stranded) Available in 12 Colors
Shielded Hook-up Wire .....	Use BELDEN No. 8885
Rear Seat Speaker Extension Cable .....	Use BELDEN No. 8782 (Stranded) Coded Parallel Leads
Bonding Strap .....	Use BELDEN No. 8661 (3/8 In.) or 8670 (3/4 In.)

PONTIAC MODELS 92BFP1, 7298832-A, 7303302-A

# INDEX

This index lists all radios appearing in  
"Auto Radio Manuals" and "PHOTOFACT Auto Radio Series"

KEY		(EP) Early Productions		(LP) Late Productions		(REV) Revised			
AIRCASLE	VOL.	ALLIED	VOL.	AMERICAN MOTORS	VOL.	AUDIO/STEREO (CONT.)	VOL.	AUTOMATIC (CONT.)	VOL.
610.A67	4	19B4191	60	(CONT.)		A-30	52	CRA-3046 63 Corvair	23
610.FE-153 52-53		19B4192	62	P8MA 68 Ambassador,		A-40	57	CRA-4534 64 Corvair	28
Ford	4			Rebel	62	A-45	64	CRP-442A/AT 63	
610.W-100	5	ALLIS CHALMERS		RV4R 64 Rambler	24	A-50	60	Corvair	23
AIR CHIEF (See Firestone)		7BT 249523	44	65MR 66 Ambassador,		A-90	50	CRP-3007 63 Corvair	23
AIRLINE (Also See Riverside)		7BTX	50	Classic,Marlin	35	A-100	50	CRP-4033 64 Corvair	28
FJB-6590A 55 Ford	6	ALLSTATE		75MR 67 Ambassador,		AUSTIN HEALEY		CRP-5009 65 Corvair	29
35BR-6796A	5	5018	22	Marlin,Rebel	50	HAC700 4TMB	30	CRP-6056 65-66 Corvair	62
61-6787 52 Ford	5	5028 Ch.528.50280/		85MG (8992251)				CRP-7156 65-66 Corvair	62
61-6788 52-53 Ford	5	50281	7	68 Javelin	68			CT-356 55-56 Chev.	43
61-6789 51-52 Chev.	5	5033 Ch.528.50330/		85MR 68 Ambassador,				CT-387 57 Chev.	12
61-6792 53 Dodge	4	50331	7	Marlin,Rebel	50			CT-4058 64 Comet	27
61-6793 53 Chev.	5	5050	30	22BA R22BA 62 Rambler				CT-4058 64 Comet	27
61-6794 53 Plym.	5	5066	26	American	18			CTP-3004 63 Comet	23
61-6795 53 Merc.	5	5098 Ch.833.50980	9	22BAM R22BAM 62				CTP-3004 63 Comet	23
61-12601 Tractor	5	5099 Ch.833.50990	9	Rambler American	18			CTP-4059 64 Comet	27
		6225 Ch.528.55040/		8990377 6MR 56				CTP-5071 65 Comet	29
		55041	11	8990377 6MR 56				CTP-7211A 67 Mercury	
		6231 Ch.528.62310	9	8990378 6MA 56 Hudson				Comet	62
		6232 Ch.528.62320	9	& Nash	6			CTR-6A 55-56 Chev.	12
		6240 Ch.528.62400	5	8990378 76MA 57				CTR-6B 55-56 Chev.	13
		6256 Ch.528.55040/		Hudson & Nash	6			CTR-77A 57 Chev.	9
		55041	11	8990455 7MR 57				CU-39	12
		6263 Ch.528.6263	5	Rambler	6			CY-3010 63 Chevy II	23
		6263-2 Ch.528.6263-2.	5	8990494 84MA 58				CY-4025 64 Chevy II	28
		6264 Ch.528.6264	5	Hudson,Nash &				CY-5006 65 Chevy II	29
		6264-1 Ch.528.6264-1.	5	Rambler	8			CYP-3009 63 Chevy II.	23
		6266 Ch.528.6266	5	8990543 83MR 58				CYP-4032 64 Chevy II.	28
		6268 Ch.62680/81	7	Rambler	8			CYP-5005 65 Chevy II.	29
		6269 Ch.62690/91	7	8990576 94MA 59				CRP-7158 66-67 Chevy	
		6284 Ch.528.6284	4	Rambler	9			II	60
		6286-4 Ch.528.6286-4.	4	8990582 93MA 59				D-2 59 Renault	
		6287-4 Ch.528.6287-4.	4	Rambler	10			Dauphine	12
		6295-6 Ch.528.6295-6.	4	8990706 04MA 60				D-8 59 Renault	
		6330 Ch.528.63300	5	Rambler	11			Dauphine	12
		750.62380/81/90/91,		8990811 05AR 60				DAD-6508 66 Dart	39
		750.62890	25	Rambler	12			DAP-39 59 Dodge	13
		833.5049	30	8990831 13NAM 60				DD-5125 65 Dart	30
		833.50180B	31	Rambler	14			DD-5125N 65 Dart 270.	35
		833.50181	27	8990832 13MA 60				DD-6008 66 Dart	39
		833.50202	27	Rambler	14			DDF-7378 67 Dodge	61
		833.50490	30	8990833 14MR 61				DE-300 60 DeSoto	14
		833.50930	28	Rambler	15			DE-3077 63 Dart	22
		833.50931 64 VW	28	8990981 2TMR 62				DE-3078 63 Dart	22
		833.62741	28	Rambler	19			DEP-4154	27
		833.62743	32	8990981 2TMR 62				DEP-4654	27
		833.62800	30	ANGLIA	29			DEP-6204	57
		833.63070	28	6BEF 66	39			DET-28 57-58 DeSoto	9
		833.500510 65 Chev.	32	A.R.C.				DFM-3095	26
		833.501220	30	2500				DHP-7133 67 Dodge Dart	62
		833.501230 65 Dart	30	ARVIN				DM-132 53 Dodge	5
		833.501920 65 Comet	30	60Y53-19 Ch.1.45701	67			DMF-7372 67 Dodge	61
		833.503050 65 Fury	30	ATR KARADIO				DP-6 57-59 Renault	12
		833.503060 65		BKS410 61-62 Buick				DP-11 57-59 Renault	12
		Belvedere	30	Special	27			Dauphine	12
		833.623690	30	CT412 61-62 Chev.	27			DP-3082 64 Dodge 880.	26
		833.624211 64 VW	28	CR414 60-62 Corvair	27			DP-4107 64 Dodge 880.	26
		833.624630	30	COT416 60-62 Comet	27			DP-5127N 65 Dodge 880,	
		833.625510 65 Chev.	30	DED418 62 Dart	27			Polara,Monaco	35
		833.627420	28	FAL420 60-62 Falcon	27			DP-8214 67-68 Polara,	60
		833.628000	30	FD422 60-62 Ford	27			Monaco	60
		834.50480	32	LR424 62 Lancer	27			DRX-7117 66-67 Dodge	
		835.62460	29	MY426 62 Merc.	27			Charger	62
		856.62450	27	OEF428 61-62 F-85	27			CM-333 53 Chev.	4
		856.62470	52	PII430 62 Plym.	27			CMP-7217 67 Cougar	60
				PCT432 61-62 Tempest.	27			CMR-7151 67 Camaro	60
				TR1270N	29			CMR-8252 67-68 Camaro	60
				TR1279-6V	11			CP-478-C 58 Chev.	12
				TR1279-12V	11			CP-489-F 59 Chev.	12
				TT-727 Tractor Radio.	29			CP-500 59-60 Chev.	14
				VT434 62 Valiant	27			CP-511AT 61 Chev.	16
				401	27			CP-522AT	19
				606	19			CP-522AT 62 Chev L.P.	24
				612	19			CP-3002 63 Chev.	23
				707	19			CP-4050 64 Chev.	28
				1279-6V	11			CP-4050N 64 Chev.	37
				1279-12V	11			CP-5004 65 Chev.	29
				AUDIO/STEREO				CP-5004N 65 Chev.	37
				A-12	53			CP-6052 66 Chev.	39
								CP-8254T 68 Chev.	60
								CPA-3047 63 Corvair	23
								CPA-4533 64 Corvair	28
								CPV-4048 64 Chevelle.	28
								CPV-5007 65 Chevelle.	29
								CPV-7154 67-68	
								Chevelle	71
								CPV-8256 68 Chevelle	60
								CR-3006 63 Corvair	23
								CR-4034 64 Corvair	28



BRITISH MOTORS CORP.	VOL.	BUICK (CONT.)	VOL.	CHEVROLET (CONT.)	VOL.	CHEVROLET (CONT.)	VOL.	CLETRON	VOL.
6SMB 66 Austin Healey 3000, Mark III, Sprite, MGB, MG Midget and MG-1100	53	7302514 68 Special ... 50 7302524 981314 68 Buick,Riviera ... 51 7302524-B 68 Buick ... 58 7302534 68 Buick & Riviera ... 50 7302544 68 Buick, Riviera ... 51 7303994 ... 48 7304884,A 68 Buick, Riviera,Special ... 51		985036 61 Truck ..... 16 985158 62 Corvaire ..... 17 985159 62 Corvaire ..... 18 985203 62 Corvaire ..... 17 Trucks ..... 17 985227 62 Truck ..... 18 985264 62 ..... 17 985315 62 Corvaire ..... 18 985332 62 ..... 18 985383 62 Corvett ..... 17 985396 63 Corvett ..... 20 985431 63 ..... 19 985432 63 ..... 19 985443 63 Corvaire ..... 19 985447 63 Corvaire ..... 19 985449 63 Corvaire ..... 19 985453 63 Chev II ..... 19 985455 63 Chev II ..... 19 985471 63 Truck ..... 20 985672 64 Chev. .... 24 985686 63 ..... 21 985694 63 ..... 20 985773 64 Chevelle ..... 24 985776 64 Chevelle ..... 23 985815 64 Corvaire ..... 24 Truck ..... 24 985831 64 Corvaire ..... 24 985832 64 Corvaire ..... 23 985875 64 Chev. .... 24 985876 64 ..... 23 985877 64 Chev. .... 24 985916 64 Chev. Van ..... 24 985921 64 Corvett ..... 24 985957 64 Chev II ..... 24 985958 64 Chev II ..... 23 986096 65 Chev. .... 29 986099 65 Chev. .... 29 986101 65 Chev. .... 29 986113 65 Corvaire ..... 29 986116 65 Corvaire ..... 31 986116 65 Corvaire ..... 36 986118 65 Corvaire ..... 29 986201 65 Chevelle ..... 29 986202 65 Chevelle ..... 31 986203 65 Chevelle ..... 29 986248 65 Chev II ..... 29 986250 65 Chev II ..... 31 986252 65 Chev II ..... 29 986281 65 Corvett ..... 31 986330 65 Chev.Truck ..... 29 986338 65 Chev.Truck ..... 29 986339 65 Chev.Truck ..... 29 986374 65 Chev. .... 29 986376 65 Chevelle, ..... 29 Chev II,Corvaire ..... 38 986521 66 Chev II ..... 38 986522 66 Chev II ..... 36 986527 66 Chevelle ..... 38 986528 66 Chevelle ..... 36 986529 66 Chevelle ..... 38 986544 66 Chev. .... 38 986545 66 Chev. .... 35 986546 66 Chev. .... 37 986668 53 ..... 4 986669 53 ..... 4 986769 66 Chev.Truck ..... 36 986771 54 Truck ..... 5 986771 66 Chev.Truck ..... 36 986823 67 Camaro ..... 41 986824 67 Camaro ..... 42 986835 67 Camaro ..... 41 986845 67 Chev. .... 41 986846 67 Chev. .... 42 986847/A 67 Chev. .... 42 986852 67 Chevelle ..... 41 986853 67 Chevelle ..... 41 986854 67 Chevelle ..... 43 986863 67 Corvaire ..... 41 986864 67 Corvaire ..... 41 986865 67 Corvaire ..... 43 986868 67 Chev II ..... 41 986869 67 Chev II ..... 41 987086 55 ..... 5 987087 55 ..... 5 987088 55 ..... 5 987187 55 Truck ..... 6 987366 56 See Model ..... 5 987088 ..... 5 987368 56 ..... 6 987573 57 ..... 7 987575 57 ..... 7 987577 57 ..... 7 987693 57 ..... 7 987724 58 ..... 8		987727 58 ..... 8 987730 58 ..... 9 987888 59 ..... 10 987891 59 ..... 10 987893 59 ..... 10 988062 60 Corvaire ..... 12 988080 60 Truck ..... 13 988275 60 ..... 12 988276 60 ..... 12 988336 61 Truck Series ..... 15 95 ..... 15 988413 61 ..... 15 988414 61 ..... 14 988460 61 Corvaire ..... 15 988468 61 Corvaire ..... 14 3711897 55 Corvett ..... 6 3725156 56-57 ..... 7 Corvett ..... 7 3748611 58 Corvett ..... 9 7296341 986731 66 Caprice ..... 37 7296351 986644 FM Stereo ..... 37 7297901 68 Camaro ..... 49 7298501 67 Chev. .... 44 Truck ..... 44 7299111 68 Corvaire ..... 49 7299561 66 Caprice ..... 37 7300471 67 Chev. .... 43 7300481 67 Chev., ..... 44 Chevelle,Corvaire ..... 44 7300491 67 Chev. .... 43 7300941 67 Chev., ..... 42 Camaro,Chevelle, ..... 42 Corvaire ..... 44 7301001 67 Camaro ..... 44 7301001 68 Camaro ..... 48 7302451 68 Chev II ..... 49 7302721 68 Corvett ..... 52 (68 Models) ..... 73 7302721 69 Corvett ..... 48 7303121 68 Chevelle ..... 49 7303131 68 Chevelle ..... 53 7303201 68 Corvett ..... 53 7303211 68 Corvett ..... 48 7303231 68 Chev. .... 48 7303241 68 Camaro ..... 48 7303311 68 Chev. .... 48 7304161 68 Camaro ..... 48 7304611 68 Chev. .... 49 7304621 68 Chev. .... 58 7305201 68 Camaro ..... 49 7305211 68 Camaro ..... 49 7305221 68 Camaro ..... 49 7305301/A 68 Chevelle, ..... 49 Chev II ..... 55 7305311 68 Chevelle ..... 55 730531A 68 Chevelle ..... 48 7305441 67 Chev. .... 49 7305451 68 Chev. .... 58 7306121 68 Chev. .... 55 7306361 68 Chevelle ..... 55 7307121 68 Chev.Truck ..... 51 7307801 (Similar to page 51) ..... 44 7307811 (Similar to page 41) ..... 48 7307821 (Similar to page 41) ..... 48 7307831 (Similar to page 22) ..... 49 7307841 (Similar to page 22) ..... 49 7307851 (Similar to page 41) ..... 48 7307861 (Similar to page 22) ..... 49		RU-101 ..... 27 RU-104 ..... 27 COMET (See Mercury) CONTINENTAL (See Lincoln) CORONADO 35RA2-43-5101A ..... 5 CORTINA 6BEF 66 ..... 39 7BEF 67 Cortina ..... 50 CORVAIR (See Chevrolet) CORVETTE (See Chevrolet) CRAIG 3104 ..... 54 3110/A ..... 55 DART (See Mopar or Dodge) DELRAY SM-711 ..... 22 SM-751 ..... 22 TRM-701 ..... 22 UA-702 ..... 22 UM-701 ..... 22 VNA-702 ..... 22 VVM-701 ..... 22 DESOTO (See MoPar) DODGE (Also See Mopar) 248 (8BDA) (9BDA) 68/69 Dart ..... 57 252 (8BCO) (9BCCO) 68/69 Coronet ..... 57 256 (8BDC) (9BCCO) 68/69 Charger ..... 57 388 (8FBCO) 68 Coronet, Charger ..... 58 397 (8FBDA) 68 Dart ..... 58 706A 68 Dodge Truck ..... 60 8FBDD 68 Dodge ..... 58 2864766 (394) 68 Monaco, Polara ..... 54 2864796 (392) 68 Charger, Coronet ..... 54 2884064 (389) 68 Charger ..... 51 2884067 (253) 68 Monaco, Polara ..... 52 2884068 (395) 68 Monaco, Polara ..... 51 2884128 (255) 68 Monaco, Polara ..... 68 2884285 (327) 69 Monaco, Polara ..... 63 3420559 (1DP2902) 69 Polara ..... 67 DUO-VOX AM-8 ..... 37 AM10 ..... 35 AMF-16B ..... 28 EDSEL 04BE COKF-1880S, COKF-18806 ..... 12 85SE 58 ..... 8 87SE 58 ..... 8 94BE B9KF-1880S-D/ 18806-C 59 ..... 10 ERIC FM-100 ..... 18 F-85 (See Oldsmobile) FALCON (See Ford) FIRESTONE 3-D-5 Code 12D-MU- 60B ..... 19	



MERCURY (CONT.)	VOL.	MOPAR (CONT.)	VOL.	MOPAR (CONT.)	VOL.	MOPAR (CONT.)	VOL.	MOTOROLA (CONT.)	VOL.
SSMY757 53 See Lincoln		203 62 Valiant SV1 ...	18	369 7FBP 67 Plym. ....	48	854 58 Plym. LP-1/-2 ...	9	CT65M 65 Chevrolet ...	32
Model 3SH756 .....	4	204 62 Plym. SP1/2 ...	18	370 7FBD 67 Dodge ....	48	855 P-5901 59 Plym ...	11	CT66A 66 Chevrolet ...	38
3TBM 63 .....	21	205 62 Dart SD1/2 ...	17	372 5FBVE See Page 86		856 59 Dodge MD1/2/3 ...	10	CT66M 66 Chevrolet ...	39
3TME 63 Comet .....	23	206 4TBLL 64 Dart ...	24	65 Plymouth .....	30	857 59 Desoto MS1/2/3 ...	10	CT67A 67 Chevrolet ...	44
3TMY 63 Meteor .....	23	214 3BVD 63 Valiant		373 5FBL See Page 86		858 94BC 59 Chrysler ...	10	CT68A 68 Chevrolet ...	56
4SM767 54 See Lincoln		TV1 .....	19	65 Dart .....	30	860 59 Plym. MP1/2 ...	12	CT69A 69 Chevrolet ...	69
Model 4SH764 .....	4	215 3BLE 63 Dart TL1..	19	374 7FBPD 67 Plym. ....	48	861 59 Chrysler Export	12	CTA3 53 Chevrolet ...	4
4TBM 64 Merc. ....	23	216 63 Plym. ....	22	375 7FBC 67 Chrysler ...	48	900 55 Dodge D-55/-56	5	CTA4 54 Chevrolet ...	6
4TME 64 Comet .....	23	217 63 Dodge .....	22	376 7BC 67 Chrysler ...	42	901 55 Desoto S-21/-22	5	CTA5 55 Chevrolet ...	6
SBM 55 See Lincoln		218 4TBVE 64 Valiant..	24	377 7BUD 67 Dodge		902 55 Chrysler .....	5	CTA6T 55-56 Chevrolet	7
Model 5BI .....	5	219 64 Dodge VD1/2 ...	23	DeLuxe .....	42	903 55 Chrysler .....	5	CTA6X 55-56 Chevrolet	7
5TBM 65 Merc. ....	28	220 64 Plym. VP1/2 ...	23	378 7FBDD 67 Dodge ...	48	910/HR 56 Dodge D-62/-		CTA7X 57 Chevrolet ...	7
5TPE 65 Comet .....	28	221 4TBLH 64 Dart ...	24	379 6FBL 66 Dart ...	36	-63 .....	6	CTA8X 58 Chevrolet ...	9
6BM 56 .....	6	222 5BVE 65 Valiant ...	28	381 67 Charger .....	43	911 65 Desoto S-23/-24	6	CTA9X 59 Chevrolet ...	10
6BMS 56 .....	6	223 65 Dodge Dart ...	28	385 7FBVA 67 Barracuda,		912/HR 56 Chrysler ...	7	CTA61 61 Chevrolet ...	15
6TMM 66 Merc. ....	35	224 5B 65 Plym.Std ...	28	Dart, Valiant .....	48	916/HR 56 Plym. P-28/-		CTA62 62 Chevrolet ...	18
6TPG 66 Merc. ....	37	225 5BPD 65 Plym. ....	28	402 04BC 60 Chrysler ...	13	-29 .....	7	CTA63 63 Chevrolet ...	22
7TBM .....	42	Deluxe .....	28	403 04BI 60 Imperial ...	13	917HR 57 Plymouth ...	8	CTA64 64 Chevrolet ...	24
7TPG 67 Comet/Cougar	41	226 65 Dodge Coronet..	28	404 14BI 61 Imperial ...	15	918 57 Dodge D-66/-67/-		CTM3 53 Chevrolet ...	5
8TBM 68 .....	55	228 6BVE 66 Valiant ...	37	407 14BC 61 Chrysler ...	15	-70/-71/-72 .....	7	CTM4/A 54 Chevrolet ...	6
9BM 69 .....	68	229 6BL 66 Dart ...	37	409 24BI 62 Imperial		919/HR 57 Desoto S-25/-		CTM6 55-56 Chevrolet ...	6
9FBO 69 Montego ...	64	230 6BP 66 Plym. ....	37	SY1 .....	18	-26/-27 .....	7	CTM7X 57 Chevrolet ...	7
9FBZ 69 Cougar ...	64	230 7BP 67 Plym. ....	42	410 24BC 62 Chrysler		920HR 57 Chrysler ...	8	CTM8X 58 Chevrolet ...	9
22BM 62 .....	18	231 6BPD 66 Fury ...	37	SC1/2/3 .....	18	921HR 57 Imperial ...	8	CTM9X 59 Chevrolet ...	10
MERCURY RECORDS		232 66 Coronet BW1/2..	35	411 34BCS 63		922 85BC 58 Chrysler ...	9	CTM57X 57 Chevrolet ...	9
AP-8300 .....	57	233 66 Charger BW29 ...	35	Chrysler .....	20	923 58 Desoto L-51/-		CTM61X/A 61 Chevrolet	16
METEOR (Also See Mercury)		234 6BVS 66 Valiant ...	37	413 34BI 63 Imperial		-52/-53 .....	9	CTM62 61-62 Chevrolet	19
24ME 62 Comet See		235 66 Polara, Custom		TY1 .....	20	924HR .....	9	CTM63 63 Chevrolet ...	22
Ford 24ME .....	17	880, Monaco BD2 ...	35	414 44BI 64 Imperial ...	24	925 58 Plym. LP-1/-2 ...	9	CTM64 64 Chevrolet ...	25
24MY 62 Meteor See		236 7BVE 67 Valiant ...	42	415 44BCS 64		927 59 Desoto MS-1/-2/-		CTM64 64 Chevrolet ...	25
Ford 24ME .....	17	237 67 Dart .....	43	Chrysler .....	24	-3 .....	11	CY65A 62-65 Chev II ...	32
77BM 57 .....	7	240 67 Fury .....	43	416 65 Chrysler .....	31	928 R95BC-S 59		CY65M 62-65 Chev II ...	33
78BM 57 .....	7	241 7BD 67 Dodge ...	42	416B 66 Chrysler .....	39	Chrysler .....	10	CY66A 66 Chev II ...	38
84BM 58 .....	8	301 PP1/2 60 Plym. ....	14	417 65 Imperial .....	31	929 C-5909 59 Imperial		CY67A 67 Chev II ...	44
85BM 58 .....	9	302 PD1/2/3/4 60 Dodge	13	417B 66 Imperial .....	39	MY-1 .....	11	CY68A 68 Chev II ...	56
94PM 59 .....	12	303 03BC 60 Chrysler..	13	418 67 Imperial .....	47			CY69A 69 Chev II ...	69
95PM 59 .....	11	304 03BS 60 Desoto ...	13	419 67 Imperial .....	43			CYA62 62 Chev II ...	20
METRAVOX		305 03BD 60 Dodge ...	13	420 66 Imperial .....	40			CYA63 61-63 Chev II ...	22
Sutton RA144 .....	20	306 13BD 61 Dodge ...	16	421 67 Chrysler .....	43			CYA64 62-64 Chev II ...	25
Sutton RA155 .....	21	309 RP1/2 61 Plym. ....	16	608 53 Plym. P24 ...	4			CY662 62 Chev II ...	19
MG		310 Export Version of		609 53 Dodge Model				CY663 62-63 Chev II ...	22
HAC700 4TMB .....	30	Model 301 .....	14	D-44/-46/-47/-48 ...	4			CY664 62-64 Chev II ...	25
MIDLAND		311 Export Versions		610T 53 Dodge Truck,				FM65M .....	35
65-200 .....	40	of Model 309 .....	16	Series B-3/-4 .....	4			FM67M .....	45
65-210 12 Transistor		312 13BS 1961 Desoto..	16	611T 54 Dodge Truck,				FM68M .....	59
Version .....	40	313 60 Valiant .....	14	Series C See Model				FM106M .....	40
65-210 .....	34	314L Export Version of		610T .....	4			FM108M .....	55
65-400 .....	57	Model 114 .....	16	612 54 Dodge D-40/-51/-				FM200A .....	34
65-404 .....	59	314V Export Version of		52/-53 See Model 609 ...	4			FM210A .....	72
65-408 .....	63	Model 113 .....	16	613 55 Plym. P-26/-2 ...	5			FM-900 .....	14
MOBILPAGE		317 13BC 61 Chrysler..	15	614 55 Dodge D-55/-56	5			FM990X .....	47
65MTR/MW .....	48	322 SP1/2 62 Plym. ....	17	620 56 Plym. P-28/-29	7			FM991X .....	60
MONITORADIO		323 SD1/2 62 Dart ...	17	621 56 Dodge D-62/-63	7			FMA-100 .....	26
M-40 .....	12	324 Export SP1/2 62		624 57 Dodge D-66/-67/-				FMC62 .....	19
M-160 .....	12	Plym. ....	17	-70/-71/-72 .....	8			GMT3A6 48-53 Chev/GMC	5
MC-40 .....	12	327 SC1/2/3 62		700 58 Dodge Truck ...	8			Truck .....	5
MC-160 .....	12	Chrysler .....	17	700 Rev. 60 Dodge				Truck .....	5
MONTGOMERY WARD		330 63 Plym. ....	21	Truck .....	14			GV-701 .....	11
(See Riverside)		331 63 Dodge .....	21	701 59 Simca .....	12			GV-800 .....	9
MOPAR		332 63 Dodge 880 ...	21	703 R12BUT 61 Dodge				HF3A6 51-53 Henry J ...	5
RV4C .....	24	333 63 Chrysler .....	21	Truck .....	16			HN2A6 51-52 Hudson ...	5
RV4CL .....	24	334 4TBQ 64 Dodge880..	25	706 64 Dodge Truck ...	26			HN3A6 51-53 Hudson	5
RV5C 65 .....	30	335 64 Plym. ....	24	706 5TBDD Similar to				except Hudson Jet ...	5
RV5CC 65 .....	30	336 64 Dodge .....	25	page 64 65 Dodge Truck	26			HN4A6 54 Hudson ...	5
RV5CL 65 .....	30	337 63 Valiant .....	22	706 7BDD 67 Dodge				HN4M6 54 Hudson ...	5
101 PP1/2 60 Plym. ....	13	339 63 Dodge Dart ...	22	Truck .....	44			HNS3M6 51-53 Hudson ...	5
102 PD1/2/3/4 60		343 R3BC 63 Chrysler		819 53 Plymouth .....	4			HT3A6 53 Hudson Jet ...	5
Dodge .....	13	TC1/2/3 .....	19	820 53 Dodge .....	4			ILSTCA, -12 55 Intl ...	6
104 60 Valiant .....	13	344 63 Dodge .....	22	821 Desoto S-16/-18 ...	4			KM201R .....	41
106 60 Dodge .....	14	345 63 Plym. ....	22	824 53 Chrysler .....	4			KM202R .....	41
107 12B 61 Dodge		347 R23BDQ 62 Dodge		828 54 Dodge D-50/-51/-				KM203R .....	66
Dart .....	15	880, SD3 .....	19	-52/-53 .....	4			KM204R .....	64
109 RP1/2 61 Plym. ....	15	348 4TBC 64 Chrysler..	24	829 Desoto S-19/-20 ...	4			KR3A6 51-53 Kaiser ...	5
110 Export Version of		350 R3BD 63 Dodge880..	19	830 54 Chrysler C-62/-				NH3C 53 Nash Rambler ...	4
Model 101 .....	13	351 64 Chrysler .....	25	-63/-64 .....	4			NH4C 54 Nash See Nash	
111 RP1/2 61 Plym. ....	15	352 64 Imperial .....	25	831 See Model 830 ...	4			Model AC-154 .....	5
112 60 Desoto .....	14	353 64 Dodge 880 ...	25	832 55 Plymouth .....	5			NH5AC 55 Nash See Nash	
113 RV1 61 Valiant .....	15	354 64 Dodge .....	24	833 55 Dodge D-55/-56	5			Model AC-154 .....	5
114 RW1 61 Lancer .....	15	360 5FBP 65 Plym. ....	30	834 55 Desoto S-21/-				OE47X 57 Oldsmobile ...	7
202 62 Lancer SL1 ...	18	361 5FBPD 65 Plym. ....	30	-22 .....	5			OE49X 59 Oldsmobile ...	12
		361 6FBPD 66 Plymouth		835 55 Chrysler .....	5			OE46X 60 Oldsmobile ...	14
		Deluxe .....	36	836 55 Plym. P-25/-27	5			OE461X 61 Oldsmobile ...	17
		362 5FB 65 Dodge ...	30	840 56 Plymouth .....	6			OE463 63 Oldsmobile ...	22
		363 65 Dodge 880 ...	28	841 56 Plym. P-28/-29	6			OE464 64 Oldsmobile ...	24
		363S 66 Polara, Custom		842,842HR 56 Dodge				OE2A6 51-52 Oldsmobile	
		880, Monaco BD2 ...	35	D-62/-63 .....	6			"Super 88" & "98" ...	5
		364 5FBDD 65 Dodge ...	30	843 56 Desoto S-23/-24	6			OE4FM 64 Oldsmobile ...	26
		364 6FBDD 66 Dodge		844/HR 56 Chrysler ...	6			OE4FMC 64 Oldsmobile ...	34
		Deluxe .....	36	845 57 Dodge D-66/-67/-				OE65A 65 Oldsmobile ...	32
		365 65 Chrysler .....	28	-70/-71/-72 .....	8			OE66A 65/66 Oldsmobile	40
		365S 66 Chrysler BC1/		846 57 Desoto S-25/-26/-				OE67A 67 Oldsmobile ...	45
		2/3 .....	35	-27 .....	8			PC47X 57 Pontiac ...	7
		366 5FBC 65 Chrysler..	30	847 57 Chrysler .....	8			PC49X 59 Pontiac ...	15
		366 6FBC 66 Chrysler..	36	848 57 Plymouth .....	8			PC460X 60 Pontiac ...	15
		367 5FBI 65 Imperial..	30	849 57 Plym. P-30/-31	8			PC461X 61 Pontiac ...	17
		369 6FBP,6FBVE 66		851 84BC 58 Chrysler ...	8			PC462 62 Pontiac ...	20
		Plymouth Standard ...	36	852 58 Dodge LD-1/-2/-				PC463 63 Pontiac ...	22
				-3 .....	8				

MOTOROLA (CONT.)	VOL.	MOTOROLA (CONT.)	VOL.	NASH (CONT.)	VOL.	OLDSMOBILE (CONT.)	VOL.	PHILCO (CONT.)	VOL.
PCA64 64 Pontiac	24	12AT-1/-2/-3	21	NH3C 53 Nash Rambler	4	7305933 68 Olds, F-85	50	P-5206 See MoPar 819	4
PC2A6 49-52 Pontiac	5	13MA/MAM 60 Rambler	14	NI5AC 55 See Model AC-154	5	OLSON		P-5606 See MoPar 840	6
PC4FM 64 Pontiac	26	American see page 13	14	14AT		RA-771	48	P-5701 See MoPar 848	8
PC4FMC 64 Pontiac	34	14MR 61 Rambler See page 13	15	NORDIC		OPEL		P-5703 See MoPar 917HR	8
PC65A 65 Pontiac	32	24ME,24MF,24MY See Ford Model 24ME	17	501F55 55 Ford	5	94LPB1 69	67	P-5801 See MoPar 848	8
PC66A 66 Pontiac	40	76MA 57 Hudson & Nash See page 9	6	NORDMENDE		94PPB1 (7312234)	70	P-5803 See MoPar 925	9
PC67A 67 Pontiac	45	93MR 59 Rambler See page 9	10	Transita-Royal K-C		69 G/T	70	P-5901 See MoPar 855	11
PC69A 69 Bonneville, Catalina, Executive	69	94MF See page 71	10	4/608 K-C	34	980886 64 Kadette	26	P-6234	20
PD3A6 51-53 Packard	5	94MFM See page 71	10	OLDSMOBILE		981946 58	14	S-5523 See Studebaker Model AC-2301	4
PD69A 69 Firebird	69	94MI 59 "R" & "V" Intl. Truck See page 61	11	03BPB1 70 Olds	73	981981 59-60	14	S-5527 See Studebaker Model AC-2300	4
PT67A 67 Tempest	44	94MIN 59 International See page 91	10	03EPB1 70 Toronado	73	7294694 66	39	S-5528 See Studebaker Model AC-2301	4
PT68A 68 Pontiac	56	94MS 59 T-Bird See page 55	11	93AFM1/M2 69 F-85	68	7307404 68 Opel	55	S-5529 See Studebaker Model AC-2300	4
PT69A 69 Tempest	69	95MF See page 77	10	93AFM1/M2 69 Olds	68	ORRTRONICS		TAR-58 See MoPar 700	8
R200	19	101 See MoPar 101	13	93BPB1/2 (7307303) 69	71	682.100	48	94PM See Merc. 94PM	12
SR2A6 50-52 Studebaker	5	102 See MoPar 102	13	93BT411 69 F-85, Olds	69	682.101	48	929 See MoPar 929	11
SR3A6 52 Studebaker	5	104 See MoPar 104	13	93BT412 69 1/2 F-85, Olds	69	682.110	61	PHILCO-FORD	
SRS2A6 50-52 Studebaker	5	110 See MoPar 110	13	93EPM1/MA2 69 Toronado W/AC	68	682.120	64	C9AA-19A245	
SRS2M6 50-52 Studebaker	5	250X	20	93EPM1/MH2 69 Toronado W/Iltr	68	PACKARD		69 Galaxie, LTD	65
TM5A	33	290T	22	93EPB1 (7308203) 69 Toronado	71	AC-2906 58	8	C9AA-18806-F	69
TM5M	32	294	25	93ET411 69 Toronado	69	AC-2907 58	8	69 Galaxie, LTD	66
TM6M	39	300X	11	93ET412 69 1/2 Toronado	69	439338/339 53 Series	26	C9A-18806-B	69
TM6A	38	301X	11	982029 62	17	439663 54 See Model	4	Fairlane, Falcon, Montego	65
TM7A	44	302 See MoPar 302	13	982030 62	18	439666 54 See Model	4	C9A-18806-E	69
TM8A	71	310X Negative Ground	13	982136 63	19	439338	4	69 Cougar, Mustang	65
TM15A	32	311X Positive Ground	13	982137 63	20	472046 55	5	8TPF 68 Ford	48
TM16A	41	320T	21	982149 63 F-85	20	472047/48 55	5	8TPO 68 Falcon, Fairlane, Comet	48
TM17A	45	323T Toronado	22	982212 63	21	480487 56 Packard	6	8TPS 68 T-Bird	50
TM18A	73	324	25	982249 64	25	Clipper	6	8TPZ L.P. 68 Cougar, Mustang	48
TM29SM	33	395, 395-12	5	982250 64	25	484649 57	21	8TPZ E.P. 68 Cougar, Mustang	48
TM296M	40	396, 396-12	6	982251 64	25	484652 57 See Model	25		
TM297M	48	397	7	982252 64 F-85	25	7267427	6		
TM299M	71	397X	7	982990 53	4	7267427 480487 56	6		
TM315M	33	398X	9	983004 53	4	Packard Clipper	6		
TM316M	40	403	9	983090 54	5				
TM318M	54	404	5	983091 54	5	PANASONIC			
TM326M	40	406	11	983204 55	5	CX-807SU	66	C9LA-18806-C	69
TM327M	46	412	4	983205 55	5	PENNEYS		69 Mark III	66
TM336M	40	414	25	983334 56	6	3104 984-8227	29	PHILLIPS	
TM415M	32	424	25	983336 56	6	3108 58-63 VW	29	PTC-400-MR	32
TM416M	41	500X	13	989001 57	7	3114 63 Ford	29	PLYMOUTH (Also See MoPar)	
TM525A	33	503	4	989002 57	7	3118 982-0093	30	244 (8BBA,9BBA)	68-69
TM526A	41	504	5	989129 58	8	3120 58-63 VW	29	245 (8BVA,9BVA)	68-69
TM527A	46	506, 506-12	7	989131 58	8	3121 981-4021	30	68-69 Valiant	61
TM626A	41	520T	21	989170 59	10	3122 981-4031	30	250 68 Fury	51
TN706S	47	524	26	989171 59	11	3129 985-6816	30	251 (8BBE,9BCC)	68-69
TM707S/-1,708S/-1,		553	4	989172 59	11	3129 981-4031	30	68-69 Belvedere	61
TM709S	65	555, 555-12	6	989276 60	13	3132 985-8316	29	384 (8FBPD) 68 Ply	58
TM711S	68	556	6	989277 60	13	3138 984-8243	29	388 (8FBCO) 68 Belvedere	58
TM713S	72	595, 595-12	6	989278 60	13	3143 985-8358	29	390 68 Fury	55
U3MW Autocar, Diamond T, Reo, White Trucks		596, 596-12	6	989387 61 F-85	15	3144 985-8374	30	398 (8FBBA) 68 Barracuda	58
891600	24	597X	7	989392 61	15	3146 985-8390	30	399 (8FBVA) 68 Valiant	58
VMA7 53-57 VW	7	601X	13	989393 61	15	3151 985-8341	30	2864963 (390) 68 Belvedere, Fury	55
VMA8 58 VW	12	611T See MoPar 610T	4	989393 61	15	3160 64 Chevelle	29	2884044 (400) 68 Belvedere, Fury	55
VMA60 VW	13	612 See MoPar 609	4	989393 61	15	3161 63-64 Chevrolet	29	2884065 (250) 68 Fury	51
VMA63 63 VW	22	624 See MoPar 624	8	989393 61	15	3162 63-64 Chevy II	29	2884103 (254) 69 Fury	67
VMA64 58-64 VW	25	701 See MoPar 701	12	989393 61	15	3163 64 Comet	30	3420558 (1PF2903) 69 Fury	65
VMA65 58-64 VW	25	829 See MoPar 829	4	989393 61	15	3168 64 Ford	30	PONTIAC	
Q3AR See American Motors Model 8990811	12	845 See MoPar 845	8	989393 61	15	3169 64 Falcon	30	92AFM1, 92AFM2	69
04MA 60 Rambler See page 19	11	846 See MoPar 846	8	989393 61	15	3170 64 Falcon	30	69 Beaumont, Tempest	66
04MD/MF/MFM See page 77	12	849 See MoPar 849	8	989393 61	15	3171 985-8515 64 F-85	29	92AFP1 (7307402) 69 Beaumont, Tempest	69
2AT-1	21	852 See MoPar 852	8	989393 61	15	3172 64 Fairlane	30	92AFP2 69 Tempest	64
2MT	20	853 See MoPar 853	8	989393 61	15	3173 64 Mercury	30	92APB1 69 Beaumont, Firebird, Tempest	66
2TMF See page 71	18	854 See MoPar 854	9	989393 61	15	3174 64 Oldsmobile	29	92BFP1 (7307412) 69 Pontiac	73
2TMX See page 71	18	856 See MoPar 856	10	989393 61	15	3176 63-64 Pontiac	29	92BFM1, 92BFM2	69
2TMXD See page 131	17	857 See MoPar 857	10	989393 61	15	3179 64 Tempest	29	69 Pontiac	66
2TMY See page 71	18	860 See MoPar 860	12	989393 61	15	3180 64 Chevrolet	29	69 Pontiac	66
3AT	22	861 See MoPar 861	12	989393 61	15	3181 60-64 Corvair	29	69 Pontiac	72
3MT	22	923 See MoPar 923	9	989393 61	15	3182 63-64 Chevy II	29	92BF411/12 69 Beaumont, Firebird, Pontiac, Tempest	67
4AT	25	927 See MoPar 927	11	989393 61	15	PHILCO (Also See Philco-Ford)			
4MT	25	980886 64 Opel Kadette	26	989393 61	15	C-5209 See MoPar 824	4		
5M, SM-12	5	Chassis		989393 61	15	C-5409 See MoPar 830	4		
6M	6	R15A6		989393 61	15	C-5509 See MoPar 835	5		
6M-12	6	R16M6		989393 61	15	C-5595 See MoPar 902	5		
6MA 59 Hudson & Nash See page 9	6	R17A6		989393 61	15	C-5596 See MoPar 903	5		
6MR 56 Rambler See page 5	6	MUNTZ/STEREO		989393 61	15	C-5609 See MoPar 844	6		
6TAS8	6	C-90	50	989393 61	15	C-5609HR See MoPar 844HR	6		
7M See Model 6M	6	C-100	50	989393 61	15	844HR	6		
7MR 57 Rambler See page 5	6	M-12	53	989393 61	15	C-5705 See MoPar 847	8		
7MX	7	M-30	52	989393 61	15	C-5707 See MoPar 920HR	8		
8M	8	M-40	57	989393 61	15	C-5709 See MoPar 921HR	8		
8MX	9	M-4S	64	989393 61	15	C-5809 See MoPar 924HR	9		
9AX	10	M-50	60	989393 61	15	D-5207 See MoPar 819	4		
10AX	15	NASH		989393 61	15	D-5407 See MoPar 820	4		
10M	13	(Also See American Motors)		989393 61	15				
10MX	12	AC-154 54-55	5	989393 61	15				
11MX	16			989393 61	15				

PONTIAC (CONT.)	VOL.	RAMBLER (Also See American Motors)	VOL.	RIVERSIDE (CONT.)	VOL.	RIVERSIDE (CONT.)	VOL.	SOUNDEX	VOL.
92FFM1, 92FFM2				FJB-6540C	27	FLH-16528A 63-64Chev.	34	CEP-764T 64 Chevelle	26
69 Firebird	66			FJB-6550A	24	FLH-16529A 65 Chev.	35	CHP-164T 64 Chev.	26
92FFP1 (7307422) 69		AF4TMR 64 Rambler	26	FJB-6551A	22	FLH-16530A 60-64		CHP-165T 65 Chev.	32
Firebird	69	AF5TMR 65 Rambler	28	FJB-6551B	27	Corvair	34	CHP-166T 66 Chev.	40
92FPB1 69 Beaumont,		04TMR 64 Rambler	24	FJB-6551C	34	FLH-16531A 65Corvair	35	CHP-654T 64 ChevyI	26
Firebird, Tempest	66	RA-66PB 66 Rambler	37	FJB-6560A 62 Merc.	19	FLH-16533A 62-65		COM-60 60 Corvair	16
92GFM1, 92GFM2		RVSR 75	31	FJB-6561A 62 Fairlane	19	Chevy II	35	COP-60 60 Corvair	16
69 Grand Prix	66	RVSR 65	31	FJB-6562A 61-62 Chev.	19	FLH-16534A 64		COP-006T 66 Corvair	40
92GFP1 (7307432) 69		3TBA 63 Rambler	19	FJB-6567M 59 Plym.	13	Chevelle	34	CTP-264T 64 Comet	26
Grand Prix	69	3TBA 63 Rambler	19	FJB-6571 60-61 Dart	19	FLH-16535A 65		CTP-266T 66 Comet	39
92GPB1 (7307332)		3TBA 63 Rambler	19	FJB-6572A 61-62 F-85,		Chevelle	35	CTR-166T 66	
69 Grand Prix	72	3TBA 63 Rambler	19	Special, Tempest	19	FLH-16536A 63-64		Chevrolet Truck	40
983578 62	17	3TMR 8991142 63	25	FJB-6576A	32	Galaxie	34	CYP-465T 65 Chrysler	32
983579 62	18	4TBA 8991321 64	25	FJB-6577A	32	FLH-16537A 65Galaxie	35	CYP-466T 66 Chrysler	39
983687 62	20	4TBA 8991320 64	25	FJB-6579A 61-62 F-85,		FLH-16538A 64		CYP-565T 65 Chrysler	39
983873 63	20	4TMR 64 Rambler	24	Special, Tempest	19	Fairlane	34	DAP-864T 64 Dart	26
983873A Similar to		5BA 8991562 65 Rambler	29	FJB-6580A 61-62 F-85,		FLH-16539A 65		DAP-865T 65 Dart	32
page 105 63 Pontiac	24	5BA 8991562 65 Rambler	29	Special, Tempest	19	Fairlane 500	35	DAP-866T 66 Dart	39
983874 63 Tempest	19	5BAM 65 Rambler	29	FJB-6581 60-62		FLH-16541A 64/65		DOP-864T 64 Dodge	26
983875 63	21	5BMA 66 Rambler	35	Corvair	19	Falcon, 64 Comet	35	DOP-865T 65 Dodge	32
983945 63	21	7SMA 67 Rambler	45	FJB-6583A 60-62Ford	19	FLH-16543A 65 Comet	35	DOPP-465T 65 Polara	39
984065 64 Tempest	24	7SMA/RHD 67 Export	45	FJB-6584A 60-61		FLH-16544A 63/64Merc.	34	DOPP-466T 65 Polara	39
984076 64	23	7SMA 67 Rambler	45	Valiant	18	FLH-16545A 65 Merc.	35	DPO-866T 66 Dodge	39
984077 64 Pontiac	24	8SMA 68 American	61	FJB-6587	20	FAP-264T 64 Falcon	26	FAP-266T 66 Falcon	39
984078 64 Pontiac	24			FJB-6591	16	FAP-266T 66 Falcon	39	FLP-264T 64 Fairlane	26
986823 67 1/2				FJB-6592	16	Ambassador,Classic	34	FOP-264T 64 Ford	26
Firebird	46			FJB-6593	16	FLH-16547A 65		FOP-265T 65 Ford	32
986824 67 1/2		R-500	31	FJB-6604B 60-62		Ambassador,Classic	34	FOP-266T 66 Ford	39
Firebird	47	RR-3M	35	Corvair	19	FLH-16549A 64 Plym.	34	MEP-264T 63/64 Merc.	26
984817 53-54	4	RR-4PB 5-045	36	FJB-6608A 61 Lancer	18	FLH-16550A 65		MEP-265T 65 Merc.	32
984961 55	5	RR-10R 5-004	40	FJB-6609	19	Belvedere	39	MUP-266T 66 Merc.	39
988568 56 See 984961	5	RR-11R 5-014	40	FJB-6609A	19	FLH-16551A 65 Fury	39	MUP-266T 66 Merc.	39
988569 56	6	RR-12R 5-016	40	FJB-6611 60-61		FLH-16552A 64Valiant	34	MUP-266T 66 Merc.	39
988671 57	6	RR-13R 5-008	40	Rambler	22	FLH-16553A 65Valiant	39	MUP-266T 66 Merc.	39
988672 57	7	RR-14R 5-010	39	FJB-6612 61-6612 62		FLH-16554A 64 Polara	34	MUP-266T 66 Merc.	39
988822 58	8	RR-15R 5-012	39	Chevrolet	18	FLH-16555A 65Coronet	39	PLP-464T 64 Plym.	26
988823 58	8	RR-18-M	43	FJB-6612A 61-62 Chev.	19	FLH-16556A 64 Dart	34	PLP-465T 65 Plym.	32
988837 58	8	RR-19-FM	42	FJB-6612A 61-62 Chev.	19	FLH-16557A 65 Dart	39	PLPF-465T 65 Fury	32
988976 59	10	RR-21-FC	44	FJB-6613A 60-61		FLH-16558A 64 Dart	34	PLPF-466T 66 Fury	39
988977 59	11	RR-23-MX-2	62	Falcon or Comet	18	FJI-16598A		POP-666T 66 Pontiac	40
988978 59	11	RR-30-MC	43	FJB-6615A	27	FLH-16650A 65 Dodge		RAAP-1065T 65	
989614 60	12	RR-35-MPX/-2/-4	72	FJB-6618A 61 Rambler	17	Deluxe, Polara, Monaco,		Rambler American	32
989615 60	13	RR-41-T	46	FJB-6619A	21	880		RAP-364T	27
989692 61	14	RR-43-FMT	62	FJB-6643A 60-62 Comet,		FLH-16651A 63/65		RAP-365T 65 Rambler	32
989693 61	15	RR-44-T/-2	57	Falcon	19	Econoline		RAP-366T	39
989792 61 Tempest	15	RR-45-T-0 Mini-8	51	FJB-6649A Tractor	20	FLH-16652A 64 Buick		SM-130RPE	27
989831 61 Tempest	15	RR-45-T-2 Mini-8	51	FJB-6658	21	Special	34	STM-059 59 Lark	16
7284742	22	RR-59-FT-0	66	FJB-6679A	10	FLH-16653A 65 Olds	35	STP-059 59 Lark	16
7284742A 66 Pontiac	36	RR-60-FMT	69	FJB-6681A 58 Plym.	10	FLH-16654A 64 F-85	34	UN-120RPT	39
7289752 65 Pontiac	29	RU-101-T	24	FJB-6682A, B	10	FLH-16658A 64/65		UP-220RPT	27
7289772 65 Pontiac	29	TC-100M	23	FJB-6686A 59 Ford	11	Tempest	35	VAP-464T 64 Valiant	26
7291562 65 Tempest	30	TC-100-M	32	FJB-6687 59 Ford	12	FLH-16662A 65	34	VAP-465T 65 Valiant	32
7291582 65 Tempest	29	TC-100-MD	32	FJB-6688 59 Chev.	11	FLH-16663A 60/63 Chev		VAP-466T 66 Valiant	39
7292112 65 Tempest	29	TC-200PB	32	FJB-6689 59 Plym.	12	& GMC Trucks	34	VWP-19T	27
7293472 66 Tempest	38	TC-200-PB	32	FJB-6689A 59 Plym.	12	FLH-16665A 64/65 Dodge		VWP-19T 65 Prod.	33
7293492 66 Pontiac	36	TC-200-PB	32	FJB-6690 59 Buick	13	Truck	35	VWP-19T 66 Prod.	41
7293502 66 Tempest	38	TC-300M 64 VW	23	FJB-6691B Renault		61-16509C	35	4TBTR V-350 64	
7293512 66 Pontiac	35	TC-300M,MD 65 Prod.		Dauphine	12	61-16584A 63 Rambler	26	Triumph	26
7293632A 66 Pontiac	36	Similar to page 144	23	FJB-6693B Renault					
7294322 65 Pontiac	35	TC-300M 5-041	36	Dauphine	12				
7294332 66 Pontiac	37	TC-400PB 64 VW	23	FJB-16509C	33	SAAB		SPECIAL (See Buick)	
7294342 66 Pontiac	38	TC-400PB 65 Prod.	23	FJB-16512A 64 VW	28	4BI 64	30	STERLING	
7298802 67 Tempest	41	Similar to page 144	23	FJB-16513A 64 VW	28	5BI 65 Saab	34	FM-200	60
7298812 67 Tempest	42	TRM-64M	23	FJB-16520A 63		6BSA 66	38	SM-704	50
7298822 67 Pontiac	43	TRT	52	Chrysler	23	7BSAX	60	SM-751	42
7298822 68 Pontiac	49	VN-64PB 64 VW	23	FJB-16521A 63 Chev.	23	7BSAX 68	52	UA-702	41
7298832 67 Pontiac	42			FJB-16522A 63 Dodge	23			UDR-100	46
7298832-A 67 1/2		REALISTIC		FJB-16523A 63 Ford	23	SAMPSON		UDR-102	46
Pontiac	73	SM-711 12-1320E	41	FJB-16524A 63 Merc.	23	SSA	18	VHM751	48
7298842 68 Prod. 68		UM-701 12-1321E	41	FJB-16525A 63 Olds	23			12-1319	61
Pontiac	49	12-1319 (Similar to		FJB-16526A 63 Plym.	23				
7298842 67 Pontiac	45	page 113)	60	FJB-16527A 63					
7300682 67 Pontiac	45	90LX697	16	Pontiac	23	SEARS		STROMBERG-CARLSON	
7302322 67 1/2				FJB-16563A	32	833.6303 66-65		C.A.R.7	11
Firebird	47	REGAL		FJB-16566A	20	Galaxie	57	C.A.R.9 59Ford&Edsel	11
7302332 67 1/2				FJB-16567A	21	833.50000	57	CH-60-M 60 Chev.	14
Firebird	47	CR-871	4	FJB-16569A	28	833.50004 66 Pontiac	57	CH-60-PB 60 Chev.	14
7302762 68 Tempest	49			FJB-16574A 63 Buick	23	833.62421	53	CH-61-M 61 Chev.	17
7303302 68 Pontiac	49	RENAULT		FJB-16576A 63		833.62820	53	CH-61-PB 61 Chev.	17
7303302-A 68 Pontiac	73	2TMDX 55555	17	Corvair	23	833.62830	36	CH-61-PB 61 Chev.	17
7302752 68 Tempest	50	3TMDX 55556 63	21	FJB-16577A 63 Dart	22	833.63050 55 Chev	57	DA-60-PB 60 Dart	14
7303262 68 Tempest	50	5SMX 55566 66	40	FJB-16578A 63 Ford	23	833.63070	58	DE-60-PB 60 DeSoto	14
7303362 68 Pontiac	50	6SMX 66 Caravelle,		FJB-16579A 63 Falcon	23	833.622810 66Galaxie	38	DO-60-PB 60 Dodge	14
7304342 (984888)		Dauphine	50	FJB-16580A 63 F-85	23	833.622820 66Galaxie	38	DO-61-PB 61 Dodge &	
68 Pontiac	57	7SMX 67 Caravelle,		FJB-16581A 63 Merc.	23	833.624220	53	Dodge Dart	17
7305572 68 Firebird	50	Dauphine	50	FJB-16582A 62-63		836.62126	49	FA-60-M 60 Falcon	14
7305582 68 Firebird	49			Plymouth	23	836.63060 58-65	52	FA-60-PB 60 Falcon	14
7305592 68 Firebird	59	RIVERSIDE		FJB-16583A 63Tempst.	23	837.62220	38	FO-60-M 60 Ford	14
7305602 68 Firebird	49	(Also See Airline)		FJB-16584A 63Rambler	26	849.63160	56	FO-60-PB 60 Ford	14
7307312 69 Pontiac	72			FJB-16585A 63 Chev.	23			FO-61-M 61 Ford &	
7307332 69 Grand Prix	72			FJB-16586A 63Corvair	23			Mercury	17
7307402 69 Beaumont,		FGJ16511A	27	FJB-16587A 63 Falcon	23			FO-61-PB 61 Ford &	
Tempest	69	FJB-6471A 62 Chevy II	19	FJB-16588A 63 Ford	23	SIMCA		Mercury	17
7307412 69 Pontiac	73	FJB-6472A 62 Chevy II	19	FJB-16589A	23	4TBJ 1000 64	27	Mercury	17
7307422 69 Firebird	69	FJB-6537A 58-59 VW	14	FJB-16607A	32	5BJ 1000 65	35	IM-60-M	15
7307432 69 Grand Prix	69	FJB-6538A 58-59 VW	14	FLH-16607A	32	6BSI 66 Simca 1000	39	IM-60-MX	17
		FJB-6540A	19	FLH-16518A 64-65 Chev.		7BSI Similar to page		IM-61-PB	17
				& GMC Truck	35	89		LA-61-PB 61 Lark	17
				FLH-16519A 60-64 Dodge	880	7BSIX 1969 Simca	59	LR-61-PB 61 Lancer	18
						8BSI 1969	66	OF-61-PB 61 F-85	17



MOTOROLA (CONT.)	VOL.	MOTOROLA (CONT.)	VOL.	NASH (CONT.)	VOL.	OLDSMOBILE (CONT.)	VOL.	PHILCO (CONT.)	VOL.
PCA64 64 Pontiac	24	12AT-1/-2/-3	21	NH3C 53 Nash Rambler	4	7305933 68 Olds, F-85	50	P-5206 See MoPar 819	4
PC2A6 49-52 Pontiac	5	13MA/MAM 60 Rambler	14	NHSAC 55 See Model AC-154	5	OLSON		P-5606 See MoPar 840	6
PC4FM 64 Pontiac	26	American see page 13	14	14AT				P-5701 See MoPar 848	8
PC4FMC 64 Pontiac	34	14MR 61 Rambler See page 13	15	NORDIC		RA-771	48	P-5703 See MoPar	
PC65A 65 Pontiac	32	24ME, 24MF, 24MY See Ford Model 24ME	17	501F55 55 Ford	5			917HR	8
PC66A 66 Pontiac	40	76MA 57 Hudson & Nash See page 9	6	NORDMENDE		OPEL		P-5801 See MoPar 848	8
PC67A 67 Pontiac	45	93MR 59 Rambler See page 9	10	Transita-Royal K-C		94LPB1 69	67	P-5803 See MoPar 925	9
PC69A 69 Bonneville, Catalina, Executive	69	94MF See page 71	10	4/608 K-C	34	94PPB1 (7312234)		P-5901 See MoPar 855	11
PD3A6 51-53 Packard	5	94MFM See page 71	10	OLDSMOBILE		69 G/T	70	P-6234	20
PD69A 69 Firebird	69	94MI 59 "R" & "W" Intl. Truck See page 91	10	03BPB1 70 Olds	73	980886 64 Kadette	26	S-5323 See Studebaker Model AC-2301	4
PT67A 67 Tempest	44	94MS 59 T-Bird See page 55	11	03EPB1 70 Toronado	73	981946 58	14	S-5327 See Studebaker Model AC-2300	4
PT68A 68 Pontiac	56	95MF See page 77	10	93AFM1/M2 69 F-85	68	981981 59-60	14	S-5524 See Studebaker Model AC-2301	4
PT69A 69 Tempest	69	101 See MoPar 101	13	93AFP1 (7307863)		7294694 66	39	S-5528 See Studebaker Model AC-2300	4
R200	19	102 See MoPar 102	13	69 F-85	70	7307404 68 Opel	55	S-5529 See Studebaker Model AC-2300	4
SR2A6 50-52 Studebaker	5	104 See MoPar 104	13	93APB1 69 F-85	63	ORRTRONICS		TAR-58 See MoPar 700	8
SR3A6 52 Studebaker	5	110 See MoPar 110	13	93BPM1/M2 69 Olds	68	682.100	48	94PM See Merc. 94PM	12
SRS2A6 50-52 Studebaker	5	250X	20	93BPM1/2(7307303) 69	71	682.101	48	929 See MoPar 929	11
SRS2M6 50-52 Studebaker	5	290T	22	93BT411 69 F-85, Olds	69	682.110	61	PHILCO-FORD	
TMSA	33	294	25	93BT412 69 1/2 F-85, Olds	69	682.120	64	C9AA-19A243	
TMSM	32	300X	11	93EPM1/MA2 69 Toronado W/AC	68	PACKARD		69 Galaxie, LTD	65
TM6M	39	301X	11	93EPM1/MH2 69 Toronado W/Htr	68	AC-2906 58	8	C9AA-18806-F	
TM6A	38	302 See MoPar 302	13	93EPB1(7308203) 69 Toronado	71	AC-2907 58	8	69 Galaxie, LTD	66
TM7A	44	310X Negative Ground	13	93ET411 69 Toronado	69	439338/339 53 Series	4	C90A-18806-B 69 Fairlane, Falcon, Montego	65
TM8A	71	311X Positive Ground	13	93ET412 69 1/2 Toronado	69	26	4	C95A-18806-C	
TM15A	32	320T	21	982029 62	17	439666 54 See Model	4	69 Thunderbird	67
TM16A	41	323T	22	982030 62	18	439338	4	C9ZA-18806-E	
TM17A	45	324	25	982136 63	19	472064 55	5	69 Cougar, Mustang	65
TM18A	73	395, 395-12	5	982137 63	20	472047/48 55	5	8TPF 68 Ford	48
TM295M	33	396, 396-12	6	982149 63 F-85	20	840487 56 Packard Clipper	6	8TPO 68 Falcon, Fairlane, Comet	48
TM296M	40	397	7	982212 63	21	484649 57	8	8TPS 68 T-Bird	50
TM297M	48	397X	7	982249 64	25	484652 57 See Model	4	8TPZ L.P. 68 Cougar, Mustang	48
TM299M	71	398X	9	982250 64	25	7267427	56	8TPZ E.P. 68 Cougar, Mustang	48
TM315M	33	403	4	982251 64	25	7267427 480487 56 Packard Clipper	6	PHILCO-LINCOLN	
TM316M	40	404	4	982252 64 F-85	25	PANASONIC		C9LA-18806-C	
TM318M	54	406	11	982990 53	4	CX-807SU	66	69 Mark III	66
TM326M	40	412	4	983004 53	4	PENNEYS		PTC-400-MR	32
TM327M	46	414	25	983090 54	5	3104 984-8227	29	PLYMOUTH (Also See MoPar)	
TM336M	40	424	25	983091 54	5	3108 58-63 VW	29	244 (8BBA, 9BBA) 68-69 Barracuda	61
TM415M	32	500X	13	983204 55	5	3114 63 Ford	29	245 (8BVA, 9BVA) 68-69 Valiant	61
TM416M	41	503	4	983205 55	5	3118 982-0093	30	250 68 Fury	51
TM525A	33	504	5	983334 56	6	3120 58-63 VW	29	251 (8BBE, 9BBCC) 68-69 Belvedere	61
TM526A	41	506, 506-12	7	983336 56	6	3121 981-4021	30	384 (8FBPD) 68 Ply	58
TM527A	46	520T	21	989001 57	7	3122 981-4031	30	388 (8FBCO) 68 Belvedere	58
TM626A	41	524	26	989002 57	7	3129 985-6816	30	390 68 Fury	55
TM706S	47	553	4	989027 58	8	3138 984-8243	29	398 (8FBBA) 68 Barracuda	58
TM707S/-1, 708S/-1, 7M709S	65	555, 555-12	6	989129 58	8	3143 985-8358	29	399 (8FBVA) 68 Valiant	58
TM711S	68	556	6	989131 58	8	3144 985-8374	30	2864963 (390) 68 Belvedere, Fury	55
TM713S	72	595, 595-12	6	989170 59	10	3146 985-8390	30	2884065 (250) 68 Fury	51
U3MW Autocar, Diamond T, Reo, White Trucks	24	596, 596-12	6	989171 59	11	3151 985-8341	30	2884103 (254) 69 Fury	67
891600	24	597X	7	989172 59	11	3160 64 Chevelle	29	3420558 (1PF2903) 69 Fury	65
VMA7 53-57 VW	7	601X	13	989276 60	13	3161 63-64 Chevrolet	29	PONTIAC	
VMA8 58 VW	12	611T See MoPar 610T	4	989277 60	12	3162 63-64 Chevy II	29	92AFM1, 92AFM2	
VMA60 VW	13	612 See MoPar 609	4	989387 61 F-85	15	3163 64 Comet	30	69 Beaumont, Tempest	66
VMA63 63 VW	22	624 See MoPar 624	8	989392 61 F-85	15	3168 64 Ford	30	92AFP1 (7307402) 69 Beaumont, Tempest	69
VMA64 58-64 VW	25	701 See MoPar 701	12	989393	14	3169 64 Falcon	30	92AFP2 69 Tempest	64
VMA66 60 VW	22	829 See MoPar 829	4	7284893	22	3170 64 Falcon	30	92APB1 69 Beaumont, Firebird, Tempest	66
VMA63 58-63 VW	22	845 See MoPar 845	8	7289313 65 Oldsmobile	30	3171 985-8515 64 F-85	29	92BFP1 (7307412) 69 Pontiac	73
VMA64 58-64 VW	25	846 See MoPar 846	8	7289333 65	31	3172 64 Fairlane	30	92BFM1, 92BFM2	
Q3AR See American Motors Model 8990811	12	849 See MoPar 849	8	7289353 65	31	3173 64 Mercury	30	69 Pontiac	66
04MA 60 Rambler See page 19	11	852 See MoPar 852	8	7289373 982687 66 F-85	35	3174 64 Oldsmobile	29	92BPM1 (7307312) 69 Pontiac	72
04MD/MF/MFM See page 77	12	853 See MoPar 853	8	7291063 65 F-85	30	3176 63-64 Pontiac	29	92BT411/12 69 Beaumont, Firebird, Pontiac, Tempest	67
2AT-1	21	854 See MoPar 854	9	7292643 66 Toronado	37	3179 64 Tempest	29		
2MT	20	856 See MoPar 856	10	7292663 66 Oldsmobile	39	3180 64 Chevrolet	29		
2TMT See page 71	18	857 See MoPar 857	10	7293653 982690 66 Olds	38	3181 60-64 Corvair	29		
2TMX See page 71	18	860 See MoPar 860	12	7294743 982688 66 Olds	37	3182 63-64 Chevy II	29		
2TMXD See page 131	17	861 See MoPar 861	12	7294753 982689 66 Olds	36	PHILCO			
2TMY See page 71	18	866 See MoPar 866	12	7297564 66 Olds	36	(Also See Philco-Ford)			
3AT	22	872 See MoPar 872	9	Reverb. Unit	36	C-5209 See MoPar 824	4		
3MT	22	873 See MoPar 873	9	7298413 67 Oldsmobile	45	C-5409 See MoPar 830	4		
4AT	25	927 See MoPar 927	11	7299563 67 F-85	43	C-5509 See MoPar 835	5		
4MT	25	980886 64 Opel Kadette	26	7299573 67 Toronado	45	C-5595 See MoPar 902	5		
5M, SM-12	5	Chassis		7299583 67 Toronado	42	C-5596 See MoPar 903	5		
6M	6	R15A6	5	7300083 67 Toronado	44	C-5609 See MoPar 844	6		
6M-12	6	R16M6	5	7300093 67 Oldsmobile	44	8441R	6		
6MA 59 Hudson & Nash See page 9	6	R17A6	5	7300103 67 Oldsmobile	42	C-5705 See MoPar 847	8		
6MR 56 Rambler See page 5	6	MUNTZ/STEREO		7300113 67 F-85	46	C-5707 See MoPar 9201R	8		
6TAS8	6	C-90	50	7300153 67 Toronado	44	C-5709 See MoPar 9211R	8		
7M See Model 6M	6	C-100	50	7301703 67 Oldsmobile	46	C-5809 See MoPar 9241R	9		
7MR 57 Rambler See page 5	6	M-12	53	7302013 68 F-85	52	D-5207 See MoPar 819	4		
7MX	7	M-30	52	7302023 68 Olds, F-85	50	D-5407 See MoPar 820	4		
8M	8	M-40	57	7302503 67 Toronado	46				
8MX	9	M-45	64	7303143 68 Oldsmobile	51				
9AX	10	M-50	60	7303153 68 Oldsmobile	49				
10AX	15	NASH		7303203 68 Toronado	49				
10M	13	(Also See American Motors)		7303223 68 Toronado	49				
10MX	12	AC-154 54-55	5	7303253 68 Toronado	51				
11MX	16			7305203 68 Oldsmobile, Toronado	50				

PONTIAC (CONT.)	VOL.	RAMBLER (Also See American Motors)	VOL.	RIVERSIDE (CONT.)	VOL.	RIVERSIDE (CONT.)	VOL.	SOUNDEX	VOL.
92FFM1, 92FFM2				FJB-6540C	27	FLH-16528A 63-64 Chev.	34	CEP-764T 64 Chevelle	26
69 Firebird	66			FJB-6550A	24	FLH-16529A 65 Chev.	35	CHP-164T 64 Chev.	26
92FFP1 (7307422) 69		AF4TMR 64 Rambler	26	FJB-6551A	22	FLH-16530A 60-64		CHP-165T 65 Chev.	32
Firebird	69	AF5TMR 65 Rambler	28	FJB-6551B	27	Corvaire	34	CHP-166T 66 Chev.	40
92FPB1 69 Beaumont,		D4TMR 64 Rambler	24	FJB-6551C	34	FLH-16531A 65Corvaire	35	CHP-654T 64 ChevyII	26
Firebird, Tempest	66	RA-66PB 66 Rambler	37	FJB-6560A 62 Merc.	19	FLH-16533A 62-65		COM-60 60 Corvaire	16
92GFM1, 92GFM2		RV5R 75	31	FJB-6561A 62 Fairlane	19	FLH-16534A 64		COP-60 60 Corvaire	16
69 Grand Prix	66	RV5RY 65	31	FJB-6562A 61-62 Chev.	19	FLH-16534A 64		COP-006T 66 Corvaire	40
92GFP1 (7307432) 69		3TBA 63 Rambler	19	FJB-6567M 59 Plym.	13	Chevelle	34	CTP-264T 64 Comet	26
Grand Prix	69	3TBAM 63 Rambler	19	FJB-6571 60-61 Dart	19	FLH-16535A 65		CTP-266T 66 Comet	39
92GPB1 (7307332)		3TBAX 63 Rambler	19	FJB-6572A 61-62 F-85,		Chevelle	35	CTR-166T 66	
69 Grand Prix	72	3TMR 8991142 63	25	Special, Tempest	19	FLH-16536A 63-64		Chevrolet Truck	40
983578 62	17	4TBA 8991321 64	25	FJB-6576A	32	Galaxie	34	CYP-465T 65 Chrysler	32
983579 62	18	4TBAM 8991320 64	25	FJB-6577A	32	FLH-16537A 65Galaxie	35	CYP-466T 66 Chrysler	39
983687 62	20	4TMR 64 Rambler	24	FJB-6579A 61-62 F-85,		FLH-16538A 64		CYP-565T 65 Chrysler	39
983873 63	20	5BA 8991562 65 Rambler	29	Special, Tempest	19	Fairlane	34	DAP-864T 64 Dart	26
983873A Similar to		5BAM 65 Rambler	29	FJB-6580A 61-62 F-85,		FLH-16539A 65		DAP-865T 65 Dart	32
page 105 63 Pontiac	24	5TMR 65 Rambler	29	Special, Tempest	19	Fairlane 500	35	DAP-866T 66 Dart	39
983874 63 Tempest	19	6SMA 66 Rambler	35	FJB-6581 60-62		FLH-16541A 64/65		DOP-864T 64 Dodge	26
983875 63	21	6SMAM 66 Rambler	35	Corvaire	19	Falcon, 64 Comet	35	DOP-865T 65 Dodge	32
983945 63	21	7SMA 67 Rambler	45	FJB-6583A 60-62Ford	19	FLH-16543A 65 Comet	35	DOPP-465T 65 Polara	39
984065 64 Tempest	24	7SMA/RHD 67 Export	45	FJB-6584A 60-61		FLH-16544A 63/64Merc.	34	DOPP-466T 65 Polara	39
984076 64	23	7SMAM 67 Rambler	45	Valiant	18	FLH-16545A 65 Merc.	35	DOPP-466T 66 Dodge	39
984077 64 Pontiac	24	8SMA 68 American	61	FJB-6587	20	FLH-16546A 63/64		FAP-264T 64 Falcon	26
984078 64 Pontiac	24			FJB-6591	16	Ambassador, Classic	34	FAP-266T 66 Falcon	39
986823 67 1/2		RANGER		FJB-6592	16	FLH-16547A 65		FLP-264T 64 Fairlane	26
Firebird	46	R-500	31	FJB-6593	16	Ambassador, Classic	34	FOP-264T 64 Ford	26
986824 67 1/2		RR-3M	35	FJB-6604B 60-62		FLH-16549A 64 Plym.	34	FOP-265T 65 Ford	32
Firebird	47	RR-4PB 5-045	36	Corvaire	19	FLH-16550A 65		FOP-266T 66 Ford	39
984817 53-54	4	RR-10R 5-004	40	FJB-6608A 61 Lancer	18	Belvedere	39	MEP-264T 63/64 Merc.	26
984961 55	5	RR-11R 5-014	40	FJB-6609	19	FLH-16551A 65 Fury	39	MEP-265T 65 Merc.	32
988568 56 See 984961	5	RR-12R 5-016	40	FJB-6609A	19	FLH-16552A 64Valiant	39	MEP-266T 66 Merc.	39
988569 56	6	RR-13R 5-008	39	FJB-6611 60-61		FLH-16553A 65Valiant	39	MUP-266T 66 Mustang	39
988671 57	7	RR-14R 5-010	39	Rambler	22	FLH-16554A 64 Polara	34	PLP-464T 64 Plym.	26
988672 57	7	RR-15R 5-012	39	FJB-6612 61-6612 62		FLH-16555A 65Coronet	39	PLP-465T 65 Plym.	32
938822 58	8	RR-18-M	43	Chevrolet	18	FLH-16556A 64 Dart	34	PLP-466T 66 Plym.	39
988823 58	8	RR-19-FM	42	FJB-6612A 61-62 Chev.	19	FLH-16557A 65 Dart	39	PLP-465T 65 Fury	32
988837 58	8	RR-21-FC	44	FJB-6613/A 60-61		FLH-16558A 64 Dart	34	PLPF-466T 66 Fury	39
988976 59	10	RR-23-MX-2	62	Falcon or Comet	18	FLH-16598A	31	POP-666T 66 Pontiac	40
988977 59	11	RR-30-MC	43	FJB-6615A	27	FLH-16650A 65 Dodge		RAAP-1065T 65	
988978 59	11	RR-35-MPX/-/2/-4	72	FJB-6618A 61 Rambler	17	Deluxe, Polara, Monaco,		Rambler American	32
989614 60	12	RR-41-T	46	FJB-6619/A	21	880		RAP-364T	27
989615 60	13	RR-43-FMT	62	FJB-6643A 60-62 Comet,		FLH-16651A 63/65		RAP-365T 65 Rambler	32
989692 61	14	RR-44-T/-2	57	Falcon	19	Econoline	35	RAP-366T	39
989693 61	15	RR-45-T-0 Mini-8	51	FJB-6649A Tractor	20	FLH-16652A 64 Buick		SM-130RPE	27
989792 61 Tempest	15	RR-45-T-2 Mini-8	51	FJB-6658	21	Special	34	STM-059 59 Lark	16
989831 61 Tempest	15	RR-59-FT-0	66	FJB-6679A	10	FLH-16653A 65 Olds.	35	STP-059 59 Lark	16
7284742	22	RR-60-FMT	69	FJB-6681A 58 Plym.	10	FLH-16654A 64 F-85	34	UN-120RPT	39
7284742A 66 Pontiac	36	TC-100M	23	FJB-6682A,B	10	FLH-16658A 64/65		UP-220RPT	27
7289752 65 Pontiac	29	TC-100-MD	32	FJB-6684 59 Ford	11	Tempest	35	VAP-464T 64 Valiant	26
7289772 65 Pontiac	29	TC-200PB	32	FJB-6685A 59 Plym.	12	FLH-16662A 65	34	VAP-465T 65 Valiant	32
7291562 65 Tempest	30	TC-200-PB	32	FJB-6687 59 Ford	11	FLH-16663A 60/63 Chev		VAP-466T 66 Valiant	39
7291582 65 Tempest	29	TC-300M 64 VW	23	FJB-6688 59 Chev.	11	& GMC Trucks	34	VMP-19T	27
7292112 65 Tempest	29	TC-300M 65 Prod.	32	FJB-6689A 59 Plym.	12	FLH-16665A 64/65 Dodge		VMP-19T 65 Prod.	33
7293472 66 Tempest	38	Similar to page 144	23	FJB-6690A 59 Buick	13	Truck	35	VMP-19T 66 Prod.	41
7293492 66 Pontiac	36	TC-300M,MD 65 Prod.	32	FJB-6691B Renault	12	61-16509C	33	4TBTR V-350 64	
7293502 66 Tempest	38	TC-400PB 64 VW	23	Dauphine	12	61-16584A 63 Rambler	26	Triumph	26
7293512 66 Pontiac	35	TC-400PB 65 Prod.	32	FJB-6693B Renault	12			SPECIAL (See Buick)	
7293632A 66 Pontiac	36	Similar to page 144	23	Dauphine	12	SAAB			
7294322 65 Pontiac	35	TRM-64M	23	FJB-16509C	33	4BI 64	30	STERLING	
7294332 66 Pontiac	37	TRT	52	FJB-16512A 64 VW	28	5BH 65 Saab	34	FM-200	60
7294342 66 Pontiac	38	VN-64PB 64 VW	23	FJB-16513A 64 VW	28	6BSA 66	38	SM-704	50
7298802 67 Tempest	41	REALISTIC		FJB-16520A 63		7BSAX	60	SM-751	42
7298812 67 Tempest	42	SM-711 12-1320E	41	Chrysler	23	8BSA 68	70	UA-702	41
7298822 67 Pontiac	43	UM-701 12-1321E	41	FJB-16521A 63 Chev.	23			UDR-100	46
7298822 68 Pontiac	49	12-1319 (Similar to	41	FJB-16522A 63 Dodge	23	SAMPSON		UDR-102	46
7298832 67 Pontiac	42	page 113)	60	FJB-16523A 63 Ford	23	55A	18	YMH751	48
7298832-A 67 1/2		90LX697	16	FJB-16524A 63 Merc.	23			12-1319	61
Pontiac	73	REGAL		FJB-16525A 63 Olds.	23				
7298842 68 Prod. 68		CR-871	4	FJB-16526A 63 Plym.	23	SEARS		STROMBERG-CARLSON	
Pontiac	49	RENAULT		FJB-16527A 63		833.6303 66-65		C.A.R.7	11
7298842 67 Pontiac	45	2TMXD 55555	17	Pontiac	23	Galaxie	57	C.A.R.9 59Ford&Edsel.	11
7300682 67 Pontiac	45	3TMXD 55556 63	21	FJB-16563A	32	833.50000	57	CH-60-M 60 Chev.	14
7302322 67 1/2		5SMXD 55566 66	40	FJB-16566A	20	833.50004 66 Pontiac	57	CH-60-PB 60 Chev.	14
Firebird	47	6SMXD 66 Caravelle,		FJB-16574A 63 Buick	23	833.62421	53	CH-61-M 61 Chev.	17
7302332 67 1/2		Dauphine	50	FJB-16576A 63		833.62820	36	CH-61-M PB 61 Chev.	17
Firebird	47	7SMXD 67 Caravelle,		FJB-16577A 63 Dart	22	833.62830	37	DA-60-PB 60 Dart	14
7302762 68 Tempest	49	Dauphine	50	FJB-16578A 63 Ford	23	833.63050 55 Chev	57	DE-60-PB 60 DeSoto	14
7303302 68 Pontiac	49	RIVERSIDE		FJB-16579A 63 Falcon	23	833.63070	58	DO-60-PB 60 Dodge	14
7303302-A 68 Pontiac	73	(Also See Airline)		FJB-16580A 63 F-85	23	833.622810 66Galaxie	38	DO-61-PB 61 Dodge &	
7302752 68 Tempest	50	FGJ16511A	27	FJB-16581A 63 Merc.	23	833.624220	53	Dodge Dart	17
7303262 68 Tempest	50	FJB-6471A 62 Chevy II	19	FJB-16582A 62-63		836.62126	49	FA-60-M 60 Falcon	14
7303362 68 Pontiac	50	FJB-6472A 62 Chevy II	19	Plymouth	23	836.63060 58-65	52	FA-60-PB 60 Falcon	14
7304342 (984888)		FJB-6537A 58-59 VW	14	FJB-16583A 63Tempest	23	837.62220	38	FO-60-M 60 Ford	14
68 Pontiac	57	FJB-6538A 58-59 VW	14	FJB-16584A 63Rambler	26	849.63160	56	FO-60-PB 60 Ford	14
7305572 68 Firebird	50	FJB-6540A	19	FJB-16585A 63 Chev.	23			FO-61-M 61 Ford &	
7305582 68 Firebird	49			FJB-16586A 63Corvaire	23	SIMCA		Mercury	17
7305592 68 Firebird	49			FJB-16587A 63 Falcon	23	4TBJ 1000 64	27	FO-61-PB 61 Ford &	
7305602 68 Firebird	49			FJB-16588A 63 Ford	23	5BJ 1000 65	35	Mercury	17
7307312 69 Pontiac	72			FJB-16589A	23	6BSI 66 Simca 1000	39	IM-60-M	15
7307332 69 Grand Prix	72			FJB-16607A	32	FLH-16518A 64-65 Chev.		IM-60-MX	17
7307402 69 Beaumont,				FLH-16519A 60-64 Dodge	35	& GMC Truck	35	IM-61-PB	17
Tempest	69			880	34	FLH-16519A 60-64 Dodge		LA-61-PB 61 Lark	17
7307412 69 Pontiac	73							LR-61-PB 61 Lancer	18
7307422 69 Firebird	69							OF-61-PB 61 F-85	17
7307432 69 Grand Prix	69								

STROMBERG-CARLSON (CONT.)	VOL.	TENNA (CONT.)	VOL.	TENNA (CONT.)	VOL.	TENNA (CONT.)	VOL.	VAUXHALL	VOL.
AL-61-PB 61 Olds .....	17	BU-63PB 63 Buick .....	23	FO-64PB 64 Ford .....	23	170-64PB See page 136		988946 5B .....	10
AL-60-M 60 Plym. ....	14	BU-64PB 63/64 Buick .....	26	FO-65PB 65 Ford .....	35	64 Dart .....	23	VISTA	
AL-61-M 61 Plym. ....	18	BU-66PB 66 Buick .....	37	FO-65PB/RS 65 Ford .....	35	880-63PB 62/63 Dodge		875 .....	36
AO-61-PB 61 Pontiac ..	17	BU-67PB 66/67 Buick ..	46	FO-66PB 66 Ford .....	36	880 .....	26	VOLKSWAGEN	
AA-61-PB 61 Rambler ..	17	CII-63M/PB 62/63		FO-66PB/RS 66 Ford ..	36	880-64PB 63/64 Dodge		A7MVF 67 Fastback .....	47
AA-60-M 60 Valiant ..	14	Chevy II .....	26	FO-67PB 67 Ford .....	46	880 .....	23	A7MV 67 Transporter ..	47
AA-61-PB 61 Valiant ..	18	CII-64PB 62/64		FT-65M 65 Ford .....	36			A7MVN 67 Sedan .....	47
STUDEBAKER		Chevy II .....	23	FT-66M 66 Ford .....	36	TITAN		PA8MV 68 Fastback,	
AC-2300 S-5327 53 .....	4	CII-65M 65 Chevy II ..	35	FT-67M 67 Ford Truck ..	46	ETB-1600 .....	40	Squareback,	
AC-2301 S-5323 53 .....	4	CII-65PB 65 ChevyII ..	35	IM-65M .....	32	FMC-4 .....	27	PA8MVG 68 Karmann	
AC-2686 S-5528 55 See		CII-66PB 66 ChevyII ..	37	IM-65PB .....	32	RV-66 .....	40	PA8MT 68 Transporter,	
Model AC-2300 .....	4	CII-67PB 66/67		ME-63PB 63 Mercury ..	26	RV-66A .....	41	PA8MV 68 Sedan,	
AC-2687 S-5524 55 See		Chevy II .....	46	ME-64PB 63/64 Merc. ..	23	RV-67A .....	41	PA8MVF 68 Fastback,	
Model AC-2301 .....	4	CA-67PB 67 Camaro .....	46	ME-65PB 65 Mercury ..	35	RV-68A .....	41	Squareback,	
AC-2721 S-5529 55 See		CG-67PB 67 Cougar .....	46	ME-66PB 66 Mercury ..	36	SP-22 .....	28	PA8MVG 68 Karmann	
Model AC-2300 .....	4	CH-63M/PB 63 Chev. ....	26	MR-63PB 62/63 Meteor ..	26	TMA-39 .....	28	PA8MT 68 Transporter,	
AC-2745 56 .....	6	CH-64M See page 136		MU-66PB 65/66Mustang. .	36	TMA-40 .....	28	PA8MNV 68 Sedan,	
AC-2746 56 .....	6	63/64 Chevrolet .....	23	MU-67PB 67 Mustang ..	46	TMA-1500 .....	40	PP8MVF 68 Fastback,	
AC-2747 56 .....	6	CH-64PB/RS 63/64Chev. .	23	OF-63PB 61/63 F-85 ..	26	TPB-60 .....	28	Squareback,	
AC-2748 56 .....	6	CH-65M 65 Chev. ....	34	OF-64PB 64 F-85 .....	23	TOKAI		PP8MVG 68 Karmann	
AC-2905 5B .....	9	CH-65PB 65 Chev. ....	34	OF-65PB 65 Olds .....	35	CR-105 .....	33	PP8MVT 68 Transporter,	
AC-2906 58 .....	8	CH-66M/PB 66 Chev. ....	37	OF-66PB 66 F-85 .....	37	MR-65 .....	34	PP8MNV 68 Sedan .....	67
AC-2907 58 .....	8	CH-67PB 67 Chev. ....	46	OF-67PB 67 F-85 .....	46			R2BT 62 Transporter ..	18
AC-2977 60 .....	12	CHT-63M 63 ChevTruck. .	26	OL-63PB 63 Olds .....	26			R2BV 62 Sedan .....	18
AC-2978 60 .....	13	CHT-64M See page 136		OL-64PB 63/64 Olds. .	23	TOYOTA		08G .....	13
AC-3084 61 .....	17	64 Chev. Truck .....	23	OL-65PB 65 Olds .....	34	SS-90 Series Ten		0BT 60 Transporter ..	13
AC-3085 61 .....	15	CHT-65M 65 ChevTruck. .	35	OL-66PB 66 Olds .....	37	ST-90A .....	41	0BV 60 Sedan .....	13
AC-3086 61 .....	17	CHT-65PB 65 Chevrolet		OL-67PB 67 Olds .....	46	Corona 08600-20010 ..	41	18G 61 .....	16
AC-3087 61 .....	15	Truck .....	35	OP-67PB 67 Opel .....	44	Corona 08600-30010 ..	41	1BT 61 Transporter ..	16
AC-3216 62 .....	17	CHT-66M/PB 66 Chevrolet		PD-65PB 65 Fury .....	34	Landcruiser 08600-		18V 61 Sedan .....	16
AC-3217 62 .....	18	Truck .....	37	PD-66PB 66 Fury .....	36	60010 .....	41	28G R2BG .....	18
AC-3218 62 .....	18	CHT-67M,PB 67 Chev. ....	46	PD-67PB 67 Fury .....	46	08690-00010		2BT 62 Transporter ..	18
AC-3246 62 .....	18	Truck .....	46	PL-63PB 62/63 Plym. .	26	(CSL1102/TM2) .....	57	2BV 62 Sedan .....	18
AC-3247 62 .....	17	CL-64PB 64 Chevelle ..	23	PL-64PB 64 Plymouth ..	23	Stout 08600-35010 ..	41	2FMBG 62 Karmann	
AC-3255 62 .....	18	CL-65PB 65 Chevelle ..	35	PL-65PB 65 Plymouth ..	34			Ghia .....	22
AC-3256 62 .....	17	CL-66PB 66 Chevelle ..	37	PL-66PB 66 Plymouth ..	36	TRIUMPH		2FMBT 62 Transporter. .	22
AC-3351 63 .....	19	CL-67PB 66/67		PL-67PB 66/67 Plym. .	46	R2BT4 0-01000 62 .....	19	2FMBV 62 Sedan .....	22
AC-3352 63 .....	19	Chevelle .....	46	PO-63PB 63 Pontiac ..	26	4TBTR V-350 .....	26	3TBV 63 Sedan .....	20
AC-3353 63 .....	19	CM-63PB 63 Comet .....	26	PO-64PB 63/64Pontiac. .	23	SBTR V-3500P 65		3TBVT 63 Transporter. .	20
AC-3354 63 .....	21	CM-64PB 64 Comet .....	23	PO-65PB 65 Pontiac ..	35	Triumph .....	33	4FMBG 64 Karmann	
AC-3377 63 .....	21	CM-65PB 65 Comet .....	31	PO-66PB 66 Pontiac ..	35	Ghia .....	27	4FMBT 64 Transporter. .	27
AC-3423 SR2T .....	22	CM-66PB 66 Comet .....	36	PO-67PB 67 Pontiac ..	46	4FNBV 64 Sedan .....	27	4TBV 64 Sedan .....	27
AC-3473 64Studebaker. .	24	CM-67PB 67 Comet,202,		RA-63PB 63 Rambler ..	26	6BTR 66 Triumph .....	39	4TBVG 64 Karmann	
AC-3474 64 Hawk .....	24	Capri .....	46	RA-64PB 64 Rambler ..	23	65MTR 66 TR-4,Herald		Ghia .....	27
AC-3498 64Studebaker. .	24	CO-63M/PB 60/63		RA-65PB 65 Rambler ..	32	200 and Spitfire 4 ..	51	4TBVT 64 Transporter. .	27
AC-3499 64 Hawk .....	24	Corvaire .....	26	RA-66PB 66 Rambler ..	32	7BTR Similar to page		4TMVG 64 Karmann	
AC-3500 64 Avanti .....	24	CO-64PB 60/64Corvaire. .	23	Ambassador .....	37	125 .....	39	Ghia .....	26
AC-3506 64 Avanti .....	24	CO-65PB 65 Corvaire ..	34	RA-67PB 67 Rambler ..	46	7BTRX 67 Triumph .....	49	Ghia Serial #50,001	
AC-3556 66Studebaker. .	36	CO-66PB 66 Corvaire ..	37	RU-101T .....	24	7FBTRX 67 .....	53	and Higher .....	29
SUNBEAM		CO-67PB 66/67Corvaire. .	46	RU-111TC 5-004 .....	40	7SMTR 67 TR-4, Herald		4TMVT 64 Transporter. .	26
7BSU 67 Sunbeam .....	46	CR-63PB 63 Chrysler ..	26	RU-112TC 5-014 .....	40	8BTR 68 GT-6,		4TMVT 64 Transporter	
7BSUX 67 Sunbeam .....	58	CR-64PB 63/64		RU-113TC 5-016 .....	40	Spitfire 4, TR-250 ..	64	Serial #50,001	
8BSU 68 .....	65	Chrysler .....	23	RU-114TC 5-018 .....	39			and Higher .....	29
TEMPEST (See Pontiac)		CR-65PB 65 Chrysler ..	34	RU-115TC 5-010 .....	39	TRUETONE		4TMVW 64 Sedan .....	26
TEN		CR-66PB 66 Chrysler ..	36	RU-116TC 5-012 .....	39	D4118,B .....	4	4TMVW 64 Sedan Serial	
AT-96-1 AR-96EX .....	49	CR-67PB 67 Chrysler ..	46	SA-65M 65 Simca .....	39	D4320 .....	4	#50,001 and Higher ..	29
AT-96-2 AR-96EX-S .....	49	DA-63PB 63 Dart .....	26	SA-65PB 65 Simca .....	39	D4320B .....	4	5FMBG 65 Karmann	
AT-96-3 AR-96VW .....	49	DA-64PB 64 Dart .....	23	SP-63PB 63 Buick Spl. .	26	D4321,A .....	4	Ghia .....	30
AT-96-4 AR-96VW-S .....	49	DA-65PB 65 Dart .....	34	SP-66PB 66 Buick Spl. .	37	D4425B .....	5	SFMBT 65 VW	
AT-2010 AT-2110 .....	52	DA-66PB 66 Dart .....	36	Special .....	46	D4426A .....	5	Transporter .....	30
FA-20S/EX, FT-250-2,		DA-67PB 67 Dart .....	46	TC-FMC-8 .....	69	D4623A .....	7	SFMBV 65 VW Sedan ..	30
13, 12 .....	57	DAX-67PB 67 Dart 270. .	46	TC-MPX-1 .....	63	D4624A .....	7	6BVG 66 Karmann	
61BVW/6 Volt .....	49	DD-65PB 65 Dodge .....	34	TC-MXC-8-0 .....	69	D4625A .....	7	Ghia .....	37
618/12 Volt .....	49	DD-66PB 66 Dodge .....	36	TC-48-T .....	50	D4626A .....	7	6BVT 66 Transporter ..	37
TENATRONICS		DD-67PB 67 Dodge .....	46	TC-100M .....	23	D4826A .....	7	6BVW 66 Sedan .....	37
SA-712 .....	40	DS-67M 67 Sportsman,		TC-110M .....	32	DC4050 .....	72	6BV3 66 Type 3	
SA-822 .....	36	A-100 .....	45	TC-110MD .....	32	DC4200 .....	18	Vehicles .....	37
SM-711 .....	22	DT-65M 65 DodgeTruck. .	34	TC-200PB .....	23	DC4200 .....	18	6FBVG 66 Karmann	
SM-711 Revised .....	40	DT-67M 67 DodgeTruck. .	46	TC-210PB .....	32	DC4203 .....	26	Ghia .....	40
SM-751 .....	22	EC-65M 65 Econoline		TC-300M 64 VW .....	23	DC4203B .....	31	6FBVT 66 Transporter. .	40
SM-751 Revised .....	40	Truck .....	35	TC-300M 5-041 6SProd. .	36	DC4203C .....	35	6FBVW 66 Sedan .....	40
SM-821 .....	36	EC-66M 66 Econoline		TC-300MD .....	36	DC4205B .....	18	6FBV3 Type 3 .....	40
TRM-701 .....	22	EC-67M 67 Econoline		Prod. .....	36	DC4206B .....	18	6TMVG 66 Karmann	
UA-702 .....	22	Truck .....	36	TC-410PB Similar to		DC4208 .....	23	Ghia .....	39
UM-701 .....	22	EC-67M 67 Econoline		page 144 .....	23	DC4603 .....	39	6TMVT 66 Transporter. .	39
UA-702 L.P. ....	37	FA-63M/PB 60/63		TC-410PB 5-045 .....	36	DC4606 .....	39	6TMVW 66 Sedan .....	39
UM-701 L.P. ....	37	Truck .....	46	TE-63PB 63 Tempest ..	26	DF4870 .....	62	7BVG 67 Karmann	
VW-751 .....	40	FA-64M/PB 64 Falcon ..	26	TE-64PB 64 Tempest ..	23	ITC4850A-86 DC4850 ..	48	Ghia .....	46
VWA-702 .....	22	Falcon .....	26	TE-65PB 65 Tempest ..	31	ITC4851A-86 DC4851 ..	48	7BVT 67 Transporter ..	46
VW-701 .....	22	FA-64M/PB 64 Falcon ..	26	TE-66PB 66 Pontiac ..	37	ITC4852A-86 .....	53	7BVW 67 Sedan .....	46
		FA-65PB 65 Falcon .....	35	TE-67PB 66/67 Pontiac		ITC4852A-86 DC1852 ..	52	7BV3 67 Type 3 .....	46
		FA-66PB 66 Falcon .....	36	Tempest .....	46	ITC4860A-86 DC4860 ..	56	7BVXG 67 Karmann	
		FA-67PB 67 Falcon .....	46	TRM-64M .....	23	ITC7804A-86 4DC7804 .	59	Ghia .....	44
		FL-63M/PB 62/63		VA-63PB 61/63Valiant. .	26	MIC4050A-07 .....	72	7BVXT 67 Transporter. .	44
		Fairlane .....	26	VA-64PB 64 Valiant ..	23	MICS056A-96 (DCS056) .	71	7BVXN 67 Sedan .....	44
		FL-64PB 64 Fairlane ..	23	VA-65PB 65 Valiant ..	34	MIDS056A-07 (DCS056) .	71	7BVX3 67 Type 3 .....	44
		FL-65PB 65 Fairlane		VA-66PB 66 Valiant ..	36	SJB7808A-76 4DC7808 .	62	7FBVG 67 Karmann	
		500 .....	35	VA-67PB 67 Valiant ..	46	SJB7810A-76 4DC7810 .	62	Ghia .....	43
		FL-66PB 66 Fairlane ..	36	VN-64PB 64 VW .....	23	VALIANT (See MoPar)		7FBVT 67 Transporter. .	43
		FL-67PB 67 Fairlane ..	46	VN-65PB/PB15 65 VW ..	35			7FBVW 67 Sedan .....	43
		FO-63M/PB 63 Ford .....	26	VN-66PB 5B-66 VW .....	36			7FBV3 67 1600, Type3. .	43
		FO-64M See page 136		VN-67PB 67 VW .....	44				
		63/64 Ford .....	23						

VOLKSWAGEN (CONT.)	VOL.	VOLKSWAGEN (CONT.)	VOL.	VOLVO	VOL.	VOXMOBILE (CONT.)	VOL.	WHITE	VOL.
7FBVX(G) Karmann		8BVW 68 Sedan	58	3BN 63	20	TR-241	27	UGMW, U7MW (891600A)	
Ghia	49	8BV3 68 Type 3	58	4TBN 279958/959/960/				68 Diamond T, Reo,	
7FBVX(T) Transporter	49	8SMVF 68 Fastback,		961 64 Volvo	33	VOXSON		White	67
7FBVX(W) Sedan	49	Squareback	61	5BN 279958 65	44	Vanguard 736	15	W-6234 Truck	20
7FBVX(3) 1600 Type 3	49	8SMVG 68 Karmann Ghia	61	6BVO 66 Volvo	39			USMW 891600 Reo,	
7SMVF 67 Fastback		8SMVT 68 Transporter	61	7BVO Similar to page		WARDS RIVERSIDE		Diamond T, Autocar	48
and Squareback	46	8SMWV 68 Sedan	61	146	39				
7SMVG 67 Karmann		9SMVF/-6 69 Fastback,		7BVOX 67 Volvo (EP)	54				
Ghia	46	Squareback		7FBVOX 67 Volvo	50	EMV-16630A	56		
7SMVT 67 Transporter	46	9SMVG/-6 69 Karmann		8BVO 68	67	FMV-16631A	58		
7SMWV 67 Sedan	46	Ghia				FMV-16639A	61		
8BVG 68 Karmann Ghia	58	9SMVT/-6 69 Transporter		VOXMOBILE					
8BVT 68 Type 2	58	9SMWV/-6 69 Sedan	64	S-4 (Similar to page					
				112)	59				



HOWARD W. SAMS

# PHOTOFACT<sup>®</sup> SPECIALIZED SERIES

## TAPE RECORDER SERIES



Complete PHOTOFACT<sup>®</sup> coverage of all important late-model Tape Recorders now in easy-to-use volumes. Regular price, \$4.95 per volume—only \$4.65 when purchased on a Standing Order Subscription! Sign up and save 30¢ per volume!

## HOME TAPE PLAYER SERIES



Complete PHOTOFACT<sup>®</sup> coverage of all important, late-model Home Tape Players now in easy-to-use volumes. Regular price, \$3.95 per volume—only \$3.65 when purchased on a Standing Order Subscription! Sign up and save 30¢ per volume!

## CB RADIO SERIES



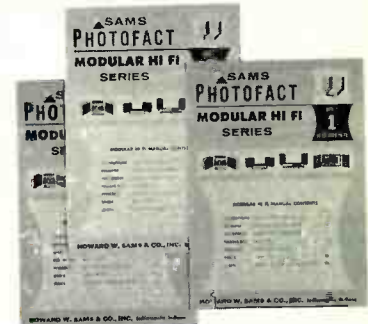
Five to six volumes issued yearly for complete PHOTOFACT<sup>®</sup> coverage of all popular CB Radio models. Regular price, \$3.25 per volume—only \$2.95 when purchased on a Standing Order Subscription! Sign up and save 30¢ per volume!

## TRANSISTOR RADIO SERIES



Twelve to fifteen volumes issued each year provide complete PHOTOFACT<sup>®</sup> coverage of Transistor Radios. Each volume covers 30 to 40 popular late models. Regular price per volume, \$3.25—only \$2.95 when purchased on a Standing Order Subscription! Sign up and save 30¢ per volume!

## MODULAR HI-FI SERIES



Ten to twelve volumes per year brings you complete and up-to-date PHOTOFACT<sup>®</sup> coverage of Modular Hi-Fi and compact stereo equipment. Each volume covers 10 to 15 popular late models. Regular price, \$3.95 per volume—only \$3.65 when purchased on a Standing Order Subscription! Sign up and save 30¢ per volume!

# HOWARD W. SAMS & CO., INC.

## PHOTOFACT<sup>®</sup> SPECIALIZED SERIES

...al parts distributor

\$3.25  
\$4.10 IN CANADA  
AR-73