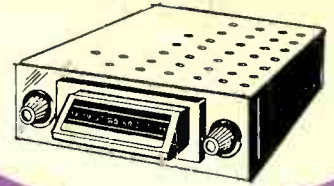
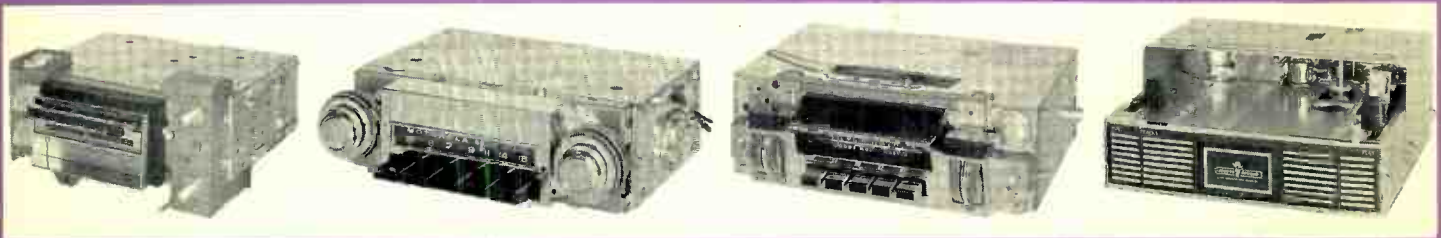


SAMS
PHOTOFACT[®]



AUTO RADIO
SERIES

AR-52
52
 JULY 1968



CONTENTS
 REMOVAL INFORMATION PAGE 4

CHEVROLET

Chevrolet Truck (1967)
 CK67A

Chevrolet Truck (1968)
 CK68A

Corvette (1968) 7302721

DODGE

Monaco, Polara (1968) 253

FORD

Galaxie (1968) 8TMF

GMC

GMC Truck (1967) CK67A

GMC Truck (1968) CK68A

JACOBSEN

Jacobsen Tractor 7BTX

LINCOLN

Lincoln (1968) 8TML

OLDSMOBILE

F-85 (1968) 7302013

SAAB

Saab (1967) 7FBSAX

VOLKSWAGEN

Volkswagen (1958-1965)
 Sears 833.63060

UNIVERSAL

Allstate 856.62470

Audio/Stereo A-30

Inland AFM-603

Muntz/Stereo M-30

Ranger TRT

Ten AT-2010, AT-2110

\$2.95

\$3.75 IN CANADA

Cat. No. AR-52



SAMS PHOTOFACT[®]

AUTO RADIO SERIES



VOLUME

52

by the



ENGINEERING STAFF



HOWARD W. SAMS & CO., INC.

INDIANAPOLIS INDIANA

FIRST EDITION
FIRST PRINTING—JULY, 1968

PHOTOFACT®
AUTO RADIO SERIES
VOLUME 52

Copyright © 1968 by Howard W. Sams & Co., Inc.
Indianapolis, Indiana 46206. Printed in the United States of America

All rights reserved. Reproduction or use, without express permission, of editorial or pictorial content, in any manner, is prohibited. No patent liability is assumed with respect to the use of the information contained herein.

The listing of any available replacement part herein does not constitute in any case a recommendation, warranty or guaranty by Howard W. Sams & Co., Inc., as to the quality and suitability of such replacement part. The numbers of these parts have been compiled from information furnished to Howard W. Sams & Co., Inc., by the manufacturers of the particular type of replacement part listed.

Library of Congress Catalog Card Number: 49-11493



TABLE OF CONTENTS

Model Number	Page
Allstate Model 856.62470.....	5
Audio Stereo Model A-30.....	8
Chevrolet Model 7302721.....	19
Dodge Model 253 (2884067).....	32
Ford Model 8TMF.....	38
Inland Model AFM-603.....	44
Jacobsen Model 7BTX.....	57
Lincoln Model T8ML.....	63
Motorola Models CK67A/68A.....	76
Muntz Stereo Model M-30.....	8
Oldsmobile Model 7302013.....	82
Ranger Model TRT.....	88
Saab Model 7FBSAX.....	106
Ten Model AT-2010, AT-2110.....	116

Cumulative Index to Prior Volumes	122
--	------------

REMOVAL INSTRUCTIONS

GENERAL REMOVAL INFORMATION

Most radios and speakers can be removed for service by following the steps shown in this block of information. Check the Make, Model and Year of car listed below. If more specific instructions are required, they are shown.

Step 1 Disconnect power, speaker and antenna leads.
Step 2 Remove knobs.
Step 3 Remove nuts from control bushings and cabinet braces.

Step 4 Remove radio from under dash.
Step 5 Remove nuts holding speaker and remove speaker from under dash.

CHEVROLET CORVETTE - 1968

- Step 1. Remove console side covers.
- Step 2. Remove knobs and nuts from control bushings.
- Step 3. Remove screws from radio trim plate and Remove plate.
- Step 4. Remove screws from lower padded dash cover and Remove cover.
- Step 5. Disconnect speaker and antenna connectors.
- Step 6. Remove screw from side brace.
- Step 7. Tilt instrument panel cover forward and remove radio.

GMC TRUCK - 1968

See General Removal Information

SPEAKER REMOVAL

- Step 1. Remove screws from kick panels and remove panels.
- Step 2. Remove screws from speaker mountings and remove speaker.

OLDSMOBILE - 1968

- Step 1. Remove screws from air conditioning duct and lower duct.
- Step 2. See General Removal Information.

CHEVROLET TRUCK - 1968

See General Removal Information

DODGE - 1968 MONACO-PALARO

- Step 1. Remove Phillips screw from Face Plate and remove.
- Step 2. Remove nut from rear brace.
- Step 3. Disconnect "A" lead, speaker leads, and antenna.
- Step 4. Remove screws from front mounting.
- Step 5. Remove radio from under dash.

SPEAKER REMOVAL

- Step 1. Remove radio.
- Step 2. Remove screws from speaker mounting.
- Step 3. Remove speaker.

SAAB - 1967

See General Removal Information

FORD GALAXIE - 1968

- Step 1. Remove knobs.
- Step 2. Disconnect antenna speaker and "A" lead.
- Step 3. Remove 2 bolts for rear Face Plate Mounting and nut from rear brace.
- Step 4. Remove radio from under dash.

LINCOLN - 1968

- Step 1. Remove 8 screws from lower instrument panel cover and drop cover down.
- Step 2. Follow steps 1 thru 4 of General Removal Information.

SPEAKER REMOVAL

- Step 1. Remove 6 screws from air conditioner grille.
- Step 2. Remove 2 screws holding word Lincoln on left side of cluster.
- Step 3. Remove 3 screws between cluster hood and crash pad.
- Step 4. Remove 4 screws from windshield molding and remove molding.
- Step 5. Remove 2 screws and 2 nuts from forward edge of crash pad.
- Step 6. Disconnect speaker leads and remove crash pad.
- Step 7. Remove 4 wing nuts holding speaker to crash pad and remove speaker.

VOLKSWAGEN - 1958 THRU 1967 KARMANN GHIA, SEDAN, TYPE 3

- Step 1. Disconnect power, speaker and antenna leads.
- Step 2. Remove knobs.
- Step 3. Remove nuts from control bushings. From inside of luggage compartment, remove nut from rear brace.
- Step 4. Remove radio thru luggage compartment opening.
- Step 5. Remove nuts holding speaker and remove speaker thru luggage compartment opening.

TRANSPROTER - 1958 THRU 1967

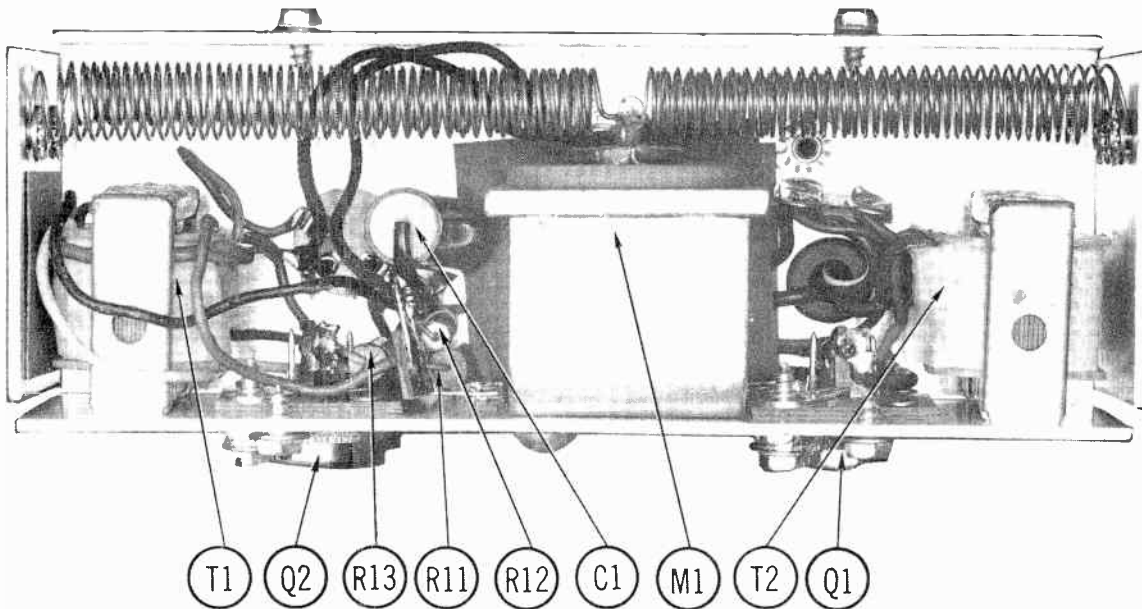
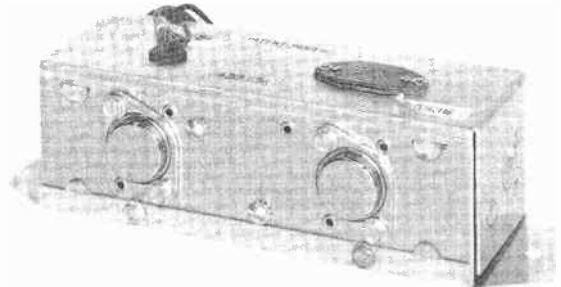
See General Removal Information



PHOTOFACT[®] with

CIRCUITRACE[®]

TRADE NAME : Allstate Model 856.62470
SUPPLIER : For Current Address, See Annual Index
TYPE SET : 2-Transistor Reverberation unit
POWER SUPPLY : 12 Volt Storage Battery
RATING : .135 Amp @ 12.6 Volts DC

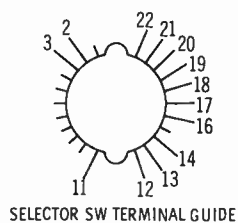
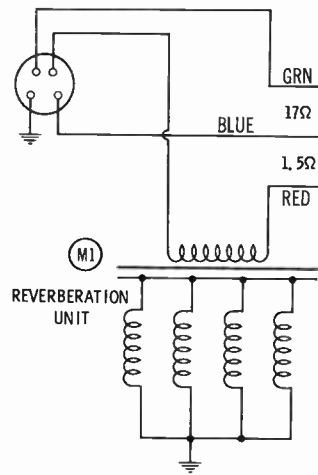
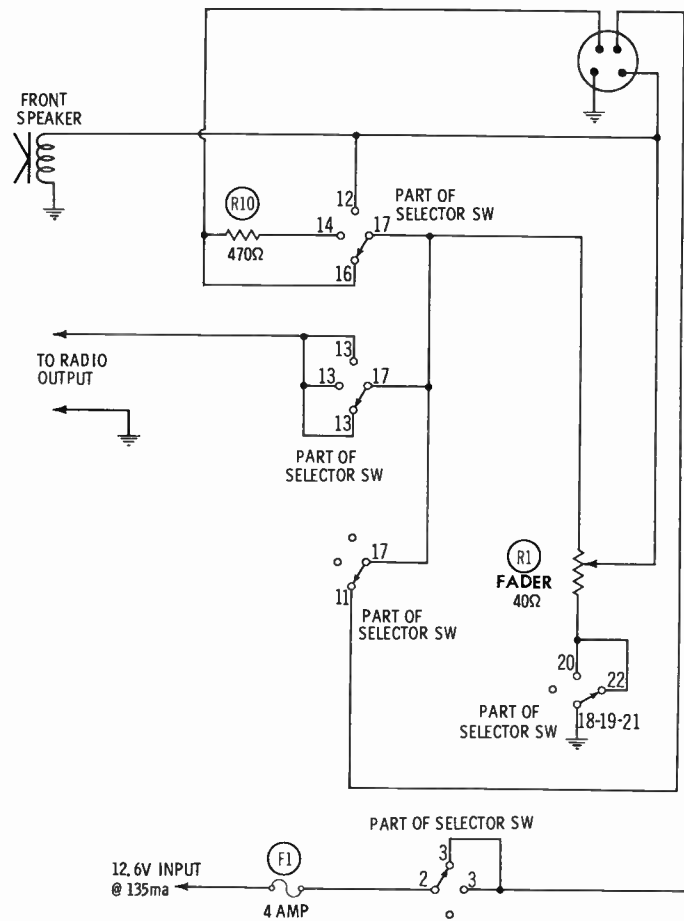


ALLSTATE MODEL 856.62470

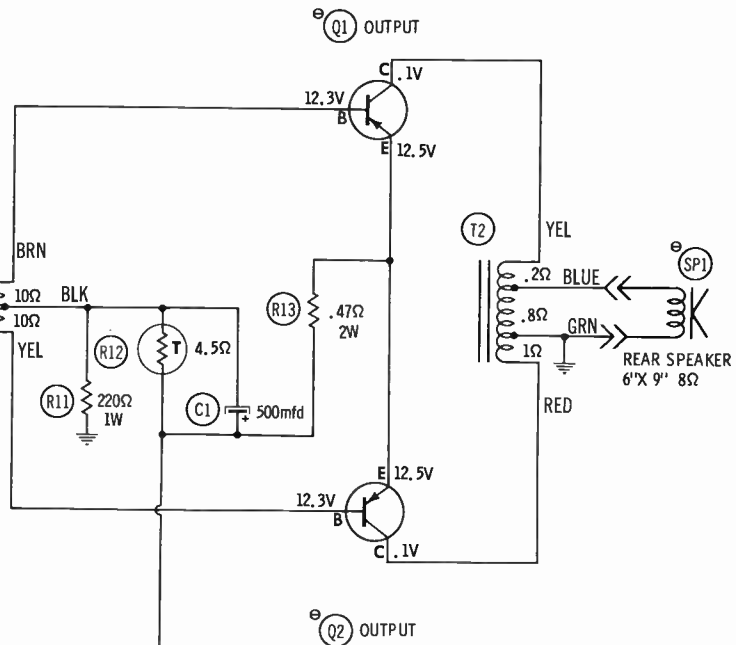
HOWARD W. SAMS & CO., INC. Indianapolis, Indiana 46206

© 1968 Howard W. Sams & Co., Inc. Printed in U. S. of America TZ192

World Radio History



SELECTOR SW. SHOWN IN "REVERB" POSITION
 SWITCH SEQUENCE:
 1. OFF
 2. NORMAL
 3. REVERB



Resistors are 1/2 watt or less and rated 10% or 20% unless otherwise indicated.

- ⊖ See parts list
- 1. Voltage measurements taken with vacuum tube voltmeter.
- 2. All controls set for normal operation, no signal applied.
- 3. Measured values are from socket pin or terminal to common ground.
- 4. All terminals viewed from bottom unless otherwise designated.
- 5. Numbers assigned to terminals may not be found on the unit.
- 6. Supply voltage maintained at rated value for voltage readings.
- 7. Resistance measurements not given because of the wide variation in internal resistance of transistor.

A PHOTOFAC STANDARD NOTATION SCHEMATIC
 © Howard W. Soms & Co., Inc. 1968

ALLSTATE MODEL 856.62470

PARTS LIST AND DESCRIPTION

(When ordering parts, state Model, Part Number, and Description.)

Replacement parts shown may be superseded by the availability of newly introduced replacements.
Have your local distributor check Soms COUNTER FACTS for the most up-to-date replacement.

TRANSISTORS

ITEM No.	TYPE No.	FUNCTION	REPLACEMENT DATA					
			MFR. PART No.	DELCO PART No.	GENERAL ELECTRIC PART No.	INTERNATIONAL RECTIFIER PART No.	RCA PART No.	SYLVANIA PART No.
Q1		Output + Output +	560004①	DS-520 DS-520	GE-13MP①	TR-01 TR-01	SK-3015①	ECG 104 ECG 104
Q2								

① Matched Pair.

• When replacing, apply silicone grease to both sides of insulator. Tighten mounting screws securely.

ELECTROLYTIC CAPACITORS

ITEM No.	RATING	REPLACEMENT DATA						
		ALLSTATE PART No.	AEROVOX PART No.	CENTRALAB PART No.	CORNELL-DUBILIER PART No.	GENERAL ELECTRIC PART No.	MALLORY PART No.	SPRAGUE PART No.
C1	500 3V	350009	CRE243A	EA6-500	BR500-6	MT1-26	MTA500F6	TL-1068

CONTROLS

All wattages 1/2 watt, or less, unless otherwise listed.

ITEM No.	USE	RESISTANCE	REPLACEMENT DATA				
			ALLSTATE PART No.	CENTRALAB PART No.	CLAROSTAT PART No.	CTS-IRC PART No.	MALLORY PART No.
R1	Fader/Switch	40Ω 5W	600004				

RESISTORS (Power and Special)

ITEM No.	RATING	REPLACEMENT DATA			ITEM No.	RATING	REPLACEMENT DATA		
		IRC PART No.	WORKMAN PART No.	ALLSTATE PART No.			IRC PART No.	WORKMAN PART No.	PART No.
R12	4.5Ω (Cold)			550019					

TRANSFORMER (DRIVER)

ITEM No.	TURNS RATIO			REPLACEMENT DATA					NOTES
	PRI.	SEC. 1	SEC. 2	ALLSTATE PART No.	MERIT PART No.	STANCOR PART No.	THORDARSON PART No.	TRIAD PART No.	
T1	3	1		630005					

TRANSFORMER (AUDIO OUTPUT)

ITEM No.	IMPEDANCE		REPLACEMENT DATA					NOTES
	PRI.	SEC.	ALLSTATE PART No.	MERIT PART No.	STANCOR PART No.	THORDARSON PART No.	TRIAD PART No.	
T2	16Ω Tap	@ 8Ω	630006					

SPEAKER

ITEM No.	TYPE		REPLACEMENT DATA			NOTES
			ALLSTATE PART No.	JENSEN PART No.	QUAM PART No.	
SP1	6" X 9"	PM 8Ω	590001 590003	P6X9V8 C6T8	6A15MT 6A1Z8	

FUSE DEVICES

ITEM No.	DESCRIPTION		REPLACEMENT DATA						
			PART No.		BUSS PART No.		LITTELFUSE PART No.		WORKMAN PART No.
			DEVICE	HOLDER	DEVICE	HOLDER	DEVICE	HOLDER	
F1	SFE	4 Amp	430001		SFE4	HAF	307004	155004	

MISCELLANEOUS

ITEM No.	PART NAME	ALLSTATE PART No.	NOTES
M1	Reverberation Unit Spring (Long) Spring (Short)	310012 440058 440044	Less Springs

CABINETS & CABINET PARTS

(When Ordering Specify Model, Chassis & Color)

ITEM	PART No.	ITEM	PART No.
Escutcheon	440048	Knob (Set of 2)	440050

WIRING DATA

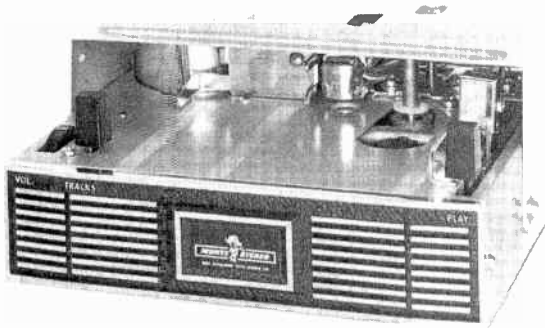
General-use Unshielded Hook-up Wire	Use BELDEN No. 8530 (Solid) Available in 12 Colors
Shielded Hook-up Wire	8524 (Stranded) Available in 12 Colors
Bonding Strap	Use BELDEN No. 8885
	Use BELDEN No. 8661 (3/8 In.) or 8670 (3/4 In.)

ALLSTATE MODEL 856-62470



PHOTOFACT[®] with

CIRCUITRACE[®]



TRADE NAME : Audio/Stereo Model A-30
 Muntz/Stereo Model M-30

SUPPLIER : For Current Address, See Annual Index

TYPE SET : 12-Transistor Stereo Tape Player

POWER SUPPLY : 12 Volt Storage Battery

RATING : .18 Amp @ 12.6 Volts DC

OPERATING INSTRUCTIONS

1. Insert a four-track cartridge along the guide on right side of deck until cartridge seats.
2. Move Play Slide knob toward rear of unit until it locks.
3. Set volume to desired level and move Track Slide knob toward front or rear of unit to play desired program.
4. Pull Play Slide knob forward to turn unit off.

CLEANING

Clean all tape contact surfaces with a soft lint-free material and head cleaner or alcohol. Use alcohol to remove oil and grease from all driving surfaces.

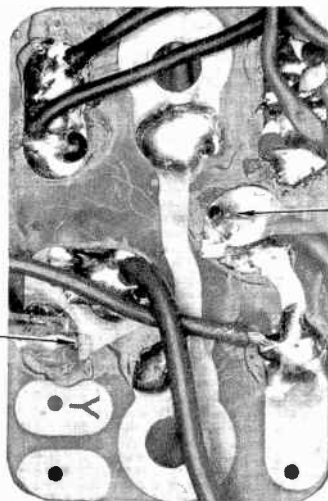
LUBRICATING

Lubricate bearings and bushings lightly with #20 machine oil. Use a light film of nonhardening grease on camming surfaces.

HEAD DEMAGNETIZING

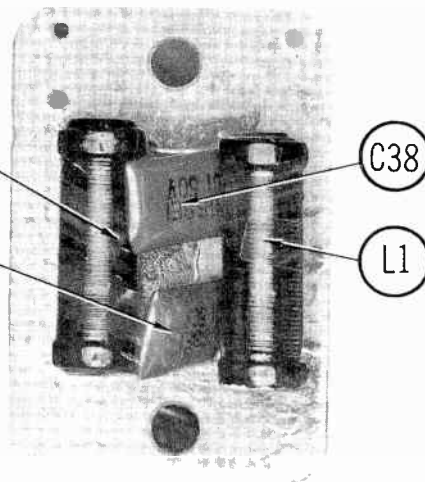
Demagnetize head at regular intervals and at any time unit is serviced. Avoid using ferrous materials near head while servicing unit.

AUDIO/STEREO MODEL A-30 AND MUNTZ/STEREO MODEL M-30



24

23



L2

C38

C39

L1

A Howard W. Sams CIRCUITRACE[®] Photo

HOWARD W. SAMS & CO., INC. Indianapolis, Indiana 46206

ADJUSTMENTS

ADJUST	REMARKS
Head Height	Play a cartridge, move Track Slide knob to front position and adjust B1 for maximum output or MINIMUM crosstalk. Move knob to rear and adjust B2.
Head Azimuth	Play a cartridge, connect an AC VTVM across left speaker, and adjust B3 for maximum output of higher frequency tones.

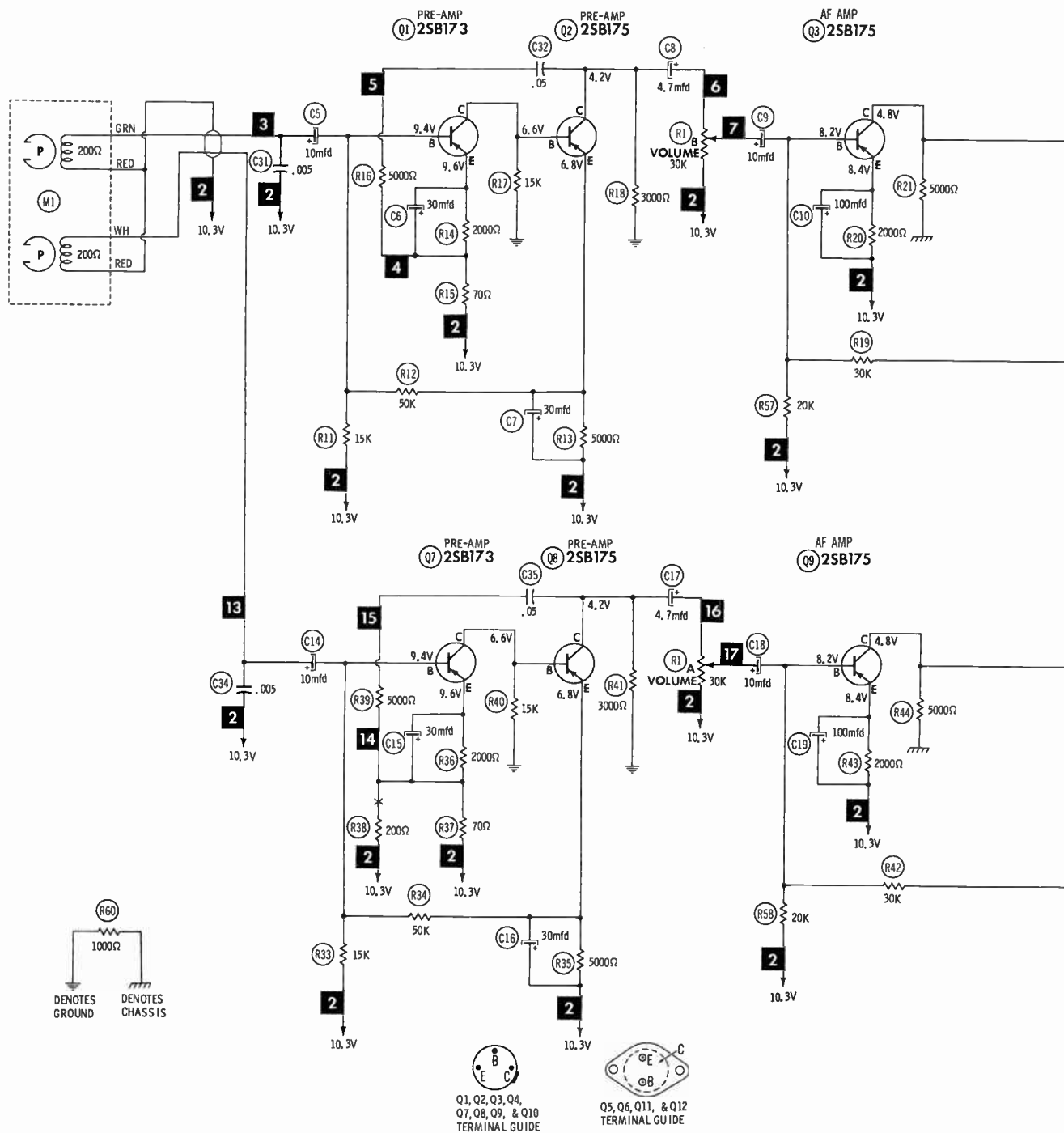
TROUBLE CHART

SYMPTOM	REMARKS
Capstan does not rotate, or excessive Wow and Flutter.	<ol style="list-style-type: none"> 1. Belt (8) dirty, worn, or broken. 2. Motor defective or not supplied with power. 3. Housing (10) worn or binding. 4. Roller (6) worn, dirty, or binding. 5. Capstan dirty.
Sound weak or distorted.	<ol style="list-style-type: none"> 1. Head (M1) dirty, misadjusted, or defective. 2. Amplifier defective. 3. Cartridge defective.

MECHANICAL PARTS LIST

Ref. No.	Part No.	Description	Ref. No.	Part No.	Description
1	16-1080-00	Cartridge Guide Bracket	8	28-1000-00	Drive Belt
2	16-1004-00	Tape Guide Bracket	9	20-1007-00	Flywheel Assembly
3	46-1001-00	Tape Head Assembly (Less Head)	10	16-1085-00	Housing Bracket
4	17-1014-00	Side Lever Assembly	11	20-1008-00	Motor Pulley
5	19-1003-00	Pinch Roller Shaft Assembly	12	14-1017-00	"V" Spring Cover
6	22-1000-00	Pinch Roller (Pressure Roller)	13	12-1029-00	Deck Plate (Includes Track Selector)
7	24-1019-00	"V" Spring	14	16-1084-00	Flywheel Bracket

AUDIO/STEREO MODEL A-30 AND MUNTZ/STEREO MODEL M-30



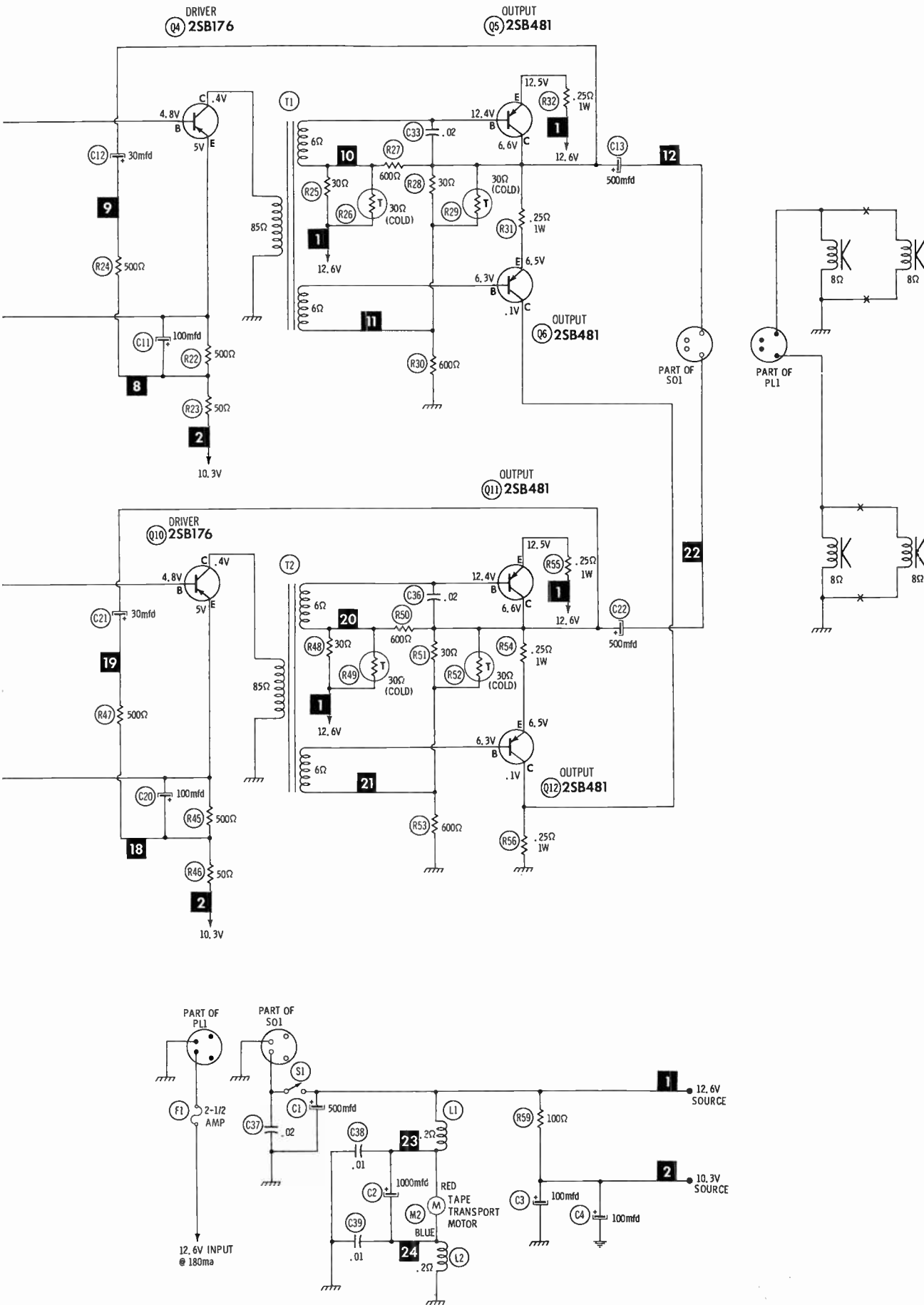
Resistors are 1/2 watt or less and rated 10% or 20% unless otherwise indicated.

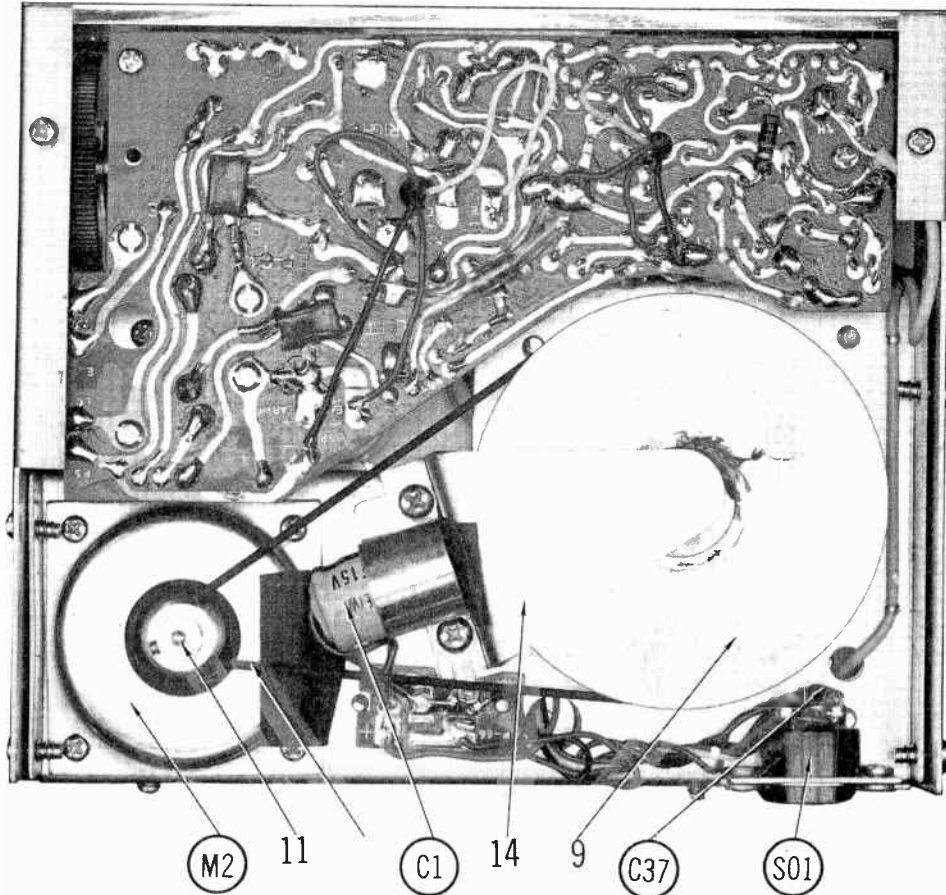
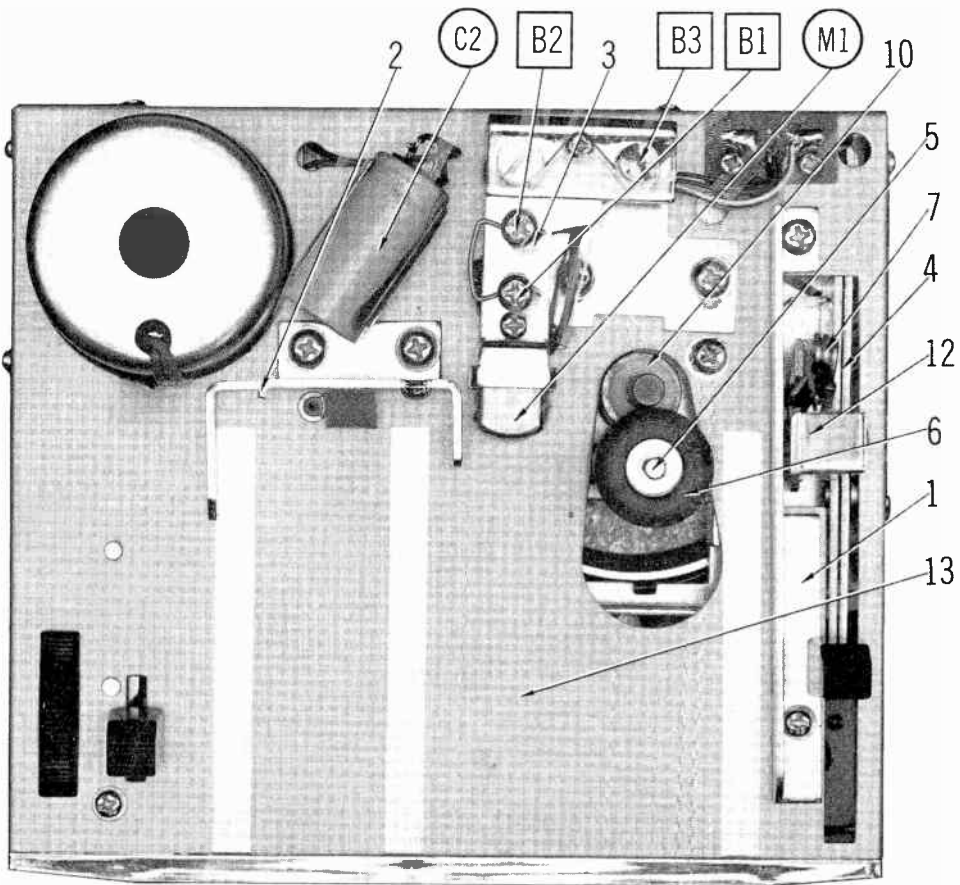
1. Voltage measurements taken with vacuum tube voltmeter.
2. All controls set for normal operation, no signal applied.
3. Measured values are from socket pin or terminal to chassis ground.
4. All terminals viewed from bottom unless otherwise designated.
5. Numbers assigned to terminals may not be found on the unit.
6. Supply voltage maintained at rated value for voltage readings.
7. Resistance measurements not given because of the wide variation in internal resistance of transistor.

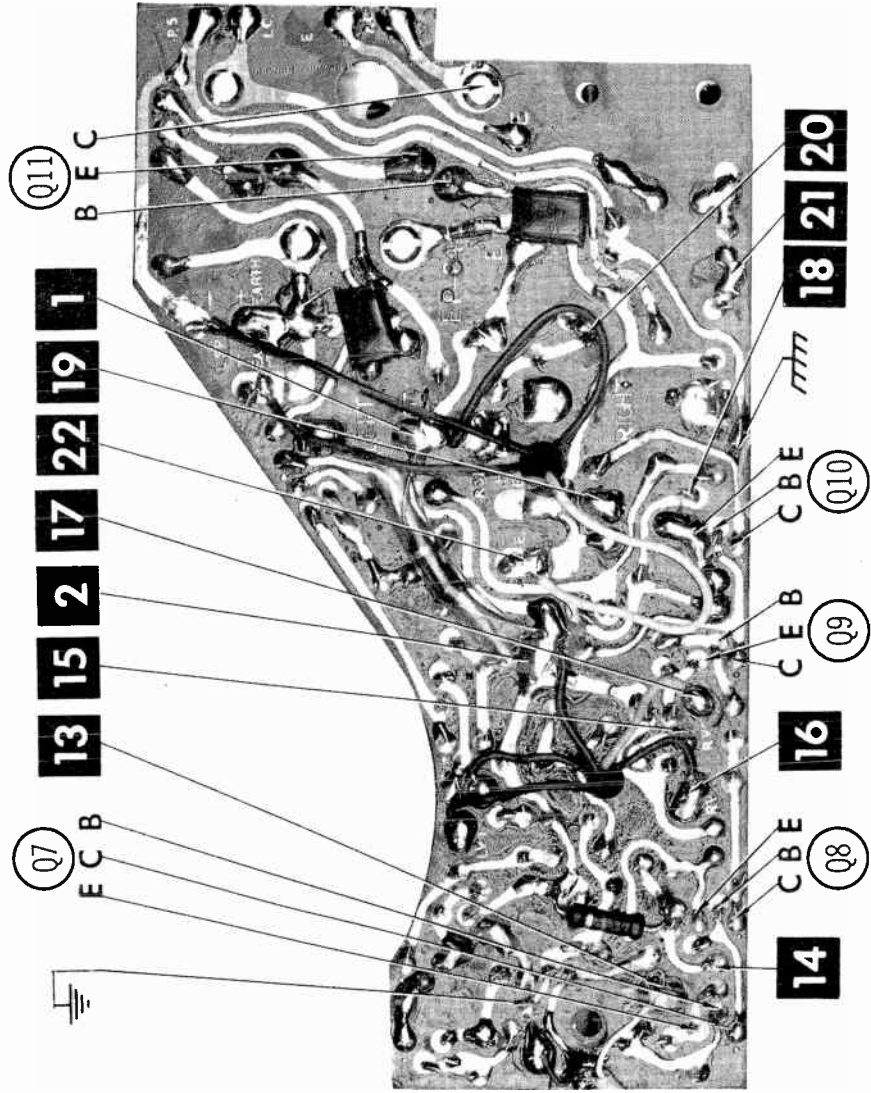
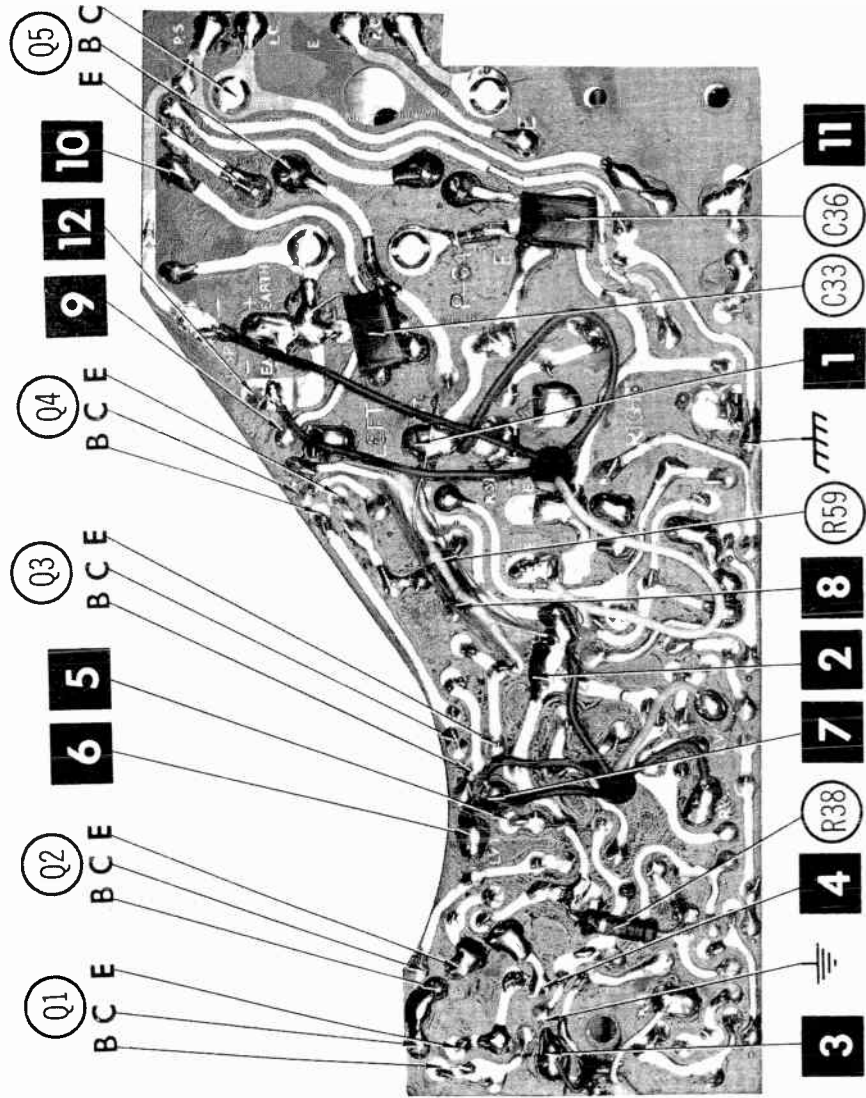
A PHOTOFACIT STANDARD NOTATION SCHEMATIC
with **CIRCUITRACE**

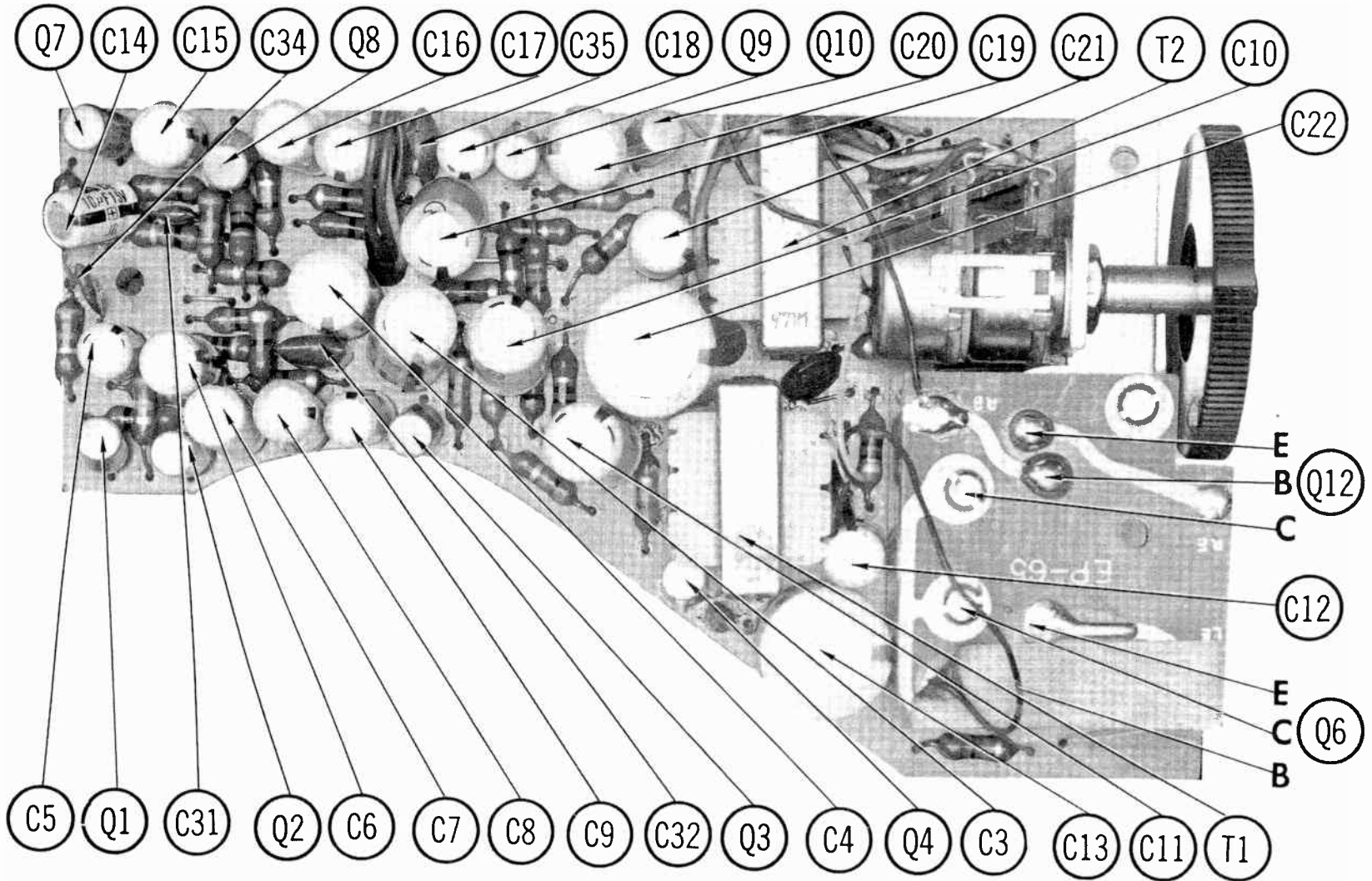
© Howard W. Sams & Co., Inc. 1968

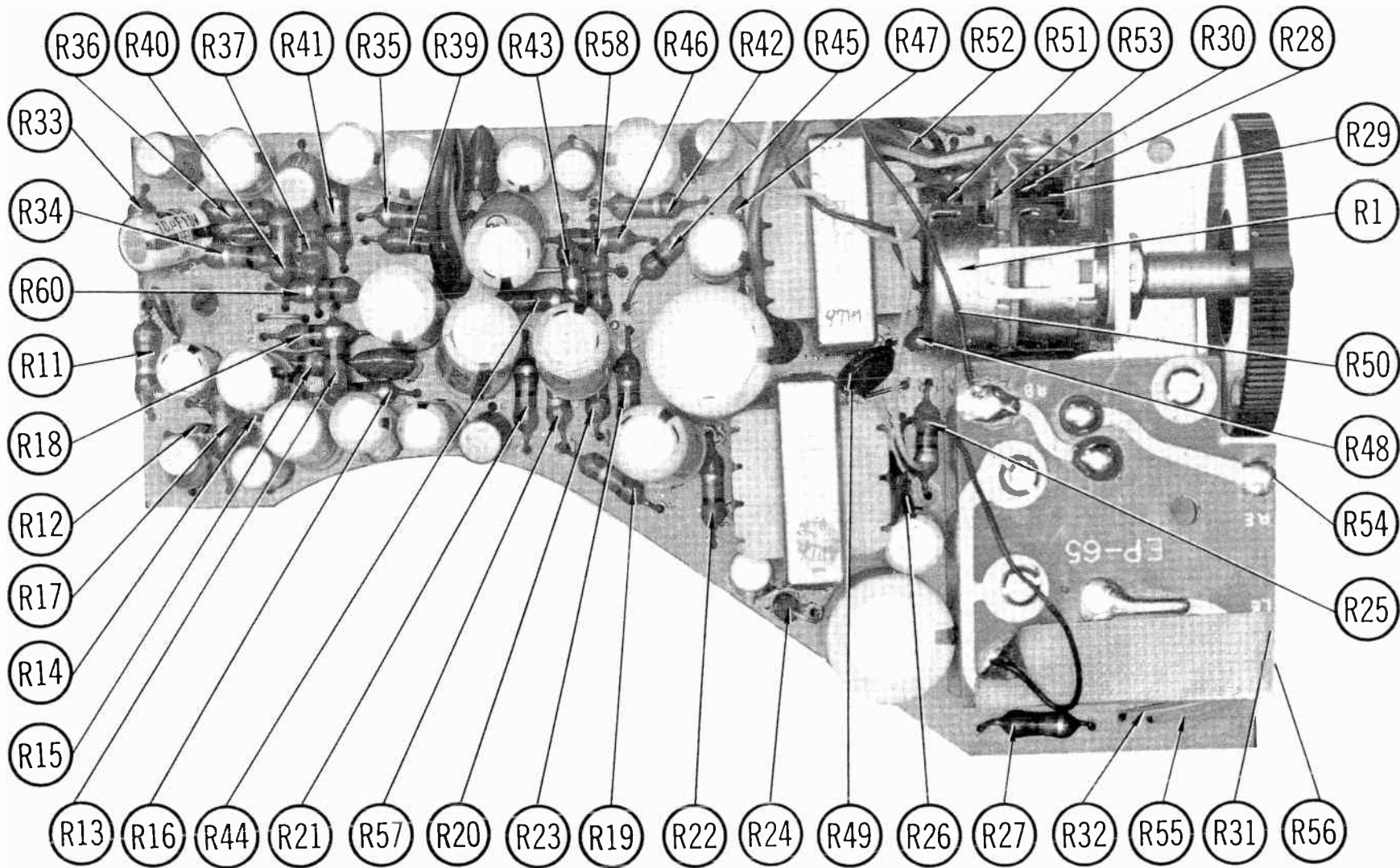
**AUDIO/STEREO MODEL A-30 AND
MUNTZ STEREO MODEL M-30**











PARTS LIST AND DESCRIPTION

(When ordering parts, state Model, Part Number, and Description.)

Replacement parts shown may be superseded by the availability of newly introduced replacements.
Have your local distributor check Sams COUNTER FACTS for the most up-to-date replacement.

TRANSISTORS

ITEM No.	TYPE No.	FUNCTION	REPLACEMENT DATA					
			MFG. PART No.	DELCO PART No.	GENERAL ELECTRIC PART No.	INTERNATIONAL RECTIFIER PART No.	RCA PART No.	SYLVANIA PART No.
Q1	2SB173	Preamp		DS-26	GE-2	TR-05	SK-3004	ECG 102
Q2	2SB175	Preamp		DS-26	GE-2	TR-05	SK-3004	ECG 102
Q3	2SB175	AF Amp		DS-26	GE-2	TR-05	SK-3004	ECG 102
Q4	2SB176	Driver		DS-26	GE-2	TR-05	SK-3004	ECG 102
Q5	2SB481(1)	Output (1)						
Q6	2SB481(1)	Output (1)						
Q7	2SB173	Preamp		DS-26	GE-2	TR-05	SK-3004	ECG 102
Q8	2SB175	Preamp		DS-26	GE-2	TR-05	SK-3004	ECG 102
Q9	2SB175	AF Amp		DS-26	GE-2	TR-05	SK-3004	ECG 102
Q10	2SB176	Driver		DS-26	GE-2	TR-05	SK-3004	ECG 102
Q11	2SB481(1)	Output (1)						
Q12	2SB481(1)	Output (1)						

(1) Q5 & Q6 Matched Pair. Q11 & Q12 Matched Pair.

ELECTROLYTIC CAPACITORS

ITEM No.	RATING	REPLACEMENT DATA							
		MUNTZ PART No.	AEROVOX PART No.	CENTRALAB PART No.	CORNELL-DUBILIER PART No.	GENERAL ELECTRIC PART No.	MALLORY PART No.	SPRAGUE PART No.	
C1	500 15V	52-2005-06	BCD15500	EA15-500			MTV500DN15	TL-1166	
C2	1000 15V	52-2010-06	PRS1230	EA30-1000	BR1000-15	QT1-32	TC1501A	TL-1166.5	
C3	100 15V	52-1010-06	BCD15100	EP15-100	NLW100-15	MT1-19	MTV100CF15	TE-1162	
C4	100 15V	52-1010-06	BCD15100	EP15-100	NLW100-15	MT1-19	MTV100CF15	TE-1162	
C5	10 15V	52-0005-06	BCD15010	EP15-10	NLW10-15	MT1-5	MTV10CB50	TE-1155	
C6	30 10V	BCD12030	BCD12035	EP15-50	NLW30-15	MT1-16	MTV30CB25	TE-1132.1	
C7	30 10V	BCD12030	BCD12035	EP15-50	NLW30-15	MT1-16	MTV30CB25	TE-1132.1	
C8	4.7 15V	52-2047-06	BCD15005	EP30-5	NLW5-15	MT1-3	MTV5CB50	TE-1152	
C9	10 15V	52-0005-06	BCD15010	EP15-10	NLW10-15	MT1-5	MTV10CB50	TE-1155	
C10	100 10V	52-1010-04	BCD10100	EP15-100	NLW100-12	MT1-19	MTV100CD10	TE-1135	
C11	100 10V	52-1010-04	BCD10100	EP15-100	NLW100-12	MT1-19	MTV100CD10	TE-1135	
C12	30 10V	BCD12030	BCD12035	EP15-50	NLW30-15	MT1-16	MTV30CB25	TE-1132.1	
C13	500 10V	52-1050-04	BCD12500	EA15-500	BR500-15	QT1-30	MTV500DN15	TL-1141	
C14	10 15V	52-0005-06	BCD15010	EP15-10	NLW10-15	MT1-5	MTV10CB50	TE-1155	
C15	30 10V	BCD12030	BCD12035	EP15-50	NLW30-15	MT1-16	MTV30CB25	TE-1132.1	
C16	30 10V	BCD12030	BCD12035	EP15-50	NLW30-15	MT1-16	MTV30CB25	TE-1132.1	
C17	4.7 15V	52-2047-06	BCD15005	EP30-5	NLW5-15	MT1-3	MTV5CB50	TE-1152	
C18	10 15V	52-0005-06	BCD15010	EP15-10	NLW10-15	MT1-5	MTV10CB50	TE-1155	
C19	100 10V	52-1010-04	BCD10100	EP15-100	NLW100-12	MT1-19	MTV100CD10	TE-1135	
C20	100 10V	52-1010-04	BCD10100	EP15-100	NLW100-12	MT1-19	MTV100CD10	TE-1135	
C21	30 10V	BCD12030	BCD12035	EP15-50	NLW30-15	MT1-16	MTV30CB25	TE-1132.1	
C22	500 10V	52-1050-04	BCD12500	EA15-500	BR500-15	QT1-30	MTV500CM5	TL-1141	

CAPACITORS

ITEM No.	RATING	REMARKS	REPLACEMENT DATA					
			AEROVOX PART No.	CENTRALAB PART No.	CORNELL-DUBILIER PART No.	ELMENCO PART No.	MALLORY PART No.	SPRAGUE PART No.
C31	.005		GPD XSR502K	DD-502	JBT601YP502K	CCD-502	JF250	10TS-D50
C32	.05		DBE6S5	DD-503	DPMS6S5	6DP-3-503	PVC615	6PS-S50
C33	.02		TTP-02	CK-203	HOR1012V203P	CCD-203	TA120	TG-S20
C34	.005		GPD XSR502K	DD-502	JBT601YP502K	CCD-502	JF250	10TS-D50
C35	.05		DBE6S5	DD-503	DPMS6S5	6DP-3-503	PVC615	6PS-S50
C36	.02		TTP-02	CK-203	HOR1012V203P	CCD-203	TA120	TG-S20
C37	.02		TTP-02	CK-203	HOR1012V203P	CCD-203	TA120	TG-S20
C38	.01		TTP-01	CK-103	HOY1012V103P	CCD-103	TA110	TG-S10
C39	.01		TTP-01	CK-103	HOY1012V103P	CCD-103	TA110	TG-S10

PARTS LIST AND DESCRIPTION (CONTINUED)

(When ordering parts, state Model, Part Number, and Description.)

Replacement parts shown may be superseded by the availability of newly introduced replacements.
Have your local distributor check Sams COUNTER FACTS for the most up-to-date replacement.

CONTROLS

All wattages 1/2 watt, or less, unless otherwise listed.

ITEM No.	USE	RESIST-ANCE	REPLACEMENT DATA				
			MUNTZ PART No.	CENTRALAB PART No.	CLAROSTAT PART No.	CTS-IRC PART No.	MALLORY PART No.
R1A B	Volume Volume	30K 30K	34-1010-00				

RESISTORS (Power and Special)

ITEM No.	RATING	REPLACEMENT DATA			ITEM No.	RATING	REPLACEMENT DATA		
		IRC PART No.	WORKMAN PART No.	MUNTZ PART No.			IRC PART No.	WORKMAN PART No.	MUNTZ PART No.
R26	30 (Cold)			38-1003-00	R49	30 (Cold)			38-1003-00
R29	30 (Cold)			38-1003-00	R52	30 (Cold)			36-1003-00
R31	.25 (1W)			49-9254-11	R54	.25			49-9254-11
R32	.25 (1W)			49-9254-11	R55	.25			49-9254-11
					R56	.25			49-9254-11

COILS (RF-IF)

ITEM No.	USE	REPLACEMENT DATA			
		MUNTZ PART No.	MEISSNER PART No.	MILLER PART No.	WORKMAN PART No.
L1	RF Choke (4uh)	37-1007-00			
L2	RF Choke (4uh)	37-1007-00			

TRANSFORMER (DRIVER)

ITEM No.	TURNS RATIO			REPLACEMENT DATA					NOTES
				MUNTZ PART No.	MERIT PART No.	STANCOR PART No.	THORDARSON PART No.	TRIAD PART No.	
	PRI.	SEC. 1	SEC. 2						
T1	8	1	1	35-1003-00					
T2	8	1	1	35-1003-00					

SPEAKER

ITEM No.	TYPE	REPLACEMENT DATA			NOTES
		MUNTZ PART No.	JENSEN PART No.	QUAM PART No.	
	PM 8 ohms				

AUDIO/STEREO MODEL A-30 AND MUNTZ/STEREO MODEL M-30

PARTS LIST AND DESCRIPTION (CONTINUED)

(When ordering parts, state Model, Part Number, and Description.)

Replacement parts shown may be superseded by the availability of newly introduced replacements. Have your local distributor check Sams COUNTER FACTS for the most up-to-date replacement.

FUSE DEVICES

ITEM No.	DESCRIPTION	REPLACEMENT DATA						
		PART No.		BUSS PART No.		LITTELFUSE PART No.		WORKMAN PART No.
		DEVICE	HOLDER	DEVICE	HOLDER	DEVICE	HOLDER	DEVICE
F1	2.5 Amp	31202.5	42-1003-00	AGC 2 1/2	HDJ	31202.5	155020	

TAPE HEADS

ITEM NO.	MEASURED			MUNTZ PART NO.	NORTRONICS PART NO.	DESCRIPTION
	INDUCTANCE	BIAS/ERASE VOLTS (RMS)	BIAS FREQ.			
M1	88mh			46-1000-00		4-Track Stereo Play

MISCELLANEOUS

ITEM No.	PART NAME	MUNTZ PART No.	NOTES
M2 S1	Motor On-Off Switch	43-1003-00 41-1002-00	

CABINETS & CABINET PARTS

(When Ordering Specify Model, Chassis & Color)

ITEM	PART No.	ITEM	PART No.
Knob, Volume	21-1013-00	Knob, On-Off	21-1012-00
Knob, Track Selector	21-1012-00		

WIRING DATA

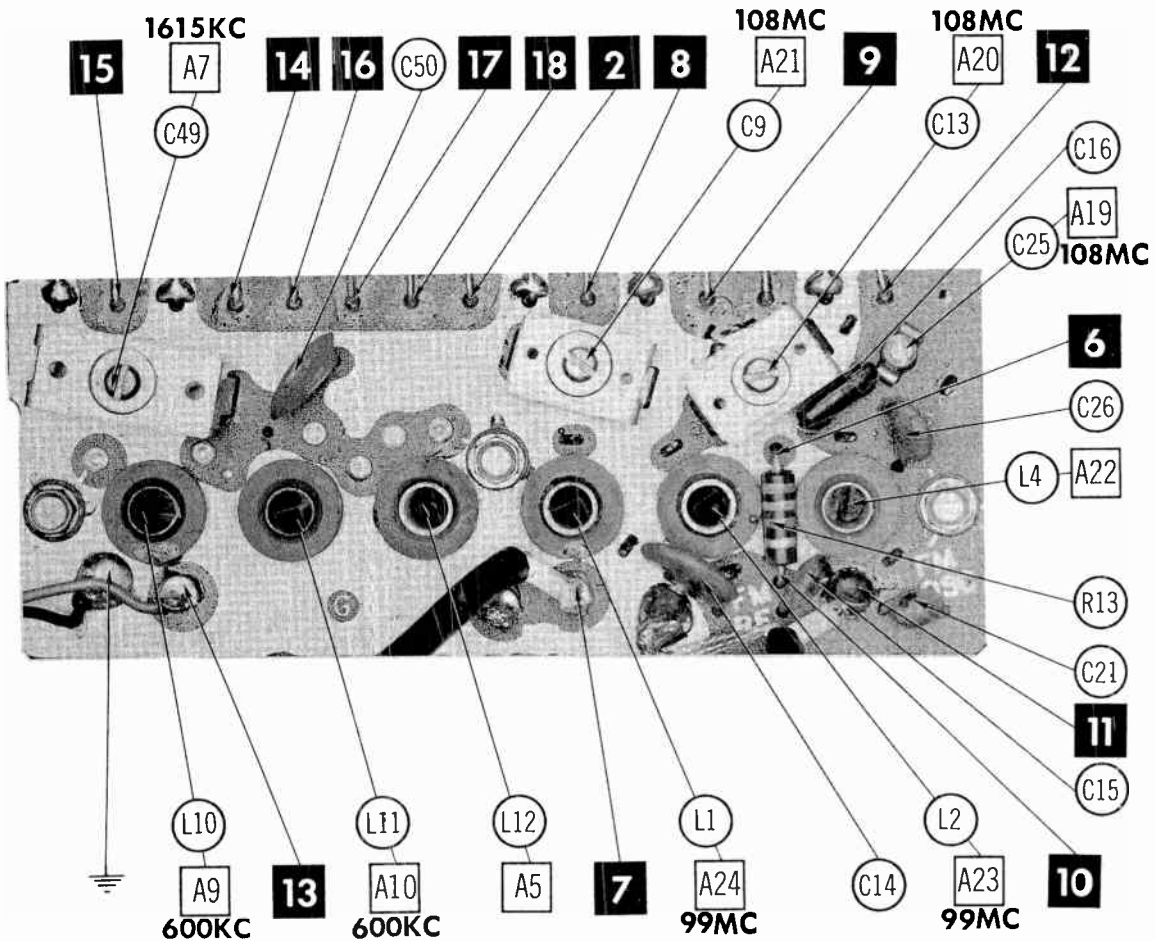
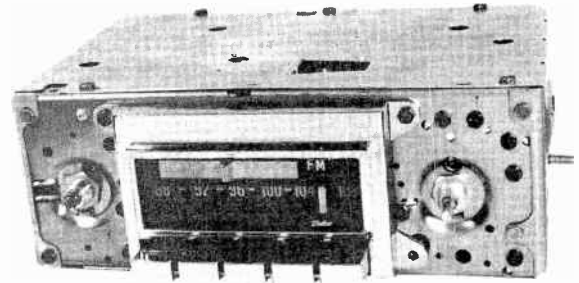
General-use Unshielded Hook-up Wire	Use BELDEN No. 8530 (Solid) Available in 12 Colors 8524 (Stranded) Available in 12 Colors
Shielded Hook-up Wire	Use BELDEN No. 8885
Bonding Strap	Use BELDEN No. 8661 (3/8 In.) or 8670 (3/4 In.)



PHOTOFACT[®] with

CIRCUITRACE[®]

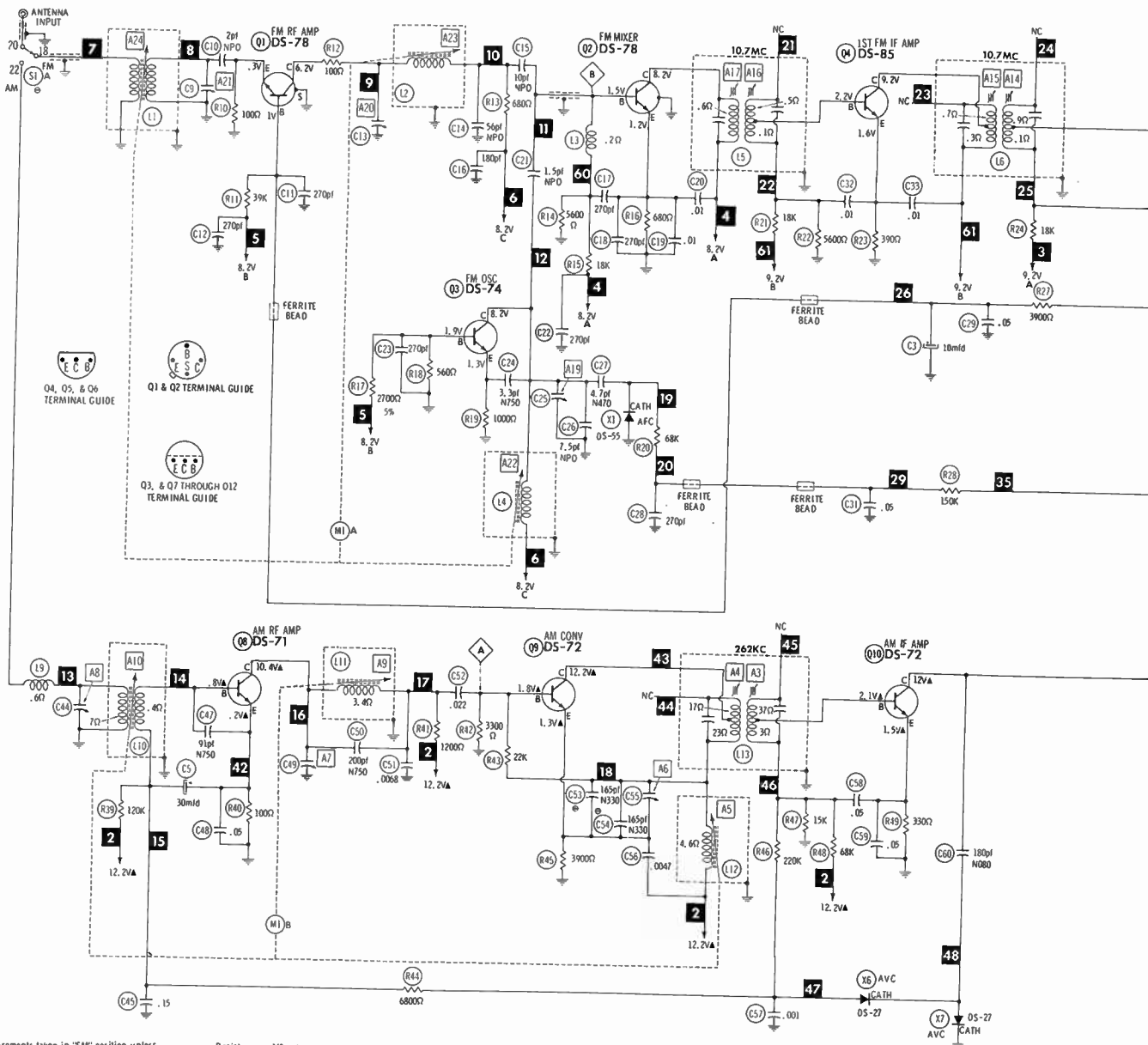
TRADE NAME : Chevrolet Model 7302721 (1968 Corvette)
 SUPPLIER : For Current Address, See Annual Index
 TYPE SET : 13-Transistor AM-FM Receiver
 POWER SUPPLY : 12 Volt Storage Battery
 RATING : 1.3 Amp. @ 12.6 Volts DC



CHEVROLET MODEL 7302721

HOWARD W. SAMS & CO., INC. Indianapolis, Indiana 46206

© 1968 Howard W. Sams & Co., Inc. Printed in U. S. of America TD186R



All measurements taken in "FM" position unless otherwise designated.

Resistors are 1/2 watt or less and rated 10% or 20% unless otherwise indicated.

▲ Measured in "AM" position.

* Not used in some versions.

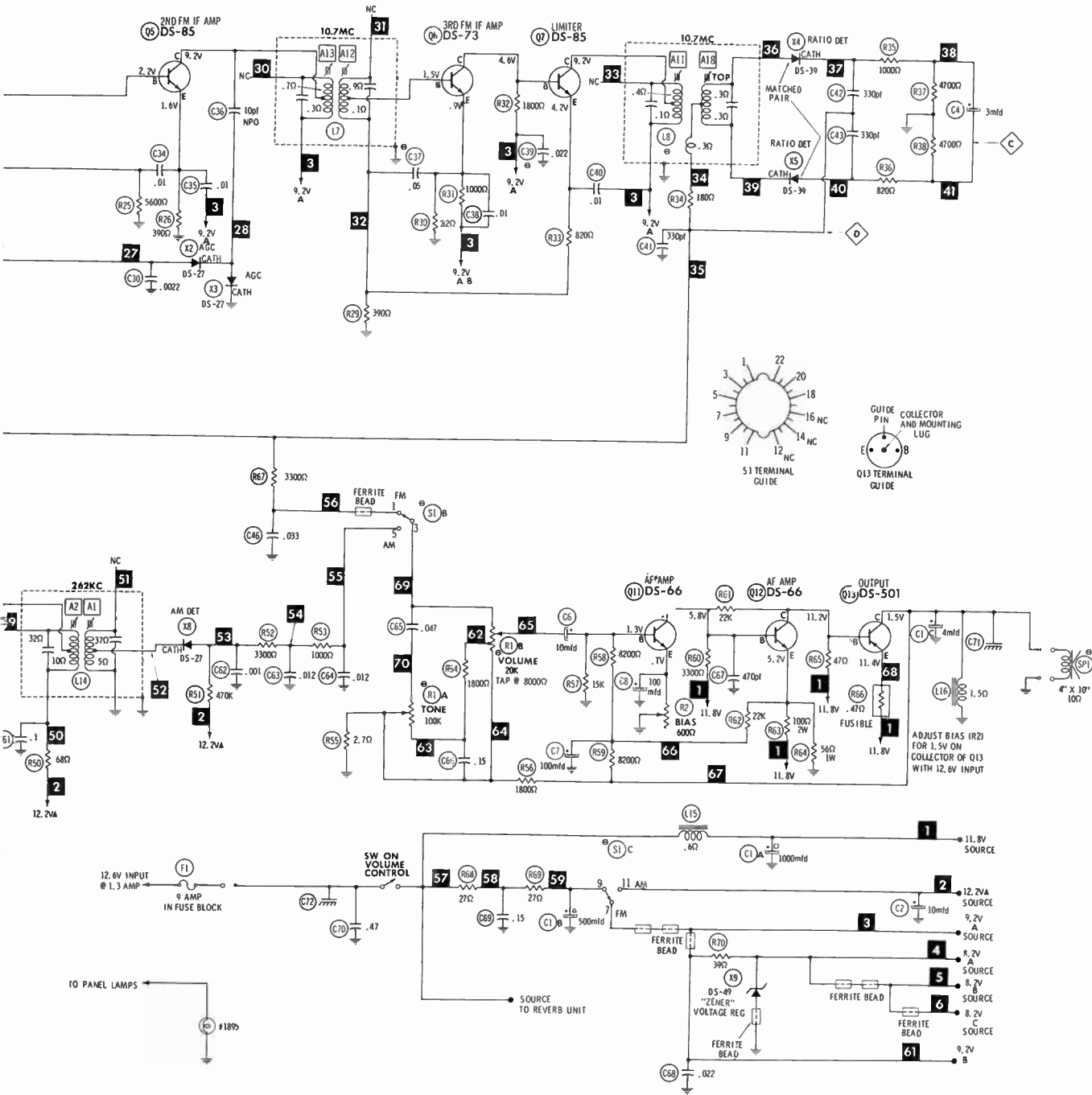
NC No Connection

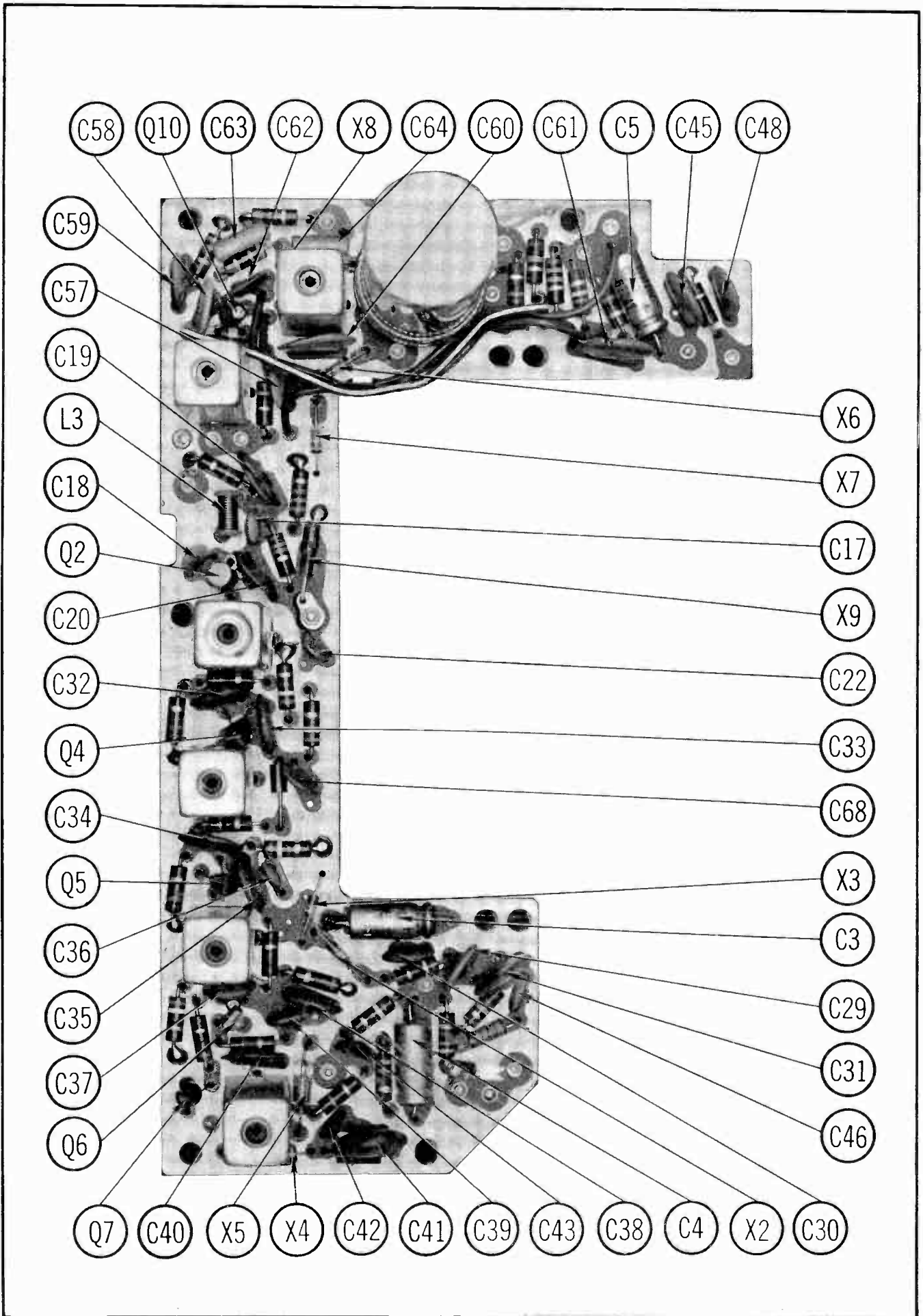
⊕ See parts list

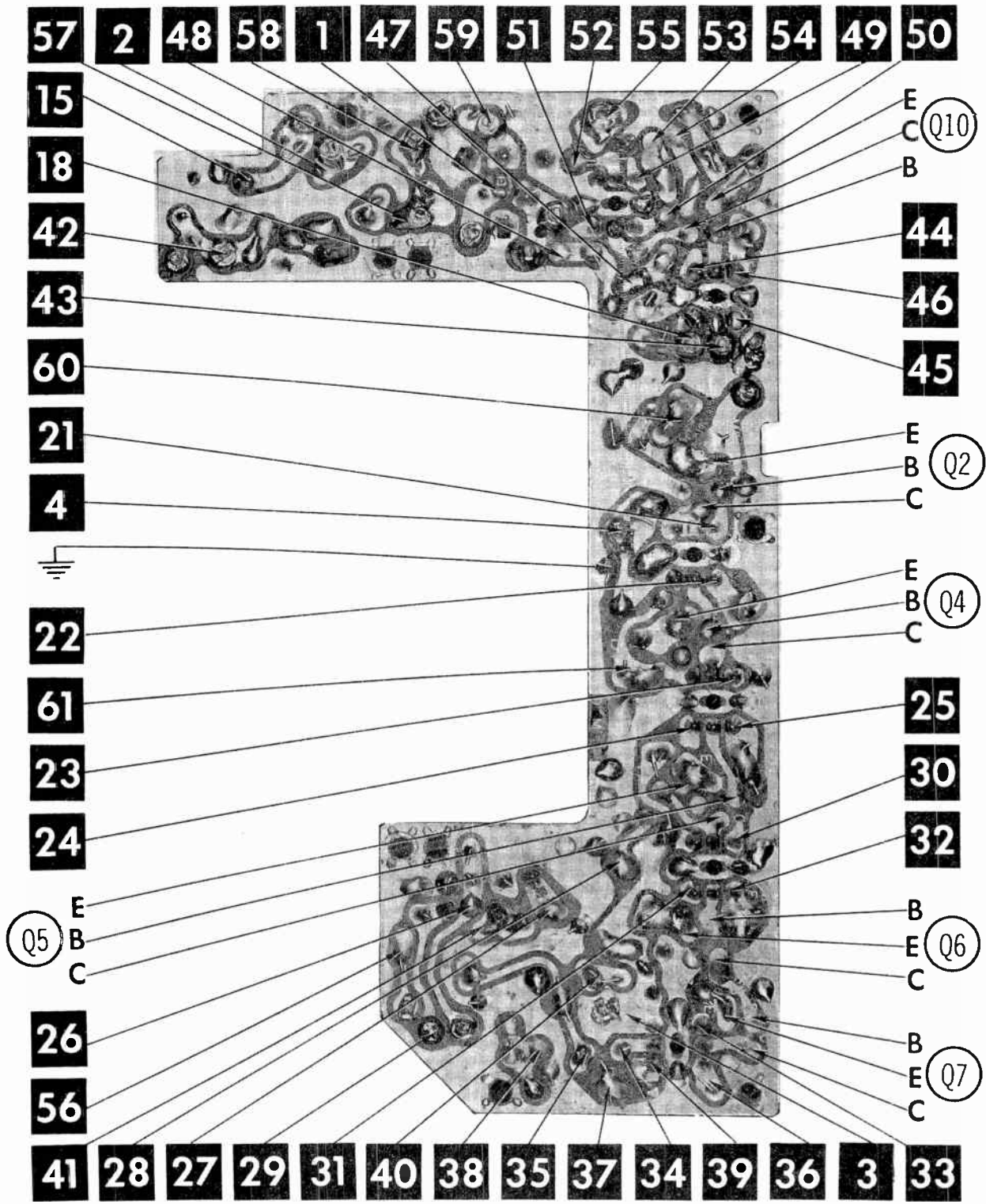
1. Voltage measurements taken with vacuum tube voltmeter.
2. All controls set for normal operation, no signal applied.
3. Measured values are from socket pin or terminal to common ground.
4. All terminals viewed from bottom unless otherwise designated.
5. Numbers assigned to terminals may not be found on the unit.
6. Supply voltage maintained at rated value for voltage readings.
7. Resistance measurements not given because of the wide variation in internal resistance of transistor.

A PHOTOFAC STANDARD NOTATION SCHEMATIC with **Circuitrace**

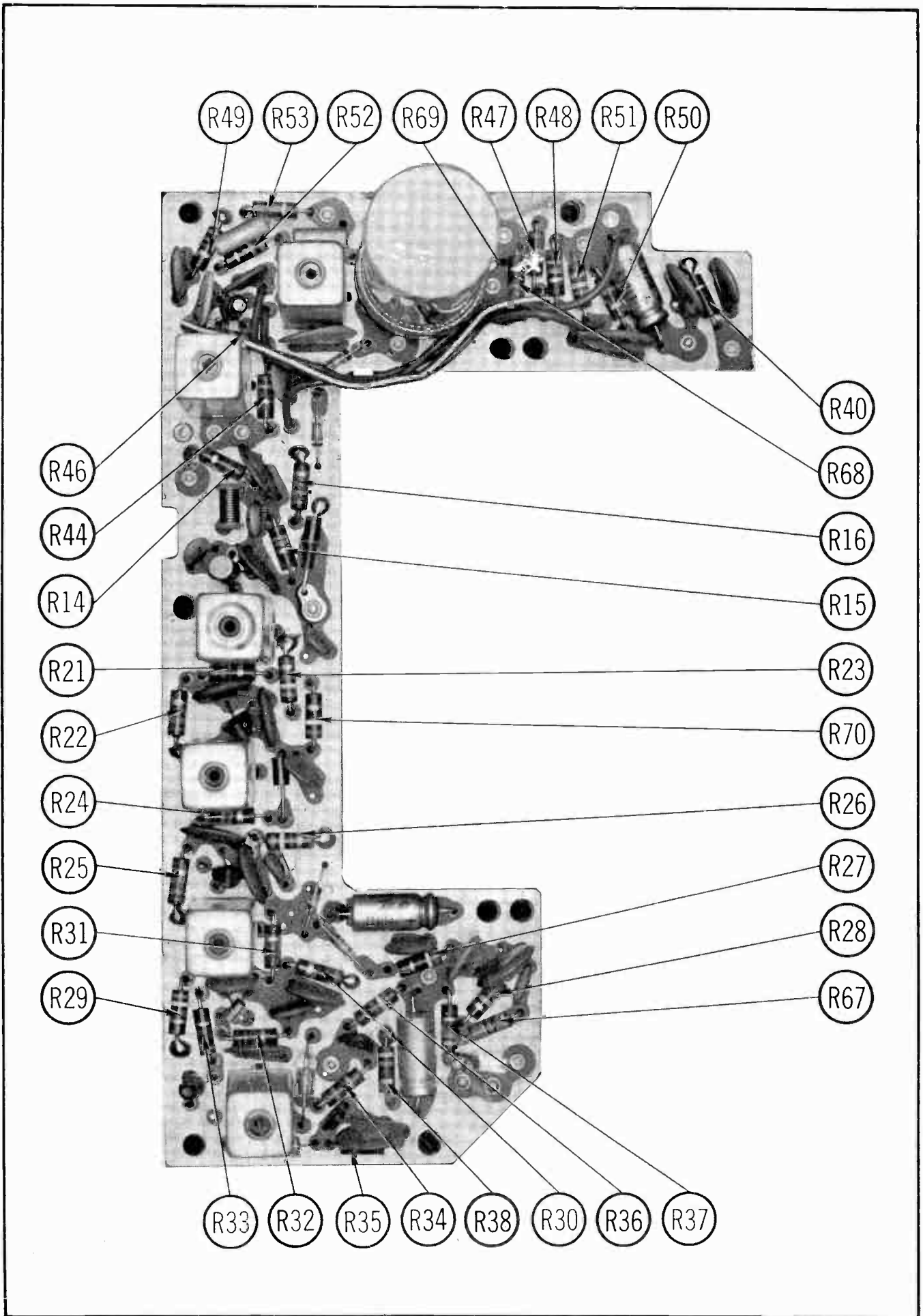
© Howard W. Sams & Co., Inc. 1968



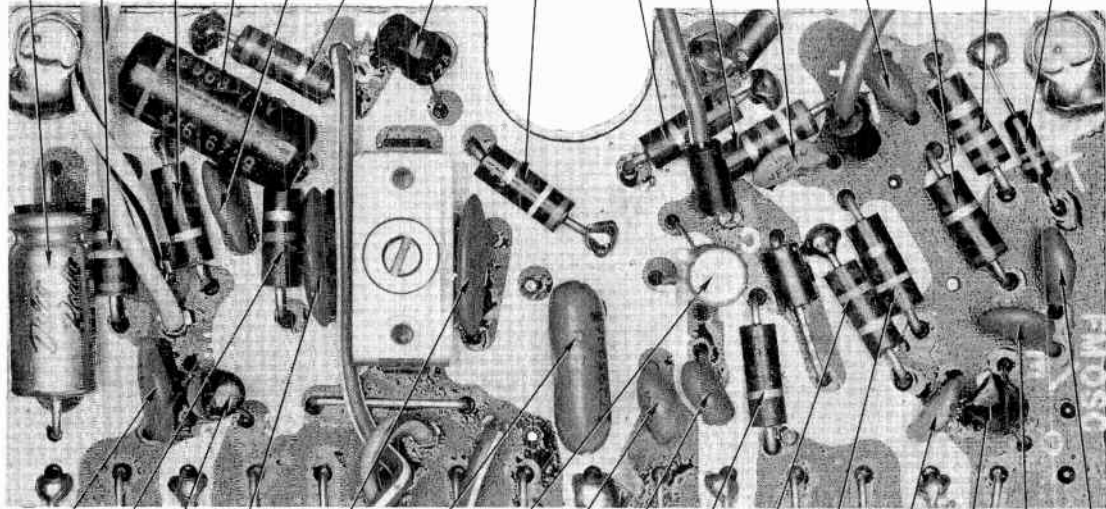




A Howard W. Sams **CIRCUITRACE** Photo

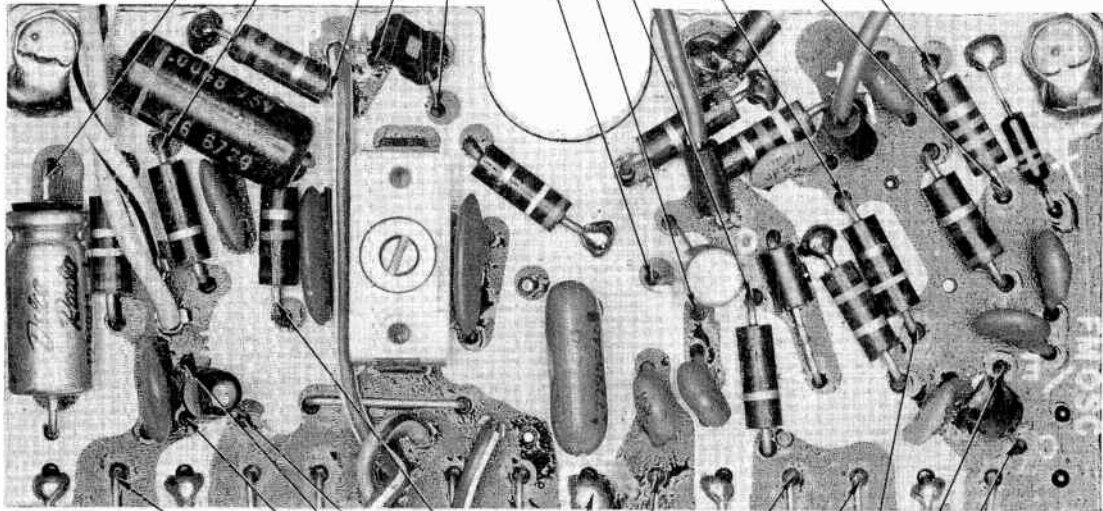


C2 R39 R41 C51 C52 R42 Q9 R45 R10 R11 C12 C28 R19 R20 X1



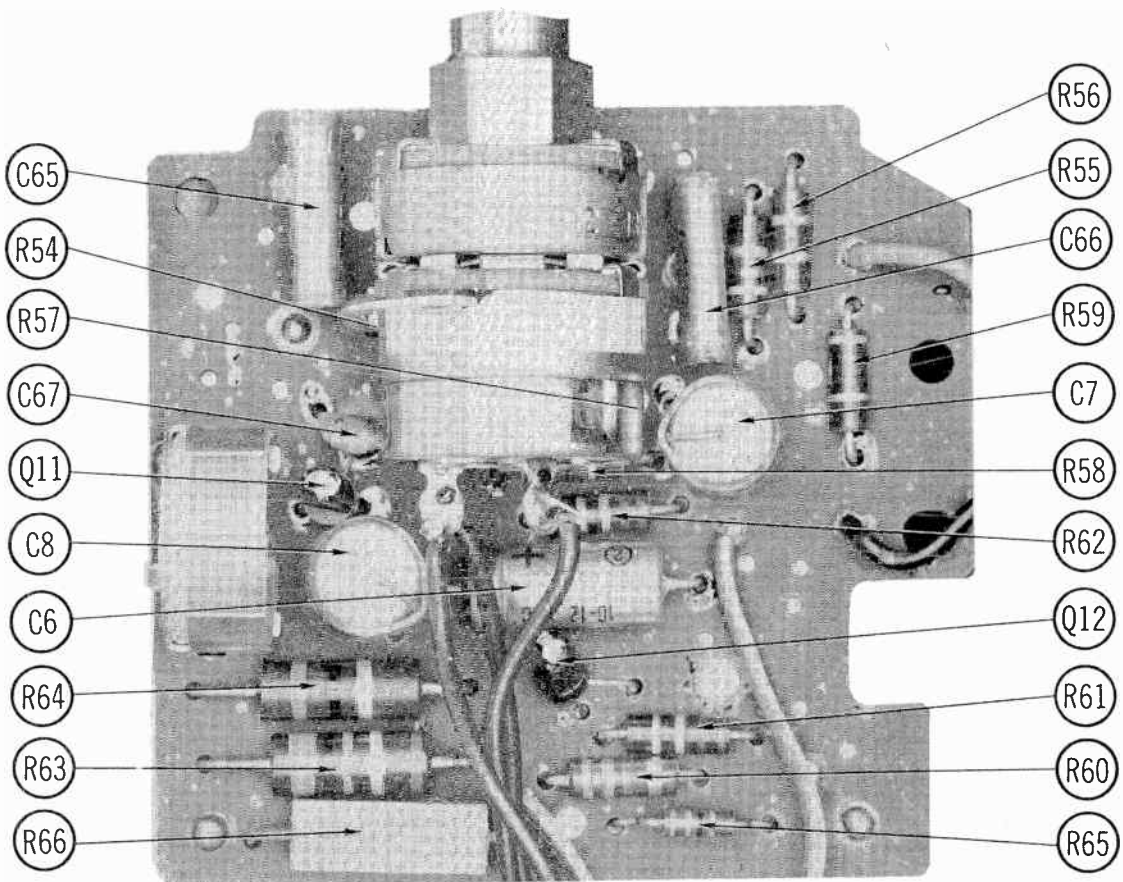
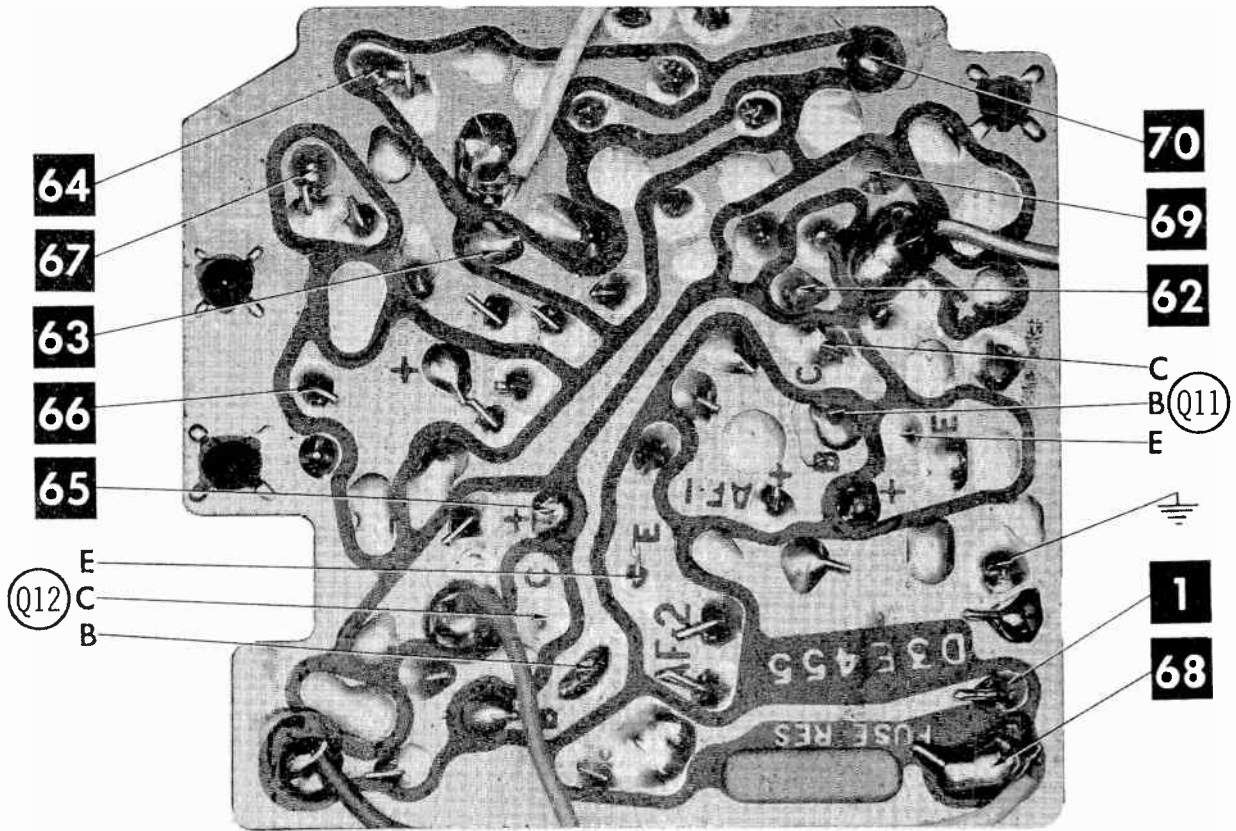
C47 R43 Q8 C54 C53 C56 Q1 C10 C11 R12 R18 R17 C23 Q3 C24 C27

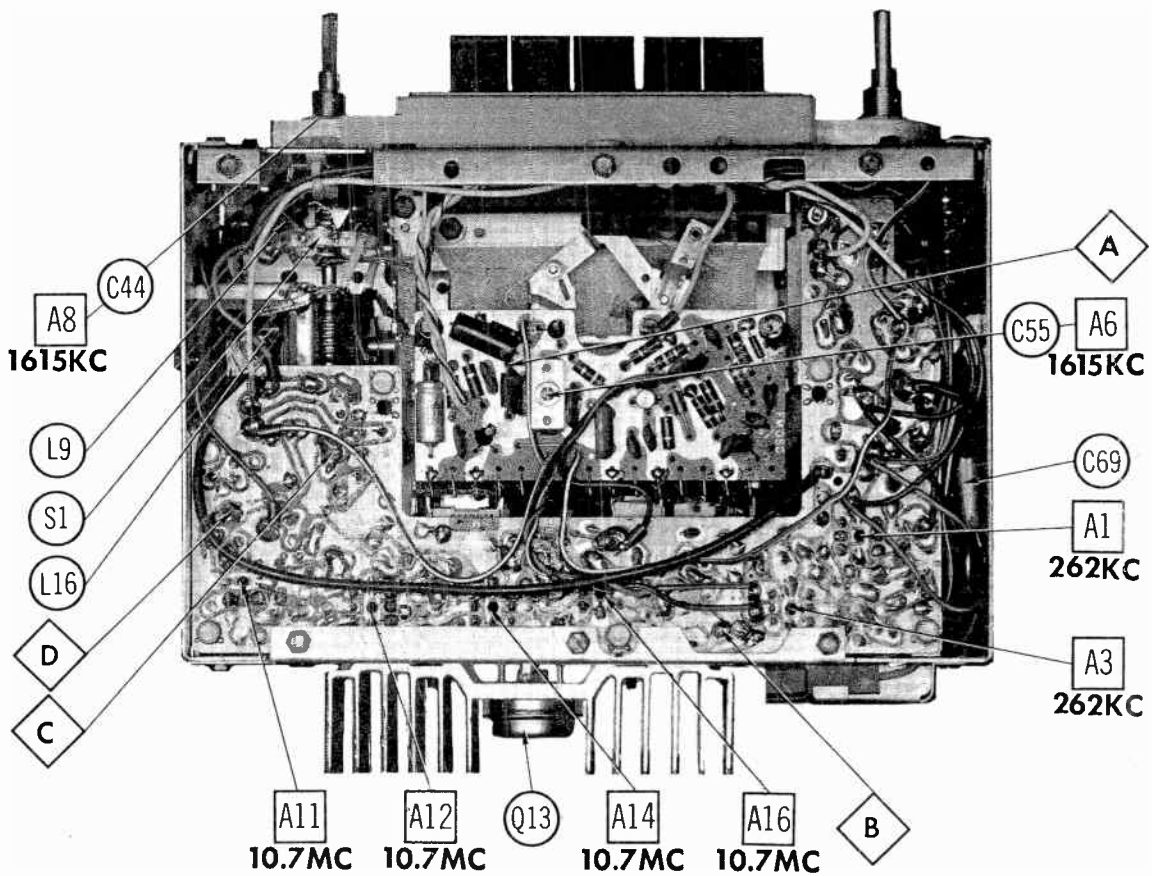
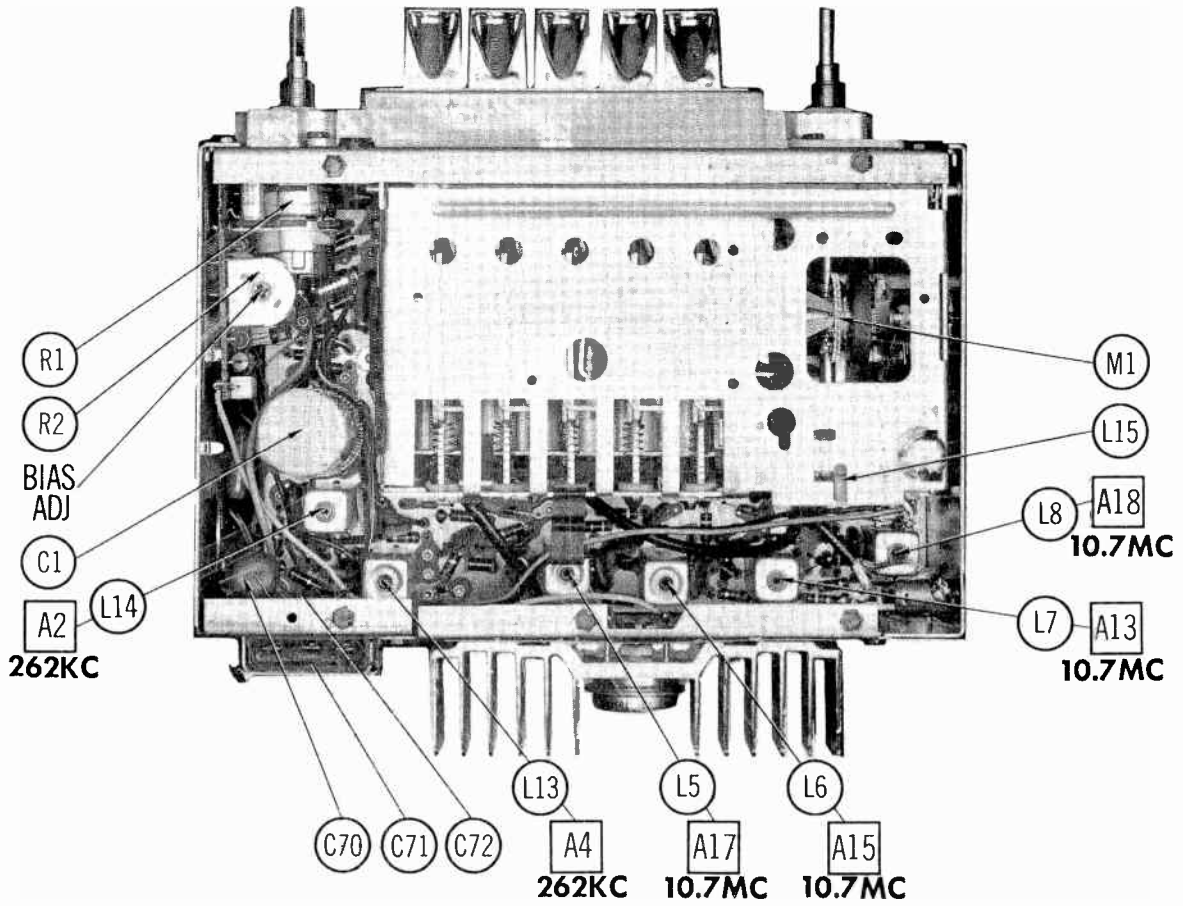
2 17 Q9 B C E **Q1** E B C **5 19 20**



15 B E C **18** **8 9 6** B E C **Q3**

A Howard W. Sams **CIRCUITRACE** Photo





ALIGNMENT INSTRUCTIONS

Check for specified source voltage.
Use only enough generator output to provide a usable indication.
Suggested Alignment Tools:
A1 thru A4, A11 thru A18. GENERAL CEMENT: 9296, 9297, 9300
WALSCO: 2510, 2546, 2547
A6, A7, A8, A20, A21, A22. GENERAL CEMENT: 8290, 8868, 9087
WALSCO: 2525, 2528, 2587

PUSH-BUTTON ADJUSTMENT

1. Pull button out.
2. Tune manually to desired station.
3. Press button in firmly.
4. Repeat for remaining buttons.

SIGNAL GENERATOR COUPLING	SIGNAL GENERATOR FREQUENCY	RADIO DIAL SETTING	INDICATOR	ADJUST	REMARKS
1. High side thru .1mfd to point \diamond A, low side to ground.	262KC (400% Mod.)	High Freq. End Stop.	Output Meter across voice coil.	A1, A2, A3, A4	Adjust for maximum.
Check setting of AM Oscillator coil core (A5). Rear of core should be 1 3/8" from mounting end of coil form.					
2. High side thru 82mmf to antenna receptacle, low side to ground.	1615KC	High Freq. End Stop.	Output Meter across voice coil.	A6, A7, A8	Adjust for maximum.
3. "	600KC	600KC Signal	"	A9, A10	Adjust for maximum. Repeat step 2.

With radio installed in car and antenna extended 31", tune in a weak station near 1400KC and adjust A8 for maximum output.

Antenna adjustment A8 is located behind tuning and dummy knob.

FM ALIGNMENT USING AM SIGNAL GENERATOR — SELECTOR IN FM POSITION

High side thru .1mfd to point \diamond B, low side to ground.

GENERATOR FREQUENCY	DIAL SETTING	INDICATOR	ADJUST	REMARKS
4. 10.7MC (Unmod.)	Point of non-interference.	DC probe of VTVM to point \diamond C; common to ground.	A11, A12, A13, A14, A15, A16, A17.	Adjust for maximum.
5. "	"	DC probe to point \diamond D; common to ground.	A18.	Adjust for zero reading. A positive or negative reading will be obtained on either side of the correct setting.

FM IF ALIGNMENT USING FM SIGNAL GENERATOR — SELECTOR IN FM POSITION

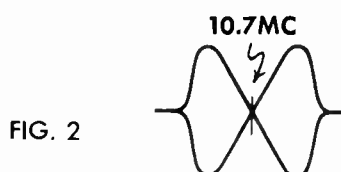
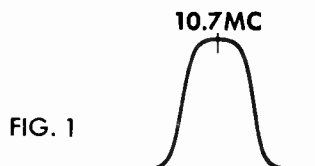
High side thru .1mfd to point \diamond B, low side to ground. Use only enough marker signal to obtain indication. Use 60% frequency modulated signal with 450KC sweep. Use 120% sawtooth voltage in scope for horizontal deflection.

GENERATOR FREQUENCY	DIAL SETTING	INDICATOR	ADJUST	REMARKS
4. 10.7MC (450KC Swp.)	Point of non-interference	Vert. amp. of Scope to point \diamond C; low side to ground.	A11, A12, A13, A14, A15, A16, A17.	Disconnect stabilizing capacitor C4. Adjust for maximum gain and symmetry of response similar to Fig. 1 with marker as shown. Reconnect C4.
5. "	"	Vert. amp. to point \diamond D; low side to ground.	A18.	Adjust A18(Secondary) to place marker at center of crossover lines similar to Fig. 2. Adjust A11(Primary) for maximum amplitude and straightness of crossover lines.

FM RF ALIGNMENT Check setting of FM Oscillator coil core (A22). Rear of core should be 1 3/8" from mounting end of coil form

Connect generator across antenna terminals with 120Ω carbon resistors in series with each lead.

GENERATOR FREQUENCY	DIAL SETTING	INDICATOR	ADJUST	REMARKS
6. 108MC	Set at high end.	DC probe of VTVM to point \diamond C; common to ground.	A19, A20, A21	Ground Circuittrace Point 29. Adjust for maximum.
7. 99MC	Tune to signal.	"	A23, A24.	Rock tuning and adjust for maximum. Repeat steps 6 and 7 until no further improvement can be made.



PARTS LIST AND DESCRIPTION

(When ordering parts, state Model, Part Number, and Description.)

Replacement parts shown may be superseded by the availability of newly introduced replacements.
Have your local distributor check Sams COUNTER FACTS for the most up-to-date replacement.

WIRING DATA

General-use Unshielded Hook-up Wire	Use BELDEN No. 8530 (Solid) Available in 12 Colors 8524 (Stranded) Available in 12 Colors
Shielded Hook-up Wire	Use BELDEN No. 8885
Bonding Strap	Use BELDEN No. 8661 (3/8 In.) or 8670 (3/4 In.)

TRANSISTORS

ITEM No.	ORIG. TYPE	USE	REPLACEMENT DATA				NOTES
			DELCO PART No.	GENERAL ELECTRIC PART No.	INTERNATIONAL RECTIFIER PART No.	RCA PART No.	
Q1	DS-78	FM RF Amp.	DS-81	GE-11	TR-22	SK-3018	NPN
Q2	DS-78	FM Mixer	DS-81	GE-11	TR-22	SK-3018	NPN
Q3	DS-74	FM Oscillator	DS-74	GE-11	TR-24	SK-3018	NPN
Q4	DS-85	1st FM IF	DS-74	GE-11	TR-24	SK-3018	NPN
Q5	DS-85	2nd FM IF	DS-74	GE-11	TR-24	SK-3018	NPN
Q6	DS-73	3rd FM IF	DS-74	GE-11	TR-21	SK-3018	NPN
Q7	DS-85	FM Limiter	DS-74	GE-11	TR-24	SK-3018	NPN
Q8	DS-71	AM RF Amp.	DS-71	GE-10	TR-21	SK-3018	NPN
Q9	DS-72	AM Converter	DS-72	GE-10	TR-21	SK-3018	NPN
Q10	DS-72	AM IF A.m.p.	DS-72	GE-10	TR-21	SK-3018	NPN
Q11	DS-67	AF Amp.	DS-66	GE-10	TR-21	SK-3020	NPN
Q12	DS-66	AF Amp.	DS-66	GE-10	TR-21	SK-3020	NPN
Q13	DS-501	Output	DS-501	GE-4	TR-03	SK-3012	PNP *

* When replacing, apply silicone grease to both sides of insulator. Tighten mounting screws securely. Check bias adjustment.

CHEVROLET MODEL 7302721

POWER RECTIFIERS & SIGNAL DIODES

ITEM No.	MEASURED CURRENT	ORIGINAL Part or Type No.	RECTIFIERS & DIODES		RECTIFIERS		
			GENERAL ELECTRIC PART No.	INTERNATIONAL RECTIFIER PART No.	MALLORY PART No.	RCA PART No.	SARKES TARZIAN PART No.
X1		DS-55					
X2		DS-27	1N34AS	1N34A			
X3		DS-27	1N34AS	1N34A			
X4		DS-39	1N34AS	1N34A			
X5		DS-39	1N34AS	1N34A			
X6		DS-27	1N34AS	1N34A			
X7		DS-27	1N34AS	1N34A			
X8		DS-27	1N34AS	1N34A			
X9		DS-49					

ELECTROLYTIC CAPACITORS

ITEM No.	RATING	REPLACEMENT DATA						
		DELCO PART No.	AEROVOX PART No.	CENTRALAB PART No.	CORNELL-DUBILIER PART No.	GENERAL ELECTRIC PART No.	MALLORY PART No.	SPRAGUE PART No.
C1A	1000 16V	7283675	AFH3-54-11		CC0006		FPS300.91	PCL-3021.8
B	500 16V							
C	4 11.5rms							
C2	10 12V	7292738	PTT53	EA15-10	NLW10-15	MT1-5	TT12X10	TL-1128
C3	10 12V	7292738	PTT53	EA15-10	NLW10-15	MT1-5	TT12X10	TL-1128
C4	3 12V	7291860	PTT50	EA15-2	NLW3-15	MT1-3	TT12X3	TE-1122
C5	30 6V	7291942	PTT27	EA6-25	NLW30-6	MT1-13	TT6X30	TE-1092
C6	10 12V	7292738	PTT53	EA15-10	NLW10-15	MT1-5	TT12X10	TL-1128
C7	100 4V	7291810	PTT30	EA6-100	NLW125-6	MT1-21	TT8X100	TE-1102
C8	100 4V	7291810	PTT30	EA6-100	NLW125-6	MT1-21	TT8X100	TE-1102

PARTS LIST AND DESCRIPTION (CONTINUED)

(When ordering parts, state Model, Part Number, and Description.)

Replacement parts shown may be superseded by the availability of newly introduced replacements.
Have your local distributor check Sams COUNTER FACTS for the most up-to-date replacement.

CAPACITORS

ITEM No.	RATING	REMARKS	REPLACEMENT DATA						
			AEROVOX PART No.	CENTRALAB PART No.	CORNELL-DUBILIER PART No.	ELMENCO PART No.	MALLORY PART No.	SPRAGUE PART No.	
C9		#7293221							
C10	2 NPO		NPO-DI 2.2	DTZ-2R2	CZ601CJ2R2D	CCTO-2R2	CNO522	10TCC-V22	
C11	270		DI-270	DD-271	RR05CW271K	CCD-271	GP327	5GA-T27	
C12	270		DI-270	DD-271	RR05CW271K	CCD-271	GP327	5GA-T27	
C13		#7291003							
C14	56 NPO			TCZ-56		CCTO-560	CNO456	10TCC-Q56	
C15	10 NPO		NPO-DI 10	DTZ-10	CZ601CG100J	CCTO-100	CNO410	10TCC-Q10	
C16	180		DI-180	DD-181	JBZ601YP181K	CCD-181	GP318	5GA-T18	
C17	270		DI-270	DD-271	RR05CW271K	CCD-271	GP327	5GA-T27	
C18	270		DI-270	DD-271	RR05CW271K	CCD-271	GP327	5GA-T27	
C19	.01		TTD-01	CK-103	HOY101ZV103P	CCD-103	TA110	TG-S10	
C20	.01		TTD-01	CK-103	HOY101ZV103P	CCD-103	TA110	TG-S10	
C21	1.5 NPO		NPO-DI 1.5	DTZ-1R5			CNO515	10TCC-V15	
C22	270		DI-270	DD-271	RR05CW271K	CCD-271	GP327	5GA-T27	
C23	270		DI-270	DD-271	RR05CW271K	CCD-271	GP327	5GA-T27	
C24	3.3 N750			TCN-3R3			CN7533	10TCU-V33	
C25		#7292611							
C26	7.5 NPO		NPO-DI 6.8	DTZ-6R8	CZ601CH6R8D	CCTO-6R8	CNO568	10TCC-V68	
C27	4.7 N470							10TCT-V47	
C28	270		DI-270	DD-271	RR05CW271K	CCD-271	GP327	5GA-T27	
C29	.05		BPD-05	DD-503		CCD-503	GP150	5HK-S50	
C30	.0022		DI-2200	DD-222	JBX601YP222K	CCD-222	GP222	10TS-D22	
C31	.05		BPD-05	DD-503		CCD-503	GP150	5HK-S50	
C32	.01		TTD-01	CK-103	HOY101ZV103P	CCD-103	TA110	TG-S10	
C33	.01		TTD-01	CK-103	HOY101ZV103P	CCD-103	TA110	TG-S10	
C34	.01		TTD-01	CK-103	HOY101ZV103P	CCD-103	TA110	TG-S10	
C35	.01		TTD-01	CK-103	HOY101ZV103P	CCD-103	TA110	TG-S10	
C36	10 NPO		NPO-DI 10	DTZ-10	CZ601CG100J	CCTO-100	CNO410	10TCC-Q10	
C37	.05	(.01)†	TTD-05	CK-503	HOV101ZV503Z		TA150	TG-S50	
C38	.01		TTD-01	CK-103	HOY101ZV103P	CCD-103	TA110	TG-S10	
C39	.022	(.01)†	TTD-02	CK-203	HOR101ZV203P	CCD-203	TA120	TG-S20	
C40	.01		TTD-01	CK-103	HOY101ZV103P	CCD-103	TA110	TG-S10	
C41	330		DI-330	DD-331	JBZ601YP331K	CCD-331	GP331	10TS-T33	
C42	330		DI-330	DD-331	JBZ601YP331K	CCD-331	GP331	10TS-T33	
C43	330		DI-330	DD-331	JBZ601YP331K	CCD-331	GP331	10TS-T33	
C44		#7304769							
C45	.15		TTD-1	CK-104	HOV101ZV104Z		TA010	TG-P10	
C46	.033		TTD-03	CK-303		CCD-303	GP130	TG-S30	
C47	.91			DD-910		CCD-910	GP491	5GA-Q91	
C48	.05		TTD-05	CK-503	HOV101ZV503Z		TA150	TG-S50	
C49		#7295193							
C50	200 N750		N750-DI 200	DTN-200		CCTN-201	CN7320	10TCU-T20	
C51	.0068 75V		DBE6D68	CPR-6800J	WMF1D68	1DP-1-682	PVC4268	6PS-D68	
C52	.022		TTD-02	CK-203	HOR101ZV203P	CCD-203	TA120	TG-S20	
C53	165 N330	②				*	*		
C54	165 N330	②				*	*		
C55		#7295192							
C56	.0047 75V		DBE6D47	CPR-4700J	WMF1S47	6DP-1-472	PVC6247	6PS-D47	
C57	.001		DI-1000	DD-102	JBZ601YP102K	CCD-102	GP210	10TS-D10	
C58	.05		TTD-05	CK-503	HOV101ZV503Z		TA150	TG-S50	
C59	.05		TTD-05	CK-503	HOV101ZV503Z		TA150	TG-S50	
C60	180 N080					*	*	10CTCN-T80	
C61	.1		TTD-1	CK-104	HOV101ZV104Z		TA010	TG-P10	
C62	.001		DI-1000	DD-102	JBZ601YP102K	CCD-102	GP210	10TS-D10	
C63	.012 75V		DBE4S15		DMF4S15	4DP-1-153	PVC6115	4PS-S15	
C64	.012 75V		DBE4S15		DMF4S15	4DP-1-153	PVC6115	4PS-S15	
C65	.047 75V		DBE2S47		DMF2S47	4DP-3-473	PVC2147	2PS-S47	
C66	.15 75V		DBE4P15		DMF4P15	4DP-4-154	PVC6015	4PS-P15	
C67	470		DI-470	DD-471	JBZ601YP471K	CCD-471	GP347	10TS-T47	
C68	.022		DI-270	DD-271	RR05CW271K	CCD-271	GP327	5GA-T27	
C69	.15 75V		TTD-02	CK-203	HOR101ZV203P	CCD-203	TA120	TG-S20	
C70	.47 75V	(.15)†	DBE2P47	DMF2P47	2DP-50474	2DP-5-474	PVC2047	2PS-P47	
C71	220	#7271564	DI-220	DD-221	JBZ601YP221K	CCD-221	GP322	10TS-T22	
C72		#7292370							

* Not normally in distributor's stock. Available thru distributor on order to manufacturer.

Delco Part Number. † Alternate Value. ① Not used in some versions.

② May be replaced with a single unit, 330pf, Part #7297598.

CONTROLS

All wattages 1/2 watt, or less, unless otherwise listed.

ITEM No.	USE	RESISTANCE	REPLACEMENT DATA					
			DELCO PART No.	CENTRALAB PART No.	CLAROSTAT PART No.	CTS-IRC PART No.	MALLORY PART No.	
RIA	Tone	100K	7303326	F2-100K, R14-25K, FFS015, RFS105, BB010, SB004, KR-7			†QJ-2540A	#UE4899S
B	Volume/Switch	20K Tap @ 9500Ω						
R2	Bias	600Ω ZW	7296937	V-600	U39-600		110-600	

† "CONCENTRIKIT" Equivalent: K-8 Kit with Base Elements and Shafts: B13-128, P21-029 (Panel), B19-119X, R16-106 (Rear), S6① (Bushing), N4 (Spacer Nut), 76-2 (Switch).

"SNAPTROL" Equivalent: BU8①, CF52, CR50T, SF5, SR4, N4, WF.

① Alter bushing and adjust spacer nut to meet requirements.

"STA-LOC" Equivalent: FL15A, RU253T53, OX875A, IS1250, US42

PARTS LIST AND DESCRIPTION (CONTINUED)

(When ordering parts, state Model, Part Number, and Description.)

Replacement parts shown may be superseded by the availability of newly introduced replacements. Have your local distributor check Sams COUNTER FACTS for the most up-to-date replacement.

RESISTORS (Power and Special)

ITEM No.	RATING	REPLACEMENT DATA			ITEM No.	RATING	REPLACEMENT DATA		
		IRC PART No.	WORKMAN PART No.	DELCO PART No.			IRC PART No.	WORKMAN PART No.	DELCO PART No.
R66	.47Ω Fusible			7281890					

COILS (RF-IF)

ITEM No.	USE	REPLACEMENT DATA				
		DELCO PART No.	MEISSNER Part No.	MERIT PART No.	MILLER PART No.	WORKMAN PART No.
L1	FM Antenna	①				
L2	FM RF	①				
L3	FM IF Trap (1uh)	7296856	19-1000	BC-565	4602	T855
L4	FM Oscillator	①				
L5	1st FM IF	7296100				
L6	2nd FM IF	7296101				
L7	3rd FM IF	7296102				
L8	Ratio Detector	7299984				
L9	RF Choke (8uh)	7255738	19-1009	BC-566	4611	T822
L10	AM Antenna	①				
L11	AM RF	①				
L12	AM Oscillator	①				
L13	1st AM IF	7295169				
L14	2nd AM IF	7295170				

① Part of M1.

FILTER CHOKE

ITEM No.	RATINGS			REPLACEMENT DATA					NOTES
	CURRENT (Measured)	DC RES.	INDUCTANCE (0 CURRENT 1000~)	DELCO PART No.	MERIT PART No.	STANCOR PART No.	THORDARSON PART No.	TRIAD PART No.	
L15	1.3 Amp.	.6Ω	8MH	1221623	C-4095	TC-2	TR-154	TY17XT	

CHOKE (AUDIO OUTPUT)

ITEM No.	INDUCTANCE	REPLACEMENT DATA					NOTES
		DELCO PART No.	MERIT PART No.	STANCOR PART No.	THORDARSON PART No.	TRIAD PART No.	
L17	30MH	1222297					

SPEAKER

ITEM No.	TYPE	RATING	REPLACEMENT DATA			NOTES
			DELCO PART No.	JENSEN PART No.	QUAM PART No.	
SP1	4" X 10" PM	10Ω	7307187	P4X1079	410A2Z10	

FUSE DEVICES

ITEM No.	TYPE	RATING	REPLACEMENT DATA						
			PART No.		LITTELFUSE PART No.		BUSS PART No.		
			FUSE	HOLDER	FUSE	HOLDER	FUSE	HOLDER	
F1	SFE	9 Amp.		In Fuse Block	307009			SFE 9	

MISCELLANEOUS

ITEM No.	PART NAME	DELCO PART No.	NOTES
M1	Tuner	1222504	CHICAGO MINIATURE Replacement CM-1895
M2	Dial Lamp #1895	7280301	
S1	AM-FM Selector Sw.	7285141	

CABINETS & CABINET PARTS

(When Ordering Specify Model, Chassis & Color)

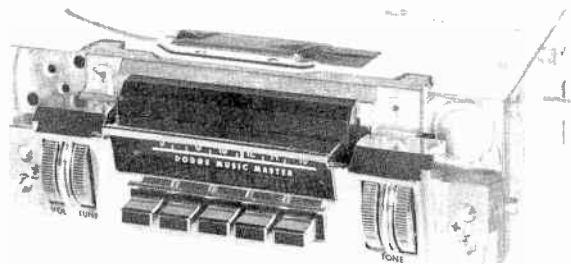
ITEM	PART No.	ITEM	PART No.
Escutcheon	7303827	Dial Pointer	7303825
Dial Glass	7303279	Push Button	7303280
Dial Drum	7303823	Knobs or Available at Chevrolet Dealer	

CHEVROLET MODEL 7302721



PHOTOFACT[®] with

CIRCUITRACE[®]



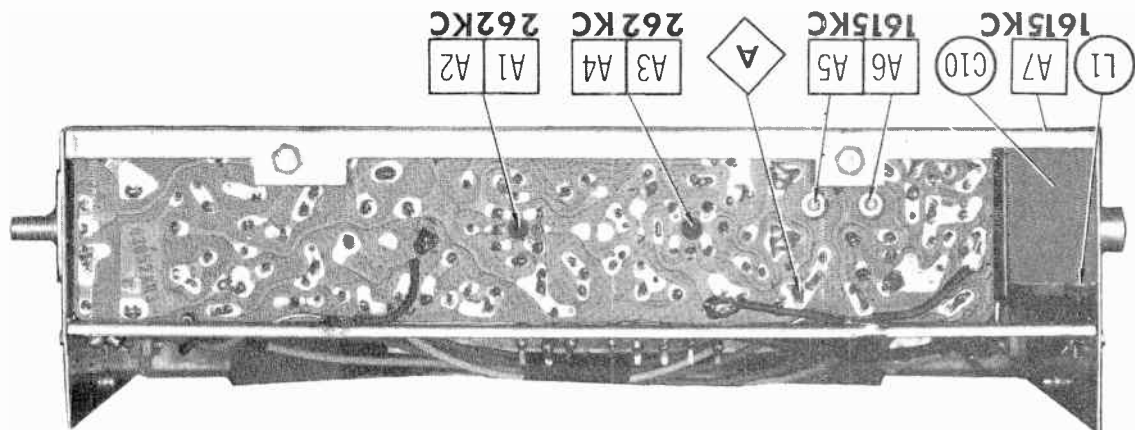
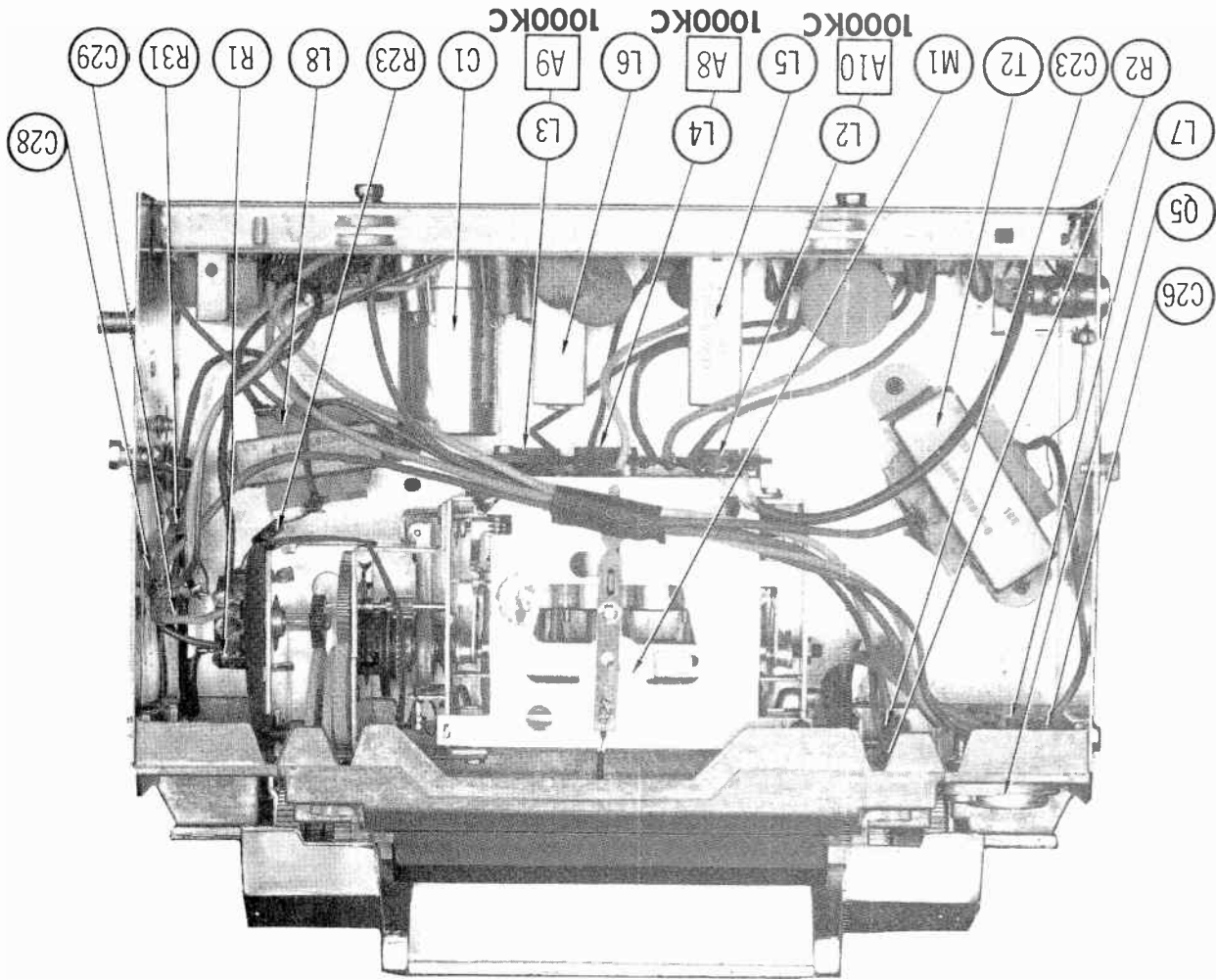
TRADE NAME : Dodge Model 253 (2884067) 1968 Monaco, Polara
 SUPPLIER : For Current Address, See Annual Index
 TYPE SET : 5-Transistor AM Receiver
 POWER SUPPLY : 12 Volt Storage Battery
 RATING : .65 Amp @ 12.6 Volts DC

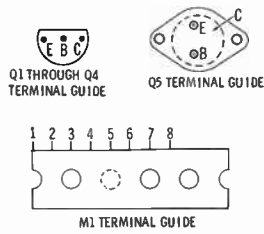
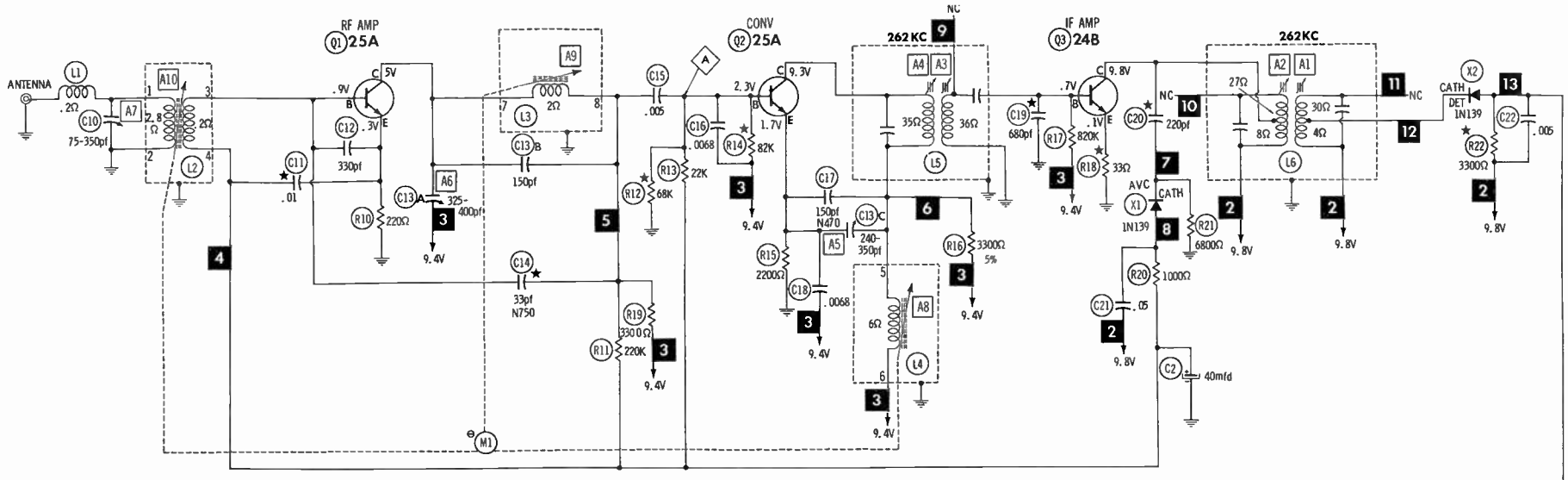
DODGE MODEL 253

ALIGNMENT INSTRUCTIONS

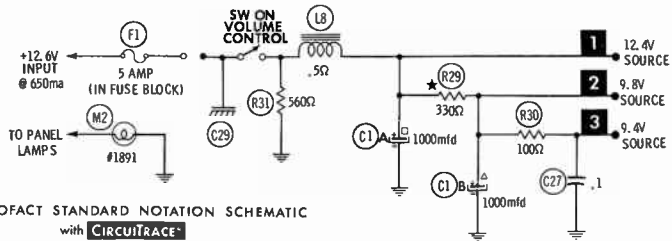
Check for specified source voltage. Use only enough generator output to provide a usable indication. Suggested Alignment Tools: A1 thru A4. GENERAL CEMENT: 9296,9297,9300 WALSCO. 2510,2546,2547 A5,A6,A7. GENERAL CEMENT. 9290,8868,9087 WALSCO: 2525,2528,2587		<p style="text-align: center;">DUMMY ANTENNA</p>		PUSH-BUTTON ADJUSTMENT 1. Pull button out. 2. Tune manually to desired station. 3. Press button in firmly. 4. Repeat for remaining buttons.	
SIGNAL GENERATOR COUPLING	SIGNAL GENERATOR FREQUENCY	RADIO DIAL SETTING	INDICATOR	ADJUST	REMARKS
1. High side thru .1mfd to point \blacklozenge , low side to ground.	262KC (400% Mod.)	High freq. end stop.	Output meter across voice coil.	A1, A2, A3, A4	Adjust for maximum.
2. Thru dummy antenna to antenna receptacle.	1615KC	"	"	A5, A6, A7	"
Step 3 is not necessary unless tuner has been tampered with or associated components have been replaced. If necessary, back tuning cores (A8, A9, A10) out of coils but not out of forms. Repeat Step 2.					
3. Thru dummy antenna to antenna receptacle.	1000KC	Tune to signal.	Output meter across voice coil.	A8, A9, A10	Adjust for maximum. Repeat Steps 2 and 3 until no further improvement is noted.
With radio installed in car and antenna extended to desired height, tune in a weak station near 1400KC and adjust A7 for maximum output. Antenna adjustment (A7) is located bottom right rear corner.					

HOWARD W. SAMS & CO., INC. Indianapolis, Indiana 46206



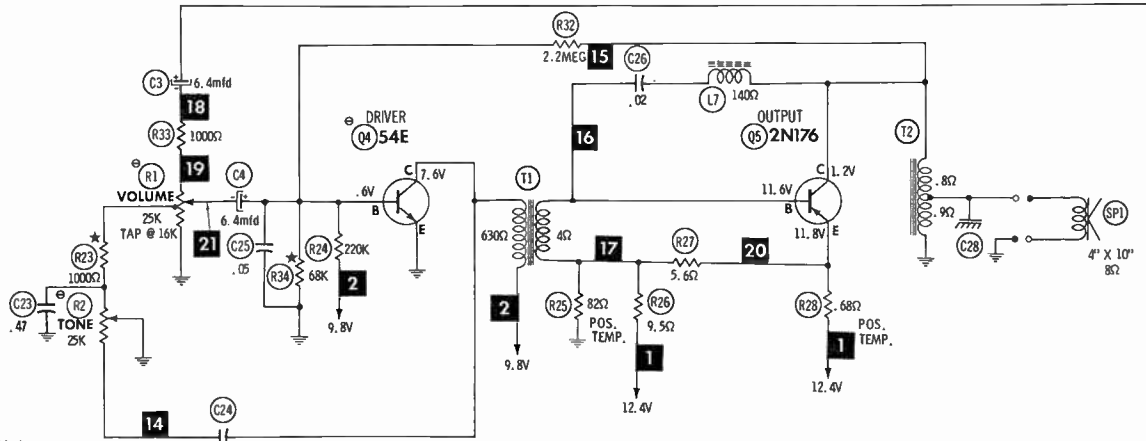


Resistors are 1/2 watt or less and rated 10% or 20% unless otherwise indicated.



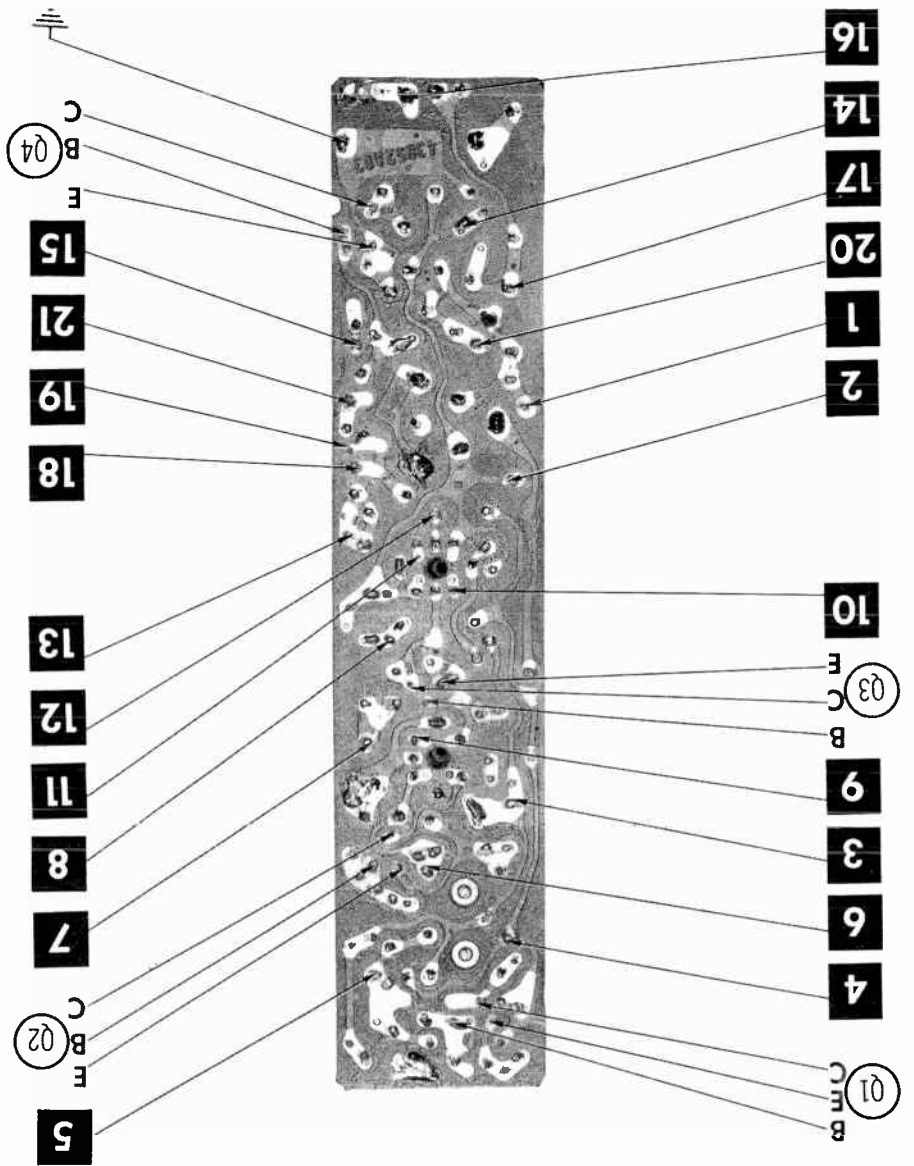
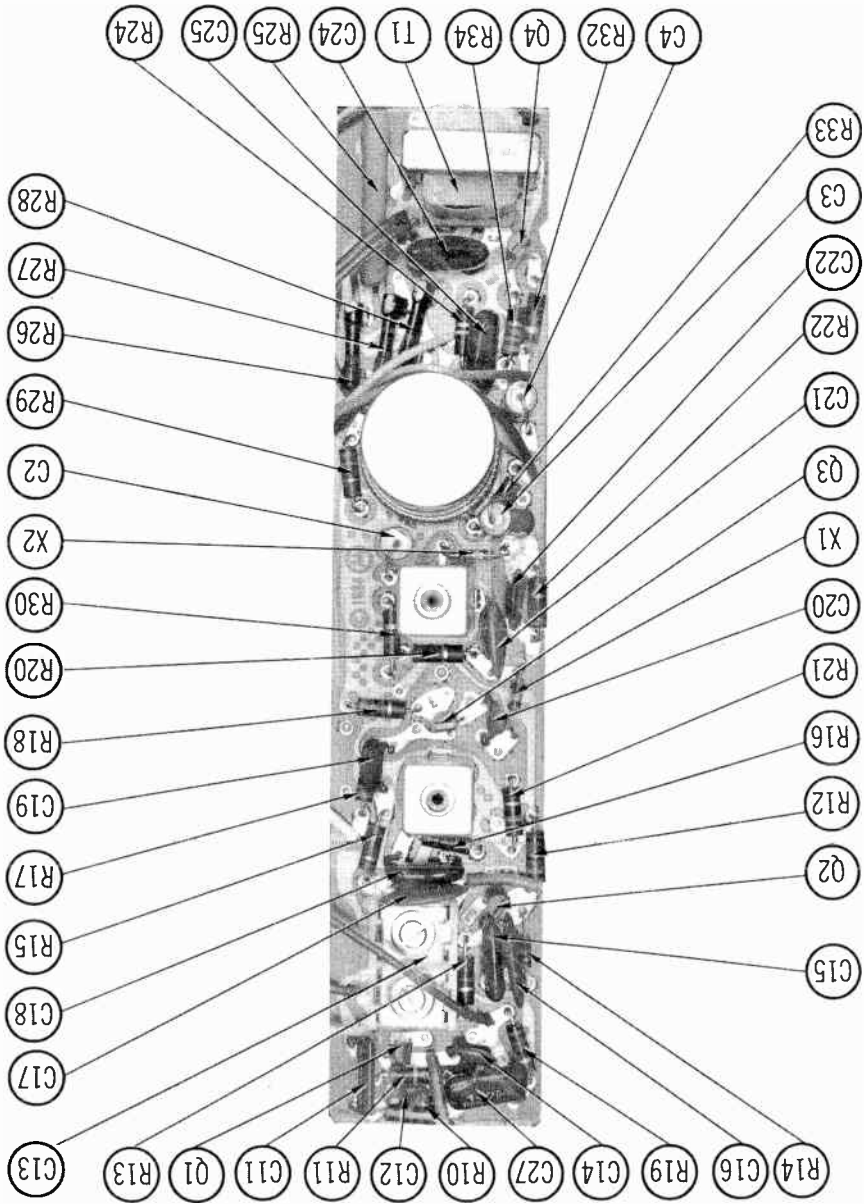
A PHOTOFAC STANDARD NOTATION SCHEMATIC with CIRCUITRACE

© Howard W. Sams & Co., Inc. 1968



- See parts list
1. Voltage measurements taken with vacuum tube voltmeter.
 2. All controls set for normal operation, no signal applied.
 3. Measured values are from socket pin or terminal to common ground.
 4. All terminals viewed from bottom unless otherwise designated.
 5. Numbers assigned to terminals may not be found on the unit.
 6. Supply voltage maintained at rated value for voltage readings.
 7. Resistance measurements not given because of the wide variation in internal resistance of transistor.

DODGE MODEL 253



PARTS LIST AND DESCRIPTION

(When ordering parts, state Model, Part Number, and Description.)

Replacement parts shown may be superseded by the availability of newly introduced replacements.
Have your local distributor check Sams COUNTER FACTS for the most up-to-date replacement.

WIRING DATA

General-use Unshielded Hook-up Wire	Use BELDEN No. 8530 (Solid) Available in 12 Colors 8524 (Stranded) Available in 12 Colors
Shielded Hook-up Wire	Use BELDEN No. 8885
Bonding Strap	Use BELDEN No. 8661 (3/8 In.) or 8670 (3/4 In.)

TRANSISTORS

ITEM No.	TYPE No.	FUNCTION	REPLACEMENT DATA					
			MFR. PART No.	DELCO PART No.	GENERAL ELECTRIC PART No.	INTERNATIONAL RECTIFIER PART No.	RCA PART No.	SYLVANIA PART No.
Q1	25A	RF Amp	48-134804	DS-71	GE-11	TR-21	SK-3018	ECG 107
Q2	25A	Converter	48-134804	DS-72	GE-11	TR-21	SK-3018	ECG 107
Q3	24B	IF Amp	48-134807	DS-72	GE-11	TR-21	SK-3018	ECG 107
Q4	54E	Driver	48-134846	DS-66	GE-10	TR-21	SK-3020	ECG 123
Q5	2N176	Output *	48-134749	DS-520	GE-3	TR-01	SK 3009	ECG 104

* When replacing, apply silicone grease to both sides of insulator. Tighten mounting screws securely.

POWER RECTIFIERS & SIGNAL DIODES

ITEM No.	MFR. PART OR TYPE No.	REPLACEMENT RECTIFIERS & DIODES			REPLACEMENT RECTIFIERS		NOTES
		GENERAL ELECTRIC PART No.	INTERNATIONAL RECTIFIER PART No.	SYLVANIA PART No.	RCA PART No.	SARKES TARZIAN PART No.	
X1	48-134816 (1N481)	1N82A	1N82A	ECG 112			
X2	48-134587 (1N139)	1N295	1N295	ECG 109			

ELECTROLYTIC CAPACITORS

ITEM No.	RATING	REPLACEMENT DATA						
		MOTOROLA PART No.	AEROVOX PART No.	CENTRALAB PART No.	CORNELL-DUBILIER PART No.	GENERAL ELECTRIC PART No.	MALLORY PART No.	SPRAGUE PART No.
C1A	1000 16V	23C40516A08						
B	1000 16V							
C2	40 16V	23C41928A20	CRE615A	EA30-50	NLW40-25	MT1-17	MTA40E30	TE-1209
C3	6.4 40V	23C41928A07	CRE755A	EA50-10	NLW6-50	MT1-5	TT50X6	TE-1303.1
C4	6.4 40V	23C41928A07	CRE755A	EA50-10	NLW8-50	MT1-5	TT50X6	TE-1303.1

CAPACITORS

ITEM No.	RATING	REMARKS	REPLACEMENT DATA					
			AEROVOX PART No.	CENTRALAB PART No.	CORNELL-DUBILIER PART No.	ELMENCO PART No.	MALLORY PART No.	SPRAGUE PART No.
C10	110-340	#20B40746A13						
C11	.01 100V	†	DBE6S1	CPR-1000J	DMF2S1	465		
C12	330		GPD X5F331K	DD-331	JBZ601YP331K	4DP-1-103	PVC211	2TM-S10
C13A	325-400	#20C40481A08				CCD-331	GP335	5GA-T33
B	150							
C	240-350							
C14	33 N750	†	N750-DI 33	DTN-33	CZ601UJ330K	CCTN-330	CN7433	10TCU-Q33
C15	.005 100V	†	DBE6D5	CPR-5000J	DPMS6D5	6DP-1-502	PVC625	6PS-D50
C16	.0068		GPD XR5682K	DD-682	BYX601ZU682P	CCD-682	GP266	10TS-D68
C17	150 N470					*	*	10TUT-T15
C18	.0068 100V		DBE6D8	CPR-6800J	DMF6D68	6DP-1-682	PVC6268	6PS-D68
C19	680	(.001) †	GPD X5F681K	DD-681	BYZ601ZU681P	CCD-681	GP368	5GA-T18
C20	220	†	GPD X5F221K	DD-221	JBZ601YP221K	CCD-221	GP322	5GA-T22
C21	.05		GPD Z5V503P	DD-503			GP150	5GA-S50
C22	.005		GPD XR502K	DD-502	JBT601YP502K	CCD-502	JF250	10TS-D50
C23	.47 3V			UK-474	HCS3R0XR474P		MAG3047	HY-130
C24	.068 100V		DBE4S68		DMF4S68	4DP-3-683	PVC6168	4PS-S68
C25	.05 100V		DBE8S5	DD-503	DPMS6S5	6DP-3-503	PVC615	6PS-S50
C26	.02 100V		DBE6S22	DD-203	DMF4S22	4DP-2-223	PVC6122	4PS-S22
C27	.1 100V		DBE2P1		DMF2P1	2DP-3-104	PVC201	2PS-P10
C28		#64K561877						
C29		#64K561877						

Motorola Part Number.

† Nominal Value.

* Not normally in distributor's stock. Available thru distributor on order to manufacturer.

CONTROLS

All wattages 1/2 watt, or less, unless otherwise listed.

ITEM No.	USE	RESISTANCE	REPLACEMENT DATA					
			MOTOROLA PART No.	CENTRALAB PART No.	CLAROSTAT PART No.	CTS-IRC PART No.	MALLORY PART No.	
R1	Volume/Switch	25K Tap @ 19K	18C43746A01 ①				B20-121X, TM8, 76-1 or (BU11, CF49T, SS4, GC)	RU34T24, SL37, SD750, US41
R2	Tone	25K	18C40908B01					

① Part Number 18-41797B01 includes Volume Control/Switch and Gear Assembly.

PARTS LIST AND DESCRIPTION (CONTINUED)

(When ordering parts, state Model, Part Number, and Description.)

Replacement parts shown may be superseded by the availability of newly introduced replacements.
Have your local distributor check Sams COUNTER FACTS for the most up-to-date replacement.

COILS (RF-IF)

ITEM No.	USE	REPLACEMENT DATA			
		MOTOROLA PART No.	MEISSNER PART No.	MILLER PART No.	WORKMAN PART No.
L1	RF Choke (1.5uh)	24C40788A04	19-1001	4604	T856
L2	Antenna	①			
L3	RF	①			
L4	Oscillator	①			
L5	Input IF	24D42517A11			
		24D42517A09 ②		8010	
L6	Output IF	24D42517A12			
		24D42517A10 ②			
L7	10KC Trap (14.4mh)	24K565351		70F152A1	T847

① Part of M1 or (Coils and Mounting Plate Assembly Part Number 1-40100B63).
② Alternate Part Number.

FILTER CHOKE

ITEM No.	RATINGS			REPLACEMENT DATA					NOTES
	CURRENT (Measured)	DC RES.	INDUCTANCE (0 CURRENT 1000~)	MOTOROLA PART No.	MERIT PART No.	STANCOR PART No.	THORDARSON PART No.	TRIAD PART No.	
L8	650ma	.5Ω	9mh	25D40907B11	C-4095	TC-2	TR-152	TY17XT	

TRANSFORMER (DRIVER)

ITEM No.	TURNS RATIO			REPLACEMENT DATA					NOTES
				MOTOROLA PART No.	MERIT PART No.	STANCOR PART No.	THORDARSON PART No.	TRIAD PART No.	
	PRI.	SEC. 1	SEC. 2						
T1	16	1		25D42917A10					

TRANSFORMER (AUDIO OUTPUT)

ITEM No.	IMPEDANCE		REPLACEMENT DATA					NOTES
			MOTOROLA PART No.	MERIT PART No.	STANCOR PART No.	THORDARSON PART No.	TRIAD PART No.	
	PRI.	SEC.						
T2	18Ω Tap	@ 8Ω	25D41307B15					

SPEAKER

ITEM No.	TYPE			REPLACEMENT DATA			NOTES
				MOTOROLA PART No.	JENSEN PART No.	QUAM PART No.	
SP1	4" X 10"	PM	8Ω	50D42859A02	P4X10T9	410A228	

FUSE DEVICES

ITEM No.	DESCRIPTION		REPLACEMENT DATA						
			PART No.		BUSS PART No.		LITTELFUSE PART No.		WORKMAN PART No.
			DEVICE	HOLDER	DEVICE	HOLDER	DEVICE	HOLDER	
F1	AGC	5 Amp		In Fuse Block	AGC 5		311005		

MISCELLANEOUS

ITEM No.	PART NAME	MOTOROLA PART No.	NOTES
M1	Tuner	1V43500A33	AT-562
	Tuning Coils	1V40100B63	
M2	Dial Lamp	65-4030HA01	CHICAGO MINIATURE Replacement CM-1893

CABINETS & CABINET PARTS

(When Ordering Specify Model, Chassis & Color)

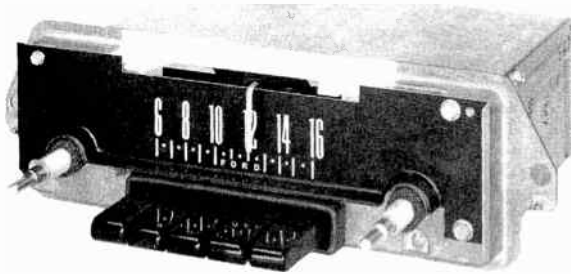
ITEM	PART No.	ITEM	PART No.
Escutcheon	13-41594B01	Dial Pointer	52-40244B16
Dial Glass	34-43672A01	Push Button	38-41815B01

DODGE MODEL 253



PHOTOFACT[®] with

CIRCUITRACE[®]

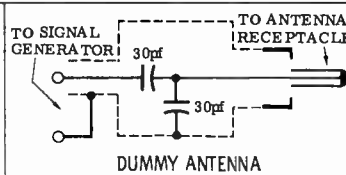


TRADE NAME : Ford Model 8TMF (C8AA-18806-B)
 1968 Galaxie
 SUPPLIER : For Current Address, See Annual Index
 TYPE SET : 6-Transistor AM Receiver
 POWER SUPPLY : 12 Volts Storage Battery
 RATING : .5 Amp @ 12.6 Volts DC

FORD MODEL 8TMF

ALIGNMENT INSTRUCTIONS

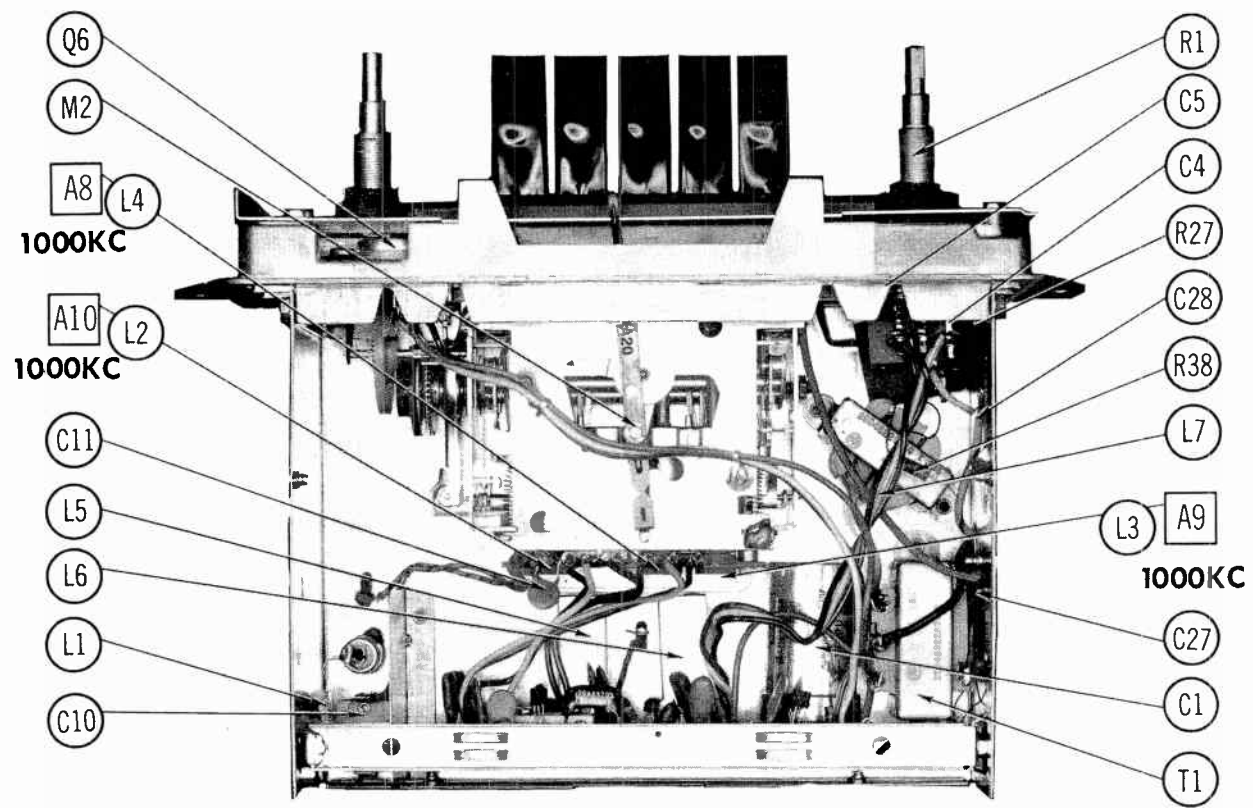
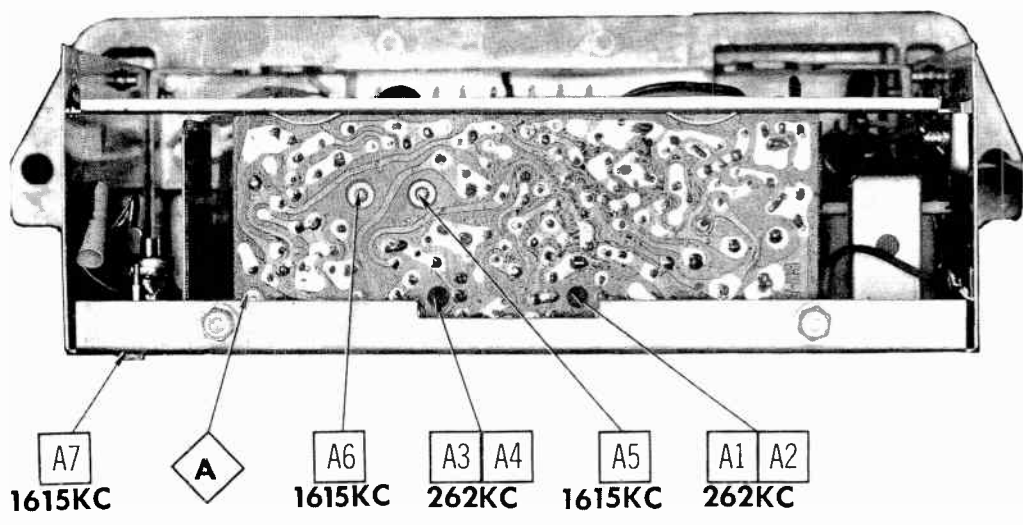
Check for specified source voltage.
 Use only enough generator output to provide a usable indication.
 Suggested Alignment Tools:
 A1 thru A4. GENERAL CEMENT: 9296, 9297, 9300
 WALSCO: 2510, 2546, 2547
 A5, A6, A7. GENERAL CEMENT: 8290, 8868, 9087
 WALSCO: 2525, 2528, 2587

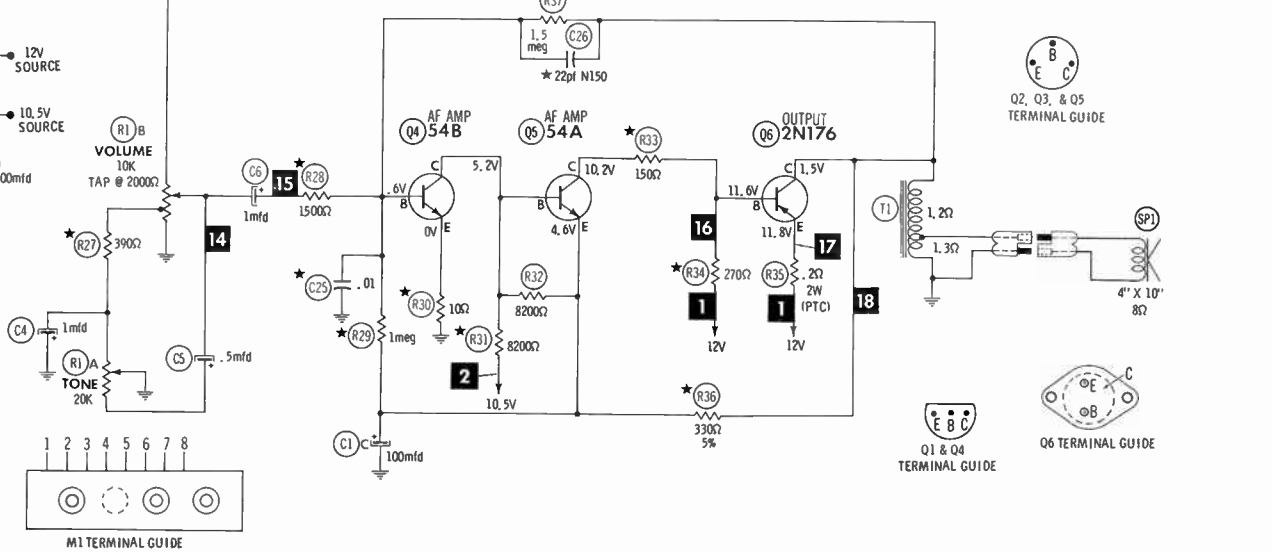
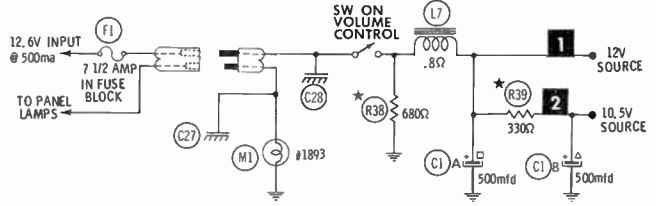
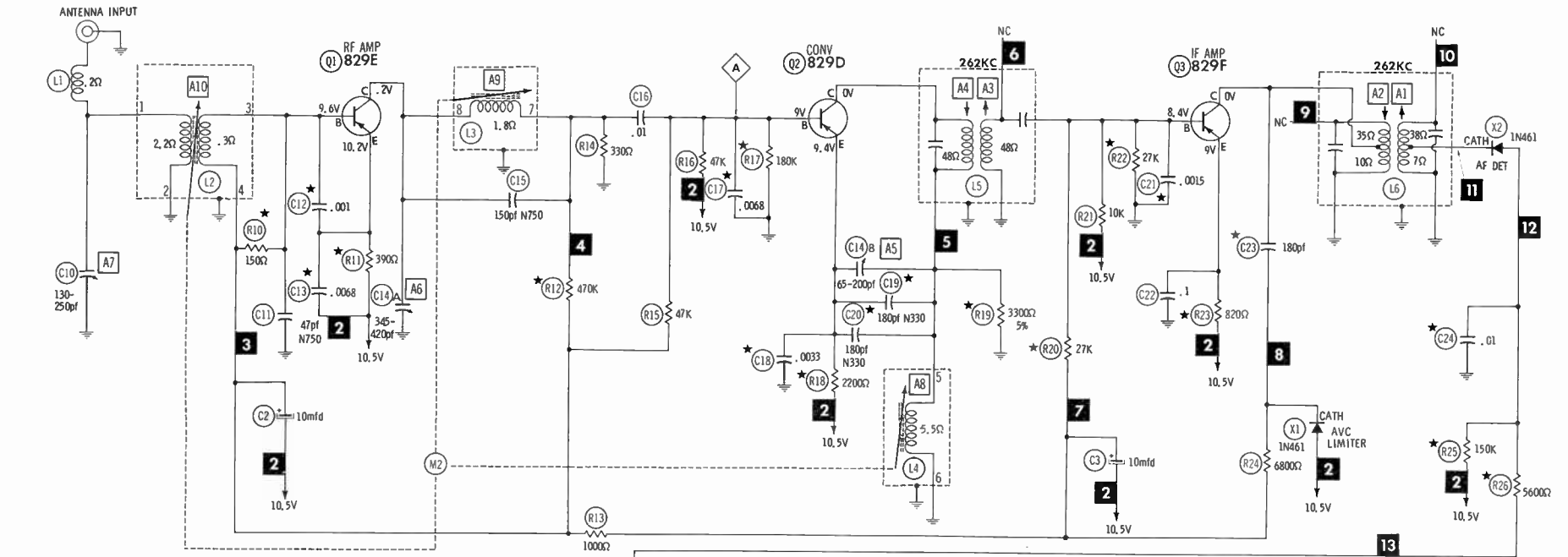


PUSH-BUTTON ADJUSTMENT

1. Pull button out.
2. Tune manually to desired station.
3. Press button in firmly.
4. Repeat for remaining buttons.

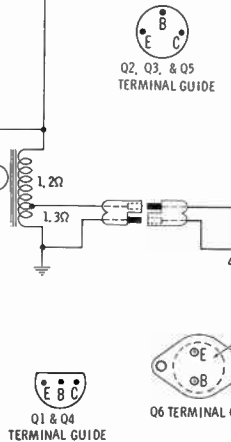
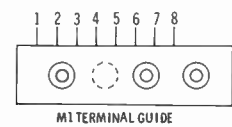
SIGNAL GENERATOR COUPLING	SIGNAL GENERATOR FREQUENCY	RADIO DIAL SETTING	INDICATOR	ADJUST	REMARKS
1. High side thru .1mfd to point Δ , low side to ground.	262KC (400% Mod.)	High freq. end stop.	Output meter across voice coil.	A1, A2, A3, A4	Adjust for maximum.
2. Thru dummy antenna to antenna receptacle.	1615KC	"	"	A5, A6, A7	"
Step 3 is not necessary unless tuner has been tampered with or associated components have been replaced. If necessary, back tuning cores (A8, A9, A10) out of coils but not out of forms. Repeat Step 2.					
3. Thru dummy antenna to antenna receptacle.	1000KC	Tune to signal.	Output meter across voice coil.	A8, A9, A10	Adjust for maximum. Repeat Steps 2 and 3 until no further improvement is noted.
With radio installed in car and antenna extended to desired height, tune in a weak station near 1400KC and adjust A7 for maximum output. Antenna adjustment (A7) is located on bottom right rear corner.					



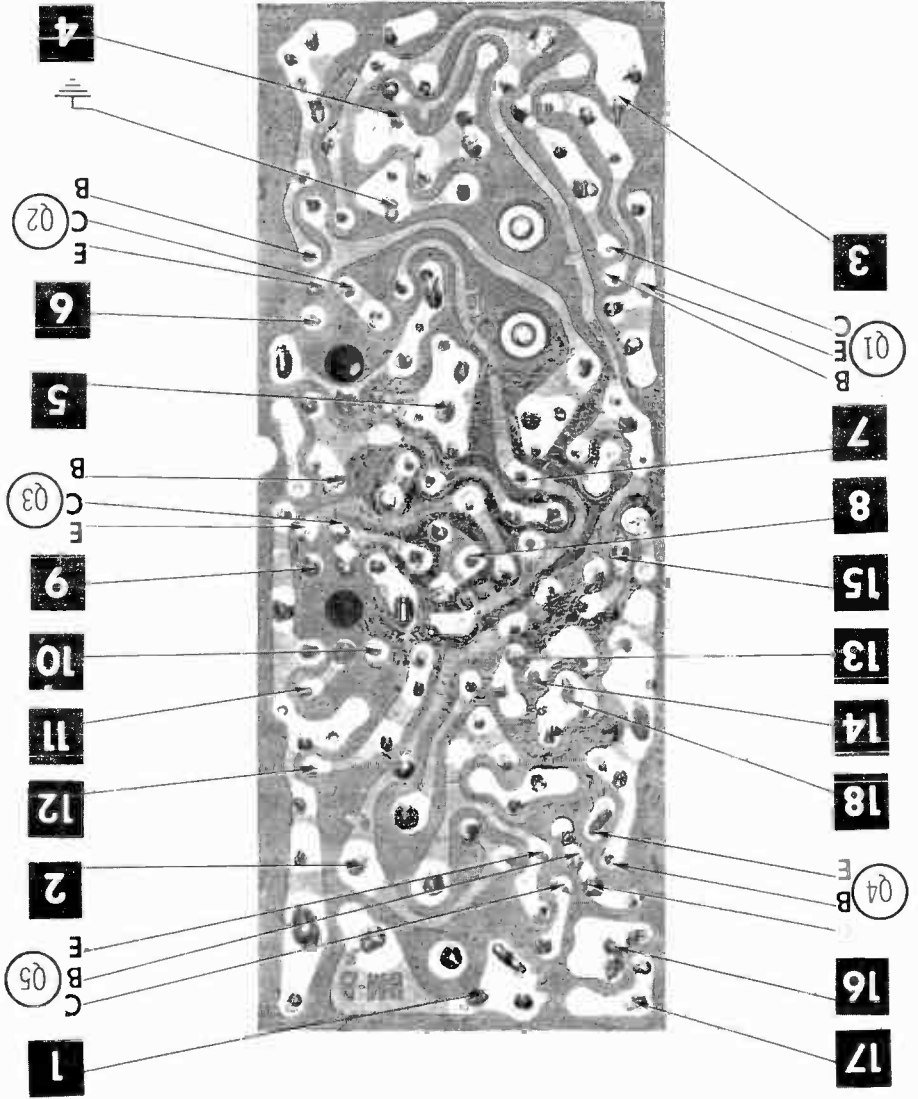
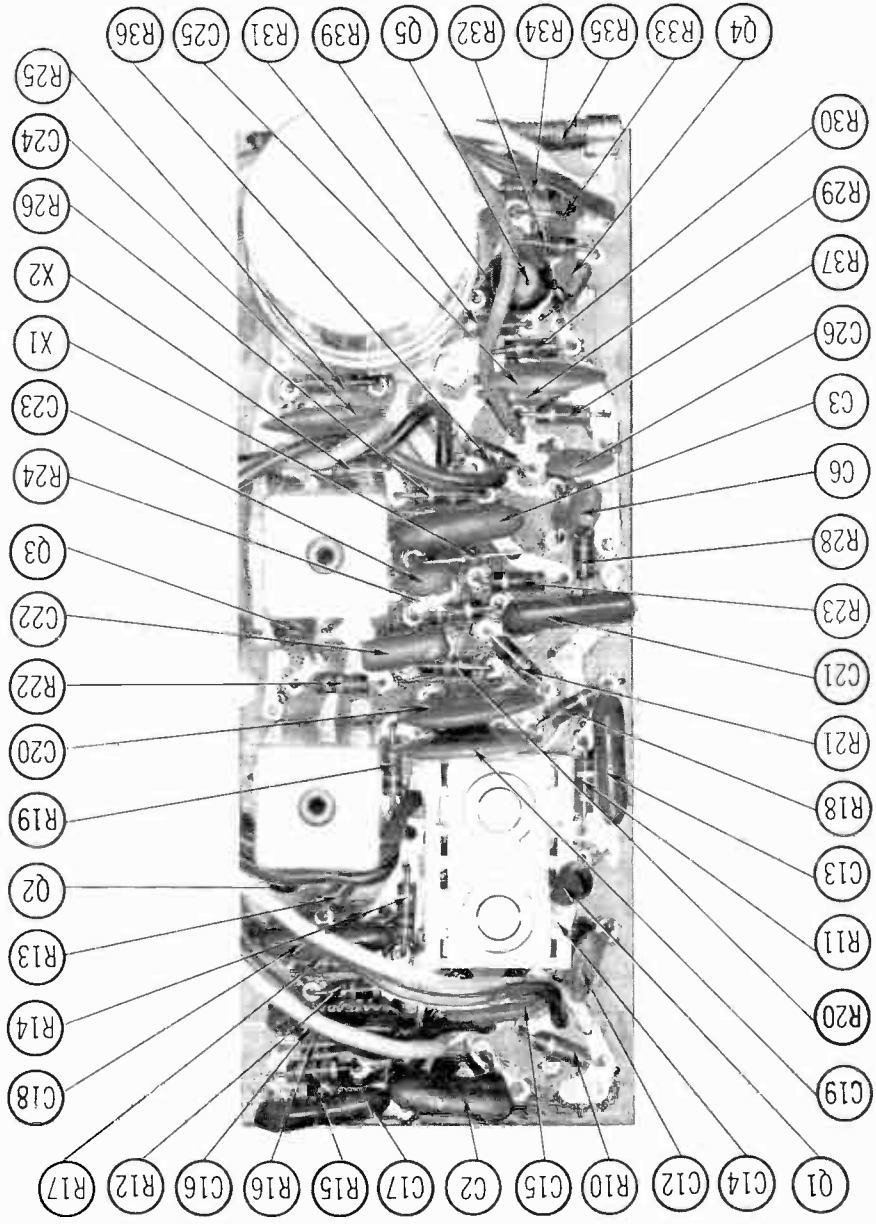


- * Nominal value, may vary.
- NC No Connection
- Resistors are 1/2 watt or less and rated 10% or 20% unless otherwise indicated.
- 1. Voltage measurements taken with vacuum tube voltmeter.
- 2. All controls set for normal operation, no signal applied.
- 3. Measured values are from socket pin or terminal to common ground.
- 4. All terminals viewed from bottom unless otherwise designated.
- 5. Numbers assigned to terminals may not be found on the unit.
- 6. Supply voltage maintained at rated value for voltage readings.
- 7. Resistance measurements not given because of the wide variation in internal resistance of transistor.

A PHOTOFAC STANDARD NOTATION SCHEMATIC with CIRCUITRACE[®]
© Howard W. Sams & Co., Inc. 1968



FORD MODEL 8T MF



PARTS LIST AND DESCRIPTION

(When ordering parts, state Model, Part Number, and Description.)

Replacement parts shown may be superseded by the availability of newly introduced replacements.
Have your local distributor check Sams COUNTER FACTS for the most up-to-date replacement.

TRANSISTORS

ITEM No.	TYPE No.	FUNCTION	REPLACEMENT DATA					
			MFR. PART No.	DELCO PART No.	GENERAL ELECTRIC PART No.	INTERNATIONAL RECTIFIER PART No.	RCA PART No.	SYLVANIA PART No.
Q1	829E	RF Amp Converter			GE-21	TR-19		ECG 106
Q2	829D				GE-21	TR-19		ECG 106
Q3	829F	IF Amp			GE-21	TR-19		ECG 106
Q4	54B	AF Amp		DS-66	GE-10	TR-21	SK-3020	ECG 123
Q5	54A	AF Amp		DS-66	GE-10	TR-21	SK-3020	ECG 123
Q6	2N176	Output *		DS-66	GE-3	TR-01	SK-3009	ECG 104

* When replacing, apply silicone grease to both sides of insulator. Tighten mounting screws securely.

POWER RECTIFIERS & SIGNAL DIODES

ITEM No.	MFR. PART OR TYPE No.	REPLACEMENT RECTIFIERS & DIODES			REPLACEMENT RECTIFIERS		NOTES
		GENERAL ELECTRIC PART No.	INTERNATIONAL RECTIFIER PART No.	SYLVANIA PART No.	RCA PART No.	SARKES TARZIAN PART No.	
X1	1N461	1N82A	1N82A	ECG 112			
X2	1N461	1N82A	1N82A	ECG 112			

ELECTROLYTIC CAPACITORS

ITEM No.	RATING	REPLACEMENT DATA						
		MOTOROLA PART No.	AEROVOX PART No.	CENTRALAB PART No.	CORNELL-DUBILIER PART No.	GENERAL ELECTRIC PART No.	MALLORY PART No.	SPRAGUE PART No.
C1A	500 16V	23C40516A01	PWH3-00-95			XC3-48	PPF300.18	PCL-3026.11
B	500 16V							
C	100 16V							
C2	10 6V	23C43280A03	CRE307A	EA6-10	NLW10-6	MT1-5	TT6X10	TE-1087
C3	10 6V	23C43280A03	CRE307A	EA6-10	NLW10-6	MT1-5	TT6X10	TE-1087
C4	1mfd 15V	23C43280A17	BCD15001	EP50-2	NLW1-50	MT1-1	TT15X1	TE-1148
C5	.5 6V	23C43280A23	CRE450A	UK10-474	TYR13BDR47M	MT1-1	TAS474M015P0A	TE-1148
C6	1mfd 15V	23C43280A01	BCD15001	EP50-2	NLW1-50	MT1-1	TT15X1	TE-1148

CAPACITORS

ITEM No.	RATING	REMARKS	REPLACEMENT DATA					
			AEROVOX PART No.	CENTRALAB PART No.	CORNELL-DUBILIER PART No.	ELMENCO PART No.	MALLORY PART No.	SPRAGUE PART No.
C10	130-250	#20-40746A08				464		
C11	47 N750	↑	N750-DI 47	DTN-47	CY601UJ470K	CCTN-470	CN7447	10TCU-Q47
C12	.001	↑	GPD X5F102K	DD-102	JBS601YP102K	CCD-102	GP210	10TS-D10
C13	.0068 100V	↑	DBE6D68	CPR-6800J	DMF6D68	6DP-1-682	PVC6268	6PS-D68
C14A	345-420	#20-40254A12						
B	65-200							
C15	150 N750		N750-DI 150	DTN-150		CCTN-151	CN7315	10TCU-T15
C16	.01 100V		DBE6S1	CPR-10000J	DMF2S1	4DP-1-103	PVC211	2TM-S10
C17	.0068 100V	↑	DBE6D68	CPR-6800J	DMF6D68	6DP-1-682	PVC6268	6PS-D68
C18	.0033 100V		DBE6D33	CPR-3300J	DMF6D33	6DP-1-332	PVC6233	6PS-D33
C19	180 N330					*	*	10TCS-T18
C20	180 N330					*	*	10TCS-T18
C21	.0015 100V	↑	DBE6D15	CPR-1500J	DMF6D15	6DP-1-152	PVC6215	6PS-D15
C22	.1 100V		DBE2P1		DMF1P1	1DP-2-104	PVC101	2PS-P10
C23	180	↑	GPD X5F181K	TCN-180	JBZ601YP181K	CCD-181	CN7318	10TCU-T18
C24	.01	↑	GPD X5S103K	DD-103	BYX601ZU103M	CCD-103	JF110	10TS-S10
C25	.01	↑	GPD X5S103K	DD-103	BYX601ZU103M	CCD-103	JF110	10TS-S10
C26	22 N150	↑				*	*	10TCP-Q22
C27								
C28								

Motorola Part Number.

↑ Nominal value.

* Not normally in distributor's stock. Available thru distributor on order to manufacturer.

CONTROLS

All wattages 1/2 watt, or less, unless otherwise listed.

ITEM No.	USE	RESIST-ANCE	REPLACEMENT DATA				
			MOTOROLA PART No.	CENTRALAB PART No.	CLAROSTAT PART No.	CTS-IRC PART No.	MALLORY PART No.
R1A	Tone	20K	18C41656B01				
B	Volume	10K Tap @ 2000Ω					

PARTS LIST AND DESCRIPTION (CONTINUED)

(When ordering parts, state Model, Part Number, and Description.)

Replacement parts shown may be superseded by the availability of newly introduced replacements. Have your local distributor check Sams COUNTER FACTS for the most up-to-date replacement.

RESISTORS (Power and Special)

ITEM No.	RATING	REPLACEMENT DATA			ITEM No.	RATING	REPLACEMENT DATA		
		IRC PART No.	WORKMAN PART No.	MOTOROLA PART No.			IRC PART No.	WORKMAN PART No.	PART No.
R35	.2Ω (PTC)			17-40757A03					

COILS (RF-IF)

ITEM No.	USE	REPLACEMENT DATA			
		MOTOROLA PART No.	MEISSNER PART No.	MILLER PART No.	WORKMAN PART No.
L1	RF Choke (1.5uh)	24C40788A04	19-1001	4604	T856
L2	Antenna	①			
L3	RF	①			
L4	Oscillator				
L5	Input IF	24D42517A29		8010	
L6	Output IF	24D42517A30			

① Part of M1 or (Coils and Mounting Plate Assembly Part Number 1-4001B63).

FILTER CHOKE

ITEM No.	RATINGS			REPLACEMENT DATA					NOTES
	CURRENT (Measured)	DC RES.	INDUCTANCE (0 CURRENT 1000~)	MOTOROLA PART No.	MERIT PART No.	STANCOR PART No.	THORDARSON PART No.	TRIAD PART No.	
L7	500ma	.8Ω	11mh	25D43221A14	C-4095	TC-2	TR-154	TY17XT	

TRANSFORMER (AUDIO OUTPUT)

ITEM No.	IMPEDANCE		REPLACEMENT DATA					NOTES
	PRI.	SEC.	MOTOROLA PART No.	MERIT PART No.	STANCOR PART No.	THORDARSON PART No.	TRIAD PART No.	
	T1	24Ω Tap	@ 8Ω	2543922A05				

SPEAKER

ITEM No.	TYPE	8Ω	REPLACEMENT DATA			NOTES
			MOTOROLA PART No.	JENSEN PART No.	QUAM PART No.	
SP1	4" X 10" PM			P4X10V8	410A2Z8	

FUSE DEVICES

ITEM No.	DESCRIPTION	REPLACEMENT DATA						
		PART No.		BUSS PART No.		LITTELFUSE PART No.		WORKMAN PART No.
		DEVICE	HOLDER	DEVICE	HOLDER	DEVICE	HOLDER	DEVICE
F1	SFE-71/2A		In Fuse Block	SFE 7 1/2		30707.5		

MISCELLANEOUS

ITEM No.	PART NAME	MOTOROLA PART No.	NOTES
M1	Dial Lamp	65-40304A01	CHICAGO MINIATURE Replacement CM-1893 AT-641
M2	Tuner	77-42629A03	
	Coil Assembly	1-4001B63	

CABINETS & CABINET PARTS

(When Ordering Specify Model, Chassis & Color)

ITEM	PART No.	ITEM	PART No.
Escutcheon	1-42200B40	Push Button	38-41664B01
Dial Pointer	52-42062A29		

WIRING DATA

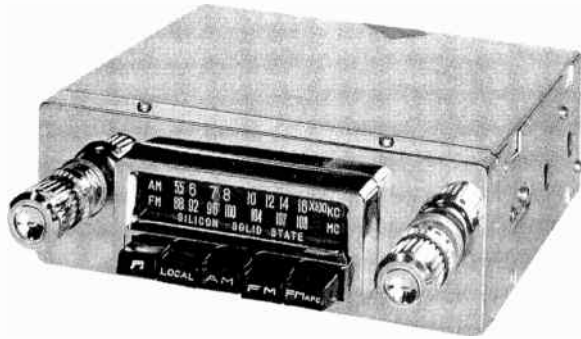
General-use Unshielded Hook-up Wire	Use BELDEN No. 8530 (Solid) Available in 12 Colors 8524 (Stranded) Available in 12 Colors
Shielded Hook-up Wire	Use BELDEN No. 8885
Bonding Strap	Use BELDEN No. 8661 (3/8 In.) or 8670 (3/4 In.)

FORD MODEL 81MF



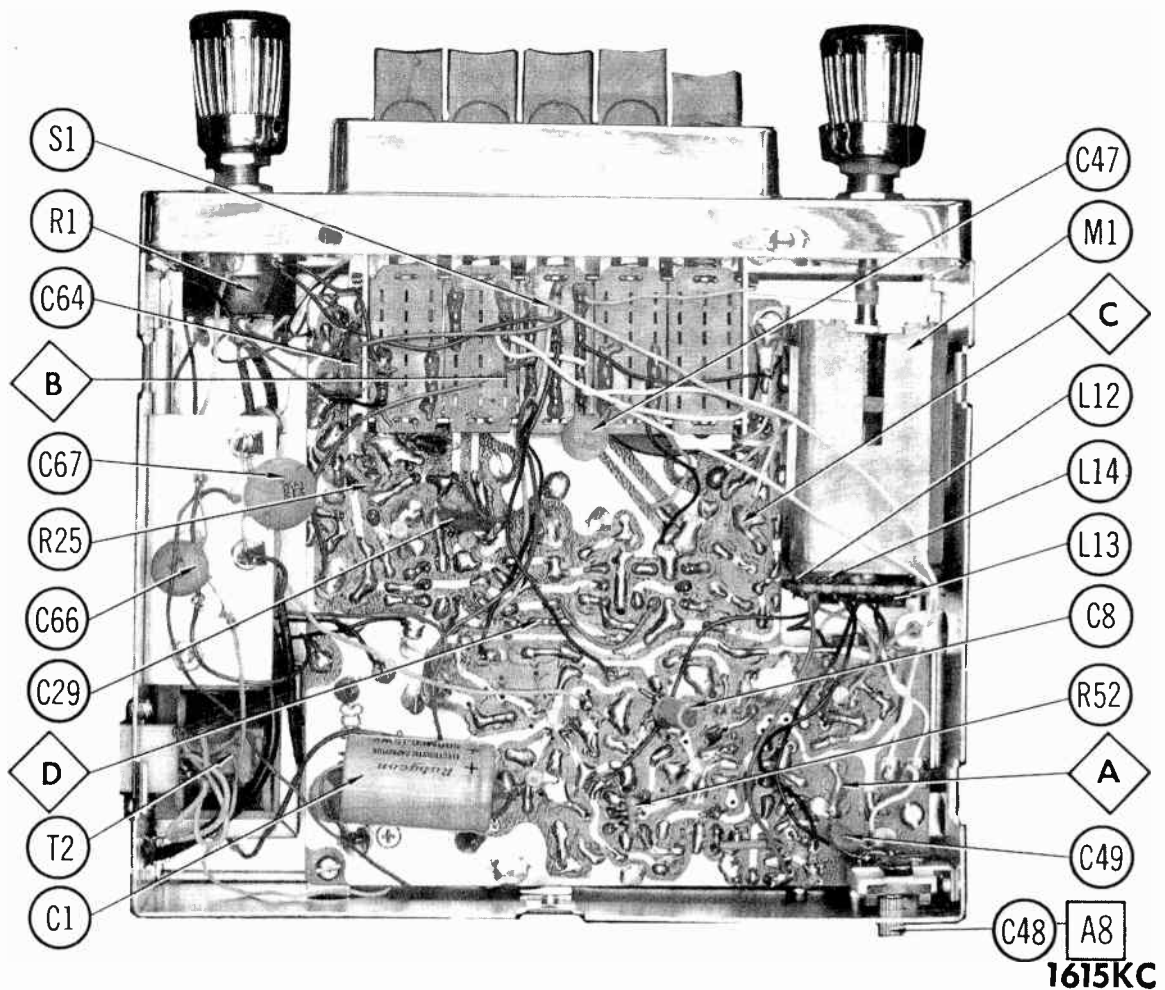
PHOTOFACT[®] with

CIRCUITRACE[®]



TRADE NAME : Inland Model AFM-603
 SUPPLIER : For Current Address, See Annual Index
 TYPE SET : 12-Transistor AM-FM Receiver
 POWER SUPPLY : 12 Volt Storage Battery
 RATING : .2 Amp @ 12.6 Volts DC

INLAND MODEL AFM-603



HOWARD W. SAMS & CO., INC. Indianapolis, Indiana 46206

ALIGNMENT INSTRUCTIONS

Check for specified source voltage. Use only enough generator output to provide a usable indication. Suggested Alignment Tools: A1 thru A18. GENERAL CEMENT: 9440 WALSCO: 2501	<p style="text-align: center;">DUMMY ANTENNA</p>	PUSH-BUTTON ADJUSTMENT 1. Pull button out. 2. Tune manually to desired station. 3. Press button in firmly. 4. Repeat for remaining buttons.
--	--	--

Step 3 is not necessary unless tuner has been tampered with or associated components have been replaced. If necessary, back tuning cores (A8, A9, A10) out of coils but not out of forms. Repeat Step 2.

SIGNAL GENERATOR COUPLING	SIGNAL GENERATOR FREQUENCY	RADIO DIAL SETTING	INDICATOR	ADJUST	REMARKS
1. High side thru .1mfd to point \diamond , low side to ground.	262KC (400v Mod.)	High freq. end stop.	Output meter across voice coil.	A1, A2, A3, A4	Adjust for maximum.
2. Thru dummy antenna to antenna receptacle.	1615KC	"	"	A5	"
3. Thru dummy antenna to antenna receptacle.	1000KC	Tune to signal.	Output meter across voice coil.	A6, A7, A8	Adjust for maximum. Repeat Steps 2 and 3 until no further improvement is noted.

With radio installed in car and antenna extended " , tune in a weak station near 1400KC and adjust A8 for maximum output. Antenna adjustment (A8) is located Right rear corner.

FM IF ALIGNMENT USING AM SIGNAL GENERATOR - SELECTOR IN FM POSITION

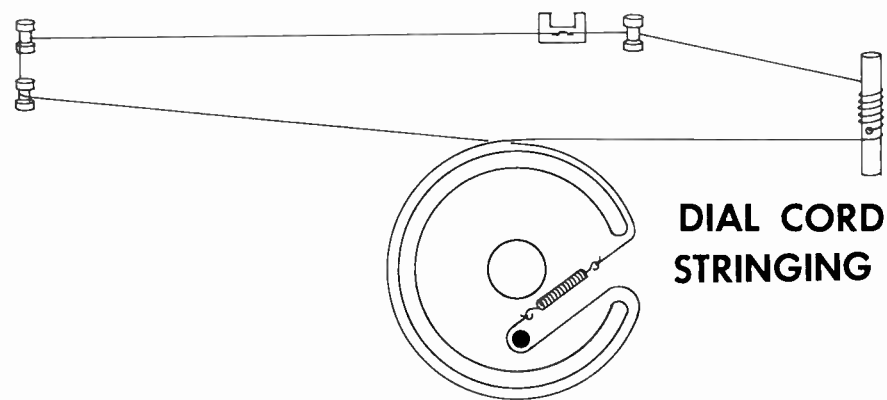
High side of generator thru .001mfd to point \diamond , low side to ground.					
GENERATOR FREQUENCY	DIAL SETTING	INDICATOR	ADJUST	REMARKS	
4. 10.7MC (Unmod.)	Point of non-interference.	DC probe of VTVM to point \diamond , common to ground.	A9, A10, A11, A12, A13	Adjust for maximum.	
5. "	"	DC probe to point \diamond , common to ground.	A14	Adjust for zero reading. A positive or negative reading will be obtained on either side of the correct setting.	

FM IF ALIGNMENT USING FM SIGNAL GENERATOR - SELECTOR IN FM POSITION

High side of generator thru .001mfd to point \diamond , low side to ground. Use only enough marker signal for indication. Use 60v frequency modulated signal with 450KC sweep. Use 60v sawtooth voltage in scope for horizontal deflection.					
GENERATOR FREQUENCY	DIAL SETTING	INDICATOR	ADJUST	REMARKS	
4. 10.7MC (450KC Swp.)	Point of non-interference	Vert. amp. of scope to point \diamond , low side to ground.	A9, A10, A11, A12, A13	Disconnect stabilizing capacitor C6 . Adjust for maximum gain and symmetry of response similar to Fig. 1 with marker as shown. Reconnect C6 .	
5. "	"	Vert. amp. to point \diamond , low side to ground.	A14	Adjust A 14 (secondary) to place marker at center of "S" curve similar to Fig. 2. Adjust A 9 (primary) for maximum amplitude and straightness of line.	

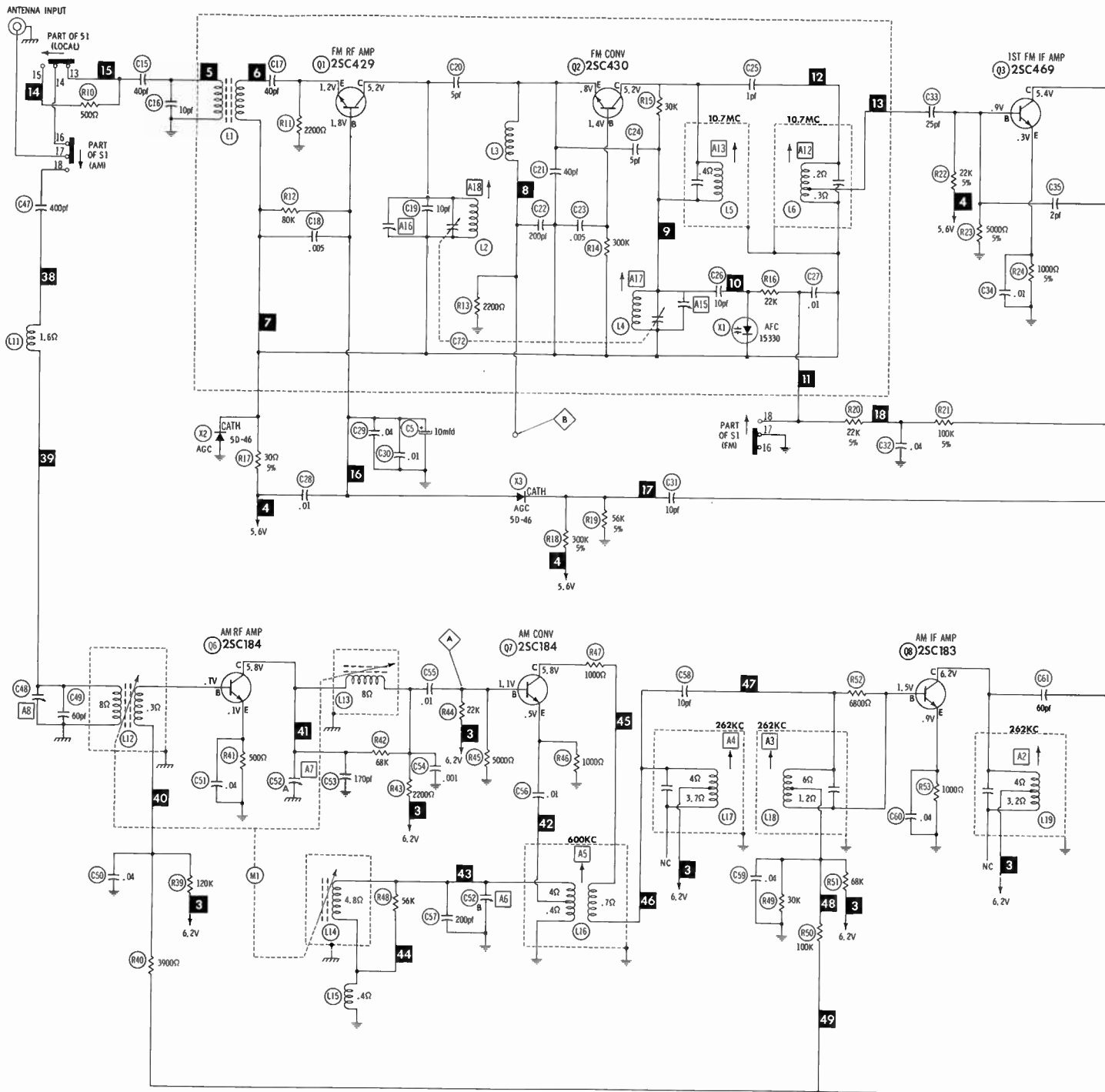
FM RF ALIGNMENT - SELECTOR IN FM POSITION

Connect generator across antenna terminals with 120Ω carbon resistors in series with each lead.					
GENERATOR FREQUENCY	DIAL SETTING	INDICATOR	ADJUST	REMARKS	
6. 108MC	Set at high end.	DC probe of VTVM to point \diamond , common to ground.	A15, A16	Adjust for maximum.	
7. 90MC	Tune to signal.	"	A17, A18	Rock tuning and adjust for maximum. Repeat steps 6 and 7 until no further improvement can be made.	



DIAL CORD STRINGING

INLAND MODEL AFM-603



Resistors are 1/2 watt or less and rated 10% or 20% unless otherwise indicated.

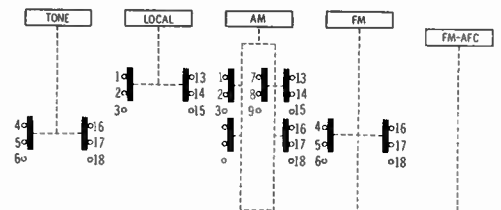
All measurements taken in "FM-AFC" position unless otherwise designated.

NC No Connection

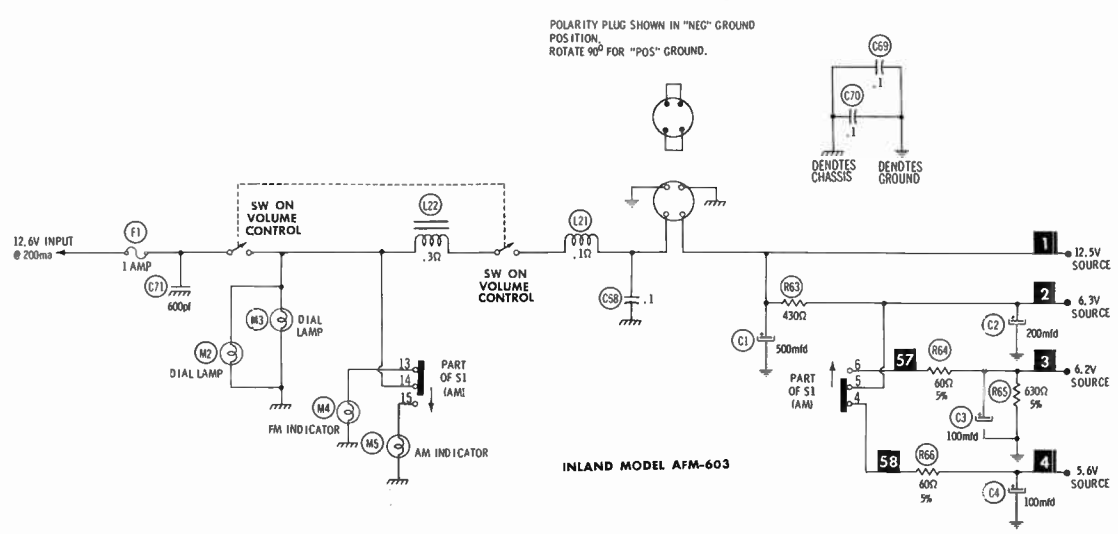
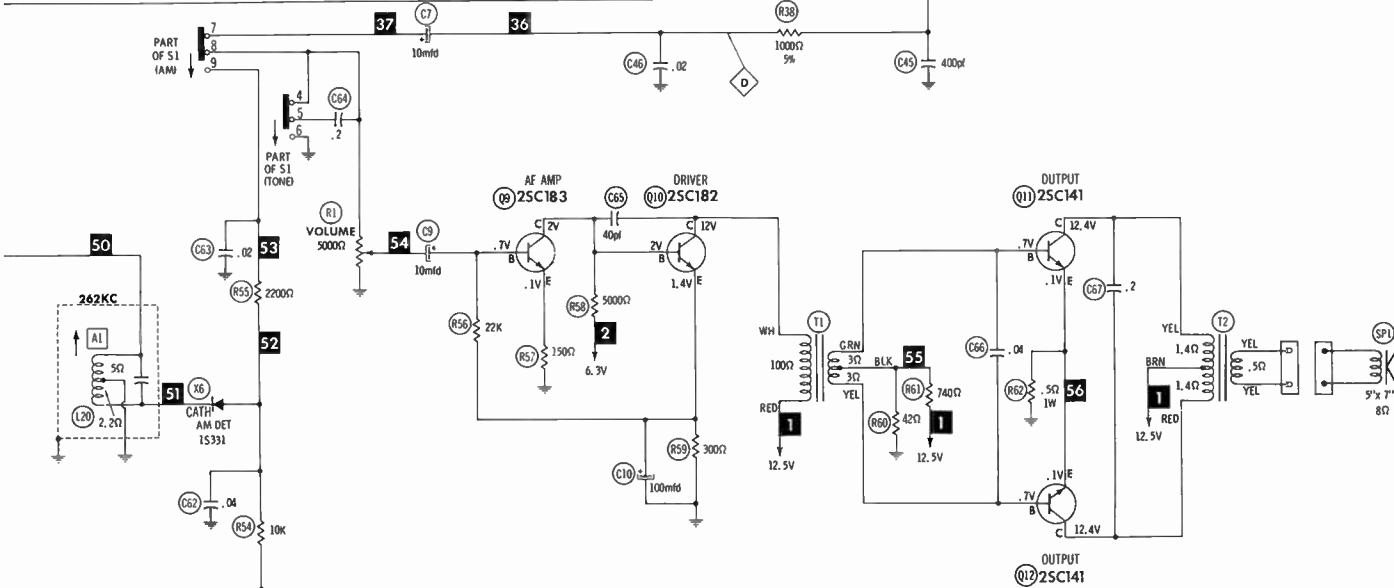
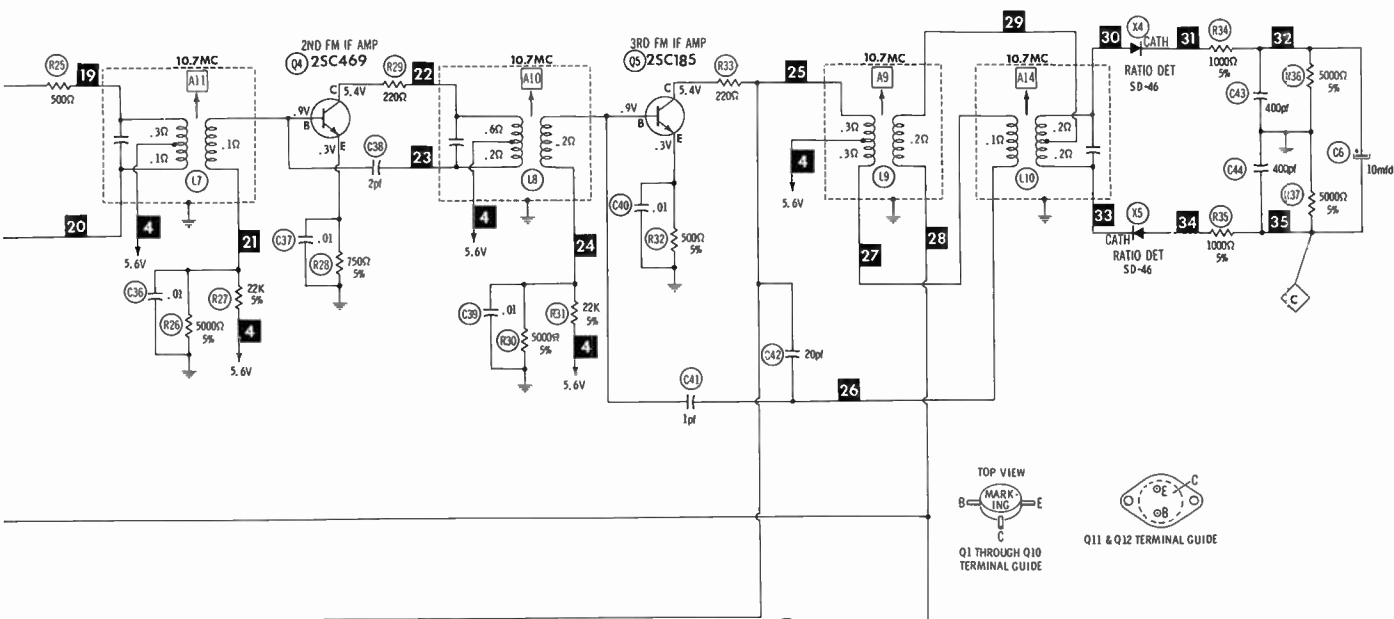
1. Voltage measurements taken with vacuum tube voltmeter.
2. All controls set for normal operation, no signal applied.
3. Measured values are from socket pin or terminal to common ground.
4. All terminals viewed from bottom unless otherwise designated.
5. Numbers assigned to terminals may not be found on the unit.
6. Supply voltage maintained at rated value for voltage readings.
7. Resistance measurements not given because of the wide variation in internal resistance of transistor.

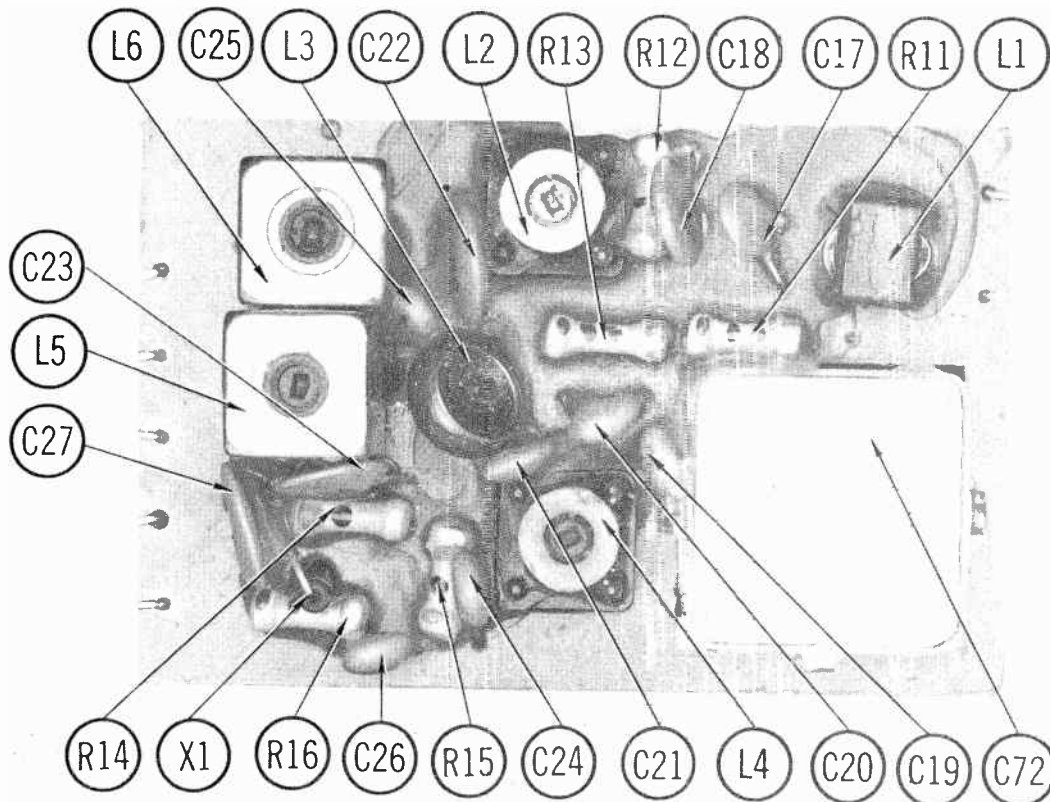
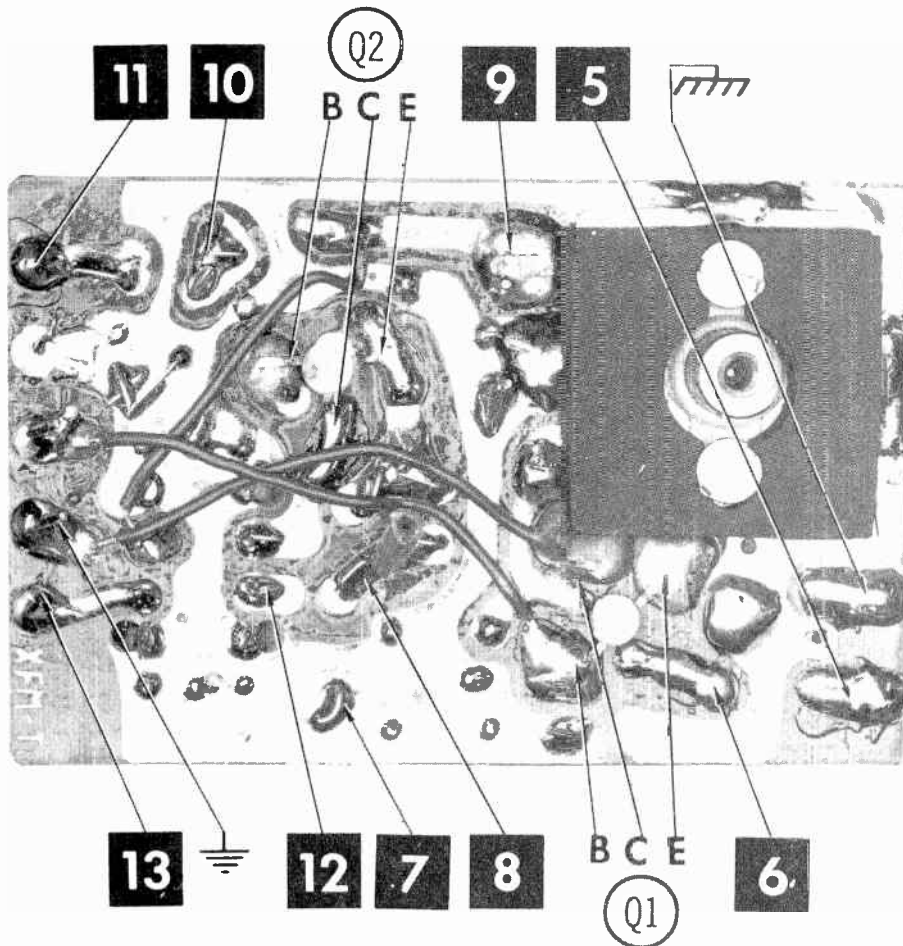
A PHOTOFACT STANDARD NOTATION SCHEMATIC with CIRCUITRACE

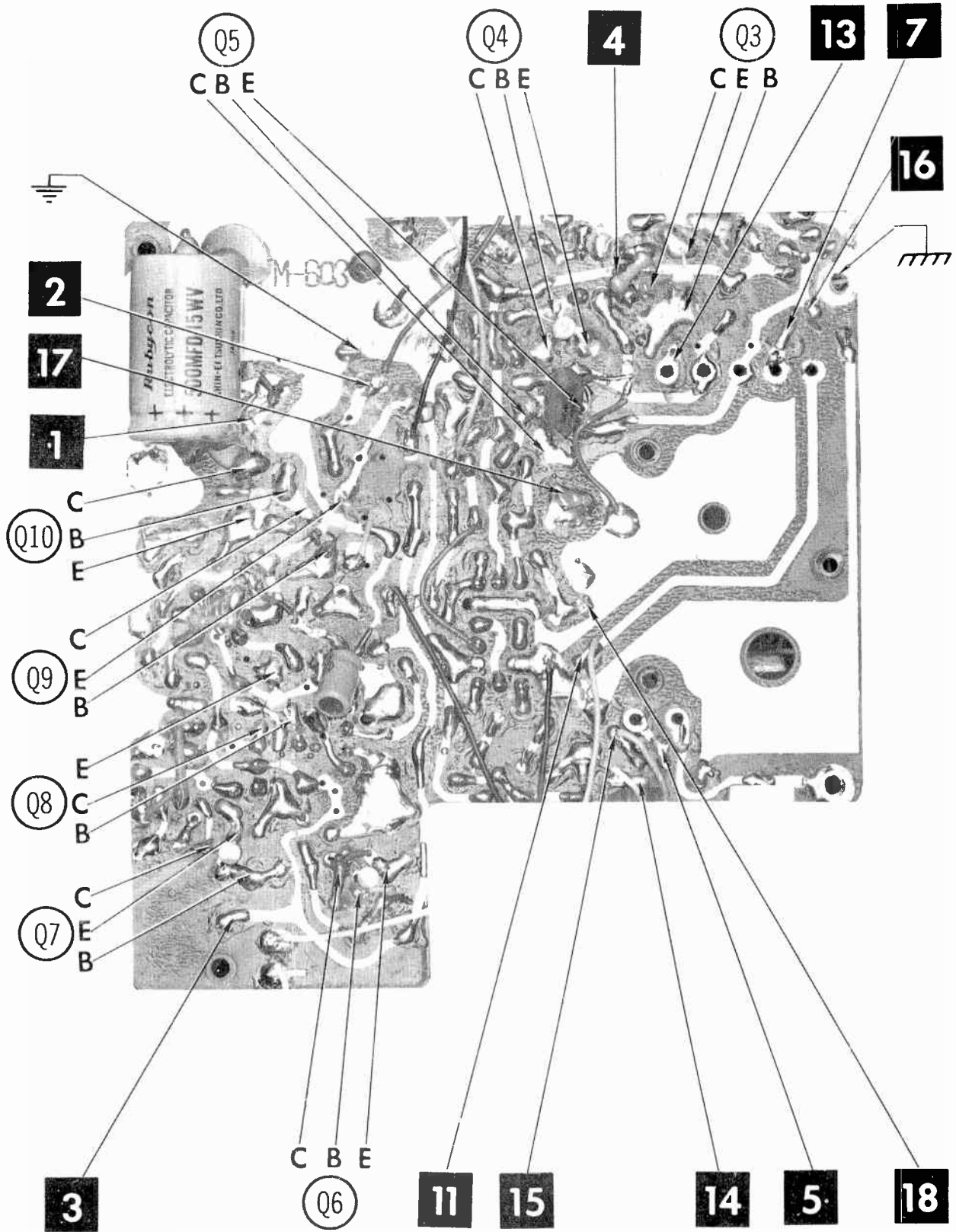
© Howard W. Sams & Co., Inc. 1968

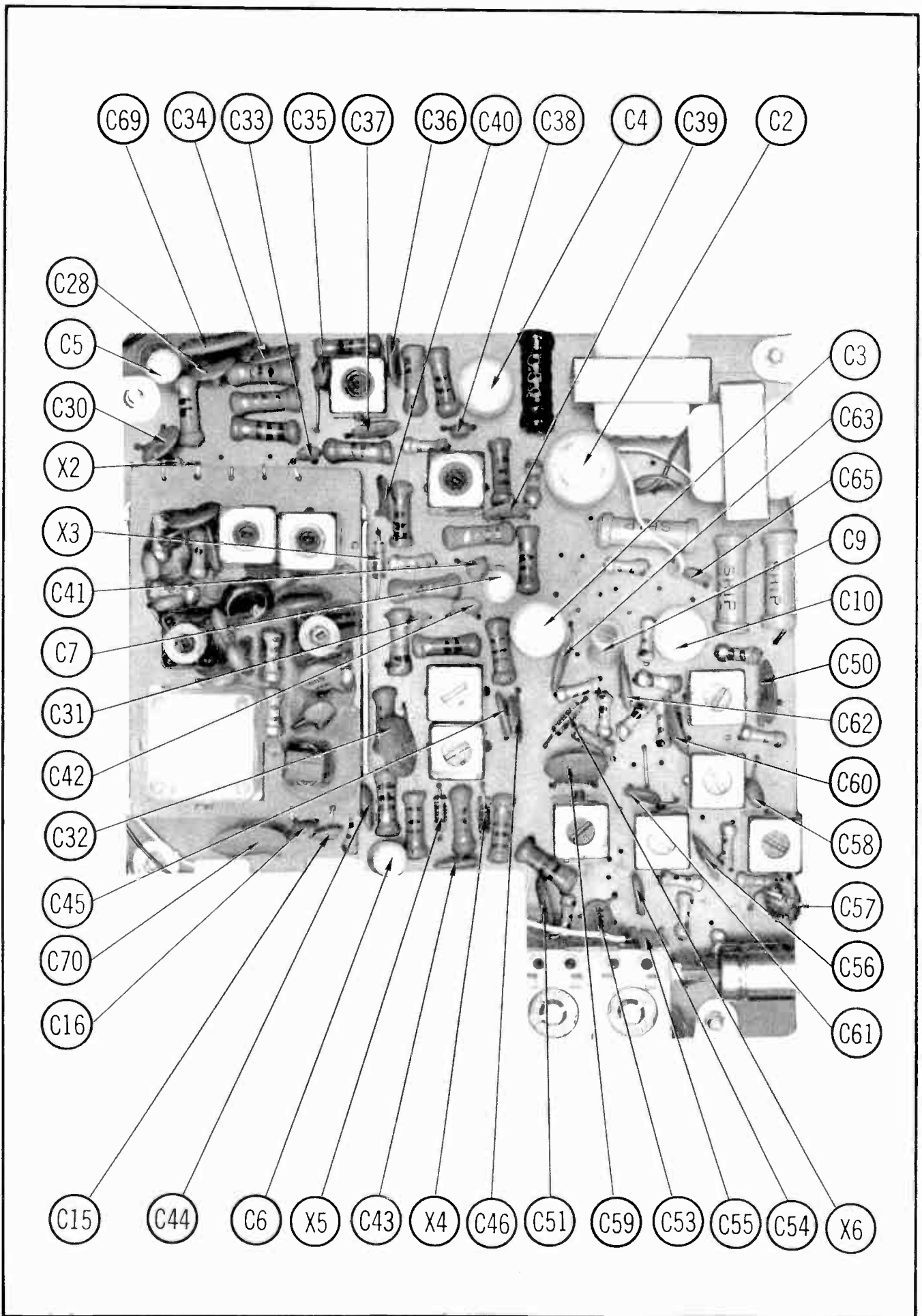


51 TERMINAL GUIDE
TERMINALS NOT CONNECTED ARE:
TONE - 16, 17, & 18
LOCAL - 1, 2, & 3
AM - 1, 2, 3, 10, 11, & 12
FM - 4, 5, 6

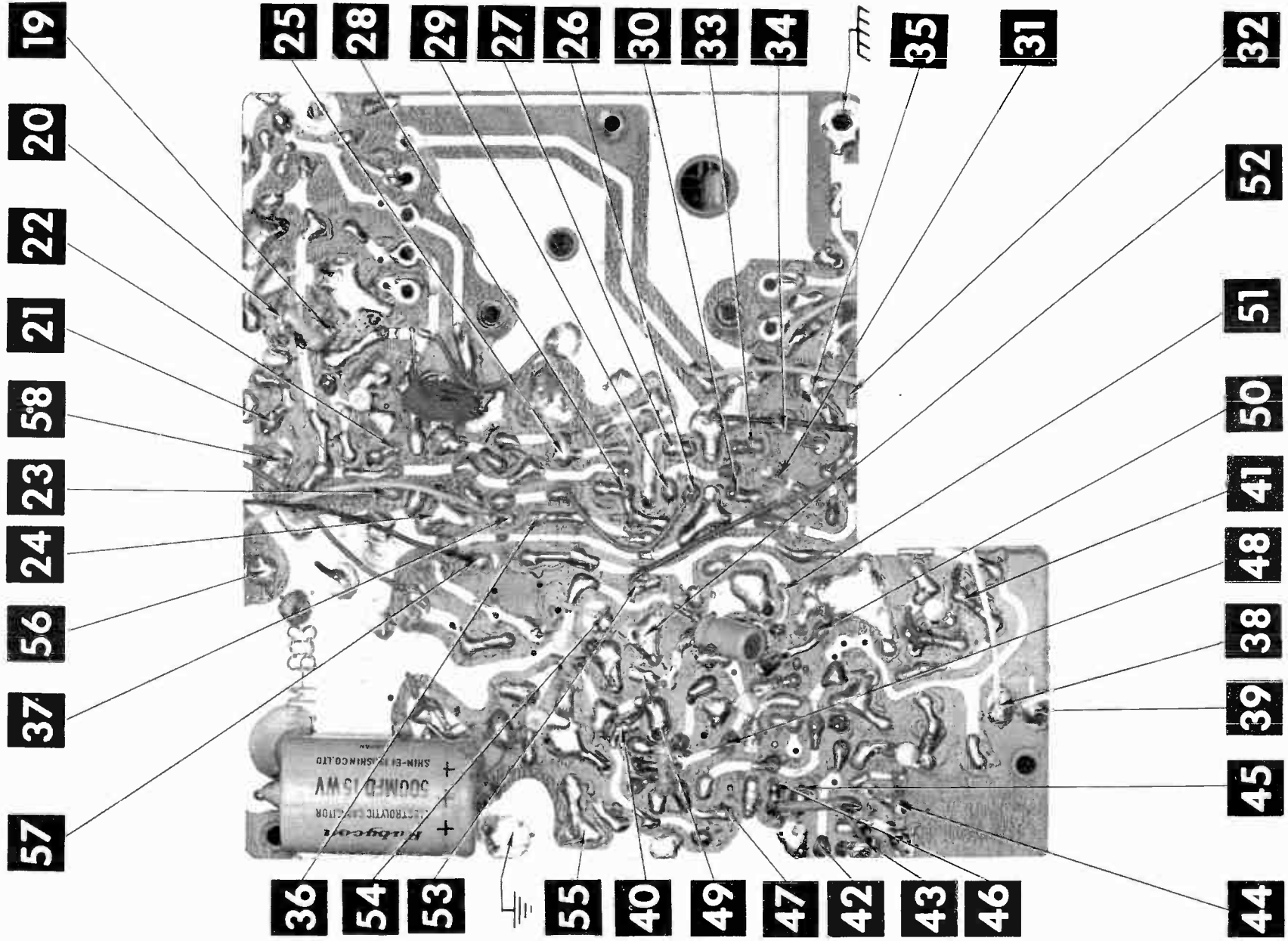


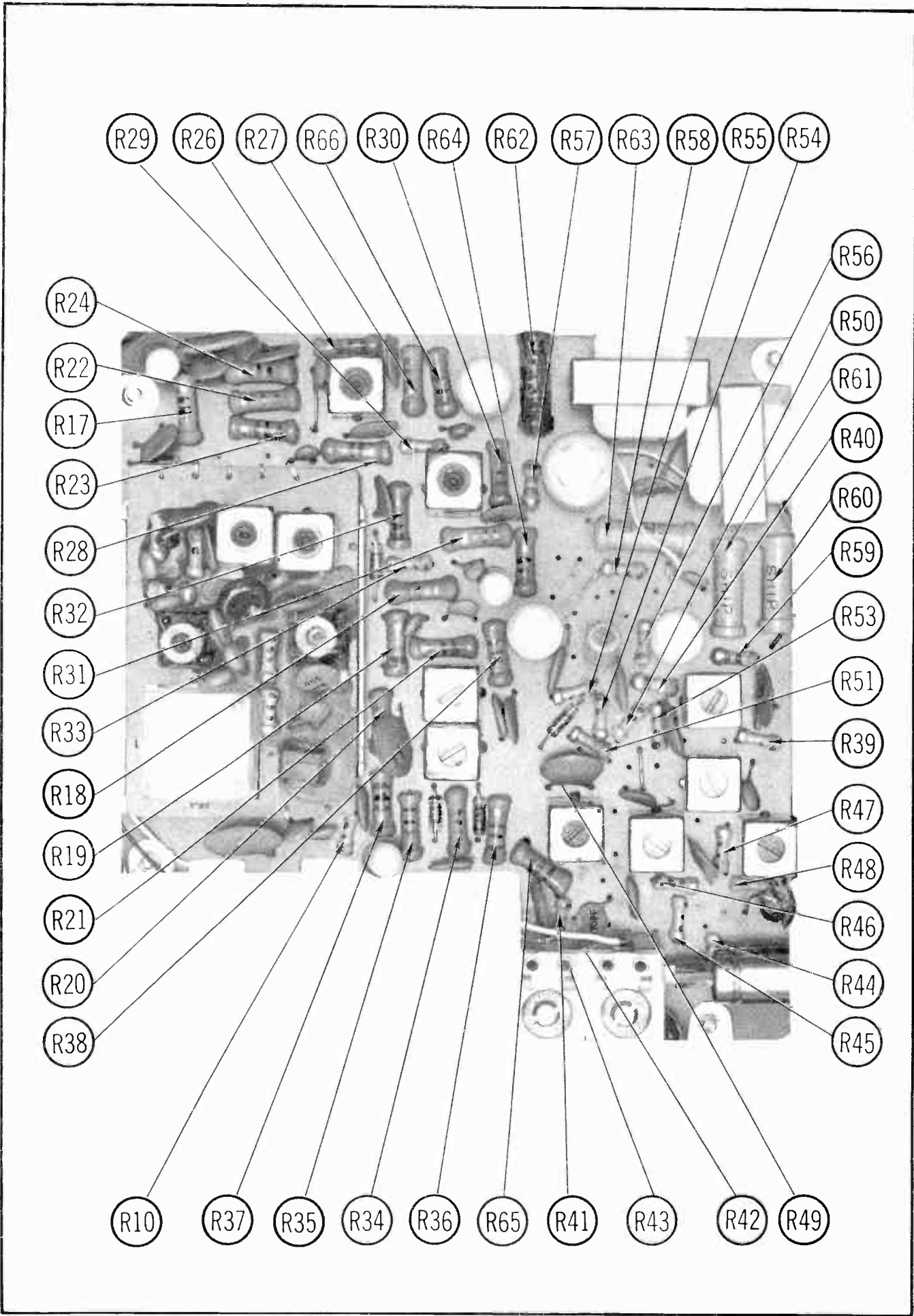


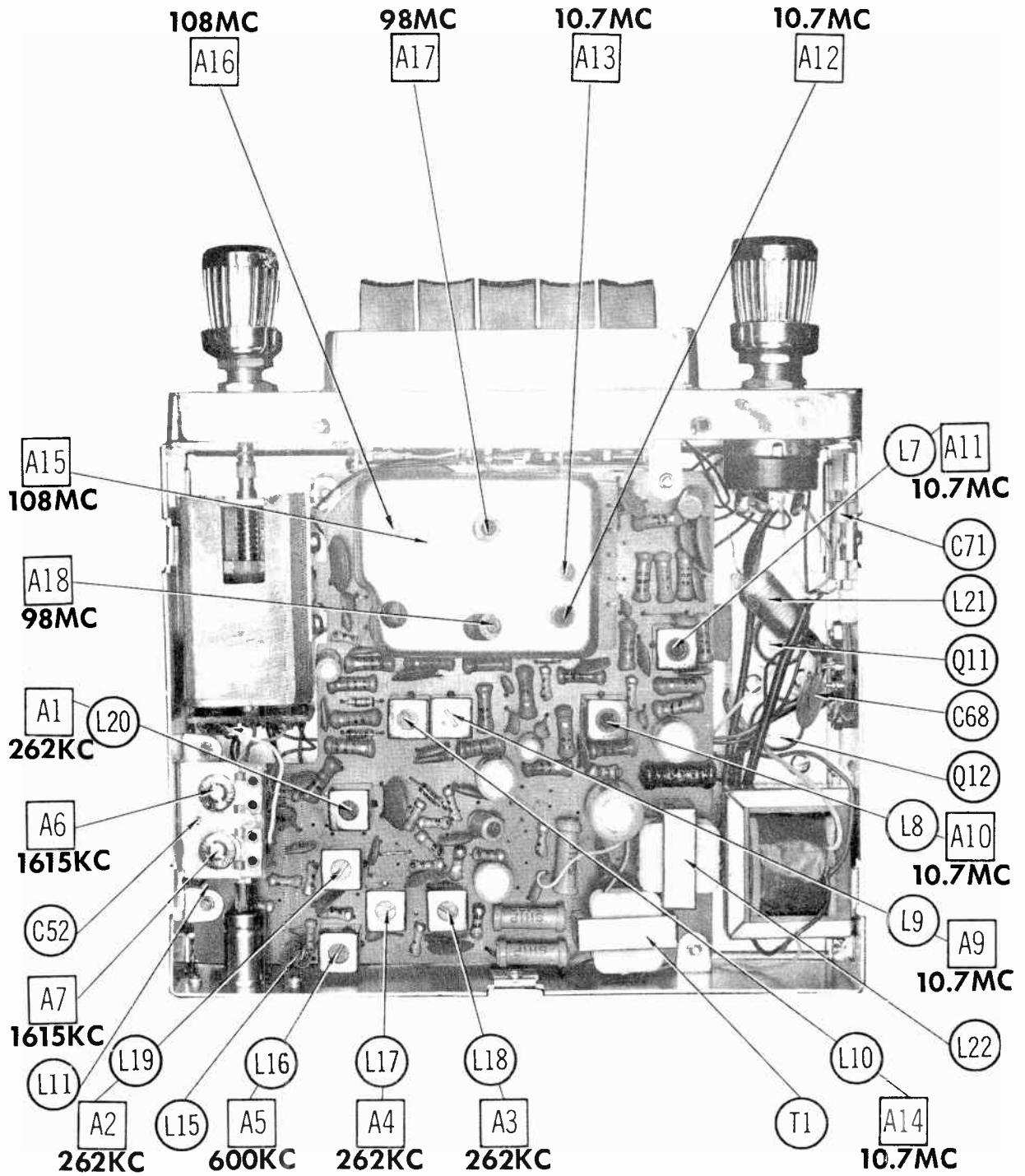




INLAND MODEL AFM-603







PARTS LIST AND DESCRIPTION

(When ordering parts, state Model, Part Number, and Description.)

Replacement parts shown may be superseded by the availability of newly introduced replacements.
Have your local distributor check Sams COUNTER FACTS for the most up-to-date replacement.

TRANSISTORS

ITEM No.	TYPE No.	FUNCTION	REPLACEMENT DATA					
			MFGR. PART No.	DELCO PART No.	GENERAL ELECTRIC PART No.	INTERNATIONAL RECTIFIER PART No.	RCA PART No.	SYLVANIA PART No.
Q1	2SC429	FM RF Amp						
Q2	2SC430	FM Converter						
Q3	2SC469	1st FM IF		DS-74	GE-11	TR-21	SK-3018	ECG 108
Q4	2SC469	2nd FM IF		DS-74	GE-11	TR-21	SK-3018	ECG 108
Q5	2SC185	3rd FM IF		DS-74	GE-11	TR-21	SK-3018	ECG 108
Q6	2SC184	AM RF Amp		DS-71	GE-11	TR-21	SK-3018	ECG 108
Q7	2SC184	AM Converter		DS-72	GE-11	TR-21	SK-3018	ECG 108
Q8	2SC183	AM IF		DS-72	GE-11	TR-21	SK-3018	ECG 108
Q9	2SC183	AF Amp		DS-66	GE-10	TR-21	SK-3020	ECG 123
Q10	2SC182	Driver		DS-66	GE-10	TR-21	SK-3020	ECG 123
Q11	2SD141	Output (1)			GE-23	TR-23	SK-3021	ECG 124
Q12	2SD141	Output (1)			GE-23	TR-23	SK-3021	ECG 124

(1) When replacing, apply silicone grease to both sides of insulator. Tighten mounting screws securely.

POWER RECTIFIERS & SIGNAL DIODES

ITEM No.	MFGR. PART OR TYPE No.	REPLACEMENT RECTIFIERS & DIODES			REPLACEMENT RECTIFIERS		NOTES
		GENERAL ELECTRIC PART No.	INTERNATIONAL RECTIFIER PART No.	SYLVANIA PART No.	RCA PART No.	SARKES TARZIAN PART No.	
X1	1S330						
X2	SD-46	1N34AS	1N34A	ECG 109			
X3	SD-46	1N34AS	1N34A	ECG 109			
X4	SD-46	1N34AS	1N34A	ECG 110 (1)			
X5	SD-46	1N34AS	1N34A	ECG 109			
X6	1S331	1N34AS	1N34A	ECG 109			

(1) Matched Pair.

ELECTROLYTIC CAPACITORS

ITEM No.	RATING	REPLACEMENT DATA						
		INLAND PART No.	AEROVOX PART No.	CENTRALAB PART No.	CORNELL-DUBILIER PART No.	GENERAL ELECTRIC PART No.	MALLORY PART No.	SPRAGUE PART No.
C1	500 15V		PRS1220	EA15-500	BR500-15	QT1-30	TC1505A	TL-1166
C2	200 15V	0000-403	BCD20200	EA15-250	NLW200-15	MT1-25	MTV200CP15	TL-1164
C3	100 10V	0000-470	BCD10100	EP15-100	NLW100-12	MT1-19	MTV100CD10	TE-1135
C4	100 10V	0000-470	BCD10100	EP15-100	NLW100-12	MT1-19	MTV100CD10	TE-1135
C5	10 6V	0000-402	BCD6010	EP6-10	NLW10-6	MT1-5	MTV10CB50	TL-1087
C6	10 6V	0000-402	BCD6010	EP6-10	NLW10-6	MT1-5	MTV10CB50	TL-1087
C7	10 6V	0000-402	BCD6010	EP6-10	NLW10-6	MT1-5	MTV10CB50	TL-1087
C8	10 6V	0000-402	BCD6010	EP6-10	NLW10-6	MT1-5	MTV10CB50	TL-1087
C9	10 6V	0000-402	BCD6010	EP6-10	NLW10-6	MT1-5	MTV10CB50	TL-1087
C10	100 6V	0000-466	BCD6100	EP6-100	NLW100-12	MT1-18	MTV100CB6	TL-1102

CAPACITORS

ITEM No.	RATING	REMARKS	REPLACEMENT DATA					
			AEROVOX PART No.	CENTRALAB PART No.	CORNELL-DUBILIER PART No.	ELMENCO PART No.	MALLORY PART No.	SPRAGUE PART No.
C15	.40		NPO-DI 39	TCZ-39	CD15E390J500	CCTO-390	CN0439	10TCC-Q39
C16	.10		NPO-DI 10	DTZ-10	CZ601CG100J	CCTO-100	CN0410	10TCC-Q10
C17	.40		NPO-DI 39	TCZ-39	CD15E390J500	CCTO-390	CN0439	10TCC-Q39
C18	.005		GPD X5R502K	DD-502	JBT601YP502K	CCD-502	JF250	10TS-D50
C19	.10		NPO-DI 10	DTZ-10	CZ601CG100J	CCTO-100	CN0410	10TCC-Q10
C20	.5		NPO-DI 4.7	DTZ-4R7	CZ601CH5R0D	CCTO-4R7	CN0547	10TCC-V47
C21	.40		NPO-DI 39	TCZ-39	CD15E390J500	CCTO-390	CN0439	10TCC-Q39
C22	.200		GPD X5F201K	DD-201	JBZ601YP221K	CCD-201	GP320	10TS-T20
C23	.005		GPD X5R502K	DD-502	JBT601YP502K	CCD-502	JF250	10TS-D50
C24	.5		NPO-DI 4.7	DTZ-4R7	CZ601CH5R0D	CCTO-4R7	CN0547	10TCC-V47
C25	1pF		NPO-DI 1.0	TCZ-1			CN0510	10TCC-V10
C26	.10		NPO-DI 10	DTZ-10	CZ601CG100J	CCTO-100	CN0410	10TCC-Q10
C27	.01		GPD X5S103K	DD-103	BYX6012U103M	CCD-103	JF110	10TS-S10
C28	.01		GPD X5S103K	DD-103	BYX6012U103M	CCD-103	JF110	10TS-S10
C29	.04		TTP-03	CK-303		CCD-303	GP130	TG-S30
C30	.01		GPD X5S103K	DD-103	BYX6012U103M	CCD-103	JF110	10TS-S10
C31	.10		NPO-DI 10	DTZ-10	CZ601CG100J	CCTO-100	CN0410	10TCC-Q10
C32	.04		TTP-03	CK-303		CCD-303	GP130	TG-S30
C33	.25		NPO-DI 25	DTZ-25	CD15E240J500	CCTO-240	CN0425	10TCC-Q25
C34	.01		GPD X5S103K	DD-103	BYX6012U103M	CCD-103	JF110	10TS-S10
C35	.2		NPO-DI 2.2	DTZ-2R2	CZ601CJ2R2D	CCTO-2R2	CN0522	10TCC-V22

PARTS LIST AND DESCRIPTION (CONTINUED)

(When ordering parts, state Model, Part Number, and Description.)

Replacement parts shown may be superseded by the availability of newly introduced replacements.
Have your local distributor check Sams COUNTER FACTS for the most up-to-date replacement.

CAPACITORS

ITEM No.	RATING	REMARKS	REPLACEMENT DATA					
			AEROVOX PART No.	CENTRALAB PART No.	CORNELL-DUBILIER PART No.	ELMENCO PART No.	MALLORY PART No.	SPRAGUE PART No.
C36	.01		GPD X5S103K	DD-103	BYX601ZU103M	CCD-103	JF110	10TS-S10
C37	.01		GPD X5S103K	DD-103	BYX601ZU103M	CCD-103	JF110	10TS-S10
C38	2		NPO-DI 2.2	DTZ-2R2	CZ601CJ2R2D	CCTO-2R2	CN0522	10TCC-V22
C39	.01		GPD X5S103K	DD-103	BYX601ZU103M	CCD-103	JF110	10TS-S10
C40	.01		GPD X5S103K	DD-103	BYX601ZU103M	CCD-103	JF110	10TS-S10
C41	1pf		NPO-DI 1.0	TCZ-1			CN0510	10TCC-V10
C42	20		NPO-DI 20	DTZ-20	CY601CG220K	CCTO-200	CN0420	10TCC-Q20
C43	400		DI-390	DD-391		CCD-391	GP339	10TS-T39
C44	400		DI-390	DD-391		CCD-391	GP339	10TS-T39
C45	400		DI-390	DD-391		CCD-391	GP339	10TS-T39
C46	.02		TTP-02	CK-203	HOR101ZV203P	CCD-203	TA120	TG-S20
C47	400		DI-390	DD-391		CCD-391	GP339	10TS-T39
C48								
C49	60		GPD X5F560K	DD-560		CCD-560	GP456	10TS-Q56
C50	.04		TTP-03	CK-303		CCD-303	GP130	TG-S30
C51	.04		TTP-03	CK-303		CCD-303	GP130	TG-S30
C52A								
C52B								
C53	170		GPD X5F181K	DD-181	JB601YP181P	CCD-181	GP318	10TS-T18
C54	.001		GPD X5F102K	DD-102	JBS601YP102K	CCD-102	GP210	10TS-D10
C55	.01		GPD X5S103K	DD-103	BYX601ZU103M	CCD-103	JF110	10TS-S10
C56	.01		GPD X5S103K	DD-103	BYX601ZU103M	CCD-103	JF110	10TS-S10
C57	200		GPD X5F201K	DD-201	JBZ601YP221K	CCD-201	GP320	10TS-T20
C58	10		NPO-DI 10	DTZ-10	CZ601CG100J	CCTO-100	CN0410	10TCC-Q10
C59	.04		TTP-03	CK-303		CCD-303	GP130	TG-S30
C60	.04		TTP-03	CK-303		CCD-303	GP130	TG-S30
C61	60		GPD X5F560K	DD-560		CCD-560	GP456	10TS-Q56
C62	.04		TTP-03	CK-303		CCD-303	GP130	TG-S30
C63	.02		TTP-02	CK-203	HOR101ZV203P	CCD-203	TA120	TG-S20
C64	.2		DBE6P22		DMF4P22	4DP-5-224	PVC4022	4PS-P22
C65	.4		NPO-DI 39	TCZ-39	CD15E390J500	CCTO-390	CN0439	10TCC-Q39
C66	.04		TTP-03	CK-303		CCD-303	GP130	TG-S30
C67	.2		DBE6P22		DMF4P22	4DP-5-224	PVC4022	4PS-P22
C68	.1		TTP-1	CK-104	HOV101ZV104Z		TA010	TG-P10
C69	.1		TTP-1	CK-104	HOV101ZV104Z		TA010	TG-P10
C70	.1		TTP-1	CK-104	HOV101ZV104Z		TA010	TG-P10
C71	600							
C72								

INLAND MODEL AFM-603

CONTROLS

All wattages 1/2 watt, or less, unless otherwise listed.

ITEM No.	USE	RESISTANCE	REPLACEMENT DATA				
			INLAND PART No.	CENTRALAB PART No.	CLAROSTAT PART No.	CTS-IRC PART No.	MALLORY PART No.
R1	Volume/Switch	5000		F2-5000,SFS212, BA012,CA005,KR-2		QCB4 (1) (2) , B13-114,TM8,76-2 or (BU14 (1), CF60,SS4,WF)	RU53A,SL41, SD3500,US42

- (1) Alter bushing to meet requirements.
(2) Use QCB4 instead of Tab Mount in TM8 kit.

COILS (RF-IF)

ITEM No.	USE	REPLACEMENT DATA			
		PART No.	MEISSNER PART No.	MILLER PART No.	WORKMAN PART No.
L1	FM Antenna				
L2	FM RF				
L3	RF Choke (.12uh)				
L4	FM Oscillator				
L5	FM Input IF (Pri.)				
L6	FM Input IF (Sec.)				
L7	FM Interstage IF			2071	
L8	FM Interstage IF			2072	
L9	Ratio Detector (Pri.)				
L10	Ratio Detector (Sec.)				
L11	RF Choke (10uh)				
L12	FM Antenna	(1)	19-1005	4612	T860
L13	AM RF	(1)			
L14	AM Oscillator Tuning	(1)			
L15	Image Trap (4uh)		19-1003	4608	T858
L16	AM Oscillator				
L17	AM Input IF (Pri.)				
L18	AM Input IF (Sec.)				
L19	AM Output IF (Pri.)				
L20	AM Output IF (Sec.)				

- (1) Part of M1.

PARTS LIST AND DESCRIPTION (CONTINUED)

(When ordering parts, state Model, Part Number, and Description.)

Replacement parts shown may be superseded by the availability of newly introduced replacements.
Have your local distributor check Sams COUNTER FACTS[®] for the most up-to-date replacement.

FILTER CHOKE

ITEM No.	RATINGS			REPLACEMENT DATA					NOTES
	CURRENT (Measured)	DC RES.	INDUCTANCE (0 CURRENT 1000~)	INLAND PART No.	MERIT PART No.	STANCOR PART No.	THORDARSON PART No.	TRIAD PART No.	
L21		.1	30uh						
L22		.3	5mh						

TRANSFORMER (DRIVER)

ITEM No.	TURNS RATIO			REPLACEMENT DATA					NOTES
	PRI.	SEC. 1	SEC. 2	INLAND PART No.	MERIT PART No.	STANCOR PART No.	THORDARSON PART No.	TRIAD PART No.	
T1	16	1							

TRANSFORMER (AUDIO OUTPUT)

ITEM No.	IMPEDANCE		REPLACEMENT DATA					NOTES
	PRI.	SEC.	INLAND PART No.	MERIT PART No.	STANCOR PART No.	THORDARSON PART No.	TRIAD PART No.	
T2	32 CT	8						

SPEAKER

ITEM No.	TYPE			REPLACEMENT DATA			NOTES
				INLAND PART No.	JENSEN PART No.	QUAM PART No.	
SP1	5" X 7"	PM	8 ohms	0000-806	PSX7V8	57A15Z8	

FUSE DEVICES

ITEM No.	DESCRIPTION	REPLACEMENT DATA						
		PART No.		BUSS PART No.		LITTELFUSE PART No.		WORKMAN PART No.
		DEVICE	HOLDER	DEVICE	HOLDER	DEVICE	HOLDER	DEVICE
F1	1 Amp	0000-828	0000-827	AGC 1	HDJ	312001	155020	

MISCELLANEOUS

ITEM No.	PART NAME	INLAND PART No.	NOTES
M1	Tuner (AM)		
M2	Dial Lamp	0000-823	
M3	Dial Lamp	0000-823	
M4	FM Indicator Lamp	0000-823	
M5	AM Indicator Lamp	0000-823	

CABINETS & CABINET PARTS

(When Ordering Specify Model, Chassis & Color)

ITEM	PART No.	ITEM	PART No.
Escutcheon	0000-801	Dial Pointer	0000-809
Dial Glass	0000-802	Knob, Tuning or Volume	0000-825

WIRING DATA

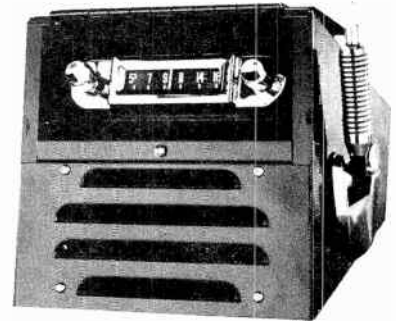
General-use Unshielded Hook-up Wire	Use BELDEN No. 8530 (Solid) Available in 12 Colors 8524 (Stranded) Available in 12 Colors
Shielded Hook-up Wire	Use BELDEN No. 8885
Bonding Strap	Use BELDEN No. 8661 (3/8 In.) or 8670 (3/4 In.)



PHOTOFACT[®] with

CIRCUITRACE[®]

TRADE NAME : Jacobsen Model 7BTX
 SUPPLIER : For Current Address, See Annual Index
 TYPE SET : 7-Transistor AM Receiver
 POWER SUPPLY : 12 Volt Storage Battery
 RATING : 1.1 Amp. @ 12.6 Volts DC

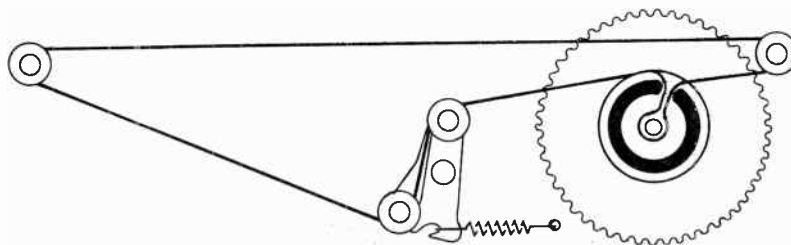


ALIGNMENT INSTRUCTIONS

Check for specified source voltage. Use only enough generator output to provide a usable indication. Suggested Alignment Tools: A1 thru A4. GENERAL CEMENT: 9440 WALSCO: 2501 A5, A6, A7. GENERAL CEMENT: 8290, 8868, 9089 WALSCO: 2525, 2528, 2587					
SIGNAL GENERATOR COUPLING	SIGNAL GENERATOR FREQUENCY	RADIO DIAL SETTING	INDICATOR	ADJUST	REMARKS
1. High side thru .1mfd to point Δ , low side to ground.	262.5KC (400% Mod.)	High freq. end stop.	Output meter across voice coil.	A1, A2, A3, A4	Adjust for maximum.
2. Thru dummy antenna to antenna receptacle.	1605KC	"	"	A5, A6, A7	"
Step 3 is not necessary unless tuner has been tampered with or associated components have been replaced. If necessary, back tuning cores (A8, A9, A10) out of coils but not out of forms. Repeat Step 2.					
3. Thru dummy antenna to antenna receptacle.	1000KC	Tune to signal.	Output meter across voice coil.	A8, A9, A10	Adjust for maximum. Repeat Steps 2 and 3 until no further improvement is noted.
With radio installed and antenna extended to desired height, tune in a weak station near 1400KC and adjust A7 for maximum output.					

JACOBSEN MODEL 7BTX

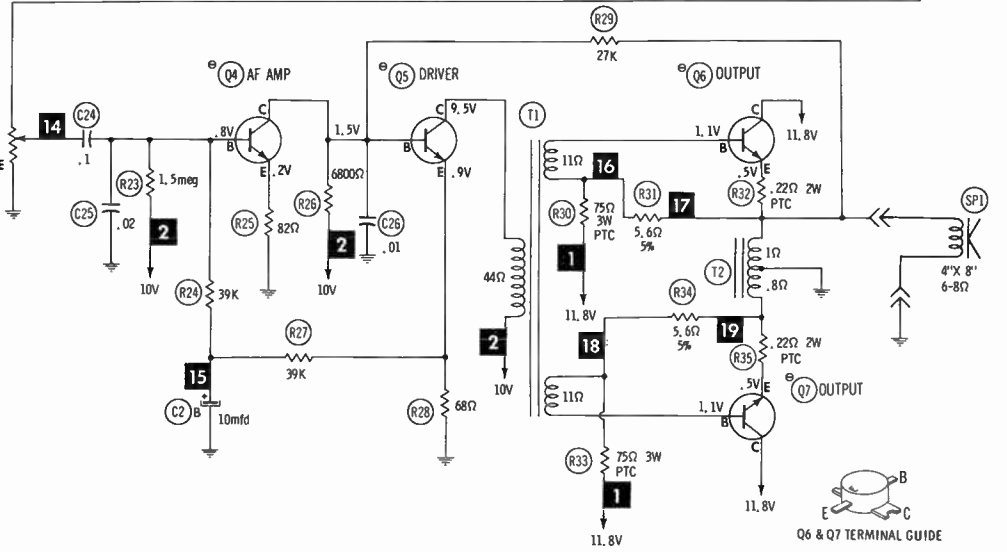
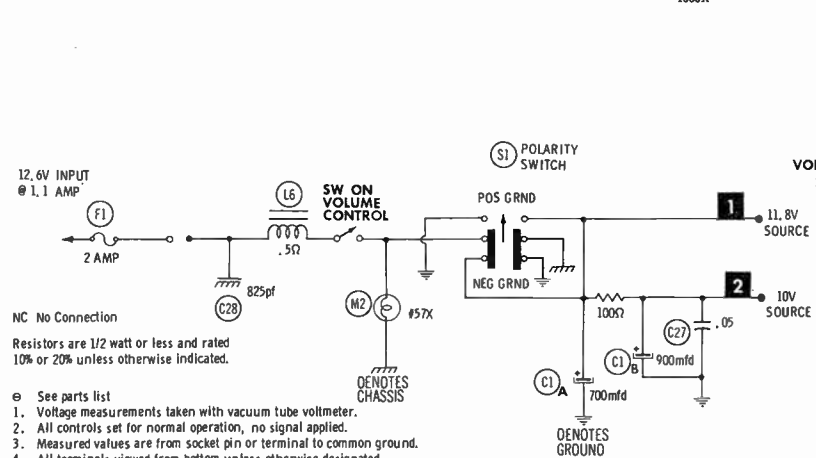
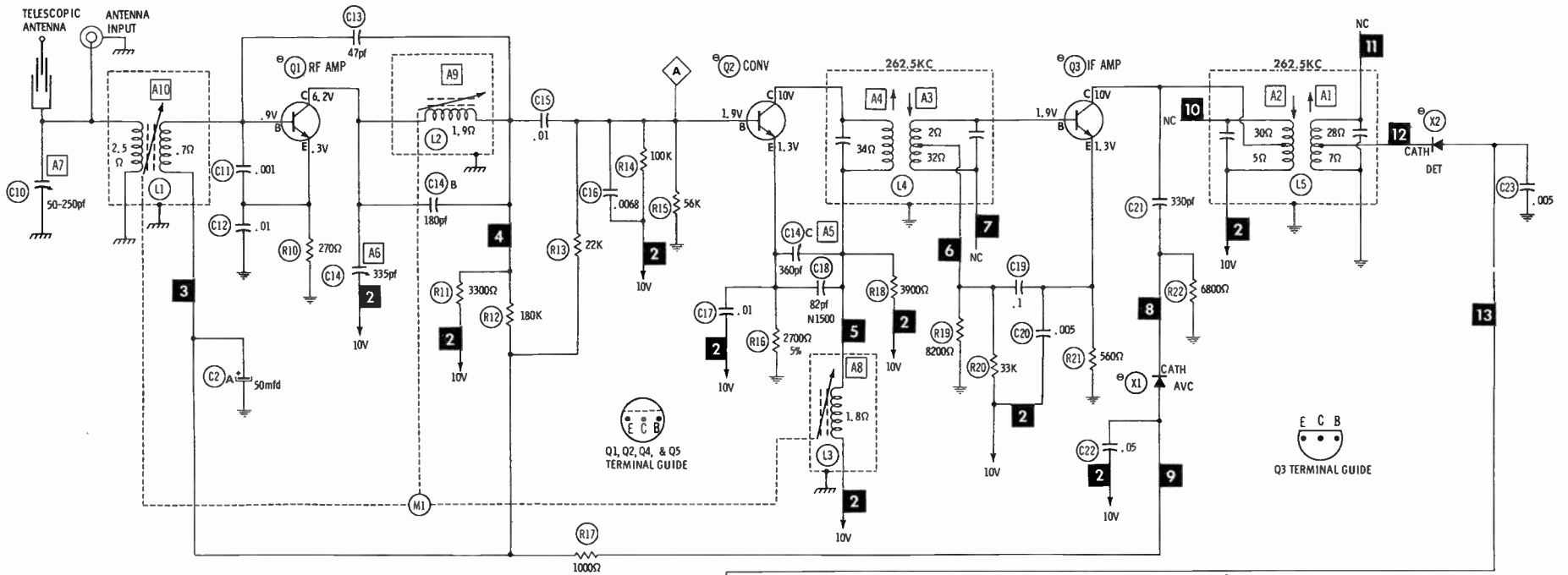
DIAL CORD STRINGING



HOWARD W. SAMS & CO., INC. Indianapolis, Indiana 46206

© 1968 Howard W. Sams & Co., Inc. Printed in U. S. of America TD182R

World Radio History



NC No Connection
 Resistors are 1/2 watt or less and rated 10% or 20% unless otherwise indicated.

See parts list

1. Voltage measurements taken with vacuum tube voltmeter.
2. All controls set for normal operation, no signal applied.
3. Measured values are from socket pin or terminal to common ground.
4. All terminals viewed from bottom unless otherwise designated.
5. Numbers assigned to terminals may not be found on the unit.
6. Supply voltage maintained at rated value for voltage readings.
7. Resistance measurements not given because of the wide variation in internal resistance of transistor.

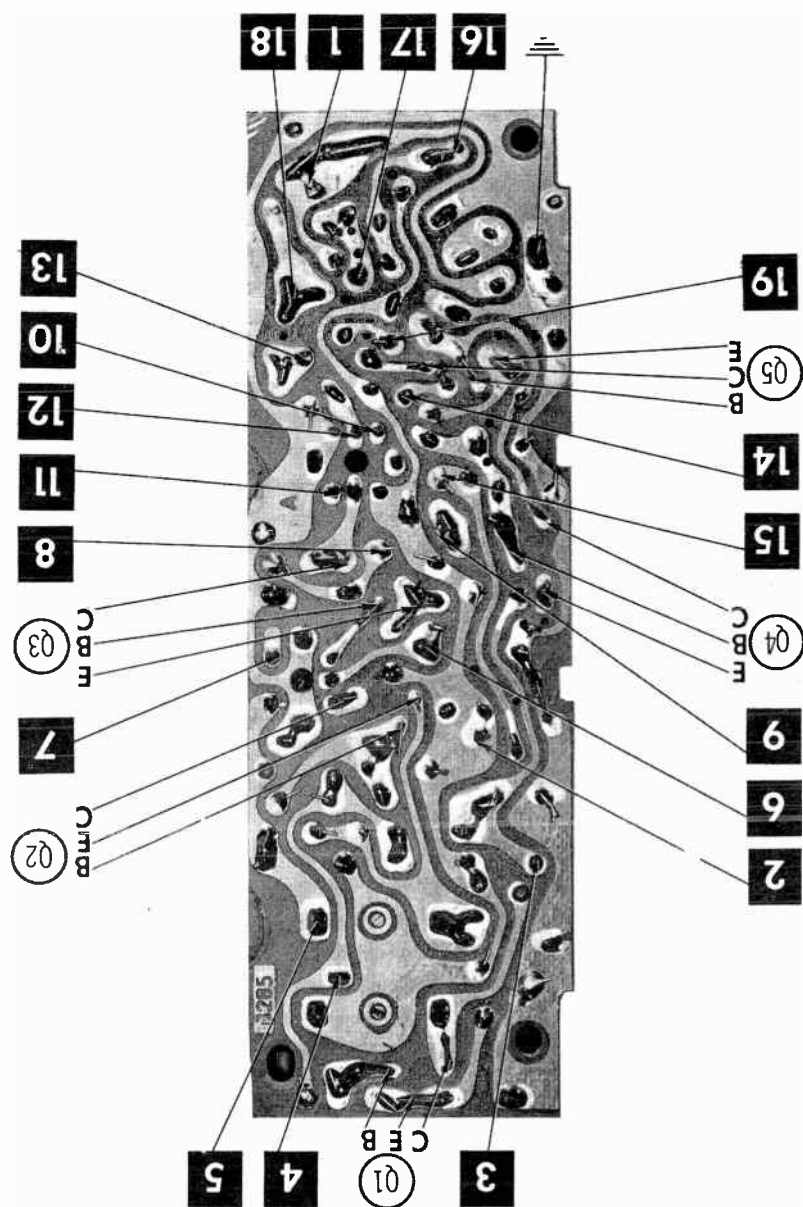
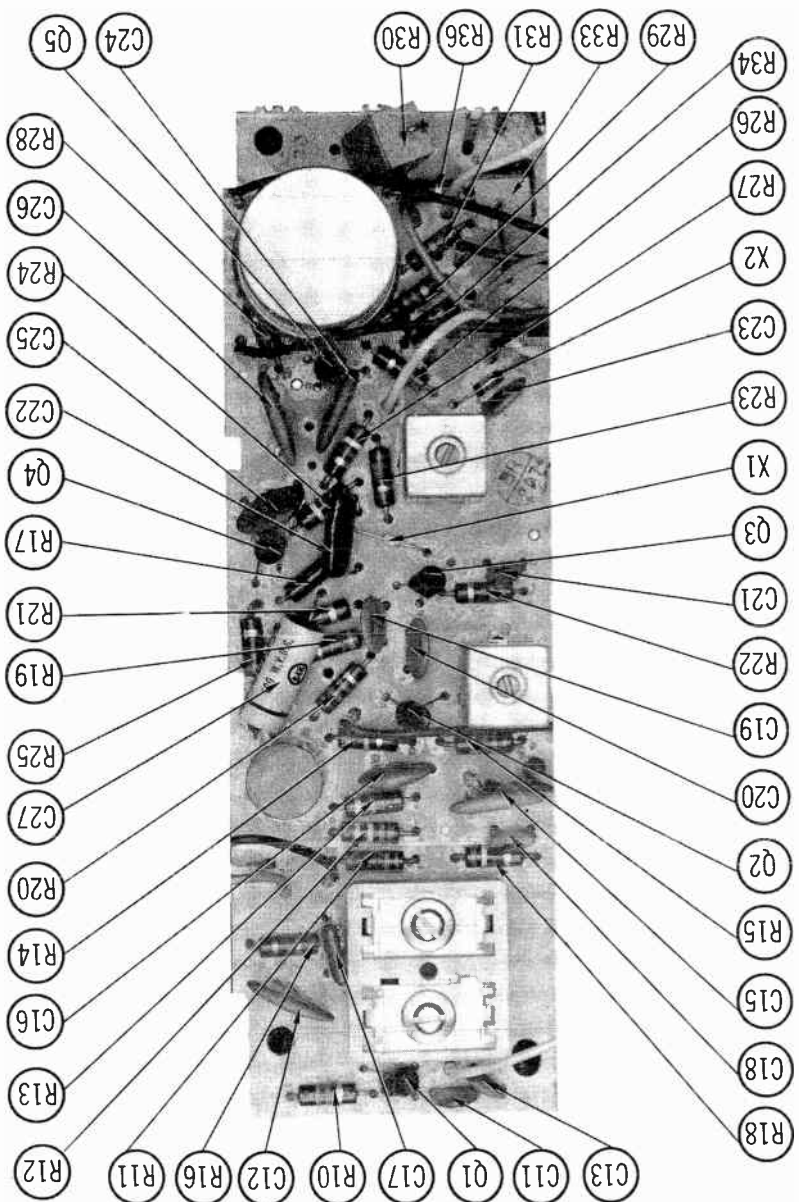
A PHOTOFACIT STANDARD NOTATION SCHEMATIC with **CIRCUITRACE**

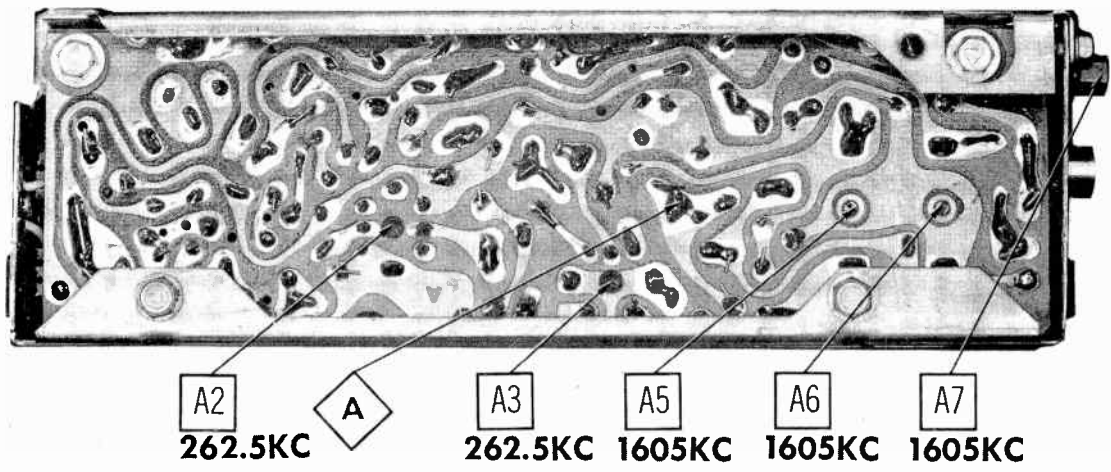
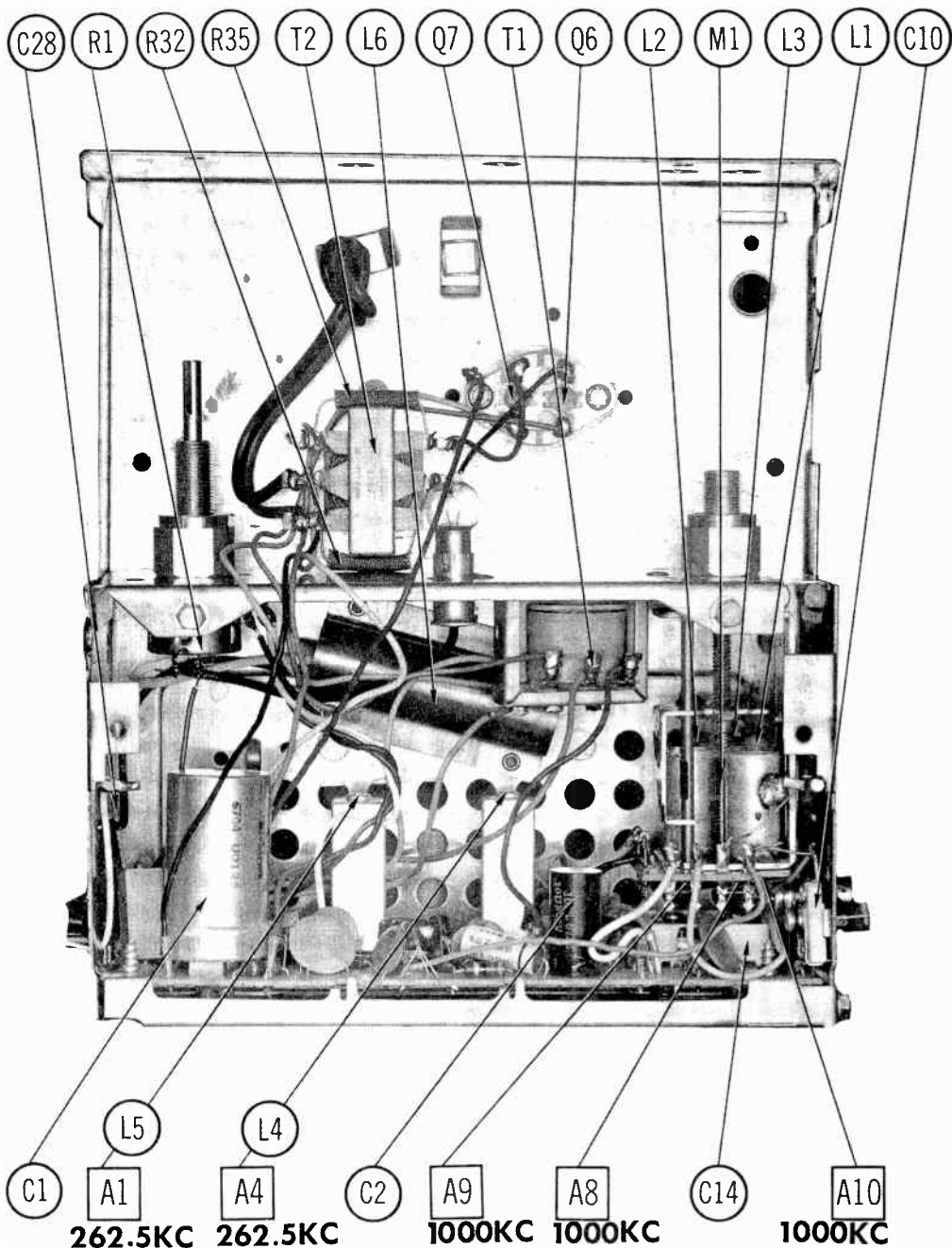
© Howard W. Sams & Co., Inc. 1968

JACOBSEN MODEL 78TX

JACOBSEN MODEL 7BTX

A Howard W. Sams CIRCUITRACE[®] Photo





PARTS LIST AND DESCRIPTION

(When ordering parts, state Model, Part Number, and Description.)

Replacement parts shown may be superseded by the availability of newly introduced replacements.
Have your local distributor check Sams COUNTER FACTS for the most up-to-date replacement.

WIRING DATA

General-use Unshielded Hook-up Wire	Use BELDEN No. 8530 (Solid) Available in 12 Colors 8524 (Stranded) Available in 12 Colors
Shielded Hook-up Wire	Use BELDEN No. 8885
Rear Seat Speaker Extension Cable	Use BELDEN No. 8782 (Stranded) Coded Parallel Leads
Bonding Strap	Use BELDEN No. 8661 (3/8 In.) or 8670 (3/4 In.)

TRANSISTORS

ITEM No.	ORIG. TYPE	USE	REPLACEMENT DATA				BENDIX PART No.	NOTES
			DELCO PART No.	GENERAL ELECTRIC PART No.	INTERNATIONAL RECTIFIER PART No.	RCA PART No.		
Q1		RF Amp	DS-72	GE-10	TR-21	SK-3018	2093308-0704	NPN
Q2		Converter	DS-72	GE-10	TR-21	SK-3018	2093308-0705	NPN
Q3		IF Amp	DS-72	GE-10	TR-21	SK-3018	2093308-0706	NPN
Q4		AF Amp	DS-66	GE-10	TR-21	SK-3020	2092609-0718	NPN
Q5		Driver	DS-66	GE-10	TR-21	SK-3020	2092609-0713	NPN
Q6		Output					2057323-0503 [▲]	NPN
Q7		Output						*

[▲] When replacing, apply silicone grease to both sides of insulator. Tighten mounting screws securely.
* Includes Q6, Q7 and mounting base.

POWER RECTIFIERS & SIGNAL DIODES

ITEM No.	MEASURED CURRENT	ORIGINAL Part or Type No.	RECTIFIERS & DIODES		RECTIFIERS	
			GENERAL ELECTRIC PART No.	INTERNATIONAL RECTIFIER PART No.	RCA PART No.	SARKES TARZIAN PART No.
X1		2092955-0708	1N82A	1N82A		
X2		2092955-0001	1N34AS	1N34A		

ELECTROLYTIC CAPACITORS

ITEM No.	RATING	REMARKS	REPLACEMENT DATA						
			BENDIX PART No.	AEROVOX PART No.	CENTRALAB PART No.	CORNELL-DUBILIER PART No.	GENERAL ELECTRIC PART No.	MALLORY PART No.	SPRAGUE PART No.
C1A	700 16V		2092983-0708						PCL-2182
B	900 16V								
C2A	50 3V		2092246-0707					TT3X50	
B	10 3V							TT6X10	

CAPACITORS

ITEM No.	RATING	REMARKS	REPLACEMENT DATA						
			AEROVOX PART No.	CENTRALAB PART No.	CORNELL-DUBILIER PART No.	ELMENCO PART No.	MALLORY PART No.	SPRAGUE PART No.	
C10	50-250	#219083-0012							
C11	.001		DJ-1000	DM-102	JBS601YP102K	CCD-102	SM210	5GAB-D10	
C12	.01	†	TTD-01	CK-103	HOY101ZV103P	CCD-103	TA110	TG-S10	
C13	.47	†	NPO-DI 47	DTZ-47	CX601CG470K	CCTO-470	CNO447	10TCC-Q47	
C14A	335	†							
B	180								
C	360								
C15	.01		TTD-01	CK-103	HOY101ZV103P	CCD-103	TA110	TG-S10	
C16	.0068	†	DI-6800	DD-682	BYX601ZU682P	CCD-682	GP268	10TS-D68	
C17	.01	†	TTD-01	CK-103	HOY101ZV103P	CCD-103	TA110	TG-S10	
C18	.82	†							
C19	.1	†	TTD-1	UK10-104	HC23R0XR104P	*	MAG1201	HY-320	
C20	.005	†	TTD-005	CK-502	HOY101ZV502P	CCD-502	TA250	TG-D50	
C21	330		DI-330	DD-331	JB2601YP331K	CCD-331	GP331	10TS-T33	
C22	.05			CK-503	HOY101ZV503Z		TA150	TG-S50	
C23	.005	†	TTD-005	CK-502	HOY101ZV502P	CCD-502	TA250	TG-D50	
C24	.1	†	TTD-1	UK20-104	HC23R0XP104P		MAG2501	HY-450	
C25	.02	†	TTD-02	CK-203	HOR101ZV203P	CCD-203	TA120	TG-S20	
C26	.01		TTD-01	CK-103	HOY101ZV103P	CCD-103	TA110	TG-S10	
C27	.05	100V	DBE6S5		DPMS6S5	6DP-3-503	PVC615	6PS-S50	
C28	B25	#2093050-0707							

† Nominal value, may vary.
* Not normally in distributor's stock. Available thru distributor on order to manufacturer.
Bendix Part Number.

CONTROLS

All wattages 1/2 watt, or less, unless otherwise listed.

ITEM No.	USE	RESIST-ANCE	REPLACEMENT DATA				
			BENDIX PART No.	CENTRALAB PART No.	CLAROSTAT PART No.	CTS-IRC PART No.	MALLORY PART No.
R1	Volume/Switch	20K	2056727-0701	F2-25K, SFS212, BA106, CA005, KR-4		QCB5A ① ②, B13-120, SK9, 76-1	

① Alter Bushing to meet requirements.
② Use QCB5A instead of Bushing in SK9 kit.

JACOBSEN MODEL 78TX

PARTS LIST AND DESCRIPTION (CONTINUED)

(When ordering parts, state Model, Part Number, and Description.)

Replacement parts shown may be superseded by the availability of newly introduced replacements.
Have your local distributor check Sams COUNTER FACTS for the most up-to-date replacement.

RESISTORS (Power and Special)

ITEM No.	RATING	REPLACEMENT DATA			ITEM No.	RATING	REPLACEMENT DATA		
		IRC PART No.	WORKMAN PART No.	BENDIX PART No.			IRC PART No.	WORKMAN PART No.	BENDIX PART No.
R30	75Ω 3W (PTC)			2090574-0705	R33	75Ω 3W (PTC)			2090574-0705
R32	.22Ω 2W (PTC)			2090948-0020	R35	.22Ω 2W (PTC)			2090948-0020

COILS (RF-IF)

ITEM No.	USE	REPLACEMENT DATA			
		PART No.	MEISSNER PART No.	MILLER PART No.	WORKMAN PART No.
L1	Antenna	①			
L2	RF	①			
L3	Oscillator	①			
L4	Input IF	2094080-0711		8006	
L5	Output IF	2094080-0712		8006	

① Part of M1 (Tuner assembly Part Number 2093300-0702).

FILTER CHOKE

ITEM No.	RATINGS			REPLACEMENT DATA					NOTES
	CURRENT (Measured)	DC RES.	INDUCTANCE (0 CURRENT 1000~)	BENDIX PART No.	MERIT PART No.	STANCOR PART No.	THORDARSON PART No.	TRIAD PART No.	
L6	1.1A	.5Ω	1.5mh	2092050-0733	C-4095	TC-1	TR-159	TY16XT	Fabricate mounting

TRANSFORMER (DRIVER)

ITEM No.	TURNS RATIO			REPLACEMENT DATA					NOTES
	PRI.	SEC. 1	SEC. 2	BENDIX PART No.	MERIT PART No.	STANCOR PART No.	THORDARSON PART No.	TRIAD PART No.	

TRANSFORMER (AUDIO OUTPUT)

ITEM No.	IMPEDANCE		REPLACEMENT DATA					NOTES
	PRI.	SEC.	BENDIX PART No.	MERIT PART No.	STANCOR PART No.	THORDARSON PART No.	TRIAD PART No.	

SPEAKER

ITEM No.	TYPE	REPLACEMENT DATA			NOTES
		BENDIX PART No.	JENSEN PART No.	QUAM PART No.	
SP1	4" X 8" PM	6-8Ω	2094744-0702	P4X8U8	48A2Z20CT

FUSE DEVICES

ITEM No.	DESCRIPTION	REPLACEMENT DATA						
		PART No.		BUSS PART No.		LITTELFUSE PART No.		WORKMAN PART No.
		DEVICE	HOLDER	DEVICE	HOLDER	DEVICE	HOLDER	DEVICE
F1	AGA 2	2091811-0007	2094348-0520	AGA 2		301002		

MISCELLANEOUS

ITEM No.	PART NAME	PART No.	NOTES
M1	Tuner Assembly	2093300-0702	CHICAGO MINIATURE Replacement CM-57X
M2	Dial Lamp (#57X)	2091877-0001	
S1	Polarity Switch	2092821-0704	

CABINETS & CABINET PARTS

(When Ordering Specify Model, Chassis & Color)

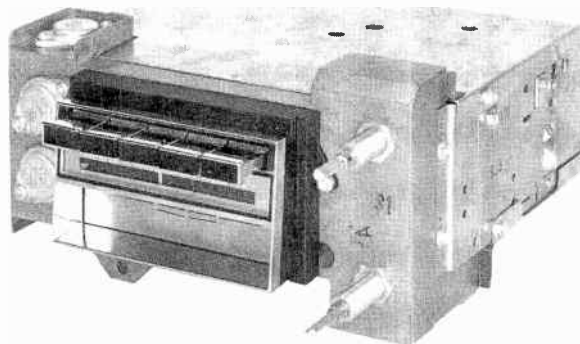
ITEM	PART No.	ITEM	PART No.
Escutcheon Assembly	2091671-0503	Outside Housing	2056997-0502
Dial Glass	2091454-0001	Antenna Assembly	2056998-0004
Dial Pointer	2091459-0001	Knob, Tuning or Volume	2091420-0502



PHOTOFACT[®] with

CIRCUITRACE[®]

TRADE NAME : Lincoln Model T8ML (C8VA-18806-N)
 1968 Lincoln
 SUPPLIER : For Current Address, See Annual Index
 TYPE SET : 14-Transistor AM Receiver and Tape Player
 POWER SUPPLY : 12 Volt Storage Battery
 RATING : .25 Amp @ 12.6 Volts DC (Radio)
 .475 Amp @ 12.6 Volts DC (Tape)



LINCOLN MODEL T8ML

OPERATING INSTRUCTIONS

1. Firmly insert cartridge until it locks and unit is turned on.
2. Set operating controls to desired levels.
3. Push the program selector to play desired tracks or allow unit to select tracks automatically.
4. Remove cartridge to turn off unit.

CLEANING

Clean all tape contact surfaces with a soft lint-free material and head cleaner or alcohol. Use alcohol to remove oil and grease from all driving surfaces.

LUBRICATING

Lubricate bearings and bushings lightly with #20 machine oil. Use a light film of nonhardening grease on camming surfaces.

HEAD DEMAGNETIZING

Demagnetize head at regular intervals and at any time unit is serviced. Avoid using ferrous materials near head while servicing unit.

ALIGNMENT INSTRUCTIONS

Check for specified source voltage. Use only enough generator output to provide a usable indication. Suggested Alignment Tools: A1 thru A4. GENERAL CEMENT: 9296, 9297, 9300 WALSCO: 2510, 2546, 2546 A5 thru A10. GENERAL CEMENT: 8290, 8868, 9087 WALSCO: 2525, 2528, 2587		<p>TO SIGNAL GENERATOR TO ANTENNA RECEPTACLE</p> <p>DUMMY ANTENNA</p>		PUSH-BUTTON ADJUSTMENT 1. Pull button out. 2. Tune manually to desired station. 3. Press button in firmly. 4. Repeat for remaining buttons.	
SIGNAL GENERATOR COUPLING	SIGNAL GENERATOR FREQUENCY	RADIO DIAL SETTING	INDICATOR	ADJUST	REMARKS
1. High side thru .1mfd to point Δ , low side to ground.	262KC (400% Mod.)	High freq. end stop.	Output meter across voice coil.	A1, A2, A3, A4	Adjust for maximum.
2. Thru dummy antenna to antenna receptacle.	1615KC	"	"	A5, A6, A7	"
Step 3 is not necessary unless tuner has been tampered with or associated components have been replaced. If necessary, back tuning cores (A8, A9, A10) out of coils but not out of forms. Repeat Step 2.					
3. Thru dummy antenna to antenna receptacle.	1000KC	Tune to signal.	Output meter across voice coil.	A8, A9, A10	Adjust for maximum. Repeat Steps 2 and 3 until no further improvement is noted.
With radio installed in car and antenna extended to desired height, tune in a weak station near 1400KC and adjust A7 for maximum output. Antenna adjustment (A7) is located right side upper rear corner.					

HOWARD W. SAMS & CO., INC. Indianapolis, Indiana 46206

© 1968 Howard W. Sams & Co., Inc. Printed in U. S. of America TD199

World Radio History

ADJUSTMENTS

ADJUST	REMARKS
Head Azimuth	Play a test cartridge, follow instructions with cartridge, and adjust B1 for maximum.
Head Height	Play a test cartridge, follow instructions with cartridge, and adjust B2 for proper response.
Solenoid Adjustment	Cycle head-shift mechanism, turn B3 in until cycling stops, and then turn B3 out 1/2 turn past point of restart of cycling.

TROUBLE CHART

SYMPTOM	REMARKS
Capstan does not rotate.	<ol style="list-style-type: none"> 1. Belt (1) dirty, worn, or broken. 2. Assembly (14) binding. 3. Motor defective or not supplied with power.
Track shift mechanism inoperative.	<ol style="list-style-type: none"> 1. Switch (S3) dirty. 2. Cam (29) binding. 3. Arms (18) and (20) binding. 4. Solenoid (K1) defective, misadjusted, or not supplied with power. 5. Cartridge defective.
Wow or Flutter	<ol style="list-style-type: none"> 1. Belt (1) worn or dirty. 2. Capstan or Assembly (14) dirty. 3. Motor or motor control circuit defective. 4. Bearing (25) defective. 5. Cartridge defective. 6. Assembly (16) binding or defective.
Sound weak or distorted.	<ol style="list-style-type: none"> 1. Head (M1) dirty, misadjusted, or defective. 2. Amplifier defective. 3. Cartridge defective.
Tape breaks or is pulled from cartridge.	<ol style="list-style-type: none"> 1. Cartridge defective. 2. Capstan dirty or scored. 3. Arm (12) bent or burred.

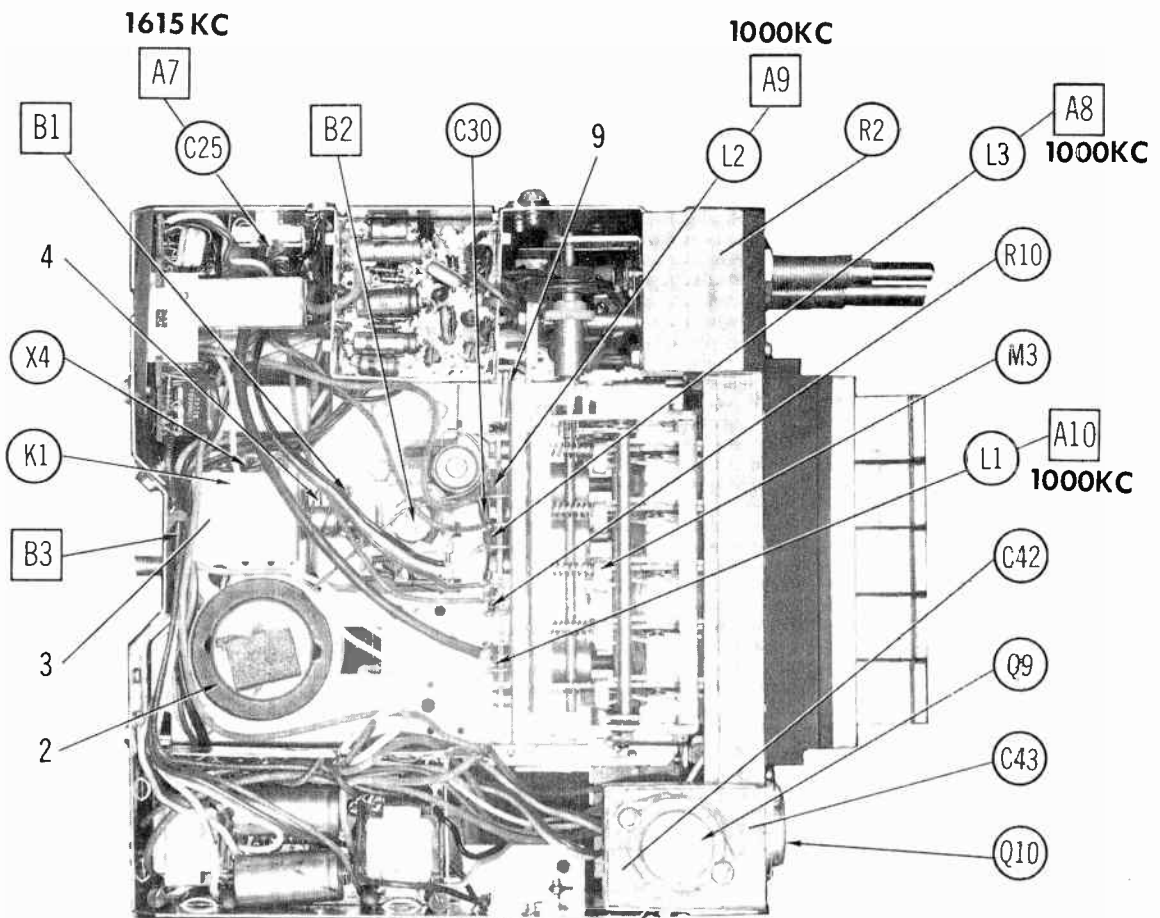
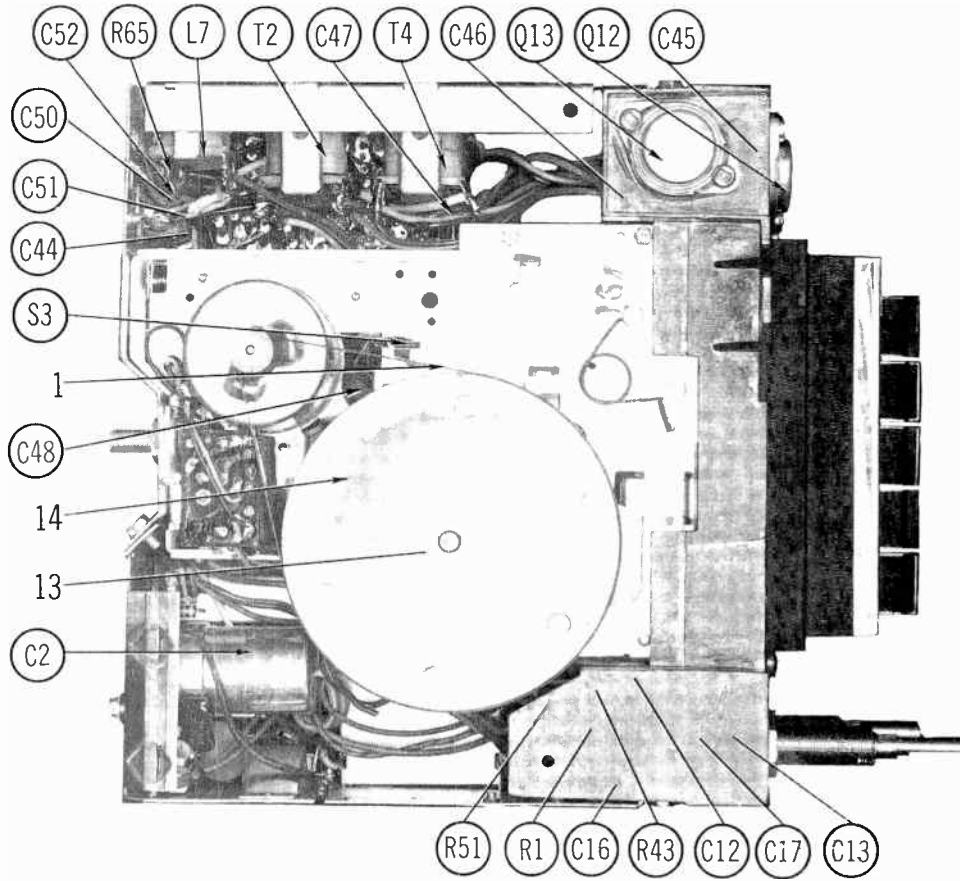
MECHANICAL PARTS LIST

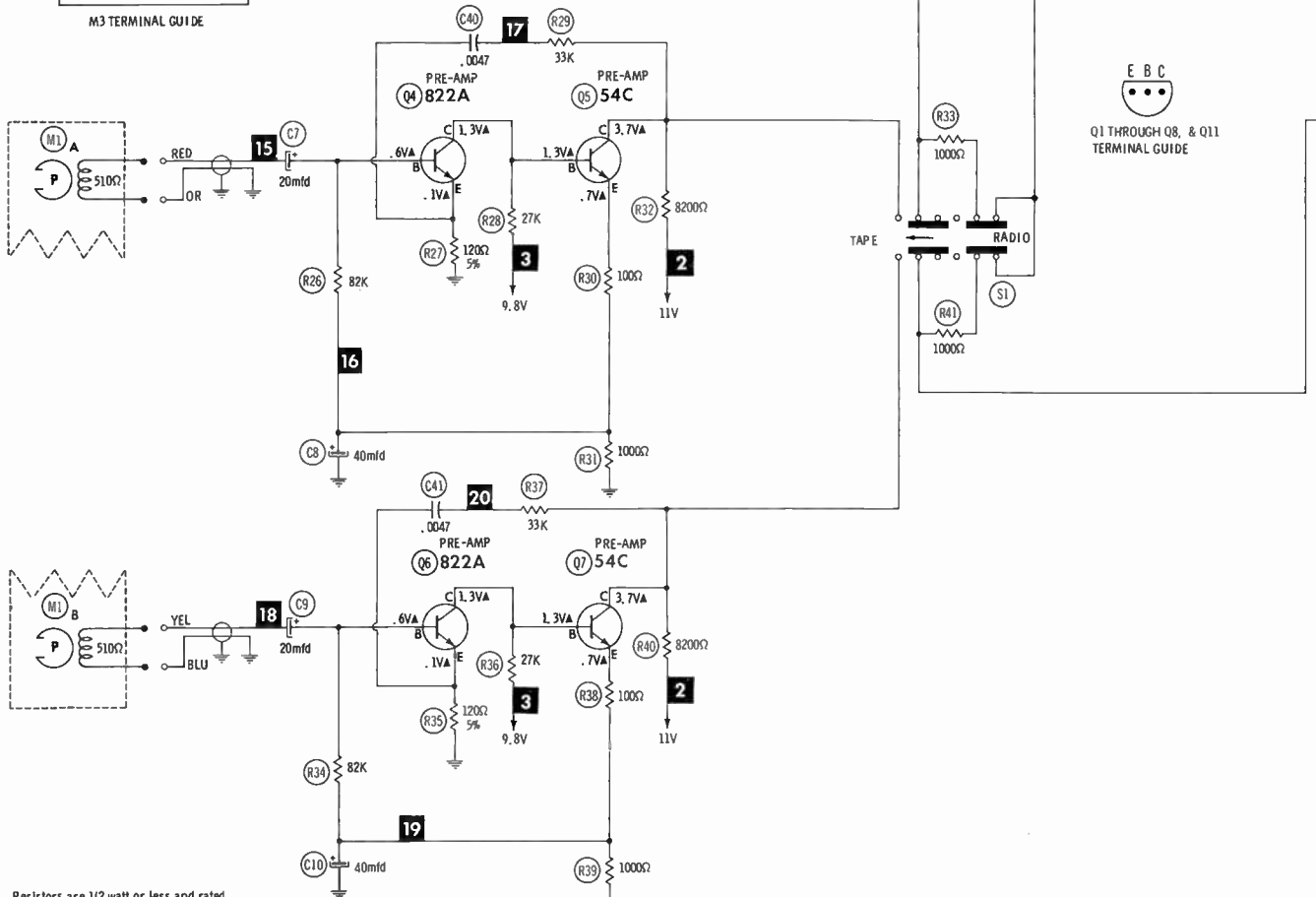
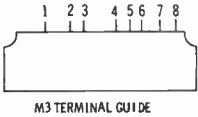
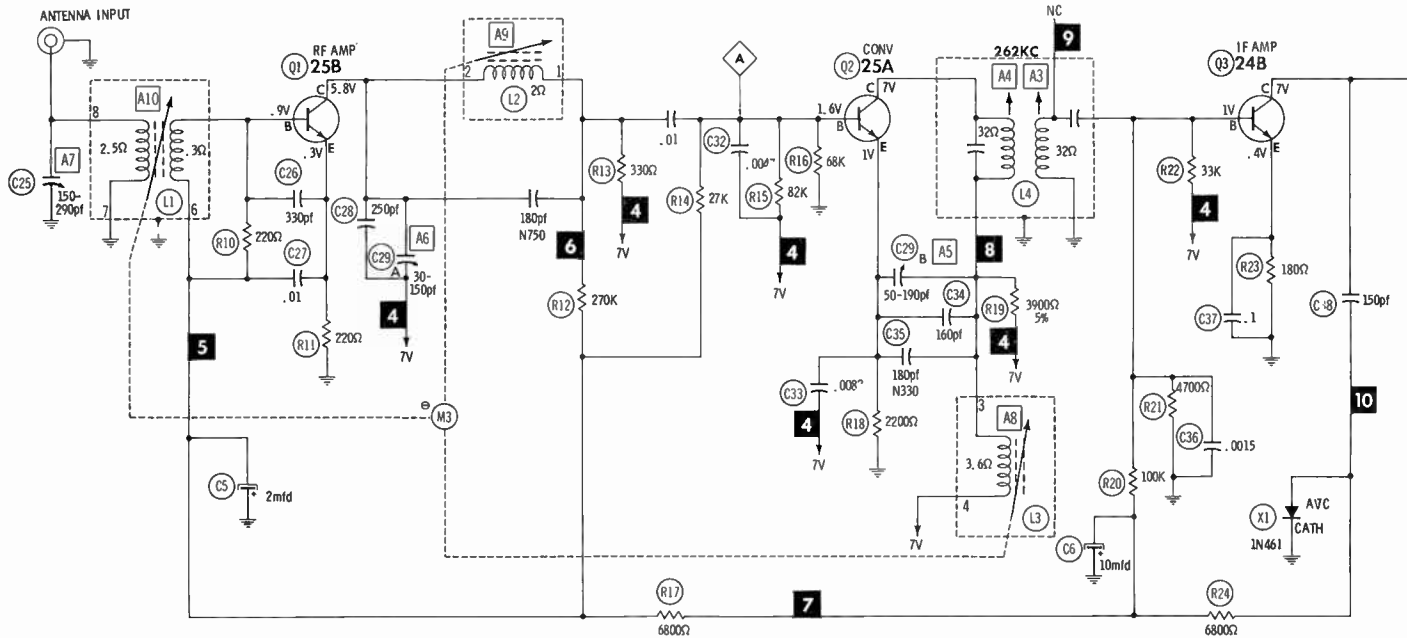
Ref. No.	Part No.	Description	Ref. No.	Part No.	Description
1	42-41225B01	Flywheel Belt	20	45-41230B01	Radius Arm (2 used)
2	7-43576A01	Motor Support (3 used)	21	46-40059A46	Head Retainer
3	46-40299B01	Solenoid Stop	22	41-40540B01	Head Tension Spring
4	41-40445B01	Plunger Return Spring	23	15-40059A60	Capstan Housing Assembly ①
5	47-40298B01	Solenoid Plunger	24	4-40409B01	Thrust Washer
6	41-40681B01	Pawl Tension Spring	25	43-40411B02	Thrust Bearing
7	55-40606B01	Pull Ratchet Pawl (Stamped "B")	26	49-41580B01	Cartridge Retaining Roller (2 used)
8	55-40605B01	Push Ratchet Pawl (Stamped "A")	27	47-42174B01	Cam Height Adj. Shaft (.186 dia.)
9	45-41364B01	Actuator Arm		47-40414B01	Cam Height Adj. Shaft (.124 dia.)
10	41-40444B01	Azimuth Tension Spring	28	41-41251B02	Cam Tension Spring ②
11	3-41697B01	Special Azimuth Adjust Screw		41-41251B01	Cam Tension Spring ③
12	45-40480B01	Microswitch Actuating Arm	29	45-40428B07	Ratchet Cam ②
13	4-10058A55	Non-Metallic Washer		45-40428B01	Ratchet Cam ③
14	49-41794B01	Flywheel and Shaft Assembly	30	4-40409B05	Thrust Washer ②
15	41-40805B01	Ejector Spring		4-40409B03	Thrust Washer ③
16	1-42101B88	Manual Ejector and Bracket Assy.	31	43-40411B03	Thrust Bearing ②
17	46-42104B01	Tape Stop		43-40411B01	Thrust Bearing ③
18	45-41231B01	Radius Arm (2 used)	32	4-40409B04	Thrust Washer ②
19	42-41229B01	Radius Arm Retaining Clip (4 used)		4-40409B02	Thrust Washer ③
			33	26-41380B01	Motor Mounting Shield

① Includes Ref. Nos. 18, 19, 20, 21 and 22.

② Use with Shaft (.186 Dia.) Ref. No. 27.

③ Use with Shaft (.124 Dia.) Ref. No. 27.



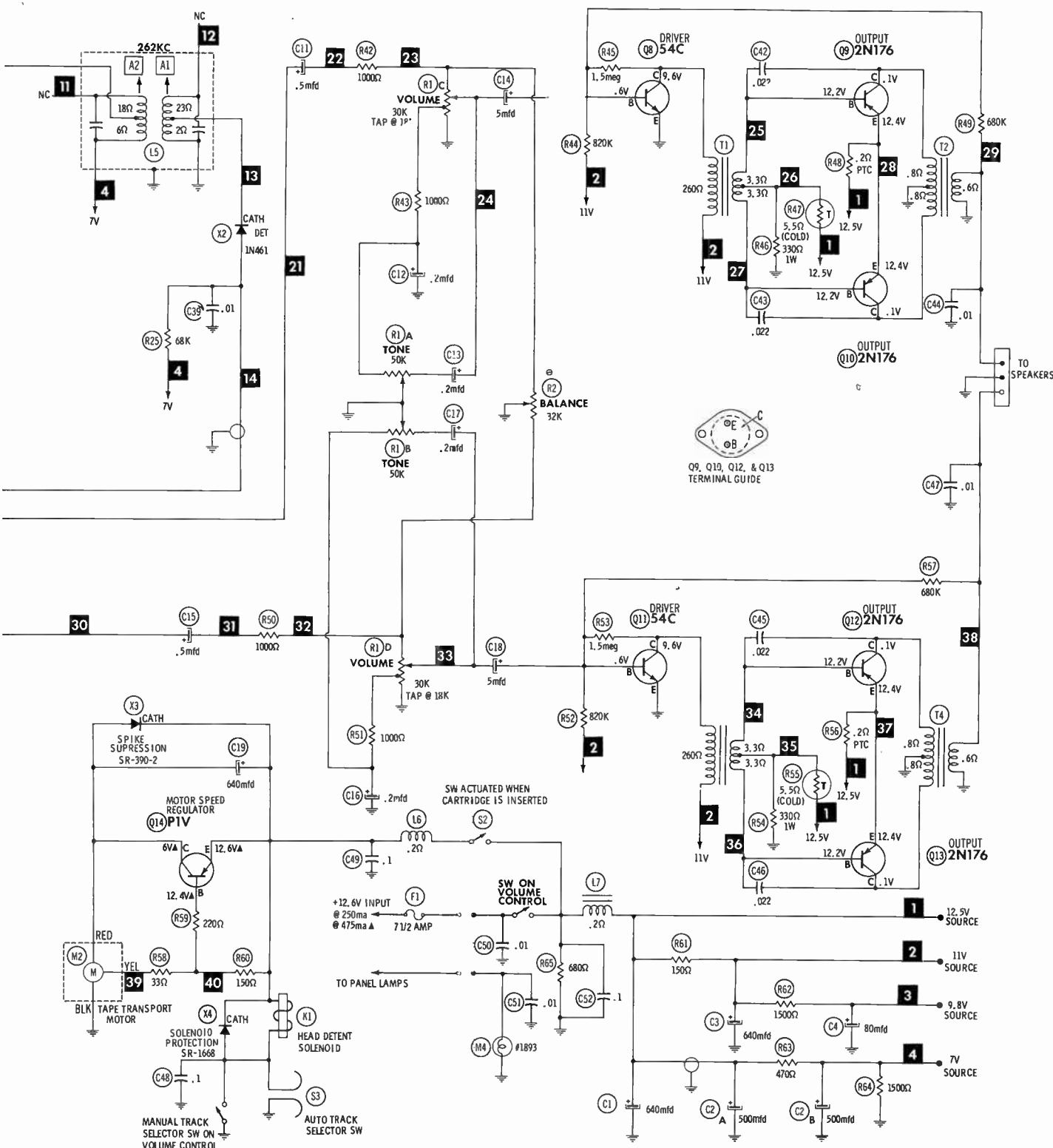


Resistors are 1/2 watt or less and rated 10% or 20% unless otherwise indicated.

- ⊖ See parts list
1. Voltage measurements taken with vacuum tube voltmeter.
 2. All controls set for normal operation, no signal applied.
 3. Measured values are from socket pin or terminal to common ground.
 4. All terminals viewed from bottom unless otherwise designated.
 5. Numbers assigned to terminals may not be found on the unit.
 6. Supply voltage maintained at rated value for voltage readings.
 7. Resistance measurements not given because of the wide variation in internal resistance of transistor.

A PHOTOFAC STANDARD NOTATION SCHEMATIC
with CIRCUITRACE™

© Howard W. Sams & Co., Inc. 1968

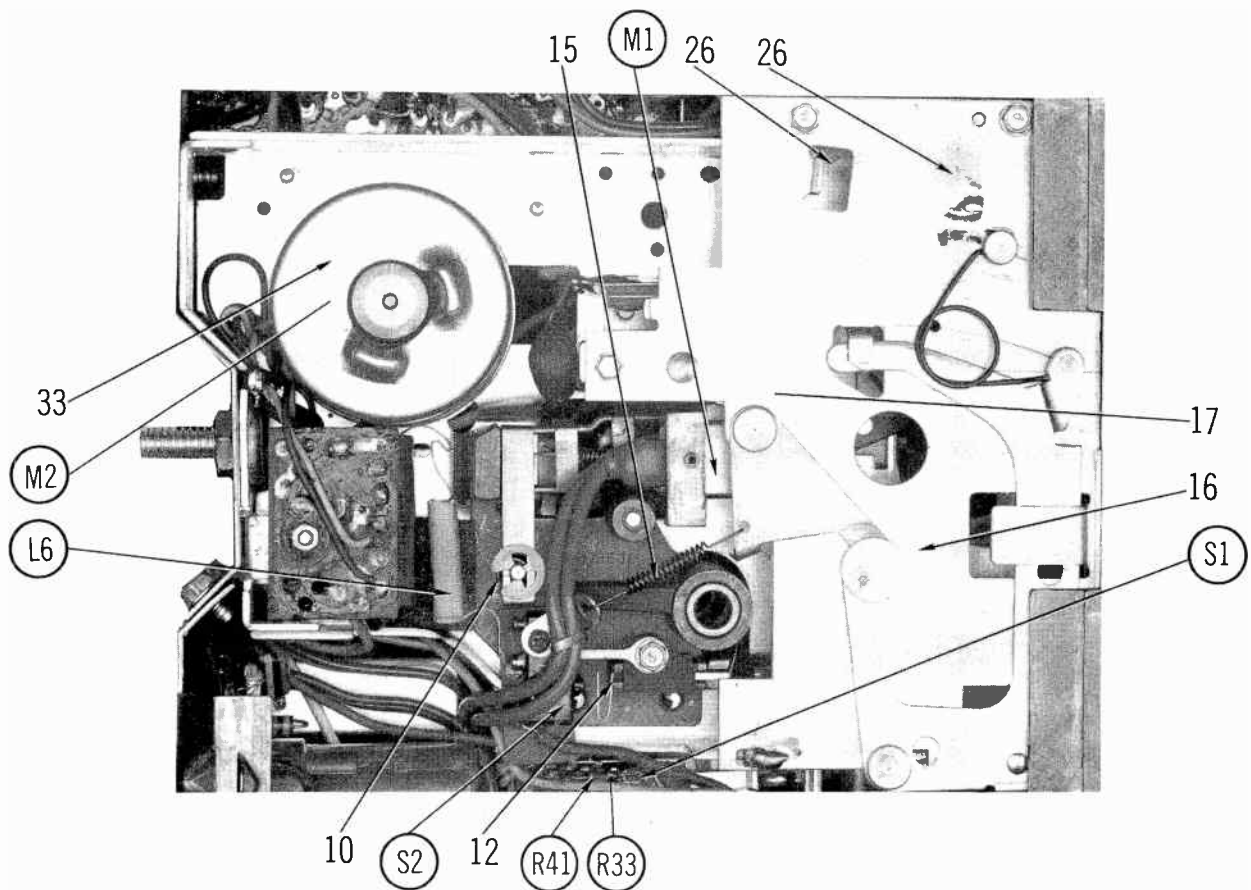
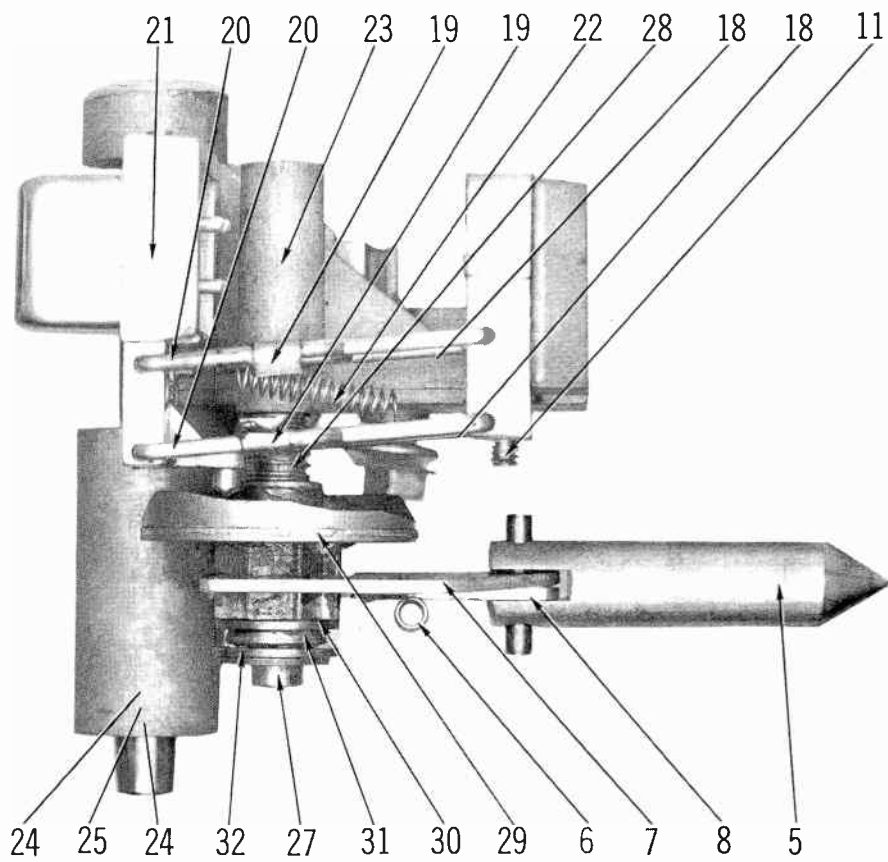


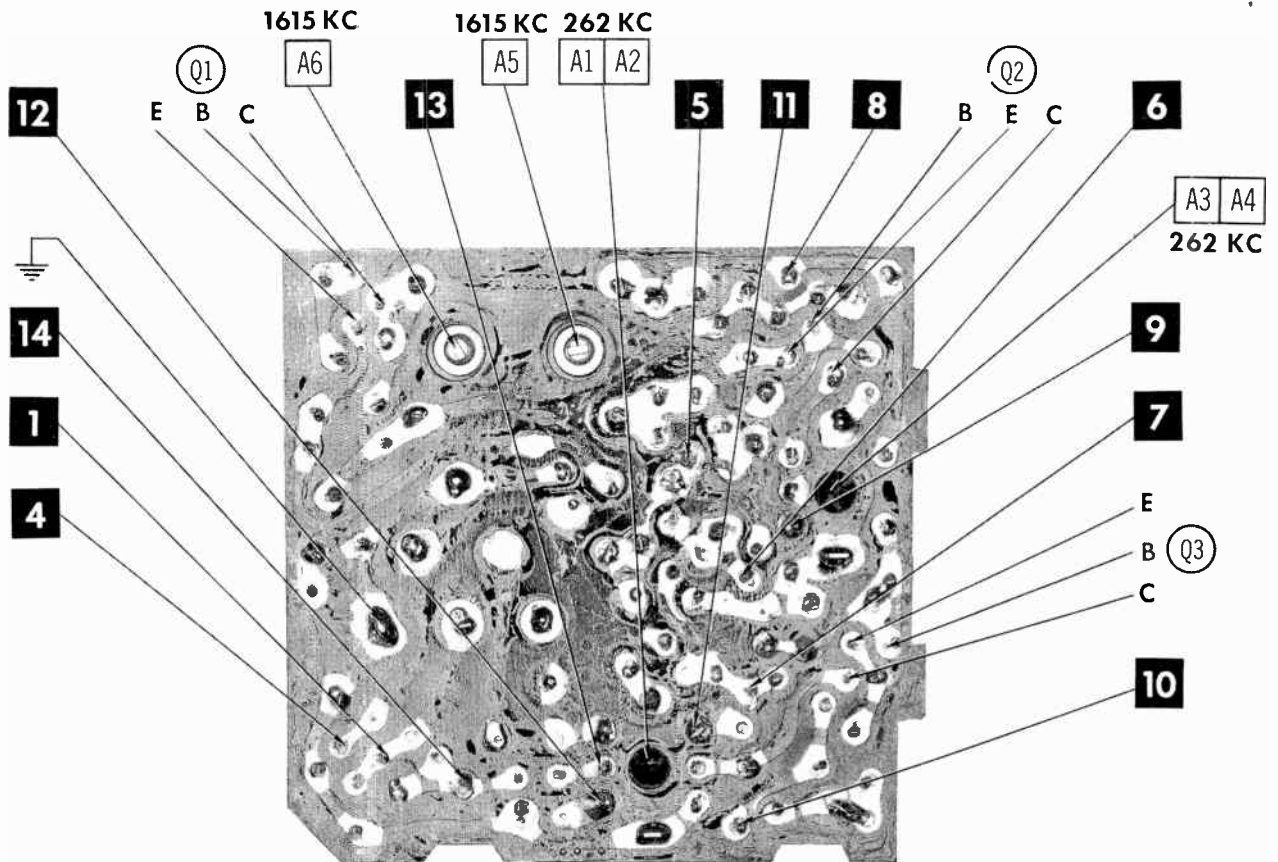
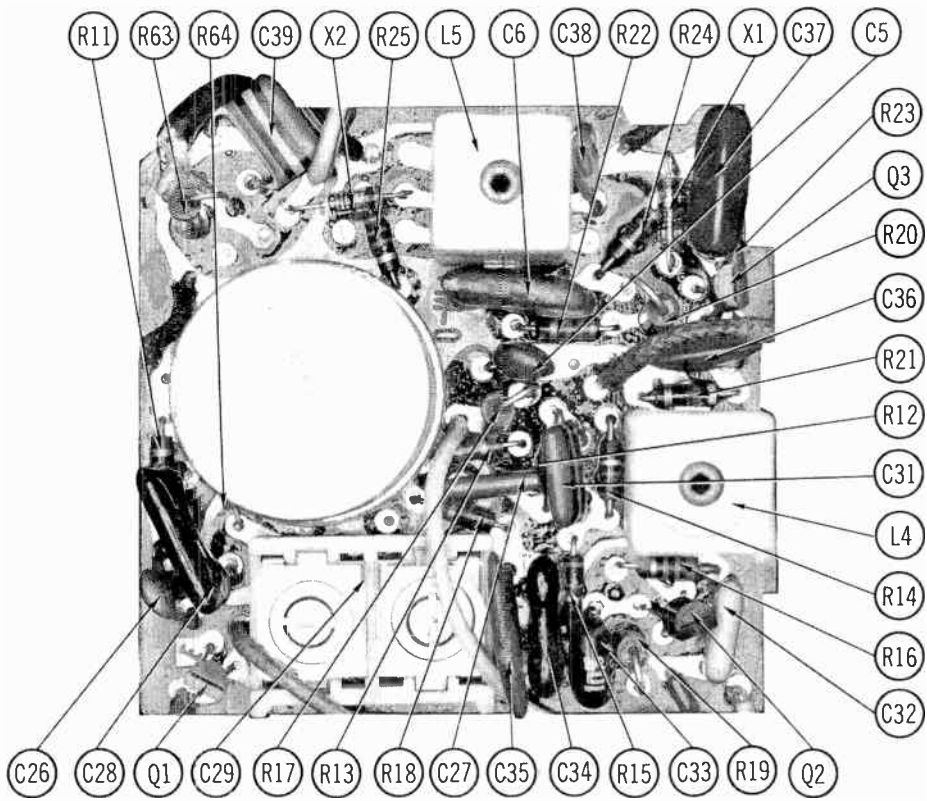
All measurements taken in RADIO position unless otherwise designated.

▲ Measured in TAPE position

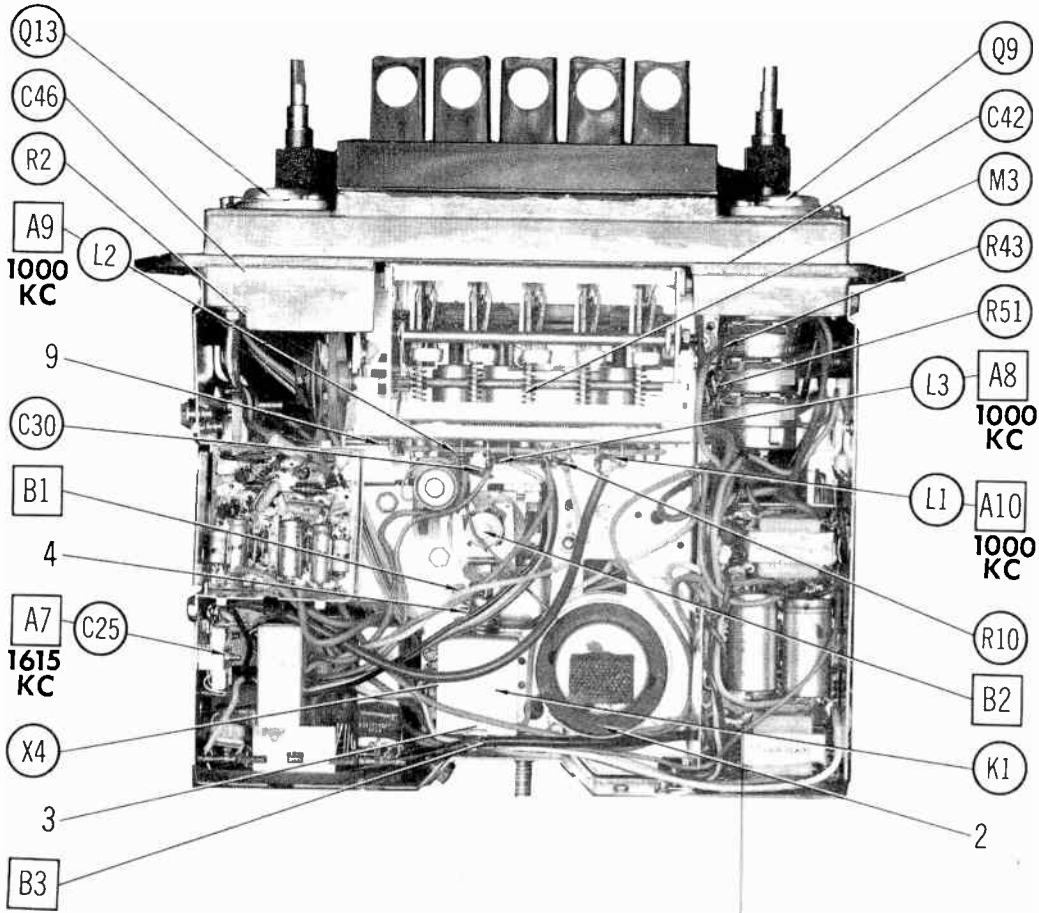
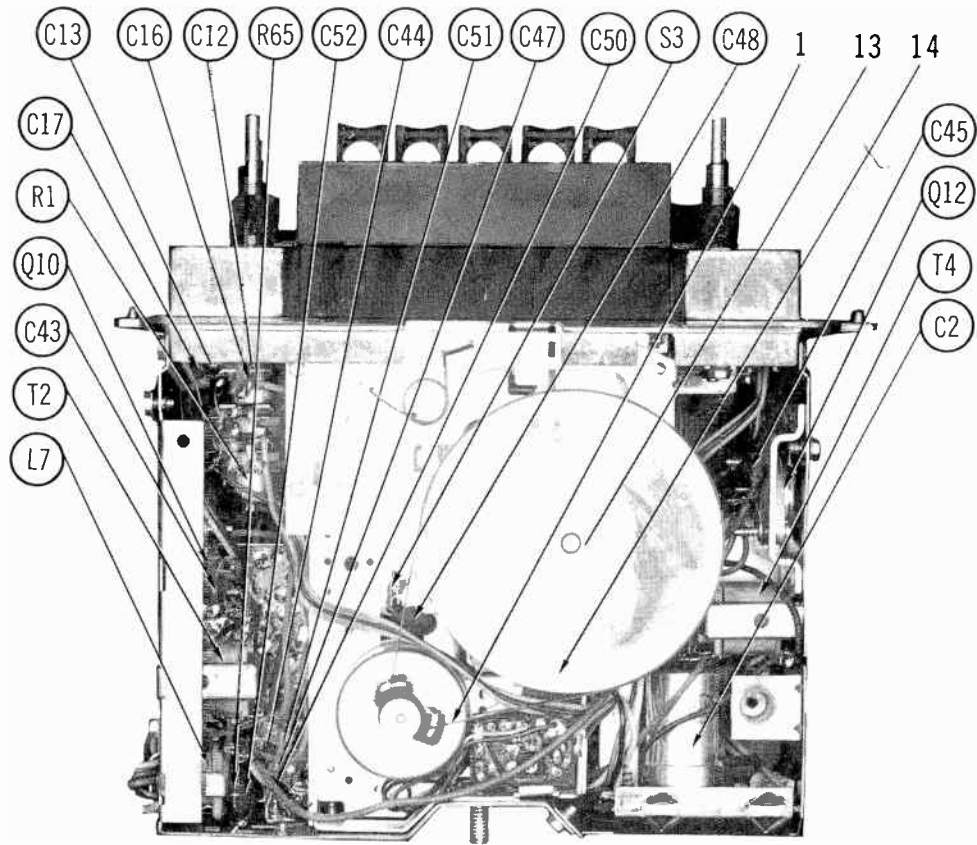
NC No Connection

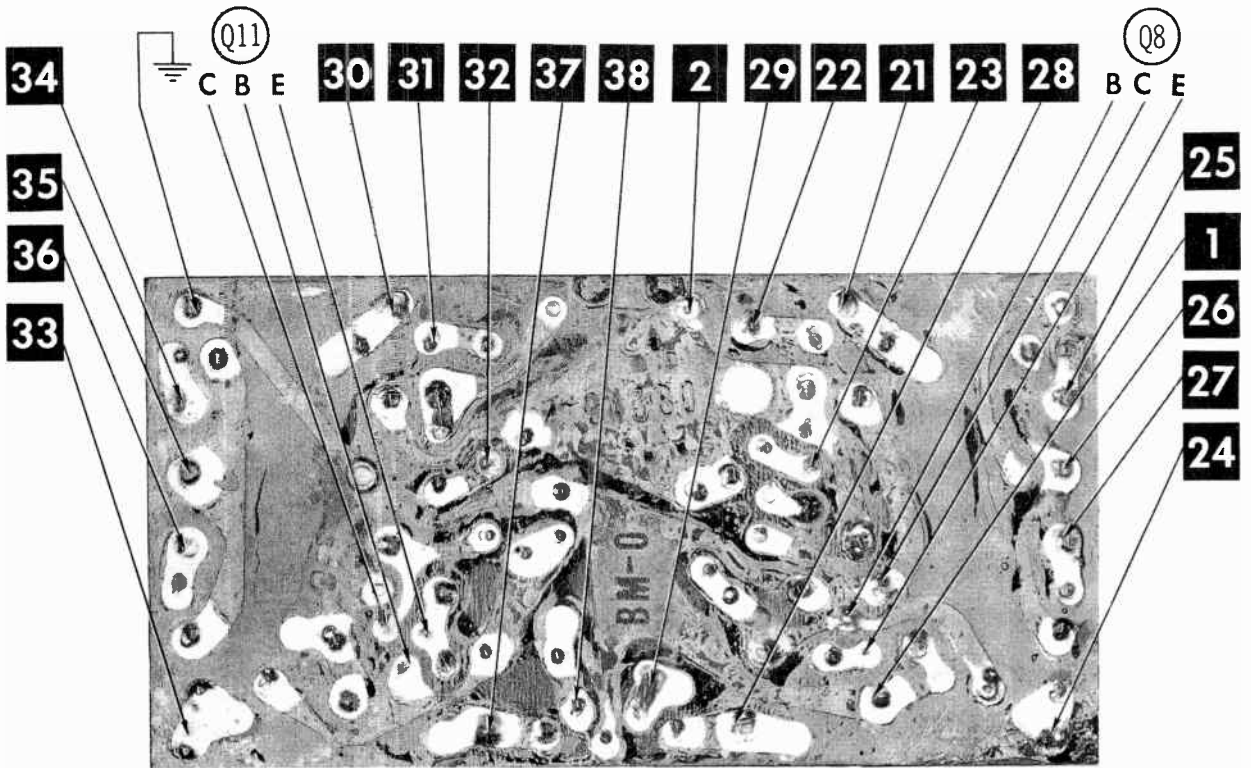
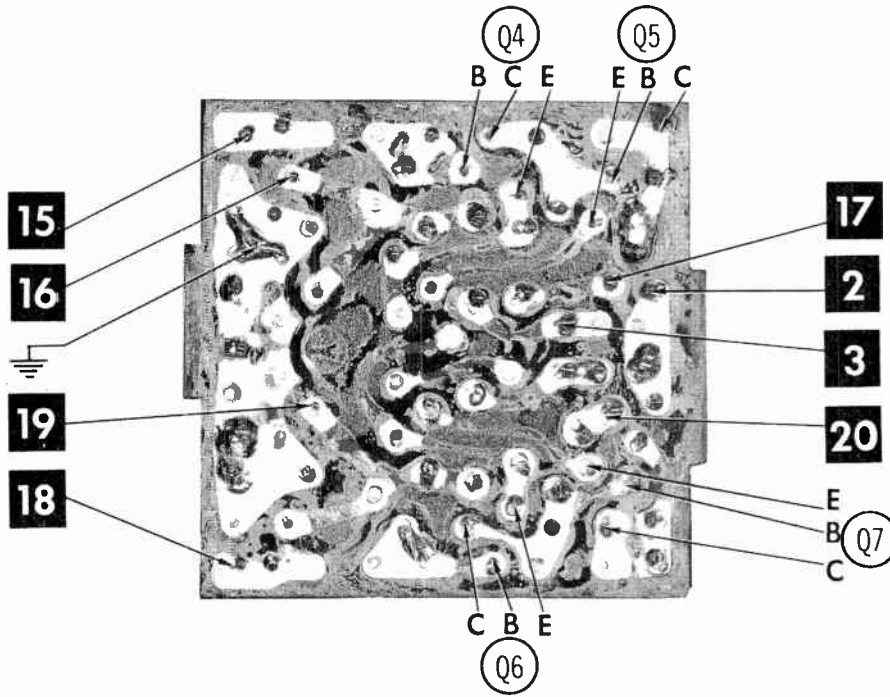
LINCOLN MODEL T8ML

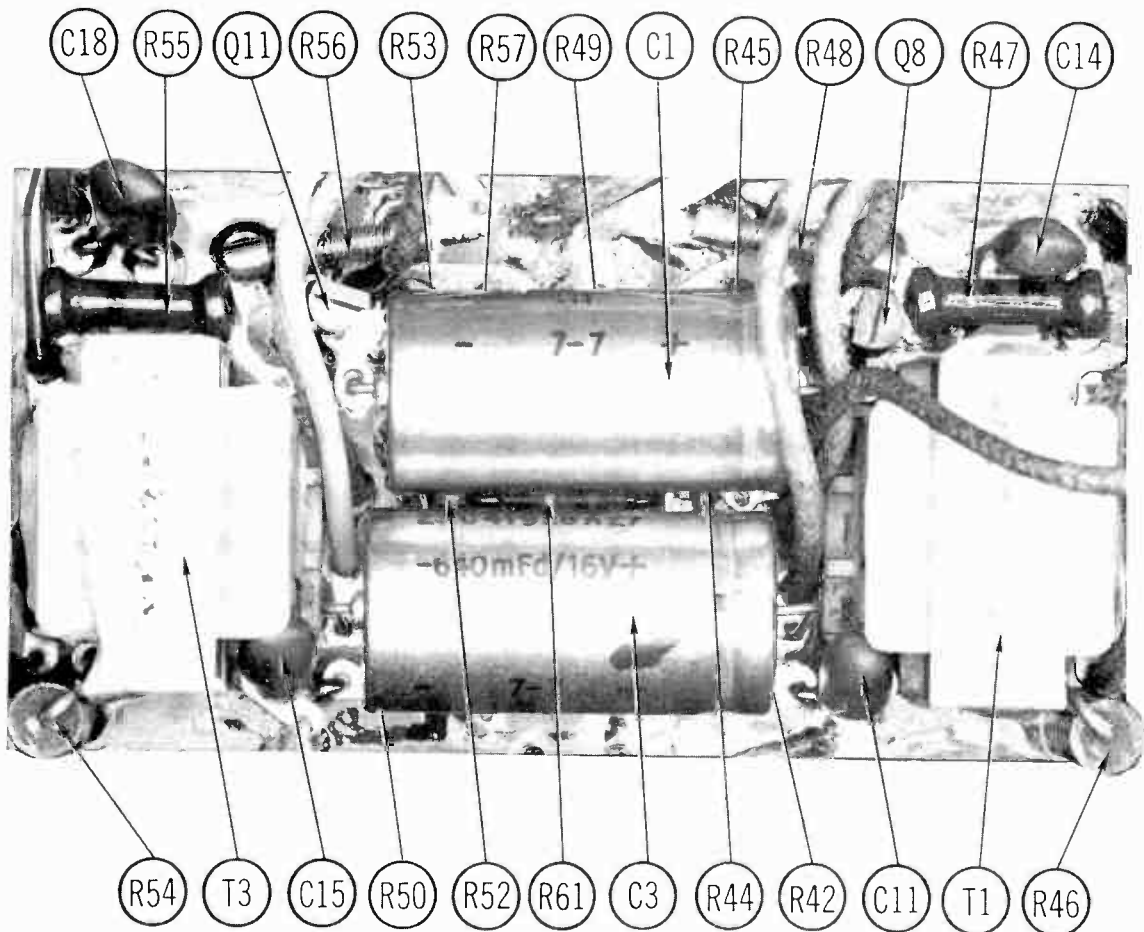
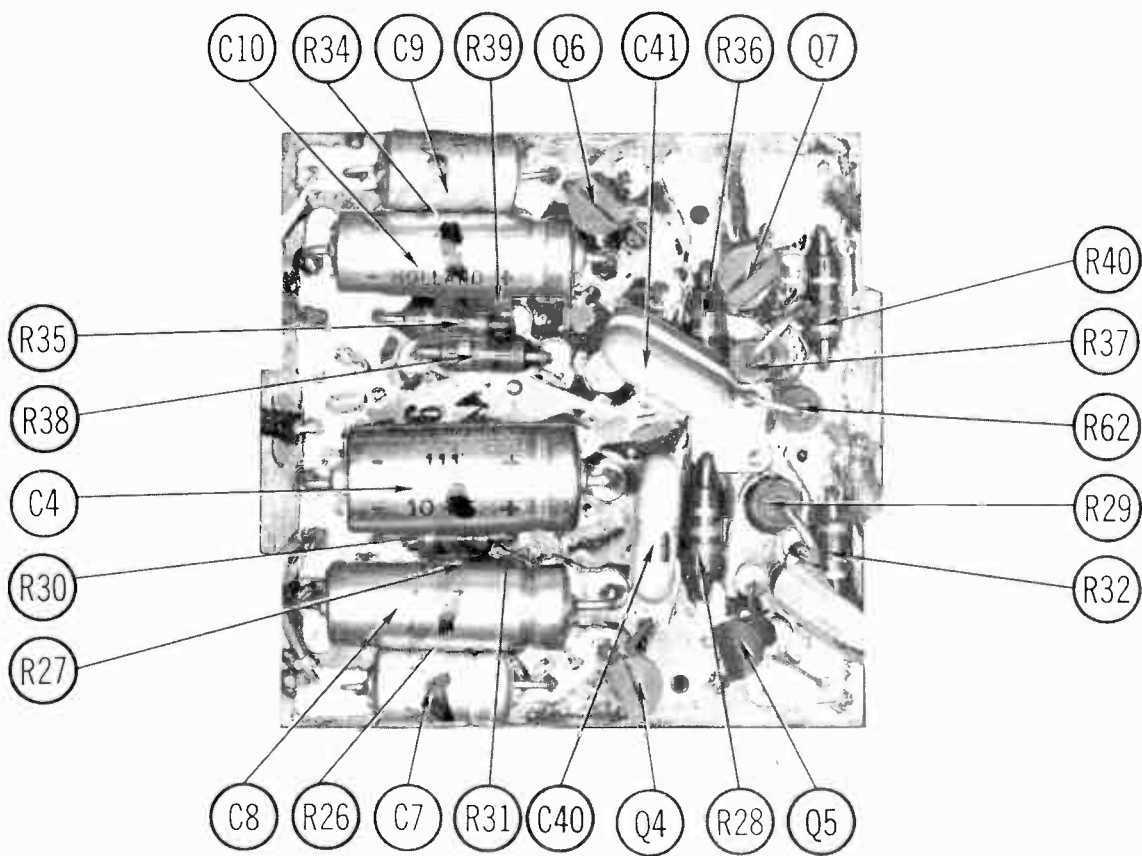


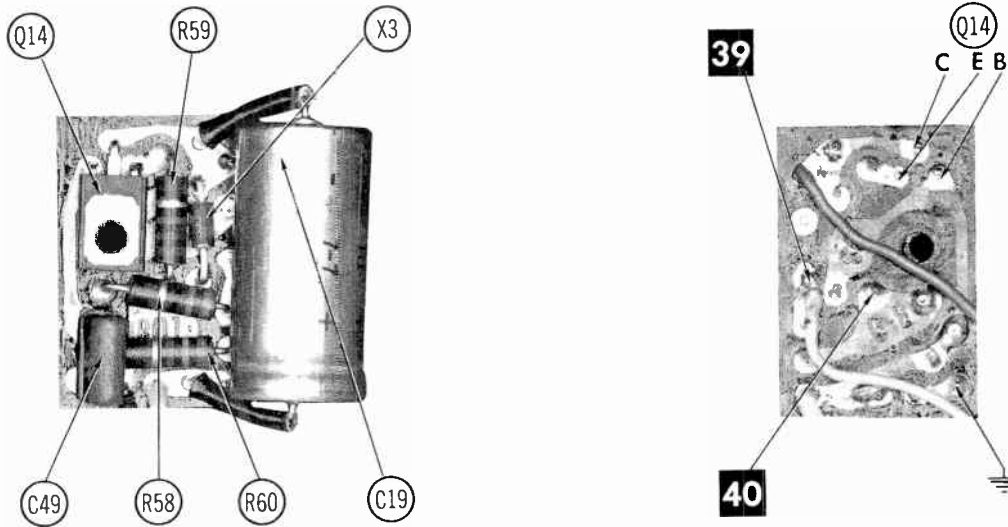


A Howard W. Sams CIRCUITRACE® Photo









LINCOLN MODEL T8M1

PARTS LIST AND DESCRIPTION

(When ordering parts, state Model, Part Number, and Description.)

Replacement parts shown may be superseded by the availability of newly introduced replacements. Have your local distributor check Sams COUNTER FACTS for the most up-to-date replacement.

WIRING DATA

General-use Unshielded Hook-up Wire	Use BELDEN No. 8530 (Solid) Available in 12 Colors 8524 (Stranded) Available in 12 Colors
Shielded Hook-up Wire	Use BELDEN No. 8885
Rear Seat Speaker Extension Cable	Use BELDEN No. 8782 (Stranded) Coded Parallel Leads
Bonding Strap	Use BELDEN No. 8661 (3/8 In.) or 8670 (3/4 In.)

TRANSISTORS

ITEM No.	TYPE No.	FUNCTION	REPLACEMENT DATA					
			MFGR. PART No.	DELCO PART No.	GENERAL ELECTRIC PART No.	INTERNATIONAL RECTIFIER PART No.	RCA PART No.	SYLVANIA PART No.
Q1	25B	RF Amp		DS-71	GE-11	TR-21	SK-3018	ECG 107
Q2	25A	Converter		DS-72	GE-11	TR-21	SK-3018	ECG 107
Q3	24B	IF Amp		DS-72	GE-11	TR-21	SK-3018	ECG 107
Q4	822A	Preamp		DS-76	GE-10	TR-21	SK-3020	ECG 123
Q5	54C	Preamp		DS-76	GE-10	TR-21	SK-3020	ECG 123
Q6	822A	Preamp		DS-76	GE-10	TR-21	SK-3020	ECG 123
Q7	54C	Preamp		DS-76	GE-10	TR-21	SK-3020	ECG 123
Q8	54C	Driver		DS-66	GE-10	TR-21	SK-3020	ECG 123
Q9	2N176	Output		DS-520	GE-3	TR-01	SK-3009	ECG 104
Q10	2N176	Output		DS-520	GE-3	TR-01	SK-3009	ECG 104
Q11	54C	Driver		DS-66	GE-10	TR-21	SK-3020	ECG 123
Q12	2N176	Output		DS-520	GE-3	TR-01	SK-3009	ECG 104
Q13	2N176	Output		DS-520	GE-3	TR-01	SK-3009	ECG 104
Q14	PIV	Motor Regulator		DS-520	GE-3	TR-01	SK-3009	ECG 104

POWER RECTIFIERS & SIGNAL DIODES

ITEM No.	MFGR. PART OR TYPE No.	REPLACEMENT RECTIFIERS & DIODES			REPLACEMENT RECTIFIERS		NOTES
		GENERAL ELECTRIC PART No.	INTERNATIONAL RECTIFIER PART No.	SYLVANIA PART No.	RCA PART No.	SARKES TARZIAN PART No.	
X1	1N461 (48-134816)	1N82A	1N82A	ECG 112			
X2	1N461 (48-134816)	1N82A	1N82A	ECG 112			
X3	SR-390-2 (48-41508A01)						
X4	SR-1668 (48-41508A02)						

PARTS LIST AND DESCRIPTION (CONTINUED)

(When ordering parts, state Model, Part Number, and Description.)

Replacement parts shown may be superseded by the availability of newly introduced replacements. Have your local distributor check Sams COUNTER FACTS for the most up-to-date replacement.

ELECTROLYTIC CAPACITORS

ITEM No.	RATING	REPLACEMENT DATA						
		MOTOROLA PART No.	AEROVOX PART No.	CENTRALAB PART No.	CORNELL-DUBILIER PART No.	GENERAL ELECTRIC PART No.	MALLORY PART No.	SPRAGUE PART No.
C1	640 16V	23C41928A27	PRS1220	EA15-500	BR500-15	QT1-30	TC1505A	TL-1166
C2A	500 16V	23C40302A07	PWH2-02-40				PF200-.65	PCL-2177
B	500 16V							
C3	640 16V	23C41928A27	PRS1220	EA15-500	BR500-15	QT1-30	TC1505A	TL-1166
C4	80 16V	23C41928A23	CRE620A	EA30-100	NLW75-15	MT1-19	MTA80E15	TE-1161
C5	2 10V	23C43280A02	BCD12002	EA15-2	NLW2-50	MT1-1	PET1930	TL-1121
C6	10 6V	23C43280A03	CRE307A	EA6-10	NLW10-6	MT1-5	TF6X10	TE-1087
C7	20 16V	23C41928A24	CRE611A	EA15-25	NLW20-25	MT1-10	TT25X20	TL-1157
C8	40 16V	23C41928A20	CRE615A	EA30-50	NLW40-25	MT1-17	MTA40E30	TE-1209
C9	20 16V	23C41928A24	CRE611A	EA15-25	NLW20-25	MT1-10	TT25X20	TL-1157
C10	40 16V	23C41928A20	CRE615A	EA30-50	NLW40-25	MT1-17	MTA40E30	TE-1209
C11	.5 15V	23C43280A21	CRE450A	UK10-474	NLW1-50	MT1-1	TT15X1	TE-1148
C12	.2 15V	23C43280A19		UK20-204	TYR13BD224K		TAS22M015P0A	
C13	.2 15V	23C43280A19		UK20-204	TYR13BD224K		TAS22M015P0A	
C14	5 6V	23C43280A27	BCD6005	EP30-5	NLW5-15	MT1-3	PET1210	TL-1084
C15	.5 15V	23C43280A21	CRE450A	UK10-474	NLW1-50	MT1-1	TT15X1	TE-1148
C16	.2 15V	23C43280A19		UK20-204	TYR13BDR22K		TAS22M015P0A	
C17	.2 15V	23C43280A19		UK20-204	TYR13BDR22K		TAS22M015P0A	
C18	5 6V	23C43280A27	BCD6005	EP30-5	NLW5-15	MT1-3	PET1210	TL-1084
C19	640 16V	23C41928A27	PRS1220	EA15-500	BR500-15	QT1-30	TC1505A	TL-1166

CAPACITORS

ITEM No.	RATING	REMARKS	REPLACEMENT DATA					
			AEROVOX PART No.	CENTRALAB PART No.	CORNELL-DUBILIER PART No.	ELMENCO PART No.	MALLORY PART No.	SPRAGUE PART No.
C25	150-290	#20-40746A06				467		
C26	330		GPD X5F331K	DD-331	JB2601YP331K	CCD-331	GP333	5GA-T33
C27	.01 100V	(2)	DBE6S1	CPR-10000J	DMF2S1	4DP-1-103	PVC211	2TM-S10
C28	250	(2)	GPD X5F251K	DD-251		CCD-251	GP325	5GA-T25
C29A	30-150	#20-40254A21						
B	50-190							
C30	180 N750	(2)		TCN-180			CN7318	10TCU-T18
C31	.01 100V		DBE6S1	CPR-10000J	DMF2S1	4DP-1-103	PVC211	2TM-S10
C32	.0047 100V	(2)	DBE6D47	CPR-4700J	DMF6D47	6DP-1-472	PVC6247	6PS-D47
C33	.0082 50V	(2)	DBE6D82	CPR-8200J	DPMS6D82	6DP-2-822		6PS-D82
C34	160		ADM-10-161	CPR-160J	CD15F161J500	DM-15-161	SX316	MS-316
C35	180 N330					*		10TCS-T18
C36	.0015		GPD X5F152K	DD-152		CCD-152	GP215	10TS-D15
C37	.1 100V		DBE2P1		DMF2P1	2DP-3-104	PVC201	2PS-P10
C38	150	(2)	GPD X5F151K	DD-151	RR05CW151K	CCD-151	GP315	5GA-T15
C39	.01 100V		DBE6S1	CPR-10000J	DMF2S1	4DP-1-103	PVC211	2TM-S10
C40	.0047 100V	(2)	DBE6D47	CPR-4700J	DMF6D47	6DP-1-472	PVC6247	6PS-D47
C41	.0047 100V	(2)	DBE6D47	CPR-4700J	DMF6D47	6DP-1-472	PVC6247	6PS-D47
C42	.022 100V		DBE6S22	DD-203	DMF4S22	4DP-2-223	PVC6122	4PS-S22
C43	.022 100V		DBE6S22	DD-203	DMF4S22	4DP-2-223	PVC6122	4PS-S22
C44	.01		GPD X5S103K	DD-103	BYX601ZU103M	CCD-103	JF110	10TS-S10
C45	.022 100V		DBE6S22	DD-203	DMF4S22	4DP-2-223	PVC6122	4PS-S22
C46	.022 100V		DBE6S22	DD-203	DMF4S22	4DP-2-223	PVC6122	4PS-S22
C47	.01		GPD X5S103K	DD-103	BYX601ZU103M	CCD-103	JF110	10TS-S10
C48	.1 100V		DBE2P1		DMF2P1	2DP-3-104	PVC201	2PS-P10
C49	.1 100V		DBE2P1		DMF2P1	2DP-3-104	PVC201	2PS-P10
C50	.01		GPD X5S103K	DD-103	BYX601ZU103M	CCD-103	JF110	10TS-S10
C51	.01		GPD X5S103K	DD-103	BYX601ZU103M	CCD-103	JF110	10TS-S10
C52	.1 100V	(1)	DBE2P1		DMF2P1	2DP-3-104	PVC201	2PS-P10

Motorola Part Number.

(2) Nominal Value.

(1) Not used in some versions.

* Not normally in distributors stock. Available thru distributor on order to manufacturer.

CONTROLS

All wattages 1/2 watt, or less, unless otherwise listed.

ITEM No.	USE	RESISTANCE	REPLACEMENT DATA				
			MOTOROLA PART No.	CENTRALAB PART No.	CLAROSTAT PART No.	CTS-IRC PART No.	MALLORY PART No.
R1A	Tone	50K	18C41723B01				
B	Tone	50K					
C	Manual Track Selector Switch	30K Tap @ 18K					
D	Volume/Switch	30K Tap @ 18K					
R2	Balance	32K	18B41886B01				

RESISTORS (Power and Special)

ITEM No.	RATING	REPLACEMENT DATA			ITEM No.	RATING	REPLACEMENT DATA		
		IRC PART No.	WORKMAN PART No.	MOTOROLA PART No.			IRC PART No.	WORKMAN PART No.	MOTOROLA PART No.
R47	5.5 (cold)			6-565324	R55	5.5 (cold)			6-565324
R48	.2 (PTC)			17-40756A06	R56	.2 (PTC)			17-40756A06

PARTS LIST AND DESCRIPTION (CONTINUED)

(When ordering parts, state Model, Part Number, and Description.)

Replacement parts shown may be superseded by the availability of newly introduced replacements.
Have your local distributor check Sams COUNTER FACTS for the most up-to-date replacement.

COILS (RF-IF)

ITEM No.	USE	REPLACEMENT DATA			
		MOTOROLA PART No.	MEISSNER PART No.	MILLER PART No.	WORKMAN PART No.
L1	Antenna	(1)			
L2	RF	(1)			
L3	Oscillator	(1)			
L4	Input IF	24D42517A27		8002	
L5	Output IF	24D42517A28		8010	
L6	RF Choke (1.5uh)	2440788A04	19-1001	4604	T856

(1) Part of M1

FILTER CHOKE

ITEM No.	RATINGS			REPLACEMENT DATA					NOTES
	CURRENT (Measured)	DC RES.	INDUCTANCE (0 CURRENT 1000~}	MOTOROLA PART No.	MERIT PART No.	STANCOR PART No.	THORDARSON PART No.	TRIAD PART No.	
L7	250ma (475ma in Tape Player position)	.2	5mH	25D40907B13	C-4095	TC-2	TR-154	TY17XT	

TRANSFORMER (DRIVER)

ITEM No.	TURNS RATIO			REPLACEMENT DATA					NOTES
	PRI.	SEC. 1	SEC. 2	MOTOROLA PART No.	MERIT PART No.	STANCOR PART No.	THORDARSON PART No.	TRIAD PART No.	
T1	8	1	1	25D42917A14					
T3	8	1	1	25D42917A14					

TRANSFORMER (AUDIO OUTPUT)

ITEM No.	IMPEDANCE		REPLACEMENT DATA					NOTES
	PRI.	SEC.	MOTOROLA PART No.	MERIT PART No.	STANCOR PART No.	THORDARSON PART No.	TRIAD PART No.	
T2	16 CT	8	25D41586B03					
T4	16 CT	8	25D41586B03					

SPEAKER

ITEM No.	TYPE	REPLACEMENT DATA			NOTES
		MOTOROLA PART No.	JENSEN PART No.	QUAM PART No.	
	4" X 10" PM	8 ohms	50-43880A01		
	5 1/4" PM	8 ohms	50-43907A01		

FUSE DEVICES

ITEM No.	DESCRIPTION	REPLACEMENT DATA						
		PART No.		BUSS PART No.		LITTELFUSE PART No.		WORKMAN PART No.
		DEVICE	HOLDER	DEVICE	HOLDER	DEVICE	HOLDER	DEVICE
F1	SFE 7 1/2		In Fuse Block	SFE 7 1/2		30707.5		

TAPE HEADS

ITEM NO.	MEASURED			PART NO.	NORTRONICS PART No.	DESCRIPTION
	INDUCTANCE	BIAS/ERASE VOLTS (RMS)	BIAS FREQ.			
M1	400mH			59.43641A02	5800*	8-Track Stereo Play * Use original mounting.

MISCELLANEOUS

ITEM No.	PART NAME	PART No.	NOTES
K1	Solenoid	24-42064B01	AT-639
M2	Motor	59-41739B01	
M3	Tuner	1-43500A31	
	Coil Assembly	1-41700B61	
M4	Dial Lamp #1893	65-40304A01	
S1	Radio-Tape Switch	40B41363B01	
S2	Micro Switch	40-40406B01	
S3	Auto-Track Selector Switch	40-40296B01	
S4	Antenna Motor Switch	40-42254B01	

CABINETS & CABINET PARTS

(When Ordering Specify Model, Chassis & Color)

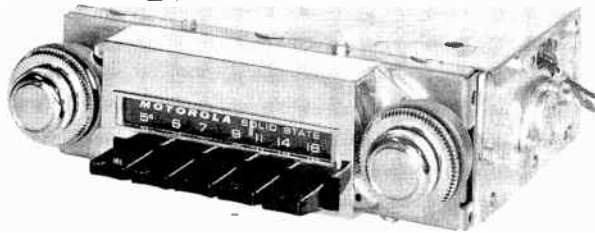
ITEM	PART No.	ITEM	PART No.
Bezel	1-41700B38	Push Button #1	38-41570B01
Door	15-41511B01	Push Button #2	38-41570B02
Knob, Tuning or Volume	36-40807B01	Push Button #3	38-41570B03
Knob, Tone or Balance	13-43954A01	Push Button #4	38-41570B04
Dial Pointer	52-40244B15	Push Button #5	38-41570B05

LINCOLN MODEL T8M1



PHOTOFACT[®] with

CIRCUITRACE[®]



TRADE NAME : Motorola Models
 CK67A (1967 Chevrolet and GMC Trucks)
 CK68A (1968 Chevrolet and GMC Trucks)

SUPPLIER : For Current Address, See Annual Index

TYPE SET : 7-Transistor AM Receiver

POWER SUPPLY : 12 Volt Storage Battery

RATING : .7 Amp @ 12.6 Volts DC

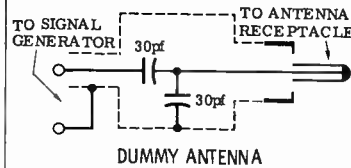
MOTOROLA MODELS CK67A, CK68A

ALIGNMENT INSTRUCTIONS

Check for specified source voltage.
 Use only enough generator output to provide a usable indication.
 Suggested Alignment Tools:

A1 thru A4. GENERAL CEMENT: 9296, 9297, 9300
 WALSCO: 2510, 2546, 2547

A5, A6, A7. GENERAL CEMENT: 8290, 8868, 9087
 WALSCO: 2525, 2528, 2587



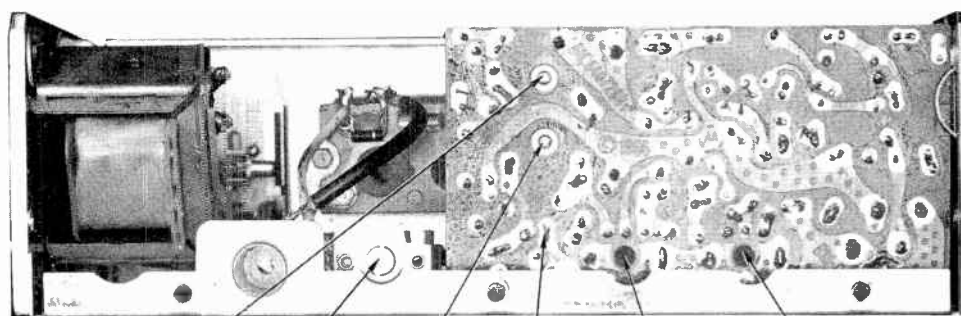
- PUSH-BUTTON ADJUSTMENT**
1. Pull button out.
 2. Tune manually to desired station.
 3. Press button in firmly.
 4. Repeat for remaining buttons.

SIGNAL GENERATOR COUPLING	SIGNAL GENERATOR FREQUENCY	RADIO DIAL SETTING	INDICATOR	ADJUST	REMARKS
1. High side thru .1mfd to point Δ , low side to ground.	262KC (400% Mod.)	High freq. end stop.	Output meter across voice coil.	A1, A2, A3, A4	Adjust for maximum.
2. Thru dummy antenna to antenna receptacle.	1615KC	"	"	A5, A6, A7	"
Step 3 is not necessary unless tuner has been tampered with or associated components have been replaced. If necessary, back tuning cores (A8, A9, A10) out of coils but not out of forms. Repeat Step 2.					
3. Thru dummy antenna to antenna receptacle.	1000KC	Tune to signal.	Output meter across voice coil.	A8, A9, A10	Adjust for maximum. Repeat Steps 2 and 3 until no further improvement is noted.
With radio installed in car and antenna extended to desired height, tune in a weak station near 1400KC and adjust A7 for maximum output. Antenna adjustment (A7) is located right rear next to antenna receptacle.					

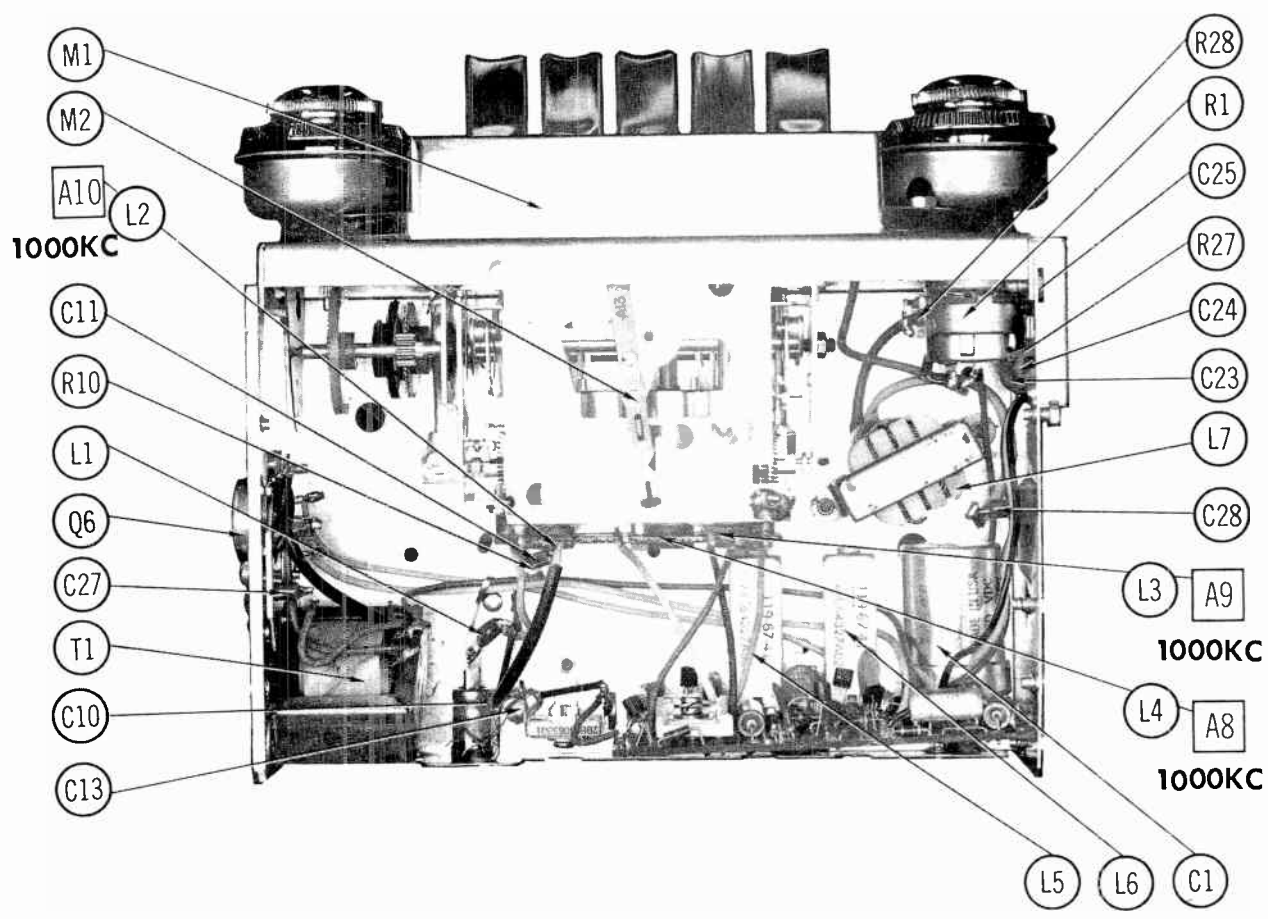
HOWARD W. SAMS & CO., INC. Indianapolis, Indiana 46206

© 1968 Howard W. Sams & Co., Inc. Printed in U. S. of America TD231

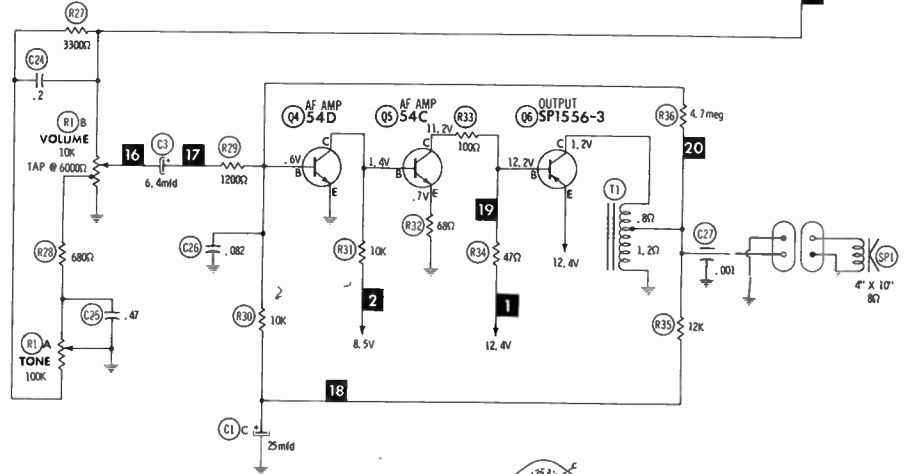
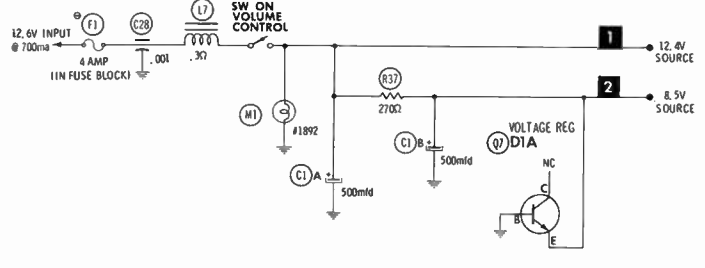
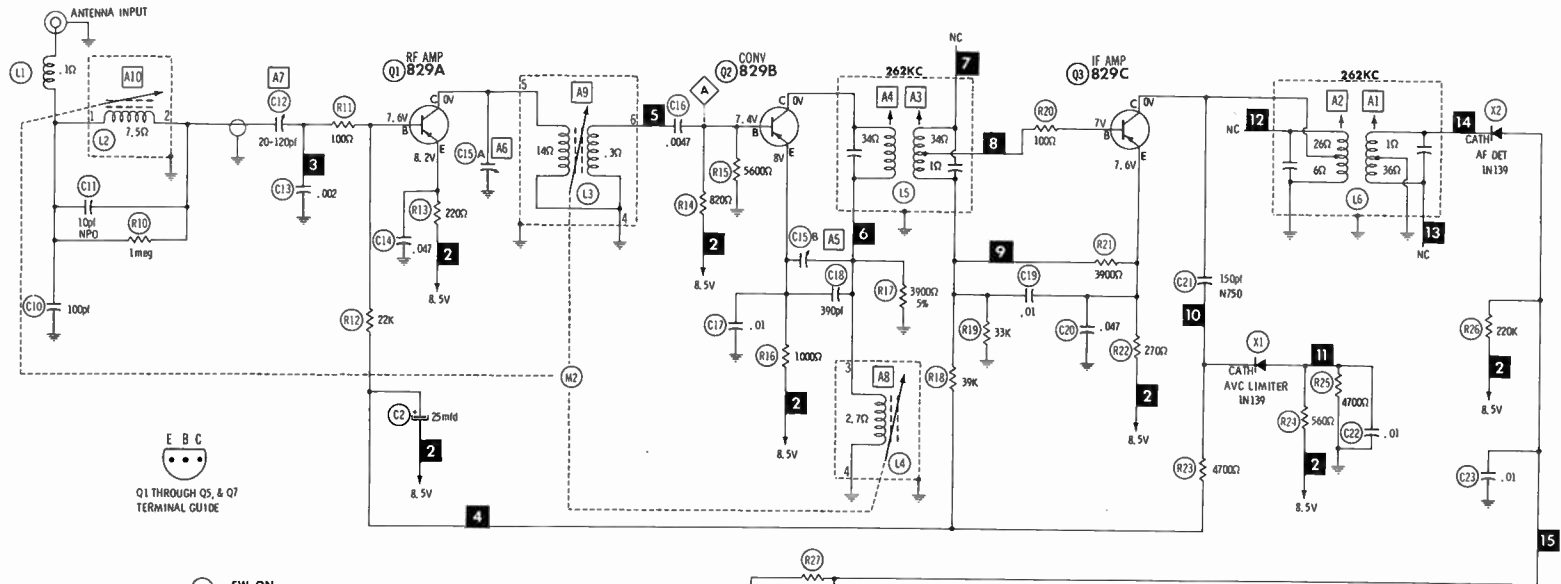
World Radio History



- A6
1615KC
- C12
- A7
1615KC
- A5
1615KC
- A
- A3 A4
262KC
- A1 A2
262KC



- M1
- M2
- A10
1000KC
- L2
- C11
- R10
- L1
- Q6
- C27
- T1
- C10
- C13
- R28
- R1
- C25
- R27
- C24
- C23
- L7
- C28
- L3 A9
1000KC
- L4 A8
1000KC
- L5
- L6
- C1

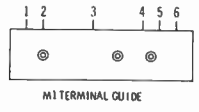


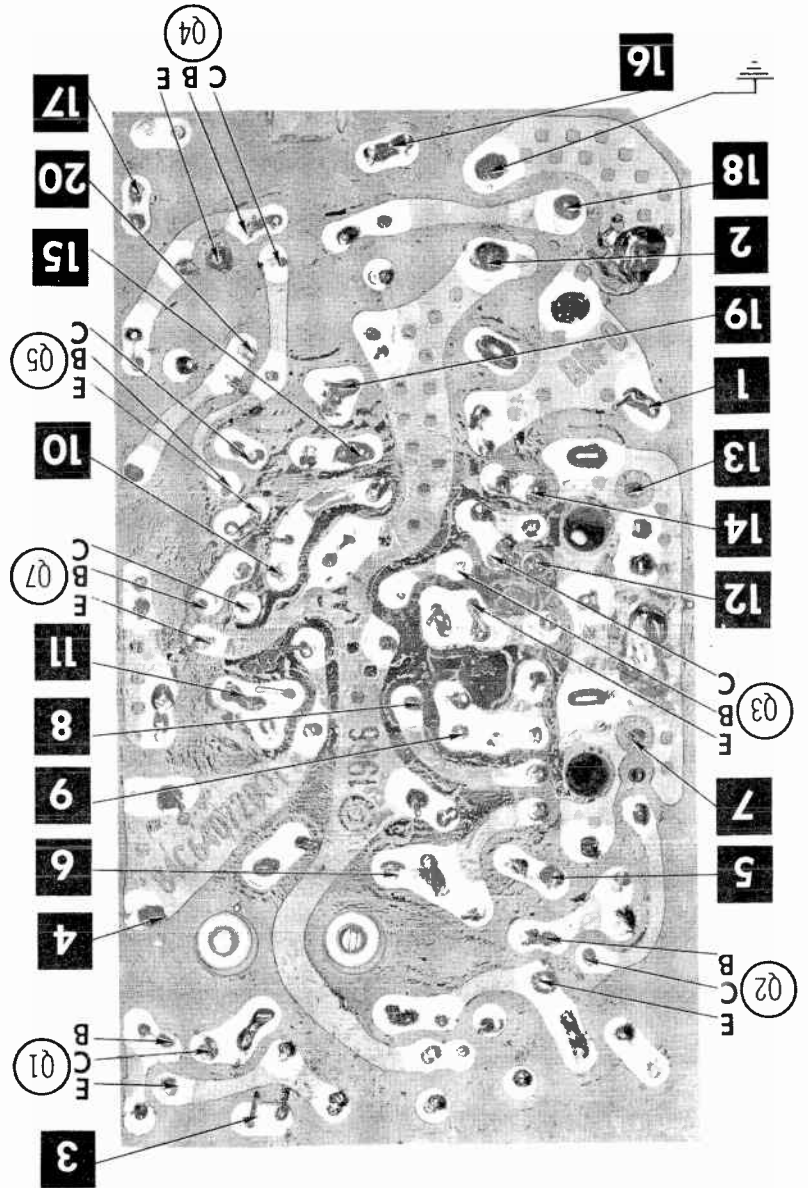
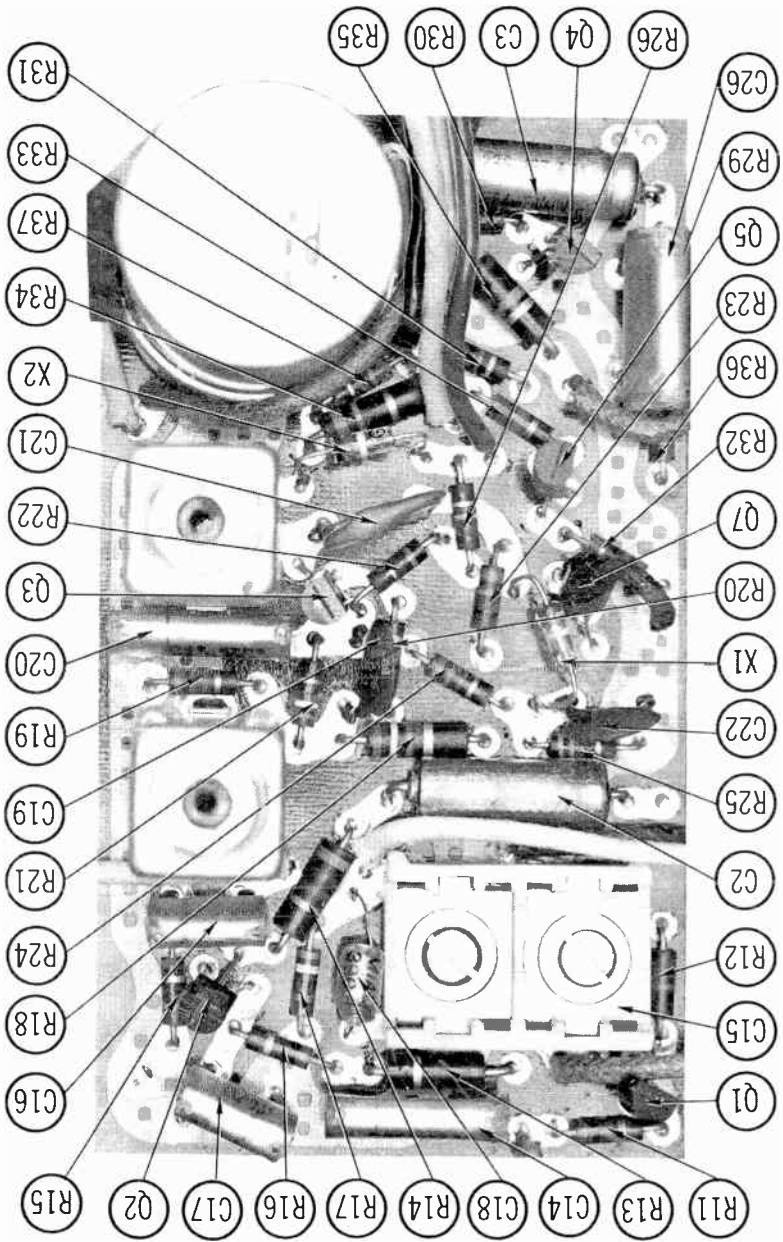
NC No Connection

Resistors are 1/2 watt or less and rated 10% or 20% unless otherwise indicated.

- ⊙ See parts list
- 1. Voltage measurements taken with vacuum tube voltmeter.
- 2. All controls set for normal operation, no signal applied.
- 3. Measured values are from socket pin or terminal to common ground.
- 4. All terminals viewed from bottom unless otherwise designated.
- 5. Numbers assigned to terminals may not be found on the unit.
- 6. Supply voltage maintained at rated value for voltage readings.
- 7. Resistance measurements not given because of the wide variation in internal resistance of transistor.

A PHOTOFAC STANDARD NOTATION SCHEMATIC with CIRCUITRACE
© Howard W Sams & Co., Inc 1968





PARTS LIST AND DESCRIPTION

(When ordering parts, state Model, Part Number, and Description.)

Replacement parts shown may be superseded by the availability of newly introduced replacements.
Have your local distributor check Sams COUNTER FACTS for the most up-to-date replacement.

TRANSISTORS

ITEM No.	TYPE No.	FUNCTION	REPLACEMENT DATA					
			MFGR. PART No.	DELCO PART No.	GENERAL ELECTRIC PART No.	INTERNATIONAL RECTIFIER PART No.	RCA PART No.	SYLVANIA PART No.
Q1	829A	RF Amp	48S134830 (48S134831)		GE-21	TR-19		ECG 106
Q2	829B	Converter	48S134831		GE-21	TR-19		ECG 106
Q3	829C	IF Amp	48S134832 (48S134831)		GE-21	TR-19		ECG 106
Q4	54D	AF Amp	48S134811	DS-66	GE-10	TR-21	SK-3020	ECG 123
Q5	54C	AF Amp	48S134810	DS-66	GE-10	TR-21	SK-3020	ECG 123
Q6	SP1556-3	Output *	48S134760	DS-520	GE-3	TR-21	SK-3009	ECG 104
Q7	D1A	Voltage Regulator	48S134912					

* When replacing, apply silicone grease to both sides of insulator. Tighten mounting screws securely.

POWER RECTIFIERS & SIGNAL DIODES

ITEM No.	MFGR. PART OR TYPE No.	REPLACEMENT RECTIFIERS & DIODES			REPLACEMENT RECTIFIERS		NOTES
		GENERAL ELECTRIC PART No.	INTERNATIONAL RECTIFIER PART No.	SYLVANIA PART No.	RCA PART No.	SARKES TARZIAN PART No.	
X1	48S134587 (1N139)	1N295	1N295	ECG 109			
X2	48S134587 (1N139)	1N295	1N295	ECG 109			

ELECTROLYTIC CAPACITORS

ITEM No.	RATING	REPLACEMENT DATA						
		MOTOROLA PART No.	AEROVOX PART No.	CENTRALAB PART No.	CORNELL-DUBILIER PART No.	GENERAL ELECTRIC PART No.	MALLORY PART No.	SPRAGUE PART No.
C1A	500 16V	23S184A01	PWH3-00-94.7				PPF300.18	PCL-3026.17
B	500 16V							
C	25 16V							
C2	25 25V	23S187A02	CRE612A	EA30-25	NLW25-25	MT1-11	TT25X25	TE-1207
C3	6.4 40V	23S187A01	CRE755A	EA50-10	NLW6-50	MT1-5	TT50X6	TE-1303.1

CAPACITORS

ITEM No.	RATING	REMARKS	REPLACEMENT DATA					
			AEROVOX PART No.	CENTRALAB PART No.	CORNELL-DUBILIER PART No.	ELMENCO PART No.	MALLORY PART No.	SPRAGUE PART No.
C10	100		ADM-15-101	CPR-100J	CD10E101J500	DM-15-101	SX310	MS-310
C11	10 NPO		NPO-DI 10	DTZ-10	C2601CG100J	CCTO-100	CNO410	10TCC-Q10
C12	20-120	#20B64065B01				463		
C13	.002		ADM-20-200	CPR-2000J	CD19F202J500	DM-19-202	SX220	MS-220
C14	.047 100V		DBE6S47	DD-503	DMF4S47	4DP-3-473	PVC4147	4PS-S47
C15A		#20C64618A04						
B								
C16	.0047 100V		DBE6D47	CPR-4700J	DMF6D47	6DP-1-472	PVC6247	6PS-D47
C17	.01 100V		DBE6S1	CPR-10000J	DMF2S1	4DP-1-103	PVC211	2TM-S10
C18	390		ADM-15-391	CPR-390J	CD15F391J500	DM-15-391	SX339	MS-339
C19	.01		GPD X5S103K	DD-103	BYX601ZU103M	CDD-103	JF110	10TS-S10
C20	.047 100V		DBE6S47	DD-503	DMF4S47	4DP-3-473	PVC4147	4PS-S47
C21	150 N750		N750-DI 150	DTN-150		CCTN-151	CN7315	10TCU-T15
C22	.01		DBE6S1	CPR-10000J	DMF2S1	4DP-1-103	PVC211	2TM-S10
C23	.01		DBE6S1	CPR-10000J	DMF2S1	4DP-1-103	PVC211	2TM-S10
C24	.2			UK10-204	HCZ3ROXR224P		MAG3022	HY-125
C25	.47			UK10-474			MAG12047	HY-330
C26	.082 100V		DBE6S82		DPMS6S82	6DP-4-823		6PS-S82
C27	.001	#21A560232	EF-001	MFT-1000		CCF-102	CT280A	
C28	.001	#21A560232	EF-001	MFT-1000		CCF-102	CT280A	

Motorola Part Number.

CONTROLS

All wattages 1/2 watt, or less, unless otherwise listed.

ITEM No.	USE	RESISTANCE	REPLACEMENT DATA				
			MOTOROLA PART No.	CENTRALAB PART No.	CLAROSTAT PART No.	CTS-IRC PART No.	MALLORY PART No.
R1A	Tone	100K	18C64062A06	F1-100K①, R16-10K, FFS101, RFS109, KR-4		†QJ-2532	FA15L①, RU14T53, OX1062, IS1562, US41
B	Volume/Switch	10K Tap @ 6000Ω					

① Use original Spring Mounting Clips.

② Cut off Tab Ears (R5). And use original Spring Mounting Clips.

† "CONCENTRIKIT" Equivalent: K8 Kit with Base Elements and Shafts: B11-128, P22-103 (Panel), B19-116X, R9-115 (Rear), R-5② (Tab Mount), 76-1 (Switch).

PARTS LIST AND DESCRIPTION (CONTINUED)

(When ordering parts, state Model, Part Number, and Description.)

Replacement parts shown may be superseded by the availability of newly introduced replacements.
Have your local distributor check Sams COUNTER FACTS for the most up-to-date replacement.

COILS (RF-IF)

ITEM No.	USE	REPLACEMENT DATA			
		MOTOROLA PART No.	MEISSNER PART No.	MILLER PART No.	WORKMAN PART No.
L1	RF Choke (1.8uh)	24C64003B02	19-1001	74F186AP	T810
L2	Antenna	①			
L3	RF	①			
L4	Oscillator	①			
L5	Input IF	24C64327A03		8009	
L6	Output IF	24C64327A02		8010	

① Part of M1 or (Coils and Mounting Plate Assembly Part Number 1V41001B77).

FILTER CHOKE

ITEM No.	RATINGS			REPLACEMENT DATA					NOTES
	CURRENT (Measured)	DC RES.	INDUCTANCE @ CURRENT (1000~)	MOTOROLA PART No.	MERIT PART No.	STANCOR PART No.	THORDARSON PART No.	TRIAD PART No.	
L7	700ma	.3Ω	1.9mh	25C64172A05 25C64172A08	C-4095	TC-1	TR-157	TY16XT	

TRANSFORMER (AUDIO OUTPUT)

ITEM No.	IMPEDANCE		REPLACEMENT DATA					NOTES
	PRI.	SEC.	MOTOROLA PART No.	MERIT PART No.	STANCOR PART No.	THORDARSON PART No.	TRIAD PART No.	
T1	24Ω Tap	@ 8Ω	25D64129A01					

SPEAKER

ITEM No.	TYPE	Ω	REPLACEMENT DATA			NOTES
			MOTOROLA PART No.	JENSEN PART No.	QUAM PART No.	
SP1	4" X 10" PM	8Ω	1C64290A04	P4X10V8	410A2Z8	

FUSE DEVICES

ITEM No.	DESCRIPTION	REPLACEMENT DATA						
		PART No.		BUSS PART No.		LITTELFUSE PART No.		WORKMAN PART No.
		DEVICE	HOLDER	DEVICE	HOLDER	DEVICE	HOLDER	DEVICE
F1	3AG 4 Amp	65S61688	In Fuse Block	AGC4		312004		

MISCELLANEOUS

ITEM No.	PART NAME	MOTOROLA PART No.	NOTES
M1	Dial Lamp	65S538410	CHICAGO MINIATURE Replacement CM-1892 AT642
M2	Tuner Coil Assembly	1U43500A26 1V41001B77	

CABINETS & CABINET PARTS

(When Ordering Specify Model, Chassis & Color)

ITEM	PART No.	ITEM	PART No.
Escutcheon	13D64178B01	Push Button Second & Fourth	38C40283B01
Dial Glass	34B64190B01	Knob, Tuning or Volume	36C64084B01
Dial Pointer	52C40244B11	Knob, Tone or Dummy	36C64177B01
Push Button First, Third & Fifth	38C40283B02		

WIRING DATA

General-use Unshielded Hook-up Wire	Use BELDEN No. 8530 (Solid) Available in 12 Colors 8524 (Stranded) Available in 12 Colors
Shielded Hook-up Wire	Use BELDEN No. 8885
Rear Seat Speaker Extension Cable	Use BELDEN No. 8782 (Stranded) Coded Parallel Leads
Bonding Strap	Use BELDEN No. 8661 (3/8 In.) or 8670 (3/4 In.)

MOTOROLA MODELS CK67A, CK68A



PHOTOFACT[®] with

CIRCUITRACE[®]



TRADE NAME : Oldsmobile Model 7302013 (1968 F85)
 SUPPLIER : For Current Address, See Annual Index
 TYPE SET : 6-Transistor AM Receiver
 POWER SUPPLY : 12-Volt Storage Battery
 RATING : .6 Amp. @ 12.6 Volts DC (Less Lamp)

OLDSMOBILE MODEL 7302013

ALIGNMENT INSTRUCTIONS

Check for specified source voltage.

Use only enough generator output to provide a usable indication.

Suggested Alignment Tools: A1 thru A4.

A6, A7, A8.

GENERAL CEMENT: 5009, 8728A, 8987

WALSCO: 2531-X, 2536

GENERAL CEMENT: 8290, 8868, 9087

WALSCO: 2525, 2528, 2587

	SIGNAL GENERATOR COUPLING	SIGNAL GENERATOR FREQUENCY	RADIO DIAL SETTING	INDICATOR	ADJUST	REMARKS
1.	High side thru .1mfd to point A , low side to ground.	262KC (400v Mod.)	High Freq. End Stop.	Output Meter across voice coil.	A1, A2, A3, A4	Adjust for maximum.
Check setting of oscillator coil core (A5). Rear of core should be 1 3/8" from mounting end of coil form.						
2.	High side thru 82pf to antenna receptacle, low side to ground.	1615KC	High Freq. End Stop.	Output Meter across voice coil.	A6, A7, A8	Adjust for maximum.
3.	"	600KC	600KC Signal	"	A9, A10	Adjust for maximum. Repeat step 2.

With radio installed in car and antenna fully extended, tune in a weak station near 1400KC and adjust A8 for maximum output.

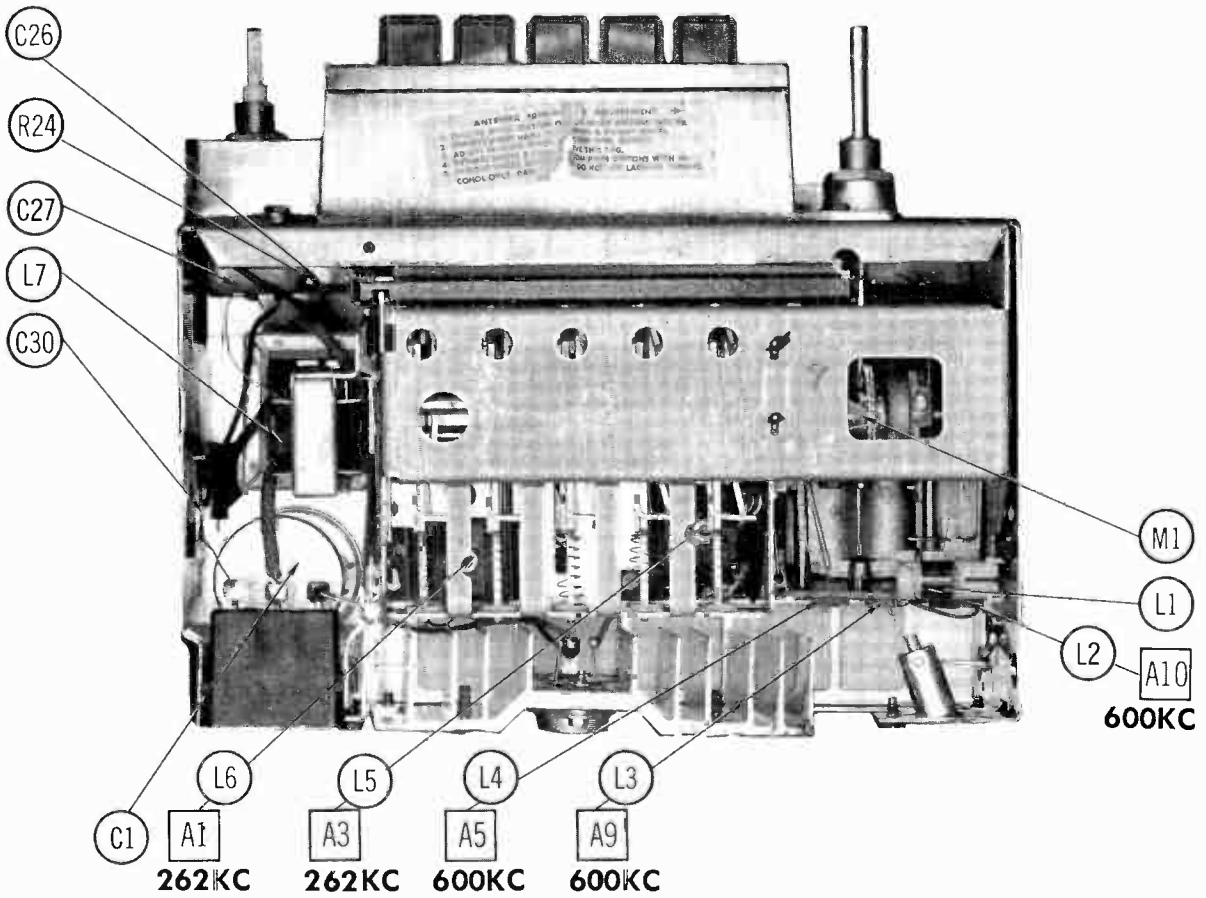
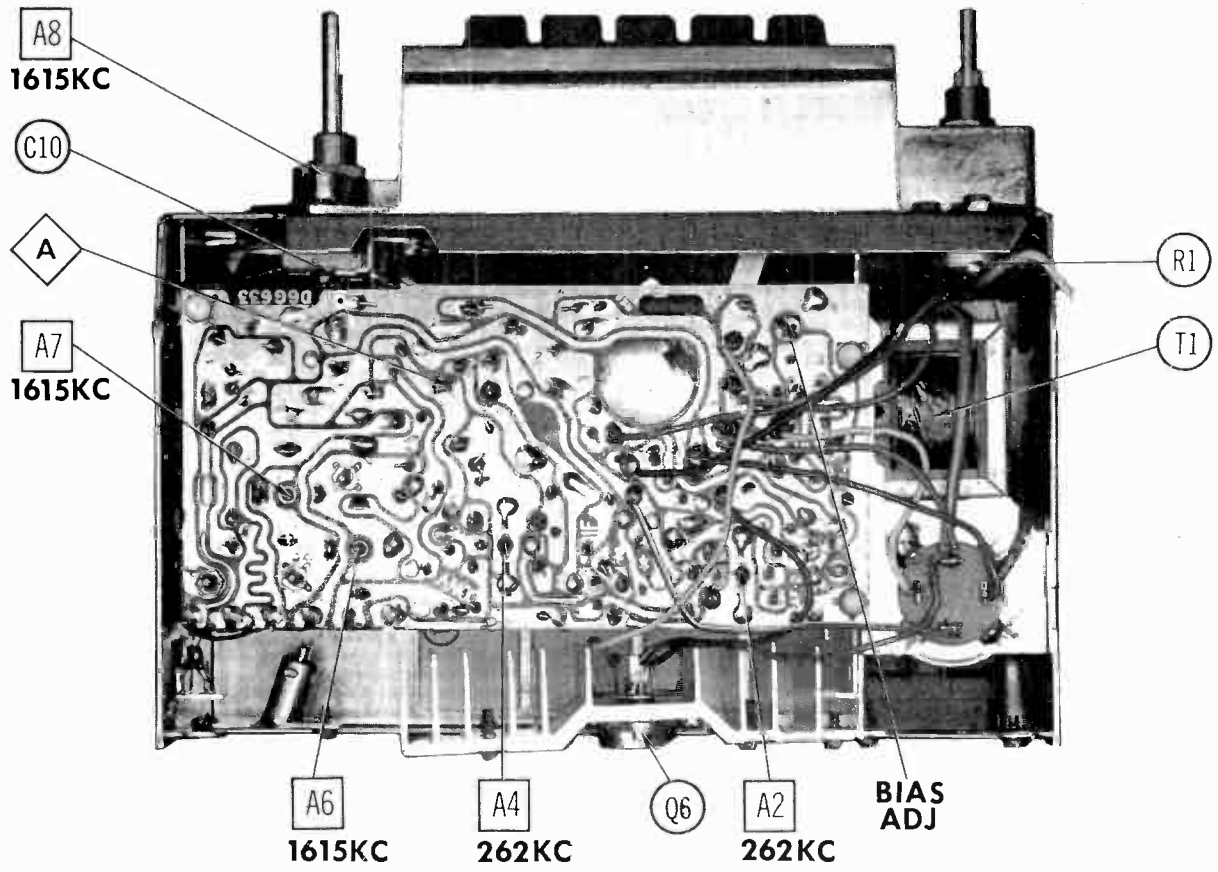
Remove tuning and dummy knobs for access to Antenna Trimmer (A8).

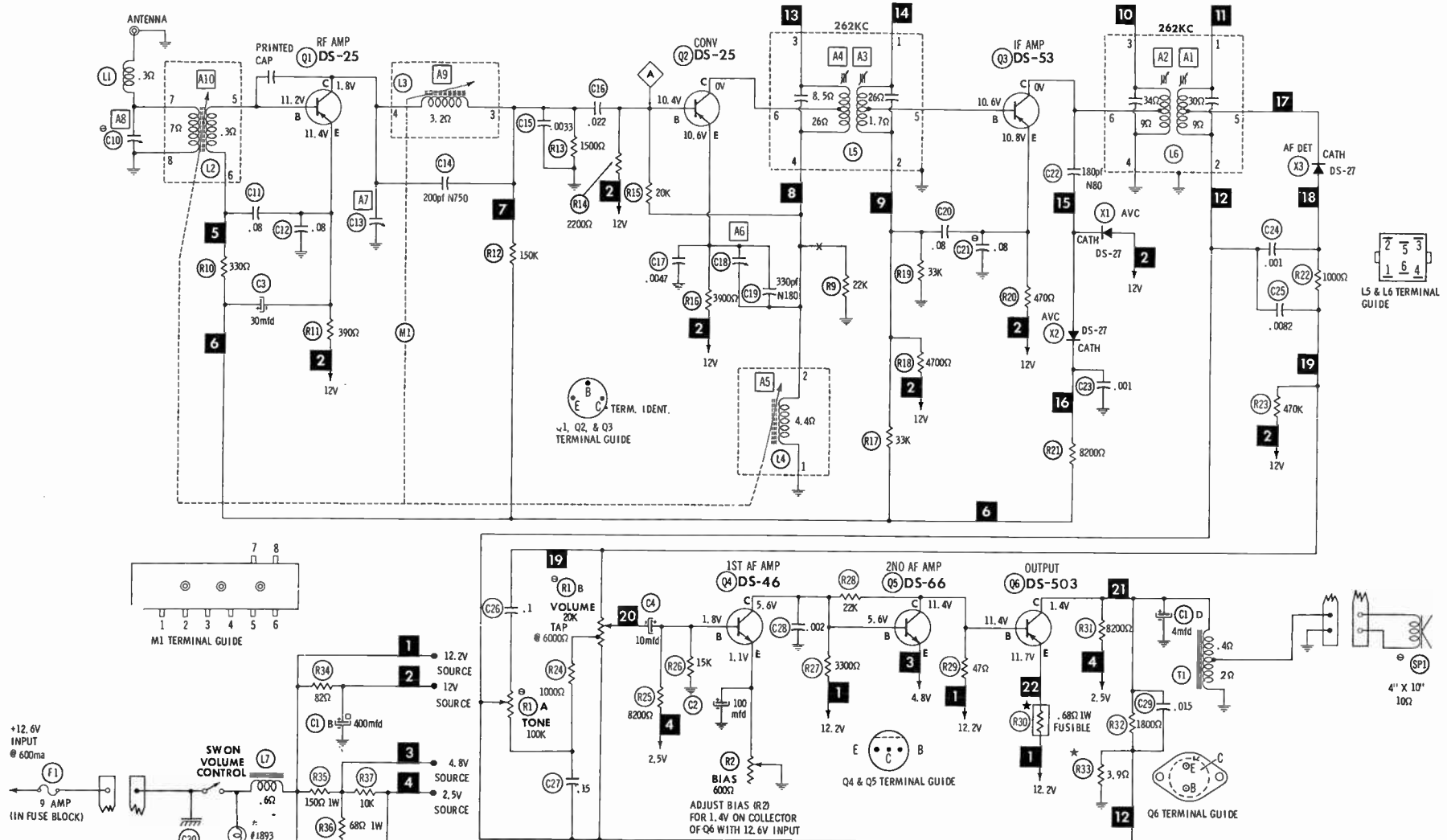
PUSH-BUTTON ADJUSTMENT

1. Pull button out.
2. Tune manually to desired station.
3. Press button in firmly.
4. Repeat for remaining buttons.

HOWARD W. SAMS & CO., INC. Indianapolis, Indiana 46206

© 1968 Howard W. Sams & Co., Inc. Printed in U. S. of America TD177R





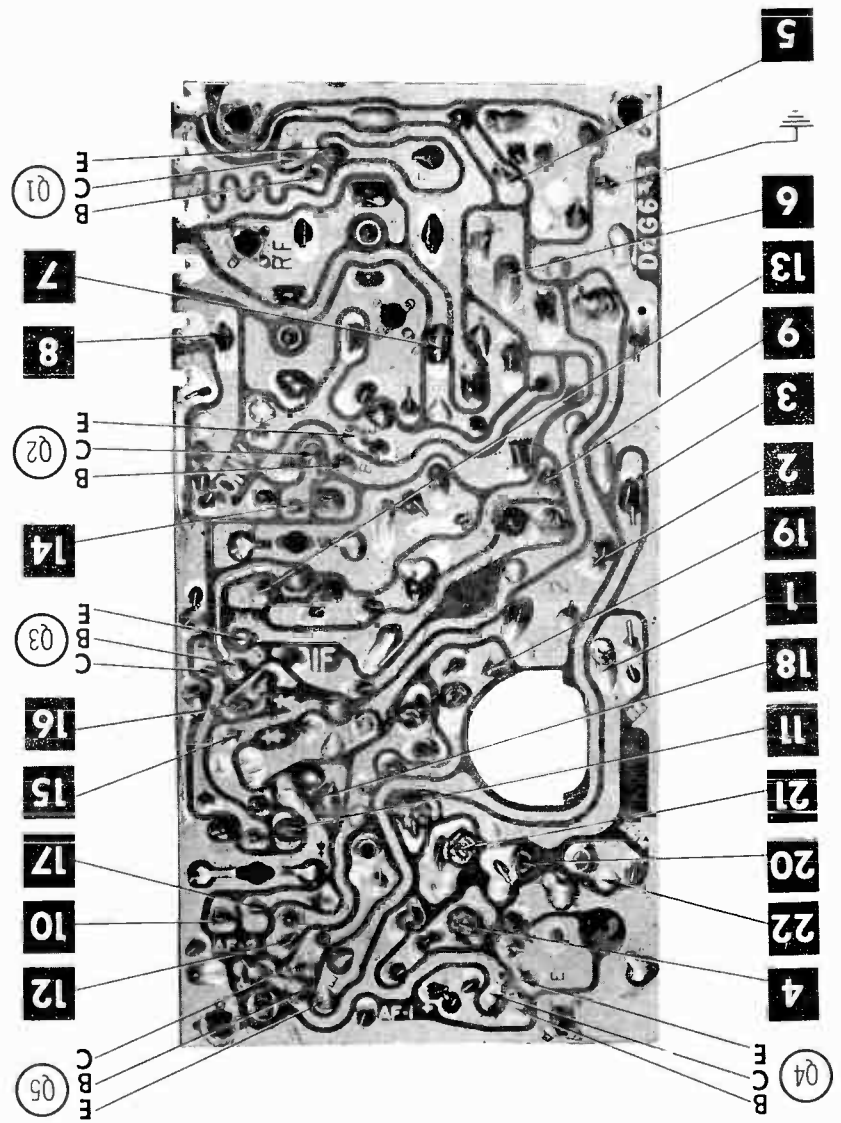
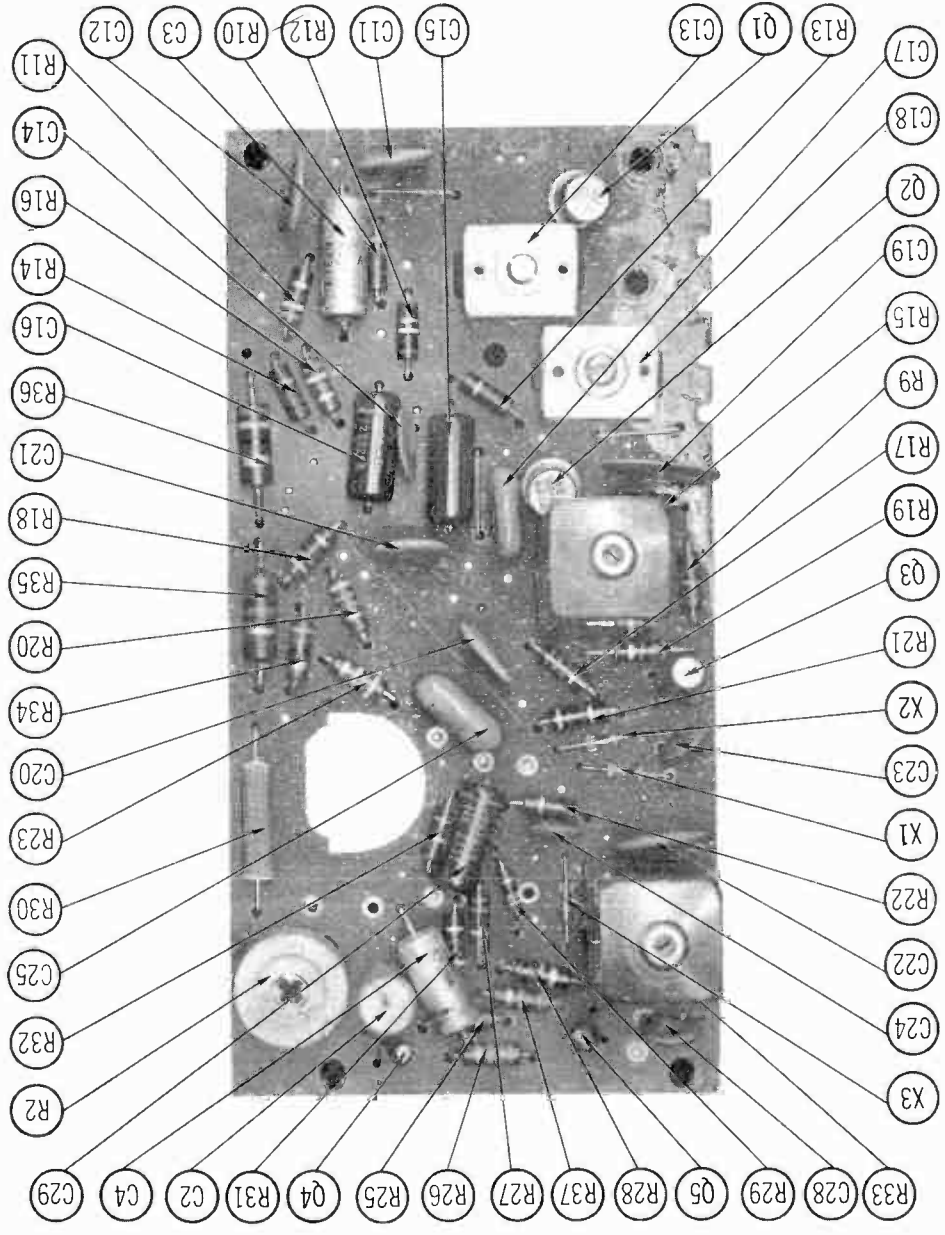
* Used in models 7302451, 7297901, & 7299111
 * NOMINAL VALUE, MAY VARY.
 Resistors are 1/2 watt or less and rated 10% or 20% unless otherwise indicated.

A PHOTOFAC STANDARD NOTATION SCHEMATIC
 with CIRCUITRACE

© Howard W. Sams & Co., Inc. 1968

- © See parts list.
1. Voltage measurements taken with vacuum tube voltmeter.
 2. All controls set for normal operation, no signal applied.
 3. Measured values are from socket pin or terminal to common ground.
 4. All terminals viewed from bottom unless otherwise designated.
 5. Numbers assigned to terminals may not be found on the unit.
 6. Supply voltage maintained at rated value for voltage readings.
 7. Resistance measurements not given because of the wide variation in internal resistance of transistor.

OLDSMOBILE MODEL 7302013



PARTS LIST AND DESCRIPTION

(When ordering parts, state Model, Part Number, and Description.)

Replacement parts shown may be superseded by the availability of newly introduced replacements.
Have your local distributor check Sams COUNTER FACTS for the most up-to-date replacement.

WIRING DATA

General-use Unshielded Hook-up Wire	Use BELDEN No. 8530 (Solid) Available in 12 Colors 8524 (Stranded) Available in 12 Colors
Shielded Hook-up Wire	Use BELDEN No. 8885
Bonding Strap	Use BELDEN No. 8661 (3/8 In.) or 8670 (3/4 In.)

TRANSISTORS

ITEM No.	ORIG. TYPE	USE	REPLACEMENT DATA				NOTES
			DELCO PART No.	GENERAL ELECTRIC PART No.	INTERNATIONAL RECTIFIER PART No.	RCA PART No.	
Q1	DS-25	RF Amp.	DS-25	GE-9	TR-06	SK-3008	PNP
Q2	DS-25	Converter	DS-25	GE-9	TR-06	SK-3008	PNP
Q3	DS-53	IF Amp.	DS-25	GE-9	TR-06	SK-3006	PNP
Q4	DS-67	AF Amp.	DS-66	GE-10	TR-21	SK-3020	NPN
Q5	DS-67	AF Amp.	DS-66	GE-10	TR-21	SK-3020	NPN
Q6	DS-503	Output	DS-503	GE-3	TR-01	SK-3009	PNP *

* When replacing, apply silicone grease to both sides of insulator. Tighten mounting screws securely. Check bias adjustment.

POWER RECTIFIERS & SIGNAL DIODES

ITEM No.	MEASURED CURRENT	ORIGINAL Part or Type No.	RECTIFIERS & DIODES		RECTIFIERS		
			GENERAL ELECTRIC PART No.	INTERNATIONAL RECTIFIER PART No.	MALLORY PART No.	RCA PART No.	SARKES TARZIAN PART No.
X1		DS-27	1N34AS	1N34A			
X2		DS-27	1N34AS	1N34A			
X3		DS-27	1N34AS	1N34A			

ELECTROLYTIC CAPACITORS

ITEM No.	RATING	REPLACEMENT DATA						
		PART No.	AEROVOX PART No.	CENTRALAB PART No.	CORNELL-DUBILIER PART No.	GENERAL ELECTRIC PART No.	MALLORY PART No.	SPRAGUE PART No.
C1A	850 16V	7292515	AFH4-96-10		DD0005		FP401.85	TVL-4206.1
B	400 16V							
C	100 16V							
D	4 11.5rms							
C2	100 4V	7291810	PTT30	EA6-100	NLW125-8	MT1-21	TT6X100	TE-1102
C3	30 6V	7291942	PTT27	EA8-25	NLW30-6	MT1-13	TT6X30	TE-1092
C4	10 12V	7292738	PTT53	EA15-10	NLW10-15	MT1-5	TT12X10	TL-1128

CAPACITORS

ITEM No.	RATING	REMARKS	REPLACEMENT DATA					
			AEROVOX PART No.	CENTRALAB PART No.	CORNELL-DUBILIER PART No.	ELMENCO PART No.	MALLORY PART No.	SPRAGUE PART No.
C10		#7281971						
C11	.08	(.047)†						
C12	.08	(.047)†						
C13		#7287935						
C14	200 N750 10%		N750-DI 200	DTN-200	CV601UJ201K	CCTN-201	CNT7302	10TCU-T20
C15	.0033 75V		DBE6D33	CPR-3300J	WMF1D33	6DP-1-332	PVC6233	6PS-D33
C16	.022 75V		DBE4S22		DMF4S22	4DP-2-223	PVC6122	6PS-D82
C17	.0047 75V		DBE6D47	CPR-4700J	WMF1S47	6DP-1-472	PVC6247	4PS-S22
C18		#7282165						6PS-D47
C19	330 N180 5%					*		
C20	.08	(.047)†						
C21	.08	(.047)†						
C22	180 N80 5%					*		10TCN-T18
C23	.001 10%		DI-1000	DM-102	JBS601YP102K	CCD-102	SM210	5GAB-D10
C24	.001 10%		DI-1000	DM-102	JBS601YP102K	CCD-102	SM210	5GAB-D10
C25	.0082 75V		DBE6D82	CPR-8200J	WMF1S82	6DP-2-822	PVC628	6PS-D82
C26	.1 16V		TTD-1	CK-104	HOV101ZV104Z		TA010	TG-P10
C27	.15 75V		DBE4P15		DMF4P15	4DP-4-154	PVC6015	4PS-P15
C28	.002		DI-2000	DM-202	JBX601YP202K	CCD-202	GP220	5GAB-D22
C29	.015 75V		DBE4S15		DMF4S15	4DP-1-153	PVC6115	4PS-S15
C30								

① Part Number 7293863 used in Model 7305841.
7281971 used in Model 7306686, 7307121.
7300747 used in Model 7306696.

Delco Part Number. † Alternate Value.

* Not normally in distributor's stock. Available thru distributor on order to manufacturer.

PARTS LIST AND DESCRIPTION (CONTINUED)

(When ordering parts, state Model, Part Number, and Description.)

Replacement parts shown may be superseded by the availability of newly introduced replacements. Have your local distributor check Sams COUNTER FACTS for the most up-to-date replacement.

CONTROLS

All wattages 1/2 watt, or less, unless otherwise listed.

ITEM No.	USE	RESISTANCE	REPLACEMENT DATA				
			DELCO PART No.	CENTRALAB PART No.	CLAROSTAT PART No.	CTS-IRC PART No.	MALLORY PART No.
R1A	Tone	100K	7302457	F2-100K, F2-25K, FFS101, RFS111, BB012, SB004, KR-4		†QJ-2539A	■UE4898S
B	Volume/Switch	20K					
R2	Bias	600Ω 2W	7286601	V-600	U39-600	110-600	MR600P

† "CONCENTRIKIT" Equivalent: K-8 Kit with Base Elements and Shafts: B13-128, P22-100 (Panel) B13-120, R16-118 (Rear), S6① (Bushing), N4 (Spacer Nut), T6-1 (Switch)

"SNAPTROL" Equivalent: BU8①, CF52, CR50T②, SF6, SR8, N4, GC.

① Alter bushing and adjust spacer nut to meet requirements.

② Do not use Tap.

■ "STA-LOC" Equivalent: FK15A, RU24A, OX1000A, IS1625, US41.

RESISTORS (Power and Special)

ITEM No.	RATING	REPLACEMENT DATA			ITEM No.	RATING	REPLACEMENT DATA		
		IRC PART No.	WORKMAN PART No.	DELCO PART No.			IRC PART No.	WORKMAN PART No.	PART No.
R30	.68Ω (Fusible)			7287480					

COILS (RF-IF)

ITEM No.	USE	REPLACEMENT DATA				
		DELCO PART No.	MEISSNER Part No.	MERIT PART No.	MILLER PART No.	WORKMAN PART No.
L1	RF Choke (6.2uh)	7281946	19-1004	BC-565	4610	T859
L2	Antenna	①				
L3	RF	①				
L4	Oscillator	①				
L5	Input IF	1221856	16-6704		6542	TA653
L6	Output IF	1221857	16-6705		6543	TA653

① Part of M1.

FILTER CHOKE

ITEM No.	RATINGS			REPLACEMENT DATA					NOTES
	CURRENT (Measured)	DC RES.	INDUCTANCE (0 CURRENT 1000~)	DELCO PART No.	MERIT PART No.	STANCOR PART No.	THORDARSON PART No.	TRIAD PART No.	
L7	600ma	.6Ω	8MH	1221623	C-4095	TC-2	TR-154	TY17XT	

TRANSFORMER (AUDIO OUTPUT)

ITEM No.	IMPEDANCE		REPLACEMENT DATA					NOTES
	PRI.	SEC.	DELCO PART No.	MERIT PART No.	STANCOR PART No.	THORDARSON PART No.	TRIAD PART No.	
	T1	12Ω Tap @ 10Ω		7282057				

SPEAKER

ITEM No.	TYPE	10Ω	REPLACEMENT DATA			NOTES
			DELCO PART No.	JENSEN PART No.	QUAM PART No.	
SP1	4" X 10" PM		1222662			

FUSE DEVICES

ITEM No.	DESCRIPTION	REPLACEMENT DATA							
		PART No.		BUSS PART No.		LITTELFUSE PART No.		WORKMAN PART No.	
		DEVICE	HOLDER	DEVICE	HOLDER	DEVICE	HOLDER	DEVICE	
F1	SFE 9 Amp		In Fuse Block	SFE9		307009			

MISCELLANEOUS

ITEM No.	PART NAME	DELCO PART No.	NOTES
M1	Tuner Coil Assembly	7287957	

CABINETS & CABINET PARTS

(When Ordering Specify Model, Chassis & Color)

ITEM	PART No.	ITEM	PART No.
Escutcheon	7302456	Knob, Tuning or Volume	397865
Dial Glass	7302407	Knob, Tone	400806
Dial Pointer	7302454	Knob, Dummy	400807
Push Button	7304478		

OLDSMOBILE MODEL 7302013



PHOTOFACT[®] with

CIRCUITRACE[®]

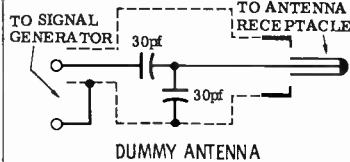


TRADE NAME : Ranger Model TRT (Tractor Radio)
 SUPPLIER : For Current Address, See Annual Index
 TYPE SET : 7-Transistor AM Receiver
 POWER SUPPLY : 12 or 6 Volt Storage Battery
 RATING : .625 Amp @ 6.3 or 12.6 Volts DC

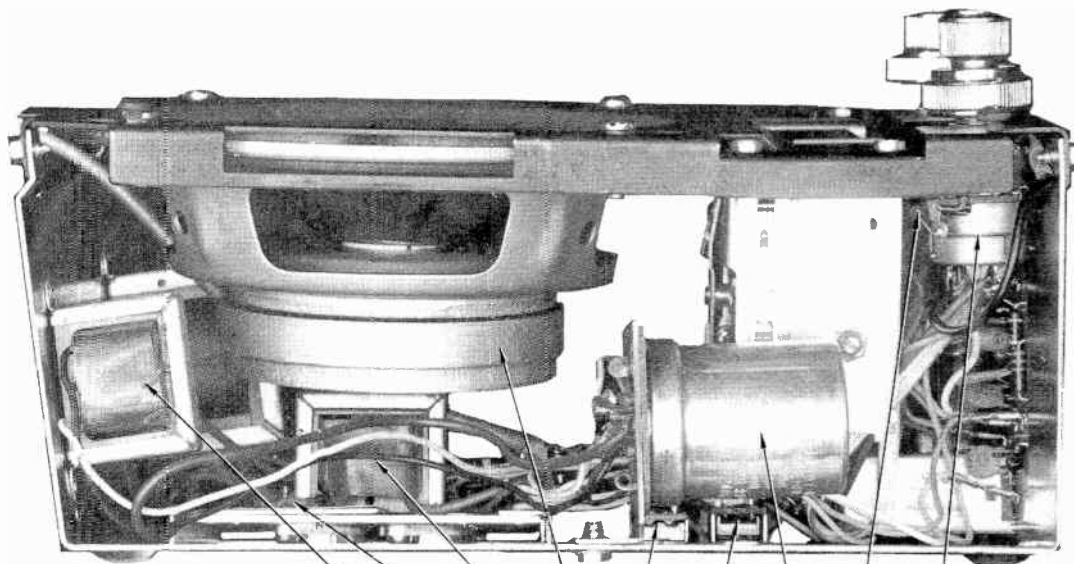
ALIGNMENT INSTRUCTIONS

Check for specified source voltage.
 Use only enough generator output to provide a usable indication.
 Suggested Alignment Tools:

A1 thru A4. GENERAL CEMENT: 8606, 8606L, 8869
 WALSCO: 2543, 2544, 2588
 A5, A6, A7. GENERAL CEMENT: 8290, 8868, 9087
 WALSCO: 2525, 2528, 2587

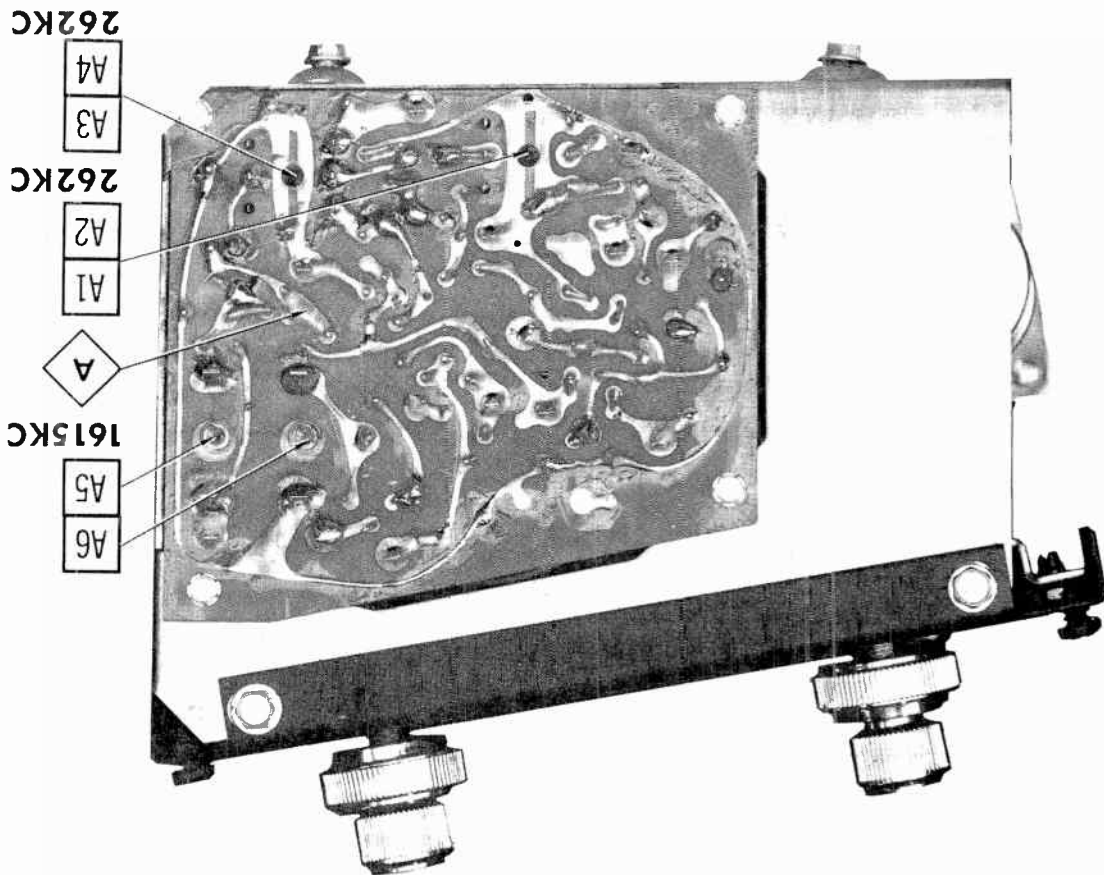
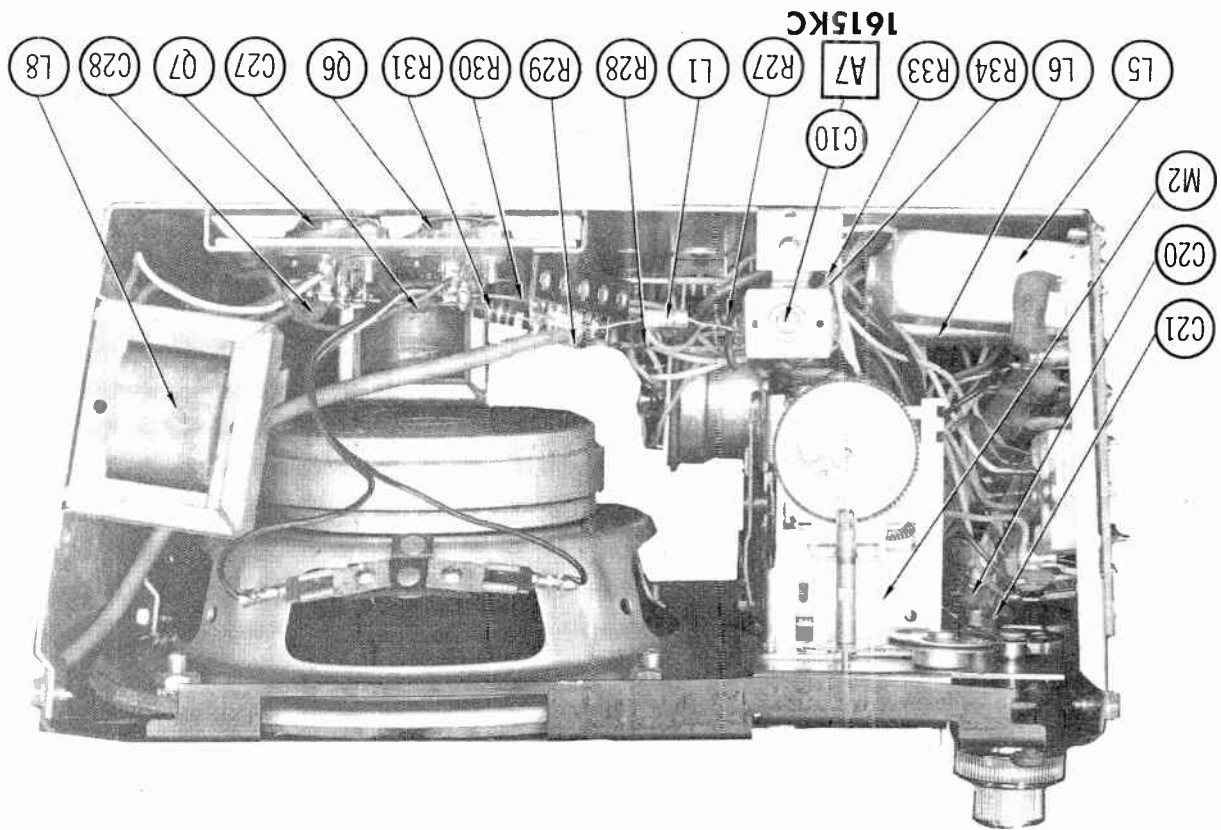


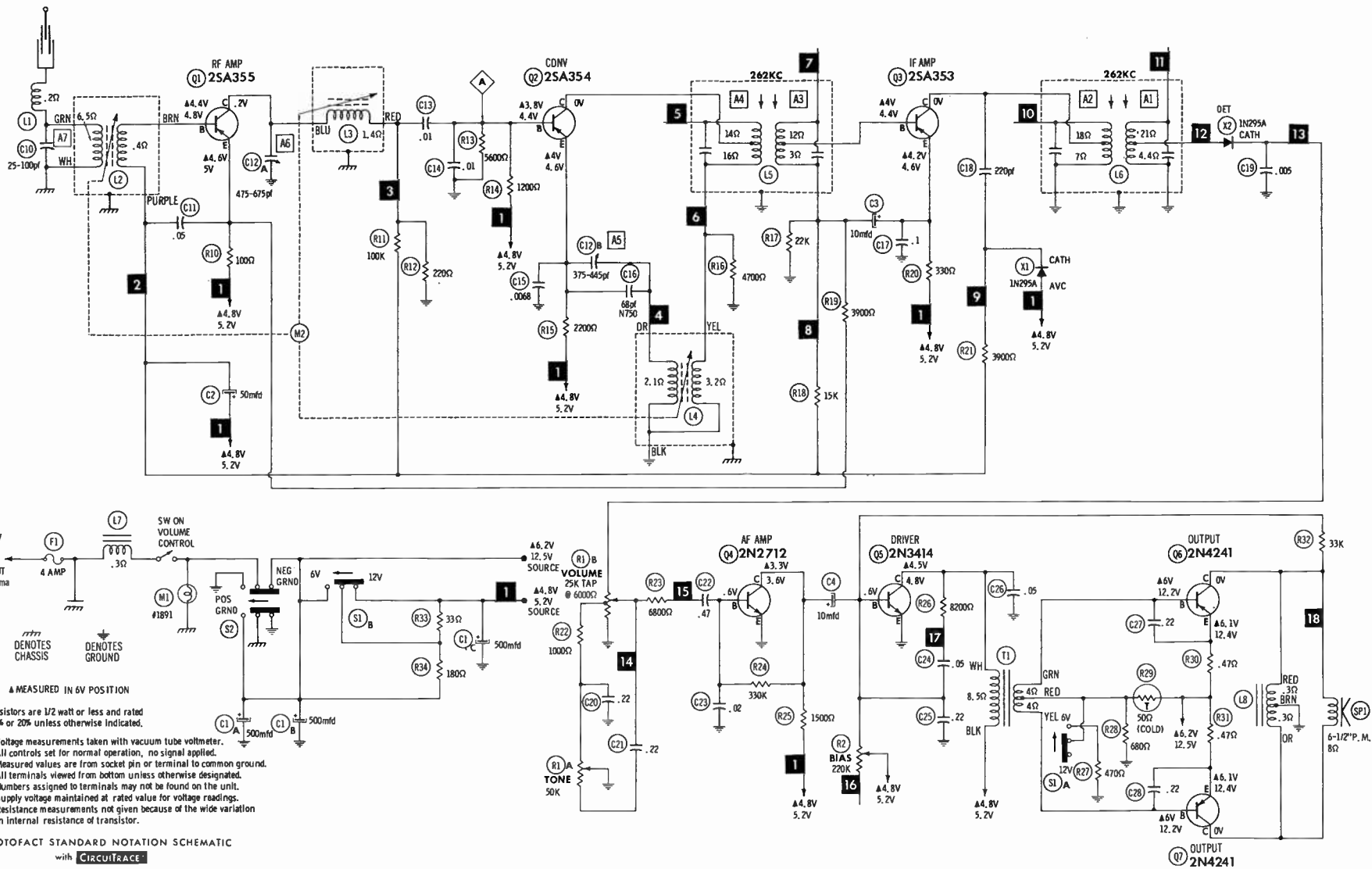
SIGNAL GENERATOR COUPLING	SIGNAL GENERATOR FREQUENCY	RADIO DIAL SETTING	INDICATOR	ADJUST	REMARKS
1. High side thru .1mfd to point Δ , low side to ground.	262KC (400v Mod.)	High freq. end stop.	Output meter across voice coil.	A1, A2, A3, A4	Adjust for maximum.
2. Thru dummy antenna to antenna receptacle.	1615KC	"	"	A5, A6, A7	"



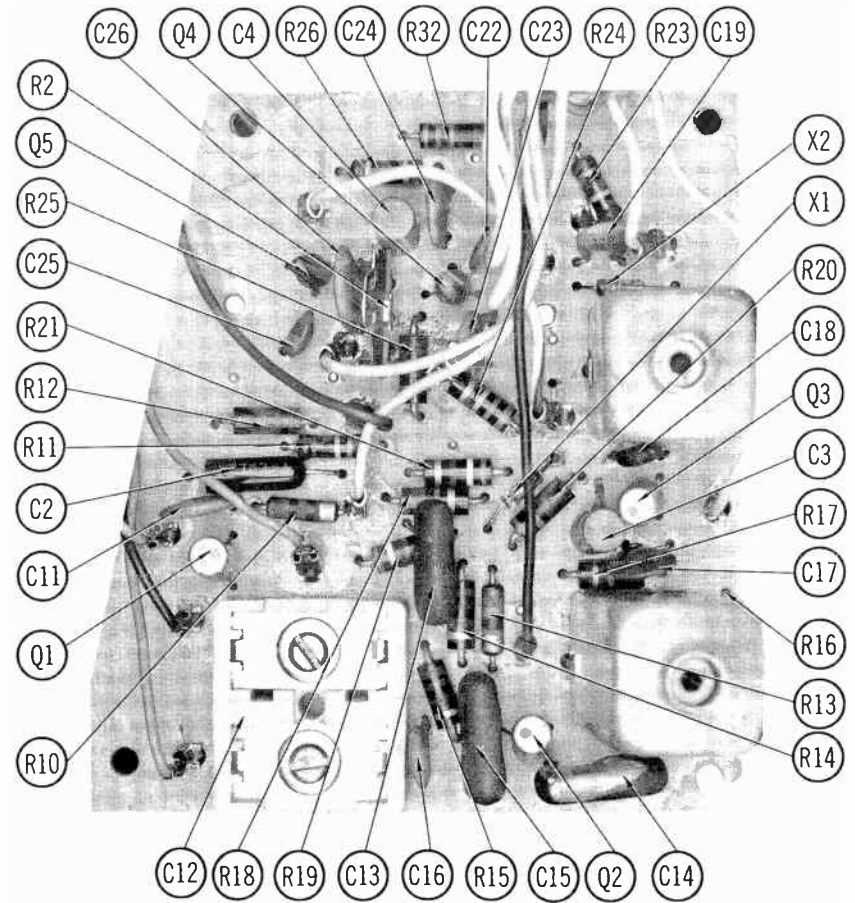
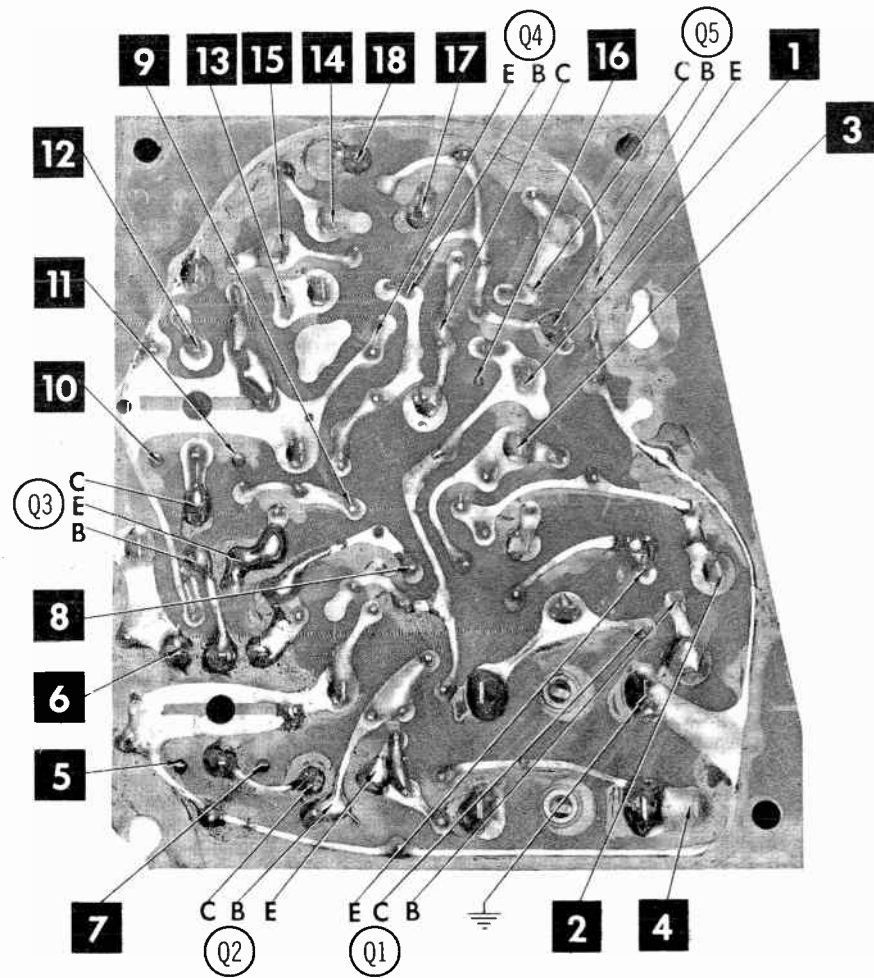
T1 C29 L7 SP1 S2 S1 C1 R22 R1

HOWARD W. SAMS & CO., INC. Indianapolis, Indiana 46206





RANGER MODEL TRT



RANGER MODEL TR1

PARTS LIST AND DESCRIPTION

(When ordering parts, state Model, Part Number, and Description.)

Replacement parts shown may be superseded by the availability of newly introduced replacements.
Have your local distributor check Sams COUNTER FACTS for the most up-to-date replacement.

WIRING DATA

General-use Unshielded Hook-up Wire	Use BELDEN No. 8530 (Solid) Available in 12 Colors 8524 (Stranded) Available in 12 Colors
Shielded Hook-up Wire	Use BELDEN No. 8885
Rear Seat Speaker Extension Cable	Use BELDEN No. 8782 (Stranded) Coded Parallel Leads
Bonding Strap	Use BELDEN No. 8661 (3/8 in.) or 8670 (3/4 in.)

TRANSISTORS

ITEM No.	TYPE No.	FUNCTION	REPLACEMENT DATA					
			MFG. PART No.	DELCO PART No.	GENERAL ELECTRIC PART No.	INTERNATIONAL RECTIFIER PART No.	RCA PART No.	SYLVANIA PART No.
Q1	2SA355	RF Amp		DS-25	GE-9	TR-11	SK-3008	ECG 126
Q2	2SA354	Converter		DS-25	GE-9	TR-11	SK-3008	ECG 126
Q3	2SA353	IF Amp		DS-25	GE-9	TR-11	SK-3008	ECG 126
Q4	2N2712	AF Amp		DS-66	GE-10	TR-21	SK-3020	ECG 123
Q5	2N3414	AF Amp		DS-66	GE-10	TR-21	SK-3020	ECG 123
Q6	2N4241	Output *		DS-520	GE-10	TR-01	SK-3009	ECG 104
Q7	2N4241	Output *		DS-520	GE-10	TR-01	SK-3009	ECG 104

* When replacing, apply silicone grease to both sides of insulator. Tighten mounting screws securely.

POWER RECTIFIERS & SIGNAL DIODES

ITEM No.	MFG. PART OR TYPE No.	REPLACEMENT RECTIFIERS & DIODES			REPLACEMENT RECTIFIERS		NOTES
		GENERAL ELECTRIC PART No.	INTERNATIONAL RECTIFIER PART No.	SYLVANIA PART No.	RCA PART No.	SARKES TARZIAN PART No.	
X1	1N295A	1N295	1N295	ECG 109			
X2	1N295A	1N295	1N295	ECG 109			

ELECTROLYTIC CAPACITORS

ITEM No.	RATING	RANGER PART No.	REPLACEMENT DATA					
			AEROVOX PART No.	CENTRALAB PART No.	CORNELL-DUBILIER PART No.	GENERAL ELECTRIC PART No.	MALLORY PART No.	SPRAGUE PART No.
C1A	500 16V	111007-001	AFH3-00-97①	EA15-500	CC0004 ②	XC2-45	WP-300①	TVL-3027①
B	500 16V							
C	500 16V							
C2	50 6V		CRE317A	EA6-50	NLW50-6	MT1-15	TT6X50	TE-1100
C3	10 15V	111002-103	BCD15010	EP15-10	NLW10-15	MT1-5	MTV10CB50	TE-1155
C4	10 15V	111002-103	BCD15010	EP15-10	NLW10-15	MT1-5	MTV10CB50	TE-1155

① Do not use 20mfd Sect.

② Do not use 4mfd Sect.

CAPACITORS

ITEM No.	RATING	REMARKS	REPLACEMENT DATA					
			AEROVOX PART No.	CENTRALAB PART No.	CORNELL-DUBILIER PART No.	ELMENCO PART No.	MALLORY PART No.	SPRAGUE PART No.
C10	25-100	#110000-086				463		
C11	.05		GPD 25V503P	DD-503	HOV101ZV503Z	CCD-503	GP150	5GA-S50
C12A	475-675	#110000-080						
C12B	375-445							
C13	.01 200V		DBE6S1	CPR-10000J	DMF2S1	4DP-1-103	PVC211	2TM-S10
C14	.01 200V		DBE6S1	CPR-10000J	DMF2S1	4DP-1-103	PVC211	2TM-S10
C15	.0068 200V		DBE6D68	CPR-6800J	DMF6D68	6DP-1-682	PVC6268	6PS-D68
C16	.68 N750		N750-DI 68	DTN-68	CS601UJ680K	CCTN-680	CN7468	10TCU-Q68
C17	.1		TTP-1	CK-104	HOV101ZV104Z		TA010	TG-P10
C18	.220		GPD X5F221K	DD-221	JBZ601YP221K	CCD-221	GP322	5GA-T22
C19	.005		GPD X5R502K	DD-502	JBT601YP502K	CCD-502	JF250	10TS-D50
C20	.22			UK-224	HCZ3R0XR224P		MAG3022	HY-125
C21	.22			UK-224	HCZ3R0XR224P		MAG3022	HY-125
C22	.47			UK-474	HCS3R0XR474P		MAG3047	HY-130
C23	.02		TTP-02	CK-203	HOR101ZV203P	CCD-203	TA120	TG-S20
C24	.05		GPD 25V503P	DD-503	HOV101ZV503P	CCD-503	GP150	5GA-S50
C25	.22			UK-224	HCZ3R0XR224P		MAG3022	HY-125
C26	.05		GPD 25V503P	DD-503	HOV101ZV503P	CCD-503	GP150	5GA-S50
C27	.22			UK-224	HCZ3R0XR224P		MAG3022	HY-125
C28	.22			UK-224	HCZ3R0XR224P		MAG3022	HY-125
C29		#110000-021						

Ranger Part Number.

CONTROLS

All wattages 1/2 watt, or less, unless otherwise listed.

ITEM No.	USE	RESISTANCE	REPLACEMENT DATA					
			RANGER PART No.	CENTRALAB PART No.	CLAROSTAT PART No.	CTS-IRC PART No.	MALLORY PART No.	
R1A	Tone	50K	145006-040	F1-50K, R14-25K,			†QJ-2537A	■UE4896S
B	Volume/Switch	25K Tap @ 6000Ω		FFS015, RFS107, BA006, CA005, KR-7				
R2	Bias	220K	149007-019	T-250K			X201R254B	MTC254L1

† "CONCENTRIKIT" Equivalent: K6 Kit with Base Elements and Shafts: B11-123, P22-021 (Panel),

B19-119X, R1-103 (Rear), 76-2 (Switch)

"SNAPTROL" Equivalent: BU5, CF12, CR50T, SF68, SR107, WF

■ "STA-LOC" Equivalent: FA54L, RU253T53, OX625, IS1125, US42.

PARTS LIST AND DESCRIPTION (CONTINUED)

(When ordering parts, state Model, Part Number, and Description.)

Replacement parts shown may be superseded by the availability of newly introduced replacements.
Have your local distributor check Sams COUNTER FACTS for the most up-to-date replacement.

RESISTORS (Power and Special)

ITEM No.	RATING	REPLACEMENT DATA			ITEM No.	RATING	REPLACEMENT DATA		
		IRC PART No.	WORKMAN PART No.	RANGER PART No.			IRC PART No.	WORKMAN PART No.	PART No.
R29	50Ω (Cold)			149000-047					

COILS (RF-IF)

ITEM No.	USE	REPLACEMENT DATA			
		RANGER PART No.	MEISSNER PART No.	MILLER PART No.	WORKMAN PART No.
L1	RF Choke (5.6uh)	114199-000	19-1008	4609	T959
L2	Antenna	①			
L3	RF	①			
L4	Oscillator	①			
L5	Input IF	114000-283	16-6711	6520	
L6	Output IF	114000-284	16-6711	6521	

① Part of M2.

FILTER CHOKE

ITEM No.	RATINGS			REPLACEMENT DATA					NOTES
	CURRENT (Measured)	DC RES.	INDUCTANCE (D CURRENT 1000~)	RANGER PART No.	MERIT PART No.	STANCOR PART No.	THORDARSON PART No.	TRIAD PART No.	
L7	.625A	.3Ω	3mh	161007-002	C-4095	TC-2	TR-159	TY17XT	

CHOKE (AUDIO OUTPUT)

ITEM No.	INDUCTANCE	REPLACEMENT DATA					NOTES
		RANGER PART No.	MERIT PART No.	STANCOR PART No.	THORDARSON PART No.	TRIAD PART No.	
L8	16mh	161007-004					

TRANSFORMER (DRIVER)

ITEM No.	TURNS RATIO			REPLACEMENT DATA					NOTES
	PRI.	SEC. 1	SEC. 2	RANGER PART No.	MERIT PART No.	STANCOR PART No.	THORDARSON PART No.	TRIAD PART No.	
T1	2	1		161007-003					

SPEAKER

ITEM No.	TYPE			REPLACEMENT DATA			NOTES
				RANGER PART No.	JENSEN PART No.	QUAM PART No.	
SP1	6 1/2"	PM	8Ω	155009-200	C6T8	6A15Z8	

FUSE DEVICES

ITEM No.	DESCRIPTION	REPLACEMENT DATA						
		PART No.		BUSS PART No.		LITTELFUSE PART No.		WORKMAN PART No.
		DEVICE	HOLDER	DEVICE	HOLDER	DEVICE	HOLDER	DEVICE
F1	3AG 4 Amp		128007-001	AGC 4	HDJ	311004	155020	

MISCELLANEOUS

ITEM No.	PART NAME	RANGER PART No.	NOTES
M1	Dial Lamp	555051-027	CHICAGO MINIATURE Replacement CM 1891
M2	Tuner	164007-005	
S1	Voltage Selector	158000-500	
S2	Polarity Switch	158000-506	

CABINETS & CABINET PARTS

(When Ordering Specify Model, Chassis & Color)

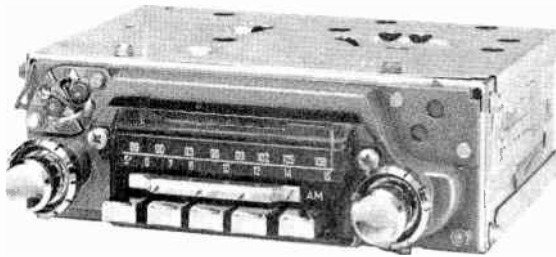
ITEM	PART No.	ITEM	PART No.
Dial Glass	122007-016	Knob, Tone	134007-046
Knob, Volume	134007-040	Dial Pointer	144007-004
Knob, Tuning	134007-048		

RANGER MODEL TR1



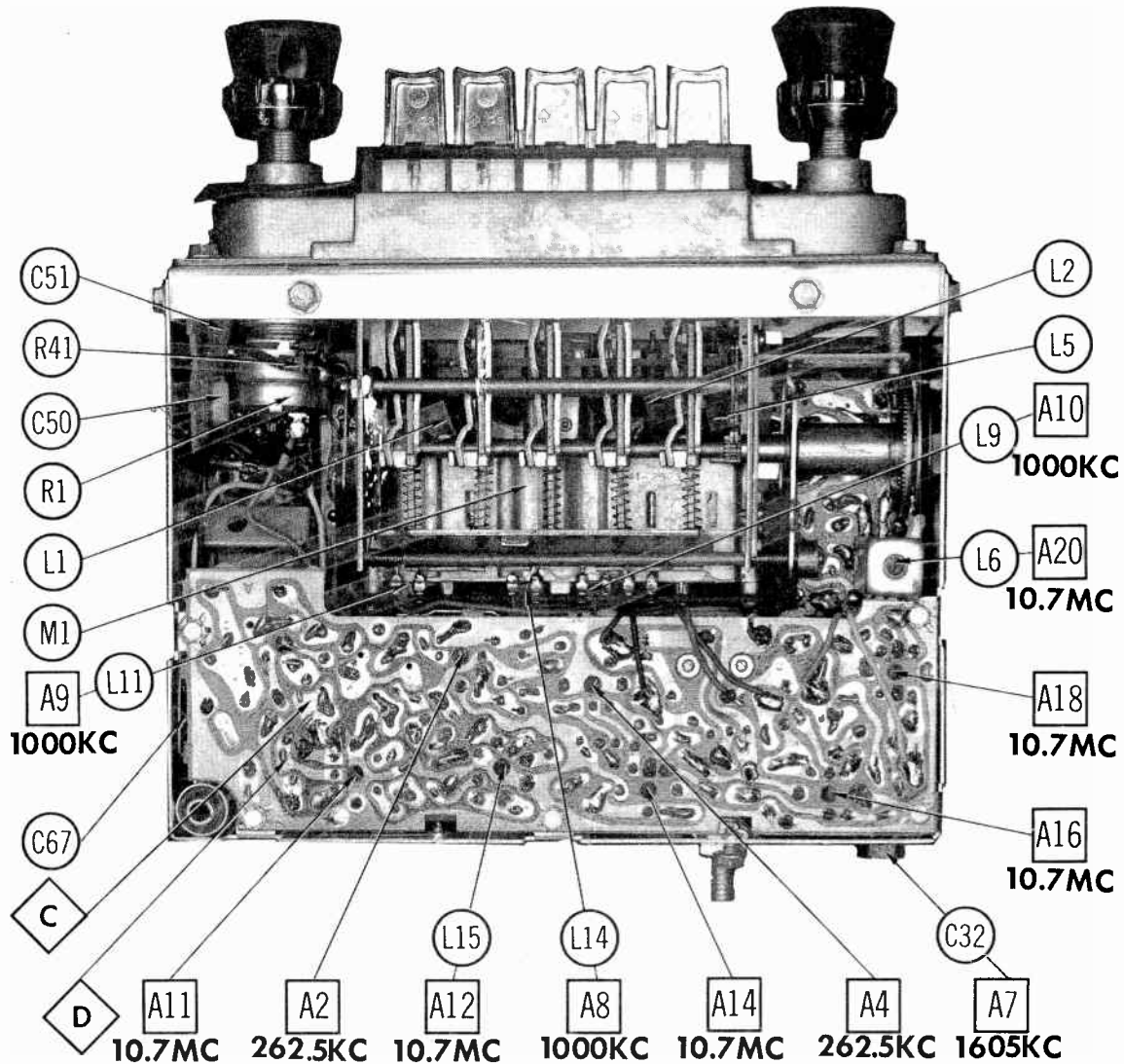
PHOTOFACT[®] with

CIRCUITRACE[®]



TRADE NAME : Saab Model 7FBSAX (1967)
 SUPPLIER : For Current Address, See Annual Index
 TYPE SET : 11-Transistor AM-FM Receiver
 POWER SUPPLY : 12 Volts Storage Battery
 RATING : .25 Amp. @ 12.6 Volts DC

SAAB MODEL 7FBSAX



HOWARD W. SAMS & CO., INC. Indianapolis, Indiana 46206

ALIGNMENT INSTRUCTIONS

Check for specified source voltage.
Use only enough generator output to provide a usable indication.
Suggested Alignment Tools:

A 1 thru A23. GENERAL CEMENT: 9440
WALSCO: 2501

	SIGNAL GENERATOR COUPLING	SIGNAL GENERATOR FREQUENCY	RADIO DIAL SETTING	INDICATOR	ADJUST	REMARKS
1.	High side thru .1mfd to point Ⓢ , low side to ground.	262.5KC (400v Mod.)	High Freq. End Stop.	Output Meter across voice coil.	A1, A2, A3, A4	Adjust for maximum.
2.	Thru dummy (Fig. 1) to antenna receptacle.	1605KC	"	"	A5, A6, A7	"
Step 3 is not necessary unless tuner has been tampered with or associated components have been replaced. IF necessary, back tuning cores (A8, A9, A10) out of coils but not out of forms. Repeat step 2.						
3.	Thru dummy (Fig. 1) to antenna receptacle.	1000KC	Tune to Signal.	Output Meter across voice coil.	A8, A9, A10	Adjust for maximum. Repeat steps 2 & 3 until no further improvement is noted.
With radio installed in car and antenna extended 30', tune in a weak station near 1400KC and adjust A7 for maximum output.						

FM ALIGNMENT USING AM SIGNAL GENERATOR - SELECTOR IN FM POSITION

High side thru .01mfd to point Ⓢ , low side to ground.

	GENERATOR FREQUENCY	DIAL SETTING	INDICATOR	ADJUST	REMARKS
4.	10.7MC (Unmod.)	Point of non-interference.	DC probe of VTVM to point Ⓢ ; common to ground.	A11, A12, A13, A14, A15, A16, A17, A18, A19, A20.	Adjust for maximum.
5.	"	"	DC probe to point Ⓢ ; common to ground.	A21.	Adjust for zero reading. A positive or negative reading will be obtained on either side of the correct setting.

FM IF ALIGNMENT USING FM SIGNAL GENERATOR - SELECTOR IN FM POSITION

High side thru .01mfd to point Ⓢ , low side to ground. Use only enough marker signal to obtain indication. Use 80v frequency modulated signal with 450KC sweep. Use 120v sawtooth voltage in scope for horizontal deflection.

	GENERATOR FREQUENCY	DIAL SETTING	INDICATOR	ADJUST	REMARKS
4.	10.7MC (450KC Swp.)	Point of non-interference	Vert. amp. of Scope to point Ⓢ ; low side to ground.	A11, A12, A13, A14, A15, A16, A17, A18, A19, A20.	Adjust for maximum gain and symmetry of response similar to Fig. 2 with marker as shown.
5.	"	"	Vert. amp. to point Ⓢ ; low side to ground.	A21.	Adjust A21 (Secondary) to place marker at center of crossover lines similar to Fig. 3. Adjust A 11 (Primary) for maximum amplitude and straightness of crossover lines.

FM RF ALIGNMENT

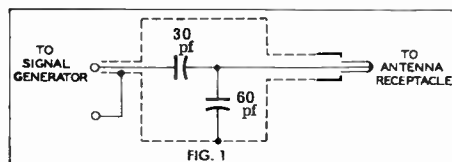
Connect generator across antenna terminals with 120Ω carbon resistors in series with each lead.

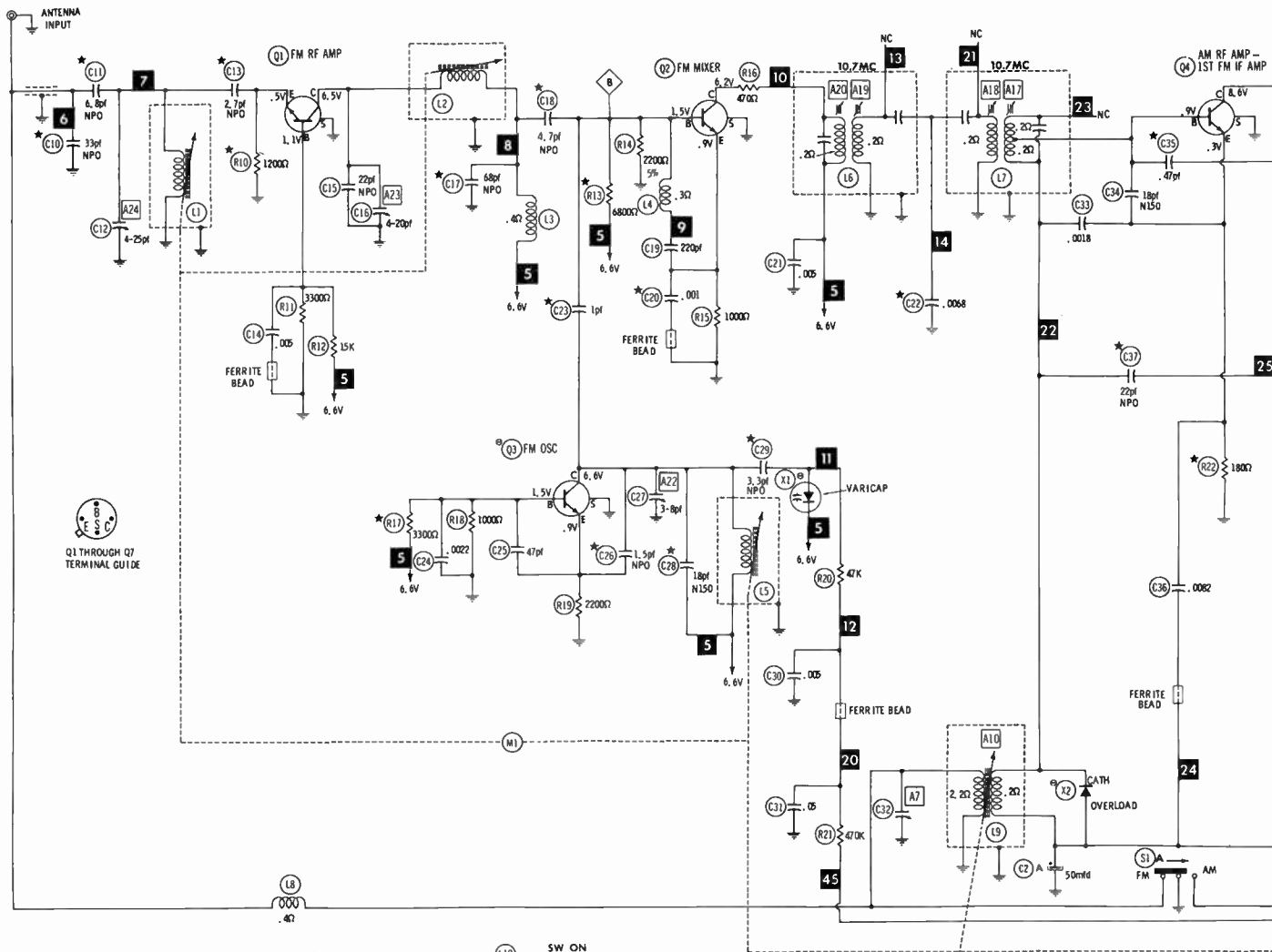
	GENERATOR FREQUENCY	DIAL SETTING	INDICATOR	ADJUST	REMARKS
6.	108.5MC	108.5MC	DC probe of VTVM to point Ⓢ ; common to ground.	A22, A23, A24.	Adjust for maximum.

Antenna Adjustment (A7) located right rear.

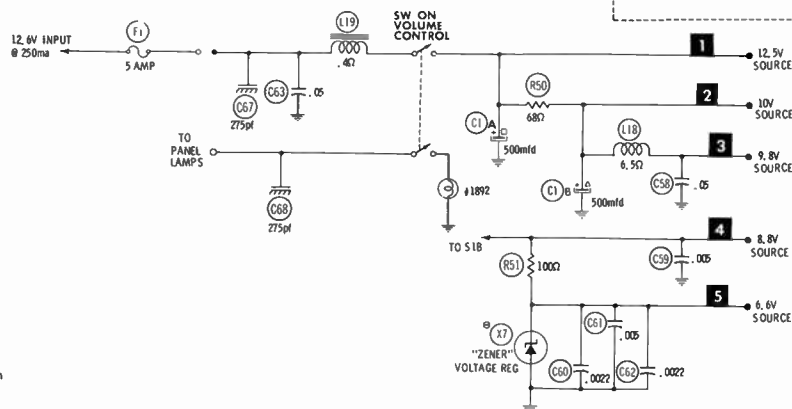
PUSH-BUTTON ADJUSTMENT

1. Pull button out.
2. Tune manually to desired station.
3. Press button in firmly.
4. Repeat for remaining buttons.





Q1 THROUGH Q7
TERMINAL GUIDE



All measurements taken in "FM" position unless otherwise designated.

NC No Connection

* Nominal value, may vary.

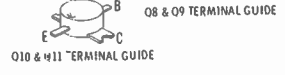
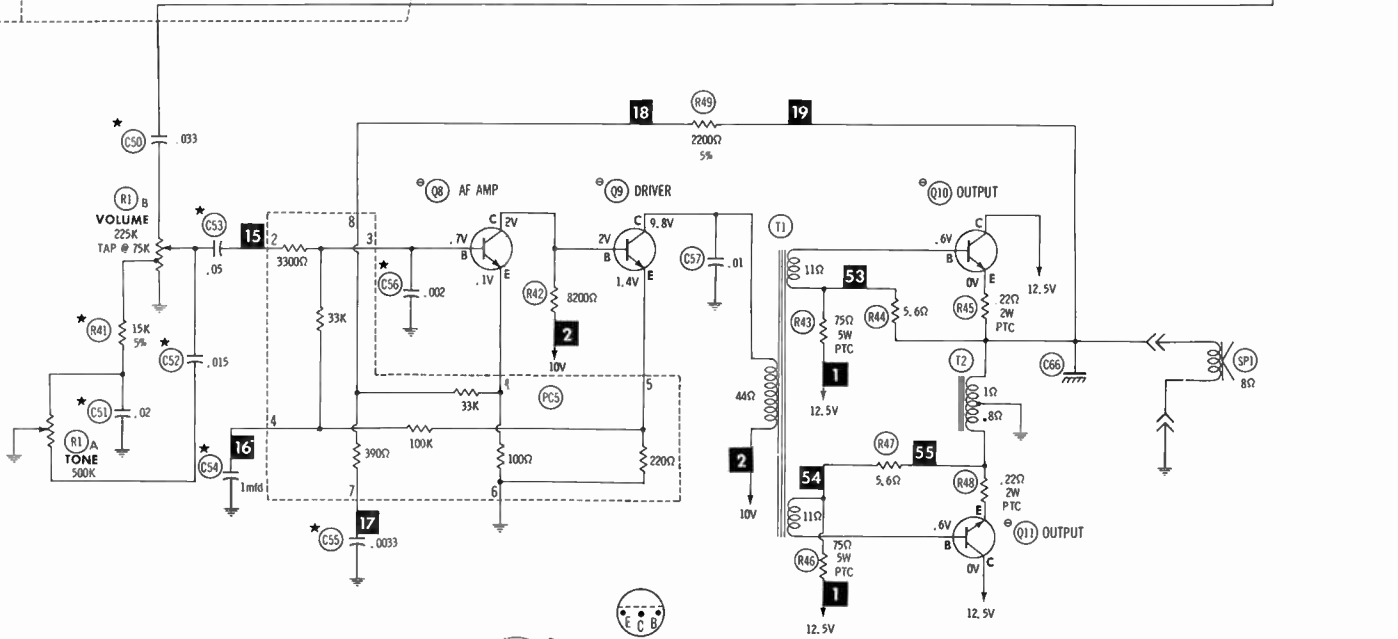
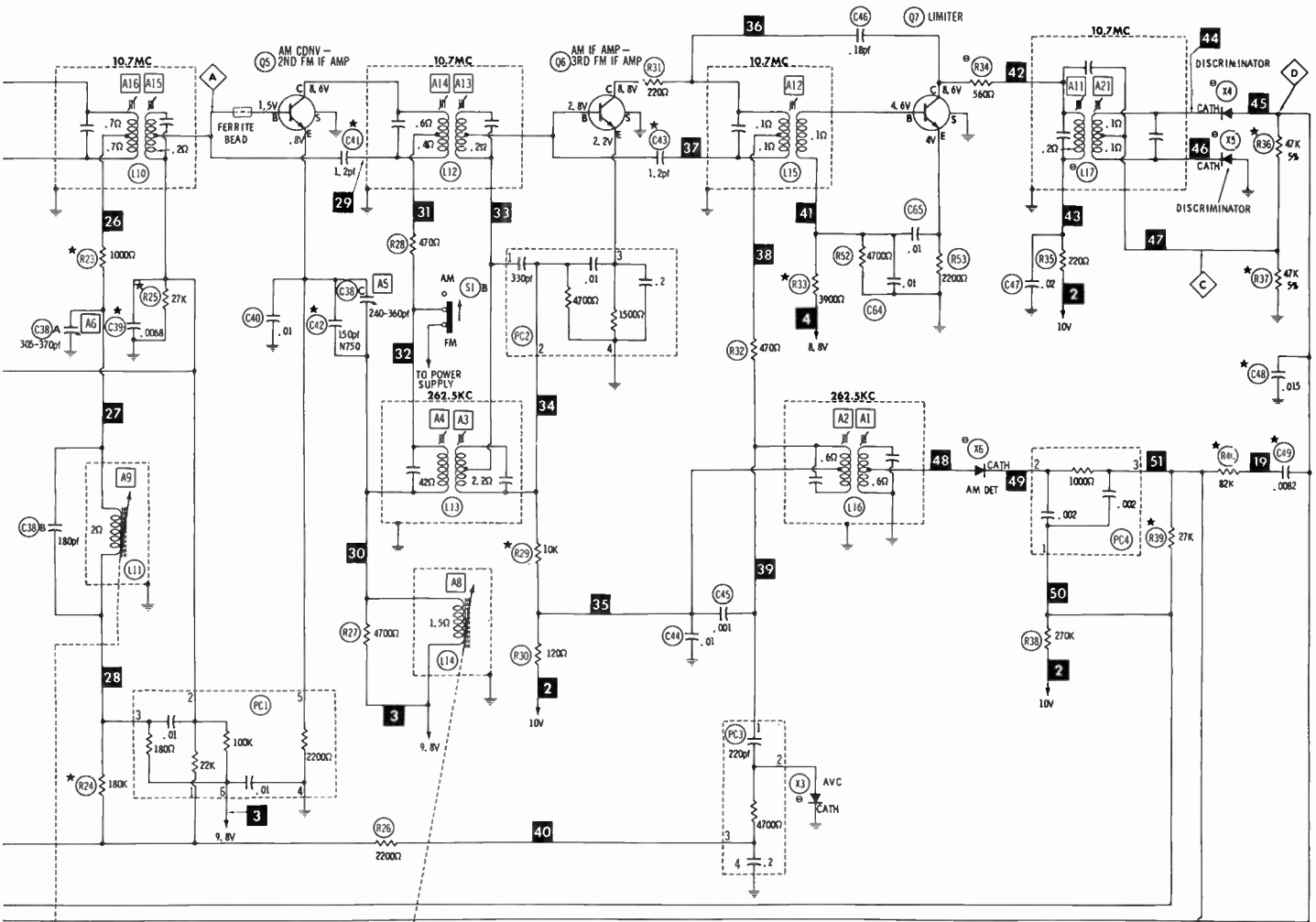
Resistors are 1/2 watt or less and rated 10% or 20% unless otherwise indicated.

⊙ See parts list

1. Voltage measurements taken with vacuum tube voltmeter.
2. All controls set for normal operation, no signal applied.
3. Measured values are from socket pin or terminal to common ground.
4. All terminals viewed from bottom unless otherwise designated.
5. Numbers assigned to terminals may not be found on the unit.
6. Supply voltage maintained at rated value for voltage readings.
7. Resistance measurements not given because of the wide variation in internal resistance of transistor.

A PHOTOFACIT STANDARD NOTATION SCHEMATIC
with CIRCUITRACE

© Howard W. Sams & Co., Inc. 1968



44 50 43 47 2 45 20 1 19 53 52 54

42

55

46

49

Q7

C
E
B

51

4

41

48

38

39

36

35

37

34

Q6

C
B
E

33

30

29

32

Q5

C
E
B

3

31



27

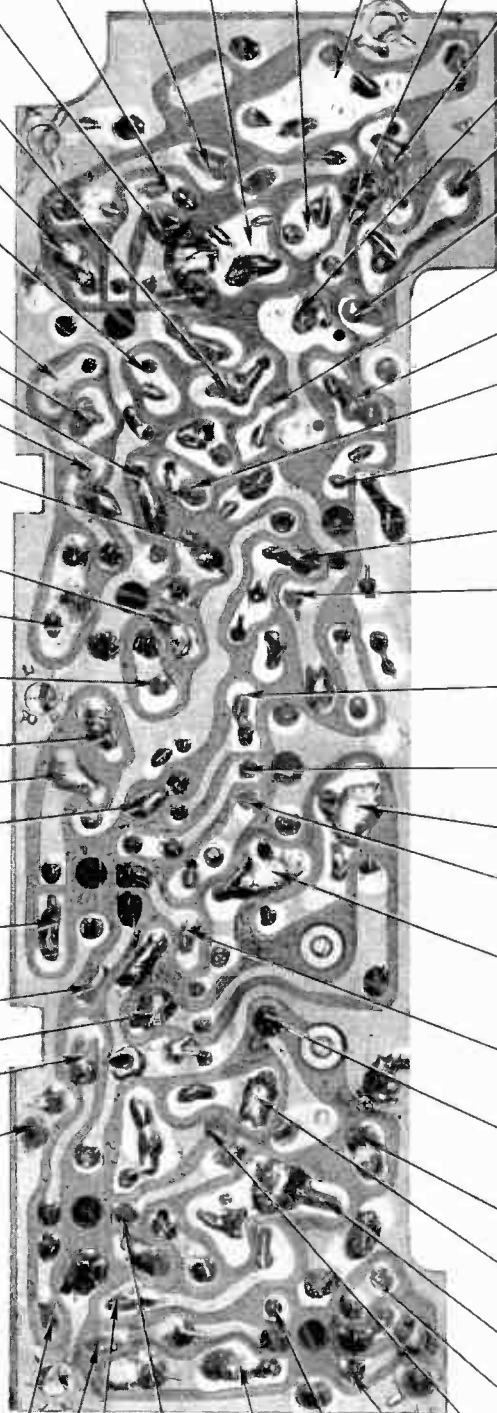
40

28

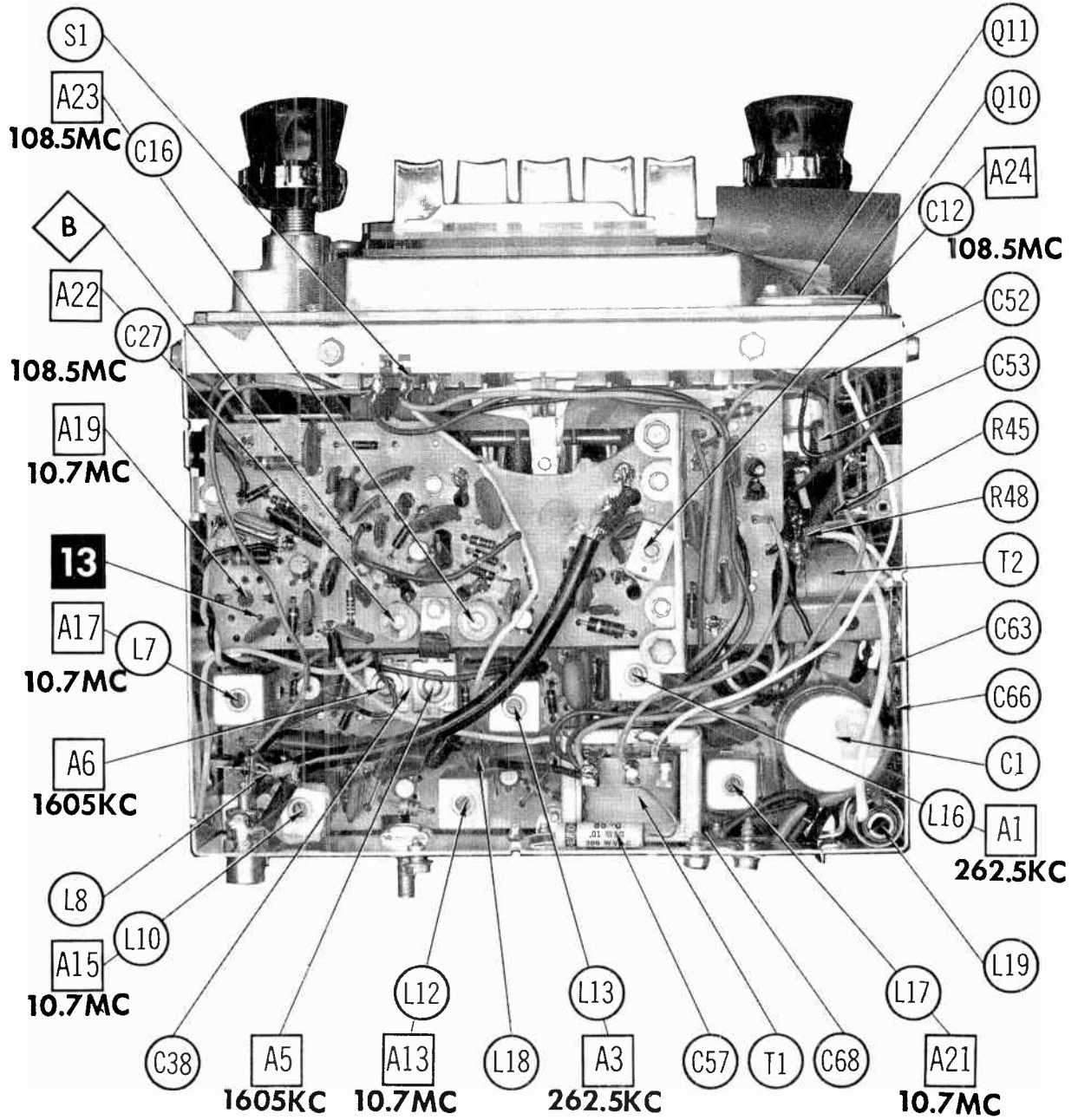
C B E

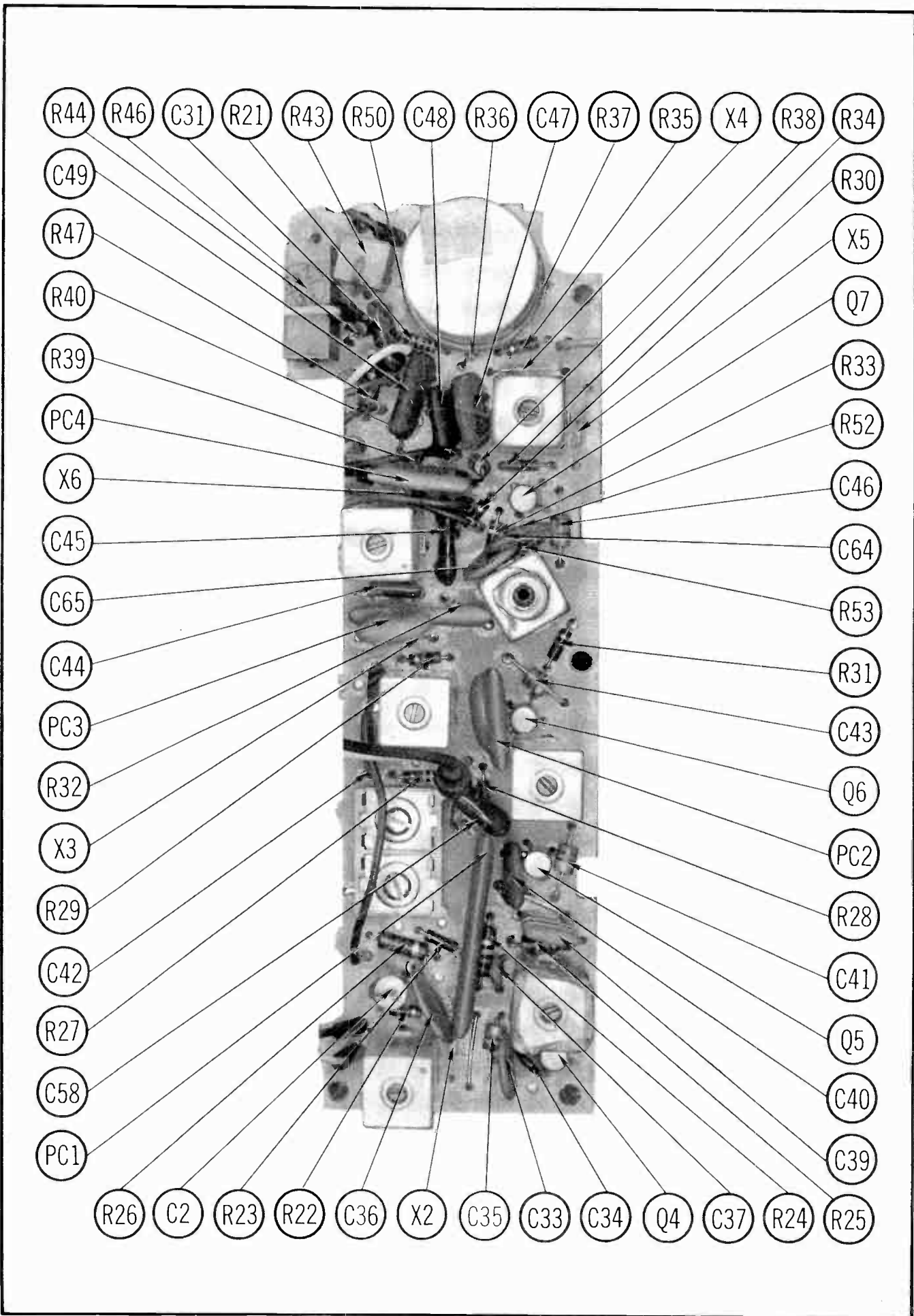
Q4

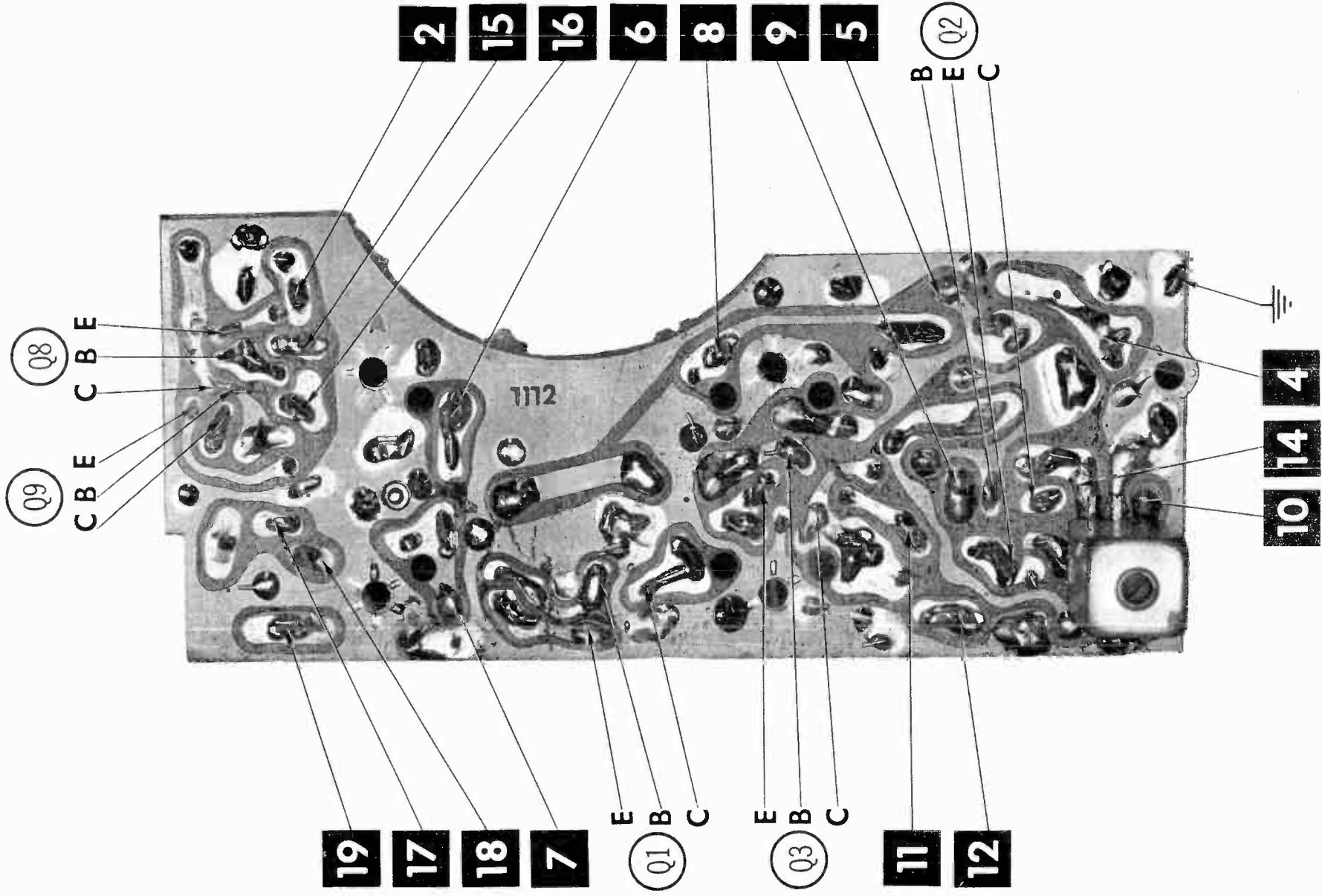
26 22 23 21 25 14 24



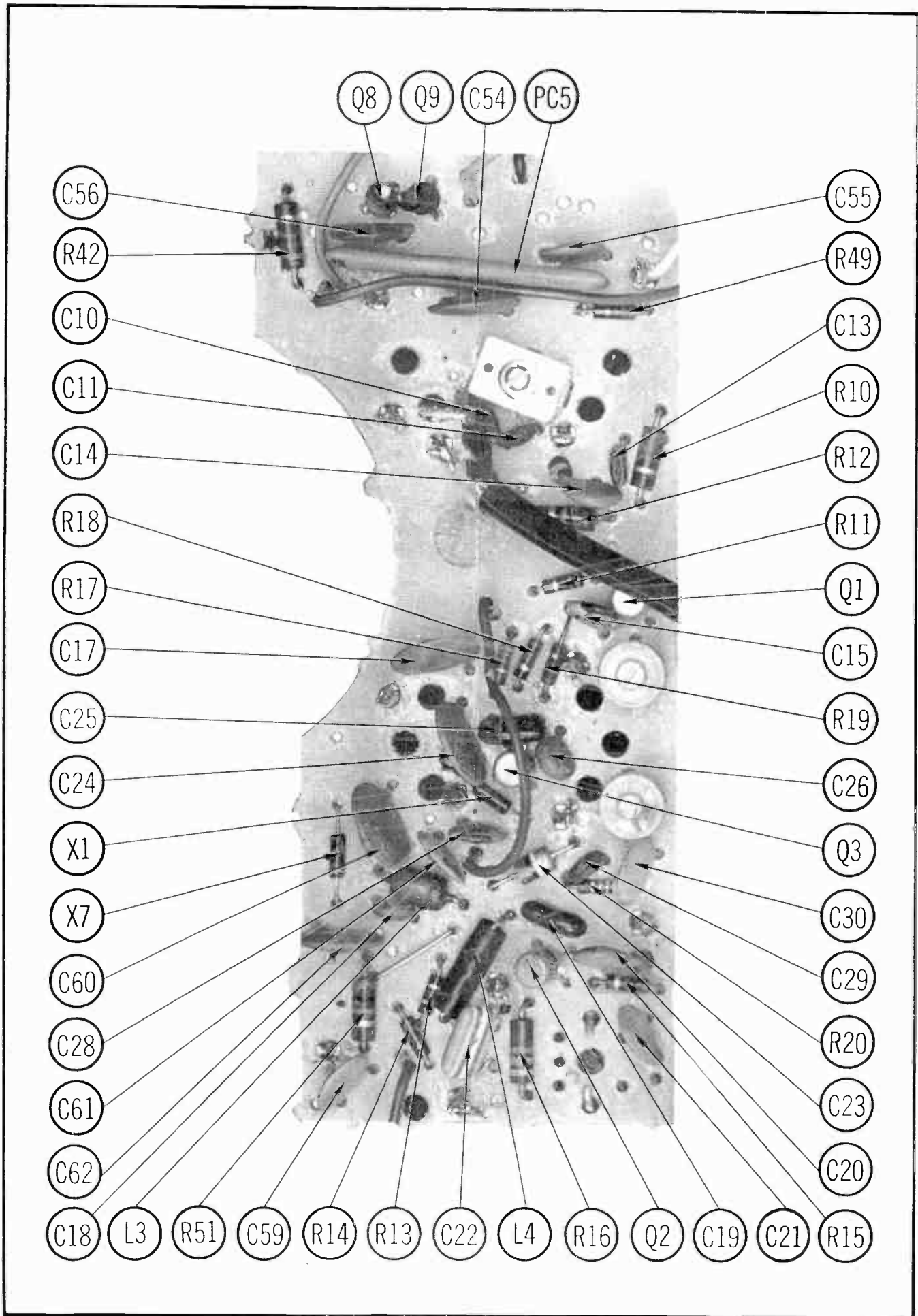
A Howard W. Sams CIRCUITRACE® Photo







A Howard W. Sams CIRCUITRACE® Photo



PARTS LIST AND DESCRIPTION

(When ordering parts, state Model, Part Number, and Description.)

Replacement parts shown may be superseded by the availability of newly introduced replacements.
Have your local distributor check Sams COUNTER FACTS for the most up-to-date replacement.

TRANSISTORS

ITEM No.	ORIG. TYPE	USE	REPLACEMENT DATA				NOTES	
			DELCO PART No.	GENERAL ELECTRIC PART No.	INTERNATIONAL RECTIFIER PART No.	RCA PART No.	BENDIX PART No.	NOTES
Q1		FM RF Amp	DS-81	GE-11	TR-22	SK-3018	2092417-0711	NPN
Q2		FM Mixer	DS-81	GE-11	TR-22	SK-3018	2092417-0712	NPN
Q3		FM Oscillator	DS-81	GE-11	TR-22	SK-3018	2092417-0713	NPN
Q4		AM RF Amp/1st FM IF Amp	DS-74	GE-11	TR-22	SK-3018	2092418-0715	NPN
Q5		AM Converter/2nd FM IF Amp	DS-74	GE-11	TR-22	SK-3018	2092418-0716	NPN
Q6		AM IF Amp/3rd FM IF Amp	DS-74	GE-11	TR-22	SK-3018	2092418-0717	NPN
Q7		FM Limiter	DS-74	GE-11	TR-22	SK-3018	2092418-0718	NPN
Q8		AF Amp	DS-66	GE-10	TR-21	SK-3020	2092609-0707	NPN
Q9		Driver	DS-66	GE-10	TR-21	SK-3020	2092609-0002	NPN
Q10		Output					2057323-0504 *	NPN
Q11		Output					2057323-0504	NPN

* When replacing, apply silicone grease to both sides of insulator. Tighten mounting screws securely.

POWER RECTIFIERS & SIGNAL DIODES

ITEM No.	MEASURED CURRENT	ORIGINAL Part or Type No.	RECTIFIERS & DIODES		RECTIFIERS		
			GENERAL ELECTRIC PART No.	INTERNATIONAL RECTIFIER PART No.	MALLORY PART No.	RCA PART No.	SARKES TARZIAN PART No.
X1		2092055-0003					
X2		2092055-0708	1N34AS	1N34A			
X3		2092055-0708	1N34AS	1N34A			
X4		2092055-0007	1N34AS	1N34A			
X5		2092055-0007	1N34AS	1N34A			
X6		2092055-0001	1N34AS	1N34A			
X7		2092055-0710					

ELECTROLYTIC CAPACITORS

ITEM No.	RATING	REMARKS	REPLACEMENT DATA							
			BENDIX PART No.	AEROVOX PART No.	CENTRALAB PART No.	CORNELL-DUBILIER PART No.	GENERAL ELECTRIC PART No.	MALLORY PART No.	SPRAGUE PART No.	
C1A	500 16V		2091503-0712	PWH2-02-40				XC2-43.05	PFP200.65	PCL-2177
B	500 16V									
C2	50 8V		2093087-0711	CRE417A	EA15-50	NLW50-10		MT1-16	TT10X50	TE-1119

CAPACITORS

ITEM No.	RATING	REMARKS	REPLACEMENT DATA						
			AEROVOX PART No.	CENTRALAB PART No.	CORNELL-DUBILIER PART No.	ELMENCO PART No.	MALLORY PART No.	SPRAGUE PART No.	
C10	33	NPO	NPO-DI 33	DTZ-33	CS801CG330K	CCTO-330	CNO433	10TCC-Q33	
C11	6.8	NPO	NPO-DI 6.8	DTZ-6R8	CZ801CH6R8D	CCTO-6R8	CNO568	10TCC-V68	
C12	4-25		#2093115-0704						
C13	2.7	NPO	NPO-DI 3.0	DTZ-3R3	HOY101ZV502P	CCTO-3R3	CNO533	10TCC-V30	
C14	.005			DD-102	JBS801YP102K	CCD-502	TA250	TG-D50	
C15	22	NPO	NPO-DI 22	DTZ-22	CY601CG220K	CCTO-220	CNO422	10TCC-Q22	
C18	4-20		#2094703-0702						
C17	68	NPO	NPO-DI 68	DTZ-68	CX601CG680K	CCTO-680	CNO468	10TCC-Q68	
C18	4.7	NPO	NPO-DI 4.7	DTZ-4R7		CCTO-4R7	CNO547	10TCC-V47	
C19	220			ADM-15-221	CPR-220J	CD15F221J500	DM-15-221	MS-322	
C20	.001			DI-1000	DD-102	JBS801YP102K	CCD-102	GP210	
C21	.005			TTD-005	CK-502	HOY101ZV502P	CCD-502	TA250	
C22	.0068	25V		DBE6D68	CPR-6800J	WMF1D68	1DP-1-682	PVC4268	
C23	1pf			NPO-DI 1.0	TCZ-1		CNO510	10TCC-V10	
C24	.0022			DI-2200	DD-222	JBX601YP222K	CCD-222	GP222	
C25	47			ADM-15-470	CPR-47J	CD15E470J500	DM-15-470	SX447	
C26	1.5	NPO		NPO-DI 1.0	TCZ-1		CNO510	10TCC-V10	
C27	3-8		#2094703-0701						
C28	18	N150					*	10TCP-Q18	
C29	3.3	NPO		NPO-DI 3.0	DTZ-3R3	HOY101ZV502P	CCTO-3R3	CNO533	
C30	.005			TTD-005	CK-502	HOY101ZV502P	CCD-502	TA250	
C31	.05	25V		DBE6S5		DPMS6S5	6DP-3-503	PVC615	
C32			#2093114-0712						
C33	.0018			DI-1500	DD-152		CCD-152	GP215	
C34	18	N150					*	10TCP-Q18	
C35	.47pf			NPO-DI 1.0	TCZ-1		CNO510	10TCC-V10	
C36	.0082			DI-2200	DD-822	RR06CW822K	CCD-822	B282	
C37	22	NPO		NPO-DI 22	DTZ-22	CY601CG220K	CCTO-220	CNO422	
C38A	305-370		#2092422-0716						
B	180								
C	240-360								
C39	.0068	25V		DBE6D68	CPR-6800J	WMF1D68	1DP-1-682	PVC4268	
C40	.01	25V		DBE4S1	CPR-10000J	DMF2S1	4DP-1-103	PVC211	
C41	1.2			NPO-DI 1.0	TCZ-1		CNO510	10TCC-V10	
C42	150	N750		N750-DI 150	DTN-150		CCTN-151	CN7315	
C43	1.2			NPO-DI 1.0	TCZ-1		CNO510	10TCC-V10	
C44	.01	25V		DBE4S1	CPR-10000J	DMF2S1	4DP-1-103	PVC211	
C45	.001			ADM-20-102	CPR-1000J	CD19F102J500	DM-19-102J	SX210	
C46	.18pf		#2093231-2188						
C47	.02	25V		DBE4S22		DMF4S22	4DP-2-223	PVC6122	
C48	.015	25V		DBE4S15		DMF4S15	4DP-1-153	PVC6115	
C49	.0082	100V		DBE6D82	CPR-8200J	DPMS6D82	6DP-2-822	PVC828	
C50	.033	25V		DBE4S33		DMF4S33	4DP-2-333	PVC6133	
C51	.02	25V		DBE4S33		DMF4S33	4DP-2-333	PVC6133	
C52	.015	25V		DBE4S15		DMF4S15	4DP-1-153	PVC6115	
C53	.05	25V		DBE6S5		DPMS6S5	6DP-3-503	PVC615	

SAAB MODEL 775SAX

PARTS LIST AND DESCRIPTION (CONTINUED)

(When ordering parts, state Model, Part Number, and Description.)

Replacement parts shown may be superseded by the availability of newly introduced replacements.
Have your local distributor check Sams COUNTER FACTS for the most up-to-date replacement.

CAPACITORS (cont)

ITEM No.	RATING	REMARKS	REPLACEMENT DATA					
			AEROVOX PART No.	CENTRALAB PART No.	CORNELL-DUBILIER PART No.	ELMENCO PART No.	MALLORY PART No.	SPRAGUE PART No.
C54	1mfd 3V			UK-105	HXC3R0XR105P		MAG31	HY-135
C55	.0033		DI-3300	DD-332	JBV801YP332K	CCD-332	GP233	10TS-D33
C56	.002	10%	DI-2000	DM-202	JBX801YP202K	CCD-202	GP220	5GAB-D22
C57	.01 200V		DBE451	CPR-10000J	DMF251	4DP-1-103	PVC211	ZTM-S10
C58	.05 25V		DBE855		DPMS855	6DP-3-503	PVC615	6PS-S50
C59	.005		TTD-005	CK-502	HOY101ZV502P	CCD-502	TA250	TG-D50
C60	.0022		DI-2200	DD-222	JBX801YP222K	CCD-222	GP222	10TS-D22
C61	.005		TTD-005	CK-502	HOY101ZV502P	CCD-502	TA250	TG-D50
C62	.0022		DI-2200	DD-222	JBX801YP222K	CCD-222	GP222	10TS-D22
C63	.05 16V		TTD-05	CK-503	HOY101ZV503Z		TA150	TG-S50
C64	.01		TTD-01	CK-103	HOY101ZV103P	CCD-103	TA110	TG-S10
C65	.01		TTD-01	CK-103	HOY101ZV103P	CCD-103	TA110	TG-S10
C66	275	#2093050-0002						
C67	275	#2093050-0002						
C68	275	#2093050-0002						

Bendix Part Number

† Nominal Value

* Not normally in distributor's stock. Available thru distributor on order to manufacturer.

CONTROLS

All wattages 1/2 watt, or less, unless otherwise listed.

ITEM No.	USE	RESIST-ANCE	REPLACEMENT DATA				
			BENDIX PART No.	CENTRALAB PART No.	CLAROSTAT PART No.	CTS-IRC PART No.	MALLORY PART No.
RIA B	Tone Volume/Switch	500K 225K Tap @ 75K	2094685-0701	F1-500K, R14-225K, FFS113, RFS206, KR7	NP-500KS, NRF1-250K, UPC-B-113, UR-D-206, NWE-23	† QJ-2276A	■ UE4629S

† "CONCENTRIKIT" Equivalent: K15 Kit with Base Elements and Shafts: B11-133, P17-126 (Panel) B18-130X, R9-208 (Rear) 76-2 (Switch)

"SNAPTROL" Equivalent: BU4, CF16, CR29T, SF15, SR51, WF

■ "STA-LOC" Equivalent: FB55L, RU254T753, OX1812A, IS2375, US42.

RESISTORS (Power and Special)

ITEM No.	RATING	REPLACEMENT DATA			ITEM No.	RATING	REPLACEMENT DATA		
		IRC PART No.	WORKMAN PART No.	BENDIX PART No.			IRC PART No.	WORKMAN PART No.	BENDIX PART No.
R43	75Ω 5W (PTC)			2090574-0003	R46	75Ω 5W (PTC)			2090574-0705
R45	.22Ω 2W (PTC)			2090948-0020	R48	.22Ω 2W (PTC)			2090948-0020

COILS (RF-IF)

ITEM No.	USE	REPLACEMENT DATA			
		PART No.	MEISSNER PART No.	MILLER PART No.	WORKMAN PART No.
L1	FM Antenna	2056765-0001 ①			
L2	FM RF	2056766-0001 ①			
L3	RF Choke (2uh)	2092210-0007	19-1002	74F 226AP	TA812
L4	FM IF Trap (1uh)	2092210-0005	19-1000	4602	T855
L5	FM Oscillator	2056767-0001 ①			
L6	1st FM IF	2093587-0706			
L7	2nd FM IF	2093587-0708			
L8	RF Choke (2uh)	2092210-0007	19-1002	74F 226AP	TA812
L9	AM Antenna	①			
L10	3rd FM IF	2092421-0717			
L11	AM RF	①			
L12	4th FM IF	2093587-0703			
L13	1st AM IF	2092419-0720			
L14	AM Oscillator	①			
L15	5th FM IF	2092421-0718			
L16	2nd AM IF	2092419-0719			
L17	Discriminator	2093856-0703			
L18	RF Choke (85uh)	2092210-0711	19-3100	6112	T305

① Part of M1.

FILTER CHOKE

ITEM No.	RATINGS			REPLACEMENT DATA				NOTES
	CURRENT (Measured)	DC RES.	INDUCTANCE (0 CURRENT 1000~)	BENDIX PART No.	MERIT PART No.	STANCOR PART No.	THORDARSON PART No.	
L19	250 ma	.4Ω	470 uh	2094209-0703				

PARTS LIST AND DESCRIPTION (CONTINUED)

(When ordering parts, state Model, Part Number, and Description.)

Replacement parts shown may be superseded by the availability of newly introduced replacements.
Have your local distributor check Sams COUNTER FACTS for the most up-to-date replacement.

TRANSFORMER (DRIVER)

ITEM No.	TURNS RATIO		REPLACEMENT DATA					NOTES
			BENDIX PART No.	MERIT PART No.	STANCOR PART No.	THORDARSON PART No.	TRIAD PART No.	
	PRI.	SEC.						
T1	5.5	1.1	2092192-0710					

TRANSFORMER (AUDIO OUTPUT)

ITEM No.	IMPEDANCE		REPLACEMENT DATA					NOTES
			BENDIX PART No.	MERIT PART No.	STANCOR PART No.	THORDARSON PART No.	TRIAD PART No.	
	PRI.	SEC.						
T2	40Ω	Tap @ 8Ω	2094696-0704					

SPEAKER

ITEM No.	TYPE	REPLACEMENT DATA			NOTES
		BENDIX PART No.	JENSEN PART No.	QUAM PART No.	
SP1	5" x 7" PM 8Ω	2094859-0701	P5X7V8	57A1Z8	

FUSE DEVICES

ITEM No.	DESCRIPTION	REPLACEMENT DATA						
		PART No.		BUSS PART No.		LITTELFUSE PART No.		WORKMAN PART No.
		DEVICE	HOLDER	DEVICE	HOLDER	DEVICE	HOLDER	DEVICE
F1	AGA5	2091811-0002	2094348-0528	AGA5	HAF	301005	155004	

COMPONENT COMBINATIONS

ITEM No.	USE	DESCRIPTION	PART NO.	REPLACEMENT DATA
PC1	RF Biasing Network	180Ω, 2200Ω, 22K, 100K, .01, .01	2094687-0702	
PC2	Bias Network	1500Ω, 4700Ω, 330pf, .01, .2,	2094688-0701	
PC3	AVC Network	4700Ω, 220pf, .2	2094690-0701	
PC4	AM Detector	1000Ω, .002, .002	2094692-0702	
PC5	Audio Bias Network	3300Ω, 33K, 100K, 220Ω, 100Ω, 33K, 390Ω	2056721-0701	

MISCELLANEOUS

ITEM No.	PART NAME	PART No.	NOTES
M1 S1	Tuner Assembly Switch, Selector	2094066-0511 2056700-0701	

CABINETS & CABINET PARTS

(When Ordering Specify Model, Chassis & Color)

ITEM	PART No.	ITEM	PART No.
Escutcheon	2057856-0503	Knob, Tone or Dummy	2094480-0001
Dial Glass	2094184-0507	Dial Pointer	2090129-0085
Knob, Tuning or Volume	2091420-0502	Push Button	2056519-0001

WIRING DATA

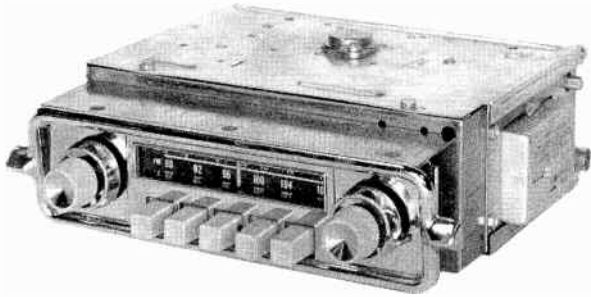
General-use Unshielded Hook-up Wire	Use BELDEN No. 8530 (Solid) Available in 12 Colors 8524 (Stranded) Available in 12 Colors
Shielded Hook-up Wire	Use BELDEN No. 8885
Rear Seat Speaker Extension Cable	Use BELDEN No. 8782 (Stranded) Coded Parallel Leads
Bonding Strap	Use BELDEN No. 8661 (3/8 in.) or 8670 (3/4 in.)

SAAB MODEL 7FRSAX



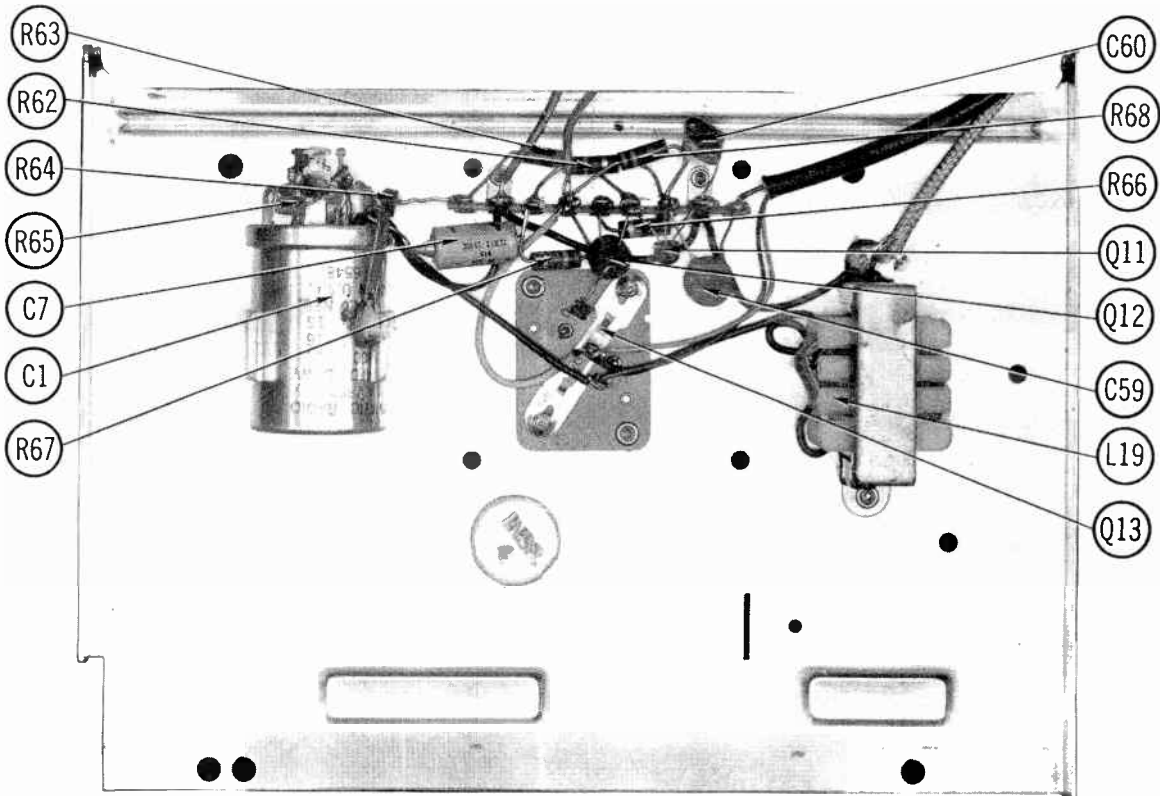
PHOTOFACT[®] with

CIRCUITRACE[®]



TRADE NAME : Sears Model 833.63060
SUPPLIER : For current address, see Annual Index.
TYPE SET : 13-Transistor AM-FM Receiver
POWER SUPPLY : 6-Volt Storage Battery
RATING : .35 Amp. @ 6.3 Volts DC

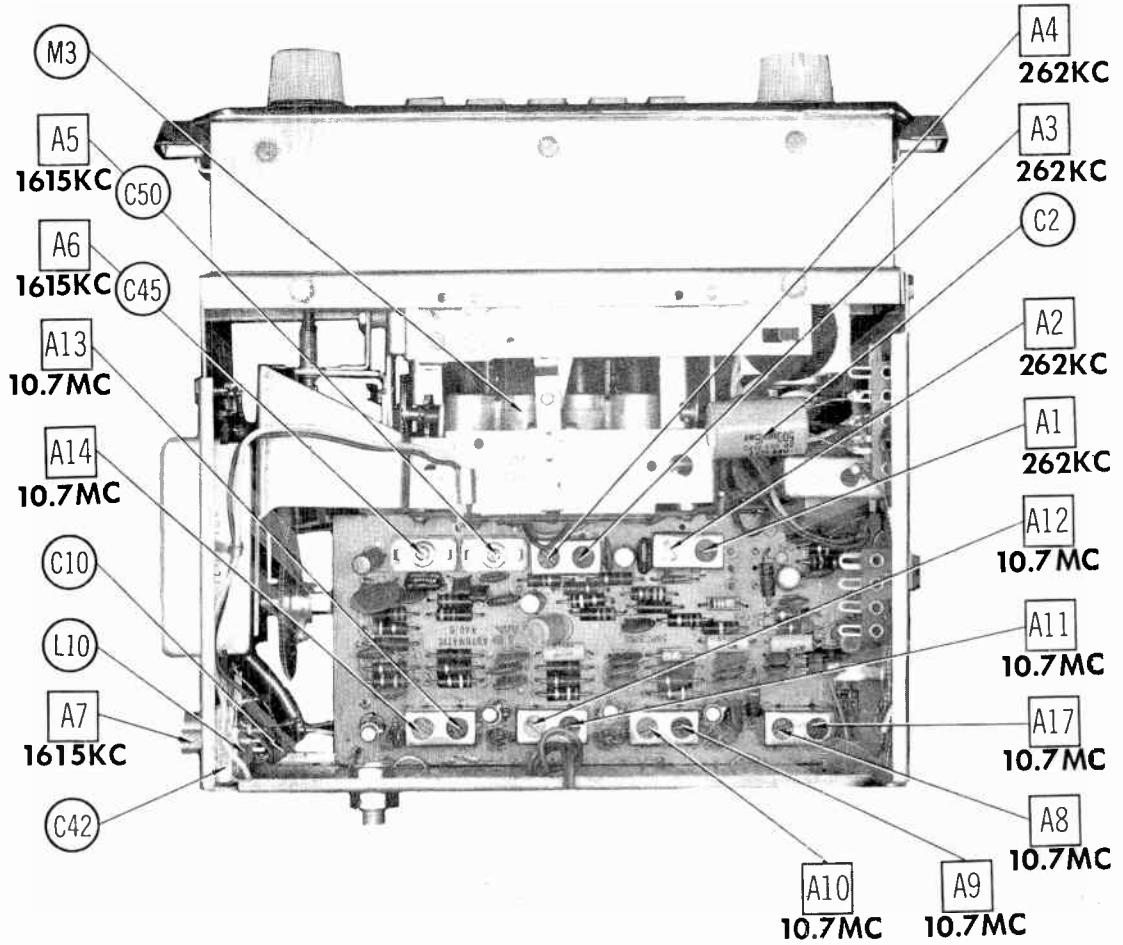
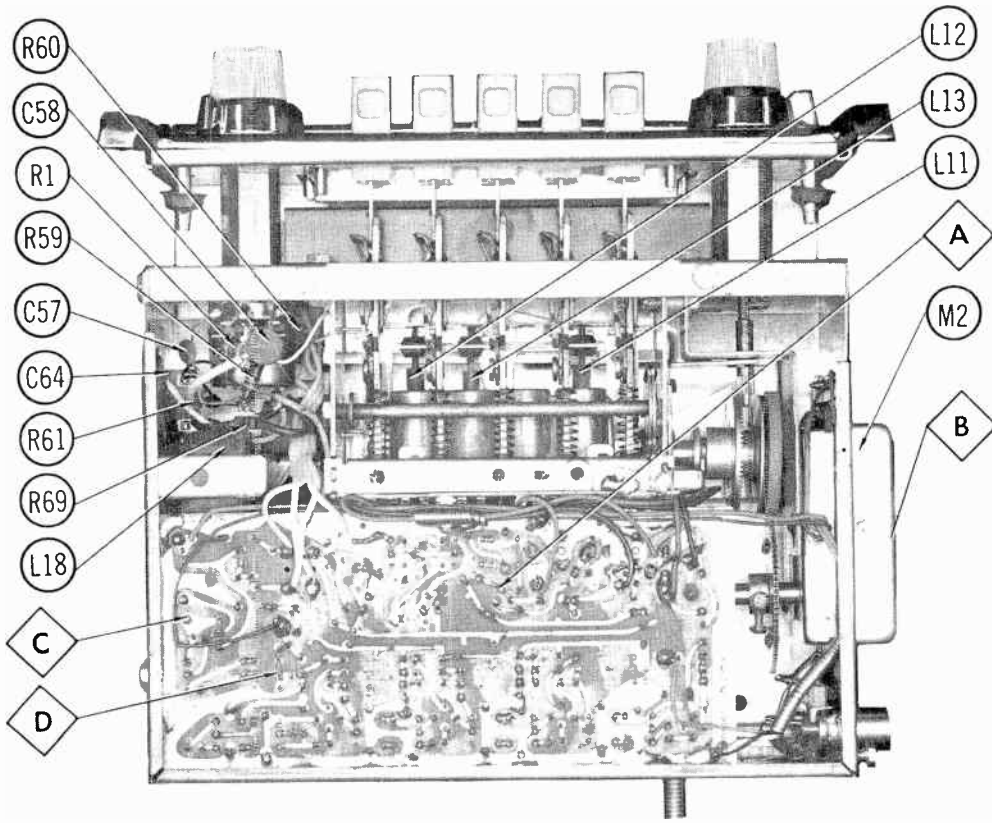
SEARS MODEL 833.63060

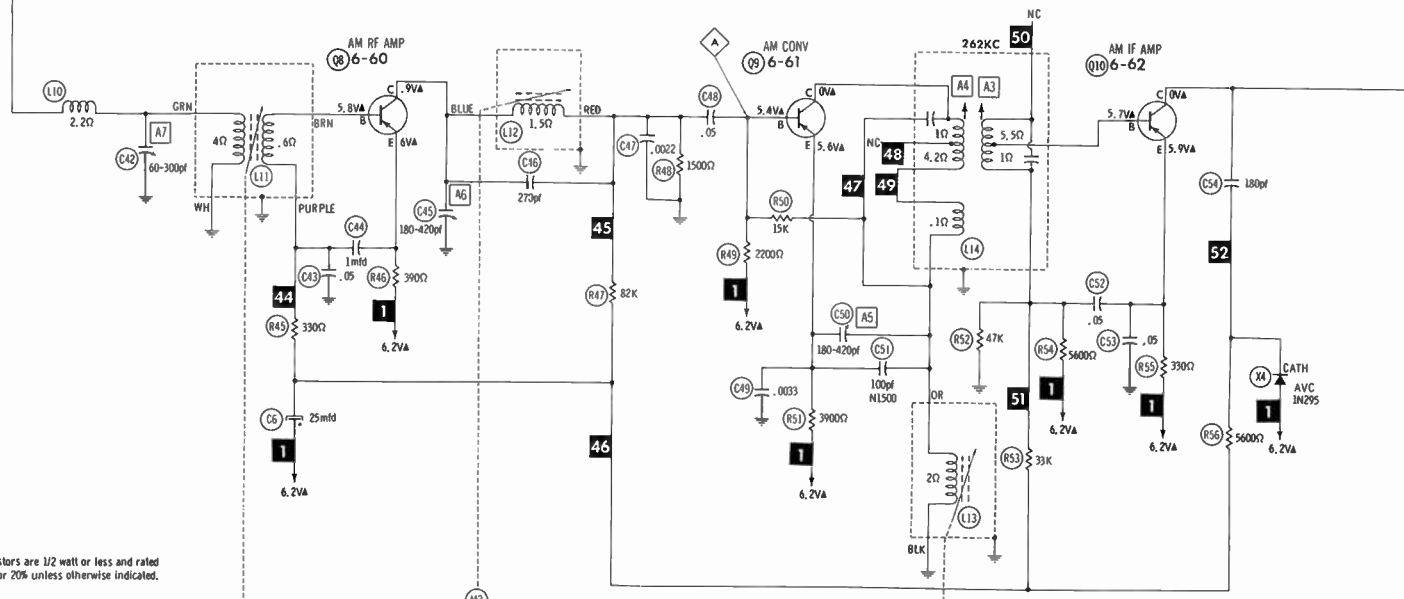
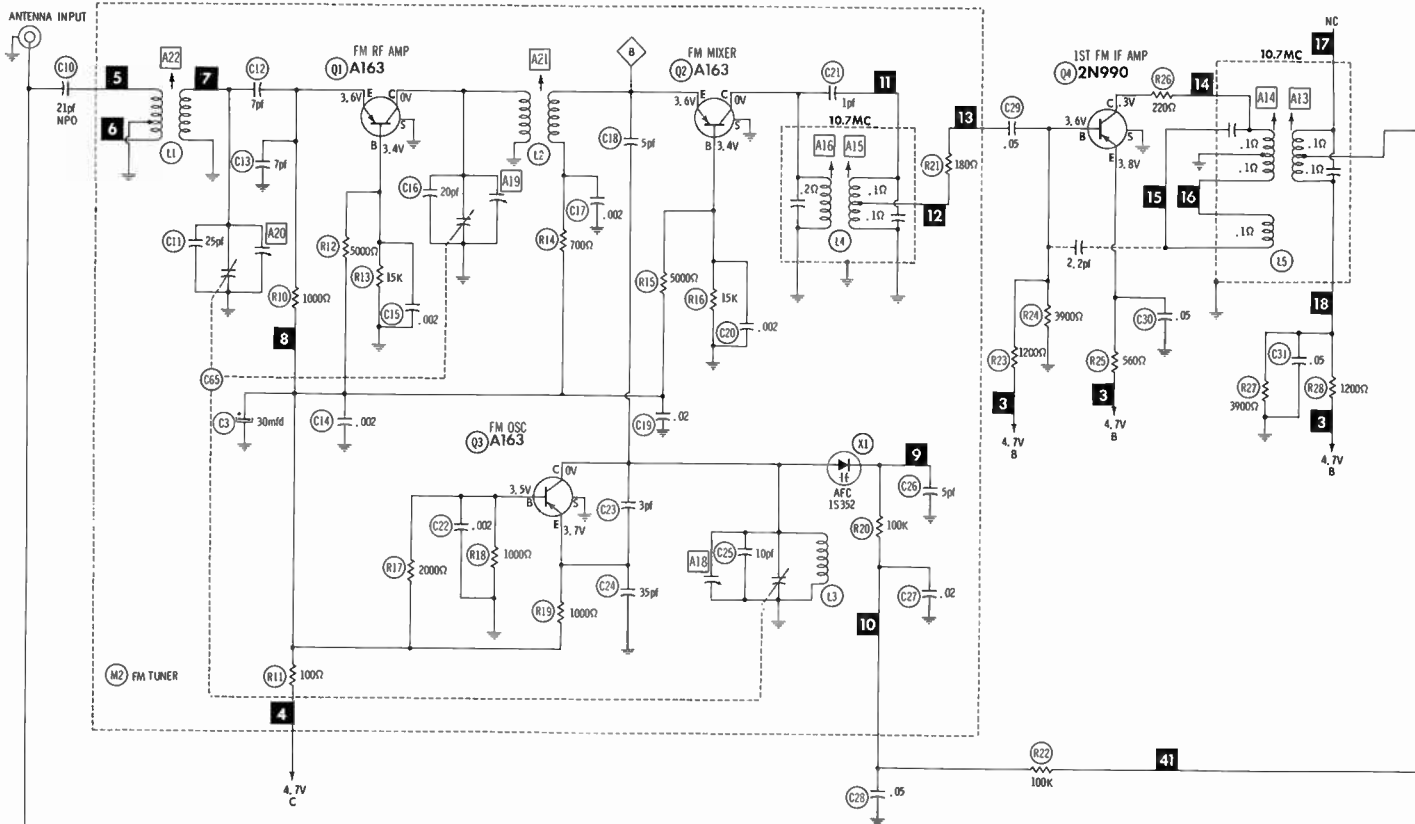


HOWARD W. SAMS & CO., INC. Indianapolis, Indiana 46206

© 1968 Howard W. Sams & Co., Inc. Printed in U. S. of America TD204

World Radio History





Resistors are 1/2 watt or less and rated 10% or 20% unless otherwise indicated.

All measurements taken in "FM" position unless otherwise designated.

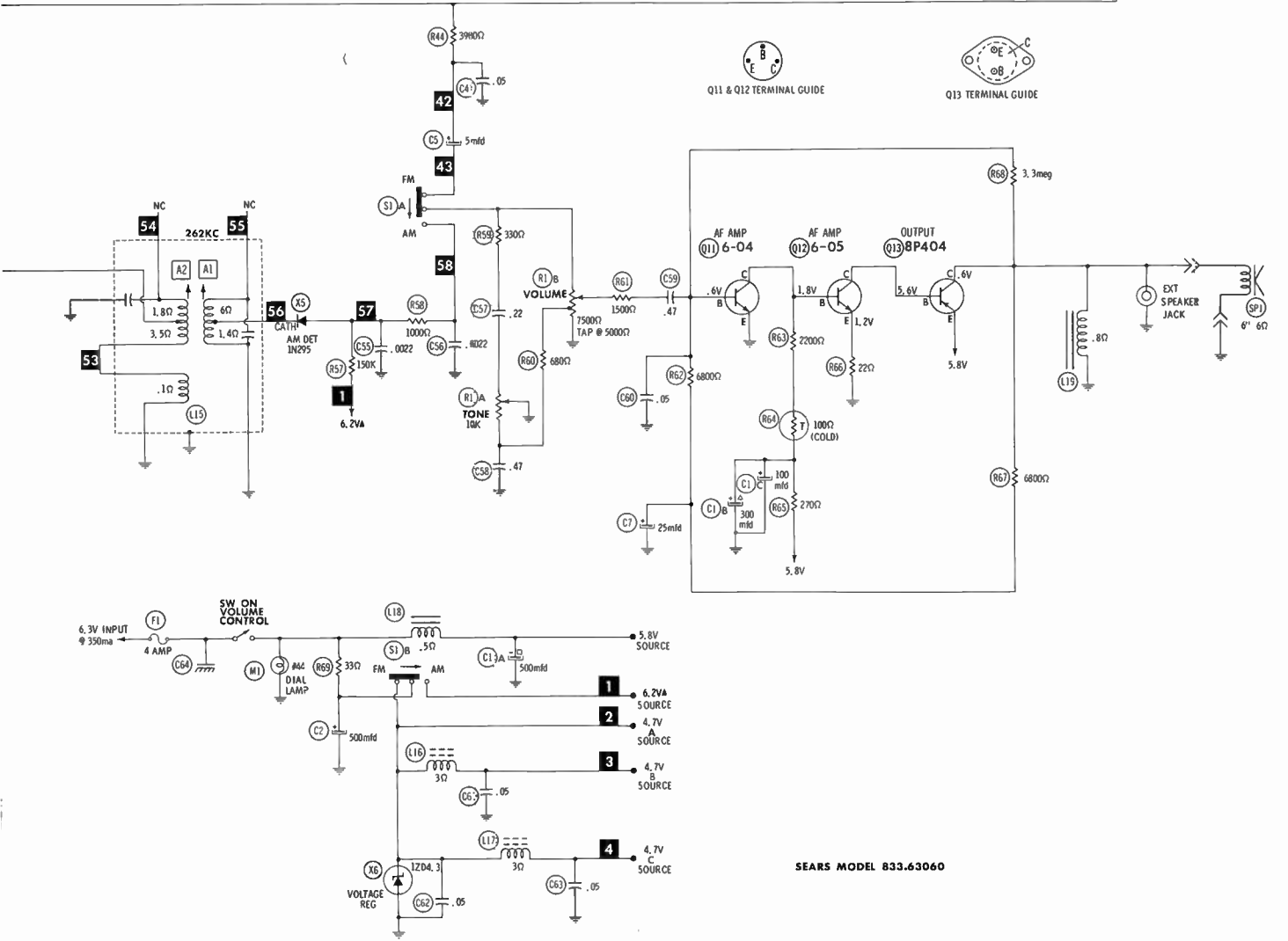
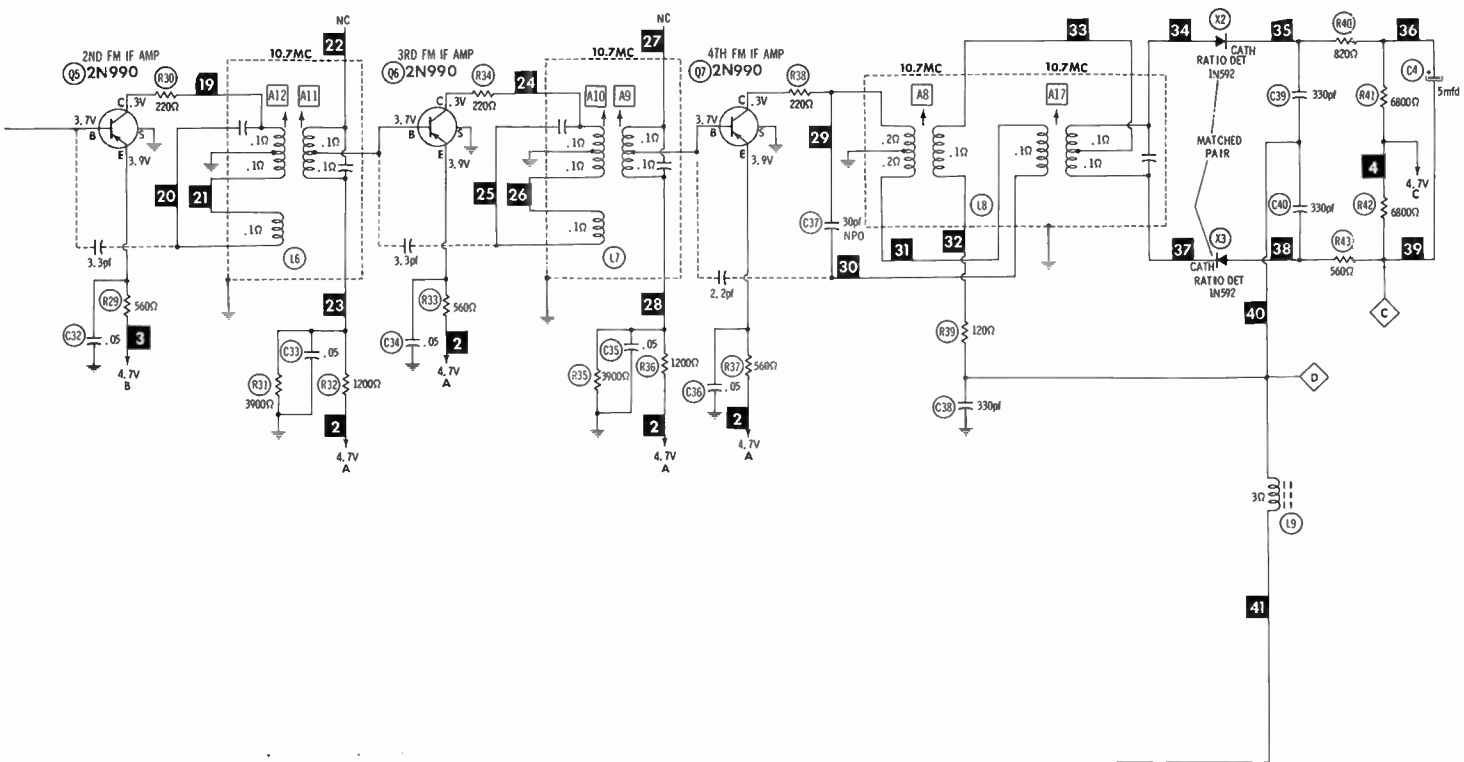
▲ Measured in "AM" position.

NC No Connection

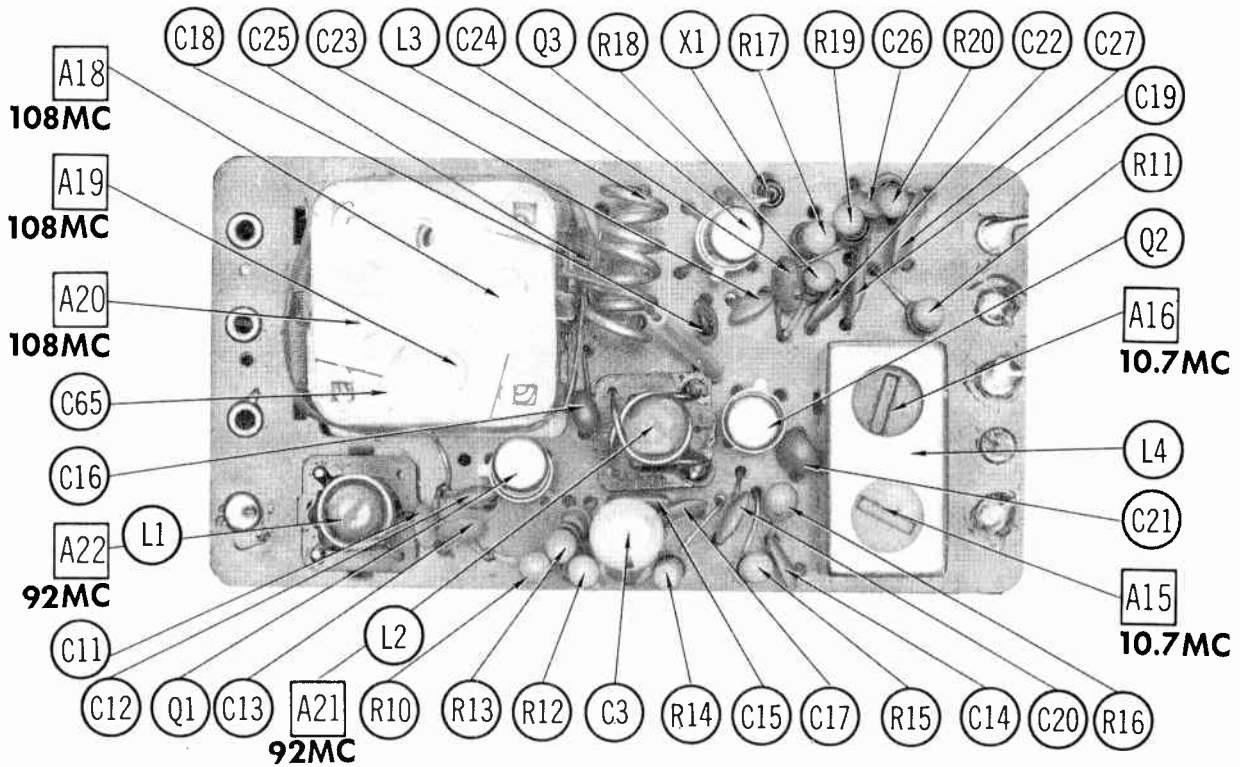
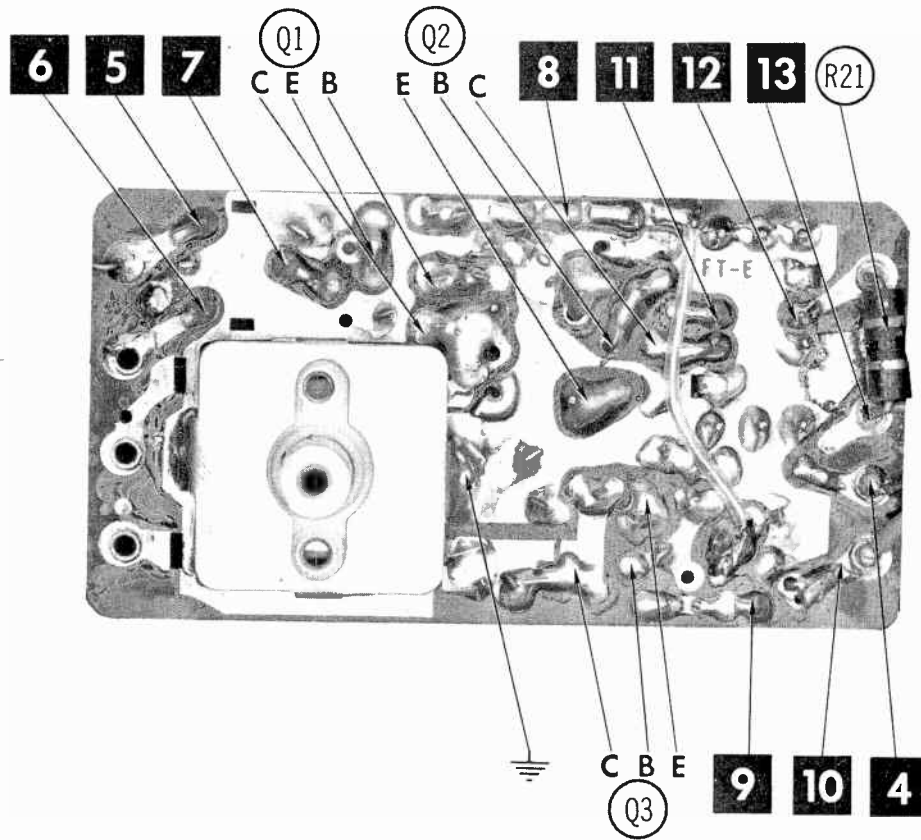
1. Voltage measurements taken with vacuum tube voltmeter.
2. All controls set for normal operation, no signal applied.
3. Measured values are from socket pin or terminal to common ground.
4. All terminals viewed from bottom unless otherwise designated.
5. Numbers assigned to terminals may not be found on the unit.
6. Supply voltage maintained at rated value for voltage readings.
7. Resistance measurements not given because of the wide variation in internal resistance of transistor.

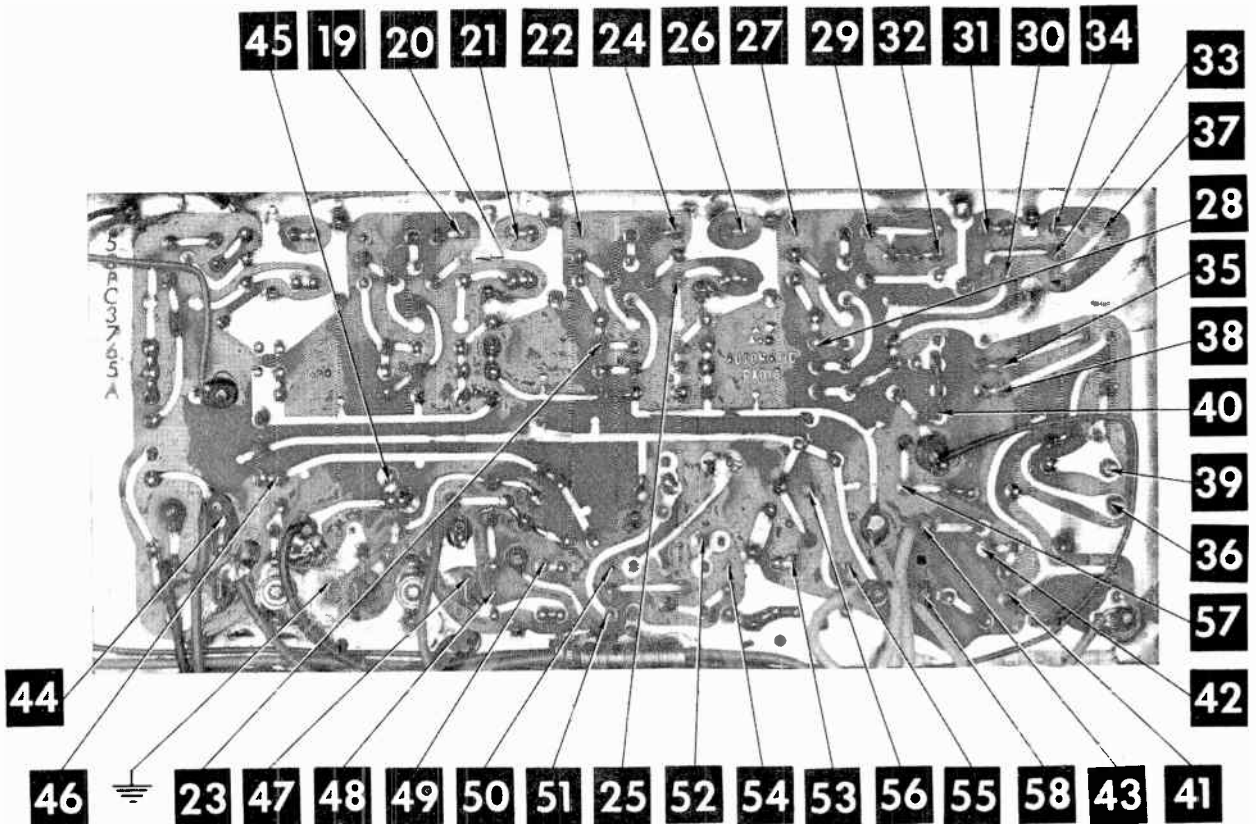
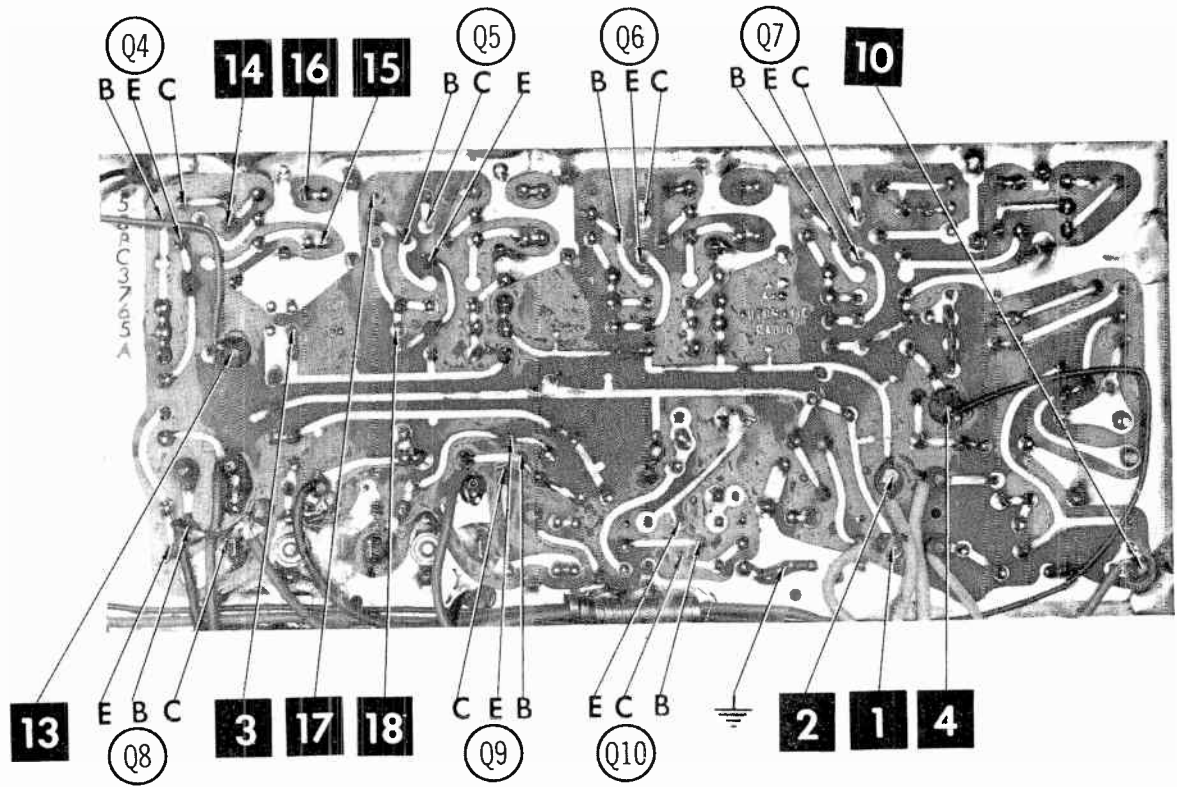
A PHOTOFACIT STANDARD NOTATION SCHEMATIC with CIRCUITRACE

© Howard W Sams & Co., Inc 1968

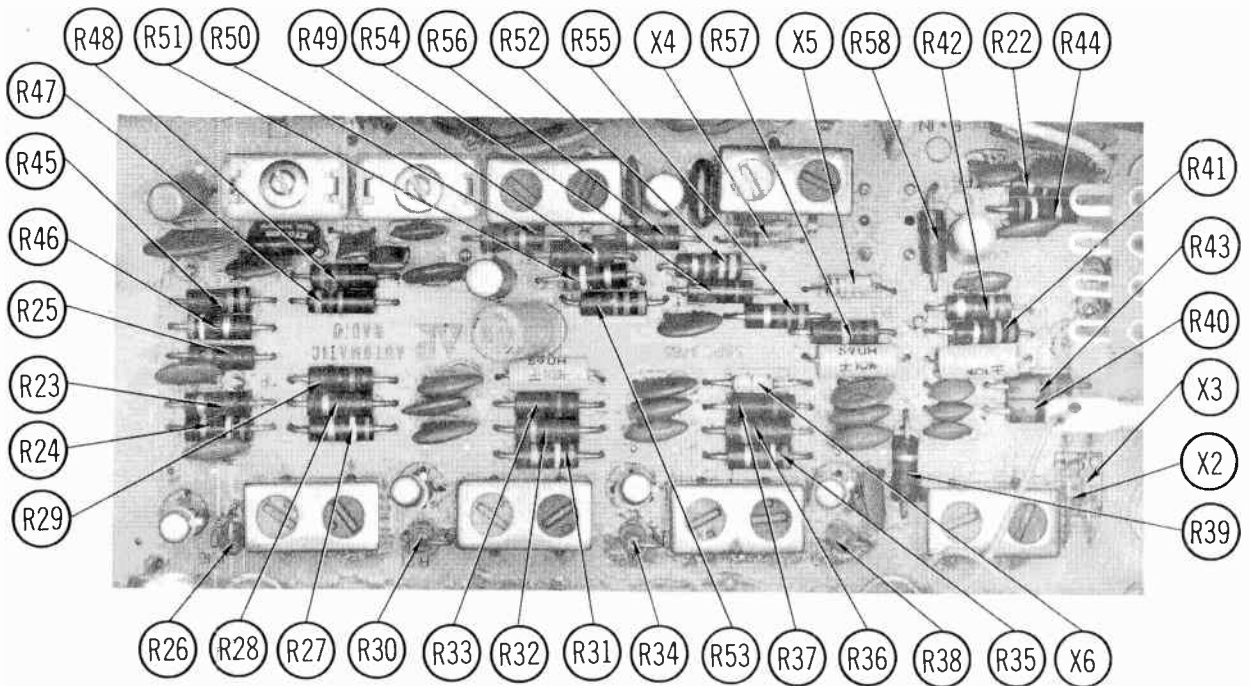
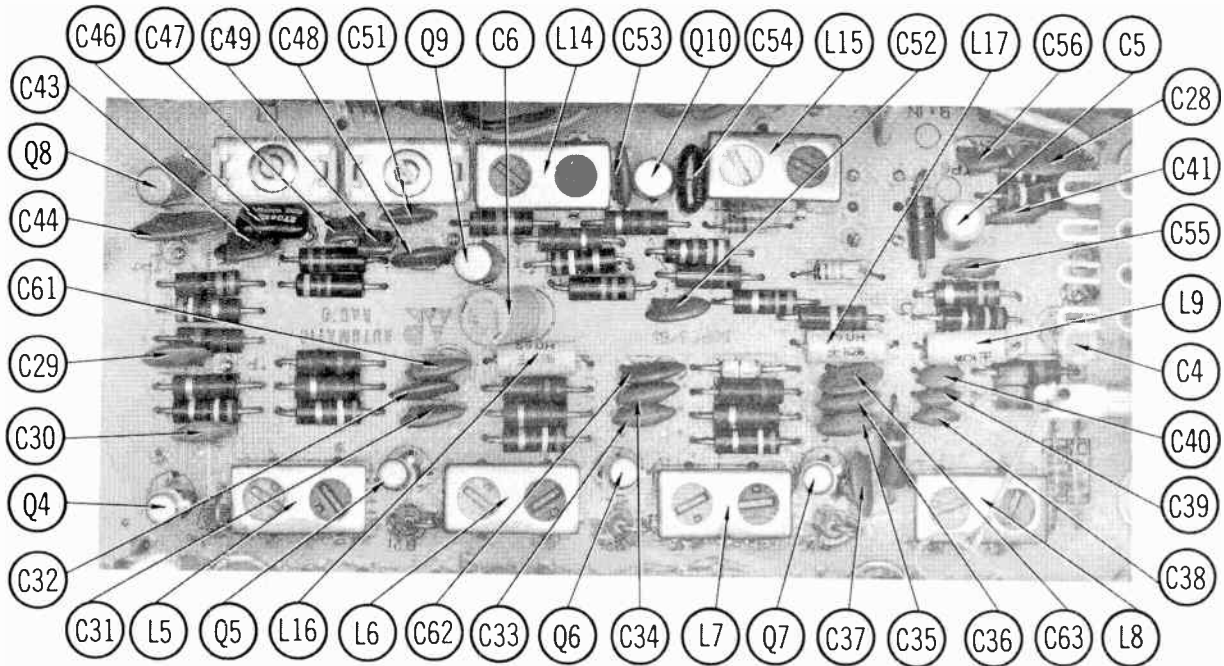


SEARS MODEL 833.63060





SEARS MODEL 833.63060



ALIGNMENT INSTRUCTIONS

Check for specified source voltage. Use only enough generator output to provide a usable indication. Suggested Alignment Tools: A1 thru A22 ... GENERAL CEMENT 9440 WALSCO 2501				PUSH-BUTTON ADJUSTMENT 1. Pull button out. 2. Tune manually to desired station. 3. Press button in firmly. 4. Repeat for remaining buttons.	
SIGNAL GENERATOR COUPLING	SIGNAL GENERATOR FREQUENCY	RADIO DIAL SETTING	INDICATOR	ADJUST	REMARKS
1. High side thru .1mfd to point \diamond , low side to ground.	262KC (400v Mod.)	High freq. end stop.	Output meter across voice coil.	A1, A2, A3, A4	Adjust for maximum.
2. Thru dummy antenna to antenna receptacle.	1615KC	"	"	A5, A6, A7	"
With radio installed in car and antenna extended 33", tune in a weak station near 1400KC and adjust A7 for maximum output. Antenna adjustment (A7) is located on right side.					

FM IF ALIGNMENT USING AM SIGNAL GENERATOR - SELECTOR IN FM POSITION

High side of generator thru .001mfd to point \diamond , low side to ground.					
GENERATOR FREQUENCY	DIAL SETTING	INDICATOR	ADJUST	REMARKS	
3. 10.7MC (Unmod.)	Point of non-interference.	DC probe of VTVM to point \diamond , common to ground.	A8 thru A16	Adjust for maximum.	
4. "	"	DC probe to point \diamond , common to ground.	A17	Adjust for zero reading. A positive or negative reading will be obtained on either side of the correct setting.	

FM IF ALIGNMENT USING FM SIGNAL GENERATOR - SELECTOR IN FM POSITION

High side of generator thru .001mfd to point \diamond , low side to ground. Use only enough marker signal for indication. Use 60% frequency modulated signal with 450KC sweep. Use 60% sawtooth voltage in scope for horizontal deflection.					
GENERATOR FREQUENCY	DIAL SETTING	INDICATOR	ADJUST	REMARKS	
3. 10.7MC (450KC Swp.)	Point of non-interference	Vert. amp. of scope to point \diamond , low side to ground.	A8 thru A16	Disconnect stabilizing capacitor C4. Adjust for maximum gain and symmetry of response similar to Fig. 1 with marker as shown. Reconnect C4.	
4. "	"	Vert. amp. to point \diamond , low side to ground.	A17	Adjust A17 (secondary) to place marker at center of "S" curve similar to Fig. 2. Adjust A8 (primary) for maximum amplitude and straightness of line.	

FM RF ALIGNMENT - SELECTOR IN FM POSITION

Connect generator across antenna receptacle with 120Ω carbon resistors in series with each lead.					
GENERATOR FREQUENCY	DIAL SETTING	INDICATOR	ADJUST	REMARKS	
5. 108MC	Set at high end.	DC probe of VTVM to point \diamond , common to ground.	A18, A19, A20	Adjust for maximum.	
6. 92MC	Tune to signal.	"	A21, A22	Rock tuning and adjust for maximum. Repeat steps 5 and 6 until no further improvement can be made.	

SEARS MODEL 833.63060

PARTS LIST AND DESCRIPTION

(When ordering parts, state Model, Part Number, and Description.)

Replacement parts shown may be superseded by the availability of newly introduced replacements. Have your local distributor check Sams COUNTER FACTS for the most up-to-date replacement.

TRANSISTORS

ITEM No.	TYPE No.	FUNCTION	REPLACEMENT DATA					
			MFGR. PART No.	DELCO PART No.	GENERAL ELECTRIC PART No.	INTERNATIONAL RECTIFIER PART No.	RCA PART No.	SYLVANIA PART No.
Q1	A163	FM RF Amp.		DS-41	GE-9A	TR-17	SK-3006	ECG 126
Q2	A163	FM Mixer		DS-41	GE-9A	TR-17	SK-3006	ECG 126
Q3	A163	FM Oscillator		DS-41	GE-9A	TR-17	SK-3006	ECG 126
Q4	2N990	1st FM IF		DS-56	GE-9A	TR-17	SK-3007	ECG 126
Q5	2N990	2nd FM IF		DS-56	GE-9A	TR-17	SK-3007	ECG 126
Q6	2N990	3rd FM IF		DS-56	GE-9A	TR-17	SK-3007	ECG 126
Q7	2N990	4th FM IF		DS-56	GE-9A	TR-17	SK-3007	ECG 126
Q8	6-60	AM RF Amp.		DS-25	GE-9A	TR-06	SK-3008	ECG 126
Q9	6-61	AM Converter		DS-25	GE-9A	TR-06	SK-3008	ECG 126
Q10	6-62	AM IF Amp.		DS-25	GE-9A	TR-06	SK-3008	ECG 126
Q11	6-04	AF Amp.		DS-66	GE-10	TR-21	SK-3020	ECG 123
Q12	6-05	AF Amp.		DS-66	GE-10	TR-21	SK-3020	ECG 123
Q13	8P404	Output *		DS-520	GE-3	TR-01	SK-3009	ECG 104

* When replacing, apply silicone grease to both sides of insulator. Tighten mounting screws securely.

POWER RECTIFIERS & SIGNAL DIODES

ITEM No.	MFGR. PART OR TYPE No.	REPLACEMENT RECTIFIERS & DIODES			REPLACEMENT RECTIFIERS		NOTES
		GENERAL ELECTRIC PART No.	INTERNATIONAL RECTIFIER PART No.	SYLVANIA PART No.	RCA PART No.	SARKES TARZIAN PART No.	
X1	1S352						
X2	1N592	1N60	1N542①	ECG 110①			
X3	1N592	1N60					
X4	1N295	1N295	1N295	ECG 109			
X5	1N295	1N295	1N295	ECG 109			
X6	1ZD4.3						

① Matched Pair.

ELECTROLYTIC CAPACITORS

ITEM No.	RATING	REPLACEMENT DATA						
		SEARS PART No.	AEROVOX PART No.	CENTRALAB PART No.	CORNELL-DUBILIER PART No.	GENERAL ELECTRIC PART No.	MALLORY PART No.	SPRAGUE PART No.
C1A	500 μ 16V	20A3778	AFH3-00-94.5		CC0010	XC3-48.1	FP900.83	TVL-3026.14
B	300 μ 16V							
C	100 16V							
C2	500 15V	20-507	PRS1220	EA15-500	BR500-15	QT1-30	TC1505	TL-1166
C3	30 6V		BCD6025	EP6-50	NLW30-6	MT1-13	MTV30CB25	TL-1093
C4	5 15V	20-505P	BCD15005	EP60-5	NLW5-15	MT1-3	MTV5CB50	TE-1152
C5	5 15V	20-505P	BCD15005	EP60-5	NLW5-15	MT1-3	MTV5CB50	TE-1152
C6	25 15V	20-256P	BCD10025	EP15-25	NLW25-10	MT1-16	MTV25CB35	TL-1131
C7	25 15V	20-256P	BCD10025	EP15-25	NLW25-10	MT1-16	MTV125CB35	TL-1131

CAPACITORS

ITEM No.	RATING	REMARKS	REPLACEMENT DATA					
			AEROVOX PART No.	CENTRALAB PART No.	CORNELL-DUBILIER PART No.	ELMenco PART No.	MALLORY PART No.	SPRAGUE PART No.
C10	21 NPO			TCZ-18	CY601CG180J	CCTO-180	CNO418	10TCC-Q18
C11	25			TCZ-18	CY601CG180J	CCTO-180	CNO418	10TCC-Q18
C12	7		NPO-DI 6.8	DTZ-6R8	CZ601CH6R8D	CCTO-6R8	CNO568	10TCC-V68
C13	7		NPO-DI 6.8	DTZ-6R8	CZ601CH6R8D	CCTO-6R8	CNO568	10TCC-V68
C14	.002		GPD X5F202K	DD-202	JBX601Y P202K	CCD-202	GP220	10TS-D20
C15	.002		GPD X5F202K	DD-202	JBX601Y P202K	CCD-202	GP220	10TS-D20
C16	.02			TCZ-18	CY601CG180J	CCTO-180	CNO418	10TCC-Q18
C17	.002		GPD X5F202K	DD-202	JBX601Y P202K	CCD-202	GP220	10TS-D20
C18	5		NPO-DI 4.7	DTZ-4R7	CZ601CH5R0D	CCTO-4R7	CNO547	10TCC-V47
C19	.02		TTP-02	CK-203	HOR101ZV203P	CCD-203	TA120	TG-S20
C20	.002		GPD X5F202K	DD-202	JBX601Y P202K	CCD-202	GP220	10TS-D20
C21	1		NPO-DI 1.0	TCZ-1			CNO510	10TCC-V10
C22	.002		GPD X5F202K	DD-202	JBX601Y P202K	CCD-202	GP220	10TS-D20
C23	3		NPO-DI 3.0	DTZ-3R3			CNO533	10TCC-V30
C24	35		NPO-DI 33	DTZ-33			CNO433	10TCC-Q33
C25	10		NPO-DI 8.2		CS801CG330K	CCTO-330		10TCC-V82
C26	5		NPO-DI 4.7	DTZ-4R7	CZ601CH5R0D	CCTO-4R7	CNO547	10TCC-V47
C27	.02		TTP-02	CK-203	HOR101ZV203P	CCD-203	TA120	TG-S20
C28	.05		GPD Z5V503P	DD-503	HOV101ZV503Z	CCD-503	GP150	5GA-S50
C29	.05		GPD Z5V503P	DD-503	HOV101ZV503Z	CCD-503	GP150	5GA-S50
C30	.05		GPD Z5V503P	DD-503	HOV101ZV503Z	CCD-503	GP150	5GA-S50
C31	.05		GPD Z5V503P	DD-503	HOV101ZV503Z	CCD-503	GP150	5GA-S50
C32	.05		GPD Z5V503P	DD-503	HOV101ZV503Z	CCD-503	GP150	5GA-S50
C33	.05		GPD Z5V503P	DD-503	HOV101ZV503Z	CCD-503	GP150	5GA-S50
C34	.05		GPD Z5V503P	DD-503	HOV101ZV503Z	CCD-503	GP150	5GA-S50
C35	.05		GPD Z5V503P	DD-503	HOV101ZV503Z	CCD-503	GP150	5GA-S50
C36	.05		GPD Z5V503P	DD-503	HOV101ZV503Z	CCD-503	GP150	5GA-S50
C37	30 NPO		NPO-DI 33	DTZ-33	CS801CG330K	CCTO-330	CNO433	10TCC-Q33
C38	330		GPD X5F331K	DD-331	JBZ601Y P331K	CCD-331	GP333	5GA-T33
C39	330		GPD X5F331K	DD-331	JBZ601Y P331K	CCD-331	GP333	5GA-T33
C40	330		GPD X5F331K	DD-331	JBZ601Y P331K	CCD-331	GP333	5GA-T33
C41	.05		GPD Z5V503P	DD-503	HOV101ZV503P	CCD-503	GP150	5GA-S50
C42	60-300	#28A3044				S464		
C43	.05		GPD Z5V503P	DD-503	HOV101ZV503P	CCD-503	GP150	5GA-S50
C44	1mfd 3V			UK-105	HXC3R105P		MAG121	HY-135
C45	180-420	#28A2547						
C46	270		AMD-15-271	C PR-270J	CD15F271J500	DM-15-271	SX327	MS-327
C47	.0022		GPD X5F222K	DD-222	JBX601Y P222K	CCD-222	GP222	10TS-D22
C48	.05		GPD Z5V503P	DD-503	HOV101ZV503P	CCD-503	GP150	5GA-S50
C49	.0033		GPD X5R332K	DD-332	JBV601Y P332K	CCD-332	JF233	10TS-D33
C50	180-420	#28A2547						
C51	100 N1500			TCL-100		*	*	10TCW-T10
C52	.05		GPD Z5V503P	DD-503	HOV101ZV503P	CCD-503	GP150	5GA-S50
C53	.05		GPD Z5V503P	DD-503	HOV101ZV503P	CCD-503	GP150	5GA-S50
C54	180		ADM-15-181	C PR-180J	CD10E181J500	DM-15-181	SX318	MS-318
C55	.0022		GPD X5F222K	DD-222	JBX601Y P222K	CCD-222	GP222	10TS-D22
C56	.0022		GPD X5F222K	DD-222	JBX601Y P222K	CCD-222	GP222	10TS-D22
C57	.22 3V			UK-224	HCZ3R0XR224P		MAG3022	HY-125

PARTS LIST AND DESCRIPTION (CONTINUED)

(When ordering parts, state Model, Part Number, and Description.)

Replacement parts shown may be superseded by the availability of newly introduced replacements.
Have your local distributor check Sams COUNTER FACTS for the most up-to-date replacement.

CAPACITORS

ITEM No.	RATING	REMARKS	REPLACEMENT DATA						
			AEROVOX PART No.	CENTRALAB PART No.	CORNELL-DUBILIER PART No.	ELMENCO PART No.	MALLORY PART No.	SPRAGUE PART No.	
C58	.47 3V			UK10-474	HCS3R0XR474 P			MAG3047	HY-130
C59	.47 3V			UK10-474	HCS3R0XR474 P			MAG3047	HY-130
C60	.05		GPD Z5V503 P	DD-503	HOV101ZV503 P	CCD-503		GP150	5GA-S50
C61	.05		GPD Z5V503 P	DD-503	HOV101ZV503 P	CCD-503		GP150	5GA-S50
C62	.05		GPD Z5V103 P	DD-503	HOV101ZV503 P	CCD-503		GP150	5GA-S50
C63	.05		GPD Z5V503 P	DD-503	HOV101ZV503 P	CCD-503		GP150	5GA-S50
C64		#43-215							
C65		①							

* Not normally in distributor's stock. Available thru distributor on order to manufacturer.
Sears Part Number ① Part of M2.

CONTROLS

All wattages 1/2 watt, or less, unless otherwise listed.

ITEM No.	USE	RESISTANCE	REPLACEMENT DATA					
			SEARS PART No.	CENTRALAB PART No.	CLAROSTAT PART No.	CTS-IRC PART No.	MALLORY PART No.	
R1A B	Tone Volume/Switch	10K 7500Ω, 5000Ω Tap	80A3610	F1-10K, R16-10K, FFS110, RFS203, BB106, KR4			† QJ-1792A	■ UE4543S

† "CONCENTRIKIT" Equivalent: K-8 Kit with Base Elements and Shafts: B11-116, P17-118 (Panel), B21-115X, R202 (Rear), S8 (Bushings), 76-1 (Switch).

"SNAPTROL" Equivalent: BU8①, CF9, CR48T, SF13, SR14, GC.

■ "STA-LOC" Equivalent: FF14L, RU752T53, OX1625, IS2187, US41. ① Alter bushing to meet requirements.

COILS (RF-IF)

ITEM No.	USE	REPLACEMENT DATA			
		PART No.	MEISSNER PART No.	MILLER PART No.	WORKMAN PART No.
L1	FM Antenna	①			
L2	FM RF	①			
L3	FM Oscillator	①			
L4	FM Input IF	①			
L5	FM Interstage IF	14A3432			
L6	FM Interstage IF	14A3433			
L7	FM Interstage IF	14A3434			
L8	Ratio Detector	14A3435			
L9	RF Choke (59uh)	14-590	19-3060	6110	T302
L10	RF Choke (6.2uh)	14-6.2	19-1004	4610	T859
L11	AM Antenna	②			
L12	AM RF	②			
L13	AM Oscillator	②			
L14	AM Input IF	14-3436			
L15	AM Output IF	14-3437			
L16	RF Choke (59uh)	14-590	19-3060	6110	T302
L17	RF Choke (59uh)	14-590	19-3060	6110	T302

① Part of M2. ② Part of M3.

FILTER CHOKE

ITEM No.	RATINGS			REPLACEMENT DATA					NOTES
	CURRENT (Measured)	DC RES.	INDUCTANCE (0 CURRENT TO00--)	SEARS PART No.	MERIT PART No.	STANCOR PART No.	THORDARSON PART No.	TRIAD PART No.	
L18	.35A	.5Ω	10 mh	75A1269	C-4095	TC-2	TR-155	TY17XT	

CHOKE (AUDIO OUTPUT)

ITEM No.	INDUCTANCE	REPLACEMENT DATA					NOTES
		SEARS PART No.	MERIT PART No.	STANCOR PART No.	THORDARSON PART No.	TRIAD PART No.	
L19	6 mh	75A2043	C-4095	TC-2	TR-155	TY17XT	

SPEAKER

ITEM No.	TYPE	REPLACEMENT DATA			NOTES
		SEARS PART No.	JENSEN PART No.	QUAM PART No.	
SPI	6" PM 6Ω	73B3646	C8T8	6A15Z6	

FUSE DEVICES

ITEM No.	DESCRIPTION	REPLACEMENT DATA						
		PART No.		BUSS PART No.		LITTELFUSE PART No.		WORKMAN PART No.
		DEVICE	HOLDER	DEVICE	HOLDER	DEVICE	HOLDER	
F1	AGW 4		12A2079	AGW 4	HDH	303004	155009	

MISCELLANEOUS

ITEM No.	PART NAME	SEARS PART No.	NOTES
M1	Dial Lamp	TS-44	CHICAGO MINIATURE Replacement CM-44
M2	FM Tuner	78B3878A	
M3	AM Tuner	78B4280	
S3	AM-FM Selector Sw.	94A3784	

SEARS MODEL 833.63060



PHOTOFACT[®] with

CIRCUITRACE[®]

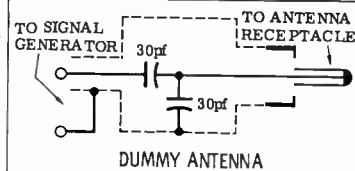


TRADE NAME : Ten Model AT-2010, AT-2110
 SUPPLIER : For Current Address, See Annual Index
 TYPE SET : 8-Transistor AM Receiver
 POWER SUPPLY : 6.3 or 12.6 Volts DC
 RATING : .250 Amp @ 6.3 or 12.6 Volts DC

ALIGNMENT INSTRUCTIONS

Check for specified source voltage.
 Use only enough generator output to provide a usable indication.
 Suggested Alignment Tools:

A1 thru A8. GENERAL CEMENT: 9440
 WALSCO: 2501

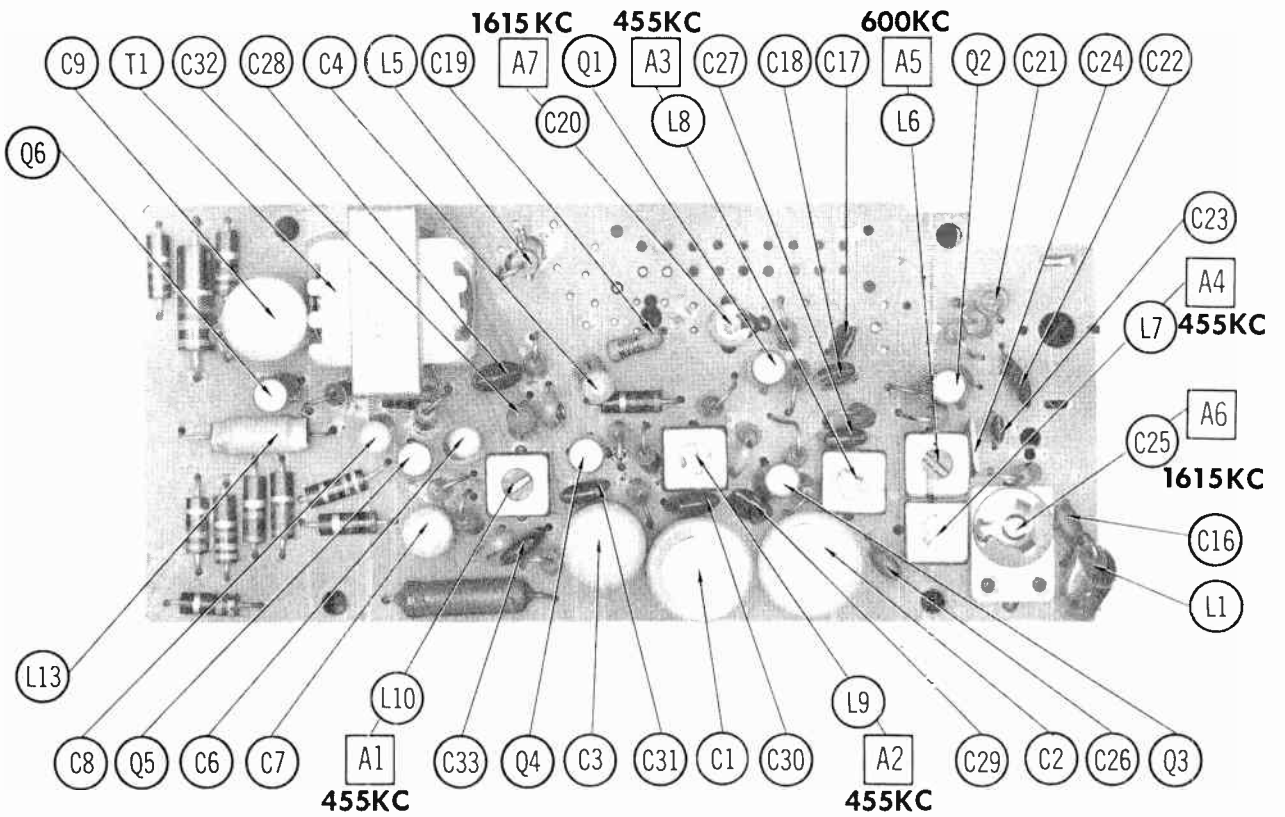
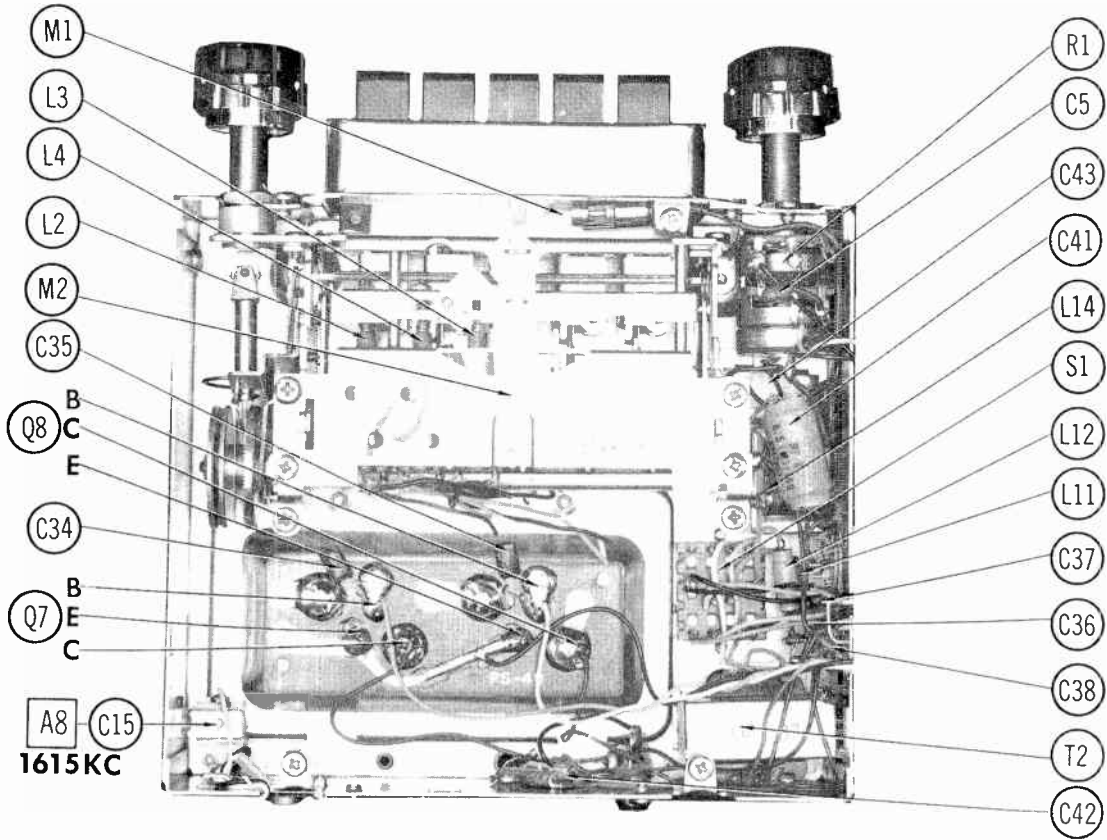


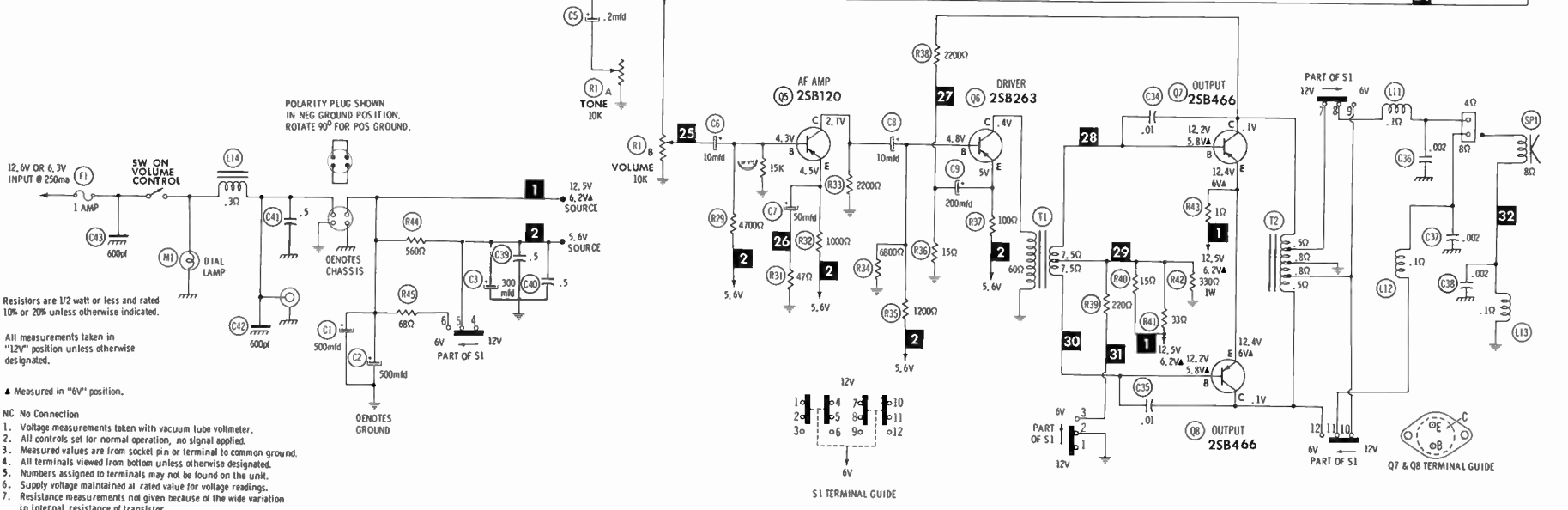
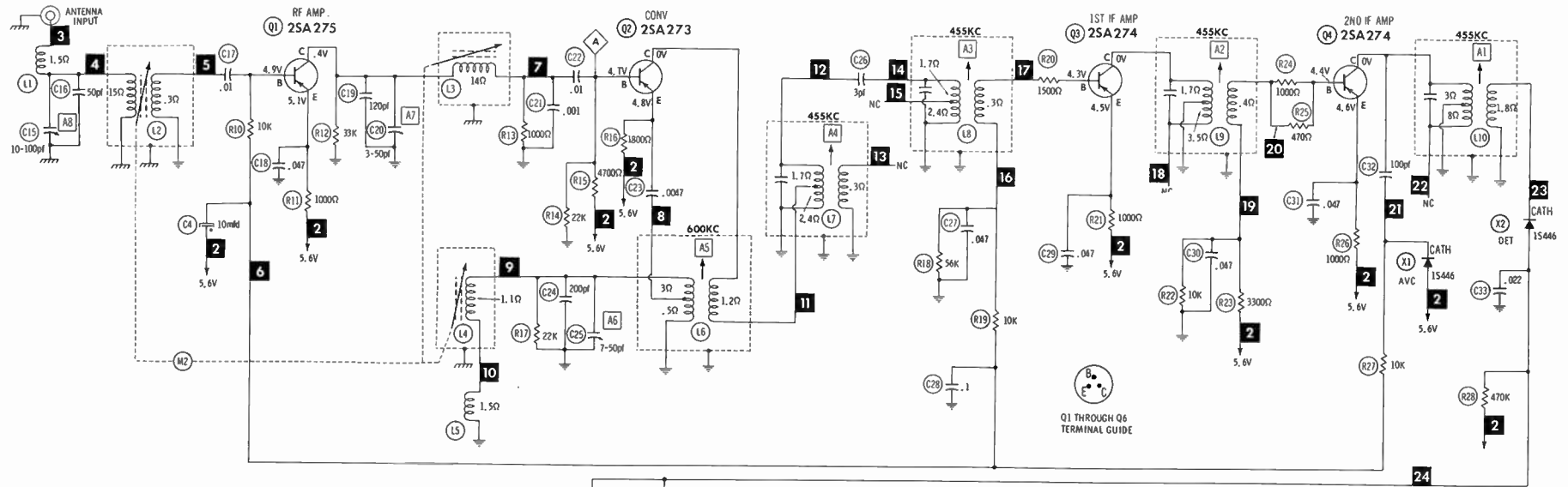
PUSH-BUTTON
 ADJUSTMENT

1. Pull button out.
2. Tune manually to desired station.
3. Press button in firmly.
4. Repeat for remaining buttons.

SIGNAL GENERATOR COUPLING	SIGNAL GENERATOR FREQUENCY	RADIO DIAL SETTING	INDICATOR	ADJUST	REMARKS
1. High side thru .1mf to point Δ , low side to ground.	455KC (400% Mod.)	High freq. end stop.	Output meter across voice coil.	A1, A2, A3, A4	Adjust for maximum.
2. Thru dummy antenna to antenna receptacle.	600KC	Tune to Signal	"	A5,	"
Step 3 is not necessary unless tuner has been tampered with or associated components have been replaced. If necessary, back tuning cores (A8, A9, A10) out of coils but not out of forms. Repeat Step 2.					
3. Thru dummy antenna to antenna receptacle.	1615KC	High Freq. end stop.	Output meter across voice coil.	A6, A7, A8	Adjust for maximum. Repeat Steps 2 and 3 until no further improvement is noted.
With radio installed in car and antenna extended to desired height, tune in a weak station near 1400KC and adjust A8 for maximum output. Antenna adjustment (A8) is located bottom right rear corner.					

TEN MODELS AT-2010, AT-2110





POLARITY PLUG SHOWN IN NEG GROUND POSITION, ROTATE 90° FOR POS GROUND.

12.6V OR 6.3V INPUT @ 250ma
 1 AMP
 SW ON VOLUME CONTROL
 DIAL LAMP
 RESISTORS ARE 1/2 WATT OR LESS AND RATED 10% OR 20% UNLESS OTHERWISE INDICATED.

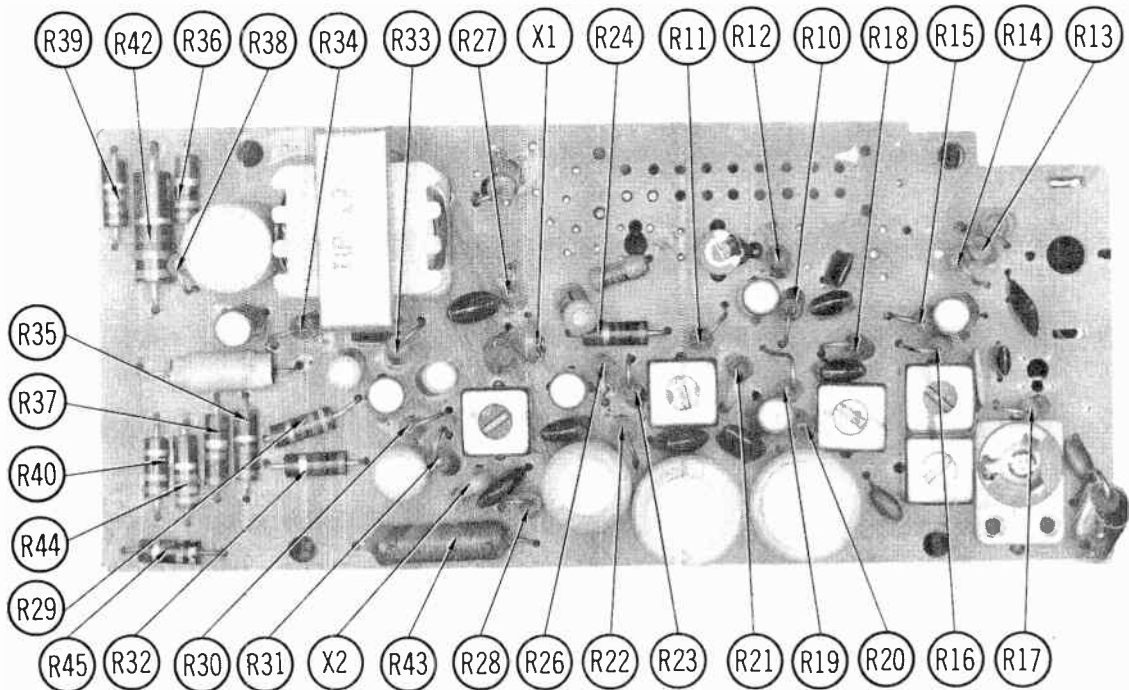
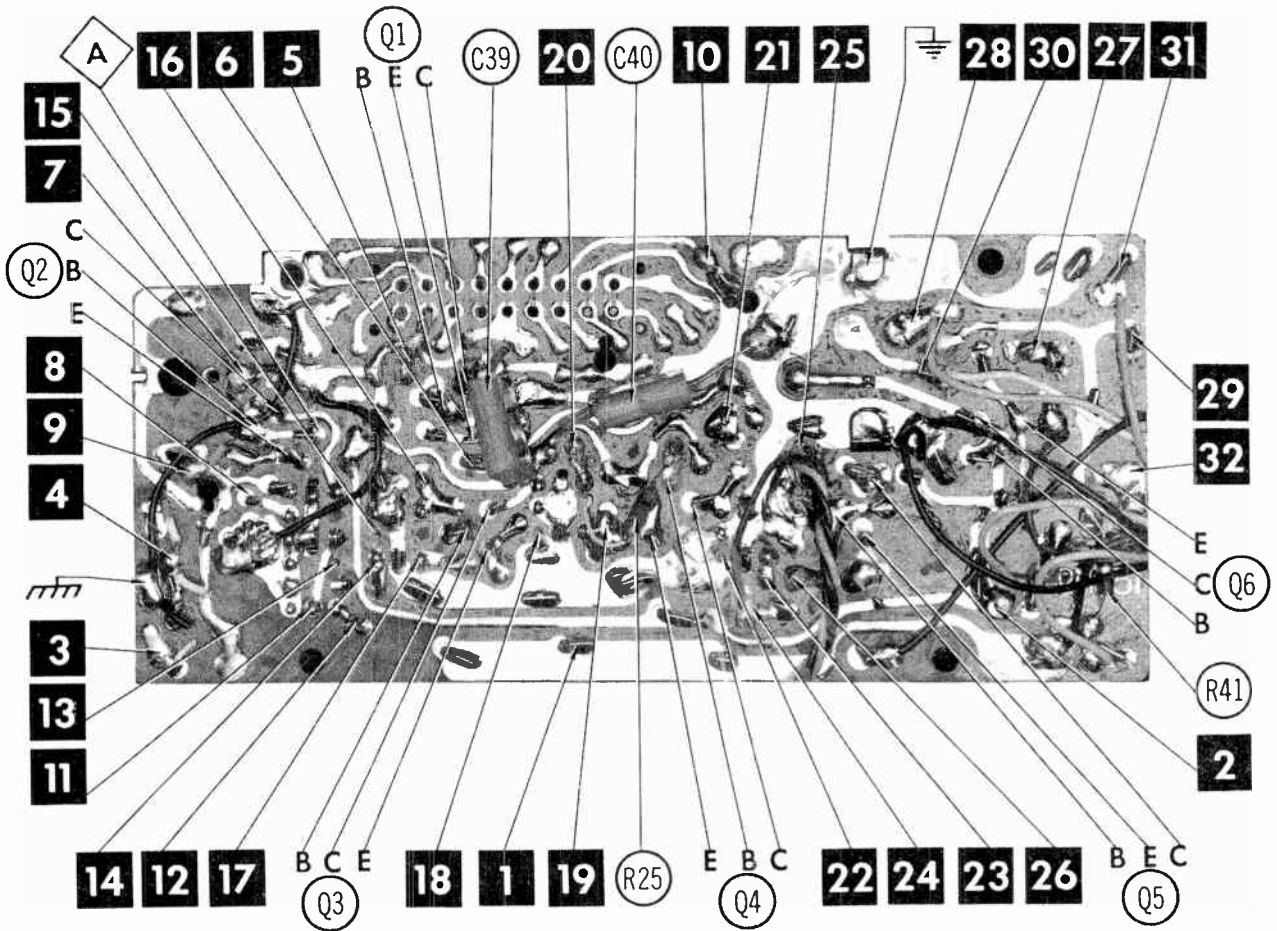
All measurements taken in "12V" position unless otherwise designated.

▲ Measured in "6V" position.

- NC No Connection
- 1. Voltage measurements taken with vacuum tube voltmeter.
- 2. All controls set for normal operation, no signal applied.
- 3. Measured values are from socket pin or terminal to common ground.
- 4. All terminals viewed from bottom unless otherwise designated.
- 5. Numbers assigned to terminals may not be found on the unit.
- 6. Supply voltage maintained at rated value for voltage readings.
- 7. Resistance measurements not given because of the wide variation in internal resistance of transistor.

A PHOTOFACIT STANDARD NOTATION SCHEMATIC with **CIRCUITRACE**
 © Howard W Sams & Co., Inc 1968

TEN MODELS AT-2010, AT-2110



TEN MODELS AT-2010, AT-2110

PARTS LIST AND DESCRIPTION

(When ordering parts, state Model, Part Number, and Description.)

Replacement parts shown may be superseded by the availability of newly introduced replacements.
Have your local distributor check Sams COUNTER FACTS for the most up-to-date replacement.

TRANSISTORS

ITEM No.	TYPE No.	FUNCTION	REPLACEMENT DATA						
			MFGR. PART No.	DELCO PART No.	GENERAL ELECTRIC PART No.	INTERNATIONAL RECTIFIER PART No.	RCA PART No.	SYLVANIA PART No.	
Q1	2SA275	RF Amp		DS-25	GE-9		TR-11	SK-3008	ECC 126
Q2	2SA273	Converter		DS-25	GE-9		TR-11	SK-3008	ECC 126
Q3	2SA274	IF Amp		DS-25	GE-9		TR-11	SK-3008	ECC 126
Q4	2SA274	IF Amp		DS-25	GE-9		TR-11	SK-3008	ECC 126
Q5	2SB120	AF Amp		DS-26	GE-2		TR-14	SK-3004	ECC 102
Q6	2SB263	Driver		DS-26	GE-2		TR-14	SK-3004	ECC 102
Q7	2SB466	Output *							
Q8	2SB466	Output *							

* When replacing, apply silicone grease to both sides of insulator. Tighten mounting screws securely.

POWER RECTIFIERS & SIGNAL DIODES

ITEM No.	MFGR. PART OR TYPE No.	REPLACEMENT RECTIFIERS & DIODES			REPLACEMENT RECTIFIERS		NOTES
		GENERAL ELECTRIC PART No.	INTERNATIONAL RECTIFIER PART No.	SYLVANIA PART No.	RCA PART No.	SARKES TARZIAN PART No.	
X1	1S446	1N34AS	1N34A				
X2	1S446	1N34AS	1N34A	ECG 109			

ELECTROLYTIC CAPACITORS

ITEM No.	RATING	REPLACEMENT DATA						
		TEN PART No.	AEROVOX PART No.	CENTRALAB PART No.	CORNELL-DUBILIER PART No.	GENERAL ELECTRIC PART No.	MALLORY PART No.	SPRAGUE PART No.
C1	500 15V	2S101-048	BCD15500	EA15-500	BR500-15	QT1-30	MTV500DN15	TL-1166
C2	500 15V	2S101-048	BCD15500	EA15-500	BR500-15	QT1-30	MTV500DN15	TL-1166
C3	300 15V	2S101-089	BCD15300	EA15-500	BR500-15	QT1-30	MTV400DJ15	TL-1165
C4	10 10V	2S101-024	BCD10010	EP15-10	NLW10-15	MT1-5	MTV10CB50	TE-1128
C5	.2 10V	2S103-058	CRE400A	UK10-204	TYR12BC224K	MT1-1	TAS224X010POA	196D224X0035 DB
C6	10 10V	2S101-024	BCD10010	EP15-10	NLW10-15	MT1-5	MTV10CB50	TE-1128
C7	50 10V	2S101-028	BCD10050	EP15-50	NLW50-10	MT1-16	MTV50CB15	TE-1133
C8	10 10V	2S101-024	BCD10010	EP15-10	NLW10-15	MT1-5	MTV10CB50	TE-1128
C9	200 10V	2S101-201	BCD10190	EA15-250	NLW200-12	MT1-25	MTV200CK10	TE-1137

CAPACITORS

ITEM No.	RATING	REMARKS	REPLACEMENT DATA					
			AEROVOX PART No.	CENTRALAB PART No.	CORNELL-DUBILIER PART No.	ELMENCO PART No.	MALLORY PART No.	SPRAGUE PART No.
C15	10-100	#25131-018						
C16	50		GPD XSF500K	DD-500	JBZ601YP500K	CCD-500	GP450	10TS-Q50
C17	.01		TTP-01	CK-103	HOY101ZV103P	CCD-103	TA110	TG-S10
C18	.047		GPD ZSV503P	DD-503	HOV101ZV503Z	CCD-503	GP150	5GA-S50
C19	120		GPD XSF121K	DD-121	JBZ601YP121K	CCD-121	GP312	5GA-T12
C20	3-50	#25132-019						
C21	.001			CPR-1000J	CD19F102J500	DM-19-102J	SX210	MS-21
C22	.01		TTP-01	CK-103	HOY101ZV103P	CCD-103	TA110	TG-S10
C23	.0047		GPD XSR502K	DD-502	JBZ601YP502K	CCD-502	JF250	10TS-D50
C24	200		GPD XSF201K	DD-201	JBZ601YP221K	CCD-201	GP320	10TS-T20
C25	7-50	#25132-008						
C26	3		NPO-DI 3.0	DTZ-3R3		CCTO-3R3	CN0533	10TCC-V30
C27	.047		GPD ZSV503P	DD-503	HOV101ZV503Z	CCD-503	GP150	5GA-S50
C28	.1		TTP-1	CK-104	HOV101ZV104Z		TA010	TG-P10
C29	.047		GPD ZSV503P	DD-503	HOV101ZV503Z	CCD-503	GP150	5GA-S50
C30	.047		GPD ZSV503P	DD-503	HOV101ZV503Z	CCD-503	GP150	5GA-S50
C31	.047		GPD ZSV503P	DD-503	HOV101ZV503Z	CCD-503	GP150	5GA-S50
C32	100		GPD XSF101K	DD-101	JBZ601YP101K	CCD-101	GP310	10TS-T10
C33	.022		TTP-02	CK-203	HOR101ZV203P	CCD-203	TA120	TG-S20
C34	.01		TTP-01	CK-103	HOY101ZV103P	CCD-103	TA110	TG-S10
C35	.01		TTP-01	CK-103	HOY101ZV103P	CCD-103	TA110	TG-S10
C36	.002		GPD XSF202K	DD-202	JBX601YP202K	CCD-202	GP220	10TS-D20
C37	.002		GPD XSF202K	DD-202	JBX601YP202K	CCD-202	GP220	10TS-D20
C38	.002		GPD XSF202K	DD-202	JBX601YP202K	CCD-202	GP220	10TS-D20
E39	.5			UK10-474	HCS3R0XR474P		MAG12047	HY-330
C40	.5			UK10-474	HCS3R0XR474P		MAG12047	HY-330
C41	.5	160V	DBE2P47		WMF1P5	2DP-5-504	PVC205	2PS-P50
C42	600		#25117-005A					
C43	600		#25117-005A					

Ten Part Number.

CONTROLS

All wattages 1/2 watt, or less, unless otherwise listed.

ITEM No.	USE	RESIST-ANCE	REPLACEMENT DATA				
			TEN PART No.	CENTRALAB PART No.	CLAROSTAT PART No.	CTS-IRC PART No.	MALLORY PART No.
R1A B	Tone Volume/Switch	10K 10K	25341-022				

PARTS LIST AND DESCRIPTION (CONTINUED)

(When ordering parts, state Model, Part Number, and Description.)

Replacement parts shown may be superseded by the availability of newly introduced replacements.
Have your local distributor check Sams COUNTER FACTS for the most up-to-date replacement.

COILS (RF-IF)

ITEM No.	USE	REPLACEMENT DATA			
		TEN PART No.	MEISSNER PART No.	MILLER PART No.	WORKMAN PART No.
L1	RF Choke (6.2uh)	25282-005	19-1004	4610	T859
L2	Antenna	(1)			
L3	RF	(1)			
L4	Oscillator Tuning	(1)			
L5	Image Trap (6.2uh)	25282-005	19-1004	4610	T859
L6	Oscillator	25631-001		2065	
L7	1st IF (Pri.)	25621-003A		2066	
L8	1st IF (Sec.)	25621-003A		8517	
L9	2nd IF	25621-011A		8517	
L10	3rd IF	25621-012A		2068	
L11	RF Choke (.6uh)	25282-001	19-2006	4520	T802
L12	RF Choke (.6uh)	25282-001	19-2006	4520	T802
L13	RF Choke (.6uh)	25282-001	19-2006	4520	T802

(1) Part of M2.

FILTER CHOKE

ITEM No.	RATINGS			REPLACEMENT DATA					NOTES
	CURRENT (Measured)	DC RES.	INDUCTANCE (0 CURRENT 100C~)	TEN PART No.	MERIT PART No.	STANCOR PART No.	THORDARSON PART No.	TRIAD PART No.	
L14	.250ma	.3	3mh	25261-002	C-4095	TC-1	TR-159	TY16XT	

TRANSFORMER (Driver)

ITEM No.	TURNS RATIO			REPLACEMENT DATA					NOTES
	PRI.	SEC. 1	SEC. 2	TEN PART No.	MERIT PART No.	STANCOR PART No.	THORDARSON PART No.	TRIAD PART No.	
T1	9	1		25601-077					

TRANSFORMER (AUDIO OUTPUT)

ITEM No.	IMPEDANCE		REPLACEMENT DATA					NOTES
	PRI.	SEC.	TEN PART No.	MERIT PART No.	STANCOR PART No.	THORDARSON PART No.	TRIAD PART No.	
T2	40 Tap	@ 8 & 4	25601-037					

SPEAKER

ITEM No.	TYPE	REPLACEMENT DATA			NOTES
		TEN PART No.	JENSEN PART No.	QUAM PART No.	
SP1	PM 8 ohms PM 4 ohms				

FUSE DEVICES

ITEM No.	DESCRIPTION	REPLACEMENT DATA						
		PART No.		BUSS PART No.		LITTELFUSE PART No.		WORKMAN PART No.
		DEVICE	HOLDER	DEVICE	HOLDER	DEVICE	HOLDER	DEVICE
F1	1 Amp	25171-001	25761-001	AGC-1	HDJ	312001	155020	

MISCELLANEOUS

ITEM No.	PART NAME	TEN PART No.	NOTES
M1	Dial Lamp	25301-005	(KB-401)
M2	Tuner	41500-070	
	Coil Assembly	25536-010	
S1	Voltage Selector Sw.	25371-053	

CABINETS & CABINET PARTS

(When Ordering Specify Model, Chassis & Color)

ITEM	PART No.	ITEM	PART No.
Polarity Selector Jack	25231-031	Knob, Tone or Dummy	41244-028
Dial Pointer	41260-008	Escutcheon	41300-038
Dial Glass	41230-112	Push Button	25506-023
Knob, Tuning or Volume	41240-024		

WIRING DATA

General-use Unshielded Hook-up Wire	Use BELDEN No. 8530 (Solid) Available in 12 Colors 8524 (Stranded) Available in 12 Colors
Shielded Hook-up Wire	Use BELDEN No. 8885
Rear Seat Speaker Extension Cable	Use BELDEN No. 8782 (Stranded) Coded Parallel Leads
Bonding Strap	Use BELDEN No. 8661 (3/8 In.) or 8670 (3/4 In.)

TEN MODELS AT-2010, AT-2110

AUTOMATIC (CONT.)	VOL.	AUTOMATIC (CONT.)	VOL.	AUTOMATIC (CONT.)	VOL.	BLAUPUNKT (CONT.)	VOL.	BUICK (CONT.)	VOL.
LA-449 59 Studebaker		RAP-100 60 Rambler	13	WP-4 58-59 VW	12	Frankfurt	8	7302544 68 Buick,	
Lark	11	RAP-3070 63 Rambler	26	WP-7 Thru 57 VW	12	Frankfurt US From		Riviera	51
LAP-29 59 Studebaker		RG-59	14	WP-7G Karmann-Ghia	12	Serial #V510001	27	7303994	48
Lark	11	RG-59C	14	WP-19 58-59 VW	12	Frankfurt 3798 Above		7304884, A 68 Buick,	
LAP-40 59-60 Studebaker		RP-470 60 Rambler	13	WP-21 58-63 VW	23	Serial #Q553083	14	Riviera, Special	51
Lark	14	RP-481AT 60-61		WP-167	15	Frankfurt 9798 Above			
LP-929 59 Studebaker		Rambler	16	WP-3039 58-63 VW	23	Serial #890001	15	BORG-WARNER	
Lark	11	RP-519 59 Rambler	13	WP-3093A 64 VW	28	Frankfurt US 36650		P6MW	47
MAP-99 E.P. 59 Merc.	11	RP-3030 63 Rambler	26	WP-5203 See Page 41		Series X	43		
MAP-99 L.P. 60 Merc.	14	RP-3097 63 Rambler	23	65 VW	28	Hamburg	8	CADILLAC	
MAP-3063 63 Merc.	23	RP-5151 65 Rambler	29	WPC-8 Thru 57 VW	12	Koln	8	7264165, 7264185 54	5
MAP-4561 64 Merc.	27	RT-7B	13	YAM-3050 63 Chevy II	23	Koln 3898 Above Serial		7265825, 7265845 55	6
MB-72	30	RT-7D	11	YAM-4525 64 Chevy II	28	#Q310001	16	7266505, 7266335 56	6
YM-430 53 Merc.	4	S-91 58-59 Simca		YP-3049 63 Chevy II	23	KV810	17	7268005 57	7
MP-69	6	Aronde	11	YP-4532 64 Chevy II	28	Manhattan 35150		7268035 57 Ambulance	7
MP-126	6	S-500 50-51				Series W	43	7268085 58 Brougham	8
MT-47C 57 Merc.	12	Studebaker	6	AUTOVOX		Manhattan 34150		7270405 58	8
MT-419 E.P. 59 Merc.	11	S-551 Rev. 50-51		OC-401	27	Serial #V450001	26	7270555 58 Ambulance	8
MT-419 L.P. 59-60		Studebaker	6	RA-107	17	Manhattan 90220	17	7272505 59	10
Merc.	14	SA-529 58-59 Simca		RA-115	17	New Yorker 34750 From		7274905 60	12
MT-530 59-60 Merc.	14	Aronde	11	RA-164	27	Serial #V765001	34	7274925 60, 73 Series	12
MT-3023 63 Merc.	23	SAB-3071 63 Special	23	RA-441	27	New Yorker-Series X		7276605 61	16
MT-4061 64 Merc.	27	SB-3032 63 Special	23	RA-441	27	From Serial		7279615 62	18
MT-5073 65 Merc.	29	SBP-3033 63 Special	23	RA-443	27	#X1485001	46	7281225 62	18
MTR-602AT 62 Meteor	24	SBP-4027 64 Buick		TR-222 Auto/Portable	16	Vienna	26	7282315 63	19
MU-34	6	Spl.	28	TR-231 Transmobile 3	19	Wolfsburg 9160 Above		7283295 63	20
MUS-4067 64 Mustang	27	SP-1 58-59 Simca		Europa MU	8	Serial #G450001	9	7286315 L.P. 63-64	25
MUS-5059 65 Mustang	29	Aronde	11	Europa MJK	8	3598	13	7290255 65	31
MUS-5059N 65 Mustang	36	SPA-209 58-59 Simca		Europa TG/MU	20	9280	13	7290545 65	31
N-638 58-59 Rambler		Aronde	11	Mexico TG	17	BUICK		7293015 66 Cadillac	38
American	13	SPA-3072 63 Special	23	Monte Carlo	17	980051 60	12	7293025 66 Cadillac	38
N-639 58-59 Rambler		SPA-4527 64 Buick		Monte Carlo M	18	980052 60	13	7293905 990553 66	36
American	13	Spl.	28			980132 61 Special	15	7293915 990552 66	37
N-3028 63 Rambler		TA-3073 63 F-85,		BENDIX		980134 61	16	7298465 67 Cadillac	44
American	23	Tempest	23	R2BG See Karmann Ghia		980135 61	16	7298475 67 Cadillac	45
NA-749 58-59 Rambler		TAC-3051 63 Chev.		Truck	18	980296 62	17	7298485 67 Cadillac	45
American	13	TAC-4541 64 Chev.		R2BT See VW 2BT	18	980297 62	18	7303215 68 Cadillac	51
NA-3068 63 Rambler		TAC-5514N 65 Chev.		R2BV See VW 2BV	18	980316 62 Special	19		
American	23	Truck	28	R12BP 61 Chev.	16	980462 63	19	CHANNEL MASTER	
NAP-3069 63 Rambler		TAC-5514N 65 Chev.		R12BPC 61 Corvaire	16	980463 63	21	6540	21
American	23	TAP-3074 63 F-85,		R22BA See American	18	980464 L.P. 63	20	6541	35
NAY-3052 63 Chrysler	23	Tempest	23	Motors 22BA	18	980464A L.P. 63	20	6542	35
NP-3029 63 Rambler		TAP-4526 64 Tempest	28	R22BAM See American	18	980626 63	21	6543	42
American	23	TAX-4542 64 Chev.		Motors 22BAM	18	980635 63	21		
NP-5153 65 Rambler		Truck	28	R22BAX See American	18	980649 64 Buick Spl	25	CHEVELLE (See Chevrolet)	
American	29	TAX-5513N 65 Chev.		Motors 22BAX	18	980655 63 Special	20	CHEVROLET	
NU-63-AT	23	Truck	37	X2BB Shipmate III	19	980657 64	25	81AT412 68 Chevelle,	
NU-3107	23	TC-3035 63 F-85,		2BC R2BC 62 Chev.	19	980659 64	25	Chevy II	49
NU-3107A	28	Tempest	23	2BCT R2BCT 62		980869 65 Buick	29	9805036 61 Truck	16
NY-400 60 Chrysler	14	TCM-3011 63 Chev.		Corvaire	19	981320 53, Series 40	4	985158 62 Corvaire	17
NY-598A 58 Chrysler	10	Truck	22	3BCH 63 Chev.	21	981321 53, Series 50 &		985159 62 Corvaire	18
NY-3012 63 Chrysler	23	TCM-4041 64 Chev.		3BCH2 63 Chevy II	21	70	4	985203 62 Corvaire	
NY-3100 63 Chrysler		Truck	28	3BCT 63 Corvaire	21	981323 53, Series 50 &		985203 62 Corvaire	
New Yorker	26	TCM-5014 65 Chev.		4TBC2 64 Chevy II	32	70	4	985227 62 Truck	18
NY-5101N 65 Chrysler	35	Truck	29	4TBC 64 Corvaire	32	981550 54, Series 40,		985264 62	17
OAE-10 60 Olds.	14	TCM-5014N 65 Chev.		4TBC 64 Chev.	32	50 & 70	4	985315 62 Corvaire	18
OAE-4531 64 Olds.	28	TCX-4042 64 Chev.		4TBC 64 Chevelle	32	981551 54, Series 40,		985332 62	18
OE-160 60 Olds.	14	Truck	28	4TBC 64 Chev. Truck	32	50 & 70	5	985383 62 Corvette	17
OE-171AT 61 Olds.	16	TCX-5013 65 Chev.		5BCC 65 Corvaire	31	981651 55 See Model		985396 63 Corvette	20
OE-3024 63 Olds.	23	Truck	28	5BCH 65 Chev.	31	981550	4	985431 63	19
OE-4031 64 Olds.	28	TCX-5013N 65 Chev.		5BCT 65 Chevelle	31	981707 56	6	985432 63	19
OE-5031 65 Olds.	29	Truck	29	5BCT 65 Chev. Truck	32	981708 56	6	985443 63 Corvaire	
P-69	20	TPC-31 61 Buick Spl.,		6BCC 66 Corvaire	38	981814 57	7	Truck	19
P-651 Rev. 51 Plym.	6	Olds., F-85, Pontiac		6BCH 66 Chev.	38	981902 58	8	985447 63 Corvaire	19
P-4152	27	Tempest	16	6BCL 66 Chevelle	38	981903 58	8	985449 63 Corvaire	19
P-4652	27	TPC-31AT 63 F-85,		6BCL 66 Chev. Truck	38	981968 59	10	985453 63 Chevy II	19
P-5040 65 Pontiac	29	TPC-42AT 63 F-85,		6BCT 66 Chev. Truck	38	981969 59	11	985455 63 Chevy II	19
PA-74R	30	Tempest	23	7BCC 67 Corvaire	45	981979 59	10	985471 63 Truck	20
PA-85	23	TPC-3036 63 F-85,		7BCL 67 Chevelle	45	7285424 65	30	985672 64 Chev.	
PA-3065 63 Plym.	26	Tempest	23	7BCT 67 Chev. Truck	45	7285444 65 Riviera	31	Truck	24
PA-3285	23	TPC-4026 64 Tempest	28	7BCT 67 Chevy II	45	7288794 65 Riviera	31	985686 63	21
PAC-90 60 Pontiac	14	TPP-87A 57 Plym.	13	7BCH 67 Chev.	45	7289714 65 Special	30	985694 63	20
PAC-3067 63 Pontiac	23	TPP-88 57-58 Plym.	13	7BCH 67 Chev. Truck	45	7289734 65 Riviera	30	985773 64 Chevelle	24
PAC-4529 64 Pontiac	28	TR-12 Tractor	4	7BCC 67 Camaro	45	7289754 65 Buick	31	985776 64 Chevelle	23
PAC-4529 64 Pontiac	28	TR-13B	5	7BCC 67 Camaro	45	7289774 65 Buick	31	985815 64 Corvaire	
PAF-4340	29	TR-48AT	25	7BCC 67 Camaro	47	7293604 981059 66		Truck	24
PAP-69 59 Plym.	15	TR-0048	25	7BCC 67 Chev.	45	Buick Spl	35	985831 64 Corvaire	24
PAP-80 60 Plym.	15	TUN-5	15	7BCC 67 Chev. Truck	45	7293614 66 Buick	36	985832 64 Corvaire	23
PAP-3066 63 Plym.	22	UE-4155A	28	7BCC 67 Chev. Truck	45	7293634 66 Buick	37	985875 64 Chev.	24
PC-350 60 Olds.	14	UE-4171A	28	7BCC 67 Chev. Truck	45	7293644 66 Buick	38	985876 64	23
PC-361AT 61 Pontiac	16	UE-4671A	28	7BCC 67 Chev. Truck	45	7293654 66 Buick	38	985877 64 Chev.	24
PC-3027 63 Pontiac	23	UE-4671A	28	7BCC 67 Chev. Truck	45	7293674 66 Riviera	37	985916 64 Chev. Van	24
PC-4029 64 Pontiac	28	UE-4671A	28	7BCC 67 Chev. Truck	45	7293684 66 Riviera	38	985921 64 Corvette	24
PC-5041 65 Pontiac	29	UE-4671A	28	7BCC 67 Chev. Truck	45	7293914 66 Special	37	985957 64 Chevy II	24
PFM-3092A 63 Pontiac	22	UE-4671A	28	7BCC 67 Chev. Truck	45	7297944 66 Buick	36	985958 64 Chevy II	23
PFM-3094 63 Plym.	22	UE-4671A	28	7BCC 67 Chev. Truck	45	7298904 67 Special	44	986096 65 Chev.	29
PFX-5109 65 Fury	30	UE-4671A	28	7BCC 67 Chev. Truck	45	7298914 67 Special	43	986099 65 Chev.	29
PFX-5109N 65 Fury	35	UE-4671A	28	7BCC 67 Chev. Truck	45	7298924 67 Buick	44	986101 65 Chev.	29
PM-236 53 Plym.	5	UE-4671A	28	7BCC 67 Chev. Truck	45	7298934 67 Buick	43	986113 65 Corvaire	29
PP-330 60 Plym.	15	UE-4671A	28	7BCC 67 Chev. Truck	45	7298944 67 Buick	45	986116 65 Corvaire	31
PP-341AT 61 Plym.	16	UE-4671A	28	7BCC 67 Chev. Truck	45	7298954 67 Riviera	44	986116 65 Corvaire	36
PP-819 59 Plym.	15	UE-4671A	28	7BCC 67 Chev. Truck	45	7298974 67 Riviera	45	986118 65 Corvaire	29
PP-3026 63 Plym.	22	UE-4671A	28	7BCC 67 Chev. Truck	45	7302514 68 Special	50	986118 66 Corvaire	38
PP-5105 65 Belvedere	30	UE-4671A	28	7BCC 67 Chev. Truck	45	7302524 981314 68		986201 65 Chevelle	29
PP-5105N 65		UE-4671A	28	7BCC 67 Chev. Truck	45	Buick, Riviera	51	986202 65 Chevelle	31
Belvedere	35	UE-4671A	28	7BCC 67 Chev. Truck	45	7302534 68 Buick &		986203 65 Chevelle	29
PS-4153	27	UE-4671A	28	7BCC 67 Chev. Truck	45	Riviera	50	986248 65 Chevy II	29
PS-4653	27	UE-4671A	28	7BCC 67 Chev. Truck	45				
PT-3025 63 Plym.	26	UE-4671A	28	7BCC 67 Chev. Truck	45				
PUT-3108	23	UE-4671A	28	7BCC 67 Chev. Truck	45				
PUT-3108A	28	UE-4671A	28	7BCC 67 Chev. Truck	45				
R-54, B	11	UE-4671A	28	7BCC 67 Chev. Truck	45				
R-61	20	UE-4671A	28	7BCC 67 Chev. Truck	45				
RAP-89 59 Rambler	13	UE-4671A	28	7BCC 67 Chev. Truck	45				

CHEVROLET	VOL.	CHRYSLER	VOL.	FORD	VOL.	FORD	VOL.	INLAND	VOL.
(CONT.)		(Also See Mopar)		(CONT.)		(CONT.)		(CONT.)	
986250 65 Chevy II ...	31	376 2820635 68		M7TB 67 Galaxie, ...	46	69MS 56 ...	6	X101 ...	41
986252 65 Chevy II ...	29	Chrysler ...	51	Mustang ...	46	74BF 57 ...	8	X102 ...	41
986281 65 Corvette ...	31			M7TBS 67 T-Bird ...	46	74BT 57 Truck ...	9	X-103 ...	48
986330 65 Chev.Truck ...	29	CLETRON		RV2F ...	19	74MF 57 ...	8	X302 ...	41
986338 65 Chev.Truck ...	29			RV4D 65 Ford ...	30	75BF 57 ...	7	XFM-400 ...	41
986339 65 Chev.Truck ...	29	RU-101 ...	27	RV4D-NS 65 Ford ...	30	75MF 57 ...	7		
986374 65 Chev. ...	29	RU-104 ...	27	RV4F 64 Ford ...	24	76MF 57 ...	8	INTERNATIONAL	
986376 65 Chevelle, ...				RV6F 75 65/66 Ford ...	30	78MF 57 ...	7	ILSTCA/-12 55 "R" ...	6
Chevy II, Corvair ...	29	COMET (See Mercury)		TOB5TBS 65 T-Bird ...	32	79MS 57 T-Bird ...	7	Line Truck ...	7
986521 66 Chevy II ...	38			TOB6TBS 66 T-Bird ...	39	84BF 58 ...	8	IL7TC/-12 57 "R" ...	7
986522 66 Chevy II ...	36	CONTINENTAL		T6SMF 66 Galaxie ...	35	84BT 58 Truck ...	9	Line Truck ...	7
986527 66 Chevelle ...	38	(See Lincoln)		T6SMS 66 T-Bird ...	35	84MF 58 ...	8	P6MJ 1000A, 1500A, CO-4000, Fleetstar, Load-Star, Metro, R&V Line	47
986528 66 Chevelle ...	36			T6SMZ 66 Mustang ...	35	84MS 58 T-Bird ...	9	Scout ...	47
986529 66 Chevelle ...	38	CORONADO		T7SMF 67 Galaxie ...	45	86MF 58 ...	8	04M1 61 Scout & "C" ...	16
986544 66 Chev. ...	38	35RA2-43-5101A ...	5	T7SMH/A 67 Fairlane, ...	45	94BF 59 ...	10	Line Truck ...	16
986545 66 Chev. ...	35			Falcon ...	45	94BT 59 Truck ...	11	04M1-RV 61 "R" & "V" ...	16
986546 66 Chev. ...	37	CORTINA		T7SHH/F 67 Mustang ...	45	94MF 59 ...	10	Line Truck ...	16
986668 53 ...	4	7BEF 66 ...	39	T7SMH/N 67 Fairlane, ...	45	94MS 59 T-Bird ...	11	3TM1 ...	24
986669 53 ...	4	7BEFX 67 Cortina ...	50	Falcon ...	45	95MF 59 ...	10	SSM1 65 Truck ...	34
986769 66 Chev.Truck ...	36			T7SMS 67 T-Bird ...	45			SSM1-RV 65 Truck ...	34
986771 54 Truck ...	5	CORVAIR (See Chevrolet)		T7SMZ 67 Mustang ...	45	GIBBS		SSM1/T 65 Truck ...	34
986771 66 Chev.Truck ...	36			T8MF 68 Galaxie ...	51	440 ...	27	7BT Tractor ...	42
986823 67 Camaro ...	41	CORVETTE (See Chevrolet)		T8MZ 68 Mustang ...	51	441 ...	27	7BTX Tractor ...	51
986824 67 Camaro ...	42			04BF 60 E.V. ...	12	442 ...	27	86M1 58 "A" Line	8
986835 67 Camaro ...	41	DART (See Mopar)		04BF L.P. 60 Ford ...	30	445 ...	28	Truck ...	8
986845 67 Chev. ...	41			04BT 60 Truck ...	12	446 ...	28	94M1 59 "R" & "V" ...	11
986846 67 Chev. ...	42	DELRAY		04MD 60 Falcon ...	12	447 ...	28	94MIM 59 "A" Line	10
986847/A 67 Chev. ...	42			04MF 60 ...	12	448 ...	28	Truck ...	10
986852 67 Chevelle ...	41	SM-711 ...	22	04MFM 60 ...	12	449 ...	27		
986853 67 Chevelle ...	41	SM-751 ...	22	1TMC 61 Continental ...	15	450 ...	27		
986854 67 Chevelle ...	43	TRM-701 ...	22	1TMS 61 T-Bird ...	15	451 ...	27		
986863 67 Corvair ...	41	UA-702 ...	22	2TBO 62 Fairlane ...	19	452 ...	27		
986864 67 Corvair ...	41	UM-701 ...	22	2TMF 62 ...	18	453 ...	27		
986865 67 Corvair ...	43	VWA-702 ...	22	2TMX 62 ...	18	454 ...	27		
986868 67 Chevy II ...	41	VHM-701 ...	22	3MF 53 ...	4	455 ...	27		
986869 67 Chevy II ...	41			3MFT 53 Truck ...	4				
987086 55 ...	5	DESOTO (See Mopar)		3SF755 53 ...	4	GM (See GMC or Chevrolet)			
987087 55 ...	5			3TBD 63 Falcon ...	19	GMC			
987088 55 ...	5	DODGE (Also See Mopar)		3TBO 63 Fairlane ...	19	2233398 12V Truck ...	9	JEEP	
987187 55 Truck ...	6	253 2884067 68 Polara, ...	52	3TBF 63 Galaxie ...	23	2233850 60 GMC ...	13	3TBW 63 Jeep ...	22
987366 56 See Model ...	6	389 2884064 68 ...	52	4BF 54 See Model M4B ...	4	2233944 61 GMC ...	16	6BKJ 66 Jeep ...	39
987088 ...	5	Charger ...	51	4MF 54 ...	4	2233984 62 GMC ...	18	5BW 65 ...	44
987368 56 ...	6	395 2884068 68 Polara, ...	51	4SF765 54 ...	5	2234003 63 Truck ...	20	7BKJ Similar to P.32 ...	45
987573 57 ...	7	Monaco ...	51	4TBD 64 Falcon ...	23	2234040 64 Truck ...	24	12BW ...	16
987575 57 ...	7			4TBO 64 Fairlane ...	23	2234086 64 Truck ...	24	815395 ...	9
987577 57 ...	7			4TBT 64 Truck ...	26	7291556 65 Truck ...	29		
987693 57 ...	7			4TBU 64 Econoline ...	26	7291576 65 Truck ...	29	JOHN DEERE	
987724 58 ...	8	DUO-VOX		4T82 64/65 Mustang ...	32	7293806 66 GMC Truck ...	36	7BT Tractor ...	43
987727 58 ...	8			4TMF 64 Galaxie ...	23	7293806 67 Truck ...	44	7BTX Tractor ...	49
987730 58 ...	9	AM-8 ...	37	4TMS F 64 T-Bird ...	23	7293816 66 Truck ...	36		
987888 59 ...	10	AM10 ...	33	5BF 55 ...	5	7297526 66 Truck ...	36	KARADIO	
987891 59 ...	10	AMF-16B ...	28	5MF 55 ...	5	7297526 67 GM Truck ...	44	M80B ...	4
987893 59 ...	10			5MFS, SMFS8 55 T-Bird ...	5	7298501 67 GM Truck ...	44	KARMANN GHIA (See Volkswagen)	
988062 60 Corvair ...	12	EDSEL		5MF8 55 ...	5	7305841 68 GM Truck ...	51	KENWORTH	
988060 60 Truck ...	13	04BE COKF-18805, ...		5MFB 55 ...	5	7306686 68 GMC Truck ...	51	SSMKW Truck ...	39
988275 60 ...	12	COKF-18806 ...	12	5TBF 65 Galaxie ...	28	7306696 68 GMC Truck ...	51	6SMKW Trucks ...	48
988276 60 ...	12	85SE 58 ...	8	5TBO 65 Fairlane ...	28	GONSET		KINEMATIX	
988336 61 Truck Series	15	87SE 58 ...	8	5TBT 65 Truck ...	33	3239 ...	9	Verba-Matix ...	27
95 ...	15	94BE 89KF-18805-D/ ...	10	5TBU 65 Econoline ...	33			Verba-Mite VX-700 ...	42
988413 61 ...	15	18806-C 59 ...	10	5TMF 65 Galaxie ...	28	GRANCO		LAFAYETTE	
988414 61 ...	14			5TMZ 65 Mustang ...	28	ARC-60 ...	15	SP-172 FM-100 ...	14
988460 61 Corvair ...	15	ERIC		5TMS, STMSF 65 T-Bird ...	28			LANCER (See Mopar)	
988468 61 Corvair ...	14	FM-100 ...	18	5TPD 65 Falcon ...	28	HEATH		LARK (See Studebaker)	
3711897 55 Corvette ...	6			5TPO 65 Fairlane ...	28	GR-41 ...	22	LEAR JET	
3725156 56-57 ...	7	F-85 (See Oldsmobile)		5TPZ 65 Mustang ...	28	GRW-41 ...	22	ASR-830-H ...	44
Corvette ...	9			6BF 56 ...	6	HITACHI		LINCOLN	
3748611 58 Corvette ...	9	FALCON (See Ford)		6BFT 56 Truck ...	6	TM-816U ...	37	F3TBC 63 ...	21
7296341 986731 66 ...	37	FIRESTONE		6TBB 66 Bronco ...	36	KM1001 ...	38	F4TBC 64 ...	25
Caprice ...	37	3-D-5 Code 120-MU- ...	19	6TBB 66 L.P., 67 ...	36			F6TDC 66 Lincoln ...	40
7296351 986644 FM ...	37	3-D-6 Code 120-1-R61 ...	21	6TBU 66 L.P., 67 ...	36	HOFFMAN		F14TBC 64 ...	35
Stereo ...	37	3-D-6A ...	27	Econoline ...	41	769 ...	28	TOB5TBC 65 ...	23
7298501 67 Chev. ...	44	3-D-7 Code 120-3-DUP- ...	21	6TBU 66 L.P., 67 "W" ...	41	769 Revised ...	31	T6SMC 66 Continental ...	36
Truck ...	44	42 ...	21	Series ...	41	HUDSON (Also See American Motors)		T7SMC 67 Lincoln ...	45
7299561 66 Caprice ...	37	3-D-8 ...	23	6TMF 66 Galaxie ...	36	236476 SH759 53 ...	4	T7SMK/C 67 Lincoln ...	45
7297901 68 Camaro ...	49	3-D-8 ...	23	6TPT 66 Falcon ...	36	236486, 238060 SH758 ...	4	T8ML 68 Lincoln ...	52
7299111 68 Corvair ...	49	3-D-15 ...	27	6TPT 66 Galaxie ...	36	4389027 HNSAC-8 55 ...	6	05BH 60 ...	12
7300471 67 Chev. ...	43	4-B-69 Tractor ...	5	6TPO 66 Fairlane ...	36			3SH756 53 ...	4
7300481 67 Chev. ...	43	4-B-71 53 Plym. ...	4	6TPZ 66 Mustang ...	36	IMPERIAL (Also See Mopar)		4SH764 54 ...	4
Chevelle, Corvair ...	44	4-B-72 53 Chev. ...	4	7TBT 67 Truck ...	42	391 68 Imperial ...	50	4SH766 54 ...	4
7300491 67 Chev. ...	43	4-B-74 54 Ford ...	4	7TBF 67 Galaxie ...	43	INLAND		4TMFC F 64 Continental ...	23
7300941 67 Chev. ...	43	4-B-76 55 Ford ...	5	7TDP 67 Falcon ...	41	AFM-602 ...	41	5BH 55 ...	5
Camaro, Chevelle, ...	42	4-B-77 55 Chev. ...	5	7TDF 67 Ford ...	41	AFM-603 ...	52	5TMC F 65 Continental ...	28
Corvair ...	42	4-B-78 55 Plym. ...	6	7TPO 67 Fairlane ...	41	PA-700 ...	49	6BC 65 ...	6
7301001 67 Camaro ...	44	FO-MO-CO (See Ford, Lincoln, Mercury)		7TPT 67 T-Bird ...	41	V102 ...	41	6BH 56 ...	6
7301001 68 Camaro ...	48	FORD (Also See Philco-Ford)		7TPT 67 Mustang ...	41	V302 ...	41	6TDC 66 Lincoln ...	37
7302451 68 Chevy II ...	49	F3TBF 63 Galaxie ...	20	8TMF 68 Galaxie ...	52	VWX101 ...	41	78BL 57 ...	7
7302721 68 Corvette ...	52	F3TBS 63 T-Bird ...	20	12BD 61 Falcon ...	14	VWX502 ...	42		
7303121 68 Chevelle ...	48	F4TBF 64 Galaxie ...	24	12BF 61 ...	14	VWX101 ...	41		
7303131 68 Chevelle ...	49	F4TBS 64 T-Bird ...	24	12BT 61 Truck ...	14	VWX-103 ...	48		
7303231 68 Chev. ...	48	F5TBF 65 Galaxie ...	32	12BU 61 Econoline ...	14	VWX502 ...	42		
7303241 68 Chev. ...	48	F6TBF 66 Galaxie ...	39	14BF 61 Ford ...	30	X100 ...	27		
7303241 68 Camaro ...	48	F6TBD 66 Fairlane ...	39	14BM 61 Merc. ...	30				
7303311 68 Chev. ...	48	F6TBT 66 Mustang ...	39	22BD 62 Falcon ...	18				
7304161 68 Camaro ...	48	F7TBF 67 Galaxie ...	46	22BO 62 Fairlane ...	18				
7304611 68 Chev. ...	49	F7TBS 67 T-Bird ...	46	24MF 62 ...	17				
7305201 68 Camaro ...	49	F7TBT 67 Mustang ...	46	66MF 56 ...	6				
7305211 68 Camaro ...	49	F7TBT 67 T-Bird ...	46	66MFP 56 ...	6				
7305221 68 Camaro ...	49	F7TBT 67 Mustang ...	46	69MF 56 ...	6				
7305301/A 68 Chevelle, ...	49								
Chevy II ...	49								
7305441 67 Chev. ...	48								
7305451 68 Chev. ...	49								
7307121 68 Chev.Truck ...	51								

LINCOLN	VOL.	MOPAR	VOL.	MOPAR	VOL.	MOPAR	VOL.	MOTOROLA	VOL.
(CONT.)				(CONT.)		(CONT.)		(CONT.)	
85BH 58	9	RV4C	24	3635 66 Polara, Custom	8	851 84BC 58 Chrysler	8	CTA8X 58 Chevrolet	9
85BHP Above Serial		RV4CL	24	880, Monaco BD2	35	852 58 Dodge LD-1/-2/		CTA9X 59 Chevrolet	10
#5000 58	9	RV5C 65	30	364 5F8DD 65 Dodge	30	-3	8	CTA61 61 Chevrolet	15
88BH 58	8	RV5CC 65	30	364 6F8DD 66 Dodge		854 58 Plym. LP-1/-2	9	CTA62 62 Chevrolet	18
95BH 59	9	RV5CL 65	30	Deluxe	36	855 P-5901 59 Plym.	11	CTA63 63 Chevrolet	22
		101 PP1/2 60 Plym.	13	365 65 Chrysler	28	856 59 Dodge MD1/2/3	10	CTA64 64 Chevrolet	24
		102 PD1/2/3/4 60		365S 66 Chrysler BC1/		857 59 Desoto MS1/2/3	10	CTM3 53 Chevrolet	5
MACK		Dodge	13	2/3	35	858 94BC 59 Chrysler	10	CTM4/A 54 Chevrolet	6
U3MMT Truck	32	104 60 Valiant	13	366 5F8C 65 Chrysler	30	860 59 Plym. MP1/2	12	CTM6 55-56 Chevrolet	6
U5MMT 204X28	47	106 60 Dodge	14	366 6F8C 66 Chrysler	36	861 59 Chrysler Export	12	CTM7X 57 Chevrolet	7
		107 12B 61 Dart	15	367 5F81 65 Imperial	30	900 55 Dodge D-55/-56	5	CTM8X 58 Chevrolet	9
MERCURY (See Also Philco-Ford)		109 RP1/2 61 Plym.	15	369 6F8P, 6F8VE 66		901 55 Desoto S-21/-22	5	CTM9X 59 Chevrolet	10
E5TBM 65 Merc.	28	110 Export Version of		Plymouth Standard	36	902 55 Chrysler	5	CTM57X 57 Chevrolet	9
E6TMM 66 Merc.	35	Model 101	13	369 7F8P 67 Plym.	48	903 55 Chrysler	5	CTM61X/A 61 Chevrolet	16
EF5TBM 65 Merc.	34	111 RP1/2 61 Plym.	15	370 7F8D 67 Dodge	48	910/HR 56 Dodge D-62/		CTM62 61-62 Chevrolet	19
EF6TBM 66 Merc.	38	112 60 Desoto	14	372 5F8VE See Page 86		-63	6	CTM63 63 Chevrolet	22
F3TBM 63	21	113 RV1 61 Valiant	15	65 Plymouth	30	911 65 Desoto S-23/-24	6	CTM64 64 Chevrolet	25
F4TBE 64 Comet	24	114 RW1 61 Lancer	15	373 5F8L See Page 86		912/HR 56 Chrysler	7	CY65A 62-65 Chev II	32
F5TBE 65 Comet	34	202 62 Lancer SL1	18	65 Dart	30	916/HR 56 Plym. P-28/		CY65M 62-65 Chev II	33
F6TBE 66 Comet	38	203 62 Valiant SV1	18	374 7F8PD 67 Plym.	48	-29	7	CY66A 66 Chev II	38
F4TBM 64 Merc.	24	204 62 Plym. SP1/2	18	375 7F8C 67 Chrysler	48	917HR 57 Plymouth	8	CY67A 67 Chev II	44
F5TBM 65 Merc.	34	205 62 Dart SD1/2	17	376 78C 67 Chrysler	42	918 57 Dodge D-66/-67/-70/		CYA62 62 Chev II	20
F6TBM 66 Merc.	38	206 4TBL 64 Dart	24	377 78DD 67 Dodge		-71/-72	6	CYA63 61-63 Chev II	22
F7TBM 67 Merc.	47	214 3BVD 63 Valiant		Deluxe	42	919/HR 57 Desoto S-25/		CYA64 62-64 Chev II	25
F7TBM 67 Merc.	47	TV1	19	378 7F8DD 67 Dodge	48	-26/-27	7	CYM62 62 Chev II	19
M7T7 67 Comet, Cougar,		215 3BLE 63 Dart TL1	19	379 6F8L 66 Dart	36	920HR 57 Chrysler	8	CYM63 62-63 Chev II	22
Merc.	47	216 63 Plym.	22	381 67 Charger	43	921HR 57 Imperial	8	CYM64 62-64 Chev II	25
M-5841 58	9	217 63 Dodge	22	385 7F8VA 67 Barracuda,		922 85BC 58 Chrysler	9	FM65M	35
T6SMM 66 Merc.	35	218 4TBE 64 Valiant	24	Dart, Valiant	48	923 58 Desoto L-51/-52/		FM67M	45
T7SMH/A 67 Comet	45	219 64 Dodge VD1/2	23	402 04BC 60 Chrysler	13	-53	9	FM106M	40
T7SMH/F 67 Cougar,		220 64 Plym. VP1/2	23	403 04B1 60 Imperial	13	924HR	9	FM200A	34
Merc.	45	221 4TBLH 64 Dart	24	404 14B1 61 Imperial	15	925 58 Plym. LP-1/-2	9	FM990X	47
T7SMH/N 67 Comet	45	222 5BVE 65 Valiant	28	407 14BC 61 Chrysler	15	927 59 Desoto MS-1/-2/		FM-900	14
T7SMM 67 Merc.	45	223 65 Dart	28	409 24B1 62 Imperial		-3	11	FMA-100	26
T7SMM 67 Cougar	45	224 5BP 65 Plym. Std	28	SY1	18	928 R95BC-S 59 Chrysler	10	FMC62	19
04BM-1 60	13	225 5BPD 65 Plym.		410 24BC 62 Chrysler		GMT 3A6 48-53 Chev/GMC		Truck	5
04BM-2 60	13	Deluxe	28	SC11/2/3	18	MY-1	11	GMT53A6 48-53 Chev/GMC	
2TBM R2TBM 62	20	226 65 Coronet	28	411 34BCS 63		MOTOROLA		Truck	5
2TMY 62 Meteor	18	228 6BVE 66 Valiant	37	Chrysler	20	AF4TMR 64 Rambler	26	GV-701	11
3SMY757 53 See Lincoln		229 68L 66 Dart	37	413 34B1 63 Imperial		BK3A6 49-53 Buick Spl. 42/		GV-800	9
Model 3SH756	4	230 6BP 66 Plym.	37	TY1	20	46-52 Buick Super &		HF3A6 51-53 Henry J	5
3TBM 63	21	230 78P 67 Plymouth	42	414 44B1 64 Imperial	24	Roadmaster	5	IN2A6 51-52 Hudson	5
3TME 63 Comet	23	231 6BPD 66 Fury	37	415 44BCS 64 Chrysler	24	BK4AFM 64 Buick	26	IN3A6 51-53 Hudson except	
3TMY 63 Meteor	23	232 66 Coronet BW1/2	35	416 65 Chrysler	31	BK4FMC 64 Buick	34	Hudson Jet	5
4SM767 54 See Lincoln		233 66 Charger BW29	35	416B 66 Chrysler	39	BK453A6 49-53 Buick Spl. 42/		HN4A6 54 Hudson	5
Model 4SH764	4	234 6BVS 66 Valiant	37	417 65 Imperial	31	46-52 Buick Super &		HN4M6 54 Hudson	5
4TBM 64 Merc.	23	235S 66 Polara, Custom		417B 66 Imperial	39	Roadmaster	5	HNS3M6 51-53 Hudson	5
4TME 64 Comet	23	880, Monaco BD2	35	418 67 Imperial	47	BKA6T 56 Buick	7	HT3A6 53 Hudson Jet	5
5BM 55 See Lincoln		236 78VE 67 Valiant	42	419 67 Imperial	43	BKA6T 56 Buick	7	1LSTCA-12 55 Intl.	6
Model 5BH	5	237 67 Dart	43	420 66 Imperial	40	BKA6X 56 Buick	7	KM201R	41
5TBM 65 Merc.	28	240 67 Fury	43	421 67 Chrysler	43	BKA7X 57 Buick	7	KM202R	41
5TPE 65 Comet	28	241 78D 67 Dodge	42	608 53 Plym. P24	4	BKA9X 59 Buick	10	KR3A6 51-53 Kaiser	5
6BM 56	6	301 PP1/2 60 Plym.	14	609 53 Dodge Model		BKA60X 60 Buick	15	NH3C 53 Nash Rambler	4
6BMS 56	6	302 PD1/2/3/4 60 Dodge	13	D-44/-46/-47/-48	4	BKA61 61 Buick	15	NH4AC 54 Nash See Nash,	
6TMM 66 Merc.	35	303 03BC 60 Chrysler	13	610T 53 Dodge Truck, Series	4	BKA62 62 Buick	20	Model AC-154	5
6TPG 66 Merc.	37	304 03BS 60 Desoto	13	B-3/-4	4	BKA63 63 Buick	22	NH5AC 55 Nash See Nash,	
7TBM	42	305 03BD 60 Dodge	13	611T 54 Dodge Truck, Series	4	BKA64 64 Buick	24	Model AC-154	5
7TPG 67 Comet/Cougar	41	306 13BD 61 Dodge	16	C See Model 610T	4	CA61X 61 Buick Spl., Olds,		OEA7X 57 Oldsmobile	7
22BM 62	18	309 RP1/2 61 Plym.	16	612 54 Dodge D-40/-51/	4	F-85, Pontiac Tempest	16	OEA9X 59 Oldsmobile	12
		310 Export Version of		52/-53 See Model 609	4	CA62 62 Buick Spl., F-85,		OEA60X 60 Oldsmobile	14
		Model 301	14	613 55 Plym. P-26/-27	5	Tempest	20	OEA61X 61 Oldsmobile	17
METEOR (Also See Mercury)		311 Export Versions		614 55 Dodge D-55/-56	5	CA63 61-63 Buick Spl.		OEA63 63 Oldsmobile	22
24ME 62 Comet See		of Model 309	16	620 56 Plym. P-28/-29	7	F-85, Tempest	22	OEA64 64 Oldsmobile	24
Ford 24ME	17	312 13BS 1961 Desoto	16	621 56 Dodge D-62/-63	7	CE65A 65 Chevelle	32	OEA2A6 51-52 Oldsmobile	
24MY 62 Meteor See		313 60 Valiant	14	624 57 Dodge D-66/-67/		CE65M 65 Chevelle	32	"Super 88" & "98"	
Ford 24ME	17	314L Export Version of		-70/-71/-72	8	CE66A 66 Chevelle	38	OEA4FM 64 Oldsmobile	26
77BM 57	7	Model 114	16	700 58 Dodge Truck	8	CE66M 66 Chevelle	39	OEA4M6 64 Oldsmobile	34
78BM 57	7	314V Export Version of		700 Rev. 60 Dodge Truck	14	CE67A 67 Chevelle	44	OEA65A 65 Oldsmobile	32
84BM 58	8	Model 113	16	701 59 Simca	12	CE6A 64 Chevelle	24	OEA66 65/66 Oldsmobile	40
85BM 58	8	317 13BC 61 Chrysler	15	703 RL2BDT 61 Dodge		CEN64 64 Chevelle	25	OEA7A 67 Oldsmobile	45
94PM 59	12	322 SP1/2 62 Plym.	17	Truck	16	CK65M 65 Chev. Truck	32	PCA7X 57 Pontiac	7
95PM 59	11	323 SD1/2 62 Dart	17	706 64 Dodge Truck	26	CK66M 65/66 Chev. Truck	39	PCA9X 59 Pontiac	10
		324 Export SP1/2 62		706 78DT 67 Dodge Truck	44	CK67A 67 Chev. GMC Truck	52	PCA60X 60 Pontiac	15
		Plym.	17	64 65 Dodge Truck	26	CK68A 68 Chev. GMC Truck	52	PCA61X 61 Pontiac	17
METRAVOX		327 SC11/2/3 62		706 78DT 67 Dodge Truck	44	CO67A 67 Camaro	44	PCA62 62 Pontiac	20
Sutton RA144	20	Chrysler	17	819 53 Plymouth	4	CR65A 65 Corvair	32	PCA63 63 Pontiac	22
Sutton RA155	21	330 63 Plym.	21	820 53 Dodge	4	CR65M 65 Corvair	32	PCA64 64 Pontiac	24
		331 63 Dodge	21	821 Desoto S-16/-18		CR66A 66 Corvair	38	PCA2A6 49-52 Pontiac	5
		332 63 Dodge 880	21	824 53 Chrysler	4	CR66M 66 Corvair	39	PC4FM 64 Pontiac	26
		333 63 Chrysler	21	828 54 Dodge D-50/-51/		CR67A 67 Corvair	44	PC4FMC 64 Pontiac	34
		334 4TBU 64 Dodge 880	24	-52/-53	4	CRA60X 60 Corvair	15	PC65A 65 Pontiac	32
		335 64 Plym.	25	829 Desoto S-19/-20	4	CRA62 60-62 Corvair	20	PC66A 66 Pontiac	40
		336 64 Dodge	25	830 54 Chrysler C-62/-63/		CRA63 61-63 Corvair	22	PC67A 67 Pontiac	45
		337 63 Valiant	22	-64	4	CRA64 60-64 Corvair	25	PD3A6 51-53 Packard	5
		339 63 Dodge Dart	22	831 See Model 830		CRM60X 60 Corvair	19	PT67A 67 Tempest	44
		343 R3BC 63 Chrysler		832 55 Plymouth	4	CRM62 60-62 Corvair	19	SR2A6 50-52 Studebaker	5
		TC1/2/3	19	833 55 Dodge D-55/-56	5	CRM63 61-63 Corvair	22	SR3A6 52 Studebaker	5
		344 63 Dodge	22	834 55 Desoto S-21/-22	5	CRM64 60-64 Corvair	25	SR52A6 50-52 Studebaker	5
		345 63 Plym.	22	835 55 Chrysler	5	CT2A6 51-52 Chev.	5	SR52M6 50-52 Studebaker	5
		347 R23BQ 62 Dodge		836 55 Plym. P-25/-27	5	CT4FM 64 Chev.	26		
		880, SD3	19	840 56 Plymouth	6	CT4FMC 64 Chev.	34		
		348 4TBC 64 Chrysler	24	841 56 Plym. P-28/-29	6	CT52M6 51-52 Chev.	5	TM5A	33
		350 R3BD 63 Dodge 880	19	842, 842HR 56 Dodge D-62/		CT65A 65 Chevrolet	32	TM5M	32
		351 64 Chrysler	25	-63		CT65M 65 Chevrolet	32	TM6M	39
		352 64 Imperial	25	843 56 Desoto S-23/-24	6	CT66A 66 Chevrolet	38	TM6A	38
		353 64 Dodge 880	25	844/HR 56 Chrysler	6	CT66M 66 Chevrolet	39	TM7A	44
		354 64 Dodge	24	845 57 Dodge D-66/-67/		CT67A 67 Chevrolet	44	TM15A	32
		360 5F8P 65 Plym.	30	-70/-71/-72	8	CTA3 53 Chevrolet	4	TM16A	41
		361 5F8PD 65 Plym.	30	846 57 Desoto S-25/-26/		CTA4 54 Chevrolet	6	TM17A	45
		361 6F8PD 66 Plymouth		-27	8	CTA5 55 Chevrolet	6	TM295M	33
		Deluxe	36	847 57 Chrysler	8	CTA6T 55-56 Chevrolet	6	TM296M	40
		362 5F8D 65 Dodge	30	848 57 Plymouth	8	CTA6X 55-56 Chevrolet	7	TM297M	48
		363 65 Dodge 880	28	849 57 Plym. P-30/-31	8	CTA7X 57 Chevrolet	7	TM315M	33
						CTA7X 57 Chevrolet	7	TM316M	40

MOTOROLA	VOL.	MOTOROLA	VOL.	OLDSMOBILE	VOL.	PHILCO	VOL.	PONTIAC	VOL.		
(CONT.)		(CONT.)		(CONT.)		(CONT.)		(CONT.)			
TM326M	40	504	5	7298413 67 Oldsmobile	45	D-5207 See MoPar 819	4	7302322 67 1/2 Firebird	47		
TM327M	46	506,506-12	7	7299563 67 F-85	43	U-5407 See MoPar 820	4	7302332 67 1/2 Firebird	47		
TM336M	40	520T	21	7299573 67 Toronado	45	P-5206 See MoPar 819	4	7302762 68 Tempest	49		
TM415M	32	524	26	7299583 67 Toronado	42	P-5506 See MoPar 832	5	7303302 68 Pontiac	49		
TM416M	41	553	4	7300083 67 Toronado	44	P-5606 See MoPar 840	6	7302752 68 Tempest	50		
TM525A	33	555,555-12	6	7300093 67 Oldsmobile	44	P-5701 See MoPar 848	8	7303262 68 Tempest	50		
TM526A	41	556	6	7300103 67 Oldsmobile	42	P-5703 See MoPar 917HR	8	7303362 68 Pontiac	50		
TM527A	46	595,595-12	6	7301113 67 F-85	46	P-5801 See MoPar 848	8	7305572 68 Firebird	50		
TM626A	41	596,596-12	6	7300753 67 Toronado	44	P-5803 See MoPar 925	9	7305582 68 Firebird	49		
TM706S	47	597X	7	7301703 67 Oldsmobile	46	P-5901 See MoPar 855	11	7305602 68 Firebird	49		
U3MW Autocar, Diamond T, Reo, White Trucks 891600.	24	601X	13	7302013 68 F-85	52	P-6234	20	RAMBLER (Also See American Motors)			
VWA 53-57 VW	7	611T See MoPar 610T	4	7302023 68 Olds, F-85	50	S-5323 See Studebaker		AF4TMR 64 Rambler	26		
VWA8 58 VW	7	612 See MoPar 609	4	7302503 67 Toronado	46	Model AC-2301	4	AF5TMR 65 Rambler	28		
VWA60 60 VW	13	624 See MoPar 624	4	7303143 68 Oldsmobile	51	S-5327 See Studebaker	4	D4TMR 64 Rambler	24		
VWA63 63 VW	22	701 See MoPar 701	12	7303153 68 Oldsmobile	49	Model AC-2300	4	RV5R 65	31		
VWA64 58-64 VW	25	829 See MoPar 829	4	7303203 68 Toronado	49	S-5524 See Studebaker		RV5R 65	31		
VWM60 60 VW	22	845 See MoPar 845	5	7303223 68 Toronado	49	Model AC-2301	4	3TBA 63 Rambler	19		
VWM63 58-63 VW	22	846 See MoPar 846	8	7303253 68 Toronado	51	S-5528 See Studebaker		3TBA 63 Rambler	19		
VWM64 58-64 VW	25	849 See MoPar 849	8	7305203 68 Oldsmobile	50	Model AC-2300	4	3TBA 63 Rambler	19		
03AR See American Motors		852 See MoPar 852	8	Toronado	50	S-5529 See Studebaker		3TBA 63 Rambler	19		
Model 8990811	12	853 See MoPar 853	8	7305933 68 Olds, F-85	50	Model AC-2300	4	3TMR 8991142 63	25		
04MA 60 Rambler See page		854 See MoPar 854	9	OLSON							
19	11	856 See MoPar 856	10	RA-771						48	
04MD/MF/MFM See page 77	12	857 See MoPar 857	10	ORRTRONICS							
2AT-1	21	860 See MoPar 860	12	682.100						48	
2MT	20	861 See MoPar 861	12	682.101						48	
2TMF See page 71	18	923 See MoPar 923	9	OPEL							
2TMX See page 71	18	927 See MoPar 927	11	980886 64 Kadett						26	
2TMXD See page 131	17	980886 64 Opel Kadett	26	Chassis							
2TMY See page 71	18	R15A6	5	R16M6							
3AT	22	R17A6	5	981946 58						14	
3MT	22	MUNTZ/STEREO				981981 59-60					14
4AT	25	C-90	50	7294694 66 Chevrolet						39	
4MT	25	C-100	50	PACKARD							
5M, SM-12	6	M-30	52	AC-2906 58						8	
6M-12	6	NASH (Also see American Motors)				AC-2907 58					8
6MA 59 Hudson & Nash See page 9	6	AC-154 54-55	5	439338/339 53 Series 26						4	
6MR 56 Rambler See page 5	6	NH3C 53 Nash Rambler	4	439663 54 See Model						4	
6TAS8	6	NH5AC 55 See Model AC-154	5	439338						4	
7M See Model 6M	6	NORDIC				472046 55					5
7MR 57 Rambler See page 5	6	501F55 55 Ford				472047/48 55					5
7MX	7	NORMENDE				480487 56 Packard					6
8M	8	Transita-Royal K-C 4/608				484649 57					7
8MX	9	K-C				484652 57 See Model					6
9AX	10	OLDSMOBILE				7267427					6
10AX	15	982029 62				7267427 480487 56 Packard					6
10M	13	982030 62				Clipper					6
10MX	12	982136 63				3104 984-8227					29
11MX	16	982137 63				3108 58-63 VW					29
12AT-1/-2/-3	21	982149 63 F-85				3114 63 Ford					29
13MA/MAM 60 Rambler American See page 13	14	982212 63				3118 982-0093					30
14AT	25	982249 64				3120 58-63 VW					29
14MR 61 Rambler See page 13	15	982250 64				3121 981-4021					30
24ME, 24MF, 24MY See Ford Model 24ME	17	982251 64				3122 981-4031					30
76MA 57 Hudson & Nash See page 9	6	982252 64 F-85				3129 985-6816					29
93MR 59 Rambler See page 9	10	982990 53				3138 984-8243					29
94MIM 59 International See Page 91	10	983004 53				3143 985-8358					29
94MF See page 71	10	983090 54				3144 985-8374					30
95MF See page 77	10	983091 54				3146 985-8390					30
94MFM See page 71	10	983092 54				3151 985-8341					30
94MI 59 "R" & "V" Intl. Truck See page 61	11	983204 55				3160 64 Chevrolet					29
94MS 59 T-Bird See page 55	11	983205 55				3161 63-64 Chevrolet					29
101 See MoPar 101	13	983334 56				3162 63-64 Chevy II					29
102 See MoPar 102	13	983336 56				3163 64 Comet					30
104 See MoPar 104	13	989001 57				3168 64 Ford					30
110 See MoPar 110	13	989002 57				3169 64 Falcon					30
250X	20	989127 58				3170 64 Falcon					30
290T	22	989129 58				3171 985-8515 64 F-85					29
29X	25	989131 58				3172 64 Fairlane					30
304	11	989170 59				3173 64 Mercury					30
301X	11	989171 59				3174 64 Oldsmobile					29
302 See MoPar 302	13	989172 59				3176 63-64 Pontiac					29
310X Negative Ground	13	989276 60				3179 64 Tempest					29
311X Positive Ground	13	989277 60				3180 64 Chevrolet					29
320T	21	989387 61 F-85				3181 60-64 Corvair					29
323T	22	989392 61				3182 63-64 Chevy II					29
324	25	989393				PHILCO (Also See Philco-Ford)					
395,395-12	6	7284893				C-5209 See MoPar 824					4
396,396-12	6	7289313 65 Oldsmobile				C-5409 See MoPar 830					4
397	7	7289333 65				C-5509 See MoPar 835					5
397X	7	7289353 65				C-5595 See MoPar 902					5
398X	9	7289373 982687 66 F-85				C-5596 See MoPar 903					5
403	4	7291063 65 F-85				C-5609 See MoPar 844					6
404	5	7292643 66 Toronado				C-5609HR See MoPar 844HR					6
406	11	7292663 66 Oldsmobile				C-5705 See MoPar 847					8
412	4	7293653 982690 66 Olds				C-5707 See MoPar 920HR					8
414	25	7294743 982688 66 Olds				C-5709 See MoPar 921HR					8
424	25	7294753 982689 66 Olds				C-5809 See MoPar 924HR					9
500X	13	7297564 66 Olds Reverb.									
503	4	Unit									
						8TPF 68 Ford					48
						8TPO 68 Falcon, Fairlane,					48
						Comet					48
						8TPS 68 T-Bird					50
						8TPZ L.P. 68 Cougar,					48
						Mustang					48
						Mustang E.P. 68 Cougar,					48
						Mustang					48
						PHILLIPS					
						PTC-400-MR					32
						PLYMOUTH (Also See Mopar)					
						250 68 Fury					51
						PONTIAC					
						983578 62					17
						983579 62					18
						983687 62					20
						983873 63					20
						983873A Similar to page 105 63 Pontiac					24
						983874 63 Tempest					19
						983875 63					21
						983945 63					21
						984075 64 Tempest					24
						984076 64					23
						984077 64 Pontiac					24
						984078 64 Pontiac					24
						986823 67 1/2 Firebird					46
						986824 67 1/2 Firebird					47
						984817 53-54					4
						984961 55					5
						988568 56 See 984961					5
						988569 56					6
						988671 57					7
						988672 57					8
						988822 58					8
						988823 58					8
						988837 58					8
						988976 59					10
						988977 59					10
						988978 59					11
						989614 60					12
						989615 60					13
						989692 61					14
						989693 61					15
						989792 61 Tempest					15
						989831 61 Tempest					15
						7284742					22
						7284742A 66 Pontiac					36
						7289752 65 Pontiac					29
						7289772 65 Pontiac					29
						7291562 65 Tempest					30
						7291582 65 Tempest					30
						7292112 65 Tempest					29
						7293472 65 Tempest					38
						7293492 66 Pontiac					36
						7293502 66 Tempest					38
						7293512 66 Pontiac					35
						7293632A 66 Pontiac					36
						7294322 65 Pontiac					33
						7294332 66 Pontiac					37
						7294342 66 Pontiac					38
						7298802 67 Tempest					41
						7298812 67 Tempest					42
						7298822 67 Pontiac					43
						7298822 68 Pontiac					49
						7298832 67 Pontiac					42
						7298842 68 Prod. 68					42
						7298842 67 Pontiac					49
						7298842 67 Pontiac					45
						7300682 67 Pontiac					45
						R-500					31
						RR-3M					35
						RR-4PB 5-045					36
						RR-10R 5-004					40
						RR-11R 5-014					40
						RR-12R 5-016					40
						RR-13R 5-008					39
						RR-14R 5-010					39
						RR-15R 5-012					39
						RR-18-M					43
						RR-19-FM					42
						RR-21-FC					44
						RR-30-MC					43
						RR-41-T					46
						RR-45-T-0 Mini-8					51
						RR-45-T-2 Mini-8					51
						RU-101-T					24
						TC-100M					23
						TC-100-M					32

TENNA (CONT.)	VOL.	TITAN (CONT.)	VOL.	TRUETONE (CONT.)	VOL.	VOLKSWAGEN (CONT.)	VOL.	VOLKSWAGEN (CONT.)	VOL.
RA-66PB 66 Rambler		ETB-1600	40	D4625A	7	4TBV 64 Sedan	27	7FBVX (3) 1600 Type 3..	49
Ambassador	37	FMC-4	27	D4626A	7	4TBVG 64 Karmann		7SMVF 67 Fastback	
RA-66PB 66 Rambler	37	RV-66	40	D4826A	7	Ghia	27	and Squareback	46
RA-67PB 67 Rambler	46	RV-66A	41	DC4200	18	4TBVT 64 Transporter..	27	7SMVG 67 Karmann	
RU-101T	24	RV-67A	41	DC4203	26	4TMVG 64 Karmann		Ghia	46
RU-111TC 5-004	40	RV-68A	41	DC4203B	31	Ghia	26	7SMVT 67 Transporter..	46
RU-112TC 5-014	40	SP-22	28	DC4203C	35	4TMVG 64 Karmann		7SMVW 67 Sedan	46
RU-113TC 5-016	40	TMA-39	28	DC4205B	18	Ghia Serial #50,001			
RU-114TC 5-008	39	TMA-40	28	DC4206B	18	and Higher	29		
RU-115TC 5-010	39	TMA-1500	40	DC4208	23	4TMVT 64 Transporter..	26		
RU-116TC 5-012	39	TPB-60	28	DC4603	39	4TMVT 64 Transporter			
SA-65M 65 Simca	39			DC4606	39	Serial #50,001			
SA-65PB 65 Simca	39	TOKAI		ITC4850A-86 DC4850	48	and Higher	29	VOLVO	
SP-63PB 63 Buick Spl.	26	CR-10S	33	ITC4851A-86 DC4851	48	4TMVW 64 Sedan	26	3BN 63	20
SP-66PB 66 Buick Spl.	37	MR-65	34			4TMVW 64 Sedan Serial		4TBN 2799S8/959/960/	
SP-67PB 66/67 Buick				VALIANT (See MoPar)		#50,001 and Higher	29	961 64 Volvo	33
Special	46			VAUXHALL		5FMVG 65 Karmann	30	5BN 2799S8 65	44
TC-100M	23	TOYOTA		988946 58	10	Ghia	30	6BVO 66 Volvo	39
TC-110M	32	SS-90 Series Ten		VISTA		5FMVB 65 VW	30	7BVO Similar to page	39
TC-110MD	32	ST-90A	41	875	36	6BVG 66 Karmann	37	146	39
TC-200PB	23	Corona 08600-20010	41	VOLKSWAGEN		6BVT 66 Transporter	37	7FBVOX 67 Volvo	50
TC-210PB	32	Corona 08600-30010	41	A7MVF 67 Fastback	47	6BVW 66 Sedan	37		
TC-300M 64 VW	23	Crown 08600-30010	41	Ghia	47	6BV3 66 Type 3	37	VOXMOBILE	
TC-300M 5-041 65Prod.	36	Landcruiser 08600-		A7MVG 67 Karmann	47	Vehicles	37	TR-241	27
TC-300MD 5-072	36	60010	41	Ghia	47	6FBVG 66 Karmann	40	VOXSON	
TC-310M/MD	35	Stout 08600-35010	41	A7MVS 67 Squareback	47	Ghia	40	Vanguard 736	15
TC-400PB 64 VW	23			A7MVT 67 Transporter..	47	6FBVT 66 Transporter..	40		
TC-400PB 5-045 65		TRIUMPH		A7MVW 67 Sedan	47	6FBVW 66 Sedan	40	WHITE	
Prod.	36	R2BT4 0-01000 62	19	R2BT 62 Transporter	18	6FBV3 Type 3	40	W-6234 Truck	20
TC-410PB Similar to		5BTRP V-350DP 65	33	R2BV 62 Sedan	18	6TMVG 66 Karmann	39	USMW 891600 Reo,	
page 144	23	Triumph	33	OBG	13	Ghia	39	Diamond T, Autocar	48
TC-410PB 5-045	36	SSMTR V-350 65	33	OBT 60 Transporter	13	6TMVT 66 Transporter..	39		
TE-63PB 63 Tempest	26	Triumph	33	OBV 60 Sedan	13	6TMVW 66 Sedan	39		
TE-64PB 64 Tempest	23	6BTR 66 Triumph	39	1BG 61	16	6TBVG 67 Karmann	46		
TE-65PB 65 Tempest	31	6SMTR 66 TR-4, Herald		1BT 61 Transporter	16	Ghia	46		
TE-66PB 66 Pontiac	37	200 and Spitfire 4	51	1BV 61 Sedan	16	7BVT 67 Transporter	46		
TRM-64M	23	7BTR Similar to page		2BG R2BG	18	7BVW 67 Sedan	46		
TE-67PB 66/67 Pontiac	46	125	39	2BT 62 Transporter	18	7BV3 67 Type 3	46		
Tempest	46	7BTRX 67 Triumph	49	2BV 62 Sedan	18	7BVXG 67 Karmann	44		
VA-63PB 61/63Valiant	26	7SMTR 67 TR-4, Herald		2FBMG 62 Karmann	22	Ghia	44		
VA-64PB 64 Valiant	23	1200 and Spitfire 4	51	Ghia	22	7BVT 67 Transporter	46		
VA-65PB 65 Valiant	34			2FBMT 62 Transporter..	22	7BVW 67 Sedan	46		
VA-66PB 66 Valiant	36	TRUETONE		2FMBT 62 Transporter..	22	7BV3 67 Type 3	44		
VA-67PB 67 Valiant	46	D4118,B	4	2FMBV 62 Sedan	22	7FBVG 67 Karmann	44		
VW-64PB 64 VW	23	C4320	4	3TBV 63 Sedan	20	Ghia	43		
VW-65PB/PB15 65 VW	35	D4320B	4	3TBVG	20	7FBVT 67 Transporter..	43		
VW-66PB 58-66 VW	36	D4321,A	4	3TBVT 63 Transporter..	20	7FBVW 67 Sedan	43		
VW-67PB 67 VW	44	D4425B	5	4FBMG 64 Karmann	27	7FBV3 67 1600, Type3..	43		
TC-48-T	50	D4426A	5	Ghia	27	7FBVX(G) Karmann	49		
170-64PB See page 136		D4623A	7	4FBMT 64 Transporter..	27	Ghia	49		
64 Dart	23	D4624A	7	4FMBV 64 Sedan	27	7FBVX(T) Transporter..	49		
880-63PB 62/63 Dodge						7FBVX(W) Sedan	49		
880	26								
880-64PB 63/64 Dodge									
880	23								

HOWARD W. SAMS

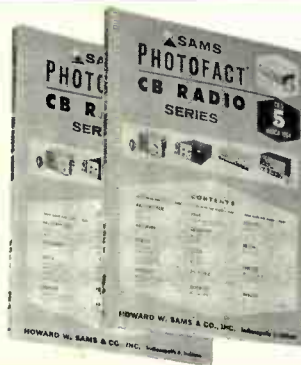
PHOTOFACT® SPECIALIZED SERIES

TAPE RECORDER SERIES



Complete PHOTOFACT® coverage of all important, late-model Tape Recorders now in easy-to-use volumes. Regular price, \$4.95 per volume—only \$4.65 when purchased on a Standing Order Subscription! Sign up and save 30¢ per volume!

CB RADIO SERIES



Two to three volumes issued yearly for complete PHOTOFACT® coverage of all popular CB Radio models. Regular price, \$2.95 per volume—only \$2.65 when purchased on a Standing Order Subscription! Sign up and save 30¢ per volume!

TRANSISTOR RADIO SERIES



Twelve to fifteen volumes issued each year provide complete PHOTOFACT® coverage of Transistor Radios. Each volume covers 40 to 50 popular late models. Regular price per volume, \$2.95—only \$2.65 when purchased on a Standing Order Subscription! Sign up and save 30¢ per volume!



HOWARD W. SAMS & CO., INC.

PHOTOFACT® SPECIALIZED SERIES

are available from your local parts distributor

\$2.95
\$3.75 IN CAN. L/A
AR-52