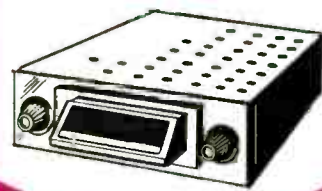


SAMS PHOTOFACT[®] AUTO RADIO SERIES



AR-36
36
MAY 1966



CONTENTS

REMOVAL INFORMATION PAGE 4

BUICK

Buick (1966) 7293614, 7297944
Riviera (1966) 7293654

CADILLAC

Cadillac (1966) 7293905

CHEVROLET

Chevrolet Truck (1966) 986769,
986771
Chevelle (1966) 986528
Chevy II (1966) 986522
Corvaire (1966) 986116

CHRYSLER

Chrysler (1966) Mopar 366,
Tenna CR-66PB

DODGE

Dodge (1966) Mopar 364,
Tenna DE-66PB, DO-66PB
Dart (1966) Mopar 379,
Tenna DA-66PB
Monaco & Polara (1966)
Tenna DD-66PB

FORD

Ford (1966) Tenna FO-66PB/RS
Ford Truck (1965/66)
Tenna FT-65M/66M
Ford Truck (1966) 6TBT
Bronco (1966) 6TBB

FORD (CONT'D)

Econoline (1966) 6TBU,
Tenna EC-o6M
Fairlane (1966) 6TPO,
Tenna FL-66PB
Falcon (1965) Automatic
FNP-5051N
Falcon (1966) 6TPD,
Tenna FA-66PB
Galaxie (1965) Automatic
F-5058N, FP5057N
Galaxie (1966) 6TMF, 6TPF
Mustang (1965) Automatic
MUS-5059N
Mustang (1965/66)
Tenna MU-66PB
Mustang (1966) 6TPZ

GMC

GMC Truck (1966) 7293806,
7293816, 7297526

LINCOLN

Continental (1966) T6SMC

MERCURY

Mercury (1966) Tenna ME-66PB
Comet (1966) Tenna CM-66PB

OLDSMOBILE

Oldsmobile (1966) 7294753,
7297564

PLYMOUTH

Plymouth (1966) Mopar 361, 369,
Tenna PL-66PB
Fury (1966) Tenna PD-66PB
Valiant (1966) Tenna VA-66PB

PONTIAC

Pontiac (1966) 7284742A,
7293632A, 7293492

RAMBLER

Rambler American (1966)
Tenna AM-66PB

STUDEBAKER

Studebaker (1966) AC-3556

UNIVERSAL

Ranger RR-4PB, TC-300M
Sears 833.62820
Tenatronics SA-822, SM-821
Tenna TC-300M, TC-300MD,
TC-400PB, TC-410PB
Vista 875

VOLKSWAGEN

Volkswagen (1958-1966)
Tenna VW-66PB

HOWARD W. SAMS & CO., INC.

Indianapolis, Indiana

\$2.95
\$3.75 IN CANADA
Cat. No. AR-36



SAMS PHOTOFACT[®] AUTO RADIO SERIES

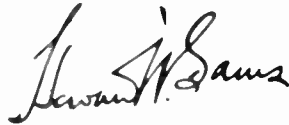


VOLUME

36



by the



ENGINEERING STAFF

STU TYSON TV
WEST END SHOPPING CENTER
PH. 946-3880 - TRAVERSE CITY, MICH.



HOWARD W. SAMS & CO., INC.
INDIANAPOLIS INDIANA

FIRST EDITION
FIRST PRINTING—MAY, 1966
SECOND PRINTING—NOVEMBER, 1968
THIRD PRINTING—DECEMBER, 1969

PHOTOFACT®
AUTO RADIO SERIES
VOLUME 36

Copyright © 1966 by Howard W. Sams & Co., Inc.
Indianapolis, Indiana 46206. Printed in the United States of America

All rights reserved. Reproduction or use, without express permission, of editorial or pictorial content, in any manner, is prohibited. No patent liability is assumed with respect to the use of the information contained herein.

The listing of any available replacement part herein does not constitute in any case a recommendation, warranty or guaranty by Howard W. Sams & Co., Inc., as to the quality and suitability of such replacement part. The numbers of these parts have been compiled from information furnished to Howard W. Sams & Co., Inc., by the manufacturers of the particular type of replacement part listed.

Library of Congress Catalog Card Number: 49-11493



TABLE OF CONTENTS

| Model Number | Page |
|---|------|
| Automatic Models F-5058N, FNP-5051N, FP-5057N, MUS-5059N | 5 |
| Buick Models 7293614, 7293654 | 10 |
| Buick Model 7297944 | 85 |
| Cadillac Model 7293905 (990553) | 16 |
| Chevrolet Models 986116, 986522, 986528 | 27 |
| Chevrolet Models 986769, 986771 | 33 |
| Ford Models 6TBB, 6TBT, 6TBU | 39 |
| Ford Model 6TMF (C6AA-18806-C1) | 45 |
| Ford Models 6TPF, 6TPD, 6TPO, 6TPZ | 50 |
| GMC Models 7293806, 7293816, 7297526 | 33 |
| Lincoln Model T6SMC (C6VA-18806-J) | 56 |
| Mopar Models 361, 364, 366, 369, 379 | 67 |
| Oldsmobile Model 7294753 (982689) | 78 |
| Oldsmobile Model 7297564 | 85 |
| Pontiac Models 7284742A, 7293632A | 85 |
| Pontiac Model 7293492 (984595) | 88 |
| Ranger Models RR-4PB, TC-300M | 94 |
| Sears Model 833.62820 | 100 |
| Studebaker Model AC-3556 | 106 |
| Tenatronics Models SA-822, SM-821 | 112 |
| Tenna Model AM-66PB | 118 |
| Tenna Models CR-66PB, DA-66PB, DE-66PB, DD-66PB, DO-66PB, PD-66PB, PL-66PB, VA-66PB | 124 |
| Tenna Models CM-66PB, EC-66M, FA-66PB, FL-66PB, FO-66PB, FO-66PB/RS, FT-65M/66M, ME-66PB, MU-66PB | 129 |
| Tenna Models TC-300MD, TC-400PB, TC-410PB | 94 |
| Tenna Model VW-66PB | 135 |
| Vista Model 875 | 140 |

Cumulative Index to Prior Volumes 152

REMOVAL INSTRUCTIONS

GENERAL REMOVAL INFORMATION

Most radios and speakers can be removed for service by following the steps shown in this block of information. Check the Make, Model and Year of car listed below. If more specific instructions are required, they are shown.

Step 1 Disconnect power, speaker and antenna leads.
Step 2 Remove knobs.
Step 3 Remove nuts from control bushings and cabinet braces.

Step 4 Remove radio from under dash.
Step 5 Remove nuts holding speaker and remove speaker from under dash.

BUICK - 1966

Step 1. Remove Battery Ground Cable.
Step 2. Remove windshield garnish moldings.
Step 3. Remove 6 screws under eyebrow of instrument panel cover.
Step 4. Lift instrument panel cover and disconnect speaker leads. Remove instrument panel cover.
Step 5. Remove knobs.
Step 6. Remove nuts from control bushings. Remove screw from rear brace.
Step 7. Disconnect antenna lead and speaker connection.
Step 8. Remove radio from top of instrument panel.

SPEAKER REMOVAL:

Step 1. Perform steps 1, 2, 3 & 4 of above.
Step 2. Remove 4 nuts from speaker mounting and remove speaker.

RIVIERA - 1966

Step 1. Remove Battery Ground Cable.
Step 2. Remove 5 screws from ash tray mounting and remove ash tray.
Step 3. Remove knobs and nuts from control bushings.
Step 4. Disconnect antenna and speaker connector.
Step 5. Remove 2 screws from bottom of radio and 2 nuts from side mounting.
Step 6. Remove radio thru ash tray opening.

SPEAKER REMOVAL:

Step 1. Remove radio.
Step 2. Remove 4 nuts from speaker mounting and remove speaker thru ash tray opening.

CADILLAC - 1966

Step 1. Use Allen wrench, loosen set screws, and remove knobs.
Step 2. Use 1/2" Spanner wrench, remove nuts from control bushings. Remove Escutcheon.
Step 3. Use Phillips screw driver, remove right and left windshield Garnish Moldings.
Step 4. Use Phillips screw driver, remove upper panel cover.
Step 5. Raise upper panel cover.
Step 6. Disconnect Dial Bulb Socket, antenna lead, 5-way connector & foot control plug (if used).
Step 7. Remove locknut securing radio front side bracket to mounting stud.
Step 8. Use 3/8" wrench, remove nut from rear bracket.
Step 9. Remove radio through top of Instrument panel.

SPEAKER REMOVAL:

Step 1. Perform steps 3, 4 & 5 above.
Step 2. Use 3/8" wrench, remove nuts from speaker mounting.
Step 3. Remove speaker thru top of Instrument panel.

CHEVROLET TRUCK - 1966

See General Removal Information.

CHEVELLE - 1966

See General Removal Information.

CHEVY II - 1966

See General Removal Information.

CORVAIR - 1966

See General Removal Information.

CHRYSLER - 1966

See General Removal Information.

DODGE - 1966

See General Removal Information.

DART - 1966

See General Removal Information.

MONACO - 1966

See General Removal Information.

POLARA - 1966

Step 1 Follow steps 1 thru 4 of General Removal Information.

SPEAKER REMOVAL:

Step 1 Use phillips screw driver and remove speaker grille.
Step 2 Remove speaker thru top of dash.

FORD - 1966

See General Removal Information.

FORD TRUCK - 1965/66

See General Removal Information.

BRONCO - 1966

See General Removal Information.

ECONOLINE - 1966

See General Removal Information.

FAIRLANE - 1966

See General Removal Information.

FALCON - 1965/66

See General Removal Information.

GALAXIE - 1965/66

Step 1 Pull off knobs.
Step 2 Disconnect "A" Speaker and Antenna leads.
Step 3 Use 7/16" wrench to remove nut from rear brace, and 2 bolts holding radio to rear of instrument panel.
Step 4 Remove radio from under instrument panel.

SPEAKER REMOVAL:

Step 1 Use phillips screw driver and remove glove box.
Step 2 Use 5/16" wrench and remove 4 screws from speaker mounting.
Step 3 Remove speaker thru glove box opening.

MUSTANG - 1965/66

Step 1 Follow steps 1 thru 4 of General Removal Information.
Step 2 Use phillips screw driver and remove speaker grille.
Step 3 Remove speaker thru top of dash.

Models With Console:

Step 1 Use phillips screw driver and remove glove box.
Step 2 Remove radio thru glove box opening.

GMC TRUCK - 1966

See General Removal Information.

LINCOLN CONTINENTAL - 1966

Step 1. Remove 8 screws from lower instrument panel cover and drop cover down.
Step 2. Follow steps 1 thru 4 of General Removal Information.

SPEAKER REMOVAL:

Step 1. Remove 6 screws from air conditioner grille.
Step 2. Remove 2 screws holding word Lincoln on left side of cluster.
Step 3. Remove 3 screws between cluster hood and crash pad.
Step 4. Remove 4 screws from windshield molding and remove molding.
Step 5. Remove 2 screws and 2 nuts from forward edge of crash pad.
Step 6. Disconnect speaker leads and remove crash pad.
Step 7. Remove 4 wing nuts holding speaker to crash pad and remove speaker.

MERCURY - 1966

See General Removal Information.

COMET - 1966

See General Removal Information.

OLDSMOBILE - 1966

See General Removal Information.

PLYMOUTH - 1966

See General Removal Information.

FURY - 1966

See General Removal Information.

VALIANT - 1966

See General Removal Information.

PONTIAC - 1966

See General Removal Information.

RAMBLER AMERICAN - 1966

Step 1 Remove ash tray.
Step 2 Follow steps 1 thru 5 of General Removal Information.

STUDEBAKER - 1966

See General Removal Information.

VOLKSWAGEN SEDAN

KARMANN GHIA - 1958-1966

Step 1 Disconnect power, speaker and antenna leads.
Step 2 Remove knobs.
Step 3 Remove nuts from control bushings. From inside of luggage compartment, remove nut from rear brace.
Step 4 Remove radio thru luggage compartment opening.
Step 5 Remove nuts holding speaker and remove speaker thru luggage compartment opening.



PHOTOFACT[®]

TRADE NAME : Automatic Models:
 F-5058N (1965 Galaxie)
 FNP-5051N (1965 Falcon)
 FP-5057N (1965 Galaxie)
 MUS-5059 (1965 Mustang)

SUPPLIER : For Current Address, See Annual Index.

TYPE SET : 6 Transistor AM Receiver

POWER SUPPLY : 12 Volt Storage Battery

RATING : .725 Amp. @ 12.6 Volts DC

TUNING RANGE : BROADCAST 540-1615KC



ALIGNMENT INSTRUCTIONS

Check for specified source voltage.
 Use only enough generator output to provide a usable indication.
 Suggested Alignment Tools:

A1 thru A7. GENERAL CEMENT: 9440
 WALSCO: 2501

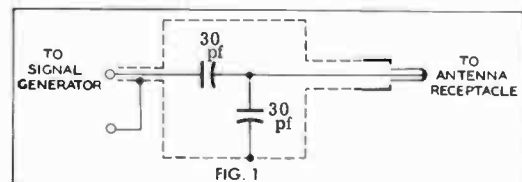
| | SIGNAL GENERATOR COUPLING | SIGNAL GENERATOR FREQUENCY | RADIO DIAL SETTING | INDICATOR | ADJUST | REMARKS |
|----|--|----------------------------|----------------------|---------------------------------|----------------|---------------------|
| 1. | High side thru .1mfd to point Δ , low side to ground. | 262KC (400v Mod.) | High Freq. End Stop. | Output Meter across voice coil. | A1, A2, A3, A4 | Adjust for maximum. |
| 2. | Thru dummy (Fig. 1) to antenna receptacle. | 1615KC | " | " | A5, A6, A7 | " |

With radio installed in car and antenna fully extended, tune in a weak station near 1400KC and adjust A7 for maximum output.

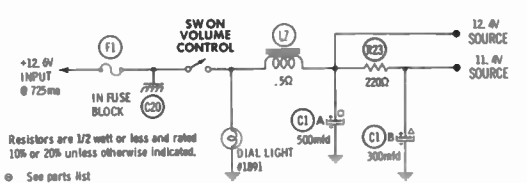
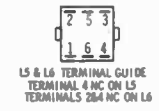
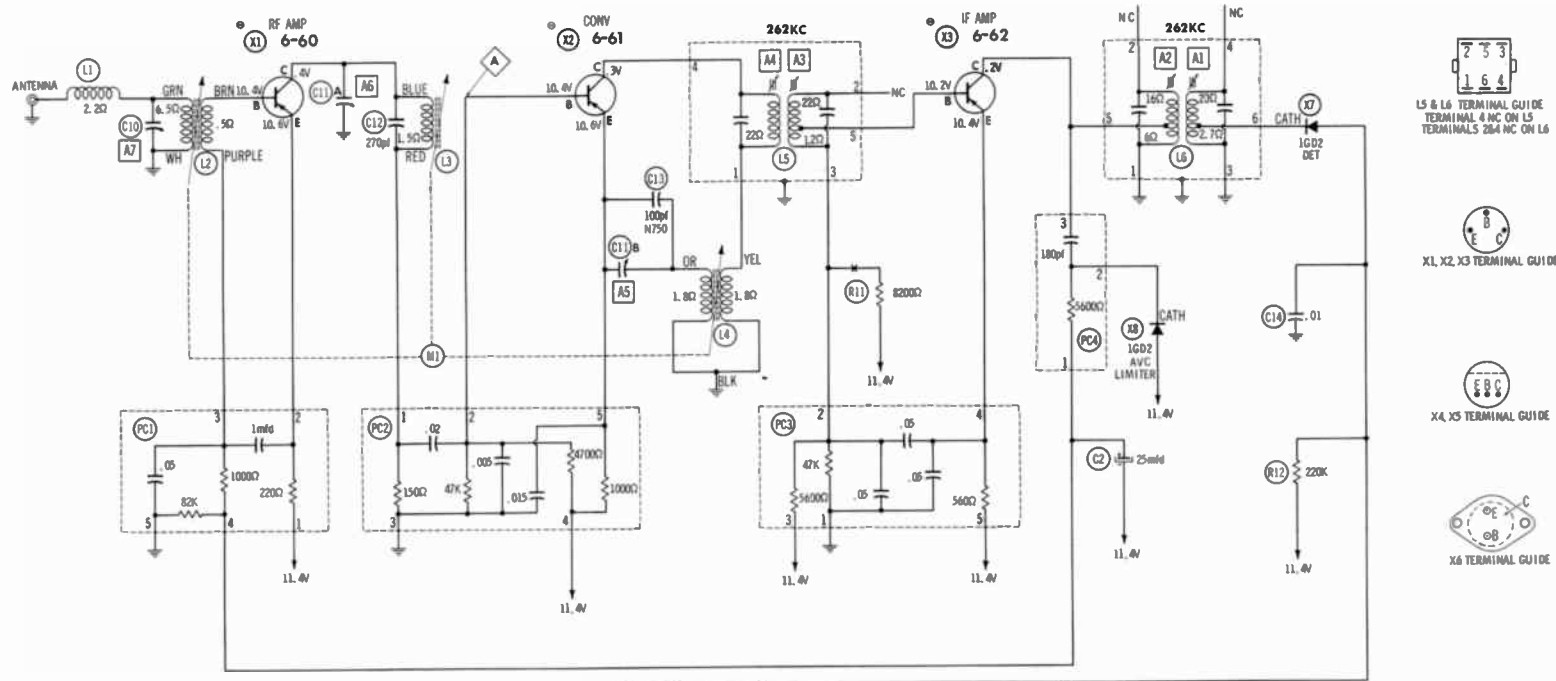
Antenna Adjustment (A7) located, right side.

PUSH-BUTTON ADJUSTMENT

1. Pull button out.
2. Tune manually to desired station.
3. Press button in firmly.
4. Repeat for remaining buttons.



AUTOMATIC MODELS F-5058N, FNP-5051N, FP-5057N, MUS-5059N

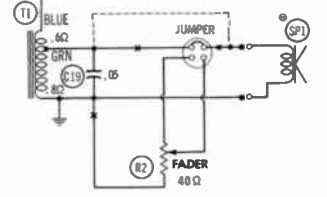
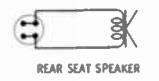
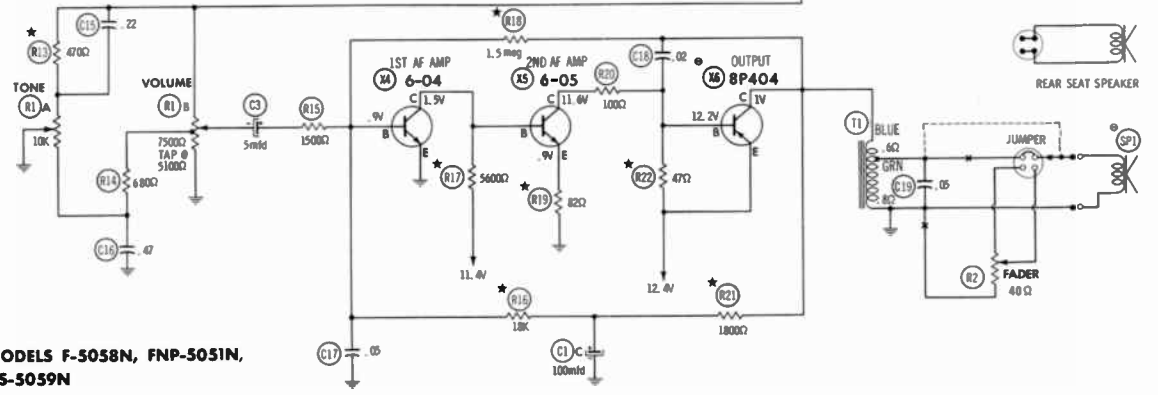


Resistors are 1/2 watt or less and rated 10% or 20% unless otherwise indicated.

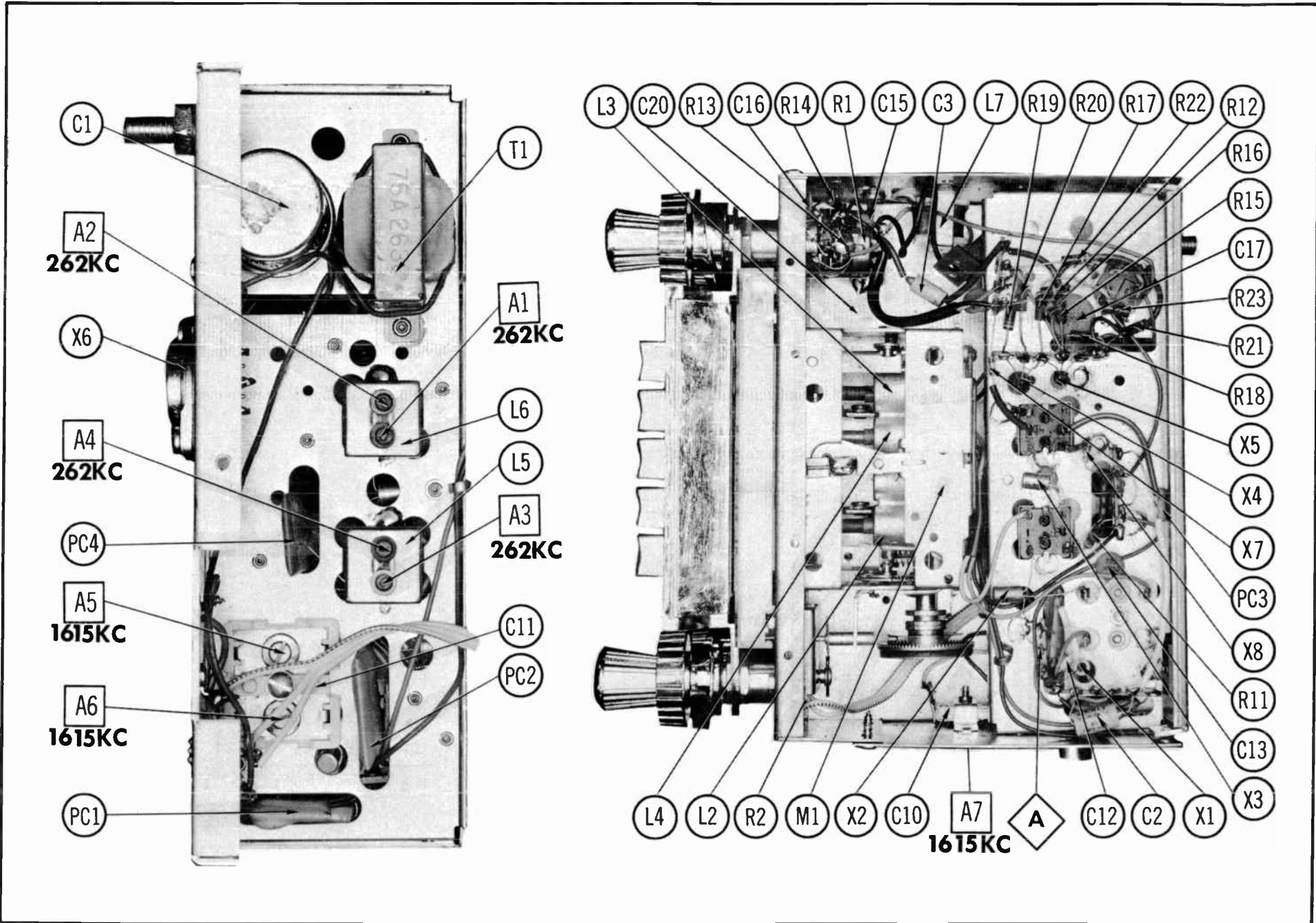
- ⊙ See parts list
- 1. Voltage measurements taken with vacuum tube voltmeter.
- 2. All controls set for normal operation, no signal applied.
- 3. Measured values are from socket pin or terminal to common ground.
- 4. All terminals viewed from bottom unless otherwise designated.
- 5. Numbers assigned to terminals may not be found on the unit.
- 6. Supply voltage maintained at rated value for voltage readings.
- 7. Resistance measurements not given because of the wide variation in internal resistance of transistor.

* NOMINAL VALUE, MAY VARY.

A PHOTOFAC STANDARD NOTATION SCHEMATIC



AUTOMATIC MODELS F-5058N, FNP-5051N, FP-5057N, MUS-5059N



AUTOMATIC MODELS F-5058N, FP-5051N, FP-5057N, MUS-5059N

PARTS LIST AND DESCRIPTION

(When ordering parts, state Model, Part Number, and Description.)

Replacement parts shown may be superseded by the availability of newly introduced replacements.
Have your local distributor check Sams COUNTER FACTS[®] for the most up-to-date replacement.

TRANSISTORS

| ITEM No. | ORIG. TYPE | USE | REPLACEMENT DATA | | | NOTES |
|----------|------------------|--------------|------------------|---------------------------|--------------|-------|
| | | | DELCO PART No. | GENERAL ELECTRIC PART No. | RCA PART No. | |
| X1 | 6-60 (2N1637) | RF Amp. | DS-25 | GE-9 | SK-3005 | PNP |
| X2 | 6-61 (2N1639) | Conv. | DS-25 | GE-9 | SK-3008 | PNP |
| X3 | 6-62 (2N1638) | IF Amp. | DS-25 | GE-9 | SK-3005 | PNP |
| X4 | 6-04 | 1st. AF Amp. | DS-46 | GE-10 | SK-3020 | NPN |
| X5 | 6-05 | 2nd. AF Amp. | DS-46 | GE-10 | SK-3020 | NPN |
| X6 | 8P404 (2N176) | Output | DS-520 | GE-3 | SK-3009 | PNP* |

* When replacing, apply silicone grease to both sides of insulator. Tighten mounting screws securely.

POWER RECTIFIERS & SIGNAL DIODES

| ITEM No. | MEASURED CURRENT | ORIGINAL Part or Type No. | RECTIFIERS & DIODES | | RECTIFIERS | | |
|----------|------------------|---------------------------|---------------------------|----------------------------------|------------------|--------------|-------------------------|
| | | | GENERAL ELECTRIC PART No. | INTERNATIONAL RECTIFIER PART No. | MALLORY PART No. | RCA PART No. | SARKES TARZIAN PART No. |
| X7 | | 1GD2 (1N295) | 1N34AS | 1N34A | | | |
| X8 | | 1GD2 (1N295) | 1N34AS | 1N34A | | | |

ELECTROLYTIC CAPACITORS

| ITEM No. | RATING | | Automatic PART No. | REPLACEMENT DATA | | | | |
|----------|--------|-------|--------------------|------------------|---------------------------|---------------------------|------------------|------------------|
| | CAP. | VOLT. | | AEROVOX PART No. | CORNELL-DUBILIER PART No. | GENERAL ELECTRIC PART No. | MALLORY PART No. | SPRAGUE PART No. |
| C1A | 500 | 16 | 20-2653 | AFH3-00-94.5 | | KC3-48.1 | FP300.83 | TVLS-3026.14* |
| B | 300 | 16 | | | | | | |
| C | 100 | 16 | | | | | | |
| C2 | 25 | 15 | 20-256 | PTT69 | NLW25-15 | MT1-10 | TT15X25 | TE-1157.1 |
| C3 | 5 | 15 | 20-505 | CRE454A | NLW5-15 | MT1-3 | TT25X5 | TE-1152 |

* Not normally in distributor's stock. Available thru distributor on order to manufacturer.

CAPACITORS

| ITEM No. | RATING | REMARKS | REPLACEMENT DATA | | | | | |
|----------|--------|------------|------------------|--------------------|---------------------------|------------------|------------------|------------------|
| | | | AEROVOX PART No. | CENTRALAB PART No. | CORNELL-DUBILIER PART No. | ELMENCO PART No. | MALLORY PART No. | SPRAGUE PART No. |
| C10 | | #28-800-2L | | | | | | |
| C11A | | #28A1332 | | | | | | |
| C12 | 270 | N750 | DI-270 | DD-271 | RR05CW271K | CCD-271 | GP327 | 5GA-T27 |
| C13 | 100 | | N750-DI 100 | DTN-100 | CX601UJ101K | CCTN-101 | CN7310 | 10TCU-T10 |
| C14 | .01 | | BPD-01 | DD-103 | BYV102ZU103M | CCD-103 | B110 | 5HK-510 |
| C15 | .22 | | | UK20-204 | | | MAG25022 | HY-325 |
| C16 | .47 | | | UK10-404 | | | MAG12047 | HY-330 |
| C17 | .05 | | | TTD-05 | CK-503 | HOV101ZV503Z | TA150 | TG-850 |
| C18 | .02 | | | BPD-02 | DD-203 | BYT601ZU203Z | B120 | 5HK-S20 |
| C19 | .05 | | | TTD-05 | CK-503 | HOV101ZV503Z | TA150 | TG-850 |
| C20 | | | #43-215 | | | | | |

Automatic Part Number.

CONTROLS

All wattages 1/2 watt, or less, unless otherwise listed.

| ITEM No. | USE | RESIST-ANCE | REPLACEMENT DATA | | | | |
|----------|--------------------|--------------------------|--------------------|---|--------------------|------------------|------------------|
| | | | Automatic PART No. | CENTRALAB PART No. | CLAROSTAT PART No. | CTS-IRC PART No. | MALLORY PART No. |
| R1A | Tone Volume/Switch | 10K 7500Ω Tap @ 5100Ω | 80A2658 ① | F1-10K,R14-7500 FFS207,RFS215, BA200,CA005, KR-4 | | †QJ-2145A | ■ UE45458 |
| B | Tone Volume/Switch | 10K 7500Ω Tap @ 5100Ω | 80A3257 ② | F1-10K,R16-10K, FFS200,RFS208, BA108,CA005, KR-4 | | ††QJ-2111A | ■ UE45445 |
| R2 | Fader | 40Ω | 80A2021 ① | | | | |

① Used in Models: F-5058N, FP-5057N.

② Used in Models: FNP-5051N, MUS-5059N.

† "SNAPTROL" Equivalent: BU15A ③, CF9, CR48T, SF18, SR53, GC.

③ Alter Bushing to meet requirements.

†† "SNAPTROL" Equivalent: BU15A ④, CF9, CR48T, SF13, SR49, GC.

■ "STA-LOC" Equivalent: FL14L, RU752T53, OS2187, IS2625, US41.

■ "STA-LOC" Equivalent: FK14L, RU752T53, OS1687, IS2187, US41.

COILS (RF-IF)

| ITEM No. | USE | REPLACEMENT DATA | | | | | |
|----------|------------------|-----------------------|--------------------|------------------|-----------------|----------------------|------------------|
| | | Automatic PART No. | MEISSNER PART No. | MERIT PART No. | MILLER PART No. | STANCOR PART No. | WORKMAN PART No. |
| L1 | RF Choke (6.2uh) | 14-6.2 | 19-1004 | BC-565 | 4610 | RTC-8520 | T859 |
| L2 | Antenna | ① | | | | | |
| L3 | RF | ① | | | | | |
| L4 | Oscillator | ① | | | | | |
| L5 | Input IF | 14-3233A 14-2654 ② | 16-6718 16-6718 | BC-690 BC-690 | 6570 6570 | RTC-9391 RTC-9391 | |
| K6 | Output IF | 14-3234A 14-2655 ② | 16-6719 16-6719 | BC-691 BC-691 | 6571 6571 | RTC-9392 RTC-9392 | TF606 TF606 |

① Part of M1.

② Alternate Part Number, used in some versions.

PARTS LIST AND DESCRIPTION (CONTINUED)

(When ordering parts, state Model, Part Number, and Description.)

Replacement parts shown may be superseded by the availability of newly introduced replacements.
Have your local distributor check Sams COUNTER FACTS[®] for the most up-to-date replacement.

FILTER CHOKE

| ITEM No. | RATINGS | | | REPLACEMENT DATA | | | | | NOTES |
|----------|--------------------|---------|------------------------------|--------------------|----------------|------------------|---------------------|----------------|-------|
| | CURRENT (Measured) | DC RES. | INDUCTANCE (0 CURRENT 1000~) | Automatic PART No. | MERIT PART No. | STANCOR PART No. | THORDARSON PART No. | TRIAD PART No. | |
| L7 | .725A | .5Ω | 10MH | 75A1289 | C-4095 | TC-2 | TR-155 | TY17XT | |

TRANSFORMER (AUDIO OUTPUT)

| ITEM No. | IMPEDANCE | | REPLACEMENT DATA | | | | | NOTES |
|----------|-----------|------|--------------------|----------------|------------------|---------------------|----------------|-------|
| | | | Automatic PART No. | MERIT PART No. | STANCOR PART No. | THORDARSON PART No. | TRIAD PART No. | |
| | PRI. | SEC. | | | | | | |
| T1 | 24Ω Tap | @ 8Ω | 75A2638 | | | | TR-189 | |

SPEAKER

| ITEM No. | TYPE | | | REPLACEMENT DATA | | NOTES |
|----------|----------|----|----|--------------------|---------------|--|
| | | | | Automatic PART No. | QUAM PART No. | |
| SP1 | 4" x 10" | PM | 8Ω | 73B3278 | 410A228 | Models: F-5058N, FP-5057N. Model: FNP-5051N. Model: MUS-5059N. |
| | 5" x 7" | PM | 8Ω | 73B2788 | 58A1528 | |
| | 4" x 10" | PM | 8Ω | 73B2737 | 410A228 | |

FUSE DEVICES

| ITEM No. | TYPE | RATING | REPLACEMENT DATA | | | | | |
|----------|------|--------|------------------|---------------|---------------------|--------|---------------|--------|
| | | | PART No. | | LITTELFUSE PART No. | | BUSS PART No. | |
| | | | FUSE | HOLDER | FUSE | HOLDER | FUSE | HOLDER |
| F1 | AGC | 4A | 108-400 | In Fuse Block | 303004 | | AGW 4 | |

COMPONENT COMBINATIONS

| ITEM No. | USE | DESCRIPTION | Automatic PART No. | REPLACEMENT DATA |
|----------|---------------|---|--------------------|------------------|
| PC1 | RF Network | 220Ω, 1000Ω, 82K, .05mfd, 1mfd. | 89A2582C | |
| PC2 | Conv. Network | 150Ω, 1000Ω, 4700Ω, 47K, .005mfd, .015mfd., .02mfd. | 89A2583B | |
| PC3 | IF Network | 560Ω, 5600Ω, 47K, .05mfd, .05mfd, .05mfd. | 89A2584B | |
| PC4 | AVC Network | 5600Ω, 180pf | 89A2701 | |

MISCELLANEOUS

| ITEM No. | PART NAME | Automatic PART No. | NOTES |
|----------|-----------|--------------------|-------|
| M1 | Tuner | 78B3700/78B3800 | |

CABINETS & CABINET PARTS

(When Ordering Specify Model, Chassis & Color)

| ITEM | PART No. | ITEM | PART No. |
|---------------------------|-----------|------------------------|-----------|
| Models: F-5058N, FP-5057N | | Model: FNP-5051N | |
| Escutcheon (Pushbutton) | 54C3888 | Dial Pointer | 84A3902 |
| Escutcheon (Manual) | 54C3888-1 | Knob, Volume or Tuning | 47A3388-1 |
| Pushbutton | 55A3903 | Knob, Tone | 48A3893 |
| Dial Pointer | 84A3881 | Knob, Dummy | 48A3893-1 |
| Dial Calibration | 39-171 | Model: MUS-5059N | |
| Knob, Volume or Tuning | 48A3789 | Escutcheon | 54C3237 |
| Knob, Tone | 48A3777 | Pushbutton | 55A3882 |
| Knob, Dummy | 48A3777-1 | Dial Pointer | 84A3902 |
| Model: FNP-5051N | | Dial Calibration | 39-125 |
| Escutcheon | 54C3237 | Knob, Volume or Tuning | 48A3347 |
| Pushbutton | 55A3882 | Knob, Tone | 48A3348 |
| | | Knob, Dummy | 48A3348-1 |

WIRING DATA

| | |
|---|---|
| General-use Unshielded Hook-up Wire | Use BELDEN No. 8530 (Solid) Available in 12 Colors |
| | 8524 (Stranded) Available in 12 Colors |
| Shielded Hook-up Wire | Use BELDEN No. 8885 |
| Rear Seat Speaker Extension Cable | Use BELDEN No. 8782 (Stranded) Coded Parallel Leads |
| Bonding Strap | Use BELDEN No. 8661 (3/8 In.) or 8670 (3/4 In.) |

AUTOMATIC MODELS F-5058N, FNP-5051N, FP-5057N, MUS-5059N



PHOTOFACT[®] with

CIRCUITRACE[®]



TRADE NAME : Buick Models:
7293614 (981061) 1966 Buick
7293654 1966 Riviera
SUPPLIER : For Current Address, See Annual Index.
TYPE SET : 6 Transistor AM Receiver
POWER SUPPLY : 12 Volt Storage Battery
RATING : 1.2 Amp. @ 12.6 Volts DC
TUNING RANGE : BROADCAST 540-1615KC

BUICK MODELS 7293614, 7293654

ALIGNMENT INSTRUCTIONS

Check for specified source voltage.
Use only enough generator output to provide a usable indication.
Suggested Alignment Tools:

A1 thru A5, A9, A10. GENERAL CEMENT: 5009, 8728A, 8987
WALSCO: 2531-X, 2536
A6, A7, A8. GENERAL CEMENT: 8200, 8868, 9087
WALSCO: 2525, 2528, 2587

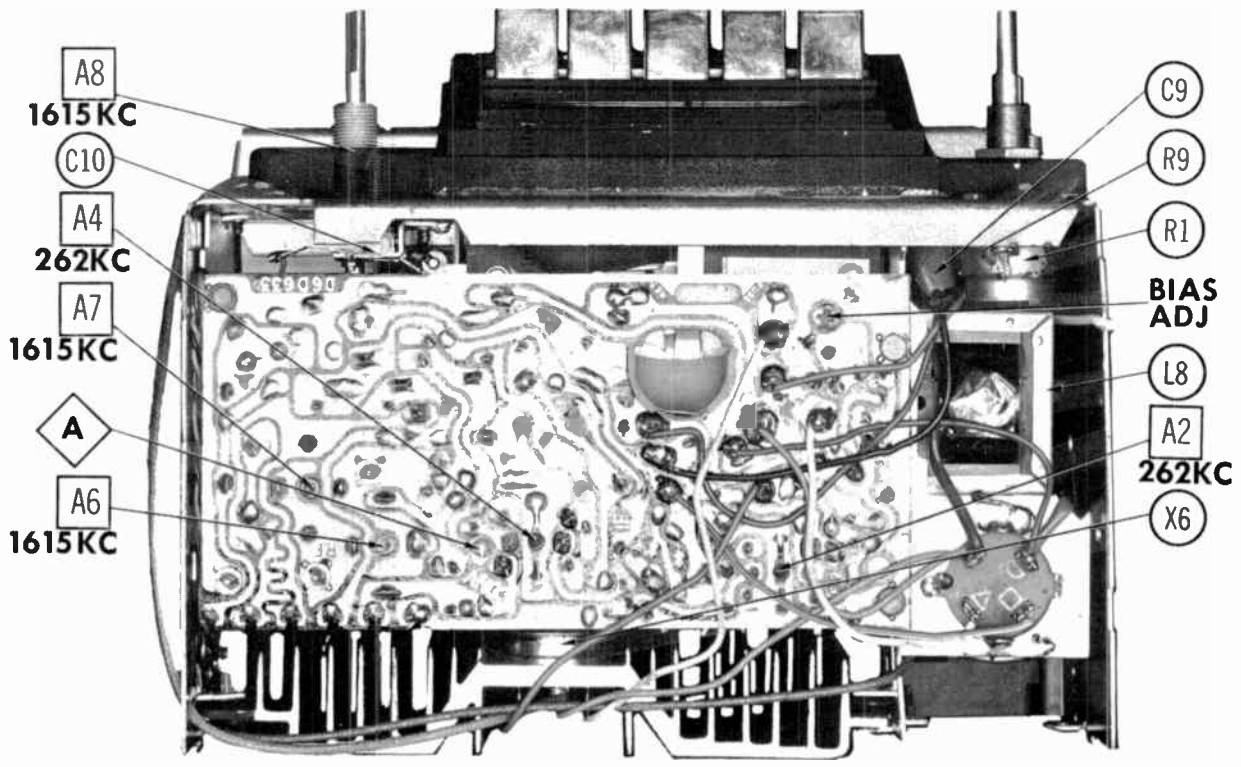
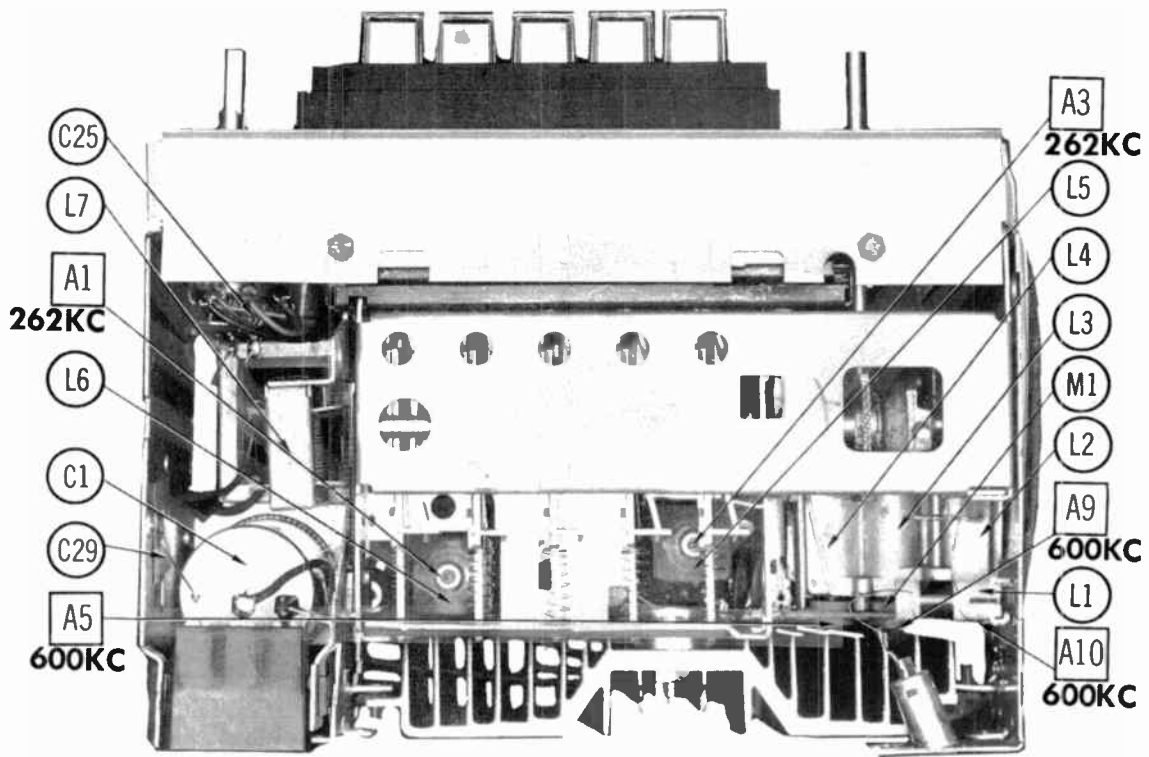
| | SIGNAL GENERATOR COUPLING | SIGNAL GENERATOR FREQUENCY | RADIO DIAL SETTING | INDICATOR | ADJUST | REMARKS |
|--|---|----------------------------|----------------------|---------------------------------|----------------|------------------------------------|
| 1. | High side thru .1mfd to point Δ , low side to ground. | 262KC (400v Mod.) | High Freq. End Stop. | Output Meter across voice coil. | A1, A2, A3, A4 | Adjust for maximum. |
| Check setting of oscillator coil core (A5). Rear of core should be 1 3/8" from mounting end of coil form. | | | | | | |
| 2. | High side thru 82mmf to antenna receptacle, low side to ground. | 1615KC | High Freq. End Stop. | Output Meter across voice coil. | A6, A7, A8 | Adjust for maximum. |
| 3. | " | 600KC | 600KC Signal | " | A9, A10 | Adjust for maximum. Repeat step 2. |
| With radio installed in car and antenna fully extended, tune in a weak station near 1400KC and adjust A8 for maximum output. | | | | | | |

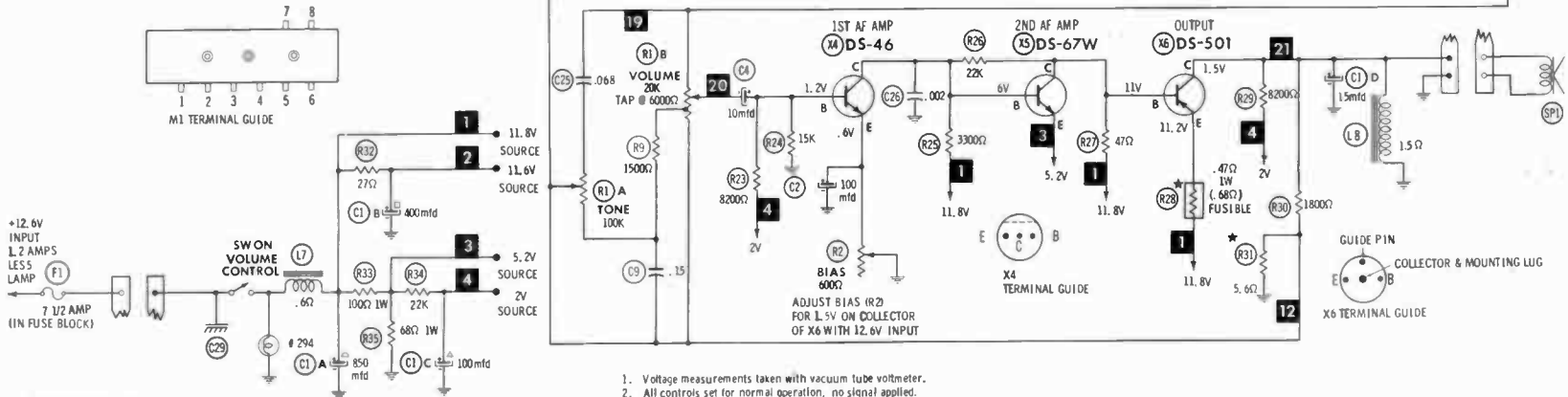
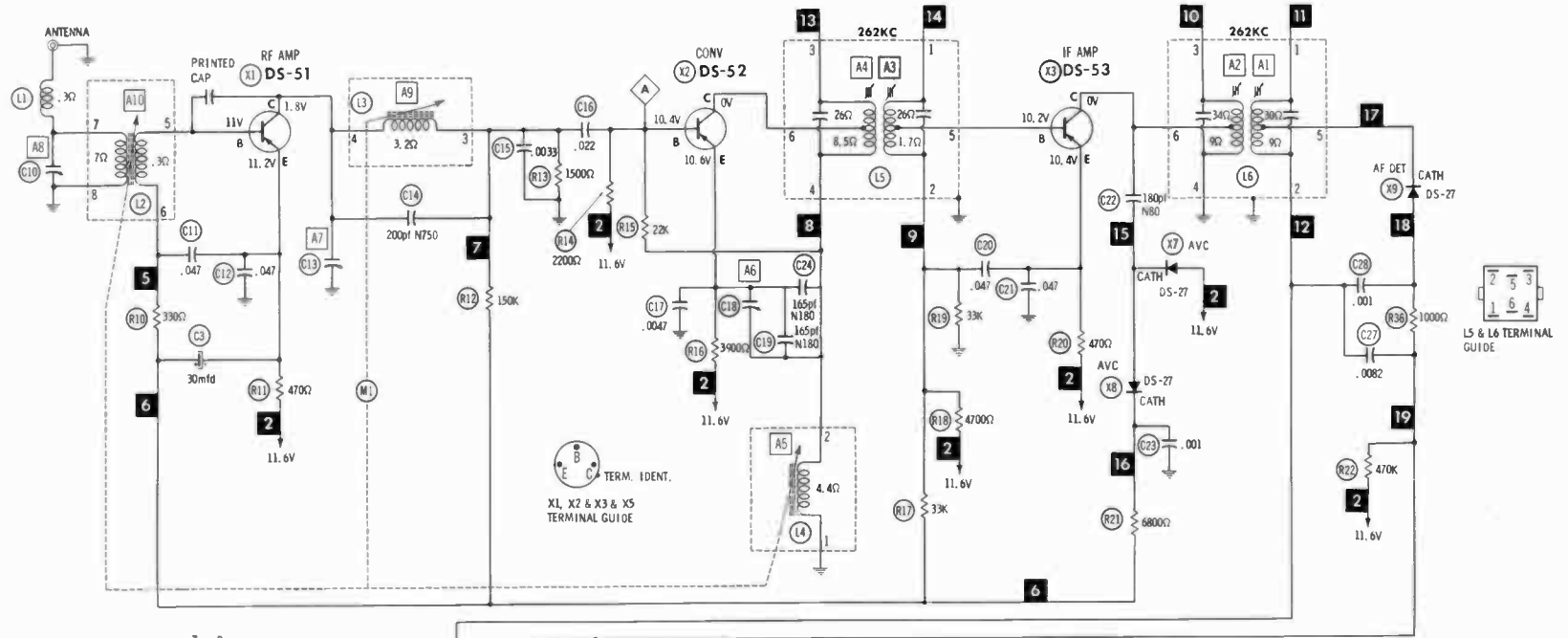
Remove tuning and dummy knobs for access to Antenna Adjustment (A8).

PUSH-BUTTON ADJUSTMENT

1. Pull button out.
2. Tune manually to desired station.
3. Press button in firmly.
4. Repeat for remaining buttons.

HOWARD W. SAMS & CO., INC. Indianapolis, Indiana 46206



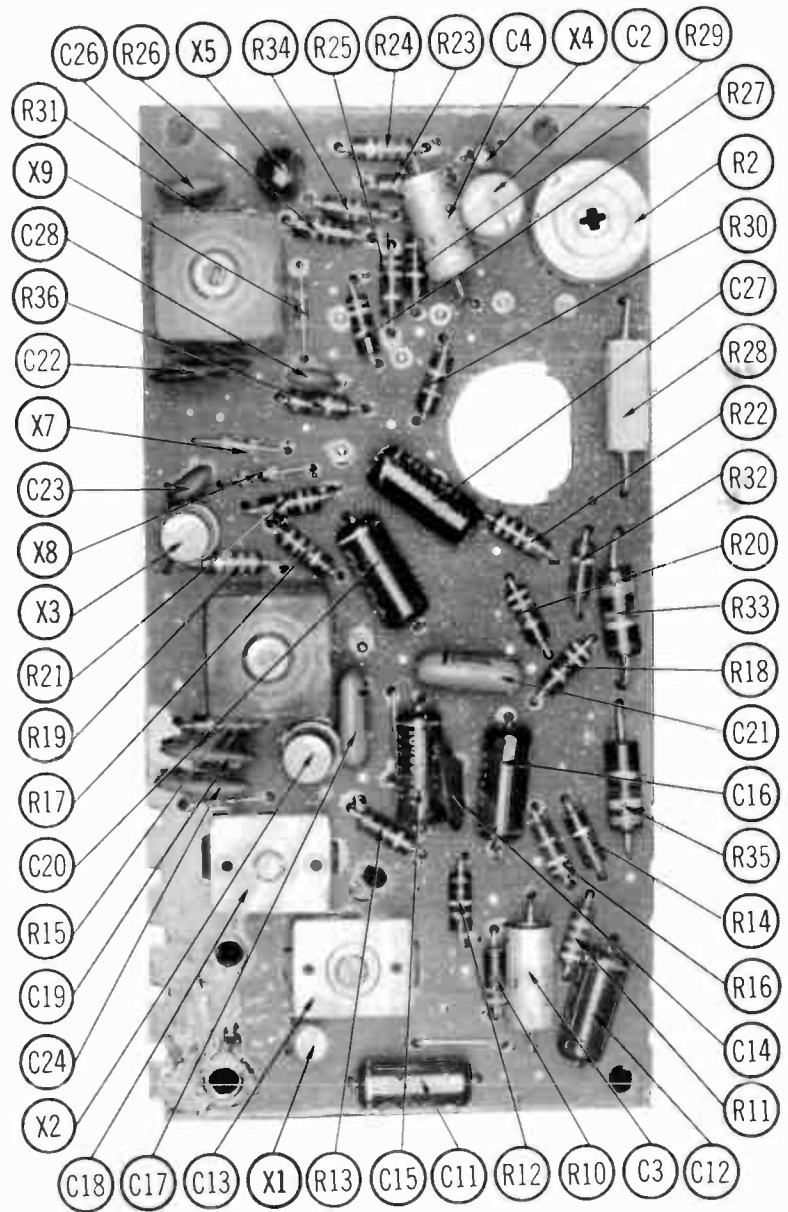
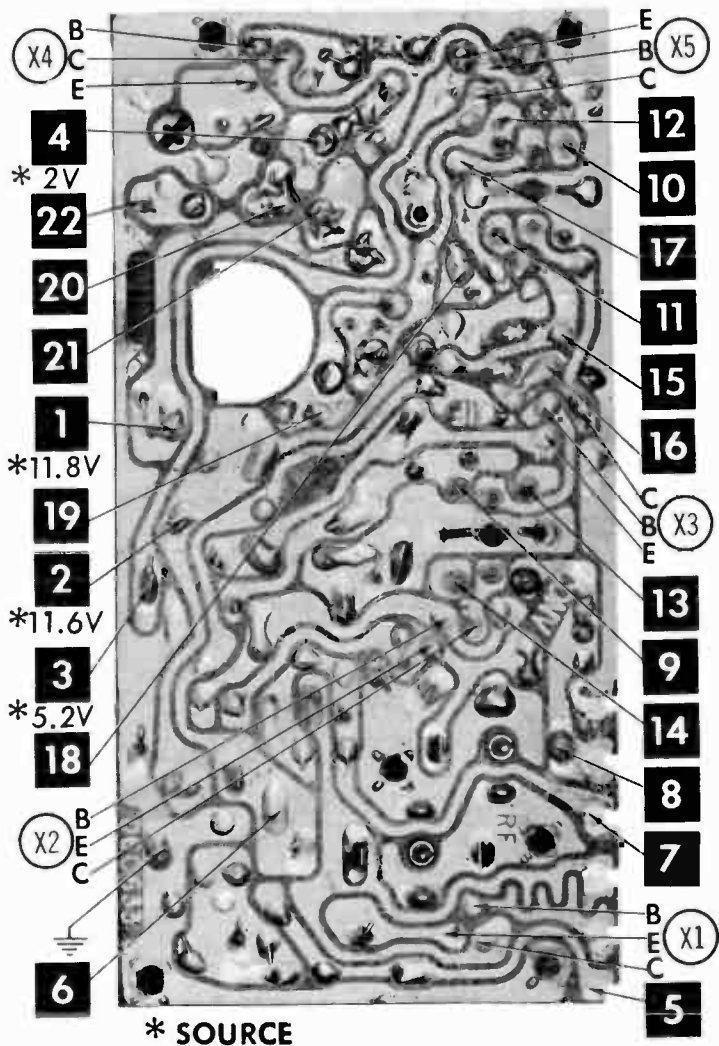


★ NOMINAL VALUE, MAY VARY.
Resistors are 1/2 watt or less and rated 10% or 20% unless otherwise indicated.

A PHOTOFACIT STANDARD NOTATION SCHEMATIC
with **CIRCUITRACE**

© Howard W. Sams & Co., Inc. 1966

1. Voltage measurements taken with vacuum tube voltmeter.
2. All controls set for normal operation, no signal applied.
3. Measured values are from socket pin or terminal to common ground.
4. All terminals viewed from bottom unless otherwise designated.
5. Numbers assigned to terminals may not be found on the unit.
6. Supply voltage maintained at rated value for voltage readings.
7. Resistance measurements not given because of the wide variation in internal resistance of transistor.



PARTS LIST AND DESCRIPTION

(When ordering parts, state Model, Part Number, and Description.)

Replacement parts shown may be superseded by the availability of newly introduced replacements. Have your local distributor check **Sams COUNTER FACTS** for the most up-to-date replacement.

TRANSISTORS

| ITEM No. | ORIG. TYPE | USE | REPLACEMENT DATA | | | NOTES |
|----------|--------------------------------|--------------|------------------|---------------------------|--------------|-------|
| | | | DELCO PART No. | GENERAL ELECTRIC PART No. | RCA PART No. | |
| X1 | DS-51 | RF Amp. | DS-25 | GE-1 | SK-3005 | PNP |
| X2 | DS-52 | Converter | DS-25 | GE-1 | SK-3005 | PNP |
| X3 | DS-53 | 1F Amp. | DS-25 | GE-1 | SK-3005 | PNP |
| X4 | DS-46 | 1st. AF Amp. | DS-46 | GE-10 | SK-3020 | NPN |
| X5 | (DS-66)† DS-67W (DS-66)† | 2nd. AF Amp. | DS-66 | GE-10 | SK-3020 | NPN |
| X6 | DS-501 | Output | DS-501 | GE-4 | SK-3012 | PNP * |

* When replacing, apply silicone grease to both sides of insulator. Tighten mounting screws securely.
† Alternate Type.

POWER RECTIFIERS & SIGNAL DIODES

| ITEM No. | MEASURED CURRENT | ORIGINAL Part or Type No. | RECTIFIERS & DIODES | | RECTIFIERS | | |
|----------|------------------|---------------------------|---------------------------|----------------------------------|------------------|--------------|-------------------------|
| | | | GENERAL ELECTRIC PART No. | INTERNATIONAL RECTIFIER PART No. | MALLORY PART No. | RCA PART No. | SARKES TARZIAN PART No. |
| X7 | | DS-27 | 1N34AS | 1N34A | | | |
| X8 | | DS-27 | 1N34AS | 1N34A | | | |
| X9 | | DS-27 | 1N34AS | 1N34A | | | |

ELECTROLYTIC CAPACITORS

| ITEM No. | RATING | | DELCO PART No. | REPLACEMENT DATA | | | | |
|----------|--------|--------|----------------|------------------|---------------------------|---------------------------|------------------|------------------|
| | CAP. | VOLT. | | AEROVOX PART No. | CORNELL-DUBILIER PART No. | GENERAL ELECTRIC PART No. | MALLORY PART No. | SPRAGUE PART No. |
| C1A | 850 | 16 | 7291786 | AFH4-96-10 | | | FP401.9 | TVL-4206 |
| B | 400 | 18 | | | | | | |
| C | 100 | 16 | | | | | | |
| D | 15 | 115rms | | | | | | |
| C2 | 100 | 4 | 7291810 | PTT30 | NLW125-6 | MT1-21 | T76X100 | TE-1102 |
| C3 | 30 | 6 | 7279896 | PTT27 | NLW30-15 | MT1-13 | T76X30 | TE-1092 |
| C4 | 10 | 12 | 7292738 | PTT53 | NLW10-15 | MT1-5 | TT12X10 | TL-1128 |

CAPACITORS

| ITEM No. | RATING | REMARKS | REPLACEMENT DATA | | | | | |
|----------|-----------|----------|------------------|--------------------|---------------------------|------------------|------------------|------------------|
| | | | AEROVOX PART No. | CENTRALAB PART No. | CORNELL-DUBILIER PART No. | ELMENCO PART No. | MALLORY PART No. | SPRAGUE PART No. |
| C9 | .15 75V | | DBE2P15 | | WMF1P15 | 1DP-1-154 | PVC1015 | 2PS-P15 |
| C10 | | #7281971 | | | | | | |
| C11 | .047 75V | | DBE2S47 | | WMF2S47 | 1DP-2-473 | PVC1147 | 2PS-S47 |
| C12 | .047 75V | | DBE2S47 | | WMF2S47 | 1DP-2-473 | PVC1147 | 2PS-S47 |
| C13 | | #7287935 | | | | | | |
| C14 | 200 N750 | | N750-D1200 | DTN-200 | CV601UJ201K | CCTN-201 | CN7320 | 10TCU-T20 |
| C15 | .0033 75V | | DBE8D33 | CPR-3300J | WMF1D33 | 6DP-1-332 | PVC4233 | 8PS-D33 |
| C16 | .022 75V | | DBE2S22 | | WMF1S22 | 1DP-1-223 | PVC1122 | 2PS-S22 |
| C17 | .0047 75V | | DBE8D47 | CPR-4700J | WMF1S47 | 6DP-1-472 | PVC6247 | 6PS-D47 |
| C18 | | #7282165 | | | | | | |
| C19 | 165 N150 | | | | | * | * | 10TCP-T175 |
| C20 | .047 75V | | DBE2S47 | | WMF2S47 | 1DP-2-473 | PVC1147 | 2PS-S47 |
| C21 | .047 75V | | DBE2S47 | | WMF2S47 | 1DP-2-473 | PVC1147 | 2PS-S47 |
| C22 | 180 N80 | | | | | * | * | 10TCN-T80 |
| C23 | .001 | | BPD-001 | DD-102 | HVX162XP102M | CCD-102 | B210 | 5HK-D10 |
| C24 | 165 N220 | | | | | * | * | 10TCR-T175 |
| C25 | .068 75V | | DBE4S68 | | DPMS4S68 | 1DP-2-683 | PVC1168 | 4PS-S68 |
| C26 | .002 | | BPD-002 | DD-202 | BYX601ZU202P | CCD-202 | B220 | 5HK-D20 |
| C27 | .0082 75V | (.047)† | DBE6D82 | DD-202J | WMF1S82 | 8DP-2-822 | PVC828 | 6PS-D82 |
| C28 | .001 | | BPD-001 | DD-102 | HVX162XP102M | CCD-102 | B210 | 5HK-D10 |
| C29 | | #7271564 | | | | | | |

* Not normally in distributor's stock. Available thru distributor on order to manufacturer.
† Value used in Model 7293654. # Delco Part Number.

CONTROLS

All wattages 1/2 watt, or less, unless otherwise listed.

| ITEM No. | USE | RESISTANCE | REPLACEMENT DATA | | | | | |
|----------|---------------|-----------------|------------------|---|--------------------|------------------|------------------|--------|
| | | | DELCO PART No. | CENTRALAB PART No. | CLAROSTAT PART No. | CTS-IRC PART No. | MALLORY PART No. | |
| R1A | Tone | 100K | 7294703 ① | F1-100K, R14-25K | | | † QJ-2185A | |
| | Volume/Switch | 20K Tap @ 6000Ω | | FFS102, RFS113, BB014, SB004, KR-4 | | | | |
| B | Tone | 100K | | F1-100K, R14-25K | | | †† QJ-2186A | |
| | Volume/Switch | 20K Tap @ 6000Ω | 7294151 ② | FFS108, RFS209, BB104, SB004, SB006, KR-4 | | | | |
| R2 | Bias | 600Ω 2W | 7286601 | V-600 | U39-600 | 110-600 | | MR600P |

① Used in Model: 7293614. ② Used in Model: 7293654. ③ Alter bushing to meet requirements.
† "CONCENTRIKIT" Equivalent: K8 Kit, with Base Elements and Shafts: B11-128, P17-105 (Panel)
B19-119X, R26-121 (Rear)
S6 (Bushing)
N4 (Spacer Nut)
76-1 (Switch)

"SNAPTROL" Equivalent: BU8 ③, CF13, CR50T, SF8, SR10, N4, GC.
†† "CONCENTRIKIT" Equivalent: K8 Kit, with Base Elements and Shafts: B11-128, P22-115 (Panel)
B19-119X, R26-215 (Rear)
S51 (Bushing)
N4 (Spacer Nut)
76-1 (Switch)

"SNAPTROL" Equivalent: BU8 ③, CF13, CR50T, SF11, SR18, N4, GC.

PARTS LIST AND DESCRIPTION (CONTINUED)

(When ordering parts, state Model, Part Number, and Description.)

Replacement parts shown may be superseded by the availability of newly introduced replacements.
Have your local distributor check Sams COUNTER FACTS for the most up-to-date replacement.

RESISTORS (Power and Special)

| ITEM No. | RATING | REPLACEMENT DATA | | | ITEM No. | RATING | REPLACEMENT DATA | | |
|----------|-------------------|------------------|------------------|----------------|----------|--------|------------------|------------------|----------------|
| | | IRC PART No. | WORKMAN PART No. | DELCO PART No. | | | IRC PART No. | WORKMAN PART No. | DELCO PART No. |
| R28 | .47Ω (Fusible) | | | 7281890 | | | | | |

COILS (RF-IF)

| ITEM No. | USE | REPLACEMENT DATA | | | | | |
|----------|------------------|------------------|-------------------|----------------|-----------------|------------------|------------------|
| | | DELCO PART No. | MEISSNER PART No. | MERIT PART No. | MILLER PART No. | STANCOR PART No. | WORKMAN PART No. |
| L1 | RF Choke (6.2uh) | 7281946 | 19-1004 | BC-565 | 4610 | RTC-8520 | T859 |
| L2 | Antenna | ① | | | | | |
| L3 | RF | ① | | | | | |
| L4 | Oscillator | ① | | | | | |
| L5 | Input IF | 1221856 | 16-6704 | | 6542 | RTC-9399 | TA653 |
| L6 | Output IF | 1221857 | 16-6705 | | 6543 | RTC-9400 | TA653 |

① Coils Assembly Part Number 7287957.

FILTER CHOKE

| ITEM No. | RATINGS | | | REPLACEMENT DATA | | | | | | NOTES |
|----------|--------------------|---------|------------------------------|------------------|----------------|------------------|---------------------|----------------|--|-------|
| | CURRENT (Measured) | DC RES. | INDUCTANCE (0 CURRENT 1000~) | DELCO PART No. | MERIT PART No. | STANCOR PART No. | THORDARSON PART No. | TRIAD PART No. | | |
| L7 | 1.2 Amp. | .6Ω | 8MH | 1221623 | C-4085 | TC-2 | TR-154 | TY17XT | | |

CHOKE (AUDIO OUTPUT)

| ITEM No. | INDUCTANCE | REPLACEMENT DATA | | | | | NOTES |
|----------|------------|------------------|----------------|------------------|---------------------|----------------|-------|
| | | DELCO PART No. | MERIT PART No. | STANCOR PART No. | THORDARSON PART No. | TRIAD PART No. | |
| L8 | 30MH | 1222297 | | | | | |

SPEAKER

| ITEM No. | TYPE | REPLACEMENT DATA | | NOTES |
|----------|----------------------------|------------------|--------------------|--|
| | | DELCO PART No. | QUAM PART No. | |
| SP1 | 4" x 10" PM 4" x 10" PM | 10Ω 10Ω | 7289354 7295154 | 410A2Z10 410A2Z10 Model: 7293614. Model: 7293654. |

FUSE DEVICES

| ITEM No. | TYPE | RATING | REPLACEMENT DATA | | | | | | |
|----------|------|--------|------------------|---------------|---------------------|--------|---------------|-----------|--|
| | | | PART No. | | LITTELFUSE PART No. | | BUSS PART No. | | |
| | | | FUSE | HOLDER | FUSE | HOLDER | FUSE | HOLDER | |
| F1 | AGC | 7 1/2A | | In Fuse Block | 31107, 5 | | | AGC 7 1/2 | |

MISCELLANEOUS

| ITEM No. | PART NAME | DELCO PART No. | NOTES |
|----------|-----------|----------------|-------|
| M1 | Tuner | | |

CABINETS & CABINET PARTS

(When Ordering Specify Model, Chassis & Color)

| ITEM | MODEL | PART No. | ITEM | MODEL | PART No. |
|--------------|---------|----------|------------------------|---------|----------|
| Escutcheon | 7293614 | 7294701 | Knob, Tuning or Volume | 7293614 | 1376892 |
| Escutcheon | 7293654 | 7294146 | Knob, Tuning or Volume | 7293654 | 1374934 |
| Dial Pointer | 7293614 | 7294696 | Knob, Tone | 7293614 | 1376884 |
| Dial Pointer | 7293654 | 7294139 | Knob, Tone | 7293654 | 1374935 |
| Pushbutton | 7293614 | 7294695 | Knob, Dummy | 7293614 | 1376883 |
| Pushbutton | 7293654 | 7293939 | Knob, Dummy | 7293654 | 1374935 |

WIRING DATA

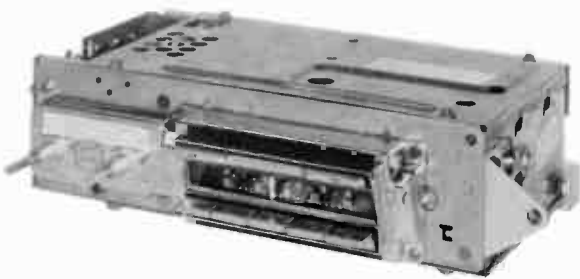
| | |
|---|--|
| General-use Unshielded Hook-up Wire | Use BELDEN No. 8530 (Solid) Available in 12 Colors 8524 (Stranded) Available in 12 Colors |
| Shielded Hook-up Wire | Use BELDEN No. 8885 |
| Rear Seat Speaker Extension Cable | Use BELDEN No. 8782 (Stranded) Coded Parallel Leads |
| Bonding Strap | Use BELDEN No. 8661 (3/8 In.) or 8670 (3/4 In.) |

BUICK MODELS 7293614, 7293654



PHOTOFACT[®] with

CIRCUITRACE[®]

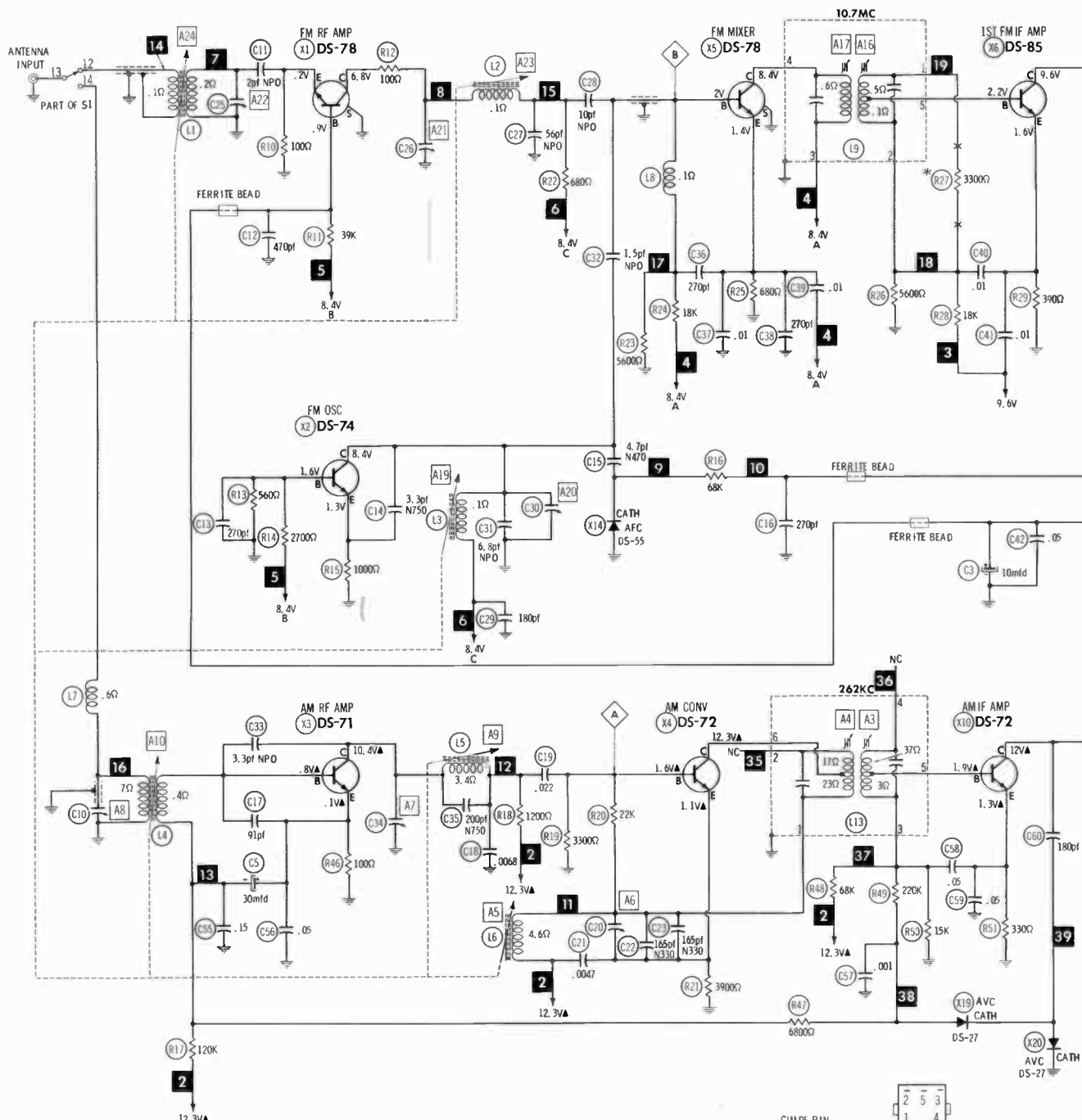


TRADE NAME : Cadillac Model 7293905 (990553)
 SUPPLIER : For Current Address, See Annual Index.
 TYPE SET : 13 Transistor AM-FM Receiver
 POWER SUPPLY : 12 Volt Storage Battery
 RATING : 1.3 Amp. @ 12.6 Volts DC
 TUNING RANGE : BROADCAST 540-1615KC
 FREQ. MOD: 88-108MC

CADILLAC MODEL 7293905



HOWARD W. SAMS & CO., INC. Indianapolis, Indiana 46206



⊖ See parts list

Resistors are 1/2 watt or less and rated 10% or 20% unless otherwise indicated.

All measurements taken in "FM" position unless otherwise designated.

▲ Measured in "AM" position.

* Not used in some versions.

NC No Connection.

1. Voltage measurements taken with vacuum tube voltmeter.
2. All controls set for normal operation, no signal applied.
3. Measured values are from socket pin or terminal to common ground.
4. All terminals viewed from bottom unless otherwise designated.
5. Numbers assigned to terminals may not be found on the unit.
6. Supply voltage maintained at rated value for voltage readings.
7. Resistance measurements not given because of the wide variation in internal resistance of transistor.

A PHOTOFAC STANDARD NOTATION SCHEMATIC with **CIRCUTRACE**

© Howard W. Sams & Co., Inc. 1966



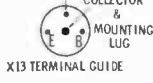
X1 & X5 TERMINAL GUIDE



X2 THRU X4 AND X6 THRU X11 TERMINAL GUIDE



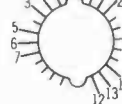
X12 TERMINAL GUIDE



X13 TERMINAL GUIDE

SELECTOR SWITCH S1 SHOWN IN "FM" POSITION.
SWITCH SEQUENCE:

1. FM
2. AM



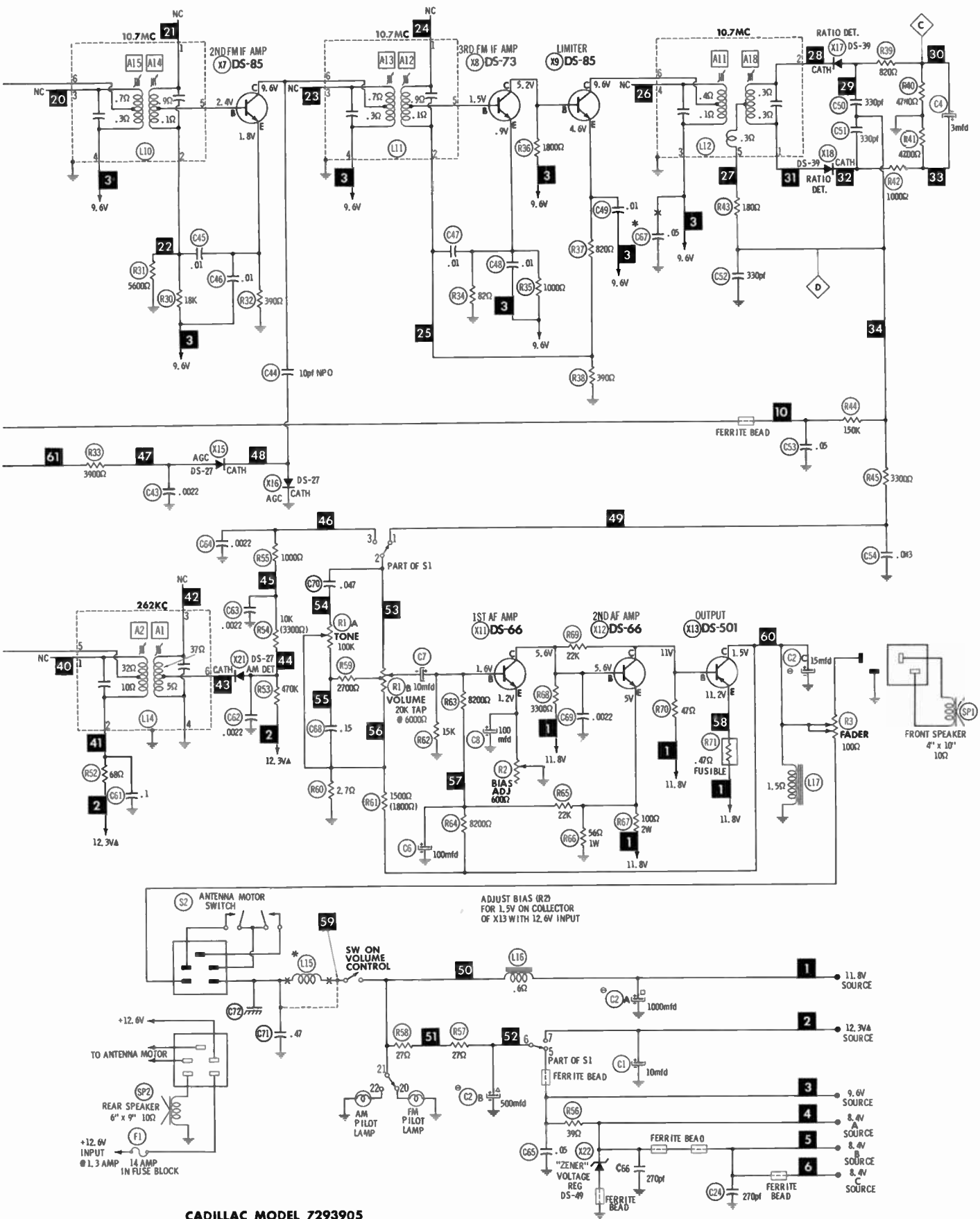
SELECTOR SWITCH S1 TERMINAL GUIDE



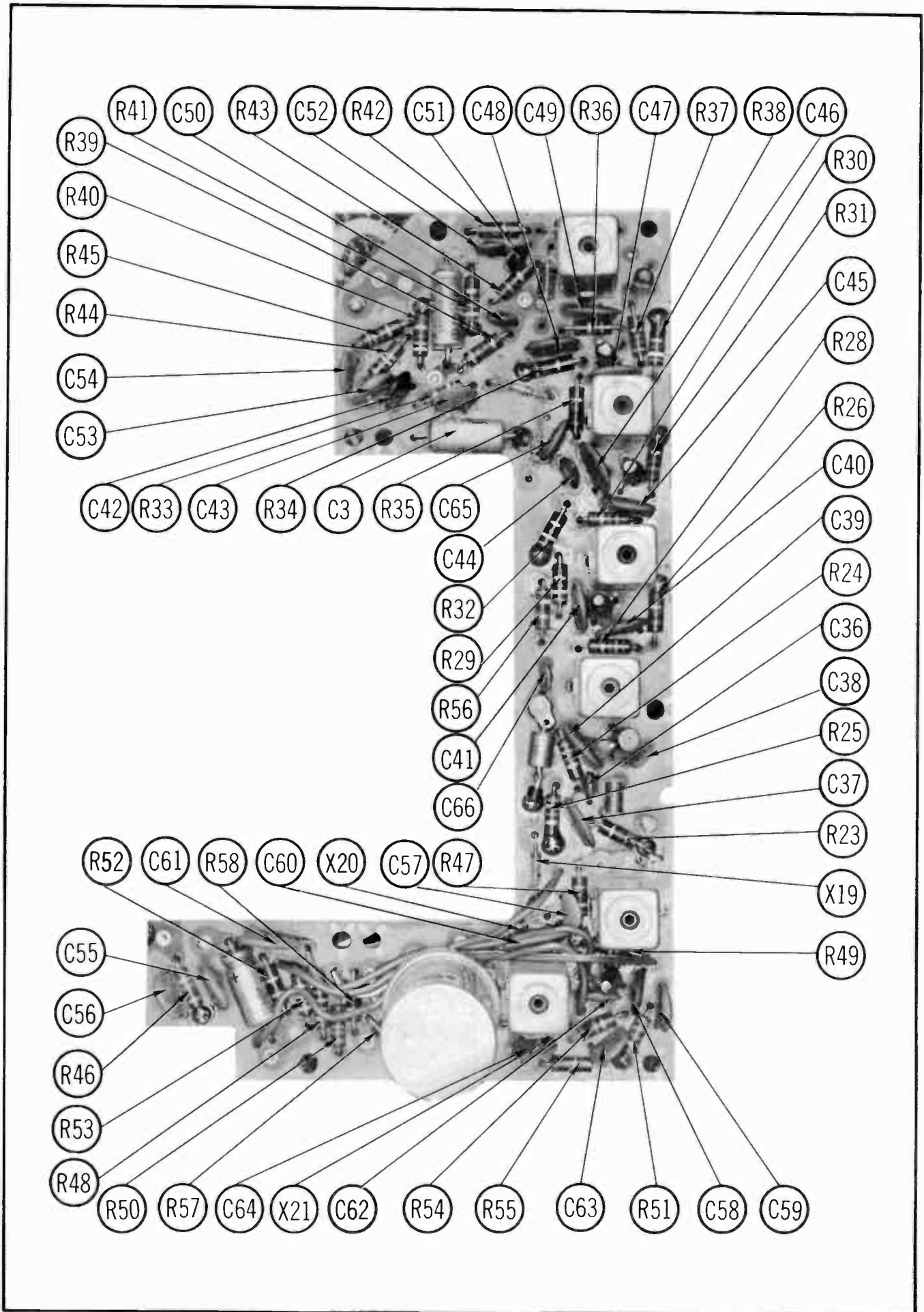
L9 TERMINAL GUIDE

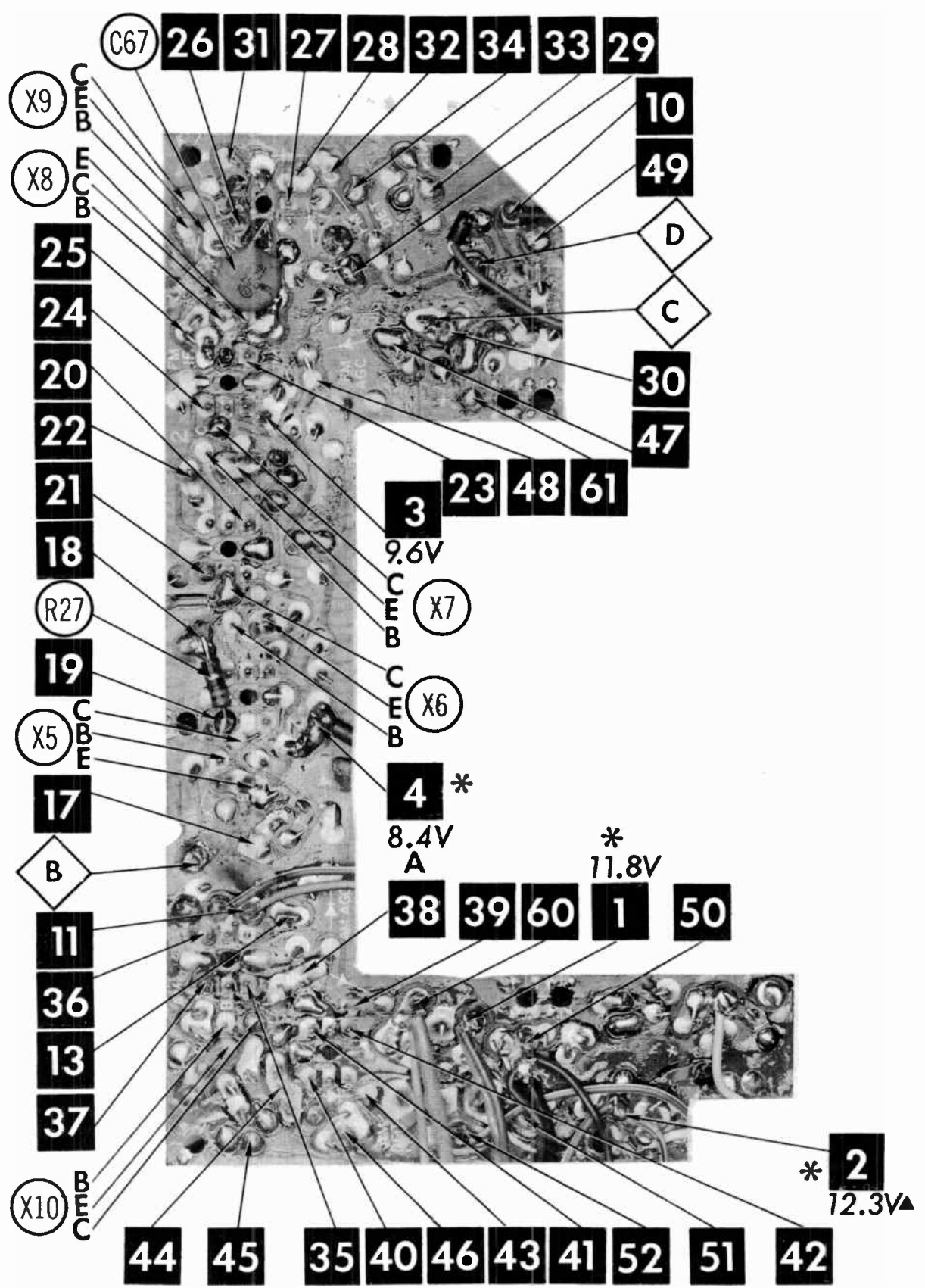


L10 THRU L14 TERMINAL GUIDE

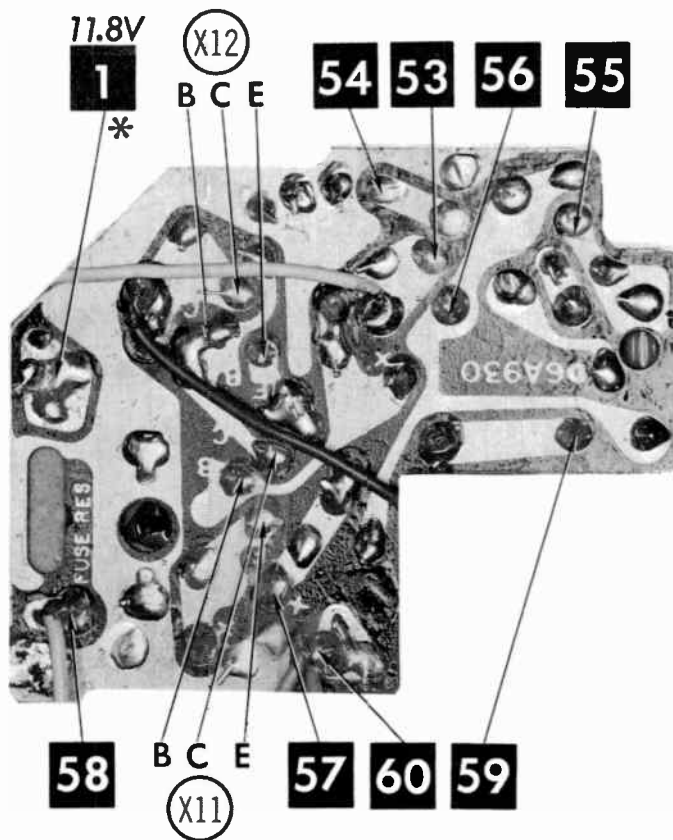
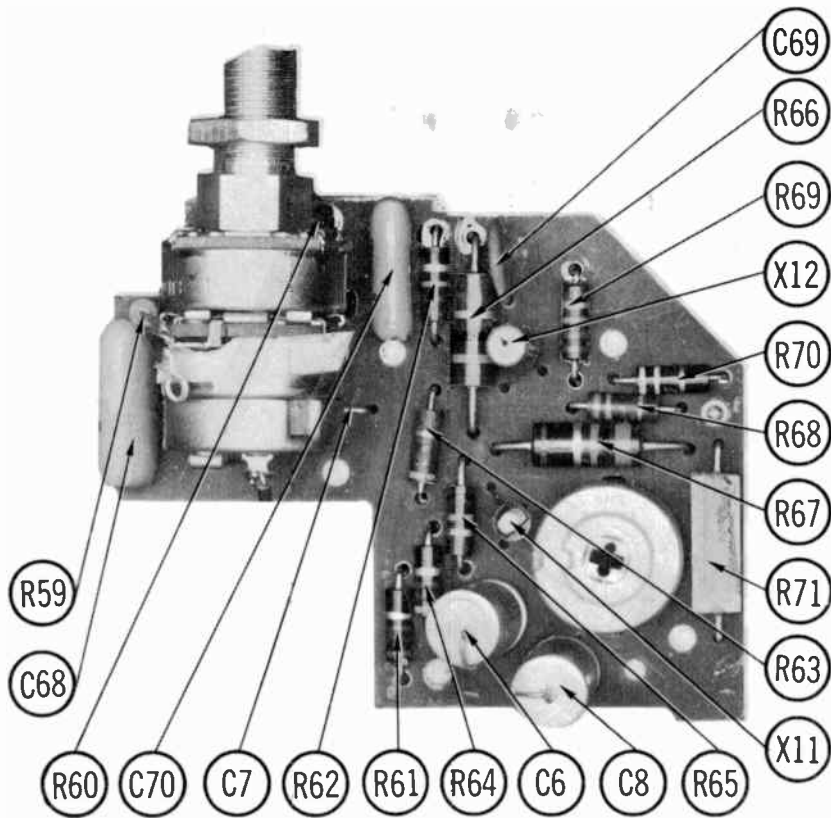


CADILLAC MODEL 7293905

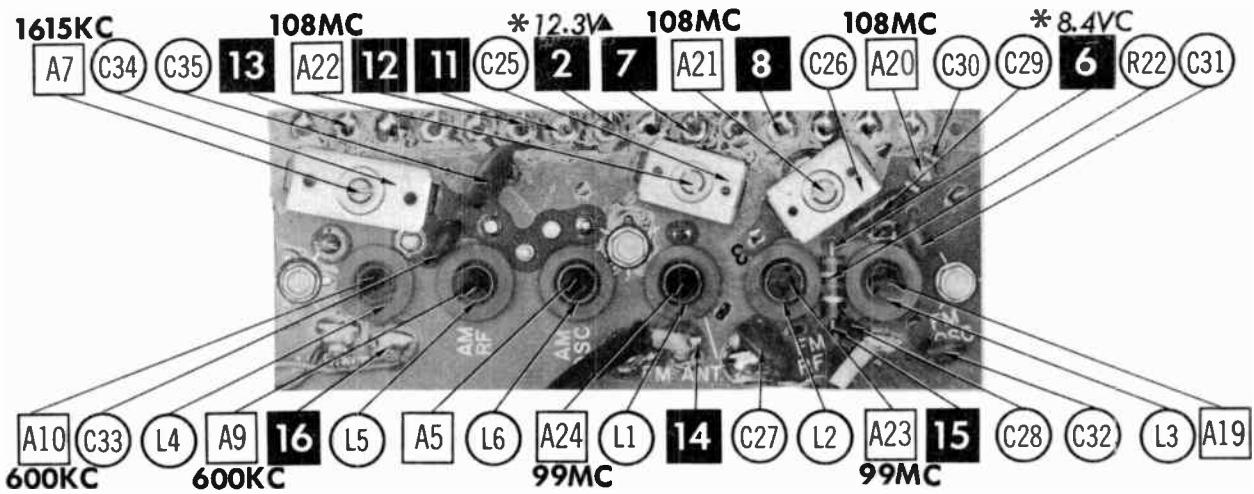




*VOLTAGE SOURCE

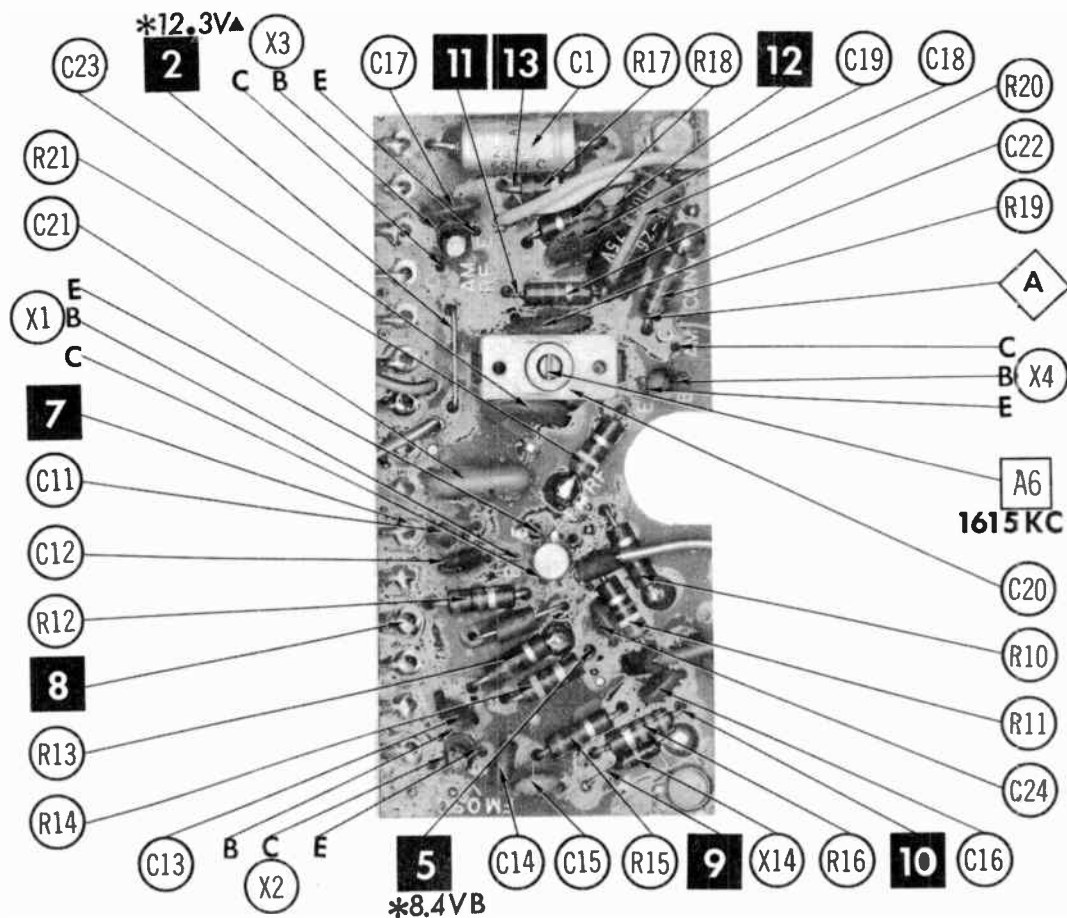


***VOLTAGE SOURCE**



*VOLTAGE SOURCE

▲ MEASURED IN AM POSITION



*VOLTAGE SOURCE

▲ MEASURED IN AM POSITION

PARTS LIST AND DESCRIPTION

(When ordering parts, state Model, Part Number, and Description.)

Replacement parts shown may be superseded by the availability of newly introduced replacements.
Have your local distributor check Sams COUNTER FACTS™ for the most up-to-date replacement.

TRANSISTORS

| ITEM No. | ORIG. TYPE | USE | REPLACEMENT DATA | | | NOTES |
|----------|------------|---------------|------------------|---------------------------|--------------|-------|
| | | | DELCO PART No. | GENERAL ELECTRIC PART No. | RCA PART No. | |
| X1 | D8-78 | FM RF Amp. | D8-81 | | SK-3018 | NPN |
| X2 | D8-74 | FM Oscillator | D8-74 | GE-11 | SK-3018 | NPN |
| X3 | D8-71 | AM RF Amp. | D8-75 | GE-10 | SK-3020 | NPN |
| X4 | D8-72 | AM Conv. | D8-75 | GE-10 | SK-3020 | NPN |
| X5 | D8-78 | FM Mixer | D8-81 | | SK-3018 | NPN |
| X6 | D8-85 | 1st. FM IF | D8-74 | GE-11 | SK-3018 | NPN |
| X7 | D8-85 | 2nd. FM IF | D8-74 | GE-11 | SK-3018 | NPN |
| X8 | D8-73 | 3rd. FM IF | D8-74 | GE-11 | SK-3018 | NPN |
| X9 | D8-85 | FM Limiter | D8-74 | GE-11 | SK-3018 | NPN |
| X10 | D8-72 | AM IF | D8-75 | GE-10 | SK-3020 | NPN |
| X11 | D8-86 | 1st. AF Amp. | D8-86 | GE-10 | SK-3020 | NPN |
| X12 | D8-86 | 2nd. AF Amp. | D8-86 | GE-10 | SK-3020 | NPN |
| X13 | D8-501 | Output | D8-501 | GE-4 | SK-3012 | PNP * |

* When replacing, apply silicone grease to both sides of insulator. Tighten mounting screws securely. Check bias adjustment.

POWER RECTIFIERS & SIGNAL DIODES

| ITEM No. | MEASURED CURRENT | ORIGINAL Part or Type No. | RECTIFIERS & DIODES | | RECTIFIERS | | |
|----------|------------------|---------------------------|---------------------------|----------------------------------|------------------|--------------|-------------------------|
| | | | GENERAL ELECTRIC PART No. | INTERNATIONAL RECTIFIER PART No. | MALLORY PART No. | RCA PART No. | SARKES TARZIAN PART No. |
| X14 | | D8-55 | 1N34AS | 1N34A | | | |
| X15 | | D8-27 | 1N34AS | 1N34A | | | |
| X16 | | D8-27 | 1N34AS | 1N34A | | | |
| X17 | | D8-39 | 1N34AS | 1N34A | | | |
| X18 | | D8-39 | 1N34AS | 1N34A | | | |
| X19 | | D8-27 | 1N34AS | 1N34A | | | |
| X20 | | D8-27 | 1N34AS | 1N34A | | | |
| X21 | | D8-27 | 1N34AS | 1N34AS | | | |
| X22 | | D8-49 | | | | | |

ELECTROLYTIC CAPACITORS

| ITEM No. | RATING | | DELCO PART No. | REPLACEMENT DATA | | | | |
|----------|--------|---------|----------------|------------------|---------------------------|---------------------------|------------------|------------------|
| | CAP. | VOLT. | | AEROVOX PART No. | CORNELL-DUBILIER PART No. | GENERAL ELECTRIC PART No. | MALLORY PART No. | SPRAGUE PART No. |
| C1 | 10 | 12 | 7292738 | PTT53 | NLW10-15 | MT1-5 | TT12X10 | TL-1128 |
| C2A | 1000 | 16 | 7291356 ① | PWH3-54-45 | | | FP8300.93 | PCL-3021.9 |
| B | 500 | 16 | | | | | | |
| C | 15 | 11.5RMS | | | | | | |
| C3 | 10 | 12 | 7292738 | PTT53 | NLW10-15 | MT1-5 | TT12X10 | TL-1128 |
| C4 | 3 | 12 | 7291860 | PTT50 | NLW3-15 | MT1-3 | TT12X3 | TE-1122 |
| C5 | 30 | 6 | 7279896 | PTT27 | NEW30-15 | MT1-13 | TT6X30 | TE-1092 |
| C6 | 100 | 4 | 7291810 | PTT30 | NLW125-6 | MT1-21 | TT6X100 | TE-1102 |
| C7 | 10 | 12 | 7292738 | PTT53 | NLW10-15 | MT1-5 | TT12X10 | TL-1128 |
| C8 | 100 | 4 | 7291810 | PTT30 | NLW125-6 | MT1-21 | TT6X100 | TE-1102 |

* Not normally in distributor's stock. Available thru distributor on order to manufacturer.
① Part Number 7283675 used in some versions.

CAPACITORS

| ITEM No. | RATING | REMARKS | REPLACEMENT DATA | | | | | |
|----------|-----------|----------|------------------|--------------------|---------------------------|------------------|------------------|------------------|
| | | | AEROVOX PART No. | CENTRALAB PART No. | CORNELL-DUBILIER PART No. | ELMENCO PART No. | MALLORY PART No. | SPRAGUE PART No. |
| C10 | | #7290345 | | | | | | |
| C11 | 2 NPO | | NPO-DI 2.2 | DTZ-2R2 | CZ601CJ2R2D | CCTO-2R2 | CN0522 | 10TCC-V22 |
| C12 | 470 | | DI-470 | DD-471 | JBZ601YP471K | CCD-471 | JF347 | 10TB-T47 |
| C13 | 270 | | DI-270 | DD-271 | RR05CW271K | CCD-271 | GP327 | 5GA-T27 |
| C14 | 3.3 N750 | | | TCN-3R3 | | | CN7533 | 10TCU-V33 |
| C15 | 4.7 N470 | | | | | * | | |
| C16 | 270 | | DI-270 | DD-271 | RR05CW271K | CCD-271 | GP327 | 5GA-T27 |
| C17 | 91 | | | DD-910 | | CCD-910 | GP491 | 5GA-Q91 |
| C18 | .0088 75V | | DBE6D68 | CPR-6800J | WMF1D68 | IDP-1-682 | PVC4268 | 6PS-D68 |
| C19 | .022 | | BPD-02 | DD-203 | BYT601ZU203Z | CCD-203 | B120 | 5HK-820 |
| C20 | | #7295192 | | | | | | |
| C21 | .0047 75V | | DBE6D47 | CPR-4700J | WMF1847 | 6DP-1-472 | PVC6247 | 6PS-D47 |
| C22 | 165 N330 | | | | | * | | |
| C23 | 165 N330 | | | | | * | | |
| C24 | 270 | | DI-270 | DD-271 | RR05CW271K | CCD-271 | GP327 | 5GA-T27 |
| C25 | | #7293221 | | | | | | |
| C26 | | #7291003 | | | | | | |
| C27 | 56 NPO | | | TCZ-56 | | CCTO-560 | CN0456 | 10TCC-Q56 |
| C28 | 10 NPO | | NPO-DI 10 | DTZ-10 | CZ601CG100J | CCTO-100 | CN0410 | 10TCC-Q10 |
| C29 | 180 | | DI-180 | DD-181 | JBZ601YP181K | CCD-181 | GP318 | 5GA-T18 |
| C30 | | #7292611 | | | | | | |
| C31 | 6.8 NPO | | NPO-DI 6.8 | DTZ-6R8 | CZ601CH6R8D | CCTO-6R8 | CN0568 | 10TCC-V68 |
| C32 | 1.5 NPO | | NPO-DI 1.0 | TCZ-1 | | | CN0510 | 10TCC-V10 |
| C33 | 3.3 NPO | | NPO-DI 3.0 | DTZ-3R3 | | CCTO-3R3 | CN0533 | 10TCC-V30 |
| C34 | | #7295193 | | | | | | |
| C35 | 200 N750 | | N750-DI200 | DTN-100 | | CCTN-201 | CN7320 | 10TCU-T20 |
| C36 | 270 | | DI-270 | DD-271 | RR05CW271K | CCD-271 | GP327 | 5GA-T27 |
| C37 | .01 | | BPD-01 | DD-103 | BYV102ZU103M | CCD-103 | B110 | 5HK-810 |
| C38 | 270 | | DI-270 | DD-271 | RR05CW271K | CCD-271 | GP327 | 5HK-T27 |
| C39 | .01 | | BPD-01 | DD-103 | BYV102ZU103M | CCD-103 | B110 | 5HK-810 |
| C40 | .01 | | BPD-01 | DD-103 | BYV102ZU103M | CCD-103 | B110 | 5HK-810 |
| C41 | .01 | | BPD-01 | DD-103 | BYV102ZU103M | CCD-103 | B110 | 5HK-810 |
| C42 | .05 | | TTD-05 | | HOV101ZV503Z | | TA150 | TH-850 |
| C43 | .0022 | | DI-2200 | CF-222 | JBX601P222K | CCD-222 | JF222 | 10TB-D22 |
| C44 | 10 NPO | | NPO-DI 10 | DTZ-10 | CZ601CG100J | CCTO-100 | CN0410 | 10TCC-Q10 |
| C45 | .01 | | BPD-01 | DD-103 | BYV102ZU103M | CCD-103 | B110 | 5HK-810 |

PARTS LIST AND DESCRIPTION (CONTINUED)

(When ordering parts, state Model, Part Number, and Description.)

Replacement parts shown may be superseded by the availability of newly introduced replacements.
Have your local distributor check Sams COUNTER FACTS[®] for the most up-to-date replacement.

CAPACITORS

| ITEM No. | RATING | REMARKS | REPLACEMENT DATA | | | | | |
|----------|----------|----------|------------------|--------------------|---------------------------|------------------|------------------|------------------|
| | | | AEROVOX PART No. | CENTRALAB PART No. | CORNELL-DUBILIER PART No. | ELMENCO PART No. | MALLORY PART No. | SPRAGUE PART No. |
| C46 | .01 | | BPD-01 | DD-103 | BYV102ZU103M | CCD-103 | B110 | 5HK-810 |
| C47 | .01 | | BPD-01 | DD-103 | BYV102ZU103M | CCD-103 | B110 | 5HK-810 |
| C48 | .01 | | BPD-01 | DD-103 | BYV102ZU103M | CCD-103 | B110 | 5HK-810 |
| C49 | .01 | | BPD-01 | DD-103 | BYV102ZU103M | CCD-103 | B110 | 5HK-810 |
| C50 | 330 | | DI-330 | DD-331 | JBZ601YP331K | CCD-331 | JF333 | 10TS-T33 |
| C51 | 330 | | DI-330 | DD-331 | JBZ601YP331K | CCD-331 | JF333 | 10TS-T33 |
| C52 | 330 | | DI-330 | DD-331 | JBZ601YP331K | CCD-331 | JF333 | 10TS-T33 |
| C53 | .05 | | TTD-05 | | HOV101ZV503Z | | TA150 | TH-850 |
| C54 | .033 | | TTD-03 | CK-308 | | | | TG-830 |
| C55 | .15 | | TTD-1 | CK-104 | HOV101ZV104Z | | TA010 | TG-P10 |
| C56 | .05 | | TTD-05 | | HOV101ZV503Z | | TA150 | TH-850 |
| C57 | .001 | | BPD-001 | DD-102 | HVX162XP102M | CCD-102 | B210 | 5HK-D10 |
| C58 | .05 | | TTD-05 | | HOV101ZV503Z | | TA150 | TH-850 |
| C59 | .05 | | TTD-05 | | HOV101ZV503Z | | TA150 | TH-850 |
| C60 | 160 | | DI-180 | DD-161 | JBZ601YP181K | CCD-161 | GP318 | 5GA-T18 |
| C61 | .1 | | TTD-1 | CK-104 | HOV101ZV104Z | | TA010 | TG-P10 |
| C62 | .0022 | | DI-2200 | CF-222 | JBX601YP222K | CCD-222 | JF222 | 10TS-D22 |
| C63 | .0022 | | DI-2200 | CF-222 | JBX601YP222K | CCD-222 | JF222 | 10TS-D22 |
| C64 | .0022 | | DI-2200 | CF-222 | JBX601YP222K | CCD-222 | JF222 | 10TS-D22 |
| C65 | .05 | | TTD-05 | | HOV101ZV503Z | | TA150 | TH-850 |
| C66 | 270 | | DI-270 | DD-271 | RR05CW271K | CCD-271 | GP327 | 5GA-T27 |
| C67 | .05 | ① | TTD-05 | | HOV101ZV503Z | | TA150 | TH-850 |
| C68 | .15 75V | | DBE2P15 | | WMF1P15 | 1DP-1-154 | PVC1015 | 2PS-P15 |
| C69 | .0022 | | DI-2200 | CF-222 | JBX601YP222K | CCD-222 | JF222 | 10TS-D22 |
| C70 | .047 75V | | DBE2S47 | | WMF2S47 | 1DP-2-473 | PVC1147 | 2PS-S47 |
| C71 | .47 75V | ① | DBE2P47 | | DPMS2P47 | 1DP-4-474 | PVC1047 | 2PS-P47 |
| C72 | | #7282370 | | | | | | |

* Not normally in distributor's stock. Available thru distributor on order to manufacturer.

Delco Part Number.

① Not used in some versions.

CONTROLS

All wattages 1/2 watt, or less, unless otherwise listed.

| ITEM No. | USE | RESISTANCE | REPLACEMENT DATA | | | | | |
|----------|---------------|-----------------|------------------|----------------------------------|--------------------|------------------|------------------|--------|
| | | | DELCO PART No. | CENTRALAB PART No. | CLAROSTAT PART No. | CTS-IRC PART No. | MALLORY PART No. | |
| R1A | Tone | 100K | 7294903 | F1-100K,R14-25K | | | †QJ-2168A | |
| B | Volume/Switch | 20K Tap @ 6000Ω | | FFS103,RFS201, BB100,SB104, KR-4 | | | | |
| R2 | Bias | 600Ω ZW | 7266601 | V-600 | U39-600 | | 110-600 | MR600P |
| R3 | Fader | 100Ω | 7262410 | | | | | |

† "CONCENTRIKIT" Equivalent: K8 Kit, with Base Elements and Shafts: B11-126, P17-105 (Panel)
B19-119K, R1-200 (Rear)
S7 (Bushing)
N4 (Spacer Nut)
76-1 (Switch)

"SNAPTROL" Equivalent: BU8①, CF13, CR50T, SF6, SR13, N4, GC.

① Alter bushing to meet requirements.

RESISTORS (Power and Special)

| ITEM No. | RATING | REPLACEMENT DATA | | | ITEM No. | RATING | REPLACEMENT DATA | | |
|----------|----------------|------------------|------------------|----------------|----------|--------|------------------|------------------|----------------|
| | | IRC PART No. | WORKMAN PART No. | DELCO PART No. | | | IRC PART No. | WORKMAN PART No. | DELCO PART No. |
| R71 | .47Ω (Fusible) | | | 7261890 | | | | | |

COILS (RF-IF)

| ITEM No. | USE | REPLACEMENT DATA | | | | | |
|----------|------------------------|------------------|-------------------|----------------|-----------------|------------------|------------------|
| | | DELCO PART No. | MEISSNER PART No. | MERIT PART No. | MILLER PART No. | STANCOR PART No. | WORKMAN PART No. |
| L1 | FM Antenna | ① | | | | | |
| L2 | FM RF | ① | | | | | |
| L3 | FM Oscillator | ① | | | | | |
| L4 | AM Antenna | ① | | | | | |
| L5 | AM RF | ① | | | | | |
| L6 | AM Oscillator | ① | | | | | |
| L7 | RF Choke (8uh) | 7255736 | 19-1009 | BC-565 | 4611 | RTC-6521 | T622 |
| L8 | RF Choke (.18uh) | 7291800 | | | | | |
| L9 | 1st. FM IF | 7296100 | | | | | |
| L10 | 2nd. FM IF | 7296101 | | | | | |
| L11 | 3rd. FM IF | 7296102 | | | | | |
| L12 | Ratio Detector | 7296103 | | | | | |
| L13 | 1st. AM IF | 7295169 | | | | | |
| L14 | 2nd. AM IF | 7295170 | | | | | |
| L15 | "A" Lead Choke (1.4uh) | 7241708② | 19-4215 | BC-537 | 5230 | RTC-9181 | T963 |

① Part of Tuning Coil Board Assembly Part #1222504.

② Not used in some versions.

CADILLAC MODEL 7293905

PARTS LIST AND DESCRIPTION (CONTINUED)

(When ordering parts, state Model, Part Number, and Description.)

Replacement parts shown may be superseded by the availability of newly introduced replacements.
Have your local distributor check Sams COUNTER FACTS for the most up-to-date replacement.

FILTER CHOKE

| ITEM No. | RATINGS | | | REPLACEMENT DATA | | | | | NOTES |
|----------|--------------------|---------|------------------------------|------------------|----------------|------------------|---------------------|----------------|-------|
| | CURRENT (Measured) | DC RES. | INDUCTANCE (0 CURRENT 1000~) | DELCO PART No. | MERIT PART No. | STANCOR PART No. | THORDARSON PART No. | TRIAD PART No. | |
| L16 | 1.3A | .6Ω | 8MH | 1221623 | C-4095 | TC-2 | TR-154 | TY17XT | |

CHOKE (AUDIO OUTPUT)

| ITEM No. | INDUCTANCE | REPLACEMENT DATA | | | | | NOTES |
|----------|------------|------------------|----------------|------------------|---------------------|----------------|-------|
| | | DELCO PART No. | MERIT PART No. | STANCOR PART No. | THORDARSON PART No. | TRIAD PART No. | |
| L17 | 30MH | 1222297 | | | | | |

SPEAKER

| ITEM No. | TYPE | REPLACEMENT DATA | | NOTES |
|----------|-------------|------------------|---------------|-------------------|
| | | DELCO PART No. | QUAM PART No. | |
| SP1 | 4" x 10" PM | 10Ω | 7290505 | 410A2Z10 Front |
| SP2 | 6" x 9" PM | 10Ω | 7290505 | 69A2Z10 Rear |

FUSE DEVICES

| ITEM No. | TYPE | RATING | REPLACEMENT DATA | | | | | | | |
|----------|------|--------|------------------|---------------|---------------------|--------|---------------|--------|--------|--|
| | | | PART No. | | LITTELFUSE PART No. | | BUSS PART No. | | | |
| | | | FUSE | HOLDER | FUSE | HOLDER | FUSE | HOLDER | | |
| F1 | SFE | 14A | | In Fuse Block | | 307014 | | | SFE 14 | |

MISCELLANEOUS

| ITEM No. | PART NAME | DELCO PART No. | NOTES |
|----------|-----------------------|----------------|-------|
| 81 | AM-FM Selector Switch | 7290904 | |
| 82 | Antenna Motor Switch | 7290366 | |

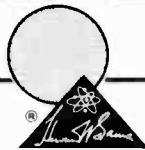
CABINETS & CABINET PARTS

(When Ordering Specify Model, Chassis & Color)

| ITEM | PART No. | ITEM | PART No. |
|---------------|----------|-----------------------|----------|
| Dial Glass | 7282406 | Pushbutton #3 | 7282173 |
| Escutcheon | 7282405 | Pushbutton #4 | 7282174 |
| Dial Pointer | 7290791 | Pushbutton #5 | 7282175 |
| Pushbutton #1 | 7282171 | Knob-Tuning or Volume | 1485454 |
| Pushbutton #2 | 7282172 | Knob-Tone or Fader | 1485456 |

WIRING DATA

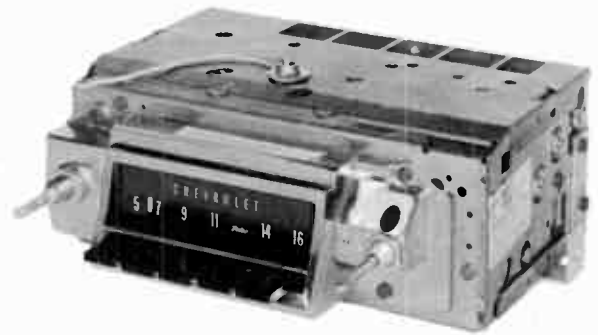
| | |
|---|---|
| General-use Unshielded Hook-up Wire | Use BELDEN No. 8530 (Solid) Available in 12 Colors |
| | 8524 (Stranded) Available in 12 Colors |
| Shielded Hook-up Wire | Use BELDEN No. 8885 |
| Rear Seat Speaker Extension Cable | Use BELDEN No. 8782 (Stranded) Coded Parallel Leads |
| Bonding Strap | Use BELDEN No. 8661 (3/8 in.) or 8870 (3/4 in.) |



PHOTOFACE® with

CIRCUITRACE®

TRADE NAME: Chevrolet Models:
 986116 (1966 Corvair)
 986522 (1966 Chevy II)
 986528 (1966 Chevelle)
 SUPPLIER: For Current Address, See Annual Index.
 TYPE SET: 6 Transistor AM Receiver
 POWER SUPPLY: 12 Volt Storage Battery
 RATING: .620 Amp. @ 12.6 Volts DC
 TUNING RANGE: BROADCAST 540-1620KC



ALIGNMENT INSTRUCTIONS

Check for specified source voltage.

Use only enough generator output to provide a usable indication.

Suggested Alignment Tools:

A1 thru A5, A9, A10.

A6, A7, A8.

GENERAL CEMENT: 5009, 8782A, 8987

WALSCO: 2531-X, 2536

GENERAL CEMENT: 8290, 8868, 9087

WALSCO: 2525, 2528, 2587

PUSH-BUTTON ADJUSTMENT

1. Pull button out.
2. Tune manually to desired station.
3. Press button in firmly.
4. Repeat for remaining buttons.

| | SIGNAL GENERATOR COUPLING | SIGNAL GENERATOR FREQUENCY | RADIO DIAL SETTING | INDICATOR | ADJUST | REMARKS |
|---|---|----------------------------|----------------------|---------------------------------|----------------|------------------------------------|
| 1. | High side thru .1mf to point Δ , low side to ground. | 262KC (400% Mod.) | High Freq. End Stop. | Output Meter across voice coil. | A1, A2, A3, A4 | Adjust for maximum. |
| Check setting of oscillator coil core (A5). Rear of core should be 1 3/8" from mounting end of coil form. | | | | | | |
| 2. | High side thru 82mmf to antenna receptacle, low side to ground. | 1615KC | High Freq. End Stop. | Output Meter across voice coil. | A6, A7, A8 | Adjust for maximum. |
| 3. | " | 600KC | 600KC Signal | " | A9, A10 | Adjust for maximum. Repeat step 2. |

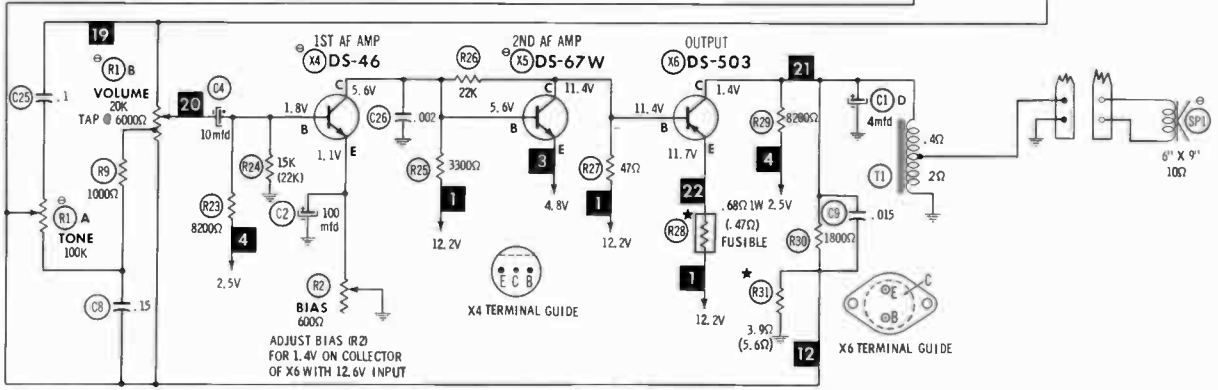
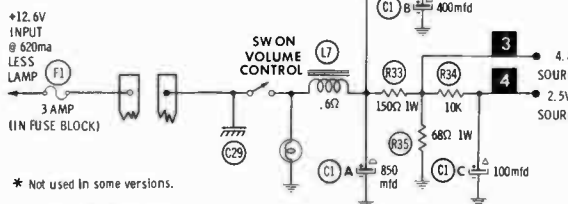
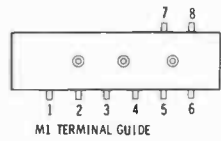
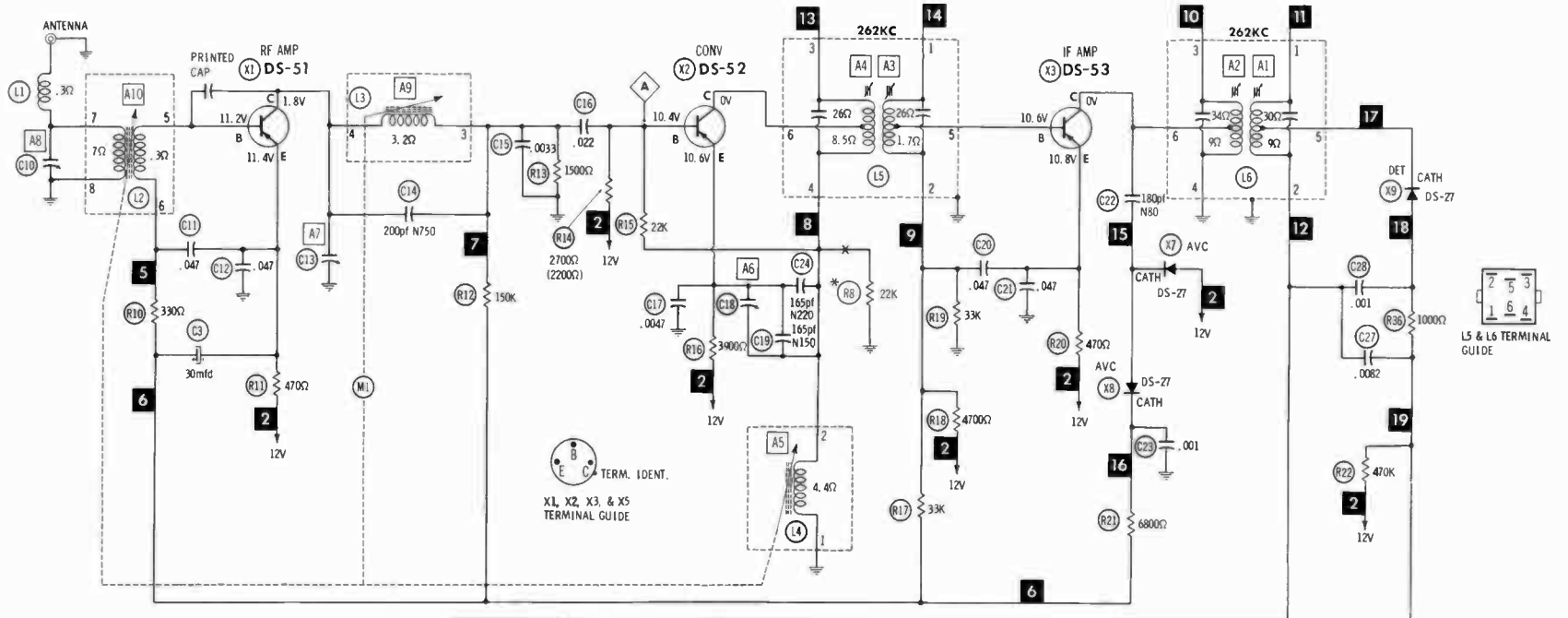
With radio installed in car and antenna fully extended, tune in a weak station near 1400KC and adjust A8 for maximum output.

Remove tuning and dummy knobs for access to antenna trimmer (A8).

CHEVROLET MODELS 986116, 986522, 986528

HOWARD W. SAMS & CO., INC. Indianapolis, Indiana 46206

© 1966 Howard W. Sams & Co., Inc. Printed in U. S. of America RD591

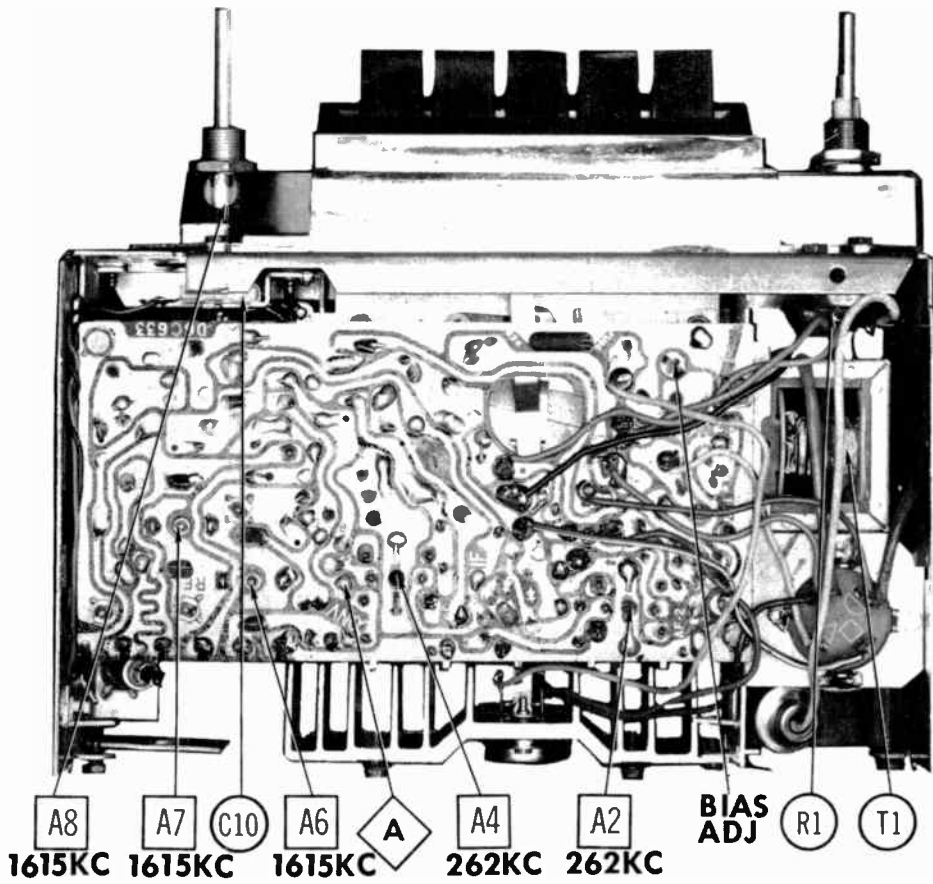
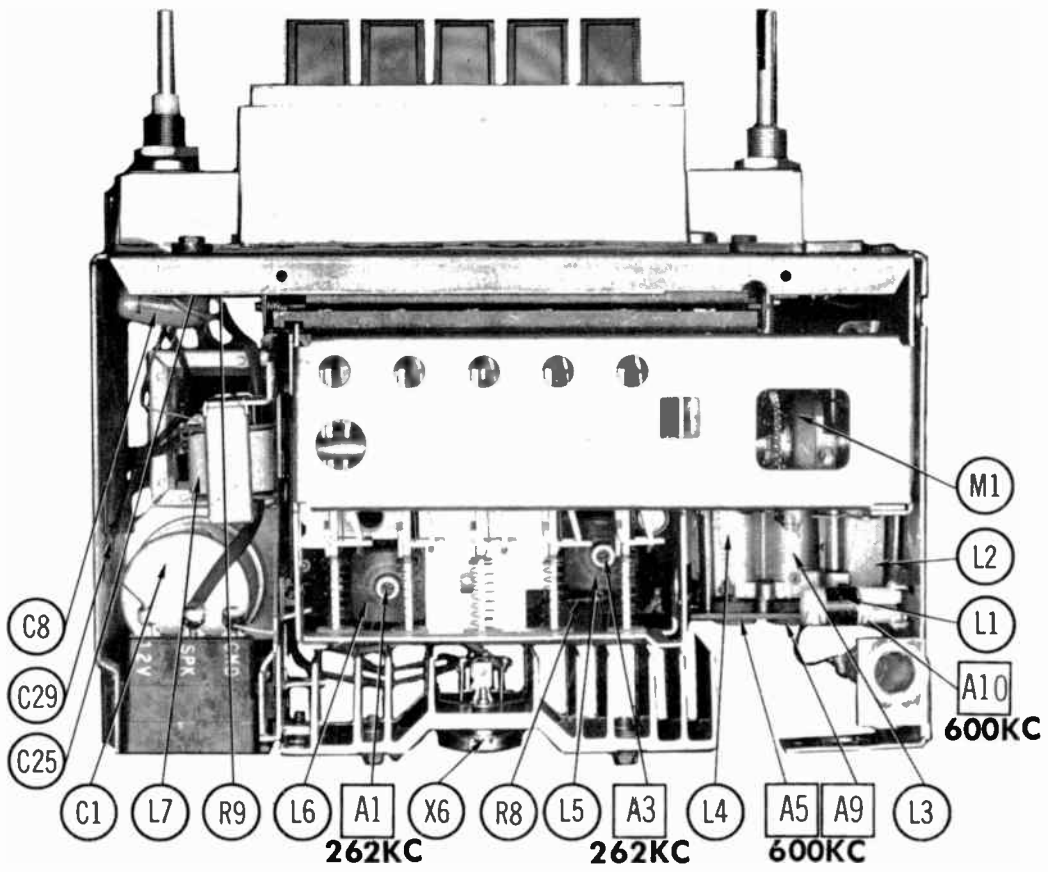


* Not used in some versions.
 ★ NOMINAL VALUE, MAY VARY.
 Resistors are 1/2 watt or less and rated 10% or 20% unless otherwise indicated.

A PHOTOFAC STANDARD NOTATION SCHEMATIC
 with **CIRCUITRACE**
 © Howard W. Sams & Co., Inc. 1966

- ⊙ See parts list
- 1. Voltage measurements taken with vacuum tube voltmeter.
- 2. All controls set for normal operation, no signal applied.
- 3. Measured values are from socket pin or terminal to common ground.
- 4. All terminals viewed from bottom unless otherwise designated.
- 5. Numbers assigned to terminals may not be found on the unit.
- 6. Supply voltage maintained at rated value for voltage readings.
- 7. Resistance measurements not given because of the wide variation in internal resistance of transistor.

CHEVROLET MODELS 986116, 986522, 986528



PARTS LIST AND DESCRIPTION

(When ordering parts, state Model, Part Number, and Description.)

Replacement parts shown may be superseded by the availability of newly introduced replacements.
Have your local distributor check Sams COUNTER FACTS for the most up-to-date replacement.

WIRING DATA

| | |
|---|--|
| General-use Unshielded Hook-up Wire | Use BELDEN No. 8530 (Solid) Available in 12 Colors 8524 (Stranded) Available in 12 Colors |
| Shielded Hook-up Wire | Use BELDEN No. 8885 |
| Rear Seat Speaker Extension Cable | Use BELDEN No. 8782 (Stranded) Coded Parallel Leads |
| Bonding Strap | Use BELDEN No. 8661 (3/8 In.) or 8670 (3/4 In.) |

TRANSISTORS

| ITEM No. | ORIG. TYPE | USE | REPLACEMENT DATA | | | NOTES |
|----------|--------------------|--------------|------------------|---------------------------|--------------|-------|
| | | | DELCO PART No. | GENERAL ELECTRIC PART No. | RCA PART No. | |
| X1 | DS-51 | RF Amp. | DS-25 | GE-1 | SK-3008 | PNP |
| X2 | DS-52 | Conv. | DS-25 | GE-1 | SK-3008 | PNP |
| X3 | DS-53 | IF Amp. | DS-25 | GE-1 | SK-3008 | PNP |
| X4 | DS-46 (DS-66)† | 1st. AF Amp. | DS-46 | GE-10 | | NPN |
| X5 | DS-67W (DS-46)† | 2nd. AF Amp. | DS-46 | GE-10 | | NPN |
| X8 | DS-503 | Output | DS-503 | GE-3 | SK-3009 | PNP * |

* When replacing, apply silicone grease to both sides of insulator. Tighten mounting screws securely.
Check Bias Adjustment. † Alternate Type.

POWER RECTIFIERS & SIGNAL DIODES

| ITEM No. | MEASURED CURRENT | ORIGINAL Part or Type No. | RECTIFIERS & DIODES | | RECTIFIERS | | |
|----------|------------------|---------------------------|---------------------------|----------------------------------|------------------|--------------|-------------------------|
| | | | GENERAL ELECTRIC PART No. | INTERNATIONAL RECTIFIER PART No. | MALLORY PART No. | RCA PART No. | SARKES TARZIAN PART No. |
| X7 | | DS-27 | 1N34AS | 1N34A | | | |
| X8 | | DS-27 | 1N34AS | 1N34A | | | |
| X9 | | DS-27 | 1N34AS | 1N34A | | | |

ELECTROLYTIC CAPACITORS

| ITEM No. | RATING | | DELCO PART No. | REPLACEMENT DATA | | | | |
|----------|--------|--------|----------------|------------------|---------------------------|---------------------------|------------------|------------------|
| | CAP. | VOLT. | | AEROVOX PART No. | CORNELL-DUBILIER PART No. | GENERAL ELECTRIC PART No. | MALLORY PART No. | SPRAGUE PART No. |
| C1A | 850 | 18 | 7292515 | AFH4-96-10 | DD0005 | | FP401.85 | TVL-4208.1 |
| B | 400 | 16 | | | | | | |
| C | 100 | 16 | | | | | | |
| D | 4 | 115RMS | | | | | | |
| C2 | 100 | 4 | 7291810 | PTT30 | NLW125-6 | MT1-21 | TT6X100 | TE-1102 |
| C3 | 30 | 6 | 7279896 | PTT27 | NLW30-15 | MT1-13 | TT6X30 | TE-1092 |
| C4 | 10 | 12 | 7292738 | PTT53 | NLW10-15 | MT1-5 | TT12X10 | TL-1128 |

CAPACITORS

| ITEM No. | RATING | REMARKS | REPLACEMENT DATA | | | | | |
|----------|--------|----------|------------------|--------------------|---------------------------|------------------|------------------|------------------|
| | | | AEROVOX PART No. | CENTRALAB PART No. | CORNELL-DUBILIER PART No. | ELMENCO PART No. | MALLORY PART No. | SPRAGUE PART No. |
| C8 | .15 | 75V | DBE2P15 | | WMF1P15 | 1DP-1-154 | PVC1015 | 2PS-P15 |
| C9 | .015 | 75V | DBE4815 | | DPMS4815 | 1DP-1-153 | PVC2115 | 4PS-815 |
| C10 | | #7293863 | | | | | | |
| C11 | .047 | 75V | DBE2847 | | WMF2847 | 1DP-2-473 | PVC1147 | 2PS-847 |
| C12 | .047 | 75V | DBE2847 | | WMF2847 | 1DP-2-473 | PVC1147 | 2PS-847 |
| C13 | | #7287935 | | | | | | |
| C14 | 200 | N750 | N750-DI 200 | DTN-200 | CV601UJ201K | CCTN-201 | CN7320 | 10TCU-T20 |
| C15 | .0033 | 75V | DBE6D33 | CPR-3300J | WMF1D33 | 6DP-1-332 | PVC4233 | 6PS-D33 |
| C16 | .022 | 75V | DBE2S22 | | WMF1S22 | 1DP-1-223 | PVC1122 | 2PS-822 |
| C17 | .0047 | 75V | DBE6D47 | CPR-4700J | WMF1S47 | 6DP-1-472 | PVC6247 | 6PS-D47 |
| C18 | | #7282165 | | | | | | |
| C19 | 165 | N150 | | | | * | * | 10TCP-T175 |
| C20 | .047 | 75V | DBE2847 | | WMF2847 | 1DP-2-473 | PVC1147 | 2PS-847 |
| C21 | .047 | 75V | DBE2847 | | WMF2847 | 1DP-2-473 | PVC1147 | 2PS-847 |
| C22 | 180 | N80 | | | | * | * | 10TCN-T80 |
| C23 | .001 | | BPD-001 | DD-102 | HVX162XP102M | CCD-102 | B210 | 5HK-D10 |
| C24 | 165 | N220 | | | | * | * | 10TCP-T175 |
| C25 | .1 | 75V | | | | * | * | |
| C26 | .002 | | DBE2P1 | DD-202 | WMF1P1 | 1DP-2-104 | PVC101 | 2PS-P10 |
| C27 | .0082 | 75V | BPD-002 | DD-202 | BYY601ZU202P | CCD-202 | B220 | 5HK-D20 |
| C28 | .0082 | 75V | DBE6D82 | CPR-8200J | WMF1S82 | 8DP-2-822 | PVC828 | 6PS-D82 |
| C29 | .001 | #7271564 | BPD-001 | DD-102 | HVX162XP102M | CCD-102 | B210 | 5HK-D10 |

* Not normally in distributor's stock. Available thru distributor on order to manufacturer.
Delco Part Number.

RESISTORS (Power and Special)

| ITEM No. | RATING | REPLACEMENT DATA | | | ITEM No. | RATING | REPLACEMENT DATA | | |
|----------|-------------------|------------------|------------------|----------------|----------|--------|------------------|------------------|----------------|
| | | IRC PART No. | WORKMAN PART No. | DELCO PART No. | | | IRC PART No. | WORKMAN PART No. | DELCO PART No. |
| R28 | .68Ω (Fusible) | | | 7287480 | | | | | |

CHEVROLET MODELS 986116, 986522, 986528

PARTS LIST AND DESCRIPTION (CONTINUED)

(When ordering parts, state Model, Part Number, and Description.)

Replacement parts shown may be superseded by the availability of newly introduced replacements. Have your local distributor check Sams COUNTER FACTS[®] for the most up-to-date replacement.

CONTROLS

All wattages 1/2 watt, or less, unless otherwise listed.

| ITEM No. | USE | RESIST-ANCE | REPLACEMENT DATA | | | | | |
|----------|---------------|--------------------|------------------|--|--------------------|------------------|------------------|----------|
| | | | DELCO PART No. | CENTRALAB PART No. | CLAROSTAT PART No. | CTS-IRC PART No. | MALLORY PART No. | |
| R1A | Tone | 100K | 7290493 ① | F1-100K,R14-25K FFS014,RFS108, BB012,SB004, KR-4 | | | †QJ-1673A | ≡UE4578S |
| | Volume/Switch | 20K Tap @ 6000Ω | | | | | | |
| | Tone | 100K | 7293660 ② | F1-100K,R14-25K FFS102,RFS111, BB100,SB004, KR-4 | | | ††QJ-1962A | |
| | Volume/Switch | 20K Tap @ 6000Ω | | | | | | |
| | Tone | 100K | 7294165 ③ | F1-100K,R14-25K, FFS102,RFS200, BB100,SB004, KR-4 | | | †††QJ-1898A | |
| | Volume/Switch | 20K Tap @ 6000Ω | | | | | | |
| R2 | Bias | 600Ω ZW | 7266801 | V-800 | U39-800 | | 110-600 | MR600P |

① Used in Model: 966116.

② Used in Model: 966522.

③ Used in Model: 966526.

④ Alter bushing to meet requirements.

† "CONCENTRIKIT" Equivalent: K8 Kit, with Base Elements and Shafts: B11-126, P22-027 (Panel) B19-119X, R26-112 (Rear) S6 (Bushings) N4 (Spacer Nut) 76-1 (Switch)

"SNAPTROL" Equivalent: BU6 ④, CF13, CR50T, SF5, SR6, N4, GC.

†† "CONCENTRIKIT" Equivalent: K6 Kit, with Base Elements and Shafts: B11-126, P22-103 (Panel) B19-119X, R16-118 (Rear) S6 ④ (Bushings) N4 (Spacer Nut) 76-1 (Switch)

"SNAPTROL" Equivalent: BU6 ③, CF13, CR50T, SF7, SR8, N4, GC.

††† "CONCENTRIKIT" Equivalent: K6 Kit, with Base Elements and Shafts: B11-126, P22-100 (Panel) B19-119X, R16-127 (Rear) S6 (Bushings) N4 (Spacer Nut) 76-1 (Switch)

"SNAPTROL" Equivalent: BU6 ④, CF13, CR50T, SF7, SR11, N4, GC

≡ "STA-LOC" Equivalent: FO15L, RU253T53, OS875A, IS1500, US41.

COILS (RF-IF)

| ITEM No. | USE | REPLACEMENT DATA | | | | | | |
|----------|------------------|------------------|-------------------|----------------|-----------------|------------------|------------------|-------|
| | | DELCO PART No. | MEISSNER PART No. | MERIT PART No. | MILLER PART No. | STANCOR PART No. | WORKMAN PART No. | |
| L1 | RF Choke (6.2uh) | 7261946 | 19-1004 | BC-565 | 4610 | | RTC-6520 | T659 |
| L2 | Antenna | ① | | | | | | |
| L3 | RF | ① | | | | | | |
| L4 | Oscillator | ① | | | | | | |
| L5 | Input IF | 1221656 | 16-6704 | | 6542 | | RTC-9399 | TA653 |
| L6 | Output IF | 1221657 | 16-6705 | | 6543 | | RTC-9400 | TA653 |

① Coils Assembly #7267957.

FILTER CHOKE

| ITEM No. | RATINGS | | | REPLACEMENT DATA | | | | | NOTES |
|----------|--------------------|---------|------------------------------|------------------|----------------|------------------|---------------------|----------------|-------|
| | CURRENT (Measured) | DC RES. | INDUCTANCE (0 CURRENT 1000~) | DELCO PART No. | MERIT PART No. | STANCOR PART No. | THORDARSON PART No. | TRIAD PART No. | |
| L7 | 620ma | .6Ω | 6MH | 1221623 | C-4095 | TC-2 | TR-154 | TY17XT | |

TRANSFORMER (AUDIO OUTPUT)

| ITEM No. | IMPEDANCE | | REPLACEMENT DATA | | | | | NOTES |
|----------|-----------|-------|------------------|----------------|------------------|---------------------|----------------|-------|
| | PRI. | SEC. | DELCO PART No. | MERIT PART No. | STANCOR PART No. | THORDARSON PART No. | TRIAD PART No. | |
| | | | | | | | | |
| T1 | 12Ω Tap | @ 10Ω | 7262057 | | | | | |

SPEAKER

| ITEM No. | TYPE | | | REPLACEMENT DATA | | NOTES |
|----------|----------|----|-----|------------------|---------------|---|
| | | | | DELCO PART No. | QUAM PART No. | |
| SP1 | 6" x 9" | PM | 10Ω | 7289731 | | Model: 966116. Models: 966522, 966526. |
| | 4" x 10" | PM | 10Ω | 7293691 | | |

FUSE DEVICES

| ITEM No. | TYPE | RATING | REPLACEMENT DATA | | | | | | |
|----------|------|--------|------------------|---------------|---------------------|--------|---------------|--------|--|
| | | | PART No. | | LITTELFUSE PART No. | | BUSS PART No. | | |
| | | | FUSE | HOLDER | FUSE | HOLDER | FUSE | HOLDER | |
| F1 | AGC | 3 A | | In Fuse Block | 312003 | | | AGC3 | |

MISCELLANEOUS

| ITEM No. | PART NAME | DELCO PART No. | NOTES |
|----------|-----------|----------------|-------|
| M1 | Tuner | | |

CABINETS & CABINET PARTS

(When Ordering Specify Model, Chassis & Color)

| ITEM | MODEL | PART No. | ITEM | MODEL | PART No. |
|--------------|--------|----------|-----------------------|--------|----------|
| Escutcheon | 966116 | 7289315 | Pushbutton | 966526 | 7294166 |
| Escutcheon | 966522 | 7294233 | Knob-Tuning or Volume | | 3660189 |
| Escutcheon | 966526 | 7294174 | Knob-Tone | 966116 | 3660552 |
| Dial Pointer | 966116 | 7289310 | Knob-Tone | 966522 | 3793636 |
| Dial Pointer | 966522 | 7293669 | Knob-Tone | 966526 | 3676566 |
| Dial Pointer | 966526 | 7294170 | Knob-Dummy | 966116 | 3660553 |
| Pushbutton | 966116 | 7289312 | Knob-Dummy | 966526 | 3662792 |
| Pushbutton | 966522 | 7293667 | | | |



TRADE NAME : Chevrolet Models 986769, 986771
 (1966 Truck)
 GMC Models 7293806, 7293816,
 7297526 (1966 Truck)

SUPPLIER : For Current Address, See Annual Index.

TYPE SET : 6 Transistor AM Receiver

POWER SUPPLY : 12 Volt Storage Battery

RATING : .550 Amp. @ 12.6 Volts DC

TUNING RANGE: BROADCAST 540-1615KC



ALIGNMENT INSTRUCTIONS

Check for specified source voltage.

Use only enough generator output to provide a usable indication.

Suggested Alignment Tools:

A1 thru A5, A9, A10.

GENERAL CEMENT: 5069, 8728A, 8987

WALSCO: 2531-X, 2536

A6, A7, A8.

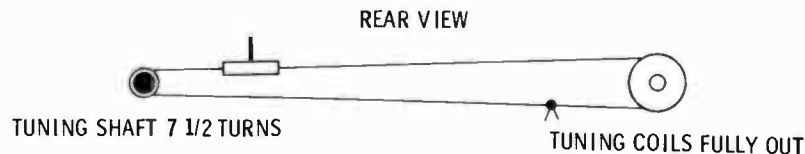
GENERAL CEMENT: 8290, 8868, 9087

WALSCO: 2525, 2528, 2587

| | SIGNAL GENERATOR COUPLING | SIGNAL GENERATOR FREQUENCY | RADIO DIAL SETTING | INDICATOR | ADJUST | REMARKS |
|--|---|----------------------------|----------------------|---------------------------------|----------------|------------------------------------|
| 1. | High side thru .1mf to point Δ , low side to ground. | 262KC (400v Mod.) | High Freq. End Stop. | Output Meter across voice coil. | A1, A2, A3, A4 | Adjust for maximum. |
| Check setting of oscillator coil core (A5). Rear of core should be 1 3/8" from mounting end of coil form. | | | | | | |
| 2. | High side thru 82mmf to antenna receptacle, low side to ground. | 1615KC | High Freq. End Stop. | Output Meter across voice coil. | A6, A7, A8 | Adjust for maximum. |
| 3. | " | 600KC | 600KC Signal | " | A9, A10 | Adjust for maximum. Repeat step 2. |
| With radio installed in car and antenna fully extended, tune in a weak station near 1400KC and adjust A8 for maximum output. | | | | | | |

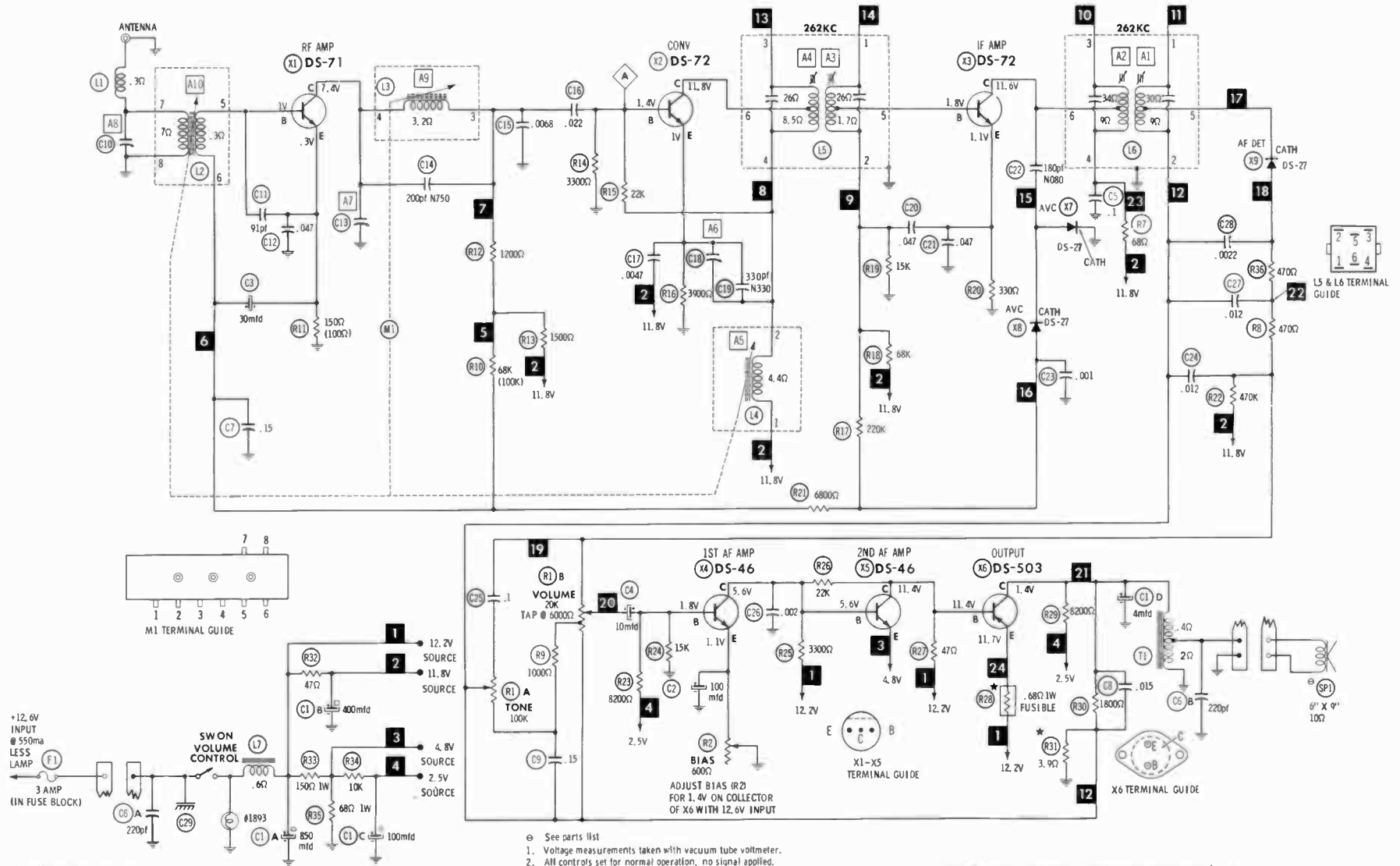
Remove tuning and dummy knobs for access to Antenna Trimmer (A8).

DIAL CORD STRINGING



HOWARD W. SAMS & CO., INC. Indianapolis, Indiana 46206

© 1966 Howard W. Sams & Co., Inc. Printed in U. S. of America RD551



+12.6V INPUT @ 550ma LESS LAMP (IN FUSE BLOCK)

SWON VOLUME CONTROL

* NOMINAL VALUE, MAY VARY.
Resistors are 1/2 watt or less and rated 10% or 20% unless otherwise indicated.

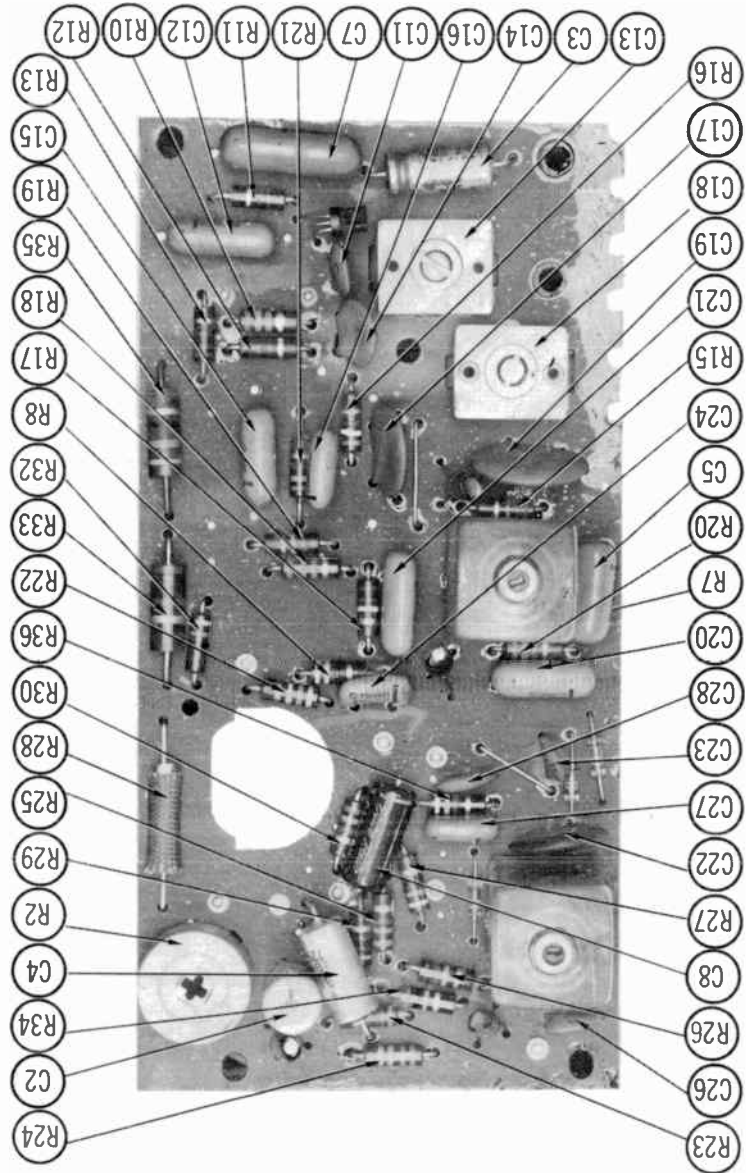
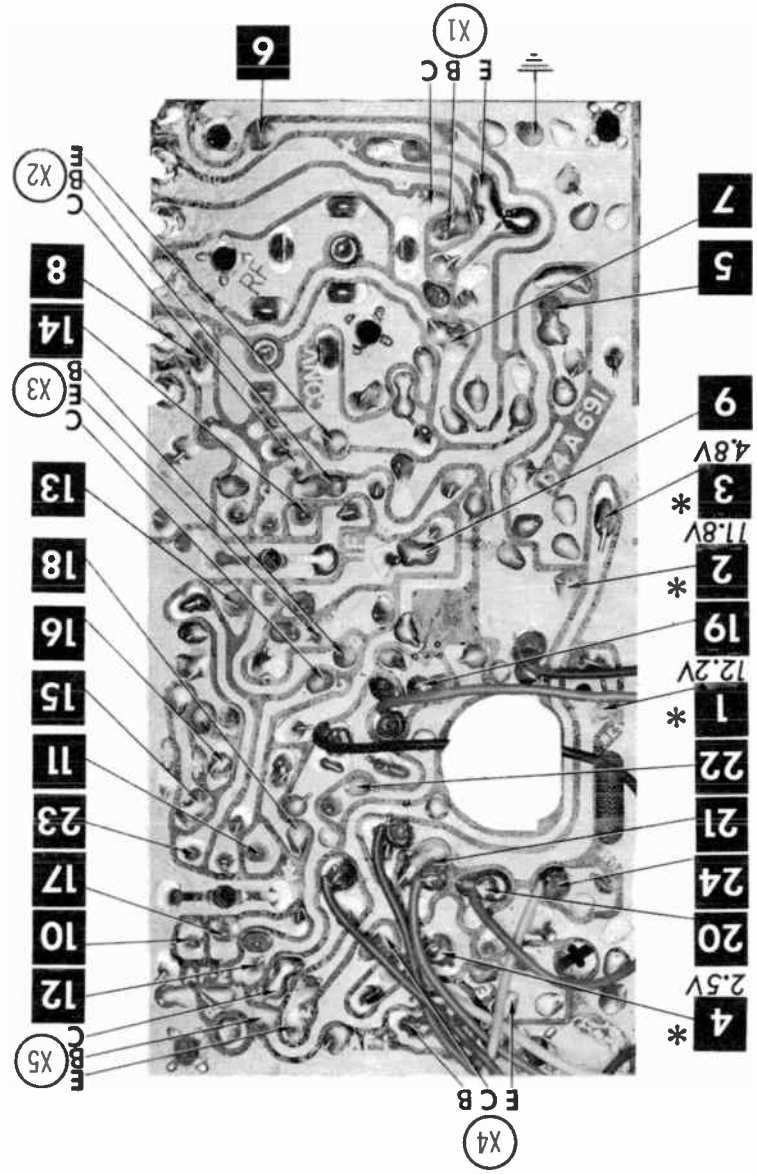
A PHOTOFAC STANDARD NOTATION SCHEMATIC with **CIRCUITRACE**

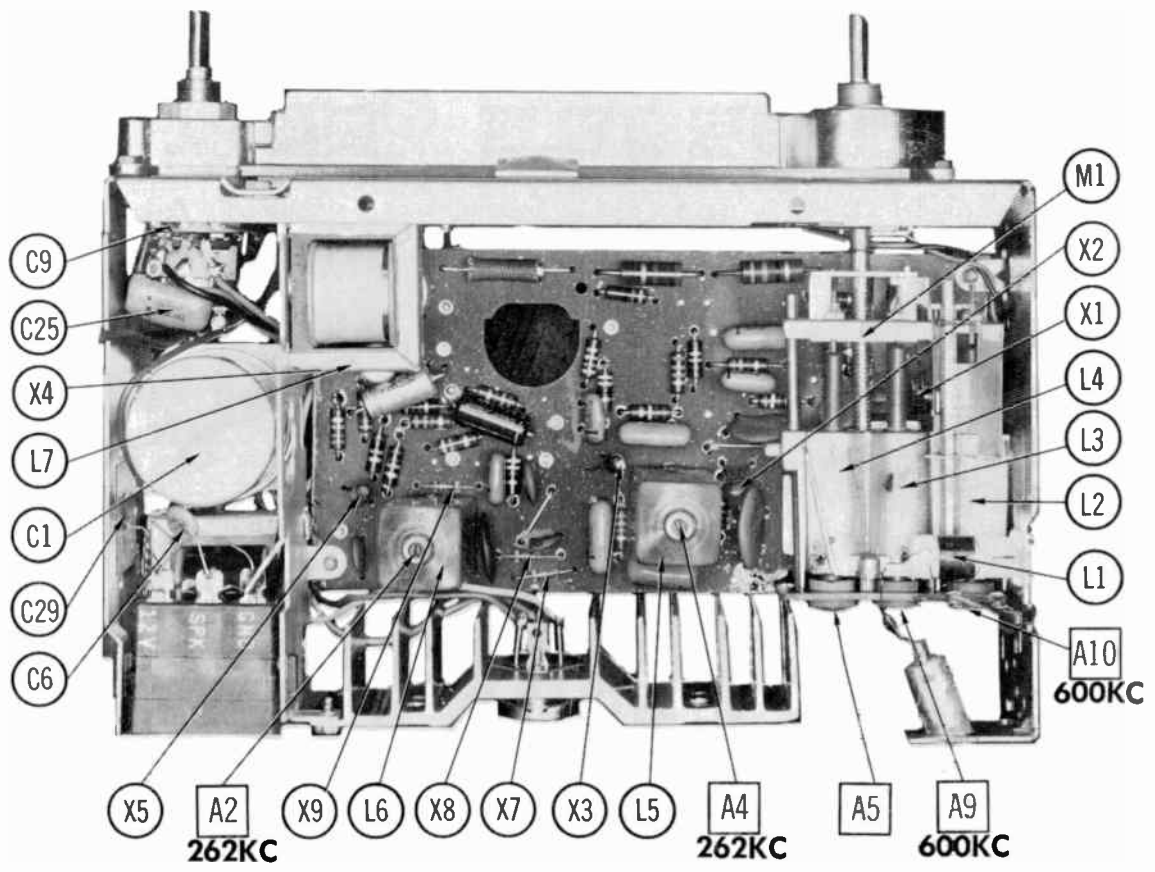
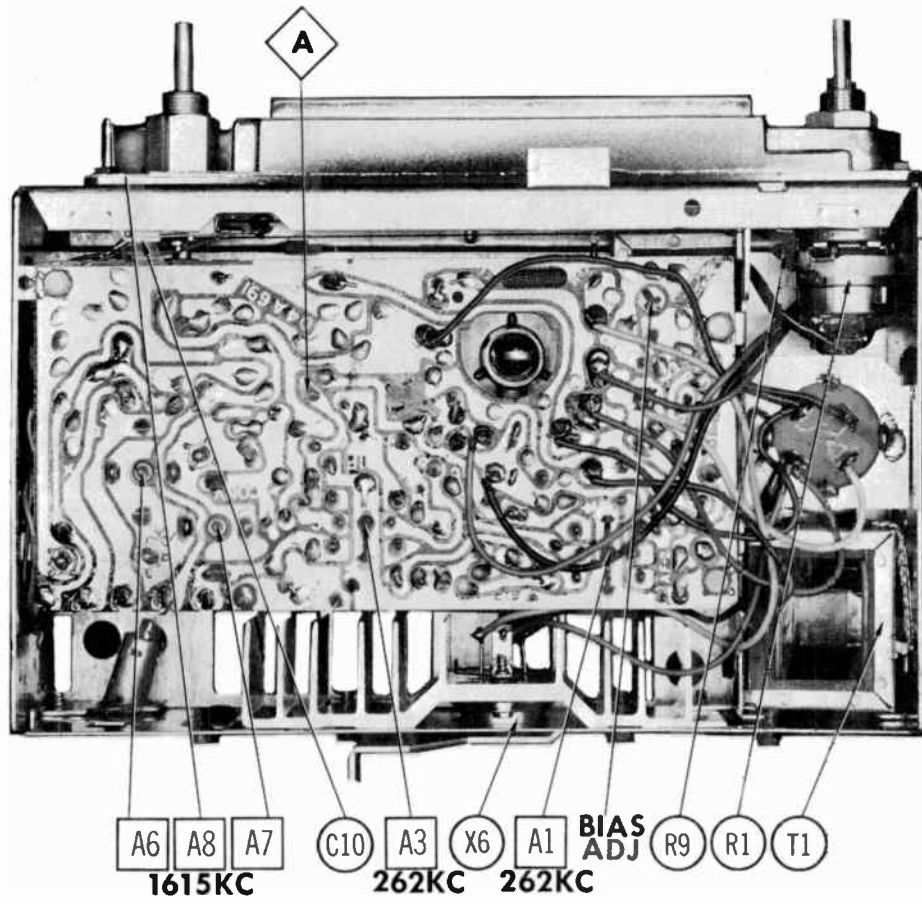
© Howard W. Sams & Co., Inc 1966

- ① See parts list
- 1. Voltage measurements taken with vacuum tube voltmeter.
- 2. All controls set for normal operation, no signal applied.
- 3. Measured values are from socket pin or terminal to common ground.
- 4. All terminals viewed from bottom unless otherwise designated.
- 5. Numbers assigned to terminals may not be found on the unit.
- 6. Supply voltage maintained at rated value for voltage readings.
- 7. Resistance measurements not given because of the wide variation in internal resistance of transistor.

CHEVROLET & GMC MODELS 986769/771, 7297526/3806/16

*VOLTAGE SOURCE





PARTS LIST AND DESCRIPTION

(When ordering parts, state Model, Part Number, and Description.)

Replacement parts shown may be superseded by the availability of newly introduced replacements.
Have your local distributor check Sams COUNTER FACTS[®] for the most up-to-date replacement.

WIRING DATA

| | |
|---|--|
| General-use Unshielded Hook-up Wire | Use BELDEN No. 8530 (Solid) Available in 12 Colors 8524 (Stranded) Available in 12 Colors |
| Shielded Hook-up Wire | Use BELDEN No. 8885 |
| Rear Seat Speaker Extension Cable | Use BELDEN No. 8782 (Stranded) Coded Parallel Leads |
| Bonding Strap | Use BELDEN No. 8881 (3/8 in.) or 8670 (3/4 in.) |

TRANSISTORS

| ITEM No. | ORIG. TYPE | USE | REPLACEMENT DATA | | | NOTES |
|----------|------------|--------------|------------------|---------------------------|--------------|-------|
| | | | DELCO PART No. | GENERAL ELECTRIC PART No. | RCA PART No. | |
| X1 | DS-71 | RF Amp. | DS-75 | GE-11 | SK-3020 | NPN |
| X2 | DS-72 | Conv. | DS-75 | GE-11 | SK-3020 | NPN |
| X3 | DS-72 | IF Amp. | DS-75 | GE-11 | SK-3020 | NPN |
| X4 | DS-48 | 1st. AF Amp. | DS-48 | GE-10 | SK-3020 | NPN |
| X5 | DS-48 | 2nd. AF Amp. | DS-48 | GE-10 | SK-3020 | NPN |
| X6 | DS-503 | Output | DS-503 | GE-3 | SK-3009 | PNP * |

* When replacing, apply silicone grease to both sides of insulator. Tighten mounting screws securely. Check bias adjustment.

POWER RECTIFIERS & SIGNAL DIODES

| ITEM No. | MEASURED CURRENT | ORIGINAL Part or Type No. | RECTIFIERS & DIODES | | RECTIFIERS | | |
|----------|------------------|---------------------------|---------------------------|----------------------------------|------------------|--------------|-------------------------|
| | | | GENERAL ELECTRIC PART No. | INTERNATIONAL RECTIFIER PART No. | MALLORY PART No. | RCA PART No. | SARKES TARZIAN PART No. |
| X7 | | DS-27 | 1N34AS | 1N34A | | | |
| X8 | | DS-27 | 1N34AS | 1N34A | | | |
| X9 | | DS-27 | 1N34AS | 1N34A | | | |

ELECTROLYTIC CAPACITORS

| ITEM No. | RATING | | REPLACEMENT DATA | | | | | |
|----------|--------|--------|------------------|------------------|---------------------------|---------------------------|------------------|------------------|
| | CAP. | VOLT. | DELCO PART No. | AEROVOX PART No. | CORNELL-DUBILIER PART No. | GENERAL ELECTRIC PART No. | MALLORY PART No. | SPRAGUE PART No. |
| C1A | 850 | 18 | 7292515 | AFH4-96-10 | DD0005 | | FP401.8 | TVL-4206.1 |
| B | 400 | 18 | | | | | | |
| C | 100 | 18 | | | | | | |
| D | 4 | 115RMS | | | | | | |
| C2 | 100 | 4 | 7291810 | PTT30 | NLW125-8 | MT1-21 | TT6X100 | TE-1102 |
| C3 | 30 | 6 | 7279896 | PTT27 | NLW30-15 | MT1-13 | TT8X30 | TE-1092 |
| C4 | 10 | 12 | 7292738 | PTT53 | NLW10-15 | MT1-5 | TT12X10 | TL-1128 |

CAPACITORS

| ITEM No. | RATING | | REMARKS | REPLACEMENT DATA | | | | | |
|----------|--------|------|----------|------------------|--------------------|---------------------------|------------------|------------------|------------------|
| | | | | AEROVOX PART No. | CENTRALAB PART No. | CORNELL-DUBILIER PART No. | ELMenco PART No. | MALLORY PART No. | SPRAGUE PART No. |
| C5 | .1 | 75V | | DBE2P1 | | WMF1P1 | 1DP-2-104 | PVC101 | 2PS-P10 |
| C8A | 220 | | #7270375 | | | | | | |
| B | 220 | | | | | | | | |
| C7 | .15 | 75V | | DBE2P15 | | WMF1P15 | 1DP-1-154 | PVC1015 | 2PS-P15 |
| C8 | .015 | 75V | | DBE4S15 | | DPMS4S15 | 1DP-1-153 | PVC2115 | 4PS-S15 |
| C9 | .15 | 75V | | DBE2P15 | | WMF1P15 | 1DP-1-154 | PVC1015 | 2PS-P15 |
| C10 | | | #7281971 | | | | | | |
| C11 | 91 | | | | DD-910 | | CCD-910 | GP491 | 5GA-Q81 |
| C12 | .047 | 75V | | DBE2S47 | | WMF2S47 | 1DP-2-473 | PVC1147 | 2PS-S47 |
| C13 | | | #7287935 | | | | | | |
| C14 | 200 | N750 | | N750-D1 200 | DTN-200 | CV801UJ201K | CCTN-201 | CN7320 | 10TCU-T20 |
| C15 | .0088 | 75V | | DBE8D68 | CPR-6800J | WMF1D68 | 1DP-1-882 | PVC4288 | 8PS-D68 |
| C18 | .022 | 75V | | DBE2S22 | | WMF1S22 | 1DP-1-223 | PVC1122 | 2PS-S22 |
| C17 | .0047 | | | BPD-0047 | DD-472 | BYX801ZU472P | CCD-472 | B247 | 5HK-D47 |
| C18 | | | #7282185 | | | | | | |
| C19 | 330 | N330 | | | | | * | * | 10TCS-T33 |
| C20 | .047 | 75V | | DBE2S47 | | WMF2S47 | 1DP-2-473 | PVC1147 | 2PS-S47 |
| C21 | .047 | 75V | | DBE2S47 | | WMF2S47 | 1DP-2-473 | PVC1147 | 2PS-S47 |
| C22 | 180 | N080 | | | | | * | * | 10TCN-T18 |
| C23 | .001 | | | BPD-001 | DD-102 | HVX182XP102M | CCD-102 | B210 | 5HK-D10 |
| C24 | .012 | 75V | | DBE8S12 | CPR-10000J | DPMS8S12 | 6DP-2-123 | PVC8112 | 6PS-S12 |
| C25 | .1 | 75V | | DBE2P1 | | WMF1P1 | 1DP-2-104 | PVC101 | 2PS-P10 |
| C28 | .002 | | | BPD-002 | DD-202 | BYY601ZU202P | CCD-202 | B220 | 5HK-D20 |
| C27 | .012 | 75V | | DBE8S12 | CPR-10000J | DPMS8S12 | 6DP-2-123 | PVC8112 | 6PS-S12 |
| C28 | .0022 | | | DI-2200 | CF-222 | JBX601YP222K | CCD-222 | JF222 | 10TS-D22 |
| C29 | | | #7271564 | | | | | | |

* Not normally in distributor's stock. Available thru distributor on order to manufacturer.
Delco Part Number.

CHEVROLET & GMC MODELS 986769/771, 7297526/3806/16

PARTS LIST AND DESCRIPTION (CONTINUED)

(When ordering parts, state Model, Part Number, and Description.)

Replacement parts shown may be superseded by the availability of newly introduced replacements. Have your local distributor check Sams COUNTER FACTS for the most up-to-date replacement.

CONTROLS

All wattages 1/2 watt, or less, unless otherwise listed.

| ITEM No. | USE | RESIST-ANCE | REPLACEMENT DATA | | | | | |
|----------|---------------|----------------|------------------|---|--------------------|------------------|------------------|--|
| | | | DELCO PART No. | CENTRALAB PART No. | CLAROSTAT PART No. | CTS-IRC PART No. | MALLORY PART No. | |
| R1A | Tone | 100K | 7291775 | F1-100K, R14-25K | | | †QJ-1877A | FR15L, RU253T53, OS1250A, IS1750, US41 |
| | Volume/Switch | 20K Tap @ 800Ω | | FFS104, RFS112, BB012, SB004, SB008, KR-4 | | | | |
| R2 | Bias | 800Ω ZW | 7288601 | V-600 | US9-600 | | 110-600 | MR600P |

† "CONCENTRIKIT" Equivalent: K8 Kit, with Base Elements and Shafts: B11-128, P17-105 (Panel)
B19-119K, R16-118 (Rear)
S51 (Bushing)
N4 (Spacer Nut)
76-1 (Switch)

"SNAPTROL" Equivalent: BU8①, CF13, CR50T, SF8, SR9, N4, GC. ① Alter Bushing to meet requirements.

RESISTORS (Power and Special)

| ITEM No. | RATING | REPLACEMENT DATA | | | ITEM No. | RATING | REPLACEMENT DATA | | |
|----------|----------------|------------------|------------------|----------------|----------|--------|------------------|------------------|----------------|
| | | IRC PART No. | WORKMAN PART No. | DELCO PART No. | | | IRC PART No. | WORKMAN PART No. | DELCO PART No. |
| R28 | .68Ω (Fusible) | | | 7287480 | | | | | |

COILS (RF-IF)

| ITEM No. | USE | REPLACEMENT DATA | | | | | |
|----------|------------------|------------------|-------------------|----------------|-----------------|------------------|------------------|
| | | DELCO PART No. | MEISSNER PART No. | MERIT PART No. | MILLER PART No. | STANCOR PART No. | WORKMAN PART No. |
| L1 | RF Choke (8.2uh) | 7281948 | 19-1004 | BC-585 | 4810 | RTC-8520 | T859 |
| L2 | Antenna | ① | | | | | |
| L3 | RF | ① | | | | | |
| L4 | Oscillator | ① | | | | | |
| L5 | Input IF | 1221858 | 16-8704 | | 8542 | RTC-8399 | TA853 |
| L8 | Output IF | 1221857 | 16-8705 | | 8543 | RTC-9400 | TA853 |

① Part of Coil Assembly Part #7287957.

FILTER CHOKE

| ITEM No. | RATINGS | | | REPLACEMENT DATA | | | | | NOTES |
|----------|--------------------|---------|------------------------------|------------------|----------------|------------------|---------------------|----------------|-------|
| | CURRENT (Measured) | DC RES. | INDUCTANCE (0 CURRENT 1000~) | DELCO PART No. | MERIT PART No. | STANCOR PART No. | THORDARSON PART No. | TRIAD PART No. | |
| L7 | .550A | .6Ω | 8MH | 1221823 | C-4095 | TC-2 | TR-154 | TY17XT | |

SPEAKER

| ITEM No. | TYPE | REPLACEMENT DATA | | | NOTES |
|----------|---|-------------------|-------------------------------|--------------------------------|---|
| | | DELCO PART No. | QUAM PART No. | | |
| SP1 | 6" x 9" PM 9" x 9" PM 4" x 10" PM | 10Ω 10Ω 10Ω | 7287881 7285871 7282121 | 89A2Z10 89A2Z10 410A2Z10 | Models: 988789, 7293808. Model: 988771. Model: 7293818. |

TRANSFORMER (AUDIO OUTPUT)

| ITEM No. | IMPEDANCE | | REPLACEMENT DATA | | | | | NOTES |
|----------|-----------|------|------------------|----------------|------------------|---------------------|----------------|-------|
| | PRI. | SEC. | DELCO PART No. | MERIT PART No. | STANCOR PART No. | THORDARSON PART No. | TRIAD PART No. | |
| T1 | 12Ω Tap | @ 8Ω | 7282057 | | | | | |

FUSE DEVICES

| ITEM No. | TYPE | RATING | REPLACEMENT DATA | | | | | | |
|----------|------|--------|------------------|---------------|---------------------|--------|---------------|--------|--|
| | | | PART No. | | LITTELFUSE PART No. | | BUSS PART No. | | |
| | | | FUSE | HOLDER | FUSE | HOLDER | FUSE | HOLDER | |
| F1 | SAG | 3 Amp. | | In Fuse Block | 312003 | | | AGC 3 | |

MISCELLANEOUS

| ITEM No. | PART NAME | DELCO PART No. | NOTES |
|----------|-----------|----------------|-------|
| M1 | Tuner | | |

CABINETS & CABINET PARTS

(When Ordering Specify Model, Chassis & Color)

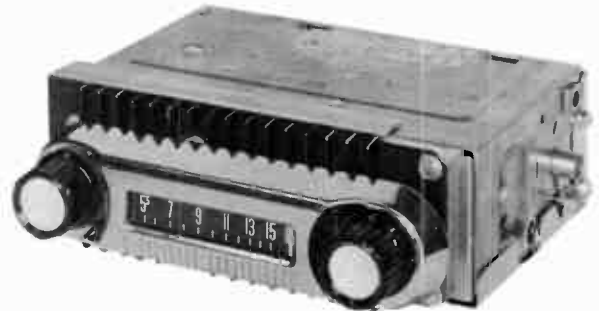
| ITEM | MODELS | PART No. | ITEM | MODELS | PART No. |
|-----------------------|------------------|----------|-----------------------|---------|----------|
| Escutcheon | 988789, 988771 | 1222174 | Knob-Tuning or Volume | 988771 | 1991037 |
| Escutcheon | 7293808, 7293818 | 1222175 | Knob-Tuning or Volume | 7293808 | 1991012 |
| Dial Pointer | | 7282088 | Knob-Tone | | 3793638 |
| Knob-Tuning or Volume | 988789, 7293818 | 7277055 | Knob-Dummy | | 3825878 |



PHOTOFACT[®] with

CIRCUITRACE[®]

TRADE NAME: Ford Models:
 6TBB (1966 Bronco)
 6TBT (1966 Truck)
 6TBU (1966 Econoline)
SUPPLIER: For Current Address, See Annual Index.
TYPE SET: 6 Transistor AM Receiver
POWER SUPPLY: 12 Volt Storage Battery
RATING: 1 Amp. @ 12.6 Volts DC
TUNING RANGE: BROADCAST 540-1605KC



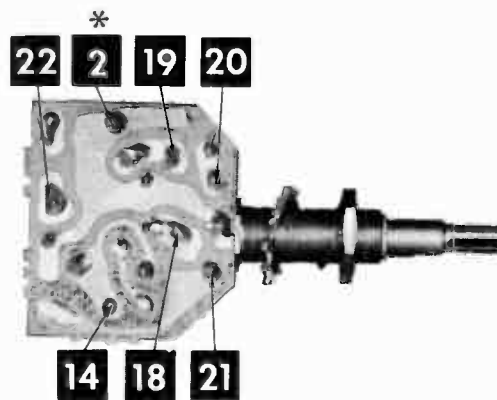
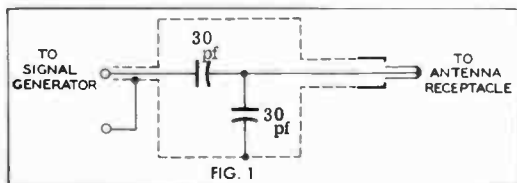
ALIGNMENT INSTRUCTIONS

Check for specified source voltage.
 Use only enough generator output to provide a usable indication.
 Suggested Alignment Tools:

A1 thru A4. GENERAL CEMENT: 8606, 8606L, 8869
 WALSCO: 2543, 2544, 2588
 A5, A6, A7. GENERAL CEMENT: 8290, 8868, 9087
 WALSCO: 2525, 2528, 2587

| | SIGNAL GENERATOR COUPLING | SIGNAL GENERATOR FREQUENCY | RADIO DIAL SETTING | INDICATOR | ADJUST | REMARKS |
|--|--|----------------------------|----------------------|---------------------------------|----------------|---|
| 1. | High side thru .1mfd to point A , low side to ground. | 262.5KC (400v Mod.) | High Freq. End Stop. | Output Meter across voice coil. | A1, A2, A3, A4 | Adjust for maximum. |
| 2. | Thru dummy (Fig. 1) to antenna receptacle. | 1605KC | " | " | A5, A6, A7 | " |
| Step 3 is not necessary unless tuner has been tampered with or associated components have been replaced. IF necessary, back tuning cores (A8, A9, A10) out of coils but not out of forms. Repeat step 2. | | | | | | |
| 3. | Thru dummy (Fig. 1) to antenna receptacle. | 1000KC | Tune to Signal. | Output Meter across voice coil. | A8, A9, A10 | Adjust for maximum. Repeat steps 2 & 3 until no further improvement is noted. |
| With radio installed in car and antenna fully extended, tune in a weak station near 1400KC and adjust A7 for maximum output. | | | | | | |

Antenna Adjustment (A7) located right side of radio, below antenna receptacle.

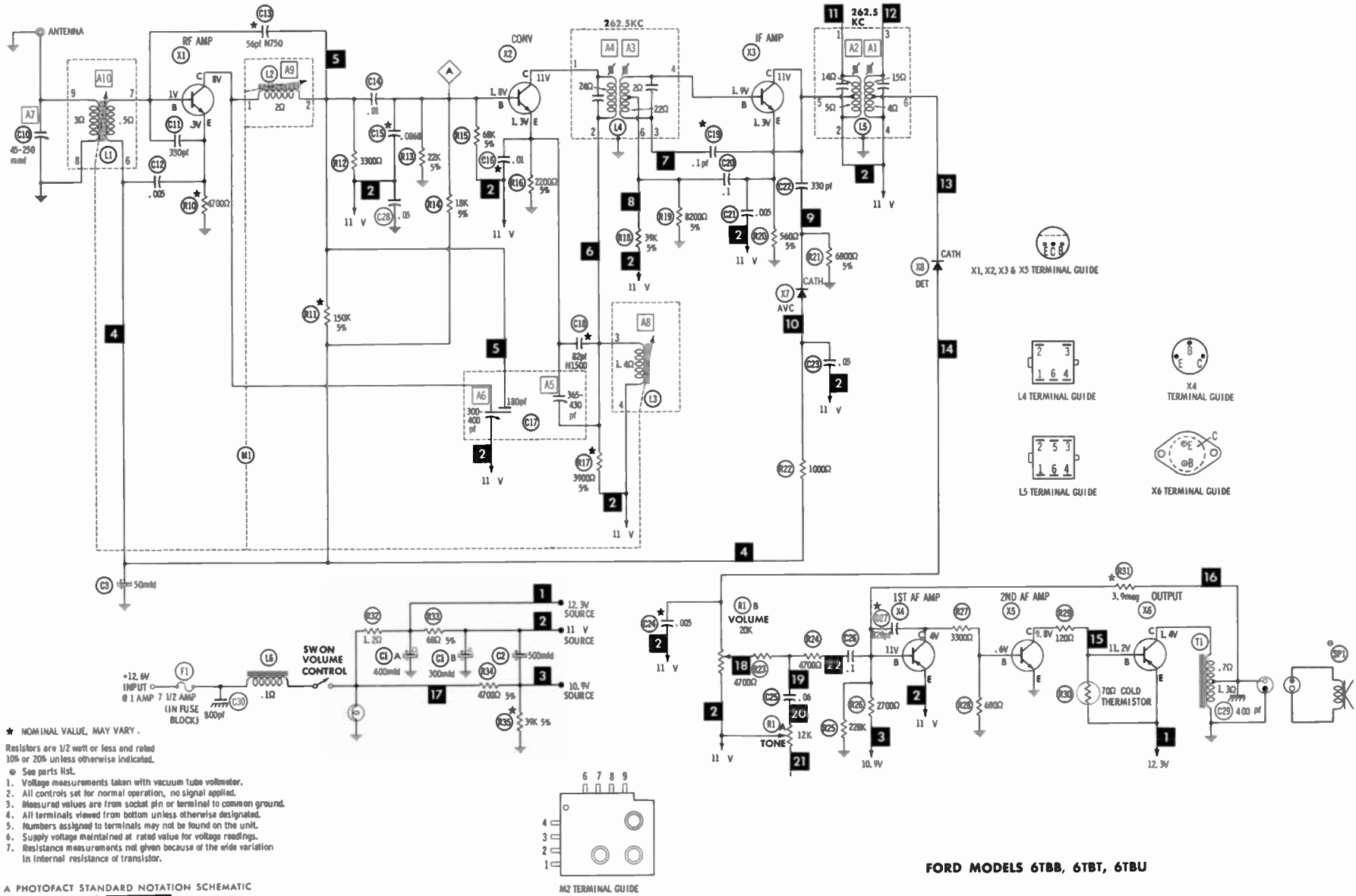


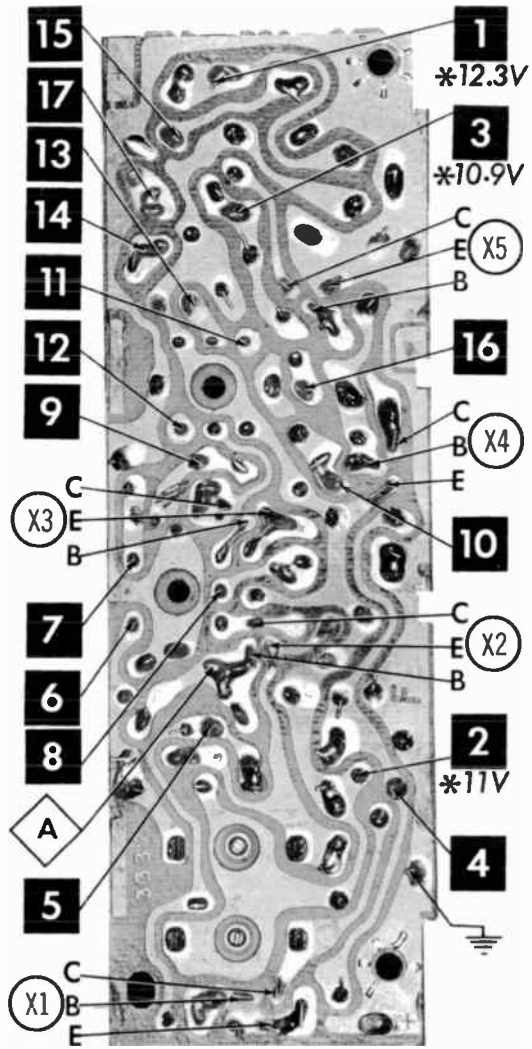
*VOLTAGE SOURCE

FORD MODELS 6TBB, 6TBT, 6TBU

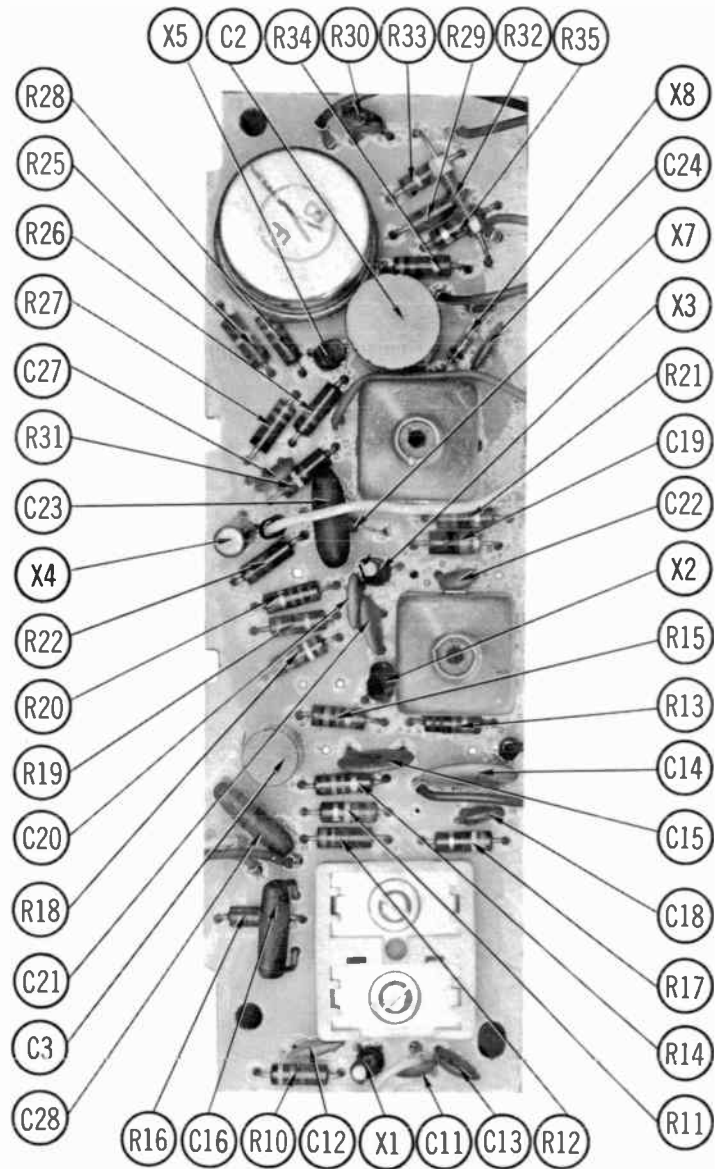
HOWARD W. SAMS & CO., INC. Indianapolis, Indiana 46206

© 1966 Howard W. Sams & Co., Inc. Printed in U. S. of America RD514

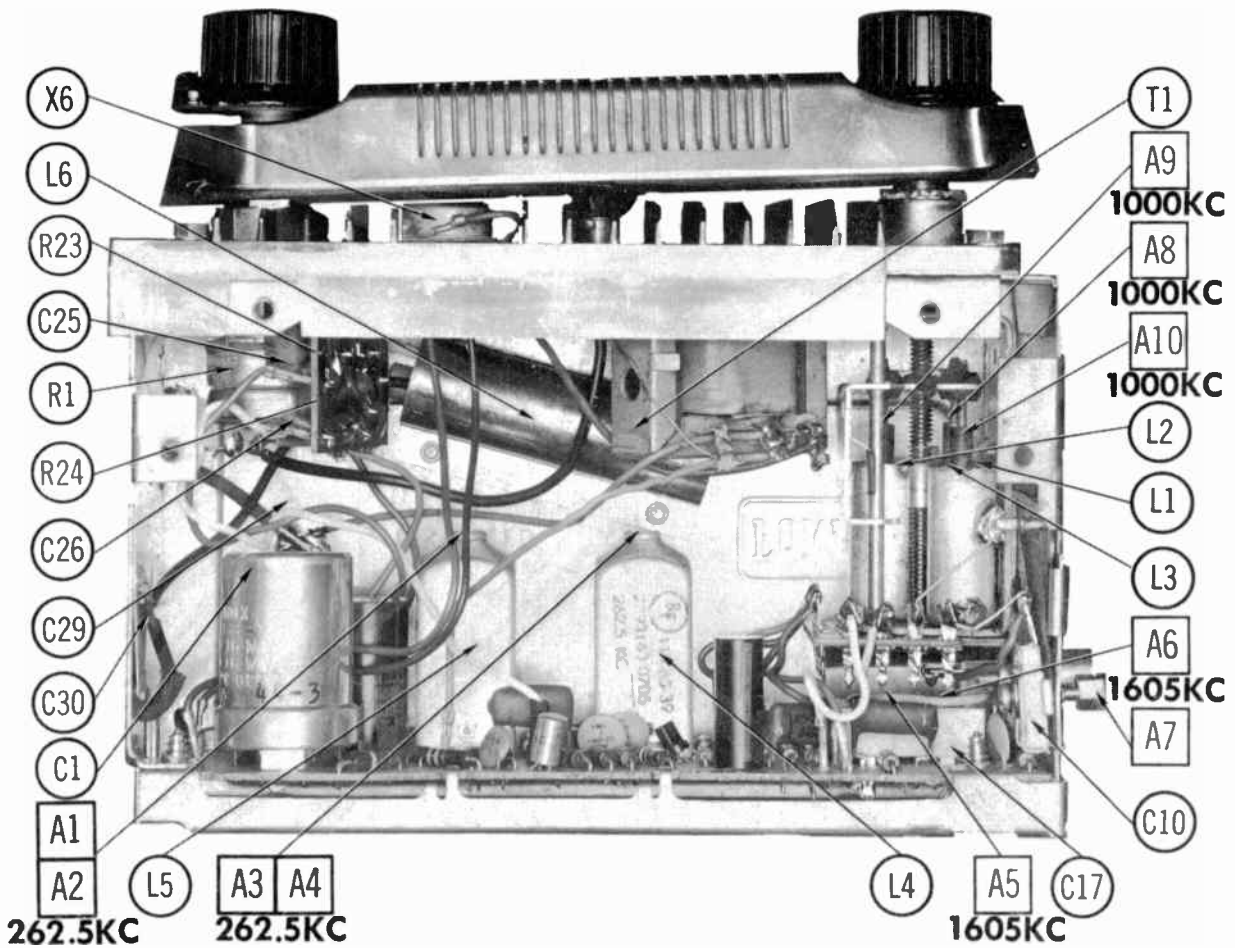
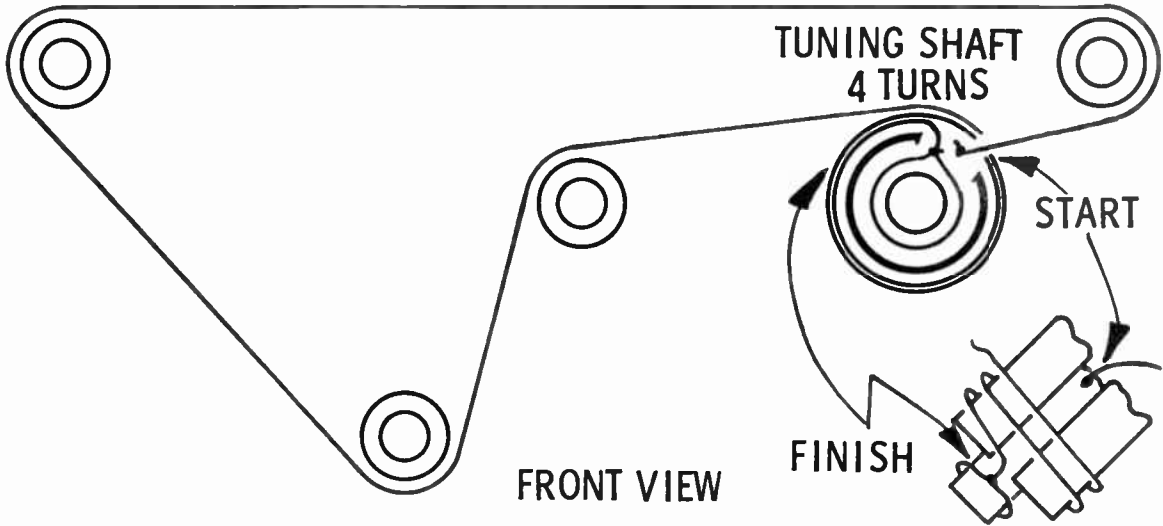




*VOLTAGE SOURCE



DIAL CORD STRINGING



PARTS LIST AND DESCRIPTION

(When ordering parts, state Model, Part Number, and Description.)

Replacement parts shown may be superseded by the availability of newly introduced replacements. Have your local distributor check Sams COUNTER FACTS for the most up-to-date replacement.

TRANSISTORS

| ITEM No. | ORIG. TYPE | USE | REPLACEMENT DATA | | | NOTES | BENDIX PART No. |
|----------|------------|--------------|------------------|---------------------------|--------------|-------|-----------------|
| | | | DELCO PART No. | GENERAL ELECTRIC PART No. | RCA PART No. | | |
| X1 | | RF Amp. | DS-66 | GE-11 | SK-3020 | NPN | 2093308-0701 |
| X2 | | Converter | DS-66 | GE-11 | SK-3020 | NPN | 2093308-0702 |
| X3 | | IF Amp. | DS-66 | GE-11 | SK-3020 | NPN | 2093308-0703 |
| X4 | | 1st. AF Amp. | DS-26 | GE-2 | SK-3004 | PNP | 2090924-0008 |
| X5 | | 2nd. AF Amp. | DS-46 | GE-10 | SK-3020 | NPN | 2092609-0002 |
| X6 | | Output | DS-520 | GE-3 | SK-3009 | PNP* | 2091659-0011 |

* When replacing, apply silicone grease to both sides of insulator. Tighten mounting screws securely.

POWER RECTIFIERS & SIGNAL DIODES

| ITEM No. | MEASURED CURRENT | ORIGINAL Part or Type No. | RECTIFIERS & DIODES | | RECTIFIERS | | |
|----------|------------------|---------------------------|---------------------------|----------------------------------|------------------|--------------|-------------------------|
| | | | GENERAL ELECTRIC PART No. | INTERNATIONAL RECTIFIER PART No. | MALLORY PART No. | RCA PART No. | SARKES TARZIAN PART No. |
| X7 | | 2092055-0708 | 1N82A | 1N82A | | | |
| X8 | | 2092055-0001 | 1N34AS | 1N34A | | | |

ELECTROLYTIC CAPACITORS

| ITEM No. | RATING | | BENDIX PART No. | REPLACEMENT DATA | | | | |
|----------|--------|-------|-----------------|------------------|---------------------------|---------------------------|------------------|------------------|
| | CAP. | VOLT. | | AEROVOX PART No. | CORNELL-DUBILIER PART No. | GENERAL ELECTRIC PART No. | MALLORY PART No. | SPRAGUE PART No. |
| C1A | 400 | 16 | 2092983-0001 | PWH2-02-08 | CC0010a | XC2-43.05 | FPF200, 85 | PCL8-2174.1* |
| B | 300 | 16 | | | | | | |
| C2 | 500 | 2 | 2093339-0703 | BCD12500 | NLW450-3 | MT1-26 | TT3X500 | TE-1068 |
| C3 | 50 | 3 | 2093339-0701 | BCD3050 | NLW50-3 | MT1-16 | PET1575 | VL-1045 |

* Not normally in distributor's stock. Available thru distributor on order to manufacturer.
 ▲ Clip 50-100mfd Terminal.

CAPACITORS

| ITEM No. | RATING | REMARKS | REPLACEMENT DATA | | | | | |
|----------|----------|---------------|------------------|--------------------|---------------------------|------------------|------------------|------------------|
| | | | AEROVOX PART No. | CENTRALAB PART No. | CORNELL-DUBILIER PART No. | ELMENCO PART No. | MALLORY PART No. | SPRAGUE PART No. |
| C10 | 45-250 | ‡219083-12 | DI-330 | DD-331 | JBZ601YP331K | CCD-331 | JF333 | 10TS-T33 |
| C11 | 330 | | BPD-005 | DD-502 | BYX601ZU502P | CCD-502 | B250 | 5HK-D50 |
| C12 | .005 | | | TCN-56 | | CCTN-560 | CN7456 | 10TCU-Q56 |
| C13 | 56 N750 | | BPD-01 | DD-103 | BYV102ZU103M | CCD-103 | B110 | 5HK-S10 |
| C14 | .01 | | DI-6800 | DD-682 | BYX601ZU682P | CCD-682 | GP268 | 30GA-D68 |
| C15 | .0068 | | DBE481 | CPR-10000J | DPMS481 | 1DP-1-103 | PVC211 | 4PS-S10 |
| C16 | .01 100V | ‡19092-31 | | | | | | |
| C17A | 300-400 | | | | | | | |
| B | 180 | | | | | | | |
| C | 365-430 | | | | | | | |
| C18 | 62 N1500 | | | | | | | |
| C19 | .1pf | ‡09323 1-2108 | TTD-1 | CK-104 | HOV101ZV104Z | | TA010 | TG-P10 |
| C20 | .1 | | BPD-005 | DD-502 | BYX601ZU502P | CCD-502 | B250 | 5HK-D50 |
| C21 | .005 | | DI-330 | DD-331 | JBZ601YP331K | CCD-331 | JF333 | 10TS-T33 |
| C22 | 330 | | DBE685 | | DPMS485 | 1DP-2-503 | PVC215 | 2PS-S50 |
| C23 | .05 100V | | BPD-005 | DD-502 | BYX601ZU502P | CCD-502 | B250 | 5HK-D50 |
| C24 | .005 | | BE685 | | DPMS685 | 6DP-3-603 | PVC1156 | 6PS-S60 |
| C25 | .06 100V | | TTD-1 | CK-104 | HOV101ZV104Z | | TA010 | TG-P10 |
| C26 | .1 | | DI-620 | DD-621 | BYZ601ZU621P | CCD-621 | B362 | 5GA-T82 |
| C27 | 820 | | DBE685 | | DPMS485 | 1DP-2-503 | PVC215 | 2PS-S50 |
| C28 | .05 100V | | | | | | | |
| C29 | 275 | ‡093050-0705 | | | | | | |
| C30 | 825 | ‡093050-0707 | | | | | | |

* Not normally in distributor's stock. Available thru distributor on order to manufacturer.
 ‡ Bendix Part Number.

CONTROLS

All wattages 1/2 watt, or less, unless otherwise listed.

| ITEM No. | USE | RESISTANCE | REPLACEMENT DATA | | | | | |
|----------|---------------|------------|------------------|---|--------------------|------------------|------------------|--|
| | | | BENDIX PART No. | CENTRALAB PART No. | CLAROSTAT PART No. | CTS-IRC PART No. | MALLORY PART No. | |
| R1A | Tone | 12K | 2093304-0701 | F2-10K,R2-25K, FFS111,RFS201, CA005,BA100, KR-4 | | | † QJ-1938A | |
| B | Volume/Switch | 20K | | | | | | |

† "CONCENTRIKIT" Equivalent: K6 Kit, with Base Elements and Shafts: B13-116, P17-112 (Panel)
 B13-120, R26-121 (Rear)
 QCB5 ① (Bushing)
 76-1 (Switch)

"SNAPTROL" Equivalent: BU15A ①, CF61, CR50T ②, SF10, SR44, GC.
 ① Alter bushing to meet requirements. ② Disregard Tap.

RESISTORS (Power and Special)

| ITEM No. | RATING | REPLACEMENT DATA | | | ITEM No. | RATING | REPLACEMENT DATA | | |
|----------|-----------------------|------------------|------------------|-----------------|----------|---------------|------------------|------------------|-----------------|
| | | IRC PART No. | WORKMAN PART No. | BENDIX PART No. | | | IRC PART No. | WORKMAN PART No. | BENDIX PART No. |
| R30 | 70Ω (Cold) Thermistor | | | 220629-14 | R32 | 1.2Ω 2W (PTC) | | | 2090948-0029 |

FORD MODELS 6TBB, 6TBT, 6TBU

PARTS LIST AND DESCRIPTION (CONTINUED)

(When ordering parts, state Model, Part Number, and Description.)

Replacement parts shown may be superseded by the availability of newly introduced replacements.
Have your local distributor check Sams COUNTER FACTS for the most up-to-date replacement.

COILS (RF-IF)

| ITEM No. | USE | REPLACEMENT DATA | | | | | |
|----------|------------|------------------|-------------------|----------------|-----------------|------------------|------------------|
| | | BENDIX PART No. | MEISSNER PART No. | MERIT PART No. | MILLER PART No. | STANCOR PART No. | WORKMAN PART No. |
| L1 | Antenna | ① | | | | | |
| L2 | RF | ① | | | | | |
| L3 | Oscillator | ① | | | | | |
| L4 | Input IF | 2093183-0706 | 16-6712 | | 6522 | RTC-9397 | |
| L5 | Output IF | 2093184-0706 | 16-6713 | | 6523 | RTC-9396 | |

① Part of M1 (Tuner).

FILTER CHOKE

| ITEM No. | RATINGS | | | REPLACEMENT DATA | | | | | NOTES |
|----------|--------------------|---------|------------------------------|------------------|----------------|------------------|---------------------|----------------|-----------------------|
| | CURRENT (Measured) | DC RES. | INDUCTANCE (0 CURRENT 1000~) | BENDIX PART No. | MERIT PART No. | STANCOR PART No. | THORDARSON PART No. | TRIAD PART No. | |
| L6 | 1 Amp. | .4Ω | 1.4MH | 2092050-0720 | C-4124 ① | TC-1 ① | TR-159 ① | TY16XT ① ① | ① Fabricate mounting. |

FUSE DEVICES

| ITEM No. | TYPE | RATING | REPLACEMENT DATA | | | | | | |
|----------|------|--------|------------------|---------------|---------------------|--------|---------------|-----------|--|
| | | | PART No. | | LITTELFUSE PART No. | | BUSS PART No. | | |
| | | | FUSE | HOLDER | FUSE | HOLDER | FUSE | HOLDER | |
| F1 | SFE | 7 1/2 | 2091811-0003 | In Fuse Block | 30707.5 | | | SFE 7 1/2 | |

SPEAKER

| ITEM No. | TYPE | REPLACEMENT DATA | | | NOTES |
|----------|------------|------------------|---------------|---------|-------------|
| | | BENDIX PART No. | QUAM PART No. | | |
| SP1 | 5" x 7" PM | 6Ω | 2093957-0702 | 57A15Z6 | Model 6TBB. |
| | 5" x 7" PM | 6Ω | 2094496-0701 | 57A15Z6 | Model 6TBT. |
| | 5" x 7" PM | 6Ω | 2093957-0703 | 57A15Z6 | Model 6TBU. |

TRANSFORMER (AUDIO OUTPUT)

| ITEM No. | IMPEDANCE | | REPLACEMENT DATA | | | | | NOTES |
|----------|-----------|-------------|------------------|----------------|------------------|---------------------|----------------|-------|
| | PRI. | SEC. | BENDIX PART No. | MERIT PART No. | STANCOR PART No. | THORDARSON PART No. | TRIAD PART No. | |
| T1 | 25Ω | Tapped @ 8Ω | 2092823-0701 | | | TR-169 | | |

MISCELLANEOUS

| ITEM No. | PART NAME | BENDIX PART No. | NOTES |
|----------|---|--|-----------------------|
| M1 | Tuner Printed Circuit Board Assembly Printed Circuit Board (Volume Control) | 2093300-0701 2093311-0505 2093336-0007 | (Includes Transistor) |

CABINETS & CABINET PARTS

(When Ordering Specify Model, Chassis & Color)

| ITEM | PART No. | ITEM | PART No. |
|---------------------|--------------|-----------------|--------------|
| Escutcheon Assembly | 2091465-0003 | Dial Calibrated | 2093302-0001 |
| Dial Glass | 2091454-0001 | Dial Pointer | 2091459-0001 |

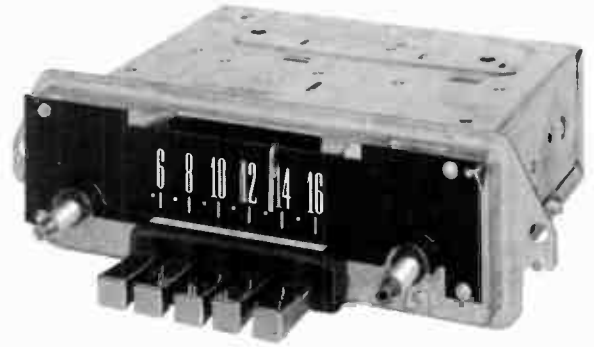
WIRING DATA

| | |
|---|--|
| General-use Unshielded Hook-up Wire | Use BELDEN No. 8530 (Solid) Available in 12 Colors 8524 (Stranded) Available in 12 Colors |
| Shielded Hook-up Wire | Use BELDEN No. 8885 |
| Bonding Strap | Use BELDEN No. 8661 (3/8 In.) or 8670 (3/4 In.) |



TRADE NAME : Ford Model
 6TMF (C6AA-18806-C1) 1966 Ford Galaxie
SUPPLIER : For Current Address, See Annual Index.
TYPE SET : 5 Transistor AM Receiver
POWER SUPPLY : 12 Volt Storage Battery
RATING : .580 Amp. @ 12.6 Volts DC

TUNING RANGE : BROADCAST 540-1615KC



ALIGNMENT INSTRUCTIONS

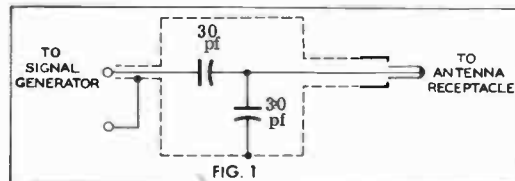
FORD MODEL 6TMF

Check for specified source voltage.
 Use only enough generator output to provide a usable indication.
 Suggested Alignment Tools:

| | |
|-------------|---|
| A1 thru A4. | GENERAL CEMENT: 8606, 8606L, 8869 WALSCO: 2543, 2544, 2588 |
| A5, A6, A7. | GENERAL CEMENT: 8290, 8868, 9087 WALSCO: 2525, 2528, 2587 |

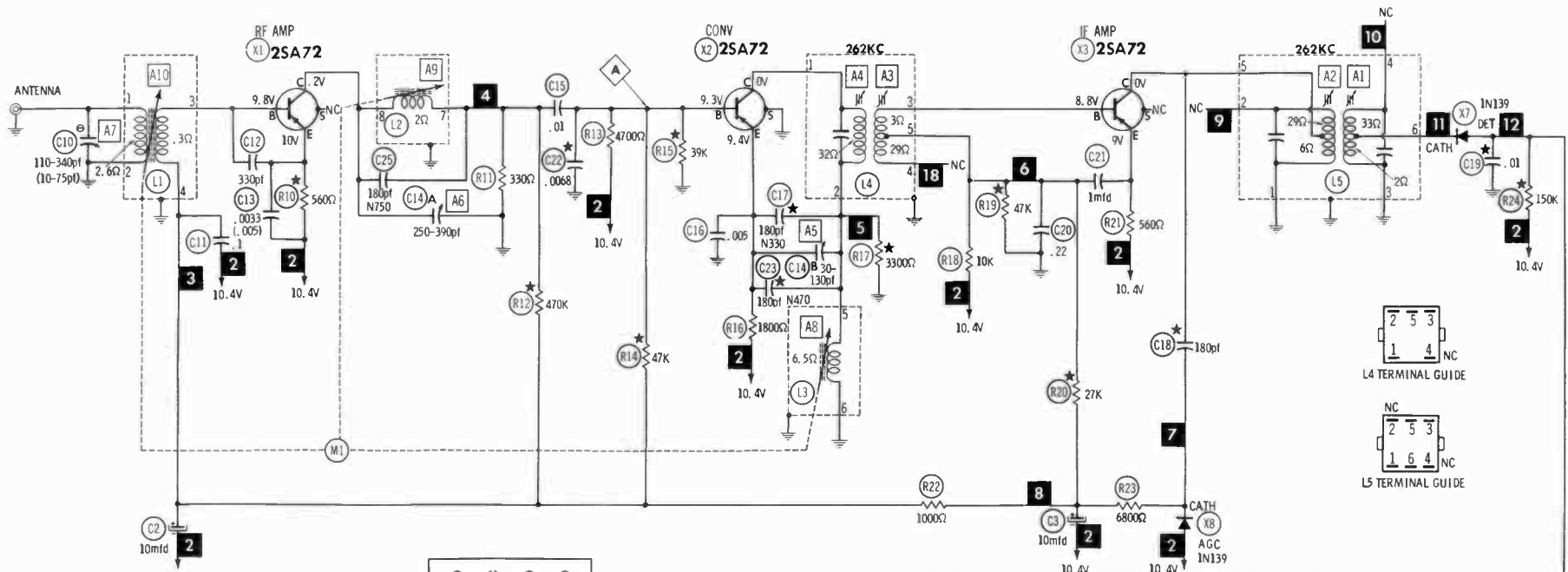
| | SIGNAL GENERATOR COUPLING | SIGNAL GENERATOR FREQUENCY | RADIO DIAL SETTING | INDICATOR | ADJUST | REMARKS |
|--|---|----------------------------|----------------------|---------------------------------|----------------|---|
| 1. | High side thru .1mf to point Δ , low side to ground. | 262KC (400v Mod.) | High Freq. End Stop. | Output Meter across voice coil. | A1, A2, A3, A4 | Adjust for maximum. |
| 2. | Thru dummy (Fig. 1) to antenna receptacle. | 1615KC | " | " | A5, A6, A7 | " |
| Step 3 is not necessary unless tuner has been tampered with or associated components have been replaced. IF necessary, back tuning cores (A8, A9, A10) out of coils but not out of forms. Repeat step 2. | | | | | | |
| 3. | Thru dummy (Fig. 1) \circ to antenna receptacle. \vee | 1000KC | Tune to Signal. | Output Meter across voice coil. | A8, A9, A10 | Adjust for maximum. Repeat steps 2 & 3 until no further improvement is noted. |
| With radio installed in car and antenna fully extended, tune in a weak station near 1400KC and adjust A7 for maximum output. | | | | | | |

Antenna Adjustment (A7) located on right side of radio.



PUSH-BUTTON ADJUSTMENT

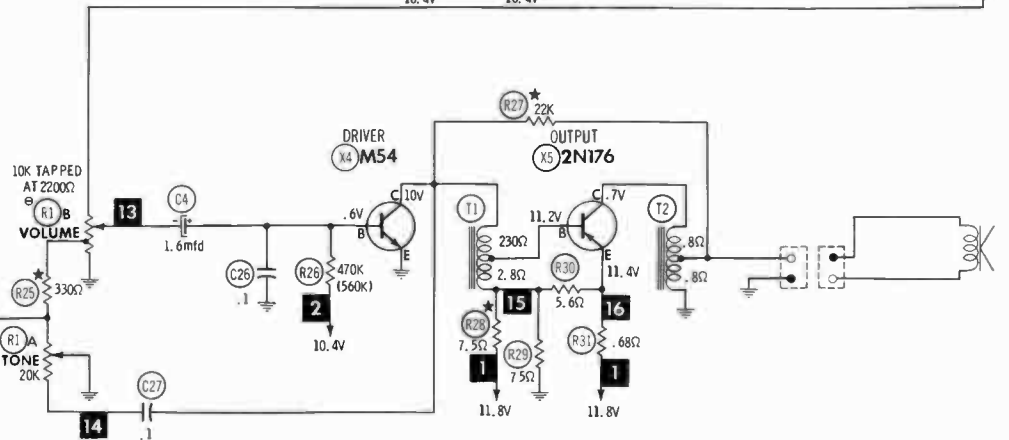
1. Pull button out.
2. Tune manually to desired station.
3. Press button in firmly.
4. Repeat for remaining buttons.



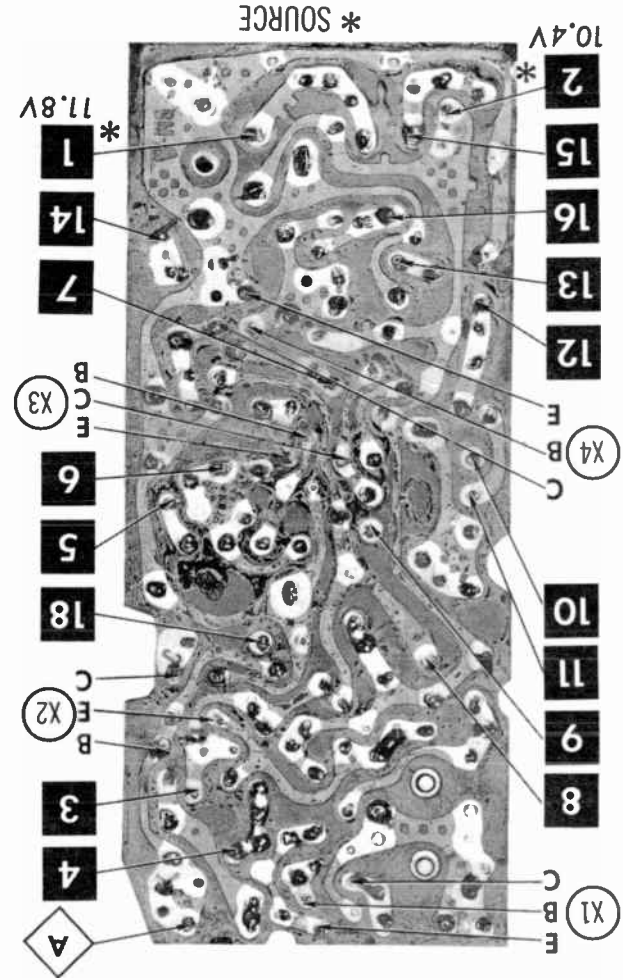
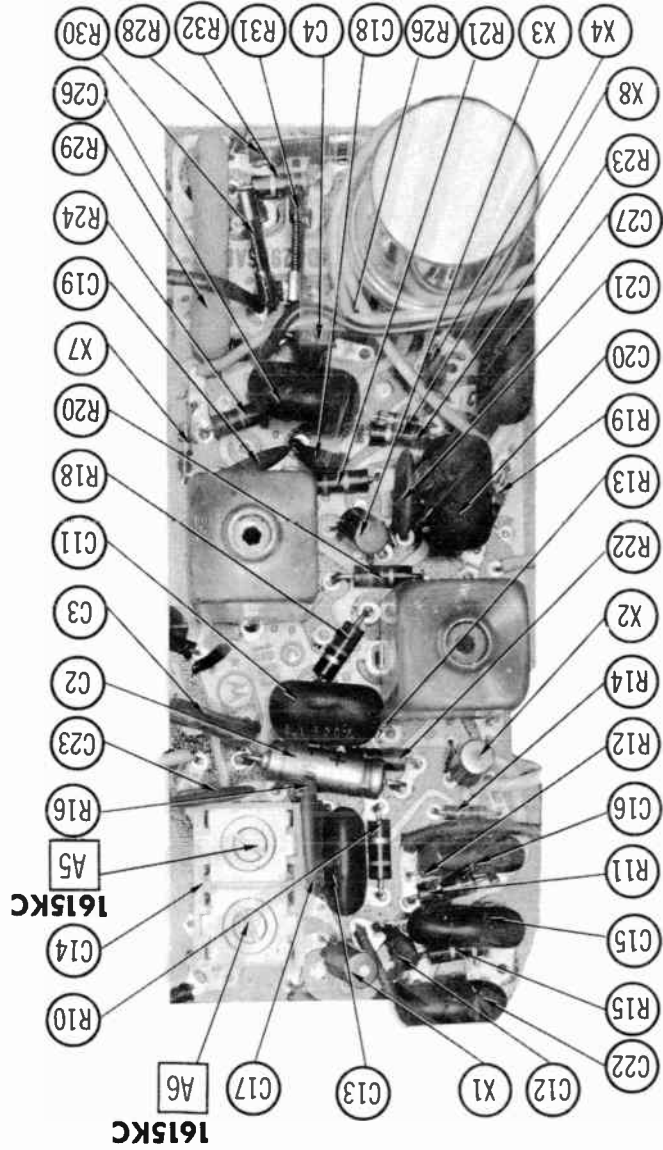
- ★ NOMINAL VALUE. MAY VARY
 ⊕ See parts list
 1. Voltage measurements taken with vacuum tube voltmeter.
 2. All controls set for normal operation, no signal applied.
 3. Measured values are from socket pin or terminal to common ground.
 4. All terminals viewed from bottom unless otherwise designated.
 5. Numbers assigned to terminals may not be found on the unit.
 6. Supply voltage maintained at rated value for voltage readings.
 7. Resistance measurements not given because of the wide variation in internal resistance of transistor

A PHOTOFACT STANDARD NOTATION SCHEMATIC
 with **CIRCUITRACE**
 © Howard W. Sams & Co., Inc. 1966

Resistors are 1/2 watt or less and rated 5% unless otherwise indicated.



FORD MODEL 6TMF



PARTS LIST AND DESCRIPTION

(When ordering parts, state Model, Part Number, and Description.)

Replacement parts shown may be superseded by the availability of newly introduced replacements. Have your local distributor check Sams COUNTER FACTS® for the most up-to-date replacement.

TRANSISTORS

| ITEM No. | ORIG. TYPE | USE | REPLACEMENT DATA | | | NOTES |
|----------|------------|---------|------------------|---------------------------|--------------|-------|
| | | | DELCO PART No. | GENERAL ELECTRIC PART No. | RCA PART No. | |
| X1 | 2SA72 | RF Amp. | D8-25 | GE-9 | SK-3008 | PNP |
| X2 | 2SA72 | Conv. | D8-25 | GE-9 | SK-3008 | PNP |
| X3 | 2SA72 | IF Amp. | D8-25 | GE-9 | SK-3008 | PNP |
| X4 | M54 | Driver | D8-46 | GE-10 | SK-3020 | NPN |
| X5 | 2N176 | Output | D8-520 | GE-3 | SK-3009 | PNP * |

* When replacing, apply silicone grease to both sides of insulator. Tighten mounting screws securely.

POWER RECTIFIERS & SIGNAL DIODES

| ITEM No. | MEASURED CURRENT | ORIGINAL Part or Type No. | RECTIFIERS | | | | DIODES |
|----------|------------------|---------------------------|---------------------------|------------------|--------------|-------------------------|---------------------------|
| | | | GENERAL ELECTRIC PART No. | MALLORY PART No. | RCA PART No. | SARKES TARZIAN PART No. | GENERAL ELECTRIC PART No. |
| X6 | | 1N139 | | | | | 1N34AS |
| X7 | | 1N139 | | | | | 1N34AS |

ELECTROLYTIC CAPACITORS

| ITEM No. | RATING | | REPLACEMENT DATA | | | | | |
|----------|--------|-------|-------------------|------------------|---------------------------|---------------------------|------------------|------------------|
| | CAP. | VOLT. | MOTOROLA PART No. | AEROVOX PART No. | CORNELL-DUBILIER PART No. | GENERAL ELECTRIC PART No. | MALLORY PART No. | SPRAGUE PART No. |
| C1A | 500 | 16 | 23C41979A01 | PWH2-02-40 | CC0012 | | PPF200, 65 | PCL8-2177* |
| B | 500 | 16 | | | | | | |
| C2 | 10 | 25 | 23C41928A17 ① | CRE607A | NLW10-25 | MT1-25 | TT25X10 | TE-1204 |
| C3 | 10 | 64 | 23C42957A01 ① | CRE907A | NLW10-100 | MT1-7 | TT100X10 | TE-1407 |
| C4 | 1.6 | 25 | 23C41928A08 ② | CRE60LA | NLW2-50 | MT1-1 | TT50X2 | TL-1201 |

* Not normally in distributor's stock. Available thru distributor on order to manufacturer.

① Use this Part Number when ordering from Motorola, 23D65282A21.

② Use this Part Number when ordering from Motorola, 23C41928A05.

CAPACITORS

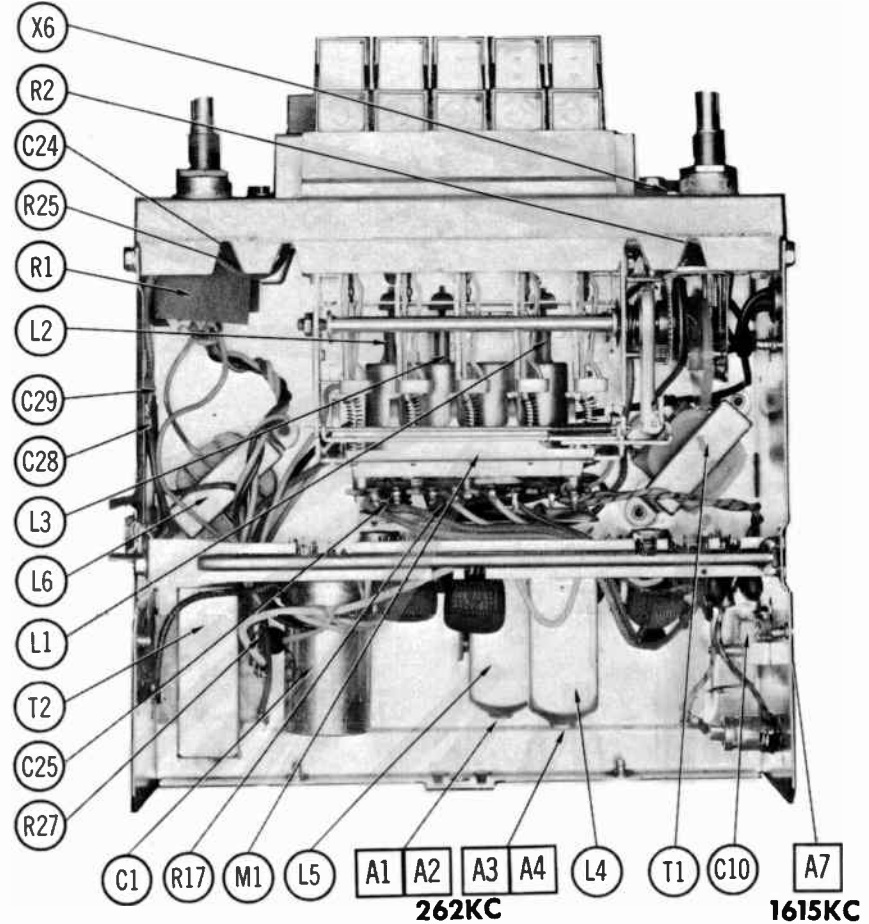
| ITEM No. | RATING | REMARKS | REPLACEMENT DATA | | | | | |
|----------|------------------|-----------------------------------|------------------|--------------------|---------------------------|------------------|------------------|------------------|
| | | | AEROVOX PART No. | CENTRALAB PART No. | CORNELL-DUBILIER PART No. | ELMENCO PART No. | MALLORY PART No. | SPRAGUE PART No. |
| C10 | 110-340 10-75 | #20C40746A08 #20C40746A10 ① | | | | | | |
| C11 | .1 100V | | P288N-1 | DF-104 | PM2P1 | 2DP-3-104 | PVC201 | 2TM-P10 |
| C12 | 330 | | DI-330 | DD-331 | JBZ601YP331K | CCD-331 | JF333 | 10TS-T33 |
| C13 | .0033 100V | (.005) * | P288N-0033 | CPR-3300J | WMF1D33 | 6DP-1-332 | PVC4233 | 6PS-D33 |
| C14A | 250-390 | #20C40254A10 | | | | | | |
| B | 30-130 | | | | | | | |
| C15 | .01 100V | | DBE481 | CPR-10000J | WMF181 | 1DP-1-103 | PVC211 | 4PS-810 |
| C16 | .005 100V | | DBE6D5 | CPR-5000J | DPMS6D5 | 1DP-1-502 | PVC625 | 6PS-D50 |
| C17 | 180 N330 | | | | | * | * | 10TCS-T18 |
| C18 | 180 | | DI-180 | DD-181 | JBZ601YP181K | CCD-181 | GP318 | 5GA-T18 |
| C19 | .01 | | BPD-01 | DD-103 | BYV102ZU103M | CCD-103 | B110 | 5HK-810 |
| C20 | .22 100V | | DBE2P22 | | DPMS2P22 | 1DP-3-224 | PVC1022 | 2PS-P22 |
| C21 | 1mfd | | | UK-105 | HCX3R0XR105P | | MAG31 | HY-135 |
| C22 | .0068 100V | | DBE6D68 | CPR-8800J | WMF4D68 | 1DP-1-682 | PVC4268 | 6PS-D68 |
| C23 | 180 N470 | | | | | * | * | 10TCT-T18 |
| C24 | 1mfd | | | UK-105 | HCX3R0XR105P | | MAG31 | HY-135 |
| C25 | 180 N750 | | | TCN-180 | | | CN7318 | 10TCU-T18 |
| C26 | .1 100V | | P288N-1 | DF-104 | PM2P1 | 3DP-3-104 | PVC201 | 2TM-P10 |
| C27 | .1 100V | | P288N-1 | DF-104 | PM2P1 | 2DP-3-104 | PVC201 | 2TM-P10 |
| C28 | | #64A41668A02 | | | | | | |
| C29 | | #64A41668A02 | | | | | | |

* Not normally in distributor's stock. Available thru distributor on order to manufacturer.

① Used in Model E6TMM.

Motorola Part Number.

* Nominal Value.



PARTS LIST AND DESCRIPTION (CONTINUED)

(When ordering parts, state Model, Part Number, and Description.)

Replacement parts shown may be superseded by the availability of newly introduced replacements. Have your local distributor check Sams COUNTER FACTS for the most up-to-date replacement.

CONTROLS

All wattages 1/2 watt, or less, unless otherwise listed.

| ITEM No. | USE | RESIST-ANCE | REPLACEMENT DATA | | | | |
|----------|-----------------------|---------------------------|-------------------|--------------------|--------------------|------------------|------------------|
| | | | MOTOROLA PART No. | CENTRALAB PART No. | CLAROSTAT PART No. | CTS-IRC PART No. | MALLORY PART No. |
| R1A B | Tone Volume/Switch | 20K 10K Tap Ⓢ 2200Ω | 18C42662A01 | | | | |

RESISTORS (Power and Special)

| ITEM No. | RATING | REPLACEMENT DATA | | | ITEM No. | RATING | REPLACEMENT DATA | | |
|----------|-----------|------------------|------------------|-------------------|----------|------------|------------------|------------------|-------------------|
| | | IRC PART No. | WORKMAN PART No. | MOTOROLA PART No. | | | IRC PART No. | WORKMAN PART No. | MOTOROLA PART No. |
| R29 | 75Ω (PTC) | | | 17C40259A01 | R31 | .68Ω (PTC) | | | 17B40756A01 |

COILS (RF-IF)

| ITEM No. | USE | REPLACEMENT DATA | | | | | |
|----------|------------|---|-------------------|----------------|-----------------|------------------|------------------|
| | | MOTOROLA PART No. | MEISSNER PART No. | MERIT PART No. | MILLER PART No. | STANCOR PART No. | WORKMAN PART No. |
| L1 | Antenna | ① | | | | | |
| L2 | RF | ① | | | | | |
| L3 | Oscillator | ① | | | | | |
| L4 | Input IF | 24D40074A16 24D40074A15 ② 24D40075A15 | 16-6714 | BC-638 | 6555 | RTC-9406 | |
| L5 | Output IF | | | | | | |

① Part of M1 or (Tuning Coil Assembly, Part #1V42700A77). ② Used in some versions.

FILTER CHOKE

| ITEM No. | RATINGS | | | REPLACEMENT DATA | | | | | NOTES |
|----------|--------------------|---------|------------------------------|-------------------|----------------|------------------|---------------------|----------------|-------|
| | CURRENT (Measured) | DC RES. | INDUCTANCE (0 CURRENT 1000~) | MOTOROLA PART No. | MERIT PART No. | STANCOR PART No. | THORDARSON PART No. | TRIAD PART No. | |
| L6 | 580ma | .8Ω | 11MH | 25D42032A14 | C-4095 | TC-2 | TR-154 | TY17XT | |

TRANSFORMER (DRIVER)

| ITEM No. | TURNS RATIO | | REPLACEMENT DATA | | | | | NOTES |
|----------|-------------|------|-------------------|----------------|------------------|---------------------|----------------|-------|
| | PRI. | SEC. | MOTOROLA PART No. | MERIT PART No. | STANCOR PART No. | THORDARSON PART No. | TRIAD PART No. | |
| T1 | 16 | 1 | 25D42045A09 | | | | | |

TRANSFORMER (AUDIO OUTPUT)

| ITEM No. | IMPEDANCE | | REPLACEMENT DATA | | | | | NOTES |
|----------|-----------|------|-------------------|----------------|------------------|---------------------|----------------|-------|
| | PRI. | SEC. | MOTOROLA PART No. | MERIT PART No. | STANCOR PART No. | THORDARSON PART No. | TRIAD PART No. | |
| T2 | 40Ω Tap | Ⓢ 8Ω | 25C41878A01 | | | | | |

SPEAKER

| ITEM No. | TYPE | REPLACEMENT DATA | | NOTES |
|----------|----------------|-------------------|---------------|-------|
| | | MOTOROLA PART No. | QUAM PART No. | |
| SP1 | 4" x 10" PM 8Ω | 50D43905A01 | 410A2Z8 | |

FUSE DEVICES

| ITEM No. | TYPE | RATING | REPLACEMENT DATA | | | | | | |
|----------|------|--------|------------------|---------------|---------------------|--------|---------------|--------|--|
| | | | PART No. | | LITTELFUSE PART No. | | BUSS PART No. | | |
| | | | FUSE | HOLDER | FUSE | HOLDER | FUSE | HOLDER | |
| F1 | | | | In Fuse Block | | | | | |

MISCELLANEOUS

| ITEM No. | PART NAME | MOTOROLA PART No. | NOTES |
|----------|------------------------|---------------------------|--------|
| M1 | Tuner Coil Assembly | 77D42629A02 1V43700A02 | AT-569 |

CABINETS & CABINET PARTS

(When Ordering Specify Model, Chassis & Color)

| ITEM | PART No. | ITEM | PART No. |
|-----------------------|-------------|--------------|-------------|
| Knob-Tuning or Volume | 36B42932A01 | Pushbutton | 38C42908A01 |
| Knob-Tone or Dummy | 38C42952A01 | Dial Pointer | 52C42062A13 |

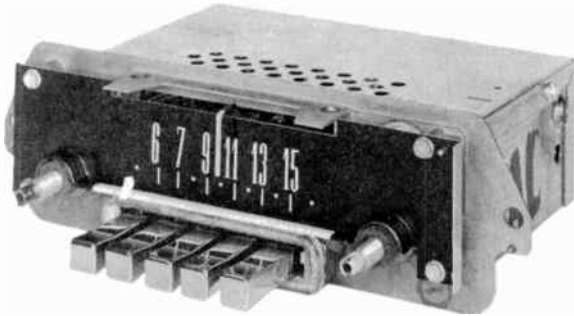
WIRING DATA

| | |
|---|--|
| General-use Unshielded Hook-up Wire | Use BELDEN No. 8530 (Solid) Available in 12 Colors 8524 (Stranded) Available in 12 Colors |
| Shielded Hook-up Wire | Use BELDEN No. 8885 |
| Rear Seat Speaker External Cable | Use BELDEN No. 8782 (Stranded) Coded Parallel Leads |
| Bonding Strap | Use BELDEN No. 8661 (3/8 In.) or 8670 (3/4 In.) |



PHOTOFACT[®] with

CIRCUITRACE[®]



Ford Models: 6TPF (1966 Galaxie)
 6TPD (1966 Falcon)
 6TPO (1966 Fairlane)
 6TPZ (1966 Mustang)

TRADE NAME :
 SUPPLIER : For Current Address, See Annual Index.
 TYPE SET : 6 Transistor AM Receiver
 POWER SUPPLY : 12 Volt Storage Battery
 RATING : .55 Amp. @ 12.6 Volts DC
 TUNING RANGE: BROADCAST 535-1615KC

FORD MODELS 6TPF, 6TPD, 6TPO, 6TPZ

ALIGNMENT INSTRUCTIONS

Check for specified source voltage.
 Use only enough generator output to provide a usable indication.
 Suggested Alignment Tools:

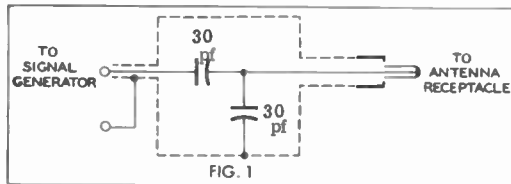
A1 thru A4. GENERAL CEMENT: 9440
 WALSCO: 2501
 A5 thru A7. GENERAL CEMENT: 8290, 8868, 9087
 WALSCO: 2525, 2528, 2587

| | SIGNAL GENERATOR COUPLING | SIGNAL GENERATOR FREQUENCY | RADIO DIAL SETTING | INDICATOR | ADJUST | REMARKS |
|--|--|----------------------------|----------------------|---------------------------------|----------------|---|
| 1. | High side thru .1mfd to point A, low side to ground. | 262KC (400v Mod.) | High Freq. End Stop. | Output Meter across voice coil. | A1, A2, A3, A4 | Adjust for maximum. Remove top slug to adjust A1 and A3. |
| 2. | Thru dummy (Fig. 1) to antenna receptacle. | 1615KC | " | " | A5, A6, A7 | " |
| Step 3 is not necessary unless tuner has been tampered with or associated components have been replaced. IF necessary, back tuning cores (A8, A9, A10) out of coils but not out of forms. Repeat step 2. | | | | | | |
| 3. | Thru dummy (Fig. 1) to antenna receptacle. | 1000KC | Tune to Signal. | Output Meter across voice coil. | A8, A9, A10 | Adjust for maximum. Repeat steps 2 & 3 until no further improvement is noted. |
| With radio installed in car and antenna fully extended, tune in a weak station near 1400KC and adjust A7 for maximum output. | | | | | | |

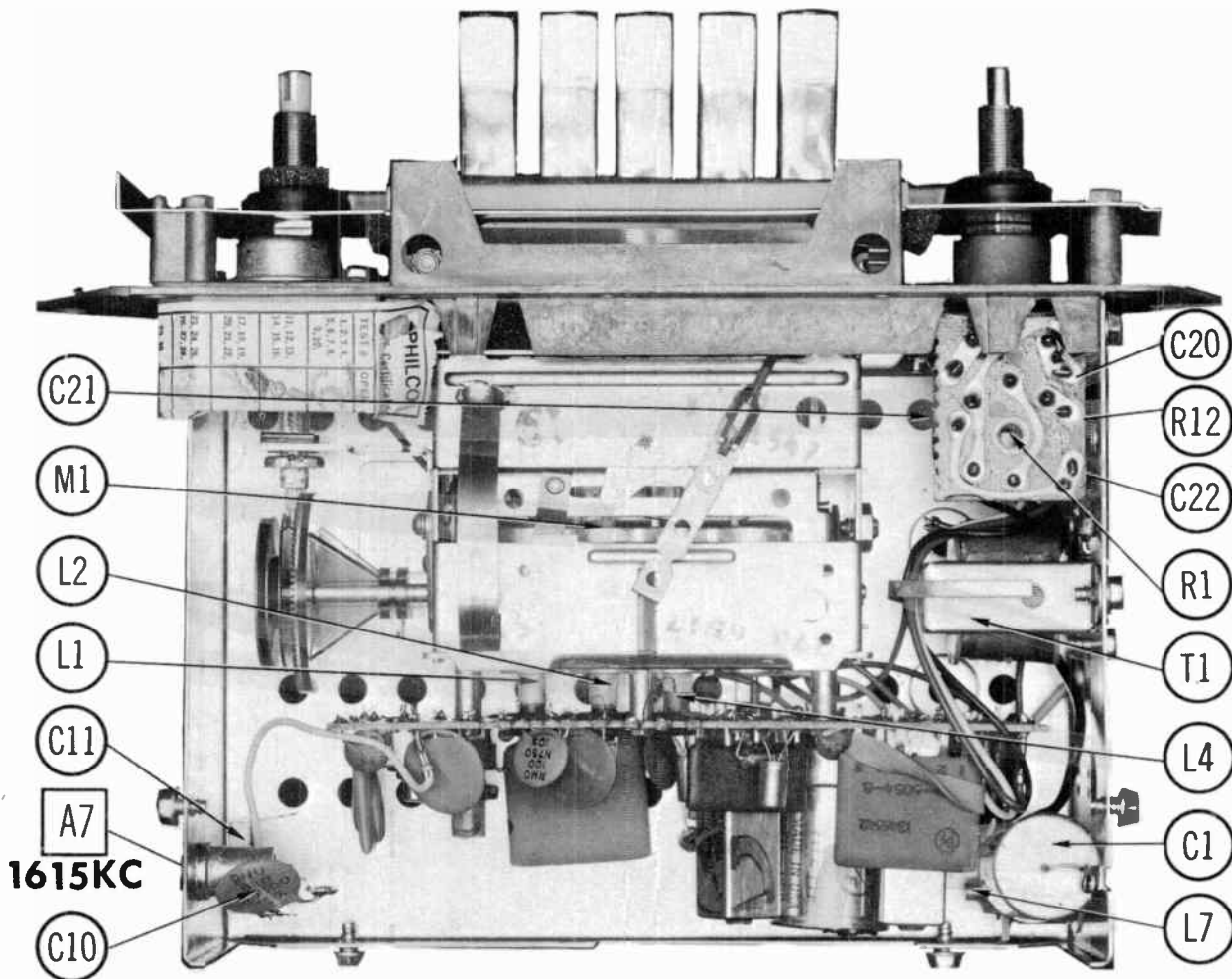
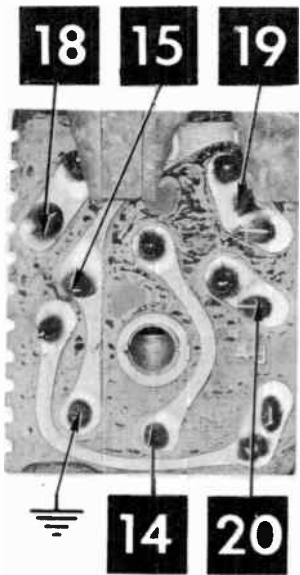
Antenna Adjustment (A7) located on right side, rear, below Antenna Input.

PUSH-BUTTON ADJUSTMENT

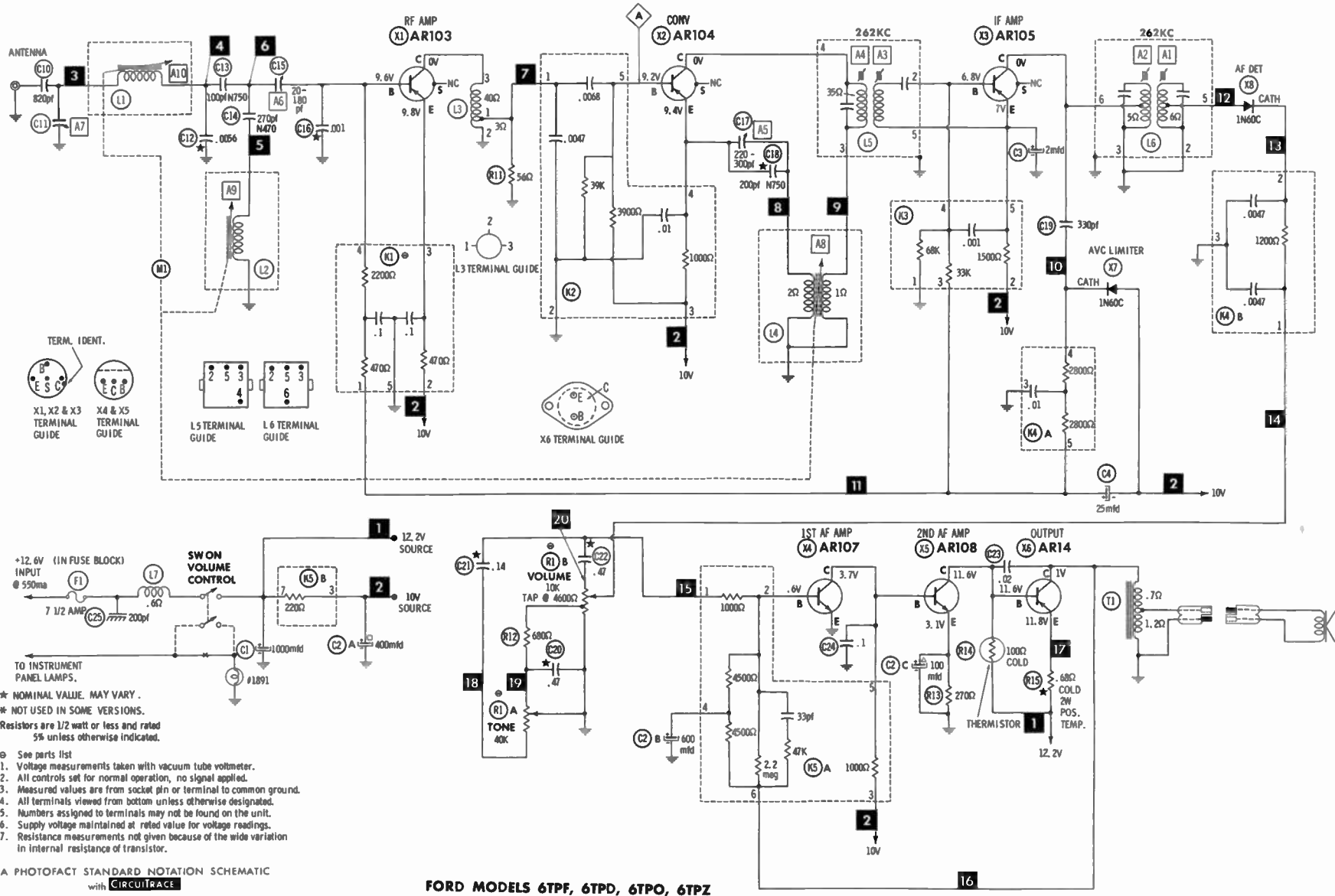
1. Pull button out.
2. Tune manually to desired station.
3. Press button in firmly.
4. Repeat for remaining buttons.



HOWARD W. SAMS & CO., INC. Indianapolis, Indiana 46206



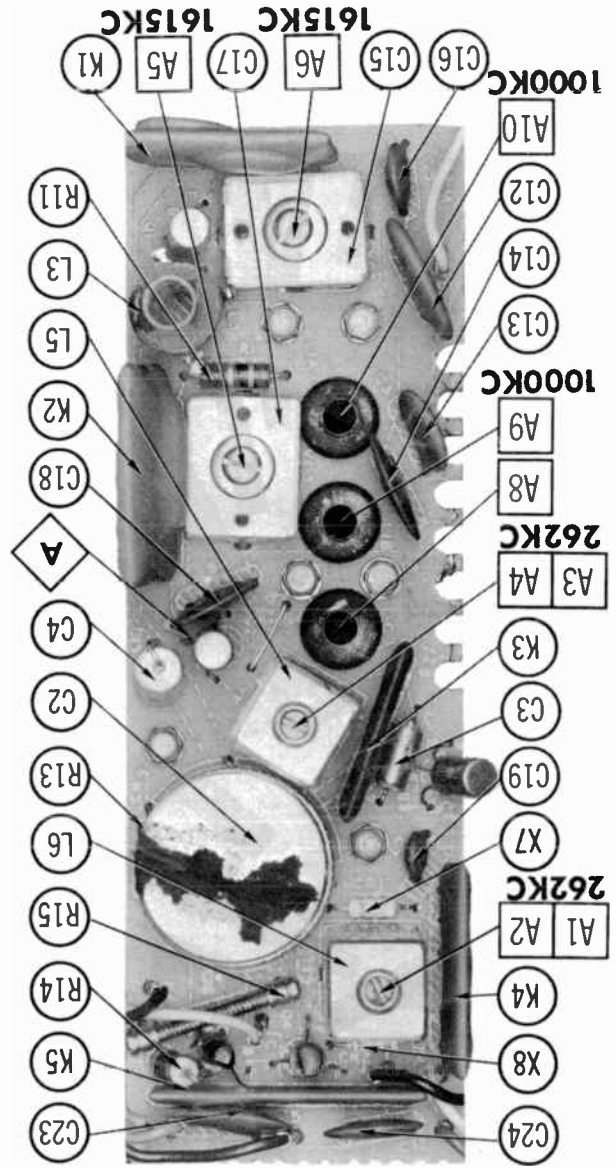
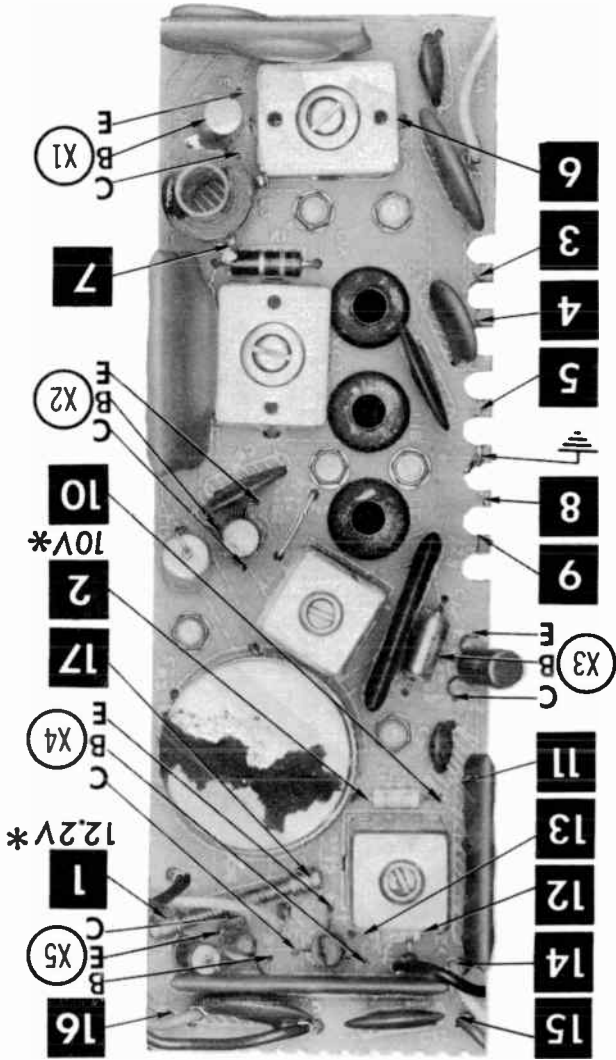
FORD MODELS 6T1PF, 6T1PD, 6T1PO, 6T1PZ



FORD MODELS 6TPF, 6TPD, 6TPO, 6TPZ

▲ Howard W. Sams CIRCUITRACE® Photo

* SOURCE



PARTS LIST AND DESCRIPTION

(When ordering parts, state Model, Part Number, and Description.)

Replacement parts shown may be superseded by the availability of newly introduced replacements.
Have your local distributor check Sams COUNTER FACTS® for the most up-to-date replacement.

TRANSISTORS

| ITEM No. | ORIG. TYPE | USE | REPLACEMENT DATA | | | NOTES |
|----------|------------|--------------|------------------|---------------------------|--------------|-------|
| | | | DELCO PART No. | GENERAL ELECTRIC PART No. | RCA PART No. | |
| X1 | AR103 | RF Amp. | D8-25 | GE-1 | SK-3008 | PNP |
| X2 | AR104 | Conv. | D8-25 | GE-1 | SK-3008 | PNP |
| X3 | AR105 | IF Amp. | D8-25 | GE-1 | SK-3008 | PNP |
| X4 | AR107 | 1st. AF Amp. | D8-46 | GE-10 | SK-3020 | NPN |
| X5 | AR108 | 2nd. AF Amp. | D8-46 | GE-10 | SK-3020 | NPN |
| X6 | AR14 | Output | D8-520 | GE-3 | SK-3009 | PNP * |

* When replacing, apply silicone grease to both sides if insulator. Tighten mounting screws securely.

POWER RECTIFIERS & SIGNAL DIODES

| ITEM No. | MEASURED CURRENT | ORIGINAL Part or Type No. | RECTIFIERS & DIODES | | RECTIFIERS | | |
|----------|------------------|---------------------------|---------------------------|----------------------------------|------------------|--------------|-------------------------|
| | | | GENERAL ELECTRIC PART No. | INTERNATIONAL RECTIFIER PART No. | MALLORY PART No. | RCA PART No. | SARKES TARZIAN PART No. |
| X7 | | 1N60C | 1N60 | 1N60 | | | |
| X8 | | 1N60C | 1N60 | 1N60 | | | |

ELECTROLYTIC CAPACITORS

| ITEM No. | RATING | | PHILCO PART No. | REPLACEMENT DATA | | | | |
|----------|--------|-------|-----------------|------------------|---------------------------|---------------------------|------------------|------------------|
| | CAP. | VOLT. | | AEROVOX PART No. | CORNELL-DUBILIER PART No. | GENERAL ELECTRIC PART No. | MALLORY PART No. | SPRAGUE PART No. |
| C1 | 1000 | 16 | 3L0-0009-05 | PRS1295 | BR1000-15 | QT1-32 | TC1501 | TVA-1183 |
| | 250 | 16 | 30-2806-3 ① | PTT108 | BR250-15 | QT1-26 | TC1502 | TVA-1161 |
| C2A | 400 | 16 | 3L0-0005-02 | PWH3-00-95 | | | | PCL3020.7 |
| B | 600 | 3 | | | | | | |
| C | 100 | 16 | | | | | | |
| | 400 | 16 | 30-2594-9 ① | PWH3-54-14 | | | | PCLS-3020.2* |
| | 400 | 3 | | | | | | |
| | 100 | 16 | | | | | | |
| C3 | 2 | 15 | 3L0-0011-01 | CRE451A | NLW3-15 | MT1-1 | TT50X2 | TL-1149 |
| C4 | 25 | 6 | 30-2806-2 | CRE312A | NLW30-6 | MT1-13 | TT6X25 | TL-1091 |

* Not normally in distributor's stock. Available thru distributor on order to manufacturer.

① Used in some versions.

CAPACITORS

| ITEM No. | RATING | | REMARKS | REPLACEMENT DATA | | | | | |
|----------|---------|-------|--------------|------------------|--------------------|---------------------------|------------------|------------------|------------------|
| | CAP. | VOLT. | | AEROVOX PART No. | CENTRALAB PART No. | CORNELL-DUBILIER PART No. | ELMENCO PART No. | MALLORY PART No. | SPRAGUE PART No. |
| C10 | 620 | N3300 | | | | | * | * | |
| C11 | | | #3L1-0001-04 | | | | | | |
| C12 | .0056 | | | DI-5600 | DD-562 | RR06CW562K | CCD-562 | GP256 | 10TS-D56 |
| C13 | 100 | N750 | | N750-DI100 | DTN-100 | CX601UJ101K | CCTN-101 | CN7310 | 10TCU-T10 |
| C14 | 270 | N470 | | | | | * | * | 10TCT-T27 |
| C15 | 20-180 | | #31-6534-7 | | | | | | |
| C16 | .001 | | | BPD-001 | DD-102 | HVX162XP102M | CCD-102 | B210 | 5HK-D10 |
| C17 | 220-300 | | #3L1-0001-05 | | | | | | |
| C18 | 200 | N750 | | N750-DI200 | DTN-200 | | CCTN-201 | CN7320 | 10TCU-T20 |
| C19 | 330 | | | DI-330 | DD-331 | JBZ801YP331K | CCD-331 | JF333 | 10TS-T33 |
| C20 | .47 | | | | UK10-404 | | | MAG12047 | HY-330 |
| C21 | .1 | | | TTD-1 | CK-104 | HOV101ZV104Z | | TA010 | TG-P10 |
| C22 | .47 | | | | UK10-404 | | | MAG12047 | HY-330 |
| C23 | .02 | | | BPD-02 | DD-203 | BYT601ZU203Z | CCD-203 | B120 | 5HK-S20 |
| C24 | .1 | | | TTD-1 | CK-104 | HOV101ZV104Z | | TA010 | TG-P10 |
| C25 | 200 | | #30-1254-1 | | | | | | |

* Not normally in distributor's stock. Available thru distributor on order to manufacturer.

Philco Part Number.

CONTROLS

All wattages 1/2 watt, or less, unless otherwise listed.

| ITEM No. | USE | RESISTANCE | REPLACEMENT DATA | | | | | |
|----------|---------------|------------|------------------|--------------------|--------------------|------------------|------------------|-----------|
| | | | PHILCO PART No. | CENTRALAB PART No. | CLAROSTAT PART No. | CTS-IRC PART No. | MALLORY PART No. | |
| R1A | Tone | 40K | 3L3-0003-02 | | | | | |
| B | Volume/Switch | 10K | ① | | | | | |
| | Tapped @ | 4000Ω | | | | | | |
| | Tone | 40K | 33-5610-12② | | | | | |
| | Volume/Switch | 10K | | | | | | |
| | Tapped @ | 4000Ω | | | | | | |
| | Tone | 40K | 3L3-0003-01 | | | | | |
| | Volume/Switch | 10K | ③ | | | | | |
| | Tapped @ | 4000Ω | | | | | | |
| | Tone | 40K | 33-5610-7④ | | | | | ■ UE45578 |
| | Volume/Switch | 10K | | | | | | |
| | Tapped @ | 4000Ω | | | | | | |

① Used in Model: 6TPD.

② Used in Model: 6TPD.

③ Cut shaft to proper length.

④ Used in Model: 6TPF, Part #33-5610-6 used in some versions.

■ "STA-LOC" Equivalent: FH15L, RU14T53, OS1612A, ISA3062⑤, US42.

PARTS LIST AND DESCRIPTION (CONTINUED)

(When ordering parts, state Model, Part Number, and Description.)

Replacement parts shown may be superseded by the availability of newly introduced replacements. Have your local distributor check Sams COUNTER FACTS® for the most up-to-date replacement.

RESISTORS (Power and Special)

| ITEM No. | RATING | REPLACEMENT DATA | | | ITEM No. | RATING | REPLACEMENT DATA | | |
|----------|------------------------|------------------|------------------|-----------------|----------|---------------|------------------|------------------|-----------------|
| | | IRC PART No. | WORKMAN PART No. | PHILCO PART No. | | | IRC PART No. | WORKMAN PART No. | PHILCO PART No. |
| R14 | 100Ω (Cold) Thermistor | | | 33-1378-1 | R15 | .68Ω 2W (PTC) | | | 33-1377-1 |

COILS (RF-IF)

| ITEM No. | USE | REPLACEMENT DATA | | | | | |
|----------|--------------|------------------|-------------------|----------------|-----------------|------------------|------------------|
| | | PHILCO PART No. | MEISSNER PART No. | MERIT PART No. | MILLER PART No. | STANCOR PART No. | WORKMAN PART No. |
| L1 | 1st. Antenna | 32-4843-2 | | | | | |
| L2 | 2nd. Antenna | 32-4843-2 | | | | | |
| L3 | RF | 32-4845-2 | | | | | |
| L4 | Oscillator | 32-4843-3 | | | | | |
| L5 | Input IF | 32-4882-1 | | | 8013 | | |
| L6 | Output IF | 32-4882-2 | | | 8014 | | |

FILTER CHOKE

| ITEM No. | RATINGS | | | REPLACEMENT DATA | | | | | | NOTES |
|----------|--------------------|---------|------------------------------|------------------|----------------|------------------|---------------------|----------------|--|-------|
| | CURRENT (Measured) | DC RES. | INDUCTANCE (0 CURRENT 1000~) | PHILCO PART No. | MERIT PART No. | STANCOR PART No. | THORDARSON PART No. | TRIAD PART No. | | |
| L7 | .55 Amp. | .6Ω | .5MH | 32-4842-2 | C-4142 | TC-1 | TR-159 | TY16XT | | |

TRANSFORMER (AUDIO OUTPUT)

| ITEM No. | IMPEDANCE | | REPLACEMENT DATA | | | | | NOTES |
|----------|-----------------|------|------------------|----------------|------------------|---------------------|----------------|-------|
| | | | PHILCO PART No. | MERIT PART No. | STANCOR PART No. | THORDARSON PART No. | TRIAD PART No. | |
| | PRI. | SEC. | | | | | | |
| T1 | 18Ω Tapped @ 8Ω | | 32-10021-2 | | | TR-189 | | |

FUSE DEVICES

| ITEM No. | TYPE | RATING | REPLACEMENT DATA | | | | | | | | |
|----------|------|--------|------------------|---------------|---------------------|--------|---------------|--------|--|-----------|--|
| | | | PART No. | | LITTELFUSE PART No. | | BUSS PART No. | | | | |
| | | | FUSE | HOLDER | FUSE | HOLDER | FUSE | HOLDER | | | |
| F1 | SFE | 7 1/2A | | In Fuse Block | | | 30707.5 | | | SFE 7 1/2 | |

MISCELLANEOUS

| ITEM No. | PART NAME | PHILCO PART No. | NOTES |
|----------|--------------------|---|--|
| M1 | Tuner (Mechanical) | 7L8-0021-03 7L8-0049-01 7L8-0021-01 78-13608-3 | Model: 6TPD. Model: 6TPF. Model: 6TPO. Model: 6TPZ. |

COMPONENT COMBINATIONS

| ITEM No. | USE | DESCRIPTION | PHILCO PART NO. | REPLACEMENT DATA |
|----------|-------------------------|--|-----------------|------------------|
| PC1 | RF Network | 470Ω, 470Ω, 2200Ω, .1mfd, .1mfd. | 30-6054-8 | |
| PC2 | Conv. Network | 1000Ω, 3900Ω, 39K, .0047mfd, .0088mfd, .01mfd. | 30-6054-2 | |
| PC3 | IF Network | 1500Ω, 33K, 68K, .001mfd. | 30-6054-3 | |
| PC4 | AVC Det Networks | 1200Ω, 2800Ω, 2800Ω, .0047mfd, .0047mfd, .01mfd. | 30-6054-8 | |
| PC5 | Audio & B Plus Networks | 220Ω, 1000Ω, 1000Ω, 4500Ω, 4500Ω, 47K, 2.2meg, 33pf. | 30-6054-11 | |

CABINETS & CABINET PARTS

(When Ordering Specify Model, Chassis & Color)

| ITEM | MODEL | PART No. | ITEM | MODEL | PART No. |
|--------------|-------|-------------|--------------|-------|-------------|
| Dial Pointer | 6TPD | 7L8-0056-3 | Dial Pointer | 6TPO | 7L8-0056-1 |
| Escutcheon | 6TPD | 2L8-0028-01 | Escutcheon | 6TPO | 2L8-0017-01 |
| Pushbutton | 6TPD | 2L7-0009-01 | Pushbutton | 6TPO | 2L7-0003-01 |
| Dial Glass | 6TPD | 2L7-0008-01 | Dial Pointer | 6TPZ | 7L8-0056-5 |
| Dial Pointer | 6TPF | 7L8-0056-4 | Escutcheon | 6TPZ | 28-14875-8 |
| Escutcheon | 6TPF | 2L8-0041-01 | Pushbutton | 6TPZ | 27-11078-1 |
| Pushbutton | 6TPF | 2L8-0040-01 | Dial Glass | 6TPZ | 27-10791-3 |

WIRING DATA

| | |
|---|---|
| General-use Unshielded Hook-up Wire | Use BELDEN No. 8530 (Solid) Available in 12 Colors |
| Shielded Hook-up Wire | Use BELDEN No. 8524 (Stranded) Available in 12 Colors |
| Bonding Strap | Use BELDEN No. 8885 |
| | Use BELDEN No. 8661 (3/8 in.) or 8670 (3/4 in.) |

FORD MODELS 6TPF, 6TPD, 6TPO, 6TPZ



PHOTOFACT[®] with

CIRCUITRACE[®]



TRADE NAME : Lincoln Model
 T6SMC (C6VA-18806-J) 1966 Continental
 SUPPLIER : For Current Address, See Annual Index.
 TYPE SET : 17 Transistor AM Receiver W/Tape
 Player
 POWER SUPPLY : 12 Volt Storage Battery
 RATING : 1.6 Amp. @ 12.6 Volts DC (Receiver)
 1.8 Amp. @ 12.6 Volts DC (Tape Player)
 TUNING RANGE : BROADCAST 540-1615KC

LINCOLN MODEL T6SMC

OPERATING INSTRUCTIONS

- Turn the unit on by rotating the volume control clockwise.
- Insert the tape cartridge, label side up, through the tape slot until it is seated firmly.
- The tape will begin to play as soon as cartridge is seated. Adjust the volume, tone and balance as desired.
- Select the desired track with the track selector if desired or it is accomplished automatically as tape is played.

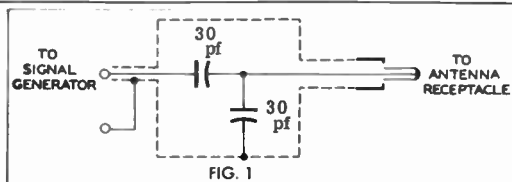
ALIGNMENT INSTRUCTIONS

Check for specified source voltage.
 Use only enough generator output to provide a usable indication.
 Suggested Alignment Tools:

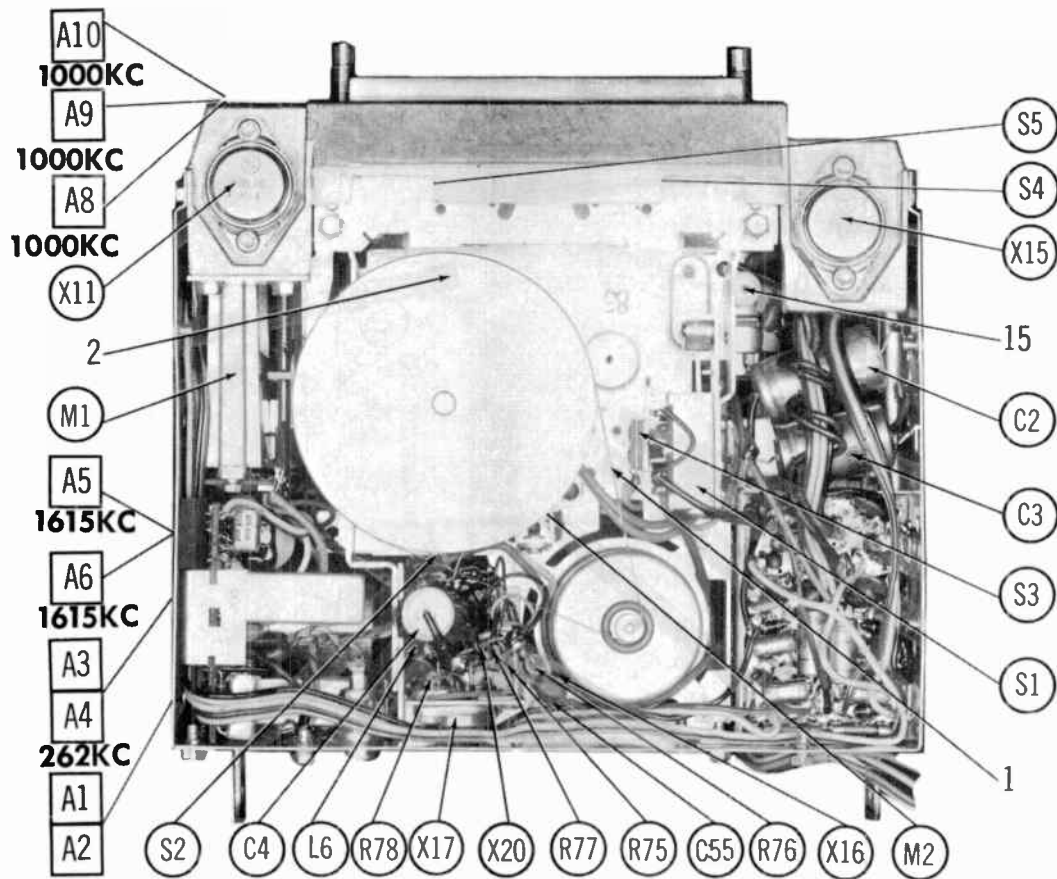
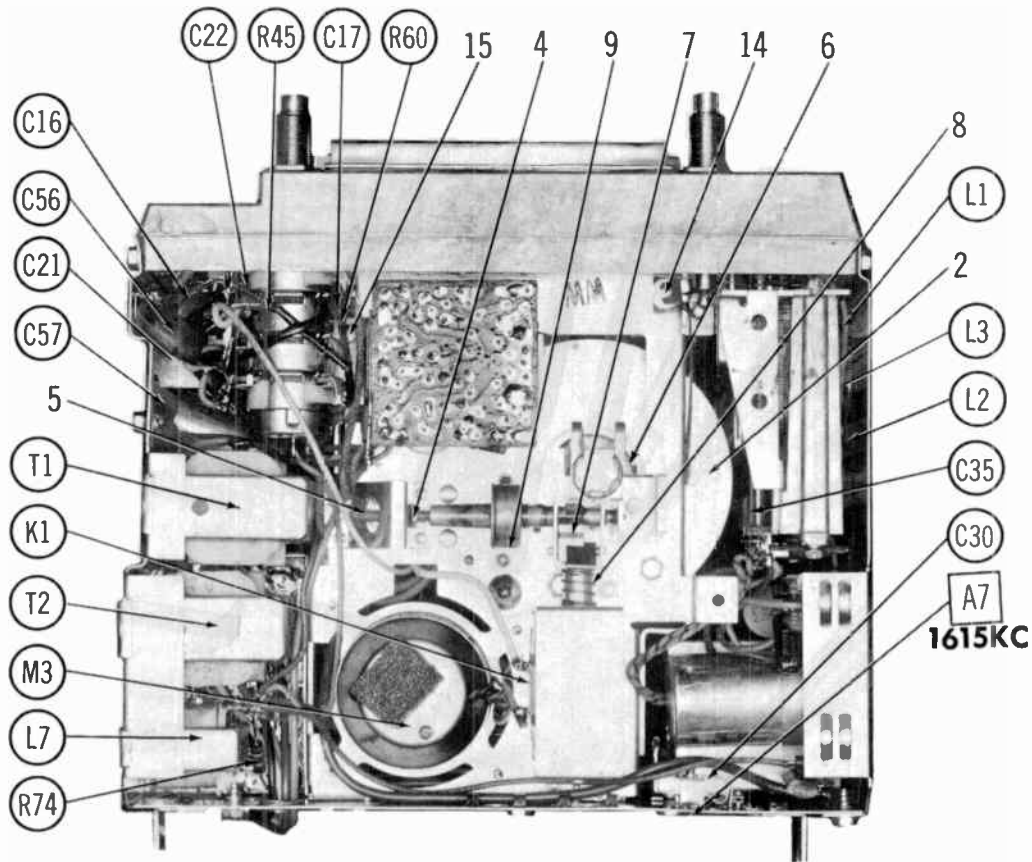
A1 thru A4. GENERAL CEMENT: 9296, 9297, 9300
 WALSCO: 2510, 2546, 2547
 A5, A6, A7. GENERAL CEMENT: 8290, 8868, 9087
 WALSCO: 2525, 2528, 2587

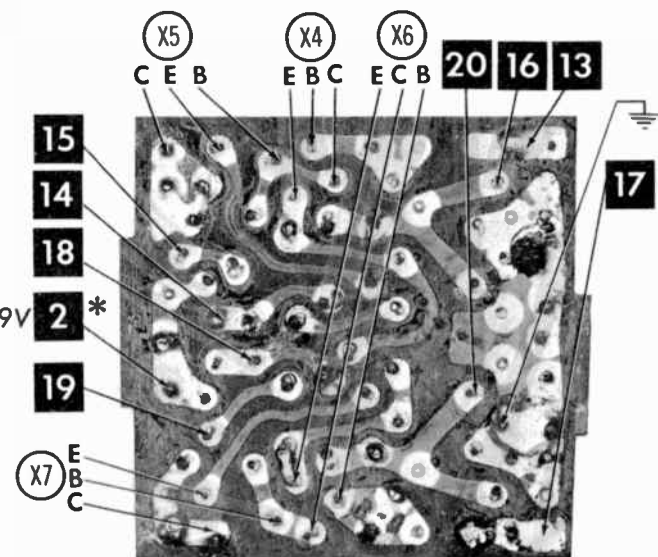
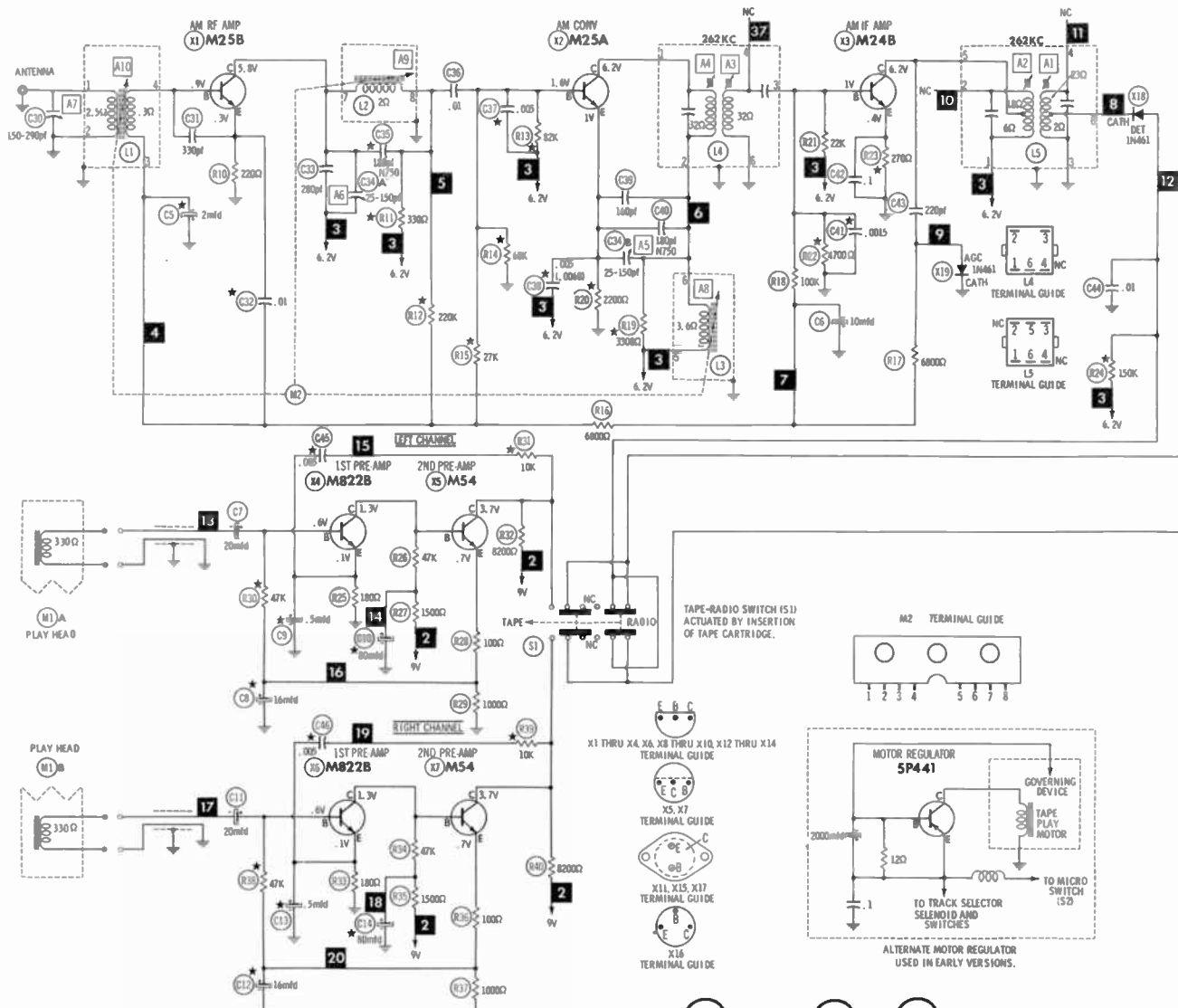
| | SIGNAL GENERATOR COUPLING | SIGNAL GENERATOR FREQUENCY | RADIO DIAL SETTING | INDICATOR | ADJUST | REMARKS |
|--|---|----------------------------|----------------------|---------------------------------|----------------|---|
| 1. | High side thru .1mfd to Ant. Input, low side to ground. | 262KC (400v Mod.) | High Freq. End Stop. | Output Meter across voice coil. | A1, A2, A3, A4 | Adjust for maximum. |
| 2. | Thru dummy (Fig. 1) to antenna receptacle. | 1615KC | " | " | A5, A6, A7 | " |
| Step 3 is not necessary unless tuner has been tampered with or associated components have been replaced. IF necessary, back tuning cores (A8, A9, A10) out of coils but not out of forms. Repeat step 2. | | | | | | |
| 3. | Thru dummy (Fig. 1) to antenna receptacle. | 1000KC | Tune to Signal. | Output Meter across voice coil. | A8, A9, A10 | Adjust for maximum. Repeat steps 2 & 3 until no further improvement is noted. |

With radio installed in car and antenna fully extended, tune in a weak station near 1000KC and adjust A7 for maximum output.



HOWARD W. SAMS & CO., INC. Indianapolis, Indiana 46206





***VOLTAGE SOURCE**

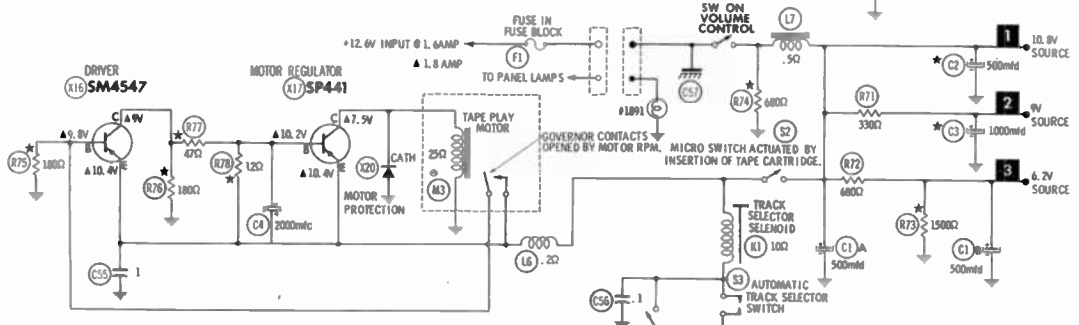
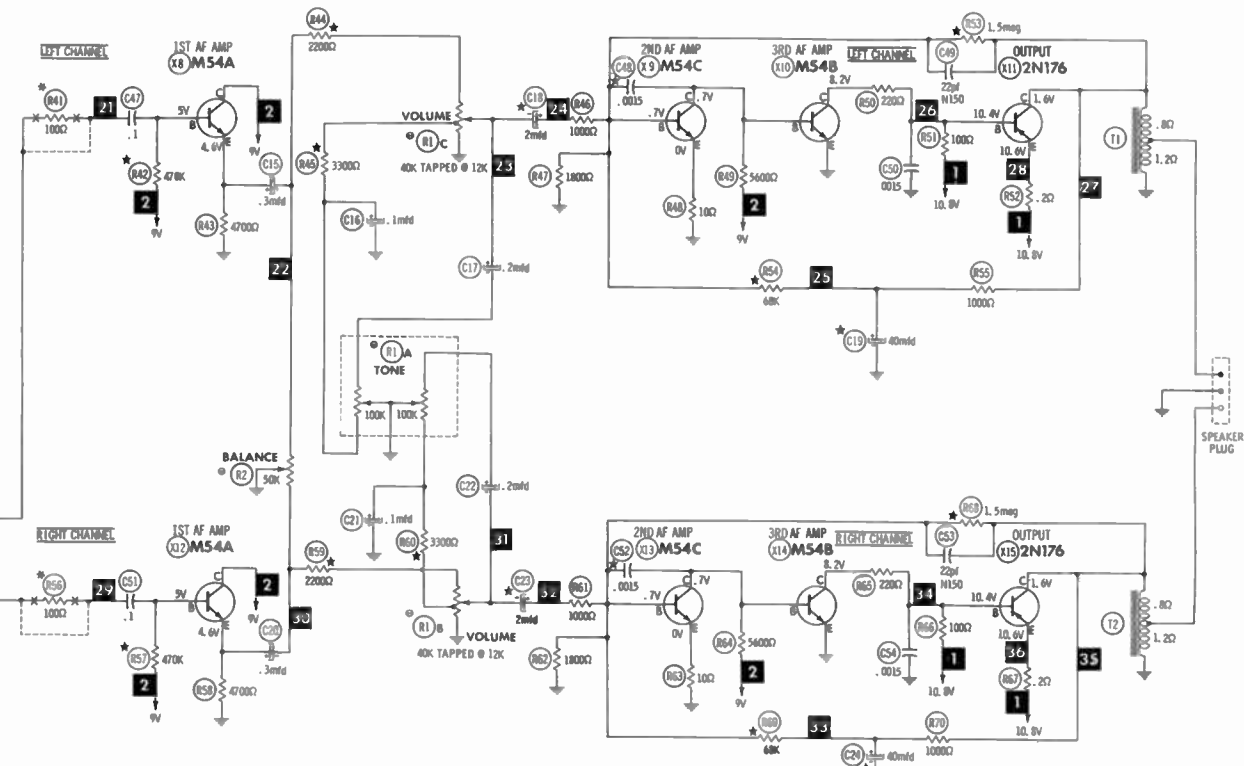
Resistors are 1/2 watt or less and rated 5% unless otherwise indicated.

* NOMINAL VALUE, MAY VARY.
 * NOT USED IN SOME VERSIONS.

A PHOTOFACIT STANDARD NOTATION SCHEMATIC with **CIRCUITRACE**

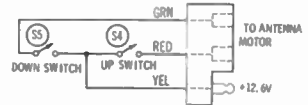
© Howard W. Sams & Co., Inc 1966

See parts list
 1. Voltage measurements taken with vacuum tube voltmeter.
 2. All controls set for normal operation, no signal applied.
 3. Measured values are from socket pin or terminal to common ground.
 4. All terminals viewed from bottom unless otherwise designated.
 5. Numbers assigned to terminals may not be found on the unit.
 6. Supply voltage maintained at rated value for voltage readings.
 7. Resistance measurements not given because of the wide variation in internal resistance of transistor.

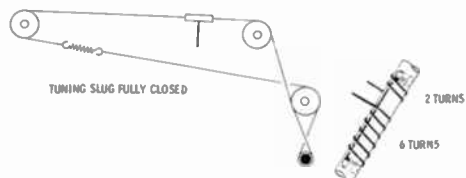


▲ MEASUREMENTS TAKEN WITH CARTRIDGE INSERTED
 ALL MEASUREMENTS TAKEN IN RADIO POSITION UNLESS OTHERWISE NOTED.

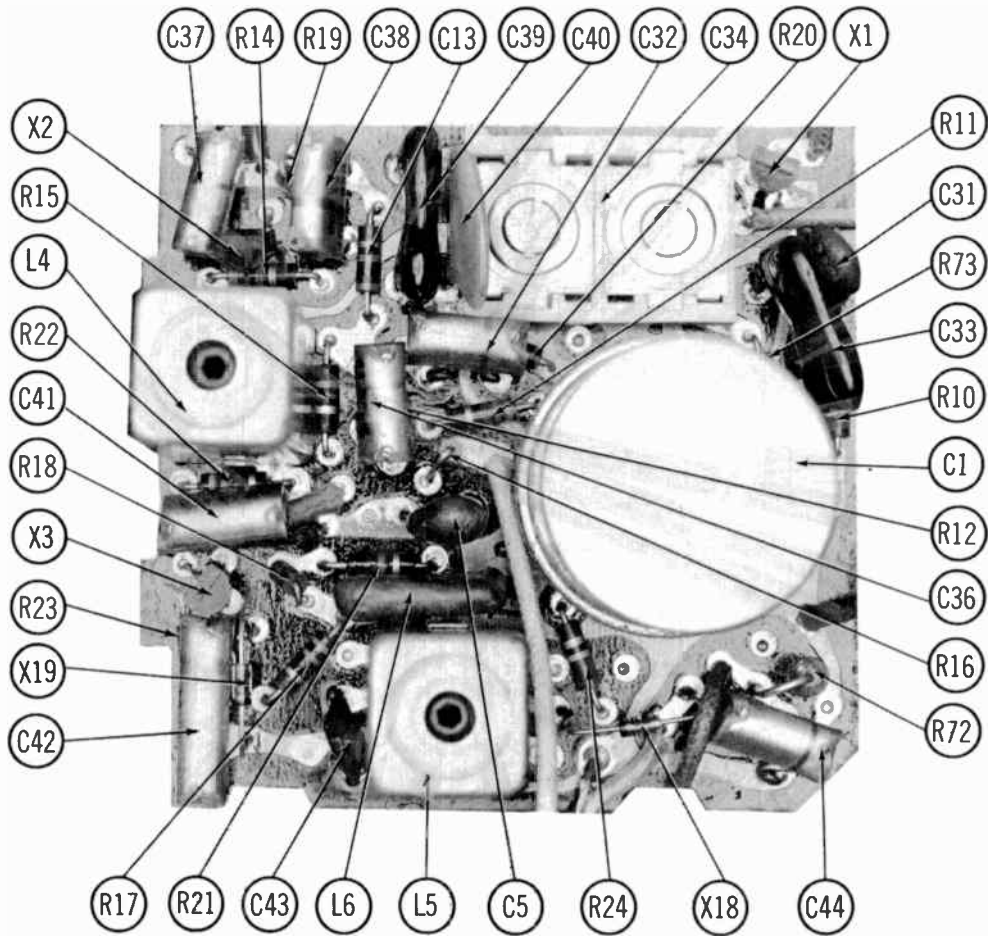
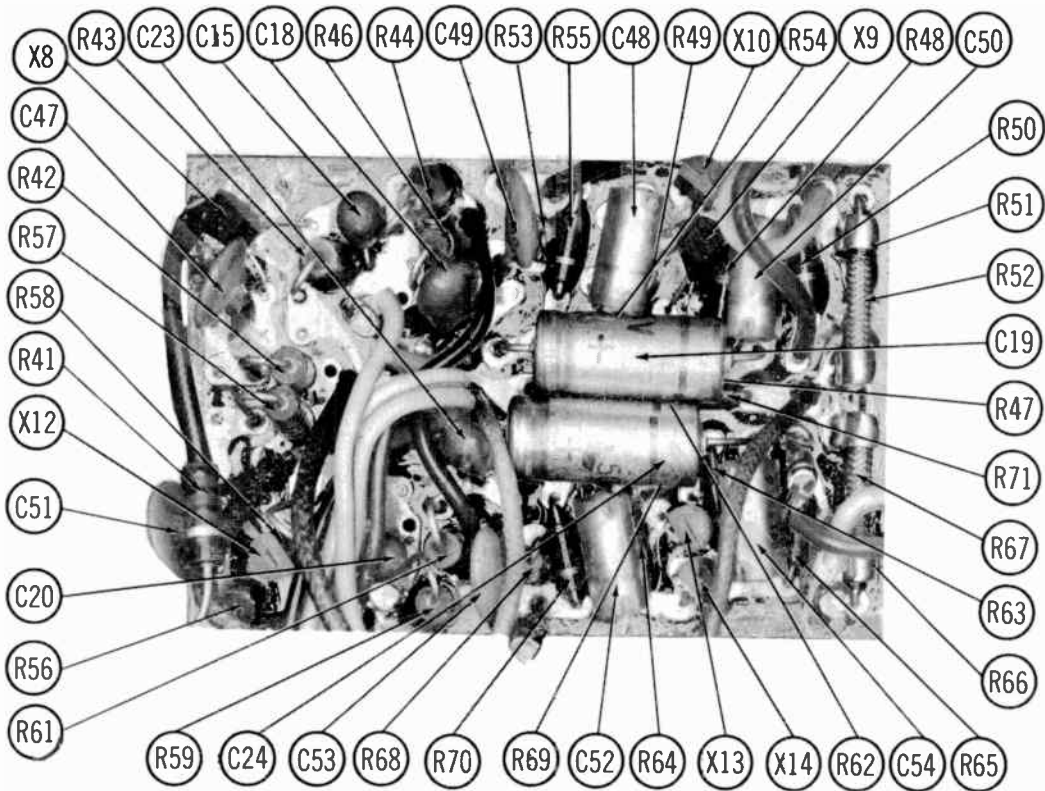
MANUAL TRACK SELECTOR SWITCH
 LOCATED ON R1 AND ACTUATED
 BY VOLUME CONTROL SHAFT

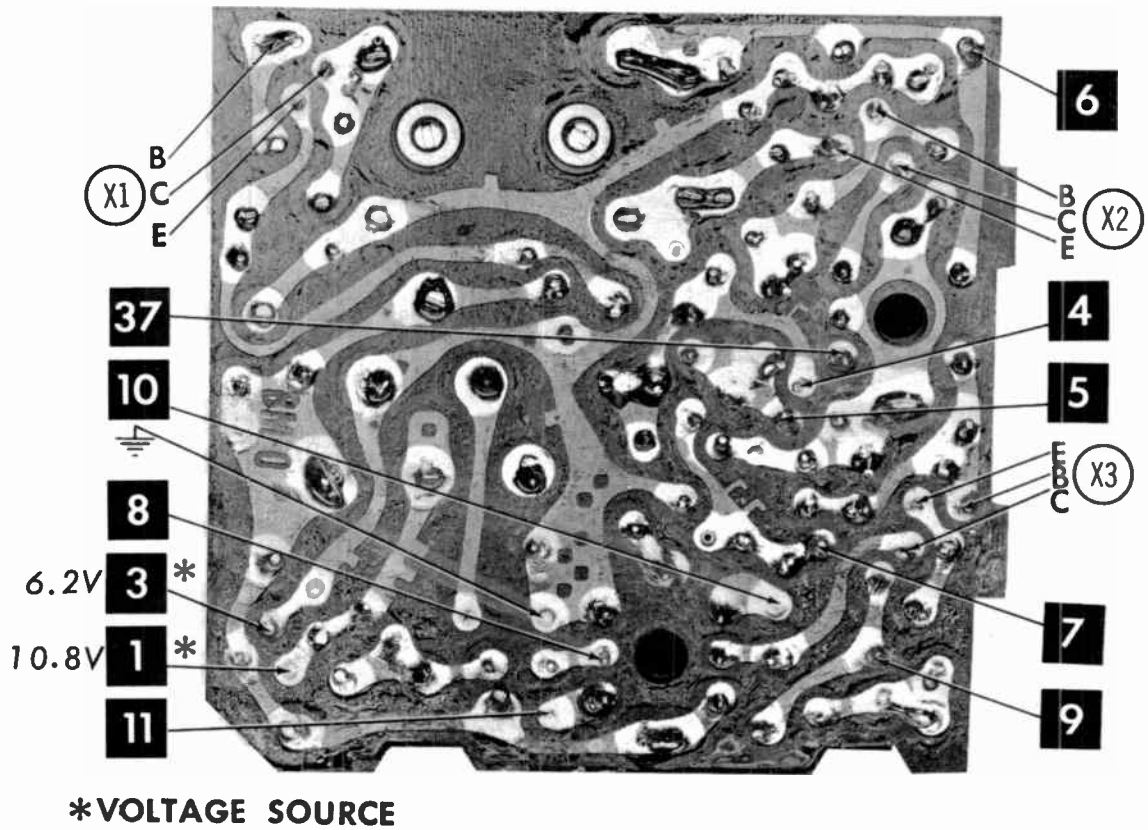
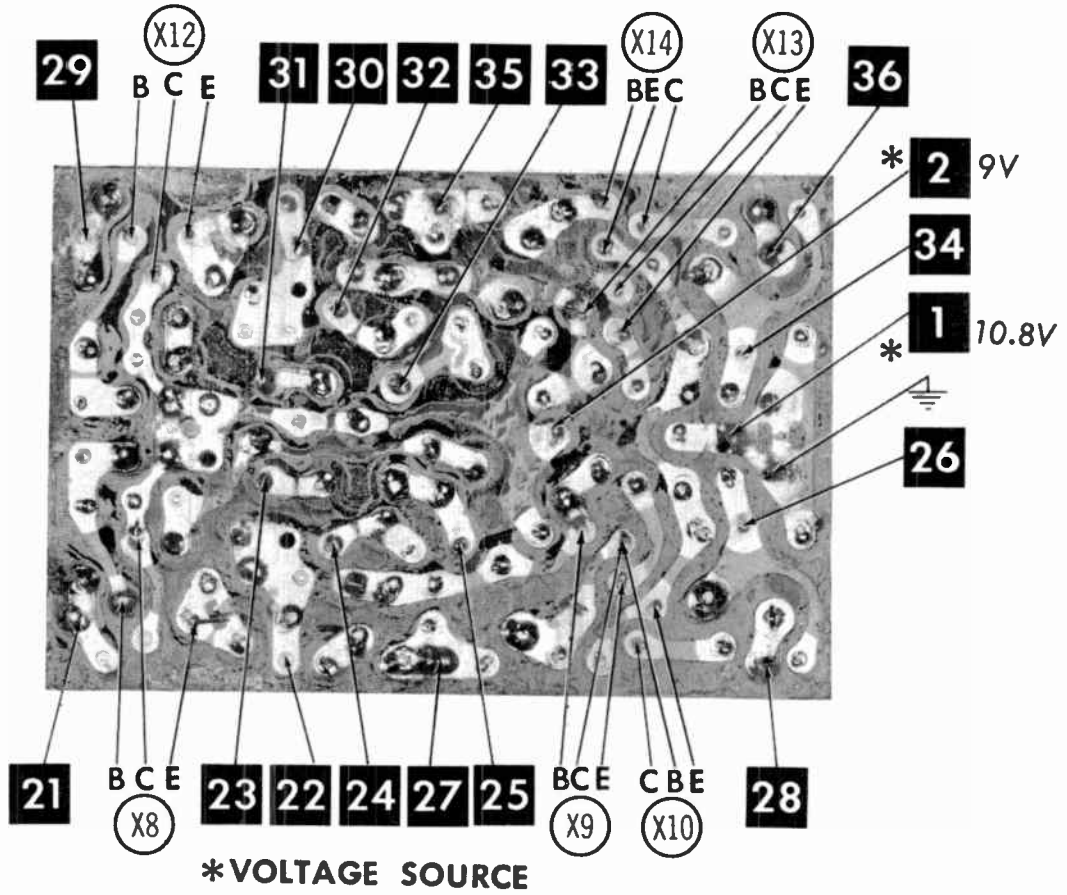


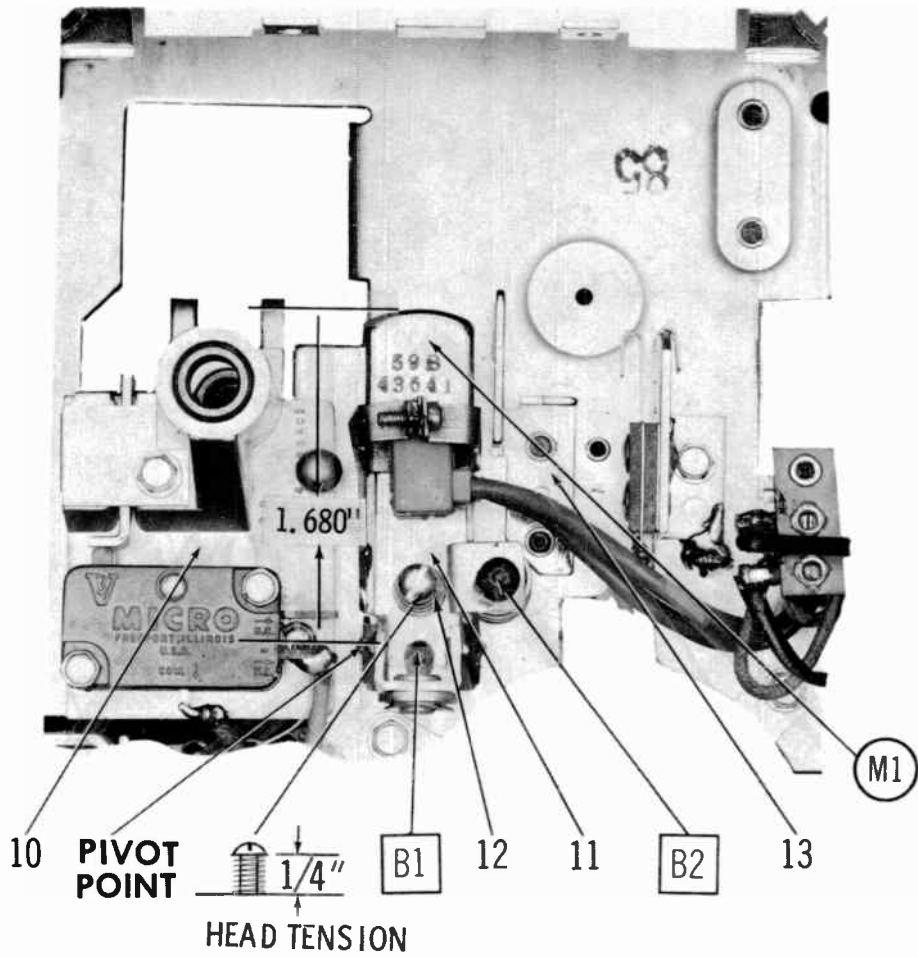
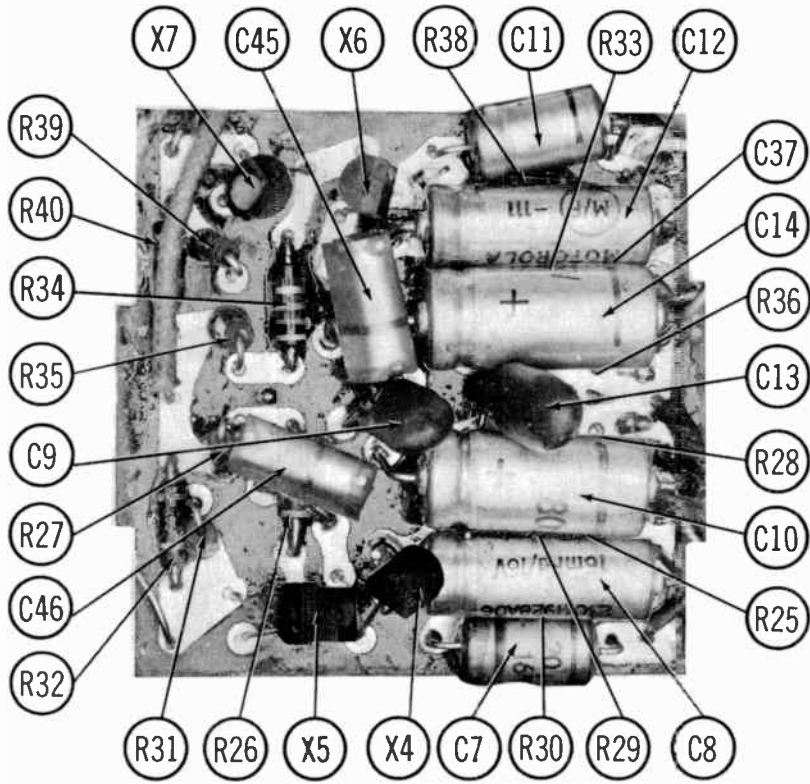
DIAL CORD STRINGING



LINCOLN MODEL T6SMC







TROUBLE CHART

| SYMPTOM | REMARKS |
|-----------------------------|---|
| Capstan does not rotate. | <ol style="list-style-type: none"> 1. Drive Belt (1) broken or worn. 2. Motor Pulley loose on shaft. 3. Defective Motor. |
| Wow or Flutter. | <ol style="list-style-type: none"> 1. Capstan dirty. 2. Drive Belt (1) dirty or worn. 3. Defective Tape Cartridge. |
| Sound is weak or distorted. | <ol style="list-style-type: none"> 1. Play Head (M1) misadjusted, defective or dirty. 2. Defective Tape Cartridge. |

ADJUSTMENTS

| ADJUST | REMARKS |
|--------------------|--|
| Play Head Height | Play a 2 - Frequency height test tape and monitor the appropriate output. Adjust B1 for equal output voltage. (Use 1/16" allen wrench) |
| Play Head Azimuth | Play an azimuth test tape and monitor the appropriate output. Adjust B2 for maximum output voltage. (Use 1/16" allen wrench) NOTE: Head Height and Azimuth Adjustment should be repeated until no improvement is noted. |
| Play Head Position | Check head position, head should be 1.680 inch from pivot point to head face. To reposition head, loosen head mounting screw. |
| Play Head Tension | Adjust Head Tension screw for 1/4" between head mounting bracket (11), bottom of screw head. |

LINCOLN MODEL T6SMC

CLEANING

All head faces should be cleaned with head cleaner to remove dust and accumulated oxide. (An applicator may be fashioned from absorbent cotton.) Do not use a screwdriver or any metallic object near the head faces.

CAUTION: Avoid getting head cleaner on any plastic surface.

HEAD DEMAGNETIZING

Record-Play heads require demagnetizing at regular intervals to maintain high - frequency response, dynamic range, and low distortion. (Follow instructions included with the demagnetizing unit.) After demagnetizing the heads, keep all screwdrivers and other metallic objects away from the head faces. Tape guides may also require occasional demagnetizing.

IMPORTANT: Be sure to demagnetize the heads after making resistance measurements in the head circuits.

MECHANICAL PARTS LIST

| Ref. No. | Part No. | Description | Ref. No. | Part No. | Description |
|----------|-------------|--|----------|-------------|---|
| 1 | 42B43871A01 | Drive Belt | 9A | 22A43573A02 | Tape Head Transfer Pin (Used with Die Cast Cam) |
| 2 | 49B43791A01 | Flywheel | B | 22A43573A01 | Tape Head Transfer Pin (Used with Plastic Cam) |
| 3 | 45P40059A27 | Cam and Ratchet Assembly | 10 | 15P40059A28 | Capstan Housing Assembly |
| 4 | | Pivot Screw Locknut | 11 | | Head Mounting Bracket |
| 5 | 3B42746A01 | Pivot Screw | 12 | 41B43778A01 | Conical Spring |
| 6 | 22C43038A02 | Flywheel Retaining Pin | 13 | 7B43531A01 | Tape Guide Bracket |
| 7 | 47P40059A24 | Solenoid Plunger & Actuator Arm Assembly | 14 | 1B43788A01 | Spring and Roller Assembly |
| 8 | 41A43742A01 | Solenoid Plunger Return Spring | 15 | 49A43659A01 | Roller |

PARTS LIST AND DESCRIPTION

(When ordering parts, state Model, Part Number, and Description.)

Replacement parts shown may be superseded by the availability of newly introduced replacements.
Have your local distributor check Sams COUNTER FACTS[®] for the most up-to-date replacement.

TRANSISTORS

| ITEM No. | ORIG. TYPE | USE | REPLACEMENT DATA | | | NOTES |
|----------|------------|-------------------------------|------------------|---------------------------|--------------|-------|
| | | | DELCO PART No. | GENERAL ELECTRIC PART No. | RCA PART No. | |
| X1 | M25B | RF Amp. | DS-46 | GE-10 | SK-3018 | NPN |
| X2 | M25A | Conv. | DS-46 | BE-10 | SK-3018 | NPN |
| X3 | M24B | IF Amp. | DS-46 | GE-10 | SK-3018 | NPN |
| X4 | M822B | 1st. Pre-Amp. (Left Channel) | DS-46 | GE-10 | SK-3020 | NPN |
| X5 | M54 | 2nd. Pre-Amp. (Left Channel) | DS-46 | GE-10 | SK-3020 | NPN |
| X6 | M822B | 1st. Pre-Amp. (Right Channel) | DS-46 | GE-10 | SK-3020 | NPN |
| X7 | M54 | 2nd. Pre-Amp. (Right Channel) | DS-46 | GE-10 | SK-3020 | NPN |
| X8 | M54A | 1st. AF Amp. (Left Channel) | DS-46 | GE-10 | SK-3020 | NPN |
| X9 | M54C | 2nd. AF Amp. (Left Channel) | DS-46 | GE-10 | SK-3020 | NPN |
| X10 | M54B | 3rd. AF Amp. (Left Channel) | DS-46 | GE-10 | SK-3020 | NPN |
| X11 | 2N176 | Output (Left Channel) | DS-520 | GE-3 | SK-3009 | PNP ♦ |
| X12 | M54A | 1st. AF Amp. (Right Channel) | DS-46 | GE-10 | SK-3020 | NPN |
| X13 | M54C | 2nd. AF Amp. (Right Channel) | DS-46 | GE-10 | SK-3020 | NPN |
| X14 | M54B | 3rd. AF Amp. (Right Channel) | DS-46 | GE-10 | SK-3020 | NPN |
| X15 | 2N176 | Output (Right Channel) | DS-520 | GE-3 | SK-3009 | PNP ♦ |
| X16 | SM4547 | Driver | | | | PNP |
| X17 | SP441 | Motor Regulator | DS-520 | GE-3 | SK-3009 | PNP ♦ |

♦ When replacing, apply silicone grease to both sides of insulator. Tighten mounting screws securely.

POWER RECTIFIERS & SIGNAL DIODES

| ITEM No. | MEASURED CURRENT | ORIGINAL Part or Type No. | RECTIFIERS & DIODES | | RECTIFIERS | | |
|----------|------------------|---------------------------|---------------------------|----------------------------------|------------------|--------------|-------------------------|
| | | | GENERAL ELECTRIC PART No. | INTERNATIONAL RECTIFIER PART No. | MALLORY PART No. | RCA PART No. | SARKES TARZIAN PART No. |
| X18 | | 1N461 | 1N82A | 1N82A | | | |
| X19 | | 1N461 | 1N82A | 1N82A | | | |
| X20 | | #46A41508A01 | 1N82A | 10D2 | | | |

ELECTROLYTIC CAPACITORS

| ITEM No. | RATING | | MOTOROLA PART No. | REPLACEMENT DATA | | | | |
|----------|--------|-------|-------------------|------------------|---------------------------|---------------------------|------------------|------------------|
| | CAP. | VOLT. | | AEROVOX PART No. | CORNELL-DUBILIER PART No. | GENERAL ELECTRIC PART No. | MALLORY PART No. | SPRAGUE PART No. |
| C1A | 500 | 16 | 23C40302A07 | PWH2-02-40 | | | PPF200.65 | PCLS-2177 * |
| B | 500 | 16 | (23C40302A04)① | | | | | |
| C2 | 500 | 16 | 23C41928A19 | PRS1290 | BR500-25 | QT1-32 | TC2505 | TVA-1209 |
| C3 | 1000 | 16 | 23C41928A29② | PRS1130 | BR1000-6 | QT1-32 | TC610 | TVA-1104 |
| C4 | 2000 | 4 | 23C41928A30 | PRS1050 | BR2000-6 | QT1-33 | | TVA-1106 |
| C5 | 2 | 10 | 23C43280A02 | BCD12002 | NLW2-50 | MT1-1 | PET1930 | VL-1121 |
| C6 | 10 | 6 | 23C43280A03 | CRE307A | NLW10-6 | MT1-5 | TT6X10 | TE-1087 |
| C7 | 20 | 16 | 23C41928A24 | CRE611A | NLW20-25 | MT1-10 | TT25X20 | TL-1157 |
| C8 | 16 | 16 | 23C41928A06 | CRE609A | NLW15-25 | MT1-11 | TT25X15 | TL-1156 |
| C9 | .5 | 15 | 23C43280A21 | CRE450A | NLW1-50 | MT1-1 | TT15X1 | TE-1148 |
| C10 | 80 | 16 | 23C41928A23 | CRE470A | NLW75-15 | MT1-19 | MTA80E15 | TE-1161 |
| C11 | 20 | 16 | 23C41928A24 | CRE611A | NLW20-25 | MT1-10 | TT25X20 | TL-1157 |
| C12 | 16 | 16 | 23C41928A06 | CRE609A | NLW15-25 | MT1-11 | TT25X15 | TL-1156 |
| C13 | .5 | 15 | 23C43280A21 | CRE450A | NLW1-50 | MT1-1 | TT15X1 | TE-1148 |
| C14 | 80 | 16 | 23C41928A23 | CRE620A | NLW75-15 | MT1-19 | MTA80E15 | TE-1161 |
| C15 | .3 | 10 | 23C43280A07 | BCD12001 | NLW1-50 | MT1-1 | TT15X1 | TE-1148 |
| C16 | .1 | 15 | 23C43280A14 | CRE450A | NLW1-50 | MT1-1 | TT15X1 | TE-1148 |
| C17 | .2 | 12 | 21C41680A15 | CRE400A | NLW1-50 | MT1-1 | TT15X1 | TE-1148 |
| C18 | 2 | 10 | 23C43280A02 | BCD12002 | NLW2-50 | MT1-1 | PET1930 | VL-1121 |
| C19 | 40 | 16 | 23C41928A20 | CRE615A | NLW40-25 | MT1-17 | TT25X50 | TE-1209 |
| C20 | .3 | 10 | 23C43280A07 | BCD12001 | NLW1-50 | MT1-1 | TT15X1 | TE-1148 |
| C21 | .1 | 15 | 23C43280A14 | CRE450A | NLW1-50 | MT1-1 | TT15X1 | TE-1148 |
| C22 | .2 | 12 | 21C41680A15 | CRE400A | NLW1-50 | MT1-1 | TT15X1 | TE-1148 |
| C23 | 2 | 10 | 23C43280A02 | BCD12002 | NLW2-50 | MT1-1 | PET1930 | VL-1121 |
| C24 | 40 | 16 | 23C41928A20 | CRE615A | NLW40-25 | MT1-17 | TT25X50 | TE-1209 |

* Not normally in distributor's stock. Available thru distributor on order to manufacturer.

① Use this Part Number when ordering from Motorola.

② 500mfd @ 16V DC, Part Number 23C41928A19 used in early versions.

CAPACITORS

| ITEM No. | RATING | REMARKS | REPLACEMENT DATA | | | | | |
|----------|-----------|--------------|------------------|--------------------|---------------------------|------------------|------------------|------------------|
| | | | AEROVOX PART No. | CENTRALAB PART No. | CORNELL-DUBILIER PART No. | ELMENCO PART No. | MALLORY PART No. | SPRAGUE PART No. |
| C30 | 150-290 | #20C40746A06 | | | | | | |
| C31 | 330 | | DI-330 | DD-331 | JBZ601YP331K | CCD-331 | JF333 | 10TS-T33 |
| C32 | .01 100V | ↑ | DBE4S1 | CPR-10000J | WMF1S1 | 1DP-1-103 | PVC211 | 4PS-810 |
| C33 | 280 | | DI-270 | DD-271 | CD7F271K300 | CCD-271 | GP327 | 5GA-T27 |
| C34A | 25-150 | #20C40254A14 | | | | | | |
| B | 25-150 | | | | | | | |
| C35 | 180 N750 | ↑ | | TCN-180 | | | CN7S18 | 10TCU-T18 |
| C36 | .01 100V | | DBE4S1 | CPR-10000J | WMF1S1 | 1DP-1-103 | PVC211 | 4PS-810 |
| C37 | .005 100V | ↑ | DBE6D5 | CPR-5000J | DPMS6D5 | 1DP-1-502 | PVC625 | 6PS-D50 |
| C38 | .005 100V | ↑ (.0068) | DBE6D5 | CPR-5000J | DPMS6D5 | 1DP-1-502 | PVC625 | 6PS-D50 |

PARTS LIST AND DESCRIPTION (CONTINUED)

(When ordering parts, state Model, Part Number, and Description.)

Replacement parts shown may be superseded by the availability of newly introduced replacements. Have your local distributor check Sams COUNTER FACTS® for the most up-to-date replacement.

CAPACITORS

| ITEM No. | RATING | REMARKS | REPLACEMENT DATA | | | | | |
|----------|------------|--------------|------------------|--------------------|---------------------------|------------------|------------------|------------------|
| | | | AEROVOX PART No. | CENTRALAB PART No. | CORNELL-DUBILIER PART No. | ELMENCO PART No. | MALLORY PART No. | SPRAGUE PART No. |
| C39 | 160 | | DI-150 | DD-151 | CD7F161K500 | CCD-151 | GP315 | 5GA-T15 |
| C40 | 180 N750 | | | TCN-180 | | | CN7318 | 10TCU-T18 |
| C41 | .0015 100V | † | BPD-0015 | DD-152 | | CCD-152 | B215 | 5HK-D15 |
| C42 | .1 100V | | P288N-1 | DF-104 | PM2P1 | 2DP-3-104 | PVC201 | 2TM-P10 |
| C43 | 220 | † | DI-220 | DD-221 | JB601YP221K | CCD-221 | JF220 | 10TS-T22 |
| C44 | .01 100V | | DBE481 | CPR-10000J | WMF181 | 1DP-1-103 | PVC211 | 4PS-S10 |
| C45 | .005 100V | † | DBE6D5 | CPR-5000J | DPMS6D5 | 1DP-1-502 | PVC625 | 6PS-D50 |
| C46 | .005 100V | † | DBE6D5 | CPR-5000J | DPMS6D5 | 1DP-1-502 | PVC625 | 6PS-D50 |
| C47 | .1 | | TTD-1 | CK-104 | HOV101ZV104Z | | TA010 | TG-P10 |
| C48 | .0015 100V | † | BPD-0015 | DD-152 | | CCD-152 | B215 | 5HK-D15 |
| C49 | 22 N150 | | | | | * | * | 10TCP-Q22 |
| C50 | .0015 100V | | BPD-0015 | DD-152 | | CCD-152 | B215 | 5HK-D15 |
| C51 | .1 | | TTD-1 | CK-104 | HOV101ZV104Z | | TA010 | TG-P10 |
| C52 | .0015 100V | † | BPD-0015 | DD-152 | | CCD-152 | B215 | 5HK-D15 |
| C53 | 22 N150 | | | | | * | * | 10TCP-Q22 |
| C54 | .0015 100V | | BPD-0015 | DD-152 | | CCD-152 | B215 | 5HK-D15 |
| C55 | .1 100V | † | P288N-1 | DF-104 | PM2P1 | 2DP-3-104 | PVC201 | 2TM-P10 |
| C56 | .1 100V | | P288N-1 | DF-104 | PM2P1 | 2DP-3-104 | PVC201 | 2TM-P10 |
| C57 | | #64A43620A01 | | | | | | |

* Not normally in distributor's stock. Available thru distributor on order to manufacturer.
 † Nominal Value.
 # Motorola Part Number.

CONTROLS

All wattages 1/2 watt, or less, unless otherwise listed.

| ITEM No. | USE | RESISTANCE | REPLACEMENT DATA | | | | |
|----------|------------------------|---------------|-------------------|--------------------|--------------------|------------------|------------------|
| | | | MOTOROLA PART No. | CENTRALAB PART No. | CLAROSTAT PART No. | CTS-IRC PART No. | MALLORY PART No. |
| R1A | Tone (Right Channel) | 100K | 18C43548A01 | | | | |
| | Tone (Left Channel) | 100K | | | | | |
| | Track Selector Sw. | | | | | | |
| B | Volume (Right Channel) | 40K Tap @ 12K | | | | | |
| | Volume (Left Channel) | 40K Tap @ 12K | | | | | |
| | On-Off Switch | | | | | | |
| R2 | Balance | 50K | 18B43514A02 | | | | |

COILS (RF-IF)

| ITEM No. | USE | REPLACEMENT DATA | | | | | |
|----------|------------------|-------------------|-------------------|----------------|-----------------|------------------|------------------|
| | | MOTOROLA PART No. | MEISSNER PART No. | MERIT PART No. | MILLER PART No. | STANCOR PART No. | WORKMAN PART No. |
| L1 | Antenna | ① | | | | | |
| L2 | RF | ① | | | | | |
| L3 | Oscillator | ① | | | | | |
| L4 | Input IF | 25D42517A27 | | | | | |
| L5 | Output IF | 24D42517A28 | | | | | |
| L6 | RF Choke (1.5uh) | 24D40788A04 | 19-1001 | BC-562 | 4604 | RTC-8516 | T856 |

① Part of M2 or (Tuning Coil Assembly Part #1V43600A54).

FILTER CHOKE

| ITEM No. | RATINGS | | | REPLACEMENT DATA | | | | | NOTES |
|----------|--------------------|---------|------------------------------|-------------------|----------------|------------------|---------------------|----------------|-------|
| | CURRENT (Measured) | DC RES. | INDUCTANCE (0 CURRENT 1000~) | MOTOROLA PART No. | MERIT PART No. | STANCOR PART No. | THORDARSON PART No. | TRIAD PART No. | |
| L7 | 1.8A | .5Ω | 8MH | 25D43221A12 | C-4095 | TC-2 | TR-155 | TY17XT | |

TRANSFORMER (AUDIO OUTPUT)

| ITEM No. | IMPEDANCE | | REPLACEMENT DATA | | | | | NOTES |
|----------|--------------|-------------|-------------------|----------------|------------------|---------------------|----------------|-------|
| | PRI. | SEC. | MOTOROLA PART No. | MERIT PART No. | STANCOR PART No. | THORDARSON PART No. | TRIAD PART No. | |
| | | | | | | | | |
| T2 | 12Ω Tap @ 8Ω | 25D43220A13 | | | | | | |

LINCOLN MODEL T6SMC

PARTS LIST AND DESCRIPTION (CONTINUED)

(When ordering parts, state Model, Part Number, and Description.)

Replacement parts shown may be superseded by the availability of newly introduced replacements. Have your local distributor check Sams COUNTER FACTS[®] for the most up-to-date replacement.

SPEAKER

| ITEM No. | TYPE | REPLACEMENT DATA | | NOTES | |
|----------|----------|-------------------|---------------|---------|-------|
| | | MOTOROLA PART No. | QUAM PART No. | | |
| SP1 | 4" x 10" | PM 8Ω | 50D43880A01 | 410A2Z8 | Front |
| SP2 | 5 1/4" | PM 8Ω | 50B43907A01 | 57A1Z8 | Rear |
| SP3 | 5 1/4" | PM 8Ω | 50B43907A01 | 57A1Z8 | Rear |

FUSE DEVICES

| ITEM No. | TYPE | RATING | REPLACEMENT DATA | | | | | | |
|----------|------|--------|------------------|---------------|---------------------|--------|---------------|-----------|--|
| | | | PART No. | | LITTELFUSE PART No. | | BUSS PART No. | | |
| | | | FUSE | HOLDER | FUSE | HOLDER | FUSE | HOLDER | |
| F1 | SFE | 7 1/2 | | In Fuse Block | 30707.5 | | | SFE 7 1/2 | |

TAPE HEADS

| ITEM NO. | MEASURED | | | MOTOROLA PART NO. | NORTRONICS PART NO. | DESCRIPTION |
|----------|------------|------------------------|------------|-------------------|---------------------|----------------------|
| | INDUCTANCE | BIAS/ERASE VOLTS (RMS) | BIAS FREQ. | | | |
| M1 | 320MH | | | 59P40059A25 | 5800 | 8 Track Stereo Play. |

MISCELLANEOUS

| ITEM No. | PART NAME | MOTOROLA PART No. | NOTES |
|----------|---------------------------------|-------------------|---|
| K1 | Track Selector Solenoid | 80B43685A01 | MFT-558 59C43543A01 used in early version. |
| M2 | Tuner | 1U43500A03 | |
| | Coil Assembly | 1V43800A54 | |
| M3 | Motor | 59C40103B01 | |
| S1 | Tape-Radio Selector Switch | 40D43656A01 | |
| S2 | Micro Switch (Tape Play) | 40B43843A01 | |
| S3 | Automatic Track Selector Switch | 40B43842A01 | |
| S4 | Antenna Switch (Up) | 40C43818A01 | |
| S5 | Antenna Switch (Down) | 40C43618A02 | |
| | Printed Circuit Board | 84D43707A01 | |
| | Printed Circuit Board | 84D43709A01 | RF. |
| | Printed Circuit Board | 84D43708A01 | Pre-Amp. Audio. |

CABINETS & CABINET PARTS

(When Ordering Specify Model, Chassis & Color)

| ITEM | PART No. | ITEM | PART No. |
|----------------|-------------|-----------------------|-------------|
| Dial Scale | 34B43437A01 | Knob-Tone or Balance | 36B43881A01 |
| Dial Pointer | 1V43600A91 | Knob-Tuning or Volume | 36D43882A01 |
| Cartridge Door | 15C43585A01 | | |

WIRING DATA

| | |
|-------------------------------------|--|
| General-use Unshielded Hook-up Wire | Use BELDEN No. 8530 (Solid) Available in 12 Colors 8524 (Stranded) Available in 12 Colors |
| Shielded Hook-up Wire | Use BELDEN No. 8885 |
| Rear Seat Speaker Extension Cable | Use BELDEN No. 8782 (Stranded) Coded Parallel Leads |
| Bonding Strap | Use BELDEN No. 8661 (3/8 In.) or 8670 (3/4 In.) |



PHOTOFACT[®] with

CIRCUITRACE[®]

TRADE NAME : Mopar Models:
 361 (6FBPD) 1966 Plymouth Deluxe
 364 (6FBDD) 1966 Dodge Deluxe
 366 (6FBC) 1966 Chrysler
 369 (6FBP, 6FBVE) 1966 Plymouth Std.
 1966 Valiant
 379 (6FBL) 1966 Dodge Dart
 For Current Address, See Annual Index.

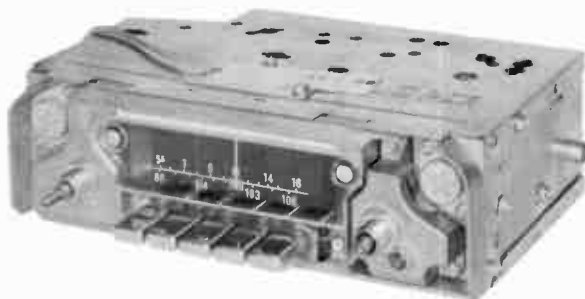
SUPPLIER:

TYPE SET: 11 Transistor AM-FM Receiver

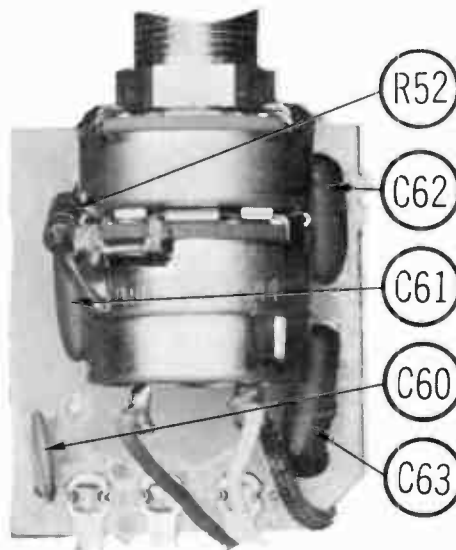
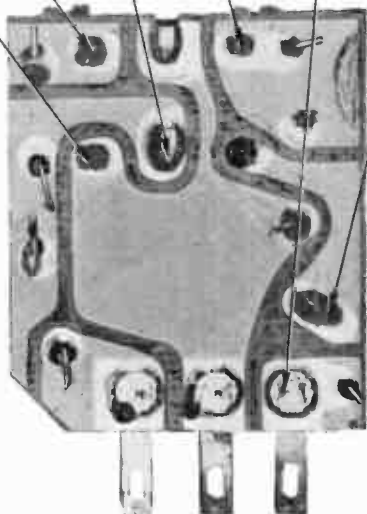
POWER SUPPLY: 12 Volt Storage Battery

RATING: .110 Amp. @ 12.6 Volts DC

TUNING RANGE: BROADCAST 535-1605KC
 FREQ. MOD: 88-108MC



50 57 59 56 25 58



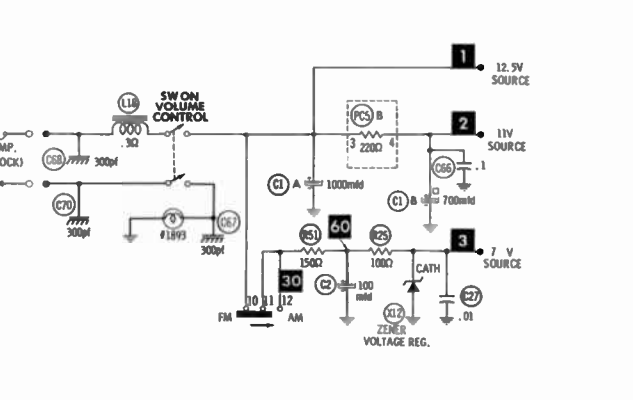
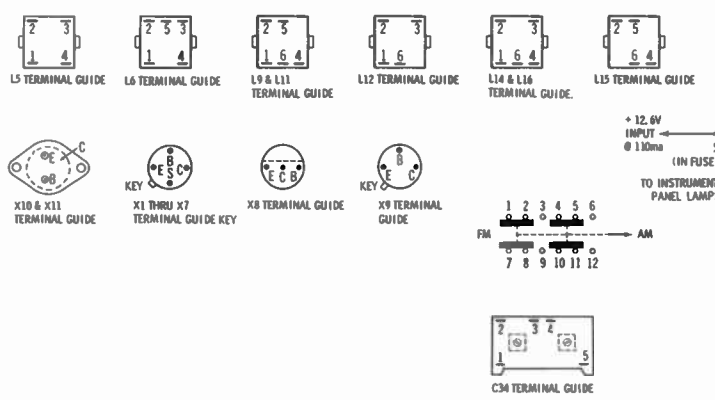
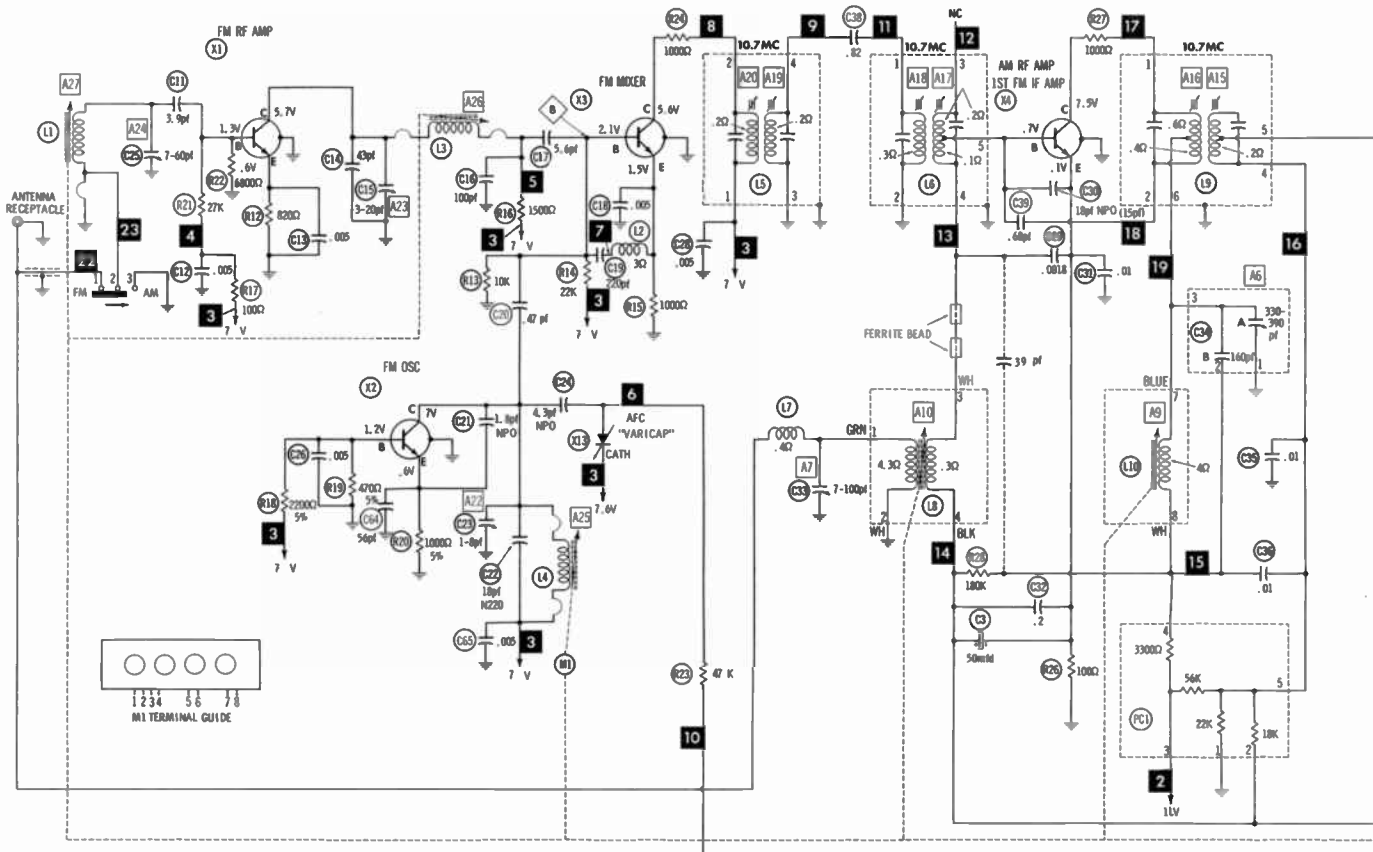
A Howard W. Sams CIRCUITRACE[®] Photo

HOWARD W. SAMS & CO., INC. Indianapolis, Indiana 46206

© 1966 Howard W. Sams & Co., Inc. Printed in U. S. of America RD516

World Radio History

MOPAR MODELS 361, 364, 366, 369, 379

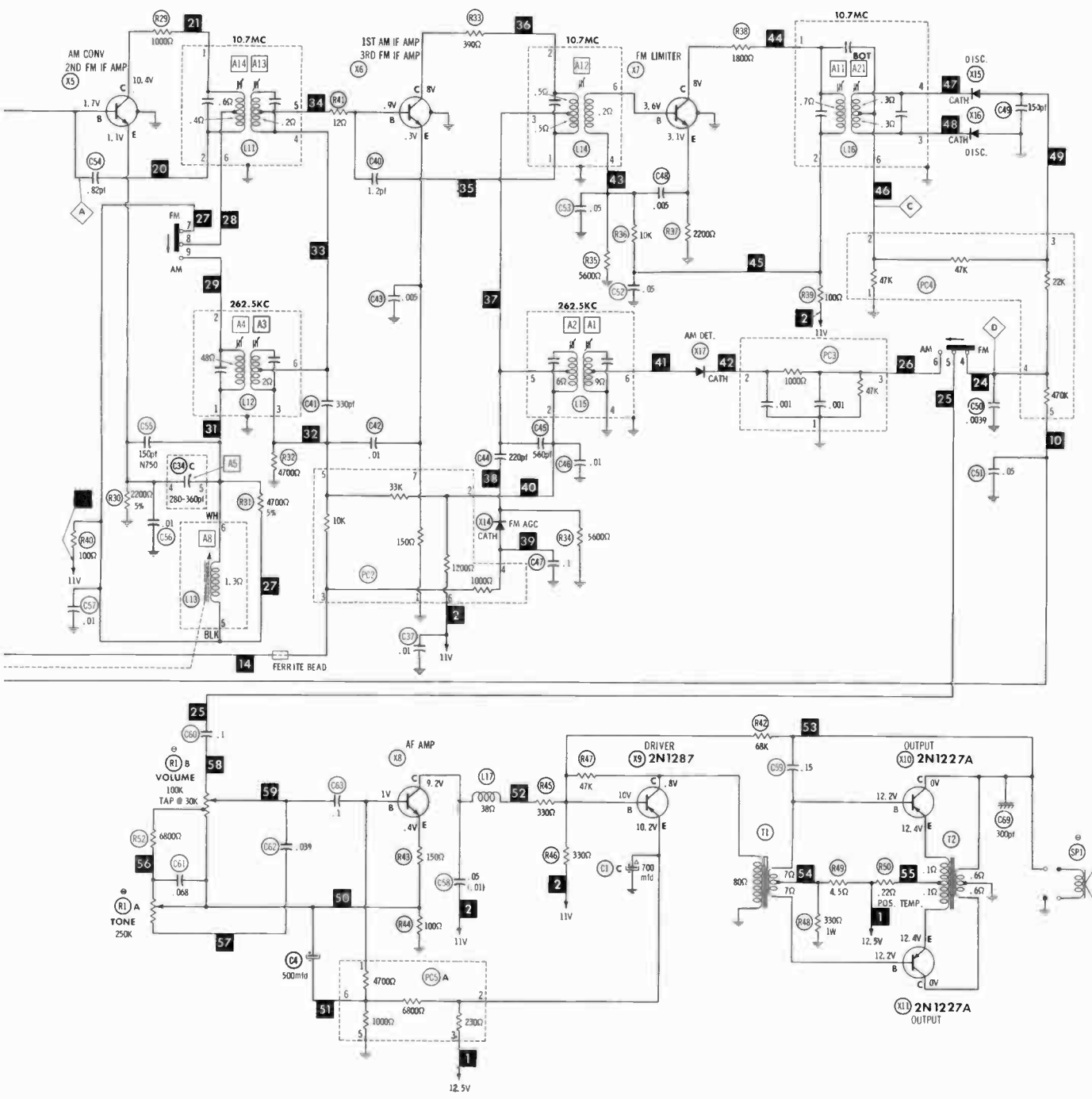


Resistors are 1/2 watt or less and rated 10% or 20% unless otherwise indicated.

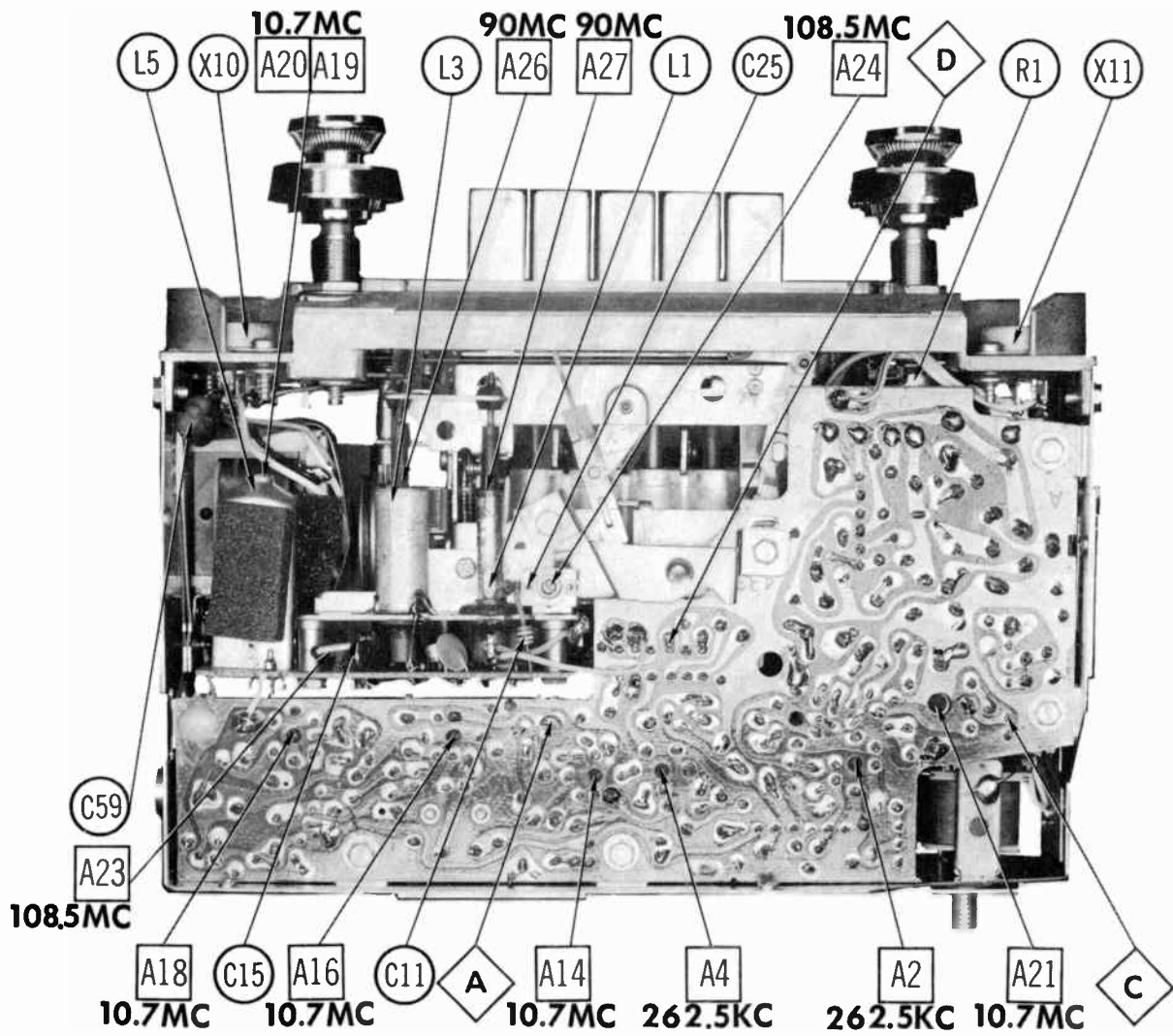
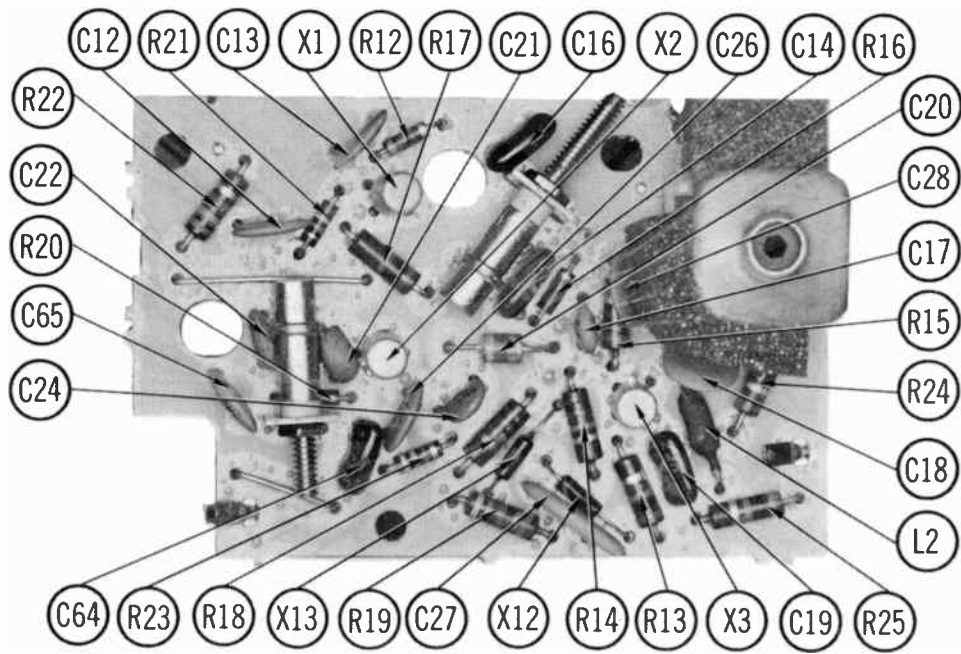
- See parts list for alternate value or application.
- 1. Voltage measurements taken with vacuum tube voltmeter.
- 2. All controls set for normal operation, no signal applied.
- 3. Measured values are from socket pin or terminal to common ground.
- 4. All terminals viewed from bottom unless otherwise designated.
- 5. Numbers assigned to terminals may not be found on the unit.
- 6. Supply voltage maintained at rated value for voltage readings.
- 7. Resistance measurements not given because of the wide variation in internal resistance of transistor.

A PHOTOFAC STANDARD NOTATION SCHEMATIC with CIRCUITRACE

© Howard W Sams & Co., Inc. 1966



MOPAR MODELS 361, 364, 366, 369, 379



ALIGNMENT INSTRUCTIONS

Check for specified source voltage.
Use only enough generator output to provide a usable indication.
Suggested Alignment Tools:
A1 thru A10, A12 thru A20, A22, A23, A24. GENERAL CEMENT: 9440
WALSCO: 2501
A11, A12. GENERAL CEMENT: 8606, 8606L, 8869
WALSCO: 2543, 2544, 2588

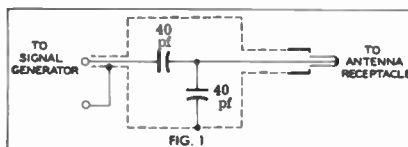
| SIGNAL GENERATOR COUPLING | SIGNAL GENERATOR FREQUENCY | RADIO DIAL SETTING | INDICATOR | ADJUST | REMARKS |
|--|----------------------------|----------------------|---------------------------------|----------------|---|
| 1. High side thru .1mfd to point \diamond , low side to ground. | 282.5KC (400% Mod.) | High Freq. End Stop. | Output Meter across voice coll. | A1, A2, A3, A4 | Adjust for maximum. |
| 2. Thru dummy (Fig. 1) to antenna receptacle. | 1605KC | " | " | A5, A6, A7 | " |
| Step 3 is not necessary unless tuner has been tampered with or associated components have been replaced. IF necessary, back tuning cores (A8, A9, A10) out of coils but not out of forms. Repeat step 2. | | | | | |
| 3. Thru dummy (Fig. 1) to antenna receptacle. | 1000KC | Tune to Signal. | Output Meter across voice coll. | A8, A9, A10 | Adjust for maximum. Repeat steps 2 & 3 until no further improvement is noted. |

With radio installed in car and antenna extended to 33", tune in a weak station near 1400KC and adjust A7 for maximum output.

Remove tuning and band selector switch knobs and adjust Antenna Trimmer .

PUSH-BUTTON ADJUSTMENT

1. Pull button out.
2. Tune manually to desired station.
3. Press button in firmly.
4. Repeat for remaining buttons.



FM ALIGNMENT USING AM SIGNAL GENERATOR – SELECTOR IN FM POSITION

High side thru .01mfd to point \diamond , low side to ground.

| GENERATOR FREQUENCY | DIAL SETTING | INDICATOR | ADJUST | REMARKS |
|---------------------|----------------------------|--|---|---|
| 4. 10.7MC (Unmod.) | Point of non-interference. | DC probe of VTVM to point \diamond ; common to ground. | A11, A12, A13, A14, A15, A16, A17, A18, A19, A20. | Adjust for maximum. |
| 5. " | " | DC probe to point \diamond ; common to ground. | A21. | Adjust for zero reading. A positive or negative reading will be obtained on either side of the correct setting. |

FM ALIGNMENT USING FM SIGNAL GENERATOR – SELECTOR IN FM POSITION

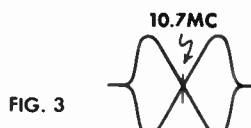
High side thru .01mfd to point \diamond , low side to ground. Use only enough marker signal to obtain indication. Use 60% frequency modulated signal with 450KC sweep. Use 120v sawtooth voltage in scope for horizontal deflection.

| GENERATOR FREQUENCY | DIAL SETTING | INDICATOR | ADJUST | REMARKS |
|------------------------|---------------------------|---|---|--|
| 4. 10.7MC (450KC Swp.) | Point of non-interference | Vert. amp. of Scope to point \diamond ; low side to ground. | A11, A12, A13, A14, A15, A16, A17, A18, A19, A20. | Adjust for maximum gain and symmetry of response similar to Fig. 2 with marker as shown. |
| 5. " | " | Vert. amp. to point \diamond ; low side to ground. | A21. | Adjust A21 (Secondary) to place marker at center of crossover lines similar to Fig. 3. Adjust A11 (Primary) for maximum amplitude and straightness of crossover lines. |

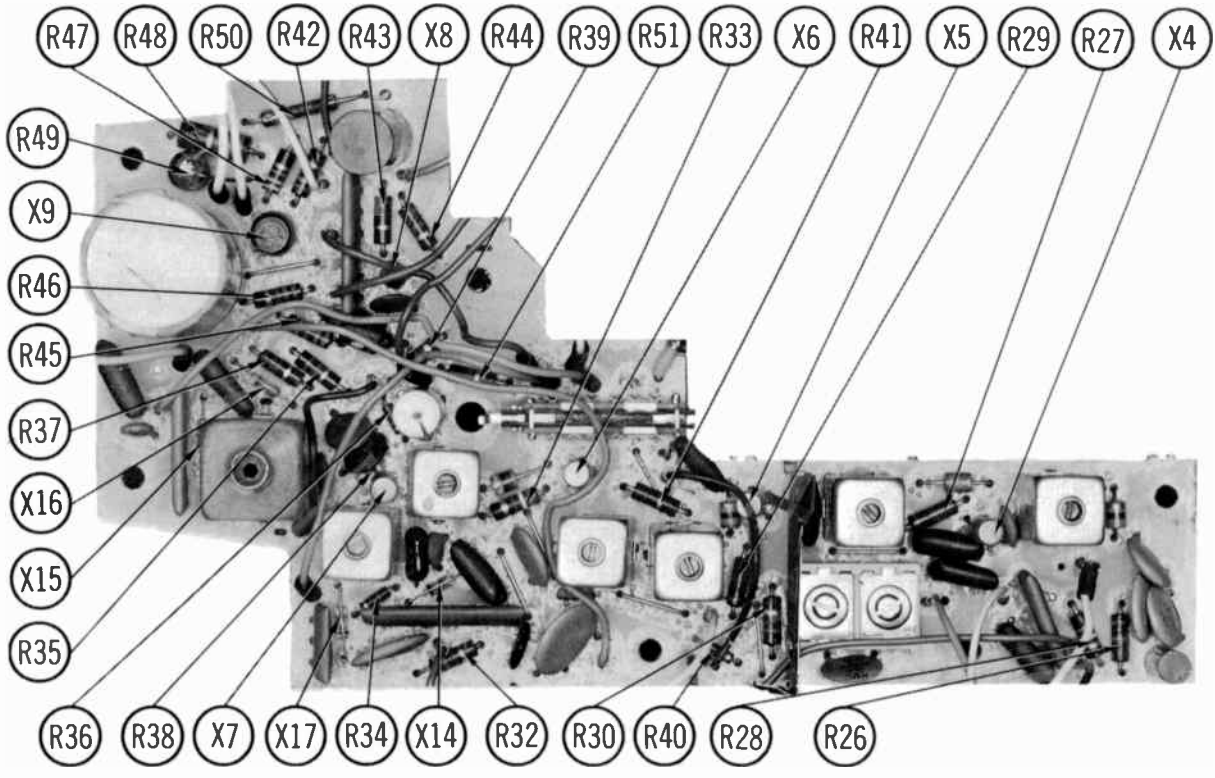
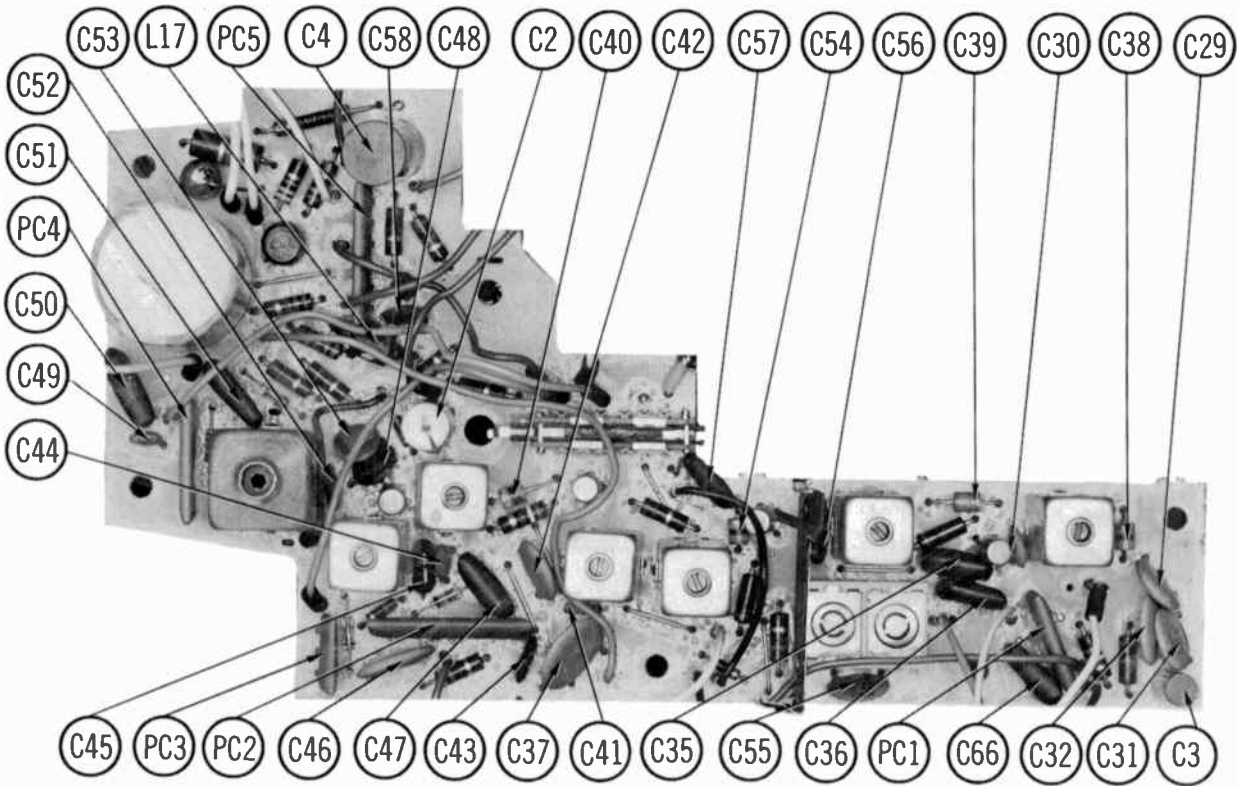
FM RF ALIGNMENT

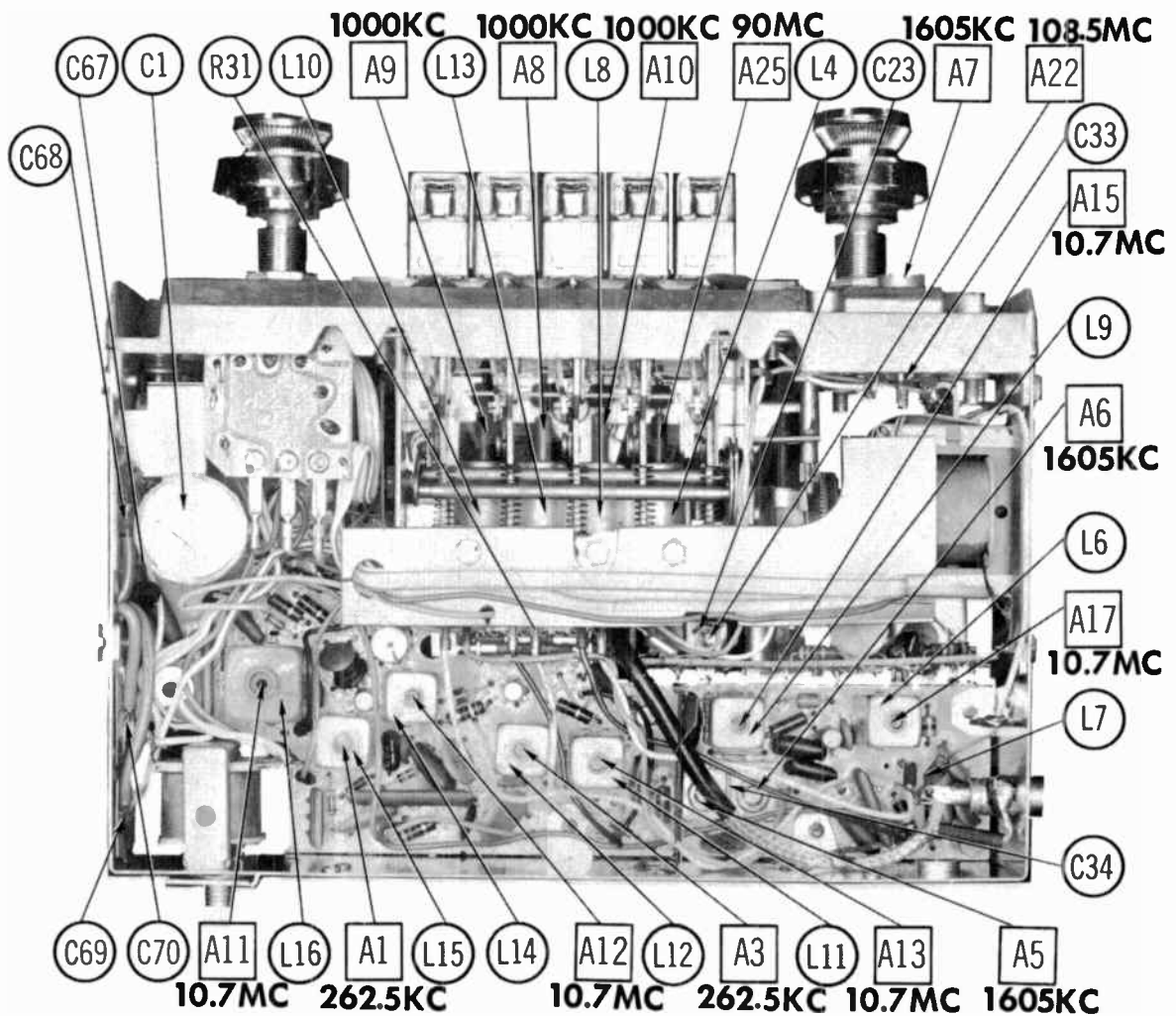
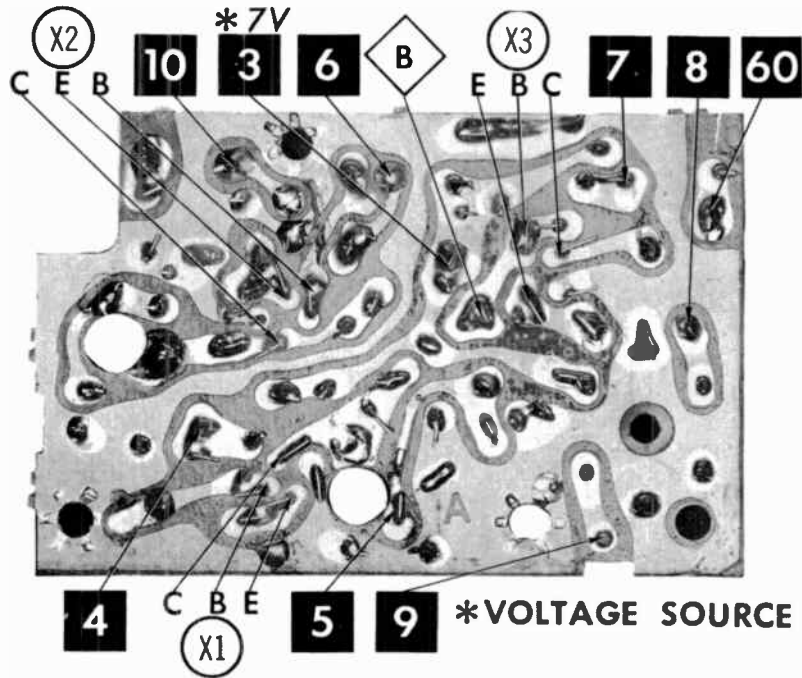
Connect generator across antenna terminals with 120 Ω carbon resistors in series with each lead.

| GENERATOR FREQUENCY | DIAL SETTING | INDICATOR | ADJUST | REMARKS |
|---------------------|------------------|--|----------------|--|
| 6. 108.5MC | Set at high end. | DC probe of VTVM to point \diamond ; common to ground. | A22, A23, A24. | Adjust for maximum. |
| 7. 90MC | Tune to signal. | " | A25, A26, A27. | Rock tuning and adjust for maximum. Repeat steps 6 and 7 until no further improvement can be made. |

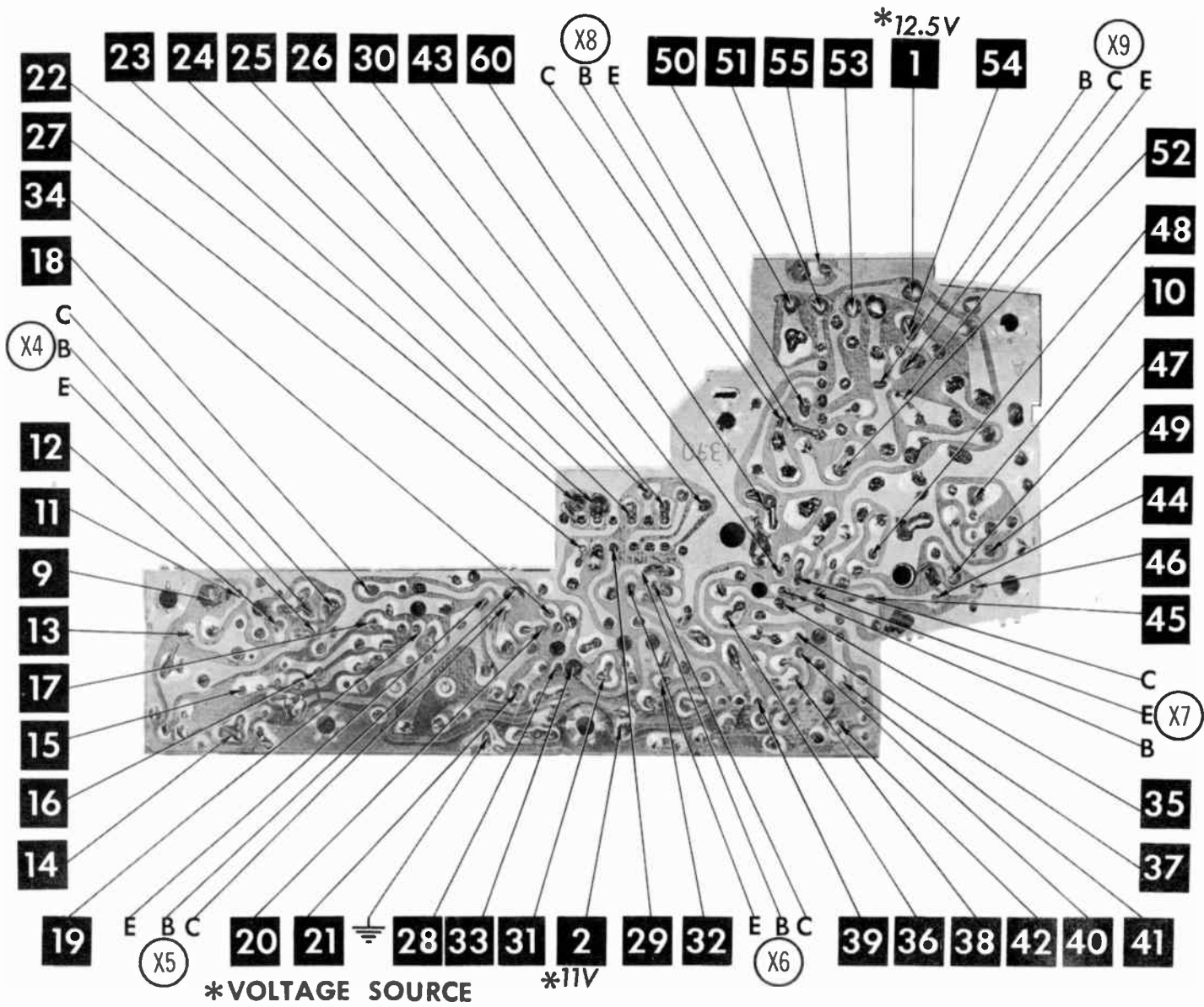


MOPAR MODELS 361, 364, 366, 369, 379





MOPAR MODELS 361, 364, 366, 369, 379



A Howard W. Sams CIRCUITRACE® Photo

PARTS LIST AND DESCRIPTION

(When ordering parts, state Model, Part Number, and Description.)

Replacement parts shown may be superseded by the availability of newly introduced replacements.
Have your local distributor check Sams COUNTER FACTS® for the most up-to-date replacement.

TRANSISTORS

| ITEM No. | ORIG. TYPE | USE | REPLACEMENT DATA | | | NOTES | BENDIX PART No. |
|----------|------------|-----------------------|------------------|---------------------------|--------------|-------|-----------------|
| | | | DELCO PART No. | GENERAL ELECTRIC PART No. | RCA PART No. | | |
| X1 | | FM RF | | | SK-3018 | NPN | 2092417-0711 |
| X2 | | FM Oscillator | | | SK-3018 | NPN | 2092417-0713 |
| X3 | | FM Mixer | | | SK-3018 | NPN | 2092417-0712 |
| X4 | | AM RF/1st. FM IF | | | SK-3018 | NPN | 2092418-0715 |
| X5 | | AM Conv./2nd. FM IF | | | SK-3018 | NPN | 2092418-0716 |
| X6 | | 1st. AM IF/3rd. FM IF | | | SK-3018 | NPN | 2092418-0717 |
| X7 | | Limiter | | | SK-3018 | NPN | 2092418-0718 |
| X8 | | AF Amp. | | GE-10 | SK-3020 | NPN | 2092609-0707 |
| X9 | 2N1287A | Driver | DS-26 | GE-2 | SK-3004 | PNP | 2091578-0702 |
| X10 | 2N1227A | Output | DS-520 | GE-3 | SK-3009 | PNP | 2091859-0714 |
| X11 | 2N1227A | Output | DS-520 | GE-3 | SK-3009 | PNP | 2091859-0714 |

• When replacing, apply silicone grease to both sides of insulator. Tighten mounting screws securely.

POWER RECTIFIERS & SIGNAL DIODES

| ITEM No. | MEASURED CURRENT | ORIGINAL Part or Type No. | RECTIFIERS & DIODES | | RECTIFIERS | | |
|----------|------------------|---------------------------|---------------------------|----------------------------------|------------------|--------------|-------------------------|
| | | | GENERAL ELECTRIC PART No. | INTERNATIONAL RECTIFIER PART No. | MALLORY PART No. | RCA PART No. | SARKES TARZIAN PART No. |
| X12 | | 2092055-0005 | | | | | |
| X13 | | 2092055-0003 | | | | | |
| X14 | | 2092055-0001 | 1N34AS | 1N34A | | | |
| X15 | | 2092055-0007 | 1N34AS | 1N34A | | | |
| X16 | | 2092055-0007 | 1N34AS | 1N34A | | | |
| X17 | | 2092055-0001 | 1N34AS | 1N34A | | | |

ELECTROLYTIC CAPACITORS

| ITEM No. | RATING | | BENDIX PART No. | REPLACEMENT DATA | | | | |
|----------|--------|-------|-----------------|------------------|---------------------------|---------------------------|------------------|------------------|
| | CAP. | VOLT. | | AEROVOX PART No. | CORNELL-DUBILIER PART No. | GENERAL ELECTRIC PART No. | MALLORY PART No. | SPRAGUE PART No. |
| C1A | 1000 | 16 | 2092983-0705 | AFH3-00-98 | | | | TVLS-3027.9* |
| B | 700 | 16 | | | | | | |
| C | 700 | 16 | | | | | | |
| C2 | 100 | 16 | 2093667-0706 | PTT121 | NLW100-25 | MT1-23 | TT25X100 | TL-1162 |
| C3 | 50 | 3 | 2090480-0015 | BCD3050 | NLW50-3 | MT1-18 | PET1575 | VL-1045 |
| C4 | 500 | 3 | 2090480-0009 | CRE243A | NLW450-3 | MT1-26 | PET290 | TE-1088 |

* Not normally in distributor's stock. Available thru distributor on order to manufacturer.

CAPACITORS

| ITEM No. | RATING | REMARKS | REPLACEMENT DATA | | | | | |
|----------|---------|---------------|------------------|--------------------|---------------------------|------------------|------------------|------------------|
| | | | AEROVOX PART No. | CENTRALAB PART No. | CORNELL-DUBILIER PART No. | ELMENCO PART No. | MALLORY PART No. | SPRAGUE PART No. |
| C11 | 3.9 | | TTD-005 | CK-502 | HOY101ZV502P | CCD-502 | TA250 | 10TCC-V39 |
| C12 | .005 | | TTD-005 | CK-502 | HOY101ZV502P | CCD-502 | TA250 | TG-D50 |
| C13 | .005 | #2090928-0726 | | | | | | TG-D50 |
| C14 | 43 | #2093105-0503 | | | | | | |
| C15 | 3-20 | | DI-100 | DD-101 | JBZ601YP101K | CCD-101 | GP310 | 5GA-T10 |
| C16 | 100 | | | DD-060 | | | | 5GA-V60 |
| C17 | 5.6 | | TTD-005 | CK-502 | HOY101ZV502P | CCD-502 | TA250 | TG-D50 |
| C18 | .005 | | DI-220 | DD-221 | JBZ601YP221K | CCD-221 | GP322 | 5GA-T22 |
| C19 | 220 | #2093231-3478 | | | | | | |
| C20 | .47 | | | | | | | 10TCC-V18 |
| C21 | 1.8 NPO | | | | | | | 10TCR-Q18 |
| C22 | 18 N220 | | | | | | | |
| C23 | 1-8 | #2093105-0001 | | | | | | |
| C24 | 4.3 NPO | #2093135-0706 | | | | | | |
| C25 | 7-60 | #2093115-0703 | | | | | | |
| C26 | .005 | | TTD-005 | CK-502 | HOY101ZV502P | CCD-502 | TA250 | TG-D50 |
| C27 | .01 | | TTD-01 | CK-103 | HOY101ZV103P | CCD-103 | TA110 | TG-S10 |
| C28 | .005 | | TTD-005 | CK-502 | HOY101ZV502P | CCD-502 | TA250 | TG-D50 |
| C29 | .0018 | | DI-1800 | DD-182 | JBX601YP182K | CCS-182 | GP218 | 5GA-D18 |
| C30 | 18 NPO | (15pf) † | | TCZ-18 | CY601CG180J | CCTO-180 | CN0418 | 10TCC-Q18 |
| C31 | .01 | | TTD-01 | CK-103 | HOY101ZV103P | CCD-103 | TA110 | TG-S10 |
| C32 | .2 | | | UK10-204 | | | | |
| C33 | 7-100 | #2093466-0702 | | | | | | |
| C34A | 330-390 | #2092422-0710 | | | | | | |
| H | 160 | | | | | | | |
| C | 280-360 | | | | | | | |
| C35 | .01 | 25V | DBE4S1 | CPR-10000J | WMF1S1 | 1DP-1-103 | PVC211 | 4PS-S10 |
| C36 | .01 | 25V | DBE4S1 | CPR-10000J | WMF1S1 | 1DP-1-103 | PVC211 | 4PS-S10 |
| C37 | .01 | | TTD-01 | CK-103 | HOY101ZV103P | CCD-103 | TA110 | TG-S10 |
| C38 | .82 | #2093231-1828 | | | | | | |
| C39 | .88 | #2093231-3688 | | | | | | |
| C40 | 1.2 | | | TCZ-1R5 | | | | 10TCC-V12 |
| C41 | 330 | | DI-330 | DD-331 | JBZ601YP331K | CCD-331 | GP333 | 5GA-T33 |
| C42 | .01 | | TTD-01 | CK-103 | HOY101ZV103P | CCD-103 | TA110 | TG-S10 |
| C43 | .005 | | TTD-005 | CK-502 | HOY101ZV502P | CCD-502 | TA250 | TG-D50 |
| C44 | 220 | | DI-220 | DD-221 | JBZ601YP221K | CCD-221 | GP322 | 5GA-T22 |
| C45 | 560 | | DI-560 | DD-561 | JBX601YP561K | CCD-561 | GP356 | 5GA-T56 |
| C46 | .01 | | TTD-01 | CK-103 | HOY101ZV103P | CCD-103 | TA110 | TG-S10 |
| C47 | .1 | 25V | DBE2P1 | | WMF1P1 | 1DP-2-104 | PVC101 | 2PS-P10 |
| C48 | .005 | | TTD-005 | CK-502 | HOY101ZV502P | CCD-502 | TA250 | TG-D50 |
| C49 | 150 | | DI-150 | DD-151 | RR05CW151K | CCD-151 | GP315 | 5GA-T15 |
| C50 | .0039 | 100V | DBE6D39 | CPR-3900J | DPMS6D39 | 6DP-1-392 | PVC6239 | 6PS-D39 |
| C51 | .05 | 100V | DBE6S5 | | DPMS2S5 | 1DP-2-503 | PVC215 | 2PS-S50 |
| C52 | .05 | | TTD-05 | CK-503 | HOY101ZV503Z | CCD-503 | TA150 | TG-S50 |

MOPAR MODELS 361, 364, 366, 369, 379

PARTS LIST AND DESCRIPTION (CONTINUED)

(When ordering parts, state Model, Part Number, and Description.)

Replacement parts shown may be superseded by the availability of newly introduced replacements.
Have your local distributor check Sams COUNTER FACTS® for the most up-to-date replacement.

CAPACITORS

| ITEM No. | RATING | REMARKS | REPLACEMENT DATA | | | | | | |
|----------|----------|-----------------------------|------------------|--------------------|---------------------------|------------------|------------------|------------------|-----------|
| | | | AEROVOX PART No. | CENTRALAB PART No. | CORNELL-DUBILIER PART No. | ELMENCO PART No. | MALLORY PART No. | SPRAGUE PART No. | |
| C53 | .05 | #093231-2828 (.01) † | TTD-05 | CK-503 | HOV101ZV503Z | CCD-503 | TA150 | TG-S50 | |
| C54 | .82 | | | | | | | | |
| C55 | 150 N750 | | | N750-DI 150 | DTN-150 | | CCTN-151 | CN7315 | 10TCU-T15 |
| C56 | .01 25V | | | DBE481 | CPR-10000J | WMF1S1 | 1DP-1-103 | PVC211 | 4PS-S10 |
| C57 | .01 25V | | | DBE481 | CPR-10000J | WMF1S1 | 1DP-1-103 | PVC211 | 4PS-S10 |
| C58 | .05 | | | TTD-05 | CK-503 | HOV101ZV503Z | CCD-503 | TA150 | TG-S50 |
| C59 | .15 100V | | | DBE2P15 | | DPMS2P15 | 1DP-3-154 | PVC1015 | 2PS-P15 |
| C60 | .1 | | | | UK10-104 | | | MAG1201 | HY-320 |
| C61 | .068 25V | | | DBE4868 | | DPMS4868 | 1DP-2-683 | PVC1168 | 4PS-S68 |
| C62 | .039 25V | | | DBE6839 | | DPMS6839 | 6DP-3-393 | PVC6139 | 6PS-S39 |
| C63 | .1 25V | | | DBE2P1 | | WMF1P1 | 1DP-2-104 | PVC101 | 2PS-P10 |
| C64 | .56 | | | DI-56 | DD-560 | RR05CW560K | CCD-560 | GP456 | 5GA-Q56 |
| C65 | .005 | | | TTD-005 | CK-502 | HOV101ZV502P | CCD-502 | TA250 | TG-D50 |
| C66 | .1 25V | | | DBE2P1 | | WMF1P1 | 1DP-2-104 | PVC101 | 2PS-P10 |
| C67 | 300 | | #093050-0002 | | | | | | |
| C68 | 300 | | #093050-0002 | | | | | | |
| C69 | 300 | | #093050-0706 | | | | | | |
| C70 | 300 | #093050-0002 | | | | | | | |

* Not normally in distributor's stock. Available thru distributor on order to manufacturer.
† Alternate Value. # Bendix Part Number.

CONTROLS

All wattages 1/2 watt, or less, unless otherwise listed.

| ITEM No. | USE | RESISTANCE | REPLACEMENT DATA | | | | | |
|----------|--------------------|------------------------|------------------|---|--------------------|------------------|------------------|--|
| | | | BENDIX PART No. | CENTRALAB PART No. | CLAROSTAT PART No. | CTS-IRC PART No. | MALLORY PART No. | |
| RIA | Tone Volume/Switch | 250K 150K Tap @ 75K | 2093471-0704 | F1-250K, R14-250K, FFS105,RF8113, BC014,SC004, KR-7 | | | | |

RESISTORS (Power and Special)

| ITEM No. | RATING | REPLACEMENT DATA | | | ITEM No. | RATING | REPLACEMENT DATA | | |
|----------|------------------------|------------------|------------------|-----------------|----------|---------------|------------------|------------------|-----------------|
| | | IRC PART No. | WORKMAN PART No. | BENDIX PART No. | | | IRC PART No. | WORKMAN PART No. | BENDIX PART No. |
| R49 | 4.5Ω (Cold) Thermistor | | | 220629-0016 | R50 | .22Ω 2W (PTC) | | | 2090948-0007 |

COILS (RF-IF)

| ITEM No. | USE | REPLACEMENT DATA | | | | | |
|----------|------------------|------------------|-------------------|----------------|-----------------|------------------|------------------|
| | | BENDIX PART No. | MEISSNER PART No. | MERIT PART No. | MILLER PART No. | STANCOR PART No. | WORKMAN PART No. |
| L1 | FM Antenna | ① | | | | | |
| L2 | FM IF Trap (1uh) | 2092210-0005 | 19-1000 | BC-561 | 4602 | RTC-8515 | T855 |
| L3 | FM RF | ① | | | | | |
| L4 | FM Oscillator | ① | | | | | |
| L5 | 1st. FM IF | 2093586-0701 | | | | | |
| L6 | 2nd. FM IF | 2093587-0701 | | | | | |
| L7 | RF Choke (2uh) | 2092210-0007 | 19-1002 | BC-563 | 74F226AP | RTC-8517 | TA812 |
| L8 | AM Antenna | ① | | | | | |
| L9 | 3rd. FM IF | 2093587-0702 | | | | | |
| L10 | AM RF | ① | | | | | |
| L11 | 4th. FM IF | 2093587-0703 | | | | | |
| L12 | 1st. AM IF | 2092419-0715 | | | | | |
| L13 | AM Oscillator | ① | | | | | |
| L14 | FM Limiter | 2093587-0705 | | | | | |
| L15 | 2nd. AM IF | 2092419-0716 | | | | | |
| L16 | Discriminator | 2092423-0702 | | | | | |
| L17 | Tone Choke (8mh) | 2092210-0709 | | | | | |

① Part of M1 or Coil Assembly, Part #2093394-0706.

TRANSFORMER (DRIVER)

| ITEM No. | TURNS RATIO | | REPLACEMENT DATA | | | | | NOTES |
|----------|-------------|------|------------------|----------------|------------------|---------------------|----------------|-------|
| | PRI. | SEC. | BENDIX PART No. | MERIT PART No. | STANCOR PART No. | THORDARSON PART No. | TRIAD PART No. | |
| T1 | 2.2 | 1 | 2092192-0704 | | | | | |

FILTER CHOKE

| ITEM No. | RATINGS | | | REPLACEMENT DATA | | | | | NOTES |
|----------|--------------------|---------|------------------------------|------------------|----------------|------------------|---------------------|----------------|-------|
| | CURRENT (Measured) | DC RES. | INDUCTANCE (0 CURRENT 1000~) | BENDIX PART No. | MERIT PART No. | STANCOR PART No. | THORDARSON PART No. | TRIAD PART No. | |
| L18 | 110ma | .3Ω | 1.9MH | 2090520-0710 | C-4124 | TC-1 | TR-157 | TY18XT | |

TRANSFORMER (AUDIO OUTPUT)

| ITEM No. | IMPEDANCE | | REPLACEMENT DATA | | | | | NOTES |
|----------|-----------|------|------------------|----------------|------------------|---------------------|----------------|-------|
| | PRI. | SEC. | BENDIX PART No. | MERIT PART No. | STANCOR PART No. | THORDARSON PART No. | TRIAD PART No. | |
| T2 | 25Ω Tap | @ 8Ω | 2091880-0706 | | | | | |

PARTS LIST AND DESCRIPTION (CONTINUED)

(When ordering parts, state Model, Part Number, and Description.)

Replacement parts shown may be superseded by the availability of newly introduced replacements.
Have your local distributor check Sams COUNTER FACTS for the most up-to-date replacement.

SPEAKER

| ITEM No. | TYPE | REPLACEMENT DATA | | NOTES |
|----------|----------------|------------------|---------------|------------------------|
| | | BENDIX PART No. | QUAM PART No. | |
| SP1 | 4" x 10" PM 8Ω | 2093913-0701 | 410A2Z8 | Models: 361, 369. |
| | 4" x 10" PM 8Ω | 2093913-0702 | 410A2Z8 | Model: 364. |
| | 6" x 9" PM 8Ω | 2093157-0001 | 69A2Z8 | Models: 366, 369, 379. |

FUSE DEVICES

| ITEM No. | TYPE | RATING | REPLACEMENT DATA | | | | |
|----------|------|--------|------------------|---------------|---------------------|---------------|-------|
| | | | PART No. | | LITTELFUSE PART No. | BUSS PART No. | |
| | | | FUSE | HOLDER | FUSE | HOLDER | |
| F1 | AGC | 5 Amp. | 2091811-0018 | In Fuse Block | 311005 | | AGC 5 |

COMPONENT COMBINATIONS

| ITEM No. | USE | DESCRIPTION | BENDIX PART NO. | REPLACEMENT DATA |
|----------|-----------------------|------------------------------|-----------------|------------------|
| PC1 | IF Network | 3300Ω, 18K, 22K, 56K | 2093581-0702 | |
| PC2 | IF Network | 150Ω, 1000Ω, 1200Ω, 10K, 33K | 2093582-0702 | |
| PC3 | Det. Network | 1000Ω, 47K, .001mfd, .001mfd | 2093583-0701 | |
| PC4 | Discriminator Network | 22K, 47K, 47K, 470K | 2093584-0701 | |
| PC5 | AF Network | 22Ω, 230Ω, 1000Ω, 6800Ω, 27K | 2093585-0703 | |

MISCELLANEOUS

| ITEM No. | PART NAME | BENDIX PART No. | NOTES |
|----------|-----------------------|-----------------|------------------|
| M1 | Tuner (AM-FM) | 2093549-0513 | Model: 361, 369. |
| | Tuner (AM-FM) | 2093549-0515 | Model: 364. |
| | Tuner (AM-FM) | 2093549-0514 | Model: 366. |
| | Tuner (AM-FM) | 2093549-0516 | Model: 379. |
| S1 | FM Coil Assembly | 2093394-0706 | |
| | AM Coil Assembly | 2090131-0093 | |
| | Selector Switch | 2093539-0701 | |
| | Printed Circuit Board | 2093987-0508 | (Main Chassis) |
| | Printed Circuit Board | 2093987-0508 | (FM Tuner) |
| | Printed Circuit Board | 2094389-0002 | (Volume Control) |

CABINETS & CABINET PARTS

(When Ordering Specify Model, Chassis & Color)

| ITEM | PART No. | ITEM | PART No. |
|--------------------------|--------------|-------------------------------------|--------------|
| MODEL 361 (8FBDD) | | MODEL 366 (6FBC) | |
| Escutcheon | 2093579-0501 | Knob, Tuning or Volume | 2093911-0501 |
| Dial Glass | 2093514-0001 | Knob, Tone or Selector | 2093905-0501 |
| Pushbutton | 2093512-0001 | Bezel | 2093912-0001 |
| Dial Pointer | 2090129-0079 | MODEL 369 (8FBP & 6FBVE) | |
| Knob, Tuning or Volume | 2093493-0002 | Escutcheon | 2093579-0501 |
| Knob, Tone or Selector | 2093494-0001 | Dial Glass | 2093513-0001 |
| Bezel | 2094404-0001 | Pushbutton | 2093512-0001 |
| MODEL 364 (6FBDD) | | Dial Pointer | 2090129-0079 |
| Escutcheon | 2093580-0003 | Knob, Tuning or Volume (6FBP) | 2094333-0001 |
| Dial Glass | 2094241-0001 | Knob, Tuning or Volume (8FBVE) | 2093493-0501 |
| Pushbutton | 2094702-0001 | Knob, Tone or Selector (8FBP) | 2094334-0001 |
| Dial Pointer | 2090129-0079 | Knob, Tone or Selector (6FBVE) | 2093494-0001 |
| Knob, Tuning or Volume | 2093910-0001 | Bezel (6FBP) | 2094335-0001 |
| Knob, Tone or Selector | 2093915-0001 | Bezel (6FBVE) | 2094338-0001 |
| Bezel | 2094436-0001 | MODEL 379 (8FBL) | |
| MODEL 368 (6FBC) | | Escutcheon | 2093579-0501 |
| Escutcheon | 2093580-0001 | Dial Glass | 2093513-0001 |
| Dial Glass | 2094240-0001 | Pushbutton | 2094265-0001 |
| Pushbutton | 2093519-0001 | Dial Pointer | 2090129-0079 |
| Dial Pointer | 2090129-0080 | Knob, Tuning or Volume | 2094340-0001 |
| | | Knob, Tone or Selector | 2094341-0001 |

WIRING DATA

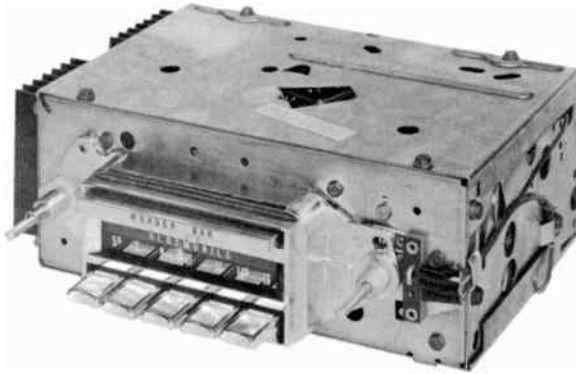
| | |
|-------------------------------------|--|
| General-use Unshielded Hook-up Wire | Use BELDEN No. 8530 (Solid) Available in 12 Colors 8524 (Stranded) Available in 12 Colors |
| Shielded Hook-up Wire | Use BELDEN No. 8885 |
| Rear Seat Speaker Extension Cable | Use BELDEN No. 8782 (Stranded) Coded Parallel Leads |
| Bonding Strap | Use BELDEN No. 8661 (3/8 in.) or 8670 (3/4 in.) |

MOPAR MODELS 361, 364, 366, 369, 379



PHOTOFACT[®] with

CIRCUITRACE[®]



TRADE NAME : Oldsmobile Model 7294753 (982689)
 SUPPLIER : For Current Address, See Annual Index.
 TYPE SET : 9 Transistor AM Receiver
 POWER SUPPLY : 12 Volt Storage Battery
 RATING : 1.2 Amp. @ 12.6 Volts DC
 TUNING RANGE: BROADCAST 540-1615KC

OLDSMOBILE MODEL 7294753

ALIGNMENT INSTRUCTIONS

Check for specified source voltage.

Use only enough generator output to provide a usable indication.

Suggested Alignment Tools:

A1 thru A5, A9, A10.

GENERAL CEMENT: 5009, 8782A, 8987

WALSCO: 2531-X, 2536

GENERAL CEMENT: 8290, 8868, 9087

WALSCO: 2525, 2528, 2587

A6, A7, A8.

| | SIGNAL GENERATOR COUPLING | SIGNAL GENERATOR FREQUENCY | RADIO DIAL SETTING | INDICATOR | ADJUST | REMARKS |
|---|---|----------------------------|----------------------|---------------------------------|----------------|------------------------------------|
| 1. | High side thru .1mf to point Δ , low side to ground. | 262KC (400% Mod.) | High Freq. End Stop. | Output Meter across voice coil. | A1, A2, A3, A4 | Adjust for maximum. |
| Check setting of oscillator coil core (A5). Rear of core should be 1 3/8" from mounting end of coil form. | | | | | | |
| 2. | High side thru 82mmf to antenna receptacle, low side to ground. | 1615KC | High Freq. End Stop. | Output Meter across voice coil. | A6, A7, A8 | Adjust for maximum. |
| 3. | " | 600KC | 600KC Signal | " | A9, A10 | Adjust for maximum. Repeat step 2. |

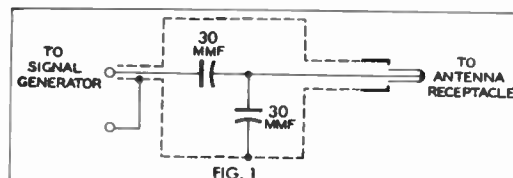
With radio installed in car and antenna fully extended, tune in a weak station near 1400KC and adjust A8 for maximum output.

Remove tuning and dummy knobs for access to Antenna Adjustment (A8).

PUSH-BUTTON ADJUSTMENT

1. Pull button out.
2. Tune manually to desired station.
3. Press button in firmly.
4. Repeat for remaining buttons.

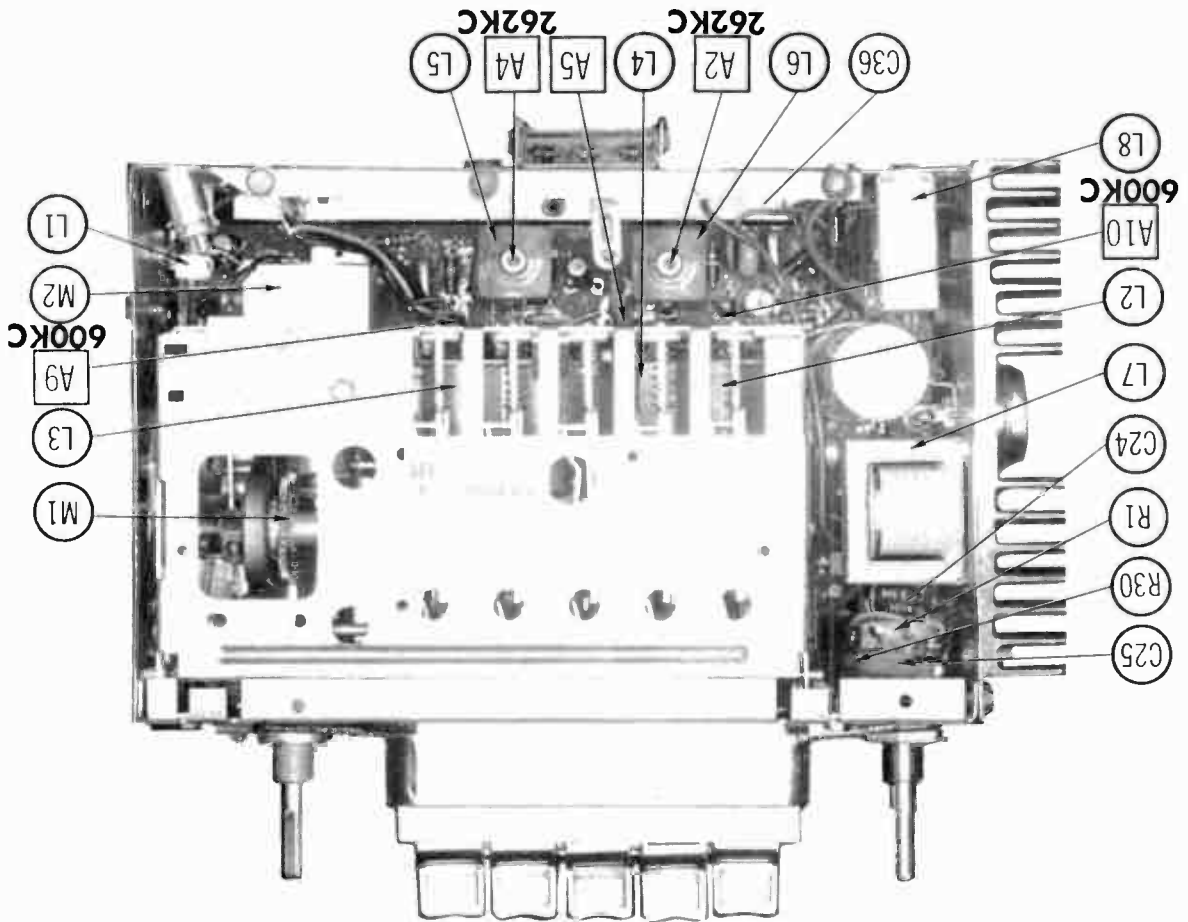
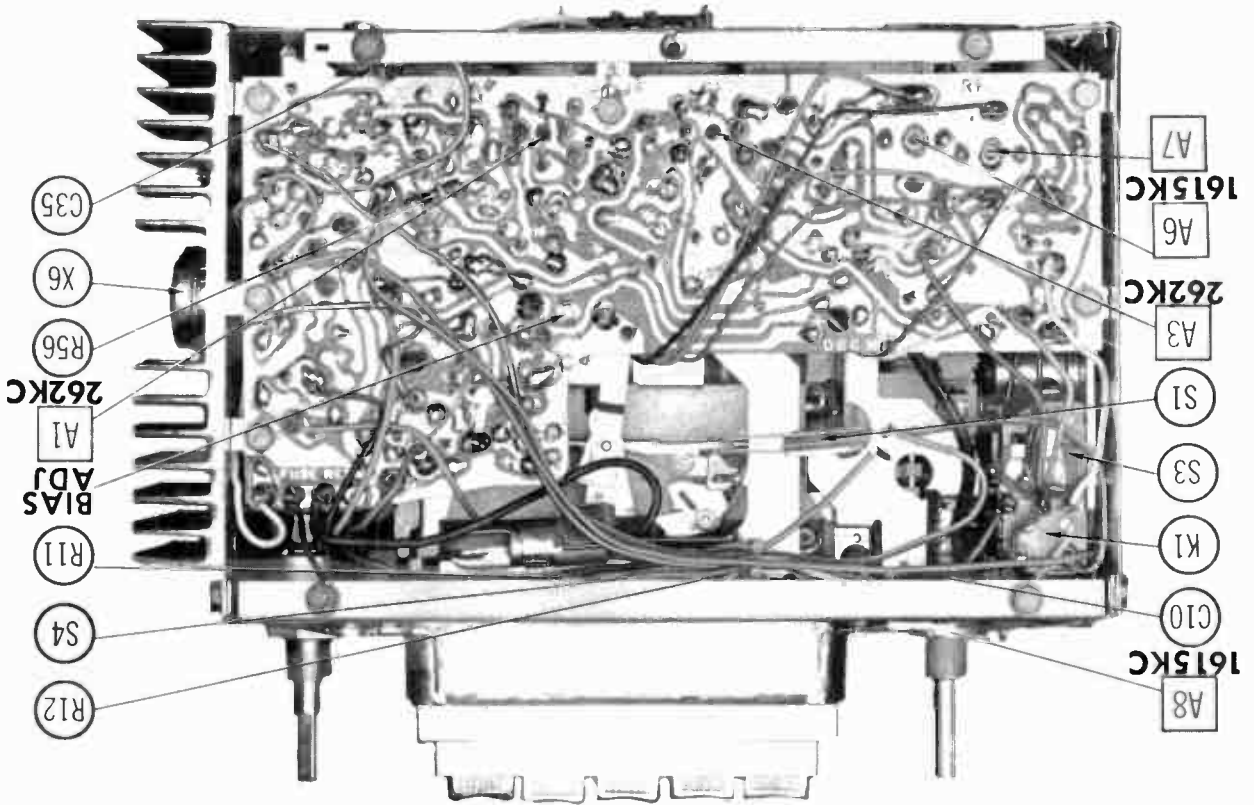
Thru dummy (Fig. 1) to antenna receptacle.

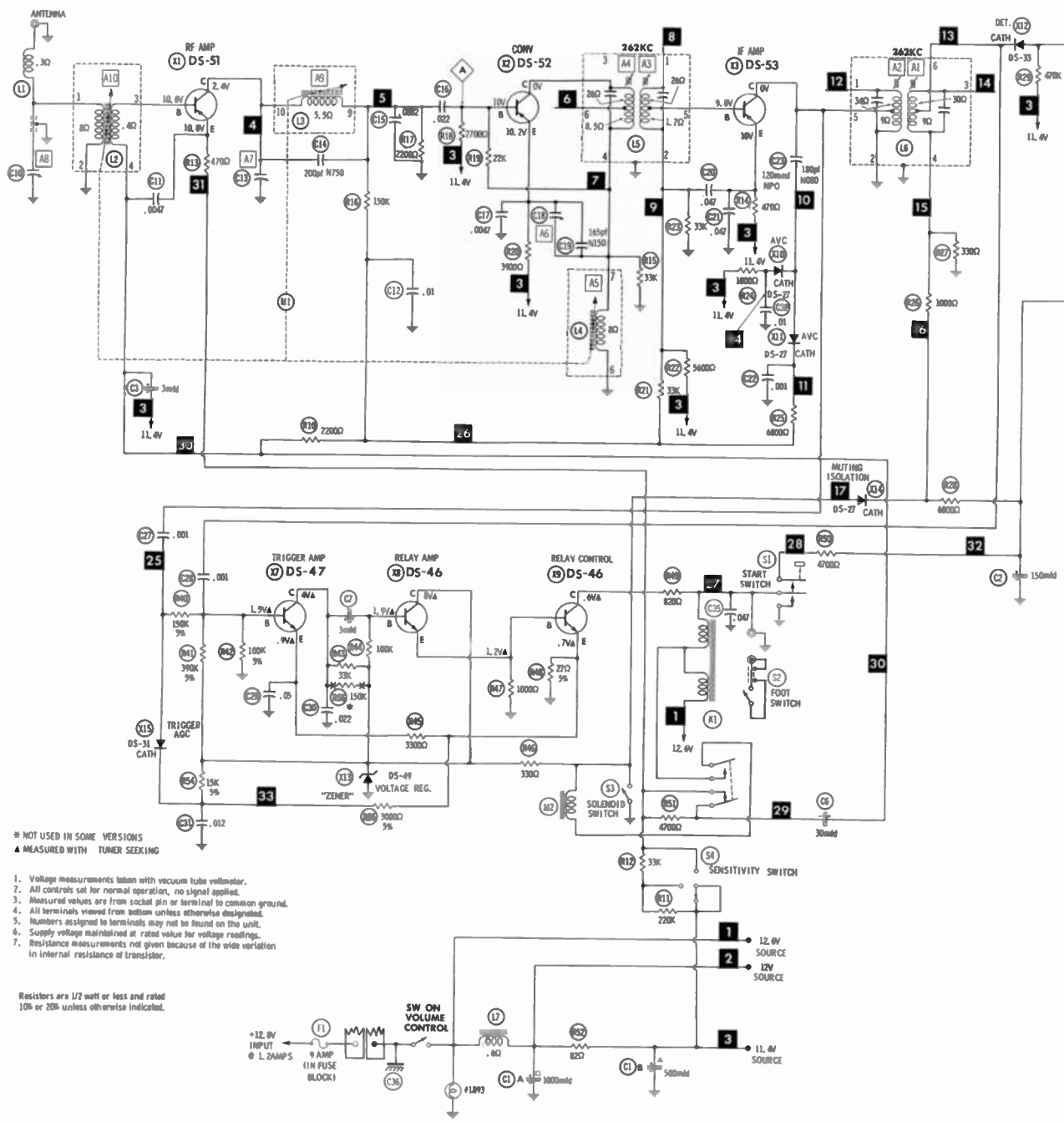


1 5/8" from mounting end of coil form.

HOWARD W. SAMS & CO., INC. Indianapolis, Indiana 46206

OLDSMOBILE MODEL 7294753



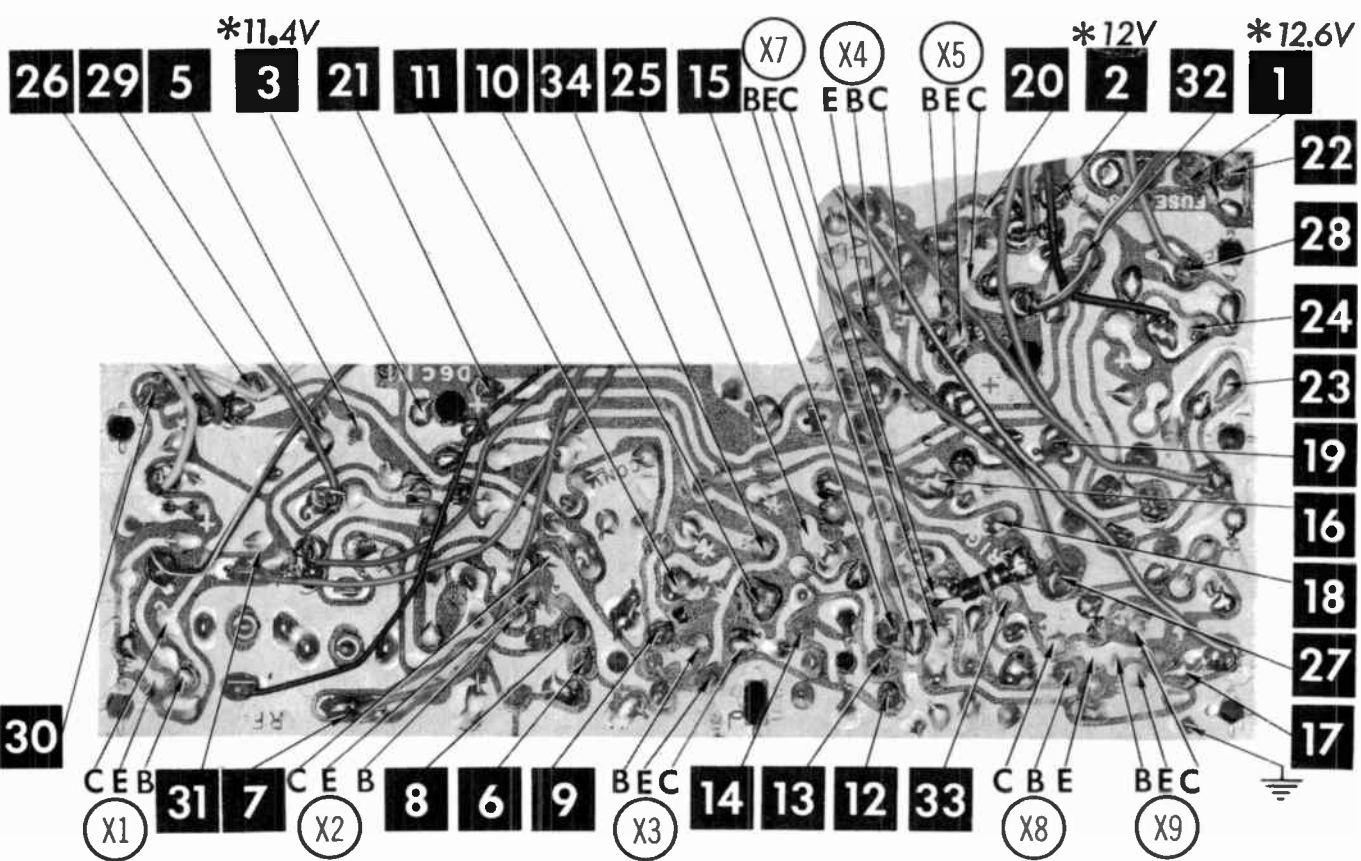
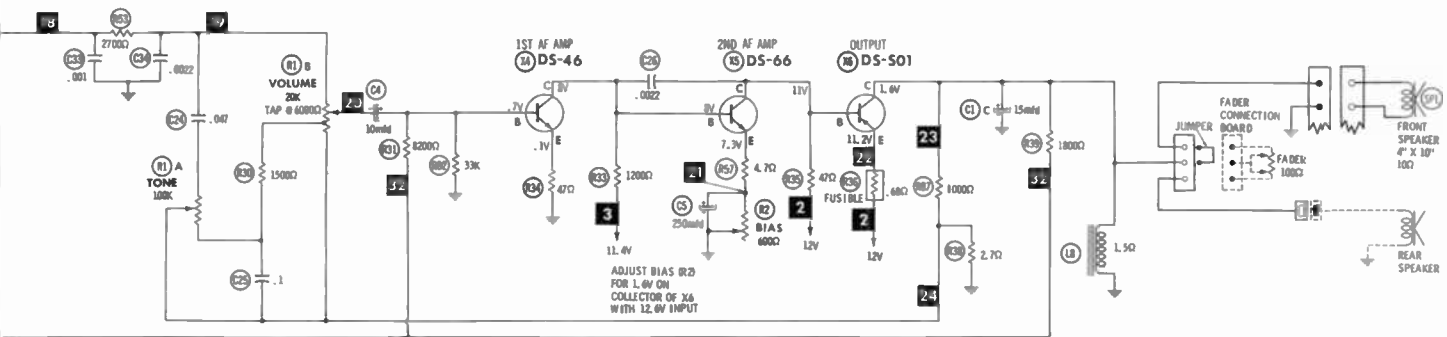


* NOT USED IN SOME VERSIONS
 ▲ MEASURED WITH TUNER SEEKING

1. Voltage measurements taken with vacuum tube voltmeter.
2. All controls set for normal operation, no signal applied.
3. Measured values are from socket pin or terminal to common ground.
4. All terminals viewed from bottom unless otherwise designated.
5. Numbers assigned to terminals may not be found on this unit.
6. Supply voltage maintained at rated value for voltage readings.
7. Resistance measurements not given because of the wide variation in internal resistance of transistor.

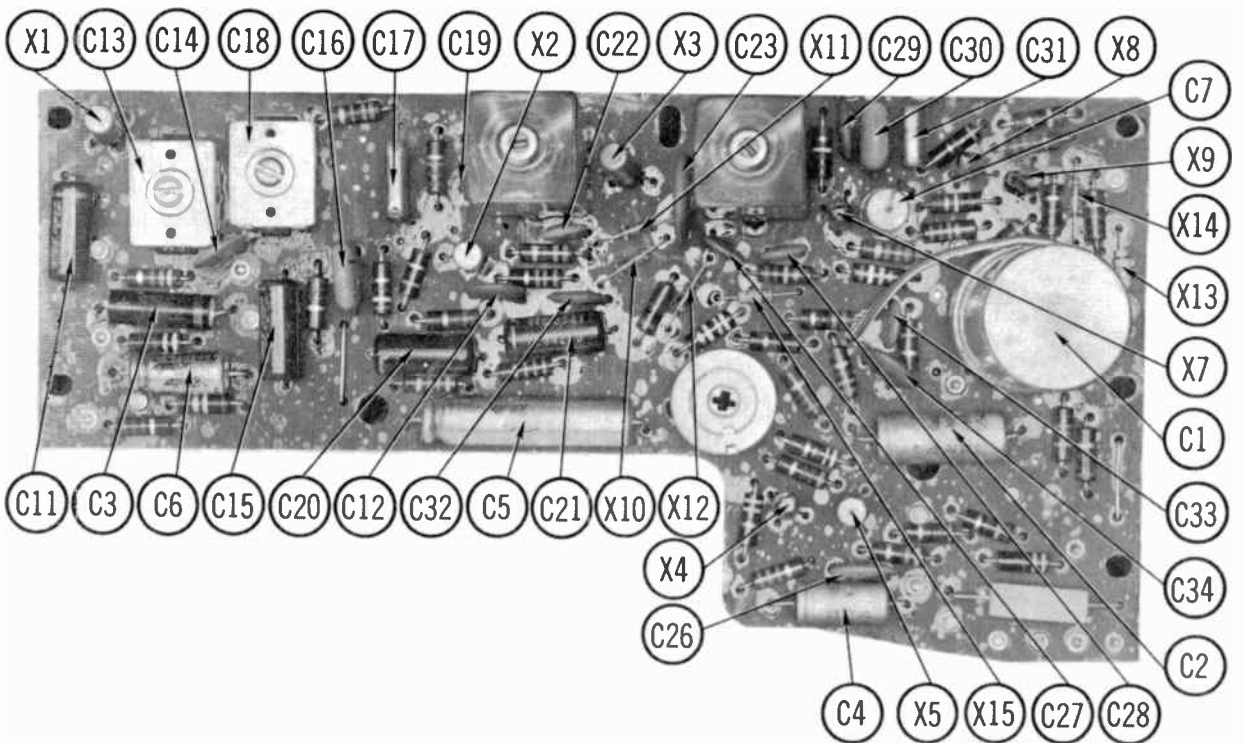
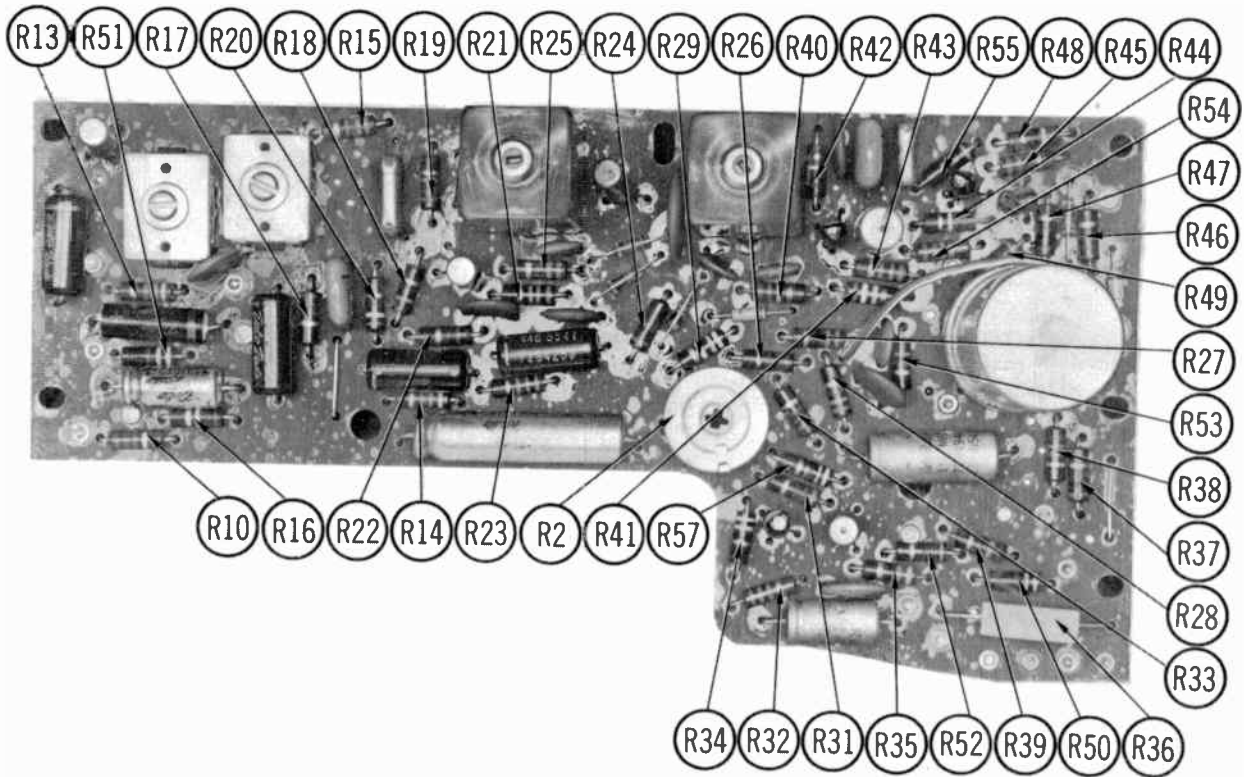
Resistors are 1/2 watt or less and rated 10% or 20% unless otherwise indicated.

A PHOTOFAC STANDARD NOTATION SCHEMATIC
 with **CIRCUITRACK**
 © Howard W. Sams & Co., Inc. 1966



*VOLTAGE SOURCE

OLDSMOBILE MODEL 7294753



PARTS LIST AND DESCRIPTION

(When ordering parts, state Model, Part Number, and Description.)

Replacement parts shown may be superseded by the availability of newly introduced replacements.
Have your local distributor check Sams COUNTER FACTS for the most up-to-date replacement.

WIRING DATA

| | |
|---|--|
| General-use Unshielded Hook-up Wire | Use BELDEN No. 8530 (Solid) Available in 12 Colors 8524 (Stranded) Available in 12 Colors |
| Shielded Hook-up Wire | Use BELDEN No. 8885 |
| Rear Seat Speaker Extension Cable | Use BELDEN No. 6782 (Stranded) Coded Parallel Leads |
| Bonding Strap | Use BELDEN No. 8661 (3/8 In.) or 8670 (3/4 In.) |

TRANSISTORS

| ITEM No. | ORIG. TYPE | USE | REPLACEMENT DATA | | | NOTES |
|----------|------------|---------------|------------------|---------------------------|--------------|-------|
| | | | DELCO PART No. | GENERAL ELECTRIC PART No. | RCA PART No. | |
| X1 | DS-51 | RF Amp. | DS-25 | GE-1 | SK-3006 | PNP |
| X2 | DS-52 | Conv. | DS-25 | GE-1 | SK-3006 | PNP |
| X3 | DS-53 | IF Amp. | DS-25 | GE-1 | SK-3006 | PNP |
| X4 | DS-46 | 1st. AF Amp. | DS-46 | GE-10 | SK-3020 | NPN |
| X5 | DS-66 | 2nd. AF Amp. | DS-66 | GE-10 | SK-3020 | NPN |
| X6 | DS-501 | Output | DS-501 | GE-4 | SK-3004 | PNP * |
| X7 | DS-47 | Trigger Amp. | DS-47 | GE-10 | SK-3020 | NPN |
| X8 | DS-46 | Relay Amp. | DS-46 | GE-10 | SK-3020 | NPN |
| X9 | DS-46 | Relay Control | DS-46 | GE-10 | SK-3020 | NPN |

* When replacing, apply silicone grease to both sides of insulator. Tighten mounting screws securely. Check bias adjustment.

POWER RECTIFIERS & SIGNAL DIODES

| ITEM No. | MEASURED CURRENT | ORIGINAL Part or Type No. | RECTIFIERS & DIODES | | RECTIFIERS | | |
|----------|------------------|---------------------------|---------------------------|----------------------------------|------------------|--------------|-------------------------|
| | | | GENERAL ELECTRIC PART No. | INTERNATIONAL RECTIFIER PART No. | MALLORY PART No. | RCA PART No. | SARKES TARZIAN PART No. |
| X10 | | DS-27 | 1N34AS | 1N34A | | | |
| X11 | | DS-27 | 1N34AS | 1N34A | | | |
| X12 | | DS-33 | 1N34AS | 1N34A | | | |
| X13 | | DS-49 | | | | | |
| X14 | | DS-27 | 1N34AS | 1N34A | | | |
| X15 | | DS-31 | 1N34AS | 1N34A | | | |

ELECTROLYTIC CAPACITORS

| ITEM No. | RATING | | REPLACEMENT DATA | | | | | |
|----------|--------|---------|------------------|------------------|---------------------------|---------------------------|------------------|------------------|
| | CAP. | VOLT. | DELCO PART No. | AEROVOX PART No. | CORNELL-DUBILIER PART No. | GENERAL ELECTRIC PART No. | MALLORY PART No. | SPRAGUE PART No. |
| C1A | 1000 | 16 | 7291356 | PWH3-54-45 | | | FPS300.93 | PCL3-3021.9* |
| B | 500 | 16 | | | | | | |
| C | 15 | 11.5rms | | | | | | |
| C2 | 150 | 4 | 7290896 | CRE328A | NLW150-6 | MT1-23 | TT6X150 | TE-1103 |
| C3 | 3 | 12 | 7291860 | PTT50 | NLW3-15 | MT1-3 | TT12X3 | TE-1122 |
| C4 | 10 | 12 | 7292736 | PTT53 | NLW10-15 | MT1-5 | TT12X10 | TL-1128 |
| C5 | 250 | 16 | 7291945 | PRS1280 | BR250-25 | QT1-28 | TC50025 | TVA-1208 |
| C6 | 30 | 6 | 7279896 | PTT27 | NLW30-15 | MT1-13 | TT6X30 | TE-1092 |
| C7 | 3 | 12 | 7291660 | PTT50 | NLW3-15 | MT1-3 | TT12X3 | TE-1122 |

* Not normally in distributor's stock. Available thru distributor on order to manufacturer.

CAPACITORS

| ITEM No. | RATING | REMARKS | REPLACEMENT DATA | | | | | |
|----------|--------|----------|------------------|--------------------|---------------------------|------------------|------------------|------------------|
| | | | AEROVOX PART No. | CENTRALAB PART No. | CORNELL-DUBILIER PART No. | ELMENCO PART No. | MALLORY PART No. | SPRAGUE PART No. |
| C10 | | #7284971 | | | | | | |
| C11 | .0047 | 75V | DBE6D47 | CPR-4700J | WMF1847 | 6DP-1-472 | PVC6247 | 6PS-D47 |
| C12 | .01 | | BPD-01 | DD-103 | BVY102ZU103M | CCD-103 | B110 | 5HK-510 |
| C13 | | #7296946 | | | | | | |
| C14 | 200 | N750 | N750-DI 200 | DTN-200 | CV601UJ201K | CCTN-201 | CN7320 | 10TCU-T20 |
| C15 | .0062 | 75V | DBE6D82 | CPR-8200J | WMF1882 | 6DP-2-822 | PVC628 | 6PS-D82 |
| C16 | .022 | 75V | DBE2S22 | | WMF1822 | 1DP-1-223 | PVC1122 | 2PS-S22 |
| C17 | .0047 | 75V | DBE6D47 | CPR-4700J | WMF1847 | 6DP-1-472 | PVC6247 | 6PS-D47 |
| C18 | | #7282165 | | | | | | |
| C19 | 165 | N150 | | | | * | * | 10TCP-T175 |
| C20 | .047 | 75V | DBE2S47 | | WMF2S47 | 1DP-2-473 | PVC1147 | 2PS-S47 |
| C21 | .047 | 75V | DBE2S47 | | WMF2S47 | 1DP-2-473 | PVC1147 | 2PS-S47 |
| C22 | .001 | | BPD-001 | DD-102 | HVX162XP102M | CCD-102 | B210 | 5HK-D10 |
| C23 | 180 | N080 | | | | * | * | 10TCN-T80 |
| C24 | .047 | 75V | DBE2S47 | | WMF2S47 | 1DP-2-473 | PVC1147 | 2PS-S47 |
| C25 | .1 | | TTD-1 | CK-104 | H0V101ZV104Z | TA010 | JF222 | TG-P10 |
| C26 | .0022 | | DI-2200 | CF-222 | JBX601YP222K | CCD-222 | TA010 | 10TS-D22 |
| C27 | .001 | | BPD-001 | DD-102 | HVX162XP102M | CCD-102 | B210 | 5HK-D10 |
| C28 | .001 | | BPD-001 | DD-102 | HVX162XP102M | CCD-102 | B210 | 5HK-D10 |
| C29 | .05 | | TTD-05 | | H0V101ZV503Z | CCD-102 | B210 | 5HK-D10 |
| C30 | .022 | 75V | DBE2S22 | | WMF1822 | 1DP-1-223 | PVC1122 | 2PS-S22 |
| C31 | .012 | 75V | DBE6S12 | CPR-10000J | DPMS6S12 | 6DP-2-123 | PVC6112 | 6PS-S12 |
| C32 | .01 | | BPD-01 | DD-103 | BVY102ZU103M | CCD-103 | B110 | 5HK-510 |
| C33 | .001 | | BPD-001 | DD-102 | HVX162XP102M | CCD-102 | B210 | 5HK-D10 |
| C34 | .0022 | | DI-2200 | CF-222 | JBX601YP222K | CCD-222 | JF222 | 10TS-D22 |
| C35 | .047 | 75V | DBE2S47 | | WMF2S47 | 1DP-2-473 | PVC1147 | 2PS-S47 |
| C36 | | #7271564 | | | | | | |

* Not normally in distributor's stock. Available thru distributor on order to manufacturer.
Delco Part Number.

PARTS LIST AND DESCRIPTION (CONTINUED)

(When ordering parts, state Model, Part Number, and Description.)

Replacement parts shown may be superseded by the availability of newly introduced replacements. Have your local distributor check Sams COUNTER FACTS[®] for the most up-to-date replacement.

CONTROLS

AH wattages 1/2 watt, or less, unless otherwise listed.

| ITEM No. | USE | RESIST-ANCE | REPLACEMENT DATA | | | | | |
|----------|---------------|-----------------|------------------|---|--------------------|------------------|------------------|--|
| | | | DELCO PART No. | CENTRALAB PART No. | CLAROSTAT PART No. | CTS-IRC PART No. | MALLORY PART No. | |
| R1A | Tone | 100K | 7289705 | F1-100K, R14-25K, FFS104, RFS115, BB100, KR-4 | | | †QJ-1890A | FN15L, RU253T53, OS1250A, IS1937, US41 |
| B | Volume/Switch | 20K Tap @ 6000Ω | | | | | | |
| R2 | Bias | 600Ω 2W | 7286601 | V-600 | U39-600 | | 110-600 | MR600P |

† "CONCENTRIKIT" Equivalent: K8 Kit, with Base Elements and Shafts: B11-128, P22-109 (Panel)
B19-119X, R16-127 (Rear)
S6 (Bushing)
N4 (Spacer Nut)
76-1 (Switch)

"SNAPTROL" Equivalent: BU8 ①, CF13, CR50T, SF9, SR11, N4, GC. ① Alter Bushing to meet requirements.

RESISTORS (Power and Special)

| ITEM No. | RATING | REPLACEMENT DATA | | | ITEM No. | RATING | REPLACEMENT DATA | | |
|----------|----------------|------------------|------------------|----------------|----------|--------|------------------|------------------|----------------|
| | | IRC PART No. | WORKMAN PART No. | DELCO PART No. | | | IRC PART No. | WORKMAN PART No. | DELCO PART No. |
| R36 | .68Ω (Fusible) | | | 7286602 | | | | | |

COILS (RF-IF)

| ITEM No. | USE | REPLACEMENT DATA | | | | | |
|----------|------------------|------------------|-------------------|----------------|-----------------|------------------|------------------|
| | | DELCO PART No. | MEISSNER PART No. | MERIT PART No. | MILLER PART No. | STANCOR PART No. | WORKMAN PART No. |
| L1 | RF Choke (6.2uh) | 7281946 | 19-1004 | BC-565 | 4610 | RTC-8520 | T859 |
| L2 | Antenna | 7296939 ① | | | | | |
| L3 | RF | 7296943 ① | | | | | |
| L4 | Oscillator | 1221616 ① | | | | | |
| L5 | Input IF | 1221856 | 16-6704 | | 6542 | RTC-9399 | TA653 |
| L6 | Output IF | 1221857 | 16-6705 | | 6543 | RTC-9400 | TA653 |

① Coils Assembly Part #1222394.

FILTER CHOKE

| ITEM No. | RATINGS | | REPLACEMENT DATA | | | | | NOTES |
|----------|--------------------|---------|------------------------------|----------------|----------------|------------------|---------------------|--------|
| | CURRENT (Measured) | DC RES. | INDUCTANCE (0 CURRENT 1000~) | DELCO PART No. | MERIT PART No. | STANCOR PART No. | THORDARSON PART No. | |
| L7 | 1.2 Amp. | .6Ω | 8MH | 1221623 | C-4095 | TC-2 | TR-154 | TY1TXT |

CHOKE (AUDIO OUTPUT)

| ITEM No. | INDUCTANCE | REPLACEMENT DATA | | | | | NOTES |
|----------|------------|------------------|----------------|------------------|---------------------|----------------|-------|
| | | DELCO PART No. | MERIT PART No. | STANCOR PART No. | THORDARSON PART No. | TRIAD PART No. | |
| L8 | 30MH | 1222297 | | | | | |

SPEAKER

| ITEM No. | TYPE | REPLACEMENT DATA | | NOTES |
|----------|-----------------|------------------|---------------|-------|
| | | DELCO PART No. | QUAM PART No. | |
| SP1 | 4" x 10' PM 10Ω | 7289909 | 410A2Z10 | |

FUSE DEVICES

| ITEM No. | TYPE | RATING | REPLACEMENT DATA | | | | | |
|----------|------|--------|------------------|--------|---------------------|--------|---------------|--------|
| | | | PART No. | | LITTELFUSE PART No. | | BUSS PART No. | |
| | | | FUSE | HOLDER | FUSE | HOLDER | FUSE | HOLDER |
| F1 | SFE | 9A | In Fuse Block | | 307009 | | SFE 9 | |

MISCELLANEOUS

| ITEM No. | PART NAME | DELCO PART No. | NOTES |
|----------|--------------------|----------------|-------|
| K1 | Relay | 7295713 | |
| M1 | Tuner | 1221409 | |
| M2 | Solenoid | | |
| S1 | Start Switch | 1222068 | |
| S2 | Foot Switch | 7280183 | |
| S3 | Solenoid Switch | 7268030 | |
| S4 | Sensitivity Switch | 7297177 | |



PHOTOFACT[®] with CIRCUITRACE[®]

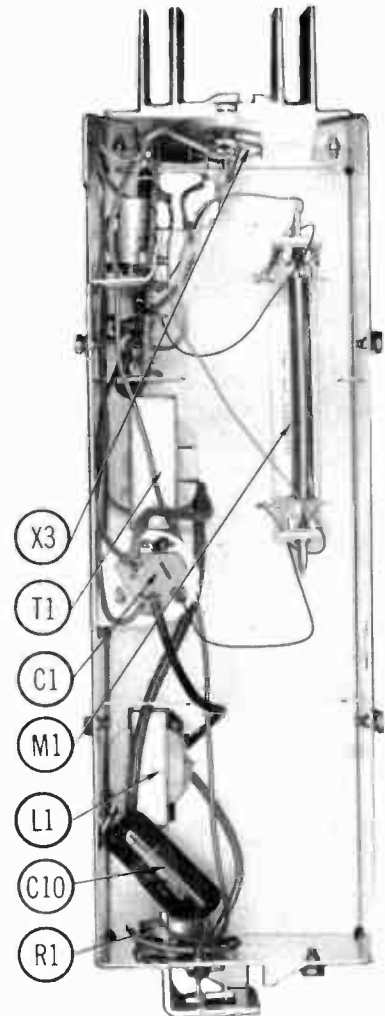
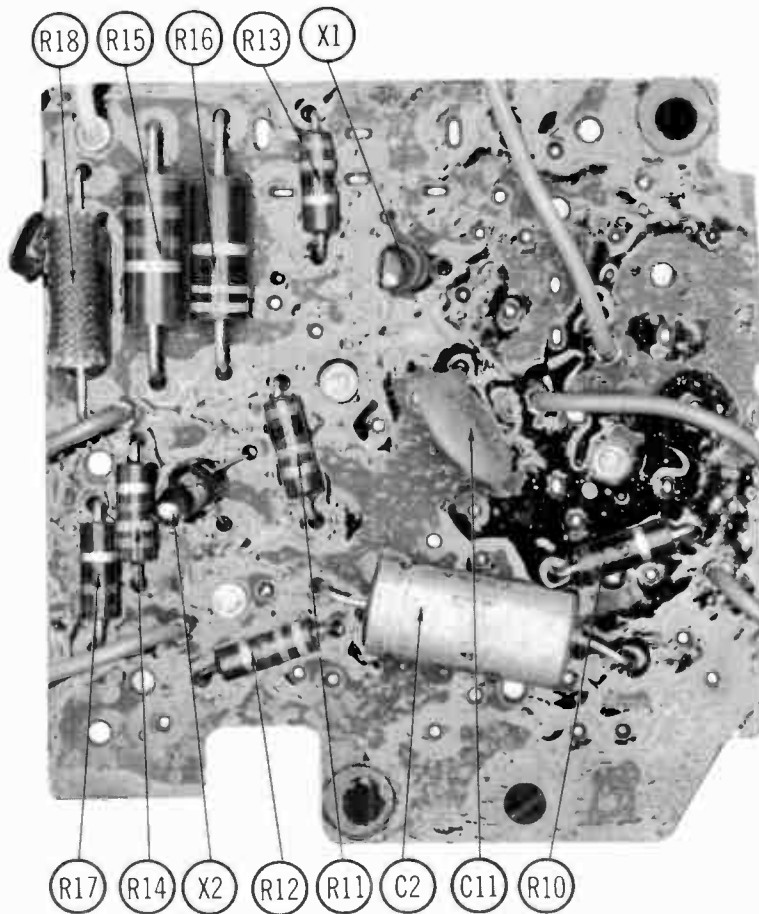
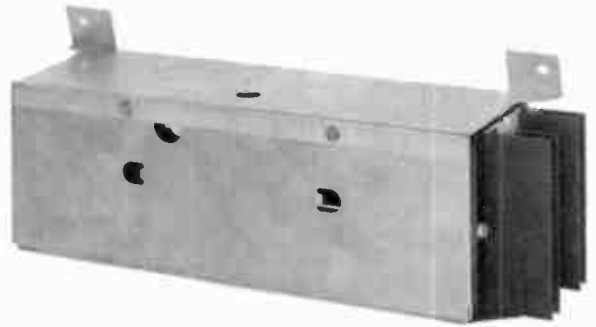
TRADE NAME : Buick Model 7297944
 Oldsmobile Model 7297564
 Pontiac Models 7284742A, 7293632A
 For Current Address, See Annual Index.

SUPPLIER :

TYPE SET : 3 Transistor Reverberation Unit

POWER SUPPLY : 12 Volt Storage Battery

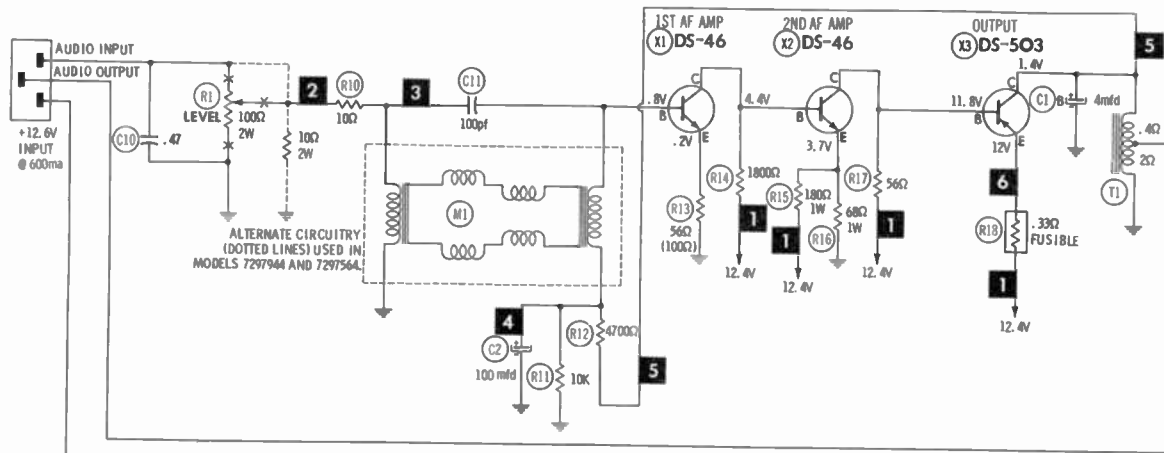
RATING : .6 Amp @ 12.6 Volts DC



BUICK, OLDSMOBILE, PONTIAC MODELS 7297944/564, 7284742A, 7293632A

HOWARD W. SAMS & CO., INC. Indianapolis, Indiana 46206

© 1966 Howard W. Sams & Co., Inc. Printed in U. S. of America RD546

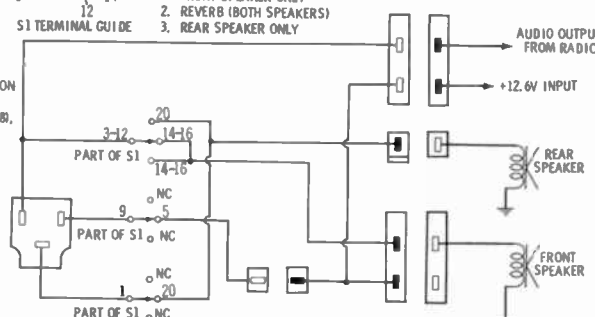
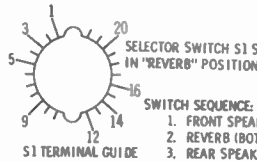
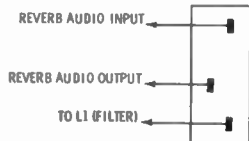


⊙ See parts list

1. Voltage measurements taken with vacuum tube voltmeter.
2. All controls set for normal operation, no signal applied.
3. Measured values are from socket pin or terminal to common ground.
4. All terminals viewed from bottom unless otherwise designated.
5. Numbers assigned to terminals may not be found on the unit.
6. Supply voltage maintained at rated value for voltage readings.
7. Resistance measurements not given because of the wide variation in internal resistance of transistor.

Resistors are 1/2 watt or less and rated 10% or 20% unless otherwise indicated.

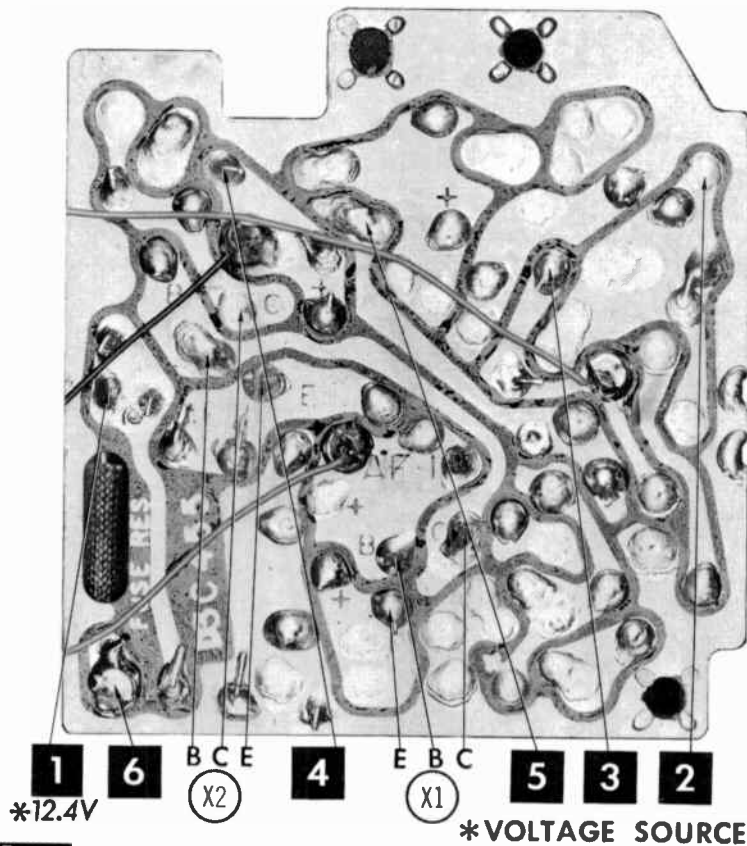
REVERB UNIT CONNECTION ASSEMBLY USED IN MODELS 7284742A (198467B), AND 7293632A



A PHOTOFACIT STANDARD NOTATION SCHEMATIC with CIRCUITRACE

© Howard W. Sams & Co., Inc. 1966

BUICK, OLDSMOBILE, PONTIAC MODELS 7297944/564, 7284742A, 7293632A



A Howard W. Sams CIRCUITRACE Photo

PARTS LIST AND DESCRIPTION

(When ordering parts, state Model, Part Number, and Description.)

Replacement parts shown may be superseded by the availability of newly introduced replacements. Have your local distributor check Sams COUNTER FACTS[®] for the most up-to-date replacement.

TRANSISTORS

| ITEM No. | ORIG. TYPE | USE | REPLACEMENT DATA | | | NOTES |
|----------|---------------|--------------|------------------|---------------------------|--------------|-------|
| | | | DELCO PART No. | GENERAL ELECTRIC PART No. | RCA PART No. | |
| X1 | DS-46 (DS-66) | 1st. AF Amp. | DS-46 | GE-10 | SK-3020 | NPN |
| X2 | DS-46 (DS-66) | 2nd. AF Amp. | DS-46 | GE-10 | SK-3020 | NPN |
| X3 | DS-503 | Output | DS-503 | GE-3 | SK-3009 | PNP * |

* When replacing, apply silicone grease to both sides of insulator. Tighten mounting screws securely.

ELECTROLYTIC CAPACITORS

| ITEM No. | RATING | | REPLACEMENT DATA | | | | | |
|----------|--------|---------|------------------|------------------|---------------------------|---------------------------|------------------|------------------|
| | CAP. | VOLT. | DELCO PART No. | AEROVOX PART No. | CORNELL-DUBILIER PART No. | GENERAL ELECTRIC PART No. | MALLORY PART No. | SPRAGUE PART No. |
| C1A | 850 | 16 | 7297557 | AFH3-54-30 ① | CC0006 ① | | WP300.7A ① | TVL-3021 ① |
| B | 4 | 11.5RMS | | | | | | |
| C2 | 100 | 3 | 7279888 | PTT13 | NLW100-3 | MT1-18 | TT6X100 | TE-1059.5 |

① Disregard 400mfd section.

CAPACITORS

| ITEM No. | RATING | REMARKS | REPLACEMENT DATA | | | | | |
|----------|--------|---------|------------------|--------------------|---------------------------|------------------|------------------|------------------|
| | | | AEROVOX PART No. | CENTRALAB PART No. | CORNELL-DUBILIER PART No. | ELMenco PART No. | MALLORY PART No. | SPRAGUE PART No. |
| C10 | .47 | 75V | DBE2P47 | | DPMS2P47 | 1DP-4-474 | PVC1047 | 2PS-P47 |
| C11 | 100 | | DI-100 | DD-101 | JBZ601YP101K | CCD-101 | GP310 | 5GA-T10 |

CONTROLS

All wattages 1/2 watt, or less, unless otherwise listed.

| ITEM No. | USE | RESISTANCE | REPLACEMENT DATA | | | | |
|----------|--------------|------------|------------------|--------------------|--------------------|---|-----------------------------|
| | | | DELCO PART No. | CENTRALAB PART No. | CLAROSTAT PART No. | CTS-IRC PART No. | MALLORY PART No. |
| R1 | Reverb Level | 100Ω 2W | 7284926 ① | V-100 or (WN-101) | A43-100, FKS-1/4 | 117R101A or (BU1, WF19, 883)* or (W11-084, SK5) | MR100F or (VW100 or (R100L) |

① Used in Models 7284742A, 7293632A only.

* "SNAPTROL"

FILTER CHOKE

| ITEM No. | RATINGS | | | REPLACEMENT DATA | | | | | NOTES |
|----------|--------------------|---------|------------------------------|------------------|----------------|------------------|---------------------|----------------|-------|
| | CURRENT (Measured) | DC RES. | INDUCTANCE (O CURRENT 1000~) | DELCO PART No. | MERIT PART No. | STANCOR PART No. | THORDARSON PART No. | TRIAD PART No. | |
| L1 | 600ma | .6Ω | 8MH | 1221623 | C-4095 | TC-2 | TR-154 | TY17XT | |

TRANSFORMER (AUDIO OUTPUT)

| ITEM No. | IMPEDANCE | | REPLACEMENT DATA | | | | | NOTES |
|----------|-----------|-------|------------------|----------------|------------------|---------------------|----------------|-------|
| | | | DELCO PART No. | MERIT PART No. | STANCOR PART No. | THORDARSON PART No. | TRIAD PART No. | |
| | PRI. | SEC. | | | | | | |
| T1 | 12Ω Tap | @ 10Ω | 7282057 | | | | | |

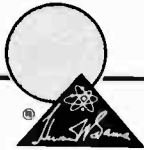
MISCELLANEOUS

| ITEM No. | PART NAME | DELCO PART No. | NOTES |
|----------|---------------|----------------|---|
| M1 | Reverb Unit | 7297556 | Models: 7284742A, 7293632A. Model: 7297564. Model: 7297944. |
| S1 | Reverb Switch | 7297321 | |
| | Reverb Switch | 7285205 | |
| | Reverb Switch | 7289937 | |

WIRING DATA

| | |
|---|--|
| General-use Unshielded Hook-up Wire | Use BELDEN No. 8530 (Solid) Available in 12 Colors 8524 (Stranded) Available in 12 Colors |
| Shielded Hook-up Wire | Use BELDEN No. 8885 |
| Rear Seat Speaker Extension Cable | Use BELDEN No. 8782 (Stranded) Coded Parallel Leads |
| Bonding Strap | Use BELDEN No. 8861 (3/8 In.) or 8870 (3/4 In.) |

BUICK, OLDSMOBILE, PONTIAC MODELS 7297944/564, 7284742A, 7293632A



PHOTOFACT[®] with

CIRCUITRACE[®]



TRADE NAME : Pontiac Model 7293492 (984595)
 (1966 Tempest)
 SUPPLIER : For Current Address, See Annual Index.
 TYPE SET : 6 Transistor AM Receiver
 POWER SUPPLY : 12 Volt Storage Battery
 RATING : .620 Amp. @ 12.6 Volts DC
 TUNING RANGE: BROADCAST 540-1615KC

PONTIAC MODEL 7293492

ALIGNMENT INSTRUCTIONS

Check for specified source voltage.

Use only enough generator output to provide a usable indication.

Suggested Alignment Tools:

A1 thru A5, A9, A10.

GENERAL CEMENT: 5009, 8782A, 8987

WALSCO: 2531-X, 2536

A6, A7, A8.

GENERAL CEMENT: 8290, 8868, 9087

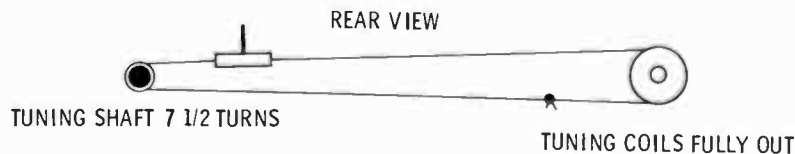
WALSCO: 2525, 2528, 2587

| | SIGNAL GENERATOR COUPLING | SIGNAL GENERATOR FREQUENCY | RADIO DIAL SETTING | INDICATOR | ADJUST | REMARKS |
|---|---|----------------------------|----------------------|---------------------------------|----------------|------------------------------------|
| 1. | High side thru .1mfd to point Δ , low side to ground. | 262KC (400v Mod.) | High Freq. End Stop. | Output Meter across voice coil. | A1, A2, A3, A4 | Adjust for maximum. |
| Check setting of oscillator coil core (A5). Rear of core should be 1 3/8" from mounting end of coil form. | | | | | | |
| 2. | High side thru 82mmf to antenna receptacle, low side to ground. | 1615KC | High Freq. End Stop. | Output Meter across voice coil. | A6, A7, A8 | Adjust for maximum. |
| 3. | " | 600KC | 600KC Signal | " | A9, A10 | Adjust for maximum. Repeat step 2. |

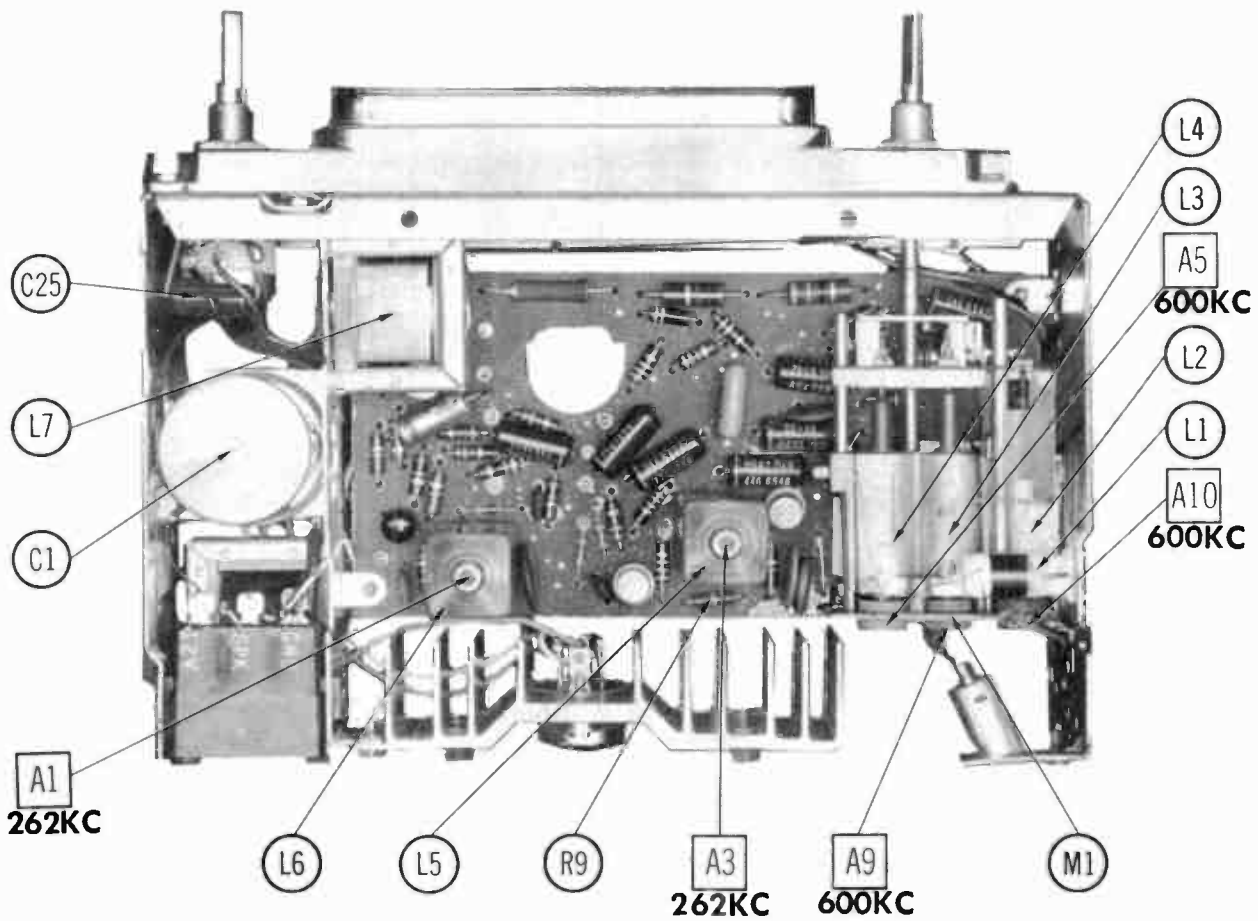
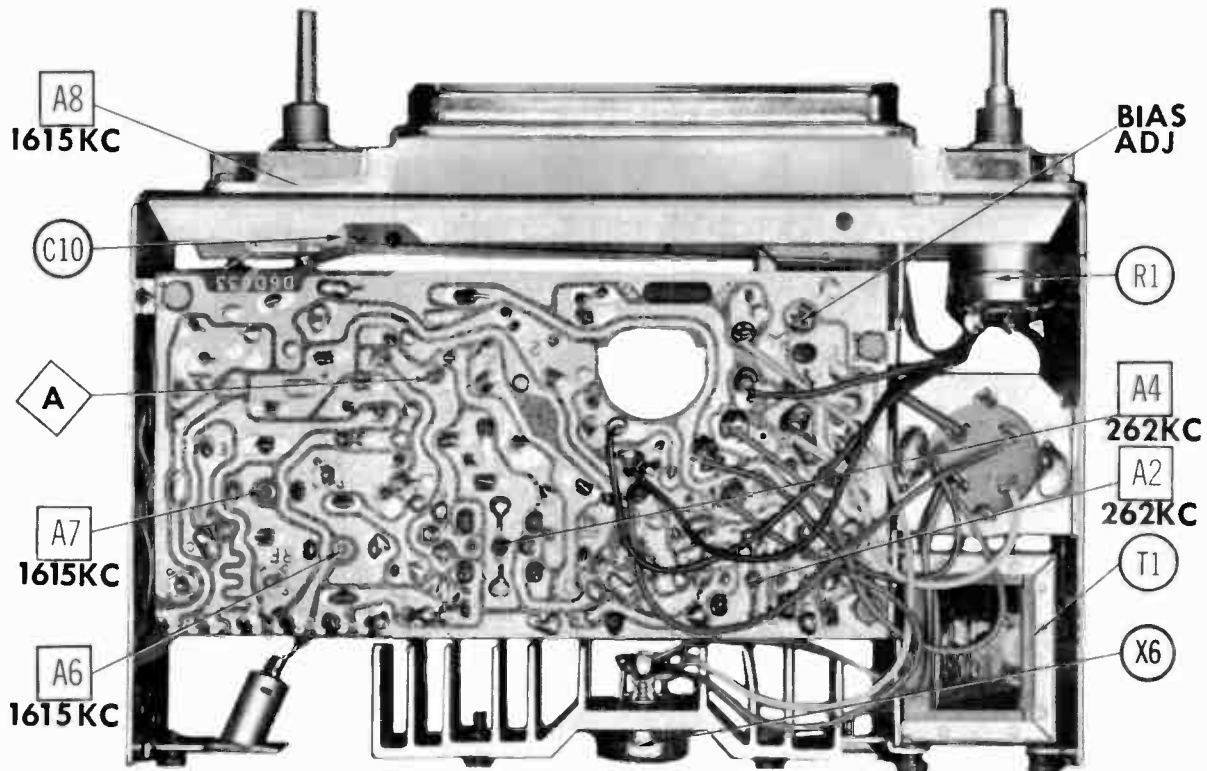
With radio installed in car and antenna fully extended, tune in a weak station near 1400KC and adjust A8 for maximum output.

Remove tuning and dummy knobs for access to antenna adjustment (A8).

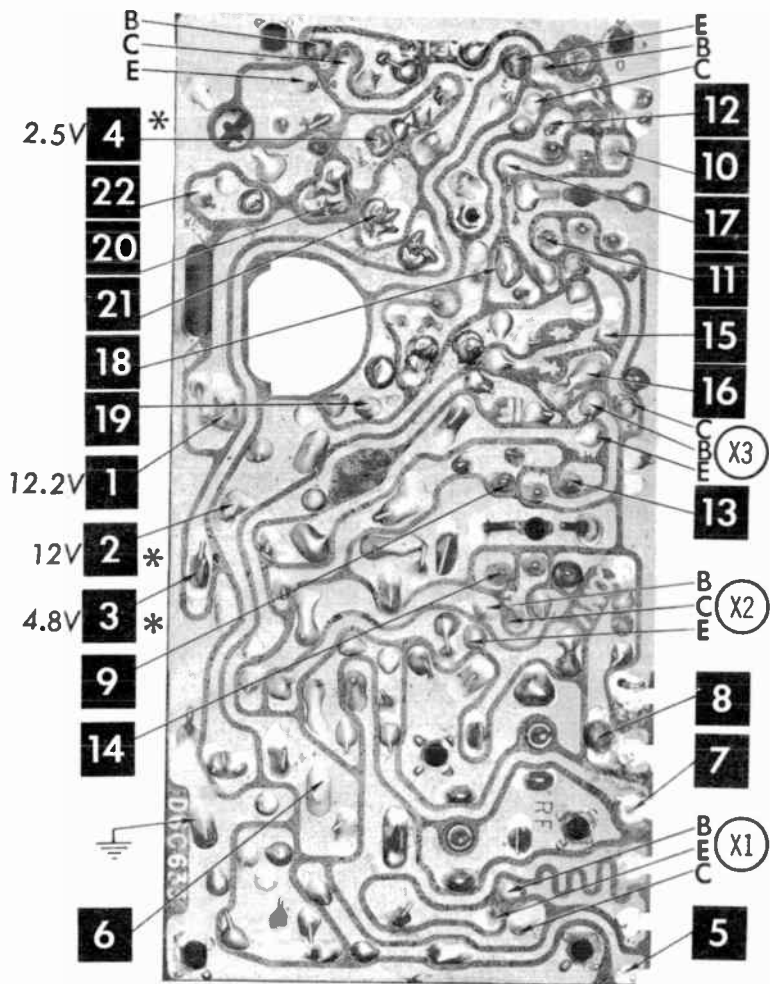
DIAL CORD STRINGING



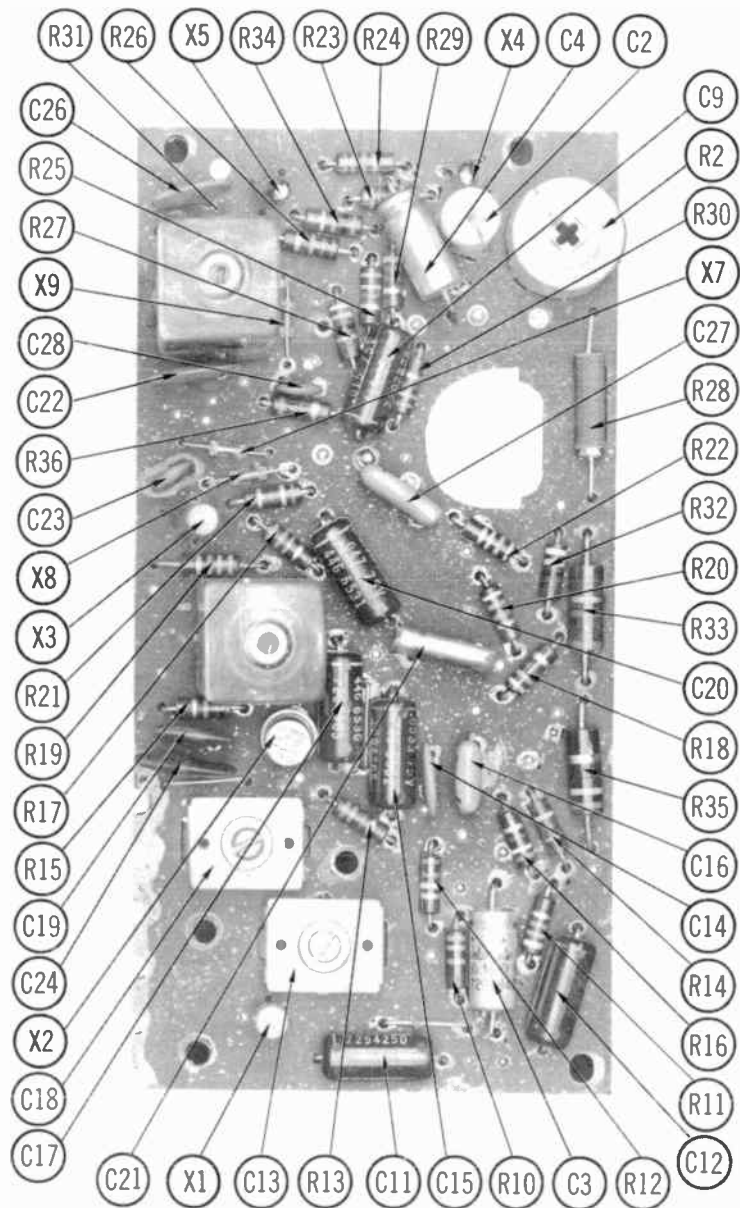
HOWARD W. SAMS & CO., INC. Indianapolis, Indiana 46206



PONTIAC MODEL 7293492



*VOLTAGE SOURCE



PONTIAC MODEL 7293492

PARTS LIST AND DESCRIPTION

(When ordering parts, state Model, Part Number, and Description.)

Replacement parts shown may be superseded by the availability of newly introduced replacements.
Have your local distributor check Sams COUNTER FACTS for the most up-to-date replacement.

WIRING DATA

| | |
|---|--|
| General-use Unshielded Hook-up Wire | Use BELDEN No. 8530 (Solid) Available in 12 Colors 8524 (Stranded) Available in 12 Colors |
| Shielded Hook-up Wire | Use BELDEN No. 8885 |
| Rear Seat Speaker Extension Cable | Use BELDEN No. 8782 (Stranded) Coded Parallel Leads |
| Bonding Strap | Use BELDEN No. 8661 (3/8 in.) or 8870 (3/4 in.) |

TRANSISTORS

| ITEM No. | ORIG. TYPE | USE | REPLACEMENT DATA | | | NOTES |
|----------|------------|--------------|------------------|---------------------------|--------------|-------|
| | | | DELCO PART No. | GENERAL ELECTRIC PART No. | RCA PART No. | |
| X1 | DS-51 | RF Amp. | DS-25 | GE-1 | SK-3005 | PNP |
| X2 | DS-52 | Conv. | DS-25 | GE-1 | SK-3005 | PNP |
| X3 | DS-53 | IF Amp. | DS-25 | GE-1 | SK-3005 | PNP |
| X4 | DS-48 | 1st. AF Amp. | DS-48 | GE-10 | SK-3020 | NPN |
| | (DS-86)† | | | | | |
| X5 | DS-86W | 2nd. AF Amp. | DS-48 | GE-10 | SK-3020 | NPN |
| | (DS-48)† | | | | | |
| X8 | DS-503 | Output | DS-503 | GE-3 | SK-3009 | PNP * |

* When replacing, apply silicone grease to both sides of insulator. Tighten mounting screws securely.
Check bias adjustment. † Alternate Type.

POWER RECTIFIERS & SIGNAL DIODES

| ITEM No. | MEASURED CURRENT | ORIGINAL Part or Type No. | RECTIFIERS & DIODES | | RECTIFIERS | | |
|----------|------------------|---------------------------|---------------------------|----------------------------------|------------------|--------------|-------------------------|
| | | | GENERAL ELECTRIC PART No. | INTERNATIONAL RECTIFIER PART No. | MALLORY PART No. | RCA PART No. | SARKES TARZIAN PART No. |
| X7 | | DS-27 | 1N34AS | 1N34A | | | |
| X8 | | DS-27 | 1N34AS | 1N34A | | | |
| X9 | | DS-27 | 1N34AS | 1N34A | | | |

ELECTROLYTIC CAPACITORS

| ITEM No. | RATING | | DELCO PART No. | REPLACEMENT DATA | | | | |
|----------|--------|--------|----------------|------------------|---------------------------|---------------------------|------------------|------------------|
| | CAP. | VOLT. | | AEROVOX PART No. | CORNELL-DUBILIER PART No. | GENERAL ELECTRIC PART No. | MALLORY PART No. | SPRAGUE PART No. |
| C1A | 850 | 18 | 7292515 | AFH4-96-10 | DD0005 | | FP401.85 | TVL-4206.1 |
| B | 400 | 18 | | | | | | |
| C | 100 | 18 | | | | | | |
| D | 4 | 115RMS | | | | | | |
| C2 | 100 | 4 | 7291810 | PTT30 | NLW125-8 | MT1-21 | TT8X100 | TE-1102 |
| C3 | 30 | 8 | 7279898 | PTT27 | NLW30-15 | MT1-13 | TT8X30 | TE-1092 |
| C4 | 10 | 12 | 7292738 | PTT53 | NLW10-15 | MT1-5 | TT12X10 | TL-1128 |

CAPACITORS

| ITEM No. | RATING | REMARKS | REPLACEMENT DATA | | | | | |
|----------|--------|----------|------------------|--------------------|---------------------------|------------------|------------------|------------------|
| | | | AEROVOX PART No. | CENTRALAB PART No. | CORNELL-DUBILIER PART No. | ELMENCO PART No. | MALLORY PART No. | SPRAGUE PART No. |
| C9 | .047 | 75V | | | WMF2S47 | 1DP-2-473 | PVC1147 | 2PS-847 |
| C10 | | #7281971 | DBE2S47 | | WMF2S47 | 1DP-2-473 | PVC1147 | 2PS-847 |
| C11 | .047 | 75V | DBE2S47 | | WMF2S47 | 1DP-2-473 | PVC1147 | 2PS-847 |
| C12 | .047 | 75V | | | WMF2S47 | 1DP-2-473 | PVC1147 | 2PS-847 |
| C13 | | #7287935 | | | | | | |
| C14 | 200 | N750 | N750-DI200 | DTN-200 | CV801UJ201K | CCTN-201 | CN7330 | 10TCU-T20 |
| C15 | .0033 | 75V | DBE8D33 | CPR-3300J | WMF1D33 | 8DP-1-332 | PVC4233 | 8PS-D33 |
| C18 | .022 | 75V | DBE2S22 | | WMF1S22 | 1DP-1-223 | PVC1122 | 2PS-S22 |
| C17 | .0047 | 75V | DBE8D47 | CPR-4700J | WMF1S47 | 8DP-1-472 | PVC8247 | 8PS-D47 |
| C18 | | #7282185 | | | | | | |
| C19 | 185 | N150 | | | | * | * | 10TCP-T175 |
| C20 | .047 | 75V | DBE2S47 | | WMF2S47 | 1DP-2-473 | PVC1147 | 2PS-S47 |
| C21 | .047 | 75V | DBE2S47 | | WMF2S47 | 1DP-2-473 | PVC1147 | 2PS-S47 |
| C22 | 180 | N080 | | | | * | * | 10TCN-T80 |
| C23 | .001 | | BPD-001 | DD-102 | HVX182XP102M | CCD-102 | B210 | 5HK-D10 |
| C24 | 185 | N220 | | | | * | * | 10TCP-T175 |
| C25 | .047 | 75V | DBE2S47 | | WMF2S47 | 1DP-2-473 | PVC1147 | 2PS-S47 |
| C28 | .002 | | BPD-002 | DD-202 | BYY601ZU202P | CCD-202 | B220 | 5HK-D20 |
| C27 | .0082 | 75V | DBE8D82 | CPR-8200J | WMF1S82 | 8DP-2-822 | PVC828 | 8PS-D82 |
| C28 | .001 | | BPD-001 | DD-102 | HVX182XP102M | CCD-102 | B210 | 5HK-D10 |
| C29 | | #7271564 | | | | | | |

* Not normally in distributor's stock. Available thru distributor on order to manufacturer.
Delco Part Number.

PARTS LIST AND DESCRIPTION (CONTINUED)

(When ordering parts, state Model, Part Number, and Description.)

Replacement parts shown may be superseded by the availability of newly introduced replacements. Have your local distributor check Sams COUNTER FACTS™ for the most up-to-date replacement.

CONTROLS

All wattages 1/2 watt, or less, unless otherwise listed.

| ITEM No. | USE | RESIST-ANCE | REPLACEMENT DATA | | | | | |
|----------|---------------|-------------|------------------|---|--------------------|------------------|------------------|--------|
| | | | DELCO PART No. | CENTRALAB PART No. | CLAROSTAT PART No. | CTS-IRC PART No. | MALLORY PART No. | |
| R1A | Tone | 100K | 7294475 | F1-100K, R2-25K, FFS100, RFS111, BB012, SB004, KR-4 | | | † QJ-2190A | |
| B | Volume/Switch | 20K | | | | | | |
| R2 | Bias | 600Ω 2W | 7286801 | V-600 | U39-600 | | 110-600 | MR800P |

† "CONCENTRIKIT" Equivalent: K8 Kit, with Base Elements and Shafts: B11-128, P21-029 (Panel) B13-120, R16-118 (Rear) S8 (Bushing) N4 (Spacer Nut) 76-1 (Switch)

"SNAPTROL" Equivalent: BU8①, CF13, CR50T②, SF5, SR8, N4, GC.
① Alter bushing to meet requirements. ② Do not use Tap.

RESISTORS (Power and Special)

| ITEM No. | RATING | REPLACEMENT DATA | | | ITEM No. | RATING | REPLACEMENT DATA | | |
|----------|----------------|------------------|------------------|----------------|----------|--------|------------------|------------------|----------------|
| | | IRC PART No. | WORKMAN PART No. | DELCO PART No. | | | IRC PART No. | WORKMAN PART No. | DELCO PART No. |
| R28 | .68Ω (Fusible) | | | 7287480 | | | | | |

COILS (RF-IF)

| ITEM No. | USE | REPLACEMENT DATA | | | | | |
|----------|------------------|------------------|-------------------|----------------|-----------------|------------------|------------------|
| | | DELCO PART No. | MEISSNER PART No. | MERIT PART No. | MILLER PART No. | STANCOR PART No. | WORKMAN PART No. |
| L1 | RF Choke (6.2uh) | 7281946 | 19-1004 | BC-565 | 4610 | RTC-8520 | T859 |
| L2 | Antenna | ① | | | | | |
| L3 | RF | ① | | | | | |
| L4 | Oscillator | ① | | | | | |
| L5 | Input IF | 1221856 | 16-6704 | | 6542 | RTC-9399 | TA653 |
| L6 | Output IF | 1221857 | 16-6705 | | 6543 | RTC-9400 | TA653 |

① Coils Assembly Part #7287957.

FILTER CHOKE

| ITEM No. | RATINGS | | | REPLACEMENT DATA | | | | | NOTES |
|----------|--------------------|---------|------------------------------|------------------|----------------|------------------|---------------------|----------------|-------|
| | CURRENT (Measured) | DC RES. | INDUCTANCE (0 CURRENT 1000~) | DELCO PART No. | MERIT PART No. | STANCOR PART No. | THORDARSON PART No. | TRIAD PART No. | |
| L7 | .620A | .6Ω | 8MH | 1221823 | C-4095 | TC-2 | TR-154 | TY17KT | |

SPEAKER

| ITEM No. | TYPE | REPLACEMENT DATA | | NOTES |
|----------|-----------------|------------------|---------------|-------|
| | | DELCO PART No. | QUAM PART No. | |
| SP1 | 4" x 10" PM 10Ω | 7286462 | 410A2Z10 | |

TRANSFORMER (AUDIO OUTPUT)

| ITEM No. | IMPEDANCE | | REPLACEMENT DATA | | | | | NOTES |
|----------|-----------|-------|------------------|----------------|------------------|---------------------|----------------|-------|
| | PRI. | SEC. | DELCO PART No. | MERIT PART No. | STANCOR PART No. | THORDARSON PART No. | TRIAD PART No. | |
| T1 | 12Ω Tap | @ 10Ω | 7282057 | | | | | |

FUSE DEVICES

| ITEM No. | TYPE | RATING | REPLACEMENT DATA | | | | | | |
|----------|------|--------|------------------|---------------|---------------------|--------|---------------|--------|--|
| | | | PART No. | | LITTELFUSE PART No. | | BUSS PART No. | | |
| | | | FUSE | HOLDER | FUSE | HOLDER | FUSE | HOLDER | |
| F1 | SFE | 9A | | In Fuse Block | 307009 | | | SFE 9 | |

MISCELLANEOUS

| ITEM No. | PART NAME | DELCO PART No. | NOTES |
|----------|-----------|----------------|-------|
| M1 | Tuner | | |

CABINETS & CABINET PARTS

(When Ordering Specify Model, Chassis & Color)

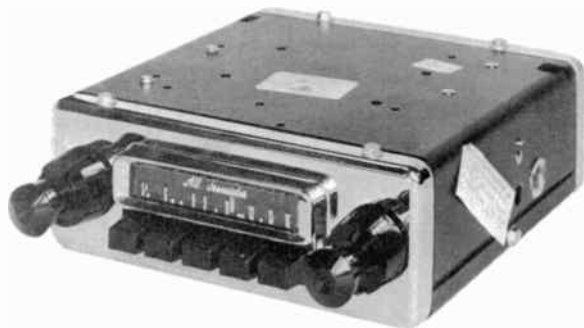
| ITEM | PART No. | ITEM | PART No. |
|-----------------------|----------|------------|----------|
| Escutcheon | 1222403 | Knob-Dummy | 9782420 |
| Dial Pointer | 7294389 | Knob-Tone | 9782421 |
| Knob-Tuning or Volume | 9783650 | | |

PONTIAC MODEL 7293492



PHOTOFACT[®] with

CIRCUITRACE[®]



TRADE NAME: Ranger Models: RR-4PB (5-045)
 TC-300M (5-041)
 Tenna Models: TC-300M (5-041)(1965 Prod.)
 TC-300MD (5-072)
 TC-400PB (5-045)(1965 Prod.)
 TC-410PB (5-045)

SUPPLIER: For Current Address, See Annual Index.

TYPE SET: 6 Transistor AM Receiver

POWER SUPPLY: 6 or 12 Volt Storage Battery

RATING: 1 Amp. @ 6.3 or 12.6 Volts DC

TUNING RANGE: BROADCAST 540-1615KC

RANGER & TENNA MODELS RR-4PB, TC-300M/MD/400PB/410PB

ALIGNMENT INSTRUCTIONS

Check for specified source voltage.
 Use only enough generator output to provide a usable indication.
 Suggested Alignment Tools:

A1 thru A4. GENERAL CEMENT: 8606, 8606L, 8869
 WALSCO: 2543, 2544, 2588
 A5, A6, A7. GENERAL CEMENT: 8290, 8868, 9087
 WALSCO: 2525, 2528, 2587

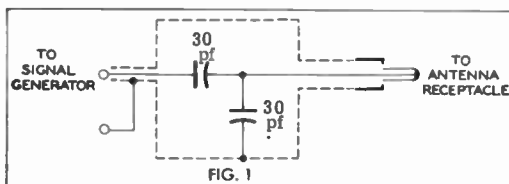
| | SIGNAL GENERATOR COUPLING | SIGNAL GENERATOR FREQUENCY | RADIO DIAL SETTING | INDICATOR | ADJUST | REMARKS |
|----|---|----------------------------|----------------------|---------------------------------|----------------|---------------------|
| 1. | High side thru .1mfid to point Δ , low side to ground. | 262KC (400v Mod.) | High Freq. End Stop. | Output Meter across voice coil. | A1, A2, A3, A4 | Adjust for maximum. |
| 2. | Thru dummy (Fig. 1) to antenna receptacle. | 1615KC | " | " | A5, A6, A7 | " |

With radio installed in car and antenna fully extended, tune in a weak station near 1000KC and adjust A7 for maximum output.

Antenna Adjustment (A7), located right side of radio.

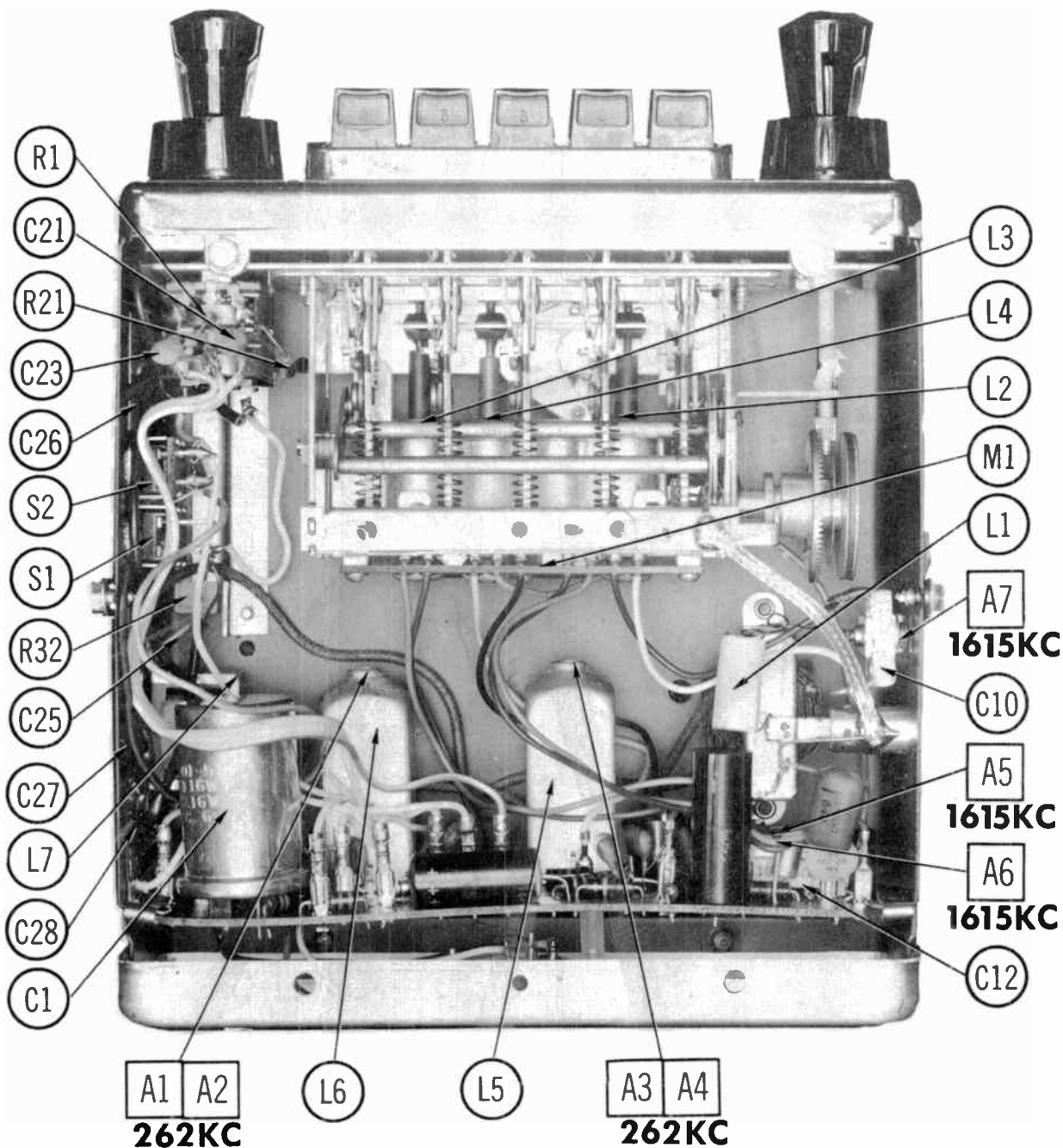
PUSH-BUTTON ADJUSTMENT

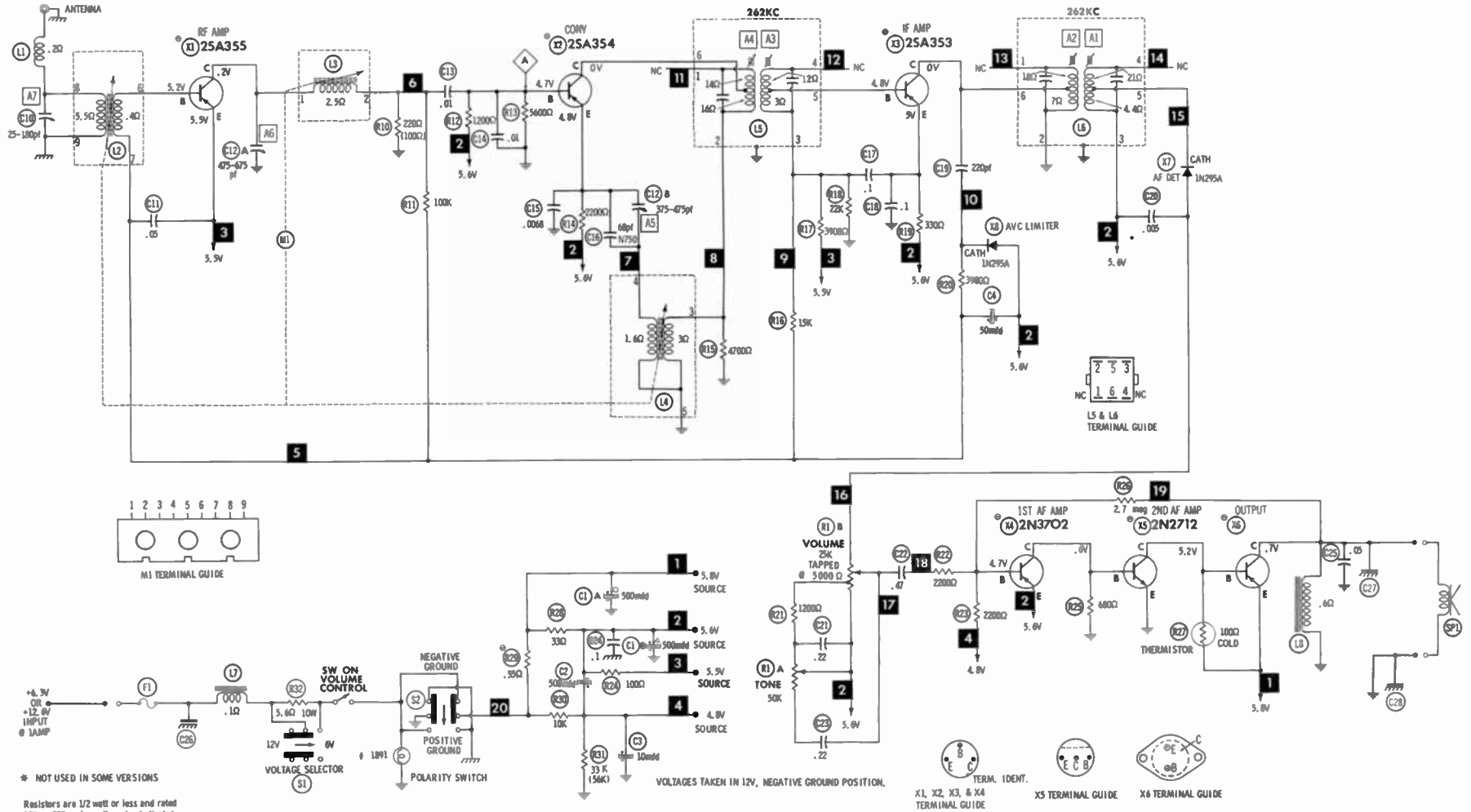
1. Pull button out.
2. Tune manually to desired station.
3. Press button in firmly.
4. Repeat for remaining buttons.



HOWARD W. SAMS & CO., INC. Indianapolis, Indiana 46206

© 1966 Howard W. Sams & Co., Inc. Printed in U. S. of America RD517



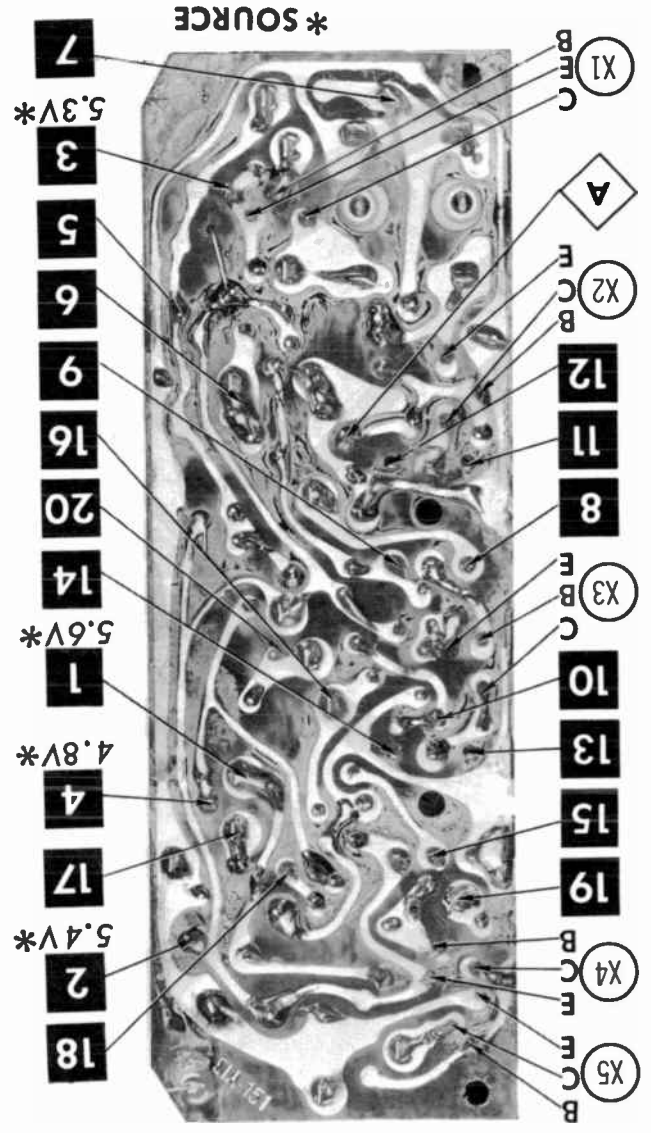
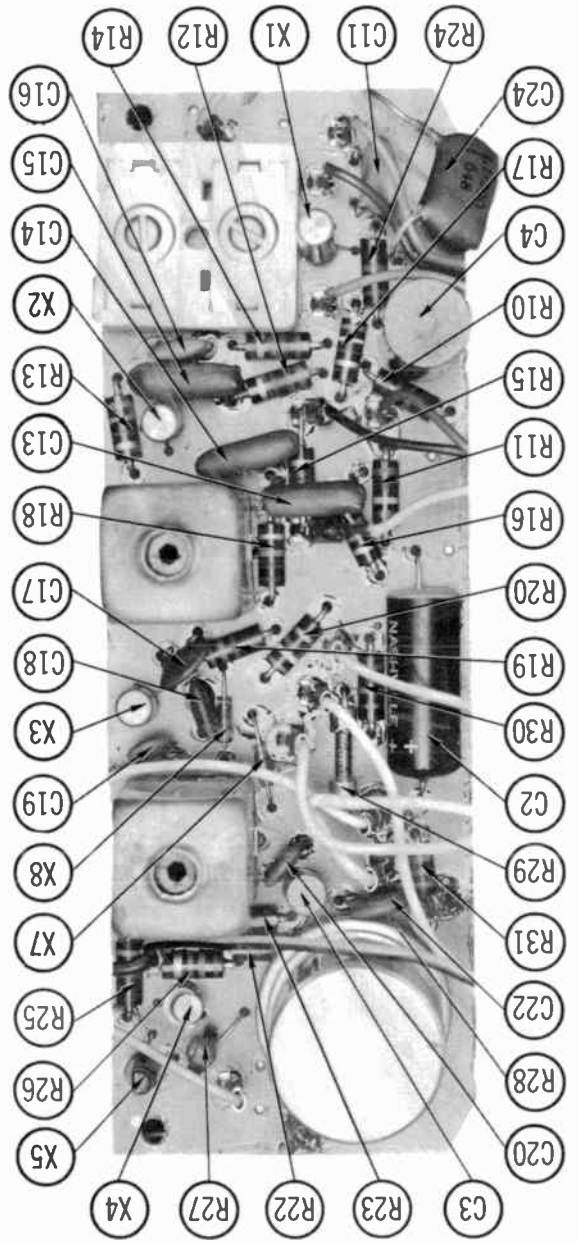


RANGER & TENNA UNIVERSAL SERIES

- 1. Voltage measurements taken with vacuum tube voltmeter.
- 2. All controls set for normal operation, no signal applied.
- 3. Measured values are from socket pin or terminal to common ground.
- 4. All terminals viewed from bottom unless otherwise designated.
- 5. Numbers assigned to terminals may not be found on the unit.
- 6. Supply voltage maintained at rated value for voltage readings.
- 7. Resistance measurements not given because of the wide variation in internal resistance of transistor.

A PHOTOFAC STANDARD NOTATION SCHEMATIC
with CIRCUITTRACE

© Howard W. Sams & Co., Inc. 1966



PARTS LIST AND DESCRIPTION

(When ordering parts, state Model, Part Number, and Description.)

Replacement parts shown may be superseded by the availability of newly introduced replacements.
Have your local distributor check Sams COUNTER FACTS for the most up-to-date replacement.

TRANSISTORS

| ITEM No. | ORIG. TYPE | USE | REPLACEMENT DATA | | | NOTES | TENNA PART No. |
|----------|----------------------|-------------|------------------|---------------------------|--------------|-------|----------------|
| | | | DELCO PART No. | GENERAL ELECTRIC PART No. | RCA PART No. | | |
| X1 | 2SA355 (2N178)† | RF Amp | D6-25 | GE-9 | SK-3008 | PNP | |
| X2 | 2SA354 (2N178)† | Converter | D6-25 | GE-9 | SK-3008 | PNP | |
| X3 | 2SA353 (2N179)† | IF Amp | D6-25 | GE-9 | SK-3008 | PNP | |
| X4 | 2N3702 (2N591)† | 1st. AF Amp | D6-26 | GE-2 | SK-3004 | PNP | |
| X5 | 2N2712 | 2nd. AF Amp | D6-46 | GE-10 | SK-3020 | NPN | |
| X6 | (2N257)† (2N155)† | Output | D6-520 | GE-3 | SK-3009 | PNP* | 162002-033 |

* When replacing, apply silicone grease to both sides of insulator. Tighten mounting screws securely.
† Alternate Type.

POWER RECTIFIERS & SIGNAL DIODES

| ITEM No. | MEASURED CURRENT | ORIGINAL Part or Type No. | RECTIFIERS & DIODES | | RECTIFIERS | | |
|----------|------------------|---------------------------|---------------------------|----------------------------------|------------------|--------------|-------------------------|
| | | | GENERAL ELECTRIC PART No. | INTERNATIONAL RECTIFIER PART No. | MALLORY PART No. | RCA PART No. | SARKES TARZIAN PART No. |
| X7 | | 1N295A | 1N295 | 1N295 | | | |
| X8 | | 1N295A | 1N295 | 1N295 | | | |

ELECTROLYTIC CAPACITORS

| ITEM No. | RATING | | TENNA PART No. | REPLACEMENT DATA | | | | |
|----------|--------|-------|----------------|------------------|---------------------------|---------------------------|------------------|------------------|
| | CAP. | VOLT. | | AEROVOX PART No. | CORNELL-DUBILIER PART No. | GENERAL ELECTRIC PART No. | MALLORY PART No. | SPRAGUE PART No. |
| C1A | 500 | 16 | 111001-512 | PWH2-02-40 | BPC010 | XC2-45 | XFP200.64 | PCLS-2177* |
| B | 500 | 16 | | | | | | |
| C2 | 500 | 3 | 111001-501 | CRE243A | BR500-6 | MT1-26 | TC305 | TE-1068 |
| C3 | 10 | 15 | 111002-103 | BCD15010 | NLW10-15 | MT1-5 | PET1760 | VL-1167 |
| C4 | 50 | 3 | 552199-476 | BCD3050 | NLW50-3 | | PET1575 | VL-1045 |

* Not normally in distributor's stock. Available thru distributor on order to manufacturer.

CAPACITORS

| ITEM No. | RATING | REMARKS | REPLACEMENT DATA | | | | | |
|----------|---------|-------------|------------------|--------------------|---------------------------|------------------|------------------|------------------|
| | | | AEROVOX PART No. | CENTRALAB PART No. | CORNELL-DUBILIER PART No. | ELMENCO PART No. | MALLORY PART No. | SPRAGUE PART No. |
| C10 | 25-180 | #110000-086 | TTD-05 | CK-503 | HOV101ZV503Z | CCD-503 | TA150 | 5GA-850 |
| C11 | .05 | | | | | | | |
| C12A | 475-675 | #110000-080 | | | | | | |
| B | | | | | | | | |
| C13 | .01 | 200V | DBE4S1 | CPR-10000J | DMF2S1 | 4DP-1-103 | PVC211 | 4PS-S10 |
| C14 | .01 | 200V | DBE4S1 | CPR-10000J | DMF2S1 | 4DP-1-103 | PVC211 | 4PS-S10 |
| C15 | .0068 | 200V | DBE6D68 | CPR-6800J | DMF4D68 | 6DP-1-682 | GEM6268 | 6PS-D68 |
| C16 | 68 | N750 | N750-DI 68 | DTN-68 | CS601UJ680K | CCTN-680 | CN7468 | 10TCU-Q68 |
| C17 | .1 | | TTD-.1 | CK-104 | HOV101ZV104Z | | TA010 | TG-P10 |
| C18 | .1 | | TTD-.1 | CK-104 | HOV101ZV104Z | | TA010 | TG-P10 |
| C19 | 220 | | DI-220 | DD-221 | JBZ601YP221K | CCD-221 | GP250 | 5GA-T22 |
| C20 | .005 | | DI-5000 | DD-502 | BYX601ZU502P | CCD-502 | GP250 | 5GA-D50 |
| C21 | .22 | | | UK-224 | HCZ3R0XR224P | | MAG3022 | HY-125 |
| C22 | .47 | | | UK-474 | HCS2R0XR474P | | MAG3047 | HY-130 |
| C23 | .22 | | | UK-224 | HCZ3R0XR224P | | MAG3022 | HY-125 |
| C24 | .1 | 200V | DBE2P1 | DF-104 | DMF2P1 | 2DP-3-104 | PVC201 | 2PS-P10 |
| C25 | .05 | | TTD-05 | CK-503 | HOV101ZV503Z | CCD-503 | TA150 | TG-850 |
| C26 | | #110000-020 | | | | | | |
| C27 | | #110000-020 | | | | | | |
| C28 | | #110000-020 | | | | | | |

Tenna Part Number

CONTROLS

All wattages 1/2 watt, or less, unless otherwise listed.

| ITEM No. | USE | RESISTANCE | REPLACEMENT DATA | | | | | |
|----------|---------------|-----------------------|------------------|---|--------------------|------------------|------------------|--|
| | | | TENNA PART No. | CENTRALAB PART No. | CLAROSTAT PART No. | CTS-IRC PART No. | MALLORY PART No. | |
| R1A | Tone | 50K | 145004-022① | | | | ††QJ-2176A | |
| B | Volume/Switch | 25K Tapped @ 5000Ω | | | | | | |
| | Tone | 50K | 145004-023② | F2-50K, R14-25K, FFS104, RFS111, BA012, CA005, KR-4 | | | †QJ-2167A | |
| | Volume/Switch | 25K Tapped @ 5000Ω | | | | | | |

① Used in Tenna Models: TC-400PB (5-045), TC-410PB (5-045) and Ranger Model RR-4PB (5-045).
② Used in Tenna Models: TC-300M (5-041), TC-300MD (5-072) and Ranger Models: TC-300M (5-041) and RR-3M (5-072).
† "CONCENTRIKIT" Equivalent: K7 Kit, with Base Elements and Shafts: B13-123, P21-029 (Panel)
B19-119X, R9-110 (Rear)
76-1 (Switch)

"SNAPTROL" Equivalent: BU6, CF63, CR50T, SF5, SR40, GC.

†† "CONCENTRIKIT" Equivalent: K8 Kit, with Base Elements and Shafts: B13-123, P22-109 (Panel)
B19-119X, R26-121 (Rear)
QCB5③ (Bushing) 76-1 (Switch)

"SNAPTROL" Equivalent: BU15A④, CF63, CR50T, SP9, SR44, GC.

④ Alter Bushing to meet requirements.

PARTS LIST AND DESCRIPTION (CONTINUED)

(When ordering parts, state Model, Part Number, and Description.)

Replacement parts shown may be superseded by the availability of newly introduced replacements. Have your local distributor check Sams COUNTER FACTS for the most up-to-date replacement.

RESISTORS (Power and Special)

| ITEM No. | RATING | REPLACEMENT DATA | | | ITEM No. | RATING | REPLACEMENT DATA | | |
|----------|------------------------|------------------|------------------|----------------|----------|-----------------|------------------|------------------|----------------|
| | | IRC PART No. | WORKMAN PART No. | TENNA PART No. | | | IRC PART No. | WORKMAN PART No. | TENNA PART No. |
| R27 | 100Ω (Cold) Thermistor | | | 149000-046 | R29 | .55Ω (P. T. C.) | | | 149000-040 |

COILS (RF-IF)

| ITEM No. | USE | REPLACEMENT DATA | | | | | |
|----------|------------------|------------------|-------------------|----------------|-----------------|------------------|------------------|
| | | TENNA PART No. | MEISSNER PART No. | MERIT PART No. | MILLER PART No. | STANCOR PART No. | WORKMAN PART No. |
| L1 | RF Choke (5.6uh) | 114000-262 | 19-1008 | SW-631 | 4609 | RTC-6519 | T959 |
| L2 | Antenna | ① | | | | | |
| L3 | RF | ① | | | | | |
| L4 | Oscillator | ① | | | | | |
| L5 | Input IF | 114000-263 | 16-6711 | | 6520 | RTC-9396 | |
| L6 | Output IF | 114000-264 | 16-6711 | | 6521 | RTC-9396 | |

① Part of M1 (Tuner).

FILTER CHOKE

| ITEM No. | RATINGS | | | REPLACEMENT DATA | | | | | NOTES |
|----------|--------------------|---------|------------------------------|------------------|----------------|------------------|---------------------|----------------|-------|
| | CURRENT (Measured) | DC RES. | INDUCTANCE (0 CURRENT 1000~) | TENNA PART No. | MERIT PART No. | STANCOR PART No. | THORDARSON PART No. | TRIAD PART No. | |
| L7 | 1Amp. | .1Ω | 3MH | 161000-141 | C-4095 | TC-1 | TR-159 | TY16XT | |

CHOKE (AUDIO OUTPUT)

| ITEM No. | INDUCTANCE | REPLACEMENT DATA | | | | | NOTES |
|----------|------------|------------------|----------------|------------------|---------------------|----------------|-------|
| | | TENNA PART No. | MERIT PART No. | STANCOR PART No. | THORDARSON PART No. | TRIAD PART No. | |
| L8 | 6MH | 161000-142 | C-4095 | TC-2 | TR-155 | TY17XT | |

FUSE DEVICES

| ITEM No. | TYPE | RATING | REPLACEMENT DATA | | | | | |
|----------|------|------------|------------------|------------|---------------------|--------|---------------|--------|
| | | | PART No. | | LITTELFUSE PART No. | | BUSS PART No. | |
| | | | FUSE | HOLDER | FUSE | HOLDER | FUSE | HOLDER |
| F1 | AGW | 2 1/2 Amp. | 126000-013 | 120000-134 | 30302.5 | 155009 | AGW 2 1/2 | HDH |

SPEAKER

| ITEM No. | TYPE | RATING | REPLACEMENT DATA | | NOTES |
|----------|------------|--------|------------------|---------------|-------|
| | | | TENNA PART No. | QUAM PART No. | |
| SP1 | 5' x 7' PM | 8Ω | 155009-145 | 57A15Z6 | |

MISCELLANEOUS

| ITEM No. | PART NAME | TENNA PART No. | NOTES |
|----------|-------------------------------|----------------|--|
| M1 | Tuner | 164000-086 | Models: TC-400PB, TC-410PB and RR-4PB. Models: TC-300M, TC-300MD and RR-3M. |
| S1 | Tuner Voltage Selector Switch | 164000-090 | |
| S2 | Polarity Switch | 158000-506 | |

CABINETS & CABINET PARTS

(When Ordering Specify Model, Chassis & Color)

| ITEM | PART No. | ITEM | PART No. |
|--------------|------------|--------------|------------|
| Knob-Front | 134004-022 | Dial Glass ③ | 122005-026 |
| Knob-Tone | 134000-124 | Bezel ① | 125004-032 |
| Knob-Dummy | 134000-125 | Bezel ② | 125004-034 |
| Dial Glass ① | 122000-126 | Bezel ③ | 125004-030 |
| Dial Glass ② | 122000-141 | | |

① Models: TC-410PB, TC-400PB and RR-4PB.

② Model TC-300M.

③ Models: TC-300MD and RR-3M.

WIRING DATA

| | |
|-------------------------------------|--|
| General-use Unshielded Hook-up Wire | Use BELDEN No. 8530 (Solid) Available in 12 Colors 8524 (Stranded) Available in 12 Colors |
| Shielded Hook-up Wire | Use BELDEN No. 8885 |
| Bonding Strap | Use BELDEN No. 8661 (3/6 In.) or 8670 (3/4 In.) |

RANGER & TENNA MODELS RR-4PB, TC-300M/MD/400PB/410PB



PHOTOFACT®



TRADE NAME : Sears Model 833.62820
SUPPLIER : For Current Address, See Annual Index.
TYPE SET : 6 Transistor AM Auto-Portable Receiver
POWER SUPPLY : 12 Volt Storage Battery or 9 Volts (6 "C" Batteries) for Portable Operation.
RATING : .270 Amp. @ 12.6 Volts DC
 20ma @ 9 Volts DC

TUNING RANGE : BROADCAST 540-1615KC

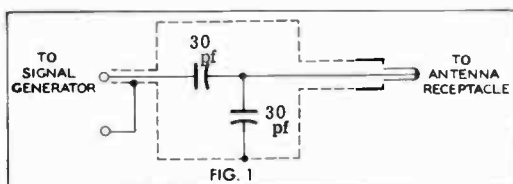
ALIGNMENT INSTRUCTIONS

Check for specified source voltage.
 Use only enough generator output to provide a usable indication.
 Suggested Alignment Tools:

A1 thru A4. GENERAL CEMENT: 8606, 8606L, 8869
 WALSCO: 2543, 2544, 2588
 A5 thru A8. GENERAL CEMENT: 8290, 8868, 9087
 WALSCO: 2525, 2528, 2587

| | SIGNAL GENERATOR COUPLING | SIGNAL GENERATOR FREQUENCY | RADIO DIAL SETTING | INDICATOR | ADJUST | REMARKS |
|----|--|----------------------------|----------------------|---------------------------------|----------------|---------------------|
| 1. | High side thru .1mfd to point Δ , low side to ground. | 262KC (400v Mod.) | High Freq. End Stop. | Output Meter across voice coil. | A1, A2, A3, A4 | Adjust for maximum. |
| 2. | Thru dummy (Fig. 1) to antenna receptacle. | 1615KC | " | " | A5, A6, A7 | " |

With radio installed in car and antenna fully extended, tune in a weak station near 1000KC and adjust A8 for maximum output.

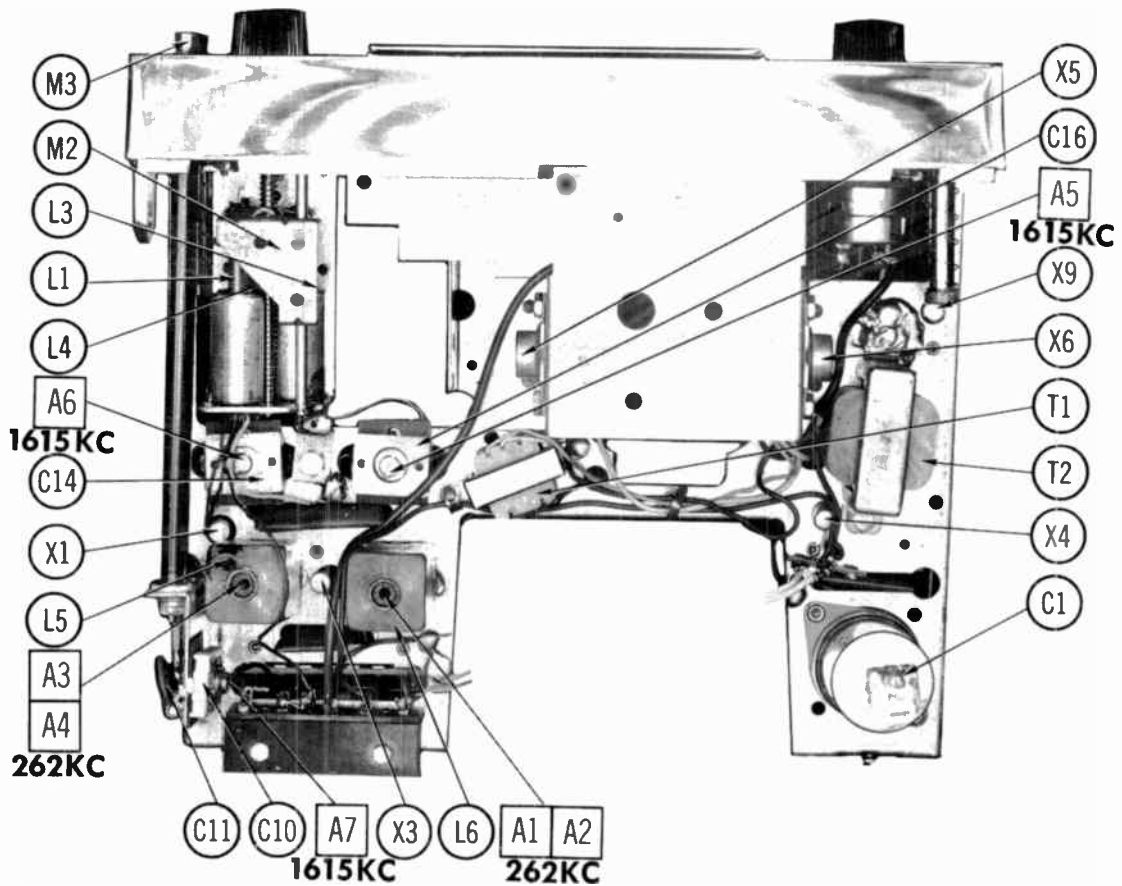
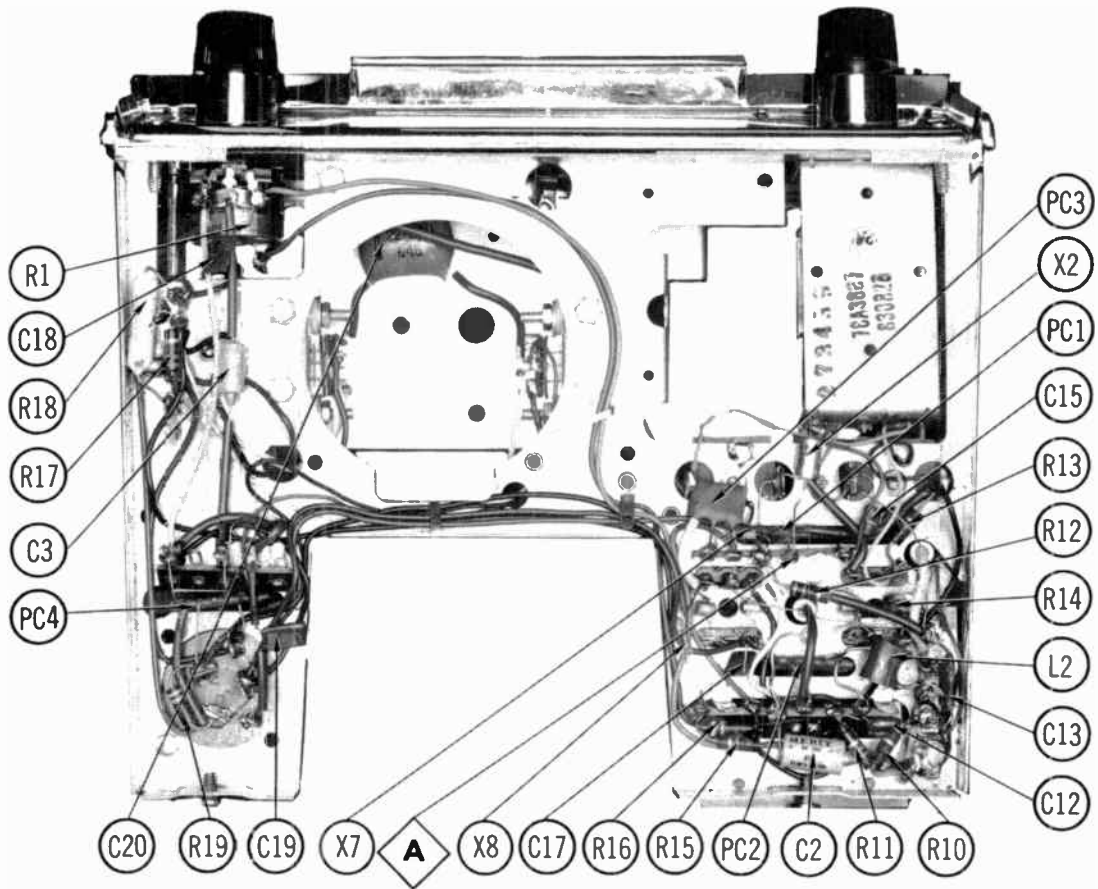


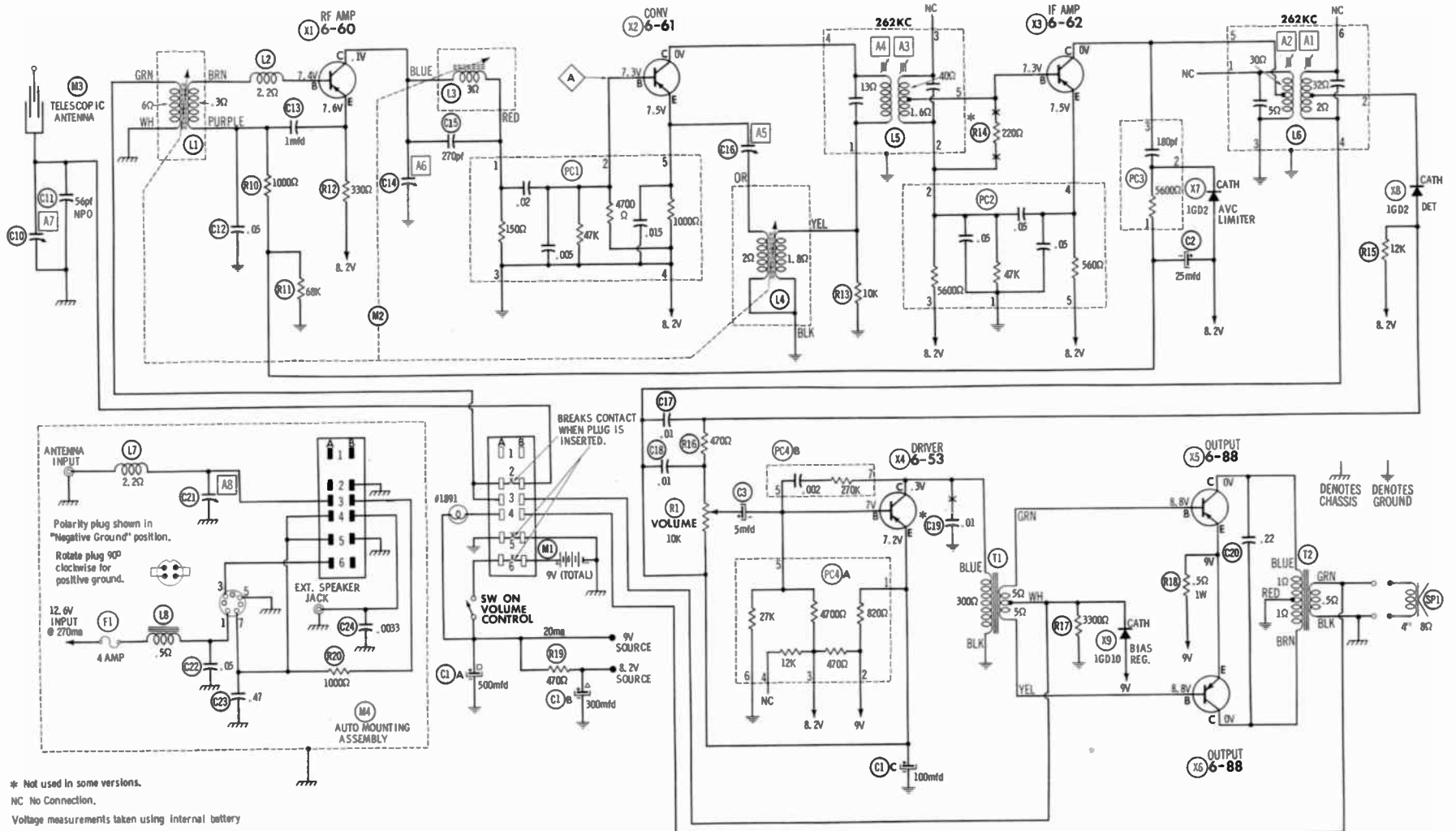
HOWARD W. SAMS & CO., INC. Indianapolis, Indiana 46206

© 1966 Howard W. Sams & Co., Inc. Printed in U. S. of America RD592

World Radio History

SEARS MODEL 833.62820





* Not used in some versions.
 NC No Connection.

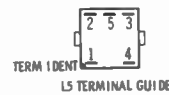
Voltage measurements taken using internal battery

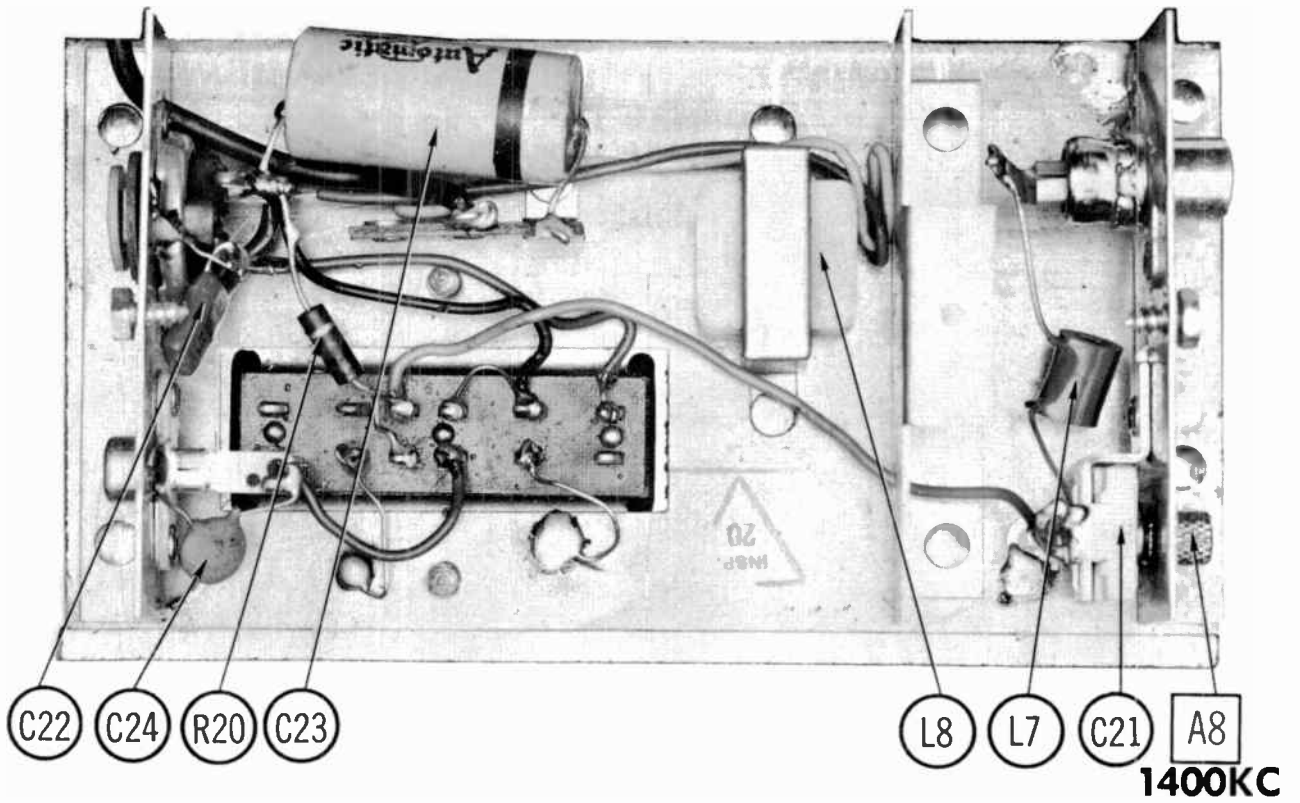
1. Voltage measurements taken with vacuum tube voltmeter.
2. All controls set for normal operation, no signal applied.
3. Measured values are from socket pin or terminal to common ground.
4. All terminals viewed from bottom unless otherwise designated.
5. Numbers assigned to terminals may not be found on the unit.
6. Supply voltage maintained at rated value for voltage readings.
7. Resistance measurements not given because of the wide variation in internal resistance of transistor.

Resistors are 1/2 watt or less and rated 10% or 20% unless otherwise indicated.

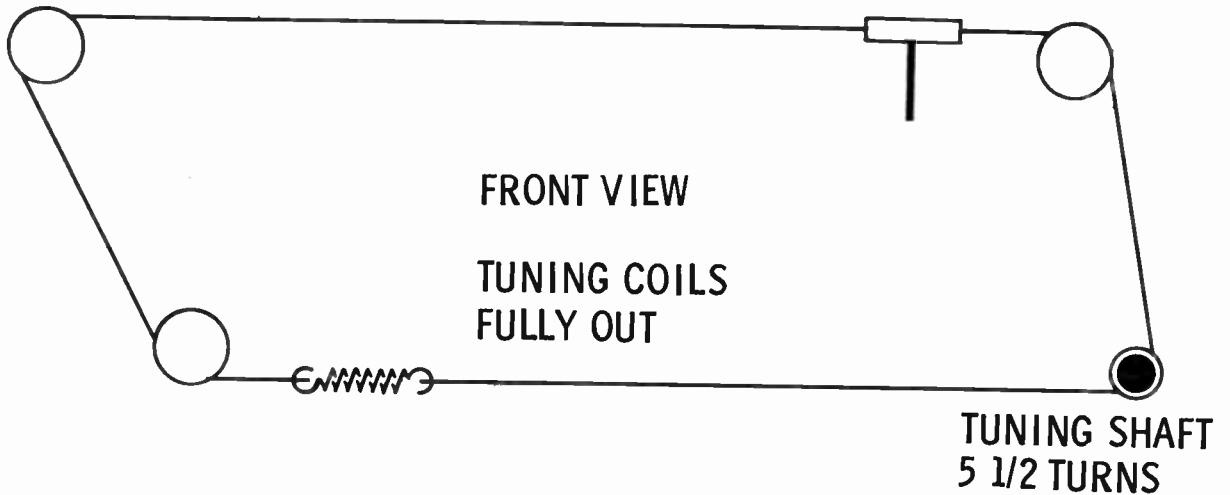
A PHOTOFACT STANDARD NOTATION SCHEMATIC
 © Howard W. Sams & Co., Inc. 1966

SEARS MODEL 833.62820





DIAL CORD STRINGING



PARTS LIST AND DESCRIPTION

(When ordering parts, state Model, Part Number, and Description.)

Replacement parts shown may be superseded by the availability of newly introduced replacements. Have your local distributor check Sams COUNTER FACTS® for the most up-to-date replacement.

WIRING DATA

| | |
|---|--|
| General-use Unshielded Hook-up Wire | Use BELDEN No. 8530 (Solid) Available in 12 Colors 8524 (Stranded) Available in 12 Colors |
| Shielded Hook-up Wire | Use BELDEN No. 8885 |
| Rear Seat Speaker Extension Cable | Use BELDEN No. 8782 (Stranded) Coded Parallel Leads |
| Bonding Strap | Use BELDEN No. 8661 (3/8 In.) or 8670 (3/4 In.) |

TRANSISTORS

| ITEM No. | ORIG. TYPE | USE | REPLACEMENT DATA | | | NOTES |
|----------|------------|-----------|------------------|---------------------------|--------------|-------|
| | | | DELCO PART No. | GENERAL ELECTRIC PART No. | RCA PART No. | |
| X1 | 6-80 | RF Amp. | DS-25 | GE-9 | SK-3008 | PNP |
| X2 | 6-61 | Converter | DS-25 | GE-9 | SK-3008 | PNP |
| X3 | 6-62 | IF Amp. | DS-25 | GE-9 | SK-3008 | PNP |
| X4 | 6-53 | Driver | DS-26 | GE-2 | SK-3004 | PNP |
| X5 | 6-88 | Output | DS-26 | GE-2 | SK-3004 | PNP |
| X6 | 6-88 | Output | DS-26 | GE-2 | SK-3004 | PNP |

POWER RECTIFIERS & SIGNAL DIODES

| ITEM No. | MEASURED CURRENT | ORIGINAL Part or Type No. | RECTIFIERS & DIODES | | RECTIFIERS | | |
|----------|------------------|---------------------------|---------------------------|----------------------------------|------------------|--------------|-------------------------|
| | | | GENERAL ELECTRIC PART No. | INTERNATIONAL RECTIFIER PART No. | MALLORY PART No. | RCA PART No. | SARKES TARZIAN PART No. |
| X7 | | 1GD2 | 1N34AS | 1N34A | | | |
| X8 | | 1GD2 | 1N34AS | 1N34A | | | |
| X9 | | 1GD10 | 1N34AS | 1N34A | | | |

ELECTROLYTIC CAPACITORS

| ITEM No. | RATING | | SEARS PART No. | REPLACEMENT DATA | | | | |
|----------|--------|-------|----------------|------------------|---------------------------|---------------------------|------------------|------------------|
| | CAP. | VOLT. | | AEROVOX PART No. | CORNELL-DUBILIER PART No. | GENERAL ELECTRIC PART No. | MALLORY PART No. | SPRAGUE PART No. |
| C1A | 500 | 16 | 20-2653 | AFH3-00-94.5 | CC0010 | XC3-48.1 | FP300.83 | TVLS-3026.14* |
| B | 300 | 16 | | | | | | |
| C | 100 | 16 | | | | | | |
| C2 | 25 | 15 | 20-256 | PTT69 | NLW25-15 | MT1-10 | TT15X25 | TE-1157.1 |
| C3 | 5 | 15 | 20-505 | CRE454A | NLW5-15 | MT1-3 | TT25X5 | TE-1152 |

* Not normally in distributor's stock. Available thru distributor on order to manufacturer.

CAPACITORS

| ITEM No. | RATING | REMARKS | REPLACEMENT DATA | | | | | |
|----------|----------|----------|------------------|--------------------|------------------------------|------------------|------------------|------------------|
| | | | AEROVOX PART No. | CENTRALAB PART No. | CORNELL-DUBILIER PART No. | ELMENCO PART No. | MALLORY PART No. | SPRAGUE PART No. |
| C10 | | #28-3866 | | TCZ-56 | | CCTO-560 | CN0456 | 10TCC-Q56 |
| C11 | 56 NPO | | TTD-05 | UK-105 | HOV1012V503Z HCX3R0XR105P | | TA150 | TH-850 |
| C12 | .05 | | | | | | MAG31 | HY-135 |
| C13 | 1mfd | #28-431A | | | | | | |
| C14 | | | DI-270 | DD-271 | RR05CW271K | CCD-271 | GP327 | 5GA-T27 |
| C15 | 270 | #28-461 | | | | | | |
| C16 | | | | | | | | |
| C17 | .01 | | BPD-01 | DD-103 | BYV102ZU103M | CCD-103 | B110 | 5HK-S10 |
| C18 | .01 | | BPD-01 | DD-103 | BYV102ZU103M | CCD-103 | B110 | 5HK-S10 |
| C19 | .01 | ① | BPD-01 | DD-103 | BYV102ZU103M | CCD-103 | B110 | 5HK-S10 |
| C20 | .22 200V | | DBE2P22 | | DPMS2P22 | 1DP-3-224 | PVC1022 | 2PS-P22 |

Sears Part Number.

① Not used in some versions.

CONTROLS

All wattages 1/2 watt, or less, unless otherwise listed.

| ITEM No. | USE | RESISTANCE | REPLACEMENT DATA | | | | |
|----------|---------------|------------|------------------|------------------------|---|--|--|
| | | | SEARS PART No. | CENTRALAB PART No. | CLAROSTAT PART No. | CTS-IRC PART No. | MALLORY PART No. |
| R1 | Volume/Switch | 10K | 89A2647 | F2-10K,SFS212, KR-4 | A47-10K-Z, RS 3/16,SWE-13 or (NP-10K-Z, SE-F-400,NWE13 | B13-116, SK9, 76-1 or (BU1, CF61, SS4, GC) | UA14A, SD3500, US41 or (RU14A, SL35, IS1312, US41) or (U18,DS37,US26) |

COILS (RF-IF)

| ITEM No. | USE | REPLACEMENT DATA | | | | | |
|----------|------------------|------------------|-------------------|----------------|-----------------|------------------|------------------|
| | | SEARS PART No. | MEISSNER PART No. | MERIT PART No. | MILLER PART No. | STANCOR PART No. | WORKMAN PART No. |
| L1 | Antenna | | | | | | |
| L2 | RF Choke (6.2uh) | ① 14-6.2 | 19-1004 | BC-585 | 4610 | RTC-8520 | T859 |
| L3 | RF | ① | | | | | |
| L4 | Oscillator | ① | | | | | |
| L5 | Input IF | ① 14-2874 | | | | | |
| L6 | Output IF | ① 14-2875 | | | | | |

FILTER CHOKE

| ITEM No. | RATINGS | | | REPLACEMENT DATA | | | | | NOTES |
|----------|--------------------|---------|------------------------------|------------------|----------------|------------------|---------------------|----------------|-------|
| | CURRENT (Measured) | DC RES. | INDUCTANCE (0 CURRENT 1000~) | SEARS PART No. | MERIT PART No. | STANCOR PART No. | THORDARSON PART No. | TRIAD PART No. | |
| L8 | 270ma | .5Ω | 10MH | 75A3082 | C-4095 | TC-2 | TR-155 | TY17XT | |

PARTS LIST AND DESCRIPTION (CONTINUED)

(When ordering parts, state Model, Part Number, and Description.)

Replacement parts shown may be superseded by the availability of newly introduced replacements.
Have your local distributor check Sams COUNTER FACTS® for the most up-to-date replacement.

TRANSFORMER (DRIVER)

| ITEM No. | TURNS RATIO | | REPLACEMENT DATA | | | | | NOTES |
|----------|-------------|------|------------------|----------------|------------------|---------------------|----------------|-------|
| | | | SEARS PART No. | MERIT PART No. | STANCOR PART No. | THORDARSON PART No. | TRIAD PART No. | |
| | PRI. | SEC. | | | | | | |
| T1 | 5 | 1 | 75A2796 | | | | | |

TRANSFORMER (AUDIO OUTPUT)

| ITEM No. | IMPEDANCE | | REPLACEMENT DATA | | | | | NOTES |
|----------|-----------|------|------------------|----------------|------------------|---------------------|----------------|-------|
| | | | SEARS PART No. | MERIT PART No. | STANCOR PART No. | THORDARSON PART No. | TRIAD PART No. | |
| | PRI. | SEC. | | | | | | |
| T2 | 24Ω CT | 8Ω | 75A2797 | | | | | |

SPEAKER

| ITEM No. | TYPE | | | REPLACEMENT DATA | | NOTES |
|----------|------|----|----|------------------|---------------|-------|
| | | | | SEARS PART No. | QUAM PART No. | |
| SP1 | 4" | PM | 8Ω | 73B2665 | 4A128 | |

COMPONENT COMBINATIONS

| ITEM No. | USE | DESCRIPTION | SEARS PART No. | REPLACEMENT DATA |
|----------|----------------|---|----------------|------------------|
| K1 | Conv. Network | 150Ω, 1000Ω, 4700Ω, 47K, .005mfd, .015mfd, .02mfd | 89A2583 | |
| K2 | IF Network | 560Ω, 5600Ω, 47K, .05mfd, .05mfd, .05mfd | 89A2584B | |
| K3 | AVC Network | 5800Ω, 180pf | 89A2701 | |
| K4 | Audio Coupling | 470Ω, 820Ω, 4700Ω, 12K, 27K, 270K, .002mfd | 89A2585A | |

FUSE DEVICES

| ITEM No. | TYPE | RATING | REPLACEMENT DATA | | | | | |
|----------|------|--------|------------------|---------|---------------------|---------|---------------|--------|
| | | | PART No. | | LITTELFUSE PART No. | | BUSS PART No. | |
| | | | FUSE | HOLDER | FUSE | HOLDER | FUSE | HOLDER |
| F1 | AGW | 4A | 108-400 | 12A2973 | 303004 | 155009A | AGW 4 | HDH |

BATTERIES

| ITEM No. | VOLTAGE | SEARS PART No. | REPLACEMENT DATA | | | NOTES |
|----------|------------|----------------|------------------|---------------|------------------|-------------|
| | | | BURGESS | EVEREADY | MALLORY | |
| M1 | 9V (Total) | | 130 or (AL1) | 1035 or (E93) | M14R or (Mn1400) | 6 Required. |

MISCELLANEOUS

| ITEM No. | PART NAME | SEARS PART No. | NOTES |
|----------|---------------------|----------------|-------|
| M2 | Tuner | 783867 | |
| M3 | Telescopic Antenna | 10A3558 | |
| M4 | Auto Mounting Assy. | 51C4010 | |

CABINETS & CABINET PARTS

(When Ordering Specify Model, Chassis & Color)

| ITEM | PART No. | ITEM | PART No. |
|------------------------|----------|---------------|----------|
| Knob, Tuning or Volume | 47-50C | Handle | 54B2881 |
| Radio Case | 55C2641 | Dial Glass | 55A2894 |
| Escutcheon | 54C2785 | Battery Cover | 55A2648 |
| Lock & Keys | 451A2963 | Dial Pointer | 84A2930 |

AUTO MOUNTING ASSEMBLY

CAPACITORS

| ITEM No. | RATING | REMARKS | REPLACEMENT DATA | | | | | |
|----------|--------|------------|------------------|--------------------|---------------------------|------------------|------------------|------------------|
| | | | AEROVOX PART No. | CENTRALAB PART No. | CORNELL-DUBILIER PART No. | ELMENCO PART No. | MALLORY PART No. | SPRAGUE PART No. |
| C21 | .05 | #28-800-1L | T'TD-05 | | H0V101ZV503Z | | | |
| C22 | .47 | | DBE2P47 | | DPMS2P47 | 1DP-4-474 | TA150 | TH-850 |
| C23 | .0033 | | BPD-0033 | DD-332 | BY8601ZU332P | CCD-332 | PVC1047 | 2PS-P47 |
| C24 | | | | | | B233 | 5HK-D83 | |

Sears Part Number.

COILS (RF-IF)

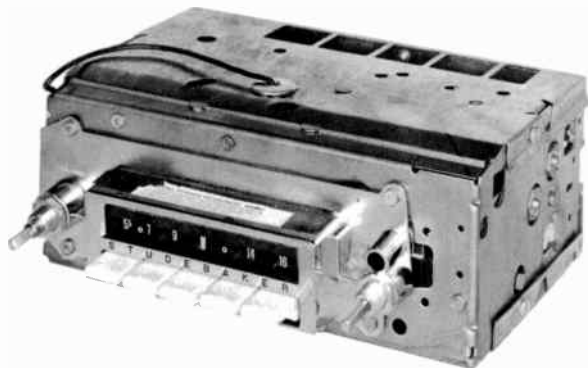
| ITEM No. | USE | REPLACEMENT DATA | | | | | |
|----------|------------------|------------------|-------------------|----------------|-----------------|------------------|------------------|
| | | SEARS PART No. | MEISSNER PART No. | MERIT PART No. | MILLER PART No. | STANCOR PART No. | WORKMAN PART No. |
| L7 | RF Choke (8.2uh) | 14-8.2 | 19-1004 | BC-585 | 4610 | RTC-8520 | T859 |

SEARS MODEL 833.62820



PHOTOFACT[®] with

CIRCUITRACE[®]



TRADE NAME : Studebaker Model AC-3556
(1966 Studebaker)
 SUPPLIER : For Current Address, See Annual Index.
 TYPE SET : 6 Transistor AM Receiver
 POWER SUPPLY : 12 Volt Storage Battery
 RATING : 1.2 Amp. @ 12.6 Volts DC
 TUNING RANGE: BROADCAST 540-1615KC

STUDEBAKER MODEL AC-3556

ALIGNMENT INSTRUCTIONS

Check for specified source voltage.
 Use only enough generator output to provide a usable indication.

Suggested Alignment Tools:

A1 thru A5, A9, A10.

GENERAL CEMENT: 5009, 8782A, 8987

WALSCO: 2531-X, 2536

A6, A7, A8.

GENERAL CEMENT: 8290, 8868, 9087

WALSCO: 2525, 2528, 2587

| | SIGNAL GENERATOR COUPLING | SIGNAL GENERATOR FREQUENCY | RADIO DIAL SETTING | INDICATOR | ADJUST | REMARKS |
|---|---|----------------------------|----------------------|---------------------------------|----------------|------------------------------------|
| 1. | High side thru .1mf to point Δ , low side to ground. | 262KC (400v Mod.) | High Freq. End Stop. | Output Meter across voice coil. | A1, A2, A3, A4 | Adjust for maximum. |
| Check setting of oscillator coil core (A5). Rear of core should be 1 3/8" from mounting end of coil form. | | | | | | |
| 2. | High side thru 82mmf to antenna receptacle, low side to ground. | 1615KC | High Freq. End Stop. | Output Meter across voice coil. | A6, A7, A8 | Adjust for maximum. |
| 3. | " | 600KC | 600KC Signal | " | A9, A10 | Adjust for maximum. Repeat step 2. |

With radio installed in car and antenna fully extended, tune in a weak station near 1400KC and adjust A8 for maximum output.

Remove tuning and dummy knobs for access to Antenna Trimmer (A8).

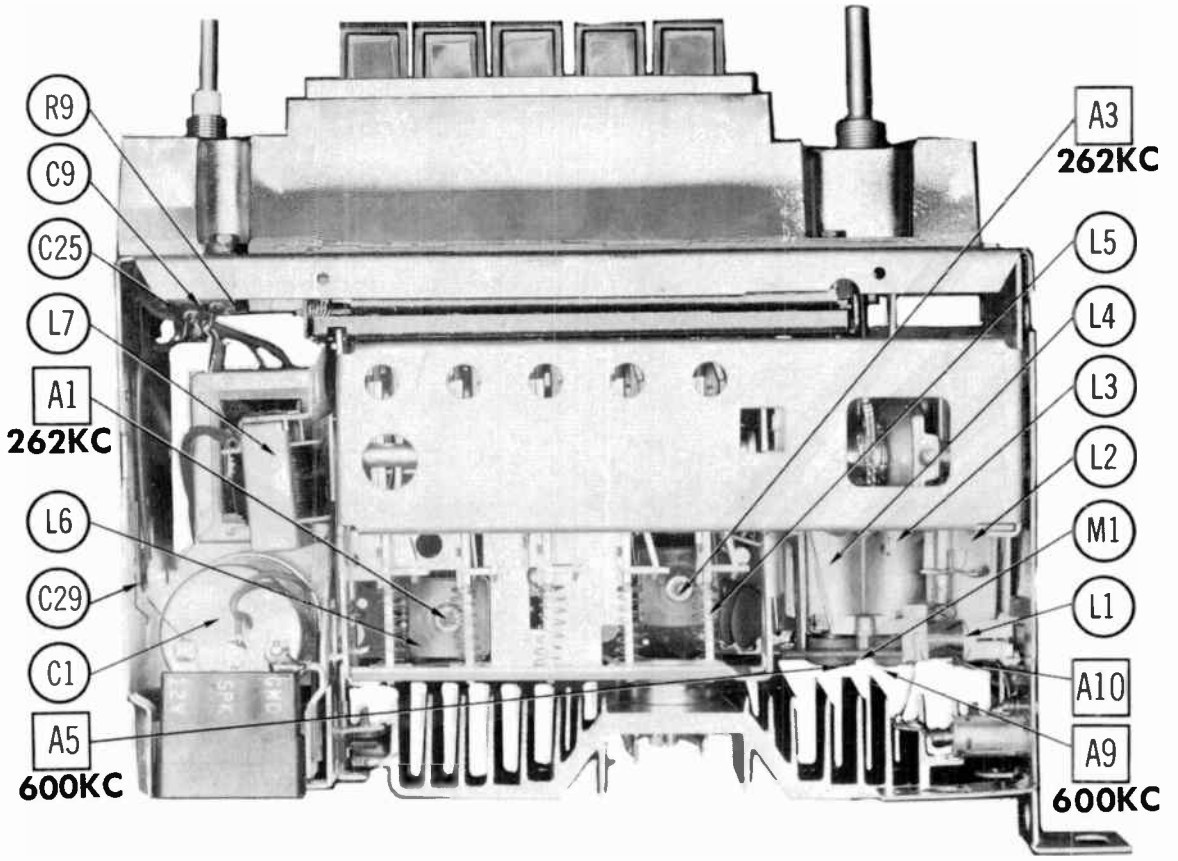
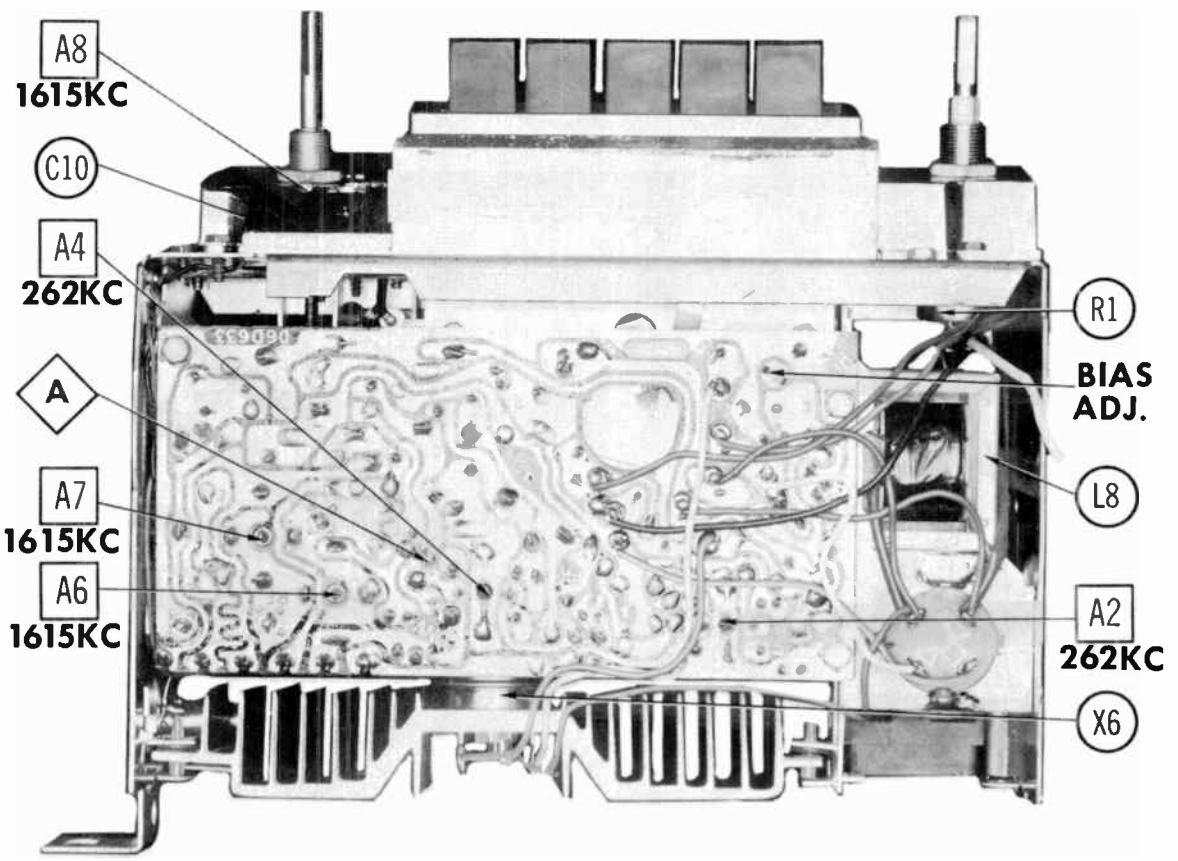
PUSH-BUTTON ADJUSTMENT

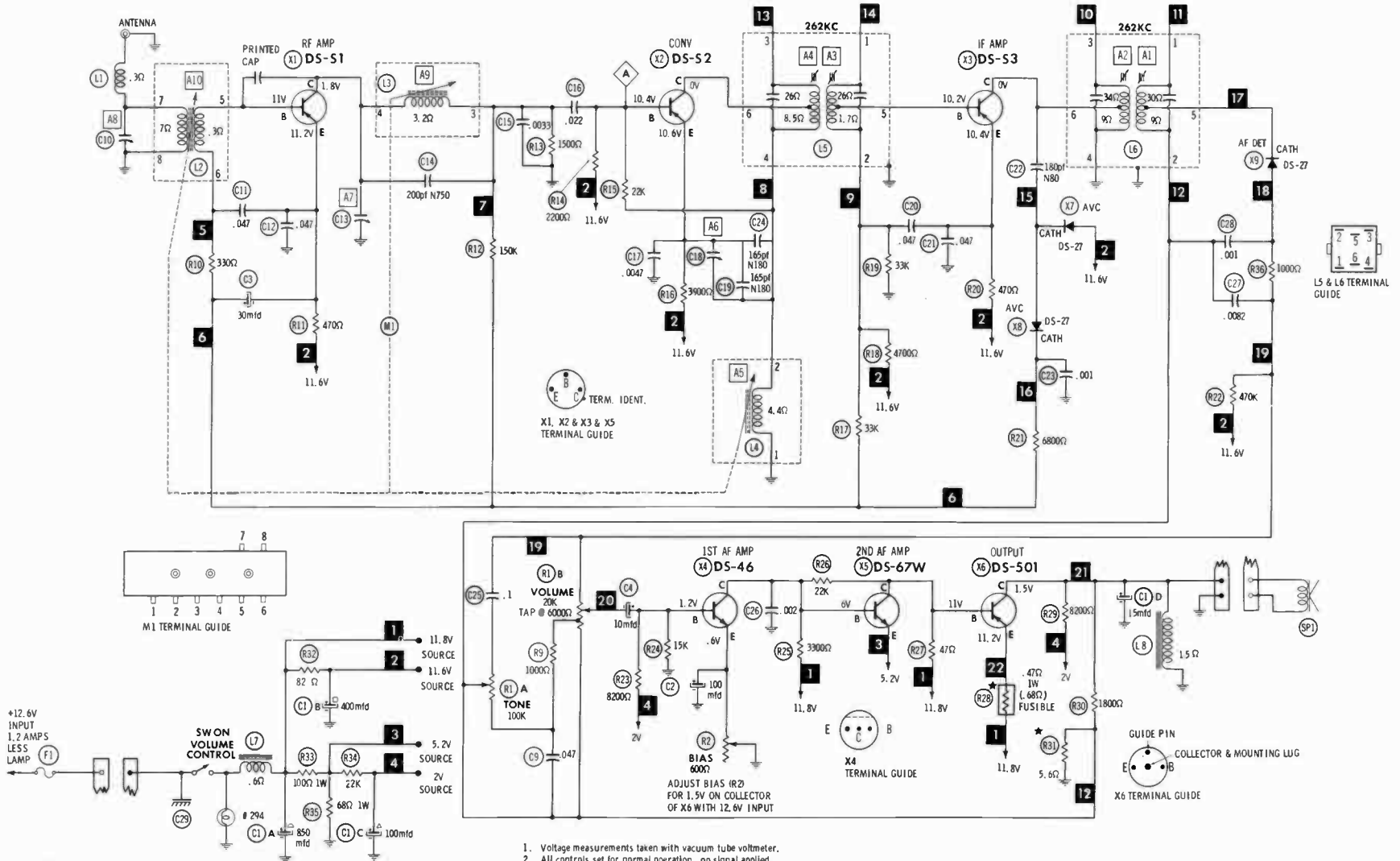
1. Pull button out.
2. Tune manually to desired station.
3. Press button in firmly.
4. Repeat for remaining buttons.

HOWARD W. SAMS & CO., INC. Indianapolis, Indiana 46206

© 1966 Howard W. Sams & Co., Inc. Printed in U. S. of America RD502R

World Radio History



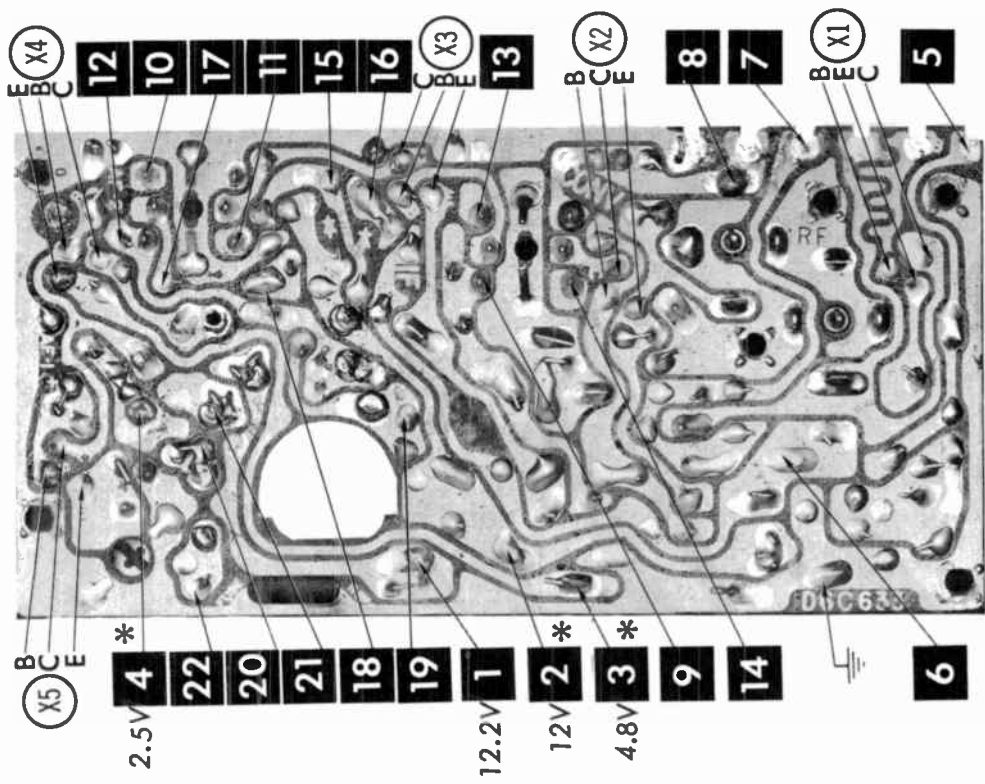
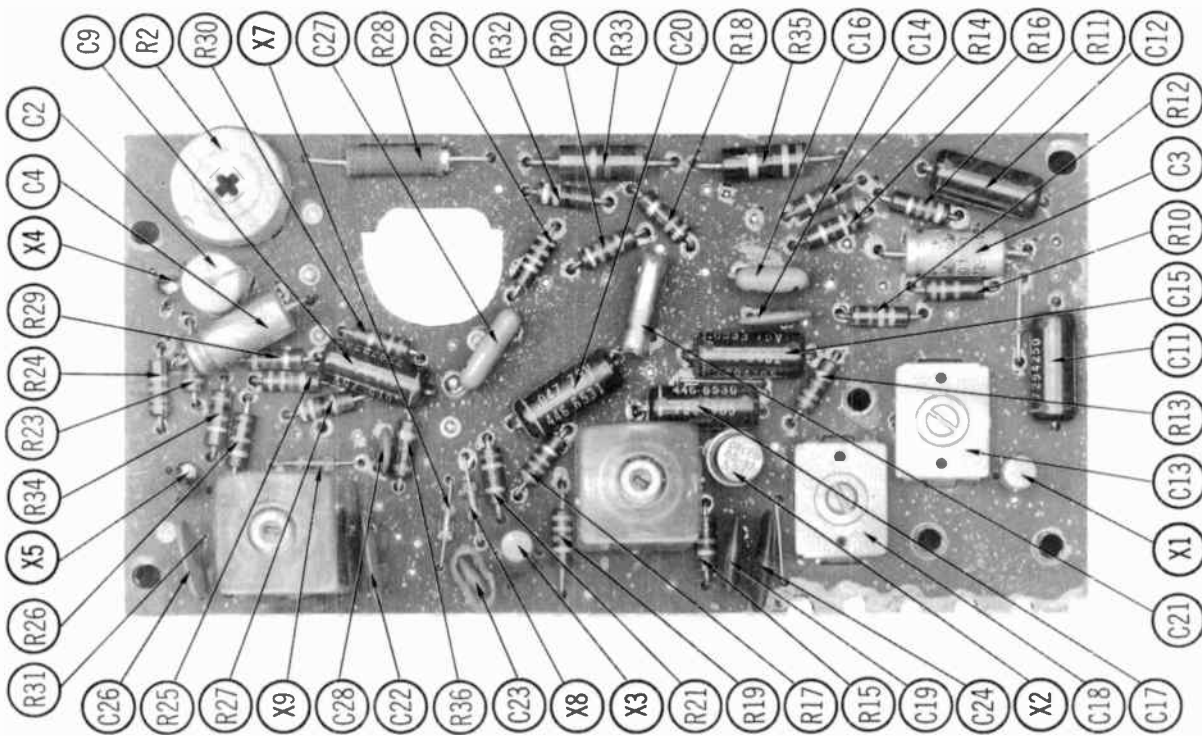


★ NOMINAL VALUE, MAY VARY.
Resistors are 1/2 watt or less and rated 10% or 20% unless otherwise indicated.

A PHOTOFAC STANDARD NOTATION SCHEMATIC with **CIRCUITRACE**

© Howard W. Sams & Co., Inc. 1966

1. Voltage measurements taken with vacuum tube voltmeter.
2. All controls set for normal operation, no signal applied.
3. Measured values are from socket pin or terminal to common ground.
4. All terminals viewed from bottom unless otherwise designated.
5. Numbers assigned to terminals may not be found on the unit.
6. Supply voltage maintained at rated value for voltage readings.
7. Resistance measurements not given because of the wide variation in internal resistance of transistor.



* VOLTAGE SOURCE

A Howard W. Sams CIRCUITRACE® Photo

PARTS LIST AND DESCRIPTION

(When ordering parts, state Model, Part Number, and Description.)

Replacement parts shown may be superseded by the availability of newly introduced replacements. Have your local distributor check Sams COUNTER FACTS™ for the most up-to-date replacement.

TRANSISTORS

| ITEM No. | ORIG. TYPE | USE | REPLACEMENT DATA | | | NOTES |
|----------|--------------------------------|--------------|------------------|---------------------------|--------------|-------|
| | | | DELCO PART No. | GENERAL ELECTRIC PART No. | RCA PART No. | |
| X1 | DS-51 | RF Amp. | DS-25 | GE-1 | SK-3008 | PNP |
| X2 | DS-52 | Conv. | DS-25 | GE-1 | SK-3008 | PNP |
| X3 | DS-53 | IF Amp. | DS-25 | GE-1 | SK-3008 | PNP |
| X4 | DS-46 | 1st. AF Amp. | DS-46 | GE-10 | SK-3020 | NPN |
| X5 | (DS-66)† DS-67W (DS-66)† | 2nd. AF Amp. | DS-66 | GE-10 | SK-3020 | NPN |
| X6 | DS-501 | Output | DS-501 | GE-4 | SK-3012 | PNP † |

† When replacing, apply silicone grease to both sides of insulator. Tighten mounting screws securely. Check bias adjustment. † Alternate Type.

POWER RECTIFIERS & SIGNAL DIODES

| ITEM No. | MEASURED CURRENT | ORIGINAL Part or Type No. | RECTIFIERS & DIODES | | RECTIFIERS | | |
|----------|------------------|---------------------------|---------------------------|----------------------------------|------------------|--------------|-------------------------|
| | | | GENERAL ELECTRIC PART No. | INTERNATIONAL RECTIFIER PART No. | MALLORY PART No. | RCA PART No. | SARKES TARZIAN PART No. |
| X7 | | DS-27 | 1N34AS | 1N34A | | | |
| X8 | | DS-27 | 1N34AS | 1N34A | | | |
| X9 | | DS-27 | 1N34AS | 1N34A | | | |

ELECTROLYTIC CAPACITORS

| ITEM No. | RATING | | REPLACEMENT DATA | | | | | |
|----------|--------|---------|------------------|------------------|---------------------------|---------------------------|------------------|------------------|
| | CAP. | VOLT. | DELCO PART No. | AEROVOX PART No. | CORNELL-DUBILIER PART No. | GENERAL ELECTRIC PART No. | MALLORY PART No. | SPRAGUE PART No. |
| C1A | 850 | 16 | 7291786 | AFH4-96-10 | | | FP401.9 | TVLS-4206* |
| B | 400 | 18 | | | | | | |
| C | 100 | 16 | | | | | | |
| D | 15 | 11.5RMS | | | | | | |
| C2 | 100 | 4 | 7291810 | PTT30 | NLW125-6 | MT1-21 | TT6K100 | TE-1102 |
| C3 | 30 | 6 | 7279898 | PTT27 | NLW30-15 | MT1-13 | TT6X30 | TE-1092 |
| C4 | 10 | 12 | 7292738 | PTT53 | NLW10-15 | MT1-5 | TT12X10 | TL-1128 |

* Not normally in distributor's stock. Available thru distributor on order to manufacturer.

CAPACITORS

| ITEM No. | RATING | | REMARKS | REPLACEMENT DATA | | | | | |
|----------|--------|------|----------|------------------|--------------------|---------------------------|------------------|------------------|------------------|
| | | | | AEROVOX PART No. | CENTRALAB PART No. | CORNELL-DUBILIER PART No. | ELMENCO PART No. | MALLORY PART No. | SPRAGUE PART No. |
| C9 | .047 | 75V | #7294291 | DBE2S47 | | WMF2S47 | 1DP-2-473 | PVC1147 | 2PS-847 |
| C10 | .047 | 75V | | DBE2S47 | | WMF2S47 | 1DP-2-473 | PVC1147 | 2PS-847 |
| C11 | .047 | 75V | | DBE2S47 | | WMF2S47 | 1DP-2-473 | PVC1147 | 2PS-847 |
| C12 | .047 | 75V | #7287935 | DBE2S47 | | WMF2S47 | 1DP-2-473 | PVC1147 | 2PS-847 |
| C13 | .047 | 75V | | DBE2S47 | | WMF2S47 | 1DP-2-473 | PVC1147 | 2PS-847 |
| C14 | .047 | 75V | | DBE2S47 | | WMF2S47 | 1DP-2-473 | PVC1147 | 2PS-847 |
| C14 | 200 | N750 | #7282165 | N750-D1200 | DTN-200 | CV601UJ201K | CCTN-201 | CN7320 | 10TCU-T20 |
| C15 | .0033 | 75V | | DBE6D33 | CPR-3300J | WMF1D33 | 8DP-1-332 | PVC4233 | 6PS-D83 |
| C18 | .022 | 75V | | DBE2S22 | | WMF1S22 | 1DP-1-223 | PVC1122 | 2PS-S22 |
| C17 | .0047 | 75V | DBE8D47 | CPR-4700J | WMF1S47 | 8DP-1-472 | PVC6247 | 6PS-D47 | |
| C18 | .0047 | 75V | #7282165 | DBE2S47 | | WMF2S47 | 1DP-2-473 | PVC1147 | 2PS-847 |
| C20 | .047 | 75V | | DBE2S47 | | WMF2S47 | 1DP-2-473 | PVC1147 | 2PS-847 |
| C21 | .047 | 75V | | DBE2S47 | | WMF2S47 | 1DP-2-473 | PVC1147 | 2PS-847 |
| C22 | 180 | N80 | #7282165 | BPD-001 | DD-102 | HVX182XP102M | CCD-102 | B210 | 10TCN-T80 |
| C23 | .001 | 75V | | BPD-001 | DD-102 | HVX182XP102M | CCD-102 | B210 | 5HK-D10 |
| C24 | 165 | N220 | | BPD-001 | DD-102 | HVX182XP102M | CCD-102 | B210 | 5HK-D10 |
| C25 | .1 | 75V | #7271564 | TTD-1 | CK-104 | HOV101ZV104Z | * | TA010 | 10TCR-T175 |
| C26 | .002 | 75V | | BPD-002 | DD-202 | BYV601ZU202P | CCD-202 | B220 | TG-P10 |
| C27 | .0082 | 75V | | DBE6D82 | CPR-8200J | WMF1S82 | 8DP-2-822 | PVC628 | 5HK-D20 |
| C28 | .001 | 75V | BPD-001 | DD-102 | HVX182XP102M | CCD-102 | B210 | 6PS-D82 | |
| C29 | .001 | 75V | BPD-001 | DD-102 | HVX182XP102M | CCD-102 | B210 | 5HK-D10 | |

* Not normally in distributor's stock. Available thru distributor on order to manufacturer.

Delco Part Number.

CONTROLS

All wattages 1/2 watt, or less, unless otherwise listed.

| ITEM No. | USE | RESISTANCE | REPLACEMENT DATA | | | | | |
|----------|---------------|-----------------|------------------|----------------------------------|--------------------|------------------|------------------|----------|
| | | | DELCO PART No. | CENTRALAB PART No. | CLAROSTAT PART No. | CTS-IRC PART No. | MALLORY PART No. | |
| R1A | Tone | 100K | 7287998 | F1-100K,R1425K | | | †QJ-2144A | ■UE4504S |
| B | Volume/Switch | 20K Tap @ 6000Ω | | FFS106,RFS114, BB104,8B004 KCR-4 | | | | |

† "CONCENTRIKIT" Equivalent: K8 Kit, with Base Elements and Shafts: B11-128, P22-109 (Panel)
B19-119X, R26-121 (Rear)
S51 (Bushing)
N4 (Spacer Nut)
76-1 (Switch)

■ "SNAPTROL" Equivalent: BU8①, CF13, CR50T, SF10, SR10, N4, GC.

■ "STA-LOC" Equivalent: FN15L, RU253T53, OS1312, IS1937, US41.

① Alter Bushing to meet requirements.

PARTS LIST AND DESCRIPTION (CONTINUED)

(When ordering parts, state Model, Part Number, and Description.)

Replacement parts shown may be superseded by the availability of newly introduced replacements. Have your local distributor check Sams COUNTER FACTS for the most up-to-date replacement.

RESISTORS (Power and Special)

| ITEM No. | RATING | REPLACEMENT DATA | | | ITEM No. | RATING | REPLACEMENT DATA | | |
|----------|-------------------|------------------|------------------|----------------|----------|--------|------------------|------------------|----------------|
| | | IRC PART No. | WORKMAN PART No. | DELCO PART No. | | | IRC PART No. | WORKMAN PART No. | DELCO PART No. |
| R28 | .47Ω (Fusible) | | | 7281890 | | | | | |

COILS (RF-IF)

| ITEM No. | USE | REPLACEMENT DATA | | | | | |
|----------|------------------|------------------|-------------------|----------------|-----------------|------------------|------------------|
| | | DELCO PART No. | MEISSNER PART No. | MERIT PART No. | MILLER PART No. | STANCOR PART No. | WORKMAN PART No. |
| L1 | RF Choke (6.2uh) | 7281946 | 19-1004 | BC-565 | 4610 | RTC-8520 | T859 |
| L2 | Antenna | ① | | | | | |
| L3 | RF | ① | | | | | |
| L4 | Oscillator | ① | | | | | |
| L5 | Input IF | 1221856 | 16-6704 | | 6542 | RTC-9399 | TA653 |
| L6 | Output IF | 1221857 | 16-6705 | | 6543 | RTC-9400 | TA653 |

① Coils Assembly #7287957.

FILTER CHOKE

| ITEM No. | RATINGS | | | REPLACEMENT DATA | | | | | | NOTES |
|----------|--------------------|---------|------------------------------|------------------|----------------|------------------|---------------------|----------------|--|-------|
| | CURRENT (Measured) | DC RES. | INDUCTANCE (0 CURRENT 1000~) | DELCO PART No. | MERIT PART No. | STANCOR PART No. | THORDARSON PART No. | TRIAD PART No. | | |
| L7 | 1.2 Amp. | .6Ω | 8MH | 1221623 | C-4095 | TC-2 | TR-154 | TY17XT | | |

SPEAKER

| ITEM No. | TYPE | REPLACEMENT DATA | | NOTES |
|----------|-----------------|------------------|---------------|-------|
| | | DELCO PART No. | QUAM PART No. | |
| SP1 | 4" x 10" PM 10Ω | 7284300 | 410A2Z10 | |

FUSE DEVICES

| ITEM No. | TYPE | RATING | REPLACEMENT DATA | | | | | | |
|----------|------|--------|------------------|--------|---------------------|--------|---------------|-----------|--|
| | | | PART No. | | LITTELFUSE PART No. | | BUSS PART No. | | |
| | | | FUSE | HOLDER | FUSE | HOLDER | FUSE | HOLDER | |
| F1 | AGW | 2 1/2A | In Fuse Block | | 30S02.5 | | | AGW 2 1/2 | |

MISCELLANEOUS

| ITEM No. | PART NAME | DELCO PART No. | NOTES |
|----------|-----------|----------------|-------|
| M1 | Tuner | | |

CABINETS & CABINET PARTS

(When Ordering Specify Model, Chassis & Color)

| ITEM | PART No. | ITEM | PART No. |
|--------------|----------|------------------------|----------|
| Escutcheon | 7284048 | Knob, Tuning or Volume | 7297596 |
| Dial Pointer | 7281019 | Knob, Tone | 7282936 |
| Pushbutton | 7275156 | Knob, Dummy | 7282837 |

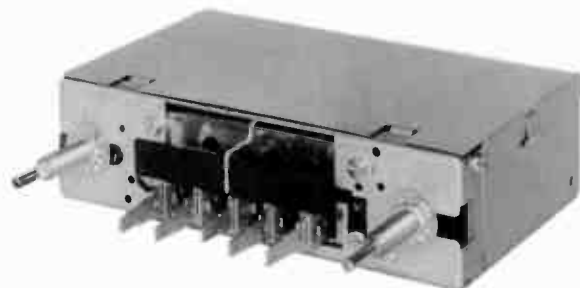
WIRING DATA

| | |
|---|--|
| General-use Unshielded Hook-up Wire | Use BELDEN No. 8530 (Solid) Available in 12 Colors 8524 (Stranded) Available in 12 Colors |
| Shielded Hook-up Wire | Use BELDEN No. 8885 |
| Rear Seat Speaker Extension Cable | Use BELDEN No. 8782 (Stranded) Coded Parallel Leads |
| Bonding Strap | Use BELDEN No. 8661 (3/8 in.) or 8670 (3/4 in.) |



PHOTOFACT[®] with

CIRCUITRACE[®]



TRADE NAME : Tenatronics Models SA-822, SM-821
(Custom 800 Series)
SUPPLIER : For Current Address, See Annual Index.
TYPE SET : 6 Transistor AM Receiver
POWER SUPPLY : 12 Volt Storage Battery
RATING : .850 Amp. @ 12.6 Volts DC
TUNING RANGE : BROADCAST 540-1615KC

TENATRONICS MODELS SA-822, SM-821

ALIGNMENT INSTRUCTIONS

Check for specified source voltage.
Use only enough generator output to provide a usable indication.

Suggested Alignment Tools:

A1 thru A7.

GENERAL CEMENT: 8290, 8868, 9087
WALSCO: 2525, 2528, 2587

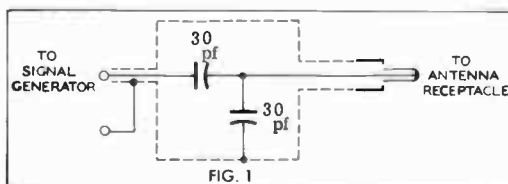
| | SIGNAL GENERATOR COUPLING | SIGNAL GENERATOR FREQUENCY | RADIO DIAL SETTING | INDICATOR | ADJUST | REMARKS |
|----|--|----------------------------|----------------------|---------------------------------|----------------|---------------------|
| 1. | High side thru .1mfd to point Δ , low side to ground. | 262KC (400v Mod.) | High Freq. End Stop. | Output Meter across voice coil. | A1, A2, A3, A4 | Adjust for maximum. |
| 2. | Thru dummy (Fig. 1) to antenna receptacle. | 1615KC | " | " | A5, A6, A7 | " |

With radio installed in car and antenna fully extended, tune in a weak station near 1400KC and adjust A7 for maximum output.

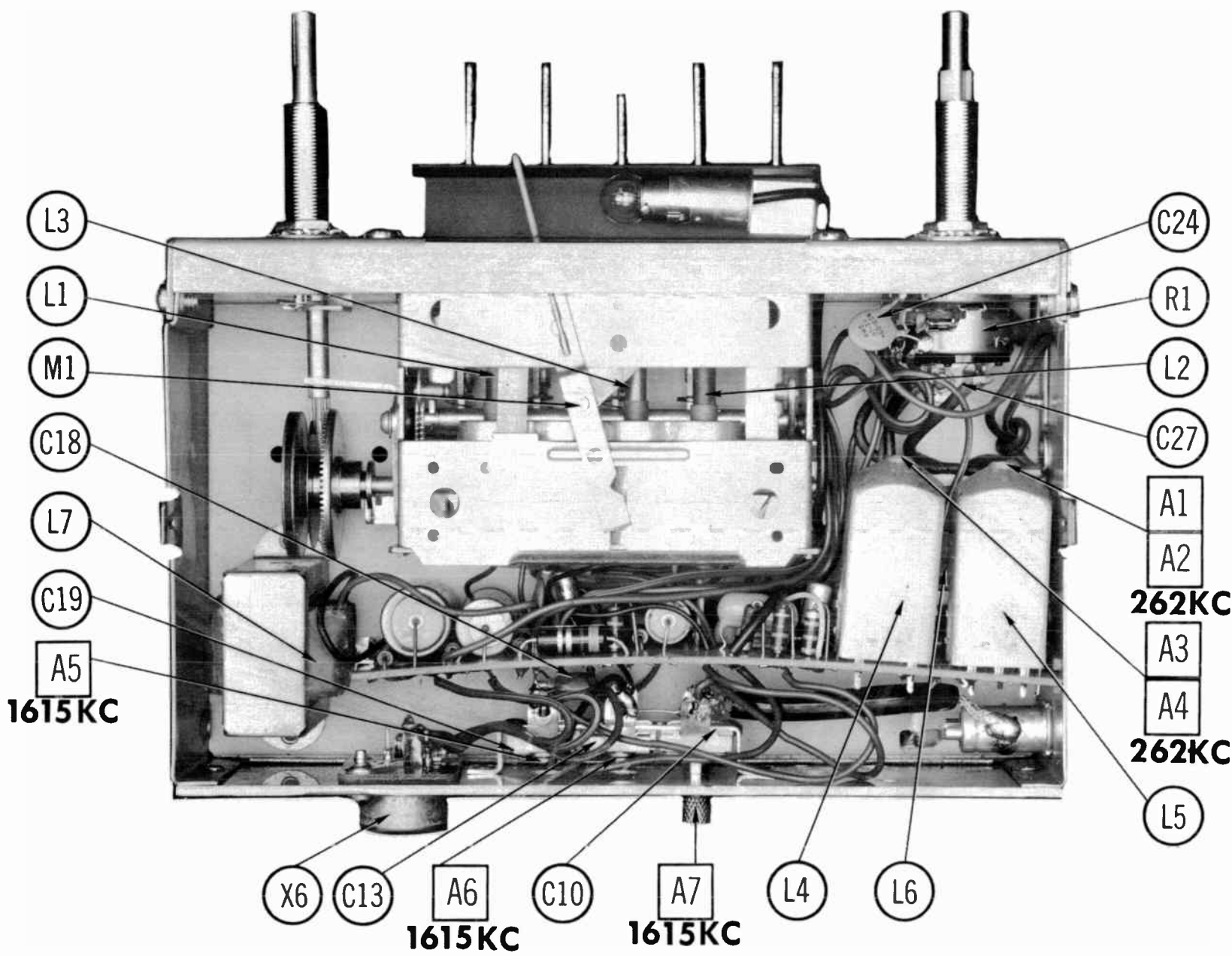
Antenna Adjustment (A7) located rear center.

PUSH-BUTTON ADJUSTMENT

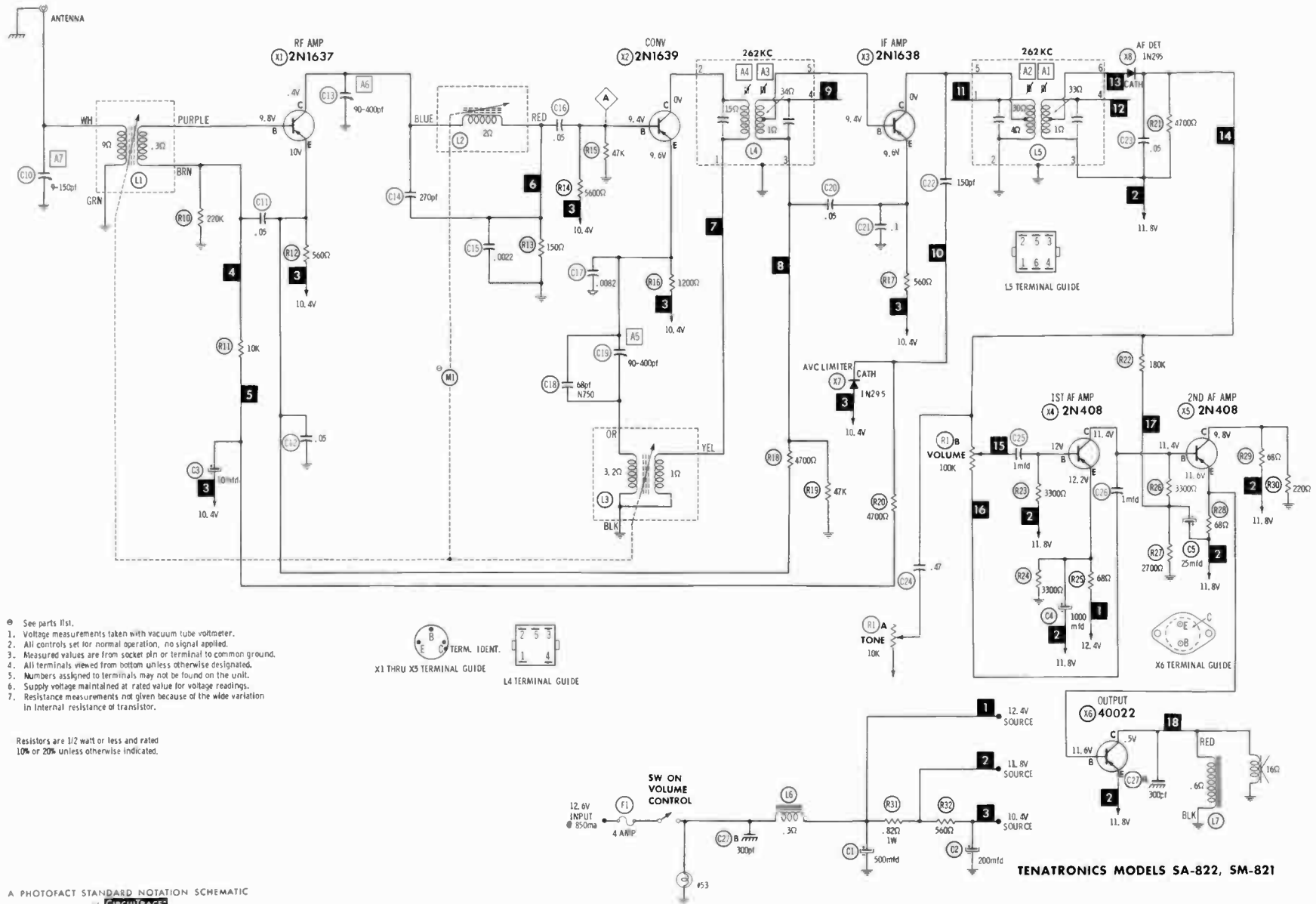
1. Pull button out.
2. Tune manually to desired station.
3. Press button in firmly.
4. Repeat for remaining buttons.



HOWARD W. SAMS & CO., INC. Indianapolis, Indiana 46206



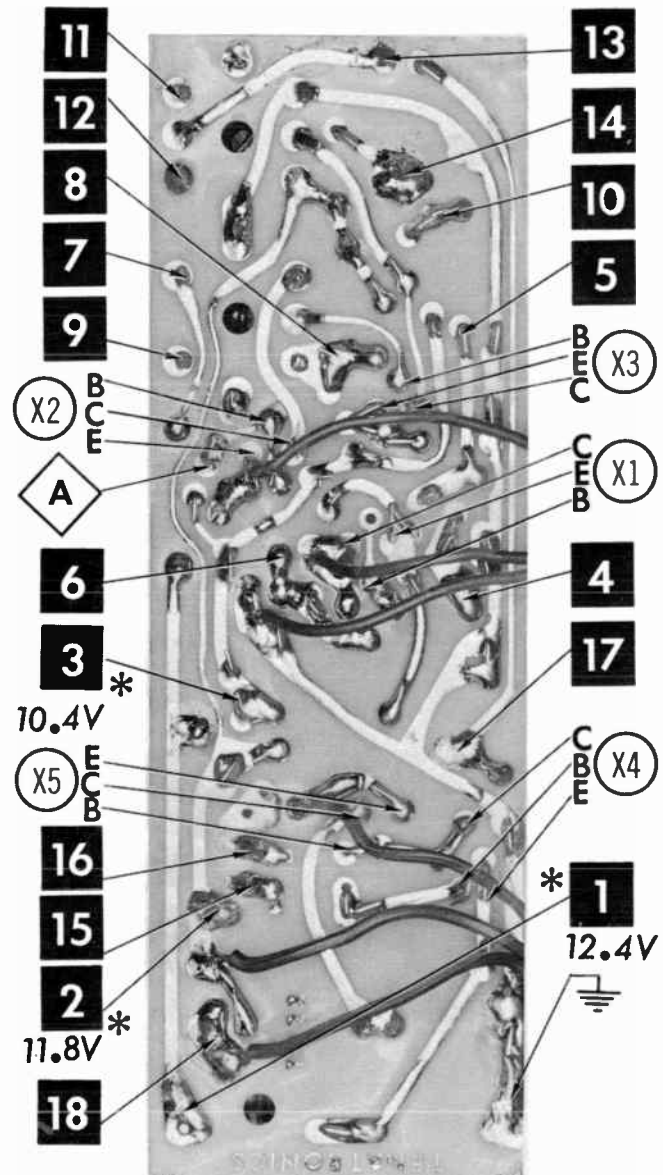
TENATRONICS MODELS SA-822, SM-821



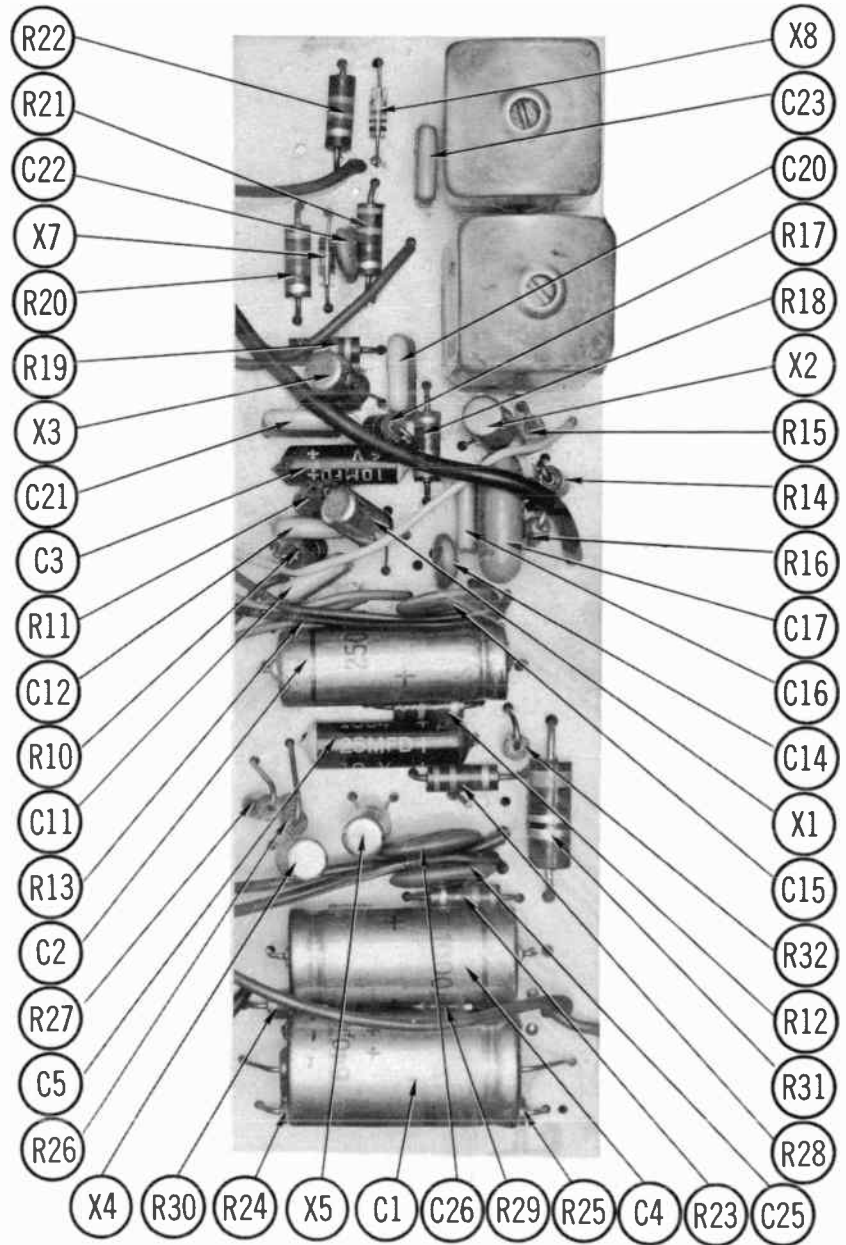
- ⊙ See parts list.
- 1. Voltage measurements taken with vacuum tube voltmeter.
- 2. All controls set for normal operation, no signal applied.
- 3. Measured values are from socket pin or terminal to common ground.
- 4. All terminals viewed from bottom unless otherwise designated.
- 5. Numbers assigned to terminals may not be found on the unit.
- 6. Supply voltage maintained at rated value for voltage readings.
- 7. Resistance measurements not given because of the wide variation in internal resistance of transistor.

Resistors are 1/2 watt or less and rated 10% or 20% unless otherwise indicated.

A PHOTOFAC STANDARD NOTATION SCHEMATIC with CIRCUITRACE
 Howard W. Sams & Co., Inc. 1966



*VOLTAGE SOURCE



PARTS LIST AND DESCRIPTION

(When ordering parts, state Model, Part Number, and Description.)

Replacement parts shown may be superseded by the availability of newly introduced replacements.
Have your local distributor check Sams COUNTER FACTS for the most up-to-date replacement.

TRANSISTORS

| ITEM No. | ORIG. TYPE | USE | REPLACEMENT DATA | | | NOTES |
|----------|------------|--------------|------------------|---------------------------|--------------|-------|
| | | | DELCO PART No. | GENERAL ELECTRIC PART No. | RCA PART No. | |
| X1 | 2N1637 | RF Amp. | D8-25 | GE-9 | SK-3008 | PNP |
| X2 | 2N1639 | Converter | D8-25 | GE-9 | SK-3008 | PNP |
| X3 | 2N1638 | IF Amp. | D8-25 | GE-9 | SK-3008 | PNP |
| X4 | 2N408 | 1st. AF Amp. | D8-28 | GE-2 | SK-3004 | PNP |
| X5 | 2N408 | 2nd. AF Amp. | D8-28 | GE-2 | SK-3004 | PNP |
| X6 | 40022 | Output | D8-520 | GE-3 | SK-3009 | PNP ♦ |

♦ When replacing, apply silicone grease to both sides of insulator. Tighten mounting screws securely.

POWER RECTIFIERS & SIGNAL DIODES

| ITEM No. | MEASURED CURRENT | ORIGINAL Part or Type No. | RECTIFIERS & DIODES | | RECTIFIERS | | |
|----------|------------------|---------------------------|---------------------------|----------------------------------|------------------|--------------|-------------------------|
| | | | GENERAL ELECTRIC PART No. | INTERNATIONAL RECTIFIER PART No. | MALLORY PART No. | RCA PART No. | SARKES TARZIAN PART No. |
| X7 | | 1N295 | 1N295 | 1N295 | | | |
| X8 | | 1N295 | 1N295 | 1N295 | | | |

ELECTROLYTIC CAPACITORS

| ITEM No. | RATING | | Tenatronics PART No. | REPLACEMENT DATA | | | | |
|----------|--------|-------|----------------------|------------------|---------------------------|---------------------------|------------------|------------------|
| | CAP. | VOLT. | | AEROVOX PART No. | CORNELL-DUBILIER PART No. | GENERAL ELECTRIC PART No. | MALLORY PART No. | SPRAGUE PART No. |
| C1 | 500 | 15 | T700-417 | PRS1220 | BR500-15 | QT1-30 | TC1505 | TVA-1182 |
| C2 | 200 | 15 | T700-411 | CRE481A | NLW200-15 | MT1-25 | TT15X200 | TE-1184 |
| C3 | 10 | 6 | T700-435 | CRE307A | NLW10-8 | MT1-6 | TT6X10 | TE-1087 |
| C4 | 1000 | 3 | T800-440 | PRS1130 | BR1000-6 | QT1-32 | TC310 | TVA-1104 |
| C5 | 25 | 25 | T700-414 | CRE612A | NLW25-25 | MT1-14 | TT25X25 | TE-1207 |

CAPACITORS

| ITEM No. | RATING | REMARKS | REPLACEMENT DATA | | | | | |
|----------|--------|-----------|------------------|--------------------|---------------------------|------------------|------------------|------------------|
| | | | AEROVOX PART No. | CENTRALAB PART No. | CORNELL-DUBILIER PART No. | ELMENCO PART No. | MALLORY PART No. | SPRAGUE PART No. |
| C10 | 9-150 | #T700-401 | | | | | | |
| C11 | .05 | | TTD-05 | | HOV101ZV503Z | | TA150 | TH-850 |
| C12 | .05 | | TTD-05 | | HOV101ZV503Z | | TA150 | TH-850 |
| C13 | 9-400 | #T700-422 | | | | | | |
| C14 | 270 | | DI-270 | DD-271 | RR05CW271K | CCD-271 | GP327 | 5GA-T27 |
| C15 | .0022 | | DI-2200 | CF-222 | JBX601YP222K | CCD-222 | JF222 | 10TS-D22 |
| C16 | .05 | | TTD-05 | | HOV101ZV503Z | | TA150 | TH-850 |
| C17 | .0082 | 200V | DBE6D82 | CPR-8200J | DPMS6D82 | 6DP-2-822 | PVC882 | 6PS-D82 |
| C18 | 68 | N750 | N750-DI 68 | DTN-68 | CS601UJ680K | CCTN-680 | CN7468 | 10TCU-Q88 |
| C19 | 90-400 | #T700-422 | | | | | | |
| C20 | .05 | | TTD-05 | | HOV101ZV503Z | | TA150 | TH-850 |
| C21 | .1 | | TTD-1 | CK-104 | HOV101ZV104Z | | TA010 | TG-P10 |
| C22 | 150 | | NPO-DI 150 | DTZ-150 | | CCTO-151 | CN0315 | 10TCC-T15 |
| C23 | .05 | | TTD-05 | | HOV101ZV503Z | | TA150 | TH-850 |
| C24 | .47 | | | UK10-404 | | | MAG12047 | HY-330 |
| C25 | 1mfd | | | UK-105 | HXCX3R0XR105P | | MAG31 | HY-135 |
| C26 | 1mfd | | | UK-105 | HXCX3R0XR105P | | MAG31 | HY-135 |
| C27A | 300 | #T700-418 | | | | | | |
| B | 300 | | | | | | | |

Tenatronics Part Number.

PARTS LIST AND DESCRIPTION (CONTINUED)

(When ordering parts, state Model, Part Number, and Description.)

Replacement parts shown may be superseded by the availability of newly introduced replacements. Have your local distributor check Sams COUNTER FACTS[®] for the most up-to-date replacement.

CONTROLS

All wattages 1/2 watt, or less, unless otherwise listed.

| ITEM No. | USE | RESIST-ANCE | REPLACEMENT DATA | | | | | |
|----------|--------|-------------|----------------------|-------------------------------------|--------------------|------------------|-----------------|--|
| | | | Tenatronics PART No. | CENTRALAB PART No. | CLAROSTAT PART No. | CTS-IRC PART No. | MALLOY PART No. | |
| R1A | Tone | 10K | T800-525 | F2-10K, R2-100K | | | †QJ-2191A | |
| B | Volume | 100K | | FFS113, RFS205, BA104①, CA005, KR-4 | | | | |

† "CONCENTRIKIT" Equivalent: K8 Kit, with Base Elements and Shafts: B13-116, P22-115 (Panel)
B13-128, R1-130 (Rear)
QCB5 ① (Bushing)
76-1 (Switch)

① Alter bushing to meet requirements.

COILS (RF-IF)

| ITEM No. | USE | REPLACEMENT DATA | | | | | |
|----------|------------|----------------------|-------------------|----------------|-----------------|------------------|------------------|
| | | Tenatronics PART No. | MEISSNER PART No. | MERIT PART No. | MILLER PART No. | STANCOR PART No. | WORKMAN PART No. |
| L1 | Antenna | ① | | | | | |
| L2 | RF | ① | | | | | |
| L3 | Oscillator | ① | | | | | |
| L4 | Input IF | T700-310 | 16-6714 | BC-638 | 6555 | RTC-9406 | |
| L5 | Output IF | T700-311 | | | | | |

① Part of M1.

FILTER CHOKE

| ITEM No. | RATINGS | | | REPLACEMENT DATA | | | | | | NOTES |
|----------|--------------------|---------|------------------------------|----------------------|----------------|------------------|---------------------|----------------|--|-------|
| | CURRENT (Measured) | DC RES. | INDUCTANCE (0 CURRENT 1000~) | Tenatronics PART No. | MERIT PART No. | STANCOR PART No. | THORDARSON PART No. | TRIAD PART No. | | |
| L6 | 850ma | .3Ω | 3MH | T700-305 | C-4124 | TC-1 | TR-158 | TY16XT | | |

CHOKE (AUDIO OUTPUT)

| ITEM No. | INDUCTANCE | REPLACEMENT DATA | | | | | NOTES |
|----------|------------|----------------------|----------------|------------------|---------------------|----------------|-------|
| | | Tenatronics PART No. | MERIT PART No. | STANCOR PART No. | THORDARSON PART No. | TRIAD PART No. | |
| L7 | 20MH | T700-301 | | | | | |

FUSE DEVICES

| ITEM No. | TYPE | RATING | REPLACEMENT DATA | | | | | |
|----------|------|--------|------------------|---------|---------------------|---------|---------------|--------|
| | | | PART No. | | LITTELFUSE PART No. | | BUSS PART No. | |
| | | | FUSE | HOLDER | FUSE | HOLDER | FUSE | HOLDER |
| F1 | SFE | 4A | T700-85 | T700-84 | 307004 | 155004A | SFE 4 | HAF |

MISCELLANEOUS

| ITEM No. | PART NAME | Tenatronics PART No. | NOTES |
|----------|-------------|----------------------|--------------------------------|
| M1 | Tuner Tuner | T800-85 T800-80D | Model: SA-822 Model: SM-821 |

WIRING DATA

| | |
|---|--|
| General-use Unshielded Hook-up Wire | Use BELDEN No. 6530 (Solid) Available in 12 Colors 8524 (Stranded) Available in 12 Colors |
| Shielded Hook-up Wire | Use BELDEN No. 8885 |
| Rear Seat Speaker Extension Cable | Use BELDEN No. 8782 (Stranded) Coded Parallel Leads |
| Bonding Strap | Use BELDEN No. 8661 (3/8 In.) or 8670 (3/4 In.) |

TENATRONICS MODELS SA-822, SM-821



PHOTOFACT[®] with

CIRCUITRACE[®]



TRADE NAME : Tenna Model AM-66PB
 (1966 Rambler American)
 SUPPLIER : For Current Address, See Annual Index.
 TYPE SET : 5 Transistor AM Receiver
 POWER SUPPLY : 12 Volt Storage Battery
 RATING : .620 Amp. @ 12.6 Volts DC
 TUNING RANGE : BROADCAST 540-1615KC

TENNA MODEL AM-66PB

ALIGNMENT INSTRUCTIONS

Check for specified source voltage.
 Use only enough generator output to provide a usable indication.
 Suggested Alignment Tools:

A1 thru A4. GENERAL CEMENT: 8606, 8606L, 8869
 WALSCO: 2543, 2544, 2588
 A5, A6, A7. GENERAL CEMENT: 8290, 8868, 9087
 WALSCO: 2525, 2528, 2587

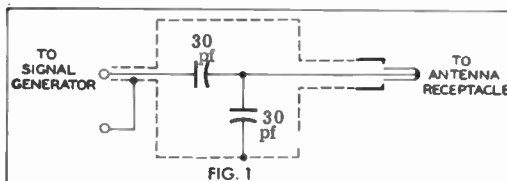
| | SIGNAL GENERATOR COUPLING | SIGNAL GENERATOR FREQUENCY | RADIO DIAL SETTING | INDICATOR | ADJUST | REMARKS |
|----|--|----------------------------|----------------------|---------------------------------|----------------|---------------------|
| 1. | High side thru .1mfd to point Δ , low side to ground. | 262KC (400v Mod.) | High Freq. End Stop. | Output Meter across voice coil. | A1, A2, A3, A4 | Adjust for maximum. |
| 2. | Thru dummy (Fig. 1) to antenna receptacle. | 1615KC | " | " | A5, A6, A7 | " |

With radio installed in car and antenna fully extended, tune in a weak station near 1400KC and adjust A7 for maximum output.

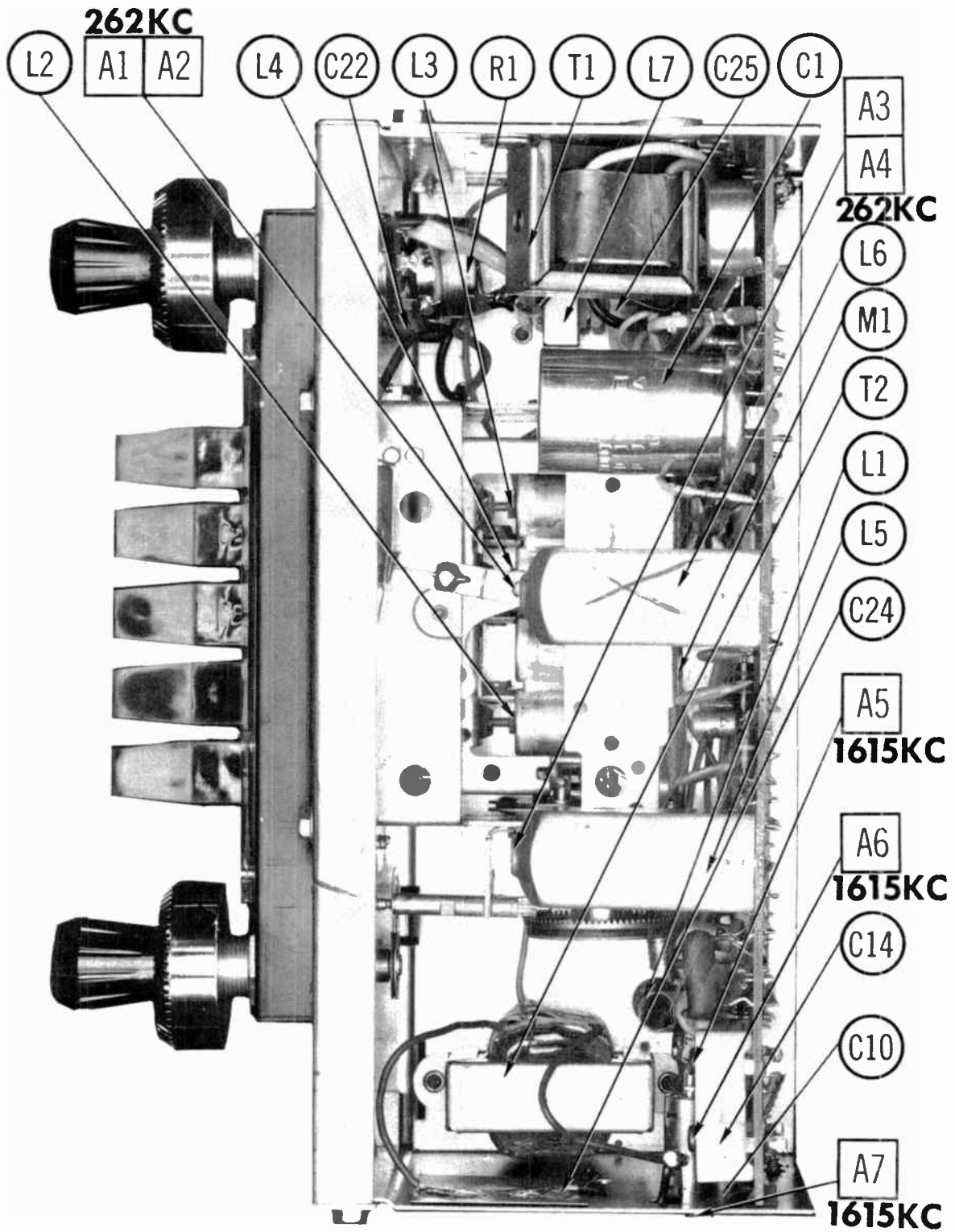
Antenna Adjustment (A7) located right side below antenna receptacle.

PUSH-BUTTON ADJUSTMENT

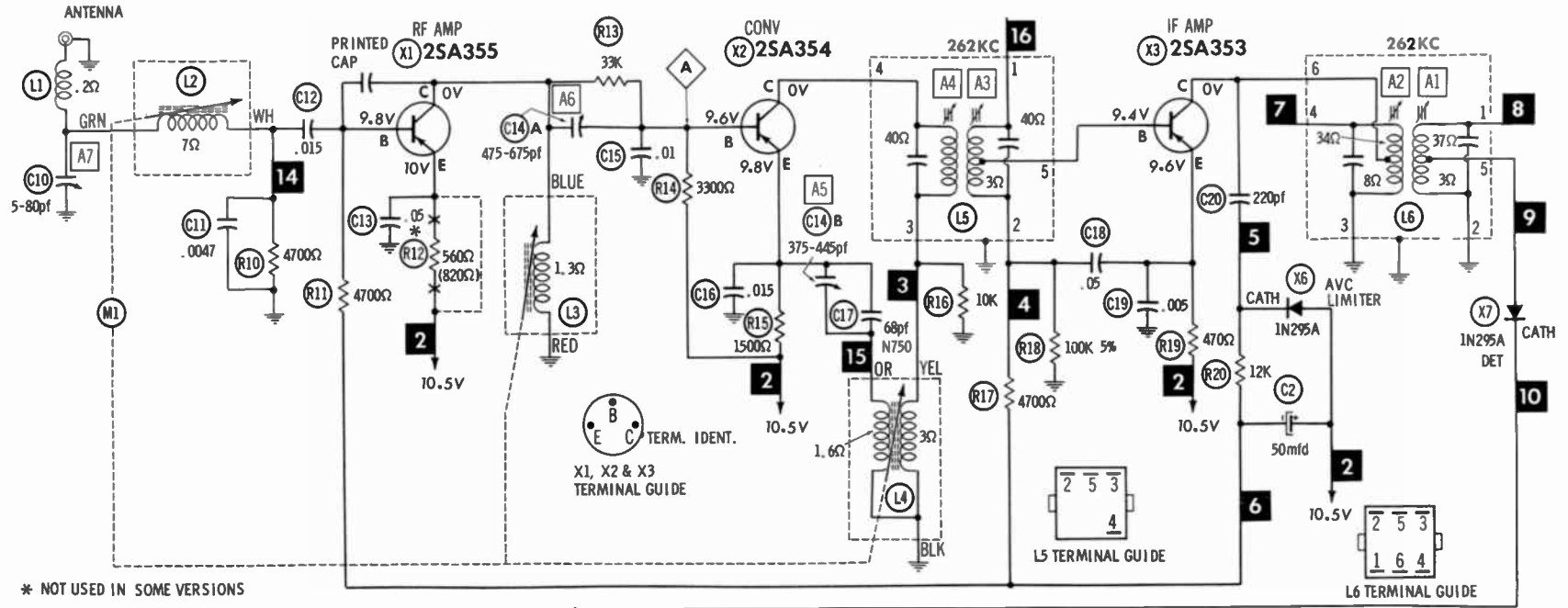
1. Pull button out.
2. Tune manually to desired station.
3. Press button in firmly.
4. Repeat for remaining buttons.



HOWARD W. SAMS & CO., INC. Indianapolis, Indiana 46206

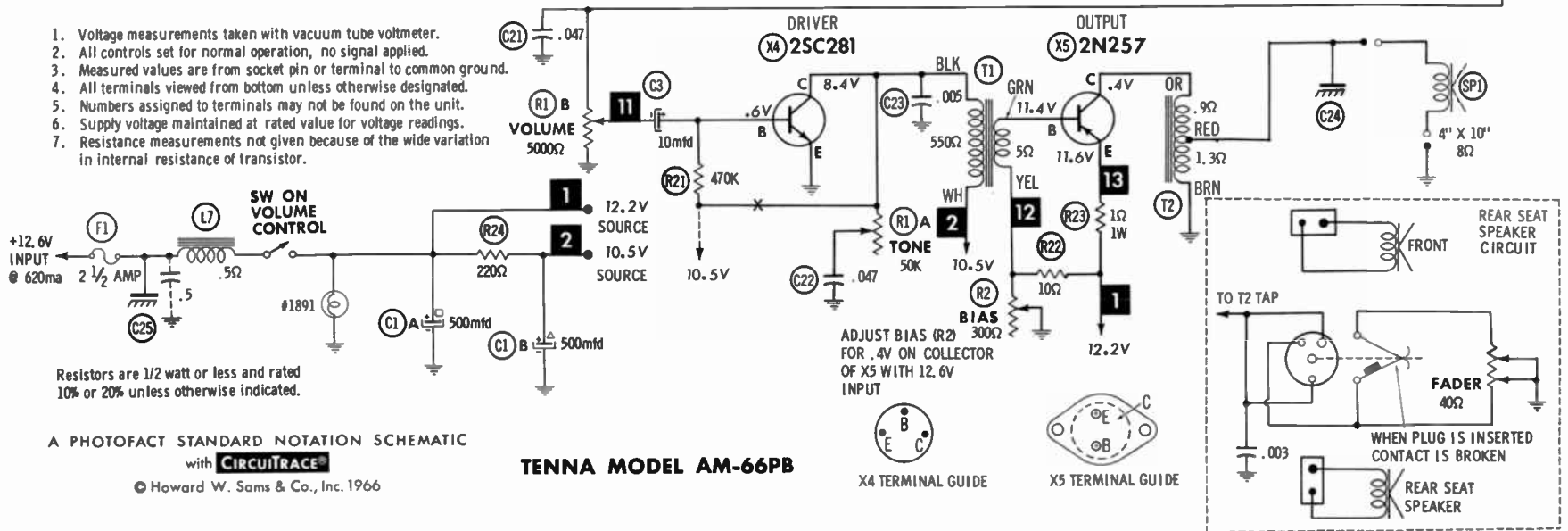


TENNA MODEL AM-66PB



* NOT USED IN SOME VERSIONS

1. Voltage measurements taken with vacuum tube voltmeter.
2. All controls set for normal operation, no signal applied.
3. Measured values are from socket pin or terminal to common ground.
4. All terminals viewed from bottom unless otherwise designated.
5. Numbers assigned to terminals may not be found on the unit.
6. Supply voltage maintained at rated value for voltage readings.
7. Resistance measurements not given because of the wide variation in internal resistance of transistor.



Resistors are 1/2 watt or less and rated 10% or 20% unless otherwise indicated.

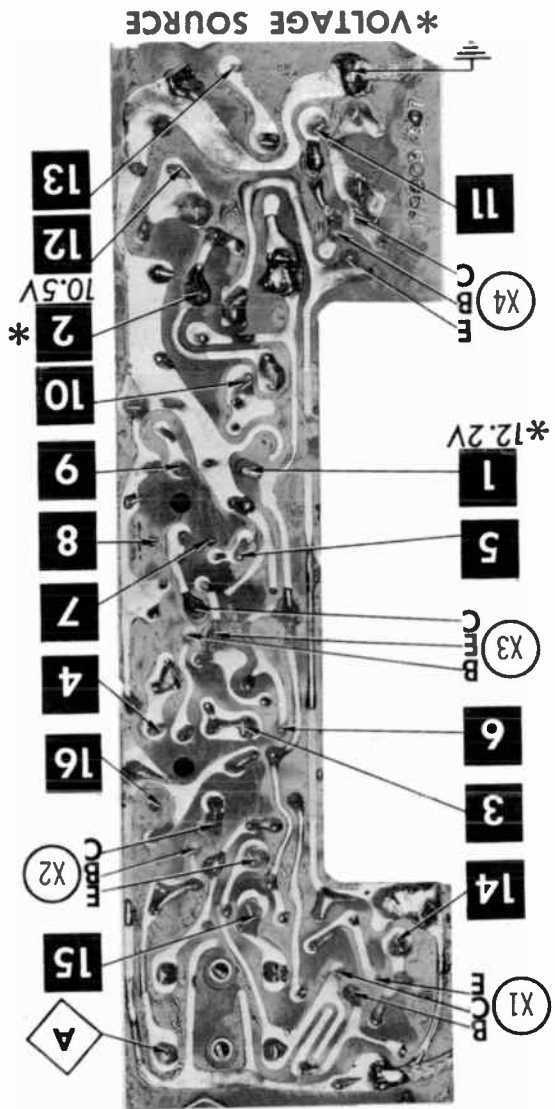
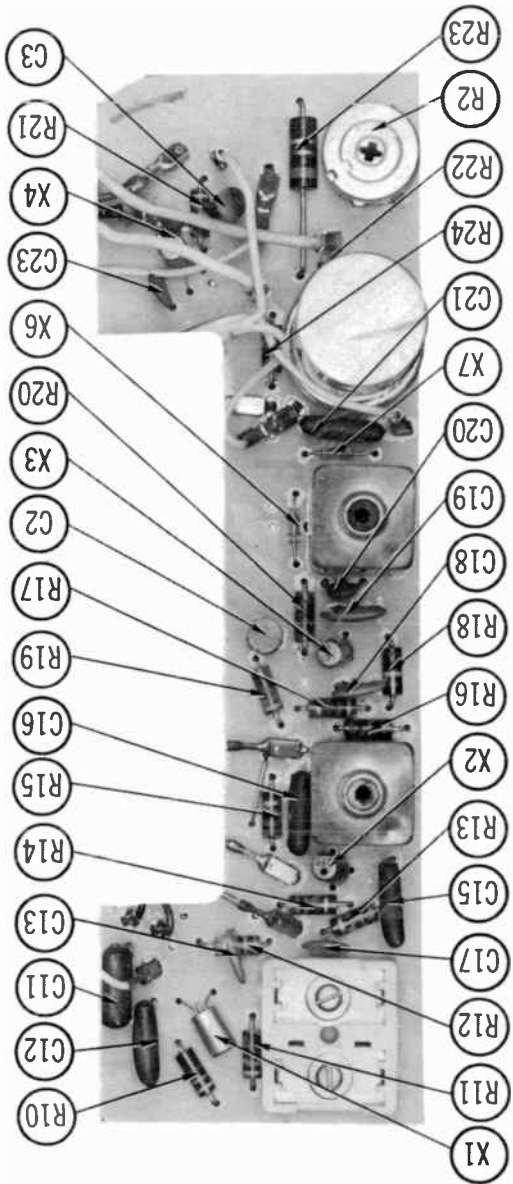
A PHOTOFAC STANDARD NOTATION SCHEMATIC with **CIRCUITRACE**

© Howard W. Sams & Co., Inc. 1966

TENNA MODEL AM-66PB

TENNA MODEL AM-66PB

A Howard W. Sams CIRCUITRACE Photo



*VOLTAGE SOURCE

PARTS LIST AND DESCRIPTION

(When ordering parts, state Model, Part Number, and Description.)

Replacement parts shown may be superseded by the availability of newly introduced replacements.
Have your local distributor check Sams COUNTER FACTS[®] for the most up-to-date replacement.

TRANSISTORS

| ITEM No. | ORIG. TYPE | USE | REPLACEMENT DATA | | | NOTES |
|----------|-------------------------------|-----------|------------------|---------------------------|--------------|-------|
| | | | DELCO PART No. | GENERAL ELECTRIC PART No. | RCA PART No. | |
| X1 | 2SA355 (2N1788/ 2N1837) | RF Amp. | DS-25 | GE-9 | SK-3008 | PNP |
| X2 | 2SA354 (2N1789/ 2N1839) | Converter | DS-25 | GE-9 | SK-3008 | PNP |
| X3 | 2SA353 (2N1790/ 2N1838) | IF Amp. | DS-25 | GE-9 | SK-3008 | PNP |
| X4 | 2SC281 (2N2712) | Driver | DS-46 | GE-10 | SK-3020 | NPN |
| X5 | 2N257 | Output | DS-520 | GE-3 | SK-3009 | PNP * |

* When replacing, apply silicone grease to both sides of insulator. Tighten mounting screws securely. Check bias adjustment.

POWER RECTIFIERS & SIGNAL DIODES

| ITEM No. | MEASURED CURRENT | ORIGINAL Part or Type No. | RECTIFIERS & DIODES | | | RECTIFIERS | | |
|----------|------------------|---------------------------|---------------------------|----------------------------------|------------------|--------------|-------------------------|--|
| | | | GENERAL ELECTRIC PART No. | INTERNATIONAL RECTIFIER PART No. | MALLORY PART No. | RCA PART No. | SARKES TARZIAN PART No. | |
| X6 | | 1N295A | 1N295A | 1N295 | | | | |
| X7 | | 1N295A | 1N295A | 1N295 | | | | |

ELECTROLYTIC CAPACITORS

| ITEM No. | RATING | | TENNA PART No. | REPLACEMENT DATA | | | | |
|----------|--------|-------|----------------|------------------|---------------------------|---------------------------|------------------|------------------|
| | CAP. | VOLT. | | AEROVOX PART No. | CORNELL-DUBILIER PART No. | GENERAL ELECTRIC PART No. | MALLORY PART No. | SPRAGUE PART No. |
| C1A | 500 | 16 | 111001-512 | PWH2-02-40 | BPC010 | XC2-45 | PF200.64 | PCL8-2177* |
| B | 500 | 16 | | | | | | |
| C2 | 50 | 3 | 111002-104 | BCD8050 | NLW50-3 | MT1-15 | PET1575 | VL-1045 |
| C3 | 10 | 15 | 111002-103 | BCD15010 | NLW10-15 | MT1-5 | PET1760 | VL-1167 |

* Not normally in distributor's stock. Available thru distributor on order to manufacturer.

CAPACITORS

| ITEM No. | RATING | REMARKS | REPLACEMENT DATA | | | | | |
|----------|---------|-------------|------------------|--------------------|---------------------------|------------------|------------------|------------------|
| | | | AEROVOX PART No. | CENTRALAB PART No. | CORNELL-DUBILIER PART No. | ELMENCO PART No. | MALLORY PART No. | SPRAGUE PART No. |
| C10 | 5-80 | #110000-013 | | | | | | |
| C11 | .0047 | 200V | DBE6D47 | CPR-4700J | WMF2D47 | 6DP-1-472 | PVC4247 | 8PS-D47 |
| C12 | .015 | 200V | DBE4815 | | WMF2815 | 4DP-1-153 | PVC2115 | 4PS-S15 |
| C13 | .05 | | TTD-05 | | HOV101ZV503Z | | TA150 | TH-S50 |
| C14A | 475-875 | #110000-080 | | | | | | |
| B | 375-445 | | | | | | | |
| C15 | .01 | 200V | DBE481 | CPR-10000J | WMF181 | 1DP-1-103 | PVC211 | 4PS-S10 |
| C16 | .015 | 200V | DBE4815 | | WMF2815 | 4DP-1-153 | PVC2115 | 4PS-S15 |
| C17 | 68 | N750 | N750-DI 68 | DTN-68 | CB601UJ680K | CCTN-680 | CN7468 | 10TCU-Q68 |
| C18 | .05 | | TTD-05 | | HOV101ZV503Z | | TA150 | TH-S50 |
| C19 | .005 | | BPD-005 | DD-502 | BYX601ZU502P | CCD-502 | B250 | 5HK-D50 |
| C20 | 220 | | DI-220 | DD-221 | JB601YP221K | CCD-221 | JF220 | 10TS-T22 |
| C21 | .047 | 100V | DBE2847 | | WMF2847 | 1DP-2-473 | PVC1147 | 2PS-S47 |
| C22 | .047 | 100V | DBE2847 | | WMF2847 | 1DP-2-473 | PVC1147 | 2PS-S47 |
| C23 | .005 | | BPD-005 | DD-502 | BYX601ZU502P | CCD-502 | B250 | 5HK-D50 |
| C24 | | #110000-021 | | | | | | |
| C25 | | #110000-021 | | | | | | |

Tenna Part Number.

CONTROLS

All wattages 1/2 watt, or less, unless otherwise listed.

| ITEM No. | USE | RESIST-ANCE | REPLACEMENT DATA | | | | | |
|----------|---------------|-------------|------------------|---|--------------------|------------------|------------------|--|
| | | | TENNA PART No. | CENTRALAB PART No. | CLAROSTAT PART No. | CTS-IRC PART No. | MALLORY PART No. | |
| R1A | Tone | 50K | 145006-021 | F1-50K, R2-5000, FFS105, RFS113, BC100, KR4 | | | † QJ-2187A | |
| B | Volume/Switch | 5000Ω | | V-300 | | | | |
| R2 | Bias | 3000 2W | 145000-207 | | U39-300 | | 110-300 | |

† "CONCENTRIK" Equivalent: K8 Kit, with Base Elements and Shafts: B11-123, P22-109 (Panel)
B13-114, R26-124 (Rear)
S13 (Bushing)
76-1 (Switch)

"SNAPTROL" Equivalent: BU10①, CF12, CR51, SF9, SR45, GC.

① Alter bushing to meet requirements.

PARTS LIST AND DESCRIPTION (CONTINUED)

(When ordering parts, state Model, Part Number, and Description.)

Replacement parts shown may be superseded by the availability of newly introduced replacements. Have your local distributor check Sams COUNTER FACTS for the most up-to-date replacement.

COILS (RF-IF)

| ITEM No. | USE | REPLACEMENT DATA | | | | | |
|----------|------------------|------------------|-------------------|----------------|-----------------|------------------|------------------|
| | | TENNA PART No. | MEISSNER PART No. | MERIT PART No. | MILLER PART No. | STANCOR PART No. | WORKMAN PART No. |
| L1 | RF Choke (5.6uh) | 114000-282 | 19-1008 | SW-631 | 4809 | RTC-8519 | T959 |
| L2 | Antenna | ① | | | | | |
| L3 | RF | ① | | | | | |
| L4 | Oscillator | ① | | | | | |
| L5 | Input IF | 114000-217 | 16-8712 | | 8011 | RTC-9397 | |
| L6 | Output IF | 114000-218 | 16-8719 | | 8012 | | |

① Part of M1.

TRANSFORMER (DRIVER)

| ITEM No. | TURNS RATIO | | REPLACEMENT DATA | | | | | NOTES |
|----------|-------------|------|------------------|----------------|------------------|---------------------|----------------|-------|
| | | | TENNA PART No. | MERIT PART No. | STANCOR PART No. | THORDARSON PART No. | TRIAD PART No. | |
| | PRI. | SEC. | | | | | | |
| T1 | 10 | 1 | 161005-007 | | | | | |

FILTER CHOKE

| ITEM No. | RATINGS | | | REPLACEMENT DATA | | | | | NOTES |
|----------|--------------------|---------|------------------------------|------------------|----------------|------------------|---------------------|----------------|-------|
| | CURRENT (Measured) | DC RES. | INDUCTANCE (0 CURRENT 1000~) | TENNA PART No. | MERIT PART No. | STANCOR PART No. | THORDARSON PART No. | TRIAD PART No. | |
| L7 | .820A | .1Ω | 3MH | 161000-141 | C-4095 | TC-1 | TR-159 | TY18XT | |

TRANSFORMER (AUDIO OUTPUT)

| ITEM No. | IMPEDANCE | | REPLACEMENT DATA | | | | | NOTES |
|----------|-----------|------|------------------|----------------|------------------|---------------------|----------------|-------|
| | | | TENNA PART No. | MERIT PART No. | STANCOR PART No. | THORDARSON PART No. | TRIAD PART No. | |
| | PRI. | SEC. | | | | | | |
| T2 | 25Ω Tap | @ 8Ω | 161005-002 | | | TR-189 | | |

SPEAKER

| ITEM No. | TYPE | RATING | REPLACEMENT DATA | | NOTES |
|----------|-------------|--------|------------------|---------------|-------|
| | | | TENNA PART No. | QUAM PART No. | |
| SP1 | 4" x 10" PM | 8Ω | 155009-168 | 410A2Z8 | |

FUSE DEVICES

| ITEM No. | TYPE | RATING | REPLACEMENT DATA | | | | | |
|----------|------|---------|------------------|------------|---------------------|--------|---------------|--------|
| | | | PART No. | | LITTELFUSE PART No. | | BUSS PART No. | |
| | | | FUSE | HOLDER | FUSE | HOLDER | FUSE | HOLDER |
| F1 | AGW | 2 1/2 A | 128000-013 | 128006-017 | 30302.5 | 155009 | AGW 2 1/2 | HDH |

MISCELLANEOUS

| ITEM No. | PART NAME | TENNA PART No. | NOTES |
|----------|-----------|----------------|-------|
| M1 | Tuner | 164004-001 | |

CABINETS & CABINET PARTS

(When Ordering Specify Model, Chassis & Color)

| ITEM | PART No. | ITEM | PART No. |
|------------|------------|-----------------------|------------|
| Dial Glass | 122005-002 | Knob-Tuning or Volume | 134004-009 |
| Pushbutton | 107004-001 | Knob-Tone or Dummy | 134004-010 |

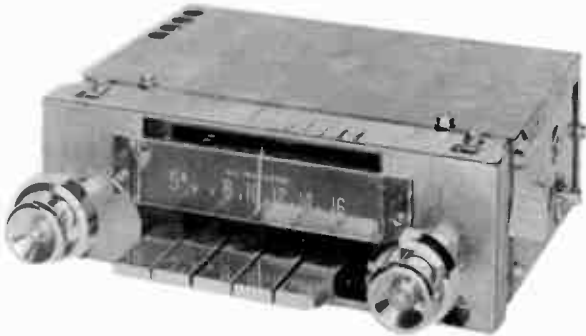
WIRING DATA

| | |
|---|--|
| General-use Unshielded Hook-up Wire | Use BELDEN No. 8530 (Solid) Available in 12 Colors 8524 (Stranded) Available in 12 Colors |
| Shielded Hook-up Wire | Use BELDEN No. 8885 |
| Rear Seat Speaker Extension Cable | Use BELDEN No. 8782 (Stranded) Coded Parallel Leads |
| Bonding Strap | Use BELDEN No. 8661 (3/8 in.) or 8670 (3/4 in.) |

TENNA MODEL AM-66PB



PHOTOFACT[®] with CIRCUITRACE[®]



TRADE NAME : Tenna Models:
 CR-66PB 1966 Chrysler
 DA-66PB 1966 Dart
 DE-66PB 1966 Dodge
 DD-66PB 1966 Polara & Monaco
 DO-66PB 1966 Dodge
 PD-66PB 1966 Plymouth Fury
 PL-66PB 1966 Plymouth
 VA-66PB 1966 Valiant
 For Current Address, See Master

SUPPLIER :

TYPE SET : 5 Transistor AM Receiver

POWER SUPPLY : 12 Volt Storage Battery

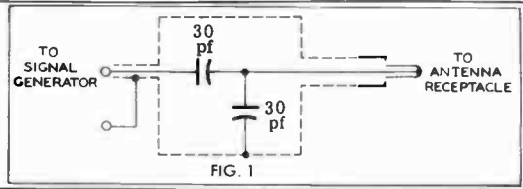
RATING : .620 Amp. @ 12.6 Volts DC

TUNING RANGE: BROADCAST 540-1615KC

ALIGNMENT INSTRUCTIONS

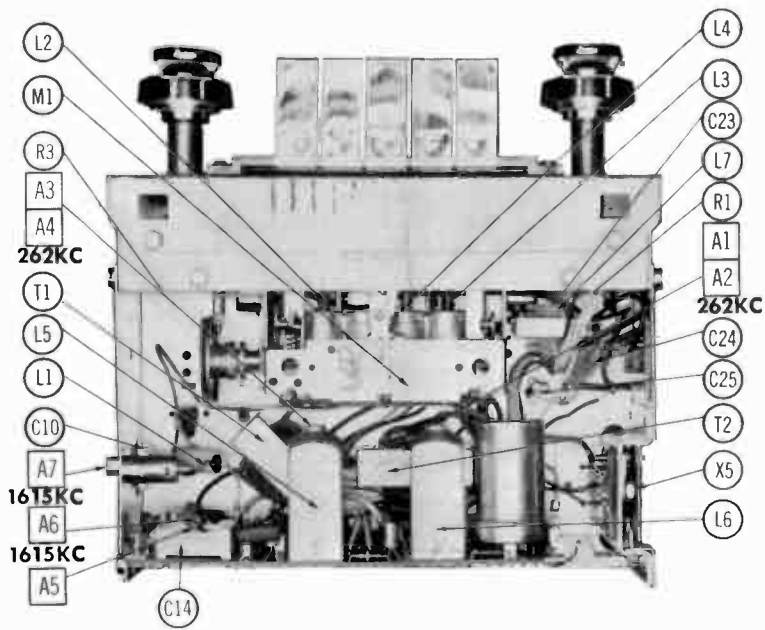
Check for specified source voltage.
 Use only enough generator output to provide a usable indication.

Suggested Alignment Tools:
 A1 thru A4. GENERAL CEMENT: 8606, 8606L, 8869
 WALSCO: 2543, 2544, 2588
 A5, A6, A7. GENERAL CEMENT: 8290, 8868, 9087
 WALSCO: 2525, 2528, 2587



| SIGNAL GENERATOR COUPLING | SIGNAL GENERATOR FREQUENCY | RADIO DIAL SETTING | INDICATOR | ADJUST | REMARKS | PUSH-BUTTON ADJUSTMENT |
|--|----------------------------|----------------------|---------------------------------|----------------|---------------------|---|
| 1. High side thru .1mfid to point Δ , low side to ground. | 262KC (400% Mod.) | High Freq. End Stop. | Output Meter across voice coil. | A1, A2, A3, A4 | Adjust for maximum. | 1. Pull button out. 2. Tune manually to desired station. 3. Press button in firmly. 4. Repeat for remaining buttons. |
| 2. Thru dummy (Fig. 1) to antenna receptacle. | 1615KC | " | " | A5, A6, A7 | " | |

With radio installed in car and antenna fully extended, tune in a weak station near 1400KC and adjust A7 for maximum output.
 Antenna Adjustment (A7) located on right side of Radio next to Antenna Input.



TENNA MODELS CR/DA/DE/DD/DO/PD/PL/VA-66PB

HOWARD W. SAMS & CO., INC. Indianapolis, Indiana 46206

PARTS LIST AND DESCRIPTION

(When ordering parts, state Model, Part Number, and Description.)

Replacement parts shown may be superseded by the availability of newly introduced replacements. Have your local distributor check Sams COUNTER FACTS for the most up-to-date replacement.

TRANSISTORS

| ITEM No. | ORIG. TYPE | USE | REPLACEMENT DATA | | | NOTES |
|----------|--------------------|---------|------------------|---------------------------|--------------|-------|
| | | | DELCO PART No. | GENERAL ELECTRIC PART No. | RCA PART No. | |
| X1 | 28A355 2N1637† | RF Amp. | DS-25 | GE-9 | SK-3006 | PNP |
| X2 | 28A354 2N1639† | Conv. | DS-25 | GE-9 | SK-3008 | PNP |
| X3 | 28A353 2N1636† | IF Amp. | DS-25 | GE-9 | SK-3006 | PNP |
| X4 | 28C261 2N2712† | Driver | DS-46 | GE-10 | SK-3020 | NPN |
| X5 | SP-649-1 2N176† | Output | DS-520 | GE-3 | SK-3009 | PNP * |

* When replacing, apply silicone grease to both sides of insulator. Tighten mounting screws securely. Check bias adjustment. † Alternate.

POWER RECTIFIERS & SIGNAL DIODES

| ITEM No. | MEASURED CURRENT | ORIGINAL Part or Type No. | RECTIFIERS | | | | DIODES |
|----------|------------------|---------------------------|---------------------------|------------------|--------------|-------------------------|---------------------------|
| | | | GENERAL ELECTRIC PART No. | MALLORY PART No. | RCA PART No. | SARKES TARZIAN PART No. | GENERAL ELECTRIC PART No. |
| X6 | | 1N295A | | | | | 1N295 |
| X7 | | 1N295A | | | | | 1N295 |

ELECTROLYTIC CAPACITORS

| ITEM No. | RATING | | TENNA PART No. | REPLACEMENT DATA | | | | |
|----------|--------|-------|----------------|------------------|---------------------------|---------------------------|------------------|------------------|
| | CAP. | VOLT. | | AEROVOX PART No. | CORNELL-DUBILIER PART No. | GENERAL ELECTRIC PART No. | MALLORY PART No. | SPRAGUE PART No. |
| C1A | 500 | 16 | 111001-512 | PWH2-02-40 | BPC010 | XC2-45 | PPF200, 64 | PCLS-2177 * |
| B | 500 | 16 | | | | | | |
| C2 | 50 | 3 | 111002-104 | BCD3050 | ECSP50-3 | MT1-15 | PET1575 | VL-1045 |
| C3 | 10 | 15 | 111002-103 | BCD15010 | ECSP10-15 | MT1-5 | PET1760 | VL-1167 |

* Not normally in distributor's stock. Available thru distributor on order to manufacturer.

CAPACITORS

| ITEM No. | RATING | REMARKS | REPLACEMENT DATA | | | | | |
|----------|------------|-------------|------------------|--------------------|---------------------------|------------------|------------------|------------------|
| | | | AEROVOX PART No. | CENTRALAB PART No. | CORNELL-DUBILIER PART No. | ELMENCO PART No. | MALLORY PART No. | SPRAGUE PART No. |
| C10 | 5-80 | #110000-067 | | | | | | |
| C11 | .0047 200V | | BPD-0047 | DD-472 | BYX601ZU472P | CCD-472 | B247 | 5HK-D47 |
| C12 | .015 200V | | DBE4S15 | | DPMS4S15 | 1DP-1-153 | PVC2115 | 4PS-S15 |
| C13 | .05 | | TTD-05 | | HOV101ZV503Z | | TA150 | TH-S50 |
| C14A | 475-875 | #110000-060 | | | | | | |
| B | 375-445 | | | | | | | |
| C15 | .01 200V | | DBE4S1 | CPR-10000J | WMF1S1 | 1DP-1-103 | PVC211 | 4PS-S10 |
| C16 | .015 200V | | DBE4S15 | | DPMS4S15 | 1DP-1-153 | PVC2115 | 4PS-S15 |
| C17 | 66 N750 | | N750-DI 68 | DTN-68 | CS601UJ680K | CCTN-680 | CNT468 | 10TCU-Q68 |
| C18 | .05 | | TTD-05 | | HOV101ZV503Z | | TA150 | TH-S50 |
| C19 | .005 | | BPD-005 | DD-502 | BYX601ZU502P | CCD-502 | B250 | 5HK-D50 |
| C20 | 220 | | DI-220 | DD-221 | JB601YP221K | CCD-221 | JF220 | 10TS-T22 |
| C21 | .047 200V | | P268N-05 | DF-503 | PM2S5 | 4DP-3-503 | PVC215 | 2TM-S50 |
| C22 | .005 | | BPD-005 | DD-502 | BYX601ZU502P | CCD-502 | B250 | 5HK-D50 |
| C23 | .047 200V | | P266N-05 | DF-503 | PM2S5 | 4DP-3-503 | PVC215 | 2TM-S50 |
| C24A | .003 | | | | | | | |
| B | .003 | | | | | | | |
| C25 | .003 | #110000-021 | | | | | | |

Tenna Part Number.

CONTROLS

All wattages 1/2 watt, or less, unless otherwise listed.

| ITEM No. | USE | RESISTANCE | REPLACEMENT DATA | | | | | |
|----------|---------------|------------|------------------|--|--------------------|------------------|------------------|--|
| | | | TENNA PART No. | CENTRALAB PART No. | CLAROSTAT PART No. | CTS-IRC PART No. | MALLORY PART No. | |
| R1A | Tone | 50K | 145006-015① | F1-50K, R2-5000, FFS112, RFS204, BC108, KR-4 | | | †QJ-2192A | |
| B | Volume | 5000Ω | | | | | | |
| | Tone | 50K | 145006-017③ | F1-50K, R2-5000, FFS110, RFS202, BC108, KR-4 | | | ††QJ-2194A | |
| | Volume/Switch | 5000Ω | | | | | | |
| | Tone | 50K | 145006-017④ | F1-50K, R2-5000, FFS108, RFS200, BC108, KR-4 | | | †††QJ-2193A | |
| R2 | Volume/Switch | 5000Ω | | | | | | |
| | Bias | 300Ω 2W | 145000-207 | V-300 | U39-300 | | 110-300 | |
| R3 | Fader | 40Ω 2W | 145006-004⑤ | | | | | |
| | Fader | 40Ω | 145000-162③ | | | | | |

† "CONCENTRIKIT" Equivalent: K8 Kit, with Base Elements and Shafts: B11-123, P17-126 (Panel) B13-114, R26-206 (Rear) S15 (Bushing) 76-1 (Switch)

"SNAPTROL" Equivalent: BU10⑥, CF12, CR51, SF14, SR50, GC.

†† "CONCENTRIKIT" Equivalent: K8 Kit, with Base Elements and Shafts: B11-123, P22-121 (Panel) B13-114, R1-200 (Rear) S15 (Bushing) 76-1 (Switch)

"SNAPTROL" Equivalent: BU10⑥, CF12, CR51, SF13, SR46, GC.

††† "CONCENTRIKIT" Equivalent: K6 Kit, with Base Elements and Shafts: B11-123, P22-115 (Panel) B13-114, R1-130 (Rear) S14 (Bushing) 76-1 (Switch)

"SNAPTROL" Equivalent: BU10⑥, CF12, CR51, SF11, SR47, GC.

① Used in Models: CR-66PB, DA-66PB, DE-66PB, DO-66PB, PL-66PB, VA-66PB.

② Part Number 145005-034 may be used in some versions of Model CR-66PB.

③ Used in Model: DD-66PB.

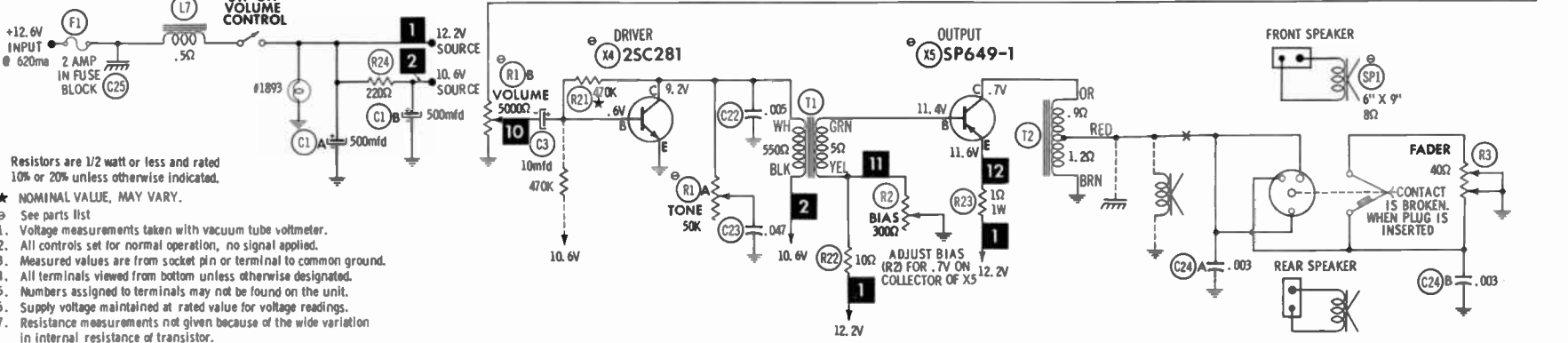
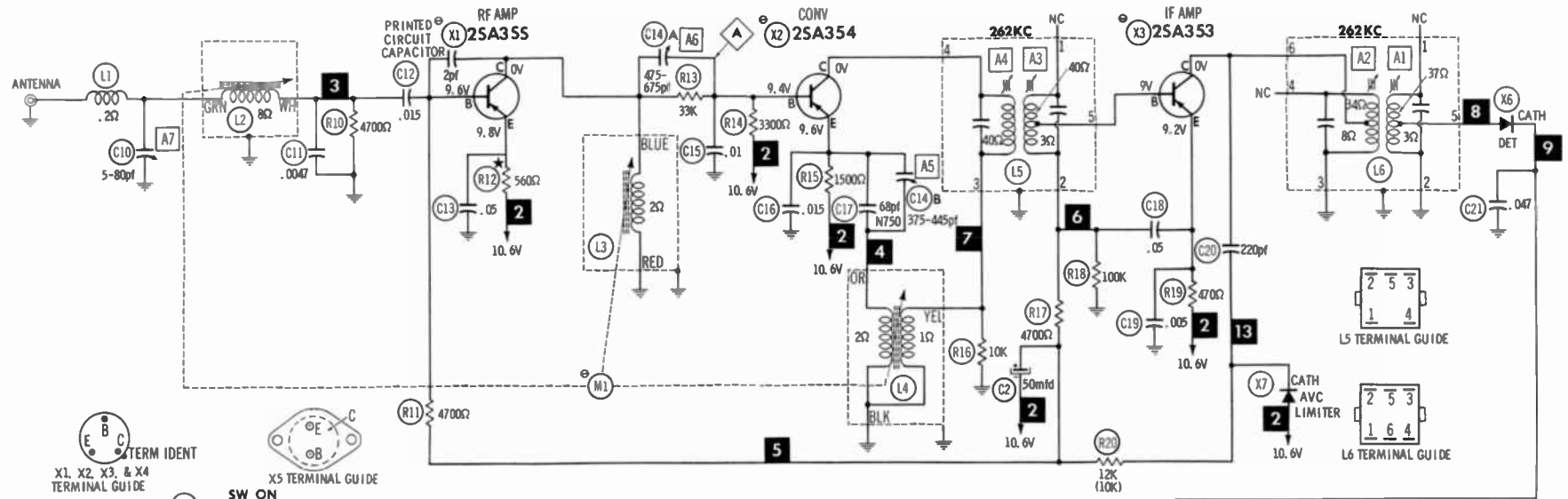
④ Used in Model: PD-66PB.

⑤ Used in Model: CR-66PB. Part Number 145005-013 may be used in some versions.

⑥ Alter Bushing to meet requirements.

CONTINUED ON PAGE 128

TENNA MODELS CR/DA/DE/DD/DO/DP/PL/VA-66PB



Resistors are 1/2 watt or less and rated 10% or 20% unless otherwise indicated.

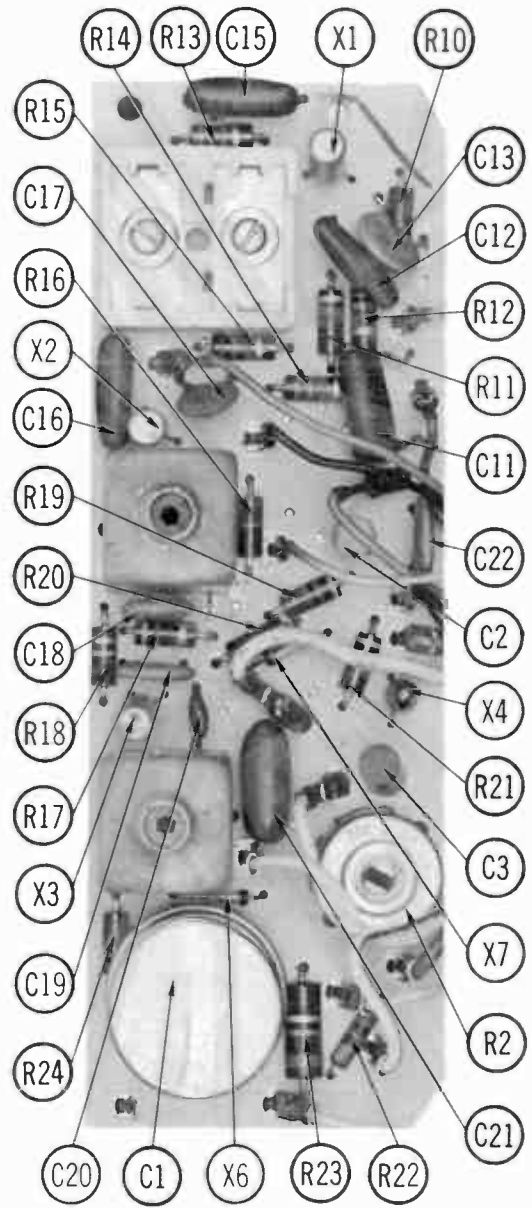
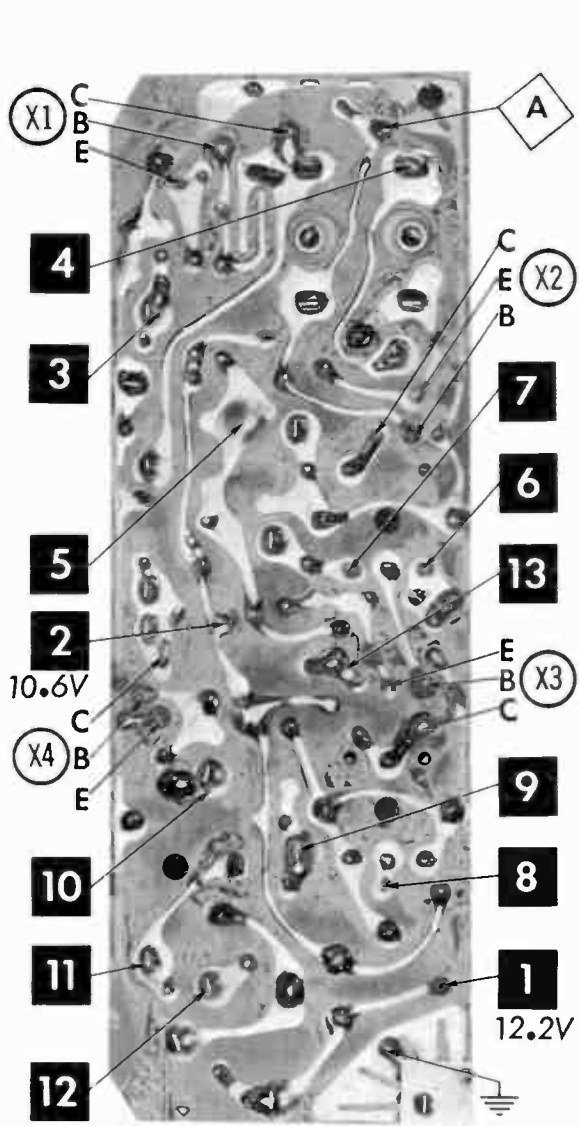
★ NOMINAL VALUE, MAY VARY.

- ⊙ See parts list
- 1. Voltage measurements taken with vacuum tube voltmeter.
- 2. All controls set for normal operation, no signal applied.
- 3. Measured values are from socket pin or terminal to common ground.
- 4. All terminals viewed from bottom unless otherwise designated.
- 5. Numbers assigned to terminals may not be found on the unit.
- 6. Supply voltage maintained at rated value for voltage readings.
- 7. Resistance measurements not given because of the wide variation in internal resistance of transistor.

A PHOTOFACIT STANDARD NOTATION SCHEMATIC with **CIRCUITRACE**

© Howard W. Sams & Co., Inc. 1966

TENNA MODELS CR/DA/DE/DD/DO/PD/PL/VA-66PB



PARTS LIST AND DESCRIPTION (CONTINUED)

(When ordering parts, state Model, Part Number, and Description.)

COILS (RF-IF)

| ITEM No. | USE | REPLACEMENT DATA | | | | | |
|----------|------------------|------------------|-------------------|----------------|-----------------|------------------|------------------|
| | | TENNA PART No. | MEISSNER PART No. | MERIT PART No. | MILLER PART No. | STANCOR PART No. | WORKMAN PART No. |
| L1 | RF Choke (5.6uh) | 114000-282 | 19-1008 | SW-831 | 4609 | RTC-8519 | T959 |
| L2 | Antenna | ① | | | | | |
| L3 | RF | ① | | | | | |
| L4 | Oscillator | ① | | | | | |
| L5 | Input IF | 114000-217 | 16-6712 | | 6522 | RTC-9397 | |
| L6 | Output IF | 114000-218 | 16-6719 | | | | |

① Part of M1.

FILTER CHOKE

| ITEM No. | RATINGS | | | REPLACEMENT DATA | | | | | NOTES |
|----------|--------------------|---------|------------------------------|------------------|----------------|------------------|---------------------|----------------|-------|
| | CURRENT (Measured) | DC RES. | INDUCTANCE (0 CURRENT 1000~) | TENNA PART No. | MERIT PART No. | STANCOR PART No. | THORDARSON PART No. | TRIAD PART No. | |
| L7 | .620A | .5Ω | 3MH | 161000-146 | C-4124 | TC-1 | TR-159 | TY16XT | |

TRANSFORMER (DRIVER)

| ITEM No. | TURNS RATIO | | REPLACEMENT DATA | | | | | NOTES |
|----------|-------------|------|------------------|----------------|------------------|---------------------|----------------|-------|
| | PRI. | SEC. | TENNA PART No. | MERIT PART No. | STANCOR PART No. | THORDARSON PART No. | TRIAD PART No. | |
| T1 | 10 | 1 | 161005-003 | | | | | |

TRANSFORMER (AUDIO OUTPUT)

| ITEM No. | IMPEDANCE | | REPLACEMENT DATA | | | | | NOTES |
|----------|--------------|------|------------------|----------------|------------------|---------------------|----------------|-------|
| | PRI. | SEC. | TENNA PART No. | MERIT PART No. | STANCOR PART No. | THORDARSON PART No. | TRIAD PART No. | |
| T2 | 25Ω Tap @ 8Ω | | 161005-001 | | | | TR-169 | |

SPEAKER

| ITEM No. | TYPE | | REPLACEMENT DATA | | NOTES |
|----------|----------|-------|------------------|---------------|---|
| | | | TENNA PART No. | QUAM PART No. | |
| SP1 | 8" x 9" | PM 8Ω | 155009-146 | 69A2Z8 | Models: CR-66PB, DA-66PB, DD-66PB, VA-66PB. |
| | 4" x 10" | PM 8Ω | 155009-167 | 41QA2Z8 | Models: DE-66PB, DO-66PB, PD-66PB, PL-66PB. |

FUSE DEVICES

| ITEM No. | TYPE | RATING | REPLACEMENT DATA | | | | | | |
|----------|------|--------|------------------|----------------|---------------------|--------|---------------|--------|--|
| | | | PART No. | | LITTELFUSE PART No. | | BUSS PART No. | | |
| | | | FUSE | HOLDER | FUSE | HOLDER | FUSE | HOLDER | |
| F1 | AGC | 2A | | In fuse block. | 312002 | | | AGC 2 | |

MISCELLANEOUS

| ITEM No. | PART NAME | TENNA PART No. | NOTES |
|----------|-----------|----------------|--|
| M1 | Tuner | 164005-003 | Model: CR-66PB. |
| | Tuner | 164005-006 | Models: DA-66PB, DD-66PB, DO-66PB, PL-66PB, VA-66PB. |
| | Tuner | 164005-005 | Model: PD-66PB. |

CABINETS & CABINET PARTS

(When Ordering Specify Model, Chassis & Color)

| ITEM | PART No. | ITEM | PART No. |
|-----------------------|------------|-----------------------|------------|
| CR-66PB | | DO-66PB | |
| Dial Glass | 122005-024 | Pushbutton | 107006-012 |
| Knob-Tuning or Volume | 134005-044 | PD-66PB | |
| Knob-Tone or Dummy | 134005-046 | Dial Glass | 122006-012 |
| Pushbutton | 107005-012 | Knob-Tuning or Volume | 134005-034 |
| DA-66PB | | Knob-Tone or Dummy | 134005-024 |
| Dial Glass | 122006-014 | Pushbutton | 107005-012 |
| Knob-Tuning or Volume | 134006-022 | PL-66PB | |
| Knob-Tone or Dummy | 134006-024 | Dial Glass | 122006-012 |
| Pushbutton | 107006-012 | Knob-Tuning or Volume | 134004-036 |
| DD-66PB | | Knob-Tone or Dummy | 134006-018 |
| Dial Glass | 122006-012 | Pushbutton | 107006-012 |
| Knob-Tuning or Volume | 134005-032 | VA-66PB | |
| Knob-Tone or Dummy | 134005-040 | Dial Glass | 122006-012 |
| Pushbutton | 107006-012 | Knob-Tuning or Volume | 134005-034 |
| DO-66PB | | Knob-Tone or Dummy | 134005-012 |
| Dial Glass | 122006-012 | Pushbutton | 107006-012 |
| Knob-Tuning or Volume | 134006-022 | | |
| Knob-Tone or Dummy | 134006-024 | | |

WIRING DATA

| | |
|---|--|
| General-use Unshielded Hook-up Wire | Use BELDEN No. 8530 (Solid) Available in 12 Colors 8524 (Stranded) Available in 12 Colors |
| Shielded Hook-up Wire | Use BELDEN No. 8885 |
| Rear Seat Speaker Extension Cable | Use BELDEN No. 8782 (Stranded) Coded Parallel Leads |
| Bonding Strap | Use BELDEN No. 8661 (3/8 In.) or 8670 (3/4 In.) |



PHOTOFACT[®] with

CIRCUITRACE[®]

TRADE NAME : Tenna Models:
 CM-66PB (1966 Mercury)
 EC-66M (1966 Econoline)
 FA-66PB (1966 Falcon)
 FL-66PB (1966 Fairlane)
 FO-66PB (1966 Ford)
 FO-66PB/RS (1966 Ford)(Rear Speaker)
 FT-65M (1965 Ford Truck)
 FT-66M (1966 Ford Truck)
 ME-66PB (1966 Mercury)
 MU-66PB (1965/66 Mustang)
 For Current Address, See Annual Index.

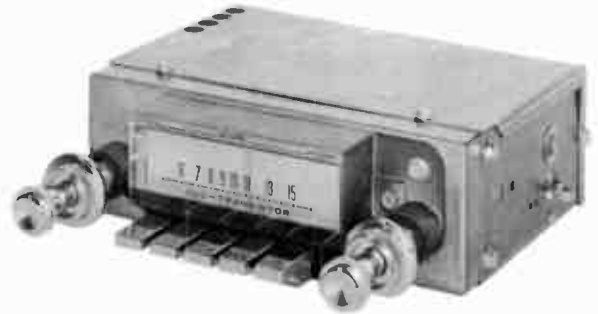
SUPPLIER:

TYPE SET: 5 Transistor AM Receiver

POWER SUPPLY: 12 Volt Storage Battery

RATING: .620 Amp. @ 12.6 Volts DC

TUNING RANGE: BROADCAST 540-1615KC



ALIGNMENT INSTRUCTIONS

Check for specified source voltage.
 Use only enough generator output to provide a usable indication.
 Suggested Alignment Tools:

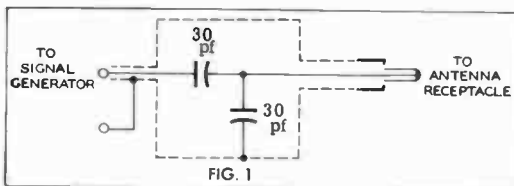
A1 thru A4. GENERAL CEMENT: 8606, 8606L, 8869
 WALSCO: 2543, 2544, 2588
 A5, A6, A7. GENERAL CEMENT: 8290, 8868, 9087
 WALSCO: 2525, 2528, 2587

PUSH-BUTTON ADJUSTMENT

1. Pull button out.
2. Tune manually to desired station.
3. Press button in firmly.
4. Repeat for remaining buttons.

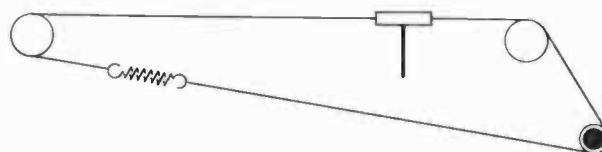
| SIGNAL GENERATOR COUPLING | SIGNAL GENERATOR FREQUENCY | RADIO DIAL SETTING | INDICATOR | ADJUST | REMARKS |
|--|----------------------------|----------------------|---------------------------------|----------------|---------------------|
| High side thru .1mfd to point Δ , low side to ground. | 262KC (400 ν Mod.) | High Freq. End Stop. | Output Meter across voice coll. | A1, A2, A3, A4 | Adjust for maximum. |
| Thru dummy (Fig. 1) to antenna receptacle. | 1615KC | " | " | A5, A6, A7 | " |

With radio installed in car and antenna fully extended, tune in a weak station near 1400KC and adjust A7 for maximum output.



Antenna Adjustment (A7) located on right side of radio.

DIAL CORD STRINGING



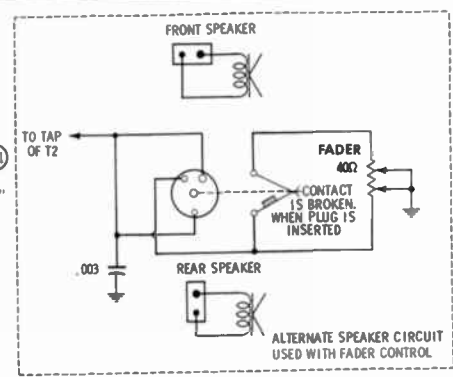
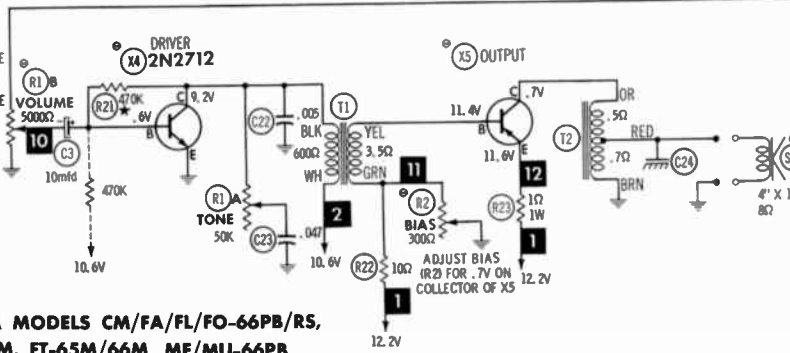
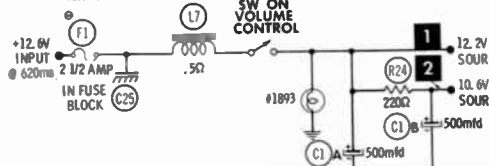
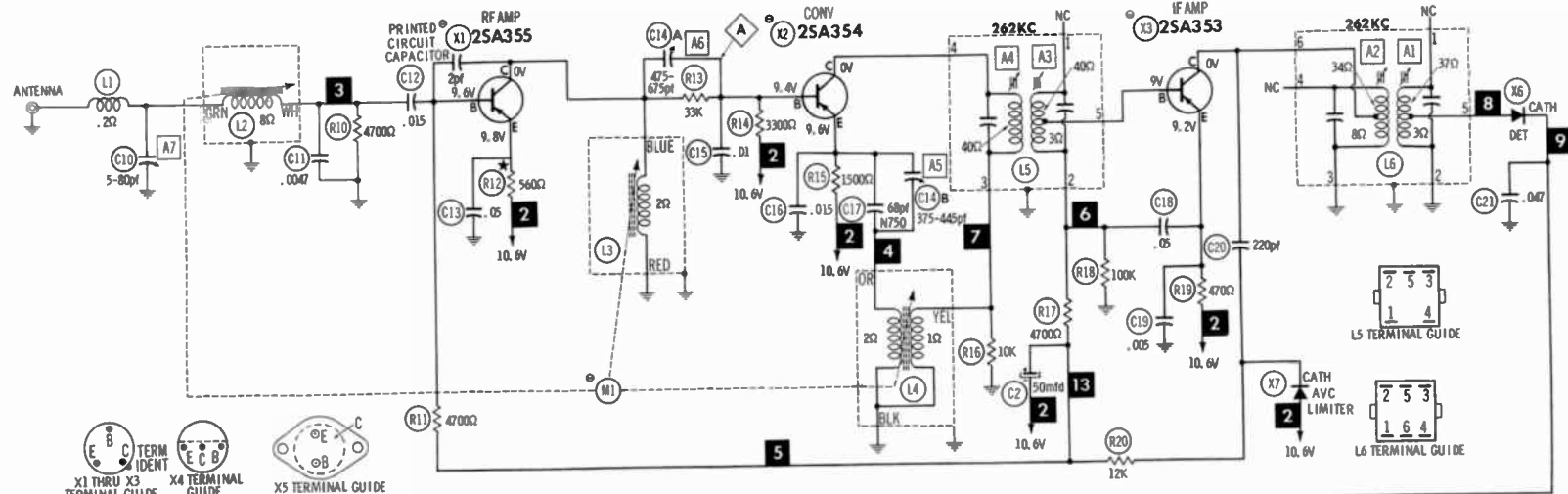
TUNING SHAFT 2 1/2 TURNS

HOWARD W. SAMS & CO., INC. Indianapolis, Indiana 46206

© 1966 Howard W. Sams & Co., Inc. Printed in U. S. of America RD555

World Radio History

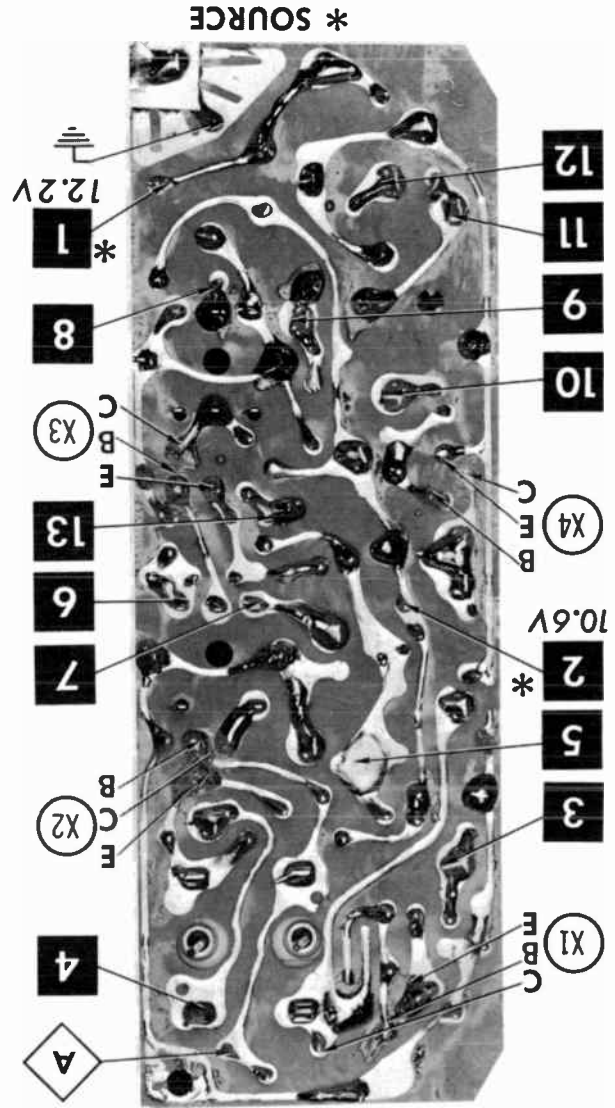
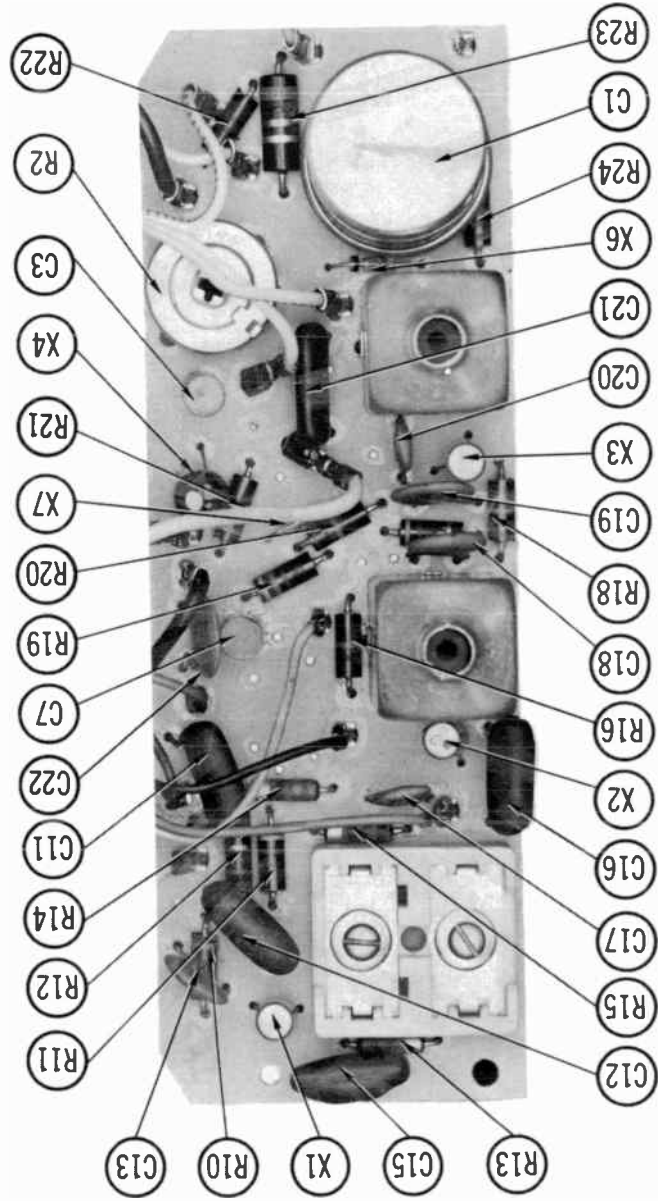
TENNA MODELS CM/FA/FL/FO-66PB/RS, EC-66M, FT-65M/66M, ME/MU-66PB

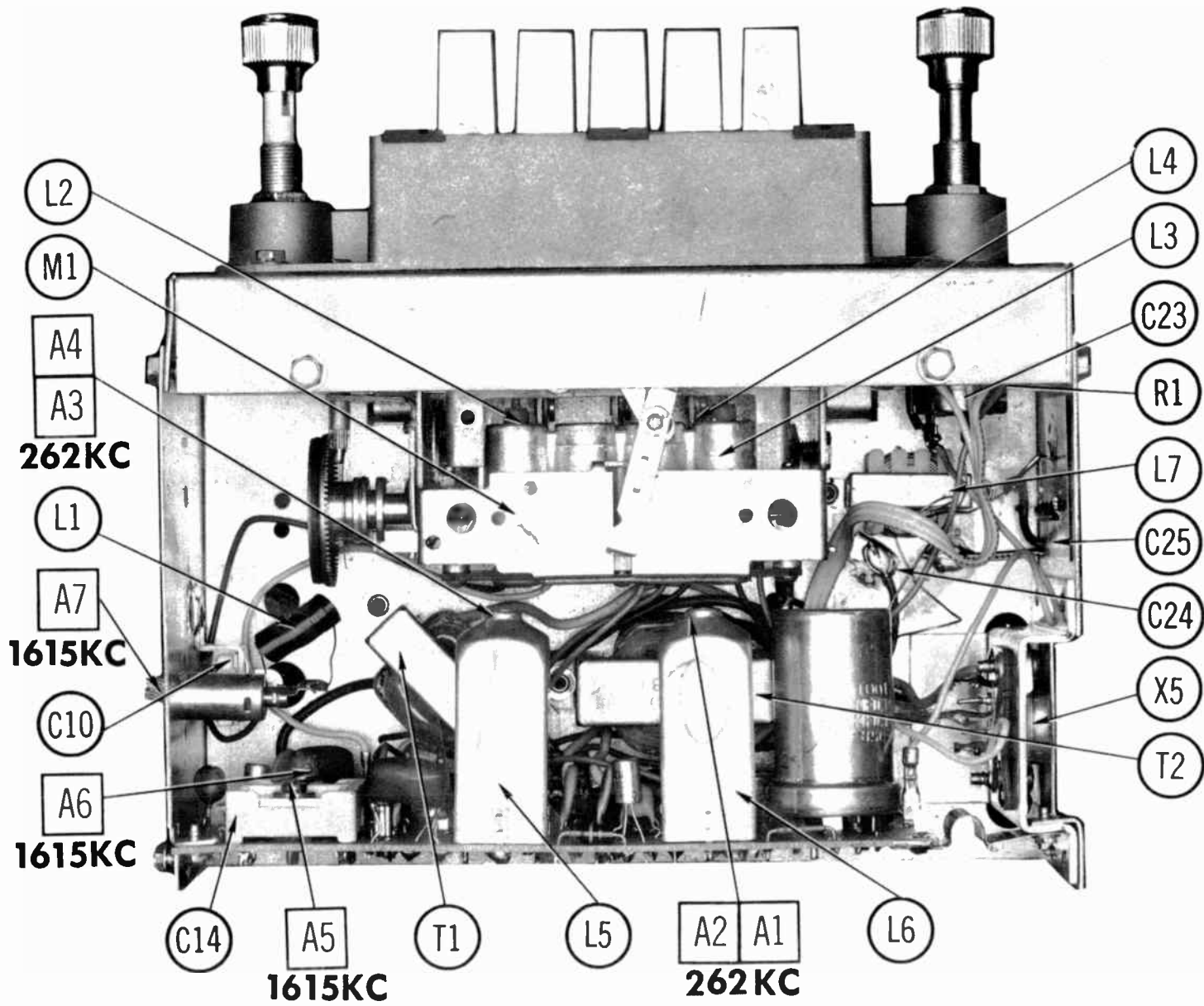


TENNA MODELS CM/FA/FL/FO-66PB/RS, EC-66M, FT-65M/66M, ME/MU-66PB

- Resistors are 1/2 watt or less and rated 10% or 20% unless otherwise indicated.
- ★ NOMINAL VALUE, MAY VARY
- ⊙ See parts list
 - 1. Voltage measurements taken with vacuum tube voltmeter.
 - 2. All controls set for normal operation, no signal applied.
 - 3. Measured values are from socket pin or terminal to common ground.
 - 4. All terminals viewed from bottom unless otherwise designated.
 - 5. Numbers assigned to terminals may not be found on the unit.
 - 6. Supply voltage maintained at rated value for voltage readings.
 - 7. Resistance measurements not given because of the wide variation in internal resistance of transistor.

A PHOTOFACIT STANDARD NOTATION SCHEMATIC with CIRCUITRACE
 © Howard W. Sams & Co., Inc. 1966





PARTS LIST AND DESCRIPTION

(When ordering parts, state Model, Part Number, and Description.)

Replacement parts shown may be superseded by the availability of newly introduced replacements.
Have your local distributor check Sams COUNTER FACTS® for the most up-to-date replacement.

TRANSISTORS

| ITEM No. | ORIG. TYPE | USE | REPLACEMENT DATA | | | NOTES |
|----------|-------------------|---------|------------------|---------------------------|--------------|-------|
| | | | DELCO PART No. | GENERAL ELECTRIC PART No. | RCA PART No. | |
| X1 | 2SA355 2N1637† | RF Amp. | DS-25 | GE-9 | SK-3006 | PNP |
| X2 | 2SA354 2N1639† | Conv. | DS-25 | GE-9 | SK-3006 | PNP |
| X3 | 2SA353 2N1636† | IF Amp. | DS-25 | GE-9 | SK-3008 | PNP |
| X4 | 2N2712 | Driver | DS-46 | GE-10 | | NPN |
| X5 | 2N176 | Output | DS-520 | GE-3 | SK-3009 | PNP * |

* When replacing, apply silicone grease to both sides of insulator. Tighten mounting screws securely.
Check bias adjustment.

† Alternate.

POWER RECTIFIERS & SIGNAL DIODES

| ITEM No. | MEASURED CURRENT | ORIGINAL Part or Type No. | RECTIFIERS | | | | DIODES |
|----------|------------------|---------------------------|---------------------------|------------------|--------------|-------------------------|---------------------------|
| | | | GENERAL ELECTRIC PART No. | MALLORY PART No. | RCA PART No. | SARKES TARZIAN PART No. | GENERAL ELECTRIC PART No. |
| X6 | | 1N295A | | | | | 1N295 |
| X7 | | 1N295A | | | | | 1N295 |

ELECTROLYTIC CAPACITORS

| ITEM No. | RATING | | TENNA PART No. | REPLACEMENT DATA | | | | |
|----------|--------|-------|----------------|------------------|---------------------------|---------------------------|------------------|------------------|
| | CAP. | VOLT. | | AEROVOX PART No. | CORNELL-DUBILIER PART No. | GENERAL ELECTRIC PART No. | MALLORY PART No. | SPRAGUE PART No. |
| C1A | 500 | 16 | 111001-512 | PWH2-02-40 | BPC010 | XC2-45 | PPF200, 64 | PCLS-2177* |
| B | 500 | 16 | | | | | | |
| C2 | 50 | 3 | 111002-104 | BCD3050 | ECSP50-3 | MT1-15 | PET1575 | VL-1045 |
| C3 | 10 | 15 | 111002-103 | BCD15010 | ECSP10-15 | MT1-5 | PET1760 | VL-1167 |

* Not normally in distributor's stock. Available thru distributor on order to manufacturer.

CAPACITORS

| ITEM No. | RATING | REMARKS | REPLACEMENT DATA | | | | | |
|----------|------------|-------------|------------------|--------------------|---------------------------|------------------|------------------|------------------|
| | | | AEROVOX PART No. | CENTRALA6 PART No. | CORNELL-DUBILIER PART No. | ELMENCO PART No. | MALLORY PART No. | SPRAGUE PART No. |
| C10 | 5-60 | #110000-087 | | | | | | |
| C11 | .0047 200V | | BPD-0047 | DD-472 | BYX601ZU472P | CCD-472 | B247 | 5HK-D47 |
| C12 | .015 200V | | DBE4S15 | | DPMS4S15 | 1DP-1-153 | PVC2115 | 4PS-815 |
| C13 | .05 | | TTD-05 | | HOV101ZV503Z | | TA150 | TH-850 |
| C14A | 475-675 | #110000-080 | | | | | | |
| B | 375-445 | | | | | | | |
| C15 | .01 200V | | DBE4S1 | CPR-10000J | WMF1S1 | 1DP-1-103 | PVC211 | 4PS-810 |
| C16 | .015 200V | | DBE4S15 | | DPMS4S15 | 1DP-1-153 | PVC2115 | 4PS-815 |
| C17 | .66 N750 | | N750-DI 66 | DTN-66 | CS601UJ660K | CCTN-680 | CN7468 | 10TCU-Q68 |
| C18 | .05 | | TTD-05 | | HOV101ZV503Z | | TA150 | TH-850 |
| C19 | .005 | | BPD-005 | DD-502 | BYX601ZU502P | CCD-502 | B250 | 5HK-D50 |
| C20 | .220 | | DI-220 | DD-221 | JB601YP221K | CCD-221 | JF220 | 10TB-T22 |
| C21 | .047 200V | | P266N-05 | DF-503 | PM285 | 4DP-3-503 | PVC215 | 2TM-850 |
| C22 | .005 | | BPD-005 | DD-502 | BYX601ZU502P | CCD-502 | B250 | 5HK-D50 |
| C23 | .047 200V | | P266N-05 | DF-503 | PM285 | 4DP-3-503 | PVC215 | 2TM-850 |
| C24 | .003 | | BPD-0033 | DD-332 | BYX601ZU332P | CCD-332 | B233 | 5HK-D33 |
| C25 | | #110000-021 | | | | | | |

Tenna Part Number.

CONTROLS

All wattages 1/2 watt, or less, unless otherwise listed.

| ITEM No. | USE | RESISTANCE | REPLACEMENT DATA | | | | | |
|----------|---------------|------------|------------------|--------------------------------------|--------------------|------------------|------------------|--|
| | | | TENNA PART No. | CENTRALA6 PART No. | CLAROSTAT PART No. | CTS-IRC PART No. | MALLORY PART No. | |
| RIA | Tone | 50K | 145006-024 ① | F1-50K, R2-5000 | | | † QJ-2196A | |
| B | Volume/Switch | 5000Ω | | FFS201, RFS210, BA108, CA005, KR-4 | | | | |
| | Tone | 50K | 145005-001 ② | F1-50K, R2-5000 | | | †† QJ-2152A | |
| | Volume/Switch | 5000Ω | | FFS110, RFS201, BA012, CA005, KR-4 | | | | |
| | Tone | 50K | 145006-016 ③ | F1-50K, R2-5000 | | | ††† QJ-2195A | |
| | Volume/Switch | 5000Ω | | FFB115, RFS207, BA108, CA005, KR-4 | | | | |
| | Tone | 50K | 145006-019 ④ | F1-50K, R2-5000 | | | ▲ QJ-2197A | |
| | Volume/Switch | 5000Ω | | FFS206, RFS212, BA200 ⑤, CA005, KR-4 | | | | |
| | Tone | 50K | 145005-022 ⑥ | F1-50K, R2-5000 | | | ▲▲ QJ-2153A | |
| | Volume/Switch | 5000Ω | | FFS113, RFS205, BA100, CA005, KR-4 | | | | |
| | Tone | 50K | 145004-001 ⑦ | F1-50K, R2-5000 | | | ▲▲▲ QJ-2162A | |
| | Volume/Switch | 5000Ω | | FFS115, RFS207, BA108, CA005, KR-4 | | | | |
| R2 | Bias | 300Ω 2W | 145000-207 | V-300 | U39-300 | | 110-300 | |

① Used in Model: CM-66PB. Part No. 145006-016 may be used in some versions. ② Used in Models: EC-66M, FT-66M.
③ Used in Model: FA-66PB. ④ Used in Model: FL-66PB. ⑤ Used in Models: FO-66PB, ME-66PB.
⑥ Used in Model: MU-66PB. ⑦ Alter bushing to meet requirements.
† "SNAPTROL" Equivalent: BU15A ①, CF12, CR51, SF14, SR50, GC.
†† "CONCENTRIKIT" Equivalent: K6 Kit, with Base Elements and Shafts: B11-123, P22-109 (Panel) B13-114, R26-121 (Rear)
"SNAPTROL" Equivalent: BU6, CF12, CR51, SF9, SR44, GC.
††† "SNAPTROL" Equivalent: BU15A ①, CF12, CR51, SF13, SR46, GC.
▲ "SNAPTROL" Equivalent: BU15A ①, CF12, CR51, SF16, SR52, GC.
▲▲ "CONCENTRIKIT" Equivalent: K6 Kit, with Base Elements and Shafts: B11-123, P22-115 (Panel) B13-114, R1-130 (Rear)
"SNAPTROL" Equivalent: BU15A ①, CF12, CR51, SF12, SR47, GC. QCB5 ⑦ (Bushings) 76-1 (Switch)
▲▲▲ "SNAPTROL" Equivalent: BU15A ①, CF12, CR51, SF13, SR46, GC.

TENNA MODELS CM/FA/FL/FO-66PB/RS, EC-66M, FT-65M/66M, ME/MU-66PB

PARTS LIST AND DESCRIPTION (CONTINUED)

(When ordering parts, state Model, Part Number, and Description.)

Replacement parts shown may be superseded by the availability of newly introduced replacements. Have your local distributor check Sams COUNTER FACTS for the most up-to-date replacement.

COILS (RF-IF)

| ITEM No. | USE | REPLACEMENT DATA | | | | | |
|----------|------------------|--------------------|-------------------|----------------|-----------------|------------------|------------------|
| | | Riverside PART No. | MEISSNER PART No. | MERIT PART No. | MILLER PART No. | STANCOR PART No. | WORKMAN PART No. |
| L1 | RF Choke (5.6uh) | 114000-262 | 19-1008 | SW-631 | 4609 | RTC-6519 | T959 |
| L2 | Antenna | ① | | | | | |
| L3 | RF | ① | | | | | |
| L4 | Oscillator | ① | | | | | |
| L5 | Input IF | 114000-217 | 16-6712 | | 6522 | RTC-9397 | |
| L6 | Output IF | 114000-216 | 16-6719 | | | | |

① Part of M1.

FILTER CHOKE

| ITEM No. | RATINGS | | | REPLACEMENT DATA | | | | | NOTES |
|----------|--------------------|---------|------------------------------|--------------------|----------------|------------------|---------------------|----------------|-------|
| | CURRENT (Measured) | DC RES. | INDUCTANCE (O CURRENT 1000~) | Riverside PART No. | MERIT PART No. | STANCOR PART No. | THORDARSON PART No. | TRIAD PART No. | |
| L7 | 720ma | .5Ω | 3MH | 161000-146 | C-4124 | TC-1 | TR-159 | TY16XT | |

TRANSFORMER (DRIVER)

| ITEM No. | TURNS RATIO | | REPLACEMENT DATA | | | | | NOTES |
|----------|-------------|------|--------------------|----------------|------------------|---------------------|----------------|-------|
| | PRI. | SEC. | Riverside PART No. | MERIT PART No. | STANCOR PART No. | THORDARSON PART No. | TRIAD PART No. | |
| | | | | | | | | |
| T1 | 10 | 1 | 161005-003 | | | | | |

TRANSFORMER (AUDIO OUTPUT)

| ITEM No. | IMPEDANCE | | REPLACEMENT DATA | | | | | NOTES |
|----------|--------------|------|--------------------|----------------|------------------|---------------------|----------------|-------|
| | PRI. | SEC. | Riverside PART No. | MERIT PART No. | STANCOR PART No. | THORDARSON PART No. | TRIAD PART No. | |
| | | | | | | | | |
| T2 | 25Ω Tap @ 8Ω | | 161005-001 | | | TR-169 | | |

SPEAKER

| ITEM No. | TYPE | | | REPLACEMENT DATA | | NOTES |
|----------|----------|----|----|------------------|---------------|---|
| | | | | TENNA PART No. | QUAM PART No. | |
| SP1 | 4" x 10" | PM | 8Ω | 155009-167 | 410A2Z6 | Models: CM-66PB, FA-66PB, FL-66PB, FO-66PB. |
| | 5" x 7" | PM | 8Ω | 155009-145 | 57A15Z6 | Models: EC-66M, FT-66M. |
| | 4" x 10" | PM | 6Ω | 155009-156 | 410A2Z6 | Models: ME-66PB, MU-66PB. |

FUSE DEVICES

| ITEM No. | TYPE | RATING | REPLACEMENT DATA | | | | | |
|----------|------------|-------------|------------------|---------------|---------------------|--------|---------------|--------|
| | | | PART No. | | LITTELFUSE PART No. | | BUSS PART No. | |
| | | | FUSE | HOLDER | FUSE | HOLDER | FUSE | HOLDER |
| F1 | AGW AGA | 2 1/2A 2 | ① | In Fuse Block | 30302.5 | | AGW 2 1/2 | |
| | | | ② | In Fuse Block | 301002 | | AGA 2 | |

① Used in Models: CM-66PB, FA-66PB, FL-66PB, ME-66PB, MU-66PB.

② Used in Models: EC-66M, FT-66M.

MISCELLANEOUS

| ITEM No. | PART NAME | TENNA PART No. | NOTES |
|----------|-----------|----------------|--|
| M1 | Tuner | 164005-006 | Models: CM-66PB, FA-66PB, FL-66PB, ME-66PB, MU-66PB. |
| | Tuner | 164005-001 | Models: EC-66M, FT-66M. |
| | Tuner | 164005-003 | Model: FO-66PB. |

CABINETS & CABINET PARTS

(When Ordering Specify Model, Chassis & Color)

| ITEM | PART No. | ITEM | PART No. |
|------------------------|------------|-----------------------|------------|
| MODEL: CM-66PB | | MODEL: FL-66PB | |
| Dial Glass | 122006-104 | Knob-Tone or Dummy | 134000-226 |
| Knob-Tuning or Volume | 134005-026 | Pushbutton | 107005-003 |
| Knob-Tone or Dummy | 134005-020 | MODEL: FO-66PB | |
| Pushbutton | 107005-006 | Knob-Tuning or Volume | 134005-006 |
| MODELS: EC-66M, FT-66M | | Knob-Tone or Dummy | 134005-004 |
| Dial Glass | 122005-016 | Pushbutton | 107005-020 |
| Knob-Volume | 134005-002 | MODEL: ME-66PB | |
| Knob-Tone | 134005-007 | Dial Glass | 122006-002 |
| Knob-Tuning | 134005-010 | Knob-Tuning or Volume | 134006-002 |
| Dial Pointer | 144005-002 | Knob-Tone or Dummy | 134006-030 |
| MODEL: FA-66PB | | Pushbutton | 107005-008 |
| Dial Glass | 122004-012 | MODEL: MU-66PB | |
| Knob-Tuning or Volume | 134006-006 | Dial Glass | 122004-012 |
| Knob-Tone or Dummy | 134000-003 | Knob-Tuning or Volume | 134004-014 |
| Pushbutton | 107005-003 | Knob-Tone or Dummy | 134004-021 |
| MODEL FL-66PB | | Pushbutton | 107004-001 |
| Knob-Tuning or Volume | 134006-004 | | |

WIRING DATA

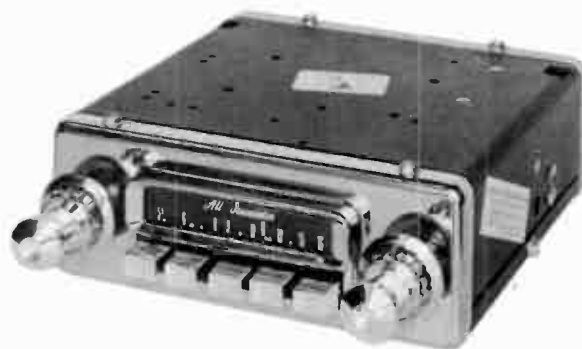
| | |
|-------------------------------------|--|
| General-use Unshielded Hook-up Wire | Use BELDEN No. 8530 (Solid) Available in 12 Colors 8524 (Stranded) Available in 12 Colors |
| Shielded Hook-up Wire | Use BELDEN No. 6685 |
| Rear Seat Speaker Extension Cable | Use BELDEN No. 6762 (Stranded) Coded Parallel Leads |
| Bonding Strap | Use BELDEN No. 8661 (3/8 in.) or 8670 (3/4 in.) |



PHOTOFACT[®] with

CIRCUITRACE[®]

TRADE NAME : Tenna Model: VW-66PB
 (1958-1966 Volkswagen)
 SUPPLIER : For Current Address, See Annual Index.
 TYPE SET : 6 Transistor AM Receiver
 POWER SUPPLY : 6 Volt Storage Battery
 RATING : .850 Amp. @ 6.3 Volts DC
 TUNING RANGE : BROADCAST 540-1615KC



ALIGNMENT INSTRUCTIONS

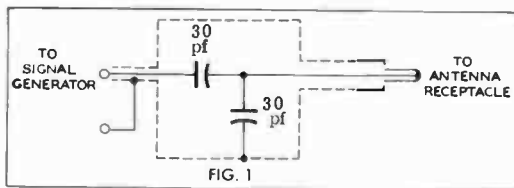
Check for specified source voltage.
 Use only enough generator output to provide a usable indication.
 Suggested Alignment Tools:

A1 thru A4. GENERAL CEMENT: 8606, 8606L, 8869
 WALSCO: 2543, 2544, 2588
 A5, A6, A7. GENERAL CEMENT: 8290, 8868, 9087
 WALSCO: 2525, 2528, 2587

| | SIGNAL GENERATOR COUPLING | SIGNAL GENERATOR FREQUENCY | RADIO DIAL SETTING | INDICATOR | ADJUST | REMARKS |
|----|---|----------------------------|----------------------|---------------------------------|----------------|---------------------|
| 1. | High side thru .1mfid to point Δ , low side to ground. | 262KC (400% Mod.) | High Freq. End Stop. | Output Meter across voice coil. | A1, A2, A3, A4 | Adjust for maximum. |
| 2. | Thru dummy (Fig. 1) to antenna receptacle. | 1615KC | " | " | A5, A6, A7 | " |

With radio installed in car and antenna fully extended, tune in a weak station near 1400KC and adjust A7 for maximum output.

Antenna Adjustment (A7)
 located on right side of radio.



PUSH-BUTTON ADJUSTMENT

1. Pull button out.
2. Tune manually to desired station.
3. Press button in firmly.
4. Repeat for remaining buttons.

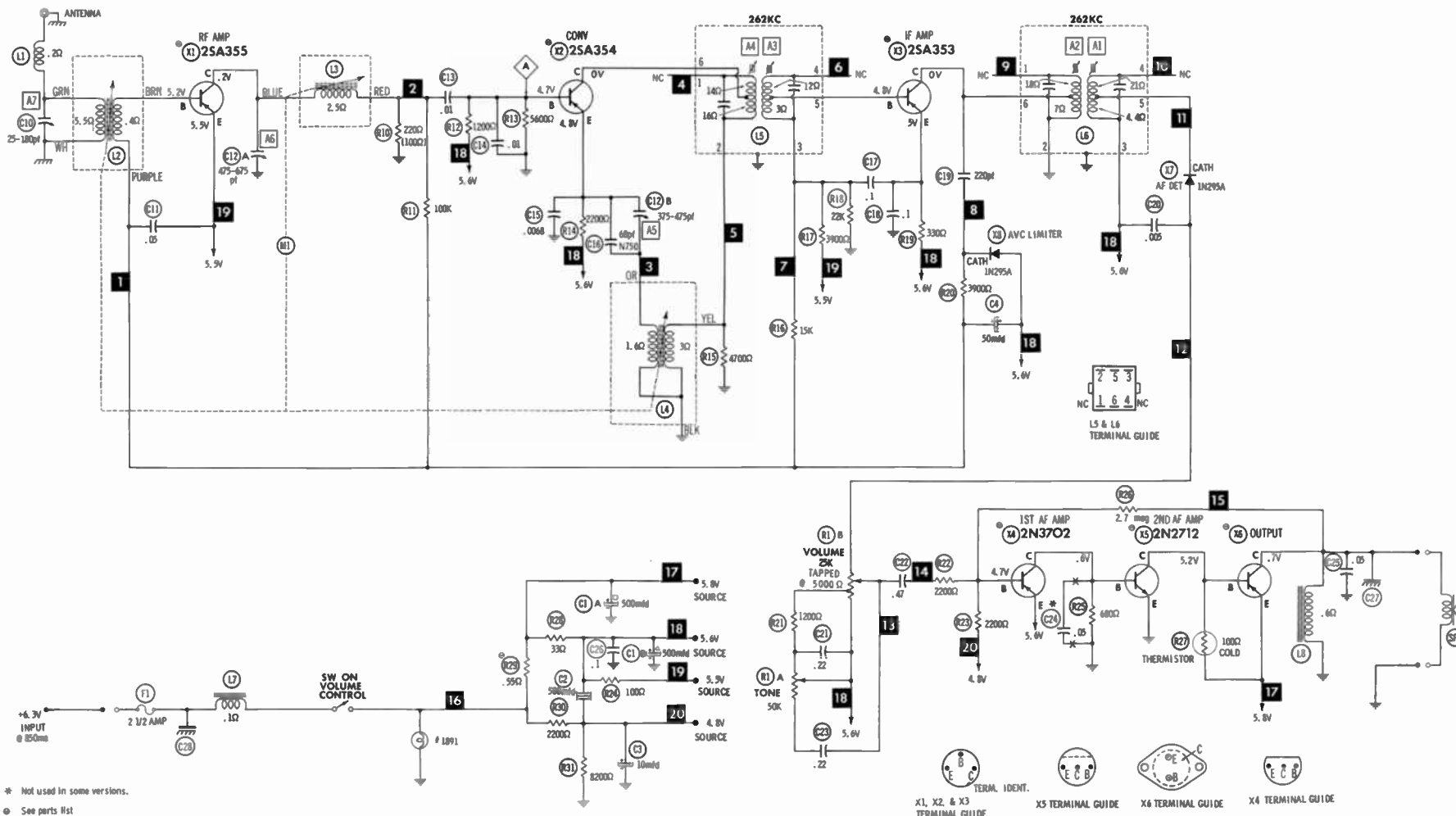
HOWARD W. SAMS & CO., INC. Indianapolis, Indiana 46206

© 1966 Howard W. Sams & Co., Inc. Printed in U. S. of America

RD558

World Radio History

TENNA MODEL VW-66PB



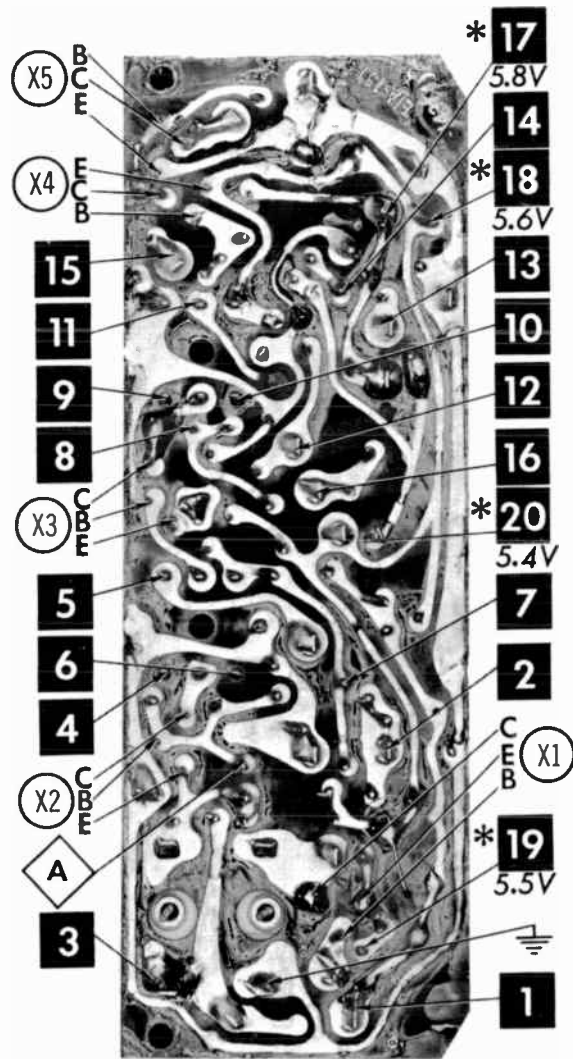
* Not used in some versions.

- © See parts list
- 1. Voltage measurements taken with vacuum tube voltmeter.
- 2. All controls set for normal operation, no signal applied.
- 3. Measured values are from socket pin or terminal to common ground.
- 4. All terminals viewed from bottom unless otherwise designated.
- 5. Numbers assigned to terminals may not be found on the unit.
- 6. Supply voltage maintained at rated value for voltage readings.
- 7. Resistance measurements not given because of the wide variation in internal resistance of transistor.

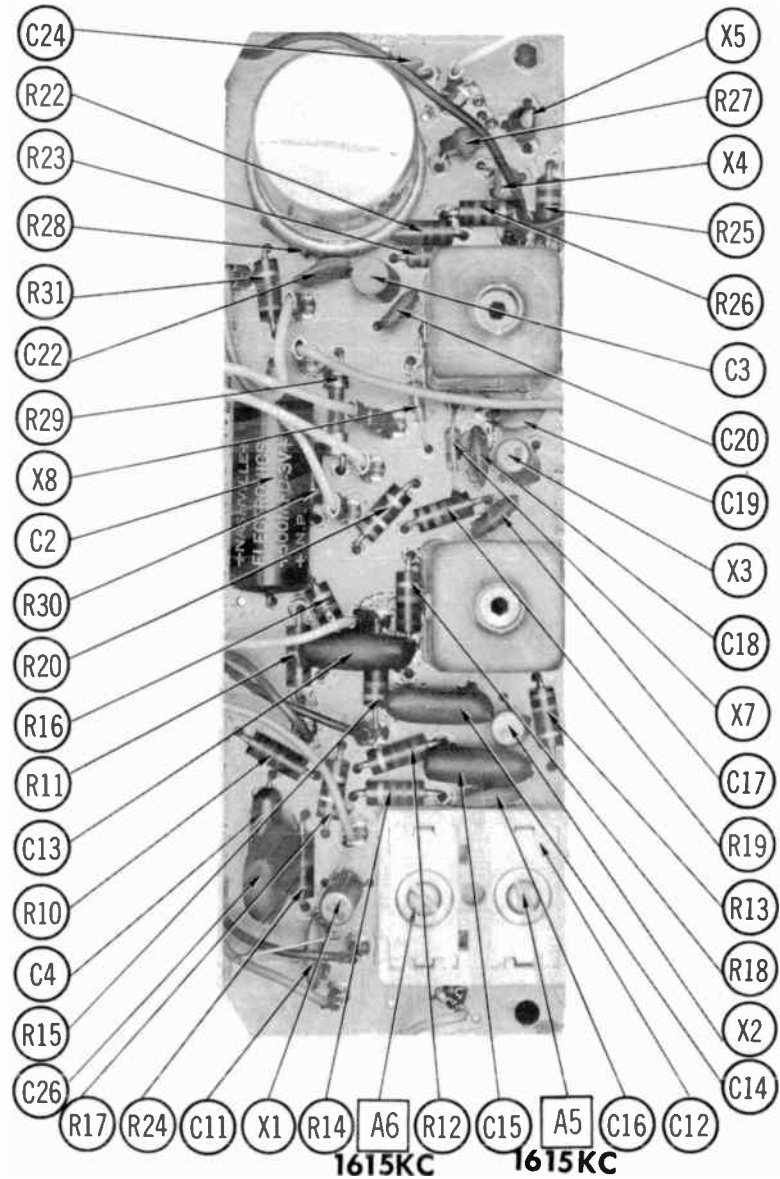
Resistors are 1/2 watt or less and rated 10% or 20% unless otherwise indicated.

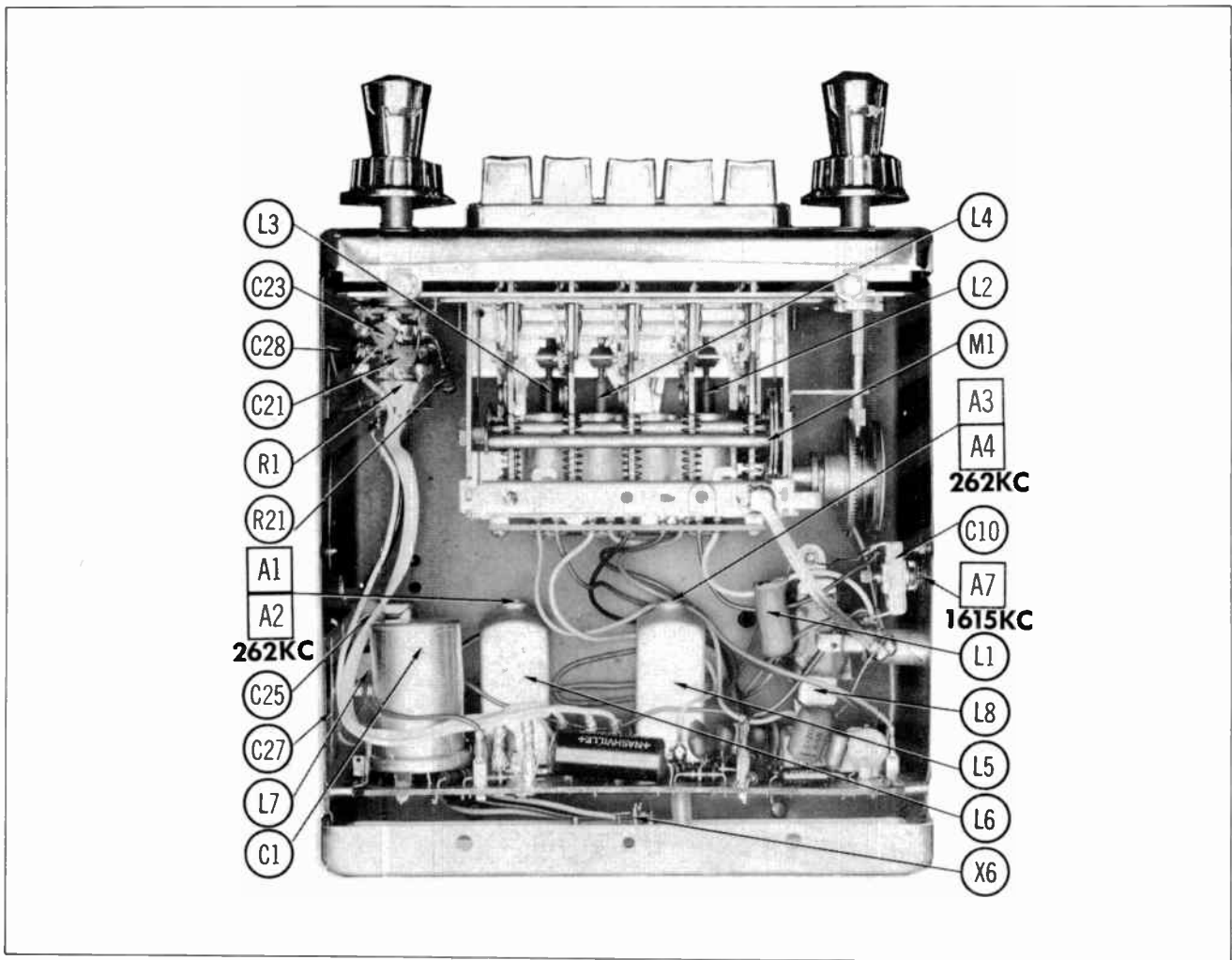
A PHOTOFAC STANDARD NOTATION SCHEMATIC
with **CIRCUITRACE**
© Howard W. Sams & Co., Inc. 1966

TENNA MODEL VW-66PB



*VOLTAGE SOURCE





PARTS LIST AND DESCRIPTION

(When ordering parts, state Model, Part Number, and Description.)

Replacement parts shown may be superseded by the availability of newly introduced replacements. Have your local distributor check Sams COUNTER FACTS® for the most up-to-date replacement.

TRANSISTORS

| ITEM No. | ORIG. TYPE | USE | REPLACEMENT DATA | | | NOTES |
|----------|------------|--------------|------------------|---------------------------|--------------|-------|
| | | | DELCO PART No. | GENERAL ELECTRIC PART No. | RCA PART No. | |
| X1 | 2SA355 | RF Amp. | DS-25 | GE-9 | SK-3006 | PNP |
| X2 | 2SA354 | Conv. | DS-25 | GE-9 | SK-3006 | PNP |
| X3 | 2SA353 | IF Amp. | DS-25 | GE-9 | SK-3006 | PNP |
| X4 | 2N3702 | 1st. AF Amp. | DS-26 | GE-2 | SK-3003 | PNP |
| X5 | 2N2712 | 2nd. AF Amp. | DS-46 | GE-10 | | NPN |
| X6 | 2N257 | Output | DS-520 | GE-3 | 8K-3009 | PNP |

♦ When replacing, apply silicone grease to both sides of insulator. Tighten mounting screws securely.

POWER RECTIFIERS & SIGNAL DIODES

| ITEM No. | MEASURED CURRENT | ORIGINAL Part or Type No. | RECTIFIERS | | | | DIODES |
|----------|------------------|---------------------------|---------------------------|------------------|--------------|-------------------------|---------------------------|
| | | | GENERAL ELECTRIC PART No. | MALLORY PART No. | RCA PART No. | SARKES TARZIAN PART No. | GENERAL ELECTRIC PART No. |
| X7 | | 1N295A | | | | | 1N295 |
| X8 | | 1N295A | | | | | 1N295 |

ELECTROLYTIC CAPACITORS

| ITEM No. | RATING | | REPLACEMENT DATA | | | | | |
|----------|--------|-------|------------------|------------------|---------------------------|---------------------------|------------------|------------------|
| | CAP. | VOLT. | TENNA PART No. | AEROVOX PART No. | CORNELL-DUBILIER PART No. | GENERAL ELECTRIC PART No. | MALLORY PART No. | SPRAGUE PART No. |
| C1A | 500 | 16 | 111#01-512 | PWH2-02-40 | BPC010 | XC2-45 | PPF200.64 | PCLS-2177* |
| B | 500 | | | | | | | |
| C2 | 500 | 3 | 111#01-501 | CRE243A | BR500-3 | MT1-3 | TC305 | TE-1068 |
| C3 | 10 | 15 | 111#02-001 | BCD15010 | ECSP10-15 | MT1-5 | PET1760 | VL-1167 |
| C4 | 50 | 3 | 111#02-102 | BCD3050 | ECSP50-3 | MT1-15 | PET1375 | VL-1045 |

* Not normally in distributor's stock. Available thru distributor on order to manufacturer.

PARTS LIST AND DESCRIPTION (CONTINUED)

(When ordering parts, state Model, Part Number, and Description.)

Replacement parts shown may be superseded by the availability of newly introduced replacements. Have your local distributor check Sams COUNTER FACTS for the most up-to-date replacement.

CAPACITORS

| ITEM No. | RATING | REMARKS | REPLACEMENT DATA | | | | | | |
|----------|------------|-------------|------------------|--------------------|---------------------------|------------------|------------------|------------------|--------|
| | | | AEROVOX PART No. | CENTRALAB PART No. | CORNELL-DUBILIER PART No. | ELMENCO PART No. | MALLORY PART No. | SPRAGUE PART No. | |
| C10 | 25-60 | #110000-068 | | | | | | | |
| C11 | .05 | | TTD-05 | | | HOV101ZV503Z | | TA150 | TH-850 |
| C12A | 475-675 | #110000-080 | | | | | | | |
| C12B | 375-475 | | | | | | | | |
| C13 | .01 200V | | DBE4S1 | CPR-10000J | WMF1S1 | 1DP-1-103 | PVC211 | 4PS-810 | |
| C14 | .01 200V | | DBE4S1 | CPR-10000J | WMF1S1 | 1DP-1-103 | PVC211 | 4PS-810 | |
| C15 | .0068 200V | | DBE6D68 | CPR-6800J | WMF1D68 | 1DP-1-662 | PVC4266 | 6PS-D68 | |
| C16 | .68 N750 | | N750-D168 | DTN-88 | CS601UJ680K | CCTN-680 | CN7468 | 10TCU-Q68 | |
| C17 | .1 | | TTD-1 | CK-104 | HOV101ZV104Z | | TA010 | TG-P10 | |
| C18 | .1 | | TTD-1 | CK-104 | HOV101ZV104Z | | TA010 | TG-P10 | |
| C19 | .220 | | DI-220 | DD-221 | JB601YP221K | CCD-221 | JF220 | 10TS-T22 | |
| C20 | .005 | | BPE-005 | DD-502 | BYX601ZU502P | CCD-502 | B250 | 5HK-D50 | |
| C21 | .22 | | | UK20-204 | | | MAG25022 | HY-325 | |
| C22 | .47 | | | UK10-404 | | | MAG12047 | HY-330 | |
| C23 | .22 | | | UK20-204 | | | MAG25022 | HY-325 | |
| C24 | .05 | | TTD-05 | | HOV101ZV503Z | | TA150 | TH-850 | |
| C25 | .05 | | TTD-05 | | HOV101ZV503Z | | TA150 | TH-850 | |
| C26 | .1 200V | | DBE2P1 | | WMF1P1 | 1DP-2-104 | PVC101 | 2PS-P10 | |
| C27 | | #110000-037 | | | | | | | |
| C28 | | #110000-020 | | | | | | | |

FILTER CHOKE

| ITEM No. | RATINGS | | | REPLACEMENT DATA | | | | | NOTES |
|----------|--------------------|---------|------------------------------|------------------|----------------|------------------|---------------------|----------------|-------|
| | CURRENT (Measured) | DC RES. | INDUCTANCE (0 CURRENT 1000~) | TENNA PART No. | MERIT PART No. | STANCOR PART No. | THORDARSON PART No. | TRIAD PART No. | |
| L7 | .920ma | .1Ω | 3MH | 161000-141 | C-4095 | TC-1 | TR-159 | TY16XT | |

CHOKE (AUDIO OUTPUT)

| ITEM No. | INDUCTANCE | REPLACEMENT DATA | | | | | NOTES |
|----------|------------|------------------|----------------|------------------|---------------------|----------------|-------|
| | | TENNA PART No. | MERIT PART No. | STANCOR PART No. | THORDARSON PART No. | TRIAD PART No. | |
| L8 | 6MH | 161000-142 | C-4095 | TC-2 | TR-155 | TY17XT | |

SPEAKER

| ITEM No. | TYPE | REPLACEMENT DATA | | NOTES |
|----------|----------|------------------|---------------|-------|
| | | TENNA PART No. | QUAM PART No. | |
| SP1 | 5" PM 8Ω | 155009-156 | 5A1Z6 | |

CONTROLS

All wattages 1/2 watt, or less, unless otherwise listed.

| ITEM No. | USE | RESISTANCE | REPLACEMENT DATA | | | | | |
|----------|---------------|--------------|------------------|-------------------------------------|--------------------|------------------|------------------|--|
| | | | TENNA PART No. | CENTRALAB PART No. | CLAROSTAT PART No. | CTS-IRC PART No. | MALLORY PART No. | |
| R1A | Tone | 50K | 145004-021 | F1-50K,R14-25K, | | | † QJ-2154A | |
| R1B | Volume/Switch | 25K Tap @ 5K | | FFS113, RFS205, BA106, CA005, RCR-4 | | | | |

† "SNAPTROL" Equivalent: BU15A ①, CF12, CR50T, SF12, SR47, GC.
① Alter bushing to meet requirements.

RESISTORS (Power and Special)

| ITEM No. | RATING | REPLACEMENT DATA | | | ITEM No. | RATING | REPLACEMENT DATA | | |
|----------|-------------|------------------|------------------|----------------|----------|------------|------------------|------------------|----------------|
| | | IRC PART No. | WORKMAN PART No. | TENNA PART No. | | | IRC PART No. | WORKMAN PART No. | TENNA PART No. |
| R27 | 100Ω (Cold) | | | 149000-046 | R29 | .55Ω (PTC) | | | 149000-040 |

COILS (RF-IF)

| ITEM No. | USE | REPLACEMENT DATA | | | | | |
|----------|------------------|------------------|-------------------|----------------|-----------------|------------------|------------------|
| | | TENNA PART No. | MEISSNER PART No. | MERIT PART No. | MILLER PART No. | STANCOR PART No. | WORKMAN PART No. |
| L1 | RF Choke (5.6uh) | 114000-282 | 19-1006 | SW-631 | 4609 | RTC-8519 | T959 |
| L2 | Antenna | ① | | | | | |
| L3 | RF | ① | | | | | |
| L4 | Oscillator | ① | | | | | |
| L5 | Input IF | 114000-283 | 18-6711 | | 6520 | RTC-9396 | |
| L6 | Output IF | 114000-284 | | | | | |

① Part of M1.

WIRING DATA

| | |
|-------------------------------------|--|
| General-use Unshielded Hook-up Wire | Use BELDEN No. 8530 (Solid) Available in 12 Colors 8524 (Stranded) Available in 12 Colors |
| Shielded Hook-up Wire | Use BELDEN No. 8885 |
| Rear Seat Speaker Extension Cable | Use BELDEN No. 8782 (Stranded) Coded Parallel Leads |
| Bonding Strap | Use BELDEN No. 8661 (3/8 In.) or 8670 (3/4 In.) |

FUSE DEVICES

| ITEM No. | TYPE | RATING | REPLACEMENT DATA | | | | | |
|----------|------|----------|------------------|--------|---------------------|--------|---------------|--------|
| | | | PART No. | | LITTELFUSE PART No. | | BUSS PART No. | |
| | | | FUSE | HOLDER | FUSE | HOLDER | FUSE | HOLDER |
| F1 | AGW | 2 1/2 A. | | | 30302.5 | 155009 | AGW 2 1/2 | HAF |

MISCELLANEOUS

| ITEM No. | PART NAME | TENNA PART No. | NOTES |
|----------|-----------|----------------|-------|
| M1 | Tuner | 164000-086 | |

CABINETS & CABINET PARTS

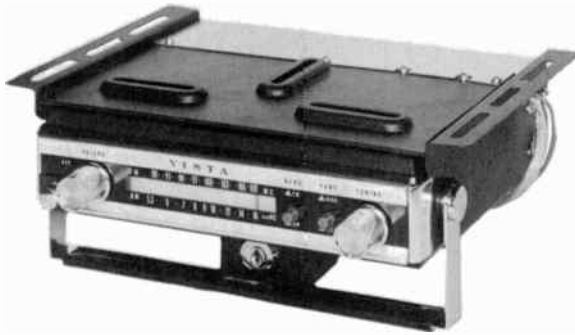
(When Ordering Specify Model, Chassis & Color)

| ITEM | PART No. | ITEM | PART No. |
|------------------------|------------|-------------|------------|
| Dial Glass | 122000-126 | Knob, Dummy | 134000-228 |
| Knob, Tuning or Volume | 134005-023 | Pushbutton | 107005-004 |
| Knob, Tone | 134004-017 | | |



PHOTOFACT[®] with

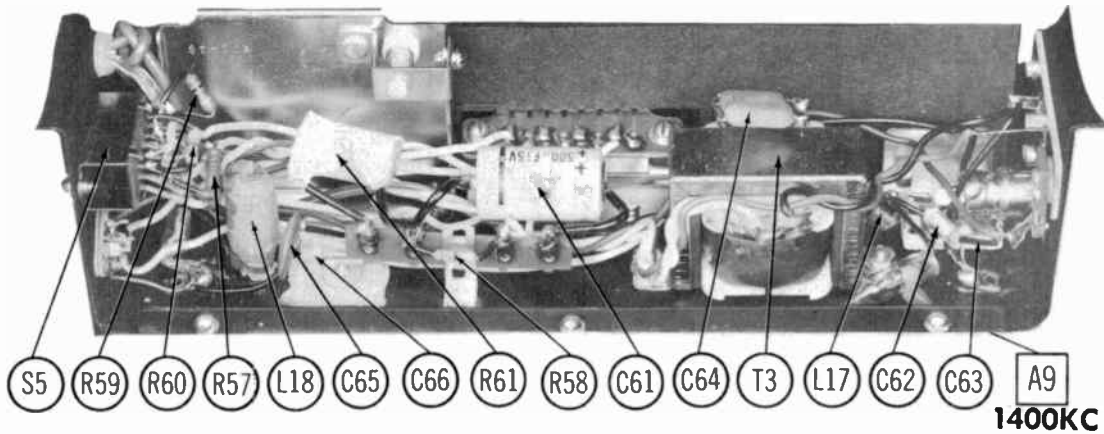
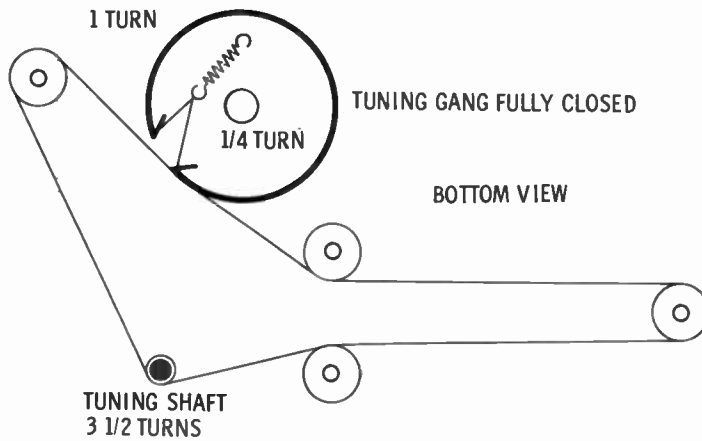
CIRCUITRACE[®]



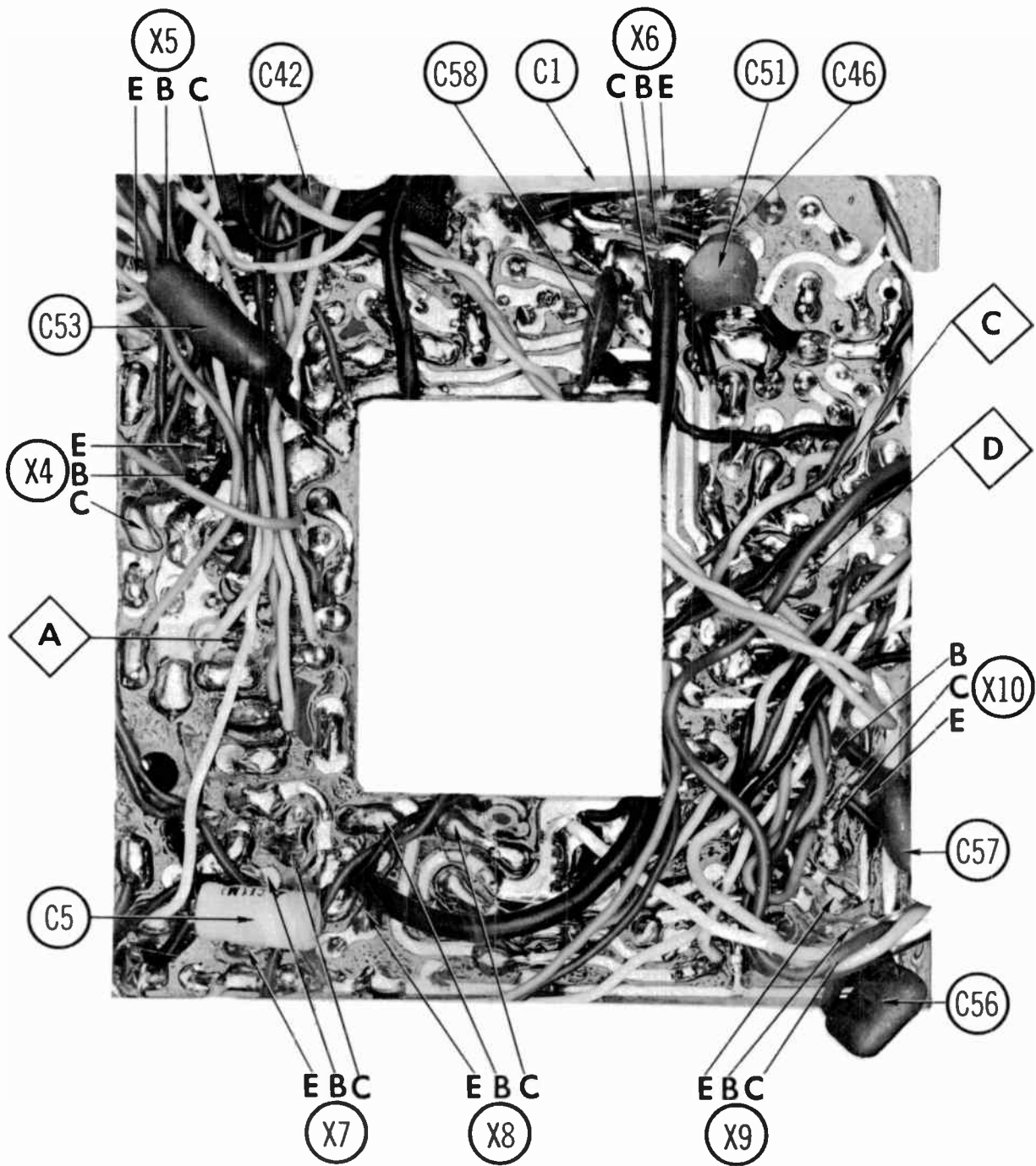
TRADE NAME : Vista Model 875
 SUPPLIER : For Current Address, See Annual Index.
 TYPE SET : 10 Transistor AM-FM Auto-Portable Receiver
 POWER SUPPLY : 6 Volts DC (4 Penlight Batteries)
 6 or 12 Volt Storage Battery
 RATING : 20ma @ 6 Volts DC
 .140 Amp @ 6 or 12 Volts DC
 TUNING RANGE : BROADCAST 540-1615KC

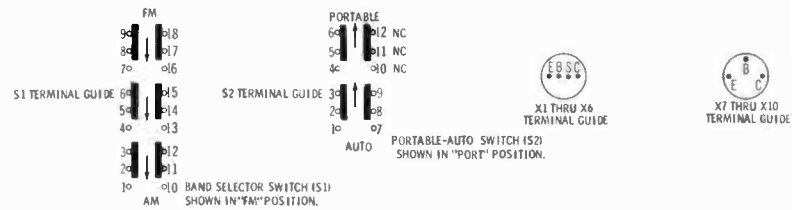
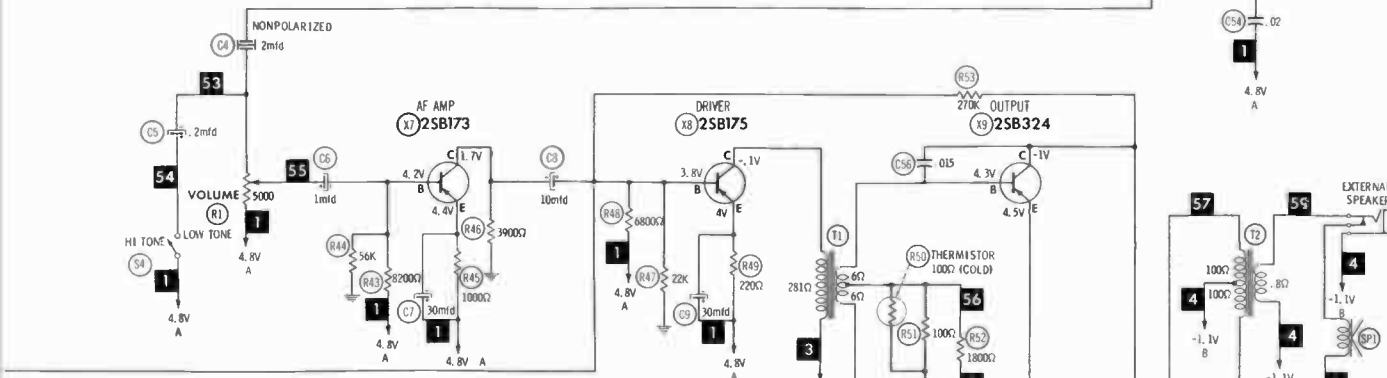
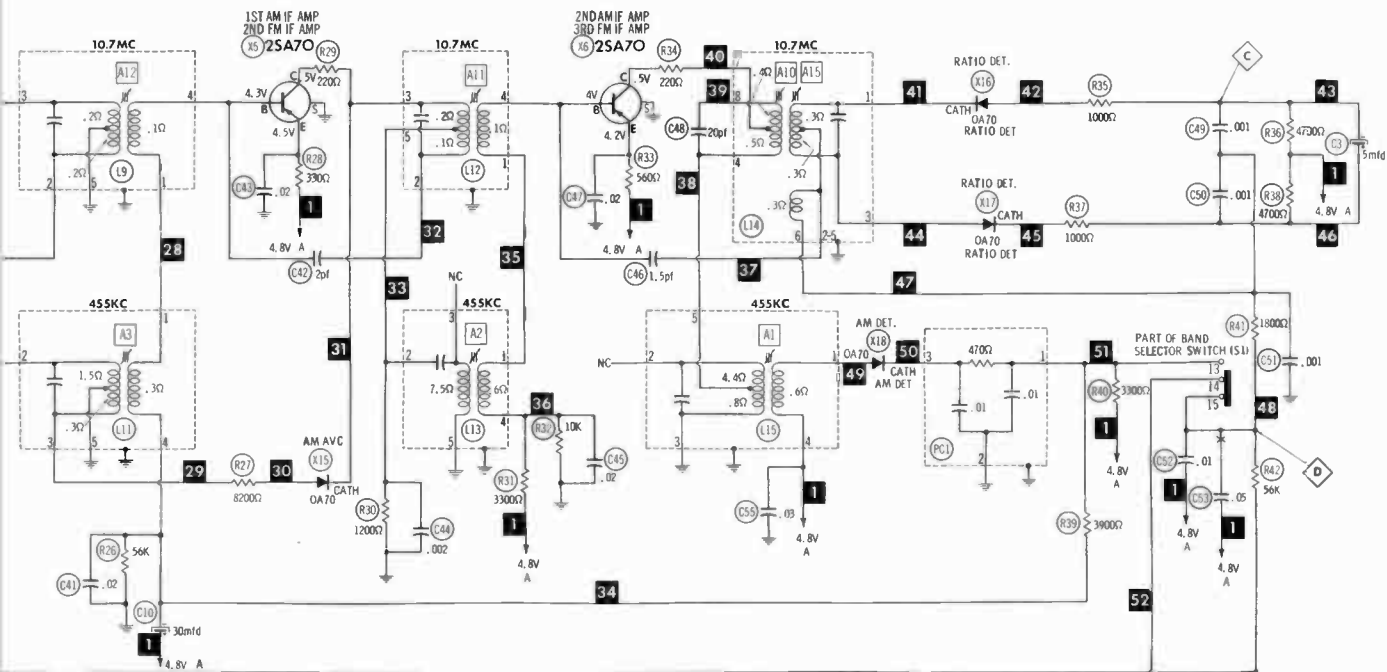
VISTA MODEL 875

DIAL CORD STRINGING

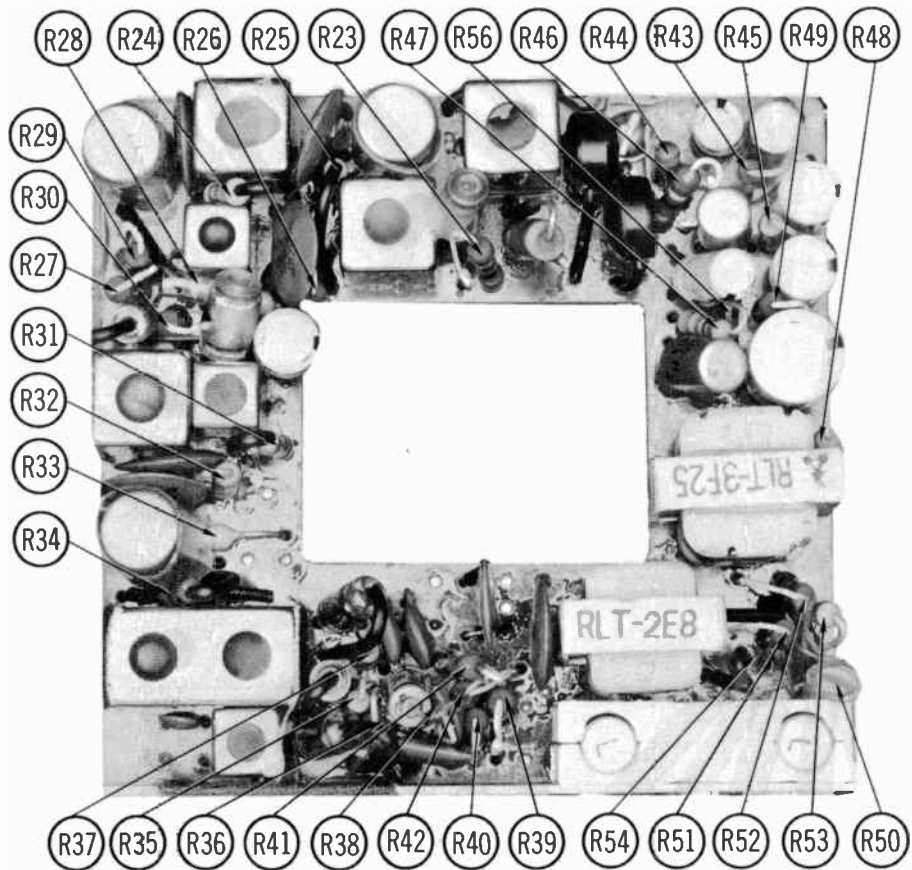
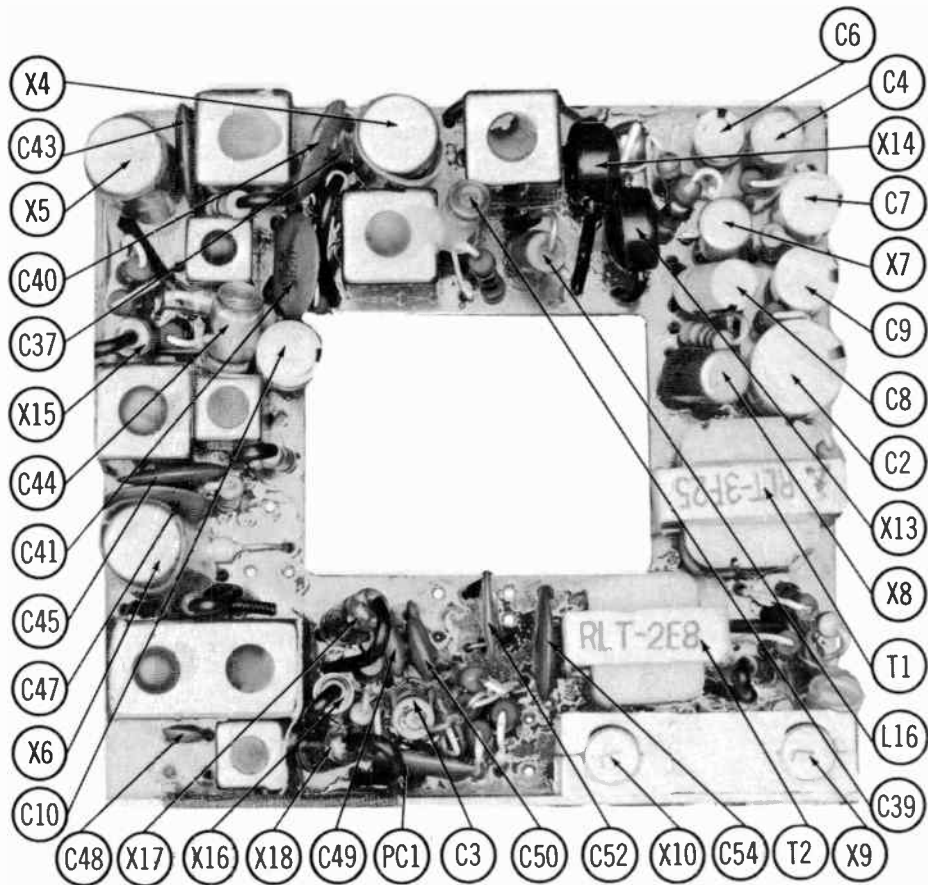


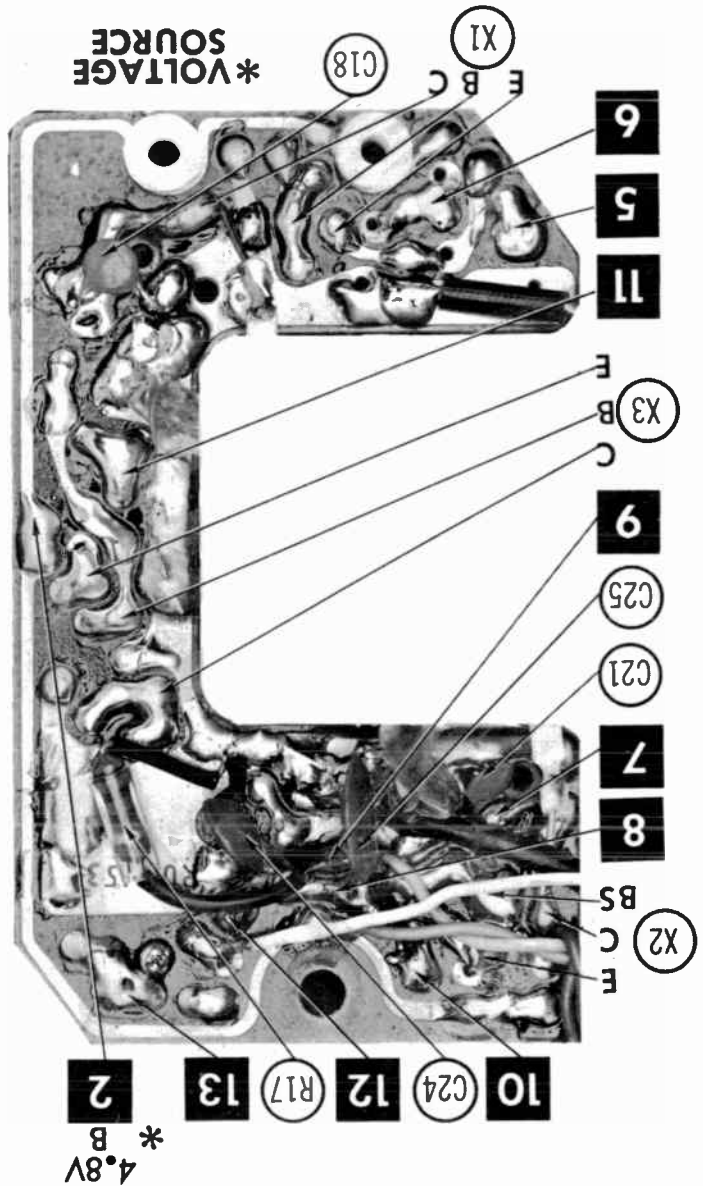
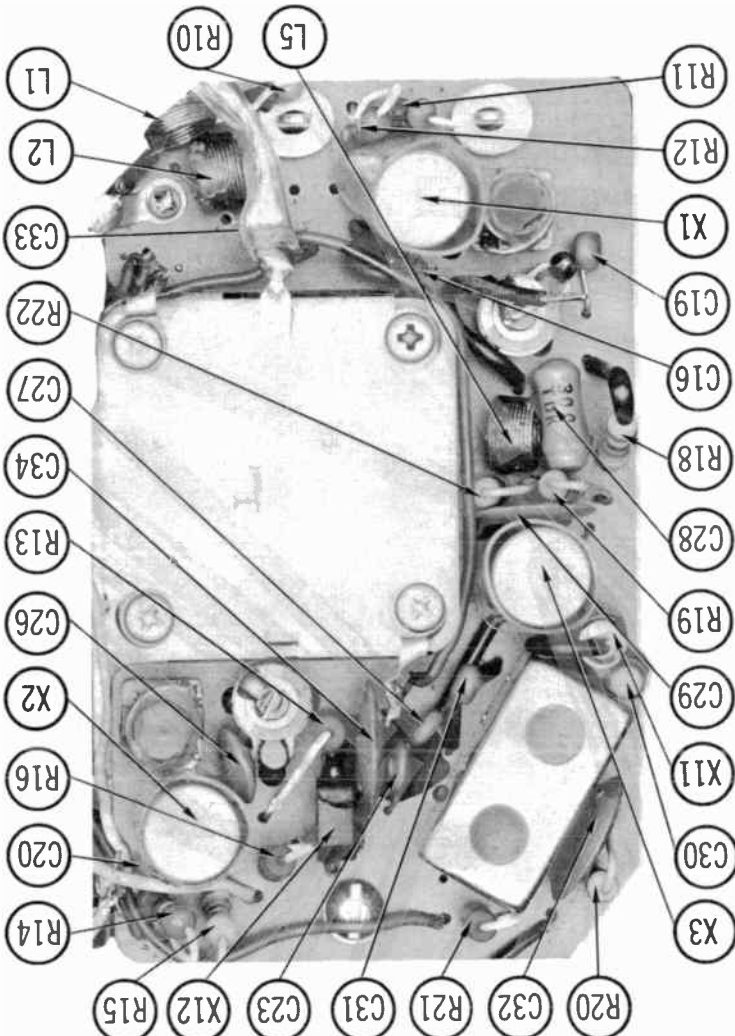
HOWARD W. SAMS & CO., INC. Indianapolis, Indiana 46206

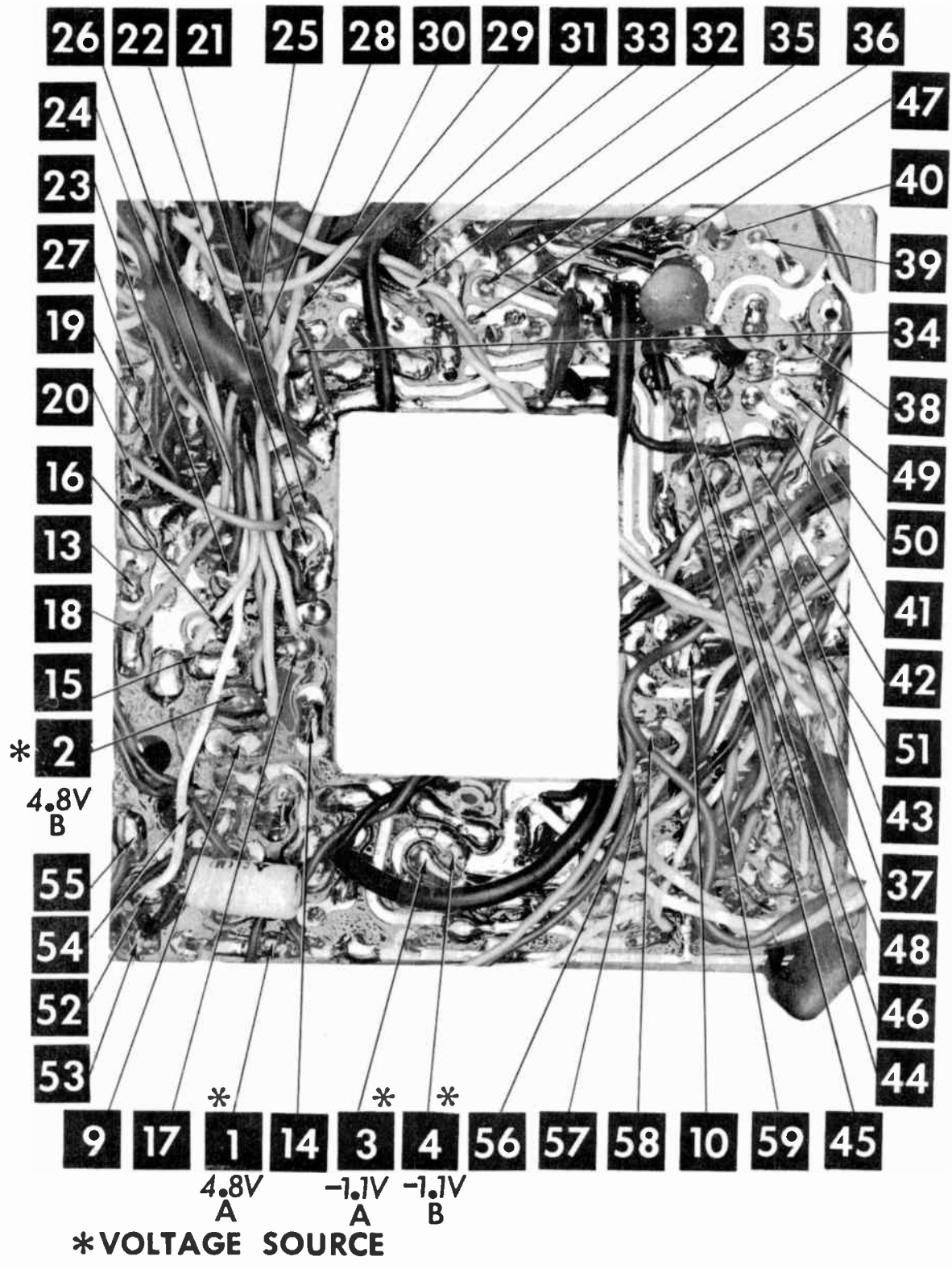




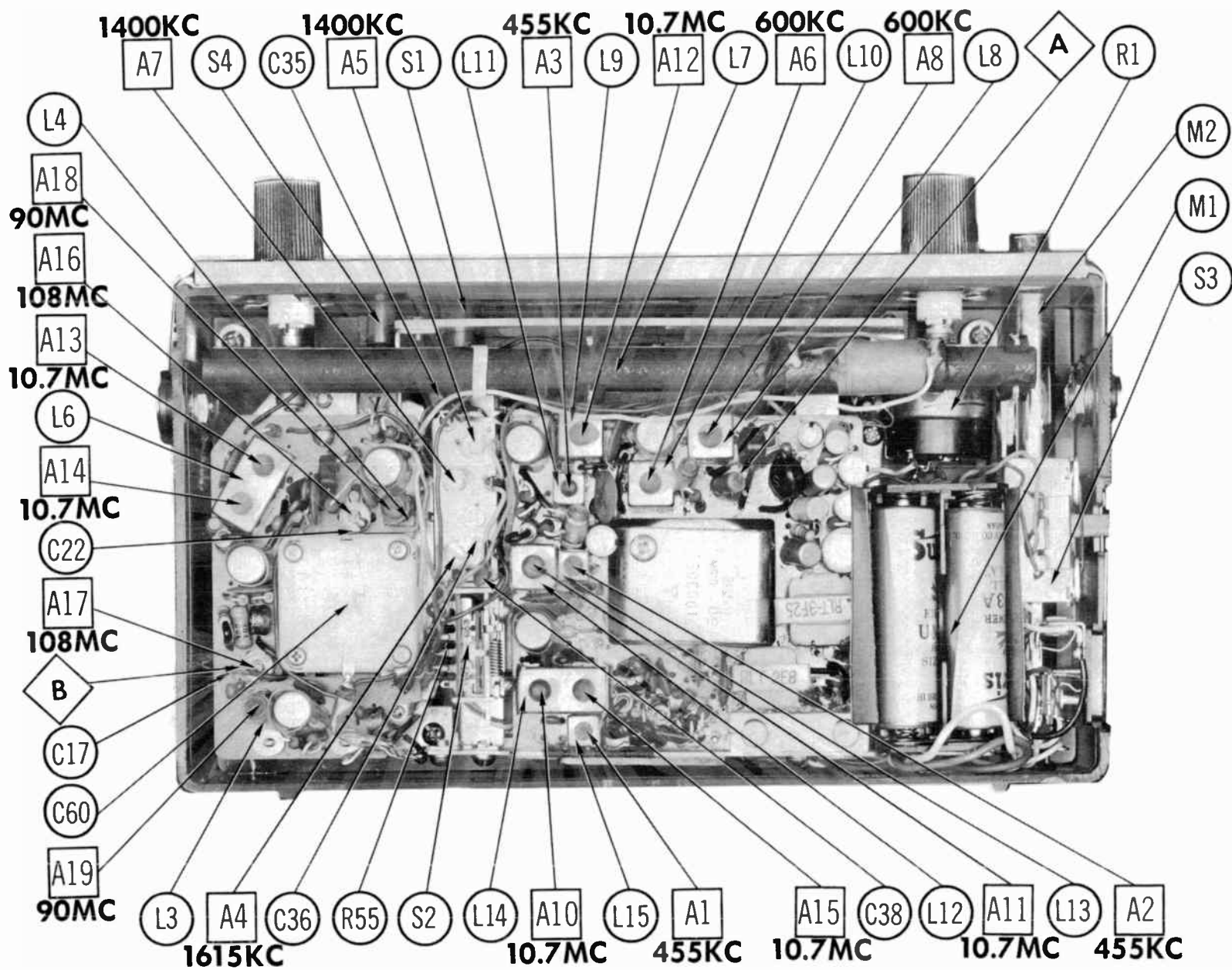
VISTA MODEL 875







A Howard W. Sams CIRCUITRACE® Photo



VISTA MODEL 875

ALIGNMENT INSTRUCTIONS

Maintain line voltage at 117 volts. Use only enough generator output to obtain a suitable indication. Allow a 15 minute warmup for receiver and equipment. CAUTION: Use isolation transformer, if available. If not, observe polarity when connecting test equipment. Suggested Alignment Tools:

A1 thru A19.

GENERAL CEMENT: 9440

WALSCO: 2501

AM ALIGNMENT - SELECTOR IN AM POSITION

Fashion loop of several turns of wire and connect generator across loop. Set volume control at maximum.

| GENERATOR FREQUENCY | DIAL SETTING | INDICATOR | ADJUST | REMARKS |
|----------------------|-------------------------|---------------------------------|-------------|--|
| 1. 455KC (400% Mod.) | Tuning gang fully open. | Output Meter across Voice coil. | A1, A2, A3. | Adjust for maximum. Repeat until no further improvement can be made. |
| 2. 1615KC | " | " | A4. | Adjust for maximum. |
| 3. 1400KC | Tune to signal. | " | A5. | " |
| 4. 600KC | " | " | A6. | Rock tuning gang and adjust for maximum. Repeat steps 2 thru 4 until no further improvement can be made. |

Push in Auto-Port Switch (S2). Connect generator thru .01mfd to point \diamond .

| | | | | |
|-----------|-----------------|---|-----|--|
| 5. 1400KC | Tune to signal. | " | A7. | Adjust for maximum. |
| 6. 600KC | " | " | A8. | Rock tuning gang and adjust for maximum. Repeat steps 2 thru 4 until no further improvement can be made. |

With radio installed in auto bracket and antenna extended 30', tune in a weak station near 1400KC and adjust A9 for maximum output.

FM ALIGNMENT USING AM SIGNAL GENERATOR - SELECTOR IN FM POSITION

High side thru .01mfd to point \diamond , low side to ground. low side to ground.

| GENERATOR FREQUENCY | DIAL SETTING | INDICATOR | ADJUST | REMARKS |
|---------------------|----------------------------|--|--------------------------|---|
| 7. 10.7MC (Unmod.) | Point of non-interference. | DC probe of VTVM to point \diamond ; common to ground. | A10, A11, A12, A13, A14. | Adjust for maximum. |
| 8. " | " | DC probe to point \diamond ; common to ground. | A15. | Adjust for zero reading. A positive or negative reading will be obtained on either side of the correct setting. |

FM IF ALIGNMENT USING FM SIGNAL GENERATOR - SELECTOR IN FM POSITION

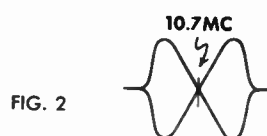
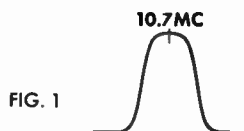
High side thru .01mfd to point B, low side to ground. Use only enough marker signal to obtain indication. Use 60v frequency modulated signal with 450KC sweep. Use 120v sawtooth voltage in scope for horizontal deflection.

| GENERATOR FREQUENCY | DIAL SETTING | INDICATOR | ADJUST | REMARKS |
|------------------------|---------------------------|---|--------------------------|--|
| 7. 10.7MC (450KC Swp.) | Point of non-interference | Vert. amp. of Scope to point \diamond ; low side to ground. | A10, A11, A12, A13, A14. | Disconnect stabilizing capacitor C3. Adjust for maximum gain and symmetry of response similar to Fig. 1 with marker as shown. Reconnect C3. |
| 8. " | " | Vert. amp. to point \diamond ; low side to ground. | A15. | Adjust A15 (Secondary) to place marker at center of crossover lines similar to Fig. 2. Adjust A10 (Primary) for maximum amplitude and straightness of crossover lines. |

FM RF ALIGNMENT

Connect generator across antenna terminals with 120 Ω carbon resistors in series with each lead.

| GENERATOR FREQUENCY | DIAL SETTING | INDICATOR | ADJUST | REMARKS |
|---------------------|------------------|--|-----------|---|
| 9. 108.5MC | Set at high end. | DC probe of VTVM to point \diamond ; common to ground. | A16, A17. | Adjust for maximum. |
| 10. 90MC | Tune to signal. | " | A18, A19. | Rock tuning and adjust for maximum. Repeat steps 9 and 10 until no further improvement can be made. |



PARTS LIST AND DESCRIPTION

(When ordering parts, state Model, Part Number, and Description.)

Replacement parts shown may be superseded by the availability of newly introduced replacements. Have your local distributor check Sams COUNTER FACTS[®] for the most up-to-date replacement.

TRANSISTORS

| ITEM No. | ORIG. TYPE | USE | REPLACEMENT DATA | | | NOTES |
|----------|------------|----------------------|------------------|---------------------------|--------------|-------|
| | | | DELCO PART No. | GENERAL ELECTRIC PART No. | RCA PART No. | |
| X1 | 2SA241 | FM RF Amp | DS-41 | | SK-3008 | PNP |
| X2 | 2SA71 | FM Oscillator | DS-41 | | SK-3006 | PNP |
| X3 | 2SA71 | FM Mixer | DS-41 | | SK-3008 | PNP |
| X4 | 2SA70 | AM Conv. /1st. FM IF | DS-58 | GE-9 | SK-3007 | PNP |
| X5 | 2SA70 | 1st. AM/2nd. FM IF | DS-58 | GE-9 | SK-3007 | PNP |
| X6 | 2SA70 | 2nd. AM/3rd. FM IF | DS-58 | GE-9 | SK-3007 | PNP |
| X7 | 2SB173 | AF Amp. | DS-28 | GE-2 | SK-3004 | PNP |
| X8 | 2SB175A | Driver | DS-28 | GE-2 | SK-3004 | PNP |
| X9 | 2SB324 | Output | DS-28 | GE-2 | SK-3004 | PNP |
| X10 | 2SB324 | Output | DS-28 | GE-2 | SK-3004 | PNP |

POWER RECTIFIERS & SIGNAL DIODES

| ITEM No. | MEASURED CURRENT | ORIGINAL Part or Type No. | RECTIFIERS & DIODES | | RECTIFIERS | | |
|----------|------------------|---------------------------|---------------------------|----------------------------------|------------------|--------------|-------------------------|
| | | | GENERAL ELECTRIC PART No. | INTERNATIONAL RECTIFIER PART No. | MALLORY PART No. | RCA PART No. | SARKES TARZIAN PART No. |
| X11 | | OA70 | 1N34AS | 1N34A | | | |
| X12 | | MA332 | | | | | |
| X13 | | FR-15① | | | | | |
| X14 | | FR-15① | | | | | |
| X15 | | OA70 | 1N34AS | 1N34A | | | |
| X16 | | OA70 | 1N34AS | 1N34A | | | |
| X17 | | OA70 | 1N34AS | 1N34A | | | |
| X18 | | OA70 | 1N34AS | 1N34A | | | |

① Not used in early versions.

ELECTROLYTIC CAPACITORS

| ITEM No. | RATING | | VISTA PART No. | REPLACEMENT DATA | | | | |
|----------|--------|-------|----------------|------------------|---------------------------|---------------------------|------------------|------------------|
| | CAP. | VOLT. | | AEROVOX PART No. | CORNELL-DUBILIER PART No. | GENERAL ELECTRIC PART No. | MALLORY PART No. | SPRAGUE PART No. |
| C1 | 500 | 8 | ECE-B6V500 | PRS1120 | BR500-8 | QT1-30 | MTA500F8 | TVA-1103 |
| C2 | 200 | 8 | ECE-A6V200 | BCD6200 | NLW200-12 | MT1-24 | TT6X200 | VL-1108 |
| C3 | 5 | 8 | ECE-B6V5 | CRE304A | NLW5-15 | MT1-3 | TT6X5 | TE-1084 |
| C4 | 2 | 15NP | ECE-A15V2 | NP-PRS7300 | BRNP4-25 | NPQT-1 | TCN105 | TVAN-1202 |
| C5 | .2 | 25 | ECE-A25V0.2M | CRE600A | TYR13BFR22M | MT1-1 | TT25X1 | TE-1200 |
| C6 | 1 | 25 | ECE-A25V1 | BCD25001 | NLW1-50 | MT1-1 | TT25X1 | VL-1200 |
| C7 | 30 | 8 | ECE-A6V30 | BCD6025 | NLW30-8 | MT1-13 | TT6X30 | VL-1092 |
| C8 | 10 | 8 | ECE-A6V10 | BCD6010 | NLW10-8 | MT1-6 | PET1340 | VL-1087 |
| C9 | 30 | 8 | ECE-A6V30 | BCD6025 | NLW30-8 | MT1-13 | TT6X30 | VL-1092 |
| C10 | 30 | 8 | ECE-A6V30 | BCD6025 | NLW30-8 | MT1-13 | TT6X30 | VL-1092 |

CAPACITORS

| ITEM No. | RATING | REMARKS | REPLACEMENT DATA | | | | | | |
|----------|----------|---------------|------------------|--------------------|---------------------------|------------------|------------------|------------------|-----------|
| | | | AEROVOX PART No. | CENTRALAB PART No. | CORNELL-DUBILIER PART No. | ELMENCO PART No. | MALLORY PART No. | SPRAGUE PART No. | |
| C18 | .001 | #ECV-1ZW10P12 | BPD-001 | DD-102 | HVX162XP102M | CCD-102 | B210 | 5HK-D10 | |
| C17 | | | | | | | | | |
| C18 | 20 | | NPO-DI 20 | DTZ-20 | | CCTO-200 | CN0422 | 10TCC-Q20 | |
| C19 | 4 | | | | | | | 10TCC-V39 | |
| C20 | 7 | | NPO-DI 8.8 | DTZ-6R8 | CZ801CH6R8D | CCTO-6R8 | CN0568 | 10TCC-V68 | |
| C21 | 10 | | NPO-DI 10 | DTZ-10 | CZ801CG100J | CCTO-100 | CN0410 | 10TCC-Q10 | |
| C22 | | | | | | | | | |
| C23 | 10 | | | NPO-DI 10 | DTZ-10 | CZ801CG100J | CCTO-100 | CN0410 | 10TCC-Q10 |
| C24 | .001 | | | BPD-001 | DD-102 | HVX162XP102M | CCD-102 | B210 | 5HK-D10 |
| C25 | .02 | | | TTD-02 | CK-303 | HOR101ZV203P | | TA120 | TG-S20 |
| C26 | .001 | | BPD-001 | DD-102 | HVX162XP102M | CCD-102 | B210 | 5HK-D10 | |
| C27 | 2 | | NPO-DI 2.2 | DTZ-2R2 | CZ801CJ2R2D | CCTO-2R2 | CN0522 | 10TCC-V22 | |
| C28 | 300 | | SI-300 | TCZ-300 | JBZ801YP331K | CCTN-301 | GP330 | 10TCC-T30 | |
| C29 | .02 | | TTD-02 | CK-303 | HOR101ZV203P | | TA120 | TG-S20 | |
| C30 | 100 | | SI-100 | TCZ-100 | CV801CG101K | CCTO-101 | CN0310 | 10TCC-T10 | |
| C31 | 1.5 | | NPO-DI 1.5 | DTZ-1R5 | | | CN0515 | 10TCC-V15 | |
| C32 | .02 | | TTD-02 | CK-303 | HOR101ZV203P | | TA120 | TG-S20 | |
| C33 | 4 | | | | | | | 10TCC-V39 | |
| C34 | .02 | | TTD-02 | CK-303 | HOR101ZV203P | | TA120 | TG-S20 | |
| C35 | 15 | | NPO-DI 15 | DTZ-15 | CZ801CG150J | CCTO-150 | CN0415 | 10TCC-Q15 | |
| C36 | 1.7-11.7 | #ECV-4RW12W11 | | | | | | | |
| B | 1.7-11.7 | | | | | | | | |
| C | 1.7-11.7 | | | | | | | | |
| D | | | | | | | | | |
| C37 | 2.5 | | NPO-DI 2.2 | DTZ-2R2 | CZ801CJ2R2D | CCTO-2R2 | CN0522 | 10TCC-V22 | |
| C38 | 30 | | DI-30 | DD-300 | | CCD-300 | GP430 | 10T8-Q30 | |
| C39 | 530 | | DI-510 | DD-511 | CD7F511K100 | CCD-501 | GP350 | 5GA-T50 | |
| C40 | .01 | | BPD-01 | DD-108 | BYV102ZU103M | CCD-103 | B110 | 5HK-S10 | |
| C41 | .02 | | TTD-02 | CK-303 | HOR101ZV203P | | TA120 | TG-S20 | |
| C42 | 2 | | NPO-DI 2.2 | DTZ-2R2 | CZ801CJ2R2D | CCTO-2R2 | CN0522 | 10TCC-V22 | |
| C43 | .02 | TTD-02 | CK-303 | HOR101ZV203P | | TA120 | TG-S20 | | |
| C44 | .002 | BPD-002 | DD-202 | BYV801ZU202P | CCD-202 | B220 | 5HK-D20 | | |
| C45 | .02 | TTD-02 | CK-303 | HOR101ZV203P | | TA120 | TG-S20 | | |
| C46 | 1.5 | NPO-DI 1.5 | DTZ-1R5 | | | CN0515 | 10TCC-V15 | | |
| C47 | .02 | TTD-02 | CK-303 | HOR101ZV203P | | TA120 | TG-S20 | | |
| C48 | 20 | NPO-DI 20 | DTZ-20 | | CCTO-200 | CN0422 | 10TCC-Q20 | | |
| C49 | .001 | BPD-001 | DD-102 | HVX162XP102M | CCD-102 | B210 | 5HK-D10 | | |
| C50 | .001 | BPD-001 | DD-102 | HVX162XP102M | CCD-102 | B210 | 5HK-D10 | | |
| C51 | .001 | BPD-001 | DD-102 | HVX162XP102M | CCD-102 | B210 | 5HK-D10 | | |
| C52 | .01 | BPD-01 | DD-103 | BYV102ZU103M | CCD-103 | B110 | 5HK-S10 | | |
| C53 | .05 | 100V | DBE8S5 | | DPMS2S5 | 1DP-2-503 | PVC215 | 2PS-S50 | |

VISTA MODEL 875

PARTS LIST AND DESCRIPTION (CONTINUED)

(When ordering parts, state Model, Part Number, and Description.)

Replacement parts shown may be superseded by the availability of newly introduced replacements. Have your local distributor check Sams COUNTER FACTS™ for the most up-to-date replacement.

CAPACITORS (cont)

| ITEM No. | RATING | REMARKS | REPLACEMENT DATA | | | | | |
|----------|-----------|--------------|------------------|--------------------|---------------------------|------------------|------------------|------------------|
| | | | AEROVOX PART No. | CENTRALAB PART No. | CORNELL-DUBILIER PART No. | ELMENCO PART No. | MALLORY PART No. | SPRAGUE PART No. |
| C54 | .02 | #PVC-22F30-F | TTD-02 | CK-203 | HOR101ZV203P | | TA120 | TG-S20 |
| C55 | .03 | | TTD-03 | CK-303 | | | | TG-S30 |
| C56 | .015 100V | | DBE4S15 | | DPMS4S15 | 1DP-1-153 | PVC2115 | 4PS-S15 |
| C57 | .015 100V | | DBE4S15 | | DPMS4S15 | 1DP-1-153 | PVC2115 | 4PS-S15 |
| C58 | .01 | | BPD-01 | DD-103 | EYV102ZU103M | CCD-103 | B110 | 5HK-S10 |
| C59 | .02 | | TTD-02 | CK-303 | HOR101ZV203P | | TA120 | TG-S20 |
| C60A | 3-23 | | | | | | | |
| B | 3-23 | | | | | | | |
| C | 9-480 | | | | | | | |
| D | 9-480 | | | | | | | |

Vista Part Number.

① Not used in some versions.

CONTROLS

All wattages 1/2 watt, or less, unless otherwise listed.

| ITEM No. | USE | RESISTANCE | REPLACEMENT DATA | | | | |
|----------|---------------|------------|------------------|------------------------|--------------------|---|--|
| | | | VISTA PART No. | CENTRALAB PART No. | CLAROSTAT PART No. | CTS-IRC PART No. | MALLORY PART No. |
| R1 | Volume/Switch | 5000Ω | EVC-BODL20-D53 | F2-5000①, SSK014, KR-4 | | Q13-114①, 76-1 or (BU1①, CF60, S81, GC) | RU53A, SL36, SL3250, US41 or (UA53A, SK3500, US41) or (U12①, US26) |

① Enlarge mounting hole.

RESISTORS (Power and Special)

| ITEM No. | RATING | REPLACEMENT DATA | | | ITEM No. | RATING | REPLACEMENT DATA | | |
|----------|------------------------|------------------|------------------|----------------|----------|--------|------------------|------------------|----------------|
| | | IRC PART No. | WORKMAN PART No. | VISTA PART No. | | | IRC PART No. | WORKMAN PART No. | VISTA PART No. |
| R50 | 100Ω (Cold) Thermistor | | | MT-080 | | | | | |

COILS (RF-IF)

| ITEM No. | USE | REPLACEMENT DATA | | | | | | |
|----------|--------------------------|------------------|-------------------|----------------|-----------------|------------------|------------------|--|
| | | VISTA PART No. | MEISSNER PART No. | MERIT PART No. | MILLER PART No. | STANCOR PART No. | WORKMAN PART No. | |
| L1 | FM Antenna | RLQ-Y258-2 | | | | | | |
| L2 | FM Antenna | RLQ-Y728-1 | | | | | | |
| L3 | FM RF | RLD-4N2 | | | | | | |
| L4 | FM Oscillator | RLO-4N6 | | | | | | |
| L5 | IF Trap | RLQ-Y728-1 | | | | | | |
| L6 | 1st. FM IF | RLI-4D101 | | | | | | |
| L7 | Loopstick | RLF-2624 | | | | | | |
| L8 | Auto AM Antenna Matching | RLA-2C5 | | | | | | |
| L9 | 2nd. FM Antenna | RLI-4C201 | | | | | | |
| L10 | AM Oscillator | RLO-2C37 | | | | | | |
| L11 | 1st. AM IF | RLI-2B108 | | | | | | |
| L12 | 3rd. FM IF | RLI-4C302 | | | | | | |
| L13 | 2nd. AM IF | RLI-2B11(M) | | | | | | |
| L14 | Ratio Detector | RLI-4D503 | | | | | | |
| L15 | 3rd. AM IF | RLI-2B406 | | | | | | |
| L16 | RF Choke (10uh) | RLQ-X100-1 | 19-1005 | BC-588 | 4612 | RTC-8522 | T860 | |

TRANSFORMER (DRIVER)

| ITEM No. | TURNS RATIO | | REPLACEMENT DATA | | | | | NOTES |
|----------|-------------|------|------------------|----------------|------------------|---------------------|----------------|-------|
| | | | VISTA PART No. | MERIT PART No. | STANCOR PART No. | THORDARSON PART No. | TRIAD PART No. | |
| | PRI. | SEC. | | | | | | |
| T1 | 1 | 1 | RLT-3F25 | | | | | |

TRANSFORMER (AUDIO OUTPUT)

| ITEM No. | IMPEDANCE | | REPLACEMENT DATA | | | | | NOTES |
|----------|-----------|------|------------------|----------------|------------------|---------------------|----------------|-------|
| | | | VISTA PART No. | MERIT PART No. | STANCOR PART No. | THORDARSON PART No. | TRIAD PART No. | |
| | PRI. | SEC. | | | | | | |
| T2 | 200Ω CT | 8Ω | RLT-2E8-(S) | | | | | |

SPEAKER

| ITEM No. | TYPE | | | | REPLACEMENT DATA | | NOTES |
|----------|---------|----|----|------------|------------------|---------------|-------|
| | | | | | VISTA PART No. | QUAM PART No. | |
| SP1 | 3" x 4" | PM | 8Ω | EAS-10D308 | | | |

BATTERIES

| ITEM No. | VOLTAGE | VISTA PART No. | REPLACEMENT DATA | | | NOTES |
|----------|------------|----------------|---------------------|--------------------|-------------------------|-------------|
| | | | BURGESS | EVEREADY | MALLORY | |
| M1 | 5V (Total) | | 930 or (AL9 or Hg9) | 1015 or (E91 or 9) | M15R or (Mn1500 or ZM9) | 4 Required. |

PARTS LIST AND DESCRIPTION (CONTINUED)

(When ordering parts, state Model, Part Number, and Description.)

Replacement parts shown may be superseded by the availability of newly introduced replacements.
Have your local distributor check Sams COUNTER FACTS for the most up-to-date replacement.

MISCELLANEOUS

| ITEM No. | PART NAME | VISTA PART No. | NOTES |
|----------|--|-----------------------|-------|
| M2 S1 | Telescopic Antenna AM-FM Selector Switch | RANT110-115 RSH-16 | |
| S2 | Port-Auto Antenna Switch | RSH-12 | |
| S3 | AFC Switch | RSS-7 | |
| S4 | Tone Switch | RSH-14 | |

COMPONENT COMBINATIONS

| ITEM No. | USE | DESCRIPTION | VISTA PART NO. | REPLACEMENT DATA |
|----------|---------------------|-----------------------|----------------|------------------------------------|
| PC1 | AM Detector Network | 470Ω, .01mfd, .01mfd. | EXA-3HL01471 | Aerovox PA-819 Centralab PC-457 |

CABINETS & CABINET PARTS

(When Ordering Specify Model, Chassis & Color)

| ITEM | PART No. | ITEM | PART No. |
|--------------------------------------|-------------------------------|-------------------------------------|---------------------|
| Dial Scale Handle Dial Pointer | RKD-1840 RKN-27 RDP-121 | Dial Drum Knob, Tuning or Volume | RDD-40-1 RBN-121 |

AUTO ASSEMBLYPARTS LIST AND DESCRIPTION ELECTROLYTIC CAPACITORS

| ITEM No. | RATING | | REPLACEMENT DATA | | | | | |
|----------|--------|-------|------------------|------------------|---------------------------|---------------------------|------------------|------------------|
| | CAP. | VOLT. | VISTA PART No. | AEROVOX PART No. | CORNELL-DUBILIER PART No. | GENERAL ELECTRIC PART No. | MALLORY PART No. | SPRAGUE PART No. |
| C61 | 500 | 15 | ECE-B15V500 | PRS1220 | BR500-15 | QT1-30 | TC1505 | TVA-1182 |

CAPACITORS

| ITEM No. | RATING | REMARKS | REPLACEMENT DATA | | | | | |
|---------------------------------|-------------------------|-------------------------|-------------------|----------------------------|---------------------------|----------------------|-------------------------|--------------------|
| | | | AEROVOX PART No. | CENTRALAB PART No. | CORNELL-DUBILIER PART No. | ELMENCO PART No. | MALLORY PART No. | SPRAGUE PART No. |
| C62 C63 C64 C65 C66 | 200 .1 .01 600 | #TC-13B-700 #NFS-5T6 | P288N-1 BPD-01 | DM-201 DF-104 DD-103 | PM2P1 BYV102ZU103M | 2DP-3-104 CCD-103 | GP320 PVC215 B110 | 2TM-S50 5HK-S10 |

Vista Part Number.

COILS (RF-IF)

| ITEM No. | USE | REPLACEMENT DATA | | | | | |
|----------|----------|------------------|-------------------|----------------|-----------------|------------------|------------------|
| | | VISTA PART No. | MEISSNER PART No. | MERIT PART No. | MILLER PART No. | STANCOR PART No. | WORKMAN PART No. |
| L17 | RF Choke | RLQ-Y11G | | | | | |

FILTER CHOKE

| ITEM No. | RATINGS | | | REPLACEMENT DATA | | | | | NOTES |
|----------|--------------------|---------|------------------------------|------------------|----------------|------------------|---------------------|----------------|-------|
| | CURRENT (Measured) | DC RES. | INDUCTANCE (0 CURRENT 1000~) | VISTA PART No. | MERIT PART No. | STANCOR PART No. | THORDARSON PART No. | TRIAD PART No. | |
| L18 | | .3Ω | .5MH | RLQ-Z421-1 | | | | | |

FUSE DEVICES

| ITEM No. | TYPE | RATING | REPLACEMENT DATA | | | | | |
|----------|------|--------|------------------|---------|---------------------|--------|---------------|--------|
| | | | PART No. | | LITTELFUSE PART No. | | 8USS PART No. | |
| | | | FUSE | HOLDER | FUSE | HOLDER | FUSE | HOLDER |
| F1 | | 2 Amp. | RFS-2021 | RFJ-108 | 362003 | 155014 | AGX-2 | HDI |

TRANSFORMER (AUDIO OUTPUT)

| ITEM No. | IMPEDANCE | | REPLACEMENT DATA | | | | | NOTES |
|----------|-----------|-------|------------------|----------------|------------------|---------------------|----------------|-------|
| | PRI. | SEC. | VISTA PART No. | MERIT PART No. | STANCOR PART No. | THORDARSON PART No. | TRIAD PART No. | |
| T3 | 250Ω CT | 8Ω CT | RLT-2J29 | | | | | |

SPEAKER

| ITEM No. | TYPE | REPLACEMENT DATA | NOTES |
|----------|----------|-------------------|-------|
| | | | |
| SP2 | 5" PM 8Ω | EAS12P248A 5A07Z8 | |

MISCELLANEOUS

| ITEM No. | PART NAME | VISTA PART No. | NOTES |
|----------|---------------------------------------|------------------|-------|
| S5 | Voltage Selector Sw. Polarity Plug | RSS-52 RJP-40 | |

VISTA MODEL 875

AUTOMATIC (Continued)

CRP-3007 (1963 Corvair) AR-23
 CRP-4033 (1964 Corvair) AR-28
 CRP-5009 (1965 Corvair) AR-29
 CT-356 (1955-56 Chevrolet) AR-13
 CT-387 (1957 Chevrolet) AR-12
 CT-4058 (1964 Comet) AR-27
 CTP-792AT (1962 Comet) AR-23
 CTP-3004 (1963 Comet) AR-23
 CTP4059 (1964 Comet) AR-27
 CTP-5071 (1965 Comet) AR-29
 CTR-6A (1955-56 Chevrolet) AR-12
 CTR-6B (1955-56 Chevrolet) AR-13
 CTR-77A (1957 Chevrolet) AR- 9
 CU-39 AR-12
 CY-3010 (1963 Chevy II) AR-23
 CY-4025 (1964 Chevy II) AR-28
 CY-5005 (1965 Chevy II) AR-29
 CYP-3009 (1963 Chevy II) AR-23
 CYP-4032 (1964 Chevy II) AR-28
 CYP-5006 (1965 Chevy II) AR-29
 D-2 (1959 Renault Dauphine) AR-12
 D-8 (1959 Renault Dauphine) AR-12
 DAP-39 (1959 Dodge) AR-13
 DD-5125 (1965 Dart) AR-30
 DD-5125N (1965 Dart 270) AR-35
 DE-300 (1960 DeSoto) AR-14
 DE-3077 (1963 Dodge-Dart) AR-22
 DE-3078 (1963 Dodge-Dart) AR-22
 DEP-4154 AR-27
 DEP-4654 AR-27
 DET-28 (1957-58 DeSoto) AR- 9
 DFM-3095 AR-26
 DM-132 (1953 Dodge) AR- 5
 DP-6 (1957-59 Renault Dauphine) AR-12
 DP-11 (1957-59 Renault Dauphine) AR-12
 DP-3082 (1964 Dodge 880) AR-26
 DP-4107 (1964 Dodge 880) AR-26
 DP-5127N (1965 Dodge 880, Polara, Monaco) AR-35
 DTX-67A (1957-58 Dodge) AR-12
 DTX-68 (1957-58 Dodge) AR-12
 DUP-42 AR-20
 DUP-4151 AR-27
 DUP-4651 AR-27
 DX-410 (1960 Dart, DeSoto, Dodge) AR-14
 DX-619 (1959 Dodge) AR-13
 DX-3013 (1963 Dodge) AR-22
 DX-5121 (1965 Coronet) AR-30
 DX-5121N (1965 Coronet) AR-35
 DXA-50 (1960 Dart, DeSoto, Dodge) AR-14
 DXA-3053 (1963 Dodge) AR-22
 EM-29 AR-21
 EP-108 (1958 Edsel) AR-12
 F-100 (Revised)(1949-50 Ford) AR- 6
 F-128 (1958 Ford) AR-12
 F-128C (1958 Ford) AR-12
 F-139 (1959 Ford) AR- 6
 F-151 (Revised)(1951 Ford) AR- 6
 F-152 (1952 Ford) AR- 6
 F-241 (1954 Ford) AR- 6
 F-322A AR-19
 F-3016 (1963 Ford) AR-23
 F-4055 (1964 Ford) AR-27
 F-5058N (1965 Galaxie) AR-36
 FA-219 (1959 Ford) AR-11
 FA-3056 (1963 Ford) AR-23
 FA-4555 (1964 Ford) AR-27
 FAL-4554 AR-27
 FAN-3058 (1963 Fairlane) AR-23
 FAN-4551 (1964 Falcon) AR-27
 FAP-70 (1960 Ford) AR-14
 FAP-4556 (1964 Ford) AR-27
 FAR-762AT (1962 Fairlane) AR-24
 FAR-3018 (1963 Fairlane) AR-23
 FAR-4054 (1964 Fairlane) AR-27
 FFM-3091A (1963 Ford) AR-22
 FM-61 AR-14
 FM-731 AR- 6
 FM-3083 AR-22
 FM-3083A AR-27
 FM-5099 AR-32
 FN-4051 (1964 Falcon) AR-27
 FNP-430 (1960 Falcon) AR-14
 FNP-452AT (1962 Falcon) AR-23
 FNP-3015(1963 Falcon) AR-23
 FNP-3015A (1963 Falcon) AR-23
 FNP-4052 (1964 Falcon) AR-27
 FNP-5051N (1965 Falcon) AR-36
 FOP-4528 (1964 F-85) AR-28
 FP-238 (1958 Ford) AR-12
 FP-238C (1958 Ford) AR-12
 FP-260 (1960 Ford) AR-14
 FP-271AT (1960-61 Ford) AR-16
 FP-276TR (1959 Ford) AR-11
 FP-3017 (1963 Ford) AR-23
 FP-4056 (1964 Ford) AR-27
 FP-5057N (1965 Galaxie) AR-36
 FPA-220 (1960 Falcon) AR-14
 FPA-3055 (1963 Falcon) AR-23
 FPA-3057 (1963 Ford) AR-23
 FPA-4552 (1964 Falcon) AR-27

AUTOMATIC (Continued)

FPF-4557 (1964 Falcon) AR-27
 FPO-4028 (1964 F-85) AR-28
 FPO-5033 (1965 Olds F-85) AR-29
 FT-227 (1957 Ford) AR-12
 FTP-37A (1957 Ford) AR- 9
 FUP-3080 (1963 Falcon Futura) AR-23
 FUP-4057 (1964 Falcon) AR-27
 H-4 (1958 Hillman) AR-12
 H-9 (1958 Hillman) AR-12
 H-400 (1949-50-51 Hudson) AR- 6
 HP-10 (1958 Hillman) AR-12
 HP-15 (1958 Hillman) AR-12
 K-700 (1951 Henry J) AR- 6
 L-390 (1959-60 Studebaker Lark) AR-14
 L-559 (Early)(1959 Studebaker Lark) AR-11
 L-559 (Late)(1959-60 Studebaker Lark) AR-14
 LA-449 (1959 Studebaker Lark) AR-11
 LAP-29 (1959 Studebaker Lark) AR-11
 LAP-40 (1959-60 Studebaker Lark) AR-14
 LP-929 (1959 Studebaker Lark) AR-11
 MAP-99 (Early)(1959 Mercury) AR-11
 MAP-99 (Late)(1959-60 Mercury) AR-14
 MAP-3063 (1963 Mercury) AR-23
 MAP-4561 (1964 Mercury) AR-27
 MB-72 AR-30
 MM-430 (1953 Mercury) AR- 4
 MP-69 AR- 6
 MP-126 AR- 6
 MT-47C (1957 Mercury) AR-12
 MT-419 (Early)(1959 Mercury) AR-11
 MT-419 (Late)(1959-60 Mercury) AR-14
 MT-530 (1959-60 Mercury) AR-14
 MT-3023 (1963 Mercury) AR-23
 MT-4061 (1964 Mercury) AR-27
 MT-5073 (1965 Mercury) AR-29
 MTR-602AT (1962 Meteor) AR-24
 MU-34 AR- 6
 MUS-4067 (1964 Mustang) AR-27
 MUS-5059 (1965 Mustang) AR-29
 MUS-5059N (1965 Mustang) AR-36
 N-638 (1958-59 Rambler American) AR-13
 N-639 (1958-59 Rambler American) AR-13
 N-3028 (1963 Rambler American) AR-27
 NA-749 (1958-59 Rambler American) AR-13
 NA-3068 (1963 Rambler American) AR-23
 NAP-3066 (1963 Rambler American) AR-23
 NAY-3052 (1963 Chrysler) AR-23
 NP-3029 (1963 Rambler American) AR-23
 NP-5153 (1965 Rambler American) AR-29
 NU-63-AT AR-23
 NU-3107 AR-23
 NU-3107A AR-28
 NY-400 (1960 Chrysler) AR-14
 NY-598A (1958 Chrysler) AR-10
 NY-3012 (1963 Chrysler) AR-23
 NY-3100 (1963 Chrysler New Yorker) AR-26
 NY-5101N (1965 Chrysler) AR-35
 OAE-10 (1960 Oldsmobile) AR-14
 OAE-4531 (1964 Oldsmobile) AR-28
 OE-160 (1960 Oldsmobile) AR-14
 OE-171AT (1961 Oldsmobile) AR-16
 OE-3024 (1963 Oldsmobile) AR-23
 OE-4031 (1964 Oldsmobile) AR-28
 OE-5031 (1965 Oldsmobile) AR-29
 P-69 AR-20
 P-651 (Revised)(1951 Plymouth) AR- 6
 P-4152 AR-27
 P-4652 AR-27
 P-5040 (1965 Pontiac) AR-29
 PA-74R AR-30
 PA-85 AR-23
 PA-3065 (1963 Plymouth) AR-26
 PA-3285 AR-23
 PAC-90 (1960 Pontiac) AR-14
 PAC-3067 (1963 Pontiac) AR-23
 PAC-4529 (1964 Pontiac) AR-28
 PAF-4340 AR-29
 PAP-69 (1959 Plymouth) AR-15
 PAP-80 (1960 Plymouth) AR-15
 PAP-3066 (1963 Plymouth) AR-22
 PC-350 (1960 Oldsmobile) AR-14
 PC-361AT (1961 Pontiac) AR-16
 PC-3027 (1963 Pontiac) AR-23
 PC-4029 (1964 Pontiac) AR-28
 PC-5041 (1965 Pontiac) AR-29
 PFM-3092A (1963 Pontiac) AR-22
 PFM-3094 (1963 Plymouth) AR-22
 PFX-5109 (1965 Fury) AR-30
 PFX-5109N (1965 Fury) AR-35
 PM-236 (1953 Plymouth) AR- 5
 PP-330 (1960 Plymouth) AR-15
 PP-341AT (1961 Plymouth) AR-16
 PP-819 (1959 Plymouth) AR-15
 PP-3026 (1963 Plymouth) AR-22
 PP-5105 (1965 Belvedere) AR-30
 PP-5105N (1965 Belvedere) AR-35
 PS-4153 AR-27
 PS-4653 AR-27
 PT-3025 (1963 Plymouth) AR-26
 PUT-3108 AR-23

Vol.

AUTOMATIC (Continued)

PUT-3108A AR-28
 R-54, B AR-11
 R-61 AR-20
 RAP-89 (1959 Rambler) AR-13
 RAP-100 (1960 Rambler) AR-13
 RAP-3070 (1963 Rambler) AR-26
 RG-59 AR-14
 RG-59C AR-14
 RP-470 (1960 Rambler) AR-13
 RP-481AT (1960-61 Rambler) AR-16
 RP-519 (1959 Rambler) AR-13
 RP-3030 (1963 Rambler) AR-26
 RP-3097 (1963 Rambler) AR-23
 RP-5151 (1965 Rambler) AR-29
 RT-7B AR-13
 RT-7D AR-11
 S-91 (1958-59 Simca Aronde) AR-11
 S-500 (1950-51 Studebaker) AR- 6
 S-551 (Revised)(1950-51 Studebaker) AR- 6
 SA-529 (1958-59 Simca Aronde) AR-11
 SAB-3071 (1963 Special) AR-23
 SB-3032 (1963 Special) AR-23
 SBP-3033 (1963 Special) AR-23
 SBP-4027 (1964 Buick Special) AR-28
 SP-1 (1958-59 Simca Aronde) AR-11
 SPA-209 (1958-59 Simca Aronde) AR-11
 SPA-3072 (1963 Special) AR-23
 SPA-4527 (1964 Buick Special) AR-28
 TA-3073 (1963 F-85, Tempest) AR-23
 TAC-3051 (1963 Chev. Truck) AR-22
 TAC-4541 (1964 Chevrolet Truck) AR-28
 TAP-3074 (1963 F-85, Tempest) AR-23
 TAP-4526 (1964 Tempest) AR-28
 TAX-4542 (1964 Chevrolet Truck) AR-28
 TC-3035 (1963 F-85, Tempest) AR-23
 TCM-3011 (1963 Chev. Truck) AR-22
 TCM-4041 (1964 Chevrolet Truck) AR-28
 TCM-5014 (1965 Chevrolet Truck) AR-29
 TCX-4042 (1964 Chevrolet Truck) AR-28
 TCX-5013 (1965 Chevrolet Truck) AR-29
 TPC-31 (1961 Buick Special, Oldsmobile F-85, Pontiac Tempest) AR-16
 TPC-31AT (1963 F-85, Tempest) AR-23
 TPC-42AT (1963 F-85, Tempest) AR-23
 TPC-3036 (1963 F-85, Tempest) AR-23
 TPC-4026 (1964 Tempest) AR-28
 TPP-87A (1957 Plymouth) AR-13
 TPP-88 (1957-58 Plymouth) AR-13
 TPP-88C (1957-58 Plymouth) AR-13
 TR-12 (Tractor) AR- 4
 TR-13B AR-25
 TR-48AT AR-25
 TR-0048 AR-25
 TUN-5 AR-15
 UE-4155A AR-28
 UE-4171A AR-28
 UE-4655A AR-28
 UE-4671A AR-28
 UFM-3089 AR-22
 UFP-3098 AR-22
 UN-40 AR-12
 VP-12 AR-12
 VPA-280 (1960 Valiant) AR-15
 VPA-3076 (1963 Valiant) AR-22
 VT-5108 (1965 Valiant) AR-30
 VTP-440 (1960 Valiant) AR-15
 VTP-3038 (1963 Valiant) AR-22
 VTP-5107 (1965 Valiant) AR-30
 W-76 (Thru 1957 Volkswagen) AR-12
 W-84 (1958-63 Volkswagen) AR-23
 W-89 (1958-59 Volkswagen) AR-12
 W-3040 (1958-63 Volkswagen) AR-23
 W-3040A (1964 Volkswagen) AR-28
 W-5204 (See Page 41) (1965 Volkswagen) AR-28
 WP-4 (1958-59 Volkswagen) AR-12
 WP-7 (Thru 1957 Volkswagen) AR-12
 WP-7G (Karmann-Ghia) AR-12
 WP-19 (1958-59 Volkswagen) AR-12
 WP-21 (1958-63 Volkswagen) AR-23
 WP-167 AR-15
 WP-3039 (1958-63 Volkswagen) AR-23
 WP-3093A (1964 Volkswagen) AR-28
 WP-5203 (See Page 41)(1965 Volkswagen) AR-28
 WPC-8 (Thru 1957 Volkswagen) AR-12
 YAM-3050 (1963 Chevy II) AR-23
 YAM-4525 (1964 Chevy II) AR-28
 YP-3049 (1963 Chevy II) AR-23
 YP-4532 (1964 Chevy II) AR-28

Vol.

| KARADIO | Vol. | METEOR (Also See Mercury) | Vol. | MOPAR (Continued) | Vol. |
|-------------------------------|-------|---------------------------------|-------|---|-------|
| M80B..... | AR- 4 | 77BM (FEK-18805-C)(1957) | AR- 7 | 314V (Export Version of Model 113)..... | AR-16 |
| | | 78BM (FEK-18805-D)(1957) | AR- 7 | 317 (13BC 1961 Chrysler)..... | AR-15 |
| | | 84BM (FEW-18805-U)(1958) | AR- 8 | 322 (SP1, SP2, 1962 Plymouth) | AR-17 |
| | | 85BM (FEW-18805-T)(1958) | AR- 9 | 323 (SD1, SD2 1962 Dodge Dart) | AR-17 |
| KARMANN GHIA (See Volkswagen) | | 94PM (B9MF-18805-B)(1959) | AR-12 | 324 (Export SP1, SP2, 1962 Plymouth).... | AR-17 |
| | | 95PM (B9FM-18805-A)(1959) | AR-11 | 327 (SC1, SC2, SC3 1962 Chrysler)..... | AR-17 |
| | | | | 330 (1963 Plymouth)..... | AR-21 |
| KINEMATIX | | METRAVOX | | 331 (1963 Dodge)..... | AR-21 |
| Verba-Matix..... | AR-27 | SUTTON RA144..... | AR-20 | 332 (1963 Dodge 880)..... | AR-21 |
| | | SUTTON RA155..... | AR-21 | 333 (1963 Chrysler)..... | AR-21 |
| LAFAYETTE | | | | 334 (4TBQ)(1964 Dodge 880)..... | AR-24 |
| SP-172 (FM-100)..... | AR-14 | | | 335 (1964 Plymouth)..... | AR-25 |
| | | | | 336 (1964 Dodge)..... | AR-25 |
| LANCER (See MoPar) | | MG | | 337 (1963 Valiant)..... | AR-22 |
| LARK (See Studebaker) | | | | 339 (1963 Dodge Dart)..... | AR-22 |
| | | | | 343 (R3BC)(1963 Chrysler TC1, TC2, TC3) | AR-19 |
| | | | | 344 (1963 Dodge)..... | AR-22 |
| | | | | 345 (1963 Plymouth)..... | AR-22 |
| | | | | 347 (R23BDQ)(1962Dodge 880, SD3)..... | AR-19 |
| | | | | 348 (4TBC)(1964 Chrysler)..... | AR-24 |
| | | | | 350 (R3BD)(1963 Dodge 880)..... | AR-19 |
| | | | | 351 (1964 Chrysler)..... | AR-25 |
| | | | | 352 (1964 Chrysler Imperial)..... | AR-25 |
| | | | | 353 (1964 Dodge 880)..... | AR-25 |
| | | | | 354 (1964 Dodge)..... | AR-24 |
| | | | | 360 (5FBP)(1965 Plymouth)..... | AR-30 |
| | | | | 361 (5FBPD)(1965 Plymouth)..... | AR-30 |
| | | | | 361 (6FBPD)(1966 Plymouth Deluxe)..... | AR-36 |
| | | | | 362 (5FBD)(1965 Dodge)..... | AR-30 |
| | | | | 363 (1965 Dodge 880)..... | AR-28 |
| | | | | 363S (1966 Polara, Custom 880, Monaco BD2)..... | AR-35 |
| | | | | 364 (5FBDD)(1965 Dodge)..... | AR-30 |
| | | | | 364 (6FBDD)(1966 Dodge Deluxe)..... | AR-36 |
| | | | | 365 (1965 Chrysler)..... | AR-28 |
| | | | | 365S (1966 Chrysler BC1, BC2, BC3)..... | AR-35 |
| | | | | 366 (5FBC)(1965 Chrysler)..... | AR-30 |
| | | | | 366 (6FBC)(1966 Chrysler)..... | AR-36 |
| | | | | 367 (5FBI)(1965 Imperial)..... | AR-30 |
| | | | | 369 (6FBP, 6FBVE)(1966 Plymouth Standard)..... | AR-36 |
| | | | | 372 (5FBVE)(See page 86)(1965 Plymouth)..... | AR-30 |
| | | | | 373 (5FBL)(See page 86)(1965 Dodge Dart)..... | AR-30 |
| | | | | 379 (6FBL)(1966 Dart)..... | AR-36 |
| | | | | 402 (04BC)(1960 Chrysler)..... | AR-13 |
| | | | | 403 (04BI)(1960 Imperial)..... | AR-13 |
| | | | | 404 (14BI)(1961 Imperial)..... | AR-15 |
| | | | | 407 (14BC)(1961 Chrysler)..... | AR-15 |
| | | | | 409 (24BI)(1962 Imperial SV1)..... | AR-18 |
| | | | | 410 (24BC)(1962 ChryslerSC1, SC2, SC3)..... | AR-18 |
| | | | | 411 (34BCS)(1963 Chrysler)..... | AR-20 |
| | | | | 413 (34BI)(1963 Imperial TY1)..... | AR-20 |
| | | | | 414 (44BI)(1964 Imperial)..... | AR-24 |
| | | | | 415 (44BCS)(1964 Chrysler)..... | AR-24 |
| | | | | 416 (1965 Chrysler)..... | AR-31 |
| | | | | 417 (1965 Imperial)..... | AR-31 |
| | | | | 608 (1953 Plymouth P24)..... | AR- 4 |
| | | | | 609 (1953 Dodge Model D-44, D-46, D-47, and D-48)..... | AR- 4 |
| | | | | 610T (1953 Dodge Truck, Series B-3, B-4)..... | AR- 4 |
| | | | | 611T (1954 Dodge Truck, Series C)(See Model 610T)..... | AR- 4 |
| | | | | 612 (1954 Dodge Models D-40, D-51, D-52, and D-53)(See Model 809)..... | AR- 4 |
| | | | | 613 (1955 Plymouth Models P-26, P-27)..... | AR- 5 |
| | | | | 614 (1955 Dodge Models D-55, D-56)..... | AR- 5 |
| | | | | 620 (1956 Plymouth Models P-28, P-29)..... | AR- 7 |
| | | | | 621 (1956 Dodge Models D-62, D-63)..... | AR- 7 |
| | | | | 624 (1957 Dodge Models D-66, D-67, D-70, D-71, D-72)..... | AR- 8 |
| | | | | 700 (1958 Dodge Truck)..... | AR- 8 |
| | | | | 700 (Revised)(1960 Dodge Truck)..... | AR-14 |
| | | | | 701 (1959 Simca)..... | AR-12 |
| | | | | 703 (R12BDT)(1961 Dodge Truck)..... | AR-16 |
| | | | | 706 (1964 Dodge Truck)..... | AR-26 |
| | | | | 706 (5TBDT)(Similar to page 64)(1965 Dodge Truck)..... | AR-26 |
| | | | | 819 (1953 Plymouth)..... | AR- 4 |
| | | | | 820 (1953 Dodge)..... | AR- 4 |
| | | | | 821 (Desoto Models S-16, S-18)..... | AR- 4 |
| | | | | 824 (1953 Chrysler)(See Model 819)..... | AR- 4 |
| | | | | 828 (1954 Dodge Models D-50, D-51, D-52, D-53)(See Model 820)..... | AR- 4 |
| | | | | 829 (Desoto Models S-19 and S-20)..... | AR- 4 |
| | | | | 830 (1954 Chrysler Models C-62, C-63, C-64)..... | AR- 4 |
| | | | | 831 (See Model 830)..... | AR- 4 |
| | | | | 832 (1955 Plymouth)..... | AR- 5 |
| | | | | 833 (1955 Dodge Models D-55, D-56)..... | AR- 5 |
| | | | | 834 (1955 Desoto Models S-21, S-22)..... | AR- 5 |
| | | | | 835 (1955 Chrysler)..... | AR- 5 |
| | | | | 836 (1955 Plymouth Models P-25, P-27)..... | AR- 5 |
| | | | | 840 (1956 Plymouth)..... | AR- 6 |
| | | | | 841 (1956 Plymouth Models P-28, P-29)..... | AR- 6 |
| | | | | 842, 842HR (1956 Dodge Models D-62, D-63)..... | AR- 6 |
| | | | | 843 (1956 Desoto Models S-23, S-24)..... | AR- 6 |
| | | | | 844, 844HR (1956 Chrysler)..... | AR- 6 |
| | | | | 845 (1957 Dodge Models D-66, D-67, D-70, D-71, D-72)..... | AR- 8 |

MOPAR (Continued)

| | |
|---|-------|
| 846 (1957 Desoto Models S-25,S-26,S-27) .. | AR- 8 |
| 847 (1957 Chrysler) | AR- 8 |
| 848 (1957 Plymouth) | AR- 8 |
| 849 (1957 Plymouth Models P-30, P-31) .. | AR- 8 |
| 851 (84BC)(1958 Chrysler) | AR- 8 |
| 852 (1958 Dodge Models LD-1,LD-2,LD-3) .. | AR- 8 |
| 854 (1958 Plymouth Models LP-1, LP-2) .. | AR- 9 |
| 855 (P-5901)(1959 Plymouth) | AR-11 |
| 856 (1959 Dodge Models MD1, MD2, MD3) .. | AR-10 |
| 857 (1959 Desoto Models MS1, MS2, MS3) .. | AR-10 |
| 858 (94BC)(1959 Chrysler) | AR-10 |
| 860 (1959 Plymouth, MP1, MP2) | AR-12 |
| 861 (1959 Chrysler Export) | AR-12 |
| 900 (1955 Dodge Models D-55, D-56) | AR- 5 |
| 901 (1955 Desoto Models S-21, S-22) | AR- 5 |
| 902 (1955 Chrysler) | AR- 5 |
| 903 (1955 Chrysler) | AR- 5 |
| 910, 910HR (1956 Dodge Models D-62, D-63) .. | AR- 6 |
| 911 (1956 Desoto Models S-23, S-24) | AR- 6 |
| 912, 912HR (1956 Chrysler) | AR- 7 |
| 916, 916HR (1956 Plymouth Models P-28, P-29) | AR- 7 |
| 917HR (1957 Plymouth) | AR- 8 |
| 918 (1957 Dodge Models D-66, D-67, D-70, D-71, D-72) | AR- 7 |
| 919, 919HR (1957 Desoto Models S-25, S-26, S-27) | AR- 7 |
| 920HR (1957 Chrysler) | AR- 8 |
| 921HR (1957 Imperial) | AR- 8 |
| 922 (85BC)(1958 Chrysler) | AR- 9 |
| 923 (1958 Desoto Models L-51, L-52, L-53) .. | AR- 9 |
| 924HR | AR- 9 |
| 925 (1958 Plymouth Models LP-1, LP-2) .. | AR- 9 |
| 927 (1959 Desoto Models MS-1, MS-2, MS-3) .. | AR-11 |
| 928 (R55BC-S)(1959 Chrysler) | AR-10 |
| 929 (C-5909)(1959 Imperial Model MY-1) .. | AR-11 |

MOTOROLA

| | |
|--|-------|
| AF4TMR (1964 Rambler) | AR-26 |
| BK3A6 (1949-53 Buick Special, 1942/46-52 Buick Super & Roadmaster) | AR- 5 |
| BK4FM (1964 Buick) | AR-26 |
| BK4FMC (1964 Buick) | AR-34 |
| BK53A6 (1949-53 Buick Special, 1942/46-52 Buick Super & Roadmaster) | AR- 5 |
| BKA6T (1956 Buick) | AR- 7 |
| BKA6X (1956 Buick) | AR- 7 |
| BKA7X (1957 Buick) | AR- 7 |
| BKA9X (1959 Buick) | AR-10 |
| BKA60X (1960 Buick) | AR-15 |
| BKA61 (1961 Buick) | AR-15 |
| BKA62 (1962 Buick) | AR-20 |
| BKA63 (1963 Buick) | AR-22 |
| BKA64 (1964 Buick) | AR-24 |
| CA61X (1961 Buick Special, Oldsmobile F-85, Pontiac Tempest) | AR-16 |
| CA62 (1961 Buick Special, Oldsmobile F-85, Pontiac Tempest) | AR-20 |
| CA63 (1961-63 Buick Special, Oldsmobile F-85, Pontiac Tempest) | AR-22 |
| CE65A (1965 Chevelle) | AR-32 |
| CE65M (1965 Chevelle) | AR-32 |
| CEA64 (1964 Chevelle) | AR-24 |
| CEM64 (1964 Chevelle) | AR-25 |
| CK65M (1965 Chevrolet Truck) | AR-32 |
| CR65A (1965 Corvair) | AR-32 |
| CR65M (1965 Corvair) | AR-32 |
| CRA60X (1960 Corvair) | AR-15 |
| CRA62 (1960-62 Corvair) | AR-20 |
| CRA63 (1961-63 Corvair) | AR-22 |
| CRA64 (1960-64 Corvair) | AR-25 |
| CRM60X (1960 Corvair) | AR-14 |
| CRM62 (1960-62 Corvair) | AR-19 |
| CRM63 (1961-63 Corvair) | AR-22 |
| CRM64 (1960-64 Corvair) | AR-25 |
| CT2A6 (1951-52 Chevrolet) | AR- 5 |
| CT4FM (1964 Chevrolet) | AR-26 |
| CT4FMC (1964 Chevrolet) | AR-34 |
| CT52M6 (1951-52 Chevrolet) | AR- 5 |
| CT65A (1965 Chevrolet) | AR-32 |
| CT65M (1965 Chevrolet) | AR-32 |
| CTA3 (1953 Chevrolet) | AR- 4 |
| CTA4 (1954 Chevrolet) | AR- 6 |
| CTA5 (1955 Chevrolet) | AR- 6 |
| CTA6T (1955-56 Chevrolet) | AR- 6 |
| CTA6X (1955-56 Chevrolet) | AR- 7 |
| CTA7X (1957 Chevrolet) | AR- 7 |
| CTA8X (1958 Chevrolet) | AR- 9 |
| CTA9X (1959 Chevrolet) | AR-10 |
| CTA61 (1961 Chevrolet) | AR-15 |
| CTA62 (1962 Chevrolet) | AR-18 |
| CTA63 (1963 Chevrolet) | AR-22 |
| CTA64 (1964 Chevrolet) | AR-24 |
| CTM3 (1953 Chevrolet) | AR- 5 |

Vol.

MOTOROLA (Continued)

| | |
|---|-------|
| CTM4, CTM4A (1954 Chevrolet) | AR- 6 |
| CTM6 (1955-56 Chevrolet) | AR- 6 |
| CTM7X (1957 Chevrolet) | AR- 7 |
| CTM8X (1958 Chevrolet) | AR- 9 |
| CTM9X (1959 Chevrolet) | AR-10 |
| CTM57X (1957 Chevrolet) | AR- 9 |
| CTM61X, CTM61XA (1961 Chevrolet) | AR-16 |
| CTM62 (1961-62 Chevrolet) | AR-19 |
| CTM63 (1963 Chevrolet) | AR-22 |
| CTM64 (1964 Chevrolet) | AR-25 |
| CY65A (1962-65 Chevy II) | AR-32 |
| CY65M (1962-65 Chevy II) | AR-33 |
| CYA62 (1962 Chevy II) | AR-20 |
| CYA63 (1961-63 Chevy II) | AR-22 |
| CYA64 (1962-64 Chevy II) | AR-25 |
| CYM62 (1962 Chevy II) | AR-19 |
| CYM63 (1962-63 Chevy II) | AR-22 |
| CYM64 (1962-64 Chevy II) | AR-25 |
| FM65M | AR-35 |
| FM200A | AR-34 |
| FM-900 | AR-14 |
| FMA-100 | AR-26 |
| FMC62 | AR-19 |
| GMT3A6 (1948-53 Chevrolet & GMC Truck) | AR- 5 |
| GMT53A6(1948-53 Chevrolet & GMC Truck) | AR- 5 |
| GV-701 | AR-11 |
| GV-800 | AR- 9 |
| HF3A6 (1951-53 Henry J) | AR- 5 |
| HN2A6 (1951-52 Hudson) | AR- 5 |
| HN3A6 (1951-53 Hudson except Hudson Jet) | AR- 5 |
| HN4A6 (1954 Hudson) | AR- 5 |
| HN4M6 (1954 Hudson) | AR- 5 |
| HN5M6 (1951-53 Hudson) | AR- 5 |
| HT3A6 (1953 Hudson Jet) | AR- 5 |
| IL5TCA, -12 (1955 International)(See International IL5TCA) | AR- 6 |
| KR3A6 (1951-53 Kaiser) | AR- 5 |
| NH3C (1953 Nash Rambler)(See Nash, Model NH3C) | AR- 4 |
| NH4AC (1954 Nash)(See Nash, Model AC-154) | AR- 5 |
| NH5AC (1955 Nash)(See Nash, Model AC-154) | AR- 5 |
| OE4FMC (1964 Oldsmobile) | AR-34 |
| OE65A (1965 Oldsmobile) | AR-32 |
| OEA7X (1957 Oldsmobile) | AR- 7 |
| OEA9X (1959 Oldsmobile) | AR-12 |
| OEA60X (1960 Oldsmobile) | AR-14 |
| OEA61X (1961 Oldsmobile) | AR-17 |
| OEA63 (1963 Oldsmobile) | AR-22 |
| OEA64 (1964 Oldsmobile) | AR-24 |
| OE2A6 (1951-52 Oldsmobile "Super 88" and "98") | AR- 5 |
| OE4FM (1964 Oldsmobile) | AR-26 |
| PCA7X (1957 Pontiac) | AR- 7 |
| PCA9X (1959 Pontiac) | AR-10 |
| PCA60X (1960 Pontiac) | AR-15 |
| PCA61X (1961 Pontiac) | AR-17 |
| PCA62 (1962 Pontiac) | AR-20 |
| PCA63 (1963 Pontiac) | AR-22 |
| PCA64 (1964 Pontiac) | AR-24 |
| PCA2A6 (1949-52 Pontiac) | AR- 5 |
| PC4FM (1964 Pontiac) | AR-26 |
| PC4FMC (1964 Pontiac) | AR-34 |
| PC65A (1965 Pontiac) | AR-32 |
| PD3A6 (1951-53 Packard) | AR- 5 |
| R200 | AR-19 |
| SR2A6 (1950-52 Studebaker) | AR- 5 |
| SR3A6 (1952 Studebaker) | AR- 5 |
| SR52A6 (1950-52 Studebaker) | AR- 5 |
| SR52M6 (1950-52 Studebaker) | AR- 5 |
| TM5A | AR-33 |
| TM5M | AR-32 |
| TM15A | AR-32 |
| TM295M | AR-33 |
| TM315M | AR-33 |
| TM415M | AR-32 |
| TM525A | AR-33 |
| U3MW (Autocar, Diamond T, Reo, White Trucks 891600) | AR-24 |
| VWA7 (1953-57 Volkswagen) | AR- 7 |
| VWA8 (1958 Volkswagen) | AR-12 |
| VWA60 (1960 Volkswagen) | AR-13 |
| VWA63 (1963 Volkswagen) | AR-22 |
| VWA64 (1958-64 Volkswagen) | AR-25 |
| VWM60 (1960 Volkswagen) | AR-22 |
| VWM63 (1958-63 Volkswagen) | AR-22 |
| VWM64 (1958-64 Volkswagen) | AR-25 |
| 03AR (See American Motors Model 8990811) | AR-12 |
| 04MA (1960 Rambler)(See American Motors Model 8990706) | AR-11 |
| 04MD, 04MF, 04MFM (See Ford Model 04MD) | AR-12 |
| 2AT-1 | AR-21 |
| 2MT | AR-20 |
| 2TMF (See Ford Model 2TMF) | AR-18 |
| 2TMX (See Ford Model 2TMX) | AR-18 |
| 2TMXD (See Renault Model 55555) | AR-17 |

Vol.

MOTOROLA (Continued)

| | |
|--|-------|
| 2TMY (See Mercury Model 2TMY) | AR-18 |
| 3AT | AR-22 |
| 3MT | AR-22 |
| 4AT | AR-25 |
| 4MT | AR-25 |
| 5M, 5M-12 | AR- 5 |
| 6M | AR- 6 |
| 6M-12 | AR- 6 |
| 6MA (1959 Hudson & Nash)(See American Motors Model 8990378) | AR- 6 |
| 6MR (1956 Rambler)(See American Motors Model 8990377) | AR- 6 |
| 6TAS8 | AR- 6 |
| 7M (See Model 6M) | AR- 6 |
| 7MR (1957 Rambler)(See American Motors Model 8990455) | AR- 6 |
| 7MX | AR- 7 |
| 8M | AR- 8 |
| 8MX | AR- 9 |
| 9AX | AR-10 |
| 10AX | AR-15 |
| 10M | AR-13 |
| 10MX | AR-12 |
| 11MX | AR-16 |
| 12AT-1/-2/-3 | AR-21 |
| 13MA (1960 Rambler American)(See American Motors Model 8990832) | AR-14 |
| 13MAM (1960 Rambler American)(See American Motors Model 8990831) | AR-14 |
| 14AT | AR-25 |
| 14MR (1961 Rambler)(See American Motors Model 8990833) | AR-15 |
| 24ME, 24MF, 24MY(See Ford Model 24ME) .. | AR-17 |
| 76MA (1957 Hudson & Nash)(See American Motors Model 8990378) | AR- 6 |
| 93MR (1959 Rambler)(See American Motors Model 8990582) | AR-10 |
| 94MIM (1959 International)(See International Model 94MIM) | AR-10 |
| 94MF (See Ford Model 94MF) | AR-10 |
| 95MF (See Ford Model 95MF) | AR-10 |
| 94MFM (See Ford Model 94MFM) | AR-10 |
| 94MI (1959 "R" and "V" Line International Truck)(See International Model 94MI) .. | AR-11 |
| 94MS (1959 Thunderbird)(See Ford Model 94MS) | AR-11 |
| 101 (See MoPar Model 101) | AR-13 |
| 102 (See MoPar Model 102) | AR-13 |
| 104 (See MoPar Model 104) | AR-13 |
| 110 (See MoPar Model 110) | AR-13 |
| 250X | AR-20 |
| 290T | AR-22 |
| 294 | AR-25 |
| 300X | AR-11 |
| 301X | AR-11 |
| 302 (See MoPar Model 302) | AR-13 |
| 310X (Negative Ground) | AR-13 |
| 311X (Positive Ground) | AR-13 |
| 320T | AR-21 |
| 323T | AR-22 |
| 324 | AR-25 |
| 395, 395-12 | AR- 5 |
| 396, 396-12 | AR- 6 |
| 397 | AR- 7 |
| 397X | AR- 7 |
| 398X | AR- 9 |
| 403 | AR- 4 |
| 404 | AR- 5 |
| 406 | AR-11 |
| 412 | AR- 4 |
| 414 | AR-25 |
| 424 | AR-25 |
| 500X | AR-13 |
| 503 | AR- 4 |
| 504 | AR- 5 |
| 506, 506-12 | AR- 7 |
| 520T | AR-21 |
| 524 | AR-26 |
| 553 | AR- 4 |
| 555, 555-12 | AR- 6 |
| 556 | AR- 6 |
| 595, 595-12 | AR- 6 |
| 596, 596-12 | AR- 6 |
| 597X | AR- 7 |
| 601X | AR-13 |
| 611T (See MoPar Model 610T) | AR- 4 |
| 612 (See MoPar Model 609) | AR- 4 |
| 624 (See MoPar Model 624) | AR- 8 |
| 701 (See MoPar Model 701) | AR-12 |
| 829 (See MoPar Model 829) | AR- 4 |
| 845 (See MoPar Model 845) | AR- 8 |
| 846 (See MoPar Model 846) | AR- 8 |
| 849 (See MoPar Model 849) | AR- 8 |
| 852 (See MoPar Model 852) | AR- 8 |
| 853 (See MoPar Model 853) | AR- 8 |
| 854 (See MoPar Model 854) | AR- 9 |
| 856 (See MoPar Model 856) | AR-10 |
| 857 (See MoPar Model 857) | AR-10 |
| 860 (See MoPar Model 860) | AR-12 |

Vol.

RIVERSIDE (Also see Airline)

| | |
|---|-------|
| FGJ16511A | AR-27 |
| FJB-6471A (1962 Chevy II) | AR-19 |
| FJB-6472A (1962 Chevy II) | AR-19 |
| FJB-6537A (1958-59 Volkswagen) | AR-14 |
| FJB-6538A (1958-59 Volkswagen) | AR-14 |
| FJB-6540A | AR-19 |
| FJB-6540C | AR-27 |
| FJB-6550A | AR-24 |
| FJB-6551A | AR-22 |
| FJB-6551B | AR-27 |
| FJB-6551C | AR-34 |
| FJB-6580A (1962 Mercury) | AR-19 |
| FJB-6581A (1962 Fairlane) | AR-19 |
| FJB-6582A (1961-62 Chevrolet) | AR-19 |
| FJB-6587M (1959 Plymouth) | AR-13 |
| FJB-6571 (1960-61 Dart) | AR-19 |
| FJB-6572A (1961-62 F-85, Special, Tempest) | AR-19 |
| FJB-6576A | AR-32 |
| FJB-6577A | AR-32 |
| FJB-6579A (1961-62 F-85, Special, Tempest) | AR-19 |
| FJB-6580A (1961-62 F-85, Special, Tempest) | AR-19 |
| FJB-6581 (1960-62 Corvair) | AR-19 |
| FJB-6583A (1960-62 Ford) | AR-19 |
| FJB-6584A (1960-61 Valiant) | AR-18 |
| FJB-6587 | AR-20 |
| FJB-6591 | AR-16 |
| FJB-6592 | AR-16 |
| FJB-6593 | AR-16 |
| FJB-6604B (1960-62 Corvair) | AR-19 |
| FJB-6608A (1961 Lancer) | AR-18 |
| FJB-6609A | AR-19 |
| FJB-6609A | AR-19 |
| FJB-6611 (1960-61 Rambler) | AR-22 |
| FJB-6612 (61-6612)(1962 Chevrolet) | AR-18 |
| FJB-6612A (1961-62 Chevrolet) | AR-19 |
| FJB-6613, FJB-6613A (1960-61 Falcon or Comet) | AR-18 |
| FJB-6615A | AR-27 |
| FJB-6618A (61-6618A)(1961 Rambler) | AR-17 |
| FJB-6619/A | AR-21 |
| FJB-6643A (1960-62 Comet, Falcon) | AR-19 |
| FJB-6649A (Tractor) | AR-20 |
| FJB-6658 | AR-21 |
| FJB-6679A | AR-10 |
| FJB-6681A (1958 Plymouth) | AR-10 |
| FJB-6682A, B | AR-10 |
| FJB-6684 (1959 Ford) | AR-11 |
| FJB-6686A (1959 Plymouth) | AR-12 |
| FJB-6687 (1959 Ford) | AR-11 |
| FJB-6688 (1959 Chevrolet) | AR-11 |
| FJB-6689A (1959 Plymouth) | AR-12 |
| FJB-6690A (1959 Buick) | AR-13 |
| FJB-6691B (Renault Dauphine) | AR-12 |
| FJB-6693B (Renault Dauphine) | AR-12 |
| FJB-16509C | AR-33 |
| FJB-16512A (1964 Volkswagen) | AR-28 |
| FJB-16513A (1964 Volkswagen) | AR-28 |
| FJB-16520A (1963 Chrysler) | AR-23 |
| FJB-16521A (1963 Chevrolet) | AR-23 |
| FJB-16522A (1963 Dodge) | AR-23 |
| FJB-16523A (1963 Ford) | AR-23 |
| FJB-16524A (1963 Mercury) | AR-23 |
| FJB-16525A (1963 Oldsmobile) | AR-23 |
| FJB-16526A (1963 Plymouth) | AR-23 |
| FJB-16527A (1963 Pontiac) | AR-23 |
| FJB-16563A | AR-32 |
| FJB-16566A | AR-20 |
| FJB-16567A | AR-21 |
| FJB-16569A | AR-28 |
| FJB-16574A (1963 Buick) | AR-23 |
| FJB-16576A (1963 Corvair) | AR-23 |
| FJB-16577A (1963 Dodge Dart) | AR-22 |
| FJB-16578A (1963 Ford) | AR-23 |
| FJB-16579A (1963 Falcon) | AR-23 |
| FJB-16580A (1963 F-85) | AR-23 |
| FJB-16581A (1963 Mercury) | AR-23 |
| FJB-16582A (1962-63 Plymouth) | AR-23 |
| FJB-16583A (1963 Tempest) | AR-23 |
| FJB-16584A (1963 Rambler) | AR-26 |
| FJB-16585A (1963 Chevrolet) | AR-23 |
| FJB-16586A (1963 Corvair) | AR-23 |
| FJB-16587A (1963 Falcon) | AR-23 |
| FJB-16588A (1963 Ford) | AR-23 |
| FJB-16589A | AR-23 |
| FJB-16607A | AR-32 |
| FLH-16518A (1964-65 Chevrolet & GMC Truck) | AR-35 |
| FLH-16519A (1960 thru 1964 Dodge, 880) | AR-34 |
| FLH-16528A (1963-64 Chevrolet) | AR-34 |
| FLH-16529A (1965 Chevrolet) | AR-35 |
| FLH-16530A (1960-64 Corvair) | AR-34 |
| FLH-16531A (1965 Corvair) | AR-35 |
| FLH-16533A (1962-65 Chevy II) | AR-35 |
| FLH-16534A (1964 Chevelle) | AR-34 |
| FLH-16535A (1965 Chevelle) | AR-35 |
| FLH-16536A (1963-64 Galaxie) | AR-34 |
| FLH-16537A (1965 Galaxie) | AR-35 |

Vol.

RIVERSIDE (Continued)

| | |
|---|-------|
| FLH-16538A (1964 Fairlane) | AR-34 |
| FLH-16539A (1965 Fairlane 500) | AR-35 |
| FLH-16541A (1964/65 Falcon, 1964 Comet) | AR-35 |
| FLH-16543A (1965 Comet) | AR-35 |
| FLH-16544A (1963-64 Mercury) | AR-34 |
| FLH-16545A (1965 Mercury) | AR-35 |
| FLH-16546A (1963-64 Ambassador, Classic) | AR-34 |
| FLH-16547A (1965 Ambassador, Classic) | AR-34 |
| FLH-16549A (1964 Plymouth) | AR-34 |
| FLH-16552A (1964 Valiant) | AR-34 |
| FLH-16554A (1964 Polara, 330, 440) | AR-34 |
| FLH-16556A (1964 Dart 270, GT) | AR-34 |
| FLH-16558A (1964 Dart 170) | AR-34 |
| FLH-16598A | AR-31 |
| FLH-16650A (1965 Dodge Deluxe, Polara, Monaco, 880) | AR-35 |
| FLH-16651A (1963-65 Econoline Truck) | AR-35 |
| FLH-16652A (1964 Buick Special) | AR-34 |
| FLH-16653A (1965 Oldsmobile) | AR-35 |
| FLH-16654A (1964 Oldsmobile F-85) | AR-34 |
| FLH-16656A (1964-65 Tempest) | AR-35 |
| FLH-16662A (1965) | AR-34 |
| FLH-16663A (1960-63 Chevrolet & GMC Trucks) | AR-34 |
| FLH-16665A (1964-65 Dodge Truck) | AR-35 |
| 61-16509C | AR-33 |
| 61-16584A (1963 Rambler) | AR-26 |
| SAAB | |
| 4BH (1964) | AR-30 |
| 5BH (1965 Saab) | AR-34 |
| SAMPSON | |
| 55A | AR-18 |
| SEARS | |
| 833, 62820 | AR-36 |
| SIMCA | |
| 4TBJ (1000)(1964) | AR-27 |
| 5BJ (1000)(1965) | AR-35 |
| SOUNDEX | |
| CEP-764T (1964 Chevelle) | AR-26 |
| CHP-164T (1964 Chevrolet) | AR-26 |
| CHP-165T (1965 Chevrolet) | AR-32 |
| CHP-654T (1964 Chevy II) | AR-26 |
| COM-60 (1960 Corvair) | AR-16 |
| COP-60 (1960 Corvair) | AR-16 |
| CTP-264T (1964 Comet) | AR-26 |
| CYP-465T (1965 Chrysler) | AR-32 |
| DAP-864T (1964 Dodge Dart) | AR-26 |
| DAP-865T (1964 Dodge Dart) | AR-32 |
| DOP-864T (1964 Dodge) | AR-26 |
| DOP-865T (1965 Dodge) | AR-32 |
| FAP-264T (1964 Falcon) | AR-26 |
| FLP-264T (1964 Fairlane) | AR-26 |
| FOP-264T (1964 Ford) | AR-26 |
| FOP-265T (1965 Ford) | AR-32 |
| MEP-264T (1963-64 Mercury) | AR-26 |
| MEP-265T (1965 Mercury) | AR-32 |
| PLP-464T (1964 Plymouth) | AR-26 |
| PLP-465T (1965 Plymouth) | AR-32 |
| PLPF-465T (1965 Plymouth Fury) | AR-32 |
| RAAP-1065T (1965 Rambler American) | AR-32 |
| RAP-364T | AR-27 |
| RAP-365T (1965 Rambler) | AR-32 |
| SM-130RPE | AR-27 |
| STM-059 (1959 Studebaker Lark) | AR-16 |
| STP-059 (1959 Studebaker Lark) | AR-16 |
| UP-220RPT | AR-27 |
| VAP-464T (1964 Valiant) | AR-26 |
| VAP-465T (1965 Valiant) | AR-32 |
| VWP-19T | AR-27 |
| VWP-19T (1965 Prod) | AR-33 |
| 4TBTR (V-350)(1964 Triumph) | AR-26 |

Vol.

STROMBERG-CARLSON

| | |
|---|-------|
| C. A. R. 7 | AR-11 |
| C. A. R. 9 (1959 Ford & Edsel) | AR-11 |
| CH-60-M (1960 Chevrolet) | AR-14 |
| CH-60-PB (1960 Chevrolet) | AR-14 |
| CH-61-M (1961 Chevrolet) | AR-17 |
| CH-61-PB (1961 Chevrolet) | AR-17 |
| DA-60-PB (1960 Dodge Dart) | AR-14 |
| DE-60-PB (1960 DeSoto) | AR-14 |
| DO-60-PB (1960 Dodge) | AR-14 |
| DO-61-PB (1961 Dodge & Dodge Dart) | AR-17 |
| FA-60-M (1960 Falcon) | AR-14 |
| FA-60-PB (1960 Falcon) | AR-14 |
| FO-60-M (1960 Ford) | AR-14 |
| FO-60-PB (1960 Ford) | AR-14 |
| FO-61-M (1961 Ford & Mercury) | AR-17 |
| FO-61-PB (1961 Ford & Mercury) | AR-17 |
| IM-60-M | AR-15 |
| IM-60-MK | AR-17 |
| IM-61-PB | AR-17 |
| LA-61-PB (1961 Studebaker Lark) | AR-17 |
| LR-61-PB (1961 Lancer) | AR-18 |
| OF-61-PB (1961 Oldsmobile F-85) | AR-17 |
| OL-61-PB (1961 Oldsmobile) | AR-17 |
| PL-60-M (1960 Plymouth) | AR-14 |
| PL-61-M (1961 Plymouth) | AR-18 |
| PO-61-PB (1961 Pontiac) | AR-17 |
| RA-61-PB (1961 Rambler) | AR-17 |
| VA-60-M (1960 Valiant) | AR-14 |
| VA-61-PB (1961 Valiant) | AR-18 |
| SPECIAL (See Buick) | |
| STUDEBAKER | |
| AC-2300 (S-5327)(1953) | AR- 4 |
| AC-2301 (S-5323)(1953) | AR- 4 |
| AC-2686 (S-5528)(1955)(See Model AC-2300) | AR- 4 |
| AC-2687 (S-5524)(1955)(See Model AC-2301) | AR- 4 |
| AC-2721 (S-5529)(1955)(See Model AC-2300) | AR- 4 |
| AC-2745 (1956) | AR- 6 |
| AC-2746 (1956) | AR- 6 |
| AC-2747 (1956) | AR- 6 |
| AC-2748 (1956) | AR- 6 |
| AC-2905 (1958) | AR- 9 |
| AC-2906 (1958) | AR- 8 |
| AC-2907 (1958) | AR- 8 |
| AC-2977 (1960) | AR-12 |
| AC-2978 (1960) | AR-13 |
| AC-3084 (1961) | AR-17 |
| AC-3085 (1961) | AR-15 |
| AC-3086 (1961) | AR-17 |
| AC-3087 (1961) | AR-15 |
| AC-3216 (1962) | AR-17 |
| AC-3217 (1962) | AR-18 |
| AC-3246 (1962) | AR-18 |
| AC-3247 (1962) | AR-17 |
| AC-3255 (1962) | AR-18 |
| AC-3256 (1962) | AR-17 |
| AC-3351 (1963) | AR-19 |
| AC-3352 (1963) | AR-21 |
| AC-3353 (1963) | AR-19 |
| AC-3354 (1963) | AR-21 |
| AC-3377 (1963) | AR-21 |
| AC-3423 (SR2T) | AR-22 |
| AC-3473 (1964 Studebaker) | AR-24 |
| AC-3474 (1964 Hawk) | AR-24 |
| AC-3498 (1964 Studebaker) | AR-24 |
| AC-3499 (1964 Hawk) | AR-24 |
| AC-3500 (1964 Avanti) | AR-24 |
| AC-3506 (1964 Avanti) | AR-24 |
| AC-3556 (1966 Studebaker) | AR-36 |
| TEMPEST (See Pontiac) | |
| TENATRONICS | |
| SA-822 | AR-36 |
| SM-711 | AR-22 |
| SM-751 | AR-22 |
| SM-821 | AR-36 |
| TRM-701 | AR-22 |
| UA-702 | AR-22 |
| UM-701 | AR-22 |
| VWA-702 | AR-22 |
| VWM-701 | AR-22 |

| TENNA | Vol. | TENNA (Continued) | Vol. | VOLKSWAGEN (Continued) | Vol. |
|--|-------|-----------------------------------|-------|--|-------|
| AM-63M/PB (1960-63 Rambler) | AR-26 | TC-300M (5-041)(1965 Prod.) | AR-36 | 2BV (1962 Sedan) | AR-18 |
| AM-64PB (1964 American) | AR-23 | TC-300MD (5-072) | AR-36 | 2FMBG (1962 Karmann Ghia) | AR-22 |
| AM-66PB (1966 Rambler American) | AR-36 | TC-310M/MD | AR-35 | 2FMBT (1962 Transporter) | AR-22 |
| BU-63PB (1963 Buick) | AR-26 | TC-400PB (1964 Volkswagen) | AR-23 | 2FMBV (1962 Sedan) | AR-22 |
| BU-64PB (1963-64 Buick) | AR-23 | TC-400PB (5-045)(1965 Prod.) | AR-36 | 3TBV (1963 Sedan) | AR-20 |
| CH-63M/PB (1963 Chevrolet) | AR-26 | TC-410PB (Similar to page 144) | AR-23 | 3TBVG | AR-20 |
| CH-64M (See page 136)(1963-64 Chevrolet) | AR-23 | TC-410PB (5-045) | AR-36 | 3TBT (1963 Transporter) | AR-20 |
| CH-64PB/RS (1963-64 Chevrolet) | AR-23 | TE-63PB (1963 Pontiac Tempest) | AR-26 | 4FMBG (1964 Karmann Ghia) | AR-27 |
| CH-65M (1965 Chevrolet) | AR-34 | TE-64PB (1964 Tempest) | AR-23 | 4FMBT (1964 Transporter) | AR-27 |
| CH-65PB (1965 Chevrolet) | AR-34 | TE-65-PB (1965 Pontiac Tempest) | AR-31 | 4FMBV (1964 Sedan) | AR-27 |
| CHT-63M (1963 Chevrolet Truck) | AR-26 | TRM-64M | AR-23 | 4TBV (1964 Sedan) | AR-27 |
| CHT-64M (See page 136)(1964 Chevrolet Truck) | AR-23 | VA-63PB (1961-63 Valiant) | AR-26 | 4TBVG (1964 Karmann Ghia) | AR-27 |
| CHT-65M (1965 Chevrolet Truck) | AR-35 | VA-64PB (1964 Valiant) | AR-23 | 4TBT (1964 Transporter) | AR-27 |
| CHT-65PB (1965 Chevrolet Truck) | AR-35 | VA-65PB (1965 Valiant) | AR-34 | 4TMVG (1964 Karmann Ghia) | AR-26 |
| CL-64PB (1964 Chevelle) | AR-23 | VA-66PB (1966 Valiant) | AR-36 | 4TMVG (1964 Karmann Ghia)(Serial #50,001 and Higher) | AR-29 |
| CL-65PB (1965 Chevelle) | AR-35 | VW-64PB (1964 Volkswagen) | AR-23 | 4TMVT (1964 Transporter) | AR-26 |
| CM-63PB (1963 Comet) | AR-26 | VW-65PB (1965 Volkswagen) | AR-35 | 4TMVT (1964 Transporter)(Serial #50,001 and Higher) | AR-29 |
| CM-64PB (1964 Comet) | AR-23 | VW-66PB (1966 Volkswagen) | AR-36 | 4TMVW (1964 Sedan) | AR-26 |
| CM-65-PB (1965 Comet) | AR-31 | 170-64PB(See page 136)(1964 Dart) | AR-23 | 4TMVW (1964 Sedan)(Serial #50,001 and Higher) | AR-29 |
| CM-66PB (1966 Comet) | AR-36 | 880-63PB (1962-63 Dodge 880) | AR-26 | 5FMBG (1965 Karmann Ghia) | AR-30 |
| CO-63M/PB (1960-63 Corvair) | AR-26 | 880-64PB (1963-64 Dodge 880) | AR-23 | 5FMBT (1965 Volkswagen Transporter) | AR-30 |
| CO-64PB (1960-64 Corvair) | AR-23 | | | 5FMBV (1965 Volkswagen Sedan) | AR-30 |
| CO-65PB (1965 Corvair) | AR-34 | | | | |
| CR-63PB (1963 Chrysler) | AR-26 | TITAN | | | |
| CR-64PB (1963-64 Chrysler) | AR-23 | FMC-4 | AR-27 | | |
| CR-65PB (1965 Chrysler) | AR-34 | SP-22 | AR-28 | | |
| CR-66PB (1966 Chrysler) | AR-36 | TMA-39 | AR-28 | | |
| CII-63M/PB (1962-63 Chevy II) | AR-26 | TMA-40 | AR-28 | | |
| CII-64PB (1962-64 Chevy II) | AR-23 | TPB-60 | AR-28 | | |
| CII-65M (1965 Chevy II) | AR-35 | | | | |
| CII-65PB (1965 Chevy II) | AR-35 | | | | |
| DA-63PB (1963 Dodge Dart) | AR-26 | TOKAI | | | |
| DA-64PB (1964 Dodge Dart) | AR-23 | CR-105 | AR-33 | | |
| DA-65PB (1965 Dart) | AR-34 | MR-65 | AR-34 | | |
| DA-66PB (1966 Dart) | AR-36 | | | | |
| DD-65PB (1965 Dodge) | AR-34 | TRIUMPH | | | |
| DD-66PB (1966 Polara, Monaco) | AR-36 | R2BT4 (0-01000)(1962) | AR-19 | 3BN (1963) | AR-20 |
| DE-66PB (1966 Dodge) | AR-36 | 4BTBR (V-350) | AR-26 | 4TBN (279958/959/960/961)(1964 Volvo) | AR-23 |
| DO-63PB (1963 Dodge) | AR-26 | 5BTR (V-350)(1965 Triumph) | AR-33 | | |
| DO-64PB (1964 Dodge) | AR-23 | 5BTRP (V-350DP)(1965 Triumph) | AR-33 | | |
| DO-65PB (1965 Dodge) | AR-34 | SSMTR (V-350)(1965 Triumph) | AR-34 | | |
| DO-66PB (1966 Dodge) | AR-36 | | | | |
| DT-65M (1965 Dodge Truck) | AR-34 | TRUETONE | | | |
| EC-65M (1965 Econoline Truck) | AR-35 | D4118, B | AR-4 | | |
| EC-66M (1966 Econoline) | AR-36 | C4320 | AR-4 | | |
| FA-63M/PB (1960-63 Falcon) | AR-26 | D4320B | AR-4 | TR-241 | AR-27 |
| FA-64M/PB (1964 Falcon) | AR-23 | D4321, A | AR-4 | | |
| FA-65PB (1965 Falcon) | AR-35 | D4425B | AR-5 | | |
| FA-66PB (1966 Falcon) | AR-36 | D4426A | AR-5 | | |
| FL-63M/PB (1962-63 Fairlane) | AR-26 | D4623A | AR-7 | | |
| FL-64PB (1964 Fairlane) | AR-23 | D4624A | AR-7 | | |
| FL-65PB (1965 Fairlane 500) | AR-35 | D4625A | AR-7 | | |
| FL-66PB (1966 Fairlane) | AR-36 | D4626A | AR-7 | | |
| FO-63M/PB (1963 Ford) | AR-26 | D4826A | AR-7 | | |
| FO-64M (See page 136)(1963-64 Ford) | AR-23 | DC4200 | AR-7 | | |
| FO-64PB (1964 Ford) | AR-23 | DC4203 | AR-18 | | |
| FO-65PB (1965 Ford) | AR-35 | DC4203C | AR-26 | | |
| FO-65PB/RS (1965 Ford) | AR-35 | DC4203B | AR-31 | | |
| FO-66PB (1966 Ford) | AR-36 | DC4203C | AR-35 | | |
| FO-66PB/RS (1966 Ford) | AR-36 | DC4205B | AR-18 | Vanguard 736 | AR-15 |
| FT-65M (1965 Ford) | AR-36 | DC4206B | AR-18 | | |
| FT-66M (1966 Ford) | AR-36 | DC4208 | AR-23 | | |
| IM-65-M | AR-32 | | | | |
| IM-65-PB | AR-32 | | | | |
| ME-63PB (1963 Mercury) | AR-26 | VALIANT (See MoPar) | | | |
| ME-64PB (1963-64 Mercury) | AR-23 | VAUXHALL | | | |
| ME-65PB (1965 Mercury) | AR-35 | 988946 (1958) | AR-10 | | |
| ME-66PB (1966 Mercury) | AR-36 | | | | |
| MR-63PB (1962-63 Meteor) | AR-26 | VISTA | | | |
| MU-66PB (1965/66 Mustang) | AR-36 | 875 | AR-36 | | |
| OF-64PB (1964 F-85) | AR-23 | | | | |
| OF-63PB (1961-63 F-85) | AR-26 | VOLKSWAGEN | | | |
| OF-65PB (1965 Oldsmobile) | AR-35 | R2BT (1962 Transporter) | AR-18 | | |
| OL-63PB (1963 Oldsmobile) | AR-26 | R2BV (1962 Sedan) | AR-18 | 3TBW (1963 Jeep) | AR-22 |
| OL-64PB (1963-64 Oldsmobile) | AR-23 | OBG | AR-13 | 12BW | AR-16 |
| OL-65PB (1965 Oldsmobile) | AR-34 | OBT (1960 Transporter) | AR-13 | 815395 | AR-9 |
| PD-65PB (1965 Fury) | AR-34 | OBV (1960 Sedan) | AR-13 | | |
| PD-66PB (1966 Fury) | AR-36 | 1BG (1961) | AR-16 | | |
| PL-63PB (1962-63 Plymouth) | AR-26 | 1BT (1961 Transporter) | AR-16 | | |
| PL-64PB (1964 Plymouth) | AR-23 | 1BV (1961 Sedan) | AR-16 | | |
| PL-65PB (1965 Plymouth) | AR-34 | 2BG (R2BG) | AR-18 | | |
| PL-66PB (1966 Plymouth) | AR-36 | 2BT (1962 Transporter) | AR-18 | | |
| PO-63PB (1963 Pontiac) | AR-26 | | | | |
| PO-64PB (1963-64 Pontiac) | AR-23 | | | | |
| PO-65PB (1965 Pontiac) | AR-35 | | | | |
| PO-65PB/A (1965 Pontiac W/Air Conditioning) | AR-35 | | | | |
| RA-63PB (1963 Rambler) | AR-26 | | | | |
| RA-64PB (1964 Rambler) | AR-23 | | | | |
| RA-65-PB (1965 Rambler) | AR-32 | | | | |
| RU-101-T | AR-24 | | | | |
| SP-63PB (1963 Buick Special) | AR-26 | | | | |
| TC-100M | AR-23 | | | | |
| TC-110-M | AR-32 | | | | |
| TC-110-MD | AR-32 | | | | |
| TC-200PB | AR-23 | | | | |
| TC-210-PB | AR-32 | | | | |
| TC-300M (1964 Volkswagen) | AR-23 | | | | |

HOWARD W. SAMS

PHOTOFACT® SPECIALIZED SERIES

TAPE RECORDER SERIES



Complete PHOTOFACT® coverage of all important, late-model Tape Recorders now in easy-to-use volumes. Regular price, \$4.95 per volume—only **\$4.65** when purchased on a Standing Order Subscription! Sign up and save 30¢ per volume!

CB RADIO SERIES



Two to three volumes issued yearly for complete PHOTOFACT® coverage of all popular CB Radio models. Regular price, \$2.95 per volume—only **\$2.65** when purchased on a Standing Order Subscription! Sign up and save 30¢ per volume!

TRANSISTOR RADIO SERIES



Twelve to fifteen volumes issued each year provide complete PHOTOFACT® coverage of Transistor Radios. Each volume covers 40 to 50 popular late models. Regular price per volume, \$2.95—only **\$2.65** when purchased on a Standing Order Subscription! Sign up and save 30¢ per volume!



HOWARD W. SAMS & CO., INC.

PHOTOFACT® SPECIALIZED SERIES

are available from your local parts distributor

\$2.95
\$3.75 IN CANADA
AR-26