

**6<sup>TH</sup>**

**E  
D  
I  
T  
I  
O  
N**

P. R. MALLORY & CO. INC.  
**MALLORY**

**RADIO SERVICE  
ENCYCLOPEDIA**

**REPLACEMENT RECOMMENDATIONS  
FOR ALL RADIO RECEIVERS**

**P. R. MALLORY & CO., INC.  
INDIANAPOLIS 6,  
INDIANA**

**6<sup>TH</sup> EDITION**

**P. R. MALLORY & CO. Inc.**  
**MALLORY**  
**RADIO SERVICE**  
**ENCYCLOPEDIA**

6TH EDITION — APRIL, 1948

Reproduction or use, without express permission, of editorial or pictorial content, in any manner, is prohibited.

No patent liability is assumed with respect to the use of the information contained herein.

Entire contents Copyright 1948 by P. R. MALLORY & CO., INC., Indianapolis, Indiana, U. S. A.

SECOND PRINTING, JULY, 1948

PRINTED IN U. S. A.

COMPILED AND PUBLISHED BY P. R. MALLORY & CO., INC. • INDIANAPOLIS 6, INDIANA

# THE BEGINNING OF A NEW ERA

---

**W**E start the new era of FM and television with the only complete one-volume, listing of all prewar and postwar radio receivers.

It isn't often that one book becomes so important to a large industry that its publication is virtually essential to its more efficient operation.

You know, better than anyone else, how important the Mallory Radio Service Encyclopedia has become to the radio replacement industry—that is, to you!

That's why, when we started publishing the RSE, we couldn't stop. That's why you now hold in your hands the largest, most complete, most exacting RSE ever conceived.

Honestly, we weren't sure we could do it; publish for you, in one volume, data on all prewar as well as postwar radios. But, then, we didn't realize just what a wealth of experience and background in this great radio industry Mallory really has.

We are beginning a new era in radio. Think of it! AM growing larger every day . . . FM coming into its own . . . and television! Our future is ahead of us. And our hope is that this 6th Edition of the Mallory Radio Service Encyclopedia will give you better, faster service in the future for *the good of us all*.

## **DATA CAREFULLY CHECKED**

It takes an experienced field organization, plus a continuous, efficient follow-up system, to get samples of original parts, circuit information, schematics. It takes a permanent, full-time inside staff to analyze samples and data and fit them into a universal replacement plan whenever possible. Then the recommendation is not ready to go into the Encyclopedia until actual field checks have been made. Nothing is left to chance. The data must be carefully checked and approved, or no recommendation is made.

The job is now completed. In presenting this Sixth Edition of the RSE, we renew again the responsibility we accepted almost fifteen years ago—to provide you with factual, usable, reliable data that would make your job easier and more profitable.

## **FEATURES OF THE SIXTH EDITION**

Let's go through the book together. Because of the tremendous amount of new information, we have had to devote 517 pages to listings as compared to 99 pages in the First Edition, 145 pages in the Second, 195 pages in the Third, 400 pages in the Fourth and 450 pages in the Fifth.

All the features you have praised so highly have been retained. In the tube section of the listings, you will note that we again show not only the correct tube complement (by type number) for the receiver listed, but also the total number of tubes. Even when you don't know the exact model of a receiver (in many instances the number has been obliterated) a comparison of the types and numbers of tubes with the listings in the RSE will make instantaneous identification possible.

In the last column of listings, we have again incorporated the correct reference, by volume and page number, to Rider's Manuals—up to and including the current Volume 16. This is a real time-saver for those of you who want to know more about the circuit of a receiver, and particularly where the circuit may have been changed during a previous service repair.

All other tried, tested, and proved-worthy features remain, brought up-to-date in every respect. The Sixth Edition of the RSE is for you—the radio service engineer. It has been streamlined—stripped of all non-essentials. It gives you the specific answer you need “in one book, on one page, on one line.” To give you these answers requires a real

investment. It requires a responsible, experienced staff the year 'round. It requires an elaborate filing system for keeping the most complete and authoritative recommendations on receivers and specific servicing data in the entire world . . . every single model of every receiver has its own file folder containing every bit of available data on that particular model.

## **A SINCERE PURPOSE**

But beyond physical considerations, it requires a sincerity of purpose that is unmatched, we believe, by any other radio parts manufacturer. That purpose is to help you in your daily work, to save you time, to give you quickly the correct answers to radio servicing problems.

We hope you like this new edition. Be sure to send us your suggestions for improvement.

We acknowledge a debt of gratitude to the entire industry for its co-operation, which helped us to make this Sixth Edition of the RSE complete.

Compilation work continues daily. Any data we may acquire on either new or old sets after publication of this volume is available to you at the cost of a penny post card. Simply write our Consultation Service requesting the information desired.

Do you need more? You have it! The new Mallory “Good Service for Good Business” Plan helps you with your “business problems” just as the RSE helps you with your “technical problems.” By your subscribing to a business code of ethics Mallory helps you to become a leader in your community. It will help you keep your old customers and gain new ones. Your Mallory distributor is co-operating with us; see him for details as to how the Mallory plan will help you increase your volume of business.



## How to use the Encyclopedia

● As an example of the time-saving features possible with the use of the Encyclopedia, let's consider the servicing of an actual receiver in the shop. Assuming that many of the parts need replacing, we can proceed in a standard routine manner to get the set satisfactorily repaired and back to the customer in an absolute minimum of time.

The receiver we encounter is the Silver-Marshall Model R (RT) and upon removing the chassis from the cabinet it appears on the work-bench exactly as shown in the bottom and top pictures on pages 6 and 7 respectively. On this set we'll quickly replace the defective component parts. On page 399 you'll find the complete replacement information for the Silver-Marshall Model R as shown immediately below.

MANUFACTURER AND MODEL	CONTROLS							CONDENSERS				VIBRATORS			No. Tubes	Complete Tube Complement	I. F. Peak	Rider's Reference	
	Use	Original Part	Circuit	Correct Replacement	Switch	Bias	*Note	Original Part	Circuit	Correct Replacement	*Note	Original Part	Replacement	*Note					
SILVER-MARSHALL R, RT.....	Vol. Tone	4360.....	15 95	MR44.....	M26.....			3162.....	4	TC74.....					10	24A, '27, '35, '47, 80.	465	2-13,14	
		14438.....		MR39.....				13181.....		4									TC71.....
								13177.....		14									TC70.....

### CONTROLS

Having found that the volume control is defective, we will replace this part first. Looking at the bottom of the chassis we see the original control as pictured at the right in the partial illustration, Fig. 1, and indicated by arrow "A" in the complete chassis view on pages 6 and 7.

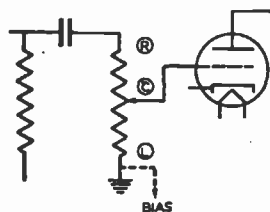
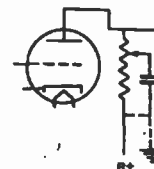


FIGURE 2

We find that it is connected in the receiver as shown in reference circuit 15, page 530. See illustration Fig. 2.

The original control is found to have an overall resistance value of 250,000 ohms with a single-pole, single-throw switch. The shaft is of  $\frac{1}{4}$ " diameter and  $\frac{5}{8}$ " length. These requirements are easily met by the Mallory MR44 control and M26 attachable switch. You will find that these units are specified under the sub-heading "Correct Replacement" under the main heading of "Controls." To install, assemble the switch to the control, cut the shaft to proper length, and remove the channel edges of the shaft to provide the  $\frac{3}{32}$ " milled flat as employed on the original control. The ease with which this replacement is accomplished is readily apparent when you examine the illustration showing the complete replacement (Fig. 3).

Next, we will replace the tone control in the receiver. It appears as shown at the left in the partial chassis illustration Fig. 1, and is indicated by arrow "B" in the complete chassis illustration on pages 6 and 7. This control is wired into the receiver



CIRCUIT 95

FIGURE 4

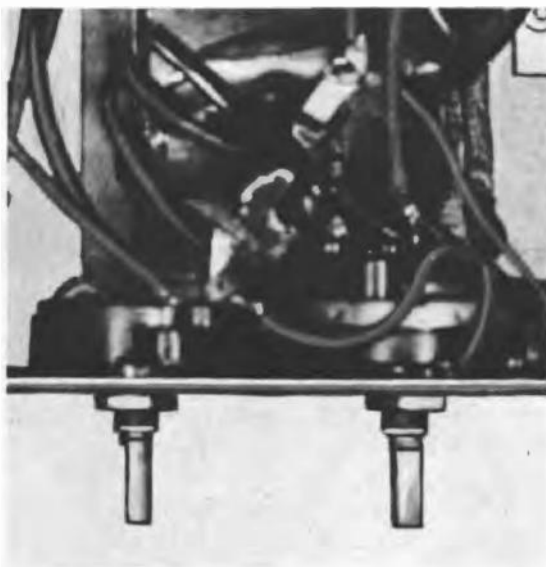


FIGURE 1

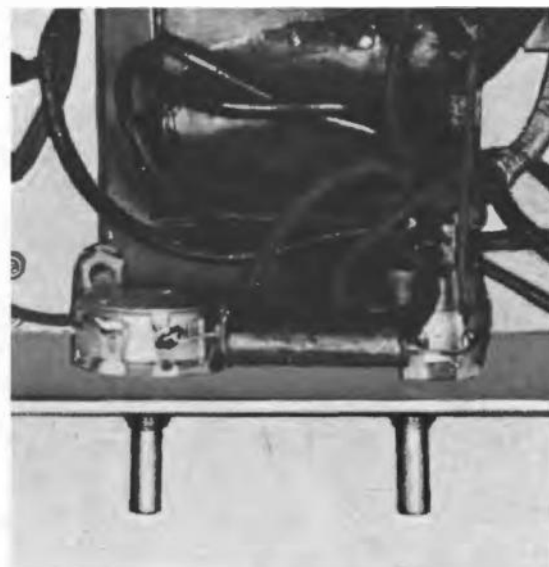


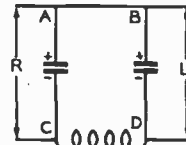
FIGURE 3

as indicated by reference circuit 95, page 533. See illustration Fig. 4.

Looking under the "Correct Replacement" column we find that the Mallory Type MR39 is recommended for this application. To install, cut the shaft to proper length and remove the channel edges of the shaft to provide the  $\frac{3}{32}$ " milled flat as employed on the original control. The complete replacement is illustrated in Fig. 3.

## CONDENSERS

There are three electrolytic condensers in the receiver and we'll replace them all to be sure we don't leave any defective ones. The first condenser we find is one marked with the part number 3162 and is the output filter condenser as shown in Condenser Reference Circuit No. 4, page 545 as listed for this receiver and shown above.



CIRCUIT 4

This condenser is a 12 mfd. dry electrolytic and it appears in the chassis as the bottom unit in the partial under chassis view Fig. 5. The

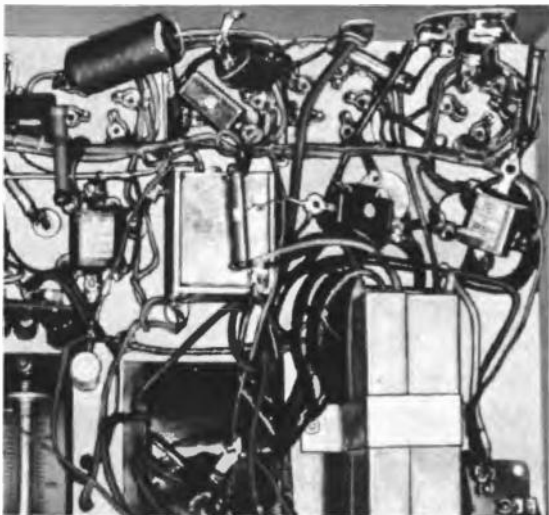


FIGURE 5

unit is indicated by the arrow "C" on the complete under chassis view page 6.

First remove the nut and bolt that fasten one side of the bracket holding the condensers in place. Then unsolder the leads from this condenser going to the number four pin of the 80 rectifier tube and to chassis ground. Now by lifting on one side of the bracket, it will be possible to remove this condenser. To install the recommended replacement, the Mallory TC74, use as short a lead as possible in connecting the positive side to the number four pin on the 80 rectifier socket, and the negative lead to the nearest good chassis ground. Solder in place and the installation is complete as shown in the partial under chassis view Fig. 6.

The next condenser we encounter is marked with part number 13181 and is an 8 mfd. dry electrolytic used as input filter condenser in circuit No. 4. It is located immediately under the bracket on the right-hand side (looking at under chassis view facing control shafts) as shown in the partial under chassis view Fig. 5 and complete under chassis view by arrow "C" on page 6.

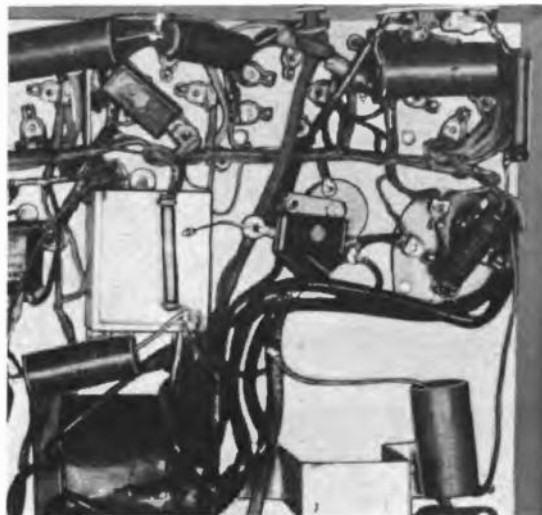


FIGURE 6

The replacement is most readily accomplished as follows. The bracket being loosened for the first condenser, it is merely necessary to unsolder the lead going to pin four of the 80 rectifier socket, and the other lead going to pin five on the speaker socket. Replace with the recommended Mallory TC71 by connecting the positive lead to pin three and the negative lead to pin five of the speaker socket. Use as short lead lengths as possible and solder in place. By using short leads, insulation of leads will not be necessary and the condenser will be held securely in place. The completed installation is shown in under chassis view Fig. 6.

The third condenser has the part number 13177 and is a 4 mfd. dry electrolytic used as illustrated in Condenser Reference Circuit No. 14, page 545 listed for this receiver and shown at left.



CIRCUIT 14

It is located to the left and adjacent to the 8 mfd. unit as shown in the partial under chassis view Fig. 5 and identified by arrow "C" in the complete under chassis view page 6.

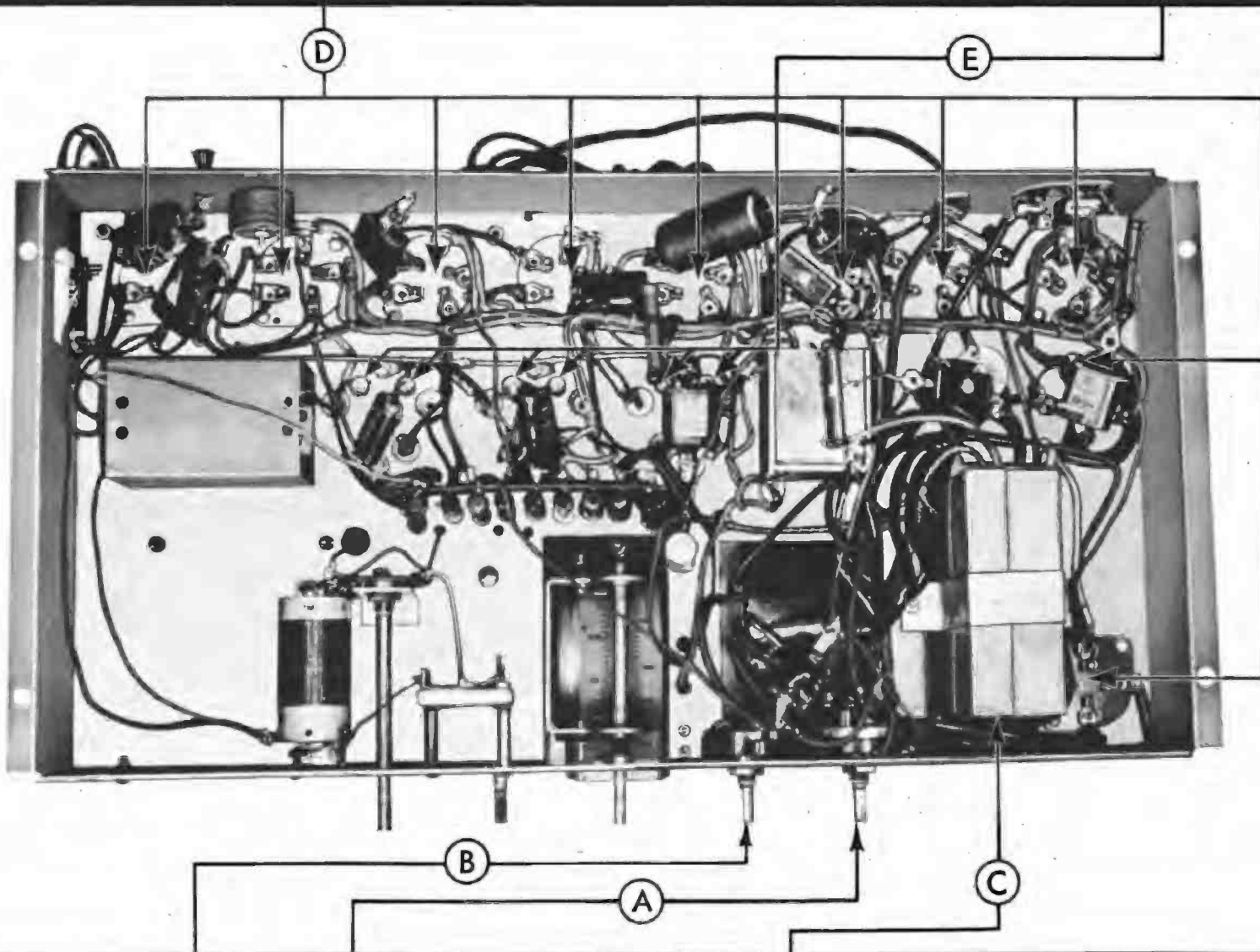
The replacement is easily made by unsoldering the lead to the tap on the bleeder resistor and the lead to chassis ground. As with the previous condensers, remove by slipping from under loosened bracket. The recommended replacement, the Mallory TC70, fits in very nicely by connecting the positive lead to tap on the bleeder resistor and the negative lead to nearest good chassis ground. Again use as short leads as possible, solder in place, and the job is done. The complete installation is shown in the partial under chassis view Fig. 6.

After completing the installation, the bracket should again be fastened to chassis or removed completely to prevent the loose end from rubbing against leads placed near it.

We now have all the controls and electrolytic condensers replaced which should take a very short time once you get the hang of using the Encyclopedia.

COMPLETE TUBE COMPLEMENT

I. F. PEAK  
465



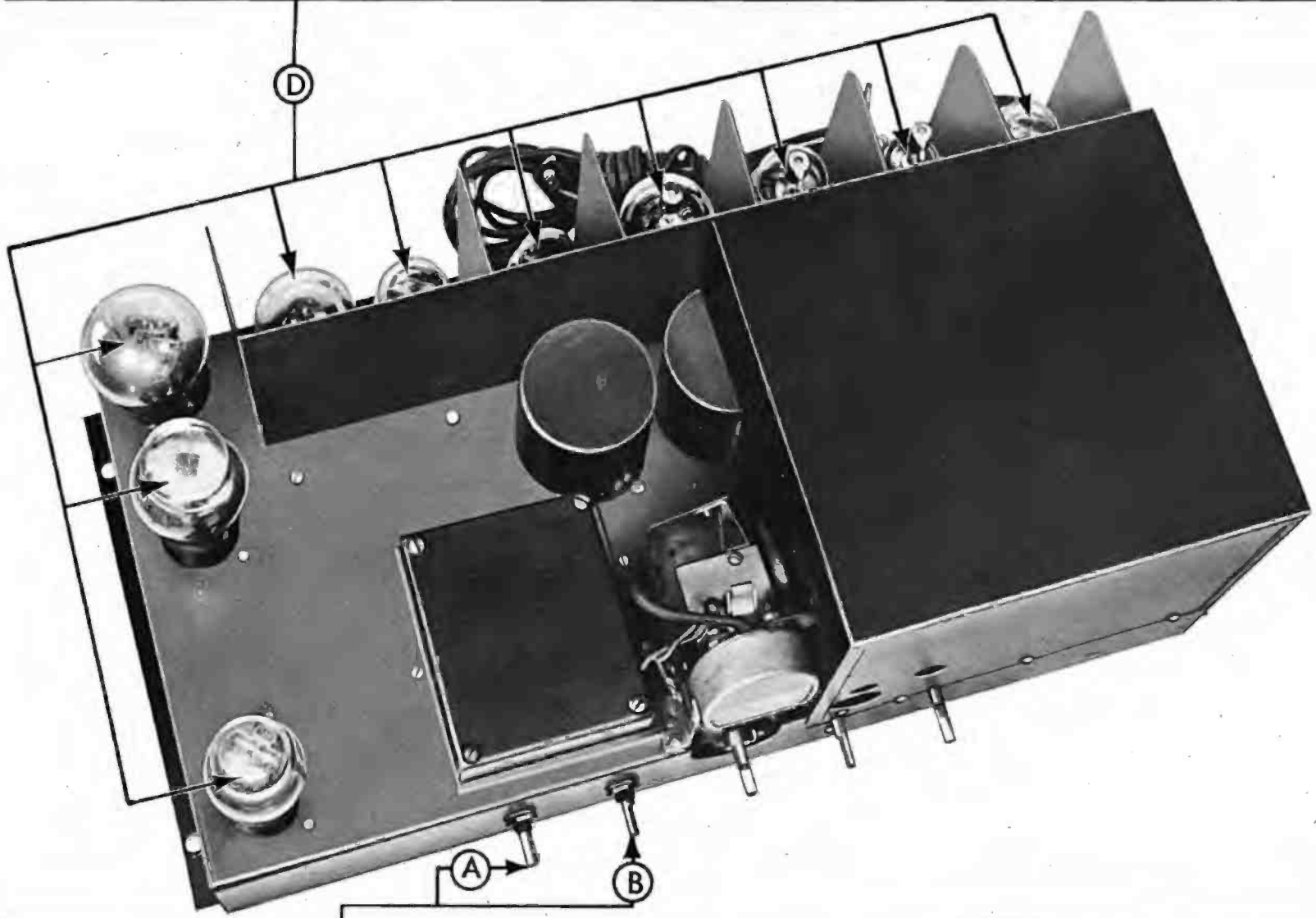
**CONTROLS**

Tone      Vol.

**CONDENSERS**

Original Part	Circuit	Correct Replacement	Note
3162	4	TC74	
13181	4	TC71	
13177	14	TC70	

**COMPLETE TUBE COMPLEMENT**  
 10 24A, 427, 235, 247, 80



Use	Original Part	Circuit	Correct Replacement	Switch	Bias	Note
Vol.	4360	15	MR44	M26		
Tone	14438	95	MR39			

## VIBRATORS

VIBRATORS		
Original Part	Replacement	*Note
1245.....	292....	C3
1261.....	294....	C3
1266.....	859....	C3

Since this particular receiver did not use a vibrator, none could be illustrated; however you'll find the same easy-to-use system as shown at left for this replaceable part where applicable. In all replacements be sure to read the note, as it may be very important for accurate replacement.

## TUBES

The tubes are listed next, both for the total number used in the receiver and the amount of each type. Here is a reprint as listed on page 399 for the Model R which we just finished servicing. In the column, "Total Number of Tubes," the ballast tubes are not included, but are usually listed in the number of each type. The small superior figures indicate the number of each type used, and if no superior figure appears, it indicates that only one tube of that type is used.

No. Tubes	Complete Tube Complement
10	24A, 427, 435, 447, 80

This column serves the two-fold purpose of identifying unmarked receivers and enabling you to carry a complete set of tubes before seeing the radio. If tube types have been changed during production, they will be indicated as 57-77, meaning some models use the 57 2.5-volt tube, and others the 77 6.3-volt equivalent. (Arrow "D" on pages 6 and 7 shows the actual tubes in the receiver as listed in the accompanying example.)

## I. F. PEAK

In the column headed I. F. Peak the Intermediate Frequency is listed for all superheterodyne receivers, making it unnecessary to search through numerous lists for the proper informa-

tion. In some cases I. F. Peaks were changed during production to eliminate interference in certain localities, in which case both I. F. Peaks are listed. The intermediate frequency for the Silver-Marshall model R is 465 kc. and arrow "E" on page 7 shows the points where the adjustments would be made.

## RIDER'S REFERENCE

Occasionally, it may be necessary to have a complete circuit diagram of the receiver for certain complicated replacements or tracing of the wiring which may have been changed. The last column gives the volume and page number in Rider's Manuals on each of these receivers. As an illustration, the Silver-Marshall Model R is listed at the right.

In this case, the schematic diagram will be found in Rider's Volume 2 on page 13 under Silver-Marshall. Fig. 7 shows a reduced reproduction of the actual page.

## SUMMARY

The set we have just serviced was assumed to be in the worst possible condition; however, by using this simple step-by-step system, we have it in good condition in less time than it would normally take to replace a by-pass alone. By using the book and the same system, you'll get the sets off your bench in record time.

In listing the Rider page numbers it should be noted that reference is usually made to the actual page carrying the schematic diagram. In cases where it was advisable to list a series of pages we have indicated them by listing the first and last page of the series.

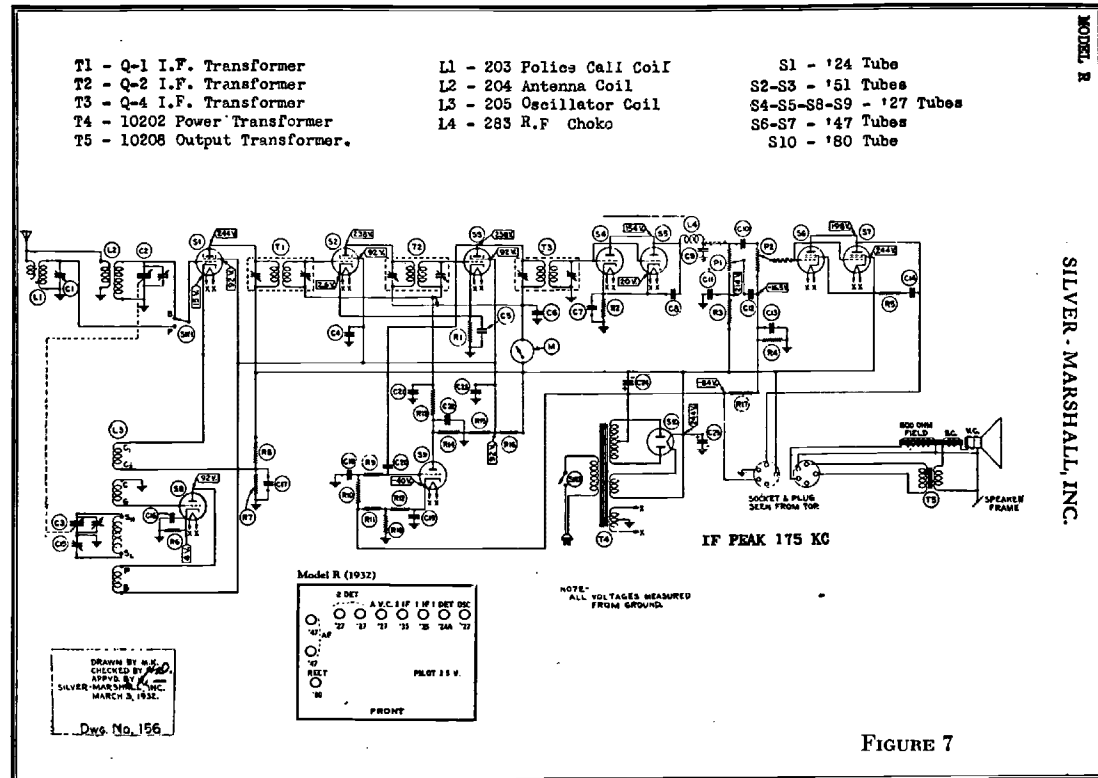


FIGURE 7

## General Information

● Now just a short review to make sure that the listing arrangement is absolutely clear.

The Encyclopedia is divided into three major sections:

- Section A . . . . . Controls**
- Section B . . . . . Condensers**
- Section C . . . . . Vibrators**

There are approximately 25% more models of radio receivers listed than in the 5th Edition, and still there are some on which no records are available. Whether given in the listing section or not, information contained in the book will enable you to effect a quick and highly satisfactory repair.

### ENCYCLOPEDIA—LISTINGS

#### MANUFACTURER AND MODEL

**FARNSWORTH**  
AC70, AC71 (C3-1)  
AC90, AC91 (C4-1)  
  
ACL55, ACL56  
(C2-3) . . . . .

Receivers are listed either by the manufacturer's name, or the trade-name, according to popular usage. A cross-index in the listings will help you locate the receiver you are looking for.

Model numbers precede chassis numbers, with few exceptions. In these cases, model numbers are in parentheses and follow chassis numbers.

### CONTROLS

Use	Original Part	Circuit	Correct Replacement	Switch	Bias	*Note
-----	---------------	---------	---------------------	--------	------	-------

Vol. Tone  
Sen. Vol.  
Vol. Tone  
Vol. Tone  
Vol. Tone

**USE**—Controls are listed with an abbreviation of their most common designation; i.e., "Vol." = volume control; "Supp." = Suppressor Control. A complete list of abbreviations is on page 527.

Use	Original Part	Circuit	Correct Replacement	Switch	Bias	*Note
-----	---------------	---------	---------------------	--------	------	-------

.....  
A33006.....  
A33077.....  
A33063.....  
.....

**ORIGINAL PART**—This column lists the identifying part number stamped on the control, if this information is available. Many times it is possible to find the correct replacement

for an identified control even though the model number of the receiver is not shown, or has been obliterated through handling.

Use	Original Part	Circuit	Correct Replacement	Switch	Bias	*Note
-----	---------------	---------	---------------------	--------	------	-------

127  
22  
98  
18  
18  
22  
75  
22  
127

**CIRCUIT**—Numbers refer to "A" Control Circuits on pages 530 to 540.

These schematic circuits enable you to check the receiver on which you are working to make sure the circuit has not been changed during a previous repair or during that particular model's life in its period of manufacture.

Use	Original Part	Circuit	Correct Replacement	Switch	Bias	*Note
-----	---------------	---------	---------------------	--------	------	-------

#### CORRECT REPLACEMENT

Here are listed recommended correct replacements. Where a recommendation reads "500M" or is not a definite recommendation, and is followed by a note in the Note Column, it means that the complete or partial value of a control is known. The note referred to gives clear, concise instructions to make a quick, satisfactory replacement.

MR48.....  
MR33.....  
D.....  
MR48.....  
MR48.....  
K12.....  
MR48.....  
K12.....  
MR48.....

Use	Original Part	Circuit	Correct Replacement	Switch	Bias	*Note
-----	---------------	---------	---------------------	--------	------	-------

**SWITCH**—The number of the replacement switch which must be used with the recommended control is listed in this column.

.....  
M26  
.....  
M26  
.....

Use	Original Part	Circuit	Correct Replacement	Switch	Bias	*Note
-----	---------------	---------	---------------------	--------	------	-------

**BIAS**—This column tells you that the control is used in a cathode or "bias" circuit. The original control contained a fixed resistance which must be duplicated.

All carbon controls which may possibly be used in "bias" type circuits are provided with a separate adjustable resistor of 500 ohms total resistance. This may be adjusted to the value given in the "Bias" column. "EX350" means that the resistor is to be set at 350 ohms and wired between the right-hand terminal of the control and the cathode circuit.

Wire-wound controls contain an adjustable section for this purpose. Where a wire-wound control is specified, the bias column will contain a numeral from 1 to 5 designating the correct setting for this adjustable section.

\*NOTE—

\* IMPORTANT: Read Notes in Note Section if specified in Note Column.

Use	Original Part	Circuit	Correct Replacement	Switch	Bias	*Note
-----	---------------	---------	---------------------	--------	------	-------

On pages 528 to 529 there are over one hundred "A" (control) Notes. These are valuable because they tell

what to do and how to do it. They tell how to make a quick and easy replacement when information is impossible to obtain. They permit the selection of a proper control either at your distributors, or to tell him by mail the correct resistance and the right taper which, with a sketch of the shaft that you will make, will enable you to receive the right control without delay, loss of time, or customer dissatisfaction.

The "Note" sections ("A" Controls, "B" Condensers, "C" Vibrators) of the encyclopedia are without doubt the finest and most helpful compilation ever printed.

We strongly advise, for your own benefit, that you read these "Note" sections. They will save you time and worry and will make money for you.

## CONDENSERS

\*NOTE—



## CONDENSERS

Original Part	Circuit	Correct Replacement	*Note
8, 8			
10			
A10005			
5-5			
10			
8-4			
8, 8			
10			

**ORIGINAL PART**—Under the heading "Original Part" is listed either the value of the original condensers or the part numbers originally used. Condensers are listed in the order of their importance. First, filter units, second, by-pass units. Filter units are in most instances listed in their respective order of installation, from the rectifier to the load.

8-8-8 means that there is one condenser with three 8 mfd. sections used in the circuit.

8, 8, 8 means that there are three 8 mfd. condensers used in the circuit.

8, 8, 8 means that there are three 8 mfd. condensers used in the circuit.

## CONDENSERS

Original Part	Circuit	Correct Replacement	*Note
	1		
	19		
	23		
	1/13		
	15		
	23		
	23		
	1		
	19		

**CIRCUIT**—The use of each condenser section is not given because this is clearly shown in the schematics of condensers circuits. "B" (condenser) Circuits are shown on pages 545 to 550. A double number

1/13 means that sections of the condenser are used in two different circuits; i.e., Circuit No. 1 and Circuit No. 13, both shown on page 545.

## CONDENSERS

Original Part	Circuit	Correct Replacement	*Note
		ST595	
		TC32	
		2S567	
		2S567	
		TC32	
		2S567	
		ST595	
		TC32	

## CORRECT REPLACEMENT

—Here are listed recommended correct replacements by catalog number (ST595, etc.). The word "Buffer" refers to the secondary or buffer condenser which is connected across the secondary of the vibrator power transformer, the value being given in the "original part" column.

## CONDENSERS

Original Part	Circuit	Correct Replacement	*Note
			B14
			B14

On pages 541 to 544 there are over one hundred and fifty "B" (condenser) NOTES. These are valuable because they tell you what to do and how to do it. They tell how to make a quick and easy replacement when information is impossible to obtain. They permit the selection of the right condenser without referring to original color coding which may have been obliterated by age, by factory changes during production, or by a previous repair to the receiver. Quick, accurate and wonderfully easy condenser replacements will be effected by reading "B" (condenser) Notes.

## VIBRATORS

## ORIGINAL PART—

This column lists the identifying part number stamped on the vibrator if this information is available. It is often possible to determine the correct replacement for a certain part number vibrator by checking this column even though the model is unknown or not listed.

## VIBRATORS

Original Part	Replacement	*Note
1245	292	C3
1261	294	C3
1266	859	C3

**REPLACEMENT**—Here the correct replacement is listed. No guesswork for all have been field-tested just as has every other bit of information in the encyclopedia.

**NOTE**—Clear instructions for installation, or for the proper selection of a unit, are given in 25 concise notes on pages 551, 552.

**VIBR. CONN.**—Vibrator connections are shown in the Vibrator Guide. They're easily understood for they show the appearance and connections of all replacement units.

Now that an explanation of the encyclopedia has been completed, it is only fair to say that every possible help and advice has been compiled to help you. Make use of this help for increased effectiveness in your service work.

## QUICK REFERENCE

## ▶ "A" (CONTROL) SECTION

Explanation of Abbreviations	527
Explanation of Notes	528-529
Control Circuits 1 to 24	530
Control Circuits 25 to 50	531
Control Circuits 51 to 76	532
Control Circuits 77 to 100	533
Control Circuits 101 to 124	534
Control Circuits 125 to 151	535
Control Circuits 152 to 178	536
Control Circuits 179 to 206	537
Control Circuits 207 to 233	538
Control Circuits 234 to 266	539
Control Circuits 267 to 298	540

## ▶ "B" (CONDENSER) SECTION

Explanation of Notes	541-544
Condenser Circuits 1 to 28	545
Condenser Circuits 29 to 50	546
Condenser Circuits 51 to 71	547
Condenser Circuits 72 to 93	548
Condenser Circuits 94 to 118	549
Condenser Circuits 119 to 137	550

## ▶ "C" (VIBRATOR) SECTION

Explanation of Notes	551-552
----------------------	---------







MANUFACTURER AND MODEL	Use	CONTROLS						CONDENSERS				VIBRATORS			Nbr. Tubes	Complete Tube Complement	I. F. Peak	Rider's Reference
		Original Part	Circuit	Correct Replacement	Switch	Bias	*Note	Original Part	Circuit	Correct Replacement	*Note	Original Part	Replacement	*Note				
ADMIRAL—Continued																		
A10	Vol.	P5152	18	DTM289-SS25	M26			P4372	1	TC42					10	6SK7, 6SA7, 6SQ7, 6K6, 5Y3	455	13-7,8
A11	Vol.	P4349	124	Order from	Mfr.			P4372	25/13	2S569					12	6AB7, 6SA7, 6SK7, 6SQ7, 6J5GT, 6F6G, 6AF6, 5U4G	455	12-15-17
A11-PH	Vol.	P4349	124	Order from	Mfr.			P4371 P4372	25 25/13	RS223 2S569					12	6AB7, 6SA7, 6SK7, 6SQ7, 6J5GT, 6F6G, 6AF6, 5U4G	455	12-15-17
A31	Vol.		18	MR48				8-4	23	2S567	B33				5	6A7, 6D6, 75, 42, 80	456	7-1
A77	Vol. Tone	P4089	64	TM231-SS22	M26			P4264	1/15	FP444	B69				7	6SK7, 6SA7, 6SQ7, 6K6G, 5Y3G	455	12-22, 15-32
AM3	Vol. Tone	P4193	22	Order from	Mfr.										8	6K6G, 5Y3G	455	
	Vol. Tone		17	UM154			A96	8	3	RS213								
	Vol. Tone		22	UM161			A96	8-4	3	2S567								
								4	13	TC42								
								5	15	TC22								
AM4	Vol.	P1158	15	MRT436	M26			P1156	1	RS223					12	6A8, 6K7, 6H6, 6C5, 6L6, 6G5, 5W4	456	11-8
	Vol. Tone	P1166	15	MRT440	M26			P1155	1	RS216								
	Vol. Tone	P1159	44	MR33			A4	P1154	13	RS224								
	Vol. Tone	P1167	44	MR33			A4	P304	15	TC22								
AM6	Vol. Tone		17	UM154			A96	8	3	RS213					10	6K7, 6A8, 6Q7, 6L6, 6G5, 5W4	456	
	Vol. Tone		22	UM161			A96	8-4	3	2S567								
								4	13	TC42								
								5	15	TC22								
AM7	Vol. Tone	P1158	15	MRT436	M26			P1156	1	RS223					11	6K7, 6A7, 6H6, 6C5, 6F6, 5Z3, 6G5	456	11-20
	Vol. Tone	P1159	44	MR33				P1155	1	RS216								
	Vol. Tone	P1166	15	MRT440	M26		A4	P1154	13	RS224								
	Vol. Tone	P1167	44	MR33			A4	5	15	TC22								
AM8	Vol.	P1158	15	MRT436	M26			P1154	14	RS224					19	6K7, 6A8, 6H6, 6C5, 5W4, 6G5, 85, 6D6, 42, 45, 83V, 80	456	11-22
	Vol.	P1166	15	MRT440	M26			P1155	3	RS216								
	Vol. Tone	P1159	22	MR33			A4	P1043	13	TC71								
	Vol. Tone	P1167	22	MR33			A4	P1156	2/3	RS223								
	Bass Tone	P1211	†	MR48				P304	15	TC22								
								P950	13	2N518								
								P2821	24	2N509								
AW11								P160	1	2N518					2	6A7, 25Z5	456	10-19
B1	Vol.	P912	18	MR48	M26			P958	1	2N518					5	6A7, 6D6, 75, 42, 80	456	11-1
B3	Vol.	P405	18	MR48	M27			P2602	19	TC26					4	1C6, 34, 1B5, 1F4	456	
B4	Vol.	P2600	18	MK401	M27			P3792	46	TN129					4	1A7, 1N5, 1H5, 3Q5	455	11-3
B5	Vol.	P3746	18	MK401	M26										5	12A8, 12SK7, 12SQ7, 50L6, 35Z5	455	11-10
B6	Vol.	P5167	18	DTM283-SS25	M26			P5022	1	2N520					6	12SJ7, 12SA7, 12SK7, 12SQ7, 35L6, 35Z5	455	13-5
B7	Vol. Tone	P4089	64	TM231-SS22	M26			P4264	1/15	FP444	B69				7	6SK7, 6SA7, 6SQ7, 6K6G, 5Y3G	455	12-13
B11	Vol. Mike	P4349	124	Order from	Mfr.			P4372	25/13	2S569					12	6AB7, 6SA7, 6SK7, 6SQ7, 6J5GT, 6F6G, 6SR7, 6U5, 5U4G	455	12-17-20
	Vol. Mike	P4350	15	UM140-SS25	M28			P4371	25	RS223								
C-4	Vol.	P4309	18	MK402	M27			P3024	12	TC42					4	1A7GT, 1N5GT, 1H5GT, 3Q5GT	455	15-6,7
C5	Vol.	P3746	18	MK401	M26			P3355	24	2N511					5	12SA7, 12SK7, 12SQ7, 50L6, 35Z5	455	11-3
C6	Vol. Tone	P5049	140	TM231-SS25	M26			P4130	1/15	FP339					6	6SA7, 6SK7, 6SQ7, 6K6GT, 6X5GT	455	13-6
	Vol. Tone	P5058	140	MK401														
C7	Vol. Tone	P5702	20	TM243	M26			20-20-12	1/15	FP339					7	6SA7, 7A7, 6SQ7, 6J5GT, 6K6GT, 6X5GT	455	14-7
	Vol. Tone	P5600	22	UM154			A96	8	13	TC42								
							A96											
CW13	Vol.	P3584	63	MK402	M26			P3585	24	3N533					2	12A8GT, 70L7GT	1575	11-9
D4	Vol.	P4309	18	MK402	M27			P3024	12	TC42					4	1A7, 1N5, 1H5, 1A5	455	12-3
D-4 (Late)	Vol.	P2600	18	MK401	M27			P2602	78	TC26					4	1A7GT, 1N5GT, 1H5GT, 3Q5GT	455	15-8,7
D5, XD5	Vol.	P3746	18	MK401	M26			P3355	24	2N511					5	12SA7, 12SK7, 12SQ7, 50L6, 35Z5	455	12-4
E4	Vol.	P4916	18	UM154	M27		A96	P2602	19	TC26					4	1A7, 1N5, 1H5, 3Q5	455	
E-5	Vol.	P4309	18	MK402	M27			P4831	78	TC2501					5	1A7GT, 1N5GT, 1H5GT, 3Q5GT, 117Z6GT	455	15-13
								P4860/P4860A	80/78	FP309								
E6	Vol.	P4231	18	UM154	M26		A96	P4224	1/15	FP360	B14				6	6D8G, 687G, 6T7G, 6G6G, 6L5G, 6X5GT	455	12-9
								.015		Buffer								
F4	Vol.	P4916	18	UM154	M27		A96	P2602	19	TC26					4	1A7, 1N5, 1H5, 3Q5	455	
F5	Vol.	P3961	18	UM161-SS18	M27			P3971	1	FP409					5	1A7, 1N5, 1H5, 3Q5, 117Z6	455	11-10
G4	Vol.	P4612	18	UM161	M27		A96	P4667	12	TC44					4	1R5, 1T4, 1S5, 1S4	455	
G5	Vol.	P4612	18	UM161	M27		A96	P4589	29/†	Order from	Mfr.				5	1R5, 1T4, 1S5, 35A, 35Z5GT	455	
G6	Vol.	P3961	18	UM161-SS18	M27			P3971	1	FP409					6	1N5, 1A7, 1H5, 3Q5, 117Z6	455	11-15
H5	Vol.	P3961	18	UM161-SS18	M27			P3971	1	FP409					5	1A7, 1N5, 1H5, 3Q5, 117Z6	455	12-5
J5, XJ5	Vol.	P4060	18	UM154	M26		A96	P4212	1	2N513					5	12SA7, 12SK7, 12SQ7, 50L6, 35Z5	455	12-6

† Data not substantiated.

\* IMPORTANT: Read Notes in Note Section if specified in Note Column.

‡ Indicates miscellaneous section.

MANUFACTURER AND MODEL	CONTROLS							CONDENSERS				VIBRATORS			No. Tubes	Complete Tube Complement	L. F. Peak	Rider's Reference
	Use	Original Part	Circuit	Correct Replacement	Switch	Bias	*Note	Original Part	Circuit	Correct Replacement	*Note	Original Part	Replacement	*Note				
ADMIRAL—Continued																		
J6, XJ6	Vol.	P4060	18	UM154	M26		A96	P3531	1/15	3N527					5	12SA7, 12SK7, 12SQ7, 50L6, 35Z5, 6T1000	455	12-10
J55, XJ55, XJ55PH	Vol.	P4060	18	UM154	M26		A96	P4212	1	2N513					5	12SA7, 12SK7, 12SQ7, 50L6, 35Z5	455	12-21
K5	Vol.	P4089	18	TM231-SS22	M26			P4130	1/15	FP339					5	6SA7, 6SK7, 6SQ7, 6K6GT, 5Y3G	455	12-7, 8
K6	Vol.	P4089	†	TM231-SS22	M26			P4130	1/15	FP339					6	6SA7, 6SK7, 6SQ7, 6K6G, 5Y3G	455	12-11
K7	Vol.	P4089	18	TM231-SS22	M26			P4130	1/15	FP339					6	6SA7, 6SK7, 6SQ7, 6K6GT, 5Y3G	455	12-14
K63	Vol.	P4089	†	TM231-SS22	M26			P4130	1/15	FP339					6	6SA7, 6SK7, 6SQ7, 6K6G, 5Y3G	455	13-2
L2	Vol. Tone		18	Order from MR53	Mfr. M26			4	32	RS213					6	6A7, 6K7, 6H6, 6F5, 6F6, 80	456	6-2
L4, ML4	Vol. Tone		18	Order from MR39	Mfr. M26			4	7	RS213					7	6A8, 6K7, 6H6, 6A6, 6F6, 80	456	6-1
"Admiral" L5	Vol. Tone	P660	18	MR48	M26			P474	32	RS213					7	5Z4, 6F5, 6F6, 6H6, 6K7, 6L7, 6C5	456	7-3, 4
		P661	34	MR39				P160	32	2S567								
			44	MR39				P304	15	TC22								
L5 (Late)	Vol.	P5167	18	DTM283-SS25	M26			50-30	1	2N520					5	12SA7, 12SK7, 12SQ7, 50L6, 35Z5	455	14-3
"Admiral" L6	Vol. Tone	P660	18	MR48	M26			P474	32	RS213					8	5Z4, 6C5, 6F6, 6K7, 6L7, 6Q7	456	7-5, 6
		P661	44	MR39				P160	32	2S567								
				MR48				P304	15	TC22								
"Admiral" L7	Vol. Tone	P691	45	Order from MR39	Mfr.			P391	1	2N516					7	1C6, 19, 30, 34	456	7-7
		P682	†	MR39				.01-.01	1	Buffer								
M1	Vol. Tone	P660	18	MR48	M26			P160	1	2S567					6	6A8, 6K7, 6Q7, 6F6, 5Y3	456	7-9
		P661	34	MR39														
M5	Vol. Tone	P1142	18	MR48	M27			8-8	1	2N518					7	1C6, 34, 30, 19	456	11-12
		P1058	22	MR53				.01-.01		Buffer								
M5, M5-PH (1941 Issue A)	Vol.	P4060	18	UM154	M26		A96	P4683	77	2N520					5	12SA7, 12SK7, 12SQ7, 50L6, 35Z5	455	
M5	Vol.	P5198	18	DTM289	M26		A96	50-30	1	2N520					5	12SA7, 12SK7, 12SQ7, 50L6, 35Z5	455	13-3, 4
M-6	Vol. Tone	P4089	167	TM231-SS22	M26			P4130	1/15	FP339					6	6SA7, 6SK7, 6SQ7, 6K6GT, 5Y3G	455	15-18, 20
		P4729	167	Order from Mfr.														
ML156, ML266	Vol. Tone		18	Order from MR53	Mfr. M26			4	32	RS213					6	6A7, 6K7, 6H6, 6F5, 6F6, 80	456	6-2
			34	MR53				8-4	32	2S567								
N6	Vol. Tone	P4089	18	TM231-SS22	M26			P4130	1/15	FP339					6	6SA7, 6SK7, 6SQ7, 6K6GT, 5Y3G	455	14-5
		P4531	139	MK401														
N6 (Late)	Vol. Tone	P5701	20	TM243-SS25	M26			20-20-12	1/15	FP339					6	6SA7, 6SQ7, 6SK7, 6J5GT, 6K6GT, 5Y3	455	14-5
		P4531	†	MK401				8	13	TC42								
P5, XP5	Vol.	P4820	18	UM161	M27		A96	P4831	†	TC2501					5	1A7, 1N5, 1H5, 3Q5, 117Z6	455	14-4
								P4860	†	FP309								
P6, XP6	Vol.	P4820	18	UM161	M27		A96	P4860	†	FP309					6	1N5, 1A7, 1H5, 3Q5, 117Z6	455	14-6
P6, XP6 (Late)	Vol.	P4820	18	UM161	M27		A96	40-30-100	76	FP309					6	1N5, 1A7, 1H5, 3Q5, 117Z6	455	14-6
"Admiral" U6	Vol. Tone	P801	17	UM163-SS3	M26			P795	4	TC571					6	6D6, 6A7, 6K7, 75, 6F6, 84	456	7-11
		P828	22	MR39				G864	15	TC22								
X8	Vol.	P630	18	MR48	M26			P160	1	2S567					5	6A7, 6D6, 75, 42, 80	456	7-11
X541	Vol.		18	MR48				18-6	6	2N509					6	6A7, 6D6, 75, 43, 25Z5	456	6-4
								5	15	TC22								
X641, X741	Vol.		45	MR48				8-8	1	2N516					6	1C6, 34, 30, 32, 33	456	7-2
								.01-.01		Buffer								
								P4932	1	TC42								
XA3	Vol.	P5141	50	MK403	M26										3	12SQ7, 50L6GT, 35Z5GT		13-1
XA6	Vol.	P3930	18	MK401	M26			P3935	1	FP211					6	12SK7, 12SA7, 12SQ7, 50L6, 35Z5	455	11-15
XB5	Vol.	P3746	18	MK401	M26			P3792	46	TN129					5	12A8, 12SK7, 12SQ7, 50L6, 35Z5	455	11-10
XB6	Vol.	P5167	18	DTM283-SS25	M26			P5022	1	2N520					6	12SJ7, 12SA7, 12SK7, 12SQ7, 35L6, 35Z5	455	13-5
XC5	Vol.	P3746	18	MK401	M26			P3355	24	2N511					5	12SA7, 12SK7, 12SQ7, 50L6, 35Z5	455	11-3
XF5	Vol.	P3961	18	UM161-SS18	M27			P3971	†	FP409					5	1A7, 1N5, 1H5, 3Q5, 117Z6	455	11-10
XG6	Vol.	P3961	15	UM161-SS18	M27			P3971	†	FP409					6	1N5, 1A7, 1H5, 3Q5, 117Z6	455	11-15
XL5	Vol.	P5167	18	DTM283-SS25	M26			50-30	1	2N520					5	12SA7, 12SK7, 12SQ7, 50L6, 35Z5	455	14-3
XM5	Vol.	P5198	18	DTM289	M26		A96	50-30	1	2N520					5	12SA7, 12SK7, 12SQ7, 50L6, 35Z5	455	13-3, 4
XP5	Vol.	P4820	18	UM161	M27		A96	50-30-100	76	FP309					5	1A7, 1N5, 1H5, 3Q5, 117Z6	455	14-4
								100	78	TC2501								
Z2	Vol. Tone	P630	45	MR48	M26			P160	1	2S567					6	6A7, 6D6, 6H6, 6F5, 42, 80	456	7-13
		P633	34	MR39														

† Data not substantiated.

\* IMPORTANT: Read Notes in Note Section if specified in Note Column.

‡ Indicates miscellaneous section.

MANUFACTURER AND MODEL	CONTROLS							CONDENSERS				VIBRATORS			No. Tubes	Complete Tube Complement	I. F. Peak	Rider's Reference
	Use	Original Part	Circuit	Correct Replacement	Switch	Bias	*Note	Original Part	Circuit	Correct Replacement	*Note	Original Part	Replacement	*Note				
ADMIRAL—Continued																		
Z3.....	Vol. Tone	P934.....	45	MR48.....	M26			8-4.....	1	2S567.....	B26				6	6A8, 6K7, 6H6, 6F5, 6F6, 5W4	456	
"Admiral" Z4.....	Vol. Tone	P995.....	34	MR39.....	Mfr.			P391.....	1	2N516.....	B14	P402.....	245C	C3	6	1C6, 34, 30, 32, 19 or 33	456	7-15
"Admiral" Z5.....	Vol. Tone	P680.....	45	Order from	Mfr.			P958.....	1	2N518.....	B14	P402.....	245C	C3	6	1C6, 19, 30, 32, 34	456	8-3
4A.....	Vol. Tone	P682.....	34	MR39.....	Mfr.			P958.....	1	2N518.....	B14	P402.....	245C	C3	6	1C6, 19, 30, 32, 34	456	
4A.....	Vol. Tone	P691.....	45	Order from	Mfr.			P958.....	1	2N518.....	B14	P402.....	245C	C3	6	1C6, 19, 30, 32, 34	456	
4A.....	Vol. Tone	P692.....	44	MR39.....	Mfr.			P958.....	1	2N518.....	B14	P402.....	245C	C3	6	1C6, 19, 30, 32, 34	456	
4A.....	Vol. Tone	P2600.....	18	MK401.....	M27			P2602.....	19	TC26.....					4	1A7G, 1N5G, 1H5G, 1C5G	456	10-1
4B.....	Vol. Tone	P2610.....	18	MR48.....	M27			P2602.....	19	TC26.....					4	1A7G, 1N5G, 1H5G, 1C5G	456	
4C.....	Vol. Tone	P3161.....	18	Order from	Mfr.			P2602.....	19	TC26.....					4	1A7G, 1N5G, 1H5G, 1C5G	456	11-4
4D (Early & Late).....	Vol. Tone	P3015.....	18	MK401.....	M27			P3024.....	12	TC42.....					4	1A7G, 1N5G, 1H5G, 1C5G or 1Q5G	456	10-3
4D-PH.....	Vol. Tone	P3015.....	18	MK401.....	M27			P3024.....	12	TC42.....					4	1A7G, 1N5G, 1H5G, 1C5G	455	10-3
4F.....	Vol. Tone	P3317.....	18	MK401.....	M27			P3024.....	12	TC42.....					4	1A7G, 1N5G, 1H5G, 1Q5G	455	11-7
4H.....	Vol. Tone	P2498.....	6	MR36.....	M26			P2434.....	1	TC47.....					4	6K7, 6J7, 25L6, 25Z6	456	10-3
4J.....	Vol. Tone	P2500.....	1	MR36.....	M26			P2500.....	1	TC44.....					4	6K7, 6J7, 25L6, 25Z6	456	
4J.....	Vol. Tone	P3317.....	18	MK401.....	M27			P3024.....	12	TC42.....					4	1A7G, 1N5G, 1H5G, 1Q5G	455	11-4
4Z.....	Vol. Tone	P3317.....	18	MK401.....	M27			P3024.....	12	TC42.....					4	1A7G, 1N5G, 1H5G, 1Q5G	455	11-9
5A.....	Vol. Tone	P2392.....	18	MR53.....	M26			P2397.....	23	2S567.....	B33				5	6A7, 6D6, 75, 41, 5Y3G	456	9-1
5AZ.....	Vol. Tone		18	MR53.....	M26			5-5.....	23	RM262.....					5	6A7, 6D6, 75, 41, 80	456	9-2
5B.....	Vol. Tone	P3082.....	18	MR48.....	M26			P3086.....	1/15	3S579.....					5	6A7, 6D6, 75, 41, 80	456	10-5
5C.....	Vol. Tone	P2213.....	6	MR36.....	M26			P2216.....	1	2N509.....					4	6D6, 6C6, 25L6G, 25Z5, L55GB	456	9-3
5C-PH.....	Vol. Phono.	P2213.....	6	MR36.....	M26			P2216.....	1	2N509.....					4	6D6, 6C6, 25L6G, 25Z5, L55GB	456	
5CU.....	Vol. Phono.	P2442.....	63	Order from	Mfr.			16-16.....	1	2N509.....					4	6D6, 6C6, 25L6G, 25Z5, L55GB	456	10-5
5CU.....	Vol. Phono.	P2213.....	6	MR36.....	M26			16-16.....	1	2N509.....					4	6D6, 6C6, 25L6G, 25Z5, L55GB	456	
5D, 5DL.....	Vol. Tone	P3099.....	18	MR48.....	M26			P2936.....	1	2N509.....					5	6A7, 6D6, 75, 25L6, 25Z5, L49B	456	10-4
5E.....	Vol. Tone	P2432A.....	18	MR48.....	M26	A58		P2434.....	25	TC47.....					5	6A8, 6K7, 6Q7, 25L6, 25Z6	456	9-4
5E.....	Vol. Tone	P2427.....	25	MR48.....	M26	A58		P2427.....	25	TC44.....					5	6A8, 6K7, 6Q7, 25L6, 25Z6	456	
5EA.....	Vol. Tone	P2432A.....	18	MR48.....	M26	A58		P2668.....	1	2N513.....					5	6A8, 6K7, 6Q7, 25L6, 25Z6	456	10-4
5F.....	Vol. Tone	P2450A.....	18	MR48.....	M26			P2456.....	23	TC71.....					5	6A7, 6D6, 75, 41, 80	456	9-5
5G.....	Vol. Tone	P2450.....	6	MR33.....	M26			P2456.....	25	TC71.....					5	6D6, 76, 6C6, 41, 80	456	9-6
5J.....	Vol. Tone	P2432A.....	18	MR48.....	M26	A58		25-10.....	1	2N513.....					5	6A8GT, 6K7GT, 6Q7GT, 25L6GT, 25Z6GT	456	10-1
5L, 5LL.....	Vol. Tone																	
5LL (Phono.).....	Vol. Tone	P2935.....	18	MR48.....	M26			P2936.....	1	2N509.....					5	6A7, 6D6, 75, 25L6, 25Z5, L49B	455	10-7
5LS.....	Vol. Tone	P2935.....	18	MR48.....	M26			25-25-5.....	1/13	TN129.....					5	6A7, 6D6, 75, 25L6G, 25Z6G	456	11-11
5M.....	Vol. Tone	P1579.....	18	MR48.....	M26			P1591.....	23	2S567.....					5	6A7, 6D6, 75, 41, 80	456	8-1
5N, 5NL.....	Vol. Tone	P3560.....	18	UM161-SS22	M27			P3563.....	1	2N511.....					5	1A7GT, 1N5GT, 1H5GT, 3Q5GT, 70L7GT	455	11-13
5N, 5NL.....	Vol. Tone	P3560.....	18	UM161-SS22	M27			P3562.....	19/†	TC29.....					5	1A7GT, 1N5GT, 1H5GT, 3Q5GT, 70L7GT	455	
5Q, 5QL.....	Vol. Tone	P3346.....	18	Order from	Mfr.			P3355.....	24	2N511.....					5	12SA7GT, 12K7GT, 12SQ7GT, 50L6GT, 35Z5GT	455	11-7
5R, 5RL.....	Vol. Tone	P3346.....	18	Order from	Mfr.			P3355.....	24	2N511.....					5	12SA7GT, 12K7GT, 12SQ7GT, 50L6GT, 35Z5GT	455	11-14
5R, 5RL.....	Vol. Tone	P3346.....	18	Order from	Mfr.			P3355.....	24	2N511.....					5	12SA7GT, 12K7GT, 12SQ7GT, 50L6GT, 35Z5GT	455	
5S, 5SL.....	Vol. Tone	P3346.....	18	Order from	Mfr.			P3355.....	24	2N511.....					5	12SA7GT, 12K7GT, 12SQ7GT, 50L6GT, 35Z5GT	455	11-14
5S, 5SL.....	Vol. Tone	P3346.....	18	Order from	Mfr.			P3355.....	24	2N511.....					5	12SA7GT, 12K7GT, 12SQ7GT, 50L6GT, 35Z5GT	455	11-14
5VU.....	Vol. Tone	P1579.....	18	MR48.....	M26			4-8.....	23	2S567.....	B33				5	6A7, 6D6, 75, 41, 80	456	9-7
5X.....	Vol. Tone	P1579.....	18	MR48.....	M26			8-4.....	23	2S567.....	B33				5	6A7, 6D6, 75, 41, 80	456	8-2
5Z.....	Vol. Tone	P1515.....	18	MR53.....	M26			P1511.....	23	RM262.....					5	6A7, 6D6, 75, 41, 80	456	8-3
6A.....	Vol. Tone	P2136.....	18	Order from	Mfr.			P2140.....	1/15	3S579.....		P1414.....	859	C3	6	6D8G, 6S7G, 6T7G, 6L5G, 6G6G, 6Z5G	456	10-8
6A.....	Vol. Tone	P2137.....	34	MR39.....	M27			.015.....	1/15	Buffer.....	B14				6	6A7, 6D6, 75, 76, 41, 80	456	10-9
6B.....	Vol. Tone	P2271.....	18	Order from	Mfr.			10-5.....	23	2S567.....					6	6A7, 6D6, 75, 76, 41, 80	456	
6B.....	Vol. Tone	P2093.....	1	MK401.....	M26			10-5.....	23	2S567.....					6	6A7, 6D6, 75, 76, 41, 80	456	
6C.....	Vol. Tone		18	UM154.....	M26	A96		8-8-5.....	1/15	3S579.....					6	6L5G, 6D8G, 6S7G, 6T7G, 6G6G, 6Z5G	456	10-11,10
6C.....	Vol. Tone		34	UM140.....	M26	A96		8-8-5.....	1/15	3S579.....					6	6L5G, 6D8G, 6S7G, 6T7G, 6G6G, 6Z5G	456	
6C71, Ch. 10A1.....	Vol. Tone	75B3-3.....	169	DTM289-SS25	M26			67C6-25.....	1/15	FP346.....					10	6SK7, 6SA7, 6SQ7, 6F6, 5Y3G	455	15-27,29
6D.....	Vol. Tone	P2271.....	18	Order from	Mfr.			P2251.....	1	2N516.....	B14	P1414.....	859	C3	6	6A8G, 6J5G, 6U7G, 6Q7G, 6G6G, 6Z5G	456	9-7
6D.....	Vol. Tone	P2271.....	18	Order from	Mfr.			P2251.....	1	2N516.....	B14	P1414.....	859	C3	6	6A8G, 6J5G, 6U7G, 6Q7G, 6G6G, 6Z5G	456	
6G.....	Vol. Tone	P2558.....	18	MR48.....	M26			P2575.....	25	TC72.....					6	6A7, 6D6, 76, 75, 41, 80	456	10-12
6G.....	Vol. Tone	P2559.....	22	MR48.....	M26			P2575.....	25	TC72.....					6	6A7, 6D6, 76, 75, 41, 80	456	

† Data not substantiated.

\* IMPORTANT: Read Notes in Note Section if specified in Note Column.

‡ Indicates miscellaneous section.

MANUFACTURER AND MODEL	CONTROLS							CONDENSERS				VIBRATORS			No. Tubes	Complete Tube Complement	I. F. Peak	Rider's Reference
	Use	Original Part	Circuit	Correct Replacement	Switch	Bias	*Note	Original Part	Circuit	Correct Replacement	*Note	Original Part	Replacement	*Note				
ADMIRAL—Continued																		
6H.....	Vol.	P1555.....	18	MR48.....	M26			23	See Note.....	B3					5	6A7, 6D6, 75, 25B6G, 25Z5	456	9-9
6J, 6JL.....	Vol. Tone	P3099.....	18	MR48.....	M26			P2936.....	1	TC47.....					6	6A7, 6D6, 75, 25L6, 25Z5	455	11-16
6K.....	Vol.	P3279.....	22	MR48.....	M26			P3086.....	1/15	TC62/TC26.....					6	6A7, 76, 6D6, 75, 41, 80	456	10-13
6L.....	Vol.	P3082.....	18	MR48.....	M26			P1561.....	4	TCS45.....					5	6A7, 6D6, 75, 25B6G, 25Z5	456	9-10
6M, 6ML.....	Vol. Tone	P1555.....	18	MR48.....	M26			P1561.....	4	TCS45.....					6	12SK7, 12SA7, 12SQ7, 35L6, 35Z5	455	11-16
6P.....	Vol. Tone	P3527.....	18	MK401.....	M26			20-20-20.....	1/15	3N533.....				6	12SK7, 12SA7, 12SQ7, 35L6, 35Z5	455	11-16	
6P.....	Vol. Tone	P3528.....	22	MK401.....	M26			P958.....	1	2N518 Buffer.....	B14	P402.....	245C	C3	6	6D8G, 6S7G, 6T7G, 730, 19	456	8-5
6P32, Ch. 6E1, 6E1N.....	Vol.	P1677.....	18	MR48.....	M27			.01-.01.....							6	21N5GT, 1A7GT, 1H5GT, 3Q5GT, 117Z6GT	455	15-16, 17
6PU.....	Vol. Tone	P1579.....	62	MR48.....	M26			10.....	19	TC22.....					5	1A6, 1A4, 30, 1G5G, 1B1	456	9-11
6Q.....	Vol. Tone	P1642.....	22	MR39.....	M26										5	1A6, 1A4, 30, 1G5G, 1B1	456	8-4
6RP48, 6RP49, Ch. 3A1.....	Vol.	75B1-9.....	164	MK402.....	M26			67A8.....	24	TN129.....					3	14B6, 50A5, 35Y4.....		
6RT41, 6RT42, 6RT43, Ch. 5B1 Phono.....	Vol.	75B3-2.....	152	DTM283-SS25.....	M26			67A8.....	1/88	TN129.....					5	12SA7, 12SK7, 12SQ7, 50L6GT, 35Z5GT	455	15-9
6RT42A, Ch. 5B1A.....	Vol.	75B3-2.....	152	DTM283-SS25.....	M26			67A3, 67A8.....	1/88	2N520, TN129.....	B10				5	12SA7, 12SK7, 12SQ7, 50L6GT, 35Z5GT	455	15-11
6RT44, Ch. 7B1.....	Vol. Tone	75B2-1, 75B1-5.....	168	TM243-SS25, MK403.....	M26			67C6-25.....	1	2N520, FP346.....					7	6SK7, 6SA7, 6SQ7, 6V6, 5Y3	455	
6T01, 6T05, Ch. 6A1.....	Vol.	75B3-2.....	169	DTM283-SS25.....	M26			67A8.....	91	TN129.....					6	12SJ7, 12SA7, 12SK7, 12SQ7, 35L6GT, 35Z5GT	455	15-15
6T02, 6T04, 6T11, Ch. 5B1.....	Vol.	75B1-6.....	18	MK402.....	M26			67A8.....	91	TN129.....					5	12SA7, 12SK7, 12SQ7, 50L6GT, 35Z5GT	455	15-11
6T06, 6T12, Ch. 4A1.....	Vol.	75B1-1.....	18	MK402.....	M27			67A4-2.....	12	TC40.....					4	1A7GT, 1N5GT, 1H5GT, 3Q5GT	455	15-4
6W.....	Vol. Tone	P1579.....	18	MR48.....	M26			P1591.....	23	2S567.....					6	6A7, 6D6, 75, 6H5, 41, 80	456	8-7
6Y.....	Vol.	P1642.....	22	MR39.....	M26			P1591.....	23	2S567.....					6	6A7, 6D6, 75, 6H5, 41, 80	456	8-7
6Y.....	Vol.	P1555.....	18	MR48.....	M26			P1561.....	27	TCS45.....					5	6A7, 6D6, 75, 25B6G, 25Z5, L49B1	456	8-8
7A.....	Vol. Tone	P2136.....	18	Order from MR39.....	Mfr., M27			P2140.....	1/15	3S579 Buffer.....	B14	P2147.....	859	C3	7	6D8G, 6L5G, 6S7G, 6T7G, 6G6G, 6Z5G, 6AB5	456	9-12
7B.....	Vol. Tone	P2137.....	34	Order from MR39.....	Mfr., M27			.015.....							7	6A8G, 6K7G, 6Q7G, 25L6G, 25Z6G, 6P5G	455	
7B.....	Vol. Tone	P3099.....	18	MR48.....	M26			P2936.....	1	2N509.....					7	6A8G, 6K7G, 6P5G, 6Q7G, 25L6G, 25Z6G	455	
7B.....	Vol. Tone	P3279.....	22	MR48.....	M26			25-25-5.....	46	TN129.....					7	6A8G, 6K7G, 6P5G, 6Q7G, 25L6G, 25Z6G	455	
7B.....	Vol. Tone	P3279.....	22	MR48.....	M26			25-25-5.....	46	TN129.....					7	6A8G, 6K7G, 6P5G, 6Q7G, 25L6G, 25Z6G	455	
7C.....	Vol. Tone	P3099.....	18	MR48.....	M26			25-25-5.....	46	TN129.....					7	6A8G, 6K7G, 6P5G, 6Q7G, 25L6G, 25Z6G	455	
7C.....	Vol. Tone	P3279.....	22	MR48.....	M26			25-25-5.....	46	TN129.....					7	6A8G, 6K7G, 6P5G, 6Q7G, 25L6G, 25Z6G	455	
7C.....	Vol. Tone	P3335.....	18	MK401.....	M26			10-10.....	1	FP231.....					7	6A7, 6D6, 75, 76, 741, 80	455	11-17
7C.....	Vol. Tone	P3337.....	22	MK401.....	M26			10-10.....	1	FP231.....					7	6A7, 6D6, 75, 76, 741, 80	455	11-17
7C61, 7C62UL, 7C62, Ch. 6M1.....	Vol. Tone	P3337.....	22	MK401.....	M26			10-10.....	1	FP231.....					7	6A7, 6D6, 75, 76, 741, 80	455	11-17
7C63, 7C63UL, Ch. 7C1, UL7C1.....	Vol. Tone	P3337.....	22	MK401.....	M26			10-10.....	1	FP231.....					7	6A7, 6D6, 75, 76, 741, 80	455	11-17
7C73, Ch. 9A1.....	Vol. Tone	P3337.....	22	MK401.....	M26			10-10.....	1	FP231.....					7	6A7, 6D6, 75, 76, 741, 80	455	11-17
7C-PH.....	Vol. Tone	P3335.....	18	MK401.....	M26			10-10.....	1	FP231.....					7	6A7, 6D6, 75, 76, 741, 80	455	11-18
7G.....	Vol. Tone	P3337.....	22	MK401.....	M26			10-10.....	1	FP231.....					7	6A7, 6D6, 75, 76, 741, 80	455	11-17
7G.....	Vol. Tone	P2558A.....	18	MK401.....	M26			P2575.....	25	TC72.....					7	6A7, 76, 6D6, 75, 41, 6G5, 80	456	9-13
7H.....	Vol. Tone	P2559A.....	22	MK401.....	M26			P2575.....	25	TC72.....					7	6A7, 76, 6D6, 75, 41, 6G5, 80	456	9-13
7H.....	Vol. Tone	P3335.....	18	MK401.....	M26			P3419.....	1	FP231.....					7	6A7, 6D6, 75, 76, 741, 80	455	11-17
7H-PH.....	Vol. Tone	P3337.....	22	MK401.....	M26			P3419.....	1	FP231.....					7	6A7, 6D6, 75, 76, 741, 80	455	11-17
7H-PH.....	Vol. Tone	P3335.....	18	MK401.....	M26			P3419.....	1	FP231.....					7	6A7, 6D6, 75, 76, 741, 80	455	11-17
7H-PH.....	Vol. Tone	P3337.....	22	MK401.....	M26			P3419.....	1	FP231.....					7	6A7, 6D6, 75, 76, 741, 80	455	11-17
7J.....	Vol. Tone	P1677.....	18	MR48.....	M27			P958.....	1	2N518 Buffer.....	B14	P402.....	245C	C3	7	6K8G, 6S7G, 6AB5, 6T7G, 730, 19	456	8-9
7K.....	Vol. Tone	P1764.....	34	MR39.....	M26			.01-.01.....							7	6K8G, 6S7G, 6AB5, 6T7G, 730, 19	456	8-9
7K.....	Vol. Tone	P3099.....	18	MR48.....	M26			20-20.....	1	2N509.....					7	6A8G, 6K7G, 6P5G, 6Q7G, 25L6G, 25Z6G	455	
7K.....	Vol. Tone	P3099.....	18	MR48.....	M26			20.....	15	TC26.....					7	6A8G, 6K7G, 6P5G, 6Q7G, 25L6G, 25Z6G	455	
7KS.....	Vol. Tone	P3099.....	18	MR48.....	M26			25-25-20.....	1/15	3N533.....					7	6A8G, 6K7G, 6P5G, 6Q7G, 25L6G, 25Z6G	455	

† Data not substantiated.

\* IMPORTANT: Read Notes in Note Section if specified in Note Column.

‡ Indicates miscellaneous section.

ASK YOUR DISTRIBUTOR FOR THE LATEST MALLORY CATALOG AND PRICE LIST.

MANUFACTURER AND MODEL	CONTROLS							CONDENSERS				VIBRATORS			No. Tubes	Complete Tube Complement	I. F. Peak	Slider's Reference
	Use	Original Part	Circuit	Correct Replacement	Switch	Bias	*Note	Original Part	Circuit	Correct Replacement	*Note	Original Part	Replacement	*Note				
ADMIRAL—Continued																		
7M.....	Vol.	P1749.....	139	MRT427.....	M26			4-16.....	23	3S584.....	B8				7	6A7, 6D6, 76, 75,		
Tone		P1750.....	139	UM160-SS1				10.....	19	TC22.....					7	6U5, 42, 80.....	456	8-10
7MU.....	Vol.	P1749.....	139	MRT427.....	M26			16-4.....	23	3S584.....	B8				7	6A7, 6D6, 76, 75,	456	8-11
Tone		P1750.....	139	UM160-SS1				10.....	19	TC32.....					7	6U5, 42, 80.....		
7P32, 7P33, 7P34, Ch. 5H1.....	Vol.	75B1-18.....	18	MK402.....	M27			67C7-5.....	95/78	Order from	Mfr.				5	1U4, 1R5, 1S5, 3V4, D.R.....	455	16-9
7RT41, 7RT42, 7RT43, Ch. 6L1.....	Vol.	75B2-6.....	167	TM243-SS25				67A14-1.....	91/15	TN129/TC26	B6				6	12SA7, 12SK7, 12SQ7, 12SJ7, 35L6GT, 35Z5GT.....	455	16-11
Tone		75B1-12.....	167	MK403.....	M26										6			
7T06, 7T12, Ch. 4B1.....	Vol.	75B1-1.....	18	MK402.....	M27			67A4-2.....	12	TC40.....					4	1A7GT, 1N5GT, 1H5GT, 3Q5GT.....	455	16-10, 12
8A.....	Vol.	P2659.....	18	TM233-SS25	M26			P2631.....	1	2S569.....					8	6A7, 76, 6D6, 75, 741, 80.....	456	10-15, 16
8C.....	Vol.		18	UM154.....	M26		A96	10-10.....	1	FP231.....					8	6A7, 6D6, 75, 76, 741, 80, 6U5.....	455	11-23
Tone			22	UM154.....			A96								8	6A7, 6D6, 75, 76, 741, 80, 6U5.....	456	8-13
8K.....	Vol.	P1821.....	140	MRT436.....	M26			P1825.....	1/13	3S584.....					8	6A7, 6D6, 75, 76, 742, 80.....	456	8-15
Tone		P1822.....	140	UM160-SS1				P1873.....	15	TC22.....					8	6A7, 6D6, 76, 75, 742, 80.....	456	8-15
8KU.....	Vol.	P1821.....	140	MRT436.....	M26			6-6-2.....	46	3S584.....					8	6A7, 6D6, 76, 75, 742, 80.....	456	8-15
Tone		P1822.....	140	UM160-SS1				10.....	15	TC22.....					7	6A7, 6D6, 75, 76, 743, 25Z5, 17A1.....	456	9-14
8T.....	Vol.	P1821.....	140	MRT436.....	M26			20-25.....	1	2N513.....					7	6A7, 6D6, 75, 76, 743, 25Z5, 17A1.....	456	9-15
Tone		P1822.....	140	UM150-SS1				10.....	15	TC22.....					7	6A7, 6D6, 75, 76, 743, 25Z5, 17A1.....	456	9-15
8TU.....	Vol.	P1821.....	140	MRT436.....	M26			20-25.....	1	2N513.....					7	6A7, 6D6, 75, 76, 743, 25Z5, 17A1.....	456	9-15
Tone		P1822.....	140	UM160-SS1				10.....	15	TC22.....					9	6A7, 6D6, 76, 75, 742, 80.....	456	9-16
9G.....	Vol.	P1916.....	140	MRT440.....	M26			P1971.....	1	3S584.....	B8				9	6A7, 6D6, 76, 75, 742, 80.....	456	9-16
Tone		P1917.....	140	UM160-SS1				P1983.....	15	TC22.....					11	6A8G, 6K7G, 6J5G, 6P6G, 5Z3.....	456	10-17, 18
11A.....	Vol.	P2705.....	20	MRT451.....				P1939.....	1	2N518.....					11	6A8G, 6K7G, 6J5G, 6P6G, 5Z3.....	456	10-17, 18
Tone		P2706.....	1	UM160-SS1				P1937.....	13	RS223.....					11	6A8G, 6K7G, 6J5G, 6P6G, 5Z3.....	455	11-24
11B, 11B-PH.....	Vol.	P3471.....	45	MK401.....				P1993.....	25	RS223.....					11	6A8G, 6K7G, 6J5G, 6P6G, 5Z3.....	455	11-24
Tone		P3472.....	4	Order from	Mfr.			P3478.....	25/14	FP238.....					11	6A8G, 6K7G, 6J5G, 6P6G, 5Z3.....	456	8-17, 18
11S.....	Vol.	P1916.....	140	MRT440.....	M26			P1937.....	1	RS223.....					11	6A8G, 6K7G, 6J5G, 6P6G, 5Z3.....	456	8-17, 18
Tone		P1917.....	140	UM160-SS1				P1939.....	1/13	2N518.....					16	6K7G, 6L7G, 6H6G, 6J5G, 6J7G, 6L6G, 5Z3.....	456	9-17, 20
16R.....	Vol.	P1989.....	18/15	Order from	Mfr.			P1993.....	30	RS223.....					16	6K7G, 6L7G, 6H6G, 6J5G, 6J7G, 6L6G, 5Z3.....	456	9-17, 20
Tone		P1990.....	41	MR44.....				P1992.....	30	RS223.....					16	6K7G, 6L7G, 6H6G, 6J5G, 6J7G, 6L6G, 5Z3.....	456	9-17, 20
Bass		P1991.....	15	MR48.....				P1997.....	13/14	2N518.....					16	6K7G, 6L7G, 6H6G, 6F8G, 6J7G, 6J5G, 6L6G, 5Z3.....	456	10-20
16S.....	Vol.	P1989.....	45/15	Order from	Mfr.			25.....	30	RS223.....					16	6K7G, 6L7G, 6H6G, 6F8G, 6J7G, 6J5G, 6L6G, 5Z3.....	456	10-20
Bass		P1991.....	7	MR48.....				12.....	30	RS215.....					16	6K7G, 6L7G, 6H6G, 6F8G, 6J7G, 6J5G, 6L6G, 5Z3.....	456	10-20
28G5.....	Vol.	P4706.....	18	UM161-SS18				25.....	30	RS224.....					5	1R5, 1T4, 1S5, 3S4, 3Z5.....	455	
29G5.....	Vol.	P4706.....	18	UM161-SS18				4-4.....	13/14	2N518.....					5	1R5, 1T4, 1S5, 3S4, 3Z5.....	455	
55.....	Vol.	P2321.....	18	UM154-SS3	M26			P4589.....	24/1	Order from	Mfr.				5	1R5, 1T4, 1S5, 3S4, 3Z5.....	455	14-10
61.....	Vol.		18	MR48.....				P2329.....	23	TCS71.....		P1414	859	C3	5	6A8, 6K7, 6Q7G, 6K6G, 6X5G.....	456	9-21
62B7.....	Vol.	P4089.....	18	TM231-SS22	M26			.006.....	23	2S567.....	B14				5	6A7, 6D6, 75, 42, 80.....	456	12-2
Tone		P4531.....	22	MK401.....				8-4.....	23	B33.....					7	6SK7, 6SA7, 6SQ7, 6K6G, 5Y3G.....	455	13, 16
66.....	Vol.	P801.....	17	UM163-SS3	M26			P4264.....	1/15	FP444.....	B69				6	6D6, 6A7, 75, 41, 84.....	175	9-22
Tone		P828.....	22	MR39.....				P1293.....	4	2S567.....	B33	P1414	859	C3	6	6D6, 6A7, 75, 41, 84.....	175	9-22
69.....	Vol.	P1371.....	18	UM154-SS3	M26			P1312.....	15	TC22.....					6	6K7, 6A8G, 6Q7G, 6K6G, 6X5G.....	175	9-23
Tone		P828.....	22	MR39.....				.0075.....	23	2S567.....	B14	P1414	859	C3	6	6K7, 6A8G, 6Q7G, 6K6G, 6X5G.....	175	9-23
77.....	Vol.	P1371.....	45	UM154-SS3	M26			.0075.....	23	2S567.....	B14	P1414	859	C3	7	6D6, 6A7, 6K7, 6H6, 6C5, 6V6G, 84.....	175	8-20
Tone		P1388.....	22	Order from	Mfr.			.0075.....	23	2S567.....	B33	P1414	859	C3	7	6D6, 6A7, 6K7, 6H6, 6C5, 6V6G, 84.....	175	8-20
78.....	Vol.	P1371.....	45	UM154-SS3	M26			.0075.....	23	2S567.....	B14	P1414	859	C3	7	6D6, 6A7, 6K7, 6H6, 6C5, 6V6G, 84.....	175	8-20
Tone		P1388.....	22	Order from	Mfr.			.0075.....	23	2S567.....	B14	P1414	859	C3	7	6D6, 6A7, 6K7, 6H6, 6C5, 6V6G, 84.....	175	8-20
88.....	Vol.	P1408.....	17	UM161-SS12	M26			6-8.....	1	2N518.....			294	C3	8	6D6, 6A7, 6K7, 6R7, 6C5, 6V6G, 02A.....	175	9-24
Tone		P1388.....	22	Order from	Mfr.			.0075.....	1	2N518.....	B14				8	6D6, 6A7, 6K7, 6R7, 6C5, 6V6G, 02A.....	175	9-24
319-4Z.....	Vol.	P3317.....	18	MK401.....	M27			P3024.....	12	TC42.....					4	1A7G, 1N5G, 1H5G, 1Q5G.....	455	11-9
382-7H-PH.....	Vol.	P3335.....	18	MK401.....	M26			P3419.....	1	FP231.....					7	6A7, 6D6, 75, 76, 741, 80.....	455	11-19
Tone		P3337.....	22	MK401.....											7	6A7, 6D6, 75, 76, 741, 80.....	455	11-19
440.....	Vol.		6	MR29.....	M26	EX200		233.....	8	UR193.....	B124				4	6K7, 6J7, 25L6, 25Z6G.....	175	9-22
660.....	Vol.	P801.....	17	UM163-SS3	M26			P1293.....	4	2S567.....		P1414	859	C3	6	6D6, 6A7, 75, 41, 84.....	175	9-22
Tone		P828.....	22	MR39.....				P1312.....	15	TC32.....					6	6D6, 6A7, 75, 41, 84.....	175	9-22
770.....	Vol.	P1371.....	45	UM154-SS3	M26			.0075.....	23	2S567.....	B14	P1414	859	C3	7	6D6, 6A7, 6K7, 6H6, 6C5, 6V6G, 84.....	175	8-20
Tone		P1388.....	22	Order from	Mfr.			.0075.....	23	2S567.....	B14	P1414	859	C3	7	6D6, 6A7, 6K7, 6H6, 6C5, 6V6G, 84.....	175	8-20
780.....	Vol.	P1371.....	45	UM154-SS3	M26			.0075.....	23	2S567.....	B14	P1414	859	C3	7	6D6, 6A7, 6K7, 6H6, 6C5, 6V6G, 84.....	175	8-20
Tone		P1388.....	22	Order from	Mfr.			.0075.....	23	2S567.....	B14	P1414	859	C3	7	6D6, 6A7, 6K7, 6H6, 6C5, 6V6G, 84.....	175	8-20
880.....	Vol.	P1408.....	17	UM161-SS12	M26			6-8.....	1	2N518.....			294	C3	8	6D6, 6A7, 6K7, 6R7, 6C5, 6V6G, 02A.....	175	9-24
Tone		P1388.....	22	Order from	Mfr.			.0075.....	1	2N518.....	B14				8	6D6, 6A7, 6K7, 6R7, 6C5, 6V6G, 02A.....	175	9-24
ML156, ML266.....	Vol.		18	Order from	Mfr.			4.....	32	RS213.....					6	6A7, 6K7, 6H6, 6F5, 6F6, 80.....	456	6-2
Tone			34	MR53.....	M26			8-4.....	32	2S567.....	B81				6	6A7, 6K7, 6H6, 6F5, 6F6, 80.....	456	6-2
137X, 150X, 171X.....	Vol.		18	MR48.....				8-4.....	23	2S567.....	B33				6	6A7, 6D6, 75, 742, 80.....	456	6-3

† Data not substantiated.

\* IMPORTANT: Read Notes in Note Section if specified in Note Column.

‡ Indicates miscellaneous section.

MANUFACTURER AND MODEL	CONTROLS							CONDENSERS				VIBRATORS			No. Tubes	Complete Tube Complement	I. F. Peak	Rider's Reference
	Use	Original Part	Circuit	Correct Replacement	Switch	Bias	*Note	Original Part	Circuit	Correct Replacement	*Note	Original Part	Replacement	*Note				
ADMIRAL—Continued 4207-B12.....	Vol.		124				See Note A19		1	See Note...	B3				12	6AB7, 6SA7, 6SJ7, 6H6C, 6U5G, 7F7, 6K6, 5U4G.....	455 Kc AM 4.3 Mc FM	14-8,9
ADVANCE ELECTRIC CO. "A" Auto Falck "Super B".....	Vol. Vol. Tone		33 7 22	MR48 G MR44			See Note A1	10 6-6	15 4	TC22 2S567	B33				5 7	36, 41 51, 24, 27, 47, 80		2-1
Falck "E" 77, 88, 89.....	Vol. Vol. Tone		7 7 22	MR45 C MR44			See Note A4	6-6 6-6	4 1	2S567 2S567	B33 B26				4 6	35, 24, 47, 80 24, 27, 45, 80		2-1 2-2
AEROMOTIVE 181-A-AD.....	Vol.		142	MR50	M26				6	FP357					8	14A7, 14Q7, 14B7, 50A5, 35Z5GT.....	460	\$15-1
AETNA—Also see Wallgreen 4T '36 5T '36.....	Vol. Vol. Tone		6 18 22	MR18 MR48	M26	EX125		16-12 16-12	23 27	TCS44 TCS44	B55				4 5	6D6, 6C6, 43, 25Z5 6A7, 6D6, 75, 43, 25Z5		465
B25-RS 55RS 57RS.....	Vol. Vol. Vol.	2009C 2009 2009	18 18 18	MR48 MR48 MR48	M27 M26 M26			317 311 314	4 27 27	RS213 ST599 ST597					5 5 6	1C6, 1A4, 1B5, 30, 19 6A7, 6D6, 75, 42, 80 6A7, 6D6, 75, 43, 25Z5, 6G5	456 456	
251 (T.R.F.) 252 255.....	Vol. Vol. Vol.	91114 2426 259	7 7 6	UC513 MR45 MR24	6 M26 M26	EX400 EX120 EX200		2111 16-8-5-5 2525	1/15 6/15 6	4S715 3S384/TN111 RS224	B5				4 4 4	6D6, 6C6, 43, 25Z5 6D6, 6C6, 43, 25Z5 6D6, 6C6, 25L6, 25Z5, R55C1		\$6-1
370 630, 635, 652.....	Vol. Vol. Tone	2009 2009	18 18	MR48 MR48	M26			311 314	27 27	ST599 ST597	B26				6 6	6A7, 6D6, 75, 43, 25Z5, 6G5	456 456	
700.....	Vol. Tone		18 34	MR48 MR33 MR48				8-8	1	2S567	B26				5	6D6, 76, 75, 6B5, 80	456	
AIRADIO SU-41D.....	Vol.		1	Order from	Mfr.				12	TC42					5	1LN5, 1LA6, 1LH4, 1LB4	90	
SU-52A.....	Vol.	RE1140	18	MR48	M26				12	TC22					5	7A7/14A7, 7Q7/14Q7, 7B6/14B6, 7A4/14A4	90	
TRA-1A BC (Trans)										FP444					3	7C5/14C5		
AIRCASCADE—Also see Spiegel & Radio Prods. Corp.	Vol.		18	MR48				8-4	23	2S567	B33				5	6A7, 6D6, 75, 42, 80	456	\$5-2
BA41.....	Vol.		45	MR48	M26		A21	8-8 .01-.01	1	2N518 Buffer	B14	P402	245C	C3	6	1C6, 34, 30, 32, 33	456	
L5.....	Vol. Tone	P660 P661	18 34	MR48 MR39	M26			P474 P160 P304	32 32 15	RS213 2S567 TC22	B81				7	6L7, 6K7, 6C5, 6H6, 6F5, 6F6, 5Z4	456	
L6.....	Vol. Tone	P660 P661	18 44	MR48 MR39	M26			P474 P160 P304	32 32 15	RS213 2S567 TC22	B81				8	6L7, 6K7, 6Q7, 6C5, 6F6, 5Z4	456	
L7.....	Vol. Tone	P691 P682	45 1	Order from MR39	Mfr.			P391 .01-.01	1	2N516 Buffer	B14	P402	245C	C3	7	1C6, 19, 30, 34	456	
PX.....	Vol.	A24-165	18	MK402	M27			A18-273	12	TC40					4	1A7GT, 1N5GT, 1H5GT, 305GT	455	15-2
TB503.....	Vol.	5-305	18	Order from	Mfr.			7-304 7-306 7-305	24/93	TN129 TC45 TC29					5	1A7, 1N5, 1H5, 3Q5, 50Y6GT	456	15-16
TK-504, TK-514.....	Vol.	5-301	18	MK402	M26			7-301	15/24	2N514					5	12SA7GT, 12SK7GT, 12SQ7GT, 50L6GT, 35Z5GT	456	15-17
T-2625.....	Vol.	5-310	18	MR53	M26			A7-302	24/15	2N520/TC22					6	12SA7GT, 12SK7GT, 12SQ7GT, 35L6GT, 35Z5GT	456	16-1,2,3
X6.....	Vol. Tone	P691 P692	45 1	Order from MR39	Mfr.			P391 .01-.01	1	2N516 Buffer	B14	P402	245C	C3	6	1C6, 19, 30, 32, 34	456	
Z4.....	Vol. Tone	P680 P682	45 44	Order from MR39	Mfr.			P391 .01-.01	1	2N516 Buffer	B14	P402	245C	C3	6	1C6, 19, 30, 32, 34	456	
Z5.....	Vol. Tone	P691 P692	45 44	Order from MR39	Mfr.			P958 .01-.01	1	2N518 Buffer	B14	P402	245C	C3	6	1C6, 19, 30, 32, 34	456	
1-53.....	Vol.	24-150	18	MK402				18-262 18-263	94 94	2N509 2N509					5	1A7GT, 1N5GT, 1H5GT, 1T5GT, 35Z5GT	455	15-3
W-106, Z-7004, Z-7052.....	Vol.	5-61	18	MK401	M26			7-58	1	2S569					8	6A7, 6D6, 75, 47, 6U5, 76, 80	455	15-9
T-630.....	Vol.	5-301	18	MK402	M26			7-301	1	2N514					6	12SK7GT, 12SA7GT, 12SQ7GT, 35L6GT, 35Z5GT	456	15-33
14-112S.....	Vol. Tone Sen.	3038 3034 3035	18 22 7	UM157-SS12 MR36 CIMP				2994 578 .0075	1 15	2N518 TC22 Buffer	B85 B14	3000	294	C3	6	78, 6A7, 75, 42, 84	262	

† Data not substantiated.

\* IMPORTANT: Read Notes in Note Section if specified in Note Column.

§ Indicates miscellaneous section.

MANUFACTURER AND MODEL	CONTROLS							CONDENSERS				VIBRATORS			No. Tubes	Complete Tube Complement	I. F. Peak	Rider's Reference
	Use	Original Part	Circuit	Correct Replacement	Switch	Bias	*Note	Original Part	Circuit	Correct Replacement	*Note	Original Part	Replacement	*Note				
AIRCASCADE—Continued	see Spiegel																	
14-127ES	Vol. Tono	2726 2737	18 147	MR48 MR55	M26			3375 3351	23 23	RS216 RS219					8	6A7, 6D6, 75, 76, 42, 6G5, 80	456	
106B	Vol.	24-153	18	MK401	M26			18-266	24	2N513					5	12SA7, 12SK7, 12SQ7, 50L6GT, 35Z5GT	455	15-8
397	Vol.		18	Order from Mfr.					12	TC42					4	1A7GT, 1N5GT, 1H5GT, 3Q5GT	456	15-13
408	Vol.		18	Order from Mfr.					12	TC42					5	1A7GT, 1N5GT, 1H5GT, 3Q5GT	456	15-14
1-421	Vol.	24-154	18	MK402	M27			10-230	12	TC40					4	1A7GT, 1N5GT, 1H5GT, 1Q5GT	455	15-14
2-560, 2-561, 2-562, 2-563, 2-564, 2-565, 2-566, 2-567, 2-568, 2-569	Vol.	24-162	18	MK402	M27			18-266 18-271	80 78	2N513 Order from Mfr.					5	1A7GT, 1N5GT, 1H5GT, 3Q5GT, 117Z4GT	455	15-5
2-610, 2-611, 2-612, 2-613, 2-614, 2-615, 2-616, 2-617, 2-618, 2-619	Vol.	24-161	18	MK402	M26			18-266	22	2N513					6	12SA7, 12SK7, 12SQ7, 12J5GT, 35L6GT, 35Z5GT	455	15-6
568	Vol.	B9051-5	18	MK401	M26			A-8948	1	FP306					5	12SA7, 12SK7GT, 12SQ7, 50L6GT, 35Z5GT	455	15-19,22
571	Vol.	B-9051-1	18	MK401	M26			A-8948	1	FP354	B8				5	12SA7, 12SK7, 12SQ7, 50L6, 35Z5	455	15-23
581	Vol.		18	MR53	M27				24	2N511 WP039				8	1LN5, 1LC6, 1LH4, 50A5, 3LF4, 3Q5GT, 35Y4		15-26,28	
582-1	Vol.	A-15132-2	18	MR48	M27			A-14958	12	TC42				5	1N5G, 1A7G, 1H5G, 3Q5GT	456	15-29,30	
621, Ch. FJ-91	Vol.	A-9067	50	UC506	6-9			A-25020	24	2N511				2	50A5, 35Y4			
626	Vol. Tono	B-9051-1	87	MK401				B-9564-1	24	2N514				3	12SQ7GT, 50L6GT, 35Z5GT			
630	Vol. Tono	A-15130-3	18	MK401				A-14684-6	91	FP354 Buffer	B14	A-15301	245A	C3	6	7A8, 7B7, 7C7, 7C6, 6G6G	456	15-31,32
631-6	Vol. Tono	A-15128-2	22	MK400	M26			.01	46	FP354 Buffer	B14	A-15301	245A	C3	6	7A8, 7B7, 7C7, 7C6, 6G6G	456	
TR640	Vol.	A15128-2	22	MK400	M26			.01	88	TN129					6	12SA7GT, 12SK7GT, 12SQ7GT, 35L6GT, 35Z5GT	456	15-24,36
641	Vol. Tono (Late) (Early)	A-9067	160	MR48	M26			A25019	24	2N513					4	14B6, 35A5, 35Y4		
651	Vol.	A-9068	158	MR48														
651, 6514, 6541, 6547, 6511, Ch. FJ97	Vol.	A-9066	18	MR48	M26			A-25019	24	2N511					5	14Q7, 14A7/12B7, 14B6, 50A5, 35Y4	455	
831	Vol. Tono	A-15130-3 A-15128-2	18 162	MK401 MK400	M26			A-1574-1	1	2S569					5	14Q7, 14A7, 14B6, 50A5, 35Y4	455	15-37
961	Vol. Tono	A15130-3 A15128-3	45 44	MK401 MK400	M26			A14799-2	1	TC42					10	6SK7GT, 6SA7, 6J5GT, 6SQ7GT, 6AC5GT, 7Y4	456	16-4,5,6
1061	Vol. Tono	A15130-3 A15128-3	45 44	MK401 MK400	M26			A14799-2	1	TC42					10	6SA7GT, 6SK7GT, 6P5GT, 6K6GT, 6G5, 6SF5GT, 5Y3G	456	
5000, 5001	Vol. (Late) (Early) (Late) (Early)		18 18 18 18	MR48 MR53 MK401 MK401	M26 M26 M26 M26			EC-3	24	2N514					5	12SA7GT, 12BA6, 12SK7GT, 12AT6, 12SQ7GT, 50L6GT, 35W4/35Z5GT	455	15-38
5002	Vol.	VC-3	18	MK402	M26				24	2N520					6	12SK7/12BA6, 12SA7, 12SQ7/12AT6, 35L6GT, 35Z5GT/35W4	455	
5003, 5004, 5005, 5006	Vol.		18	MK402	M26			EC-10	80	2N511					5	12SA7GT, 12SQ7GT, 12SK7GT, 50L6GT, D.R.	455	
5010, 5011, 5012	Vol.	VC-4	18	MK402	M26			EC-4	88	FP357					6	12SK7GT, 12SA7GT, 12AT6, 35L6GT, 35W4	455	

† Data not substantiated.

\* IMPORTANT: Read Notes in Note Section if specified in Note Column.

‡ Indicates miscellaneous section.

MANUFACTURER AND MODEL	CONTROLS								CONDENSERS				VIBRATORS			No. Tubes	Complete Tube Complement	I. F. Peak	Rider's Reference
	Use	Original Part	Circuit	Correct Replacement	Switch	Bias	*Note	Original Part	Circuit	Correct Replacement	*Note	Original Part	Replacement	*Note					
AIRCATTLE—Continued—Also see Spiegel & Radio Prods. Corp.																			
5020.....	Vol. (Late) (Early)	VC-2	18	MR53					24	FP214/TC45	B6				4	1A7GT, 1N5GT, 1LH4, 3Q5GT, D.R.	455	16-3,7	
5025.....	Vol.	VC-2	18	MR48				EC-6	80/78	TC2501					4	1A7GT, 1N5GT, 1H5GT, 3Q5GT	455		
6514.....	Vol.	A-9066	18	MR48	M26				24	2N513					5	14Q7, 14A7/12B7, 14B6, 50A5, 35Y4	455	15-37	
6541, 6547.....	Vol. Tone	A-9066	18	MR48	M26			A25019	24	2N511					5	14Q7, 14A7, 14B6, 50A5, 35Y4	455	15-37	
6611, 6612, 6613, 6630, 6631, 6632, 6634, 6635.....	Vol. Tone	RA9066	18	MR48	M26			A25020	24/15	2N511/TC26	B6				6	14Q7, 14A7, 14B6, 35A5, 35Y4	455	15-37	
7000, 7001.....	Vol. Tone	RA9068	158	MR39				EC-5	80	Order from	Mfr.				2	50L6GT, 35Z5GT			
7004.....	Vol. (Late) (Early)	VC-3	50	MK402	M26			EC-5	80	Order from	Mfr.				2	50L6GT/50B5, 35Z5GT/35W4			
AIRCHIEF—See Firestone																			
AIRKING																			
Dynamic 2 Range.....	Vol.		6	SRP263				8-8	6	2N516					4	6D6, 6C6, 43, 25Z5		7-4	
Knave.....	Vol. Tone		18	MR48	M26			5	1/15	TC22					6	6A7, 6D6, 75, 43, 25Z5	456	7-1	
Magnetic.....	Vol.		6	SRP263				8-8	24	2N516					4	6D6, 6C6, 38, 76		7-4	
Royalty.....	Vol. Tone		18	MR48	M26			16, 16	1	ST597					8	6A7, 6D6, 75, 76, 742, 80	456	7-2	
4.....	Vol.		8	MR28	M26			5	15	TC22					4	12K7GT, 12J7GT, 35L6GT, 35Z5GT		11-1	
4T "Comet".....	Vol.		7	MR45	M26	EX300		12-8-5-5	1/15	3S584/TN111	B5				4	78, 77, 43, 25Z5		5-1	
Atlas ST Universal.....	Vol.		18	MR48	M26			16-8-5-5	6/15	3S584/TN111	B5				5	6A7, 78, 75, 43, 25Z5	456	5-2	
6-Tube AC Super.....	Vol. Tone	2443	18	MR48	M26			1846	4	RS213					6	6D6, 76, 75, 42, 80	456		
6T TRF-LW.....	Vol. Tone	2619	22	MR39				1615	15	TC22					6	58, 57, 747, 80		5-3	
6E.....	Vol. Tone		6	F7				8, 8	4	RS213					6	58, 57, 747, 80		5-3	
	Vol. Tone		21	MR53				8	1	TC71					6	6A8, 6K7, 6H6, 6F5, 6F6, 5Z4	456	9-1	
	Vol. Tone		45	MR48				16	1	TC74					6	6A8, 6K7, 6H6, 6F5, 6F6, 5Z4	456	9-1	
	Vol. Tone		21	MR48	M26			5	15	TC22					7	58, 57, 747, 80	175	5-1	
7T BC "Super".....	Vol. Tone		6	MR18				8, 8	4	RS213					7	58, 57, 747, 80		5-4	
7T TRF-LW.....	Vol. Tone		21	MR53				8, 8	4	RS213					7	58, 57, 747, 80		5-4	
9E.....	Vol. Tone		6	F7		2		8, 8	4	RS213					7	58, 57, 747, 80		5-4	
	Vol. Tone		21	MR53				16, 16	1	ST597					9	6K7, 6A8, 6H6, 6F5, 6C5, 6F6, 5Z4	456	9-3	
	Vol. Tone		127	MR48				8-8	24	2N516					4	6D6, 6C6, 38, 76		7-4	
10.....	Vol. Tone		6	SRP263				8-8	24	2N516					4	6D6, 6C6, 38, 76		7-4	
	Vol. Tone		15	MR48				5	15	TC22					11	6K7G, 6A8G, 6H6G, 6G5, 6C5G, 6N6G, 5V4G	456	8-1	
	Vol. Tone		41	MR48	M26			16	1	RS216					11	6K7G, 6A8G, 6H6G, 6G5, 6C5G, 6N6G, 5V4G	456	8-1	
21, 22 Series.....	Vol.	700A	7	MR28	M26			30	1	RS224					4	6D6, 6C6, 38, 76		8-2	
23X.....	Vol.		8	MR28	M26			5	15	TC22					4	12K7GT, 12J7GT, 35L6GT, 35Z5GT		11-1	
27, 28A.....	Vol.		18	MR48				20	6	TC47					5	6A7, 6D6, 75, 43, 25Z5	456	7-8	
	Vol.		6	G	6	2		10	6	TC44					5	77, 78, 43, 25Z5	456	8-1	
	Vol.		6	MR48				5	15	TC22					5	77, 78, 43, 25Z5	456	8-1	
37, 39.....	Vol.		6	G	6	2		16-8-6-10-10	8/15	See Note	B3				4	6D6, 6C6, 38, 37		6-1	
40.....	Vol.		6	MR48				8-8	24	2N516					4	6D6, 6C6, 38, 37		6-1	
	Vol.		6	MR48				5	15	TC22	B6				4	6D6, 6C6, 38, 76		7-4	
41, 42.....	Vol.	700A	6	MR28	M26			8-8	24	2N516					4	6D6, 6C6, 38, 76		7-4	
47, 48, 57, 58.....	Vol.		18	MR48				5	15	TC22					5	6A7, 6D6, 75, 43, 25Z5	456	7-8	
	Vol.		6	MR48				20	6	TC47					5	6A7, 6D6, 75, 43, 25Z5	456	7-8	
	Vol.		6	MR48				10	6	TC44					5	6A7, 6D6, 75, 43, 25Z5	456	7-8	
50 AC-DC.....	Vol.		6	MR48				5	15	TC22					4	6D6, 6C6, 43, 25Z5		6-1	
	Vol.		6	MR48				8-8	6	2N516					4	6D6, 6C6, 43, 25Z5		6-1	
	Vol.		6	H7	6	3		5	15	TC22					5	57, 58, 47, 80	456	4-1	
52, 54.....	Vol.		6	H7	6	3		8-4	1	2S567	B26				5	57, 58, 47, 80	456	4-1	
66.....	Vol.		18	MR48	M26			16-8-5-5	6/15	3S584/TN111	B5				5	6A7, 6D6, 75, 43, 25Z5	456	6-2	
	Vol.		18	MR48				16	1	TC74					7	6A7, 6D6, 76, 75, 742, 80	456	6-2	
70.....	Vol. Tone		18	MR48				5	15	TC22	B6				6	6A7, 6D6, 75, 6G5, 43, 25Z5, 36H	456	8-3	
72, 73.....	Vol. Tone		18	MR48				24	6	TC47					6	6A7, 6D6, 75, 6G5, 43, 25Z5, 36H	456	8-3	
	Vol. Tone		22	MR48				12	6	TC44					6	6A7, 6D6, 75, 6G5, 43, 25Z5, 36H	456	8-3	
	Vol. Tone		4	MR48				4	13	TC42					6	6A7, 6D6, 75, 6G5, 43, 25Z5, 36H	456	8-3	
	Vol. Tone		5	MR48				5	15	TC22					6	6A7, 6D6, 75, 6G5, 43, 25Z5, 36H	456	8-3	
76.....	Vol. Tone		106	MR48	M26			16-8	1	3S584	B8				6	6A8G, 6K7G, 6Q7G, 6N6MG, 6G5, 5W4	456	9-2	
81 Series.....	Vol.	700A	7	MR28	M26			1051	24/15	3N527					4	6D6, 6C6, 38, 76		8-2	

‡ Data not substantiated.

\* IMPORTANT: Read Notes in Note Section if specified in Note Column.

§ Indicates miscellaneous section.

12 BASIC MALLORY VIBRATORS MEET 90% YOUR REPLACEMENT NEEDS.



MANUFACTURER AND MODEL	CONTROLS							CONDENSERS				VIBRATORS			No. Tubes	Complete Tube Complement	I. F. Peak	Rider's Reference
	Use	Original Part	Circuit	Correct Replacement	Switch	Bias	*Note	Original Part	Circuit	Correct Replacement	*Note	Original Part	Replacement	*Note				
AIRKING — Continued																		
209	Vol. Tone		45 21	MR48 MR48				16 8. 5.	1 1 15	ST597 ST595 TC32				6	6A8, 6K7, 6H6, 6F5, 6F6, 5Z4	456	7-6	
211	Vol. Tone		45 21	MR48 MR48	M26			24 12 10	6 6 15	TC47 TC44 TC32				6	6A8, 6K7, 6H6, 6F5, 43, 25Z5	456	7-7	
213	Vol. Tone		45 21	MR48 MR48	M26			16, 16	1	ST597				9	6K7, 6A8, 6H6, 6F5, 6C5, 6F6, 5Z4	456	7-3	
214	Vol. Tone		6	MR24				24-10-5	24/15	3N527	B268			3	6D6, 6C6, 25A7G, 80F		8-8	
221, 222, 223	Vol. Tone		18 21	MR48 MR48	M26			8. 16	1 1	ST595 ST597				5	6A7, 6D6, 75, 6F6, 5Z4	456	7-9	
222 (AC-DC)	Vol.	1102410	7	MR28	M26			5	15	TC32 2N509				4	6D6, 6C6, 25L6G, 25Z5		9-4	
224, 225	Vol. Tone		45 21	MR48 MR48	M26			24 12 10	6 6 15	TC47 TC44 TC32				6	6A8, 6K7, 6H6, 6F5, 43, 25Z5	456	7-7	
227, 228, 229	Vol. Tone		18 57	MR48 MR48	M26			8-16 5-5	1 15	3S584 TN111	B8			6	6A8, 6K7, 6H6, 6F5, 6F6, 5Z4	456	7-5	
250	Vol.		7	F			A14	8-8	1	2N509				5	6A7, 6D6, 6C6, 43, 25Z5	456	8-4	
250B	Vol.	1055	7	F	6			5. 1135	15 1	TC22 2N513				5	6A7, 6D6, 76, 25L6G, 25Z5	456	9-4	
252	Vol.	1102444	18	MR48	M26			1102012	1	2N514	B66			5	6A7, 6D6, 75, 25L6G, 25Z5	455	9-3	
257	Vol.	1102445	18	MR48				1102012	1	2N514	B66			5	6A7, 6D6, 75, 25L6G, 25Z5, M49HG	455	10-1,2	
260	Vol.		18	MR48				20-10 5.	6 15	2N509 TC22				5	6A7, 6D6, 75, 43, 25Z5, 42H	456	8-4	
261	Vol.		18	MR48				8-8 5.	1 15	2N518 TC22				5	6A7, 6D6, 75, 42, 5W4	456	8-5	
A-400, Ch. 470	Vol.	2479	18	MR55	M26			2073	24	FP214				4	12SA7GT, 12SQ7GT, 50L6GT, 35Z5GT	455		
A-403	Vol.	2480	18	MR55	M26			2073	24	FP214				4	12SA7GT, 12SQ7GT, 50L6GT, 35Z5GT	455	16-1	
500	Vol.	CM1264	176	MR48	M26				24	2N520				5	12SA7GT, 12SK7GT, 12SQ7GT, 50L6GT, 35Z5GT	455		
501	Vol. Tone		106 106	MR48 MR48	M26			8-16	1	3S584	B8			6	6A8G, 6K7G, 6Q7G, 6N6MG, 6G5, 5W4	456	9-2	
503	Vol. Tone		106 106	MR48 MR48	M26			8-16	1	3S584	B8			6	6A8G, 6K7G, 6Q7G, 6N6MG, 6G5, 5W4	456	9-2	
505	Vol. Tone		106 106	MR48 MR48	M26			8-16	1	3S584	B8			6	6A8G, 6K7G, 6Q7G, 6N6MG, 6G5, 5W4	456	9-2	
A-510	Vol.	2481	18	MR53	M27				24 12	FP214/TC36 TC26	B6			4	1R5, 1U4, 155, 3Q4	456		
522 Series	Vol.	700A	7	MR28	M26			1051	24/15	3N527				4	6D6, 6C6, 38, 76		8-2	
A-600	Vol.	2478	18	MR48	M26			2073	24	FP214				6	12SK7GT, 12SA7GT, 12SQ7GT, 35L6GT, 35W4	455		
600	Vol. Tone		18 22	MR48 MR48				24 12 4.	6 6 14	TC47 TC44 TC42				6	6A7, 6D6, 75, 6G5, 43, 25Z5	456	7-10	
688	Vol.		7	MR28	M26			10 5.	24 15	TC44 TC22				5	6D6, 6C6, 38, 76, 6E5, M84F		9-5	
699	Vol.		7	MR28	M26			10 5.	24 15	TC44 TC22				4	6D6, 6C6, 38, 76, M55HG		9-5	
700	Vol.		7	MR28	M26		A14	24-10-5	24/15	3N527	B268			4	6D6, 6C6, 43, 25Z5, M55HG		8-6	
700LW	Vol.		7	MR28				24-10-5	24/15	3N527	B268			4	6D6, 6C6, 43, 25Z5, M55HG		9-6	
701, 702, 703	Vol.		7	MR28				24-10-5	24/15	3N527	B268			5	6D6, 6C6, 43, 25Z5, 6E5, M30HG		9-7	
704	Vol.		7	MR28	M26			30 15	1 1	TC47 TC45				6	6D6, 76, 25L6G, 6E5, 25Z5, M42HG		9-6	
705	Vol.		7	MR28	M26		A14	24-10-5	24/15	3N527	B268			4	6D6, 6C6, 43, 25Z5, M55HG		8-6	
710	Vol.	1055	7	F	6			24-10-5	24/15	3N527	B268			5	6A7, 6D6, 6C6, 43, 25Z5, M49HG	456	8-7	
715	Vol.	1055	7	F	6			24-10-5	24/15	3N527	B268			5	6A7, 6D6, 6C6, 43, 25Z5, M49HG	456	8-7	
720, 721	Vol.		18	MR48	M26			24-10-5	1/15	3N527	B269			5	6A7, 6D6, 75, 43, 25Z5, M49HG	456	9-8	
725	Vol. Tone		18 147	MR48 MR48	M26			30-10	6	2N513				6	6A7, 6D6, 75, 6G5, 25N6G, 25Z5	456	9-7	
730, 731	Vol.		18	MR48	M26									4	1D7G, 1D5G, 1H6G, 1F5G	456	8-5	
770	Vol. Tone		18 147	MR48 MR48	M26			24-10-5	6/15	3N527	B269			5	6A7, 6D6, 75, 43, 25Z5, M49HG	456	9-8	

‡ Data not substantiated.

\* IMPORTANT: Read Notes in Note Section if specified in Note Column.

§ Indicates miscellaneous section.

MANUFACTURER AND MODEL	CONTROLS							CONDENSERS				VIBRATORS			No. Tubes	Complete Tube Complement	I. F. Peak	Rider's Reference
	Use	Original Part	Circuit	Correct Replacement	Switch	Bias	*Note	Original Part	Circuit	Correct Replacement	*Note	Original Part	Replacement	*Note				
AIRKING — Continued																		
771.....	Vol. Tone		18	MR48.....	M26		24-10-5.....	6/15	3N527.....	B269					6	6A7, 6D6, 75, 6G5, 43, 25Z5, M42HG.	456	9-8
777.....	Vol.		147	MR48.....			30.....	1	TC47.....						4	6D6, 6C6, 25L6, 25Z5		9-9
X780B.....	Vol.		7	MR28.....	M26		16.....	1	TC45.....						4	6D6, 6C6, 25L6G, 25Z5, M55HG.		9-10
801.....	Vol.		7	MR28.....	M26		34-10.....	1	2N513.....						5	6D6, 6C6, 25L6G, 25Z5, 6E5, 203G, M49HG.		9-10
810.....	Vol.	1126.....	18	MR48.....	M26		1125.....	1	2N509.....						5	6A7, 6D6, 75, 25L6G, 1V.....	456	9-11
815.....	Vol.	1126.....	18	MR48.....	M26		1141.....	1	2N513.....						5	6A7, 6D6, 75, 25L6G, 25Z5, M49HG.	456	9-12
822, 822X.....	Vol.	1084.....	18	MR48.....	M26		1083.....	1/15	2N513/TC29						5	6A7, 6D6, 75, 25L6G, 25Z5.....	456	9-13
823.....	Vol.	1084.....	18	MR48.....	M26		1090.....	15	RS219.....						6	6A7, 6D6, 75, 6V6G, 6G5, 80.....	456	9-13
824.....	Vol. Tone	1101.....	18	MR48.....	M26		1083.....	1/15	2N513/TC29						7	6A7, 6D6, 76, 6G5, 6F5G, 25L6G, 25Z5	456	9-13
X825.....	Vol.		147	MR48.....			15.....	1	RS216.....						5	6A7, 6D6, 75, 6V6G, 80.....	456	9-8
826X.....	Vol.	1084.....	18	MR48.....	M26		1083.....	1/15	2N513/TC29						5	6A7, 6D6, 75, 25L6G, 25Z5, M49HG.	456	9-13
828.....	Vol. Tone	1101.....	18	MR48.....	M26		35.....	1	RS224.....						7	6A7, 6D6, 76, 6G5, 6F5G, 6V6G, 80.....	456	9-11
			147	MR48.....			15.....	1	RS216.....									
			50				1083.....	1/15	TC29						5	6A7, 6D6, 75, 25L6G, 25Z5.....	456	9-13
832.....	Vol.	1084.....	18	MR48.....	M26		1090.....	1	RS216.....						6	6A7, 6D6, 75, 6V6G, 6G5, 80.....	456	9-13
833.....	Vol.	1084.....	18	MR48.....	M26		1083.....	1/15	2N513/TC29						7	6A7, 6D6, 76, 6G5, 6F5G, 25L6G, 25Z5	456	9-13
834.....	Vol. Tone	1101.....	18	MR48.....	M26		35.....	1	RS224.....						7	6A8G, 6K7G, 6H6G, 6E5, 6F5G, 6V6G, 5Y3G.....	456	9-15, 16
X837, X837S.....	Vol. Tone		147	MR48.....			15.....	1	RS216.....						7	6A7, 6D6, 6G5, 76, 6F5G, 6V6G, 80.....	456	9-11
			147	MR48.....			50.....	15	TC29.....									
838.....	Vol. Tone	1101.....	18	MR48.....	M26		35.....	1	RS224.....						7	6A7, 6D6, 6G5, 76, 6F5G, 6V6G, 80.....	456	9-11
			147	MR48.....			15.....	1	RS216.....									
			50				1083.....	1/15	TC29.....						4	1D7G, 1D5G, 1H6G, 1F5G, 2B8.....	456	9-14
850.....	Vol.		18	MR48.....	M26		24-10-5.....	1/15	3N527.....	B269					5	6A7, 6D6, 75, 43, 25Z5.....	456	9-8
870, 871.....	Vol.		18	MR48.....	M26		10.....	24	TC44.....						5	6D6, 6C6, 38, 76, 6E5, M84F.....		9-5
886.....	Vol.		7	MR28.....	M26		5.....	15	TC22.....						4	6D6, 6C6, 25L6G, 25Z5.....		9-17
908.....	Vol. Phono.	1102417.....	8	MR28.....	M26		1102010.....	1	2N509.....						4	6A7, 6D6, 75, 25L6G, 25Z5.....	455	9-17
909.....	Vol.	1102414.....	63	MR39.....	M26		10.....	15	TC22.....						5	6A7, 6D6, 75, 25L6G, 25Z5.....	455	9-17
		1102444.....	18	MR48.....	M26		1102012.....	1	2N514.....	B66					5	6A7, 6D6, 75, 25L6G, 25Z5.....	456	9-9
910.....	Vol. Tone		18	MR48.....	M26		1171.....	1	2N514.....	B66					5	6A7, 6D6, 75, 25L6G, 25Z5.....	456	9-9
			21	MR48.....			1171.....	1	2N514.....	B66					5	6A7, 6D6, 75, 25L6G, 25Z5.....	456	9-14
911.....	Vol. Tone	826.....	18	MR48.....	M26		1102017.....	1	2N514.....	B66					5	6A7, 6D6, 75, 25L6G, 25Z5, M49HG.	455	10-1
		1175.....	21	MR48.....			20-40.....	1	2N514.....						5	6K8G, 6D6, 75, 25L6G, 25Z5.....	455	11-2
912.....	Vol. Tone	1102444.....	106	MR48.....	M26		38-18.....	1	2N514.....						8	6A7, 6D6, 75, 76, 25L6G, 25Z5.....	455	11-2
		1102571.....	106	MR48.....			40.....	12	TC48.....						7	M49HG, M55HG, 6V6G, 80, 6G5.....	455	11-3
914.....	Vol. Tone		18	MR48.....	M26		25-16.....	1	See Note.....	B3					7	6K8G, 6D6, 75, 6F5G, 6V6G, 80, 6G5.....	455	11-3
			†	MR48.....			1051.....	24/15	3N527.....	B61					4	6D6, 6C6, 38, 76.....		8-7
920.....	Vol. Tone		18	MR48.....	M26		24-10-5.....	24/15	3N527.....	B268					4	6D6, 6C6, 43, 25Z5.....		8-8
			21	MR48.....			1135.....	1	2N513.....						4	6D6, 6C6, 25L6G, 25Z5.....		9-12
X937.....	Vol. Tone		127	MR48.....	M26		1051.....	24/15	3N527.....	B268					4	6D6, 6C6, 38, 76.....		8-7
			†	MR48.....			24-10-5.....	24/15	3N527.....						4	6D6, 6C6, 43, 25Z5.....		8-8
1000.....	Vol.	700A.....	7	MR28.....	M26		34-10.....	1	2N513.....						4	6D6, 6C6, 25L6G, 25Z5.....		9-12
1001.....	Vol.	1001A.....	7	MR28.....	M26		1051.....	24/15	3N527.....						4	6D6, 6C6, 38, 76.....		8-7
1001-B.....	Vol.	700A.....	7	MR28.....	M26		24-10-5.....	24/15	3N527.....	B268					4	6D6, 6C6, 25L6G, 25Z5.....		9-12
2000.....	Vol.	700A.....	7	MR28.....	M26		1051.....	24/15	3N527.....						4	6D6, 6C6, 38, 76.....		8-7
2001.....	Vol.	1001A.....	7	MR28.....	M26		34-10.....	1	2N513.....						4	6D6, 6C6, 43, 25Z5.....		8-8
2001-B.....	Vol.	700A.....	7	MR28.....	M26		1152.....	1	2N513.....						4	6D6, 6C6, 25L6G, 25Z5.....		9-12
2206.....	Vol.	700A.....	7	MR28.....	M26		1152.....	1	2N513.....						4	6D6, 6C6, 25L6G, 25Z5, M55HG.		9-12
2207.....	Vol.	700A.....	7	MR28.....	M26		8.....	12	TC42.....						4	6D6, 6C6, 25L6G, 25Z5, M55HG.		
3905.....	Vol.		18	MR48.....	M27		8.....	12	TC42.....						4	1A7G, 1N5G, 1H5G, 1Q5G.....	455	10-2
3906LW.....	Vol.		18	MR48.....	M27		8.....	12	TC42.....						4	1A7G, 1N5G, 1H5G, 1Q5G.....	455	11-3
3907.....	Vol. Phono.		8	MR28.....	M26		30-40.....	24	2N511.....						5	12K7GT, 12J5GT, 12F5GT, 35L6G, 35Z5GT.....		11-4
			63	MR44.....	M26		50.....	15	TC29.....									

† Data not substantiated.

\* IMPORTANT: Read Notes in Note Section if specified in Note Column.

‡ Indicates miscellaneous section.

MANUFACTURER AND MODEL	CONTROLS							CONDENSERS				VIBRATORS			No. Tubes	Complete Tube Complement	I. F. Peak	Rider's Reference
	Use	Original Part	Circuit	Correct Replacement	Switch	Bias	*Note	Original Part	Circuit	Correct Replacement	*Note	Original Part	Replacement	*Note				
AIRKING — Continued																		
3910	Vol.	2419	18	MR48	M27		2025	12	TC42					4	1A7G, 1N5G, 1H5G, 1C5G	455	10-2	
3912	Vol.		18	MR48	M27		100-70	76	See Note	B3				5	1A7G, 1N5G, 1H5G, 1A5G, 3Z5GT	455	11-5	
3916	Vol.		18	MR48	M27		100-70	76	See Note	B3				5	1A7G, 1N5G, 1H5G, 1A5G, 3Z5GT	455	11-5	
3950	Vol.		18	MR48	M27		24-125	24	See Note	B3				5	1A7G, 1N5G, 1H5G, 1A5G, 50Z7G	455	11-6	
3980	Vol. Tone		127	MR48	M26		20, 20	24	TC47					6	6A8G, 6K7G, 6H6G, 6F5G, 6V6G, 6X5G	455	11-1	
4000	Vol.		18	MR48	M26		40-30	24	2N511					5	12A8GT, 12K7GT, 12Q6GT, 35L6GT, 35Z5GT	455	11-4	
4000A	Vol.		18	MR48	M26		40-30	24	2N511					5	12A8GT, 12K7GT, 12Q7GT, 35L6GT, 35Z5GT	455	11-4	
4001	Vol.		45	MR48	M26		40-30	24	2N511					6	12A8GT, 12K7GT, 6H4GT, 12F5GT, 35L6GT, 35Z5GT	455	11-6	
4002	Vol. Tone		45 106	MR48 MR48	M26		40-30	24	2N511					6	12A8GT, 12K7GT, 6H4GT, 12F5GT, 35L6GT, 35Z5GT	455	11-7	
4007	Vol.		45	MR48	M26		40-30	24	2N511					6	12A8GT, 12K7GT, 6H4GT, 12F5GT, 35L6GT, 35Z5GT	455	11-7	
4012	Vol.		18	MR48	M24		25, 25 150-35	24 24	TC47 See Note	B3				5	1A7G, 1N5G, 1H5G, 1A5G, 50Y8GT	455	11-8	
4034	Vol. Tone	2436 2513	127 22	MR48 MR48	M26		40-30-30	46	TC48/2N513					8	12K8, 12K7GT, 12J5GT, 6E5, 12J7GT, 50L6GT, 50Y6GT	455	14-1	
4100	Vol.		18	MR48	M26		30, 30	24	TC47					5	12A8GT, 12K7GT, 12SQ7GT, 50L6GT, 35Z5GT	455	11-7	
4136	Vol. Tone	1102454 1102515	18 22	MRT427 MR48	M26		12-12-20	46	TC65/TC65					6	6SA7, 6SK7, 6SQ7, 6SJ7, 6F6GT, 6X5GT	455	14-3	
4200	Vol.		18	MR48	M26		20, 20 35	24 12	TC47 TC48					5	12A8GT, 12K7GT, 12SQ7GT, 50L6GT, 35Z5GT	455	11-8	
4232, 4233	Vol.	2456	18	MR48	M26		2066	46	*TC48					5	12SA7GT, 12SK7GT, 12SQ7GT, 35L6GT, 35Z5GT	455	14-5	
4234	Vol.	2456	18	MR48	M26		2066	46	*TC48					6	12SK7GT, 12SA7GT, 12SQ7GT, 35L6GT, 35Z5GT	455	14-4	
4245, 4247	Vol. Tone	2462 2519	18 1	MR48 MR48	M26		2067	46	TC74/TC65					6	6SA7GT, 6SK7GT, 6SQ7GT, 6V6GT, 6SJ7GT, 6X5GT	455	14-6	
4265, 4267	Vol. Tone	2462 2519	18 1	MR48 MR48	M26		2067	46	TC74/TC65					6	6SA7GT, 6SK7GT, 6SQ7GT, 6SJ7GT, 6X5GT, 6V6GT	455	14-6	
4601	Vol.	2467-A	18	MR48	M26		2068C	24	2N511					5	14Q7, 7B7, 14B6, 50A5, 35Y4	455	15-1	
4602-B	Vol.		18	MR48	M26			24	2N511					6	14A7/12B7, 14Q7, 14B6, 35A5, 35Y4	455	15-2	
4602-4603	Vol.	2463	18	MR48	M26			24	2N511					6	12SK7GT, 12SA7GT, 12SQ7GT, 35L6GT, 35Z5GT	455	15-2	
4604-4604D	Vol. Tone	2470 2521	18 22	MR48 MR44	M26		20102 20105	91 15	2S569/TC75 TC26	B6				6	7H7, 7A4, 6SK7GT, 7B6, 6V6GT, 6X5GT	455	15-3	
4604F	Vol. Tone	2470-A 2521		MR48 MR44	M26		A20102 20105	91 15	2S569/TC75 TC26	B6				6	7H7, 7A4, 6SK7GT, 7B6, 6V6GT, 6X5GT	455	16-2	
4607, 4608	Vol.	2467	18	MR48	M26		2068-C	24	2N511					5	14Q7, 7B7, 14B6, 50L6GT, 35Y4	455	15-5	
4609, 4610	Vol.		18	MR48	M26		2068	24	2N511	B6				5	12SA7GT, 12SK7GT, 12SQ7GT, 50L6GT, 35Z5GT	455		
4625	Vol. Tone	2472 2473	164 22	MR48 UM149	M26		2065	24	2N511					3	12SQ7GT/14B6, 50L6GT/50A5, 35Z5GT/35Y4	455		
4704, 4708	Vol. Tone	2477 2476	18 22	MR48 MR50	M26		2072	24 15	2N511 TC26	B6				6	12SK7GT, 12SA7GT, 12SQ7GT, 35L6GT, 35Z5GT	455	16-4	
4705, 4706	Vol.		18	MR48	M26			24	2N511					6	12SK7GT, 12SA7GT, 12SQ7GT, 35L6GT, 35Z5GT	455		
5000	Vol. Tone		45 22	MR48 MR48	M26		16 25	1 1	TC74 TC77					6	6K8GT, 6K7GT, 6H4GT, 12SJ7GT, 6V6GT, 6X5GT	455	11-9	

† Data not substantiated.

\* IMPORTANT: Read Notes in Note Section if specified in Note Column.

‡ Indicates miscellaneous section.

MANUFACTURER AND MODEL	CONTROLS							CONDENSERS				VIBRATORS			No. Tubes	Complete Tube Complement	I. F. Peak	Rider's Reference
	Use	Original Part	Circuit	Correct Replacement	Switch	Bias	*Note	Original Part	Circuit	Correct Replacement	*Note	Original Part	Replacement	*Note				
<b>AIRKING</b> —Continued																		
X8312	Vol. Tone		127	MR48 MR48	M26			40	1	TC48				10	6A7, 6D6, 75, 76, 25L6G, 32Z5, 6G5, 2M42HG	456	9-18	
9722	Vol.		8	MR28	M26			30, 30	24	TC47				4	12K7GT, 12J7GT, 35L6GT, 35Z5GT		11-1	
9822, 9822A	Vol.		8	MR28	M26			30, 30	24	TC47				4	12K7GT, 12J7GT, 35L6GT, 35Z5GT		11-1	
9823	Vol.		8	MR28	M26			30, 30	24	TC47				4	12K7GT, 12J7GT, 35L6GT, 35Z5GT		11-1	
9922	Vol.		8	MR28	M26			30, 30	24	TC47				4	12K7GT, 12J7GT, 35L6GT, 35Z5GT		11-1	
<b>AIR KNIGHT</b> —See	Butler Bros.																	
<b>AIRLINE</b> —See Montgomery Ward.																		
<b>AIR QUEEN</b> —See Airking																		
<b>ALAMO</b> 2RCM	Vol.		161	MR48	M26				24 15	2N511 TC22				5	12BE6, 12BA6, 12SQ7, 50L6GT, 35Z5GT	455	\$16-1	
AEC-3RCMB	Vol.		18	MR48	M27				12	TC42				4	1R5, 1T4, 1S5, 3Q4	455	\$16-1	
<b>ALDEN</b> 40-1500	Vol.		18	MR48	M26				24	2N520				5	12SA7, 12SK7, 12SQ7, 50L6GT, 35Z5GT	455	\$16-2	
<b>ALGENE</b> AR5U	Vol.		18	MR48	M26				88	2N509 TC48				5	14Q7, 14A7, 14B6, 50A5, 35Y4	455		
AR6U	Vol.		18	UM159-SS1					94	2N521				6	1R5, 1T4, 1S5, 3Q4, 117Z3	455		
<b>ALLAMERICAN MO</b> D	HAWK Vol.	7740	24	DRP169	6			1-1-1.5 .073		See Note On 60 cy	B1 B9			7	24, 27, 45, 80		1-14	
DC	Vol.		25	DRP169				2		On 25 cy	B9			9	22, 12A, 471A		1-27	
DC7 110V	Vol. Tone		24	GG				8	4	RS213				7	36, 37, 333	175	3-22	
DC7 220V	Vol. Tone		24	GG				1.5-2	1	See Note	B7			7	36, 37, 333	175	3-21	
DC65 110V	Vol. Tone		22	MR33				1.5-2	1	See Note	B7			6	39, 36, 37, 333	175	3-28	
DC65 220V	Vol. Tone		8	G				3.5		See Note	B11			6	39, 36, 37, 333	175	3-28	
DC65 220V	Vol. Tone		22	MR36				1.5-2		See Note	B7			6	39, 36, 37, 338	175	3-29	
H	Vol.	7740	24	DRP169				1-1-1.5 .073	1	See Note On 60 cy	B1 B9			8	24, 27, 45, 80		1-15	
J	Vol.	61272	6	F7	6			.2 Mfd		On 25 cy	B9			6	24, 45, 80		1-16,17	
K	Vol. Tone		15	MR48				6900/61366	4	RS213				9	24A, 27, 45, 80		1-18	
P	Vol. Tone		22	MR33				61278/61356	4	RS216				6	24A, 47, 80		1-19	
S6	Vol.		8	G				1-2-4	1	See Note	B1			9	24A, 27, 45, 80		1-18	
S7	Vol. Tone		8	G				.1		See Note	B9			6	24A, 47, 80		1-19	
S8	Vol. Tone		34	MR33				6900/61366	4	RS213				6	24, 35, 27, 47, 80	175	1-21,22	
S8	Vol. Tone		8	G				61278/61356	4	RS216				7	24, 35, 27, 47, 80	175	1-23,24	
SW8	Vol. Tone		34	MR36				6900	4	RS213				8	24, 27, 35, 47, 80	175	1-25,26	
SW8	Vol. Tone		17	MR48	M26			6900	4	RS216				8	35, 24, 27, 47, 80	485	3-23	
S10	Vol. Tone		22	MR18				61278	4	RS216				8	35, 24, 27, 47, 80	485	3-23	
S10	Vol. Tone		13	MR48				8, 8	1	TC71				8	35, 24, 27, 47, 80	485	3-23	
S10	Vol. Tone		41	MR48				8, 8	1	TC71				8	35, 24, 27, 47, 80	485	3-23	
S40	Vol.		2	MR24				6900/61366	26	RS213				10	24, 35, 27, 47, 80	175	3-24	
S50	Vol. Tone		6	MR15	M26			8-8	1	2S567				4	57, 47, 80	175	3-25	
S50	Vol. Tone		22	MR18				10	19	TC22	B6			5	57, 58, 47, 80	175	3-25	
S63	Vol. Tone		42	H				8, 8	1	ST595				5	57, 58, 47, 80	175	3-25	
S63	Vol. Tone		22	MR18				10	19	TC22	B6			5	57, 58, 47, 80	175	3-25	
SA65	Vol. Tone		22	MR18				6900	1	RS213				6	35, 27, 24, 47, 80	175	3-26	
SA65	Vol. Tone		15	MR48	M26			10	15	TC22				6	35, 27, 24, 47, 80	175	3-26	
S80	Vol. Tone		22	MR18				8, 8	1	RS213				6	58, 57, 55, 47, 80	175	3-27	
S80	Vol. Tone		8	H	6		A14	10	16	TC22	B6			8	24, 35, 27, 47, 80	175	3-31	
S80	Vol. Tone		39	MR44				8, 8	1	RS213				8	56, 57, 58, 47, 80	485	3-32	
SW80	Vol. Tone		15	MR48				8, 8	1	RS213				8	56, 57, 58, 47, 80	485	3-32	
SA90	Vol. Tone		22	MR18				8, 8	1	RS213				9	24, 35, 55, 27, 47, 80	175	3-33	
SA90	Vol. Tone		18	MR48	M26			10	15	TC22	B10			9	24, 35, 55, 27, 47, 80	175	3-33	
SA91	Vol. Sen.		1	F				See Note		te A4				9	55, 57, 58, 56, 47, 80	175	3-34,35	
SA91	Vol. Tone		15	MR48				8, 8	1	RS213				9	55, 57, 58, 56, 47, 80	175	3-34,35	
SA91	Vol. Sen.		21	MR48				10	15	TC22				9	55, 57, 58, 56, 47, 80	175	3-34,35	

‡ Data not substantiated.

\* IMPORTANT: Read Notes in Note Section if specified in Note Column.

§ Indicates miscellaneous section.

MANUFACTURER AND MODEL	CONTROLS							CONDENSERS				VIBRATORS			No. Tubes	Complete Tube Complement	I. F. Peak	Rider's Reference
	Use	Original Part	Circuit	Correct Replacement	Switch	Bias	*Note	Original Part	Circuit	Correct Replacement	*Note	Original Part	Replacement	*Note				
ALL AMERICAN MO	HAWK	Continued																
SA110	Vol. Tone		18	MR48				4-8-4-8	1/2	See Note	B3				11	56, 57, 58, 46, 83	175	3-36
	Sen. Vol.		21	MR48				10	15	TC22	B6							
SA130	Vol. Tone		15	MR48	M26			8, 8, 8	7	RS213					13	56, 47, 58, 47, 82	175	3-37-39
	Sen. Vol.		39					5	15	TC22								
SG 110V DC	Vol.		8	MR21														
U55	Vol.		12	MR18				2-2-2	1	See Note	B11							3-17
	Vol.		6	MR24				16-5	6	See Note	B5				5	44, 43, 25Z5	485	3-40
	Vol.		25					12	6	TC44	B12							
A10 PWR. PK			25	DRP239				10	15	TC22								
B7	Vol.		25	DRP169				2-4-4	3	See Note	B13					BH		3-14
B30-31	Vol.		25												6	32, 33, 30		
C6 Studio	Vol.		43	G7				8-8-8	3	3S584					6	30, 31, 32		3-19
B80	Vol.		6	DRP169				8	12	ST595					8	24, 45, 80		1-20
90 Series to 95	Vol. Tone		21	MR44														
	Vol.		6	G7				2-2-2	3	See Note	B1				10	27, 45, 80		1-10, 11
96	Vol.	731S	6	G7				2-2-2-1-1	3	See Note	B1				8	24, 27, 45, 80		1-12
	Vol.							.1		TP428	B9							
	Vol.							.1		TP428	B9							
ALLIED RADIO CORP.																		
4B-170	Vol.	VC-6	18	Order from	Mfr.			EC-4	94/78	FP357					4	11C6, 11N5, 11LH4, 3Q5GT, D.R.	455	
5A-110	Vol.	28E1	18	MK401	M26			EC-6	24	TC2501					5	12SA7, 12SK7, 12SQ7, 50L6GT, 35Z5GT	455	15-1, 2
5A-150, 5A-152, 5A-154	Vol.		18	MR48	M26				24	2N511					5	14Q7, 14A7, 14B7, 50A5/50L6GT, 35Y4	455	
5A-190			18	MR48	M26			EC-3	24	2N514					5	12SA7GT/12BE6, 12SK7GT/12BA6, 12SQ7GT/12AT6, 50L6/50B5, 35Z5GT/35W4	455	
5B-160, 5B-161	Vol.	VC-4	18	MK402	M26			EC-10	80	2N511					4	14Q7/12SA7, 14A7/12SK7, 14B6/12SQ7, 50A5/50L6GT	455	
5B-171	Vol.	VC-6	18	Order from	Mfr.			EC-4	80/78	FP357					4	11C6, 11N5, 11LH4, 3Q5GT	455	16-1, 6
5B-175, 5B-176, Ch. 200	Vol.	VC-3	18	MK402	M26			EC-6	24	TC2501					5	12BE6/12SA7GT, 12BA6/12SK7GT, 12AT6, 50B5/50L6GT, 35W4	455	16-2
5B-185, 5C-185	Vol.	A24-164	18	MK401	M26			A18-280	80	TC48					4	12SA7, 12SK7, 12SQ7, 50L6GT, D.R.	455	
5C-290	Vol.	VC-2	18	Order from	Mfr.			EC-4	94	FP357					4	1A7GT, 1N5GT, 1H5GT, 3Q5GT, D.R.	455	
	Vol.		18					EC-6	78	TC2501					4	12SA7, 12SK7, 12SQ7, 50L6GT, D.R.	455	
5C-315	Vol.	A24-169	161	MK401	M26			A18-280	80	TC48					4	12SA7, 12SK7, 12SQ7, 50L6GT, D.R.	455	
	Vol.	A26-123	22	MK403											5	37, 41, 57, 58		3-18
5T Auto	Vol.		7	G		2	A1								5	6A7, 6D6, 75, 41, 80		8-12
5X	Vol.	P1579	18	MR48	M26			8-4	23	2S567	B33				6	58, 57, 37, 41		3-18
6-Tube Auto	Vol.		7	G		2	A1								6	12SG7, 12SA7, 12SK7, 12SQ7GT, 35L6GT, 35Z5GT	455	15-1, 3
6A-122	Vol. Tone	28E7	18	MK401	M26		A106	25E6	24	2N521					6	1A7GT, 1N5GT, 1H5GT, 3Q5GT, 117Z6GT	455	15-4, 5
	Vol.	28E8	158	MK401				25E4	78	WP520					6	12SK7GT/12BA6, 12SA7GT, 12SQ7GT/12AT6, 35L6GT, 35Z5GT/35W4	455	
6A-127	Vol.	28E6/28E12	18	MK402					24	FP214					6	12SK7GT/12BA6, 12SA7GT, 12SQ7GT/12AT6, 35L6GT, 35Z5GT/35W4	455	
	Vol. (Early)		18	MR48	M26			EC-3	24	2N514					6	12SK7GT/12BA6, 12SA7GT, 12SQ7GT/12AT6, 35L6GT, 35Z5GT/35W4	455	
	Vol. (Late)	VC-3	18	MR53	M26										6	12SG7, 12SA7, 12SK7, 12SQ7GT, 35L6GT, 35Z5GT	455	16-3, 5
6B-122	Vol. Tone	28E7	18	MK401				25E6	24	2N521					6	12SG7, 12SA7, 12SK7, 12SQ7GT, 35L6GT, 35Z5GT	455	16-6
	Vol.	28E8	158	MK401											5	12SK7, 12SA7, 12SQ7, 50L6GT, D.R.	455	16-6
6B-155, 6B-156	Vol.	VC-4	18	MK402	M26			EC-10	80	2N511					6	12SK7, 12SA7, 12SQ7, 35L6GT, 35Z5GT	455	
6C-225, 6C-226	Vol.	N5026	18	MK401	M26			N3658	81	2N511					6	12SK7, 12SA7, 12SQ7, 35L6GT, 35Z5GT	455	
6P	Vol. Tone	P1677	18	MR48	M27			P958	1	2S567	B26	P402	245C	C3	6	6D8G, 6S7G, 6T7G, 30, 19	456	8-14
	Vol.	P1764	44	MR39				.01-.01	1	Buffer	B14				6	47, 55, 57, 58, 80	175	3-10, 11
6T Dual Wave	Vol.	9070	15	MR48	M26			9110-0	1	2S567	B26				6	6A7, 6D6, 75, 6H5, 41, 80	456	8-12
	Vol.		18	MR48	M26			8876-0	17	TC32					6			
6W	Vol. Tone	P1579	18	MR48	M26			P1591	23	2S567	B33				6			
	Vol.	P1642	34	MR39														

† Data not substantiated.

\* IMPORTANT: Read Notes in Note Section if specified in Note Column.

‡ Indicates miscellaneous section.

MANUFACTURER AND MODEL	CONTROLS							CONDENSERS				VIBRATORS			No. Tubes	Complete Tube Complement	I. F. Peak	Rider's Reference
	Use	Original Part	Circuit	Correct Replacement	Switch	Bias	*Note	Original Part	Circuit	Correct Replacement	*Note	Original Part	Replacement	*Note				
ALLIED RADIO CO 6Y.....	RP.—Co Vol.	Continued P1555.....	18	MR48.....	M26			P1561.....	27	TCS45.....				5	6A7, 6D6, 75, 25B6G, 25Z5	456	8-11	
7B-220, 7C-220.....	Vol. Tone	28E23..... 28E22.....	167 167	Order from Order from	Mfr..... Mfr.....			25E22..... 25E3..... 25E23.....	102 15 13	FP214/TC42 TC26 TC32				6	12BA6, 12BE6, 1258GT, 50B5, D.R.	455		
7M.....	Vol. Tone		139 139			See Note	A19	4-16..... 10..... 8, 8.....	23 19 25	3S584..... TC22..... ST595.....	B8			7	6A7, 6D6, 76, 75, 6U5, 42, 80..... *24,*35, 47, 27, 80.....	456 175	8-13 3-15	
7T.....	Vol. Tone		7 22	F..... MR33.....														
8B-210.....	Vol. Tone	A-VC-1..... C-VC-1.....	18 163	MR48..... MR28.....	M26				88	TCD65..... TC65.....				8	6SA7, 6SK7, 6SQ7, *6S7GT, *6K6GT, 6X5GT.....	455		
8T (810)..... 8/9 AC.....	Vol. Vol.		46 3	See Note..... D7.....			A5	4-2-1.....	3	See Note.....	B1			8	*30,*32,*34,*49 *26, 27,*71A, 80.....	455	3-17 3-1	
11B-278, 11C-300.....	Vol. Tone	RA-9.069..... BA-9.070.....	157 33	Order from Order from	Mfr..... Mfr.....				24 83	FP238..... TC40.....				11	6BA6, 7F8, 7AH7, 7AG7, 7A6, 6SQ7GT, 7F7,7C5, 5Y3, 70T.....	455 177.5	3-14	
12T Class "B" Super	Vol. Tone		45 22	MR44..... MR33.....				8..... 8-8.....	3 3	RS213..... 2S567.....				12	*46,*56, 57,*58, 83.....	10.7 177.5	3-14	
80AC.....	Vol.	718.....	18	MR48.....	M26			701.....	23	2S567.....	B78 B33			5	6A7, 6D6, 75, 42, 80.....	456	7-1	
118.....	Vol. Tone		15 44	MR48..... MR33.....	M26			12..... 8.....	34 34	RS215..... RS213.....				9	*24,*27,*35,*47, 80.....	175	3-8,9	
AC5..... A9701, A9702, A9703, A9704.....	Vol.	B48.....	7	MR37.....				2-1.....	1	See Note.....	B1			5	*24, 45, 80.....		3-2	
A9705.....	Vol.		6	MR18.....				16-12.....	23	TCS44.....				4	6D6, 6C6, 43, 25Z5, L49C.....		8-1	
A9706.....	Vol.		18	MR48.....				16-12.....	27	TCS44.....				6	6A7, 6D6, 6G5, 75, 25L6, 25Z5.....	456	8-1	
A9707.....	Vol. Tone		6 18 34	MR21..... MR48.....				16-12..... 8-4.....	27 23	TCS44..... 2S567.....				4	6D6, 6C6, 25L6, 25Z5, L49C.....		10-1	
A9710, A9711E, A9711, A9712, A9712E.....	Vol. Tone		45 34	MR48..... MR39.....				8-4.....	23	2S567.....	B33			7	6A7, 6D6, 76, 6G5, 6K5, 25L6, 25Z5.....	465	8-2	
A9715, A9716, A9717, A9718.....	Vol.		6	MR18.....				16-12.....	23	TCS44.....				4	6D6, 6C6, 43, 25Z5, L49C.....		8-1	
A9720, A9721, A9722.....	Vol. Tone		18 34	MR48..... MR39.....				8-4.....	23	2S567.....	B33			7	*6K7, 6A8, 6Q7, 6G5, 6F6, 5Y3.....	465	8-2	
A9724, A9725, A9726 A9728, A9729, A9730	Vol. Vol. Tone Vol.		18 54 22 45	MR48..... MR48..... MR44..... 2 Meg. No. 1				8-8..... .01..... 12-18.....	1 1 1	2S567..... Buffer..... 2S569.....	B26 B14 B26	P402.....	245C	C3	6A7, 6D6, 75, 76, *48, 6D8, 6S7, *6L5, 19.....	465 465	8-3 8-3	
A9733, A9734.....	Vol. Tone		45 18	2 Meg. No. 1 Y1000MP.....				8..... 10..... 16-12.....	13 15 27	ST595..... TC22..... TCS44.....				15	*6K7, 6A8, *6H6, 6G5, *6C5,*6F6,*5Z3.....	465	8-4	
A9735.....	Vol.		18	MR48.....				16-12.....	27	TCS44.....				6	6A7, 6D6, 75, 6G5, 25L6, 25Z5.....	456	8-1	
A9740.....	Vol.	3171.....	6	MR21.....	M26	EX250		3013.....	27	TCS45.....				5	6D6, 6C6, 43, 25Z5, L55B.....		9-1	
A9741.....	Vol. Tone	2775..... 3545.....	18 22	MR48..... MR33.....	M26			3041.....	1	2NS18.....				6	6A7, 6D6, 75, 41, 80, 6G5.....	465	9-3	
A9744, A9745 A9746.....	Vol. Tone	2239..... 2199.....	18 22	MR48..... MR33.....	M26			2627..... 3041..... 1693.....	1/15 1 15	3S579..... 2NS18..... TC22.....				6	6A7, 6D6, 75, 41, 80, 6G5.....	465		
A9752, A9753, A9754, A9755.....	Vol. Tone	2198..... 2199.....	18 44	UM154-SS16..... MR33.....	M26			1476..... 1477..... 3167.....	25 25 25	RS216..... RS215..... RS223.....				8	6A7, 6K7, 75, 6C5, *6F6, 6G5, 80.....	465	9-5,6	
A9757, A9758.....	Vol.	3403.....	45	TM251-SS16.....				3041..... 1693..... 1110.....	25/13 20 13	2NS18..... TC22..... TC71.....				11	*6K7, 6A8, 6J7, 6H6, *6C5,*6F6, 80.....	465	9-9,12	
A9760, A9761, A9762.....	Vol.	2239.....	18	MR48.....				3060..... 1693.....	1 15	2NS18..... TC22.....		3069.....	245A	C3	1C6, 34, 1F6, 33, 5E1	465	9-15,16	
A9768, A9769, A9770.....	Vol. Tone	2239..... 2199.....	45 22	MR48..... MR33.....	M26			.01-.01.....	1	Buffer.....	B14			7	6A7, *15, *76, 6G5, 19	465	9-7,8	
A9775.....	Vol.		18	MR48.....				8-4.....	1	2S567.....				5	6A7, 6D6, 75, 42, 80	456	8-5	
A9776, A9777, A9778	Vol. Tone	P680..... P682.....	45 44	Order from MR39.....	Mfr.....			8-8..... .01-.01.....	1	2NS18..... Buffer.....		P402.....	245C	C3	1C6, 34,*30, 32, 19.....	456	8-6	
A9780, A9781 (Ch. B-6).....	Vol. Tone	P801..... P828.....	15 22	UM163-SS3..... MR39.....	M26			P1293..... P1312..... .0075.....	4 15	2S567..... TC32..... Buffer.....	B33	P1414.....	859	C3	*6D6, 75, 41, 84, 6A7	175	10-2	
A9782, A9783.....	Vol. Tone		45 22	UM154..... MR44.....			A96	8-6..... .0075.....	23	2S567..... Buffer.....	B33 B14		294	C3	6D6, 6A7, 6K7, 6H6, 6C5, 6V6G, 84.....	175	8-7	
A9784.....	Vol. Tone	P1408.....	17 22	UM161-SS12..... 250M No. 1	M26			6-8..... .0075.....	1	2NS18..... Buffer.....			294	C3	6D6, 6A7, 6K7, 6R7, 6C5,*6V6G, 0Z4.....	175	10-3	

† Data not substantiated.

\* IMPORTANT: Read Notes in Note Section if specified in Note Column.

‡ Indicates miscellaneous section.

MANUFACTURER AND MODEL	CONTROLS							CONDENSERS				VIBRATORS			No. Tubes	Complete Tube Complement	I. F. Peak	Rider's Reference
	Use	Original Part	Circuit	Correct Replacement	Switch	Bias	*Note	Original Part	Circuit	Correct Replacement	*Note	Original Part	Replacement	*Note				
ALLIED RADIO CO A9785, A9786.....	RP.—Co Vol. Tone Bass	Continued P1158..... P1159..... P1211.....	15 22 21	MRT436... MR39..... MR48.....	M26			P1154..... P1155..... P1156..... P950..... P1043..... P304..... P1154..... P1155..... P1156.....	14 3 2/3 13 13 15 14 1 1	RS223..... ST597..... RS223..... 2N518..... TC71..... TC32..... RS223..... ST597..... RS223.....					19	6K7, 6A8, 6H6, 6C5, 6G5, 85, 6D6, 42, 45, 5W4, 80, 83...	456	9-17,18
A9788, A9789.....	Vol. Tone	P1158..... P1159.....	15 44	MRT436... MR39.....	M26			P1154..... P1155..... P1156.....	14 1 1	RS223..... ST597..... RS223.....					11	6K7, 6A7, 6H6, 6G5, 6C5, 6F6, 80...	456	9-19
A9809.....	Vol.		18	MR48.....				8-4..... 10..... 10..... .01.....	1 15 † †	2N518..... TC22..... TC22..... Buffer.....		See Note	C8	4	6A7, 34, 1B5, 41...	456	10-4	
A9811.....	Vol. Tone		18 22	MR48.....		See Note	A5	8-4..... 10..... .01..... .01-.01.....	† † † 4	2N518..... TC22..... Buffer..... TCS71.....		Order from Mfr.			6	1C6, 34, 30, 19...	465	10-4
A9820 (Ch. B-102)..	Vol. Tone		18 22	MR48.....	M26	See Note	A5	8-8..... .01.....	4	Buffer..... TCS71.....	B14 B3 B14	294	C3	6	6K7, 6A8, 6Q7, 6F6, 0Z4.....	262	10-5	
A9825.....	Vol.	3171.....	6	MR21.....	M26	See Note	A5	3013.....	27	Buffer..... TCS45.....				4	6D6, 6C6, 43, 25Z5, L55B.....	465	9-1	
A9826, A9828.....	Vol.	2239.....	18	MR48.....						RS223.....				4	1C6, 34, 1F6, 33, 5E1	465	9-15,16	
A9830, A9831.....	Vol. Tone	2699..... 2700.....	45 22	TM228-SS16 MR33.....	M26			3167..... 1476..... 1110..... 3170..... 8876..... 3060..... 3159..... 8876..... .01-.01.....	25 25 13 19 15 1 13 15	RS223..... RS216..... TC71..... TC32..... TC22..... 2N518..... TC62..... TC22..... Buffer.....					11	6K7, 6L7, 6J7, 6H6, 6C5, 6G5, 6F6, 5Z3	465	9-21,22
A9833 to A9838 incl.	Vol. Tone	2966..... 2965.....	45 44	TM234-SS16 MR33.....	M26					2N518..... TC62..... TC22..... Buffer.....		3069	245A	C3	8	15, 6A7, 76, 6G5, 19	465	9-23-28
A9848, A9849 (Chassis 68).....	Vol. Tone	6229..... 6223.....	45 22	MR48..... MR48.....	M26			8826.....	1	2N518.....				6	6A7, 6K7, 6Q7, 6B5, 80, 6G5.....	465	9-29,32	
A9848, A9849 (Chassis 266).....	Vol. Tone	6229..... 6223.....	45 22	MR48..... MR48.....	M26			24-266.....	1/19	3S579.....	B141			6	6A7, 6D6, 76, 6F5G, 42, 80.....	465	9-30,32	
A9848, A9849 (Chassis 268).....	Vol. Tone	6229..... 6223.....	45 22	MR48..... MR48.....	M26			19-266.....	1/13	3S584.....	B79			7	6A7, 6K7, 76, 6F5G, 6B5, 80, 6G5.....	465	9-30,32	
A9851 (Ch. B-2).....	Vol.		18	MR48.....	M26			18-6.....	6	2N509.....				5	6A7, 6D6, 75, 43, 25Z5, L49B.....	456	10-6	
A9852, A9854.....	Vol. Tone	P1158..... P1159.....	15 44	MRT436... MR39.....	M26			P1154..... P1155..... P1156..... P1154..... P1155..... P1156..... P950..... P1043..... P304.....	14 1 1 14 3 2/3 13 13 15	RS223..... ST597..... RS223..... RS223..... ST597..... RS223..... 2N518..... TC71..... TC32.....					11	6K7, 6A7, 6H6, 6G5, 6C5, 6F6, 80...	456	9-19,20
A9855, A9856.....	Vol. Tone Bass	P1158..... P1159..... P1211.....	15 22 21	MRT436... MR39..... MR48.....	M26					2N518.....				19	6K7, 6A8, 6H6, 6C5, 6G5, 85, 6D6, 42, 45, 5W4, 80, 83...	456	9-17,18	
A9857, A9857E (Ch. A-1).....	Vol. Tone		18 34	MR48.....	M26	See Note	A5	8-4.....	1	2N518.....				5	6A8, 6K7, 6Q7, 6F6, 5W4.....	456	10-7	
A9861, A9862, A9863, A9864, A9865, A9866 (Ch. M-5).....	Vol. Tone Vol.		18 22 45	MR48..... MR53..... MR48.....	M27 M26			8-8..... .01-.01..... 8-4.....	1 1 1	2N518..... Buffer..... 2N518.....	B14	245C	C3	7	1C6, 34, 30, 19.....	456	10-8	
A9870 (Chassis Z3).....	Vol. Tone Vol.		22 34	MR48.....	M26	See Note	A3			2N518.....				6	6A8, 6K7, 6H6, 6F5, 6F6, 5W4.....	456	8-9	
A9880.....	Vol. Tone	P801..... P828.....	17 22	UM163-SS3 MR39.....	M26			P795..... G864..... .0075.....	4 15 1	TCS71..... TC22..... Buffer.....		P816.....	294	C3	6	6D6, 6A7, 6H7, 75, 6F6, 84.....	175	8-10
A9891 (Ch. AM-4).....	Vol. Tone		15 44	MR53..... MR33.....				25..... 12..... 30..... 5.....	1 1 14 15	RS223..... RS215..... RS223..... TC22.....				12	6K7, 6A8, 6H6, 6C5, 6G5, 6L6, 5W4...	456	10-9	
A10500, A10501 (Ch. 5Z).....	Vol.	P1515.....	18	MR53.....	M26			P1511.....	23	RM262.....				5	6A7, 6D6, 75, 41, 80	456	10-10	
A10510, A10511, A10512, A10513 (Ch. 8K).....	Vol. Tone	P1821..... P1822.....	140 140	MRT436... UM160-SS1	M26			P1825..... P1873.....	1/13 15	3S584..... TC22.....				8	6A7, 6D6, 75, 76, 42, 80.....	456	10-11	
A10515, A10516, A10517, A10518 (Ch. 8T).....	Vol. Tone Vol.	P1821..... P1822..... P3961.....	140 140 18	MRT436... UM160-SS1 UM161-SS18	M26 M27			20-25..... 10..... P3971.....	1 15 1/12	2N511..... TC22..... FP409.....				7	6A7, 6D6, 75, 76, 43, 25Z5, 17AJ.....	456	10-11	
A10700, A10701.....	Vol.	P3961.....	18	UM161-SS18	M27			P3971.....	1/12	FP409.....				5	1A7, 1N5, 1H5, 3Q5, 11Z6.....	455		
A10702.....	Vol.	P3746.....	18	MK401.....	M26			P3792.....	24/13	TN129.....				5	12A8, 12SK7, 12SQ7, 50L6, 35Z5.....	455		

† Data not substantiated.

\* IMPORTANT: Read Notes in Note Section if specified in Note Column.

‡ Indicates miscellaneous section.

MANUFACTURER AND MODEL	CONTROLS							CONDENSERS				VIBRATORS			No. Tubes	Complete Tube Complement	I. F. Peak	Rider's Refer- ence
	Use	Original Part	Cir- cuit	Correct Replacement	Switch	Bias	*Note	Original Part	Cir- cuit	Correct Replacement	*Note	Original Part	Replace- ment	*Note				
ALLIED RADIO CO A10703, A10704....	RP—Co Vol.	continued P3346	18	Order from	Mfr...			P3355	24	2N511					5	12SA7GT, 12SK7GT, 12SQ7GT, 50L6GT, 35Z5GT..	455	.....
A10705, A10706, A10707.....	Vol.	P3746	18	MK401	M26			P3355	24	2N511					5	12SA7, 12SK7, 12SQ7, 50L6, 35Z5.	455	.....
A10708, A10709, A10710.....	Vol.	P3746	18	MK401	M26			P3792	24/13	TN129					5	12A8, 12SK7, 12SQ7, 50L6, 35Z5.....	455	.....
A10711, A10712, A10713.....	Vol.	P3930	18	MK401	M26			P3935	1	FP211					6	12SK7, 12SA7, 12SQ7, 50L6, 35Z5.	455	.....
A10715, A10716, A10717.....	Vol. Tone	P3527	18	MK401	M26			20-20	1	2N509					6	12SK7, 12SA7, 12SQ7, 35L6, 35Z5.	455	.....
A10718.....	Vol. Tone	P3528	22	MK401				20	15	TC26					7	6A7, 6D6, 75, 76, 74I, 80	455	.....
A10719.....	Vol. Tone	P3335	18	MK401	M26			10-10	1	FP231					7	6A7, 6D6, 75, 76, 74I, 80	455	.....
A10720, A10721....	Vol. Tone	P3337	22	MK401				P3419	1	FP231					7	6A7, 6D6, 75, 76, 74I, 80	455	.....
A10720, A10721....	Vol. Tone	P3335	18	MK401	M26			20-15	25/13	FP234, RS223				11	6A8G, 6K7G, 6J5G, 6F6G, 5Z3	455	.....	
A10720, A10721....	Vol. Tone	P3471	45	MK401				25	1	TC871				5	6A8, 6K7, 6Q7G, 6K6G, 6X5G	456	.....	
A10724.....	Vol.	P2321	18	Order from UM154-SS3	Mfr... M26			P2329	23	TC871		P1414	859	C3	5	6A8, 6K7, 6Q7G, 6K6G, 6X5G	456	.....
A10724.....	Vol.	P2321	18	Order from UM154-SS3	Mfr... M26			P3971	1	FP409	B14				6	1N5, 1A7, 1H5, 3Q5, 117Z6	455	.....
A10725.....	Vol.	P3961	15	UM161-SS18	M27										6	1N5, 1A7, 1H5, 3Q5, 117Z6	455	.....
A10731, A10732....	Vol.	N2876	18	UM154-SS18	M26			N2915	24	2N511					5	12A8GT, 12K7GT, 12Q7GT, 35L6GT, 35Z5GT.....	456	.....
A10733, A10734, A10735.....	Vol.	N2087	18	UM154-SS22	M26			N2015	24	2N511					5	12A8GT, 12K7GT, 12Q7GT, 35L6GT, 35Z5GT.....	456	.....
A10736, A10737....	Vol.	N1537	6	UM129-SS18		EX200		N1850	24/15	3N533					4	12K7GT, 12J7GT, 12Q7GT, 35L6GT, 35Z5GT.....	456	.....
A10739.....	Vol. Tone	N2411	106	MR48	M26			30-30-20	1/15	See Note	B3				6	6A8GT, 6K7GT, 6Q7GT, 25C6G, 25Z6G.....	456	.....
A10740.....	Vol. Tone	N2435	106	UM160-SS1				N2436	1	TC47					6	6A8GT, 6K7GT, 6Q7GT, 25C6G, 25Z6G.....	456	.....
A10740.....	Vol. Tone	N2163	18	MR48	M26			N2206	24	2N511					6	12A8GT, 12K7GT, 12J5GT, 12Q7GT, 35L6GT, 35Z5GT..	456	.....
A10741.....	Vol. Tone	N2157	22	MR28											6	12A8GT, 12K7GT, 12J5GT, 12Q7GT, 35L6GT, 35Z5GT..	456	.....
A10741.....	Vol. Tone	N2282	17	MR53	M26			N2283	1	FP225	B3				7	6A8G, 6K7G, 6Q7G, 6K6G, 6J5G, 80	456	.....
A10741.....	Vol. Tone	N2281	44	MR40											7	6A8G, 6K7G, 6Q7G, 6K6G, 6J5G, 80	456	.....
A10745.....	Vol.	N2070	18	UM154-SS18	M26			N2015	24	2N511					5	12A8GT, 12K7GT, 12Q7GT, 35L6GT, 35Z5GT.....	456	.....
A10748.....	Vol.	N2623	18	UM161-SS18				N2748	24/12	FP304					5	1A7GT, 1N5GT, 1H5GT, 1A5GT, 35Z5GT.....	456	.....
A10750, A10751....	Vol. Tone	N2482	45	MRT440				N2459	25	TC74					12	6A8GT, 6SK7, 776, 6F6G, 80	456	.....
A10750, A10751....	Vol. Tone	N2483	45	UC513				N2460	25	TC74					12	6A8GT, 6SK7, 776, 6F6G, 80	456	.....
A10755.....	Vol. Tone	N2411	106	MR48	M26			30-30-20	10/15	See Note	B3				7	6A8GT, 6K7GT, 6Q7GT, 6U5/6G5, 25C5G, 25Z6G...	456	.....
A10755.....	Vol. Tone	N2435	106	UM160-SS1				30	10	TC47					7	6A8GT, 6K7GT, 6Q7GT, 6U5/6G5, 25C5G, 25Z6G...	456	.....
A10760.....	Vol.	N1238	18	Order from	Mfr...			N1369	24/15	FP328		N1236	264	C3	4	6A8GT, 6K7GT, 6Q7GT, 6K6GT	456	.....
A10760.....	Vol.	N1238	18	Order from	Mfr...			.008-.008	24/15	Buffer	B14				6	6A8GT, 6K7GT, 6Q7GT, 6K6GT	456	.....
A10765.....	Vol.	4839	18	MK401	M26			10625	4	TC62					6	6SA7, 6SK7, 6SQ7, 6F6G, 6U5, 5Y4G	455	.....
A10765.....	Vol.	4839	18	MK401	M26			10625	4	TC62					6	6SA7, 6SK7, 6SQ7, 6F6G, 6U5, 5Y4G	455	.....
A10766.....	Vol.	4839	18	MK401	M26			10625	4	TC62					6	6SA7, 6SK7, 6SQ7, 6F6G, 6U5, 5Y4G	455	.....
A10768, A10769, A10770, A10771, A10772, A10773, A10774.....	Vol. Tone	11434	20	TM251-SS22				11324	1	FP234					8	6SA7, 6SK7, 6SQ7, 6K6G, 6SF5, 5Y4G, 6AB5	455	.....
A10775.....	Vol. Tone	10441	15	MK401	M27			1693	19	TC22					5	1A7G, 1N5G, 1H5G, 1A5G	455	.....
A10775.....	Vol. Tone	11098	22	Order from	Mfr...										6	6D8G, 6S7, 6L5G, 6T7G, 6G6G, 6U5	455	.....
A10777, A10778....	Vol. Tone	4871	45	UM154-SS22				11150	1	FP371	B8	3698	245A	C3	6	6D8G, 6S7, 6L5G, 6T7G, 6G6G, 6U5	455	.....
A10777, A10778....	Vol. Tone	4872	22	UM133-SS22	M26			1693	15	TC22					6	6D8G, 6S7, 6L5G, 6T7G, 6G6G, 6U5	455	.....
A10780.....	Vol. Tone		20			See No	te A19	20-20	1	FP234	B14				12	6K8, 6SK7, 6H6, 6C5, 6SF5, 6K6G, 6AB5, 5Y4G	455	.....
A10780.....	Vol. Tone		20			See No	te A19	8	13	TC52					12	6K8, 6SK7, 6H6, 6C5, 6SF5, 6K6G, 6AB5, 5Y4G	455	.....
A10782, A10783....	Vol. Tone	4871	18	UM154-SS22				11150	1	FP371	B8	4105	294	C3	5	6D8G, 6S7, 6T7G, 6G6G, 6Z7Y5G	455	.....
A10782, A10783....	Vol. Tone	10148	22	MR33	M27			1693	15/19	TC22					5	6D8G, 6S7, 6T7G, 6G6G, 6Z7Y5G	455	.....
A10785.....	Vol.	4803	18	MK401	M23			1693	19	Buffer TC22	B14				4	1A7G, 1N5G, 1H5G, 1A5G	455	.....
A10785.....	Vol.	4803	18	MK401	M23			1693	19	Buffer TC22	B14				4	1A7G, 1N5G, 1H5G, 1A5G	455	.....
A10786.....	Vol.	11132	18	MK401	M27			1693	19	TC22					4	1A7G, 1N5G, 1H5G, 1A5G	455	.....
A10786.....	Vol.	11132	18	MK401	M27			1693	19	TC22					4	1A7G, 1N5G, 1H5G, 1A5G	455	.....
A10787.....	Vol.	4803	18	MK401	M23			1693	19	TC22					4	1A7G, 1N5G, 1H5G, 1A5G	455	.....

‡ Data not substantiated.

\* IMPORTANT: Read Notes in Note Section if specified in Note Column.

‡ Indicates miscellaneous section.



MANUFACTURER AND MODEL	CONTROLS							CONDENSERS				VIBRATORS			No. Tubes	Complete Tube Complement	I. F. Peak	Rider's Reference
	Use	Original Part	Cir- cuit	Correct Replacement	Switch	Bias	*Note	Original Part	Cir- cuit	Correct Replacement	*Note	Original Part	Replac- ment	*Note				
ALLIED RADIO CO	RP.—Co	ntinued																
A10788, A10790, A10792.....	Vol. Tone	10441..... 11098.....	45 22	MK401..... Order from Mfr.....	M27			1693.....	19-	TC22.....					6	1A7G, 1N5G, 1A5G, 1H5G.....	455	
A10793, A10794.....	Vol. Tone	4871..... 4872.....	18 44	UM154-SS22..... UM133-SS22.....	M26			11080..... 1693.....	12 19	TC39..... TC22.....					6	6K8, 6SK7, 6SQ7, 6J5G, 25L6G.....	455	
A10795.....	Vol.	10441.....	18	MK401.....	M27			11493..... 9196.....	1 19	FP214..... TC26.....					5	1A7G, 1N5G, 1H5G, 1A5G, 35Z5G.....	455	
A10798.....	Vol.	17-14536.....	18	UM154-SS12.....				17-14297.....	24/19	FP328.....		17-14747.....	859	C3	5	6A8, 6K7, 6Q7G, 6K6G, 6X5G.....	455	
A10799.....	Vol. Tone	17-14536..... 17-14505.....	18 34	UM157-SS12..... UM143-SS12.....				17-14299..... .005.....	24/19	FP332..... Buffer.....	B14	17-14747.....	859	C3	6	*6SK7, 6A8, 6Q7G, 6V6G, 6X5G.....	170	
A10800, A10801, A10802.....	Vol.	N2087.....	18	UM154-SS22.....	M26			N2015.....	24	2N511.....					5	12A8GT, 12K7GT, 12Q7GT, 35L6GT, 35Z5GT.....	456	
A10803, A10804, A10805.....	Vol.	N2173.....	6	UM128-SS22.....	M26	EX350		N2174.....	24/15	3N533.....					4	12A8GT, 12SJ7GT, 50L6GT, 35Z5GT.....	456	
A10806, A10807.....	Vol.	N1537.....	6	UM129-SS18.....	M26	EX200		N1850.....	24/15	3N533.....					4	12K7GT, 12J7GT, 50L6GT, 35Z5GT.....	456	
A10810.....	Vol.	N2223.....	127	MR53.....	M26			N2224.....	4	2S567.....					5	6A8G, 6K7G, 6Q7G, 6K6G, 80.....	456	
A10811.....	Vol.	N2070.....	18	UM154-SS18.....	M26			N1366.....	24	2N511.....					5	12A8GT, 12K7GT, 12Q7GT, 35L6GT, 35Z5GT.....	456	
A10812.....	Vol. Tone	N2163..... N2157.....	18 22	MR48..... MR28.....	M26			N2206.....	24	2N511.....					6	12A8GT, 12K7GT, 12J5GT, 12Q7GT, 35L6GT, 35Z5GT.....	456	
A10813.....	Vol.	N2257.....	18	MR48.....	M26			N2015.....	24	2N511.....					5	12A8GT, 12K7GT, 12Q7GT, 35L6GT, 35Z5GT.....	456	
A10814.....	Vol. Tone	N2282..... N2281.....	17 44	MR48..... MR40.....	M26			15-10.....	1	FP225.....	B3				7	6A8G, 6K7G, 6Q7G, 6K6G, 6J5G, 80.....	456	
A10815.....	Vol. Tone	N2411..... N2435.....	108 106	MR48..... UM160-SS1.....	M26			30-30-20..... N2436.....	10/15 10	See Note..... TC47.....	B3				6	6A8G, 6K7GT, 6Q7GT, 25C6G, 25Z6G.....	456	
A10818.....	Vol.	V-20.....	18	MK401.....	M26			C236..... 01-.01.....	46	FP360..... Buffer.....	B14	F-4.....	246	C3	4	6A8G, 6K7, 6Q7G, 6G6G.....	456	
A10818A.....	Vol.	4839.....	18	MK401.....	M26			4841..... 1693.....	24 15	2N509..... TC22.....		3698.....	245A	C3	4	6D8G, 6S7, 6T7G, 6G6G.....	455	
A10820, A10821.....	Vol. Tone	N2482..... N2483.....	45 1	MRT440..... UC513.....				N2459..... N2460.....	25 25	TC74..... TC74.....					12	6A8GT, 6SK7, 76, *6F6G, 80.....	456	
A10822.....	Vol.	N1238.....	18	Order from Mfr.....				N1369..... 001-.008.....	24/15	FP328..... Buffer.....	B14	N1236.....	264	C3	4	6A8GT, 6K7GT, 6Q7GT, 6K6GT.....	456	
A10825.....	Vol. Tone	N2411..... N2435.....	106 106	MR48..... UM160-SS1.....	M26			30-30-20..... N2436.....	10/15 10	See Note..... TC47.....	B3				7	6A8GT, 6K7GT, 6Q7GT, 6U5/6G5, 25C6G, 25Z6G.....	456	
A10826.....	Vol.	N1738.....	18	MK401.....	M27			N1367.....	12	TC42.....					4	1A7G, 1N5G, 1H5G, 1C5G.....	456	
A10830, A10831.....	Vol.	P3346.....	18	Order from Mfr.....				P3355.....	24	2N511.....					5	12SA7GT, 12SK7GT, 12SQ7GT, 50L6GT, 35Z5GT.....	456	
A10832.....	Vol.	P3346.....	18	Order from Mfr.....				P3355.....	24	2N511.....					5	12SA7GT, 12K7GT, 12SQ7GT, 50L6GT, 35Z5GT.....	455	
A10833, A10834, A10835.....	Vol. Tone	P3099..... P3279.....	18 22	MR48..... MR48.....	M26			P2936.....	1	2N509.....					6	6A7, 6D6, 75, 25L6, 25Z5.....	455	
A10836.....	Vol. Tone	P3335..... P3337.....	18 22	MK401..... MK401.....	M26			P3419.....	1	FP231.....					7	6A7, 6D6, 75, 76, *41, 80.....	455	
A10837.....	Vol. Tone	P3335..... P3337.....	18 22	MK401..... MK401.....	M26			P3419.....	1	FP231.....					5	6A7, 6D6, 75, 76, *41, 80.....	455	
A10840.....	Vol.	P3099.....	18	MR48.....	M26			20-20.....	1	2N509.....					5	6A7, 6D6, 75, 25L6, 25Z5, L49B.....	456	
A10841, A10842.....	Vol.	P2935.....	18	MR53.....	M26			20-20.....	1	2N509.....					5	6A7, 6D6, 75, 25L6, 25Z5, L49B.....	455	
A10844.....	Vol. Tone	P3335..... P3337.....	18 22	MK401..... MK401.....	M26			P3419.....	1	FP231.....					7	6A7, 6D6, 75, 76, *41, 80.....	455	
A10845, A10846.....	Vol. Tone	P3471..... P3472.....	45 1	MK401..... Order from Mfr.....				P1993..... P3478.....	25 25/13	RS223..... FP234.....					11	6A8G, *6K7G, *6J5G, *6F6G, 5Z3.....	455	
A10848.....	Vol.	P3317.....	18	MK401.....	M27			P3024.....	12	TC42.....					4	1A7G, 1N5G, 1H5G, 1Q5G.....	455	
A10851.....	Vol.	P2321.....	18	UM154-SS3.....	M26			P2329..... .006.....	23	TC871..... Buffer.....	B14	P1414.....	859	C3	5	6A8, 6K7, 6Q7G, 6K6G, 6X5G.....	456	
A10852.....	Vol. Tone	P1371..... P628.....	18 22	UM154-SS3..... MR39.....	M26			P1293..... .0075.....	23	2S567..... Buffer.....	B14	P1414.....	859	C3	6	*K7, 6A8G, 6Q7G, 6K6G, 6X5G.....	175	
A10855.....	Vol.	P3560.....	18	UM161-SS22.....	M27			P3563..... P3562.....	1 1	2N511..... TC29.....					5	1A7GT, 1N5GT, 1H5GT, 3Q5GT, 70L7GT.....	455	
A10865.....	Vol.	4839.....	18	MK401.....	M26			10625.....	4	TC71.....					6	6SA7, 6SR7, 6SQ7, 6F6G, 6U5, 5Y4G.....	455	

‡ Data not substantiated.

\* IMPORTANT: Read Notes in Note Section if specified in Note Column.

§ Indicates miscellaneous section.

MANUFACTURER AND MODEL	CONTROLS							CONDENSERS				VIBRATORS			No. Tubes	Complete Tube Complement	I. F. Peak	Rider's Reference
	Use	Original Part	Circuit	Correct Replacement	Switch	Bias	*Note	Original Part	Circuit	Correct Replacement	*Note	Original Part	Replacement	*Note				
ALLIED RADIO CORP.—Continued																		
A10866, A10867, A10868	Vol. Tone	11434 11435	20	TM251-SS22 TM248-SS22	M26			11324	1	FP234					8	6SA7, 6SK7, 6SQ7, *6K6G, 6SF5, 6AB5, 5Y4G	455	
A10871	Vol. Tone	4871 10148	18 22	UM154-SS22 MR33	M27			11150 1693	1 15/19	FP371 TC22	B8	4105	294	C3	5	6D8G, 6S7, 6T7G, 6G6G, 6Z1Y5G	455	
A10873	Vol.	10441	18	MK401	M27			.02 11493 9196	1	FP214 Buffer TC26	B14				5	1A7G, 1N5G, 1H5G, 1A5G, 35Z5GT	455	
A10875	Vol.	4839	18	MK401	M26			10625	4	TC71					5	6SA7, 6SK7, 6SQ7, 6F6G, 5Y4G	455	
A10876	Vol.	4839	18	MK401	M26			10625	4	TC71					6	6SA7, 6SK7, 6SQ7, 6F6G, 6U5, 5Y4G	455	
A10877	Vol. Tone		20			See Note A19		20-20	1	FP234					11	6K8, 6SK7, 6H6, *6C5, *6SF5, *6K6G, 5Y4G	455	
A10878	Vol. Tone	4871 4872	18 44	UM154-SS22 UM133-SS22	M26			11080 1693	12 19	TC39 TC22					6	6K8, 6SK7, 6SQ7, 6J5G, *25L6G	455	
A10879, A10880	Vol.	4803	18	MK401	M23			1693	19	TC22					4	1A7G, 1N5G, 1H5G, 1A5G	455	
A10882	Vol.	11132	18	MK401	M27			1693	19	TC22					4	1A7G, 1N5G, 1H5G, 1A5G	455	
A10884	Vol. Tone	10441 11098	18 22	MK401 Order from Mfr.	M27			1693	19	TC22					5	1A7G, 1N5G, 1H5G, 1A5G	455	
A10885	Vol. Tone	10441 11098	18 22	MK401 Order from Mfr.	M27			11502 11508 1693	4 4 19	2N511 FP214 TC22	B8 B8				5	1A7G, 1N5G, 1H5G, 1A5G, 25Z6G	455	
A10886, A10887, A10888	Vol. Tone	10441 11098	45 22	MK401 Order from Mfr.	M27			1693	19	TC22					6	1A7G, 1N5G, 1A5G, 1H5G	455	
A10889	Vol.	10772	18	MK401	M27			1693	19	TC22					4	1A7G, 1N5G, 1H5G, 1O5G	455	
A10890	Vol. Tone	4871 4872	45 22	UM154-SS22 UM133-SS22	M26			11150 1693	1 15	FP371 TC22	B8	3698	245A	C3	6	6D8G, 6S7, 6L5G, 6T7G, 6G6G, 6AB5	455	
A10892, A10896	Vol.	11132	18	MK401	M27			.03 1693	19	Buffer TC22	B14				4	1A7G, 1N5G, 1H5G, 1A5G	455	
A10897	Vol. Tone	10441 11098	18 22	MK401 Order from Mfr.	M27			1693	19	TC22					5	1A7G, 1N5G, 1H5G, 1A5G	455	
A10898	Vol. Tone	10441 11098	18 22	MK401 Order from Mfr.	M27			11502 11508 1693	4 4 19	2N511 FP214 TC22	B8 B8				5	1A7G, 1N5G, 1H5G, 1A5G, 25Z6G	455	
A10899	Vol. Tone	4871 4872	18 44	UM154-SS22 UM133-SS22	M26			11080 1693	12 19	TC39 TC22					6	6K8, 6SK7, 6SQ7, 6J5G, *25L6G	455	
B6-30	Vol.	E12	41	E12		See Note A1									6	*31, *32		3-3
B10500	Vol. Tone	215 304A	18 34	MR48		See Note A3		1703	23	2S567					6	6A8, 6D6, 6Q7, 6G5, 41, 80	465	
B10501	Vol. Tone	215 304A	18 34	MR48		See Note A3		1703	23	2S567					5	6A7, 6D6, 75, 41, 80	465	11-1
B10502, B10503, B10504, B10505, B10506, B10507	Vol.	217	6			See Note A3		16-12	4	TCS44					4	6D6, 6C6, 25L6, 25Z5, L49C		
B10508	Vol.	215	18	MR48				16-12	4	TCS44					6	6A7, 6D6, 6G5, 25L6, 25Z5, 75	465	11-1
B10509	Vol.	217	6			See Note A3		16-12	4	TCS44					4	6D6, 6C6, 25L6, 25Z5, L49C		
B10510, B10511, B10512	Vol. Tone	215 304A	45 22	MR48		See Note A3		16-12 10	27 15	TCS44 TC22					7	6A8, 6D6, 76, 6K5, 25L6, 6G5, 25Z5		
B10514	Vol. Tone	215 304A	18 34	MR48		See Note A3		1703	23	2S567	B33				6	6A8, 6D6, 6Q7, 6G5, 41, 80	465	
B10515, B10516, B10517, B10518	Vol. Tone	218	17 44			See Note A19		12 18 10	1 1 15	ST597 ST597 TC22					9	*6K7, 6A8, 6Q7, 6G5, *6C5, *6F6, 5Y3	465	11-3
B10520, B10521	Vol.	216	18	MR48	M27			8-9 .01-.01	1	2N518 Buffer			See Note C8		4	1C7, 1D5, 1H6, 1G5	456	11-3
B10522	Vol. Tone	215 304A	18 34	MR48			A3	1703	23	2S567					6	6A8, 6D6, 6Q7, 6G5, 41, 80	465	
B10525, B10526	Vol. Tone Bass	P1989 P1990 P1991	1 34 15	Order from Mfr. MR44 MR48				P1993 P1994 P1992 P1997	30 30 30 13/14	RS223 RS215 RS224 2N516					16	*6K7G, 6L7G, *6H6G, *6J5G, 6J7G, *6L6G, *5Z3	456	11-3
B10527	Vol. Tone	218	20 44			See Note A19 See Note A5		12 18 10	1 1 15	ST597 ST597 TC22					9	*6K7, 6A8, 6Q7, 6C5, *6F6, 6G5, 5Y3	465	11-3
B10530, B10531	Vol.	P1555	18	MR48	M26			P1561	4	TCS45					5	6A7, 6D6, 75, 25B6G, 25Z5	456	
B10533, B10534	Vol.	P1515	18	MR53	M26			P1511	23	2S567					5	6A7, 6D6, 75, 41, 80	456	
B10535	Vol. Tone	P1749 P1750	80 80	MRT427 MR53	M26			P1755 P304	23 19	3S584 TC22	B8				7	6A7, 6D6, 76, 75, 6U5, 42, 80	456	12-4

‡ Data not substantiated.

\* IMPORTANT: Read Notes in Note Section if specified in Note Column.

§ Indicates miscellaneous section.

MANUFACTURER AND MODEL	CONTROLS							CONDENSERS				VIBRATORS			No. Tubes	Complete Tube Complement	I. F. Peak	Rider's Reference
	Use	Original Part	Circuit	Correct Replacement	Switch	Bias	*Note	Original Part	Circuit	Correct Replacement	*Note	Original Part	Replacement	*Note				
ALLIED RADIO CO. RP.—Continued																		
B10536 Vol.	P1579	18	MR48	M26			P1591	23	2S567					5	6A7, 6D6, 75, 41, 80.	456		
B10537, B10538, B10539 Vol. Tone	P1916 P1917	140 140	MRT440 UM160-SS1	M26			P1937 P1939	46 46	RS223 2S567	B82				11	6A8, 6K7, 6J5, 6J7, 6F6, 5Z3	456		
B10540, B10541, B10542 Vol. Tone	P1821 P1822	140 140	MRT436 MR53	M26			P1825 P1783	46 15	3S584 TC22	B87				8	6A7, 6D6, 76, 75, 742, 80	456		
B10543, B10544 Vol. Tone	P1579 P1642	56 22	MR48 MR39	M26			P1783 P1783	15 19	TC22 TC22					5	1A6, 1A4, 80, 1G5G, 1B1	456	12-5	
B10545, B10546, B10547, B10548, B10549 Vol. Tone	P1677 P1764	18 44	MR48 MR39	M27			P958 .01-.01	1	2N518 Buffer	B14	P402	245C	C3	6	6D8G, 6S7G, 6T7G, 730, 19	456	11-4	
B10550 Vol. Tone	P801 P828	18 22	UM163-SS3 MR39	M26			P1293 .0075	4	2S567 Buffer	B33 B14	P816	294	C3	6	6D6, 6A7, 75, 41, 84.	175	12-6	
B10551 Vol. Tone	P1371	45	UM154-SS3	M26			P1293	23	2S567	B33	P1414	859	C3	7	6D6, 6A7, 6K7, 6H6, 6C5, 6V6G, 84	175		
B10552 Vol. Tone	P1371	45	Order from UM154-SS3	M26			.0075	23	2S567	B33	P1414	859	C3	7	6D6, 6A7, 6K7, 6H6, 6C5, 6V6G, 84	175		
B10553 Vol. Tone	P1677 P1764	18 44	MR48 MR39	M27			P958 .01-.01	1	2N518 Buffer	B14	P402	245C	C3	6	6D8G, 6S7G, 6T7G, 730, 19	456	11-4	
B10560, B10561 Vol. Tone	2775	15	MR48	M26			3718	1	2N518					7	6A7, 6D6, 76, 75, 41, 6G5, 80	465	12-7,8	
B10562, B10563 Vol. Tone	2775 3545	17 22	MR48 MR33	M26			3041	1	2N518					5	6A7, 6D6, 75, 41, 80.	465		
B10565, B10566, B10567, B10568 Vol. Tone	4078 2199	17 44	TM251-SS16 MR33	M26			3718 1108	1 13	2N518 TC71					8	6A8G, 6K7G, 6Q7G, 6G5, 6C5G, 6K6G, 5Y4G	465	11-5,6 12-32,34	
B10570 Vol. Tone	2775 3545	18 22	MR48 MR33	M26			3041	1	2N518					6	6A7, 6D6, 75, 6G5, 41, 80	465		
B10572 Vol. Tone	3761 2199	15 22	UM154-SS16 MR33	M26			3718 1693	1 15	2N518 TC22					7	6A7, 6D6, 76, 75, 41, 80, 6G5	465	12-9,10 12-32,34	
B10575 Vol. Tone	3671 3545	18 22	MR48 MR33	M26			4096 1693	1 15	2N518 TC22		4105	294	C3	5	6D8G, 6S7G, 6T7G, 41, 6ZY5G	465	12-11,12	
B10577, B10578 Vol.	4144	18	MR48	M26			.02 4140	23	Buffer 2S567	B14				5	6A8G, 6K7G, 6Q7G, 6K6G, 5Y4G	465	11-7,8	
B10579 Vol. Tone	4408 4409	17 22	MR48 MR33	M26			3718	1	2N518					6	6A7, 6D6, 75, 41, 80, 6G5	465	11-9,10	
B10580, B10581, B10582 Vol.	3403	20	TM251-SS16				3167 3041 1693 1110	46 46 20 13	RS223 2N518 TC22					11	6K7, 6A8, 6J7, 6H6, 6C5, 6F6, 80	465	11-13,14	
B10585, B10586 Vol. Tone	3761 2199	15 22	UM154-SS16 MR33	M26			3718 1693	1 15	2N518 TC22					7	6A7, 6D6, 76, 75, 41, 80, 6G5	465	12-9,10 32-34	
B10588, B10589, B10590, B10591, B10592, B10593, B10595, B10596 Vol. Tone	2239	17	MR48											4	1C6, 34, 1F6, 33, 5E1	465	11-15,16	
B10600, B10601, B10602, B10603, B10604, B10605 Vol. Tone	3761 2331	17 44	UM154-SS16 MR33	M24			3150 1693	12 19	ST597 TC22					6	1C6, 34, 1F6, 730	465	11-16,17 12-32,34	
B10606, B10607, B10608, B10609, B10610, B10611 Vol.	4186	15	TM251-SS16				4188 1693 .03	1 15	2S569 TC22 Buffer		3698	245A	C3	7	6D8G, 6S7G, 6N5, 19, 6L5G	465	12-13,14 32-34	
B10612, B10615, B10617 Vol. Tone	3761 2199	17 22	UM154-SS16 MR33	M26										6	6A7, 6D6, 75, 76, 748.	465	12-17,18	
B10620, B10621 Vol. Tone	215 304A	18 22	MR48				20, 20	4	TC47					8	6A7, 6D6, 76, 25L6, 6G5, 25Z5	465	14-36	
B10700 Vol.	N-1434	6	UM118-SS25	M26		See Note A5 EX350	N-1366	1	2N513					5	6A8GT, 6K7GT, 6J5GT, 25L6GT, 25Z6GT	456	14-37	
B10702 Vol.	221	18	MR48	M26			16-12	27	TCS44					6	6A7, 6D6, 6Q7, 25A6, 25Z5, 6U5, L49B	465	11-12	
B10702 (Late) Vol.	V-23	6	UM129-SS18	M26		EX200	C-233	46	TN125					4	6K7GT, 6J7GT, 25L6GT, 25Z6GT		14-37	
B10704, B10705 Vol. Tone	221 305	18 44	MR48	M26		See Note A5	1727	1	2N509					8	6A7, 6D6, 6Q7, 76, 743, 25Z5, 6U5	465	12-19	
B10706, B10707 Vol.	221	18	MR48	M26		See Note A5	16-12	27	TCS44					6	6A7, 6D6, 6Q7, 25A6, 25Z5, 6U5, L49B	465	11-12	
B10708, B10709, B10710 Vol. Tone	221 305	45 34	MR48	M26		See Note A5	32 12	27 27	TC47 TC44					7	6A7, 6D6, 6K5, 76, 25A6, 25Z5, 6U5	465	12-20	

† Data not substantiated.

\* IMPORTANT: Read Notes in Note Section if specified in Note Column.

‡ Indicates miscellaneous section.

MANUFACTURER AND MODEL	CONTROLS							CONDENSERS				VIBRATORS			No. Tubes	Complete Tube Complement	I. F. Peak	Rider's Reference
	Use	Original Part	Circuit	Correct Replacement	Switch	Blas	*Note	Original Part	Circuit	Correct Replacement	*Note	Original Part	Replacement	*Note				
ALLIED RADIO CO B10711, B10712	RP.—Continued Vol. Tone	221 305	18 34	MR48	M26		1703	4	2S567					6	6A7, 6D6, 6Q7, 41, 6U5, 80	465	13-6	
B10713, B10714, B10715	Vol. Tone	221 305	45 34	MR48	M26		1703	23	2S567					7	6A7, 6D6, 76, 6U5, 6K5, 41, 80	465	12-21	
B10726	Vol.	3403	20	TM251-SS16			3041 3167 1110 1693	25/13 25 13 20	2N518 RS223 TC70 TC22				11	6K7, 6A8, 6J7, 6H6, 6C5, 6F6, 80	465	13-7, 8, 9		
B10750	Vol. Tone	P2271 P2093	18 1	Order from MK401	Mfr. M26		10-5	23	2S567					6	6A7, 6D6, 75, 41, 76, 80	456	11-18	
B10760, B10761, B10762	Vol. Tone	P2271 P2093	18 1	Order from MK401	Mfr. M26		10-5	23	2S567					6	6A7, 6D6, 75, 41, 76, 80	456	11-18	
B10765, B10766, B10767	Vol. Tone Phono.	P1989 P1990 P1991	18/15 41 15	Order from MR44 MR48	Mfr.		P1993 P1994 P1992 P1997	30 30 30 13/14	RS223 RS215 RS224 2N516				16	6K7G, 6L7G, 6H6G, 6J5G, 6J7G, 6L6G, 6Z3	456	12-1, 2, 3		
B10770, B10771	Vol. Tone	P2271 P2093	18 1	Order from MK401	Mfr. M26		10-5	23	2S567					6	6A7, 6D6, 75, 41, 76, 80	456	11-18	
B10773	Vol. Tone	P1821 P1822	140 140	MRT436 UM160-SS1	M26		P1825 P1873	1/13 15	3S584 TC22				8	6A7, 6D6, 75, 76, 76, 80	456	13-10, 11		
B10780, B10781	Vol.	P2271	18	Order from	Mfr.		P2251 .015	1	2N516 Buffer	B14	P1414	859	C3	6	6A8G, 6J5G, 6U7G, 6Q7G, 6G6G, 6ZY5G	456	13-14	
B10782	Vol. Tone	P2136 P2137	18 34	Order from MR39	Mfr. M27		P2140 .015	1/15	3S579 Buffer	B14	P2147	859	C3	6	6D8G, 6S7G, 6T7G, 6G6G, 6L5G, 6ZY5G	456	11-19	
B10784	Vol. Tone	P2136 P2137	18 34	Order from MR39	Mfr. M27		P2140 .015	1/15	3S579 Buffer	B14	P2147	859	C3	6	6D8G, 6S7G, 6T7G, 6G6G, 6L5G, 6ZY5G	456	11-19	
B10786	Vol. Tone	P2136 P2137	18 34	Order from MR39	Mfr. M27		P2140 .015	1/15	3S579 Buffer	B14	P2147	859	C3	6	6D8G, 6S7G, 6T7G, 6G6G, 6L5G, 6ZY5G	456	11-19	
B10790	Vol.	P2321	18	UM154-SS3	M26		P2329 .006	23	TCS71 Buffer	B14	P1414	859	C3	5	6A8, 6K7, 6Q7G, 6K6G, 6X5G	456	11-20	
B10791	Vol. Tone	P1371 P828	18 22	UM154-SS3 MR39	M26		P1293 .0075	23	2S567 Buffer	B14	P1414	859	C3	6	6K7, 6A8G, 6Q7G, 6K6G, 6X5G	175	11-21	
B10799	Vol. Tone	V20 V15	18 1	MR53 MR48	M26		C239	1/13	FP367					7	6K8, 6K7, 6Q7G, 6J5G, 25A6G, 25Z6G	456		
B17100	Vol.		18	MR48	M26		40-30	1	2N511					6	12SA7GT, 12SK7GT, 12SQ7GT, 35L6GT, 35Z5GT	456	14-54	
B17101	Vol.	50.51A	18	MR48	M26		20.103B	1	2N513					5	12SA7GT, 12SK7GT, 12SQ7GT, 50L6GT, 35Z5GT	456	14-55	
B17102	Vol.	50.79	18	MR48	M26		20.103B	1	2N513					5	12SA7GT, 12SK7GT, 12SQ7GT, 50L6GT, 35Z5GT	456	14-55	
B17103, B17104	Vol.		18	MR48	M26		30-20	1	2N513					6	12SA7GT, 12SK7GT, 12SQ7GT, 35L6GT, 35Z5GT	456	14-56	
B17105	Vol. Tone	50.47A	18 22	MR48 MR48	M26		20.121 20.105 16	63 24 63	2N513 TC47 TC4	B12				6	6SA7GT, 6SK7GT, 6SQ7GT, 25L6G, 25Z6	456	14-57	
B17106	Vol.	50.72	124	MRT451	M26		20.133 20.130	63/15 63	2N513/2N509 TC49					8	6SK7GT, 6SA7GT, 6J5GT, 6SQ7GT, 25L6GT, 25Z6GT	456	14-58	
B17109	Vol.	50.67	18	MR48	M27		20.118	1	2N513					7	1N5GT, 1A7GT, 1H5GT, 3Q5GT, 50L6GT, 35Z5GT	456	14-21	
B17110	Vol. Tone	50.77 55.33	18 22	MR48 MR48	M26		20.107A 20.89	4 15	2S569 TC26					7	6SK7GT, 6SA7GT, 6SQ7GT, 6J5GT, 6V6GT, 80	456	14-59	
B17111, B17112	Vol.	50.65	18	MR48	M27		20.117A 20.120	24 78	2N513 TC2501					5	1A7GT, 1N5GT, 1H5GT, 1T5GT, 35Z5GT	456	14-60	
B17113, B17114	Vol. Tone	50.74A 55.32	140 140	MRT450 UC506	M26		20.132	1	2S569					8	6SK7GT, 6SA7GT, 6SQ7GT, 26K6GT, 80	456	14-5	
B-17116, B-17117	Vol.	50.67	18	MR48	M27		20.103B 20.120	76 76/78	2N509 Order from	Mfr.				6	1N5GT, 1A7GT, 1H5GT, 3Q5GT, 35Z5GT	456	12-1	
B17125, B17126	Vol.	N3307	18	MK401	M26		N3302	24	2N511					5	12SA7, 12SK7, 12SQ7, 35L6GT, 35Z5GT	456	14-61	
B17127, B17128, B17129	Vol.	N2886	18	MK401	M26		N1366	24	2N513					5	12A8GT, 12K7GT, 12Q7GT, 35L6GT, 35Z5GT	456	14-61	

‡ Data not substantiated.

\* IMPORTANT: Read Notes in Note Section if specified in Note Column.

§ Indicates miscellaneous section.

MANUFACTURER AND MODEL	CONTROLS							CONDENSERS				VIBRATORS			No. Tubes	Complete Tube Complement	I. F. Peak	Rider's Reference
	Use	Original Part	Circuit	Correct Replacement	Switch	Bias	*Note	Original Part	Circuit	Correct Replacement	*Note	Original Part	Replacement	*Note				
ALLIED RADIO CO	RP.—Continued																	
B17132, B17133, B17134	Vol.	N4213	18	Order from Mfr.			N4206	24/78	2N513/TC2501					5	1R5, 1T4, 1S5, 3S4, 45Z3	456	14-62	
B17135	Vol.	N3045	18	UM154-SS22	M26		N3114	24	2N511					5	12A8GT, 12K7GT, 12Q7GT, 35L6GT, 35Z5GT	456	14-63	
B17136	Vol.	N3065	18	UM154-SS22	M26		N3440	4	2S569					6	6A8GT, 6K7GT, 6Q7GT, 6K6GT, 6X5GT	456	14-64	
B17137, B17138	Vol.	N2876	18	UM154-SS18	M26		N2915	24	2N511					5	12A8GT, 12K7GT, 12Q7GT, 35L6GT, 35Z5GT	456	14-66	
B-17139	Vol.	N2876	18	UM154-SS18	M26		N2915	24	2N511					5	12A8GT, 12K7GT, 12Q7GT, 35L6GT, 35Z5GT	456	14-66	
B17140	Vol.	N4125	18	Order from Mfr.			N4178	24/15	2S569/TC26		N1460	859	C3	5	6SA7, 6SK7, 6SQ7, 6K6GT, 6X5GT	456	14-6	
B17141, B17142	Vol.	N3411	18	MR53	M27		N1367	12	TC42					4	1A7GT, 1N5GT, 1H5GT, 1Q5GT	456	14-67	
B17145	Vol. Tone	24-103, 26-103	18 22	UM157-SS17 MR48			18-264, 003	24/19	FP234/TC29 Buffer		B14	34-104	859	C3	7	*6SK7, 6SA7, 6SQ7GT, 6J5GT, 6K6GT, 6X5GT	262	14-67,68
B-17146	Vol.		18	MR48	M26		12-12-10, 005	1/15	TCS64/TC26 Buffer		B6 B14		859	C3	6	*6K7GT, 6A8GT, 6Q7GT, 6K6GT, 6X5GT	456	11-7.4
B17150	Vol.	P3346	18	Order from Mfr.			P3355	24	2N513					5	12SA7GT, 12SK7GT, 12SQ7GT, 50L6GT, 35Z5GT	455	14-69,70	
B17155	Vol. Tone	3538, 3539	18 21	MR48 MR53	M26		2534	1/15	2S569/TC26					6	*6SK7, 6SA7, 6SQ7, 6K6GT, 6X5GT	455	14-71	
B-17185, B-17186	Vol. Tone	50.77, 55.33	18 22	MR48 MR48	M26		20.107A, 20.89	4 5	2S569 TC26					7	*6SK7GT, 6SA7GT, 6SQ7GT, 6J5GT, 6V6GT, 80	456	14-59	
B-17190, B-17191	Tone Phono. Vol.		22	MR48 MR55		See Note A3	51-266	1/13	FP380					12	*6SK7, 6SA7, 6U5, 6H6, *6SF5, 6J5GT, *6V6GT, 5Y3G	465	12-19	
D100, D101	Vol.	50.51A	18	MR48	M26		20.103B	1	2N513					5	12SA7GT, 12SK7GT, 12SQ7GT, 50L6GT, 35Z5GT	456	14-1	
D-103	Vol.	50.51A	18	MR48	M26		20.103B	1	2N513					5	12SA7, 12SK7, 12SQ7, 50L6GT, 35Z5GT	456	13-7	
D104, D105	Vol.	N3877	18	MK401	M26		N3302	24	2N511					5	12SA7, 12SK7, 12SQ7, 35L6GT, 35Z5GT	456	14-1	
D-106	Vol.	50.51A	18	MR48	M26		20.124	1	2N511					6	*6SK7GT, 6SA7GT, 6SQ7GT, 25L6GT, 25Z6GT	456	13-14	
D-107, 108	Vol.	50.47A	18	MR48	M26		20.124	1	2N511					5	6SA7GT, 6SK7GT, 6SQ7GT, 25L6GT, 25Z6GT	456	12-9,15	
D109	Vol. Tone	50.47A, 55.28	18 22	MR48 MR48	M26		20.103B	1	2N513					6	*6SK7GT, 6SA7GT, 6SQ7GT, 25L6GT, 25Z6GT	455	14-2	
D110	Vol.	24-160	18	TM230-SS25	M26		18-266	1	2N513					7	6SA7, 6SK7, *6SQ7, 25L6GT, 25Z6GT	455	14-2,3	
D-120	Vol.	N3307	18	MK401	M26		N3566	24	Order from Mfr.					5	12SA7, 12SK7, 12SQ7, 35L6GT, 35Z5GT	456		
D121, D122	Vol.	N3248	18	MK401	M26		N3554	24	2N511					5	12A8GT, 12K7GT, 12Q7GT, 35L6GT, 35Z5GT	456	14-14	
D125	Vol. Tone	50.77, 55.33	18 22	MR48 MR48	M26		20.107A, 20.89	4 15	TCS75 TC26					7	*6SK7GT, 6SA7GT, 6SQ7GT, 6J5GT, 6V6GT, 80	456	14-4	
D127	Vol. Tone	50.74A, 55.32	140 140	MRT450, UC506	M26		20.132	1	2S569					8	*6SK7GT, 6SA7GT, *6SQ7GT, 6K6GT, 80	456	14-5	
D130	Vol.	N4125	18	Order from Mfr.			N4178	24/15	2S569/TC26		B14	N4160	859	C3	5	6SA7, 6SK7, 6SQ7, 6K6GT, 6X5GT	456	14-6
D-131	Vol.		18	MR48	M26		12-12-10, 005	1/15	TCS64/TC26 Buffer		B6 B14		859	C3	6	*6K7GT, 6A8GT, 6Q7GT, 6K6GT, 6X5GT	456	11-7.4
D132	Vol. Tone	36X275, 40X212	124 22	Order from Mfr. MR55			45X271, 008	24/15	Order from Buffer		Mfr. B14	19A33	248	C3	7	*6SK7, 6SA7, 6SQ7, 6K6GT, 6N7G	456	14-11-13
D140, D141	Vol.	N3411	18	MR53	M27		N1367	12	TC42					4	1A7GT, 1N5GT, 1H5GT, 1Q5GT	456	14-15	
D-145, D-146	Vol.	50.67	18	MR48	M27		20.103B, 20.120	76/78	2N513					6	*1N5GT, 1A7GT, 1H5GT, 3Q5GT, 35Z5GT	456	12-1	

‡ Data not substantiated.

\* IMPORTANT: Read Notes in Note Section if specified in Note Column.

§ Indicates miscellaneous section.

MANUFACTURER AND MODEL	CONTROLS							CONDENSERS				VIBRATORS			No. Tubes	Complete Tube Complement	I. F. Peak	Rider's Reference
	Use	Original Part	Circuit	Correct Replacement	Switch	Bias	*Note	Original Part	Circuit	Correct Replacement	*Note	Original Part	Replacement	*Note				
ALLIED RADIO CO	RP.—Continued																	
D149	Vol. Tone	50.74A 55.32	140 140	MRT450 UC506	M26			20.132	1	2S569					8	6SK7GT, 6SA7GT, 6SQ7GT, 6K6GT, 80	456	14-5
D160, D161	Vol.	24-150	149	MK402				18-266 18-271	76 76	2N513 TC2501/TC29	B8				5	1A7GT, 1N5GT, 1H5GT, 1T5GT, 117Z4GT	455	14-19,20
D-162	Vol.	24-150	149	MK402				18-266 18-271	76 76	2N513 TC2501/TC29	B8				5	1A7GT, 1N5GT, 1H5GT, 1T5GT, 117Z4GT	455	14-19,20
D165	Vol.	50.67	149	MR48	M27			20.118	1	2N513					7	1N5GT, 1A7GT, 1H5GT, 3Q5GT, 50L6GT, 35Z5GT	456	14-21
D170	Vol.	N3045	18	UM154-SS22	M26			N3114	24	2N511					5	12A8GT, 12K7GT, 12Q7GT, 35L6GT, 35Z5GT	456	14-22
D171, 172, 173	Vol.	N2876	18	UM154-SS18	M26			N2915	24	2N514					5	12A8GT, 12K7GT, 12Q7GT, 35L6GT, 35Z5GT	456	11-7
D174	Vol.	N2876	18	UM154-SS18	M26			N2915	24	2N511					5	12A8GT, 12K7GT, 12Q7GT, 35L6GT, 35Z5GT	456	14-22,23
D-175	Vol. Tone	50.47A 55.28	† †	MR48 MR48	M26			20.103B	1	2N513					6	6SK7GT, 6SA7GT, 6SQ7GT, 25L6GT, 25Z6GT	456	13-18
D176	Vol.	8910	18	†		See Note A5		8425	1/13	FP371					8	12SA7GT, 12SK7GT, 12SQ7GT, 35L6GT, 6U5, 35Z6G	455	14-25-27
D180	Vol. Tone	50.77 55.33	18 22	MR48 MR48	M26			20.107A 20.89	4 15	TCS75 TC26					7	6SK7GT, 6SA7GT, 6SQ7GT, 6J5GT, 6V6GT, 80	456	14-4
D182	Vol. Bass Treble	85-281 87-281 48-281	Spec. 15 22	Order from MR53 MR48	Mfr. M26			51-266 45-266	1/13 15	FP380 FP143					14	6SK7, 6SA7, 6AC7, 6SJ, 6H6, 6U5, 6J5, 6V6G, 5Y3G	456 AM 465 FM 4.3 Mc	14-28-30
D185, D186	Vol. Tone	50.77 55.33	18 22	MR48 MR48	M26			20.107A 20.89	4 15	TCS75 TC26					7	6SK7GT, 6SA7GT, 6SQ7GT, 6J5GT, 6V6GT, 80	456	14-4
D189, D190, D191	Vol. Tone	50.74A 55.32	140 140	MRT450 UC506	M26			20.132	1	2S569					8	6SK7GT, 6SA7GT, 6SQ7GT, 6K6GT, 80	456	14-5
D197	Vol. Bass Treble	85-281 87-281 48-281	Spec. 15 22	Order from MR53 MR48	Mfr. M26			51-266 45-266	1/13 15	FPT390 FP143					14	6SK7, 6SA7, 6AC7, 6SJ, 6H6, 6U5, 6J5, 6V6G, 5Y3G	456 AM 465 FM 4.3 Mc	14-28-30
D311	Vol. Tone	50.77 55.33	18 22	MR48 MR48	M26			20.107A 20.89	4 15	TCS75 TC26					7	6SK7GT, 6SA7GT, 6SQ7GT, 6J5GT, 6V6GT, 80	456	14-4
D312	Vol. Tone	50.70 55.35	140 140	MRT450 UC506	M26			20.131 20.143	46 46	TC74 2S569					9	6SK7GT, 6SA7GT, 6SQ7GT, 6K6GT, 6U5, 80	456	14-31
D315	Vol. Tone	50.77 55.33	18 22	MR48 MR48	M26			20.107A 20.89	4 15	2S569 TC26					7	6SK7GT, 6SA7GT, 6SQ7GT, 6J5GT, 6V6GT, 80	456	14-4
D-318	Vol. Bass Treble	85-281 87-281 48-281	† 15 22	Order from MR53 MR48	Mfr.			5-266	1/13	FP380					14	6SK7, 6SA7, 6AC7, 6SJ, 6H6, 6SF5, 6U5, 6J5GT, 6V6GT, 5Y3G	465	12-19
D345	Vol. Tone	50.77 55.33	18 22	MR48 MR48	M26			20.107A 20.89A	4 15	TCS75 TC26					7	6SK7GT, 6SA7GT, 6SQ7GT, 6J5GT, 6V6GT, 80	456	14-4
D-347	Vol. Tone	50.70 55.35	140 140	MRT450 UC506	M26			20.131 20.143	1 1/13	ST597 2S569					9	6SK7GT, 6SA7GT, 6SQ7GT, 6U5, 6K6GT, 80	456	13-21
D355	Vol. Tone	50.77 55.33	18 22	MR48 MR48	M26			20.107A 20.89	4 15	TCS75 TC26					7	6SK7GT, 6SA7GT, 6SQ7GT, 6J5GT, 6V6GT, 80	456	14-4
D-357	Vol. Tone	50.70 55.35	140 140	MRT450 UC506	M26			20.131 20.143	1 1/13	ST597 2S569					9	6SK7GT, 6SA7GT, 6SQ7GT, 6U5, 6K6GT, 80	456	13-21
D-366, D367	Vol.	50.60	18	MR48	M27			20.124 20.139	1 78	2N511 Order from Mfr.					5	1A7GT, 1N5GT, 1H5GT, 3Q5GT, 35Z5GT	456	14-32
E9830	Vol. Tone		45 22	MR44 MR33				8-8	4	2S567	B33				8	47, 56, 57, 58, 80	177.5	3-12
E9831	Vol. Tone		45 22	MR44 MR33				8, 8	4	ST595	B3				10	56, 57, 58, 77, 80	177.5	3-13
E10700, E10701	Vol.	N1595	18	UM154-SS18	M26			N1366	24	2N513					5	12A8GT, 12K7GT, 12Q7GT, 35L6GT, 35Z5GT	456	

† Data not substantiated.

\* IMPORTANT: Read Notes in Note Section if specified in Note Column.

‡ Indicates miscellaneous section.

MANUFACTURER AND MODEL	CONTROLS							CONDENSERS				VIBRATORS			No. Tubes	Complete Tube Complement	I. F. Peak	Rider's Reference
	Use	Original Part	Circuit	Correct Replacement	Switch	Bias	*Note	Original Part	Circuit	Correct Replacement	*Note	Original Part	Replacement	*Note				
ALLIED RADIO CO	RP.—Continued																	
E10702, E10703 First Issue.....	Vol.	V23.....	6	UM129-SS18	M26	EX200.....	C233.....	46	TN125.....					4	6K7GT, 6J7GT, 25L6GT, 25Z6GT.....			
E10704.....	Vol.	V20.....	18	MR53.....	M26		C237.....	46	FP357.....					5	6A8G, 6K7, 6Q7G, 25L6G, 25Z6G, K49B.....	456		
E10705.....	Vol. Tone	V22..... V109.....	45 22	MRT427..... MR28.....	M26	See Note A90.....	C237.....	46	FP357.....					7	6A8G, 6J5G, 6K7, 6F6G, 25L6G, 25Z6G.....	456		
E10706.....	Vol. Tone	V22..... V109.....	45 22	MRT427..... MR28.....	M26	See Note A90.....	C237.....	46	FP357.....					7	6A8G, 6K7, 6F6G, 6J5G, 25L6G, 25Z6G.....	456		
E10707.....	Vol. Tone	V20..... V15.....	18 18	MR53..... MR48.....	M26		C239.....	1/13	FP367.....					7	6K8, 6K7, 6Q7G, 6J5G, 25L6G, 25Z6G, BK17E1.....	456		
E10708.....	Vol. Tone	V20..... V15.....	18 18	MR53..... MR48.....	M26		C239.....	1/13	FP367.....					7	6K8, 6K7, 6Q7G, 6J5G, 25L6G, 25Z6G, BK17E1.....	456		
E10709.....	Vol. Tone	V13..... V15.....	18 18	MR48..... MR48.....	M26		C241.....	6	2N511.....					7	6K8, 6K7, 6Q7G, 6J5G, 25L6G, 25Z6G, BK17E1.....	456		
E10710.....	Vol. Tone	V13..... V15.....	18 18	MR48..... MR48.....	M26		C241.....	6	2N511.....					7	6K8, 6K7, 6Q7G, 6J5G, 25L6G, 25Z6G, BK17E1.....	456		
E10711.....	Vol. Tone	V22..... V111.....	124 22	MRT427..... MR48.....	M26		C246..... C245..... C247.....	54 54 20	RS215..... See Note..... TC26.....		B3			9	6K8, 6K7, 6H6, 6J5, 6F6, 5Y3G.....	456		
E10712.....	Vol. Tone	V22..... V111.....	124 22	MRT427..... MR48.....	M26		C246..... C245..... C247.....	54 54 20	RS215..... See Note..... TC26.....		B3			9	6K8, 6K7, 6H6, 6J5, 6F6, 5Y3G.....	456		
E10713.....	Vol. Tone	N1734..... N1735.....	17 44	MR48..... SRP263.....	M26		N1755.....	24/13	TN129.....					7	6K7, 6Q7G, 6A8G, 6J5G, 25L6G, 25Z6G.....	456		
E10714.....	Vol. Tone	N1734..... N1735.....	17 44	MR48..... SRP263.....	M26		N1755.....	24/13	TN129.....					7	6K7, 6Q7G, 6A8G, 6J5G, 25L6G, 25Z6G.....	456		
E10715.....	Vol.	N1546.....	18	MR48.....	M27		N1367.....	12	TC42.....					4	1A7G, 1N5G, 1J5G, 1C5G.....	456		
E10716.....	Vol.	N1504.....	18	UM154-SS18	M27		N1367.....	12	TC42.....					4	1A7G, 1N5G, 1H5G, 1C5G.....	456		
E10718.....	Vol. Tone	V20..... V15.....	18 18	MR53..... MR48.....	M26		C238.....	1/19	FP332.....					5	6K8, 6K7, 6Q7G, 25A6G, 25Z6G, K49B/165R8G.....	456		
E10719.....	Vol.	V20.....	18	MR53.....	M26		C236.....	46	FP360.....		F-4.....	246	C3	4	6A8G, 6K7, 6Q7G, 6G6G.....	456		
E10720.....	Vol. Tone	V20..... V110.....	18 22	MR53..... MR48.....	M26		C242.....	1	FP225.....		F-4.....	246	C3	5	6D8G, 6S7G, 6L5G, 1H4G, 1J6G.....	456		
E10721.....	Vol. Tone	V20..... V110.....	18 22	MR53..... MR48.....	M26		C242.....	1	FP225.....		F-4.....	246	C3	5	6D8G, 6S7G, 6L5G, 1H4G, 1J6G.....	456		
E10722.....	Vol. Tone	V22..... V109.....	45 22	MRT427..... MR28.....	M26	See Note A90.....	C237.....	46	FP357.....					7	6A8, 6J5G, 6K7, 6F6G, 25L6G, 25Z6G.....	456		
E10723.....	Vol. Tone	V20..... V15.....	18 18	MR53..... MR48.....	M26		C239.....	1/13	FP367.....					7	6K8, 6K7, 6Q7G, 6J5G, 25L6G, 25Z6G, BK17E1.....	456		
E10725.....	Vol.	N1238.....	18	Order from	Mfr.		N1369.....	24/15	FP328.....		N1236.....	264	C3	4	6A7GT, 6K7GT, 6Q7GT, 6K6GT.....	456		
E10726.....	Vol. Tone	V13..... V15.....	18 18	MR48..... MR48.....	M26		C241.....	6	2N511.....					7	6K8, 6K7, 6Q7GT, 6J5G, 25L6G, 25Z6G, BK17E1.....	456		
E10727.....	Vol. Tone	V20..... V110.....	18 22	MR53..... MR48.....	M26		C242.....	1	FP225.....		F-4.....	246	C3	6	6D8G, 6S7G, 6L5G, 1H4G, 1J6G, 6T7G.....	456		
E10728.....	Vol. Tone	V22..... V111.....	124 22	MRT427..... MR48.....	M26		C246..... C245..... C247.....	54 54 20	RS215..... See Note..... TC26.....		B3			9	6K8, 6K7, 6H6, 6J5, 6F6, 5Y3G.....	456		
E10730.....	Vol.	P3099.....	18	MR48.....	M26		20-20.....	1	2N509.....					5	6A7, 6D6, 75, 25L6G, 25Z5, L49B.....	456		
E10731.....	Vol.	P3099.....	18	MR48.....	M26		20-20.....	1	2N509.....					5	6A7, 6D6, 75, 25L6G, 25Z5, L49B.....	456		
E10732.....	Vol.	P3099.....	18	MR48.....	M26		20-20.....	1	2N509.....					5	6A7, 6D6, 75, 25L6G, 25Z5, L49B.....	456		
E10733.....	Vol.	P2432A.....	18	MR48.....	M26		A58 25-10.....	1	2N513.....					5	6A8GT, 6K7GT, 6Q7GT, 25L6GT, 25Z6GT.....	456		
E10734.....	Vol.	P2432A.....	18	MR48.....	M26		A58 25-10.....	1	2N513.....					5	6A8GT, 6K7GT, 6Q7GT, 25L6GT, 25Z6GT.....	456		
E10735.....	Vol.	P2432A.....	18	MR48.....	M26		A58 25-10.....	1	2N513.....					5	6A8GT, 6K7GT, 6Q7GT, 25L6GT, 25Z6GT.....	456		
E10736.....	Vol.	P2935.....	18	MR48.....	M26		20-20.....	1	2N509.....					5	6A7, 6D6, 75, 25L6G, 25Z5, L49B.....	456		

† Data not substantiated.

\* IMPORTANT: Read Notes in Note Section if specified in Note Column.

‡ Indicates miscellaneous section.

MANUFACTURER AND MODEL	CONTROLS							CONDENSERS				VIBRATORS			No. Tubes	Complete Tube Complement	I. F. Peak	Rider's Reference
	Use	Original Part	Circuit	Correct Replacement	Switch	Bias	*Note	Original Part	Circuit	Correct Replacement	*Note	Original Part	Replacement	*Note				
ALLIED RADIO CO	RP.—Co	continued																
E10737	Vol.	P2935	18	MR48	M26			20-20	1	2N509					5	6A7, 6D6, 75, 25L6G, 25Z5, L49B	456	
E10738	Vol.	P2935	18	MR48	M26			20-20	1	2N509					5	6A7, 6D6, 75, 25L6G, 25Z5, L49B	456	
E10740	Vol.	P3082	18	MR48	M26			P3086	1/15	FP332	B117				6	6A7, 6D6, 75, 76, 41, 80	456	
E10741	Vol.	P2817	18	2 Meg.		A19		P2631	1	TC D72					8	6A7, 76, 75, 6D6, 741, 80	456	
E10742	Vol.	P2817	18	2 Meg.		A19		P2631	1	TC D72					8	6A7, 76, 75, 6D6, 741, 80	456	
E10743	Vol.	P2659	18	TM233-SS25	M26			P2631	1	TC D72					8	6A7, 6D6, 75, 76, 741, 80	456	
E10744	Vol.	P2705	20	MRT451				P1939	1	2N518					11	6A8G, 6K7G, 6J5G, 6F6G, 5Z3	456	
E10745	Tone	P2706	20	UM160-SS1				P1937	13	RS223					11	6A8G, 6K7G, 6J5G, 6F6G, 5Z3	456	
E10746	Tone	P2705	20	MRT451				P1939	1	2N518					11	6A8G, 6K7G, 6J5G, 6F6G, 5Z3	456	
E10746	Vol.	P2706	20	UM160-SS1				P1937	13	RS223					11	6A8G, 6K7G, 6J5G, 6F6G, 5Z3	456	
E10746	Vol.	P2935	18	MR48	M26			20-20	1	2N509					5	6A7, 6D6, 75, 25L6G, 25Z5, L49B	456	
E10747	Vol.	P2935	18	MR48	M26			20-20	1	2N509					5	6A7, 6D6, 75, 25L6G, 25Z5, L49B	456	
E10750	Vol.	P3099	18	MR48	M26			25-10	1	2N513					5	6A7, 6D6, 75, 25L6G, 25Z5, L49B	456	
E10751	Vol.	P2321	18	UM154-SS3	M26			P2329	23	TCS71		P1414	859	C3	5	6A8, 6K7, 6Q7G, 6K6G, 6X5G	456	
E10752	Vol.	P1371	18	UM154-SS3	M26			.006	23	Buffer	B14	P1414	859	C3	6	6K7, 6A8G, 6Q7G, 6K6G, 6X5G	175	
E10765, E10765A	Tone	P828	22	MR39				.0075	19	Buffer	B14				4	1A7G, 1N5G, 1H5G, 1A5G	455	
E10765, E10765A	Vol.	4803	18	MK401	M23			1693	19	TC22					4	1A7G, 1N5G, 1H5G, 1A5G	455	
E10766, E10766A	Vol.	4871	18	UM154-SS22				1693	19	TC22					4	1A7G, 1N5G, 1H5G, 1A5G	455	
E10770	Vol.	4839	18	MK401	M26			4895	4	TC47					5	6A7, 6D6, 75, 25L6G, 25Z5, L49B	455	
E10771, E10772	Vol.	4839	18	MK401	M26			10245	25	TC71					5	6A7, 6K7, 6Q7G, 41, 80	455	
E10773, E10774	Vol.	10012	18	MK401				3718	1	2N518					6	6K8, 6K7, 75, 41, 80, 6U5	455	
E10775	Tone	10013	22	UM133-SS25				1693	15	TC22					4	1A7G, 1N5G, 1H5G, 1A5G	455	
E10775	Vol.	10441	18	MK401	M27			1693	19	TC22					4	1A7G, 1N5G, 1H5G, 1A5G	455	
E10779, E10780, E10781, E10782	Vol.	4803	18	MK401	M23			1693	19	TC22					4	1A7G, 1N5G, 1H5G, 1A5G	455	
E10783, E10784	Vol.	4871	18	UM154-SS22				1693	19	TC22					4	1A7G, 1N5G, 1H5G, 1A5G	455	
E10785, E10785A	Vol.	4803	18	MK401	M23			1693	19	TC22					4	1A7G, 1N5G, 1H5G, 1A5G	455	
E10786	Vol.	4871	18	UM154-SS22				4096	1	2N518		4105	294	C3	5	6D8G, 6S7G, 6T7G, 6D6G, 6Z15G	455	
E10786	Vol.	1693	15	TC22				.03-.03	15	Buffer	B14				6	6K8, 6K7, 6Q7G, 6C5G, 25L6G	455	
E10788	Vol.	4871	18	UM154-SS22				4841	24	2N509		3698	245A	C3	6	6D8G, 6S7G, 6L5G, 6T7G, 6G6G, 6N5	455	
E10790	Vol.	4871	18	UM154-SS22				1693	15	TC22					4	1A7G, 1N5G, 1H5G, 1A5G	455	
E10790	Tone	4872	22	UM133-SS22	M26			.03	19	Buffer	B14				4	1A7G, 1N5G, 1H5G, 1A5G	455	
E10792	Vol.	4803	18	MK401	M23			1693	19	TC22					4	1A7G, 1N5G, 1H5G, 1A5G	455	
E10793	Vol.	4871	18	UM154-SS22				1693	19	TC22					4	1A7G, 1N5G, 1H5G, 1A5G	455	
E10794	Vol.	4871	18	UM154-SS22				4841	24	2N509		3698	245A	C3	6	6K8, 6K7, 6Q7G, 6C6G, 25L6G	455	
E10794	Tone	4872	22	UM133-SS22	M26			1693	15	TC22					6	6K8, 6K7, 6Q7G, 6C6G, 25L6G	455	
E10795	Vol.	4839	18	MK401	M26			10245	25	TC71					5	6A7, 6K7, 6Q7G, 41, 80	455	
E10797, E10798, E10799	Vol.	10227	124	TM251-SS25				10470	3	RS223					11	6K7, 6K8, 6Q7G, 6C5G, 6L6, 6AE6G, 6AF6G, 5Z3	12-22-24	
E10800	Vol.	V20	18	MR53	M26			1693	15	TC22					5	6A8G, 6K7G, 6Q7G, 25Z6G, 25L6G, K49B	456	
E10800	Vol.	C237	46	FP357				10102	3	3S584	B8				5	6A8GT, 6K7GT, 6Q7GT, 25L6GT, 25Z6GT	455	
E10801, E10802	Vol.	V13	18	MR48	M26			C240	24	TC45					5	6A8GT, 6K7GT, 6Q7GT, 25L6GT, 25Z6GT	455	
E10801, E10802	Vol.	C230	18	TC44				C230	18	TC44					5	6A8GT, 6K7GT, 6Q7GT, 25L6GT, 25Z6GT	455	
E10803	Vol.	V20	18	MR53	M26			C237	46	FP357					5	6A8G, 6K7G, 6Q7G, 25L6G, K49B, 25Z6G	456	
E10805	Vol.	V6	6	MR28	M26	EX200		C235	8	Order from	Mfr.				4	6D6, 6C6, 25L6G, 25Z5, K55B	456	
E10805	Vol.	C244	8	FP354				C244	8	FP354					5	6K8, 6K7, 6Q7G, 25A6G, 25Z6G, K49C/168R8G	456	
E10806	Vol.	V20	18	MR53	M26			C238	1/19	FP332					5	6K8, 6K7, 6Q7G, 25A6G, 25Z6G, K49C/168R8G	456	
E10806	Tone	V15	18	MR48											5	6K8, 6K7, 6Q7G, 25A6G, 25Z6G, K49C/168R8G	456	

† Data not substantiated.

\* IMPORTANT: Read Notes in Note Section if specified in Note Column.

§ Indicates miscellaneous section.



MANUFACTURER AND MODEL	CONTROLS							CONDENSERS				VIBRATORS			No. Tubes	Complete Tube Complement	I. F. Peak	Rider's Reference
	Use	Original Part	Circuit	Correct Replacement	Switch	Bias	*Note	Original Part	Circuit	Correct Replacement	*Note	Original Part	Replacement	*Note				
ALLIED RADIO CORP.—Continued																		
E10807, E10808, E10809	Vol. Tone	V13 V15	18 1	MR48 MR48	M26			C241	6	2N511					6	6K8, 6K7, 6Q7G, 25L6G, 25Z6G, BK17EL	456	
E10810, E10811, E10812	Vol. Tone	V20 V15	18 1	MR53 MR48	M26			C239	1/13	FP367					7	6K8, 6K7, 6Q7G, 6J5G, 25A6G, 25Z6G	456	
E10813, E10814, E10815	Vol. Tone	V22 V111	124 22	MRT427 MR48	M26			C246 C245 C247 C237	54 54 20 46	RS215 See Note TC26 FP357	B3				9	6K8, 6K7, 6H6, 6J5G, 6F6G, 5Y3G	456	
E10818	Vol.	V20	18	MR53	M26										5	6A8G, 6K7, 6Q7G, 25L6G, 25Z6G, K49B	456	
E10821, E10822	Vol. Bass Tone	V22 V111 V111	17 125 1	MRT427 MR48 MR48	M26			C250 C251 C247	54 54 20	RS216 FP225 TC26					12	6K7, 6K8, 6H6, 6J5G, 6V6G, 5U4G	456 14-48,49	
E10825, E10826, E10827, E10828, E10829, E10830	Vol. Tone	V20 V110	18 22	MR53 MR48	M26			C242 .01-.01	1 46	FP225 Buffer	B14	F-4	246	C3	6	6D8G, 6S7G, 6T7G, 6L5G, 1H4G, 1J6G	456	
E10831, E10832	Vol.	V20	18	MR53	M26			C236 .01-.01	46 12	FP360 Buffer	B14	F-4	246	C3	4	6A8G, 6K7, 6Q7G, 6G6G	456	
E10835, E10836	Vol.	V18	18	MR48	M27			C230	12	TC42					4	1C7G, 1D5GP, 1F7G, 1G5G	456	
E10840, E10841, E10842	Vol.	P2392	18	MR53	M26			P2397	23	2S567	B33				5	6A7, 6D6, 75, 41, 5Y3G	456	
E10845, E10846, E10847, E10848	Vol.	P2432A	18	MR48	M26		A58	P2668	1	2N513					5	6A8, 6K7, 6Q7, 25L6, 25Z6	456 12-25	
E10850, E10851	Vol. Tone	P2705 P2706	20 1	MRT451 UM160-SS1				P1939 P1937	1 13	2N518 RS223					11	6A8G, 6K7G, 6J5G, 6F6G, 5Z3	456 12-28,30	
E10855, E10856, E10857, E10858	Vol.	P2498	6	MR36	M26			30 10	1 1	TC47 TC44					4	6K7, 6J7, 25L6, 25Z6	11-22	
E10860, E10861	Vol.	P2213	6	MR36	M26			P2216	1	2N509					4	6D6, 6C6, 25L6G, 25Z5, L55BG	12-25	
E10863, E10864	Vol.	P2213	6	MR36	M26			P2216	1	2N509					4	6D6, 6C6, 25L6G, 25Z5, L55BG	12-25	
E10865, E10866, E10867, E10868	Vol.	P2450A	18	MR48	M26			P2456	23	TC71					5	6A7, 6D6, 75, 41, 80	456 11-22	
E10870, E10872	Vol. Tone	P2558A P2559A	18 22	MK401 MK401	M26			P2575	25	TC72					7	6A7, 6D6, 76, 75, 41, 80, 6G5	456	
E10874, E10875, E10876, E10877	Vol.	P2659	18	TM233-SS25	M26			P2631	1	FP231	B128				8	6A7, 6D6, 76, 75, 41, 80	456	
E10880, E10881	Vol. Tone	P1989 P1991	7/45 21	Order from MR48	Mfr.			25 12 4-4	30 30 13/14	RS223 RS215 2N518					16	6K7G, 6L7G, 6J7G, 6F6G, 6J5G, 6F8G, 6L6G, 5Z3	456 12-27-30	
E10882A, E10883A, E10884A, E10885A, E10886A, E10887A	Vol. Tone	4871 10148	18 22	UM154-SS22 MR33	M27			4096 1693 .03-.03	1 15	2N518 TC22 Buffer	B14	4105	294	C3	5	6D8G, 6S7, 6T7G, 6G6G, 6ZY5G	455 12-31	
E10890	Vol.	P2321	18	UM154-SS3	M26			P2329 .006	23	TCS71 Buffer	B14	P1414	859	C3	5	6A8, 6K7, 6Q7G, 6K6G, 6X5G	456 11-20	
E10891	Vol. Tone	P1371 P828	18 22	UM154-SS3 MR39	M26			P1293 .0075	23	2S567 Buffer	B14	P1414	859	C3	6	6K7, 6A8G, 6Q7G, 6K6G, 6X5G	175 11-21	
E10893	Vol.	220	6	H	6			1733	46/15	FP409					4	6D6, 6C6, 43, 25Z5	465	
E10894	Vol.	221	18	MR48	M26			1733	46/15	FP409					6	6A7, 6D6, 6Q7, 25A6, 25Z5, 6U5	465	
E10895	Vol.	221	18	MR48	M26			1732	1/15	FP316					5	6A7, 6D6, 6Q7, 41, 80	456	
E10896	Vol. Tone	221 305	127 34	MR48	M26			1733	46/15	FP409					7	6A7, 6D6, 76, 6K5, 25A6, 25Z5, 6U5	465	
E10897, E10898, E10899	Vol. Tone	221 305	18 44	MR48	M26		See Note A5	1736	1	FP227					8	6A7, 6D6, 6Q7, 76, 6U5, 43, 25Z5	465	
E10900, E10901, E10902, E10903	Vol.	10227	124	TM251-SS25				10470 10102 1693	3 3 15	RS223 TCD72 TC22					11	6K7, 6K8, 6Q7G, 6C5G, 6L6, 6AE6G, 6AF6G, 5Z3	455	
E10905	Vol.	4839	18	MK401	M26			4772 1693	1 15	2N518 TC22					6	6A8G, 6K7, 6Q7G, 6K6G, 6U5, 5Y4G	455	
E10906, E10907	Vol. Tone	10057 10058	124 1	TM251-SS25 Order from Mfr.				10036 1693	24 15	TCD55 TC22		3698	245A	C3	7	6S7, 6K8, 6T7G, 6G6G, 6Z7G, 6N5	455	
E10910, E10911	Vol. Tone	4803 4862	18 22	MK401 UM133-SS25	M23			.03 1693	19	Buffer TC22	B14				5	1C7G, 1D5GP, 1H4G, 1E5GP, 1G5G, 4-1	455	

† Data not substantiated.

\* IMPORTANT: Read Notes in Note Section if specified in Note Column.

‡ Indicates miscellaneous section.



MANUFACTURER AND MODEL	CONTROLS							CONDENSERS				VIBRATORS			No. Tubes	Complete Tube Complement	I. F. Peak	Rider's Reference	
	Use	Original Part	Circuit	Correct Replacement	Switch	Bias	*Note	Original Part	Circuit	Correct Replacement	*Note	Original Part	Replacement	*Note					
ALLIED RADIO CO	RP.—Continued																		
G9561, G9563, G9565, G9567....	Vol. Tone		15 22	MR48 MR39											5	1C6, *30, 33, 34	456	6-7	
G9561, G9563, G9565, G9567 (above No. 61700)	Vol. Tone		33 22	MR48 MR39											5	1C6, 19, 30, 32, 34	465	6-8	
G9575 to G9605 Inc.	Vol. Tone		15 22	MR48 MR39			8-8 8. 5. 6-10 5, 5. .05-.05	14 15 1 15	2N518 ST595 TC22 TCD72 TC22 Buffer					Order from Mfr.	6	6A7, 41, 75, *78, 84	465	6-9	
G9599	Vol.		17	UM154		See Note	A96			B14									
G9611, G9613	Vol.	1322	45	MR48															
G9615	Vol. Tone	1322 1382	18 22	MR48 MR24		M26			1258 1260 9328 .01-.01	1 1 15	RS213 RS213 TN111 Buffer	B14	1381	F294	C3	5 5	1A6, 30, 32, 33, 34 6A7, 6D6, 75, 38, 84	465 465	6-10 7-3,4
G9617, 9619, 9623, 9625, 9627, G9629, 31, 33, 35, 37, 39	Vol.	1289	45	MR48	M27			1291	12	ST595						6	1C6, 34, *30, 32, 19	465	7-5
G9643, G9645	Vol. Tone	1447 1450 1495 1450	45 22 17 22	MR48 MR33 MR48 MR33	M27 M26			1291 1477 1476 8876	12 1 1 15	ST595 RS215 RS216 TC32					7	*34, 1C6, *30 *6D6, 6A7, 75, 76, 41, 80	465	7-9-12	
G9881	Vol.		18	UM154		See Note	A96	6-12 10 02-.02 6-12 10 02-.02	1 15 1 15	TCD72 TC22 Buffer TCD72 TC22	B14		292	C3	5	6A7, 6B7, 6D6, 41, 84	456	6-2	
G9882	Vol.		18	UM154		See Note	A96	6-12 10 02-.02	1 15 1	TCD72 TC22 Buffer	B14		292	C3	6	6A7, *6D6, 41, 75, 84	175	6-3	
H9744, H9745	Vol. Tone	P691 P682	45 1	Order from MR39	Mfr.			P391 01-.01	1 1	2N516 Buffer	B14	P402	245C	C3	7	1C6, *34, *30, 19	456		
H9766	Vol. Tone	P801 P828	17 22	UM163-SS3 MR39	M26			P795 G864 0075	4 15	TC371 TC22 Buffer	B14	P816	294	C3	6	6D6, 6A7, 6K7, 75, 6F6, 84	175		
H9771	Vol.	1835	6	SRP263	6	EX200		1258 1260 8876	25 25 15	RS213 RS213 TC22					4	6D6, 6C6, 42, 80			
H9773, H9774, H9777, H9779, H9780, H9781, H9782	Vol.	2239	18	MR48				2289	13	TC42						6	1C6, 34, 1B5, 33, 5E1	465	
H9784, H9785, H9786	Vol. Tone	2198 2331	18 22	UM154-SS16 MR33	M23			1477 1476 1110	25 25 13	RS215 RS216 TC71					8	6A7, 6K7, 75, 6C5, 6E5, *6F6, 80	465		
H9787, H9791, H9792, H9795	Vol. Tone	2699 2700	18 22	MRT428 MR33	M26			3167 1476 3170 8876 1110	25 25 19 15 13	RS223 RS216 TC32 TC22 TC71					11	*6K7, 6L7, 6J7, 6H6, 6G5, *6C5, *6F6, 5Z3	465		
L5	Vol. Tone	P660 P661	18 34	MR48 MR39	M26			P474 P160 P304 P474 P160 P304	32 32 15 32 32 15	RS213 2S567 TC22 RS213 2S567 TC22	B81				7	5Z4, 6F5, 6F6, 6H6, 6K7, 6L7, 6C5	456		
L6	Vol. Tone	P660 P661	18 44	MR48 MR39	M26			P474 P160 P304	32 32 15	RS213 2S567 TC22	B81				8	5Z4, 6C5, *6F6, 6K7, 6L7, *6Q7	456		
L7	Vol. Tone	P691 P682	45 1	Order from MR39	Mfr.			P391 01-.01	1 1	2N516 Buffer	B14	P402	245C	C3	7	1C6, 19, *30, *34	456		
P (AC)	Vol. Tone		15 22	MR48 MR39				4.4 10	4 19	2S567 TC22	B33				5	47, 55, 57, 58, 80	175	4-1	
P (Batt.)	Vol. Tone		9 22	MR20 MR39	M26			8 10	13 1	TC42 TC22					5	*32, 33, *34	175	4-1	
SG8	Vol.		6	MR24	M28	See Note	A8	1.8-2.3-2.3	3	See Note	B1				8	*24, *27, *45, 80		3-4,5	
SG9	Vol. Tone		24 41	DRP119 MR48	6	See Note	A9	8, 8, 8	3	ST595					9	*24, *27, *45, 80		3-6	
SG10	Vol.		7	MR37			A10	2-2.5-2.5	3	See Note	B1				10	*24, *27, *45, 80		3-7	
T (Auto.)	Vol.		17	UM154		See Note	A96	6-10 5, 5. .05-.05	1 15 1	TCD72 TC22 Buffer	B14		Order from Mfr.		6	6A7, 41, 75, *78, 84	175		
U	Vol.		6	MR40		EX400		4-20 5, 5. 5, 5.	6 15 6	2N509 TC22					5	25Z5, 43, 44, 77, 78			
U6	Vol. Tone		17 22	UM163-SS3 MR39	M26			P795 G864 0075	4 15	2S567 TC22 Buffer	B33	P816	294	C3	6	6D6, 6A7, 6K7, 75, 6F6, 84	175	8-10	
V	Vol.		7	MR40	M26			20-4 5, 5.	6 15	2N509 TC22					4	25Z5, 43, 44, 77	456		

‡ Data not substantiated.

\* IMPORTANT: Read Notes in Note Section if specified in Note Column.

§ Indicates miscellaneous section.

MANUFACTURER AND MODEL	CONTROLS							CONDENSERS				VIBRATORS			No. Tubes	Complete Tube Complement	I. F. Peak	Rider's Reference	
	Use	Original Part	Circuit	Correct Replacement	Switch	Bias	*Note	Original Part	Circuit	Correct Replacement	*Note	Original Part	Replacement	*Note					
<b>ALLIED RADIO CO.</b>	Continued																		
W.....	Vol. Tone		15	MR48				8	26	ST595					8	37,42,78, 80, 85	456		
Z4.....	Vol. Tone	P680	41	MR39				4	26	TC70					6	1C6, 19,30, 32, 34	456		
Z5.....	Vol. Tone	P682	44	MR39	Mfr.			P391	1	2S567	B26	P402	245C	C3	6	1C6, 19,30, 32, 34	456		
"Knight" 6820.....	Vol. Tone	P680	45	MR39	Mfr.			.01-.01	1	Buffer	B14	P402	245C	C3	6	1C6, 19,30, 32, 34	456	8-6	
	Vol. Tone	P682	44	MR39				.01-.01	1	2N518	B14				6	1C6, 34,30, 19	465		
	Vol. Tone		22	MR48		See Note	A5	8-4	1	2N518	B14		Order from Mfr.		6	1C6, 34,30, 19	465		
<b>AMC</b>																			
126.....	Vol.	8200	18	MK402	M26		A106	5400-2	88	FP357	B8				6	6SS7, 12SA7, 12SQ7, 50L6GT, 35Z5GT	455		
125-P.....	Vol.		18	MK402	M26		A106	5400-8	88	TC45					5	12SA7, 12SK7, 12SQ7, 50L6GT, 35Z5GT	455		
<b>AMERICAN BOSCH</b>	—See United American Bosch.																		
<b>AMERICAN COMMUNICATIONS CORP.</b>																			
6K, A6K, A6P.....	Vol.		18	MR48	M26		A110		88/15	3N533/TC45					6	14A7/7C7, 14Q7, 12SK7/7C7, 14B6, 35L6/50A5, 35Y4	455		
507-A.....	Vol.		18	MR48	M26				88/15	3N533/TC45					5	14Q7, 14A7, 14B6, 50A5, 35Y4	455		
<b>AMERICAN FOUNDATION</b>																			
U.....	Vol. Phono.	FOR THE BLIND	6	SRP263	6			8-16	6	2N509					5	6C6, 6D6, 43, 25Z5	175	7-1,2	
	Vol. Phono.		22	MR33				2-4	15	TN111					5				
X.....	Vol. Phono.		63	MR33				4-4	4	2S567	B33				5	6D6, 6C6, 42, 80		7-1,2	
	Vol. Phono.		6	MR18	M26	EX200		4-4	4	TC22					5				
	Vol. Phono.		22	MR33				15	15						5				
30.....	Vol. Phono.		63	MR24	6			8-16	6	2N509					5	6C6, 6D6, 43, 25Z5	175	7-1,2	
	Vol. Phono.		6	SRP263				2-4	15	TN111					5				
	Vol. Phono.		22	MR33				2-4	15						5				
	Vol. Phono.		63	MR33				2-4	15						5				
<b>AMERICAN TRAN. CORP.</b>																			
25A (A Unit).....	Vol.		15	MR48											3	26, 27			1-1
250.....	Vol.		15	MR44				2-4-4		See Note	B4				7	27,50,81			1-2
<b>AMPLIPHONE</b>																			
10.....	Vol.		50	MR48	M26				1/13	FP434					3	6SJ7, 6V6, 5Z4			
20.....	Vol.		165	MR48	M26				15	TC29					1	117N7			15-1,2
	Vol.								40	2/TC45					1				
<b>AMPHITRON</b> —See Premier Crystal Labs.																			
<b>AMRAD</b>																			
AC5.....	Vol.		29				A11	S-60	3	2N518					7	216B, 12,99			1-4
AC6.....	Vol.		14	MR48				D-15-30		2N518					6	26, 27, 71			1-6
AC7, AC7C.....	Vol.		10	MR21				8-8-8-8	1/14	FP434					8	26, 27, 71A, 80			1-3
DC6, DC6C.....	Vol.		29	Q											6	01A, 12A or 71A			1-6
DC7, DC7C.....	Vol.		29	S											7	01A, 71A			1-3
70 (Concerto, Nocturn, Opera, Sonata).....	Vol.		1	MR21						See Note	B3				8	26, 27, 10 or 50,81			1-8
81 (Aria, Minuett, Serenata, Duet, Symphony).....	Vol.		12	MR33				8-8-18-18	1/22	FP444					8	24,27,45, 80			3-1,2
84, 84C, 84D.....	Vol.		15	MR48				9-9-18	3	FP434	B83				8	24, 27,45, 80			1-5
171ABC.....	Vol.		1					8-8-8	3/14	FP434					1	80			1-2
F516.....	Vol.	W37343	6	MR18	M26	EX200		W41080	1	RS215					5	6D6, 76, 6B5, 80	450		7-1,2
	Vol. Tone	41252	6	G7		2		W41081	1	RS216					5				
F546.....	Vol. Tone	32908	34	W41195		See Note	A3	W36057	1	RS224		37216	246	C3	5	15, 6A7, 38	450		7-3,4
	Vol. Tone	32908	34	W41195		See Note	A3	W41195	15	TC22					5				
F616.....	Vol. Tone	W37967	18	MR53				.001	1	Buffer	B14				6	6A8G, 6K7G, 6H6G, 6F5G, 6N6G, 5Z4MG	450		7-5,6
	Vol. Tone	W37908	34	MR40	M26			W36055	1	RS223					6	6A8G, 6K7G, 6J7G, 6C5G, 6N6G, 5Z4MG	450		7-7,8
F626.....	Vol. Tone	37907	1	DRP304				W36055	1	RS223					6	6A8G, 6K7G, 6J7G, 6C5G, 6N6G, 5Z4MG	450		7-7,8
	Vol. Tone	37908	34	MR40	M26			W36057	1	RS224					6	6A8G, 6K7G, 6J7G, 6C5G, 6N6G, 5Z4MG	450		7-7,8
	Vol. Tone		31	A200P				W40325	1	RS224					4	01A			1-1
3500-1.....	Vol.		14	MR44				W37778	15	TN111					4	01A			1-1
3500-2.....	Vol.		14	MR44											4	01A			1-1
7100.....	Vol.		40	MR21											5	26, 27			1-7
<b>ANDREA</b>																			
CA5 (MI).....	Vol. Tone		17	MR53				16-8	6	2N509					5	6A7, 78, 6B7, 43, 25Z5	470		8-10
	Vol. Tone		57	MR44				10	15	TC22					5				

‡ Data not substantiated.

\* IMPORTANT: Read Notes in Note Section if specified in Note Column.

§ Indicates miscellaneous section.

MANUFACTURER AND MODEL	CONTROLS							CONDENSERS				VIBRATORS			No. Tubes	Complete Tube Complement	I. F. Peak	Rider's Reference
	Use	Original Part	Circuit	Correct Replacement	Switch	Bias	*Note	Original Part	Circuit	Correct Replacement	*Note	Original Part	Replacement	*Note				
ANDREA—Continued																		
CO-U15	Vol. Tone	GRV-804	18	UM159-SS25	M26			HC-198	1	FP311					5	12SA7, 12SK7, 12SQ7, 50L6GT, 35Z5GT	455	
D8L, D8S	Vol. Tone	GRV-805	173	UM156-SS25				HC99	25	RS219					8	6K7G, 6A8G, 6H6G, 6F5G, 6V6G, 5Y4G, 6G5	470	9-4
	Vol. Tone	FM303	127	MR53				HC71	25/13	2S567					6	50L6GT, 35Z5GT	470	12-1
G42 (Chassis PI2), P-163, Ch. 163	Vol. Tone	FM804	63	MR55						See Note	B3				2	1R5, 1N5GT	470	
	Vol. Tone	FM762	18	MK402	M27				24/78	Order from Mfr.					6	1H5GT, 3Q5GT, 35Z5GT	455	15-1,2
T-U15	Vol. Tone	GRV-804	18	UM159-SS25	M26			HC-198	1/15	FP311					5	12SA7, 12SK7, 12SQ7, 50L6GT, 35Z5GT	455	
T-16	Vol. Tone	GRV-805	158	UM156-SS25				HC-196	24/15	FP339					6	6K8, 6SK7, 6H6, 6SF5, 6V6GT, 5Y3GT	470	16-1,3
	Vol. Tone	FM5015	18	MK401	M26										6	6K8, 6SK7, 6H6, 6SF5, 25L6G, 25Z6G	470	16-4,5
T-U16	Vol. Tone	FM5015	18	MK401	M26			HC-191	22/15	FP306					6	6A7, 78, 6B7, 42, 80	470	8-1
	Vol. Tone	FM5016	166	UM149-SS25											7	6D6, 6A7, 6B7, 42, 80	470	8-2
1A5 (A5L)	Vol. Tone		17	MR53				8, 8	1	ST595					5	6A7, 78, 6B7, 42, 80	470	8-1
1A7 (A7L)	Vol. Tone		57	MR44				10-10	15	TN111					7	6D6, 6A7, 6B7, 42, 80	470	8-2
	Vol. Tone		17	MR53				8	1	ST595					6	6A7, 6K7, 6H6, 6F5, 42, 80	470	8-3,4
1B6 (B6L)	Vol. Tone	FM144	15	MR53				4-4	13/14	2N518					6	6A7, 6K7, 6H6, 6F5, 42, 80	470	8-3,4
	Vol. Tone	FM145	57	MR44				10-10	15	TN111					8	6D6, 6A7, 6K7, 6H6, 6F5, 42, 80	470	9-3
1B8 (B8L)	Vol. Tone	FM144	15	MR53				HC64	1/13	3S584	B8				6	6A7, 78, 75, 41, 80	470	9-1,2
1C5 (C5L)	Vol. Tone	FM145	57	MR44				HC63	1/13	3S584					5	6A7, 78, 75, 41, 80	470	9-1,2
1C5 (C5L)	Vol. Tone	FM197	18	MR53				HC2	15	TN111					6	6A7, 78, 76, 77, 6V6G, 80	470	
1D6 (D6L)	Vol. Tone	FM271	15	MR53	M26			HC72	4	RS215					7	6K7G, 6A8G, 6H6G, 6F5G, 6V6G, 5Y4G	470	8-5,6
1D7 (D7L)	Vol. Tone	FM303	124	MR53				HC56	13	TC71					8	6K7G, 6A8G, 6H6G, 6F5G, 6G5, 6V6G, 5Y4G	470	9-4
1D8 (D8L)	Vol. Tone	FM302	57	MR44				HC97	4	RS216					10	6K7G, 6A8G, 6H6G, 6F5G, 6C5G, 6V6G, 5U4G, 6G5	470	8-7
	Vol. Tone	FM303	45	MR53				HC97	4	RS216					6	6K8, 6K7, 6H6, 6F5, 6V6G, 5Y4G	470	9-5
1D8 (D8L)	Vol. Tone	FM302	57	MR44				HC71	25/13	2S567					6	6K8, 6K7, 6H6, 6F5, 6V6G, 5Y4G	470	9-6
	Vol. Tone	FM302	57	MR44				HC99	25	RS216					8	6K7G, 6A8G, 6H6G, 6F5G, 6V6G, 5Y4G	470	9-9,10
1D10 (D10L)	Vol. Tone	FM352	124	MR53	M26			HC113	3	RS215					10	6K7G, 6A8G, 6H6G, 6F5G, 6C5G, 6V6G, 5U4G, 6G5	470	8-7
1E6 (PE6L)	Vol. Tone	FM353	22	MR48				HC114	3	RS213					6	6K8, 6K7, 6H6, 6F5, 6V6G, 5Y4G	470	9-5
	Vol. Tone	FM427	18	MR48	M26			HC115	13/14	2N518					6	6K8, 6K7, 6H6, 6F5, 6V6G, 5Y4G	470	9-5
1E6 (PE6L)	Vol. Tone	FM428	57	MR44				HC61	15	TC32					6	6K8, 6K7, 6H6, 6F5, 6V6G, 5Y4G	470	9-5
	Vol. Tone	FM428	57	MR44				HC128	25	RS224					6	6K8, 6K7, 6H6, 6F5, 6V6G, 5Y4G	470	9-5
1E6 (PE6S)	Vol. Tone	FM427	18	MR48	M26			HC129	25	RS216					6	6K8, 6K7, 6H6, 6F5, 6V6G, 5Y4G	470	9-6
	Vol. Tone	FM428	57	MR44				HC130	13	ST595					6	6K8, 6K7, 6H6, 6F5, 6V6G, 5Y4G	470	9-6
1E8 (PE8L)	Vol. Tone	FM427	18	MR48	M26			HC131	15	TC22					6	6K8, 6K7, 6H6, 6F5, 6V6G, 5Y4G	470	9-6
	Vol. Tone	FM428	57	MR44				HC128	25	RS224					6	6K8, 6K7, 6H6, 6F5, 6V6G, 5Y4G	470	9-6
2A5 (A5S)	Vol. Tone	FM506	15	MR53				HC129	25	RS216					8	6K7, 6K8, 6H6, 6U5, 6F5, 6V6G, 5Y4G	470	9-9,10
	Vol. Tone	FM507	57	MR44				HC130	13	ST595					8	6K7, 6K8, 6H6, 6U5, 6F5, 6V6G, 5Y4G	470	9-9,10
2A5 (A5S)	Vol. Tone		17	MR53				HC131	15	TC22					5	6A7, 78, 6B7, 42, 80	470	8-1
	Vol. Tone		57	MR44				8, 8	1	ST595					5	6A7, 78, 6B7, 42, 80	470	8-1
2B6 (B6S)	Vol. Tone	FM144	15	MR53				10-10	15	TN111					6	6A7, 6K7, 6H6, 6F5, 42, 80	470	8-3,4
	Vol. Tone	FM145	57	MR44				HC58	1	2S569					6	6A7, 6K7, 6H6, 6F5, 42, 80	470	8-3,4
2B8 (B8S)	Vol. Tone	FM144	15	MR53				HC59	13	Order from Mfr.					6	6A7, 6K7, 6H6, 6F5, 42, 80	470	8-3,4
	Vol. Tone	FM145	57	MR44				HC2	15	TN111					8	6D6, 6A7, 6K7, 6H6, 6F5, 42, 80	470	9-3
2C5 (C5S)	Vol. Tone	FM197	17	MR53				HC64	1/13	3S584	B8				6	6A7, 78, 75, 41, 80	470	9-1
	Vol. Tone	FM197	17	MR53				HC63	1/13	3S584					5	6A7, 78, 75, 41, 80	470	9-1
2D5 (D5)	Vol. Tone	FM399	18	MR48	M26			HC2	15	TN111					5	6A7, 78, 75, 41, 80	470	9-1
	Vol. Tone	FM271	15	MR53	M26			HC72	4	RS216					5	6A7, 6D6, 75, 41, 80	470	9-14
2D6 (D6S)	Vol. Tone	FM399	18	MR48	M26			HC56	13	TC71					6	6A7, 78, 76, 77, 6V6G, 80	470	
	Vol. Tone	FM271	15	MR53	M26			HC97	4	RS216					6	6A7, 78, 76, 77, 6V6G, 80	470	
2D7 (D7S)	Vol. Tone	FM303	124	MR53				HC99	25	RS216					7	6K7G, 6A8G, 6H6G, 6F5G, 6V6G, 5Y4G	470	8-5,6
	Vol. Tone	FM302	57	MR44				HC71	25/13	2S567					8	6K7G, 6A8G, 6H6G, 6F5G, 6V6G, 5Y4G	470	8-5,6
2D8 (D8S)	Vol. Tone	FM303	45	MR53				HC99	25	RS216					8	6K7G, 6A8G, 6H6G, 6F5G, 6V6G, 5Y4G	470	9-4
	Vol. Tone	FM302	57	MR44				HC71	25/13	2S567					10	6K7G, 6A8G, 6H6G, 6F5G, 6C5G, 6V6G, 5U4G, 6G5	470	8-8,9
2D10 (D10S)	Vol. Tone	FM352	124	MR53	M26			HC113	3	RS215					6	6K8, 6K7, 6H6, 6F5, 6V6G, 5Y4G	470	9-5
	Vol. Tone	FM353	22	MR48				HC114	3	RS213					6	6K8, 6K7, 6H6, 6F5, 6V6G, 5Y4G	470	9-5
2E6 (PE6L)	Vol. Tone	FM427	18	MR48	M26			HC115	13/14	2N518					6	6K8, 6K7, 6H6, 6F5, 6V6G, 5Y4G	470	9-5
	Vol. Tone	FM428	57	MR44				HC112	15	TC32					6	6K8, 6K7, 6H6, 6F5, 6V6G, 5Y4G	470	9-5
2E6 (PE6L)	Vol. Tone	FM427	18	MR48	M26			HC128	25	RS224					6	6K8, 6K7, 6H6, 6F5, 6V6G, 5Y4G	470	9-5
	Vol. Tone	FM428	57	MR44				HC129	25	RS216					6	6K8, 6K7, 6H6, 6F5, 6V6G, 5Y4G	470	9-5
2E6 (PE6L)	Vol. Tone	FM427	18	MR48	M26			HC130	13	ST595					6	6K8, 6K7, 6H6, 6F5, 6V6G, 5Y4G	470	9-5
	Vol. Tone	FM428	57	MR44				HC131	15	TC22					6	6K8, 6K7, 6H6, 6F5, 6V6G, 5Y4G	470	9-5

† Data not substantiated.

\* IMPORTANT: Read Notes in Note Section if specified in Note Column.

‡ Indicates miscellaneous section.

MANUFACTURER AND MODEL	CONTROLS							CONDENSERS				VIBRATORS			No. Tubes	Complete Tube Complement	I. F. Peak	Rider's Refer- ence
	Use	Original Part	Cir- cuit	Correct Replacement	Switch	Bias	*Note	Original Part	Cir- cuit	Correct Replacement	*Note	Original Part	Replace- ment	*Note				
ANDREA—Continued 2E6 (PE6S).....	Vol. Tone	FM427.....	18	MR48.....	M26		HC128.....	25	RS224.....					6	6K8, 6K7, 6H6, 6F5, 6V6G, 5Y4G.....	470	9-6	
		FM428.....	57	MR44.....		HC129.....	25	RS216.....										
2E8 (PE8S).....	Vol. Tone	FM506.....	15	MR53.....			HC130.....	13	ST595.....					8	*6K7, 6A8, 6H6, 6U5, 6F5, 6V6G, 5Y4G..	470	9-9,10	
		FM507.....	57	MR44.....	HC131.....	15	TC22.....											
3A7 (A7L).....	Vol. Tone		17	MR53.....			HC145.....	25	RS224.....					7	*6D6, 6A7, 6B7, 42, 80	470	8-2	
			57	MR44.....	HC148.....	25/13	3S584.....	B8										
3B6 (B6L).....	Vol. Tone	FM144.....	15	MR53.....			HC131.....	15/19	TC22.....					6	6A7, 6K7, 6H6, 6F5, 42, 80.....	470	8-3,4	
		FM145.....	57	MR44.....	8, 8.....	1	ST595.....											
3D5 (D5, D5E, D5S).....	Vol. Tone	FM399.....	18	MR48.....	M26		4-4.....	13/14	2N518.....					5	6A7, 6D6, 75, 41, 80.	470	9-14	
		FM399.....	18	MR48.....	M26		10-10.....	15	TN111.....									
3D5 (D5L).....	Vol. Tone	FM303.....	124	MR53.....			HC58.....	1	2S569.....					5	6A7, 6D6, 75, 41, 80.	470	9-14	
		FM302.....	57	MR44.....	HC59.....	13	Order from Mfr.....											
3D7 (D7L).....	Vol. Tone	FM302.....	57	MR44.....			HC2.....	15	TN111.....					8	*6K7, 6A8, 6H6, 6U5, 6F5G, 6V6G, 5Y4G	470*	8-5	
		FM303.....	45	MR53.....	HC21.....	1/15	3S584/TC22.....	B8										
3D8 (D8L).....	Vol. Tone	FM303.....	45	MR53.....			HC99.....	25	RS216.....					7	*6K7G, 6A8G, 6H6G, 6F5G, 6V6G, 5Y4G	470*	8-5	
		FM302.....	57	MR44.....	HC71.....	25/13	2S567.....											
3D10 (D10L).....	Vol. Tone	FM352.....	124	MR53.....	M26		HC29.....	25	RS216.....					10	*6K7G, 6A8G, 6H6G, 6F5G, 6C5G, *6V6G, 5U4G, 6G5.....	470	8-7	
		FM353.....	22	MR48.....	HC113.....	3	RS215.....											
3E8 (PE8L).....	Vol. Tone	FM506.....	15	MR53.....			HC114.....	3	RS213.....					8	*6K7, 6K8, 6H6, 6U5, 6F5, 6V6G, 5Y4G..	470	9-9,10	
		FM507.....	57	MR44.....	HC115.....	13/14	2N518.....											
3E11 (PE11L).....	Vol. Tone	FM506.....	15	MR53.....			HC61.....	15	TC32.....					11	*6K7, 6A8, 6H6, 6F5, 6U5, 6C5, *6V6G, 5U4G.....	470	9-11,12	
		FM554.....	22	MR48.....	HC145.....	25	RS224.....											
4B6 (B6S).....	Vol. Tone	FM144.....	15	MR53.....			HC148.....	25/13	3S584.....	B8				6	6A7, 6K7, 6H6, 6F5, 42, 80.....	470	8-3,4	
		FM145.....	57	MR44.....	HC131.....	15/19	TC22.....											
4D5 (D5E).....	Vol. Tone	FM399.....	18	MR48.....	M26		HC153.....	30	ST597.....					5	6A7, 6D6, 75, 41, 80.	470	9-13,14	
		FM303.....	124	MR53.....	HC154.....	30	RS219.....											
4D7 (D7S).....	Vol. Tone	FM302.....	57	MR44.....			HC155.....	13	ST595.....					7	*6K7G, 6A8G, 6H6G, 6F5G, 6V6G, 5Y4G	470	8-5	
		FM303.....	45	MR53.....	HC2.....	1	2S569.....											
4D8 (D8S).....	Vol. Tone	FM303.....	45	MR53.....			HC59.....	13	Order from Mfr.....					8	*6K7G, 6A8G, 6H6G, 6F5G, 6V6G, 5Y4G, 6G5.....	470	9-4	
		FM302.....	57	MR44.....	HC21.....	1/15	3S584/TC22.....	B8										
4D10 (D10S).....	Vol. Tone	FM352.....	124	MR53.....	M26		HC99.....	25	RS216.....					10	*6K7G, 6A8G, 6H6G, 6F5G, 6C5G, *6V6G, 5U4G, 6G5.....	470	8-8	
		FM353.....	22	MR48.....	HC113.....	3	RS215.....											
4E8 (PE8S).....	Vol. Tone	FM506.....	15	MR53.....			HC114.....	3	RS213.....					8	*6K7, 6A8, 6H6, 6U5, 6F5, 6V6G, 5Y4G..	470	9-9,10	
		FM507.....	57	MR44.....	HC115.....	13/14	2N518.....											
4E11 (PE11S).....	Vol. Tone	FM506.....	15	MR53.....			HC112.....	15	TC32.....					11	*6K7, 6A8, 6H6, 6F5, 6U5, 6C5, *6V6G, 5U4G.....	470	9-11,12	
		FM554.....	22	MR48.....	HC145.....	25	RS224.....											
5A5 (A5L).....	Vol. Tone		17	MR53.....			HC148.....	25/13	3S584.....	B8				5	6A7, 78, 6B7, 42, 80.	470	8-1	
			57	MR44.....	HC131.....	15/19	TC22.....											
5D7 (D7L).....	Vol. Tone	FM303.....	124	MR53.....			HC153.....	30	ST597.....					7	*6K7G, 6A8G, 6H6G, 6F5G, 6V6G, 5Y4G	470	8-5	
		FM302.....	57	MR44.....	HC154.....	30	RS219.....											
5D8 (D8L).....	Vol. Tone	FM303.....	45	MR53.....			HC155.....	13	ST595.....					8	*6K7G, 6A8G, 6H6G, 6F5G, 6V6G, 5Y4G, 6G5.....	470	9-4	
		FM302.....	57	MR44.....	8, 8.....	1	ST595.....											
5D10 (D10L).....	Vol. Tone	FM352.....	124	MR53.....	M26		10-10.....	15	TN111.....					10	*6K7G, 6A8G, 6H6G, 6F5G, 6C5G, *6V6G, 5U4G, 6G5.....	470	8-7	
		FM353.....	22	MR48.....	HC21.....	1/15	3S584/TC22.....	B8										
5E8 (PE8L).....	Vol. Tone	FM506.....	15	MR53.....			HC99.....	25	RS216.....					8	*6K7, 6A8, 6H6, 6U5, 6F5, 6V6G, 5Y4G..	470	9-9,10	
		FM507.....	57	MR44.....	HC71.....	25/13	2S567.....											
5E11 (PE11L).....	Vol. Tone	FM506.....	15	MR53.....			HC71.....	25	RS216.....					11	*6K7, 6A8, 6H6, 6F5, 6U5, 6C5, *6V6G, 5U4G.....	470	9-11,12	
		FM554.....	22	MR48.....	HC2.....	1	2S569.....											
6A5 (A5S).....	Vol. Tone		17	MR53.....			Order from Mfr.....							5	6A7, 78, 6B7, 42, 80.	470	8-1	
			57	MR44.....	HC153.....	30	ST597.....											
6D5 (PD5, PD5E).....	Vol. Tone	FM399.....	18	MR48.....	M26		HC154.....	30	RS219.....					7	*6K7G, 6A8G, 6H6G, 6F5G, 6V6G, 5Y4G	470	8-5	
		FM303.....	124	MR53.....	HC155.....	13	ST595.....											
6D7 (D7S).....	Vol. Tone	FM302.....	57	MR44.....			8, 8.....	1	ST595.....					8	*6K7G, 6A8G, 6H6G, 6F5G, 6V6G, 5Y4G, 6G5.....	470	9-4	
		FM303.....	45	MR53.....	HC21.....	1/15	3S584/TC22.....	B8										
6D8 (D8S).....	Vol. Tone	FM303.....	45	MR53.....			10-10.....	15	TN111.....					7	*6K7G, 6A8G, 6H6G, 6F5G, 6V6G, 5Y4G	470	8-5	
		FM302.....	57	MR44.....	HC99.....	25	RS216.....											
6D10 (D10S).....	Vol. Tone	FM352.....	124	MR53.....	M26		HC99.....	25	RS216.....					10	*6K7G, 6A8G, 6H6G, 6F5G, 6C5G, *6V6G, 5U4G, 6G5.....	470	8-7	
		FM353.....	22	MR48.....	HC71.....	25/13	2S567.....											
6E8 (PE8S).....	Vol. Tone	FM506.....	15	MR53.....			HC113.....	3	RS215.....					8	*6K7, 6A8, 6H6, 6U5, 6F5, 6V6G, 5Y4G..	470	9-9,10	
		FM507.....	57	MR44.....	HC114.....	3	RS213.....											

‡ Data not substantiated.

\* IMPORTANT: Read Notes in Note Section if specified in Note Column.

§ Indicates miscellaneous section.

MANUFACTURER AND MODEL	CONTROLS							CONDENSERS				VIBRATORS			No. Tubes	Complete Tube Complement	I. F. Peak	Rider's Reference
	Use	Original Part	Circuit	Correct Replacement	Switch	Bias	*Note	Original Part	Circuit	Correct Replacement	*Note	Original Part	Replacement	*Note				
ANDREA—Continued																		
6E11 (PE11S).....	Vol. Tone	FM506..... FM554.....	15 22	MR53 MR48				HC153..... HC154..... HC155.....	30 30 13	ST597..... RS219..... ST595.....					11	*6K7, 6A8, 6H6, 6F5, 6U5, 6C5, *6V6G, 5U4G.....	470	9-11,12
6G61, 6G61A (Chassis G61)....	Vol.	FM762.....	18				Sec Note A3	HC202.....	76/78	2N511/ *TC2501.....					6	1A7GT, *1N5GT, 1H5GT, 3Q5GT, 35Z5GT.....	455	13-4
6G63, 6G63A (Chassis G63)....	Vol.	FM762.....	18				Sec Note A3	40-40..... 100-100..... HC191.....	76/78 1 1/15	2N511..... *TC2501..... FP306.....					6	1R5,*1N5GT,1H5GT, 3Q5GT,35Z5GT.....	455	12-1
6H43.....	Vol. Tone	FM842..... FM843.....	18 57	MR48..... MR48.....	M26			HC191.....	1/15	FP306.....					6	6K8, 6SK7, 6H6, 6SF5, 25L6G, 25Z6G	470	13-1,2
6H44.....	Vol. Tone	FM842..... FM843.....	18 57	MR48..... MR48.....	M26			HC196.....	1/15	FP339.....					6	6K8, 6SK7, 6H6, 6SF5, 6V6GT, 5Y3G.....	470	13-2,3
7D7 (D7L).....	Vol. Tone	FM303..... FM302.....	124 57	MR53..... MR44.....				HC99..... HC71.....	25 25/13	RS216..... 2S567.....					7	*6K7G, 6A8G, 6H6G, 6F5G, 6V6G, 5Y4G	470	8-5
7D8 (D8L).....	Vol. Tone	FM303..... FM302.....	45 57	MR53..... MR44.....				HC99..... HC71.....	25 25/12	RS216..... 2S567.....					8	*6K7G, 6A8G, 6H6G, 6F5G, 6V6G, 5Y4G, 6G5.....	470	9-4
7D10 (D10L).....	Vol. Tone	FM352..... FM353.....	124 22	MR53..... MR48.....	M26			HC113..... HC114..... HC115..... HC61.....	3 3 13/14 15	RS215..... RS213..... 2N518..... TC32.....					10	*6K7G, 6A8G, 6H6G, 6F5G, 6C5G, *6V6G, 5U4G, 6G5.....	470	8-7
7E8 (PE8L).....	Vol. Tone	FM506..... FM507.....	15 57	MR53..... MR44.....				HC145..... HC148..... HC131.....	25 25/13 15/19	RS224..... 3S584..... TC22.....	B8				8	*6K7, 6A8, 6H6, 6U5, 6F5, 6V6G, 5Y4G	470	9-9,10
7E11 (PE11L).....	Vol. Tone	FM506..... FM554.....	15 22	MR53..... MR48.....				HC153..... HC154..... HC155.....	30 30 13	ST597..... RS219..... ST595.....					11	*6K7, 6A8, 6H6, 6F5, 6U5, 6C5, *6V6G, 5U4G.....	470	9-11,12
8D5 (PD5, PD5E).. 8D7 (D7S).....	Vol. Tone	FM399..... FM303..... FM302.....	8 124 57	MR48..... MR53..... MR44.....	M26			HC121..... HC99..... HC71.....	1/15 25 25/13	3S584/TC22..... RS216..... 2S567.....	B8				5	6A7, 6D6, 75, 41, 80, *6K7G, 6A8G, 6H6G, 6F5G, 6V6G, 5Y4G	470	9-15
8D8 (D8S).....	Vol. Tone	FM303..... FM302.....	45 57	MR53..... MR44.....				HC99..... HC71.....	25 25/13	RS216..... 2S567.....					8	*6K7G, 6A8G, 6H6G, 6F5G, 6V6G, 5Y4G, 6G5.....	470	8-5
8D10 (D10S).....	Vol. Tone	FM352..... FM353.....	124 22	MR53..... MR48.....	M26			HC113..... HC114..... HC115..... HC112.....	3 3 13/14 15	RS215..... RS213..... 2N518..... TC32.....					10	*6K7G, 6A8G, 6H6G, 6F5G, 6C5G, *6V6G, 5U4G, 6G5.....	470	9-4
8E8 (PE8S).....	Vol. Tone	FM506..... FM507.....	15 57	MR53..... MR44.....				HC145..... HC148..... HC131.....	25 25/13 15/19	RS224..... 3S584..... TC22.....	B8				8	*6K7, 6A8, 6H6, 6U5, 6F5, 6V6G, 5Y4G	470	9-9,10
8E11 (PE11S).....	Vol. Tone	FM506..... FM554.....	15 22	MR53..... MR48.....				HC153..... HC154..... HC155.....	30 30 13	ST597..... RS219..... ST595.....					11	*6K7, 6A8, 6H6, 6F5, 6U5, 6C5, *6V6G, 5U4G.....	470	9-11,12
9D10 (D10L).....	Vol. Tone	FM352..... FM353.....	124 22	MR53..... MR48.....	M26			HC113..... HC114..... HC115..... HC61.....	3 3 13/14 15	RS215..... RS213..... 2N518..... TC32.....					10	*6K7G, 6A8G, 6H6G, 6F5G, 6C5G, *6V6G, 5U4G, 6G5.....	470	8-7
9E8 (PE8L).....	Vol. Tone	FM506..... FM507.....	15 57	MR53..... MR44.....				HC145..... HC148..... HC131.....	25 25/13 15/19	RS224..... 3S584..... TC22.....	B8				8	*6K7, 6A8, 6H6, 6U5, 6F5, 6V6G, 5Y4G	470	9-9,10
9E11 (PE11L).....	Vol. Tone	FM506..... FM554.....	15 22	MR53..... MR48.....				HC153..... HC154..... HC155.....	30 30 13	ST597..... RS213..... ST595.....					11	*6K7, 6A8, 6H6, 6F5, 6U5, 6C5, *6V6G, 5U4G.....	470	9-11,12
10D10 (D10S).....	Vol. Tone	FM352..... FM353.....	124 22	MR53..... MR48.....	M26			HC113..... HC114..... HC115..... HC112.....	3 3 13/14 15	RS216..... RS213..... 2N518..... TC32.....					10	*6K7G, 6A8G, 6H6G, 6F5G, 6C5G, *6V6G, 5U4G, 6G5.....	470	8-7
10E8 (PE8S).....	Vol. Tone	FM506..... FM507.....	15 57	MR53..... MR44.....				HC145..... HC148..... HC131.....	25 25/13 15/19	RS224..... 3S584..... TC22.....	B8				8	*6K7, 6A8, 6H6, 6U5, 6F5, 6V6G, 5Y4G	470	9-9,10
10E11 (PE11S).....	Vol. Tone	FM506..... FM554.....	15 22	MR53..... MR48.....				HC153..... HC154..... HC155.....	30 30 13	ST597..... RS213..... ST595.....					11	*6K7, 6A8, 6H6, 6F5, 6U5, 6C5, *6V6G, 5U4G.....	470	9-11,12
11E6 (PE66L).....	Vol. Tone	FM486..... FM487.....	45 57	MR48..... MR44.....	M26			24-24-10..... HC142.....	1/15 13	Order from Mfr..... ST595.....	Mfr.				6	6K8, 6K7, 6H6, 6F5, 6V6G, 5Y4G.....	470	9-17
11E6 (PE66S).....	Vol. Tone	FM486..... FM487.....	45 57	MR48..... MR44.....	M26			24-24-10..... HC142.....	1/15 13	Order from Mfr..... ST595.....	Mfr.				6	6K8, 6K7, 6H6, 6F5, 6V6G, 5Y4G.....	470	9-18
12E6 (PE66L).....	Vol. Tone	FM486..... FM487.....	45 57	MR48..... MR44.....	M26			24-24-10..... HC142.....	1/15 13	Order from Mfr..... ST595.....	Mfr.				6	6K8, 6K7, 6H6, 6F5, 6V6G, 5Y4G.....	470	9-17
12E6 (PE66S).....	Vol. Tone	FM486..... FM487.....	45 57	MR48..... MR44.....	M26			HC141..... HC142.....	1/15 13	Order from Mfr..... ST595.....	Mfr.				6	6K8, 6K7, 6H6, 6F5, 6V6G, 5Y4G.....	470	9-18
12F5 (Ch. UF-5)...	Vol.	FM717.....	18	UM161.....	M26		A96	HC195.....	1/15	FP311.....					5	12K8, 12SK7, 12SQ7, 50L6GT, 35Z5GT.....	455	11-13
14E6 (PE66L).....	Vol. Tone	FM486..... FM487.....	45 57	MR48..... MR44.....	M26			24-24-10..... HC142.....	1/15 13	Order from Mfr..... ST595.....	Mfr.				6	6K8, 6K7, 6H6, 6F5, 6V6G, 5Y4G.....	470	9-17
14E6 (PE66S).....	Vol. Tone	FM486..... FM487.....	45 57	MR48..... MR44.....	M26			24-24-10..... HC142.....	1/15 13	Order from Mfr..... ST595.....	Mfr.				6	6K8, 6K7, 6H6, 6F5, 6V6G, 5Y4G.....	470	9-18

† Data not substantiated.

\* IMPORTANT: Read Notes in Note Section if specified in Note Column.

‡ Indicates miscellaneous section.

MANUFACTURER AND MODEL	CONTROLS							CONDENSERS				VIBRATORS			No. Tubes	Complete Tube Complement	I. F. Peak	Rider's Refer- ence
	Use	Original Part	Cir- cuit	Correct Replacement	Switch	Bias	*Note	Original Part	Cir- cuit	Correct Replacement	*Note	Original Part	Replac- ement	*Note				
ANDREA—Continued 21AF5 (Ch. UF-51)	Vol.	FM678.....	18	UM163....	M27		A96	HC190.....	1	Order from TC1505....	Mfr.				5	1A7GT, 1N5GT, 1H5GT, 1Q5GT, 25Z6GT.....	455	11-14
21F5 (Ch. UF-51)	Vol.	FM678.....	18	UM163....	M27		A96	HC190.....	1	Order from TC1505....	Mfr.				5	1A7GT, 1N5GT, 1H5GT, 1Q5GT, 25Z6GT.....	455	11-14
25G5 (Ch. UG-5S)	Vol. Tone	FM734..... FM735.....	18 21	UM161.... UM154....	M26		A96	HC198.....	1/15	FP311.....					5	12K8, 12SK7, 12SQ7, 50L6GT, 35Z5GT.....	455	11-15
33F6 (Ch. UF-6)	Vol.	FM699.....	45	UM154....	M26		A96	HC191.....	1/15	FP306.....					6	6K8, 6SK7, 6H6, 6SF5, 25L6G, 25Z6G, F6B.....	470	11-16
43F6.....	Vol.	FM699.....	45	UM154....	M26		A96	HC196.....	1/15	FP339.....					6	6K8, 6SK7, 6H6, 6SF5, 6V6G, 5Y3G	470	12-2
62PX (PXD5)	Vol.	FM399.....	18	MR48.....	M26			HC124.....	6/19	3N527.....					5	6A7, 6D6, 75, 43, 25Z6.....	470	9-20
62X (XD5)	Vol.	FM399.....	18	MR48.....	M26			HC124.....	6/19	3N527.....					5	6A7, 6D6, 75, 43, 25Z6.....	470	9-20
400 (B4)	Vol.	FM118.....	6	MR24.....				HC52.....	4	RS213.....					4	6A7, 6F7, 41, 80.....	470	9-21
401 (B4L)	Vol.	FM133.....	6	MR24.....	M26			HC52.....	4	RS213.....					4	6A7, 6F7, 41, 80.....	470	9-21
410 (UC4)	Vol.	FM252.....	6	MR24.....	M26			HC56.....	13	TC71.....					4	6D6, 6C6, 43, 25Z5, C4B.....		8-10
411 (UC4L)	Vol.	FM252.....	6	MR24.....	M26			HC90.....	6/15	3N527.....					4	6D6, 6C6, 43, 25Z5, C4B.....		8-10
500 (UB5)	Vol.	FM100.....	18	MR53.....				HC43.....	6/13	TN125.....	B101				5	6A7, 78, 6B7, 43, 25Z5.....	470	9-22
510 (UC5L), 511 (UC5S)	Vol.	FM197.....	18	MR53.....				HC72.....	4	RS215.....					5	6A7, 78, 75, 41, 80...	470	9-1
510 (UC5S)	Vol.	FM197.....	18	MR53.....				HC56.....	13	TC71.....					5	6A7, 78, 75, 43, 25Z5.	470	9-23
511 (UC5L)	Vol.	FM197.....	18	MR53.....				HC74.....	27	ST599.....					5	6A7, 78, 75, 43, 25Z5.	470	9-23
520 (UD5S), 521 (UD5L)	Vol.	FM330.....	18	MR48.....	M26			HC75.....	13	TC71.....					5	6A7, 78, 75, 43, 25Z5.	470	9-23
600 (UB6)	Vol.	FM12.....	18	MR53.....				HC96.....	6/15	3N527.....					5	6A7, 6D6, 75, 43, 25Z5.....	470	8-11
610-613 (C6B)	Vol.	FM144.....	17	MR53.....				HC39.....	1	2N516/TC55					6	6A7, 78, 6B7, 43, 25Z5.....	470	9-24
610-613 (C32B)	Vol.	FM144.....	17	MR53.....				HC46.....	1	ST595.....					6	6S7G, 6D8G, 6T7G, 6L5G, 6K6G.....	470	9-25
616, 617, 618 (D6B)	Vol. Tone	FM303..... FM302.....	124 57	MR53..... MR44.....				HC77.....	1	2S569.....	B14				6	6S7G, 6D8G, 6T7G, 6L5G, 6K6G.....	470	9-26,27
620 (UD6S), 621 (UD6L)	Vol.	FM271.....	17	MR53.....	M26			HC79.....	15	TC22.....					6	6S7G, 6D8G, 6T7G, 6L5G, 6K6G.....	470	9-29,30
626, 627, 628 (E6B)	Vol. Tone	FM303..... FM302.....	17 57	MR53..... MR44.....				HC78.....	13	2N516/TC55					6	6S7G, 6D8G, 6T7G, 6L5G, 6K6G.....	470	9-29,30
630, 631 (PUE6L)	Vol. Tone	FM427..... FM428.....	18 57	MR48..... MR44.....	M26			HC2.....	15	Buffer.....	B14				5	6A7, 78, 75, 25L6, 25Z5.....	470	9-28
630, 631 (PUE6S)	Vol. Tone	FM427..... FM428.....	18 57	MR48..... MR44.....	M26			HC132.....	25/19	3N527.....					5	6K8, 6K7, 6Q7G, 25L6G, 25Z6G, E6B	470	9-31
634 (PUE6S)	Vol. Tone	FM427..... FM428.....	18 57	MR48..... MR44.....	M26			HC133.....	25/13/15	3N527.....					5	6K8, 6K7, 6Q7G, 25L6G, 25Z6G, E6B.....	470	9-32 9-33
635 (PUE6L)	Vol. Tone	FM427..... FM428.....	18 57	MR48..... MR44.....	M26			HC132.....	25/19	3N527.....					3	6Q7G, 25L6G, 25Z6G		9-33
1401, 1403, 1405, 1409 (UD14L)	Vol. Tone	FM352..... FM353.....	124 22	MR53..... MR48.....	M26			HC133.....	25/13/15	3N527.....					3	6Q7G, 25L6G, 25Z6G		9-33
								HC151.....	25	TC47.....					3	6Q7G, 25L6G, 25Z6G		9-33
								HC149.....	19	TC29.....					3	6Q7G, 25L6G, 25Z6G		9-33
								HC132.....	25/19	3N527.....					3	6Q7G, 25L6G, 25Z6G		9-33
								HC133.....	25/13/15	3N527.....					3	6Q7G, 25L6G, 25Z6G		9-33
								HC151.....	25	TC47.....					3	6Q7G, 25L6G, 25Z6G		9-33
								HC149.....	19	TC29.....					3	6Q7G, 25L6G, 25Z6G		9-33
								HC109.....	1	ST599.....					11	6K7G, 6A8G, 6H6G, 6F5G, 6C5G, 25L6G, 25Z6G, 6G5.....	470	8-12
								HC110.....	1	RS224.....					11	6K7G, 6A8G, 6H6G, 6F5G, 6C5G, 25L6G, 25Z6G, 6G5.....	470	8-12
								HC116.....	13	ST597.....					11	6K7G, 6A8G, 6H6G, 6F5G, 6C5G, 25L6G, 25Z6G, 6G5.....	470	8-12
								HC61.....	15	TC32.....					11	6K7G, 6A8G, 6H6G, 6F5G, 6C5G, 25L6G, 25Z6G, 6G5.....	470	8-12
								HC111.....	1	2N509.....					11	6K7G, 6A8G, 6H6G, 6F5G, 6C5G, 25L6G, 25Z6G, 6G5.....	470	8-12

‡ Data not substantiated.

\* IMPORTANT: Read Notes in Note Section if specified in Note Column.

§ Indicates miscellaneous section.

GRID BIAS CELLS ARE EXCLUSIVE WITH MALLORY!



MANUFACTURER AND MODEL	CONTROLS							CONDENSERS				VIBRATORS			No. Tubes	Complete Tube Complement	I. F. Peak	Rider's Reference	
	Use	Original Part	Circuit	Correct Replacement	Switch	Bias	*Note	Original Part	Circuit	Correct Replacement	*Note	Original Part	Replacement	*Note					
ANDREA—Continued 1402, 1404, 1406, 1408, 1410, (UD14S).....	Vol. Tone	FM352..... FM353.....	124 22	MR53..... MR48.....	M26			HC109..... HC110..... HC116..... HC61..... HC111.....	1 1 13 15 1	ST599..... RS224..... ST597..... TC32..... 2N509.....					11	*6K7G, 6A8G, 6H6G, 6F5G, 6C5G, *25L6G, *25Z6G, 6G5.....	470	9-34	
1530, 1534, 1536, 1538 (PUES)....	Vol. Tone	FM506..... FM554.....	15 22	MR53..... MR48.....				HC158..... HC159..... HC160..... HC161..... HC162..... HC112.....	22 25 22/25 13 13 15	RS224..... RS224..... 2N509..... TC52..... TCD52..... TC32.....					12	*6K7, 6K8, 6H6, 6F5, 6U5, 6C5, *25L6G, *25Z6G.....	470	9-35,38	
1531, 1533, 1535, 1537 (PUEL)....	Vol. Tone	FM506..... FM554.....	15 22	MR53..... MR48.....				HC158..... HC159..... HC160..... HC161..... HC162..... HC112.....	22 25 22/25 13 13 15	RS224..... RS224..... 2N509..... TC52..... TCD52..... TC32.....					12	*6K7, 6K8, 6H6, 6F5, 6U5, 6C5, *25L6G, *25Z6G.....	470	9-35,38	
ANSLEY RADIO LABS.																			
B1.....	Vol. Tone		12 71	MR44..... MR53.....			A27 A4	10..... 2-2-1.....	19 1	TC22..... See Note.....	B20 B4				4	1A6, 1A4, 32, 33 or 1A6, 1A4, 1F4, 1B4	456	7-1	
DC.....	Vol.		26	MR40				32-8-8.....	1	See Note.....	B3				7	*01A, 71A.....		2-1	
D1.....	Vol. Hum		50 51	MR39..... A3MP.....				10.....	15	See Note..... TC22.....					4	25Z5, *48, 76.....		6-1	
D1 (Rev.).....	Vol. Tone Hum		63 41 †	MR44..... MR48..... A3MP.....				48.....	†	FP115.....					6	*6C6, *48, *25Z5.....		7-2	
D1, (3rd type).....	Vol. Tone Hum		† 41 †	LL..... MR48..... MR50.....				80.....	12	2N511.....	B8				6	*6C6, *25L6, *25Z5.....		8-1	
D1A.....	Vol. Tone		15 44	MR48..... MR48.....				30-30.....	1	2N513.....					6	*6C5G, *25L6G, *25Z6G.....		12-1	
D1A (3rd Type).....	Vol. Tone Phono.		† 41 †	LL..... MR48..... MR50.....				80.....	12	2N511.....	B8				6	*6C6, *25L6, *25Z5.....		8-1	
D1B.....	Vol. Tone		15 44	MR48..... MR48.....				30-30.....	1	2N513.....					6	*6C5G, *25L6G, *25Z6G.....		12-1	
D3, D4, D6.....	Vol. Phono.		6 63	SRP263..... SRP263.....	EX200			16-8..... 2-4.....	1 15	3S584..... TN111.....	B8				5	25Z5, 43, *77, 78.....	175	5-1	
D9, D10.....	Vol. Tone		17 57	MR53..... MR48.....	M26			32-24-12..... 10-10.....	8 15	Order from TN111.....	Mfr.				6	6A8G, 6K7, 6Q7G, 25A6G or 25L6, *25Z6G.....	456	8-2	
Dynatone.....	Vol. Tone Vol.		16 † †	MR33..... MR33..... MR33.....				8, 8..... 8, 8..... 16.....	3/31 3 20	RS213..... HS693..... RS216.....					13	6A8, 6K7, 6H6, 41223, *6F8, *2A3, 5Z3, 45.....	456	11-1	
D9A, D10A (2.20)...	Vol. Tone		17 22	MR48..... MR48.....	M26			10..... 30-30.....	15 6	TC22..... 2N513.....					8	6A8G, 6K7, 6Q7G, 6F5G, *25L6G, *25Z6G.....	456	11-3	
D10A (Tuner 2.30)...	Vol. Tone		18 22	MR48..... MR48.....				10, 10..... 15..... 30-30.....	15 13 1	TC22..... TC45..... 2N513.....					7	6K8, 6SK7, 6SQ7, 6F5, 25L6GT, *25Z6GT.....	456	12-1	
D12.....	Vol. Tone Hum		63 41 †	MR48..... MR48..... A3MP.....				48-16-8..... 10.....	46 15	See Note..... TC32.....	B3				6	*76, *48, *25Z5.....		7-2	
D16.....	Vol. Tone Hum		63 41 †	MR44..... MR48..... A3MP.....				48.....	†	FP115.....					6	*6C6, *48, *25Z5.....		7-3	
D16 (Rev.).....	Vol. Tone Hum		† 41 †	LL..... MR48..... MR50.....				80.....	12	2N511.....	B8				6	*6C6, *25L6, *25Z5.....		8-1	
D17, D18.....	Vol. Tone		17 57	MR53..... MR48.....	M26			32-24-12..... 10-10.....	8 15	Order from TN111.....	Mfr.				6	6A8G, 6K7, 6Q7G, 25A6G or 25L6, *25Z6G.....	456	8-2	
D17A, D18A (2.21)...	Vol. Tone		15 22	MR48..... MR48.....				15-15..... 10, 10.....	1 15	FP234..... TC22.....	B3				11	(AC-DC) 6A8G, 6K7, 6Q7G, 6F5G, 6U5, *25L6, *25Z6, or (AC) 6A8G, 6K7, 6Q7G, 6F5G, 6U5, *25L6, 80.....	456	11-4	
D20.....	Vol. Tone Hum		† 41 †	LL..... MR48..... MR50.....				80.....	12	2N511.....	B8				6	*6C6, *25L6, *25Z5.....		8-1	
D21, D22.....	Vol. Tone		18 21	MR53..... MR48.....	M26			80..... 32-24-12.....	12 1/13	2N511..... Order from	B8 Mfr.				12	6A8G, 6K7, 6Q7G, 6C5, *25L6, *25Z6.....	456	§9-1	

† Data not substantiated.

\* IMPORTANT: Read Notes in Note Section if specified in Note Column.

§ Indicates miscellaneous section.

MANUFACTURER AND MODEL	Use	Original Part	CONTROLS					CONDENSERS				VIBRATORS			No. Tubes	Complete Tube Complement	I. F. Peak	Rider's Reference
			Circuit	Correct Replacement	Switch	Bias	*Note	Original Part	Circuit	Correct Replacement	*Note	Original Part	Replacement	*Note				
ANSLEY RADIO LA D21A, D22A	BS—Con- Vol. Treble Bass	tinued	17 † †	MR44 MR35 MR33				Tuner Part No. 2 10 10 10	13 13 15	22 TC74 TC22					12	(AC) 6A8, 6K7, 6Q7, 6U5, 6C5G, 2A3, 5Z3, 45, or		
								Rectifier D2 15-15-8 8	1A 3 13	See Note See Note	B3 B3				14	(AC-DC) 6A8, 6K7, 6Q7, 6U5, 6C5G, 25L6, 25Z6	456	11-5
D23A (Part 2.21)	Vol. Tone		15 22	MR48 MR48				120-105 32-24-12 10-10	1 8 15	See Note Order from TN111	B3 Mfr.				11	(AC-DC) 6A8G, 6K7, 6Q7G, 6F5G, 6U5, 25L6, 25Z6, or		
															8	(AC) 6A8G, 6K7, 6Q7G, 6F5G, 6U5, 25L6, 80	456	11-4
D24, D25 (7152)	Vol. Tone Sen.		80 80 7	MR53 MR48 Order from				32-24-12 80 10	6/12 12 15	Order from 2N511 TC22	Mfr. B8				15	6K7, 6L7, 6Q7, 6G5, 6C5, 25L6, 25Z5	456	8-4
D24A, D25A (Part 2.23)	Vol. Treble Bass		45 † †	MR48 MR33 MR53				10 10	13 15	TC74 TC22					6	6K7, 6K8, 6H6, 6F5, 6U5	456	11-6
D26	Vol.		†	MR48	M26			32-24-12	1/13	Order from	Mfr.				3	6C5, 25L6, 25Z6		
D29, D30 (Part 2.21)	Vol. Tone		15 22	MR48 MR48				32-24-12 10-10	1/13 15	Order from TN111	Mfr.				11	(AC-DC) 6A8G, 6K7, 6Q7G, 6F5G, 6U5, 25L6, 25Z6, or		
															8	(AC) 6A8G, 6K7, 6Q7G, 6F5G, 6U5, 25L6, 80	456	11-4
MD1	Vol.		12	MR18				3		2N516	B11				5	30, 32, 71A		2-2
U1 AC-DC	Vol. Tone		12 21	MR24 MR44				4-8-2	3	3S584					8	24, 27, 45, 80		2-3
U2 AC-DC	Vol. Tone		8 22	MR34 MR44				4-8-2 10	3 15	3S584 TC22					6	36, 37, 38, 80		2-4
U3	Vol. Tone		7 41	H MR44	6	2		8-8-2 4	3 15	3S584 TC22					8	37, 38, 39, 80	175	5-2
U8	Vol. Tone		17 41	MR41 MR44	M26			4-4 10-10	1 15	2N518 TN111					8	37, 39, 80, 85, 89	†	5-3
U10	Vol. Phono.		6 50	E MR39	6	2		16-16-16 10-10	63 15	TN129 TN111					6	6A7, 6C6, 6D6, 12Z3 43, 25Z5	456	6-2
U10, U11 (Late)	Vol. Tone		17 57	MR53 MR44	M26			32-24-12 10-10	8 15	Order from TN111	Mfr.				6	6A8G, 6K7, 6Q7G, 25A6G or 25L6, 25Z6G	456	8-2
32	Vol. (Late) (Early) Tone	GC45 RP-4	164 164 21	MR18 MR53 MR18	M26 M26		A112 A117		1	FP357 TC26	B6				9	12SK7GT, 12SA7, 6SK7GT, 6SQ7GT, 6J5GT, 50L6GT, 25Z5	456	15-1,4
41 Paneltone	Vol. Tone	GC45 RP-4	† †	Order from Order from	Mfr. Mfr.		A27	CE-1	1 15 15	FP234 TC36 TC36					7	6SK7, 6SA7, 6SQ7GT, 6U5/ 6C5, 6V6GT, 5Y3GT	456	
51 (Tuner)	Vol. Bass Treble	12.24A 12.25 12.26	140 140 †	MRT460 MR53 MR55	M26			6.97	15	TC26					5	6K8, 6SK7, 6J5, 6P5, 6U5	456	13-2
51 Amp-Pwr. Pk.								6.102 6.97	1 15	RS223 TC26					5	6J5, 6V6, 5Y3G		13-2
52 (Tuner)	Vol. Bass Treble		140 140 †	MRT460 MR53 MR55	M26			8 10 10	13 15 15	TC42 TC22					5	6K8, 6SK7, 6J5, 6P5, 6U5	456	13-3
52 (Amp. Pwr. Pk.)								40-30-30	1/15	FP357					6	6J5, 25L6, 25Z6		13-3
53	Vol. Bass Treble	RP2 RP1 RP3	170 170 170	MR53 MR48 MR53	M26			CE13 CE1 CE3 CE2	3/15	FP146 FP234 TC36 TC26					18	6BA6, 6BE6, 6C4, 6AC7, 6SJ7, 6H6, 6SK7, 6SA7, 6SQ7, 6E5, 6J5GT, 6V6GT, 5Y3GT	455 10.7	
61 (Tuner)	Vol. Bass Treble	12.24A 12.25 12.26	140 140 †	MRT460 MR53 MR55	M26										6	6SK7, 6R8, 6H6, 6J5, 6U5	456	13-4
61 (Amp. Pwr. Pk.)								6.01 6.24 6.52 6.53 6.65 6.16	3 3 40 40 13 15	HS693 TC74 TC45 TC71 TC71 TC42					8	6J5, 2A3, 45, 5U4G		13-4
62 (Tuner)	Vol. Bass Treble	12.24A 12.25 12.26	140 140 †	MRT460 MR53 MR55	M26										6	6SK7, 6K8, 6H6, 6J5, 6U5	456	13-5
62 (Amp. Pwr. Pk.)								105 120 10 6.25	1 1 15 1/15	FP116 FP116 TC22 FP357	B10				10	6J5, 25L6, 25Z6		13-5
APEX—See U. S. Radio & Tel.																		

† Data not substantiated.

\* IMPORTANT: Read Notes in Note Section if specified in Note Column.

‡ Indicates miscellaneous section.

MANUFACTURER AND MODEL	CONTROLS							CONDENSERS				VIBRATORS			No. Tubes	Complete Tube Complement	I. F. Peak	Rider's Reference
	Use	Original Part	Circuit	Correct Replacement	Switch	Bias	*Note	Original Part	Circuit	Correct Replacement	*Note	Original Part	Replacement	*Note				
APPEL HENDERSON	Vol. Tone		6	G7	6	4		8	3	TC71					8	24, 27, 47, 51, 80	†	2-2
DC Comb.	Vol. Tone		22	MR18	6	5		4	3	TC71					8	33, 36, 37		2-1
4 Tube	Vol. Tone		22	MR18				5-1	†	See Note	B4							
5 Tube Batt.	Vol.		29	T											4	32, 33, 36		2-4
5 Tube AC	Vol. Tone		40			See Note	te A5								5	32, 36, 38		2-4
	Vol. Tone		6	G7	6	4	te A5	4-8	1	2N518					5	35, 24, 47, 80		2-3
	Vol. Tone		22	MR18														
ARBORPHONE 45	Vol.		10	E12				2-2-2-2	1/14	See Note	B1				8	26, 27, 71, 80		§3-1
ARC 601	Vol.	601-6	18	MK402	M27			601-10	12	TC42					4	1R5, 1T4, 1S5, 3S4	455	16-1
ARCADIA—See Wells	Gardner																	
ARGUS B125	Vol.		†			See Note	te A5	8-8-8	3	3S584					7	12, 99, BH		1-1
B195	Vol. Sen.		18	MR44		See Note	te A5	†	†	See Note	B3				8	99, 10, 31		1-1,2
ARIA 554-1-61A	Vol. Tone	B55575-1 B55550-1	18 21	TM233-SS25 MK401	M26				1/15	FP339					6	6SK7, 6SA7, 6SQ7, 6K6GT, 5Y3GT	455	
ARIEL RADIO 101	Vol.		3	MR24				15-5	1	3S584	B8				7	24, 27, 45, 80		§6-2
ARKAY—See R. K. Radio Lab's																		
ARVIN—See Noblitt	Sparks																	
ATCHISON RADIO 5AC	MFG. C.O.		6	G7		5		†	†	See Note	B3				7	24, 27, 45, 80		1-1
5 (DC Speaker)	Vol.		6	G7		5		†	†	See Note	B3				7	24, 27, 45, 80		1-1
6AC	Vol.		6	G7				†	†	See Note	B3				9	24, 27, 45, 80		1-2
ATLAS AB-45	Vol.		18	MR48	M26				24	2N520					6	12SK7, 12SA7, 12SQ7, 35L6GT, 35Z5GT	455	
ATWATER KENT 37, 37C, 37F	Vol.	9510	5	SRP239		See Note	te A12	1.5-1	2	See Note	B1				7	26, 27, 71A, 80		1-7
38	Vol.	9510	5	SRP239		See Note	te A12	1.5-1	2	See Note	B1				8	26, 27, 71A, 80		1-7
40, 40F	Vol.	13320	5	SRP239		See Note	te A12	1-1.5-1	3	See Note	B1				7	26, 27, 71A, 80		1-9
41DC	Vol.	13550	5	SRP239		See Note	te A12								7	12A, 71A		1-11
42, 42F	Vol.	13320	5	SRP239		See Note	te A12	1-1.5-1	3	See Note	B1				7	26, 27, 71A, 80		1-9
43	Vol.	13320	5	SRP239		See Note	te A12								8	26, 27, 12A, 80		3-15, 19
44, 44F, 45	Vol.	13390	5	SRP239		See Note	te A12	1-1-1.5	3	See Note	B1				8	26, 27, 71A, 80		3-15, 19
46, 47	Vol.	13320	5	SRP239		See Note	te A12								8	26, 27, 71A, 80		3-15, 19
52	Vol.	13320	5	SRP239		See Note	te A12								7	26, 27, 71A, 80		1-9
53	Vol.	13780	5	SRP239		See Note	te A12								7	26, 27, 71, 80		3-19
55, 55C (Early)	Vol.	14250	12	SRP241		See Note	te A30	2-2.3-2.3	30	See Note	B1				7	24, 27, 45, 80		3-21
55, 55C (Late)	Vol.		25	DRP301				2-2.3-2.3	30	See Note	B1				7	24, 27, 45, 80		3-23
55F, 55FC (Early)	Vol.	14250	12	SRP241		See Note	te A30	1.7-4-1	30	See Note	B1				7	24, 27, 45, 80		3-24
55F, 55FC (Late)	Vol.		25	DRP301				1.7-4-1	30	See Note	B1				7	24, 27, 45, 80		3-26
56, 57	Vol.	13780	5	SRP239		See Note	te A12								7	26, 27, 71A, 80		1-9
60, 60C (Early)	Vol.	14250	12	SRP241		See Note	te A30	2-2.5-2.5	30	See Note	B1				8	24, 27, 45, 80		3-29
60, 60C (Late)	Vol.	15170	52	DRP301				2-2.3-2.3	30	See Note	B1				8	24, 27, 45, 80		3-31
60, 60C (3rd Type)	Vol.		25	DRP301				1-2-1	30	See Note	B1				8	24, 27, 45, 80		3-32
61, 61C (DC)	Vol.	14890	12	SRP241		See Note	te A30	4-2	2	See Note	B11				7	22, 112A, 71A		3-36
66	Vol.	15160	52	DRP301				2.1-2.3-2.3	3	See Note	B2				9	24, 27, 35, 381		3-40, 41
67, 67C	Vol.	14630	12	MR39											7	22, 112A, 71A		3-43
D1 (70, 74, 76)	Vol.	16630	25	DRP301				5-4-2-1	2	See Note	B11				7	22, 112A, 71A		3-47, 49
D2 (70, 74, 76)	Vol.	16630	25	DRP301				4-2-1-5	2	See Note	B11				7	22, 112A, 71A		1-35
F (70, 74, 76)	Vol.	16630	25	DRP301				4-1-5	2	See Note	B1				8	24, 27, 45, 80		3-46
								225		See Note	B9							
L1 (70, 74, 76)	Vol.	16630	25	DRP301				1-2-1-5	31	See Note	B1				8	24, 27, 45, 80		3-52
L2 (70, 74, 76)	Vol.	16630	25	DRP301				2-1-1-5	3	See Note	B1				8	24, 27, 45, 80		3-53
								225		See Note	B9							
P (75)	Vol. Phono.		25	DRP301				2-1-1-5	†	See Note	B1				8	24, 27, 45, 80		1-43
	Vol.	20840	8	A A5MP	6			225		See Note	B9							
80, 80F								23146	4	RS213					6	24, 35, 27, 47, 80	130	3-67
								22538	4	RS213								
81, 81 (2nd), 81B, 81C	Vol.	21496	54	MR51				22538	12	RS213					7	36, 37, 38		3-69
82	Vol.	20990	7	A550P	6			23146/22538	4	RS213					7	24, 35, 27, 47, 80	130	3-75
82D	Vol.	23228	15	MR48	M26			20019	12	RS216					6	36, 37, 33	130	3-71, 72
82F	Vol.	20990	7	A550P	6			22538	4	RS213					7	24, 27, 35, 47, 80	130	3-75
								23146	4	RS213								

† Data not substantiated.

\* IMPORTANT: Read Notes in Note Section if specified in Note Column.

§ Indicates miscellaneous section.

MANUFACTURER AND MODEL	CONTROLS							CONDENSERS				VIBRATORS			No. Tubes	Complete Tube Complement	I. F. Peak	Rider's Reference
	Use	Original Part	Circuit	Correct Replacement	Switch	Bias	*Note	Original Part	Circuit	Correct Replacement	*Note	Original Part	Replacement	*Note				
ATWATER KENT	Continued																	
82Q (1st Type)	Vol.	16122	15	MR48	M26		23146/22538	12	RS213					7	30,432, 33	130	3-77	
82Q (2nd Type)	Vol.	16122	15	MR39	M26		22538/23146	12	RS213					7	30,432, 33	130	3-79	
83, 83F	Vol.	22330	8	A5MP	6		22538	4	RS213					6	24,335, 27, 47, 80	130	3-67	
							23146	4	RS213									
							3-4	4	2S567	B21								
84	Vol.	19040	15	MR48			22538	4	RS213					6	24, 27, 47, 80	130	3-84	
							23146	4	RS213									
							22538	4	RS213									
84 (Late)	Vol.	20180	7	A4MP	6		22538	4	RS213					6	24, 27, 35, 47, 80	130	3-85	
							23146	4	RS213									
84D	Vol.	23228	15	MR48	M26		20049	12	RS216					6	33, 36, 37	130	3-81	
84F	Vol.	19040	15	MR48			22538	4	RS213					6	24, 27, 47, 80	130	3-84	
							23149	4	RS213									
84F (Late)	Vol.	20180	7	A4MP	6		22538	4	RS213					6	24, 27, 35, 47, 80	130	3-85	
							23149	4	RS213									
84Q	Vol.	19040	15	MR48			22538	12	RS213					7	30,432, 33	130	3-87	
85, 85F (Early Late)	Vol.	20030	8	A550P		See Note A4	22538	4	RS213					7	24,35, 27, 47, 80	130	3-89	
	Vol.	19040	8	MR48		See Note A27	3-4	4	2S567	B21								
85Q (1st Type)	Vol.	16122	15	MR39			22538	12	RS213					7	30,432, 33	130	3-91	
85Q (2nd Type)	Vol.	16122	15	MR39			22538	12	RS213					7	30,432, 33	130	3-93	
86, 86F	Vol.	23410	8	A550P			22538	4	RS213					8	24, 27, 35, 47, 80	130	3-95	
							3-4	4	2S567	B21								
87	Vol.	22050	8	A4MP	6		2-2-3-2.3	3	See Note	B1				9	27,35,47, 80	130	3-99	
							.25	3	See Note	B9								
87D	Vol.	21816	25	DRP301			20049	12	RS216					8	33,36, 37, 38	130	3-103	
89, 89F, 89P	Vol.	20389	15	MR48	M26		2-2-3-2.3	3	See Note	B1				10	24,27,35,47, 80	130	3-105	
							.25	3	See Note	B9								
90, 90F	Vol.	20840	8	A5MP	6		22538	4	RS213					7	24, 27, 35, 47, 80	130	3-109	
							23146	4	RS213									
91, 91B, 91C	Vol.	21496	54	MR51			22472	12	TC52					9	36,37,38	260	3-111	
92	Vol.	23228	13	MR48	M26		22538	4	RS213					8	24,35,27, 47, 80	130	3-113	
							23146	4	RS213									
92F	Vol.	23228	13	MR48	M26		22538	4	RS213					8	24,27,35, 47, 80	130	3-115	
							23146	4	RS213									
							22397	4	TC71									
93 (SW Converter)							22538	1	RS213					4	24,27, 80	1000	3-117	
							19728	1	RS213									
94, 94F	Vol.	22650	7	A4MP			19728	4	RS213					7	35, 24, 27, 47, 80	130	3-119	
							3-4	4	2S567	B21								
96 (1st Type)	Vol.	20389	13	MR48	M26		19060	4	RS213					8	24,27,35, 47, 80	130	3-121	
							1-2-1-5	4	See Note	B1								
							.225	4	See Note	B9								
96 (2nd Type)	Vol.	20389	13	MR48	M26		19060	4	RS213					8	24,27,35, 47, 80	130	3-123	
	Tunlgt.	22152	†	MR34			1-2-1-5	4	See Note	B1								
							.225	4	See Note	B9								
96 (3rd Type)	Vol.	20389	13	MR48	M26		19060	4	RS213					8	24,27,35, 47, 80	130	3-125	
	ToneBm	22345	†	M10MP			1-2-1-5	4	See Note	B1								
							.225	4	See Note	B9								
96F	Vol.	20389	13	MR48	M26		19060	4	RS213					8	24,27,35, 47, 80	130	3-127	
	Tunlgt.	22152	†	MR34			2-2-1-1-5	4	See Note	B1								
99 (Types 1 and 2)	Vol.	20389	15	MR48	M26		2-2-3-2.3	4	See Note	B1				10	24,27,35,47, 80	130	3-129	
	Tunlgt.	22152	†	MR34			.25	4	See Note	B9								
99 (3rd Type), 99F	Vol.	20389	15	MR48	M26		2-2-3-2.3	4	See Note	B1				10	24,27,35,47, 80	130	3-132	
	Tunlgt.	22344	†	H			.25	4	See Note	B9								
99P	Vol.	22455	15	MR48	M28		2-2-3-2.3	4	See Note	B1				10	24,27,35,47, 80	130	3-132	
	Tunlgt.	22344	†	H			.25	4	See Note	B9								
112	Vol.	27674	20	MRT427	M26		28031	28	RS213					12	2A3, 2B7, 5Z3, 556, 558	472.5	6-1-4	
							27583	28	RS216									
							25385	12	ST595									
							25384	12	ST595									
							25379	15	TC22									
126	Vol.	32102	17	UM157-SS12			32136	4	2S567	B33	32138	294	C3	6	6A8, 6F6, 6K7, 6Q7, 6X5	264	7-3	
							25379	15	TC22									
							.003	1	Buffer	B14								
135Z	Vol.	27425	19	MR48	M26		26995	1	2N518		28449	F297	C3	5	6A7, 43, 75, 78, 84	264	6-7	
							22538	12	RS213									
							25379	15	TC22									
							.05-.05	4	Buffer	B14								
136	Vol.	32102	17	UM157-SS12			32136	4	2S567	B33	32138	294	C3	6	6K7, 6A8, 6Q7, 6F6, 6X5	264	7-3	
							25379	15	TC22									
							.003	1	Buffer	B14								
137	Vol.	23228	18	MR48	M26		22538	4	RS213					7	58, 55, 56, 47, 80	125	7-7	
145	Vol.	27425	18	MR48	M26		19060	1	RS213					5	2A7, 58, 2A6, 2A5, 80	264	5-7	
							27585	1	RS213									
							10	15	TC22									
E145, E145X	Vol.	23228	18	MR48	M26		28031	1	RS213					5	2A7, 58, 2A6, 2A5, 80	125	7-9-11	
							27585	1	RS213									
							25379	15	TC22									
155	Vol.	24293	55	MR48	M26		24602	9	3S582	B22				5	77, 44, 85, 43, 25Z5	262.5	3-179	
							25167	15	TC22									

† Data not substantiated.

\* IMPORTANT: Read Notes in Note Section if specified in Note Column.

§ Indicates miscellaneous section.

MANUFACTURER AND MODEL	CONTROLS							CONDENSERS				VIBRATORS			No. Tubes	Complete Tube Complement	I. F. Peak	Rider's Reference
	Use	Original Part	Circuit	Correct Replacement	Switch	Bias	*Note	Original Part	Circuit	Correct Replacement	*Note	Original Part	Replacement	*Note				
ATWATER KENT— 155 (2nd Type).....	Continued Vol.	24293.....	55	MR48	M26			24602 21939 24955	29 29 29	TC571 TC52 3S582					5	77, 44, 75, 43, 25Z5	262.5	3-179
155 (3rd Type).....	Vol.	24293.....	55	MR48	M26			P24955	29	3S582	B51				5	77, 44, 75, 43, 25Z5	262.5	4-1
165.....	Vol.	24293.....	55	MR48	M26			25168	1	RS213	B32				5	57, 58, 2A6, 2A5, 80	262.5	4-2
165 (2nd Type).....	Vol.	24293.....	55	MR48	M26			25167 25168 25167	15 1 15	TC22 RS213 TC22					5	57, 58, 2A6, 2A5, 80	264	5-9
165Q.....	Vol.	25692.....	27	MR48	M27			22472	12	TC52					5	1A6, 34, 32, 30, 19	264	4-23
168.....	Vol.	18		MR48	M26			22538	3	RS213					4	*58, 55, 56,*47, 80	125	7-13
184.....	Vol.	27567.....	2	MR24	M26			28031	25	RS213					4	*6C6, 42, 80	450	7-15
185.....	Vol.	24293.....	55	MR48	M26			27583 25168 25167	25 1 15	RS216 RS213 TC22					5	57, 58, 2A6, 2A5, 80	264	5-9
185A.....	Vol.	24293.....	55	MR48	M26			25168 25379	1 15	RS213 TC22					5	2A7, 58, 2A6, 2A5, 80	264	5-11
188, 188F.....	Vol.	20389.....	13	MR48	M26			22538	25	RS213					8	*58, 57, 47,*56, 80	130	3-135
188, 188F (2nd Type)	Vol.	23228.....	13	MR48	M26			22538	25	RS213					8	56,*58, 55, 57, 47, 80	130	3-137
206.....	Sil.	28220.....	12	A20MP														
206.....	Vol.	27425.....	18	MR48	M26			27592	1/15	3S579	B111				6	2A7,*58, 2A6, 2A5, 80	472.5	5-13
206D.....	Vol.	27425.....	18	MR48	M26			22538	1	RS213								
E208.....	Vol.	29618.....	18	MR48	M26			28403	39	2N516	B11				6	*78, 6A7, 85,*43	472½	7-17
								29691	1	RS216					8	*6K7, 6A8, 6R7,*6F6, 5Z4	472½	7-19
215Z.....	Vol.	27425.....	19	MR48	M26			27583	1	RS216								
								25379	15	TC22								
								26995	1	2N518		28449	F297	C3	5	6A7, 78, 75, 43, 84	264	6-7
								22538	1	RS213								
P216.....	Vol.	28961.....	18	MR48	M26			.05-.05		Buffer	B14							
								28031	1	RS213					6	*6D6, 6A7, 75, 42, 80	472½	7-21
								27592	1/14/15	3S579	B111							
217.....	Vol.	24079.....	55	MR48	M26			22538/25168	1	RS213					7	*58, 55, 56, 2A5, 80	264	4-4
								25379	15	TC22								
217D.....	Vol.	24079.....	55	MR48	M26			23981	39	2S562	B11				7	*78, 75,*43, 37	264	4-5
228.....	Vol.	20389.....	13	MR48	M26			22538	4	RS213					8	*27, 24,*35, 47, 80	130	3-139
228D.....	Vol.	20389.....	13	MR48	M26			20049	12	RS216					6	*36,*37, 33	130	3-143
228F.....	Vol.	20389.....	13	MR48	M26			22538	4	RS213					8	*35, 24,*27, 47, 80	130	3-141
								22397	4	TC71								
228Q.....	Vol.	16122.....	15	MR39				19728	12	RS213					7	*32,*30, 33	130	3-145
								23146	12	RS213								
								22538	12	RS213								
236.....	Vol.	24079.....	18	MR48	M26			26381	1	ST595					6	*58, 56, 2A6, 2A5, 80	125	7-23
								25379	15	TC22								
237Q.....	Vol.	28961.....	18	MR48	M26			31552	1	2N516		294	C3	7	1C6,*34, 1B5, 30, 19 6Z4	472.5	6-12	
								29529	13	ST595								
								.015-.015		Buffer	B14							
246.....	Vol.	24079.....	55	MR48	M26			24099	1	RM262					6	56, 57, 58, 55, 47, 80	262.5	3-147
255.....	Vol.	32398.....	19	MRT440	M26			22538	25	RS213					5	6A8, 6K7, 75, 6F6, 80	450	7-25
								27583	25	RS216								
260, 260F (Types 1 and 2).....	Vol.	20389.....	15	MR48	M26			22538	2	RS213					10	*58,*56,*47, 80	130	3-149
	ToneB'm	27190.....	†	M15MP														
260, 260F (3rd Type)	Vol.	23228.....	18	MR48	M26			22538	2	RS213					10	57,*58, 55, 56,*47, 80	130	3-153
	ToneB'm	29020.....	†	M20MP														
	Sil.	28220.....	12	A20MP														
266.....	Vol.	24079.....	18	MR48	M26			22538	1	RS213					6	57, 58, 55, 56, 47, 80	262.5	4-6
273D.....	Vol.	118		MR48	M26			8-8	39	2N516	B11				3	1A6,*34	1	7-26
275.....	Vol.	25798.....	55	MR48	M26			26158	29	3S582/TC52	B72				5	6A7, 44, 75, 43, 25Z5	264	4-7
285Q.....	Vol.	29531.....	45	MR48	M23			29529	12	ST595					5	1C6, 34, 32, 33, 30	450	6-13
286.....	Vol.	28961.....	18	MR48	M26			28031	1	RS213					6	*58, 2A7, 2A6, 2A5, 80	472.5	6-15
								27592	1/14/15	3S579	B111							
305Z.....	Vol.	28961.....	18	MR48	M26			26995	1	2N518					5	6A7, 78, 75, 43, 6Z4- 84	264	6-9
								25379	15	TC22								
								.05-.05		Buffer	B14							
310.....	Vol.	25798.....	45	MR48	M26			22538	3	RS213					10	*58,*56,*2A5, 80	130	4-8
	Sil.	26338.....	7	H														
312, E312.....	Vol.	27321.....	15	MR48	M26			28031	1	RS213					12	*6D6, 6A7, *76, *2A3, 5Z3	472½	7-29
								27583	1	RS216								
								29961	13	ST597								
								25384	13	ST595								
								29962	14	2N518								
								25379	15	TC22								
317.....	Vol.	28961.....	45	MR48	M26			28031	1	RS213					7	*6K7, 6A8, 6H6, 6F5, 6F6, 5Z4	472.5	6-17
								27592	1/14/15	3S579	B111							
318.....	Vol.	27321.....	55	MR48	M26			28031	1	RS213					8	*58, 2A7, 55,*2A5, 80	472.5	5-7
325.....	Vol.	27425.....	18	MR48	M26			19060	1	RS213					5	2A7, 58, 2A6, 2A5, 80	264	5-7
								27585	1	RS213								
								10	15	TC22								
328 (Early).....	Vol.	29618.....	18	MR48	M26			29691	1	RS216					8	*6K7, 6A8, 6H6, 6F5, 6F6, 5Z4	472.5	6-18
								27592	1/14/15	3S579	B111							
328 (Late).....	Vol.	29618.....	18	MR48	M26			31702	1/14/15	3S579					8	*6K7, 6A8, 6H6, 6F5, 6F6, 5Z4	472.5	7-33
								28031	1	RS213								

† Data not substantiated.

\* IMPORTANT: Read Notes in Note Section if specified in Note Column.

§ Indicates miscellaneous section.

MANUFACTURER AND MODEL	CONTROLS							CONDENSERS				VIBRATORS			No. Tubes	Complete Tube Complement	I. F. Peak	Rider's Reference
	Use	Original Part	Circuit	Correct Replacement	Switch	Bias	*Note	Original Part	Circuit	Correct Replacement	*Note	Original Part	Replacement	*Note				
ATWATER KENT— P336.....	Continued		18	MR48	M26			27592	1/14/15	3S579	B111				6	6D6, 6A7, 75, 42, 80	472½	7-21
337.....	Vol.	28961	45	MR48	M26			28031	1/14/15	RS213	B111				7	6K7, 6A8, 6H6, 6F5, 6F6, 5Z4	472.5	6-17
356.....	Vol.	28961	18	MR48	M26			27592	1/14/15	3S579	B111				6	58, 2A7, 2A6, 2A5, 80	472.5	6-15
376.....	Vol.	27425	18	MR48	M26			28031	1/14/15	RS213	B111				6	58, 2A7, 2A6, 2A5, 80	472.5	5-13
376D.....	Vol.		18	MR48				27592	1/14/15	3S579	B111				6	78, 6A7, 85, 443	472½	7-18
385Q.....	Vol.	29251	27	UC513	13			22472	39	2N516	B11				5	1C6, 34, 32, 30, 19	264	6-19
387.....	Vol.	25692	12	MR48	M27		A95	22472	12	TC52					7	34, 1A6, 32, 30	264	4-9
E412, E412X, P412, P412X.....	Vol.	27321	15	MR48	M26			29691	46	RS216					12	6K7, 6A8, 6H6, 6C5, 2A3, 5Z3	472½	7-35
								27583	46	RS216								
								25384	14	ST595								
								29962	14	2N518								
								29964	15	TN111								
415Q.....	Vol.	29531	45	MR48	M23			29529	12	ST595					5	1C6, 34, 32, 33, 30	450†	6-13
416.....	Vol.	32102	17	UM157-SS12				32136	4	2S567	B33	32138	294	C3	6	6K7, 6A8, 6Q7, 6F6, 6X5	264	7-3
								25379	15	TC22								
								.003		Buffer	B14							
424.....	Vol.	23482	55	MR48				25385	1	ST595			222	C1	4	77, 44, 75, 41	264	4-11
								24379	15	TC22								
								25384	1	ST595								
425.....	Vol.	24079	55	MR48	M26			.01-.01		Buffer	B14							
								25168	1	RS213								
								25379	15	TC22								
								26381	1	ST595								
427.....	Vol.	24079	55	MR48	M26			25168	1	RS213								
								25397	15	TC22								
427D.....	Vol.	24079	55	MR48	M26			23981	39	TCD55	B11							
427Q.....	Vol.	25692	12	MR48	M27			22472	12	TC52								
435.....	Vol.	29482	18	MR48	M26			28031	25	RS213								
								27585	25	RS216								
								25379	15	TC22								
435 (2nd Type).....	Vol.	29482	18	MR48	M26			8	25	RS213								
								16	25	RS216								
446.....	Vol.	32102	17	UM157-SS12				32136	4	2S567	B33	32138	294	C3	6	6K7, 6A8, 6Q7, 6F6, 6X5	264	7-3
								25379	15	TC22								
								.003		Buffer	B14							
447.....	Vol.		55	MR48	M26			28031	1	RS213								
								4	13	RS213								
								10	15	TC22								
448.....	Vol.	23228	55	MR48	M26			22538	3	RS213								
	Sil.	24711	7	E														
465Q.....	Vol.	27966	27	UC513	7		A95	22472	12	TC52								
467Q.....	Vol.	28961	18	MR48	M26			31552	1	2N516		32138	294	C3	7	1C6, 34, 32, 30, 19	264	6-23
								29529	1	ST595								
								.015-.015		Buffer	B14							
469.....	Vol.	20389	13	MR48	M26			22538	1	RS213								
469 (2nd Type).....	ToneB	27190	†	Order from Mfr.														
	Vol.	23228	18	MR48	M26			22538	2	RS213								
	Sil.	28220	12	A20MP														
469D.....	ToneB	29020	†	M20MP														
	Vol.	23228	18	MR48	M26			23981	39	TCD55	B11							
	Sil.	28220	12	A20MP														
469F.....	Vol.	20389	13	MR48	M26			22538	2	RS213								
	ToneB	27190	†	Order from Mfr.														
469F (2nd Type).....	Vol.	23228	18	MR48	M26			22538	2	RS213								
	Sil.	28220	12	A20MP														
469Q.....	ToneB	29020	†	M20MP														
	Vol.	23482	15	MR48				22472	12	TC52								
475.....	Vol.	28961	18	MR48	M26			28031	1	RS213								
								27585	1	RS213								
								25379	15	TC22								
								22538	1	RS213								
480.....	Vol.	23376	13	MR48	M26													
	ToneB	27190	†	Order from Mfr.														
485Q.....	Vol.		18	MR48	M23			29529	12	ST595								
								28031	12	RS213								
487.....	Vol.	27321	55	MR48	M26			28031	1	RS213								
								27592	1/14/15	3S579	B111							
509.....	Vol.	29144	64	MR48				22538	3	RS213								
510.....	Vol.	25798	45	MR48	M26			22538	3	RS213								
	Sil.	26338	7	H														
511.....	Vol.	27732	55	MRT427				22538	1	RS213								
								25385	12	ST595								
								27911	24	RS216								
								25384	24	ST595								
								25379	15	TC22								
515Q.....	Vol.		18	MR48	M27			28031	12	RS213								
								29529	12	ST595								

† Data not substantiated.

\* IMPORTANT: Read Notes in Note Section if specified in Note Column.

‡ Indicates miscellaneous section.

WHEN YOU BUY JACK SWITCHES BUY MALLORY.

MANUFACTURER AND MODEL	CONTROLS							CONDENSERS				VIBRATORS			No. Tubes	Complete Tube Complement	I. F. Peak	Rider's Reference	
	Use	Original Part	Circuit	Correct Replacement	Switch	Bias	*Note	Original Part	Circuit	Correct Replacement	*Note	Original Part	Replacement	*Note					
ATWATER KENT—525	Continued	26564	55	MR48	M26			25168	1	RS213					5	57, 58, 2A6, 2A5, 80	264	5-9	
525Q	Vol.	26718	27	UC513	7		A95	25167	15	TC22					5	1A6, 3A, 32, 30, 19	264	4-23	
534	Vol.	21496	55	MR48				26381	1	ST595		25595	222	C1	4	77, 44, 75, 41	450	4-11	
545	Vol.	29482	18	MR48	M26			22472	12	TC52					5	6A7, 6D6, 75, 42, 80	472.5	6-35	
555	Vol.	24293	55	MR48	M26			25385	15	ST595					5	47, 55, 57, 58, 80	262.5	4-14	
555 (2nd Type)	Vol.	24293	55	MR48	M26			24379	1	TC22					5	57, 58, 55, 47, 80	262.5	4-15	
556	Vol.	32102	17	UM157-SS12				25304	1	ST595	B14				6	*6K7G, 6A8G, 6Q7G, 6X5G, 6F6G	264	7-49	
557	Vol.	27321	55	MR48	M26			01-01	1	Buffer	B14				8	*58, 2A7, 55, 2A5, 80	472.5	5-29	
558	Vol.	23228	55	MR48	M26			22538	1	RS213					8	*58, 55, 56, 57, 47, 80	130	3-169	
558D	Vol.	28220	12	A20MP				25384	4	RS213					8	*39, 37, 36, 85, 48	130	3-163	
558Q	Vol.	23482	15	MR48				23981	39	TC255	B11				8	*30, *32, *34	130	3-165	
559	Vol.	27321	55	MR48	M26			22472	12	TC52					9	*58, 55, *2A5, 80	472.5	5-25	
565Z	Vol.	28961	18	MR48	M26			22538	3	RS213		28449	F297	C3	5	6A7, 78, 75, 43, 6Z4	264	6-9	
567, 567F	Vol.	20840	8	A5MP	6			26995	15	TC22					7	*35, 24, 47, 27, 80	130	3-167	
E608	Vol.	29618	18	MR48	M26			25379	15	Buffer	B14				8	*6D6, 6A7, 85, *42, 80	472.5	7-51	
612	Vol.	23228	55	MR48	M26			25379	1	RS213					12	*58, 56, 57, 55, *46, *83	130	3-171	
625Q	Vol.	29251	27	UC513	13			23498	2	RS213					5	1C6, 3A, 32, 30, 19	264	6-19	
627	Vol.	23228	55	MR48	M26			23479	15	TC36					7	*58, 56, 55, 47, 80	130	3-173	
636	Vol.	24098	55	MR48				22472	12	TC52					6	*39, 36, 85, *41	262.5	3-181	
E648	Vol.	29618	18	MR48	M26			22538	4	RS213					8	*6D6, 6A7, 85, *42, 80	472.5	7-51	
649	Vol.	27321	17	MR48	M26			24298	1	TC52					9	*6K7, 6A8, 6H6, 6C5, *6F6, 5Z4	472.5	6-37	
655Q	Vol.	27966	27	UC513	7		A95	29961	2	ST597					5	1C6, 3A, 32, 30, 19	264	6-23	
657Q	Vol.	31734	18	MR48	M27			22538	3	RS213					5	1C6, *34, 1B5, *30	472.5	7-55, 56	
665	Vol.	24079	55	MR48	M26			26995	15	TC22					5	57, 58, 2A6, 2A5, 80	264	4-24	
666	Vol.	26505	55	UC512	6			25379	15	TC22					6	*6D6, 6A7, 85, 41	264	5-31	
667	Vol.	24079	55	MR48	M26			05-05	1	Buffer	B14				7	*58, 56, 55, 2A5, 80	264	4-4	
667D	Vol.	24079	55	MR48	M26			25379	15	TC22					7	*78, 37, 75, *43	264	4-5	
708	Vol.	24079	55	MR48	M26			23981	39	TC255	B11				8	*58, 2A6, 2A5, 80	472.5	4-17	
710	Vol.	27321	18	MR48	M26			22538	1	RS213					10	*6D6, 6A7, 6B7, *76, *45, 5Z3	472.5	7-65	
711	Vol.	25798	55	MR48	M26			25167	15	TC22					11	*58, 55, *56, *2A3, 5Z3	472.5	4-21	
725, 725X	Vol.	29482	18	MR48	M26			28031	1	RS213					5	6A8, 6K7, 75, 6F6, 80	450	7-57	
735	Vol.	28961	18	MR48	M26			27585	25	RS213					5	2A7, 58, 2A6, 2A5, 80	264	6-27	
747Q	Vol.	31734	18	MR48	M27			28031	1	RS213					7	1C6, *34, 1B5, *30	472.5	7-55, 56	
P755	Vol.	28961	18	MR48	M26			27583	1	RS216					5	6A7, 6D6, 75, 42, 80	264	7-59	
756, 756B	Vol.	21496	55	MR48				25379	15	TC22					6	*39, 36, 85, *41	262.5	3-183	
E765	Vol.	28961	18	MR48	M26			24298	1	TC52					5	6A7, 6D6, 75, 42, 80	472.5	7-61	
768Q	Vol.	27965	18	MR48	M27			28031	1	RS213					8	1C6, *34, *30, 32	472.5	6-38	
776	Vol.	26505	55	UC512	6			27583	1	RS216					6	6A7, *6D6, 41, 84, 85	264	6-41	
788	Vol.	25798	55	MR48	M26			25379	15	TC22					8	*58, 2A6, 2A5, 80	472.5	5-37	
808	Vol.	24079	55	MR48	M26			22538	1	RS213					5	*58, 2A6, 2A5, 80	472.5	4-17	
808A	Vol.	24079	55	MR48	M26			25379	15	TC22					8	*58, 2A6, 2A5, 80	472.5	4-22	
810	Vol.	31608	19	MRT427	M26			22538	1	RS213					10	*6K7, 6A8, 6H6, 6C5, *6F6, 5Z4	472.5	6-44	
								27583	1	RS216									
								29964	15	TN111									

† Data not substantiated.

\* IMPORTANT: Read Notes in Note Section if specified in Note Column.

‡ Indicates miscellaneous section.

MANUFACTURER AND MODEL	CONTROLS							CONDENSERS				VIBRATORS			No. Tubes	Complete Tube Complement	I. F. Peak	Rider's Reference
	Use	Original Part	Circuit	Correct Replacement	Switch	Bias	*Note	Original Part	Circuit	Correct Replacement	*Note	Original Part	Replacement	*Note				
ATWATER KENT—812.....	Continued Vol. Tone B'm Sil.	23228 29020 28220	55 1 12	MR48 M20MP A20MP	M26			22538 23498 23481 23479 26092	1 1 1 16 1	RS213 RS213 RS215 TC36 2N518					12	*58, 56, 57, 55, *46, *83	130	3-175
816.....	Vol.	26505	55	UC512	6			.05-.05 26158 22538	1 29 1	Buffer 3S582/TC52 RS213	B14 B72		222	C1	6	*39, 6A7, 85, *41	264	5-43, 44
825 AC-DC.....	Vol.	27731	55	MR48	M26			27584	1	ST595					5	6A7, 44, 75, 43, 25Z5	264	5-47
854.....	Vol.	27567	2	MR24	M26			28031	1	RS213					4	*57, 2A5, 80	450	5-49
856.....	Vol.	28961	45	MR48	M26			27585 27583	1 1	RS213 RS216	B27				6	6A8, 6K7, 6H6, 6F5, 6F6, 5Z4	264	6-45
P875.....	Vol.	28961	18	MR48	M26			28031 27583 25379	1 1 15	RS213 RS216 TC22					5	6A7, 6D6, 75, 42, 80	264	7-59
926.....	Vol.	26505	55	UC512	6			26864	12	ST595					6	*39, 6A7, 85, *41	264	5-43
936.....	Vol.	26505	55	UC512	6			26864	12	ST595					6	*39, 6A7, 85, *41	264	5-43
944.....	Vol.	27567	2	MR24	M26			22538 27584	25 25	RS213 ST595					4	*57, 2A5, 80	450	5-49
976.....	Vol.	28961	45	MR48	M26			28031 27585 27583	25 25 1	RS213 RS213 RS216	B27				6	6A8, 6K7, 6H6, 6F5, 6F6, 5Z4	264	6-45
978Q.....	Vol.	27965	55	MR48	M27			27583 25379 26864	1 15 12	RS213 RS216 TC22					8	1C6, *34, *30, 32	472.5	6-38, 39
AUBURN A5A3.....	Vol.	W30436A	18	UC514	6			W32759 W32802 .005	1 1/15	RS213 TCD62 Buffer		LB32037	247	C3	5	*78, 6F7, 6B7, 42	181.5	
AUDAR MAS-4 (Amplifier).....	Vol.		15	MR53	M26				88	TN129					3	6SL7GT, 6Y6G, 5Y3GT		
P-1A (Phono).....	Vol. Tone		171	MR55 MR53	M26				88 88	TC26 TN129					3	12SQ7GT, 50L6GT, 35Z5GT		
P-4A (Phono).....	Vol. Tone	RVC-504-D RVC-105-S	18 50	MR50 MR53	M26			CE-LHH-4	88 15	2N520 TC45			B6		3	6SF5, 6Y6G, 5Y3GT		
P-5.....	Vol. Tone		171	MR55 MR53	M26			CE-E-1	15 88	TC22 TN129			B6		3	6SF5, 6Y6G, 6X5GT		
PR-6.....	Vol.	RVC-16-S	161	MR53	M26			CE-LHH-4	15 88	TC22 2N520			B6		4	14Q7/12SA7, 14B6/12SQ7, 50A5/50L6GT, 35Y4/35Z5GT	455	
PR6-A.....	Vol.	RVC-16-S	161	MR53	M26			CE-E-1	15	TC22			B6		4	14Q7, 14B6, 50L6GT, 35Y4	455	
RE-8A (Recorder).....	Vol.		15	MR53	M26			CE-E-1	15 88 13 15	TC22 TN129 TC42 TC22				4	12SJ7/14C7, 12SQ7/14B6, 50L6GT/50A5, 35Z5GT/35Y4			
AUDIOLA—Also see Jr.....	Fairbanks-Morse.		6	G7	6		A14	1-2	1	See Note	B1				5	*24, 45, 80		1-7
Jr. No. 1.....	Vol. Tone		22	MR18	6		A14	8, 8	1	RS213					6	*24, 27, 45, 80		2-6
Jr. No. 2, 6 Tube.....	Vol. Tone		22	MR18	6		A14	8, 8	1	RS213					6	*24, 27, 45, 80		2-6
4 Tube Pent. 1931.....	Vol. Tone		22	MR16	6		A14	4-4	1	See Note	B3				4	35, 24, 47, 80		2-2
4 Tube, '32.....	Vol.		6	G7	6		A14	6-4	4	See Note	B3				4	35, 24, 47, 80		3-1
6 Tube Pent. '31.....	Vol. Tone		6	G7	6		A14	8-8	1	See Note	B3				6	*35, 24, 27, 47, 80		1-7
7 Tube Sup. Pent. '31.....	Vol. Tone		22	MR18	6		A14	8-8	1	See Note	B3				7	*35, *24, 27, 47, 80	177.5	2-1
8 Tube Sup. Pent. '31.....	Vol. Tone		22	MR44	6			8-8	1	See Note	B3				8	*35, *27, *24, 47, 80	177.5	1-8
9 Tube Sup. Pent. '31.....	Vol. Tone		22	MR44	6			8-8	1	See Note	B3				9	*53, *27, *24, 47, 80	177.5	2-4
10 Tube Sup. '31.....	Vol. Tone		6	G7	6		A14	8-8	1	See Note	B3			10	*24, *27, *45, 80	177.5	2-3	
B6.....	Vol.	V6502	18	UC512				8-8 .02	25	TCS71 Buffer	B14		297	C3	6	*6D6, 6A7, 75, 41, 84	177.5	5-1
9T45.....	Vol. Tone		6	G7	6	3		8, 8	1	RS213					9	*35, *27, *24, 45, 80	177.5	2-3
13S6.....	Vol. Tone		6	MR53 MR18			A14	8, 8	1	RS213					6	*24, 27, 35, 47, 80		6-3
13S9.....	Vol. Tone		22	See Note			A5											
13T5.....	Vol. Tone		6	G7	6	3		4-4	3	2N518	B28				9	*35, 24, *27, *47, 80	177.5	2-4
	Vol. Tone		22	MR44				8	1	ST595	B3				5	*35, 24, 47, 80		5-4
	Vol. Tone		6	G7	6		A14	4-4	1	See Note	B3							

‡ Data not substantiated.

\* IMPORTANT: Read Notes in Note Section if specified in Note Column.

§ Indicates miscellaneous section.

WHEN YOU BUY LEVER ACTION SWITCHES BUY MALLORY.



MANUFACTURER AND MODEL	CONTROLS							CONDENSERS				VIBRATORS			No. Tubes	Complete Tube Complement	I. F. Peak	Rider's Reference
	Use	Original Part	Circuit	Correct Replacement	Switch	Bias	*Note	Original Part	Circuit	Correct Replacement	*Note	Original Part	Replacement	*Note				
<b>AUDIOLA—Continued</b>																		
23S8 (1st Type)...	Vol.		6	G7				8, 8.	1	RS213					8	35, 24, 27, 47, 80.		
	Tone		22	MR33				5.	19	TC22								
23S8 (2nd Type)...	Vol.		15	MR48				8, 8.	4	RS213					8	58, 56, 57, 47, 80.	177.5	3-2
	Tone		22	MR33														
23S8Q.....	Vol.		15	MR39	M26			8, 8.	1	RS213					8	35, 27, 24, Wunderlich, 47, 80.	177.5	3-3
	Tone		22	See Note.		A5		5.	17	TC22					10	58, 56, 57, 47, 80.	177.5	3-4
23S10.....	Vol.		45	MR44	M26			8, 8.	4	RS213					10	58, 57, 56, 2A5, 80.	177.5	4-3
	Tone		22	MR33				12.	4	RS215								
23S10 (2nd).....	Vol.		45	MR44	M26			8.	3	RS213					12	58, 56, 57, 46, 83.	177.5	3-5
	Tone		22	MR33				8.	4	RS213								
23S12.....	Vol.		45	MR44	M26			8, 8.	3	RS213					12	58, 56, 57, 59, 5Z3.	177.5	5-3
	Tone		22	MR33				8.	3	RS213								
23S12 (Revised)....	Vol.		45	MR44	M26			12.	3	RS215								
	Tone		22	MR33				8.	3	RS213								
23T5.....	Vol.		6	G7	6		A14	4-4.	1	See Note.	B3				5	35, 24, 47, 80.		3-6
23T5 SW.....	Vol.		6	MR18		EX300		6-4.	4	See Note.	B3				5	35, 24, 47, 80.		3-6
30B.....	Vol.		12	D12	M26			1-3-3.	3	See Note.	B1				7	24, 27, 45, 80.		1-4
31 Series.....	Vol.		6	G7			A14	8-8-8.	3	3S584.					7	24, 27, 45, 80.		1-5
	Tone		41	MR53		See Note	A4	8-8-8.	3	3S584.					9	24, 27, 45, 80.	175	1-6
31 Super.....	Vol.		6	G7			A14	8-8-8.	3	3S584.								
	Tone		41	MR53		See Note	A4	8-8-8.	3	3S584.								
	Tone		22	MR44		See Note	A4	8, 8, 8.	25	RS213	B3				11	35, 27, 24, 47, 80.	177.5	3-3
32S11.....	Vol.		45	MR48				8, 8, 8.	25	RS213	B3							
	Tone		22	MR33				16-8.	6	2N509					5	6D6-78, 6C6-77, 43, 25Z5.		4-7
33S5.....	Vol.		6	MR33	M26		A14	8.	15	TC22, RS213					5	58, 57, 2A5, 80.	456	5-4
33S5 (Rev.).....	Vol.		6	MR33	M26		A14	8.	15	TC22, RS213					5	32, 34, 30, 19.	450	5-6
33S6B.....	Vol.		6	MR33	M26			8-4.	4	See Note.	B3				7	58, 57, 56, 2A5, 80.	456	4-7
33S7.....	Vol.		45	MR48	M26			8-4.	4	See Note.	B3				7	58, 57, 56, 2A5, 80.	456	4-7
	Tone		22	MR33				12.	4	ST597					10	58, 57, 55, 56, 2A5, 80.	456	5-5
33S10 SW.....	Vol.		15	MR44				8.	4	ST595					4	6D6-78, 6C6-77, 38-89, 12Z3-37.		4-7
	Tone		22	MR33	M26			4-4.	1	2N516								
33T4.....	Vol.		6	MR33	M26			5.	15	TC22					5	6A7, 6D6, 75, 43, 12Z3.		5-6
34C5 (AC-DC).....	Vol.		17	MR48	M26			16-8.	6	2N509					5	2A7, 58, 2A6, 2A5, 80.	456	5-7
	Vol.		17	MR44	M26			5.	15	TC22					5	2A7, 58, 2A6, 2A5, 80.	456	5-7
34S5.....	Vol.		17	MR44	M26			8, 8.	4	RS213					5	2A7, 58, 57, 2A5, 80.	456	5-8
34S5 LW.....	Vol.		6	MR33	M26			8, 8.	4	RS213					5	2A7, 58, 2A6, 2A5, 80.	456	5-8
51, 52.....	Vol.		17	MR48				8, 8.	4	RS213					5	2A7, 58, 2A6, 2A5, 80.	456	5-8
	Tone		22	MR33				5.	15	TC22					5	2A7, 58, 2A6, 2A5, 80.	456	5-8
53.....	Vol.		18	MR48				8, 8.	4	RS213					5	2A7, 58, 2A6, 2A5, 80.	456	5-8
	Tone		22	MR33				8, 8.	4	RS213					5	2A7, 58, 2A6, 2A5, 80.	456	5-8
346.....	Vol.		17	UC512	6			8-8.	25	2S567.	B24		297	C3	6	6D6, 6A7, 75, 41, 84.	177.5	5-1
	Tone		22	MR33				.02.	25	Buffer	B14		297	C3	7	6D6, 6A7, 85, 41, 84.	177.5	5-2
347.....	Vol.		17	MR33	M26			8-8.	25	See Note.	B3		297	C3	7	6D6, 6A7, 85, 41, 84.	177.5	5-2
	Tone		44	MR48				.02.	25	Buffer	B14		297	C3	7	6D6, 6A7, 85, 41, 84.	177.5	5-2
516 (2-volt bat. set).....	Vol.		134	MR33				1-5-2-2-2.		See Note.	B1				5	32, 34, 30, 19.	177.5	1-10
889.....	Vol.		4	A				1-3-3.		See Note.	B1				8	26, 27, 71, 80.		1-4
7330.....	Vol.		12	D				1-3-3-5.		See Note.	B1				7	24, 27, 45, 80.		1-4
8430.....	Vol.		7	MR37				1-3-3-5.		See Note.	B1				8	27, 45, 80.		1-3
<b>AUSTIN</b>																		
A.....	Vol.		6	F7	6		A14	8, 8.	1	RS213					5	24, 45, 80.		6-1
J.....	Vol.		6	E7	6		A14	8-8.	1	2N518					6	24, 45, 80.		6-1
	Tone		22	MR21														
S.....	Vol.		6	F7	6			8, 8.	1	RS213					8	24, 27, 45, 80.	175	6-2
	Tone		149	MR18				8, 8.	1	RS213								
SP.....	Vol.		6	F7	6		A14	8, 8.	1	ST595					8	51, 27, 24, 47, 80.	175	6-3
	Tone		149	MR18				8, 8.	1	ST595								
<b>AUTOCRAT</b>																		
Jr. 4.....	Vol.		6	MR18	M26			8-4.	25	2S567.					4	57, 47, 80.		4-2
4SA.....	Vol.		6	MR18	M26	See Note	A14	12-12.	1	2N509					4	6D6, 6C6, 43, 25Z5.		5-2
	Vol.		6	MR28	M26	EX300		10.	15	TC22								
4LW.....	Vol.		6	MR28	M26	EX300		8-4-4.	8	See Note.	B3		292	C3	4	6D6, 6C6, 43, 25Z5.		4-3
5.....	Vol.		17	UM154		See Note	A96	8-8.	4	2S567.	B33				5	6A7, 6D6, 6B7, 41, 84.	456	5-1
	Vol.		17	UM154		See Note	A96	10.	15	TC22								
5M.....	Vol.	2016.	6	MR18	M26	EX450		.008-.008.	4	Buffer	B14				4	6D6, 6C6, 43, 25Z5, L55B.		3-2
	Vol.	2016.	6	MR18	M26	EX450		316.	4	TN125/TC22								
5SA (55SA).....	Vol.		17	MR48	M26			10-5-25.	11	2S556/TC40					5	6A7, 6D6, 75, 43, 25Z5.	456	5-1
	Vol.		17	MR48	M26			10.	15	TC22					5	57, 58, 55, 56, 2A5, 80.	175	4-3
6.....	Vol.		17	MR48	M26			4-4.	1	2N518					6	57, 58, 55, 56, 2A5, 80.	175	4-3
	Tone		22	MR48				7-4.	1	2N518								
6 (Revised).....	Vol.		56	MR48	M26			10.	15	TC22					6	2A7, 58, 56, 2B7, 2A5, 80.	175	5-2
	Tone		22	MR48				8-4.	4	2S567.			See Note	C6	5	6A7, 6D6, 75, 41, 84.	175	5-2
6D32.....	Vol.		18	MR48				8-4.	4	2S567.			See Note	C6	5	6A7, 6D6, 75, 41, 84.	175	5-2
	Tone		22	MR33				312.	4	TC44					4	6D6, 6C6, 25L6G, 25Z5, L55B.		3-2
56SW, 57SW.....	Vol.	2016B.	6	MR18	M26	EX450		324.	4	TC47					4	6D6, 6C6, 25L6G, 25Z5, L55B.		3-2

‡ Data not substantiated.

\* IMPORTANT: Read Notes in Note Section if specified in Note Column.

§ Indicates miscellaneous section.

MANUFACTURER AND MODEL	CONTROLS							CONDENSERS				VIBRATORS			No. Tubes	Complete Tube Complement	I. F. Peak	Rider's Reference
	Use	Original Part	Circuit	Correct Replacement	Switch	Bias	*Note	Original Part	Circuit	Correct Replacement	*Note	Original Part	Replacement	*Note				
AUTOCRAT—Continued																		
57C.....	Vol.		6	MR18	M26	EX300		4-4	25	2S567	B24				4	58, 57, 47, 80	4-4	
80.....	Vol.		69	MR18		See Note A14		4-4	25	2S567	B24				5	58, 57, 47, 80	4-4	
90SL.....	Vol.		15	MR48				8-8	1	2N518					9	57, 58, 2B7, 56, 2A5, 80	175 5-3	
90SL.....	Tone		21	MR48														
90SL.....	Vol.	24-130	18	MR53	M27			18-243	19	TC22					4	1A7G, 1N5G, 1H5G, 1Q5G	455 11-1	
91.....	Vol.	24-136	6			See Note A5		18-249	24	2N509					2	12B8GT, 32L7GT	455 11-3	
92.....	Vol.	24-135	18	UM154	M26		A96	18-246	24	TCD55		34-102	859	C3	5	6SA7, 6D6, 75, 41, 84	455 11-5	
93.....	Vol.	24-130	18	MR53	M27			18-243	19	TC22					4	1A7G, 1N5G, 1H5G, 1Q5G	455 11-6	
94.....	Vol.	24-132	18	MR48	M26			18-241	1	2N509					5	6A8GT, 6K7GT, 6Q7GT, 25L6GT, 25Z6GT, BK49B	455 11-6	
95.....	Vol.	24-132	18	MR48	M26			18-241	1	2N509					5	12A8GT, 12K7GT, 12Q7GT, 35L6GT, 35Z4GT	455 11-3,4	
96.....	Vol.	24-132	18	MR48	M26			18-241	1	2N509					5	6A8GT, 6K7GT, 6Q7GT, 25L6GT, 25Z6GT, BK49B	455 11-6	
98.....	Vol.	24-138	18	MR53	M27			18-250	12	TC42					4	1A7GT, 1N5GT, 1H5GT, 1C5GT	455 11-3,4	
101I, 101O, 101W	Vol.	24-139	18	MR48	M26			18-251	24	2N513					3	12SA7GT, 25D8GT, 70A7GT	455 11-3	
102I, 102O, 102W	Vol.	24-142	18	MR48	M26			18-241	1	2N509					5	6SA7GT, 6SK7GT, 6SO7GT, 25L7GT, 25Z6GT, BM198	455 11-7	
103I, 103O, 103W	Vol.	24-142	18	MR48	M26			18-241	1	2N509					5	6SA7GT, 6SK7GT, 6SO7GT, 25L6GT, 25Z6GT, BM198	455 11-7	
104.....	Vol.	24-117	6	MR36	M26			18-230	1/15	TN125					4	6K7, 6F5, 25L6, 25Z6	455 11-5	
106.....	Vol.	24-124	18	MR48	M26			18-236	24	2N511		34-103	246A	C3	4	6D8G, 687G, 6T7G, 6G6G	455 11-1,2	
107I, 107W	Vol.	24-146	18	MR48	M26			18-255	1	2N511	B14				6	6SA7GT, 6P5GT, 6SK7GT, 6SO7GT, 25L6GT, 25Z6GT	455 11-7	
109, 110	Vol.	24-146	45	MR48	M26			18-254	1	FP227	B117				6	6SA7GT, 6SK7GT, 6P5GT, 6SO7GT, 6K6GT, 5W4GT	455 11-7	
112.....	Vol.	24-145	45	MR48	M26			18-254	1	FP227	B117				6	6SA7GT, 6SK7GT, 6P5GT, 6SO7GT, 6K6GT, 5W4GT	455 11-8,9	
113.....	Vol.	24-145	18	MR48	M26			18-255	1	2N511					6	6SA7GT, 6SK7GT, 6P5GT, 6SO7GT, 25L6GT, 25Z6GT	455 11-8,9	
114.....	Vol.	24-144	45	MR48	M26			18-256	1	FP234					7	6SA7GT, 6SK7GT, 6P5GT, 6SO7GT, 6K6GT, 6P5GT, 5W4GT	455 11-8,9	
114.....	Vol.	24-144	45	MR48	M26			18-243	19	TC26					7	6SA7GT, 6SK7GT, 6P5GT, 6SO7GT, 6K6GT, 6P5GT, 5W4GT	455 11-8,9	
115.....	Vol.	24-144	18	MR48	M26			19-261	1	TC48					8	12SA7GT, 12SK7GT, 12SQ7GT, 12ESGT, 450L6GT, 445Z5GT	455 11-10	
116.....	Vol.	24-138	18	MR53	M27			18-250	12	TC42					4	1A7GT, 1N5GT, 1H5GT, 1C5GT	455 11-8,9	
118.....	Vol.	24-144	18	MR48	M26			18-254	1	FP227	B117				6	6SA7GT, 6SK7GT, 6SO7GT, 6P5GT, 6K6GT, 5W4GT	455 11-10	
118.....	Vol.	24-144	18	MR48	M26			18-243	19	TC26					6	6SA7GT, 6SK7GT, 6SO7GT, 6P5GT, 6K6GT, 5W4GT	455 11-10	
119.....	Vol.	* 24-144	18	MR48	M26			18-255	1	2N511					6	6SA7GT, 6SK7GT, 6SO7GT, 6P5GT, 25L6GT, 25Z5GT	455 11-10	
120.....	Vol.	24-138	18	MR53	M27			18-257	24	2N511					5	1A7GT, 1N5GT, 1P5GT, 1A5GT, 35Z4GT	455 11-10	
120.....	Vol.	24-138	18	MR53	M27			18-258	24	TC44					5	1A7GT, 1N5GT, 1P5GT, 1A5GT, 35Z4GT	455 11-10	
121.....	Vol.	24-146	18	MR48	M26			18-259	1	TC39					6	6SA7GT, 6SK7GT, 6SO7GT, 6P5GT, 25L6GT, 25Z5GT	455 11-11	
121.....	Vol.	24-146	18	MR48	M26			18-255	1	2N511					6	6SA7GT, 6SK7GT, 6SO7GT, 6P5GT, 25L6GT, 25Z5GT	455 11-11	
123.....	Vol.	24-143	45			See Note A19		18-256	1	FP234					7	6SA7GT, 6P5GT, 6SK7GT, 6SO7GT, 6K6GT, 5W4GT	455 11-11	
123.....	Vol.	24-143	45			See Note A19		18-243	19	TC22					7	6SA7GT, 6P5GT, 6SK7GT, 6SO7GT, 6K6GT, 5W4GT	455 11-11	
125.....	Vol.	24-146	18	MR48	M26			18-255	1	2N511					6	6SA7GT, 6SK7GT, 6SO7GT, 6P5GT, 25L6GT, 25Z6GT	455 11-11	
130.....	Vol.	24-124	18	MR48	M26			18-232	6	TC48					5	6A7, 6D6, 75, 25L6G, 25Z5, BM498	455 11-12	
130.....	Vol.	24-124	18	MR48	M26			18-235	15	TC22					5	6A7, 6D6, 75, 25L6G, 25Z5, BM498	455 11-12	
131.....	Vol.	24-150	18	MR53	M26			18-263	24	2N509					5	1A7GT, 1N5GT, 1H5GT, 1T5GT, 35Z5GT	455 12-1	
131.....	Vol.	24-150	18	MR53	M26			18-262	24	2N509					5	1A7GT, 1N5GT, 1H5GT, 1T5GT, 35Z5GT	455 12-1	
142.....	Vol.	24-127	6			See Note A5		18-234	1/15	3N533					4	6D6, 6F5G, 25L6G, 25Z5	455 11-12	
148, 148-2	Vol.	24-123	127	MR53	M26			18-226	1	TCD72					6	6A7, 6D6, 75, 76, 6AC5G, 80	455 11-13	
148, 148-2	Tone	26-118	22	MR48														

‡ Data not substantiated.

\* IMPORTANT: Read Notes in Note Section if specified in Note Column.

‡ Indicates miscellaneous section.

BE SURE TO SPECIFY MALLORY RADIO AND ELECTRONIC PARTS.

MANUFACTURER AND MODEL	CONTROLS							CONDENSERS				VIBRATORS			No. Tubes	Complete Tube Complement	I. F. Peak	Rider's Reference
	Use	Original Part	Circuit	Correct Replacement	Switch	Bias	*Note	Original Part	Circuit	Correct Replacement	*Note	Original Part	Replacement	*Note				
AUTOCRAT—Continued																		
168.....	Vol. Tone	24-123-26-118	127-22	MR53 MR48	M26			18-226	1	TC42					7	6A7, 6D6, 75, 76, 6AC5G, 6G5, 80	455	11-13
213.....								18-241	1	2N509					2	6A7, 76		11-2
359.....	Vol.		18	UM154	M26		A96	4-4-.0038	23	TCS71 Buffer	B14		Order from Mfr.	5	6A7, 6D6, 6Q7G, 41, 84	456	11-14	
401, 401V	Vol.	24-152	18	MR48	M26			18-265	24/15	3N533				4	12SA7, 12SQ7, 50L6GT, 35Z5GT	455	12-2	
406.....	Vol.		7					5	15	TC32				4	6D6, 6C6, 38, 12Z3	455	7-2	
411.....	Vol.	24-152	18	MR48	M26		See Note A5	18-265	24/15	3N533				4	12SA7, 12SQ7, 50L6GT, 35Z5GT	455	12-2	
422.....	Vol.	24-154	18	MR53	M27			18-250	19	TC42				4	1A7GT, 1N5GT, 1H5GT, 1Q5GT	455	12-2	
431.....	Vol.	24-148	18	MR53	M27			18-250	19	TC42				4	1A7GT, 1N5GT, 1H5GT, 1Q5GT	455	12-1	
501, 501U	Vol.	24-153	18	UM154	M26		A96	18-266	24	2N513				5	12SA7, 12SK7, 12SQ7, 50L6GT, 35Z5GT	455	12-3	
503.....	Vol.	24-153	18	UM154	M26		A96	18-266	24	2N513				5	12SA7, 12SK7, 12SQ7, 50L6GT, 35Z5GT	455	12-3	
505.....	Vol.	505B	18	UM154	M26		A96	505F 5-.03	1 15	2N518 TC32		505V	294	C3	5	6A7, 6D6, 75, 41, 84	456	7-1
518, 618	Vol. Tone		17-22	UM154 UM140			A96	4-8	4	Buffer 2S567	B14	505V	294	C3	6	6D6, 6C6, 75, 41, 84	456	7-2
521.....	Vol.	24-153	18	UM154	M26		A96	4-.0075	15	TC32								
531.....	Vol.	24-150	18	MR53			A96	18-266	24	Buffer 2N513	B14				5	12SA7, 12SK7, 12SQ7, 50L6GT, 35Z5GT	455	12-3
533.....	Vol.	24-150	18	MR53				18-263 18-262	24 24	2N509 2N509					5	1A7GT, 1N5GT, 1H5GT, 1T5GT, 35Z5GT	455	12-1
601.....	Vol.	24-153	18	UM154	M26		A96	18-266	22	2N513					6	12SK7, 12SA7, 12SQ7, 35L6GT, 35Z5GT	455	12-4
611.....	Vol.	24-146	18	MR48	M26			18-267	1/15	FP339					6	6SK7, 6SA7, 6SQ7, 6K6GT, 5W4GT	455	12-4
AUTOMATIC																		
ATTP	Vol.	RV47	18	MR51				CE-60	24/78	Order from Mfr.					4	1R5, 1T4, 1S5, 3S4	455	16-1
Tomboy	Vol.	RV44B	18	Order from Mfr.				VEC-3	12	TC45					4	1R5, 1T4, 1S5, 3S4	455	
Tom Thumb Jr.			1	Order from Mfr.				VEC-3	12	TC45					5	1R5, 1T4, 1S5, 3S4	455	
AL	Vol.	AS508	17	MR48				AC511	4	2S567	B33	AV506	292	C3	5	6A7, 6D6, 75, 41, 84	480	7-3
A5.....	Vol.		17	UM154			See Note A96	4-8	4	Buffer 2S567	B14 B33	AV506	292	C3	5	6A7, 6D6, 75, 41, 84	480	7-3
B10, B10P, B10LW, B15	Vol.	RV14	88	UM160-SS1	M26	EX200		CE8	24/15	4S715/TC22	B256				4	6D6, 6C6, 43, 25Z5		7-2
B30 Series I	Vol.	RV18	18	MR44	M26			CE15	1/15	2N509/TN111					5	6A7, 6D6, 75, 43, 25Z5	456	8-2
B30 Series II	Vol.	RV18	18	MR44	M26			CE20	23	TCS45					5	6A7, 6D6, 6Q7, 25L6, 25Z5	456	8-3
B37, B38	Vol.	RV18	18	MR44	M26			CE20	23	TCS45					6	6A7, 6D6, 6Q7G, 25L6G, 6E5, 25Z5	456	
B40 Series II	Vol.	RV24	18	MR44	M26			CE16	1/15	4S715					5	6A7, 6D6, 6Q7, 25L6, 25Z5	456	8-4
B70, B80, B85, B85LW	Vol. Tone	RV24	18	MR44	M26			CE11	1/13	TN129					7	6A7, 6D6, 37, 6E5, 6C6, 25B6, 25Z5	456	8-6
B100	Vol.	RV17 RV18	21 18	MR48 MR44	M26			5	15	TC32					6	6A7, 6D6, 76, 75, 25L6G, 25Z5	456	
C4	Vol.		7	MR28	M26	EX300		5-20-8	24/15	3N527					3	6D6, 6C6, 25A8		7-1
C-60	Vol.	RV44B	18	MR51	M27				24	FP304					5	1R5, 1T4, 1S5, 3Q4, 0Y4	455	15-1
C-60X	Vol.	RV44B	18	MR51	M27			CE-60	24/78	FP304					4	1R5, 1T4, 1S5, 3Q4	455	16-1
D5	Vol.	RV14	88	UM160-SS1	M26	EX200		CE8	24/15	4S715/TC22	B256				4	6D6, 6C6, 43, 25Z5		7-2
D55	Vol.		88	MR48				16-16-8	24/13	2N509/TC42					4	6D6, 6C6, 43, 25Z5		9-1
J50	Vol. Tone		17	UM154			A96	4-8	4	2S567	B33	AV506	292	C3	5	6A7, 78, 75, 41, 84	480	7-3
J60	Vol. Tone		21	MR48			A96	.02	4	Buffer	B14				6	6A7, 78, 75, 41, 6E5, 84	480	7-3
J80	Vol. Tone	ARV16	17	UM154			A96	4-8	4	2S567	B33	AV506	292	C3	6	6A7, 78, 75, 41, 6E5, 84	480	7-3
M10	Vol. Tone	ARV15	22	MR48				1082010	1	2N518	B14	108512	292	C3	8	78, 6A7, 75, 76, 741, 84	456	7-4
M10	Vol.	RV19	18	MR48	M26			.02	40	Buffer TCS74	B14	V200	294	C3	5	6A7, 6D6, 75, 41, 84	456	8-1
M20	Vol. Tone	RV19	18	MR48	M26			CE30	40	Buffer TCS74	B14	V200	294	C3	5	6A7, 6D6, 75, 41, 6X5	456	8-1
M60	Vol. Sen.	RV19	17	MR48	M26			.007	40	Buffer TCS74	B14	V200	294	C3	5	6A7, 6D6, 75, 41, 6X5	456	8-1
M66	Vol.	RV20	7	D			See Note A5	CE12	4	2S569	B33	V100	294	C3	6	6D6, 6A7, 6Q7G, 41, 84	456	8-5
			18					.007	40	Buffer 2S569	B14		859	C3	6	6K7GT, 6A8GT, 6Q7GT, 41, 6X5GT	456	11-3,4

† Data not substantiated.

\* IMPORTANT: Read Notes in Note Section if specified in Note Column.

‡ Indicates miscellaneous section.

MANUFACTURER AND MODEL	CONTROLS							CONDENSERS				VIBRATORS			No. Tubes	Complete Tube Complement	I. F. Peak	Rider's Reference
	Use	Original Part	Circuit	Correct Replacement	Switch	Bias	*Note	Original Part	Circuit	Correct Replacement	*Note	Original Part	Replacement	*Note				
AUTOMATIC—Continued																		
M70.....	Vol. Tone	RV15 RV22	18 22	UM154 MR34	M26		A96	CE12H 8 5	23 13 15	2S569 ST595 TC32	B33	V94	294	C3	6	6D6, 6A7, 6Q7G, 41, 6X5	456	
M80.....	Vol. Tone Sen.	RV15 RV22 RV21	18 21 48	UM154 MR34 C100P	M26		A96	CE12H 8 .008	23 13	Buffer 2S569 ST595	B14 B33	V94	294	C3	8	6D6, 6A7, 6Q7G, 76, 76B5, 0Z4	456	8-7
P25.....	Vol.		12	Y250MP	6			8-8	4	See Note	B3				4	35, 24, 47, 80		3-2
P35, 34.....	Vol.		12	MR33	M26			8, 8	4	ST595					5	24, 47, 80		2-2
P40.....	Vol.		18	MR51	M27			200-30-25	†	See Note	B3				5	1A7GT, 1N5GT, 1H5GT, 1T5GT, 35Z5	456	12-4
P41.....	Vol.		18	MR51	M27			25-20-20-200	†	See Note	B3				5	1A7GT, 1N5GT, 1H5GT, 1T5GT, 25Z6GT	456	12-4
P43.....	Vol.		18	UM158	M27		A96	20	12	TC47					4	1A7G, 1N5G, 1H5G, 1C5G	456	11-1,2
P45.....	Vol.		18	UM158	M27		A96	20	12	TC47					4	1A7G, 1N5G, 1H5G, 1C5G	456	11-1,2
P50.....	Vol.		18	MR51	M27			30-25-200	†	See Note	B3				5	1A7GT, 1N5GT, 1H5GT, 1T5GT, 35Z5	456	12-4
P51.....	Vol.		18	MR51	M27			25-20-10-200	†	See Note	B3				5	1A7GT, 1N5GT, 1H5GT, 1T5GT, 25Z6GT	456	12-4
P57, P58.....	Vol.		18	UM158	M27		A96	10-10 20 100	24 24 24	2N509 TC47 TC2501					5	1A7G, 1N5G, 1H5G, 1A5G, 25Z6	456	11-1,2
P60.....	Vol.	RV44	149	MR48	M27			30-30	74	2S556					4	1R5, 1T4, 1D8, 35Z5	456	13-2
P61.....	Vol.		18	UM158	M27		A96	10-10 20 100	24 24 24	2N509 TC47 TC2501					5	1A7G, 1N5G, 1H5G, 25Z6	456	11-1,2
P72.....	Vol.		18	MR51	M27			25-20-10-200	24	See Note	B3				5	1A7GT, 1N5GT, 1H5GT, 1T5GT, 25Z6GT	456	11-5
P224 (Midget Tom Thumb) R6, R61, R63	Vol.		12	MR24				8, 8	4	ST595					6	24, 45, 30		3-1
S6.....	Vol.		7	F	6	2		20-8-5-5	6/15	4S715					5	6A7, 6D6, 75, 25B6, 25Z5	456	10-1
44, V45, V46, C45, P46	Vol.		7	A5MP				8, 8	4	ST595					6	24, 47, 80		2-1
100, 101.....	Vol.		88	MR39	M26			20-20	24	2N509					4	12K7, 12SQ7, 50L6, 35Z5		12-2
102.....	Vol.		18	MR44				20, 20	25	TC47					5	12SA7, 12SK7, 12SQ7, 50L6, 35Z5	456	12-3
105, 106.....	Vol.		18	MR44				20, 20	25	TC47					5	12SA7, 12SK7, 12SQ7, 50L6, 35Z5	456	12-3
110, 111.....	Vol.	RV-46	18	MR44				20, 20	25	TC47					5	12SA7, 12SK7, 12SQ7, 50L6, 35Z5	456	12-5
115.....	Vol.		18	MR44				20, 20	25	TC47					5	12SA7, 12SK7, 12SQ7, 50L6, 35Z5	456	12-6
116, 117.....	Vol.		18	MR44				20, 20	25	TC47					5	12SA7, 12SK7, 12SQ7, 50L6, 35Z5	456	12-3
120.....	Vol.		18	MR44				20, 20	25	TC47					5	12SA7, 12SK7, 12SQ7, 50L6, 35Z5	480	12-7
125.....	Vol.		18	MR44				20, 20	25	TC47					5	12SA7, 12SK7, 12SQ7, 50L6, 35Z5	480	12-7
130.....	Vol.		18	MR44				20, 20	25	TC47					5	12SA7, 12SK7, 12SQ7, 50L6, 35Z5	480	12-7
135.....	Vol.	RV-50	18	MR48	M26			20-20 4	10 10	FP227 TC42					7	6SD7, 6SA7, 6SK7, 6SQ7, 6J5, 25L6, 25Z6	456	12-8
140AC.....	Vol.		18	MR48				50-30	24	2N520					5	12SA7, 12SK7, 12SQ7, 50L6, 35Z5	456	12-9
145AC.....	Vol.		18	MR48				50-30	24	2N520					5	12SA7, 12SK7, 12SQ7, 50L6, 35Z5	456	12-10
148AC.....	Vol.		18	†			A3	20-20-20	10	See Note	B3				5	12SA7, 12SK7, 12SQ7, 35L6, 50Y6	480	12-11
152AC.....	Vol.	RV-46	18	MR44				20-20	24	FP211					4	12K7, 12SQ7, 50L6, 35Z5		12-12
155.....	Vol.	RV-46	18	MR44				20-20	24	FP211					4	12K7, 12SQ7, 50L6, 35Z5		12-12
158.....	Vol.	RV-46	50	MR44				20-20	24	2N509					3	12SQ7, 50L6, 35Z5		12-13
160.....	Vol.	RV-46	50	MR44				20-20	9	2N509	B190				3	12SQ7, 50L6, 50Y6		12-13
170.....	Vol. Tone	RV-52	22	MR44				20	9	TC55	B190				3	12SQ7, 50L6, 50Y6		12-13
175AC.....	Vol. Tone	RV-46	22	MR44				20	9	TC55	B190				3	12SQ7, 50L6, 50Y6		12-13
	Vol.	RV-46	18	MR44				30-20 20 10	10 10 15	2N513 TC47 TC22					6	7C6, 12SA7, 12SK7, 7B7, 35L6, 50Y6	456	12-14

† Data not substantiated.

\* IMPORTANT: Read Notes in Note Section if specified in Note Column.

‡ Indicates miscellaneous section.

MANUFACTURER AND MODEL	CONTROLS							CONDENSERS				VIBRATORS			No. Tubes	Complete Tube Complement	I. F. Peak	Rider's Reference
	Use	Original Part	Circuit	Correct Replacement	Switch	Bias	*Note	Original Part	Circuit	Correct Replacement	*Note	Original Part	Replacement	*Note				
AUTOMATIC—Continued																		
202, 203, 204, 205, 206.....	Vol.		18	MR48.....	M26			20-20.....	25	*TC45.....					5	12SA7, 12SK7, 12SQ7, 50L6, 35Z5.....	455	13-5
210.....	Vol.		18	MR44.....	M26			20-20.....	25	*TC45.....					5	12SA7, 12SK7, 12SQ7, 50L6, 35Z5.....	480	13-6
215, 220.....	Vol.		18	MR44.....	M26			20-20.....	25	*TC45.....					5	12SA7, 12SK7, 12SQ7, 50L6, 35Z5.....	480	13-7
245.....	Vol.		†	MR44.....	M26			50-30.....	24	2N520.....					5	12SA7, 12SK7, 12SQ7, 50L6, 35Z5.....	456	14-1
250 AC.....	Vol.		18	MR44.....				50-30.....	24	2N520.....					5	12SA7, 12SK7, 12SQ7, 50L6, 35Z5.....	455	13-8
265.....	Vol. Tone		50	MR44.....	M26			20-20-20.....	9	TCS45/TC55.....					3	12SQ7, 50L6, 50Y6.....		14-2
347.....	Vol.		†	MR48.....	M26			50-30.....	24	2N520.....					5	12SA7, 12SK7, 12SQ7, 50L6, 35Z5.....	456	14-1
351.....	Vol.		†	MR44.....	M26			50-30.....	24	2N520.....					5	12SA7, 12SK7, 12SQ7, 50L6, 35Z5.....	456	14-1
362.....	Vol. Tone		50	MR44.....	M26			20-20-20.....	9	TCS45/TC55.....					3	12SQ7, 50L6, 50Y6.....		14-2
400, 401.....	Vol.		88	MR48.....		See Note A3		10-20.....	24	2N509.....					4	6K7GT, 6J7GT, 25L6GT, 25Z6, BM55V.....		11-5
402, 403, 404, 405, 406.....	Vol.		18	MR48.....				20, 20.....	25	TC47.....					5	12A8GT, 12K7GT, 12SQ7GT.....	456	11-6
408.....	Vol.		18	MR48.....				20, 20.....	25	TC47.....					5	12A8GT, 12K7GT, 12SQ7GT.....	456	11-6
420.....	Vol.		18	MR44.....	M26			20-20.....	1	2N509.....					5	12SA7, 12SK7, 12SQ7, 50L6GT, 35Z5.....	456	11-7
430.....	Vol.		18	MR44.....	M27			20, 20.....	25	TC47.....					5	12SA7, 12SK7, 12SQ7, 50L6, 35Z5, T51.....	456	11-7
432.....	Vol.		18	MR48.....	M26			20-20.....	1	2N509.....					5	12SA7, 12SK7, 12SQ7, 50L6GT, 35Z5GT.....	456	11-6
434A.....	Vol.		18	MR48.....	M26			20-20.....	1	2N509.....					5	12SA7, 12SK7, 12SQ7, 50L6GT, 35Z5.....	456	11-7
436.....	Vol.		18	MR44.....	M26			20, 20.....	25	TC47.....					5	12SA7, 12SK7, 12SQ7, 50L6, 35Z5.....	456	11-7
440, 441.....	Vol.		18	MR48.....				20, 20.....	25	TC47.....					5	12A8GT, 12K7GT, 12SQ7GT.....	456	11-6
442, 443.....	Vol.		18	MR48.....				20, 20.....	25	TC47.....					5	12A8GT, 12K7GT, 12SQ7GT.....	456	11-6
444.....	Vol.		18	MR48.....				20, 20.....	25	TC47.....					5	12A8GT, 12K7GT, 12SQ7GT.....	456	11-6
446.....	Vol.		18	MR48.....				20, 20.....	25	TC47.....					5	12A8GT, 12K7GT, 12SQ7GT.....	456	11-6
448.....	Vol.		18	MR44.....	M26			20, 20.....	25	TC47.....					5	6K8GT, 6K7GT, 6SQ7GT, 25L6GT, 25Z6GT, BM49B.....	456	11-5
450.....	Vol.		18	MR44.....	M26			20, 20.....	25	TC47.....					5	6K8GT, 6K7GT, 6SQ7GT, 25L6GT, 25Z6GT, BM49B.....	456	11-5
452.....	Vol.		18	MR44.....	M26			20, 20.....	25	TC47.....					5	6K8GT, 6K7GT, 6SQ7GT, 25L6GT, 25Z6GT, BM49B.....	456	11-5
454.....	Vol.		18	MR44.....	M26			20, 20.....	25	TC47.....					5	6K8GT, 6K7GT, 6SQ7GT, 25L6GT, 25Z6GT, BM49B.....	456	11-5
480.....	Vol.		18	MR48.....				20, 20.....	25	TC47.....					5	12A8GT, 12K7GT, 12SQ7GT, 50L6GT, 35Z5GT, BM49B.....	480	11-6
601, 602 (Series A).....	Vol.	RV46.....	18	MR44.....	M26		A111		24	TC49, TC45.....					5	12SA7GT, 14A7/12B7, 12SQ7GT.....	455	
601, 602 (Series B).....	Vol.	RV46.....	18	MR44.....	M26		A111		24	TC47, TC47.....					5	12BE6, 12BA6, 12AT6, 50L6GT, 35W4.....	455	16-2
611.....	Vol.	RV-46.....	18	MR44.....	M26				24	TC49, TC45.....					5	12SA7GT, 12SK7GT, 12SQ7GT, 50L6GT, 35Z5GT.....	455	15-2,4
612X, 613X.....	Vol.	RV-46.....	18	MR44.....	M26				24	TC49, TC47.....					6	12SK7GT, 12SA7GT, 12SQ7GT, 35L6GT, 35Z5GT.....	456	15-2,4,5
614X, 116X.....	Vol. (Late) (Early)	RV-46.....	18	MR53.....	M26		A112		24	TC49, TC47.....					6	12SK7GT, 12SA7GT, 12SQ7GT, 35L6GT, 35Z5GT.....	455	15-4,5

† Data not substantiated.

\* IMPORTANT: Read Notes in Note Section if specified in Note Column.

‡ Indicates miscellaneous section.

MANUFACTURER AND MODEL	CONTROLS							CONDENSERS				VIBRATORS			No. Tubes	Complete Tube Complement	I. F. Peak	Rider's Reference
	Use	Original Part	Circuit	Correct Replacement	Switch	Bias	*Note	Original Part	Circuit	Correct Replacement	*Note	Original Part	Replacement	*Note				
AUTOMATIC—Continued																		
620.....	Vol.	RV-46.....	18	MR44.....	M26				24	TC49. TC47.....					6	*12SK7, 12SA7, 12SQ7GT, 35L6GT, 35Z5GT..	455 16-3	
630.....	Vol.	RV-46.....	24	MR44.....	M26				24	TC49. TC45.....					6	*12SK7GT, 12SA7GT, 12SQ7GT, 35L6GT, 35Z5GT..	455 15-2,3	
640 (Series B).....	Vol.	RV-46.....	18	MR44.....	M26		A111		24	TC49. TC47.....					5	14Q7/12SA7, 14A7/12SK7, 14B6/12SQ7, 50A5/50L6GT, 35Y4/35Z5GT..	455 15-7,4	
650.....	Vol.	RV-46.....	18	MR44.....	M26				24	TC49. TC47.....					6	*12SK7GT, 12SA7GT, 12SQ7GT, 35L6GT, 35Z5GT..	455 15-7,4	
660, 662, 666.....	Vol.	RV-46.....	18	MR44.....	M26		A111		24	TC49. TC47.....					6	*12SK7GT/14A7, 12SA7GT/14Q7, 12SQ7GT/14B6, 35L6GT, 35Z5GT/ 35Y4.....	455 15-5,6	
670.....	Vol.	RV-46.....	18	MR44.....	M26				24	TC49. TC47.....					6	*12SK7GT, 12SA7GT, 12SQ7GT, 35L6GT, 35Z5GT..	455 15-8,4	
677.....	Vol.	RV-46.....	18	MR44.....	M26		A111		96 13	TC49/TC49 TC47.....					7	*14A7/12SK7GT, 14Q7/12SA7GT, 14B6/12SQ7GT, 50L6GT, *35Y4/*35Z5GT..	455 15-4,8	
720.....	Vol.	RV-46.....	18	MR44.....	M26		A111		24	TC49. TC47.....					6	*12SK7GT, 12SA7GT, 12SQ7GT, 35L6GT, 35Z5GT..	455 16-4	
F-790.....	Vol. Tone	RV-46.....		MR44. MR51.....	M26				88	TC49.....					9	*12SK7GT, 12SA7GT, 12SQ7GT, *50L6GT,*35Z5GT..	455 16-3	
845.....	Vol.		18	MR39.....	M26			20, 20.....	25	TC47.....					5	6A7, 6D6, 6Q7G, 25L6G, 25Z5.....	456 9-2	
850.....	Vol.	RV18.....	18	MR44.....	M26			CE20.....	23	TCS45.....					6	6A7, 6D6, 6Q7G, 6E5, 25L6G, 25Z5.....	456 8-8	
855.....	Vol.	RV18.....	18	MR44.....	M26			40-20.....	4	2S556.....					6	6A7, 6D6, 76, 6Q7G, TC22.....	456 9-3	
860.....	Vol.	RV18.....	18	MR44.....	M26			CE21.....	23	TCS45.....					6	6A7, 6D6, 76, 75, 25L6G, 25Z5.....	456.....	
878.....	Vol. Tone	RV29.....	18	MR44.....	M26			CE22.....	4	2S556.....					8	6A7, 6D6, *76, 6U5, TC22.....	456 9-4	
892.....	Vol. Tone	RV31.....	22	MR48.....	M26			CE24.....	24	TN129.....					10	6C6, 25B6G, 25Z5, TC22.....	456 9-5,6	
911.....	Vol. Sen.		7	MR48. F.....			A14											
	Vol.		18	MR51.....	M26			20-20.....	40	See Note Buffer.....	B3 B14		859	C3	5	6A8, 6K7GT, 6S07GT, 6W6GT, 6X3GT.....	456 11-8	
933, 935.....	Vol.		88	MR53.....	M26			16-16.....	24	2N509.....					4	6K7GT, 6J7GT, 6X3GT.....	456 9-2	
933 Series 2.....	Vol.	RV34.....	88	MR53.....	M26			CE36.....	6/13	FP354.....					4	25L6GT, 25Z6GT, 6K7GT, 6J7GT.....	9-1	
939.....	Vol.		18	MR48.....				20, 20.....	25	TC22. TC47.....					5	25A6GT, 25Z6GT, 6A7, 6D6, 6Q7G, 25L6G, 25Z5, BM49B.....	480 11-3	
949.....	Vol.		18	MR48.....				20, 20.....	25	TC47.....					5	6A7, 6D6, 6Q7G, 25L6G, 25Z5, BM49B.....	480 11-3	
950, 955.....	Vol.		18	MR53.....	M26			20, 20.....	25	TC47.....					5	6A8GT, 6K7GT, 6Q7GT, 25L6GT, 25Z6GT.....	456 9-2	
960, 963.....	Vol.		18	MR39.....	M26			20, 20.....	25	TC47.....					5	6A7, 6D6, 6Q7G, 25L6G, 25Z5G.....	456 9-2	
975.....	Vol.		18	MR44.....	M26			20, 20.....	25	TC47.....					6	6K8GT, 6D6, 6Q7GT, 25L6G, 25Z6G.....	456 11-3	
979.....	Vol.		18	MR44.....	M26			20, 20.....	25	TC47.....					6	6K8GT, 6K7GT, 6Q7G, 25L6G, 25Z6GT, 6G5.....	456 11-3	
988.....	Vol.		18	MR44.....	M26			20, 20.....	25	TC47.....					6	6K8GT, 6D6, 6Q7GT, 25L6G, 25Z6GT, 6G5.....	456 11-3	
JR (AR224).....	Vol.		15	UM154.....			A96	E1365GL.....	1	3S582/TN111 Buffer.....	B29 B14		292	C3	6	*6D6, 37, 6C6, 41, 84.....	456 11-3 *6-3	
Tom Thumb Personal 3 in 1.....	Vol.	RV44.....	18	MR48.....	M27			30, 30.....	25	TC92.....					4	1R5, 1T4, 1D8, 117Z6	456 13-1	
Tom Thumb Portable.....	Vol.		18	MR44.....	M26										4	1R4, 1T4, 1S5, 1S4...	456 12-1	
SG4 (Tom Thumb). Tom Thumb (Steering Post)....	Vol.		31	A400P.....											4	22, *99.....	1-1	
	Vol.		7	G.....				See Note A1							4	*78, 77, 41.....	4-1,2	

‡ Data not substantiated.

\* IMPORTANT: Read Notes in Note Section if specified in Note Column.

§ Indicates miscellaneous section.

MANUFACTURER AND MODEL	CONTROLS							CONDENSERS				VIBRATORS			No. Tubes	Complete Tube Complement	I. F. Peak	Rider's Reference
	Use	Original Part	Circuit	Correct Replacement	Switch	Bias	*Note	Original Part	Circuit	Correct Replacement	*Note	Original Part	Replacement	*Note				
AVIOLA 501, 512.....	Vol.	R-1043.....	18	MR48.....	M26			12104. 12105-10.	88 15	TN129. TC22				5	12SA7, 12SK7, 12SQ7, 50L6GT, 35Z5GT.	455	16-1	
509, 518.....	Vol. Tone	R-1043 R-1247	161 191	MR48 MR50	M26			12104. 12105-10.	88 15	TN129. TC22				5	12SA7, 12SK7, 12SQ7, 50L6GT, 35Z5GT.	455	16-2	
601, 612.....	Vol. Vol.	R-1043-1	18 18	MR48 UM159-SS25	M26 M26		A114 A115	R-1241-1. 12101-40. 12105-10.	88 88 15	2N514. TC48 TC22				6	12SK7, 12SA7, 12SQ7, 35L6GT, 35Z5GT.	455		
608, 618.....	Vol. Tone	R-1043-2 R-1247	161 175	MR48 MR50	M26			12105-10.	88 88 15	2N514. TC48 TC26				6	12BA6, 12BE6, 12AT6, 35L6GT, 35W4.	455		
AZTEC RADIO CO. Aztec.....	Vol.		6	MR18.....			A14	8-8.....	1	2N518.....				5	24, 47, 80.....		§3-2	
BAIRD—See Gen. Ele tronics	Corp.																	
BALDWIN 45.....	Vol.		6	MR21.....				2-4.....	4	See Note.....	B3			4	24, 45, 80.....		4-1	
47.....	Vol.		6	MR24.....				2-8.....	4	See Note.....	B3			4	35, 24, 47, 80.....		4-1	
54.....	Vol.		18	UM154.....		See Note	to A96	6-10.....	4	See Note.....	B3	294	C3	5	6A7, 6D6, 75, 42, 84.....			
64.....	Vol.		18	UM154.....		See Note	to A96	.02.....	4	Buffer.....	B14			6	6D6, 6A7, 75, 42, 84.....			
80.....	Vol. Sen.		6 7	MR21 MIMP				6-10..... .02..... 2-2.....	4 1	See Note..... Buffer..... See Note.....	B3 B14 B1	294	C3	8	24, 27, 45, 80.....		§1-1	
BALKEIT A3, A5, A7.....	Vol.		11	MR33.....				.....	3	See Note.....	B1			8	27, 12A, 80.....		1-2	
B7, B9.....	Vol.		3	FI2.....				2-3-4.....	3	See Note.....	B7			9	401A, 50, 31, 10.....		1-1	
C.....	Vol. Sen.		6 7	MR21 M2MP				2-2-2.....	3	See Note.....	B1			9	27, 45, 80.....		1-3	
D5.....	Vol.		7	MR34.....				.....	4	2S567.....	B33			5	58, 56, 47, 80.....		4-3	
E.....	Vol. Tone		6 22	MR21 MR18	M26		A10	4-4.....	4	2N518.....				5	24, 27, 45, 80.....		3-4	
F.....	Vol.		6	MR21.....				4.....	3	ST595.....				8	27, 24, 45, 80.....		1-4	
G16A, G19B.....	Vol. Tone		18 34	MR21 MR48		See Note	to A5	8-8-8.....	3	3S584.....				6	6A7, 6K7, 6H6, 6F5, 6F6, 80.....	456	6-2	
G20.....	Vol. Tone		18 44	MR48.....		See Note	to A3	4.....	32	RS213.....				7	6A8, 6K7, 6H6, 6A6, 6F6, 80.....	456	6-3	
G200X.....	Vol. Tone		18 44	MR48.....		See Note	to A3	4.....	32	RS213.....				7	6A8, 6K7, 6H6, 6A6, 6F6, 80.....	456	6-3	
GT16A.....	Vol.		18	MR45.....		See Note	to A3	4-8-12.....	8	TN125.....				5	6C6, 6D6, 75, 43, 25Z5.....	456	6-1	
GT33.....	Vol.		18	MR48.....				10-10.....	15	TN111.....				6	6A7, 6D6, 75, 43, 25Z5.....	456	6-4	
GT156BA.....	Vol.		45	MR48.....	M27			18-6.....	6	2N509.....		P402	245C	6	1C6, 34, 30, 32, 33.....	456	6-5, 6	
KP.....	Vol. Tone		6 22	MR21 MR53				8-8.....	1	2N518.....				5	24, 47, 80.....		3-5	
L5.....	Vol. Tone	P660 P661	18 34	MR48 MR39	M26			.01-.01 8, 8.....	4	Buffer ST595.....	B14			7	5Z4, 6F5, 6F6, 6H6, 6K7, 6L7, 6C5.....	456		
L6.....	Vol. Tone	P660 P661	18 44	MR48 MR39	M26			P474..... P160..... P304.....	32 32 15	RS213..... 2S567..... TC22.....	B81			8	5Z4, 6C5, 6F6, 6K7, 6L7, 6Q7.....	456		
L7 ('36).....	Vol. Tone	P691 P682	45 1	Order from MR39	Mfr.			P391.....	1	2N516.....		P402	245C	7	1C6, 19, 30, 34.....	456		
L7 ('31).....	Vol. Tone		6	MR21.....				.01-.01 8, 8.....	4	Buffer RS213.....	B14			7	27, 35, 24, 47, 80.....	175	3-6	
L8.....	Vol. Tone		7 41	H..... MR53	6			4-4-4.....	3	3S584.....				8	51, 27, 47, 80.....	175	4-9	
M.....	Vol. Tone		6 22	MR21 MR53		EX300		8-8.....	4	RS213.....				4	24, 47, 80.....		4-2	
ML1, ML2.....	Vol.		18	Order from	Mfr.			4.....	7	RS213.....				6	6A7, 6K7, 6H6, 6F5, 6F6, 80.....	456		
SG6.....	Vol. Tone		6 22	MR21 MR18				8-4.....	7	2N518.....				6	24, 27, 45, 80.....		4-1	
Z4.....	Vol. Tone	P680 P682	45 44	Order from MR39	Mfr.			8-4.....	3	2N518.....		P402	245C	6	1C6, 19, 30, 32, 34.....	456		
Z5.....	Vol. Tone	P691 P692	45 44	Order from MR39	Mfr.			P391..... .01-.01.....	1	2N516.....		P402	245C	6	1C6, 19, 30, 32, 34.....	456		
38.....	Vol.		6	MR48.....	M26	EX250		8-8.....	24	2N516.....	B14			4	6D6, 6C6, 38, 12Z3.....		5-1	
41A.....	Vol.		45	MR48.....				10.....	15	TC22.....				4	6D6, 6C6, 38, 12Z3.....			
42E, 42G.....	Vol. Vol.		6 6	MR18 MR45		EX200 EX250		8-4.....	1	2N518.....				6	6A7, 6D6, 6H6, 6F5, 6F6, 80.....	456	6-1	
48.....	Vol.		6	MR45.....				12-8.....	6	2S567.....	B33			4	58, 57, 47, 80.....		4-5	
52-1.....	Vol. Tone		6 22	MR21 MR53				10..... 16-12..... 10-10..... 4-4.....	15 1 15 4	TC22..... 2N509..... TN111..... 2S567.....	B6 B33			4	6D6, 6C6, 38, 25Z5.....		5-2	
														5	58, 57, 47, 80.....		4-6	

† Data not substantiated.

\* IMPORTANT: Read Notes in Note Section if specified in Note Column.

§ Indicates miscellaneous section.

MANUFACTURER AND MODEL	CONTROLS							CONDENSERS				VIBRATORS			No. Tubes	Complete Tube Complement	I. F. Peak	Rider's Reference	
	Use	Original Part	Circuit	Correct Replacement	Switch	Bias	*Note	Original Part	Circuit	Correct Replacement	*Note	Original Part	Replacement	*Note					
<b>BALKEIT—Continued</b>																			
54.....	Vol.		18	UM154.....		See Note	to A96	6-10	4	See Note.....	B3				5	6A7, 6D6, 75, 42, 84.	†		
55.....	Vol.		6	MR21.....				.02		Buffer.....	B14				5	57, 58, 47, 80.		4-7	
59.....	Vol.		6	MR18.....	M26	EX200		4-4	4	2S567.....	B33				5	6A7, 6D6, 75, 43,			
60.....	Vol.	718	18	MR48.....	M26			20-20	6	2N509.....					5	25Z5		5-3	
64.....	Vol.		18	UM154.....		See Note	to A96	10-10	15	TN111.....	B33				5	6A7, 6D6, 75, 42, 80.		456	
69.....	Vol.		6	G7.....	6	2		6-10	4	See Note.....	B3		294	C3	6	6A7, 6D6, 75, 42, 84.	†		
70.....	Vol.	718	18	MR48.....	M26			.02		Buffer.....	B14				6	6A7, 6D6, 85, 43,		456	
100.....	Vol. Tone		17	MR53.....				20-20	3	2N509.....					6	25Z5		5-3	
			41	MR53.....				3	13	TC42.....					5	6A7, 6D6, 75, 42, 80.		456	
								10	15	TC22.....					10	58, 55, 56, 45, 82.		175	
								701	23	2S567.....	B33								
								4-4	3	See Note.....	B3								
								20	20	TC26.....									
<b>BARKER BROS.</b>																			
L.....	Vol.		15	MR48.....	M26			4	3	TC92.....					10	58, 57, 55, 56, 46, 82.		262	6-1
M.....	Vol. Tone Sil.		15	MR48.....	M26			8-4	3	See Note.....	B3				10	57, 58, 56, 55, 59, 82.		262	6-1
P(2 Types).....	Vol. Tone		15	MR48.....	M26	See Note	to A5	4	1	See Note.....	B3				7	57, 58, 56, 55, 59, 82.		262	6-2
Tempo Tone.....	Vol. Treble Bass		15	MR48.....				8	1	ST595.....					12	6SK7, 6K8G, 6SJ7,			
			1	MR53.....				10	15	ST595.....						6H6, 6J5, 6U5,			
			103	MR48.....				37-266	1	FP389.....						6L6, 80		456	11-1
								33-266	1/13	FP389.....									
<b>BEL CANTO—See Amrad.</b>																			
<b>BELLE ELECTRONICS CORP.</b>																			
125-P.....	Vol.	8.200-1	18	MR53.....	M26		A106	5.400-8	88	2N511/TC45					5	12SA7, 12SK7, 12SQ7,		455	15-1
126.....	Vol.	8.200	18	MR53.....	M26		A106	5.400-7	88	Order from Mfr.					6	6SS7, 12SA7, 12SQ7,		455	15-2
<b>BELL SOUND SYST</b>																			
2075.....	Vol.		174	NN.....	6-9				24/15	FP311.....					2	117L7			
3715.....	Mic. Tone Phono	B-20066P39	34	MR53.....					2/24	FP142.....					7	7B7, 6SL7GT, 6N7,			
		B-20066P49	173	MR48.....	M26					FP145.....						6V6GT, 5U4G			
		B-20066P31	34	MR48.....						FP231.....									
3725.....	Vol. Treble Phono Bass		34	MR53.....	M26				15	TC22.....									
			34	MR48.....					15	TC29.....									
				MR48.....					99	TC75.....									
				MR48.....						FP321.....									
				MR48.....						FP145.....									
				MR48.....						FP145.....									
3728M.....	Mic. Bass Phono Treble	B-20066P39		MR53.....					15	TC29.....									
		B-20066P39		MR53.....					66/15	TX803.....			Order from Mfr.						
		B-20066P39		MR53.....						FP234/TC29	B6								
		B-20066P39		MR53.....						Buffer	B14								
				MR48.....	M27														
<b>BELL TONE—See Arking</b>																			
<b>BELMONT RADIO CORP.</b>																			
A-6D110.....	Vol.	101211	18	MK402.....	M26			11994	88	FP354.....					6	12SK7GT, 12SA7GT,		455	
3AW7.....	Vol.	A-10A-11377	164	MK401.....	M26			A-8011415	24	FP214.....					3	35L6GT, 35Z5GT,			
4BA1.....	Vol.	101250	149	MK402.....	M27			119117B	12	TC42.....					4	12SQ7GT, 50L6GT,			
4BA2.....	Vol. Tone	101-250	18	MK402.....	M27			119117B	12	TC42.....					4	35Z5GT			
4B16.....	Vol.	101250	149	MK402.....	M27			119117B	12	TC42.....					4	1A7GT, 1N5GT,		455	13-1,2
4B17.....	Vol.	A-10155	18	MK402.....	M27			119117	12	TC42.....					4	1H5GT, 3Q5GT		455	
4B112, 4B113.....	Vol.	101250	18	MK402.....	M27			119117	12	TC42.....					4	1A7GT, 1N5GT,		455	
5D16.....	Vol.	101266	18	MK401.....	M26			119-94	1	FP357.....					5	1H5GT, 3Q5GT		455	
								119-95	1	Order from Mfr.	B12				5	12SA7, 12SK7, 12SQ7,		455	
5DA1.....	Vol.	101-251	18	MK402.....	M26			119-92	24	FP354.....	B69				5	50L6GT, 35Z5GT		455	
5DA1 Series A.....	Vol.	101251	18	MK402.....	M26			11992	24	FP354.....	B69				5	12SA7, 12SK7, 12SQ7,		455	
5D110.....	Vol.	A-10A-10720	18	MK401.....	M26			A-8C1007	91	FP357.....					5	35L6GT, 35Z5GT,		455	
																12BE6, 12BD6,			
																12AT6, 50B5, 35W4		455	

† Data not substantiated.

\* IMPORTANT: Read Notes in Note Section if specified in Note Column.

‡ Indicates miscellaneous section.



MANUFACTURER AND MODEL	CONTROLS							CONDENSERS				VIBRATORS			No. Tubes	Complete Tube Complement	I. F. Peak	Rider's Reference
	Use	Original Part	Circuit	Correct Replacement	Switch	Bias	*Note	Original Part	Circuit	Correct Replacement	*Note	Original Part	Replacement	*Note				
BELMONT—Continued																		
5D128.....	Vol.	101198.....	18	MK402.....	M26			11992.....	24	FP306.....					5	12SA7GT, 12SK7, 12SQ7, 50L6GT, 35Z5GT.....	455	15-4,5
5P19.....	Vol.	101252.....	18	MK402.....	M27			119123.....	24/78	Order from Mfr.....					5	1A7GT, 1N5GT, 1H5GT, 1A5GT, 35Z5GT.....	455	.....
6A27.....	Vol. Tone	101232.....	18	MK402.....	M26			119115.....	1	2S569.....					6	6SA7, *6SK7, 6SQ7, 6V6GT, 5Y3G.....	455	14-2,3
6D14.....	Vol.	101218.....	18	MK402.....	M26			11994.....	46	FP357.....					6	*12SK7, 12SA7, 12SQ7, 35L6GT, 35Z5GT.....	455	.....
6D15.....	Vol.	101211.....	18	MK402.....	M26			11994.....	46	FP357.....					6	*12SK7, 12SA7, 12SQ7, 35L6GT, 35Z5GT.....	455	.....
6D18.....	Vol.	101211.....	18	MK402.....	M26			11994.....	46	FP357.....					6	*12SK7, 12SA7, 12SQ7, 35L6GT, 35Z5GT.....	455	14-4,5
6D19.....	Vol.	101211.....	18	MK402.....	M27			11994.....	46	FP357.....					6	*12SK7, 12SA7, 12SQ7, 35L6GT, 35Z5GT.....	455	14-4,5
6D111.....	Vol.	101218.....	18	MK402.....	M26			11994.....	88	FP306.....					6	*12SK7, 12SA7, 12SQ7, 35L6GT, 35Z5GT.....	455	15-6,7
6D120.....	Vol.	101193.....	18	MK402.....	M26			11994.....	88	FP354.....					6	*12SK7GT, 12SA7GT, 12SQ7GT.....	455	16-3,4
6P11.....	Vol.	101258.....		MK402.....	M27			119126.....	76/78	Order from Mfr.....					6	1A7GT, 1N5GT, 1H5GT, 3Q5GT, 35Z5GT.....	455	13-7
7D22.....	Vol. Tone	101262.....	18	MK402.....	M26			119128.....	46	TN129.....					7	12SJ7, 12SK7, 12SQ7, 6T7G, 12F5GT.....	455	13-9,10
		101263.....	57	MK401.....				119129.....	46	2N514.....	B12				7	12SJ7, 12SK7, 12SQ7, 35L6GT, 35Z5GT.....	455	13-9,10
7D22, Series B.....	Vol. Tone	101262.....	18	MK402.....	M26			119128.....	46	TN129.....					7	12SJ7, 12SK7, 12SQ7, 6S7G, 35L6GT.....	455	14-6,7
		101263.....	57	MK401.....				119129.....	46	2N514.....	B12				7	12SJ7, 12SK7, 12SQ7, 6S7G, 35L6GT, 12J5GT, 35Z5GT.....	455	14-6,7
7H31.....	Vol. Tone	101259.....	18	MK402.....				119127.....	46/15	Order from Mfr.....		126-6	859	C3	7	*6S7G, 6SA7, 6T7G, 6L5G, 6SC7, 0Z4.....	455	13-8,10
		101260.....	57	MK402.....	M26		.008	119109.....	1	FP390.....	B14				8	*6SK7, 6SA7, 6SQ7, 6J5GT, *6K6GT, 5Y3G.....	455	15-8,12
8A59.....	Vol. Tone	A-10A-10586	18	TM233-SS25	M26			119109.....	1	FP390.....					8	*6SK7, 6SA7, 6SQ7, 6J5GT, *6K6GT, 5Y3G.....	455	15-8,12
		125180.....	158	MK402.....				119109.....	1	FP390.....					8	*6SK7, 6SA7, 6SQ7, 6J5GT, *6K6GT, 5Y3G.....	455	15-8,12
8AE1.....	Vol. Tone	101-253.....	20			See Note A19		119-109.....	1/13	FTP390.....					8	*6SK7, 6SA7, 6SQ7, 6J5GT, *6F6G, 5Y3G.....	455	.....
		101-254.....	22	MK402.....				119-109.....	1/13	FTP390.....					8	*6SK7, 6SA7, 6SQ7, 6J5GT, *6F6G, 5Y3G.....	455	.....
11A24.....	Vol. Tone	101270.....	18	MK401.....	M26			119-124.....	1/13	FP444.....	B69				11	*6SK7, 6SA7, *6SQ7, 6U5, 6J5GT, *6F6GT, 5Y3G.....	455	13-17,18
		101271.....	22	MK402.....				119-124.....	1/13	FP444.....	B69				11	*6SK7, 6SA7, *6SQ7, 6U5, 6J5GT, *6F6GT, 5Y3G.....	455	13-17,18
11A25 (Series B & C).....	Vol. Tone	101278.....	18	MK401.....	M26			119124.....	1/13	FP444.....	B69				11	*6SK7, 6SA7, *6SQ7, 6J5GT, 6U5, *6F6G, 5Y3G.....	455	14-8,9
		101279.....	22	MK402.....				119124.....	1/13	FP444.....	B69				11	*6SK7, 6SA7, *6SQ7, 6U5, 6J5GT, *6F6G, 5Y3G.....	455	14-8,9
11A55 (Series A).....	Vol. Tone	101275.....	17	UM165-SS25				119112.....	46	FP444.....	B69				11	*6SK7, 6SA7, *6SQ7, 6U5, 6J5GT, *6V6GT, 5Y3G.....	455	14-10, 11,12
		125180.....	22	Order from Mfr.....				119112B.....	46	FP444.....	B69				11	*6SK7, 6SA7, *6SQ7, 6U5, 6J5GT, *6V6GT, 5Y3G.....	455	14-10, 11,12
11AE2.....	Vol.	101-229.....	127	MK401.....				119-112.....	46	FP444.....	B69				11	*6SK7, 6SA7, *6SQ7, 6J5GT, *6V6GT, 5Y3G.....	455	.....
								119-69.....	13	TC74.....					11	*6SK7, 6SA7, *6SQ7, 6J5GT, *6V6GT, 5Y3G.....	455	.....
11AF21.....	Vol. Tone	A-10B-11263	18					A-8C-11495.....	1/13	FP390/TC42.....					11	*6AB6, 6AL5, *6C4, 6AT6, *6K6GTG, 5Y3GTG.....	455	10,7
		A-11A-11262	22					A-8C-10272.....	1/13	FP390/TC42.....					11	*6AB6, 6AL5, *6C4, 6AT6, *6K6GTG, 5Y3GTG.....	455	10,7
12A51.....	Vol.	101229.....	15	MK401.....				119-112.....	46	FP444.....	B69				12	*6SK7, 6SA7, *6SQ7, 6J5GT, *6V6GT, 6U5, 5Y3G.....	455	13-19,20
								119-69.....	13	TC75.....					12	*6SK7, 6SA7, *6SQ7, 6J5GT, *6V6GT, 6U5, 5Y3G.....	455	13-19,20
12A52.....	Vol.	101229.....	15	MK401.....				119112B.....	46	FP444.....	B69				12	*6SK7, 6SA7, *6SQ7, 6J5GT, *6V6GT, 6U5, 5Y3G.....	455	13-21,22
								11969.....	13	TC75.....					12	*6SK7, 6SA7, *6SQ7, 6J5GT, *6V6GT, 6U5, 5Y3G.....	455	13-21,22
40AC.....	Vol.		7	G.....		2	4-4	4	4	See Note.....	B3				4	35, 24, 47, 80.....	.....	3-7
40A, 41A, 42A.....	Vol.		7	G.....			8	4	4	ST595.....					4	58, 57, 47, 80.....	.....	3-7
40DC, 45, 46.....	Vol. Tone		6	MR18.....		See Note A14	4	4	4	ST595.....					4	36, 37, 38.....	.....	3-1
50.....	Vol. Tone		7	G.....		See Note A14	1	4	4	See Note.....	B7				5	*51, 24, 47, 80.....	.....	3-2
			22	MR18.....			6, 6	4	4	ST595.....					5	*51, 24, 47, 80.....	.....	3-2
50A, 51A, 52A, 53A, 54A.....	Vol.		7	G.....		A14	4-4	4	4	See Note.....	B3				5	*35, 24, 47, 80.....	.....	3-3
50B, 51B, 52B, 53B, 54B.....	Vol.		6	MR18.....		A14	6	4	4	ST595.....					5	*24, 35, 47, 80.....	175	3-4
50C, 51C, 52C, 53C, 54C.....	Vol. Tone		6	MR18.....		See Note A14	4	4	4	ST595.....					5	*57, 58, 47, 80.....	175	3-8
			22	MR33.....			8	4	4	ST595.....					5	*57, 58, 47, 80.....	175	3-8
50F, 55F.....	Vol.		7	MR37.....		A14	4	17	17	TC26.....					5	*39, 36, 38, 12Z3.....	.....	5-1
53.....	Vol.	V601.....	17	MR48.....	M26		4-8	1	1	2N516.....					5	*39, 36, 38, 12Z3.....	.....	5-1
							5-5	15	15	TN111.....					5	6A7, 6D6, 75, 43, 25Z5.....	456	.....
60, 61, 62, 63, 64.....	Vol. Tone		6	MR18.....			C525	11	11	UR182.....	B31				6	*24, 27, 35, 47, 80.....	175	3-5
			22	MR33.....			6	4	4	ST595.....					6	*24, 27, 35, 47, 80.....	175	3-5

‡ Data not substantiated.

\* IMPORTANT: Read Notes in Note Section if specified in Note Column.

‡ Indicates miscellaneous section.

MANUFACTURER AND MODEL	CONTROLS							CONDENSERS				VIBRATORS			No. Tubes	Complete Tube Complement	I. F. Peak	Rider's Reference
	Use	Original Part	Circuit	Correct Replacement	Switch	Bias	*Note	Original Part	Circuit	Correct Replacement	*Note	Original Part	Replacement	*Note				
<b>BELMONT—Continued</b>																		
65, 66.....	Vol. Tone		6	MR18			A14	4	1	See Note	B11				6	*36, 37, *38		
70.....	Vol. Tone		41	MR48			A14	6	4	ST595					7	*51, *27, 47, 80	175	3-6
70A, 71A, 72A, 73A, 74A.....	Vol. Tone		22	MR33											7	*58, 57, 56, 55, 47, 80	175	5-1
	Vol. Tone Supp.		56	MR53			A14	8	4	ST595					7	*58, 57, 56, 55, 2A5, 80	175	5-2
71C.....	Vol. Tone Supp.		22	MR33			A14	4	4	ST595					7	*58, 57, 56, 55, 2A5, 80	175	5-2
	Vol. Tone Supp.		56	MR34			A14	10	17	TC22					7	*58, 57, 56, 55, 2A5, 80	175	5-2
100, 101, 102, 103, 104	Vol. Tone		22	MR33	M26		A14	P1047	1/15	2N518					7	*58, 57, 56, 55, 2A5, 80	175	5-2
	Vol. Tone Supp.		22	MR33	M26		A14	P1048	1	RS213					7	*58, 57, 56, 55, 2A5, 80	175	5-2
100, 101, 102, 103, 104	Vol. Tone		45	MR53			A14	8-4-8	5	See Note	B3				10	*58, 57, *56, *59, 83	175	5-1
	Vol. Tone Supp.		22	MR33	M26		A14	8-4-8	5	See Note	B3				10	*58, 57, *56, *59, 83	175	5-1
110.....	Vol. Tone		7	MR34			A14	4-4-4	26	See Note	B3				11	*35, *27, *47, 80	175	3-9
	Vol. Tone		62	MR53			A14	4-4-4	26	See Note	B3				11	*35, *27, *47, 80	175	3-9
151.....	Vol. Tone	101-238	22	MR39	M26			119-92	24	FP354	B69				5	12SA7, 12SK7, 12SQ7, 35L6GT, 35Z5GT	455	12-1,2
	Vol. Tone	101-238	18	MK401	M26			119-92	24	FP354	B69				5	12SA7, 12SK7, 12SQ7, 35L6GT, 35Z5GT	455	12-1,2
401.....	Vol. Tone	P101-17	8	MR19		EX100		P119-10	1/15	3S579					4	58, 57, 2A5, 80	465	6-1
401 Series B.....	Vol. Tone	P101-17	8	MR19		EX100		P119-10	1/15	3S579					4	6K7, 6J7, 6F6, 5Z4 or 5Y3	465	7-1
403A.....	Vol. Tone	101-163	18	MK402	M27			119-35	19	TC26					4	1A7G, 1N5G, 1H5G, 1C5G	465	10-1
404.....	Vol. Fil.	101-26	6	Order from Mfr.											4	1A6, *32, 33	465	6-3
	Vol. Fil.	101-25	29	M4R											4	1A6, *32, 33	465	6-3
407.....	Vol. Tone	101-173	18	MK402	M27			119-75	19	TC22					4	1A7G, 1N5G, 1H5G, 1A5G	465	11-1
408 Series A.....	Vol. Tone	101-107	18	UM154-SS18	M26			119-58	24	TC47		126-8	246	C3	4	6D8, 6S7, 6T7, 6K6	465	9-1
	Vol. Tone	101-107	18	UM154-SS18	M26			119-57	24/15	2N509					4	6D8, 6S7, 6T7, 6K6	465	9-1
411 Ser. A.....	Vol. Tone	101-173	18	MK402	M27			.003	19	Buffer	B14				4	1A7G, 1N5G, 1H5G, 1A5G	465	11-3
415 Series A.....	Vol. Tone	101-56	56	MR53	M27			119-28	1	2N516		126-4	246	C3	4	1A6, 1A4, 1F6, 1F4	465	8-1
	Vol. Tone	101-59	21	MR53	M27			.005	1	Buffer	B14				4	1A6, 1A4, 1F6, 1F4	465	8-1
415 Series B.....	Vol. Tone	101-44	29	C6R				119-28	1	2N516		126-4	246	C3	4	6D8G, 6S7G, 6T7G, 1F5G	465	8-2
	Vol. Tone	101-56	18	MR53	M27			.005	1	Buffer	B14				4	6D8G, 6S7G, 6T7G, 1F5G	465	8-2
418 Ser. A.....	Vol. Tone	101-72	22	MR44	M27			119-28	1	2N516		126-4	246	C3	4	6D8G, 6S7G, 6T7G, 1F5G	465	8-2
	Vol. Tone	101-72	22	MR44	M27			.005	1	Buffer	B14				4	6D8G, 6S7G, 6T7G, 1F5G	465	8-2
418 Ser. A.....	Vol. Tone	101-155	18	MK402	M27			119-52	19	TC26					4	1A7G, 1N5G, 1H5G, 1A5G	456	10-3
420.....	Vol. Tone	P101-7	7	MR37	M26	EX100	A10	119-1	1/15	2N516/TN111					4	6D6, 76, 38, 12Z3	456	5-3,4
425.....	Vol. Tone	V600	7	MR37	M26	EX100		C538	11	UR182					4	6E7, 6D7, 43, 25Z5	456	4-1
430.....	Vol. Tone	P101-7	7	MR37	M26	EX100		119-3	6/15	4S715					4	6D6, 76, 12A5, 12Z3	456	5-3,4
440.....	Vol. Tone	P101-3	7	MR37	M26	EX100	A10	P103-1	11	2N509/TC42					4	6D6, 6C6, 43, 25Z5	456	5-5
444EX.....	Vol. Tone	P101-29	8	MR19	M26	EX100		P119-18	1	3S579					4	6D6, 6C6, 43, 12Z3	456	6-5
460 Ser. A.....	Vol. Tone	101-175	18	MK402	M27			119-75	19	TC22					4	1A7G, 1P5G, 1H5G, 1C5G	465	11-2
	Vol. Tone	101-175	18	MK402	M27			119-75	19	TC22					4	1A7G, 1P5G, 1H5G, 1C5G	465	11-2
460.....	Vol. Tone	101-119	22	MK402	M27			119-28B	1	2N516		126-4	246	C3	4	6D8G, 6S7G, 6T7G, 6K6G	465	9-3
489 Series A.....	Vol. Tone	101-91	18	MR53	M27			119-22	15	TC22					4	6D8G, 6S7G, 6T7G, 6K6G	465	9-3
	Vol. Tone	101-91	18	MR53	M27			.005	15	Buffer	B14				5	1D7, *1D5, 1H4, 1G5	465	9-2
501 Series A.....	Vol. Fil.	101-116	64	MK402	M27			119-52	20	TC26					5	1D7, *1D5, 1H4, 1G5	465	9-2
504 Series A.....	Vol. Tone	101-117	29	M6R				119-28	1	2N516		126-4	246	C3	5	6D8G, 6S7G, 6T7G, 1F5G, 6N5	465	9-5
	Vol. Tone	101-56	18	MR53	M27			.005	1	Buffer	B14				5	6D8G, 6S7G, 6T7G, 1F5G, 6N5	465	9-5
505 Series A.....	Vol. Tone	101-72	22	MR44	M27			119-24B	4	2S567		126-6	294	C3	5	6D8G, 6S7G, 6T7G, 6K6G, 6ZY5G	465	9-6
	Vol. Tone	101-91	18	MR53	M27			119-22	15	TC22					5	6D8G, 6S7G, 6T7G, 6K6G, 6ZY5G	465	9-6
507A.....	Vol. Tone	101-210	18	UM161-SS22	M27			.008	15	TC22					5	6D8G, 6S7G, 6T7G, 6K6G, 6ZY5G	465	9-6
	Vol. Tone	101-210	18	UM161-SS22	M27			119-104	76	FP304					5	6D8G, 6S7G, 6T7G, 6K6G, 6ZY5G	465	9-6
507 (Series B).....	Vol. Tone	101-210	149	UM161-SS22	M27			119-104	76	FP304					5	6D8G, 6S7G, 6T7G, 6K6G, 6ZY5G	465	9-6
509.....	Vol. Tone		18				See Note A3	119-116	19	TC47					5	1A7GT, 1N5GT, 1H5GT, 1A5GT, 35Z5GT, 5459	465	11-5
510, Ser. A.....	Vol. Tone	101-196	18	UM154-SS22	M26T			119-116	19	TC47					5	1A7GT, 1N5GT, 1H5GT, 1A5GT, 35Z5GT	465	14-7,24
	Vol. Tone	101-196	18	UM154-SS22	M26T			119-116	19	TC47					5	1A7GT, 1N5GT, 1H5GT, 1A5GT, 35Z5GT	465	14-7,24
511A.....	Vol. Tone	101-160	18	MK400	M27			119-116	19	TC47					5	1A7GT, 1N5GT, 1H5GT, 1A5GT, 35Z5GT	465	14-7,24
513A.....	Vol. Tone	101-210	18	UM161-SS22	M27			119-116	19	TC47					5	1A7GT, 1N5GT, 1H5GT, 1A5GT, 35Z5GT	465	14-7,24
	Vol. Tone	101-210	18	UM161-SS22	M27			119-116	19	TC47					5	1A7GT, 1N5GT, 1H5GT, 1A5GT, 35Z5GT	465	14-7,24
517 Series A.....	Vol. Tone	101-94	18	MR53	M26			119-116	19	TC47					5	1A7GT, 1N5GT, 1H5GT, 1A5GT, 35Z5GT	465	14-7,24
	Vol. Tone	101-59	21	MR53	M26			119-116	19	TC47					5	1A7GT, 1N5GT, 1H5GT, 1A5GT, 35Z5GT	465	14-7,24
518.....	Vol. Tone	101-196	18	UM154-SS22	M26T			119-116	19	TC47					5	1A7GT, 1N5GT, 1H5GT, 1A5GT, 35Z5GT	465	14-7,24
	Vol. Tone	101-196	18	UM154-SS22	M26T			119-116	19	TC47					5	1A7GT, 1N5GT, 1H5GT, 1A5GT, 35Z5GT	465	14-7,24
519A.....	Vol. Tone	101-164	18	MK402	M26			119-116	19	TC47					5	1A7GT, 1N5GT, 1H5GT, 1A5GT, 35Z5GT	465	14-7,24
	Vol. Tone	101-164	18	MK402	M26			119-116	19	TC47					5	1A7GT, 1N5GT, 1H5GT, 1A5GT, 35Z5GT	465	14-7,24
	Vol. Tone	101-164	18	MK402	M26			119-116	19	TC47					5	1A7GT, 1N5GT, 1H5GT, 1A5GT, 35Z5GT	465	14-7,24
	Vol. Tone	101-164	18	MK402	M26			119-116	19	TC47					5	1A7GT, 1N5GT, 1H5GT, 1A5GT, 35Z5GT	465	14-7,24
	Vol. Tone	101-164	18	MK402	M26			119-116	19	TC47					5	1A7GT, 1N5GT, 1H5GT, 1A5GT, 35Z5GT	465	14-7,24
	Vol. Tone	101-164	18	MK402	M26			119-116	19	TC47					5	1A7GT, 1N5GT, 1H5GT, 1A5GT, 35Z5GT	465	14-7,24
	Vol. Tone	101-164	18	MK402	M26			119-116	19	TC47					5	1A7GT, 1N5GT, 1H5GT, 1A5GT, 35Z5GT	465	14-7,24
	Vol. Tone	101-164	18	MK402	M26			119-116	19	TC47					5	1A7GT, 1N5GT, 1H5GT, 1A5GT, 35Z5GT	465	14-7,24
	Vol. Tone	101-164	18	MK402	M26			119-116	19	TC47					5	1A7GT, 1N5		

MANUFACTURER AND MODEL	CONTROLS							CONDENSERS				VIBRATORS			No. Tubes	Complete Tube Complement	I. F. Peak	Rider's Reference
	Use	Original Part	Circuit	Correct Replacement	Switch	Bias	*Note	Original Part	Circuit	Correct Replacement	*Note	Original Part	Replacement	*Note				
BELMONT—Continued																		
520 Ser. A	Vol.	101-138	8	UM129-SS25	M26			119-70	1/15	3N533					4	6A8, 6J7, 25L6G, 25Z6G, 62A	465	10-6
521 Ser. A	Vol.	101-138	8	UM129-SS25	M26			119-71	15	TC22					4	6A8, 6J7, 25L6G, 25Z6G, 62A	465	10-7,8
522	Vol. Batt.	101-43	62	MR53	M26			119-70	1/15	3N533	B12				5	1A6, 3A, 30, 32, 950	465	7-2
523	Vol.	101-44	29	C6R				119-71	15	TC22					5	1A6, 1A4, 30, 950	465	9-8
523B	Vol.	101-69	62	MR53	M26			119-22	20	TC22					5	1A6, 1A4, 30, 1G5G	465	9-9
524 Series A	Vol. Fil.	101-111	18	MK400	M27			119-52	19	TC26					5	1C7G, 1D5G, 1F7G, 1G5G	465	9-10
525	Vol.	101-112	29	M4R				C525	11	UR182	B31				5	6D6, 75, 43, 25Z5	456	3-8
526	Vol.	V601	17	MR48	M26			119-47D	42	2S567					5	6A8G, 6K7, 6Q7G, 6K6G, 5Y3G	465	9-11
527 Ser. A	Vol.	101-141	18	MK401	M26T			119-47E	23	2S567					5	6A8G, 6K7, 6Q7G, 6K6G, 5Y3G	465	10-9
529	Vol.	101-107	18	UM154-SS18	M26			119-47D	42	2S567					5	6A8G, 6K7, 6Q7G, 6K6G, 5Y3G	465	10-11,12
530	Vol.	V601	17	MR48	M26			C525/C538	11	UR182	B31				5	6A7, 6D6, 75, 43, 25Z5	456	4-2
531 Series B	Vol.	101-113	18	MK402	M26			11953B	1/19	2N511/TC29					5	6A8, 6K7, 6Q7, 26L6, 25Z6	470	9-12
533 A and B	Vol.	101-217	18	MK401	M26			119-94	46	FP357					5	12SA7, 12SK7, 12SQ7, 50L6GT, 35Z5GT	465	12-5,6
533 (Series C)	Vol.	101217	18	MK401	M26			119-94	46	FP357					5	12SA7, 12SK7, 12SQ7, 50L6GT, 35Z5GT	465	14-13,14
534	Vol.	101-198	18	UM161-SS22	M26			119-92	24	FP354	B69				5	12SA7, 12SK7, 12SQ7, 35Z6GT, 35Z5GT	455	12-7,8
536	Vol.	101-238	18	MK401	M26			119-92	24	FP354	B69				5	12SA7, 12SK7, 12SQ7, 35L6GT, 35Z5GT	455	12-1
539 (Export Chassis)	Vol.	101-208	18	MK402	M26			10-40-20	1/15	See Note	B3				5	6SA7, 6SK7, 6SQ7, 6K6G, 5Y3G	465	11-9,10
540	Vol.	101-1	17	MR48	M26			C525C/C525D	11	UR182	B31				5	6D6, 75, 43, 25Z5	456	5-7
541	Vol.	P101-13	82	MRT460	M26			P119-7	11	UR143	B31				5	6D6, 75, 43, 25Z5	456	6-7
542	Vol.	101-208	18	MK402	M26			10-40-20	1/15	See Note	B3				5	6SA7, 6SK7, 6SQ7, 6K6G, 5Y3G	455	12-9,10
544, 545	Vol. Tone	101-237	22	MRT460	M26		See Note A3	P103-9	1/15	3S579					5	6A7, 6D6, 6B7, 43, 12Z3	465	6-9,10
546	Vol. Tone	P101-31	22	MR33	M26			119-104	76	FP304					5	1A7GT, 1N5GT, 1H5GT, 1A5GT, 35Z5GT, 5459	465	
550	Vol.	P1008	17	MR48	M26			P1003	4	2S567	B33				5	2A7, 58, 2A6, 2A5, 80	456	4-3,4
551 Ser. A	Vol.	101-140	18	MK402	M27			119-35	19	TC22					5	1A7G, 1N5G, 1H5G, 1A5G	465	10-13,14
551B	Vol.	101-140	18	MK402	M27			119-35	19	TC22					5	1A7G, 1N5G, 1H5G, 1A5G	465	11-8
553 Ser. A	Vol.	101-150	18	MK402	M26			119-79	1/15	TCD55/TC26		126-6	294	C3	5	6D8G, 6K7, 6T7G, 6B6G, 6Z7Y5G	465	10-15,16
555	Vol.	P101-30	82	Order from Mfr.				P103-6	4	RS213	B14				5	6A7, 6D6, 6B7, 42, 80	456	6-11,12
556 (Export)	Vol.	P101-30	62	Order from Mfr.				P103-7	4	RS213					5	6A7, 6D6, 6B7, 42, 80	465	7-3,4
566	Vol.	101-40	18	UM154-SS17	M26			P103-6	4	RS213					5	6A7, 6D6, 6B7, 42, 80	465	7-5,6
567A	Vol.	101-41	17	UM154-SS17	M26			119-20	4	2S567	B14				5	6A8, 6K7, 75, 84, 41	465	7-5,6
571A	Vol.	101-209	18	MK401	M26			.01	4	2S567	B14	126-1	294	C3	5	6A8, 6K7, 6Q7, 6F6, 6X5	465	
575	Vol.	P101-10	6	MR36	M26	EX100		119-33	4	2S567	B14				5	12SA7, 12SK7, 12SQ7, 35L6GT, 35Z4GT	465	11-11,12
577A	Vol.	101-110	18	MK402	M26			.005	4	2S567	B14	126-7	294	C24	5	58, 75, 2A5, 80	175	5-8
577C	Vol.	101-110	18	MK402	M26			119-50	40	2S567	B14	126-7	294	C24	5	6A8, 6K7, 6Q7, 6K6, 6X5	465	9-13
577D	Vol.	101-110	18	MK402	M26			.005	40	2S567	B14	126-7	294	C24	5	6SA7, 6SK7, 6Q7, 6K6, 6X5	465	10-17,18
578	Vol.	P101-35	56	MR53	M26			119-105	24/15	FP339	B14	126-7	294	C24	5	6SA7, 6SK7, 6SQ7, 6K6G, 6X5G	465	11-10,13
579	Vol.	101-110	18	MK402	M26			P103-6	4	RS213					5	6A7, 6D6, 6B7, 42, 80	456	6-13,14
579 (Series A)	Vol.	101110	18	MK402	M26			P103-7	4	RS213					5	6A7, 6D6, 6B7, 42, 80	456	6-13,14
580	Vol.	P101-9	17	MR48	M26			119-105	24/15	FP339		126-7	294	C24	5	6SA7, 6SK7, 6SQ7, 6K6G, 6X5G	465	
580 (Revised)	Vol.	P101-9	17	MR48	M26			.005	4	2S567	B14	142-4	299	C3	5	6SA7, 6SK7, 6SQ7, 6K6G, 6X5G	465	14-16
582	Vol.	101-100	18	MR53	M26			P119-15	4	2S567	B14	142-4	299	C3	5	6D6, 6A7, 75, 42, 84	175	6-15,16
583 Export Series A	Vol.	101-100	18	MR53	M26			.01	4	2S567	B14	142-4	299	C3	5	6A7, 6D6, 75, 42, 84	175	6-16,18
585 Series A	Vol.	P101-18	18	MR48	M26			119-47	23	2S567					5	6A8G, 6K7, 6Q7G, 6K6G, 5Y3G	465	9-15,16
585 Series B and C	Vol.	P101-18	18	MR48	M26			119-48	4	2S567					5	6A8G, 6K7, 6Q7G, 6K6G, 5Y3G	465	9-14
								P119-11	1/15	3S579					5	6F7, 6D6, 75, 42, 80	370	6-19
								P103-6	4	RS213					5	6F7, 6D6, 75, 42, 80	370	6-19
								P103-7	4	RS213					5	6F7, 6D6, 75, 42, 80	465	

† Data not substantiated.

\* IMPORTANT: Read Notes in Note Section if specified in Note Column.

‡ Indicates miscellaneous section.

MANUFACTURER AND MODEL	CONTROLS							CONDENSERS				VIBRATORS			No. Tubes	Complete Tube Complement	I. F. Peak	Rider's Reference
	Use	Original Part	Circuit	Correct Replacement	Switch	Bias	*Note	Original Part	Circuit	Correct Replacement	*Note	Original Part	Replacement	*Note				
BELMONT—Continued																		
585 Series D	Vol.	P101-18	18	MR48	M26			103-6	4	RS213					5	6F7, 6K7, 75, 6F6, 80	465	7-7,8
586 Series A	Vol.	P101-49	18	MR53	M26			103-7	4	RS213					5	6A7, 78, 75, 41, 80	465	7-9
587 Series A	Vol.	P101-49	18	MR53	M26			103-6	42	RS213					5	6A8, 6K7, 6Q7, 6F6, 5Y3	465	7-11,12
588 Series A	Vol.	101-71	18	MR53	M26			103-7	23	RS213					5	6A8, 6K7, 6Q7, 6F6, 5Y3	465	8-3,4
589	Vol.	101-71	18	MR53	M26			103-7	23	RS213					5	6A8, 6K7, 6Q7, 6K6, 5Y3	465	8-5 & 9-1
590	Vol.	101-252	18	MK402	M27			119-38	23	2S567					5	1A7GT, 1N5GT, 1H5GT, 1A5GT, 35Z5GT	455	
600	Vol.	V601	17	MR48	M26			16-16-8-14-2	9/15	Order from Mfr.					6	*78, 6A7, 6B7, 43, 25Z5	175	
601 Series A & B	Vol.	P101-54	18	MR53	M26			119-25	11	2S567/TC44					5	6A7, 78, 75, 43, 25Z5	465	7-10
	Tone	P101-55	22	MR53	M26			119-29	4	TCS47	B10							
601 Series C	Vol.	101-63	18	MR48	M26			119-29	4	TCS47					5	6A7, 78, 75, 43, 25Z5, L49B	465	
602	Tone	101-55	22	MR53	M26													
	Vol.	101-77	18	MR53	M26			119-39	1	2N509					5	6A8, 6K7, 6R7, 25L6, 25Z6	465	8-6
602B	Vol.	101-77	18	MR53	M26			119-42	4	TCS44					5	6A8, 6K7, 6R7, 25L6, 25Z6, L49B	470	9-29
602C	Vol.	101-77	18	MR53	M26			119-42	4	TCS44					5	6A8, 6K7, 6R7, 25L6, 25Z6, L49B	470	9-29
611 Series A	Vol.	101-121	18	MK402	M26			11959	24	2N513		126-8	246	C3	6	6K8, 6S7, 6T7, 1H4, 1J6	465	9-17,18
612	Tone	101-120	22	MK400	M26			.003		Buffer	B14				6	*12SK7, 12SA7, 12SQ7, 35L6GT, 35Z5GT	465	12-11,12
	Vol.	101-211	18	MK402	M26			119-94	46	FP357								
616	Vol.	101-142	56	MK402	M26			119-114	1/15/13	FP424					6	6SA7, 6SK7, 6S7, 6S7, 6S7, 6V6GT	455	12-13,14
	Tone	101-143	22	MK400	M26			119-67	13	TC71					6	*78, 6A7, 75, 43, 25Z5, 5Y3G	175	4-5
625	Vol.	V601	17	MR48	M26			C525	11	UR182	B31				6			
								C525B	11	UR182	B31							
								C525C	11	See Note	B38							
								C525D	11	See Note	B38							
								119-102	1	FP342	B192				6	6SA7, 6SK7, 6SQ7, 6P5G, 6AC5G, 5Y3G	465	11-14
629A	Vol.	101-208	18	MK402	M26			119-62B	1/19	Order from Mfr.					5	6A8G, 6K7G, 6Q7G, 25Z6, 25L6G, L49B	470	9-19,20
632 Series A	Vol.	101-113	18	MK402	M26			119-53C	1/19	3N533					5	6A8G, 6K7G, 6Q7G, 25L6G, 25Z6, L49B	470	10-19,20
633 Ser. A	Vol.	101-127	18	UM161-SS18	M26			119-53C	1/19	3N533					5	6A8G, 6K7G, 6Q7G, 25L6G, 25Z6, L49B	470	10-21,22
634 Ser. A	Vol.	101-139	18	MK402	M26			119-53E	1/15	3N533					6	12SA7, 12SK7, 12J5GT, 12SQ7, 35L6GT, 35Z5GT	465	11-15
635	Vol.	101-127	45	UM161-SS18	M26			60-60-40	1/15	See Note	B12				6	*12SK7, 12SQ7, 12SA7, 35L6GT, 35Z5GT	465	11-16,20
636	Vol.	101-127	18	UM161-SS18	M26			119-94	46	FP357					6	*12SK7, 12SA7, 12SQ7, 35L6GT, 35Z5GT	465	11-21,22
637 Ser. A	Vol.	101-195	18	MK402	M26			119-94	46	FP357					6	*12SK7, 12SA7, 12SQ7, 35L6GT, 35Z5GT	465	12-16
	Tone	101-194	22	MK400	M26													
	Vol.	101218	18	MK402	M26			11994	46	FP357					6	*12SK7, 12SA7, 12SQ7, 35L6GT, 35Z5GT	455	12-16
640EX	Vol.	P101-16	82	MRT460	M26			P103-3	4	RS216					6	57, 27, 58, 2A6, 2A5, 80	370	5-9,10
642	Vol.	101-193	18	UM161-SS22	M26			P103-4	4	RS216					6	*12SK7, 12SA7, 12SQ7, 35L6GT, 35Z5GT	455	12-17
650	Vol.	P101-4	17	MR48	M26			119-94	46	FP357					6	*6D6, 6A7, 75, 43, 25Z5	175	5-11,12
660	Vol.	V603	17	MR48	M26			C550	4	TC571		V660	Order from Mfr.		6	*6D6, 6A7, 75, 89, 6Z4	175	4-6
661	Vol.	101-41	18	UM154-SS17	M26			119-37	4	2S567	B33	126-1	294	C3	6	*6K7, 6A8, 6Q7, 41, 6X5	465	8-7,8
								.005		Buffer	B14							
665 Series A	Vol.	101-126	18	MK402	M26			119-63B	4	3S584	B8				6	6K8G, 6K7, 6Q7G, 6P5G, 6AC5G, 5Y3G	465	9-21,22
666 "A"-"B"	Vol.	101-42	18	UM133-SS17	M26			119-21	1	2N518		126-1	294	C3	6	*6K7, 6A8, 6Q7, 6N6, 84-6X5	465	7-13,14
	Vol.	101-41	18	UM154-SS17	M26		A4	.01		Buffer	B14							
667	Vol.	101-73	17	UM147-SS17	M26			119-34	4	RM262		126-1	294	C3	6	*6K7, 6A8, 6Q7, 6F6, 6X5	262.5	9-23,24
	Tone	101-45	22	Order from Mfr.				.01		Buffer	B14							
670	Vol.	P101-9	17	MR48	M26			P103-2	4	RM262		142-1	299	C3	6	6D6, 6C6, 78, 75, 42, 84	175	5-13,14
								.02		TC26								
670A	Vol.	P101-9	17	MR48	M26			P119-4	4	TC571		142-1	299	C3	6	*6D6, 6C6, 75, 42, 84	175	6-22-24
								.015		Buffer	B14							
671	Vol.	101-232	18	MK402	M26			119-115	1	2S569					6	6SA7, 6SK7, 6SQ7, 6V6GT, 5Y3G	455	12-18
671B	Vol.	101232	22	MK402	M26			119-88	24	FP426	B168				6	6SA7, 6SK7, 6SQ7, 6V6GT, 5Y3G	455	13-25,26
	Tone	101231	22	MK402	M26			119115	1	2S569					6	6SA7, 6SQ7, 6SK7, 6V6GT, 5Y3G	455	14-3
671C	Vol.	101232	22	MK402	M26			119115	1	2S569					6	6SA7, 6SQ7, 6SK7, 6V6GT, 5Y3G	455	14-3
	Tone	101231	22	MK402	M26													
675	Vol.	101-11	18	MR48	M26			P103-4	4	RS216					6	57, 27, 58, 2A6, 2A5, 80	370	5-15
								P103-3	4	RS216								

† Data not substantiated.

\* IMPORTANT: Read Notes in Note Section if specified in Note Column.

‡ Indicates miscellaneous section.

THERE'S A FULL RANGE OF MALLORY VITREOUS ENAMEL RESISTORS FOR EVERY PURPOSE.

MANUFACTURER AND MODEL	CONTROLS							CONDENSERS				VIBRATORS			Complete Tube Complement	I. F. Peak	Rider's Reference		
	Use	Original Part	Circuit	Correct Replacement	Switch	Bias	*Note	Original Part	Circuit	Correct Replacement	*Note	Original Part	Replacement	*Note				Nb. Tubes	
BELMONT—Continued																			
676 (Issue A) (5,001 up)	Vol.	101-161	18	Order from	Mfr.		119-81	74	TC65			12610	294	C3	6	*6K7, 6A8, 6Q7, 6K6, 6X5	465		
677	Vol.	101-109	18	TM238-SS18	M26		119-51	4	2S569	B14		126-1	294	C3	6	*6K7, 6A8, 6Q7, 6V6, 0Z4-6X5	465	9-25,26 & 10-23	
678	Vol. Tone	101-161 101-162	18 1	Order from UM161-SS18	Mfr.		119-78	24	FP426			126-9	248	C3	6	6K7, 6A8, 6SK7, 6Q7, 6J5, 6N7	465	10-25,28 12-19,20	
679, 679 Series A	Vol.	101-246	18	UM154-SS17	M26		119-120	46	FP390	B168		126-7	294	C24	6	*6SK7, 6SA7, 6SQ7, 6K6GT, 6X5GT	455	13-27	
680	Vol.	101-21	56	MR48	M26	EC256	119-75	15	TC22	B14		142-4	299	C3	6	*6D6, 6A7, 6B7, 42, 84	175	6-25	
681	Vol.	101-240	18	MK402	M26		119-17	4	TC552	B14									
681	Vol.	101-241	22	MK402	M26		119-115	1	2S569										
685A	Vol.	101-46	18	MR53	M26		103-6	42	RS213										
686 "A," "B"	Vol.	101-46	18	MR53	M26		103-7	42	RS213										
690	Vol.	101-48	22	MR33	M26	EC256	103-6	42	RS213										
690	Vol.	101-21	18	MR48	M26		103-7	42	RS213										
691	Vol.	101-93	18	MR53	M26		119-17	4	TC571			142-4	299	C3	6	*6D6, 6A7, 6B7, 42, 84	175		
691	Vol.	101-92	22	MR33	M26		119-45	42	2S567	B14									
695	Vol.	101-215	18	MK402	M26		119-94	46	FP357	B33									
695	Tone	101-216	22	MK402	M26														
705	Vol.	101-239	15	MK401	M26		119-97	1/15	FP339										
705	Tone	125-140	21	Order from	Mfr.														
706 (Export Chassis)	Vol.	101-205	18	MK402	M26		119-98	1/15	Order from	Mfr.		126-16	246	C3	7	*6S7G, 6K8, 6T7G, 6SK7, 6L5G, 6A85	465	11-17,18	
706 (Export Chassis)	Vol.	101-207	21	MK402	M26		119-98	1/15	Order from	Mfr.									
707 (Export Chassis)	Vol.	101-205	18	MK402	M26		119-98	1/19	Order from	Mfr.									
707 (Export Chassis)	Vol.	101-207	21	MK402	M26														
708 (Export Chassis)	Vol.	101-205	18	MK402	M26		119-100	1/15	FP429	B69									
708 (Export Chassis)	Vol.	101-206	21	UM144-SS25	M26		119-81	13	TC74										
708 (Series C)	Vol.	101205	18	MK402	M26		119-91	19	TC29										
708 (Series C)	Tone	101206	57	UM144-SS25	M26		119100	1/19	FP346										
708-378	Vol.	101205	18	MK402	M26		11991	15	TC29										
708-378	Tone	101206	57	UM144-SS25	M26		11981	13	TC74										
708-391, 708-398	Vol.	101205	18	MK402	M26		119100	1/19	FP346										
708-391, 708-398	Tone	101206	57	UM144-SS25	M26		11991	15	TC29										
716 (Series A)	Vol.	101247	1	UM135-SS25	M26		11981	13	TC74										
716 (Series A)	Tone	101247	1	UM135-SS25	M26		119100	1/19	FP346										
729	Vol.	101-224	18	Order from	Mfr.		11991	15	TC29										
729	Tone	101-223	22	MK402	M26		11981	13	TC74										
740	Vol.	101-74	18	MR53	M26		119121	24	FP214										
740	Tone	101-75	22	MR44	M26		119122	13	TC42										
746 Series A (Ex)	Vol.	101-46	18	MR53	M26		119-108	1	2S569										
746 Series A (Ex)	Tone	101-53	22	MR33	M26														
750	Vol.	P1025	18	MR48	M26		103-6	4	RS213										
750	Tone	P1025	21	MR48	M26		103-14	4	RS216										
751 Ser. A	Vol.	101-153	18	UM161-SS25	M27		103-6	23	RS213										
751 Ser. A	Tone	101-154	22	Order from	Mfr.		103-7	23	RS213										
755EX	Vol.	P101-33	82	Order from	Mfr.		8, 8	4	RS213										
755EX	Tone	P101-34	21	MR44	M26		5	14	TC42										
761 Series A	Vol.	101-104	18	MR53	M26		119-79B	1/15	TC564/TC26	B14		1266	294	C3	7	6K8G, 6K7, 6T7G, 6AE6G, 6AF6G, 6G6G, 6ZY5G	465	10-29	
761 Series A	Tone	101-105	22	MR44	M26														
767 Ser. A	Vol.	101-144	18	UM161-SS25	M26		103-8	4	RS216										
767 Ser. A	Tone	101-145	22	UM161-SS25	M26		103-4	4	RS216										
770 "A"	Vol.	P101-37	56	MRT436	M26		103-5	4	RS213										
770 "A"	Tone	P101-38	21	Order from	Mfr.		103-4	43	RS216										
775	Vol.	P101-6	18	MR48	M26		103-4	4	RS216										
775	Tone	P101-5	21	MR48	M26		103-5	4	RS213										
777 Series A	Vol.	101-23	18	MR53	M26		103-4	4	RS216										
777 Series A	Tone	101-24	21	MR44	M26		103-5	4	RS213										
777 Series B	Vol.	101-23	56	MR53	M26		103-4	4	RS216										
777 Series B	Tone	101-24	62	MR44	M26		103-5	4	RS213										
777 Series C	Vol.	101-23	56	MR53	M26		103-8	4	RS216										
777 Series C	Tone	101-24	57	MR44	M26		103-4	4	RS216										
778 "A"	Vol.	101-47	124	MRT436	M26		103-4	4	RS216										
778 "A"	Tone	101-38	21	Order from	Mfr.		103-8	25	RS216										
778 Series B	Vol.	101-47	18	MRT436	M26		103-6	25	RS213										
778 Series B	Tone	101-38	21	Order from	Mfr.		103-8	25	RS216										
786 "A"	Vol.	101-46	18	MR53	M26		103-6	25	RS213										
786 "A"	Tone	101-53	22	MR33	M26		103-6	42	RS213										
786 "A"	Tone	101-53	22	MR33	M26		103-7	42	RS213										

† Data not substantiated.

\* IMPORTANT: Read Notes in Note Section if specified in Note Column.

§ Indicates miscellaneous section.

MANUFACTURER AND MODEL	CONTROLS							CONDENSERS				VIBRATORS			No. Tubes	Complete Tube Complement	I. F. Peak	Rider's Refer- ence
	Use	Original Part	Cir- cuit	Correct Replacement	Switch	Bias	*Note	Original Part	Cir- cuit	Correct Replacement	*Note	Original Part	Replac- ement	*Note				
<b>BELMONT</b> —Continued																		
787 Series A.....	Vol. Tone	101-46 101-53	18 22	MR53 MR33	M26		103-6 103-7	23 23	RS213 RS213						7	6L7, 6C5, 6K7, 6Q7, 6G5, 6F6, 5W4	465	8-11,12
791 Ser. A.....	Vol.	101-195	18	MK402	M26		119-101	46	FP357						7	12A8GT, 12SK7, 12Q7GT, 35L6GT, 35Z4GT	465	11-24
792.....	Vol.	101-159	18	MK402			119-101	46	FP357						7	12A8GT, 12SK7, 12Q7GT, 35L6GT, 35Z4GT	465	11-25,28
793.....	Vol.	101-202	18	MK402	M26		119-101	46	FP357						7	12A8GT, 12SK7, 12Q7GT, 35L6GT, 35Z4GT	465	11-29,31
794.....	Vol.	101-195	18	MK402	M26		119-101	46	FP357						7	12A8GT, 12SK7, 12Q7GT, 35L6GT, 35Z4GT	465	12-33
796.....	Vol. Tone	101-215 101-216	18 22	MK402 MK402	M26		119-108	1	FP234						7	6SA7, 6SK7, 6SQ7, 6J5GT, 6K6G, 5Y3G	465	12-27,28
797.....	Vol. Tone Mike	101-215 101-216 101-219	18 22 127	MK402 MK402 MK403	M26		119-110 119-67	1/15 13	FP339 TC71						7	6SA7, 6SK7, 6SQ7, 6V6GT, 5Y3G	455	12-29,30
800.....	Vol.	101-233	45	†		See Note A19	119-109	1/13	FP390						8	6SK7, 6SA7, 6SQ7, 6J5GT, 6F6G, 5Y3G	455	12-31,32
801.....	Vol.	101-233	56	†		See Note A19	119-109	1/13	FP390						8	6SK7, 6SA7, 6SQ7, 6F5GT, 6F6G, 5Y3G	455	12-34-37
804.....	Vol. Tone	101-66 101-67	18 22	MR48 MR39	M27		119-32 005	1	2N516 Buffer	B14	126-4	246	C3	8	6S7G, 6D8G, 6L5G, 6T7G, 6N5, 19	465	8-13,14	
822.....	Vol. Tone Fil.	101-50 101-51 101-52	62 21 29	MR44 MR44 M2R	M27		103-11	12	ST595					8	1A6, 1A4, 30, 34, 19	465	8-15,16	
823 Series A (Ex)...	Vol. Tone	101-50 101-51	62 21	MR44 MR44	M27		103-11 119-26	24 24	ST595 ST595	B14	126-4	246	C3	8	1A6, 1A4, 30, 34, 19	465	9-31,32	
840.....	Vol. Tone	101-74 101-75	18 22	MR53 MR44	M26		103-6 103-14	4 4	RS213 RS216					8	6A8, 6K7, 6Q7, 6G5, 6C5, 6F6, 5Y3	465	8-17,18	
842 (Ex).....	Vol. Tone	101-74 101-75	18 22	MR53 MR44	M26		103-6 103-14	4 4	RS213 RS216					8	6A8G, 6K7, 6Q7G, 6G5, 6C5, 6F6G, 5Y3	465	9-33,34	
845 Series A (Ex)...	Vol. Tone	101-46 101-51	18 44	MR53 MR44	M26		119-30	23	TCS47					8	6L7, 6C5, 6K7, 6Q7, 6G5, 25A6, 25Z6	465	7-23,24	
848, 849 (Ex).....	Vol. Tone	101-46 101-51	18 22	MR53 MR44	M26		119-30	4	TCS47					8	6L7, 6C5, 6K7, 6Q7, 6G5, 25L6, 25Z6	465	8-19,20	
856 Series A (Ex)...	Vol. Tone	101-47 101-38	17 21	MRT436 Order from Mfr.	M26		103-8 103-6	25 25	RS216 RS213					8	6K7, 6J7, 6C5, 6Q7, 6G5, 6F6, 5Y3	465	8-21,22	
860 Series A.....	Vol. Tone	101-97 101-98	18 22	MR53 MR44	M26		103-6 103-14	4 4	RS213 RS216					8	6A8, 6K7, 6Q7, 6C5, 6F6, 6U5, 5Y3	465	9-35,36	
867 Ser. A.....	Vol. Tone	101-144 101-145	18 22	UM161-SS25 UM161-SS25	M26		119-73 119-74	1 1	TC74 TC72					8	6K8G, 6K7, 6Q7G, 6J5G, 6K6G, 5Y3G, 6U5	465	10-33	
878 Series A & B.....	Vol. Tone	101-47 101-38	124 21	MRT436 Order from Mfr.	M26		103-8 103-6	25 25	RS216 RS213					8	6K7, 6J7, 6C5, 6Q7, 6G5, 6F6, 5Y3	465	8-23-25	
879 Series A.....	Vol. Tone	101-60 101-61	124 21	MRT436 UM180-SS1	M26 M28		103-8 103-6	25 25	RS216 RS213					8	6K7, 6J7, 6C5, 6Q7, 6G5, 6F6, 5Y3	465	8-26	
880 (A and B).....	Vol.	P101-21	56	MR48	M26	EC256	P119-16	1	2S569		142-4	299	C3	8	6D6, 6A7, 85, 76, 6A6, 84	175	6-32	
880 Series C.....	Vol. Tone	P101-21 P101-39	15 22	MR48 MR39	M26	EC256	P119-16	1	2S569	B14	142-4	299	C3	8	6D6, 6A7, 85, 76, 6A6, 84	465	6-33	
880D.....	Vol. Tone	101-21 101-39	15 22	MR48 MR39	M26	EC256	119-16	1	2S569	B14	142-4	299	C3	8	6D6, 6A7, 85, 76, 6A6, 84	465		
881.....	Vol. Tone	101-86 101-90	18 22	UM150-SS17 Order from Mfr.			119-43 003	4	3S584 Buffer	B8 B14	126-1	294	C3	8	6K7, 6A8, 6R7, 6C5, 6V6, 0Z4	262.5	9-39	
888, 889.....	Vol. Tone	101-65 101-53	18 22	MR48 MR33	M26		103-12 103-13	25 25	RS213 RS213					8	6K7, 6J7, 6C5, 6Q7, 6F6, 6G5, 5Y3	465	9-37,38	
890 Series A (Ex)...	Vol. Tone	101-65 101-53	18 22	MR48 MR33	M26		103-12 103-13	25 25	RS213 RS213					8	6K7, 6J7, 6C5, 6Q7, 6G5, 6F6, 5Y3	465	8-27,28	
902.....	Vol.	101-233	20	†		See Note A19	119-109	1/13	FP390					9	6SK7, 6SA7, 6SQ7, 6J5GT, 6F6G, 6U5, 5Y3G	455	12-38	
910 Export.....	Vol. Tone	101-114 101-115	† 22	MK402 MK400	M26		11955 11956	1 13	2S569 2S569					9	6K7, 6A8, 6Q7, 6J5, 6F6, 6U5, 5Y3	465	9-40-42	
1050.....	Vol. Tone Supp.	P1025 † †	15 † 12	MR48 MR39	M26		P1048 P1038	26 26	RS213 ST595/2N509					10	58, 2A7, 56, 45, 80	175	4-8	
1070 "A".....	Vol. Tone	101-36 101-40	20 22	DTM287-SS1 Order from Mfr.	M26		103-10 103-8 119-19	1 1 15	RS223 RS216 TC26					10	6K7, 6L7, 6C5, 6F6, 5Z4, 6H6	465	7-25	
1070 Series B.....	Vol. Tone	101-36 101-40	20 22	DTM287-SS1 Order from Mfr.	M26		103-10 103-8 119-23 119-19	1 1 15 15	RS223 RS216 TC26 TC26					11	6K7, 6L7, 6C5, 6H6, 6F6, 5Z4, 6G5	465	7-25	
1075A, B.....	Vol. Tone	101-128 101-129	20 22	TM236-SS25 MK400			119-64	1	3S584	B8				10	6K7, 6K8, 6Q7G, 6J5G, 6K6G, 6U5, 5Y3G	465	10-35-38	

† Data not substantiated.

\* IMPORTANT: Read Notes in Note Section if specified in Note Column.

‡ Indicates miscellaneous section.

MALLORY PARTS ARE DESIGNED WITH THE SERVICEMAN IN MIND.

MANUFACTURER AND MODEL	CONTROLS							CONDENSERS				VIBRATORS			No. Tubes	Complete Tube Complement	I. F. Peak	Rider's Reference
	Use	Original Part	Circuit	Correct Replacement	Switch	Bias	*Note	Original Part	Circuit	Correct Replacement	*Note	Original Part	Replacement	*Note				
<b>BELMONT</b> —Continued																		
1100.....	Vol.	101-234	17	MK401	M26			119-112 119-69	46 13	FP444 TC74	B69			11	6SK7, 6SA7, 6SQ7, 6J5GT, 6V6GT, 5Y3G, 6U5	455	12-39,40	
1131, 1131 Series A.	Vol. Tone	101-214 101-213	45 22	MK401 MK402	M26			119-124	1/13	FP444	B69			11	6SK7, 6SA7, 6SQ7, 6J5GT, 6V6G, 5Y3G, 6U5	455	13-28,29	
1170.....	Vol. Tone	101-47 101-40	20 22	MRT436 Order from Mfr.	M26			103-10 103-3	25 25	RS223 RS216				11	6K7, 6J7, 6C5, 6H6, 6G5, 6F5, 6F6, 5Z4	465	8-29	
1170B, 1170C.....	Vol. Tone	101-36 101-40	20 22	DTM287-SS1 Order from Mfr.	M26			103-10 103-8	25 25	RS223 RS216				11	6K7, 6J7, 6C5, 6H6, 6G5, 6F5, 6F6, 5Z3	465	8-31, 9-43	
1171.....	Vol. Tone	101-60 101-62	22 22	MRT436 Order from Mfr.	M26			103-10 103-8	25 25	RS223 RS216				11	6K7, 6J7, 6C5, 6H6, 6G5, 6F5, 6F6, 5Z4	465	9-45	
1172.....	Vol. Tone	101-47 101-40	20 22	MRT436 Order from Mfr.	M26			103-10 103-8	25 25	RS223 RS216				11	6K7, 6J7, 6C5, 6H6, 6G5, 6F5, 6F6, 5Z4	465	8-29	
1174.....	Vol. Tone	101-36 101-40	22 22	DTM287-SS1 Order from Mfr.	M26			103-5 103-10 103-8	30 30 25	RS213 RS223 RS216				11	6K7, 6J7, 6C5, 6F5, 6H6, 6G5, 6F6, 5Z3	465	8-33	
1175 Series A.....	Vol. Tone	101-102 101-103	124 22	DTM287-SS1 Order from Mfr.	M26			103-10	30	RS216				11	6K7, 6J7, 6H6, 6F5, 6J5, 6F6, 6C5, 6U5, 5U4	465	9-47	
1401 A, B.....	Vol. Tung.Lt.	101249 101248	127 1	MK402 MR29				119112 119-73B 11969	1/13 1 13	FP444 TC72 TC72	B69			14	6AB7, 6SA7, 6SK7, 6SJ7, 6H6, 6U5, 6SQ7, 6J5GT, 6V6GT, 5U4	455 Kc FM 4.3 Mc	14-20-23	
<b>BENDIX</b>																		
0526 (Series).....	Vol.	RV0S00	18	MR48	M26			CE2A00	80	FP214				5	12SA7, 12SK7, 12SQ7, 50L6GT, 35Z5GT	455	15-1	
626-A.....	Vol.	RV4S00	18	MR53	M26			CE3A00	100	Order from Mfr.				6	14A7, 14Q7, 14B6, 35A5, 35Y4	455	16-1,3	
636-A, 636-C, 636-D	Vol. (Late) (Early)	RV4S00 RV4S07	18 178	MR53 TM234 MK402	M26 M26 M26		A112 A117	CE3A00 CE2A01	91 1	FP306/TC50 FP234				6 7	14A7, 14Q7, 14B6, 35A5, 35Y4 6SK7, 6SA7, 6SF7, 6SC7, 6V6GT, 5Y3GT	455	15-3,4	
646-A.....	Vol.	RV4S02	18	MR53	M26			CE3A00	100	FP357				6	14A7, 14Q7, 14B6, 35A5, 35Y4	455	15-11,15	
656-A.....	Vol.	RVS00	18	Order from Mfr.				CE3A00	91	FP357				6	14A7/12B7, 14Q7, 14B6, 35A5, 35Y4	455	15-5,6	
676B, 676C, 676D.....	Vol.	RV0S01	18	MR53	M26			CE3A01	88	FP444				6	6SK7, 6SA7, 6SQ7, 6V6GT, 5Y3GT	455	15-7,5	
697-A.....	Vol.	RV0C01	18	MR48				CE3F00	91	2N511/TC48				6	12BE6, 12BA6, 12AT6, 35B5, D.R.	455	15-8,10	
847-B.....	Vol. Tone (Early) (Late)	RV4S10 RV4C00	18 1	MRT451 UC505 UC508	M26		A117 A112	CE3A01 CE1T00 CE1T02	88 15 15	FP444 TC26 TC40	B270			8	6AG5, 7F8, 7AH7, 7AG7, 6H6, 6SQ7, 6V6GT, 5Y3GT	455	10.7	
847S.....	Vol. (Early) (Late)	RV4S10 RV4C00	18 1	MRT451 UC505 UC508	M26		A117 A112	CE3A01 CE1T00 CE1T01	88 15 15	FP444 TC26 TC40	B270			8	6AG5, 7F8, 7AH7, 7AG7, 6H6, 6SQ7, 6V6GT, 5Y3GT	455	10.7	
<b>BLACKHAWK</b>																		
6U.....	Vol. Tone		18 22	UC511 MR42	6			81028 81021C .01	1 15	2S569 TN111 Buffer		2080	253	C3	678, 77, 75, 41, 84	262.5	§5-3	
<b>BOND RADIO CO.</b>																		
34-33, 6TA.....	Vol.		18	MR48				8-4	1	See Note	B3			6	2A7, 58, 2A6, 2A5, 80	456		
<b>B. O. P.</b> —See Buick, Oldsmobile and Pontiac.																		
<b>BOSCH</b> —See United American Bosch.																		
<b>BRANDES</b>																		
A1.....	Vol.		40	MR24				2-2	1	See Note	B1			8	24, 27, 45, 80		3-2	
B10.....	Vol.		40	MR24				1-5-5-5	1	See Note	B1			7	27, 71A, 80		1-1	
B11, B12.....	Vol.		40	MR24				2-1-1-5	59	See Note	B1			7	27, 71A, 80		3-1	
B15, B16.....	Vol.		40	MR24				2-1-5	59	See Note	B1			8	27, 71A-45, 80		1-3	
K48.....	Vol.	4466	40	MR24				2-4	1	See Note	B1			7	24, 27, 45, 80			
K60, K62.....	Sen. Vol.		50 8	UC500 E				2	13	TC71				7	35, 24, 47, 27, 80	175		
K70, K72.....	Vol.		59	MR21				8, 8, 8	4	RS213				8	35, 24, 27, 47, 80	175		
K80, K82.....	Vol.		59	MR21				8, 8, 8	4	RS213				9	35, 27, 24, 47, 80	175		
K90, K92.....	Vol.		59	MR21				8, 8, 8	4	RS213				10	35, 27, 24, 47, 80	175		
K110, K112, K120.....	Vol.		15	MR48				7337	26	3S584				8	58, 56, 47, 80	175		
K114.....	Vol.		15	MR48				8	12	TC52				9	34, 30	175		
K130, K132.....	Vol.		15	MR48				7240		3S584	B39			9	58, 56, 47, 80	175		
K133, K143.....	Vol.		15	MR48				4	4	See Note	B11			10	39, 37, 38	175		
								4	15	TC22								

† Data not substantiated.

\* IMPORTANT: Read Notes in Note Section if specified in Note Column.

‡ Indicates miscellaneous section.

MANUFACTURER AND MODEL	CONTROLS							CONDENSERS				VIBRATORS			No. Tubes	Complete Tube Complement	I. F. Peak	Rider's Reference
	Use	Original Part	Circuit	Correct Replacement	Switch	Bias	*Note	Original Part	Circuit	Correct Replacement	*Note	Original Part	Replacement	*Note				
<b>BREITING</b>																		
12	Vol.		18	MR48				16	25	RS216					12	6B7, 6D6, 6C6, 442, 5Z3	432	§6-5
	M. Vol.		7	MR28	M26			8	25	RS213								
	Tone		22	MR42	M26			25	19	TC36								
	Meter			CIMP														
14	Vol.		83	MR48				16	25	RS216					14	6K7, 6J7, 6L7, 6H6, 6B8, 6F6, 5Z3	432	8-1,2
	Tone		22	MR42	M26			18	25	RS219								
	Sl.		7	MR28				25	44	TC36								
<b>BREWSTER—See Meissner</b>																		
<b>BRUNSWICK RADIO</b>																		
Bronswick	Vol.		6	D12				8-4	4	See Note	B3				6	58, 57, 47, 80		§4-2
<b>BROWNING DRAKE</b>																		
JR	Vol.		8	G	6	See Note	1	8-8	4	See Note	B3				4	35, 24, 47, 80		3-4
20	Vol.		7	H	6	1	A14	8, 8	4	RS213					6	24, 47, 80		3-1
	Tone		22	MR33		RS244	A24											
MB30	Vol.		12	MR33				8-8-8	3	See Note	B3				9	24, 227, 245, 80		1-1
34, 36, 38	Vol.		60	B				8-8-8	3	3S584					8	26, 27, 71A, 80		3-2
40	Vol.		7	H	6	2		8, 8	4	RS213					7	35, 24, 47, 80	175	
	Tone		22	MR18														
54	Vol.		12	MR20				8	1	RS213					9	24, 227, 245, 80		3-4
	Tone							8-8-8	14	3S584								
69	Vol.		12	MR18	M26			8, 8	4	RS213					9	24, 227, 245, 80		1-2
70, 71	Vol.		61	MR44	M26			8, 8	4	See Note	B3				9	24, 227, 245, 80		1-3
80	Vol.		7	H	6	2		8, 8	4	RS213					7	35, 24, 47, 80	175	3-3
	Tone		22	MR33														
100	Vol.		43	MR35											5	32, 33		3-4
	Tone		22	MR33														
<b>BRUNSWICK (Radio</b>																		
BJ-6836, C-3300	and Tele. Bass Treble	vision Inc.)	15	MR44	M26				101	TC75					9	6SK7, 6SA7, 6SF7, 6J5GT, 6U5, 6SN7GT, 6V6GT, 5Y3GT	455	15-1,2
			163	UM149-SS1	Mfr.					TC71								
			†	Order from														
SF-6810, T-4000, T-4000-1/2, D-6876	Vol. Tone		78120	Order from	Mfr.			25214	88/15	FP434					10	6AG5, 6SB7Y, 6SG7, 6SF7, 6H6, 6V6GT, 6SA7, 5Y3GT, 6SL7GT	455	16-1,5
			78072	Order from	Mfr.			25316	15	TC32								
<b>BRUNSWICK - MER</b>																		
275, 276, 277	Vol. Treble	SMAN	36447	DTM291-SS1	Mfr.			36599	1/19	FP426	B69				11	6SK7, 6SA7, 6H6, 6J5, 6F6G, 5U4G, 6U5	455	13-1,2,3
			36449	Order from				86031-4	13/15	FP332								
280, 282	Vol.		20	DTM291-SS1	M26			10-15-40	1/19	FP339					7	6SK7, 6SA7, 6SQ7, 6AD7G, 6F6G, 5Y3G	455	13-5,6
284	Vol.		124	MRT449	M26			10-10-20	1/15	FP332					6	6SK7, 6SA7, 6SQ7, 6F6G, 5Y3G	455	13-7,8
285, 285-1	Vol.		20	DTM291-SS1	M26			10-15-40	1/19	FP339					7	6SK7, 6SA7, 6SQ7, 6AD7G, 6F6G, 5Y3G	455	13-5,6
286	Vol.		124	MRT449	M26			10-10-20	1/15	FP332					6	6SK7, 6SA7, 6SQ7, 6F6G, 5Y3G	455	13-7,8
288, 288½	Vol. Tone		50.70	MRT450	M26			20.131	46	TC74					9	6SK7GT, 6SA7GT, 6SQ7GT, 6U5, 6K6GT, 80	456	13-4
			55.35	UC506				20.143	46	2S569								
289	Vol. Tone		18	MR53	M26			20-20	1	FP234					9	6SK7, 6SA7, 6SQ7, 6K6, 5Y3	455	13-9,10
			22	MR53														
291	Vol. Tone		18	MR53	M26			20-20	1	FP234					9	6SK7, 6SA7, 6SQ7, 6K6, 5Y3G	455	13-9,10
			22	MR53														
294	Vol. Tone		18	MR53	M26			20-20	1	FP234					9	6SK7, 6SA7, 6SQ7, 6K6, 5Y3	455	13-9,10
			22	MR53														
300	Vol. Tone		50.70	MRT450	M26			20.145	1	TC74	B3				5	6SQ7, 6K6, 80		14-1
			55.35	UC506														
400	Vol. Tone		124	MR53	M26			16, 16	46	TC74					12	6SK7, 6SA7, 6J5, 6SQ7, 6V6, 5U4	455	14-4
			18	MR53				12	46	TC72								
400½	Vol.		18	MR53	M26			25	46	TC77					12	6SK7, 6SA7, 6J5, 6SQ7, 6V6, 5U4	455	14-4
								16, 16	46	TC74								
500	Vol.		18	MR53	M26			12	46	TC72					12	6SK7, 6SA7, 6J5, 6SQ7, 6V6, 5U4	455	14-4
								25	46	TC77								
600	Vol.		18	MR53	M26			16, 16	46	TC74					12	6SK7, 6SA7, 6J5, 6SQ7, 6V6, 5U4	455	14-4
								12	46	TC72								
								25	46	TC77								
A1020	Vol.		124			See Note	A19	20-15-40	1/19	FP339					10	6SK7, 6SA7, 6H6, 6SF5, 6F6G, 6U5, 5U4G	455	11-1,2,4
T1580 (Ch. RC-482)	Vol.		18	MR44	M26			30-30	24	2N513					5	12SA7, 12SK7, 12SQ7, 50L6GT, 35Z5GT	455	11-3

† Data not substantiated.

\* IMPORTANT: Read Notes in Note Section if specified in Note Column.

§ Indicates miscellaneous section.

WHEN YOU BUY A BATTERY CHARGER BUY A MALLORY.



MANUFACTURER AND MODEL	Use	CONTROLS						CONDENSERS				VIBRATORS			No. Tubes	Complete Tube Complement	I. F. Peak	Rider's Reference
		Original Part	Circuit	Correct Replacement	Switch	Bias	*Note	Original Part	Circuit	Correct Replacement	*Note	Original Part	Replacement	*Note				
<b>BRUNSWICK-MER</b>	SMAN—	Continued																
1669, 1689	Vol.	17-16008	18	MR48				17-14249	1/19	TCD72/TC26					6	6A8, 6U5, 6K7, 6Q7G, 6V6G, 5Y3G	455	9-1,3
1680	'Tone Vol.	17-16009	21	MR39	M26			50-50	24	FP214					6	12SA7, 12SK7, 12SQ7, 12SJ7, 35L6GT, 35Z5GT	455	11-5
1700	Vol.		124	†		See Note A19		10-10-10-20	1/13/15	FP424					7	6SA7, 6SK7, 6SQ7, 6SF5, 6F6G, 5Y4G	455	11-7,8
A2020	Vol.		124	†		See Note A19		20-15-40	1/19	FP339					10	6SK7, 6SA7, 6H6, 6SF5, 6F6G, 6U5, 5U4G	455	11-1,2
T2580 (Ch. RC-482)	Vol.		18	MR44	M26			30-30	24	2N513					5	12SA7, 12SK7, 12SQ7, 50L6GT, 35Z5GT	455	11-3
A2600	Vol.		18	†		See Note A19		50-50	24	FP214					6	12SA7, 12SK7, 12SQ7, 12SJ7, 35L6GT, 35Z5GT	455	11-5
2660	Vol.		18	†		See Note A19		50-50	24	FP214					6	12SA7, 12SK7, 12SQ7, 12SJ7, 35L6GT, 35Z5GT	455	11-5
2669, 2689 (Ch. M27)	Vol. Tone Vol.	17-16008 17-16009	18 21	MR48 MR39	M26			17-14249	1/19	TCD72/TC26					6	6A8, 6U5, 6K7, 6Q7G, 6V6G, 5Y3G	455	9-1,3
2689	Vol.		18	†		See Note A19		50-50	24	FP214					6	12SA7, 12SK7, 12SQ7, 12SJ7, 35L6GT, 35Z5GT	455	11-5
A2700	Vol.		124	†		See Note A19		10-10-20	1/15	FP332					7	6SA7, 6SK7, 6SQ7, 6SF5, 6F6G, 5Y4G	455	11-7,8
3580 (Ch. RC-482)	Vol.		18	MR44	M26			30-30	24	2N513					5	12SA7, 12SK7, 12SQ7, 50L6GT, 35Z5GT	455	11-3
3689	Vol.		18	†		See Note A19		50-50	24	FP214					6	12SA7, 12SK7, 12SQ7, 12SJ7, 35L6GT, 35Z5GT	455	11-5
3689 (M27)	Vol. Tone	17-16008 17-16009	18 21	MR48 MR39	M26			17-14249	1/19	TCD72/TC26					6	6A8, 6U5, 6K7, 6Q7G, 6V6G, 5Y3G	455	9-1,3
A3720	Vol.		124	†		See Note A19		10-10-10-20	1/13/15	FP424					7	6SA7, 6SK7, 6SQ7, 6SF5, 6F6G, 5Y4G	455	11-7,8
4580 (Ch. RC-482)	Vol.		18	MR44	M26			30-30	24	2N513					5	12SA7, 12SK7, 12SQ7, 50L6GT, 35Z5GT	455	11-3
4689	Vol. Tone	17-16008 17-16009	18 21	MR48 MR39	M26			17-14249	1/19	TCD72/TC26					6	6A8, 6U5, 6K7, 6Q7G, 6V6G, 5Y3G	455	9-1,3
P5580 (Ch. RC-482A)	Vol.		18	MR44	M26			30-30	24	2N513					5	12SA7, 12SK7, 12SQ7, 50L6GT, 35Z5GT	455	11-3
5689	Vol. Tone	17-6008 17-6009	18 21	MR48 MR39	M26			17-14249	1/19	TCD72/TC26					6	6A8, 6U5, 6K7, 6Q7G, 6V6G, 5Y3G	455	9-1
8109	Vol. Tone	17-13795B 17-13796B	18 44	MRT427 MR39				17-14001 17-14124 17-14126	1 14 13	ST595 ST595 ST599					8	6K8, 6K7, 6Q7G, 6V6G, 6U5, 5Y3G	455	9-2
<b>BRUNSWICK RADIO CORP.</b>																		
B17 (For PR17-8 2nd Type)	Vol.		1	C12				4-4	4	See Note	B1				7	26, 27, 71, 80		1-22
R1	Vol.		1	C12				1-1	2	See Note	B1				7	26, 27, 71A, 80		1-27
3KR0, 3KR6	Vol.		1	C12				1-1	2	See Note	B1				7	26, 27, 71, 80		1-14
3KR8	Phono. Vol.		1	V C12				1-1	2	See Note	B1				4	26, 27		1-10
3NW8	Phono. Vol.		1	V														
5KR, 5KR0, 5KR6, 2KR0	Vol. Phono.		1 63	C12 V				1-1	2	See Note	B1				7	26, 27, 71, 80		1-12
5NC8	Vol.		1	A400P				2-2	2	See Note	B1				9	27, 71A, 80	180	1-17
5N0	Vol.		1	A409P				2-2	2	See Note	B1				9	27, 71A, 80	180	1-15
10	Vol.		8	A5MP	6	1		1-4 .055 2	25	See Note	B1 B9 B9				5	51, 24, 47, 80		2-1
11, 12, 16, 33, "D" Chassis Below No. 25000	Vol.	6647	7	Order from Mfr.				7 6	1 1	ST595 ST595					7	51, 24, 47, 80		2-3
11A, 12A, 16A, 18, 33A, "D" Chassis, Above No. 25000	Vol.	6653	15	Order from Mfr.				7 6	1 1	ST595 ST595					7	51, 24, 27, 47, 80	175	2-5
14, 21, 31 DC	Vol.		11	A5MP	6				†	See Note	B7				9	01A, 71A		2-7
S14, S21, S31, S81, S82C	Vol.		12	A3MP	6			1-1-1 .275	3	See Note	B1 B9				8	24, 27, 45, 80		1-29
S14, S21, S81, S82 (25 Cycle)	Vol.		12	A3MP				2-1-2	3	See Note	B1				8	24, 27, 45, 80		1-32
15B	Tone		22	MR33											7	32, 30, 31		2-9

† Data not substantiated.

\* IMPORTANT: Read Notes in Note Section if specified in Note Column.

‡ Indicates miscellaneous section.

MANUFACTURER AND MODEL	CONTROLS							CONDENSERS				VIBRATORS			No. Tubes	Complete Tube Complement	I. F. Peak	Rider's Reference
	Use	Original Part	Circuit	Correct Replacement	Switch	Bias	*Note	Original Part	Circuit	Correct Replacement	*Note	Original Part	Replacement	*Note				
BRUNSWICK RADIO 15, 22, 32, 42 (AC)	O Corp Tone Phono.	—Continued	22 63	E12 See Note			A5	2-2 4 .14 .25	1	See Note See Note See Note See Note	B1 B2 B9 B12			7	*24, *45, 80		1-34	
BUCKINGHAM 80	Vol.		3	C12				2-1-3	3	See Note	B1			8	*26, 27, *71A, 80		\$1-2	
BUICK 4036 (B. O. P.)	Vol. Tone	1207607 1207798	17 44	UC512 MR48	7			1207830 .015	1	TC71 Buffer	B14	1207758	292	C3	7	*36, 39, 85, *89, 84	262 4-1-4	
544245 (Buick- Pontiac)	Vol.	1209078	15	UM154-SS3		EB247		1209047	1/15	3S579		5037400	273C		4	6F7, 6A7, 6B7, 42	262 6-23,26	
544246	Vol. Tone	1209078 1207798	127 44	UM154-SS3 MR48		EB247		1209144	1/15	4S718		5037400	273C		6	78, 6A7, 6F7, 85, *41	262 8-16	
980455 (B. O. P.)	Vol.	1208157	17	UM154-SS3	M26			1207995	1/15	TCDS2/TN111		5035120	222		5	*78, 6F7, 75, 41	262 6-37,38	
980459 (B. O. P.)	Vol. Tone	1208157 1207798	18 44	UM154-SS3 MR48	M26			1208241	1	TC D71		5035120	222		6	*78, 6F7, 85, *41	262 6-39,40	
980507-8	Vol. Tone	1210846 1207798	17 44	TM241-SS12 MR53				1210537	1/15	4S718		5041376	273D		6	*6D6, 6A7, 85, 76, 6A6	252 9-67	
980509	Vol. Tone	1210846 1562122	17 22	TM241-SS12 MR48				1210885	1/15	TC D71/2N509		5041376	273D		5	*6D6, 6A7, 75, 42	262 9-67,68	
980525	Vol.	1211175	20	TM239-SS12				1211167	1	TC D71		5041376	273D		6	*6D6, 6A7, 85, 76, 6A6	260 9-69,70	
980526	Vol.	1211218	20	TM241-SS12				1211166	15	TN111		5041376	273D		5	*6D6, 6A7, 75, 42	262 9-70,72	
980529	Vol.	1211218	20	TM241-SS12				1211167	1	TC D71		5041376	273D		5	*6D6, 6A7, 75, 42	262	
980529	Vol.	1211218	20	TM241-SS12				1211215	15	TC22		5041376	273D		5	*6D6, 6A7, 85, 76, 6A6	260 9-69	
980534-5	Vol. Tone	1211774 1211773	20 22	SM301 Order from	Mfr.			1211570 1211572 .01-.01	1 15	2N518 TN111 Buffer		5050498	514	C3	6	*6K7, 6A7, 6D6, 85, 76, 6A6	262 9-72,75	
980620	Vol. & Tone	7238538	20/22	Order from	Mfr.			7238552 7238553 .015-.015	1 15	FP231 WP520 Buffer		7235951 7238525	716 716	C3 C3	6	*6SK7, 6A8, 6R7G, *6V6G	260 12-3,4	
980650	Vol. & Tone	7240366	1/39	Order from	Mfr.			7240612 7238553 .015-.015	24 15	FP234 WP520 Buffer	B14	7235951 7238525	716 716	C3 C3	6	*6K7, 6SA7, 6SK7, 6SR7, *6V6GT	260	
980660	Vol. & Tone	7239816	17/21	Order from	Mfr.			20-20-20 20	24/15 15	FP339 TC22		716	716		8	*6K7, 6SA7, *6SK7, 6SR7, 6H6, *6V6GT	455 13-5-9	
980690, 980691	Vol. Tone	7241967 7241928	17 21	Order from Order from	Mfr. Mfr.			7240612 7238553 .015-.015	24 15	FP234 FP306 Buffer		8630	716	C3	6	*6K7, 6SA7, 6SK7, 6SR7, *6V6GT	262 13-9-11	
980733	Vol.	7241928		Order from	Mfr.			7240612 7238553 .015-.000560	24 15	FP234 FP306 Buffer	B14	7235951	716	C3	6	*6K7, 6SA7, 6SK7, 6SR7, *6V6GT	262	
980744	Vol.	7241967		Order from	Mfr.			7240612 7238553 .015-.000560	24 15	FP234 FP306 Buffer	B14	7235951	716	C3	6	*6SK7, 6SA7, 6SR7, *6V6GT	262 15-1,4	
980745	Vol.	7241928		Order from	Mfr.			7240612 7238553 .015-.000560	24 15	FP234 FP306 Buffer	B14	7235951	716	C3	6	*6SK7, 6SA7, 6SR7, *6V6GT	262 15-1,4	
980690	Vol.	7241967		Order from	Mfr.			7240612 7238553 .015-.000560	24 15	FP234 FP306 Buffer	B14	7235951	716	C3	6	*6K7, 6SA7, 6SK7, 6SR7, *6V6GT	262	
1291344	Vol. Tone	1209078 1207798	127 44	UM154-SS3 MR48		EB247		1209144	1/15	4S718		5037400	273C		6	78, 6A7, 6F7, 85, *41	262 8-15,16	
1291345	Vol.	1209078	15	UM154-SS3				1209047	1/15	3S579		5037400	273C		4	6F7, 6A7, 6B7, 42	262 6-23,26	
1304873	Vol. & Tone	7233109	22/17	SMD502				8-8 10-10 .01-.01	1 15	2N518 TN111 Buffer		7232741	514	C3	6	*6K7G, 6A8G, 6R7G, 6J5G, 6N7G	262 9-76	
1362221	Vol. & Tone	7235952	17/22	SMD505				7232952 7235996 .015-.015	1 15	2N518 TN111/TC22 Buffer	B14	5050498	716	C3	6	*6K7G, 6A8G, 6R7G, *6V6G	260 12-1,2	
1314523	Vol. & Tone	7238538	20/22	Order from	Mfr.			7238552 7238553 .015-.015	1 15	FP231 WP520 Buffer	B14	7235951 7238525	716 716	C3 C3	6	*6SK7, 6A8, 6R7G, *6V6G	260 12-3,4	
1323457	Vol. Tone		106 106	Order from Order from	Mfr. Mfr.			20-20-20 .01-.01	24/15	FP339 Buffer	B14	870	870	C3	7	*7A7, 7B8, 7E6, *7C5, 0Z4	455 13-13-15	
BULOVA WATCH M501	Vol.		8	A5MP				1-4-2 .055	28	See Note See Note	B1 B9				5	*51, 24, 47, 80	2-1	
600, 601, 605, 610	Vol.		8	A5MP		2		1-2-1 .06/.25 .03	3	See Note See Note See Note	B1 B9 B9				6	*51, *24, 47, 80	175 5-1	

‡ Data not substantiated.

\* IMPORTANT: Read Notes in Note Section if specified in Note Column.

§ Indicates miscellaneous section.

MANUFACTURER AND MODEL	CONTROLS							CONDENSERS				VIBRATORS			No. Tubes	Complete Tube Complement	I. F. Peak	Rider's Reference
	Use	Original Part	Circuit	Correct Replacement	Switch	Bias	*Note	Original Part	Circuit	Correct Replacement	*Note	Original Part	Replacement	*Note				
BULOVA WATCH — M701	Continued		7	G				2-2-2.5	28	See Note	B1				7	51, 24, 27, 47, 80	175	2-3
C751	Vol. Tone		58	MR33	6			.055	34	See Note	B9				7	35, 27, 24, 47, 80	175	2-5
G781	Vol. Tone		22	MR33				8, 8		RS213					7	51, 24, 47, 27, 80	175	2-3
	Vol. Tone		7	G	6			2-2-2.5	28	See Note	B1				7	51, 24, 47, 27, 80	175	2-3
	Vol. Tone		22	MR33				.055		See Note	B9							
BUSH AND LANE 10	Vol.		26	MR20		See Note	te A18	8-8-8	3	3S584					8	27, 45, 80		1-1
12	Vol.		12	MR20		See Note	te A18	8-8-8	3	3S584					8	27, 24, 45, 80		1-2
BUTLER BROS. CA-500	Vol.	VC-10103	18	MK402	M26				24	2N520					5	12BE6, 12BA6, 12AT6, 50B5, 35W4	455	
CB-500-P	Vol.		18	MR53	M27				12	TC45					5	1R5, 1T4, 1S5, 3S4	455	
N5-RD250, N5-RD251, Ch. 9022N	Vol.	502145	18	MK401	M26			500256	81	FP354					6	12SK7, 12SA7, 12SF7, 35L6GT, 35Z5GT	455	15-1,2
N5-RD291	Vol.		161	MK402	M26				24	2N520					5	12BE6, 12BA6, 12AT6, 50B5, 35W4	455	
N5-RD295, Ch. 5A7	Vol. (Late) (Early)	VCP-12105	18	Order from Order from	Mfr. Mfr.			CLP-10007	24	2N520					5	12BE6, 12BA6, 12AT6, 50B5, 35W4	455	
C R C 24-27	Vol.		6	G7	6			4-4	1	See Note	B3				4	24, 45, 27		4-1
24-45	Vol.		6	G7				4-4	1	See Note	B3				4	35, 24, 45, 80		4-1
24-47	Vol.		6	G7				4-4	23	See Note	B3				4	35, 24, 47, 80		4-2
58-47	Vol.		6	H7				4-4	23	See Note	B3				4	58, 57, 47, 80		4-2
CABLE-NELSON—S	See Howard.																	
CADILLAC C8 (1433970)	Vol.	1434977	15	Order from	Mfr.			30-20	46	FP228		1434660	954	C3	8	6SK7, 6K8, 6H6, 6J5, 6V6G, 6N7G	456	10-1-4
06W	Vol. Tone	91061 91013	18 44	UM154 MR42	M26		A96	20-20 .008 P80939 P80965	46/15 2 14	FP234 Buffer 2S569 TC52	B14	P1765	Order from Mfr.	6	78, 77, 85, 41	262	5-1-4	
5X	Vol. Tone		56 22	Order from MR53	Mfr.			8-8 .0055	1	2N518 Buffer	B14		248	C3	5	6K7, 6J7, 6B7, 6B5	175	8-1
6KB	Vol. Tone		56 22	Order from MR53	Mfr.			8-8-12 .0055	1/15	3S579 Buffer	B14		248	C3	6	6K7, 6J7, 6B7, 41, 6A6	175	8-3
6Q	Vol. Tone	P36X214 P40X210	56 34	UM147-SS3 MR42	M26			P45X208	4	Buffer TCS71	B14				6	6D6, 6C6, 6B7, 41, 6A6	175	7-1,3
6R	Vol. Tone		17 34	UM161-SS3 MR42				4-5-8 .0075	4/15	3S579 Buffer	B14		294	C3	6	6D6, 6C6, 75, 41, 84, 6A6	175	8-5,6
6S	Vol. Tone	36X200 40X201	17 22	UM163-SS3 MR44	M26			45X204 45X203 .01	1 15	2N518 TN111 Buffer	B14	2080	253	C3	6	6D6, 6C6, 75, 41, 84	175	8-7,8
6T	Vol. Tone		17 44	↑ MR39		See Note	te A3				B14				6	6D6, 6C6, 6B7, 42	262.5	8-9,10
6U2	Vol. Tone		18 22	UM144-SS3 MR42	M26			10-10 .01	1	2S569 Buffer	B14		294	C3	6	78, 77, 75, 41, 84	262.5	8-4
77	Vol. Tone		15	↑		See Note	te A19	10-15-20 .01-.01	24/15	FP339 Buffer	B14		852	C3	7	7A7, 7B8, 7E7, 7F7, 7C5, OZ4	260	11-1-4
2029, 2029A, 2030	Vol. Tone		18 44	G MR48 MR42				P80902	13/15	See Note	B45		Order from Mfr.	8	36, 37, 47	175	5-5	
2721 (072)	Vol. Tone		44	MR42							B45		Order from Mfr.	7	39, 36, 37, 38	262	5-5	
2722 (072A)	Vol. Tone		18 44	MR48 MR42				P80902D	15/13	See Note	B45		Order from Mfr.	7	39, 37, 36, 41	262	5-8,10	
56V1	Vol. Tone		17 44	MR48 MR42		See Note	te A3	4-4-5	13/15	See Note	B46		292	C3	6	78, 77, 6B7, 41	262	5-12
1425470, 1425471	Vol. Tone		142 22	MRT446 MR57				45X230	1/15	TC72/TC26 TC71	B14	19A31	248	C3	6	6U7G, 6J7G, 6B8G, 6K6G, 6N7G	175	9-1-2
1433970 (C-8)	Vol.	1434977	15	Order from	Mfr.			.0055 30-20 20-20 .008	4 46/15	Buffer FP228 FP234 Buffer	B14	1434660	954	C3	8	6SK7, 6K8, 6H6, 6J5, 6V6G, 6N7G	456	10-1-4
7232502	Vol. Tone		45 22	TM239 MR48	M26		A96	8-8 12 .01-.01	2 15	2N518 TC22 Buffer	B14	7232741	514	C3	5	6K7, 6A8G, 6B8G, 6F8G, 6N7G	262	9-3-4
7238399	Vol.		18	↑		See Note	te A5	8-8 10 .01-.01	24/13 24	2N518 TC72 Buffer	B14		852	C3	7	7A7, 7B8, 7E6, 7C5, OZ4	455	11-5-10
7240371	Vol.	7240851	15	↑		See Note	te A19	.01-.01 .006	24/15	FP339 Buffer	B14	7238829	870	C3	7	7A7, 7B8, 7E7, 7F7, 7C5, OZ4	260	12-1,2,3
7240427	Vol.	7239816	18	↑		See Note	te A3	7240724 .01-.01	24/15	FP339 Buffer	B14	7238829	870	C3	7	7A7, 7B8, 7E6, 7C5, OZ4	455	12-4,5,6
7241938	Vol. Tone		106 106					20-20-20 .01-.01	24/15	FP339 Buffer	B14		870	C3	7	7A7, 7B8, 7E6, 7C5, OZ4	455	13-1-7

† Data not substantiated.

\* IMPORTANT: Read Notes in Note Section if specified in Note Column.

§ Indicates miscellaneous section.

MANUFACTURER AND MODEL	CONTROLS							CONDENSERS				VIBRATORS			No. Tubes	Complete Tube Complement	I. F. Peak	Rider's Reference
	Use	Original Part	Circuit	Correct Replacement	Switch	Bias	*Note	Original Part	Circuit	Correct Replacement	*Note	Original Part	Replacement	*Note				
<b>CADILLAC—Continued</b>																		
7241951.....	Vol.	7242296.....	18	Order from	Mfr.....			7240724..... .006	24/15	FP339 Buffer	B14	8639.....	870	C3	7	6SK7, 6SA7, 6SR7, 6V6GT, 0Z4.....	262	13-7-12
7253207.....	Vol.	7242296.....	18	Order from	Mfr.....			7240724..... .006	24/15	FP339 Buffer	B14	8638.....	870	C3	7	6SK7, 6SA7, 6SR7, 6V6GT, 0Z4.....	262	15-1,2, 3,5
<b>CALVERT</b>																		
A50A.....	Vol.	627.....	2	MR18.....				8-8.....	1	2N518.....					5	24, 47, 80.....		6-1
A51A, A52A.....	Vol.	627.....	8	MR19.....		EX400		658.....	1	2N518.....					5	35, 24, 47, 80, or 57, 47, 80.....		6-2
<b>CAPEHART</b>																		
<b>CK</b>	Vol. Tone		13	MR39.....	M28			8, 8, 8.....	28	RS213.....	B3				11	58, 57, 56, 47, 80.....	175	
	Phono.		41	MR39.....	M26													
	Sil.		87	MR44.....														
<b>E-1</b>	Vol. Tone		8	MR19.....														
			15	MR53.....				8.....	1/14	RS213.....					12	6K7, 6L7, 6H6, 6C5, 6G5, 5Z4, 6F5, 6L6, 5Z3.....	465	10-1-3
			41	MR48.....				16.....	1	RS216.....								
103, 104 (Cosmopol- itan) Chassis Z.....	Vol. Tone		33	See Note.....			A5	8-8-6.....	3	See Note.....	B3				11	78, 6A7, 75, 77, 37, 2A5, 80.....	175	5-1
110G Panamuse.....	Vol. Treble Bass		22	See Note.....			A5	8-8.....	14	See Note.....	B3				11	6K7, 6A8, 6H6, 6G5, 6N7, 6C5, 6V6G, 5Z3.....	465	10-4,6
			146	MR48.....				8, 8.....	30	RS213.....								
			146	MR48.....				16.....	30	RS216.....								
			146	MR48.....				10.....	19	TC32.....								
202.....	Vol. Tone		15	MR48.....				8-8.....	1	2N518.....					9	6K7, 6A8, 6H6, 6C5, 6F6, 5Z4.....	465	7-1
			41	MR48.....				4.....	13/14	TC71.....								
203 Tuner.....	Vol. Tone		17	MR48.....				5.....	15	TC32.....					5	6K7, 6A8, 6H6.....	465	7-3
			44	MR48.....				4.....	13	TC71.....								
203 (Amplifier) 400A.....	Vol. Tone		15	MR44.....				8-8-4-2.....	3/14	See Note.....	B4				4	6F5, 6F6, 5Z3.....	180	7-2
			41	MR53.....				8-8-4-2-2.....	37	See Note.....	B3				14	58, 56, 57, 55, 47, 80.....	180	4-1
400B.....	Vol. Tone		33	MR44.....				40.....	15	TC29.....					17	58, 56, 57, 55, 42A5, 5Z3.....	180	4-2
	Tone Supp.		44	MR44.....				8-8-4-2-2.....	3	See Note.....	B3							
			44	MR19.....				40.....	15	TC29.....								
400, 401, 402.....	Vol. Tone		8/87	See Note.....			A5								13	51, 27, 47, 80.....	180	1-1
			41	See Note.....			A5											
400B, 402B, 404B, Tuner.....	Vol. Tone Supp.		33	MR44.....				8-8-4-2-2.....	3	See Note.....	B3				17	58, 2A7, 57, 55, 56, 2A5, 5Z3.....	180	5-2
			44	MR44.....				40.....	15	TC29.....								
			8	MR19.....														
400B, 402B, 404B, All-Wave.....	Vol. Tone Supp.		15	MR44.....				8-8-4-2-2.....	3	See Note.....	B3				17	58, 57, 56, 2A7, 2A5, 5Z3, 55.....	465	5-4
			44	MR44.....				40.....	15	TC29.....								
			8	MR19.....														
400D Tuner.....	Vol. B.Tone T.Tone Sen.		146	MR44.....				8-8.....	13	2N518.....					9	6K7, 6L7, 6C5, 6H6.....	465	7-4
			146	MR44.....				25.....	15	TC26.....								
			146	MR44.....														
			9	MR34.....														
400D Treb. Amp.....								8-8.....	1	See Note.....	B4				4	6F5, 6F6, 5Z3.....		7-6
400D Bass Amp.....								8-8-4-2-2.....	3	See Note.....	B4				8	6F5, 6F6, 5Z3.....		7-5
400G.....	Vol. Treble Bass Sen.	2289..... 2287..... 2287..... 2288.....	146 146 146 8	NN..... MR48..... MR48..... Order from				11119..... 1170..... 11105..... 11124..... 11125..... 8-8-4-2..... 40.....	3 3 3 15 15 3 15	FP231..... HS693..... RS216..... TN111..... TC32..... See Note..... TC29.....					23	6K7, 6L7, 6G5, 6J5, 6H6, 6F6G, 6V6G, 6N7, 6C5G, 5Z3.....	465	10-12-24
Standard Amp.....					Mfr.....										6	56, 2A5, 5Z3.....		5-5
<b>CAPITOL</b>																		
T-13.....	Vol. Tone		50 179	MR48..... MR57.....	M26				24	TC78/TC65 TC26/TC26					3	6SQ7, 6V6GT, 0Z4.....		
<b>CARDWELL, ALLEN D.</b>																		
CE-26.....	Vol. Tone Phono	40-0017..... 40-0020..... 40-0015.....	15 183 183	MR48..... MR48..... TM243-SS1.....				35-1201..... 35-1203.....	1/15 13	FP339..... FP321.....					6	6SJ7GT, 6SL7GT, 6V6GT, 5Y3GT.....		
<b>CASE—Also see U. S.</b>																		
601 (Chassis 16SM)	Radio & Vol. Tone	Tel. A15113..... A15116.....	18 34	MR48..... MR42.....	M26			A15313..... A15237-2.....	25 25	RS216..... RS213.....					6	6D6, 6A7, 6K7, 75, 6F6, 80.....	262.5	7-1,3
701 (Chassis 16SME)	Vol. Tone	A15113..... A15116.....	18 34	MR48..... MR42.....	M26			A15313..... A15237-2.....	25 25	RS216..... RS213.....					7	6D6, 6A7, 6K7, 75, 6G5, 6F6, 80.....	262.5	7-4,6
710, 713, 714, 715, 716, 718, 719.....	Vol. Tone	A15113..... A15116.....	18 34	MR48..... MR42.....	M26			15078..... 15079.....	1 1	RS216..... RS216.....					7	6K7, 6L7, 6D6, 6B7, 42, 76, 80.....	262.5	10-2
801-802 (Chassis 27SME).....	Vol. Tone	A15368..... A15116.....	18 34	MR44..... MR42.....	M26			A15313..... A15427..... A15237-2.....	25 25 25	RS216..... RS216..... RS213.....					8	6K7, 6L7, 76, 6D6, 75, 6G5, 42, 80.....	262.5	7-7,9

‡ Data not substantiated.

\* IMPORTANT: Read Notes in Note Section if specified in Note Column.

§ Indicates miscellaneous section.

WHEN YOU BUY ROTARY SWITCHES BUY MALLORY.

MANUFACTURER AND MODEL	CONTROLS							CONDENSERS				VIBRATORS			No. Tubes	Complete Tube Complement	I. F. Peak	Rider's Reference
	Use	Original Part	Circuit	Correct Replacement	Switch	Bias	*Note	Original Part	Circuit	Correct Replacement	*Note	Original Part	Replacement	*Note				
CASE—Continued																		
1001 (Chassis 19RSME)	Vol.	A15253	15	MR55	M26			A15236 A15237 A15258	25 25 13/15	RS223 RS213 2N518					9	6K7, 6L7, 6H6, 6C5, 6F6, 5Y3	262.5	7-10,12
1017 Chassis 110	Vol.	A15025	17	MR42	M26			16 16	56 56	RS216 RS216					10	6F6, 6C5, 6F5, 6H6, 6K7, 6L7, 5Z3	262	
1050	Vol. Tone	B-16553-Z B-16540-2	17 22	MR42			A19	B16554-2 B15427 B16551-3	1 1 15	RS223 RS219 TN111					10	6K7G, 6L7G, 6C5G, 6Q7G, 6G5, 6F6G, 5Z3	456	
1101, 1102 (Chassis 110RSME)	Vol.	A15025	45	MR42	M26			16 16 A15102 A15178	56 56 14 13/14	RS216 RS216 TC32 TN111/TC71					10	6K7, 6L7, 6C5, 6H6, 6F5, 6F6, 5Z3	262.5	7-13,15
1250	Vol. Tone	B-16565-2 B-16566-2	140 140	TM234-SS1 MR55	M26			B16613-2 B16614-3	1 13/15	2S569 2N516					12	6K7G, 6L7G, 6C5G, 6H6G, 6G5, 6F5G, 6L6G, 5Z3	456	
CAVALCADE																		
54	Vol.		18	UM154		See Note	A96	6-10 .02	4	See Note Buffer	B3 B14		294	C3	5	6A7, 6D6, 75, 42, 84	†	
64	Vol.		18	UM154		See Note	A96	6-10 .02	4	See Note Buffer	B3 B14		294	C3	6	6D6, 6A7, 75, 42, 84	†	
357	Vol.		18	MR48	M26			8-8	4	See Note	B3				5	6A7, 6D6, 75, 42, 80	456	6-1
359	Vol.		18	UM154		See Note	A96	6-10 .02	4	See Note Buffer	B3 B14		294	C3	6	6D6, 6A7, 75, 42, 84	456	6-2
3511	Vol.		45	MR48	M26			8-8 .01-.01	1	2N518 Buffer	B14		245C	C3	6	1C6, 34, 32, 33, 30	456	6-3
20TH CENTURY—Electronic																		
100X, 101, 104	Vol.	Devices Co.	18	MR48	M26				1	2N511					6	12SA7/14Q7, 12SK7GT/14A7, 12SQ7/14B6, 35L6GT/35A5, 35Z5GT/35Y4	456	
200	Vol. Tone		180	MR48 MR55	M26				24	2N520/TC32		Order from	Mfr.		3	12SQ7GT, 50L6GT, 35Z5GT		
300	Vol. Tone		180 180	MR48 MR55	M26				24	2N520		Order from	Mfr.		3	12SQ7GT, 50L6GT, 35Z5GT		
CENTURY RADIO PRODUCTS CO.																		
4-47	Vol.		6	MR18	M26	EX200		8, 8	1	ST595					4	35, 24, 47, 80		3-1
4-78	Vol.		6	See Note			A5	8, 8	1	ST595					4	58, 57, 47, 80		3-2
5-38	Vol.		6	See Note			A5								5	36, 38, 39		3-3
5-47	Vol.		6	MR18	M26	EX200			1	See Note	B3				5	24, 47, 80		3-4
7-38 Auto Radio	Vol.		64	MR48											7	37, 38, 39		3-5
"Ace"	Vol. Tone Supp.		18 34 7	MR48 MR33 G				16 8	3 3	ST597 ST595					10	58, 56, 46, 47, 80	175	3-6
"Queen"	Vol. Tone		6 34	MR24 MR33	M26	EX200	A4	8-4 10	1 17	2N518 TC22					6	57, 58, 47, 80	175	3-7
CHAMPION																		
4T AC-DC	Vol.		6	MR21				16-12	23	TCS44					4	6D6, 6C6, 43, 25Z5		7-3
5T (3 band)	Vol.		18	MR48				8-4	23	2S567					5	2A7, 78, 2A6, 2A5, 80, or 6A7, 6D6, 75, 42, 80	465	7-1
6T (3 band)	Vol. Tone		45 22	MR48		See Note	A3	8-4	23	2S567					6	6A8, 6K7, 6H6, 6F5, 6F6, 5Z4	465	7-2
30	Vol.		6			See Note	A3	8-14-10-10	1/15	4S715				3	6D6, 6C6, 12A7		9-1	
40R, 40RM, 40DW, 40DWM	Vol.		6	MR21				8-4	23	2S567					4	6D6, 6C6, 42, 80, or 6K7, 6J7, 6F6, 5Z4		7-5
42	Vol.		6	MR21			A14	4-4 5	15	2N518 TC32					4	6D6, 6C6, 42, 80 or 58, 57, 2A5, 80		7-3
52 (Early)	Vol.		6	MR21			A14	4-4 5	17	2N518 TC32					5	58, 57, 47, 80 or 6D6, 6C6, 42, 80	456	7-4
52 (Late)	Vol.		6	MR21			A14	4-4 5	1	2N518 TC32					5	6A7, 6D6, 6C6, 42, 80	456	7-5
52DWG	Vol.		18	MR48				16-12	27	TCS44					5	6A7, 6D6, 75, 43, 25Z5	465	7-4
54, 55	Vol.		6	MR21			A14	16-16 10	1 15	2N509 TC22					4	6K7, 6J7, 25L6 or 25A6, 25Z6, K55		9-2
307	Vol.		6			See Note	A3	10-10-10-10	1/15	2N516/TN111					3	6D6, 6C6, 12A7, K86C		9-1
317	Vol.		6			See Note	A3	16-12-10-10	1	4S715					3	6D6, 6C6, 25A7, K86C		9-1
500	Vol.		18			See Note	A3	8-8 10 .02-.02	15 1	2N518 TC22 Buffer			294	C3	5	6A7, 6D6, 6B7, 41, 84 or 6A7, 6D6, 75, 41, 84	456	7-6
501	Vol.		18	UM154			A96	8-8 .01-.01	4	2N518 Buffer	B14 B14		294	C3	5	6A7, 6D6, 75, 41, 0Z4	456	

† Data not substantiated.

\* IMPORTANT: Read Notes in Note Section if specified in Note Column.

‡ Indicates miscellaneous section.

MANUFACTURER AND MODEL	CONTROLS							CONDENSERS				VIBRATORS			No. Tubes	Complete Tube Complement	I. F. Peak	Rider's Reference
	Use	Original Part	Circuit	Correct Replacement	Switch	Bias	*Note	Original Part	Circuit	Correct Replacement	*Note	Original Part	Replacement	*Note				
<b>CHAMPION</b> — Continued																		
558	Vol.		6	MR21			A14	4-4	1	2N518				5	257, 58, 47, 80	456	7-7	
600	Vol.		18	UM154			A96	5-12	17	TC32				6	2D6, 6A7, 75, 41, 84	175	7-8	
601	Vol. Tone		18 22	UM154 MR18			A96	10-.01 8-8 .01	15 4	2S569 TC22 Buffer 2S567 Buffer	B14 B14		294	6	2K7, 6A8, 6Q7, 6F6, 0Z4	175	7-9	
<b>CHEVROLET</b>																		
364441	Vol. Tone	1207759 1207798	17 44	MR53 MR48	M27	FS253		1207695 1207901 .015	1 15	TCD71 TN111 Buffer	B169 B14	1207758	292	C3	7	36, 39, 85, 89, 84	262	6-20,22
600153	Vol.	1208075	17	Order from	Mfr.	See Note	A27	1207995	1/15	TC52/TN111		5035120	222		5	78, 6F7, 75, 41	262	7-45,46
600249	Vol. Tone	1208075 1207798	17 44	Order from MR48	Mfr.	See Note	A4	1208241	1	TCD72		1208152	222		6	78, 6F7, 85, 41	262	4-1,4-7
600565	Vol.	1208589	17	MR48	M27			1208241	1	TCD72		5035120	222		6	78, 6F7, 85, 41	262	9-61,62
600566	Vol.	1208491	17	Order from	Mfr.			1207995	1/15	TC52/TN111		5037916	222		5	78, 6F7, 75, 41	262	6-27,28
601038	Vol. Tone	1208589 1208693	18 44	MR48 MR48	M27			1208584	1	TCD72		5039661	273C		6	78, 6A7, 6F7, 85, 41	175	6-29,32
601176	Vol. Tone	1209078 1207798	17 44	UM154-SS3 MR48				1209144	1/15	4S718		5039661	273C		6	78, 6A7, 6F7, 85, 41	262	8-27,28
601177	Vol.	1209078	15	UM154-SS3				1209047	1/15	3S579		5037400	273C		4	6F7, 6A7, 6B7, 42	262	9-63,66
601525	Vol. Tone	1209364 1207798	17 44	Order from MR48	Mfr.			1209144	1/15	4S718		5039661	273C		6	78, 6A7, 6F7, 85, 41	262	10-1,2
601574	Vol. Tone	1209540 1209539	15 1	UM162-SS12 MR48				1209531	1/15	3S584		5039661	273C		4	6F7, 6A7, 6B7, 41	175	6-33,36
601586	Vol.	1209368	15	UM157-SS3				1209047	1/15	3S579		5037400	273C		4	6F7, 6A7, 6B7, 42	262	10-3-4
601662	Vol. Tone	1209296 1209628	15 21	UM162-SS12 MR48				1209285	1/15	3S579		5039661	273C		4	6F7, 6A7, 6B7, 42	262	7-1,3
601814	Vol. Tone	1210104 1207798	20 44	Order from MR48	Mfr.			1210065	1/15	TCD72/TN111		5039661	273C		6	6D6, 6A7, 6F7, 85, 41	262	8-22
985100	Vol. Tone	1210512 1210719	17 128	UM157-SS12 MR48				8-8-10 .0022	1/15	3S579 Buffer	B14	5040000	294	C3	6	2D6, 6A7, 75, 42, 84	262	8-41
985200	Vol. Tone	1210664	20	UM162-SS12				W38363	4	3S584 Buffer	B8 B14	5040000	294	C3	6	6D6, 6A7, 6B7, 76, 42, 84	262	10-5,6
985252	Vol. Tone	7230162	18	UC511				6-6 .005	1	2N518 Buffer	B14	5050673	852	C3	6	2K7G, 6A8G, 6Q7G, 6F6G, 6X5G	262	9-85,86
985253	Vol. Tone	7230117	17 22	TM239-SS3 MR39				8-8 .005	1	2N518 Buffer	B14	5050673	852	C3	6	2K7G, 6A8G, 6Q7G, 6N6G, 6X5G	262	9-87,88
985254	Vol. Tone	1210545 1210719	17 1	TM227-SS12 MR48				8-8 .005	1	2N518 Buffer	B14	5050673	852	C3	6	2U7G, 6A8G, 6Q7G, 6F6G, 6X5G	262	10-7,8
985255	Vol. Tone	1211647	17	TM239-SS12				8-8-4-12 .005	1/13/15	3S584/TC22 Buffer	B14	5050673	852	C3	7	2K7G, 6A8G, 6R7G, 6N6G, 6X5G	262	9-89,90
985283	Vol. Tone	1562084 1212427 1212810	22 18 22	MR45 TM252-SS3 Order from	Mfr.			1212314 1212313 .01-.01	1/15 15	3S579 TC32 Buffer	B14	5050673	852	C3	7	2U7G, 6A8G, 6R7G, 6V6G, 0Z4	262.5	9-91,92 10-9,10
985284	Vol. Tone	7232981 1563950	18 21	TM215-SS12 Order from	Mfr.			7233092 7231831 .01-.01	1 15	2N518 TC22		5050673	852	C3	7	2K7G, 6J7, 6R7G, 6J5G, 6N7G, 0Z4G	262	9-93
985285	Vol. Tone	1212542 1210719	17 22	TM224-SS3 MR48				1212441 .005	1/13	3S584 Buffer	B14	5050673	852	C3	6	2U7G, 6A8G, 6Q7G, 6F6G, 0Z4G	262	9-94
985286	Vol.	7230162	18	UM150-SS12				6-6 .005	1	2N518 Buffer	B14	5050673	852	C3	6	2K7G, 6A8G, 6Q7G, 6F6G, 6X5G	262	9-85,86 8-40,43
985300	Vol. Tone	1210846 1207798	17 119	TM239-SS12 MR48				1210857	1/15	2N518/TN111		5041376	273D		6	2D6, 6A7, 85, 76, 6A6	262	8-45,46
985301	Vol. Tone	1211175 1211285	20 119	TM239-SS12 MR44				1211167 1211166	1 15	TCD72 TN111		5041376	273D		6	2D6, 6A7, 85, 76, 6A6	262	8-44, 10-19
985400	Vol.	1210954	20	Order from	Mfr.			1209285	1/15	3S579		5041245	273C		6	2D6, 6A7, 85, 41	262	
985424	Vol. & Tone	1212903	20/39	Order from	Mfr.			1212902 1212313 .01-.01	1/15 15	FP332 TC22 Buffer	B14	5050673	852	C3	7	2K7, 6A8, 6R7, 6V6G, 0Z4	262.5	10-11-14
985425	Vol.	1212967	18	UM161-SS24	M26			5-5-20 .0065	24/15	FP332 Buffer	B14	1212966	859	C3	5	6A8G, 6K7G, 6Q7G, 6K6G, 6X5G	455	10-15,16
985426	Vol. & Tone	7236369	18/21	SMD511				8-8 .01-.01	74	2S567 Buffer	B14	5050673	852	C3	6	2K7, 6A8, 6Q7, 6K6G, 0Z4G	260	10-17,18
985536	Vol.	1213639	124	SM309				1213652 1213653 .01-.01	46 15	FP389 TN125		7239439	839	C3	8	2K7GT, 6A8GT, 6R7GT, 6V6GT, 0Z4	262.5	11-1-4
985537	Vol.	7239120	18	SM312				7239053 .01-.01	24/15	Buffer FP339 Buffer	B14 B14	1213881	859	C3	6	2K7GT, 6A8GT, 6Q7GT, 6V6GT, 0Z4	260	11-5,6
985538	Vol.	1213863	18	Order from	Mfr.			1213868 .004	24/15	FP328 Buffer	B14	1213655	859	C3	5	6SA7GT, 6SK7GT, 6SQ7GT, 6V6GT, 6X5GT	455	11-7,8
985651	Vol.	1213745	18	MK402	M27			40-20-200	24/19	FP304					5	1A7GT, 1N5GT, 1A5GT, 1H5GT, 35Z5GT, 5459	465	11-9,10

‡ Data not substantiated.

\* IMPORTANT: Read Notes in Note Section if specified in Note Column.

§ Indicates miscellaneous section.

MANUFACTURER AND MODEL	CONTROLS							CONDENSERS				VIBRATORS			No. Tubes	Complete Tube Complement	I. F. Peak	Rider's Reference
	Use	Original Part	Circuit	Correct Replacement	Switch	Bias	*Note	Original Part	Circuit	Correct Replacement	*Note	Original Part	Replacement	*Note				
CHEVROLET—Continued																		
985694	Vol.	1214928	124	SM310				20-10-5 20-4 .01-.01	24/13 15	FP369 2N509 Buffer		7239439	839	C3	8	6K7GT, 6A8GT, 6R7GT, 6V6GT, 0Z4	262.5	12-1,2,3
985695	Vol.	7241165	18	SM313				20-20-20 .006	24/15	FP339 Buffer	B14	7239124	859	C3	6	6SK7GT, 6A8GT, 6SQ7GT, 6V6GT, 0Z4	260	12-5,6
985696	Vol.	1214864	18	Order from	Mfr.			10-15-20 .004	24/15	FP328 Buffer	B14	1212966	859	C3	5	6SA7GT, 6SK7GT, 6SQ7GT, 6V6GT, 0Z4G	455	12-7,8
985697	Vol.	1215180	17	SM311				20-5-20 20-20 .008	46/15 46/15	FP328 FP330 Buffer	B3 B14	1215198	839	C3	9	6K7, 6SA7, 6SK7, 6SR7, 6H6, 6V6GT, 0Z4	455	12-9-14
985775 (Portable)	Vol.		18	UM154			A96	10	12	TC44					4	1R5, 1T4, 1S5, 1S4	455	12-4
985792	Vol.		18					10-15-20 .004	24/15	FP328 Buffer	B14		870		5	6SA7GT, 6SK7GT, 6SQ7GT, 6V6GT, 0Z4	260	13-1-4
985792 (Late)	Vol.	1216012	18	Order from	Mfr.			41473 .004	24	FP328 Buffer	B14	1215909	859	C3	5	7Q7, 6SK7GT/7A7, 6SQ7GT/7B6, 6V6GT/7C5, 0Z4	260	
985793	Vol.		18					7240724 .006	24/15	FP339 Buffer	B14	8526	859	C3	6	6SK7, 6SA7, 6SQ7, 6V6GT, 0Z4	262	13-5-9
985794	Vol. Sen. Dimmer	1215610 1215179 1216042	20 7 †					1214489 1215184 .008	24/15 13/15	FP332 FP339 Buffer	B69 B14	1215198 7239439	839 839	C3 C3	9	6SK7, 6SA7, 6SR7, 6H6, 6V6GT, 0Z4	455	13-11-26
985866	Vol.		149	Order from	Mfr.			30-20-100 10	76/78 78	FP304 TC42	B14				5	1A7GT, 1N5GT, 1H5GT, 1A5GT, 35Z5GT	455	13-27-30
985986	Vol.	1215610	20	Order from	Mfr.			1214490 1214489 .008	24/15	FP426 FP332 Buffer	B192 B69 B14	1215198	839	C3	7	6SK7, 6SA7, 6SR7, 6V6GT, 0Z4	260	15-1,9
986067	Vol. Sens.	7256188 7242204	18	Order from	Mfr.			7240724 .006	24/15	FP339 Buffer	B14	7239142	859	C3	6	6SK7GT, 6SA7GT, 6SQ7GT, 6V6GT, 0Z4	262	16-1,4
986146	Vol.	1216012	18	Order from	Mfr.			41473 .004	24/15	FP328 Buffer	B14	1215909	859	C3	5	7Q7, 7A7, 7B6, 7C5, 0Z4	260	
CHRYSLER—See Colonial																		
CISCO 9A5	Vol.	20-1	18	MR48	M26			3-1	24	FP306	B192				5	12SA7GT, 12SK7GT, 12SQ7GT, 50L6GT, 35Z5GT	455	
CLAGO Radiochron "B"	Vol. Tone		6 22	MR18	M26		A14	1-2	1	See Note	B1				6	24, 45, 80		§4-9
531 "Heritage"	Vol. Tone		6 22	MR18 G7 MR18			See Note	1-2-2-1-1	1	See Note	B1				5	24, 45, 80		§9-3
CLARION—Also see	Transformer Corp. and Warwick																	
11A (52.3)	Vol. Tone	24-105 26-106	18 21	MR48 MR48	M26 M27			18-102	1/15	2N518/TC22					6	6A7, 6D6, 75, 6G5, 4L, 80	456	
29, 35 (537)	Vol.	24-111	18	MR48	M27			16-100	19	TC22					4	1D7G, 1D5G, 1H6G, 1G5G, NB1	456	
31, 37 (453)	Vol.	24-106	18	MR53	M26			1845 .008	1	2N516 Buffer	B14	3407	246	C3	5	6D8G, 6S7G, 6T7G, 6N5, 1F5G	456	
55A, 57A (645)	Vol. Tone	24-105 26-106	18 21	MR48 MR48	M26			18-102	1/15	2N518/TC22					6	6A7, 6D6, 75, 6G5, 4L, 80	456	
58B (735)	Vol. Tone	24-105 26-106	18 21	MR48 MR48	M26			18-202 18-201	25 25	RS215 RS219					7	6A7, 76, 6D6, 6Q7G, 6G5, 6V6G, 80	456	
60, 61 series (646)	Vol. Tone	24-103 26-103	18 21	MR48 MR48	M26		A96	18-203 .005	74/19	3S584 Buffer	B119 B14	30-100	294	C3	6	6K7, 6A8, 6D6, 75, 4L, 84	262	
70, 71 Series (746)	Vol. Tone	24-103 24-103	18 22	UM157 Order from	Mfr.		A96	18-204 .008	24/15	3S579 Buffer	B14	30-100	294	C3	7	6K7, 6A8, 6K7G, 6Q7G, 6J5G, 6N7G, 0Z4	262	
70X (715A)	Vol.	24-106	17	MR53	M26			18-211	1	2N513					6	6A7, 6D6, 6Q7G, 6G5, 25B5, 25Z5, L42B	456	
80, 81 (846)	Vol. Tone	24-103 24-103	18 22	UM157 Order from	Mfr.		A96	18-204 .008	24/15	3S579 Buffer	B14	30-100	294	C3	8	6K7, 6A8, 6K7G, 6Q7G, 6J5G, 6N7G, 0Z4	262	
88X, 89X	Vol. Tone	24-113 26-110	148 41				See Note	18-202 18-201	1 1	RS215 RS219					8	6A7, 6D6, 6H6G, 6G5, 6Y7G, 6V6G, 80	456	
93 (885)	Vol. Tone	24-113 26-110	148 41				See Note	18-202 18-201	1 1	RS215 RS219					8	6A7, 6D6, 6H6G, 6G5, 6Y7G, 6V6G, 80	456	
Chassis 562	Vol. Tone	24-105 26-107	18 21	MR48			See Note	1845 .01-.01	1	2N516 Buffer	B14	3407	246	C3	5	1C6, 1A4, 6T7G, 6N5, 4L	456	
700, 701 (710)	Vol.	24-106	17	MR53	M26			18-211	1	2N513					6	6A7, 6D6, 6Q7G, 6G5, 25B5, 25Z5, L42B	456	

† Data not substantiated.

\* IMPORTANT: Read Notes in Note Section if specified in Note Column.

§ Indicates miscellaneous section.

MANUFACTURER AND MODEL	CONTROLS							CONDENSERS				VIBRATORS			No. Tubes	Complete Tube Complement	I. F. Peak	Rider's Reference
	Use	Original Part	Circuit	Correct Replacement	Switch	Bias	*Note	Original Part	Circuit	Correct Replacement	*Note	Original Part	Replacement	*Note				
<b>CLARION—Continued</b>																		
Chassis 1102.....	Vol. Tone	24-115 26-112	148 44	Order from	Mfr.	See Note	te A5	18-214 18-215 18-216	1 13	RS216 RS215 ST595					11	6C5G, 6A8G, 6K7G, 6H6G, 6G5, 6J7G, 6V6G, 80	456	
Chassis 1105.....	Vol. Tone	24-115 26-112	148 44	Order from	Mfr.	See Note	te A5	18-214 18-215 18-216	1 1	RS216 RS215 ST595					11	6C5G, 6A8G, 6K7G, 6H6G, 6G5, 6J7G, 6V6G, 80	456	
<b>CLARK</b>																		
PA-10.....	Vol. Tone Phono		182 22	MR48 MR48					103/15 13/15	FP330 FP332					5	7F7, 6V6GT, 5Y3GT		
PA-10A.....	Vol. Tone Phono		182 158 182	MR48 MR53 MR48					91/13/ 15	FP339					6	6SJ7, 6J5GT/G, 6V6GT/G, 5Y3GT/G		
PA-20.....	Vol. Phono		182 50	MR48 MR48					104 24/15	FP144 FP330					6	7F7, 6L6GA, 5U4G		
PA-20A.....	Vol. Phono		182 50 22	MR48 MR48 MR53					104 24/15 24/15	FP146 FP339 FP339	B8				7	6SJ7, 6J5GT/G, 6L6GA, 5U4G		
PA-30.....	Vol. Phono Treble Bass		182 50	MR48 MR48 MR48					104 24/15 24	FP145 FP339 FP330	B8				8	7C7, 7F7, 6L6, 5U4G		
<b>CLEARSONIC—See</b>	U. S. Television																	
<b>CLEARTONE</b>																		
110 (Compact).....	Vol. Clr'ty		16 26	MR48 MR34 MR48				3-3-2	3	See Note	B1				6	6Kellog, 80	1-3	
112.....	Vol.		14	MR48				2-2	1	See Note	B7				7	26, 27, 50, 81	1-3	
<b>CLIMAX</b>																		
4 tube AC-DC.....	Vol.	1050	6	MR18	M26	EX300		2031	1/15	TN125					4	6D6, 6C6, 43, 12Z3	7-2	
4 tube Battery.....	Vol.		135	MR20	M26			2037	12	TC55					4	34, 32, 33	7-1	
5 tube AC-DC.....	Vol.	1050	6	MR18	M26	EX300		2027	11/15	2N509/2N516					5	6D6, 6C6, 43, 37, 12Z3	7-2	
6 tube Battery.....	Vol.	1057	45	MR48				2037	12	TC55					6	1C6, 34, 30, 33	456	
AA, AAX.....	Vol.	1050	6	MR18	M26	EX300		2027	11/15	2N509/2N516					4	6K7, 6J7, 43, 25Z5	7-3	
AB, ABX.....	Vol.	1059	6	MR18	EX300			2027	11/15	2N509/2N516					5	6A8, 6K7, 6J7, 43MG, 25Z5MG	456	
ABX (late).....	Vol.	2007	17	MR48	M26			306	11/15	2N513/2N516					5	6A8, 6K7, 6B6, 43MG, 25Z5MG	456	
AC 60.....	Vol.	2009	45	MR48	M26			317	4	RS213					7	6A7, 6D6, 76, 6G5, 6F5G, 42, 80	456	
AC 61.....	Vol.	2009B	45	MR48	M26			317	4	RS213					6	6A7, 6D6, 76, 6F5G, 42, 80	456	
AC 64, AC 64B.....	Vol.	2009B	45	MR48	M26			317	4	RS213					7	6A7, 6D6, 76, 6G5, 6F5G, 42, 80	456	
AC 65.....	Vol.	2009B	45	MR48	M26			317	4	RS213					6	6A7, 6D6, 76, 6F5G, 42, 80	456	
AD.....	Vol.	2009B	18	MR48	M26			317	4	RS213					5	6A7, 6D6, 75, 42, 80	456	
AD6.....	Vol.	2009B	45	MR48	M26			317	4	RS213					7	6A7, 6D6, 76, 6F5G, 6G5, 42, 80	456	
AH.....	Vol.	2009B	18	MR48	M26			311 314	27 27	ST599 ST595					5	6A7, 6D6, 75, 43, 25Z5, L49C	456	
AHE.....	Vol.	2009B	18	MR48	M26			311 314	27 27	ST599 ST595					6	6A7, 6D6, 75, 6G5, 43, 25Z5, L42C	456	
AJ.....	Vol.	2009C	18	MR48	M27										5	1C6, 1A4, 1B5, 30, 19	8-4	
AKE.....	Vol.	2009B	18	MR48	M26			324 304 .01	1 15	ST595 TC22 Buffer	B14	2501	See Note	C8	5	6A7, 6S7G, 6T7G, 6G5, 41	456	
AL.....	Vol.	2016B	6	MR18	M26	EX400		324	4	TC47					4	6D6, 6C6, 26L6, 25Z5, L55B	9-1	
AR.....	Vol.	2022	6	MR29	M26	EX300		312 324 312	4 4 4	TC44 TC47 TC44					4	6K7, 6J7, 25L6, 25Z6	9-2	
ASE.....	Vol. Tone	2009B	45	MR48	M26			311	4	ST599					7	6A7, 6D6, 76, 6G5, 25L6, 25Z5, L80B	9-1	
ATE.....	Vol. Tone	2021	22	MR39				314	4	ST595					7	6A7, 6D6, 76, 6G5, 25L6, 25Z5, L73B, L80B	456	
AX.....	Vol. Tone	2009B	45	MR48	M26			317	4	RS213					6	6A7, 6D6, 76, 6F5G, 42, 80	9-1	
A4.....	Vol.	2021	22	MR39				2004	1	2N509					4	39-44, 77, 43, 12Z3	7-6	
Diamond.....	Vol.	2015	6	MR18	M26	EX500		2005	15	TN111					4	6D6, 6C6, 43, 12Z3	8-5	
Duke.....	Vol.	2006	6	MR18	M26	EX300		5-10-25	40/15	UR182	B3				4	6D6, 6C6, 43, 25Z5, L55B	8-5	
E.....	Vol.	2006	6	MR18	M26	EX275		316	8	TN125/TN111					4	6D6, 6C6, 43, 25Z5	8-7	

‡ Data not substantiated.

\* IMPORTANT: Read Notes in Note Section if specified in Note Column.

§ Indicates miscellaneous section.



MANUFACTURER AND MODEL	CONTROLS							CONDENSERS				VIBRATORS			No. Tubes	Complete Tube Complement	I. F. Peak	Rider's Reference
	Use	Original Part	Circuit	Correct Replacement	Switch	Bias	*Note	Original Part	Circuit	Correct Replacement	*Note	Original Part	Replacement	*Note				
<b>CLIMAX—Continued</b>																		
E02	Vol.	2006A	6	MR18	M26	EX300	316	1	TN125/TN111						4	6D6, 6C6, 43, 25Z5	9-1	
F	Vol.	2006	6	MR18	M26	EX275	311	23	ST599						4	6D6, 6C6, 43, 25Z5	8-7	
FBT	Vol.	2006	6	MR18	M26	EX300	314	23	ST595						4	6D6, 6C6, 43, 25Z5, L55C	\$10-3	
G	Vol.	2013	6	MR18	M26	EX275	311	27	ST599						4	6A7, 6F7, 43, 25Z5	456	
HE	Vol.	2009B	18	MR48	M26		314	27	ST595						6	6A7, 6D6, 6Q7G, 25B5, 25Z5, 6G5	456	
JE	Vol.	2009B	18	MR48	M26		311	27	ST599						6	6A7, 6D6, 6Q7G, 25B5, 25Z5, 6G5	456	
JEBT	Vol.	2009B	18	MR48	M26		314	27	ST595						6	6A7, 6D6, 6Q7G, 6G5, 25B5, 25Z5	456	
JL	Vol.	2011	83	MR48			317	1	RS213						11	6A7, 6D6, 476, 6G5, 6F5G, 42, 80	456	
KSW4	Vol.	1050	6	MR18	M26	EX300	8-4	4	2S567	B33					4	58, 57, 47, 80	7-7	
LEE SW5	Vol.	1050	6	MR18	M26	EX300	8-4	4	2S567	B33					5	58, 57, 47, 80	7-7	
M (early)	Vol.	1057	18	MR48	M26		2016	1/15	3S579						5	6A7, 6D6, 75, 42, 80	456	
M and ME (late)	Vol.	2011	45	MR48			317	1	RS213						8	6A7, 76, 6D6, 6F5G, 6G5, 42, 80	456	
MEBT	Vol.	2011	45	MR48			304	15	TC22						8	6A7, 76, 6D6, 6G5, 6F5G, 42, 80	456	
M4	Vol.	1050	6	MR18	M26	EX300	2006	24/15	2N516/TN111						4	39/44, 36, 38, 37	7-6	
OPAL	Vol.	2006	6	MR18	M26	EX300	322	24/15	3N527						4	6D6, 6C6, 38, 76	8-1	
Q69	Vol.	2016	6	MR18	M26	EX400	316	1	TN125/TN111						4	6D6, 6C6, 43, 25Z5, L55B	8-14	
R	Vol.	2006	6	MR18	M26	EX275	316	8	TN125/TN111						4	6D6, 6C6, 43, 25Z5	8-8	
RBT	Vol.	2006	6	MR18	M26	EX250	311	27	ST599						7	6D6, 6C6, 43, 25Z5	8-12	
SBT	Vol.	2007A	45	MR48	M26		314	27	ST595						4	6A7, 76, 6D6, 6H6G, 6Q7G, 25B5, 25Z5	456	
T	Vol.	2006	6	MR18	M26	EX275	320	40/15	TC44/TC42						4	6D6, 6C6, 43, 25Z5	8-12	
U Series, UE	Vol.	2009B	18	MR48	M26		311	27	ST599						6	6A7, 6D6, 75, 6G5, 43, 25Z5, LA2C or 6A7, 6D6, 75, 43, 25Z5, L49C	456	
Z55	Vol.	2016	6	MR18	M26	EX400	316	1	TN125/TN111						4	6D6, 6C6, 43, 25Z5, L55B	8-14	
7	Vol.	2010	6	MR18	M26	EX300	313	15	4S715						4	6D6, 6C6, 38, 76	7-8	
7B	Vol.	2010	6	MR18	M26	EX300	313	15	4S715						4	6D6, 6C6, 38, 76	7-9	
10, 12, 14, 19	Vol.	2006	6	MR18	M26	EX300	309	6/15	4S715						4	6D6, 6C6, 43, 25Z5	7-10	
30, 34	Vol.	2006A	6	MR18	M26	EX300	308	6/15	2N507/TN111						4	6D6, 6C6, 43, 25Z5	7-11	
35	Vol.	2009B	17	MR48	M26		311	23	ST595						6	6A7, 6D6, 75, 43, 6G5, 25Z5	456	
50, 56, 59	Vol.	2007	17	MR48	M26		308	6/15	2N509/TN111						5	6A7, 6D6, 75, 43, 25Z5, L55B2	456	
66	Vol.	1049	17	UM154			A96	2031	1/15	3S579	B14	801	294	C3	6	6A7, 6D6, 76, 75, 41, 84	456	
90, 91, 93	Vol.	2007	45	MR48	M26		.01	1/15	Buffer						7	6A7, 6D6, 76, 75, 6E5, 42, 80	456	
90B, 96B, 99B	Vol.	2008A	45	MR48	M26		302	1/15	3S579						7	6A7, 6D6, 76, 75, 42, 80, 6G5	456	
424	Vol.	2008A	34	MR36			4, 4	1	ST595						4	24, 47, 80	\$5-4	
457	Vol.	1050	6	MR18	M26	EX300	2000	4	2S567						4	58, 57, 47, 80	7-16	
557	Vol.	1050	6	MR18	M26	EX300	2000	4	2S567						5	58, 57, 47, 80	7-16	
<b>CLINTON</b>																		
6V6	Vol.	V14	45	MR48	M27		C220	1	2N516	B14	F-7	245	C3	6	6D8G, 1E5G, 1H4G, 6T7G, 1J6G	456		
19B (194, 195)	Vol.	V106	44	MR39			.005		Buffer						4	6D6, 6C6, 43, 25Z5		
51	Vol.	V6	6	SRP263	6		8-20-8	8	UR182						4	6D6, 6C6, 43, 25Z5, L55B		
56P	Vol.		6	SRP263	6		C212	8/15	TN125/TC22						4	6D6, 6C6, 43, 25Z5, L55B		
57PG, 58PG, 59PG, C62SQ	Vol.	V6	6	MR28	M26	EX200	5	15	TC22						4	6D6, 6C6, 43, 25Z5		
C71XF	Vol.	V13	18	MR48	M26		C212	8/15	TN125/TC22						5	6A7, 6D6, 75, 43, 25Z5		
C83	Vol.	V105	21	MR48			C214	27	2S556						7	6A7, 6D6, 76, 75, 42, 6G5, 80	456	
C93	Vol.	V15	45	MR48			C221	4	RM262						8	6D6, 76, 75, 6U5, 6B5, 80	456	
C113XF	Vol.	V106	106	MR48			C216	3	RS213						9	6D6, 76, 75, 42, 6G5, 80	456	
C123	Vol.	V106	106	MR48			C213	3	ST595						11	6D6, 76, 6C6, 42, 6U5, 80	456	
152, 153	Vol.	V15	106	MR48			8	1	RS213						12	6C6, 6D6, 76, 42, 6G5, 80	456	
300	Vol.	V107	106	MR39			C216	1	ST595						4	6D6, 6C6, 43, 25Z5		
	Vol.		6	SRP263	6		8-20-8	8	UR182						5	6A7, 6D6, 6Q7G, 25B5, 25Z5	465	
	Vol.		17	MR48	M26		40-12-10	6/15	3N533									
	Tone		21	MR44														

† Data not substantiated.

\* IMPORTANT: Read Notes in Note Section if specified in Note Column.

‡ Indicates miscellaneous section.

MANUFACTURER AND MODEL	CONTROLS							CONDENSERS				VIBRATORS			No. Tubes	Complete Tube Complement	I. F. Peak	Rider's Reference
	Use	Original Part	Circuit	Correct Replacement	Switch	Bias	*Note	Original Part	Circuit	Correct Replacement	*Note	Original Part	Replacement	*Note				
<b>CLINTON—Continued</b>																		
440 AC-DC Chassis 32	Vol.		6	SRP263				12-8-6	†	TN125					4	6K7, 6J7, 25L6, 25Z6G		
610SP, 611SP	Vol.	V2	7	MR19	M26			C219	8/15	TN125/TC22					5	76, 6D6, 6C6, 43, 25Z5, 65R4	456	
612SP	Vol.	X13	18	MR48	M26			C227	8/15	TN125/TC22					5	6A7, 6D6, 75, 43, 25Z5, L49B	456	
615SQ	Vol.	V13	18	MR48	M26			C214	27	2S556					5	6A7, 6D6, 75, 43, 25Z5	456	
620XP	Vol. Tone	V16	7	MR48 MR48 G	6			C224	†	3S584	B8				5	6A7, 6D6, 76, 43, 25Z5, 65R4	456	
622XF	Vol. Tone	V13	62	MR48	M26			C221	4	2S567					7	6A7, 6D6, 76, 6AB6G, 6G5, 80	456	
630P	Vol.	V105	22	MR39				C219	8	UR182					4	6D6, 6C6, 43, 25Z5, L80B		
716SQ	Vol.	V13	18	MR48	M26			5	6-20-8	8	UR182				6	6A7, 6D6, 75, 43, 6U5, 25Z5, 140R8	456	
717SF	Vol.	V13	18	MR48	M26			5	20	8	TC22				6	6A7, 6D6, 75, 43, 6U5, 25Z5, 140R8	456	
723XF	Vol. Tone	V13	62	MR48	M26			8	5	8	TC44				7	6A7, 6D6, 76, 6AB6G, 6G5, 80	456	
803, (1935, 1936)	Vol.	V105	22	MR39				C221	4	2S567					7	6A7, 6D6, 76, 6AB6G, 6G5, 80	456	
818SF	Vol. Tone	V13	45	MR48	M26			8	4	TC71		294	C3	6	6D6, 6A7, 75, 42, 84	456		
824XF	Vol. Tone	V13	18	MR48	M26			4	6	TC48					7	6A7, 6D6, 76, 6Q7G, 25B5, 25Z5, 6G5	456	
831SP	Vol.	V106	106	MR39				C200	13	TC42					7	6A7, 6D6, 75, 76, 42, 80, 6U5	456	
1501	Vol. Tone	V13	18	MR48	M26			C221	15	2S567					7	6A7, 6D6, 75, 76, 42, 80, 6U5	456	
			15	MR48				8	13	TC71					6	6A7, 6D6, 75, 43, 25Z5, 6U5, L80B	456	
			†	MR50				20	3	RS213					15	6L7, 6K7, 6C5, 6H16, 6V6, 5V4, 6G5	456	
								10	15	TC32								
								20	15	TC26								
								8	13	ST595								
<b>COAST TO COAST</b>																		
A14	Vol.		†	NN				3	3	See Note	B7				7	37, 42, 82	\$3-3	
83	Vol.		15	MR48				8, 8, 8	3	RS213					6	56, 83, 46	\$3-4	
56-2'59-2'81	Vol. Tone		15	MR48				10	15	TC22					7	59, 50, 81, 56	\$3-4	
525	Vol. Tone		41	MR44				4-4-4	14	See Note	B3				7			
D3008	Vol. Tone		7	D				2-2-4	3	See Note	B7				9	35, 24, 27, 47, 80	4-1	
	Vol.		41	MR39				8-8-8	3	3S584					9			
	Vol.		16	MR48				16-4	24	See Note	B3				7	37, 2A3, 782-83	4-2	
D3031	Vol. Tone		16	MR48				4	13	See Note	B3							
			65	MR48				4-4	1	See Note	B3							
								5	15	TC22								
								12-12	9	2S569	B11				5	37, 43, 25Z5	4-3	
4978	Vol. Tone		15	MR44				8-4	14	2N516	B3							
			41	MR44				5	15	TC32								
								2-2-2	3	See Note	B7				6	24, 45, 50, 81	4-4	
<b>COLONIAL—Also See</b>																		
31AC	Vol.	Sears Roebuck	37	C30P				8-8-8	3	3S584					7	26, 27, 71A, 80	1-10	
31DC	Hum Fil.		†	M20R											7	26, 71A	1-8,9	
32AC	Vol.	4473P	24	GK				1445P	3	3S584					8	24, 27, 45, 80	1-14	
Cavalier, Picadilly, Moderne 32 DC	Vol.	4473P	24	GK											7	24, 27, 45	1-11-14	
33, 34, 35								8-8	1	2N518					7	24, 27, 45, 80	1-15	
36								D4758P	1	RS213					6	24, 45, 80	1-19	
36P								D4758P	1	RS213					6	24, 45, 80	1-19	
37								R5734A	4	RS216					7	35, 24, 45, 80	2-7	
37P								R5734A	4	RS216					7	35, 24, 45, 80	2-9,10	
38								D4758P	1	RS213					6	24, 45, 80	2-11	
39								4758P	4	RS213					5	24, 45, 80	1-18	
41, 42								R5734A	4	RS216					6	35, 24, 45, 80	1-18	
41P								R5734A	1	RS216					6	35, 24, 45, 80	2-16	
44	Vol.	R6025A	6	H7		I	A14	4758P	4	RS213					6	24, 35, 47, 27, 80	175 2-21,22	
46 (Midget)	Vol.	R6172	7	H				R6122	1	2N518					4	35, 24, 47, 80	2-23	
47, 48	Vol.	R6025A	6	H7		I		D4758P	4	RS213					8	35, 24, 27, 47, 80	175 2-26	
49 (Midget)								4758P	4	RS213					5	35, 24, 47, 80	2-30	
50 (AVC)	Vol.	R6242	7	H	6			D4758P	4	RS213					10	35, 27, 24, 47, 80	175 2-32	
51	Vol. Tone		21	MR48	M26			D4758P	25	RS213					8	35, 24, 27, 47, 80	175 3-1	
52	Vol. Tone		6	H		I		D4758P	4	RS213					7	35, 27, 24, 47, 80	175 3-2	

† Data not substantiated.

\* IMPORTANT: Read Notes in Note Section if specified in Note Column.

§ Indicates miscellaneous section.

MANUFACTURER AND MODEL	CONTROLS							CONDENSERS				VIBRATORS			No. Tubes	Complete Tube Complement	I. F. Peak	Rider's Reference
	Use	Original Part	Cir- cuit	Correct Replacement	Switch	Bias	*Note	Original Part	Cir- cuit	Correct Replacement	*Note	Original Part	Replace- ment	*Note				
COLONIAL—Continued																		
55	Vol.		15	MR48			R6645	1	ST595					4	24, 27, 35, 80	1000	3-6	
56	Tone		57	MR48			8	12	TC71					7	*32,*30, 33	175	3-8,9	
62	Vol.		6	H7	6		8	25	RS213					7	57, *58, 56, 24, 47, 80	175	3-10	
65	Tone		57	MR48			4	13	See Note	B3				4	*34-32, 32, 33, Bal.		3-15	
69	Vol.		29	U	6		8	12	TC52					7	*32,*30, 33, Bal.	175	3-17	
	Tone		22	MR48			20	19	TC26					12	*58,*57, 56,*46, 83	175	3-19,22	
71	Supp.		7	W	6		D4758P	2	RS213					6	57, 58,*24, 47, 80	175	3-23	
73	Tone		34	MR48				19	TC52					9	*57, 58, 56,*46,*80	175	3-25	
76	Vol.		6	H7	6	1	D4758P	23	RS213					7	*36, 39, 85,*41, 84	175	4-7,8	
	Tone		57	MR21	M26		14	4	RS216					7	*36, 39, 85,*41, 84	175	4-7,8	
106B	Vol.		17	MR48			D4758P	4	RS213			292	C3	7	*36, 39, 85,*41, 84	175	4-7,8	
	Tone		44	MR48			16	13	TC65					7	*36, 39, 85,*41, 84	175	4-7,8	
114							UE115	1	TC71					6	*35, 24,*45, 80		1-19	
117							R7917	17	TC26					6	*24,*45, 80		2-11	
125							.02		Buffer	B14				5	*24, 45, 80		1-18	
136	Vol.	9151	6	MR21	M26		R9150	29	TC844/TC44					4	78, 77, 43, 25Z5		4-13	
150	Vol.	R9721	18	MR48	M26		5	15	TC22					4	6A7, 78, 75, 41	480	4-15,18	
164	Vol.		17	Order from	Mfr.		R8837	1	2N518			271	C3	4	6A7, 78, 75, 41	480	4-15,18	
	Tone		22	MR48			R9144	15	TC22					6	*78, 6A7, 6B7, 41, 84	175	5-3	
164B	Vol.	R9710	18	Order from	Mfr.		R9743	1	2N518			Order from	Mfr.	6	*78, 6A7, 6B7, 41, 84	175	5-3	
	Tone	R9711	22	MR48			R9144	15	TC22			R9723	296	C3	5	78, 6A7, 6B7, 41, 84	175	5-3,7
182	Vol.	R9710	17	Order from	Mfr.		.01-.01		Buffer	B14				5	78, 6A7, 6B7, 41, 84	175	5-3,7	
250	Vol.	R9711	44	MR48			R9780	4	2S567					6	78, 6A7, 6F7, 6B7,*41	175	5-10	
250AC	Vol.	R8059	68	D12	6		R8053	9	3S584	B49				5	6A7, 6B7, 77, 43,	175	4-22	
250AC (Ex. Range)	Vol.	R8747	18	MR48	M26		R8058	15	TC22					5	25Z5	175	4-27	
250-300 AC-DC	Vol.	R8564	18	MR48	M26		R8247	23	2S567					5	6A7, 6B7, 77, 41, 84	175	4-31	
279 (A)	Vol.	R8059	68	D12	6		R8749	23	TC71					5	6A7, 78, 75, 41, 84	175	4-31	
279AC	Vol.	R8059	68	D12	6		R8748	23	TC52					5	6A7, 78, 75, 43, 25Z5	175	4-29	
279 (B)	Vol.	R8059	68	D12	6		R8053	9	TCS44/TC52	B123				5	6A7, 6B7, 77, 43,	175	4-22	
300 (A)	Vol.	R8059	68	D12	6		R8058	15	TC22					5	25Z5	175	4-27	
300 (B)	Vol.	R8059	68	D12	6		R8247	23	2S567	B33				5	6A7, 6B7, 77, 41, 84	175	4-27	
300AC, 301AC	Vol.	R8059	68	D12	6		R8058	15	TC22					5	6A7, 6B7, 77, 43,	175	4-23	
300 (Ex. Range)	Vol.	R8747	18	MR48	M26		R8053	9	3S584	B49				5	25Z5	175	4-22	
301 (A)	Vol.	R8059	68	D12	6		R8058	15	TC22					5	6A7, 6B7, 77, 43,	175	4-22	
301 (B)	Vol.	R8059	68	D12	6		R8053	9	3S584	B49				5	25Z5	175	4-22	
T345, C399	Vol.		6	MR21			R8058	15	TC22					5	6A7, 6B7, 77, 43,	175	4-22	
	Tone		57	MR48			R8053	9	TCS44/TC52	B123				5	25Z5	175	4-23	
T397	Vol.	R6762	6	MR21		A14	D4758P	23	RS213					6	39,*36,*89, 80	175	3-30	
	Tone	R6454	21	MR48				23	RS213					6	*58,*24A, 47, 80	175	3-31	
400	Vol.		19/7	Order from	Mfr.		R8624	23	RS213					6	*78, 6A7, 85, 41, 84	175	4-36	
	Tone		57	MR53				23	RS213					6	*58,*24A, 47, 80	175	3-31	
C495	Vol.	R6762	6	MR21		A14	D4758P	23	RS213					6	*58,*24A, 47, 80	175	3-31	
	Tone	R6454	57	MR48				23	RS213					6	*58,*24A, 47, 80	175	3-31	
500 (A)	Vol.	R8059	68	D12	6		R8053	9	3S584	B49				5	6A7, 6B7, 77, 43,	175	4-22	
500 (B)	Vol.	R8059	68	D12	6		R8058	15	TC22					5	25Z5	175	4-22	
501	Vol.	R9234	18	MR48	M26	A88	R8053	9	TCS44/TC52	B123				5	6A7, 6B7, 77, 43,	175	4-23	
	Tone	R9235	21	MR48			R8058	15	TC22					5	25Z5	175	4-23	
501AC	Vol.	R9277	18	MR48	M26	A88	R9229	29	TC62					5	6A7, 78, 75, 43, 25Z5	175	4-43	
	Tone	R9235	57	MR48			R9345	23	ST595					5	6A7, 78, 75, 41, 84	175	4-45	
C595	Vol.		15	MR53			R9344	23	ST595					8	*58, 56, 27, 47, 80	175	3-36	
	Tone		21	MR48	M26		R8624	23	RS213					8	*58, 56, 27, 47, 80	175	3-36	
600, 600A	Vol.	R9296	18	MR51			R7236	23	RS219					6	*78, 6A7, 85, 41, 80	175	4-49	
	Tone	R6571	22	MR48	M26		D4758P	23	RS213					6	*78, 6A7, 85, 41, 80	175	4-49	
600 (Late)	Vol.	R41996	18	Order from	Mfr.		R42260	2/15	FP328			R42697	859	C3	5	6SA7GT, 6SK7GT,	455	15-1,3
							.004		Buffer	B14				10	*78, 6A7, 37, 75, *45, 83	175	4-53	
601	Vol.	R8679	18/7	DRP317			R7236	23	RS219					10	*78, 6A7, 37, 75, *45, 83	175	4-53	
	Tone	R6570	106	MR48			D4758P	23	RS213					10	*78, 6A7, 37, 75, *45, 83	175	4-53	
							R9237	13	TC62					10	*78, 6A7, 37, 75, *45, 83	175	4-53	

† Data not substantiated.

\* IMPORTANT: Read Notes in Note Section if specified in Note Column.

§ Indicates miscellaneous section.

MANUFACTURER AND MODEL	CONTROLS							CONDENSERS				VIBRATORS			No. Tubes	Complete Tube Complement	I. F. Peak	Rider's Reference
	Use	Original Part	Circuit	Correct Replacement	Switch	Bias	*Note	Original Part	Circuit	Correct Replacement	*Note	Original Part	Replacement	*Note				
<b>COLONIAL—Continued</b>																		
602.....	Vol. Tone	R6570	15	MR48				R7236	23	RS213					12	6A7, 7B7, 7C5, 7D4, 8B5, 8C5	175	5-15
603.....	Vol. Tone	R7240	7	MR48				R9344	13	ST595					6	7A7, 7B7, 7C5, 7D4, 8B5, 8C5	480	5-19
604.....	Vol. Tone	R10648	18	MR48				R8748	13	TC52					8	7A7, 7B7, 7C5, 7D4, 8B5, 8C5	445	5-21
605.....	Vol. Tone	R10740	107	MR48				R7236	23	RS219					7	7A7, 7B7, 7C5, 7D4, 8B5, 8C5	175	6-1
629.....	Vol. Tone	R43689	18	MR48	M26			R8488	23	RS213					7	7A7, 7B7, 7C5, 7D4, 8B5, 8C5	175	6-1
650.....	Vol. Tone	R6571	18	MR48	M26			R9237	13	TC62					5	7A7, 7B7, 7C5, 7D4, 8B5, 8C5	260	15-4,7
651.....	Vol. Tone	R9865	18	MR48	M26			8, 8	23	RS213	B14	R43697	859	C3	6	7A7, 7B7, 7C5, 7D4, 8B5, 8C5	175	5-25
652.....	Vol. Tone		18	MR48	M26			R43691	1	FP328					5	6A7, 7B7, 7C5, 7D4, 8B5, 8C5	480	5-27,28
653.....	Vol. Tone	R8059	6	D7		A14	D4758P	23	RS213						5	6A7, 7B7, 7C5, 7D4, 8B5, 8C5	480	5-31
654.....	Vol. Tone	R10742	7	D	M26		R10689	24	2N516						5	6A7, 7B7, 7C5, 7D4, 8B5, 8C5	480	5-33
655.....	Vol. Tone	R10648	18	MR48	M26		8, 8	23	RS213						6	7A7, 7B7, 7C5, 7D4, 8B5, 8C5	480	5-35
656.....	Vol. Tone	R10648	1	MR48	M26		D4758P	23	RS213						6	7A7, 7B7, 7C5, 7D4, 8B5, 8C5	175	5-37
657.....	Vol. Tone		18	MR48	M26		R10601	29	TC859/TC52						5	6A7, 7B7, 7C5, 7D4, 8B5, 8C5	480	5-40,41
658.....	Vol. Tone		18	MR48	M26		D4758P	23	RS213						6	7A7, 7B7, 7C5, 7D4, 8B5, 8C5	430	5-43
659.....	Vol. Tone		29	U			8	23	RS213						6	951, 30, 32, 33	480	5-45,46
662.....	Vol. Tone	R10604	34	MR48			R10673	13/19	2N516/TC22						5	6A7, 7B7, 7C5, 7D4, 8B5, 8C5	480	6-2
671.....	Vol. Tone	R44662	18	MR48	M26		R9204	23	RS213						5	6A7, 7B7, 7C5, 7D4, 8B5, 8C5	480	6-2
671-A.....	Vol. Tone	44662	18	MR48	M26		R8748	23	TC52						5	6A7, 7B7, 7C5, 7D4, 8B5, 8C5	480	6-2
C695.....	Vol. Tone		15	MR53			R43691	1	FP328	B14	R43697	859	C3	6	7A7, 7Q7, 7B6, 7C5, 7D4, 8B5, 8C5	260	15-8,10	
700, 701, 702.....	Vol. Tone	R8996	57	MR48			.004	24	Buffer	B14	43697	859	C3	6	7A7, 7Q7, 7B6, 7C5, 7D4, 8B5, 8C5	175	3-37	
700AC, 701AC, 702AC.....	Vol. Tone	R9396	18	MR48	M26		D4758P	23	Buffer	B14					10	58, 56, 27, 47, 80	175	3-37
C995.....	Tone		22	MR48			R9397	29	ST595						5	6A7, 7B7, 7C5, 7D4, 8B5, 8C5	175	4-57
1580.....	Vol. Tone		6	H7		A88	R8624	23	RS213						5	6A7, 7B7, 7C5, 7D4, 8B5, 8C5	175	4-62
			57	MR48			R9204	23	RS213						12	58, 24, 57, 46, 82	175	3-41
							R7236	7	RS219						7	57, 58, 56, 24, 47, 80	175	
							8, 8	25	RS213									
							4	13	TC70									
<b>COLUMBIA PHONO</b>	<b>CO.</b>																	
C1, C2, C3, C4.....	Vol.		14	MR39			2-2-2	3	See Note	B1					7	26, 27, 71A, 80		1-1,2
C5 (205).....	Vol.		14	MR39			3-2-2	3	See Note	B1					9	26, 27, 50, 81		1-3
C5 (310).....	Vol.		14	MR39			3-4-4	3	See Note	B1					9	26, 27, 10, 81		1-3
C6, C7.....	Vol.		14	MR39			1-4-2	25	See Note	B1					6	01A, 71A		1-4
31, 33.....	Vol.		8	A5MP	6	1	.055	25	See Note	B1				5	51, 24, 47, 80		2-1,2	
C33, C34.....	Vol.		7	G			2-2	25	See Note	B1					7	51, 24, 27, 47, 80		2-3
							.08	25	See Note	B9								
C80A.....	Vol. Tone		15	MR44			8-8-10	25/15	3S579						8	58S, 56, 4-S, 47, 82	175	3-2
C80B.....	Vol. Tone		15	MR33	M26		8-8-10	25/15	3S579						8	58S, 56, 4-S, 47, 82	175	3-3
C90, A, B.....	Vol. Tone		15	MR44			7489	2	TC74						11	58S, 56, 57S, 47, 82, 4S	175	3-7,9
	Supp. Tone		12	MR24			7278	13/14	TC52	B54								
	Vol. Tone		22	MR44	M26		7402	15	TC22	B54								
C100.....	Vol.		15	MR44			7784	15	TC26	B54								
120B.....	Vol.		43	GC			8-8-8	3	3S584						8	24, 27, 45, 80		3-10
C800.....	Vol. Tone		15	MR44			8-8-10	25/15	3S579						8	30, 32, 33	175	3-11
900, 901.....	Vol.		87	MR33	M26										8	58S, 56, 4-S, 47, 82	175	3-4
902.....	Vol.		63												4	26, 10, 81, 876		1-4
930-300.....	Vol.		63												4	27, 50, 81		1-5
931.....	Vol.		63												4	26, 10, 81		1-7
940.....	Vol.		40	MR24											3	26, 50, 81		1-7
950, 961.....	Vol.		40	MR18			2-1-5	3	See Note	B1					8	27, 45, 80		2-4
	Vol.		40	MR18			3-2-2	3	See Note	B7					7	26, 27, 50, 81		1-8,9
980.....	Vol. Phono.		63												12	26, 27, 80, 50, 81		1-10
	Vol. Phono.		14	MR39			1-1-1	3	See Note	B1								
			63				3-4	1	See Note	B7								
<b>COLUMBIA RADIO</b>	<b>CORP.</b>																	
SG5 (30).....	Vol.	848	7	MR37			2-1	1	See Note	B1					5	24, 45, 80		3-1
SG8.....	Vol.		69	F7	8	A8	2-2-2	3	See Note	B1					8	24, 27, 45, 80		1-2
SG9.....	Vol.		25	MR18	M26	A20	8-8-8	3	See Note	B3					9	24, 27, 45, 80		3-3
SG10.....	Vol.		41	MR48														
	Vol.		7	MR37			2-2.5-2.5	3	See Note	B1					10	24, 27, 45, 80		3-4

‡ Data not substantiated.

\* IMPORTANT: Read Notes in Note Section if specified in Note Column.

§ Indicates miscellaneous section.

MANUFACTURER AND MODEL	CONTROLS							CONDENSERS				VIBRATORS			No. Tubes	Complete Tube Complement	I. F. Peak	Rider's Reference
	Use	Original Part	Circuit	Correct Replacement	Switch	Blas	*Note	Original Part	Circuit	Correct Replacement	*Note	Original Part	Replacement	*Note				
<b>COLUMBIA RECORDING CORPORATION</b>																		
D1	Vol.		50	MR48	M26			30-20-20	24/15	FP306				1	70L7GT		13-2	
D3	Vol.		50			See Note A5		60	24	TC50				3	12SF5, 50L6, 50Y6		13-2	
P1, P2, P3	Vol. Tone		50	MR55	M26			30, 30	24/13	TC47				1	70L7GT		13-1	
T1, T2	Vol. Tone		50	MR48	M26			10, 10	15	TC22				3	6SF5, 6L6G, 80		13-1	
			22	MR48				30-20-20	24/15	FP306								
								16, 16	1	TC74								
								20	15	TC26								
<b>COMET—See Air King</b>																		
<b>COMMANDER INDUSTRIALS</b>																		
Phono	Vol. Tone		18	MR53	M26					TC48				3	12AT6, 50B5, 35W4			
				MR53						2N509								
<b>COMMONWEALTH</b>																		
150	Vol.		17	MR48	M26			5-18-7	11	UR182	B31			5	6A7, 6D6, 75, 43, 25Z5	456	\$5-5	
<b>CONCORD</b>																		
CD-61P, Ch. 554	Vol. Tone	B-55575-1	169	TM233-SS25	M26				1/15	FP339				6	*6SK7, 6SA7GT, 6SQ7GT, 6K6GT, 5Y3GT	455	15-5,6	
		B-55550-1	173	MK401														
6C-51B, 6C-51W	Vol.	26Y3	18	MK402	M26				80	2N511				5	12SA7GT, 12SK7GT, 12SQ7GT, 50L6GT, 35Z5GT	455	16-1	
6D-51B, 6D-51L, 6D-51W, Ch. 571A, 571B	Vol.	B-9051-1	18	MK401	M26			A-8948	1	FP306	B192			5	12SA7GT, 12SK7GT, 12SQ7GT, 50L6GT, 35Z5GT	455	15-1,2	
6D-61B, 6D-61X, Ch. 579	Vol.	A-9051-1	18	MK401	M26			A-8948	1	FP306	B192			6	*12SK7GT, 12SA7GT, 12SQ7GT, 35L6GT, 35Z5GT	455	15-3,4	
6D-61P, Ch. 554	Vol.	B-55575-1	157	TM233	M26			A-51356	1/15	FP339				6	*6SK7GT, 6SA7GT, 6SQ7GT, 6K6GT, 5Y3GT	455	15-5	
6D-62W, Ch. 572	Vol.	B-51445-1	157	TM233	M26			A-51356	1/15	FP339				6	*6SK7GT, 6SA7GT, 6SQ7GT, 6K6GT, 5Y3GT	455	15-6,9	
6E-51B	Vol. (Early) (Late)	S-RV171-1	18	MR48	M26			S-CE122M	24	2N520				5	12SA7GT, 12SK7GT, 12SQ7GT, 50L6GT, 35Z5GT	455		
			18	MR53	M26													
6F-26W	Vol. Tone	VC-4	18	MK402	M26			EC-4	88	FP357				6	*12SK7GT, 12SA7GT, 12AT6, 35L6GT, 35W4	455		
			184	UM129-SS25														
6R-3ARC, 7R-3APW, 6T-61W	Vol. Tone		165	MR53					24	2N513				3	12AT6, 50B5, 35W4			
			185	MR48	M26				24	2N520				6	*12SK7GT, 12SA7GT, 12SQ7GT, 35L6GT, 35Z5GT	455		
			185	MR55														
7G-26C	Vol. Tone	36X357	161	TM227-SS25	M26			45X346	24/15	FP346				6	6SA7, 6SK7, 6SF7, 6SJ7, 6V6GT, 6X5GT	455	16-2	
		40X282		UM165-SS25														
<b>CONSOMELLO</b>																		
8 in line	Vol.		10	D7				‡	3	See Note	B3			8	*26, 27, 71A, 80		\$6-4	
<b>CONTINENTAL—See Admiral</b>																		
<b>CONTINENTAL ELECTRONICS</b>																		
81B	Vol. Tone		15	MR35					24	2N520				3	12AT6, 50B5, 35W4			
			160	MR53	M26													
82	Vol.		161	MR48	M26				24	2N511				5	12BE6, 12BA6, 12AT6, 50B5, 35W4	455		
<b>CONVERSA-FONE</b>																		
MS-5 (Master Station)	Vol.		186	MR45	M26				24	2N520				4	*12SJ7, 50L6GT, 35Z5GT			
									15	TC32								
<b>CORD</b>																		
A255	Vol.	38425	15	UM162-SS12				W38473A	1	2N518		5041245	273C	5	6D6, 6A7, 6B7, 76, 6B5	262		
A455	Vol.	38425	126	UM162-SS12				38473A	1	2N518		5041245	273C	5	*6D6, 6A7, 6B7, 6B5	262		
<b>CORONA</b>																		
108	Vol. Tone		78	MR48				16-16	27	TCS44				5	6A7, 6D6, 75, 43, 25Z5	456	9-1	
			34	MR33														
110	Vol. Tone		18	MR44				12-4	23	3S584	B8			5	6A7, 6D6, 75, 42, 80	456	7-1	
			34	MR33														

‡ Data not substantiated.

\* IMPORTANT: Read Notes in Note Section if specified in Note Column.

‡ Indicates miscellaneous section.

MANUFACTURER AND MODEL	CONTROLS							CONDENSERS				VIBRATORS			No. Tubes	Complete Tube Complement	I. F. Peak	Rider's Reference
	Use	Original Part	Circuit	Correct Replacement	Switch	Bias	*Note	Original Part	Circuit	Correct Replacement	*Note	Original Part	Replacement	*Note				
<b>CORONA—Continued</b>																		
203.....	Vol.		6			See Note A3	2010.....	1/15	4S715.....					4	6D6, 6C6, 43, 25Z5, K55C.....		9-2	
209.....	Vol.		138			See Note A3	2012.....	23	3S584.....	B8				6	6A7, 6D6, 76, 6F5, 42, 80.....	456	9-3	
210.....	Vol.		138			See Note A3	2012.....	23	3S584.....	B8				7	6A7, 6D6, 76, 6F5, 42, 80, 6G5.....	456	9-4	
212.....	Vol.	2417.....	45	MR48.....	M26		8-8.....	1	2N518.....		5113.....	246	C3	6	1C6, 1A4, 30, 1B4, 19.....	‡	8-1	
214.....	Vol.		45	MR48.....	M26		8-8.....	1	2N518.....		5113.....	246	C3	7	1C6, 1A4, 30, 1B4, 19.....	‡	8-2	
406.....	Vol.		98	‡.....		See Note A5	5.....	‡	See Note TC22	B3				4	6D6, 6C6, 38, 12Z3.....		7-2	
<b>CORONADO—See Gable-Sklogmo</b>																		
<b>CORONET—Crystal C2</b>	Products Co.	1.40625.....	18	MK401.....	M26													
5B.....	Vol.		18	MK401.....	M26													
<b>CORONET RADIO &amp; 45W</b>	TEL. C. O.		18	MK401.....	M26													
1583.....	Vol. Tone	A-96.....	18	MK401.....	M26		A-3.....	24	2N520.....					5	12SA7, 12SK7, 12SQ7, 50L6GT, 35Z5GT.....	456	‡15-2	
1701.....	Vol. Tone	A-18.....	98	UM142-SS25				24	2N520.....					5	12SA7, 12SK7, 12SQ7, 50L6GT, 35Z5GT.....		16-1	
			18	MK401.....	M26			24	2N520.....					6	12SA7, 12SK7, 12SQ7, 35L6GT, 35Z5GT.....	455	16-3	
<b>"CRANE" (American 23T8 LW)</b>	Radio Tone	tor Co.	15	MR48.....			8, 8.....	4	ST595.....					8	58, 56, 57, 47, 80.....	177.5	‡5-6	
<b>CROMWELL—See W. T. Knott</b>																		
<b>CROSLEY AUTO—See Zenith</b>																		
<b>CROSLEY Buddy, Chum AC7, AC7C, A150</b>	Vol.		7	A400P.....			W4943.....	24	2N518.....					6	24, 71A, 80, 27.....		1-17	
	Vol.		29	A550P.....			15-15-5.....	3	3S584.....					6	99, 12A, BH.....		1-18	
	Vol.	51660.....	18	MR53.....	M26		W51139.....	24/15	FP332.....	B14		G15-38000.....	Order from Mfr.	5	6A8GT, 6SK7, 6SQ7, 6K6GT, 0Z4.....	455	12-33,34	
A155.....	Vol.	W30436A.....	45	UC514.....	6		W32759.....	1	RS213.....	B130		LB32037.....	247	C3	5	78, 6F7, 6B7, 42.....	181.5	
A156.....	Vol.	W37256.....	56	UM162-SS5			W32802.....	1/15	2S567.....	B14		G3-38000.....	859	C3	5	6A7, 6B7, 6D6, 42, 84.....	262.5	7-1
A157.....	Vol.	W50042.....	18	MR53.....	M26		W37020.....	4	TC871.....	B14		G3-38000.....	859	C3	5	6A7, 6B7, 6D6, 42, 84.....	262.5	7-1
A158.....	Vol.	50526.....	18	MR53.....	M26		W50160.....	23	2S567.....	B14		G10-38000.....	294	C3	5	6A8G, 6U7G, 6Q7G, 6K6G, 6X5G.....	455	8-1,2
A160.....	Vol.	51712.....	18	Order from Mfr.....			W50528.....	23	2S567.....	B14		G10-38000.....	859	C3	5	6A8G, 6U7G, 6Q7G, 6K6G, 6X5G.....	455	9-1,3
A166.....	Vol.	38425.....	17	UM162-SS5			W51782.....	24/15	FP328.....	B14		G18-38000.....	859	C3	6	6SK7, 6A8GT, 6SQ7, 6V6GT, 0Z4.....	455	12-35,37
A167.....	Vol.	W38989.....	45	TM222-SS3			W38427.....	1/15	3S579.....	B14		G7-38000.....	273C		6	6D6, 6A7, 6B7, 76, 41.....	262	7-3
A168.....	Vol.	50526.....	18	MR53.....	M26		W32904.....	‡	TC26.....			G6-38000.....	853	C3	6	6K7G, 6A8G, 6B8G, 6N6G, 6X5G.....	262	8-3
A169.....	Vol.	W51117.....	18	Order from Mfr.....			W38430.....	‡	TC22.....			G6-38000.....	853	C3	6	6A8G, 6U7G, 6Q7G, 6P5G, 6AC5G, 6X5G.....	455	9-5
A177.....	Vol.	W50056.....	17	TM252-SS12			W50045A.....	1	2N518.....	B14		G10-38000.....	859	C3	6	6SA7, 6SK7, 6SQ7, 6K6GT, 6X5GT.....	455	11-1,2
A250.....	Vol.	51711.....	18	UM154.....	M26	A96	W51139.....	24/15	FP332.....	B14		G15-38000.....	Order from Mfr	5	6A8GT, 6SK7, 6SQ7, 6K6GT, 0Z4.....	455	12-37,38	
A255.....	Vol.	38425.....	17	UM162-SS5			W38473A.....	1	2N518.....	B14		G7-38000.....	273C		5	6D6, 6A7, 6B7, 76, 6B5.....	450	
A258.....	Vol.	50526.....	18	MR53.....	M26		W50528.....	23	2S567.....	B14		G10-38000.....	859	C3	5	6A8G, 6U7G, 6Q7G, 6K6G, 6X5G.....	455	9-1
A259.....	Vol.	51198.....	18	MR53.....	M26		W51139.....	24/15	FP332.....	B14		G10-38000.....	859	C3	5	6SA7, 6SK7, 6SQ7, 6K6GT, 6X5GT.....	455	11-3
A266.....	Vol.	38785.....	15	UM147-SS14			W38786.....	4	2S567.....	B14		G6-38000.....	859	C3	6	6D6, 6A7, 6B7, 42, 84.....	262	7-5
A267.....	Vol.	50056.....	124	TM252-SS12			W50194.....	23	2S567.....	B14		G10-38000.....	859	C3	6	6K7G, 6A8G, 6Q7G, 6K6G, 0Z4.....	262	9-7
A268.....	Vol.	50526.....	18	MR53.....	M26		W50674.....	24	FP231.....	B14		G10-38000.....	859	C3	6	6A8G, 6U7G, 6Q7G, 6P5G, 6AC5G, 6X5G.....	455	9-5

‡ Data not substantiated.

\* IMPORTANT: Read Notes in Note Section if specified in Note Column.

‡ Indicates miscellaneous section.

MANUFACTURER AND MODEL	CONTROLS							CONDENSERS				VIBRATORS			No. Tubes	Complete Tube Complement	I. F. Peak	Rider's Reference
	Use	Original Part	Circuit	Correct Replacement	Switch	Bias	*Note	Original Part	Circuit	Correct Replacement	*Note	Original Part	Replacement	*Note				
CROSLY—Continued																		
A350.....	Vol.	51198.....	18	MR53.....	M26.....			W51139.....	24/15	FP332.....		G15-38000..	Order from Mfr.		5	6A8GT, 6SK7, 6SQ7, 6K6GT, 02A.....	455	12-33,34
A355.....	Vol.	38425.....	17	UM162-SS5				.0065 W38473.....	1	Buffer.....	B14	G7-38000..	273C		5	6D6, 6A7, 6B7, 76, 6B5.....	450	
A358.....	Vol.	50526.....	18	MR53.....	M26.....			W50673.....	24	FP332.....		G10-38000..	859	C3	5	6A8G, 6U7G, 6Q7G, 6K6G, 6X5G.....	455	9-9
A366.....	Vol.	38840.....	20	TM242-SS14				W38427.....	1/15	3S579.....		G7-38000..	273C		6	6D6, 6A7, 6B7, 76, 741	262.5	7-7
A450.....	Vol. Tone	38824A.....	39	MR44.....				W38430.....	15	TC22.....								
A455, A555.....	Vol.	50526.....	18	MR53.....	M26.....			W51139.....	24/15	FP332.....		G15-38000..	Order from Mfr.		5	6A8GT, 6SK7, 6SQ7, 6K6GT, 6X5GT.....	455	12-33,34
A459.....	Vol.	38425.....	127	UM162-SS5				W38473.....	1	2N518.....		G7-38000..	273C		5	6D6, 6A7, 6B7, 6B5.....	450	
A559 (Roamio).....	Vol.	51313.....	18	MR53.....	M26.....			W51139.....	24/15	FP332.....		G16-38000..	859	C3	5	6A8, 6SK7, 6SQ7, 6K6GT, 6X5GT.....	455	
B36BS.....	Vol.	50526.....	18	MR53.....	M26.....			51278.....	24/15	FP332.....	B14	G15-38000..	Order from Mfr.		5	6A8GT, 6SK7, 6SQ7, 6Y6GT, 6X5.....	455	
B36BS.....	Vol.	130990.....	18	MR53.....	M27.....			W45783.....	12	TC45.....					4	1A7GT, 1N5GT, 1H5GT, 1T5GT.....	455	
C33CA.....	Vol. Tone	130262.....	140	MRT438.....	M26.....			20-20-20.....	1/15	FP339.....					6	6SA7, 6SK7, 6SQ7, 6K6GT, 5Y3G.....	455	14-9
CA12 (Chassis 60).....	Vol. Mic. Tone	130749.....	140	MR57.....				16.....	13	TC74.....								
CA12 (Chassis 60).....	Vol. Mic. Tone	130579.....	140	MR53.....	M26.....													
CA12 (Chassis 60).....	Vol. Mic. Tone	44773.....	140	MRT438.....	M26.....			30-20.....	1	See Note.....	B3				11	6SK7, 6SA7, 6J5GT, 6SQ7, 6AC5G, 5Y3G.....	455	13-6,7
CA12 (Chassis 60).....	Vol. Mic. Tone	131853.....	140	MR57.....														
CB82R (Chassis 28).....	Vol. Tone Mic.	47783.....	140	MRT438.....	M26.....			49773.....	1/13	FP380.....					8	6A8GT, 6SK7, 6SQ7, 6J5GT, 6K6GT, 5Y3G.....	455	13-35,36
CB82R (Chassis 28).....	Vol. Tone Mic.	130741.....	140	MR57.....														
CB82R (Chassis 28).....	Vol. Tone Mic.	130602.....	140	MR57.....	M26.....													
CR26.....	Vol.	49774.....	18	MR53.....	M26.....			W131607.....	24	TC45.....					2	12A8, 35Z4.....	455	13-8-10
J11.....	Vol.	49774.....	18	MR53.....	M26.....			49664.....	1	2N509.....					5	12SA7, 12SK7, 12SQ7, 50L6, 35Z5.....	455	12-3
J12.....	Vol. Tone	49774.....	18	MR53.....	M26.....			49664.....	1	2N509.....					5	12SA7, 12SK7, 12SQ7, 50L6, 35Z5.....	455	12-4
J13.....	Vol. Tone	49779.....	21	MR48.....				49664.....	1	2N509.....					5	12SA7, 12SK7, 12SQ7, 50L6, 35Z5.....	455	12-5,6
J13.....	Vol. Tone	49774.....	18	MR53.....	M26.....			49664.....	1	2N509.....					5	12SA7, 12SK7, 12SQ7, 50L6, 35Z5.....	455	12-5,6
J14.....	Vol.	49774.....	18	MR53.....	M26.....			49664.....	1	2N509.....					5	12SA7, 12SK7, 12SQ7, 50L6, 35Z5.....	455	12-5,6
J15.....	Vol.	49774.....	18	MR53.....	M26.....			49664.....	1	2N509.....					5	6SA7, 6SK7, 6SQ7, 25L6, 25Z6, W46773.....	455	12-7
J16.....	Vol. Tone	49774.....	18	MR53.....	M26.....			49664.....	1	2N509.....					5	6SA7, 6SK7, 6SQ7, 25L6, 25Z6, W46773.....	455	12-8
J18.....	Vol. Tone	49779.....	21	MR48.....				48664.....	1	2N509.....					5	6SA7, 6SK7, 6SQ7, 25L6, 25Z6, W46773.....	455	12-9,10
J18.....	Vol. Tone	49774.....	18	MR53.....	M26.....			48664.....	1	2N509.....					5	6SA7, 6SK7, 6SQ7, 25L6, 25Z6, W46773.....	455	12-9,10
J30BC.....	Vol. Tone	47783-A.....	140	MRT438.....	M26.....			49773.....	46	FP390.....					7	6A8GT, 6SK7, 6SQ7, 6J5GT, 6K6GT, 5Y3G.....	455	12-28
J30BC.....	Vol. Tone	130741.....	140	MR57.....														
J35.....	Vol.	49774.....	18	MR53.....	M26.....			49664.....	1	2N509.....					5	6SA7, 6SK7, 6SQ7, 25L6, 25Z6, W46773.....	455	12-31
J539.....	Vol.	46124.....	18	MR53.....	M26.....			47702.....	25	TC47.....					5	12A8GT, 12SK7, 12SQ7, 50L6, 35Z5.....	455	
J739.....	Vol. Tone	47858.....	45	MR53.....	M26.....			45783.....	25	TC45.....								
J739.....	Vol. Tone	48181.....	45	MR48.....				47702.....	9	TC47.....					7	6A8GT, 6SK7, 6P5, 6SF5, 25L6, 25Z6, 48669.....	455	11-35
J739.....	Vol. Tone	48181.....	45	MR48.....				48596.....	9	FP211.....								
J819 (5Y3G Rect.).....	Vol.	48242.....	18				A19	47809.....	1/13	FP357.....					8	6K8, 6SK7, 6SQ7, 25L6, 25Z6, 48669.....	455	11-38, 40,41
J5519.....	Vol.	48217.....	18	MR53.....	M26.....			46128.....	1	TC55.....					5	12A8GT, 12SK7, 12SQ7, 50L6, 35Z5.....	455	11-41,42
J5529.....	Vol.	48217.....	18	MR53.....	M26.....			46398.....	1	2N509.....					5	12A8GT, 12SK7, 12SQ7, 50L6, 35Z5.....	455	11-41,42
J5539.....	Vol.	46124.....	18	MR53.....	M26.....			47702.....	25	TC47.....					5	12A8GT, 12SK7, 12SQ7, 50L6, 35Z5.....	455	
J7739.....	Vol. Tone	48019.....	18				A19	45783.....	25	TC45.....								
J7739.....	Vol. Tone	48020.....	18	MR48.....				48596.....	9	FP211.....					7	6A8GT, 6SK7, 6P5, 6SF5, 25L6, 25Z6.....	455	11-35
J7739.....	Vol. Tone	48020.....	18	MR48.....				47702.....	9	TC47.....								
O2CA, O2CB (Chassis 55).....	Vol.	132299-2.....	124	TM257-SS1	M26.....			132301-2.....	1	TC75/TC77.....					10	6SK7, 6SA7, 6SQ7, 6J5GT, 6AC5G, 5Y3G.....	455	13-1,3
O2CP, O2CQ (Chassis 70).....	Vol.	132299-2.....	124	TM257-SS1	M26.....			132301-2.....	1	TC75/TC77.....					10	6SK7, 6SA7, 6SQ7, 6J5GT, 6AC5G, 5Y3G.....	455	13-4,5
O3CA, O3CB, O3CC, O3CP, O3CQ, O3CR (Chassis 95).....	Vol.	B132299-3.....	124	TM257-SS1	M26.....			W134060-1.....	1/15	FP339.....					10	6SK7, 6SA7, 6SQ7, 6J5GT, 6K6GT, 5Y3GT.....	455	14-1,2
TA62, TA62W (Chassis 63).....	Vol.	49774.....	18	MR53.....	M26.....			49664B.....	1	TC45.....					5	6SA7, 6SK7, 6SQ7, 25L6, 25Z6.....	455	13-26,27
TH52, TH52W, TH52J (Chassis 65, 65JW).....	Vol.	49774.....	18	MR53.....	M26.....			49664.....	1	TC45.....					5	12SA7, 12SK7, 12SQ7, 50L6, 35Z5.....	455	14-22

† Data not substantiated.

\* IMPORTANT: Read Notes in Note Section if specified in Note Column.

‡ Indicates miscellaneous section.

MANUFACTURER AND MODEL	CONTROLS							CONDENSERS				VIBRATORS			No. Tubes	Complete Tube Complement	I. F. Peak	Rider's Reference
	Use	Original Part	Circuit	Correct Replacement	Switch	Bias	*Note	Original Part	Circuit	Correct Replacement	*Note	Original Part	Replacement	*Note				
<b>CROSLEY — Continued</b>																		
TK52, TK52W (Chassis 64)	Vol.	49774	18	MR53	M26			49664B	1	TCD45				5	12SA7, 12SK7, 12SQ7, 50L6, 35Z5	455	13-17-19	
2C1 (Sampler)	Vol.	34698B	6	MR48	M26		A14	W34704A	24/15	3N527				2	6F7, 12A7		6-1	
4A1	Vol.	32712B	18	UC514	6			W32759	1	RS213	B130	LB32037	247	4	6F7, 6B7, 6D6, 42	456	5-17	
								W30419A	13/15	2N518	B14							
								.005		Buffer								
4B1 Batt. (Forty)	Vol.	33922A	70	MR20	M23			W31631B	1	ST597		L31629	222	4	1A6, 34, 33	456	6-2	
5A1	Vol.	W30436	73	UC514	6			W30419A	1/15	2N518	B14			5	78, 6B7, 41	181.5	5-47	
								.01		Buffer								
								W32759	1	RS213	B130	LB32037	247	5	78, 6F7, 6B7, 42	181.5	6-3	
								W32802	1/15	2S567								
								.005		See Note	B14							
5A3 (Roamio)	Vol.	W30436A	45	UC514	6			W29150B	1/15	FP389				5	1A6, 34, 33	456	6-5	
								W30059C	4/14	3S584				5	6D6, 76, 42, 80	456	5-20	
5B3 (Batt. Fiver)	Vol.	W32649	70	MR20	M23	EX2M		W34898	4/14	3S584				5	6A7, 6D6, 6B7, 42, 80	181.5	5-21	
5M3 (Fiver Jr.)	Vol.	W26573B	6	E7	6	2		W30059C	4/14	RS213		L33345	247	5	6A7, 6D6, 6B7, 42, 80	181.5	6-6	
5V1 (Deluxe Fiver)	Vol.	32441A	17	MR53	M26			W34899	13	RS213				6	15, 6A7, 30, 38	456	6-7	
5V2 (Fiver Deluxe)	Vol.	33556	17	MR53	M26			W34896	1/13	TC74/2N516	B14							
6B1 (Batt. Six)	Vol.	W32062	45	MR53	M26			W26194B	4	Buffer				6	6A7, 6D6, 6B7, 76, 42, 80	456	5-34	
	Tone	W32063	22	MR37	M26			W29097C	4/14	FP389				6	6D6, 6A7, 6B7, 76, 42, 80	456	6-18	
								W26194B	4	RS215				6	58, 2A7, 55, 2A5, 80	181.5	5-29,31	
								W27097D	4/14	FP389								
								B30059B	4/13	3S584								
6H2 (61, 61LB)	Vol.	W28552	17	MR57				W23701	1	RS213				4	24, 27, 80		2-1	
	Tone	W25594B	22	MR37	M26			W29097C	4/13	FP389				4	58, 2A7, 2B7, 2A5, 80	456	5-38	
6H3	Vol.	28552	17	MR57				W26194B	4	RS215				7	6D6, 6A7, 6B7, 6F7, 42, 80	456	5-41	
	Tone	W25594B	22	MR37	M26			W29097C	4/14	FP389				7	58, 56, 2A5, 80	181.5		
6V2 (Dual Sixty)	Vol.	W30610	56	MR53	M26			W26194B	4	RS215								
	Tone	W30836	22	MR37	M26			W29097C	4/14	FP389								
7 (Converter)								W29150B	15/24	FP389				8	34, 1C6, 30, 31, 19	456	6-10	
7H2 (72, 72LB)	Vol.	W32062	56	MR53				W33990	12/13	RM262								
	Tone	W32063	22	MR37	M26			W26194B	1	RS215				8	6D6, 6A7, 6B7, 6F7, 42, 80	456	5-46	
7H3 (72, 72LB)	Vol.	W32062	56	MR53				W29097C	3	FP389				3	77, 37		4-1	
	Tone	W32063	22	MR37	M26			W32258	13	ST595				4	6SK7GT, 6J7GT, 25L6GT, 25Z6GT, W46416		12-1,2	
7V2 (Dual Seventy)	Vol.	W25666B	34	MR37	M26			W27676	1	2N516				5	12SA7, 12SK7, 12SQ7, 50L6, 35Z5	455	12-3	
	Tone	W25666B	17	MR57				49664	1	2N509				5	12SA7, 12SK7, 12SQ7, 50L6, 35Z5	455	12-4	
	Vol.	W25594B	22	MR37	M26			49664	1	2N509				5	12SA7, 12SK7, 12SQ7, 50L6, 35Z5	455	12-5,6	
	Vol.	W34095	45	MR53				49664	1	2N509				5	6SA7, 6SK7, 6SQ7, 25L6, 25Z6, W46773	455	12-7	
	Tone	W33993A	22	MR37	M24			48664	1	2N509				5	6SA7, 6SK7, 6SQ7, 25L6, 25Z6, W46773	455	12-8	
	Vol.	W33378	56	MR53				48664	1	2N509				5	6SA7, 6SK7, 6SQ7, 25L6, 25Z6, W46773	455	12-9,10	
	Tone	W32063	149	MR37	M26			49794	1/15	FP339				6	22, 201A, 71A		1-19	
10								49794	1/15	FP339				5	6SA7, 6SK7, 6SQ7, 6K6G, 5Y3G	455	12-11,12	
10 (1940)	Vol.	48320	6	MR33	M26		A14	49794	1/15	FP339				5	6SA7, 6SK7, 6SQ7, 6K6G, 5Y3G	455	12-11,12	
								130577	1/15	FP339				5	6SA7, 6SK7, 6SQ7, 6V6GT, 5Y3G	455	12-13,14	
								130577	1/15	FP339								
11	Vol.	49774	18	MR53	M26			132673-2	15	TCD26				12	6SA7, 6AC7, 6SK7, 6SJ7, 6H6, 6SQ7, 6AH7GT, 6V6, 5U4G	AM 455 Kc FM 13.7Mc	14-5	
12	Vol.	49774	18	MR53	M26			132571-1	13	FP330	B192							
	Tone	49779	21	MR48				132570-1	1	FP238	B117							
13, 14	Vol.	49774	18	MR53	M26													
15	Vol.	49774	18	MR53	M26													
16	Vol.	49774	18	MR53	M26													
	Tone	49779	21	MR48														
18	Vol.	49774	18	MR53	M26													
20, 21, 22 (Batt.)	Vol.	W6254	6	T		See Note	A22											
20	Vol.	130044	18	MRT438	M26			49794	1/15	FP339								
21	Vol.	130262	140	MRT438	M26			49794	1/15	FP339								
	Tone	130263	140	MR57														
22AS (1940)	Vol.	130262	18	MRT438	M26			130577	1/15	FP339								
22CA, 22CB, 22CP (Chassis 59)	Vol.	132564-1	124	Order from Mfr.				132673-2	15	TCD26								
								132571-1	13	FP330	B192							
								132570-1	1	FP238	B117							
23	Vol.	130262	140	MRT438	M26			49794	1/15	FP339								
	Tone	130263	140	MR57				49773	1/13	FP390								
24	Vol.	47783A	140	MRT438	M26			49773	1/13	FP390								
	Tone	130207	140	MR57				49773	1/13	FP390								
25	Vol.	47783A	140	MRT438	M26			49773	1/13	FP390								
	Tone	130207	140	MR57														
26 (Batt.)	Vol.	20114	12	MR39														
26 (1940)	Vol.	130192	140				A19	130246	1/13	FP390								
	Tone	130207	140	MR57														
26 (Revised)	Vol.	130192	140	Order from Mfr.				130246	1/13	FP390								
	Tone	130207	140	MR57														

‡ Data not substantiated.

\* IMPORTANT: Read Notes in Note Section if specified in Note Column.

§ Indicates miscellaneous section.

THERE'S A PLACE FOR A MALLORY NOISE FILTER IN EVERY HOME.



MANUFACTURER AND MODEL	CONTROLS							CONDENSERS				VIBRATORS			No. Tubes	Complete Tube Complement	I. F. Peak	Rider's Reference
	Use	Original Part	Circuit	Correct Replacement	Switch	Bias	*Note	Original Part	Circuit	Correct Replacement	*Note	Original Part	Replacement	*Note				
CROSLEY—Continued																		
27BD, 27BE.....	Vol.	49974.....	18	Order from	Mfr.			49995.....	24	2N521.....					5	1A7GT, 1N5GT, 1H5GT, 1T5GT, 35Z5GT.....	455	12-22
27, 28 (Batt.).....	Vol.	24642.....	4	MR29											6	*32, *31		2-4
28 (1940).....	Vol.	47783.....	124	MRT438	M26			49773.....	1/13	FP390					8	6A8GT, *6SK7, 6SQ7, 6J5GT, *6K6GT, 5Y3G	455	12-23, 24
	Tone	130741.....	1	MR57														
	Mike	130602.....	1	MR57	M26													
29.....	Vol.	130192.....	140	Order from	Mfr.			130246.....	1/13	FP390					8	6K7GT, 6A8GT, 6SK7, 6SQ7, 6J5GT, *6F6G, 5Y3G	455	12-25
	Tone	130741.....	140	MR57														1-20
30S, 31S, 33S, 34S..	Vol.	7022.....	7	SRP188				W5253.....	3	3S584.....					7	*24, *27, *45, 80		
31, 31BF (1940)....	Vol.	130412.....	17/15	Order from	Mfr.			130358.....	1	FP429					10	6K7GT, 6A8GT, 6SK7, *6SQ7, 6J5, *6V6G, 5U4G, 6E5	455	12-27, 28
	Tone	130411.....	1	MR48				130900.....	15	TC26								
	Mike	130794.....	15	MR53				16.....	1	TC45								
33BG.....	Vol.	130262.....	140	MRT438	M26			130577.....	1/15	FP339					6	6SA7, *6SK7, 6SQ7, 6V6GT, 5Y3G	455	12-28, 29
	Tone	130749.....	140	MR57				48122.....	13	TC55								
	Mike	130579.....	15	MR53	M26													
34BH.....	Vol.	47783.....	140	MRT438	M26			130246.....	1/13	FP390					10	6K7GT, 6A8GT, *6SK7, 6SQ7, 6J5GT, *6K6GT, 5Y3G, 6E5	455	12-30
	Tone	130741.....	140	MR57														
	Mike	130602.....	15	MR57	M26													
35AK.....	Vol.	49774.....	18	MR53	M26			49664.....	1	2N509					5	6SA7, 6SK7, 6SQ7, 25L6, 25Z6, W46773	455	12-31
36AM.....	Vol.	48709.....	18	MR53	M27			45783.....	12	TC45					4	1A7GT, 1N5GT, 1H5GT, 1A5GT	455	12-32
38BM.....	Vol.	49774.....	18	MR53	M26			49664.....	1	2N509					5	6SA7, 6SK7, 6SQ7, 25L6, 25Z6, W46773	455	12-31
38 (Field Supply).. 40S, 41S, 42S.....	Vol.	W6596B.....	89	Order from	Mfr.	1st type.		W29806A.....	1	2S569					2	*25Z5		4-1
	Vol.	W6596B.....	90	Order from	Mfr.	2nd type.		W5253.....	3	3S584					8	*24, *27, *45, 80		1-21
	Vol.	W7022B.....	91	SRP188														
	Vol.	6352.....	3	SRP185				W4943.....	1	2N518					8	*26, *27, *71, 80		1-22
41, 41A, 42.....	Vol.	49974.....	18	Order from	Mfr.			49995.....	76	2N521					5	1A7GT, 1N5GT, 1H5GT, 1T5GT, 35Z5GT	455	14-12
43BT.....	Vol.	49974.....	18	Order from	Mfr.			130404.....	76	Order from	Mfr.							
43FA (Chassis 104)..	Vol.	130520-2.....	18	MR53	M27			132501-1.....	12/13/78	Order from	Mfr.				4	1A7GT, 1N5GT, 1H5GT, 1T5GT	455	14-13
43FB (Chassis 91)..	Vol.	130520-2.....	18	MR53	M27			49664-B.....	24	2N509					4	1A7GT, 1N5GT, 1H5GT, 1A5GT	455	14-14
45 (Chassis 45)....	Vol.	131345.....	18	MR53				131338.....	13	TC42					4	1R5, 1T4, 1S5, 1S4	455	14-15
46FA, 46FB.....	Vol.	B-130520-3.....	155	MR53	M27			W-49664.....	24	2N509					4	1A7GT/G, 1N5GT/G, 1H5GT/G, 1A6GT/G	455	15-1
48.....	Vol.	W22198.....	6	SRP263				W21459.....	1	RS213					5	*24, 45, 80		3-4
48 (Late), 48BF, 48CB.....	Vol.	47783-A.....	140	MRT438	M26			130246.....	1/13	FP390					10	6K7GT, 6A8GT, *6SK7, 6SQ7, 6J5GT, *6F6GT, 6E5, 5Y3G	455	14-16
	Tone	130741A.....	140	MR57				48122.....	13	TC55								
49BZ.....	Vol.	130262 or 130044.....	140	MRT438	M26			49794.....	1/15	FP339					5	6SA7, 6SK7, 6SQ7, 6K6G, 5Y3G	455	14-19
	Tone	130263.....	140	MR57				W26194B.....	4	RS215					5	6A7, 6F7, 6B7, 42, 80	456	5-25
50, 50LB (5H1)....	Vol.	W25666.....	18	MR57				W29097C.....	4/14	FP389					5	78, 6F7, 6B7, 43, 25Z5	181.5	5-28
51 (5C2).....	Vol.	W32242.....	56	MR48	M26T		A58	W31992.....	11/15	Order from	Mfr.							
52FA, 52FB (Chassis 57).....	Vol.	130520-2.....	149	MR53	M27			132501-1.....	76	Order from	Mfr.				5	1A7GT, 1N5GT, 1H6GT, 1T5GT, 117Z6GT	455	13-11
52FC (Chassis 90)..	Vol.	130520-2.....	149	MR53	M27			132501-1.....	24/78	Order from	Mfr.				5	1A7GT, 1N5GT, 1H5GT, 1T5GT, 117Z6GT	455	13-12
52PA (Chassis 67) 52PB (Chassis 71)	Vol.	130520-1.....	149	MR53	M27			132144-1.....	76	Order from	Mfr.				5	1A7GT, 1N5GT, 1H5GT, 1T5GT, 117Z6	455	13-43
52TD, 52TD-U, 52TE, 52TE-U (Chassis 77).....	Vol.	49774.....	18	MR53	M26			49664-B.....	1	2N509					5	12SA7, 12SK7, 12SQ7, 50L6GT, 35Z5GT	455	13-14, 15
52TF, 52TF-U (Chassis 76).....	Vol.	49774.....	18	MR53	M26			49664-B.....	1	2N509					5	12SA7, 12SK7, 12SQ7, 50L6GT, 35Z5GT	455	13-14, 15
52TG (Chassis 74) 52TG-U (Chassis 74U)....	Vol.	49774.....	18	MR53	M26			49664-B.....	1	2N509					5	12SA7, 12SK7, 12SQ7, 50L6GT, 35Z5GT	455	13-16
52TL (Chassis 86)..	Vol.	49793-1.....	18	MRT438	M26			132669-1.....	1/15	TCD65/TC26					5	6SA7, 6SK7, 6SQ7, 6K6, 5Y3	455	14-24
52TP (Chassis 72)..	Vol.	49774.....	18	MR53	M26			49664-B.....	1	2N509					5	12SA7, 12SK7, 12SQ7, 50L6GT, 35Z5GT	455	13-20

‡ Data not substantiated.

\* IMPORTANT: Read Notes in Note Section if specified in Note Column.

§ Indicates miscellaneous section.

MANUFACTURER AND MODEL	CONTROLS							CONDENSERS				VIBRATORS			No. Tubes	Complete Tube Complement	I. F. Peak	Rider's Reference
	Use	Original Part	Circuit	Correct Replacement	Switch	Bias	*Note	Original Part	Circuit	Correct Replacement	*Note	Original Part	Replacement	*Note				
<b>CROSLEY — Continued</b>																		
52TQ (Chassis 83)...	Vol.	49774	18	MR53	M26			49664-B	1	2N509					5	12SA7, 12SK7, 12SQ7, 50L6GT, 35Z5GT	455	13-21
53, 54	Vol.	20558	6	SRP263				W4943	1	2N518					5	24, 45, 80		1-24
53FA, 53FB (Chassis 105, 106)	Vol.	130520-3	18	MR53	M27			132501-1	76	Order from Mfr.					5	1N5GT, 1A7GT, 1H5GT, 1T5GT	455	14-26
53TF (Chassis 73)...	Vol.	49793-1	18	MRT438	M26			132669-1	1/15	TCD65/TC26					5	6SA7, 6SK7, 6SQ7, 6K6, 5Y3	455	13-22,23
53TP (Chassis 100)...	Vol.	49774	18	MR53	M26			134177-1	1	TCD45					5	12SA7, 12SK7, 12SQ7, 50L6GT, 35Z5GT	455	14-27
55	Vol.	20558	2	SRP263				W20156 W21292	39 15	TCS55 TC26	B11				5	32, 12A, 71A		1-25
56	Vol.	20558	2	SRP263				W20156 W21292 W-49664	39 15 24	TCS55 TC26 2N509	B11				5	32, 12A, 71A		1-25
56FA, 56FB	Vol. Tone	B-130520-3	155	MR53	M27										5	1N5GT, 1A7GT, 1H5GT, 1LB4	455	15-5
56FC	Vol. Tone	B-130520-3	155	MR53	M27										5	1N5GT/G, 1A7GT/G, 1H5GT/G, 1LB4	455	16-1
56PA, 56PB	Vol.	B-135198 B-135353-C	22 18	MR39 MK402	M27										5	1R5, 1L4, 1S5, 3S4, 117Z6GT	455	
56TA, 56TC, 56TW	Vol.	C-46846-6	18	MR53	M26			B-135555 B-135459 W-134177	24 78 1	2N511 WP939 TCD45					5	12SA7, 12SK7, 12SQ7, 50L6GT, 35Z5GT	455	15-8
56TA-L, 56TC-L, 56TN-L, 56TW-L	Vol.	C-46846-6	18	MR53	M26			W-134177	1	2N509					5	14Q7, 14A7/12B7, 14B6, 50A5, 35Y4	455	15-11,16
56TD	Vol. Tone	B-135383 B-135892	80 80	TM238-SS25 MK403	M26			B-136771	80/15	2N520/TC22	B6				5	12SA7, 12SK7, 12SQ7, 50L6GT, 35Z5GT	455	16-4
56TG, 56TH, 56TJ, 56TG-O, 56TH-O, 56TJ-O	Vol.	C-135127	18	MK402	M26			B-136769	24/15	2N520/TC22	B6				5	14Q7, 14A7/12B7, 14B6, 50A5, 35Y4	455	15-32,37
56TG-M, 56TH-M, 56TJ-M	Vol.	C-135127	18	MK402	M26			B-136769	24	2N520/TC22	B6				5	12BE6, 12BA6/12BD6, 12AT6, 50B5, 35W4	455	15-33,37
56TN	Vol.	C-46846-6	18	MR53	M26			W-134177	24	2N509					5	12SA7GT/G, 12SK7GT/G, 12SQ7GT/G, 50L6GT, 35Z5GT	455	
56TP	Vol.	C-46846-6	161	MR53	M26			W-134988	80	2N520					5	12SA7GT, 12SK7GT, 12SQ7GT, 50L6GT, 35Z5GT	455	
56TR, 56TS	Vol.	B-135692	161	MK402	M26			B-135732	88	2N509/TC50					5	12SA7, 12SK7, 12SQ7, 50L6GT, 35Z5GT	455	
56TU	Vol.		18	MK402	M26			B-135073	1	2N509					5	12SA7, 12SK7, 12SQ7, 50L6GT, 35Z5GT	455	
56TU-D, 56TV-D	Vol.	B-135127	18	MK402	M26			B-136770 B-135073	24 1	2N520 2N509		B271			5	12SA7GT/G, 12SK7GT/G, 12SQ7GT/G, 50L6GT, 35Z5GT	455	
56TX	Vol.	C-46846-6	18	MR53	M26			W-134988	24	2N520					5	12SA7GT/G, 12SK7GT/G, 12SQ7GT/G, 50L6GT, 35Z5GT	455	15-14
56TX-L	Vol.	C-46846-6	18	MR53	M26			W-134988	80	2N520					5	14Q7, 14A7, 14B6, 50A5, 35Y4	455	16-12
56XTA, 56XTW	Vol.	C-46846-6	18	MR53	M26			B-137649	24	2N520					5	12SA7, 12SK7, 12SQ7, 50L6GT, 35Z5GT	455	16-14
57, 58	Vol.	20558	6	SRP263				W4943	1	2N518					5	24, 45, 80		1-24,28
59AC	Vol.	W23117	6	E7		2		W23705 W23701 W5253	4 4 3	RS215 RS213 3S584					5	35, 24, 47, 80		2-6
60S, 61S, 62S, 63S, 62FA, 62FB (Chassis 58)	Vol.	W7264	12	SRP188				132501-1	76	Order from Mfr.					8	22, 12A, 71A		1-28
62PA, 62PB (Chassis 68)	Vol.	130520-1	149	MR53	M27			132144-1	76	Order from Mfr.					6	1N5GT, 1A7GT, 1H5GT, 1T5GT, 117Z6GT	455	13-24
62TA, 62TC, 62TD (Chassis 37)	Vol.	132222-1	18	MR48	M26		A106	132226-1	79	TCD48					6	12SK7, 12SA7, 12SQ7, 35L6GT, 35Z5GT	455	13-25
63CA, 63TA (Chassis 110, 111)	Vol. Tone	49793-1 131547-1	140 140	MRT438 MR57	M26			132669-1	1/15	TCD65/TC26					6	6SA7, 6SK7, 615GT, 6SQ7, 6K6, 5Y3	455	14-29,30
63FB (Chassis 93)	Vol.	130520-3	149	MR53	M27			132501-1	76	Order from Mfr.					6	1N5GT, 1A7GT, 1H5GT, 1T5GT, 117Z6GT	455	13-28

‡ Data not substantiated.

\* IMPORTANT: Read Notes in Note Section if specified in Note Column.

§ Indicates miscellaneous section.

MANUFACTURER AND MODEL	CONTROLS							CONDENSERS				VIBRATORS			No. Tubes	Complete Tube Complement	I. F. Peak	Rider's Reference
	Use	Original Part	Circuit	Correct Replacement	Switch	Bias	*Note	Original Part	Circuit	Correct Replacement	*Note	Original Part	Replacement	*Note				
CROSLLEY — Continued																		
66CA, 66CP, 66CQ, 66CS, 66CSM	Vol. Tone	B-135859 B-135651	80 80	MRT440 MR57	M26			B-132807	46/15	FP444					6	6SK7, 6SA7, 6SQ7GT, 6V6GT/G, 5Y3GT/G	455	15-18,17
66CT	Vol. Tone	B-135859 B-135651	80 80	MRT440 MR27	M26			B-132807	46/15	FP444					6	6SA7, 6SK7, 6SQ7, 6V6GT, 5Y3GT	455	
66TA, 66TC, 66TW	Vol. Tone	B-135859 B-135651	80 80	MRT440 MR57	M26			D-132807	46/15	FP444					6	6SK7, 6SA7, 6SQ7GT, 6V6GT, 5Y3GT	455	15-21
66TC-S	Vol. Tone	B-135859 B-135651	80 80	MRT440 MR57	M26			D-132807 B-137077	46/15	FP444 TC75					6	6SK7GT/G, 6SA7GT/G, 6SK7GT/G, 6SQ7GT/G, 6V6GT/G, 5Y3GT/G	455	16-20,22
72CA (Chassis 80)	Vol. Tone	49793-1 131547-1	140 140	MRT438 MR57	M26			132807-1	1/13/15	*TCD75					7	6SK7, 6SA7, 6SQ7, 6AD7, 6F6G, 5Y3G	455	13-29,30
72CP (Chassis 85)	Vol. Tone	49793-1 131547-1	140 140	MRT438 MR57	M26			132807-1	1/13/15	*TCD75					7	6SK7, 6SA7, 6SQ7, 6AD7, 6F6G, 5Y3G	455	13-31,32
72TA (Chassis 79)	Vol. Tone	49793-1 131547-1	140 140	MRT438 MR57	M26			132807-1	1/13/15	*TCD75					7	6SK7, 6SA7, 6SQ7, 6AD7, 6F6G, 5Y3G	455	14-31,32
76	Vol.	20304	15	Y250MP				W20156 W21292A	1 1	TCS55 TC26	B11				6	24, 27, 1A		1-29
77-1	Vol.	W21675	6	SRP263				W20341A	3	FP434	B60				7	24, 27, 345, 80		1-30,31
77A, 77B, 77L	Vol.	W20304	15	Y250MP				W20341A	3	FP434	B60				7	24, 27, 345, 80		1-30,31
82CP, 82CQ (Chassis 75)	Vol. Tone	132461-1 130741-A	140 140	MRT449 MR57	M26			132484-1 132450-1	1/13 15	TCD71/TC52 TC22					8	6SK7, 6SA7, 6SQ7, 6J5GT, 6K6GT, 5Y3G	455	13-33,34
82S	Vol.	W6596B	89	Order from	Mfr.	1st type		W5253	3	3S584					8	24, 27, 345, 80		1-21
	Vol.	W6596B	90	Order from	Mfr.	2nd type												
	Vol.	W7022B	91	SRP188	Mfr.	3rd type												
83CA, 83CB, 83CC, 83CP, 83CQ, 83TA (Chassis 96)	Vol. Tone	R49793-1 B131547-1	140 140	MRT438 MR57	M26			B132807-1	1/13/15	*TCD75					8	6SK7GT, 6SA7GT, 6SQ7, 6J5GT, 6K6GT, 5Y3GT	455	14-33
84	Vol.	W20185	15	Y250MP				W20341	3	FP434	B60				8	24, 27, 345, 80		
86CR, 86CS	Vol. Tone	B-135783 B-135784	80 80	TM257-SS25				B-137028	46/15	FP429					8	6AC7, 7FB, 6SG7, 6H6, 6SQ7, 6V6GT/G, 5Y3GT/G	167.5 5825 10.7	16-23,24
90 (Roamio)	Vol.	W7877	26	MR33				W21292A	16	TC26					5	24, 27, 12A		1-33
91 (Roamio)	Vol.	W21334	15	Y250MP				W21292B	19	TC26					5	24, 12A		3-5
92 (Roamio)	Vol.	W21334	15	Y250MP				W25857B	12/15	TC26					6	36, 37, 71A		3-6
95 (Roamio)	Vol.	W25781A	15	MR57	M27			W25857B	12/15	TC26					6	36, 39, 37, 41	181.5	3-6
96 (Roamio)	Vol.	W25781	17	MR57	M27			W28068	1	TC74					6	36, 39, 85, 89	181.5	3-7
98	Vol. Supp.	28003 28482	17 7	UM165-SS12 MR29	M26			W28068 W25857B	12/15 1	TC26 TC22		LB28064	222	C2	5	78, 77, 75, 89	181.5	4-2
								W28406 W26870A	1 15	TC22 TC22								
								W28068 W25857B	1 15/14	TC74 TC26	B14	LB28064	222	C2	6	77, 78, 79, 89, 85	181.5	4-3
99	Vol. Supp. Tone	28003 28482 28131A	17 56 44	UM165-SS12 MR29 MR37	M26			W28406 W26870A	1 15	TC22 TC22								
								W28068 W25857B	1 15/14	TC74 TC26	B14							
								W28406 W26870A	1 15	TC22 TC22								
								W29808 W29809	1 12/15	ST595 TC26	B14							
102	Vol.	W29312A	1	UM156-SS12	M26			W29808	1	ST595					5	78, 6B7, 41	181.5	4-4
103	Vol.	30436	73	UC514	6			W29809	1	TC26		L29160	222	C2	5	78, 6B7, 41	181.5	5-2
								W29808	1	ST595								
								W30419	1/15	2N518	B14							
								.02		Buffer								
104, 104R, 105, 105R, 106 (Pwr. Packs)								10-10-10	3	3S584								
106CP, 106CS	Vol.	B-132299-3A	157	Order from	Mfr.			U-134999	1/15	FP339					10	80, 6SK7, 6SA7, 6SQ7, 6J5, 6K6GT, 5Y3GT	455	15-24
117 Power Pack								W44217	1	RS216		W44145	W246	C3				
								W44131	1	RS223								
								.01		Buffer	B14							
119	Vol. Tone	W25666B W25594B	15 22	MR57 MR37	M26			W28978B	1	ST595		L28949	Order from Mfr.		6	78, 6B7, 75, 37, 43	181.5	5-5
								W30568A	13/15	TCS64/TC26	B14							
								.01		Buffer	B14							
								W20341A	3	FP434	B60							
120	Vol. Tone	W22242 W20185B	6 22	G7 MR44	6			W23701	1	RS213					8	24, 27, 345, 80	175	1-34
								W23705	1	RS215								
121 Series "A"	Vol. Tone	23259 22243	8 44	A550P MR44				W23701	3	RS213					10	35, 24, 27, 47, 80	175	2-8
								W23705	3	RS215								
121 Series "B"	Vol. Tone	W22934A W22243A	15 41	MR44 MR44	M26			W23701	3	RS213					10	51, 24, 27, 47, 80	175	2-8
								W23705	3	RS215								
122	Vol. Tone	22597 22823	6 22	D7 MR33	6			W22363	4	ST595					7	35, 24, 47, 80	175	2-9
								W21459	4	RS213								

‡ Data not substantiated.

\* IMPORTANT: Read Notes in Note Section if specified in Note Column.

§ Indicates miscellaneous section.

MANUFACTURER AND MODEL	CONTROLS							CONDENSERS				VIBRATORS			No. Tubes	Complete Tube Complement	I. F. Peak	Rider's Reference
	Use	Original Part	Circuit	Correct Replacement	Switch	Bias	*Note	Original Part	Circuit	Correct Replacement	*Note	Original Part	Replacement	*Note				
<b>CROSLEY</b> —Continued																		
123.	Vol. Tone	W23112	6	A550P	6			W23701	1	RS213					8	35, 24, 47, 80, 27	175	2-10
		W22823	34	MR33														
124.	Vol. Tone	W23618	6	E7	6	2		W23801	1	TCD71					8	35, 24, 27, 47, 80	175	2-11
		W23619	34	MR33														
124-1	Vol. Tone	W25179A	6	E7		2		W24342	1	RS213					8	35, 24, 27, 47, 80	175	3-9
		W25594	44	MR37	M26			W23701	1	RS213								
125.	Vol. Tone	W23618A	6	E7	6	2		W23801	1	TCD71					5	35, 24, 47, 80	175	2-13
		W23619	22	MR33														
126.	Vol. Tone	W23637	92	A550P	6			W20156	1	TCS55	B11				7	36, 37, 71A	175	2-14
		W22823	44	MR33				W21292B	1	TC26								
126-1	Vol. Tone	W24271	92	A550P	8			W20156	1	TCS55	B11				7	36, 37, 71A	175	2-14
		W24416	34	MR44				W24282	1	TC26								
127.	Vol. Tone	W24416	15	MR44				W23701	3	RS213					10	35, 24, 27, 47, 80	175	2-15
		W24444	41	MR44	M26			W23705	3	RS215								
127-1	Vol. Tone	W24416	15	MR44				W23701	3	RS213					10	35, 24, 27, 47, 80	175	3-11
		W25400	44	MR37	M26			W23705	3	RS215								
128.	Vol. Tone	W24405A	71	SRP262	14	5		W23705	3	RS215					8	32, 30, 31	175	3-12
		W24416	44	MR44				W24282	19	TC26								
129.	Vol. Tone	W25179A	6	E7		2		W25542	1	TCD71					6	24, 58, 57, 42, 80	181.5	3-13
		W25400	44	MR37	M26			W24779	13	TC71								
129-1	Vol. Tone	W26121	6	SRP262		2		W26118	1	TCD71					6	24, 58, 57, 42, 80	181.5	3-14
		W25400	44	MR37	M26			W26119	13	TC62								
130.	Vol. Tone	W25367	23	DRP232				W25462	1	ST595					9	58, 57, 56, 42, 80	181.5	4-5
		W25400	44	MR37	M26			W26119	24	TC62								
130-1	Vol. Tone	W25367	23	DRP232				8-8	1	2S567					9	58, 57, 56, 42, 80	181.5	4-6
		W25400	44	MR37	M26			W26119	13	TC62								
131.	Vol. Tone	W25284A	6	SRP262	6	2		W24342	1	RS213					4	24, 35, 47, 80	175	3-12
								W23701	1	RS213								
								W25303	16	TC22								
132-1	Vol. Tone	W25367	23	DRP232				W26194B	3	RS215					12	58, 56, 42, 46, 82	181.5	3-15
		W25400	44	MR37	M26			W26118	3	TCS71								
		W26877	1	MR50				W26119	24	TC62								
133.	Vol. Tone	W25179A	6	E7		2		W25542	1	TCD71					7	35, 24, 27, 47, 80	181.5	3-16
		W25539	72	MR48	M26			W25503	19	TC22								
134.	Vol. Tone	W25666	15	MR57				W25542	1	TCD71					8	35, 24, 27, 47, 80	181.5	3-17
		W25539	72	MR48	M26			W25857	15/24	TC62								
134-1	Vol. Tone	W25666	15	MR57				W23701	1	RS213					8	35, 24, 27, 47, 80	181.5	3-18
		W25539	72	MR48	M26			W25676	2/16	3S584								
135.	Vol. Tone	W25573	6	E7		3		W25542	1	TCD71					5	24, 35, 47, 80	181.5	3-19
		W25539	72	MR48	M26			W25303	16	TC22								
136-1	Vol. Tone	W25367	23	DRP232				W26118	1	TCD71					10	56, 58, 42, 80	181.5	3-20
		W25400	44	MR37	M26			W26119A	2	TC62								
137.	Vol. Tone	W25964A	6	SRP262	6	2		W25542	1	TCD71					4	24, 35, 47, 80	181.5	3-21
								W25303	16	TC22								
141.	Vol. Tone	W26573	6	E7	6	2		W25542A	1	TCD71					5	24, 58, 57, 47, 80	181.5	3-22
								W25303	16	TC22								
143.	Vol. Tone	W28766A	9	MR20	M24			W24779	13	TC71					8	34, 30, 19	181.5	4-7
		W25666A	57	MR57				W28869	1	TC70								
146.	Vol. Tone	W25666	15	MR57				W26194	2	RS215					9	58, 56, 57, 89, 46, 82	181.5	3-23
		W25400	67	MR37	M26			W26896	2/15	3S584	B8							
		W26877	7	MR50														
146CS	Vol. Sen.	D-135828		Order from	Mfr.			B-137003	24/15	FP339					14	6SG7, 6AC7, 6SA7, 7F8, 6SG7, 6SH7, 6H6, 6E5, 6SQ7, 6V6GT, 5U4G	455 10.7	
	Vol.							B-137002	24/13	TC78/TC62								
146-1	Vol. Tone	W25666A	17	MR57				W26194	2	RS215					9	58, 57, 55, 89, 46, 82	181.5	3-24
		W25594	67	MR37	M26			W25542	1	TCD71								
		W25573	7	E7		3		W25857B	15	TC62								
147.	Vol. Tone	W27694	6	E7	6	2		W27676	1	2N516					4	39, 36, 38, 37, KR		3-25
								W27677A	15	TN111								
148.	Vol. Tone	W26573	6	E7	6	2		W23701	1	RS213					5	58, 57, 2A5, 80	456	3-26
								W27488	1/15	TC62								
150.	Vol. Tone	W26877	15	MR50				W25542A	1	TCD71					6	58, 57, 55, 42, 80	181.5	3-27
		W25594	34	MR37	M26			W26870A	15	TC22								
154.	Vol. Tone	W28517	2	MR18	M26			W23701	1	RS213					4	58, 57, 42, 80	456	3-34
								W25857B	15	TC62								
155.	Vol. Tone	W27755	6	E7	8	3		W27789	1	TC71					4	36, 39, 37, 48	456	3-28
								W26870A	15	TC22								
156.	Vol. Tone	W27939	9	MR20	M23	EX1500		W26118A	1	TCD71					5	30, 34, 32, 33	456	3-29
		W25666	15	MR57				W25857	14/15	TC62					10	58, 57, 56, 42, 80	181.5	3-30
		W25594	67	MR37	M26			W25542	1	TCD71								
158.	Vol. Tone	W25666A	15	MR57				W25857	14/15	TC62					7	58, 57, 56, 42, 80	181.5	3-31
		W25594A	67	MR37	M26			W28978	1	ST597		L28949	Order from Mfr.		5	78, 77, 43	456	4-8
159.	Vol. Tone	W26573B	6	E7	6	2		W28976	1	TC71								
								W26870A	15	TC22								
								W29012		Order from	Mfr.							
								.01		Buffer	B14							
160.	Vol. Tone QAVC	W25666	17	MR57				W28468	1	3S584	B8				12	58, 56, 59, 80	181.5	3-32
		W25594A	67	MR37	M26			W25857B	14/15	TC62								
		W28287A	8	A5MP				W28340	1	3S584	B8							

‡ Data not substantiated.

\* IMPORTANT: Read Notes in Note Section if specified in Note Column.

§ Indicates miscellaneous section.

MANUFACTURER AND MODEL	CONTROLS							CONDENSERS				VIBRATORS			No. Tubes	Complete Tube Complement	I. F. Peak	Rider's Reference
	Use	Original Part	Circuit	Correct Replacement	Switch	Bias	*Note	Original Part	Circuit	Correct Replacement	*Note	Original Part	Replacement	*Note				
<b>CROSLEY—Continued</b>																		
163.....	Vol.	W28594A...	6	E12.....	6	EX200		W28068.....	6	TC74.....				5	78, 77, 38, 12Z3	456	3-33	
								W25857B.....	6/15	TC62.....								
								W26870A.....	15	TC22.....								
164.....	Vol. Tone	W25666A...	45	MR57.....				W23705.....	3	RS215.....				9	58, 57, 56, 2A5, 80...	456	4-11	
		W25594.....	44	MR37.....	M26			W29097C.....	3/14	FP389.....								
166.....	Vol.	W28594A...	6	E12.....	6	EX200		W29264A.....	6/15	3N527.....				4	78, 6F7, 38, 12Z3	456	4-12	
167.....	Vol.	W26573B...	6	E7.....	6	2		W23701B.....	1	RS213.....				5	58, 57, 42, 80...	456	4-9,10	
								W27488.....	1/15	TC62.....								
167 Series 2.....	Vol.	W26573B...	6	E7.....	6	2		W29150A.....	1/15	FP389.....				5	58, 2A5, 80...	456	4-10	
168.....	Vol. Tone	W25666.....	17	MR57.....				W23701B.....	1	RS213.....				7	58, 2A5, 2A6, 56, 80...	181.5	4-13	
		W25594A...	34	MR37.....	M26			W27677A.....	15	TN111.....								
169.....	Vol.	W25964.....	6	SRP262.....	6	2		W23701.....	1	RS213.....				4	58, 2B7, 42, 80...	456	4-14	
								W25857B.....	1/15	TC62.....								
169 (Revised).....	Vol.	W26573B...	6	E7.....	6	2		W29150A.....	1/15	FP389.....				4	58, 6F7, 2A5, 80...	456	5-3,4	
170.....	Vol. Tone	W25666A...	15	MR57.....				W23705A.....	1/15	RS215.....				10	56, 58, 2A5, 80...	181.5	4-15	
		W25594.....	44	MR37.....	M26			W29097A.....	3/14	FP389.....								
171.....	Vol. Tone	W25666.....	15	MR57.....				W23705A.....	3	RS215.....				12	58, 56, 2B7, 2A5, 80...	181.5	4-16	
		W25594.....	44	MR37.....	M26			W29097.....	3/24	FP389.....								
172.....	Supp.	W29657.....	98	A5MP.....														
173, 173-5.....	Vol.	W28594A...	6	E12.....	6	EX200		W29264A.....	6/15	3N527.....				4	78, 6F7, 38, 12Z3	456	4-12	
		W30031.....	73	MR48.....	M26			W30124.....	8	TC52/2S569				6	78, 6B7, 43, 25Z5	456	4-17	
								W27677A.....	15	TN111.....								
174.....	Vol.	W28594.....	6	E12.....	6	EX200		W29804A.....	11	TC52/2S569				4	78, 6F7, 43, 25Z5	456	4-18	
175.....	Vol. Supp.	W30056.....	15	MR57.....				W26194B.....	28	RS215.....				14	58, 55, 56, 45, 5Z3	181.5	4-19	
		W30057.....	58	A5MP.....				B30059.....	28/13	3S584.....								
		W30058B.....	†		6	See Note A19												
176.....	Vol. Tone	W28594A...	6	E12.....	6	EX200		W28068.....	1	TC74.....				5	78, 36, 38, 12Z3	456	4-11	
								W25857B.....	1/15	TC62.....								
								W26870A.....	15	TC22.....								
178.....	Vol.	W27939.....	9	MR20.....	M23	EX2M								5	34, 1A6, 33, 32	456	5-6	
179.....	Vol. Tone	W25666B...	15	MR57.....				W26194B.....	1	RS215.....				7	58, 56, 2A5, 80...	181.5	5-8	
		W25594.....	22	MR37.....	M26			W29150A.....	15/24	FP389.....								
180.....	Vol. Tone	W25666.....	15	MR57.....				W26194B.....	28	RS215.....				10	58, 56, 2A5, 80...	181.5	5-10	
		W25594B...	44	MR37.....	M26			B30059A.....	28/13	3S584.....								
181.....	Vol. Tone	W30610.....	45	MR53.....				W30059.....	4/14	3S584.....				6	2A7, 58, 56, 2A5, 80...	456	5-12	
		W30836.....	34	MR37.....	M26													
182.....	Vol. Tone	W31204.....	56	MR48.....	M26			W30962.....	11	2N513.....				5	6A7, 78, 6B7, 43, 25Z5	456	5-14	
								W30963.....	11	ST597.....								
								W26870A.....	15	TC22.....								
184.....	Vol.	W26573B...	6	E7.....	6	2		W29150A.....	1/15	FP389.....				4	58, 6F7, 2A5, 80...	456	5-16	
415.....	Vol.	W33922A...	54	MR20.....	M23									4	1A6, 34, 33	450	7-9	
416.....	Vol.	41754.....	6	E7.....	6	3		W34896.....	1/15	TCS64/TC26		W37216	246	C3	4	6A7, 15, 38	450	8-7,8
								.001		Buffer.....	B14							
417 (Chattabox).....	Vol.	44612.....	†	E12.....	6			W43280.....	1	RS223.....				3	6J7G, 25A6G, 25A7G, W43357			
418 (Vanity).....	Vol.	45786.....	6	MR33.....	M26	EX300	A101	W44434.....	15	TC29.....				3	6D6, 6C6, 25A7G, W45788		9-11	
								W45783.....	4	TC45.....								
425.....	Vol.	36793.....	6	E7.....	6	2		W29804A.....	11	TC52/2S569				4	78, 6F7, 43, 25Z5	450	7-11	
428 (Vanity Deluxe).....	Vol.	45784.....	6	MR33.....	M26	EX300		W45783.....	4	TC45.....				4	6D6, 6C6, 25L6G, 25Z6G		9-13	
429.....	Vol.	W47667.....	17	MR53.....	M27			W46128.....	12	TC55.....				4	1A7G, 1N5G, 1H5G, 1C5G	455	11-4	
435.....	Vol.	37187.....	6	E7.....	6	3		W34896.....	1/15	TCS64/TC26		W37216	246	C3	4	6A7, 15, 38	450	7-13
								.001		Buffer.....	B14							
438-M (438-486).....	Vol.	41624.....	18	MR53.....	M26			W46128.....	4	TC65.....				4	6U7G, 6Q7G, 6V6G, 5Y3G		9-15	
439.....	Vol.	W48709.....	18	MR53.....	M27			W45783.....	12	TC45.....				4	1A7GT, 1N5GT, 1H5GT, 1A5GT	455	11-7	
448 (Comb.).....	Vol.	45786.....	6	MR33.....	M26	EX300		W45783.....	1	TC45.....				4	6D6, 6C6, 26L6G, 25Z6G		9-28	
449.....	Vol.	W48327.....	17	MR53.....	M27			W48122.....	12	TC55.....				4	1A7GT, 1N5GT, 1H5GT, 1C5GT	455	11-5,6	
458 (Batt. Vanity).....	Vol.	46435.....	17	MR53.....	M27			W45783.....	12	TC45.....				4	1A7G, 1N5G, 1H5G, 1C5G	455	10-1,2	
459.....	Vol.	W48155.....	17	MR53.....	M27			W48122.....	12	TC55.....				4	1A7GT, 1N5GT, 1H5GT, 1C5GT	455	11-5,6	
468.....	Vol.	W46435.....	17	MR53.....	M27			W45783.....	12	TC45.....				4	1A7G, 1N5G, 1H5G, 1C5G	455	11-8,9	
505.....	Vol.	W36227.....	17	MR57.....	M26			W35750.....	1/15	RM265.....				5	6A7, 6D6, 75, 41, 80	450	6-13	
506 (C-516).....	Vol.	43340.....	18	MR53.....				W43280.....	40	RS223.....				4	6A7, 75, 43, 25Z5	450	8-11	
507 (Refrigerator Radio).....	Vol.	45162.....	18	MR53.....	M26			W44012.....	23	RS216.....				5	6A8G, 6U7G, 6Q7G, 6K6G, 5Y3	455	10-5,6	
								W43450.....	23	RS216.....				5	6D6, 6B5, 76, 80	450	6-11	
515 (Fiver).....	Vol.	W37343.....	6	MR18.....	M26	EX200		W36719.....	1	RM262.....				5	6D6, 76, 6B5, 80	450	7-58	
516.....	Vol.	W37343.....	6	MR18.....	M26	EX200		W41080.....	1	RS215.....				5	6D6, 76, 6B5, 80	450	6-13,14	
								W41081.....	4	RS216.....								
517.....	Vol.	43449.....	18	MR53.....	M26			W41081.....	4	RS216.....				5	6A8G, 6U7G, 6Q7G, 6K6G, 5Y3	455	8-13	
								W43450.....	4	RS216.....								
518 (Foreign).....	Vol.	W45864.....	18	MR53.....	M26			W44012.....	23	RS216.....				5	6A8G, 6U7G, 6Q7G, 6K6G, 5Y3G	455	11-10	
								W46822.....	23	RS223.....								
								W45968.....	23	ST597.....								

† Data not substantiated.

\* IMPORTANT: Read Notes in Note Section if specified in Note Column.

‡ Indicates miscellaneous section.

MANUFACTURER AND MODEL	CONTROLS							CONDENSERS				VIBRATORS			No. Tubes	Complete Tube Complement	I. F. Peak	Rider's Reference
	Use	Original Part	Circuit	Correct Replacement	Switch	Bias	*Note	Original Part	Circuit	Correct Replacement	*Note	Original Part	Replacement	*Note				
<b>CROSLEY — Continued</b>																		
519.....	Vol.	W48217.....	18	MR53.....	M26			W46398.....	1	2N509.....					5	12A8GT, 12SK7GT, 12SQ7GT, 50L6GT, 35Z5GT..	455	11-11,12
525.....	Vol.	W36227.....	17	MR57.....	M26			W35750.....	1/15	RM265.....					5	6A7, 6D6, 75, 41, 80,	450	.....
526.....	Vol.	41027.....	17	DRP304.....			A87	W36055.....	1	RS224.....					5	6A8G, 6K7G, 6J7G, 6N6G, 524MG	450	7-16
527.....	Tone	41028.....	44	MR40.....	M26			W36057.....	1	RS224.....					5	1C7, 1D5, 1H6, 1H4, 1J5	455	9-19
529.....	Vol.	43854.....	18	Order from Mfr.....				41081.....	12	RS216.....					5	12A8GT, 12SK7GT, 12SQ7GT, 50L6GT, 35Z5GT..	455	11-11,12
534.....	Vol.	W48217.....	18	MR53.....	M26			W46398.....	1	2N509.....					5	6A7, 6D6, 75, 42, 80,	456	6-15
535.....	Vol.	35013.....	18	MR53.....	M26			B30059C.....	4/14	3S584.....					5	*34, 1A6, 1B5, 33,	450	7-17
536.....	Vol.	37409.....	6	Order from Mfr.....				W29804A.....	11	TC52/28569.....					5	*6K7G, 6J7G, 25A6G, 25Z6G	450	7-19
537.....	Vol.	41002.....	6	E7.....	6	2		W41081.....	23	RS216.....					5	6A8G, 6U7G, 6Q7G, 6K6G, 5Y3	455	8-15
539.....	Vol.	43733.....	18	MR53.....	M26			W43450.....	23	RS216.....					5	12A8GT, 12SK7, 12SQ7, 50L6, 35Z5	455	.....
545.....	Vol.	46124.....	18	MR53.....	M26			47702.....	25	TC47.....					5	*6D6, 6H7, 43, 25Z5	450	7-21
546.....	Vol.	36265.....	6	E7.....	6	2		45783.....	25	TC45.....					5	6A7, 15, 38	450	7-24
546.....	Vol.	41252.....	6	G7.....	1	2		W31992.....	11/15	Order from Mfr.....					5			
547.....	Vol.	32908.....	34				See Note A5	W41195.....	15	TC22.....		37216	246	C3	5			
547.....	Vol.	43449.....	18	MR53.....	M26			.001 Buffer.....		B14					5	6A8G, 6U7G, 6Q7G, 6K6G, 5Y3	455	9-17
548.....	Vol.	45996A.....	18	MR53.....	M27			W41081.....	4	RS216.....					5	1C7G, 1D5G, 1H6G, 1H4G, 1Q5G	455	9-38
549.....	Vol.	45996A.....	18	MR53.....	M27			W43450.....	4	RS216.....					5	1A7GT, 1N5GT, 1H5GT, 1A5GT, 1I7Z6GT	455	11-13,14
549.....	Vol.	45996A.....	18	Order from Mfr.....				W45968.....	12	ST597.....					5			
555.....	Vol.	37395.....	18	Order from Mfr.....				W46128.....	24	TC55.....					5	6A8, 6K7, 6J7, 6F6, 5Z4	450	7-25
556.....	Vol.	41069.....	54	DRP304.....	6		A87	W46398.....	24	2N509.....					5	1A6, 34, 1B5, 33,	450	7-27
557.....	Vol.	43854.....	18	Order from Mfr.....				W48562.....	24	TC2501.....					5	1C7G, 1D5G, 1F7G, 1H4G, 1F5G	455	9-21,24
558.....	Vol.	W46057.....	18	MR53.....	M27			W45783.....	24	TC45.....					5			
566.....	Vol.	41792.....	18	Order from Mfr.....				W46128.....	24	TC55.....					5	1C7G, 1D5G, 1H6G, 1H4G, 1J6G	455	11-15
567.....	Vol.	W43449.....	18	MR53.....	M26			W41081.....	13	RS216.....					5	1A6, 34, 1B5, 30, 950	450	8-17
568 (Trouper).....	Vol.	46411.....	6	MR33.....	M26	EX300		W44012.....	13	RS216.....		W44145	W246	C3	5	6A8G, 6U7G, 6Q7G, 6K6G, 5Y3	455	9-25-27
577.....	Vol.	W43449.....	18	MR53.....	M26			W44131.....	1	RS223.....					5	6K7GT, 6J7GT, 25L6GT, 25Z6GT, W46416	455	10-7,8
579.....	Vol.	48328.....	17	MR53.....	M27			.01 Buffer.....		B14					5	6A8G, 6U7G, 6Q7G, 25A6G, 25Z6G	455	9-29
586 (B637).....	Vol.	W41609.....	18	Order from Mfr.....				W44013.....	23	RS216.....					5	1B7G, 1P5G, 1N5G, 1H5G, 1Q5G	455	.....
587.....	Vol.	43854A.....	18	Order from Mfr.....				W46398.....	1	2N509.....					5	*34, 1A6, 1B5 or 25S, 950	262	8-19
588 (Super Vanity Fiver).....	Vol.	46633.....	18	MR53.....	M26			W44769A.....	23	2S567 Buffer.....	B33 B14	W45110	859	C3	5	6A8G, 6U7G, 6Q7G, 6K6G, 6X5G	455	10-9,10
589.....	Vol.	48328.....	15	MR53.....	M27			.01 Buffer.....		B14					5	6A8GT, 6K7GT, 6Q7GT, 25L6GT, 25Z6GT	455	10-11
596 (C526).....	Vol.	W42446.....	18	MR48.....	M26			W46398.....	1	2N509.....					5	1B7G, 1P5G, 1N5G, 1H5G, 1Q5G	455	.....
597.....	Vol.	44920A.....	18	MR53.....	M26			W42439.....	4	RS223.....					5	6A8G, 6K7G, 6Q7G, 25A6G, 25Z6G	450	8-21
598 (Vanity).....	Vol.	45786.....	6	MR33.....	M26	EX300	A101	W41958.....	15	TC29.....					5	6A8, 6K7, 6Q7, 25A6, 25Z6	455	10-13,14
599.....	Vol.	W48320.....	6	MR33.....	M26		A14	44935.....	4	RS223.....					4	6K7GT, 6J7GT, 25L6GT, 25Z6GT, W46416	455	10-12
602 (Band Box).....	Vol.	4247F.....	4	SRP185.....			A4	46398.....	1	2N509.....					4	6SK7, 6J7GT, 25L6GT, 25Z6GT, W46416	455	11-16
605.....	Vol.	37110A.....	33	MR53.....				W46398.....	1	2N509.....					7	*26, 27, 71A, 80	450	1-7
608 (Gembox).....	Sen. Vol.	37109A.....	54	Order from Mfr.....				48122.....	24	TC55.....					6	*34, 1A6, 1B5, 30, 19	450	7-30
609 (Gemchest), 610 (Gembox).....	Vol.	W5170.....	3	SRP185.....				W4943.....	1	2N518.....					6	*26, 27, 71A, 80	450	1-8
614.....	Vol.	W5908.....	3	SRP185.....				W4943.....	1	2N518.....					7	*26, 27, 71A, 80	450	1-9
615.....	Tone Vol.	28552.....	17	MR57.....				W26194B.....	4	RS215.....					6	6D6, 6A7, 6B7, 76, 42, 80	456	6-18
	Vol.	25594.....	22	MR37.....	M26			W27097D.....	4/14	FP389.....					6	6A7, *6D6, 6B7, 43, 25Z5	450	7-32
	Vol.	36052.....	56	MR48.....	M26			W31992.....	11/15	Order from Mfr.....					6			

‡ Data not substantiated.

\* IMPORTANT: Read Notes in Note Section if specified in Note Column.

§ Indicates miscellaneous section.



MANUFACTURER AND MODEL	CONTROLS							CONDENSERS					VIBRATORS			No. Tubes	Complete Tube Complement	I. F. Peak	Rider's Reference
	Use	Original Part	Circuit	Correct Replacement	Switch	Bias	*Notes	Original Part	Circuit	Correct Replacement	*Notes	Original Part	Replacement	*Notes					
CROSLEY—Continued																			
616.....	Vol. Tone	W37967.....	18	MR53.....				W36055.....	1	RS224.....					6	6A8G, 6K7G, 6H6G, 6F5G, 6N6G, 5Z4MG	450	7-33	
617.....	Vol. Tone	W37908.....	34	MR40.....	M26			W36057.....	1	RS224.....					6	6A8G, 6U7G, 6Q7G, *6K6G, 5Y3G	455	9-31	
618.....	Vol. Tone	44467.....	18	MR53.....				W4438A.....	1	RS224.....					6	6A8G, 6U7G, 6Q7G, *6K6G, 5W4	455	14-49	
626.....	Vol. Tone	44024B.....	44	MR40.....	M26			W44012.....	1	RS216.....					6	6A8G, 6K7G, 6J7G, 6C5G, 6N6G, 5Z4MG	450	7-36	
628.....	Vol.	37907.....	1	DRP304.....				W36055.....	1	RS224.....					6	6A8G, 6U7G, 6P5G, 6F5G, 6K6G, 2W3	455	9-42	
629.....	Vol.	37908.....	34	MR40.....	M26			W40325.....	13	RS224.....					6	6A8, 6K7, 6Q7, 6P5, 6AC5, 5Y3	455		
634 (656).....	Vol. Tone	45864.....	46	MR53.....	M26			W37778.....	15	TN111.....					6	6A8, 6K7, 6H6, 6F5, 6N6, 5Z4MG	450	8-23	
635 (Bucoanear).....	Vol.	47783-A.....	18	MRT438.....	M26			W44012.....	23	RS216.....					6	6A7, 6D6, 76, 42, 80	450	6-19	
636.....	Vol. Tone	41027.....	15/15	DRP304.....		See Note A87		W45968.....	23	ST597.....					6	6A7, 6B7, 15, 19	450	7-38	
637.....	Vol.	41028A.....	34	MR40.....	M26			47256.....	1	FP231.....					6	6A8G, 6U7G, 6Q7G, *6K6G, 5Y3G	455	9-35	
638.....	Vol.	35938.....	45	MR53.....	M26			W36057.....	23	RS224.....					6	6A8G, 6U7G, 6P5G, 6F5G, 6K6G, 2W3	455	9-42	
639.....	Vol.	37967.....	18	MR53.....				W41081.....	23	RS216.....					6	6A8G, 6K7G, 6Q7G, 6P5G, 6AC5G, 5Y3G	455	11-17-10	
644 (5666).....	Vol.	41627.....	41	MR37.....	M26			W37778.....	15	TN111.....		W37216	246	C3	6	6A7, 6D6, 76, 75, 6B5, 5Y3	450	8-25	
645.....	Vol. Sen.	43449.....	18	MR53.....	M26			.001.....		Buffer.....	B14				6	*6D6, 6A7, 85, *48	450	7-39	
646.....	Vol. Tone	46314.....	46	MR53.....	M26			W36057.....	23	RS224.....					6	1C6, *34, 1B5, 30, 19	450	7-41, 42	
647.....	Vol.	43449.....	18	MR53.....	M26			W41081.....	23	RS216.....					6	6A8G, 6U7G, 6Q7G, 25A6G, 25Z6G	455	9-39-41	
648 (Super Sextette).....	Vol.	46847.....	18	MR53.....	M26			W40325.....	29	RS224.....					6	6A8G, 6U7G, 6Q7G, 25L6G, 25Z6G	455	10-15, 16	
649.....	Vol.	W46847.....	18	MR53.....	M26			W36057.....	29	RS224.....					6	6A8GT, 6U7G, 6Q7G, 25L6G, 25Z6G	455	11-21, 22	
649 (5656).....	Vol. Tone	41027.....	1	DRP304.....				W45783.....	1	TC45.....	B12				6	6A8, 6K7, 6H6, 6F5, 6N6, 5Z4MG	450	11-21, 22	
655.....	Vol.	41028A.....	34	MR40.....	M26			W45783.....	1	TC45.....	B12				6	6A8, *6K7, 6H6, 6F6, 5Z4	450	7-43	
666.....	Vol.	35938.....	18	MR53.....	M26			W46398.....	1	2N509.....					6	6A7, 6D6, 76, 75, 6B5, 5Y3	450	8-25, 26	
667.....	Vol. Tone	37395.....	15/15	DRP304.....	6			W46398.....	1	2N513.....	B12				6	6A8G, *6S7G, 6T7G, 6K6G, 6X5G	455	10-18-20	
668.....	Vol.	44081.....	18	MR53.....				W46398.....	1	RS224.....					6	6A8G, 6U7G, 6P5G, 6F5G, 6V6G, 5Y3G	455	11-20	
669.....	Vol. Tone	44946.....	34	MR39.....	M26			W46128.....	23	TC55.....	B14				6	6K8GT, 6K7GT, 6S07GT, 6P5GT, 6AC5GT, 2W3GT	455		
676 (C629).....	Vol.	48019.....	18	MR48.....	M26			W46128.....	23	ST597.....	B14				5	6A8G, 6Q7G, 25A6G, 25Z6G, 6K7G	450	8-27, 28	
689.....	Vol.	48020-B.....	57	MR48.....	M26			W49326.....	1/15	FP354.....					5	6A8GT, 6K7GT, 6S07GT, 25L6GT, 25Z6GT, W46773	455	11-23, 24	
704 (Showbox).....	Vol.	42522.....	18	MR48.....	M26			W5253.....	1/24	3S584.....					7	*26, 27, 71A, 80		1-10	
704A (Jewelbox).....	Vol.	W46847.....	18	MR53.....	M26			W4736.....	1	2N518.....					7	*26, 27, 71A, 80		1-11	
704B (Jewelbox).....	Vol.	42522.....	18	MR48.....	M26			W5253.....	1/12	3S584.....					8	*26, 27, 71A, 80		1-12	
705 (Showbox DC).....	Vol.	W4247F.....	3	SRP185.....				W4929.....	1	2N518.....					8	*01A, *71A		1-13	
706 (Showbox).....	Vol.	W4955.....	1	SRP185.....				W4943.....	1	2N518.....					8	*26, 27, 71A, 80		1-14	
714.....	Vol. Tone	W4955.....	3	SRP185.....				W26194B.....	4	RS215.....					7	*6D6, 6A7, 6B7, 6F7, 42, 80	456	6-21	
715 (Corsair).....	Vol. Tone	32062.....	18	MR53.....				W29097D.....	4/13	FP389.....					7	6D6, 6A7, 6B7, *76, 42, 80	450	6-22	
718.....	Vol.	32063.....	34	MR37.....	M26			W36055.....	4	RS224.....					7	6J8G, 6U7G, 6P5G, 6F5G, 6V6G, 5Y3G, 6U5	455	9-46, 10-21, 22	
719.....	Vol.	36060.....	15	MR53.....				W36056.....	4/24	FP389.....					7	6A8GT, 6K7GT, 6P5GT, 6S7GT, 25L6GT, 25Z6G	455	11-23, 24	
725.....	Vol. Tone	36062.....	22	MR37.....	M26			W44012.....	23	RS216.....					7	6D6, 6A7, 6B7, *76, 42, 80	450	7-45	
	Vol. Tone	45973.....	46	MRT438.....	M26			W46822.....	23	RS223.....					7	6A8GT, 6K7GT, 6P5GT, 6S7GT, 25L6GT, 25Z6G	455	11-23, 24	
	Vol.	47858.....	45	MR53.....	M26			W45968.....	23	ST597.....	B12				7	6A8GT, 6K7GT, 6P5GT, 6S7GT, 25L6GT, 25Z6G	455	11-23, 24	
	Vol.	36066.....	15	MR53.....				W47702.....	9	TC47.....					7	6A8GT, 6K7GT, 6P5GT, 6S7GT, 25L6GT, 25Z6G	455	11-23, 24	
	Vol. Tone	36539A.....	22	MR37.....	M26			W47892.....	9	FP211.....					7	6D6, 6A7, 6B7, *76, 42, 80	450	7-45	

† Data not substantiated.

\* IMPORTANT: Read Notes in Note Section if specified in Note Column.

‡ Indicates miscellaneous section.

MANUFACTURER AND MODEL	Use	CONTROLS						CONDENSERS				VIBRATORS			No. Tubes	Complete Tube Complement	I. F. Peak	Rider's Reference
		Original Part	Circuit	Correct Replacement	Switch	Blas	*Note	Original Part	Circuit	Correct Replacement	*Note	Original Part	Replacement	*Note				
<b>CROSLEY</b> — Continued																		
729.....	Vol.	W47858	45	MR53	M26			W47702A W47892	9 9	TC47 FP211				7	6A8GT, 6SK7, 6P5, 6SF5, 25L6, *25Z6	455	11-27-29	
739 (With Mech. P.B.)	Vol. Tone	48170 48181B	45 21	MR53 MR48	M26			47702 47892	9 9	TC47 FP211				7	6A8GT, 6SK7, 6P5, 6SF5, 25L6, *25Z6	455	11-30	
739 (Magnetune)	Vol. Tone	48170 48181B	45 21	MR53 MR48	M26			W47702 W47809	9 9/13	TC47 FP357				7	6K8, 6SK7, 6P5, 6SF5, 25L6, *25Z6	455	.....	
739 (Mech. P.B. and Loop)	Vol. Tone	48170 48181	45 21	MR53 MR48	M26			49047 49014	10 10/15	TC47 Order from Mfr.				7	6A8GT, 6SK7, 6P5, 6SF5, 25L6, *25Z6	455	.....	
744, 745 (716)	Vol. Tone	37967 37908	18 34	MR53 MR40	M26			W36055 W36057	1 1	RS224 RS224				7	6A8, 6C5, 6K7, 6H6, 6F5, 6N6, 5Z4MG	450	8-29	
759 (736)	Vol. Tone	37967 37908	45 34	MR53 MR40	M26			W36055 W36057	1 1	RS224 RS224				7	6A8, *6K7, 6H6, 6C5, 6N6, 5Z4	450	8-33	
769 (726)	Vol.	42501	20	TM257-SS1				W36055 W36057 W41081	1 1 13	RS224 RS224 RS216				7	*6K7, 6A8, 6H6, 6F5, 6N6, 5Z4MG	450	8-31,33	
804 (Jewel Box)	Vol.	W5659	7	A10MP		RS244		W5684	3	FP434				8	*27, *71A, 80		1-15	
814	Vol. Tone	W33378 W32063	17 149	MR53 MR37	M26			W26194B W29097D W32258	3 3 14	RS215 FP389 RS213				7	6A7, 6D6, 6F7, 6B7, *42, 80	456	6-25	
815	Vol. Tone	32062 36458	45 22	MR53 MR39	M24			W33990	24	RM262				8	*30, *34, 1C6, 19	450	7-47	
816	Vol. Tone	W41301 W37966	19 34	TM257-SS1 MR37	M26			W36055 W41080 W41081	1 1 24	RS224 RS215 RS216				7	6A8G, *6K7G, 6R7G, *6N6, 5Z4MG	450	7-49,50	
817	Vol. Tone	44081 44024	18 44	MR53 MR40	M26			W41598 W44054	15 23	TC29 RS224				8	6A8G, *6K6G, *6U7G, 6Q7G, 5Y3G	456	9-44	
818	Vol. Tone	44081 44024B	18 44	MR53 MR40	M26			W36057 W36057 W44054	23 23 23	RS224 RS224 RS224				8	6A8G, *6K6G, *6U7G, 6Q7G, 5Y3G	455	10-24-26	
819 (25Z6 Rect.)	Vol.	48242	18	†			A19	47809 47702	9/13 9	FP357 TC47				8	6K8, *6SK7, 6SQ7, *25L6, *25Z6	455	11-36-40	
819 (5Y3G Rect.)	Vol.	48242	18	†			A19	47809 46128	1/13 1	FP357 TC55				8	6K8, *6SK7, 6SQ7, *25L6, *5Y3G	455	11-37-40	
828	Vol. Tone	44773 44024B	18 44	MRT438 MR40	M26			W44054 W36057	23 23	RS224 RS224				8	6J5G, 6J8G, 6U7G, 6Q7G, 6J5G, *6K6G, 5Y3G	455	10-27-29	
855	Vol. Tone	36060 36062	17 22	MR53 MR37	M26			W36055 W36056	4 24	RS224 FP389				8	*6K7, 6A8, *6H6, 6C5, 6F6, 5Z4	450	7-51	
865	Vol. Tone	36066 36539A	17 22	MR53 MR37	M26			W36055 W36056	4 24	RS224 FP389				8	*6K7, 6A8, *6H6, 6C5, 6F6, 5Z4	450	7-53	
915	Vol. Tone	32062 32063	18 44	MR53 MR37	M26			W36055 W36057 W36548	35 35 15	RS224 RS224 TC26				9	6D6, 6A7, 6B7, *76, *42, 5Z3	450	7-55	
916	Vol. Tone	41417 37966	93 44	DRP304 MR37	M26			W36055 W36057 W37778	1 1 15	RS224 RS224 TN111				8	*6K7, 6A8, 6R7, 6C5, *6N6, 5Z4MG	450	7-59	
955	Vol. Tone	37907 37966	93 34	DRP304 MR37	M26			W36055 W36057 W37778	1 14 15	RS224 RS224 TN111				9	*6K7, *6C5, 6L7, 6Q7, *6F6, 5Z4	450	7-61	
989 (926)	Vol.	41301	20	TM257-SS1				W36055 W41080 W41081 W41598	1 1 14 15	RS224 RS215 RS216 TC29				8	*6K7, 6A8, 6H6, 6C5, *6N6, 5Z4MG	450	8-35	
1014 (Centurion)	Vol. Tone	W28552 W25594B	17 44	MR57 MR37	M26			W26194B W34596	7 7/24	RS215 RM265				10	*6D6, 6A7, 6F7, *76, *42, 80	456	6-26	
1016	Vol. Tone	41417 37966	93 44	DRP304 MR37	M26			W36055 W36057 W37778	1 1 15	RS224 RS224 TN111				9	*6K7, *6C5, 6A8, 6R7, *6N6, 5Z4MG	450	7-63	
1018	Vol. Tone	44081 44024B	45 44	MR53 MR40	M26			W37778 W44054 W36057B	15 23 23	RS224 RS224 RS224				10	*6K6G, 6A8G, *6U7G, *6C5G, 6K5G, 5Y3G	455	10-30-32	
1019	Vol.	48242	18	†			A19	47809	1/13	FP357				8	6K8, *6SK7, 6SQ7, *25L6, *5Y3	455	11-37-40	
1026	Vol. Tone	41417 37966	† 34	DRP304 MR37	M26			46128 W36055 W36057	1 1 1/13	TC55 RS224 RS224				9	*6K7, 6A8, *6C5, 6R7, *6N6, 5Z4	450	.....	
1055	Vol. Tone	32062 32063	18 44	MR53 MR37	M26			W37778 W36055 W36057 W36548	15 30 30 15	TN111 RS224 RS224 TC26				10	*6K7, 6A8, *6C5, *6F6, 6H6, 5Z4	450	7-67	
1117	Vol. Tone	44081 44024	45 44	MR53 MR40	M26			W44054 W36057	23 23	RS224 RS224				11	6A8G, *6U7G, *6C5G, *6K6G, 5Y3G, 6G5, 6K5G	455	9-48	
1118	Vol. Tone	44702 44024B	20 34	MRT438 MR40	M26			W44054 W36057 W41598	23 23 15	RS224 RS224 TC29				11	*6K6G, 6A8G, *6U7G, *6C5G, 6K5G, 5Y3G	455	10-33-36	
1127	Vol. Tone	44674 44024	45 34	MRT438 MR40	M26			W44054 W36057 W41598	23 23 15	RS224 RS224 TC29				11	6A8G, *6U7G, *6C5G, 6K5G, *6K6G, 5Y3G, 6T5	455	9-51-54	

† Data not substantiated.

\* IMPORTANT: Read Notes in Note Section if specified in Note Column.

‡ Indicates miscellaneous section.

WHEN YOU BUY JACK SWITCHES BUY MALLORY.



MANUFACTURER AND MODEL	CONTROLS							CONDENSERS				VIBRATORS			No. Tubes	Complete Tube Complement	I. F. Peak	Rider's Reference	
	Use	Original Part	Circuit	Correct Replacement	Switch	Bias	*Note	Original Part	Circuit	Correct Replacement	*Note	Original Part	Replacement	*Note					
<b>CROSLEY—Continued</b>																			
1128.....	Vol. Tone	44702 44024B	20 34	MRT438 MR40	M26			W44054 W36057 W41598	23 23 15	RS224 RS224 TC29					11	6K6G, 6A8G, 6U7G, 6C5G, 6K5G, 5Y3G	455		
1137.....	Vol. Tone	44702 44024	45 34	MRT438 MR40	M26			W44054 W36057 W41598	23 23 15	RS224 RS224 TC29					11	6A8G, 6U7G, 6C5G, 6K5G, 6K6G, 5Y3G	455	9-55,57	
1155.....	Vol. Tone	37907 37966	93 44	DRP304 MR37	M26			W36055 W36057 37632	1 1 15	RS224 RS224 2N513					11	6K7, 6L7, 6C5, 6H6, 6Q7, 6F6, 5Z4	450	7-69	
1199 (1126).....	Vol.	41301	20	TM257-SS1				W36055 W42386 W41598	1 1/14 15	RS224 RS223 TC29					9	6K7, 6A8, 6J7, 6H6, 6R7, 6N6, 5Z4	450	8-41-44	
1211 (1216).....	Vol.	41375	†	Order from	Mfr.			W36055 W42386 W37778	1 1/14 15	RS224 RS223 TN111					10	6K7, 6A8, 6J7, 6H6, 6R7, 6C5, 6N6, 5Z4	450	8-45-48	
1217.....	Vol. Tone	44773 44704A	18 †	MRT438 MR53	M26			W44672 W44054 W36057B	13 23 23	RS224 RS224 RS224					12	6U7G, 6A8G, 6K6G, 6Q7G, 5Y3G	455	10-37-40	
1218.....	Vol. Tone	44773 44704A	140 140	MRT438 MR53	M26			W36057B W44672 W44054	23 13 23	RS224 RS224 RS224					12	6U7G, 6A8G, 6Q7G, 6K6G, 5Y3G	455	14-57	
1227.....	Vol. Tone	44773 44704A	18 †	MRT438 MR53	M26			W44672 W44054 W44438A	13 23 23	RS224 RS224 RS224					12	6U7G, 6A8G, 6K6G, 6Q7G, 5Y3G	455	10-37-40	
1313 (1336).....	Vol.	41375B	†	Order from	Mfr.			W36055 W36057 W41598	1 1/14 15	RS224 RS224 TC29					11	6K7, 6A8, 6J7, 6H6, 6R7, 6C5, 6N6, 5Z4MG	450	8-49-52	
1316.....	Vol. Fidelity	41375B 41300	93 †	Order from TM257-SS1	Mfr.		A67	W36055 W36057 W36057 W37632	1 1 13 15	RS224 RS224 RS224 2N513					12	6K7, 6A8, 6R7, 6J7, 6H6, 6C5, 6N6, 5Z4MG	450	7-73	
1516.....	Vol.	41375	†	Order from	Mfr.			W36055 W36057 W41598	1 1/13 15	RS224 RS224 TC29					13	6K7, 6A8, 6J7, 6H6, 6R7, 6C5, 6N6, 5Z4	450	8-53-56	
5515 (Fiver).....	Vol.	37343	6	MR18	M26	EX200		W36719	1	RM262					5	6D6, 76, 6B5, 80	450	6-11,12	
5516.....	Vol.	37343	6	MR18	M26	EX200		W41080 W41081	1 1	RS215 RS216					5	6D6, 76, 6B5, 80	450	7-58	
5517.....	Vol.	43449A	18	MR53	M26			W44012 W43450	23 23	RS216 RS216					5	6A8G, 6U7G, 6Q7G, 6K6G, 5Y3G	455	9-17	
5519.....	Vol.	48217	18	MR53	M26			46398	1	2N509					5	12A8GT, 12SK7, 12SQ7, 50L6, 35Z5	455	11-41,42	
5526.....	Vol. Tone	41027 41028	† 44	DRP304 MR40	M26		A87	W36055 W36057	1 1	RS224 RS224					5	6A8G, 6K7G, 6J7G, 6N6G, 5Z4MG	450	7-15	
5529.....	Vol.	48217	18	MR53	M26			46398	1	2N509					5	12A8GT, 12SK7, 12SQ7, 50L6, 35Z5	455	11-41,42	
5536.....	Vol.	41002	6	E7	6	2		W29804A	11	TC52/2S569					5	6K7G, 6J7G, 25A6G, 25Z6G	450	7-19,20	
5539.....	Vol.	46124	18	MR53	M26			47702 45783	25 25	TC47 TC45					5	12A8GT, 12SK7, 12SQ7, 50L6, 35Z5	455		
5548.....	Vol.	46057A	18	MR53	M27			W45968	13	ST597					5	1C7G, 1D5G, 1H6G, 1H4G, 1G5G	455	9-38	
5549.....	Vol.	48694	18	Order from	Mfr.			46398 46128 48562 45783	1/24 24 1 1	2N509 TC55 TC2501 TC45					5	1A7GT, 1N5GT, 1H5GT, 1A5GT, 117Z6GT	455		
5555.....	Vol.	37395	†	DRP304	6		A87	W36055 W36057 W36931 48122	1 1 15 12	RS224 RS224 TC22 TC55					5	6A8, 6K7, 6J7, 6F6, 5Z4	450	7-25	
5579.....	Vol.	48336	15	MR53	M27			48122	4	RS223					5	1B7G, 1P5G, 1N5G, 1H5G, 1Q5G	455		
5587.....	Vol.	43854A	18	Order from	Mfr.			W44868A .01	23	RM262 Buffer		B14	W45110	859	C3	5	6A8G, 6U7G, 6Q7G, 6K6G, 6X5G	455	10-9,10
5589.....	Vol. Tone	49336 49337	15 †	MR53 MR48	M27			48122	24	TC55					5	1B7G, 1P5G, 1N5G, 1H5G, 1Q5G	455		
5597.....	Vol.	44920A	18	MR53	M26			44935	4	RS223					5	6A8, 6K7, 6Q7, 25A6, 25Z6	455	10-13,14	
5628.....	Vol.	45864	46	MR53	M26			W44012 W45968 W46398	23 23 1	RS216 ST597 2N509					6	6A8G, 6U7G, 6P5G, 6F5G, 6K6G, 2W3	455	10-17	
5648.....	Vol.	W46847	18	MR53	M26			W49222 W45783 W41080	1 1 1	2N513 TC45 RS215		B12 B12			5	6A8GT, 6U7G, 6Q7G, 25L6G, 25Z6G, W46773	455	11-21,22	
6516.....	Vol.	37343	6	MR18	M26	EX200		W41080 W41081	1 1	RS215 RS216					5	6D6, 76, 6B5, 80	450	7-58	
6518 (Foreign).....	Vol.	W46314	18	MR53	M26			W44012 W46822 W45968	23 23 23	RS216 RS223 ST595		B12			5	6A8G, 6U7G, 6Q7G, 6K6G, 5Y3G	455	11-9,10	
6519.....	Vol.	46124	18	MR53	M26			46389	1	2N509					5	12A8GT, 12SK7, 12SQ7, 50L6, 35Z5	455	11-41,42	
6579.....	Vol.	48328	17	MR53	M27			48122	12	TC55					5	1B7G, 1P5G, 1N5G, 1H5G, 1Q5G	455		
6615.....	Vol. Tone	36060 36062	17 34	MR53 MR37	M26			W36057 W34896 .001	1 1/24 1	RS224 RM262/TC55 Buffer		B14	W37216	246	C3	6	15, 6A7, 6B7, 31, 38	450	7-75

† Data not substantiated.

\* IMPORTANT: Read Notes in Note Section if specified in Note Column.

‡ Indicates miscellaneous section.

MANUFACTURER AND MODEL	CONTROLS							CONDENSERS				VIBRATORS			No. Tubes	Complete Tube Complement	I. F. Peak	Rider's Reference	
	Use	Original Part	Circuit	Correct Replacement	Switch	Bias	*Note	Original Part	Circuit	Correct Replacement	*Note	Original Part	Replacement	*Note					
<b>CROSLEY—Continued</b>																			
6625.....	Vol. Tone	37907 37908	† 34	DRP304 MR40	M26			W36055 W36057 W40325 W37778	1 1 13 15 46	RS224 RS224 RS224 TN111 FP389					6	6A7, 6D6, 6C6, 76, 6B5, 80	450	7-77,78	
6669.....	Vol. Tone	48019 48020B	18 57	MR48			A19	49171	46	FP389					6	6K8GT, 6K7GT, 6SQ7GT, 6P5GT, 6AC5GT, 2W3GT	455		
6679.....	Vol. Tone	48019 48020B	18 57	MR48			A19	49171	46	FP389					6	6K8GT, 6K7GT, 6SQ7GT, 6P5GT, 6AC5GT, 2W3GT	455		
7669.....	Vol. Tone	48019 48020B	18 57	MR48			A19	49171	46	FP389					6	6K8GT, 6K7GT, 6SQ7GT, 6P5GT, 6AC5GT, 2W3GT	455		
7739 (Mech. P.B.)..	Vol. Tone	48019 48020	18 57	MR48			A19	W48122 W47702 W47892 W47702 W47809	9 9 9 9 9/13	TC55 TC47 FP211 TC47 FP357					7	6A8GT, 6SK7, 6P5, 6SF5, 25L6,*25Z6	455	11-31,34	
7739 (Magnetune)..	Vol. Tone	48019 48020B	18 †	MR48			A19								7	6K8, 6SK7, 6P5, 6SF5, 25L6,*25Z6	455		
7739 (Mech P.B. and Loop).....	Vol. Tone	49338 49337	45 †	MR48			A19	49047 49014 46128	10 10/15 10	TC47 FP331 TC55					7	6A8GT, 6SK7, 6P5, 6SF5, 25L6,*25Z6	455		
<b>CROYDON—See Airking.</b>																			
<b>DALBAR</b>																			
100-1000 Series.....	Vol. (Early) (Late) Tone	27E1-104	161 161 22	MR39 MR44 MR40				(Early) (Late)	24 88	FP214 FP357					5	12SA7GT, 12SQ7GT/12SK7, 12SR7GT/12SQ7, 50L6GT, 35Z5GT	455		
400.....	Vol. Tone	27E2-504	80	MR48	M26			37A1-35	24	2N520					6	12SK7GT, 12SA7, 12SQ7, 50L6GT, 35Z5GT	455		
M 8 "Tonomatic".....	Vol. Tone	A-61503-2 27E1-104	165 162	UM159-SS1 MR39				37A4-161	24	2S569					3	6SH7, 6V6GT, 5Y3GT			
Barcombo Jr., Barcombo Sr.....	Vol. Tone	27E1-104	151 162	MR39 MR40				37A1-35	39	2N520					6	*6SS7, 12SA7, 12SQ7, 50L6GT, 35Z5GT	455		
<b>DAVID BOGEN</b>																			
2AR, 2RS.....									24 15	TC47/TC42 TC22					2	12SL7GT, 50L6GT			
GO-50.....	Vol. Tone		182	MR48					106 107 13 106 105	RM262 HS693 TC72 TC39 TC29					6	6SL7GT, 6SN7GT, *807, 5Y3GT, 5R4GY			
GO-125.....	Vol. Tone		108	MR41					† † † † †	RM262 TX805 TC39 TC39					8	6SL7, *6SN7, *807, 5Y3GT, 5R4GY			
<b>DEARBORN</b>																			
100.....	Vol. Tone		161	MK402	M26				24	2N514					5	12BE6, 12BA6, 12AT6, 50B5, 35W4	455		
<b>DECCA</b>																			
DP-11.....	Vol. Tone		50 22	MR48 MR48	M26				24 15	2N521 TC22					2	50A5, 35Y4			
DP-29.....	Vol. (Early) (Late) Tone		108 108	MR48 MR53					24/15	FP331					3	6SL7GT/7F7, 6V6GT/7C5, 6X5GT/7Y4			
PT-10.....	Vol. (Early) (Late) Tone		189 189	MR44 MR48	M26 M26				88	TN518/TC78					4	7N7, *7C5, 7Z4			
<b>DELCO</b>																			
RA-B, RB-B.....	Vol. Tone	1203490 1203455	9 41	MR35 MR53	M26										7	*32, 30,*31		3-1	
RA3, RB3.....	Vol. Tone	1204176 1204748	7 22	MR34 MR39	M26										6	*36,*38		3-3	
RB1, RC1.....	Vol. Tone	1204176 1204748	6 22	MR34 MR39	M26			4-4 8 8, 8	7 7 1	See Note. See Note. RS213	B3 B3				7	24,*27,*35, 47, 80	175	3-4	
A1, B1.....	Vol. Tone	1204748	22	MR39 MR48				8, 8	1	RS213					9	*58,*57, 56, 55,*47, 80			
A3, B3.....	Vol. Sen. Vol. Tone		7 45 149	MR48 F MR48 MR48				2	†	See Note.	B11				7	*39,*36, 37,*38	175		

† Data not substantiated.

\* IMPORTANT: Read Notes in Note Section if specified in Note Column.

‡ Indicates miscellaneous section.

MANUFACTURER AND MODEL	CONTROLS							CONDENSERS				VIBRATORS			No. Tubes	Complete Tube Complement	I. F. Peak	Rider's Reference
	Use	Original Part	Circuit	Correct Replacement	Switch	Bias	*Note	Original Part	Circuit	Correct Replacement	*Note	Original Part	Replacement	*Note				
DELCO—Continued																		
66.....	Vol. Tone	10003..... 10004.....	17 22	MR44..... MR33.....	M26		9979..... 10067..... .008-.008.....	4 15	TCS71..... TC22..... Buffer.....			Order from Mfr.	6	6E7, 6A7S, 6C7, 89, 6Y5.....	175	8-1		
626.....	Vol. Tone	1209330..... 1209628.....	18 21	UC512..... MR48.....			1209285..... 4.....	22/15 15	3S579..... TC22.....		5039661.....	273C	5	6D6, 6A7, 6B7, 42.....	262	6-1,4		
627.....	Vol. Tone	1209296.....	15	UM162-SS12			1209285.....	22/15	3S579.....		5039661.....	273C	5	6D6, 6A7, 6B7, 6E6.....	262	7-4,6		
628.....	Vol. Tone	1209296..... 1209320.....	18 44	UM162-SS12 MR39.....			1209283..... 1209284.....	1 1/15	RS215..... RS213/TN111.....		5039661.....	273C	6	6D6, 6A7, 85, 6A6.....	262	7-7,9		
629 (Below No. 40100)	Vol.	1209296.....	18	UM162-SS12			1209285.....	1/15	3S579.....		5039661.....	273C	4	6F7, 6B7, 6D6, 42.....	450	8-17,18		
629 (Above No. 40100)	Vol.	1209296.....	18	UM162-SS12			1209285.....	1/15	3S579.....		5039661.....	273C	4	6F7, 6A7, 6B7, 42.....	262	8-19,21		
630 (500)	Vol.	1209809.....	62	UM161-SS12			1209806..... .01.....	1/15 4	TC571..... Buffer.....		5040000.....	294 C3	5	6A7, 6B7, 6D6, 42, 84.....	262	7-10,12		
631.....	Vol.	1210214.....	73	UM162-SS12			1210556.....	1	TCD71.....		5040000.....	294 C3	5	6A7, 6B7, 6D6, 6B5, 84.....	262	8-3,4		
631A.....	Vol.	1211253.....	73	UM150-SS12			1211247..... .005.....	4 1	2S567..... Buffer.....		5040000.....	294 C3	6	6D6, 6A7, 6B7, 42, 84.....	262	8-5,6		
632.....	Vol. Tone	1210214..... 1210225.....	126 21	UM162-SS12 MR53.....			1210215..... .005.....	1	2N518..... Buffer.....		5040000.....	294 C3	6	6D6, 6A7, 6B7, 6B5, 84.....	262	8-7,8		
633.....	Vol. Tone	1210214..... 1210249.....	126 21	UM162-SS12 MR53.....			1210215..... .005.....	1	2N518..... Buffer.....		5040000.....	294 C3	6	6D6, 6A7, 6B7, 6E5, 84.....	262	8-9,10		
634.....	Vol. Tone	1210932..... 1210928.....	15 21	UM162-SS12 MR44.....			1210926..... 1209324.....	1/15 15	TCD24/TC26..... TC22.....		5041245.....	273C	6	6D6, 6A7, 85, 341.....	262	8-11,12		
635.....	Vol. Tone	1210933..... 1210933.....	20 21	TM242-SS12 MR44.....			1210926..... 7230164.....	1/15 4	TCD74/TC26..... RM262.....		5041245..... 5050673.....	273C 852 C3	6	6D6, 6A7, 85, 6F6, 6F6G, 6X5G.....	262	8-13,14		
R640.....	Vol. Tone	7231170.....	18	UM150-SS12			7230164..... .005.....	4	2S567.....		5050673.....	852 C3	6	6K7G, 6A8G, 6Q7G, 6V6G, 6X5G.....	262	9-1,4		
R641.....	Vol. Tone	7231170.....	18	UM150-SS12			7231521..... .005.....	4	2S567.....		5050673.....	852 C3	6	6K7G, 6A8G, 6Q7G, 6V6G, 6X5G.....	262	9-5,6		
R642.....	Vol.	1212036.....	18	TM224-SS12			1212038..... 1212044..... .008.....	4 15 4	RM262..... TC22..... Buffer.....		5050673.....	852 C3	6	6K7, 6J7, 6Q7, 6F6, 6X5.....	262	9-2,4		
R643.....	Vol. Tone	7231170.....	18	UM150-SS12			7231521..... .005.....	4	2S567.....		5050673.....	852 C3	6	6K7G, 6A8G, 6Q7G, 6V6G, 6X5G.....	262	9-7,8		
R644.....	Vol. Tone	7231556.....	20	TM241-SS3			7231605.....	1	3S584.....		5050673.....	852 C3	8	6K7G, 6A8G, 6R7G, 6V6G, 0Z4.....	262	9-9,10		
R663.....	Vol. Tone	7234557.....	149 18	MR39..... MR44.....	M26		7234667..... .015.....	74	2S567.....		5050673.....	852 C3	6	6K7G, 6A8G, 6Q7G, 6K6G, 6X5G.....	262	10-1,2		
R664.....	Vol. Tone	7234118.....	18	UM150-SS12			7234117.....	74/13	3S584.....		5050673.....	852 C3	6	6K7G, 6A8G, 6Q7G, 6F6G, 6X5G.....	262	10-3-5		
R665.....	Vol. Tone	7234180.....	18	TM223-SS12			7234179.....	74/13	3S584.....		5050673.....	852 C3	6	6K7G, 6A8G, 6Q7G, 6V6G, 0Z4.....	262	10-5,6		
R666, R667.....	Vol. Tone	7234180.....	18	TM223-SS12			7234679.....	74/13	3S584.....		5050673.....	852 C3	6	6K7G, 6A8G, 6Q7G, 6V6G, 0Z4G.....	262	10-7,10		
R668, R669.....	Vol. Tone	7234620.....	18	TM224-SS12			7234619..... 7234635..... .01-.01.....	40 14	3S584..... TC52.....		5050673.....	852 C3	7	6K7G, 6A8G, 6R7G, 6J5G, 6N7G, 0Z4G.....	262	10-11,12		
R673.....	Vol.	7234620.....	18	TM224-SS12			7234619..... 7234886..... .01-.01.....	40 14	3S584..... TC52.....		5050673.....	852 C3	7	6K7G, 6J8G, 6R7G, 6J5G, 6N7G, 0Z4G.....	262.5	10-13-15		
R675.....	Vol.	7237746.....	18	Order from Mfr.....			7237818..... 7237818..... .015-.015.....	74	FP142.....		7237663.....	860 C3	5	6SA7, 6SK7, 6SQ7, 6K6G, 0Z4G.....	455	12-1-4		
R676.....	Vol.	7234118.....	18	UM150-SS12			7237541..... .0075.....	74	2S569..... Buffer.....		7237663.....	860 C3	6	6K7, 6A8G, 6Q7G, 6K6G, 6X5G.....	262	12-5,6		
R677.....	Vol. & Tone	7237802.....	18/21	Order from Mfr.....			7237818..... 7237819..... .015-.015.....	74 14	FP142..... TC62.....		7237663.....	860 C3	6	6SK7, 6A7, 6SQ7, 6V6G, 0Z4G.....	455	12-7,8		
R678.....	Vol. & Tone	7237802.....	76	Order from Mfr.....			7237820..... 7233092..... .01-.01.....	74 74/14	TC72..... 2N518..... Buffer.....		7237663.....	860 C3	6	6SK7, 6A7, 6SQ7, 6V6G, 0Z4G.....	455	12-10-12		
R685.....	Vol.	7237971.....	18	UM147-SS2	M26		10-10..... .015-.015.....	74	FP142.....		7238829..... 7238685.....	870 C3	5	6SA7, 6SK7, 6SQ7, 6K6G, 0Z4.....	455	12-13-15		
R686.....	Vol.	7234118.....	18	UM150-SS12			7239831.....	24	2N518.....		7238829..... 7238685.....	870 C3	6	6SK7, 6SA7, 6SQ7, 6K6G, 6X5G.....	262	12-16,17		
R687.....	Vol. & Tone	7239770.....	106	Order from Mfr.....			10-10-20..... 4..... .01-.01.....	24/15 13	FP332..... TC42.....		7238829..... 7238685.....	870 C3	6	6SK7, 6SA7, 6SQ7, 6V6GT, 0Z4.....	455	12-18-20		
R688.....	Vol.	7239816.....	106	SMD512.....			8-8..... 10..... .01-.01.....	74/13 74	2N518..... TC72.....		7238829..... 7238685.....	870 C3	6	6SK7, 6SA7, 6SQ7, 6V6GT, 0Z4.....	455	12-21-23		
R695.....	Vol.	7234118.....	18	UM150-SS12			7239831..... .0075.....	24	2N518.....		7238829..... 7238685.....	870 C3	6	6SK7, 6SA7, 6SQ7, 6K6GT, 6X5G.....	455	12-23,24		
R696.....	Vol.	7234118.....	18	UM150-SS12			7239831..... .0075.....	24	2N518.....		7238829..... 7238685.....	870 C3	6	6SK7, 6SA7, 6SQ7, 6K6GT, 6X5G.....	260	12-27-29		
R697.....	Vol.	7239770.....	106	Order from Mfr.....			7238830..... 7237819..... .01-.01.....	24/15 13	FP332..... TC62.....		7238829..... 7238685.....	870 C3	6	6SK7, 6SA7, 6SQ7, 6V6GT, 0Z4.....	455	12-29-32		
R700.....	Vol.	7234118.....	18	UM150-SS12			7239831..... .0075.....	24	FP231.....		8639.....	870 C3	6	6SK7, 6SA7, 6SQ7, 6K6GT, 6X5G.....	455	13-7,8		

‡ Data not substantiated.

\* IMPORTANT: Read Notes in Note Section if specified in Note Column.

§ Indicates miscellaneous section.

MANUFACTURER AND MODEL	CONTROLS							CONDENSERS				VIBRATORS			No. Tubes	Complete Tube Complement	I. F. Peak	Rider's Reference
	Use	Original Part	Circuit	Correct Replacement	Switch	Bias	*Note	Original Part	Circuit	Correct Replacement	*Note	Original Part	Replacement	*Note				
DELCO—Continued																		
R701.....	Vol.	7234118	18	UM150-SS12				7239831	24	FP231		8639	870	C3	6	6SK7, 6SA7, 6SQ7, 6K6GT, 6X5G	13-3,4, 9,10	
R-705.....	Vol. Tone	7256085	188	Order from Mfr.				7241198	24/15	FP426	B14	8642	742	C3	8	6SG7, 6SA7, 6SK7, 6SQ7, 6SN7GT, 6V6GT	260	
1101.....	Sens. Vol.	7256424	188	Order from Mfr.														
	Sens. Vol.	7252204	188	Order from Mfr.														
	Vol.	1208812	56	MR48	M26			1208786	11/15	2N509					5	6F7, 78, 6B7, 43, 25Z5	181.5	
1102, 1103.....	Vol. Tone	1208928	15	MR53				1208317	4	RS215					6	6D6, 6A7, 6B7, 76, 42, 80	456	
	Vol. Tone	1208872	22	MR37	M26T			1208316	4/14	3S584					7	6D6, 6A7, 6B7, 6F7, 42, 80	456	
1104.....	Vol. Tone	1208928	45	MR53				1208317	4	RS215					7	6D6, 6A7, 6B7, 6F7, 42, 80	456	
	Vol. Tone	1208872	34	MR37	M26T			1208316	4/14	3S584					5	6D6, 6A7, 6B7, 6F7, 42, 80	450	
1105.....	Vol. Tone	1210411	6	E12	6	EX200	8-6	1	2N518						5	6D6, 6A7, 6B7, 6F7, 42, 80	465	
1106.....	Vol. Tone	1210410	18	MR48	M26		12	25	RS215						5	6D6, 6A7, 6B7, 6F7, 42, 80	450	
	Vol. Tone	1210411	22	SRP263			16	25	RS216						6	6D6, 6A7, 76, 42, 80	450	
1107.....	Vol. Tone	1210304A	15	MR53	M26		8-8-8	4/14	3S584						6	6D6, 6A7, 76, 42, 80, or 6A7, 6K7, 75, 6F6, 80	465/490	
1108.....	Vol.	1210617	18	TRP604	6		12	4	RS215						6	6D6, 6A7, 75, 42, 80, or 6A7, 6K7, 75, 6F6, 80	465/490	
							18	4	RS216									
							10	13	RS215									
							12, 12	15	TC22									
1109.....	Vol.	1210567	20	TM234-SS1			12, 12	46	RS215						8	6D6, 6A7, 6C5, 6F6, 80	455	
							18	46	RS216									
							10	13	RS215									
							12	15	TC22									
1110.....	Vol.		15	TM234-SS1			12, 12	31	RS215						10	6D6, 6A7, 6K7, 6C5, 6F6, 45, 5Z3, 6F5	455	
							18	31	RS216									
							12, 12	15	TC22									
R1115 (Below 100,000).....	Vol.		7	E.....	6	3	4-8	1	2N518						5	6A7, 6D6, 76, 41, 80	465	
							10	15	TC22									
R1115 (Above 100,000).....	Vol.	1211864	6	MR29	M26		8	25	RS213						5	6K7G, 6C5G, 6F6G, 6X5G	456	
							8	25	RS213									
R1116.....	Vol. Tone	1211396	45	MRT420	M26		16	25	RS216						6	6A8G, 6K7G, 6H6, 6F5G, 6F6, 5Z4	456	
	Vol. Tone	1211398	57	MR48			16	25	RS216									
R1117.....	Vol. Tone	1211396	45	MRT420	M26		16	25	RS216						7	6A8G, 6K7G, 6H6, 6F5G, 6F6, 6G5, 5Z4	456	
	Vol. Tone	1211398	57	MR48			16	25	RS216									
R1118.....	Vol. Tone	1211396	45	MRT420	M26		16, 16	25	RS216						10	6K7, 6A8, 6H6, 6G5, 6C5, 6F6, 5V4G	456	
	Vol. Tone	1211398	41	MR48			8	13	RS213									
							10	19	TC32									
							12, 12	15	TC22									
							16, 16	54	RS216									
R1119.....	Vol.	1211397	15	MRT440	M26		4	54	TC71						12	6K7, 6A8, 6H6, 6J7, 6C5, 6G5, 6L6, 5V4G	456	
							8	13	RS213									
							10	19	TC32									
							12, 12	15	TC22									
							4-8	1	2N518									
R1120.....	Vol.	1210410	18	MR48	M26		10	15	TC32						5	6A8G, 6K7G, 6Q7G, 6K6G, 5Y4G	465	
							5-5	23	2S567									
R1125.....	Vol.	1212174	18	MR53	M26		8-8	1	2N518						5	6A7, 78, 75, 41, 80	465	
R1126.....	Vol.	1212115	17	MR48	M26										6	6A7, 6D6, 75, 41, 6G5, 80	465	
							30	25	RS223									
R1127.....	Vol.	1212241	18	MR53	M26		8-8	25	2N518						6	6A8G, 6U7G, 6Q7G, 6K6G, 6U5, 5W4G	465	
							10	19	TC32									
							8, 8	23	RS213									
R1128, R1129.....	Vol.		18	MR53	M26										7	6L7G, 6C5G, 6K7G, 6Q7G, 6G5, 5F5G, 5Y3G	465	
							30	25	RS223									
							8	25	RS213									
							10	19	TC32									
R1130.....	Vol.	1212362	45	MRT427	M26		30	25	RS223						8	6L7G, 6K7, 6H6, 6F5, 6C5G, 6U5, 6V6G, 5W4G	465	
							30	25	RS223									
R1131.....	Vol.	1212522	20	MRT440	M26		16	25	RS216						9	6K7, 6L7, 6C5, 6H6, 6F5, 6L6, 6U5, 5Y3G	465	
							10, 10	15	TC22									
							30	30	RS223									
R1132.....	Vol.	1212642	20	MRT440			8	30	RS213						12	6K7, 6L7, 6J7, 6C5, 6H6, 6V6, 6U5, 5U4G	465	
							10	15	TC22									
							10-10	15	TN111									
							4, 4	13	TC71									
R1134, R1135.....	Vol.	1213157	18	MK402	M26		30-30-40	1/19	3N533						5	6A8G, 6K7G, 6Q7G, 25L6G, 25Z6G, L49B	465	
R1139.....	Vol.	1213157	18	MK402	M26		30-30-40	1/19	3N533						5	6A8G, 6K7G, 6Q7G, 25L6G, 25Z6G, L49B	465	
R1140.....	Vol. Tone	1213134	18	MK402	M26		16, 16	4	TC74						5	6A8G, 6K7, 6Q7G, 6K6G, 5Y3G	465	
	Vol. Tone	1213133	34	MK402														
	Vol. Tone	1213102	18	MK402	M26		12-8	4	2S569						6	6K8G, 6K7, 6Q7G, 6A8G, 6K6G, 5Y3G	465	
R1141.....	Vol. Tone	1213101	21	MK402														

‡ Data not substantiated.

\* IMPORTANT: Read Notes in Note Section if specified in Note Column.

‡ Indicates miscellaneous section.

MANUFACTURER AND MODEL	CONTROLS							CONDENSERS				VIBRATORS			No. Tubes	Complete Tube Complement	I. F. Peak	Rider's Refer- ence
	Use	Original Part	Cir- cuit	Correct Replacement	Switch	Bias	*Note	Original Part	Cir- cuit	Correct Replacement	*Note	Original Part	Replac- ment	*Note				
DELCO—Continued																		
R1142.....	Vol. Tone	1213100..... 1213101.....	18 21	TM236-SS25 MK402.....	M26T.....			12-8.....	4	2S569.....					7	6K8G, 6K7, 6Q7G, 6A8G, 6U5, 6F6G, 5Y3G.....	465	10-22-24
R1143.....	Vol. Tone	1213075..... 1213076.....	18 22	TM236-SS25 MK400.....				12..... 8.....	4 4	TC74..... TC71.....					7	6K8G, 6K7, 6Q7G, 6A8G, 6U5, 6F6G, 5Y3G.....	465	10-25,26
R1144.....	Vol. Tone	1213025..... 1213026.....	124 22	TM236-SS25 MK400.....				10-10..... 12.....	1 13	2S569..... TC62.....					10	6K7, 6K8, 6Q7G, 6J5G, 6K6G, 6U5, 5Y3G.....	465	10-27,29
R1145.....	Vol.	1213540.....	18	MK402.....				12, 12.....	1	TC74.....					6	6K8G, 6SK7, 6Q7G, 6P5G, 6AC5G, 5Y3G.....	465	10-29-32
R1150.....	Vol.	1214076.....	18	UM154-SS22	M26T.....			40-20.....	24	2N514.....					5	12SA7, 12SK7, 12Q7GT, 35L6GT, 35Z5GT.....	465	11-1-3
R1153.....	Vol.	1214098.....	18	UM161-SS22	M26.....			40-20.....	24	2N514.....					5	12SA7, 12SK7, 12Q7GT, 35L6GT, 35Z5GT.....	465	11-5,6
R1154, R1155.....	Vol.	1214054.....	18	UM161-SS22	M26.....			40-20-20.....	46	FP357.....					6	12SK7, 12SA7, 12SQ7, 35L6GT, 35Z5GT.....	465	11-7,8
R1156.....	Vol. Tone	1214031..... 1214032.....	18 34	MK402..... MK400.....	M26.....			40-20-20.....	46	FP357.....					6	12SK7, 12SA7, 12SQ7, 35L6GT, 35Z5GT.....	465	11-9-11
R1157.....	Vol. Tone	1213989..... 1213990.....	18 22	UM161-SS22 Order from	M26..... Mfr.....			20-15-5.....	1/19	FP339.....	B197				6	6SK7, 6SA7, 6SQ7, 6K6G, 5Y3G.....	465	11-15,16
R1160.....	Vol. Tone	1213540..... 1214212.....	45 22	MK402..... Order from	Mfr.....			1214207.....	1/15	2S569/TC39.....					9	6SK7, 6K8, 76, 6SF5, 6F6G, 5Y3G.....	465	11-13,14
R1170.....	Vol.	1214523.....	18	UM149-SS1	M26.....			1214626.....	1	2N509.....					5	12SA7, 12SK7, 12SQ7, 50L6GT, 35Z5GT.....	455	12-33,34
R1171, R1172, R1173.....	Vol.	1214582.....	18	MR48.....	M26T.....	A106		1214627.....	1	2N514.....					5	12SA7, 12SK7, 12SQ7, 50L6GT, 35Z5GT.....	455	12-35,36
R1174.....	Vol.	1214608.....	18	MR48.....	M26T.....	A106		1214627.....	1	2N514.....					5	12SA7, 12SK7, 12SQ7, 50L6GT, 35Z5GT.....	455	12-36,38
R1175.....	Vol.	1214608.....	18	MR48.....	M26T.....	A106		1214758.....	77	2N521.....					6	12SK7, 12SA7, 12SQ7, 35L6GT, 35Z5GT.....	455	12-39,40
R1176.....	Vol.	1214632.....	18	MR44.....	M26.....			1214628.....	77	2N521.....					5	12SA7, 12SK7, 12SQ7, 50L6GT, 35Z5GT.....	455	12-41,42
R1177.....	Vol.	1214654.....	124	MRT449.....	M26.....			1214657.....	1/15	FP332.....					6	6SK7, 6SA7, 6SQ7, 6F6G, 5Y3G.....	455	12-43,44
R1178.....	Vol.	1214667.....	18	MRT420.....	M26.....			1214676.....	1/15	FP332.....					6	6SK7, 6SA7, 6SQ7, 6K6GT, 5Y3G.....	455	12-45-48
R1179.....	Vol.	1214689.....	124	MRT449.....	M26.....	A59		1214676.....	1/15	FP332.....					9	6SK7, 6SA7, 6H6, 6SF5, 6F6G, 5Y3G.....	455	12-49-51
R1180.....	Vol.	1214689.....	124	MRT449.....	M26.....	A59		1214696.....	1/13/15	FP439.....					12	6SK7, 6SA7, 6H6, 6SF5, 6K6GT, 6U5, 5U4G.....	455	12-52-54
R1181.....	Vol.	1214632.....	18	MR44.....	M26.....			1214628.....	77	2N521.....					5	12SA7, 12SK7, 12SQ7, 50L6GT, 35Z5GT.....	455	12-41,42
R1185.....	Vol.	1214712.....	18	MR48.....		A106		1214628.....	77	2N521.....					5	12SA7, 12SK7, 12SQ7, 50L6GT, 35Z5GT.....	455	12-55,56
R1186, R1188.....	Vol.	1214654.....	20	MRT449.....	M26.....			1214741.....	1/19	FP339.....					7	6SA7, 6SK7, 6SQ7, 6SF5, 6K6GT, 5Y3G.....	455	12-57-59
R-1227, R-1228, R-1229.....	Vol.	1216505.....	18	MRT427.....	M26.....			1217026.....	24	2N511.....					6	12SK7GT, 12SA7GT, 12SQ7, 35L6GT/G, 35Z5GT/G.....	456	.....
R-1230A, R-1231A, R-1232A.....	Vol.	1216477.....	18	MR48.....	M26.....			1217026.....	24	2N511.....					5	12SA7GT/G, 12SK7GT/G, 12SQ7GT, 50L6GT, 35Z5GT.....	456	.....
R1234, R1235.....	Vol.	1216505.....	18	MRT427.....	M26.....			1217026.....	24	2N511.....					6	12SK7, 12SA7GT, 12SQ7GT, 35L6GT, 35Z5GT.....	456	15-1,3
R-1236, R-1237.....	Vol.	1216505.....	18	MRT427.....	M26.....			1217026.....	24	2N511.....					6	12SK7, 12SA7, 12SQ7, 35L6GT, 35Z5GT.....	456	.....
R-1251, R-1252.....	Vol.	1217702.....	190	MK403.....				1217710..... 1217711.....	1/15 80/15	FP444/TC26..... FP346.....	B6-8				15	6BA6, 6BE6, 6J6, 6SG7, 6SH7, 6AL5, 6J5, 6SQ7, 6V6GT, 5U4G.....	455 10.7	.....
R1400.....	Vol.	1213613.....	18	MK402.....	M27.....			25.....	19	TC26.....					4	1A7G, 1N5G, 1H5G, 1C5G.....	465	11-17,18
R1401, R1402.....	Vol.	1213615.....	18	UM161-SS22	M27.....			10.....	19	TC22.....					4	1A7G, 1N5G, 1H5G, 1A5G.....	465	11-19,20
R1405.....	Vol.		18	UM161.....		A96		20-20-200..... 20.....	76 78	FP304..... TC26.....					5	1A7GT, 1N5GT, 1H5GT, 3Q5GT, 35Z5GT.....	455	12-62,63
R-1408, R-1409.....	Vol.	1216945.....	18	MK402.....	M23-24.....			1217139.....	24/78	Order from	Mfr.....				6	1A7GT, 1N5GT, 1H5GT, 3Q5GT, 35Z5GT.....	456	.....

‡ Data not substantiated.

\* IMPORTANT: Read Notes in Note Section if specified in Note Column.

§ Indicates miscellaneous section.

MAKE FULL USE OF NOTES AND CIRCUIT DIAGRAMS.

MANUFACTURER AND MODEL	Use	CONTROLS						CONDENSERS				VIBRATORS			No. Tubes	Complete Tube Complement	I. F. Peak	Rider's Reference
		Original Part	Circuit	Correct Replacement	Switch	Bias	*Note	Original Part	Circuit	Correct Replacement	*Note	Original Part	Replacement	*Note				
<b>DELCO—Continued</b>																		
2017, 2018.....	Vol. Tone	1202259	25	Order from MR18	Mfr.			1202264	4	RS215					6	*24A, 45, 80		
2035 (Revised).....	Vol. Tone	1207607	17	UC512	7		A45	1201400	4	RS213					6	36, *39, 85, *89	262	3-1,2
	Vol. Tone	1207601	44	MR33				1207584	1	2N518		1207849	292	C3				
	Vol. Tone	1207601	44	MR33				1207616	15	TC32								
	Vol. Tone	1207601	44	MR33				.015		Buffer	B14							
R2050.....	Vol.	1210424	18	MR48											4	1C6, 34, 1F6, 33, 5E1	465	9-39,40
R2055.....	Vol.	1210424	17	MR48											4	1C6, 34, 1F6, 33, 5E1	465	9-40,42
3002.....	Vol.	1210424	26	UC513	6										5	*24, 27, 12A		1-1
3026.....	Vol.		48												8	*36, *37, *47	175	4-1-8
3201, 3202 (Below 800,000).....	Vol.	1208998	17	MR48	M26										6	*6D6, 6A7, 85, *48	262.5	6-13,14
3201, 3202 (Above 800,000).....	Vol.	1208998	17	MR48	M26										6	*6D6, 6A7, 85, *48	456	6-15,16
3203, 3204.....	Vol. Tone	1208928	15	MR48				1208892	1	RS215/TC32		1208920	F247	C3	6	*6D6, 6A7, 6B7, 6F7, *43	456	6-17,19
	Vol. Tone	1208872	44	MR37	M26T			1208891	1/14	3S584/TC22					6			
	Vol. Tone	1208872	44	MR37	M26T			1208890	14	RS213					6			
	Vol. Tone	1208872	44	MR37	M26T			.01		Buffer	B14				6			
3205.....	Vol. Sen.	1210271	17	MR57	M26										6	*6D6, 6A7, 85, *48	450	7-31,33
	Vol. Sen.	1210272	6	E7														
3206, 3207.....	Vol. Tone	1210308	18	MR53											9	*6D6, 6A7, 85, 76, *48	450	7-34,36
	Vol. Tone	1210309	34	MR37	M26													
	Vol. Tone	1210309	34	MR37	M26													
R3208, R3209.....	Vol. Sen.		2	MR18											9	*6D6, 6A7, 85, 76, *48	450	9-43,44
	Vol. Sen.		2	MR18														
	Vol. Sen.		2	MR18														
	Vol. Sen.		2	MR18														
R3210.....	Vol. Tone	1212129	17	UM154-SS16											6	6D6, 6A7, 75, 76, *48	465	9-14
	Vol. Tone	1211374	22	MR33	M26													
R3212.....	Vol. Tone	1212151	17	UM154-SS16											9	*6D6, 6A7, 75, 76, *48	465	9-45-47
	Vol. Tone	1212152	44	MR33														
R3215.....	Vol. Tone	1213408	124	UM154-SS22											6	6K8, 6K7, 6Q7G, 6C5G, *25L6G	455	10-33,34
	Vol. Tone	1213407	22	UM133-SS22	M26										5	*78, 6F7, 75, 41	262	4-5,6
4037.....	Vol. Tone	1207994	17	MR48	M26			1207995	1/15	TCDB2/TN11		5035120	222					
	Vol. Tone	1208157	17	UC512	6													
	Vol. Tone	1208157	17	UC512	6			1208241	1	TC71		5035120	222		6	*78, 6F7, 85, *41	262	4-7,8
4038.....	Vol. Tone	1207798	44	MR48														
	Vol. Tone	1207932	6	MR24				4-12-4	11	UR182	B31				5	6F7, 78, 75, 43, 25Z5	455	4-9
4049, 4050.....	Vol. Tone	1208126	15	MR57				W29978	1	TC55					6	*78, 6B7, 37, 75, 43	181.5	4-10
	Vol. Tone	1208127	22	MR37	M26			8-8-8	24/15	3S579								
	Vol. Tone	1208127	22	MR37	M26			12-2-5	1	Order from Mfr.	B14							
	Vol. Tone	1208127	22	MR37	M26			.01		Buffer	B14							
4051 (32 volt).....	Vol.	1208297	6	E7	6	2		12	1	TC74					5	*78, 77, 43	181.5	7-37
	Vol.	1208297	6	E7	6	2		8	1	TC71								
	Vol.	1208297	6	E7	6	2		6	15	TC22								
	Vol.	1208297	6	E7	6	2		12-2-5	1	Order from Mfr.	B31							
4052 (AC-DC).....	Vol.	1208350	17	MR57	M26		A58	8-25-16	11	UR182	B31				5	6A7, 78, 6B7, 43, 25Z5	456	7-38
	Vol.	1208350	17	MR57	M26			6	15	TC22								
4053, 4053A.....	Vol. Tone	1208126	15	MR57				W23705A	3	RS215					10	*56, *58, *2A5, 80	181.5	
	Vol. Tone	1208127	44	MR37	M26			W29097A	3/14	FP389								
4054.....	Vol.	1208755	17	MR48	M26										5	6A7, 6D6, 85, *48	262	5-1,2
6010.....	Vol. Tone	1210423	18	MR48	M27										4	1C6, 34, 1B5, 38	450	7-39,41
	Vol. Tone	1210424	57	MR48				8-20	1	2N509		5041125	245A	C3	5		262	5-1,2
	Vol. Tone	1210424	57	MR48				5	15	TC32					4		450	7-39,41
R6011.....	Vol. Tone	1210424	45	MR48				8-8	15	2N518		5050651	245A	C3	6	6A7, *15, *76, 19	465	9-48,50
	Vol. Tone	1211374	22	MR33	M26			10	15	TC22								
R6012.....	Vol. Tone	1211351	45	TM234-SS16				.01	1	Buffer	B14							
	Vol. Tone	1211350	44	MR33	M26			8-8	1	2N518		5050651	245A	C3	7	*15, 6A7, *76, 19	465	9-51,53
	Vol. Tone	1211350	44	MR33	M26			5	15	TC32								
R6015.....	Vol. Tone	1212129	17	UM154-SS16				.01	1	Buffer	B14							
	Vol. Tone	1211374	22	MR33	M26			8-8	15	2N518		5050651	245A	C3	6	6D8G, *6S7G, *6L5G, 19	465	9-55,56
	Vol. Tone	1211374	22	MR33	M26			10	15	TC22								
	Vol. Tone	1211374	22	MR33	M26			.03		Buffer	B14							
<b>DETROLA</b>																		
4 Tube TRF '32.....	Vol.		6	MR24				941	4	2S567	B33				4	35, 24, 47, 80		5-1
"Road Chief".....	Vol.		6	MR18				10	15	TC22					5	*39, 36, 37, 41		5-3
"Road Master".....	Vol.		56	MR48				10	15	TC22					5	36, *39, 85, 41	175	5-2
"Warwick".....	Vol.		15	MR39				8-4	4	See Note	B3				5	57, 58, 55, 47, 80	175	6-1
	Vol. Tone		21	MR48	M26			10	17	TC22								
4C.....	Vol.		6	MR18				4-16-8	11	UR193					4	77, 78, 43, 25Z5		6-1
4D.....	Vol.		6	MR18				4-4	1	2N518					4	78, 77, 42, 80		5-1
	Vol.		6	MR18				10	15	TC22								
4F.....	Vol.		6	MR18	M26			4-20-8	11	UR182	B31				4	77, 78, 43, 25Z5		6-2
4H.....	Vol.		6	MR18	M26			8-4	40	2S567					4	36, 37, 38, 39		6-1
4J.....	Vol.		6	MR18	M26			4-4	1	2N518					4	77, 78, 42, 80		6-2
	Vol.		6	MR18	M26			10	15	TC22								
4W.....	Vol.		6	MR18	M26			4-20-8	11	UR182	B31				4	6D6, 6C6, 43, 25Z5		6-2
4Y.....	Vol.		6	MR33	M26			4-20-8	11	UR182	B31				4	6D6, 6C6, 43, 25Z5		6-2
5B.....	Vol. Tone	1084	17	MR53				1398	1	2N518					5	6A7, 78, 75, 42, 80	370	6-3
	Vol. Tone	1083	22	MR44	M26			578	15	TC22								
5D.....	Vol. Tone	919	17	MR53				1014	1	RM262					5	*78, 6F7, 75, 42, 80	455	6-5,6
	Vol. Tone	921	22	MR44	M26			595	19	TC22								
5L.....	Vol.		6	MR18	M26			1460	11	UR182	B31				5	77, 76,		



MANUFACTURER AND MODEL	CONTROLS							CONDENSERS				VIBRATORS			No. Tubes	Complete Tube Complement	I. F. Peak	Rider's Reference
	Use	Original Part	Circuit	Correct Replacement	Switch	Bias	*Note	Original Part	Circuit	Correct Replacement	*Note	Original Part	Replacement	*Note				
DETROLA—Continued																		
5T (Super Midget)	Vol.		6	MR33				16-8	11	3S584	B8				5	78, 44, 77, 43, 25Z5	459	5-3
5W	Vol.	1572	17	MR53			1624	1	1	2N518					5	6A7, 6D6, 75, 42, 80	370	6-7
	Tone	1573	34	MR44	M26		10	14	14	TC22								
5WG	Vol.		18	MR53			4-20-8	11	11	UR182					5	6A7, 78, 75, 43, 25Z5	370	7-9
5X	Vol.	1572	17	MR53			1624	1	1	2N518					5	6A7, 78, 75, 42, 80	370	6-8
	Tone	1573	34	MR44	M26		578	14	14	TC22								
5Y	Vol.		6	SRP263	6	See Note	1460	11	11	UR182	B31				5	6D6, 76, 43, 25Z5		6-1
6A	Vol.		17	UC512		See Note	8-8	1	1	See Note	B3		Order from Mfr.		6	78, 6F7, 75, 42, 84	262	6-10
							10	15	15	TC22								
6M, 6R	Vol.	1881	17	UC512		See Note	.02			Buffer	B14				6	*6D6, 6A7, 75, 42, 84	262	6-11
	Tone		22	MR39			1882	1	1	3S584	B8	1238	294	C3				
							5-5	15	15	TN111								
6W	Vol.	1572	17	MR53			.0075			Buffer	B14							
	Tone	1573	34	MR44	M26		1624A	1	1	2N518					6	6A7, 78, 75, 42, 80	370	6-13
6X	Vol.	1675	17	MR53			578	14	14	TC22								
	Tone	1676	34	MR44	M26		1678	1/15	1/15	3S584/TN111					6	6A7, 78, 75, 43, 25Z5	370	6-14
6ZM	Vol.		17	MR53			8-8	1	1	2N518					6	*6K7, 6A8G, 75, 6F6G, 5Y3	370	7-2
	Tone		34	MR39			10	15/19	15/19	TC32								
7A	Vol.	1084	17	MR53			1014	28	28	RM262					7	*78, 37, 75, 42, 80	262	6-15, 16
	Tone	1083	22	MR44	M26		1085	28	28	RS213								
7ZM	Vol.		15	MR53			8-8	1	1	2N518					7	*6K7, 6A8, 6H6, 6F5, 6F6, 5Y3	370	7-3
	Tone		34	MR39			10	15/19	15/19	TC32								
10ZM	Vol.		15	MR53			12-12	1	1	2S569					10	*6K7, 6A8, 6H6, 6F5, 6C5, 6F6, 5Y3	456	7-4
	Tone		44	MR39			10	15/19	15/19	TC32								
14-112S	Vol.	3038	18	UM157-SS3			2994	1	1	TCD71	B85	3000	294	C3	6	*78, 6A7, 75, 42, 84	262	
	Tone	3034	22	MR36			578	15	15	TC22								
	Sen.	3035	7	CIMP			.0075			Buffer	B14							
14-127ES	Vol.	2726	18	MR48	M26		3375	23	23	RS216					8	6A7, 6D6, 75, 76, *42, 6G5, 80	456	
	Tone	2737	147	MR55			3351	23	23	RS216								
14-129	Vol.	3418	18	MR48	M27		3575	1	1	TC71		3421	245	C3	7	6D8G, 6S7G, 6T7G, *33, 1H4G, 6L5G	456	
	Tone	3571	147	MR55			3574	13	13	3S584	B8							
							.01			Buffer	B14							
14-136EA	Vol.		18	MR48			16	25	25	RS216					6	6A7, 6D6, 75, 6G5, 41, 1V	456	
14-142ES	Vol.	2726	18	MR48	M26		8	25	25	RS213					7	78, 6A7, 6D6, 75, 6G5, 42, 80	456	
	Tone	2737	147	MR55			3375	25	25	RS216								
14-152ES	Vol.		18	MR48			3351	25	25	RS213					6	6A7, 6D6, 75, 6G5, 41, 1V	456	
							16	25	25	RS216								
48	Vol.		6	MR18	M26	EX250	8	25	25	RS213					4	37, 38, 77, 78		6-1
100	Vol.	2602	45	MR48	M26		784	24	24	TCS44					6	6A7, 6D6, 76, 6C6, 43, 25Z5	456	7-6
							2591	23	23	TC45								
101, 101A	Vol.	2574	6	H	6		2594	23	23	RS207					4	6A7, 6F7, 43, 25Z5	456	7-7
							2591	4	4	TC45								
102	Vol.	2726	18	MR48	M26		2594	4	4	RS207					7	6A7, 6D6, *76, 6C6, 43, 25Z5	456	7-8
	Tone	2737	147	MR55			2732	29	29	2S567								
							8	29	29	TC52								
103	Vol.	2699	136	MR48	M27		2594	12	12	RS207								
							2698	12	12	RS216								
104	Vol.	2574	7	H	6		3229	23	23	TCS44					4	IC6, 1A4, 1A6, 950, 1B1	480	7-9
106, 106E	Vol.	3361	18	MR48	M26		2767	23	23	RS213					4	6D6, 6C6, 43, 25Z5		7-1
	Tone		147	MR55			2766	23	23	RS216					6	6A7, 6D6, 75, 41, 1V, 6G5	456	7-10
107	Vol.	2726	18	MR48	M26		3375	23	23	RS216					7	6A7, 6D6, 75, 76, *42, 80	456	
	Tone	2737	147	MR55			3351	23	23	RS213					6	*6D6, 6A7, 75, 41, 84	456	7-10
108	Vol.	3361	18	MR48	M26		2767	23	23	RS213								
	Tone	2769	147	MR55			2766	23	23	RS216								
109	Vol.		18	MR48	M26		16	25	25	RS216					5	6A7, 6D6, 75, 43, 1V	456	7-11
							8	25	25	ST595								
110	Vol.	2726	18	MR48	M26		2879	25	25	RS216					7	6A7, 6D6, 75, 76, *43, 25Z5	456	
	Tone	2737	147	MR55			2994	1	1	TCD71	B85	3000	294	C3	6	*78, 6A7, 75, 6B5, 0Z4	262	8-1
111	Vol.	3038	18	UM157-SS3			.0075			Buffer	B14							
	Tone	3034	22	MR36														
	Sen.	3035	7	CIMP														
112	Vol.	3038	18	UM157-SS3			2994	1	1	TCD71	B85	3000	294	C3	6	*78, 6A7, 75, 42, 84	262	
	Tone	3034	22	MR36			578	15	15	TC22								
	Sen.	3035	7	CIMP			.0075			Buffer	B14							
114	Vol.	2726	18	MR48	M26		2698	71	71	RS216					6	6A7, 6D6, 76, 6C6, 43, 25Z5	456	7-12
	Tone	2737	147	MR55			2594	71	71	RS207								
116	Vol.		18	MR48	M26		16-24	27	27	TCS47					5	6A7, 6D6, 75, 43, 25Z5	456	7-11
116X	Vol.	2978	18	MR48	M26		2591	4	4	TC45					5	6A7, 6D6, 75, 25B6G, 25Z5	456	
							2594	4	4	RS207								
117, 117B	Vol.	2699	131	MR48	M27		2698	12	12	RS216					4	IC6, 1A4, 1B5, 1F4, 1B1	480	8-2
120	Vol.		7	H	6		16	23	23	RS216					4	6D6, 6C6, 43, 25Z5		7-1
							8	23	23	ST595								
121	Vol.	3067	7	H	6		2698	23	23	RS216					5	6D6, 6C6, *43, 25Z5		7-1
							2594	23	23	RS207								
125	Vol.	2726	18	MR48	M26		3285	3	3	RS216					7	6A7, 6D6, 75, 76, *43, 25Z5	456	
	Tone	2737	147	MR55			4234	3	3	TC571								
127	Vol.	2726	18	MR48	M26		3375	23	23	RS216					7	6A7, 6D6, 75, 76, *42, 80	456	
	Tone	2737	147	MR55			3351	23	23	RS213								

† Data not substantiated.

\* IMPORTANT: Read Notes in Note Section if specified in Note Column.

‡ Indicates miscellaneous section.

MANUFACTURER AND MODEL	CONTROLS							CONDENSERS				VIBRATORS			No. Tubes	Complete Tube Complement	I. F. Peak	Rider's Reference
	Use	Original Part	Circuit	Correct Replacement	Switch	Bias	*Note	Original Part	Circuit	Correct Replacement	*Note	Original Part	Replacement	*Note				
DETROLA—Continued																		
130.....	Vol.	3612.....	7	H.....	6			3229.....	23	TC44/TC42					4	6D6, 6C6, 43, 25Z5, BK55B.....	8-3	
134A, 134AZ, 134AB, 134X.....	Vol.			H.....	6			3229.....	23	TC44/TC42					4	6A7, 6C6, 43, 25Z5.....	456 8-3,4	
135, 135E.....	Vol.	2602.....	18	MR48.....	M26			2698.....	23	RS216.....					6	6A7, 6D6, 75, 43, 25Z5, 6G5.....	456 8-4	
136, 136T.....	Vol.	3361.....	18	MR48.....	M26			2767.....	25	RS216.....					5	6A7, 6D6, 75, 41, 1V.....	456 8-5	
137.....	Vol.	2602.....	18	MR48.....	M26			3351.....	25	RS213.....					5	6A7, 6D6, 75, 43, 25Z5.....	456 8-6	
139.....	Vol.	3361.....	18	MR48.....	M26			2698.....	23	RS216.....					5	6A7, 6D6, 75, 41, 1V.....	456 8-7	
140.....	Vol.	2726.....	147	MR55.....	M26			2594.....	23	RS207.....					6	6A7, 6D6, 76, 6C6, 43, 25Z5.....	456 8-8	
141, 141A.....	Vol.	3400.....	6	MR21.....	M26			2766.....	23	RS216.....					4	6D6, 6C6, 38, 76.....	456 8-3	
142.....	Vol.	2726.....	18	MR48.....	M26			2698.....	71	RS216.....					6	78, 6A7, 6D6, 75, 42, 80.....	456	
144, 144B, 144C.....	Vol.	3418.....	18	MR48.....	M27			2594.....	13	TC71.....		3421.....	245	C3	5	6D8G, 6S7G, 6T7G, 1F5G.....	456 8-9	
145B, 145CR.....	Vol.	3418.....	18	MR48.....	M27			.015.....	1	Buffer.....	B14	3421.....	245	C3	7	6D8G, 6S7G, 6T7G, *33, 1H4G, 6L5G.....	456 8-10	
147, 147E, 147ECR.....	Vol.	2726.....	18	MR48.....	M26			8.....	1	ST595.....					7	6A7, 6D6, 75, 76, *42, 80.....	456 8-12	
148.....	Vol.	2737.....	147	MR55.....	M26			8.....	13	TC71.....	B14				7	6A7, 6D6, *76, 6C6, 43, 25Z5.....	456 8-13	
149, 149E.....	Vol.	3361.....	18	MR48.....	M26			8.....	29	ST595.....					5	6A7, 6D6, 75, 41, 1V.....	456 8-5	
150.....	Vol.	2726.....	18	MR48.....	M26			24.....	29	RS207.....					7	6A7, 6D6, 75, 76, *43, 25Z5.....	456 8-14	
151.....	Vol.	2737.....	147	MR55.....	M26			24.....	3	RS216.....					5	6A7, 6D6, 75, 43, 25Z5.....	456	
152.....	Vol.	3640.....	18	MR48.....	M26			4234.....	3	TC871.....					5	6A7, 6D6, 75, 43, 25Z5.....	456	
153.....	Vol.	3361.....	18	MR48.....	M26			3638.....	23	2S567.....					5	6A7, 6D6, 75, 41, 1V.....	456	
154E.....	Vol.	2574.....	7	H.....	6			2767.....	25	RS216.....					4	6D6, 6C6, 25B6G, 25Z5, BK55B.....		
155, 155X.....	Vol.	3361.....	18	MR48.....	M26			3351.....	25	RS213.....					6	6A7, 6D6, 75, 6G5, 41, 84.....	456 8-15	
157A.....	Vol.	3800.....	124	DTM298-SS1.....				3111.....	72	TC82.....					11	*6K7, 6A7, 6H6, 6G5, 6C5, *76, *42, 80.....	456 8-16	
159.....	Vol.	3799.....	147	UM181-SS1.....	M28			3112.....	72	RS216.....					4	6D6, 6C6, 43, 25Z5.....	8-3	
161.....	Vol.	3801.....	48	A2MP.....				3113.....	72	RS216.....					5	6A7, 6D6, 75, 43, 25Z5.....	456 8-19	
162.....	Vol.	3040.....	18	MR48.....	M26			3136.....	72	TC26.....					4	6C6, 6D6, 43, 25Z5.....	8-11	
163.....	Vol.			H.....	6			16-6.....	23	TC44/TC42					15	*6K7G, 6A7, 6H6G, *76, *42, 5Z3, 6G5.....	456 8-18	
164, 165.....	Vol.	3800.....	124	DTM298-SS1.....				3638.....	23	2S567.....					10	*6D6, 6A7, 75, 76, 6G5, *42, 80.....	456 8-21,22	
166.....	Vol.	3040.....	18	MR48.....	M26			3111.....	72	TC82.....					6	6D6, 78, 75, 42, 84, 76.....	456 8-20	
167.....	Vol.	3799.....	147	UM181-SS1.....	M28			4071.....	72/15	TC36.....					5	6A7, 6D6, 75, 43, 25Z5.....	456 8-23	
168.....	Vol.	3801.....	48	A2MP.....				4071.....	14	TC42.....		3000.....	294	C3	6	6D6, 6C6, 25B6G, 25Z5, BK55B.....	8-19	
169.....	Vol.			H.....	6			4071.....	14	TC42.....					8	6A7, 6D6, 6Q7G, 6G5, 76, *43, 25Z5.....	456 8-24	
170.....	Vol.	DR4255.....	18	MR48.....	M26			4071.....	14	TC42.....					7	6A7, 6D6, 75, 76, *42, 80.....	456 8-19	
171.....	Vol.	4266.....	7	H.....	6			4071.....	14	TC42.....					8	6A7, 6D6, 6Q7G, 6G5, 76, *43, 25Z5.....	456 8-24	
172.....	Vol.	2726.....	18	MR48.....	M26			4071.....	14	TC42.....					4	6D6, 6C6, 25B6G, 25Z5, BK55B.....	456 9-2	
173.....	Vol.	2737.....	147	MR55.....	M26			4071.....	14	TC42.....					5	6A7, 6D6, 75, 43, 25Z5.....	456 8-6	
174.....	Vol.	2726.....	18	MR48.....	M26			4071.....	14	TC42.....					5	6A7, 6D6, 75, 41, 84.....	456 9-3	
175.....	Vol.	2737.....	147	MR55.....	M26			4071.....	14	TC42.....					4	6A7, 6C6, 43, 25Z5.....	456	
176.....	Vol.	2726.....	18	MR48.....	M26			4071.....	14	TC42.....					4	6D8G, 6S7G, 6T7G, 1D5G.....	456	
177.....	Vol.	2737.....	147	MR55.....	M26			4071.....	14	TC42.....					4	6D8G, 6S7G, 6T7G, 1D5G.....	456	
178.....	Vol.	2726.....	18	MR48.....	M26			4071.....	14	TC42.....					4	6D8G, 6S7G, 6T7G, 1D5G.....	456	
179.....	Vol.	2737.....	147	MR55.....	M26			4071.....	14	TC42.....					4	6D8G, 6S7G, 6T7G, 1D5G.....	456	
180.....	Vol.	3418.....	18	MR48.....	M27			4071.....	14	TC42.....					4	6D8G, 6S7G, 6T7G, 1D5G.....	456	

† Data not substantiated.

\* IMPORTANT: Read Notes in Note Section if specified in Note Column.

‡ Indicates miscellaneous section.



MANUFACTURER AND MODEL	CONTROLS							CONDENSERS				VIBRATORS			No. Tubes	Complete Tube Complement	I. F. Peak	Rider's Reference
	Use	Original Part	Circuit	Correct Replacement	Switch	Bias	*Note	Original Part	Circuit	Correct Replacement	*Note	Original Part	Replacement	*Note				
DETROLA—Continued																		
182.....	Vol.	3067.....	58	H.....	6		3229.....	23	TC44/TC42					4	6A7, 6C6, 43, 25Z5...	456		
183.....	Vol.	.....	18	MR48.....	M26		3375.....	23	RS216.....					11	6A7, 6D6, 6Q7G, 76, 42, 80, 6G5.....	456	9-4	
	Tone	.....	147	MR55.....			4062.....	23	RS224.....									
184.....	Vol.	3418.....	18	MR48.....	M27		4528.....	13	TC42					4	6D8G, 6S7G, 6T7G, 1D5G.....	456	9-3	
							4459.....	24	2N513.....			245	C3	8	6A7, 6D6, 75, 6G5, 76, 42, 80.....	456		
185.....	Vol.	2726.....	18	MR48.....	M26		3375.....	23	RS216.....	B14				8	6A7, 6D6, 75, 6G5, 76, 42, 80.....	456		
	Tone	2737.....	147	MR55.....			3351.....	23	RS213.....					8	6A7, 6D6, 75, 6G5, 76, 42, 80.....	456	9-1	
190, 193 (T2, T3)...	Vol.	2726.....	18	MR48.....	M26		3375.....	23	RS216.....					8	6A7, 6D6, 75, 6G5, 76, 42, 80.....	456		
	Tone	2737.....	147	MR55.....			3351.....	23	RS213.....					11	6A7, 6D6, 6Q7G, 6G5, 76, 42, 80.....	456	9-4	
191.....	Vol.	.....	18	MR48.....	M26		3375.....	23	RS216.....					11	6A7, 6D6, 6Q7G, 6G5, 76, 42, 80.....	456		
	Tone	.....	147	MR55.....			4062.....	23	RS224.....					14	6D6, 6A7, 6H6G, 6G5, 76, 42, 80.....	456	9-6	
192.....	Vol.	3800.....	20	DTM298-SS1			4649.....	4	RS223.....					14	6D6, 6A7, 6H6G, 6G5, 76, 42, 80.....	456	9-6	
	Tone	2737.....	†	MR55.....			4062.....	4	RS224.....					9	6A7, 6D6, 6Q7G, 6G5, 76, 42, 80.....	456	9-1	
193.....	Vol.	2726.....	18	MR48.....	M26		3079.....	13	TC42					9	6A7, 6D6, 6Q7G, 6G5, 76, 42, 80.....	456	9-1	
	Tone	2737.....	147	MR55.....			3375.....	23	RS216.....					8	6A7, 6D6, 75, 6G5, 76, 42, 80.....	456	9-1	
195 (C4).....	Vol.	2726.....	18	MR48.....	M26		3351.....	23	RS213.....					8	6A7, 6D6, 75, 6G5, 76, 42, 80.....	456	9-1	
	Tone	2737.....	147	MR55.....			3351.....	23	RS213.....					4	6K7, 6J7, 25L6, 25Z6, 76, 42, 80.....	456	9-3	
197.....	Vol.	4798.....	8	MR21.....	M26		16-6.....	23	TC44/TC42					9	6A7, 6D6, 6Q7G, 76, 42, 80, 6G5.....	456	9-8	
204.....	Vol.	2726.....	18	MR48.....	M26		3375.....	23	RS216.....					5	6A7, 6D6, 6Q7G, 41, 80.....	456		
	Tone	2737.....	106	MR55.....			3351.....	23	RS213.....					6	6A7, 6D6, 76, 6AC5G, 41, 80.....	456	9-9	
205.....	Vol.	4982.....	18	MR48.....	M26		5006.....	1	2N518.....					3	6C5, 6L7.....	456	9-2	
206.....	Vol.	.....	45	MR48.....			10-6.....	1	2S569.....					4	6D6, 6C6, 25L6G, 25Z5, BK55BG.....	456	9-9	
207.....							6-16.....	4	TC44/TC42					3	6A7, 6D6, 6Q7G, 76, 41, 80, 6G5.....	456		
208A, 208AP.....	Vol.	.....	8	MR22.....	M26		16-6.....	23	TC44/TC42					4	6A7, 6D6, 6Q7G, 76, 41, 80, 6G5.....	456		
	Phono.	.....	63	MR39.....			3285.....	1	RS216.....					8	6A7, 6D6, 6Q7G, 76, 41, 80, 6G5.....	456		
209.....	Vol.	5100.....	18	MR48.....			5101.....	1	RS216.....					9	6A7, 6D6, 76, 6K5G, 6V6G, 80.....	456		
	Tone	5099.....	107	MR55.....	M26		5101.....	1	RS216.....					5	6A7, 6D6, 6Q7G, 25L6G, 25Z5, BK49BG.....	456	9-9	
210.....	Vol.	5100.....	45	MR48.....			3285.....	1	RS216.....					5	6A7, 6D6, 6Q7G, 25L6G, 25Z5, BK49BG.....	456		
	Tone	5099.....	107	MR55.....	M26		5101.....	1	RS216.....					5	6A7, 6D6, 6Q7G, 25L6G, 25Z5, BK49BG.....	456		
211.....	Vol.	.....	18	MR48.....	M26		16-8.....	4	TC44/TC42					5	6A7, 6D6, 6Q7G, 25L6G, 25Z5, BK47BG.....	456	9-10	
212.....	Vol.	.....	18	MR48.....	M26		16-8.....	4	TC44/TC42					5	6A7, 6D6, 6Q7G, 25L6G, 25Z5, BK47BG.....	456		
214.....	Vol.	.....	18	MR48.....	M26		16-8.....	4	2N509.....					7	6A7, 6D6, 6Q7G, 76, 41, 80.....	456	9-10	
215.....	Vol.	5100.....	15	MR48.....			16.....	1	RS216.....					4	6K7, 6J7, 25L6, 25Z6, 76, 41, 80.....	456	9-11	
	Tone	.....	147	MR55.....			16.....	1	RS216.....					4	6K7, 6F5, 25L6, 25Z6, 76, 41, 80.....	456		
216.....	Vol.	5252.....	8	MR22.....	M26		16-6.....	23	TC44/TC42					5	6A8, 6K7, 6Q7, 25L6, 25Z6.....	456	9-11	
218.....	Vol.	4798.....	8	MR21.....	M26		16-6.....	23	TC44/TC42					6	6A7, 6D6, 76, 6K5G, 25L6G, 25Z5.....	456	9-10	
219.....	Vol.	.....	18	MR48.....	M26		20-10.....	4	TCS45.....					5	6A7, 6D6, 6Q7G, 25L6G, 25Z5, BK49BG.....	456	9-11	
220.....	Vol.	.....	45	MR48.....			16-8.....	1	2N509.....					5	6A7, 6D6, 6Q7G, 25L6G, 25Z5, BK49BG.....	456	9-11	
221.....	Vol.	.....	18	MR48.....			16-8.....	4	TC44/TC42					6	6A7, 6D6, 76, 6K5, 25L6G, 25Z5, BK42BG.....	456	9-12	
222.....	Vol.	.....	45	MR48.....			16-8.....	4	TC44/TC42					7	6A7, 6D6, 6Q7G, 76, 43, 25Z5.....	456	9-13	
223.....	Vol.	5332.....	18	MR48.....			5389.....	1	2S569.....					7	6A7, 6D6, 6Q7G, 76, 43, 25Z5.....	456	9-14	
225.....	Vol.	5332.....	18	MR48.....			5272.....	29	TC52.....					7	6A7, 6D6, 6Q7G, 76, 43, 25Z5.....	456		
							5420.....	29	TC52.....					5	6A7, 6D6, 6Q7G, 25L6G, 25Z5, BK49BG.....	456	9-12	
226, 227.....	Vol.	.....	18	MR48.....	M26		5419.....	29	2N516.....					7	6A7, 6D6, 6Q7G, 76, 43, 25Z5.....	456	9-14	
							16-8.....	1	2N509.....					9	6A7, 6D6, 76, 6K5G, 6V6G, 80, 6G5.....	456	9-15	
228.....	Vol.	5332.....	18	MR48.....			5272.....	29	TC52.....					7	6A7, 6D6, 6Q7G, 76, 43, 25Z5.....	456	9-14	
							5420.....	29	TC52.....					9	6A7, 6D6, 76, 6K5G, 6V6G, 80, 6G5.....	456	9-15	
231.....	Vol.	5512.....	46	MR48.....			5507.....	1	RS216.....					7	6A7, 6D6, 6Q7G, 76, 43, 25Z5, 76.....	456	10-1	
	Tone	5511.....	44	MR39.....			5101.....	1	RS216.....					4	6D6, 6C6, 25L6G, 25Z5, BK55BG.....	456	9-12	
233.....	Vol.	5332.....	18	MR48.....	M26		8-8.....	1	2N516.....					6	6A7, 6D6, 76, 6K5G, 25L6G, 25Z5.....	456	10-2	
							8.....	13	TC42					5	6A7, 6D6, 6Q7G, 25L6G, 25Z5, BK49DG.....	456	10-2	
235.....	Vol.	.....	8	MR22.....	M26	A14	16-6.....	23	TC44/TC42					6	6A7, 6D6, 6Q7G, 25L6G, 25Z5, BK49DG.....	456	10-2	
248.....	Vol.	.....	45	MR48.....	M26		16-8.....	1	2N509.....					6	6A7, 6D6, 76, 6K5G, 25L6G, 25Z5.....	456	10-2	
249.....	Vol.	.....	18	MR48.....	M26		16-8.....	4	TC44/TC42					5	6A7, 6D6, 6Q7G, 25L6G, 25Z5, BK49DG.....	456	10-2	
250.....	Vol.	.....	45	MR48.....	M26		16-8.....	4	TC44/TC42					6	6A7, 6D6, 76, 6K5G, 25L6G, 25Z5, BK49DG.....	456	10-2	

† Data not substantiated.

\* IMPORTANT: Read Notes in Note Section if specified in Note Column.

‡ Indicates miscellaneous section.

MANUFACTURER AND MODEL	CONTROLS							CONDENSERS				VIBRATORS			No. Tubes	Complete Tube Complement	I. F. Peak	Rider's Reference
	Use	Original Part	Circuit	Correct Replacement	Switch	Bias	*Note	Original Part	Circuit	Correct Replacement	*Note	Original Part	Replacement	*Note				
<b>DETROLA—Continue d</b>																		
251.....	Vol.	5332.....	18	MR48.....	M26			5420.....	29	TC52.....					7	6A7, 6D6, 6Q7G, 443, 76, 25Z5.....	456	10-3
253.....	Vol.	.....	45	MR48.....	M26			5419.....	29	2N516.....					6	6A7, 6D6, 76, 6K5G, 25L6G, 25Z5.....	456	10-2
254.....	Vol.	.....	18	MR48.....	M26			5272.....	1	TC52.....					5	6A7, 6D6, 6Q7G, 25L6G, 25Z5, BK49DG.....	456	10-2
256.....	Vol.	5332.....	18	MR48.....	M26			16-8.....	4	TC44/TC42					7	6A7, 6D6, 6Q7G, 443, 76, 25Z5.....	456	10-3
257.....	Vol.	.....	7	H.....	6	2		5420.....	29	TC52.....					5	6A7, 6D6, 75, 25L6G, 25Z5, BK49DG.....		10-2
258.....	Vol. Tone	5100.....	18	MR48.....	M26			5419.....	29	2N516.....					8	76, 6A7, 6D6, 6K5G, 6V6G, 80, 6G5.....	456	10-5
259.....	Vol. Tone	5100.....	18	MR48.....	M26			5272.....	1	TC52.....					9	76, 6A7, 6D6, 6K5G, 6V6G, 80.....	456	10-5
260.....	Vol. Tone	5511.....	22	MR39.....	M26			3113.....	1	RS216.....					4	6D6, 6C6, 25L6G, 25Z5, BK55BG.....		10-4
266.....	Vol.	.....	8	H.....	6	2		16-16.....	4	TCS44.....					5	6D6, 76, 25L6G, 25Z5, BK49DG.....		10-4
267.....	Vol.	5690.....	18	MR48.....	M26			15.....	15	TC26.....					6	6D8G, 687G, 6T7G, 1G5G, 6N5, 6Z15G.....	456	10-7
268.....	Vol.	.....	6	H7.....	6	2		5273.....	40	TCS44.....					6	6D6, 76, 25L6G, 25Z5.....		10-4
270.....	Vol. Tone	.....	106	MR48.....	M26			.03.....	4	Buffer.....	B14				7	6A7, 6D6, 75, 76, 41, 80.....	455	10-8
272.....	Vol. Tone	.....	8	H7.....	6			16-16.....	4	TCS44.....					4	6K7, 6F5, 25L6, 25Z6.....		10-4
274.....	Vol.	.....	18	MR48.....	M26			16-6.....	4	TC44/TC42					5	12A8GT, 12K7GT, 12Q7GT, 35L6GT, 35Z4GT.....	455	10-9
276U.....	Vol.	.....	18	MR48.....	M26			20-12.....	1	2N509.....					5	12A8GT, 12K7GT, 12Q7GT, 35L6GT, 35Z4GT.....	455	10-9
280 (Jr. PeeWee)...	Vol.	.....	8	H.....	6	2		20-8.....	23	TCS45.....					4	12K7GT, 12F5GT, 35L6GT, 35Z4GT.....		10-10
281.....	Vol.	.....	18	MR48.....	M26			20-12.....	1	2N509.....					5	12A8GT, 12K7GT, 12Q7GT, 35L6GT, 35Z4GT.....	455	11-1
282.....	Vol.	.....	18	MR48.....	M27			8.....	12	TC42.....					4	1A7, 1N5, 1H5, 1C5, 5.....	455	10-8
283.....	Vol.	.....	18	MR48.....	M26			16-12.....	1	2N509.....					5	6A7, 6D6, 6Q7G, 25L6G, 25Z5G.....	455	10-10
284 (Super PeeWee)	Vol.	.....	18	MR48.....	M26			20-12.....	4	TCS45.....					5	12A8GT, 12K7GT, 12Q7GT, 35L6GT, 35Z4GT.....	455	10-10
286.....	Vol.	.....	18	MR48.....	M27			8.....	12	TC42.....					5	1N5, 1A7, 1H5, 1C5, 4.....	455	10-8
288.....	Vol.	.....	18	MR48.....	M27			8.....	12	TC42.....					4	1A7, 1N5, 1H5, 1C5, 5.....	455	10-8
293.....	Vol.	6593.....	18	MR48.....	M27			40-40.....	25	TC48.....					4	1A7, 1N5, 1H5, 1C5, 5.....	455	11-1
295-1.....	Vol.	.....	18	MR48.....	M27			16.....	78	TC26.....					5	1A7, 1N5, 1H5, 1Q5, 25Z6GT.....	455	11-2
297.....	Vol.	6687.....	18	MR48.....	M26			6714.....	24	2N518.....		6735.....	248.....	C3.....	4	6K8GT, 6K7GT, 6S07GT, 6K6GT.....	455	11-3
299.....	Vol.	.....	18	MR48.....	M27			.005.....	25	Buffer.....	B14				4	1A7GT, 3A8GT, 1T5GT, 25Z6GT.....	455	11-2
301.....	Vol.	.....	18	MR48.....	M26			40-40.....	25	TC48.....					4	12SA7GT, 12K7GT, 1T5GT, 25Z6GT.....	455	11-2
302.....	Vol.	.....	18	MR48.....	M26			16.....	78	TC26.....					5	12SA7GT, 12K7GT, 12Q7GT, 12L6GT, 35Z4GT.....	455	11-2
303.....	Vol.	.....	18	MR48.....	M26			16-12.....	4	TCS44.....					5	12A8GT, 12L7GT, 35Q7GT, 35L6GT, 35Z4GT.....	455	11-1
304.....	Vol.	.....	18	MR48.....	M26			8.....	12	TC42.....					4	1A7, 1N5, 1H5, 1T5, 5.....	455	11-2
305.....	Vol.	.....	18	MR48.....	M26			16-12.....	1	2N509.....					5	6A7, 6K7, 6Q7G, 25L6G, 25Z5.....	455	11-1
310.....	Vol.	.....	18	MR48.....	M26			20-20.....	4	TCS45.....					7	6K8, 6K7GT, 6Q7GT, 6J5GT, 25L6GT, 25Z6GT.....	455	10-6/ 11-3
314.....	Vol. Tone	5100.....	106	MR48.....	M26			20-12.....	4	TCS45.....					6	6K8, 6K7GT, 6Q7GT, 6A85GT, 25AC5GT, 25Z6GT.....	455	10-6/ 11-4
315.....	Vol. Tone	5099.....	106	MR55.....	M26			16-16.....	1	TC74.....					8	6K8G, 6K7G, 6Q7G, 76, 6N6G, 80, 6U5.....	455	10-6/ 11-5
318.....	Vol. Tone	5100.....	45	MR48.....	M26			7113.....	1	TC74.....					11	6K8G, 6K7G, 76, 6F5, 6AC5G, 80, 6G5.....	455	10-6/ 11-6
319.....	Vol. Tone	5099.....	106	MR55.....	M26			8.....	23	RS213.....					5	6A7, 6D6, 75, 41, 1V, 5.....	455	10-6/ 11-5
			18	MR48.....	M26			10.....	23	RS216.....					5	12A8GT, 12K7GT, 12Q7GT, 35L6GT, 35Z4GT.....	455	11-1
			18	MR48.....	M26			20-10.....	1/15	2N509.....					5	12A8GT, 12K7GT, 12Q7GT, 35L6GT, 35Z4GT.....	455	11-1
			18	MR48.....	M26			12.....	1	TC44.....					5	12A8GT, 12K7GT, 12Q7GT, 35L6GT, 35Z4GT.....	455	11-1

‡ Data not substantiated.

\* IMPORTANT: Read Notes in Note Section if specified in Note Column.

§ Indicates miscellaneous section.

MANUFACTURER AND MODEL	CONTROLS							CONDENSERS				VIBRATORS			No. Tubes	Complete Tube Complement	I. F. Peak	Rider's Reference
	Use	Original Part	Circuit	Correct Replacement	Switch	Bias	*Note	Original Part	Circuit	Correct Replacement	*Note	Original Part	Replacement	*Note				
DETROLA—Continued																		
320.....	Vol.		124	MR48	M26			20-20-20	1/15	FP306					5	12A8GT, 12K7GT, 12Q7GT, 35L6GT, 35Z5GT	455	11-4/10-6
321.....	Vol.		18	MR48	M26			40 20	4 4	TC48 TC47					5	6K8G, 6K7G, 6Q7G, 25L6G, 25Z5, BK49BG	455	11-7
322.....	Vol.		18	MR48	M26			16 8	4 4	TC45 TC42					6	6A7, 6D6, 6Q7G, 25L6G, 25Z5, 6G5, BK42BG	456	11-7
324.....	Vol.		18	MR48	M26			40 20	4 4	TC48 TC47					5	6K8G, 6K7G, 6Q7G, 25L6G, 25Z5, BK49BG	455	11-7
325.....	Vol. Tone		45 147	MR48 MR55				16, 16	1	TC74					11	6K8G, 6K7G, 76, 6F5, 6AC5G, 80, 6G5	455	11-6,7
326.....	Vol.		17	†			A19	7400	25	TC74					11	*6K7G, 6K8G, 6Q7G, 76, 6AC5G, 80, 6U5	455	11-8-10
327.....	Vol.	6625	18	MR48	M26			5780	3	TC47					7	6K8GT, 6K7GT, 6Q7GT, 25L6GT, 6J5GT, 25Z6GT	455	12-1
328.....	Vol.	6625	18	MR48	M26			5780	1	TC47					6	6K8GT, 6K7GT, 6Q7GT, 6AE5GT, 25AC5GT, 25Z6GT	455	12-2
329.....	Vol.		45	MR48	M26			16, 16	1	TC45					6	6A7, 6D6, 6J5GT, 6F5G, 25L6G, 25Z5	455	11-11
333.....	Vol.		18	MR48	M26			20, 20, 20	3	TC47					7	6K8GT, 6K7GT, 6Q7GT, 25L6GT, 6J5GT, 25Z6GT	455	11-10,11
335A.....	Vol. Tone	2726 2737	18 106	MR48 MR55	M26			5779 7892 7894 4	9 9 9 13	TC42 RS213 RS216 TC42					7	6K8GT, 6K7GT, 6S07, 25A6GT, 25Z6GT, 6J5GT	455	12-3
339.....	Vol.	7952	18	MR48	M27			8010	1/78	FP304	B117				6	1P5GT, 1A7GT, 1N5GT, 1H5GT, 3Q5GT, 1I7M7GT	455	12-4
340, 340-1.....	Vol.	7952	18	MR48	M27			5780 8102	4 4/78	TC47 TC48/TC2501					6	1A7GT, 1N5GT, 1H5GT, 3Q5GT, 1I7M7GT	455	12-4
341, 341-1, 341-2.....	Vol.	7952	18	MR48	M27			20 40-100	4 4/78	TC45 TC48/TC2501					5	1A7GT, 1N5GT, 1H5GT, 3Q5GT, 1I7MGT	455	12-4
342.....	Vol.		18	MR48	M26			20-20	1	2N509					5	12SA7, 12SK7, 12SQ7, 50L6GT, 35Z5GT	455	11-11
343.....	Vol.		18	MR48	M26			20-20	1	2N509					6	12SA7, 12SK7, 12SQ7, 35L6GT, 35Z5GT	455	11-12
346.....	Vol.	6687	18	MR48	M26			8211 .005	24/15	FP332 Buffer	B14	3000	294	C3	5	6K8GT, 6K7GT, 6S07, 6K6GT, 0Z4GT	455	12-5
349.....	Vol.	8314	18	MR48	M26			5101 3285	1 1	RS216 RS216					5	6K8GT, 6K7GT, 6V6GT, 80, 6S07GT	455	12-2,6
360, 360-1, 360-2.....	Vol.	7952	18	MR48	M27			20 40-100	4 4/78	TC45 TC48/TC2501					6	1A7GT, 1N5GT, 1H5GT, 3Q5GT, 50L6GT, 35Z4GT	455	12-4
361.....	Vol.		18	MR48	M27			16, 16	40	RS216					6	6D8G, 6S7G, 6I7G or 6Q6G, 6G6G, 6Z15G	455	13-1
372.....	Vol.		18	†			A5	10	12	TC44					4	1R5, 1T4, 1S5, 184	455	12-6
378.....	Vol.		149	UM161			A96	30-20-100	76	2N513/TC2501					5	1R5, 1T4, 1S5, 354, 35Z5GT	455	13-2
379.....	Vol.		18	MR48	M26			20-20	1	2N509					5	12SA7, 12SK7, 12SQ7, 50L6GT, 35Z5GT	455	13-3
386.....	Vol.		18	MR48	M26			40-20	24	2N514					5	12SA7, 12SK7, 12SQ7, 50L6GT, 35Z5GT	455	13-3
389, 389-1, 389-2.....	Vol.		149	MR48	M27			40-100 20	24/78 24	TC48/TC2501 TC45					6	1A7GT, 1N5GT, 1H5GT, 3Q5GT, 50L6GT, 35Z4GT	455	13-3
390.....	Vol.	8910	18	MR48	M26			8425	1/13	FP360					8	12SA7GT, 12K7GT, 12SQ7GT, 35L6GT, 35Z6G, 6U5	455	13-4,6
392.....	Vol.		88	MR48	M26			40-20	24	FP211					4	12SA7, 12SJ7, 50L6GT, 35Z5GT	455	13-7
393.....	Vol.		18	MR48	M26			20-20	1	2N509					5	12SA7, 12SK7, 12SQ7, 50L6GT, 35Z5GT	455	13-8
394.....	Vol.		18	MR48	M26			20-20	1	2N509					6	12SA7, 12SK7, 12SQ7, 35L6GT, 35Z5GT	455	13-8
397.....	Vol.		18	UM161	M27		A96	10	13	TC42					4	1A7GT, 1N5GT, 1H5GT, 3Q5GT	456	14-1,2

† Data not substantiated.

\* IMPORTANT: Read Notes in Note Section if specified in Note Column.

‡ Indicates miscellaneous section.

MANUFACTURER AND MODEL	CONTROLS							CONDENSERS				VIBRATORS			No. Tubes	Complete Tube Complement	I. F. Peak	Rider's Reference
	Use	Original Part	Circuit	Correct Replacement	Switch	Bias	*Note	Original Part	Circuit	Correct Replacement	*Note	Original Part	Replacement	*Note				
DETROLA—Continued																		
408	Vol.		18	UM161	M27		A96	10	13	TC42				5	1A7GT, 1N5GT, 1H5GT, 3Q5GT	456	14-2,3	
411-UL								40-20	24	2N514				2	12SK7, 35Z5GT		14-4	
417	Vol.		18	MR48	M26			40-20	1	2N514				5	12SA7, 12SK7, 12SQ7, 50L6GT, 35Z5GT	455	14-4	
419	Vol. Tone		18	MR48	M26			40-20	1	2N514				6	*12SA7, 12SK7, 12SQ7, 35L6GT, 35Z5GT	455	14-4,5	
421 Series, 421-1	Vol.		18	MR48	M26			40-20	1	2N514				5	12SA7, 12SK7, 12SQ7, 50L6GT, 35Z5GT	455	14-4,6	
422	Vol.		18	MR48	M26			40-20	1	2N514				5	12SA7, 12SK7, 12SQ7, 50L6GT, 35Z5GT	455	13-9	
423	Vol.		7	MR14	M26		A14	40-20	1	FP211				4	12SA7, 12SJ7, 50L6GT, 35Z5GT	455	13-9	
424	Vol.		18	MR48	M26			40-20	1	2N514				6	12SA7, 12SK7, 12SQ7, 35L6GT, 35Z5GT	455	13-10	
425	Vol.		18	MR48	M26			40-20-10	1/15	3N533				7	*12SK7, 12SA7, 12SQ7, 35L6GT, 35Z5GT	455	14-7	
428	Vol. Tone		37	MR48		See Note	A19	D-9657	1/15	TC22				6	6SA7GT, 6SK7GT, *6SQ7GT, 6K6GT, 6X5GT	455	14-2,8	
429	Vol.		18	MR48	M26			40-20	1	2N514				5	12SA7, 12SK7, 12SQ7, 50L6GT, 35Z5GT	456	14-9	
433	Vol.		18	MR48	M26			40-20	24	2N514				6	12SA7, 12SK7, 12SQ7, 35L6GT, 35Z5GT	455	13-10	
441	Vol.		18	MR48	M26			40-20	1	2N514				5	12SA7, 12SK7, 12SQ7, 50L6GT, 35Z5GT	455	13-9	
442	Vol.		18	MR48	M26			40-20	1	2N514				5	12SA7, 12SK7, 12SQ7, 50L6GT, 35Z5GT	455	14-9	
445	Vol.		7	MR14	M26		A14	40-20	1	FP211				4	12SA7, 12SJ7, 50L6GT, 35Z5GT	455	13-9	
446	Vol. Tone		140	MR48		See Note	A19	40-10-20-10	10/3	TC48, FP371, TC22		B3		12	*12SA7, *12SK7, 12SJ7, 12H6, 12SQ7, 6N5, 50L6GT, 35Z5GT	455 Kc AM 4.3 Mc	14-10,11	
448	Vol. Tone		18	MR48	M26			40-20	1	2N514				5	12SA7, 12SK7, 12SQ7, 50L6GT, 35Z5GT	455	14-12	
503	Vol. Tone		6	MR34				8-4	1	2N518				5	*58, 57, 47, 80	456	5-4	
554	Vol. Tone	B-55575-1 B-55550-1	18 22	MR33 MR33	M26			10	17	TC22				6	*6SK7GT, 6SA7GT, 6SQ7GT, 6K6GT, 5Y3GT	455	15-2,4	
558	Vol.	B-9051-3	18	MK401	M26			A-8948	1	FP306		B192		5	12SA7GT, 12SK7GT, 12SQ7, 50L6GT, 35Z5GT	455	15-5,7	
568	Vol.	B9051-5	18	MK401	M26			A-8948	1	FP306		B192		5	12SA7, 12SK7GT, 12SQ7, 50L6GT, 35Z5GT	455	15-8,11	
571, 571A, 571B, 571L, 571AL, 571BL	Vol.	B-9051-1	18	MK401	M26			A-8948	1	FP306		B192		5	14Q7/12SA7, 14A7/12B7/12SK7, 14B6/12SQ7, 50A5/50L6GT, 35Y4/35Z5GT	455	15-12,14	
571X, 571AX, 571BX	Vol.	B-9051-1	18	MK401	M26			A-8948	1	FP306		B192		5	12SA7GT, 12SK7, 12SQ7GT, 50L6GT, 35Z5GT	455	15-15,17	
572, 220-226A	Vol.	B-51445-1	18	TM233	M26			A-51356	1/15	FP339				6	*6SK7GT, 6SA7GT, 6SQ7GT, 6K6GT, 5Y3GT	455	15-18,20	
576	Vol. Tone	B-51725-2 B-51724-1	18 21	TM233-SS25 MK401	M26			A-8948	1	FP306		B192		6	*12SK7GT, 12SA7GT, 12SQ7GT, 35L6GT, 35Z5GT	455	15-21,22	
579	Vol.	A-9051-2	18	MK401	M26			A-8948	1	FP306		B192		6	*12SK7, 12SA7GT, 12SQ7, 35L6GT, 35Z5GT	455	15-23,24	
582	Vol.	B-51445-3	157	TM233-SS25	M26			A-51356 A-51419	1 13	FP234 TC52				6	*6SK7GT, 6SA7GT, 6SQ7GT, 6V6GT, 5Y3GT	455	16-1,3	
626 Series	Vol. Tone	B-54466-1 B-54466-1	165 173	MR48 MR48				B-9564-1 A-8948	24 24	2N514 FP306		B119 B118 B192		3	12SQ7GT, 50L6GT, 35Z5GT			
628, 628A, 628B	Vol.	B-9051-1	18	MK401	M26			A-8948	1	FP306		B192		5	12SA7GT, 12SK7GT, 12SQ7GT, 50L6GT, 35Z5GT	455		
1000	Vol.		7	MR34	M26			4-4-21	11	UR182		B31		4	6D7, 6E7, 43, 25Z5	175	5-5	
1200	Vol. Tone Supp.		15 44 7	MRT420 MR33 MR28	6			50-8-8-10	64	*UR182		B226		12	*6D6, *37, 85, 43, *25Z5	175	5-5	
1900	Vol. Tone		20 22	MR33 MR33		See Note	A19	16 8 10	1 1 15	ST597 ST595 TC22				7	*58, 2A7, 55, 53, 56, 80	175	9-16	

‡ Data not substantiated.

\* IMPORTANT: Read Notes in Note Section if specified in Note Column.

§ Indicates miscellaneous section.

MANUFACTURER AND MODEL	CONTROLS							CONDENSERS				VIBRATORS			No. Tubes	Complete Tube Complement	I. F. Peak	Rider's Reference
	Use	Original Part	Circuit	Correct Replacement	Switch	Bias	*Note	Original Part	Circuit	Correct Replacement	*Note	Original Part	Replacement	*Note				
<b>DETROLA—Continued</b>																		
2741.....	Vol.		18	MR48.....	M26			20-12.....	1	2N509.....					5	12A8GT, 12K7GT, 12Q7GT, 36L6GT, 35Z4GT.....	455	10-10
2742.....	Vol.		18	MR48.....	M26			20-12.....	1	2N509.....					5	12A8GT, 12K7GT, 12Q7GT, 35L6GT, 35Z4GT.....	455	10-9
2811.....	Vol.		18	MR48.....	M26			20-12.....	1	2N509.....					5	12A8GT, 12K7GT, 12Q7GT, 35L6GT, 35Z4GT.....	455	11-1
3041.....	Vol.		18	MR48.....	M26			16-12.....	1	2N509.....					5	6A7, 6K7, 6Q7G, 25L6G, 25Z5.....	455	11-1
3051.....	Vol.		18	MR48.....	M26			20-20.....	4	TCS45.....					7	6K8, 6K7GT, 6Q7GT, 6J5GT, 25L6GT, 25Z6GT.....	455	10-6/11-3
3101.....	Vol.		18	MR48.....	M26			20-12.....	4	TCS45.....					6	6K8, 6K7GT, 6Q7GT, 6AE5GT, 25AC5GT, 25Z6GT.....	455	11-4/10-6
3201, 3202.....	Vol.		106	MR48.....	M26			20-20-20.....	1/15	FP306.....					5	12A8G, 12K7G, 12Q7G, 35L6G, 35Z5.....	455	11-4/10-6
3231.....	Vol. Tone	2726.....	106	MR48.....	M26			7113.....	25	TC74.....					7	6K8G, 6K7G, 6Q7G, 6C5G, 26F6G, 80.....	455	11-10-12
3271.....	Vol.	6625.....	18	MR48.....	M26			5780.....	3	TC47.....					7	6K8GT, 6K7GT, 6Q7GT, 25L6GT, 6J5GT, 25Z6GT.....	455	12-1
3281.....	Vol.		18	MR48.....	M26			20-20.....	1	2N509.....					6	6K8GT, 6K7GT, 6Q7GT, 6AE5GT, 25AC5GT, 25Z6GT.....	455	11-4, 10, 12
3331.....	Vol.	6625.....	18	MR48.....	M26			5780.....	3	TC47.....					7	6K8GT, 6K7GT, 6Q7GT, 25L6GT, 6J5GT, 25Z6GT.....	455	12-1
3332.....	Vol.	6625.....	18	MR48.....	M26			5780.....	3	TC47.....					7	6K8GT, 6K7GT, 6Q7GT, 25L6GT, 6J5GT, 25Z6GT.....	455	12-1
3422.....	Vol.		18	MR48.....	M26			20-20.....	1	2N509.....					5	12SA7, 12SK7, 12SQ7, 50L6GT, 35Z5GT.....	455	12-6
3781.....	Vol.		149	UM161.....			A96	30-20-100.....	76	2N513/TC2501.....					5	1R3, 1T4, 1S5, 3S4, 45Z3.....	455	13-2
3861.....	Vol.		18	MR48.....	M26			40-20.....	24	2N514.....					5	12SA7, 12SK7, 12SQ7, 50L6GT, 35Z5GT.....	455	13-3
3862, 3863.....	Vol.		18	MR48.....	M26			40-20.....	24	2N514.....					5	12SA7, 12SK7, 12SQ7, 50L6GT, 35Z5GT.....	455	13-7
7270.....	Vol.	B-56142-1..	18/22	Order from	Mfr.....			A-56154.....	1	FP363.....					7	7A8, 7B7, 7C6, 25L6GT, 35Z5GT.....	455	16-3,6
<b>DEWALD</b>																		
AC-LW15-6.....	Vol.	8190.....	6	E7.....	6	3		2062.....	4	TC71.....					6	35, 24, 27, 47, 80.....		
B-A-C.....	Vol.		6	F7.....	6	5		2095.....	4	RM262.....					4	58, 57, 47, 82.....		3-8
B-A-G.....	Vol.	8214.....	6	F7.....	6	EX700		2062.....	4	TC71.....					6	24, 27, 35, 47, 80.....	175	3-9
B-A-H.....	Vol.		6	F7.....	6	4		2063.....	4	TC70.....					8	58, 56, 35, 57, 47, 82.....	175	3-10
B-A-H-9.....	Vol.		6	F7.....	6	4		2062.....	4	TC71.....					9	58, 35, 56, 57, 47, 82.....	175	5-19
B-A-M.....	Vol. Tone		15	MR33.....				8-8.....	4	TCS71.....					12	58, 35, 27, 56, 47, 82.....	465	5-20
B. L. G.....	Vol.		6	F7.....		4		4-8.....	4	2S567.....					7	58, 56, 57, 47, 82.....	115	4-16
K. A. D.....	Vol.		6	MR21.....	M26	EX700									4	39, 36, 201A, 71A.....		3-10
K. A. F.....	Vol.		6	MR21.....	M26	EX800									6	36, 39, 37, 33.....	175	3-11
K. R. E.....	Vol.		6	MR21.....		EX700									5	39, 37, 33.....		5-21
AC14-45.....	Vol.		7	E12.....		EX700		3-3-1.5.....	2	See Note.....	B1				7	24, 27, 45, 80.....		2-2
AC24-45.....	Vol.		6	E12.....		EX700		1.5-3-1.5.....	2	See Note.....	B1				8	24, 27, 45, 80.....		2-2
40.....	Vol.		6	F7.....	6	EX700		4-4.....	4	TCS71.....					4	58, 57, 47, 82.....		3-5
41.....	Vol.		6	G7.....	6	5		8-5.....	1	2N518.....					4	78, 77, 38, 25Z5.....		4-1
42, 42R.....	Vol.		6	F7.....	6	5		10-10.....	15	TN111.....					4	78, 36, 38, 12Z3.....		5-1
50.....	Vol.		6	F7.....	6	5		2170.....	1	2N518.....					5	24, 58, 57, 47, 82.....	175	4-2
51.....	Vol.		6	F7.....	6	EX800		10-10.....	15	TN111.....					5	24, 58, 57, 47, 82.....	175	3-12
52.....	Vol.		15	MR48.....				2103.....	4	RM262.....					5	24, 58, 57, 47, 82.....	175	3-12
53.....	Vol.		6	MR21.....	M26	EX800		8-4.....	4	2S567.....					5	36, 85, 37, 89.....	175	4-3
54.....	Vol.		7	MR19.....	M26	EX200		10.....	15	TC22.....			272	C3	5	36, 33.....		3-12
55.....	Vol.		6	G7.....		2		2128B.....	1	2N518.....					5	36, 37, 38, 39.....		3-6
								2129A.....	15	TN111.....					5	78, 44, 77, 43, 25Z5.....	456	3-7
								2134B.....	27	3S584.....	B88							
								5.....	15	TC22.....								

† Data not substantiated.

\* IMPORTANT: Read Notes in Note Section if specified in Note Column.

‡ Indicates miscellaneous section.

MANUFACTURER AND MODEL	CONTROLS							CONDENSERS				VIBRATORS			No. Tubes	Complete Tube Complement	I. F. Peak	Rider's Reference
	Use	Original Part	Circuit	Correct Replacement	Switch	Bias	*Note	Original Part	Circuit	Correct Replacement	*Note	Original Part	Replacement	*Note				
DEWALD—Continued																		
55R, 55X	Vol.		6	G7	6	2		2171	6	2S569					5	*78, 77, 43, 12Z3	456	4-4
56	Vol.		6	G7		2		10, 10	15	TC22					5	6A7, 44, 77, 43, 25Z5	456	4-5
58	Vol.		6				See Note	5	15	TC22					5	*6D6, 6C6, 43, 12Z3	455	5-3
58L, 59	Vol.		6	MR28	M26	2		2242	1	2N509					5	6A7, 6D6, 6C6, 43, 12Z3	456	5-4
60	Vol.		6	G7		1		12-12	27	TC44				6	*39, 37, 43, 25Z5	456	4-6	
60EX	Vol.		6	MR28	M26			4, 4	15	TC22				6	*78, 77, 37, 43, 25Z5	Early, 455		
61	Vol.	8308	56	UM154	M26	See Note	A96	2170	4	TC44/TC42				6	6A7, 78, 85, 37, 41, 84	Late, 175	4-7	
62 Batt.	Vol.		54	MR53				10, 10	15	TC48		8304	292	C3	456	4-8-12		
80	Vol.		15	MR48				.025	15	Buffer	B14				6	1A6, 34, 32, 30, 49	175	4-13
81	Vol.		15	MR48	M26			8, 8	1	ST595					8	6A7, 78, 37, 42, 80	456	4-14
81R	TunLgt.		15	C15MP	M26			10-10	15	TC22					8	6A7, 78, 37, 42, 80	456	5-5
90	TunLgt.		15	MR48	M26			8, 8	1	ST595					8	6A7, 6D6, 37, 42, 80	456	5-6
	Tone		22	C15MP				10, 10	15	TC22					9	*58, 56, 55, 45, 80	262.5	
	Vol.		15	MR48		See Note	A5	2179	1	TCS71					10	6A7, 78, 37, 42, 80	456	4-15
100	Vol.		15	MR48				2180	1	TC70					7	*26, 327, 45, 80		2-1
AC145	Vol.		10	MR18				2181	1	TC42					8	*26, 27, 71A, 80		2-3
AC171-2	Vol.		10	MR18				8, 8	1	ST595	B1				8	*12A, 71A		2-3
DC173-4	Vol.		10	MR18				10-10	15	TC22	B1				8	*26, 327, 45, 80		2-1
AC245	Vol.		10	MR18				2-2-2	3	See Note	B1				7	*12A, 71A		2-3
DC273	Vol.		10	MR18				2-1	2	See Note	B1				8	6D6, 6C6, 25B5, 25Z5		8-3
400	Vol.		6	MR28		See Note	A14	10-10	1	2N509				4	6D6, 6C6, 43, 25Z5		6-1	
402	Vol.		6	MR24		EX500		5	15	TC22				4	6D6, 6C6, 25B5, 25Z5		6-1	
403-4	Vol.	8499	6	G7				10-10	6	2N509				4	6D6, 6C6, 43, 25Z5		6-3	
403-4 Type 2	Vol.	8499	6	G7				5-5	15	TN111				4	6D6, 6C6, 38, 1V		6-2	
405	Vol.		6	MR28		See Note	A14	2283	1/15	4S715				4	6D6, 6C6, 25B5, 25Z5		8-3	
406, 406LW	Vol.	3446	6	SRP263		EX300		2283	24/15	4S715				4	6D6, 6C6, 25B5, 25Z5		8-3	
406R	Vol.		6	MR29	M26			10-10	1	2N509				4	6K7GT, 6J7GT		9-1	
408R	Vol.	3461B	18	MR53	M27			5	15	TC22				4	25L6GT, 25Z6GT		10-1	
409	Vol.		18	UM161	M27		A96	16, 16	24	TC45				4	12K7GT, 12F5GT		10-1	
410, 410A, 410R	Vol.	3315	45	MR53	M27			8	12	TC42				4	1A7G, 1N5G, 1H5G, 1C5G	455	10-1	
411	Vol.	3466	63	MR48	M26			8	13	TC42				4	1A7G, 1N5G, 1H5G, 1C5G	455	11-1	
412	Vol.		6	UM129		See Note	A96	10	12	TC44				4	1R5, 1T4, 1S5, 1S4	455	12-2	
414	Vol.		6	UM129	M26		A96	16, 16	24	TC45				2	12B8GT, 32L7GT		10-2	
415, R415	Vol.		18	UM161	M27		A96	16, 16	24	TC45				4	12K7GT, 12F5GT		10-1	
425R	Vol.		6	SRP263				50L6GT, 45Z5GT						4	12K7GT, 12F5GT		11-2	
430	Vol.		6	MR24		See Note	A14	50L6GT, 45Z5GT						4	12K7GT, 12F5GT		11-2	
440	Vol.		6	SRP263				10-12-4-4	6	4S715				4	1A7GT, 1N5GT	455	11-2	
AC447M	Vol.		7	MR28	M26	EX250		4-8	24	2N516				4	1H5GT, 1C5GT	455	11-2	
500A	Vol.		6	G7	6	4		4	15	TC22				4	6D6, 6C6, 43, 12Z3		5-7	
A500, A501, A502, A503	Vol.	3002	18	MR48	M26			4	15	TC22				4	6D6, 6C6, 38, 1V		7-1	
501	Vol.		6	G7	6	4		2242	6	2N509				5	6A7, 6D6, 6C6, 43, 12Z3	130	5-8	
501A	Vol.		18	MR48	M26			4-4	15	TN111				5	12SA7, 12SK7, 12SQ7GT		15-1	
503-4	Vol.		6			See Note	A5	8-8	6	2N516				5	6A7, 6D6, 6C6, 43, 12Z3	455	5-9	
A504, A505	Vol.	3002-2	18	MR48	M26			4, 4	15	TC22				5	12SA7, 12SK7, 12SQ7, 50L6GT, 35Z5GT	455	12-1	
505	Vol.		6	MR24		See Note	A14	24-16	24	2N513				5	2A7, 58, 57, 2A5, 80	456	5-10	
								2005-1	24	FP211				5	12SA7GT, 12SK7GT, 12SQ7GT			
								8-8	6	2N516				5	50L6GT, 35Z5GT	455		
								5	15	TC22				5	6A7, 6D6, 75, 43, 25Z5	456	6-6	

‡ Data not substantiated.

\* IMPORTANT: Read Notes in Note Section if specified in Note Column.

§ Indicates miscellaneous section.

MANUFACTURER AND MODEL	CONTROLS							CONDENSERS				VIBRATORS			No. Tubes	Complete Tube Complement	I. F. Peak	Rider's Reference
	Use	Original Part	Circuit	Correct Replacement	Switch	Bias	*Note	Original Part	Circuit	Correct Replacement	*Note	Original Part	Replacement	*Note				
DEWALD—Continued																		
505F.....	Vol.		6	SRP263.....		EX800.....		12-20.....	27	TCS45.....					5	6A7, 6D6, 75, 43, 25Z5	456	6-4
505R.....	Vol.	8474.....	6	SRP263.....		EX800.....		5.....	15	TC22.....					5	6A7, 6D6, 75, 43, 25Z5	456	6-5
506.....	Vol.		7	UC512.....		See Note A14		10-10.....	1	2N516.....					5	6D6, 76, 43, 12Z3		6-6
506R.....	Vol.	8487.....	6	SRP263.....		See Note A14		5, 5, 5.....	15	TC22.....					4	6D6, 6C6, 43, 25Z5, 185-Bal.		6-7
A-507.....	Vol.	3006.....	18	MR53.....	M27			2013.....	24/78	2N521/TC2501					5	1R5, 1T4, 1S5, 3V4, 35W4	455	16-1
A-509.....	Vol.	3002.....	18	MR48.....	M26			2002.....	24	2N513.....					5	12BE6/12SA7, 12BA6/12SK7, 12AT6/12SQ7, 50B5/50L6GT, 35W4/35Z5GT	455	16-2,3
510.....	Vol.	8553.....	6	↑.....		See Note A5		2292.....	4	TCS71.....					5	6A7, 6D6, 6C6, 42, 80	456	6-4
A-514.....	Vol.	3002-1.....	18	MR48.....	M26			2292.....	24	2N513.....					5	12BE6, 12BA6, 12AT6, 50B5, 35W4	455	
515.....	Vol.		6	MR24.....				10-10.....	1	2N509.....					4	6D6, 6C6, 43, 25Z5, L55B		7-1
517.....	Vol. Tone	8609.....	17	MR48.....	M26			4.....	15	TC22.....		8608	294	C3	5	6A7, 6D6, 75, 41, 0Z4	456	7-2
517R.....	Vol. Tone	3356.....	22	MR36.....				5.....	15	TC22.....					5	6A7, 6D6, 75, 41, 0Z4	456	7-2
517R.....	Vol. Tone	8609.....	17	MR48.....	M26			01-01.....	1	2N518.....	B14	8608	294	C3	5	6A7, 6D6, 75, 41, 84	456	7-2
517R.....	Vol. Tone	3356.....	22	MR36.....				8-8.....	15	TC22.....					5	6A7, 6D6, 75, 41, 84	456	7-2
518.....	Vol.		6	MR24.....				01.....	1	Buffer.....	B14				4	6D6, 6C6, 43, 25Z5, L55B		7-5
520.....	Vol.		6	E12.....				10-10.....	15	2N509.....					5	6A7, 6D6, 76, 42, 80	456	7-5
522.....	Vol.		18	MR48.....				4.....	4	2S567.....					5	1A6, 1A4, 1B5, 30, 33	456	8-4
ACS24.....	Vol.	3068.....	40	MR18.....				8.....	4	RS213.....					5	2A, 45, 80	456	2-4
527.....	Vol. Tone		18	MR48.....	M26			8-8.....	23	2S567.....		8608	294	C3	5	6A7, 6D6, 75, 41, 84	456	8-5
527.....	Vol. Tone		22	MR36.....				01.....	1	Buffer.....	B14				4	6D6, 6C6, 25L6G, 25Z5, M55F		8-6
528, 528LW.....	Vol.		6	↑.....		See Note A5		10-10.....	15	2N509.....					5	6A7, 6D6, 75, 41, 84	456	8-7
529, 529LW.....	Vol.		18	MR48.....				5.....	23	TC22.....					5	6A7, 6D6, 75, 41, 84	456	8-7
530, 530LW.....	Vol.		6	↑.....		See Note A3		5-5.....	1	2N509.....					4	6D6, 6C6, 25L6G, 25Z5, M55F		9-2
531, 531LW.....	Vol.		6	↑.....		See Note A3		16-10.....	15	TC22.....					6	6D6, 6C6, 25L6G, 25Z5, M55F, 8853		10-3
532, 532LW.....	Vol. Phono.	3420A.....	6	SRP263.....	6			5.....	1	2N509.....					5	36, 33		2-5
532-3.....	Vol. Tone		63	UM154.....		See Note A96		2423.....	15	TC22.....					5	6A7, 6C6, 25L6G, 25Z5, M55F	456	9-2
532-3.....	Vol. Tone		6	E7.....	6			25-2.....	1	See Note	B7				5	6A7, 6C6, 25L6G, 25Z5, M55F	456	9-2
533, 533LW.....	Vol. Tone	3431.....	8	MR53.....	M26			16-10.....	1	2N509.....					5	35, 24, 47, 80		2-6
534.....	Vol.		6	MR14.....		See Note A3		5.....	15	TC32.....					5	12A8GT, 12K7GT, 12Q7GT, 50L6GT, 35Z5		10-4
535-6.....	Vol.		6	E7.....	6	4		16-10.....	1	2N509.....					5	6A7, 6D6, 6Q7G, 41, 84	456	11-4
537, 538, 539.....	Vol.	3454.....	18	UM154.....	M26	A96		8-8.....	4	2S567.....					5	1A7GT, 1N5GT, 1H5GT, 1T5GT, 35Z4GT	455	11-5
542, 542LW.....	Vol. Tone		18	UM154.....		A96		5.....	15	TC22.....					5	35, 24, 47, 80		2-6
544.....	Vol.		21	UM154.....		A96		50-20.....	76	TN129.....					5	35, 24, 47, 80		2-7
544.....	Vol.		18	UM161.....	M27			100.....	76	TC2501.....					5	12SA7, 12SK7, 12SQ7, 50L6GT, 35Z5GT	455	12-3
545, 545LW, 545SW.....	Vol.		18	UM161.....	M27	A96		2540.....	76	FP309.....	B117				5	6D6, 6C6, 43, 12Z3	456	5-11
547.....	Vol.		6	E7.....	6	5		4-4.....	4	See Note	B3				5	58, 57, 27, 2A5, 82		5-12
547A.....	Vol.		6	E7.....	6	5		4-4.....	4	See Note	B3				5	12SA7, 12SK7, 12SQ7, 50L6GT, 35Z5GT	455	12-3
548, 549.....	Vol.		18	MR48.....	M26			20-20.....	1	2N509.....					5	12SA7, 12SK7, 12SQ7, 50L6GT, 35Z5GT	455	12-3
553-4S.....	Vol.		6	G7.....	6	2		12-12.....	6	2N509.....					5	12SA7, 12SK7, 12SQ7, 50L6GT, 35Z5GT	455	12-3
555.....	Vol.		6	MR24.....	M26	EX250		4, 4.....	15	TC22.....					5	12SA7, 12SK7, 12SQ7, 50L6GT, 35Z5GT	455	12-3
555 (1940).....	Vol.		18	MR48.....	M26			1.5-4.5.....	1	See Note	B3				5	12SA7, 12SK7, 12SQ7, 50L6GT, 35Z5GT	455	12-3
558, 559.....	Vol.		18	MR48.....	M26			20-20.....	1	2N509.....					5	12SA7, 12SK7, 12SQ7, 50L6GT, 35Z5GT	455	12-3
560.....	Vol.		18	MR48.....	M26			24.....	24	TC47.....					5	12SA7, 12SK7, 12SQ7, 50L6GT, 35Z5GT	455	12-11
561, 562.....	Vol.		18	MR48.....	M26			16.....	24	TC45.....					5	12SA7, 12SK7, 12SQ7, 50L6GT, 35Z5GT	455	12-1
563.....	Vol.	3454.....	18	MR48.....	M26			24-16.....	24	2N513.....					5	12SA7, 12SK7, 12SQ7, 50L6GT, 35Z5GT	455	12-1
563.....	Vol.		18	MR48.....	M26			2507.....	1	2N509.....					5	12SA7, 12SK7, 12SQ7, 50L6GT, 35Z5GT	455	13-1
564.....	Vol.		149			See Note A3		30-20.....	24	2N514.....					5	1R5, 1T4, 1S5, 3S4, 35Z5GT	455	13-1
565.....	Vol.	3548.....	18	MR53.....	M27			2540.....	76	FP309.....	B117				5	1A7GT, 1N5GT, 1H5GT, 1T5GT, 35Z4GT	455	12-4
D566.....	Vol.	3507G.....	18	MR48.....	M26			2507A.....	1	2N509.....					5	12SA7, 12SK7, 12SQ7, 50L6GT, 35Z5GT	455	13-2

† Data not substantiated.

\* IMPORTANT: Read Notes in Note Section if specified in Note Column.

‡ Indicates miscellaneous section.

MANUFACTURER AND MODEL	CONTROLS							CONDENSERS				VIBRATORS			No. Tubes	Complete Tube Complement	I. F. Peak	Rider's Reference
	Use	Original Part	Circuit	Correct Replacement	Switch	Bias	*Note	Original Part	Circuit	Correct Replacement	*Note	Original Part	Replacement	*Note				
DEWALD—Continued																		
568.....	Vol.	3496.....	18	MR48.....	M26			2505.....	1	TCD65.....					5	12SA7, 12SK7, 12SQ7, 50L6GT, 35Z5GT.	455 13-3	
570.....	Vol. Tone		6	MR28.....	M26	EX1000		8-4.....	1	See Note.....	B3				5	2A7, 57, 58, 2A5, 80.	455 5-13	
600.....	Vol. Tone		6	SRP263.....	6	EX500		5.....	15	TC22.....					6	6A7, 78, 37, 6C6, 43, 25Z5.	456 5-14	
A602, A605, A608	Vol. Tone		22	MR33.....				16-16.....	6	2N509.....					6	12SK7GT, 12SA7GT, 12SK7, 12SQ7GT, 35L6GT, 35Z5GT.	455 15-2	
A602, A605, A608	Vol.	3002.....	161	MR48.....	M26			4-4.....	15	TN111.....					6	6A7, 6A7, 75, 41, 84.	175 6-9	
A602, A605, A608	Vol.			MR48.....	M26			2005-1.....	24	FP211.....					6	6A7, 6A7, 75, 41, 84.	175 6-9	
605.....	Vol.	8462.....	17	MR48.....	M26	RS246		8-8.....	1	2N518.....		8463	294	C3	6	6D6, 6A7, 75, 41, 84.	455 15-2	
605.....	Vol.			MR48.....	M26	RS246		5-5.....	15	TN111.....	B14				6	6D6, 6A7, 75, 41, 84.	175 7-3,4	
606.....	Vol. Tone	8462.....	17	MR48.....	M26	RS246		.025-.025.....	1	Buffer.....	B14	8463	294	C3	6	6D6, 6A7, 75, 41, 84.	175 7-3,4	
606.....	Vol. Tone	3368.....	22	UM137.....			A96	2269.....	15	TCS71.....					6	6D6, 6A7, 75, 41, 84.	175 7-3,4	
607.....	Vol.	8462.....	17	MR48.....	M26	RS246		2270.....	15	TN111.....	B14				6	6D6, 6A7, 75, 41, 84.	456 6-8	
607.....	Vol.			MR48.....	M26	RS246		.025-.025.....	1	Buffer.....	B14	8463	294	C3	6	6D6, 6A7, 75, 41, 84.	456 6-8	
609.....	Vol.	8474.....	6	SRP263.....	6	EX800		8-8.....	15	2N518.....					5	6A7, 6K7, 6J7, 43, 25Z5.	456 6-11	
609.....	Vol.			SRP263.....	6	EX800		5-5.....	15	TN111.....	B14				5	6A7, 6K7, 6J7, 43, 25Z5.	456 6-11	
609 Revised	Vol.	8474.....	6	SRP263.....	6	EX800		.0075.....	27/15	UR182.....					5	6A7, 6K7, 6J7, 43, 25Z5.	456 6-11	
609 Revised	Vol.			SRP263.....	6	EX800		2294.....	27/15	UR182.....					5	6A7, 6K7, 6J7, 43, 25Z5.	456 6-11	
610, 610LW	Vol.	8533.....	17	MR48.....	M26			20-12.....	4	TCS45.....					5	6A7, 6K7, 6J7, 43, 25Z5.	456 7-11	
610, 610LW	Vol.			MR48.....	M26			5.....	15	TC22.....					6	6A8, 6K7, 6H6, 6F5, 6F6, 80.	456 6-12	
610, 610LW	Vol.			MR48.....	M26			2292.....	4	TCS71.....					6	6A8, 6K7, 6H6, 6F5, 43, 25Z5.	456 6-12	
611, 611LW	Vol. Tone		6					20-12-5.....	27/15	UR182.....					6	6A8, 6K7, 6H6, 6F5, 43, 25Z5.	456 6-13	
611, 611LW	Vol. Tone		21					20-12-5.....	27/15	UR182.....					6	6A8, 6K7, 6H6, 6F5, 43, 25Z5.	456 6-13	
612 612LW, 615, 615LW	Vol.	8474.....	6	SRP263.....	6	EX800		2301.....	27/15	UR182.....					5	6A8, 6K7, 75, 43, 25Z5.	456 6-14	
612 612LW, 615, 615LW	Vol.			SRP263.....	6	EX800		2301.....	27/15	UR182.....					5	6A8, 6K7, 75, 43, 25Z5.	456 6-14	
616.....	Vol.		6	C12.....				20-12-5.....	27/15	UR182.....					5	6A7, 6D6, 76, 43, 25Z5, M49B.	456 7-6	
616.....	Vol.			C12.....				20-12-5.....	27/15	UR182.....					5	6A7, 6D6, 76, 43, 25Z5, M49B.	456 7-6	
617.....	Vol. Tone	8462.....	17	MR48.....	M26	RS246		2269.....	1	TCS71.....		8463	294	C3	6	6D6, 6A7, 75, 41, 84.	175 7-3,4	
617.....	Vol. Tone	3368.....	22	UM137.....			A96	2270.....	15	TN111.....	B14				6	6D6, 6A7, 75, 41, 84.	175 7-3,4	
617.....	Vol. Tone			UM137.....			A96	.025-.025.....	15	Buffer.....	B14				6	6D6, 6A7, 75, 41, 84.	175 7-3,4	
618.....	Vol. Tone		18					16-16.....	27	TCS44.....					5	6A7, 6D6, 75, 43, 25Z5, L49C.	456 7-7	
618.....	Vol. Tone		21					16-16.....	27	TCS44.....					5	6A7, 6D6, 75, 43, 25Z5, L49C.	456 7-7	
619.....	Vol.		6	C12.....				20-12-5.....	27/15	UR182.....					5	6A7, 6D6, 76, 43, 25Z5, L49C.	456 7-6	
619.....	Vol.			C12.....				20-12-5.....	27/15	UR182.....					5	6A7, 6D6, 76, 43, 25Z5, L49C.	456 7-6	
620, 620LW	Vol. Tone		18					8-8.....	4	2S567.....					6	6A7, 6D6, 75, 6G5, 42, 80.	456 7-7	
620, 620LW	Vol. Tone		147					8-8.....	4	2S567.....					6	6A7, 6D6, 75, 6G5, 42, 80.	456 7-7	
621, 621LW	Vol. Tone		17					20-12.....	27	TCS45.....					5	6A7, 6D6, 75, 43, 25Z5, L49C.	456 7-8	
621, 621LW	Vol. Tone		147					20-12.....	27	TCS45.....					5	6A7, 6D6, 75, 43, 25Z5, L49C.	456 7-8	
AC624.....	Vol. Tone		7	E.....				8-5.....	4	See Note.....	B3				6	2A, 45, 80.		
AC624.....	Vol. Tone		21	MR44.....				8-5.....	4	See Note.....	B3				6	2A, 45, 80.		
629, 629LW	Vol.	8660.....	18	MR48.....	M26			16-16.....	1	2N509.....					6	6A7, 6D6, 75, 25L6G, 6G5, 25Z5.	456 8-7	
629, 629LW	Vol.			MR48.....	M26			16-16.....	1	2N509.....					6	6A7, 6D6, 75, 25L6G, 6G5, 25Z5.	456 8-7	
630.....	Vol. Tone		6	1I7.....		5		16-16-8.....	11	See Note.....	B96				6	78, 6A7, 77, 43, 25Z5.	456 5-15	
630.....	Vol. Tone		22	MR33.....				5.....	15	TC22.....					6	78, 6A7, 77, 43, 25Z5.	456 5-15	
DC632.....	Vol.		40	MR18.....				5.....	15	TC22.....					6	78, 6A7, 77, 43, 25Z5.	456 5-15	
636, 636LW, 636S, 636LW-S.	Vol.		18	MR48.....				8-8.....	1	2N518.....					6	30, 31, 32.	2-8	
636, 636LW, 636S, 636LW-S.	Vol.			MR48.....				5.....	19	TC32.....					6	30, 31, 32.	2-8	
637, 637LW, 637S, 637LW-S.	Vol. Tone		17	MR48.....				8-8.....	1	2N518.....					6	6A7, 6D6, 6Q7G, 6V6G, 6U5, 6X5G.	456 9-3	
637, 637LW, 637S, 637LW-S.	Vol. Tone		22	MR28.....				16-16.....	1	2N509.....					6	6A7, 6D6, 6Q7G, 25L6G, 6U5, 25Z5, L42F.	456 9-3	
637-8.....	Vol.		6	MR24.....			A14	2210.....	1	TCS71.....					6	36, 37, 38.	2-7	
640.....	Vol.		17	MR48.....				5-5.....	15	TN111.....	B14		Order from Mfr.		6	6D6, 6A7, 75, 41, 84.	175 5-16	
640.....	Vol.			MR48.....				.025-.025.....	15	Buffer.....	B14		Order from Mfr.		6	6D6, 6A7, 75, 41, 84.	175 5-16	
645, 645LW	Vol.		17	MR48.....				16-10.....	1	2N509.....					5	6A7, 6D6, 6Q7G, 25L6G, 25Z5, M49F.	456 9-4	
645, 645LW	Vol.			MR48.....				5.....	15	TC32.....					5	6A7, 6D6, 6Q7G, 25L6G, 25Z5, M49F.	456 9-4	
648, 648LW, 650, 650LW	Vol. Tone	3430.....	17	MR48.....	M26			16-10.....	1	2N509.....					6	6A7, 6D6, 6Q7G, 25L6G, 76, 25Z5, M42F.	456 9-5	
648, 648LW, 650, 650LW	Vol. Tone	3432.....	21	MR48.....	M26			5-5.....	15	TN111.....					6	6A7, 6D6, 6Q7G, 25L6G, 76, 25Z5, M42F.	456 9-5	
649, 649LW, 651, 651LW	Vol. Tone	3430.....	18	MR48.....	M26			8-8.....	1	2N518.....					6	6A7, 6D6, 76, 6Q7G, 41, 84.	456 9-9	
649, 649LW, 651, 651LW	Vol. Tone	3432.....	21	MR48.....	M26			5.....	19	TC32.....					6	6A7, 6D6, 76, 6Q7G, 41, 84.	456 9-9	
652.....	Vol.		17	MR48.....				16-10.....	1	2N509.....					5	6A7, 6D6, 6Q7G, 25L6G, 25Z5, M49F.	456 9-4	
652.....	Vol.			MR48.....				5.....	15	TC32.....					5	6A7, 6D6, 6Q7G, 25L6G, 25Z5, M49F.	456 9-4	
655, 655LW, 656, 656LW	Vol.	3439.....	18	UM154.....	M26		A96	2460.....	1	2N509.....					5	12SA8, 12SK7, 12SQ7, 35L6GT, 35Z4GT, E7999.	456 10-5	
655, 655LW, 656, 656LW	Vol.			UM154.....	M26		A96	2460.....	1	2N509.....					5	12SA8, 12SK7, 12SQ7, 35L6GT, 35Z4GT, E7999.	456 10-5	
658, 658LW	Vol.		17	MR48.....	M26			16-10.....	1	2N509.....					5	6A7, 6D6, 6Q7G, 25L6G, 25Z5, M49F.	456 11-1	
658, 658LW	Vol.			MR48.....	M26			16-10.....	1	2N509.....					5	6A7, 6D6, 6Q7G, 25L6G, 25Z5, M49F.	456 11-1	
661.....	Vol.		17	MR48.....	M26			16-10.....	1	2N509.....					5	6A7, 6D6, 6Q7G, 25L6G, 25Z5, M49F.	456 11-1	
661.....	Vol.			MR48.....	M26			16-10.....	1	2N509.....					5	6A7, 6D6, 6Q7G, 25L6G, 25Z5, M49F.	456 11-1	
662, 662L	Vol. Tone		18	MR48.....	M26			40-20.....	1	2N514.....					5	12SA7, 12SK7, 12SQ7, 50L6GT, 35Z5GT, G-30-50.	455 11-7	
662, 662L	Vol. Tone		21	MR53.....				20.....	15	TC26.....					5	12SA7, 12SK7, 12SQ7, 50L6GT, 35Z5GT, G-30-50.	455 11-7	

‡ Data not substantiated.

\* IMPORTANT: Read Notes in Note Section if specified in Note Column.

‡ Indicates miscellaneous section.

MALLORY PARTS ARE DESIGNED WITH THE SERVICEMAN IN MIND.



MANUFACTURER AND MODEL	CONTROLS							CONDENSERS				VIBRATORS			No. Tubes	Complete Tube Complement	I. F. Peak	Rider's Reference
	Use	Original Part	Circuit	Correct Replacement	Switch	Bias	*Note	Original Part	Circuit	Correct Replacement	*Note	Original Part	Replacement	*Note				
DEWALD—Continued																		
663.....	Vol.		18	MR48	M26			30-20	1	2N514					5	12SA7, 12SK7, 12SQ7, 50L6GT, 35Z5GT, G-30-50	455 11-3	
665.....	Vol.		18	MR48	M26			40-20 20	1 15	2N514 TC26					5	12SA7, 12SK7, 12SQ7, 50L6GT, 35Z5GT, G-30-50	455 11-7	
666.....	Vol.		18	MR48	M26			30-20	1	2N514					5	12SA7, 12SK7, 12SQ7, 50L6GT, 35Z5GT, G-30-50	455 11-3	
666T.....	Vol.	3519A	18	MR48	M26			2507	1	2N509					6	12SA7, 12SK7, 12SQ7, 35L6GT, 35Z5GT	455 13-4	
669.....	Vol.	3519A	18	MR48	M26			2507	24	2N509					6	12SA7, 12SK7, 12SQ7, 35L6GT, 35Z5GT	455 12-5	
670.....	Vol. Tone		18	MR48	M26			2535	46/15	FP354/TC26	B3				6	12SK7, 12SA7, 12SQ7, 35L6GT, 35Z5GT	455 13-5	
671.....	Vol. Tone	3538	18	MR48	M26			2534	1/15	3N527					6	6SK7, 6SA7, 6SQ7, 6K6GT, 6X5GT	455 12-6	
674.....	Vol. Tone	3539	21	MR53				2556A	3	TC255/TC55					6	12SK7, 12SA7, 12SQ7, 35L6GT, 35Z5GT	455 13-7	
674.....	Vol. Tone	3507G	18	MR48	M26			2556A	3	TC255/TC55					6	12SK7, 12SA7, 12SQ7, 50L6GT, 35Z5GT	455 13-8	
675.....	Vol.		18	MR48	M26			24-16	1	2N509					6	6A7, 6D6, 75, 6G5, 25Z5, L42C, 43	456 8-9	
700, 700LW.....	Vol. Tone		18	MR48		See Note	A5	16-16	27	TCS44					6	6A7, 6D6, 75, 25L6G, 25Z5, L42C, 6G5	456 8-9	
700A, 700A-LW.....	Vol. Tone		17	MR48				20-20	6	2N509					7	6A7, 6D6, 75, 25L6G, 25Z5, L42C, 6G5	456 8-9	
701, 701LW.....	Vol. Tone		17	MR39				5	15	TC22					5	6A7, 6D6, 6Q7G, 25L6G, 25Z5, D-150	456 9-7	
701, 701LW.....	Vol. Tone		22	MR48				20-20	15	2N509					5	6A7, 6D6, 6Q7G, 25L6G, 25Z5, D-150	456 9-7	
702.....	Vol. Tone	3407	18	UM154	M26		A96	8-8	23	2S567		8608	294	C3	7	6D6, 6A7, 75, 41, 6H6, 84	175 8-10	
702.....	Vol. Tone	3390A	22	UM137			A96	.01		Buffer	B14				7	6A7, 6D6, 75, 25L6G, 6G5, 25Z5	456 8-7	
703, 703LW.....	Vol. Tone	8660	18	MR48	M26			16-16	1	2N509					6	6A7, 6D6, 75, 25L6G, 6G5, 25Z5	456 8-7	
704, 704LW.....	Vol. Tone		17	MR48	M26			30-16	1	2N514					6	6A7, 76, 6D6, 6Q7G, 25L6G, 25Z5, M42F	455 11-8	
704, 704LW.....	Vol. Tone		21	MR53				25	15	TC26					6	6A7, 76, 6D6, 6Q7G, 25L6G, 25Z5, M42F	455 11-8	
705.....	Vol. Tone		17	MR48	M26			30-16	1	2N514					6	6A7, 76, 6D6, 6Q7G, 25L6G, 25Z5, M42F	455 11-8	
705.....	Vol. Tone		21	MR53				25	15	TC26					6	6A7, 76, 6D6, 6Q7G, 25L6G, 25Z5, M42F	455 11-8	
706.....	Vol. Tone	3430	18	MR48	M26			2527	1/15	3N527					7	6SA7, 6SK7, 6SQ7, 6K6GT, 6X5G, 6U5	455 12-7	
707.....	Vol. Tone	3432	57	MR48				2535	46/15	FP354/TC26	B3				7	12SK7, 12SA7, 12SQ7, 35L6GT, 35Z5GT	455 13-5	
707.....	Vol. Tone	3538	18	MR48	M26			2535	46/15	FP354/TC26	B3				7	12SK7, 12SA7, 12SQ7, 35L6GT, 35Z5GT	455 13-5	
707.....	Vol. Tone	3539	21	MR53				2535	46/15	FP354/TC26	B3				7	12SK7, 12SA7, 12SQ7, 35L6GT, 35Z5GT	455 13-5	
708.....	Vol. Tone	3538	18	MR48	M26			2534	1/15	3N527					7	6SK7, 6SA7, 6SQ7, 6K6GT, 6U5/6G5, 6X5GT	455 12-6	
708.....	Vol. Tone	3539	21	MR53				2534	1/15	3N527					7	24, 27, 45, 80	2-9	
AC724	Vol. Tone		40	MR18				1.5-3-1	3	See Note	B1				7	24, 27, 45, 80	3-1	
724-I	Vol. Tone		6	G7	6		A14	12-8	1	3S584	B8				7	24, 27, 45, 80	3-1	
DC727	Vol. Tone		41	MR39											7	24, 27, 45	3-2	
746-7M	Vol. Tone		40	MR18											8	35, 27, 24, 47, 80	175 3-3,4	
802, 803	Vol. Tone		6	E7	6		A14	8, 8	4	ST595					8	58, 2A7, 2A6, 2A5, 45, 80	456 5-17	
804, 805	Vol. Tone		17	MR48				8-8-8	5	3S584					8	58, 2A7, 2A6, 2A5, 45, 80	456 5-17	
804, 805	Vol. Tone		21	MR53				4-4	15	TN111					8	58, 2A7, 2A6, 2A5, 45, 80	456 5-17	
804, 805	Vol. Tone	8515	76	MR48	M26			2282	26	TC71					8	58, 2A7, 2A6, 2A5, 45, 80	456 6-15	
804, 805	Vol. Tone	3338	76	MR48				2286	26	RM262					8	58, 2A7, 2A6, 2A5, 45, 80	456 6-15	
804S, 805A, 805C...	Vol. Tone		76	MR48	M26			2259	15	TC22					8	58, 2A7, 2A6, 2A5, 45, 80	456 7-9	
804S, 805A, 805C...	Vol. Tone	8515	76	MR48				2282	26	TC71					8	58, 2A7, 2A6, 2A5, 45, 80	456 7-9	
804S, 805A, 805C...	Vol. Tone	3338	76	MR48				2286	26	RM262					8	58, 2A7, 2A6, 2A5, 45, 80	456 7-9	
807.....	Vol.		73	MR48				16-16	1	2N509					7	6A7, 6D6, 76, 75, 25L6G, 25Z5, L42F	456 9-8	
810.....	Vol. Tone		45	MR48	M26			8-8	1	2N518					8	6A7, 6D6, 76, 6Q7G, 6U5, 6Y6G, 6X5G	456 12-8	
810.....	Vol. Tone		22	MR53				5, 25	15	TC22/TC26					8	6D6, 6A7, 37, 42, 80	456 5-18	
811A.....	Vol. Tone		45	MR48				8, 8	1	ST595					8	6D6, 6A7, 37, 42, 80	456 5-18	
811A.....	Vol. Tone		22	MR21				10-10	15	TN111					8	6D6, 6A7, 37, 42, 80	456 5-18	
812.....	Vol. Tone		17	MR48				30-16	1	2N513					7	6A7, 6D6, 6Q7G, 25L6G, 6U5, 76, 25Z5, M42F	456 12-5	
812.....	Vol. Tone		21	MR48				25	15	TC26					7	6A7, 6D6, 6Q7G, 25L6G, 6U5, 76, 25Z5, M42F	456 12-5	
814, 815, 816, 817..	Vol. Tone		124	MR48	M26			16-16	1	2S569					8	6SA7, 6SK7, 6SQ7, 6K6GT, 6U5, 5Z4	455 12-9, 11,12	
814, 815, 816, 817..	Vol. Tone		22	MR53				16-16	1	2S569					8	6SA7, 6SK7, 6SQ7, 6K6GT, 6U5, 5Z4	455 12-9, 11,12	
906, 907, 908.....	Vol. Tone		124	MR48	M26			16-16	1	2S569					9	6SA7, 6SK7, 6SQ7, 6K6GT, 6U5, 5Z4	455 12-10-12	
906, 907, 908.....	Vol. Tone		22	MR53				16-16	1	2S569					9	6SA7, 6SK7, 6SQ7, 6K6GT, 6U5, 5Z4	455 12-10-12	
1002, 1003.....	Vol. Tone	3422	108	MR53		See Note	A19	2426	1	ST597					10	6K7, 6A7, 6H6, 6J5, 6F6, 6U5, 80	456 9-6	
1002, 1003.....	Vol. Tone	3423	22	MR44	M26			2427	1	ST597					10	6K7, 6A7, 6H6, 6J5, 6F6, 6U5, 80	456 9-6	
1100 (Early).....	Vol. Tone		114	MR48				2428	15	TC32					9	6A8, 6K7, 6H6, 6C5, 43, 25Z5, 2600, 2601	456 7-11	
1100 (Early).....	Vol. Tone		114	MR53				20-12	4	TCS45					9	6A8, 6K7, 6H6, 6C5, 43, 25Z5, 2600, 2601	456 7-11	
1100 (Early).....	Vol. Tone		114	MR53				5	15	TC22					9	6A8, 6K7, 85, 43, 25Z5	456 7-12	
1100 (Late).....	Vol. Tone		114	MR48				20-12	4	TCS45					9	6A8, 6K7, 85, 43, 25Z5	456 7-12	
1100 (Late).....	Vol. Tone		114	MR53				8	1	TC71					9	6A8, 6K7, 85, 43, 25Z5	456 7-12	
1100 (Late).....	Vol. Tone		114	MR53				5	13	TC71					9	6A8, 6K7, 85, 43, 25Z5	456 7-12	
1100 (Late).....	Vol. Tone		114	MR53				5	15	TC22					9	6A8, 6K7, 85, 43, 25Z5	456 7-12	

† Data not substantiated.

\* IMPORTANT: Read Notes in Note Section if specified in Note Column.

‡ Indicates miscellaneous section.

MANUFACTURER AND MODEL	CONTROLS							CONDENSERS				VIBRATORS			No. Tubes	Complete Tube Complement	I. F. Peak	Rider's Reference
	Use	Original Part	Circuit	Correct Replacement	Switch	Bias	*Note	Original Part	Circuit	Correct Replacement	*Note	Original Part	Replacement	*Note				
<b>DEWALD—Continued</b>																		
1102-3.....	Vol.		18	MR48.....				40-25-8.....	11	See Note... B3					9	*6K7, 6A8G, 75, 6G5, *25B6, *25Z5, 8664, 8663.....	456	10-6
1104, 1105.....	Vol. Tone		17	MR53.....		See Note A19		40.....	1	RS224.....					8	*6K7, 6A7, 6R7, *25L6G, 6U5, 25Z5.....	456	9-10
1200.....	Vol.		15	MR48.....				5.....	15	TC22.....					8	6A7, 6D6, *76, 75, 25L6G, *25Z5.....	456	8-6
1201.....	Vol.		108	MR48.....				16-16.....	1	2N509.....					8	6A7, 6D6, *76, 75, 25L6G, D200, D150, D35, *25Z5.....	456	9-8
<b>DUOSONIC</b>																		
K1, K2.....	Vol.		50	MR55.....	M26				88	TN129.....					2	50B5, 35W4.....		
K3, K4.....	Vol. Tone		50	MR55.....	M26				88	TN129.....					2	50L6GT, 35Z5GT.....		
			22	MR29.....														
<b>DYNAVOX</b>																		
Swingmaster.....	Vol.		50	MR55.....	M26				24/15	2N520/TC32	B6				2	50L6GT, 35W4.....		
M-510.....	Vol. Tone		171	MR48.....	M26				24	2N521.....					3	12J5GT, 50L6GT, 35Z5GT.....		
			171	MR50.....	M26				15	TC32.....								
<b>ECA</b>																		
101, Ch. AA.....	Vol.	40541.....	18	MR48.....	M26			S-CE122M.....	24	2N520.....					5	12SA7, 12SK7, 12SQ7GT, 50L6GT, 35Z5GT.....	455	15-3,6
102, Ch. AA.....	Vol. (Late) (Early)	40541.....	18	MR55.....	M26			S-CE122M.....	24	2N520.....					5	12SA7GT, 12SK7GT, 12SQ7GT, 50L6GT, 35Z5GT.....	455	15-3,6
104, 105, 106 (Early).....	Vol. Tone	S-RV171-1.....	18	MR48.....	M26			S-CE122M.....	24	2N520.....					5	12SA7, 12SK7GT, 12SQ7, 50L6GT, 35Z5GT/G.....	455	15-1,5
		S-RV174-1.....	22	MR53.....														
105.....	Vol. Tone	SRV174-2.....	161	UM159-SS1.....	M26			S-CE122M.....	24	2N520.....					5	12SA7, 12SK7GT, 12SQ7, 50L6GT, 35Z5GT/G.....	455	15-1,5
			22	MR48.....														
106.....	Vol. Tone	S-RV171-1.....	18	MR48.....	M26			S-CE122M.....	24	2N520.....					5	12SA7, 12SK7GT, 12SQ7GT, 50L6GT, 35Z5GT.....	455	15-1,5
		S-RV174-1.....	22	MR53.....														
108.....	Vol. Tone	SRV174-1.....	168	MR48.....				S-CE126M.....	24/24	2N511/2N514.....					7	6SA7GT, 6SF7, 6SL7GT, *25L6GT, *25Z5GT.....	455	15-7,10
		SRV174-1.....	168	MR48.....														
121.....	Vol. Tone	S-RV171-1.....	193	MR48.....				S-CE126M.....	24/24	2N514/2N511.....					7	6SA7GT/G, 6SF7, 6SL7GT, *25L6GT/G, *25Z6GT/G.....	455	15-4,6
		S-RV174-1.....	193	MR48.....														
131.....	Vol. Tone	S-RV171-1.....	18	MR48.....	M26			S-CE122M.....	98	2N520.....					5	12SA7, *12SK7GT, 12SQ7, 50L6GT, D.R.....	455	
		S-RV174-1.....	158	MR48.....														
201.....	Vol.	S-1016-3.....	18	MR48.....	M26			S-1046-1.....	98	2N520.....					5	12BE6, 12BA6, 12AT6, 50B5, 35W4.....	455	§16-3
<b>ECHOPHONE</b>																		
F.....	Vol. Tone		6	MR24.....				8.....	4	RS213.....					6	*24, *45, 80.....		2-2
			44	MR21.....														
EC1.....	Vol.		18	MR48.....	M26			40-30-20.....	24/15	3N533.....					6	12K8, 12SK7, 12SQ7, 35L6GT, 12J5GT, 35Z5GT.....	455	14-1
EC2.....	Vol.	25-048.....	18	MR50.....	M26			30-30-40.....	46	2N513/TC48					7	6SG7, 6K8, 6SK7, 6H6, 6SC7, 25L6GT, 25Z6GT.....	455	13-1,3,7
								10.....	15	TC22.....								
EC3.....	Vol. Sen.	25-048.....	127	MR50.....	M26			30-30-40.....	46	2N513/TC48					8	6SG7, 6K8, *6SK7, 6H6, 6SC7, 25L6GT, 25Z6.....	455	13-4,7
		25-066.....	7	MR19.....														
S3.....	Vol.		6	C12.....				2-1.....	25	See Note... B1					5	*24, 45, 80.....		1-1
4.....	Vol.		6	MR24.....				6790B.....	4	2S567.....					4	58, 57, 47, 80.....		3-12
S4.....	Vol.		3	D12.....				1-2.....	25	See Note... B1					6	*24, 27, 45, 80.....		1-4
5.....	Vol. Tone		77	MR48.....				8, 8.....	4	RS213.....					6	55, 57, *58, 47, 80.....	175	3-1
			22	MR24.....														
S5 (Dynatron).....	Vol. Tone		6	H7.....				8.....	4	RS213.....					7	*24, *45, 80.....	175	1-7
			44	MR21.....														
S5 (Rev.).....	Vol.		6	MR24.....				8.....	4	RS213.....					8	*24, 27, *45, 80.....	175	1-8
10.....	Vol. Tone		77	MR48.....				8, 8.....	1	RS213.....					8	*58, 55, 57, *47, 80.....	175	3-4
			44	MR24.....														
12.....	Vol.		6	G7.....	6	2		8.....	4	ST595.....					5	*57, 58, 47, 80.....	175	3-7
								4.....	4	ST595.....								
14.....	Vol. Tone		77	MR48.....				8, 8.....	4	RS213.....					6	55, 57, *58, 47, 80.....	175	3-3
			22	MR24.....														
15.....	Vol. Tone		77	MR48.....				8, 8.....	1	RS213.....					8	*58, 57, 55, *47, 80.....	175	3-4
			44	MR24.....														
16, 17, 18.....	Vol. Tone		77	MR48.....				8, 8.....	1	RS213.....					8	55, 56, 57, *58, *47, 80.....	175	3-5
			44	MR24.....														

‡ Data not substantiated.

\* IMPORTANT: Read Notes in Note Section if specified in Note Column.

§ Indicates miscellaneous section.

WHEN YOU BUY A BATTERY CHARGER BUY A MALLORY.



MANUFACTURER AND MODEL	CONTROLS							CONDENSERS				VIBRATORS			No. Tubes	Complete Tube Complement	I. F. Peak	Rider's Reference
	Use	Original Part	Circuit	Correct Replacement	Switch	Bias	*Note	Original Part	Circuit	Correct Replacement	*Note	Original Part	Replacement	*Note				
EILEN RADIO LABS. 5 Tube.....	Reg. Sen.		12 7	MR39 D.....			5	8-8.....	4	2S567.....					5	6D6, 6C6, 76, 42, 84.....		
ELCAR 602.....	Vol.	500M-6.....	18	MR48	M26				1 15	2N511 TC39.....					6	*12SK7GT, 12SA7GT, 12SQ7GT, 35A5, 35Y4.....	455	
ELECTONE T5TS3.....	Vol. (Early) (Late)		18 18	MR48 MR55.....	M26 M26				80	2N520.....					4	12SA7, 12SK7, 12SQ7, 50L6GT, D.R.....	456	
ELEC. AUTO LITE No. 11..... 062A, 3622A..... 072A, 3722A..... 82.....	Vol. Vol. Vol. Vol. Vol. Tone		7 45 21 18 44 15 21	MR40 MR48 MR39 MR48 MR39 MR48 MR48				4 4 4 10	15 12 15 19	TC32 TC71 TC32 TC22.....		Order from Mfr. Order from Mfr.			6 6 7	35, 32A, 27, 371A *39, 36, 37, 41..... *39, 36, 37, 41..... *36, 37, 327, 47.....	262 262	4-1 4-2
E & A (Electric & Auto 4M..... IL-5..... 6AW..... SW-6..... 25AW..... 30AW..... 35AW..... IL55LW..... 303..... 303LW..... 303SW..... 405..... 405LW.....	Vol. Vol. Vol. Vol. Vol. Vol. Vol. Vol. Vol. Vol. Vol. Vol. Vol. Vol. Vol.	Products Co.)	6 6 17 18 17 17 17 6 6 6 6 6 6 6 6 6 6	SRP263..... SRP263..... MR48..... MR48..... MR48..... MR48..... MR48..... SRP263..... SRP263..... SRP263..... SRP263..... SRP263..... SRP263..... SRP263..... SRP263..... SRP263.....	6 EX500 EX500 EX500 EX500 EX500 EX500 EX500 EX500 EX500 EX500 EX500 EX500 EX500 EX500 EX500		16-8 5-5 16-10 5-5 8-8 5-5 10 5 8-8 5-5 10-25 5-5 8-8 5-5 25-10 5 10 5-5 10 5-5 10 5-5 16-10 5-5 16-10 5-5	1 15 1 15 1 15 1 15 1 15 1 15 6 15 1 15 1 15 6 15 1 15 6 15 6 15	2N509 TN111 2N509 TN111 2N518 TN111 TC72 TC32 2N518 TN111 2N509 TN111 2N518 TN111 2N509 TC22 TC44 TN111 TC44 TN111 TC44 TN111 2N509 TN111 2N509 TN111			4 5 6 6 5 6 5 3 3 3 4 4	78, 77, 38, 12Z3..... 6A7, 78, 77, 43, 25Z5..... *78, 6A7, 75, 42, 80..... 2A7, *58, 2A6, 2A5, 80..... 6A7, 78, 75, 42, 80..... *78, 6A7, 75, 43, 25Z5..... *78, 6A7, 75, 42, 80..... 6A7, 78, 77, 43, 25Z5..... 6A7, 6F7, 12A7..... 6A7, 6F7, 12A7..... 6A7, 6F7, 12A7..... 6A7, 6F7, 12A7..... 6A7, 6F7, 43, 12Z3..... 6A7, 6F7, 43, 12Z3.....	262 456 456 456 456 456 125 456 456 456 456 456 456 456 456 125 456 456 456 456 456 456 456	6-1 6-3 6-4 6-2 6-1 6-3 6-4 6-3 6-4, 5 6-5 6-5 6-6 6-6			
ELECTRICAL RESEARCH LABS.—See "Erla"																		
ELECTRO B-20.....	Vol.		18	MR48.....	M26				24	2N511.....					6	*6SK7, 12SA7, 12SQ7, 35L6GT, 35Z5GT.....	456	
ELECTRO-TONE 555.....	Vol. Tone		18 21	MR48 MR48.....	M26 M26				24	2N520.....					6	*12SK7GT, 12SA7GT, 12SQ7GT, 50L6GT, 35Z5GT.....	455	
ELECTROMATIC APH301-A, APH301-C..... AR-501..... 512..... 606-A, 607-A.....	Vol. Tone Vol. Vol. Vol. Tone	RVC-A113.. RVC-A113.. RVC-A120.. 111-C.....	194 21 18 24 24 21	MR53 MR53 MR48..... MR48..... MR48 MR48	M26 M26 M26 M26			80 15 24	80 88	2N521 TC32 2N509 2N520 2N520 FP357.....			B20		3 5 5 5	12SK7GT, 50L6GT, 35Z5GT..... 12SA7/14Q7, 12SK7/14A7/12B7, 12SQ7/14B6, 50L6/50A5, 35Z5/35Y4..... 12SA7, 12SK7, 12SQ7, 50L6GT, 35Z5GT..... 12SA7GT, 12SK7GT, 12SQ7, 50L6GT, 35W4/35Z5GT.....	455 455 455	15-1 15-2
ELÉCTRONIC CORP. OF AMERICA—See E.C.A.																		

‡ Data not substantiated.

\* IMPORTANT: Read Notes in Note Section if specified in Note Column.

‡ Indicates miscellaneous section.

MANUFACTURER AND MODEL	CONTROLS							CONDENSERS				VIBRATORS			No. Tubes	Complete Tube Complement	I. F. Peak	Rider's Reference	
	Use	Original Part	Circuit	Correct Replacement	Switch	Bias	*Note	Original Part	Circuit	Correct Replacement	*Note	Original Part	Replacement	*Note					
<b>E/L ELECTRONIC</b> 76M, 76W, 76E, 76K.....	Vol.	W-444A....	18	MR48....	M26			C-466A....	24	2N511....					6	12SK7GT, 12SA7GT, 12SQ7GT, 35L6GT, 35Z5GT..	455	15-1,2	
76RU (Radio Utili- phone), Ch. 2865.	Vol.	W-484A....	182	MK401....				C-466A....	24	2N511....					6	14A7, 14Q7, 14F7, 50A5, 35Y4....	455	16-1,4	
331.....								8-8-20 .02-.02	1	2N516/TC26 Buffer	B14	430.	292	C3	84.....			4-2	
332 32V.....								8-8-25 .02-.02	1/19	2N516/TC26 Buffer	B14	530.	Order from Mfr.			25Z5.....			4-2
710B, 710M, 710T, 710W, Ch. 2875..	Vol. Bass Treble	W-489A.... W-476A.... W-476A....	161 192 192	MK401.... MK402.... MK402....	M26			C-466A....	24	2N511....					10	12SK7GT, 12SA7GT, 12SQ7GT, 50L6GT, 35Z5GT..	455	16-5,7	
710PC, 710PB, Ch. 2887.....	Vol. Bass Treble	W-489A.... W-476A.... W-476A....	161 192 192	MK401.... MK402.... MK402....	M26			C-466A....	24	2N511....					10	12SK7GT, 12SA7GT, 12SQ7GT, 50L6GT, 35Z5GT..	455		
2660.....								C-466A....	24	2N511....					3	14A7, 50A5, 35Y4....			
2701.....	Vol.	W-444A....	18	MR48....	M26			C-466A....	24	2N511....					6	12SK7GT, 12SA7GT, 12SQ7GT, 50L6GT, 35Z5GT..	455		
2811.....	Vol.	W-444A....	18	MR48....	M26										6	12SK7GT, 12SA7GT, 12SQ7GT, 50L6GT, 35Z5GT..	455		
																35L6GT, 28D7....			16-8
<b>EL-REY</b> 4 Tube Midget.....	Vol. Tone		6	SRP263.... MR24....	6	EX200		4-4....	23	TCS71....					4	58, 57, 47, 80.....			\$5-14
7 Tube AW.....	Vol. Sen. Tone		56	MR44.... C....	M26			8-8.... 10....	1 15	See Note.... TC22....	B3				7	55, 56, 57, 58, 2A5, 80	262.5		6-2
10, 15.....	Vol. Tone		22	MR24.... SRP263....		EX300	See Note	4-4....	23	TCS71....					4	58, 57, 47, 80.....			6-1
20.....	Vol. Tone		22	MR24....		See Note	te A4	4-8....	4	See Note....	B3				6	57, 58, 59, 55, 80, 56.	465		6-1
644.....	Vol. Tone		22	MR24....				25....	15	TC26....					6	6A7, 6D6, 75, 42, 80.	465		6-3
845.....	Vol. Tone		83	MR48.... MR24....	M26			8-8....	23	See Note....	B3				6	6A7, 6D6, 75, 42, 80.	465		6-3
	Vol. Tone		44	MR48.... MR24....				8-8....	1	See Note....	B3				8	55, 56, 57, 58, 2A5, 5Z3....	465		6-4
<b>ELEC. SPEC. EXPO</b> R502.....	Vol.	P. "Stratfield"	6	MR18....	M26	2		20-20.... 10-10....	6 15	2N509.... TN111....					5	6A7, 6D6, 75, 43, 25Z5....	456		5-4
38.....	Vol.		6	MR45....	M26	EX250		8.... 10....	24 15	TC42.... TC22....					4	6D6, 6C6, 38, 12Z3..			5-1
45.....	Vol.		6	MR44....				8-12-10-10....	6/15	4S715....					4	6D6, 6C6, 43, 25Z5..			5-2
48.....	Vol.		6	MR44....		EX250		16-12-10-10....	1/15	4S715....					4	6D6, 6C6, 38, 25Z5..			5-1
69.....	Vol.		6	MR18....	M26	EX200		20-20.... 10....	1 15	2N509.... TC22....					6	6A7, 6D6, 85, 43, 25Z5....	456		5-3
<b>EMERSON</b> A130, A132 (type 1) up to 799, 301...	Vol.	TTR159E..	6	E12....	6	EX500		3CC261.... KKC145....	6 15	RS207.... TN111....					5	6A7, 6D6, 76, 43, 25Z5....	456		7-31,32
A130, A132 (type 2) 799, 301 to 819, 200.....	Vol.	TTR159E..	6	E12....	6	EX500		3CC261.... KKC145....	6 15	RS207.... TN111....					5	6A7, 6D6, 75, 43, 25Z5....	456		7-31,32
A130, A132 (type 3) 819, 201 up.....	Vol.	3FR256....	18	MR48....	M26			3CC261.... KKC145....	6 15	RS207.... TN111....					5	6A7, 6D6, 75, 43, 25Z5....	456		7-31,32
AA131 (chassis AA) below 1,266,501..	Vol.	2NR214C...	18	MR44....	M26			3CC261.... YC98A....	25 13	RS207.... TC42....					5	6A7, 6D6, 75, 43, 25Z5....	456		8-15
AA131 (chassis AA) above 1,266,501..	Vol.	2NR214C...	18	MR44....	M26			3CC261.... 3CC337....	1 1	RS207.... FP115....					5	6A7, 6D6, 6Q7, 25L6, 25Z5....	456		8-15
AB178 (below 1,373,394).....	Vol. Tone	3XR287.... 3XR277....	18 18	MRT426.... MR48....	M26			3XC329.... YC98A.... IC43A....	1 13 15	RS223.... TC42.... TC22....					14	6K7, 6A8, 6C5, 6F6, 80.....	456		9-25
AB178 (above 1,373,394).....	Vol. Tone	3XR287.... 3XR277....	18 18	MRT426.... MR48....	M26			3XC329.... YC98A.... IC43A....	1 13 15	RS223.... TC42.... TC22....					14	6K7, 6A8, 6J5, 6F6, 80.....	456		9-25
AB182 & AB183 (below 1,373,394)	Vol. Tone	3XR287.... 3XR277....	18 18	MRT426.... MR48....	M26			3XC329.... YC98A.... IC43A....	1 13 15	RS223.... TC42.... TC22....					14	6K7, 6A8, 6C5, 6F6, 80.....	456		9-25

† Data not substantiated.

\* IMPORTANT: Read Notes in Note Section if specified in Note Column.

‡ Indicates miscellaneous section.

MANUFACTURER AND MODEL	CONTROLS							CONDENSERS				VIBRATORS			No. Tubes	Complete Tube Complement	I. F. Peak	Rider's Reference
	Use	Original Part	Circuit	Correct Replacement	Switch	Bias	*Note	Original Part	Circuit	Correct Replacement	*Note	Original Part	Replacement	*Note				
EMERSON—Continued																		
AB182 & AB183 (above 1,373,394)	Vol. Tone	3XR287... 3XR277... †	18	MRT426... MR48	M26			3XC329 YC98A IC43A	13 1 15	RS223 TC42 TC22					14	6K7, 6A8, 76J5, 76F6, 780	456	9-25
AB184 (AB)	Vol. Tone	3XR287... 3XR277... †	18 127	MRT426... MR48	M26			3XC-329 YC-98A IC-43A	1 13 15	RS223 TC42 TC22					14	6K7, 6A8, 76J5, 76F6, 780	456	9-21
AC130	Vol.	3FR265B	18	MR44	M26			3RC318A	23	2S567					5	6A7, 6D6, 6Q7 or 75, 41, 80	456	8-9,10
AC149	Vol.	3FR265B	18	MR44	M26			3RC318A	23	2S567					5	6A7, 6D6, 6Q7, 41, 80	456	8-9,10
AC168	Vol.	3FR265B	18	MR44	M26			3RC-318A	23	2S567					5	6A7, 6D6, 6Q7, 41, 80	456	8-9,10
AC202 (AC)	Vol. Tone	3FR256B 4LR312A	18 114	MR48 MR48	M26 M26			3RC-318A	23	2S567					5	6A7, 6D6, 6Q7G, 41, 80	455	9-45,46
AD108	Vol.	2DR169A	18	MR48	M26			4DC345	1	2N509					5	6A7, 6D6, 6Q7, 25L6, 25Z5	456	8-1,2
AD110	Vol.	2DR169A	18	MR48	M26			4DC345	1	2N509					5	6A7, 6D6, 6Q7, 25L6, 25Z5	456	8-1,2
AD125	Vol.	2DR169A	18	MR48	M26			4DC345	1	2N509					5	6A7, 6D6, 6Q7, 25L6, 25Z5	456	8-1,2
AE163 (chassis AE)	Vol.	ZZR190A	18	MR48	M26			3CC261	1	RS207					5	6A7, 6D6, 6Q7G, 25L6, 25Z5	456	8-37
AF171, AF173, AF176, AF179, AF180, AF185	Vol.	4FR301	18	MR48	M23			VVC221	12	TC42					6	1A4, 1C6, 1B5, 1F4, 1E1	456	8-45
AG151 (chassis AG)	Vol. Tone	3MR252 3MR251	18 44	MR44 MR39				3MC290 3MC291 3MC292	1 1 13	FP115 FP115 ST597					9	6K7, 6A8, 6D6, 6Q7G, 6C5, 25L6, 25Z5	456	8-29
AH162 (AH)	Vol.	3ZR288	18	MR48	M26			KKC145 4HC348 IC43A	15 1 15	TN111 2N509 TC22					5	6A7, 6D6, 6Q7G, 25L6, 25Z5	456	8-35
AH166, 171, 173, 174, 176, 180, 185 (AH)	Vol. Vol.	2NR2140 3ZR288	18 18	MR44 MR48	M26 M26			4HC-348A IC-43A	1 15	2N509 TC22					5	6A7, 6D6, 6Q7G, 25L6G, 25Z5, L49BG	455	9-3
AJ130, AJ137, AJ149	Vol.	3HR240	18	MR48	M27			VVC221A	13	TC42					5	1C6, 1A4, 1B5, 30, 1F4	456	8-11
AL130, AL132, AL149	Vol.	3FR256	18	MR48	M26			3CC261	1	RS207					5	6A7, 6D6, 6Q7, 25L6, 25Z5	456	8-13
AL164	Vol. Tone	3FR256 4LR312	18 1	MR48 MR48	M26 M26			3CC261	1	RS207					5	6A7, 6D6, 6Q7, 25L6, 25Z5	456	8-39
AL168	Vol.	3FR256	18	MR48	M26			3CC261	1	RS207					5	6A7, 6D6, 6Q7, 25L6, 25Z5	456	8-13
AL202 (AL)	Vol. Tone	3FR256 4LR312A	18 1	MR48 MR48	M26 M26		A4	3CC-261	1	RS207					5	6A7, 6D6, 6Q7, 25L6, 25Z5	456	9-11
ALLW130, ALLW132, ALLW149, ALLW168	Vol.	3FR256	18	MR48	M26			3CC261 IC43A	1 15	RS207 TC22					5	6A7, 6D6, 6Q7, 25L6, 25Z5	456	8-13
AM131	Vol.	2NR214C	18	MR44	M26			3CC261	1	RS207					5	6A7, 6D6, 6Q7, 25L6, 25Z5	456	9-1
AM153 (AM)	Vol.	3FR256B	18	MR48	M26			3CC-337 3CC-261	1 1	FP115 RS207					5	6A7, 6D6, 6Q7, 25L6, 25Z5	456	9-1
AM169 (AM)	Vol.	3FR256B	18	MR48	M26			3CC-337 3CC-261	1 1	FP115 RS207					5	6A7, 6D6, 6Q7, 25L6, 25Z5, 2UR-224	456	9-1
AM187 (AM)	Vol.	2NR214C	18	MR48	M26			3CC-337 3CC-261	1 1	FP115 RS207					5	6A7, 6D6, 6Q7, 25L6, 25Z5, 2UR-224	456	9-1
API65, API66 (AP)	Vol.	2NR214D	18	MR44	M26			3CC-337 3CC-261	1 1	FP115 RS207					5	6A7, 6D6, 6Q7, 25L6, 25Z5, 3CR-241	456	9-13
API71, API73, API74, API76 (chassis AP)	Vol.	2NR214D	18	MR44	M26			3CC261 3CC337	1 1	RS207 FP115					5	6A7, 6D6, 6Q7, 25L6, 25Z5	456	8-47
API77 (AP)	Vol.	2NR214D	18	MR44	M26			3CC-261 3CC-337	1 1	RS207 FP115					5	6A7, 6D6, 6Q7, 25L6, 25Z5, 3CR-241	456	9-13
API80, API85 (AP)	Vol.	2NR214D	18	MR44	M26			3CC-261 3CC-337	1 1	RS207 FP115					5	6A7, 6D6, 6Q7, 25L6, 25Z5, 3CR-241	456	8-47
AR165 (below 1,326,200)	Vol.	3ZR288	45	MR48	M26			3LC314 3ZC341	23 23	ST597 RS223					6	6A7, 6D6, 76, 41, 80	456	9-15
AR165 (above 1,326,200)	Vol.	3ZR288	18	MR48	M26			3LC314 3ZC341	25 25	ST597 RS223					6	6A7, 6D6, 6Q7, 41, 80	456	9-15
AR165 (Between 1412601-1413601 above 1416650)	Vol.		15	MR44	M26			3LC314 3ZC-341	25 25	ST597 RS223					6	6A7, 6D6, 6Q7, 76, 6AC5G, 80	456	9-16

† Data not substantiated.

\* IMPORTANT: Read Notes in Note Section if specified in Note Column.

‡ Indicates miscellaneous section.

WHEN YOU BUY ROTARY SWITCHES BUY MALLORY.

MANUFACTURER AND MODEL	CONTROLS							CONDENSERS				VIBRATORS			No. Tubes	Complete Tube Complement	I. F. Peak	Rider's Refer- ence
	Use	Original Part	Cir- cuit	Correct Replacement	Switch	Bias	*Note	Original Part	Cir- cuit	Correct Replacement	*Note	Original Part	Replace- ment	*Note				
EMERSON—Continued																		
AR166 (below 1,326,200).....	Vol.	3ZR288	45	MR48	M26			2NC246 2NC247	23 23	RS216 RS216					6	6A7, 6D6, *76, 41, 80	456 9-16	
AR166 (above 1,326,200).....	Vol.	3ZR288	18	MR48	M26			2NC246 2NC247	25 25	RS216 RS216					6	6A7, 6D6, 6Q7, *41, 80	456 9-16	
AR166 (Between 1412601-1413601 above 1416650)...	Vol.		15	MR44	M26			2NC-246 2NC-247	25 25	RS216 RS216					6	6A7, 6D6, 6Q7, 76, 6AC5G, 80.....	456 9-16	
AR171, AR173 (Below 1326000)...	Vol.	3ZR288	45	MR48	M26			2NC-246 2NC-247	23 23	RS216 RS216					6	6A7, 6D6, *76, 41, 80.	456 8-41,44	
AR171, AR173 (Above 1326000) ..	Vol.	3ZR288	18	MR48	M26			2NC-246 2NC-247	25 25	RS216 RS216					6	6A7, 6D6, 6Q7,*41, 80	456 9-18	
AR171, AR173 (Between 1412601 and 1413601 above 1416650)...	Vol.	3ZR288	18	MR48	M26			2NC-246 2NC-247	25 25	RS216 RS216					6	6A7, 6D6, 6Q7, 76, 6AC5G, 80.....	456 9-16	
AR174 (Below 1,326,000).....	Vol.	3ZR288	45	MR48	M26			3LC-314 3ZC-341	23 23	ST597 RS223					6	6A7, 6D6,*76, 41, 80.	456 8-41,44	
AR174 (Above) 1,326,000).....	Vol.	3ZR288	18	MR48	M26			3LC-314 3ZC-341	25 25	ST597 RS223					6	6A7, 6D6, 6Q7,*41, 80	456 9-18	
AR174 (Between 1412601 and 1413601 above 1416650).....	Vol.	3ZR288	18	MR48	M26			3LC-314 3ZC-341	25 25	ST597 RS223					6	6A7, 6D6, 6Q7, 76, 6AC5G, 80.....	456 9-16	
AR176 (Below 1326000).....	Vol.	3ZR288	45	MR48	M26			2NC-246 2NC-247	23 23	RS216 RS216					6	6A7, 6D6,*76, 41, 80.	456 8-41,44	
AR176 (Above 1326000).....	Vol.	3ZR288	18	MR48	M26			2NC-246 2NC-247	25 25	RS216 RS216					6	6A7, 6D6,*76, 41, 80.	456 9-18	
AR176 (Between 1412601 and 1413601 above 1416650).....	Vol.	3ZR288	18	MR48	M26			2NC-246 2NC-247	25 25	RS216 RS216					6	6A7, 6D6, 6Q7, 76, 6AC5G, 80.....	456 9-16	
AR177 (below 1,326,200).....	Vol.	3ZR288	45	MR48	M26			2NC246 2NC247	23 23	RS216 RS216					6	6A7, 6D6,*76, 41, 80.	456 9-16	
AR177 (above 1,326,200).....	Vol.	3ZR288	18	MR48	M26			2NC246 2NC247	25 25	RS216 RS216					6	6A7, 6D6, 6Q7,*41, 80	456 9-16	
AR177 (Between 1412601-1413601 above 1416650)...	Vol.	3ZR288	15	MR48	M26			2NC-246 2NC-247	25 25	RS216 RS216					6	6A7, 6D6, 6Q7, 76, 6AC5G, 80.....	456 9-16	
AR180, AR185 (Below 1326000)...	Vol.	3ZR288	45	MR48	M26			2NC-246 2NC-247	23 23	RS216 RS216					6	6A7, 6D6,*76, 41, 80.	456 8-41,44	
AR180, AR185 (Above 1326000) ..	Vol.	3ZR288	18	MR48	M26			2NC-246 2NC-247	25 25	RS216 RS216					6	6A7, 6D6, 6Q7,*41, 80	456 9-18	
AR180, AR185 (Between 1412601- 1413601 above 1416650).....	Vol.	3ZR288	18	MR48	M26			2NC-246 2NC-247	25 25	RS216 RS216					6	6A7, 6D6, 6Q7, 76, 6AC5G, 80.....	456 9-16	
AS179.....	Vol.	3HR240	18	MR48	M26			4SC355 .02-.02	1	2S569 Buffer	B14	4SV11	294	C3	5	6D8G, *6S7G, 6Q7, 41	456 8-49	
AT170, AT172, AT181 (AT) (Below 1386551)...	Vol.	4TR303	18	MR48	M26			2NC-246 2NC-247	23 23	RS216 RS216					6	6A7, 6D6, 6Q7G, 76, 41, 80.....	456 8-41	
AT170, AT171, AT181 (AT) (Above 1386551) ..	Vol.	4TR303	18	MR48	M26			2NC-246 2NC-247	25 25	RS216 RS216					6	6A7, 6D6, 6Q7,*41, 80	456 9-18	
AU190 (AU).....	Vol.	3FR256A	18	MR48	M26			4DC-345	1	2N509					5	6A7, 6D6, 6Q7, 25L6, 25Z5	456 9-27-28	
AV193 (AV).....	Vol.	3FR256B	18	MR48	M26			3CC-261 3CC-337	1 1	RS207 FP115					5	6A7, 6D6, 6Q7G, 25L6G, 25Z5, L49D	455 9-29	
AW171, 173, 174, 176, 180, 185, (AW).....	Vol.	3ZR288	18	MR48	M26			2NC-246 2NC-247	25 25	RS216 RS216					6	6A7, 6D6, 6Q7G,*41, 80.....	456 9-19	

‡ Data not substantiated.

\* IMPORTANT: Read Notes in Note Section if specified in Note Column.

‡ Indicates miscellaneous section.

MANUFACTURER AND MODEL	CONTROLS							CONDENSERS				VIBRATORS			No. Tubes	Complete Tube Complement	I. F. Peak	Rider's Reference
	Use	Original Part	Circuit	Correct Replacement	Switch	Bias	*Note	Original Part	Circuit	Correct Replacement	*Note	Original Part	Replacement	*Note				
<b>EMERSON—Continued</b>																		
AX211, 212, 217, 219 (AX)	Vol. Tone	4XR328A 4LR312B	18 1	MR44 MR48	M26 M26			4HC-348B	1	2N509					5	6A8, 6K7, 6Q7, 25L6, 25Z6	455 9-51	
AX221 AC, AX221 AC-DC, AC222 (Ch. AX)	Vol. Phono.	4XR355 4LR312B	18 1	MR44 MR48	M26 M26			4HC-348B 4XC-404	46 46	2N509 TC47					5	6A8, 6K7, 6Q7, 25L6, 25Z6	455 10-9	
AX232 AC, AX232 AC-DC (Ch. AX)	Vol. Tone	4XR335	18	MR44	M26			4HC-348B	46	2N509					5	6A8, 6K7, 6Q7, 25L6, 25Z6	455 10-9	
AX240 (Ch. AX)	Vol.	4XR342	57 18	MR48 MR44	M26			4HC-348B 4XC-404	46 46	TC47 2N509					5	6A8, 6K7, 6Q7, 25L6, 25Z6	455 10-17	
AXLW211, AXLW212	Vol.		18	MR44	M26			20-20	1	2N509					5	6A8GT, 6K7GT, 6Q7GT, 25L6GT, 25Z6GT	455 10-5	
AXLW217	Vol.		18	MR44	M26			20-20	1	2N509					5	6A8GT, 6K7GT, 6Q7GT, 25L6GT, 25Z6GT	455 10-5	
AXLW235	Vol.		18	MR44	M26			20-20	1	2N509					5	6A8GT, 6K7GT, 6Q7GT, 25L6GT, 25Z6GT	455 10-5	
AXLW237, AXLW238, AXLW239	Vol.		18	MR44	M26			20-20	1	2N509					5	6A8GT, 6K7GT, 6Q7GT, 25L6GT, 25Z6GT	455 10-5	
AXLW257	Vol.		18	MR44	M26			20-20	1	2N509					5	6A8GT, 6K7GT, 6Q7GT, 25L6GT, 25Z6GT	455 10-5	
AY194, 195 (AY)	Vol.	3ZR288	18	MR48	M26			3CC-261	1	RS207					5	6A7, 6D6, 6Q7, 25L6, 25Z5, 3CR-241	456 9-33	
AZ196 (AZ)	Vol.	3XR277	18	MR48	M26			3CC-337 4ZC-379 4ZC-380	1 25 25	FP115 RS216 RS216					6	6A7, 6D6, 6Q7, 76, 6AC5G, 80	456 9-35	
B-AC-10	Vol. Tone Supp.	ER17 ER18 ER24	18 44 3	MR48 MR18 E12	M26			EC17 EC25	1 1	ST597 ST595					10	58, 55, 56, 57, 46, 82	175 3-7	
B131	Vol.	3NR214C	18	MR44	M26			3CC261 YC98A	25 13	RS207 TC42					5	6A7, 6D6, 75, 43, 25Z5	456 7-33	
BA199, BA201 (BA)	Vol.	2VR219D	6	MR36	M26			4DC-345A	1	2N509					4	6D6, 6C6, 25L6, 25Z5, L55BG	9-31	
BB208, BB209 (BB)	Vol.	2VR219F	6	MR36	M26			4DC-345A	1	2N509					4	6D6, 6C6, 25L6, 25Z5, L55BG	9-40	
BD197 (BD)	Vol.	3ZR288	18	MR48	M26			3CC-261 3CC-337	1 1	RS207 FP115					5	6A7, 6D6, 6Q7, 25L6, 25Z5, 3CR-241	456 9-33	
BE198 (BE)	Vol.	3FR256B	18	MR48	M26			3RC-318A	23	2S567					5	6A7, 6D6, 6Q7, 41, 80	456 9-37-39	
BF191 (BF)	Vol.	3FR256B	18	MR48	M26			3CC-261	1	RS207					5	6A7, 6D6, 6Q7, 25L6, 25Z5, 2UR-224	456 9-1	
BG138, 140, 142, 146 (BG)	Vol.	3PR258	18	MR44	M26			4HC-348A	1	2N509					6	6A7, 6D6, 6Q7G, 25L6G, 25Z5, 6G5, L49BG	455 9-3	
BG178, 182, 183 (BG)	Vol.	3PR258	18	MR44	M26			4HC-348A	1	2N509					6	6A7, 6D6, 6Q7G, 25L6G, 25Z5, 6G5, L49BG	455 9-3	
BH203 (Ch. BH)	Vol.	3FR-256	18	MR48	M26			3CC-261	1	RS207					5	6A7, 6D6, 6Q7G, 25L6G, 25Z5	456 13-1	
BJ200, 210, 214 (BJ)	Vol.	3FR256B	18	MR48	M26			3CC-261	1	RS207					5	6A7, 6D6, 6Q7G, 25L6G, 25Z5, L49BG	455 9-41	
BJ218 (Ch. BJ)	Vol. Phono.		18 63	MR48 MR48	M26			20-20 20	46 46	2N509 TC47					5	6A7, 6D6, 6Q7G, 25L6G, 25Z5, L49BG	455 10-7	
BJ220 (Ch. BJ)	Vol. Phono.		18 63	MR48 MR48	M26			20-20 20	46 46	2N509 TC47					5	6A7, 6D6, 6Q7G, 25L6G, 25Z5, L49BG	455 10-7	
BL200, 210, 214 (BL)	Vol.	3FR256B	18	MR48	M26			3RC-318A	23	2S567					5	6A7, 6D6, 6Q7G, 41, 80	455 9-43	
BL218 (Ch. BL)	Vol. Phono.		18 63	MR48 MR48	M26			5-5-8	56	See Note	B3				5	6A7, 6D6, 6Q7G, 41, 80	455 10-8	
BL220 (Ch. BL)	Vol. Phono.		18 63	MR48 MR48	M26			5-5-8	56	See Note	B3				6	6A7, 6D6, 6Q7G, 41, 80	455 10-8	
BM206, 215, 216, BN206 215 (BM, BN)	Vol. Phono.	2VR219E 2VR219H	6 1	MR36 MR36	M26 M26			4DC-345A	1	2N509					4	6D6, 6C6, 25L6, 25Z5, L55BG	9-47	
BN216 (BN)	Vol. Phono.	2VR219G 2VR219H	6 1	MR36 MR36	M26 M26			4DC-345A	1	2N509					4	6D6, 6C6, 25L6G, 25Z5, L55BG	9-50	

‡ Data not substantiated.

\* IMPORTANT: Read Notes in Note Section if specified in Note Column.

§ Indicates miscellaneous section.

USE MALLORY COMPONENTS IN YOUR TELEVISION WORK.



MANUFACTURER AND MODEL	CONTROLS							CONDENSERS				VIBRATORS			No. Tubes	Complete Tube Complement	I. F. Peak	Rider's Reference
	Use	Original Part	Circuit	Correct Replacement	Switch	Bias	*Note	Original Part	Circuit	Correct Replacement	*Note	Original Part	Replacement	*Note				
EMERSON—Continued																		
BQ223 (Ch. BQ)...	Vol.		18	MR48	M26			16-16	25	See Note	B3				6	6K8, 6K7, 6Q7G, 76, 6AC5G, 80	455	10-11
BQ225, 228 (BQ)...	Vol.	3XR277	18	MR48	M26			4ZC-379	25	RS216					6	6K8, 6K7, 6Q7G, 76, 6AC5G, 80	455	9-53
BR224, BR244A (Ch. BR).....	Vol. Tone		18	MRT426				30, 30	1	RS223	B3				13	*6K7, 6K8, 6Q7, *6J5, *6AC5G, *80	455	10-13-16
BR226 (BR).....	Vol. Tone	3XR287	18	MRT426	M26			40	13	RS224	B3				13	*6K7, 6K8, 6Q7, *6J5, *6AC5G, *80	455	9-55
BS227 (BS).....	Vol. Tone	3XR277	21	MR48	M26			3XC-329	1	RS223					15	*6K7, 6K8, 6Q7, *6J5, *6AC5G, *80	455	9-55
BT245 (Ch. BT)...	Vol.	3XR277	18	MRT426	M26			3XC-303	13	RS224					15	*6K7, 6K8, 6Q7, *6J5, *6AC5G, *80	455	9-55
BU229, 230 (BU)...	Vol.	3XR277	18	MR48	M26			3XC-329	1	RS223					5	6A7, 6D6, 6Q7G, 25L6G, 25Z5, L9BG	455	10-21
BW231 (BW).....	Vol.	3XR277	18	MR48	M26			4HC-348D	1	2N509					7	6K8, 6K7, 6Q7G, 76, 6AC5G, 6U5, 80	455	9-53
BX208, BX209 (Ch. BX).....	Vol.		6	MR36	M26			4ZC-379	23	RS216					6	6K8, 6K7, 6Q7G, 76, 6AC5G, 80	455	9-53
BY233 (BY).....	Vol.	3XR277	18	MR48	M26			4ZC-380	23	RS216					6	6K8, 6K7, 6Q7G, 76, 6AC5G, 80	455	9-53
CA208, CA209 (Ch. CA).....	Vol.	2NR214F	18	MR44	M26			16, 16	1	2N509					4	6D6, 6C6, 25L6G, 25Z5, L55BG		10-2
CA234 (Ch. CA)...	Vol.	2NR214E	18	MR44	M26			4HC-348B	1	2N509					5	6A7, 6D6, 6Q7G, 25L6G, 25Z5, L9BG	455	9-48
CS, C134, C136, C138, C139, C140, C142	Vol. Tone	R102	6	G7	6	3		A-404	4	TC70					5	*24, 35, 47, 80	175	3-4
CA208, CA209 (Ch. CA).....	Vol.	NNR157B	18	MR48				3BC282	4	RS215					8	*6K7, 6A8, 6R7, 6G5, 6C5-6J7, 6F6-6L6, 5W4	456	7-35,36
CA234 (Ch. CA)...	Vol.	NNR157B	18	MR48				3BC289	4	RS224					8	*6K7, 6A8, 6R7, 6G5, 6C5-6J7, 6F6-6L6, 5W4	456	7-35,36
CA208, CA209 (Ch. CA).....	Vol.	2NR214F	18	MR44	M26			3BC281	14	TC52					5	6A7, 6D6, 6Q7G, 25L6G, 25Z5, L9BG		10-3,4
CA234 (Ch. CA)...	Vol.	2NR214F	18	MR44	M26			4HC-348A	1	2N509					5	6A7, 6D6, 6Q7G, 25L6G, 25Z5, L9BG		10-3,4
CB243 (Ch. CB)...	Vol.	3XR277	18	MR48	M26			4HC-348A	1	2N509					5	6A7, 6D6, 6Q7G, 25L6G, 25Z5, L9BG		10-3,4
CD206 (Ch. CD)...	Vol.	3XR277	18	MR48	M26			4ZC-379	25	RS216					8	*6K7, 6K8, 6Q7G, 76, 6AC5G, 6U5, 80	455	10-19
CD215 (Ch. CD)...	Vol.	2VR219E	6	MR36	M26			4ZC-380	25	RS216					4	6D6, 6C6, 25L6G, 25Z5, L55BG		10-1
CE259, CE260, CE263 (Ch. CE)...	Vol.	2VR219E	6	MR36	M26			4DC-345A	1	2N509					4	6D6, 6C6, 25L6G, 25Z5, L55BG		10-1
CE259, CE260, CE263 (Ch. CE)...	Vol.	3HR240B	18	MR48	M27			4DC-345A	1	2N509					5	1A7G, *1N5G, 1H5G, 1C5G or 1Q5G	455	10-25
CE259, CE260, CE263 (Late) Ch. CE (Late)...	Vol.	3HR240B	149	MR48	M27			6EC-414	12	TC42					5	1A7G, *1N5G, 1H5G, 1Q5G	455	13-3,4,5
CF255 (Ch. CF)...	Vol.	3HR-240C	149	MR48	M27			6EC-432	12	TC42					5	1A7G, *1N5G, 1H5G, 1Q5G	455	13-3,4,5
CG268, CG270, CG272, CG276 (Chassis CG)...	Vol.	6FR346	6	MR36	M26	EX200		4HC-348B	24	2N509					12	12B8GT, 32L7GT		10-23
CG293, CG294	Vol.	6SR362	18	MR48	M26			6JC426U	1	2N509					5	6A8GT, 6K7GT, 6Q7GT, 25L6GT, 25Z6GT, L9BG	455	11-11,12
CG318	Vol.	6GR352	18	MR44	M26		A4	6JC426U	1	2N509					5	6A8GT, 6K7GT, 6Q7GT, 25L6GT, 25Z6GT	455	11-19,20
CG1-293, CG1-294	Vol.	6SR362	18	MR48	M26			6JC426U	1	2N509					5	6A8GT, 6K7GT, 6Q7GT, 25L6GT, 25Z6GT	455	11-11,12
CH243 (Ch. CH)...	Vol.	6GR352	18	MR44	M26		A4	6JC426U	1	2N509					5	6A8GT, 6K7GT, 6Q7GT, 25L6GT, 25Z6GT	455	11-11,12
CH246 (Ch. CH)...	Vol.	6SR362	18	MR48	M26			6QC437	1	2N514					5	6A8GT, 6K7GT, 6Q7GT, 25L6GT, 25Z6GT	455	11-19,20
CH253 (Ch. CH)...	Vol.	6GR352	18	MR44	M26		A4	6QC437	1	2N514					5	6A8GT, 6K7GT, 6Q7GT, 25L6GT, 25Z6GT	455	11-11,12
CH256 (Ch. CH)...	Vol.	6SR362	18	MR48	M26			6QC437	1	2N514					5	6A8GT, 6K7GT, 6Q7GT, 25L6GT, 25Z6GT	455	11-19,20
CJ211, CJ217, CJ235 (Ch. CJ)...	Vol.	4XR335	18	MR44	M26			20-20	1	2N509					5	6A8GT, 6K7GT, 6Q7GT, 25L6GT, 25Z6GT	455	10-18
	Vol.	4XR335	18	MR44	M26			20-20	1	2N509					5	6A8GT, 6K7GT, 6Q7GT, 25L6GT, 25Z6GT	455	10-18
	Vol.	4XR335	18	MR44	M26			4HC-348B	1	2N509					5	6A8GT, 6K7GT, 6Q7GT, 25L6GT, 25Z6GT	455	10-18
	Vol.	4XR335	18	MR44	M26			4HC-348B	1	2N509					5	6A8GT, 6K7GT, 6Q7GT, 25L6GT, 25Z6GT	455	10-18
	Vol.	4XR335	18	MR44	M26			20-20	1	2N509					5	6A8GT, 6K7GT, 6Q7GT, 25L6GT, 25Z6GT	455	13-2
	Vol.	4XR335	18	MR44	M26			20-20	1	2N509					5	6A8GT, 6K7GT, 6Q7GT, 25L6GT, 25Z6GT	455	13-2
	Vol.	4XR335	18	MR44	M26			6JC426U	1	2N509					5	6A8GT, 6K7GT, 6Q7GT, 25L6GT, 25Z6GT	455	10-18
	Vol.	4XR335	18	MR44	M26			6JC426U	1	2N509					5	12A8GT, 12K7GT, 12Q7GT, 35L6GT, 35Z4GT	455	10-6

‡ Data not substantiated.

\* IMPORTANT: Read Notes in Note Section if specified in Note Column.

§ Indicates miscellaneous section.

BE SURE TO SPECIFY MALLORY RADIO AND ELECTRONIC PARTS.

MANUFACTURER AND MODEL	CONTROLS							CONDENSERS				VIBRATORS			No. Tubes	Complete Tube Complement	I. F. Peak	Rider's Reference
	Use	Original Part	Cir- cuit	Correct Replacement	Switch	Bias	*Note	Original Part	Cir- cuit	Correct Replacement	*Note	Original Part	Replace- ment	*Note				
EMERSON—Continued																		
CJ211, CJ217 (Above 2700250)	Vol.	4XR335...	18	MR44...	M26			6JC426U...	1	2N509...					5	12A8GT, 12K7GT, 12SQ7GT, 50L6GT, 35Z5GT...	455	
CJ221, CJ1-221 (Below 2700250)	Vol. Tone	4XR335... 4LR312B	18	MR44... MR48	M26 M26			6JC426U... 4XC404	24/13 24	2N509... TC47				5	12A8GT, 12K7GT, 12Q7GT, 35L6GT, 35Z4GT...	455	11-1,2	
CJ221, CJ1-221 (Above 2700250)	Vol. Tone	4XR335... 4LR312B	18	MR44... MR48	M26 M26			6JC426U... 4XC404	24 24	2N509... TC47				5	12A8GT, 12K7GT, 12SQ7GT, 50L6GT, 35Z5GT...	455	11-1,2	
CJ232, CJ1-232 (Below 2700250)	Vol. Tone	4XR335... 4XR342	18	MR44... MR48	M26			6JC426U... 4XC404	24/13 24	2N509... TC47				5	12A8GT, 12K7GT, 12Q7GT, 35L6GT, 35Z4GT...	455	11-1,2	
CJ232, CJ1-232 (Above 2700250)	Vol. Tone	4XR335... 4XR342	18	MR44... MR48	M26			6JC426U... 4XC404	24/13 25	2N509... TC47				5	12A8GT, 12K7GT, 12SQ7GT, 50L6GT, 35Z5GT...	455	11-1,2	
CJ235 (Below 2700250)	Vol.	4XR335...	18	MR44...	M26			6JC426U...	1	2N509...				5	12A8GT, 12K7GT, 12Q7GT, 35L6GT, 35Z4GT...	455		
CJ235 (Above 2700250)	Vol.	4XR335...	18	MR44...	M26			6JC426U...	1	2N509...				5	12A8GT, 12K7GT, 12SQ7GT, 50L6GT, 35Z5GT...	455		
CJ257 (Below 2700250)	Vol.	4XR335...	18	MR44...	M26			6JC426U...	1	2N509...				5	12A8GT, 12K7GT, 12Q7GT, 35L6GT, 35Z4GT...	455	10-6	
CJ257 (Above 2700250)	Vol.	4XR335...	18	MR44...	M26			6JC426U...	1	2N509...				5	12A8GT, 12K7GT, 12SQ7GT, 50L6GT, 35Z5GT...	455	10-6	
CL246, CL253, CL256 (Ch. CL)	Vol.		18	MR44...	M26			20-20	1	2N509...				5	12A8GT, 12K7GT, 12Q7GT, 35L6GT, 35Z4GT...	455	10-22	
CM260 (Ch. CM)	Vol.	4XR335...	18	MR44...	M26			6JC426...	1	2N509...				5	12A8GT, 12K7GT, 12SQ7GT, 50L6GT or 35L6GT, 35Z5GT or 35Z4GT	455	10-24	
CM266, CM267 (Ch. CM)	Vol.	4XR335...	18	MR44...	M26			6JC426...	1	2N509...				5	12A8GT, 12K7GT, 12SQ7GT, 50L6GT, 35Z5GT...	455	10-24	
CQ269, CQ271, CQ273	Vol.	6SR362...	18	MR48...	M26			6QC437...	1	2N514...				6	6K8GT, 6K7GT, 6SQ7GT, 6AE5GT, 25AC5GT, 25Z6GT	455	11,13-14	
CQ286	Vol.	6SR362...	18	MR48...	M26			6QC437... 6YC450	46 46	2N514... TC48				6	6K8GT, 6K7GT, 6SQ7GT, 6AE5GT, 25AC5GT, 25Z6GT	455	11,13-14	
CR261, CR262 (Ch. CR)	Vol. Vol.	6VR364... 6RR359	18	MR44... MR44	M26 M26			6JC426B...	1	2N509...				5	12A8GT, 12K7GT, 12SQ7GT, 50L6GT, 35Z5GT...	455	10-27	
CRLW261, CRLW262 (Ch. CRLW)	Vol. Vol.	6VR364... 6RR359	18	MR48... MR44	M26 M26			20-20	1	2N509...				5	12A8GT, 12K7GT, 12SQ7GT, 50L6GT, 35Z5GT...	455	11-3	
CR274 (Ch. CR)	Vol. Vol.	6VR364... 6RR359	18	MR44... MR44	M26 M26			6JC426B...	1	2N509...				5	12A8GT, 12K7GT, 12SQ7GT, 50L6GT, 35Z5GT...	455	10-27	
CRLW274 (Ch. CRLW)	Vol. Vol.	6VR364... 6RR359	18	MR48... MR44	M26 M26			20-20	1	2N509...				5	12A8GT, 12K7GT, 12SQ7G, 50L6GT, 35Z5GT...	455	11-3	
CR297, CR303	Vol.	6VR364...	18	MR48...	M26			6JC426B... 4XC404	46 46	2N509... TC47				5	12A8GT, 12K7GT, 12SQ7GT, 50L6GT, 35Z5GT...	455	11-19, 23,24	
CR1-297, CR1-303	Vol.	6VR364...	18	MR48...	M26			6JC426B... 4XC404	46 46	2N509... TC47				5	12A8GT, 12K7GT, 12SQ7GT, 50L6GT, 35Z5GT...	455	11-19, 23,24	
CS268 CS270, CS272, CS276	Vol.	6SR362...	18	MR48...	M26			6QC437...	1	2N514...				6	6K8GT, 6K7GT, 6SQ7GT, 6AE5GT, 25AC5GT, 25Z6GT	455	11-12-14	

‡ Data not substantiated.

\* IMPORTANT: Read Notes in Note Section if specified in Note Column.

§ Indicates miscellaneous section.

MAKE FULL USE OF NOTES AND CIRCUIT DIAGRAMS.

MANUFACTURER AND MODEL	CONTROLS							CONDENSERS				VIBRATORS			No. Tubes	Complete Tube Complement	I. F. Peak	Rider's Reference
	Use	Original Part	Circuit	Correct Replacement	Switch	Bias	*Note	Original Part	Circuit	Correct Replacement	*Note	Original Part	Replacement	*Note				
EMERSON—Continued																		
CS317	Vol.	6SR362	18	MR48	M26			6QC437	1	2N514					6	6K8GT, 6K7GT, 6S07GT, 6AE5GT, 25AC5GT, 25Z6GT	455	
CS320	Vol.	6SR362	18	MR48	M26			6QC437	1	2N514					6	6K8GT, 6K7GT, 6S07GT, 6AE5GT, 25AC5GT, 25Z6GT	455	
CT275 (Ch. CT)	Vol.	3HR240C	18	MR48	M27			6EC432	12	TC42					5	1A7G, 1N5G, 1H5G, 1Q5G	455	10-28
CV264, 280, 295, 298, 313, 314, 316 (Ch. CV)	Vol.	6VR364	18	MR48	M26			6JC426B 6ZC460 6VC446	1 15 1	2N509 TC26 TC47		B20			5	12A8GT/12SA7GT, 12K7GT, 12SQ7GT, 50L6GT, 35Z5GT	455	11-7,8
CULW261, 262, 265, 274 (Ch. CULW)	Vol.	6UR360	6	MR36	M26	EX200		6UC447	24	2N513					5	12J5GT, 12K7GT, 12SF5GT, 50L6GT, 35Z5GT		11-4
CU265	Vol.	6UR360	6	MR36	M26	EX200		6UC-447	24	2N513					5	12J5GT, 12K7GT, 12SF5GT, 50L6GT, 35Z5GT		11-10
CV289, CV290, CV1-290	Vol. Tone	6UR364 6UR366	18 1	MR48 MR36	M26 M26			6JC426B	1	2N509					5	12SA7GT/12A8GT, 12K7GT, 12SQ7GT, 50L6GT, 35Z5GT	455	11-17,18
CV291, CV1-291	Vol. Tone	6UR364 6UR366	18 1	MR48 MR36	M26 M26			6JC426B 4XC404	46 46	2N509 TC47					5	12SA7GT/12A8GT, 12K7GT, 12SQ7GT, 50L6GT, 35Z5GT	455	11-17,18
CW279	Vol.	7BR363A	18	MR44	M26			6JC426D	1	2N509					5	12A8GT, 12K7GT, 12SQ7GT, 50L6GT, 35Z5GT	455	11-16,24
CX263, CX283, CX284, CX305	Vol.	3HR240C	18	MR48	M27			6EC432	12	TC42					5	1A7GT, 1N5GT, 1H5GT, 1Q5GT	455	11-5,6
CX285	Vol.	3HR240C	18	MR48	M27			6EC432	12	TC42					5	1A7GT, 1N5GT, 1H5GT, 1Q5GT	455	11-5,6
CX292	Vol.	3HR240C	18	MR48	M27			6EC432	12	TC42					5	1A7GT, 1N5GT, 1H5GT, 1Q5GT	455	11-5,6
CY269, CY271, CY273, CY286, CY288 (Ch. CY)	Vol.	6SR362 6GR352	18 18	MR48 MR44	M26 M26			6JC426U	1	2N509					5	6A8GT, 6K7GT, 6S07GT, 25L6GT, 25Z6GT, L49BG	455	11-11,12
CY319	Vol.	6SR362 6SR352	18 18	MR48 MR44	M26 M26		A27	6JC426U	1	2N509					5	6A8GT, 6K7GT, 6S07GT, 25L6GT, 25Z6GT, L49BG	455	11-11,12
CZ282	Vol.	7BR363A	18	MR44	M26			6JC426D 6VC446	1 1	2N509 TC47					5	12A8GT, 12K7GT, 12SQ7GT, 50L6GT, 35Z5GT	455	11-16,24
DC4	Vol.		7			See Note	A5	1-1	1	See Note		B7		4	339, 36, 33		3-2	
D5	Vol.		6	MR24		EX500		UC-93	4	TCS71				5	58, 57, 47, 80		4-1	
D134, D136, D136, D139, D140, D142, D146	Vol. Tone	3AR228 NNR157B	20 22	MRT427 MR48	M26			3AC255 3AC277 1C43B 3AC256	3 3 15 15	RS213 RS224 TC22 TC32				10	6K7, 6A8, 6H6, 6G5, 6F5, 6C5, 6F6, 5Z3	456	7-37,38	
D134LW, D136LW, D138LW, D139LW, D140LW, D142LW, D146LW (DLW)	Vol. Tone	3AR228 NNR157B	20 22	MRT427 MR48	M26			3AC-255 3AC-277	3 3	RS213 RS224				10	6K7, 6A8, 6H6, 6F5, 6C5, 6F6, 6G5, 5Z3	456	8-19	
DA287	Vol.	6GR352	18	MR44	M26			7AC443 7AC444	1 1	TC74 TC74				6	6K8G, 6K7GT, 6S07GT, 6P5GT, 6AC5G, 5Y3G	455	11-21,14	
DB296, DB301, DB315, DB327	Vol.	7BR363C	18	MR48	M26			6JC426C	1	2N509					5	12SA7GT, 12K7GT, 12SQ7GT, 50L6GT, 35Z5GT	455	11-22
DB1-301	Vol.	7BR363C	18	MR48	M26			6JC426C	1	2N509					5	12SA7GT, 12K7GT, 12SQ7GT, 50L6GT, 35Z5GT	455	11-22
DC308	Vol.	3HR240D	18	MR48	M27			6EC432	12	TC42					5	1A7GT, 1N5GT, 1H5GT, 1Q5GT	455	11-29
DD268, 279, 272, 276 (Ch. DD)	Vol.		18	MR48	M26			40-20	1	2N514					6	6SA7GT, 6K7, 6SQ7, 6AE5, 25AC5, 25Z6, 1A2B	455	11-15
DF302, DF306	Vol.	3HR240C	18	MR48	M27			6JC426E 7FC451	1 15	2N509 TC29					6	1A7GT, 1N5GT, 1H5GT, 3Q5GT, 70L7GT/117L7GT	455	11-25,26

‡ Data not substantiated.

\* IMPORTANT: Read Notes in Note Section if specified in Note Column.

§ Indicates miscellaneous section.

MANUFACTURER AND MODEL	CONTROLS							CONDENSERS				VIBRATORS			No. Tubes	Complete Tube Complement	I. F. Peak	Rider's Reference
	Use	Original Part	Cir- cuit	Correct Replacement	Switch	Bias	*Note	Original Part	Cir- cuit	Correct Replacement	*Note	Original Part	Replac- ment	*Note				
EMERSON—Continued DH264.....	Vol.	7HR373....	18	MR48....	M27			6EC432....	12	TC42....					5	1A7GT, 1N5GT, 1H5GT, 1Q5GT...	455	11-9
DJ310, DJ311, DJ312.....	Vol.	3HR240E...	18	MR48....	M27			6JC426E... 7FC451....	1 15	2N509... TC29....					6	1A7GT, 1N5GT, 1H5GT, 3Q5GT, 117L7GT/70L7GT...	455	11-27,28
DL330.....	Vol.	7LR378....	18	MR48....	M26			6JC426C....	1	2N509....					5	12SQ7, 12SA7, 12K7GT, 50L6, 35Z5....	455	11-22
DL1-330 (Ch. DL1)	Vol.	7LR378....	18	MR48....	M26			6JC426C....	1	2N509....					5	12SA7GT, 12K7GT, 12SQ7GT, 50L6GT, 35Z5GT..	455	11-30,22
DM331, DM1-331..	Vol.	6SR362....	18	MR48....	M26			6JC426....	1	2N509....					5	6A8GT, 6K7GT, 6SQ7GT, 25L6GT, 25Z6GT, L49BG...	455	11-31
DP332, DP1-332...	Vol.	6SR362....	18	MR48....	M26			6QC437... 6YC450....	46 46	2N514... TC48....					6	6K8GT, 6K7GT, 6SQ7GT, 6AE5GT, 25AC5GT, 25Z6GT.....	455	11-32
DQ333, DQ334, DQ1-333, DQ1-334	Vol. Vol.	3BR363A... 7BR363C...	18 18	MR48.... MR48....	M26 M26			6JC426F...	1	2N509....					5	12SA7GT, 12SK7GT, 12SQ7GT, 50L6GT, 35Z5GT..	455	12-5
DQ351 (DQ).....	Vol.		18	MR48....	M26		A27	6JC466AU..	1	2N509....					5	12SA7GT, 12SK7GT, 12SQ7GT...	455	12-5
DQ398.....	Vol.		18	MR48....	M26			6JC-466AH	1	2N509....					5	12SA7GT, 12SQ7GT, 12SK7GT, 50L6GT, 35Z5GT..	455	12-5
DR343 (DR), DRI-343 (DRI)...	Vol.		18	MR48....	M26			40-20....	1	2N514....					5	12SA7GT, 12SK7GT, 12SQ7GT, 50L6GT, 35Z5GT..	455	12-11
DR348 (DR), DRI348 (DRI), DR349 (DR)....	Vol.		18	MR48....	M26			40-20....	1	2N514....					5	12SA7GT, 12SK7GT, 12SQ7GT, 50L6GT, 35Z5GT..	455	12-11
DR350 (DR), DRI350 (DRI)...	Vol.		18	MR48....	M26			40-20....	1	2N514....					5	12SA7GT, 12SQ7GT, 12SK7GT, 50L6GT, 35Z5GT..	455	12-11
DR352 (DR), DRI352 (DRI)...	Vol.		18	MR48....	M26			40-20....	1	2N514....					5	12SA7GT, 12SK7GT, 12SQ7GT, 50L6GT, 35Z5GT..	455	12-11
DS365 (DS).....	Vol.		124	†			A19	30..... 30..... 16, 16....	1 1 1/13	RS223... FP145... 2S569....					9	6K7, 6SA7, 6SQ7, 6L6, 6U5, 5Z3....	455	12-7-10
DS372.....	Vol.		124	†			A19	30..... 30..... 16, 16....	1 1 1/13	RS223... FP145... 2S569....					9	6K7, 6SA7, 6SQ7, 6L6, 6U5, 5Z3....	455	12-7-10
DU379, DU380....	Vol.		18	MR55....	M27			10.....	12	TC44....					4	1R5, 1T4, 1S5, 1S4...	455	12-33
DV364.....	Vol.		18	MR48....	M26			16, 16....	1	2N518....					8	6SA7GT, 6B8GT, 6SQ7GT, 6P5GT, 6AC5GT, 6SJ7GT, 5Y3G, 6E5.....	455	12-17,18
DX356 (Ch. DX) Below 3,842,250..	Vol.		18	MR44....	M26			16, 16....	23	TC74....					5	6SA7GT, 6SK7GT, 6SQ7GT, 6V6GT, 5Y3G.....	455	12-16,15
DX356 (Ch. DX) Above 3,842,250).	Vol.		18	MR44....	M26			15-15-20...	1/15	FP339....					5	6SA7GT, 6SK7GT, 6SQ7GT, 6V6GT, 5Y3G.....	455	12-15,16
DY337 (DY), DY1-337 (DY1)..	Vol.		18	MR48....	M26			6JC426B...	1	2N509....					5	12SA7GT, 12SK7GT, 12SQ7GT, 50L6GT, 35Z5GT..	455	12-6
DY349 (DY), DY1-349 (DY1)..	Vol.		18	MR48....	M26			6JC426B...	1	2N509....					5	12SA7GT, 12SK7GT, 12SQ7GT, 35Z5GT, 50L6GT..	455	12-6
DY351 (DY), DY1351 (DY1)...	Vol.		18	MR48....	M26			6JC426B...	1	2N509....					5	12SA7GT, 12SK7GT, 12Q7GT, 50L6GT, 35Z5GT.....	455	12-6
DZ371.....	Vol.		18	MR48....	M26			16-16....	1	2N518....					8	6SA7GT, 6B8GT, 6SQ7GT, 6P5GT, 6AC5GT, 6SJ7GT, 6E5, 5Y3G.....	455	12-17-20

† Data not substantiated.

\* IMPORTANT: Read Notes in Note Section if specified in Note Column.

§ Indicates miscellaneous section.

MANUFACTURER AND MODEL	CONTROLS							CONDENSERS				VIBRATORS			No. Tubes	Complete Tube Complement	I. F. Peak	Rider's Reference
	Use	Original Part	Circuit	Correct Replacement	Switch	Bias	*Note	Original Part	Circuit	Correct Replacement	*Note	Original Part	Replacement	*Note				
EMERSON—Continued																		
EI28.....	Vol.	OOR161B..	45	UM157.....		See Note A96	QOC169C..	1/15	4S718.....			3DV-8.....	294	C3	6	78, 6A7, 6B7, 76, 41, 84	172.5	7-30
EA312 (EA).....	Vol.		18	MR48.....	M27		6JC426D..	1	Buffer.....	B14					6	1A7GT, 1N5GT, 1H5GT, 117L7GT, 3Q5GT.....	455	12-3,4
EA338 (EA), EA339 (EA).....	Vol.		18	MR48.....	M27		6JC426D..	1	2N509.....						6	1A7GT, 1N5GT, 1H5GT, 117L7GT, 3Q5GT.....	455	12-3,4
EA357 (EA).....	Vol.		18	MR48.....	M27		6JC426D..	1	2N509.....						6	1A7GT, 1N5GT, 1H5GT, 117L7GT, 3Q5GT.....	455	12-3,4
EA385 (EA).....	Vol.		18	MR48.....	M27		6JC426D..	1	2N509.....						6	1A7GT, 1N5GT, 1H5GT, 3Q5GT, 117L7GT.....	455	12-3,4
EA389 (EA).....	Vol.		18	MR48.....	M27		6JC426D..	1	2N509.....						6	1A7GT, 1N5GT, 1H5GT, 117L7GT, 3Q5GT.....	455	12-3,4
EA1-341 (EA1).....	Vol.		18	MR48.....	M27		20-20.....	1	2N509.....						6	1A7GT, 1N5GT, 1H5GT, 3Q5GT, 117Z6GT.....	455	12-3,4
EB344 (EB).....	Vol.		18	MR48.....	M27		40.....	78	TC48.....						6	1A7GT, 1N5GT, 1H5GT, 3Q5GT, 117Z6GT.....	455	12-7,8
EB359 (EB).....	Vol.		18	MR48.....	M27		20-20.....	1	2N509.....						6	1A7GT, 1N5GT, 1H5GT, 117L7GT, 3Q5GT.....	455	12-3,4
EC296 (EC), EC1-296 (EC1).....	Vol.		18	MR48.....	M26		40.....	15	TC29.....						6	1A7GT, 1N5GT, 1H5GT, 117L7GT, 3Q5GT.....	455	12-3,4
EC301 (EC), EC1-301 (EC1).....	Vol.		18	MR48.....	M26		20-20.....	1	2N509.....						5	12SA7GT, 12SK7GT, 12SQ7GT, 50L6GT, 35Z5GT.....	455	12-1
EC314 (EC), EC1-314 (EC1), EC315 (EC), EC1-315 (EC1).....	Vol.		18	MR48.....	M26		20-20.....	1	2N509.....						5	12SA7GT, 12SK7GT, 12SQ7GT, 50L6GT, 35Z5GT..	455	12-1
EC327 (EC), EC1-327 (EC1).....	Vol.		18	MR48.....	M26		20-20.....	1	2N509.....						5	12SA7GT, 12SK7GT, 12SQ7GT, 50L6GT, 35Z5GT..	455	12-1
EC336 (EC), EC1-336 (EC1).....	Vol.		18	MR48.....	M26		20-20.....	1	2N509.....						5	12SA7GT, 12SK7GT, 12SQ7GT, 50L6GT, 35Z5GT..	455	12-1
EC347 (EC), EC1-347 (EC1).....	Vol.		18	MR48.....	M26		20-20.....	1	2N509.....						5	12SA7GT, 12SK7GT, 12SQ7GT, 50L6GT, 35Z5GT..	455	12-1
EC353 (EC), EC1-353 (EC1).....	Vol.		18	MR48.....	M26		20-20.....	1	2N509.....						5	12SA7GT, 12SK7GT, 12SQ7GT, 50L6GT, 35Z5GT..	455	12-1
EC366 (EC), EC1-366 (EC1).....	Vol.		18	MR48.....	M26		20-20.....	1	2N509.....						5	12SA7GT, 12SK7GT, 12SQ7GT, 50L6GT, 35Z5GT..	455	12-1
ED354 (ED) (Below 3,816,700)	Vol.	6GR352.....	18	MR44.....	M26		7AC443.....	23	TC74.....						5	6SA7GT, 6SK7GT, 6SQ7GT, 6V6GT, 5Y3G.....	455	12-12
ED354 (ED) (Above 3,816,700)	Vol.	6GR352.....	18	MR44.....	M26		7AC444.....	23	TC74.....						5	6SA7GT, 6SK7GT, 6SQ7GT, 6V6GT, 5Y3G.....	455	12-12
EE340 (EE).....	Vol.		18	MR48.....	M27		8DC522.....	1/15	FP339.....						5	6SA7GT, 6SK7GT, 6SQ7GT, 6V6GT, 5Y3G.....	455	12-12
EE390 (EE).....	Vol.		18	MR48.....	M27		20-20.....	1	2N509.....						6	1A7GT, 1N5GT, 1H5GT, 117L7GT, 3Q5GT.....	455	12-3,4
EF363 (EF).....	Vol.		18	MR48.....	M27		40.....	15	TC29.....						6	1A7GT, 1N5GT, 1H5GT, 117L7GT, 3Q5GT.....	455	12-3,4
EG355 (EG).....	Vol.		18	MR48.....	M26		40-20.....	1	2N514.....						6	1A7GT, 1N5GT, 1H5GT, 117L7GT, 3Q5GT.....	455	12-13,14
							40.....	15	TC29.....						6	6SA7GT, 6SK7GT, 6SQ7GT, 25L6GT, 6U5, 25Z6GT.....	455	12-13,14
							40.....	13	TC48.....						6			

† Data not substantiated.

\* IMPORTANT: Read Notes in Note Section if specified in Note Column.

§ Indicates miscellaneous section.

MANUFACTURER AND MODEL	CONTROLS							CONDENSERS				VIBRATORS			No. Tubes	Complete Tube Complement	I. F. Peak	Rider's Reference
	Use	Original Part	Circuit	Correct* Replacement	Switch	Bias	*Note	Original Part	Circuit	Correct Replacement	*Note	Original Part	Replacement	*Note				
EMERSON—Continued																		
EH342 (EHO), EH1-342 (EH1)...	Vol.		18	MR48	M26			6JC466AU	1	2N509					5	12SA7GT, 12SK7GT, 12SQ7GT, 50L6GT, 35Z5GT..	455	12-5
EJ378	Vol.		18	MR48	M26			40-20-20	46	TN129					5	12SA7GT, 12SK7GT, 12SQ7GT, 50L6GT, 35Z5GT..	455	12-31
EK377 (EK)	Vol.		18	MR48	M26			20-20	1	2N509					5	12SA7GT, 12SK7GT, 12SQ7GT, 50L6GT, 35Z5GT..	455	12-1
EK403 (EK)	Vol.		18	MR48	M26			20-20	1	2N509					5	12SA7GT, 12SK7GT, 12SQ7GT, 50L6GT, 35Z5GT..	455	12-1
EK2-377 (EK)	Vol.		18	MR48	M26			20-20	1	2N509					5	12SA7GT, 12SK7GT, 12SQ7GT, 50L6GT, 35Z5GT..	455	12-1
EL360, EL361, EL362, EL363, EL373	Vol.		18	MR48	M26			20-20	1	2N509					5	12SA7GT, 12SK7GT, 12SQ7GT, 50L6GT, 35Z5GT..	455	12-21
EM345 (EM), EM1-345 (EM1)	Vol.		18	MR48	M26			20-20	1	2N509					5	12SA7GT, 12SK7GT, 12SQ7GT, 50L6GT, 35Z5GT..	455	12-1
EM346 (EM), EM1-346 (EM1)	Vol.		18	MR48	M26			20-20	1	2N509					5	12SA7GT, 12SK7GT, 12SQ7GT, 50L6GT, 35Z5GT..	455	12-1
EM382 (EM)	Vol.		18	MR48	M26			20-20	1	2N509					5	12SA7GT, 12SK7GT, 12SQ7GT, 50L6GT, 35Z5GT..	455	12-1
EM2-345 (EM), EM3-345 (EM1)	Vol.		18	MR48	M26			20-20	1	2N509					5	12SA7GT, 12SK7GT, 12SQ7GT, 50L6GT, 35Z5GT..	455	12-1
EM2-346 (EM), EM3-346 (EM1)	Vol.		18	MR48	M26			20-20	1	2N509					5	12SA7GT, 12SK7GT, 12SQ7GT, 50L6GT, 35Z5GT..	455	12-1
EM2-382 (EM)	Vol.		18	MR48	M26			20-20	1	2N509					5	12SA7GT, 12SK7GT, 12SQ7GT, 50L6GT, 35Z5GT..	455	12-1
EP367	Vol.		18	MR48	M26			20-20	1	2N509					5	12SA7GT, 12SK7GT, 12SQ7GT, 50L6GT, 35Z5GT..	455	12-21
EP375	Vol.		18	MR48	M26			20-20	1	2N509					5	12SA7GT, 12SK7GT, 12SQ7GT, 50L6GT, 35Z5GT..	455	12-21
EP381	Vol.		18	MR48	M26			20-20	1	2N509					5	12SA7GT, 12SK7GT, 12SQ7GT, 50L6GT, 35Z5GT..	455	12-21
EP405, EP406	Vol.		18	MR48	M26			20-20	1	2N509					5	12SA7GT, 12SK7GT, 12SQ7GT, 50L6GT, 35Z5GT..	455	12-21
EQ368	Vol.		18	†			A19	15-15-20	1/15	FP339				6	6SA7GT, 6SK7GT, 6J5GT, 6SQ7GT, 6V6GT, 5Y3G	455	12-22	
EQ410	Vol.		18	†			A19	15-15-20	1/15	FP339				6	6SA7GT, 6SK7GT, 6J5GT, 6SQ7GT, 6V6GT, 5Y3G	455	12-22	
ER369, ER370	Vol.		124	Order from	Mfr.			15-15-15	1/13	FP380		B117		9	6SA7GT, 6SK7GT, 6SQ7GT, 6AE7GT, 6AC5GT, 6U5, 5Y3G	455	12-24-28	
ES374	Vol.		18	MR44	M26			16, 16, 16-15-20	23 1/15	TC74, FP339		B117- B20		5	6SA7GT, 6SK7GT, 6SQ7GT, 6V6GT, 5Y3G	455	12-27,28	
ES397	Vol.		18	MR44	M26			16, 16, 16-15-20	23 1/15	TC74, FP339		B117- B20		5	6SA7GT, 6SK7GT, 6SQ7GT, 6V6GT, 5Y3G	455	12-27,28	
ET383	Vol.		18	†			A19	40-20-20	46	FP357				5	12SA7GT, 12SK7GT, 12SQ7GT, 50L6GT, 35Z5GT..	455	12-31	
EV384	Vol.		18	MR48	M26			15-15-20	1/15	FP339				7	6SA7G, 6SK7G, 6SQ7GT, 6V6GT, 6E5, 5Y3G	455	12-23,24	
EW391 (EW)	Vol.		18	MR48	M27			20-20 40	1 15	2N509 TC29				6	1A7GT, 1N5GT, 1H5GT, 1I7L7GT, 3Q5GT	455	12-3,4	
EX386	Vol.		18	MR48	M26			40-40-20	46	FP357				5	12SA7, 12SK7, 12SQ7, 50L6, 35Z5	455	12-34	

† Data not substantiated.

\* IMPORTANT: Read Notes in Note Section if specified in Note Column.

‡ Indicates miscellaneous section.

MANUFACTURER AND MODEL	CONTROLS							CONDENSERS				VIBRATORS			No. Tubes	Complete Tube Complement	I. F. Peak	Rider's Reference
	Use	Original Part	Circuit	Correct Replacement	Switch	Bias	*Note	Original Part	Circuit	Correct Replacement	*Note	Original Part	Replacement	*Note				
EMERSON—Continued																		
F117	Vol.	2NR214D	6	MR21	M26		8 8 8	3	RS213					8	27, 24, 45, 80		1-1	
F122 (F)	Vol.	2NR214D	18	MR44	M26		3EC288	25	RS207					5	6A7, 6D6, 75, 43, 25Z5	456	7-25, 26	
F133 (F)	Vol.	2NR214D	18	MR44	M26		YC98A	13	TC42					5	6A7, 6D6, 75, 43, 25Z5	456	7-25, 26	
F135 (F)	Vol.	2NR214D	18	MR44	M26		3EC-288	25	RS207					5	6A7, 6D7, 75, 43, 25Z5	456	7-25, 26	
F141 (F)	Vol.	2NR214D	18	MR44	M26		YC-98A	13	TC42					5	6A7, 6D6, 75, 43, 25Z5	456	7-25, 26	
FA374	Vol.		18	MR48	M26		3EC-288	25	RS207					5	6A7, 6D6, 75, 43, 25Z5	456	7-25, 26	
FA408	Vol.		18	MR48	M26		YC-98A	13	TC42					7	6SK7, 6SA7, 6J5, 6SQ7, 6V6GT, 5Y3	455	12-29, 30	
FB2-374	Vol.		18	MRT430	M26		16	1	TC74					7	6SK7, 6SA7, 6J5, 6SQ7, 6V6GT, 5Y3	455	12-29, 30	
FC400 (FC)	Vol.		18	MR48	M26		16	1	TC74					5	12SA7GT, 12SK7GT, 50L6GT, 35Z5GT	455	12-29, 30	
FD396 (Ch. FD)	Vol.	6GR-352	18	MR44	M26		20-20	1	2N509					5	12SA7GT, 12SK7GT, 50L6GT, 35Z5GT	455	12-2	
FE-409 (Ch. FE)	Vol.	8QR-420	18	MRT431	M26		8DC-522	1/15	FP339					5	6SA7GT, 6SK7GT, 6SQ7GT, 6V6GT, 5Y3G	455	13-7, 8	
FF411 (Ch. FF)	Vol.	7UR-380	18	MR55	M27		8QC-509	1/15	FP339					6	6SA7GT, 6SK7GT, 6J5GT, 6SQ7GT, 6V6GT, 5Y3G	455	13-10	
FG330 (FG)	Vol.		18	MR48	M26		7UC-476	12	TC42					4	1R5, 1T4, 1S5, 1S4	455	13-11	
FH413, FH440 (Ch. FH)	Vol. Tone	9HR-441 9HR-442	18 72	MK401 MK401	M26		20-20	1	2N509					5	12SA7GT, 12SK7GT, 12SQ7GT, 50L6GT, 35Z5GT	455	12-2	
FJ412 (Ch. FJ)	Vol.	9JR-445	18	TM254-SS25	M26		6JC-426R	1	2N509					6	6SD7GT, 6SK7GT, 6SQ7GT, 6J5GT	455	13-13, 14	
FL414 to FL419 inc. (Ch. FL)	Vol.	9LR-446	18	MK401	M26		8JC-513	46	TN129					5	12SA7GT, 12SK7GT, 12SQ7GT, 50L6GT, 35Z5GT	455	13-12	
FM-460 (FM)	Vol. Tone	9MR473 9MR474	18 †	TM232-SS25 Order from Mfr.	M26		6JC-426P	1	2N509					6	7B7, 12SA7, 12SQ7, 50L6, 35Z5	455	13-15	
FO420 (Ch. FO)	Vol.	9OR-448	18	MRT454	M26		8TC529D 8TC529D	1 13	2N511 2N511					15	7H7, 6SG7, 6SD7, 7L7, 6H6, 6SJ7, 25L6, 6J5, 6U5, 6SA7, 6SK7, 6SQ7, 25Z6	455 kc. AM 4.3 mc. FM	14-7, 8	
FP421, FP422 (Ch. FP)	Vol.	9PR-447	18	MK401	M26		8JC-513A	46	TN129					5	12SA7GT, 12SK7GT, 12SQ7GT, 50L6GT, 35Z5GT	455	13-16	
FR432 (Ch. FR)	Vol.	9RR-449	149	Order from Mfr.	M27		6JC-426E	1	2N509					5	12SA7GT, 12SK7GT, 12SQ7GT, 50L6GT, 35Z5GT	455	13-17	
FU424 (Ch. FU)	Vol.	9UR-451	149	MK401	M27		9RC-536 6JC-426T 7FC-451	12 1 78	TC42 2N509 TC29					4	1R5, 1T4, 1S5, 3S4	455	13-23, 24	
FU427, FU428 (Ch. FU)	Vol.	9UR-451	149	MK401	M27		6JC-426T 7FC-451	1 78	2N509 TC29					6	1N5GT, 1A7GT, 1H5GT, 3Q5GT, 117P7GT	262	13-19, 20	
FV426, FV433 (Ch. FV)	Vol.	9VR-453	149	MK403	M27		8TC-529C 9VC-560 9VC-566 6JC-426S	76 76 13 1	2N511 TC39 TC40 2N509					5	1A7GT, 1SA6GT, 1SB6GT, 3B5GT, 117Z4GT	455	13-21, 22	
FW423 (Ch. FW)	Vol.	9SR-452	18	MK401	M26		6JC-426T 7FC-451	1 78	2N509 TC29					5	12SA7GT, 12SK7GT, 12SQ7GT, 50L6GT, 35Z5GT	455	13-18, 20	
FY434 (Ch. FY), FY2-434 (Ch. FY2)	Vol.	9YR-459	50	MR57	M26		8JC-513B 6JC-426E	46 1	TN129 2N509					3	12SQ7, 50L6, 35Z5		13-25	
FZ452 (Ch. FZ)	Vol.	9ZR476	18	MK401	M26		4-4 HC32 3CC-261 YC-98A	1 15 25 13	2N516 TN111 RS207 TC42					4	50L6GT, 35Z5GT	455	13-32	
G4	Vol.		7	MR45	M26	EX300								4	39, 36, 38, 37		3-9	
G127 (G)	Vol.	2NR214C	18	MR44	M26									5	6A7, 6D6, 75, 43, 25Z5, 3CR-241	456	8-7	

† Data not substantiated.

\* IMPORTANT: Read Notes in Note Section if specified in Note Column.

‡ Indicates miscellaneous section.

FREE! MALLORY VIBRATOR REPLACEMENT GUIDE... SEE YOUR DISTRIBUTOR.

MANUFACTURER AND MODEL	CONTROLS							CONDENSERS				VIBRATORS			No. Tubes	Complete Tube Complement	I. F. Peak	Rider's Reference
	Use	Original Part	Circuit	Correct Replacement	Switch	Bias	*Note	Original Part	Circuit	Correct Replacement	*Note	Original Part	Replacement	*Note				
EMERSON—Continued																		
GA-439 (GA)	Vol.	9PR-447A	18	MK401				6JC-426Q	1	2N509					6	6SA7, 6SG7, 6SK7, 6SQ7, 25L6, 25Z6, or Lock-In Equiv.	455	14-2,3
GA-441 (GA)	Vol.	9PR-447	18	MK401				6JC-426Q	1	2N509					6	6SG7, 6SA7, 6SK7, 6SQ7, 25L6, 25Z6 or Lock-In equiv.	455	14-2,3
GA1-439 (GA1)	Vol.	9PR-447A	18	MK401				6JC-426Q	1	2N509					6	6SG7, 6SA7, 6SK7, 6SQ7, 25L6, 25Z6, or Lock-In equiv.	455	14-2,3
GA1-441 (GA1)	Vol.	9PR-447	18	MK401				6JC-426Q	1	2N509					6	6SG7, 6SA7, 6SK7, 6SQ7, 25L6, 25Z6, or Lock-In equiv.	455	14-2,3
GB439, GB441 (Ch. GB)	Vol.	9PR-447	18	MK401				6JC-426Q	1	2N509					6	6SS7, 12SA7, 12SQ7, 50L6, 35Z5	455	13-26
GC448 (Ch. GC)	Vol.	9PR-449A	149	Order from Mfr.				6QC-437D 9VC-560 10NC-580 10NC-581	24 78 46 46	2N514 TC39 2S569 TC65				5	1R5, 1T4, 1S5, 384, 117Z4	455	13-29,30	
GF-462 (Ch. GF)	Vol. Tone					See Note A3 See Note A3								7	6SG7, 6SA7, 7E7, 6SJ7, 6K6, 6U5, 5Y3	455	14-9	
GH437, GH447 (Ch. GH); GH2-447 (Ch. GH2)	Vol.	9JR-445	18	TM254-SS25	M26			10HC-569	46	TN129/TC49	B8			7	12SK7, 12SA7, 12SF7, 12SJ7, 50L6, 35Z5	455	13-27,28 14-4	
GJ-449 (GJ)								6YC-450 IC-43A	13 15	TC48 TC22				2	12SA7, 35Z5			
GK-450 (Ch. GK); GK2-450 (Ch. GK2)	Vol.		18	MR48	M26			20-20	1	2N509				5	12SA7, 12SK7, 12SQ7, 50L6, 35Z5GT	455	13-31 14-6	
GL-457 (GL)	Vol.	9YR-459	127	MR57	M26			8JC-513D	46	TN129				3	6SQ7, 25L6, 25Z6			
GU-446 (GU)	Vol. Tone	10NR-471 10NR-472	18 57	MK401 Order from Mfr.	M26			6GC-437E	1	2N514				8	6J5, 6SK7, 6SQ7, 25L6, 6U5, 25Z6	455	14-5	
H5	Vol.		6	MR24	M26	EX300		KC68	11	UR193	B264			5	78, 77, 43, 25Z5	172.5	3-6	
H5L	Vol.		6	MR24	M26	EX300		KC68	11	UR193	B264			5	6A7, 78, 77, 43, 25Z5	132	4-5	
H130, H137	Vol.	3HR240	17	MR48	M27			VVC221A	12	TC42				5	1A4, 1A6, 1B5, 1F4, 1B1	456	7-39	
J	Vol.	R102	6	G7	6	3		A404	4	TC70				5	24A, 35, 47, 80			
JS	Vol.	R102	6	G7	6	3		A404	4	TC70				5	24, 35, 47, 80	175	3-3	
J106	Vol.	2CR195	17	MR48	M26			2C22 CCCI46B	6 15	2N509 TN111				5	6A7, 6D6, 75, 43, 25Z5	456	7-9	
KS	Vol. Tone		7 22	G MR18	6 6	1		8 4	4 13	TC71 TC70				8	35, 24, 27, 47, 80	175	3-3	
K116, K121, K123	Vol.	TTR159F	6	E12	6	2		TTC159	1/15	3S579				5	6D6, 76, 41, 80	456	7-19,20	
LA (Early)	Vol.		7	MR24	M26	EX300		8-4	4	TCS71				4	78, 77, 38, 1V		5-10	
LA (Revised)	Vol.		7	MR24	M26	EX300		5 8-4 5	15 4 15	TC22 TCS71 TC22				4	6D6, 6C6, 38, 1V		5-10	
LAC4	Vol.		6				See Note A5	4-4	4	See Note	B3			4	58, 57, 47, 80		3-1	
LAC5	Vol.		6				See Note A5	8	4	ST595				5	58, 57, 47, 80		3-1	
L117 (early)	Vol.	2NR214D	56	MR44	M26			2NC246 2NC247 IC43A	1 1 15	RS216 RS216 TC22				5	6A7, 6D6, 85, 41, 80	456	7-27	
L117 (late)	Vol.	2NR214D	18	MR44	M26			2NC246 2NC247 IC43A	1 1 15	RS216 RS216 TC22				5	6A7, 6D6, 75, 41, 80	456	7-27	
L117LW	Vol.	2NR214D	56	MR44	M26			2NC246 2NC247 IC43A	1 1 15	RS216 RS216 TC22				5	6A7, 6D6, 85, 42, 80	456	7-23,24	
L122 (early)	Vol.	2NR214D	56	MR44	M26			2NC246 2NC247 IC43A	1 1 15	RS216 RS216 TC22				5	6A7, 6D6, 85, 41, 80	456	7-27	
L122 (late)	Vol.	2NR214D	18	MR44	M26			2NC246 2NC247 IC43A	1 1 15	RS216 RS216 TC22				5	6A7, 6D6, 75, 41, 80	456	7-27	
L122LW, L133 (early)	Vol.	2NR214D	56	MR44	M26			2NC246 2NC247 IC43A	1 1 15	RS216 RS216 TC22				5	6A7, 6D6, 85, 42, 80	456	7-23,27	
L133 (late)	Vol.	2NR214D	18	MR44	M26			2NC246 2NC247 IC43A	1 1 15	RS216 RS216 TC22				5	6A7, 6D6, 75, 41, 80	456	7-27	
L133LW	Vol.	2NR214D	56	MR44	M26			2NC246 2NC247 IC43A	1 1 15	RS216 RS216 TC22				5	6A7, 6D6, 85, 42, 80	456	7-23,24	
L135 (early)	Vol.	2NR214D	56	MR44	M26			2NC246 2NC247 IC43A	1 1 15	RS216 RS216 TC22				5	6A7, 6D6, 85, 41, 80	456	7-27	
L135 (late)	Vol.	2NR214D	18	MR44	M26			2NC246 2NC247 IC43A	1 1 15	RS216 RS216 TC22				5	6A7, 6D6, 75, 41, 80	456	7-27	

† Data not substantiated.

\* IMPORTANT: Read Notes in Note Section if specified in Note Column.

‡ Indicates miscellaneous section.





MANUFACTURER AND MODEL	Use	CONTROLS						CONDENSERS				VIBRATORS			No. Tubes	Complete Tube Complement	I. F. Peak	Rider's Reference
		Original Part	Circuit	Correct Replacement	Switch	Bias	*Note	Original Part	Circuit	Correct Replacement	*Note	Original Part	Replacement	*Note				
<b>EMERSON—Continued</b>																		
X183 (above 1,328,650)	Vol. Tone	3XR287 3XR277	18 1	MRT426 MR48	M26			3XC329 YC98A IC43A	1 13 15	RS223 TC42 TC22					15	6K7, 6A8, 6J5, 6G5, 6F6, 80.	456	9-25
Z117, Z122, Z133	Vol.	3ZR288	45	MR48	M26			2NC246 2NC247	23 23	RS216 RS216					6	6A7, 6D6, 76, 41, 80.	456	8-5
Z135, Z141	Vol.	3ZR288	45	MR48	M26			2NC246 2NC247	23 23	RS216 RS216					6	6A7, 6D6, 76, 41, 80.	456	8-5
Z150 (early)	Vol.	3ZR288	45	MR48	M26			12 8 8	23 23 13	ST597 ST595 TC52					6	6A7, 6D6, 76, 41, 80.	456	8-5
Z150 (late)	Vol.	3ZR288	45	MR48	M26			12 24 8	23 23 13	ST597 ST599 TC52					6	6A7, 6D6, 76, 41, 80.	456	8-5,6
Z159, Z160	Vol.	3ZR288	45	MR48	M26			2NC246 2NC247	23 23	RS216 RS216					6	6A7, 6D6, 76, 41, 80.	456	8-5
1A	Vol.		15	MR48				8-8-10 .008	1/15 11	3S579 Buffer UR193	B3 B14 B264		296	C3	5	6F7, 6A7, 6B7, 41, 84	132	4-5
3LW	Vol.		6	MR24	M26	EX300		KC68	11	UR193	B264				5	6A7, 78, 77, 43, 25Z5	172.5	6-1
5A	Vol.	00R-161	17	UM157-SS4				8-8 10-10	1 15	See Note TN111	B3	00V-4	286S	C10	5	78, 6A7, 85, 42	172.5	6-1
6A	Vol.	00R-161	17	UM157-SS4				QOC169A .008	1/15 6	4S718 Buffer 2N509	B14	QQV-5	253Y	C3	6	78, 6A7, 85, 41, 84	172.5	6-1
19 (UV4)	Vol.		6	MR24		EX300		KKC143 KKC145	6 15	2N509 TN111					4	6A7, 6F7, 43, 25Z5	456	6-3
20A	Vol.		7	MR45	M26	EX200		HC31 HC32	1 15	2N509 2N509					4	36, 37, 38, 39		3-9
23 (4B)	Vol.	BBR112	6	MR36	M26	EX200		UC93	4	TC571					4	6A7, 77, 42, 80	456	5-1
25A	Vol.		7	MR45	M26	EX300		HC31 HC32	1 15	2N516 2N509					4	36, 37, 38, 39		3-9
26 (DAC5)	Vol.		6	MR24	M26	EX500		8-8	4	See Note	B3				5	58, 57, 47, 80	456	4-1
28 (5J)	Vol.	DDR121	6	MR24	M26	EX300		UC93 IC43	4 15	TC571 TC22					5	6D6, 6C6, 42, 80	456	5-2
30	Vol.		6	MR24	M26	EX300		KC68	11	UR193	B264				5	78, 77, 43, 25Z5	172.5	3-6
30AW	Vol.		6	MR24	M26	EX300		KC68	11	UR193	B264				5	25Z5, 43, 77, 78	456	4-2
30LW	Vol.		6	MR24	M26			KC68	11	UR193	B264				5	6A7, 78, 77, 43, 25Z5	132	4-5
32 (U5S)	Vol.	GGR143	17	MR48	M26			GGC137	6/15	3S584/TN111	B98				5	6A7, 6D6, 75, 43, 25Z5	456	6-4
33AW	Vol.		6	MR24	M26	EX300		KC68	11	UR193	B264				5	25Z5, 43, 77, 78	456	4-2
33LW	Vol.		6	MR24	M26	EX300		KC68	11	UR193	B264				5	6A7, 78, 77, 43, 25Z5	132	4-5
34C (C6-D6)	Vol.	XXR185A	55	MR44				8-8	4	See Note	B3				6	6A8, 6K7, 75, 6F6, 80	456	6-5
34F7	Tone	XXR186A	22	MR44	M26			2KC237	1	2N516		2KV-6	222		6	6A7, 75, 85, 76, 19	456	7-1,2
	Tone	2KR209	55	MR48	M26			2KC249	13	TC52					6			
	Tone	2KR210	22	MR44	M26			2KC234	15	TN111					6			
35 (T6)	Vol.		17	MR48	M26			12-12-8	11	See Note	B3				6	78, 75, 43, 25Z5	172.5	4-3
36 (B5)	Vol.		6	E12		EX150		8-6 12	1 15	See Note TC22	B3				5	6D6, 76, 42, 80	456	6-7
38 (U6)	Vol.		17	MR48				GCC125	6/13	TN125					6	6A7, 6D6, 25Z5, 43, 75		
38 (U6D)	Vol. Tone		22	MR24				HC32	15	TN111					6	6A7, 6D6, 25Z5, 43, 75	456	6-9
	Vol.		6	MR36	M26	EX200		GCC125	6/13	TN125					6	6A7, 6D6, 25Z5, 43, 75	456	5-3
39 (D-S5)	Vol.	YR100	1	MN	6			HC32	15	TN111					5	2A7, 2B7, 47, 58, 80	456	5-5
								8-8	4	TC571								
								4	13	TC52								
								5	15	TC22								
40	Vol.		17	MR53	M26			PC83	11	UR182	B31				6	6B7, 25Z5, 43, 78	175	4-6
41	Vol.		6	MR24		EX500		8-8	4	See Note	B3				5	58, 57, 47, 80	456	4-1
42 (U6)	Vol.		17	MR48				GCC125	6/13	TN125					6	6A7, 6D6, 25Z5, 43, 75	456	6-9
42 (U6D)	Vol.		22	MR24		See Note	te A4	HC32	15	TN111					6	6A7, 6D6, 25Z5, 43, 75	456	6-9
	Vol.		6	MR36	M26	EX200		GCC125	6/13	TN125					6	6A7, 6D6, 25Z5, 43, 75	456	5-3
45 (6BD)	Vol.		6	E7	6	4		HC32	15	TN111	B3				6	6D6, 6A7, 75, 42, 80	456	5-7
								8-4	4	See Note	B3							
								8	12	See Note	B3							
								5	15	TC22								
49 (U6)	Vol.		17	MR48				GCC125	6/13	TN125					6	6A7, 6D6, 25Z5, 43, 75	456	6-9
49 (U6D)	Vol. Tone		22	MR24		See Note	te A4	HC32	15	TN111					6	6A7, 6D6, 25Z5, 43, 75	456	6-9
	Vol.		6	MR36	M26	EX200		GCC125	6/13	TN125					6	6A7, 6D6, 25Z5, 43, 75	456	5-3
50L	Vol.	JR46	6	E7	6			HC32	15	TN111					7	55, 56, 58, 59, 80	115	4-17
	Tone		34	MR24				IC42	4	TC571								
50M	Vol.	GR28	6	E7	6	2		1C43	20	TC22								
	Tone	GR29	34	SRP263				BC9	4	TC571					7	47, 55, 56, 58, 80	175	4-18
	Vol.		7	H	6	2		8-4	4	See Note	B3				6	24, 47, 56, 58, 80	445	3-4
AW55	Vol.	R132	1	MN	6			8-8	4	See Note	B3				5	2A7, 2B7, 47, 58, 80	456	5-5
59 (DS5)	Vol.		1		6			4	13	TC62								
								5	15	TC22								
65	Vol.		7	UC500				2-1-1	1	See Note	B1				9	24, 27, 45, 80, 99		1-2
71 (AW7)	Vol. Tone		17	MR53	M26			8-8	1	See Note	B3				7	6D6, 6A7, 75, 42, 80	456	5-9
	Tone		41	SRP263				4	13	TC62								
	Tone		17	MR53				8-8	4	See Note	B3				7	2A6, 47, 56, 58, 80	172.5	4-4
77	Vol. Tone		34	SRP263														

‡ Data not substantiated.

\* IMPORTANT: Read Notes in Note Section if specified in Note Column.

§ Indicates miscellaneous section.

MANUFACTURER AND MODEL	CONTROLS							CONDENSERS				VIBRATORS			No. Tubes	Complete Tube Complement	I. F. Peak	Rider's Reference
	Use	Original Part	Circuit	Correct Replacement	Switch	Bias	*Note	Original Part	Circuit	Correct Replacement	*Note	Original Part	Replacement	*Note				
EMERSON—Continued																		
101 (C6-D6)	Vol. Tone	XXR185A..	18	MR44			8-8	4	See Note..	B3				6	6A8, 6K7, 75, 6F6, 80	456	6-5	
101F7	Vol. Tone	XXR186A..	22	MR44	M26		2KC237	1	2N516		2KV-6	222		6	6A7, 15, 85, 76, 19	456	7-1,2	
	Vol. Tone	2KR209...	55	MR48	M26		2KC249	13	TC52									
	Vol. Tone	2KR210...	22	MR44			2KC234	15	TN111									
101U	Vol. Tone	2FR205A..	55	MR48			ZZC192A..	11/13	UR193	B265				6	6A8, 6K7, 75, 43, 25Z5	456	7-3,4	
102	Vol. Tone	XXR186A..	22	MR44	M26		YC98	11	TC42					9	6K7, 6A8, 75, 6E5, 6C5, 6F6, 80	456	7-5,6	
	Vol. Tone	NNR156...	17	MRT440			NNC155	1	2N518									
	Vol. Tone	NNR157A..	22	MR48			IC43	15	TC22									
102LW (B8)	Vol. Tone	NNR156...	18	MRT440			NNC226	1	TC71					8	6K7, 6A8, 75, 6C5, 6F6, 80	456	7-7,8	
	Vol. Tone	NNR157A..	22	MR48			2HC217	1	2N518									
103 (F5)	Vol.		17	MR48	M27		IC43	15	TC22					5	1C6, 34, 25S, 30, 33, LLL25	456	6-8	
104	Vol. Tone	NNR156...	17	MRT440			NNC155	1	2N518					9	6K7, 6A8, 75, 6E5, 6C5, 6F6, 80	456	7-5,6	
	Vol. Tone	NNR157A..	22	MR48			IC43	15	TC22									
104LW (B8)	Vol. Tone	NNR156...	17	MRT440			NNC226	1	TC71					8	6K7, 6A8, 75, 6C5, 6F6, 80	456	7-7,8	
	Vol. Tone	NNR157A..	22	MR48			2HC217	1	2N518									
105 (A11)	Vol. Tone	NNR156...	20	MRT440			2AC-209A	30	3S584/TC32	B3				11	5Z3, 6A8, 6C5, 6F6, 6H6, 6K7	456	6-11	
	Vol. Tone	2AR198...	22	MR48	M26		IC43	19	TC22					6	6A7, 6D6, 6H6, 6F5, 43, 25Z5	456	6-13	
106 (U6B)	Vol.	2CR195...	45	MR48	M26		2CC-194	27	TCS44									
107 (U6A)	Vol. Tone	ZZR190A..	55	MR48	M26		ZZC-192A	11/27	UR193	B99				6	6A8, 6K7, 75, 43, 25Z5	456	6-15	
107 (U6F)	Vol.	ZZR191A..	22	MR44			YC98A	11	TC42					6	6A7, 6K7, 6H6, 6F5, 43, 25Z5	456	7-10	
	Vol.		45	MR48			16-8-4	6/13	TN125					6	6A7, 6K7, 6H6, 6F5, 43, 25Z5	456	7-11	
107AC	Vol.	2NR214A..	18	MR44	M26		4	13	TC52					5	6A7, 78, 75, 41, 1V	456	7-11	
	Vol.						2NC246A	1	RS216									
	Vol.						2NC246B	1	RS216									
	Vol.						IC43A	15	TC22									
107LW (U6C)	Vol. Tone	ZZR190A..	45	MR48	M26		4-8-16	25/13	See Note..	B3				6	6A7, 6K7, 6H6, 6F5, 43, 25Z5	456	7-13,14	
	Vol. Tone	ZZR191A..	22	MR44														
108-110	Vol.	2DR169...	18	MR48	M26		2DC300	27	TCS44					5	6A7, 6D6, 75, 43, 25Z5	456	6-17,18	
108LW (U5B)	Vol.	2DR169...	18	MR48	M26		2DC203	27	TCS44					5	6A7, 6D6, 75, 43, 25Z5	132	7-15,16	
109 (U4A)	Vol.		6	MR36	M26	See Note A14	KKC143	6	2N509					4	6A7, 6F7, 43, 25Z5	456	7-15,16	
	Vol.						KKC145	15	TN111									
110LW	Vol.	2DR169...	18	MR48	M26		2DC203	27	TCS44					5	6A7, 6D6, 75, 43, 25Z5	132	7-15,16	
111 (U6A)	Vol. Tone	ZZR190A..	18	MR48	M26		ZZC-192A	11	UR193	B99				6	6A8, 6K7, 75, 43, 25Z5	456	6-15	
111 (U6F)	Vol. Tone	ZZR191A..	22	MR44			YC-98A	11	TC42	B99				6	6A7, 6K7, 6H6, 6F5, 43, 25Z5	456	7-10	
	Vol. Tone	ZZR190A..	45	MR48	M26		16-8-4	6	See Note..	B3				6	6A7, 6K7, 6H6, 6F5, 43, 25Z5	456	7-13,14	
	Vol. Tone	ZZR191A..	22	MR44			4	13	TC42					9	6K7, 6A8, 75, 6E5, 6C5, 6F6, 80	456	7-5,6	
111LW (U6C)	Vol. Tone	ZZR190A..	45	MR48	M26		4-8-16	25/13	UR193	B3				6	6A7, 6K7, 6H6, 6F5, 43, 25Z5	456	7-13,14	
112	Vol. Tone	ZZR191A..	22	MR44														
	Vol. Tone	NNR156...	17	MRT440			NNC155	1	2N518					9	6K7, 6A8, 75, 6E5, 6C5, 6F6, 80	456	7-5,6	
	Vol. Tone	NNR157A..	22	MR48			IC43	15	TC22									
114	Vol.	2NR214A..	18	MR44	M26		NNC226	1	TC71					5	6A7, 78, 75, 41, 1V	456	7-11	
	Vol.						2NC246A	1	RS216									
	Vol.						2NC246B	1	RS216									
	Vol.						IC43A	15	TC22									
116	Vol.	TTR159A..	6	E12	6	See Note A14	TTC159	1/15	3S579					5	6D6, 76, 42, 80	456	7-17,18	
117	Vol.	2NR214...	56	MR44	M26		2NC246	1	RS216					5	6A7, 6D6, 85, 42, 80	456	7-21,22	
	Vol.						2NC247	1	RS216									
117LW	Vol.	2NR214D	56	MR44	M26		IC43A	15	TC22					5	6A7, 6D6, 85, 42, 80	456	7-23	
	Vol.						2NC246	1	RS216									
	Vol.						2NC247	1	RS216									
	Vol.						IC43A	15	TC22									
118	Vol.	2VR219A..	6	MR36	M26		GGC137	6/15	3S584/TN111	B98				4	6D6, 6C6, 43, 25Z5		7-12	
119 (U6A Rev)	Vol. Tone	ZZR190A..	55	MR48	M26		ZZC192A	11	UR193	B99				6	6A8, 6K7, 75, 43, 25Z5	456	7-29	
	Vol. Tone	ZZR191A..	22	MR44			YC98A	11	TC42									
	Vol. Tone						VVC221	11	TC42									
120	Vol.	2VR219A..	6	MR36	M26		GGC137	6/15	3S584/TN111	B98				4	6D6, 6C6, 43, 25Z5		7-12	
121	Vol.	TTR159A..	6	E12	6	See Note A14	TTC159	1/15	3S579					5	6D6, 76, 42, 80	456	7-17,18	
126	Vol.	2VR219A..	6	MR36	M26		GGC137	6/15	3S584/TN111	B98				4	6D6, 6C6, 43, 25Z5		7-12	
138	Vol. Tone		18	MR48			3BC282	4	RS215					8	6K7, 6A8, 6R7, 6G5, 6C5-6J7, 6F6-6L6, 5W4	456		
	Vol. Tone		1	MR48			3BC289	4	RS224									
	Vol. Tone						3BC281	14	TC52									
250	Vol.		6	MR24	M26	EX300	KC68	11	UR193	B264				5	78, 77, 43, 25Z5	172.5	3-6	
250AW	Vol.		6	MR24	M26	EX300	KC68	11	UR193	B264				5	25Z5, 43, 77, 78	456	4-2	
250LW	Vol.		6	MR24	M26	EX300	KC68	11	UR193	B264				5	6A7, 78, 77, 43, 25Z5	132	4-5	
280 (F6D)	Vol.		17/15	Order from Mfr.			KC68	11	UR193	B264				5	1C6, 34, 1A6, 33, LLL25	456	6-19	
300	Vol.		6	MR24	M26	EX300	KC68	11	UR193	B264				5	78, 77, 43, 25Z5	172.5	3-6	
321AW, 330AW, 350AW	Vol.		6	MR24	M26	EX300	KC68	11	UR193	B264				5	25Z5, 43, 77, 78	456	4-2	
321LW, 350LW	Vol.		6	MR24	M26	EX300	KC68	11	UR193	B264				5	6A7, 78, 77, 43, 25Z5	132	4-5	
375	Vol.		17	MR53	M26		PC83	11	UR193	B264				6	6B7, 25Z5, 43, 78	175	4-6	

† Data not substantiated.

\* IMPORTANT: Read Notes in Note Section if specified in Note Column.

‡ Indicates miscellaneous section.

MANUFACTURER AND MODEL	CONTROLS							CONDENSERS				VIBRATORS			No. Tubes	Complete Tube Complement	I. F. Peak	Rider's Reference
	Use	Original Part	Circuit	Correct Replacement	Switch	Bias	*Note	Original Part	Circuit	Correct Replacement	*Note	Original Part	Replacement	*Note				
EMERSON—Continued																		
375 (UV5-375)	Vol.	PPR-168	6	SRP263	6	EX300	PPC-201	1/15	2N509/TN111						5	6A7, 6D6, 76, 43, 25Z5	456	14-1
375LW	Vol.	PR81	13	MR53	M26	See Note A88	KC68	11	UR193	B264					6	78, 6A7, 6B7, 77, 43, 25Z5	125	4-7 4-8
409, 410, 411 (A4)	Vol.	RR82	6	MR24	M26	EX300	RC84	1	2N516						4	78, 6F7, 38, 1V		7-40
409, 410, 411 (U4C)	Vol.	2WR218	6	MR36	M26		RC85	15	TN111						4	6D6, 6C6, 43, 25Z5		
415, 416	Vol.		6	MR24	M26	EX300	2WC239	6	TC42/TN111						4	78, 77, 38, 1V		4-9
415, 416 (Revised)	Vol.		6	MR24	M26	EX300	2WC240	4	TC544						4	1V, 6C6, 6D6, 38		5-10
420 (V4)	Vol.		6	MR24	M26	EX300	8-4	4	TC544						4	78, 77, 38, 1V		4-10
456	Vol.		6	MR24	M26	EX300	8	15	TC22						4	77, 78, 43, 25Z5	456	4-2
501, 502, 503, 504, Ch. 120000, 120029	Vol.	390010	18	MK401	M26		925000	81	2N520						5	12SA7, 12SK7, 12SQ7, 50L6GT, 35Z5GT	455	15-1,12
505, Ch. 120002	Vol.	390020	176	MK401	M27		925050	1	2N514						6	1T4, 1R5, 1S5, 3Q4, 117N7GT	262	15-3,7
506, Ch. 120003	Vol.	390050	161	TM249			925090	78	TC2501						6	6SS7, 12SA7GT, 12SF7, 50L6GT, 35Z5GT	455	15-5
507, 509, 511, 518, 522, Ch. 120005, 120010	Vol.	390000	18	UM156-SS25	M26		925080	91	TN129/TC50						5	12BE6, 12BA6, 12AT6, 50B5, 35W4	455	15-2,12 15-9,13
508, Ch. 120008	Vol.	390040	18	Order from Mfr.			925070	12	TC42						4	1R5, 1T4, 1S5, 3S4	455	
510, 510A, Ch. 120000, 120029	Vol.	390010	18	MK401	M26		925000	81	2N520						5	12BE6, 12BA6, 12AT6, 50B5, 35W4	455	15-1,12
514, 534, Ch. 120007	Vol. Tone	390190	18	MK401	M26		925012	81	2N521						6	12SG7, 6SS7, 12SQ7GT, 50L6GT, 35Z5GT	455	
512, 515, 516, 550, Ch. 120056	Vol.	390180	18	MK401			925011	81	2N521						6	7B7, 14Q7, 50A5, 35Y4	455	15-11,12
515, 516, Ch. 120006	Vol.	390180	18	MK401			925110	81	2N520						6	6SS7, 12SA7, 12SQ7, 50L6GT, 35Z5GT	455	15-11,12
517	Vol.	390000	18	UM156-SS25	M26		925000	81	2N520						5	12SA7, 12SK7, 12SQ7, 50L6GT, 35Z5GT/G	455	15-2,12
519, 520, Ch. 120000, 120029	Vol.	390010	18	MK401	M26		925000	81	2N520						5	12SA7, 12SK7, 12SQ7, 50L6GT, 35Z5GT	455	15-1,12
521, Ch. 120013, 120031	Vol. Tone	390000		UM156-SS25	M26			81	TN521						3	12AT6, 50B5, 35W4		
523, Ch. 120020, 120041	Vol.	390370		MK403	M26			81	TC45									
523, Ch. 120020, 120041	Vol.	390020	176	MK401	M27		925210	1/78	FP304						7	1T4, 1R5, 1S5, 3Q4, 50B5, 35W4	262	16-6,7
524, Ch. 120011	Vol. Tone	390070	18	TM230-SS25	M26		925220	46	FP146						10	6SG7, 6SA7, 6J5, 6H6, 6SL7GT, 6V6GT, 5U4G, 6U5/6G5	455	16-9,13
524, Ch. 120011	Vol. Tone	390360/390080	162	MK401			925010	46	FP146						10	6SG7, 6SA7, 6J5, 6H6, 6SL7GT, 6U5/6G5, 6V6GT, 5U4G	455	16-9,13
524-2, Ch. 120052	Vol. Tone	390070	161	TM230-SS25	M26		925030	46	TC65						10	6SG7, 6SA7, 6J5, 6H6, 6SL7GT, 6U5/6G5, 6V6GT, 5U4G	455	16-9,13
524-2, Ch. 120052	Vol. Tone	390080	162	MK401			925030	13	FP146						10	6SG7, 6SA7, 6J5, 6H6, 6SL7GT, 6U5/6G5, 6V6GT, 5U4G	455	16-9,13
524-2, Ch. 120052	Vol. Tone	390080	162	MK401			925220	1	FP146						10	6SG7, 6SA7, 6J5, 6H6, 6SL7GT, 6U5/6G5, 6V6GT, 5U4G	455	16-9,13
525, 552, Ch. 120037	Vol.	390010	18	MK401	M26		925010	1	FP146						5	12SA7GT, 12SK7GT, 12SQ7GT, 50L6GT, 35Z5GT	455	16-14
528, Ch. 120038	Vol. Tone	390378	183	TM238-SS25			925268	1/15	FP238/TC29						8	6AG5, 6BE6, 6BA6, 6AL5, 6AU6, 6V6GT, 5Y3GT	455	10.7
528, Ch. 120038	Vol. Tone	390379	183	UM160-SS25	M26		925190	13	TC71						8	6AG5, 6BE6, 6BA6, 6AL5, 6AU6, 6V6GT, 5Y3GT	455	10.7
528, Ch. 120038	Vol. Tone	390379	183	UM160-SS25	M26		925005	83	TC40						8	6AG5, 6BE6, 6BA6, 6AL5, 6AU6, 6V6GT, 5Y3GT	455	10.7
529, 529-9, Ch. 120028	Vol.	390005	108	UM156-SS25	M26		925260	1	2N520						5	6SQ7, 6SL7GT/G, 25L6GT/G, 25Z6GT/G		
529, 529-9, Ch. 120028	Vol.	390005	108	UM156-SS25	M26		925100	13	TC42						5	6SQ7, 6SL7GT/G, 25L6GT/G, 25Z6GT/G		
531, 532, 533, Ch. 120040	Vol. Tone	390180	18	MK401			925003	12	TC44						5	1T4, 1R5, 1S5, 3Q4	455	16-15
531, 532, 533, Ch. 120040	Vol. Tone	390280	195	MK401			925003	12	TC44						5	1T4, 1R5, 1S5, 3Q4	455	16-15
535, Ch. 120004, 120045	Vol.	390000	18	UM156-SS25	M26		925000	81	2N520						5	12BE6, 12BA6, 12AT6, 50B5, 35W4	455	16-2,8
536, Ch. 120036	Vol.	390003	18	MK401	M27		925004	1/78	FP304						7	1T4, 1R5, 1S5, 3Q4, 50B5, 35W4	262	
536A, 551A, 553A	Vol.	390003	18	MK401	M27		925059	95/78	Order from Mfr.						6	1T4, 1R5, 1S5, 3Q4, 117Z3	262	

‡ Data not substantiated.

\* IMPORTANT: Read Notes in Note Section if specified in Note Column.

§ Indicates miscellaneous section.

GRID BIAS CELLS ARE EXCLUSIVE WITH MALLORY!

MANUFACTURER AND MODEL	CONTROLS							CONDENSERS				VIBRATORS			No. Tubes	Complete Tube Complement	I. F. Peak	Rider's Reference
	Use	Original Part	Circuit	Correct Replacement	Switch	Bias	*Note	Original Part	Circuit	Correct Replacement	*Note	Original Part	Replacement	*Note				
<b>EMERSON—Continued</b>																		
537.....	Vol. Tone	390004..... 390081.....	183 183	TM238-SS25 UM160-SS25	M26			925006..... 925190..... 925005.....	1 46 46	FP238..... TC71..... TC40.....				11	6AG5, 6BE6, 6BA6, 6AU6, 6AL5, 6U5/ 6G5, 6V6GT, 5U4G.....	455 10.7		
539.....	Vol.	390010-134.	18	UM156-SS25	M26			925000.....	81	2N520.....				5	12SA7/12BE6, 12SK7/12BA6, 12SQ7/12AT6, 50L6GT/50B5, 35Z5GT/35W4.....	455	15-1,12	
540A, Ch. 120042.....	Vol.	390381.....	18	Order from	Mfr.			925008.....	81	2N520.....				5	12BE6, 12BA6, 12AT6, 50B5, 35W4	455		
541, Ch. 120,005; 120,010.....	Vol.	390000.....	18	UM156-SS25	M26			925000.....	81 88	2N520..... TC44.....				5	12SA7, 12SK7, 12SQ7, 50L6GT, 35Z5GT..	455	15-2,12	
542, Ch. 120013, 120031.....	Vol. Tone	390000..... 390370.....	197 197	UM156-SS25 MK403.....	M26 M26				109 109	2N511..... TC45.....				3	12AT6, 50B5, 35W4..			
543, 544, Ch. 120046.....	Vol.	390015.....	18	UM156-SS25	M26			925009.....	81	2N521.....				5	12BE6, 12BA6, 12AT6, 50B5, 35W4	455	16-17	
543, 544, Ch. 120052.....	Vol.	390015.....	18	UM156-SS25	M26			925009.....	81	2N521.....				5	12SA7GT, 12SK7GT, 12SQ7GT, 50L6GT, 35Z5GT..	455	16-18	
546, Ch. 120049.....	Vol.	390190.....	161	UM156-SS25	M26			925011.....	81	2N521.....				5	12BE6, 12BA6, 12AT6, 50B5, 35W4	455		
547A, Ch. 120050.....	Vol.	390024.....	18	MK401.....	M26			925061.....	24	2N520.....				5	12BE6, 12BA6, 12AT6, 50B5, 35W4	455		
549, Ch. 120051.....	Vol. Tone	390016..... 390370.....	196 196	MK401..... MK403.....	M26 M26			925009.....	81	2N521.....				3	12AT6, 50B5, 35W4..			
560, Ch. 120016.....	Vol.	390026.....	18	MK402.....	M27			925066.....	12	TC45.....				4	1R5, 1T4, 1S5, 3S4..	455		
667.....	Vol.		17	UM161.....	M26		A96	6-10..... IC43..... .015.....	1 15	2N518..... TC22..... Buffer.....			296	C3	7	6A7, 41, 75, 78, 84..	172.5	5-11,12
678 Type 1.....	Vol. Tone		22	See Note MR21.....			A19	4-8.....	1	2N518.....			222		5	78, 6A7, 6B7, 41.....	172.5	4-11
678 Type 2.....	Vol. Tone		39	Order from MR21.....	Mfr.	See Note	A33	4-8.....	15	See Note..... TC22.....	B3 B6		222		5	78, 6A7, 6B7, 41.....	172.5	4-11
L755.....	Vol. Tone	JR46..... GR29.....	6 34	E7..... SRP263.....	6	2		IC42..... IC43.....	4 20	TC571..... TC22.....				7	55, 56, 58, 59, 80.....	115	4-17	
M755.....	Vol. Tone	GR28..... GR29.....	6 34	E7..... SRP263.....	6	2		BC9.....	4	TC571.....				7	47, 55, 56, 58, 80.....	175	4-18	
S755.....	Vol.	GR28.....	6	E7.....	6	2		IC42..... IC43.....	4 19	TC571..... TC22.....				7	58, 59, 80, 57.....	465	4-19,20	
770 (AW7).....	Vol. Tone		17 41	MR53..... SRP263.....	M26			8, 8..... 4.....	1 13	ST595..... TC62.....				7	6A7, 6D6, 42, 75, 80..	456	5-9	
965.....	Vol.	WR92.....	17	UM161.....	M26		A96	ZC100..... IC43..... .02.....	1 15	2N518..... TC22..... Buffer.....		ZV-3.....	296	C3	6	6A7, 41, 75, 78, 84..	172.5	5-13,14
1002, 1003, Ch. 129003.....	Vol. (Early) (Late)	390190..... 390180..... 390014.....	18 18 18	UM156-SS25 MK401..... MK403.....	M26			925011..... 925180.....	81 15	2N520..... TC22.....				6	12SA7GT, 6SS7, 12SQ7GT, 50L6GT, 35Z5GT..	455	16-19,20	
<b>EMPIRE</b>																		
10.....	Vol.		7	MR45.....	M26	EX300		16-8..... 2-4.....	6 15	2N509..... TN111.....				4	25Z5, 36, 39, 43.....		4-1	
20.....	Vol.		7	MR45.....	M26	EX300		16-8..... 2-4.....	6 15	2N509..... TN111.....	B6			5	39, 36, 37, 43, 25Z5..		4-2	
30.....	Vol.		6	SRP263.....	6	EX200		16-8..... 2-4.....	6 15	2N509..... TN111.....	B6			5	77, 78, 43, 25Z5.....	175	4-3	
40.....	Vol.		18	MR48.....	M26			16-16..... 4-4.....	15 8/14	2N509..... TN111.....				6	6A7, 78, 75, 43, 37, 25Z5.....	175	4-4	
40SW.....	Vol.		18	MR48.....	M26			4-16-16-8-4..... 12-8.....	8/14 4	3N527/2N509.....	B3 B131			6	6A7, 6D6, 75, 43, 25Z5..	456	5-1	
51.....	Vol.		17	MR48.....	M26				4	See Note.....	B3			5	2A7, 58, 2A6, 2A5, 80	175	5-2	
55.....	Vol.		18	MR48.....	M26				24	FP214.....				5	12BE6, 12BA6, 12AT6, 50B5, 35W4	455	16-4	
56.....	Vol.		18	MR48.....	M26				24	FP214.....				5	12BE6, 12BA6, 12AT6, 50B5, 35W4	455	16-4	
60.....	Vol.		17	MR48.....	M26			8-4..... 2-4..... 10-10.....	1 15 1	2N518..... TN111..... TN111.....				6	78, 6A7, 75, 41, 84..	175	4-5	
71.....	Vol.		18	MR48.....	M26			.02.....	23	Buffer.....	B14			7	2A5, 2A6, 2A7, 58, 80	175	5-3	
74.....	Vol.		6	MR18.....	M26			16-8.....	4	See Note.....	B3			7	58, 57, 2A5, 80.....	462.5	4-6	
400AC.....	Vol.		8	G.....				8-8.....	4	See Note.....	B3			4	57, 58, 47, 80.....		3-2	
400DC.....	Vol.		3	MR18.....		EX200		6-6.....	4	See Note.....	B3			4	39, 36, 33.....		3-1	
450A.....	Vol.		17	MR48.....	M26			16-4-16-4-2.....	8/13/15	3N527/2N509.....	B132			5	6A7, 6D6, 75, 43, 25Z5.....	456	5-4	

† Data not substantiated.

\* IMPORTANT: Read Notes in Note Section if specified in Note Column.

‡ Indicates miscellaneous section.

MANUFACTURER AND MODEL	CONTROLS							CONDENSERS				VIBRATORS			No. Tubes	Complete Tube Complement	I. F. Peak	Rider's Reference
	Use	Original Part	Circuit	Correct Replacement	Switch	Blas	*Note	Original Part	Circuit	Correct Replacement	*Note	Original Part	Replacement	*Note				
<b>EMPIRE—Continued</b>																		
460B.....	Vol.		17	MR48	M26			16-4-16-8-4.	8/15	3N527/2N509	B131				6	6D6, 6A7, 75, 43, 25Z5	456	5-5
470C.....	Vol.		17	MR48				8-16	1	See Note	B3				7	58, 2A7, 2B7, 2A6, 2A5, 80	456	5-6
480C.....	Vol.		17	MR48				16-4-16-8-4.	8/15	3N527/2N509	B131				8	6D6, 6A7, 75, 43, 25Z5	456	5-7
500AC.....	Vol.		8	G				8, 8.	4	See Note	B3				5	58, 57, 47, 80		3-3
500DC.....	Tone		22	MR33											5	36, 37, 33		3-1
550AC.....	Vol.		6	MR18	M26	EX300		6-6	4	2S567				5	58, 47, 80		3-4	
575.....	Tone		34	MR33											5	57, 58, 55, 47, 80	175	4-7
600AC.....	Vol.		6	MR18											5	58, 47, 80		3-5
700DC.....	Tone		22	MR33											6	58, 24, 47, 80		5-8
	Vol.		6	G											7	39, 37, 48		
	Tone		44	MR33		EX200												
<b>EMPRESS</b>																		
55, 56.....	Vol.	5-196	18	MR44	M26				24	FP214					5	12BE6, 12BA6, 12AT6, 50B5, 35W4	455	
<b>ERLA (ERLA-SENTINEL)</b>																		
R1 (Power Pack "A")	Vol.	so see Sentinel	13	MR44				2-1-2	3	See Note	B2				10	26, 27, 50, 81		1-1
R2 (Power Pack "A" 2)	Vol.		40	MR18				1-2-2	3	See Note	B1				8	26, 27, 71A, 80		1-2
10M, 10MF	Vol.	1145	17	UM154	M26	See Note A96		1188	1	2N518		1893	294	C3	5	6A7, 6D6, 6B7, 41, 84	370	8-5
								8876	15	TC22	B14							
								.02		Buffer	B14							
11M.....	Vol.	1145	18	UM154	M26	See Note A96		1973	4	TCS71		1974	294	C3	6	6D6, 6A7, 75, 41, 84	465	8-6
	Tone	1950	34	MR44				.02		Buffer	B14							
14A.....	Vol.	2220	7/18	DRP314	6			1477	1	RS215					9	6D6, 76, 75, 41, 80	465	9-1,2
	Tone	1732	44	MR44				1476	1	RS216					6	6A7, 6D6, 75, 42, 80	465	8-7
19A.....	Vol.	2055	18	MR48	M26			1477	25	RS215					6	6A7, 6D6, 75, 42, 80	465	8-7
	Tone	2056	34	MR33				1476	25	RS216					5	6A7, 6D6, 75, 42, 80	465	7-1
								1110	13	TC70								
20A.....	Vol.	2055	18	MR48	M26			1477	25	RS215					5	6A7, 6D6, 75, 42, 80	465	7-1
	Tone	2162	22	MR29				1476	25	RS216								
22U.....	Vol.	2055	18	MR48	M26			2159	11	UR182					5	6A7, 6K7, 75, 43, 25Z5	465	
	Tone	2373	22	MR33														
25A.....	Vol.	2198	18	UM154-SS16				1477	25	RS215					7	6A7, 6D6, 75, 76, 41, 80	465	
	Tone	2199	44	MR33	M26			1476	25	RS216					9	6D6, 76, 75, 41, 80	465	
27A.....	Vol.	2220	7/18	DRP314	6			1477	1	RS215								
	Tone	1732	44	MR44				1476	1	RS216								
								1693	15	TC22					7	24, 27, 35, 47, 80		3-2
30 (248).....	Vol.		7	MR19	M26			8-8	1	See Note	B3				4	6D6, 6C6, 42, 80		8-8
	Tone	7812-0	22	MR33														
30A.....	Vol.	1835	6	SRP263	6	EX200		2158	25	RS213					4	6D6, 6C6, 42, 80		8-8
								1260	25	RS213								
								8876	15	TC22								
31, 32, 33 (A3, R3)	Vol.	5584-0	6	G7				2-2-1	3	See Note	B3				8	27, 45, 80		2-1
								.05		See Note	B9							
31B.....	Vol.	2198	18	UM154-SS16				2272	1	TCD55		2269	245A	C3	6	1C6, 34, 30, 19	465	6-1
	Tone	2282	22	MR33	M27			.02		Buffer	B14							
32B.....	Vol.	2239	18	MR48											4	1C6, 34, 1B5, 33	465	8-9
33B.....	Vol.	2290	18	MR48	M24			2289	12	TC42					5	1C6, 34, 1B5, 30, 19	465	8-10
	Tone	2162	22	MR29														
34B.....	Vol.	2260	18	MR48	M27			2272	1	TCD55		2269	245A	C3	4	1C6, 34, 1B5, 38	465	8-11
	Tone	2239	57	MR48				.02		Buffer	B14				9	24, 27, 45, 80		2-5
35, 37, 38, 39 (230)	Vol.	6497-0	15	MR44				6638-0	14	RS213								
	Tone	6484-0	41	MR53														
35B.....	Vol.	2198	18	UM154-SS16				2289	12	TC42					6	1C6, 34, 30, 19	465	6-3
	Tone	2331	22	MR33	M24													
36L.....	Vol.	2055	18	MR48	M26										6	6A7, 6D6, 75, 76, 48	465	8-12
	Tone	2162	44	MR39														
37B.....	Vol.	2239	18	MR48											4	1C6, 34, 1B5, 33, 5E1	465	8-13
38B.....	Vol.	2290	18	MR48	M24			2289	13	TC42					5	1C6, 34, 1B5, 30, 19	465	8-14
	Tone	2162	22	MR29														
39B.....	Vol.	2198	18	UM154-SS16				2289	13	TC42					6	1C6, 34, 30, 19	465	8-15
	Tone	2331	22	MR33	M24													
40A, 40B.....	Vol.	2198	18	UM154-SS16				1477	25	RS215					6	6A7, 6D6, 6H6, 6F5, 42, 80	465	8-16
	Tone	2199	34	MR33	M26			1476	25	RS216								
47A, 47AE.....	Vol.	2699	18	TM22B-SS16				3167	25	RS223					11	6K7, 6L7, 6J7, 6H6, 6G5, 6C5, 6F6, 5Z3	465	7-5,6
	Tone	2700	22	MR33	M26			1476	25	RS216								
								3170	19	TC32								
								8876	15	TC22								
								1110	13	TC71								
48A.....	Vol.	2624	7	E		3		2627	1/15	3S579					5	6A7, 6D6, 76, 41, 80	465	8-17
	Tone	2625	22	MR33	M26													
49B.....	Vol.	2239	18	MR48				2272	1	2N509		2269	245A	C3	5	1C6, 34, 6B7, 30, 19	465	8-18
	Tone	2282	22	MR33	M27			.02		Buffer	B14							

‡ Data not substantiated.

\* IMPORTANT: Read Notes in Note Section if specified in Note Column.

§ Indicates miscellaneous section.

BE SURE TO SPECIFY MALLORY RADIO AND ELECTRONIC PARTS.

MANUFACTURER AND MODEL	CONTROLS								CONDENSERS				VIBRATORS			No. Tubes	Complete Tube Complement	I. F. Peak	Rider's Reference
	Use	Original Part	Circuit	Correct Replacement	Switch	Bias	*Note	Original Part	Circuit	Correct Replacement	*Note	Original Part	Replacement	*Note					
ERLA—Continued																			
50B.....	Vol.	2198	45	UM154-SS16			2272	1	2N509		2269	245A	C3	7	1C6, *34, *30, 19	465	8-19,20		
	Tone	2282	22	MR33	M27		.02		Buffer	B14				5	6A7, 6D6, 75, 41, 80	465	8-23		
54A.....	Vol.	2239	18	MR48			2627	1/15	3S579										
	Tone	2199	22	MR33	M26														
55U.....	Vol.	2775	18	MR48			12-20	27	TCS45										
60B.....	Vol.	2239	18	MR48															
61, 62, 63 (250).....	Vol.	7839-0	8	MR19			8-2	1	See Note	B3									
							7850-0	1	TC71										
63B.....	Vol.	2239	18	MR48			3060	15	2N518		3069	245A	C3	4	*15, 75, 41	465	8-26		
	Tone	2239	22	MR48			1693	15	TC22										
65B.....	Vol.	2239	18	MR48			.01	13	Buffer	B14									
	Tone	2239	22	MR48			3150	13	RS216										
66B, 66BE.....	Vol.	2239	18	MR48	M24		3060	1	2N518		3069	245A	C3	8	*15, 6A7, *76, 6G5, 19	465	9-3,4		
	Tone	2966	45	TM234-SS16			8876	15	TC22										
	Tone	2965	44	MR33	M26		.02		Buffer	B14									
67L.....	Vol.	2239	18	MR48			3060	1	2N518		3069	245A	C3	6	6A7, 6D6, 75, 76, *48	465	10-4,5		
	Tone	2199	22	MR33	M26		1693	15	TC22										
68B, 68BE.....	Vol.	2239	45	MR48			.01-.01	27	Buffer	B14									
	Tone	2199	22	MR33	M26		20-12	27	TCS45										
69U.....	Vol.	3171	6	MR21	M26	EX200	1693	15	TC22										
70A.....	Vol.	3024	7	E	6		3041	1	2N518		3069	245A	C3	5	6A7, 6D6, 76, 41, 80	465	8-28		
71U.....	Vol.	2775	17	MR48	M26		20-12	27	TCS45										
72A, 72AE.....	Vol.	2775	17	MR48	M26		3041	1	2N518										
	Tone	3545	22	MR33			3060	1	2N518		3698	245	C3	5	6A7, 6D6, 75, 41, 80, 6G5	465	9-13		
73B.....	Vol.	3671	17	MR48			1693	15	TC22										
	Tone	3545	22	MR33			.03		Buffer	B14									
74, 76 (210).....	Vol.	6707-0	†			See Note	A38												
76A.....	Vol.	3403	20	TM251-SS16			3167	25	RS223										
							3041	25/15	2N518										
							1110	13	TC71										
							1693	20	TC22										
75, 77 (231).....	Vol.	6749-0	12	MR36	M26		3060	1	2N518		3698	245	C3	7	*30, *32, *71A	465	2-6		
78B.....	Vol.	3761	17	UM154-SS16			1693	15	TC22										
	Tone	2199	22	MR33	M26		.03		Buffer	B14									
80B.....	Vol.	2239	17	MR48			6638-0	1	RS213										
81, 82 (245).....	Vol.	6887-0	7	G	6		6638-0	1	RS213										
	Tone	6484-0	41	MR53															
81P, 82P (248).....	Vol.	7812-0	22	MR33	M26		6638-0	1	RS213										
	Tone	3761	17	UM154-SS16			3718	1	2N518										
82A, 82AE.....	Vol.	3761	17	UM154-SS16			1693	15	TC22										
	Tone	2199	22	MR33	M26		3638	27	TCS47										
85U, 85UE.....	Vol.	2775	17	MR48	M26		3718	1	2N518										
	Tone	3545	22	MR33			1108	20	TC70										
86AE.....	Vol.	4078	17	TM251-SS16															
	Tone	2199	44	MR33	M26														
90B.....	Vol.	2239	17	MR48															
93L.....	Vol.	3761	17	UM154-SS16															
	Tone	2199	22	MR33	M26														
95B.....	Vol.	3761	17	UM154-SS16			3150	12	RS216										
	Tone	2331	44	MR33	M24		1693	15	TC22										
96BE.....	Vol.	2775	17	MR48	M26		3060	1	2N518		3698	245	C3	6	6D8G, *6S7G, 6L5G, 6N5, 41	465	10-25,26		
	Tone	3545	22	MR33			.03		Buffer	B14									
107AE.....	Vol.	4408	17	MR48			3718	1	2N518										
	Tone	4409	22	MR33	M26														
224AC.....	Vol.	6167-0	12	F7	6		1-2-2-3	3	See Note	B1									
224B.....	Vol.	6167-0	12	F7	6		3-2-1-1	3	See Note	B1									
225.....	Vol.	6779-0	25	GE			6638-0	1	RS213										
	Tone	6484-0	41	MR53															
271A.....	Vol.	6482-0	25	GE			6552-0	1	RS213										
	Tone	6777-0	57	MR48															
335.....	Vol.	6942-0	7	MR20	M26	See Note	6958-0	1	ST595										
							6938-0	1	ST595										
336.....	Vol.	6974-0	6	MR18	M26		4-4	11	See Note	B11									
570, 570X.....	Vol.	9331	6	H7	6	2	4-20-8	11	UR182	B31									
599.....	Vol.	9331	6	H7	6	2	4-20-8	11	UR182	B31									
603.....	Vol.	1229	17	MR48	M26		1247	1	2N518		1245	292	C3	6	*78, 6A7, 75, 41, 84	265	5-1		
							9328	15	TN111										
620, 622, 623.....	Vol.	9666	17	MR44	M26		.005		Buffer	B14									
	Tone	9174	22	MR33			9659	1	RM262										
630, 634, 635.....	Vol.	9666	17	MR44	M26		8876	15	TC22										
	Tone	9174	22	MR33			9659	1	RM262										
810.....	Vol.		46	MR48	M27		8876	15	TC22										

† Data not substantiated.

\* IMPORTANT: Read Notes in Note Section if specified in Note Column.

‡ Indicates miscellaneous section.

MAKE FULL USE OF NOTES AND CIRCUIT DIAGRAMS.

MANUFACTURER AND MODEL	CONTROLS							CONDENSERS				VIBRATORS			No. Tubes	Complete Tube Complement	I. F. Peak	Rider's Reference
	Use	Original Part	Circuit	Correct Replacement	Switch	Bias	*Note	Original Part	Circuit	Correct Replacement	*Note	Original Part	Replacement	*Note				
ERLA—Continued																		
1010	Vol. Tone NSC		15 22	MR48 MR33 MR44	M26			9193-0	3	3S584					10	358, 357, 55, 346, 80	175	7-5,6
5001, 5002	Vol.	9611	6	MR21		EX250		9925 5-5	12 15	TC71 TN111					5	378, 37, 77, 38	465	
5700, 5721	Vol.	1104	18	MR48	M26			9659 1108	1 12	RM262 TC70					5	2A7, 58, 2A6, 2A5, 80	465	5-3
6100	Vol.	9611	6	MR21		EX250		9925 8705 9328 .02-.02	12 1 15	TC71 TC71 TN111 Buffer		8701	Order from Mfr.		6	378, 77, 38, 37, 25Z5/84	465	5-5
6300, 6315, 6317, 6323	Vol. Tone	9666 9174	17 22	MR44 MR33	M26			9659 1110 8876	1 13 15	RM262 TC70 TC22					6	2A7, 358, 2A6, 2A5, 80	465	5-7,8
6900	Vol.	1004	18	MR48	M26			1291	12	ST595					6	6A7, 6D6, 75, 76, 348	465	8-29,30
7700, 7732, 7741	Vol.	1289	18	MR48	M27			9659	1	RM262					6	1C6, 34, 30, 32, 19	465	5-11
8100B	Vol. Tone	1495 1732	18 39	MR48 MR44	M26										8	*6D6, 6A7, 76, 75, 341, 5Z3	465	7-17,18
ESPEY																		
RR13, RR13L	Vol.		18	MR48	M26				88	TN513/TC47					6	*7B7, 14Q7, 14B6, 50A5, 35Y4	455	15-1,2
RC20	Vol. Tone	9012 9016	50 21	MR55 MR55	M26			80 20 20	24 24 15	2N511 TC45 TC26	B8				2	50L6GT, 35Z5GT		13-7
WQXR	Vol.	9011	127	MR53	M26			32-24 10-10	1 15	2N513 TN111					11	*6K7, 6A8G, *6F5, 6H6, *25L6G, 6U5, *25Z6G	456	14-1
030	Vol.	9011	50	MR53	M26			8-8 10-10	1 15	2N518 TN111					3	6C5, 6V6G, 80		13-7
040	Vol.	9001	18	MR53	M27			4-10	12	TC40					4	1A7GT, 1N5GT, 1H5GT, 1Q5GT	455	13-1
052	Vol.	9011	18	MR53	M26			30-30 100	24 15	2N513 TC2501					5	1A7GT, 1N5GT, 1H5GT, 1T5GT, 70L7GT	455	13-2
060	Vol. Tone	9036 9003	140 140	MRT443 MR53	M26			60, 60 10-10	1 15	TC50 TN111					6	*12SK7, 12A8GT, 12SQ7, 35L6GT, 35Z5GT	455	13-3
080	Vol. Tone	9036 9003	140 140	MRT443 MR53	M26			8-16 10-10	1 15	3S584 TN111	B8				8	*7B7, 7A8, 7C6, 7A4, *6V6G, 80	455	13-4
0101	Vol. Tone	9036 9003	18 22	MR53 MR53	M26			30-30 16 10-10	1 14 15	2N513 TC44 TN111					9	*7B7, 7A8, 7C6, 7A4, *25L6G, *25Z6G	455	13-5
0102	Vol. Tone	9006 9005	17 21	MR48 MR48	M26			16 8-8-8 10	1 1 15	TC74 3S584 TC22					10	*6SK7, 6SA7, 6H6, 6U5, *6SF5, *6L6, 83V	455	13-6, 14-3
XFJ-97	Vol.		18	MR48	M26				24	2N513					5	14Q7, 14A7, 14B6, 50A5, 35Y4	455	15-7
581	Vol.		18	MR53	M27				3 3	2N511 2N511	B8				8	*1LN5, 1LC6, 1LH4, 3LH4/305GT, 35Y4, 50A5	455	15-8,10
621	Vol.	A-9.067	50	UC506	6-9			A-25.020	1	2N511	B6				2	50A5, 35Y4		
641, 642	Vol. Tone (Late) (Early)	A-9.067 A-9.068	173 173	MR48 MR53	M26			A-25.019	15 24	TC26 2N511					4	14B6, *35A5, 35Y4		
651, 652, 653, Ch. FJ97	Vol.	A-9.066	18	MR48	M26			A-25.019	24	2N511					5	14Q7, 14A7, 14B6, 50A5, 35Y4	455	15-11,12
675	Vol. Tone		17 41	MR48 MR48				20 30 16 10	12 6 6 15	TC47 TC47 TC45 TC22					7	6A7, 6D6, 6R7, *43, *25Z5	456	8-1
771	Vol. Tone	771 677-1	† †	MR53 MR48	M26			677 678	† †	TN129 TN111					6	6A8B, 6K7, 6Q7B, 25L6, *25Z6B, BK23B	456	
782	Vol. Tone	771 677-1	† †	MR53 MR48	M26			677 678	† †	TN129 TN111					7	6A8B, 6K7, 6Q7B, 25L6, 6C5, *25Z6B, BK23B	456	
851	Vol.	9010	18	MR48	M26			16-16	1	2N509					5	6A8GT, 6K7GT, 6Q7GT, 25L6GT, 25Z6GT	455	14-4
861	Vol.	9006	18	MR48	M26			16-16 10-10	1 15	2N509 TN111					5	6A8G, 6K7, 6Q7G, 25L6G, 25Z5	455	13-8
891	Vol. Tone	771 677-1	† †	MR53 MR48	M26			677 5.228 678	† † †	TN129 TN129 TN111	B8				9	6A8B, 6K7, 6R7, 6C5, *25Z6B, *25L6, 6G5	456	
942, 943	Vol.	9002	18	MR53	M27			4	12	TC40					4	1A7G, 1N5G, 1H5G, 1Q5G	455	13-8

† Data not substantiated.

\* IMPORTANT: Read Notes in Note Section if specified in Note Column.

‡ Indicates miscellaneous section.

DON'T MISS THE MALLORY 1485 CONTROL DEAL!



MANUFACTURER AND MODEL	CONTROLS							CONDENSERS				VIBRATORS			No. Tubes	Complete Tube Complement	I. F. Peak	Rider's Reference
	Use	Original Part	Circuit	Correct Replacement	Switch	Bias	*Note	Original Part	Circuit	Correct Replacement	*Note	Original Part	Replacement	*Note				
ESPEY—Continued																		
958.....	Vol.	9002.....	18	MR53.....	M27		60.....	76	TC50.....					5	1A7G, 1N5G, 1H5G, 1Q5G, 25Z6G.....	455	14-5	
960 Amp.....	Vol. Tone	9010..... 9015.....	50 22	MR48..... MR48.....	M26		40-40..... 10-10.....	76 24	TC2501..... 2N511.....					5	*6C5, *25L6, 25Z6.....	455	13-9	
964.....	Vol. Tone	9002..... 9003.....	18 22	MR53..... MR53.....	M27		60..... 30, 30..... 100.....	46 46 78	TC50..... TC47..... TC2501.....					6	1A7, 1N5, 1H5, 1G4, 1G6, 25Z6.....	455	14-6	
965.....	Vol. Tone	9002..... 9003.....	18 22	MR53..... MR53.....	M27		60..... 30, 30..... 100.....	46 46 78	TC50..... TC47..... TC2501.....					6	1A7, 1N5, 1H5, 1G4, 1G6, 25Z6.....	455	14-7	
1141.....	Vol. Tone	9010..... 9015.....	† †	MR48..... MR48.....	M26		16, 16, 16..... 10..... 25.....	1/13 15 15	ST597..... TC22..... TC26.....					14	*7H7 or 6SK7, 6K8, 6SJ7, 7A6, 6SQ7, 6U5, *6SF5, *6V6GT, 80.....	AM 455 FM 4.3 mc.	14-9,10	
1150.....	Vol. Tone	9030..... 9029.....	† †	MR48..... Order from	M26 Mfr.		16, 16, 16..... 10..... 25.....	1/13 15 15	ST597..... TC22..... TC26.....					15	*7H7, 6K8, 6SJ7, 7A6, *6SF5, 6U5, *6V6GT, 80.....	AM 455 FM 4.3 mc.	14-11,12	
1152.....	Vol. Tone	9036..... 9005.....	140 140	MRT443..... MR48.....	M26		16, 16, 16..... 10..... 25.....	1/13 15 15	ST597..... TC22..... TC26.....					15	*7H7, 6K8, 6SJ7, 7A6, .6H6, *6SF5, 6U5, *6V6GT, 80.....	AM 455 FM 4.3 mc.	14-13,14	
1190.....	Vol. Tone	9030..... 9029.....	† †	MR48..... Order from	M26 Mfr.		60, 60..... 30..... 16..... 10.....	1 12 13 15	TC50..... TC47..... TC45..... TC22.....					19	*14H7, 12K8, 12SJ7, 7A6, 12SF5, 6AB5, *6SJ7, *25L6GT, *25Z6GT.....	AM 455 FM 4.3 mc.	14-15,16	
2111.....	Vol. Treble Bass	9010..... 9015..... 9015.....	† † †	MR48..... MR48..... MR48.....	M26		16-16-16-25.....	1/13/15	FP444.....	B117				11	*6SK7, 6SA7, 6U5, 6SJ7, 7A6, 6SQ7, 6V6, 80.....	AM 455 FM 4.3 mc.	14-8	
2113.....	Vol. Treble Bass	9010..... 9015..... 9015.....	† † †	MR48..... MR48..... MR48.....	M26		16..... 16-16-16-25.....	46 46/13/15	ST597..... FP444.....	B117				11	*7H7, 6SA7, 6SQ7, 6U5, 6SJ7, 6H6, 6J5, 6V6, 5Y3.....	AM 455 FM 4.3 mc.	13-10	
2143.....	Vol. Bass Treble Sen.	9010..... 9015..... 9015..... 9015.....	† † † †	MR48..... MR48..... MR48..... MR48.....	M26		18, 16, 16, 16, 16..... 25..... 10.....	† 15 15	ST597..... TC26..... TC22.....					14	*7H7, 6SA7, 6SQ7, 6U5, 6SJ7, 6H6, *J5, *6V6, 80.....	AM 455 FM 4.3 mc.	13-11	
2143 (Late), 2144.....	Vol. Bass Treble Sen.	9010..... 9015..... 9015..... 9015.....	† † † †	MR48..... MR48..... MR48..... MR48.....	M26		16, 16, 16, 16..... 16..... 25..... 10.....	† 13 15 15	ST597..... ST597..... TC26..... TC22.....					14	*7H7, 6SA7, 6SQ7, *6SJ7, 6H6, 6U5, *J5, *6V6, 80.....	AM 455 FM 4.3 mc.	14-19	
2162.....	Vol. Bass Treble Sen.	9010..... 9016..... 9015..... 9015.....	† † † †	MR48..... MR55..... UC506..... MR48.....	M26		16, 16, 16, 16..... 16..... 25, 25..... 10.....	† 13 15 15	ST597..... ST597..... TC26..... TC22.....					16	*7H7, 6SA7, 6SQ7, 6U5, *6SJ7, 6H6, *J5, 6C8G, *6V6, 80.....	AM 455 FM 4.3 mc.	13-12	
2221.....	Vol. Bass Treble	9030..... 9016..... 9039.....	146 146 146	MR48..... MR55..... MR48.....	M26		60, 60..... 30, 30..... 10, 10, 10, 10.....	46/13 46 15	TC50..... TC47..... TC22.....					22	*14H7, 14Q7, *14B6, 6N5, 14C7, *7A6, 14F7, 14A4, *6SJ7, *25L6, *25Z6.....	AM 455 FM 4.3 mc.	14-21	
5111.....	Vol. Tone		18 41	MR48..... MR48.....			30..... 16..... 20.....	1 1/18 12	TC47..... TC45..... TC44.....					10	6A7, 6K7, 6R7, *43, *25Z5.....	456	8-2	
6511, 6511-2, 6511-S, Ch. FJ97.....	Vol.	A-9.066.....	18	MR48.....	M26		A-25.019.....	24	2N511.....					5	14Q7, 14A7, 14B6, 50A5, 35Y4.....	455	15-11,12	
6511, 6511-2, Ch. FJ97A.....	Vol. Tone	RA9.066..... RA9.068.....	161 22	MR48..... MR39.....	M26		A-25.020.....	24/15	2N511/TC26.....					6	14Q7, 14A7, 14B6, *35A5, 35Y4.....	455	15-13,14	
6514, 6516, 6517, Ch. FJ97.....	Vol.	A-9.066.....	18	MR48.....	M26		A-25.019.....	24	2N511.....					5	14Q7, 14A7, 14B6, 50A5, 35Y4.....	455	15-11,12	
6514, 6516, 6520 Ch. FJ97A.....	Vol. Tone	RA9.066..... RA9.068.....	161 22	MR48..... MR39.....	M26		A-25.020.....	24/15	2N511/TC26.....					6	14Q7, 14A7, 14B6, *35A5, 35Y4.....	455	15-13,14	
6520, 6520-2, 6521, Ch. FJ97.....	Vol.	A-9.006.....	18	MR48.....	M26		A-25.019.....	24	2N511.....					5	14Q7, 14A7, 14B6, 50A5, 35Y4.....	455	15-11,12	
6533, Ch. FJ97.....	Vol.	A-9.066.....	18	MR48.....	M26		A-25.019.....	24	2N511.....					5	14Q7, 14A7, 14B6, 50A5, 35Y4.....	455	.....	
6540, 6541, 6547.....	Vol. Tone	A-9.066..... A-9.068.....	18 22	MR48..... MR39.....	M26		A-25.019.....	1	2N511.....					5	14Q7, 14A7, 14B6, 50A5, 35Y4.....	455	15-11,12	
6541, 6545, 6547, Ch. FJ97A.....	Vol. Tone	RA9.066..... RA9.068.....	161 22	MR48..... MR39.....	M26		A-25.020.....	24/15	2N511/TC26.....					6	14Q7, 14A7, 14B6, *35A5, 35Y4.....	455	15-13,14	
6542, Ch. FJ97.....	Vol.	A-9.006.....	18	MR48.....	M26		A-25.019.....	24	2N511.....					5	14Q7, 14A7, 14B6, 50A5, 35Y4.....	455	.....	
6545, Ch. FJ97.....	Vol.	A-9.066.....	18	MR48.....	M26		A-25.019.....	24	2N511.....					5	14Q7, 14A7, 14B6, 50A5, 35Y4.....	455	15-11,12	
6546, Ch. FJ97.....	Vol.	A-9.066.....	18	MR48.....	M26		A-25.019.....	24	2N511.....					5	14Q7, 14A7, 14B6, 50A5, 35Y4.....	455	.....	

† Data not substantiated.

\* IMPORTANT: Read Notes in Note Section if specified in Note Column.

‡ Indicates miscellaneous section.

MANUFACTURER AND MODEL	CONTROLS							CONDENSERS				VIBRATORS			No. Tubes	Complete Tube Complement	I. F. Peak	Rider's Reference
	Use	Original Part	Circuit	Correct Replacement	Switch	Bias	*Note	Original Part	Circuit	Correct Replacement	*Note	Original Part	Replacement	*Note				
<b>ESPEY—Continued</b>																		
6560, Ch. FJ97.....	Vol.	A-9.066	18	MR48	M26			A-25.019	24	2N511					5	14Q7, 14A7, 14B6, 50A5, 35Y4	455	
6611, 6612, 6613, 6614, 6615, Ch. FJ97A.....	Vol. Tone	RA9.066 RA9.068	161 22	MR48 MR39	M26			A-25.020	24/15	2N511/TC26					6	14Q7, 14A7, 14B6, 35A5, 35Y4	455	
6630, 6631, 6632, 6634, 6635, Ch. FJ97A.....	Vol. Tone	RA9.066 RA9.068	161 22	MR48 MR39	M26			A-25.020	24/15	2N511/TC26					6	14Q7, 14A7, 14B6, 35A5, 35Y4	455	
7111.....	Vol. Tone Sen.	7152-1 7152-2 7152-3	15 39	MR53 MR48	M26			5.117 5.117A 678	1 1 15	RS216 RS224 TN111				11	6K7, 6L7, 6H6, 6E5, 6F5, 6C5, 6L6, 5Z3	456		
7111.....	Vol. Tone	9003 9005	7 21	Order from Mfr. MR53 MR48	Mfr.			16 35 10-10	1 1 15	ST597 ST599 TN111				11	6K7, 6L7, 6H6, 6E5, 6E5, 6C5, 6L6, 5Z3	456		
7151, 7153.....	Vol. Tone Sen.	7152-1 7152-2 7152-3	80 80 7	MR53 MR48 Order from Mfr.	M26 M26			677 5.228 10	6/13 12 15	TN129 TN129 TC22	B8			15	6K7, 6L7, 6Q7, 6G5, 6C5, 425L6, 425Z5	456		
7541, Ch. FJ97.....	Vol.	A-9.066	18	MR48	M26			A-25.019	24	2N511				5	14Q7, 14A7, 14B6, 50A5, 35Y4	455		
9161.....	Vol.		124	MR55				56-16 80 10	1 12 15	2N520 2N511 TC22	B8			16	6K7, 6L7, 6H6, 6F5, 6C5, 6U5, 425L6, 425Z6G	455		
<b>ESQUIRE</b> 60-10, 65-4.....	Vol.	SRC-004	18	MR48	M26			SCE-003	24	2N511				5	12SA7GT, 12SK7GT, 12SQ7, 50L6GT, 35Z5GT	455		
<b>EVEREADY—See National Carbon.</b>																		
<b>EVERETTE PIANO—See "Oratron"</b>																		
<b>FADA</b>																		
A66PC, A66T.....	Vol.	50.61	15	MRT451	M26			20.107	4	2S569				6	6A8G, 6K7G, 76, 6F5G, 6V6G, 80	456		
A76PC, A76T.....	Vol.	50.61	15	MRT451	M26			20.109	8/15	TN129/TC26				6	6A8G, 6K7G, 6Q7G, 25L6G, 325Z5	456		
AP-104, AP-105.....	Vol.	55.28	15	MR48				20.106C 20.39	1 15	2N513 TC22				3	12Q7GT, 50L6GT, 50Z7GT	13-5		
B49.....	Vol.	50.58	18	MR48	M26			20.89	19	TC26				4	1A7G, 1N5G, 1H5G, 1C5G	456		
B49SW.....	Vol.	50.59A	15	MR48	M27			20.85	12	TC42				4	1A7G, 1N5G, 1H5G, 1Q5G	456		
C-34.....	Vol.	50.75	18	MR48	M26			20.137 20.136	13/15 78	2N513 Order from Mfr.				5	1R5, 1T4, 1S5, 3S4, 35Z5GT	456		
C49.....	Vol.	50.58	18	MR48	M26			20.89	19	TC26				4	1A7G, 1N5G, 1H5G, 1C5G	456		
D174.....	Vol. Tone	50.70 55.29	140 140	MRT450 MR57	M26			20.125	1/13	TC74				7	6SA7GT, 6SK7GT, 6K6GT, 6SQ7GT, 80	456		
D175.....	Vol. Tone	50.70 55.29	140 140	MRT450 MR57	M26			20.125 60-30	8 8	TC45 TC50/TC47				8	6SA7GT, 6SK7GT, 6SQ7GT, 45Z5GT, 425Z6GT	456		
F25.....	Vol.	50.51A	18	MR48	M26			20-103B	1	2N514				5	12A8GT, 12K7GT, 12Q7GT, 50L6GT, 35Z5GT	456		
F44, F45.....	Vol.	50.55	6	MR43	M26			20.106	1	2N514				4	12K7GT, 12J7GT, 50L6GT, 45Z5GT	11-2		
F55.....	Vol.	50.51A	18	MR48	M26			20.103	1	2N509				5	12A8GT, 12K7GT, 12Q7GT, 35L6GT, 35Z4GT	456		
KA60.....	Vol.	2-1451MS	15	MR53				2-2-2-1-1	66/13	See Note	B1			9	24A, 27, 45, 80	175		
KB (81, 82, 84, 86).....	Vol. Sen.	2-1451MS 2-1497MS	15 12	MR53 E12				2.5-2-1-2	3	See Note	B7			12	24, 27, 45, 80	2-7		
KE (122).....	Vol.	3-1210MS	12	MR24	M23									7	30, 31, 32	2-8		
KF (43) EG (761, 762, 764, 766).....	Vol.	3-1236MS	24	DRP119				2-2-1-1	30/14	See Note	B1			7	24, 27, 45, 80	1-21		
KO (51) KOC (53, 57).....	Vol.	3-1269MS	8	F	6	See Note	A39	3-1301-MS 3-1313-MS	1 17	RS213 TC26				7	35, 24, 27, 47, 80	175		
KOC (171, 173) 110 V DC.....	Vol.	3-1337MS	8	F	6									8	436, 437, 438	175		
KU (45, 45Z).....	Vol.	3-1269MS	7	F	6	See Note	A40	3-1301-MS	3	RS213	B10			8	35, 27, 24, 47, 80	175		
KW (48, 49).....	Vol. F.O.G.	3-1326MS 3-1324MS	78 41	MR53 F	M26			3-1301-MS	3	RS213				10	27, 435, 47, 80	175		
KX (61, 66).....	Vol. Tone	4-1497MS 3-1337MS	41 42	MR45 F	6		A90	3-1301-MS 3-1384-MS 3-1301-MS	4 4 1	RS213 RS213 RS213				5	35, 24, 47, 80	2-6		
KY (66) Early, Late.....	Vol.		64	MR53	M26									10	24, 435, 27, 47, 80	175		

‡ Data not substantiated.

\* IMPORTANT: Read Notes in Note Section if specified in Note Column.

§ Indicates miscellaneous section.

MANUFACTURER AND MODEL	CONTROLS							CONDENSERS				VIBRATORS			No. Tubes	Complete Tube Complement	I. F. Peak	Rider's Reference
	Use	Original Part	Circuit	Correct Replacement	Switch	Bias	*Note	Original Part	Circuit	Correct Replacement	*Note	Original Part	Replacement	*Note				
FADA—Continued L26.....	Vol.	50.51A.....	18	MR48.....	M26			20.103B.....	1	2N514.....					5	12SA7GT, 12K7GT, 12SQ7GT, 50L6GT, 35Z5GT..	456	11-1
L56.....	Vol.	50.51A.....	18	MR48.....	M26			20.103A.....	1	2N514.....					5	12SA7GT, 12K7GT, 12SQ7GT, 50L6GT, 35Z5GT.....	456	11-4
L67C, L67T.....	Vol. Tone	50.47A..... 55.20.....	18 22	MR48..... MR48.....	M26			20.82.....	6/15	3N533.....					5	6SA7GT, 6K7GT, 6SQ7GT, 25L6GT, 25Z5.....	465	11-12
L96.....	Vol.	50.47A.....	18	MR48.....	M26			20.103A.....	1	2N514.....					5	6SA7GT, 6D6, 6Q7G, 25L6G, 25Z5.....	456	11-7
L96A.....	Vol. Tone	50.47A..... 55.20.....	18 22	MR38..... MR48.....	M26			20.108.....	1	3N533.....					5	12SA7GT, 12K7GT, 12SQ7GT, 50L6GT, 35Z5GT.....	456	
LA60.....	Vol.	50.47A.....	18	MR48.....	M26			20.108A.....	1/15	2N514/TC26					5	12SA7GT, 12K7GT, 12SQ7GT, 50L6GT, 35Z5GT.....	456	11
LW36.....	Vol.	50.47A.....	18	MR48.....	M26			20.108C.....	1/15	3N533.....					5	12SA7GT, 12K7GT, 12SQ7GT, 50L6GT, 35Z5GT..	456	12-5
NA (14).....	Vol. Tone	5-1214MS..... 5-1213MS.....	64 57	MR53..... MR45.....	M26			5-1209-MS..... 4-1343-MS.....	1 15	RM262..... TN111.....					6	6A7, 6D6, 37, 42, 77, 80.....	265	4-15
NE (151, 152).....	Vol. Tone	4-1444MS..... 5-1215MS.....	15 57	MR53..... MR44.....	M26			5-1209-MS..... 4-1343-MS.....	1 15	RM262..... TN111.....					6	6A7, 6D6, 37, 77, 42, 80.....	265	4-16
NF.....	Vol. Tone	5-1214MS..... 5-1241MS.....	57 17	MR53..... MR42.....	M26			4-1468-MS..... 4-1314-MS.....	1 15/19	2N518..... TC22.....					6	6A7, 6B7, 6D6, 42, 80	125	5-2
NK (126, 127, 128).....	Vol. Tone	5-1241MS..... 50.65.....	16 149	MR53..... MR44..... MR48.....	M27			4-1380-MS.....	1	2N516.....		5-1298VS.....	245A	C3	7	34, 1A7, 30.....	262.5	7-8
P22.....	Vol.	50.65.....	149	MR48.....	M27			20.117A..... 20.120.....	76 76/78	2N513..... Order from Mfr.....					5	1A7GT, 1N5GT, 1H5GT, 1T5GT, 35Z5GT.....	456	13-3
P23 (1940).....	Vol.	50.67.....	18	MR48.....	M27			20.103B..... 20.120.....	76 76/1	2N509..... Order from Mfr.....					6	1N5GT, 1A7GT, 1H5GT, 3Q5GT, 35Z5.....	456	12-1
P24.....	Vol.	50.67.....	18	MR48.....	M27			20.118..... 20.123.....	1 1	2N513..... Order from Mfr.....					7	1N5GT, 1A7GT, 1H5GT, 3Q5GT, 35Z5.....	456	12-2
P28.....	Vol.	50.65.....	18	MR48.....	M27			20.112.....	1	3N533.....					5	1A7GT, 1N5GT, 1H5GT, 1T5GT, 35Z5GT.....	456	12-4
P28A.....	Vol.	50.65.....	149	MR48.....	M27			20.117A..... 20.120.....	76 76/78	2N513..... Order from Mfr.....					5	1A7GT, 1N5GT, 1H5GT, 1T5GT, 35Z5GT.....	456	13-3
P40.....	Vol.	50.60.....	18	MR48.....	M27			20.85.....	12	TC42.....					4	1A7G, 1N5G, 1H5G, 1Q5G.....	456	11-2
P41.....	Vol.	50.60.....	18	MR48.....	M27			20.124..... 20.139.....	76 76/78	2N511..... Order from Mfr.....					5	1A7GT, 1N5GT, 1H5GT, 3Q5GT, 35Z5GT.....	456	13-4
P47, P49.....	Vol.	50.58.....	18	MR48.....	M26			20.89.....	19	TC26.....					4	1A7G, 1N5G, 1H5G, 1C5G.....	456	10-11
P49SW.....	Vol.	50.59A.....	15	MR48.....	M27			20.85.....	12	TC42.....					4	1A7G, 1N5G, 1H5G, 1Q5G.....	456	
P50, PL50, PUL50.....	Vol. Phono.	50.55..... 50.57.....	6 63	MR33.....	M26		See Note A5	20.100A.....	1	2N509.....					4	6D6, 6C6, 25L6G, 25Z5/25Z6GT, 115.53.....		11-3
P58, PL58.....	Vol.	50.60.....	18	MR48.....	M27			20.92..... 20.89.....	1 15/19	2N514..... TC26.....					5	1A7GT, 1N5GT, 1H5GT, 1Q5GT, 70A7GT.....	456	11-5
P60.....	Vol. Tone	50.51A..... 55.25.....	18 1	MR48.....	M26		See Note A5	20.84..... 20.83.....	1 1	TC47..... TC45.....					5	6A8GT, 6K7GT, 6Q7GT, 25L6GT, 25Z6GT.....	456	11-6
PL60, PUL60.....	Vol. Tone	50.51A..... 55.25.....	18 1	MR48.....	M26		See Note A5	20.105..... 20.104.....	1 1	TC47..... TC45.....					5	12A8GT, 12K7GT, 12Q7GT, 50L6GT, 35Z5GT.....	456	11-7
P80.....	Vol.	52.4.....	18	MR48.....	M23-24			22.14..... 22.13..... 22.5.....	94 94 94	TC48..... TC2501..... TC2501.....					4	1R5, 1T4, 1S5, 3S4, D.R.....	456	
P82.....	Vol.	52.9.....	18	MR48.....				22.11.....	110/13	2N511/TC45					6	1T4, 1R5, 1S5, 3Q5GT, 117Z3.....	456	
P100.....	Vol.	52.9.....	18	MR48.....				22.9.....	110/78	Order from Mfr.....					6	1T4, 1R5, 1S5, 3Q5GT, 117Z3.....	456	
PR-135.....	Vol. Tone	50.77..... 55.23.....	18 1	MR48..... MR48.....	M26			20.107A..... 20.89.....	4 15	Order from Mfr..... 2S569..... TC26.....					7	6SK7GT, 6SA7GT, 6J5GT, 6SQ7GT, 6V6GT, 80.....	456	13-1
RA (74, 76, 83, 88, 89).....	Vol. F.O.G.	3-1403MS..... 3-1440MS.....	15 1	MR53..... MR29.....	M26			3-1473-MS..... 3-1384-MS..... 3-1301-MS..... 3-1313-MS.....	28 28 28 15	RS213..... RS213..... RS213..... TC26.....					9	58, 56, 747, 80.....	175	3-22
RC (78, 79).....	Vol. F.O.G. Sil.	3-1456MS..... 3-1440MS..... 3-1491-MS.....	1 1 12	NN..... MR29..... MR18.....	6			3-1473-MS..... 3-1384-MS..... 3-1301-MS..... 3-1313-MS.....	28 28 28 15	RS213..... RS213..... RS213..... TC26.....					11	58, 56, 57, 747, 80.....	175	3-23

‡ Data not substantiated.

\* IMPORTANT: Read Notes in Note Section if specified in Note Column.

§ Indicates miscellaneous section.

MANUFACTURER AND MODEL	Use	CONTROLS						CONDENSERS				VIBRATORS			No. Tubes	Complete Tube Complement	I. F. Peak	Rider's Reference
		Original Part	Circuit	Correct Replacement	Switch	Bias	*Note	Original Part	Circuit	Correct Replacement	*Note	Original Part	Replacement	*Note				
FADA—Continued RE (73, 75, 85, 98)	Vol.	3-1403-MS.	17	MR53	M26			3-1473-MS. 3-1301-MS. 3-1313-MS. 20.125	25 25 17	RS213 RS213 TC26					7	58, 55, 56, 47, 80	175	3-18
RE-187	Vol. Tone	50.70 55.29	139 139	MRT450 MR57	M26				1/13	2S569/TC75					7	68A7GT, 68K7GT, 68Q7GT, 6K6GT, 80	456 175	13-11 3-6
RG (55) RH (74, 76, 83, 87, 88, 89, 97)	Vol. F.O.G.	4-1210MS 3-1403MS 3-1440MS	6 15 1	MR18 MR53 MR29	M26 M26			4-1219-MS. 3-1473-MS. 3-1384-MS. 3-1301-MS. 3-1313-MS. 4-1254-MS. .01	1 28 28 28 15 1	RS213 RS213 RS213 TC26 2N518 Buffer					5 9 8	57, 58, 47, 80 56, 58, 47, 80 39, 37, 84, 85, 89	175 175	3-6
RK (101 Motoret) RL (103 Fadalette)	Vol.	4-1259MS 4-1305MS	17 6	UM154 MR18	M26 M26	See Note	A96	4-1254-MS. 4-1312-MS. 4-1314-MS. 4-1362-MS. 4-1343-MS. 4-1254-MS. 4-1363-MS. 4-1367-MS. .01	1 5 5 6 15 1 12 15	RS213 2N516 TC22 TN125 TN111 2N518 TC71 TC22 Buffer	B14				4 5	36, 38, 39, 25Z5 6A7, 78, 6B7, 43, 25Z5	470 175	3-25 4-8 4-5
RN (105, 106, 107) RP (102 Motoret)	Vol. Tone	4-1328MS 4-1259MS 4-1378MS	17 16 44	MR53 UM154 MR39	M26	See Note	A96	4-1254-MS. 4-1363-MS. 4-1367-MS. .01	1 12 15	2N518 TC71 TC22 Buffer					8 5	37, 39, 85, 89, 79, 84 6A7, 78, 6B7, 43, 25Z5	470 175	4-8 4-5
RS (112) RU (131, 132)	Vol. Tone	4-1328MS 4-1378MS 4-1444MS 4-1443MS	17 22 15 22	MR53 MR39 MR53 MR39	M26 M26			4-1362-MS. 4-1343-MS. 4-1450-MS. 4-1451-MS. 4-1343-MS. 4-1254-MS. 4-1343-MS. 4-1439-MS. .01	6 15 9 9 15 1 15 15	TN125 TN111 TC552/TC55 RS213 TN111 2N518 TN111 TC22 Buffer	B14				5 6	6A7, 78, 6B7, 43, 25Z5 6A7, 6D6, 25Z5, 37, 43, 77	470 265	4-11 4-12
RV (104B) Auto	Vol.	4-1385MS	17	UM161	M26	See Note	A96	4-1343-MS. 4-1254-MS. 4-1343-MS. 4-1439-MS. .01	1 15 15	TN111 2N518 TN111 TC22 Buffer					6	6A7, 6B7, 78, 41, 84	175	4-7
RW, 78-10, 79-10, 97-10, 133, 134, 135	Vol. Tone F.O.G.	4-1474MS 4-1497MS 3-1491MS 3-1403MS	17 21 1 17	MR53 MR45 MR18 MR53	M26	See Note	A90	4-1488MS 4-1494MS	28 28	2N518 RS213					9	6D6, 737, 85, 42, 80	265	4-14
RX 93, 95	Vol.	3-1403MS	17	MR53	M26			3-1473MS 3-1384MS 4-1362MS 4-1343MS 20.79	1 1 6 15 1/15	RS213 RS213 TN125 TN111 3N527					7 5	58, 55, 56, 47, 80 6A7, 78, 6B7, 43, 25Z5	125 470	4-1
RY (108, 109, 125) S46	Vol.	4-1328MS 50.45	17 18	MR53 MR53	M26 M26			20.89	1	TC26					5	6A8G, 6K7, 6Q7G, 25L6G, 25Z5, 115.41	456	10-10
T49	Vol.	50.58	18	MR48	M26			20.89	1	TC26					4	1A7G, 1N5G, 1H5G, 1C5G	456	10-11
WP-101, WP-102 5F50	Vol.	50.55	6	MR33	M26			20.142 20.100	24 1	2N516 2N509					2	12A8, 35Z5 6D6, 6C6, 25L6G, 114.53, 25Z5	456	13-5 10-1
5F60	Vol.	50.51	18	MR48	M26			20.84 20.83	1 1	TC47 TC45					5	6A8GT, 6K7GT, 6Q7GT, 25L6GT, 25Z6GT	456	9-14
6A39	Vol. Tone	50.47A 55.20	18 22	MR48 MR48	M26			20.82	1/15	3N533					5	6A8GT, 6D6, 68Q7GT, 25L6G, 25Z5	456	
6A51	Vol.	50.47A	18	MR48	M26			8-8 25	4 19	2S567 TC26					5	6A7, 6D6, 6Q7G, 6Y6G, 80	465	10-3
6A54	Vol.	50.45	18	MR53	M26			20.80A	23	3S584	B8				5	6A8G, 6K7, 6Q7G, 6Y6G, 80	456	10-12
6A60	Vol.	50.47A	18	MR48	M26			20.84 20.83	1 1	TC47 TC45					5	6A7, 6D6, 6Q7G, 25L6G, 25Z5, 115.41	456	10-9
6A61	Vol.	50.47A	18	MR48	M26			20.95	1/13/15	TN129/TC26					5	6A7, 6D6, 6Q7G, 25L6G, 25Z5	456	10-3
6A65	Vol.	50.53	15	MRT451	M26			20.3 20.88 20.89	1 1 15	RS216 TC71 TC26					6	6A8G, 6D6, 76, 6Q7G, 6V6G, 80	456	10-4
6A70	Vol. Tone	50.50 55.22	15 22	MR53	M26	See Note	A5	20.92A 20.83 20.89	6 13 15	2N514 TC45 TC26					6	6A8G, 6D6, 76, 6Q7G, 25L6G, 25Z5, 115.55	456	10-1
6A80	Vol.	50.53	18	MRT451	M26			20.3 20.94	1 1/13	RS216 3S584	B8				8	6K7, 6A8G, 6Q7G, 6E5, 6Y6G, 80	456	10-5,6
10, 10Z, 11, 11Z 15M, 15MZ 16, 16Z, 17	Vol.	1469MS 2-1316MS 2-1303MS	14 11 4	MR18-RS242 A3MP-RS242 MR18-RS242						See Note See Note See Note	B1 B1 B1				7 8 8	727, 71, 80 27, 24, 45, 80 27, 71, 80		1-10 1-15 1-11
18DC 20, 20Z (1929) 20, 20A, 20T	Vol.	2-1303MS 2-1316MS 50.30	4 8 6	A3MP-RS242 A3MP-RS242 E12		(Early) (Late)	A27 A4	1-2-2-1		See Note See Note	B7 B1				7	12A, 71A 27, 71, 80		1-12 1-13
21	Vol.	50.55	6	MR33	M26			20.79	1	3N527					5	6A7, 6D6, 76, 25L6G, 25Z5, 115.41	456	9-1
25, 25Z	Vol.	2-1316MS	11	A3MP-RS242				20.100A	1	2N509					4	6K7GT, 6J7GT, 25L6GT, 25Z6GT, 115.53		11-1 1-15

‡ Data not substantiated.

\* IMPORTANT: Read Notes in Note Section if specified in Note Column.

§ Indicates miscellaneous section.

WHEN YOU BUY PLUGS AND JACKS BUY MALLORY.

MANUFACTURER AND MODEL	CONTROLS							CONDENSERS				VIBRATORS			No. Tubes	Complete Tube Complement	I. F. Peak	Rider's Reference
	Use	Original Part	Circuit	Correct Replacement	Switch	Bias	*Note	Original Part	Circuit	Correct Replacement	*Note	Original Part	Replacement	*Note				
FADA—Continued																		
27.....	Vol. Tone	50.64 50.26	18 22	MR48 MR48	M26			20.81B	23/19	2S567/TC36					5	6SA7GT, 6K7GT, 6SQ7GT, 6V6GT, 80	456	12-3
30, 30Z, 31, 31Z.....	Vol.	1469MS	35	MR18-RS242				20.84	3	See Note	B1				7	*27, 71, 80		1-10
30 (Late).....	Vol.	50.47A	18	MR48	M26			20.83	1	TC47					5	6A7, 6D6, 6Q7G, 25L6G, 25Z5, 115.41	456	10-8
31.....	Vol. Tone	50.47A 55.20	18 22	MR48 MR48	M26			20.84	1	TC47					5	6A7, 6D6, 6Q7G, 25L6G, 25Z5, 115.41		10-8
32, 32Z.....	Vol.	2-1303MS	8	A3MP-RS242				20.97	23	See Note	B1				8	*27, *71, 80	456	1-11
32 (Late).....	Vol.	2-1316MS	4	MR18-RS242		(Early)	A4	20.93	23	RS213	B3				5	6A7, 6D6, 6Q7G, 6Y6G, 80	456	10-9
32 (Late).....	Vol.	50.47A	18	MR48	M26			20.89	19	RS213	B3				5	6A7, 6D6, 6Q7G, 6Y6G, 80	456	10-9
35, 35Z.....	Vol.	2-1357MS	12	D12				20.89	19	TC26					7	*24, *27, *45, 81 (or 80)		1-18
40.....	Vol. Tone	2-1418MS	25			See Note	te A3		1	TC92					8	*24, *27, *45, 80		1-19
41, 42.....	Vol.	2-1421MS	21	MR53					1	See Note	B1				9	*24, *27, *45, 80		1-20
43.....	Vol.	2-1451MS	64	MR53				2-2-1-1	3/14	See Note	B1				7	*24A, 27, *45, 80		1-21
44.....	Vol.	3-1236MS	24	DRP119					1	See Note	B1				9	*24, *27, *45, 80		1-20
44.....	Vol.	2-1451MS	64	MR53					1	See Note	B3				9	*24, *27, *45, 80		1-20
46, 47.....	Vol.	2-1451MS	64	MR53					1	See Note	B3				9	*24, *27, *45, 80		1-20
48, 49.....	Vol.	3-1326MS	1			See Note	te A85	8-8-8	3	See Note	B3				10	*27, *45, *47, 80		1-24
50, 50Z.....	F.O.G.	3-1324MS	1	F7											9	*27, *71A, 80		1-25
52.....	Vol.	1469MS	14	MR18-RS242				20.103A	1	2N514					5	12A8GT, 12K7GT, 12Q7GT, 50L6GT, 35Z5GT	456	11-4
53.....	Vol.	50.51	18	MR48	M26			20.105	1	TC47					5	12A8GT, 12K7GT, 12Q7GT, 50L6GT, 35Z5GT	456	11-4
54.....	Vol.	50.45	18	MR53	M26			20.104	1	TC45					5	6A8G, 6K7, 6Q7G, 6Y6G, 80	456	10-12
57.....	Vol.	50.51A	18	MR48	M26			20.80A	23	3S584	B8				5	12SA7GT, 12K7GT, 12SQ7GT, 50L6GT, 35Z5GT	456	11-5
59.....	Vol.	50.51A	18	MR48	M26			20.103A	1	2N514					5	12A8GT, 12K7GT, 12Q7GT, 35L6GT, 35Z4GT, 120.17	456	10-13
60.....	Vol.	50.47A	18	MR48	M26			20.105	1	TC47					5	12A8GT, 12K7GT, 12Q7GT, 35L6GT, 35Z4GT, 120.17	456	10-13
61.....	Vol. Tone	50.47A 55.20	18 22	MR48 MR48	M26			20.84	1	TC47					5	6A7, 6D6, 6Q7G, 25L6G, 25Z5, 115.41	456	10-9
61.....	Vol. Tone	50.47A 55.20	18 22	MR48 MR48	M26			20.108	1/15	TC45 3N533					5	6SA7GT, 6K7GT, 6SQ7GT, 25L6G, 25Z5	456	11-6
63.....	Vol.	50.47A	18	MR48	M26			20.108C	1	3N533					5	6SA7GT, 6K7GT, 6SQ7GT, 25L6G, 25Z5	456	11-6
64APC.....	Vol.	50.53	17	MRT451	M26			20.104	1	TC45					6	6SA7GT, 6K7GT, 6SQ7GT, 25L6G, 25Z5	456	11-8
64APC.....	Vol.	50.53	17	MRT451	M26			20.105	24	TC47					6	6SA7GT, 6K7GT, 6PSGT, 6SQ7GT, 6V6G, 80	456	11-9
65PC.....	Vol. Tone	50.62 55.20	15 22	MR53 MR48	M26			20.107A	4	2S569					6	6A8G, 6K7G, 76, 6F5G, 6V6G, 80	456	11-10
68.....	Vol. Tone	50.64 55.26	18 22	MR48 MR48	M26			20.89	15	TC26					5	6SA7GT, 6K7GT, 6SQ7GT, 25L6G, 25Z5	456	11-14
69.....	Vol. Tone	50.47A 55.20	18 22	MR48 MR48	M26			20.107	4	2S569					6	6A8G, 6K7G, 76, 6F5G, 6V6G, 80	456	11-10
70, 71, 72, 70Z.....	Vol.	1469MS	14	A3MP-RS242				20.110	1/15	3N533					5	6SA7GT, 6K7GT, 6SQ7GT, 25L6G, 25Z5	456	11-14
74APC.....	Vol.	50.53	17	MRT451	M26			20.108	1/15	3N533					5	6SA7GT, 6K7GT, 6SQ7GT, 25L6G, 25Z5	456	11-6
75.....	Vol.	2-1316MS	12	A3MP-RS242				20.109	1/15	TN129/TC26					9	*27, *71A, 80		1-25
75PC.....	Vol. Tone	50.62 55.20	15 22	MR53 MR48	M26			20.109	15	TC26					6	6SA7GT, 6K7GT, 6SQ7GT, 25L6G, 25Z5, 115.68	456	11-13
77.....	Vol.	2-1316MS	12	A3MP-RS242				20.89	15	TC26					8	*24, *27, *10, 81		1-29
107, 108 Phono.....	Vol.	50.85	50	MR57				20.109	8/15	TN129/TC26	B1				6	6A8G, 6K7G, 6Q7G, 25L6G, *25Z5	456	14-2
110A, 110B.....	Vol.		6	MR45	M26	EX200		20.106C	1	See Note	B1				3	*24, *27, *10, 81		1-29
114.....	Vol.	50.51A	18	MR48	M26			20.89	15	TC26					8	*24, *27, *10, 81		1-29
115, 116.....	Vol.	50.69A	18	MR48	M26			20.89	15	TC26					3	12Q7GT, 35L6GT, 50Z7GT		13-6
119.....	Vol. Tone	50.47A 55.20	18 22	MR48 MR48	M26			4-8	24	2N518					4	6D6, 6C6, 38, 12Z3		
120.....	Vol.	50.55	6	MR33	M26			2-4	15	TN111					5	12SA7, 12SK7, 12SQ7, 50L6GT, 35Z5GT	456	13-7
130.....	Vol.	50.11	6	SRP263	6	EX200		20.103B	1	2N513					5	12SA7GT, 12SK7GT, 12SQ7GT, 50L6GT, 35Z5GT	456	12-6
130.....	Vol.	50.11	6	SRP263	6	EX200		20.122	1	2N513					5	6SA7GT, 6K7GT, 6SQ7GT, 25L6GT, 25Z6GT	456	12-7
130.....	Vol.	50.11	6	SRP263	6	EX200		20.103B	1	2N514					4	12K7GT, 12J7GT, 50L6GT, 35Z5GT, 115.96		12-8
130.....	Vol.	50.11	6	SRP263	6	EX200		20.22	6	2N509					5	*6C6, 6D6, 43, 25Z5	175	
130.....	Vol.	50.11	6	SRP263	6	EX200		20.17	15	TN111					5	*6C6, 6D6, 43, 25Z5	175	

‡ Data not substantiated.

\* IMPORTANT: Read Notes in Note Section if specified in Note Column.

§ Indicates miscellaneous section.

MANUFACTURER AND MODEL	CONTROLS							CONDENSERS				VIBRATORS			No. Tubes	Complete Tube Complement	I. F. Peak	Rider's Reference
	Use	Original Part	Circuit	Correct Replacement	Switch	Bias	*Note	Original Part	Circuit	Correct Replacement	*Note	Original Part	Replacement	*Note				
FADA—Continued																		
130L.....	Vol.		6	SRP263	6	EX200		20.22	6	2N509				5	6A7, 6D6, 6C6, 43, 25Z5	175		
136.....	Vol.	50.51A	18	MR48	M26			20.17	15	TN111				5	12SA7, 12SK7, 12SQ7, 50L6GT, 35Z5GT	456	13-7	
137.....	Vol.	50.51A	18	MR48	M26			20.103B	1	2N513				5	12SA7GT, 12K7GT, 12SQ7GT, 50L6GT, 35Z5GT	456	12-8	
140.....	Vol.		18	MR48	M26			16-16	6	2N509				6	6A7, 6D6, 75, 43, 37, 25Z5	175	14-3	
140L.....	Vol.		18	MR48	M26			4-4	6/15	2N516				6	*6D6, 6A7, 75, 43, 25Z5	175		
140SW.....	Vol.		18	MR48	M26			16-16	8	2N509				6	*6D6, 6A7, 75, 43, 25Z5	175		
144.....	Vol.	50.44	18	MR48	M27			4-4	8/15	2N516				6	*6D6, 6A7, 75, 43, 25Z5	175		
148.....	Vol.	50.51A	18	MR48	M26			8-4-4-16-16	8/15	TN125/2N509				6	*6D6, 6A7, 75, 43, 25Z5	175		
150 (Two Types).....	Vol.	50.1	17	MR48	M26			20.85	12	TC42				4	1A7GT, 1N5GT, 1H5GT, 30S5GT	456	13-8	
150A.....	Vol.	50.14	17	MR48	M26			20.103B	1	2N513				5	12SA7, 12SK7, 12SQ7, 50L6GT, 35Z5GT	456	13-7	
153.....	Vol.	50.47A	18	MR48	M26			20.8	1/15	3S579				5	6A7, 6F6-42, 6K7-6D6, 75, 80	456	6-1	
154.....	Vol.	50.47A	18	MR48	M26			20.33C	1/15	4S718				5	6A7, 6K7, 75, 6F6, 80	456		
155.....	Vol.	50.6	4	MR48	M26			20.103B	1	2N514				5	6A7, 6K7, 75, 6F6, 80	456	12-7, 15	
156.....	Vol.	50.6	6	MR48	M26			20.124	1	2N514				5	6A7GT, 6SK7GT, 6SQ7GT, 25L6GT, 25Z6GT	456	12-9, 15	
157.....	Vol.	50.6	6	MR18	M26	EX450		20.28	6/15	3N527				5	6A7, 6D6, 76, 43, 25Z5	456	6-3	
158, 159.....	Vol.	50.6	6	MR18	M26	EX450		20.28	6/15	3N527				5	6A7, 6D6, 76, 43, 25Z5	456	6-5	
160.....	Vol.	50.13	17	MR18	M26	EX450		20.35	6/15	3N527				5	6A8, 6C5, 6K7, 43, 25Z5	456	6-6	
160A.....	Vol.	50.14	15	MR18	M26	EX450		20.28	6/15	3N527				5	6A7, 6D6, 76, 43, 25Z5	456		
162.....	Vol.	50.18	18	MR53	M26			20.33A	1/15	4S718				6	6A8, 6K7, 6H6, 6F5, 6F6, 5Z4	456	6-7	
163.....	Vol.	50.19	15	MR53	M26			20.33C	1/15	4S718				6	6A8, 6K7, 6H6, 6F5, 6F6, 5Z4	456		
				UM161	M26			20.37	12	TC42				6	*34, 1C6, 1B5, 30, 19	456		
								20.38	1	2N518		90.102	245	C3	6	*6K7, 6A8, 75, 6C5, 79	456	
								20.39	15	TN111								
								20.40	13	TC62								
								.005		Buffer								
165.....	Vol.	50.14	17	MR53	M26			20.1A	8/15	TN129/TC26				6	6A8, 6K7, 75, 6H6, 43, 25Z5	456		
166 Motoeset	Vol. Tone	50.8	17	MR53	M26	EC240		20.29	1	2N518		90.17	253Y	C3	6	*78, 6A7, 75, 41, 84	175	6-9
		55.4	22	MR39	M26			20.30	15	TN111								
								.01		Buffer								
167, 168.....	Vol. Tone	50.1	17	MR48	M26			20.36	6/15	4S715								
		55.10	22	MR44	M26													
169.....	Vol. Tone	50.47A	18	MR48	M26			20.121	63	2N513				6	6A7, 6K7, 75, 6H6, 43, 25Z5	456	7-1, 2	
			22	MR48	M26			20.105	24	TC47				6	6SA7GT, 6SK7GT, 6SQ7GT, 25L6GT, 25Z6	456	12-10	
			22	MR48	M26			16	63	TC45								
								16	63	TC45								
170.....	Vol.	50.14	17	MR53	M26			20.33A	1/15	4S718				7	6A8, 6F5, 6F6, 6H6, 6K7, 5Z4	456	6-11	
175.....	Vol. Tone	50.70	139	MRT450	M26			20.34	13	TC71				8	6SA7GT, 6SK7GT, 6SQ7GT, 25L6GT, 25Z6GT	456	13-10	
		55.29	139	MR57	M26			30-60-16	63	TN129/TC48				8	6SA7GT, 6SK7GT, 6SQ7GT, 25L6GT, 25Z6GT	456	12-11	
174.....	Vol. Tone	50.70	124	MRT450	M26			20.125	1/13	TC74				7	6SA7GT, 6SK7GT, 6K6GT, 6SQ7GT, 80	456	12-11	
		55.29	22	MR57	M26													
176.....	Vol.	50.72	124	MRT451	M26			20.107A	4	2S569				7	*6SK7GT, 6SA7GT, 6P5GT, 6SQ7GT, 6V6GT, 80	456	12-13	
177.....	Vol.	50.72	124	MRT451	M26			20.133	63/15	TN129/TC26				7	*6SK7GT, 6SA7GT, 6SQ7GT, 25L6GT, 25Z6GT	456	13-9	
								20.130	63	TC50								
184.....	Vol. Tone	50.70	124	MRT450	M26			20.125	1/13	TC74				7	6SA7GT, 6SK7GT, 6SQ7GT, 25L6GT, 25Z6GT	456	12-11	
		55.29	22	MR57	M26													
185.....	Vol. Tone	50.70	139	MRT450	M26			30-60-16	63	TN129/TC48				8	6SA7GT, 6SK7GT, 6SQ7GT, 25L6GT, 25Z6GT	456	13-10	
		55.29	139	MR57	M26													
190.....	Vol.	50.16	17	MR53	M26			20.7	1	RS215				9	6A8, 6F5, 6F6, 6H6, 6K7, 5Z4	456	6-13	
								20.4	1	RS213								
								20.34	13	TC71								
								20.6	15	TN111								
192.....	Vol.	50.17	7/17	DRP314	8			20.32	†	4S715/2N516				9	*6K7, 6A8, 6H6, 6C5, 43, 25Z5	456	6-17	
193.....	Vol.	50.17	7/17	DRP314	8			20.32	†	4S715/2N516				9	*6K7, 6A8, 6H6, 6C5, 43, 25Z5	456		

† Data not substantiated.

\* IMPORTANT: Read Notes in Note Section if specified in Note Column.

§ Indicates miscellaneous section.

WHEN YOU BUY ROTARY SWITCHES BUY MALLORY.

MANUFACTURER AND MODEL	CONTROLS							CONDENSERS				VIBRATORS			No. Tubes	Complete Tube Complement	I. F. Peak	Rider's Reference
	Use	Original Part	Circuit	Correct Replacement	Switch	Bias	*Note	Original Part	Circuit	Correct Replacement	*Note	Original Part	Replacement	*Note				
FADA—Continued 207 APT.....	Vol. Tone	50.51A 55.20	18 22	MR48 MR48	M26			20.124	6	2N511					5	12SA7GT, 12SK7GT, 12SQ7GT, 50L6GT, 35Z5GT..	456	13-12
211.....	Vol. Tone	50.25 55.11	17 22	TM234-SS1 MR48	M28 M26			20.47 20.25 20.44	6 13 15	2N514 TC42 TN111					10	*6K7, 6A8, 6Q7, 6C5, *25A6, 6G5, *25Z6	456	7-3
211B (220V).....	Vol. Tone	50.25 55.11	17 22	TM234-SS1 MR48	M28 M26			20.54 20.55	1 13	Order from Mfr. TC52					10	*6K7, 6A8, 6Q7, 6C5, 6G5, *25A6, *25Z6	456	8-3
212.....	F.O.G. Vol. Tone	50.24 55.13	1 22	MR53 MR48	M28			20.44 20.50	15 3	TN111 RS216					12	*6K7, 6L7, *6C5, 6Q7, *6L6, 6E5, *5W4	456	8-4
214.....	F.O.G. Vol. Tone	50.24 50.51A 55.33	1 18 22	MR53 MR48 MR48	M28 M26			20.44 20.103B	3 15 1	RS213 TN111 2N513					6	*6SK7GT, 6SA7GT, 6SQ7GT, 25L6GT, 25Z6GT	456	13-13
215.....	Vol.	50.51A	18	MR48	M26			20.124	1	2N511					6	*6SK7GT, 6SA7GT, 6SQ7GT, 25L6GT, 25Z6GT	456	13-14
216.....	Vol. Tone	50.25 55.13 50.24	17 22 1	TM234-SS1 MR48 MR53	M28			20.47 20.52 20.25 20.27 20.44	1 8 13 13 15	2N514 2N509 TC42 TC45 TN111					15	*6K7, 6L7, *6C5, 6Q7, *25A6, *25Z6, 6G5	456	8-5
242.....	Vol.	50.28	17	MR53	M27			20.37	12	TC42					4	1C6, 1A4, 1F6, 1F4	456	8-9
246.....	Vol.	50.28	17	MR53	M27			20.57	1	2N516		90.147	W245	C3	4	1C6, 1A4, 1F6, 1F4	456	8-10
250.....	Vol.	50.27	6	E12	6			.007	1	Buffer	B14				5	6A7, 6D6, 76, 6B5, 80	456	7-4
252.....	Vol.	50.78	18	MR48	M26			20.106A	1	2N518 2N513					6	*6SK7GT, 12SA7GT, 12SQ7GT, 50L6GT, 35Z5GT..	456	13-15
253.....	Vol.	50.78	18	MR48	M26			20.103B	1	2N513					5	12SA7GT, 12SK7GT, 12SQ7GT, 50L6GT, 35Z5GT..	456	13-16
254.....	Vol.	50.29	6	E12	6	EX200		20.58	1/15	3S579					5	6A8, 6D6, 76, 25L6, 25Z5	456	8-12
255.....	Vol. Tone	50.26 55.12	114 114	MR53 MR48	M26			20.48 20.39	1 15	2N518 TC22					5	6A7, 6D6, 75, 6B5, 80	456	8-13
256.....	Vol. Tone	50.47A 55.28	18 22	MR48 MR48	M26			20.131 20.132	4 13	ST597 2S569					5	6SA7GT, 6SK7GT, 6SQ7GT, 6V6GT, 80	456	13-17
260.....	Vol.	50.21	6	MR18	M26	EX450		20.49	6/15	3N527					5	6A7, 6D6, 76, 43, 25Z5	456	7-5
261.....	Vol.	50.22	6	MR18	M26	EX250		20.49	6/15	3N527					5	6A7, 6D6, 76, 43, 25Z5	456	8-14
262.....	Vol.	50.22	6	MR18	M26	EX250		20.49	6/15	3N527					5	6A8, 6K7, 6C5, 43, 25Z5	456	7-7
263.....	Vol. Tone	50.47A 55.28	18 22	MR48 MR48	M26			20.124	6	2N511					6	*6SK7GT, 6SA7GT, 6SQ7GT, 25L6GT, 25Z6GT	456	13-2
264.....	Vol. Tone	50.47A 55.28	18 22	MR48 MR48	M26			20.103B	1	2N513					6	*6SK7GT, 6SA7GT, 6SQ7GT, 25L6GT, 25Z6GT	456	13-18
265.....	Vol. Tone	50.26 55.12	114 114	MR53 MR48	M26			20.48	1	2N518					6	6A7, 6D6, 75, 6B5, 6G5, 80	456	8-15
266, 266SD, 266SG.	Vol. Tone	50.8 55.4	17 22	MR53 MR39	M26	EC240		20.42 20.30 .007	1 15	2N518 TN111 Buffer		90.63	294	C3	6	78, 6A7, 6K7, 6Q7, 41, 84	175	8-16
267 Series	Vol. Tone	50.31 55.14	17 22	UM161 MR39	M26		A96	20.59 .004	4 1	RM262 Buffer	B14	90.63	294	C3	6	*78, 6A7, 75, 41, 84	175	8-17
270, 271.....	Vol. Tone	50.23 55.11	15 22	MR53 MR48	M28 M26			20.4 20.45 20.44	1 12 15	RS213 TC71 TN111	B14				7	6A8, 6K7, 6H6, 6F5, 6F6, 5W4, 6G5	456	7-9,11
272, 273.....	Vol. Tone	50.26 55.12	17 21	MR53 MR48	M26			20.46 20.44	8 15	2N509/TC42 TN111					6	6A8, 6K7, 6H6, 6Q7, 43, 25Z5	456	7-12,13
278.....	Vol. Tone	50.77 55.33	18 22	MR48 MR48	M26			20.107A 20.89	4 15	2S569 TC26					7	*6SK7GT, 6SA7GT, 6JS5GT, 6SQ7GT, 6V6GT, 80	456	13-19
280, 281.....	Vol. Tone	50.26 55.12	17 21	MR53 MR48	M26			20.46 20.44	8 15	2N509/TC42 TN111					7	6A8, 6K7, 6Q7, 6H6, 43, 6G5, 25Z5	456	7-14,15
286.....	Vol. Tone	50.74A 55.32	140 140	MRT450 UC506	M26			20.132	1	2S569					8	*6SK7GT, 6SA7GT, *6SQ7GT, *6K6GT, 80	456	13-20
288.....	Vol. Tone	50.70 55.35	140 140	MRT450 UC506	M26			20.131 20.143	1 1/13	ST597 2S569					9	*6SK7GT, 6SA7GT, *6SQ7GT, 6U5, *6K6GT, 80	456	13-21
290.....	Vol. Tone	50.25 55.11	17 22	TM234-SS1 MR48	M28 M26			20.51 20.4	1 1	RS215 RS213					9	*6K7, 6A8, 6Q7, 6C5, *6L6, 6G5, 5Z4	456	7-16
291.....	F.O.G. Vol. Tone	50.24 50.25 55.11	1 17 22	MR53 TM234-SS1 MR48	M28 M26			20.45 20.44 20.51 20.4	13 15 1 1	TC71 TN111 RS215 RS213					9	*6K7, 6A8, 6Q7, 6C5, *6L6, 6E5, 5Z4	456	7-17
	F.O.G. Vol. Tone	50.24	1	MR53	M28			20.45 20.44	13 15	TC71 TN111								

‡ Data not substantiated.

\* IMPORTANT: Read Notes in Note Section if specified in Note Column.

§ Indicates miscellaneous section.

MANUFACTURER AND MODEL	Use	CONTROLS						CONDENSERS				VIBRATORS			No. Tubes	Complete Tube Complement	I. F. Peak	Rider's Reference
		Original Part	Circuit	Correct Replacement	Switch	Bias	*Note	Original Part	Circuit	Correct Replacement	*Note	Original Part	Replacement	*Note				
FADA—Continued																		
295	Vol. Tone	50.70 55.35	140 140	MRT450 UC506	M26			20.131 20.143	1 1/13	ST597 2S569					9	6SK7GT, 6SA7GT, 6SQ7GT, 6U5, 6K6GT, 80	456	13-21
311	Vol. Tone	50.25 55.11	17 22	TM234-SS1 MR48	M28 M26			20.47 20.25	6 13	2N514 TC42					10	6K7, 6A8, 6Q7, 6C5, 25A6, 6E5, 25Z6	456	7-18
	F.O.G.	50.24	1	MR53	M28			20.44	15	TN111								
312	Vol. Tone	50.25 55.13	17 22	TM234-SS1 MR48	M28			20.50 20.4	3 3	RS216 RS213					12	6K7, 6C5, 6L7, 6Q7, 6L6, 6E5, 5W4	456	8-20
	F.O.G.	50.24	1	MR53	M28			20.44	15	TN111								
316	Vol. Tone	50.25 55.13	17 22	TM234-SS1 MR48	M28			20.47 20.52	8 8	2N514 2N509					15	6K7, 6L7, 6C5, 6Q7, 25A6, 25Z6, 6G5	456	8-21
	F.O.G.	50.24	1	MR53	M28			20.25 20.27 20.44	13 13 15	TC42 TC45 TN111								
350	Vol.	50.41	15	MR53	M26			20.75	1/15	3N527					4	6A7, 6B7, 25L6G, 25Z5	456	8-23
351	Vol.	50.37	17	MR53	M26			20.70	1/15	TN125/TC26					5	6A7, 6D6, 6Q7G, 25L6G, 25Z5	456	8-24
352	Vol.	50.37	15	MR53	M26			20.75	1/15	3N527					4	6A7, 6B7, 25L6G, 25Z5	456	9-4
353	Vol.	50.37	17	MR53	M26			20.70	1/15	TN125/TC26					5	6A7, 6D6, 6Q7, 25L6G, 25Z5	456	
354	Vol.	50.35	17	MR53	M26			20.72	1	2N518					5	6A7, 6D6, 6Q7G, 25L6, 25Z5	456	8-25
355	Vol.	50.35	17	MR53	M26			20.68 20.72	15 1	TC22/TC26 2N518					5	6A7, 6D6, 6Q7G, 25L6, 25Z5	456	
358	Vol.	50.37	17	MR53	M26			20.68 20.70	15 1/15	TC22/TC26 TN125/TC26					5	6A7, 6D6, 6Q7G, 25L6G, 25Z6	456	
360	Vol.	50.35	17	MR53	M26			20.67 20.68	6 15	2N514 TC22/TC26					5	6A7, 6D6, 6Q7G, 25L6G, 25Z5	456	9-5
361	Vol.	50.37	17	MR53	M26			20.73	1/15	TN129/TC26					5	6A7, 6D6, 6Q7G, 25L6G, 25Z5	456	14-4
362	Vol.	50.35	17	MR53	M26			20.67	6	2N514					5	6A7, 6D6, 6Q7G, 25L6G, 25Z5	456	
365	Vol.	50.37	20	MR53	M26			20.68 20.71	15 1/15	TC22/TC26 3S579/TC22					6	6A8G, 6D6, 76, 6Q7G, 6V6G, 80	456	9-6
366, 366PT	Vol. Tone	50.37 55.12	15 22	MR53 MR48	M26			20.3	1	RS216					6	6A8G, 6D6, 76, 6Q7G, 6V6G, 80	456	10-14
368	Vol.	50.37	17	MR53	M26			20.71 20.73	1/13/15 6/15	RS216 4S718 TN129/TC26					5	6A7, 6D6, 6Q7G, 25L6G, 25Z5	456	
370	Vol. Tone	50.37 55.12	15 22	MR53 MR48	M26			20.64 20.66	6 6/15	TC47 3N527/TC22					6	6A8G, 6D6, 76, 6Q7G, 25L6G, 25Z5	456	9-7
380	Vol. Tone	50.39 55.15	15 22	MR53 MR48	M28 M26			20.69 20.3	1 13	RS215 RS216					8	6A8G, 6K7, 76, 6Q7G, 6V6G, 6G5, 80	456	9-8
390	Vol. Tone	50.39 55.12	15 22	MR53 MR48	M28 M26			20.64 20.65	6 6/15	TC47 3N527					8	6A8G, 6K7, 76, 6Q7G, 25L6G, 6G5, 25Z5	456	9-9
410	Vol. Tone	50.42 55.16	15 22	TM234-SS1 MR48	M28 M26			20.69 20.3	1 1	RS215 RS216					10	6A8G, 6K7, 6J7, 6H6, 76, 6Q7G, 6V6G, 6G5, 80	456	9-10,11
413	Vol. Tone	50.43 55.16	15 22	MRT443 MR48	M28 M26			20.39 20.3	13 3	TN111 RS216					13	6K7, 6A8G, 6J7, 76, 6V6G, 6H6, 6Q7G, 6G5, 5Z3	456	9-12
450	Vol.	50.46	6	SRP263		EX300		20.77 20.78	15 1	TN111 2N509					4	6D6, 6C6, 25L6G, 25Z5	456	9-14
451	Vol. Tone	50.47 55.20	18 22	MR48 MR48				20.81	23	2S567/TC36					5	6A8, 6D6, 6Q7G, 6Y6G, 80	456	9-15
454	Vol.	50.45	18	MR53	M26			20.80	23	3S584	B8				5	6A8G, 6K7, 6Q7G, 6Y6G, 80	456	9-16
460	Vol.	50.45	18	MR53	M26			20.79	1	3N527					5	6A8G, 6K7, 6Q7G, 25L6G, 25Z5	456	9-17
461	Vol. Tone	50.47	18	MR48			32-16-25		1	3N533					5	6A7, 6D6, 6Q7G, 25L6G, 25Z5	456	9-18
465	Vol.	50.50	15	MR53	M26	See Note A3		20.3	1	RS216					6	6A8G, 6D6, 76, 6Q7G, 6V6G, 80	456	10-16
470	Vol. Tone	50.50 55.20	15 22	MR53 MR48	M26			20.88 20.92	1 6	TC71 2N514					6	6A8G, 6D6, 76, 6Q7G, 25L6G, 25Z5, 115.58	456	10-17
490	Vol. Tone	50.39A 55.15A	18 22	MR53	M27	See Note A5		20.84 20.65	8 8	TC47 2N514					8	6A8G, 6K7, 6G5, 6Q7G, 25L6G, 25Z5, 115.58	456	10-18
554	Vol.	50.45	18	MR53	M26			20.80A	23	3S584	B8				5	6A8G, 6K7, 6Q7G, 6Y6G, 80	456	10-12
602	Vol. Tone	52.2A 57.2	161 22	MR48 MR48	M26			22.4	88	TN129					6	12BA6, 12SA7, 12SK7, 12SQ7, 35L6GT, 35Z5GT	456	15-1,5
605, 606 Series	Vol.	52.2	18	MR48	M26			22.4	88	TN129					5	12SA7GT, 12SK7GT, 12SQ7GT, 50L6GT, 35Z5GT	456	15-2,3

‡ Data not substantiated.

\* IMPORTANT: Read Notes in Note Section if specified in Note Column.

§ Indicates miscellaneous section.



MANUFACTURER AND MODEL	CONTROLS							CONDENSERS				VIBRATORS			No. Tubes	Complete Tube Complement	I. F. Peak	Rider's Reference
	Use	Original Part	Circuit	Correct Replacement	Switch	Bias	*Note	Original Part	Circuit	Correct Replacement	*Note	Original Part	Replacement	*Note				
FADA—Continued 609, 610 Series	Vol.	52.1	18	MR48	M26			22.1	88	FP357					5	12SA7GT, 12SK7GT, 12SQ7GT, 50L6GT, 35Z5GT	456	15-2,3
633	Vol. Tone	52.7 57.1	198 198	MR48 MR48	M26			22.10	88 15	TN129 TC26					4	12SL7GT/G, 25L6GT/G, 35Z5GT/G		
637	Vol. Tone	52.2A 57.2	18 22	MR48 MR48	M26			22.4	88	TN129					6	12BA6, 12SA7GT, 12SK7GT, 12SQ7, 35L6GT/G, 35Z5GT/G	455	15-1,5
652	Vol. (Late) (Early)	52.3 52.1	18 18	MR48 MR48	M26 M26			22.3	88	TN129					6	14A7/12B7, 14Q7, 14B6, 35A5, 35Y4	456	15-4,5
711, 740	Vol. (Late) (Early)	52.15 52.16	18 18	MK401 MR48	M26			(Early) 22.1 (Late) 22.16	91	FP357					5	12BE6, 12BA6, 12AT6, 50B5, 35W4	456	
913	Vol. Tone	50.47A 55.20	18 22	MR48 MR48	M26			20.113 20.105 20.104	63 63 63	2N511/TC45 TN129 TC47 TC45					12	6K7GT, 6SA7GT, 6P5GT, 6SQ7GT, 6SF5GT, 25L6G, 25Z5, 6G5	456	11-16, 12-14
1000 Series	Vol.	52.5	18	MR48	M26			22.1	88	FP357					6	12SK7, 12SA7GT/G, 12SK7GT/G, 12SQ7GT/G, 35L6GT/G, 35Z5GT/G	456	15-5,6
1001	Vol.	52.2A	18	MR48	M26			22.4	88	TN129					6	12BA6, 12SA7GT, 12SK7GT, 12SQ7, 35L6GT, 35Z5GT	456	
1242	Vol.	50.28	17	MR53	M27			20.37	12	TC42					4	1C6, 1A4, 1F6, 1F4	456	
1246	Vol.	50.28	17	MR53	M27			20.57 .007	1	2N516 Buffer	B14	90.147	W245	C3	4	1C6, 1A4, 1F6, 1F4	456	
1250	Vol.	50.27	6	E12	6			20.48	1	2N518					5	6A7, 6D6, 76, 6B5, 80	456	
1255	Vol. Tone	50.26 55.12	114 114	MR53 MR48	M26			20.48	1	2N518					5	6A7, 6D6, 75, 6B5, 80	456	8-26
1262	Vol.	50.22	6	MR18	M26	EX250		20.49	6/15	3N527					5	6A8, 6K7, 6C5, 43, 25Z5	456	8-27
1265	Vol. Tone	50.26 55.12	114 114	MR53 MR48	M26			20.48 20.39	1 15	2N518 TN111					6	6A7, 6D6, 75, 6B5, 6G5, 80	456	8-28
1450	Vol.		17	MR48	M26			20.1	8/15	2N509/2N516					5	6A7, 6D6, 75, 43, 25Z5	456	
1452	Vol.		17	MR48	M26			8-8-5	1/15	3S579					5	6A7, 6D6, 75, 42, 80	456	
1453	Vol.		17	MR48	M26			4-8-8	1/15	3S579					5	6A7, 6D6, 75, 42, 80	456	
1460	Vol.		17	MR48	M26			16-16-8-4-4	8/15	2N509/3N527	B140				6	6D6, 6A7, 75, 43, 25Z5	456	
1462	Vol.	50.1	17	MR48	M26			20.1	6/15	2N509/2N516					6	6A7, 6K7/6D6, 6C5/37, 75, 43, 25Z5	456	6-19
1462 (above Ser. 22102)	Vol.	50.1	17	MR48	M26			20.36	6/15	4S715					6	6A7, 6K7, 75, 6H6, 43, 25Z5	456	7-19
1463	Vol.	50.1	17	MR48	M26			20.36	6/15	4S715					6	6A7, 6K7, 75, 6H6, 43, 25Z5	456	7-20
1470	Vol.		17	MR48				8 16 4-4	1 1 15	RS213 RS216 TN111					7	58, 2A7, 2B7, 2A6, 2A5, 80	456	
1480	Vol.		17	MR48				20.1	8/15	2N509/2N516					8	6D6, 6A7, 75, 43, 25Z5	456	14-6
1556	Vol.	50.11	6	SRP263	6	EX200		20.22 20.17	6 15	2N509 TN111					5	6C6, 6D6, 43, 25Z5	456	6-21
1582	Vol.	50.7	17	MR53				20.7 20.4 20.5 20.6	1 1 12 15	RS215 RS213 TC71 TN111					8	6D6, 6A7, 75, 42, 80	456	6-22
1583	Vol.	50.7	17	MR53				20.7 20.4 20.5 20.6	1 1 13 15	RS215 RS213 TC71 TN111					8	6A7, 6D6, 42, 75, 80	456	6-16
FAIRBANKS-MORS B6	E—Also Vol.	see Audiola. V6502	17	UM154-SS3	M26			8-8 .02	25	TC871 Buffer	B39 B14		298	C3	6	6D6, 6A7, 75, 41, 84	177.5	5-12
C6	Vol.	V6515	18	UM147			A96	8-8 .02	4	TC871 Buffer	B3 B14	14981	294	C3	6	6A7, 6D6, 42, 75, 84	177.5	6-2
4A	Vol.	340-1	17	MR48	M27										4	1C7G, 1D5G, 1F7G, 1F5G	456	9-1,3
4B	Vol.	340-1	17	MR48	M27			231-1 .01-.01	1	2N516 Buffer	B14	806-1	246	C3	4	1C7G, 1D5G, 1F7G, 1F5G	456	9-1,3
5A (5AT-1)	Vol.	340-3	6	E12	6			231-2	1	2S567					5	6A7, 6D6, 76, 41, 80	456	9-4,6

‡ Data not substantiated.

\* IMPORTANT: Read Notes in Note Section if specified in Note Column.

‡ Indicates miscellaneous section.

MANUFACTURER AND MODEL	CONTROLS							CONDENSERS				VIBRATORS			No. Tubes	Complete Tube Complement	I. F. Peak	Rider's Reference
	Use	Original Part	Circuit	Correct Replacement	Switch	Bias	*Note	Original Part	Circuit	Correct Replacement	*Note	Original Part	Replacement	*Note				
FAIRBANKS-MORSE	Continued																	
5B	Vol.	340-2	18	MR48	M26		232-1	4	2S567					5	6A8G, 6K7G, 6Q7G, 6F6G, 5Y3	456	9-7	
5C	Vol.	340-2	18	MR48	M26		211-1 231-3	4 4/13	RS216 2N518					5	6A8G, 6K7G, 6Q7G, 6F6G, 5Y3	456	8-2	
5D (5DC-1B), (5DT-3B)	Vol.	340-1	18	MR48	M27		210-1	12	ST595					5	1C7G, 1D5G, 1F7G, 1H4G, 1J6G	456	8-3,4	
6A	Vol.	340-2	18	MR48	M26		211-1 231-3	4 4/13	RS216 2N518					6	6A8G, 6K7G, 6Q7G, 6G5, 6F6G, 5Y3	456	8-1,2	
6C (6CC-2B), (6CT-4B)	Vol.	340-2	18	MR48	M26		210-1 230-1 .01-.01	1 15	ST595 TC22 Buffer		806-1	246	C3	6	6D8G, 15, 6T7G, 6L5G, 1J6G, 6N5	456	8-5,6	
7A	Vol. Tone	340-10 340-11	140 140	500M No. 1 MR48	M26	See Note A19	236-1	4	3S584	B8				7	6K8, 6K7, 6J5G, 6F5G, 6V6G, 6U5, 5Y3G	455	10-1,2	
8A (8AC-2), (8AC-3), (8AT-8)	Vol. Tone	340-6 340-5	80 80	MRT427 MR53	M26		211-2 214-1	4 4	RS216 RS216					8	*6K7G, 6C5G, 6L7G, 6Q7G, 6G5, 6V6G, 5Y3G	456	8-7,8	
9A (9AC4, 9AC5)	Vol. Tone	340-8 340-7	80 80	MRT427 MR48	M26		211-2 214-2 210-2	4 4 13	RS216 RS224 RS213					9	*6K7G, 6L7G, 6J7G, 6C5G, 6H6G, 6Q7G, 6V6G, 5V4G	456	8-9,10	
9B	Vol. Tone	340-9 340-5	18 22	MR53 MR53	M26		211-4 210-3	25 25	RS207 RS207					8	*6K7G, 6L7G, 6C5G, 6Q7G, 25L6G, 25Z6G, 6E5, 808-1	456	11-1,2	
9C	Vol. Tone	340-10 340-11	140 140	500M No. 1 MR48	M26	See Note A19	211-2 214-2 214-3	4 4 13	RS216 RS224 RS215					9	*6K7, 6K8, 6Q7G, 6J5G, 6V6G, 5Y3G, 6U5	455	10-3,4	
12A (12AC6)	Vol. Tone	340-8 340-7	140 140	MRT427 MR48	M26		211-3 214-1 210-2 231-4	1 1 13 15	RS216 RS216 RS213 TN111					12	*6K7G, 6L7G, 6J7G, *6C5G, 6H6G, 6Q7G, *6L6G, 5V4G	456	8-11	
12B	Vol. Tone	340-20 340-21	45 22	MRT420 MR39	M26		211-5 214-4 235-1	4 4 13	RS216 RS224 FP227					12	*6K7, 6K8, 6B8G, 6Q7G, 6J5, 6V6G, 5V4G, 6AF6G	455	10-5-8	
23S12	Vol. Tone		45	MR44	M26		8	3	RS213	B117				12	*58, 57, 56, *46, 83	177.5		
32S11	Vol. Tone		45	MR48			8-8	3	2N518					11	*35, *27, 24, *47, 80	177.5		
33A6	Vol. Tone		15	MR33 MR39			8-8 8-8	3 1	2N518 2N518					6	*6D6, 6C6, 85, 37, 89	177.5		
40 (4015)	Vol.	5139	40	MR24	M26		5	15	TC22	B14		Order from Mfr.		4	*6C6, 41, 80	456	7-1	
41 (4015)	Vol.	5442	27	UC513	13	A41	5026	4	RS216					4	1C6, 34, 32, 33	456	6-1,7-3	
42 (42TOB) (42C1B)	Vol.	6059	79	MR48	M27		5025	4	RS213					4	1C6, 1B4, 33	456	8-17	
43 (43T1B) (43C1B)	Vol.	6059	79	MR48	M27		6054 6054 5612 .01-.01	12 12 12 1	ST595 TC52 TC52 2N518 Buffer		5610	246	C3	4	*1B4, 1F4, 1C6	456	8-19	
51 (5106, 5107, 5109, 5111, 5112, 5141, 5143); 52 (5212, 5212A, 5241); 53 (5312, 5312A, 5341)	Vol. Tone	V6503 V6504	17 22	MR48 MR33	M26		EL8 EL6	4 15	RS213 TC22					5	2A7, 58, 2A6, 2A5, 80	456	5-1	
54 (5416, 5445)	Vol. Tone	5031 5030	18 22	MR48 MR48	M26		5026 5518	4 4	RS216 RS216					5	6A7, 6D6, 75, 42, 80	456	6-4,7-4	
55 (5516, 5545)	Vol. Tone	5031 5030	18 22	MR48 MR48	M26		5026 5518	4 4	RS216 RS216					5	6A7, 6D6, 42, 75, 80	456		
56 (5619, 5645)	Vol. Tone	5506 5506	22 18	MR48 MR48	M26		5025 5519	4 4	RS213 RS216					5	6A7, 6D6, 75, 42, 80	456	6-2,7-7	
57 (57TO)	Vol.	5728	18	MR48	M26		5880	4	RS213					5	6A8G, 6Q7G, 6K7G, 6F6G, 5Y3	456	8-21,22	
58 (58T1, 58T2, 58C1)	Vol.	5799	18	MR48	M26		5825 5823 8	4 4 14	RS213 RS213 TC71					5	5Y3, 6A8G, 6F6G, 6K7G, 6Q7G	456	8-23,24	
60 (6010, 6044)	Vol. Tone	V6508 V6509	18 22	MR44 MR33	M26		EL8 EL16	4 4	RS213 RS216					6	*6D6, 6A7, 6B7, 42, 80	456	6-11	
61	Vol. Tone		17	MR48	M26		5-16-10	11	UR182	B31				6	6A7, 6B7, 6D6, 25Z5, 43	456	5-6	
62 (6210, 6244)	Vol. Tone	V6508 V6507	18 34	MR44 MR33	M26		EL23	8	UR182	B104				6	*6D6, 6A7, 6B7, 43, 25Z5	456	6-13,14	
63 (6317, 6346)	Vol. Tone	5031 5030	18 22	MR48 MR48	M26		5025 5429	4 13	RS213 RS216 RS213					6	*6D6, 6A7, 75, 42, 80	456	7-8	
64 Auto	Vol.	V6515	18	UM147		See Note A96	8-8 25 .02	4 15	2N518 TC26 Buffer	B14		294	C3	6	*6D6, 6A7, 75, 42, 84	177.5	7-10	

‡ Data not substantiated.

\* IMPORTANT: Read Notes in Note Section if specified in Note Column.

§ Indicates miscellaneous section.

MANUFACTURER AND MODEL	CONTROLS							CONDENSERS				VIBRATORS			No. Tubes	Complete Tube Complement	I. F. Peak	Rider's Reference
	Use	Original Part	Circuit	Correct Replacement	Switch	Bias	*Note	Original Part	Circuit	Correct Replacement	*Note	Original Part	Replacement	*Note				
FAIRBANKS-MORS 64 Home.....	Vol.	Continued																
	Tone	5031A	18	MR48				5429	12	RS213					6	1C6, 34, 30, 19	456	6-4
65 (6517, 6546).....	Vol.	5470	22	MR33	M23													
	Tone	V6508	18	MR44				EL23	8	UR182	B104				6	6D6, 6A7, 6B7, 43, 25Z5	456	9-10
66 (6616, 6645).....	Vol.	V6507	34	MR33	M26			5026	4	RS216								
	Tone	5031	18	MR48				5518	4	RS216					5	6A8, 6K7, 6H6, 6F6, 5Z4	456	7-11
67 (6717, 6746).....	Vol.	5030	22	MR48	M26			5429	13	RS213		5610	246	C3	5	15, 6A7, 75, 19	456	7-12, 13
	Tone	5031	18	MR48				5317	15	TC22								
68.....	Vol.	5030	22	MR48	M26			5612	1	2N518								
	Tone	5030	22	MR48	M26			.01	6	Buffer	B14							
69.....	Vol.	16-16	6	MR48				16-16	6	2N509								
	Tone	6198	27	E12				5	15	TC22								
70 (7014, 7040, 7042).....	Vol.	6198	27	E12				6198	27	TC34								
	Tone	6198	27	E12				6198	27	TC34								
71.....	Vol.	6198	27	E12				6198	27	TC34								
	Tone	6198	27	E12				6198	27	TC34								
72 (72T3, 72C2, 72C3).....	Vol.	6198	27	E12				6198	27	TC34								
	Tone	6198	27	E12				6198	27	TC34								
73 (73T3B, 73C3B).....	Vol.	6198	27	E12				6198	27	TC34								
	Tone	6198	27	E12				6198	27	TC34								
74 Auto.....	Vol.	6198	27	E12				6198	27	TC34								
	Tone	6198	27	E12				6198	27	TC34								
81 (8110, 8114).....	Vol.	6198	27	E12				6198	27	TC34								
	Tone	6198	27	E12				6198	27	TC34								
82 (8218, 8247, 8248).....	Vol.	6198	27	E12				6198	27	TC34								
	Tone	6198	27	E12				6198	27	TC34								
90.....	Vol.	6198	27	E12				6198	27	TC34								
	Tone	6198	27	E12				6198	27	TC34								
91 (91T4, 91C4, 91C5).....	Vol.	6198	27	E12				6198	27	TC34								
	Tone	6198	27	E12				6198	27	TC34								
100 (10049, 10050).....	Vol.	6198	27	E12				6198	27	TC34								
	Tone	6198	27	E12				6198	27	TC34								
110.....	Vol.	6198	27	E12				6198	27	TC34								
	Tone	6198	27	E12				6198	27	TC34								
120 (12C6).....	Vol.	6198	27	E12				6198	27	TC34								
	Tone	6198	27	E12				6198	27	TC34								
346.....	Vol.	6198	27	E12				6198	27	TC34								
	Tone	6198	27	E12				6198	27	TC34								
347.....	Vol.	6198	27	E12				6198	27	TC34								
	Tone	6198	27	E12				6198	27	TC34								
816, 840 (32 Volt).....	Vol.	6198	27	E12				6198	27	TC34								
	Tone	6198	27	E12				6198	27	TC34								
FARNSWORTH AC70, AC71 (C3-1).....	Vol.	783-1	124	TM260-SS1	M26			2510-1	23	TC74								
	Tone	784-1	124	MR55				2511-1	23	TC77								
AC90, AC91 (C4-1).....	Vol.	783-1	17	TM260-SS1	M26			2510-1	23	TC74								
	Tone	784-1	17	MR55				2511-1	23	TC77								
ACL55, ACL56 (C2-3).....	Vol.	781-1	18	MR48	M26T			251-1	9	Order from Mfr.								
	Tone	782-1	18	Order from Mfr.				252-1	9	TC45								
AK17 (C1-3).....	Vol.	782-1	18	Order from Mfr.				259-1	1	2N514								
	Tone	783-1	124	TM260-SS1	M26			2510-1	23	TC74								
AK76 (C3-2).....	Vol.	784-1	124	MR55				2511-1	23	TC77								
	Tone	784-1	124	MR55				2511-1	23	TC77								
AK95, AK96 (C4-2).....	Vol.	783-1	17	TM260-SS1	M26			2510-1	23	TC74								
	Tone	784-1	17	MR55				2511-1	23	TC77								

† Data not substantiated.

\* IMPORTANT: Read Notes in Note Section if specified in Note Column.

‡ Indicates miscellaneous section.

MANUFACTURER AND MODEL	CONTROLS							CONDENSERS				VIBRATORS			No. Tubes	Complete Tube Complement	I. F. Peak	Rider's Reference
	Use	Original Part	Circuit	Correct Replacement	Switch	Bias	*Note	Original Part	Circuit	Correct Replacement	*Note	Original Part	Replacement	*Note				
FARNSWORTH—Continued AKL58, AKL59 (C2-4).....	Vol.	781-1.....	18	MR48.....	M26T			251-1..... 252-1.....	9 9	Order from TC45.....	Mfr.....				7	*6SK7, 6SQ7, 6A8GT, 6H6, 25L6GT, 25Z6GT.....	455	11-10
AT10, AT11, AT12 (C1-1).....	Vol.	782-1.....	18	Order from	Mfr.....			259-1.....	24	2N514.....					5	12SA7, 12K7GT, 12SQ7, 50L6GT, 35Z5GT.....	455	11-1
AT14, AT15, AT16 (C1-5).....	Vol.	782-1.....	18	Order from	Mfr.....			259-1.....	24	2N514.....					5	12SA7, 12K7GT, 12SQ7, 50L6GT, 35Z5GT.....	455	11-1
AT20, AT21, AT22, AT23 (C5-1).....	Vol.	785-1.....	18	MK401.....	M26			2515-1.....	4	TC47.....					6	12SA7, 12SK7, *12SQ7, 35L6GT, 35Z5GT..	455	11-3
AT30 (C6-1).....	Vol.	788-1.....	18	UM154-SS18	M27			2518-1.....	19	TC22.....					4	1A7G, 1N5G, 1H5G, 1A5G.....	455	11-4
AT31 (C7-1).....	Vol.	786-1.....	18	UM154-SS22				2516-1..... 2517-1..... 2518-1.....	1 1 19	2N511..... TC26..... TC22.....					5	1A7G, 1N5G, 1H5G, 1A5G, 35Z4GT.....	455	11-5
AT40 (C8-1).....	Vol.	787-1.....	18	MK401.....	M27										4	1A7G, 1N5G, 1H5G, 1A5G.....	455	11-6
ATL10, ATL11, ATL12 (C1-2).....	Vol.	782-1.....	18	Order from	Mfr.....			259-1.....	24	2N514.....					5	12SA7, 12K7GT, 12SQ7, 50L6GT, 35Z5GT.....	455	11-1
ATL14, ATL15, ATL16 (C1-6).....	Vol.	782-1.....	18	Order from	Mfr.....			259-1.....	24	2N514.....					5	12SA7, 12K7GT, 12SQ7, 50L6GT, 35Z5GT.....	455	11-1
ATL50, ATL52 (C2-1).....	Vol.	781-1.....	18	MR48.....	M26T			251-1..... 252-1.....	9 9	Order from TC45.....	Mfr.....				7	*6SK7, 6SQ7, 6A8GT, 6H6, 25L6GT, 25Z6GT.....	455	11-7,10
ATL51 (C2-2).....	Vol.	781-1.....	18	MR48.....	M26T			251-1..... 252-1.....	9 9	Order from TC45.....	Mfr.....				7	*6SK7, 6SQ7, 6A8GT, 6H6, 25L6GT, 25Z6GT.....	455	11-7,10
BC45.....	Vol.	77-28.....	18	†			A3	2517-1.....	15	TC26.....					4	1A7GT, 1N5GT, 1H5GT, 3Q5GT.....	455	12-4
BC72.....	Vol. Tone	783-1..... 784-1.....	140 140	TM260-SS1 MR55	M26			2510-1..... 2511-1.....	23 23	TC74..... TC77.....					8	*6SK7, 6SA7, *6J5GT, 6SQ7, 6V6G, 5Y3G	455	14-1
BC80, BC81.....	Vol. Tone	783-1..... 784-1.....	140 140	TM260-SS1 MR55	M26			2510-1..... 2511-1.....	23 23	TC74..... TC77.....					8	*6SK7, 6SA7, *6J5GT, 6SQ7, 6V6G, 5Y3G	455	14-1
BC82, BC83.....	Vol. Tone	78-12..... 78-11.....	140 140	TM260-SS1 Order from	Mfr.....			25-33..... 25-32.....	23 23	TC74..... TC77.....					8	*6SK7, 6SA7, 6J5GT, *6SQ7, 6K6GT, 6X5GT.....	455	13-19,20
BC103, BC105.....	Vol. Bass Treble	78-12..... 78-11..... 78-10.....	124 124 22	TM260-SS1 Order from Order from	Mfr..... Mfr.....			2511-1.....	23	TC77.....					10	*6SK7, 6SA7, 6J5GT, *6SQ7, *6V6G, 5Y3G	455	12-5,6
BC601, BC601X.....	Vol.	781-1.....	18	MR48.....	M26T			25-36..... 25-37.....	23 23	TC65..... TC65.....					6	6SA7, 6J5GT, 6SK7, 6SQ7, 6K6GT, 6X5GT.....	455	12-11,12
BC1020 (Ch. C54), BC1020X (Ch. C70)	Vol. Bass Treble	78-160..... 78-11..... 78-10.....	124 124 22	† Order from Order from	Mfr..... Mfr.....		A3	25-41..... 25-43.....	23 23	ST598..... TC74.....					10	*6SK7, 6SA7, 6J5GT, *6SQ7, *6V6GT, 5W4GT.....	455	
BC1041 (Ch. C76).....	Vol. Tone Phono.	78-12..... 78-11..... 78-10.....	124 124 22	TM260-SS1 Order from Order from	Mfr..... Mfr.....			2511-1.....	4	TC77.....					10	*6SK7, 6SA7, 6J5GT, 6SJ7, 6H6, 6SQ7, 6V6G, 5Y3G.....	4.3 mc. 455 kc.	
BK73.....	Vol.	781-1.....	18	MR48.....	M26T			25-33..... 25-32.....	23 23	TC74..... TC77.....					7	*6SK7, 6SA7, 6J5GT, 6SQ7, 6K6GT, 6X5GT.....	455	13-17,18
BK77, BK78.....	Vol.	781-1.....	18	MR48.....	M26T			25-33..... 25-32.....	23 23	TC74..... TC77.....					7	*6SK7, 6SA7, 6J5GT, 6SQ7, 6K6GT, 6X5GT.....	455	13-17,18
BK85.....	Vol.	781-1.....	124	MR48.....	M26T			25-33..... 25-32.....	23 23	TC74..... TC77.....					8	*6SK7, 6SA7, 6J5GT, *6SQ7, 6K6GT, 6X5GT.....	455	13-18,22
BK86.....	Vol. Tone	783-1..... 784-1.....	140 140	TM260-SS1 MR55	M26			2510-1..... 2511-1.....	23 23	TC74..... TC77.....					8	*6SK7, 6SA7, *6J5GT, 6SQ7, 6V6G, 5Y3G	455	14-1
BK87, BK88, BK89	Vol.	781-1.....	124	MR48.....	M26T			25-33..... 25-32.....	23 23	TC74..... TC77.....					8	*6SK7, 6SA7, 6J5GT, *6SQ7, 6K6GT, 6X5GT.....	455	13-18,22
BK106, BK107, BK108.....	Vol. Bass Treble	78-12..... 78-11..... 78-10.....	124 124 22	TM260-SS1 Order from Order from	Mfr..... Mfr.....			2511-1.....	23	TC77.....					10	*6SK7, 6SA7, 6J5GT, *6SQ7, *6V6G, 5Y3G	455	12-5,6
BK110, BK111, BK112.....	Vol. Bass Treble	78-15..... 78-23..... 78-24.....	17 17 17	MR57..... Order from Order from	M26 Mfr..... Mfr.....			25-45..... 25-47..... 25-50..... 25-42..... 25-38.....	46 46 14/15 13/15 15	RS223..... RS223..... FP332..... FP234..... TC29.....					11	*6SK7, 6SA7, 6Q7, *5Y3G, *6SC7, *6V6G, 6J5GT.....	455	12-7-9

† Data not substantiated.

\* IMPORTANT: Read Notes in Note Section if specified in Note Column.

‡ Indicates miscellaneous section.

THERE'S A FULL RANGE OF MALLORY VITREOUS ENAMEL RESISTORS FOR EVERY PURPOSE.

MANUFACTURER AND MODEL	CONTROLS							CONDENSERS				VIBRATORS			No. Tubes	Complete Tube Complement	I. F. Peak	Rider's Reference
	Use	Original Part	Circuit	Correct Replacement	Switch	Bias	*Note	Original Part	Circuit	Correct Replacement	*Note	Original Part	Replacement	*Note				
FARNSWORTH—Continued BK602, BK602X...	Vol.	781-1	18	MR48	M26T			25-36 25-37	23 23	TC65 TC65				6	6SA7, 6J5GT, 6SK7, 6SQ7, 6K6GT, 6X5GT	455	12-11,12	
BK1061 (Ch. C77)..	Vol. Bass Treble	78-12 78-11 78-10	124 † 22	TM260-SS1 Order from Mfr.	Mfr.			2511-1	4	TC77				10	6SK7, 6SA7, 6J5GT, 6SJ7, 6H6, 6SQ7, 6V6G, 5Y3G	455 kc. 4.3 mc.		
BK1071 (Ch. C77)..	Vol. Bass Treble	78-12 78-11 78-10	124 † 22	TM260-SS1 Order from Mfr.	Mfr.			2511-1	4	TC77				10	6SK7, 6SA7, 6J5GT, 6SJ7, 6H6, 6SQ7, 6V6G, 5Y3G	455 kc. 4.3 mc.		
BK6025, BK6025X.	Vol.	781-1	18	MR48	M26T			25-36 25-37	23 23	TC65 TC65				6	6SA7, 6J5GT, 6SK7, 6SQ7, 6K6GT, 6X5GT	455	12-11,12	
BK10305 (Ch. C63)	Vol. Bass Treble	78-160 78-11 78-10	124 † 22	Order from Mfr.	Mfr.	A3		25-41 25-43	23 23	ST598 TC74				10	6SK7, 6SA7, 6J5GT, 6SQ7, 6V6GT, 5W4GT	455		
BKR84.....	Vol.		18	UM154	M26		A96	15, 15, 15	23/13	ST597				8	6SK7, 6SA7, 6J5GT, 6SQ7, 6K6GT, 6X5GT	455	13-18,21	
BT20, BT22.....	Vol.	78-9	18	MR48	M26			25-22	1	2N514				6	12SA7, 12SK7, 12SQ7, 35L6GT, 12J5GT, 35Z5GT	455	12-1,2	
BT41.....	Vol.	77-28	18	†			A5	2517-1	15	TC26				4	1A7GT, 1N5GT, 1H5GT, 3Q5GT	455	12-4	
BT52, BT53, BT54, BT55, BT56.....	Vol.		18	UM154	M26		A96	30-20	1	2N514				5	12SA7, 12SK7, 12SQ7, 50L6GT, 35Z5GT	455	12-3,2	
BT57.....	Vol.	78-29	18	†			A3	4	12	TC40				5	1A7GT, 1P5GT, 1N5GT, 1H5GT, 1Q5GT	455	12-10	
BT58.....	Vol.	78-27	18	UM161			A96	25-61	46/78	2N513/2N511				5	1A7G, 1N5G, 1H5G, 3Q5GT, 117Z6GT	455	13-5	
BT61, BT63, BT66.	Vol.	78-9	18	MR48	M26			25-22	1	2N514				6	12SA7, 12SK7, 12SQ7, 35L6GT, 12J5GT, 35Z5GT	455	12-1,2	
BT-68.....	Vol.	78027	18	UM161			A96	25061	111/78	2N513/2N511				6	1N5GT, 1A7GT, 1H5GT, 3Q5GT, 117Z6GT	455	16-1,2	
BT70, BT71.....	Vol.	781-1	18	MR48	M26T			25-29 25-30	4 4	TC65 TC55				7	6SK7, 6SA7, 6J5GT, 6SQ7, 6K6GT, 6X5GT	455	13-17,18	
BT600, BT600X...	Vol.	781-1	18	MR48	M26T			25-36 25-37	23 23	TC65 TC65				6	6SA7, 6J5GT, 6SK7, 6SQ7, 6K6GT, 6X5GT	455	12-11,12	
BT1010 (Ch. C-54), BT1010X (Ch. C70)	Vol. Tone Phono.	78-160 78-11 78-10	124 † 22	Order from Mfr.	Mfr.	A3		25-41 25-43	23 23	ST598 TC74				10	6K7, 6SA7, 6J5GT, 6SQ7, 6V6GT, 5W4GT	455		
CC70 (Ch. C118-1).	Vol. Tone	70-60 90-120	106 106	MK401 MK403	M26			25-33 25-29	4 4	TC74 TC65				7	6SK7, 6SA7, 6J5GT, 6SQ7, 6K6GT, 6X5GT	455	13-9,10	
CC90 (Ch. C128-1).	Vol. Bass Treble	78-57 78-58 78-59	140 140 22	MK403 MK402 MK401		See Note A19		2510-1 2511-1	23 23	TC74 TC77				9	6SK7, 6SA7, 6J5, 6SQ7, 6V6GT, 5Y3G	455	13-11	
CK58 (Ch. C108-2).	Vol.	78-48	18	MK401	M26		A106	25-22	1	2N513				5	12SA7, 12SK7, 12SQ7, 50L6GT, 35Z5GT	455	13-3,4	
CK66 (Ch. C106-2).	Vol. Tone	78-48 78-56	18 21	MK401 MK403	M26		A106	25-22	1	2N513				6	6SS7, 12SA7, 12SQ7, 50L6GT, 35Z5GT	455	13-7,8	
CK73, CK74 (Ch. C118-2) CK75 (Ch. C118-3).....	Vol. Tone	78-60 90-120	106 106	MK401 MK403	M26			25-33 25-29	23 23	TC74 TC65				7	6SK7, 6SA7, 6J5GT, 6SQ7, 6K6GT, 6X5GT	455	13-9,10	
CK91 (C128-2), CK92 (C128-3), CK93 (C128-4).....	Vol. Bass Treble	78-57 78-58 78-59	140 140 22	MK403 MK402		See Note A19		2510-1 2511-1	12 13	TC74 TC77				9	6SK7, 6SA7, 6J5, 6SQ7, 6V6GT, 5Y3G	455	13-11	
CK111 (Ch. C116-1)	Vol. Bass Treble	78-12 78-11 78-10	140 140 22	TM260-SS1 Order from Mfr.	Mfr.			2511	23	TC77				11	6SK7, 6SA7, 6J5, 6SQ7, 6V6GT, 5Y3G	455	13-13,14	
CT41.....	Vol.	78-51	18	MR53	M27			25-59	12	TC42				4	1A7GT, 1N5GT, 1H5GT, 3Q5GT	455	13-1	
CT43.....	Vol.	78-51	18	MR53	M27			25-163 25-162	24/78 78	FP309 TC2501				5	1A7G, 1N5G, 1H5G, 3Q5GT, 117Z6	455	13-2	
CT50, CT51 (Ch. C108-1).....	Vol.	78-48	18	MK401	M26		A106	25-22	1	2N513				5	12SA7, 12SK7, 12SQ7, 50L6GT, 35Z5GT	455	13-3,4	
CT52, CT53 (Ch. C109-1).....	Vol.	78-48	18	MK401	M26		A106	25-22	1	2N513				5	12SA7, 12SK7, 12SQ7, 50L6GT, 35Z5GT	455	13-3,4	

† Data not substantiated.

\* IMPORTANT: Read Notes in Note Section if specified in Note Column.

§ Indicates miscellaneous section.

MANUFACTURER AND MODEL	CONTROLS							CONDENSERS				VIBRATORS			No. Tubes	Complete Tube Complement	I. F. Peak	Rider's Reference
	Use	Original Part	Circuit	Correct Replacement	Switch	Bias	*Note	Original Part	Circuit	Correct Replacement	*Note	Original Part	Replacement	*Note				
FARNSWORTH—Continued																		
CT54 (Ch. C108-2)	Vol.	78-48	18	MK401	M26	A106	25-22	1	2N513					5	12SA7, 12SK7, 12SQ7, 50L6GT, 35Z5GT	455	13-3.4	
CT59	Vol.	78-46	18	†		A5	25-131	24/78	FP309					5	1R5, 1T4, 1S5, 3S4, 35Z5	455		
CT60	Vol.	78-47	18	†		A5	25-132	1/78	FP309					6	1N5, 1A7, 1H5, 3Q5, 117Z6	455		
CT61, CT62 (Ch. C106-1)	Vol.	78-48	18	MK401	M26	A106	25-22	1	2N513					6	6SS7, 12SA7, 12SQ7, 50L6GT, 35Z5GT	455	13-7.8	
CT63 (C110-1), CT64 (C110-2)	Vol.	78-48	18	MK401	M26	A106	25-22	1	2N513					6	6SS7, 12SA7, 12SQ7, 50L6GT, 35Z5GT	455	13-7.8	
DK73, DK75 (Ch. C140-1, C140-2)	Vol.	78-60	18	MK401	M26		25-33 25-29	23 23	TC74 TC65					7	6SK7, 6SA7, 6J5GT, 6SQ7, 6K6GT, 6X5GT	455	14-2.3	
EC-260, Ch. C-162	Vol. Tone	78071	167	TM257-SS25	M26		25180	88	FP416	B192				6	6SK7, 6SA7, 6SQ7, 6V6GT, 6X5GT	455		
EF-451, Ch. C-196	Vol.	78145	18	MR53	M27		25422	12	TC40					4	1A7GT, 1N5GT, 1H5GT, 3Q5GT	455		
EK-081, EK-082, EK-083, Ch. C-156, C-157, C-193	Vol. Tone	78057	168	TM257-SS25	M26		25214	88	FP429					8	6SK7, 6SA7, 6SQ7, 6V6GT, 5Y3GT	455	16-3.5	
EK-262, EK-263BL, EK-263WL, EK-264BL, EK-264WL, EK-265, Ch. C-152, C-153	Vol. Tone	78071	167	TM257-SS25	M26		25180	88	FP416	B192				6	6SK7, 6SA7, 6SQ7, 6V6GT, 6X5GT	455		
EK-681, Ch. C-156	Vol. Tone	78057	168	TM257-SS25	M26		25214	88	FP429					8	6SK7, 6SA7, 6SQ7, 6V6GT, 5Y3GT	455	16-3.5	
ET-060, ET-061, ET-063, Ch. C-150	Vol.	78070	18	MR48	M26		25022	1	2N513					6	6SS7, 12SA7, 12SQ7, 50L6GT, 35Z5GT	455	15-1.4	
ET-064, ET-065, ET-066, Ch. C-158	Vol.	78048	18	MK401	M26		25022	1	2N513					6	6SS7, 12SA7, 12SQ7, 50L6GT, 35Z5GT	455	15-5.7	
GK-084, GK-085, GK-086, GK-087	Vol. Tone	78150	168	Order from Mfr.			25424	88	FP444	B8				8	6AG5, 6SB7Y, 6SK7, 6S8GT, 6V6GT, 5Y3GT	455	10.7	
GK-100, GK-102, GK-103, GK-104	Vol. Tone	78057	167	TM257-SS25	M26		25214	88/15	FP429					10	6AG5, 6SA7, 6SB7Y, 6SG7, 6SF7, 6H6, 6SL7GT, 6V6GT, 5Y3GT	455	10.7	
GK-111, GK-112, GK-114, GK-115	Vol. Tone	78057	199	TM257-SS25	M26		25214	88/15	FP429	B6				10	6AG5, 6SB7Y, 6SA7, 6SG7, 6SF7, 6H6, 6SJ7, 6V6GT, 5Y3GT	455	10.7	
GK-140, GK-141, GK-142, GK-143, GK-144	Vol. Bass Treble	78057	167	TM257-SS25	M26		25277	88	FP429					14	7AG7, 6AG5, 6C4, 6SK7, 6H6, 6SA7, 6SQ7, 6V6GT, 5U4G	455	16-7.11	
GK-669, GT-669	Vol. Tone	78124	168	Order from Mfr.			25270	84	TC40					6	6SA7, 6SK7, 6SQ7, 6J5, 6V6GT, 6X5GT	455		
GT-050, GT-051	Vol.	78143	18	Order from Mfr.			25022	24	2N513					5	12SA7, 12SK7, 12SQ7, 50L6GT, 35Z5GT	455		
GT-060, GT-061, GT-064, GT-065	Vol.	78048	18	MK401	M26		25022	1	2N513					6	12SK7, 12SA7, 12SQ7, 35L6GT, 35Z5GT	455		
FEDERAL MFG. CO.																		
104—Select-A-Call	Vol. (Early) (Late)	63G411	200	"T"				88	FP363					3	12SH7, 50B5, 35W4			
135—Select-A-Call	Vol. (Early) (Late)	63G411	200	"T"				88	FP363					3	12SH7, 50B5, 35W4			
1040T	Vol.		18	MK401	M26			81	2N520					5	12BE6, 12BA6, 12AT6, 50L6GT, 35W4	455		

† Data not substantiated.

\* IMPORTANT: Read Notes in Note Section if specified in Note Column.

§ Indicates miscellaneous section.

GRID BIAS CELLS ARE EXCLUSIVE WITH MALLORY!

MANUFACTURER AND MODEL	CONTROLS							CONDENSERS				VIBRATORS			No. Tubes	Complete Tube Complement	I. F. Peak	Rider's Reference
	Use	Original Part	Circuit	Correct Replacement	Switch	Bias	*Note	Original Part	Circuit	Correct Replacement	*Note	Original Part	Replacement	*Note				
FEDERAL TEL. & E1025TB	RADIO Vol.	CORP.	18	MK403	M26				98	FP363	B8				5	12BE6, 12BA6, 12AT6, 50L6GT, 35W4, Ballast	455	16-1,4
1030T, 1540T	Vol.	FBE1035-1E	18	MK401	M26				81	FP214					6	*6SS7, 6SA7, 6SQ7, 50L6GT, 35Z5GT	455	16-5,8
FEDERATED PURC Cathedral Tone	HASER Vol.	—"Acratone"	12	MR48	M26			8-8	4	See Note	B3				5	*24, 45, 80		3-2
2	Vol.	8453	6	G7	6			2-2	1	See Note	B1				5	*24, 47, 80		2-1
5	Vol.	8753	6	MR21	M26			5-5	4	See Note	B3				6	*24, 51, 27, 47, 80	175	2-2
6A	Vol.		15	MR51				5	4	See Note	B3				10	*58, *56, *59, 5Z3	175	5-2
	Tone		21	MR39				12-8	4	See Note	B3				10	*58, *56, *59, 5Z3	175	5-2
	Supp.		12	MR24				5-5	15	5-5					10	*58, *56, *59, 5Z3	175	5-2
7A	Vol.		17	MR51				8-4	4	2S567					6	*58, 56, 2A6, 47, 80	465	5-1
	Tone		22	MR39				5	15	TC22					6	*58, 56, 2A6, 47, 80	465	5-1
8A	Vol.		7	MR28	M26			16-8-4	11	UR182	B31				5	6A7, 78, 77, 43, 25Z5	465	5-1
8B, 9B	Vol.		45	MR48				4	32	RS213					7	6A8, 6K7, 6H6, 6A6, *6F6, 80	456	7-1
Royal 9A	Tone		44	MR48				8-4	32	2N518					4	77, 78, 43, 25Z5		6-3
	Vol.		7	MR28	M26			4-4	1	See Note	B3				4	77, 78, 43, 25Z5		6-3
								5	15	TC22					4	77, 78, 43, 25Z5		6-3
10	Vol.		59	MR20				8-8	4	See Note	B3				6	*35, 27, 47, 80		
11B	Vol.		45	MR48				4	32	RS213					7	6A8, 6K7, 6H6, 6A6, *6F6, 80	456	7-1
	Tone		44	MR48				8-4	32	2N518					10	*58, *56, *59, 5Z3	175	5-2
12A	Vol.		15	MR51				12-8	4	See Note	B3				10	*58, *56, *59, 5Z3	175	5-2
	Tone		21	MR39				5-5	15	5-5					10	*58, *56, *59, 5Z3	175	5-2
	Supp.		12	MR24				8-4	4	See Note	B3				6	*58, 56, 2A6, 47, 80	465	5-1
13A	Vol.		17	MR51				5	15	TC22					6	*58, 56, 2A6, 47, 80	465	5-1
	Tone		22	MR39				4-4-4	7	See Note	B3				8	*58, *56, 55, 53, 80	175	5-2
14A	Vol.		56	MR39				4-4-4	7	See Note	B3				8	*58, *56, 55, 53, 80	175	5-2
	Tone		22	MR39				4-4	4	2S567					6	57, 58, 56, 55, 47, 80	175	5-3
17	Vol.		15	MR48				4-4	4	2S567					6	57, 58, 56, 55, 47, 80	175	5-3
	Tone		21	MR44				8-4	4	2S567					6	*58, 56, 2A6, 47, 80	465	5-1
24A	Vol.		17	MR51				5	15	TC22					6	*58, 56, 2A6, 47, 80	465	5-1
	Tone		22	MR39				5-16-8	11	UR182	B31				4	77, 78, 43, 25Z5		
26A	Vol.		6	MR33				4	32	RS213					8	6L7, 6C5, 6K7, *6Q7, *6F6, 5Z4	456	7-3,4
29C, 30C, 31C	Vol.	P660	18	MR48	M26			8-4	32	2N518					8	*51, *27, *47, 80	175	3-1
	Tone	P661	44	MR39				1948	3	RS213					8	*51, *27, *47, 80	175	3-1
31-40	Vol.		8	G				1976	3	ST595					12	*6D6, *37, 85, *43, *25Z5	175	5-3
	Tone		41	MR55	M26			50-8-8-10	64	2-UR182	B226				12	*6D6, *37, 85, *43, *25Z5	175	5-3
32A	Vol.		15	MRT420	M26										7	1C6, *34, *30, 19	456	7-5
	Tone		44	MR33											8	*51, *27, *47, 80	175	
	Supp.		7	MR28											12	*6D6, *37, 85, *43, *25Z5	175	5-3
32C, 33C (L7)	Vol.	P691	45	Order from	Mfr.										7	1C6, *34, *30, 19	456	7-5
	Tone	P682	1	MR39											8	*51, *27, *47, 80	175	
35AC	Vol.	1968	8	G											8	*51, *27, *47, 80	175	
	Tone	1953	41	MR55	M26										12	*6D6, *37, 85, *43, *25Z5	175	5-3
36A	Vol.		15	MRT420	M26										12	*6D6, *37, 85, *43, *25Z5	175	5-3
	Tone		44	MR33											5	*58, 57, 47, 80	456	5-5
	Supp.		7	MR28											8	*57, *56, *58, 2A5, 80	485	5-6,7
38A	Vol.		6	MR33				8-4	1	2S567					8	*51, *27, *47, 80	175	3-2
	Tone		22	MR33											6	*6D6, 6A7, 75, 41, 84	175	6-4
39A	Vol.		15	MR48											8	*57, *58, *56, 2A5, 80	485	5-6
	Tone		22	MR33											8	*57, *58, *56, 2A5, 80	485	5-6
40AC	Vol.	1968	8	G											8	*51, *27, *47, 80	175	3-2
	Tone	1953	41	MR55	M26										6	*6D6, 6A7, 75, 41, 84	175	6-4
40 Auto	Vol.		17	UM154											6	*6D6, 6A7, 75, 41, 84	175	6-4
								8-8	1	See Note	B3				6	*6D6, 6A7, 75, 41, 84	175	6-4
								5-5	15	5-5					6	*6D6, 6A7, 75, 41, 84	175	6-4
								.025-.025	1	Buffer	B14				8	*57, *58, *56, 2A5, 80	485	5-6
43A, 44	Vol.		15	MR48											8	*57, *58, *56, 2A5, 80	485	5-6
	Tone		22	MR18	M26										8	*57, *58, *56, 2A5, 80	485	5-6
49	Vol.		18	MR48											5	6A7, 6D6, 6B7, 41, 84	456	8-1
								6-12	1	3S584	B8				5	6A7, 6D6, 6B7, 41, 84	456	8-1
								10	15	TC22					5	77, 78, 43, *12Z3		5-8
52A	Vol.		6	MR28	M26	EX750									5	77, 78, 43, *12Z3		5-8
															4	6D6, 6C6, 43, 12Z3		5-8
53, 54, 58, 59	Vol.		6	MR18	M26										4	6D6, 6C6, 43, 12Z3		5-8
															5	*6D6, 6C6, 43, 12Z3	455	6-1
65, 66	Vol.		6	MR24	M26										5	*6D6, 6C6, 43, 12Z3	455	6-1
															5	6A7, 78, 75, 42, 80		
67	Vol.		17	MR48											5	6A7, 78, 75, 42, 80		
															12	*58, *56, *57, *46, 80	175	5-9,6-2
79, 80	Vol.		62	MR48	M26										12	*58, *56, *57, *46, 80	175	5-9,6-2
	Tone		39	MR48											12	*58, *56, *57, *46, 80	175	5-9,6-2
	QAVC		7	F											12	*58, *56, *57, *46, 80	175	5-9,6-2
86, 87	Vol.		15	MR48											8	*58, *57, *56, 2A5, 80	485	5-6
	Tone		22	MR18	M26										8	*58, *57, *56, 2A5, 80	485	5-6
88	Vol.		6	D7											5	2A7, 57, 58, 2A5, 80	455	6-3
	Tone		22	MR33											8	*56, *57, *58, 2A5, 80	485	
SW88	Vol.		15	MR48											8	*56, *57, *58, 2A5, 80	485	
	Tone		22	MR18	M26										8	*56, *57, *58, 2A5, 80	485	
	Vol.		17	MR48	M26										6	*6D6, 6B7, 41, 84	175	5-11
92	Vol.		22	MR21	M26										6	*6D6, 6B7, 41, 84	175	5-11
	Tone		22	MR21	M26										6	*6D6, 6B7, 41, 84	175	5-11

† Data not substantiated.

\* IMPORTANT: Read Notes in Note Section if specified in Note Column.

‡ Indicates miscellaneous section.

MALLORY PARTS ARE DESIGNED WITH THE SERVICEMAN IN MIND.

MANUFACTURER AND MODEL	CONTROLS							CONDENSERS				VIBRATORS			No. Tubes	Complete Tube Complement	I. F. Peak	Rider's Reference	
	Use	Original Part	Circuit	Correct Replacement	Switch	Bias	*Note	Original Part	Circuit	Correct Replacement	*Note	Original Part	Replacement	*Note					
<b>FEDERATED PURCHASER</b>	Continued																		
92A-94A (Above 500,001)	Vol. Tone		17	UM154-SS3	M26			8-6	4	2S567			292	C3	6	*6D6, 6B7, 41, 84 or 6Z4	175		
93, 94, 96, 97	Vol. Tone		18	MR21				.02		Buffer	B14				7	*6D6, 6A7, 76, 75, 41, 80	370	5-12	
100	Vol. Tone		6	MR48				8-8	1	2N518					4	*2A, 47, 80		6-1	
104	Vol. Tone		7	MR18	M26			10-10	15	TN111					6	2A7, 58, 57, 56, 2A5, 80			
107 Midget	Vol. Tone		57	MR18	M26	EX300		4-4	1	2N518					4	*2A, 47, 80			
117	Vol. Tone	9666, 9174	6, 17	MR18, MR44, MR33	M26	See Note te A5, See Note te A5		2-2	1	See Note	B1				5	*2A, 45, 80			
SA120-SA123	Vol. Tone		64	MR48				9659	1	TCS71					6	2A7, 58, 2A6, 2A5, 80	465	6-7	
120 Amplifier	Vol. Tone		39	MR48				1110	13	TC70					5	*56, 57, 58, 46, 80	175		
121	Vol. Tone		59	F				8876	15	TC22					12	*56, 57, 58, 46, 80	175		
125 Amplifier	Vol. Tone		16	MR48				8, 8	1	ST595					5	*56, 57, 58, 46, 80	175		
126	Vol. Tone		16	MR48				5	15	TC22					5	*56, 57, 58, 46, 80	175		
215	Vol. Tone		6	F				5	17	TC22					5	*56, 57, 58, 46, 80	175		
228, 229	Vol. Tone		62	MR44				6-6	2	See Note	B3				5	*56, 57, 58, 46, 80	175		
248	Vol. Tone	608	17	SRP263	6	EX300		8-8	4	2-TC42					5	6A7, 6D6, 6C6, 43, 25Z5	456	6-8	
424 Climax	Vol. Tone	609	149	MR48				16	13	TC45					5	*56, 57, 58, 46, 80	175		
460	Vol. Tone		6	MR33				4	12	TC42	B10				8	*57, 56, 50, 81			
470-474 (600, 001 and up)	Vol. Tone		18	MR48				4-4	1	See Note	B3				8	*57, 56, 50, 81			
708	Vol. Tone		22	MR18	M26			8-8	4	2S567					6	*6D6, 6B7, 41, 84 or 6Z4	175		
728	Vol. Tone		23	LL				8-8	1	2N518					7	*6D6, 6A7, 75, 41, 80, 76	370		
734	Vol. Tone		23	LL				10-10	15	TN111					7	*57, 56, 2A3, 83			
745 Amplifier	Vol. Tone		16	LL				4-4-8	3	See Note	B3				3	57, 2B6, 80			
749	Vol. Tone		18	MR48				8-8	24	See Note	B3				3	57, 2B6, 80			
1000	Vol. Tone		6	MR33				5-5	15	TN111					8	*77, 37, 48			
1200	Vol. Tone		15	MRT420	6			8	12	2N509	B11				6	*77, 37, 48			
1940	Supp. Fader Vol.		7	MR33				5-16-8	11	UR182					4	*78, 6A7, 85	175		
			44	MR33				50-8-8-10	64	2-UR182	B226				12	*77, 37, 48, 77, 78, 43, 25Z5	175		
			7	MR28				8, 8	1	RS213					10	*6K7, 6A8, 6H6, 6E5, 6C6, 79, 6B5, 5Z3	456	8-2	
<b>FERGUSON RADIO</b>	<b>CORP.</b>																		
5X47	Vol.		18	UM154	M26		A96		24	2N520					5	12SA7, 12SK7, 12SQ7, 50L6GT, 35Z5GT	456	§16-5	
7X47	Vol.		18	UM154	M26		A96		24	2N520					6	*12SK7, 12SA7, 12SQ7, 50L6GT, 35Z5GT	456	§16-5	
<b>FERRAR</b>																			
WR-11	Vol. Tone		185	MR48					24	2N511					1	12SL7GT			
C-81-B	Vol. Tone		185	MR48	M26				3	FP357					8	14A7, 14Q7, 14R7, 12SL7GT, 50L6GT, 35Y4	456		
<b>FIRESTONE (Air Chief)</b>																			
4-A-1 (Code-297-7-LQU-150)	Vol.	N-4014	18	MK401	M26				80	TCD48					5	12SA7, 12SK7, 12SQ7, 35L6GT, 35Z5GT	455		
4-A-2 (Code-297-6-LMMU-143)	Vol. (Early) (Late)	N-4999, N-4843	18, 18	MK401, MK401	M26, M26		A106, A106	N-3302	80	2N520					5	12BE6, 12BA6, 12AT6, 50B5, 35W4	455	15-1,6	
4-A-3 (Code-297-6-LUMFU-134)	Vol.	N-4076	18	Order from	Mfr.			N-5051	80	TCD48					6	*12BD6, 12BE6, 12AT6, 35L6GT, 35W4	455		
4-A-10 (Code-297-7-RN-228)	Vol.	N-5185	18	MK401	M26			N-5193	24	2N511					5	12SA7, 12SK7, 12SQ7, 35L6GT, 35Z5GT	455		
4-A-17 (Code-213-7-7270)	Vol.	B-56142-1	18	Order from	Mfr.			A-56154	1	TN129					7	7A7, 7B7, 7C6, 35L6GT, 35Z5GT	455	16-1,9	
4-A-20 (Code-5-5-9000-A)	Vol.	502145	18	MK401	M26			500256	81	FP306	B192				6	*12SK7, 12SA7, 12SF7, 35L6GT, 35Z5GT	455	15-3,6	
4-A-21, 4-A-22 (Code-5-5-9000-A) (Code-5-5-90001-B)	Vol.	502148	161	MK401	M26			502207	112	FP339					6	*6SK7, 6SA7, 6SF7, 6K6GT, 5Y3GT	455	15-7,12	

‡ Data not substantiated.

\* IMPORTANT: Read Notes in Note Section if specified in Note Column.

§ Indicates miscellaneous section.

WHEN YOU BUY LEVER ACTION SWITCHES BUY MALLORY.



MANUFACTURER AND MODEL	CONTROLS							CONDENSERS				VIBRATORS			No. Tubes	Complete Tube Complement	I. F. Peak	Rider's Reference
	Use	Original Part	Circuit	Correct Replacement	Switch	Bias	*Note	Original Part	Circuit	Correct Replacement	*Note	Original Part	Replacement	*Note				
FIRESTONE (Air Chief)—Continued																		
4-A-23 (Code-5-5-9003-A)	Vol.	502117	161	MK401	M26			502207	112	FP339					7	6SK7, 6SA7, 6SQ7, 6SJ7, 6K6GT/G, 5Y3GT/G	455	15-19,23
4A-24 (Code-291-6-566)	Vol.	28E15	18	MK401	M27			25E9	12	TC42					4	1A7GT, 1N5GT, 1H5GT, 1A5GT	455	15-23,25
4-A-25 (Code-291-6-572)	Vol.	28E1	18	MK401	M26			25E1	24	FP214					5	12SA7GT, 12SK7, 12SQ7, 50L6GT, 35Z5GT	455	15-12,27
4-A-26 (Code-307-6-9030-A)	Vol.	502928	18	Order from	Mfr.			500256	77	FP354	B69				5	12SA7, 12SK7, 12SQ7, 50L6GT, 35Z5GT	455	
4-A-27	Vol.	24-157	18	MK402	M26			B18-283	24	2N513					5	12SA7, 12SK7, 12SQ7, 50L6GT, 35Z5GT	455	
4-A-30 (Code-307-7-9006-A)	Vol.	502385	155	Order from	Mfr.			502274	1	TCD75					10	6SK7, 6SA7, 6SQ7, 6SJ7, 6K6GT, 5Y3GT	455	
4-A-31 (Code-177-5-4-A-31)	Vol. Tone	78119 90148	168 168	TM257-SS25	M26			25180	88	Order from	Mfr.				6	6SK7GT, 6SA7GT, 6SQ7GT, 6V6GT, 6X5GT	455	15-28,29
4-A-37 (Code-177-5-4-A-37)	Vol. Tone	78020 78072	168 168	TM257-SS25	M26			25214	88/15	FP429					8	6SK7, 6SA7, 6SQ7, 6V6GT, 5Y3GT	455	
4-A-40 (Code-307-7-9011-C)	Vol.	119357	142	MR44	M26			502866 502867 502865 .01	22 22 15	TC55 TC52 TC2501 Buffer	B14	110800	246A	C3	6	1A7GT, 1R5, 1N5GT, 1H5GT, 3Q5GT	455	
4-A-41 (Code-291-6-576)	Vol.	28E1	18	MK401	M26			25E16	80	FP311	B192				5	12SA7, 12SK7, 12SQ7, 50L6GT, 35Z5GT	455	
4-A-42	Vol. Tone	78120 78072	168 168	TM257-SS25	M26			25214 25316	88 83/92	FP429 TC40					10	6AG5, 6SB7Y, 6SG7, 6SA7, 6SF7, 6H6, 6SL7GT, 6V6GT, 5Y3GT	455 10.7	
4-A-43	Vol. Tone		18 57	MRT430	M26			A-51356	1/15	FP380					6	6SK7GT, 6SA7GT, 6SQ7GT, 6K6GT, 5Y3GT	455	15-37,39
4-B-1 (Code-7-6-PM-15)	Vol. Tone	78042 78031	18 187	TM233-SS23	M26			25099 .007	24/15	FP330 Buffer	B14	76001	859	C3	8	6SK7, 6SA7, 6SQ7, 6J5GT, 6K6GT, 0Z4	455	15-30,32
4-B-2 (Code-7-6-PM-14)	Vol. Sens.	78042 78031	18 187	TM233-SS23	M26			25099 .007	24	FP330 Buffer	B14	76001	859	C3	6	6SK7, 6SA7, 6SQ7, 6V6GT, 0Z4	455	15-32,33
4-B-6	Vol. Tone	78042 78146	18 187	TM233-SS23	M26			25099 .007	24	FP330 Buffer	B14	76001	859	C3	6	6SK7GT, 6SA7, 6SQ7GT, 6V6GT, 0Z4/6X5	455	
4-C-1 (Code-291-7-564)	Vol.	28E16	18	Order from	Mfr.			25E14 25E12	24 15	2N511 TC2501					5	1T4, 1R5, 1S5, 3Q4, 117Z3	455	
4-C-3, 4-C-6	Vol.	28E13	18	MK401				25E11	24/78	FP409/TC29	B6				6	1N5GT, 1A7GT, 1H5GT, 3Q5GT, 117Z6GT	455	
54	Vol.		18	UM154		See Note	A96	6-10 .02	4	See Note Buffer	B3 B14		294	C3	5	6A7, 6D6, 75, 42, 84	456	
64	Vol.		18	UM154		See Note	A96	6-10 .02	4	See Note Buffer	B3 B14		294	C3	6	6D6, 6A7, 75, 42, 84	456	
R1322	Vol. Tone	85215 85179	56 44	UM147-SS3	M26			83803 .005	15	TC22 Buffer	B14	85243	289Y	C3	7	77, 78, 85, 41, 76	177.5	
R1332	Vol.	83728	17	UM154-SS3	M26			83803 .03-.03	15	TC22 Buffer	B14	84995	294	C3	5	6A7, 6D6, 75, 41, 84	456	
R1651AS, R1651WS, (R165)	Vol.	88036	6	MR24	M26			88033 88007	25 25	RS213 RS213					5	6D6, 6C6, 41, 84	456	7-1,2
R1661 (R166 chassis)	Vol. Tone	88487 88488	18 57	MRT420	M26			88512 88511 89755	1 1 13	RS216 RS216 ST595					7	6A8, 6K7, 6H6, 6G5, 6P5, 6F6, 5Z4	456	7-3,4
R3051 (R305)	Vol. Tone	110503 110504	18 21	MR53	M26			110497 110377	4 19	2S567 TC22					5	6A8G, 6U7G, 6Q7G, 6K6G, 5W4G	465	9-1,2
3061 to 3069 (R306)	Vol. Tone	112175 112174	18 21	MR53	M26			89937 112315 110768 112710 110377 111689	25 25 25 25 19 19	RS224 ST597 ST595 ST597 TC22 TC26					6	6L7G, 6U7G, 6Q7G, 6K6G, 6C5G, 5W4G	465	9-3

† Data not substantiated.

\* IMPORTANT: Read Notes in Note Section if specified in Note Column.

‡ Indicates miscellaneous section.

MANUFACTURER AND MODEL	CONTROLS							CONDENSERS				VIBRATORS			No. Tubes	Complete Tube Complement	I. F. Peak	Rider's Reference	
	Use	Original Part	Circuit	Correct Replacement	Switch	Bias	*Note	Original Part	Circuit	Correct Replacement	*Note	Original Part	Replacement	*Note					
FIRESTONE (Air Chief) — Continued																			
3071 to 3079 (R307)	Vol. Tone	112285 112286	18 57	MR53 MR48	M26			89937 111352 112284 110377 112113 89937	25 25 25 19 19 25	RS224 ST595 ST595 TC22 TC32 RS224						7	6L7G, 6U7G, 6Q7G, 6C5G, 6K6G, 6U5, 5W4G	465	9-5
3085 (R308)	Vol.	112441	20	MRT440				111469 110377 111298 25-99 .007	25 15 13 24/15	ST597 TC22 TC52 FP339 Buffer						11	*6K7, 6L7, 6C5, 6J7, 6U5, 6H6, 6F5, 6L6, 5U4G	465	9-7-10
S7350-1	Vol. Sen.	78-42 78-31	18 7	UM154 Order from Mfr.	M26		A96	25-99 .007	24/15	FP339 Buffer	B14	76-1	859	C3	8	*6SK7, 6SA7, 6SQ7, 6J5GT, *6F6, 0Z4	455	13-1-4	
S7350-2	Vol. Sen.	78-42 78-31	18 7	UM154 Order from Mfr.	M26		A96	25-99 .007	24/15	FP339 Buffer	B14	76-1	859	C3	6	*6SK7, 6SA7, 6SQ7, 6V6GT, 0Z4	455	13-4-6	
7379-1, 7405-3, 7406-1	Vol. Tone	88487 88488	18 57	MRT420 MR48	M26			88511 88512 89755 84961	1 1 13 4	RS216 RS216 ST595 TCD71		84995	294	C3	5	6A8, 6K7, 6H6, 6F5, 6F6, 6G5, 5Z4	456	16-3-5	
7383-4	Vol.	83728	15	UM154-SS3	M26			84961 .03-.03 501060	4 1/19	Buffer TCD75/TC26	B14				7	6A7, 6D6, 75, 41, 84	456	16-6-8	
S7393-1	Vol.	501027	18	MK401	M26											7	6SJ7, *6J5GT, 6SK7, 6SQ7, 6V6GT, 5Y3G	455	14-1-2 177.5
7396-1	Vol.	88171	18	Order from Mfr.	Mfr.			88256 .01	111	Order from Mfr. Buffer	B14	88156	854	C3	6	*6D6, 77, 75, 41, 84	455	16-9,11	
S7396-2	Vol.	161325	18	MK401	M27			110377	19	TC22					4	1A7GT, 1N5GT, 1H5GT, 1A5GT	455	13-7	
S7397-1	Vol.	13103	149	Order from Mfr.	Mfr.			12935 13105	24 78	2N511 TC2501					5	1R5, 1T4, 185, 38A, 117Z6GT	455	13-8,9	
S7397-2 (A-377)	Vol.	501353	149	MK402				501213 161273	1 78	2N514 TC39					5	1A7GT, 1N5GT, 1H5GT, 3Q5GT, 117Z6GT	455	13-11,12	
S7397-2 (443)	Vol.	12525	18	Order from Mfr.	Mfr.			12055 13242	24 78	2N521 2N511					6	1P5GT, 1A7GT, 1N5GT, 1H5GT, 3Q5GT, 117Z6GT	455	13-9,10	
S7397-5	Vol.	N-4629	18	MK401	M26			N-3658	1	FP214					6	*12SK7, 12SA7, 12SF7, 35L6GT, 35Z5GT	456	13-13	
S7397-9	Vol.	501488	18	MK402	M26			501321	1/19	FP371					7	6SJ7, *6J5GT, 6SK7, 6SQ7, 6F6G, 5Y3G	455	14-3,4	
S7398-1	Vol.	N-3785	18	MK401	M26			N-3658	24	FP214					6	*12SK7, 12SA7, 12SQ7, 35L6GT, 35Z5GT	456	13-14	
S7398-2	Vol. Tone	N-4071 N-4033	18 34	MK401 UM124-SS25	M26			N-4034	46	TN129					6	*12SK7, 12SA7, 12SQ7, 35L6GT, 35Z5GT	456	14-5,6	
S7398-3 (A-368)	Vol.	500315	124	TM243-SS25	M26			500256 500744	1 1	FP354 FP357	B69 B69				6	12A7GT, *12SK7, 12SQ7, 35L6GT, 35Z5GT	455	13-15,16	
S7398-5, S7398-6	Vol.	119779	18	MK401	M26			500201	1/19	FP371					5	6SJ7, 6SK7, 6SQ7, 6F6G, 5Y3G	455	14-7,8	
S7398-7	Vol. Tone	N-4071 N-4033	18 34	MK401 UM124-SS25	M26			N-4034	46	TN129					6	*12SK7, 12SA7, 12SQ7, 35L6GT, 35Z5GT	456	13-17	
S7398-8	Vol.	500439	18	MK402	M26			500201	1/19	FP371					7	6SJ7, 6SK7, *6J5GT, 6SQ7, 6F6G, 5Y3G	455	13-18-20	
7398-9, 7398-9Z	Vol.	N-4076	18	Order from Mfr.	Mfr.			N-3658	80	FP214					6	*12SK7, 12SA7, 12SQ7, 35L6GT, 35Z5GT	456	15-35	
S7399-1	Vol.	119779	18	MK401	M26			500201	1/19	FP371					6	6SJ7, 6J5GT, 6SK7, 6SQ7, 6F6G, 5Y3G	455	13-20-22	
S7399-2	Vol.	500877	18	MR48	M26			500807	1	FP234					10	*6SK7, 6SJ7, *6J5GT, 6SQ7, *6F6G, 5Y3G	455	13-3, 23,24	
S7400-1	Vol.	118669	18	TM243-SS25	M26			160174	1/19	FP339					7	6SA7, *6J5GT, 6SK7, 6SQ7, 6V6GT, 5Y3G	455	14-2,9	
S7400-2	Vol. Tone	119602 500929	18 1	MK402 Order from Mfr.	M26			160008	1	Order from Mfr.					9	*6SK7, 6SJ7, 6J5GT, *6SQ7, *6F6G, 5Y3G	455	13-25,26	
S7400-3	Vol. Bass Treble	78-17 78-53 78-54	124 1 22	Order from Mfr. MK402	Mfr.	See Note A19		2511-1	4	TC77					11	*6SK7, 6SA7, *6J5, *6SQ7, *6V6GT, 5Y3G	455	13-27-29	
S7400-4, S7400-5	Vol. Bass Treble	78-17 78-53 78-54	124 1 22	Order from Mfr. MK402	Mfr.	See Note A19		25-156 2511-1 25-158	28 28 15	TC77 TC77 TC26					13	*6SK7, 6SA7, 6J5, *6SQ7, *6V6GT, 5U4G	455	13-30-32	
S7400-6	Vol.	501027	18	MK401	M26			160174	1/19	FP339					7	6SJ7, *6J5GT, 6SK7, 6SQ7, 6V6GT, 5Y3G	455	13-20, 33,34	
S7401-1	Vol.	N-3307	18	MK401	M26			N-3566	24	TCD48					5	12SA7, 12SK7, 12SQ7, 35L6GT, 35Z5GT	456	13-35,36 13-37	
S7401-6	Vol.	160576	50	MK400	M26			116470	24	2N509					2	35L6GT, 35Z5GT			
S7401-7 (Phono Oscillator)	Vol.	160576	50	MK400	M26			116470	24	2N509					2	35L6GT, 35Z5GT, 160540		12-1	
S7402-1	Vol.	N1595	18	UM154-SS18	M26			N1366	24	2N514					5	12A8GT, 12K7GT, 12Q7GT, 35L6GT, 35Z5GT	456	11-1	

† Data not substantiated.

\* IMPORTANT: Read Notes in Note Section if specified in Note Column.

‡ Indicates miscellaneous section.

USE MALLORY COMPONENTS IN YOUR TELEVISION WORK.

MANUFACTURER AND MODEL	CONTROLS							CONDENSERS				VIBRATORS			No. Tubes	Complete Tube Complement	I. F. Peak	Rider's Reference
	Use	Original Part	Circuit	Correct Replacement	Switch	Bias	*Note	Original Part	Circuit	Correct Replacement	*Note	Original Part	Replacement	*Note				
FIRESTONE—Continued																		
S7402-2.....	Vol.	N1955.....	18	MK401.....	M26			N1366.....	24	2N514.....					5	12A8G, 12K7G, 12Q7GT, 35L6GT, 35Z5GT.....	456	11-1
S7402-3.....	Vol.	N1595.....	18	UM154-SS18	M26			N1366.....	24	2N514.....					5	12A8GT, 12K7GT, 12Q7GT, 35L6GT, 35Z5GT.....	456	11-3
S7402-5 (Commentator)...	Vol.	N-3877.....	18	MK401.....	M26			N-3302.....	24	TCD48.....					5	12SA7, 12SK7, 12SQ7, 35L6GT, 35Z5GT..	456	13-38
S7402-7.....	Vol.	N-4014.....	18	MK401.....	M26			N-4015.....	24	TCD48.....					5	12SA7, 12SK7, 12SQ7, 35L6GT, 35Z5GT..	456	13-39
7403-1.....	Vol.	N-4076.....	18	Order from	Mfr.			N-3658.....	80	FP214.....					6	12SK7, 12SA7, 12SQ7, 35L6GT, 35Z5GT..	456	16-11,14
S7403-2.....	Vol.	N-3785.....	18	MK401.....	M26			N-3658.....	24	FP214.....					6	12SK7, 12SA7, 12SQ7, 35L6GT, 35Z5GT..	456	14-10
S7403-3.....	Vol.		18	UM154.....	M26	A96		8-8.....	4	2S567.....					5	6SA7, 6SK7, 6SQ7, 6F6G, 5Y4G.....	455	11-2
S7403-4.....	Vol.	N2886.....	18	MK401.....	M26			N1366.....	24	2N514.....					5	12A8GT, 12K7GT, 12Q7GT, 35L6GT, 35Z5GT.....	456	11-3
S7403-5.....	Vol.	N3045.....	18	UM154-SS22	M26			N2015.....	24	2N514.....					5	12A8GT, 12K7GT, 12Q7GT, 35L6GT, 35Z5GT.....	456	12-2
S7403-6.....	Vol.	N3065.....	18	UM154-SS22	M26			N3114.....	24	2N514.....					5	12A8GT, 12K7GT, 12Q7GT, 35L6GT, 35Z5GT.....	456	12-3
S7403-7.....	Vol.		18	UM161.....	M26	A96		40-20.....	4	Order from	Mfr.				6	12SA7, 12SK7, 12SQ7, 12J5GT, 25L6G, 5W4.....	455	12-4
S7403-8.....	Vol.	119602.....	18	UM161-SS25	M26			117034.....	4	2S569.....					6	6SA7, 6SK7, 6SQ7, 6F6G, 5W4G, 6J5GT	455	11-5,6
S7403-9.....	Vol.	119779.....	45	UM154.....	M26	A96		117034.....	23	2S569.....					8	6SK7, 6SA7, 6J5GT, 6SQ7, 6F6G, 5W4G..	455	12-5,6
S7404-1.....	Vol.	117212.....	127	TM243-SS25	M26			110377.....	19	TC22.....					6	6SA7, 6SK7, 6H6, 6SQ7, 6F6G, 5W4G	455	11-7,8
S7404-2 (Serial No. with Prefix "A")	Vol.	118669.....	124	TM243-SS25	M26			114258.....	23	TC71.....					8	6SA7, 6SK7, 6H6, 6SF5, 6J5GT, 6U5, 6V6GT, 5W4G.....	455	11-9,10
S7404-2 (Serial No. with Prefix "C")	Vol.	41021.....	45	UM154.....	M26	A96		116262.....	23	TC74.....					8	6SA7, 6SK7, 6H6, 6SJ7, 6SF5, 6V6G, 6U5, 5W4G.....	455	11-4,11
S7404-3.....	Vol.	117685.....	18	TM243-SS25	M26			113261.....	25	RS223.....					10	6SK7, 6SA7, 6J5GT, 6SQ7, 6U5, 6F6G, 5Y3G.....	455	12-7-10
S7404-4.....	Vol.	41437.....	127	MRT454.....	M26			114972.....	25	TC74.....					8	6SA7, 6SK7, 6SJ7, 6H6, 6SF5, 6V6G, 5W4G, 6U5.....	455	11-12
S7404-5.....	Vol.		18	UM161.....	M26	A96		40-20.....	4	See Note.....	B3				6	12SA7, 12SK7, 12SQ7, 12J5GT, 25L6G, 5W4G.....	455	12-11,12
S7404-6.....	Vol.		124	†.....		A19		30-15.....	1	See Note.....	B3				9	6SK7, 6SA7, 6SQ7, 6J5GT, 6F6G, 5Y3G.....	455	12-12,13
S7404-7.....	Vol.		124	†.....		A19		16.....	23	TC74.....					11	6SK7, 6SA7, 6J5GT, 6SQ7, 6V6G/GT, 5Y3G.....	455	12-6, 15,16
7405-1.....	Vol.	4108A.....	6	MR21.....	M26			113261.....	23	RS223.....					4	6D6, 6C6, 43, 25Z5		8-1
S7405-5.....	Vol.	119551.....	18	UM161.....	M26	A96		4806-A.....	23	TCS44.....					5	1A7G, 1N5G, 1H5G, 1A5G.....	455	11-13,14
S7405-6.....	Vol.	500356.....	18	MK402.....	M27			112898.....	12	TC44.....					5	1A7GT, 1N5GT, 1H5GT, 1A5GT.....	455	13-40,41
S7405-8.....	Vol.	500357.....	22	UM142-SS25	M27			110377.....	19	TC22.....					4	1A7GT, 1N5GT, 1H5GT, 1A5GT.....	455	13-7
S7405-8 (445).....	Vol.	161325.....	18	MK401.....	M27			10.....	19	TC22.....					4	1A7GT, 1N5GT, 1H5GT, 1A5GT.....	455	13-42,43
S7405-9.....	Vol.	12297.....	55	MK401.....	M27			1693.....	19	TC22.....					5	1A7GT, 1N5GT, 1H5GT, 1A5GT.....	455	13-43, 44,45
7406-1.....	Vol.		18	MR48.....				8-8.....	1	2N516.....			245	C3	5	IC6, 1A4, 75, 30, 19	456	8-2
S7406-5.....	Vol.	N3065.....	18	UM154-SS22	M26			005.....		Buffer.....	B14				5	12A8GT, 12K7GT, 12Q7GT, 35L6GT, 35Z5GT.....	456	12-22
S7406-6.....	Vol.		18	UM161.....	M26	A96		N3114.....	24	2N514.....					8	6SK7, 6SA7, 6SQ7, 6J5GT, 6F6G, 5Y3G.....	455	12-12,14
S7406-7.....	Vol.		124	†.....		A19		25, 25.....	23	See Note.....	B3				11	6SK7, 6SA7, 6J5GT, 6SQ7, 6V6G, 5Y3G	455	12-6, 17,18

† Data not substantiated.

\* IMPORTANT: Read Notes in Note Section if specified in Note Column.

‡ Indicates miscellaneous section.

BE SURE TO SPECIFY MALLORY RADIO AND ELECTRONIC PARTS.

MANUFACTURER AND MODEL	Use	CONTROLS						CONDENSERS				VIBRATORS			No. Tubes	Complete Tube Complement	I. F. Peak	Rider's Reference
		Original Part	Circuit	Correct Replacement	Switch	Bias	*Note	Original Part	Circuit	Correct Replacement	*Note	Original Part	Replacement	*Note				
FIRESTONE (Air Chief) Continued	Vol.		18	MR48				8-8 .005	1	2N516 Buffer			245	C3	7	1C6, 34, 30, 19	456	8-2
7407-1	Vol.		17	†				8-8-2	24/13	3S584	B3	R16034	852	C3	6	6K7, 6A8, 6Q7, 6V6, 6X5	260	10-1
7407-3	Vol. Tone		21	UM147	Mfr.		See Note A19	8-8-2	15	TC22					6	6U7G, 6A8G, 6Q7G, 6V6G, 6X5	455	10-2
S7407-5 (Early)	Vol.	20703	20	Order from			See Note A96	10	24/13	3S584	B3	20543	870	C3	6	6U7G, 6A8G, 6Q7G, 6V6G, 6X5	455	10-2
S7407-5 (Late)	Vol.		18	UM154	M26		A96	.003 15-10 .004	24	Buffer 2S569 Buffer	B14	20543	870	C3	6	6K7GT, 6A8GT, 6Q7GT, 6V6G, 6Z4G	455	11-17
S7407-6	Vol.	116125	20	MRT427	M26			114258 .01	25	TC71 Buffer	B14	116202	854	C3	6	6K7, 6A8, 6Q7, 6K6G, 6X5G	465	11-15,16
7422-3	Vol.	5-39	6	MR29				7-27	4/20	TCS47/TC22					4	6D6, 6C6, 25L6, 25Z5, 185R8		8-3
S7422-5	Vol.	N1955	18	MK401	M26			N1366	24	2N514					5	12A8GT, 12K7GT, 12Q7GT, 35L6GT, 35Z5GT	455	11-1
S7422-9	Vol.	N-3785	18	MK401	M26			N-3658	24	FP214					6	12SK7, 12SA7, 12SQ7, 35L6GT, 35Z5GT	456	13-46
S7424-3	Vol. Tone	V20 V112	18 34	MR53 MR36	M26			C242 .01-.01	1	FP225 Buffer	B14	F4	246	C3	6	6D8G, 1H4G, 6S7G, 6T7G, 6L5G, 1J6G	456	10-3
S7425-3	Vol.	50526	18	MR53	M26			50526 .0065	23	2S567 Buffer	B14	G10-38000	859	C3	5	6A8G, 6U7G, 6Q7G, 6K6G, 6X5G	455	11-19-21
S7425-4, S7425-5	Vol.	V6	6	UM128-SS25	M26	EX200		C233	46	TN125					4	6K7GT, 6J7GT, 25L6GT, 25Z6GT		10-4
S7425-6 (Ch. R320)	Vol.	114814	18	UM161	M26		A96	112898 113472	23 23	TC45 TC48					5	6A8G, 6K7, 6Q7G, 25L6G, 25Z6G	465	11-22,23
S7425-6 (Late)	Vol.	116691	18	†			A5	112898 113472	1 1	TC45 TC48					5	12SA7, 12SK7, 12SQ7, 35L6GT, 35Z5GT	455	11-24
S7425-8UA	Vol.	113501	6	UM124-SS18	M26	EX300		112898 113472	4 4	TC45 TC48					4	6A8G, 6J7G, 25L6G, 25Z6G, L55B	465	11-25,26
S7425-9 (Ch. R317)	Vol.	113501	6	UM124-SS18	M26	EX300		112898 113472	4 4	TC45 TC48					4	6A8G, 6J7G, 25L6G, 25Z6G, L55B	465	11-25,26
S7425-9 (Loop)	Vol.	116691	18	†			A5	112898 113472	1 1	TC45 TC48					5	12SA7, 12SK7, 12SQ7, 35L6GT, 35Z5GT	455	11-24
S7426-1 (Ch. R311)	Vol.	113501	6	UM124-SS18	M26	EX300		112898 113472	4 4	TC45 TC48					4	6A8G, 6J7G, 25L6G, 25Z6G, L55B	465	11-25,26
S7426-2	Vol.	113852	18	MR48	M26			112898 113472	4 4	TC45 TC48					5	6A8G, 6K7G, 6Q7G, 25L6G, 25Z6G, L49B	465	11-27
S7426-3, S7426-4 (Ch. R313)	Vol.	113852	18	MR48	M26			113808 114009	60 60	TC71 TC71					6	6A8G, 6K7, 6Q7G, 6K6G, 5W4G	465	11-28
S7426-5	Vol.	V6	6	UM128-SS1	M26	EX200		C233	46	TN125					4	6K7GT, 6J7GT, 25L6GT, 25Z6GT		10-4
S7426-6	Vol.	N1595	18	UM154-SS18	M26			N1366	24	2N514					5	12A8GT, 12K7GT, 12Q7GT, 35L6GT, 35Z5GT	456	10-5
S7426-7 (Roamer 1939)	Vol.	N1504	18	UM154-SS18	M27			N1367	12	TC42					4	1A7G, 1N5G, 1H5G, 1C5G	456	10-6
S7426-7 (Mar. 1939)	Vol.	N1504	18	UM154-SS18	M27			10	19	TC22					4	1A7G, 1N5G, 1H5G, 1A5G	455	10-7
S7426-8	Vol.	117212	124	TM243-SS25	M26			114258 116262	23 23	TC71 TC74					6	6SA7, 6SK7, 6H6, 6SQ7, 6F6G, 5W4G	455	11-29,30
S7426-9	Vol.	10869	45	UM154	M27		A96	10	19	TC22					3	1A7G, 1N5G, 1N6G	455	10-8
S7427-1 (Early) (Ch. R314)	Vol.	113982	18	UM154	M26		A96	112802	60	RM265					7	6A8G, 6K7, 6Q7G, 6K6G, 5W4G, 6U5	465	11-31,32
S7427-1 (Late)	Vol.	117212	124	TM243-SS25	M26			118421	23	2S569					7	6SK7, 6SA7, 6SQ7, 6F6G, 5W4G, 6U5	455	11-33,34
S7427-2	Vol.	114020	18	†			A19	89937 113261	1 1	RS224 RS223					8	6K7, 6A8G, 6Q7G, 6K6G, 6U5, 5Y3G	465	12-6, 19-21
S7427-3 (Ch. R316)	Vol.	113258	17	MRT438	M26			89937 113261 110377	25 25 15	RS224 RS223 TC22					10	6K7, 6L7G, 6J5G, 6H6G, 6L6G, 5W4G, 6U5	465	11-35-38
S7427-5	Vol.	4871	18	UM154-SS22				50-50 10	1	FP214 TC22					5	1A7G, 1N5G, 1H5G, 1A5G, 35Z4GT	455	10-9
S7427-6	Vol.		29	Order from	Mfr.			5 10	12 19	TC42 TC22					3	1N5G, 1A5G	455	10-5
S7427-7	Vol.	117086	18	†			A5	113808 114972	25 25	TC71 TC74					5	6SA7, 6SK7, 6SQ7, 6F6G, 5W4G	455	11-39,40
S7427-8	Vol.	40668	18	UM154	M26		A96	40666	1/15	TCS64/TC22					7	6SA7, 6SK7, 6SQ7, 6S7, 6U5, 6F6G, 5W4G	455	11-4,11
S7428-1	Vol.	V20	18	MR53	M26			C236 .01-.01	46	FP371 Buffer	B14	F4	246	C3	4	6D8G, 6S7G, 6T7G, 6G6G	456	10-10
S7428-2	Vol.	10441	18	UM154-SS25	M27			10	19	TC22					4	1A7G, 1N5G, 1H5G, 1A5G	455	10-4

† Data not substantiated.

\* IMPORTANT: Read Notes in Note Section if specified in Note Column.

§ Indicates miscellaneous section.

MAKE FULL USE OF NOTES AND CIRCUIT DIAGRAMS.

MANUFACTURER AND MODEL	CONTROLS							CONDENSERS				VIBRATORS			No. Tubes	Complete Tube Complement	I. F. Peak	Rider's Reference
	Use	Original Part	Circuit	Correct Replacement	Switch	Bias	*Note	Original Part	Circuit	Correct Replacement	*Note	Original Part	Replacement	*Note				
FLUSH WALL RADIO CORP. 5P.....	Vol.		18	MR53	M26			24	2N514					5	12SA7GT, 12SK7GT, 12SQ7GT, 50L6GT, 35Z5GT..	455	\$15-4	
FORD-LINCOLN-MERCURY																		
"Glove Box" (Zenith).....	Vol.		17	SRP251	6	See Note	A42	8-8 10 .02	4 15	TCS71 TC22 Buffer	B3 B14		296	C3	6 6D6, 6F7, 75, 42, 84	252.5	5-4	
"Glove Box" (Police).....	Vol. Sen.		17 40	SRP251 MR18				8-8 10 .008-.008	4 15	TCS71 TC22 Buffer	B3 B14		Order from Mfr.		6 6E7, 6A7, 6C7, 42, 6Y5	†	5-1	
"Glove Box" (40-18805).....	Vol.		17	SRP251				8-8 10 .008-.008	4 15	TCS71 TC22 Buffer	B3 B14		Order from Mfr.		6 6E7, 6A7S, 6C7, 42, 6Y5	175	5-3	
Police (Grigsby- Grunow) B18805	Vol.		17	MR44				8	12	See Note	B3				6 639, 638, 85	†	6-1	
N "Center Control"	Vol.	33-5067	54 20	MR44 TRP614	6			8 30-2030 30-2076 .01	12 12 1 15	See Note See Note RM262 TC22 Buffer	B3 B3	38-5036	500P	C3	6 639, 85, 638 6 644, 77, 75, 42, 84	† 260	5-2 6-2,3	
6MF080 (51A-18805-A1) Ch. 6C81	Vol. Sens.	63-1333 63-1379	167 187	Order from Order from	Mfr.			22-1387 .008	24/15	FP369/TC26 Buffer	B6 B14		859	C3	6 7A7, 7B8, 7B6, 7C5, 7Y4	265	15-32,35 10-25,26	
6M390 (Zenith)	Vol. Tone	63-995 63-994	18 8	Order from Order from	Mfr.		A5	22-721 .012-.012	24/15	FP332 Buffer	B197 B14	190-14	853	C3	6 78, 6A7, 75, 42, 84	455		
6MF490 (91-A-18805)	Vol.	63-1073	17	Order from	Mfr.			22-955 .012-.012	24/15	FP332 Buffer	B14	190-15	859	C3	6 7A7, 7B8, 7B6, 7C5, 7Y4	455	11-13,14	
6MF590, 6MF591, Ch. 6A21	Vol.	63-1133	18	250M			A19	22-955 .006	24/15	FP332 Buffer	B14	190-15	859	C3	6 7A7, 7B8, 7B6, 7C5, 0Z4/6Z5GT	455	12-41,42	
6MF690 (21A-18805-A1) Ch. 6B19	Vol. Sens.	63-1258 63-1267	167 187	Order from Order from	Mfr.			22-1233 .008	24/15	FP328 Buffer	B14	190-19	1100	C3	6 7A7, 7B8, 7B6, 7C5, 7Y4	265	15-36,39	
6MF780, 6MF780-E, 6MF780-Z, Ch. 6D80	Vol.	63-1333	18/21	Order from	Mfr.			22-1554 .008	24	TCD65 Buffer	B14	190-20	859	C3	6 7A7, 7B8, 7B6, 7C5, 7Y4	265		
6MM790, 6MM790E, Ch. 6D80	Vol.	63-1333	18/21	Order from	Mfr.			22-1554 .008	24	TCD65 Buffer	B14	190-20	859	C3	6 7A7, 7B8, 7B6, 7C5, 7Y4	265		
FT-6	Vol.	33-5067	17	TM225-SS5	M26			30-2030 30-2076 .01	1 15	SR638 TN111 Buffer	B14	38-5036	853	C3	6 44, 77, 75, 42, 84	260	6-59,60	
FT-9, FT-9X	Vol.	33-5139	18	SRP282			A67	30-2134 .01	4	TC571 Buffer	B3 B14	38-5036	853	C3	6 78, 6A7, 75, 41, 84	260	6-61	
111	Vol.		17	SRP251				8-8	1	See Note	B3				6 639, 638, 85	†		
F1440, F1440X, F1442, F1442X	Vol.	33-5139	18	SRP282			A67	30-2168 .008	4	2S567 Buffer	B14	41-3170	505-P	C3	6 78, 6A7, 75, 41, 84	260	8-144, 145	
F1540	Vol. Sens.	33-5260 33-5239	18	SM300 CMP			A68	30-2295 .0075	4	2S567 Buffer	B14	41-3170	505-P	C3	6 78, 6A7, 75, 42, 84	260	9-49	
F1640	Vol.	67-0008	17	SM305				61-0028 .0075	1/15	FP328 Buffer	B14	41-3398	859	C3	6 78, 6A7, 75, 42, 84	470	10-59	
F1740	Vol.	67-0026	18	TM225	M26		A96	61-0089 .003	24/15	FP328 Buffer	B14	83-0017	859	C3	6 7A7, 7B8, 7B6, 7C5, 7Y4	455	11-88,89	
F1840, 1941	Vol. Tone	67-0042 85-0128	18 22	Order from Order from	Mfr.			61-0089 .005	24/15	FP328 Buffer	B14	83-0027	859	C3	6 7A7, 7B8, 7B6, 7C5, 7Y4	455	14-125, 127	
F1841, F1942, 1942	Vol. Tone Sens.	67-0042 85-0128 67-0025	18 22 7	Order from Order from Order from	Mfr.			61-0089 .005	24/15	FP328 Buffer	B14	83-0026	859	C3	6 7A7, 7B8, 7B6, 7C5, 7Y4	455	13-40-42	
FORDSON																		
FP (330001 Up)	Vol. Tone		15 22	MR44 Order from	Mfr.			4-4 5 5	4 19 15	2S567 TC32 TC22					5 6A7, 78, 75, 42, 80	456	5-1	
FP Batt. (173501 Up)	Vol. Tone		54 22	MR44 MR39				5	20	TC32					5 1A6, 34, 32, 30, 19	456	5-1	
FP 32V (350001 Up)	Vol. Tone		15 22	MR44 Order from	† Mfr.			6-10 5	1 15	3S584 TC22	B8		Order from Mfr.		5 6A7, 78, 75, 42, 84	456	5-2	
FR	Vol. Tone		6 22	MR18 Order from	† Mfr.	EX100		4-4	4	2S567					4 58, 57, 2A5, 80		5-2	

† Data not substantiated.

\* IMPORTANT: Read Notes in Note Section if specified in Note Column.

‡ Indicates miscellaneous section.

MANUFACTURER AND MODEL	CONTROLS							CONDENSERS				VIBRATORS			No. Tubes	Complete Tube Complement	I. F. Peak	Rider's Reference
	Use	Original Part	Circuit	Correct Replacement	Switch	Bias	*Note	Original Part	Circuit	Correct Replacement	*Note	Original Part	Replacement	*Note				
<b>FORDSON—Continued</b>																		
FU.....	Vol.		6	MR39.....	M26	See Note	A14	4-20.....	6	2N509.....				5	78, 44, 77, 43, 25Z5...	456	5-3	
FV.....	Vol.		7	MR40.....	M26	See Note	A14	5-5.....	15	TN111.....				4	44, 77, 43, 25Z5.....		5-4	
FW.....	Vol. Tone		17	MR48.....	M26			4-20.....	6	2N509.....				8	78, 37, 85, 42, 80.....	456	5-5	
R.....	Vol. Tone		41	MR39.....				5-5.....	15	TN111.....				4	78, 77, 42, 80 or 57, 58, 2A5, 80.....			
U.....	Vol. Tone		22	MR18.....				4-8-4.....	26	See Note.....	B3			4	78, 77, 42, 80 or 57, 58, 2A5, 80.....			
V.....	Vol.		6	Order from Mfr.	M26	See Note	A14	4-4.....	4	2S567.....				4	78, 77, 42, 80 or 57, 58, 2A5, 80.....			
V (All-Wave).....	Vol.		7	MR39.....	M26	See Note	A14	4-20.....	6	2N509.....				5	78, 44, 77, 43, 25Z5.....	456		
V (All-Wave).....	Vol.		7	MR40.....	M26	See Note	A14	5-5.....	15	TN111.....				4	44, 77, 43, 25Z5.....			
V (All-Wave).....	Vol.		15	MR48.....	M26			20-4.....	6	2N509.....				4	44, 77, 43, 25Z5.....			
W All Wave.....	Vol. Tone		17	MR48.....	M26			5-5.....	15	TN111.....				4	6F7, 77, 43, 25Z5.....			
W All Wave.....	Vol. Tone		41	MR39.....	M26			40-8.....	6	2N514.....				8	37, 78, 85, 42, 80.....	456		
X.....	Vol. Tone		6	MR18.....	M26	EX200		4-8-4.....	5	See Note.....	B3			5	6D6, 6C6, 42, 80.....			
"Warwick".....	Vol. Tone		15	MR39.....	M26			5-5.....	15	TN111.....				5	57, 58, 55, 47, 80.....		175	
"Goldentone" 6T.....	Vol. Tone		21	MR48.....				8-4.....	4	See Note.....	B3			6	58, 55, 59, 80.....	456	3-5	
"Goldentone" 6T.....	Vol. Tone		15	MR39.....	M26			10.....	17	TC22.....				6	58, 55, 59, 80.....	456	3-5	
6TA.....	Vol.		18	MR39.....	M26			6T28.....	1	2N518.....				6	58, 55, 59, 80.....	456	3-5	
6TA.....	Vol.		18	MR48.....				6T26.....	15	TC22.....				6	2A7, 58, 2A6, 2A5, 80.....	456		
6TA.....	Vol.		18	MR48.....				8-4.....	1	See Note.....	B3			6	2A7, 58, 2A6, 2A5, 80.....	456		
<b>FRANKLIN</b>																		
6 Tube.....	Vol. Tone		6	G7.....	6	5		4, 4.....	1	ST595.....				6	27, 24, 35, 47, 80.....	175	3-3	
43AB or CL.....	Vol.		22	MR18.....				8-4.....	1	See Note.....	B3			4	37, 39, 38, 36.....	456	4-6	
53.....	Vol.	DS249	6	MR21.....	M26	See Note	A14	8-4.....	6	2N518.....				5	78, 77, 43, 25Z5.....	456	4-5	
53.....	Vol.	DS249	6	MR28.....				4-4.....	15	TN111.....				5	78, 77, 43, 25Z5.....	456	4-5	
54L.....	Vol.		15	MR48.....	M26			4-8-4.....	8	TN125.....				5	6A7, 78, 6B7, 43, 25Z5.....	456	4-6	
55U.....	Vol.		56	MR48.....	M26			8-8-8-8.....	45	TCS52/TCDS2.....				5	6A7, 78, 6B7, 43, 25Z5.....	456	4-6	
63L.....	Vol. Tone		6	MR18.....				5.....	15	TC22.....				5	6A7, 78, 6B7, 43, 25Z5.....	456		
63L.....	Vol. Tone		21	MR55.....				8-8.....	4	2S567.....				6	57, 58, 56, 2A6, 47, 80.....	130	4-7	
64.....	Vol. Tone		6	MR18.....	M26			8.....	1	ST595.....				6	57, 58, 59, 55, 80.....		4-8	
64.....	Vol. Tone		22	MR39.....				5.....	15	TC22.....				6	57, 58, 59, 55, 80.....		4-8	
65VL, 65VU.....	Vol. Tone		56	MR48.....				8-8-8-8.....	45	TCS52/TCDS2.....				6	6A7, 78, 6B7, 43, 25Z5.....	456		
65VL, 65VU.....	Vol. Tone		56	MR48.....				5.....	15	TC22.....				9	57, 58, 2B7, 56, 59, 5Z3.....	450	4-9, 13	
94.....	Vol. Tone Sen.		15	MR44.....				8-8-8.....	3	See Note.....	B3			9	57, 58, 2B7, 56, 59, 5Z3.....	450	4-9, 13	
94.....	Vol. Tone Sen.		41	MR48.....				8-8-8.....	3	See Note.....	B3			9	57, 58, 2B7, 56, 59, 5Z3.....	450	4-9, 13	
100 (Auto).....	Vol.		7	A10MP.....	6			8-4.....						6	36, 37, 38.....	175	3-1	
102.....	Vol. Tone		6	MR19.....				8-4.....	4	2S567.....				5	24, 35, 47, 80.....	175	3-1	
102.....	Vol. Tone		22	MR18.....				8-4.....	4	2S567.....				5	24, 35, 47, 80.....	175	3-1	
104.....	Vol. Tone		6	MR18.....				4-4.....	1	2N518.....				5	35, 24, 47, 80.....		3-4	
104.....	Vol. Tone		22	MR18.....		EX500		4-4.....	1	2N518.....				5	35, 24, 47, 80.....		3-4	
105.....	Vol.	DS118	6	G7.....	6			DS29.....	1	2N518.....				4	58, 57, 47, 80.....		4-14	
106.....	Vol. Tone	DS113	6	MR18.....				DS23.....	1	2N518.....				5	57, 58, 55, 47, 80.....		4-14	
106.....	Vol. Tone	DS234	21	MR55.....				DS23.....	1	2N518.....				5	57, 58, 55, 47, 80.....		4-14	
200 (Auto).....	Vol.		15	MR48.....		See Note	A4							6	36, 85, 37, 89.....	177	4-15, 16	
<b>FREED EISEMAN—FREED RADIO CORP.</b>																		
A7.....	Vol.		17	MR48.....				4-4.....	15	TN111.....				4	6A7, 78, 6B7, 41.....	456	4-1	
A9.....	Vol.		15	UM154.....		See Note	A96	16.....	1	Order from Mfr.....		Order from Mfr.		6	6A7, 6D6, 85, 37, 41.....	456	4-1	
A9.....	Vol.		15	UM154.....		See Note	A96	8-20.....	1	Order from Mfr.....		Order from Mfr.		6	6A7, 6D6, 85, 37, 41.....	456	4-1	
FE63 DC.....	Vol. Tone		6	MR24.....			A14	5-5.....	19	TN111 Buffer.....	B14			6	39, 36, 89.....		3-8	
FE63 DC.....	Vol. Tone		22	MR39.....				.05.....						6	39, 36, 89.....		3-8	
FE96 DC.....	Vol. Tone	26.15	6	MR21.....	M26			24.7.....	1	See Note.....	B3			8	36, 37, 38.....		3-9	
FE96 DC.....	Vol. Tone	26.16	22	MR39.....										8	36, 37, 38.....		3-9	
FE98.....	Vol. Tone	26.26	7			See Note	A5	24.30.....	1	See Note.....	B3			8	24, 35, 27, 47, 80.....	175	3-10	
FE98.....	Vol. Tone	26.30	22			See Note	A5	24.23.....	1	See Note.....	B3			8	24, 35, 27, 47, 80.....	175	3-10	
FE99.....	Vol. Tone		6	MR18.....										6	36, 37, 33.....		3-8	
FE99.....	Vol. Tone		22	MR39.....										6	36, 37, 33.....		3-8	
MB5.....	Vol.		7	MR18.....	M26			8-4.....	28	See Note.....	B3			5	51, 24, 47, 80.....		3-3	
MB7.....	Vol. Tone		6	MR18.....				4.....	17	See Note.....	B3			7	58, 56, 55, 47, 80.....	175	3-4	
MB7.....	Vol. Tone		22	MR39.....				4-8-8.....	3	See Note.....	B3			9	58, 56, 55, 46, 80.....	175	3-5	
MB9.....	Vol. Tone		6	MR18.....				4.....	15	TC32.....				9	58, 56, 55, 46, 80.....	175	3-5	
MB9.....	Vol. Tone		22	MR33.....				4.....	17	TC22.....				9	58, 56, 55, 46, 80.....	175	3-5	
NR55 DC.....	Vol.		5	MR44.....				1-2.....	1	See Note.....	B7			7	01A, 71A.....		1-9	
NR55 AC, NR56 AC.....	Vol.		81	DRP240.....				2-1-4.....	3	See Note.....	B1			8	27, 26, 71, 80.....		1-10	
NR57.....	Vol.		4	MR18.....										6	26, 71, 27.....		1-11	
NR60 AC.....	Vol.		4	MR18.....										6	26, 27, 71A.....		1-13	
NR60 DC.....	Vol.		4	MR18.....										7	01A, 71A.....		1-12	
NR70 AC.....	Vol.		4	MR18.....										7	01A, 71A.....		1-12	
NR70 AC.....	Vol.		7	MR18.....										7	26, 210, 27.....		1-15	
NR78 AC, NR79 AC.....	Vol.		4	MR18.....										8	27, 45, 80.....		1-18	
NR78 DC, NR79 DC.....	Vol.		13	MR44.....				1-1-4-1.....	3/14	See Note.....	B1			9	01A, 71A.....		1-17	
NR80 DC.....	Vol.		4	C.....										8	01A, 12A, 71A.....		1-19	

‡ Data not substantiated.

\* IMPORTANT: Read Notes in Note Section if specified in Note Column.

§ Indicates miscellaneous section.

MANUFACTURER AND MODEL	CONTROLS							CONDENSERS				VIBRATORS			No. Tubes	Complete Tube Complement	I. F. Peak	Rider's Reference
	Use	Original Part	Circuit	Correct Replacement	Switch	Bias	*Note	Original Part	Circuit	Correct Replacement	*Note	Original Part	Replacement	*Note				
FREED EISEMAN	FREED	RADIO COR	P. — C	continued														
NR80 AC	Vol.		4	E12											8	*26, 27, 71, 80		1-20
NR85 AC	Vol.		4	E12											8	*26, 27, 50, 81		1-21
NR90 S	Vol.	26.262B	24	DRP308				1-2-4	3	See Note	B1				8	*24, 27, *45, 80		1-22
NR95 AC	Vol.		7	MR33				1-1-4-1	3/14	See Note	B1				9	*27, *45, 80		1-23
51DC	Vol.		6	MR24	M26										5	*39, 36, *89		3-1
40	Tone		7			See Note	A3	80, 80, 80	75	2N511	B8			15	*7H7, *6K8, *6SJ7, 6H6, 6SK7, 6SQ7, 6U5, *25L6GT, *25Z6GT		175 AM, 462 FM, 4.3 mc	
46	Vol. Tone	RVC-A1 RVC-A2	201 201	TM231-SS1 MR20	M26			CE-A2	112	TC71				20	*6SK7, *6SA7, 6SL7GT, *6J5GT, *6Y6G, 5U4G, *6AG5, *6SG7, *6SH7, 6H6, 6U5		4.3 mc	
									1	FP238								
									13	TC71								
									14	TC71								
									15	TC36								
51	Vol. Tone		17			See Note	A19	40, 40	1	RS224				14	*7H7, *6K8, 6U5		462 FM, 4.3 mc	
			22			See Note	A5	20, 20	15	TC26								14-2
52	Vol. Tone		114			See Note	A19	40, 40	25	RS224				18	*7H7, *6K8, *6SJ7, 6H6, *6SK7, 6Q7, 6U5, *6Y6, 5U4		4.3 mc	
			114			See Note	A5	8	13/14	TC71								
								20	44	TC26								14-3,6
54	Vol.		8	G				8-4	1	2N518				5	*58, 57, 47, 82		3-3	
56	Vol.		8	G				8-4	1	2N518				5	*58, 57, 47, 80		3-3	
58 AC	Vol. Tone		6	MR24				8-4	4	2S567				5	57, 58, 55, 47, 80		175 3-1	
			22	MR33														
59	Vol.		8	G				8-4	1	2N518				5	*58, 57, 47, 82		3-3	
57-71	Vol. Tone		17	MR48				40, 40	1	RS224				15	*7H7, *6K8, *6SJ7, 6H6, 6U5, 6SK7, 6Q7, *6Y6, 5U4		462 FM, 4.3 mc	
			21	MR44				8	13	TC71								
								20	15	TC26								14-4
57A-71A	Vol. Tone		114			See Note	A19	40, 40	25	RS224				16	*7H7, *6K8, *6SJ7, 6H6, *6SK7, 6Q7, 6U5, *6Y6, 5U4		4.3 mc	
			114			See Note	A5	8, 8	13/14	TC71								14-5,7
								20	44	TC26								3-4
72, 74	Vol. Tone		6	MR18	M26			8-4	1	2N518				7	*58, 56, 55, 47, 80		175 3-4	
			22	MR39				4	17	TC32								
90	Vol. Tone		6	MR18	M26			4-8-8	3	See Note	B3			9	*58, *56, 55, *46, 80		175 3-5	
			22	MR33				4	15	TC32								
91 DC	Vol.		6	MR21						See Note	B7			5	*36, 37, 33		3-6	
92 AC	Vol.		8	MR18	M26					See Note	B3			5	*51, 24, 47, 80		3-7	
346	Vol.		6	MR18	M26			8-4	1	2N518				4	78, 77, 42, 80		4-2	
								8-4	15	TC32								
354	Vol.		6	MR18	M26			8-4	15	2N518				5	6A7, 78, 75, 42, 80		456 4-3	
								5	15	TC32								
355	Vol.		6	MR18	M26			25-14	6	2N509				5	6A7, 78, 75, 43, 25Z5		456 4-4	
								5	15	TC32								
360, 360X	Vol.		6	MR18	M26			8-4	15	2N518				6	6A7, 78, 75, 76, 42, 80		175 4-5	
								5	15	TC32								
365, 365X	Vol.		6	MR18	M26			25-14	6	2N509				6	6A7, 78, 75, 76, 43, 25Z5		456 4-6	
								5	15	TC32								
FREED MFG. CO., INC.	FE24A	Vol.	6	MR24				40	24	TC48				4	6D6, 6C6, 43, 25Z5, K55B		9-1	
								8	24	TC42								
								5	15	TC22								
27D	Vol. Tone		18	MR48				40	6	TC48				7	6A7, 6D6, 75, 6G5, 26L6G, *25Z5, MT300, *K34B		456 9-2	
			22	MR44				20	6	TC47								
								5	15	TC22								
30D	Vol.		18	MR48				40	24	TC48				6	6A7, 6D6, 75, 6G5, 43, 25Z5, MT650, *K18B		456 9-2	
								8	24	TC42								
								5	15	TC22								
FE30L	Vol.		6	MR24				4-4-5-5	24/15	2N516/TN111				3	6D6, 6C6, 12A7		7-1	
FE33	Vol.		6	MR24		EX700		12-8	24	2N509				3	6D6, 6C6, 25A7		8-1	
								5	15	TC22								
FE48	Vol.		6	MR24		EX700		4-4	24	2N516				4	6D6, 6C6, 38, 76		8-1	
								5-5	15	TN111								
FE50, FE51L	Vol.		6	MR24		EX700		12-8	24	2N509				4	6D6, 6C6, 43, 25Z5, K55C		8-2	
								5	15	TC22								
FE52, FE56, FE58	Vol.		6	MR14	M26			8-12	6	2N509				5	6A7, 6D6, 75, 43, 25Z5		456 7-2	
								5	15	TC22								
FE60	Vol.		6	MR14	M26		A14	12-8	6	2N509				5	6A7, 6D6, 75, 43, 25Z5, K49C		456 8-3	
								5	15	TC22								
FE62	Vol.		6	MR14	M26		A14	12-8	6	2S567				5	6A7, 6K7, 75, 43, 25Z5, L49E		456 8-3	
								5	15	TC22								
FE69X	Vol.*		45	MR48	M26			8-8	23	2S567				6	6A7, 6D6, 76, 75, 42, 80		456 8-4	
								5	15	TC22								
96	Vol.		18	MR48				8-16	23	3S584	B8			6	6A7, 6D6, 75, 41, 6G5, 80		456 9-1	
FE97	Vol. Tone		18	MR48				8-16	23	3S584	B8			8	6A7, 6D6, *76, 75, 41, 6G5, 80		456 9-1	
			22	MR44				5	15	TC22								

† Data not substantiated.

\* IMPORTANT: Read Notes in Note Section if specified in Note Column.

‡ Indicates miscellaneous section.

MANUFACTURER AND MODEL	CONTROLS							CONDENSERS				VIBRATORS			No. Tubes	Complete Tube Complement	I. F. Peak	Rider's Reference
	Use	Original Part	Circuit	Correct Replacement	Switch	Bias	*Note	Original Part	Circuit	Correct Replacement	*Note	Original Part	Replacement	*Note				
<b>FREED MFG. CO., INC.—</b>	Continued																	
P351L.....	Vol.		6	MR24.....		EX700		12-8.....	24	2N509.....				4	6D6, 6C6, 43, 25Z5, K55B.....		8-2	
351, 351P, 351L....	Vol.		6	SRP263.....		EX400		5.....	15	TC22.....				4	6D6, 6C6, 43, 25Z5.....		6-1,2	
357P.....	Vol.		6	MR36.....		EX400		12-8.....	6	2N509.....				5	6A7, 6D6, 76, 43, 25Z5.....	456	6-2	
357L, 358L.....	Vol.		6	MR36.....		EX300		5-5.....	15	TN111.....				5	6A7, 6D6, 75, 43, 25Z5.....	132	6-3	
369S.....	Vol.		6	MR36.....		EX300		8-14.....	6	2N509.....				6	6A7, 6D6, 76, 75, 43, 25Z5.....	456	6-4	
<b>JESSE FRENCH</b>																		
G <sup>1</sup> Jr.....	Vol.	7777.....	25	DRP119.....	6			1-2.....	1	See Note.....	B1			5	*24, 45, 80.....		2-1	
H1.....	Vol.	H107.....	25	GE.....	6			8-8-1.....	1	2N518/TP418.....				5	*24, 45, 80.....		2-4	
H2 AC.....	Vol.		6	MR18.....				4.....	1	ST595.....				5	*24, 47, *51, 80.....		2-3	
H2 Jr.....	Vol.		6	MR18.....				4, 4.....	1	ST595.....				5	*24, 45, 80.....		3-1	
H2 Special 110V DC	Tone		21	MR53.....														
S2.....	Vol.		40	E12.....				2-2.....	1	See Note.....	B11			5	30, *32, 71A.....		2-3	
U1.....	Vol.	7777.....	25	DRP119.....	6			5483.....	2	2N518.....				8	*24, 27, *45, 80.....		3-2	
5-093.....	Vol.	7779.....	7	MR53.....										7	*24, 27, *35, 47, 80.....	175	2-5	
	Vol.		22	C.....	6			8, 8.....	34	ST595.....				9	*26, 27, *45, 80.....		1-2	
	Vol.		13	MR33.....					37	See Note.....	B1							
<b>JESSE FRENCH EXPORT.</b>																		
5X, 6X, 7X.....	Vol.	63-235.....	15	MR48.....	M26			22-173.....	30	RS213.....				8	*58, *57, 56, 59, 80.....	175	5-1	
	Tone	63-232.....	34	MR48.....														
8 AC.....	Vol.	63-234.....	7	MR34.....										9	*26, 27, *71, 80.....		1-1	
	Vol.		1	MR33.....					3	See Note.....	B1							
<b>FRESHMAN</b>																		
G (1st Type).....	Vol.		35	MR44.....					1	See Note.....	B4			7	*26, 27, 71, 80.....		1-2	
G (2nd Type).....	Vol.		35	MR44.....					3	See Note.....	B4			7	*26, 27, 71, 80.....		1-3	
G (3rd Type).....	Vol.		3	MR18.....				2-2-6-4-2-1.....	3/14	See Note.....	B4			7	*26, 27, 71, 80.....		1-3	
H.....	Vol.		35	MR44.....					1	See Note.....	B4			8	*26, 27, 210, *81.....		1-4	
K.....	Vol.		35	MR44.....					1	See Note.....	B4			7	*26, 27, 12A, 213.....		1-5	
L DC.....	Vol.		35	MR44.....										6	*01A, *12A.....		1-7	
M.....	Vol.		60	MR33.....	See Note	A43		2-4.....	1	See Note.....	B1			7	71, *26, 27, 80.....		1-6	
N.....	Vol.		60	MR33.....	See Note	A43		1-4.....	1	See Note.....	B2			7	*26, 27, 50, 81.....		1-7	
Q15, Q16.....	Vol.		60	MR18.....				2-4.....	1	See Note.....	B1			5	22, 27, 26, 71, 80.....		1-9	
QD-16-S.....	Vol.		4	MR18.....				1-2-2.....	3	See Note.....	B1			5	22, 27, 26, 71, 80.....		1-11	
2N with 2N60S.....	Vol.		60	MR33.....	See Note	A43		1-4.....	1	See Note.....	B2			7	*26, 27, 50, 81.....		1-8	
3Q15, 3Q16.....	Vol.		4	MR18.....				1-4.....	3	See Note.....	B1			5	22, 27, 26, 71, 80.....		1-10	
21AC and 22AC.....	Vol.		81	DRP240.....				2-1-4.....	1	See Note.....	B1			8	*26, *27, *71A, 80.....			
21 DC.....	Vol.		13	MR44.....										7	*01A, *71A.....			
31, 32, (AC).....	Vol.		7	MR34.....				1-1-4.....	3	See Note.....	B1			8	*27, *45, 80.....			
31S, 32S, (AC).....	Vol.		58	DRP308.....				1-1-4.....	3	See Note.....	B1			8	*27, *45, 80.....			
41 (AC).....	Vol.		7	MR34.....				1-1-4.....	3	See Note.....	B1			9	*27, *45, 80.....			
<b>FROST MINTON</b>																		
FM4, FM5.....	Vol.		6	MR18.....				4, 4.....	25	ST595.....				5	*24, 45, 80.....		4-3	
4PW.....	Vol.		6	MR18.....				4-4.....	25	2S567.....	B3			5	*24, 47, 80.....		4-1,2	
<b>FULTON</b>																		
Pre.....								8-8.....	4	See Note.....	B3			3	776, 84.....		6-1	
Z.....	Vol.		16	MR44.....				10.....	15	TC22.....				4	2A3, 2A6, 5Z3, 56.....		6-1	
13B.....	Vol.		95	MM.....				8-8-8.....	4/17	RM265.....	B106			6	2A6, 5Z3, *50, 53, 56.....		6-2	
	Equal.		1	MR44.....				5-5.....	15	TN111.....				6	2A6, 5Z3, *50, 53, 56.....		6-2	
								16.....	1	See Note.....	B3							
								4.....	1	See Note.....	B4							
								8.....	17	TC32.....								
								4.....	13	TC70.....								
15B.....	Vol.		1	MM.....				16-6.....	13	See Note.....	B2			6	*2A3, 5Z3, 6A6, 75, 76.....		6-1	
	Equal.		95	MR44.....				4.....	13	TC70.....								
								8.....	17	TC32.....								
								6-16.....	1	See Note.....	B3			7	*50, 56, 57, 59, *83.....		6-2	
								2-3.....	1	See Note.....	B4							
								10.....	14	TC32.....								
								8.....	15	TC32.....								
<b>GALVIN MFG. CO.</b>	—See Motorola																	
<b>GAMBLE SKOGMO</b>																		
A1.....	Vol.	36X235.....	45	MR48.....	M26			44X31.....	23	HD684.....				8	6J7, 6K7, 6C5, 6H6, 6G5, 6F5, 6F6, 5Y3G, or 6J7G, 6U7G, 6C5G, 6H6, 6G5, 6F5G, 6F6G, 5Y3G.....	456		
	Tone	40X223.....	34	MR42.....				44X35.....	23	RS224.....								

† Data not substantiated.

\* IMPORTANT: Read Notes in Note Section if specified in Note Column.

‡ Indicates miscellaneous section.



MANUFACTURER AND MODEL	CONTROLS							CONDENSERS				VIBRATORS			No. Tubes	Complete Tube Complement	I. F. Peak	Rider's Reference		
	Use	Original Part	Circuit	Correct Replacement	Switch	Bias	*Note	Original Part	Circuit	Correct Replacement	*Note	Original Part	Replacement	*Note						
GAMBLE-SKOGMO	Continued																			
A2.....	Vol. Tone	36X236 40X224	75 34	MRT428... MR53	M26			44X30... 44X11... 45X223... 45X222...	25 25 13 19	RS216... RS216... TC52... TC26...					11	*6K7, *6J7, *6C5, 6H6, 6G5, *6F6, 5Y3G, or *6U7G, *6J7G, *6C5G, 6H6, 6G5, *6F6G, 5Y3G, 6G5,	456			
A3.....	Vol. Tone	36X238 40X225	20 65	MRT450... MR55	M26			44X21... 44X36... 45X224...	25 25 1	RS223... RS224... TC26...					13	*6K7, 6J7, *6C5, 6H6, 6G5, *6L6, *5Y3G, or *6U7G, 6J7G, *6C5G, 6H6, 6G5, *6L6G, *5Y3G	456			
A6.....	Vol. Tone	36X238 40X225	20 65	MRT450... MR55	M26			44X21... 44X36... 45X224...	25 25 1	RS223... RS224... TC22...					13	*6K7, 6J7, *6C5, 6H6, 6G5, *6L6, *5Y3G, or *6U7G, 6J7G, *6C5G, 6H6, 6G5, *6L6G, *5Y3G	456			
C4B15.....	Vol.	101250	149	MK402...	M27			119-117B...	12	TC44					4	1A7GT, 1N5GT, 1H5GT, 3Q5GT...	455	13-1,2		
C4B16.....	Vol.	101250	149	MK402...	M27			119-117B...	12	TC44					4	1A7GT, 1N5GT, 1H5GT, 3Q5GT...	455	13-1,2		
C5D14.....	Vol.	101272	18	MK401...	M26			119-92... 119-93... 119134...	24 24 24/15	FP354... FP214... 2N514/TC29	B69 B12			5	12SA7, 12SK7, 12SQ7, 50L6GT, 35Z5GT...	455	13-3,4			
C5D15.....	Vol.	101265	18	MK402...	M26			11994... 11995...	1 1	FP357... Order from Mfr.	B12			5	12SA7, 12SK7, 12SQ7, 50L6GT, 35Z5GT...	455	13-5,6			
C5D16.....	Vol.	101266	18	MK401...	M26			11994... 11995...	1 1	FP357... Order from Mfr.	B12			5	12SA7, 12SK7, 12SQ7, 50L6GT, 35Z5GT...	455	13-7,8			
C6D11 (Series A)...	Vol.	101274	18	MK402...	M26			119135...	46	TN129				6	12SA7, *12SK7, 12SQ7, 35L6GT, 35Z5GT...	455	13-9,10			
C6D11 (Series B)...	Vol.	101274	18	MK402...	M26			119135...	46	TN129				6	12SA7, *12SK7, 12SQ7, 35L6GT, 35Z5GT...	455	14-1			
C6D13 (Series A)...	Vol.	101274	18	MK402...	M26			119135...	1	TN129				6	12SA7, *12SK7, 12SQ7, 35L6GT, 35Z5GT...	455	14-2			
C6D16 (Series A)...	Vol.	101274	18	MK402...	M26			119135...	1	TN129				6	12SQ7, 12SA7, *12SK7, 35L6GT, 35Z5GT...	455	14-3,4			
C6D18 (Series A)...	Vol.	101211	18	MK402...	M26			11994...	46	FP357				6	*12SK7, 12SA7, 12SQ7, 35L6GT, 35Z5GT...	455	14-4,5			
C11A54 (Series A)...	Vol. Tone	101275... 125180...	15 22	UM165-SS25... Order from Mfr.				119112... 119112B... 11969... 119112... 119112B... 11969...	46 46 15 46 46 13	FP429... FP429... TC74... FP429... FP429... TC74...					11	*6SK7, 6SA7, *6SQ7, 6J5GT, *6V6GT, 5Y3G, 6U5...	455	14-6,7		
C11A55 (Series A)...	Vol. Tone	101275... 125180...	15 22	UM165-SS25... Order from Mfr.				119112... 119112B... 11969... 119112... 119112B... 11969...	46 46 15 46 46 13	FP429... FP429... TC74... FP429... FP429... TC74...					11	*6SK7, 6SA7, *6SQ7, 6J5GT, *6V6GT, 6U5, 5Y3G...	455	14-6,7		
C12A51.....	Vol.	101229	15	MK401...				119112... 119112B... 11969... 119112... 11969...	46 46 15 46 13	FP429... FP429... TC74... FP429... TC74...				12	*6SK7, 6SA7, *6SQ7, 6J5GT, 6U5, *6V6GT, 5Y3G...	455	14-7, 9,10			
C579.....	Vol.	101110	18	MK402...	M26			119105... .005	24/15	FP339... Buffer	B14	1267	294	C24	5	6SA7, 6SK7, 6SQ7, 6K6G, 6X5G, 1A7GT, 1N5GT, 1H5GT, 1A5GT, 35Z5GT...	465			
C590.....	Vol.	101252	149	MK402...	M27			119123...	76/78	Order from Mfr.				5	12K7GT, 12J7GT, 50L6GT, 35Z5GT...	455 175 175	12-15,16 7-3 7-4			
06A.....	Vol.	96001	97	TRP602...				P80968...	12	TC52				5	32, *34, 19, 30	175	7-3			
07A.....	Vol. Tone		15 22	MR53... MR42	M26			P80990... P80916... 8...	25 25 15	RS216... RS213... TC22...				7	*6D6, 6C6, *37, 42, 80	175	7-4			
S200.....	Vol.	N3152	6	UM128-SS25				N2174...	24/15	3N533	B10			4	12K7GT, 12J7GT, 50L6GT, 35Z5GT...	456	13-13 7-49,50			
2-ODM-578.....	Vol. Tone		7/15 65	DRP315... MR57	6T			44X10... 44X11... 44X18... P82002...	4 4 13 1/15	RS216... RS216... RS213... 3S579...				10	*6K7, *76, *45, 80	456				
5Y.....	Vol.	P96017	17	MR55...	M26			.007... 45X210... Buffer... 40... 20-20... .008... P44X25... P45X207... 45X219... .0055... P45X211... .005... P45X210... .0075... P81028... P81021... .01...	4 4 4 24 24/15 12 15 1/15 1 1 4 1 15 1	TC52... RS216... RS213... TC22... Buffer... RS207... TC22... 3S579... Buffer... 3S584/TC22... Buffer... TC871... Buffer... 2N518... TN111... Buffer...	B14 B14 B3 B14	P2229... 286S G286S 19A25... 19A33... 248... 248... 294... 2080...	C3 C16 C3 C3	5 6 6 6	*6D6, 6C6, 75, 41... *6D6, 6C6, 75, 41, 84... *6SK7, 6SA7, 6H6, 6V6G... *6D6, 6A7, 85, 43, 6A6... *6K7, 6J7, 6B7, 41, 6A6... *6K7, 6J7, 6B7, 41, 6A6... *6D6, 6C6, 75, 41, 84... *78, 77, 75, 41, 84...	175 175 456 175	7-1,2 8-1,2 12-1,2 10-1,2			
6D.....	Vol. Tone	36X213... 40X209... 36X233... 40X212... 36X217... 40X212... 36X216... 40X207... P96015... P97012...	18 44 56 22 56 22 18 22 18 22	MR48... MR36... Order from Mfr... MR55... Order from Mfr... MR55... UM154-SS3... MR42... UM147-SS3... MR42...	M26															
6J Series.....	Vol. Tone	36X213... 40X212... 36X217... 40X212... 36X216... 40X207... P96015... P97012...	44 22 56 22 18 22 18 22	MR36... Order from Mfr... MR55... Order from Mfr... MR55... UM154-SS3... MR42... UM147-SS3... MR42...	M26															
6K.....	Vol. Tone	36X217... 40X212... 36X216... 40X207... P96015... P97012...	56 22 18 22 18 22	MR55... Order from Mfr... MR55... UM154-SS3... MR42... UM147-SS3... MR42...	M26															
6L.....	Vol. Tone	36X216... 40X207... P96015... P97012...	18 22 18 22	UM154-SS3... MR42... UM147-SS3... MR42...	M26															
6U.....	Vol. Tone	P96015... P97012...	18 22	UM147-SS3... MR42...	M26															
7J512, 7J574.....	Vol. Tone		56 34	MR48... MR42				44X11... 44X10...	23 23	RS216... RS216...	B14			7	*6D6, 76, 6B7, 42, 80	456	7-6,8			

† Data not substantiated.

\* IMPORTANT: Read Notes in Note Section if specified in Note Column.

‡ Indicates miscellaneous section.



MANUFACTURER AND MODEL	CONTROLS							CONDENSERS				VIBRATORS			No. Tubes	Complete Tube Complement	I. F. Peak	Rider's Reference
	Use	Original Part	Circuit	Correct Replacement	Switch	Bias	*Note	Original Part	Circuit	Correct Replacement	*Note	Original Part	Replacement	*Note				
GAMBLE-SKOGMO 43-8330	Continued		18	MR48	M26			24	2N513						5	12SA7, 12SK7, 12SQ7, 50L6GT, 35Z5GT	455	
43-8351, 43-8352	Vol.	101-274	18	Order from	Mfr.			119-135	88/1	TN129					6	12SA7, 12SK7GT, 12SQ7, 35L6GT, 35Z5GT	455	
43-8353, 43-8354	Vol.	A-10A-11146	18	Order from	Mfr.			A-8C-10077	88	FP357					6	12SK7GT, 12SA7GT, 12SQ7GT, 35L6GT, 35Z5GT	455	
43-8420	Vol.	A-10A-10720	161	MK401	M26			A-8C-10077	88	FP357					5	12BE6, 12BD6, 12AT6, 50B5, 35W4	455	
43-8437	Vol.	SRC-001	18	MR48	M26				24	2N513					5	12SA7, 12SF7, 12SK7, 50L6GT, 35Z5GT	455	16-10, 12
43-8470	Vol.	36X347A	18	TM230-SS25	M26			45X344	24	2N521/TC26					6	12SK7, 12SA7, 12SF7, 12SJ7, 35L6GT, 35Z5GT	455	
43-8471	Vol.	36X347	18	TM230-SS25	M26			45X344	24/15	2N521/TC26	B6				6	12SK7, 12SA7, 12SF7, 12SJ7, 35L6GT, 35Z5GT	455	
43-8576B	Vol. Tone	36X359 40X278	161 161	TM227-SS25	M26			45X346	24/15	FP346					6	6SA7, 6SK7, 6SF7, 6SJ7, 6V6GT, 6X5GT	455	16-2, 16
43-8685	Vol.	25690	157	TM254-SS1	M26			25688	1/15	FP339					6	6SK7, 6SA7, 6SQ7, 6V6GT, 5Y3GT	455	15-5, 6
43-9196, Ch. 7156	Vol. Tone	B-57841-1 B-54466-2	161 21	MK401	M26			B-9564-1	24	2N514					5	12BE6, 12BA6, 12AT6, 50B5, 35W4	455	
43-9201	Vol.		18	MR48	M26				24	2N513					5	12SA7, 12SK7, 12SQ7, 50L6GT, 35Z5GT	455	
43-9751	Vol.	101252	18	MK402	M27			119123	67/78	FP407/TC36	B69				5	1A7GT, 1N5GT, 1H5GT, 1A5GT, 35Z5GT	455	
46L1	Vol. Tone	36X216 40X207	18 22	UM154-SS3	M26			45X210 .0075	4	TCS71 Buffer	B14	19A25	294	C3	6	6D6, 6C6, 75, 41, 84	175	7-33, 34
47LL	Vol. Tone	36X215 40X211	17 34	MRT446	M26			14 18	23 23	RS216 RS216					8	6K7, 6C5, 6Q7, 6G5, 6F6, 5Z4MG	456	8-15, 16
47P608	Vol. Tone	36X213 40X209	18 44	MR48	M26			30-12	13/15	2N514					7	6K7, 6A8, 85, 43, 6A6	456	8-17, 19
47R, 47RL	Vol. Tone	36X205 40X217	56 34	MR48	M26			P44X10 P44X11	23 23	RS216 RS216					8	6K7, 76, 6B7, 6G5, 6F6, 80	456	8-21, 23
51C	Vol. Tone	V405	6	MR18	M26			8 4	4	RS213 ST595					5	57, 58, 47, 80	175	7-42
70	Vol. Tone		15 44	MR55				25 8-8	17 1	TC26 2N518					10	35, 47, 47, 80	262	8-12
71C	Vol. Tone	V403A V409	56 22	MR55				8 8	13 15	TC71 TC32					7	58, 57, 55, 2A5, 56, 80	175	9-3
72 (8, 8X)	Vol. Tone		15 22	MR55	M26			12 8-8	15 1	TC22 2N518					8	35, 47, 47, 80	262	9-4
77, 77A	Vol.	E17299	15	MR48	M27										7	1C6, 19, 30, 32, 34	456	6-6, 7-14
85	Vol.		6	MR18				3366 2803	1 1	TC70 TC71					5	24A, 35, 47, 80	262	7-35, 36
90, 92D, 92M	Vol.		2/10	Order from	Mfr.			4	13	TC52					5	32, 33	175	8-20, 24
151	Vol.	101-238	18	MK401	M26			119-92 119-93	24 24	FP354 FP357	B69 B12				5	12SA7, 12SK7, 12SQ7, 35L6GT, 35Z5GT	455	
400A, 410B	Vol.	E17158	135	MR19											4	1C6, 34, 32, 33	456	7-37
401, 402	Vol.	24-117	6	MR36	M26			18-219	24/15	4S715					4	6K7, 6F5, 25L6, 25Z6	465	9-5
404	Vol. Fil.	101-26 101-25	97 29	Order from	Mfr.										4	1A6, 32, 33	465	7-38
415	Vol.	24-153	18	MK401	M26			18-266	24	2N513					5	12SA7, 12SK7, 12SQ7, 50L6GT, 35Z5GT	455	12-5
425	Vol.		7	G				8 4	4	RS213 RS213					4	58, 57, 47, 80	455	7-40
430	Vol.	17381	2	MR18				17080	19	TC22					3	1A6, 19, 33	456	7-39, 6-9
457 (Regal)	Vol.		6	MR18				8-4	4	2S567					4	58, 57, 47, 80	456	7-40
460	Vol.	2441	6	MR21	M26	See Note A14		1840 1841	4 4	RS215 RS216					4	6A7, 6C6, 42, 80	456	8-25
489	Vol.	101-91	18	MR55	M27	See Note A14		119-28B 119-22 .005	1 15	2N516 TC22 Buffer	B14	126-4	246	C3	4	6D8G, 6S7G, 6T7G, 6K6G	465	10-5, 6
501	Vol. Fil.	9611 9684	70 29	MR21		EX250									5	32, 34, 33, 30	465	7-41
504	Vol. Tone	101-56 101-72	18 34	MR53	M27			119-28 .005	1	2N516 Buffer	B14	126-4	246	C3	4	6D8G, 6S7G, 6T7G, 1F5G	465	10-7
509, C509	Vol.	101-236	18	MK401	M27			119-116	19	TC26					5	1A7GT, 1N5GT, 1H5GT, 30S5GT	455	12-3, 4
510, 511	Vol.		17	MR48	M26			8, 8 10	4 15	TC71 TC22					5	6A7, 6D6, 75, 42, 80	456	8-26
516	Vol.		134	MR33											5	32, 34, 30, 19	456	7-41
Z516	Vol. Tone Sen.	63-235 63-232 63-234	15 34 7	MR48 MR48 MR34	M26			22-173 22-172	23 23	TC71 TC70					8	58, 56, 57, 59, 80	175	8-27, 28

‡ Data not substantiated.

\* IMPORTANT: Read Notes in Note Section if specified in Note Column.

§ Indicates miscellaneous section.

MANUFACTURER AND MODEL	CONTROLS							CONDENSERS				VIBRATORS			No. Tubes	Complete Tube Complement	I. F. Peak	Rider's Reference
	Use	Original Part	Circuit	Correct Replacement	Switch	Bias	*Note	Original Part	Circuit	Correct Replacement	*Note	Original Part	Replacement	*Note				
GAMBLE-SKOGMO	Continued																	
518.....	Vol.	101-196.....	18	UM154-SS22	M26T			119-92.....	24	FP354.....	B69				5	12SA7, 12SK7, 12SQ7, 35L6GT, 35Z5GT.....	465	
520.....	Vol.	101-138.....	7	UM129-SS25	M26			119-93.....	24	FP357.....	B12				4	6A8, 6J7, 25L6G, 25Z6G, 62A.....	465	12-6
521.....	Vol.	24-104.....	17	MR48.....	M26			119-70.....	1/15	3N533.....					5	6A7, 6D6, 75, 41, 80.....	456	9-6
Z521.....	Vol.	63-231.....	20	MRT430.....	M26			119-71.....	15	TC22.....					10	*58, *56, *59, 57, 80.....	175	7-43
	Tone	63-232.....	41	MR48.....				18-102.....	1/15	3S579.....					5			
	Sen.	63-234.....	7	MR34.....				22-167.....	28	TC71.....					10			
525.....	Vol.	V601.....	17	MR48.....	M26			22-169.....	15	TC32.....					5			
526.....	Vol.	24-112.....	6	MR44.....	M26			C525.....	11	UR182-193.....	B31				5	*6D6, 75, 43, 25Z5.....	456	7-42
527A.....	Vol.		18			Sec Note	A5	18-212.....	24/15	3N533.....					4	6D6, 6C6, 43, 25Z5, L55C.....		9-5
527C.....	Vol.	101-141.....	18	UM154-SS25	M26T			5, 5.....	23	TC71.....					5	6A8G, 6K7, 6Q7G, 6K6G, 5Y3G.....	465	10-8
Z530.....	Vol.	63-231.....	20	MRT430.....	M26			119-47E.....	23	2S567.....					5	6A8G, 6K7, 6Q7G, 6K6G, 5Y3G.....	465	10-9, 10
	Tone	63-232.....	41	MR48.....				22-167.....	28	TC71.....					12	*58, *56, *59, *57, 80.....	175	7-45, 46
	Sen.	63-249.....	7				A5	22-169.....	15	TC32.....								
533, C533.....	Vol.	101-217.....	18	MK401.....	M26			119-94.....	46	FP357.....					5			
534.....	Vol.	101-198.....	18	UM161-SS22	M26			119-92.....	24	FP354.....	B69				5	12SA7, 12SK7, 12SQ7, 50L6GT, 35Z5GT.....	465	12-7
540.....	Vol.	P101-1.....	17	MR48.....	M26			119-92.....	24	FP354.....	B69				5	12SA7, 12SK7, 12SQ7, 35L6GT, 35Z5GT.....	455	
540 (Batt.).....	Vol.	17589.....	131	MR48.....	M27			C525C/C525D.....	11	UR182-193.....	B31				5	*6D6, 25Z5, 43, 75.....	456	6-10
541A.....	Vol.	17589.....	56	MR48.....	M27			17080.....	19	TC22.....					4	1C6, 1A4, 1B5, 950.....	456	
546.....	Vol.	101-210.....	18	UM161-SS22	M27			17080.....	19	TC22.....					4	1C7G, 1D5G, 1H6G, 1G5G.....	456	10-12
550AC.....	Vol.	1008.....	17	MR48.....	M26			119-104.....	24/78	FP304.....					5	1A7GT, 1N5GT, 1H5GT, 1A5GT, 35Z5GT, 5459.....	465	
550 (Batt.).....	Vol.	17403.....	15	MR48.....				P1003.....	4	RM262.....					5	2A7, 58, 2A6, 2A5, 80.....	456	8-29
552.....	Vol.		56	MR48.....	M26			17080.....	19	TC22.....					5	1A6, 3A, 30, 32, 33.....	456	7-53, 6-11
O556.....	Vol.	24-150.....	18	MK402.....				17080.....	19	TC22.....					5	1C7G, 1D5G, 1H4G, 1G5G.....	456	10-12
566.....	Vol.	101-41.....	18	UM154-SS13	M26			18-262.....	76	FP211.....					5	1A7GT, 1N5GT, 1H5GT, 1T5GT, 35Z5GT.....	455	12-5
571 (A Above Serial 189300).....	Vol.	101-209.....	18	MK401.....	M26			18-263.....	76/78	2N509.....					5	6A8, 6K7, 75, 41, 84.....	465	9-7
575.....	Vol.	P101-10.....	6	MR36.....	M26			119-20.....	4	2S567 Buffer.....	B14	126-1.....	294	C3	5			
577C.....	Vol.	101-110.....	18	MK402.....	M26			.01.....	4	Buffer.....	B14				5			
577D.....	Vol.	101-110.....	18	MK402.....	M26			119-92.....	24	FP354.....	B69				5	12SA7, 12SK7, 12SQ7, 35L6GT, 35Z4GT.....	465	11-3
578.....	Vol.	101-35.....	56	MR55.....		EX100		P119-6.....	4	2S567 Buffer.....	B14	1267.....	294	C24	5	58, *57, 2A5, 80.....	175	6-12
579.....	Vol.	101110.....	18	MK402.....	M26			119-50.....	24	TC52.....					5	6SA7, 6SK7, 6Q7, 6K6, 6X5.....	465	11-5, 6
580.....	Vol.	P101-9.....	17	MR48.....	M26			.005.....	24/15	FP339 Buffer.....	B14	1267.....	294	C24	5	6SA7, 6SK7, 6SQ7, 6K6G, 6X5G.....	465	11-2, 4
585 Series A.....	Vol.	P101-18.....	18	MR48.....	M26			119-105.....	24/15	FP339 Buffer.....	B14	1267.....	294	C24	5	6A7, 6D6, 6B7, 42, 80.....	456	7-47
585 Series B and C.....	Vol.	P101-18.....	18	MR48.....	M26			P103-6.....	4	RS213.....					5			
586A.....	Vol.	101-49.....	18	MR55.....	M26			P103-7.....	4	RS213.....					5	6SA7, 6SK7, 6SQ7, 6K6G, 6X5G.....	465	11-2, 4
587 Ser. A.....	Vol.	101-49.....	18	MR55.....	M26			119105.....	24/15	FP339 Buffer.....	B14	1267.....	294	C24	5	6SA7, 6SK7, 6SQ7, 6K6G, 6X5G.....	465	11-2, 4
589 (Ser. A— Issue B).....	Vol.	101-71.....	18	MR53.....	M26			.005.....	4	2S567 Buffer.....	B14	142-4.....	294	C3	5	6D6, 6A7, 75, 42, 84.....	175	7-51, 52
C590.....	Vol.	101-252.....	18	MK402.....	M27			P119-15.....	4	Buffer.....	B14				5			
600.....	Vol.	24-104.....	18	MR48.....	M26			.01.....	4	2S567 Buffer.....	B14				5			
601 (Ser. A, B, C).....	Vol.	101-54.....	18	MR55.....	M26			P119-11.....	1/15	3S584.....					5	6F7, 6D6, 75, 42, 80.....	370	7-54-56
602.....	Vol.	101-55.....	22	MR53.....				P103-6.....	4	RS213.....					5	6F7, 6D6, 75, 42, 80.....	370	7-54-56
602B, 602C.....	Vol.	101-77.....	18	MR53.....	M26			P103-7.....	4	RS213.....					5	6A7, 78, 75, 41, 80.....	465	7-57, 58
623.....	Vol.	24-105.....	18	MR48.....				P103-6.....	42	RS213.....					5	6A8, 6K7, 6Q7, 6F6, 5Y3.....	465	10-11
636.....	Vol.	101-127.....	18	UM161-SS18	M26			P103-7.....	42	RS213.....					5			
C640.....	Vol.	101-218.....	18	MK402.....	M26			103-6.....	23	RS213.....					5			
642.....	Vol.	101193.....	18	UM161-SS22	M26			103-7.....	23	RS213.....					5			

‡ Data not substantiated.

\* IMPORTANT: Read Notes in Note Section if specified in Note Column.

§ Indicates miscellaneous section.

FREE MALLORY VIBRATOR REPLACEMENT GUIDE... SEE YOUR DISTRIBUTOR.

MANUFACTURER AND MODEL	CONTROLS							CONDENSERS				VIBRATORS			No. Tubes	Complete Tube Complement	I. F. Peak	Rider's Reference
	Use	Original Part	Circuit	Correct Replacement	Switch	Bias	*Note	Original Part	Circuit	Correct Replacement	*Note	Original Part	Replacement	*Note				
<b>GAMBLE-SKOGMO</b>	Continued																	
645.....	Vol.	24-105.....	18	MR48.....				18-102.....	1/15	3S579.....					6	6A7, 6D6, 75, 6G5, 41, 80.....	456	9-11
648.....	Vol.	26-106.....	21	MR48.....	M26			18-226.....	1	2S569.....					6	6A7, 6D6, 75, 76, 6AC5G, 80.....	455	9-12
650A, B, C.....	Vol.	24-121.....	127	MR53.....	M26			17080.....	19	TC22.....					6	1C6, 1A4, 30, 950.....	456	8-30
660.....	Vol.	26-117.....	22	MR48.....				C550.....	4	TCS71.....		V660.....	Order from Mfr.		6	6D6, 6A7, 75, 89, 6Z4.....	175	7-63
665 (Ser. A).....	Vol.	17451.....	62	MR48.....	M27			119-63B.....	4	2S569.....					6	6K8G, 6K7, 6Q7G, 6P5G, 6AC5G, 5Y3G.....	465	11-9,10
666.....	Vol.	V603.....	17	MR48.....	M26			119-21.....	1	TCS71.....		126-1.....	294	C3	6	6K7, 6A8, 6Q7, 6N6, 6X5.....	465	10-15,18
667.....	Vol.	101-42.....	18	UM133-SS13	M26			119-34.....	1	2S567.....	B14	126-1.....	294	C3	6	6K7, 6A8, 6Q7, 6F6, 6X5.....	262.5	10-17
670.....	Vol.	101-73.....	18	UM147-SS17	M26			0.1.....		Buffer.....	B14	142-1.....	298	C3	6	6D6, 6C6, 78, 75, 42, 84.....	175	6-13
670A.....	Vol.	101-45.....	22	Order from Mfr.				P103-2.....	4	RM262.....					6	6D6, 6C6, 78, 75, 42, 84.....	175	7-61,62
C671.....	Vol.	P101-9.....	17	MR48.....	M26			20.....	15	TC26.....					6	6D6, 6C6, 75, 42, 84.....	175	7-61,62
675.....	Vol.	P101-9.....	17	MR48.....	M26			P119-4.....	4	Buffer.....	B14	142-1.....	298	C3	6	6SA7, 6SK7, 6SQ7, 6V6GT, 5Y3G.....	455	12-11,12
675A.....	Vol.	101-232.....	18	MK402.....	M26			0.15.....	1	TCS71.....	B14				6	2A5, 2A6, 27, 57, 58, 80.....	370	6-15,16 and 7-59,60
677A, B.....	Vol.	101-231.....	22	MK402.....	M26			119-115.....	1	2S569.....					6	1D5G, 1C7G, 1H6G, 1G5G.....	456	10-18
678 (Issue A).....	Vol.	P101-11.....	18	MR48.....	M26			P103-4.....	4	RS216.....					6	6K7, 6A8, 6Q7, 6V6, 6Z4/6X5.....	465	10-19,20
678C.....	Vol.	101-109.....	18	TM238-SS18	M26			P103-3.....	4	RS216.....					6	6K7, 6A8, 6SK7, 6Q7, 6J5, 6N7.....	465	11-11-13
680, 680B.....	Vol.	101-161.....	76	Order from Mfr.				0.0055.....	24/15	FP426.....	B14	1269.....	248	C3	6	6K7GT, 6ABGT, 6SK7, 6SQ7, 6J5GT, 6N7G.....	465	12-13,14
680 Auto.....	Vol.	101-162.....	76	UM161-SS18				119-88.....	24/15	FP426.....	B168	1269.....	248	C3	6	1C6, 3A, 30, 1B5, 19.....	456	6-14
685B.....	Vol.	101-162.....	76	UM161-SS18				0.0055.....	24/15	Buffer.....	B14				6	6D6, 6A7, 6B7, 42, 84.....	175	7-64
686 "A" and "B".....	Vol.	E17916.....	18	MR48.....	M27			E17080.....	19	TC22.....					6	1D5G, 1C7G, 1H6G, 1G5G.....	456	10-18
690.....	Vol.	101-46.....	18	MR55.....	M26			P103-6.....	42	RS213.....			294	C3	6	6L7, 6K7, 6Q7, 6C5, 6F6, 5Y3, 6G5.....	465	7-65,66
690B.....	Vol.	101-53.....	22	MR33.....				P103-7.....	42	RS213.....					6	6A8G, 6K7G, 6Q7G, 6K6G, 5Y3G.....	456	10-21
695.....	Vol.	E17954.....	18	MR48.....				16-16.....	1	2S569.....					6	6A8G, 6K7G, 6Q7G, 6K6G, 5Y3G.....	456	10-21
715, 715B.....	Vol.	E14047.....	22	MR39.....				10.....	15	TC22.....	B3				6	12SA7, 12SK7, 12SQ7, 35L6GT, 35Z5GT.....	455	
729.....	Vol.	101-154.....	18	UM154.....		See Note A96		16-16.....	15	See Note.....					7	6A8G, 6K7G, 6Q7G, 6C5G, 6F6G, 5Y3G.....	456	10-22
735.....	Vol.	101-215.....	18	MK402.....	M26	See Note A96		10.....	15	TC22.....					7	6A7, 6K7, 6Q7, 6F5, 6F6, 5Y3.....	465	10-23,24
740 Series A.....	Vol.	101-216.....	22	MK402.....				119-94.....	46	FP357.....					8	6J7, 6K7, 6C5, 6H6, 6G5, 6F5, 6F6, 5Y3G, or 6J7G, 6U7G, 6C5G, 6H6, 6G5, 6F5G, 6F6G, 5Y3G.....	456	8-33,36
750.....	Vol.	E14048.....	18	MR48.....				17645.....	1	RS216.....					7	6A8, 6K7, 6Q7, 6F5, 6F6, 5Y3.....	465	10-23,24
761A.....	Vol.	E14045.....	22	MR39.....				14062.....	1	RS216.....					7	6A7, 6K7, 6SQ7, 6J5GT, 6K6GT, 5Y3G.....	455	
762.....	Vol.	101-224.....	18	TM233-SS25				119-108.....	1	2S569.....					7	6A7, 6D6, 76, 6Q7G, 6V6G, 6G5, 80.....	456	9-14
765 (Ser. A).....	Vol.	101-223.....	22	MK402.....				18-202.....	25	RS215.....					7	6A8, 6K7, 6Q7, 6C5, 6F6, 5Y3.....	465	8-31,32
767 (Ser. A).....	Vol.	24-105.....	18	MR48.....				18-201.....	25	RS215.....					7	58, 2A7, 55, 445, 80.....	175	7-67
770.....	Vol.	26-106.....	21	MR48.....	M26			103-6.....	4	RS213.....					7	6A8, 6K7, 6Q7, 6C5, 6F6, 5Y3.....	465	8-31,32
774.....	Vol.	101-74.....	18	MR55.....	M26			103-14.....	4	RS216.....					7	58, 2A7, 55, 445, 80.....	175	7-67
776.....	Vol.	101-75.....	22	MR44.....				8, 8.....	4	RS213.....					7	6A8, 6K7, 6Q7, 6F5, 6F6, 5Y3.....	465	10-23,24
	Vol.	P1025.....	18	MR48.....				5.....	14	TC52.....					8	6J7, 6K7, 6C5, 6H6, 6G5, 6F5, 6F6, 5Y3G, or 6J7G, 6U7G, 6C5G, 6H6, 6G5, 6F5G, 6F6G, 5Y3G.....	456	8-33,36
	Vol.	P1025.....	21	MR48.....				103-6.....	1	RS213.....					7	6A8, 6K7, 6Q7, 6F5, 6F6, 5Y3.....	465	10-23,24
	Vol.	101-104.....	18	MR53.....				103-14.....	1	RS216.....					8	6J7, 6K7, 6C5, 6H6, 6G5, 6F5, 6F6, 5Y3G, or 6J7G, 6U7G, 6C5G, 6H6, 6G5, 6F5G, 6F6G, 5Y3G.....	456	8-33,36
	Vol.	101-105.....	22	MR44.....	M26			44X31.....	23	HD684.....					7	6K8G, 6K7, 6Q7G, 6P5G, 6AC5G, 5Y3G, 6U5.....	465	11-9,10
	Vol.	36X235.....	45	MR48.....	M26			44X35.....	23	RS223.....					7	6K8G, 6K7, 6Q7G, 6J5G, 6K6G, 5Y3G.....	465	11-15-17
	Vol.	40X223.....	34	MR42.....						TC26.....					7	6K7, 6C6, 6C5, 6B7, 42, 80.....	465	7-69,70
	Vol.	101-144.....	18	MK402.....	M26			44X30.....	43	RS216.....					11	6K7, 6J7, 6C5, 6H6, 6G5, 6F6, 5Y3G, or 6U7G, 6J7G, 6C5G, 6H6, 6G5, 6F6G, 5Y3G.....	456	8-37,40
	Vol.	101-145.....	22	MK402.....				44X11.....	25	RS216.....					13	6K7/6U7G, 6I7/6J7G, 6C5/6C5G, 6H6, 6L6/6L6G, 5Y3G, 6G5.....	456	10-24-28
	Vol.	P101-37.....	56	MRT436.....	M26			45X223.....	13	TC52.....					13	6K7/6U7G, 6I7/6J7G, 6C5/6C5G, 6H6, 6L6/6L6G, 5Y3G, 6G5.....	456	10-24-28
	Vol.	P101-38.....	21	SRP286.....	8			45X222.....	19	TC26.....					13	6K7/6U7G, 6I7/6J7G, 6C5/6C5G, 6H6, 6L6/6L6G, 5Y3G, 6G5.....	456	10-24-28
	Vol.	36X236.....	45	MRT428.....	M26										13	6K7/6U7G, 6I7/6J7G, 6C5/6C5G, 6H6, 6L6/6L6G, 5Y3G, 6G5.....	456	10-24-28
	Vol.	40X224.....	34	MR53.....											13	6K7/6U7G, 6I7/6J7G, 6C5/6C5G, 6H6, 6L6/6L6G, 5Y3G, 6G5.....	456	10-24-28
	Vol.	36X238.....	124	MRT450.....	M26			44X21.....	25	RS223.....					13	6K7/6U7G, 6I7/6J7G, 6C5/6C5G, 6H6, 6L6/6L6G, 5Y3G, 6G5.....	456	10-24-28
	Vol.	40X225.....	41	MR55.....				44X36.....	25	RS224.....					13	6K7/6U7G, 6I7/6J7G, 6C5/6C5G, 6H6, 6L6/6L6G, 5Y3G, 6G5.....	456	10-24-28
	Vol.							45X224.....	19	TC26.....					13	6K7/6U7G, 6I7/6J7G, 6C5/6C5G, 6H6, 6L6/6L6G, 5Y3G, 6G5.....	456	10-24-28

‡ Data not substantiated.

\* IMPORTANT: Read Notes in Note Section if specified in Note Column.

§ Indicates miscellaneous section.

MANUFACTURER AND MODEL	CONTROLS						CONDENSERS				VIBRATORS			No. Tubes	Complete Tube Complement	I. F. Peak	Rider's Reference	
	Use	Original Part	Circuit	Correct Replacement	Switch	Bias	*Note	Original Part	Circuit	Correct Replacement	*Note	Original Part	Replacement					*Note
<b>GAMBLE-SKOGMO</b>	Continued																	
777C and 777L, Series "A".....	Vol. Tone	P101-23 P101-24	18 21	MR55 MR44	M26			P103-4 P103-3	4 4	RS216 RS216					7	*6D6, 6C6, 76, 75, 42, 80	465	7-71-73
777C and 777L, Series "B".....	Vol. Tone	P101-23 P101-24	56 57	MR55 MR44	M26			P103-8 P103-4	4 4	RS216 RS216					7	*6D6, 6C6, 76, 6B7, 42, 80	465	7-71-72
778A.....	Vol. Tone	101-47 101-38	18 21	MRT436 SRP236	M26			P103-8 P103-6	25 25	RS216 RS213					7	*6K7, 6J7, 6C5, 6Q7, 6F6, 5Y3	465	7-75, 76
780, 780B.....	Vol. Tone	E17422 101-46	15 18	MR48 MR53	M27 M26			E17355 103-6	12 23	TC52 RS213					7	1C6, *34, *30, 1B5, 19, 6L7, 6C5, 6K7, 6Q7, 6G5, 6F6, 5W4	456	7-74
787.....	Vol. Tone	101-53 101-215	22 18	MR33 MK402	M26			103-7 119-108	23 1	RS213 2S569					7	6SA7, 6SK7, 6SQ7, 6J5GT, *6K6G, 5Y3G	465	8-41, 42
796.....	Vol. Tone	101-215 101-216	18 22	MK402 MK402	M26										7	6SA7, 6SK7, *6SQ7, 6V6GT, 5Y3G	455	12-15, 16
797.....	Vol. Tone	101-215 101-216	18 22	MK402 MK402	M26			119-110 119-67	1/15 13	FP339 TC71	B3				7	6SA7, 6SK7, *6SQ7, 6V6GT, 5Y3G	455	
C800.....	Vol. Mike	101-219 101-233	127 18	MK402 †			A19	119-109	1/13	FP390					8	*6SK7, 6SA7, 6SQ7, 6J5GT, *6F6GT, 5Y3G	455	12-17
802.....	Vol.		134	UM119-SS25	M26			20-20-30	1/15	FP306	B3				4	*6J7, 25L6G, 25Z6G, 1A7G, 1N5G, 1H5G, 1A5G	456	11-18
802A.....	Vol.	17451	18	MR48	M27			10	19	TC22					4	1A7G, 1N5G, 1H5G, 1A5G	456	10-29
803A, B.....	Vol.	14399	18	UM154	M27		A96	14403 17080 .005	1 15 10	2N518 TC22 Buffer		14417	294	C3	5	6D8G, 687G, 6T7G, 6G6G, 62Y5G	456	10-30
806A.....	Vol.	14358	18	UM154	M27	See Note	A96	10	19	TC22	B14				4	1C7G, 1D5G, 1H6G, 1G5G	456	10-29
807B.....	Vol. Tone		18 22	UM154 MR39		See Note	A96	15-15-20	1/15	FP339					7	6A8G, 6K7G, 6J5G, 6U5, 6F5G, 6K6G, 5Y3G	456	10-18
810.....	Vol. Tone	17637 17638	15 130	MR48 UC513	M26 6-9		A86	17644 17645 17080	1 1 15	RS216 RS216 TC22					8	6A8, 6K7, 6C5, 6G5, *41, 80, 6F5	456	8-43
810 (1938).....	Vol. Tone		17 41	MR57 MR39	M26			30-20	12/15	TC36/TC26					7	6A8G, *6U7G, 6V7G, 25A6G, 6J5G, 6N7G	456	10-31, 32
813B.....	Vol.	14475	18	†		See Note	A5	10	19	TC22					5	1B7G, 1N5G, 1H5G, 1A5G	456	10-29
816, 816B.....	Vol. Tone		17 22	† MR39			A19	10-20-10 30	1/15	FP330 FP145	B3 B3				8	*6K7G, 6A8G, 6Q7G, 6U5, *6K6G, 5Y3G	456	11-23
822.....	Vol. Tone	101-50 101-51	56 21	MR44 MR44	M27			103-11	12	ST595					8	1A6, 1A4, *30, *34, 19	465	8-43, 44
850B.....	Vol. Tone	17523 17524	15 130	MR48 MR42	M26		A86	17355 17080	12 12	TC52 TC22					8	*1A4, 1C6, *30, *950	456	8-52
864.....	Vol. Tone		20 22	† MR53			A19	14 40 50	25 25 19	RS216 RS224 TC29					11	*6U7G, *6J7G, 6H6, *6J5G, *6F6G, 5Y3G, 6U5	456	11-19, 20
867A.....	Vol. Tone	101-144 101-145	18 22	MK402 MK402	M26			119-73 119-74	1 1	TC74 TC72					8	6K8G, 6K7, 6Q7G, 6K6G, 6U5, 5Y3G	465	10-33-35
C901.....	Vol.	101-233	18	†			A19	119-109	1/13	FP390					9	*6SK7, 6SA7, 6SQ7, 6J5GT, *6F6G, 6U5, 5Y3G	455	12-18-20
902.....	Vol.		18	MK401	M27			4	12	TC42					5	1A7G, 1N5G, 1H5G, 1C5G	456	11-21, 22
906.....	Vol.	24-146	18	MR48	M26			18-256 18-243	1 19	FP234 TC26					6	*6SK7GT, 6SA7GT, 6SQ7GT, 6K6GT, 5W4GT	455	13-20
907.....	Vol.	24-147	18	†			A19	18-294	1	FP227					7	6SA7GT, 6SK7GT, 6SQ7GT, *6P5GT, 6AC5GT, 5W4GT	455	11-24
908.....	Vol.	24-131	45	†			A19	18-256	1	FP234					8	6SA7GT, 6SK7GT, 6SQ7GT, *6P5GT, 6AC5GT, 5W4GT	455	11-24
940, 940A.....	Vol.		18	UM154			A96	10	19	TC22					4	1B7G, 1P5G, 1H5G, 1Q5G	456	11-25
951, 951A.....	Vol.		18	UM154			A96	10	19	TC22					5	1B7G, 1P5G, 1H5G, 1Q5G	456	11-25
953.....	Vol.		18	UM154			A96	10	19	TC22					5	1B7G, 1P5G, 1H5G, 1Q5G	456	11-25
962.....	Vol.		18/54	Order from Mfr.				16 10	12 19	TC45 TC22					6	*1P5G, 1B7G, 1H5G, 1Q5G	456	11-26
970B, 970BX.....	Vol.		45	UM154			A96	10-10-20	1/15	FP332					7	6A8GT, 6K7GT, 6P5GT, 6Q7GT, 6K6GT, 5Y3G, 6U5	456	11-26
980B, 980BX.....	Vol. Tone		18 21	† UM140			A19 A96	15-15	1	FP234					8	6A8G, 6K7G, 6Q7G, 6P5G, *6K6G, 5Y3G, 6U5	456	11-26
990.....	Vol.		18	†			A19	15-15	1	FP234					9	*6K7GT, 6A8GT, 6Q7GT, 6P5GT, *6K6G, 5Y3G, 6U5	456	11-23

† Data not substantiated.

\* IMPORTANT: Read Notes in Note Section if specified in Note Column.

§ Indicates miscellaneous section.

WHEN YOU BUY JACK SWITCHES BUY MALLORY.

MANUFACTURER AND MODEL	CONTROLS								CONDENSERS				VIBRATORS			No. Tubes	Complete Tube Complement	I. F. Peak	Rider's Reference
	Use	Original Part	Circuit	Correct Replacement	Switch	Bias	*Note	Original Part	Circuit	Correct Replacement	*Note	Original Part	Replacement	*Note					
GAMBLE-SKOGMO 990B	Continued Vol.	14809	18	MRT449	M26			14670	1	FP234					9	*6K7GT, 6A8GT, 6Q7GT, 6P5GT, *6K6G, 6U5, 5Y3G.	456	13-13	
1010B	Vol.	25004	124	MRT454	M26			14670	1	FP234					10	*6SK7, 6SA7, *6J5GT, 6SQ7, *6K6GT, 5Y3G.	456	13-21,22	
C1041	Vol. Tone	101-214 101-213	18 22	MK401 MK402	M26			119-106	1/13	FP390					10	*6SK7, 6SA7, 6SQ7, 6P5G, *6F6G, 6U5, 5Y3G.	465 175	12-21,22 7-77	
1050	Vol. Tone	P1025	15	MR48				P1048	26	RS213					10	*58, 2A7, *56, *45, 80.	465	12-21,22	
1070A	Vol.	25004	18	MR39 MRT454	M26 M26			P1038 25069	26 1/15	RS213 FP339					7	*6SK7, 6SA7, 6J5GT, 6SQ7, 6K6GT, 5Y3G.	456	13-22,23	
C1100	Vol.	101-234	17	MK401	M26			119-112 119-69	46 13	FP444 TC74					11	*6SK7, 6SA7, *6SQ7, 6J5GT, *6V6GT, 5Y3G, 6U5.	455	12-23,24	
1128	Vol.	25409	45	MRT449	M26			25407	1/15	FP330					7	*12SK7, 12SA7, 12SQ7, 35L6GT, 6X5GT.	456	14-8, 11,12	
1170	Vol. Tone	101-47 101-40	20 22	MRT436	M26			103-10 103-8	25 25	RS223 RS216					11	*6K7, 6J7, 6C5, 6H6, 6F5, *6F6, 5Z4, 6G5	465	8-45-47	
C1131	Vol. Tone	101-214 101-213	18 22	MK401 MK402	M26			119-124	1/13	FP444					11	*6SK7, 6SA7, *6SQ7, 6J5GT, 6U5, *6F6G, 5Y3G.	455		
1682	Vol.	25409	18	MRT449	M26			25407	1/15	FP330					7	*12SK7, 12SA7, 12SQ7, 35L6GT, 6X5GT.	455	14-8, 11,12	
2056AW	Vol. Tone		6 34	MR18 MR44				8, 8	1	RS213					7	57, *58, *56, 47, 80	456 455	10-36	
2078D	Vol.	4242	6	MR18	M26			4703	1	TC32 TC571					5	*57, 58, 47, 80	455	7-79-81	
2090	Vol. Tone		15 95	MR44 MR39				8-8-8	28	See Note	B3				9	*58, *57, 56, *46, 80	262	7-82-84	
2092, 2094	Vol. Sen. Vol. Tone		98 15 95	F MR44 MR36				8-8-8	28	See Note	B3				10	*58, *56, *46, 80	262	7-85,86	
2402	Vol.	24-154	149	MK402	M27			8-8 18-250	1 12	See Note TC42	B3				4	1A7GT, 1N5GT, 1H5GT, 1Q5GT	455	14-14	
2543	Vol.	24-150	149	MK402				18-266 18-271	76 76	2N513 Order from Mfr.					5	1A7GT, 1N5GT, 1H5GT, 1T5GT, 11Z4GT.	455	14-13	
3006	Vol.	36X289	18	MK401	M27			45X283 45X284	46 78	TN129 Order from Mfr.					6	1A7GT, 1N5GT, 1H5GT, 3Q5GT, 35Z5GT	456	13-26,27	
3058	Vol. Tone	36X280	18	MK401	M26			45X277	4	Order from Mfr.					6	6SA7, *6SK7, 6SQ7, 6K6GT, 5Y3G.	456	13-28,29	
3128	Vol.	40X248	21	UM165-SS25				4-12-4	11	UR182-193	B182				5	6F7, 78, 75, 43, 25Z5.	455	7-90	
3128 (Late)	Vol. Tone	36X309 40X267	18 21	TM227-SS25 UM165-SS25	M26			45X320	46/15	2N513/2N509					7	12SJ7, 12SK7, 12SQ7, 6L5G, 35L6GT, 35Z5GT	456 455	13-30,31 9-15,16	
3132, 3134, 3140	Vol. Fil.		6 29	F7 M6R											5	*32, 34, 33, 30	455		
4002	Vol.	36X274	18	MK401	M27			45X268 45X269	46 78	TN129 Order from Mfr.					6	1A7GT, 1N5GT, 1H5GT, 2Q5GT, 35Z5GT	456	13-33,34	
4132	Vol. Tone	36X319 40X263	18 41	UM165-SS25 UM144-SS25	M26			45X262 45X250	13/15 13	2N513 TC40					7	6SA7, 6J5G, *6SK7, 6V7G, 25A6G, 6N7G.	456	13-31,32	
4912	Vol.		18	UM154				20-20-20	22/15	FP306					5	12SA7, 12SK7, 12SQ7, 35L6GT, 35Z5GT.	456	11-22,30	
4914	Vol.		18	UM154				20-20-20	22/15	FP306					5	12SA7, 12SK7, 12SQ7, 35L6GT, 35Z5GT.	456	11-22,30	
4954	Vol. Noise		124 1	UM119				A19 A96 10-10	14 23 14/15	RS216 RS224 2N516 RS224 RS219					11	*6SK7, 6SA7, 6P5G, 6SQ7, 6C8G, *6V6G, 6U5, 5Y3G.	456	11-27-29	
4956	Vol. Tone		124 34	UM165				A19 A96 20	40 23 23	RS216 RS224 RS219					8	*6SK7, 6SA7, 6SQ7, 6V6G, 6U5, 5Y3G.	456	12-25-28	
5953A	Vol.	1004	18	MR48	M26			9925 9328 8705	1 1 1	TC71 TN111 TC71		8701	Order from Mfr.		6	6A7, 6D6, 75, 76, *48.	465	8-40-51	
6100	Vol.	9611	6	MR21		EX250		.02-.02		Buffer	B14				6	*78, 37, 77, 38, 25Z5	465	9-17	
6953A	Vol.	1004	18	MR48	M26			1291	12	ST595					6	6A7, 6D6, 75, *48, 76	465	7-87,89	
7735, 7742, 7755	Vol.	1289	45	MR48	M27										6	1C6, 34, *30, 32, 19	465	7-91,92	
GAROD Challenger I	Vol.		17	MR48	M26			12-12 5-5	1 15	2N509 TN111					5	6A7, 6D6, 75, 25L6, 25Z5	456	8-3	
Challenger II	Vol.		17	MR48	M26			12-12 5-5	1 15	2N509 TN111					5	6A7, 6D6, 75, 25L6, 25Z5	456	9-1	
Challenger III	Vol. Tone		140 140	1 Meg. No. 1 MR53		See Note	A19	40-25 10, 10	1 15	2N514 TC22					6	6A7, 6D6, 75, 25L6, 25Z5, 6F5	456	9-1	
EM	Vol.		16	MR48				4-4	1	2N518								3-2	

‡ Data not substantiated.

\* IMPORTANT: Read Notes in Note Section if specified in Note Column.

§ Indicates miscellaneous section.

MANUFACTURER AND MODEL	Use	CONTROLS						CONDENSERS				VIBRATORS			No. Tubes	Complete Tube Complement	I. F. Peak	Rider's Reference	
		Original Part	Circuit	Correct Replacement	Switch	Bias	*Note	Original Part	Circuit	Correct Replacement	*Note	Original Part	Replacement	*Note					
GAROD—Continued																			
2B2, 2B2-1	Vol. Tone		44	MR53	M27											6	1C7G, 1D5G, 1H6G, 1H4G, 1J6G	456	9-2
2B6, 2B6-1	Vol. Tone		44	MR53	M27			20-20	1	2N509 Buffer	B14				6	1C7G, 1D5G, 1H6G, 1H4G, 1J6G	456	9-2	
3B2, 3B2-3	Vol. Tone		44	MR53	M27			20-20	1	2N509	B3				7	*1D5G, 1C7G, 1H6G, 1H4G, 1J6G	456		
3B6, 3B6-3	Vol. Tone		44	MR53	M27			20-20	1	2N509 Buffer	B3				7	*1D5G, 1C7G, 1H6G, 1H4G, 1J6G	456		
4A-1, 4A-2	Vol.	8.204	18	Order from	Mfr.			5.417	12	Order from	Mfr.				4	1R5, 1T4, 1S5, 3S4	455		
5A-1	Vol.	8.200-9	18	MK402	M26			5.415-2	88	TN129					5	12BE6, 12BA6, 12AT6, 50B5, 35W4	455	16-1	
5AP1-Y "The Companion"	Vol.	8.201-2	18	Order from	Mfr.			5.400-8	88	2N511/TC45					5	12BE6, 12SK7GT, 12AT6, 50B5, 35Z5GT	455	16-2	
5A2	Vol.	8.201-1	18	MK402	M26			5.400-8	88	2N511/TC45					5	12SA7, 12SK7GT, 12SQ7, 50L6GT, 35Z5GT	455	15-1	
5D, 5D-2	Vol.	8.200-2	205	MK402	M27			5.400-3	108/78	Order from	Mfr.				5	1R5, 1T4, 1S5, 3S4, 117Z3	455	15-2	
5D-3, 5D-3A	Vol.	8.200-2	18	MK402	M27			5.400-3	108/78	Order from	Mfr.				5	1R5, 1T4, 1S5, 3S4, 117Z3	455	16-3,4	
6AU-1	Vol.	111-C-1	18	MK402	M26			5.400-7	88	FP357/TC45					6	*6SS7, 12SA7, 12SQ7, 50L6GT, 35Z5GT	455	15-3	
6BU-1A "The Senator"	Vol.	8.200-4	205	MK402	M26			5.400-7	88	Order from	Mfr.				6	*6SS7, 12SA7GT, 12SQ7GT, 50L6GT, 35Z5GT	455	15-4	
6A-2	Vol.	8.200	18	MK402	M26			5.400-7	88	FP357/TC45	B217				6	*6SS7, 12SA7GT, 12SQ7, 50L6GT, 35Z5GT	455		
6DPS, 6DPS-A	Vol. Tone	8.202-1	167	TM243-SS25	M26			5.400-4	1	FP234					6	6SG7, 6SA7, 6SK7, 6SQ7, 6V6GT, 5Z4	455	15-2,6	
BP4	Vol.	8.200-5	18	MR53	M27			4	15	TC22					4	1A7G, 1N5G, 1H5G, 1C5G	456	11-1	
BP5	Vol.		18	MR53	M27			80-80-40	1/12	Order from	Mfr.				5	1A7G, 1N5G, 1H5G, 1C5G, 25Z5	456	11-1	
BP9, BP10	Vol.		18	MR53	M27			80-40-10	46	See Note	B3				5	1A7GT, 1N5GT, 1H5GT, 1T5GT, 45Z5GT	456	11-2	
BP11	Vol.	8.153	18	MR53	M27			5.362	24/78	Order from	Mfr.				5	1R5, 1T4, 1S5, 3Q5, 35Z5	455	12-1	
BP12, A, B	Vol.		18	MR53	M27			80-40-20	24/78	Order from	Mfr.				6	1A7, 1N5, 1H5, 1T5, 35Z5	455	12-1	
BP15	Vol.		18	MR53	M27			80-40-200	24/78	Order from	Mfr.				5	1A7, 1N5, 1H5, 3Q5, 35Z5	455		
BP36A	Vol.	8.145C	18	MR53	M27			5.362	24/15	Order from	Mfr.				6	1A7, 1N5, 1H5, 3Q5, 70L7	455	12-2	
C119	Vol. Tone		124	MR53	M27			40-25-80	24/13	Order from	Mfr.				10	*6SK7, 6A8, *6J5, 6U5, TN111	455	12-4	
C120	Vol. Tone		124	MR53	M27			10-10	15	RS216					11	6SQ7, *25L6, 25Z6	455		
			22	MR53	M26			16	1	RS216					11	*6SK7, 6SA7, *6J5, 6SQ7, *6V6GT, 6U5, 5Y3G	455	12-5,6	
25	Vol. Tone		17	MR48	M26			8, 8	4	ST595					5	6A7, 6D6, 75, 42, 80	455	6-1	
26	Vol. Tone		34	MR39	M26			12, 12	4	ST597	B12				6	6A8, 6K7, 6H6, 6F5, 6F6, 80	456	7-1	
27	Vol. Tone		64	MR48	M26			12, 12	4	ST597					7	*6D6, 6A7, 76, 42, 80	456	6-2	
31, 31LW	Vol. Tone		34	MR39	M26			20-12	6	2N509					6	6A7, 6K7, 6H6, 6F5, 43, 25Z5	456	7-3	
32, 32LW	Vol. Tone		22	MR39	M26			5	15	TC22					7	6A7, 6K7, 6H6, 6F5, 43, *25Z5	456	7-4,5	
33 and 33LW	Vol. Tone		75	MR48	M26			25-12-20	63	TN129					6	6A7, 6D6, 75, 43, 76, 43, *25Z5	456	6-3	
33, 33LW (Rev.)	Vol. Tone		22	MR48				20-12-8	11	TN125					6	6A7, 6D6, 75, 43, 76, 25Z5	456	6-3	
33, 33LW (Rev.)	Vol. Tone		18	MR48				5-5	15	TN111					6	6A7, 6K7, 6H6, 6F5, 43, 25Z5	456	7-3,5	
33, 33LW (Rev.)	Vol. Tone		22	MR39	M26			20-12	6	2N509					5	6A7, 6D6, 6C6, 43, 43, 25Z5	456	7-3,5	
35SW	Vol. Tone		7	MR39				20-12	6	TC22					5	6A7, 6D6, 6C6, 43, 12Z3	456	7-6	
37B, 37D	Vol. Tone		22	MR39				5, 5	15	TC22					7	*1A4, 1C6, 1B5, 30, 1J6G	456	10-1	
37B, 37D	Vol. Tone		18	MR39				20-12	1	2N509 Buffer	B14				10	*6K7, 6A8, 6H6, 6E5, *6CS, 45, 80	456	7-7,8	
49, 49M	Vol. Tone		44	MR48	M26			12, 12	1	ST597					5	12SA7, 12SK7, 12SQ7, 50L6, 35Z5	455	12-3	
51	Vol. Tone		44	MR39				5	15	TC22					8	6A7, *6D6, *25Z5, *43, 85	456	6-4	
58	Vol. Tone		7	D	6-9			8-20-12-4	8/13	TN125/TC40	B3				5	6A7, 6K7, 75, 43, 25Z5, BK49D	456	7-2	
60	Vol. Tone		22	MR39				20-12	6	2N509					5	6A7, 6K7, 75, 43, 25Z5, BK49D	456	7-2	
60	Vol. Tone		18	MR48	M26			5	15	TC22					5	6A7, 6K7, 75, 43, 25Z5, BK49D	456	7-2	
62B	Vol. Tone	8-200-4	203	MK402	M26			5.400-7	88	FP357/TC45	B217				6	*6BJ6, 12BE6, 12AT6, 50B5, 35W4	455		
62B	Vol. Tone	8-203-1	203	Order from	Mfr.														

‡ Data not substantiated.

\* IMPORTANT: Read Notes in Note Section if specified in Note Column.

§ Indicates miscellaneous section.



MANUFACTURER AND MODEL	CONTROLS							CONDENSERS				VIBRATORS			No. Tubes	Complete Tube Complement	I. F. Peak	Rider's Reference
	Use	Original Part	Circuit	Correct Replacement	Switch	Bias	*Note	Original Part	Circuit	Correct Replacement	*Note	Original Part	Replacement	*Note				
<b>GAROD—Continued</b>																		
66.....	Vol. Tone		18	MR48	M26			20-12	6	2N509					6	6A7, 6D6, 75, 43, 25Z5	456	6-5
73, 73LW.....	Vol. Tone		45	MR39				10-10	15	TN111					7	6D6, 6A7, 76, 42, 80	456	7-13
83 and 83LW.....	Vol. Tone		34	MR48	M26			12, 12	4	ST597					8	6A7, 6D6, 25Z5, 43, 85	456	6-6
104, 104M.....	Vol. Tone		18	MR48	M26			25-12-20	6/12	TN129	B3				11	6K7, 6A7, 85, 6E5, 43, 25Z5	456	7-9,10
105.....	Vol. Sen.		44	MR39	M26			12-25	6	2N513					10	12SA7, 12SK7, 12SQ7, 50L6, 35Z5	455	12-3
115.....	Vol. Tone		7	D		8		20	12	TC47	B3				5	6A7, 6D6, 85, 43, 25Z5	456	8-1,2
125, 135.....	Vol.		22	MR39	M26			12	75	TC44					5	12SA7, 12SK7, 12SQ7, 50L6, 35Z5	455	12-3
150.....	Vol.		18	MR53	M26			8	75	TC42	B8				5	6A7, 6D6, 6Q7G, 41, 80	456	11-3
159.....	Vol.		18	MR53	M26			60-20	24	TN129					5	6A7, 6D6, 6Q7, 41, 80	456	10-2
205, 205C, 205L, 205-1.....	Vol. Tone		80	1 Meg. No. 1		See Note	A19	8-8	4	See Note	B3				5	6A7, 6K7, 6Q7, 42, 80	456	9-3
206, 206C, 206L, 206-1, 206P4.....	Vol. Tone		80	MR53		See Note	A19	16, 16	4	ST597					6	6A7, 6K7, 6Q7, 6U5, 42, 80	456	9-3
225A, 225B.....	Vol.		18	MR53	M26			60-20	24	TN129	B8				5	12SA7, 12SK7, 12SQ7, 50L6, 35Z5	455	12-3
237.....	Vol. Tone		8	D				8	11	TC42					7	6A7, 6D6, 85, 43, 25Z5	456	9-4
245.....	Vol.		44	MR39				20	11	TC47					5	12SA7, 12SK7, 12SQ7, 50L6, 35Z5	455	12-3
250.....	Vol.		18	MR53	M26			12	11	TC44	B8				5	6A7, 6K7, 75, 42, 80	456	9-5
255.....	Vol.		18	MR53	M26			60-20	24	TN129					5	12SA7, 12SK7, 12SQ7, 50L6, 35Z5	455	12-3
259.....	Vol.	8.139B	17	MR53	M26			16, 16	4	ST597					5	6K8, 6D6, 6Q7, 42, 80	456	10-13,14
265.....	Vol.		18	MR53	M26			60-20	24	TN129	B8				5	12SA7, 12SK7, 12SQ7, 50L6, 35Z5	455	12-3
269.....	Vol.	8.139B	17	MR53	M26			16, 16	4	ST597					6	6K8, 6D6, 6Q7, 42, 6U5, 80	456	10-13,14
275, 285.....	Vol.		18	MR53				60-20	24	TN129	B8				5	12SA7, 12SK7, 12SQ7, 50L6, 35Z5	455	12-3
307, 307E, 307L, 307T, 307-1.....	Vol. Tone		140	1 Meg. No. 1		See Note	A19	16	4	RS216					7	6A8G, 6K7, 6H6, 6F5, 6U5, 6V6, 80	456	9-6
309 series.....	Vol. Tone		140	MR53		See Note	A19	9	4	RS213					9	6K7, 6A8G, 6H6, 6F5G, 6U5, 6L6G, 80	456	9-7,8
310.....	Vol. Sen.		7	D				25-20-12	75	TN129					10	6D6, 6A7, 85, 43, 25Z5	456	8-1,2
311.....	Vol. Sen.		18	MR48	M27			25-20-12	75	TN129					11	6K7, 6A7, 6H6, 6C5, 43, 25Z5	456	8-4
337.....	Vol. Tone		42	D		6-9		8	11	TC42					7	6A7, 6D6, 85, 43, 25Z5	456	9-4
369.....	Vol. Tone		44	MR39				20	11	TC47					6	6K8, 6D6, 6Q7, 42, 6U5, 80	456	10-12
370, 371 series.....	Vol. Tone		17	UM161	M26			12	11	TC44					7	6A8G, 6K7G, 6H6G, 6F5G, 6G5, 6L6G, 5Y3, or 6A8, 6K7, 6H6, 6F5, 6G5, 6L6, 5X4	456	8-5
379.....	Vol. Tone	8.139B	17	MR53	M26			16, 16	4	ST597					7	6D6, 6K8, 6Q7, 42, 6U5, 80	456	10-15,16
380, 381 series.....	Vol. Tone	8.140B	22	MR53				10	15	TC22					8	6K7, 6A8, 6H6, 6F5, 6G5, 6L6, 5Y3, or 6K7G, 6A8G, 6H6G, 6F5G, 6G5, 6L6G, 5Y3	456	8-6,7
389.....	Vol. Tone		20	MR39				16, 16	4	RS216					8	6D6, 6K8, 6Q7, 6V6, 80, 6AF6G	456	11-4
399.....	Vol. Tone		34	MR39				16-16	4	2S569					9	6D6, 6K8, 6Q7, 6AF6G, 6A8G, 6F6, 80	456	11-5, 12-13,14
453.....	Vol. Tone	8.147	18	MR53	M26			5.358	1	2N514					5	12A8, 12K7, 12SQ7, 50L6, 35Z5	455	11-6
493.....	Vol. Tone		22	MR39				40	13	TC48					9	6D6, 6K8G, 6Q7, 76, 25L6G, 25Z5, 6U5	456	11-7
			124	MR53	M26			10	15	TC22								
			22	MR53				80-40	1	See Note	B3							

† Data not substantiated.

\* IMPORTANT: Read Notes in Note Section if specified in Note Column.

‡ Indicates miscellaneous section.

MANUFACTURER AND MODEL	Use	CONTROLS						CONDENSERS				VIBRATORS			No. Tubes	Complete Tube Complement	I. F. Peak	Rider's Reference
		Original Part	Circuit	Correct Replacement	Switch	Bias	*Note	Original Part	Circuit	Correct Replacement	*Note	Original Part	Replacement	*Note				
<b>GAROD—Continued</b>																		
501P, 501PD	Vol.		18	MR53	M26			60-20	24	TN129	B8				5	12SA7, 12SK7, 12SQ7, 50L6, 35Z5	455	13-11
511A, 511G, 511P	Vol. Tone		75 34	MR48 MR39	M27 M26			12, 12, 12	3	RS215					12	6K7, 6A8, 6H6, 6E5, 6C5, 445, 5Z3	456	7-11,12
514	Vol. Tone		75 44	MR48 MR51	M27 M26			20-12	1	2N509					14	6K7, 6A7, 6H6, 6C5, 443, 25Z5	456	7-15,16
514M	Vol. Tone		75 44	MR48 MR39	M27 M26			20-12	1	RS207					15	6K7, 6A7, 6H6, 6C5, 6E5, 443, 25Z5	456	7-17,18
520 Twenty Grand	Vol. Tone	8-113 8-116	75 44	MR48 MR39	M27 M26			12, 12, 12	3	RS207					20	6K7, 6A8, 6H6, 6C5, 6E5, 445, 5Z3	456	7-19,20
602, 602C, 602L, 602-1	Vol. Tone		80 80	1 Meg. No. 1 MR53		See Note	A19	20-12	1	2N509					5	6A7, 6K7, 6Q7G, 25L6G, 25Z5	456	9-9,10
610	Vol.		18	MR53	M26			10	15	TC22								
620	Vol.		18	MR48	M26			16	1	TC42					5	6A7, 6D6, 6Q7, 25L6, 25Z5, L49BJG	456	11-3
629	Vol.		18	MR53	M26			40	1	TC45					5	6A7, 6K7, 75, 43, 25Z5	456	8-8
703E, 703EC, 703EL	Vol. Tone		140 140	1 Meg. No. 1 MR53	M26		A19	20-12	1	2N509					5	6K8, 6D6, 6Q7, 25L6, 25Z5	456	10-17
729	Vol.		18	MR53	M26			10, 10	15	TC22					6	6A7, 6K7, 6Q7G, 25L6G, 25Z5, 6U5	456	9-10
731	Vol. Tone		18 22	MR48 MR39	M26			16-16	1	2N509					6	6K8, 6D6, 6Q7, 25L6, 25Z5, 6U5	456	10-17
739	Vol. Tone	8.139B 8.140	17 22	UM161 UM161	M26		A96	5.339	1	TC22					6	6A7, 6K7, 75, 43, 25Z5, 6G5	456	8-9
762	Vol. Tone		140 140	1 Meg. No. 1 MR53		See Note	A96	10-10	15	2N514					6	6K8, 6D6, 6Q7, 25L6, 6U5, 25Z5, L49DJG	456	10-18
782, 782-1	Vol. Tone		80 80	1 Meg. No. 1 MR53		See Note	A19	40-25	1	TC22					6	6A7, 6D6, 76, 6F5, 25L6G, 25Z5	456	9-13
803L, 803T, 803-1	Vol. Tone		80 80	1 Meg. No. 1 MR53		See Note	A19	40-25	6	2N514					6	6A7, 6D6, 6Q7G, 25L6, 25Z5	456	9-11,12
830, 830C, 830D, 830KC, 831, 831C, 831D, 831KC	Vol. Tone		20 22	† MR39			A19	20-12	6	2N509					7	6A8, 6K7, 6H6, 6F5, 6G5, 25A6, 25Z6, or 6A8G, 6K7G, 6H6G, 6F5G, 6G5, 25A6G, 25Z6	456	8-10
830A, 831A	Vol. Tone		80 80	† MR53			A19	40-25	6	2N514					7	6A8, 6K7, 6Q7, 6G5, 25L6, 25Z6, or 6A8G, 6K7G, 6Q7G, 6G5, 25L6, 25Z6	456	8-11
839	Vol. Tone		17 22	UM161 UM161	M26		A96	5.339	1	2N514					7	6D6, 6K8, 6Q7, 6U5, 25L6, 25Z6	456	10-20
903 series	Vol. Tone Sen.		80 80 7	1 Meg. No. 1 MR53 D		See Note	A96	10-10	15	TN111					9	6K7, 6A8G, 6B8G, 6Q7G, 6G5, 25L6, 25Z6	456	9-15,16
930, 931 series	Vol. Tone		17 44	† MR39			A19	30-20	75	2N513					9	6K7, 6A8, 6R7, 6G5, 25A6, 25Z6, or 6K7G, 6A8G, 6R7G, 6G5, 25A6G, 25Z6G	456	8-12-14
930A	Vol. Tone		80 80	† MR53			A19	60-25-40	75	Order from Mfr.					9	6K7, 6A8, 6B8, 6Q7, 6G5, 25L6, 25Z6, or 6K7G, 6A8G, 6B8, 6B8, 6Q7G, 6G5, 25L6G, 25Z6	456	8-14
939	Vol. Tone		124 22	MR53 MR53	M26			40-80-25	1/13	See Note	B3				9	6D6, 6K8G, 6Q7, 76, 25L6G, 25Z5, 6U5	456	11-3
1039	Vol. Tone		37 37	1 Meg. MR53			A19	80-40-25	75	See Note	B3				10	6K7, 6K8, 6A8, 6B8, 6Z7G, 25L6, 25Z5, 6U5	456	11-9
1040	Vol. Tone		18 44	MR48 MR39	M27 M26			30-12	63	2N513					10	6K7G, 6A8G, 6R7G, 25A6G, 25Z6G	456	14-32,33
1049	Vol. Tone		37 37	MR53		See Note	A19	80-40-25	75	See Note	B3				10	6K7, 6K8, 6A8, 6B8, 6Z7G, 25L6, 25Z5, 6U5	456	11-9
1203-1204 series	Vol. Tone		80 80	1 Meg. No. 1 MR53		See Note	A19	40-25	75	2N514					12	6K7, 6A8G, 6B8G, 6Q7G, 6U5, 25L6, 25Z6G	456	9-17,18
1239	Vol. Tone		37 37	† MR53		See Note	A19	40-25	6	2N514					13	6K8, 6D6, 6Q7, 6C8G, 25L6, 25Z5, 6U5	456	11-10

† Data not substantiated.

\* IMPORTANT: Read Notes in Note Section if specified in Note Column.

‡ Indicates miscellaneous section.

MANUFACTURER AND MODEL	CONTROLS							CONDENSERS				VIBRATORS			No. Tubes	Complete Tube Complement	I. F. Peak	Rider's Reference
	Use	Original Part	Circuit	Correct Replacement	Switch	Bias	*Note	Original Part	Circuit	Correct Replacement	*Note	Original Part	Replacement	*Note				
GAROD—Continued 1240, 1240E, 1240LC	Vol. Sen.		17 7	D. †	6-9		A19	30-20 12. 10.	75 75 15	*TC47 TC44 TC22					12	*6K7G, 6A8G, 6H6G, 6C5G, 6G5, *25A6G, *25Z6G, or *6K7, 6A8, 6H6, 6C5, 6G5, *25A6, *25Z6	456	8-15,16
1240A	Vol. Tone Sen.		80 80 7	MR53 D. †	6-9		A19	60-25-40 10.	75 15	Order from TC22	Mfr.				12	6K7, 6A8, 6B8, 6Q7, 6G5, *25L6, *25Z6, or *6K7G, 6A8G, 6B8G, 6Q7, 6G5, *25L6, *25Z6G	456	8-17
1450 (Series A)	Vol.		18	MR53	M26			60-20	24	TN129	B8				5	12SA7, 12SK7, 12SQ7, 50L6, 35Z5	455	13-10
1540	Vol.		75			See Note	A19	20-20 16-16 8 10 10	3 3/13 13 15 24	See Note. See Note. TC71 TC22 TN129	B3 B3 B8				15	*6K7, 6A8G, 6K8, 6C5, 6H6, 6AF6G, *6V6G, *80	456	11-11
1550 (Series A)	Vol.		18	MR53	M26			60-20	24	TN129	B8				5	12SA7, 12SK7, 12SQ7, 50L6, 35Z5	455	13-10
1603, 1604	Vol. Tone Sen.		140 140 7	MRT443 MR53 D. †	M27 M26 6			80 10-10	75 15	TN129 TN111	B8				16	*6K7, 6A8G, 6H6, 6U5, 6F5, 6J5G, *25L6, *25Z6G	456	9-19,20
1649	Vol.		15			See Note	A19	40-25 32 80	8 8 8	2N514 TC47 TN129	B8				16	*6K7, 6K8, 6A8G, 6H6, *6C5, *25L6, *25Z6, 6AF6G	456	10-21,22
1650, 1650H and 1650LC	Vol. Tone		20 †	MRT443 MR33	M27 M26			20-12-10-10 30 8-8	75/15 75 13	4S715 RS207 2N516					16	*6K7, 6L7, 6H6, 6G5, *6C5, *25A6, *25Z6, or *6K7G, 6L7G, 6H6G, 6G5, *6C5G, *25A6G, *25Z6	456	8-18,19
1650A	Vol. Tone		17 †	1 Meg. No. 1 MR53		See Note	A19	25-40-10-10 60 8-8	75/15 75 13	Order from TN129 2N516	Mfr. B8				16	*6K7, 6L7, 6Q7, 6G5, 6C5, *25L6, *25Z6, or *6K7G, 6L7G, 6Q7G, 6G5, 6C5G, *25L6, *25Z6	456	8-20
1739	Vol. Tone		17 22	MR53 MR53				20-16 10-10 .04	1 15	2N509 TN111 Buffer	V5208	246	C3	7	6K7, 6K8, 6S7G, 6T7G, 6S5G, 6Z7G, 6G5	456	11-12	
3011	Vol. Tone		124 22	MR53	M27		A5	40-25-80 10, 10	24/13 15	Order from TC22	Mfr.				10	*6SK7, 6A8, *6J5, 6U5, 6SQ7, *25L6, 25Z6	455	12-4
3012 series	Vol. Tone Sen.		140 140 7	MRT443 MR53 D. †	M27 6			16, 16	25	RS216					12	*6K7, 6A8G, 6H6, 6U5, *6J5G, *6V6G, *80	456	9-21,22
3016	Vol. Tone Sen.		140 140 7	1 Meg. No. 1 MR53 E. †	M26 6	See Note	A19	16, 16, 16 16	54 13	RS216 RS216					16	*6K7, 6A8G, *6H6, 6U5, *6J5G, *6V6G, *80	456	9-23,24
3109	Vol. Tone		124 21				A19 A5	5.338 10	1 15	RS216 TC22					10	*6D6, 6A8G, 6K8G, 6Q7, 76, *41, 80, 6U5	456	11-13
3119	Vol. Tone		17 80	MRT440 MR53	M26			16, 16 8	25 13	RS216 RS213					11	6K8, 6D6, 6Q7, *76, *6V6, 6U5, 80	456	10-23
3790	Vol. Tone	8.139B 8.140	17 22	MR53 MR53	M26			16, 16 10	4 15	ST597 TC22					7	*6D6, 6K8, 6Q7, 42, 6U5, 80	456	10-15
4011	Vol. Tone		124 22	MR53 MR53	M27 M26			16 16 10	1 1 15	RS216 RS216 TC22					11	*6SK7, 6SA7, *6J5, 6SQ7, *6V6GT, 6U5, 5Y3G	455	12-5,6
4012 series	Vol. Tone Sen.		140 140 7	MRT443 MR53 D. †	M27 6			16, 16	25	RS216					12	*6K7, 6A8G, 6H6, 6U5, *6J5G, *6V6G, *80	456	9-21,22
4016	Vol. Tone Sen.		140 140 7	1 Meg. No. 1 MR53 MR14	M26 M26	See Note	A19	16, 16, 16 16	54 13	RS216 RS216					16	*6K7, 6A8G, *6H6, 6U5, *6J5G, *6V6G, *80	456	9-23,24
4110	Vol. Tone Sen.		20 7	MRT443 D. †	M27 6			16 16 5	1 1 15	RS216 RS216 TC22					11	*6K7, 6L7, 6H6, 6F5, 6G5, 6C5, *45, 5Y3	456	9-25,26
4123	Vol. Tone	8.145 8.144	140 140				A19	5.339 5.340 5.341 10	6 13 12 6/12	2N514 TC45 TN129 TC22	B8				12	6SK7, 6K8, 6B8, 6Z7, 6U5, *25L6, 6A8, *25Z5	455	12-7,8, 12,13
4124	Vol. Tone		140 140	1 Meg. †			A19 A5	40-25-80 16 10 10	6/12 13 15 15	Order from TC45 TC22	Mfr.				12	*6SK7, 6K8, *6SQ7, *25L6, *25Z5, 6U5	455	12-9,10, 12,13
4159	Vol.		15			See Note	A19	16, 16 16	25 13	ST597 TC74					15	*6K7, 6K8, 6A8, 6H6, 6AF6G, *6C5, *6V6, *80	456	10-25,26
4410	Vol. Tone		15 22	MR53 MR53	M27 M26			5-343 5-338 10	1 1 15	RS216 RS216 TC22					10	*6SK7, 6K8, 76, 6U5, 80, *6V6, *6J5	455	12-11,13
4990	Vol. Tone		80 80				A19	16-16	4	2S569					9	*6D6, 6K8, 6Q7, 6AF6G, 6A8G, 6F6, 80	456	11-5

† Data not substantiated.

\* IMPORTANT: Read Notes in Note Section if specified in Note Column.

‡ Indicates miscellaneous section.

MANUFACTURER AND MODEL	Use	CONTROLS						CONDENSERS				VIBRATORS			No. Tubes	Complete Tube Complement	I. F. Peak	Rider's Reference						
		Original Part	Circuit	Correct Replacement	Switch	Bias	*Note	Original Part	Circuit	Correct Replacement	*Note	Original Part	Replacement	*Note										
CAROD—Continued 5140.....	Vol. Tone	.....	20	MRT443	M27	.....	.....	16, 16, 16...	3	RS216	.....	.....	.....	.....	14	*6K7, 6L7, 6H6, 6G5, *6C5, *6L6, 5Z3, or *6K7G, 6L7G, 6H6G, 6G5, *6C5G, *6L6G, 5Z3	456	9-27-28						
			1	MR33	M26			16.....	13	RS216									8-8.....	13	2N516	10.....	15	TC22
			15	MR53	M27			5-5.....	1	RS215									16.....	1	RS216	9, 9.....	1	ST595
5240.....	Vol. Bass	.....	17	MR53	M26	.....	.....	10.....	15	TC22	.....	.....	.....	.....	6	6K8, 6D6, 6Q7, 6U5, 25L6, 25Z5	456	10-24						
			22	MR53	M26			5.339.....	1	2N514									8-8-8.....	13	3S584	10.....	15	TC22
7390.....	Vol. Tone	.....	17	MR53	M26	.....	.....	10-10.....	15	TN111	.....	.....	.....	.....	.....	.....	.....	.....						
			22	MR53	M26			10-10.....	15	TN111														
GENERAL ELECTRIC																								
A52.....	Vol.	RV008	18	MR48	M26	.....	.....	RC409	1	RS216	.....	.....	.....	.....	5	6A8, 6K7, 6Q7, 6F6, 5Z4	465	7-1,3						
A53.....	Vol.	RV005	8	A5MP	6-9	2	.....	RC403	15	TN111	.....	.....	.....	.....	5	5Z4, 6A8, 6F6, 6J7, 6K7	465	6-4						
								RC402	1	RS213	RC403	1	RS213	RC511	15	TN111								
A54.....	Vol.	RV007	18	MR48	M26	.....	.....	RC524	8	2N513	.....	.....	.....	5	6A8, 6K7, 6Q7, 25A6, 25Z6	465	7-5,6							
A55.....	Vol.	RV008	18	MR48	M26	.....	.....	RC516	8/15	2N509	.....	.....	.....	.....	5	6A8, 6K7, 6Q7, 6F6, 5Z4	465	7-1,3						
								RC409	1	RS216	RC403	1	RS213	RC511	15	TN111								
A60—See RCA—Victor M-32	Vol.	RV001	62	MR44	M26	.....	.....	RC409	1	RS216	.....	.....	.....	6	6A8, 6K7, 6H6, 6C5, 6F6, 5Z4	465	6-9-13							
A63.....	Vol.	RV001	62	MR44	M26	.....	.....	RC403	1	RS213	.....	.....	.....	.....	6	6A8, 6K7, 6H6, 6J7, 6F6, 5Z4	465	6-14						
								RC501	13/15	2N518	RC404	1	HD684	RC407	1	RS216								
A64.....	Vol. Tone	RV006	19	TM221-SS1	M26	.....	.....	RC501	13/15	2N518	B109	.....	.....	6	6A8, 6K7, 6H6, 6J7, 6F6, 5Z4	465	6-14							
								RC502	13/14	2N518	RC504	15	TC22	RC409	1	RS216								
A65.....	Vol.	RV001	62	MR44	M26	.....	.....	RC403	1	RS213	.....	.....	.....	6	6A8, 6K7, 6H6, 6C5, 6F6, 5Z4	465	6-9,10							
								RC501	13/15	2N518	RC404	1	HD684	RC407	1	RS216								
A67.....	Vol. Tone	RV006	19	TM221-SS1	M26	.....	.....	RC501	13/15	2N518	B109	.....	.....	6	6A8, 6K7, 6H6, 6J7, 6F6, 5Z4	465	6-14							
								RC502	13/14	2N518	RC504	15	TC22	RC409	1	RS216								
A70.....	Vol. Tone	RV002	19	TM221-SS1	M26	.....	.....	RC404	1	HD684	.....	.....	.....	7	5Z4, 6A8, 6C5, 6F6, 6H6, *6K7	465	6-19,23							
								RC407	1	RS216	RC502	13/14	2N518	RC503	15	TN111								
A75.....	Vol. Tone	RV002	19	TM221-SS1	M26	.....	.....	RC404	1	HD684	.....	.....	.....	7	5Z4, 6A8, 6C5, 6F6, 6H6, *6K7	465	6-19,23							
								RC407	1	RS216	RC502	13/14	2N518	RC503	15	TN111								
A81—See RCA—Victor P31																								
A82.....	Vol. Tone Sen.	RV003	34/62	DRP311	M26	.....	.....	RC405	1	RS215	.....	.....	.....	8	*6K7, 6A8, 6H6, 6C5, *6F6, 5Z4	465	6-24-30							
								RC408	1	RS216	RC502	13/14	2N518	RC504	15	TC22								
A83, A85.....	Vol. Tone	RV009	15	MRT454	M26	.....	.....	RC406	1	RS216	.....	.....	.....	8	*6K7, 6A8, 6H6, 6F5, *6F6, 5Z4	465	7-21,24							
								RC415	1	RS216	RC525	13/15	3S579	RC526	15	TC26								
A87.....	Vol. Tone Sen.	RV003	34/62	DRP311	M26	.....	.....	RC405	1	RS215	.....	.....	.....	8	*6K7, 6A8, 6H6, 6C5, *6F6, 5Z4	465	6-24,30							
								RC408	1	RS216	RC502	13/14	2N518	RC504	15	TC22								
A125.....	Vol. B. Tone T. Tone Sen.	RV004	1	DRP318	M26	.....	.....	RC406	1	RS216	.....	.....	.....	12	*6K7, 6L7, 6C5, *6H6, 6F5, *6F6, 5Z4	465	7-33,39							
								RC412	1	RS223	RC509	13/15	TC52/TN111	RC518	13	TC52								
A205.....	Vol. Treble Bass Sen. Meter	RV010	2/45/21	Order from	Mfr.	.....	.....	RC510	19	TC32	.....	.....	.....	20	*6K7, *6H6, *6C5, *6F6, 6L7, *5Z4	465	9-55 to 60, 9-69 to 74							
								RC411	46/13	RS223	RC515	46	RS216	RC512	19	TC39								
A205E.....	Vol. and Bass Vol. Sen.	RV026	15/21	Order from	Mfr.	.....	.....	RC411	46/13	RS223	.....	.....	.....	19	*6K7, 6L7, *6C5, 6H6, 6B8, *6F6, *6L6, *5Z4	465	9-75 to 80							
								RC406	13	RS216	RC515	46	RS216	RC512	19	TC39								

‡ Data not substantiated.

\* IMPORTANT: Read Notes in Note Section if specified in Note Column.

§ Indicates miscellaneous section.

MALLORY PARTS ARE DESIGNED WITH THE SERVICEMAN IN MIND.

MANUFACTURER AND MODEL	CONTROLS							CONDENSERS				VIBRATORS			No. Tubes	Complete Tube Complement	I. F. Peak	Rider's Reference
	Use	Original Part	Circuit	Correct Replacement	Switch	Bias	*Note	Original Part	Circuit	Correct Replacement	*Note	Original Part	Replacement	*Note				
GENERAL ELECTRIC	IC—Continued																	
A208	Vol. Treble Bass Sen. Meter	RV011 RT709 RT708 RS803 RT707	2/45/21 1 21 7 7	Order from MR39 MR44 A20MP MR14	Mfr. M26		RC411 RC515 RC512 RC520	46/13 46 19 13/15	RS223 RS216 TC39 Order from		Mfr.				20	6K7, 6H6, 6C5, 6F6, 6L7, 5Z4	465	9-61 to 74
A208E	Vol. and Tone Bass Vol. Sen.	RV027 RT709 RV025 RR192	15/21 1 15 7	Order from MR39 MR48 A20MP	Mfr.		RC411 RC406 RC515 RC512 RC504 RC520	46/13 13 46 19 15 13/15	RS223 RS216 RS216 TC39 TC22 Order from		Mfr.				19	6K7, 6L7, 6C5, 6H6, 6B8, 6F6, 6L6, 5Z4	465	9-75 to 80
C30	Vol.		8	MR45		EX300		4 5 15	TC40 TC22						3	78, 77, 38		
E50	Vol.	RV019	7	E	6-9	2	RC564	8	2N518						5	6A8, 6K7, 6C5, 6F6, 5W4	465	8-4,6
E51	Vol.	RV018	18	MR48	M26		RC566 RC565	8/15	2N509 2N513						5	6A8, 6K7, 6Q7, 25A6, 25Z6	465	8-9,11 8-4,6
E52	Vol.	RV019	7	E	6-9	2	RC564	1	2N518						5	6A8, 6K7, 6C5, 6F6, 5W4	465	8-4,6
E61, E62	Vol.	RV013	15	MRT448	M26		RC413 RC403 RC567 RC413 RC403 RC567 RC413 RC403	4 4 4 4 4 4 4 4	RS216 RS213 3S584 RS216 RS213		B20			6	6A8, 6K7, 6H6, 6F5, 6F6, 5W4	465	7-9,12	
E68	Vol.	RV013	15	MRT448	M26		RC413 RC403 RC567 RC413 RC412	4 4 4 1 1	RS216 RS213 3S584 RS216 RS223		B20			7	6A8, 6K7, 6H6, 6F5, 6F6, 5W4	465	7-13,16	
E71, E72, E76	Vol.	RV014	15	MRT454			RC413 RC412 RC413 RC412	1 1 1 1	RS216 RS223 RS216 RS223					7	6A8, 6K7, 6H6, 6F5, 6F6, 5W4	465	8-41,46	
E79	Vol.	RV014	20	MRT454			RC413 RC412 RC414 RC415	1 1 1 1	RS216 RS223 RS216 RS216					8	6K7, 6A8, 6H6, 6F5, 6L6, 5Z4	465	7-17,20	
E81	Vol. Tone	RV015 RT710	15 22	MRT454 Order from	M26 Mfr.		RC563 RC414 RC415	13/14 1 1	2N518 RS216 RS216					8	6K7, 6A8, 6H6, 6F5, 6L6, 5Z4	465	7-17,20	
E86	Vol. Tone	RV015 RT710	15 22	MRT454 Order from	M26 Mfr.		RC563 RC414 RC415	13/14 1 1	2N518 RS216 RS216					9	6K7G, 6A8, 6H6, 6F5, 6C5, 6L6, 5Z4	465	7-25,28	
E91	Vol. Tone	RV015 RT710	15 22	MRT454 Order from	M26 Mfr.		RC562 RC414 RC415	13/14 1 1	3S584 RS216 RS216					9	6K7, 6A8, 6H6, 6F5, 6C5, 6L6, 5Z4	465	7-25,28	
E101	Vol. Tone	RV015 RT710	15 22	MRT454 Order from	M26 Mfr.		RC562 RC414 RC415 RC425 RC424 RC423	13/14 1 1 1 13 13	3S584 RS216 RS216 RS223 RS207 RS207					10	6K7, 6A8, 6J7, 6H6, 6F5, 6C5, 6L6, 5Z4	465	7-29,32	
E105, E106	Vol. Tone	RV015 RT710	15 22	MRT454 Order from	M26 Mfr.		RC561 RC414 RC425 RC424 RC423 RC561	13/15 1 1 13 13 13/15	TC62/TN111 RS216 RS223 RS207 RS207					10	6K7, 6A8, 6J7, 6H6, 6F5, 6C5, 6L6, 5Z4	465	7-29,32	
E115	Vol.	RV020	15	MRT449			RC405 RC568	1 1/15	RS215 3S584/TC22		B6			11	6K7, 6A8, 6H6, 6C5, 6F6, 5W4	465	8-57,60	
E126	Vol. Tone	RV016 RT711	20 41	DTM291-SS1 SRP286	M26 6-9		RC411 RC412 RC426 RC551 RC558	1 1 14 13/15 13/15	RS223 RS223 ST597 ST595/TC22 TC39/TC22					12	6K7, 6L7, 6J7, 6H6, 6C5, 6F6, 5Z4	465	8-61,70	
E129	Vol. Tone	RV016 RT711	20 41	DTM291-SS1 SRP286	M26 6-9		RC411 RC412 RC426 RC551 RC558	1 1 14 13/15 13/15	RS223 RS223 ST597 ST595/TC22 TC39/TC22					12	6J7, 6K7, 6L7, 6H6, 6C5, 6F6, 5Z4	465	8-71,81	
E155	Vol. Tone	RV017 RT712	20 22	Order from Order from	Mfr. Mfr.		RC406 RC411 RC409 RC553 RC554 RC504	3 3 3 13/15 13/14 15	RS216 RS223 RS216 TC39/2N518 3S584 TC22					15	6K7, 6L7, 6J7, 6H6, 6C5, 6F6, 6L6, 5Z4	465	8-83,92	
F40	Vol.	RV036	6	F7	6-9	4	RC585	1	3S584					4	6A7, 6B7, 41, 80	455	9-1,2	
F51	Vol.	RV039	18	MR55	M26		RC587	4	3S584					5	6A7, 6D6, 75, 41, 80	455	9-7,8	
F53	Vol.	RV019	7	E	6-9	2	RC564	1	2N518					5	6A8, 6K7, 6C5, 6F6, 5W4	465	8-21,22	
F63	Vol.	RV028	20	MRT445	M26		RC574	4	3S584					6	6A8, 6K7, 6H6, 6F5, 41, 80	465	8-27,28	
F65, F66	Vol.	RV028	20	MRT445	M26		RC574	4	3S584					6	6A8, 6K7, 6H6, 6F5, 41, 80	465	8-27,28	
F70	Vol.	RV029	20	MRT445			RC575	1/15	TC74/3S579					7	6A8, 6K7, 6H6, 6F5, 42, 80	465	8-29,31	
F74	Vol.	RV028	20	MRT445	M26		RC589	1/14/15	TC74/3S579					7	6A8, 6H6, 6K7, 6F5, 41, 80, 6U5	465	9-15,17	
F75	Vol.	RV029	20	MRT445			RC575	1/15	TC74/3S579					7	6A8, 6K7, 6H6, 6F5, 42, 80	465	8-29,31	

‡ Data not substantiated.

\* IMPORTANT: Read Notes in Note Section if specified in Note Column.

§ Indicates miscellaneous section.

MANUFACTURER AND MODEL	CONTROLS							CONDENSERS				VIBRATORS			No. Tubes	Complete Tube Complement	I. F. Peak	Rider's Reference
	Use	Original Part	Circuit	Correct Replacement	Switch	Bias	*Note	Original Part	Circuit	Correct Replacement	*Note	Original Part	Replacement	*Note				
GENERAL ELECTRIC	IC—Continued																	
F77	Vol.	RV028	20	MRT445	M26			RC589	1/14/15	TC74/3S579					7	6A8, 6H6, 6K7, 6F5, 41, 80, 6U5	465 9-15,17	
F80	Vol.	RV029	20	MRT445				RC575	1/14/15	TC74/3S579					8	6A8, *6K7, 6H6, 6F5, 42, 80, 6U5	465 9-18,20	
F81	Vol.	RV030	20	MRT445				RC569	1/14/15	TC74/3S579					8	6A8, *6K7, 6H6, 6F5, 42, 80	465 8-51,55	
F85	Vol.	RV029	20	MRT445				RC575	1/14/15	TC74/3S579					8	6A8, *6K7, 6H6, 6F5, 42, 80, 6U5	465 9-18,20	
F86	Vol.	RV030	20	MRT445				RC569	1/14/15	TC74/3S579					8	6A8, *6K7, 6H6, 6F5, 42, 80	465 8-51,55	
F88	Vol.	RV029	20	MRT445				RC575	1/14/15	TC74/3S579					8	6A8, *6K7, 6H6, 6F5, 42, 6U5, 80	465 9-21,25	
F96	Vol.	K12J65	20	DTM293-SS1				RC427	1	RS216					9	*6K7, 6A8, 6J5G, 6H6, 6F5, 42, 80	465 9-26,31	
F107	Vol.	RV033	20	DTM293-SS1				RC428	1	RS223					10	*6K7, 6A8, *6J5G, *6H6, 6L6G, 5Z4	465 9-40,46	
F109	Vol.	RV033	15	DTM293-SS1				RC579	14/15	Order from Mfr.					10	*6SK7, 6A8, *6J5G, *6H6, 6L6G, 5Z3	465 13-7-15	
F135	Vol.	RV033	20	DTM293-SS1				RC427	1	RS216					13	*6K7, 6L7, *6J5G, *6H6G, *6L6G, 5Z3	465 9-49,56	
FA60	Vol.	RV022	15	UM162-SS12				RC570	1/15	3S579	B14	RV200	248	C3	6	*6K7, 6A8, 6H6, 6F5, 6F6	175 8-23,26	
FA61	Vol.	RV022	15	UM162-SS12				RC570	1/15	3S579	B14	RV200	248	C3	6	*6K7, 6A8, 6H6, 6F5, 6F6	175 8-23,26	
FA80	Vol.	RV022	15	UM162-SS12				RC571	1/15	3S579/TC65	B14	RV200	248	C3	8	*6K7, 6A8, *6C5, 6H6, 6R7, 6N7	175 8-47,50	
FB52, FB53, FB56, FB57	Vol.	RV023	17	MR55				RC572	13	TN125		RV201	W246	C3	5	1C7G, *1D5G, *1F7G	465 8-17,20	
FB72, FB73, FB76, FB77	Vol.	RV023	17	MR55				RC573	1	TC55		RV201	W246	C3	7	1C7G, *1D5G, 1F7G, 1H4G, 1J6G, 1E5G	465 8-37,40	
FD62	Vol.	RV037	17	MRT449	M26			RC586	40	*TC49					5	6A8, 6K7, 6Q7, 43, 25Z5, BL49C	465 9-13,14	
FD100	Vol.	RV023	17	MR55				K12J33-303	24/1	FP309					8	1C7G, *1D5G, 1F7G, *25Z6G, 1F5G	465	
FD105	Vol.	RV023	17	MR55				RC572	13	TN125					8	1C7G, *1D5G, 1F7G, *25Z6G, 1F5G	465	
FD625	Vol.	RV037	17	MRT449	M26			RC586	40	*TC49					5	6A8, 6K7, 6Q7, 43, 25Z5, BL49C	465 9-13,14	
FE62	Vol.	RV031	20	MRT454				RC576	1/14/15	Order from Mfr.					6	6A7, 6K7, 6H6, 6F5, 42, 80	455 12-19,20	
FE63	Vol.	RV028	20	MRT445	M26			RC589	1/14/15	TC74/3S579					6	6A8, 6K7, 6H6, 6F5, 41, 80	465	
FE67, FE68	Vol.	RV031	20	MRT454				RC576	1/14/15	Order from Mfr.					6	6A7, 6K7, 6H6, 6F5, 42, 80	455 12-19,20	
FE82	Vol.	RV030	20	MRT445				RC427	1	RS216					8	*6K7, 6A8, 6H6, 6F5, 42, 80	455 12-32	
FE87	Vol.	RV030	20	MRT445				RC583	1/14/15	3S579/TC74	B141				8	*6K7, 6A8, 6H6, 6F5, 42, 80	455 12-32	
FE112	Vol.	RV034	20	MRT448				RC429	1	RS223					11	*6K7, 6L7, 6J5G, *6H6, 6F5, 6L6G, 6U5, 5Z3	455 12-57,58	
FE116	Vol.	RV034	20	MRT448				RC428	1	RS223					11	*6K7, 6L7, 6J5G, *6H6, 6F5, 6L6G, 6U5, 5Z3	455 12-57,58	
FE119	Vol.	RV034	20	MRT448				RC584	14/15	3S579/TC36	B144				11	*6K7, 6L7, 6J5G, *6H6, 6F5, 6L6G, 6U5, 5Z3	455 12-57,58	
G50	Vol.	RV038	18	MR55	M26			RC587	4	3S584	B8				5	6A7, 6D6, 75, 41, 80	465 9-3,4	
G53	Vol.	RV040	20	MRT446	M26			RC593	1	2N518					5	6A8G, 6K7, 6Q7G, 6K6G, 5Y3G	455 9-9,11	
G55	Vol.	RV038	18	MR55	M26			RC587	4	3S584	B8				5	6A7, 6D6, 75, 41, 80	465 9-3,4	
G56	Vol.	RV040	20	MRT446	M26			RC593	1	2N518					5	6A8G, 6K7, 6Q7G, 6K6G, 5Y3G	455 9-9,11	
G57	Vol.	RV038	18	MR55	M26			12-8	4	3S584	B8				5	6A7, 6D6, 75, 41, 80	465 9-3,4	
G61	Vol.	RV041	17	TM259-SS1				RC594	1/13	3S584					6	6A8G, 6K7, 75, 76, 6AC5G, 5Y3G	455 10-5-8	
G64	Vol.	RV040	124	MRT446	M26			RC593	1	2N518					6	6A8G, 6K7, 6H6, 6F5, 6K6G, 5Y3G	455 10-15,16	
G66	Vol.	RV041	17	TM259-SS1				RC594	1/13	3S584					6	6A8G, 6K7, 75, 76, 6AC5G, 5Y3G	455 10-5-10	

‡ Data not substantiated.

\* IMPORTANT: Read Notes in Note Section if specified in Note Column.

§ Indicates miscellaneous section.

MANUFACTURER AND MODEL	CONTROLS							CONDENSERS				VIBRATORS			No. Tubes	Complete Tube Complement	I. F. Peak	Rider's Reference
	Use	Original Part	Circuit	Correct Replacement	Switch	Bias	*Note	Original Part	Circuit	Correct Replacement	*Note	Original Part	Replacement	*Note				
GENERAL ELECTRIC	IC—Con	tinued																
G68	Vol.	RV041	17	TM259-SS1				RC594	1/13	3S584					6	6A8G, 6K7, 75, 76, 6AC5G, 5Y3G	455	10-6-10
G69	Vol.	RV041	17	TM259-SS1				RC594	1/13	3S584					6	6A8G, 6K7, 75, 76, 6AC5G, 5Y3G	455	10-5-11
G75	Vol.	RV040	17	MRT446	M26			RC593	1	2N518					7	6A8G, 6K7, 6H6, 6F5, 6K6G, 5Y3G, 6U5	455	10-17,18
G76	Vol.	RV041	17	TM259-SS1				8-8-12	1/13	See Note	B3				7	6A8G, 6K7, 75, 76, 6AC5G, 6U5, 5Y3G	455	10-21
G78	Vol.	RV041	17	TM259-SS1				RC594	1/13	3S584					7	6A8G, 6SK7, 6H6, 6SF5, 76, 6AC5G, 5Y3G	455	10-19,20
G85	Vol.	RV051	17	TM259-SS1				12-8-8	1/13	2N518/TC74					8	6A8G, 6K7, 6Q7G, 76, 6AC5G, 6U5, 5Y3G	455	10-22-24
G86	Vol.	RV041	17	TM259-SS1				RC594	1/13	3S584					8	6A8G, 6SK7, 6H6, 6SF5, 76, 6AC5G, 6U5, 5Y3G	455	10-25,26
G95	Vol.	RV045	17	MRT451				RC429	25	RS223					9	6K7, 6A8, 6H6, 6F5, 6J5G, 6V6G, 5U4G	455	10-27-30
G97	Vol.	K12J65	20	DTM293-SS1				RC596	14/15	TC71/TC26					9	6K7, 6A8G, 6J5G, 6H6, 6F5, 42, 5Y3G	465	9-47,48
G99	Vol.	RV051	17	TM259-SS1				RC247	1	RS216					9	6K7, 6A8G, 6J5G, 6H6, 6F5, 42, 5Y3G	465	9-47,48
G105, G106	Vol.	RV042	17	MRT451				RC248	1	RS223					9	6A8G, 6K7, 6H6, 6F5, 76, 6AC5G, 6U5, 5Y3G	455	10-31,32
G655	Vol.	RV040	124	MRT446	M26			RC594	46	3S584					10	6K7, 6A8G, 6H6, 6F5, 6J5G, 6V6G, 5U4G	455	9-32,39
GA62	Vol.	RV063S	18	MRT427	M26			RC597	1	Order from Mfr.					6	6A8G, 6K7, 6H6, 6F5, 6K6G, 5Y3G	455	10-15,16
GB400	Vol.	RV059W	18	MR53				RC5127S	74	ST595		RV202S	854	C3	6	6K7, 6A8, 6Q7, 6K6G, 6X5G	465	10-12
GD41, GD41A, GD41U	Vol.	RV043W	7	MR29	M26	EX300		RC5118	12	TC52					4	1A7G, 1N5G, 1H5G, 1C5G	455	.....
GD44A, GD44B, GD44AU, GD44BU	Vol.	RV046W	7	MR28	M26			RC598W	1	TN125					4	6D6, 6C6, 25L6G, 25Z5, L55F	.....	9-6
GD51	Vol. Phono.	RV047W	50	MR39				RC598W	1/15	TN125					4	6D6, 6C6, 25L6G, 25Z5, L55F	.....	10-2
GD52	Vol.	RV050	20	MRT449	M26			RC5113	4/13	FP211					4	6A8G, 6C6, 25L6G, 25Z6G, BL55B	455	10-11
GD52A	Vol.	RV044	18	MR55	M26			RC5114	4	TC45					5	6A8G, 6K7, 6Q7G, 25L6G, 25Z5, 49A	455	10-3
GD60	Vol.		20	MRT449	M26			RC5115	4	TC48	B12				5	6A8G, 6K7, 6Q7G, 25L6G, 25Z5, 49A	455	10-4
GD62, GD67	Vol.	RV038	18	MR55	M26			RC599	4	TCS45					5	6A8G, 6K7, 6Q7G, 25L6G, 25Z5, 49A	455	10-3
GD63	Vol.	RV050	18	MRT449	M26			RC5106	4	TCS47	B12				5	6A8G, 6K7, 6Q7G, 25L6G, 25Z5, 49A	455	10-3
GD400	Vol.		18	MR53				RC596	40	*TC49					5	6A7, 6D6, 75, 25L6G, 25Z6G, BL49B	465	10-13
GD500	Vol.	RV056	6	MR24	M26	EX300		RC5119	24/15	FP306					5	6A8G, 6K7, 6Q7G, 25L6G, 25Z5, 49A	455	10-14
GD520, GD521	Vol.	RV060R	18	MR48	M26		A58	RC5114	24	TC45	B12				4	1A7G, 1N5G, 1H5G, 1C5G	455	10-37
GD600, GD630	Vol.	RV053	6	MR18	M26			RC5120	24	FP211					5	6K7GT, 6F5GT, 6J5GT, 25L6GT, 25Z6GT	455	10-38
GD610, GD620	Vol.	RV057	18	MR55	M26			RC5125R	24	2N509					5	6A8GT, 6K7GT, 6Q7GT, 25L6GT, 25Z6GT	456	10-39
GDE-41A, GDE-41V	Vol.	RV054W	6	MR28	M26			RC5121	4	TCS47					5	6A8G, 6SK7, 6SF5, 25L6G, 25Z6G, BL49B	455	10-41,42
GES2	Vol.		18	MR55	M26			RC5115	4	TC48	B12				5	6A8G, 6SK7, 6SQ7, 25L6G, 25Z6G, BL49B	455	10-40
GES3	Vol.		124	MRT446	M26			RC5121	4	TCS47					4	6D6, 6C6, 25L6G, 25Z5	.....	13-3
GES4	Vol.		18	MR55	M26			10	15	TC22					5	6A7, 6D6, 75, 41, 80	455	12-13,14
GE93, GE96	Vol.		17				A19	12-8-4	4/13	3S584/TC71	B8			5	6A8G, 6K7, 6Q7G, 6K6G, 5Y3G	455	12-15,16	
GM11	Vol.		63	MR48	M26			8-8-4	1/13	3S584					5	6A8G, 6K7, 75, 6K6G, 5Y3G	455	12-17
								30	1	RS223					9	6K7, 6L7, 6J5G, 6H6, 6F5, 6L6G, 6U5, 5U4G	455	12-45,46
								20-4-4-25	1/13/15	Order from Mfr.					12	12A7	.....	10-1

‡ Data not substantiated.

\* IMPORTANT: Read Notes in Note Section if specified in Note Column.

§ Indicates miscellaneous section.

MANUFACTURER AND MODEL	CONTROLS							CONDENSERS				VIBRATORS			No. Tubes	Complete Tube Complement	I. F. Peak	Rider's Reference
	Use	Original Part	Circuit	Correct Replacement	Switch	Bias	*Note	Original Part	Circuit	Correct Replacement	*Note	Original Part	Replacement	*Note				
GENERAL ELECTRIC H73, H77, H78, H79.....	IC—Continued Vol.	RV067.....	124	MRT450.....				RC5130.....	1	FP416.....					7	6SA7, 6SK7, 6H6, 6SF5, 6J5G, 6Y6G, 5Y3G.....	455	11-1-5
H87.....	Vol.	RV069.....	124	MRT451.....				RC5130.....	1	FP416.....					8	6SA7, 6SQ7, 6Y6G, 6J5G, 5Y3G, 6SK7 24, 32, 35, 47, 80.....	455	11-7-10
H91, H91R.....	Vol. Tone	7074.....	8	MR34.....		See Note A16		G5020.....	4	TC71.....					10		175	4-1-14
H116, H118.....	Vol.	RV069.....	124	MRT451.....		See Note A16		RC5130.....	1	FP416.....					11	6SA7, 6SK7, 6H6, 6SF5, 6J5G, 6U5, 6Y6G, 5Y3G.....	455	11-11-18
H400.....	Vol.	RV056.....	6	MR24.....	M26	EX300		RC5137.....	24	2N514.....					4	12B7, 12F5GT, 50L6GT, 25Z5GT.....		10-45
H406U.....	Vol.	RV084W.....	8	MR28.....	M26			RC5151W.....	24	2N509.....					4	12SK7GT, 12SF5GT, 50L6GT, 45Z5GT.....		11-24
H500, 501, 510, 511, 520, 521 (W and X).....	Vol.	RV070.....	124	MR55.....	M26			RC5135.....	24/15	FP311.....					5	12A8GT, 12SK7, 12SQ7, 35L6GT, 25Z5GT.....	455	10-47,48
H502.....	Vol.	RV080.....	18	MR48.....	M26			K12J33-306	24/15	FP311.....					5	12SA7GT, 12B7, 12Q7GT, 35L6GT, 35Z5GT.....	455	11-53,54
H503.....	Vol.	RV081.....	18	MR48.....	M26			K12J33-306	24/15	FP311.....					5	12SA7GT, 12B7, 12Q7GT, 35L6GT, 35Z5GT.....	455	11-53,54
H500U (W and X).....	Vol. Vol.	RV086..... RV070.....	18 17	MR48..... MR55.....	M26 M26		A4	RC5135.....	24/15	FP311.....					5	12SA7GT/12A8GT, 12SK7, 12SQ7, 35L6GT, 35Z5GT.....	455	11-49,50
H508.....	Vol.	RV079.....	18	MR48.....	M26			RC5135.....	24/15	FP311.....					5	12SA7GT, 12B7, 12Q7GT, 35L6GT, 35Z5GT.....	455	11-46
H510U (W and X).....	Vol. Vol.	RV086..... RV070.....	18 17	MR48..... MR55.....	M26 M26		A4	RC5135.....	24/15	FP311.....					5	12SA7GT/12A8GT, 12SK7, 12SQ7, 35L6GT, 35Z5GT.....	455	11-50-51
H520U (W and X).....	Vol. Vol.	RV086..... RV070.....	18 17	MR48..... MR55.....	M26 M26		A4	RC5135.....	24/15	FP311.....					5	12A7GT/12A8GT, 12SK7, 12SQ7, 35L6GT, 35Z5GT.....	455	10-47,48
H530, 531, 532.....	Vol.	RV082.....	18	MR48.....	M26			K12J33-306	24/15	FP311.....					5	12SA7GT, 12B7, 12Q7GT, 35L6GT, 35Z5GT.....	455	11-53,54
H600, H601.....	Vol.	RV072.....	124	MR55.....	M26			RC5136.....	24	FP214.....					6	6SA7, 6SK7, 6SQ7, 6J5GT, 25L6GT, 25Z6GT, BL42B.....	455	10-46
H600U (W and X).....	Vol.	RV087.....	18	MR48.....	M26			RC5136.....	24	FP214.....					6	6SA7, 6SK7, 6SQ7, 6J5GT, 25L6GT, 25Z6GT.....	455	11-59,60
H610, H611.....	Vol.	RV072.....	124	MR55.....	M26			RC5136.....	24	FP214.....					6	6SA7, 6SK7, 6SQ7, 6J5GT, 25L6GT, 25Z6GT, BL42B.....	455	10-46 11-57,58
H610U (W and X).....	Vol.	RV087.....	18	MR48.....	M26			RC5136.....	24	FP214.....					6	6SA7, 6SK7, 6SQ7, 6J5GT, 25L6GT, 25Z6GT.....	455	11-59,60
H620, H621.....	Vol.	RV072.....	124	MR55.....	M26			RC5136.....	24	FP214.....					6	6SA7, 6SK7, 6SQ7, 6J5GT, 25L6GT, 25Z6GT, BL42B.....	455	10-49 11-57,58
H620U (W and X).....	Vol.	RV087.....	18	MR48.....	M26			RC5136.....	24	FP214.....					6	6SA7, 6SK7, 6SQ7, 6J5GT, 25L6GT, 25Z6GT.....	455	11-59,60
H622, H623.....	Vol.	RV072.....	127	MR55.....	M26			RC5136.....	24	FP214.....					6	6SA7, 6SK7, 6SQ7, 6J5GT, 25L6GT, 25Z6GT.....	455	11-65
H625.....	Vol.	RV072.....	124	MR55.....	M26			RC5136.....	24	FP214.....					6	6SA7, 6SK7, 6SQ7, 6J5GT, 25L6GT, 25Z6GT, BL42B.....	455	10-50 11-67-70
H630, H631, H632, H633.....	Vol.	RV072.....	124	MR55.....	M26			RC5136.....	24	FP214.....					6	6SA7, 6SK7, 6SQ7, 6J5GT, 25L6GT, 25Z6GT, BL42B.....	455	10-49
H630U, H632U (W and X).....	Vol.	RV087.....	127	MR48.....	M26			RC5136.....	24	FP214.....					6	6SA7, 6SK7, 6SQ7, 6J5GT, 25L6GT, 25Z6GT.....	455	11-59,60
H634, H638, H640.....	Vol.	RV067.....	124	MRT450.....				RC5134.....	24/13/ 15	FP410.....					6	6SA7, 6SK7, 6SQ7, 6J5G, 25L6G, 25Z6G, BL42D.....	455	11-71-74
H639 (AC-DC).....	Vol.	RV078.....	18	MR48.....	M26			K26J26.....	24	2N520.....		RV203.....	Order from Mfr.		6	6SA7GT, 6SK7GT, 6Q7GT, 6J5GT, 25L6GT, 25Z6GT.....	455	11-80
H708.....	Vol.	RV088.....	18	MRT430.....	M26			40-20-20..... K12J33-113	10/13 10	FP363..... FP135.....			B197		7	6SA7GT, 6SK7GT, 6Q7GT, 6J5GT, 25C6G, 25Z6GT.....	455	11-75,76

‡ Data not substantiated.

\* IMPORTANT: Read Notes in Note Section if specified in Note Column.

§ Indicates miscellaneous section.

BE SURE TO SPECIFY MALLORY RADIO AND ELECTRONIC PARTS.



MANUFACTURER AND MODEL	CONTROLS							CONDENSERS				VIBRATORS			No. Tubes	Complete Tube Complement	I. F. Peak	Rider's Reference
	Use	Original Part	Circuit	Correct Replacement	Switch	Bias	*Note	Original Part	Circuit	Correct Replacement	*Note	Original Part	Replacement	*Note				
GENERAL ELECTRIC H736	IC—Continued Vol.	RV088	18	MRT430	M26			40-20-20 K12J33-113	10/13 10	FP363 FP135	B197			7	6SA7GT, 6SK7GT, 6Q7GT, 6J5GT, 25C6G, *25Z6GT, 105G	455	10-75,76	
HB402, HB403	Vol.	RV066	18	MR53	M27			RC5131	12	TC42				4	1A7G, 1N5G, 1H5G, 105G	455	12-42	
HB408	Vol.		18	MR53	M27			8	12	TC42				4	1A7G, 1N5G, 1H5G, 105G	455	12-56	
HB-410, HB-411	Vol.	RV066	18	MR53	M27			8	13	TC42				4	1A7G, 1N5G, 1H5G, 105G	455	14-46	
HB412	Vol.	RV066	18	MR53	M27			RC5156 RC5157	24 78	2N514 TC2501				4	1A7GT, 3A8GT, 1T5GT, 117L7GT	455	11-47,48	
HB504	Vol.		18	MR53	M27			50-20-100	24/78	FP309				5	1A7GT, 1N5GT, 1H5GT, 1T5GT, 35Z4GT	455	11-55,56	
HB505	Vol.		18	MR53	M27			50-20-100	24/78	FP309				5	1A7GT, 1N5GT, 1H5GT, 1T5GT, 35Z4GT	455	11-55,56	
HE50	Vol.		124	MRT451	M26			20-40-20-20	24/13/ 15	FP416				5	6SA7, 6SK7, 6SQ7, 6Y6G, 5Y3G	455	12-3-6	
HE64L	Vol.		124	MRT451	M26			20-40-20-20	46/15	FP416				6	6SA7, 6SK7, 6SQ7, 6Y6G, 6U5, 5Y3G	455	12-2-6	
HE74	Vol.		17	2 Meg.		A19		40-20-20-20	46/15	FP416				7	*6SK7, 6K8, 6SQ7, 6Y6G, 6U5, 5Y3G	455	12-39,40	
HE-74L	Vol.	RV065	17	2 Meg.		See Note A19		RC-5130 RC-5100	46/15 13	FP416 TC52				7	*6SK7, 6K8, 6SQ7, 6U5, 6Y6G, 5Y3G	455	12-40, 13-62,63	
HE100, HE100H	Vol.		15	2 Meg.		A19		K12J33-407	46/13/15 46	FP424 RS224				10	*6SK7, 6K8, 6H6, 6J5G, 6SF5, *6V6G, 6U5, 5U4G	455	12-46, 47-49	
HE100L, HE100LH	Vol.		15	2 Meg.		A19		K12J33-407	46/13/15 46	FP424 RS224				10	*6SK7, 6K8, 6H6, 6J5G, 6SF5, *6V6G, 6U5, 5U4G	455	12-46, 47,49	
HE105	Vol.		15	2 Meg.		A19		K12J33-407	46/13/15 46	FP424 RS224				10	*6SK7, 6K8, 6H6, 6J5G, 6SF5, *6V6G, 6U5, 5U4G	455	12-46, 48,49	
HE105L	Vol.		15	2 Meg.		A19		K12J33-407	46/13/15 46	FP424 RS224				10	*6SK7, 6K8, 6H6, 6J5G, 6SF5, *6V6G, 6U5, 5U4G	455	12-46,48	
HE540	Vol.		124	MRT451	M27			40-50-20-20	24/13/15	FP346/TC65				5	6SA7, 6SK7, 6SQ7, 25C6G, 25Z6G, *Ballast	455	12-66	
HE640L	Vol.		124	MRT451	M27			40-50-20-20	46/15	FP346/TC65				6	6SA7, 6SK7, 6SQ7, 6U5, 25C6G, 25Z6G, *Ballast	455	12-62	
HE-740, HE-740L	Vol.	RV065	17	2 Meg.		See Note A19		RC-5132 RC-5100	46/15 13	FP346/TC65 TC52				7	*6SK7, 6K8, 6SQ7, 6U5, 25C6G, 25Z6G	455	12-40, 13-62,63	
HJ119	Vol.	RV069	124	MRT451				RC5130	46/15	FP416				11	6SA7, *6SK7, 6H6, 6SF5, 6J5G, 6U5, *6Y6G, *5Y3G	455	11-11-13	
HJ514	Vol.	RV091	18	MR48	M26			RC5159	24	2N511				5	12SA7GT, 12SK7GT/ 12SK7, 12SQ7GT/ 12SQ7, 50L6GT, 35Z5GT	455	11-52	
HJ612	Vol.	RV092	18	MR48	M26			RC5136	24	FP214				6	6SA7/6SA7GT, 6SK7GT, 6Q7GT/ 6Q7G/6Q7, 6J5GT/ 6J5G, 25L6GT, 25Z6GT/25Z6G	455	11-61	
HJ618 (AC)	Vol.	RV078	18	MR48	M26			K26J26	24	2N520		RV203	Order from Mfr.	6	6SA7GT, 6SK7GT, 6Q7GT, 6J5GT, 25L6GT, 25Z6GT	455	11-62-64	
HJ619	Vol.	RV078	18	MR48	M26			K26J26	24	2N520		RV203	Order from Mfr.	6	6SA7GT, 6SK7GT, 6Q7GT, 6J5GT, 25L6GT, 25Z6GT	455	.....	
HJ624	Vol.	RV078	18	MR48	M26			K26J26	24	2N520		RV203	Order from Mfr.	6	6SA7GT, 6SK7GT, 6Q7GT, 6J5GT, 25L6GT, 25Z6GT	455	11-66	
HJ628	Vol.	RV078	18	MR48	M26			K26J26	24	2N520				6	6SA7GT, 6SK7GT, 6Q7GT, 6J5GT, 25L6GT, 25Z6GT	455	11-66	
HJ737	Vol.	RV088	18	MRT430	M26			40-20-20 K12J33-113	10/13 10	FP363 FP135	B197			7	6SA7GT, 6SK7GT, 6Q7GT, 6J5GT, 25C6G, *25Z6GT	455	11-75,76	
HJ905	Vol.	RV067	127	MRT450				RC5161 RC5160	10/15 10	FP416 FP135				9	12SA7, 12SK7, *12J5GT, 12SF5/ 12SF5GT, 25C6G, 6AB5/6N5, *25Z6GT/*25Z6G	455	11-77-79	

‡ Data not substantiated.

\* IMPORTANT: Read Notes in Note Section if specified in Note Column.

‡ Indicates miscellaneous section.

MANUFACTURER AND MODEL	CONTROLS							CONDENSERS				VIBRATORS			No. Tubes	Complete Tube Complement	I. F. Peak	Rider's Reference
	Use	Original Part	Circuit	Correct Replacement	Switch	Bias	*Note	Original Part	Circuit	Correct Replacement	*Note	Original Part	Replacement	*Note				
GENERAL ELECTRIC HJ908, HJ908B	IC—Control Vol.	RV067	127	MRT450				RC5161 RC5160	10/15 10	FP416 FP135				9	12SA7, 12SK7, 12I5GT, 12SF5/ 12SF5GT, 25C6G, 6AB5/6N5, 25Z6G/25Z6GT	455	11-77-79	
HJ1005	Vol.	RV069	124	MRT451				40-20-20-20	46/15	FP416				10	6SA7, 6SK7/6SK7GT, 6H6, 6SF5/6SF5GT, 6J5G/6J5GT/6J5, 6Y6G, 6Y3G, 6U5	455	11-81,82	
HJ1205	Vol.	RV069	124	MRT451				RC5130	46/15	FP416				12	6SA7, 6SK7/6SK7GT, 6H6, 6SF5/6SF5GT, 6J5G/6J5GT, 6Y6G, 6U5, 6Y3G	455	11-83-86 13-1,2 11-79	
HM3 HM21	Vol.	RV-073	50			See Note	A5	RC5150	24	FP211				2	6A8G, 84			
HM80, HM85A	Vol.	RV067	†	MRT450				RC5148	46/15	FP416				8	6K8, 6SK7, 6SJ7, 6H6, 6SF5, 6Y6G, 5Y3G	2.1 mc.	12-41	
HM136, HM136A	Vol.	RV075	†			See Note	A19	RC5141	46/15	FP429				13	6SK7, 6K8, 6U5, 6SJ7, 6SQ7, 6H6, 6J5G, 6L6G, 6Y3G	2.1 mc. 455 kc.	11-19-22	
HP558, HP559, HP560, HP561	Vol.		18	MR48	M26			30-20	24	2N514				5	12SA7GT, 12K7GT, 12SQ7GT, 50L6GT, 35Z5GT	455	12-67	
HP657A	Vol.		75 22	MR48 MR48	M26			30-30	24	2N513				6	12SA7, 12SK7, 12SQ7, 35L6GT, 35Z5GT	455	12-73	
J51, J53, J54, J54W	Vol.	RV097	18	MR48	M26			RC5163	24	FP214				5	12SA7/12SA7GT, 12B7, 12SQ7GT, 50L6GT, 35Z5GT	455	12-7,8	
J62	Vol.	K26J425	18	MRT430	M26			RC5160 RC5166	10 10	FP135 TCD55/TC55	B8			6	6SA7, 6SK7, 6SQ7, 6J5/6J5G, 25L6G, 25Z6/25Z6GT	455	12-21,22	
J63	Vol. Tone	K26J425	18	MRT430	M26			RC5160	10	FP135				6	6SA7, 6SK7, 6SQ7, 6J5, 25L6G, 25Z6	455	12-24	
J64	Vol.	RV098	124	MRT449				RC5166 RC5164	10 24/13	TCD55/TC55 FP371	B8			6	6SA7, 6SK7, 6SQ7, 6J5GT, 6Y6G, 5Y3G	455	12-25-27	
J65	Vol.	RV078	18	MR48	M26			K26J26	24	2N520				6	6SA7GT, 6SK7GT, 6Q7GT, 6J5GT, 25L6GT, 25Z6GT	455	11-66	
J71	Vol.	RV098	124	MRT449				RC5164	24/13	FP371				7	6SK7, 6SA7, 6SQ7, 6J5GT/6J5G, 6Y6G, 5Y3G	455	12-28-30	
J105	Vol.	RV098	124	MRT449				RC5169	24/13	FP444	B8			10	6SK7, 6SA7, 6J5G/ 6J5GT, 6V6G, 5Y3G	455	12-52-55	
J501, J501W, J502, J502W	Vol.	RV103W	18	MR48	M26			RC5170W	24	2N509				5	12SA7, 12SK7, 12SQ7, 50L6GT, 35Z5GT	455	12-59	
J501, W, J502, W (RCVR Ser. No. 10,000 to 50,000)	Vol.	RV108	18	MR48	M26			RC5174	24	2N514				5	12SA7, 12SK7/12B7, 12SQ7, 50L6GT, 35Z5GT	455	12-60	
J512	Vol.	RV086	18	MR48	M26			RC5176	24	TN129	B8			5	12SA7GT, 12B7, 50L6GT, 35Z5GT, 12SQ7GT	455		
J602, J603	Vol.	RV120	18	MR48	M26			RC5183	24	2N521				6	12B7, 12SA7, 12SQ7, 35L6GT, 35Z5GT	455	12-68	
J614	Vol.	RV120	18	MR48	M26			RC5183	24	2N521				6	12B7, 12SA7, 12SQ7, 35L6GT, 35Z5GT	455	12-69	
J620	Vol.	K26J425	18	MRT430	M26			RC5160 RC5166	10 10	FP135 TCD55/TC55	B8			6	6SA7, 6SK7, 6SQ7, 6J5/6J5G, 25L6G, 25Z6/25Z6GT	455	12-21,22	
J629	Vol.	RV078	18	MR48	M26			K26J26	24	2N520				6	6SA7GT, 6SK7GT, 6Q7GT, 6J5GT, 25L6GT, 25Z6GT	455	12-70	
J644, J644W	Vol.	RV112	18	MR48	M26			RC5178	24	FP214	B211			6	6SA7, 6SK7, 6SQ7, 6J5GT, 25L6GT, 25Z6GT	455	12-72	
J654, J654W	Vol.	RV112	18	MR48	M26			RC5178	24	FP214	B211			6	6SA7, 6SK7, 6SQ7, 6J5GT, 25L6GT, 25Z6GT	455	12-72	
J664	Vol.	RV120	18	MR48	M26			RC5183	24	2N521				6	12B7, 12SA7, 12SQ7, 35L6GT, 35Z5GT	455	12-69	
J678	Vol.	RV119	18	MR48	M26			K26J26	24	2N520				6	6SA7GT, 6SK7GT, 6Q7GT, 6J5GT, 25L6GT, 25Z6GT	455	12-74	
J709	Vol.	RV088	18	MRT430	M26			40-20-20 K12J33-113	10/13 10	FP363 FP135	B197			7	6SA7GT, 6SK7GT, 6Q7GT, 6J5GT, 25C6G, 25Z6GT	455	12-75	

† Data not substantiated.

\* IMPORTANT: Read Notes in Note Section if specified in Note Column.

‡ Indicates miscellaneous section.

MANUFACTURER AND MODEL	CONTROLS							CONDENSERS				VIBRATORS			No. Tubes	Complete Tube Complement	I. F. Peak	Rider's Reference
	Use	Original Part	Circuit	Correct Replacement	Switch	Bias	*Note	Original Part	Circuit	Correct Replacement	*Note	Original Part	Replacement	*Note				
GENERAL ELECTRIC J718.....	IC—Con Vol.	RV098	124	MRT449				RC5132	24/13/15	FP346/TC65					7	6SK7, 6SA7, 6SQ7, 6J5GT/6J5G, 6Y6G, 5Y3G	455	12-76-78
J728.....	Vol.		124	MRT449				RC5132	24/13/15	FP346/TC65					7	6SK7, 6SA7, 6SQ7, 6J5GT/6J5G, 6Y6G, 5Y3G	455	12-76-78
J805.....	Vol.	RV098	124	MRT449				RC5165	24/13	FP444	B8				8	6SK7, 6SA7, 6SQ7, 6J5GT/6J5G, 6Y6G, 5Y3G	455	12-79-81
J808.....	Vol. Phono.	RV098 RV102	124 63	MRT449 MRT449				RC5168	24/13/15	FP429					8	6SK7, 6SA7, 6SQ7, 6J5GT/6J5G, 6Y6G, 5Y3G	455	12-82-86
J809.....	Vol.	RV098	124	MRT449				RC5168	24/13/15	FP429					8	6SK7, 6SA7, 6SQ7, 6J5GT/6J5G, 6Y6G, 5Y3G	455	12-82-86
J818.....	Vol. Phono.	RV098 RV102	124 63	MRT449 MRT449				RC5168	24/13/15	FP429					8	6SK7, 6SA7, 6SQ7, 6J5GT/6J5G, 6Y6G, 5Y3G	455	12-87
J828.....	Vol. Phono.	RV098 RV102	124 63	MRT449 MRT449				RC5168	24/13/15	FP429					8	6SK7, 6SA7, 6SQ7, 6J5GT/6J5G, 6Y6G, 5Y3G	455	12-82-86
J1106.....	Vol.	RV098	124	MRT449				RC5165	24/13	FP444	B8				11	6SK7, 6SA7, 6J5GT, 6SQ7, 6K6GT, 5Y3G	455	12-82-86
J1108.....	Vol.	RV098	124	MRT449				RC5165	24/13	FP444	B8				11	6SK7, 6SA7, 6J5GT, 6SQ7, 6K6GT, 5Y3G	455	12-89,90
JA64.....	Vol.	RV063S	18	MRT427	M26			RC5127S	74	ST595		RV202S	854	C3	6	6K7, 6A8, 6Q7, 6K6G, 6X5G	465	12-89,90
JB72.....	Vol. Tone		140	†			A19	30-10	1	FP390	B8	3698	245A	C3	7	6S7, 6K8, 6T7G, 6G6G, 6Z7G, 6AB5	455	12-33-35
JB372.....	Vol. Tone		140	†			A19	30-10	1	FP390	B8	3698	245A	C3	7	6S7, 6K8, 6T7G, 6G6G, 6Z7G, 6AB5	455	12-33-35
JB-410.....	Vol.		18	MK401					12	TC42					4	1R5, 1T4, 1S5, 1S4	455	14-47
JB-420.....	Vol.	RV106E	18	UM154	M27	See Note A96			19	TC22					4	1A7GT, 1N5GT, 1H5GT, 1A5GT	455	14-48
JB508.....	Vol.	RV100W	18	MR53	M27			RC5167W RC5143W	76 76	2N514 TC2501					5	1A7GT, 1N5GT, 1H5GT, 1T5GT, 35Z4GT	455	12-30
JB513.....	Vol.	RV100W	18	MR53	M27			RC5167W RC5143W	76 76	2N514 TC2501					5	1A7GT, 1N5GT, 1H5GT, 1T5GT, 35Z4GT	455	12-63
JB514.....	Vol.	RV100W	18	MR53	M27			RC5167W RC5143W	76 76	2N514 TC2501					5	1A7GT, 1N5GT, 1H5GT, 1T5GT, 117Z6GT	455	12-63
JB-520, JB-525.....	Vol. Tone	RV107E RT716E	18 22	UM154 UM154	M27	See Note A96			19	TC22					5	1A7GT, 1N5GT, 1H5GT, 3Q5GT	455	14-50
JB523.....	Vol.	RV100W	18	MR53	M27			RC5167W RC5143W	76 76	2N514 TC2501					5	1A7GT, 1N5GT, 1H5GT, 1T5GT, 35Z4GT	455	12-63
JB524.....	Vol.	RV111W	18	MR53	M27			RC5167W RC5143W	76 76	2N514 TC2501					5	1A7GT, 1N5GT, 1H5GT, 1T5GT, 117Z6GT	455	12-63
JB630.....	Vol.	RV100W	18	MR53	M27			RC5173W RC5177W	76 76	See Note TC26	B3				6	1A7GT, 1N5GT, 1H5GT, 3Q5GT, 35Z4GT	455	12-84,71
JB631.....	Vol.	RV111W	18	MR53	M27			RC5167W RC5143W	76 76	2N514 TC2501					6	1A7GT, 1N5GT, 1H5GT, 3Q5GT, 117Z6GT	455	12-84,71
JCP-562.....	Vol.		18	MR48				40-30	24	2N511					5	12SA7GT, 12SK7GT, 12SQ7GT, 50L6GT, 35Z5GT	455	14-54
JCP-596.....	Vol.	P4060	18	MK401	M26			P4212	1	2N513					5	12SA7, 12SK7, 12SQ7, 50L6, 35Z5	455	14-55
JE51.....	Vol.		124	MRT451	M27			40-50-20-20	24/13/15	FP346/TC65					5	6SA7, 6SK7, 6SQ7, 25C6G, 25Z6G	455	12-9-12
JE61.....	Vol.		124	MRT451	M27			40-50-20-20	24/13/15	FP346/TC65					6	6SA7, 6SK7, 6SQ7, 25C6G, 25Z6G, 6U5	455	12-9-12
JE61L.....	Vol.		124	MRT451	M27			40-50-20-20	24/13/15	FP346/TC65					6	6SA7, 6SK7, 6SQ7, 25C6G, 6U5, 25Z6G	455	12-18
JE81.....	Vol.		20	2 Meg.			A19	40-50-20-20	24/13/15	FP346/TC65					8	6SK7, 6J5G, 6V6G, 6SQ7, 5U4G, 6K8, 6U5	455	12-43, 44,51
JE101.....	Vol.		20	MRT449				40-20-5-40	24/13/15	FP429 TC52					10	6SK7, 6J5G, 6V6G, 6SF5, 5U4G, 6K8, 6U5	455	12-16, 50,51
JE107.....	Vol.		20	MRT449				40-20-5-40	24/13/15	FP429 TC52					10	6SK7, 6J5G, 6V6G, 6SF5, 5U4G, 6K8, 6U5	455	12-16, 50,51

† Data not substantiated.

\* IMPORTANT: Read Notes in Note Section if specified in Note Column.

‡ Indicates miscellaneous section.

MANUFACTURER AND MODEL	CONTROLS							CONDENSERS				VIBRATORS			No. Tubes	Complete Tube Complement	I. F. Peak	Rider's Reference
	Use	Original Part	Circuit	Correct Replacement	Switch	Bias	*Note	Original Part	Circuit	Correct Replacement	*Note	Original Part	Replacement	*Note				
GENERAL ELECTRIC JE510.....	IC—Continued Vol.		124	MRT451	M27			40-50-20-20	24/13/15	FP346/TC65					5	6SA7, 6SK7, 6SQ7, 25C6G, 25Z6G	455	12-9-12
JE530, JE531, JE531X.....	Vol.		18	MR48	M26			40-20	24	2N514					5	12SA7, 12SK7, 12SQ7, 50L6GT, 35Z5GT	455	12-65
JE810.....	Vol.		20	2 Meg.			A19	40-50-20-20	24/13/15	FP346/TC65				8	6SK7, 6K8, 6J5G, 6SQ7, 25C6G, 6U5, 25Z6G	455	12-88	
JFM-90.....								RC-5169	46	FP429	B192			9	6AB7, 7A4, 6SK7, 6SJ7, 6H6, 5Y3G	4.3 mc.	13-75,76 13-2 12-1	
JM-4.....	Vol.	RV-073	50			See Note	A5							2	6AB8, 84			
JM23.....	Vol.	RV108	18	MR48	M26			RC5150	24	FP211				5	12SA7, 12SQ7, 12B7/ 12SK7, 50L6GT, 35Z5GT	455	12-61	
L500.....								RC5174	24	2N513				5	12SA7, 12B7/12SK7, 12SQ7, 50L6GT, 35Z5GT	455	12-61	
L510.....	Vol.	RV108	18	MR48	M26			RC5174	24	2N513				5	12SA7, 12SK7, 12SQ7, 50L6GT, 35Z5GT	455	13-35	
L-512, L-513.....	Vol.	RV-108	18	MR48	M26			RC-5174	24	2N513				5	12SA7, 12SK7, 12SQ7, 50L6GT, 35Z5GT	455	13-35	
L-520, L-521, L-522	Vol.	RV-108	18	MR48	M26			RC-5174	24	2N513				5	12SA7, 12SK7, 12SQ7, 50L6GT, 35Z5GT	455	13-35	
L-540, L-541, L-542, L-543, L-542M, L-543M.....	Vol.	RV-108	18	MR48	M26			RC-5174	24	2N513				5	12SA7, 12SK7, 12SQ7, 50L6GT, 35Z5GT	455	14-53	
L550.....	Vol.	RV108	18	MR48	M26			RC5174	24	2N513				5	12SA7, 12B7/12SK7, 12SQ7, 50L6GT, 35Z5GT	455	12-61	
L560.....	Vol.	RV108	18	MR48	M26			RC5174	24	2N513				5	12SA7, 12B7/12SK7, 12SQ7, 50L6GT, 35Z5GT	455	12-61	
L-570, L-571, L-572, L-573, L-574.....	Vol.	RV-108	18	MR48	M26			RC-5174	24	2N513				5	12SA7, 12SK7, 12SQ7, 50L6GT, 35Z5GT	455	13-35	
L-580.....	Vol.	RV-108	18	MR48	M26			RC-5174	24	2N513				5	12SA7, 12SK7, 12SQ7, 50L6GT, 35Z5GT	455	14-53	
L-600, L-601.....	Vol.	RV-120	18	MR48	M26			RC-5183	24	2N521				6	12B7, 12SA7, 12SQ7, 35L6GT, 35Z5GT	455	13-40	
L-610, L-611.....	Vol.	RV-120	18	MR48	M26			RC-5183	24	2N521				6	12B7, 12SA7, 12SQ7, 35L6GT, 35Z5GT	455	13-40	
L-613.....	Vol.	RV-131	18	MR48	M26			RC-5183	24	2N521				6	12B7, 12SA7, 12SQ7, 35L6GT, 35Z5GT	455	13-44,45	
L-621, L-624.....	Vol.	RV-120	18	MR48	M26			RC-5183	24	2N521				6	12B7, 12SA7, 12SQ7, 35L6GT, 35Z5GT	455	13-44,45	
L-622.....	Vol.	RV142W	18	UM161	M26	See Note	A96	30-20-100	76	FP309				6	1T4, 1R5, 1S5, 38A, 45Z3	455	14-56	
L-630.....	Vol. Tone	RV-135 K26J894-4	124 †	MRT451 MR48	M26	See Note	A19	RC-5164	24/13	FP371				6	6SG7, 6SA7, 6SK7, 6SQ7, 6V6GT, 5Y3G	455	13-47	
L-631.....	Vol.	RV-131	18	MR48	M26			RC-5206 RC-5183	1 1	TC47 2N513	B12			6	12B7, 12SA7, 12SK7, 12SQ7GT, 35L6GT, 35Z5GT	455	14-58,59	
L-632, L-633.....	Vol.	RV-120	18	MR48	M26			RC-5183	24	2N521				6	12B7, 12SA7, 12SQ7, 35L6GT, 35Z5GT	455	13-44,45	
L-640.....	Vol. Tone	RV-135 K26J894-4	17 †	MRT451 MR48	M26			RC-5164	46	FP371				6	6SG7, 6SA7, 6SK7, 6SQ7, 6V6GT, 5Y3G	455	13-49,50	
L-641.....	Vol. Tone	K26J894-14 RT-726	124 †	MRT451 MR48	M26			RC-5205	1/13	FP380				6	6SG7, 6SA7, 6SK7, 6SQ7, 6V6GT, 5Y3G	455	14-59,60	
L-642.....	Vol.	RV-131	18	MR48	M26			RC-5206 RC-5183	1 1	2N513 2N521	B12			6	12B7, 12SA7, 12SK7, 12SQ7GT, 35L6GT, 35Z5GT	455	14-58,59	
L-643.....	Vol.	RV-120	18	MR48	M26			RC-5183	24	2N521				6	12B7 or 14A7, 12SA7, 12SQ7GT, 35L6GT, 35Z5GT	455	14-61,62	
L-650.....	Vol.	RV-132	18	MR48	M26			RC-5194	24	2N521				6	12SK7, 12SA7, 12SQ7, 35L6GT, 35Z5GT	455	13-53,54	
L-651.....	Vol.	RV-123	18	MR48	M26			RC-5194	1	2N521				6	12SK7, 12SA7, 12SQ7, 35L6GT, 35Z5GT	455	14-62,63	
L-652.....	Vol.	RV-123	18	MR48	M26			RC-5194	24	2N521				6	12SK7, 12SA7, 12SQ7, 35L6GT, 35Z5GT	455	13-53,54	
L-653.....	Vol.	RV-120	18	MR48	M26			RC-5183	24	2N521				6	12B7 or 14A7, 12SA7, 12SQ7GT, 35L6GT, 35Z5GT	455	14-61,62	
L-660.....	Vol.	RV-123	18	MR48	M26			RC-5187	24	2N511				6	12SK7, 12SA7, 12SQ7, 35L6GT, 35Z5GT	455	13-57,58	
L-663.....	Vol.	RV-120	18	MR48	M26			RC-5183	24	2N521				6	12B7 or 14A7, 12SA7, 12SQ7GT, 35L6GT, 35Z5GT	455	14-61,62	

† Data not substantiated.

\* IMPORTANT: Read Notes in Note Section if specified in Note Column.

‡ Indicates miscellaneous section.

MANUFACTURER AND MODEL	CONTROLS							CONDENSERS				VIBRATORS			No. Tubes	Complete Tube Complement	I. F. Peak	Rider's Reference
	Use	Original Part	Circuit	Correct Replacement	Switch	Blas	*Note	Original Part	Circuit	Correct Replacement	*Note	Original Part	Replacement	*Note				
GENERAL ELECTRIC L-673.....	IC-Con Vol.	RV-120	18	MR48	M26			RC-5183	24	2N521					6	12B7 or 14A7, 12SA7, 12SQ7GT, 35L6GT, 35Z5GT..	455	14-61,62
L-674.....	Vol.	RV-120	18	MR48	M26			RC-5206 RC-5183	1 1	2N513 2N521	B12				6	12B7, 12SA7, 12SK7, 12SQ7GT, 35L6GT, 35Z5GT..	455	14-58,59
L678.....	Vol.	RV119	18	MR48	M26			K26J26	24	2N520					6	6SA7GT, 6SK7GT, 6Q7GT, 6J5GT, 25L6GT, 25Z6GT..	455	.....
L-740.....	Vol. Tone	RV-135	124	MRT451				RC-5198	46	FP371					7	6SQ7, 6SA7, 6SF7, 6SC7, *6K6GT, 5W4	455	13-44,65
L-740 (Revised).....	Vol. Tone	RV-135 K26J894-9	22 20	MR55 MRT451	M26			RC-5198	46	FP371					7	6SQ7, 6SA7, 6SF7, 6SC7, *6K6GT, 5W4GT	455	14-65,66
L-915.....	Vol. Tone	K26J894-5 K26J894-6	124 22	MRT451 MR53	M26			RC-5165	46	Order from	Mfr.				9	6SQ7, 6SA7, 6SK7, 6SQ7, *6J5GT, *6V6GT, 5Y3G	455	13-67,68
L-915W, L-916.....	Vol. Tone	K26J894-5 K26J894-6	124 22	MRT451 MR53	M26			K12J33-325	46	FP424	B192				9	6SQ7, 6SA7, 6SK7, 6SQ7, *6J5GT, *6V6GT, 5Y3G	455	13-69,70
LB-412.....	Vol.	RV110E	18	MK401				10	12	TC42					4	1R5, 1T4, 1S5, 1S4	455	13-31
LB-424.....	Vol.	RV-143-S	18	MR48	M27			RC-5105	19	TC32					4	1A7GT, 1N5GT, 1H5GT, 1A5GT..	455	13-32
LB-502.....	Vol.		18	MK403	M27			40-40 90	24 78	2N511 TC2501					5	1R5, 1T4, 1S5, 3S4, 35Z3	455	14-49
LB530.....	Vol.	RV125	55	MR48				RC5189	24/78	Order from	Mfr.	RV204	T4000	C3	5	1A7GT, 1N5GT, 1H5GT, 1Q5GT	455	.....
LB-530X.....	Vol.	RV-125	18	MR48				RC-5189	24/78	Order from	Mfr.	RV-204	T-4000	C3	5	1A7GT, 1N5GT, 1H5GT, 1Q5GT	455	14-51,52
LB-603.....	Vol.	RV129W	18	MK402	M27			30-20-100	76	FP309	B14				6	*1T4, 1R5, 1S5, 3S4, 35Z5GT	455	13-41
LB-612.....	Vol.	RV129W	18	MK402	M27			30-20-100	76	FP309					6	*1T4, 1R5, 1S5, 3S4, 35Z5GT	455	13-41
LB-641, LB-642.....	Vol.	RV129W	18	MK402	M27			30-20-100	76	FP309					6	*1T4, 1R5, 1S5, 3S4, 35Z5GT	455	13-41
LB-700, LB-701, LB-702, LB-703.....	Vol.	K33J31-1	18	MR53	M27			RC-5196	78	TC48					7	*1T4, 1A7GT, 1H5GT, *1T5GT, 117Z6GT..	455	13-59,60
LC-608.....	Vol.	K33J31-2	18	MR53	M27			RC-5193	78	TC50/TC2501					6	6SA7, *6SK7, 6SQ7, *6K6GT, 5Y3G	455	13-42
LC-619.....	Vol. Tone	P-4089 P-4531 RV-135	18 139 124	TM231-SS22 MK401 MRT451	M26			P4130	1/15	FP339					6	6SQ7, 6SA7, 6SK7, 6SQ7, 6V6GT, 5Y3G	455	13-45,46
LC-619W.....	Vol. Tone	K26J894-4	124	MR48	M26			K12J33-318	24/13	FP371/TC55	B8				6	6SQ7, 6SA7, 6SK7, 6SQ7, 6V6GT, 5Y3G	455	13-45,46
LC-619W.....	Vol. Tone	RV-135 K26J894-4	124 124	MRT451 MR48	M26			K12J33-324	1/13	FP390					6	6SQ7, 6SA7, 6SK7, 6SQ7, 6V6GT, 5Y3G	455	13-79,80
LC-628, LC-629.....	Vol.	RV138W	18	MR48	M26			24-16	1	2N509					6	*12SK7, 12SA7, 12SQ7, 35L6GT, 35Z5GT..	455	14-57
LC-638.....	Vol.		18	MR48	M26			24-16	1	2N509					6	*12SK7, 12SA7, 12SQ7, 35L6GT, 35Z5GT..	455	13-51, 14-57
LC-648.....	Vol. Tone	RV-135 K26J894-4	124 124	MRT451 MR48	M26			K12J33-318	24/13	FP371/TC55	B8				6	6SQ7, 6SA7, 6SK7, 6SQ7, 6V6GT, 5Y3G	455	13-48,52
LC-648W.....	Vol. Tone	RV-135 K26J894-4	124 124	MRT451 MR48	M26			K12J33-324	1/13	FP390					6	6SQ7, 6SA7, 6SK7, 6SQ7, 6V6GT, 5Y3G	455	13-77,78
LC-649.....	Vol.		18	MR48	M26			24-16	1	2N509					6	*12SK7, 12SA7, 12SQ7, 35L6GT, 35Z5GT..	455	13-51
LC-658.....	Vol.	RV-138W	18	MR48	M26			RC-5202W	46	*TC55					6	*12SK7, 12SA7, 12SQ7, 35L6GT, 35Z5GT..	455	13-55,56
LC-679.....	Vol.	RV-119	18	MR48	M26			K26J26	24	2N520					6	6SA7GT, 6SK7GT, 6Q7GT, 6J5GT, 25L6GT, 25Z6GT..	455	14-64
LC-758.....	Vol. Tone	RV-135 K26J894-9	15 22	MRT451 MR55	M26			RC-5199	46	FP429	B192				7	6SQ7, 6SA7, 6SF7, 6SC7, *6K6GT, 5Y3G	455	13-66,67
LC-759, LC-759B.....	Vol. Tone	RV135 K26J894-9	20 22	MRT451 MR55	M26			RC-5214	46	FP390					7	6SQ7, 6SA7, 6SF7, 6SC7, *6V6GT, 5Y3G	455	14-66, 67,68
LC-768.....	Vol. Tone	RV135 K26J894-9	20 22	MRT451 MR55	M26			RC-5214	46	FP390					7	6SQ7, 6SA7, 6SF7, 6SC7, *6V6GT, 5Y3G	455	14-66, 67,68
LCP401.....	Vol.	RV133K	18	MR53	M26			40-40	24	2N511					4	12SA7, 12SQ7, 50L6GT, 35Z5GT..	455	14-45
LCP-508.....	Vol.	RV127W	18	MR48	M26			20 24-16	15 24	TC26 2N509					5	12SA7, 12SK7, 12SQ7, 50L6GT, 35Z5GT..	455	13-33
LCP-596.....	Vol.	P-4060	18	MK401	M26			P-4683	1	2N520					5	12SA7, 12SK7, 12SQ7, 50L6, 35Z5	455	13-39
LCP-609.....	Vol.		18	MR48	M26			40-40	24	2N511					6	12SA7, 12SK7, 12SQ7, 35L6GT, 35Z5GT..	455	13-43

‡ Data not substantiated.

\* IMPORTANT: Read Notes in Note Section if specified in Note Column.

§ Indicates miscellaneous section.

MANUFACTURER AND MODEL	CONTROLS							CONDENSERS				VIBRATORS			No. Tubes	Complete Tube Complement	I. F. Peak	Rider's Reference
	Use	Original Part	Circuit	Correct Replacement	Switch	Bias	*Note	Original Part	Circuit	Correct Replacement	*Note	Original Part	Replacement	*Note				
GENERAL ELECTRIC—Continued																		
LF-115, LF-116....	Vol. Tone	K26J894-10. RT-725....	124 22	MRT447-RS243 MR48....	M26			RC-5200...	46/15	FP429				11	*6SG7, *6SH7, 7K7, *6V6GT, 6SQ7, 7Q7, 5U4G....	455	13-17-22	
LFC-1118.....	Vol. Tone	K26J894-10. RT-725....	124 22	MRT447-RS243 MR48....	M26			RC-5200...	46/15	FP429				11	*6SG7, *6SH7, 7K7, *6V6GT, 6SQ7, 7Q7, 5U4G....	455	13-17-22	
LFC-1128.....	Vol. Tone	K26J894-10. RT-725....	124 22	MRT447-RS243 MR48....	M26			RC-5200...	46/15	FP429				11	*6SG7, *6SH7, 7K7, *6V6GT, 6SQ7, 7Q7, 5U4G....	455	13-17-22	
LFC-1228.....	Vol. Tone	K26J894-10. RT-725....	124 22	MRT447-RS243 MR48....	M26			RC-5200 RC-5203...	46 15	FP429 TC26				12	*6SG7, *6SH7, 7K7, *6V6GT, 6SQ7, 7Q7, 5U4G, 6J5/6J5GT, 6F6, 6J7, *6K7, 6Q7, 6X5....	455	13-17-22	
N60.....	Vol. Tone	RV770..... RT750.....	17 34	UM163-SS3 MR42....	M26			RC779..... .0075	4/15 12	3S584 Buffer TC52	B14	RV750.....	294	C3	6	6F6, 6J7, *6K7, 6Q7, 6X5....	175 175	7-7,8 8-7,8
U50.....	Vol.	RBV001.....	18	MR53	M26			RBC502.....	46	TN129		RBV200.....	246	C3	5	1A6, 3A, 30, 32, 1F4, 1C6, *34, 1B5, 1F4....	456	8-12,16
U51, U55.....	Vol.	RBV001.....	18	MR53	M26			RBC502.....	46	TN129		RBV200.....	246	C3	5	1A6, 3A, 30, 32, 1F4, 1C6, *34, 1B5, 1F4....	456	8-12,16
U70, U75.....	Vol. Tone	RBV002..... RBT700.....	45 1	MR53 MR42....	M27			RBC504..... RBC503.....	1 1/13	RS207 TN129		Order from Mfr.		7	*34, 1C6, *30, 19....	456	8-32,36	
X-105A, X-105V...	Vol.	RV-126.....	127	MR55			A3	RC-5190...	24/15	FP331	B3			5	12SA7, 12SK7, 12SQ7, 50L6GT, 35Z5GT..	455	14-29,30	
X-105VB.....	Vol.	RV-126.....	127	MR55			A3	RC-5190...	24/15	FP331	B3			5	12SA7, 12SK7, 12SQ7, 50L6GT, 35Z5GT..	455	14-29,30	
X-108, X-118.....	Vol.	RV-136.....	124	2 Meg.			A19	RC-5197...	46/15	FP429				8	7Q7, 6SG7, 6SQ7, 6J5GT, 6U5, *25L6GT, 25Z6GT..	455	13-5, 6,54	
X-150, X-150C, X-150V.....	Vol. Tone	RRC-009..... RRC-010.....	178 178	TM259 MR55....	M26			RCE-035...	24/15	FP429				5	6SA7, 6SK7, 6SQ7, 6V6GT, 5Y3GT..	455	15-16	
X-153, X-153A1, X-153D2.....	Vol. Tone	RRC-009..... RRC-010.....	178 178	TM259 MR55....	M26			RCE-035 RCE-009...	24/15 175	FP429 TC77				6	*35Z5GT, 50L6GT, 12SQ7, 12SK7, 12SA7....	455	15-18	
X-181V, XC-181V, XP-181V, X-182V, X-181C, XC-181C	Vol.	RRC-012.....	161	MRT451				RCE-002..... RCE-001.....	88 88 13	FP225 FP330/TC42 TC52	B20			9	6SG7, 7Q7, 6SK7, 6SQ7, 6J5GT, *6V6GT, 6U5/6G5, 5Y3GT/G....	455	15-22,26	
X-225A.....	Vol.	RV-153.....	127	†			See Note A3	RC-5190...	24/15	FP331	B3			5	12SA7, 12SK7, 12SQ7, 50L6GT, 35Z5GT..	455	14-34,35	
X-225V.....	Vol.	RV-153.....	127	†			See Note A3	RC-5190...	24/15	FP331	B3			5	12SA7, 12SK7, 12SQ7, 50L6GT, 35Z5GT..	455	14-34,35	
X-228.....	Vol.	RVI36.....	124	2 Meg. No. 1			A19	RC5197...	46/15	FP429				7	7Q7, 6SG7, 6SQ7, 6J5GT, 6U5, 25L6GT, 25Z6GT..	455	14-42, 43,44	
X-317C, X-317V, X-317D2.....	Vol.	RRC-007.....	161	MRT449				RCE-026...	88	FP416				6	7Q7, 6SG7, 6SQ7, 25L6GT, 25Z5GT, 6U5....	455	15-40,44	
XB-121, XM-121, XR-121.....	Vol.	RRC-006.....	18	MR53	M27			RCE-004...	24	FP228				5	12SA7, 12SK7, 12SQ7, 50L6GT, 35Z5GT..	455	15-13,15	
XB-221, XM-221, XR-221.....	Vol.	RRC-006.....	18	MR53	M27			RCE-004...	24	FP228				5	12SA7, 12SK7, 12SQ7, 50L6GT, 35Z5GT..	455	15-13,15	
XH-713C, XH-713V, XH-713D2.....	Vol.	RRC-007.....	161	MRT449				RCE-026...	88	FP416				6	7Q7, 6SG7, 6SQ7, 25L6GT, 25Z5GT, 6U5....	455	15-40,44	
YRB60-1, YRB60-2	Vol.	SRC-004.....	18	MR48	M26			SCE-003...	24	2N511				5	12SA7, 12SK7, 12SQ7, 50L6GT, 35Z5GT..	455	15-5	
YRB67-1, YRB67-2, YRB82-1.....	Vol.	SRC-003.....	18	Order from Mfr.				SCE-002...	24	2N511				5	12SA7, 12SK7, 12SQ7, 50L6GT, 35Z5GT..	455	15-53,54	
20.....	Vol. Tone	K26J425..... RT717.....	18 1	MRT430... MR53....	M26			RC5160... RC5166...	10 10	FP135... Order from Mfr.				6	6SA7, 6SK7, 6SQ7, 6J5, 25L6G, 25Z6	455	14-5	
30.....	Vol. Tone	RV-135..... K26J894-9..	17 22	MRT451... MR55....	M26			RC-5214...	46	FP390				7	6SG7, 6SA7, 6SF7, 6SC7, *6V6GT, 5Y3G....	455	14-6,7	
35.....	Vol.	RV-093.....	17	MRT454				RC-5100... RC-5162...	24 46/15	TC52 FP429				10	*6SK7, 6K8, *6J5G/GT, 6SF5, *6V6G, 5U4G, 6U5....	455	13-81-84	
40.....	Vol. Tone	RV-152..... RT725.....	17 22	MRT451... MR48....	M26			RC-5200...	46/15	FP429				11	*6SG7, 7Q7, *6SH7, 7K7, 6SQ7, *6V6GT, 5U4G....	455 455 kc. FM 4.3 mc.	14-12-16	
50.....	Vol.		18	MK402				RCE-031...	80/15	FP306				4	12SG7, 12SQ7, 50L6GT, 35Z5GT..		15-1,4	

† Data not substantiated.

\* IMPORTANT: Read Notes in Note Section if specified in Note Column.

‡ Indicates miscellaneous section.

WHEN YOU BUY PLUGS AND JACKS BUY MALLORY.

MANUFACTURER AND MODEL	CONTROLS							CONDENSERS				VIBRATORS			No. Tubes	Complete Tube Complement	I. F. Peak	Rider's Reference
	Use	Original Part	Circuit	Correct Replacement	Switch	Bias	*Note	Original Part	Circuit	Correct Replacement	*Note	Original Part	Replacement	*Note				
GENERAL ELECTRIC	IC—Continued																	
100, 101, 103, 105 Serial No. over 5000	Vol.	RRC-002	204	MK403	M26			RCE-001	24/113	FP410					5	12SA7, 12SG7, 12SQ7, 50L6GT, 35Z5GT	455 15-7,8	
100, 101, 103, 105 Serial No. under 5000	Vol.	RRC-002	204	MK403	M26			RCE-001	24/15	FP311					5	12SA7, 12SG7, 12SQ7, 50L6GT, 35Z5GT	455	
106	Vol.	RRC-001	204	MK403	M26			RCE-001	24/113	FP311					5	12SA7, 12SG7, 12SQ7, 50L6GT, 35Z5GT	455 15-9,10	
110, 111	Vol.	RRC-037	18	MR48	M26			040	24	Order from Mfr.					5	35Z5GT, 50L6GT, 12SQ7, 12SK7, 12SA7	455 15-11	
140	Vol.	RRC-055	18	Order from	Mfr.			RCE-051	24	TCD48					4	1R5, 1U4, 1S5, 3S4, D.R.	455	
180	Vol.	RRC-5001	18	MK403	M27			RCE-052	78	TC2501					4	1A7GT, 1N5GT, 1H5GT, 3Q5GT	455 16-1,2	
200, 202, 203, 205, 205M	Vol.		204	MK403	M26			RCE-5001	12	TC42								
219, 220, 221	Vol.	RRC-004	204	MK403	M26				24	2N521					6	12SG7, 12SA7, 12SK7, 12SQ7, 35L6GT, 35Z5GT	455 15-54,55	
250	Vol.	RRC-008	204	MK401				RCE-001	24/113	FP311					6	12SK7, 12SA7, 12SG7, 12SQ7, 35L6GT, 35Z5GT	455 15-28,30	
254	Vol.	SRC-044	18	Order from	Mfr.			RCE-007	24/78	FP302		REU-001	T-4002	C3	5	1LN5, 1LC6, 1LH4, 3Q5GT	455 15-32,38	
260	Vol.	RRC-015	18	Order from	Mfr.			SCE-021	88	FP357					6	1N5GT, 1A7GT, 1H5GT, 3Q5GT, 117Z6GT	455 16-3,5	
280	Vol.	RRC-5000	18	MK403				SAT-001/ SCE-020	78/12	Order from Mfr.		REV-001	T-4002	C3	6	1LN5, 1LC6, 1LH4, 3Q5GT/G	455 16-7,9	
303	Vol.	RRC-5002	18	Order from	Mfr.			RCE-012	13	TC42					5	1N5GT, 1R5, 1H5GT, 3Q5GT	455 16-13,16	
321 (Early)	Vol.	RRC-003	204	Order from	Mfr.			RCE-016	78	TC310					6	6SB7Y, 6SK7, 6SQ7, 6SC7, 6V6GT, 5Y3GT	455 15-37,39	
321 (Late)	Vol.	RRC-003	204	Order from	Mfr.			RCE-003	88/15	FP429					6	12SK7, 12SA7, 12SQ7, 35L6GT, 35Z5GT	455 15-46	
326, 327	Vol.	RRC-005	178	TM251-SS25				RCE-001	24/113	FP311					6	12SK7, 12SA7, 12SQ7, 35L6GT/G, 35Z5GT/G	455 15-46	
417	Vol.	RRC-014	161	TM259-SS25				RCE-002	46/15 13	FP429 FP225					7	6SG7, 6SA7, 6SK7, 6SQ7, 6SC7, 6V6GT, 5Y3GT	455 15-49,50	
801 Television	Vol. Tone Hor. Hld. Hor. Lin. Contrast Brgtness Vrt. Hld. Focus Vrt. Lin. Height		157 173 212 209 210 211 207 211 214 207	TM251-SS1 UM156-SS1 Order from UM149 Order from UM149-SS1 E. B. Order from	M26 Mfr. Mfr. Mfr. Mfr.			RCE-029	88/15	FP429					10	*6AK5, 6SG7, 6SV7, 6SH7, 6AQ7GT, 6V6GT, 6SC7, 5Y3GT	455 21.9 26.4	
		RRC-020	207	Order from	Mfr.			RCE-030	13	FP225								
		RRC-021	209	Order from	Mfr.			RCE-019	116/ 15/13	FP429					24	6AU6, 7F8, 6AC7, 6H6, 10BPY, *6SN7GT, 807, *6SL7GT, 8016, 6AS7G, 6SA7, 6SG7, 6SV7, 6AQ7GT, *6V6GT, 5Y3GT, 5U4G	10.7 16-17,23	
		RRC-023	210	Order from	Mfr.			RCE-021	116	TC65								
		RRC-023	211	Order from	Mfr.			RCE-021	116	TC65								
		RRC-021	207	Order from	Mfr.			RCE-017	116	FP149								
		RRC-025	211	Order from	Mfr.			RCE-018	15	WP520								
		RRC-024	214	Order from	Mfr.			RCE-020	12	FP444								
		RRC-020	207	Order from	Mfr.			RCE-019	12/15	FP429								
			207	Order from	Mfr.			UCC-017	12	TP422								

For all other General Electric Models see the Cross Reference on next page

## CROSS REFERENCE OF GENERAL ELECTRIC—RCA VICTOR MODELS

A-90—See RCA Victor M30  
 BX—See RCA Victor R17M  
 B40—See RCA Victor M34  
 B52—See RCA Victor M116  
 B81—See RCA Victor 142B  
 B86—See RCA Victor 241B  
 C30—See RCA Victor 91B  
 C41—See RCA Victor M105  
 C60—See RCA Victor M107  
 C61—See RCA Victor M123  
 C62—See RCA Victor 126B  
 C67—See RCA Victor 223  
 C70—See RCA Victor 135B  
 C75—See RCA Victor 235B  
 D50—See RCA Victor M101  
 D51—See RCA Victor M104  
 D52—See RCA Victor M108  
 D72—See RCA Victor M109  
 E52—See RCA Victor T5  
 H31—See Radiola 80  
 H32—See RCA Victor R50  
 H51—See Radiola 82  
 H51R—See Radiola 82R  
 H71—See Radiola 86  
 H71R—See Radiola 86R  
 H72—See RCA Victor RAE 59  
 H91, H91R—See Previous Page  
 J70—See RCA Victor R4  
 J72—See RCA Victor R70 and R70N  
 J75—See RCA Victor R6  
 J80—See RCA Victor R8  
 J82—See RCA Victor R71  
 J83—See RCA Victor R-73 with 47's  
 J83A—See RCA Victor R73 with 2A5's

J85—See RCA Victor R12  
 J86—See RCA Victor R72  
 J87—See RCA Victor R75 (47's)  
 J87A—See RCA Victor R75 (2A5's)  
 J88—See RCA Victor R71  
 J100—See RCA Victor R100  
 J105—See RCA Victor R76  
 J107—See RCA Victor R77  
 J109—See RCA Victor RE81  
 J125—See RCA Victor R78  
 J125A—See RCA Victor R78 (2)  
 JZ30—See RCA Victor SW2  
 JZ822—See RCA Victor R24  
 JZ822A—See RCA Victor R24A (47)  
 JZ826—See Victor R24  
 JX828-J88 with SW adapter  
 JZ835—See RCA Victor RO23  
 K40—See RCA Victor R27  
 K40A—See RCA Victor R18W  
 K41—See RCA Victor R17M  
 K43—See RCA Victor 100  
 K48—See RCA Victor 300  
 K50—See RCA Victor R28  
 K50P—See RCA Victor R28P  
 K51—See RCA Victor R28  
 K51P—See RCA Victor R28P  
 K52—See RCA Victor 110  
 K53—See RCA Victor 111  
 K53M—See RCA Victor 115  
 K54—See RCA Victor RE40  
 K54P—See RCA Victor RE40P  
 K55—See RCA Victor 210  
 K58—See RCA Victor 310  
 K60—See RCA Victor R37  
 K60P—See RCA Victor R37P

K62—See RCA Victor R11  
 K63—See RCA Victor 120  
 K64—See RCA Victor 121  
 K64D—See RCA Victor 127  
 K65—See RCA Victor R38  
 K65P—See RCA Victor R38P  
 K66—See RCA Victor 220  
 K66M—See RCA Victor 222  
 K78—See RCA Victor 330  
 K79—See RCA Victor 331  
 K80—See RCA Victor 140 and 140E  
 K80X—See RCA Victor 141 and 141E  
 K82—GE K62 in clock cabinet  
 K85—See RCA Victor 240  
 K88—See RCA Victor 340  
 K88X—See RCA Victor 34E  
 K105—See RCA Victor 261  
 K106—See RCA Victor R90  
 K106P—See RCA Victor R90P  
 K107—See RCA Victor R260  
 K126—See RCA Victor 280  
 KZ-62P—See RCA Victor RE18, RE18A  
 L50—See RCA Victor R22S  
 L51—See RCA Victor R22W  
 L52—See RCA Victor 112  
 L52A—See RCA Victor 112A  
 L53—See RCA Victor 114  
 M40—See RCA Victor 102  
 M41—See RCA Victor 101  
 M42—See RCA Victor 103  
 M49—See RCA Victor 301  
 M50—See RCA Victor 117  
 M51—See RCA Victor 118  
 M51—See RCA Victor 118 (mod)

M52—See RCA Victor 119  
 M55—See RCA Victor 214  
 M56—See RCA Victor 211  
 M61—See RCA Victor 128  
 M62—See RCA Victor 125  
 M63—See RCA Victor 124  
 M65—See RCA Victor 221  
 M66—See RCA Victor 226  
 M67—See RCA Victor 224  
 M68—See RCA Victor Duo 321  
 M69—See RCA Victor 322  
 M81—See RCA Victor 143  
 M85—See RCA Victor 243  
 M86—See RCA Victor 242  
 M89—See RCA Victor 341  
 M106—See RCA Victor 262  
 M107—See RCA Victor 263  
 M125—See RCA Victor 281  
 M128—See RCA Victor Duo 380  
 M128R—See RCA Victor 380HR  
 M129—See RCA Victor 381  
 N60—See Previous Page  
 S22—See RCA Victor R7  
 S22X—See RCA Victor R7  
 S22D—See RCA Victor R7 DC  
 S42—See RCA Victor R9  
 S42B—See RCA Victor R43  
 S42D—See RCA Victor R9 DC  
 S132—See RCA Victor R10  
 SZ42P—See RCA Victor RE16  
 T12—See RCA Victor R5  
 T11D—See RCA Victor R5 DC  
 T12E—See RCA Victor R5X  
 T41—See RCA Victor Radiola 48

MANUFACTURER AND MODEL	CONTROLS							CONDENSERS				VIBRATORS			No. Tubes	Complete Tube Complement	I. F. Peak	Rider's Reference
	Use	Original Part	Circuit	Correct Replacement	Switch	Bias	*Note	Original Part	Circuit	Correct Replacement	*Note	Original Part	Replacement	*Note				
GENERAL HOUSEHOLD UTILITIES—See Grunow																		
GENERAL MOTOR CORP. 2233029	Vol. Sens.	G.M.C. 7256188 7242204	18 206	Order from Order from	Mfr.			7240724 .006	24	FP339 Buffer	B14	7239124	859	C3	6	6SK7GT, 6SA7GT, 6SQ7GT, 6V6GT, 0Z4	262	
GENERAL MOTORS "Little General"	"Day-Fan" Vol. Tone	Fan" 1202259 1202261	24 22	DRP309 MR18			A64 See Note A45	8 12	4 4	RS213 RS215					6	24, 45, 80		
F	Vol. Tone		7 22	MR34 MR39											6	36, 38		
"Day-Fan" 5AC	Vol.		11	A400P				2-2-1	3	See Note	B1				6	27, BH	1-3	
"Day-Fan" 25, 26, 27, 28	Vol.		5	MR33				†	3	See Note	B1				9	26, 27, 71, 80	1-10	
"Day-Fan" 43, 48	Vol.		5	MR33				†	3	See Note	B1				9	26, 27, 71, 80	1-10	
110	Vol. Tone		24 22	DRP309 MR18			A64 See Note A45	8 12	4 4	RS213 RS215					6	24, 45, 80	3-1	
120, 130, 140, ("A", "B") Below serial 29100A-1700B	Vol. Tone	1202073 1200197	25 41	Order from MR53	Mfr.			3-2-4-4-5	†	See Note	B1				8	24, 27, 45, 80	1-14	
120, 130, 140 ("A", "B") Between serials 29100A & 62100A, & 1700B & 1964B	Vol. Tone	1202419	24 41	DRP309 MR48			A64	3-2-4-4-5	†	See Note	B1				8	24, 27, 45, 80	1-15	
120, 130, 140 ("A", "B") Above serial 62100A, 1964B	Vol. Tone	1202419	25 41	DRP309 MR53			A64	8, 8, 8	3	RS213					8	24, 27, 45, 80	1-16	
170E	Vol. Tone	1201388 1200197	29 41	Order from MR53	Mfr.										7	32, 30, 51	1-17, 18	
180, 190	Vol. Tone	1202419	24 22	DRP309 MR18			A64 See Note A45	8 12	4 4	RS213 RS215					6	24, 45, 80	3-1	
200-201 (E2)	Vol. Tone	1203490 1203455	54 41	MR35 MR53	M26										7	32, 30, 51	3-3, 4	
211 (S9A, S9B)	Vol.	1206585	6	MR33	M26			8-8	1	TCS71					6	24, 35, 27, 47, 80	175 3-5, 6	

† Data not substantiated.

\* IMPORTANT: Read Notes in Note Section if specified in Note Column.

‡ Indicates miscellaneous section.

WHEN YOU BUY ROTARY SWITCHES BUY MALLORY.



MANUFACTURER AND MODEL	CONTROLS							CONDENSERS				VIBRATORS			No. Tubes	Complete Tube Complement	I. F. Peak	Rider's Reference
	Use	Original Part	Circuit	Correct Replacement	Switch	Bias	*Note	Original Part	Circuit	Correct Replacement	*Note	Original Part	Replacement	*Note				
<b>GENERAL MOTORS</b>	--"Day-Fan"-- Continued																	
216, 217, 219 (S1A, S1B)	Vol. Tone	1204176	6	MR34				1203346	7	RM262					7	24, 35, 27, 47, 80	175	2-7,8
		1204748	22	MR39				8	7	RS213					7	35, 27, 24, 47, 80	175	2-13,14
220 (S10A, S10B)	Vol.	1206795	8	MR20	M26			206566	1	TCS71								
250 (S1A, S1B)	Vol. Tone		6	MR33	M26			1203346	28	RM262					7	24, 35, 27, 47, 80	175	2-7,8
			22	MR39				8	28	RS213					8	24, 35, 27, 47, 80	175	2-9,10
251 (S2A, S2B)	Vol. Tone	1204177	84	MR19	M26			C6629	28	RS213					8	24, 35, 27, 47, 80	175	2-9,10
		1204749	22	MR39				8	28	RS213								
252, 253, 254, 255 256, 257, 258 (S3A, S3B)	Vol. Tone	1204246	84	MR19	M26			8, 8, 8	28	RS213					10	24, 27, 35, 45, 80	175	2-11,12
		1205253	44	MR33				15	20	TC36					2	36, 37	535	3-7,8
281 (R1A)	Vol.		4	G7														
290, 291, 292, 293 (S4A, S4B)	Vol. Tone	1204615	7	MR40	M26			8, 8	1	RS213					10	24, 27, 35, 45, 80	175	5-1,2
			22															
A5003	Vol.		4	MR33				5-3-3-1	3	See Note	B1				9	26, 27, 45, 80		1-12
A5005	Vol.		12	MR33				1-3-5-4	3	See Note	B1				7	24, 27, 80, 45		2-1,2
A5010	Vol.	14230	4	MR44				1-3-3-5	3	See Note	B1				9	26, 27, 45, 80		1-12
A5020	Vol.	14588	12	MR33				1-3-4-5	3	See Note	B3				7	24, 27, 45, 80		2-1,2
5051, MG Set	Vol.		26	MR39				2-12-4	3	See Note	B3				6	01A		1-5
5052	Vol.		26	MR33											6	01A		1-8
5057	Vol.		26	MR24				2-2-2	3	See Note	B1				7	Kellog, BH		1-6
5060	Vol.		26	MR24											6	01A		1-8
5065 AC	Vol.		26	MR33											6	26, 27, 71		1-7
5066	Vol.		26	MR33														1-7
5077	Vol.		2	MR33					3	See Note	B1				9	26, 27, 71, 80		1-11
5080	Vol.		2	MR33					3	See Note	B1				9	26, 27, 71, 80		1-11
5091	Vol.		4	G7				5-3-1-2	3	See Note	B1				9	26, 27, 45, 80		1-13
<b>GENERAL TELEVISION</b>	ION																	
"A," "B," "C"	Vol. Tone		6	MR33	M26			20-4-10	6/15	UR182-193	B110				4	12Z3, 43, 44, 77		§6-9
"E," "SW"			22	MR39	M27													
"G," "GSW," "M," "MSW"	Vol. Tone		6	MR18				4-4	4	See Note	B3				4	58, 57, 47, 80		§6-9
			22	MR39														
457	Vol.	1050	6	MR18	M26	EX300		2000	4	2S567					4	58, 57, 47, 80		§10-5
557	Vol.	1050	69	MR18	M26	EX300		2000	4	2S567					5	58, 57, 47, 80		§10-5
<b>GENERAL TELEVISION &amp; RADIO CORP.</b>	ION & RADIO CORP.																	
F56W	Vol.		18	MR48	M27			10	12	TC44					4	1A7GT, 1N5GT, 1H5GT, 3Q5GT	456	14-3,4
PR4	Vol.		6	MR24				12-12-5-5	6/15	4S715					4	6F7, 6C6, 43, 25Z5		§9-4
1A5, 2A5, 3A5, 5A5, Ch. 1-1	Vol.	20-1	18	MR48	M26			3-3	24	2N514					5	12SA7GT/G, 12SK7GT, 12SQ7GT, 50L6GT, 35Z5GT/G	456	15-1,7
4B5	Vol.	20-1	18	MR48	M26			3-3	24	2N514					5	12BE6, 12BA6, 12AT6, 50B5, 35W4	455	16-1,3
5B5	Vol.		18	MR48	M26				24	2N514					5	14Q7, 14A7, 14B6, 50A5, 35Y4	455	16-3,4
5B5G, 5B5Y	Vol.	20-1	18	MR48	M26				24	2N514					5	14Q7, 14A7, 14B6, 50A5, 35Y4	455	
9A5	Vol.	20-1	18	MR48	M26			3-3	24	2N514					5	12SA7GT/G, 12SK7GT, 12SQ7GT, 50L6GT, 35Z5GT/G	456	15-1,7
14A4F	Vol.	20-4	18	MR55	M27				12	TC42					4	1LA6, 1LN5, 1LD5, 3LP4	455	16-2,5
15A5, Ch. 1-1	Vol.	20-1	18	MR48	M26			B-3	24	2N514					5	12SA7GT/G, 12SK7GT, 12SQ7GT, 50L6GT, 35Z5GT/G	456	15-1,7
17A5	Vol.	20-1	18	MR48	M26				24	FP306	B192				5	12SA7GT, 12SK7GT, 12SQ7GT, 50L6GT, 35Z5GT/G	455	15-1,7
19 (Single End Tubes)	Vol.	2009-X	18	MR48	M26			346	24	2N514					5	12SA7G/GT, 12SK7G/GT, 12SQ7G/GT, 50L6G/GT, 35Z5G/GT	456	14-1
19 (Double End Tubes)	Vol.	2009-F	18	MR48	M26			346	24	2N514					5	12A8G/GT, 12K7G/GT, 12Q7G/GT, 50L6G/GT, 35Z5G/GT	456	14-2

† Data not substantiated.

\* IMPORTANT: Read Notes in Note Section if specified in Note Column.

‡ Indicates miscellaneous section.

MANUFACTURER AND MODEL	CONTROLS							CONDENSERS				VIBRATORS			No. Tubes	Complete Tube Complement	I. F. Peak	Rider's Reference
	Use	Original Part	Circuit	Correct Replacement	Switch	Bias	*Note	Original Part	Circuit	Correct Replacement	*Note	Original Part	Replacement	*Note				
GENERAL TELEVISION & 19A5, Ch. 1-1.....	Vol.	RADIO CORP. 20-1.....	18	Continued MR48.....	M26			3-3	24	2N514.....					5	12SA7GT/G, 12SK7GT, 12SQ7GT, 50L6GT, 35Z5GT/G, 3LF4.....	456	
21A4.....	Vol.	20-4.....	18	MR55.....	M27				12	TC42.....					4	1LA6, 1LN5, 1LH4, 3LF4.....	465	
22A5C.....	Vol.	20-1.....	18	MR48.....	M26				24	FP306.....	B192				5	14Q7, 14A7, 14B6, 50A5, 35Y4.....	455	
23A6.....	Vol.	20-4.....	18	MR55.....	M27				24	TCD48/TC48					4	1LA6, 1LN5, 1LH4, 3LF4, D. R.	455	16-4,6
24B6.....	Vol.	20-1.....	18	MR48.....	M26			3-3	24	TC2501					6	12SA7, 12SK7, 12SQ7, 35L6GT, 35Z5GT.....	455	16-2,8
25B5.....	Vol.	20-4.....	18	MR55.....	M24			3-5	24	TCD48/TC48					5	1LA6, 1LN5, 1LH4, 3LF4, 117Z6GT.....	455	16-2,10
26.....	Vol.	2009-X.....	18	MR48.....	M26			3-6 346	24	TC2501					5	12SA7G/GT, 12SK7G/GT, 12SQ7G/GT, 50L6G/GT, 35Z5G/GT.....	456	14-1
26B5.....	Vol.	20-7.....	18	Order from Mfr.....	Mfr.....				24	FP357					5	1R5, 1U4, 185, 3V4, 117Z6GT.....	455	
34.....	Vol.	2009-X.....	18	MR48.....	M26			346	24	2N514.....					5	12SA7G/GT, 12SK7G/GT, 12SQ7G/GT, 50L6G/GT, 35Z5G/GT.....	456	14-1
47.....	Vol.	2009-X.....	18	MR48.....	M26			346	24	2N514.....					5	12SA7G/GT, 12SK7G/GT, 12SQ7G/GT, 50L6G/GT, 35Z5G/GT.....	456	14-1
49.....	Vol.	2009-X.....	18	MR48.....	M26			346	24	2N514.....					5	12SA7G/GT, 12SK7G/GT, 12SQ7G/GT, 50L6G/GT, 35Z5G/GT.....	456	14-1
51 (Single End Tubes).....	Vol.	2009-X.....	18	MR48.....	M26			346	24	2N514.....					5	12SA7G/GT, 12SK7G/GT, 12SQ7G/GT, 50L6G/GT, 35Z5G/GT.....	456	14-1
51 (Double End Tubes).....	Vol.	2009-F.....	18	MR48.....	M26			346	24	2N514.....					5	12A8G/GT, 12K7G/GT, 12Q7G/GT, 50L6G/GT, 35Z5G/GT.....	456	14-2
54.....	Vol. Tone	2009-X..... 2036-X.....	106 106	MR48..... MR44.....	M26			348	46	TN129.....					6	12A8G/GT, 12K7G/GT, 12Q7G/GT, 50L6G/GT, 35Z5G/GT.....	456	14-4
57.....	Vol.	2009-X.....	18	MR48.....	M26			346	24	2N514.....					5	12SA7G/GT, 12SK7G/GT, 12SQ7G/GT, 50L6G/GT, 35Z5G/GT.....	456	14-1
88.....	Vol.	2009-X.....	18	MR48.....	M26			346	24	2N514.....					5	12SA7G/GT, 12SK7G/GT, 12SQ7G/GT, 50L6G/GT, 35Z5G/GT.....	456	14-1
91.....	Vol.	2009-X.....	18	MR48.....	M26			346	24	2N514.....					5	12SA7G/GT, 12SK7G/GT, 12SQ7G/GT, 50L6G/GT, 35Z5G/GT.....	456	14-1
411.....	Vol.	2042.....	6	MR20.....	M26		A14	343	24	2N514.....					4	12K7GT, 12SQ7GT, 50L6GT, 35Z5GT.....	456	14-5
421.....	Vol.	2042.....	6	MR20.....	M26		A14	343	24	2N514.....					4	12K7GT, 12SQ7GT, 50L6GT, 35Z5GT.....	456	14-5
511A.....	Vol.	2009-F.....	18	MR48.....	M26			346	24	2N514.....					5	12A8GT, 12K7GT, 12Q7GT, 50L6GT, 35Z5GT.....	456	14-6
520.....	Vol.	2009-F.....	18	MR48.....	M26			346	24	2N514.....					5	12A8GT, 12K7GT, 12Q7GT, 50L6GT, 35Z5GT.....	456	14-5

‡ Data not substantiated.

\* IMPORTANT: Read Notes in Note Section if specified in Note Column.

§ Indicates miscellaneous section.

USE MALLORY CAPACITORS—STANDARD OF THE INDUSTRY.

MANUFACTURER AND MODEL	CONTROLS							CONDENSERS				VIBRATORS			No. Tubes	Complete Tube Complement	I. F. Peak	Rider's Reference
	Use	Original Part	Circuit	Correct Replacement	Switch	Bias	*Note	Original Part	Circuit	Correct Replacement	*Note	Original Part	Replacement	*Note				
<b>GENERAL TELEVISION &amp; RADIO CORP.</b>																		
521.....	Vol.	2009-F	18	continued MR48	M26			346	24	2N514					5	12A8GT, 12K7GT, 12Q7GT, 50L6GT, 35Z5GT	456 14-6	
530.....	Vol.		18	MR48	M27			40-20 10 70	76 76 78	2N514 TC22					5	1A7G, 1N5G, 1H5G, 1T5G, 35Z5G	456 14-2,7	
616.....	Vol. Tone	2009X 2036X	106 106	MR48 MR44	M26			348	46	Order from TN129	Mfr.				6	12A8G/GT, 12K7G/GT, 12Q7G/GT, 50L6G/GT, 35Z5G/GT	456 14-4	
<b>GILFILLAN</b>																		
X.....	Vol. Tone		17 22			See Note	le A3 le A3	8-12 10 .01	24 15	3S584 TC22 Buffer	B8 B14		292	C3	5	6A8, 6K7, 6Q7, 6F6, 84		
4T.....	Vol.		6	MR18			A14			2S567					4	2A5, 57, 58, 80	5-3	
5AD.....	Vol.		18	MR48	M26			20-20	1	2N509					5	12A8GT, 12K7GT, 12Q7GT, 35L6GT, 35Z4	460 11-3	
5B8.....	Vol.	A33005	18	MR48				10005	23	2S567					5	6A8, 6K7, 6Q7, 6F6, 5Z4	460 9-1 175 5-3	
5C, 5T.....	Vol. Tone		18 22	MR48 MR33	M26			8-4	23	2S567					5	2A5, 2A6, 57, 58, 80		
5G-S, 5G-T.....	Vol. Tone		18 22	MR48 MR33				8-8	23	2S567					5	6SA7, 6SK7, 6SQ7, 6V6GT, 5W4	460 12-1	
5G8, 5G8T.....	Vol.	A33005	18	MR48				10005	23	2S567					5	6A7, 78, 75, 42, 80	460 9-1	
5L.....	Vol.		18	MR48	M27			40-40-40	46	FP357					5	1A7GT, 1N5GT, 1H5GT, 3Q5GT, 117Z6GT	460 12-1	
5SJ.....	Vol.		18	MR48				8-8	23	2S567					5	6A8, 6K7, 6Q7, 6F6, 5W4	460 10-2	
5S8, 5S8T.....	Vol.	A33005	18	MR48				A10005	23	2S567					5	6A7, 78, 75, 42, 80, or 6A8, 6K7, 6Q7, 6F6, 5W4	460 9-2	
5T8.....	Vol.		18	MR48	M26			A10005	23	2S567					5	6A8, 6K7, 6Q7, 6F6, 5W4 or 5Z4	460	
5 tubes all wave.....	Vol.		18	MR44	M26			8-4 10	1 19	2N518 TC22					5	6A7, 78, 75, 42, 80	460	
5X.....	Vol.		6	MR21				8-16	6	2N509					5	25Z5, 36, 39, 43	450 5-4	
6B.....	Vol.		18	MR48				40-40-100	24/78	FP309	B117				6	1A7GT, 1N5GT, 1H5GT, 3Q5GT, 6X5GT	460 12-4	
6C, 6T.....	Vol. Tone		15 22	MR48 MR33	M26			8-8 10	4 15	2S567 TC22					6	2A5, 2A7, 55, 58, 80	262.5 5-1	
6K, 6L, 6R.....	Vol.		18	MR48	M26			20-20	1	2N509					6	12SK7, 12SA7, 12SQ7, 35L6GT, 35Z5GT	460 12-2	
6U.....	Vol. Tone		18 22	MR48 MR44				16-4	23	3S584	B8				6	6K8, 6SK7, 6SQ7, 6V6GT, 6U5G, 6X5G	460 12-2	
6X8.....	Vol. Tone		17 22	MR48 MR33	M26			8, 8 10	23 19	TC71 TC32					6	6A7, 78, 75, 42, 6U5, 80	175 9-2 175 6-7	
7A.....	Vol.		15	UM154		See Note	le A96	8-8 10 .015	1 15	2N518 TC22 Buffer	B14		298	C3	7	76, 77, 78, 85, 42, 84		
7 tubes all wave.....	Vol.		18	MR44	M26			8-8 10	1 19	2N518 TC32					7	6A7, 78, 75, 42, 80	460 6-9	
7C8, 7T8.....	Vol. Tone		18 22	MR48 MR33				10	25	RS213					7	6A7, 78, 6H6, 6F5, 42, 6T5, 80	460 9-3	
8C, 8T.....	Vol. Tone		15 85	MR48 MR33	M26			8-8	36	See Note	B3				8	2A5, 2A7, 55, 56, 58, 80	262.5 5-1,2	
8C8.....	Vol. Tone		45 22	MR48 MR33				8, 8	1	ST595					8	6K7G, 6A8G, 6H6G, 6F5G, 6F6G, 5Y3, 6U5	460 9-4	
8C8E.....	Vol. Tone		7 18 22	D MR48 MR33				8, 8	1	ST595					8	6K7G, 6A8G, 6H6G, 6F5G, 6F6G, 6U5, 5Y3	460 9-5	
8T8.....	Vol. Tone		7 22	D MR48 MR33				8, 8 10	1 19	ST595 TC32					8	6K7G, 6A8G, 6H6G, 6F5G, 6F6G, 6U5, 5Y3	460 9-4	
8T8E.....	Vol. Tone		7 18 22	D MR48 MR33				8, 8 10	1 19	ST595 TC32					8	6K7G, 6A8G, 6H6G, 6F5G, 6F6G, 6U5, 5Y3	460 9-5,6	
8X.....	Vol. Tone	5-011-012 6590	7/83 22	DRP314 MR33	M26			8-8 10 .01	74 19	2N518 TC22 Buffer		18318	294	C3	8	6K7, 6A8, 6R7, 6C5, 6F6, 84	265 7-1	
11F, 11G.....	Vol. Phono		20	500M MR48	M26		A19	40, 40 10 50	1 15 15	RS224 TC22 TC29	B14				13	6SK7, 6K8, 6H6, 6F5GT/6J7GT, 6V6GT, 6SF5, 6U5, 6SJ7G, 6X5GT	460 12-3,4	

† Data not substantiated.

\* IMPORTANT: Read Notes in Note Section if specified in Note Column.

‡ Indicates miscellaneous section.

MANUFACTURER AND MODEL	Use	CONTROLS						CONDENSERS				VIBRATORS			No. Tubes	Complete Tube Complement	I. F. Peak	Rider's Reference
		Original Part	Circuit	Correct Replacement	Switch	Bias	*Note	Original Part	Circuit	Correct Replacement	*Note	Original Part	Replacement	*Note				
GILFILLAN—Continued																		
13A.....	Vol. Phono.		18	500M MR48	M26		A19	40, 40 10 50	1 15	RS224 TC22 TC29				13	6SK7, 6K8, 6H6, 6F5GT/6J7GT, 6V6GT, 6SF5, 6U5, 6S7G, 6X5GT	460	12-3,4	
13C8.....	Vol. Sen.		15 7	500M No. 1 D			See Note A19	18 10	1 1	RS219 RS215				13	6K7G, 6A8G, 6H6G, 6F5G, 6C5G, 6F6G, 6Y3, 6U5	460	9-7	
13C8E.....	Vol.		18	500M No. 1			See Note A19	18 10 25	1 1 19	RS219 RS215 TC36				13	6K7G, 6A8G, 6H6G, 6F5G, 6C5G, 6F6G, 6U5, 6Y3	460	9-7	
30.....	Vol.		6	MR18				4.4	4	TCS71				4	2A5, 57, 58, 80	175	5-3	
32.....	Vol. Tone		17 22	MR48 MR33	M26			8.4	4	TCS71				5	2A5, 2A6, 57, 58, 80	175	5-3	
33.....	Vol.		3	MR18				†	3	See Note	B4			8	27, 12A, 80	450	1-1	
34.....	Vol.		6	MR21				16-8	6	2N509				5	25Z5, 36, 39, 43	450	5-4	
35 with 71's	Vol.		7	MR34				2-2.4	3	See Note	B1			8	27, 71, 80	175	6-1	
35 with 2A5	Vol. Tone		18 22	MR48 MR33	M26			8.4	4	TCS71				5	57, 58, 2A6, 2A5, 80	175	5-3	
41.....	Vol. Tone		17 22	MR48 MR33	M26			8.4	4	TCS71				5	2A5, 2A6, 57, 58, 80	175	5-3	
42A.....	Vol.		6	H7				5-5	23	See Note	B3			4	42, 77, 78, 80		6-2	
43A.....	Vol.		6	MR18	M26			4.4	23	TCS71				4	2A5, 57, 58, 80		6-2	
44.....	Vol.		3	MR18				†	3	See Note	B3			8	27, 12A, 80		1-1	
47, 50.....	Vol. Tone		15 85	MR48 MR33	M26			8-8	36	See Note	B3			8	2A5, 2A7, 55, 56, 58, 80	262.5	5-1,2	
52A, 54A.....	Vol.		6	MR21				4.4	4	TCS71				5	77, 78, 42, 80	460	6-5	
54A (Late).....	Vol. Tone		18 22	MR48 MR33				8-8	23	2S567				5	6SA7, 6SK7, 6SQ7, 6F6G, 5Y3G	460	5-4	
55A, 55B.....	Vol.		6	MR21				16-8	6	2N509				5	25Z5, 36, 39, 43	450	5-4	
56A, 56B, 56C, 56D, 56E.....	Vol.		18	MR48	M26				24/15	FP311				5	12SA7, 12SK7, 12SQ7, 50L6GT, 35Z5GT	455	15-5 16-1	
56BC-1, 56BCR.....	Vol.		18	MR48	M26				24/15	FP311				5	12SA7, 12SK7, 12SQ7, 50L6GT, 35Z5GT	455	10-1	
56S.....	Vol. Tone		18 22	MR48 MR33				8-8	23	2S567				5	6A7, 78, 75, 41, 80	460	10-1	
60.....	Vol.		86	MR28				2-2.3	3	See Note	B1			7	26, 27, 71, BH		1-2	
62BX.....	Vol. Tone		17 22	MR48 MR33	M26			8.4	23	See Note	B3			6	5Z4, 6F5, 6F6, 6H6, 6J7, 6K7	175	6-4	
63B, 63X (AC).....	Vol.		17	MR44	M26			8-8	19	See Note	B3			6	5Z4, 6A8, 6F5, 6F6, 6H6, 6K7	460	6-4	
66.....	Vol.		3	E12				10	3	See Note	B1			9	10, 27, 81		1-2	
66A, 66AM, 66D, 66DM.....	Vol.	A10-23112	18	Order from	Mfr.				1/15	FP339				6	6SK7, 6SA7, 6SQ7, 6V6GT, 6X5GT	455	16-2,4	
66B "The Overland".....	Vol.	A10-23114	18	Order from	Mfr.				1/78	FP311 TC2501				6	1N5GT, 1A7GT, 1H5GT, 3Q5GT, 117Z6GT	455	16-3	
66P, 66PM "The El Dorado".....	Vol. Tone	66PM-14 66PM-13	208 173	MR48 MR48	M26				1/15	FP339				6	6SK7, 6SA7, 6SQ7, 6V6GT/G, 6X5GT	455	16-4	
66S.....	Vol. Tone		18 22	MR48 MR33				12 16, 16	25 25/13	ST597 ST597				6	6K8, 78, 75, 41, 80, 6U5	460	10-1	
67A, 67R.....	Vol. Tone		18 22	UM154 UM134		A96 A96	A10002 .005		4	2S567 Buffer	B14	V5105	294	C3	6	6K7, 6A8G, 6Q7G, 6K6G, 84	252.5	
68F.....	Vol.		161	Order from	Mfr.				80/15/12 80/15	FP311 FP313				6	12BE6, 12BA6, 12A16, 12A17 35L6GT, 35W4	455	21.75	
77.....	Vol.		3	MR18				†	3	See Note	B4			8	12, 27, 80		1-1	
77R.....	Vol. Tone		45 22	UM154 UM134		A96 A96	A10002 .005		4	2S567 Buffer	B14	V5105	294	C3	7	6K7G, 6A8G, 6H6G, 6F5G, 6F6G, 84	252.5	
78B, 78X.....	Vol. Tone		17 76	MR48 MR33			8-8 10		19	See Note	B3			7	5Z4, 6A8, 6F5, 6F6, 6H6, 6K7	460	6-5	
86 Series.....	Vol. Tone	A10-23469 A10-23468	18 22	MR48 MR41	M26			86-25	1 13	FP238 TC71				8	6SG7, 6SA7, 6SK7, 6SQ7, 6V6GT, 5Y3GT	455	16-5,6	
87R.....	Vol. Tone		45 22	UM154 UM133		See Note See Note	A96 A96	A10002 .005	4	2S567 Buffer	B14	V5105	294	C3	8	6K7G, 6A8G, 6H6G, 6F5G, 6C5G, 6N7G, 84	262.5	
100 with 45.....	Vol.		6	MR18				2-2.2	3	See Note	B1			8	27, 45, 80		1-1	
100 with PP71.....	Vol.		58	MR34				2-2.4	3	See Note	B1			8	27, 71A, 80		6-1	
105, 106 (1st Type).....	Vol. Tone		6 22	MR21 MR21				2-2	1	See Note	B1			6	24, 45, 80		3-1	
116B, 116X, 117B, 117X.....	Vol. Tone Sen.		46 76	MR48 MR44	M26			16 18	1 1	RS216 RS216				11	6K7, 6A8, 6H6, 6C5, 6F6, 5Z4	460	6-6	
402T.....	Vol.		7	UC500				10	19	TC32				4	78, 77, 42, 80		7-2	
410.....	Vol.		6	MR21			A14	5-5	23	TCS71				4	57, 58, 2A5, 80		6-7	
412T.....	Vol.		6	MR18				4.4	23	TCS71				4	58, 57, 2A5, 80		7-2	
501T.....	Vol. Tone		18 22	MR48 MR33				5, 5 10	23 15	ST595 TC22				5	6A7, 6D6, 75, 42, 80	460	9-8	

† Data not substantiated.

\* IMPORTANT: Read Notes in Note Section if specified in Note Column.

§ Indicates miscellaneous section.

MANUFACTURER AND MODEL	CONTROLS							CONDENSERS				VIBRATORS			No. Tubes	Complete Tube Complement	I. F. Peak	Rider's Reference
	Use	Original Part	Circuit	Correct Replacement	Switch	Bias	*Note	Original Part	Circuit	Correct Replacement	*Note	Original Part	Replacement	*Note				
<b>GILFILLAN—Continued</b>																		
510.....	Vol. Tone		18	MR48.....	M26		8-4	23	TCS71.....					5	57, 58, 2A6, 80, 2A5..	175	6-8	
515.....	Vol. Tone		22	MR33.....			8-4	1	2N518.....					5	6A7, 78, 75, 42, 80...	460	6-9	
520.....	Vol. Tone		18	MR48.....	M26		10.....	19	TC22.....					5	57, 58, 2A6, 2A5, 80..	175	6-8	
521T-C.....	Vol. Tone		18	MR48.....			8-4	23	TCS71.....	B3				5	6A7, 6D6, 75, 42, 80..	460	8-1	
525.....	Vol. Tone		22	MR33.....			10.....	15	TC22.....					5	6A7, 78, 75, 42, 80...	460	6-9	
615.....	Vol. Tone		18	MR44.....	M26		8-4	1	TCS71.....					5	6A7, 78, 75, 42, 80...	460	6-9	
625.....	Vol. Tone		10.....				8-8	4	TC32.....	B3				6	2A7, 58, 55, 2A5, 80..	262.5	6-10	
700.....	Vol. Tone		22	MR33.....			10.....	15	TC22.....					6	2A7, 58, 55, 2A5, 80..	262.5	6-10	
711T.....	Vol. Tone	8116.....	45	MR48.....	M26		8-8	4	See Note.....	B3				7	42, 76, *77, 78, 84, 85.	175	6-7	
715.....	Vol. Tone	8117.....	22	MR33.....			10.....	15	TC22.....					6	2A7, 58, 55, 2A5, 80..	262.5	6-10	
723T-C.....	Vol. Tone		45	MR44.....			8-8	1	See Note.....	B3				7	6A8, 6K7, 6H6, 6G5, 6F5, 6F6, 5Y3.....	175	8-2	
725.....	Vol. Tone		41	MR48.....			10.....	19	TC32.....					7	6A7, 78, 75, 42, 80...	460	6-9	
731T-C.....	Vol. Tone		18	MR44.....	M26		8.....	12	TC42.....					7	1C6, *34, *30, 32, 19..	460	7-2	
815, 825.....	Vol. Tone		18	MR44.....			5.....	78	TC42.....					7	6A7, *78, 75, *42, 80..	460	6-9	
831T-C.....	Vol. Tone	5-011-012.....	7/17	DRP314.....			8-8	1	2N518.....					7	6A8, 6K7, 6H6, 6G5, 6F5, 6F6, 5Y3.....	460	8-3	
1131C.....	Vol. Tone	1-010-334.....	2/22	MR33.....			10.....	19	TC22.....					8	2A7, 58, 55, 56, 2A5, 80..	262.5	6-10	
1331C.....	Vol. Tone		7/83	DRP314.....			8-8	1	2N518.....	B3				8	*6K7, 6A8, 6B7, 6G5, 6F6, 5Y3.....	462	7-3	
			44	MR33.....			10.....	19	TC22.....					11	*6K7, 6A8, 6R7, 6G5, *6C5, *6F6, 5X4G..	462	7-4	
			7/46	DRP314.....			8.....	13	TC71.....					13	*6K7, 6A8, 6H6, 6G5, 6Q7, *6C5, *6F6, 5X4G.....	462	8-4	
			44	MR33.....			25.....	19	TC26.....									
							16.....	1	RS216.....									
							18.....	1	RS219.....									
							10.....	19	TC22.....									
							16.....	1	RS216.....									
							8.....	13	RS219.....									
							25.....	19	TC71.....									
							16.....	1	RS216.....									
							8.....	13	TC71.....									
							25.....	15	TC26.....									
<b>GILT EDGE—See Airking</b>																		
<b>GLOBE</b>																		
5BP1.....	Vol.		18	MR50.....				24	TC49.....					5	1A7GT/1R5, 1NSGT/1T4, 1HSGT/1S5, 3Q5GT/3Q4, 117Z3	455	15-1	
6AP1, 6P1.....	Vol.		161	MR48.....	M26			24	FP306.....	B192				6	*14A7/*12B7, 14Q7, 14B6, 35A5, 35Y4..	455		
6U1.....	Vol.		161	MR48.....	M26			24	FP306.....	B192				6	*14A7/*12B7, 14Q7, 14B6, 35A5, 35Y4..	455		
7CP-1.....	Vol.		18	MR48.....	M26			24	2N520.....					5	12SA7GT, 12SK7GT, 12SQ7GT, 50L6GT, 35Z5GT..	455		
51.....	Vol.		18	MR48.....	M26			24	2N520.....					5	12SA7GT, 12SK7GT, 12SQ7GT, 50L6GT, 35Z5GT..	455		
62C.....	Vol. Tone		161	MR48.....	M26			24	2N520.....					6	14Q7, *14A7, 14B6, 35A5, 35Y4..	455		
500.....	Vol. Tone		21	MR48.....				1	2N513.....					5	7A7, 7C7, 14B6, 35A5, 35Z5GT..	455		
517.....	Vol.		161	MK401.....	M26			24	2N520.....					5	14Q7, 14A7, 14B6, 50L6GT, 35Y4..	455		
551.....	Vol.		18	MR48.....	M26			1	FP306.....	B192				5	14Q7, 14A7, 14B6, 35A5, 35Y4..	455		
552.....	Vol.		161	MR48.....	M26			24	2N520.....					5	12SA7GT, 12SK7GT, 12SQ7GT, 50L6GT, 35Z5GT..	455		
553.....	Vol.		18	MR55.....	M26			24	2N520.....					5	12SA7GT, 12SK7GT, 12SQ7GT, 50L6GT, 35Z5GT..	455		
601.....	Vol.		18	MR48.....	M26			24	2N513.....					6	*14A7/*12B7, 14Q7, 14B6, 35A5, 35Y4..	455		
<b>GLORIATONE—See</b>	U. S. Radio & Tel.																	
<b>GODFREY</b>																		
6AD.....	Vol.		15	MR48.....	M26			1	2N509.....					3	6SJ7GT, 25L6GT, 25Z6GT..			
6SM.....	Vol.		213	MR48.....	M26			15	TC22.....					3	6SJ7GT, 6V6GT, 5Y3GT..			
								15	2N518.....									
								15	TC22.....									

‡ Data not substantiated.

\* IMPORTANT: Read Notes in Note Section if specified in Note Column.

§ Indicates miscellaneous section.

MANUFACTURER AND MODEL	CONTROLS							CONDENSERS				VIBRATORS			No. Tubes	Complete Tube Complement	I. F. Peak	Rider's Reference
	Use	Original Part	Circuit	Correct Replacement	Switch	Bias	*Note	Original Part	Circuit	Correct Replacement	*Note	Original Part	Replacement	*Note				
<b>GOLDENTONE</b>																		
L5.....	Vol. Tone	P660..... P661.....	18 34	MR48..... MR39.....	M26			P474..... P160..... P304..... P474..... P160..... P304.....	32 32 15 32 32 15	HD684..... 2S567..... TC22.....	B81				7	5Z4, 6F5, 6H6, 6K7, 6L7, 6C5, 6F6	456	
L6.....	Vol. Tone	P660..... P661.....	18 44	MR48..... MR39.....	M26			P474..... P160..... P304.....	32 32 15	HD684..... 2S567..... TC22.....	B81				8	5Z4, 6C5, 6F6, 6K7, 6L7, 6Q7	456	
L7.....	Vol. Tone	P691.....	45	Order from MR39.....	Mfr.			P391.....	1	2N516		P402	245C	C3	7	1C6, 19, 30, 34	456	
Z4.....	Vol. Tone	P682..... P680.....	45 45	Order from MR39.....	Mfr.			.01-.01 P391.....	1	Buffer 2N516	B14	P402	245C	C3	6	1C6, 19, 30, 32, 34	456	
Z5.....	Vol. Tone	P682..... P691..... P962.....	44 45 44	MR39..... Order from MR39.....	Mfr.			.01-.01 P958..... .01-.01	1	Buffer 2N516 Buffer	B14	P402	245C	C3	6	1C6, 19, 30, 32, 34	456	
<b>GOLD MEDAL</b>																		
L5.....	Vol. Tone	P660..... P661.....	18 34	MR48..... MR39.....	M26			P474..... P160..... P304..... P474..... P160..... P304.....	32 32 15 32 32 15	HD684..... 2S567..... TC22.....	B81				7	5Z4, 6F5, 6F6, 6H6, 6K7, 6L7, 6C5	456	
L6.....	Vol. Tone	P660..... P661.....	18 44	MR48..... MR39.....	M26			P474..... P160..... P304.....	32 32 15	HD684..... 2S567..... TC22.....	B81				8	5Z4, 6C5, 6F6, 6K7, 6L7, 6Q7	456	
L7.....	Vol. Tone	P691.....	45	Order from MR39.....	Mfr.			P391.....	1	2N516		P402	245C	C3	7	1C6, 19, 30, 34	456	
Z4.....	Vol. Tone	P682..... P680.....	45 45	Order from MR39.....	Mfr.			.01-.01 P391.....	1	Buffer 2N516	B14	P402	245C	C3	6	1C6, 19, 30, 32, 34	456	
Z5.....	Vol. Tone	P682..... P691..... P962.....	44 45 44	MR39..... Order from MR39.....	Mfr.			.01-.01 P391..... .01-.01	1	Buffer 2N516 Buffer	B14	P402	245C	C3	6	1C6, 19, 30, 32, 34	456	
<b>B. F. GOODRICH</b>																		
R399.....	Mantola Vol.	P912.....	18	MR53.....	M26			5-5	23	RM262					5	6A7, 6D6, 75, 41, 80	456	12-1,2
R400.....	Vol.	P934.....	18	MR48.....	M26			P160	1	2N518					5	6A7, 6D6, 75, 42, 80	456	12-2,3
R401.....	Vol. Tone	P943.....	34	MR39.....	M26			8-4	1	2N518					5	6A8, 6K7, 6Q7, 6F6, 5W4	456	12-4
R404.....	Vol. Tone	P1579..... P1642.....	18 22	MR48..... MR39.....	M26			P1591.....	23	2S567					6	6A7, 6D6, 75, 41, 6H5, 80	456	12-2,5
R405.....	Vol. Tone	P1749..... P1750.....	139 139	MRT427..... UM160-SS1	M26			16-4	23	3S584.....	B8				7	6A7, 6D6, 76, 75, 42, 6U5, 80	456	12-1,2,7
R410.....	Vol. Tone	P1158..... P1159..... P1166.....	15 44 15	MRT436..... MR33..... MRT440.....	M26			P1156..... P1155..... P1154.....	19 1 13	RS223..... RS216..... RS224.....					11	6K7, 6A7, 6H6, 6C5, 6F6, 6G5, 5Z3	456	12-6
R411.....	Vol. Tone	P1167..... P1821.....	44 140	MR33..... MRT436.....	M26	A4 A4		5	15	TC22					8	6A7, 6D6, 76, 75, 42, 80	456	12-7
R412.....	Vol. Tone	P1822..... P2935.....	140 18	UM160-SS1 MR48.....	M26			P1825..... P1873..... P2936.....	1/13 15 1	3S584..... TC22..... 2N509					5	6A7, 6D6, 75, 25L6, 25Z5	455	12-8,10
R412A.....	Vol.	P3346.....	18	Order from	Mfr.			P3355.....	24	2N514					5	12SA7GT, 12K7GT, 12SQ7GT, 50L6GT, 35Z5GT	455	12-8,10
R413.....	Vol.	P2935.....	18	MR48.....	M26			P2936.....	1	2N509					5	6A7, 6D6, 75, 25L6, 25Z5	455	12-9,10
R413A.....	Vol.	P3346.....	18	Order from	Mfr.			P3355.....	24	2N514					5	12SA7GT, 12K7GT, 12SQ7GT, 50L6GT, 35Z5GT	455	12-9,10
R414.....	Vol.	P2450A.....	18	MR48.....	M26			P2456.....	23	TC71					5	6A7, 6D6, 75, 41, 80	456	12-11
R415A.....	Vol.	P3099.....	18	MR48.....	M26			P2936.....	1	2N509					5	6A7, 6D6, 75, 25L6, 25Z5	456	12-5,10
R416.....	Vol.	P3082.....	18	MR48.....	M26			P3086.....	1/15	TCS74/TC26					6	6A7, 6D6, 75, 76, 41, 80	456	12-11
R419.....	Vol.	P3015.....	18	MK401.....	M27			P3024.....	12	TC42					4	1A7G, 1N5G, 1H5G, 1Q5G	455	12-13,2
R419B.....	Vol.	P3317.....	18	MK401.....	M27			P3024.....	12	TC42					4	1A7G, 1N5G, 1H5G, 1Q5G	455	12-12
R420.....	Vol. Tone	P691..... P692.....	45 44	Order from MR39.....	Mfr.			P958.....	1	2N518		P402	245C		6	1C6, 34, 30, 32, 19	456	12-13,14
R421.....	Vol. Tone	P1677..... P1764.....	18 44	MR48..... MR39.....	M27			.01-.01 P958.....	1	Buffer 2N518	B14	P402	245C	C3	6	6D8G, 6S7G, 6T7G, 30, 19	456	12-15,27
R422.....	Vol. Tone	P2136..... P2137.....	18 34	Order from MR39.....	Mfr.			P2140.....	1/15	3S579		P1414	859	C3	6	6D8G, 6S7G, 6T7G, 6G6G, 6L5G, 6Z5Y5G	456	12-16
R423.....	Vol. Tone	P3335..... P3337.....	18 22	MK401..... MK401.....	M26			10-10	1	FP231					7	6A7, 6D6, 75, 41, 76, 80	455	12-17
R424.....	Vol. Tone	P3337.....	22	MK401.....	M26			20-20-20	1/15	3N533					6	12SK7, 12SA7, 12SQ7, 35L6, 35Z5	455	12-3,14
R425.....	Vol. Tone	P1579..... P1642.....	62 22	MR48..... MR39.....	M26			10	19	TC22					5	1A6, 1A4, 30, 1G5G, 1B1 (Ballast)	456	12-18
R427, R428.....	Vol. Tone	P2600.....	18	MK401.....	M27			P2602.....	19	TC26					4	1A7G, 1N5G, 1H5G, 1Q5G	455	12-19,14
R429.....	Vol.		149	MR53.....	M27			20-30 40-40	1 78	2N513 *TC29					5	1A7GT, 1N5GT, 1H5GT, 3Q5GT, 70L7GT	455	13-1
R436.....	Vol. Tone	P3335..... P3337.....	18 22	MK401..... MK401.....	M26			P3419.....	1	FP231					7	6A7, 6D6, 75, 41, 76, 80	455	12-17
R437.....	Vol. Tone	P3471..... P3472.....	45 15	MK401..... Order from	Mfr.			P1993..... P3478.....	25 25/14	RS223..... FP238					11	6A8G, 6K7G, 6F5G, 6F6G, 5Z3	455	12-20
R450.....	Vol.	P3746.....	18	MK401.....	M26			P3355.....	24	2N514					5	12SA7, 12SK7, 12SQ7, 50L6, 35Z5	455	12-21,14

‡ Data not substantiated.

\* IMPORTANT: Read Notes in Note Section if specified in Note Column.

§ Indicates miscellaneous section.

THERE'S A FULL RANGE OF MALLORY VITREOUS ENAMEL RESISTORS FOR EVERY PURPOSE.

MANUFACTURER AND MODEL	CONTROLS							CONDENSERS				VIBRATORS			No. Tubes	Complete Tube Complement	I. F. Peak	Rider's Reference	
	Use	Original Part	Circuit	Correct Replacement	Switch	Bias	*Note	Original Part	Circuit	Correct Replacement	*Note	Original Part	Replacement	*Note					
<b>B. F. GOODRICH—</b>	Continued																		
R451.....	Vol.	P4060.....	18	MK401.....	M26			P4212.....	1	2N513						5	12SA7, 12SK7, 12SQ7, 50L6, 35Z5.....	455	12-19,23
R452.....	Vol.	P4060.....	18	MK401.....	M26			P3531.....	1/15	3N527						5	12SA7, 12SK7, 12SQ7, 50L6, 35Z5, BT1000.....	455	12-22,23
R453.....	Vol.	P4089.....	62	TM231-SS22	M26			P4130.....	1/15	FP339						6	6SA7, 6SK7, 6SQ7, 6K6G, 5Y3G.....	455	12-22,23
R454.....	Vol. Tone	P4089.....	62	TM231-SS22	M26			P4130.....	1/15	FP339						7	6SK7, 6SA7, 6SQ7, 6K6G, 5Y3G.....	455	12-24,23
R458.....	Vol. Tone	P4089.....	62	TM231-SS22	M26			P4264.....	1/15	FP444	B8					7	6SK7, 6SA7, 6SQ7, 6K6G, 5Y3G.....	455	12-23,24
R459.....	Vol.	P4349.....	124	Order from Mfr.				P4372.....	25/13	2S569						12	6AB7, 6SA7, 6SK7, 6SQ7, 6J5GT.....		
R460.....	Vol.	P3961.....	18	UM161-SS18	M27			P3971.....	†	FP409						6	1N5, 1A7, 1H5, 3Q5, 117Z6.....	455	12-25
R470.....	Vol.	P2600.....	18	MK401.....	M27			P2602.....	19	TC26						4	1A7, 1N5, 1H5, 3Q5.....	455	12-15,10
R471.....	Vol.	P3720.....	18	MK402.....	M27			P3024.....	12	TC42						5	1A7GT, 1N5GT, 1N5GT, 1H5GT, 1Q5GT.....	455	12-21,14
R478.....	Vol.	P3720.....	18	MK402.....	M27			P3024.....	12	TC42						5	1A7GT, 1P5GT, 1N5GT, 1H5GT, 1Q5GT.....	455	12-28,10
R480.....	Vol. Tone	P4089.....	62	TM231-SS22	M26			P4264.....	1/15	FP444	B8					7	6SK7, 6SA7, 6SQ7, 6K6G, 5Y3G.....	455	12-26
R630-RP.....	Vol.	75B1-9.....	165	MK402.....	M26			67A10.....	24	2N521						3	14B6, 50A5, 35Y4.....		
R-643-W, R-643-PM	Vol.	75B1-1.....	157	MK402.....	M27			67A4-2.....	12	TC40						4	1A7GT, 1N5GT, 1H5GT, 3Q5GT.....	455	15-1,3
R652, R652N.....	Vol.	75B1-10C.....	46	MK402.....	M27			67C7.....	22/78	FP309						5	1A7GT, 1N5GT, 1H5GT, 3Q5GT, D. R.....	455	15-4,5
R654-PM, R654-PV	Vol.	75B1-6.....	18	MK402.....	M26			67A8.....	88	TN129						5	12SA7, 12SK7, 12SQ7, 50L6GT, 35Z5GT.....	455	15-6,7
R655W, Ch. 501APH	Vol.	75B3-2.....	169	DTM283-SS25	M26			67A8.....	91	TN129						5	12SA7, 12SK7, 12SQ7GT, 50L6GT, 35Z5GT.....	455	15-7,8
R662, R662N.....	Vol.	75B1-100.....	17	MK402.....	M27			67C7-42.....	22/78	FP309						6	1N5GT, 1A7GT, 1H5GT, 3Q5GT, 117Z6GT.....	455	15-9,10
R664-PM, R664-PV, R664-W	Vol.	75B3-2.....	18	MK401.....	M26			67A8.....	91	TN219						6	12SJ7, 12SA7, 12SK7, 12SQ7GT, 35L6GT, 35Z5GT.....	455	15-11,12
R7543.....	Vol.	20-1.....	18	MR48.....	M26			3-1.....	24	FP306	B19‡					5	12SA7GT, 12SK7GT, 12SQ7GT, 50L6GT, 35Z5GT.....	455	
R76162, Fact. No. 7161-16	Vol. Tone	B54466-2.....	151	MR48.....				B55487-1.....	111	TN129						6	12BE6, 12BA6, 12AT6, 35B5, D. R.....	455	
R76262, Fact. No. 7160-17	Vol. Tone	B54466-2.....	151	MR48.....	M26			B55487-1.....	111	TN129						6	12BE6, 12BA6, 12AT6, 35B5, D. R.....	455	
R78162, Fact. No. 2901-18	Vol. Tone	B58218-1.....	168	Order from MR53	M26			B57950.....	1/15/13	FP429						8	6BA6, 6BE6, 6SG7, 6SQ7, 6H6, 6V6GT, 5Y3GT.....	455	10,7
R78262, Fact. No. 7901-19	Vol. Tone	B58218-1.....	168	Order from MR53	M26			B55520-1.....	19	TC48						8	6BA6, 6BE6, 6SG7, 6SQ7, 6H6, 6V6GT, 5Y3GT.....	455	10,7
24B6.....	Vol.	20-1.....	18	MR48.....	M26			3-3.....	24	2N514						6	12SA7GT, 12SK7GT, 12SQ7GT, 35L6GT, 35Z5GT.....	455	
<b>GOODYEAR</b>																			
45-01005.....	Vol. Tone	101-23.....	18	MR53.....	M26			103-8.....	4	RS216						7	6K7, 6C6, 6C5, 6B7 or 75, 42, 80.....	465	13-1,2
404.....	Vol. Fil.	101-24.....	57	MR44.....				103-4.....	4	RS216						4	1A6, 32, 33.....	465	10-1
504.....	Vol. Tone	101-25.....	29	Order from M4R				119-28.....	1	2N516		126-4.....	246	C3	5	6D8G, 6S7G, 6T7G, 1F5G, 6N5.....	465	10-2	
522.....	Vol. Fil.	101-56.....	18	MR53.....	M27			.005.....	19	Buffer, TC22	B14				5	1A6, 34, 30, 32, 950.....	465	11-1	
523.....	Vol. Fil.	101-72.....	22	MR44.....				119-22.....	19	TC22					5	1A6, 1A4, 30, 950.....	465	8-1	
525.....	Vol. Fil.	101-43.....	62	MR53.....	M26			119-22.....	19	TC22					5	6D6, 75, 43, 25Z5.....	456	11-2	
550.....	Vol.	101-44.....	29	C6R.....				C525.....	11	UR182-193	B31				5	2A7, 58, 2A6, 2A5, 70.....	456	10-3	
566.....	Vol.	V601.....	17	MR48.....	M26			P1003.....	4	2S567					5	6A8, 6K7, 75, 41, 84/6Z4.....	465	11-3	
570.....	Vol.	P1008.....	17	MR48.....	M26			119-20.....	4	2S567		126-1.....	294	C3	5	6D6, 75, 43, 25Z5.....	456	6-1	
		P101-41.....	18	UM154-SS17	M26			.01.....	11	Buffer, UR182-193	B14								

† Data not substantiated.

\* IMPORTANT: Read Notes in Note Section if specified in Note Column.

‡ Indicates miscellaneous section.

MANUFACTURER AND MODEL	CONTROLS							CONDENSERS				VIBRATORS			No. Tubes	Complete Tube Complement	I. F. Peak	Rider's Reference
	Use	Original Part	Circuit	Correct Replacement	Switch	Bias	*Note	Original Part	Circuit	Correct Replacement	*Note	Original Part	Replacement	*Note				
<b>GOODYEAR—Continued</b>																		
575	Vol.	101-10	6	MR36	M26	EX100	P119-6	4	2S567					5	2A5, 757, 58, 80	175	6-2	
578 Ser. A	Vol.	101-35	56	MR53			103-6	4	RS213					5	6A7, 6D6, 6B7, 42, 80	465	10-4	
580	Vol.	101-9	17	MR48	M26		103-7	4	RS213									
585 Series A, B, C	Vol.	101-18	18	MR48	M26		119-15	4	2S567	B14	142-4	298	C3	5	6D6, 6A7, 75, 42, 84	175	7-4	
							.01	1	Buffer									
							4-3	4	2N518	B20				5	6F7, 6D6, 75, 42, 80	370	10-5	
							P103-6	1	RS213	B20						465	9-1,2	
							P103-7	4	RS213	B20								
586	Vol.	P101-49	18	MR53	M26		103-6	42	RS213					5	6A7, 78, 75, 41, 80	465	11-4	
							103-7	42	RS213									
588	Vol.	101-71	18	MR53	M26		119-38	23	2S567					5	7A8, 6K7, 6Q7, 6F6, 5Y3	465	8-3,4	
601 (Runs 1, 2)	Vol.	101-54	18	MR53	M26		119-25	11	2S567/TC44					5	6A7, 78, 75, 43, 25Z5	465	10-7	
	Tone	101-55	22	MR53														
602	Vol.	101-77	18	MR53	M26		119-39	1	2S556					5	6A8, 6K7, 6R7, 25L6, 25Z6, 1A9B	465	8-2 & 10-8	
							119-42	4	TC844	B20								
660	Vol.	V603	17	MR48	M26		C550	4	TC871		V660	Order from Mfr.		6	*6D6, 6A7, 75, 89, 6Z4	175	11-5	
661	Vol.	101-41	18	UM154-SS17	M26		119-37	4	2S567		126-1	294	C3	6	*6K7, 6A8, 6Q7, 41, 6X5	465	8-5	
							.005	1	Buffer	B14								
666 (Runs 1, 2)	Vol.	101-41	127	UM154-SS17	M26		119-21	1	2N518	B14	126-1	294	C3	6	*6K7, 6A8, 6Q7, 6N6, 6X5/84	465	10-9,10	
							.01	1	Buffer									
667	Vol.	101-73	17	UM147-SS17	M26		119-34	4	RM262	B14	126-1	294	C3	6	*6K7, 6A8, 6Q7, 6F6, 6X5	262.5	8-6	
	Tone	101-45	22	Order from Mfr.			.01	4	Buffer									
670	Vol.	101-9	17	MR48	M26		P103-2	4	RM262	B14	142-1	298	C3	6	6C6, 6D6, 42, 75, 78, 84	175	6-3,4	
							20	15	TC26									
							.02		Buffer	B14								
675	Vol.	101-11	18	MR48	M26		P103-4	4	RS216					6	2A5, 2A6, 27, 57, 58, 80	370	6-5,6	
							P103-3	4	RS216									
680	Vol.	P101-21	56	MR48	M26	EC256	P119-17	4	TC871		142-4	298	C3	6	*6D6, 6A7, 6B7, 42, 84	175	11-6	
							.01		Buffer	B14								
685 (Runs 1, 2)	Vol.	101-46	18	MR53	M26		103-6	42	RS213					6	6L7, 6K7G, 6Q7G, 6C5, 6F6G, 5Y3	465	11-7	
							103-7	42	RS213									
686 (Runs 1, 2)	Vol.	101-46	18	MR53	M26		103-6	42	RS213					6	6L7, 6K7, 6Q7, 6C5, 6F6, 5Y3	465	11-7	
	Tone	101-53	22	MR33			103-7	42	RS213									
690	Vol.	P101-21	56	MR48	M26	EC256	P119-17	4	TC871		142-4	298	C3	6	*6D6, 6A7, 6B7, 42, 84	175	12-6	
							.01		Buffer	B14								
691	Vol.	101-93	18	MR53	M26		119-45	23	2S567					6	6L7, 6K7, 6Q7, 6F6, 6C5, 5Y3	465	10-11,12	
							103-6	4	RS213									
741	Vol.	101-74	18	MR53	M26		103-14	4	RS216					7	6A8, 6K7, 6Q7, 6C5, *6F6, 5Y3	465	8-7,8	
	Tone	101-75	22	MR44			40-40	4	*TC49					6	6A7, 6D6, 75, *25L6G, 25Z5, BM17C	456	10-20	
749	Vol.		18															
	Tone		21															
770	Vol.	P101-37	56	MRT436	M26		103-4	4	RS216					7	*6K7, 6C6, 6C5, 6B7, 42, 80	465	11-8	
	Tone	P101-38	21	SRP286	8		103-8	4	RS216									
777 series A	Vol.	101-23	18	MR53	M26		P103-4	4	RS216					7	*6D6, 6C6, 76, 75, 42, 80	465	7-1,3	
	Tone	101-24	57	MR44			P103-3	4	RS216									
777 series B	Vol.	101-23	56	MR53	M26		P103-8	4	RS216					7	*6D6, 6C6, 76, 6B7, 42, 80	465	7-1,3	
	Tone	101-24	57	MR44			P103-4	4	RS216									
778	Vol.	101-47	124	MRT436	M26		103-8	25	RS216					7	*6K7, 6J7, 6C5, 6Q7, 6F6, 5Y3/5W4	465	11-9,10	
	Tone	101-38	21	SRP286	8		103-6	25	RS213									
787	Vol.	101-46	18	MR53	M26		103-6	23	RS213					7	6L7, 6K7, 6C5, 6G5, 6Q7, 6F6, 5W4	465	10-16	
	Tone	101-53	22	MR53			103-7	23	RS213									
888, 889	Vol.	101-65	18	MR48	M26		103-13	25	RS213					8	*6K7, 6J7, 6Q7, 6F6, *6G5, 5Y3	465	9-3,4	
	Tone	101-53	22	MR33			103-12	25	RS216									
1070 (Runs 1, 2)	Vol.	101-36	15	DTM287-SS1	M26		103-8	1	RS216					10	*6K7, 6L7, *6C5, 6H6, *6F6, 5Z4	465	10-13,14	
	Tone	101-40	34	Order from Mfr.			103-10	1	RS223									
							119-19	15	*TC26									
1170, 1171	Vol.	101-47	15	MRT436	M26		103-8	25	RS216					11	*6K7, 6J7, 6C5, 6H6, 6F5, 6G5, *6F6, 5Z4	465	10-15	
	Tone	101-40	22	Order from Mfr.			103-10	25	RS223									
1173	Vol.	101-76	20	DTM287-SS1	M26		103-10	25	RS223					11	*6K7, 6J7, 6C5, 6H6, 6F5, *6F6, 5Z3, 6G5	465	8-9,10	
	Tone	101-62	22	Order from Mfr.			103-8	25	RS216									
1174	Vol.	101-36	20	DTM287-SS1	M26		103-5	30	RS213					11	*6K7, 6J7, 6C5, 6H6, 6F5, *6F6, 5Z3, 6G5	465	9-5,6	
	Tone	101-40	22	Order from Mfr.			103-10	30	RS223									
							103-8	30	RS216									
1175	Vol.	101-102	15	DTM287-SS1	M26		103-10	25	RS223					11	*6K7, 6J7, 6C5, 6U5, 6H6, 6F5, 6J5, *6F6, 5U4	465	10-17,19	
	Tone	101-103	22	SRP286	8													
01006	Vol.	49102	18	MR48	M26		31100	6/13	TN129					5	6A7, 6K7, 75, 25L6, 25Z5	470	12-1,2,4	
01007	Vol.	49107	124			A19	31102	25	RS223					6	6A8G, 6K7G, 6J5G, 6K5G, 6V6G, 5Y4G	470	12-2,4	
01009 (Ch. 526E), 01010 (Ch. 526I)	Vol.	101-107	18	UM154-SS18	M26		119-47D	23	2S567					5	6A8G, 6K7, 6Q7G, 6K6G, 5Y3G	465	10-21	
01018 (Runs 1, 2) (Ch. 880)	Vol.	101-21	15	MR48	M26	EC256	119-16	1	2S569	B14	142-4	298	C3	8	*6D6, 6A7, 85, *76, 84, 6A6	465	10-22	
	Tone	101-39	22	MR39			.015		Buffer	B8								
01020 (Ch. 881)	Vol.	101-86	18	UM150-SS17			119-43	4	3S584	B14	126-1	294	C3	8	*6K7, 6A8, 6R7, 6C5, *6V6, 0Z4	262.5	10-23	
							.003		Buffer									
01029 (Ch. 860)	Vol.	101-97	18	MR53			103-6	4	RS213					8	6A8, 6K7, 6Q7, 6C5, 6U5, *6F6, 5Y3	465	10-24	
	Tone	101-98	22	MR44	M26		103-14	4	RS216									

‡ Data not substantiated.

\* IMPORTANT: Read Notes in Note Section if specified in Note Column.

§ Indicates miscellaneous section.

GRID BIAS CELLS ARE EXCLUSIVE WITH MALLORY!



MANUFACTURER AND MODEL	CONTROLS							CONDENSERS				VIBRATORS			No. Tubes	Complete Tube Complement	I. F. Peak	Rider's Reference
	Use	Original Part	Circuit	Correct Replacement	Switch	Bias	*Note	Original Part	Circuit	Correct Replacement	*Note	Original Part	Replacement	*Note				
GOODYEAR—Continued																		
01030 (Runs 1, 2) (Ch. 582 Ser. A,B)	Vol.	101-100	18	MK402	M26			119-48	4	2S567					5	6A8G, 6K7, 6Q7G, 6K6G, 5Y3G	465	10-34
01554 (Ch. 505)	Vol.	101-91	18	MR53	M27			119-24B 119-22 .008	4 15	2S567 TC22 Buffer		126-6	859	C3	5	6D8G, 6S7G, 6T7G, 6K6G, 6ZY5G	465	10-25
010211 (Ch. 602E)	Vol.	101-77	18	MR53	M26			119-39	1	2N509	B14				5	6A8, 6K7, 6R7, 25L6, 25Z6, L49B	465	10-26
010219 (Run 1) (Ch. 415A)	Vol. Fil. Tone	101-56 101-44 101-59	56 29 21	MR53 M6R MR53	M27			119-28 .005	1	2N516 Buffer	B14	126-4	246	C3	4	1A6, 1F6, 1A4, 1F4	465	10-27
010219 (Run 2) (Ch. 415B)	Vol. Tone	101-56 101-72	56 22	MR53 MR44	M27			119-28 .005	1	2N516 Buffer	B14	126-4	246	C3	4	6D8G, 6S7G, 6T7G, 1F5G	465	10-28
010219 (Runs 3, 4) (Ch. 489 Ser. A, Issue A, B)	Vol.	101-91	18	MR53	M27			119-28B 119-22 .005	1 15	2N516 TC22 Buffer	B14	126-4	246	C3	4	6D8G, 6S7G, 6T7G, 6K6G	465	10-29,30
010220 (Run 2) (Ch. 523B)	Vol.	101-69	56	MR53	M26			119-22	19	TC22					5	1A4, 1A6, 30, 1G5G	465	10-33
010221 (Ch. 804)	Vol. Tone	101-66 101-67	18 22	MR48 MR39	M27			119-32 .005	1	2N516 Buffer	B14	126-4	246	C3	6	*6S7G, 6D8G, 6T7G, 6N5, 6L5G	465	10-31,32
010222 (Ch. 6021)	Vol.	101-77	18	MR53	M26			119-39	1	2N509					5	6A8, 6K7, 6R7, 25L6, 25Z6, L49B	465	10-26
015040	Vol.		6	MR21				40-10-20	1/15	3N533					4	6D6, 6F5G, 25L6G, 25Z5, 55A		10-35
015050	Vol.		18	UM154	M26		A96	40-10-20	1/15	3N533					5	6A7, 6D6, 75, 25L6G, 25Z5, BK49B	455	10-36
015060	Vol.		127	UM163		See Note	A96	16, 16 30 25	9 9 15	TC45 See Note TC26	B3				6	6J8G, 6U7G, 6B6G, 25B6G, 25Z6G, 6U5, BK42C	455	10-37
015070	Vol.		124	UM163		See Note	A96	32-16-8	1/15	See Note	B3				7	6J8G, 6U7G, 6H6, 6B6G, 25L6G, 6U5, 25Z6G	455	10-38,42
015070 (Ch. 543)	Vol. Tone	24-123 26-118	18 22	MR53 MR48	M26			18-237 13-238	4 15	TCS48 TC22					6	6A7, 6D6, 75, 25L6G, 25Z5	456	14-1
015080	Vol.		15	2 Meg.		See Note	A19	25 20	1 1	RS223 RS219					10	6A8G, 6U7G, *6J5G, 6H6, 6Q7G, 6U5, *6V6G, 5Y3G	455	10-39
015090	Vol.		15	1 Meg.		See Note	A19	25 30 10/25	24 1 13/15	RS223 RS223 TC52/TC26					13	*6B8G, 6A8G, *6U7G, *6J5G, 6H6, 6AE6G, 6AD6G, *6V6G, 5X4G	455	10-40,43
015100	Vol.	1012524126	18	UM161	M27		A96	1012118235	19	TC22					4	1A7G, 1N5G, 1H5G, 1A5G	455	10-44
015110	Vol.	1012524124	18	UM154	M26		A96	1012118236	24	Order from Buffer	Mfr. B14	34103	246	C3	4	6D8G, 6S7G, 6T7G, 6G6G	455	10-45
015120	Vol.	1022519789	17	Order from	Mfr.			1022119788 1022118672	1/15 78	3S579 TC26		14840	246	C3	6	1C7G, 1H4G, 1D5GP, 1F7GH, 6G6G, 6AB5	455	10-46
015130	Vol.		18	UM154		See Note	A96	20-16-10 .012	1/15	Buffer See Note Buffer	B14 B3 B14		859	C3	6	6D8G, 6S7G, 6T7G, 6AB5, 6G6G, 6ZY5G	455	10-49
015140, 015141	Vol.		6	MR21	M26			40-10-20	22/15	3N533					4	12K7GT, 12F5GT, 50L6GT, 35Z4GT		12-5
015150, 015151	Vol.	1012524134	18	UM154	M26		A96	1012118239	1/15	3N533					5	12A8GT, 12K7GT, 12Q7GT, 35L6GT, 35Z5GT	455	12-7,8
100502 (Double Eagle) (Above Ser. 42,000)	Vol.	101-109	18	TM238-SS18	M26			119-51 .01	4	2S569 Buffer	B14	126-1	294	C3	6	*6K7, 6A8, 6Q7, 6V6, 0Z4/6X5	465	10-47
101500 Wings Jr.	Vol.	1012524119	18	UM154	M26		A96	4, 4 .0038	23	ST595 Buffer	B14	34101	859	C3	5	6A7, 6D6, 6Q7G, 41, 84	456	9-7,8
101501 Wings All-Weather	Vol. Tone	1012524119 1012426115	18 22	UM154 UM147	M26		A96	1012118222 .005	23	ST595 Buffer	B14	34101	859	C3	6	*6K7, 6A8, 6R7G, 6V6, 6X5G	262	9-9,10
101503	Vol. Tone	1012524120 1012426116	18 22	MR48 MR48	M26			1012118227 40	4 4	*TC49 TC48	B12				7	6A7, 6D6, 75, 25L6G, 25Z5, BM17C	456	9-11,12
102506	Vol.	1022518881	17	MR55				1022119727	9/15	Order from	Mfr.				6	6J8G, 6U7G, 6B6G, 25B6G, 6U5, 25Z6G	455	14-2
102507	Vol.		127	MR55				16-32-8	1/15	FP371	B117				7	6J8G, 6U7G, 6H6, 6B6G, 25L6G, 6U5, 25Z6G	455	14-3,4,5
102508	Vol.	1022519207	127	TM248-SS1				1022113903 1022119079	1 1	ST599 ST598					10	6A8G, 6J5G, 6U7G, 6H6, 6Q7G, 6U5, 6J5G, *6V6G, 5Y3G	455	14-4,5,6
102509	Vol.	1022518616	17	TM248-SS1				1022113903 1022114808 1022118764	46 46 13/15	ST599 ST599 2N509					13	*6B8G, *6J5G, 6A8G, *6U7G, 6H6, 6AE6G, 6AD6G, *6V6G, 5X4G	455	14-5,7,8

† Data not substantiated.

\* IMPORTANT: Read Notes in Note Section if specified in Note Column.

‡ Indicates miscellaneous section.

MANUFACTURER AND MODEL	CONTROLS							CONDENSERS				VIBRATORS			No. Tubes	Complete Tube Complement	I. F. Peak	Rider's Reference
	Use	Original Part	Circuit	Correct Replacement	Switch	Bias	*Note	Original Part	Circuit	Correct Replacement	*Note	Original Part	Replacement	*Note				
<b>GOODYEAR—Continued</b>																		
102512.....	Vol.	1022519789.	127	Order from	Mfr.....		1022119788.	1/15	TN125.....		1026214840.	246		6	1C7G, 1H4G, 1D5GP, 1F7GH, 6AB5, 6G6G			
102513.....	Vol.	1022518939.	18	Order from	Mfr.....		1022118672. 009-009	1/15	TC26..... Buffer	B14	1026214300.	859		6	6D8G, 6S7G, 6T7G, 6AB5, 6G6G, 6Z75G	455	14-9, 10	
103533.....	Vol.		18	UM154-SS22	M27		1022118938. .012	19	FP313..... Buffer	B117 B14				4	1A7G, 1N5G, 1A5G, 1H5G	455	14-9, 11, 12	
<b>GRAHAM-PAIGE</b>																		
A355.....	Vol.	38425.....	15	UM162-SS14			W38473-A..	1	2N518.....		G7-38000...	273C		5	6D6, 6A7, 6B7, 76, 6B5	450		
<b>GRANTLINE</b>																		
300 (Series B).....	Vol.	A-10A-11377	165	MK401.....	M26		A8C11415-1	24	FP214.....					3	12SQ7GT, 50L6GT, 35Z5GT			
500, 501 (Series A).....	Vol.	101196.....	18	MK401.....	M26		119-92.....	24	FP306.....					5	12SA7GT, 12SK7GT, 12SQ7GT, 50L6GT, 35Z5GT	455	16-1.5	
502, 503 (Series A).....	Vol.	101-238.....	18	Order from	Mfr.....		119-92.....	24	FP306.....					5	12SA7, 12SK7, 12SQ7, 50L6GT, 35Z5GT	455	16-3.5	
504-7.....	Vol.		18	MR48.....	M26		119123.....	24/78	2N511.....					5	12SA7, 12SK7, 12SQ7, 50L6GT, 35Z5GT	455		
510-A.....	Vol.	101252.....	18	MK402.....	M27		11994.....	88	Order from	Mfr.....				5	1A7GT, 1N5GT, 1H5GT, 1A5GT, 35Z5GT	455	16-7.8	
605, 606.....	Vol.	101193.....	18	MK402.....	M26		A25.019.....	24	2N511.....					6	12SK7GT, 12SA7GT, 12SQ7GT, 35L6GT, 35Z6GT	455	15-1.3	
641.....	Vol. Tone (Late)	A-9.067.....	160	MR48.....	M26		A-25.019.....	24	2N511.....					4	14B6, 35A5, 35Y4			
	Vol. (Early)	A-9.068.....	173	MR48.....														
	Vol.	A-9.066.....	18	MR53.....														
651.....	Vol.	A-9.066.....	18	MR48.....	M26		A-25.019.....	24	2N511.....					5	14Q7, 14A7/12B7, 14B6, 50A5, 35Y4	455		
6547.....	Vol. Tone	A-9.066.....	161	MR48.....	M26		A-25.019.....	24	2N511.....					5	14Q7, 14A7, 14B6, 50A5, 35Y4	455		
	Vol.	A-9.068.....	22	MR39.....														
<b>GRAYBAR ELECTRIC CO.</b>																		
GB4 (Graybarette).....																		
GB8 (Midget).....																		
GB8A.....																		
GB9.....																		
GB100.....																		
GB300.....																		
GB310.....																		
GB311.....																		
GB320.....																		
GB330.....																		
GB340.....																		
GB500.....																		
GB550.....																		
GB600.....																		
GB678.....																		
GB700.....																		
GB770.....																		
GB900.....																		
GB989.....																		
GC13.....																		
GC14.....																		
GG15.....																		
GT7.....																		
GT8.....																		
GT8-56.....																		
GT8-69.....																		
GT10-69.....																		
GT10-88.....																		
GT10-99.....																		
<b>GREBE</b>																		
AH1.....	Vol. Tone		8	AIMP.....	6-9			1	See Note.....	B4				7	24, 27, 45, 80		1-20	
Challenger III.....	Vol. Tone		34	MR39.....				1	See Note.....	B9				6	6A7, 6D6, 76, 25L6, 25Z5, 6F5	456		
HS3.....	Vol. Tone		140	1 Meg.....		See Note	40-25.....	1	2N514.....					5	24, 35, 47, 80	175	3-1	
HS4 1 Pentode.....	Vol. Tone		6	MR53.....	M26		10.....	15	TC22.....					7	35, 24, 27, 47, 80	175	1-21, 23	
HS4 with 45PP.....	Vol. Tone		22	MR18.....			8, 8, 8.....	4	ST595.....					8	24, 27, 45, 80	175	1-22	
HS5.....	Vol. Tone		7	MR39.....			8, 8, 8.....	3	RS213.....					8	27, 35, 24, 47, 80	175	1-23	
HS6.....	Vol. Tone		22	E.....	6-9		8, 8, 8.....	3	RS213.....					10	27, 35, 47, 80	175	3-3	
	Vol. Tone		6	MR39.....			8, 8, 8.....	3	RS213.....									
	Vol. Tone		22	MR18.....	M26		8, 8, 8.....	3	RS213.....									
	Vol. Tone		7	MR39.....			8, 8, 8.....	3	RS213.....									
	Vol. Tone		22	E.....	6-9		8, 8, 8.....	3	RS213.....									
	Vol. Tone		15	MR39.....			8, 8, 8.....	3	RS213.....									
	Vol. Tone		1	MR48.....	M26		8, 8, 8.....	3	RS213.....									
	Vol. Tone		1	MR41.....														

† Data not substantiated.

\* IMPORTANT: Read Notes in Note Section if specified in Note Column.

§ Indicates miscellaneous section.

MANUFACTURER AND MODEL	CONTROLS							CONDENSERS				VIBRATORS			No. Tubes	Complete Tube Complement	I. F. Peak	Rider's Reference
	Use	Original Part	Circuit	Correct Replacement	Switch	Bias	*Note	Original Part	Circuit	Correct Replacement	*Note	Original Part	Replacement	*Note				
<b>GREBE—Continued</b>																		
HS7.....	Vol. Tone		7	E.....	6-9			6, 6, 6	3	RS213					7	*24, 27, *35, 47, 80...	175	3-4
HS8.....	Vol. Tone		22	MR39											8	*35, *27, 47, 80...	175	3-5
HS11.....	Vol. Sil.		45	MR48	M26			8, 8, 8	26	RS213					11	*35, *27, *47, 80, 24...	175	4-5
HS12.....	Vol. Tone		12	A5MP		See Note	te A14	6, 6, 6	3	RS213					11	*27, *35, 24, *47, 80...	175	3-6
61R.....	Vol. Supp.		45	MR39	M26			8, 8, 8	3	RS213					6	6A7, 37, 41, 78, 84, 85	456	4-2,3
	Vol.		56	MR48				8-8	1	2N518		292	C3	6	6A7, 37, 41, 78, 84, 85	456	4-2,3	
89.....	Vol.		6	E12				5	15	TC22				8	*56, *58, *59, 80...	175	4-4	
111B.....	Vol. Supp.		18	MR44				.025	4	Buffer	B14			11	*46, 55, 56, *58, 57, 82.	175	4-1	
	Vol.		8	UC500				8-8	35	RS213	B8			11	*26, 27, 71A, *81, *50, 80		1-14	
42B Console.....	Vol.		26	A3MP				40-25	1	See Note	B4			6	6A7, 6D6, 76, 6F5,			
762.....	Vol. Tone		140	1 Meg.		See Note	te A19	10, 10	15	TC22				6	25L6G, 25Z5,	456		
782.....	Vol. Tone		140	MR53		See Note	te A19	40-25	6	2N514				6	6A7, 6D6, 6Q7G,	456	9-11,12	
	Vol. Tone		37	1 Meg. No. 1				10, 10	15	TC22				6	25L6, *25Z5, 6-141.	456		
	Vol. Tone		37	MR53				10, 10	15	TC22				6	25L6, *25Z5, 6-141.	456		
<b>GRIGSBY - GRUNO</b>	W—See	Majestic																
<b>GRUNOW†</b>																		
2A (1101).....	Vol. Tone	27971	41	MR55				27710	28	RS213					11	*78, 6F7, 6B7, 85, 37,		4-17,21
		28403	41	MR53				27711	28	RS213					11	445, 5Z3	262	5-20
4A (450, 451).....	Vol.	29119	6	MR18	M26			27715	13/20	TCS71					4	*6F7, 42, 84.	455	5-1,2
								29168	1	TCS71					4	*6F7, 42, 84.	455	7-1
								24789	15	TC22					4	*6F7, 42, 84.	455	7-1
4B (460, 461), 4BX (460X, 461X).....	Vol.	31222	6	F7	6-9	3		31208	4	TCS71					4	6A7, 6F7, 42, 80.	455	5-3,7-2
4C (470).....	Vol.	33407	6	F7		3		31208	4	TCS71				4	6A7, 6F7, 41, 80.	465/490	6-1,2	
4NB (410, 411).....	Vol.	35120	18	MR44	M26			35202	1	TCS71		35211	245	C3	4	1A6, 1A4, 75, 41.	465	8-1
								32987	15	TC22					4	1A6, 1A4, 75, 41.	465	8-1
5A (500).....	Vol.	27834	17	MR53	M26			.0075	1	Buffer	B14				5	6F7, 7B, 75, 47, 80.	455	4-1,2
								27713	1	RS213					5	6F7, 7B, 75, 47, 80.	455	4-1,2
								27712	1	RS213					5	6F7, 7B, 75, 47, 80.	455	4-1,2
								27838	17	TC22					5	6F7, 7B, 75, 47, 80.	455	4-1,2
5AB (508, 509).....	Vol.	39725	18	MR48	M27			24789	20	TC22					5	6D8G, 6S7G, 6T7G,	465	
								39769	1	3S582	B8	39770	294	C3	5	6D8G, 6S7G, 6T7G,	465	
								32987	15	TC22					5	6D8G, 6S7G, 6T7G,	465	
								.0075	1	Buffer	B14				4	6D6, 6C6, 25L6, 25Z5		
								39941	1	2N509					4	6D6, 6C6, 25L6, 25Z5		
5AD.....	Vol.	39939	6	MR33	M26			27151	11/15	*2N509					5	6F7, 25Z5, 43, 75, 78.	455	6-3,4
5B (501, 520, 530, 550).....	Vol.	27163	17	MR48	M26										5	*32, 30, 34, 33.	455	4-5,6
5C (502, 503).....	Vol.	26099	17	MR18											5	*32, 30, 34, 33.	455	4-5,6
5D (570, 571).....	Vol.	26098	29	R											5	*32, 30, 34, 33.	455	4-5,6
	Vol.	31396	17	MR53	M26			29562	4	RS216					5	6A7, 6D6, 75, 42, 80.	455	6-7,8
								27711	4	RS213					5	6A7, 6D6, 75, 42, 80.	455	6-7,8
								31477	13	RS215					5	6A7, 6D6, 75, 42, 80.	455	6-7,8
								24789	15	TC22					5	6A7, 6D6, 75, 42, 80.	455	6-7,8
5E (560).....	Vol.	31785	17	MR48	M26			31849	1	2N518					5	6A7, 6D6, 75, 42, 80.	455	6-5,6
								31857	15	TN111					5	6A7, 6D6, 75, 42, 80.	455	6-5,6
5G (580, 581).....	Vol.	33300	18	TRP604	6-9			33369	4	RS215					5	6A7, 6D6, 42, 75, 80.	465/490	6-9,10
								33469	4	RS216					5	6A7, 6D6, 42, 75, 80.	465/490	6-9,10
								33371	14	ST597					5	6A7, 6D6, 42, 75, 80.	465/490	6-9,10
								32987	15	TC22					5	6A7, 6D6, 42, 75, 80.	465/490	6-9,10
5H (532).....	Vol.	34733	7	E.....	6-9	2		35181	4	RS215					5	6A7, 6D6, 76, 41, 80.	465	8-24
								34744	4	RS215					5	6A7, 6D6, 76, 41, 80.	465	8-24
5J (542).....	Vol.	34624	18	MR44	M26			34813	4	RS215					5	6A7, 6D6, 76, 41, 80.	465	8-24
								34669	4	RS215					5	6A7, 6D6, 76, 41, 80.	465	8-24
5K (551, 553).....	Vol.	35624	18	MRT420	M26			33469	4	RS215					5	6A7, 6D6, 76, 41, 80.	465	8-24
								33369	4	RS216					5	6A7, 6D6, 76, 41, 80.	465	8-24
5L (555, 572).....	Vol.	35649	18	MRT420	M26			33369	4	RS215					5	6A7, 6D6, 76, 41, 80.	465	8-24
								33469	4	RS216					5	6A7, 6D6, 76, 41, 80.	465	8-24
5M (590).....	Vol.	35119	18	MR44	M26			35177	4	TCS55					5	6A7, 6D6, 75, 42, 80.	465	8-7,8
															5	6A7, 6D6, 75, 42, 80.	465	8-7,8
5N (592, 594).....	Vol.	35119	18	MR44	M26			35177	4	TCS55					5	6A7, 6D6, 75, 42, 80.	465	8-7,8
5NB (510).....	Vol.	34941	18	MR44	M23										5	1A4, 1A6, 1B5, 33.	465	9-4
5P (599).....	Vol.	37576	18	MRT420	M26			33369	4	RS215					5	6A7, 6D6, 75, 42, 80.	465	9-3
								33469	4	RS216					5	6A7, 6D6, 75, 42, 80.	465	9-3
5Q (573).....	Vol.	35649	18	MRT420	M26			33369	4	RS215					5	6A7, 6D6, 75, 42, 80.	465	9-3
								33469	4	RS216					5	6A7, 6D6, 75, 42, 80.	465	9-3
5R (564).....	Vol.	36404	7	E.....	6-9			36350	4	2S567					5	6A7, 6D6, 76, 41, 80.	465	8-9
5S (566).....	Vol.	36404	7	E.....	6-9	2		36350	4	2S567					5	6A7, 6D6, 76, 41, 80.	465	8-10,11
5T (576, 578).....	Vol.	36404	7	E.....	6-9			36350	4	2S567					5	6A7, 6D6, 76, 41, 80.	465	9-1
5U (587, 589).....	Vol.	37576	18	MRT420	M26			33369	4	RS215					5	6A7, 6D6, 75, 42, 80.	465	9-3
								33469	4	RS216					5	6A7, 6D6, 75, 42, 80.	465	9-3
5UA (585).....	Vol.	37576	18	MRT420	M26			39546	4	2S569					5	6A7, 6D6, 75, 42, 80.	465	
5V (596, 598).....	Vol.	39463	18	MR44	M26			36350	4	2S567					5	6A7, 6D6, 75, 41, 80.	465	
5VB (544, 545).....	Vol.	39302	15	MR48				36350	4	2S567					4	1C6, 34, 1F6, 33.	465	

† Data not substantiated.

\* IMPORTANT: Read Notes in Note Section if specified in Note Column.

‡ Indicates miscellaneous section.

MANUFACTURER AND MODEL	CONTROLS							CONDENSERS				VIBRATORS			No. Tubes	Complete Tube Complement	I. F. Peak	Rider's Reference
	Use	Original Part	Circuit	Correct Replacement	Switch	Bias	*Note	Original Part	Circuit	Correct Replacement	*Note	Original Part	Replacement	*Note				
<b>GRUNOW—Continued</b>																		
5W (583, 585, 586, 588)	Vol.	38453	18	MR44	M26			36350	4	2S567					5	6A7, 6D6, 75, 41, 80	465	9-2
6A Early (650, 651)	Vol.	29404	17	TRP610	6-9			29557	4	TC71					6	6F7, 6D6, 42, 75, 80	262	5,7-8
	Tone	29406	22	MR44				29086	4	RS216					6			7-11
6B (622)	Vol.	38083	18	MR44	M26			38608	23	RS207					5	6A8, 6K7, 6Q7, 25L6, 25Z5	465	9-5
								38610	23	RS207								
								38709	13	2N516								
6C Early (660, 661, 662)	Vol.	29404	17	TRP610	6-9			29562	23	RS216					6	*6D6, 6A7, 75, 42, 80	262	5-9,10
	Tone	29406	22	MR44				29557	23	TC71								
6D (670, 671)	Vol.	30077	17	MR53				30091	4/13						6			5-11,12
	Tone	30078	22	MR39	M26				15/19	3S584/TN111					6	*6D6, 6A7, 75, 42, 80	455	6-13
6E (663)	Vol.	38994	18	MRT420	M26			33369	4	RS215					6	*6K7, 6A8, 6Q7, 6F6G, 80	465	9-8
								33469	4	RS216								
6F (690, 691)	Vol.	29623	17	MRT440	M26			30091	4/13						6	*6D6, 6A7, 75, 42, 80	455	6-14
	Tone	29621	22	MR39					15/19	3S584/TN111					6	6A8, 6K7, 6H6, 6F5, 6F6, 5Z4	465/490	6-15,16
6G (680, 681)	Vol.	33300	18	TRP604	6-9			33369	4	RS215					6			
								33469	4	RS216								
								33371	14	ST597								
								32987	15	TC22								
6H (632)	Vol.	38937	18	MR44	M26			33369	4	RS215					6	*6K7, 6A8, 6Q7, 6F6G, 80	465	9-7
								33469	4	RS216								
6HB (620, 621)	Vol.	33775	15	MR55	M27			33943	12	RS213					6	1C6, 34, 30, 32, 19	465	7-6,8
6J (640, 641)	Vol.	33300	17	TRP604	6-9			33369	4	RS215					6	6A7, 6D6, 42, 75, 80	485/490	6-11,12
								33370	4	RS216								7-9,10
								33371	14	ST597								
								33469	4	RS216								
								32987	15	TC22								
6K (623, 627)	Vol.	37576	18	MRT420				38608	4	RS207					5	6A8, 6K7, 6Q7, 25L6, 25Z5	465	9-6
								38610	4	RS207								
								38611	13	TC40								
6L (653)	Vol.	38614	18	MRT420	M26			33369	4	RS215					6	6A8G, 6K7G, 6H6G, 6F5G, 6F6G, 80	465	
								33469	4	RS216								
6M (631, 643)	Vol.	35649	18	MRT420	M26			33469	4	RS216					6	6A8, *6K7, 6Q7, 6F6, 5W4	465	8-17,18
								33369	4	RS215								
6N (654)	Vol.	37722	18	MR44	M26			33369	4	RS215					6	6A8G, *6K7G, 6Q7G, 6F6G, 80	465	8-19,20
								33469	4	RS216								
6Q (624)	Vol.	38083	18	MR44	M26			38608	4	RS207					5	6A8, 6K7, 6Q7, 25L6, 25Z5	465	9-5
								38610	4	RS207								
								38709	13	2N516								
7A (700, 701)	Vol.	27419	20	TRP610				27414	1	RS213					7	*78, 37, 75, 42, 80	262	4-7,8
	Tone	27420	22	MR44				27413	23	RS213								
7B (750, 751, 752, 753)	Vol.	29536	17	TRP610	6-9			29558	1	TC74					7	6D6, 6A7, 6F7, 75, 76, 42, 80	262	5-13,16
	Tone	29537	22	Order from Mfr.				29562	1/23	RS216								
								31052	23	TC71								
								29559	23	TC71								
7C (760, 761)	Vol.	33119	20	TM234-SS1				33369	1	RS215					7	*6K7, 6A8, 6H6, 6F5, 6F6, 5Z4	175/455	7-20,22
								33371	14	ST597								
								33469	1	RS216								
								33169	15	TN111								
								33943	12	RS213								
7DB (720, 721)	Vol.	33775	15	MR55	M27			33369	4	RS215					7	6A8, *6K7, 6Q7, 6F6, 5W4, 6E5	465	8-21,23
7M (723, 731, 733, 735)	Vol.	35649	18	MRT420	M26			33469	4	RS216					7		455	8-25,28
7NB (711)	Vol.	35121	18	MRT440				35202	1	TC871		35211	245	C3	*1A4, 6A7, 1B5, 30, 19	455		
								35154	24	ST597								
								35340	1	Order from Mfr.								
								0075		Buffer								
7Q (755)	Vol.	37722	18	MRT420	M26			33369	4	RS215					7	*6K7G, 6A8G, 6Q7G, 6F6G, 80, 6G5	465	8-29,30
								33469	4	RS216								
8A (801)	Vol.	27687	17	TRP610	6-9			27414	1	RS213					8	*78, 37, 85, 6B7, 42, 80	262	4-9,10
	Tone	27646	34	MR44				27413	1/23	RS213								
8B (821)	Vol.	27687	17	MR53	M26			27414	1	RS213					8	*78, 6A7, 85, 37, 42, 80	262	6-17,18
	Tone	27646	22	MR44				27413	1/23	RS213								
								29562	23	RS216								
								27668	15	TC22								
8D (861)	Vol.	31910	17	TRP610				29562	23	RS216					8	*6D6, 6A7, 76, 75, 42, 80	455	6-19,22
	Tone	29537	22	Order from Mfr.				29558	23	TC74								
								30152	13	TC71								
8E (871)	Vol.	33119	17	TM234-SS1				33852	24	RS215					8	*6K7, 6A8, 6H6, 6C5, 6F6, 5Z4	455	7-23,25
								33598	1	RS215								
								33469	1	RS216								
								33371	13	ST597								
								32987	15	TC22								
8H (823, 831, 833, 835)	Vol.	33119	20	TM234-SS1				33369	1	RS215					8	*6K7, 6A8, 6H6, 6F5, 6F6, 6E5, 5Z4	455	8-31,34
								33469	1	RS216								
								33371	14	ST597								
								33169	15	TN111								

‡ Data not substantiated.

\* IMPORTANT: Read Notes in Note Section if specified in Note Column.

§ Indicates miscellaneous section.

USE MALLORY COMPONENTS IN YOUR TELEVISION WORK.

MANUFACTURER AND MODEL	CONTROLS							CONDENSERS				VIBRATORS			No. Tubes	Complete Tube Complement	I. F. Peak	Rider's Reference
	Use	Original Part	Circuit	Correct Replacement	Switch	Bias	*Note	Original Part	Circuit	Correct Replacement	*Note	Original Part	Replacement	*Note				
GRUNOW—Continued 9A Early (901, 902)	Vol. Tone	27645.....	17	TRP610....	6-9			27710.....	1	RS213.....					9	*78, 37, 85,*45, 6B7, 80	262	4-11,12
		28316.....	41	MR53.....				27711.....	1/23	RS213.....								
								27670.....	14/15	RM262.....								
								28400.....	1	RM262.....								
9A (901, 902) Re- vised.....	Vol. Tone	27645.....	17	TRP610....	6-9			27710.....	1	RS213.....				9	*78, 37, 6B7, 85, *45, 80	262	5-19	
		28316.....	41	MR53.....				28400.....	24	RM262.....								
9B (1101).....	Vol. Tone	27971.....	17	MR55.....				27710.....	1	RS213.....				11	*78, 6F7, 6B7, 85, 37, *45, 5Z3.....	262	4-17,21 5-20 7-26	
		28403.....	41	MR53.....				27711.....	1	RS213.....								
9C (921).....	Vol. Tone	27687.....	17	TRP610....	6-9			27715.....	24	TCS71.....				9	*78, 6A7, 85, 37, 76, *45, 80.....	262		
		28316.....	41	MR53.....				27710.....	28	RS213.....								
9E (941).....	Vol.	33119.....	20	TM234-SS1				27711.....	28	RS213.....				9	*6K7, 6A8, 6H6, 6C5, *6F6, 6E5, 5Z4.....	455	8-35,37	
									28	RS216.....								
10D (1067).....	Vol. Vol.	36727.....	20	TM234-SS1	M26			27670.....	14/15	RM262.....				10	*6K7, 6A8, 6H6, *6C5, *6F6G, 5Z3.....	465	9-9,10	
		38074.....	20	MRT436...				24789.....	15	TC22.....								
10G (1091).....	Vol.	38267.....	20	TM234-SS1	M26			33852.....	24	RS215.....				10	*6K7, 6A8, 6J7, 6H6, 6N7,*6F6G, 5Z3.....	465	9-11,12	
								33598.....	1	RS215.....								
11A Type 1 (1151, 1152).....	Vol. Tone	29626.....	17	MR53.....	M26			33469.....	1	RS216.....				11	*6D6, 6A7,*76, 85,*45, 5Z3.....	262	5-17,18 6-23,26	
		29627.....	41	MR48.....				33371.....	14	ST597.....								
11A Type 2 (1151, 1152, 1161, 1162)	Vol. Tone	29626.....	17	MR53.....	M26			32987.....	15	TC22.....				11	*6D6, 6A7,*76, 85,*45, 5Z3.....	262	6-27,28	
		29627.....	41	MR48.....				36752.....	1	RS223.....								
11B (1151, 1152, 1161, 1162).....	Vol. Tone	29626.....	17	MR53.....	M26			36720.....	1	RS223.....				11	*6D6, 6A7,*76, 85,*45, 5Z3.....	262	6-27,28	
		29627.....	41	MR48.....				36721.....	14	RS215.....								
11C (1171).....	Vol.	33265.....	17	MRT440...				36721.....	14	RS215.....				11	*6K7, 6A8, 6H6,*6C5, 6F5,*6F6, 5Z4.....	455	7-27,30 5-17	
																		33719.....
11G (1191).....	Vol.	36727.....	17	TM234-SS1	M26			33646.....	19	TC32.....				11	6G5,*6K7, 6A8, 6H6, *6C5,*6F6, 5Z3.....	465	8-41,43	
																		36719.....
11H (1181, 1183, 1185).....	Vol.	38267.....	20	TM234-SS1	M26			36752.....	1	RS223.....				11	*6K7, 6A8, 6J7, 6H6, *6C5,*6L6G, 5Z3.....	465	9-13,14	
																		36720.....
12A (1241).....	Vol.	33265.....	20	MRT440...				36721.....	14	RS215.....				12	5Z4, 6A8,*6C5, 6F5, *6F6, 6H6,*6K7.....	455	7-31,33	
																		33947.....
12B (1291), 12W (1297).....	Vol. Vol.	36728.....	18	TM234-SS1	M26		A4	33946.....	33	RS215.....				12	*6K7, 6A8, 6J7, *6C5, 6H6,*6L6, or *6F6, 5Z3.....	465	7-34,36 8-44,46	
																		34466.....
15W (1541).....	Vol.	36503.....	18	MRT440...				33646.....	33	RS216.....				15	*6K7, 6L7,*6J7, 6H6, 6R7, 6C5,*6F6,*5Z4.....	455	7-37,42	
																		33169.....
99 and 99A 513.....	Vol. Vol.	34003.....	18	TM241-SS12				36597.....	14	TC44.....				5	*24, 35, 47, 80.....	175		
																		33646.....
614-618.....	Vol.	34003.....	18	TM241-SS12				4-12-4.....	11	UR182-193				5	*6F7, 78, 75, 43, 23Z5.....	455		
																		35390.....
625.....	Vol. Tone	34003.....	17	TM241-SS12				Buffer.....			B14	35433	294	C3	6	*6K7G, 6A8G, 6Q7G, *6F6G, 6X5G.....	262	8-14,16
		34242.....	22	MR53.....				34119.....	1/15	4S718.....	35312	273D	6	*6K7G, 6A8G, 6R7G, 6C5G, 6A6.....	262	8-15,16		

† Data not substantiated.

\* IMPORTANT: Read Notes in Note Section if specified in Note Column.

‡ Indicates miscellaneous section.

MANUFACTURER AND MODEL	CONTROLS							CONDENSERS				VIBRATORS			No. Tubes	Complete Tube Complement	I. F. Peak	Rider's Reference
	Use	Original Part	Circuit	Correct Replacement	Switch	Bias	*Note	Original Part	Circuit	Correct Replacement	*Note	Original Part	Replacement	*Note				
GULBRANSEN—See Wells-Gardner																		
HALLICRAFTERS CA-2, CA-2A	Vol.	25A568	215	MR34	M26			45C104 02-02	24/15/78	Order from Buffer	Mfr... B14	27A139	Order from Mfr	C3	7	12BE6, 12BA6, 12AT6, 36V6GT, 6J5, 6X5GT	455	
DD1	Vol. AF Tone	25-038	22	MR48	M26			42-022	1	RS216					25	6J5G, 36K7, 6L7, 6H6, 6J7, 6K6, 4851, 2A3, 5Z3	455	10-1,6
	Vol. AF RF	25-038	16	MR44	M26			42-007	13	TC72								
	Meter RF Bal.	25-122	7	A3MP				45-012	1	TC42								
	Phase Adj.	25-033	1	Order from	Mfr...			42-025	15	TC26								
	Meter Adj.	22-068	1	A20MP		See Note	A68	42-023	15	TC47								
EX-102, EX-103	Vol.	22-026	8	A550P		See Note	A68	42-007	13	TC72								
	Vol.	25A561	64	TM248	M26		A1	42-003	15	TC32								
H8PA	Vol. Tone		18 22	500M No. 1		See Note	A19	8-8	22	2N518					5	12SA7GT/G, 12SK7GT/G, 12SQ7GT/G, 35L6GT/G, 35Z5GT/G, Ballast	455	
HT-1 (Trans.)	Vol.	25-031	15	MR48		See Note	A3	8-10, 10	15	TC22					8	6K7, 6A7, 75, 76, 6G5, 80	465	8-2
HT-9 (Trans.)	Vol.	25C055	172	UM156			A96	8-4	1	HS693					14	6A6, RK-47, 6J5, 6J7, 6L6, 866, 523, 80		
								4	2	RS212					14	6SJ7, 6J5, 6L6, 814, 866, 523, 80		
HT-12	Vol. Mic. Sens.	25-065	121	MR48				45A037	13	RM262					15	6SK7, 68J7, 6SA7, 6SQ7, 6H6, 807, 6L6, 6L6G, 6J5, 6K6	455	
		25-076	16	B1000MP				45A030	1	RM262								
		25-033	202	C15MP				45B039	117	TX809								
115 V.A.C. Power Supply								45A040	15	TC36								
								45A043	1/13	HS693								
12 V.D.C. Power Supply								C25	15	TC45								
								C28	13	TC71								
								C32, C36	15	TC45								
								C37	13	TC42								
								C26	12	TC45								
								C203, C204	1	SR638	B117				3	6X5G, 5Z3		
								C201, C202	1	TX817								
								C207	12	TX817								
RE-1 "Sky Courier"	Vol.	25A090	155	MR48	M27			C105, C106, C111	1	SR638 TX805 Buffer	B14	27C115	Order from Mfr	C3	2	6X5G		
								.03		SR638								
								45A072	1/78	TX817								
S9, SK9	Vol. Tone Gain	2502	45	500M No. 1		See Note	A19	4210	1	ST595					7	1R5, 1N5GT, 1H5GT, 50L6GT, 30SGT, 35Z5GT	455	
		2503	22	UM160-SS1				4200	15	TC22					9	6K7, 6L7, 6H6, 6F5, 6C5, 6F6, 5Z4	456	7-5,6
		2500	7	MR19														
S10 "Ultra Sky Rider"	Vol. Tone Sil. BFO.	2512	140	500M No. 1		See Note	A19	4216	1	RS216					10	6K7, 6L7, 6C5, 6R7, 6J7, 6Q7, 6F6, 5Z4	1600	9-1-3
		2513	140	UM160-SS1	M26			4203	15	TC32								
		2511	8	MR19														
		2514	1	MR48														
S11 (Super Skyrider 1937)	Vol. Tone Gain		18 22 7			See Note	A19	16, 16	1	ST597					11	6K7, 6L7, 6C5, 6G5, 6R7, 6L6, 5Z3	465	8-3,4
				MR19		See Note	A3	10	15	TC22								
S12 (Commercial Skyrider)	Vol. Tone Gain		18 22 7			See Note	A19	16, 16	1	ST597					11	6K7, 6L7, 6C5, 6G5, 6R7, 6L6, 5Z3	1600	8-6
				MR19		See Note	A3	10	15	TC22								
S14 (Sky Chief)	Vol. Tone Gain		18 57 7	MR48				12	4	ST597					7	6D6, 6A7, 6F7, 75, 6B5, 80, 6G5	465	8-8
				MR48				8	4	ST595								
				MR19														
S15 (Sky Challenger)	Vol. Tone Gain		18 57 7	MR48		See Note	A3	16	1	ST597					9	6K7, 6L7, 6C5, 6Q7G, 6F6G, 80	465	8-9
				MR48				10	15	TC22								
				MR19														
S-18, SX-18	Vol. Tone		171 22	MR48					1	RS216					9	6K7, 6L7, 6Q7, 6J5, 6J7, 6F6, 80	465	
				MR48					15	TC22								
S19R (Sky Buddy)	RF Gain Vol.		206 17	MR41				10-10-10-10	1/13/15	FP434					6	6K8G, 6K7G, 6Q7G, 41, 76, 80	455	10-7,9
				MR53				10-10-10-10	1/13/15	FP434					6	6K8, 6SK7, 6SQ7, 41, 76, 80	455	10-7,9
S-19R (Late)	Vol.		17	MR53														
S20 (Sky Champion)	Vol. Tone RF Gain	25-031	17	MR48				42-021	1/15	3S579					8	6L7, 6K7, 6Q7, 6F6, 80, 6J5	455	
		25-028	57	MR48	M26													
		25-029	7	Order from	Mfr...													
S20R	Vol. RF Gain		17 7	MR48				30-10-10-10	1/13/15	FP429					9	6SK7, 6K8, 6SQ7, 6H6, 6J5GT, 6F6G, 80	455	11-1-3
				Order from	Mfr...													

‡ Data not substantiated.

\* IMPORTANT: Read Notes in Note Section if specified in Note Column.

§ Indicates miscellaneous section.

MAKE FULL USE OF NOTES AND CIRCUIT DIAGRAMS.

MANUFACTURER AND MODEL	CONTROLS							CONDENSERS				VIBRATORS			No. Tubes	Complete Tube Complement	I. F. Peak	Rider's Reference
	Use	Original Part	Circuit	Correct Replacement	Switch	Blas	*Note	Original Part	Circuit	Correct Replacement	*Note	Original Part	Replacement	*Note				
HALLICRAFTERS—S-21 "Skyrider 5-10"	Continued																	
	Vol.	25-031	172	MR48				42-024	1/13	FP389					9	1852, 6L7, 6K7, 6P7G, 6Q7G, 6H6, 6J5G, 6F6G, 80	1600	15-4-6
	Tone	25-018	22	MR50														
	RF Gain	25-029	202	MR14		A29												
S22 (Skyrider Marine)	Vol.	25-041	18	MR48				42-026	1	FP115					7	*6K7, 6L7, *6J5, 6Q7, 25L6, 25Z5	465	9-4-6
	Tone	25-040	57	MR48				42-025	15	TC26								
	Gain	25-039	7	MR29														
S22R (Skyrider Marine)	Vol.		17	MR48				40-40-30	1/13	FP357					8	*6SK7, 6K8, 6SQ7, 25L6, 6J5, 25Z5	1600	12-1-2
	Tone		57	MR48				10	15	TC22								
	RF Gain		7	MR28														
S27	Vol.		56	MR48				30-10-10-20	3/15	FP429					15	956, 954, *1852, 1853, 6SK7, *6H6, 6C8G, 955, 6J5, 5Z3, VR150, *6V6	5.25mc.	12-3-5
	RF Gain		7	MR19				30, 30	15	TC29								
	Zero Adj.		†			A3												
S29 (Sky Traveller)	Vol.		18	MR48				60-60	1	See Note	.B3				9	1T4, 1R5, *1P5GT, 1H5GT, 3Q5GT, *1G4GT, 50Y6GT	455	12-11,12
	RF Gain		12	MR50				60-100-40	78/13	See Note	.B3							
S30 (Radio Compass)	Vol.		17	MR48				8-8	1	2N518		R21	Order from Mfr.	6	*6SK7, 6K8, 6SQ7, 6G6G, 6U5	175	12-13-15	
	RF Gain		7	Order from Mfr.				30-30	1	2N513								
								10	15	TC22								
								.01		Buffer	.B14							
S31A	Vol.	425084	†	MRT460				8-8	3	TC74	.B129			6	6F5, 6SQ7, 6SC7, *6L6G, 5Z3		14-7-8	
	Vol.	25083	127	MR48				8-8	3	2N518	.B129							
	Bas	25082	†	MRT460				8-8	13	2N518	.B129							
	Treble	25082	†	MRT460				30, 30, 30	15	TC29								
S-37	Vol.	25C059	172	MR53				46A018	3	HS693				13	*954, *6AC7, 6AB7, 6SK7, *6H6, 955, 6SL7, 6V6GT/G, 5U4G, VR150	16	15-35,52	
	Tone	25C065	189	MR48				45B033	15	BS45								
	RF	25C068	202	MR18	M26													
S-38	Vol.	25B094	18	MR48	M26			45B091	91/15	TC48/3N533				6	12SA7GT, 12SK7GT, *12SQ7GT, 35L6GT, 35Z5GT	455	15-59,64	
S-39	Vol. 1	25C070	172	MR44				45A065	24/78/13	FP309				9	1T4, 1R5, *1P5GT, 1H5GT, 3Q5GT, *35Z5GT	455	16-20,28	
	Vol. 2	25C071	12	MR44		A29		45A066	24/78	Order from Mfr.	.B192							
S-40, S-40A, AU	Vol.	25A534	172	MR48				45A062	94	FP429	.B192			9	6SG7, 6SA7, *6SK7, 6SQ7, 6F6G, 6H6, 6J5GT, 80	455	15-68,86	
	Sens.	25A553	202	Order from Mfr.				45A034	15	TC26								
S-41G, S-41W	Vol.		18	MR48	M26			45B087	91/15	TC48/3N533				6	12SA7, 12SK7, *12SQ7GT, 35L6GT, 35Z5GT	455	15-87,89	
S-47	Vol.	25A685	190	MR55				45B099	24/15	FP444/TC26	.B8			14	*6SG7, 6SH7, 6AL5, *6J5, *6SQ7, *6V6GT, 6J6, 6BE6, 6BA6, 5U4G	455	10-7	
								45B100	24/15	FP424	.B8							
SP-44 Skyrider Panoramic	Gain	25B678	215	MR41	M26			45A117	1	FP234				10	*6SG7, 6SA7, 6SQ7, 6AC7, 6SN7, *6X5, 2Ap1-A, VR-105	226		
	Equalizer	25B680	216	MR50														
	Ctr. Freq.	25B679	217	MR41														
	Synch.	25B681	33	Order from Mfr.														
	Sw. Wdth.	25B683	218	Order from Mfr.														
	Swp. Pad	25B684	218	B1000MP														
	Hor. Pos.	25B682	219	B250MP														
	Intensity	25B682	211	B250MP														
	Focus	25B684	220	B1000MP														
	Vrt. Pos.	25B677	219	B500MP														
SX16 (Super Skyrider 1938)	Vol.	25-023	37	1 Meg. No. 1		See Note	A19	42019	1	RS216				11	*6K7, 6L7, 6J5, *6J7, 6R7, *6V6, 5Z3	465	8-11,12	
	Tone	25-013	37	MR53	M26			42002	15	TC22								
	Meter	25-022	7	A550P														
	B.F.O.	25-024	†	MR48	M26													
	Sen.	25-021	7	E.	6-9													
SX17 (Super Skyrider)	Vol.	25-023	37	1 Meg. No. 1		See Note	A19	42019	1	RS216				13	*6K7, 6L7, 6J5G, 6R7G, *6V6G, 6J7, 6J7G, 6J5, 5Z3	465	9-7 to 11	
	Tone	25-013	37	MR53	M26			42002	15	TC22								
	B.F.O.	25-024	†	MR48	M26													
	Meter	25-022	7	A550P	6-9													
	Gain	25-021	7	E.	6-9													
SX23	Vol.		15	MR48				16, 16	1	RS216				11	*6SK7, 6SA7, 6SQ7, *6SJ7, 6F6, 6B8, 6H6, 80	455	10-11,14	
	Tone		21	MR48	M26			20	15	TC26								
	Sen.		7	Order from Mfr.														
	Meter		26	A550P														
SX24	Vol.		17	MR48	M26			30-10-10-10	1/13/15	FP429				9	*6SK7, 6K8, 6SQ7, 6H6, 6F6, 76, 80	455	10-15	
	Sen.		7	Order from Mfr.														
	Meter		26	A550P														
SX25 (SuperDefiant)	Vol.		17	MR48		See Note	A68	30-10-10-10	1/13/15	See Note	.B3			12	*6SK7, 6K8, 6J5GT, *6SQ7, *6F6G, 80, 6H6	455	11-4-6	
	RF Gain		7	Order from Mfr.				10	14	See Note	.B3							

† Data not substantiated.

\* IMPORTANT: Read Notes in Note Section if specified in Note Column.

‡ Indicates miscellaneous section.

MANUFACTURER AND MODEL	CONTROLS							CONDENSERS				VIBRATORS			No. Tubes	Complete Tube Complement	I. F. Peak	Rider's Reference
	Use	Original Part	Circuit	Correct Replacement	Switch	Bias	*Note	Original Part	Circuit	Correct Replacement	*Note	Original Part	Replacement	*Note				
HALLICRAFTERS SX28.....	Continued																	
	Vol. Tone		15	MR48				30-30-40	1/15	See Note	B3				15	6SK7, 6SA7, 6L7, 6B8, 6H6, 6J5, 6SC7, 6V6GT, 5Z3	455	12-7-10
	RF		22	MR48	M26			10-10	13/15	See Note	B3							
	S Meter		7	Order from	Mfr.													
	A.N.L.		8	MR34	M26													
SX32.....	Audio Gain		15	MR48				30	1	FP145	B117				13	6AB7, 6SK7, 6SA7, 6K7, 6B8, 6H6, 6J5, 6SC7, 6V6GT, 5Z3		
	RF Gain		1	MR20				30	1	FP145	B117							
	Tone Meter		22	MR48	M26			30	15	TC29							455	13-7-14
SX-42.....	Meter		1	M500P														
	Vol. Sens.	25A549	182	Order from	Mfr.			45A064	15	TC22					15	6AG5, 7F8, 6SK7, 6SG7, 6H6, 7H7, 6SL7, 6V6, 7A4, VR150/30, 5U4G	455	10.7
5PA "Sky Buddy".....	Vol.	25A548	202	Order from	Mfr.			45A041	1/15	FP330								
	Vol.		18	MR48	M26			4214	23	RM262	B3				5	6A7, 6F7, 75, 42, 80	465	8-1
5T (Sky Buddy).....	Vol.		18	MR48				8	23	ST595					5	6A7, 6F7, 75, 42, 80	465	
	Vol.		18	MR48				4	23	ST595					5	6A7, 6F7, 75, 42, 80	465	
HAMILTON ELECTRONICS H-50-2S.....	Vol. Tone		15	MR48					15	FP211					9	6SJ7, 6SC7, 607, 83		
	Phono.		180	MR48					15	TC26								
	Mic.		172	MR48														
	Tone Phono.		141	MR50					24	FP234					5	6SJ7, 6SC7, 6L6, 5Y3GT/G		
H-15-S.....	Tone Phono.		180	MR53	M26				24	FP231								
	Tone Phono.		221	MR50					15	TC22								
HAMILTON RADIO CORP.	—See Olympic																	
HALSON "Dual Range".....	Vol. Tone		7	G	6-9			8, 8	4	RS213	B3				6	35, 24, 47, 80		3-2
	Vol.		22	MR53														
"Roadmaster".....	Vol.		15	MR48				8-8	1	2N518			Order from Mfr.		5	6A7, 78, 75, 42, 84	456	4-5
	Vol.		5					2575	15	TC22								
A-5.....	Vol.	2280C	6	MR29	M26				1/15	3N527					4	6K7GT, 6J7GT, 25L6GT, 25Z6GT, L49B		9-1
A5S.....	Vol.	1845-8	18	MR48	M26			2561	1	2N509					5	6K8G, 6K7GT, 6Q7GT, 25L6GT, 25Z6GT	456	10-6
AW6.....	Vol.	1555	45	MR44	M26			1572	23	TCS47					6	6A7, 6D6, 6H6, 6J7, 43, 25Z5, or 6A7, 6D6, 76, 6C6, 43, 25Z5	456	7-2
C-6.....	Vol.	1845A	18	MR48	M26			2444A	23	TCS47					5	6A7, 6D6, 75, 25L6G, 25Z5, L42D	456	9-1
MA63.....	Vol. Tone	1585	45	MR44				1591	25/13	3S584					6	6A8, 6K7, 6H6, 6J7, 6F6, 5Y3	456	7-8
MG5.....	Vol.	1616	22	MR24				16-8-5-5	6/15	4S715					4	6K7, 6J7, 43, 25Z5, 55A1		7-1
NS40.....	Vol.		6	MR45	M26	EX150		4-16-4	8	TN125					4	78, 77, 43, 25Z5		4-3
NS50.....	Vol.		7	G	6-9	1		5	15	TC22					5	6A7, 78, 75, 43, 25Z5	456	4-3
NS60.....	Vol.		7	G	6-9	2		4-16-8	8	TN125					6	78, 6A7, 75, 43, 25Z5	456	
S5.....	Vol.	1845-8	18	MR48	M26			5	15	TC22					5	6K8GT, 6K7GT, 6Q7GT, 25L6GT, 25Z6GT		10-6
	Vol.		6				See Note A5	16-12-4-5-5	24/15	4S715/TC40					4	6D6, 6C6, 43, 25Z5, L49B		7-1
5L-E.....	Vol.	1748	6															
6L6.....	Vol.	1811	45	MR44				1652	25	RS213					7	6A7, 6D6, 76, 6C6, 6E5, 42, 80	456	7-3
10.....	Vol.	1908D-10	18	MR48	M26			1835	25/13	2N518								
	Vol.		40					16	23	TC48					5	6A7, 6D6, 75, 25L6G, 25Z5, L42B	456	9-2
20.....	Vol.	1908E	18	MR48	M26			2353	25	RS216					6	6A7, 6D6, 76, 6F5, 41, 80	456	9-3
	Vol.		2308-2					8-4	25/13	2N518					5	78, 77, 43, 25Z5		4-1
20A.....	Vol.		6	G7	6-9	1		5	15	TC22								
20B, 20B "European".....	Vol.		7	G	6-9	1		8-8	6	2N516					5	6A7, 78, 77, 43, 25Z5	456	4-1,2
25.....	Vol.	1908D-2	18	MR48	M26			5	15	TC22								
	Vol.		2263					2263	23	TCS47					5	6A7, 6D6, 75, 43, 25Z5	456	8-1
30.....	Vol.	1908-30	17	MR48	M26			2634	11	TN129					6	6A7, 6D6, 75, 25L6G, 25Z5, L15B	456	9-4
35.....	Vol.	1908D-2	18	MR48	M26			2270	23	RS213					5	6A7, 6D6, 75, 41, 80	456	8-2
	Vol.		2271					2612	23	RS213								
40A1.....	Vol.	1908-D-10	18	MR48	M26					TCS47					5	6K8G, 6K7G, 6Q7G, 25L6G, 25Z6G, L42B	456	11-2
40B2X.....	Vol.	1908E	45	MR48	M26			2353	25	RS216					6	6K8, 6D6, 76, 6F5, 41, 80	456	11-3
								2308-2	25/13	2N518								

‡ Data not substantiated.

\* IMPORTANT: Read Notes in Note Section if specified in Note Column.

§ Indicates miscellaneous section.

WHEN YOU BUY A BATTERY CHARGER BUY A MALLORY.



MANUFACTURER AND MODEL	CONTROLS							CONDENSERS				VIBRATORS			No. Tubes	Complete Tube Complement	I. F. Peak	Rider's Reference
	Use	Original Part	Circuit	Correct Replacement	Switch	Bias	*Note	Original Part	Circuit	Correct Replacement	*Note	Original Part	Replacement	*Note				
HALSON—Continued 40C3X	Vol.	1908-D-3	45	MR48	M26			2308-2	1/13	2N518				9	6A7, 6D6, 76, 26F5, 241, 80, 6G5	456	11-4	
45	Vol.	1405	6	SRP263	6-9			2353	1	RS216				4	6D6, 6C6, 43, 12Z3		6-1	
50S	Vol.	1542	18	MR44	M26			2369	15	TC26				5	6A7, 6K7, 75, 43, 25Z5	456	7-4	
50X	Vol.	1970	18	MR48				1408	6/15	3S582/TN111				5	6A7, 6K7, 75, 43, 25Z5	456	7-5	
52	Vol.	1209	6	SRP263	6-9			1437	25	TC71				5	6D6, 6C6, 41, 76, 80		6-1	
54	Vol.	1209	6	SRP263	6-9			1440	38	TCS44				5	6D6, 6C6, 43, 25Z5, 76		6-2	
60L	Vol.	1811	18	MR44				1818	6/15	TN129				6	6A7, 6D6, 75, 43, 6E5, 25Z5	456	7-7	
60M	Vol.	1811	18	MR44				1818	6/15	TN129				5	6A7, 6K7, 75, 43, 25Z5, L42D	456	7-6	
66AW	Vol.	6601	8			See Note	A5	6606	8	URI82-193				6	6A7, 26D6, 75, 43, 25Z5	456	6-3	
100, 100M	Vol.	1952	18	MR48				6611	15	TC32				5	6A7, 6D6, 75, 43, 25Z5	456	7-9	
102	Vol.	1908D-2	18	MR48	M26			1961	6/15	TN129				5	6A7, 6D6, 75, 43, 25Z5 (L42B)	456	8-3	
103	Vol.	1908D-2	18	MR48	M26			2302	6	2N514				5	6A7, 6D6, 75, 25L6G, 25Z5	456	8-3	
104	Vol.	1908D-2	18	MR48	M26			10	15	TC22				6	6A7, 6D6, 75, 6G5, 25L6G, 25Z5	456	8-4	
106	Vol.	1908D-2	18	MR48	M26			1652	25	RS213				6	6A7, 6D6, 76, 6F5, 41, 80	456	8-4	
161	Vol.	2202-2A	98	E	6-9		A14	2308-2	25/13	RM262				7	6A7, 6D6, 76, 6G5, 6F5, 41, 80	456	8-4	
162	Vol.	2202-2A	98	E	6-9		A14	1652	25	RS213				4	6A7, 6C6, 25L6G, 25Z5, L49D	456	8-5	
163	Vol.	1845A	18	MR48	M26			2308-2	25/13	RM262				5	6A7, 6C6, 25L6G, 6E5, 25Z5, L42D	456	8-5	
310	Vol.	1908D-3	45	MR48	M26			2412	23	TCS47				5	6A7, 6D6, 75, 25L6G, 25Z5, L42D	456	9-1	
410	Vol.	1289	6	SRP263	6-9	EX300		2444-1	23	TCS47				10	6A7, 6D6, 6G5, 6F5G, 25L6G, 76	456	8-6	
412	Vol.	1908-D-3	18	MR48	M26			1194	25	TC71				4	6D6, 6C6, 42, 80		5-1	
515	Vol.		6	MR18				2302	63	2N514				7	6A7, 6D6, 75, 25L6, 6G5, 25Z5	456	9-5	
515SW	Vol.		6	MR18	M26			2357	63	ST597				5	35, 24, 47, 80		3-1	
516	Vol.		3	MR18	M26			10	15	TC22				5	35, 24, 47, 80		3-1	
520	Vol.	1209	6	SRP263	6-9			8	4	ST595				5	39, 38, 33		3-3	
530	Vol.	1209	6	SRP263	6-9			6	4	ST595				5	6A7, 6D6, 6C6, 42, 80	456	5-2	
535	Vol.	1209	6	SRP263	6-9			8	4	ST595				5	6A7, 6D6, 6C6, 43, 12Z3	456	5-3	
536	Vol.	1908	18	MR48	M26			6	4	ST595				5	6A7, 6D6, 6C6, 43, 25Z5	456	6-4	
580	Vol.	1366	6	SRP263	6-9			1921	1	RS213				5	6A7, 6K7, 75, 41, 80	456	7-10	
606	Vol.	1908A	45	MR48				1914	1	RS213				5	6A7, 6D6, 6C6, 43, 12Z3	456	6-5	
610	Vol.	1072	18	MR48	M26			1381	27	TC44/TC42				7	6A7, 6K7, 6F5, 76, 42, 80, 6E5	456	9-6	
612	Vol.	1908D-3	45	MR48	M26			1652	25	RS213				6	6A7, 6D6, 75, 42, 80	456	5-4	
620, 630	Vol.	1240	18	MR39	M26			1835	25	ST595				9	6A7, 6D6, 76, 6G5, 26F5, 41, 80	456	9-7	
711	Vol.	1908D-3	45	MR48	M26			1088	1/13	3S584				6	6A7, 6D6, 76, 6G5, 26F5, 41, 80	456	9-7	
770 AW	Vol. Tone		17	MR44				2353	1	RS216				6	6A7, 6D6, 76, 6G5, 26F5, 41, 80	456	9-7	
770 AW (Late)	Vol. Tone		17	MR44				2308-2	1	RM262				6	6A7, 6D6, 75, 43, 25Z5	456	5-5, 6	
1200	Vol. Tone	2166	18	MR48	M26			2369	15	TC26				10	6A7, 6D6, 6G5, 6F5G, 25L6G, 76	456	8-6	
1900	Vol.	2047	18	MR44	M26			1230	38	URI82/TC42				7	56, 57, 58, 2A6, 2A5, 80	456	6-6	
HAMMARLUND MF "Comet Pro" Battery	Vol. Tone		7	H MR24	M26			2444-1	23	TCS47				7	57, 56, 58, 2A6, 2A5, 80	456	9-8	
"Comet Pro" Dec. 1931	Vol. Tone		7	H MR39	M26			2061-1	3	RS207				11	6K7, 6L7, 6J5, 6G5, 6R7, 25N6, 25Z6, L85CC	456	9-10	
			34					2186-1	3	RS213				8	24A, 35, 47, 80, 27	465	3-1	
								2061-1	12	TC22								
								2172	15	TC22								
								2601-1	3	RS207								
								2059-1	1/3	TN129								
								2070-1	1	RS207								
								2062	15	TC22								

‡ Data not substantiated

\* IMPORTANT: Read Notes in Note Section if specified in Note Column.

‡ Indicates miscellaneous section.

MANUFACTURER AND MODEL	CONTROLS							CONDENSERS				VIBRATORS			No. Tubes	Complete Tube Complement	I. F. Peak	Rider's Reference
	Use	Original Part	Circuit	Correct Replacement	Switch	Bias	*Note	Original Part	Circuit	Correct Replacement	*Note	Original Part	Replacement	*Note				
HAMMARLUND—Continued																		
"Comet Pro" July 1932	Vol. Tone		7 34	H. MR24	M26			8, 8, 8 8	3 15	RS213 TC22					8	*24A, *35, 80, *27	465	3-1
"Comet Pro" Sept. 1932	Vol. Tone		7 34	H. MR18	M26			8, 8, 8 8	3 19	RS213 TC22					8	*57, *58, 47, 80	465	3-2
"Comet Pro" Oct. 1932	Vol. Tone		7 34	H. MR18	M26			8, 8, 8 8	3 19	RS213 TC22					8	*57, *58, 47, 80	465	3-2
"Comet Pro" Feb. 1933	Vol. Tone		7 34	H. MR18	M26			8, 8, 8 8	3 18	RS213 TC22					8	*57, *58, 2A5, 80	465	2-1
"Comet Pro" Standard Model	Vol. Tone		7 34	H. MR18	M26			8, 8, 8 8	3 19	RS213 TC22					8	*57, *58, 2A5, 80	465	4-1,4
"Comet Pro" (Crystal)	Vol. Tone		7 34	H. MR24	M26			8, 8, 8 8	3 19	RS213 TC22					8	*57, *58, 2A5, 80	465	4-5,8
"Comet Pro" AVC Model	Vol. Gain		15 7	MR44 H.				8, 8, 8 8	3 19	RS213 TC22					9	*57, *58, 2B7, 2A5, 80	465	5-1,2
Super Pro	A.F. I.F. R.F. Tone Vol. Sen.	3889 3891 3890 3888 4816 3891	18 9 9 34 45 †	MR44 MR34 MR53 MR33 MR34	6-9			3833 3832 3834 3834	3 3 1 1	TC92 ST597 3S584				16	*6D6, 6A7, *6C6, *6B7, 76, *42, 5Z3, 1V	465	7-1,4	
SP110 Series	Vol. Sen.	4816 3891	45 †	MR34		See Note A3		3832 3834	2/14 †	ST597 3S584				16	6L7, 6J7, *6K7, *6D6, *6B7, 6C6, 6C5, *6F6, 5Z3, 80	465	9-1,4	
SP-400-X	Vol. Sens. Mtr. Adj.	4919 5023 4932	161 224 225	MR44 MR35 C1MP				23843-4 23842-13 23842-28 23842-28 6171	3 3 3/14 118 15	TZ384 Order from Mfr. RM265 RM265 TC48				18	*6K7, 6L7, 6J7, *6SK7, *6H6, 6N7, 6SJ7, 6J5, *6F6, 5U4G, 5Y3GT	455	15-13,25	
SP-400-SX	Vol. Sens. Mtr. Adj.	4919 5023 4932	161 224 225	MR44 MR35 C1MP				23843-4 23842-13 23842-28 23842-28 6171	3 3 3/14 118 15	TZ384 Order from Mfr. RM265 RM265 TC48				18	*6K7, 6L7, 6J7, *6SK7, *6H6, 6N7, 6SJ7, 6J5, *6F6, 5U4G, 5Y3GT	455	15-27,33	
HQ120X	Vol. Sen.	6095 6096	15 7	MR48 G	M26			6085 6171	3 15	See Note TC29	.B3			12	*6S7, 6K8, 6F6, *6H6, 6SF5, 6V6, 6J7, 5Z4G, VR150	455	10-1	
HQ120X (Late)	Vol. Sen.		15 7	MR48 G	M26			6085 6171	3 15	See Note TC29	.B3			12	6K8, *6S7, 6F6, 6Z7G, 6F8G, 6SF5, 6V6G, 6J7, VR150, 5V4G	†	12-1	
HQ-129-X	Vol. Meter Sens.	15356-1 15357-1 15305-Y		MR44 UM149-SS12 MR14	M26			23840-1	3	FP424				10	*6SS7, 6K8, 6H6, 6SN7GT, 6V6GT, 6SJ7, 5U4G, VR150/30	455	15-1,10	
HARRIS																		
100A	Vol. Tone		63 41	MR48 MR39	M26			8, 8	1	ST595				4	6C5, *6F6, 5Z4		89-4	
500	Vol. Tone		75 41	MR48 MR39	M26			8-8	4	2S567				7	6A8, 6K7, 6H6, 6C5, *6F6, 5Z4	465	8-1	
501W	Vol. Tone		75 41	MR48 MR39	M26			8-8	4	2S567				7	6A8, 6K7, 6H6, 6C5, *6F6, 5Z4	465	8-2	
600	Vol. Tone		75 41	MR48 MR39	M26			8-8	4	2S567				7	6A8, 6K7, 6H6, 6C5, *6F6, 5Z4	465	8-1	
700	Vol. Tone		75 41	MR48 MR39	M26			8-8	4	2S567				7	6A8, 6K7, 6H6, 6C5, *6F6, 5Z4	465	8-1	
701W	Vol. Tone		75 41	MR48 MR39	M26			8-8	4	2S567				7	6A8, 6K7, 6H6, 6C5, *6F6, 5Z4	465	8-2	
800	Vol. Tone		18 41	MR48 MR39	M26			16-16-8	63	TN129				7	6A8, 6K7, 6R7, *25A6, *25Z6	465	8-3	
900	Vol. Tone		75 41	MR48 MR39	M26			8-8	4	2S567				7	6A8, 6K7, 6H6, 6C5, *6F6, 5Z4	465	8-2	
1000	Vol. Tone		18 41	MR48 MR39	M26			16-16-8	63	TN129				7	6A8, 6K7, 6R7, *25A6, *25Z6	465	8-4	
1201W	Vol. Tone		75 41	MR48 MR39	M26			8-8	4	2S567				7	6A8, 6K7, 6H6, 6C5, *6F6, 5Z4	465	8-2	
HEATH HBR-5	Vol.		†	MR39	M27									5	*1T4, 1R5, 1S5, 3Q4	455		
HETRO 6 Tube AC	Vol. Tone		17 34	MR48 MR33	M26			8 10 30	4 15 4	RS213 TC22 RS223				6	*6D6, 6A7, 6B7, 42, 80	456	6-11	
6 Tube AC-DC	Vol. Tone		17 34	MR48 MR33	M26			C2092 10	6/15 15	3N527 TC22				6	6A7, *6D6, 6B7, 43, 25Z5	456	6-12	

† Data not substantiated.

\* IMPORTANT: Read Notes in Note Section if specified in Note Column.

§ Indicates miscellaneous section.

MANUFACTURER AND MODEL	CONTROLS							CONDENSERS				VIBRATORS			No. Tubes	Complete Tube Complement	I. F. Peak	Rider's Reference
	Use	Original Part	Circuit	Correct Replacement	Switch	Bias	*Note	Original Part	Circuit	Correct Replacement	*Note	Original Part	Replacement	*Note				
HETRO—Continued 8 Tube Superhet...	Vol. Tone		15 41	MR55 MR48				622 604 490	3 3 15	RS213 RM262 TC22				8	2A7, 58, 55, 56, 2A5, 80	456	6-13,14	
9 Tube Air Ace...	Vol. Tone	S341N TC900	18 44	MR48 MR33	M26			30 14 10	1 1 15	RS223 RS216 TC22				9	6D6, 6A7, 85, 42, 80, 76	456	6-15,16	
9 Tube Air Ace (Rev.)	Vol. Tone	S341N TC90D	18 22	MR48 MR33	M26			30 14 10	1 1 15	RS223 RS216 TC22				9	6K7, 6A8, 6R7, 6C5, 6B5, 5Z3	456	7-4	
6 LB, 6 SB	Vol. Tone	734	18	MR48										6	1C6, 34, 1B5, 30	456	6-4	
F9 to F12	Vol. Tone	735	21	MR53										5	6A8, 6K7, 6Q7, 25A6, 25Z6	456	7-1	
F13 to F20	Vol. Tone		80 80	500M No. 1 MR48		See Note A19		24 16 30 16	4 4 4 4	TC47 TC45 RS223 RS216				6	6A8, 6K7, 6Q7, 6F6, 80	456	7-2	
F21 to F28	Vol. Tone		37 37	500M No. 1 MR48		See Note A19		24 16	27 27	TC47 TC45				6	6A8, 6K7, 6Q7, 25A6, 25Z6	456	7-3	
H47, H48	Vol. Tone	215 304A	18 34	MR48 MR48				1703	23	2S567				6	6A8, 6D6, 6Q7, 41, 6G5, 80	465	9-12	
H61, H62	Vol. Tone	1211962 1211398	18 57	MR44 MR48	M26			1211445 1211444 1212000	25 25 13	RS216 RS216 TC70				5	6A8G, 6K7G, 6Q7G, 6K6G, 5V4G	456	9-1	
HP61, HP62	Vol. Tone	1211962 1211398	17 21	MR44 MR48	M26			1211445 1211444 1212000	25 25 13	RS216 RS216 TC70				5	6A8G, 6K7G, 6Q7G, 6K6G, 5V4G	456	9-1	
H63, HP63	Vol. Tone	1211396 1211398	75 57	MRT420 MR48	M26			1211972 1211870 1211455 1211931	25 25 19 13	RS216 RS213 TC22 RS213				8	6A8, 6K7, 6H6, 6F5, 6G5, 6L6, 5V4G	456	9-3	
H64, HP64	Vol. Tone	1211396 1211398	75 57	MRT420 MR48	M26			1211972 1211870 1211455 1211931	25 25 13 19	RS216 RS213 TC22 RS213				8	6A8, 6K7, 6F5, 6H6, 6G5, 6L6, 5V4G	456	9-3	
HA67	Vol. Tone		18 22	UM154 UM144			A96	8-8 .005	1	2N518 Buffer		See Note	C8	6	6D6, 6L7, 76, 6B5, 75	465	9-5	
H85, HP85	Vol. Tone	1211936 1211398	45 57	MRT420 MR48			A96	1211972 1211870 1211931 1211455	25 25 13 19	RS216 RS213 RS213 TC22				8	6K7, 6A8, 6H6, 6F5, 6L6, 6G5, 5V4G	456	9-7	
H87, HP87	Vol. Tone	1211396 1211398	75 57	MRT420 MR48	M26			1211444 1211445 1212000	25 25 13	RS216 RS216 TC70				7	6A8G, 6K7G, 6H6, 6F5G, 6F6, 6G5, 5Z4	456	9-9	
H93, HP93	Vol. Tone	1211936 1211398	75 57	MRT420 MR48				1211972 1211870 1211931 1211455	25 25 13 19	RS216 RS213 TC70 TC22				8	6K7, 6A8, 6H6, 6G5, 6F5, 6L6, 5V4G	456	9-7	
22	Vol. Tone		6 22	MR21 MR24		EX200		8-8	1	See Note	B3			8	58, 57, 47, 56, 80	115	6-1	
31	Vol. Tone		77 44	MR48 MR24				8-8	1	See Note	B3			8	57, 58, 55, 47, 80	175	6-2	
71	Vol. Tone		56	MR48				10-25-10	11	UR182-193	B31			5	6D6, 75, 43, 25Z5	456	6-3	
207	Vol. Tone	84	17	MR48	M26			623 490	4 15	ST595 TC22	B3			5	2A7, 58, 2A6, 2A5, 80	456	6-5	
209	Vol. Tone	84	17	MR48	M26			623 490	4 15	ST595 TC22	B3			5	2A7, 58, 2A6, 2A5, 80	456	6-6	
251	Vol. Tone	161	6	MR21		EX250		428	4	2S567				4	57, 58, 2A5, 80		6-7	
257, 259	Vol. Tone	155 84	22 17	MR24 MR48	M26 M26			623 490	4 15	ST595 TC22	B3			5	2A7, 58, 2A6, 2A5, 80	456	6-5,6	
293	Vol. Tone		6	MR24		EX200		2023	23	TCS55				4	6D6, 6C6, 43, 25Z5		7-4	
295	Vol. Tone	84	17	MR48	M26			466 490	11 15	UR182-193 TC22	B31			5	6D6, 75, 43, 25Z5	456	6-8	
297	Vol. Tone	84	17	MR48	M26			466 490	11 15	UR182-193 TC22	B31			5	6A7, 6D6, 75, 43, 25Z5	456	6-9	
412, 466	Vol. Tone	658 657	17 22	MR48 MR39	M26			C2092 10	6/15 15	3N527 TC22				6	6D6, 6A7, 75, 43, 25Z5	456	6-10	
10310, 10410, 10510, 10610 Series B	Vol. Tone	215	18	MR48				16-12	4	TCS44				6	6A7, 6D6, 75, 25L6, 6G5, 25Z5, L49C	465	9-11	
14610, 14710	Vol. Tone		18 34	MR48				8-4	23	2S567				7	6K7, 6A8, 6Q7, 6F6, 6G5, 5Y3	465	9-13	
14810, 14890, 14910, 14990	Vol. Tone		18 22	MR48				8-4	23	2S567				6	6A7, 6D6, 75, 42, 80, 6G5	465	9-14	
15010, 15110	Vol. Tone		18 34	MR48				8-4	23	2S567				6	6K7, 6A8, 6G7, 6F6, 5Y3	465	9-13	
15210	Vol. Tone		18 34	MR48				8-4	23	2S567				7	6K7, 6A8, 6Q7, 6F6, 6G5, 5Y3	465	9-13	

† Data not substantiated.

\* IMPORTANT: Read Notes in Note Section if specified in Note Column.

‡ Indicates miscellaneous section.

MANUFACTURER AND MODEL	CONTROLS							CONDENSERS				VIBRATORS			No. Tubes	Complete Tube Complement	I. F. Peak	Rider's Reference
	Use	Original Part	Circuit	Correct Replacement	Switch	Bias	*Note	Original Part	Circuit	Correct Replacement	*Note	Original Part	Replacement	*Note				
HERBERT H. HORN	"Tiffany Tone"																	
4T	Vol.		6	MR18				5-5	23	2S567					4	6D6, 6C6, 41, 80	9-1	
5	Vol.		6	SRP263				4-4	23	TCS71					5	57, 58, 56, 2A5, 80	465 465	6-1 7-1
5A	Vol.		22	MR24				5-5	23	2S567					5			
	Tone		6	MR33														
5MT	Vol.		6	SRP263				5-5	23	2S567					5	6J7, 6K7, 6C5, 6F6, 5Z4	465 465	6-2 7-2
5MTD	Vol.		18	MR48				5-5	23	2S567					5			
	Tone		22	MR33														
7MT	Vol.		62	MR48				8-8	23	2S567					7	6A8, 6K7, 6H6, 6C5, 6F6, 5Z4	465	6-3
	Tone		22	MR33														
9MT, 9MTC	Vol.		83	MR48				16, 16	23	RS216					9	6K7, 6A8, 6H6, 6C5, 6F6, 5Z4	1600	6-4, 7-3
	Tone		22	MR33														
10MT	Vol.		83	MR48				8-8	23	TCS71	B3				10	6K7, 6L7, 6C5, 6H6, 6G5, 6J7, 6F6, 5Y3	1600	7-4
	Tone		22	MR33				10	19	TC22								
11A	Vol.		80	750M	See Note	te A19		16	1	RS216					11	6A8, 6K7, 6J5, 6J7, 6F6, 5Y3	465	9-2
	Tone		80	MR44				5, 5	1/13	ST595								
15	Vol.		6	H7				8, 8	4	RS213					6	24, 45, 80		3-1, 2
	Tone		22	MR39														
15M	Vol.		6	D7				8, 8	4	ST595					6	27, 47, 80, 35		6-5
	Tone		22	MR18														
16MT	Vol.		83	MR18	See Note	te A3		8, 8, 8	30	ST595					16	6K7, 6A8, 6H6, 6C5, 6F6, 5Z4	1600	8-1
	H. F. Tone		22	MR44				8	15	TC32								
								10	15	TC22								
17MT	Vol. Bass		83	MR48				16-8-8-8	1	See Note	B3				17	6K7, 6L7, 6C5, 6H6, 6G5, 6F6, 5Y3	1600	7-5
			1	UC513				8	15	TC32								
								8	13	TC71								
21	Vol.		6	MR19	M26			4-8	23	TCS71					4	57, 58, 47, 82		4-1
	Tone		22	MR18														
24	Vol.		6	SRP263				4-4	4	TCS71					4	2A7, 57, 2A5, 80	465	4-2
	Vol.		6	MR18	M26			8-4	23	TCS71					4	57, 58, 47, 80		4-1
	Tone		22	MR18														
36	Vol.		17	MR48	M26			4-4	4	See Note	B3				5	6A7, 78, 6B7, 42, 80	465	4-2
	Tone		22	MR48														
49	Vol.		6	C12				8-8	1	See Note	B3				5	24, 45, 80		
50, 50B	Vol.		18	MR48				5-5	23	2S567					5	6A8, 6K7, 75, 42, 80, or 6A7, 6D6, 75, 6F6, 5Y3	465	9-1
51	Vol.		18	MR48				8-8	23	2S567					5	6A7, 6D6, 75, 42, 80	465	7-6
	Vol.		18	MR48				8-8	23	2S567					5	6A8G, 6K7G, 75, 6F6G, 5Y3	465	7-7
52	Tone		22	MR33											5	57, 58, 2A6, 2A5, 80	465	6-1
55	Vol.		56	MR48				8, 8	23	ST595					5			
	Tone		22	MR24														
58	Vol.		15	MR48	M26			8-8	1	2N518	B3				7	2A7, 58, 56, 57, 2A5, 80	465	4-3
	Tone		76	MR48				10	15	TC22								
58 (1933)	Vol.		15	MR48				8-8	1	2N518	B3				7	2A7, 58, 56, 2A5, 80, 57	465	4-3
	Tone		21	MR48				10	15	TC22								
59	Vol.		7	G				8-8	1	2N518	B3				8	27, 51, 47, 80	175	3-3
	Tone		39	MR44														
62	Vol.		39	MR48				8-8	23	2S567					5	6A8G, 6K7G, 75, 6F6G, 5Y3	465	7-6
	Tone		22	MR33														
63	Vol.		18	MR48				8-8	23	2S567					5	6A8, 6K7, 75, 6F6, 5Y3	465	7-8
	Tone		22	MR33														
66	Vol.		15	MR48				8-8	23	2S567	B3				6		465	7-8
	Vol.		75	MR44				5-5	23	TCS71	B3				6	6A8, 6K7, 6H6, 6J7, 6F6, 5Z4	465	6-6
66MT	Vol.		22	MR33											6	6A8, 6K7, 6H6, 6J7, 6F6, 5Z4	465	6-9, 7-1
	Tone		22	MR33														
67	Vol.		18	MR48				5-5	23	2S567					6	6A7, 6D6, 75, 42, 80, 6U5	465	9-3
	Tone		22	MR33														
69	Vol.		7	G				8, 8	1	ST595	B3				8	27, 51, 47, 80	465	3-3
	Tone		39	MR44														
70, 71	Vol.		6	MR18	M26			8, 8	4	RS213					7	35, 24, 27, 47, 80	175	3-4, 5
	Vol.		75	MR48				8-8	23	See Note	B3				7	6A8, 6K7, 6H6, 6J7, 6F6, 6E5, 5Y3	465	7-4
	Tone		22	MR33														
77	Vol.		83	MR48				8-8	23	See Note	B3				7	2A7, 58, 55, 2A5, 80	465	6-1
	Tone		22	MR24														
79	Sen.		7	MR28														
	Vol.		6	MR18				8-8	4	See Note	B3				8	27, 51, 47, 80	175	6-7, 8
	Tone		22	MR44														
83	Vol.		83	MR48				8-8	23	TCS71	B3				7	6A8, 6K7, 6H6, 6G5, 6J7, 6F6, 5Y3	465	7-8
	Tone		22	MR33														
87, 87C	Vol.		18	MR48				12	23	RS215					7	6K7, 6A8, 6U5, 75, 6V6G, 5Y3G	465	9-4
	Tone		22	MR33				12	23	RS216								
90	Vol.		7	G				8-8	1	See Note	B3				8	27, 51, 47, 80	175	3-3
	Tone		39	MR44														
97, 97C	Vol.		18	MR48				10	25	RS215					9	6K7, 6A8, 6Q7, 6U5, 6F6, 6C5, 5Y3	465	9-4
	Tone		22	MR48				12	25	RS216								
								10	15	TC32								
99	Vol.		6	MR18				8-8	4	See Note	B3				8	27, 51, 47, 80	175	6-7, 8
	Tone		22	MR44														
101	Vol.		15	MR44				8-8	4	See Note	B3				11	27, 34, 24, 47, 80	175/550SW	2-1, 2
	Tone		39	MR48														
	Tunlgt.		1	A10MP														

† Data not substantiated.

\* IMPORTANT: Read Notes in Note Section if specified in Note Column.

‡ Indicates miscellaneous section.

MANUFACTURER AND MODEL	CONTROLS							CONDENSERS				VIBRATORS				No. Tubes	Complete Tube Complement	I. F. Peak	Rider's Reference
	Use	Original Part	Circuit	Correct Replacement	Switch	Bias	*Note	Original Part	Circuit	Correct Replacement	*Note	Original Part	Replacement	*Note					
HERBERT H. HORN 101B, 102B.....	Continued Vol. Tone		15 39	MR48 MR48	M26			8-8	1	See Note	B3				12	24, 27, 35, 47, 80	175	3-6, 8	
109.....	Tunlgt. Vol. Tone		6 22	A10MP MR33				8-8	4	See Note	B3				8	27, 35, 47, 80	175	6-7, 8	
110.....	Vol. Tone		15 39	MR48 MR48				8-8	4	See Note	B3				10	27, 35, 47, 80	175/ 550SW	2-1, 2	
112A.....	Tunlgt. Vol. Tone		15 22	A10MP MR48				8-8-4	32	See Note	B3				12	58, 2A7, 56, 2A3, 5Z3	175	5-1	
156.....	Vol. Tone		56 22	MR48 MR48	M26			4-4	23	See Note	B3				5	2A7, 2B7, 58, 2A5, 80	465	5-2	
156AW.....	Vol. Tone		56 22	MR48 MR48	M26			4-4	23	See Note	B3				5	2A7, 58, 2B7, 2A5, 80	465	6-2	
158 (1933).....	Vol. Tone		15 21	MR48 MR48				8-8	1	See Note	B3				7	2A7, 58, 56, 57, 2A5, 80	465	4-4	
518.....	Vol. Tone		18 56	MR48 MR48				5-5	23	2S567					5	6A7, 6D6, 75, 42, 80	465	9-3	
535.....	Vol. Tone		18 56	MR48 MR48				4-4	4	See Note	B3		294	C3	5	6A7, 6D6, 75, 42, 84	465	7-7	
536.....	Vol. Tone		56 22	MR48 MR33				4-4	4	See Note	B3		294	C3	5	6A7, 6D6, 75, 42, 84	465	7-7	
537, 538.....	Vol. Tone		18 22	MR48 MR33				5-5	23	2S567			294	C3	5	6A8, 6K7, 6Q7, 6F6, 84	465	8-2	
1934.....	Vol. Tone		56 22	MR48 MR33				4-4	1	See Note	B3				5	6A7, 78, 6B7, 42	172	5-2	
HOFFMAN A-200, Ch. 103.....	Vol.	4802	18	MR48	M26			4201	80	FP214					5	12SA7, 12SG7, 12SQ7, 50L6GT, 35Z5GT	455	15-1	
A-202, Ch. 119.....	Vol.	4802	18	MR48	M26			4201	80	FP214					6	12BA6, 12BE6, 12AT6, 35L6GT, 35W4	455	16-1, 2	
A-300, Ch. 100, 700S.....	Vol. Tone	4800 4801	18 158	MR48 MR44	M26			4200	1/15	FP339					6	6SK7, 6SA7, 6SQ7, 6K6GT, 6X5GT	455	15-2, 3	
A-301, Ch. 101, 101S.....	Vol. Tone	4804 4805	18 158	MR48 MR44	M26			4200	24/15	FP339					6	6SK7, 6SA7, 6SQ7, 6K6GT/G, 6X5GT/G	455	15-4, 3	
A-309, Ch. 119.....	Vol.	4802	18	MR48	M26			4201	80	FP214					6	12BA6, 12BE6, 12AT6, 35L6GT, 35W4	455	16-1, 2	
A-401, Ch. 102.....	Vol. Tone	4804 4805	161 158	MR48 MR44	M26			4200	1/15	FP339					6	6SK7, 6SA7, 6SQ7, 6SQ7, 6K6GT, 6X5GT	455	15-3, 5	
A-500, Ch. 107, 107S.....	Vol. Tone	4804 4805	161 158	MR48 MR44	M26			4200	1/15	FP339					6	6SK7, 6SA7, 6SQ7, 6K6GT, 6X5GT	455	15-5	
A-501, Ch. 108S, 108ST.....	Vol. Treble Bass	4804 4805	161 158	MR48 MR44	M26			4200	24/15	FP339					9	6SK7, 6SA7, 6SQ7, 6J5, 6V6GT, 5U4G	455	15-6, 10	
A-700, Ch. 110S.....	Vol.	4806 4808	222 18	MR34 MR53	M27			4201	80	FP214					5	1T4, 1R5, 1R5, 3Q4, D. R.	455	16-4	
B-400, Ch. 118.....	Vol.	4802	161	MR48	M26			4201	81	FP214					5	12SA7, 12SG7, 12SQ7, 50L6GT, 35Z5GT/G	455	16-3	
B-504, Ch. 123.....	Vol. Treble Bass Mic.	4804 4805 4806	172 222 222	MR48 MR44 MR34	M26			4207 4205 4209	13 15 83	FP144 TC26 TC40					13	6AB6, 6BE6, 6C4, 6AT6, 6AL5, 6SJ7, 6J5, 6V6GT/G, 5U4G	455 10.7		
B-502, Ch. 113.....	Vol. Treble Bass	4804 4805 4806	172 222 222	MR48 MR44 MR34	M26			4207 4200 4205	13 1/15 15	FP144 FP339 TC26					13	6BA6, 6BE6, 6C4, 6AT6, 6AL5, 6SJ7, 6J5, 6V6GT/G, 5U4G	455 10.7		
B-503, Ch. 115.....	Vol. Treble Bass Mic.	4804 4805 4806	161 158 222	MR48 MR44 MR34	M26			4203 4200 4205	13 1/15 15	TC72 FP339 TC26					12	6SK7, 6SA7, 6SQ7, 6J5, 6V6GT/G, 6SJ7, 6SQ7	455		
B-1000, Ch. 114.....	Vol. Bass Treble	4804 4806 4805	172 222 222	MR48 MR34 MR44	M26			4200 4203	1/15 13	FP339 TC72					10	6SK7, 6SA7, 6SQ7, 6J5, 6V6GT, 5U4G	455		
HOWARD AA25.....	Vol.		6	MR21				16-12	4	TCS44					4	6D6, 6C6, 43, 25Z5		6-3	
AP.....	Vol. Tone	2399 1953	16 41	MR55	M26			2335 1948 2209	3 3 3	TC71 RS213 TC71					9	55, 56, 58, 42, 80	175		
A SW Converter AVH (45, 60).....	Vol. Tone	1884 1881	94 44	MR48 MR48	M26			1976 1859 1883	3 1 3	RS213 ST595 3S584					4 9	24, 35, 27 27, 35, 47, 80	175	3-9 2-6, 7	

† Data not substantiated.

\* IMPORTANT: Read Notes in Note Section if specified in Note Column.

‡ Indicates miscellaneous section.

MANUFACTURER AND MODEL	CONTROLS							CONDENSERS				VIBRATORS			No. Tubes	Complete Tube Complement	I. F. Peak	Rider's Reference
	Use	Original Part	Circuit	Correct Replacement	Switch	Bias	*Note	Original Part	Circuit	Correct Replacement	*Note	Original Part	Replacement	*Note				
HOWARD—Continued																		
AVO (35-A)	Vol. Tone	1884 2269	35 34	MR48 MR39				1883 2282	3 16	3S584 TC22					8	*35, *27, 47, 80	175	3-11
A12	Vol.		6	MR21	M26			16-12	4	TCS44					4	6D6, 6C6, 43, 12Z3		6-1
B13	Vol.		17	MR48		EX300		8-16-12	27	UR182-193	B115				5	6A7, 6D6, 75, 43, 25Z5	456	6-1
CC23, CC24	Vol.		17	MR48				8, 8 10	15	ST595 TC22					6	*6D6, 75, 42, 76, 80	456	6-3
D4 (Cable-Nelson)	Vol.	2202	8			See Note A5		1869 2209	1 1	TC71 TC71					4	51, 24, 47, 80		2-12
D8	Vol. Tone Supp.	3120 3119 3121	19 22 9	MRT427 MR24 MR20	M26			3004 1948	28 28	RM262 RS213					8	*78, 6A7, 85, 76, 42, 80	465	6-17
EX (Dual Range)	Vol. Tone	1968 1881	8 44	G MR48 MR48				1869 2209	3 3	TC71 TC71					10	*27, *51, *47, 80	140	3-2
E5B	Vol.		18	MR48	M26			4	12	TC52					4	1C6, 1A4, 1F6, 1F4, 1B1	465	9-1
E14, E107	Vol.		18	MR48	M26			8-4	23	TCS71					6	6C6, 6D6, 75, 42, 80, 76	456	6-2
E57 (Long Wave)	Vol.	6208	18	MR48	M26			8815 8816	11 11	2N509 TC42					5	6A7, 6D6, 75, 43, 25Z5	456	7-12, 13
E256	Vol.		45	MR48	M26			40-10	6	2N514					6	6A7, 6D6, 76, 6K5, 25B5, 25Z5, K42B	465	9-1
E259	Vol.		18	MR48	M26			40-10	6	2N514					5	6A7, 6D6, 75, 42, 80	465	9-2
F	Vol. Tone Sen.	3120 3119 3121	15 22 7	MR48 MR24 MR20				3288 3004 1948	1 1 18	TC71 RM262 RS213					12	6A7, *78, 85, *76, *42, *80	465	6-4
F (with 45's)	Vol. Tone	1939 1938	24 41	MR57 MR48	M26	See Note A5		1748	1	RS213					7	*24, 27, *45, 80		2-1
Series 1 (Grand)	Vol. Tone Hum		15 15 1	MR48 MR48 A10MP	M26			8-8 8-8 5 25	1 24 15 15	RM262 2N516 TC32 TC26					19	*76, 6C6, *78, 80, 85, *42, 84, 5Z3	175	6-15, 16
Series 2 (Grand)	Vol. Tone Hum		15 15 1	MR48 MR48 A10MP	M26			8-8 8-8 8-8 5 25	1 1 24 15 15	RM262 RM262 2N516 TC32 TC26					19	*78, *76, 6C6, 85, *42, 5Z3, 80, 84	465	7-1, 2
"Green Diamond" 8 Mag. Speaker	Vol. Phono.	P1683A P1685A	1 10	D12 MR33					1	See Note	B4				9	*26, 27, *71A, 80		1-3
"Green Diamond" 8 Dyn. Speaker	Vol. Phono.	P1683A P1685A	1 10	D12 MR33				P1727 P1728	3 3	See Note See Note	B3 B3				9	*26, 27, *71A, 80		1-4
"Green Diamond" 8 Dyn. Speaker 45's	Vol. Phono.	P1683A P1685A	1 10	D12 MR33 MR21				SA1090	3	3S584	B8				9	*26, 27, *45, 80		1-5
G26	Vol.		6	MR33				8-8-10-10	24	2N509/TN111					4	39, 36, 38, 37		6-3
H (with 45's) (35, 40)	Vol. Tone	1968 1953	8 41	G MR55	M26			1948	1	RS213					8	*51, *27, *45, 80	175	3-3, 4
H (35, 40) (with 47's)	Vol. Tone	1968 1881	8 41	G MR48	M26			1948 1976	3 3	RS213 RS213					8	*51, *27, *47, 80	175	2-3, 5
Auto (Series 1)	Vol. Tone		18 22	UM154-SS3 UM140	M26			8-8 .005	1 4	2N518 Buffer		249	C3	6	*6D6, 76, 75, 42, 6L7	465		
HA1 (670A)	Vol.	101-9	17	MR48	M26			P119-4 .015	4	TC71 Buffer	B14	142-1	298	C3	6	6C6, *6D6, 75, 42, 84	175	6-7, 9
HA2 (52, 502)	Vol.		18	UM154		See Note A96		8-8 10-10	4 15	TC71 TN111		292	C3	5	6A7, 6D6, 75, 41, 84	456	6-10	
HA3	Vol.		17	UM154		See Note A96		.008-.008 8-8	4 4	Buffer TC71	B14	294	C3	5	6A7, 6D6, 75, 41, 84	456	6-11	
HA4	Vol.		18	UM154-SS3				5-5 .015-.015	15 4	TN111 Buffer	B14	294	C3	6	*6D6, 6A7, 75, 41, 84	175	6-12	
HA6	Vol. Tone	6227 6225	18 22	UM157-SS3 UM140-SS18				.015-.015 8826	1 1	Buffer RM262	B14	9600	249	C3	6	*6D6, 6L7, 75, 76, 6B5	465	7-3, 10
HA7	Vol.	22-281	18	UM157-SS17				.005 26-266	4	Buffer 2S567	B14	3-967	294	C3	6	*6K7G, 6A8G, 6Q7G, 6V6G, 0Z4	262	10-3
HA8	Vol.	22-281	18	UM157-SS17				.0075 27-266	1	Buffer 2N518	B14	4-967	294	C3	8	*6K7G, 6A8G, 6Q7G, 6C5G, *6V6G, 0Z4	262	10-3
HA9	Vol.	22-281	18	UM157-SS17				.0075 26-266	4	Buffer 2S567	B14	3-967	294	C3	6	*6K7G, 6A8G, 6Q7G, 6V6G, 0Z4	262	10-3
"Highwayman"	Vol.	101-9	17	MR48	M26			.0075	4	Buffer	B14	298	C3	6	6D6, 6C6, 78, 75, 42, 84	175		
J3	Vol.	2161	8	G	6			P103-2 .02	4	RM262 Buffer	B14				6	*78, 77, 43, 84, 37	456	3-12
K (400)	Vol. Tone Supp.	2294 1953 2319	13 41 7	MR39 MR55 G	M26			2178A 2427 2177 1869 2335	1 12 15 28 28	2N518 TC70 TN111 TC71 TC71					10	*56, 57, *58, *47, 80	175	3-8

† Data not substantiated.

\* IMPORTANT: Read Notes in Note Section if specified in Note Column.

‡ Indicates miscellaneous section.

MANUFACTURER AND MODEL	CONTROLS							CONDENSERS				VIBRATORS			No. Tubes	Complete Tube Complement	I. F. Peak	Rider's Reference
	Use	Original Part	Circuit	Correct Replacement	Switch	Bias	*Note	Original Part	Circuit	Correct Replacement	*Note	Original Part	Replacement	*Note				
HOWARD—Continue																		
L (410)	Vol. Supp. Tone	2349 2372 1953	13 56 11	MR44 MR44 MR55	M26 M26			2335 1869	3 3	TC71 TC71					11	55, *56, *58, *42, 80	175	3-5,6
M (420)	Vol. Supp. Tone	2349 2372 1953	11 18 41	MR44 MR44 MR55	M26 M26			2335	3	TC71					13	55, *56, *58, *42, 84	175	3-6,7
O (20, 25, 30, 32)	Vol. Tone	1981 1863	8 21			See Note	te A5	1858 1859	1 1	2S567 TC70					7	*51, *27, 47, 80	175	2-8,9
Q	Vol. Tone	2808 2809	15 22	MR44 MR44	M26	See Note	te A5	2303 2427	28 28	TCS71 TC71					7	*78, 6A7, 76, *12A5, 80, 77	170	4-2,3
R9	Vol. Tone	2808 2988	15 22	MR44		See Note	te A5	2803 2427	3 3	TCD71 TC71					9	*76, 77, 78, 6B7, *42, 80	465	5-1,3
SG "A," "C," (R.F. chassis)	Vol.	P1900	24	Order from	Mfr.										4	*24, 27		1-6
SG "A," "C" (A.F. Chassis)	Vol.	P1937	8	G				P1080 1748	3 1	3S584 RS213	B8				3	*45, 80		1-7
SG "B"	Vol. Tone	P1938 1877	21 8	MR55 F	M26 6-9			1868	1	TCD71					6	*24, 27, 45, 80		2-14
SG "T" S2, S7	Vol. Tone	2787 2863	15 15			See Note	te A5								5	*51, 24, 47, 80		2-10,11
W 1st Type	Vol. Tone Supp. AVC	2863 2862 2890 2865	15 22 8 8	MR48 MR48 G Y1000MP	M26										8	1A6, *30, 32, *34, *49	175	4-1,7-9
W 2nd Type	Vol. Tone Supp. Tunlgt.	2862 2865	12 12	MR48 MR48 MR18 Y1000MP	M26										10	*56, *57, *58, 2A7, 2B7	465	5-4,12
W 2nd Revision	Vol. Tone Sen.	3121	22	MR48 MR48 MR20	M26			8 10	13 15	TC71 TC32					19	2A7, *56, *58, *2A5, 83V	465	6-13,14
W (Power Amplifier)								2851 2850 2427	3/14 4 15	See Note TCS52 TC22	B116				9	83V, *2A5, *56		5-6
X2, X3, X8	Vol.	2725	15	MR48	M26			1948 1976 2427	3 3 15	RS213 RS213 TC22					7	6A7, 6B7, *78, 77, 12A5, 80	175	4-4,5
X275	Vol. Tone	11-278 23-281	18 21	MR48 MR48	M26			30-266	1	FP231					6	6J8G, 6D6, 75, 6V6G, 6U5, 80	465	10-11
ZA	Vol.	2725	45	MR48	M26			1948 2209	3 3	RS213 TC71					10	6A7, 6B7, *78, *77, *2A5, 80	175	4-6,7
4B	Vol.	23-281	18	MR48				4	12	TC52					4	1A7G, 1N5G, 1H5G, 1C5G	465	10-1
4BT	Vol.	39-281	18	MR48	M27			36-266	12	FP143					4	1A7G, 1N5G, 1H5G, 1C5G	465	10-2
5B	Vol.	20-281	18	MR48	M27			23-266	12	ST595					4	1C6, 1A4, 1F6, 1F4, 1B1	465	8-1,3
6B	Vol. Tone	6232	18	MR48	M27			8, 8 .005	1	TC52 Buffer	B14	9605	245C	C3	6	6D8G, *1A4, 6T7G, 30, 19	465	9-4
6B-A	Vol. Tone	17-281 6223	124 22	MR48 MR53	M27			20-266 .005	1	3S584 Buffer	B8 B14	9605-1	246	C3	6	6D8G, *6S7G, 6T7G, 30, 19	465	9-4,5
6B-T	Vol. Tone	17-281 6223	124 22	MR53 MR48	M27			20-266 .005	1	3S584 Buffer	B8 B14	9605-1	246	C3	6	6D8G, *6S7G, 6T7G, 30, 19	465	
7BT	Vol.	18-281	18	MR48	M26			8-16 10 .005	1 15	TC22 Buffer TC44	B8 B14		245C	C3	5	6D8G, 6S7G, 6T7G, 41, 6L5G	465	9-6
12B	Vol.		18	MR48				10	12						4	1A7G, 1N5G, 1H5G, 1C5G	465	11-1
14ACB	Vol.	70-281	18	MR48	M27			47-266 50	1 78	FP211 TC29					6	1P5GT, 1A7GT, 1N5GT, 1H5GT, 3Q5GT, 117Z6GT	465	11-2
47A	Vol.	6207A	6	MR21	M26	EX300		16-12	4	TCS55					4	6D6, 6C6, 43, 25Z5		7-11,12
50SW	Vol.	6207A	6	MR21	M26	EX300		8812 3003	4 15	TCS44 TC22					5	*6D6, 6J7, 43, 25Z5		7-11,12
50 (Series 2)	Vol.	6207A	6	MR21	M26	EX300		16-12 5	4 15	TCS44 TC22					5	*6D6, 6J7, 43, 25Z5		7-11,12
56	Vol.		18	MR48	M26			16-12	4	TCS44					5	6A7, 6D6, 75, 43, 25Z5, K49B	465	8-2
57A, 57AUS	Vol.	6208	18	MR48	M26			8815 8816	11 11	2N509 TC42					5	6A7, 6D6, 75, 43, 25Z5	456	7-12,14
58 (B5)	Vol.	6221	18	MR48	M26			8812	27	TCS44					5	6A7, 6D6, 75, 43, 25Z5	465	7-15,16
59	Vol.	6221	18	MR48	M26			8812	27	TCS44					5	6A7, 6D6, 75, 43, 25Z5, K49C	465	9-26
60 (Series 1), 60 (Short Wave)	Vol.	6208	75	MR48	M26			8815 8816	11 11	2N509 TC42					6	6A7, 6D6, 6H6, 6F5, 43, 25Z5	456	7-12,14
67, 67C, 67T	Vol.	6212	75	MR48	M26			8817 3003	1 15	2N518 TC22					6	6A7, 6D6, 6H6G, 6F5G, 42, 80	465	8-15
68	Vol. Tone	6229 6223	18 22	MR48 MR48	M26			8826	1	2S567					6	6A7, 6K7, 6Q7, 6B5, 80, 6G5	465	7-17,18

† Data not substantiated.

\* IMPORTANT: Read Notes in Note Section if specified in Note Column.

‡ Indicates miscellaneous section.

MANUFACTURER AND MODEL	Use	CONTROLS						CONDENSERS				VIBRATORS			No. Tubes	Complete Tube Complement	I. F. Peak	Rider's Reference
		Original Part	Circuit	Correct Replacement	Switch	Bias	*Note	Original Part	Circuit	Correct Replacement	*Note	Original Part	Replacement	*Note				
HOWARD—Continued																		
77C, 77T	Vol.	6216	75	MR48	M26			3004	1	RM262					7	6A8, 6K7, 6H6, 6F5, 6F6, 5Y3	465	7-19,20
99, 99C, 99T	Vol. Tone	6210, 6211	15, 41	MR48, MR48	M26			8814, 3003, 3004	14, 15, 1	TC70, RM262				9	6K7, 6A8, 6H6, 6C5, 6F6, 5Z4	465	7-23,24	
118	Vol. Tone	6222, 6223	75, 22	MR53, MR48	M26			8814, 3003, 17-266, 8826	14, 15, 1, 1/13	TC70, TC32, RS213, 2S567				11	6K7, 6A7, 6H6, 6F5, 6C5, 6F6G, 6G5, 80	465	8-7,9	
135AC (395, 445, 470, 495)	Vol.		10	GK				P1603A	3	See Note	B2			7	426, 27, 10, 81		1-8	
135 D. C.	Vol.	P1750	10	EI2					4					6	401A, 71A		2-2	
200	Vol.		6	Order from	Mfr.			16, 12, 16-8, 8, 8-8, 8-4, 17-266, 8826	4, 24, 1, 1/14, 14, 1	TC45, TC44, 2N509, RS213, 2N518, 2N518, 2N518, RS213, 2S567, FP231, TCS45, TC44, 2S567			2	6A7, 1V		9-26		
210, 211	Vol.	21-281	1	Order from	Mfr.			16-8, 8, 8-8, 8-4, 17-266, 8826	24, 1, 1/14, 14, 1	2N509, RS213, 2N518, 2N518, RS213, 2S567, FP231, TCS45, TC44, 2S567			14	6K7G, 6L7G, 6J5G, 6H6, 6G5, 6F5, 6V6G, 80	465	8-11,12		
214	B. Tone	8-278	1	MR53	M26			31-277, 32-266, 10, 28-266	1, 27, 13, 1	FP231, TCS45, TC44, 2S567			11	6K7, 6A7, 6H6, 6F5, 6C5, 6F6G, 6G5, 80	465	8-7,9		
218	Vol. Tone	6222, 6223	12, 22	MR53, MR48	M26			31-277, 32-266, 10, 28-266	1, 27, 13, 1	FP231, TCS45, TC44, 2S567			5	6A7, 6D6, 75, 41, 80	465	10-7,9		
220	Vol.	26-281	18	MR53				10, 28-266	13, 1	TC44, 2S567			5	6A7, 6D6, 75, 25L6G, 25Z5, K49B	465	10-10		
221	Vol.	36-281	18	MR48	M26			28-266	1	2S567			5	6A7, 6D6, 75, 41, 80	465	9-9,14		
225, S225	Vol. Tone	23-281, 11-278	18, 22	MR48, MR48	M26			28-266	1	2S567			6	6A7, 6D6, 75, 6U5, 41, 80	465	9-7,8		
240-1	Vol. Tone	29-281, 14-278	18, 21	MR48, MR48	M26			28-266	1	2S567			6	6A7, 6D6, 75, 6U5, 41, 80	465	9-7,8		
240-2	Vol. Tone	29-281, 14-278	18, 21	MR48, MR48	M26			28-266	1	2S567			5	6A7, 6D6, 75, 41, 80	465	9-9,14		
250, S250	Vol. Tone	23-281, 11-278	18, 22	MR48, MR48	M26			4-8, 40-10	1, 6	2N518, 2N514			5	6A7, 6D6, 75, 42, 80	465	8-10		
256, S256	Vol.		18	MR48	M26			28-266	1	2S567			6	6A7, 6D6, 76, 6K5, 25B5, 25Z5, K24B	465	8-13		
259, S259	Vol.	18-281	45	MR48	M26			28-266	1	2S567			6	6A7, 6D6, 75, 6U5, 41, 80	465	9-10,14		
260, S260	Vol. Tone	23-281, 11-278	18, 22	MR48, MR48	M26			24-266	1/19	3S579			6	6A7, 6D6, 76, 6F5G, 42, 80	465	8-4,6		
266	Vol. Tone	19-281	45	MR48	M26			19-266	1/13	3S584	B79		7	6A7, 6K7, 76, 6F5G, 6B5, 80, 6C5	465	8-1,4		
268	Vol. Tone	6229, 6223	45, 22	MR48, MR48	M26			31-277, 32-266, 10, 29-266	1, 27, 13, 1	FP231, TCS45, TC44, 2N518			5	6A7, 6D6, 75, 41, 80	465			
270	Vol.	26-281	18	MR53				29-266	1	2N518			6	6A7, 6D6, 75, 6V6G, 6U5, 80	465	9-11,14		
271	Vol.	36-281	18	MR48	M26			39-266	1/15	FP332			5	6A8GT, 6K7GT, 6Q7GT, 6K6GT, 80	465	11-3-5		
275, 275C, 275T, 280	Vol. Tone	23-281, 11-278	18, 21	MR48, MR48	M26			40-266	1/15	FP339			6	6A8GT, 6SK7, 6J5GT, 6Q7GT, 6V6GT, 80	465	11-4,5		
300	Vol.	50-281	18	MR48	M26			40-266	1/15	FP339			6	6A8GT, 6K7GT, 6J5GT, 6Q7GT, 6V6GT, 80	465			
300A (301, 303, 304)	Vol.	50-281	45	MR48	M26			40-266	1/15	FP339			7	6A8GT, 6SK7GT, 6Q7GT, 6V6GT, 80	465	12-1-6		
302	Vol.		45	MR48	M26			40-266	1/15	FP339			6	6A8GT, 6SK7, 6Q7GT, 6J5GT, 6Q7GT, 6V6GT, 80	465	11-9,10		
302R, 302RT (RA)	Vol. Tone Mike		22	UM154, UM163	M26		A3, A96, A96	40-266, 45-266	1/15, 13	FP339, FP143			7	6A8GT, 6SK7GT, 6Q7GT, 6V6GT, 80	465	11-8		
302S, 302APC	Vol.	50-281	45	MR48	M26			40-266	1/15	FP339			6	6A8GT, 6SK7, 6Q7GT, 6J5GT, 6Q7GT, 6V6GT, 80	465	11-11		
305	Vol.	43-281	18	MR48				39-266	1/15	FP332			5	6A8GT, 6K7GT, 6Q7GT, 6K6GT, 80	465	11-12,5		
306	Vol.		18	MR48	M26			39-266	1/15	FP332			5	6A8GT, 6SK7, 6Q7GT, 6K6GT, 80	465	11-13		
307	Vol. Tone		18, 57	MR48, MR48				39-266	1/15	FP332			5	6A8GT, 6SK7, 6Q7GT, 6K6GT, 80	465	14-1,2		
307-4, 307TP-2	Vol. Tone	43-281, 49-281	18, 22	MR48, MR48	M26			39-266	1/15	FP332			5	6SA7, 6SK7, 6SQ7, 6K6GT, 5Y3G	465	11-14		
308 (APC, C, TT)	Vol. Tone		18, 21	MR48, MR48				37-266	1	FP389	B8		8	6A8GT, 6SK7, 6Q7GT, 6J5GT, 6K6GT, 6U5, 5W4GT	465	9-15,18		
318	Vol. Tone	24-281, 11-278	124, 21	MR53, MR48				8824, 8826-5	1, 1/13	RS213, 2S567			10	6K7, 6A7, 6U5, 6Q7G, 6C5G, 6V6G, 80	465	10-14-20		
318D	Vol. Tone	29-281, 11-278	18, 21	MR48, MR48	M26			10-10-10	1/15	FP332			7	6K8G, 6D6, 75, 6V6G, 6A7, 6U5, 80	465	9-15,18		
325	Vol. Tone	24-281, 11-278	124, 21	MR53, MR48	M26			8824, 8826-5	1, 1/13	RS213, 2S567			10	6K7, 6A7, 6Q7G, 6C5G, 6V6G, 6U5, 80	465	9-15,18		
325D	Vol. Tone	29-281, 11-278	18, 21	MR48, MR48	M26			10-10-10	1/15	FP332			7	6K8G, 6D6, 75, 6V6G, 6A7, 6U5, 80	465	10-14-16		
368	Vol. Tone	24-281, 11-278	124, 21	MR53, MR48	M26			19-266	1/13	3S584			8	6A7, 6K7, 6H6, 6F5G, 6V6G, 6U5, 80	465	9-15,18		

† Data not substantiated.

\* IMPORTANT: Read Notes in Note Section if specified in Note Column.

‡ Indicates miscellaneous section.



MANUFACTURER AND MODEL	CONTROLS							CONDENSERS				VIBRATORS			No. Tubes	Complete Tube Complement	I. F. Peak	Rider's Refer- ence
	Use	Original Part	Cir- cuit	Correct Replacement	Switch	Bias	*Note	Original Part	Cir- cuit	Correct Replacement	*Note	Original Part	Replac- ment	*Note				
HOWARD—Continued																		
368A (with Aut. Tuning).....	Vol. Tone	24-281..... 11-278.....	124 21	MR53..... MR48.....	M26			19-266.....	1/13	3S584.....					9	6A7, 6A8, 6K7, 6H6, 6U5, 6F5G, 6V6G, 80.	465	
375.....	Vol. Tone	29-281..... 11-278.....	18 21	MR48..... MR48.....	M26			10-10-10.....	1/15	FP332.....					7	6K8G, 6A7, 6D6, 75, 6V6G, 6U5, 80.	465	
377.....	Vol. Tone	41-281..... 41-281.....	18 22	MR48..... MR48.....				31-266.....	1	FP231.....					6	6A7, 6D6, 75, 41, 80.	262	10-15
400.....	Vol. Tone	25-281..... 12-278.....	1 1	DRP232..... MR53.....	M26			17-266..... 29-266..... 8-4.....	1 1/14 14	RS213..... 2S567..... 2N518.....					12	6K7, 6L7, 6J5, 6Q7G, 6U5, 6F5, 6V6G, 80.	465	9-19,25
400A.....	Vol. Tone	25-281..... 12-278.....	1 1	DRP232..... MR53.....	M26			17-266..... 29-266.....	1 1/14	RS213..... 2S567.....					12	6K7, 6L7, 6J5G, 6Q7G, 6U5, 6F5, 6V6G, 80.	465	9-20,25
400X.....	Vol. Tone	24-281..... 11-278.....	127 21	MR53..... MR48.....	M26			8, 8, 8.....	1/13	RS213.....					11	6K7, 6A7, 76, 6F5, 6J5G, 6V6G, 6U5, 80.	465	10-4
418.....	Vol. Bass	37-281..... 17-278.....	45 1	DRP232..... UM159-SS1	M26			8824..... 30-266.....	1 1/14	RS213..... FP231.....					12	6K7, 6K8G, 6A7, 6Q7G, 6F5G, 6J5G, 6V6G, 6U5, 80.	465	10-18
425.....	Vol. Tone	25-281..... 12-278.....	1 1	DRP232..... MR53.....				17-266..... 29-266..... 8-8.....	1 1/14 14	RS213..... 2N518..... 2N518.....					14	6K7, 6L7, 6J5G, 6H6, 6U5, 6F5G, 6L6G, 80.	465	9-19,25
425A.....	Vol. Tone	25-281..... 12-278.....	1 1	DRP232..... MR53.....	M26			17-266..... 29-266..... 8-8.....	1 1/14 14	RS213..... 2N518..... 2N518.....					14	6K7, 6L7, 6J5G, 6H6, 6U5, 6F5G, 6F5, 6L6G, 80.	465	9-20,25
430 Type 2.....	Vol.	38-281.....	18	MR48.....				31-266..... 35-266.....	1 13/15	FP231..... FP332.....					6	6K8G, 6C5, 6K7, 6Q7G, 41, 5W4.....	465	10-21,22
435.....	Vol.		124	MR53.....				37-266.....	1	FP389.....	B8				6	6K8G, 6SK7, 6SQ7, 6K6G, 6C5, 80.	465	12-10
436.....	Vol.		124	MR53.....				37-266..... 35-266.....	1 13/15	FP389..... FP332.....	B8				7	6K8G, 6SK7, 6SQ7, 6H6G, 6K6G, 6C5, 80.	465	12-10
437.....	Vol. RF Gain		124 58	MR53..... MR19.....				37-266..... 35-266.....	1 13/15	FP389..... FP332.....	B8				9	6SK7, 6K8G, 6SQ7, 6K6G, 6C5, 6H6G, 80.	465	12-11
438.....	Vol.	40-281.....	17	MR53.....				30-266..... 35-266.....	1 13/15	FP231..... FP332.....					8	6K7, 6C5, 6K8G, 6Q7G, 41, 80.	465	
440 (Ser. 1, 2).....	Vol. Tone Sen.		127 22	MR53..... MR48.....				10-10..... 10-10.....	1 13	FP231..... FP231.....					9	6K8G, 6K7, 6Q7G, 6J7G, 6V6G, 80.	465	10-25
445.....	Vol. Sen.	40-281.....	1 8	Y5MP..... MR53.....				47-266..... 11-268.....	1 15	FP211..... TC26.....					6	12SG7, 12SA7, 12SF7, 12SC7, 35L6GT, 35Z5GT.	465	14-3,4
450, 450A.....	Vol. Tone Sen. Meter B.F.O.	26-281..... 13-278..... 28-281..... 30-281..... 27-281.....	124 22 7 7 26	MR53..... MR48..... MR14..... MR14..... MR50.....	M26			8..... 8-8.....	1 1/13	RS213..... RM262.....					12	6K7, 6L7, 6Q7G, 6J5G, 6V6G, 80, 6J7G.	450	10-27,29
460.....	Vol. RF Gain Meter	44-281..... 46-281..... 37-281.....	1 7 1	MR18..... MR14..... DRP232.....	M26			37-266..... 35-266.....	1 13/15	FP389..... FP332.....	B69				10	6K6GT, 6SK7, 6K8G, 6SQ7, 6V6G, 6H6, 6SF5, 80.	465	13-1-6
468.....	Vol. Bass	37-281..... 17-278.....	1 1	DRP232..... UM159-SS1	M26			33-266.....	1/13	FP389.....					9	6K8G, 6K7, 6A7, 6U5, 6Q7G, 6V6G, 6F5G, 80.	465	
472C-472F, 472AC, 472AF, 472AB.....	Vol.	VC-0005.....	161	MR48.....	M26			CE-0009..... CE-0018.....	98/15 83	FP346..... TC22.....					9	6BA6, 6BE6, 6AL5, 6AT6, 6V6GT, 5Y3GT.	455	10.7
474.....	Vol.	VC-0001.....	161	MK401.....	M26			CE-0016..... CE-0019..... CE-0007..... CE-0005.....	13 119 46 15	TC48..... TC22..... 2N520/TC47 TC26.....					5	12BE6, 12BA6, 12AT6, 12AT7, 50L6GT, D. R.....	455	21.35
490.....	Vol. Bass Treble RF Gain	43-281..... 74-281..... 75-281..... 76-281.....	15 1 21 7	MR48..... MR48..... MR48..... A2MP.....	M26			50-266..... 31-266.....	1/15 13	FP339..... FP231.....					14	6AB7, 6SA7, 6SK7, 6H6, 7E7, 6SF5, 6J5, 6K6GT, 5Y3G.	465	13-7,8
518, 518S, 518APC.....	Vol. Bass		1 1	DRP232..... UM159-SS1	M26			30-266..... 45-266.....	1/13 1	FP231..... FP143.....					12	6SK7, 6A8GT, 6J5GT, 6F5GT, 6V6GT, 80, 6U5.	465	11-15,5
520 APC.....	Vol. Bass		1 1	DRP232..... UM159-SS1	M26			33-266..... 45-266.....	1/13 1	FP389..... FP143.....					12	6SK7, 6A8GT, 6J5GT, 6F5GT, 6L6G, 83V, 6U5.	465	11-16
525.....	Vol. Bass	37-281..... 17-278.....	1 1	DRP232..... UM159-SS1	M26			8824..... 33-266.....	46 46/13	HD684..... FP389.....					14	6K7, 6K8G, 6A7, 6H6G, 6F5G, 6J5G, 6L6G, 6U5, 80.	465	
528.....	Vol.	56-281.....	124	Order from	Mfr.			33-266..... 37-266.....	1/13 1	FP389..... FP145.....					12	6SK7, 6U5, 6K8G, 6SJ7, 6H6, 6J5, 6L6, 80.	465	13-9
565 (6 Volt).....	Vol. Tone		18 57	MR48..... MR48.....				39-266..... .005.....	1/15	FP332..... Buffer.....	B14	5-967.....	859	C3	6	6D8C, 6S7G, 6T7G, 6L5G, 6Z7G, 6ZY5G	465	11-17,5
565 (12 Volt).....	Vol. Tone		18 57	MR48..... MR48.....				39-266..... .0075.....	1/15	FP332..... Buffer.....	B14	6-967.....	G826C	C3	6	6D8G, 6S7G, 6T7G, 6L5G, 6Z7G, 6ZY5G	465	11-17

‡ Data not substantiated.

\* IMPORTANT: Read Notes in Note Section if specified in Note Column.

§ Indicates miscellaneous section.

MANUFACTURER AND MODEL	CONTROLS							CONDENSERS				VIBRATORS			No. Tubes	Complete Tube Complement	I. F. Peak	Rider's Reference
	Use	Original Part	Circuit	Correct Replacement	Switch	Bias	*Note	Original Part	Circuit	Correct Replacement	*Note	Original Part	Replacement	*Note				
HOWARD—Continued																		
568.....	Vol. Tone	49-281	124	MR53 MR48	M26			33-266	1/13	FP389				9	*6SK7, 6A8GT, 607GT, 6J5GT, *6V6GT, 80, 6U5	465	11-18,5	
568R (RA).....	Vol. Tone	65-281	1				A3	33-266	1/13	FP389				10	*6SK7, 6A8GT, *607GT, 6J5GT, *6V5GT, 80, 6U5	465	11-10,20	
575.....	Vol. Tone	66-281	1	MR48 MR55	M26			45-266	14	FP143				6	6A8GT, 6SK7, 607GT, 6V6GT, 6U5, 80	465	11-21,5	
580, 580APC, 580C.....	Vol. Tone	48-281	18	MR48 MR48	M26			40-266	1/15	FP339				8	6A8GT, 6SK7, 607GT, 6J5GT, *6K6GT, 80, 6U5	465	11-22,5	
585.....	Vol. Tone	49-281	21	MR48 MR48	M26			37-266	1	FP389	B8			6	12A8GT, 12K7GT, 12Q7GT, 35L6GT, 6N5, 35Z5GT	465	12-1 5	
626.....	Vol.	6212	75	MR48	M26			8817, 3003	1 15	2N518 TC22				6	6A7, 6D6, 6H6G, 6F5G, 42, 80	465	8-14,16 12-17,18	
650 (Pre. Amp.).....	RF Gain	46-281	7	MR14				31-266	1	FP231				3	*6A7, 80			
660 (Freq. Monitor)	Att.	42-281	1	MR14				31-266	24	FP231				2	6K6GT, 1V		12-11	
700.....	Vol.	69-281	18	MR48	M26			47-266	1	FP211				5	12SA7, 12SK7, 12SQ7, 50L6GT, 35Z5GT	465	11-2	
702.....	Vol.	69-281	18	MR48	M26			47-266	1	FP211				5	12SA7, 12SK7, 12SQ7, 50L6GT, 35Z5GT	465	12-16	
718.....	Vol. Tone		1					51-266	1/13	FP380				12	*6SK7, 6SA7, 6U5, 6H6, *6SF5, 6J5GT, *6V6GT, 5Y3G	465	12-19	
718-FM.....	Vol. Phono.	85-281	1	MR48 MR55				51-266	1/13	FP380				14	6SK7, 6SA7, *6AC7, 6SJ7, *6H6, *6SF5, 6U5, 6J5GT, *6V6GT, 5Y3G	465	13-11-13	
718-FM, Series X.....	Vol. Bass	85-281	1	Order from	Mfr.			51-266	1/13	FP380				14	6SK7, 6SA7, *6AC7, 6SJ7, *6H6, *6SF5, 6U5, 6J5GT, *6V6GT, 5Y3G	465	13-11-15	
765 (6 Volt).....	Vol. Tone	72-281	18	MR53 MR53				39-266 .005	1/15	FP332 Buffer	B14	5-967	859	C3	6	6SA7, 6SK7, 6T7G, 6L5G, 6Z7G, 6ZY5G	465	12-20,22
765 (12 Volt).....	Vol. Tone	72-281	18	MR53 MR53				39-266 .0075	1/15	FP332 Buffer	B14	6-967	G826C	C3	6	6SA7, 6SK7, 6T7G, 6L5G, 6Z7G, 6ZY5G	465	12-20,22
768.....	Vol. Tone	72-281	18	MR53 MR53				51-266	1/13	FP380				10	6U5, *6SK7, 6SA7, 6SQ7, 6J5GT, *6K6GT, 80	465	12-20,22	
780.....	Vol. Tone	72-281	18	MR53				51-266	1/13	FP380				8	6U5, *6SK7, 6SA7, 6SQ7, 6V6GT, 80	465	12-21,22	
802.....	Vol. Tone	72-281	22	MR53				20	15	TC26				5	12SA7, 12SK7, 12SQ7, 50L6GT, 35Z5GT	465	14-9	
806, 808.....	Vol. Tone	69-281	18	MR48	M26			47-266	1	FP211				6	6SD7GT, 6SA7, 6SK7, 6SQ7, 6V6GT, 5Y3GT	465	13-15-17	
808 (Spread Band).....	Vol. Tone	82-281	1	MR48 MR48	M26			51-266	1/13	FP380				8	6SD7GT, 6SA7, 6SK7, 6SQ7, 6J5, *6K6GT, 5Y3GT	465	13-15-18	
808 Series X.....	Vol. Tone	81-281	22	MR48	M26			51-266	1/13	FP380				8	6SD7GT, 6SA7, 6SK7, 6SQ7, *6K6GT, 6J5, 5Y3GT	465	13-19-21	
810.....	Vol. Tone	56-281	1	Order from	Mfr.			51-266	1/13	FP380				10	7H7, 6SA7, 6SK7, *6SQ7, 6U5, 6SL7GT, *6K6GT, 5Y3GT	465	14-7,8	
865.....	Vol. Tone	86-281	22	UM154-SS16 MR48	M26			53-266	13/15	FP234				6	6SA7, 6SK7, 6T7G, 6L5G, 6Z7G, 6ZY5G	465	14-10-12	
868.....	Vol. Tone	72-281	1	MR53 MR53				51-266	1/13	FP380				10	6SD7GT, 6SA7, *6SK7, 6SQ7, 6U5, 6J5GT, *6K6GT, 80	465	14-11-14	
901-A, M901-A.....	Vol.		18	Order from	Mfr.				80/15	2N511/TC26				5	12SA7/12BE6, 12SK7/12BA6, 12SQ7/12AT6, 50L6GT/50B5, 35Z5GT/35W4	455	16-1	
901-A-M, 901-A-W, 901-A-E, 901-A-H, 901-A-I.....	Vol.	VC-0001	18	MK401	M26			CE-0003 CE-0005	24 15	FP211 TC26				5	12SA7GT, 12SK7GT, 12SQ7GT, 50L6GT, 35Z5GT	455	15-1,4	
901-AP.....	Vol.	VC-0001	161	MK401	M26				80 15	2N511 TC26				5	12SA7, 12SK7GT, 12SQ7GT, 50L6GT, 35Z5GT	455	15-3,4	
901-AP-A.....	Vol.		161	Order from	Mfr.				80/15	2N511/TC26				5	12SA7, 12SK7, 12SQ7, 50L6GT, 35Z5GT	455	16-2	
906, 906C.....	Vol.	VC-0005	161	MR48	M26			CE-0009	82/15	FP346				6	6SK7, 6SA7, 6SK7GT, 6SQ7, 6V6GT/G, 5Y3GT	455	16-3,5	

‡ Data not substantiated.

\* IMPORTANT: Read Notes in Note Section if specified in Note Column.

§ Indicates miscellaneous section.

THERE'S A PLACE FOR A MALLORY NOISE FILTER IN EVERY HOME.

MANUFACTURER AND MODEL	CONTROLS							CONDENSERS				VIBRATORS			No. Tubes	Complete Tube Complement	I. F. Peak	Rider's Reference
	Use	Original Part	Circuit	Correct Replacement	Switch	Bias	*Note	Original Part	Circuit	Correct Replacement	*Note	Original Part	Replacement	*Note				
HOWARD—Continued																		
906S.....	Vol.	VC-0005	18	MR48	M26			CE-0009	82/15	FP346					6	6SG7, 6SA7, 6SK7, 6SQ7, 6V6GT, 5Y3GT	455	
909M.....	Vol.	VC-0002	223	MR53	M26			CE-0006 CE-0005	82 15	FP444 TC26					9	6SK7GT, 6SA7, 6SK7, 6SQ7, 6J5, 6V6GT, 5Y3GT	455 455	15-5
920.....	Vol.	VC-0003	18	MR48				CE-0008	12	TC42					4	1R5, 1U4, 1S5, 3Q4	455	
1626.....	Vol.	6212	75	MR48	M26			8817 3003	1 15	2N518 TC22					6	6A7, 6D6, 6H6G, 6F5G, 42, 80	465	8-14,16
HUDSON-ROSS																		
38.....	Vol.		6	MR44	M26	EX250		8-8 10	24 15	2N509 TC22					4	6D6, 6C6, 38, 12Z3		5-1
48.....	Vol.		6	MR44	M26	EX250		16-12 10	1 15	2N509 TC22					4	6D6, 6C6, 38, 25Z5		5-1
59.....	Vol.		6	G7	6-9	2		20-20 10	6 15	2N509 TC22					5	6A7, 6D6, 75, 43, 25Z5	456	5-2
69.....	Vol.		6	G7	6-9	2		20-20 3	6 13	2N509 TC40					6	6A7, 6D6, 85, 43, 25Z5	456	5-3
80.....	Vol.	718	18	MR48	M26			10 701	15 23	TC22 2S567					5	6A7, 6D6, 75, 42, 80	456	5-4
"Legion"	Vol.		6	MR44	M26	EX250		8-8 10	24 15	2N509 TC22					4	6D6, 6C6, 38, 12Z3		5-13
HUDSON-TERRAPLANE (All see R. C. A.)																		
CB-6.....	Vol. Tone	72558-6 72558-7	17 22	Victor TM239-SS4 MR39				68569-7 8-10-10 .01-.01	1 1/15	RS213 ST595/TN111 Buffer	B14	12236	249	C3	6	6D6, 6A7, 85, 6C5, 6A6	260	9-1
DB-37.....	Vol. Tone	72558-6	17	TM239-SS4 UM140				12234 12238 .01-.01	1/15	RS213 ST595/TN111 Buffer	B14	12236	249	C3	6	6D6, 6A7, 6K7, 85, 6C5, 6A6	260	9-3,7
DB38.....	Vol. Tone	156391	45/22	Order from Mfr.				8-8 10-10-10 .01-.01	1 15	2N518 TN111/TC22 Buffer	B14		249	C3	7	6K7G, 6A8G, 6H6G, 6J5G, 6V6G	260	10-1
DB39.....	Vol. Tone	114363 114481	17 22	† †				114258 110377	1 15	TC71 TC22 Buffer	B14	114300	854	C3	7	6K7G, 6J7G, 6R7G, 6V6G, 0Z4	262	11-1,3-5
DB40.....	Vol. Tone	118216 117965	15 22	SM306				117314 118485 .01	1/15 13	FP332 TC52 Buffer	B14	116202	854	C3	7	6SK7, 6A8, 6H6, 6SF5, 6V6GT, 6X5	455	11-6,7, 9-12
DB41.....	Vol. Tone	160954 161156	17 22	UM162				161025 161168 110377 .01	1 14/15	TC72 TC74 TC22 Buffer	B14	160796	854	C3	8	6SK7, 6SA7, 6SQ7, 6J5GT, 6V6GT, 0Z4	262	12-3,4,6
DB-42.....	Vol. Tone	63-1248	140	Order from Mfr.				22-1233 .008	24/15	FP328 Buffer	B14	190-19	1100	C3	6	7A7, 7B8, 7B6, 7C5, 7Y4	265	13-1-5
DB47 (6MH089).....	Vol. Tone	63-1539 63-1379	18 187	Order from Mfr.				22-1644	24	FP367					6	7A7, 7B8, 7B6, 7C5, 7Y4	265	
Hudson H6.....	Vol.		56	UM147				4961 4958 .02-.02	1 1/15	RS213 3S579 Buffer	B14		294	C3	6	6D6, 6A7, 6B7, 41, 84	260	
JA40.....	Vol.		18	MR48	M26			15-10-20 .005	24/15	FP328 Buffer	B14		294	C3	5	6K8GT, 6K7GT, 6SQ7, 6V6GT, 0Z4	455	12-1
JA41.....	Vol.	161019	18	UM161	M26	See Note A96		161024 161025 .01	74 75	TC72 TC72 Buffer	B14	160796	854	C3	5	6SA7, 6SK7, 6SQ7, 6V6GT, 6X5GT	455	12-2,4
SA37.....	Vol.	72558-54	45	UM147-SS4				13114 .01-.01	1	2N518 Buffer	B14	12236	249	C3	5	6D6, 6A8, 6K7, 6B7, 42	260	9-7,9
SA38.....	Vol.		56	UM147				8-8 .01-.01	1	2N518 Buffer	B14		294	C3	6	6K7G, 6B8G, 6V6G, 6X5G	260	10-1
SA39.....	Vol.	114364	18	UM154	M26	See Note A96		114258 .01	25	TC71 Buffer	B14	114300	854	C3	6	6K7G, 6J7G, 6Q7G, 6K6G, 6X5G	262	11-2
SA40.....	Vol.	118216	17	SM306				117314 118485 .01	1/15 19	FP332 TC52 Buffer	B14	116202	854	C3	6	6SK7, 6A8, 6SQ7, 6K6GT, 6X5	455	11-8-12
SA41.....	Vol.	160954	17	UM162				161024 161025 .01	74 74	TC72 TC72 Buffer	B14	160796	854	C3	6	6SK7, 6SA7, 6SQ7, 6V6GT, 6X5GT	455	12-4-6
650HD, 651HE, 660TD, 660TE.....	Vol. Tone	63-321 63-330 48019	17 34 18	UC511 MR33 MR48	6-9			22-236 .02	1/15	2S567/TC22 Buffer	B14		292	C3	6	6D6, 6F7, 75, 42, 84	252.5	
680.....	Vol.		18	MR48	M26	EC256		22-347 .01	4	TC571 Buffer	B14		294	C3	6	6D6, 6C6, 75, 42, 84	252.5	
IMPERIAL RADIO																		
5M-17.....	Vol.	B16970	6	MR33	M26			B16973 B17042	27 27	RS207 RS207					4	6D6, 6C6, 43, 25Z5		
6M-27.....	Vol. Tone	B17010 B17047	17 1	MR53 MR44	M26			B17041-3 B17197	4 4	RS224 RS224					5	6A8G, 6K7G, 6Q7G, 25B6G, 25Z6G	456	

† Data not substantiated.

\* IMPORTANT: Read Notes in Note Section if specified in Note Column.

‡ Indicates miscellaneous section.

MANUFACTURER AND MODEL	CONTROLS							CONDENSERS				VIBRATORS			No. Tubes	Complete Tube Complement	I. F. Peak	Rider's Reference
	Use	Original Part	Circuit	Correct Replacement	Switch	Bias	*Note	Original Part	Circuit	Correct Replacement	*Note	Original Part	Replacement	*Note				
<b>IMPERIAL RADIO</b>	Continued																	
6U-107, 6L-137, 6C-607.....	Vol. Tone	B165422... B16540-2...	18 34	MR53 MR42	M26			B16466... B16467-2...	4 4	RS216 HD684					6	6A8G, 6K7G, 6Q7G, 6G5, 6K6G, 5Y3...	456	
7U-117, 7L-147, 7C-707.....	Vol. Tone	B16542-2... B16540-2...	18 34	MR53 MR42	M26			B16466... B16567-2...	4 4	RS216 HD684					7	6L7G, 6C5G, 6K7G, 6Q7G, 6G5, 6F6G, 5Y3...	456	
8C-807.....	Vol. Tone	B16542-2... B16540-2...	18 44	MR53 MR42	M26			A15236-3... A15237-2...	25 25	RS223 RS215					8	6A8G, 6K7G, 6Q7G, 6G5, 6C5G, 6F6G, 5Y3...	456	
8U-127.....	Vol. Tone	B16542-2... B16539-2...	18 44	MR53 Order from	Mfr.			A15236-3... A15237-2...	25 25	RS223 RS215					8	6A8G, 6K7G, 6Q7G, 6G5, 6C5G, 6F6G, 5Y3...	456	
10C-1007.....	Vol. Tone	B16553-2... B16540-2...	17 22	MRT448... MR42	M26			B16554-3... B15427... B16551-4...	1 15 1	RS223 RS216 TN111					10	6K7G, 6L7G, 6C5G, 6Q7G, 6G5, 6F6G, 5Z3...	456	
<b>INDUSTRIAL ELECTRONIC CORP.</b>	—See Simplon																	
<b>INSULINE CORP.</b>																		
"Classic".....	Vol.		17	MR48	M26			32-16... 5-5	27 15	TCS47 TN111					5	6A7, 78, 6B7, 43, 25Z5	132	5-6
"Conqueror" AVC Super Seyen, AVC Long Wave 110V DC.....	Vol.		8	D		2		2-4-4	3	See Note	B3				5	51, 27, 47, 80		2-6
"Elite".....	Vol.		6	G7		2		8	39	See Note	B11				7	39, 85, 37, 43	175/115	4-3
"Envoy".....	Vol.		17	MR48	M26			32-16... 5-5	27 15	TCS47 TN111					5	6A7, 78, 6B7, 43, 25Z5	132	5-5
"Envoy Midget".....	Vol.		8	G		2		4, 4	1	ST595					6	51, 24, 47, 80		2-1
"Envoy Midget" DC.....	Vol. Tone		8	C		6-9		8-4	1	See Note	B3				5	51, 24, 47, 80		2-1
"Envoy DC" Broadcast—Long Wave.....	Vol.		21	MR44				8	39	See Note	B11				5	36, 33		2-2
"Envoy AC" Broadcast—Long Wave.....	Vol.		6	E12		6-9		8	39	See Note	B11				5	36, 33		2-3
"Envoyette" AC.....	Vol.		8	A2MP		6-9	2	8-4	1	See Note	B3				5	51, 24, 47, 80		2-4
"Envoyette" DC 5T Rec.....	Vol.		8	G		6-9	2	8-4	1	See Note	B3				5	58, 57, 47, 80		3-2
"Envoyette" AC 5T Receiver—Long Wave.....	Vol.		8	G		6-9	2	8-4	1	See Note	B3				5	58, 57, 47, 80		3-2
ICA-ette.....	Vol.		6	MR21	M26			25... 24-12	17 6	TC26... 2N513					5	6A7, 6D6, 6C6, 43, 12Z3	456	6-14
"Icaisix".....	Vol.		17	MR48	M26			10-10... 8-8	15 1	TN111... See Note	B3				6	6D6, 6A7, 80, 75, 42	462.5	5-3
LW 4 Tube Midget AC.....	Vol.		8	G		6-9	2	4-4	1	See Note	B3				4	51, 24, 47, 80		2-5
"Insultette & Mascot" 4 Tube Midget AC.....	Vol.		8	G		6-9	2	4-4	1	See Note	B3				4	51, 24, 47, 80		2-5
"Super-Conqueror" Short and Long Wave AC.....	Vol. Tone		8 22	G MR36		6-9 3		8-8-8... 25	3 17	See Note... TC26	B3				8	57, 58, 55, 47, 80	115	2-7
"Super-Conqueror" AC 108-250 V w/ Noise Suppressor.....	Vol. Supp.		18 32	MR48 A5MP				8-8-8... 5	3 17	See Note... TC32	B3				9	55, 57, 58, 47, 80	115	4-14
Super Six AVC LW.....	Vol.		6	G7		2		8-8... 25	1 17	See Note... TC26	B3				6	55, 57, 58, 47, 80	115	4-4
Super Six AVC Broadcast.....	Vol.		6	G7		6-9	2	8-8... 25	1 17	See Note... TC26	B3				6	55, 57, 58, 47, 80	175	4-5
"Super Seven" AC LW.....	Vol.		17	MR48	M26			8-8... 25	1 17	See Note... TC26	B3				7	55, 57, 58, 47, 80	115	4-16
"TransPacific".....	Vol. Sen.		15 7	MR48 G	M26			10... 6-6-6 5-5	3 15	TC32... 3S584... TN111					8	6A7, 78, 6B7, 77, 45, 80	1580	5-2
"Universal Companion" AC-DC Battery Portable.....	Vol.		8	E		2		4-8	1	2N509					5	36, 37, 38		2-8, 9
"Universal Mascot" AC-DC.....	Vol.		7	MR44	M26	EX300		8-8-4... 5-5	8 15	TN125... TN111					5	39, 37, 36, 43, 25Z5		2-8
"Universal Companion" AC-DC Battery Portable (Revised).....	Vol.		4	C				4-4	1	2N516					7	36, 37, 33		2-9
"Trans-Atlantic".....	Vol. Sen.		15 7	MR48 G	M26			6-6-6... 5-5	3 15	3S584... TN111					8	6A7, 78, 6B7, 77, 45, 80	1580	5-1

‡ Data not substantiated.

\* IMPORTANT: Read Notes in Note Section if specified in Note Column.

§ Indicates miscellaneous section.

MANUFACTURER AND MODEL	CONTROLS							CONDENSERS				VIBRATORS			No. Tubes	Complete Tube Complement	I. F. Peak	Rider's Reference
	Use	Original Part	Circuit	Correct Replacement	Switch	Bias	*Note	Original Part	Circuit	Correct Replacement	*Note	Original Part	Replacement	*Note				
INSULINE CORP.— "Americus" 5T Unara- dio Super AC-DC	Continued																	
Vol.		17	MR48	M26			32-16 5-5	27 15	TCS47 TN111						5	6A7, 78, 6B7, 43, 25Z5	132	4-6
"Aiglon" 5T Unara- dio Super AC-DC	Vol.	17	MR48	M26			4-8-8 5-5	8 15	TN125 TN111						5	6A7, 78, 6B7, 43, 25Z5	132	4-7
"Bijou" 5T Unara- dio Super AC-DC	Vol.	17	MR48	M26			4-8-8 5-5	8 15	TN125 TN111						5	6A7, 78, 6B7, 43, 25Z5	132	4-9
"Atlantic" 5T Unara- dio Super AC-DC	Vol.	17	MR48	M26			32-16 5-5	4 15	TCS47 TN111						5	6A7, 78, 6B7, 43, 25Z5	132	4-8
"Latinic" 5T Unara- dio Super AC-DC	Vol.	17	MR48	M26			32-16 5-5	27 15	TCS47 TN111						5	6A7, 78, 6B7, 43, 25Z5	132	4-10
"Mignon" 5T Unara- dio Super AC-DC	Vol.	17	MR48	M26			4-8-8 5-5	8 15	TN125 TN111						5	6A7, 78, 6B7, 43, 25Z5	132	4-11
"Uni-Nine"	Vol. Sil.	18 1	MR48 E	M26			32-16 10, 5, 5	27 15	TCS47 TC22						9	78, 6A7, 85, 77, 43, 25Z5	115	4-15
"Gnome" 5T Unara- dio Super AC-DC	Vol.	17	MR48	M26			4-8-8 5-5	8 15	TN125 TN111						5	6A7, 78, 6B7, 43, 25Z5	132	4-12
"Pacific" 5T Unara- dio Super AC-DC	Vol.	17	MR48	M26			32-16 5-5	4 15	TCS47 TN111						5	6A7, 78, 6B7, 43, 25Z5	132	4-13
"Superheterodyne" 6T AC	Vol.	6	G7	6-9	2		8-8	1	See Note	B3					6	*35, *24, 47, 80	175	3-1
"Superheterodyne" 7T 220V DC	Vol.	6	G7	6-9	2		8	39	See Note	B11					7	*39, *36, 37, *71	175	3-1
INTERNATIONAL DETROLA CORP.—See Detrola																		
INTERNATIONAL RADIOLITE CORP.—"Kadette"	Vol.	R135	77	MR44	M26		A424	11	UR182-193	B31					5	6A7, 6D6, 6B7, 43, 25Z5	262.5	4-1,2
A, B Kadette	Vol. Tone	R134	22	MR33											8	*24, 27, *35, 47, 80		
All Wave Duo	Vol. Tone		22	MR19			8-8	4	See Note	B3								
Chassis D, DSP, (DA8, DA9, DA10, D11, D12, D14)	Vol.		56	MR44	M26		A430	11	UR182-193	B31					5	6A7, 6D6, 6B7, 43, 25Z5	262.5	5-7
CB (Battery)	Vol.	R143	9	MR44	M26		A416	19	TC26						5	1A6, 32, 30, 31, 33	262.5	5-3
CM	Vol.	R143	6	MR44	M26		A414	27	*TC42						5	*6D6, 76, 38, 12Z3	262.5	5-4,8
CMS	Vol.	R143	6	MR44	M26		A414	4	*TC42						5	6A7, 6D6, 76, 38, 12Z3	262	5-3
CS	Vol.	R102	6	G7	6-9	3	A404	4	TCS71	B3					5	35, *24, 47, 80	175	3-3,4
DAC (A7, BW, CD)	Vol.	R144	56	MR44	M26		A429	27	TC44/TC42						5	6A7, 6D6, 6B7, 43, 25Z5	262.5	5-5
DAS (A8, A9, A10, AD11, AD12)	Vol.	R144	56	MR44	M26		A430	11	UR182-193	B31					5	6A7, 6D6, 6B7, 43, 25Z5	262.5	5-6,8
ES (ES19, ES20, ES25)	Vol. Tone	R105 R104	56 22	MR44 MR33			A412	27	TC47/TC42						5	6A7, 6D6, 6B7, 43, 25Z5	262.5	5-8
Kadette	Vol.		7	MR45	M26	EX150									4	39, 36, 38, 1V		3-2
"F" Kadette Jr.	Vol.	R102	6	G7	6-9	3	A407 A408 A427	1 15 1/15	2N516 *TC32 *TC40						2	6F7, 12A7		4-3
"J", "JS"	Vol. Tone	R130	22	G	6-9	See Note 1	A404	4	TCS71						5	35, *24, 47, 80	175	3-1,5
"KS"	Vol. Tone		7 22	MR33		See Note 1	A-3 A18 A20	4 4 14	TC71 TC71 TC70						8	*35, *24, 27, 47, 80	175	3-1
"K6" (K60 St. Regia)	Vol.	R106	17	UM154	M26	See Note 1	A402 A417 .02 A470	1 15 1 9/13	2N518 TC22 Buffer 3S582/2N516		G100	298	C3		6	*6D6, 6F7, 75, 42, 84	262.5	5-1,2
K10	Vol.	R155	18	MR48			A466	1/15	TN129						5	6A7, 6D6, 6O7, 25B5, 25Z5, 165R4	448	9-1
K25 to K28	Vol.	R184	18	MR48			A466	1/15	TN129						5	6A7, 6D6, 75, 25B5, 25Z5, 165R4	448	9-2
K41, K43 (1938)	Vol.	R186	6			See Note 1	A467	4	TCS47						3	6K7, 6J7, 25A7		9-2
KR20	Vol.	R198	18	MR48			30-8	1	2N513						5	6K8, 6K7, 6R7, 251.6, 25Z6, 165R	448	10-2
KRC2 (Tunemaster)	Vol.	R199	6	MR48			A482	24	2N514						4	6K8, 6K7, 6B8, 25Z6, K72B	1570	10-1
"M" (K40 Regal)	Vol. Tone		6 22	MR18 MR18			A3 A4	4 1	TC71 TC70						4	35, 24, 47, 80		3-6
"P"	Vol.	R131	7			See Note 1	A407 A408	1 15	2N516 *TC32						4	78, 77, 38, 1V or 39, 36, 38, 6Z3		9-8
"T"	Vol.	R101	6	G7	6-9	3	A404	4	TCS71						4	35, 24, 47, 80		3-5
"TS"	Vol.	R102	6	MR18	M26	EX300	A404	4	TCS71						4	35, 24, 47, 80		3-5

† Data not substantiated.

\* IMPORTANT: Read Notes in Note Section if specified in Note Column.

‡ Indicates miscellaneous section.

MANUFACTURER AND MODEL	CONTROLS							CONDENSERS				VIBRATORS			No. Tubes	Complete Tube Complement	I. F. Peak	Rider's Reference
	Use	Original Part	Circuit	Correct Replacement	Switch	Bias	*Note	Original Part	Circuit	Correct Replacement	*Note	Original Part	Replacement	*Note				
INTERNATIONAL RADIO CORP.—Continued																		
10, 11, 12, 13, 14, 15, 16.....	Vol.	R155.....	17	MR48.....				A447.....	1	2N514.....					5	6D6, 6Q7, 25B5, 25Z5.....	448	8-1
21, 22, 24.....	Vol.	R161.....	6	UC513.....		See Note A3		A417.....	15	TC22.....					4	6D6, 6C6, 43, 25Z5.....		8-1
25.....	Vol.	R118.....	88	UC513.....		EX100		A449.....	4	TC47/TC42.....					4	6D6, 6C6, 41, 80.....		6-3
26.....	Vol.	R128.....	88	UC513.....		EX200		A438.....	1/15	3S579.....					4	6J7G, 6F6G, 5Z4.....		6-1,2
35.....	Vol.	R164.....	18	MR48.....				A453.....	1/15	3S579.....					5	6D6, 75, 41, 80.....	448	8-2
36.....	Tone	R165.....	22	MR33.....														
36.....	Vol.	R162.....	18	MR48.....				A451.....	4	3S584.....	B8				6	6D6, 76, 75, 41, 80.....	448	8-3
36.....	Tone	R163.....	34	MR33.....														
40 (Jewel).....	Vol.	R111.....	88	UC513.....	6-9	EX200		A421.....	1/15	TC40.....					3	6C6, 12A7.....		6-4,7-1
50.....	Vol.	R109.....	6	MR45.....	†	EX250		A419.....	4	TCS71.....					4	57, 47, 80.....		6-4
52.....	Vol.	R121.....	88	UC513.....	6-9	EX200		A438.....	1/15	3S579.....					5	6A8G, 6K7G, 6J7G, 6F6G, 5Z4.....	448	6-5,6
53 (Early, Late).....	Vol.	R119.....	6	MR45.....		EX250	A27	A439.....	1	2N518.....					5	6A8G, 6K7G, 75 or 6J7G, 5Z4, 6F6G.....	448	6-7,8
53 (Early, Late).....	Vol.	R115.....	17	MR48.....			A4	A417.....	15	TC32.....								
53 (Early, Late).....	Tone	R122.....	34	MR33.....	M26													
55.....	Vol.	R109.....	6	MR45.....		EX250		A419.....	4	TCS71.....					4	57, 47, 80.....		6-10
"AW" 55.....	Vol.	R132.....	7	H.....	6-9	2		8-4.....	4	TCS71.....					6	24, 56, 58, 47, 80.....	445	3-4
56.....	Vol.	R118.....	88	UC513.....		EX100		A437.....	1/15	3S579.....					4	6D6, 6C6, 41, 80.....		6-3
56X.....	Vol.	R170.....	18	MR48.....				A456.....	1	2N513.....					5	6A7, 6D6, 75, 25B5, 25Z5, 165R4.....	448	8-4
60.....	Vol.	R105.....	56	MR44.....				A412.....	27	TC47/TC42.....					5	6A7, 6D6, 6B7, 43, 25Z5.....	262	6-10
60.....	Tone	R104.....	22	MR33.....														
61.....	Vol.	R115.....	56	MR48.....				A440.....	6	2N509.....					5	6A8G, 6K7G, 6B7, 43, 25Z5.....	448	6-11,12
61.....	Tone	R122.....	22	MR33.....	M26			A417.....	15	TC32.....								
65.....	Vol.	R105.....	56	MR44.....				A412.....	27	TC47/TC42.....					5	6A7, 6D6, 6B7, 43, 25Z5.....	262	6-13
65.....	Tone	R104.....	22	MR33.....														
66.....	Vol.	R139.....	6	MR45.....	M26	EX150		A422.....	4	TCS47.....					5	6D6, 76, 43, 25Z5.....	448	
66X.....	Vol.	R159.....	6	MR39.....	M26	EX250		A443.....	4	TCS47.....					5	6D6, 6C6, 43, 25Z5, 165R4 Ballast Tube.....	448	7-1,2
70.....	Vol.	R113.....	40	MR33.....				A416.....	19	TC26.....					5	1A6, 32, 30, 33.....	262	6-13
70.....	Tone	R112.....	22	MR33.....														
71.....	Vol.	R117.....	56	MR48.....				A416.....	19	TC26.....					5	1A6, 34, 25S, 30, 33.....	456	6-14
71.....	Tone	R116.....	22	MR33.....														
71C.....	Vol.	R117.....	56	MR48.....				A431.....	12	TC40.....					5	1C6, 34, 25S, 30, 33.....	456	6-14
72.....	Vol.	R123.....	17	MR48.....				A442.....	12	TC52.....					5	1C6, 34, 25S, 30, 19.....	448	6-15,16
76, 76X.....	Vol.	R154.....	6	SRP263.....	6-9	EX300		A450.....	4	TCS47.....					5	6D6, 6C6, 43, 25Z5, 165R4 Ballast Tube.....		8-4
77 (777, 778, 779).....	Vol.	R151.....	6	MR45.....	M26	EX250		A444.....	4	TC47/TC42.....					6	6A7, 6D6, 76, 43, 25Z5.....	448	7-3,4
85.....	Vol.	R105.....	56	MR44.....	M26			A412.....	27	TC47/TC42.....					5	6A7, 6D6, 6B7, 43, 25Z5.....	456	6-17,18
86.....	Vol.	R159.....	6	MR39.....	M26	EX250		A443.....	4	TCS47.....					5	6D6, 6C6, 43, 25Z5, 165R4 Ballast Tube.....	448	7-2
86X.....	Vol.	R170.....	18	MR48.....				A456.....	1	2N513.....					5	6A7, 6D6, 75, 25B5, 25Z5, 165R4.....	448	8-4
87 Series.....	Vol.	R157.....	17	MR48.....	M26			A444.....	4	TC47/TC42.....					6	6A7, 6D6, 75, 43, 25Z5, 878R48 Ballast Tube.....	448	7-5,6
90.....	Vol.	R145.....	17	MR44.....				A425.....	1/15	TC40.....					4	6D6, 6C6, 75, 12A7.....	262/456	6-19,20
96.....	Vol.	R160.....	6	MR39.....	M26	EX250		A443.....	4	TCS47.....					5	6D6, 6C6, 43, 25Z5, 165R4 Ballast Tube.....	448	7-2
105, EL105.....	Vol.	R115.....	56	MR48.....				A435.....	1	ST595.....					6	6A7, 6D6, 85, 76, 42, 80.....	456	6-21,22
105, EL105.....	Tone	R114.....	22	MR33.....	M26			A436.....	1	ST595.....								
120.....	Vol.	R115.....	15	MR48.....				A417.....	15	TC22.....					7	6K7G, 6A8G, 6H6G, 6C5G, 6F6G, 5Y3.....	448	6-23,24
120.....	Tone	R122.....	22	MR33.....	M26			A439.....	15	TC22.....					4	6A8, 6K7, 6Q7, 25A7.....	448	8-5
150, 151.....	Vol.	R183.....	18	MR48.....	M26			A462.....	4	TCS47.....								
150, 151.....	Vol.	R183.....	18	MR48.....	M26			A417.....	15	TC22.....								
210 (Converter).....	Vol.	R128.....	88	UC513.....		EX200		A480.....	1	2N516.....					2	6J8G, 25Z5.....		9-8
226.....	Vol.	R152.....	17	MR48.....	M27			A438.....	1/15	3S579.....					4	6J7, 6F6, 5Z4.....		6-1,2
400.....	Vol.	R156.....	17	MR48.....	M27										4	1C6, 34, 25S, 950.....	448	7-7,8
500.....	Vol.	R119.....	6	MR45.....		EX250	A27	A442.....	12	TC52.....					5	1C6, 34, 25S, 33.....	448	7-9,10
553 (Early, Late).....	Vol.	R119.....	6	MR45.....		EX250	A27	A439.....	1	2N518.....					5	6A8G, 6K7G, 6J7 or 75, 6F6G, 5Z4 or 5Y3.....	448	6-7,9
553 (Early, Late).....	Tone	R122.....	22	MR33.....	M26		A4	A417.....	15	TC32.....								
617.....	Vol.	R159.....	6	MR39.....		EX250		A443.....	4	TCS47.....					5	6D6, 6C6, 43, 25Z5, 165R4.....	448	9-2
630AC.....	Vol.		18	MR48.....				A459.....	9	3S582.....					5	6A7, 6D6, 6R7, 43, 25Z5, 165R4.....	448	9-3
634, 635.....	Vol.	R162.....	18	MR48.....				A460.....	9/13/15	3S582.....					6	6D6, 75, 41, 76, 80.....	448	9-3
634, 635.....	Tone	R163.....	34	MR33.....				A451.....	4	3S584.....	B8							
661.....	Vol.	R115.....	56	MR48.....				A440.....	6	2N509.....					5	6A8G, 6K7G, 6B7, 43, 25Z5.....	448	6-11,12
661.....	Tone	R122.....	22	MR33.....	M26			A417.....	15	TC32.....								
666.....	Vol.	R139.....	6	MR45.....	M26	EX250		A422.....	4	TCS47.....					5	6D6, 76, 43, 25Z5.....	448	
676.....	Vol.	R154.....	6	SRP263.....	6-9	EX300		A450.....	4	TCS47.....					5	6D6, 6C6, 43, 25Z5, 165R4 Ballast Tube.....		
735.....	Vol.	R182.....	75	MR48.....				A459.....	9	3S582.....					6	6A7, 6D6, 6H6, 6C5, 43, 25Z5, 140R4.....	448	9-3
735.....	Vol.	R182.....	75	MR48.....				A460.....	9/13/15	3S582.....								
739.....	Vol.	R176.....	18	MR48.....				A457.....	9	2S556/TC52.....					6	6A7, 6D6, 6Q7, 25B5, 76, 25Z5, 140R8.....	448	9-5
739.....	Tone	R179.....	44	MR33.....				A458.....	9/13	3S582.....								

‡ Data not substantiated.

\* IMPORTANT: Read Notes in Note Section if specified in Note Column.  
MALLORY PARTS ARE DESIGNED WITH THE SERVICEMAN IN MIND.

§ Indicates miscellaneous section.

MANUFACTURER AND MODEL	CONTROLS							CONDENSERS				VIBRATORS			No. Tubes	Complete Tube Complement	I. F. Peak	Rider's Reference
	Use	Original Part	Circuit	Correct Replacement	Switch	Bias	*Note	Original Part	Circuit	Correct Replacement	*Note	Original Part	Replacement	*Note				
<b>INTERNATIONAL RADIO CORP.</b> 777, 778, 779.....	Vol.	ORP.—Continued R151.....	6	MR45.....	M26	EX250.....	A444.....	4	TC47/TC42.....					6	6A7, 6D6, 76, 2A5, 25Z5.....	448	7-3	
845.....	Vol. Tone	R251..... R179.....	75 34	MR48..... MR33.....			A457..... A458.....	9 9/13	2S556/TC52..... 3S582.....					7	6A7, 6D6, 6H6, 76, 6K5, 25B5, 25Z5, 120R8.....	448	10-1	
950.....	Vol. Tone	R176..... R179.....	75 44	MR48..... MR33.....			A457..... A458.....	9 9/13	2S556/TC52..... 2S582.....					8	6A7, 6D6, 76, 6G5, 6H6, 6K5, 25B5, 25Z5, 100R8.....	448	9-5	
1019.....	Vol.	R185.....	62	MR44.....	M26		8-8-8-12.....	29	3S582/TC52.....					7	6A7, 6D6, 76, 2A1, 25Z5.....	448	8-6	
1030, 1035.....	Vol.	R185.....	62	MR44.....	M26		A468.....	29	3S582/TC52.....					7	6A7, 6D6, 76, 2A1, 25Z5, 320R4, 200R, 250R.....	448	9-9	
1050.....	Vol. Tone	R115..... R114.....	56 22	MR48..... MR33.....	M26		A435..... A436..... A417..... A469.....	1 1 15 9	ST595..... ST595..... TC22..... 3S582/TC52.....					6	6A7, 6D6, 85, 76, 42, 80.....	456	6-22	
1129.....	Vol. Tone	R191..... R192.....	62 34	MR48..... MR33.....			A469.....	9	3S582/TC52.....					8	6A7, 6D6, 76, 2A1, 25Z5, 300R4, 200R, 250R.....	448	9-7	
1140.....	Vol. Tone	R191..... R189.....	62 149	MR48..... MR33.....			A469.....	9	3S582/TC52.....					8	6A7, 6D6, 76, 2A1, 25Z5, 300R4, 200R, 250R.....	448	9-9	
1149.....	Vol. Tone	R191..... R192.....	62 34	MR48..... MR33.....			A469.....	9	3S582/TC52.....					7	6A7, 6D6, 76, 25Z5, 300R4, 200R, 250R, 2A1.....	448	9-7	
1159.....	Vol. Tone	R188..... R189.....	62 34	MR48..... MR33.....			A469.....	9	3S582/TC52.....					8	6A7, 6D6, 76, 2A1, 25Z5, 300R4, 200R, 250R.....	448	9-7	
1200, 2200.....	Vol. Tone	R115..... R122.....	62 34	MR48..... MR33.....	M26		A439..... A417.....	1 15	2N518..... TC22.....					7	6K7C, 6A8G, 6H6G, 6C5G, 6F6G, 5Z4.....	448	6-23, 24	
3734.....	Vol. Tone	R162..... R163.....	18 34	MR48..... MR33.....			A451.....	4	3S584.....	B8				6	6D6, 75, 41, 76, 80.....	448	9-3	
<b>INTEROCEAN RADIO CORP.</b> 202.....	Vol.	—Also see Zenith P1008.....	17	MR48.....	M26		P1003.....	4	RM262.....					5	2A7, 58, 2A6, 2A5, 80.....	456	10-1	
204.....	Vol.	V600.....	7	MR36.....	M26		C538.....	11	UR182-193.....					4	6A7, 6E7, 43, 25Z5.....	175	10-2	
500, 515, 516.....	Vol. Tone	63-235..... 63-232.....	15 34	MR48..... MR48.....	M26		22-173..... 22-172.....	23 23	TC71..... TC70.....					8	58, 56, 57, 59, 80.....	175	7-1, 2	
505.....	Vol.	256.....	18	MR48.....	M26		106.....	11	UR182-193.....					5	6A7, 6D6, 75, 43, 25Z5.....	456	10-2	
508.....	Vol. Tone	E608..... E635.....	18 22	MR48..... MR33.....	M26		E607..... E636.....	1/13 15	3S584..... TC22.....					6	58, 2A7, 2A6, 2A5, 80.....	456	10-3	
511.....	Vol. Tone	E608..... E635.....	18 34	MR48..... MR33.....	M26		E607.....	1/13	3S584.....					8	58, 2A7, 2A6, 2A5, 80, 56.....	456	10-3	
520, 521, Chassis 2035.....	Vol. Tone	63-231..... 63-232.....	20 41	MRT430..... MR48.....	M26		22-167..... 22-169.....	28 15	RS213..... TC32.....					10	56, 57, 58, 59, 80.....	175	5-1, 2	
522 (Ch. 508).....	Vol. Tone	63-234..... E608.....	7 18	MR34..... MR48.....	M26		E607.....	1/13	3S584.....					6	58, 2A7, 2A6, 2A5, 80.....	456	10-3	
524 (Ch. 511).....	Vol. Tone	E635..... E608.....	22 18	MR33..... MR48.....	M26		E636..... E607.....	15 1/13	TC22..... 3S584.....					8	58, 2A7, 2A6, 2A5, 56, 80.....	456	10-3	
525, 525A (Ch. 508).....	Vol. Tone	E635..... E608.....	34 18	MR33..... MR48.....	M26		E607.....	1/13	3S584.....					6	58, 2A7, 2A6, 2A5, 80.....	456	10-3	
527, 527A (Ch. 511).....	Vol. Tone	E635..... E608.....	22 18	MR33..... MR48.....	M26		E636..... E607.....	15 1/13	TC22..... 3S584.....					8	58, 2A7, 2A6, 2A5, 56, 80.....	456	10-3	
530, 531, 533, Chassis 2038.....	Vol. Tone	E635..... 63-231.....	34 20	MR33..... MRT430.....	M26		22-167..... 22-169.....	15 28	TC32..... RS213.....					12	56, 57, 58, 59, 80.....	175	5-3, 4	
<b>JACKSON BELL CO.</b> S.....	LTD. Vol.		3	C.....	6-9		4-2.....	1	See Note.....	B1				8	26, 27, 71, 80.....			
4.....	Reg. Vol. Tone		1 6 22	A..... MR18..... MR44.....	M26		4, 4.....	23	ST595.....					4	57, 47, 80.....		7-1	
5A.....	Vol.		10	C.....			2-2.....	1	See Note.....	B1				5	26, 27, 71A, 80.....		5-1	
8.....	Vol.		3	C.....	6-9		4-2.....	1	See Note.....	B1				8	26, 27, 71, 80.....			
8 (45 Output).....	Reg. Vol.		1 6	A..... C.....	6-9		4-1-2.....	3	See Note.....	B1				8	26, 27, 45, 80.....			
24.....	Reg. Vol. Tone		1 6 22	A..... MR18..... MR44.....	M26		4, 4.....	23	ST595.....					4	57, 47, 80.....	175	3-1	
25.....	Vol.		6	G7.....	6-9	1	4, 4.....	4	ST595.....					5	35, 24, 47, 80.....	175	3-2	
25A, 25U.....	Vol.		6	MR18.....	M26		4, 4.....	4	ST595.....					5	24, 58, 47, 80.....	175	3-3	
26.....	Vol.		6	G7.....	6-9	2	8, 8.....	4	ST595.....					5	24, 47, 80.....		3-4	
26S, B, L.....	Vol.		6	G7.....	6-9	3	8-4.....	23	2S567.....					6	56, 57, 58, 47, 80.....	175	3-6	
27 Type 1.....	Vol.		6	MR18.....			8, 8.....	4	ST595.....					7	51, 24, 27, 47, 80.....	175	3-5	
27 Type 2.....	Vol.		6	MR18.....	M26		8, 8.....	23	ST595.....					7	24, 27, 35, 47, 80.....	175	3-6	
28.....	Vol. Tone		22 6	MR18..... MR18.....			8, 8.....	4	ST595.....					8	35, 27, 24, 47, 80.....	175	3-7, 8	

† Data not substantiated.

\* IMPORTANT: Read Notes in Note Section if specified in Note Column.  
WHEN YOU BUY LEVER ACTION SWITCHES BUY MALLORY.

‡ Indicates miscellaneous section.

MANUFACTURER AND MODEL	CONTROLS							CONDENSERS				VIBRATORS			No. Tubes	Complete Tube Complement	I. F. Peak	Rider's Reference
	Use	Original Part	Circuit	Correct Replacement	Switch	Bias	*Note	Original Part	Circuit	Correct Replacement	*Note	Original Part	Replacement	*Note				
<b>JACKSON BELL—C</b>	continued																	
29	Vol. Tone		†	MR48	M26			8, 8	23	ST595					9	*24, *27, *35, *47, 80	175	3-9, 10
33	Vol. Tone		22	MR18				4-4	1	2N518					3	24, 27, 80	840	2-1
50	Vol. Tone		6	D12	6-9			8-8	4	2S567					5	*24, 45, 80		7-2
59	Vol. Tone		6	CI2				2-4	1	See Note	B1				7	*26, 27, *71, 80		7-3
60	Vol. Tone		6	C				8, 8	1	ST595					7	24, *26, *71A, 80		7-3.5
62, 63, 64	Vol. Tone		6	D7				8	41	RS213					6	*24, 45, 80		3-3
62 Series 2 and 3	Vol. Tone		22	MR18				2-4	41	See Note	B3				6	*24, 45, 80		7-4.5
62	Vol. Tone		6	D7	6-9	3		8, 8	4	RS213					6	*24, 45, 80		7-4.5
68	Vol. Tone		6	D7	6-9			8, 8	25	RS213					8	*24, 27, *45, 80		7-5.6
68	Vol. Tone		85	MR18														
69 DC	Vol. Tone		12	MR21				8-8	1	See Note	B3				7	*32, *30, *31		
69	Vol. Tone		22	MR18														
79	Vol. Tone		7	D	6-9			8, 8	4	RS213					8	*35, 24, *27, *45, 80	175	
79	Vol. Tone		41	MR48				10	15	TC22								
84 "Peter Pan"	Vol. Tone		6	MR18		EX300		4, 4	23	ST595					4	*24, 47, 80		6-1
86	Vol. Tone		6	MR18	M26	EX200		4, 4	23	ST595					6	24, *27, 35, 47, 80	175	5-2
87	Vol. Tone		6	D7	6-9	1		4	23	RS213					7	*27, *35, 47, 80, 24	175	6-2
88	Vol. Tone		22	MR48				8	23	RS213					8	24, *27, *35, 47, 80	175	6-3
88	Vol. Tone		6	G7	6-9	1		8, 8	23	ST595								
88	Vol. Tone		22	MR48														
89	Vol. Tone		7	D7	6-9	2		4, 4, 4	3	ST595					8	*27, 24, *35, *47, 80	175	4-1
89	Vol. Tone		41	MR18				10	15	TC22								
89A	Vol. Tone		6	G7	6-9	1		4-4	1	2N518					9	24, *27, *35, *47, 80	175	6-4
89A	Vol. Tone		39	MR48														
96	Vol. Tone		6	MR24		EX300		4, 4	1	ST595					6	*24, 27, *47, 80		5-2
99	Vol. Tone		6	D7	6-9	1		8-4	1	See Note	B3				9	24, *27, *35, *47, 80	175	5-1
99	Vol. Tone		39	MR48				4	13	TC70								
205 Auto	Vol. Tone		118	MR44	M26			4	19	TC32					5	55, 57, *58, 47	465	3-1
645M	Vol. Tone		6	C	6-9			5-2	1	See Note	B1				6	*27, 45, 80		
845S	Vol. Tone		21	MR44				4-1	1	See Note	B1				8	*27, *45, 80		7-1
845S	Vol. Tone		39	MR48														
<b>JACKSON RADIO &amp; TELEVISION CO.</b>																		
447, J104, 401A	Vol. Tone		6	MR18	M26	EX250		4, 4	1	ST595					4	*24, 47, 80		\$5-8
SF547, 504B, J105, LK447	Vol. Tone		69	G7				4, 4	1	ST595					5	*57, 47, 80 or 82		\$4-4
<b>JACKSON RESEARCH</b>																		
NJ8	Vol. Tone		12	MR33				2-2	1	See Note	B1				8	*24, 27, 45, 80	175	\$6-15
<b>JEFFERSON</b>																		
6L6SPAMP	Vol. Tone		82	MRT460				16, 16	12	TC74					8	6J7, 6N7, *6F6, *6L6, *83		
								8, 8	2	TC71								
								2	13	TC70								
								10	15	TC32								
<b>JEFFERSON-TRAVIS</b>																		
MR-2B	Vol. Tone		18	MR53	M26				12	TC26					5	1A7GT, *1N5GT, 1H5GT, 3Q5GT	455	15-1, 2
MR-3	Vol. Tone		149	MR53	M27				24	2N521					5	1LA6, *1LN5, 1LH4, 3LF4, D. R.	455	
									78	TC2501								
<b>JEWEL</b>																		
300	Vol. Tone	50-7	18	MR55	M26			31-1	24	2N520					4	12SA7GT/14Q7, 12SQ7GT/14B6, 50L6GT/50A5, 35Z5GT/35Y4	455	
500A, 501A, 502A, 503A, 504A, 505A	Vol. Tone		18	MR48	M26				80	2N520					4	12SA7, 12SK7, 12SQ7, 50L6GT, D. R.	456	
500B, 501B, 502B, 503B, 504B, 505B	Vol. Tone		18	MR48	M26				80	2N520					4	14Q7, 14A7/12B7, 14B6, 50A5, D. R.	456	
500C, 501C, 502C, 503C, 504C, 505C	Vol. Tone		18	MR48	M26				80	2N520					4	12BE6, 12BA6, 12AT6, 50B5, D. R.	456	
505 "Pin Up"	Vol. Tone		18	MR48	M26				80	2N514					4	12BE6, 12BA6, 12AT6, 50B5, D. R.	456	
<b>KADETTE—Also see L25</b>	International Vol. Tone		18	MR44	M26			20-12	1	2N509					5	12SA7, 12SK7, 12SQ7, 35L6, 35Z5		\$11-4
L40	Vol. Tone		18	MR44	M26			20-12	1	2N509					5	12SA7, 12SK7, 12SQ7, 35L6, 35Z5		\$11-4

‡ Data not substantiated.

\* IMPORTANT: Read Notes in Note Section if specified in Note Column.  
MALLORY STANDARDIZATION OF PARTS SIMPLIFIES YOUR REPLACEMENT WORK.

§ Indicates miscellaneous section.



MANUFACTURER AND MODEL	CONTROLS							CONDENSERS				VIBRATORS			No. Tubes	Complete Tube Complement	I. F. Peak	Rider's Reference
	Use	Original Part	Circuit	Correct Replacement	Switch	Bias	*Note	Original Part	Circuit	Correct Replacement	*Note	Original Part	Replacement	*Note				
KADETTE—Continued L41.....	Vol.		18	MR48				20-12	1	2N509					5	12SA7, 12SK7, 12SQ7, 35L6, 35Z5	456	§11-4
KARADIO CORP. 56.....	Vol.		17	UM147		See Note	A96								6	77, 78, 6F7, 75, *41	456	§5-9
57B.....	Tone		18	UM147		See Note	A96	8-4	1	See Note	B3		298	C3	7	6F7, *41, 75, 77, 78, 84	456	
			44	UM147		See Note	A96	.01		Buffer	B14							
COLIN B. KENNEDY CORP. 5T AC-DC.....	Vol.		6	MR34	M26		A34	D324	11	UR182-193	B118				4	6E7, 6D7, 43, 25Z5		
F.....	Vol.	3120	15	MR48				3288	1	TC871					12	*78, 6A7, 85, *76, *42, *80	465	6-4
	Tone		22	MR24				3004	1	RM262								
	Sen.	3121	7	MR20				1948	18	RS213								
								10	15	TC22								
Royal.....	Vol.		11	A10MP			A18	8-8-8	3	RM265					8	*27, *45, 80		1-5
10.....	Vol.	406	11	A10MP			A18	302	3	RM265					8	*24, *27, *45, 80		1-4
20.....	Vol.	406	11	A10MP			A18	317	3	RM265					8	*24, *27, *45, 80		1-3,4
22.....	Vol.	123406	25	GK				6-6	24	See Note	B11			7	*22, *12A, *71A		2-1,2	
26.....	Vol.	117406	25	GK				8-8-8	3	RM265				8	*24, *27, *45, 80		1-6	
	Tone		22	MR33														
30, 32.....	Vol.		12	A10MP				8-8-8	3	RM265					8	*24, *27, *45, 80		1-7
	Tone		12	MR33														
34.....	Vol.		22	MR18											3	*24		1-8,9
36, 38, 40.....	Vol.	117406	25	GK				6-6	24	See Note	B11			7	*22, *12A, *71A		2-1,2	
	Tone		22	MR33														
42 "Coronet".....	Vol.	11F406	40	MR18	M26			6-16	1	See Note	B3			6	*24, 27, 45, 80		11-1	
42B.....	Vol.		6	G7	6-9	1		8-8	1	See Note	B3			6	*51, *27, 47, 80		4-1	
44.....	Vol.		40	MR18				8-16	1	See Note	B3			6	*24, 27, 45, 80		2-4	
48.....	Vol.		12	MR18				8-8-8	3	See Note	B3			8	*24, *27, *45, 80		2-5	
	Tone		22	MR33	M26													
50.....	Vol.	16406	6	G7		1		15302	1	RS213				5	*35, 24, 47, 80		2-6	
								16302	1	RS213								
52.....	Vol.	16406	6	G7		1		16302	1	RS213				5	*35, 27, 47, 80	175	2-7	
	Tone	15369	22	MR33	M26			17302	1	RS215								
55.....	Vol.		6	G7	6-9	1		1-10-302	1	TC871				4	58, 57, 47, 80		4-2	
56.....	Vol.	26406	6	G7	6-9	1		16302	1	RS213				8	*51, 24, *27, *47, 80	175	2-12	
	Tone	25369	22	MR33				17302	1	RS215								
"Royal" 60.....	Vol.		35	MR48				1.5-4	3	See Note	B1			7	*26, 27, 71A, 80		1-5	
62.....	Vol.	17406	1	MR48	M26			16302	3	RS213				10	*35, *27, *47, 80	175	2-13,14	
	Tone	16369	22	MR33				27302	3	RS213								
								48302	3	TC71								
62A.....	Vol.		14	MR48				16302	3	RS213				10	*27, *35, *47, 80	175	3-1,2	
	Tone		22	MR33	M26			27302	3	RS213								
								48302	3	TC71								
62D (882).....	Vol.		127	MR48	M26			8	3	RS213	B3			10	55, 57, *56, *58, *47, 80	175	3-3,4	
	Tone		44	MR33				8	3	TC71	B3							
	Sil.		8	G														
63, 63A (563A).....	Vol.		17	MR48	M26			110302	1	TC871				5	55, 57, 58, 47, 80	175	3-5,6	
64.....	Vol.		6	G7	6-9			10, 10	1	RS215				10	*24, *35, *27, 47, *80	175	2-15	
	Tone		22	MR33														
64B (164B).....	Vol.		6	G7	6-9	1		10, 10	1	RS215				10	*56, *57, *58, 47, *80	175	3-7,8	
	Tone		22	MR33														
64C (882).....	Vol.		127	MR48	M26			8, 8	3	ST595				10	55, *56, *57, *58, *47, 80	175	3-9,10	
	Tone		44	MR33				8	3	TC71								
	Sil.		8	G														
66, 66A.....	Vol.		16	MR48	M26			16302	3	RS213				12	*24, *27, *35, *47, *80	175	3-11,12	
	Tone		22	MR33				27302	3	RS213								
								48302	3	TC71								
66B (266B, 366B).....	Vol.		16	MR48				16302	3	RS213				12	*56, *57, *58, *80, *47	175	3-13,14	
	Tone		22	MR33	M26			27302	3	RS213								
								48302	3	TC71								
80.....	Vol.		35	MR48				1-1.5-4	3	See Note	B1			9	*26, 27, *71, 80		1-12	
164B (Chassis 64B).....	Vol.		6	G7	6-9	1		10, 10	1	RS215				10	*58, *57, *56, 47, *80	175	3-7	
	Tone		22	MR33														
266B (Chassis 66B).....	Vol.		16	MR48				8, 8	3	RS213				12	*58, *57, *56, *47, *80	175	3-13	
	Tone		22	MR33	M26			8	3	TC71								
366B (Chassis 66B).....	Vol.		16	MR48				8, 8	3	RS213				12	*58, *57, *56, *47, *80	175	3-13	
	Tone		22	MR33	M26			8	3	TC71								
826B.....	Vol.		25	GK				8-8-8	3	RM265				11	*24, *27, *45, 80		1-12	
	Tone		22	MR33														
	Reg.		12	MR18														
KING MFG. CORP. —See Sears Roebuck																		
KINGSTON PRODUCTS CORP. "Gypsy".....	Vol.		6	G7	6-9	3		8-8	1	2N516				5	*77, 78, 38, 1V	456	5-1	
								5-5	15	TN111								
55.....	Vol.		6	MR18	M26			12-8-12-12	6/15	3N527/TC26				5	*78, 77, 38, 12Z3	456	5-1	
								10	15	TC22								
500, 500A.....	Vol.	E17065	18	MR48	M26			6-6	1	2N518				5	6A7, 6D6, 75, 42, 80	456	5-2	
								E-17080	15	TC22								

† Data not substantiated.

\* IMPORTANT: Read Notes in Note Section if specified in Note Column.  
USE MALLORY COMPONENTS IN YOUR TELEVISION WORK.

‡ Indicates miscellaneous section.

MANUFACTURER AND MODEL	CONTROLS							CONDENSERS				VIBRATORS			No. Tubes	Complete Tube Complement	I. F. Peak	Rider's Reference
	Use	Original Part	Circuit	Correct Replacement	Switch	Bias	*Note	Original Part	Circuit	Correct Replacement	*Note	Original Part	Replacement	*Note				
<b>KINGSTON PRODU</b> 600A, 600B, 610B	CTS CO Vol. Tone	RP.—Continued E17020	18 21	MR48 MR48	M26			6-6 10	1 15	2N518 TC22					6	*78, 6A7, 75, 42, 80...	Early 182.5 Late 172.5	5-3
700, 700A, 700B	Vol. Tone	E17020	18 34	MR48 MR39	M26			E17125 E17217 12	1/15 15	TCS71 RS213 TC22					7	76,*6D6, 75, 42, 80...	456	5-4
<b>KITCHENAIRE</b> 5 Tube Radio	Vol.		18	MR48	M26				1	2N509					5	12SA7GT, 12SK7GT, 12SQ7GT, 50L6GT, 35Z5GT..	455	.....
<b>KNIGHT</b> —See "Allied"																		
<b>W. T. KNOTT CO</b> 651, 653	—CROMWELL Vol.		161	MR48	M26				24	2N511					5	14Q7, 14A7, 14B6, 50A5, 35Y4	455	\$15-9
6541, 6545, 6547, 6560	Vol.		161	MR48	M26				24	2N511					5	14Q7, 14A7, 14B6, 50A5, 35Y4	455	\$15-9
<b>KOLSTER RADIO, Inc.</b> 6F, 6J, 6K, 6L, 6M, 6N	Vol.		29			See Note A48	2-2-2	30		See Note	B1				7	*26, 27, 71, 80		1-2
7 Tube (600 & 250)	Vol.		5			See Note A5	2-2-2	30		See Note	B1				8	*26, 27, 71A, 80		1-6
K20	Vol.		10	MR21			2-2-2	30		See Note	B1				7	*26, 27, 71, 80		1-3
K21, K22, K23	Vol.		10	MR21			2-2-1	30		See Note	B1				8	*26, 27, 71A, 80		1-3,4
K24 (210 O.P.)	Vol.		4	MR21			3-4-2	30		See Note	B2				9	*26, 27, 10 or 50,*81		1-5
250 O.P.)	Vol.		40	MR24			2-2-1	30		See Note	B1				7	*26, 27, 71A, 80		1-3,4-1
K25, K27, K28	Vol.		10	MR24											6	*01A, 71A		1-6
K30, K32	Vol.		14	MR33			3-2-2	30		See Note	B2				9	*27, 50,*81, 886		4-2
K38	Vol.		40	MR24	M26		2-2-2	30		See Note	B1				8	*26, 27, 71, 80		1-7
K42	Vol.		25	Order from Mfr.			2-1-5	30		See Note	B1				8	*24,*27,*45, 80		1-8
K43, K43A	Vol.		25	Order from Mfr.			2-2	1		See Note	B2				9	*24,*27,*45,*81		1-9
K44	Vol.		1	Order from Mfr.			2-2	1		See Note	B2				11	*24A,*27,*50,*81		1-10
K45	Vol.		40	MR24		See Note A3	2-2-1	41		See Note	B3				7	*24,*27, 45, 80		\$6-17
K48	Equal		8	A1MP		See Note A3	8-8-8	26		See Note	B3				7	*24,*35, 47, 80, 27	175	1-11,2-4
K60, K62	Vol.		40/42	Order from Mfr.			8-8-8	12		See Note	B11				7	*36, 37,*38	175	3-1
K63	Vol.		59	MR21			8-8-8	26		See Note	B3				8	*24, 27,*35, 47, 80	175	1-12,2-5
K70, K72	Vol.		40/42	Order from Mfr.			8-8-8	12		See Note	B11				7	*36, 37,*38	175	3-1
K73	Vol.		59	MR21			8-8-8	26		See Note	B3				9	*24,*27,*35,*47, 80	175	1-13
K80, K82	Vol.		40/42	Order from Mfr.			8-8-8	12		See Note	B11				9	*36,*37,*38	175	3-2
K83	Vol.		59	MR21			8-8-8	26		See Note	B3				10	*24,*27,*35,*47, 80	175	1-14
K90, K92	Vol.		40/42	Order from Mfr.			8-8-8	12		See Note	B11				9	*36,*37,*38	175	3-1,2
K93, K103	Vol.		15	MR48			6-6-6	26		See Note	B11				8	*56,*58, 47, 80	175	3-3,4
K110	Vol.		15	MR48			6-6-6	12		See Note	B11				8	*56,*58, 47, 80	175	3-9
K113	Vol.		15	MR48			4	12		See Note	B11				9	*37,*38,*39	175	3-6
K114	Vol.		15	MR48			8	12		See Note	B11				9	*30,*34	175	3-3,4
K120, K122	Vol.		15	MR48	M26		6-6-6	26		See Note	B11				8	*56,*58, 47, 80	175	3-9
K123	Vol.		15	MR48			4	12		See Note	B11				8	*37,*38,*39	175	3-9
K130, K132	Vol.		15	MR48	M26		6-6-6	5		See Note	B11				9	*56,*58,*47, 80	175	3-7,8
K133	Vol.		15	MR48			4	12		See Note	B11				10	*37,*38,*39	175	3-5
K140, K142	Vol.		15	MR48	M26		8-8-8	26		See Note	B11				10	*56,*58,*47, 80	175	3-10,11
K143	Vol.		15	MR48			4	12		See Note	B11				10	*37,*38,*39	175	3-5
K165 "Intern't'l"	Vol.		15	MR33			6-6-6	40/23		3S584					8	*56,*58, 47, 80	535	
K175 "Intern't'l"	Vol.		15	MR48	M26		6-6-6	40/23		3S584					8	*56,*58, 47, 80	505	
S.W. "Converter"	Vol.		11	MR33			6-6-6	40/23		3S584					3	56, 57, 58		3-12
<b>KYLECTRON</b> —See "United Reproducers"																		
<b>LAFAYETTE RADIO &amp; TELEVISION CO.</b> Fireside No. 1	Vol. Tone		7 22	F MR33	6-9		A14	8, 8	34	ST595					7	*35,*24, 27, 47, 80	175	8-1
Fireside No. 2	Vol.		8	G	6-9			8, 8	4	ST595					7	*58,*57, 56, 47, 80	175	8-1
2Y2280	Vol.		6	MR39	M26			2-2-1	1	See Note	B1				5	*51, 24, 47, 80		9-2
Mighty Atom	Vol.		6	MR18				4, 4	4	ST595					5	*57, 58, 47, 80	175	9-8
Thriller	Vol.		6	G	6-9	2		533	4	TCS71					7	*56, 57, 58, 47, 80	115	5-2
A7	Vol. Tone	512	21	MR44				721	4	TC71					7			
AM8	Vol. Tone	534	18	MR48				1085/1295	8	UR182-193					8	6A7, 75, 76, *78, *43, 25Z5	175	5-1
AM10	Vol. Tone	1317	21	MR44											7	*77, 78, 43, 25Z5	115	5-1
AM18	Vol. Tone	1315	6	MR18	M26			1085/1295	8	UR182-193					5		175	\$4-5
AM10	Vol. Tone	1296	22	MR44				928	15	TC26					7			
A11	Vol. Tone	1317	6	MR18	M26			965	8	UR182-193					5		175	\$4-5
A12	Vol. Tone	535	76	MR48	M26			928	15	TC26					5		175	\$4-5
A14	Vol. Tone	534	76	MR44				496	4	TCS71					5	6A7, 78, 75, 42, 80	175	\$4-5
	Vol. Tone	534	76	MR48				928	19	TC26					5		175	\$4-5
	Vol. Tone	535	18	MR48	M26			1085	8	UR182-193					5	*78, 6A7, 75, 43	175	\$4-6
	Vol. Tone	534	21	MR44				928	15	TC26					5		175	\$4-6

† Data not substantiated.

\* IMPORTANT: Read Notes in Note Section if specified in Note Column.  
BE SURE TO SPECIFY MALLORY RADIO AND ELECTRONIC PARTS.

‡ Indicates miscellaneous section.

MANUFACTURER AND MODEL	CONTROLS							CONDENSERS				VIBRATORS			No. Tubes	Complete Tube Complement	I. F. Peak	Rider's Reference
	Use	Original Part	Circuit	Correct Replacement	Switch	Bias	*Note	Original Part	Circuit	Correct Replacement	*Note	Original Part	Replacement	*Note				
LAFAYETTE—Continued																		
A15.....	Vol.	853.....	6	MR18.....	M26			1085.....	8	UR182-193.....					5	*77, 78, 43, 25Z5.....	175	5-2
A19.....	Vol.	512.....	6	MR18.....	M26	EX200		928.....	15	TC26.....					6	*77, 78, 43, 25Z5.....	115	44-6
A20.....	Tone	534.....	22	MR44.....				1085.....	8	UR182-193.....					6	*77, 78, 43, 25Z5.....	175	6-7
A70.....	Vol.		18	MR48.....				928.....	15	TC26.....					7	*56, *58, 2A6, 2A5, 80.....	456	12-6
A77.....	Vol.		21	MR44.....				8, 8, 8.....	4	RS213.....					7	*78, 75, 76, 42, 80.....	456	12-6
A81, A81L.....	Vol.	19-1296.....	21	MR48.....				444.....	4	3S584.....	B3				5	6A7, 78, 77, 43, 25Z5.....	175	10-10
A87.....	Vol.	19-1291.....	76	MR48.....	M26	6-9		18-1085.....	8	TN125.....					5	6A7, 78, 75, 42, 80.....	456	10-10
AM20.....	Vol.	19-1317.....	76	MR44.....				18-1274.....	4	TC571.....					5	6A7, 78, 75, 42, 80.....	456	10-10
AM25.....	Vol.	19-2014.....	17	MR48.....	M26			18-928.....	19	TC26.....					7	6A8, 6K7, 6Q7, 6K6, 6J7, 6U5/6G5, 5W4.....	456	
AM26.....	Vol.	19-2009.....	34	MR45.....				18-2017.....	1/13/15	FP424.....					6	75, 77, *78, 41, 84.....	175	6-8
AS-5.....	Vol.		6	MR18.....			See Note A96	18-2012.....	15	TC22.....					6	75, 77, *78, 41, 84.....	175	6-8
AS-6.....	Vol.		17	MR48.....				6-6.....	2	See Note.....	B3		298	C3	5	*77, 78, 43, 25Z5.....	115	5-3
B13.....	Vol.	1296.....	6	MR18.....	M26			25.....	15	Buffer.....	B14				5	*6A7, 75, 78, 42, 80.....	175	5-3
B15.....	Vol.	1291.....	17	MR48.....	M26			928.....	15	TC26.....					5	*6A7, 75, 78, 42, 80.....	175	5-3
B30.....	Vol.		6	MR18.....				721.....	25	See Note.....	B3				4	6D6, 6C6, 43, 25Z5, L55-S1.....		9-3
B32.....	Vol.		17	MR48.....				1379.....	25	See Note.....	B3				5	6A7, 6D6, 75, 43, 25Z5, L55-S2.....	465	9-3
B33.....	Vol.		75	MR48.....	M26			928.....	19	TC26.....					8	6J7, 6C5, 6K7, 6H6, 6G5, 6F5, 6F6, 5Y3G.....	456	14-15, 16
B35, B36.....	Vol.		34	MR42.....				14-8.....	6	2N509.....					6	*6K7, 6B7, 6F6, 80.....	456	14-4-6
B49, B50.....	Vol.		7/56	DRP314.....	6T			8-5.....	15	TN111.....					12	*6K7, *76, *6F6, *80.....	456	10-3
B51, B52, B53, B54.....	Vol.		7/15	DRP315.....	6-9			10-20.....	6	2N509.....					12	*6K7, *76, *6F6, *80.....	456	10-3
B60.....	Vol.		34	MR42.....				10-10.....	15	TN111.....					12	*6K7, *76, *6F6, *80.....	456	10-3
B62.....	Vol.		7/15	DRP315.....	6T			44X31.....	23	RS215.....					11	*6K7 or 6U7G, *6J7, *6C5, 6H6, 6G5, *6F6, 5Y3G.....	456	14-29-34
B64.....	Vol.		45	MRT428.....	M26			45X35.....	23	RS223.....					10	*6K7, *76, *45, 80.....	456	10-5
B65.....	Vol.		41	MR57.....				44X10.....	23	RS216.....					4	*6J7, 25L6G, 25Z6G.....	456	14-43
B68.....	Vol.		71	UM120-SS18.....	M26			44X11.....	23	RS216.....					12	55, *56, *58, *45, 82.....	175	5-4
BB75.....	Vol.		17	MR55.....	M26			30.....	25	RS223.....					9	*30, *34, 10AB.....	175	5-5, 6
B78.....	Vol.		17	MR55.....	M26			18.....	25	RS216.....					5	32, *34, 30, 19.....	175	11-4
B87.....	Vol.		62	MRT447.....	M26			125.....	19	Order from Mfr.....					5	6C6, *6D6, 75, 41.....	175	6-12
B90 (N) Late.....	Vol.		34	MR42.....				125.....	19	Order from Mfr.....					6	6F7, 6D6, 6B7, 12A5, *12Z3.....	175	11-5
B90 (R) Early.....	Vol.		17	UM163-SS3.....	M26			125.....	19	Order from Mfr.....					7	*34, *30, 19.....	175	11-6
B92 (K) Early.....	Vol.		17	UM163-SS3.....	M26			44X30.....	25	RS216.....					9	*34, *30, 19.....	456	14-45-47
B92 Late.....	Vol.		44	MR42.....				44X11.....	25	RS216.....					6	*6SK7, 6SA7, 6B8G, 6K6G, 6N7G.....	456	12-7, 8
B97, B98.....	Vol.		20	MR55.....				45X223.....	13	TC52.....					16	*6K7, *76, 6F7, 6B7, *2A3, 45, *5Z3.....	456	10-11, 15
B100, B101, B102.....	Vol.		124	Order from Mfr.....				45X222.....	19	TC26.....					11	*6K7, *6C5, 6G5, *6F6, 5Z4MG.....	456	14-57-59
B112.....	Vol.		22	MR55.....				14.....	4	RS216.....					6	*6D6, 6C6, 75, 41, 84.....	175	10-18
	Vol.		7/15	Order from Mfr.....				4.....	13	RS213.....					6	*6D6, 6C6, 75, 41, 84.....	175	10-17
	Vol.		34	MR53.....				4.....	13	TC62.....					6	*6K7, 6J7, 6B7, 41, 6A6.....	175	10-20
	Vol.		65	MR55.....				4.....	13	TC62.....					6	*6K7, 6J7, 6B7, 41, 6A6.....	175	14-61, 62
	Vol.		20	MR55.....				4.....	13	TC62.....					13	*6K7, *6C5, 6H6, 6G5, *6L6, *5Z4MG.....	456	8-10, 12
	Vol.		65	MR55.....				4.....	13	TC62.....					9	*6SK7, 6SA7, *6SQ7, 6AD6G, *6V6GT, 5Y3G.....	456	14-63, 64
	Vol.		21	TM227-SS25.....	M26			4.....	13	TC62.....					8	6SJ7, 6J5GT, *6SK7, 6U5, 6SQ7, 6V6GT, 5Y3G.....	456	14-67, 68
	Vol.		18	UM165-SS25.....				4.....	13	TC62.....					8	6SJ7, 6J5GT, *6SK7, 6U5, 6SQ7, 6V6GT, 5Y3G.....	456	14-67, 68

‡ Data not substantiated.

\* IMPORTANT: Read Notes in Note Section if specified in Note Column.  
MAKE FULL USE OF NOTES AND CIRCUIT DIAGRAMS.

‡ Indicates miscellaneous section.

MANUFACTURER AND MODEL	Use	CONTROLS						CONDENSERS				VIBRATORS			No. Tubes	Complete Tube Complement	I. F. Peak	Rider's Reference
		Original Part	Circuit	Correct Replacement	Switch	Bias	*Note	Original Part	Circuit	Correct Replacement	*Note	Original Part	Replacement	*Note				
LAFAYETTE—Continued																		
B195	Vol. Tone	36X320 40X270	18 22	MK401 Order from	M26 Mfr.			45X322	4	TC75/TC78					11	6SK7, 6SJ7, 6J5GT, 6SQ7, 6U5, 6K6GT, 5Y3G	456	14-71,72
BB1-7	Vol. Tone	36X272 40X241	17 34	TM248-SS25 UM165-SS25				44X39 44X40 45X236	23 23 24/15	RS219 RS224 TC65/TC22				8	6SK7, 6SA7, 6SQ7, 6U5, 6V6G, 5Y3G, 6A8G, 6V7G, 6H6, 6P5G, 6K6G	456	14-1,2,3	
BB9	Vol.	36X248	15	MR55	M26			45X239 018 45X294	15 15	TC22 Buffer Order from Mfr.			952W	C3	5	6A8G, 6V7G, 6H6, 6P5G, 6K6G	456	14-11,12
BB11	Vol. Tone	36X298 40X257	18 22	TM227-SS3 MK403	M26			45X265 008	24/15	Buffer Order from Mfr.		19A33	248	C3	6	6SK7, 6SA7, 6SQ7, 6K6GT, 6N7	456	14-14,66
BB22	Vol.	36X273	18	MK401	M26			45X266	1/15	3N527					5	12SA7, 12SK7, 12SQ7, 35L6GT, 35Z5GT	456	14-22
BB27	Vol. Tone	36X268 40X243	18 22	MK401 Order from	M26 Mfr.			45X266 45X260 45X261	1/15 1/15 1/15	TC49/2N511 3N527 TC49/2N511	B12				6	12SA7, 12SK7, 12SQ7, 35L6GT, 6AB5, 35Z5GT	456	14-27,28
BB68	Vol.	36X261	15	Order from	Mfr.			45X252 45X253 008	24/15 24	TC65 TC78 Buffer		19A33	248	C3	6	6SK7, 6SA7, 6H6, 6V6G	456	14-49,50
BB69	Vol.	36X260	18	MK401	M26			45X251 008	24/15	FP330 Buffer	B14 B117	19A35	953W	C3	5	6SK7, 6SA7, 6SQ7, 41	456	14-50,51
BB73	Vol.	36X274	18	MK401	M27			45X268 45X269	76/13 76/78	FP357 FP304	B14 B117 B70				6	1A7GT, 1N5GT, 1H5GT, 3Q5GT, 35Z5GT	456	14-53,54
BB73A	Vol.	12525	18	Order from	Mfr.			12001 12179	1 78	2N511 TC29					6	1P5GT, 1A7GT, 35Z5GT	455	14-55,56
BB110	Vol.	36X296	18	UM154-SS3	M26			45X296 .0055	24/15	Order from Buffer	Mfr. B14	19A37	Order from	m Mfr.	6	6SK7, 6SA7, 6SQ7, 6K6GT, 6X5 or 6X5GT	456	14-65,66 14-4-6
BL1	Vol. Tone	36X204 40X203	7/56 34	DRP314 MR42	6T			44X10 44X11	23 23	RS216 RS216					6	6K7, 6B7, 6F6, 80	456	14-85,66 14-4-6
C10 (Late)	Vol. Tone	15 21	15 21	MR48 MR53	M26			P80923 80873 80878C	30 30 13	3S584 TC71 TC40					10	58, 57, 56, 47, 80	175	11-1
C-14	Vol.		15	Order from	Mfr.		A19	40-25 32 80	8 8 8	TN514 TC47 TN129					16	6K7, 6K8, 6A8G, 6H6, 6C5, 25L6, 25Z6, 6AF6G	456	
C-16	Vol. Tone	19-1291 19-1317	17 21	MR48 MR45	M26			18-2003	8	TN125					5	6A7, 78, 75, 43, 25Z5, L49B	175	
C17	Vol.		18	UM154	M27		A96	5-5 8-8 4-4	78 12 15	TN111 TC42 2N518					7	1C6, 34, 1B5, 30, 19	456	13-5,6
C20	Vol.		6	G7				8-8 4-4	1 15	2N518 TN111					5	6A7, 6D6, 6C6, 43, 12Z3	456	10-1
C22	Vol. Tone		6 22	MR14 MR48				8-8	25	2S567					6	78, 6A7, 6B7, 77, 42, 80	175	13-9
C25	Vol.		18	MR48				8-8	23	2S567	B3				5	6A7, 6D6, 75, 42, 80	456	8-4
C-31	Vol. Tone		15 1	↑ MR53			A19	16-16	40	2S569					9	6D6, 6K8, 6Q7, 6F6, 6AF6G, 6A8G, 80	456	
C37	Vol. Tone		124 22	MRT440 MR53	M26			16, 16 8	25 13	RS216 TC71					11	6K8, 6AF6G, 6D6, 6Q7, 76, 6V6, 80	456	14-41
C38	Vol. Tone		124 22	MRT440 MR53	M26			16, 16 8	25 13	RS216 TC71					11	6K8, 6D6, 6Q7, 76, 6U5, 6V6, 80	456	14-81,82
C40	Vol.		18	MR48				8-4	23	2S567					6	6C6, 6D6, 75, 42, 80, 76		8-8 6-11
C60	Vol.		17	UM154		See Note	A96	8-8 5 .0015	1 15	2N518 TC32 Buffer			294	C3	6	6A7, 6D6, 75, 41, 84	175	
C78, C78L	Vol. Tone		18 22	MR48 MR39				20-12-8 5	8 15	TN125 TC22					6	6A7, 6D6, 75, 43, 76, 25Z5	456	9-8
C79, C80	Vol. Tone		75 22	MR48 MR39				20-12	6	2N509					6	6A7, 6K7, 6H6, 6F5, 43, 25Z5	456	7-5,6
C-91	Vol. Tone		15 21	MR48 MR53	M26			P-80923 80873 80878-C	30 30 13	3S584 TC71 TC40					10	58, 57, 56, 47, 80	175	
C216	Vol. Tone		18 22	MR53 MR53	M26			80-40-25-16	24	See Note	B3				11	6SK7, 6A8, 12SQ7, 6U5, 25L6, 25Z6	455	14-73,74
CC48	Vol. Tone		140 140	See Note See Note			A19 A5	40-25-80 16 10	6/12 13 15	See Note TC45 TC22	B3				12	6SK7, 6K8, 6SQ7, 6U5, 25L6, 25Z5	455	14-39,40
D3	Vol. Tone	24-126 26-118	18 22	MR53 MR48	M27			18-233 002	15 1	2N518 Buffer	B14	34-103	246A	C3	6	6D8G, 1D5FG, 6T7G, 1H4G, 1J6G	455	14-7,8
D4	Vol. Tone	24-123 26-118	18 22	MR53 MR48	M26			18-226	1	TC72					7	6A7, 6D6, 6G5, 75, 76, 6AC5G, 80	455	14-13
D5	Vol. Tone	24-123 26-118	146 22	MR53 MR48	M26			18-237 18-238	1 15	2N511 TC22					6	6K8G, 6D6, 75, 25L6G, 25Z5	455	14-7,8
D6	Vol.	24-119	18	MR48	M26			4-4 0038	23	TCS61 Buffer	B14	34-101	859	C3	5	6A7, 6D6, 6Q7G, 41, 84	456	14-9,10
D8	Vol. Tone		18 22	MR48 MR33	M26			8, 8	1	ST595					6	6D6, 75, 6B5, 76, 80	456	13-1
D9	Vol.	24-144	18	MR48	M26			18-236	1	2N514					6	6SA7GT, 6P5GT, 6SK7GT, 6SQ7GT, 25L6GT, 25Z6GT	455	12-2

† Data not substantiated.

\* IMPORTANT: Read Notes in Note Section if specified in Note Column.  
DON'T MISS THE MALLORY 1485 CONTROL DEAL!

‡ Indicates miscellaneous section.

MANUFACTURER AND MODEL	CONTROLS							CONDENSERS				VIBRATORS			No. Tubes	Complete Tube Complement	I. F. Peak	Rider's Reference
	Use	Original Part	Circuit	Correct Replacement	Switch	Bias	*Note	Original Part	Circuit	Correct Replacement	*Note	Original Part	Replacement	*Note				
LAFAYETTE—Continued																		
D10	Vol.		6	MR48		EX300		12	4	RS215					4	6A7, 6C6, 42, 80	456 8-3	
								16	4	RS216								
D11	Vol.		18	MR48				8-8	23	2S567	B3				5	6A7, 6D6, 75, 42, 80	456 8-3	
D14	Vol.	2442	18	MR48	M26			1845	1	2N516		3407	246	C3	4	6A7, 34, 1B5, 41	456 13-4,5	
								.0075		Buffer	B14							
D15	Vol.	2442	124	MR48	M26			1845	1	2N516		3407	246	C3	6	1C6, <sup>34</sup> , <sup>30</sup> , 19	456 14-18,19	
								.01		Buffer	B14							
D16	Vol.		45	MR48	M27			1845	1	2N516			246	C3	7	1C6, <sup>34</sup> , 1A4, <sup>30</sup> , 19	456 14-17,18	
	Tone		22	MR33				.0075		Buffer	B14							
D17	Vol.		45	MR48	M27			1845	1	2N516			246	C3	7	1C6, <sup>34</sup> , 1A4, <sup>30</sup> , 19	456 14-17,18	
	Tone		22	MR33				.0075		Buffer	B14							
D18	Vol.	24-103	18	UM157-SS17				18-221	23	TCS61		34-101	859	C3	7	6K7, 6A8, 6K7G, 6R7, 6R7G, 6V6G, 6X5G	262 14-20	
	Tone	26-114	22	Order from Mfr.				.005		Buffer	B14							
D19	Vol.	24-101	18	MR48				18-102	1/15	2N516/TC22					6	6A7, 6G5, 6D6, 75, 41, 80	456 14-21	
	Tone	26-101	21	MR48	M26													
D20	Vol.		17	MR48				8-8	4	RS213					6	6D6, 75, 42, 76, 80	456 13-7	
	Tone		22	MR39				10	15	TC22								
D20A	Vol.		124	MR48				16-8	23	3S584	B8				6	6A7, 76, 6D6, 75, 41, 80	465 12-3	
D20P	Vol.		18	MR48				8-4	23	2S567					5	6A7, 6K7 or 6D6, 75, 6F6 or 42, 80	465 13-8	
	Tone		22			See Note A5												
D22	Vol.	24-106	18	MR53	M26			1845	1	2N516		3407	246	C3	5	6D8G, 6N5, 6S7G, 6T7G, 1F5G	456 14-23,24	
								.008		Buffer	B14							
D23	Vol.	24-106	15	MR53	M26			18-211	1	2N513					5	6A7, 6D6, 6Q7G, 25B5, 25Z5	456 14-23,24	
D26	Vol.	24-144	45	MR48	M26			18-254	1	TCD65					6	6SA7GT, 6SK7GT, 6P5GT, 6S07GT, 6K6GT, 5W4GT	455 14-25	
								18-243	19	TC26								
D26 (Late)	Vol.		18	MR53	M26			10, 10	15	TC22					6	6A8, 6SK7GT, 6P5GT, 6S07GT, 6K6GT, 5W4GT	455 14-26	
D27	Vol.		18	MR48	M27										4	1C6, 34, 1B5, 33, 5E1	456 13-10	
D28	Vol.		18	MR48	M27										4	1C6, 34, 1B5, 30, 19, 6E1	456 13-11	
	Tone		22	MR33														
D29	Vol.		18	MR48	M27										4	1C6, 34, 1B5, 33, 5E1	456 13-10	
D30, D31	Vol.		17	MR48				8-8	4	RS213	B3				7	6D6, 76, 75, 42, 80, 6G5	456 8-6	
	Tone		22	MR39				10	15	TC22								
D31A	Vol.		124	MR48				16-8	23	3S584	B8				7	6A7, 76, 6D6, 75, 41, 80, 6G5	465 12-3	
D33	Vol.	24-144	18	MR48	M26			18-255	1	TCD47					7	6SA7GT, 6P5GT, 6SK7GT, 6U5, 6S07GT, 25L6GT, 25Z6GT	455 14-60	
D33G	Vol.		18	MR53	M26			5.365A	46/15	FP357/TC22					7	12A8GT, 12SK7, 6N5, 12J5GT, 12SQ7, 35L6GT, 35Z5GT	455 14-35	
D34	Vol.	24-101	18	MR48				18-200	23	TCS71					7	76, 6A7, 6G5, 6D6, 75, 41, 80	456 14-36	
	Tone	26-101	21	MR48	M26													
D37	Vol.	24-103	18	UM157-SS17				18-204	24/15	3S584		30-100	294	C3	7	6K7, 6A8, 6K7G, 6Q7G, 6J5G, 6N7G, 0Z4	262 14-37	
	Tone		22	Order from Mfr.				.008		Buffer	B14							
D41	Vol.	24-105	18	MR48				1845	1	2N516		3407	246	C3	6	30, 1A6, 1A4, 6T7G, 6L5G, 19	456 14-38	
	Tone	26-107	21	MR48	M26			16-100	15	TC22								
D42	Vol.	24-144	18	MR48	M26			.01-.01	1	Buffer	B14				7	6SA7GT, 6SK7GT, 6S07GT, 6K6GT, 6P5GT, 6U5, 5W4GT	455 12-5	
								18-254	19	TCD65								
								18-243	19	TC26								
D43, D44	Vol.	24-127	6	MR22	M26			18-234	1/15	3N533					4	6D6, 6F5G, 25L6G, 25Z5	456 14-42	
D52	Vol.		18	UM154			A96	4-8	4	2S567			859	C3	5	6A7, 6D6, 75, 41, 6Z4	456 13-12	
								.0075		Buffer	B14							
D58, D59	Vol.	24-124	18	MR48	M26			18-232	1	TC48					5	6A7, 6D6, 75, 25L6G, 25Z5	455 14-44	
D64	Vol.	24-123	18	MR53	M26			18-226	1	TCD72					7	6A7, 6D6, 6G5, 75, 76, 6AC5G, 80	455 14-13	
	Tone	26-118	22	MR48														
D66	Vol.	24-146	18	MR48	M26			18-255	1	TCD47					6	6SA7GT, 6SK7GT, 6P5GT, 6S07GT, 25L6GT, 25Z6GT	455 14-42,48	
D69	Vol.	24-144	45	MR48	M26			18-256	1	FP234	B117				8	6SA7GT, 6SK7GT, 6P5GT, 6U5, 6S07GT, 6K6GT, 5W4GT	455 12-4	
								18-243	19	TC26								
D71	Vol.	24-144	45	MR48	M26			18-256	1	FP234	B117				8	6SA7GT, 6SK7GT, 6P5GT, 6U5, 6S07GT, 6K6GT, 5W4GT	455 12-4	
								18-243	19	TC26								
D72, D73	Vol.	24-146	18	MR48	M26			18-255	1	TCD47					6	6SA7GT, 6P5GT, 6SK7GT, 6S07GT, 25L6GT, 25Z6GT	455 14-42,52	

† Data not substantiated.

\* IMPORTANT: Read Notes in Note Section if specified in Note Column.

‡ Indicates miscellaneous section.

MANUFACTURER AND MODEL	CONTROLS							CONDENSERS				VIBRATORS			No. Tubes	Complete Tube Complement	I. F. Peak	Rider's Reference
	Use	Original Part	Circuit	Correct Replacement	Switch	Bias	*Note	Original Part	Circuit	Correct Replacement	*Note	Original Part	Replacement	*Note				
LAFAYETTE—Continued																		
D90	Vol.	24-146	45	MR48	M26			18-254 18-243	1 19	TCD65 TC26				6	6SA7GT, 6SK7GT, 6P5GT, 6SQ7GT, 6K6GT, 5W4GT	455	12-5	
D93	Vol.	24-150	18	MK402				18-263 18-262	76 76/78	2N509 FP211				5	1A7GT, 1N5GT, 1H5GT, 1T5GT, 3Z5GT	455	12-2	
D131, D132, D133	Vol.	24-152	18	MK402	M26			18-265	1/15	3N533				4	12SA7, 12SQ7, 50L6GT, 35Z5GT	455	14-69	
D247	Vol.	24-153	18	MK401	M26			18-266	1	TCD47				5	12SA7, 12SK7, 12SQ7, 50L6GT, 35Z5GT	455	14-75,76	
D251	Vol.	24-160	18	TM230-SS25	M26			18-266	1	TCD47				7	6SA7, 6SK7, 6SQ7, 25L6GT, 25Z6GT	455	14-76,77	
D294	Vol.	24-157	18	MK402	M26			18-266	1	TCD47				5	12SA7, 12SK7, 12SQ7, 50L6GT, 35Z5GT	455	14-76,80	
D314, D315	Vol.	24-157	18	MK402	M26			18-266	1	TCD47				5	12SA7, 12SK7, 12SQ7, 50L6GT, 35Z5GT	455	14-76,80	
DA13	Vol.	24-102	18	MR48	M26			18-102	1/15	2N516/TC22				5	6A7, 6D6, 75, 41, 80	456	13-3	
E20	Vol. Tone NSC	9296 9295 9297	124 22 †	MR48 MR33 †	M26		See Note A5	9193 9197 9196 8876	3 14 15 15	3S584 TC62 TC26 TC32				10	*58, *57, 55, *59, 80	115	7-3,4	
E186	Vol.	12033	18	MK401	M26			12001	1	2N511				6	12SK7, 12SA7, 12SQ7, 50L6GT, 35Z5GT	455	13-15,16	
E189	Vol. Tone	12132 12350	18 22	MK401 MK401	M26			12400	1	TC72/TC77				9	6SA7, 6SK7, 6SQ7, 6SF5, 6SJ7, *6K6G, 5Y3G, 6U5	455	13-17,18	
E-190	Vol. Tone	12462 12461	18 158	Order from Order from	Mfr. Mfr.			11150 1693 .03	1 15	FP330 TC22 Buffer	B192	3698	245A	C3	6	6K8, 6S7, 6L5G, 6T7G, 6G6G, 6AB5/6N5	455	15-10,13
E204	Vol. Tone NSC	9296 9295 9297	† 22 †	MR48 MR33 †	M26		See Note A5	9193 9197 9196 8876	3 14 15 15	3S584 TC62 TC26 TC32				10	*58, *57, 55, *59, 80	115	7-3,4	
EB8	Vol.	4106A	18	MR48	M26			20-12	27	TC545				4	6A7, 6D6, 75, 25A7	456	8-2	
EB9	Vol.	4108A	6	MR21	M26			4806A	27	TC44/TC42				4	6D6, 6C6, 43, 25Z5	465	8-2	
F20	Vol.	9611	70	MR21		EX250								5	*32, 30, 34, 33	465	8-5	
FA-15	Vol.		18	Order from	Mfr.				24/15	2N511/TC26				5	14Q7, 7B7, 14B6, 50L6GT, 35Y4	455	16-3	
FA-15W, FA-15Y	Vol.		18	MR48	M26				24	2N511				5	12SA7GT/14Q7, 12SK7GT/7B7, 12SQ7GT/14B6, 50L6GT, 35Z5GT/35Y4	455		
FE5	Vol.	101-127	18	UM161-SS18	M26			119-53E	1/15	3N533				6	12SK7, 12SA7, 12SQ7, 35L6GT, 35Z5GT	465	12-1	
FE141	Vol.	101218	18	MK402	M26			11994	46	FP357				6	12SK7, 12SA7, 12SQ7, 35L6GT, 35Z5GT	455	14-70	
J11	Vol.		7	MR28	M26			16-16-8	46 15	FP354 TC22	B117			4	6D6, 6C6, 43, 25Z5	465	13-2	
J50	Vol.		45	†			See Note A5	8-4-10 .01-.01	1/15	3S579 Buffer			Order from Mfr.	6	1C6, 34, *30, 32, 33	465	10-1	
J60	Vol. Tone		45 22	MR48 †			See Note A5	8-4 .01-.01	1	See Note Buffer	B14 B3 B14			Order from Mfr.	6	1C6, 34, *30, 19	465	
J62	Vol.		18	MR48	M26				24	2N520				6	14Q7, *14A7, 14B6, 35A5, 35Y4	455		
J62C (Phono)	Vol.		18	MR48	M26				24	2N520				6	14Q7, *14A7, 14B6, 35A5, 35Y4	455		
JA1, JA2	Vol.	AS508	15	MR48	M26			AC511 .02	1	2S567 Buffer	B14	AV506	292	C3	6	6A7, 78, 75, 41, 6E5, 84	480	15-1,2
JB3	Vol.		6	MR44	M26			30-8	4	TCS47				6	6A7, 6D6, 76, *43, 25Z5, 60R30	456	9-2	
JS130	Vol.	50-67	149	MR48	M27			20-103B 20-120	76 78	TCD47 *TC2501				6	1N5GT, 1A7GT, 1H5GT, 3Q5GT, 35Z5	456	13-13	
JS177, JS178	Vol.	50.51A	18	MR48	M26			20.103A	1	2N514				5	12SA7GT, 12K7GT, 12SQ7GT, 50L6GT, 35Z5GT	456	12-10	
JS179, JS180	Vol. Tone	50.47A 55.20	18 22	MR48 MR48	M26			20.122	1	2N513				5	6SA7GT, 6SK7GT, 6SQ7GT, 25L6GT, 25Z6GT	456	12-10	
JS181	Vol. Tone		18 22	MR48 MR48	M26			20.121 20.105	63 24	2N513 *TC47				6	6SA7GT, 6SK7GT, 6SQ7GT, 25L6GT, *25Z6	456	12-9	
L1, L2, L3, L4	Vol. Tone		45 41	MR36 MR42				16 8	63 58	TC45 RS213	B12			12	*56, *57, *58, *46, 82	175	5-9	
L11, L12	Vol. Tone		8 22	E MR42				4 4	58 19	TC70 TC70				9	*30, *34	175	5-10	
L16, L17, L18, L19	Vol. Tone	P91041 P90993	29 59 34	R X MR42		7		P80894B P80891B	23 23	TCS71 TC70				7	*57, *58, 47, 80	175	5-11,12	

† Data not substantiated.

\* IMPORTANT: Read Notes in Note Section if specified in Note Column.

‡ Indicates miscellaneous section.

MANUFACTURER AND MODEL	CONTROLS							CONDENSERS				VIBRATORS			No. Tubes	Complete Tube Complement	I. F. Peak	Rider's Reference
	Use	Original Part	Circuit	Correct Replacement	Switch	Bias	*Note	Original Part	Circuit	Correct Replacement	*Note	Original Part	Replacement	*Note				
LAFAYETTE—Continued																		
L20 (Nomad).....	Vol.	P91019C...	6	MR18.....	M26	EX300.....		P80944.....	11	UR182-193.....					5	77, 78, 43, 25Z5.....	262	11-2
								80878C.....	19	TC22.....								
L22, L23.....	Vol.	P91066.....	17	UM154.....	M26		A96	80936C.....	15	TC22.....					6	78, 77, 75, 41, 84.....	262	11-3
								P80956.....	25/19	RM262/TC26.....	B126	P1804.....	292	C12				
L30.....	Vol. Tone		18	MR44.....	M26			P80937.....	14/15	2N516.....	B127				6	75, 77, 78, 84, 41.....	262.5	5-13,14
			22	MR42.....				.02.....	1	Buffer.....	B14							
LW10.....	Vol.	8401.....	17	MR48.....	M26			8-8.....	15	2N518.....		2080.....	294	C3				
								10-10.....		TN111.....		2110.....	294	C3				
								.01.....		Buffer.....	B14							
M14-20.....	Vol.		12	MR33.....				2210.....	1	2N518.....			294	C3	6	6D6, 6A7, 75, 41, 84.....	175	5-7,8
								2212.....	15	*TC32.....								
M15.....	Vol.		12	MR33.....				2211.....	15	TC22.....								
M31 (1936).....	Vol.		18	MR48.....				.025-.025.....	1	Buffer.....	B14				5	78, 37, 48.....		6-6
M31-71.....	Vol.		6	MR18.....	M26			5.....	15	TC22.....	B4				4	34, 32, 33.....		7-7
M35, 37.....	Vol. Tone		124	MR44.....					1	2N518.....					6	6A7, 6D6, 75, 76, 48.....	465	9-5
			22	MR44.....				4-8.....	4	See Note.....	B3				5	57, 58, 47, 80.....	175	9-6
M41.....	Vol. Tone		15	MR48.....				4-8-4.....	4						7	55, 56, 58, 47, 80.....	175	6-9,8-7
			21	MR44.....					60	2S567.....					8	58, 55, 47, 56, 80.....	520	10-8
M43.....	Vol. Tone		15	MR48.....					60	ST595.....					8	58, 55, 47, 56, 80.....	520	10-8
			21	MR44.....					60	2S567.....					8	58, 55, 47, 56, 80.....	520	10-8
M44.....	Vol. Tone		75	MR48.....					1	2N518.....	B3		Order from Mfr.	6	1C6, 34, 30, 19.....	456	8-7	
			22	MR33.....				.01-.01.....	1	Buffer.....	B14							
M47.....	Vol. Sen.		124	MR48.....	M26			4-4-8.....	26	See Note.....	B3				10	55, 56, 58, 47, 80.....	520	6-10
			8	MR18.....														
M65.....	Vol. Tone		124	MR48.....				4-4-4.....	26	TC871/TC70.....					10	58, 56, 55, 47, 80.....	175	10-9
			21	MR44.....														
M69, 70.....	Vol. Tone	512.....	6	G.....	6-9	2		533.....	4	TCS71.....	B3				7	56, 57, 58, 47, 80.....	115	5-2
		534.....	21	MR44.....				721.....	4	TC71.....								
M99 (Pigmy).....	Vol.		6				See Note A5		8	TN125.....	B3				5	77, 78, 43, 25Z5.....	175	9-7
MB-5, MB-5A.....	Vol. Tone	B-16843.....	20	Order from Mfr.....				B-16554-2.....	1	TC77.....					9	6R7, 6L7, 6Q7, 6C5, 6F6, 5Z4.....	456	15-3,6
		B-16539-2.....	191	Order from Mfr.....				B-15427.....	1	TC65.....								
								B-16551-3.....	15	TC26.....								
MC-10B, MC-10Y.....	Vol.		18	MR48.....	M26				24	2N520.....					5	12BE6, 12BA6, 12AT6, 50B5, 35W4.....	455	
MC-11.....	Vol. Tone	VC-11105.....	18	MR53.....	M26			CL-10007.....	24	2N520.....					6	12BA6, 12BE6, 12AT6, 50B5, 35W4.....	455	16-5,6
		VC-13105.....	158	MR53.....														
MC-12.....	Vol. (Late)		18	MR50.....	M26			CL-10007.....	24	2N520.....					6	12BE6, 12BA6, 12AT6, 50B5, 35W4.....	455	
			18	MR53.....	M26										5	12BE6/14Q7/12SA7, 12BA6/14A7/12SK7, 12AT6/14B6/12SQ7, 50B5/50A5/50L6GT, 35W4/35Y4/35Z5GT.....	455	
MC-13.....	Vol. (Early)		18	MR48.....	M26				24	2N520.....					5	12BE6, 12BA6, 12AT6, 50B5, 35W4.....	455	
			18	MR48.....	M26				15	TC26.....	B20							
MC-16.....	Vol.		55	MR50.....	M26			CL-10007.....	24	2N520.....					4	39, 36, 01A, 71A.....		9-5
									1	ST595.....					6	77, 37, 48.....		7-16
PA P15754.....	Vol.		6	MR18.....		See Note A14		8, 8.....	1	See Note.....	B3				4	58, 57, 47, 80.....		8-9
R71.....	Vol.		6	G.....		5		4-4.....	4	TC65.....					6	6SA7GT, 6SK7GT, 6P5GT, 6SQ7GT, 6K6GT, 5W4GT.....	455	14-25
S43.....	Vol.	24-144.....	45	MR48.....	M26			18-254.....	1	TC26.....					6	6A8, 6SK7GT, 6P5GT, 6SQ7GT, 6K6GT, 5W4GT.....	455	
								18-243.....	19									
S43G (Late).....	Vol.	24-144.....	64	MR48.....	M26			18-254.....	1	TCD65.....					6	6A8, 6SK7GT, 6P5GT, 6SQ7GT, 6K6GT, 5W4GT.....	455	
															9	6A8, 6K7, 6H6, 6C5, 643, 6G5, 6Z5, 2600, 2601.....	456	9-7
S61, S62.....	Vol. Tone		76	MR48.....				20-12.....	11	TCS45.....					9	6A8, 6K7, 6H6, 6C5, 643, 6G5, 6Z5, 2600, 2601.....	262	5-15,16
			76	MR53.....				8.....	11	TC42.....								
S17762.....	Vol.		56	MR48.....				8-16.....	1	3S584.....	B8		Order from Mfr.	6	77, 78, 85, 41.....	262	5-15,16	
								.01.....	15	TC22.....								
SL45.....	Vol.		7	D7.....	6-9	2		10.....	1	Buffer.....	B14				5	58, 2A7, 57, 2A5, 80.....	175	8-8
								6.....	1	ST595.....								
								10.....	15	TC22.....								
SL71.....	Vol.		7	MR44.....	M26			12-8-10-10.....	6/15	4S715.....					4	78, 6F7, 43, 12Z3.....		8-9
T21 (Early and Late).....	Vol.		6	MR33.....				16-8.....	11	TC44/TC42.....					4	6B7, 6D7, 43, 25Z5 or 6D6, 6C6, 43, 25Z5.....		9-4
			6	MR24.....														
UI45.....	Vol. Tone		45	MR48.....	M26			6-4-4.....	3	3S584.....					8	58, 56, 57, 47, 80.....	507	9-9
			22	MR33.....														
UI55.....	Vol. QAVC		20	TRP616.....				8-4-4.....	3	3S584.....					10	58, 57, 47, 80.....	507	9-9
			12	E.....				5.....	13	TC62.....								
								8.....	19	TC22.....								
XP15949.....								12, 12, 12.....	3	ST597.....					3	6C6, 80.....		7-16
								25.....	15	TC26.....								
2A5 (1st Minstrel).....	Vol.		6	MR18.....				8, 8.....	4	ST595.....					5	24, 51, 47, 80.....	175	9-1

† Data not substantiated.

\* IMPORTANT: Read Notes in Note Section if specified in Note Column.  
ASK YOUR DISTRIBUTOR FOR THE LATEST MALLORY CATALOG AND PRICE LIST.

§ Indicates miscellaneous section.

MANUFACTURER AND MODEL	Use	CONTROLS						CONDENSERS				VIBRATORS			No. Tubes	Complete Tube Complement	I. F. Peak	Rider's Reference
		Original Part	Circuit	Correct Replacement	Switch	Bias	*Note	Original Part	Circuit	Correct Replacement	*Note	Original Part	Replacement	*Note				
LAFAYETTE—Continued																		
10, 12	Vol.		12	MR33				8, 8, 8	3	ST395					6	*58, 56, *59, 80		7-2
								5	15	TC22								
								25	15	TC26								
10C10	Vol. Tone	P90980	78	MR48				P80900	30	RS213					10	*27, *35, *47, 80	175	6-2,5
		P90986B	41	MR55	M26			P80901	30	RS213								
12A52	Vol.	101229	15	MK401				119-112	46	FP429	B192				12	*6SK7, 6SA7, *6SQ7, 6J5GT, *6V6GT, 6U5, 5Y3G		455
								11969	13	TC65								
3JM6	Vol. Tone	19-1291	17	MR48	M26			18-2003	8	TN125					5	6A7, 78, 75, 43, 25Z5, 1A9B	175	7-2
		19-1317	21	MR45														
40A	Vol. Tone	90983	8	A5MP			A27	80873B	30	TC70					8	*24, 27, *35, 47, 80	175	6-13,14
		90988	14	MR48			A4	80874	30	TC70								
		90984	34	MR42				80875	30	TC70								
								80878	30	TC70								
53	Vol. Tone		127	MR48	†			4-8-4	4	See Note	B3				7	55, 56, *58, 47, 80	175	6-9
			22	MR44														
80M (2 Types)	Vol. Tone	90983	8	A5MP		See Note	A27	80873B	30	TC70					8	*24, 27, *35, 47, 80	175	6-13,14
		90988	14	MR48		See Note	A4	80874	30	TC70								
		90984	34	MR42				80875	30	TC70								
								80878	30	TC70								
100A	Vol.		†	NN					2	ST595	B3				5	57, *59, 83		6-16
			15	MR48				8, 8	2	ST595	B3				9	*57, *53, *2A3, 83		6-16
102A	Vol. Tone		21	MR48				5-5	4	†TC42								
								5-5	15	TN111								
106A	Vol. Tone		15	MR48				8-8	2	See Note	B3				6	53, *56, *6B5, 83		6-17
			21	MR48				25	15	TC26								
115A	Vol.		15	MR48				8-8	2	See Note	B3				9	*53, 2A3, *45, 83		6-18
								10-10-10	26	See Note	B3							
120A	Vol. Tone		15	MR53				8-4-16	2/12	See Note	B3				4	6C6, 6A6, *6B5		6-17
			21	MR48				25	15	TC26								
132A, 133A	Vol.		15	MR48				8-8	2	See Note	B3				6	*75, 6A6, *6B5, 5Z3		7-8
								25	15	TC26								
137X	Vol.		18	MR48				8-4	23	See Note	B3				6	6A7, 6D6, 75, *42, 80	456	7-10
143, 144	Vol.		18	MR48				8-4	23	See Note	B3				6	6A7, 6D6, 75, *42, 80	456	7-11
149	Vol.		18	MR48				8-4	23	See Note	B3				6	6A7, 6D6, 75, *42, 80	456	7-11
150X	Vol.		18	MR48				8-4	23	See Note	B3				6	6A7, 6D6, 75, *42, 80	456	7-10
151, 154	Vol. Tone	3120	15	MRT427	M26			3288	1	2N518				12	*78, 6A7, 85, *76, *42, *80	465	7-12,14	
			22	MR24				3004	25	RM262								
			7	MR20				1948	25	RS213								
158P	Vol. Sen.	3121	6	MR18		See Note	A28	8	2	See Note	B3				13	*53, 55, *57, *58, *2A5, 59, 83		6-18
			15	MR48		See Note	A29	32	2	See Note	B3							
								25	15	TC26								
								8-4	23	See Note	B3							
171X	Vol.		18	MR48				8-4	1	2N518					6	6A7, 6D6, 75, *42, 80	456	7-10
186, 188	Vol. Tone	3120	15	MRT427	M26			3288	1	2N518					12	*78, 6A7, 85, *76, *42, *80	465	7-12,14
			22	MR24				3004	25	RM262								
			7	MR20				1948	25	RS213								
324	Vol. Sen.	3121	114	MR48				8-8-8	15	See Note	B3				8	*58, 2A7, 2A6, 2A5, *45, 80	456	7-15
			15	MR55				4	3	TC22								
"Orthotone"	Vol. Supp.		15	†		See Note	A19	6-4-4	3	See Note	B3				10	56, *57, *58, *47, 80		6-1
			12	MR28	M26			8	17	TC32								
339	Vol. Tone		15	†				16-16	40	2S569					9	*6D6, 6K8, 6Q7, 6F6, 6AF6G, 6A8G, 80	456	
			1	MR53														
399-C31	Vol. Tone		15	MR53		See Note	A19	16-16	40	2S569					9	6D6, 6K8, 6Q7, 6F6, 6AF6G, 6A8G, 80	456	13-14
			18	MR48														
480	Vol.		18	MR53				8-4	1	2N518					4	6A7, 34, 1B5, 41	456	9-10
								10	15	TC22								
								.01		Buffer	B14							
1102	Vol.	101-234	15	MK401	M26			119-112	1/13	FP444					11	*6SK7, 6SA7, *6SQ7, 6J5GT, *6V6GT, 6U5, 5Y3G	455	
								119-69	13	TC65								
1649	Vol.		15	†			A19	40-25	8	TN514					16	*6K7, 6K8, 6A8G, 6H6, *6C5, *25L6, *25Z6, 6AF6G	456	
								32	8	TC47								
								80	8	TN129								
2001 (Minatrel 1932)	Vol.		6	MR18				5-5	4	2S567					5	*24, 51, 47, 80	175	9-1
3119	Vol. Tone		124	MRT440	M26			16, 16	25	RS216					11	6K8, 6D6, 6Q7, *76, 6U5, *6V6, 80	456	
			22	MR53				8	13	TC71								
3120	Vol. Tone		18	MR53	M26			80-40-25-16	24	See Note	B3				11	*6SK7, 6A8, *12SQ7, 6U5, *25L6, *25Z6	455	14-73,74
			22	MR53														
4124	Vol. Tone		140			See Note	A19	40-25-80	6/12	See Note	B3				12	*6SK7, 6K8, *6SQ7, 6U5, *25L6, *25Z5	455	14-39,40
			140			See Note	A5	16	13	TC45								
								10	15	TC22								
4990	Vol. Tone		15	MR53		See Note	A19	16-16	40	2S569					9	*6D6, 6K8, 6Q7, 6F6, 6AF6G, 6A8G, 80	456	13-14
			†															
LAMCO																		
1000	Vol.		18	MR48	M26				24	2N520					5	12BE6/14Q7, 12BA6/14A7, 12AT6/14B6, 50B5/50A5, 35W4/35Y4	455	

† Data not substantiated.

\* IMPORTANT: Read Notes in Note Section if specified in Note Column.  
WHEN YOU BUY PLUGS AND JACKS BUY MALLORY.

‡ Indicates miscellaneous section.



MANUFACTURER AND MODEL	CONTROLS							CONDENSERS				VIBRATORS			No. Tubes	Complete Tube Complement	I. F. Peak	Rider's Reference
	Use	Original Part	Circuit	Correct Replacement	Switch	Bias	*Note	Original Part	Circuit	Correct Replacement	*Note	Original Part	Replacement	*Note				
<b>LANC RADIO CO.</b>																		
BA5.....	Vol.		40	D12.....				8.....	4	ST595.....					5	*24A, 45, 80.....	1-1	
BA5P.....	Vol. Tone		40 22	D12..... MR33.....				4..... 8, 8.....	4 4	ST595..... ST595.....					5	*24A, 47, 80.....	2-2	
BD5P.....	Vol. Tone		40 22	D12..... MR33.....											5	*36, 37, *33.....	1-1	
BD6.....	Vol.		40	D12.....											6	30, *31, *32.....	1-1	
BD6P.....	Vol. Tone		40 22	D12..... MR33.....											6	*36, *37, *33.....	1-2	
DC6.....	Vol. Tone		6 44	MR18..... MR33.....											6	*39, *37, *48.....		
F7 110V DC.....	Vol.		10	D12.....											7	*12A, *71A.....	2-1	
F9.....	Tone		34	MR39.....											9	*12A, *71A.....	1-2	
J7.....	Tone		34	MR39.....											7	*22, *12A, *71A.....	1-2	
M7.....	Vol. Tone		12 34	A5MP..... MR39.....			2-4.....	1	See Note.....	B1					7	*24, *45, 80, 27.....	1-3	
MA7.....	Vol. Tone		6 22	G7..... MR33.....	6-9	2	8, 8.....	4	ST595.....						7	*24, 27, *35, 47, 80.....	175 2-3	
MA8.....	Vol. Tone		62 22	MR48..... MR33.....	M26		8-8..... 5.....	4 15	See Note..... TC22.....	B3					8	*24, *27, *35, 47, 80.....	175 3-1	
MD7.....	Vol. Tone		6 22	G7..... MR33.....	6-9	3									7	*36, 37, *33.....	175 2-3	
MD8.....	Vol. Tone		15 22	MR48..... MR33.....	M28										8	*33, 36, *37, *39.....	175 3-1	
SA7.....	Vol. Tone		6 22	MR18..... MR33.....			16-8.....	4	3S584.....	B8					7	*24, *35, 47, 80.....	175 2-4	
SA8.....	Vol. Tone		6 22	MR18..... MR33.....			4-8-4.....	26	See Note.....	B3					8	*24, 27, *35, *47, 80.....	175 2-4	
UG5B.....	Vol.		6	MR18.....	M26	EX200	12-8-10-10.....	6/15	3S582/TN111.....						5	*6C6, 6D6, 43, 12Z3.....	456 5-1	
UG5H.....	Vol.		7	E.....		2	12-8-10-10.....	6/15	3S582/TN111.....						5	6A7, 6D6, 6C6, 43, 12Z3.....	456 6-1	
40UL.....	Vol.		6	MR18.....	M26	EX120	E1153A.....	6/15	3S582/TN111.....						4	6A7, 6C6, 43, 25Z5.....	470 6-2	
50AS.....	Vol.		6	MR18.....		EX120	4-8-12.....	4/12	See Note.....	B3					5	6A7, 6D6, 76, 38, 80.....	470	
50UP.....	Vol.		6	MR18.....	†		12-8-10-10.....	6/15	3S582/TN111.....						5	6A7, 6D6, 76, 43, 25Z5.....	470 6-2	
50US.....	Vol.		6	MR18.....	M26	EX120	E1153A.....	6/15	3S582/TN111.....						5	6A7, 6D6, 76, 43, 25Z5.....	470 6-1	
60AA.....	Vol.		18	MR48.....			8-8..... 4-4..... 5.....	4 13 15	See Note..... 2N516..... TC22.....	B3					6	*6D6, 6A7, 75, 41, 80.....	470 6-3	
60UP.....	Vol.		6	MR18.....	†		12-8-10-10.....	6/15	3S582/TN111.....						5	6A7, 6D6, 76, 43, 25Z5.....	470 6-2	
80UA.....	Vol.		17	MR48.....			16, 16, 16.....	8	TC45.....						8	*6D6, 6A7, *75, *43, 25Z5.....	470 6-4	
502UA.....	Vol.		7	E.....		2	12-8-10-10.....	6/15	3S582/TN111.....						5	6A7, 6D6, 6C6, 43, 12Z3.....	456	
502US.....	Vol.		14	E.....	6-9	2	E1153A.....	6/15	3S582/TN111.....						5	6A7, 6D6, 6C6, 43, 12Z3.....	456 5-2	
503AS.....	Vol.		17	MR48.....			12-8-5.....	4/15	See Note.....	B3					5	2A7, 58, 2A6, 2A5, 80.....	175 5-3	
503US.....	Vol.		7	E.....	6-9	2	8-12-10-10.....	6/15	3S582/TN111.....						5	6A7, 6D6, 6C6, 43, 25Z5.....	470 5-1	
503UT, 523UT.....	Vol.		17	MR53.....			8-16-8..... 10.....	6 15	TN125..... TC22.....	B3					5	6A7, 6D6, 75, 43, 25Z5.....	470 6-5	
703US.....	Vol.		17	MR45.....			16-8-8..... 6..... 5.....	11 12 15	3S582..... TC42..... TC22.....	B3					7	6A7, 6D6, 85, *43, *12Z3.....	175 5-4	
<b>LARKIN CO.</b>																		
84.....	Vol.		6	F7.....			3-2-2.....	30	See Note.....	B1					6	†.....	175 §6-20	
88.....	Vol. Tone		21 42	MR48..... G.....			8-8.....	4	See Note.....	B3					7	24, *27, *35, 47, 80.....	175 5-1	
90.....	Vol. Tone		21 17	MR53..... MR48.....			5..... 5.....	15 15	TC22..... TC22.....						6	*77, *78, 85, *41.....	175 5-1	
91.....	Vol.		17	MR48.....			6-10..... 5..... .015.....	1 15	See Note..... TC22..... Buffer.....	B3 B14		292	C3		7	6A7, *78, 85, *41, 84.....	175 5-2	
<b>LAUREHK MFG. CO.</b>																		
K(D-C).....	Vol.		6	E12.....											5	*36, *38.....	§10-7	
L4B.....	Vol.		18	MR48.....	M27		8.....	12	TC42.....						4	1A7G, 1N5G, 1H5G, 1C5G.....	§10-7	
L44T.....	Vol.		6	G7.....			8-8..... 10.....	4 15	2S567..... TC22.....						4	6K7, 6J7, 6F6, 80.....	§7-8	
L-52.....	Vol.		18	MR48.....	M26			24/15	3N533.....						5	12A8GT, 12K7GT, 12O7GT, 35L6GT, 35Z5GT.....	456 §16-6	
L55T.....	Vol.		6	G7.....			8-8..... 10.....	4 15	2S567..... TC22.....						5	*6K7, 6J7, 6F6, 80.....	§7-8	
L65.....	Vol.	N2886	18	MK401.....	M26		N1366.....	24	TCD48.....						5	12A8GT, 12K7GT, 12O7GT, 35L6GT, 35Z5GT.....	456 §13-2	

† Data not substantiated.

\* IMPORTANT: Read Notes in Note Section if specified in Note Column.  
THE MALLORY TECHNICAL MANUAL IS YOUR COMPLETE TECHNICAL HANDBOOK.

§ Indicates miscellaneous section.

MANUFACTURER AND MODEL	CONTROLS							CONDENSERS				VIBRATORS			No. Tubes	Complete Tube Complement	I. F. Peak	Rider's Reference
	Use	Original Part	Circuit	Correct Replacement	Switch	Bias	*Note	Original Part	Circuit	Correct Replacement	*Note	Original Part	Replacement	*Note				
<b>LAUREHK MFG. CO.</b>	O.—Continued																	
L67	Vol. Tone		17	MR48			15-15	1	2S569					6	6K7, 6A8, 6Q7, 6V6, 5Y4	456	11-2	
L69 (Musique)	Vol.		22	MR24			10	15	TC22					4	6D6, 6C6, 43, 25Z5, L55B		§8-5	
L600 (Musique)	Vol.		6	G7			5-14	12/18	2N509					5	6A8, 6K7, 6R7, 25L6, 25Z6, 1A9E	465	§8-5	
LA35	Vol.		18	MR53			15-20	1	2N509					5	12SA7, 12SK7, 12SQ7, 35L6GT, 35Z5GT	456	11-1	
	Vol.		18	MR48			40-16	22	2N514					5	12SA7, 12SK7, 12SQ7, 35L6GT, 35Z5GT	456	11-1	
	Vol.		15	TC22			10	15	TC22									
<b>LEARADIO—LEAR INC.</b>	INC.																	
561, 562, 563	Vol.	D-56340	18	MK401	M26		B-52326	81	2N520					5	12SA7, 12SK7, 12SQ7, 50L6GT, 35Z5GT	455	15-1,2	
565, 565BL, 566, 567, 568	Vol.	56340	18	MK401	M26		52326	81	2N520					5	12SA7, 12SK7GT, 12SQ7GT, 50L6GT, 35Z5GT	455	16-1,3	
661	Vol. Tone	D-56340	18	MK401	M26		B52327	81	FP214					6	12SK7, 12SA7, 12SF7, 35L6GT, 35Z5GT	455	16-3,5	
662, 663, 665	Vol. Tone	D-56339	22	MK401	M26		52326	81	2N520					6	12SK7, 12SA7, 12SQ7, 35L6GT, 35Z5GT	455	16-4,5	
6610PC, 6611PC, 6612PC	Vol. Tone	56340	18	MK401	M26									6	12SK7, 12SA7, 12SQ7, 35L6GT, 35Z5GT	455	16-4,5	
	Vol. Tone	56339	22	MK401	M26									6	12SK7, 12SA7, 12SQ7, 35L6GT, 35Z5GT	455	16-4,5	
6614, 6615, 6616, 6619	Vol. Tone	D-56340	161	MK401	M26		B-53939	24/15	FP339					6	6SK7, 6SA7, 6SF7, 6SJ7, 6V6GT, 6X5GT	455		
6617PC	Vol. Tone	56340	18	MK401	M26		52326	81	2N520					6	12SK7, 12SA7, 12SQ7, 35L6GT, 35Z5GT	455	15-7,8	
	Vol. Tone	56339	22	MK401	M26		52326	81	2N520					6	12SK7, 12SA7, 12SF7, 35L6GT, 35Z5GT	455	16-6,8	
6618	Vol. Tone	56340	18	MK401	M26		52326	81	2N520					6	12SK7, 12SA7, 12SQ7, 35L6GT, 35Z5GT	455	16-4,5	
	Vol. Tone	56339	22	MK401	M26									6	12SK7, 12SA7, 12SQ7, 35L6GT, 35Z5GT	455	16-4,5	
<b>LEE TONE AP-100</b>	Vol. Tone		50	MR53	M26			24	TC47					4	14B6, 50A5, 35Y4			
	Vol. Tone		173	MR50														
<b>LEWOL MFG. CO.</b>																		
LW4, LW4DW	Vol.		6	SRP263		EX300	110	27	UR182-193	B115				4	6D6, 6C6, 43, 25Z5		5-1	
60MS	Vol.		20	†		See Note A19	8-16-4	11	UR182-193	B31				6	7B, 6A7, 85, 43, 25Z5	456	5-2	
63	Vol.		20	†		See Note A19	8-16	4	See Note	B3				6	7B, 6A7, 85, 42, 80	262.5	5-3,4	
64	Vol.		20	†		See Note A19	12-16-6	11	UR182-193	B31				6	7B, 6A7, 85, 43, 25Z5	262.5	5-2	
9682	Vol. Tone		64	MR48	M27		8-4	1	See Note	B3				6	1C6, 34*30, 19	465		
	Vol. Tone		22	†		See Note A5	.01-.01		Buffer	B14		Order from Mfr.						
<b>LEWT 605</b>	Vol.		18	MR48	M26			24	2N520					6	12SK7, 12SA7, 12SQ7, 35L6GT, 35Z5GT	455	§15-10	
	Vol.		18	MR48	M26			15	TC26					6	12SK7GT, 12SA7GT, 12SQ7GT, 35L6GT, 35Z5GT	455		
615A	Vol.		88					88	2N520					6	12SK7GT, 12SA7GT, 12SQ7GT, 35L6GT, 35Z5GT	455		
	Vol.		88					15	TC48					6	12SK7GT, 12SA7GT, 12SQ7GT, 35L6GT, 35Z5GT	455		
	Vol.		15						TC26					6	12SK7GT, 12SA7GT, 12SQ7GT, 35L6GT, 35Z5GT	455		
<b>LEXINGTON 6545</b>	Vol.	A-9.066	161	MR48	M26		A-25.019	24	2N513					5	14Q7, 14A7, 14B6, 50A5, 35Y4	455		
<b>LIBERTY 6K, A6K, A6P</b>	Vol.		18	MR48				88/15	3N533					6	14A7/7C7, 14Q7, 12SK7/7C7, 14B6, 35L6GT/50A5, 35Y4	455		
	Vol.		88					88	TC45					6	14A7/7C7, 14Q7, 12SK7/7C7, 14B6, 35L6GT/50A5, 35Y4	455		
<b>LINCOLN—See Allied Radio Corp.</b>																		
<b>LINCOLN AUTO—See Ford and Zenith</b>																		
<b>LINCOLN RADIO CORP.</b>																		
"Hollister" ACB	Vol.		12	D12										8	24, 27, 50	†	4-4	
DCSW8	Vol.		12	MR33										8	30, 31, 32	†	4-1	
R9	Vol.		16	MR48				8	1	RS213				11	56, 58, 45, 80	480	4-1	
"DeLuxe" 10	Vol. Sen.		12	MR34										11	24, 27, 45, 80	†	3-1	
3L	Vol.		58	F			2-2-2	3	See Note	B1				11	24, 27, 45, 80	†	1-1	
SW32	Vol.		7	MR34			2-4	1	See Note	B1				11	24, 27, 45, 80	†	3-1	
SW33	Vol. Sen.		7	MR34	M26		4	1	RS213					11	27, 24, 45, 80	†	3-1	
	Vol. Sen.		23	NN			8	4	RS213					11	35, 56, 45, 80	†	4-2,3	
	Vol. Sen.		98	MR34										11	35, 56, 45, 80	†	4-2,3	
<b>LINCOLN RADIO &amp; TELEVISION CO.</b>	TELEVISION CO.																	
S13L-B	Vol.	R-13332	18	MR48	M26			88	2N513/TC47					6	7B7, 14Q7, 14B6, 50A5, 35Y4	455		
<b>LINDEX CORP.—See Swank</b>																		

† Data not substantiated.

\* IMPORTANT: Read Notes in Note Section if specified in Note Column. WHEN YOU BUY ROTARY SWITCHES BUY MALLORY.

§ Indicates miscellaneous section.

MANUFACTURER AND MODEL	CONTROLS							CONDENSERS				VIBRATORS			No. Tubes	Complete Tube Complement	I. F. Peak	Rider's Reference
	Use	Original Part	Circuit	Correct Replacement	Switch	Bias	*Note	Original Part	Circuit	Correct Replacement	*Note	Original Part	Replacement	*Note				
LONG RADIO CORP. 70.....	Vol.		6	MR18.....				8-8.....	1	See Note....	B3				6	24, 27, 45, 80.....		
LYRIC—RAULAND 546T, 546TY.....	CORP. Vol.	RP-205E...	18	MK403....	M26			CE-806F...	80/15	3N533.....					5	12SA7GT, 12SK7GT, 12SQ7GT, 50A5, 35Z5GT...	455	§15-17
R. H. MACY & CO. MB5.....	Vol.		6	MR19.....				8.....	1	See Note....	B3				5	24, 51, 47, 80.....		3-1
56, 58.....	Vol. Tone		6	MR18.....		See Note	te A5	8-8.....	4	See Note....	B3				5	55, 57, 58, 47, 80.....		3-1
MB92.....	Vol. Tone		6	MR18.....		See Note	te A5	2.....	3	See Note....	B2				9	55, 56, 58, 46, 80.....		3-3
	Vol. Tone		22	MR44.....				8-8.....	3	See Note....	B3				7	55, 58, 56, 47, 80.....	175	3-2
MB710.....	Vol. Tone		6	MR18.....				4.....	15/17	TC22.....					7	6A7, 6D6, 6R7, 443, 25Z5.....	456	7-1
410 AC-DC.....	Vol. Tone		22	MR39.....				8-4.....	17	See Note....	B3				7	6A7, 6D6, 6R7, 443, 25Z5.....	456	7-1
	Vol. Tone		17	MR48.....				30-12.....	6	2N513.....					10	6A7, 6K7, 85 or 6R7, 443, 25Z5.....	456	7-2
	Vol. Tone		41	MR48.....				20-5.....	24	2N509.....					10	6A7, 6K7, 85 or 6R7, 443, 25Z5.....	456	7-2
	Vol. Tone		18	MR48.....				10.....	15	TC22.....					10	6A7, 6K7, 85 or 6R7, 443, 25Z5.....	456	7-2
	Vol. Tone		41	MR48.....				30-16.....	1	2N514.....					10	6A7, 6K7, 85 or 6R7, 443, 25Z5.....	456	7-2
	Vol. Tone		41	MR48.....				16.....	18	TC45.....					10	6A7, 6K7, 85 or 6R7, 443, 25Z5.....	456	7-2
	Vol. Tone		41	MR48.....				20.....	12	TC47.....					10	6A7, 6K7, 85 or 6R7, 443, 25Z5.....	456	7-2
MAGIC TONE 500, 501.....	Vol.	400-25.....	18	MR48.....	M26			400-37.....	24/15	3N533.....	B20				5	12SA7GT, 12SK7GT, 12SQ7GT, 50L6GT, 35Z5GT..	455	15-16
504 (Bottle Receiver)	Vol.		6	Order from	Mfr..				24/15	3N533.....					4	12SK7, 12SQ7, 50L6GT, 35Z5GT..		
MAGNAVOX 101A Amplifier.....								270023G2.....	1	FP390.....	B8				6	5Y3GT, 4V6GT.....		15-1,3
A101P (Amplifier)...	Vol.	224354.....	50	MR39.....	M26			270023G2.....	13/15	FP390.....	B8				6	5Y3GT, 4V6GT.....		15-1,3
A106P (Amplifier)...	Vol.	224354.....	50	MR39.....	M26			274212.....	29	RS216.....	B3				3	6D6, 43, 25Z5.....		
A201 (Amplifier)...	Vol.	220016.....	50	MR53.....				274201.....	29	See Note....	B3				3	6D6, 43, 25Z5.....		
A205 (Record Player)...	Vol.	220014.....	50	MR55.....	M26			274212.....	27	RS216.....					3	6D6, 43, 25Z5.....		
A-205G.....	Vol.	220014.....	194	MR55.....	M26			274236.....	15	TC26.....					1	1Q5G.....		14-1
A206A (Record Player)...	Vol. Tone	222518.....	50	MR53.....				273611.....	19	TC26.....					1	1Q5G.....		14-1
A-206E.....	Vol. Tone	220021.....	44	MR24.....	M26			270008.....	24/15	Order from	Mfr..				1	70L7GT.....		14-2
A-206F, A-206G....	Vol. Tone	220032.....	50	MR48.....				270008.....	80/15	Order from	Mfr..				3	50L6GT, 35Z5GT..		15-12
A-206F, A-206G....	Vol. Tone	220021.....	44	MR24.....	M26			270005.....	120	TC45.....					2	70L7GT.....		14-3
A-222, A-222A.....	Vol. Tone	222518.....	50	MR53.....				270013.....	24	FP214.....					3	25L6GT, 25Z5.....		15-56
A-222, A-222A.....	Vol. Tone	220021.....	44	MR24.....	M26			270013.....	24	FP214.....					4	6SC7, 25L6GT, 25Z6GT.....		15-66
A-222, A-222A.....	Vol. Tone	222518.....	50	MR53.....				270013.....	24	FP214.....					5	6J7, 6J7, 6V6GT, 6J5GT, 5Y3G.....		15-68
A-222, A-222A.....	Vol. Tone	220021.....	44	MR24.....	M26			270015.....	13	TC70.....					5	6J7, 6J7, 6V6GT, 6J5GT, 5Y3G.....		15-68
A-222, A-222A.....	Vol. Tone	220026.....	172	MR48.....				273611.....	15	TC26.....					5	6J7, 6J7, 6V6GT, 6J5GT, 5Y3G.....		15-68
A307P2 (Amplifier)...	Vol. Tone	222023.....	†	MR18.....	M26			273611.....	1	FP390.....	B8				5	6C5, 25L6, 25Z5..		
A307P2 (Amplifier)...	Vol. Tone	222383.....	†	Order from	Mfr..			274212.....	11	RS216.....					5	6C5, 25L6, 25Z5..		
A307P2 (Amplifier)...	Vol. Tone	222556.....	†	MR24.....	M26			270001.....	13	TC44.....					5	6C5, 25L6, 25Z5..		
A307P4 (Amplifier)...	Vol.	223555.....	15	MR53.....	M26			274165.....	15	TC26.....					5	6J5G, 25L6G, 25Z5..		
A307P4 (Amplifier)...	Vol.	223555.....	15	MR53.....	M26			279992.....	8	TC47.....					5	6J5G, 25L6G, 25Z5..		
A307P5 (Amplifier)...	Vol. Tone	223086.....	50	MR48.....				279993.....	15	TC26.....					5	6J5G, 25L6G, 25Z5..		
A-307P6 (Amplifier)...	Vol. Tone	220024.....	†	MR36.....	M26			270014.....	24	FP214.....					5	6SC7, 25L6G, 25Z5..		14-4,8
A-307P6 (Amplifier)...	Vol. Tone	220024.....	†	MR36.....	M26			270017.....	18	TC47.....					5	6SC7, 25L6G, 25Z5..		14-4,8
A-307P6 (Amplifier)...	Vol. Tone	220024.....	†	MR36.....	M26			270018.....	15	Order from	Mfr..				4	6SC7, 25L6GT, 25Z6GT.....		15-72
A401 (Amplifier)...	Vol.	223495.....	50	MR48.....				270013.....	24	FP214.....					4	6SC7, 25L6GT, 25Z6GT.....		15-72
A501 (Amplifier)...	Vol. Tone	222383.....	†	Order from	Mfr..			279911.....	1	FP231.....	B117				3	6J5G, 6P6G, 80.....		14-7,8
A501 (Amplifier)...	Vol. Tone	222556.....	†	MR24.....	M26			279912.....	15	TC26.....					3	6J5G, 6P6G, 80.....		14-7,8
A501B (Amplifier)...	Vol. Tone	222383.....	†	Order from	Mfr..			274238.....	1	HD684.....					3	57, 2A3, 80.....		
A501B (Amplifier)...	Vol. Tone	222556.....	†	MR24.....	M26			274250.....	1	HD684.....					3	57, 2A3, 80.....		
A501B (Amplifier)...	Vol. Tone	222383.....	†	Order from	Mfr..			274334.....	15/17	TC36.....					3	57, 2A3, 80.....		
A501B (Amplifier)...	Vol. Tone	222556.....	†	MR24.....	M26			273610.....	1	FP390.....	B8				3	57, 2A3, 80.....		
A1101 (Amplifier)...	Vol. Bass	222444.....	50	MR53.....				270003.....	17	TC39.....					4	6J5G, 6Y6G, 5Y3G..		14-5, 6,14
A1101 (Amplifier)...	Vol. Bass	222446.....	†	MR53.....	M26T			273611.....	15	TC26.....					4	6J5G, 6Y6G, 5Y3G..		14-5, 6,14
A1101 (Amplifier)...	Vol. Bass	222445.....	†	MR44.....				273610.....	15	FP390.....	B8				4	6J5G, 6Y6G, 5Y3G..		14-5, 6,14
A3001A (Amplifier)...	Vol. Tone	222444.....	15	MR53.....				270012.....	13	TC62.....					4	6C5, 6L6, 5Z3.....		14-9, 10,13
A3001A (Amplifier)...	Vol. Tone	222445.....	†	MR44.....				274194.....	1	HD684.....					4	6C5, 6L6, 5Z3.....		14-9, 10,13
A3001A (Amplifier)...	Vol. Tone	222444.....	†	MR53.....				274224.....	15	TC36.....					4	6C5, 6L6, 5Z3.....		14-9, 10,13
A3001B (Amplifier)...	Vol. Bass	222444.....	†	MR53.....				273610.....	1	FP390.....	B8				4	6C5, 6L6G, 5Z3.....		
A3001B (Amplifier)...	Vol. Bass	222446.....	†	MR53.....				270007.....	13/15	WP520/TC70					4	6C5, 6L6G, 5Z3.....		
A3001B (Amplifier)...	Vol. Bass	222446.....	†	MR53.....				270007.....	13/15	FP339.....					4	6C5, 6L6G, 5Z3.....		14-11, 12,14
A3001B (Amplifier)...	Vol. Bass	222445.....	†	MR44.....				273610.....	1	FP390.....	B8				4	6C5, 6L6G, 5Z3.....		14-11, 12,14
CR101, CR101M....	Vol. Tone	223258.....	127	MR44.....				12-12.....	1	2S569.....					8	6D6, 6A7, 6H6, 6G5, 6F5, 6C5, 80.....	465	10-1
CR101, CR101M....	Vol. Tone	223257.....	†	MR53.....	M26			10, 10.....	15	TC22.....					8	6D6, 6A7, 6H6, 6G5, 6F5, 6C5, 80.....	465	10-1

† Data not substantiated.

\* IMPORTANT: Read Notes in Note Section if specified in Note Column.  
FREE MALLORY VIBRATOR REPLACEMENT GUIDE... SEE YOUR DISTRIBUTOR.

§ Indicates miscellaneous section.

MANUFACTURER AND MODEL	CONTROLS							CONDENSERS				VIBRATORS			No. Tubes	Complete Tube Complement	I. F. Peak	Rider's Reference
	Use	Original Part	Circuit	Correct Replacement	Switch	Bias	*Note	Original Part	Circuit	Correct Replacement	*Note	Original Part	Replacement	*Note				
MAGNAVOX—Continued																		
CR102, 103, 104, 105	Vol. Tone	223327	18	MR48				1	23	See Note	B3				6	6A7, 6D6, 6Q7G, 6G5, 6N6, 80	456	10-5
CR106	Vol. Tone	223327	75	MR48	M26			14-8-4	1/13	See Note	B3				7	6A7, 6D6, 6H6, 6K5G, 6N6G, 6G5, 80	455	10-7
	Vol. Tone	223358	57	MR48	M26													
CR107	Vol. Tone	223327	18	MR48				50-32-16	8	See Note	B3				8	6A8G, 6K7G, 6R7G, 6N5, 25L6G, 25Z6G	455	10-9
	Vol. Tone	223358	22	MR48	M26													
CR108M	Vol. Tone	223258	45	MR44				12, 12	1	HD684					9	6D6, 6A7, 6H6, 6F5, 6C5, 6N5, 80	455	10-11, 12
CR109	Vol. Tone	223257	75	MR53	M26			14-8-4	1/13	See Note	B3				7	6A7, 6D6, 6H6, 6K5G, 6N6G, 6G5, 80	455	10-7
	Vol. Tone	223358	57	MR48	M26													
CR110	Vol. Tone	223327	18	MR48				32-50-16	8	See Note	B3				8	6A8G, 6K7G, 6R7G, 6N5, 25L6G, 25Z6G	455	10-9
	Vol. Tone	223358	22	MR48	M26													
CR111	Vol. Tone	223327	75	MR48				14-8-4	1/13	See Note	B3				7	6A7, 6D6, 6H6, 6K5G, 6N6G, 6G5, 80	455	10-7
	Vol. Tone	223358	57	MR48	M26													
CR112	Vol. Tone	223327	18	MR48				50-32-16	8	See Note	B3				8	6A8G, 6K7G, 6R7G, 6N5, 25L6G, 25Z6G	455	10-9
	Vol. Tone	223358	22	MR48	M26													
CR113, 114, 115	Vol. Tone	223327	75	MR48				14-8-4	1/13	See Note	B3				7	6A7, 6D6, 6H6, 6J5G, 6L6G, 6G5, 80	455	10-17
CR117	Vol. Tone	220003	17	MR48	M26			50-10-10	1	FP231					5	6A7, 6D6, 75, 6B6G, 80	455	10-19
	Vol. Tone	220002	22	MR33				14-8-4	1/13	See Note	B3				7	6A7, 6D6, 6H6, 6J5G, 6L6G, 6G5, 80	455	10-17
CR118	Vol. Tone	223327	75	MR48				50-32-16	8	See Note	B3				8	6A8G, 6K7G, 6R7G, 6N5, 25L6G, 25Z6G	455	10-9
	Vol. Tone	223358	57	MR48	M26													
CR119, 120	Vol. Tone	223327	18	MR48				30-10	1	FP390	B8				8	6A8G, 6K7, 6H6, 6J5G, 6U5, 6V6G, 5U4G	455	10-21, 22
	Vol. Tone	223358	22	MR48	M26			20	15	TC26								
CR121	Vol. Treble	223605	127	MR48				12, 12	1	HD684	B8				9	6D6, 6A7, 6H6, 6F5, 6C5, 6N5, 80	455	10-11, 13
	Vol. Bass	223603	21	MR53	M26			30-10	1	FP390	B8				6	6K8, 6K7, 6H6, 6J5G, 6L6G, 80	455	10-25
CR122	Vol. Treble	223604	4	MR33				40	15	TC29					8	6A8G, 6K7, 6H6, 6U5, 6V6G, 5U4G	455	10-27, 28
	Vol. Bass	223604	4	MR33				20	15	TC26	B8							
CR123	Vol. Treble	223258	45	MR48				30-10	1	FP390	B8				6	6A7, 6D6, 6H6, 6J5G, 6L6G, 6G5, 80	455	10-17
	Vol. Bass	223257	45	MR48				50-32-16	8	See Note	B3				8	6A8G, 6K7G, 6R7G, 6N5, 25L6G, 25Z6G	455	10-9
CR124	Vol. Treble	223703	127	MR53	M26			30-10	1	FP390	B8				6	6K8, 6K7, 6H6, 6J5G, 6L6G, 80	455	10-25
	Vol. Bass	223704	21	MR48				40	15	TC29								
CR125	Vol. Treble	223603	21	MR53	M26			30-10	1	FP390	B8				8	6A8G, 6K7, 6H6, 6U5, 6V6G, 5U4G	455	10-27, 28
	Vol. Bass	223604	4	MR33				20	15	TC26	B8							
CR126, 127	Vol. Treble	223327	75	MR48				14-8-4	1/13	See Note	B3				7	6A7, 6D6, 6H6, 6J5G, 6L6G, 6G5, 80	455	10-17
	Vol. Bass	223358	21	MR48	M26			50-32-16	8	See Note	B3				8	6A8G, 6K7G, 6R7G, 6N5, 25L6G, 25Z6G	455	10-9
CR128	Vol. Treble	223327	75	MR48				30-10	1	FP390	B8				6	6K8, 6K7, 6H6, 6J5G, 6L6G, 80	455	10-25
	Vol. Bass	223358	21	MR48				40	15	TC29								
CR133	Vol. Treble	223704	21	MR48				270006	19	TC22					4	1A7G, 1N5G, 1H5G, 1C5G	455	11-3
	Vol. Bass	220009	18	MR48	M27													
CR134	Vol. Treble	220008	127	MR53				273610	1	FP390	B8				6	6SA7, 6SK7, 6H6, 6J5G, 6L6G, 80	455	11-1-4
	Vol. Bass	220007	22	MR48	M26			273705	15	TC29								
CR136	Vol. Treble	223605	127	MR48				273610	1	FP390	B8				8	6SA7, 6SK7, 6H6, 6J5G, 6L6G, 80	455	11-5,6
	Vol. Bass	220011	39	MR48				273611	15	TC26								
CR137	Vol. Treble	220012	4	MR33	M26			273610	1	FP390	B8				7	6SA7, 6SK7, 6H6, 6J5G, 6L6G, 80	455	11-1,2
	Vol. Bass	220012	4	MR33	M26			273705	15	TC29								
CR140	Vol. Treble	220008	15	MR53				273610	1	FP390	B8				8	6SA7, 6SK7, 6H6, 6J5G, 6L6G, 80	455	11-7,8
	Vol. Bass	220017	39	MR53	M26			273611	15	TC26								
CR141	Vol. Treble	220008	15	MR53				273610	1	FP390	B8				6	6SA7, 6SK7, 6H6, 6J5G, 6L6G, 80	455	11-13,14
	Vol. Bass	220007	57	MR48	M26			273611	15	TC26								
CR142	Vol. Treble	220008	15	MR53				273705	15	TC29					7	6SA7, 6SK7, 6H6, 6J5G, 6L6G, 80	455	11-13,14
	Vol. Bass	220007	57	MR48	M26			273610	1	FP390	B8							
CR143	Vol. Treble	220008	15	MR53				273611	15	TC26					9	12SA7, 12SK7, 12J5GT, 15L6GT, 15Z4GT, 6N5	455	11-15,16
	Vol. Bass	220015	39	MR53	M26			273705	15	TC29								
CR144	Vol. Treble	220008	15	MR53				270004	1	FP214					7	6SA7, 6SK7, 6H6, 6J5G, 6L6G, 80	455	11-1-4
	Vol. Bass	220007	57	MR48	M26			270010	12	TC48								
CR145	Vol. Treble	220008	15	MR53				273611	15	TC26					8	12SA7, 12SK7, 12J5GT, 15L6GT, 15Z4GT	455	11-15,16
	Vol. Bass	220015	39	MR53	M26			273610	1	FP390	B8							
CR146	Vol. Treble	220008	15	MR53				273610	1	FP390	B8				9	6SA7, 6SK7, 6H6, 6J5G, 6L6G, 80	455	11-1-4
	Vol. Bass	220017	39	MR53	M26			273705	15	TC29								
CR147	Vol. Treble	223605	15	MR48				273610	1	FP390	B8				9	6SA7, 6SK7, 6H6, 6J5G, 6L6G, 80	455	11-17,18
	Vol. Bass	220012	4	MR33	M26			273611	15	TC26								
CR147	Vol. Treble	220011	39	MR48				273610	1	FP390	B8				9	6SA7, 6SK7, 6H6, 6J5G, 6L6G, 80	455	11-19,20
	Vol. Bass	220012	4	MR33	M26			270012	14	TC62								

‡ Data not substantiated.

\* IMPORTANT: Read Notes in Note Section if specified in Note Column.  
USE MALLORY CAPACITORS—STANDARD OF THE INDUSTRY.

§ Indicates miscellaneous section.

MANUFACTURER AND MODEL	CONTROLS							CONDENSERS				VIBRATORS			No. Tubes	Complete Tube Complement	I. F. Peak	Rider's Reference
	Use	Original Part	Circuit	Correct Replacement	Switch	Bias	*Note	Original Part	Circuit	Correct Replacement	*Note	Original Part	Replacement	*Note				
MAGNAVOX—Continued																		
CR148	Vol. Treble	223605	127	MR48				273610	1	FP390	B8				9	6SA7, 6SK7, 6H6, 6J5, 6L6G, 6U5, 5U4G	455	11-21,22
	Bass	220012	39	Order from Mfr.	M26			273611	15	TC26								
CR149	Vol. Treble	223605	15	MR48				273610	1	FP390	B8				12	6SK7, 6SA7, 6H6, 6S7, 6J5, 6L6G, 6N5, 5Y3G	455	12-1,2,5
	Bass	220012	39	Order from Mfr.	M26			270012	14	TC71								
CR150, CR151	Vol. Treble	220008	15	MR53				273610	1	FP390	B8				8	6SA7, 6SK7, 6H6, 6J5G, 6V6G, 6U5, 5U4G	455	.....
	Bass	220017	39	MR53	M26			273611	15	TC26								
CR152	Vol. Tone	223605	15	MR48				273610	1	FP390	B8				12	6SK7, 6SA7, 6H6, 6AB7, 6J5, 6L6G, 6E5, 5Y3G	455	12-3,4,8
	Bass	220012	39	Order from Mfr.	M26			273611	15	TC26								
CR153	Vol. Tone	220012	15	MR48				273610	1	FP390	B8				9	6SA7, 6SK7, 6H6, 6J5, 6V6G, 5U4G, 6U5	455	11-9,10
	Phono.		39	Order from Mfr.	M26			20	15	TC26								
CR154	Vol. Tone	223605	15	MR48				273610	1	FP390	B8				12	6SK7, 6SA7, 6H6, 6AB7, 6J5, 6L6G, 6E5, 5Y3G	455	12-7, 8,11
	Bass	220012	57	Order from Mfr.	M26			273611	13	TC26								
CR155	Vol. Tone	223605	15	MR48				273610	1	FP390	B8				11	6SK7, 6AS7, 6H6, 6AB7, 6J5, 6V6G, 6E5, 5Y3G	455	12-9,12
	Phono.	220012	57	Order from Mfr.	M26			270015	14	TC70								
								273611	15	TC26								
CR156	Vol. Tone	223605	15	MR48				273610	1	FP390	B8				9	6SA7, 6SK7, 6H6, 6J5GT, 6V6G, 5Y3G, 6U5	455	12-15, 16,19
	Bass	223603	57	Order from Mfr.	M26			273611	15	TC26								
CR157	Vol. Tone	220008	15	MR53				273610	1	FP390	B8				8	6SA7, 6SK7, 6H6, 6J5G, 6V6G, 5U4G, 6U5	455	.....
	Bass	220017	39	MR53	M26			273611	15	TC26								
CR158 (FM Tuner)								273610	1	FP390	B8				11	6SA7, 6SK7, 6ACT, VR150, 6AF6G, 6H6, 6J5, 6SCT, 5Y3G	4300	12-13,14
								273611	15	TC26								
CR159	Vol. Tone	220008	15	MR53				273610	1	FP390	B8				6	6SA7, 6SK7, 6H6, 6J5G, 6L6G, 80	455	11-13,14
	Bass	220007	57	MR48	M26			273611	15	TC26								
								273705	15	TC29								
CR160	Vol. Tone	223605	15	MR48				273610	1	FP390	B8				9	6SA7, 6SK7, 6H6, 6J5, 6V6G, 6U5, 5U4G	455	.....
	Bass	220012	39	Order from Mfr.	M26			270012	14	TC62								
CR161	Vol. Tone	223605	15	MR48				273610	1	FP390	B8				12	6SK7, 6SA7, 6H6, 6AB7, 6J5, 6L6G, 6E5, 5Y3G	455	12-3,4,8
	Bass	220012	39	Order from Mfr.	M26			273611	14	TC26								
CR-163	Vol. Treble	220008	15	MR53				273611	15	TC26					9	12SA7, 12SK7, 12J5GT, 50L6GT, 6N5, 35Z4GT	455	15-7
	Bass	220015	39	MR53	M26			270004	15	FP214								
								270010	12	TC48								
CR165	Vol. Tone		15	MR48				50-40	63	FP214					10	12SA7, 12SK7, 12J5GT, 50L6GT, 6N5, 35Z4GT	455	12-17, 18,20
	Phono.		39	Order from Mfr.	M26			40	63	TC48								
CR-169 (Tuner)								20	15	TC26								
									46	FP390	B8				8	6SA7, 6SK7, 6ACT, 6H6, 6U5, 6X5GT	4.3	13-1-4
CR-170 (Tuner)									46	FP390	B8				8	6SA7, 6SK7, 6ACT, 6H6, 6U5, 6X5GT	4.3	13-1-4
									46	TC71								
CR-171	Vol. Tone		15	MR53				30-10	46	FP390	B8				8	6SA7, 6SK7, 6J5, 6V6G, 6U5, 5U4G	455	13-5-8
	Bass	220008	17	MR53	M26			20, 20	15	TC26								
CR-172	Vol. Treble	220015	39	MR53	M26			273610	1	FP390	B8				7	6SA7, 6SK7, 6J5, 6V6GT, 5Y3G	455	13-8-11
	Bass	223605	15	MR48				273611	15	TC26								
CR-174, 174C	Vol. Treble	223603	15	MR53	M26			273610	1	FP390	B8				12	6SK7, 6SA7, 6AB7, 6H6, 6J5, 6L6G, 6E5, 5Y3G	455	13-12-18
	Bass	220011	39	Order from Mfr.	M26			273611	15	TC26								
CR-177	Vol. Bass	223605	17	MR48				273610	1	FP390	B8				9	6SA7, 6SK7, 6J5, 6L6G, 6U5, 5U4G	455	13-12, 19,20,21
	Treble	223603	39	Order from Mfr.	M26			273611	15	TC26								
CR-178	Vol. Treble	220011	21	MR53				273610	1	FP390	B8				7	6SA7, 6SK7, 6J5, 6V6GT, 5Y3G	455	13-8-11
	Bass	220015	39	MR53	M26			273611	15	TC26								
		220033	39	MR33														
CR-183, CR-185	Vol. Bass	220056G2	172	MR57				273610	1/24	FP390	B8				11	6SG7, 6SA7, 6SK7, 6H6, 6SN7, 6J5, 6L6G, 6E5, 5U4G	455	15-13,19
	Treble	220055	226	MR53	M26			270020G3	15	TC39								
CR-187	Vol. Bass	220054	34	MR53				270023G2	1	FP390	B8				9	6SA7, 6SK7, 6J5, 6SN7, 6V6GT, 6U5, 5Y3GT	455	15-21
	Treble	220044G15	161	MR53	M26			270027G2	12/15	TC26								
		220045G2	226	MR53	M26			270023G6	12/15	FP332	B70							
CR-188	Vol. Bass	220071G2	21	Order from Mfr.	M26			270023G2	88/13/15	FP390	B8				13	6SK7, 6SA7, 6J5, 6U5, 6V6GT, 5Y3GT	455	15-31,32
		220044G15	15	MR53				270023G6	88/13/15	FP332	B70							
		220045G2	226	MR53	M26													
CR-189A, CR-189B (Tuner)								270026G3	13	FP142					8	6AG5, 6SB7Y, 6SG7, 6SH7, 6H6, 6U5, 6X5GT/G	10.7	15-37,38
								270023G2	1	FP390	B8							
CR-190A, CR-190B	Vol. Bass	220044G15	161	MR53				270023G2	1	FP390	B8				9	6SA7, 6SK7, 6J5, 6SN7, 6U5, 6V6GT, 5Y3GT	455	15-43
	Treble	220045G2	226	MR53	M26			270023G6	12/15	FP332	B70							
		220071G2	21	Order from Mfr.	M26			270027G2	12/15	TC26								

† Data not substantiated.

\* IMPORTANT: Read Notes in Note Section if specified in Note Column.

‡ Indicates miscellaneous section.

MANUFACTURER AND MODEL	CONTROLS							CONDENSERS				VIBRATORS			No. Tubes	Complete Tube Complement	I. F. Peak	Rider's Reference	
	Use	Original Part	Circuit	Correct Replacement	Switch	Bias	*Note	Original Part	Circuit	Correct Replacement	*Note	Original Part	Replacement	*Note					
MAGNA VOX—Continued CR-192A, CR-192B (Tuner)								270026G3 270023G2	13 1	FP142 FP390	B8				8	6A65, 6SB7Y, 6SG7, 6SH7, 6H6, 6U5, 6X5GT/G	10.7	15-51,52	
CR-193	Vol. Bass	220044G15.. 220045G2..	161 226	MR53 MR53	M26			270023G2 270023G6	1 12/15	FP390 FP332	B8 B70				9	6SA7, 6SK7, 6J5, 6SN7, 6L6G, 6U5, 5U4G	455	15-57	
CR-194	Vol. Bass Treble	220044G15.. 220045G2.. 220071G2..	161 226 21	MR53 MR53 Order from Mfr.	M26			270023G2 270023G6 270027G2	1 12/15 15	FP390 FP332 TC26	B8 B70				9	6SA7, 6SK7, 6J5, 6SN7, 6L6G, 6U5, 5U4G	455	15-61,65	
CR-197, CR-197A, CR-197B	Vol. Treble Bass	220044G23.. 220071G2.. 220045G61..	172 39 33	MR53 Order from Mfr. MR42	Mfr.			270023G6 270023G2 270027G2	13/15 98 13/15	FP332 FP390 TC26	B70 B8 B70				10	6SK7, 6SA7, 6J5, 6U5, 6SN7, 6V6GT, 5Y3GT	455	16-1,7	
CR-198, CR-198A, CR-198B, CR-198C	Vol. Treble Bass	220044G23.. 220071G2.. 220045G6..	172 39 33	MR53 Order from Mfr. MR42	Mfr.			270023G2 270023G6 270023G6	98 13/15 13/15	FP390 FP332 FP332	B8 B70 B70				10	6SK7, 6SA7, 6J5, 6U5/6G5, 6SN7, 6L6GT, 5U4G	455		
CR-199	Vol. Bass Treble	220074G1.. 220045G6.. 220044G22..	228 226 158	MR39 MR42 MR48	M26			270023G6 270023G2 270027G2	15/13 1 15	FP332 FP390 TC26	B70 B8				9	6SK7, 6SA7, 6J5, 6SN7, 6V6GT, 5Y3GT	455	16-12,16	
MAGUIRE—See Meissner																			
MAJESTIC† 7BP3, 7BP6								3-4-3-3. 2-3-3-2. 2-6-2-2-1. 2-2-3-1-1. 4-4-1-2.	47 47 47 47 47	See Note. See Note. See Note. See Note. See Note.	B121 B121 B121 B121 B121				1 1 1 1 1	80 80 80 80 80		1-6,7 1-2,4 1-9 1-24 1-24	
7P3, 7P6 8P3, 8P6 9P3, 9P6 10 (11) 15 Below 65149	Vol. Tone	8394. 5214.	6 22	G7 MR35	6-9	3		5414. 5414. 8385.	1 4 4	2N518 TC71 TCS71					3 5	24, 80 24, 47, 51, 80	1000 175	3-14,15 2-4,5	
15, 15B (151, 153, 154, 155, 156) Above 65150	Vol. Tone	4682. 5214.	6 22	G7 MR35	6-9	EX300		5414. 8385.	4 4	TC71 TCS71					5	24, 51, 47, 80	175	2-6,7	
20 (21, 22, 23)	Vol. Tone	3899.	8	MR19	M26			2-2. .07.	1 3	See Note. See Note.	B1 B9				8	27, 51, 45, 80	175	1-14,15	
25 (251, 253, 254)	Vol. Tone	5316. 5635.	8 44	F. MR36	6-9	2		4713. 5414.	3 3	TC71 TC71					9	27, 51, 47, 80	175	2-8,9	
25B (251B, 253B, 254B)	Vol. Tone	5587. 5634.	15 44	MR15 MR39	M26			5608. 4713. .15 mf. .35 mf.	3 3 1 1	TC71 TC71 See Note. See Note.					9	27, 51, 47, 80	175	2-10,15	
30 (31)	Vol. Tone	3638.	24	DRP122	6-9	See Note A24		2-3. .1. 4713.	1 1 1	See Note. See Note. See Note.	B9 B12 B1				6	24, 45, 80		1-16	
35 (351, 353)	Vol. Tone	5723. 5743.	15 22	MR15 MR18	M26			5806. .15. .35. 10536.	1 1 1 1/15	TC71 TC71 See Note. See Note.	B1 B9 B12				10	27, 51, 45, 80	175	2-12,15	
44, 49 (Chassis 440) 50 (51, 52)	Vol. Tone	3169.	24	F7. DRP122	6-9	3		3-2. .09. 16-16-10-20.	1 2/15	See Note. See Note. See Note.	B1 B9 B3				4 8	6A7, 6F7, 41, 6Z5 27, 24, 45, 80	456 175	4-12 1-18,19	
F50	Vol. Tone		15	MR44	M26			10827. 6433.	1/15 1	2N518/TC22 2N518					10	56, 58, 47, 82	175	5-1	
55 (56, 57, 58)	Vol. Tone	4682. 5214.	6 22	G7 MR35	6-9	2		6501.	4	TCS71					6	24, 27, 35, 47, 80	175	3-1,2	
55, 59 (Chassis 500) 58 (Chassis 10) 60 (61, 62)	Vol. Tone	4098.	7	Order from Mfr.				10827. 6433. 2-2-2-1. 4-3-3-1. .07. .25. 9979. 10067. .008-.008.	1/15 1 3 3 1 4 15	2N518/TC22 2N518 See Note. See Note. See Note. See Note. TC22				5 9	6A7, 6F7, 6B7, 42, 80 24, 80 27, 51, 24, 45, 80	456 1000 175	4-24 3-14 1-20,22		
66	Vol. Tone	10003. 10004.	17 22	MR44 MR33	M26			16. 8. 10.	1 1 15	RS216 RS213 TC22	B14 B3	10073	Order from Mfr.		6	6E7, 6A7, 6C7, 89, 6Y5	175	4-1,6	
67 (68, 69)	Vol. Tone		18 22	MR44 MR44				10827. 8721. 8722. 8118. 11017. 11200. 11099.	1/15 1 1 15 25/13 15	2N518/TC22 RS216 RS213 TC26 RS216 RM262 TC26				8 7	26, 27, 71, 80 6A7, 6F7, 6B7, 42, 80 58, 56, 55, 59, 80	456 175	1-1,2 4-24 3-29		
70, 70B (71, 72) 75 (Chassis 500) 77 (Chassis 330)	Vol. Tone	105. 7236. 7316.	40 17 15 22	MR18 MR44 MR44	M26			10827. 8721. 8722. 8118. 11017. 11200. 11099.	1/15 1 1 15 25/13 15	2N518/TC22 RS216 RS213 TC26 RS216 RM262 TC26				8 7	26, 27, 71, 80 6A7, 6F7, 6B7, 42, 80 58, 56, 55, 59, 80	456 175	1-1,2 4-24 3-29		
85, 86 (Chassis 800)	Vol. Tone	11016. 11015.	127 22	MR44 MR44	M26			11099. 2-2-2-1. 4-4-2-1.	15 2 2	See Note. See Note.	B1 B1				8	27, 45, 80	175	1-11,12 2-3	
90, 90B (91, 92, 93)	Vol. Equal	559. 393.	7 7	MR37 Order from Mfr.															

† Data not substantiated.

\* IMPORTANT: Read Notes in Note Section if specified in Note Column.  
12 BASIC MALLORY VIBRATORS MEET 90% OF YOUR REPLACEMENT NEEDS.

‡ Indicates miscellaneous section.

MANUFACTURER AND MODEL	CONTROLS							CONDENSERS				VIBRATORS			No. Tubes	Complete Tube Complement	I. F. Peak	Rider's Reference
	Use	Original Part	Circuit	Correct Replacement	Switch	Bias	*Note	Original Part	Circuit	Correct Replacement	*Note	Original Part	Replacement	*Note				
MAJESTIC—Continued																		
95 (Chassis 520)	Vol.	11378	18	MR44	M27										5	34, 1A6, 25, 33	175	4-27
100 (101)	Vol.	771	7/63	DRP222		See Note	te A49	See power supply		9P3, 9P6					7	27, 45		1-11
	Equal	393	7	Order from Mfr.							B1							2-3
100B (102, 103)	Vol.	1714	7/16	Order from Mfr.				2-2-2-1	2	See Note	B1				8	27, 45, 80		1-12
	Equal	393	7	Order from Mfr.				4-4-2-1	2	See Note	B1							
105 (Chassis 520)	Vol.	11378	18	MR44	M27										5	34, 1A6, 25, 33	175	4-27
110	Vol.	5072	15	MR41											7	36, 37, 38		2-17, 4-7
114	Vol.	8695	8	MR44											6	39, 38, 85	175	3-48, 4-8
								8	1	TC71								
								8286	15	TC22								
								7784-2	15	TC26								
116 (Type 1)	Vol.	9825	33	MR44				9337	4	TCS71		Order from Mfr.		6	57, 58, 75, 89, 6Z5	175	3-44, 45	
116 (Type 2, 3)	Vol.	9825	33	MR44				9337	4	TCS71		Order from Mfr.		6	57, 58, 85, 89, 6Y5	175	3-46	
116 (Type 4)	Vol.	9825	33	MR44				9979	4	TCS71		Order from Mfr.		6	57, 58, 75, 89, 6Z5	175	3-47	
118, 118P	Vol.	10391	17	SRP251				10369	4	TCS71		Order from Mfr.		6	6E7, 6A7, 6C7, 42, 6Y5	175	5-2	
								10488	15	TC22				6	30, 32, 33	175	2-18, 19	
120 (121)	Vol.	4762	24	GG	7									6	30, 32, 33	175	1-13	
120B (123)	Vol.	4760	24	GG										6	30, 32, 33	175	1-13	
130A (131, 132, 133)	Vol.	890	8	AIMP				2-2-2	3	See Note	B1			7	24, 45, 80			
								4-4-2	3	See Note	B1							
150	Vol.	8394	6	G7	6-9	3		5414	4	TC71				5	24, 51, 47, 80	175	2-21	
	Tone	5214	22	MR35				8385	4	TCS71								
	Phono.	5464	63	W														
151, 153, 154, 155, 156 (Chassis 15)	Vol.		6	G7	6-9	3		5414	4	TC71				5	24, 51, 47, 80	175	2-4, 6	
	Tone		22	MR33				8385	4	TCS71								
160 (163)	Vol.	4098	8	Order from Mfr.				2-2-2-1	3	See Note	B1			9	27, 51, 24, 45, 80	175	1-23	
								4-3-3-1	3	See Note	B1							
								.07		See Note	B9							
								.25		See Note	B12							
174 (Chassis 570)	Vol.		81	MR44				12038-1	25	RS216				6	58, 2A7, 55, 2A5, 80	175	5-3	
	Tone		22	MR44	M26			12039-1	25	RS213								
								12026-2	15	TC26/TC22								
180 (181)	Vol.	164	7	DRP222		See Note	te A49							9	27, 50, 81		1-8, 10	
194 (Chassis 440)	Vol.		6	F7	6-9	3		10536	1/15	2N518/TC22				4	6A7, 6F7, 41, 6Z5	456	4-12	
195 (Chassis 500)	Vol.	10868	15	MR44	M26			10827	1/15	2N518/TC22				5	6A7, 6F7, 6B7, 42, 80	456	4-24	
200 (201, 203, 204)	Vol.	6284	15	MR48				6277	28	3S584				8	35, 27, G2S, 47, 80	175	3-3, 6	
	Tone	6286	22	MR33	M26													
204 Chassis 10, (Chassis 200)	Vol.	6284	15	MR48				6277	28	3S584				11	35, 27, G2S, 47, 24, 80	175	3-3	
	Tone	6286	22	MR33	M26			6433	1	2N518				10	35, 27, 47, 80, G2S	175	3-7, 9	
210 (211, 214, 215)	Vol.	6115	15	MR44				4713	3	TC71				12	27, 35, 50, 81, G2S	175	3-10, 13	
	Tone	6157	44	MR39	M26			6324	3	TC71								
220 (221, 223)	Vol.	6585	15	MR44				4713	3	TC71				7	24, 45, 80		1-13	
	Tone	6586	22	MR34	M26			2-2-2	3	See Note	B1							
230A (233 Comet)	Vol.	1316	8	Order from Mfr.				4-4-2	3	See Note	B1							
251, 253, 254 (Chassis 25)	Vol.	5316	8	F	6-9	2		4713	3	TC71				9	27, 51, 47, 80	175	2-8	
	Tone	5635	44	MR36				5414	3	TC71								
251B, 253B, 254B (Chassis 25B)	Vol.	5587	15	MR15	M26			5608	3	TC71				9	27, 51, 47, 80	175	2-10	
	Tone	5634	44	MR39				4713	3	TC71								
								.15		See Note	B9							
								.35		See Note	B12							
290 (291, 293, 294)	Vol.	7236	15	MR44				7173	2	TC71				9	53, 56, 57, 47, 82, 4S	175	3-16, 17	
	Tone	7235	22	MR33	M26			7278	14	TCS52								
	Supp.	7369	12	E12				7402	15	TC22								
294 (Chassis 10, Chassis 290)	Vol.	7236	15	MR44				7173	2	TC71				12	58, 56, 4S, 57, 47, 24, 80	175	3-14, 16	
	Tone	7235	22	MR33	M26			7278	14	TCS52								
	Supp.	7369	12	E12				7402	15	TC22								
								6433	1	2N518								
300, 300A (303, 304, 307)	Vol.	7236	15	MR44				7489	2	TC74				11	58, 56, 57, 47, 82, G4S	175	3-18, 20	
	Tone	7316	22	MR44	M26			7278	14	TCS52								
	Supp.	7427	12	MR24				7402	15	TC22								
								7784	15	TC26								
310A (311)	Vol.	7236	15	MR44				7824	1	3S584	B8			7	58, 55, 56, 47, 80	175	3-21, 24	
	Tone	7235	22	MR33	M26			8118	16	TC26								
310B (314, 315)	Vol.	7236	15	MR44				7824	1	3S584	B8			7	58, 56, 55, 47, 80	175	3-22, 25	
	Tone	7235	22	MR33	M26			8118	16	TC26								
								7402	15	TC22								
320 (324)	Vol.	7236	15	MR44				7489	2	TC74				12	58, 56, 57, 47, 82, 4S	175	3-26, 28	
	Tone	7316	22	MR44	M26			7988	14	TC71								
	Supp.	7427	12	MR24				7784	15	TC26								
								7402	19	TC22								
330 (331, 336, 77)	Vol.	7236	15	MR44				8721	1	RS216				7	58, 56, 55, 59, 80	175	3-29, 30	
	Tone	7316	22	MR44	M26			8722	1	RS213								
								8118	15	TC26								

† Data not substantiated.

\* IMPORTANT: Read Notes in Note Section if specified in Note Column.  
THERE'S A PLACE FOR A MALLORY NOISE FILTER IN EVERY HOME.

‡ Indicates miscellaneous section.

MANUFACTURER AND MODEL	CONTROLS							CONDENSERS				VIBRATORS			No. Tubes	Complete Tube Complement	I. F. Peak	Rider's Reference
	Use	Original Part	Circuit	Correct Replacement	Switch	Bias	*Note	Original Part	Circuit	Correct Replacement	*Note	Original Part	Replacement	*Note				
MAJESTIC—Continued 340, 340B (344) . . . . .	Vol. Tone Supp.	9006 9005 9079	15 22 12	MR44 MR44 MR24	M26			8722 8721 7988 9019 8118	3 3 14 19 15	RS213 RS216 TC71 TC22 TC26					11	56, 58, 57, 59, 82, 55	175	3-31, 32
	351, 353 (Chassis 35) . . . . .	Vol. Tone	5723 5743	15 22	MR18 MR18	M26		4713 5806 .15 .35	1 1 1 1	TC71 TC71 See Note See Note					10	27, 51, 45, 80	175	2-12
	360 (363) . . . . .	Vol. Tone Supp.	9006 9005 9079	45 22 12	MR44 MR44 MR24	M26		8721 7988 8118 9019 9219 9019	2 14 18 19 1 15	RS216 TC71 TC26 TC22 2N518 TC22					11	58, 56, 57, 59, 82	175	3-33, 35
	370 (371, 373) . . . . .	Vol.	9231	6	MR24	M26	EX250	9219 9019	1 15	2N518 TC22					5	57, 58, 59, 80	456	3-36, 38
380 (381) . . . . .	Vol.	8759	6	MR35	M26	EX250	8755 8774	1 15	2N518 TC22					4	57, 58, 89, 84		3-39	
390 (393) . . . . .	Vol. Tone	9006 9005	17 22	MR44 MR44	M26		8722 8721 8118	1 1 15	RS213 RS216 TC26					8	56, 58, 55, 53, 80	175	3-40, 41	
400 (411, 413) . . . . .	Vol.	9663	6	MR24	M26	EX250	9661	6/15	2N509/TC22					5	57, 58, 43, 25Z5	456	3-42	
400A (411A, 413A) . . . . .	Vol.	9663	6	MR24	M26	EX250	9661	6/15	2N509/TC22					5	6D7, 6E7, 43, 25Z5	456	4-10	
440 (44, 49, 194) . . . . .	Vol.	10183	18	F7	6-9	3	10536	1/15	2N518/TC22					4	6A7, 6F7, 41, 6Z5	456	4-11, 12	
460 (461, 463) . . . . .	Vol. Tone	10183 10242	18 22	MR44 MR44	M26		10207 10193 10208	1 1 15	RS216 RS213 TN111					6	58, 2A7, 55, 2A5, 80	175	4-13, 14	
490 (491, 493) . . . . .	Vol. Tone	10664 11597	18 22	MR44 MR44	M26		10630 10946 .008-.008	4/15 18	TCS71/TC22 TN111 Buffer			Order from F294	m Mfr. C11	6	6E7, 6A7, 85, 42, 6Y5	175	4-15, 21	
500 (55, 59, 75, 195, 560, 566) . . . . .	Vol.	10868	15	MR44	M26		10827	1/15	2N518/TC22					5	6A7, 6F7, 6B7, 42, 80	456	4-23, 24	
520 (95, 105) . . . . .	Vol.	11378	18	MR44	M27		12038-1	25	RS216					5	3A4, 1A6, 25, 33	175	4-25, 29	
570 . . . . .	Vol. Tone	12041 12040	18 22	MR44 MR44	M26		12039-1 12026-2 16-8	25 15 6	RS216 RS216 2N509					6	58, 2A7, 55, 2A5, 80	175	5-3	
600 AC-DC . . . . .	Vol.	11535	17	MR44	M26		10 11017	15 25	TC22 RS216					6	6A7, 6E7, 6C7, 43, 25Z5	456	5-4	
800 (85, 86, 998) . . . . .	Vol. Tone	11016 11015	127 22	MR44 MR44	M26		11200 RM262 11099	13 15 25	RM262 TC26 RS216					8	58, 2A7, 56, 53, 80, 44S	175	4-30, 31	
998 . . . . .	Vol. Tone	11016 11015	127 22	MR44 MR44	M26		11017 11200 11099	25/13 15	RS216 RM262 TC26					8	58, 2A7, 44S, 56, 53, 80	175	4-30, 31	
MAJESTIC RADIO G1-426, G1-426Y . . . . .	AND TELEVISION	Vol.	13-12	161	MR53	M27	19-2 19-6	24 78	FP444 WP059	B8				8	1LN5, 1LC6, 1LH4, 25L6GT/G, 3Q5GT, 25Z6GT/G	455	15-35	
P1A50, P1A50B . . . . .	Vol.	Y-VC-30	18	MR48	M26		Y-CE-43	1/19	3S584/TC26					5	6A7, 6D6, 75, 41, 80	455	11-1	
T081A, T081B . . . . .	Vol.		18	UM154	M27		CE-35	12	TC42					4	1A7GT, 1N5GT, 1H5GT, 3Q5GT	455	13-1	
T081C, T081D . . . . .	Vol.		18	UM154			CE-35	12	TC42					4	1A7GT, 1N5GT, 1H5GT, 3Q5GT	455	13-1	
T101L-A . . . . .	Vol.		18	MR48	M26		Y-CE-66-1	24	Order from Mfr.					5	12SA7, 12SK7, 12SQ7, 50L6, 35Z4 or 35Z5	455	13-2	
T101L-X . . . . .	Vol.		18	MR48	M26		Y-CE-66-1	24	Order from Mfr.					5	12SA7, 12SK7, 12SQ7, 50L6, 35Z4 or 35Z5	455	13-2	
T102L-A . . . . .	Vol.		18	MR48	M26		CE-66-1	24	Order from Mfr.					5	12SA7, 12SK7, 12SQ7, 50L6, 35Z4 or 35Z5	455	13-2	
T102L-X . . . . .	Vol.		18	MR48	M26		CE-66-1	24	Order from Mfr.					5	12SA7, 12SK7, 12SQ7, 50L6, 35Z4 or 35Z5	455	13-2	
T121A, T121X . . . . .	Vol.	Y-VC-21	18	MR48	M26		Y-CE-43	1/19	TCD74/TC26					5	6SA7, 6SK7, 6SQ7, 6K6GT, 5Y3	455	13-3	
T122-A . . . . .	Vol.	Y-VC-21	18	MR48	M26		CE-43-A	1/19	TCD74/TC26					5	6K8, 6SK7, 6SQ7, 6K6, 5Y3	455	13-3	
T122-X . . . . .	Vol.	Y-VC-21	18	MR48	M26		CE-43-A	1/19	TCD74/TC26					5	6K8, 6SK7, 6SQ7, 6K6, 5Y3	455	13-3	
T131-A . . . . .	Vol.	Y-VC-21	18	MR48	M26		Y-CE-43	1/19	TCD74/TC26					5	6SA7, 6SK7, 6SQ7, 6K6GT, 5Y3	455	13-3	
T131-X . . . . .	Vol.	Y-VC-21	18	MR48	M26		Y-CE-43	1/19	TCD74/TC26					5	6SA7GT, 6SK7GT, 6SQ7GT, 6K6GT, 5Y3G	455	13-3	
T132-A . . . . .	Vol.	Y-VC-21	18	MR48	M26		CE-43-A	1/19	TCD74/TC26					5	6K8, 6SK7, 6SQ7, 6K6, 5Y3	455	13-3	
T132-X . . . . .	Vol.	Y-VC-21	18	MR48	M26		CE-43-A	1/19	TCD74/TC26					5	6K8, 6SK7, 6SQ7, 6K6, 5Y3	455	13-3	
T201-A . . . . .	Vol. Tone		18 57	MR48 MR44	M26		CE-66	1	Order from Mfr.					6	6SA7, 6SK7, 6SQ7, 25L6, 25Z6	455	13-4	
T202-A . . . . .	Vol. Tone		18 57	MR48 MR44	M26		CE-66	1	Order from Mfr.					6	6K8, 6SK7, 6SQ7, 25L6, 25Z6	455	13-4	
TP221-A . . . . .	Vol.		18	MR48	M26		CE-66	1	Order from Mfr.					6	6SA7, 6SK7, 6SQ7, 25L6, 25Z6	455	13-4	

‡ Data not substantiated.

\* IMPORTANT: Read Notes in Note Section if specified in Note Column.  
THERE'S A FULL RANGE OF MALLORY VITREOUS ENAMEL RESISTORS FOR EVERY PURPOSE.

§ Indicates miscellaneous section.



MANUFACTURER AND MODEL	CONTROLS							CONDENSERS				VIBRATORS			No. Tubes	Complete Tube Complement	I. F. Peak	Rider's Reference
	Use	Original Part	Circuit	Correct Replacement	Switch	Bias	*Note	Original Part	Circuit	Correct Replacement	*Note	Original Part	Replacement	*Note				
MAJESTIC RADIO TP231-A.....	AND TELEVISION Vol.	Continued	18	MR48	M26			CE-66	1	Order from Mfr.					6	6SA7, 6SK7, 6SQ7, 25L6, 25Z6	455	13-4
TR321-A.....	Vol. Tone		18	MR48	M26			CE-66-2	1	2N511/TC50					7	6SA7, 6SK7, 6SQ7, 25L6, 25Z6	455	13-8
TR331-A.....	Vol. Tone		18	MR48	M26	See Note A5		CE-66-2	1	2N511/TC50					7	6SA7, 6SK7, 6SQ7, 25L6, 25Z6	455	13-8
Charlie McCarthy 1-2.....	Vol.	Y-VC-15	18	MR48	M26			40	25	TC48					5	6A8GT, 6K7GT, 25L6GT, 25Z6GT, L49B, 6Q7GT	455	9-1
1A50A, F, H, AB, FB, HB.....	Vol.	Y-VC-30	18	MR48	M26			Y-CE-43	1/19	TC47/TC26					5	6A7, 6D6, 75, 41, 80	455	11-1
1A59, 1A59B.....	Vol.	Y-VC-30	18	MR48	M26			Y-CE-51	1	2N518					5	6A7, 6D6, 75, 41, 80	455	10-1
1B59.....	Vol.	Y-VC-30	18	MR48	M26			Y-CE-51	1	2N518					5	6A7, 6D6, 75, 41, 80	455	10-1
1BR50, 1BR50-P.....	Vol.	Y-VC-41	149			See Note A5		Y-CE-47	24	2N509					5	1A7GT, 1N5GT, 1H5GT, 1T5GT, 25Z6GT	455	14-1
1D50-H.....	Vol.	Y-VC-30	18	MR48	M26			Y-CE-50	1	TC47					5	6A7, 6D6, 75, 25L6G, 25Z5	455	14-2
1D50MB.....	Vol.	Y-CV-25	17				A5	Y-CE-46	1/‡	3N533					5	6A8G, 6U7G, 6Q7G, 25L6G, 25Z6G	455	11-1
1D59L.....	Vol.	Y-VC-30	18	MR48	M26			Y-CE-50	1	TC47					5	6A7, 6D6, 75, 25L6G, 25Z5	455	12-1
1M40I, R, W.....	Vol.	Y-VC-40	18	UM154-SS3	M26			Y-CE-50	1	TC47					4	12SA7GT, 12K7GT, 12Q7GT, 70A7GT	455	11-3
1S49.....	Vol.	Y-VC-37	18	MR48	M26			20-20	1	2N509					5	12SA7GT, 12K7GT, 12Q7GT, 35L6GT, 35Z5GT	455	14-2
2A50F, FB, FM, FMB.....	Vol. & Tone	Y-VC-33	18/57	Order from Mfr.				Y-CE-43	1/19	3S584/TC26					5	6A7, 6D6, 75, 41, 80	455	11-5
2C60.....	Vol. & Tone	Y-VC-33	18/‡	Order from Mfr.				Y-CE-43	1	3S584					6	6K8G, 6U7G, 6Q7G, 6P5G, 6AC5G, 5Y3G	455	12-3
2C60AP.....	Vol. & Tone	Y-VC-33	18/‡	Order from Mfr.				Y-CE-43	1	TC47/TC26					6	6K8G, 6U7G, 6Q7G, 6P5G, 6AC5G, 5Y3G	455	12-2
2C60P.....	Vol. & Tone	Y-VC-42	18/‡	Order from Mfr.				Y-CE-60	1	TC47					6	6K8G, 6U7G, 6Q7G, 6P5G, 6AC5G, 5Y3G	455	12-3
2D60.....	Vol.	Y-VC-21	18	MR48	M26			CE-46	1/15	3N533					5	6K8GT, 6K7GT, 6Q7GT, 25L6GT, 25Z6G	455	12-1
2D69.....	Vol. & Tone	Y-VC-33	18/‡	Order from Mfr.				Y-CE-46	1/19	TN129					6	6K8G, 6U7G, 6Q7G, 6AE5G, 25AC5G, 25Z6G	455	14-3
3C69, 369.....	Vol. & Tone	Y-VC-35	18/‡	Order from Mfr.				CE-52	1	2S569					6	6SA7, 6SK7, 6Q7G, 76, 6AC5G, 5Y3G	455	14-4
3C70.....	Vol. & Tone	Y-VC-35	18/‡	Order from Mfr.				Y-CE-52	1	TC47					7	6SA7, 6SK7, 6Q7G, 76, 6AC5G, 5Y3G, 6U5	455	11-6
3C80, 3C80P.....	Vol. & Tone	Y-VC-39	18/‡	Order from Mfr.				Y-CE-52	1	TC47					8	6K8G, 6U7G, 6Q7G, 6P5G, 6AC5G, 5Y3G, 6U5	455	11-7
3SC80, 3SC80B.....	Vol. & Tone	Y-VC-39	18/57	Order from Mfr.				Y-CE-52	1	TC47					8	6K8G, 6U7G, 6Q7G, 6P5G, 6AC5G, 5Y3G, 6U5	455	11-8
3C90.....	Vol. & Tone	Y-VC-39	18/57	Order from Mfr.				Y-CE-52	1	TC47					9	6K8G, 6U7G, 6Q7G, 6K6G, 5Y3G, 6U5	455	11-9
3SC90.....	Vol. & Tone	Y-VC-39	18/57	Order from Mfr.				Y-CE-52	1	TC47					9	6K8G, 6U7G, 6Q7G, 6K6G, 5Y3G, 6U5	455	11-9
4B22.....	Vol.		18	MR48	M27			CE-35	12	TC42					4	1A7GT, 1N5GT, 1H5GT, 3Q5GT	455	13-1
4C10.....	Vol.	Y-VC-43	18	MR48	M27			CE-35	12	TC42					4	1A7GT, 1N5GT, 1H5GT, 1C5GT	455	12-1
4PWO.....	Vol.	Y-VC-36	151				A5	Y-CE-54	1/15	See Note	B3				4	12Q7GT, 50L6GT, 12SA7GT, 35Z5GT		11-10
5A410, 5A430, Ch. 4501, 4504.....	Vol.	13-14	18	MK401	M26			19-24	81	2N514					5	12SA7GT, 12SK7GT, 12SQ7GT, 50L6GT, 35Z5GT	455	15-1

‡ Data not substantiated.

\* IMPORTANT: Read Notes in Note Section if specified in Note Column.

§ Indicates miscellaneous section.

MANUFACTURER AND MODEL	CONTROLS							CONDENSERS				VIBRATORS			No. Tubes	Complete Tube Complement	I. F. Peak	Rider's Reference
	Use	Original Part	Cir- cuit	Correct Replacement	Switch	Bias	*Note	Original Part	Cir- cuit	Correct Replacement	*Note	Original Part	Replac- ment	*Note				
<b>MAJESTIC RADIO</b>	<b>AND TELEVISION—</b>	<b>Continued</b>																
5A445, 5A445R, Ch. 4506.....	Vol.	13-28.....	157	TM230-SS25	M26			19-24.....	98	2N514.....				5	12SA7, 12SK7, 12SQ7, 50L6GT, 35Z5GT..	455		
5AK711.....	Vol.	13-33.....	18	Order from	Mfr..			19-32.....	12	TC45.....				5	12BE6, 12BA6, 12AT6, 50B5, 35W4	455		
5AK731, 5AK780, Ch. 5B05A.....	Vol.	13-28.....	18	Order from	Mfr..			19-25.....	81	FP306.....	B192			5	12BE6, 12BA6, 12AT6, 50B5, 35W4	455		
5BD, 5BDR.....	Vol.	Y-VC-38A.....	18	Order from	Mfr..		A5	19-25.....	81	FP354.....	B8			5	12BE6, 12BA6, 12AT6, 50B5, 35W4	455		
5ADA.....	Vol.	Y-VC-30.....	18	MR48.....	M26			CE-62.....	24/13/ 78	FP407.....				5	1A7GT, 1N5GT, 1H5GT, 1D8GT, 70L7GT.....	455	12-5	
5BDA, 5BEA.....	Vol. & Tone	Y-VC-33.....	18/57	Order from	Mfr..			Y-CE-43.....	1/15	TCD74/TC26.....				5	6A7, 6D6, 75, 41, 80.	455	12-4	
5CAA.....	Vol.	Y-VC-21.....	18	MR48.....	M26			Y-CE-43.....	1/19	TCD74/TC26.....				5	6A7, 6D6, 75, 41, 80.	455	11-11	
5CDC, 5CEC.....	Vol.		18	MR48.....	M26			CE-46.....	1/15	3N533.....				5	6K8GT, 6K7GT, 6Q7GT, 25L6G, 25Z6G.....	455	12-1	
5C36.....	Vol.		18	MR48.....	M26			Y-CE-43.....	1/15	TCD74/TC26.....				5	6SA7GT, 6SK7, 6SQ7, 6K6GT, 5Y3G.....	455	14-5	
5CU36.....	Vol.		18	MR48.....	M26			20-20.....	1	TCD45.....				5	12SA7GT, 12SK7GT, 12SQ7GT, 50L6GT, 35Z5GT.....	455	14-6	
5T, 5TO.....	Vol.	Y-VC-21.....	18	MR48.....	M26			20-20.....	1	TCD45.....				6	12SK7GT, 12SA7GT, 12SQ7GT, 35L6GT, 35Z5GT.....	455	13-5	
5T10, 5T10W.....	Vol.		18	MR48.....	M26			Y-CE-55.....	1	2N514.....				5	12SA7GT, 12K7GT, 12Q7GT, 50L6GT, 35Z4GT.....	455	11-12	
5TUIO, 5TUIOW.....	Vol.		18	MR48.....	M26			20-40.....	1	2N514.....				5	12SA7GT, 12SK7GT, 12SQ7GT, 50L6GT, 35Z5GT.....	455	13-1	
5ULBD.....	Vol.	Y-VC-38A.....	18	Order from	Mfr..		A5	20-40.....	1	2N514.....				5	12SA7GT, 12SK7GT, 12SQ7GT, 50L6GT, 35Z5GT.....	455	14-6	
6C35.....	Vol.		18	MR48.....	M26			CE-62.....	24/13/ 78	FP407.....				5	1A7GT, 1N5GT, 1H5GT, 1D8GT, 70L7GT.....	455	12-5	
6T120, Ch. 455.....	Vol.		18	MR48.....	M26			20-20.....	1	TCD45.....				5	12SA7GT, 12SK7GT, 12SQ7GT, 50L6GT, 35Z5GT.....	455	13-6	
6UL51.....	Vol.	Y-VC-21.....	18	MR48.....	M26			20-40.....	1	TC45.....				5	6A7, 6D6, 75, 25L6G, 25Z5.....	455	11-10	
7C40, 7CU40.....	Vol. & Tone	M1377.....	18/22	Order from	Mfr..			Y-CE-40.....	1	TC48.....				5	6A7, 6D6, 75, 25L6G, 25Z5.....	455	11-10	
7C75, Ch. 435.....	Vol.		18	Order from	Mfr..			Y-CE-39.....	1	TC48.....				5	6A7, 6D6, 75, 25L6G, 25Z5.....	455	11-10	
7C432, Ch. 4706.....	Vol. Tone	13-19.....	151	MK401.....	M26			20-40.....	1	2N514.....				8	6SK7, 6SA7, 7E7, 7F7, 25L6, 25Z6..	455	13-7	
7C447, Ch. 4707.....	Vol. Tone	14-6.....	124	MK400.....	M26			19-26.....	98/15	FP390/TC26.....	B8			7	6SK7, 6SA7, 7E7, 7S7, 25L6, 25Z5..	455	15-3	
7JK777R, Ch. 4708R.....	Vol. Tone	13-19.....	151	MK401.....	M26			19-26.....	98/15	FP390/TC26.....	B8			7	6SA7, 6J5, 6SK7, 6H6, 6SQ7, 6V6GT, 5Y3GT.....	455		
7P420, Ch. 4705.....	Vol.	14-6.....	124	MK400.....	M26			19-26.....	98/15	FP390/TC26.....	B8			7	6SA7, 6J5, 6SK7, 6H6, 6SQ7, 6V6GT, 5Y3GT.....	455		
7S433, 7S450, 7S470, Ch. 4702, 4703.....	Vol. Tone	13-19.....	161	MK401.....	M26			19-37.....	81/15	FP390/TC26.....	B6			7	6SA7, 6J5, 6SK7, 6H6, 6SQ7GT, 6V6GT, 5Y3GT.....	455		
7T20, Ch. 432.....	Vol.	14-6.....	21	MK400.....	M26			19-37.....	24/78	Order from	Mfr..			7	1U4, 1R5, 1S5, 3Q4, 50B5, 35W4.....	455		
7YR752, Ch. 7B04A.....	Vol.	13-17.....	18	MR48.....	M26			19-37.....	24/78	Order from	Mfr..			7	6SA7, 6SK7, 6SQ7GT, 6J5, 6K6GT, 5Y3GT.....	455	15-18	
8JL771A, Ch. 4810-A.....	Vol. Tone	13-15.....	167	TM249-SS25	M26			19-24.....	80	2N514.....				7	6SK7, 6SA7, 6SQ7, 25L6, 25Z6.....	455	15-22	
8FM744, Ch. 8B06D.....	Vol. & Tone	14-4.....	167	MR48.....	M26			19-32.....	81	TC45.....				7	12SA7, 12SK7GT, 12SQ7, 50L6GT, 12BA6, 50B5, 35Z5GT.....	455		
				MK401.....	M26			19-36.....	15	TC2501.....				7	6SA7GT, 6SK7GT, 6SQ7GT, 6J5, 6K6GT, 5Y3GT, 0C3/VR105.....	455		
				MK403.....	M26			19-25.....	24	FP306.....	B192			7	6SA7GT, 6SK7GT, 6SQ7GT, 6J5, 6K6GT, 5Y3GT, 0C3/VR105.....	455		
				Order from	Mfr..			19-16.....	1	2S569.....				7	6SA7GT, 6SK7GT, 6SQ7GT, 6J5, 6K6GT, 5Y3GT, 0C3/VR105.....	455		
				Order from	Mfr..			19-32.....	13	TC45.....				8	6BA6, 6BE6, 6SG7, 6SH7, 6S8GT, 25L6GT, 25Z6GT..	455	10.7	
				Order from	Mfr..			19-44.....	1/15	2N520/TC2501.....				8	6BA6, 6BE6, 6SG7, 6SH7, 6S8GT, 25L6GT, 25Z6GT..	455	10.7	

‡ Data not substantiated.

\* IMPORTANT: Read Notes in Note Section if specified in Note Column.  
GRID BIAS CELLS ARE EXCLUSIVE WITH MALLORY!

‡ Indicates miscellaneous section.

MANUFACTURER AND MODEL	CONTROLS							CONDENSERS				VIBRATORS			No. Tubes	Complete Tube Complement	I. F. Peak	Rider's Reference
	Use	Original Part	Circuit	Correct Replacement	Switch	Bias	*Note	Original Part	Circuit	Correct Replacement	*Note	Original Part	Replacement	*Note				
MAJESTIC RADIO 8FM775, 8FM776, Ch. 8B08D, 8B07D.....	Vol.	03-32.....	†	Order from	Mfr.....			19-44 19-32.....	1/15 13	2N520/TC2501 TC45.....					8	6BA6, 6BE6, 6SG7, 6SH7, 6S8GT, 25L6GT, 25Z6GT.....	455 10.7	
8S452, 8S473, Ch. 4810, 4809.....	Vol. Tone	13-15..... 14-4.....	167 167	TM249-SS25 MK403.....	M26			19-16.....	1	2S569.....					7	6SA7GT, 6SK7GT, 6SQ7GT, 6J5, 6K6GT, 5Y3GT, VR105-30.....	455	15-28
12FM475, 12FM778, 12FM779, Ch. 41201.....	Vol. Tone Balance	13-25..... 14-7..... 13-23.....	229 229 †	MRT451..... MK403..... Order from	M26 Mfr.....			19-34..... 19-35..... 19-36.....	1/13 1	FP231..... FP145..... TC2501.....					12	6BA6, 6BE6, 6SQ7, 6SA7, 6SG7, 6SH7, 6S8GT, 6SJ7, 6V6GT, 5U4G.....	455 10.7	
42.....	Vol.	Y-VC-16.....	6	MR33.....		EX300		16. 16.....	1	TC45.....					4	6K7, 6J7, 25L6.....		9-1
50 (1937).....	Vol.	B16970.....	6	MR33.....	M26			B16973..... B17042.....	4 4	RS207..... RS207.....					4	6D6, 6C6, 43, 25Z5.....		8-1
51B, 51P, 51W (Ch. 151).....	Vol.	Y-VC-2.....	6	MR33.....				Y-CE-2.....	4	TC47.....					4	6D6, 6C6, 25L6G, 25Z5, BK55B.....		10-3
52.....	Vol.	Y-VC-15.....	18	MR48.....	M26			16..... 40.....	25 25	TC45..... TC48.....					5	6A8, 6K7, 6Q7, 25L6, 25Z6.....	455	9-1
55B, P, W (Ch. 155).....	Vol.	Y-VC-2.....	6	MR33.....				Y-CE-4.....	1/15	3N533.....					4	6A7, 6C6, 25L6G, 25Z5, BK55B.....	455	10-4
56 (Ch. 156).....	Vol.		18	MR48.....				16-8-10.....	1/19	TCD74/TC26					5	6A8G, 6U7G, 6Q7G, 6K6G, 5Y3G.....	455	10-5
60 (1937).....	Vol. Tone	B17010..... B17047.....	17 †	MR53..... MR44.....	M26			B17041-3..... B17197.....	4 4	RS224..... RS224.....					5	6A8G, 6K7G, 6Q7G, 25B6G, 25Z6G.....	456	8-2
62A.....	Vol.	Y-VC-18.....	18	MR53.....				CE43.....	1/19	TCD74/TC26					6	6A7, 6D6, 75, 41, 80, 76.....	455	9-2
65, 66 (1937).....	Vol. Tone	B16542-2..... B16540-2.....	18 22	MR53..... MR42.....	M26			B16466..... B16467-2.....	4 4	RS216..... RS213.....					6	6A8G, 6K7G, 6Q7G, 6G5, 6K6G, 5Y3.....	456	7-1
67, 68 (Ch. 167, 1673).....	Vol.		15	†		See Note	A19	†	1	See Note.....	B3				6	6A8G, 6U7G, 6J5G, 6F5G, 6K6G, 5Y3G 6D8G, 6S7G, 6T7G, 6N5, 6K6G, 6ZYG 6L7G, 6K7G, 6Q7G, 6F6G, 6G5, 5Y3, 6C5G.....	455	10-6
69 (Chassis 169).....	Vol. Tone	Y-VC-3..... Y-TC-2.....	17 57	Order from	Mfr.....	See Note	A3	Y-CE-24..... .007.....	4 4	TC55..... Buffer.....	B14	Y-V-1.....	859	C3	6	6A8G, 6U7G, 6J5G, 6F5G, 6K6G, 5Y3G 6D8G, 6S7G, 6T7G, 6N5, 6K6G, 6ZYG 6L7G, 6K7G, 6Q7G, 6F6G, 6G5, 5Y3, 6C5G.....	455	14-7,8,9
75, 76 (1937).....	Vol. Tone	B16542-2..... B16540-2.....	18 34	MR53..... MR42.....	M26			B16466..... B16467.....	4 4	RS216..... RS213.....					7	6A8G, 6U7G, 6J5G, 6F5G, 6K6G, 5Y3G 6D8G, 6S7G, 6T7G, 6N5, 6K6G, 6ZYG 6L7G, 6K7G, 6Q7G, 6F6G, 6G5, 5Y3, 6C5G.....	456	7-2,8-5
85, 86.....	Vol. Tone	B16542-2..... B16539-2.....	18 44	MR53..... Order from	M26 Mfr.....			A-15236-3..... A-15237-2.....	25 25	RS223..... RS215.....					5	6C5G, 6F6G, 6G5, 5Y3.....	456	7-3
130, 130U.....	Vol.		18	MR48.....				CE-58.....	12	TC40.....					3	1A7GT, 1N5GT, 1D8GT.....	455	
140.....	Vol.	Y-VC-15.....	18	MR48.....	M26			Y-CE-56.....	1	See Note.....	B3				4	12SA7GT, 12K7GT, 12Q7GT, 70A7GT.....	455	11-12
148.....	Vol.	Y-VC-15.....	18	MR48.....	M26			Y-CE-56.....	1	See Note.....	B3				4	12SA7GT, 12K7GT, 12Q7GT, 70A7GT.....	455	11-12
149I, 149N, 149W.....	Vol.	Y-VC-29.....	18	MR48.....	M26			Y-CE-50.....	1	TC47.....					5	12A8GT, 12K7GT, 12Q7GT, 35L6GT, 35Z4GT.....	455	10-1
150L.....	Vol.	Y-VC-29.....	18	MR48.....	M26			Y-CE-46.....	1/15	3N533.....					5	12SA7GT, 12K7GT, 12Q7GT, 35L6GT, 35Z4GT.....	455	11-13
167.....	Vol. Tone		20 †	† MR44.....			A19	16-16..... 12.....	1 15	2S569..... TC22.....					6	6A8G, 6U7G, 6J5G, 6F5G, 6K6G, 5Y3G 12SA7GT, 12K7GT, 12Q7GT, 35L6GT, 35Z4GT.....	455	
250, 250M.....	Vol.	Y-VC-21.....	18	MR48.....	M26			Y-CE-55.....	1	2N514.....					5	12SA7GT, 12K7GT, 12Q7GT, 35L6GT, 35Z5GT.....	455	12-1
260.....	Vol. & Tone	Y-VC-33.....	18/†	Order from	Mfr.....			Y-CE-43.....	1	TCD74/TC26					6	6K8G, 6U7G, 6Q7G, 6P5G, 6AC5G, 5Y3G.....	455	12-2
310UL.....	Vol.		18	MR48.....				CE-58.....	12	TC40.....					3	1A7GT, 1N5GT, 1D8GT.....	455	11-14
360.....	Vol. & Tone	Y-VC-35.....	18/†	Order from	Mfr.....			Y-CE-52.....	1	TCD74.....					7	6SA7, 6SK7, 6Q7G, 76, 6AC5G, 5Y3G, 6U5.....	455	11-6
380.....	Vol. & Tone	Y-VC-39.....	18/†	Order from	Mfr.....			Y-CE-52.....	1	TCD74.....					8	6K8G, 6U7G, 6Q7G, 6P5G, 6AC5G, 5Y3G, 6U5.....	455	11-7
390.....	Vol. & Tone	Y-VC-39.....	18/57	Order from	Mfr.....			Y-CE-52.....	1	TCD74.....					9	6K8G, 6U7G, 6Q7G, 6K6G, 5Y3G, 6U5.....	455	11-9
408, Ch. 408.....	Vol.		18	MR48.....	M26				24	2N514.....					4	6SK7, 6SJ7, 50L6, 35Z5.....		15-34

† Data not substantiated.

\* IMPORTANT: Read Notes in Note Section if specified in Note Column.  
MALLORY PARTS ARE DESIGNED WITH THE SERVICEMAN IN MIND.

‡ Indicates miscellaneous section.

MANUFACTURER AND MODEL	CONTROLS							CONDENSERS				VIBRATORS			No. Tubes	Complete Tube Complement	I. F. Peak	Rider's Reference
	Use	Original Part	Circuit	Correct Replacement	Switch	Bias	*Note	Original Part	Circuit	Correct Replacement	*Note	Original Part	Replacement	*Note				
<b>MAJESTIC RADIO</b>	<b>AND TELEVISION—Continued</b>																	
410.....	Vol.	Y-VC-43.....	18	MR48.....	M27			CE-35.....	12	TC42.....					4	1A7GT, 1N5GT, 1H5GT, 1C5GT.....	455 12-1	
410-A.....	Vol.	Y-VC-26.....	18	MR48.....	M27			CE-35.....	12	TC42.....					4	1A7G, 1N5G, 1H5G, 1C5G.....	455 14-10	
410C, 410D, 410E..	Vol.		18	UM154.....	M27		A96	CE-35.....	12	TC42.....					4	1A7GT, 1N5GT, 1H5GT, 3Q5GT.....	455 13-1	
419B.....	Vol.	Y-VC-26.....	18	MR48.....	M27			CE-35.....	12	TC42.....					4	1A7G, 1N5G, 1H5G, 1C5G.....	455 11-14	
420, 420PL.....	Vol.	Y-VC-26.....	18	MR48.....	M27			CE-35.....	12	TC42.....					4	1A7G, 1N5G, 1H5G, 1C5G.....	455 11-14	
421, 421PL.....	Vol.	Y-VC-26.....	18	MR48.....	M26			CE-35.....	12	TC42.....					4	1A7G, 1N5G, 1H5G, 1C5G.....	455 11-14	
431X.....	Vol.		18	MR48.....	M26			20-20.....	1	2N509.....					5	12SA7GT, 12SK7GT, 12SQ7GT, 50L6GT, 35Z5GT.....	455 14-6	
511, 511A, 519P, 519PA.....	Vol.	Y-VC-17.....	18	MR48.....				CE-34.....	1	TC62.....					5	6A7, 6D6, 75, 41, 80.....	455 9-3	
551.....	Vol.	Y-VC-11.....	18	MR53.....				Y-CE-43.....	1/19	TCD74/TC26	.B10				5	6A7, 6D6, 75, 41, 80.....	455 9-3	
620.....	Vol.	B17010.....	15	MR53.....				CE-38.....	1	TC62.....					5	6A8G, 6K7G, 6H6G, 6K6G, 5Y3G.....	456 8-4	
B17047.....	Tone	B17047.....	1	MR44.....				B16466.....	25	RS216.....					5	6A7, 6D6, 75, 41, 80, 6J5.....	455 9-4	
639, 639B.....	Vol.	Y-VC-19.....	18	MR48.....				B16467-2.....	25	RS213.....					6	6A7, 6D6, 75, 41, 80, 6J5.....	455 9-4	
650 (1937).....	Vol.	B16542-2.....	18	MR53.....	M26			CE43.....	1/19	TCD74/TC26					6	6A8G, 6K7G, 6Q7G, 6K6G, 6G5, 5Y3.....	456 7-1,8-5	
B16540-2.....	Tone	B16540-2.....	34	MR42.....				B16466.....	4	RS216.....					6	6A7, 6D6, 75, 25L6G, 25Z5, L49B.....	455 10-7	
B16540-2.....	Vol.	Y-VC-21.....	18	MR48.....	M26			B16467-2.....	4	RS213.....					5	6A8G, 6U7G, 6J5G, 6F5G, 6K6G, 5Y3G.....	455 10-6	
651EB.....	Vol.	Y-VC-21.....	18	MR48.....	M26			Y-CE-46.....	1/19	3N533.....					5	6A7, 6D6, 75, 25L6G, 25Z5, L49B.....	455 10-7	
670, 671, 672, 673 (Ch. 167, 1673)...	Vol.		18				See Note	†		See Note.....	.B3				6	6A8G, 6U7G, 6J5G, 6F5G, 6K6G, 5Y3G.....	455 10-6	
690 (Chassis 169)...	Vol.	Y-VC-3.....	17	Order from Mfr.....				Y-CE-24.....	4	TC55.....		Y-V-1.....	859	C3	6	6D8G, 687G, 6T7G, 6N5, 6K6G, 6Z5Y5G.....	455 14-7,8,9	
699P.....	Vol.	Y-TC-2.....	57				See Note	.007.....		Buffer.....	.B14				6	6A7, 6D6, 75, 41, 6J5, 80.....	455 11-15	
739.....	Vol.	Y-VC-22.....	18				See Note	Y-CE-7.....	1/19	TCD74/TC26					6	6A7, 6D6, 75, 41, 6J5, 80.....	455 11-15	
	Vol.	Y-VC-6.....	20				See Note	CE7.....	1/15	3S579.....					7	6K8, 6K7, 6J5G, 6Q7, 6K6G, 6U5, 5Y3G.....	455 9-5	
	Tone	Y-TC-1.....	21				See Note								7	6C5G, 6L7G, 6K7G, 6Q7G, 6F6G, 6G5, 5Y3.....	456 7-2,8-5	
750 (1937).....	Vol.	B16542-2.....	18	MR53.....	M26			B16466.....	4	RS216.....					7	6A8G, 6K7G, 6Q7G, 25L6, 25Z6G, 6G5.....	456 8-7	
	Tone	B16540-2.....	34	MR42.....				B16467.....	4	RS213.....					8	6A8G, 6K7G, 6Q7G, 6C5G, 6G5, 6F6G, 5Y3.....	456 7-3,8-5	
800.....	Vol.	B17411.....	17	MR53.....				B17041-3.....	28	RS224.....					7	6A8G, 6K7G, 6Q7G, 25L6, 25Z6G, 6G5.....	456 8-7	
	Tone	A17408.....	22	MR21.....	M26			B17197.....	28	RS224.....					7	6A8G, 6K7G, 6Q7G, 25L6, 25Z6G, 6G5.....	456 8-7	
								B17042.....	28	RS207.....					8	6A8G, 6K7G, 6Q7G, 6C5G, 6G5, 6F6G, 5Y3.....	456 7-3,8-5	
850 (1937).....	Vol.	B16542-2.....	18	MR53.....	M26			A15236-3.....	25	RS223.....					8	6A8G, 6K7G, 6Q7G, 6C5G, 6G5, 6F6G, 5Y3.....	456 7-3,8-5	
	Tone	B16540-2.....	44	MR42.....				A15237-2.....	25	RS215.....					9	6K7, 6K8, 6U5, 6Q7, 6J5G, 6K6G, 80.....	455 9-7	
939.....	Vol.		17				See Note	†		See Note.....	.B3				9	6K7, 6K8, 6U5, 6Q7, 6J5G, 6K6G, 80.....	455 9-7	
1050.....	Vol.	B16553-2.....	17	MRT448.....	M26			B16554-2.....	1	RS223.....					10	6K7G, 6L7G, 6Q7G, 6C5G, 6G5, 6F6G, 5Z3.....	456 7-4	
	Tone	B16540-2.....	22	MR42.....				B15427.....	15	RS216.....					10	6K7G, 6L7G, 6Q7G, 6C5G, 6G5, 6F6G, 5Z3.....	456 7-4	
1056X.....	Vol.	Y-VC-5.....	18				See Note	Y-CE-10.....	1/15	TCD74/TC26					10	6J7G, 6A8G, 6J5G, 6U7G, 6Q7G.....	455 10-9	
							See Note	CE-25.....	1	TC22.....					10	6J7G, 6A8G, 6J5G, 6U7G, 6Q7G.....	455 10-9	
1058X.....	Vol.	Y-VC-5.....	18				See Note	Y-CE-10.....	1/15	TCD74/TC26					10	6J7G, 6A8G, 6J5G, 6U7G, 6Q7G.....	455 10-9	
							See Note	CE-25.....	1	TC22.....					10	6J7G, 6A8G, 6J5G, 6U7G, 6Q7G.....	455 10-9	
1250.....	Vol.	B16565-2.....	15	TM234-SS1.....	M26			B16613-2.....	1	2S569.....					12	6K7G, 6L7G, 6H6G, 6C5G, 6G5, 6F5G, 6L6G, 5Z3.....	456 8-9	
	Tone	B16566-2.....	22	MR55.....				B16614-3.....	14/15	TC871.....					12	6K7G, 6L7G, 6H6G, 6C5G, 6G5, 6F5G, 6L6G, 5Z3.....	456 8-9	
1356X (Ch. 11356X)	Vol.		15	MR53.....	M26			Y-CE-15.....	1	RS223.....					13	6U7G, 6L7G, 6J5G, 6H6G, 6Q7G, 6F5G, 6V6G, 6U5, 5X4G.....	455 10-11	
								Y-CE-13.....	1	RS224.....					13	6U7G, 6L7G, 6J5G, 6H6G, 6Q7G, 6F5G, 6V6G, 6U5, 5X4G.....	455 10-11	
								Y-CE-23.....	13/15	TC55/TN111					13	6U7G, 6L7G, 6J5G, 6H6G, 6Q7G, 6F5G, 6V6G, 6U5, 5X4G.....	455 10-11	
1656-S.....	Vol.	Y-VC-9.....	45	MR53.....	M26			CE-26.....	13	TC70.....					15	6U7G, 6A8G, 6U5, 6J5G, 6Q7G.....	455 14-9, 11, 12	
								Y-CE-13.....	1	RS224.....					15	6U7G, 6A8G, 6U5, 6J5G, 6Q7G.....	455 14-9, 11, 12	
								Y-CE-15.....	1	RS223.....					15	6U7G, 6A8G, 6U5, 6J5G, 6Q7G.....	455 14-9, 11, 12	
1656X (Ch. 11656X)	Vol.	Y-VC-9.....	15	MR53.....	M26			CE-15.....	†	RS223.....					16	6U7G, 6L7G, 6J5G, 6H6G, 6Q7G, 6F5G, 6V6G, 6U5, 5X4G.....	455 10-12	
	A.F.C.	Y-PA-12.....	8	UC500.....				CE13.....	†	RS224.....					16	6U7G, 6L7G, 6J5G, 6H6G, 6Q7G, 6F5G, 6V6G, 6U5, 5X4G.....	455 10-12	
								B17042.....	13	RS207.....					16	6U7G, 6L7G, 6J5G, 6H6G, 6Q7G, 6F5G, 6V6G, 6U5, 5X4G.....	455 10-12	
								CE-22.....	†	ST599.....					16	6U7G, 6L7G, 6J5G, 6H6G, 6Q7G, 6F5G, 6V6G, 6U5, 5X4G.....	455 10-12	
								CE-27.....	13	TC70.....					16	6U7G, 6L7G, 6J5G, 6H6G, 6Q7G, 6F5G, 6V6G, 6U5, 5X4G.....	455 10-12	
								CE-25.....	15	TC22.....					16	6U7G, 6L7G, 6J5G, 6H6G, 6Q7G, 6F5G, 6V6G, 6U5, 5X4G.....	455 10-12	
1673.....	Vol.		20					16-16.....	1	2S569.....					6	6A8G, 6U7G, 6J5G, 6F5G, 6K6G, 5Y3G.....	455	
	Tone		†	MR44.....				12.....	15	TC22.....					6	6A8G, 6U7G, 6J5G, 6F5G, 6K6G, 5Y3G.....	455	
Chassis 1870.....	Vol.		15				See Note	16-12.....	1	2S569.....					8	6U7G, 6A8G, 6G5, 6J5G, 6F5G, 6K6G, 5Y3G.....	455 10-8	
	Tone		21	MR44.....											8	6U7G, 6A8G, 6G5, 6J5G, 6F5G, 6K6G, 5Y3G.....	455 10-8	
11056, 11058.....	Vol.	Y-CV-5.....	18	MR48.....				16-16-10.....	1/15	TCD74/TC22					10	6U7G, 6A8G, 6J5G, 6Q7G, 6V6G, 6G5, 5Y3G.....	455 9-9	
								10.....	15	TC22.....					10	6U7G, 6A8G, 6J5G, 6Q7G, 6V6G, 6G5, 5Y3G.....	455 9-9	
11356.....	Vol.	Y-VC-9.....	127	MR53.....	M26			Y-CE-13.....	1	RS224.....					12	6U7G, 6L7G, 6J5G, 6H6G, 6G5, 6Q7G, 6F5G, 6V6G, 5X4G.....	455 9-11	
								Y-CE-15.....	1	RS223.....					12	6U7G, 6L7G, 6J5G, 6H6G, 6G5, 6Q7G, 6F5G, 6V6G, 5X4G.....	455 9-11	
								Y-CE-23.....	14/15	TC55/TN111					12	6U7G, 6L7G, 6J5G, 6H6G, 6G5, 6Q7G, 6F5G, 6V6G, 5X4G.....	455 9-11	
								CE-26.....	13	TC70.....					12	6U7G, 6L7G, 6J5G, 6H6G, 6G5, 6Q7G, 6F5G, 6V6G, 5X4G.....	455 9-11	

† Data not substantiated.

\* IMPORTANT: Read Notes in Note Section if specified in Note Column.  
WHEN YOU BUY LEVER ACTION SWITCHES BUY MALLORY.

§ Indicates miscellaneous section.

MANUFACTURER AND MODEL	CONTROLS							CONDENSERS				VIBRATORS			No. Tubes	Complete Tube Complement	I. F. Peak	Rider's Reference
	Use	Original Part	Circuit	Correct Replacement	Switch	Bias	*Note	Original Part	Circuit	Correct Replacement	*Note	Original Part	Replacement	*Note				
MAJESTIC RADIO 11656.....	AND TELEVISION Vol. Y-VC-9 Sen. Y-PA-12	Continued 45 7	MR53 UC500	M26			CE15 CE13 B17042 CE25 CE27	22 22 14 15 13	RS223 RS224 RS207 TC22 TC70					16	*6U7G, 6L7G, 6J5G, 6B8G, *6F5G, *6L6G, 6J7G, 6A8G, 6H6G, 6G5, 6Q7G, 5X4G	455	9-13	
P. R. MALLORY & CO. VF223 "Vibrapacks" VP540..... VP551..... VP552..... VP553..... VP554..... VP555..... VP-G556..... VP557..... VP-F558.....							101523 101650 A40980-3 A40980-1 A40980-1 A40980-1 A40980-1 A40980-6 101411 A40980-1 A42086-1 X-26080	1/13 1	FP390 See Note Buffer Buffer Buffer Buffer Buffer On Order Buffer Buffer On Order	B125 B125 B125 B125 B125 B125 B125 B125 B125 B125		725C 725C 725C 825C 825C 825C G725C 825C F826C						
MANTOLA—See B. F.	Goodrich																	
MARCONIPHONE "Vanity" (1937)..... "Vanity" (1938)..... D, DE (1937)..... D8 (1938)..... D10 (1938)..... D11.....	Vol. Tone Vol. Tone Vol. Phono. Vol. Phono. Vol. Tone Vol. Phono.	18 22 75 18 63 18/7 41 61 18/7 41 63 18 22	MR48 MR33 MR48 MR48 MR33 DRP314 MR48 MR33 DRP314 MR48 MR39 MR48 MR33				25-16-8 5-5 25, 25 5 16, 16, 10 25 40 25 30 40 25 30 32-32 12	6/13 15 15 6 12 1 15 1 1 15 15 15 63 63	See Note TN111 TC47 TC22 TN129 TC47 TC48 TC47 TC29 TC48 TC47 TC29 See Note See Note	B3 B3 B3 B3 B3 B3 B3 B3			6 8 7 7 9 7	6A7, 78, 75, 6G5, 43, 25Z5, L42E 6A7, 6D6, 76, 6C5, *43, 6G5, 25Z5, D9085 *6D6, 6A7, 6R7, *43, 25Z5, L17D *6D6, 6A7, 6R7, *43, 25Z5, E658A *6D6, 6A7, 6H6, 6G5, 6R7, *43, 25Z5, E658B 6SA7GT, 6K7GT, 6SQ7GT, 25L6G, 6E5, *25Z6G	456 456 175 175 175 456	10-1 10-1 10-2 10-3 10-4 11-5		
MARK SIMPSON— MA-17, MA-17P..... MA-20HF..... MA-25, MA-25P..... MA-35, MA-35RC..... MA-50..... MA-75..... MA-121..... MA-808..... MAP-15.....	"Masco" Mic. Tone Phono Vol. Bass Treble Mic. Tone Phono Mic. 1 Mic. 2 Phono Bass Treble Mic. Treble Bass Phono Mic. 1 Mic. 2 Phono Bass Treble Vol. Treble Bass Vol. Tone Vol. Tone	231 21 231 172 230 230 231 21 172 231 231 165 233 233 231 192 192 172 230 230 172 21 18 172 182 57 185 185	MR48 MR48 MR48 MR48 MR48 MRT430 MR48 MR48 MR48 MR48 MR48 MR48 MR48 MR48 MR48 MR48 MR48 MR48 MR48 MR48 MR48 MRT430 MR48 MR48 MR48 MR48 MR48 MR48 MR48 MR48				1 13 15 1 13 13 15 1 24 13 15 12 13/13 15 46 13 13 15 117 1 88 88 44 15 24 24/12 91 91 15 15 1 13 15 1 13/13 15	2N518 2N518 TC32 HS693 TC71 2N518 TC32 HS693 2N518 TC71 TC42 HS693 2N518 TC32 HS693 TC71 2N518 TC75 2N518 TC71 2N511 TC32 HS693 2N518 TC74 TC32 ST597 2N518 TC32				5 6 7 8 10 13 5 4 5	7C7, 6SL7, *6L6GA, 5Y3GT 6SJ7, *6SL7GT *6L6GT, 5U4GT *7B4, *7N7, *6L6GA, 5U4G *7C7, 7N7, *6L6GA, 5U4G *7C7, 7F7, 7N7, *6L6GA, *5U4G *7C7, 7F7, 7N7, *6V6GT, *6L6GA, *5V4G, 5Y3GT *7F7, *6V6GT, 5Y3GT 7B4, 7C7, 6L6GA, 5Y3GT *6SL7, *7F7, *6L6GA, 5Y3GT					

† Data not substantiated.

\* IMPORTANT: Read Notes in Note Section if specified in Note Column.

‡ Indicates miscellaneous section.



MANUFACTURER AND MODEL	CONTROLS							CONDENSERS				VIBRATORS			No. Tubes	Complete Tube Complement	I. F. Peak	Rider's Reference	
	Use	Original Part	Circuit	Correct Replacement	Switch	Bias	*Note	Original Part	Circuit	Correct Replacement	*Note	Original Part	Replacement	*Note					
MECK—John Meck Industries 6A6-W-4.....	Vol. Tone	—Continued	184	MK402	M26										6	12SK7GT, 12SA7GT, 12SQ7GT			
6A7.....	Vol. Tone	VC-11105	34 206 18	MR48 MR48 MK402											6	35L6GT, 35Z5GT, 12BA6, 12BE6, 12AT6, 50B5, 35W4	455		
MEDCO—See Teleomatic																			
MEGARD CORP. HE-621.....	Vol. Tone		213 213	Order from Order from	Mfr. Mfr.										6	7A7, 7B8, 7B6, 7C5, 5Y3GT	455	15-1,4	
MEISSNER 8.....	Vol. Tone Sen.		15 22 7	MR48 MR19 MR28	M26			8, 8, 8 10	3 15	RS213 TC22					8	6K7, 6A8, 6C5, 6H6, 6F5, 6F6, 5Z4	†		
9-1047A.....								60, 60	24	TC50					8	6SK7, 6SA7, 6SJ7, 6H6, 6U5G, 6X5GT	4.3 mc	14-1,2	
9-1065.....	Vol. Tone	19827 9-1065	228 172	UM154-SS1 UM129-SS1	M26			16124 24126 16113	1 15/15 13	FP324 FP211 TC72				7	6SA7, 6SF7, 6ESJ7, 6SC7, 6V6GT, 5Y3GT	455			
9-1067.....	Vol. Treble Bass	19867 19866 19885	15 † †	MR48 MR55 MR48	M26			24131 15192	46 15	FP371 TC22				11	7G7, 6SA7, 6ESJ7GT, 6H6GT, 7N7, 6U5, 6X5GT	456 AM 4.3 FM	14-3-6		
9-1084, 9-1086.....	Vol.		18	MK401	M26				1	2N511/TC48				6	12SK7, 12SA7, 12SQ7, 35L6GT, 35Z5GT	455	15-1		
9-1085.....	Vol.		18	MR48	M26				1	2N509				6	12SK7, 12SA7, 12SQ7, 35L6GT, 35Z5GT	455	15-3		
500B1, 500BW, 500D1, 500DW.....	Vol.		18	MR48	M26				24	2N520				5	12SA7GT, 12SK7GT, 12SQ7GT, 50L6GT, 35Z5GT	455			
561B1, 561BW, 561D1, 561DW.....	Vol.		18	MR48	M26				24	2N520				5	14Q7/12SA7/12BE6, 14A7/12B7/12SK7/12BA6, 14B6/12SQ7/12AT6, 50A5/50L6GT/50B5, 35Y4/35Z5GT/35W4	455			
661, 661A.....	Vol.		18	MR48	M26				24	2N520				5	12SK7, 12SA7GT, 12SQ7GT, 50L6GT, D. R.	455			
700.....	Vol.	A-28072-1	161	TM249-SS1	M26			A-10427	24	FP357	B8			7	14Q7, 7AG7, 14B6, 14A4, 50A5, 35Z3	455	15-1		
700A.....	Vol.	A-28072-1	161	TM249-SS1	M26			A-410427	80	2N521				7	14Q7, 7AG7, 14B6, 14A4, 50A5, 35Z3	455			
700E.....	Vol.	A-28072-1	18	MRT449	M26			A-10427	24	FP357	B8			7	14Q7, 7AG7, 14B6, 14A4, 50L6GT, 35Z3	455			
2961 (Series).....	Vol. Hum Bal. Bias Balance Fd. Bck. Balance	29232 29260 29260 29259	228 237 235 236	TM231-SS1 M100P M100P M1MP	M26			27171 28106 27171 28105 28109	1 16 2 15 13	FP234 TC39 FP234 TC36 TC72				29	9003, 6BE6, 6C4, 9002, 6AG5, 6AL5, 9001, 6U5/6G5, 6J5GT, 6SN7GT, 6L6GA, 5Y3G	455 10.7			
MERCURY AUTO—See Ford																			
METEOR—See Airing																			
MIDLAND B-6-A, B-6-B.....	Vol.		18	MR48	M26				15	TC32				6	6SJ7, 6SA7, 6SK7, 6H6, 6J5, 25L6	456	15-1		
M-6-A, M-6-D.....	Vol.		18	MR48	M26				88	TN129				6	7C7, 7A6/7C7, 14Q7, 14A7, 50A5, 35Y4	456	15-2		
M-6-B, M-6-C.....	Vol.		18	MR48	M26				88 15	TN129 TC32				6	12SA7, 12SG7/12SK7, 12J5GT, 35L6GT, 35Z5GT	455	15-3,4		
MID-WEST RADIO CORP. AC6 '33 Model.....	Vol.	—“Miraco”	83	MR48	M26			4-4	25	TCS71				6	55, 56, 58, 59, 80	450			
AC6 Midget.....	Vol. Tone		6 22	G7 MR18	6-9	2		8-8	1	See Note	B3			6	24, 27, 45, 80				
AC8 ('32).....	Vol. Tone		83 22	MR48 MR33	M26			8, 8	1	RS213				8	55, 56, 57, 58, 2A5, 80	450			
AC8-33 (4 Bands).....	Vol. Tone		83 †	MR48 MR48	M26			8-8	1	2N518				8	57, 56, 58, 55, 2A5, 80	450	8-27		
AC8 ('33) 5 Bands.....	Vol. Tone		83 †	MR48 MR48	M26			8-8	1	2N518				8	55, 56, 57, 58, 59, 80	456	8-27		
AC9 (1SG, 227 Type).....	Vol.		7/12	MR48				2-2-2	3	See Note	B3			9	24, 27, 45, 80				

† Data not substantiated.

\* IMPORTANT: Read Notes in Note Section if specified in Note Column.  
BE SURE TO SPECIFY MALLORY RADIO AND ELECTRONIC PARTS.

‡ Indicates miscellaneous section.

MANUFACTURER AND MODEL	CONTROLS							CONDENSERS				VIBRATORS			No. Tubes	Complete Tube Complement	I. F. Peak	Rider's Reference
	Use	Original Part	Circuit	Correct Replacement	Switch	Bias	*Note	Original Part	Circuit	Correct Replacement	*Note	Original Part	Replacement	*Note				
MID-WEST—Continued																		
AC9-4SG	Vol. Tone		6	MR24 MR18				8, 8, 8	28	RS213					9	24, 27, 45, 80	3-2	
AC9 Pentode Super (2 Types)	Vol. Tone		62	MR48				8-8	4	See Note	B3				9	24, 27, 35, 47, 80	175 3-4	
AC9 T.R.F.	Vol. Tone		22	MR48		See Note A27												
AC10	Vol. Tone		14	MR39		See Note A4		4-2-2-1	3	See Note	B1				9	26, 27, 71A, 80	3-4	
AC11 '31	Vol. Tone		6	MR18		See Note A5		8-8	1	See Note	B3				10	24, 27, 45, 80	175	
AC12	Vol. Tone		44	MR18				8-8	4	See Note	B3				11	35, 24, 27, 47, 80	175 3-4	
Battery 6 Super	Vol.		149	UC513				8-8	3	RS213					12	55, 58, 42, 80, 57	450	
Battery 7 (2 Volt Model)	Vol.		45	MR48				8-8	3	See Note	B3				6	30, 34, 19	456 8-5	
Battery 8 (Super-2 Volt)	Vol. Sen.		7	UC500				25	15	TC26					7	30, 31, 32		
Battery 6 Super	Vol.		15	MR48											8	30, 34		
Battery 7 (2 Volt Model)	Vol.		10	MR44											4	57, 56, 58, 80	9-1	
Battery 8 (Super-2 Volt)	Vol. Tone		76	MR44				24	12	See Note	B3				18	6D6, 6C6, 76, 6B7, 2A5, 5Z3	456 8-61,63	
C4-1932 Converter "Imperial"	Vol. Tone Supp. Att.		12	NN	Mfr.			8-8	1	2N518					9	24, 26, 27, 71, 80	4-1	
Miraco 1SG-226	Vol.		25	Order from MR33	Mfr.			4-2-2-1-1	3	See Note	B1				16	55, 56, 57, 58, 42, 46, 80, 82	450 3-3	
Miraco 16 Tube ('32)	Vol. Tone Supp.		7	MR48	M26			4-4-8	3	See Note	B3				5	1A7, 1N5, 1T5, 25Z6, 1H5	456 12-1	
"Portable" (1940)	Vol.		17	MR33	M27			40-20-10-70	76/78	See Note	B3				5	1A7, 1N5, 1H5, 1T5, 25Z6	456 14-1	
P-5	Vol.		149	MR33	M27			40-20-10-70	76/13	Order from	Mfr.				5	1R5, 1T4, 1S5, 3S4	456	
P-6, PB-6	Vol.	RV-4	18	MR53	M27			CE-9	91	TC47					5	1R5, 1T4, 1S5, 3S4	456	
Regal (1936)	Vol. Tone		18	MR48				CE-8	78	TC2501					22	6K7, 6H6, 6L7, 6C5, 6J7, 6N6, 5W4, 80, 2M2	456 8-65,68	
Regal (1937)	Vol. Tone		75	MR48				25	3	RS223					22	6K7, 6C5, 6J7, 6H6, 6L7, 6N6, 80, 2M2, 5W4	456 9-18,20	
"Royale"	Vol. Tone Att.		75	MR48				20	13	RS219					24	6K7, 6C5, 6H6, 6J7, 6P6, 5Y3 or 5Z4	456 7-1,4	
S8, ST-8, TM-8 Ch. STM-8	Vol. Tone	RV-3 RV-2	228 238	MR39	Mfr.			16, 16	37	RS216					8	6SK7GT/G, 6SA7GT/G, 6J5GT/G, 6E5, 6SJ7GT/G, 6K6GT/G, 6X5GT/G	456	
S-12, SG-12, ST-12, Ch. SGT-12	Vol. Tone	RV-3 RV-5	140 140	Order from Mfr.				16, 16	15	TC44					12	7A7, 7Q7, 7A6, 6E5, 7A4, 7C5, 5U4G	456 16-1	
S-16, SG-16, ST-16, Ch. SGT-16	Vol. Tone	RV-3 RV-5	140 140	TM223-SS1 UM156-SS25	M26			CE-6	1	FP238					16	6BA6, 6BE6, 6C4, 7A7, 7Q7, 6AL5, 7A6, 6E5, 7A4, 7C5, 5U4G	455 10,7 16-5	
SW5-36 (AC-DC)	Vol.		6	UM156-SS25	M26			CE-4	15	TC29					5	6A8, 6K7, 75, 43, 25Z5	456 8-1	
Z4 Short Wave Converter	Vol.		6		6-9	See Note A5		20-12-5	27/15	UR182-193	B221				4	24, 27, 80		
6DC (110 Volt) 6-Tube Battery 5-36	Vol. Tone		56	MR48				8-8	1	See Note	B3				6	37, 78, 85, 43	175	
6-33	Vol. Tone		17	MR48				8-8	1	2N518					6	34, 30, 19		
6-34	Vol. Tone		22	UM154	M26	See Note A96		.01-.01	1	Buffer	B14		294	C3	5	6A7, 6D6, 75, 41, 0Z4	456 9-3	
6-37	Vol. Tone		83	UM137	M26	See Note A96		4-4	1	TCS71					6	58, 56, 55, 59, 80	450 8-2	
6-37 (Auto)	Vol. Tone		147	MR48	M26			8, 8	25	RS213					6	58, 2A7, 2B7, 2A5, 80	450 8-3,4	
	Vol. Tone		22	MR33				20-12	27	TCS45					5	6A7, 6D6, 75, 43, 25Z5	456 8-7,8	
	Vol. Tone		17	MR48	M26			8-8	1	2N518			294	C3	6	6D6, 6A7, 75, 41, 84	175 8-6	
	Vol. Tone		22	UM154-SS17 MR39	M26			5-5	15	TN111	B14							

‡ Data not substantiated.

\* IMPORTANT: Read Notes in Note Section if specified in Note Column. MAKE FULL USE OF NOTES AND CIRCUIT DIAGRAMS.

§ Indicates miscellaneous section.



MANUFACTURER AND MODEL	CONTROLS							CONDENSERS				VIBRATORS			No. Tubes	Complete Tube Complement	I. F. Peak	Rider's Reference
	Use	Original Part	Circuit	Correct Replacement	Switch	Bias	*Notes	Original Part	Circuit	Correct Replacement	*Notes	Original Part	Replacement	*Notes				
MIDWEST—Continued																		
6-38 (AC-DC) (Export).....	Vol. Tone		18	MR48	M26			20-12	4	TCS45					5	6A8, 6K7, 6Q7, 25B6, 25Z5, L49B	456	8-18
7-36.....	Vol. Tone		56	MR48				8, 8	25	RS213					7	*58, 56, 55, 2A5, 80	456	7-2,4
7-36 (AC-DC).....	Vol. Tone		75	MR48	M26			20	63	RS207					7	6A7, 6K7, 6H6, 6F5, 43, 25Z5	450	8-9,10
7-36 (Batt.).....	Vol. Tone		22	MR39				12-25-5-5	63/15	2N513/TN111					7	1C6, *34, *30, 19	465	8-11,12
7-36 (Metal Tube).....	Vol. Tone		45	MR48				8-20	1	See Note	B3		245	C3	7	*6K7, 6C5, 85, 42, 80	456	
7-37.....	Vol. Tone		22	MR33	M26			.02		Buffer	B14				7	*6K7, 6C5, 6Q7, 6F6, 5Y3	456	8-13,14
7-37 (AC-DC).....	Vol. Tone		18	MR48	M26			8, 8	25	RS213					7	6A8, 6K7, 6H6, 6F5, 25A6, *25Z6	456	8-15,17
7-37 (Batt.).....	Vol. Tone		22	MR33				10	15	TC22					7	6A7, *15, *76, 19, 6G5	465	8-19,20
7-38 (AC-DC).....	Vol. Tone		75	MR48	M26			.02		Buffer	B14				7			
7-38 (AC-DC) (Export).....	Vol. Tone		18	MR48	M26			12-20	4	TCS45					5	6A8, 6K7, 6Q7, 25B6, 25Z5	456	8-21
7-38 Battery (Export).....	Vol. Tone		147	MR48				20-12	4	TCS45					6	6A8, 6K7, 6Q7, 25B6, 25Z5, 6G5, L49B	456	8-22
7-39.....	Vol. Tone	C363	45	MRT431	M26			8-8	1	2N518			245	C3	7	6D8, 6S7, *6L5, 6Z7, or 1J6, 6N5	456	8-23
8-31 (Batt.).....	Vol. Tone		129	MR44				10-10	15	TN111					7	6A8, 6S7, *6L5, 6Z7, 6N5	456	11-1
8-38 (AC-DC).....	Vol. Tone		129	MR44				.015	1	Buffer	B14	V13	245	C3	8	*32, *30		8-24
8-38 (AC-DC) (Export).....	Vol. Tone		18	MR48	M26			12-20	4	TCS45					6	6A8, 6K7, 6Q7, 6G5, 25B6, 25Z5	456	8-29
8-38 (Batt.).....	Vol. Tone		147	MR48				20-12	4	TCS45					7	6A8, 6K7, 6Q7, 6C5, *25B6, 25Z5, K17R	456	8-30
8-39 (AC-DC).....	Vol. Tone	C363	62	MRT431	M26			8-8	1	2N518		45	245	C3	7	6D8, 6S7, *6L5, 6N5, 1J6	456	8-31
8-39.....	Vol. Tone	C363	62	MRT431	M26			10	15	TC22	B14				7	6A8, 6K7, *6P5, 6G5, 25L6, 25Z5, L49B	456	10-1
9-31 (3SG).....	Vol. Tone		7	MR34				.015	1	Buffer	B14				7	6A8, 6K7, 6H6, *6P5, 6AC5G, 6G5, 80	456	9-8
9-31 (4SG).....	Vol. Tone		41	MR48				C240	1	2N509					8	*24, *27, *45, 80	456	8-24
9-32.....	Vol. Tone		6	MR24				6-2-4	3	See Note	B3				9	*24, *47, *45, 80		8-32
9-32.....	Vol. Tone		22	MR18				8, 8, 8	28	ST595					9	*35, 24, *27, *47, 80	175	8-33
9-34.....	Vol. Tone		107	MR48				8-8	4	TCS71	B3				9	55, 56, 57, *58, *2A5, 80	456	6-1
9-34.....	Vol. Tone		39	MR48				8, 8	1	RS213					9			
9-34 (RT9, G9, F9, H9).....	Vol. Tone		83	MR48				8, 8	1	RS213					9	*58, 57, 56, 55, *2A5, 80	456	4-2
9-38 (AC-DC).....	Vol. Tone		149	MR33				1	12	TC70	B3				7	6A8, 6K7, 6Q7, 6C5, *25B6, 25Z5	456	8-34,36
9-38 (AC-DC) (Export).....	Vol. Tone		7	UC500				20-12	4	TCS45					7	6A8, 6K7, 6Q7, 6C5, 25B6, 6G5, 25Z5, K17R	456	8-35
10A-33-34.....	Vol. Tone		18	MR48	M26			20-12	4	TCS45					7	6A8, 6K7, 6Q7, 6C5, 25B6, 6G5, 25Z5, K17R	456	6-5
10-34.....	Vol. Tone		39	MR48				20-12	4	TCS45					7	6A8, 6K7, 6Q7, 6C5, 25B6, 6G5, 25Z5, K17R	456	6-3,4
10-35.....	Vol. Tone		62	MR48	M26			8, 8	1	RS213					10	*56, *58, *2A5, 80	456	6-12,13
10-37.....	Vol. Tone		22	MR33				1	13	TC70	B3				10	*56, 57, *58, *2A5, 80	456	8-37,38
10-38 (AC-DC).....	Vol. Tone		7	UC500				2	13	TC70	B3				10	*56, *58, *2A5, 80	456	6-12,13
11-31.....	Vol. Tone		62	MR48	M26			8	1	RS213					10	*56, *58, *2A5, 80	456	8-39
11-31.....	Vol. Tone		22	MR33				16	1	RS216					10	*6K7, 6A7, 85, *43, *25Z5	456	8-40
11-36.....	Vol. Tone		7	UC500				1	12	TC70					10	6A8, 6K7, 6Q7, 6G5, 6C5, *25B6, 25Z5	456	7-3,4
	Vol. Tone		18	MR48	M26			20	12	RS207					10	*6K7, 6A7, 85, *43, *25Z5	456	8-37,38
	Vol. Tone		44	MR39	M26			25-12	6	UR182-193	B18				10	6A8, 6K7, 6Q7, 6G5, 6C5, *25B6, 25Z5	456	8-39
	Vol. Tone		7	D				20-12	4	TCS45					8	*35, *24, *27, *47, 80	175	8-40
	Vol. Tone		18	MR48	M26			8, 8	4	RS213					11	*6K7, *6C5, 6H6, *6F6, 5Z4	456	7-3,4
	Vol. Tone		39	MR48				16	1	RS216					11			
	Vol. Tone		107	MR48	M26			8	1	RS213					11			
	Vol. Tone		149	MR44				2	14	TC70					11			
	Vol. Tone		75	MR48	M26			12	15	TC22					11			
	Vol. Tone		21	MR33				12	15	TC22					11			

‡ Data not substantiated.

\* IMPORTANT: Read Notes in Note Section if specified in Note Column.

§ Indicates miscellaneous section.

MANUFACTURER AND MODEL	CONTROLS							CONDENSERS				VIBRATORS			No. Tubes	Complete Tube Complement	I. F. Peak	Rider's Reference
	Use	Original Part	Circuit	Correct Replacement	Switch	Bias	*Note	Original Part	Circuit	Correct Replacement	*Note	Original Part	Replacement	*Note				
MID-WEST—Continued																		
11-37	Vol. Tone		75	MR48	M26		24	1	RS223					11	6K7, 6C5, 6H6, 6F6, 5Z3	456	8-41,44	
11-37 (AC-DC)	Vol. Tone		75	MR48	M26		40	1	RS224					11	6K7, 6C5, 6H6, 25B6G, 25Z6	456	8-42,44	
12-33	Vol. QAVC		21	MR48			40	1	RS207					12	658, 55, 57, 42, 80	450	8-45,46	
12-38 (AC)	Vol.		83	MR48			8-8	3	RS213									
12-38 (Batt.)	Vol.		7	UC500			5	15	2N518									
12-39	Vol.	C363	†	MR48	M26		24	1	TC32					12	6K7, 6L7, 6C5, 6H6, 6J7, 6C8, 6V6, 80	456	8-47,49	
12-40	Vol.	C363	†	MR48	M26		5	1	RS223					12	6S7, 6L7, 6L5, 6J7, 6H6, 6N5, 6K6	456	8-48,49	
14-37	Vol. Tone		75	MR48	M26		24	1	RS223	B14				12	6K7G, 6L7G, 6H6G, 6P5G, 6J5G, 6J7G, 6V6G, 80	456	9-10	
14-37A	Vol. Tone		21	MR48			40	1	RS224					12	6A8G, 6K7G, 6J5G, 6J7G, 6H6G, 6P5G, 6V6G, 80	456	11-2	
14-40	Vol. Tone		75	MR48	M26		16	25	RS216					14	6K7, 6H6, 6C5, 6F6, 5Z3	456	8-50,54	
1429	Vol.	C363	75	MR48	M26		20	25	RS219					14	6K7, 6H6, 6C5, 6F6, 5Z3	456	8-52,54	
15-40	Vol.	C363	45	MR48	M26		8	13	RS213	B192				14	6A8GT, 6K7GT, 6P5G, 6AC5G, 80, 6AF6G	456	11-3	
16-33	Vol. Tone Sen.		83	MR48			25	15	TC26					14	6L7G, 6J5, 6K7G, 6H6G, 6P5G, 6J5G, 6AC5G, 80	456	10-3	
16-34 (RT16, A16, B16, D16, PR16, RM16)	Vol. Tone Supp.		15/22	MN			8, 8, 8	26	RS213					16	6D6, 6C6, 78, 6B7, 437, 445, 5Z3, 56	450	6-7,8	
16-35 1935 Deluxe (J-16, L-16, M-16, S16), (EP16)	Vol. Tone		†	MR33	Mfr.		10	19	TC36					16	6D6, 6C6, 78, 6B7, 445, 6C6, 5Z3	456	6-9,14	
16-37	Vol. Tone		75	MR48			10	17	TC32					16	6K7, 6C5, 6H6, 6J7, 6N6, 80	456	8-55,56	
16-37 AFC	Vol. Tone		21	MR48			25	15	TC26					16	6K7, 6L7, 6H6, 6C5, 6J7, 6N6, 80	456	9-11	
16-38	Vol.		83	MR48			40, 40	1/13	RS224					16	6K7, 6L7, 6C5, 6H6, 6J7, 6V6, 80	456	8-57, 9-11,12	
17-39	Vol.	C363	†	MRT430			24	1	RS223					17	6K7G, 6L7G, 6J5G, 6J7G, 6H6G, 6P5G, 6AC5G, 80	456	10-2	
18-36	Vol. Tone		64	MR48			40	1	RS224					18	6K7, 6C5, 6H6, 6F6, 5Z4, or 5Y3	456	7-4,5	
18-36A	Vol. Tone		132	MR48			2	13	TC40					18	6K7, 6C5, 6H6, 6J7, 6L7, 6N6, 80	456	8-59,60	
18-37	Vol. Tone		75	MR48	Mfr.		8-25-25	15	TC52/TC26					18	6K7, 6C5, 6H6, 6J7, 6L7, 6N6, 80	456	7-6, 9-14,15	
18-37 AFC	Vol. Tone		75	MR48	Mfr.		20	1	RS219					18	6K7, 6C5, 6H6, 6J7, 6L7, 6N6, 80	456	9-16	
18-38AC	Vol.		21	MR48			40	1/13	RS224					18	6K7, 6L7, 6H6, 6C5, 6J7, 6N6, 80	456	8-64	
			75	MR48		See Note A19	24	1	RS223					18	6K7, 6L7, 6H6, 6C5, 6J7, 6V6, 80	456		
							40	1	RS224									
							10	15	TC22									

† Data not substantiated.

\* IMPORTANT: Read Notes in Note Section if specified in Note Column.

§ Indicates miscellaneous section.

WHEN YOU BUY A BATTERY CHARGER BUY A MALLORY.

MANUFACTURER AND MODEL	CONTROLS							CONDENSERS				VIBRATORS			No. Tubes	Complete Tube Complement	I. F. Peak	Rider's Reference
	Use	Original Part	Circuit	Correct Replacement	Switch	Bias	*Note	Original Part	Circuit	Correct Replacement	*Note	Original Part	Replacement	*Note				
MID-WEST—Continued																		
20-38	Vol.		75	500M No. 1		See Note A19	24	1	RS223					20	6K7, 6L7, 6H6, 6C5, 6J7, 6R7, 6V6, 80	456	8-69,70	
35-5-SW AC DC Super.	Vol. Tone		7	G.	↓		12-20	6	2N509					5	6A7, 6D6, 6C6, 12Z3, 43	465	6-6, 9-2	
51BT	Vol. Tone	C363	18	MR39	M26		5-5	15	TN111					5	1B7G, 1N5GT, 1H5GT, 2Q5GT	456	12-3	
51	Vol. Tone	C374	21	MRT431	M26		10	19	TC32					5	6A8GT, 6K7GT, 6S07GT, 5Y3, 6K6G	456	12-2	
TD51	Vol. Tone	C363	18	MRT431	M26		C248	1/15	FP339					5	7A8, 7B7, 7C6, 35Z3, 35A5	456	12-4	
62	Vol. Tone	C374	18	MR48			20-20-20	1/15	FP339					6	6SA7GT, 6K7GT, 6S07GT, 6J5GT, 6V6G, 5Y3G	456	13-1	
62B	Vol. Tone		18	MK401	M26		20-20-20	24/15	FP339			859		6	6SA7GT, 6K7GT, 6S07GT, 6J5GT, 6V6G, 6X5	456	13-2	
62D	Vol. Tone		18	MK401	M26		20-20-20	1/15	FP339					6	12SA7GT, 12K7GT, 12SQ7GT, 12J5GT, 35L6G, 35Z4	456	13-3	
82	Vol. Tone		18	MK401	M26		20-20-20	1/15	FP339					8	6SA7GT, 6K7GT, 6J5GT, 6SF5GT	456	13-4	
82R	Vol. Tone		18	MK401	M26		20-20-20	1/15	FP339					8	6U5, 6V6G, 5Y3G, 6SA7GT, 6K7GT, 6S07GT, 6SF5GT, 6U5, 6J5GT, 6V6G, 5Y3G	456	13-5	
90	Vol.		45	MR48	M26		C248	1/15	FP339					9	6A8GT, 6K7GT, 6P5GT, 6AF6G, 6V6G, 80	456	11-5	
91	Vol.		18	MR48	M26		C-248	1/15	FP339					9	6A8GT, 6K7GT, 6P5G, 6AF6G, 6V6G, 80	456	14-4	
112	Vol. Tone		17	MR48	M26	See Note A5	25-25-25	46	FP444	B69				11	6SA7GT, 6SK7GT, 6J5GT, 6V6G, 6SJ7GT, 5Y3G	455	13-6,7	
162	Vol. Tone		17	MR48	M26	See Note A19	25-25-25	46	FP444	B69				16	6SA7GT, 6SK7GT, 6J5GT, 6SJ7GT, 6U5, 6V6G, 5Y3G, 6SA7GT, 6SK7GT, 6J5GT, 6SJ7GT, 6U5, 6V6G, 5Y3G	455	13-7,8	
162R	Vol. Tone		17	MR48	M26	See Note A19	25-25-25	46	FP444	B69				16	6U5, 6V6G, 5Y3G, 6A8GT, 6K7G, 6J5, 6J7, 6H6, 6P5, 6AF6G, 6AC5G, 80	456	11-6	
170	Vol.	C363	↓	MRT431	M26		C248	1	FP339	B192				17	6A8GT, 6K7GT, 6J5, 6J7, 6H6, 6P5, 6AF6G, 6AC5G, 80	456	11-6	
181	Vol. Tone		15	MR48	M26		30-25-25	46	FP444	B69				18	6K7GT, 6SA7GT, 6J5GT, 7A7, 7C7, 6U5, 6V6GT, 5Y3	456	14-6	
712	Vol. Tone	RV-3	140	TM233-SS1			CE-6	1	FP328					12	7A7, 7Q7, 7A6, 7A4, 6E5, 7C5, 5U4G	456	16-1	
716, 716A, Ch. SGT-16	Vol. Tone	RV-5	140	UM156-SS25	M26		CE-6	1	FP238					16	6BA6, 6BE6, 6C4, 7A7, 7Q7, 6AL5, 7A6, 6E5, 7A4, 7C5, 5U4G	456	10.7	
746M & 747M (31-'32)	Vol.		6	E12		↓	8-8	4	See Note	B3				8	24, 27, 35, 47, 80	175	16-4,12	
MINERVA CORP. OF AMERICA																		
L-702, W-702	Vol.		18	MR48	M26			24	2N511					6	12SK7GT/14A7, 12SA7GT/14Q7, 12SQ7GT/14B6, 35L6GT/35A5, 35Z5GT/35Y4	455	15-8	
L-728, W-728	Vol.	34-1A	18	MR48	M26			88	2N513/TC47					5	14Q7/12SA7, 14A7/7B7/12SK7, 14B6/12SQ7, 50A5/50L6GT, 35Y4/35Z5GT	455		
W-117 (Early)	Vol. Tone		18	MR48	M26			1	2N511					8	6SK7, 6SA7, 6SQ7, 6SC7GT, 50L6GT, 25Z6	455	15-2	
W-117 (Late), W-117-3	Vol. Tone		18	MR48	M26			1	2N511					8	6SK7, 6SA7, 6SQ7, 50A5, 35Z5GT	455	15-2,6	
W-119, W-119A	Vol.		161	MR48	M26			1	2N511					6	6SK7, 6SA7, 6SQ7, 25L6, 25Z6	455	15-7	
W-710, W-710A	Vol. Tone	50-11	18	MR48	M26			1	2N511					6	12SK7, 12SA7, 12SQ7, 35L6GT, 35Z5GT	455		

† Data not substantiated.

\* IMPORTANT: Read Notes in Note Section if specified in Note Column.

‡ Indicates miscellaneous section.

MANUFACTURER AND MODEL	CONTROLS							CONDENSERS				VIBRATORS			No. Tubes	Complete Tube Complement	I. F. Peak	Rider's Reference
	Use	Original Part	Circuit	Correct Replacement	Switch	Bias	*Note	Original Part	Circuit	Correct Replacement	*Note	Original Part	Replacement	*Note				
<b>MINERVA CORP. OF AMERICA</b>		ICA—Continued																
114	Vol.		18	MR48	M26				122	2N511					6	6SS7, 12SA7, 12SQ7, 50L6GT, 35Z5GT	455	15-1
702-H, 702H-1	Vol. Tone	50-6	18 114	MR50 MR48	M26		A4		88	2N511/TC48					6	12SK7GT, 12SA7, 12SQ7GT, 35L6GT, 35Z5GT	455	16-1,2
729 Portapal	Vol.	300014		MR48	M26			230005	88/78	FP357/TC2501					5	1R5, 1T4, 1S5, 3Q4, 117Z3	455	16-1,2
<b>MISSION BELL RADIO CO.</b>																		
4A	Vol.		96	UM133		See Note	A96	10	15	TC32					4	39, 38		3-1
6A	Vol.		61	UM147		See Note	A96	4-4	1	TC26					6	39, 37, 24, 47	252	3-2
10A	Vol.		15	UM154		See Note	A96	4-4	15	See Note	B3		292	C3	6	36, 39, 84, 85, 41	252	4-1
11, 12	Vol.		18	UM147		See Note	A96	.02	1	Buffer	B14				6	75, 77, 78, 42, 84	252	5-1
14	Vol.		18	UM154		See Note	A96	25, 25	15	TC26	B14				5	77, 78, 75, 42, 84	456	5-2
16	Vol.		18	UM154	M26	See Note	A96	.05	1	Buffer	B14				5	6A7, 6D6, 75, 41, 84	465	6-1
16 Auto	Vol. Tone		18	UM154		See Note	A96	4-4	23	Buffer	B3		292	C3	5	6A7, 78, 75, 41, 84	456	7-1
17, 18	Vol. Tone		22	UM147		See Note	A96	6-6	23	2S567	B14				5	6A7, 6D6, 6Q7G, 41, 80	465	10-1
19, 19A	Vol.		15	MR48				10	15	2S567	B14				7	6K7, 6A8, 6R7, or 6H6 and 6C5, 6F6, 84	262	7-2
25A	Vol. Tone		15	MR44				10	15	TC22	B3			Order from Mfr.	5	57, 58, Wunderlich, 41, 1V	252	4-2
			22	UM154		See Note	A96	4-8	15	TC22	B3		292	C3	6	77, 78, 75, 42, 84	252	5-3
				MR39				25	15	See Note	B3							
35	Vol.		6	MR18	M26	EX300		.05	23	Buffer	B14				4	6D6, 76, 42, 80		6-1
40	Vol.		18	MR48	M26			4-4	23	See Note	B3				4	2A7, 58, 2A6, 2A5, 80	456	5-3
40 All-Wave	Vol.		18	MR48	M26			4-4	4	See Note	B3				5	2A7, 58, 2A6, 2A5, 80	465	5-4
41AW, 41 Skip Band	Vol.		18	MR48	M26			4-4	4	See Note	B3				5	6A7, 6D6, 75, 42, 80	465	6-2
383	Vol.		18	MR48				4-4	23	See Note	B3				5	6A7, 6D6, 6Q7G, 41, 80	465	
384 (Revised)	Vol. Tone		106	MR48				8, 8	23	RS213					5	6A7, 6D6, 75, 41, 80	465	
384, 384 (Special)	Vol.		106	MR44				8-8	23	2S567					5	6A7, 6D6, 75, 41, 80	465	10-1
386 (Above 40461)	Vol. Tone		106	MR48				8-8	23	2S567					6	6A7, 6D6, 6H6, 6F5, 6V6G, 80	465	10-1
386AW	Vol. Tone		106	MR48				8, 8	23	RS213					5	6K8, 6D6, 75, 41, 80	465	
387	Vol.		6	MR44				16-16	23	TC855					4	6A7, 6F7, 25L6, 25Z5, L55B	465	
388	Vol. Tone		106	MR48				8, 8	23	RS213					6	6A7, 6D6, 75, 76, 41, 80	465	
389AW	Vol. Tone		106	MR44				12	25	RS215					8	6K8, 6K7G, 76, 6F5, 41, 80, 6T5	465	
390, 391	Vol.		106	MR44				30	25	RS223					5	6A7, 6D6, 6Q7G, 41, 80	465	
392	Vol.		56	MR48				8, 8	23	RS213					4	78, 76, 25L6G, 25Z5, L55B	465	
			6	MR15				20-20	4	2S556					4	78, 76, 25L6G, 25Z5, L55B	465	
395	Vol.		18	500M		See Note	A19	8-8	23	2S567					5	6A7, 6D6, 6Q7, 41, 80	465	10-2
400	Vol.		18	MR48	M27			4	12	TC40					4	1A7G, 1N5G, 1H5G, 1C5G	465	10-4
401, 402	Vol.		18	MR48				40, 40	40	TC48					5	6A7, 78, 75, 25L6G, 25Z5, L49B	465	10-3
404	Vol.		15	MR48	M26			8-8	24	2N518					5	6K7, 6B8, 6N7, 5W4		11-1
407, 408	Vol.		15	MR48	M26			10	15	TC22					5	12A8GT, 12K7GT, 12Q7GT, 50L6GT, 35Z5GT	465	11-1
			18	MR48	M26			40	4	TC48					5	12A8GT, 12K7GT, 12Q7GT, 35L6GT, 35Z4GT	465	11-2
407 (Late)	Vol.	113244079	18	UM154-SS3	M26			20	4	TC47					5	12A8GT, 12K7GT, 12Q7GT, 35L6GT, 35Z4GT	465	11-2
								1132040754	4	TC48					5	12A8GT, 12K7GT, 12Q7GT, 50L6GT, 35Z5GT	465	11-1
								1132040753	4	TC47					5	12A8GT, 12K7GT, 12Q7GT, 35L6GT, 35Z4GT	465	11-2
410	Vol.		18	MR48	M26			40	4	TC48					6	12A8GT, 12K7GT, 12Q7GT, 35L6GT, 35Z4GT	465	11-3
								16	4	TC44					6	12A8GT, 12K7GT, 12Q7GT, 35L6GT, 35Z4GT	465	11-3
411	Vol.	113244119	127	MR48	M26			1132041153	23	2S567					5	6A7, 6D6, 75, 41, 80	465	11-2
412	Vol.		18	MR48	M26			40	4	TC48					5	12A8GT, 12K7GT, 12Q7GT, 50L6GT, 35Z5GT	465	11-1
								20	4	TC47					5	12A8GT, 12K7GT, 12Q7GT, 50L6GT, 35Z5GT	465	11-1
415	Vol.		18	MR48				10-10	1	2S569					5	6SA7, 6SK7, 6SQ7, 6F6G, 5Y3G	465	11-4
								20	15	TC26					7	6A8GT, 6K7, 6SQ7, 6P5GT, 6F6G, 5Y3G	456	11-5
416	Vol. Tone		18	MR44			A19	10-10	1	2S569					7	6A8GT, 6K7, 6SQ7, 6P5GT, 6F6G, 5Y3G	456	11-4
			22	MR44				20	15	TC26					7	6A8GT, 6K7, 6SQ7, 6P5GT, 6F6G, 5Y3G	456	11-4
417	Vol. Tone		18	MR44			A19	10-10	1	2S569					7	6A8GT, 6K7, 6SQ7, 6P5GT, 6F6G, 5Y3G	456	11-5
			21	MR44				20	1	TC26					5	6SA7, 6SK7, 6SQ7, 6K6GT, 5W4	465	13-3
418	Vol.		18	MR48	M26			10-10-20	1/15	FP339					5	6SA7, 6SK7, 6SQ7, 6K6GT, 5W4	465	13-3

‡ Data not substantiated.

\* IMPORTANT: Read Notes in Note Section if specified in Note Column.

§ Indicates miscellaneous section.

ASK YOUR DISTRIBUTOR FOR THE LATEST MALLORY CATALOG AND PRICE LIST.

MANUFACTURER AND MODEL	CONTROLS							CONDENSERS				VIBRATORS			No. Tubes	Complete Tube Complement	I. F. Peak	Rider's Reference
	Use	Original Part	Circuit	Correct Replacement	Switch	Bias	*Note	Original Part	Circuit	Correct Replacement	*Note	Original Part	Replacement	*Note				
MISSION BELL—Continued 423	Vol. Mike		82 †	MRT460 MR48				10-10 8 20	1 13 15	FP231 TC71 TC26	B117				6	6SA7, 6SK7, 6SQ7, 6SJ7, 6V6GT, 5W4	465	14-5 Misc
498 (Record Player) 500, 501	Vol. Vol.		63 18	MR48 MR48	M26 M27			40, 40 4 6	24 12 12	TC48 TC40 TC42					2 4	6L5G, 70L7G, K90G, 1A7G, 1N5G, 1H5G, 1Q5G	465	10-5
503	Vol.		18	MR48	M27			6	12	TC42					4	1A7G, 1N5G, 1H5G, 1Q5G	465	13-4
504	Vol.		18	MR48				40-20 100	24 78	2N514 TC2501					5	1A7GT, 1N5GT, 1H5GT, 1T5GT, 117Z6GT	465	11-6
638A	Vol.		75	UM154		See Note	A96	8-8 .006	40	See Note Buffer	B3 B14		294	C3	6	6A7, 6K7, 6H6, 75, 41, 84	267.5	
972	Vol.		18	MR48	M26			8-8	4	2S567					5	6A7, 6D6, 6Q7G, 41, 80	465	13-1,2
3710	Vol. Tone		75 22	MR48 MR44				12 30	23 23	HD684 RS223					8	6A7, 76, 6K7, 6H6, 6F5, 442, 80	465	10-7
3716	Vol.		18	UM154		See Note	A96	4 6-6 .006	23 23	TC70 2S567 Buffer	B14		See Note	C6	5	6A7, 6K7, 75, 41, 84	267.5	10-8
3749	Vol. Tone		106 106	MR48 MR44				8-8	23	2S567					5	6A7, 6D6, 75, 41, 80	465	10-1
3817A	Vol.		75	UM154		See Note	A96	8-8 .006	40	See Note Buffer	B3 B14		294	C3	6	6A7, 6K7, 6H6, 75, 41, 84	267.5	
3849	Vol. Tone		106 106	MR48 MR44				8-8	23	2S567					6	6A7, 6D6, 76, 75, 41, 80	465	10-10
3859	Vol. Tone		106 106	MR48 MR44				8-8	23	2S567					6	6A7, 6D6, 75, 41, 80	465	10-10
3869	Vol. Tone		106 106	MR48 MR44				8, 8	23	TC71					5	6A7, 6K7G, 75, 25L6G, 25Z5	465	10-7
3871	Vol.		18	MR48				40 16	23 23	TC48 TC44					4	6K8, 75, 25L6G, 25Z5, L55B	465	10-9
3882	Vol.		6	MR15				20-20	4	2S556					4	78, 76, 25L6G, 25Z5, L55B	465	
3891	Vol. Tone		106 106	MR48 MR44				8, 8	23	TC71					5	6A7, 6K7G, 75, 25L6G, 25Z5	465	10-7
MITCHELL Lumitone	Vol.	N-3307	18	MK401	M26			N-3866	24	2N514					5	12SA7, 12SK7, 12SQ7, 35L6GT, 35Z5GT	456	14-1,2
MOLDED INSULATOR RS-1	ION CO. Vol.	(VIZ)	18	MR48	M26				24	FP313					5	12SA7GT, 12SK7GT, 12SQ7GT, 50L6GT, 35Z5GT	455	16-1
MONARCH L5	Vol. Tone	P660 P661	18 34	MR48 MR39	M26			P474 P160 P304	32 32 15	HD684 2N518 TC22					7	5Z4, 6F5, 6F6, 6H6, 6K7, 6L7, 6C5	456	
L6	Vol. Tone	P660 P661	18 44	MR48 MR39	M26			P474 P160 P304	32 32 15	HD684 2N518 TC22					8	5Z4, 6C5, 6F6, 6K7, 6L7, 6Q7	456	
L7	Vol. Tone	P691 P682	45 44	Order from MR39	Mfr.			P391 .01-.01	1	2N516 Buffer	B14	P402	245C	C3	7	1C6, 19, 30, 34	456	
Z4	Vol. Tone	P680 P682	45 44	Order from MR39	Mfr.			P391 .01-.01	1	2N516 Buffer	B14	P402	245C	C3	6	1C6, 19, 30, 32, 34	456	
Z5	Vol. Tone	P691 P962	45 44	Order from MR39	Mfr.			P958 .01-.01	1	2N516 Buffer	B14	P402	245C	C3	6	1C6, 19, 30, 32, 34	456	
A31	Vol.		18	MR48				8-4	23	2S567	B3				5	6A7, 6D6, 75, 42, 80	456	§5-13
54	Vol.		18	UM154		See Note	A96	6-10 .02	4	See Note Buffer	B3 B14		294	C3	5	6A7, 6D6, 75, 42, 84	456	
64	Vol.		18	UM154		See Note	A96	6-10 .02	4	See Note Buffer	B3 B14		294	C3	6	6D6, 6A7, 75, 42, 84	456	
161	Vol.		7	MR22	M26			3229	27	TC44/TC42					4	6D6, 6C6, 43, 25Z5	456	
MONITOR M-403 (Fact. No. 470-2)	Vol.	2480	228	MR55	M26				24	FP214					4	12SA7GT, 12SQ7GT, 50L6GT, 35Z5GT	455	16-3
M-500 (Fact. No. 475)	Vol. (Early) (Late)	2484 2483	18 18	MR53 MR55	M26 M26			2073	24	FP214					5	12SA7GT, 12SK7GT, 12SQ7GT, 50L6GT, 35W4	455	
M-510 (Fact. No. 472)	Vol.		18	MR53	M27			2075	24	Order from TC26	Mfr.				4	1R5, 1T4, 1S5, 3Q4, D. R.	455	16-5
M-3070	Vol. Tone	RE-1181 RE-1182	157 22	TM233 MR44	M26			CD-1248 CD-1247 CD-1247 CD-1246	1 13 121 15	FP238 TC71 TC71 TC39				11	6BA6, 6BE6, 6C4, 6SK7, 6SA7, 6SH7, 6H6, 6SQ7, 6V6GT, 5Y3GT	455 10.7		

† Data not substantiated.

\* IMPORTANT: Read Notes in Note Section if specified in Note Column.  
WHEN YOU BUY PLUGS AND JACKS BUY MALLORY.

§ Indicates miscellaneous section.

MANUFACTURER AND MODEL	CONTROLS							CONDENSERS				VIBRATORS			No. Tubes	Complete Tube Complement	I. F. Peak	Rider's Reference
	Use	Original Part	Circuit	Correct Replacement	Switch	Bias	*Note	Original Part	Circuit	Correct Replacement	*Note	Original Part	Replacement	*Note				
<b>MONITOR—Continued</b>																		
RA-50.....	Vol. Tone	RE-1164...	205	MR48.....	M26			CD-1226..	24	2N511.....					5	12BE6, 12BA6, 12AT6, 50B5, 35W4	456	
TA56M, TC56M, TW56M.....	Vol.	RE-1165... B135127-A..	189 205	MR44..... MK402.....				CD-1224..	15 1	TC22..... 2N509.....					5	14Q7, 14A7, 14B6, 50A5, 35Y4.....	455	16-1
<b>MONTGOMERY WARD &amp; CO. (Airline)</b>																		
Note: The prefix "62-" or for m of "62-" indicates				Radio Division in Montgomery-Ward Catalog														
Auto Radio.....	Vol.		45	MR48.....				4.....	15	TC22.....			Order from Mfr.		6	36, 37, 39, 38.....	262	3-11,12
Troubadour (32W).....	Vol.		6	G7.....				8, 8, 8.....	31	RS213.....					7	24, 27, 35, 80.....		2-1
AE10 (Two Types).....	Vol.	P911.....	60	E12.....				1-1-2.....	3	See Note.....	B1				9	24, 26, 35, 80.....		2-18,19
AE11.....	Vol.	P917.....	60/15	Order from Mfr.....				1-1.5-1-1.....	3/13	See Note.....	B1				8	27, 31, 80.....		
AE51, 52, 53, 54.....	Vol.		8	A400P.....				1-1.5-1-1.....	3/13	See Note.....	B1				8	27, 31, 80.....		
062.....	Vol.		45	MR48.....				4.....	15	TC22.....			Order from Mfr.		6	36, 37, 38, 39.....	262	
7GM.....	Vol. Tone		7/56	DRP314.....	6-9			44X10.....	23	RS216.....					6	6K7, 6B7, 76, 6F6, 80	456	
13, 15, 16, 16X, 17, 18, 18X.....	Vol.		6	MR18.....				972.....	1	2N518.....					5	24, 35, 47, 80.....	262	4-1
17 (31) "Turret Cond.".....	Vol.	6649.....	59	Order from Mfr.....				927.....	4	See Note.....	B1				9	24, 35, 47, 27, 80.....	175	3-13
20W.....	Vol.		6	G7.....				928.....	4	See Note.....	B1				4	24, 71A, 80.....		
22.....	Vol. Tone		6	G7.....				972.....	14	2N518.....					8	24, 27, 35, 80.....		2-11
26P, 26PX.....	Vol. Tone		6	G7.....		See Note A5		8-8.....	25	See Note.....	B3				4	24, 27, 35, 80.....		
26W.....	Vol.		22	G7.....		3		8-6.....	3	2N518.....					5	24, 45, 80.....		2-7
27W, 27WX (1500, 15000, Collegian).....	Vol. Tone		6	MR42.....		3		2678.....	1	RS213.....					5	24, 45, 80.....		2-17
49.....	Vol.		22	G7.....		3		8, 8.....	1	RS213.....					5	24, 27, 45, 80.....		2-17
62.....	Vol.		6	MR33.....				8, 8.....	1	RS213.....					5	24, 27, 45, 80.....		2-17
77.....	Vol.	96001.....	45	MR48.....				4.....	15	TC22.....			Order from Mfr.		5	24, 26, 01A, 71A.....		1-1,2-3
87.....	Vol.		97	TRP602.....				4.....	12	TC52.....					6	36, 37, 38, 39.....	262	4-18
95.....	Vol.	96001.....	17	MR48.....				P80956.....	25/19	RM282/TC26.....	B126	P1804.....	292	C12	6	32, 34, 19.....	175	4-18
102.....	Vol.	P101-9.....	17	MR48.....	M26			P80937.....	12/15	2N516.....	B127				6	75, 77, 78, 41, 84.....	262	4-19,25
123 (Series 7D).....	Vol. Tone		56	MR48.....	M26			4.....	12	TC52.....					5	30, 32, 34, 19.....	175	4-18
131 (7D), 133 (7D), 142 (7D), 144 (7D).....	Vol. Tone		56	MR48.....	M26			P103-2.....	4	RM262.....			298	C3	6	D6, 6C6, 78, 75, 42, 84.....	175	
181.....	Vol. Tone		7	D.....				20.....	15	TC26.....					7	6D6, 6B7, 76, 42, 80.....	456	
187.....	Vol.		41	MR53.....				02.....	4	TC26.....					8	24A, 27, 35, 80.....		
222.....	Vol. Tone	P-101-37.....	157	D7.....	(1st Type)	A4		P80916.....	23	RS213.....	B14				7	6D6, 6B7, 76, 42, 80.....	456	
500 Dictator.....	Vol.	P-101-38.....	21	TM243.....	M26	A96		P81043.....	23	RS216.....	B10				7	6K7, 6C6, 6C5, 6B7, 42, 80.....	465	15-107, 110
559.....	Vol.	101116.....	18	UM156.....		A96		P81032.....	23	RS213.....	B10				7	24, 27, 35, 80.....		2-8,9
811 Solo (62-1711).....	Vol. Tone	P90977.....	7	A400P.....				P81042.....	23	RS216.....	B10				5	1D7G, 1D5G, 1H4G, 1G5G.....	465	15-111, 113
839, 921, 923, 924, 1111 Fantasy (62-1611).....	Vol. Tone	P90976.....	95	F.....		2		1-1-1.....	3	See Note.....	B1				7	24, 27, 35, 47, 80.....	175	2-12,13
1238, 1238X.....	Vol. Tone	P90976.....	12	MR53.....	M26			1-2-3.....	26	See Note.....	B1				8	24A, 27, 35, 80.....		
1355 Minstrel (62-1955).....	Vol. Tone	P90976.....	7	D7.....	(2nd Type)	A4		.53.....		See Note.....	B9				8	24A, 27, 35, 80.....		
2655, 2822, 2827 (Balboa), 2895, 2897 (DeSoto).....	Vol. Tone	P-101-37.....	157	MR53.....	M26			103-4.....	124	RS217.....					7	6K7, 6C6, 6C5, 6B7, 42, 80.....	465	15-107, 110
2955, 2955X, 2957, 2957X.....	Vol. Tone	P-101-38.....	21	MR42.....				103-8.....	124	RS217.....					7	24, 27, 35, 80.....		2-8,9
	Vol. Tone		8	MR42.....				1-1.5-1-2.....	3	See Note.....	B1				7	24, 27, 35, 80.....		
	Vol. Tone		24	MR42.....				.1.....		See Note.....	B9				5	1D7G, 1D5G, 1H4G, 1G5G.....	465	15-111, 113
	Vol. Tone		41	MR53.....				11952.....	44	TC26.....					7	24, 27, 35, 47, 80.....	175	2-12,13
	Vol. Tone		15	MR53.....				8, 8.....	23	RS213.....					5	22, 12A, 71A.....		2-10,11
	Vol. Tone		34	MR53.....				2803.....	1	2N518.....					7	24, 27, 35, 47, 80.....	175	2-12,13
	Vol. Tone		44	MR42.....				2852.....	19	TC52.....					7	27, 35, 47, 80.....	262	2-14
	Vol. Tone		15	MR53.....				2803.....	1	2N518.....					9	27, 35, 47, 80.....	262	2-15,16
	Vol. Tone		44	MR42.....				2719.....	13	TC71.....								
	Vol.	P917.....	1/15	Order from Mfr.....				2852.....	15	TC52.....					9	24, 26, 35, 80.....		2-18,19
	Vol. Tone		8	A400P.....				1.....	3	See Note.....	B1				7	24, 27, 35, 80.....		2-20
	Vol. Tone		41	MR48.....				.1.....		See Note.....	B9				7	24, 27, 35, 80.....		
	Vol. Tone		24	GG.....				2.5-4-2.....	28	See Note.....	B1				8	24, 27, 35, 80.....		3-16
	Vol. Tone		41	MR53.....														

† Data not substantiated.

\* IMPORTANT: Read Notes in Note Section if specified in Note Column.

‡ Indicates miscellaneous section.

THE MALLORY TECHNICAL MANUAL IS YOUR COMPLETE TECHNICAL HANDBOOK.

MANUFACTURER AND MODEL	CONTROLS								CONDENSERS				VIBRATORS			No. Tubes	Complete Tube Complement	I. F. Peak	Rider's Reference
	Use	Original Part	Circuit	Correct Replacement	Switch	Bias	*Note	Original Part	Circuit	Correct Replacement	*Note	Original Part	Replacement	*Note					
MONTGOMERY WARD & CO.—Continued Note: The prefix "62-" or form of "62-" in indicates Radio Division in Montgomery-Ward Catalog																			
3035, 3037, 3065, 3067	Vol. Tone		6	G7				8, 8, 8	28	RS213					8	24, 27, 45, 80			
3955 Recorder	Vol. Tone	19-2182 19-2181	172	MR48 Order from Mfr.	M26			18-2038 18-2035	15 46	FP409 FP390	B192			6	6J5GT, 6J7GT, 6SQ7GT, 6V6GT/G, 6E5, 5Y3GT				
10,000 Serenader	Vol.		8	A400P				1-1, 5-1-2 .1	3	See Note See Note	B1 B9			7	24, 27, 45, 80		2-8,9		
11,000 Challenger (2 Types)	Vol. Tone		6 41	G7 MR53		3		1-1	1	See Note	B1			7	24, 27, 45, 80		2-21		
14,000 Commander, 62,000 Cavalier	Vol. Tone		6 41	F7 MR48		3		8, 8, 8	28	RS213				8	24, 27, 45, 80		2-22		
62-010	Vol.		8	MR29				1.5-1.5-5 .6	3	See Note See Note	B1 B9			6	24, 45, 80		3-8		
62-020 (51)	Vol.		8	MR29				1.5-1.5-1.5	3	See Note	B3			8	24, 27, 45, 80		3-7		
62-030	Vol.		6	G7		3		8, 8, 8	28	RS213	B3			7	24, 27, 45, 80		2-1		
62-040 Commodore, 62-060 Challenger, Jr., 62-070 Princess (1800)	Vol.		6	G7	6-9	3		8, 8	1	RS213				5	24, 45, 80		2-7		
62-078	Vol.		6	H7	6-9	3		8-8	4	See Note	B3			5	27, 35, 47, 80				
62-080	Vol. Tone		6 22	G7			See Note A5	8-8 8-6	3 3	RS213 2N518				7	24, 45, 27, 80				
62-090	Vol. Tone		6 22	G7			See Note A5	8-6 8-8	3 25	2N518 RS213				7	24, 27, 45, 80				
62-1, 62-2	Vol. Tone		15 44	MR39 MR39	M26			8-6 8, 8	3 25	2N518 RS213				10	27, 35, 47, 80	175	3-14		
62-7, 62-8	Vol. Tone		7 22	H MR24	6-9			8, 8	4	RS213	B3			7	24, 27, 47, 80, 35	175	3-15		
62-9	Vol. Tone		7 22	H MR39	6-9			8, 8	4	RS213	B3			8	24, 27, 35, 47, 80	175	3-15		
62-11, 62-12, 62-14 (1st Type)	Vol. Tone		8 34	A5MP MR42				4-2-6 4	30 19	See Note TC40	B3			8	24, 27, 35, 47, 80	175	2-4,5		
62-11, 62-14 (2nd Type)	Vol. Tone		14 34	MR48 MR42				4-2-4 4	30 19	See Note TC40	B3			8	24, 27, 35, 47, 80	175	2-6		
62-16	Vol. Tone	62A10 62A11	13 22	MR53 MR39	M26			62-A12	4	RS213	B3			10	24, 27, 35, 47, 80	175	6-8		
62-19 (1st Type)	Vol. Tone		8 34	Y5MP MR42				4-2-6 4	30 19	See Note TC40	B3			8	24, 27, 35, 47, 80	175	2-4,5		
62-19 (2nd Type)	Vol. Tone		14 34	MR48 MR42				4-2-6 4	30 19	See Note TC40	B3			8	24, 27, 35, 47, 80	175	2-6		
62-20, 62-20X	Vol. Tone		59 34	A400P MR42				8, 8 4	43 13	RS213 TC40				7	24, 35, 47, 80	175	2-23,24		
62-21, 62-22	Vol. Tone		15 22 42	MR48 MR42 Y200MP				4-2-4 4	28	See Note	B3			7	24, 27, 35, 47, 80	262	3-1,2		
62-23	Vol.		2/10	Order from Mfr.				4	12	TC52				5	32, 33	175			
62-25	Vol. Tone		59 34	A400P MR42				8, 8 4	43 13	RS213 TC52				7	24, 35, 47, 80	175	2-23,24		
62-26	Vol. Tone		15 34	MR53 MR42				8-8 8	1 19	2N518 TC52				8	27, 35, 47, 80	262			
62-27 (1st Type)	Vol. Tone		8 34	A5MP MR42				4-2-4 4	30 19	See Note TC40	B3			8	24, 27, 35, 47, 80	175	2-4,5		
62-27 (2nd Type)	Vol. Tone		14 34	MR48 MR42				4-2-6 4	30 19	See Note TC40	B3			8	24, 27, 35, 47, 80	175	2-6		
62-29 (1st Type) (Models 11, 12, 16 and 33)	Vol.	6647	7	Order from Mfr.				928 929	1 1	RS213 RS213	B3 B3			7	24, 35, 47, 80	175	3-4,5		
62-29 (11, 12 2nd Type)	Vol. Tone	6653 6652	15 22	MR48 MR44				928 929	1 1	RS213 RS213	B3 B3			7	24, 27, 35, 47, 80	175	3-6		
62-30	Vol. Tone		15 22	MR48 MR42				4-2-4	28	See Note	B3			8	24, 27, 35, 47, 80	262	3-1,2		
62-34 (Washington)	Vol. Tone		7 15	Y200MP MR53				8-8	1	2N518				8	35, 27, 47, 80	262	9-1		
62-35	Vol. Tone		22 15	MR42 MR48				8 928	19 1	TC42 RS213		B3		7	24, 27, 35, 47, 80	175	3-6		
62-36	Vol. Tone		22 15	Y200MP MR53				929 8-8	1 1	RS213 2N518	B3 B3			7	35, 27, 47, 80	262	3-9		
62-38, 62-40, 62-38X, 62-40X	Vol. Tone		15 41	MR53 MR44				8-8 8	1 19	See Note TC42	B3			10	27, 35, 47, 80	262	3-9,10		
62-41	Vol. Tone		45 22	MR48 MR42				8 4	14 12	TC52 TC52				9	30, 34	175			

† Data not substantiated.

\* IMPORTANT: Read Notes in Note Section if specified in Note Column.

‡ Indicates miscellaneous section.

WHEN YOU BUY ROTARY SWITCHES BUY MALLORY.

MANUFACTURER AND MODEL	CONTROLS							CONDENSERS				VIBRATORS			No. Tubes	Complete Tube Complement	I. F. Peak	Rider's Reference
	Use	Original Part	Circuit	Correct Replacement	Switch	Bias	*Note	Original Part	Circuit	Correct Replacement	*Note	Original Part	Replacement	*Note				
MONTGOMERY WARD & CO.—Continued	ARD & CO.—Continued	CO.—Continued	ued	Radio Division	on in	Montg	omery-	Ward Catalog										
62-42	Vol. Tone		15	MR48				4-2-4	28	See Note	B3				7	24, 27, 35, 47, 80	262	3-1
	Sen.		22	MR42														
62-43, 62-43X	Vol.		6	Y200MP		6-9	3	8-8	4	See Note	B3				5	35, 57, 47, 80	262	
62-PC43	Vol.		6	H7		6-9	EX200	SW4319	4	TC571					5	56, 57, 58, 47, 80	262	6-18
62-44	Vol. Tone		15	MR53				8-8	1	See Note	B3				6	27, 35, 47, 80	262	3-9, 10
			41	MR44				8-8	19	TC42								
								8-8	14	TC52								
62-45	Vol. Tone		6	G7				8-8	1	See Note	B3				7	56, 57, 58, 47, 80	455	
			34	Y200MP				8-8	19	TC32								
62-46	Vol. Tone		15	MR53				8-8	1	2N518					8	35, 47, 80	262	
			34	MR42				8-8	19	TC42								
62-47	Vol. Tone		6	G7				8-8	1	See Note	B3				7	56, 57, 58, 47, 80	455	
			34	Y200MP				8-8	19	TC32								
62-49	Vol. Tone		15	MR44				8-8-8	28	RS213	B3				9	56, 57, 58, 46, 80	262	
			22	MR39				4	19	TC32								
	Supp.		7	F														
62-50, 62-50X	Vol. Tone		15	MR53				8-8	1	2N518					9	27, 35, 47, 80	262	3-9, 10
			41	Y200MP				8-8	13	TC52								
								8-8	14	TC52								
62-51	Vol. Tone		45	MR36				8-8	30	TC82					12	56, 57, 58, 46, 82	175	
			41	MR42				8-8	30	RS213								
	Supp.		8	E				4	30	RS213								
								4	19	TC52								
62-52	Vol. Tone		15	MR48				4-2-6	30	See Note	B3				10	24, 27, 35, 47, 80	175	
			21	MR53				4	14	TC52								
62-53	Vol. Tone		59	X				8-8	23	TC571					7	57, 58, 47, 80	175	
			34	MR42				4	14	TC52								
62-PC55	Vol. Tone		56	MR53	M26			8-4	4	TC571					6	55, 56, 58, 47, 80	465	6-22
			22	MR39														
62-57	Vol.		6	H7		6-9	3	8-8	4	See Note	B3				5	57, 35, 47, 80	262	
62-58	Vol. Tone		15	MR53				8-8	1	See Note	B3				9	27, 35, 47, 80	262	3-9, 10
			41	MR44				8-8	19	TC42								
								8-8	14	TC52								
62-64, 62-64X	Vol. Tone		45	MR36				8-8	30	TC82					12	56, 57, 58, 46, 82	175	
			41	MR42				8-8	30	RS213								
	Supp.		8	E				4	30	RS213								
								4	19	TC40								
62-PC64	Vol. Tone		45	MR48				PC642	7	2S567					12	56, 58, 57, 46, 82	175	6-38
			22	MR39				PC643	15	2S567								
	Supp.		8	MR41				PC6442	1	TC26								
62-67	Vol. Tone		17	MR48				8-8	1	2N518					7	55, 56, 57, 58, 47, 80	175	
			22	MR33														
62-68, 62-68X	Vol. Tone		15	MR44				8-8	28	2N518					9	56, 57, 58, 46, 80	262	
			22	MR39				8-8	28	ST595								
	Supp.		7	F				4	19	TC32								
62-PC68	Vol. Tone		15	MR39	M26			8, 8, 8	3	RS213					9	55, 56, 57, 58, 46, 82	175	6-30
			22	MR39														
	Sen.		7	H														
62-69	Vol. Tone		15	MR44				8-8	28	2N518					10	56, 46, 58, 80	262	
			22	MR33				8-8	28	ST595								
								8-8	13/19	TC62								
62-70, 62-70X	Vol. Tone	U4489	6	G7				U4116	1	2N518					7	56, 57, 58, 47, 80	455	7-1
		U4488	34	MR44	M26			U4119	19	TC32								
62-71	Vol. Tone		59	X				8-8	23	TC571					7	57, 58, 47, 80	175	
			34	MR42				4	14	TC52								
62-72, 62-72X	Vol. Tone	U4489	6	G7				U4116	1	2N518					7	56, 57, 58, 47, 80	455	7-1
		U4488	34	MR44	M26			U4119	19	TC32								
62-74, 62-74X	Vol. Tone		59	X				8-8	23	TC571					7	57, 58, 47, 80	175	
			34	MR42				4	14	TC52								
62-75	Vol. Tone		45	MR48				4	12	TC52					9	30, 34	175	
			22	MR42														
62-76	Vol. Tone		15	MR48				12-4-4	30	See Note	B3				10	56, 57, 58, 47, 80	175	
			21	MR53				4	13	TC52								
62-79	Vol. Tone		15	MR44				8-8	28	2N518					10	56, 58, 46, 80	262	
			22	MR33				8-8	28	ST595								
								8-8	13/19	TC62								
62-80	Vol. Tone		17	MR48				8-8	1	2N518					7	55, 56, 57, 58, 47, 80	175	
			22	MR33														
62-81	Vol. Tone		40	MR24	M26			8-8	1	2N518					4	57, 47, 80	455	
								4	19	TC32								
62-81X	Vol.	U-5350	3	MR29	M26			U-5321	1	TC671					4	57, 47, 80	455	15-54
								U-4789	19	TC40								
62-82	Vol.		17	MR48				8-8	1	2N518					5	55, 57, 58, 47, 80	175	
62-83	Vol. Tone		15	MR48				4	13	TC52					7	36, 39, 41	175	
			22	MR33														
62-84, 62-84X	Vol. Tone		15	MR44				8-8	28	2N518					10	56, 58, 46, 80	262	
			22	MR33				8-8	28	ST595								
								8-8	13/19	TC62								

‡ Data not substantiated.

\* IMPORTANT: Read Notes in Note Section if specified in Note Column.  
FREE! MALLORY VIBRATOR REPLACEMENT GUIDE . . . SEE YOUR DISTRIBUTOR.

§ Indicates miscellaneous section.



MANUFACTURER AND MODEL	CONTROLS							CONDENSERS				VIBRATORS			No. Tubes	Complete Tube Complement	I. F. Peak	Rider's Reference
	Use	Original Part	Circuit	Correct Replacement	Switch	Bias	*Note	Original Part	Circuit	Correct Replacement	*Note	Original Part	Replacement	*Note				
MONTGOMERY WARD & Note: The prefix "62-" or for 62-86, 62-86X.....	Vol. Tone Supp.	CO.—Continued in "62-" in indicates	15 22	Radio Division	on in	Montg	omery-	Ward Catalog	4-8-8 8	3 18	See Note TC32	B3			12	58, 56, 57, 46, 82	262	
62-88.....	Vol. Tone Supp.		1 22	Order from Mfr.				8-8-8 4	28 19	See Note TC32	B3			9	57, 58, 56, 46, 80	262		
62-89.....	Vol. Tone	P96005 P97003	7 17 41	MR55 MR57 G7	M26			P80984	2/13/44	3S584/2N516	B164			12	55, 56, 58, 45, 82	175	4-2,3	
62-90.....	Vol. Tone		6 34	MR44 MR53				8-8 8	1 19	See Note TC32	B3			7	56, 57, 58, 47, 80	455		
62-91.....	Vol. Tone	P96003 P97001	15 44	MR53 MR42				P80968		TC52				9	30, 34	175	4-4	
62-92.....	Vol. Tone	P96004	15	H7	6-9	3		8-8	4	See Note	B3			5	57, 35, 47, 80	262		
62-93.....	Vol. Tone	P97002	15 34	MR53 MR33				P80989	12	TC52				7	6D6, 6C6, 37, 41	175	4-5,6	
62-94, 62-94X.....	Vol. Tone		15 22	MR44 MR33				8-8 8	28 13/19	2N518 ST595				10	56, 58, 46, 80	262		
62-96.....	Vol.	P91019C	6	G7	6-9	3		P80944 P80878C P80936C	11 20 15	UR182-193 TC40 TC32	B31			5	77, 78, 43, 25Z5	262	4-7	
62-97, 62-97X.....	Vol. Tone		17 22	MR48 MR33				8-8 8	1 15	2N518 TC22				7	55, 56, 58, 2A5, 80	262	4-10,11	
62-98.....	Vol. Tone	P91019C	6	G7	6-9	3		P80944 P80878C P80936C	11 12 15	UR182-193 TC40 TC32	B31			5	77, 78, 43, 25Z5	262	4-8,9	
62-99, 62-99X.....	Vol. Tone		17 22	MR48 MR33				8-8 8	1 15	2N518 TC22				7	55, 56, 58, 2A5, 80	262	4-10,11	
62-100.....	Vol. Tone		6 22	G7			See Note A5	8-8 8-6	3 3	RS213 TCS71				7	24, 27, 45, 80	†		
62-101, 62-101X.....	Vol. Tone		15 41	MR48 MR48	M26			8-8-4	28	3S584	B3			10	58, 56, 45, 80	262	4-12,13	
62-103.....	Vol. Tone	P96004 P97007	15 22	MR53 MR42	M26			P80916 P80990	25 25	RS213 RS216				7	6D6, 6C6, 37, 42, 80	175	4-14	
62-104.....	Vol.		6	H7	6-9	3		8	15	TC22	B10			5	6C6, 6D6, 43, 25Z5	262	4-16	
62-105.....	Vol. Tone	P96004 P97007	15 22	MR53 MR42	M26			P80916 P80990	25 25	RS213 RS216				7	6D6, 6C6, 37, 42, 80	175	4-14	
62-106, 62-107.....	Vol. Tone		15 41	MR55 MR55	M26			8	15	TC22	B10			10	56, 58, 45, 80	175	4-17	
62-114, 62-116.....	Vol.	P96012	64	MR53				P81014	40	TC71				7	34, 30, 19	175	6-1,2	
62-118.....	Vol. Tone	P96015 P97012	18 22	UM147-SS3 MR42	M26			81028 81021	15	TCS55 TCD62		P2080	294	C3	6	75, 77, 78, 41, 84	262.5	5-1,2
62-120.....	Vol.	P96001	97	TRP602				.01		Buffer	B14			5	30, 32, 34, 19	175	5-3,4	
62-121.....	Vol. Tone		15 41	MR55 MR55	M26			P80968	12 16	TC52 TC74				10	56, 58, 45, 80	175	4-17	
62-122.....	Vol.	P96001	97	TRP602				80968	12	TC52				5	30, 32, 34, 19	175	5-3,4	
62-123.....	Vol. Tone	P96014 P97011	56 34	MR48 MR42	M26			P80916 P81032 P81043 P81042 P82001	23 23 23 23 12/13	RS213 RS216 RS216 2N516			7	6D6, 76, 6B7, 42, 80	456	10-1		
62-124.....	Vol. Tone	P96016 P97013	15 44	MR55 MR33				80968	12	TC52				9	30, 34, 19	456	5-5,6-7	
62-126, 62-128.....	Vol.	P96001	97	TRP602				P82001	12/13	2N516				5	30, 32, 34, 19	175	5-3,4	
62-129.....	Vol. Tone	P96016 P97013	15 44	MR55 MR33										9	30, 34, 19	456	5-5,6-7	
62-130.....	Vol.	V603	17	MR48	M26			C550	4	TCS71		V660	Order from Mfr.	6	6D6, 6A7, 75, 89, 6Z4	175	8-14	
62-131.....	Vol. Tone	P96014 P97011	56 34	MR48 MR42	M26			P80916 P81032 P81043 P81042 P81039	23 23 23 23 2	RS213 RS216 RS216 RS216			7	6D6, 76, 6B7, 42, 80	456	10-1		
62-132.....	Vol. Tone	P96005 P97003	15 41	MR55 MR57	M26			81018	2/13	3S584				10	6D6, 76, 45, 80	456	5-8	
62-133.....	Vol. Tone	P96014 P97011	56 34	MR48 MR42	M26			P80916 P81032 P81043 P81042	23 23 23 23	RS213 RS216 RS216 RS216			7	6D6, 76, 6B7, 42, 80	456	10-1		
62-134, 62-134X.....	Vol. Tone	P96005 P97011	15 21	MR55 MR42	M26			P81058 P81039 P81056 P82000	48 48 48 48	RS216 RS216 2N516 TC39			12	6D6, 76, 42, 80	456	6-5,6		
62-135, 62-135X.....	Vol.	P101-11	18	MR48	M26			P103-4 P103-3	4 4	RS216 RS216				6	57, 27, 58, 2A6, 2A5, 80	370	6-9,10	
62-136.....	Vol. Tone	P96014 P97011	56 34	MR48 MR42				P81016	23	TCS71	B14	P2153	F294	C3	6	6F7, 6D6, 6B7, 12A5, 12Z3	175	6-11
62-137.....	Vol. Tone	P96005 P97003	15 41	MR55 MR57	M26			.015 P81039		Buffer RS216				6	6D6, 76, 45, 80	456	5-8,10	
62-138.....	Vol. Tone	P96014 P97011	56 34	MR48 MR42	M26			81018 P81016 .015	2/13 23	3S584 TCS71 Buffer	B14	P2153	F294	C3	6	6F7, 6D6, 6B7, 12A5, 12Z3	175	6-11,12

† Data not substantiated.

\* IMPORTANT: Read Notes in Note Section if specified in Note Column.  
USE MALLORY CAPACITORS—STANDARD OF THE INDUSTRY.

‡ Indicates miscellaneous section.



MANUFACTURER AND MODEL	CONTROLS							CONDENSERS				VIBRATORS			No. Tubes	Complete Tube Complement	I. F. Peak	Rider's Reference
	Use	Original Part	Circuit	Correct Replacement	Switch	Bias	*Note	Original Part	Circuit	Correct Replacement	*Note	Original Part	Replacement	*Note				
MONTGOMERY WARD & CO.—Continued	ARD & CO.—Continued	CO.—Continued	ued	Radio Division	on in	Montg	omery-	Ward Catalog										
62-199	Vol.	P96017	17	MR55	M26			P82002	1/15	3S584		P2229	286S	C3	5	6D6, 6C6, 75, 41	175 6-39,40	
62-202	Vol.	36X202	17	UM163	M26		A96	4-5-8	25	3S579			294	C3	6	6D6, 6C6, 75, 41, 84	175 7-13,14	
62-203, 62-205	Vol.	40X207	34	MR42	M23-24			.0075	12	Buffer	B14				7	1C6, 34, 30, 19	456 6-41,44	
62-206	Vol.	36X207	45	MR53	M23-24			44X17	12	RS207					10	76, 6K7, 45, 80	456 6-31,34	
	Tone	40X203	44	MR42				44X10	4	RS216					9	34, 30, 19	456 7-15,18	
	Tone	40X203	44	MR42				44X11	4	RS216					7	1C6, 34, 30, 19	456 6-41,44	
	Tone	40X203	44	MR42				44X18	13	RS213					9	34, 30, 19	456 7-15,18	
	Tone	40X203	44	MR42				45X46	12	2N516					7	1C6, 34, 30, 19	456 6-41,44	
62-207	Vol.	36X208	15	MR55	M23-24			44X17	12	RS207					9	34, 30, 19	456 7-15,18	
	Tone	40X203	44	MR42				45X46	12	2N516					7	1C6, 34, 30, 19	456 6-41,44	
62-208	Vol.	36X207	45	MR53	M23-24			44X17	12	RS207					9	34, 30, 19	456 7-15,18	
	Tone	40X203	44	MR42				45X46	12	2N516					7	1C6, 34, 30, 19	456 6-41,44	
62-209	Vol.	36X208	15	MR55	M23-24			44X17	12	RS207					9	34, 30, 19	456 7-15,18	
	Tone	40X203	44	MR42				45X46	12	2N516					7	1C6, 34, 30, 19	456 6-41,44	
62-211	Vol.	36X201	97	TRP617	14			P45X28	12	TC52					5	30, 32, 34, 19	175 6-27,29	
	Tone	40X203	44	MR42				44X17	12	RS207					7	1C6, 30, 34, 19	456 6-41,44	
62-212	Vol.	36X207	45	MR53	M23-24			44X17	12	RS207					7	1C6, 30, 34, 19	456 6-41,44	
	Tone	40X203	44	MR42				44X17	13	RS207					7	34, 1C6, 30, 19	456 7-19,22	
62-215	Vol.	36X209	15	MR53	M27			44X17	13	RS207					10	76, 6K7, 45, 80	456 6-31,34	
	Tone	40X203	44	MR42				44X10	4	RS216					10	76, 6K7, 45, 80	456 6-31,34	
62-216	Vol.	36X206	7/15	DRP315	6T			44X11	4	RS216					10	76, 6K7, 45, 80	456 6-31,34	
	Tone	40X205	65	MR57				44X18	13	RS213					7	1C6, 34, 30, 19	456 6-41,44	
62-217	Vol.	36X207	45	MR53	M23-24			44X17	12	RS207					7	1C6, 34, 30, 19	456 6-41,44	
	Tone	40X203	44	MR42				44X10	4	RS216					10	76, 6K7, 45, 80	456 6-31,34	
62-218	Vol.	36X206	7/15	DRP315	6T			44X11	4	RS216					10	76, 6K7, 45, 80	456 6-31,34	
	Tone	40X205	65	MR57				44X18	13	RS213					7	1C6, 34, 30, 19	456 6-41,44	
62-219	Vol.	36X207	45	MR53	M23-24			44X17	12	RS207					7	1C6, 34, 30, 19	456 6-41,44	
	Tone	40X203	44	MR42				45X46	12	2N516					9	34, 30, 19	456 7-15,18	
62-221	Vol.	36X208	15	MR55	M23-24			44X10	23	RS216					8	6K7, 6C5, 6Q7, 6F6, 5Z4MG, 6G5	456 8-5,7	
	Tone	40X203	44	MR42				44X11	23	RS216					6	6D6, 6A7, 85, 43, 6A6	175 7-23,25	
62-226, 62-228	Vol.	36X215	17	MRT446	M26T			44X209	15	TC22					6	6D6, 6A7, 85, 43, 6A6	175 7-23,25	
	Tone	40X211	34	Order from	Mfr.			P44X25	1	RS223					6	6D6, 6A7, 85, 43, 6A6	175 7-23,25	
62-229 (32 Volt DC)	Vol.	36X213	18	MR48	M26			P45X207	15	TC22					5	1A6, 34, 30, 32, 950	465 9-2	
	Tone	40X209	44	MR36				BE119-22	19	TC22					6	6F7, 6D6, 6B7, 12A5, 12Z3	175 14-41,42	
62-230 (2 Volt Wet Battery)	Vol.	101-43	62	MR53	M26			P-81016	43	TC871					7	24, 27, 45, 80	465 7-26	
62-231	Vol.	P-96014	56	MR48	M26			8, 8, 8	28	RS213					5	6A7, 6D6, 6B7, 42, 80	465 7-27,28	
	Tone	P-97011	34	MR42				103-6	4	RS213					5	6F7, 6K7, 75, 6F6, 80	465 7-27,28	
62-232	Vol.	P101-35	6	G7				103-7	4	RS213					6	6D6, 6A7, 85, 43, 6A6	175 14-43,44	
62-233	Vol.	P101-35	56	MR53				P103-6	4	RS213					6	6D6, 6A7, 85, 43, 6A6	175 14-43,44	
	Tone	P101-35	56	MR53				P103-7	4	RS213					5	6F7, 6K7, 75, 6F6, 80	465 7-27,28	
62-235	Vol.	101-18	18	MR48	M26			P103-7	4	RS213					5	6F7, 6K7, 75, 6F6, 80	465 7-27,28	
	Tone	40X207	18	MR42				5-8	4	TC871					6	6D6, 6C6, 75, 41, 84	175 8-8,10	
62-236	Vol.	36X234	22	UM154-SS3	M26			.0075	12	Buffer	B14				6	6D6, 6C6, 75, 41, 84	175 8-8,10	
	Tone	40X207	18	MR42				P-44X25	12	TC39					6	6D6, 6A7, 85, 43, 6A6	175 14-43,44	
62-237	Vol.	P-36X213	18	MR48	M26			P-45X207	15	TC22					6	6D6, 6A7, 85, 43, 6A6	175 14-43,44	
	Tone	P-36X213	18	MR36				P-44X25	12	TC39					6	6D6, 6A7, 85, 43, 6A6	175 14-43,44	
62-239	Vol.	P-36X213	18	MR48	M26			P-45X207	15	TC22					6	6D6, 6A7, 85, 43, 6A6	175 14-43,44	
	Tone	P-36X213	18	MR36				BE119-22	19	TC22					5	1A6, 34, 30, 32, 19	465 9-2	
62-240 (2 Volt Dry Battery)	Vol.	101-43	62	MR53	M26			119-22	19	TC22					5	1A6, 34, 30, 32, 950	465 14-38	
62-240 (Late)	Vol.	101-43	62	MR53	M26			44X17	13	RS219					7	34, 1C6, 30, 19	456 14-45-47	
	Batt.	101-44	1	C6R				5-8-4	4/15	3S579					6	6D6, 6C6, 75, 41, 84	175 8-11,13	
62-241	Vol.	36X209	45	MR53	M27			.0075	12	Buffer	B14				6	6D6, 6C6, 75, 41, 84	175 8-11,13	
	Tone	40X203	44	MR42				PE-81016	43	TC871					6	6F7, 6D6, 6B7, 12A5, 12Z3	175 14-41,42	
62-242	Vol.	101-18	18	MR48	M26			44X17	13	RS219					7	34, 1C6, 30, 19	456 14-45-47	
	Tone	40X203	44	MR42				44X10	23	RS216					7	6K7, 76, 6B7, 6F6, 80	456 14-48-50	
62-243	Vol.	P-96014	56	MR48	M26			44X11	23	RS216					7	6K7, 76, 6B7, 6F6, 80	456 14-48-50	
	Tone	P-97011	34	MR42				P103-6	4	RS213					5	6F7, 6K7, 75, 6F6, 80	465 7-27,28	
62-244, 62-245	Vol.	36X209	45	MR48	M26			P103-7	4	RS213					5	6F7, 6K7, 75, 6F6, 80	465 7-27,28	
	Tone	40X203	44	MR42				BE103-6	23	RS213					7	6L7, 6C5, 6K7, 6Q7, 6F6, 5W4, 6G5	65 9-3	
62-246	Vol. & Sen.	36X204	7/56	DRP314	6T			BE103-7	23	RS213					8	1A6, 1A4, 30, 34, 19	456 14-45-47	
	Tone	40X203	34	MR42				44X17	13	RS219					7	34, 1C6, 30, 19	456 14-45-47	
62-248	Vol.	101-18	18	MR48	M26			44X17	13	RS219					7	34, 1C6, 30, 19	456 14-45-47	
	Tone	40X203	44	MR42				45X212	12	TC52					4	1A6, 34, 1B5, 1F4	456 8-15,16	
62-249	Vol.	101-46	18	MR53	M26			BE103-11	12	RS213					7	1A6, 1A4, 30, 34, 19	465 9-3	
	Tone	101-53	22	MR33				BE103-6	23	RS213					7	6L7, 6C5, 6K7, 6Q7, 6F6, 5W4, 6G5	65 9-3	
62-251	Vol.	101-50	62	MR44	M27			BE103-7	23	RS213					8	1A6, 1A4, 30, 34, 19	456 14-45-47	
	Tone	101-51	21	MR44				BE103-11	12	RS213					7	1A6, 1A4, 30, 34, 19	465 9-3	
62-252	Vol.	36X209	45	MR53	M27			44X17	13	RS219					7	34, 1C6, 30, 19	456 14-45-47	
	Tone	40X203	44	MR42				44X17	13	RS219					7	34, 1C6, 30, 19	456 14-45-47	
62-254	Vol.	36X229	18	MR53	M27			44X17	13	RS219					7	34, 1C6, 30, 19	456 14-45-47	
62-255	Vol.	101-50	62	MR44	M27			45X212	12	TC52					4	1A6, 34, 1B5, 1F4	456 8-15,16	
	Tone	101-51	21															

MANUFACTURER AND MODEL	CONTROLS							CONDENSERS				VIBRATORS			No. Tubes	Complete Tube Complement	I. F. Peak	Rider's Reference
	Use	Original Part	Circuit	Correct Replacement	Switch	Bias	*Note	Original Part	Circuit	Correct Replacement	*Note	Original Part	Replacement	*Note				
MONTGOMERY WARD & CO. Note: The prefix "62" or for "62-" in "62-258" indicates	Vol. 36X233	18	Radio Division Order from Mfr.	on in Montg	omery-	Ward Catalog	45X219	1/15	3S579			19A30	248	C3	6	*6K7, 6J7, 6B7, 41, 6A6	175	
62-258	Vol. 40X212	22	MR53				.0055		Buffer	B14					8	*6K7, 6C5, 6Q7, 6F6, 6G5, 5Z4MG	456	8-5,7
62-259	Vol. 36X215	17	MRT446	M26T			44X10	23	RS216						5	6A7, 78, 75, 43, 25Z5	465	14-59
62-260	Vol. 40X211	34	Order from Mfr.				119-25	11	UR182-193						11	*6K7, *6C5, 6G5, *6F6, 5Z4MG	456	9-5,8
62-261	Vol. 101-54	18	MR53	M26			119-29	4	2S556						8	*6K7, 6C5, 6Q7, 6F6, 6G5, 5Z4MG	456	14-60-62
62-262	Vol. 36X219	62	MRT447	M26			44X10	25	RS216						6	*6D6, 6C6, 75, 41, 84, 6N5	175	
62-263	Vol. 40X213	65	Order from Mfr.				44X11	25	RS216						5	1A6, 1A4, 1F6, 1F4, 6N5	465	9-4
62-264	Vol. 36X215	17	MRT446	M26T			44X10	23	RS216			19A25	294	C3	6	*6D6, 6C6, 75, 41, 84, 6N5	465	9-4
62-265	Vol. 40X211	34	Order from Mfr.				44X11	23	RS216						8	*6K7, 6C5, 6Q7, 6F6, 6G5, 5Z4MG	456	14-60-62
62-266	Vol. 36X234	18	UM147-SS3	M26			45X209	15	TC22						6	*6D6, 6C6, 75, 41, 84, 6N5	175	
62-267	Vol. 40X207	22	MR42				45X210	4	TCS71						5	1A6, 1A4, 1F6, 1F4, 6N5	465	9-4
62-268	Vol. 101-64	56	MR53	M27			.0075		Buffer	B14		126-4	246	C3	5	1A6, 1A4, 1F6, 1F4, 6N5	465	9-4
62-269	Vol. 101-74	18	MR53	M26			103-14	4	RS216						8	6A8G, 6K7, 6Q7G, 6G5, 6C5, *6F6G, 5Y3	465	14-64-66
62-270	Vol. 101-75	22	MR44				103-6	4	RS213						7	6J7, 6K7, 6Q7, 6C5, 6F6, 5W4, 6G5	456	8-17,21
62-270E	Vol. 36X236	75	MRT428	M26			103-7	23	RS213						7	6L7, 6C5, 6K7, 6G5, 6Q7, 6F6, 5Y3	465	14-66-68
62-271	Vol. 40X223	34	MR42				44X10	23	RS216						9	*6K7, 6J7, 6C5, 6H6, 6G5, 6F5, 6F6, 5Y3G	456	14-69,70
62-271	Vol. P36X219	20	MRT447	M26			44X11	1	RS216						11	*6K7, *6C5, 6G5, *6F6, 5Z4MG	456	14-82-88
62-271	Vol. P40X222	†	UM163-SS16				45X213	13/15	TC45						6	6A8G, 6K7, 6Q7G, 6U5, 6K6G, 5Y3G	465	9-9
62-274	Vol. 101-101	18	MK402	M26			119-47B	23	TCS71						6	6A8, 6K7, 6Q7, 6K6, 6G5, 5Y3	465	9-13
62-276	Vol. 101-71	18	MR53	M26			119-38	4	2S567						6	6A8, 6K7, 6Q7, 6K6, 6G5, 5Y3	465	9-13
62-277	Vol. 101-46	18	MR48	M26			12	23	RS215						7	6J7, 6K7, 6Q7, 6C5, 6F6, 5W4, 6G5	456	8-17,21
62-278	Vol. 36X240	62	MR48	M26			45X229	1/15	3N527				248	C3	7	*6S7G, *6L5G, 6N5, 6G5, 6K6, 5Y4	456	8-17,21
62-278	Vol. 40X223	34	MR42				.01		Buffer	B14					5	6D8G, 6S7G, 6T7G, 6K6G, 6AB5	465	14-73,74
62-280	Vol. 101-99	18	MR53	M27			119-46	24	2N516			126-4	246	C3	5	6D8G, 6S7G, 6T7G, 6K6G, 6AB5	465	9-12
62-280, 62-282, 62-284 (Series B)	Vol. 101-101	18	MK402	M26			119-59B	24	TC52/TC47			126-8	246	C3	5	6D8, 6S7G, 6T7G, 6K6G, 6N5	465	
62-281	Vol. 101-46	18	MR53	M26			119-76	20	TC22						8	6L7, 6C5, 6K7, 6G5, 6Q7, *25A6, 25Z6	465	14-75,76
62-286	Vol. P-36X218	18	MR53	M23-24			P-45X212	12	TC42						6	1C6, 34, 1B5, *30	456	14-77,78
62-288, 62-290	Vol. 101-101	18	MK402	M26			119-47B	23	TCS71						6	6A8G, 6K7, 6Q7G, 6U5, 6K6G, 5Y3G	465	9-9,11
62-291	Vol. 101-46	18	MR53	M26			119-30	4	2S556						8	6L7, 6C5, 6K7, 6G5, 6Q7, *25L6, 25Z6	465	14-79,80
62-292	Vol. 101-51	22	MR44				45X225	13	2N516			19A28	246	C3	7	1C7G, 1D5G, *1H4G, 1E5G	456	
62-292	Vol. 36X239	45	MR53				45X234	1	2N514						7	*6K7, *6C5, 6H6, 6G5, *6L6, *5Z4MG	456	14-81, 83-88
62-292	Vol. 40X226	44	MR42				45X233	†	Order from Mfr.	B14					13	*6K7, *6C5, 6H6, 6G5, *6L6, *5Z4MG	456	14-81, 83-88
62-293	Vol. P36X221	20	MRT450	M26			44X21	30	RS223						7	1C7G, 1D5G, *1H4G, 1E5G	456	
62-293	Vol. P40X214	65	Order from Mfr.				44X11	30	RS216						7	1C7G, 1D5G, *1H4G, 1E5G	456	
62-294	Vol. 36X239	45	MR53				44X216	13	TC52			19A28	246	C3	7	1C7G, 1D5G, *1H4G, 1E5G	456	
62-294	Vol. 40X226	44	MR39				44X209	19	TC22						7	1C7G, 1D5G, *1H4G, 1E5G	456	
62-296	Vol. 101-93	18	MR53	M26			45X225	13	2N516						6	6L7, 6C5, 6K7, 6Q7, 6F6, 5Y3	465	14-89,90
62-297	Vol. 101-92	22	MR33				119-45	23	2S567						7	6J7, 6K7, 6Q7, 6F6, 6C5, 6G5, 5Y3G	456	9-15
62-297	Vol. 36X235	18	MR48	M26			12	23	RS215						7	6A8, 6K7, 6Q7, 6C5, *6F6, 5Y3	465	14-91,92
62-300	Vol. 40X223	34	MR39				30	23	RS223						7	*6K7, 6J7, 6H6, 6F5, 6G5, 6C5, *6F6, 5Y3	465	9-21
62-300	Vol. 101-74	18	MR53	M26			103-6	4	RS213						11	*6K7, 6J7, 6H6, 6F5, 6G5, 6C5, *6F6, 5Y3	465	9-21
62-301, 62-301X	Vol. 101-75	22	MR44				103-14	4	RS216						11	*6K7, 6J7, 6H6, 6F5, 6G5, 6C5, *6F6, 5Y3	465	9-21
62-301, 62-301X	Vol. 101-75	22	MR44				30	25	RS223						11	*6K7, 6J7, 6H6, 6F5, 6G5, 6C5, *6F6, 5Y3	465	9-21
62-301, 62-301X	Vol. 101-75	22	MR44				14	25	RS216						11	*6K7, 6J7, 6H6, 6F5, 6G5, 6C5, *6F6, 5Y3	465	9-21
62-302	Vol. 36X213	18	MR48	M26			45X227	12/15	TC39/TC22						7	6A8G, *6U7G, 6V7G, 6C5G, 25A6G, 6N7G	456	9-23
62-302	Vol. 40X209	44	MR36				44X21	25	RS223						13	*6K7, 6J7, 6H6, *6C5, 6G5, *6L6, *5Y3G	456	11-3-10
62-303	Vol. 36X238	20	MRT450	M26			44X36	25	RS224						4	1D7G, 1D5G, 1H6G, 1F5G	456	9-25
62-303	Vol. 40X225	41	MR55				45X224	19	TC26						5	1D7G, 1D5G, 1F7G, 1G5G	465	9-26
62-304	Vol. 36X237	18	MR53	M27			45X212	12	TC52						4	1D7G, 1D5G, 1H6G, 1F5G	456	9-25
62-304	Vol. 43X70	27	C6R				119-22	19	TC22						5	1D7G, 1D5G, 1F7G, 1G5G	465	9-26
62-305	Vol. 101-78	56	MR44	M26														
62-305	Vol. 101-79	29	C6R															

† Data not substantiated.

\* IMPORTANT: Read Notes in Note Section if specified in Note Column.  
THERE'S A PLACE FOR A MALLORY NOISE FILTER IN EVERY HOME.

‡ Indicates miscellaneous section.

MANUFACTURER AND MODEL	CONTROLS							CONDENSERS				VIBRATORS			No. Tubes	Complete Tube Complement	I. F. Peak	Rider's Reference
	Use	Original Part	Circuit	Correct Replacement	Switch	Bias	*Note	Original Part	Circuit	Correct Replacement	*Note	Original Part	Replacement	*Note				
MONTGOMERY WARD & Note: The prefix "62-" or for 62-306	ARD & Note: The prefix "62-" or for 62-306	CO.—Continued in 101-83	18	Radio Division MR53	on in M26	Montg	omery-	Ward Catalog 119-38	23	2S567					6	6A8G, 6K7G, 6Q7G, 6F6G, 6G5, 5Y3G	465	
62-307	Vol. Tone	101-46	18	MR53	M26			P103-6	23	RS213					7	6L7, 6C5, 6K7, 6Q7, 6F6, 5W4, 6G5	465	9-27,28
62-308	Vol. Tone	101-53	22	MR33				44X10	23	RS216					8	*6K7, 6C5, 6Q7, 6F6, 5Z4MG, 6G5	456	8-5,7
62-309	Vol. Tone	36X215	17	MRT446	M26T			44X11	23	RS216					9	*6K7, 6J7, 6C5, 6H6, 6G5, 6F5, 6F6, 5Y3G	456	11-11,13
62-310	Vol. Tone	40X211	34	Order from Mfr.				44X209	15	TC22				10	*30, 32, *34	456	8-23,25	
62-311	Vol. Tone	36X236	45	MRT428	M26			44X10	23	RS216				11	*6K7, *6C5, 6G5, *6F6, 5Z4MG	456	9-5,8	
62-312	Vol. Tone	40X223	34	MR42				44X11	23	RS216				13	6A8G, *6U7G, 6V7G, 6C5G, 25A6G, 6N7G	456	9-23	
62-313	Vol. Tone	36X220	64	MRT447	M23-24			44X213	13/15	2N509				13	*6K7, *6C5, 6G5, 6H6, *6L6, *5Z4	456	8-26,28	
62-315	Vol.	40X219	62	MRT447	M26			30-12	12/15	2N513				5	6A7, 78, 75, 41, 80	465	9-29	
62-316	Vol.	40X213	65	Order from Mfr.				P44X21	30	RS223				6	6L7, 6C5, 6K7G, 6Q7G, 6F6G, 5Y3	465	9-30,31	
62-317	Vol. Tone	101-49	18	MR53	M26			P44X11	30	RS216				7	6L7, 6C5, 6K7, 6Q7, 6F6, 5W4, 6G5	465		
62-318	Vol. Tone	101-46	18	MR53	M26			P45X216	13	TC52				8	*6K7, 6C5, 6Q7, 6F6, 5Z4, 6G5	456	8-5,7	
62-319	Vol. Tone	101-46	18	MR53	M26			P45X209	19	TC22				9	*6K7, 6J7, 6H6, 6F5, 6C5, 6F6, 5Y3G, 6G5	465		
62-320	Vol. Tone	101-53	22	MR33				BE103-6	23	RS213				4	*6J7, 25L6G, 25Z6G, L55B	456	9-32	
62-321	Vol. Tone	36X215	17	MRT446	6T			BE103-7	23	RS213				11	*6K7, *6J7, 6H6, *6C5, 6G5, *6F6, 5Y3G	456	11-15,16	
62-322	Vol. Tone	40X211	34	Order from Mfr.				BE103-6	23	RS213				7	6A8G, *6U7G, 6V7G, 25A6G, 6J5G, 6N7G	456	9-33	
62-323	Vol.	101-60	124	MRT436	M26			BE103-7	23	RS213				7	6K8G, 6K7, 6Q7G, 6P5G, 6AC5G, 5Y3G, 6U5	465	10-7,8	
62-324	Vol. Tone	101-61	21	Order from Mfr.				BE103-6	23	RS213				7	6A8, 6K7, 6Q7, 6J5, *6F6, 5Y3	465	10-10	
62-325	Vol.	36X244	71	UM120-SS18	M26			BE103-7	23	RS213				4	*6J7, 25L6G, 25Z6G, L55B	456	9-32	
62-326	Vol. Tone	36X236	75	MRT428	M26			BE103-6	23	RS213				6	1B5, 1C6, *30, 34	456	8-31,35	
62-327	Vol. Tone	40X224	34	MR53				44X11	25	RS216				11	*34, 1C6, *30, 19	456	8-36,38	
62-328	Vol. Tone	101-50	62	MR44	M27			44X30	25	RS216				7	1A6, 1A4, *30, *34, 19	465	9-3	
62-329	Vol. Tone	101-51	21	MR44				45X222	19	TC26				9	*6K7, 6J7, 6H6, 6F5, 6C5, 6F6, 6G5, 5Y3G	465		
62-330	Vol. Tone	101-60	124	MRT436	M26			45X223	13	TC52				11	*34, 32, 6N5, *30	456	9-36	
62-331	Vol. Tone	101-61	21	Order from Mfr.				45X241	12/15	2N514				7	*6K7, 6A8, 85, 43, 6A6	456		
62-332 (32 volt DC)	Vol. Tone	36X252	17	UM165-SS25	M26			44X11	25	RS216				7	*6K7, 6A8, 85, 43, 6A6	456		
62-333	Vol. Tone	40X229	41	MK400				44X11	25	RS216				5	6A8G, 6U7G, 6H6, 6K6G, 6F5G	456	9-37	
62-334	Vol.	101-126	18	MK402	M26			44X30	25	RS216				6	1B5, 1C6, *30, 34	456	8-31,35	
62-335	Vol. Tone	101-104	18	MR53	M26			45X222	13	TC52				7	*34, 1C6, *30, 19	456	8-36,38	
62-336	Vol. Tone	101-105	21	MR44	M26			45X223	13	TC52				7	1A6, 1A4, *30, *34, 19	465	9-3	
62-337	Vol. Tone	36X244	71	UM120-SS18	M26			45X224	1/15	Order from Mfr.				4	*6J7, 25L6G, 25Z6G, L55B	456	9-32	
62-338	Vol. Tone	36X218	18	MR53	M23-24			44X11	25	RS216				6	1B5, 1C6, *30, 34	456	8-31,35	
62-339	Vol. Tone	36X222	45	MR53	M27			44X30	25	RS216				11	*34, 1C6, *30, 19	456	8-36,38	
62-340	Vol. Tone	40X215	44	MR42				45X222	13	TC52				7	1A6, 1A4, *30, *34, 19	465	9-3	
62-341	Vol. Tone	101-50	62	MR44	M27			45X222	13	TC52				9	*6K7, 6J7, 6H6, 6F5, 6C5, 6F6, 6G5, 5Y3G	465		
62-342	Vol. Tone	101-51	21	MR44				45X223	13	TC52				11	*34, 32, 6N5, *30	456	9-36	
62-343	Vol. Tone	101-60	124	MRT436	M26			45X224	1/15	Order from Mfr.				7	*6K7, 6A8, 85, 43, 6A6	456		
62-344	Vol. Tone	101-61	21	Order from Mfr.				45X224	1/15	Order from Mfr.				4	*6J7, 25L6G, 25Z6G, L55B	456	9-32	
62-345	Vol. Tone	101-50	62	MR44	M27			44X11	25	RS216				6	1B5, 1C6, *30, 34	456	8-31,35	
62-346	Vol. Tone	101-51	21	MR44				44X30	25	RS216				11	*34, 1C6, *30, 19	456	8-36,38	
62-347	Vol. Tone	101-60	124	MRT436	M26			45X222	13	TC52				7	1A6, 1A4, *30, *34, 19	465	9-3	
62-348	Vol. Tone	101-61	21	Order from Mfr.				45X223	13	TC52				9	*6K7, 6J7, 6H6, 6F5, 6C5, 6F6, 6G5, 5Y3G	465		
62-349	Vol. Tone	36X220	15	MRT447	M23-24			45X224	1/13	FP354				11	*34, 32, 6N5, *30	456	9-36	
62-350	Vol. Tone	40X211	44	Order from Mfr.				45X224	1/13	FP354				7	*6K7, 6A8, 85, 43, 6A6	456		
62-351	Vol. Tone	36X218	18	MR53	M27			45X224	1/13	FP354				5	6A8G, 6U7G, 6H6, 6K6G, 6F5G	456	9-37	
62-352	Vol. Tone	36X222	45	MR53	M27			45X224	1/13	FP354				6	1B5, 1C6, *30, 34	456	8-31,35	
62-353	Vol. Tone	40X215	44	MR42				45X224	1/13	FP354				11	*34, 1C6, *30, 19	456	8-36,38	
62-354	Vol. Tone	101-50	62	MR44	M27			45X224	1/13	FP354				7	1A6, 1A4, *30, *34, 19	465	9-3	
62-355	Vol. Tone	101-51	21	MR44				45X224	1/13	FP354				9	*6K7, 6J7, 6H6, 6F5, 6C5, 6F6, 6G5, 5Y3G	465		
62-356	Vol. Tone	101-60	124	MRT436	M26			45X224	1/13	FP354				11	*34, 32, 6N5, *30	456	9-36	
62-357	Vol. Tone	101-61	21	Order from Mfr.				45X224	1/13	FP354				7	*6K7, 6A8, 85, 43, 6A6	456		
62-358	Vol. Tone	36X235	18	MR48	M26			45X224	1/13	FP354				4	*6J7, 25L6G, 25Z6G, L55B	456	9-32	
62-359	Vol. Tone	40X223	34	MR42				45X224	1/13	FP354				11	*34, 1C6, *30, 19	456	8-36,38	
62-360	Vol. Tone	101-50	62	MR44	M27			45X224	1/13	FP354				7	1A6, 1A4, *30, *34, 19	465	9-3	
62-361	Vol. Tone	101-51	21	MR44				45X224	1/13	FP354				9	*6K7, 6J7, 6H6, 6F5, 6C5, 6F6, 6G5, 5Y3G	465		
62-362	Vol. Tone	101-60	124	MRT436	M26			45X224	1/13	FP354				11	*34, 32, 6N5, *30	456	9-36	
62-363	Vol. Tone	101-61	21	Order from Mfr.				45X224	1/13	FP354				7	*6K7, 6A8, 85, 43, 6A6	456		
62-364	Vol. Tone	36X235	18	MR48	M26			45X224	1/13	FP354				4	*6J7, 25L6G, 25Z6G, L55B	456	9-32	
62-365	Vol. Tone	40X223	34	MR42				45X224	1/13	FP354				11	*34, 1C6, *30, 19	456	8-36,38	
62-366	Vol. Tone	101-50	62	MR44	M27			45X224	1/13	FP354				7	1A6, 1A4, *30, *34, 19	465	9-3	
62-367	Vol. Tone	101-51	21	MR44				45X224	1/13	FP354				9	*6K7, 6J7, 6H6, 6F5, 6C5, 6F6, 6G5, 5Y3G	465		
62-368	Vol. Tone	101-60	124	MRT436	M26			45X224	1/13	FP354				11	*34, 32, 6N5, *30	456	9-36	
62-369	Vol. Tone	101-61	21	Order from Mfr.				45X224	1/13	FP354				7	*6K7, 6A8, 85, 43, 6A6	456		
62-370	Vol. Tone	36X235	18	MR48	M26			45X224	1/13	FP354				4	*6J7, 25L6G, 25Z6G, L55B	456	9-32	
62-371	Vol. Tone	40X223	34	MR42				45X224	1/13	FP354				11	*34, 1C6, *30, 19	456	8-36,38	
62-372	Vol. Tone	101-50	62	MR44	M27			45X224	1/13	FP354				7	1A6, 1A4, *30, *34, 19	465	9-3	
62-373	Vol. Tone	101-51	21	MR44				45X224	1/13	FP354				9	*6K7, 6J7, 6H6, 6F5, 6C5, 6F6, 6G5, 5Y3G	465		
62-374	Vol. Tone	101-60	124	MRT436	M26			45X224	1/13	FP354				11	*34, 32, 6N5, *30	456		

MANUFACTURER AND MODEL	CONTROLS							CONDENSERS				VIBRATORS			No. Tubes	Complete Tube Complement	I. F. Peak	Rider's Reference	
	Use	Original Part	Circuit	Correct Replacement	Switch	Bias	*Note	Original Part	Circuit	Correct Replacement	*Note	Original Part	Replacement	*Note					
MONTGOMERY WARD & Note: The prefix "62-" or "62-349" . . . . .	ARD & Note: The prefix "62-" or "62-349" . . . . .	CO.—Continued in "62-" in "62-349" . . . . .	ued indicates	Radio Division in Montgomery-Ward Catalog	on in	Montgomery-Ward Catalog	44X10 . . . . .	23	RS216 . . . . .						9	*6K7, 6J7, 6C5, 6H6, 6G5, 6F5, 6F6, 5Y3G . . . . .	456	14-97,98	
62-350, 62-351, 62-352 . . . . .	Vol. Tone	101-106 . . . . .	18	UM161-SS18	M26		119-47C . . . . .	23	2S567 . . . . .						5	6A8G, 6K7, 6Q7G, 6K6G, 5W4 or 5Y3G . . . . .	465	9-41	
62-353 . . . . .	Vol. Tone	101-126 . . . . .	18	MK402 . . . . .	M26		119-63B . . . . .	4	2S569 . . . . .						7	6K8G, 6K7, 6Q7G, 6P5G, 6AC5G, 5Y3G, 6U5 . . . . .	465		
62-354 . . . . .	Vol. Fil.	101-111 . . . . .	56	MK400 . . . . .	M27		119-52 . . . . .	20	TC26 . . . . .						5	1C7G, 1D5G, 1F7G, 1G5G . . . . .	465	14-72	
62-355 . . . . .	Vol. Tone	9550VR . . . . .	18	MR53 . . . . .	M26		9567CE . . . . .	43	2S567 . . . . .						5	6A8G, 6K7G, 6Q7G, 6F6G, 5Y3G . . . . .	465	14-99	
62-356 . . . . .	Vol. Tone	101-81 . . . . .	18	MR48 . . . . .	M27		119-41 . . . . .	1	2N516 . . . . .		126-4 . . . . .	246	C3	6	6D8G or 6A8G, 6S7G, 6T7G, 6L5G, 1J6G, 6N5 . . . . .	465			
62-357 . . . . .	Vol. Tone	36X235 . . . . .	18	MR48 . . . . .	M26		12 . . . . .	23	RS215 . . . . .						7	6J7, 6K7, 6Q7, 6F6, 6C5, 6G5, 5Y3G . . . . .	456	9-15	
62-358 . . . . .	Vol. Tone	40X223 . . . . .	34	MR39 . . . . .	M26		44X37 . . . . .	23	RS219 . . . . .						8	6J7, 6K7, 6J5, 6H6, 6G5, 6F5, 6F6, 5Y3G . . . . .	456		
62-359 . . . . .	Vol. Tone	36X240 . . . . .	62	MR48 . . . . .	M26		45X229 . . . . .	1/15	3N527 . . . . .			248	C3	7	*6S7G, *6L5G, 6N5, 6K6G . . . . .	456	14-107, 108		
62-360 . . . . .	Vol. Tone	40X223 . . . . .	34	MR42 . . . . .	M26		.01 . . . . .	23	Buffer . . . . .						6	*24, 45, 80 . . . . .			
62-361 Issue A and Issue B . . . . .	Vol. Tone	P90942 . . . . .	97	Order from Mfr.			6, 8 . . . . .	25	RS213 . . . . .						6	6A8G, 6K7, 6Q7G, 6K6G, 6U5, 5Y3G . . . . .	465	9-42	
62-362 . . . . .	Vol. Tone	101-118 . . . . .	18	MK402 . . . . .	M26		119-48 . . . . .	4	2S567 . . . . .						6	6A8G, 6K7, 6Q7G, 6K6G, 5Y3G, 6U5 . . . . .	465	9-45	
62-363 . . . . .	Vol. Tone	101-118 . . . . .	18	MK402 . . . . .	M26		119-48 . . . . .	4	2S567 . . . . .						6	6K6G, 5Y3G, 6U5, 6D8G, *6S7G, 6T7G, 6AB5, 6G6G . . . . .	456	9-48	
62-364 . . . . .	Vol. Tone	36X249 . . . . .	17	UM165-SS25	M26		45X243 . . . . .	1/15	TC864/TC26			246	C3	6	*6U7G, 6J7G, 6B8G, 6K6G, 6N7G . . . . .	175	10-11		
		40X231 . . . . .	22	UM144-SS25		A96	45X239 . . . . .	15	TC22 . . . . .						6				
							.015 . . . . .	1	Buffer . . . . .										
							45X235 . . . . .	13	2N518 . . . . .										
							45X240 . . . . .	15	TC70 . . . . .										
							45X239 . . . . .	15	TC22 . . . . .										
							.008 . . . . .	43	Buffer . . . . .										
							9567CE . . . . .	43	2S567 . . . . .										
62-365 . . . . .	Vol. Tone	9550VR . . . . .	18	MR53 . . . . .	M26		9567CE . . . . .	43	2S567 . . . . .						5	6A8G, 6K7G, 6Q7G, 6F6G, 5Y3G . . . . .	465	14-99	
62-367 . . . . .	Vol. Tone	36X235 . . . . .	18	MR48 . . . . .	M26		44X31 . . . . .	23	RS215 . . . . .						7	6J7, 6K7, 6Q7, 6F6, 6C5, 6G5, 5Y3G . . . . .	456	9-15	
62-368 . . . . .	Vol. Tone	40X223 . . . . .	22	MR42 . . . . .	M26		44X35 . . . . .	23	RS224 . . . . .						7	6J7, 6K7, 6J5, 6H6, 6G5, 6F5, 6F6, 5Y3G . . . . .	456		
							44X37 . . . . .	23	RS219 . . . . .						8				
							44X38 . . . . .	23	RS224 . . . . .										
62-369 . . . . .	Vol. Tone	36X232 . . . . .	56	Order from Mfr.			45X219 . . . . .	1/15	3S579 . . . . .			19A30 . . . . .	248	C3	6	*6K7, 6J7, 6B8G, 6K6G, 6N7G . . . . .	175	10-12	
62-370 . . . . .	Vol. Tone	20A49 . . . . .	22	Order from Mfr.			.0055 . . . . .	23	Buffer . . . . .						7	6A8G, 6U7G, 6J5G, 6U5, 6Q7G, 6K6G, 5Y3G . . . . .	456	10-13,14	
		36X249 . . . . .	127	UM165-SS25			44X37 . . . . .	23	RS219 . . . . .						7				
		40X229 . . . . .	34	MK400 . . . . .			44X38 . . . . .	23	RS224 . . . . .						7				
62-371 . . . . .	Vol. Tone	101-46 . . . . .	18	MR53 . . . . .	M26		119-30 . . . . .	4	2S556 . . . . .						8	6L7, 6C5, 6K7, 6G5, 6Q7, *25L6, 25Z6 . . . . .	465	14-79,80	
62-372 . . . . .	Vol. Tone	101-51 . . . . .	22	MR44 . . . . .	M26		44X31 . . . . .	23	RS215 . . . . .						7	6J7, 6K7, 6Q7, 6F6, 6C5, 6G5, 5Y3G . . . . .	456	9-49	
		36X235 . . . . .	18	MR48 . . . . .	M26		44X35 . . . . .	23	RS224 . . . . .						7				
		40X223 . . . . .	34	MR42 . . . . .	M26		45X225 . . . . .	13	2N516 . . . . .			246	C3	7	1C7G, 1D5G, 1H4G, 1E5G . . . . .	456			
62-373, 62-374 . . . . .	Vol. Tone	36X239 . . . . .	45	MR53 . . . . .	M26		45X234 . . . . .	1	2N514 . . . . .						7				
		40X226 . . . . .	44	MR39 . . . . .			45X233 . . . . .	1	Order from Mfr.										
							.02 . . . . .	43	Buffer . . . . .										
62-375 . . . . .	Vol. Tone	9550VR . . . . .	18	MR53 . . . . .	M26		9567CE . . . . .	43	2S567 . . . . .						5	6A8G, 6K7G, 6Q7G, 6F6G, 5Y3G . . . . .	465	14-99	
62-376 . . . . .	Vol. Tone	101-81 . . . . .	18	MR48 . . . . .	M27		119-41 . . . . .	1	2N516 . . . . .		126-4 . . . . .	246	C3	6	6A8G/6D8G, 6S7G, 6T7G, 6L5G, 1J6G, 6N5 . . . . .	465	11-14		
		101-82 . . . . .	22	MR39 . . . . .			.005 . . . . .	1	Buffer . . . . .						6				
62-377 . . . . .	Vol. Tone	36X239 . . . . .	45	MR53 . . . . .	M23-24		45X225 . . . . .	13	2N516 . . . . .						7	1C7G, 1D5G, 1H4G, 1E5G . . . . .	456	9-51	
62-380 . . . . .	Vol. Tone	40X226 . . . . .	44	MR39 . . . . .											7				
		101-71 . . . . .	18	MR53 . . . . .	M26		119-38 . . . . .	4	2S567 . . . . .						5	6A8G, 6K7, 6Q7G, 6K6G, 5Y3G . . . . .	465	10-16	
62-383 . . . . .	Vol. Tone	101-71 . . . . .	18	MR53 . . . . .	M26		119-38 . . . . .	4	2S567 . . . . .						5	6A8, 6K7, 6Q7, 6K6, 5Y3 . . . . .	465	14-100	
62-385 . . . . .	Vol. Fil.	101-78 . . . . .	56	MR44 . . . . .	M26		119-22 . . . . .	19	TC22 . . . . .						5	1D7G, 1D5G, 1F7G, 1G5G . . . . .	465	9-26	
62-386 . . . . .	Vol. Tone	101-79 . . . . .	29	C6R . . . . .											5				
		101-79 . . . . .	18	MR53 . . . . .	M26		5-5 . . . . .	23	2S567 . . . . .						6	6A8G, 6K7G, 6Q7G, 6F6G, 5Y3G, 6G5 . . . . .	465	10-17	
62-387 . . . . .	Vol. Tone	36X239 . . . . .	45	MR53 . . . . .	M23-24		45X225 . . . . .	13	2N516 . . . . .						7	1C7G, 1D5G, 1H4G, 1E5G . . . . .	456	9-51	
62-390 . . . . .	Vol. Tone	40X223 . . . . .	44	MR39 . . . . .											9	*6K7, 6K8, *6J5G, 6U5, 6Q7G, 6K6G, 5Y3G . . . . .	465	9-53	
		101-122 . . . . .	45	MK401 . . . . .	M26		119-60 . . . . .	1/19	3S584/TC29 . . . . .		B8				9				
		101-123 . . . . .	22	MK400 . . . . .			119-61 . . . . .	13	TC62 . . . . .						9				
62-401 . . . . .	Vol. Tone	36X245 . . . . .	20	TM247-SS25			44X30 . . . . .	25	RS216 . . . . .						11	*6U7G, *6J7G, 6H6, *6J5G, *6F6G, 5Y3G, 6U5 . . . . .	456	9-55	
		40X228 . . . . .	34	MK402 . . . . .			44X36 . . . . .	25	RS224 . . . . .						11				
							45X238 . . . . .	19	TC29 . . . . .						11				

† Data not substantiated.

\* IMPORTANT: Read Notes in Note Section if specified in Note Column.

‡ Indicates miscellaneous section.

MANUFACTURER AND MODEL	CONTROLS							CONDENSERS				VIBRATORS			No. Tubes	Complete Tube Complement	I. F. Peak	Rider's Reference
	Use	Original Part	Circuit	Correct Replacement	Switch	Bias	*Note	Original Part	Circuit	Correct Replacement	*Note	Original Part	Replacement	*Note				
MONTGOMERY WARD & Note: The prefix "62-" or for "62-" in	Vol. Tone	36X251 40X230	45 95	Radio Division UM163-SS22 UM161-SS22	on in M26	Montgomery	Ward Catalog 44X39 44X40 45X239	4 4 15	RS219 RS224 TC22						11	*6D6, 6C6, *76, 6U5, *41, 80.	465	9-56
	62-402	Vol. Tone	36X253 40X232	20 21	TM250-SS25 Order from Mfr.		44X21 44X36 44X244 45X239 4	25 25 19 15 12	RS223 RS224 TC39 TC22 TC40						13	*6U7G, 6J7G, 6H6, 6J5G, 6F8G, 6U5, *6F6G, 5U4G	456	9-59,60
62-403	Vol. Tone	36X237 43X70 101-78 101-79 101-83	18 27 56 29 18	MR53 C6R MR44 C6R MR53	M27 M26		119-22 119-38	19 23	TC22 2S567					4	1D7G, 1D5G, 1H6G, 1F5G	456	9-25	
62-404	Vol. Fil.	36X237 43X70	18 27	MR53 C6R	M27		119-22	19	TC22					5	1D7G, 1D5G, 1F7G, 1G5G	465	9-26	
62-405	Vol. Fil.	101-78 101-79	56 29	MR44 C6R	M26		119-38	23	2S567					6	6A8G, 6K7G, 6Q7G, 6F6G, 6G5, 5Y3G	465		
62-406	Vol. Tone	101-46 101-53	18 22	MR53 MR33	M26		P103-6 P103-7	23 23	RS213 RS213					7	6L7, 6C5, 6K7, 6Q7, 6F6, 5W4, 6G5	465	9-27,28	
62-407	Vol. Tone	36X215 40X211	17 34	MRT446 Order from Mfr.	M26T		44X10 44X11 44X209	23 23 15	RS216 RS216 TC22					8	*6K7, 6C5, 6Q7, 6F6, 5Z4, 6G5	456	8-6,7	
62-408	Vol. Tone	101-60 101-61	45 21	MRT436 Order from Mfr.	M26		103-12 103-13	25 25	RS213 ST595					8	*6K7, 6J7, 6H6, 6F5, 6C5, 6F6, 5Y3G	465		
62-409	Vol. Tone	36X220 40X211	64 44	MRT447 Order from Mfr.	M23-24		4 44X10	12 25	TC52 RS216					10	*30, 32, *34	456	8-22,25	
62-410	Vol. Tone	36X215 40X211	17 34	MRT446 Order from Mfr.	M26T		44X11 44X209	23 15	RS216 TC22					11	*6K7, *6C5, 6G5, *6F6, 5Z4MG	456	9-5,8	
62-411	Vol. Tone	36X219 40X213	62 65	MRT447 Order from Mfr.	M26		44X10 44X11 44X213	25 25 13/15	RS216 RS216 2N509					10	*34, 32, *30	456	14-109, 110,111	
62-412	Vol. Tone	P-36X220 P-40X211	64 44	MRT447 Order from Mfr.	M23-24		P-45X214	12/34	3S582					13	*6K7, *6C5, 6G5, 6H6, *6L6, *5Z4	456	8-27	
62-413	Vol. Tone	36X221 40X214	20 65	MRT450 Order from Mfr.	M26		P44X21 P44X11 P45X216 P45X209	30 30 13 19	RS223 RS216 TC62 TC22					5	1D7G, 1D5G, 1F7G, 1G5G	465	9-26	
62-414	Vol. Fil.	101-78 101-79	56 29	MR44 C6R	M26		119-22	19	TC22					5	6A7, 78, 75, 41, 80.	465	9-29	
62-415	Vol. Tone	101-49	18	MR53	M26		BE103-6 BE103-7	23 23	RS213 RS213					5	6A7, 78, 75, 41, 80.	465	9-29	
62-416	Vol. Tone	101-46	18	MR53	M26		BE103-6 BE103-7	23 23	RS213 RS213					6	6L7, 6C5, 6K7G, 6Q7G, 6F6G, 5Y3	465	9-30,31	
62-417	Vol. Tone	36X235 40X223	18 34	MR48 MR42	M26		44X31 44X35	23 23	RS215 RS224					7	6J7, 6K7, 6Q7, 6F6, 6C5, 6G5, 5Y3G	456		
62-418	Vol. Tone	36X215 40X211	17 34	MRT446 Order from Mfr.	M26T		44X10 44X11 44X209	23 23 15	RS216 RS216 TC22					8	*6K7, 6C5, 6Q7, 6F6, 5Z4, 6G5	456	8-5,7	
62-419	Vol. Tone	101-60 101-61	124 21	MRT436 Order from Mfr.	M26		103-13 103-12	25 25	RS213 RS213					9	*6K7, 6J7, 6H6, 6F5, 6C5, 6F6, 6G5, 5Y3G	465		
62-422	Vol. Tone	36X252 40X229	17 41	MR57 UM147-SS25	M26		30-20	12/15	2N514					7	6A8G, *6U7G, 6V7G, 25A6G, 6J5G, 6N7G	456	9-33	
62-425	Vol. Tone	101-54	18	MR53	M26		119-24	23	2S567					5	6A7, 78, 75, 41, 5Z4	465	9-57	
62-426	Vol. Tone	36X218	18	MR53	M23-24		4	12	TC52					6	1B5, 1C6, 30, 34	456	8-31,35	
62-427	Vol. Tone	36X222 40X215	45 44	MR53 MR42	M27		4-18-18 20 .01	1/13 1	FP354 RS207 Buffer	B117		Order from Mfr.		7	*34, 1C6, *30, 19	456	8-37,38	
62-428	Vol. Tone	101-50 101-51	62 21	MR44 MR44	M27		BE103-11	12	RS213	B14		Order from Mfr.		7	1A6, 1A4, *30, *34, 19	465	9-3	
62-429	Vol. Tone	P-36X218	18	MR53	M23-24		P-45X212	12	TC42			Order from Mfr.		6	1C6, 34, 1B5, *30	456	14-77,78	
62-430	Vol. Tone	101-50 101-51	62 21	MR44 MR44	M27		103-11	12	RS213			Order from Mfr.		8	1A6, *30, 1A4, *34, 19	465	14-115, 116	
62-432 (32 volt DC)	Vol. Tone	36X213 40X209	18 44	MR48 MR36	M26		12 50	15 13	TC22 TC29			Order from Mfr.		7	*6K7, 6A8, 85, 43, 6A6	456		
62-433	Vol. Tone	36X238 40X225	20 41	MRT450 MR55	M26		44X21 44X36 45X224	25 25 19	RS223 RS224 TC26			Order from Mfr.		13	*6K7, 6J7, 6H6, *6C5, 6G5, *6L6, *5Y3G	456		
62-434, 62-435	Vol. Fil.	101-111 101-112	56 29	MK400 M4R	M27		119-52	19	TC26			Order from Mfr.		5	1C7G, 1D5G, 1F7G, 1G5G	465	9-58	
62-436	Vol. Tone	36X218	18	MR53	M23-24		P45X212	12	TC52			Order from Mfr.		6	1B5, 1C6, *30, 34	456	8-31,35	
62-437	Vol. Tone	36X222 40X215	45 44	MR53 MR42	M27		4-18-18 20 .01	1/13 1	FP354 RS207 Buffer	B117		Order from Mfr.		7	*34, 1C6, *30, 19	456	8-37,38	
62-439	Vol. Tone	P-36X218 36X220	18 15	MR53 MRT447	M23-24 M23-24		P-45X212 45X214	12 13	TC42 3S582	B14		Order from Mfr.		6	1C6, 34, 1B5, *30	456	14-77,78	
62-441	Vol. Tone	40X211	44	Order from Mfr.	Mfr.		45X226 45X228 .01	23 1 1	RS224 TCS45 Order from Mfr. Buffer	B14		Order from Mfr.		11	*34, 32, 6N5, *30	456	9-36	
62-442	Vol. Tone	36X213 40X209	18 44	MR48 MR36	M26		30-12	12/15	2N513	B14		Order from Mfr.		7	6A8G, *6U7G, 6V7G, 6C5G, 25A6G, 6N7G	456	9-23	
62-445	Vol. Tone	101-77	18	MR53	M26		119-38	22	2S567			Order from Mfr.		5	6A8G, 6K7G, 6Q7G, 6F6G, 5Y3G	456	9-63	
62-446	Vol. Tone	101-81 101-82	18 22	MR48 MR39	M27		119-41 .005	1	2N516 Buffer	B14		246	C3	6	D8G or 6A8G, *6S7G, 6T7G, 6L5G, 1J6G, 6N5	465		

† Data not substantiated.

\* IMPORTANT: Read Notes in Note Section if specified in Note Column.  
GRID BIAS CELLS ARE EXCLUSIVE WITH MALLORY!

‡ Indicates miscellaneous section.

MANUFACTURER AND MODEL	CONTROLS							CONDENSERS				VIBRATORS			No. Tubes	Complete Tube Complement	I. F. Peak	Rider's Reference
	Use	Original Part	Circuit	Correct Replacement	Switch	Bias	*Note	Original Part	Circuit	Correct Replacement	*Note	Original Part	Replacement	*Note				
MONTGOMERY WARD & Note: The prefix "62-" or for	CO.—Continued	Radio Division	on in	Montg	omery-	Ward Catalog												
62-447	Vol. 36X235	18	MR48	M26			44X31	23	RS215					7	6J7, 6K7, 6Q7, 6F6, 6C5, 6G5, 5Y3G	456		
62-448	Vol. 40X223	34	MR42	M26			44X35	23	RS224					8	6J7, 6K7, 6J5, 6H6, 6G5, 6F5, 6F6, 5Y3G	456		
62-449	Vol. 36X235	18	MR48	M26			44X37	23	RS219					9	*6K7, *6J7, 6C5, 6H6, 6G5, 6F5, 6F6, 5Y3G	456		
62-451	Vol. 40X223	34	MR42	M26			44X38	23	RS224					11	*6K7, *6J7, 6H6, *6C5, 6G5, *6F6, 5Y3G	456		
62-452	Vol. 36X236	75	MRT428	M26			44X10	23	RS216					7	6A8G, *6U7G, 6V7G, 6C5G, 25A6G, 6N7G	456	9-23	
62-453	Vol. 40X223	34	MR42	M26			44X11	23	RS216					4	1D7G, 1D5G-P, 1F7G, 1G5G	465		
62-454	Vol. 36X236	18	MRT428	M26			44X11	25	RS216					4	1A7G, 1N5G, 1H5G, 1C5G	465		
62-455	Vol. 40X224	34	MR53	M26			44X30	25	RS216					5	6A8G, 6K7G, 6Q7G, 6F6G, 5Y3G	456	9-63	
62-457	Vol. 101-155	18	MK402	M27			45X222	19	TC26					7	6J7, 6K7, 6Q7, 6F6, 6C5, 6G5, 5Y3G	456	9-15	
62-458	Vol. 101-163	18	MK402	M27			45X223	13	TC52					8	6J7, 6K7, 6J5, 6H6, 6G5, 6F5, 6F6, 5Y3G	456		
62-459 Ser. A	Vol. 101-77	18	MR53	M26			30-12	12/15	2N513					4	6D8, 6S7, 6T7, 6K6	465	10-21	
62-460	Vol. 101175	18	MR53	M27			119-58	24	TC47		126-8	246	C3	4	6D8, 6S7, 6T7, 6K6	465	10-21	
62-463	Vol. 101119	22	UM159-SS1	M26			119-57	24/15	2N509					4	1A7G, 1P5G, 1H5G, 1C5G	465	15-59	
62-465	Vol. 36X249	17	UM165-SS25	M26			11975	19	Buffer	B14				6	6D8G, *6S7G, 6T7G, 6A85, 6G6G	456	9-48	
62-466	Vol. 40X231	34	MR42	M26			45X243	1/15	TCS64/TC26		19A28	246	C3	6	6D8G, 6S7G, 6T7G, 6A85, 6G6G	456	9-48	
62-467	Vol. 101-80	18	MR53	M27			015	1	Buffer	B14				5	6D8G, 6S7G, 6T7G, 1F5G, 6N5	465	9-64	
62-470	Vol. 101-81	18	MR48	M27			119-40	1	2N516	B14	126-4	246	C3	5	6D8G, 6S7G, 6T7G, 1F5G, 6N5	465	9-64	
62-471, 62-472	Vol. 101-82	22	MR39	M26			119-41	1	2N516	B14		246	C3	6	6D8G or 6A8G, *6S7G, 6T7G, 6L5G, 1J6G, 6N5	465		
62-473	Vol. 36X235	18	MR48	M26			44X31	23	RS215					7	6J7, 6K7, 6Q7, 6F6, 6C5, 6G5, 5Y3G	456	9-15	
62-474	Vol. 40X223	34	MR39	M26			44X35	23	RS224					7	6A8G, 6U7G, 6J5G, 6U5, 6Q7G, 6K6G, 5Y3G	456		
62-475	Vol. 36X249	17	UM165-SS25	M26			44X37	23	RS219					7	6A8G, 6U7G, 6Q7G, 6K6G, 6J5G, 6U5, 5Y3G	456		
62-476	Vol. 40X229	34	MK400	M26			44X38	23	RS224					7	6A8G, 6U7G, 6Q7G, 6K6G, 6J5G, 6U5, 5Y3G	456		
62-477	Vol. 36X243	18	MR48	M26			44X37	23	RS219					7	6A8G, 6U7G, 6Q7G, 6K6G, 6J5G, 6U5, 5Y3G	456		
62-478	Vol. 40X227	34	MR39	M26			44X38	23	RS224					7	6A8G, 6U7G, 6Q7G, 6K6G, 6J5G, 6U5, 5Y3G	456		
62-479	Vol. 101-137	18	MK402	M26			119-69	23	2S569					7	6K8G, 6K7, 6Q7G, 6P5G, 6U5, 6AC5G, 5Y3G	465	9-65,66	
62-480	Vol. 101-136	22	MK400	M26		A39								5	6A8G, 6K7G, 6Q7G, 6F6G, 5Y3G	456	9-63	
62-481	Vol. 101-77	18	MR53	M26			119-38	23	2S567					6	6A8G, 6K7G, 6Q7G, 6F6G, 5Y3G	465	9-68	
62-482	Vol. 101-77	18	MR53	M26			119-38	23	2S567					7	6A8G, 6K7G, 6Q7G, 6F6G, 5Y3G	465	9-68	
62-483	Vol. 36X239	45	MR53	M23-24			45X225	13	2N516					7	1C7G, 1D5G, 1H4G, 1E5G	456	9-51	
62-484	Vol. 40X226	44	MR39	M26			44X37	23	RS219					7	6A8G, 6U7G, 6Q7G, 6J5G, 6K6G, 6U5, 5Y3G	456	9-69	
62-485	Vol. 36X249	17	UM165-SS25	M26			44X38	23	RS224					7	6A8G, 6U7G, 6Q7G, 6J5G, 6K6G, 6U5, 5Y3G	456	9-69	
62-486	Vol. 40X229	34	MK400	M26										7	6A8G, 6U7G, 6Q7G, 6J5G, 6K6G, 6U5, 5Y3G	456	9-69	
62-487	Vol. 36X239	45	MR53	M26			45X225	13	2N516					7	1C7G, 1D5G, 1H4G, 1E5G	456	9-51	
62-488	Vol. 40X226	44	MR39	M26										9	*6K7, *6K8, *6J5G, 6U5, 6Q7G, 6K6G, 5Y3G	465	9-53	
62-489	Vol. 101-122	45	MK401	M26			119-60	1/19	3S584/TC29	B8				5	1D7G, 1D5G, 1F7G, 1G5G	465	9-26	
62-490	Vol. 101-123	22	MK400	M26			119-61	13	TC62					7	6J7, 6K7, 6Q7, 6F6, 6C5, 6G5, 5Y3G	456	9-15	
62-491	Vol. 101-78	56	MR44	M26			119-22	19	TC22					7	6L7G, 6K7, 6Q7G, 6K6G, 6J5G, 6G5, 5Y3G	465	9-71	
62-492	Vol. 101-79	29	C6R	M26										5	1D7G, 1D5G, 1F7G, 1G5G	465	9-26	
62-493	Vol. 36X235	18	MR48	M26			44X31	23	RS215					7	6J7, 6K7, 6Q7, 6F6, 6C5, 6G5, 5Y3G	456	9-15	
62-494	Vol. 40X223	34	MR39	M26			44X35	23	RS224					7	6L7G, 6K7, 6Q7G, 6K6G, 6J5G, 6G5, 5Y3G	465	9-71	
62-500	Vol. 101-95	18	MR53	M26			119-38	4	2S567					7	6L7G, 6K7, 6Q7G, 6K6G, 6J5G, 6G5, 5Y3G	465	9-71	
62-501, 502 (Ser. A Above 286700 up)	Vol. 101-96	21	MR53	M26										4	6A8, 6J7, 25L6G, 25Z6G, 62A	465	10-22, 14-90	
62-503	Vol. 101-100	18	MR53	M26			119-48	4	2S567					5	6A8G, 6K7, 6Q7G, 6K6G, 5Y3G	465	121	
62-504A	Vol. 101-164	18	MK402	M26			119-82	24	2N513					5	12SA7, 12SK7, 12SO7, 35L6GT, 35Z5GT	465	10-23	
62-505A	Vol. 101-164	18	MK402	M26			119-82	24	2N513					5	12SA7, 12SK7, 12SO7, 35L6GT, 35Z5GT	465	10-23	
62-506	Vol. 101-88	18	MR53	M24			119-44	12	TC52					6	1C7G, 1D5G, 1H6G, 1H4G	465	9-62	
62-507	Vol. 101-89	29	M4R	M24										6	1C7G, 1D5G, 1H6G, 1H4G	465	9-62	

† Data not substantiated.

\* IMPORTANT: Read Notes in Note Section if specified in Note Column.  
MALLORY PARTS ARE DESIGNED WITH THE SERVICEMAN IN MIND.

‡ Indicates miscellaneous section.



MANUFACTURER AND MODEL	CONTROLS							CONDENSERS				VIBRATORS			No. Tubes	Complete Tube Complement	I. F. Peak	Rider's Reference
	Use	Original Part	Circuit	Correct Replacement	Switch	Bias	*Note	Original Part	Circuit	Correct Replacement	*Note	Original Part	Replacement	*Note				
<b>MONTGOMERY WARD &amp; CO.</b> Note: The prefix "62-" or form of "62-" indicates				Radio Division in Montgomery-Ward Catalog														
62-516.....	Vol. 101-88.....	18	MR53.....	M23-24			119-44.....	12	TC52.....					6	1C7G, 1D5G, 1H6G, 1H4G.....	465	9-62	
62-520.....	Vol. 101-89.....	29	M4R.....											4	24, 71A, 80.....			
62-524.....	Vol. 101-111.....	6	G7.....		3		8, 8.....	25	RS213.....	B3				5	1C7G, 1D5G, 1F7G, 1G5G.....	465	14-72	
62-536.....	Vol. 101-112.....	1	MK400.....	M27			119-52.....	20	TC26.....					5	6A8, 6K7, 6R7, 25L6, 25Z6.....	470	14-122	
62-546.....	Vol. 101-77.....	18	M4R.....	M26			119-42.....	4	2S556.....					5	6A8, 6K7, 6R7, 25L6, 25Z6.....	470	14-122	
62-550.....	Vol. 101-140.....	45	MR53.....	M26			119-42.....	4	2S556.....					5	6A8, 6K7, 6R7, 25L6, 25Z6.....	470	14-122	
62-551.....	Vol. 101-79.....	29	MK402.....	M27			119-35.....	19	TC26.....					5	1D7G, 1D5G, 1H4G, 1G5G.....	465		
62-552.....	Vol. 101-140.....	18	MK402.....	M27			119-35.....	19	TC26.....					5	1A7G, 1N5G, 1H5G, 1A5G.....	465		
62-553.....	Vol. 101-126.....	45	MK402.....	M26			119-59C.....	24	2N513.....	B14	126-8.....	246	C3	5	6D8G, 6S7G, 6L5G, 6T7G, 6G6G.....	465	10-27	
62-554.....	Vol. 101-150.....	18	MK402.....	M26			119-79.....	22/15	TC564/TC26	B14		294	C3	5	6D8G, 6K7, 6T7G, 6G6G, 6ZY5G.....	465	10-28	
62-555.....	Vol. 101-150.....	18	UM154.....	M26		A96	30-20-20.....	24/15	Buffer	B3		953W	C3	5	6SK7, 6SQ7, 6SA7, 41.....	456	10-29	
62-556.....	Vol. 36X258.....	18	MR48.....	M27			45X250.....	12	TC52.....	B14				5	1A7G, 1N5G, 1H5G, 1C5G.....	456	10-31	
62-557.....	Vol. 101-77.....	18	MR53.....	M26			119-42.....	4	2S556.....					5	6A8, 6K7, 6R7, 25L6, 25Z6.....	470	14-122	
62-558.....	Vol. 36X258.....	18	MR48.....	M27			45X250.....	12	TC52.....					5	1A7G, 1N5G, 1H5G, 1C5G.....	456	10-31	
62-587.....	Vol. 101-160.....	18	MK400.....	M27			119-52.....	19	TC26.....					5	1A7G, 1N5G, 1H5G, 1C5G.....	465	10-32	
62-601 (Early).....	Vol. 101-49.....	18	MR53.....	M26			103-6.....	23	RS213.....					5	6A8, 6K7, 6Q7, 6F6, 5Y3.....	465	14-123	
62-601.....	Vol. 101-54.....	18	MR53.....	M26			103-7.....	23	RS213.....					5	6A7, 78, 75, 43, 25Z5	465	14-120	
62-606.....	Vol. 101-55.....	22	MR53.....	M26			119-25.....	11	UR182-193					5	6A7, 78, 75, 43, 25Z5	465	14-120	
62-607.....	Vol. 101-158.....	18	MK402.....	M26			119-29.....	4	2S556.....					6	6A8G, 6K7, 6Q7G, 6K6G, 5W4, 6U5.....	465	10-33	
62-616.....	Vol. 101-77.....	18	MR53.....	M26			119-47.....	23	2S567.....					6	6A8G, 6K7G, 6Q7G, 6F6G, 6G5, 5Y3G.....	465	9-68	
62-617.....	Vol. 36X239.....	45	MR53.....	M26			119-38.....	23	2S567.....					7	1C7G, 1D5G, 1H4G, 1E5G.....	456	9-51	
62-627.....	Vol. 40X226.....	44	MR39.....	M26			119-38.....	23	2S567.....					6	6A8G, 6K7G, 6Q7G, 6F6G, 6G5, 5Y3G.....	465	9-68	
62-636, 646.....	Vol. 101-77.....	18	MR53.....	M26			119-38.....	23	2S567.....					7	1C7G, 1D5G, 1H4G, 1E5G.....	456	9-51	
62-650.....	Vol. 36X239.....	45	MR53.....	M23-24			8-4.....	13	2N516.....					7	6A8, 6K7, 6Q7, 6C5, 26F6, 5Y3.....	465	14-91,92	
62-651, 62-652.....	Vol. 40X226.....	44	MR39.....	M26			103-6.....	4	RS213.....					5	6A8G, 6K7G, 6Q7G, 6F6G, 5Y3G.....	465	10-17	
62-653.....	Vol. 101-77.....	18	MR53.....	M26			103-14.....	4	RS216.....					6	6D8G, 6S7G, 6T7G, 6AB5, 6G6G.....	456	9-48	
62-654, 62-655.....	Vol. 36X249.....	17	MR57.....	M26			5-5.....	23	2S567.....					6	6K8G, 6K7, 6T7G, 6G6G, 6AE6G, 6AF6G.....	465	10-35	
62-656.....	Vol. 40X231.....	22	MR42.....	M26			45X243.....	1/15	TC564/TC26	B14	126-8.....	246	C3	6	6K8G, 6K7, 6Q7G, 6P5G, 6U5, 6AC5G, 5Y3G.....	465	9-65,66	
62-700.....	Vol. 101-153.....	18	MK402.....	M27			45X239.....	15	TC22.....	B14				6	6K8G, 6K7, 6Q7G, 6P5G, 6U5, 6AC5G, 5Y3G.....	465	9-48	
62-701.....	Vol. 101-154.....	22	Order from Mfr.....				015.....		Buffer	B14				6	6K8G, 6K7, 6Q7G, 6P5G, 6U5, 6AC5G, 5Y3G.....	465	9-48	
62-702, 62-703.....	Vol. 101-153.....	18	MK402.....	M27			119-59C.....	24	2N513.....	B14	126-8.....	246	C3	6	6K8G, 6K7, 6Q7G, 6P5G, 6U5, 6AC5G, 5Y3G.....	465	9-48	
62-704, 62-705, 62-706, 62-707, 62-708, 62-709, 62-710, 62-711, 62-712.....	Vol. 101-154.....	22	Order from Mfr.....			A96	003.....		Buffer	B14				6	6K8G, 6K7, 6Q7G, 6P5G, 6U5, 6AC5G, 5Y3G.....	465	9-48	
62-713.....	Vol. 101-152.....	45	MK400.....	M27			40-20-20.....	24/15	See Note.....	B3		248	C3	6	6SK7, 6H6, 6V6G, 6SA7.....	456	10-37	
62-722.....	Vol. 101-112.....	29	M4R.....				008.....		Buffer	B14				6	1C7G, 1D5G-P, 1H4G, 1G5G.....	465	10-38	
62-723.....	Vol. 101-151.....	22	Order from Mfr.....				119-52.....	19	TC26.....					6	1A7G, 1N5G, 1G4G, 1G5G, 1H5G.....	465	10-39	
62-724.....	Vol. 101-152.....	45	MK400.....	M27			119-52.....	19	TC26.....					7	6A8G, 6U7G, 6J5G, 6U5, 6Q7G, 6K6G, 5Y3G.....	456		
62-725.....	Vol. 101-151.....	22	Order from Mfr.....				44X37.....	23	RS219.....					7	6K8G, 6K7, 6Q7G, 6P5G, 6U5, 6AC5G, 5Y3G.....	465	9-65,66	
62-726.....	Vol. 36X249.....	127	UM165-SS25	M26			44X38.....	23	RS224.....					7	6K8G, 6K7, 6Q7G, 6P5G, 6U5, 6AC5G, 5Y3G.....	465	10-41,42	
62-727.....	Vol. 40X229.....	34	MK400.....	M26			119-69.....	23	2S569.....					7	6K8G, 6K7, 6Q7G, 6P5G, 6U5, 6AC5G, 5Y3G.....	465	9-65,66	
62-728.....	Vol. 101-137.....	18	MK402.....	M26			119-69.....	23	2S569.....					7	6K8G, 6K7, 6Q7G, 6P5G, 6U5, 6AC5G, 5Y3G.....	465	10-41,42	
62-729.....	Vol. 101-136.....	22	MK400.....	M26			119-69.....	23	2S569.....					7	6K8G, 6K7, 6Q7G, 6P5G, 6U5, 6AC5G, 5Y3G.....	465	10-41,42	
62-730.....	Vol. 101-137.....	18	MK402.....	M26			119-69.....	23	2S569.....					7	6K8G, 6K7, 6Q7G, 6P5G, 6U5, 6AC5G, 5Y3G.....	465	10-41,42	
62-731.....	Vol. 101-136.....	22	MK400.....	M26			119-69.....	23	2S569.....					7	6K8G, 6K7, 6Q7G, 6P5G, 6U5, 6AC5G, 5Y3G.....	465	10-41,42	
62-732.....	Vol. 36X256.....	76	MR48.....	M26			44X42.....	23	RS224.....					7	6A7, 6D6, 75, 76, 6U5, 41, 80.....	456	10-43	
62-733.....	Vol. 40X238.....	76	MR57.....	M26			44X41.....	23	RS219.....					7	6SA7, 6SK7, 6SQ7, 6P5G, 6AC5G, 5Y3G, 6AD6G.....	465		
62-734.....	Vol. 101-166.....	18	MK402.....	M26			119-84.....	1/13	FP380.....					7	6SA7, 6SK7, 6SQ7, 6P5G, 6AC5G, 5Y3G, 6AD6G.....	465		
62-735.....	Vol. 101-167.....	22	MK402.....	M26			119-84.....	1/13	FP380.....					7	6SA7, 6SK7, 6SQ7, 6P5G, 6AC5G, 5Y3G, 6AD6G.....	465		
62-736.....	Vol. 101-184.....	18	MK402.....	M26			119-84.....	1/13	FP380.....					7	6SA7, 6SK7, 6SQ7, 6P5G, 6AC5G, 5Y3G, 6AD6G.....	465		
62-737.....	Vol. 101-176.....	22	MK402.....	M26			119-84.....	1/13	FP380.....					7	6SA7, 6SK7, 6SQ7, 6P5G, 6AC5G, 5Y3G, 6AD6G.....	465		

† Data not substantiated.

\* IMPORTANT: Read Notes in Note Section if specified in Note Column.

‡ Indicates miscellaneous section.

MANUFACTURER AND MODEL	CONTROLS							CONDENSERS				VIBRATORS			No. Tubes	Complete Tube Complement	I. F. Peak	Rider's Reference
	Use	Original Part	Circuit	Correct Replacement	Switch	Bias	*Note	Original Part	Circuit	Correct Replacement	*Note	Original Part	Replacement	*Note				
MONTGOMERY WARD & Note: The prefix "62" or for 62-750, 62-751.....	Vol. Tone	CO.—Continued in "62" in 101-153..... 18 101-154..... 22	Radio Division in 18 MK402..... M27 Order from Mfr.....	Montgomery-Ward Catalog 119-79B..... 008	22/15	TCS64/TC26 Buffer.....	B14	859	C3	7	6K8G, 6K7, 6T7G, 6G6G, 6AE6G, 6AF6G, 6ZY5G.....	465	.....					
62-752, 62-753.....	Vol. Tone	36X252..... 17 40X229..... 41	UM165-SS25 M26	45X241.....	12/15	2N514.....			7	6A8G, 6U7G, 6V7G, 6J5G, 25A6G, 6N7G.....	456	10-45						
62-900.....	Vol. Tone	101-122..... 45 101-123..... 22	MK401..... M26 MK400.....	119-60..... 1/19 119-61..... 13	3S584/TC26	B8			9	6K7, 6K8, 6J5G, 6U5, 6Q7G, 6K6G, 5Y3G.....	465	9-53						
62-901.....	Vol. Tone	36X255..... 17 40X235..... 22	TM247-SS25 M26 UM165-SS25	44X41..... 23 44X42..... 23 45X247..... 13 45X239..... 15	RS219..... RS224..... TC70..... TC22.....				9	6A7, 6D6, 76, 75, 6U5, 741, 80.....	456	10-47						
62-905.....	Vol. Tone	36X255..... 17 40X235..... 22	TM247-SS25 M26 UM165-SS25	44X41..... 23 44X42..... 23 45X247..... 13 45X239..... 15	RS219..... RS224..... TC70..... TC22.....				9	6A7, 6D6, 75, 76, 6U5, 741, 80.....	456	10-50						
62-910.....	Vol. Tone	36X255..... 17 40X235..... 22	TM247-SS25 M26 UM165-SS25	45X247..... 13 45X239..... 15 44X41..... 23 44X42..... 23	TC52..... TC22..... RS219..... RS224.....				9	6A7, 76, 6D6, 6U5, 75, 741, 80.....	456	14-127-130						
62-929.....	Vol. Tone	101-114..... 124 101-115..... 22	MK402..... MK400..... M26	119-55..... 1 119-56..... 13	2S569..... 2S569..... 3S584.....				9	6K7, 6A8, 6U5, 6Q7, 6J5, 6F6, 5Y3.....	465	14-131, 132						
62-1040.....	Vol. Tone	101-114..... 8 101-115..... 41	G..... MR48.....	4-4-4..... 3	3S584.....				8	24A, 27, 45, 80.....	.....	.....						
62-1100.....	Vol. Tone	36X245..... 20 40X228..... 34	TM247-SS25 M26 MK402.....	44X30..... 25 44X36..... 25 45X238..... 19	RS216..... RS224..... TC29.....				11	6U7G, 6J7G, 6H6, 6J5G, 6F6G, 5Y3G, 6U5.....	456	9-55						
62-1101.....	Vol. Tone	36X251..... 45 40X230..... 95	UM163-SS22 M26 UM161-SS22	44X39..... 4 44X40..... 4 45X239..... 15	RS219..... RS224..... TC22.....	A100			11	6D6, 6C6, 476, 6U5, 741, 80.....	465	9-56						
62-1455.....	Vol.	101-163..... 18	MK402..... M27	119-35..... 19	TC26.....				4	1A7G, 1N5G, 1H5G, 1C5G.....	465	.....						
62-1459.....	Vol. Tone	101175..... 18 101119..... 22	MR53..... M27 UM159-SS1	11975..... 19	TC22.....				4	1A7G, 1P5G, 1H5G, 1C5G.....	465	15-59						
62-1550.....	Vol. Fil.	101-140..... 18 101-79..... 29	MK402..... M27 C6R.....	119-35..... 19	TC26.....				5	1D7G, 1D5G, 1H4G, 1G5G.....	465	.....						
62-1551.....	Vol.	101-140..... 18	MK402..... M27	119-35..... 19	TC26.....				5	1A7G, 1N5G, 1H5G, 1A5G.....	465	.....						
62-1558.....	Vol.	101-160..... 18	MK400..... M27	119-52..... 19	TC26.....				5	1A7G, 1N5G, 1H5G, 1C5G.....	465	.....						
62-1654, 62-1655.....	Vol. Tone	101-152..... 45 101-151..... 22	MK400..... M27 Order from Mfr.....	119-52..... 19	TC26.....				6	1C7G, 1D5G-P, 1H4G, 1G5G.....	465	.....						
62-1656.....	Vol. Fil.	101-112..... 29 101-152..... 45	M4R..... MK400..... M27	119-52..... 19	TC26.....				6	1A7G, 1N5G, 1G4G, 1G5G, 1H5G.....	465	2-14						
62-1838.....	Vol. Tone	101-151..... 22 101-151..... 15	Order from Mfr..... MR53.....	8-8..... 1	2N518.....				8	27, 35, 47, 80.....	262	.....						
62-2550.....	Vol. Fil.	101-140..... 18 101-79..... 29	MK402..... M27 C6R.....	119-35..... 19	TC26.....				5	1D7G, 1D5G, 1H4G, 1G5G.....	465	.....						
62-2551.....	Vol.	101-140..... 18	MK402..... M27	119-35..... 19	TC26.....				5	1A7G, 1N5G, 1H5G, 1A5G.....	465	.....						
62-2555.....	Vol.	36X258..... 18	MR48..... M27	45X250..... 12	TC52.....				5	1A7G, 1N5G, 1H5G, 1C5G.....	456	.....						
62-2557.....	Vol.	36X258..... 18	MR48..... M27	45X250..... 12	TC52.....				5	1A7G, 1N5G, 1H5G, 1C5G.....	456	.....						
62-2558.....	Vol.	101-160..... 18	MK400..... M27	119-52..... 19	TC26.....				5	1A7G, 1N5G, 1H5G, 1C5G.....	465	.....						
62-2654, 62-2655.....	Vol. Tone	101-152..... 45 101-151..... 22	MK400..... M27 Order from Mfr.....	119-52..... 19	TC26.....				6	1C7G, 1D5G-P, 1H4G, 1G5G.....	465	.....						
62-2656.....	Vol. Fil.	101-112..... 29 101-152..... 45	M4R..... MK400..... M27	119-52..... 19	TC26.....				6	1A7G, 1N5G, 1G4G, 1G5G, 1H5G.....	465	.....						
62-2656.....	Vol. Tone	101-152..... 45 101-151..... 22	MK400..... M27 Order from Mfr.....	119-52..... 19	TC26.....				6	1A7G, 1N5G, 1G4G, 1G5G, 1H5G.....	465	.....						
62-2663.....	Vol.	101-151..... 22 101-151..... 18	Order from Mfr..... UM154..... M27	20-40-10..... 46 40-200..... 78	FP357..... FP304.....	A96	B117 B70		6	1A7GT, 1N5GT, 1H5GT, 3Q5GT, 35Z5GT.....	456	14-133, 134						
62-2668.....	Vol.	..... 18	UM154..... M27	20-40-10..... 46 40-200..... 78	FP357..... FP304.....	A96	B117 B70		6	1A7GT, 1N5GT, 1H5GT, 3Q5GT, 35Z5GT.....	456	14-133, 134						
04BR-389T.....	Vol. Tone	101-208..... 18 101-237..... 22	MK402..... M26 UM144-SS25	119-103..... 1/15	See Note.....		B3		5	6SA7, 6SK7, 6SQ7, 6K6G, 5Y3G.....	465	12-1,2						
04BR-397A.....	Vol. Tone	101-208..... 18 101-194..... 34	MK402..... M26 MK400.....	119-101..... 46	FP357.....				5	12SA7, 12SK7, 12SQ7, 50L6GT, 35Z5GT.....	455	.....						
04BR-511A, 04BR-512A.....	Vol.	101-220..... 18	MK401..... M26	BE119-92..... 24	FP354.....		B8		5	12SA7, 12SK7, 12SQ7, 35L6GT, 35Z5GT.....	455	12-5,6						
04BR-513A, 04BR-514A.....	Vol.	101-198..... 18	UM161-SS22 M26	BE119-92..... 24	FP354.....		B8		5	12SA7, 12SK7, 12SQ7, 35L6GT, 35Z5GT.....	455	12-7,8						
04BR-515A.....	Vol.	101-217..... 18	MK401..... M26	BE119-94..... 46	FP357.....				5	12SA7, 12SK7, 12SQ7, 50L6GT, 35Z5GT.....	465	12-9,10						

† Data not substantiated.

\* IMPORTANT: Read Notes in Note Section if specified in Note Column.

‡ Indicates miscellaneous section.

MALLORY STANDARDIZATION OF PARTS SIMPLIFIES YOUR REPLACEMENT WORK.

MANUFACTURER AND MODEL	CONTROLS							CONDENSERS				VIBRATORS			No. Tubes	Complete Tube Complement	I. F. Peak	Rider's Reference
	Use	Original Part	Circuit	Correct Replacement	Switch	Bias	*Note	Original Part	Circuit	Correct Replacement	*Note	Original Part	Replacement	*Note				
MONTGOMERY WARD & Note: The prefix "62" or for 04BR-515B.....	Vol.	CO.—Continued in "62" in 101-217.....	18	Radio Division MK401.....	on in M26	Montg	omery-	Ward Catalog BE119-94.....	46	FP357.....					5	12SA7, 12SK7, 12SQ7, 50L6GT, 35Z5GT..	465	.....
04BR-566A.....	Vol.	101-210.....	18	UM161-SS22	M27			BE119-104.....	24/78	FP304.....					5	1A7GT, 1N5GT, 1H5GT, 1A5GT, 35Z5GT.....	465	.....
04BR-567A.....	Vol.	101-110.....	18	MK402.....	M26			BE119-105.....	24/15	FP339.....	B14	1267.....	294	C24	5	6SA7, 6SK7, 6SQ7, 6K6G, 6X5G.....	465	12-11,12
04BR-570A.....	Vol.	101-225.....	18	MK402.....	M26			BE119-111.....	46/15	FP416.....	B14	12626.....	859	C3	5	6D9G, 6S7G, 6T7G, 6G6G, 6Z5Y5G.....	455	.....
04BR-609A.....	Vol. Tone	101-195.....	18	MK402.....	M26			BE119-94.....	46	FP357.....					6	12SK7, 12SA7, 12SQ7, 35L6GT, 35Z5GT..	465	10-19,20
04BR-615A.....	Vol. Tone	101-194.....	34	MK400.....											6	6SA7, 6SK7, 6SQ7, 6V6GT, 5Y3G.....	455	12-25,26
04BR-620A.....	Vol. Tone	101-142.....	18	MK402.....	M26			119-114.....	1/13/15	FP424.....					6	6SA7, 6SK7, 6SQ7, 6V6GT, 5Y3G.....	455	.....
04BR-620A.....	Vol. Tone	101-143.....	22	MK400.....				119-67.....	13	TC71.....					6	6SA7, 6SK7, 6SQ7, 6V6GT, 5Y3G.....	455	.....
04BR-620A.....	Vol. Tone	101-232.....	18	MK402.....	M26			119-115.....	1	2S569.....					6	6SA7, 6SK7, 6SQ7, 6V6GT, 5Y3G.....	455	.....
04BR-620A.....	Vol. Tone	101-231.....	22	MK400.....											6	6SA7, 6SK7, 6SQ7, 6V6GT, 5Y3G.....	455	.....
04BR-675A, 04BR-676A.....	Vol. Tone	101-227.....	18	MK402.....				BE119-111.....	46/15	FP416.....	B14	12626.....	859	C3	6	6SA7, 6S7G, 6T7G, 6G6G, 6Z5Y5G.....	455	12-36
04BR-678C.....	Vol. Tone	101-228.....	22	MK403.....	M26			BE119-88.....	24/15	FP426.....	B168	1269.....	248	C3	6	6K7GT, 6A8GT, 6SK7, 6SQ7, 6J5GT, 6N7G.....	465	12-37,38
04BR-678C.....	Vol. Tone	101-161.....	76	Order from Mfr. UM163-SS18				.0055		Buffer.....	B14				6	6K7GT, 6A8GT, 6SK7, 6SQ7, 6J5GT, 6N7G.....	465	12-37,38
04BR-678C.....	Vol. Tone	101-162.....	76	UM163-SS18						Buffer.....	B14				6	6K7GT, 6A8GT, 6SK7, 6SQ7, 6J5GT, 6N7G.....	465	12-37,38
04BR-679A.....	Vol.	101-41.....	18	UM154-SS17	M26			BE119-65C.....	74	2S569.....	B14		294	C24	6	6K7GT, 6A8GT, 6A8GT, 6SQ7, 6V6GT, 6X5G/6X5GT.....	455	12-40
04BR-729A, 04BR-730A.....	Vol. Tone	101-224.....	18	TM233-SS25				BE119-108.....	1	2S569.....					7	6SA7, 6SK7, 6SQ7, 6J5GT, 6K6GT, 5Y3G.....	455	12-41,42
04BR-729A, 04BR-730A.....	Vol. Tone	101-223.....	22	MK402.....											7	6SA7, 6SK7, 6SQ7, 6J5GT, 6K6GT, 5Y3G.....	455	12-41,42
04BR-903A.....	Vol. Tone	101-221.....	18	500M.....			A19	BE119-109.....	1/13	FP339.....					9	6SK7, 6SA7, 6SQ7, 6J5GT, 6F6G, 6U5, 5Y3G.....	455	12-47,48
04BR-903A.....	Vol. Tone	101-226.....	22	MK402.....											9	6SK7, 6SA7, 6SQ7, 6J5GT, 6F6G, 6U5, 5Y3G.....	455	12-47,48
04BR-904A.....	Vol. Tone	101-221.....	18	500M.....			A19	119-109.....	1/13	FP339.....					9	6SK7, 6SA7, 6SQ7, 6J5GT, 6F6G, 6U5, 5Y3G.....	455	.....
04BR-904A.....	Vol. Tone	101-226.....	22	MK402.....											9	6SK7, 6SA7, 6SQ7, 6J5GT, 6F6G, 6U5, 5Y3G.....	455	.....
04BR-906A.....	Vol. Tone	101-221.....	18	500M.....			A19	119-109.....	1/13	FP339.....					9	6SK7, 6SA7, 6SQ7, 6J5GT, 6F6G, 6U5, 5Y3G.....	455	.....
04BR-906A.....	Vol. Tone	101-226.....	22	MK402.....											9	6SK7, 6SA7, 6SQ7, 6J5GT, 6F6G, 6U5, 5Y3G.....	455	.....
04BR-907A.....	Vol. Tone	101-221.....	18	500M.....			A19	119-109.....	1/13	FP339.....					9	6SK7, 6SA7, 6SQ7, 6J5GT, 6F6G, 6U5, 5Y3G.....	455	.....
04BR-907A.....	Vol. Tone	101-226.....	22	MK402.....											9	6SK7, 6SA7, 6SQ7, 6J5GT, 6F6G, 6U5, 5Y3G.....	455	.....
04BR-1105A.....	Vol.	101-229.....	124	MK401.....				BE119-112.....	1/13	FP444.....	B69				11	6SK7, 6SA7, 6SQ7, 6J5GT, 6V6GT, 6U5, 5Y3G.....	455	12-51
04BR-1105A.....	Vol.	101-229.....	124	MK401.....				BE119-69.....	13	TC74.....					11	6SK7, 6SA7, 6SQ7, 6J5GT, 6V6GT, 6U5, 5Y3G.....	455	12-51
04BR-1106A.....	Vol.	101-229.....	124	MK401.....				BE119-112.....	46	FP444.....	B69				11	6SK7, 6SA7, 6SQ7, 6J5GT, 6V6GT, 6U5, 5Y3G.....	455	.....
04BR-1106A.....	Vol.	101-229.....	124	MK401.....				BE119-69.....	13	TC65.....					11	6SK7, 6SA7, 6SQ7, 6J5GT, 6V6GT, 6U5, 5Y3G.....	455	.....
04JP-399D.....	Vol.	36X292.....	15	MK403.....	M26			45X287.....	13/15	TC72/TC26					2	6SJ7.....		13-5,6
04MF-1199A.....	Vol.	M19579.....	240	MR48.....	M26			M17189.....	2	FP228.....					12	6SA7, VR150, 6SK7, 6ACT, 6H6, 6SC7, 6C5, 6L6G, 5U4G, 6AD6G.....	4.3	15-1,2
04MF-1199A.....	Vol.	M19579.....	240	MR48.....	M26			M16184.....	2	TC26.....					12	6SA7, VR150, 6SK7, 6ACT, 6H6, 6SC7, 6C5, 6L6G, 5U4G, 6AD6G.....	4.3	15-1,2
04WG-464.....	Vol.		18	MK401.....	M27			4.....	12	TC40.....					4	1A7GT, 1N5GT, 1H5GT, 1A5GT.....	456	12-3
04WG-468.....	Vol.		18	MK401.....	M27			4.....	12	TC40.....					4	1A7GT, 1N5GT, 1H5GT, 1A5GT.....	456	12-4
04WG-568.....	Vol. Tone		18	UM154.....	M26		A96	30-20.....	24	2N514.....					5	1A7GT, 1N5GT, 1H5GT, 3Q5GT.....	456	12-14,15
04WG-569.....	Vol. Tone		18	UM165.....			A96	40-40.....	24	2N511.....					5	1A7GT, 1N5GT, 1H5GT, 3Q5GT.....	456	12-14,15
04WG-569.....	Vol. Tone		18	UM154.....			A96	200.....	78	TC2501.....	B8				5	1A7GT, 1N5GT, 1H5GT, 1A5GT, 35Z5GT.....	456	12-15,16
04WG-610, 04WG-611.....	Vol. Tone		18	UM154.....			A96	20-20-20.....	22/15	3N533.....					6	12SK7, 12SA7, 12SQ7, 35L6GT, 35Z5GT..	456	12-17,18
04WG-610, 04WG-611.....	Vol. Tone		22	UM163.....			A96	20.....	13	TC47.....					6	12SK7, 12SA7, 12SQ7, 35L6GT, 35Z5GT..	456	12-17,18
04WG-612.....	Vol. Tone		18	UM154.....			A96	20-20-20-20.....	22/13/15	2N509.....					6	12SK7, 12SA7, 12SQ7, 35L6GT, 35Z5GT..	456	12-18,22
04WG-612.....	Vol. Tone		21	UM163.....			A96	20-40.....	4	See Note.....	B3				6	6SA7, 6SK7, 6SQ7, 6K6GT, 5Y3G.....	456	12-27
04WG-619.....	Vol. Tone		18	UM154.....			A96	20-40.....	4	See Note.....	B3				6	6SA7, 6SK7, 6SQ7, 6K6GT, 5Y3G.....	456	12-27
04WG-619.....	Vol. Tone		21	UM165.....			A96	20-40.....	4	See Note.....	B3				6	6SA7, 6SK7, 6SQ7, 6K6GT, 5Y3G.....	456	12-27
04WG-621, 04WG-621NI.....	Vol. Tone		18	UM154.....			A96	20-40.....	4	See Note.....	B3				6	6SA7, 6SK7, 6SQ7, 6K6GT, 5Y3G.....	456	12-27
04WG-621, 04WG-621NI.....	Vol. Tone		21	UM165.....			A96	20-40.....	4	See Note.....	B3				6	6SA7, 6SK7, 6SQ7, 6K6GT, 5Y3G.....	456	12-27
04WG-622A, 04WG-623A.....	Vol. Tone	36X280.....	18	MK401.....	M26			45X277.....	4	TC78/TC75					6	6SA7, 6SK7, 6SQ7, 6V6GT, 5Y3G.....	456	12-29,30
04WG-622A, 04WG-623A.....	Vol. Tone	40X248.....	21	UM165-SS25				45X293.....	13	TC42.....					6	6SA7, 6SK7, 6SQ7, 6V6GT, 5Y3G.....	456	12-29,30
04WG-663.....	Vol.		18	UM154.....			A96	40-20-10.....	46	TN129.....					6	1A7GT, 1H5GT, 1N5GT, 3Q5GT, 35Z5GT.....	456	11-1
04WG-663.....	Vol.		18	UM154.....			A96	40-200.....	78	FP304.....	B117				6	1A7GT, 1H5GT, 1N5GT, 3Q5GT, 35Z5GT.....	456	11-1
04WG-668.....	Vol.		18	UM154.....			A96	40-20-10.....	46	TN129.....					6	1A7GT, 1N5GT, 1H5GT, 3Q5GT, 35Z5GT.....	456	11-1
04WG-668.....	Vol.		18	UM154.....			A96	40-200.....	78	FP304.....	B117				6	1A7GT, 1N5GT, 1H5GT, 3Q5GT, 35Z5GT.....	456	11-1
04WG-672.....	Vol.		18	UM154.....			A96	40-20-10.....	46	TN129.....					6	1A7GT, 1N5GT, 1H5GT, 3Q5GT, 35Z5GT.....	456	12-31,32
04WG-672.....	Vol.		18	UM154.....			A96	40-200.....	78	FP304.....	B117				6	1A7GT, 1N5GT, 1H5GT, 3Q5GT, 35Z5GT.....	456	12-31,32

† Data not substantiated.

\* IMPORTANT: Read Notes in Note Section if specified in Note Column.

‡ Indicates miscellaneous section.

MANUFACTURER AND MODEL	CONTROLS							CONDENSERS				VIBRATORS			No. Tubes	Complete Tube Complement	I. F. Peak	Rider's Reference
	Use	Original Part	Circuit	Correct Replacement	Switch	Bias	*Note	Original Part	Circuit	Correct Replacement	*Note	Original Part	Replacement	*Note				
<b>MONTGOMERY WARD &amp; CO.</b> Note: The prefix "62" or for "62" in indicates Radio Division in Montgomery-Ward Catalog.																		
04WG-673, 04WG-674	Vol. Tone		18 22	MK401 UM165-SS25				40-20-10 40-200	46 78	TN129 FP304	B117				6	1A7GT, 21N5GT, 1H5GT, 3Q5GT, 35Z5GT	456 12-33,34	
04WG-725	Vol. Tone		18 21	UM154 UM165	M26			40-20-20	24/15	FP346	B117				7	6SA7, 6SK7, 6SQ7, 6K6G, 5Y3G	456 11-2	
04WG-727	Vol. Tone	36X277 40X246	18 57	MK401 UM165-SS25	M26			45X272	24/15	FP331	B117				7	6SA7, 6SK7, 6SQ7, 6K6G, 5Y3G	456 14-7,8	
04WG-728	Vol. Tone		18 21	500M UM165	M26			40-20-20	24/15	FP346	B117				7	6SA7, 6SK7, 6SQ7, 6K6GT, 5Y3G	456 12-43,44	
04WG-731	Vol. Tone		45 22	UM154 UM163				80-40-20-20	46/15	Order from Mfr.					7	12SA7, 12SK7, 6L5G, 12SQ7, 35L6GT, 35Z5GT	456 12-30,49	
04WG-732	Vol. Tone		18 21	500M UM165	M26			40-20-20	24/15	FP346	B117				7	6SA7, 6SK7, 6SQ7, 6K6GT, 5Y3G	456 12-43,44	
04WG-803, 04WG-803B	Vol. Tone		18 21	500M UM165				40-20-20	24/15	FP346	B117				8	6SA7, 6SK7, 6SQ7, 6K6GT, 6AD6G, 5Y3G	456 12-45,46	
04WG-804	Vol. & Tone	36X241	124	Order from Mfr.				20	23	RS219					8	6SK7, 6SA7, 6SQ7, 6U5, 6V6G, 5Y3G	456 14-9, 10,11	
04WG-1108A	Vol. Tone	36X251 40X258	17 22	UM163-SS22 MK402	M26			44X39 44X40 45X239 45X283 45X284	23 23 15 46 78	RS224 RS219 RS224 TC22 TN129 FP304				11	6D6, 6C6, 7E, 6U5, 6J5GT, 441, 80	456 13-7, 8,9		
04WG-2672	Vol.	36X286	149	MK401	M27			45X283 45X284	46 78	TN129 FP304	B70				6	1A7GT, 21N5GT, 1H5GT, 3Q5GT, 35Z5G	456 14-13,14	
14BR-440A	Vol. Tone	101208	18	MK402	M26			119103	1/15	Order from Mfr.					5	6SA7, 6SQ7, 6SK7, 6K6G, 5Y3G	455 13-11,12	
14BR-474	Vol.	101237 101250	22 149	UM144-SS25 MK402	M27			119117B	12	TC42					4	1A7GT, 1N5GT, 1H5GT, 3Q5GT	455 14-15,16	
14BR-521A, 14BR-522A	Vol.	101255	18	MK401	M26			11992 11993	24 24	FP354 FP214	B69 B12				5	12SA7, 12SK7, 12SQ7, 50L6GT, 35Z5GT	455 13-13,44	
14BR-523A	Vol.	101266	18	MK401	M26			11994 11995	1 1	FP357 Order from Mfr.	B12				5	12SA7, 12SK7, 12SQ7, 50L6GT, 35Z5GT	455 13-14	
14BR-525A, 14BR-526A	Vol.	101265	18	MK401	M26			11992 11993	24 24	FP354 FP214	B69 B12				5	12SA7, 12SK7, 12SQ7, 50L6GT, 35Z5GT	455 13-15	
14BR-530A	Vol.	101265	18	MK402	M26			11992 11993	24 24	FP354 FP214	B69 B12				5	12SA7, 12SK7, 12SQ7, 50L6GT, 35Z5GT	455 14-17,18	
14BR-531A	Vol.	101265	18	MK402	M26			11992 11993	24 24	FP354 FP214	B69 B12				5	12SA7, 12SK7, 12SQ7, 50L6GT, 35Z5GT	455 14-17,18	
14BR-573A	Vol.	101258	149	MK402	M27			119126	76/78	Order from Mfr.					5	1A7GT, 1N5GT, 1H5GT, 1A5GT, 35Z5GT	455 13-16	
14BR-574A	Vol.	101257	18	MK400	M26			119130	12	TC42					5	1A7GT, 21N5GT, 1H5GT, 3Q5GT	455 13-17,18	
14BR-613A	Vol.	101247	18	UM135-SS25	M26			119121 119122	24 13	FP214 TC42					7	6SA7, 6SK7, 6B8, 25L6GT, 25Z6GT	4.3mc. 14-19,20	
14BR-629A	Vol.	101273	18	MK402	M26			11994 119117B	46 13	FP357 TC42					6	12SA7, 12SK7, 12SQ7, 35L6GT, 35Z5GT	455 13-14,19	
14BR-681A	Vol.	101-246	18	UM154-SS17	M26			119-120 119-75 .008	46 15	FP380 Buffer		1267	294	C24	6	6SK7, 6SA7, 6SQ7, 6K6GT, 6X5GT	455	
14BR-682A	Vol. Tone	101-242 101-245	18 21	UM154-SS17 Order from Mfr.	M26			119-118 .005	24/15	FP339 Buffer	B14 B14	12627	748	C3	6	6SK7, 6SA7, 6SQ7, 6J5GT, 6N7	455	
14BR-684A	Vol.	101258	149	MK402	M27			119126	76/78	Order from Mfr.					6	1A7GT, 21N5GT, 1H5GT, 3Q5GT, 35Z5GT	455 13-20	
14BR-685A	Vol.		149	MK401				BE-119131 BE-119132	76/78 78	Order from Mfr.					6	1A7GT, 21N5GT, 1H5GT, 3Q5GT, 35Z5GT	455 13-29	
14BR-687A	Vol.		149	MK401				BE119131 BE119132	76/78 78	Order from Mfr.					6	1A7GT, 21N5GT, 1H5GT, 3Q5GT, 35Z5GT	455 13-29	
14BR-688A, 14BR-689A	Vol. Tone	101-268 101-269	18 22	MK402 MK403	M27			119111 .008	46/15	FP429 Buffer		12626	859	C3	6	6SA7, 6S7G, 6T7G, 6G6G, 6Z5G	455 13-25,26	
14BR-695	Vol. Tone	101215 101216	18 22	MK402 MK402	M26			11994	46	FP357	B14				6	12SA7, 12SK7, 12SQ7, 35L6GT, 35Z5GT	455 14-12,16	
14BR-734A, 14BR-735A	Vol. Tone	BE101262 BE101263	18 57	MK402 MK401	M26			BE119128 BE119129	46 46	TN129 TCD48	B12				7	12SJ7, 12SK7, 6T7G, 12SQ7, 12J5GT, 35L6GT, 35Z5GT	455 13-27,28	
14BR-734B, 14BR-735B	Vol. Tone	101-262 101-263	75 21	MK402 MK401	M26			119128 119129	46 46	TN129 TCD48	B12				7	12SJ7, 12J5GT, 12SK7, 12SQ7, 6T7G, 35L6GT, 35Z5GT	455 13-27,28	

† Data not substantiated.

\* IMPORTANT: Read Notes in Note Section if specified in Note Column.

‡ Indicates miscellaneous section.

MANUFACTURER AND MODEL	CONTROLS							CONDENSERS				VIBRATORS			No. Tubes	Complete Tube Complement	I. F. Peak	Rider's Reference
	Use	Original Part	Circuit	Correct Replacement	Switch	Bias	*Note	Original Part	Circuit	Correct Replacement	*Note	Original Part	Replacement	*Note				
MONTGOMERY WARD & Note: The prefix "6" or "14BR-736A" Vol. Tone	CO.—Continued in "62" indicates	18	Radio Division	on in	Montg	omery	Ward Catalog	46	TN129					7	12SJ7, 12SK7, 6T7G, 12SQ7, 12J5GT, 35L6GT, 35Z5GT..	455	13-30	
14BR-736B	BE101262... 57	75	MK402	M26			BE19128... 46	119128	TN129					7	12SJ7, 12SK7, 12SQ7, 6S7G, 12J5GT, 35L6GT, 35Z5GT..	455	13-41	
14BR-742A	101-262... 21	18	MK402	M26			BE19127... 46/15	119129	TN129					7	6S7G, 6SA7, 6T7G, 6L5G, 6SC7, 0Z4	455	13-31,32	
14BR-911A	BE101259... 57	18	MK402	M26			BE19109... 1/13	DTM296-SS25	FP390			BE1266	859	C3	6J5GT, 6U5, 6F6G, 5Y3G	455	13-33,34	
14BR-912A	BE101267... 1	18	DTM296-SS25				BE19109B... 1/13	FP390	FP390					9	6SK7, 6SA7, 6SQ7, 6J5GT, 6U5, 6F6G, 5Y3G	455	13-35,36	
14BR-913A	101-267... 18	75	DTM296-SS25				119109	1/13	FP390					9	6SK7, 6SA7, 6U5, 6SQ7, 6J5GT, 6F6G, 5Y3G	455	13-37,38	
14BR-1109A	101-270... 22	75	MK401	M26			119124	1/13	FP429		B192			11	6SK7, 6SA7, 6SQ7, 6U5, 6J5GT, 6F6G, 5Y3G	455	13-39,40	
14BR-1112A	101-271... 22	75	MK402	M26			119124	1/13	FP429					11	6SK7, 6SA7, 6U5, 6SQ7, 6J5GT, 6F6G, 5Y3G	455	14-21,22	
14BR-1113	101-271... 18	75	MK401	M26			119112	46	FP429		B192			11	6SK7, 6SA7, 6SQ7, 6U5, 6J5GT, 6F6G, 5Y3G	455	14-23,24	
14BR-1400A	BE-101249... 127	7	MK402				BE-11969... 13	TC75	TC75					13	6AB7, 6SA7, 6SK7, 6SJ7, 6H6, 6U5, 6SQ7, 6J5GT, 6V6GT, 5U4	455 FM 4.3 mc. AM 465 kc.	14-25-30	
14BR-1474	BE-101248... 7	149	MR29				BE-11973B... 13	TC75	FP429		B192			4	1A7GT, 1N5GT, 1H5GT, 3Q5GT	455	14-15,16	
14JP-399D	101250... 15	15	MK402	M27			119117B... 12	TC42						2	6SJ7	455	13-10	
14WG-438	36X292... 18	18	MK403	M26			45X287... 13/15	TC72/TC26						4	1R5, 1T4, 1S5, 3S4	456	13-42	
14WG-469	36X305... 18	18	MK402				45X304... 12	TC42						4	1A7GT, 1N5GT, 1H5GT, 1A5GT	456	13-43,44	
14WG-499	36X302... 18	18	MK401	M27			45X250... 12	TC42						2	6SJ7	456	14-31,32	
14WG-518, 14WG-519	36X292... 15	15	MK403	M26			45X287... 12/15	TC72/TC26						2	6SJ7	456	14-31,32	
14WG-538	36X301... 18	18	MK401	M26			45X316... 1	TC22						5	12SA7, 12SK7, 12SQ7, 35L6GT, 35Z5GT..	456	13-45,46	
14WG-538B	36X305... 18	18	MK402				45X300... 24	2N514						5	1R5, 1T4, 1S5, 3S4, 35Z5GT	456	13-47,48	
14WG-572	36X306... 18	18	MK402				45X291... 24	TC48						5	1R5, 1T4, 1S5, 3S4, 35Z5GT	456	15-7,8	
14WG-610B	36X302... 18	18	MK401	M27			45X282... 24	TC45						5	1A7GT, 1N5GT, 1H5GT, 1A5GT	456	13-49,50	
14WG-624A, 14WG-625A, 14WG-628A	36X279... 18	18	MK401	M26			45X275... 1	TCD45						6	12SK7, 12SA7, 12SQ7, 35L6GT, 35Z5GT..	456	15-9,11	
14WG-672C	40X247... 22	22	MK403				45X282... 15	TC26						6	12SK7, 12SA7, 12SQ7, 35L6GT, 35Z5GT..	456	13-53,54	
14WG-680	36X279... 18	18	MK401	M26			45X299... 1/15	3N527						6	1A7GT, 1N5GT, 1H5GT, 3Q5GT, 35Z5GT	456	13-56,55	
14WG-683A	36X311... 18	18	MK401	M26			45X282... 13	TC45						6	1A7GT, 1N5GT, 1H5GT, 3Q5GT, 35Z5GT	456	13-57,58	
14WG-683B	36X299... 18	18	MK401	M26			45X283... 46	TN129						6	1A7GT, 1N5GT, 1H5GT, 3Q5GT, 35Z5GT	456	14-33, 34,35	
14WG-737	36X299... 18	18	MK401	M26			45X283... 46	TN129						6	1N5GT, 1A7GT, 1H5GT, 3Q5GT, 35Z5GT	456	13-59,60	
14WG-739	36X279... 18	18	MK401	M26			45X284... 78	Order from Mfr.						6	1N5GT, 1A7GT, 1H5GT, 3Q5GT, 35Z5GT	456	13-63,64	
14WG-740 (Series A, B)	36X311... 18	18	MK401	M26			45X284... 46	TN129						6	1N5GT, 1A7GT, 1H5GT, 3Q5GT, 35Z5GT	456	13-65,66	
14WG-741	40X259... 21	21	UM165-SS25				45X284... 46	TN129						6	1N5GT, 1A7GT, 1H5GT, 3Q5GT, 35Z5GT	456	13-67,68	
	36X280... 18	18	MK401	M26			45X284... 78	Order from Mfr.						7	6SJ7, 6SK7, 6SQ7, 6J5GT, 6V6GT, 5Y3G	456	13-69,70	
	40X259... 21	21	UM165-SS25				45X284... 78	Order from Mfr.						7	6SJ7, 6SK7, 6SQ7, 6J5GT, 6V6GT, 5Y3G	456	13-69,70	
	36X311... 18	18	MK401	M26			45X244... 78	TC39						7	6SJ7, 6SK7, 6SQ7, 6J5GT, 6V6GT, 5Y3G	456	13-69,70	
	40X259... 21	21	UM165-SS25				45X244... 78	TC39						7	6SJ7, 6SK7, 6SQ7, 6J5GT, 6V6GT, 5Y3G	456	13-69,70	
	36X311... 18	18	MK401	M26			45X293... 13	TC52						7	6SJ7, 6SK7, 6SQ7, 6J5GT, 6V6GT, 5Y3G	456	13-69,70	
	40X259... 21	21	UM165-SS25				45X277... 4	TC78/TC75						7	6SJ7, 6SK7, 6SQ7, 6J5GT, 6V6GT, 5Y3G	456	13-69,70	

† Data not substantiated.

\* IMPORTANT: Read Notes in Note Section if specified in Note Column.

‡ Indicates miscellaneous section.

MAKE FULL USE OF NOTES AND CIRCUIT DIAGRAMS.

MANUFACTURER AND MODEL	CONTROLS							CONDENSERS				VIBRATORS			No. Tubes	Complete Tube Complement	I. F. Peak	Rider's Reference
	Use	Original Part	Circuit	Correct Replacement	Switch	Bias	*Note	Original Part	Circuit	Correct Replacement	*Note	Original Part	Replacement	*Note				
<b>MONTGOMERY WARD &amp; CO.</b> Note: The prefix "62-" or for "62-" in m of "62-" indicates				Radio Division in Montgomery-Ward Catalog.														
14WG-756 14WG-757.....	Vol. Tone	36X314 40X263.....	17 41	UM165-SS25 UM144-SS25	M26			45X262 45X250.....	12/15 13	2N513 TC40.....					7	6SA7, 6SK7, 6V7G, 25A6G, 6J5G, 6N7G	456 13-71,72	
14WG-807A.....	Vol. Tone	36X313 40X261.....	140 140	TM227-SS25 UM165-SS25				45X305.....	23	Order from Mfr.....					8	6SA7, 6SK7, 6SQ7, 6U5, 6K6GT, 5Y3G	456 13-75,78	
14WG-808MA 14WG-808WA.....	Vol. Tone	36X313 40X261.....	140 140	TM227-SS25 UM165-SS25				45X305.....	23	Order from Mfr.....					8	6SA7, 6SK7, 6SQ7, 6U5, 6K6GT, 5Y3G	456 13-34, 52,76	
14WG-1202B.....	Vol. Treble Bass	36X315 40X265.....	18 18	TM227-SS25 UM165-SS25	M27 M26			45X313 45X314.....	23 13	Order from Mfr.....					12	6SK7, 6SA7, 6SQ7, 6U5, 6V6GT, 5Y3G	456 13-77,78	
14WG-1203B.....	Vol. Treble Bass	36X315 40X265.....	18 18	TM227-SS25 UM165-SS25	M27 M26			45X313 45X314.....	23 13	Order from Mfr.....					12	6SK7, 6SA7, 6SQ7, 6U5, 6V6GT, 5Y3G	456 13-77,78	
14WG-1203M.....	Vol. Treble Bass	36X315 40X265.....	18 18	TM227-SS25 UM165-SS25	M27 M26			45X313 45X314.....	23 13	Order from Mfr.....					12	6SK7, 6SA7, 6SQ7, 6U5, 6V6GT, 5Y3G	456 13-77,78	
14WG-1203W.....	Vol. Treble Bass	36X315 40X265.....	18 18	TM227-SS25 UM165-SS25	M27 M26			45X313 45X314.....	23 13	Order from Mfr.....					12	6SK7, 6SA7, 6SQ7, 6U5, 6V6GT, 5Y3G	456 13-77,78	
14WG-2672C.....	Bass Vol.	40X264 36X299.....	18 149	UM165-SS25 MK401.....	M26			45X297 45X301 45X283 45X284.....	46 78 46 78	TN129 FP304 TN129 FP304.....	.B70 .B12 .B70				6	1A7GT, 1N5GT, 1H5GT, 3Q5GT, 3Z5GT	456 14-14,37	
24BR-521B 24BR-522B.....	Vol.	101255.....	18	MK401.....	M26			11992 11993.....	24 24	FP354 FP214.....	.B69 .B12				5	12SA7, 12SK7, 12SQ7, 50L6GT, 3Z5GT	455	
24BR-914A.....	Vol.	101267.....	18	DTM296/SS25				119109.....	1/13	FP390.....					9	12SK7, 6SA7, 6J5GT, 6F6GT, 6SQ7, 5Y3G, 6U5	455 14-39,40	
24BR-1401B.....	Vol. Tunlgt.	BE-101249 BE-101248.....	127 7	MK402 MR29.....				BE-11969 BE-11973B BE-119112.....	13 24 1/13	TC75 TC75 FP429.....	.B192				13	6AB7, 6SA7, 6SK7, 6SJ7, 6H6, 6U5, 6SQ7, 6J5GT, 6V6GT, 5U4.....	455 FM 4.3 mc. AM 465 kc. 14-25-30	
54BR-1501A, 54BR-1502A.....	Vol.	BE101255.....	18	MK401.....	M26			BE11992 BE11993.....	24 24	FP354 FP214.....	.B8 .B272				5	12SA7GT, 12SK7GT, 12SQ7GT, 50L6GT, 3Z5GT	455 15-19,21	
54BR-1503A, 54BR-1503B, 54BR-1504A, 54BR-1504B.....	Vol.	A10A10075.....	18	MK401.....	M26			A8C10077 A8C10946.....	91 91	FP357 FP357/TC45.....	.B272				5	12SA7, 12SK7GT, 12SQ7, 50L6GT, 3Z5GT.....	455 15-22,23	
54BR-1503C, 54BR-1504C.....	Vol.	A10A10075.....	18	MK401.....	M26			11992 11993.....	80 80	FP306 FP357.....	.B6 .B8/ .B272				5	12SA7, 12SK7GT, 12SQ7, 50L6GT, 3Z5GT.....	455 15-22,23	
54BR-1505A, 54BR-1505B, 54BR-1506A, 54BR-1506B.....	Vol.	BE101265.....	18	MK402.....	M26			BE11992 BE11993.....	24 24	FP306 FP357.....	.B192 .B8/ .B272				5	12SA7, 12SK7, 12SQ7, 50L6GT, 3Z5GT	455 15-25	
54KP-1209A, 54KP-1209B.....	Vol.	125367B.....	205	MR48.....	M27			25600.....	12	TC45.....					5	1N5GT, 1A7GT, 1H5GT, 3Q5GT	455 16-1,4	
54WG-1801A, 54WG-1801B.....	Vol.	36X340.....	18	MK401.....	M26			45X341.....	80	2N521.....					5	12SA7, 12SK7, 12SQ7, 50L6GT, 3Z5GT	455 15-27,29	
54WG-2007A.....	Vol.	36X340.....	228	MK401.....	M26			45X341.....	24	2N521.....					5	12SA7, 12SK7, 12SQ7, 50L6GT, 3Z5GT	455 15-30,81	
54WG-2500A, 54WG-2700A.....	Vol. Tone	36X311 40X259.....	161 21	MK401 UM165-SS25	M26			45X277.....	123 123	TC78 TC75.....					7	6SJ7, 6J5, 6SK7, 6V6GT, 5Y3GT, 6SQ7	455 15-31,35	
64BR-916A.....	Vol.	BE101230.....	50	MK401.....	M26			BEA8C11119.....	80	FP214.....					3	12SQ7, 50L6GT, 3Z5GT		
64BR-916B, 64BR-916C.....	Vol.	BEA10A11377.....	164	MK401.....	M26			BEA8C114151.....	124	FP214.....					3	12SQ7, 50L6GT, 3Z5GT		
64BR-917A, 64BR-917B.....	Vol.	BEA10A11332.....	165	MK401.....	M26			BEA8C11375.....	24	FP214.....					3	12SQ7, 50L6GT, 3Z5GT		
64BR-1051A, 64BR-1051B.....	Vol.	BE101258.....	18	MK402.....	M27			BE1191266 BE119133.....	24/13 24/13	FP407 Order from Mfr.....	.B272				5	1A7GT, 1N5GT, 1H5GT, 1A5GT, 3Z5GT	455 15-61	

‡ Data not substantiated.

\* IMPORTANT: Read Notes in Note Section if specified in Note Column.

§ Indicates miscellaneous section.

DON'T MISS THE MALLORY 1485 CONTROL DEAL!

MANUFACTURER AND MODEL	CONTROLS							CONDENSERS				VIBRATORS			No. Tubes	Complete Tube Complement	I. F. Peak	Rider's Reference
	Use	Original Part	Circuit	Correct Replacement	Switch	Bias	*Note	Original Part	Circuit	Correct Replacement	*Note	Original Part	Replacement	*Note				
MONTGOMERY WARD & Note: The prefix "62" or for m of "62" in indicates																		
64BR-1205A	Vol.	BEA101310368	205	MK402	M27			BEA8C10258	12/12	FP225					4	1R5, 1T4, 1S5, 3S4	455 15-64	
64BR-1206A	Vol.	BE101257	75	MK400	M27			BE119130	12	TC42					5	1A7GT/G, 1N5GT/G, 1H5GT/G, 3Q5GT/G	455 15-65	
64BR-1208A	Vol.	BE101264	239	MK401											5	12SA7, 12SK7GT, 12SQ7, 50L6GT, 35Z5GT	455 15-22,23	
64BR-1503B	Vol.	A10A10075	18	MK401	M26			A8C10077	91	FP357					6	12SG7, 12SA7, 12SF7, 12SJ7, 35L6GT, 35Z5GT	455	
64BR-1504B	Vol.	A10A10075	18	MK401	M26			A8C10946	91	FP357/TC45	B272				6	12SG7, 12SA7, 12SF7, 12SJ7, 35L6GT, 35Z5GT	455	
64BR-1513A	Vol.	A10A10688	75	TM236-SS25	M26T			A8C10077	98	FP357					6	12SG7, 12SA7, 12SF7, 12SJ7, 35L6GT, 35Z5GT	455	
64BR-1513B	Tone	A11B10690	22	UM154-SS25											6	12SG7, 12SA7, 12SF7, 12SJ7, 35L6GT, 35Z5GT	455	
64BR-1514A	Vol.	A10A10688	75	TM236-SS25	M26T			A8C10077	98	FP357					6	12SG7, 12SA7, 12SF7, 12SJ7, 35L6GT, 35Z5GT	455	
64BR-1514B	Tone	A11B10690	22	UM154-SS25											6	12SG7, 12SA7, 12SF7, 12SJ7, 35L6GT, 35Z5GT	455	
64BR-1808A	Vol.	BEA10A10810	161	MK401	M26			BEA8C10272	98	FP234/TC72					8	6SK7GT, 6SA7, 6SQ7GT/G, 6J5GT, 6K6GT/G, 5Y3GT/G	455	
64BR-2701A	Vol.	BEA10A10832	157	TM231-SS1	M26			B119109	1/13	FP390					8	6SK7, 6SA7, 6SQ7, 6J5GT, 6K6GT, 5Y3GT	455 15-89,74	
64WG-1052A (Early)	Vol.	36X307	75	MK401				45X347	98/78	Order from	Mfr.				6	1R5, 1U4, 1S5, 3Q4, 0Y4, Ballast	455 15-78	
64WG-1052A (Late)	Vol.	36X307	75	MK401				45X348	13/78	2N520					5	1R5, 1U4, 1S5, 3Q4, D. R. Ballast	455 15-80	
64WG-1052B	Vol.	36X307	18	MK401				45X347	24/78	Order from	Mfr.				5	1R5, 1U4, 1S5, 3Q4, D. R.	455 16-5	
64WG-1054A	Vol.	36X310	172	MK401	M27			45X348	78/13	2N520					5	1R5, 1U4, 1S5, 3Q4, D. R.	455 15-82,84	
64WG-1207A	Vol.	36X355	24	MK401	M27			45X352	76	FP304					5	1R5, 1U4, 1S5, 3Q4, D. R.	455 16-8	
64WG-1207B	Vol.	36X355	24	MK401	M27			45X352	78/15	TC29/TC45					5	1R5, 1U4, 1S5, 3Q4, D. R.	455 16-8	
64WG-1511A	Vol.	36X347	157	TM230-SS25	M26			45X354	76	Order from	Mfr.				5	1R5, 1U4, 1S5, 3Q4, D. R.	455 15-82,84	
64WG-1511B	Vol.	36X347	157	TM230-SS25	M26			45X354	76/78	Order from	Mfr.				5	1R5, 1U4, 1S5, 3Q4, D. R.	455 15-82,84	
64WG-1512A	Vol.	36X347	157	TM230-SS25	M26			45X344	24	2N521/TC26					6	12SK7, 12SA7, 12SF7, 12SJ7, 35L6GT, 35Z5GT	455 15-85	
64WG-1512B	Vol.	36X347	157	TM230-SS25	M26			45X344	24	2N521/TC26					6	12SK7, 12SA7, 12SF7, 12SJ7, 35L6GT, 35Z5GT	455 15-85	
64WG-1801C	Vol.	36X340	18	MK401	M26			45X341	80	2N521					5	12SA7, 12SK7, 12SQ7, 50L6GT, 35Z5GT	455 15-27,29	
64WG-1804A	Vol.	36X344	157	TM230-SS25	M26			45X344	24	2N521					6	12SK7, 12SA7, 12SF7, 12SJ7, 35L6GT, 35Z5GT	455 15-88	
64WG-1804B	Vol.	36X344	157	TM230-SS25	M26			45X344	24	2N521					6	12SK7, 12SA7, 12SF7, 12SJ7, 35L6GT, 35Z5GT	455 15-88	
64WG-1804C	Vol.	36X347	157	TM230-SS25	M26			45X344	24	2N521/TC26	B6				6	12SK7, 12SA7, 12SF7, 12SJ7, 35L6GT, 35Z5GT	455 16-11	
64WG-1807A	Vol.	36X354	167	TM227-SS25	M26			45X346	24/15	FP346					6	6SA7, 6SK7, 6SF7, 6SJ7, 6V6GT, 6X5GT	455 15-91	
64WG-1807B	Tone	40X275	167	UM165-SS25											6	6SA7, 6SK7, 6SF7, 6SJ7, 6V6GT, 6X5GT	455 15-91	
64WG-1809A	Vol.	40X280	167	UM165-SS25											6	6SA7, 6SK7, 6SF7, 6SJ7, 6V6GT, 6X5GT	455 15-91	
64WG-1809B	Vol.	36X347	157	TM230-SS25	M26			45X344	24	2N521/TC26					6	12SK7, 12SA7, 12SF7, 12SJ7, 35L6GT, 35Z5GT	455 15-85	
64WG-2007A	Vol.	36X340	161	MK401	M26			45X341	80	2N521					5	12SA7, 12SK7, 12SQ7, 50L6GT, 35Z5GT	455 15-30	
64WG-2007B	Vol.	36X340	161	MK401	M26			45X341	80	2N521					5	12SA7, 12SK7, 12SQ7, 50L6GT, 35Z5GT	455 15-30	
64WG-2009A	Vol.	36X347	157	TM230-SS25	M26			45X345	24/15	2N521/TC26	B6				6	12SK7, 12SA7, 12SF7, 12SJ7, 35L6GT, 35Z5GT	455 15-95	
64WG-2009B	Vol.	36X347	157	TM230-SS25	M26			45X345	24/15	2N521/TC26	B6				6	12SK7, 12SA7, 12SF7, 12SJ7, 35L6GT, 35Z5GT	455 15-95	
64WG-2010A	Vol.	36X358	167	TM227-SS25	M26			45X346	24	FP346					6	6SA7, 6SK7, 6SF7, 6SJ7, 6V6GT, 6X5GT	455 16-13	
64WG-2010B	Tone	40X276	167	Order from	Mfr.										6	6SA7, 6SK7, 6SF7, 6SJ7, 6V6GT, 6X5GT	455 16-13	
64WG-2500A	Vol.	40X281	167	UM165-SS25											6	6SA7, 6SK7, 6SF7, 6SJ7, 6V6GT, 6X5GT	455 16-13	
64WG-2500B	Vol.	36X311	161	MK401	M26			45X277	123	TC78/TC75					7	6SJ7, 6J5, 6SK7, 6SQ7, 6V6GT, 5Y3GT	455	
64WG-2500B	Tone	40X259	21	UM165-SS25											7	6SJ7, 6J5, 6SK7, 6SQ7, 6V6GT, 5Y3GT	455	
64WG-2700A	Vol.	36X311	161	MK401	M26			45X277	123	TC78/TC75					7	6SJ7, 6J5, 6SK7, 6SQ7, 6V6GT, 5Y3GT	455	
64WG-2700B	Tone	40X259	21	UM165-SS25											7	6SJ7, 6J5, 6SK7, 6SQ7, 6V6GT, 5Y3GT	455	
74BR-916B	Vol.	BEA10A11377	164	MK401	M26			BEA8C114151	24	FP214					3	12SQ7, 50L6GT, 35Z5GT		

† Data not substantiated.

\* IMPORTANT: Read Notes in Note Section if specified in Note Column.  
WHEN YOU BUY A BATTERY CHARGER BUY A MALLORY.

‡ Indicates miscellaneous section.

MANUFACTURER AND MODEL	CONTROLS							CONDENSERS				VIBRATORS			No. Tubes	Complete Tube Complement	I. F. Peak	Rider's Reference
	Use	Original Part	Circuit	Correct Replacement	Switch	Bias	*Note	Original Part	Circuit	Correct Replacement	*Note	Original Part	Replacement	*Note				
MONTGOMERY WARD & Note: The prefix "62-" or for 74BR-1053A	Vol.	CO.—Continued in "62-" in BE101258	18	Radio Division MK402	on in M27	Montgomery	Ward Catalog BE119126	24/13	FP407/TC48	B8				4	1A7GT, 1N5GT, 1H5GT, 1A5GT, D. R.	455		
74BR-1055A	Vol.	BE101258		MK402	M27		BE119126	24/78/13	FP407/TC48	B8				4	1A7GT, 1N5GT, 1H5GT, 1A5GT, D. R.	455		
74BR-1501B, 74BR-1502B	Vol.	BE101255	18	MK401	M26		BE11992 BE11993	24 24	FP354 FP214	B272				5	12SA7, 12SK7, 12SQ7, 50L6GT, 35Z5GT	455		
74BR-1513B, 74BR-1514B	Vol. Tone	A10A10688 A11B10690	75 22	TM236-SS25 UM154-SS25	M26T		A8C10077	98	FP357					6	12SG7, 12SA7, 12SF7, 12SJ7, 35L6GT, 35Z5GT	455		
74BR-1812A, 74BR-1812B	Vol. Tone	A10B11263 A11A11262	157 22	TM236-SS25 MK401	M26		A8C10272 A8C11496 A8C11495	98 15 83	FP390 TC26 TC42					9	*6BA6, 6C4, 6AL5, 6AT6, 6V6GT, 5Y3GT	455 10.7	16-18	
74BR-2001A, 74BR-2001B	Vol. (Late) (Early)		161	MK401	M26		A8C10937	91	FP357					5	12BE6, 12BD6, 12AT6, 50B5, 35W4	455		
74BR-2003A	Vol. Tone	A10A11332 A10A12654 A11B12659	161 161 22	MK402 Order from Mfr.	M26		A8C10077	91	FP357					5	12BE6, 12BA6, 12AT6, 50B5, 35W4	455		
74BR-2701A	Vol. Tone	BEA10A10832	157	TM233-SS25	M26		BE119019	98	FP390					8	*6SK7GT, 6SA7, 6SQ7GT, 6JS7GT, *6K6GT, 5Y3GT	455		
74BR-2702A, 74BR-2702B	Vol. Tone	A10B11263 A11A11262	157 22	TM236-SS25 MK401	M26		A8C10272 A8C11496 A8C11495	98 15 83	FP390 TC26 TC42					9	*6BA6, 6C4, 6AL5, 6AT6, 6V6GT, 5Y3GT	455 10.7		
74BR-2708A, 74BR-2708B	Vol. Tone	BEA10A10586 BE125180	161 22	TM227-SS25 Order from Mfr.	M26		BE119109	1/13	FP390					8	*6SK7, 6SQ7, 6JS7GT, 6SA7, *6K6GT, 5Y3GT	455		
74GDC-960A	Vol.	R500	50	MK401			ECA2015 ECA5315	88 88	TC45 2N520					3	12SJ7, 50L6, 35Z5			
74GSG-8400A (AMP)	Vol. Tone	124-504131 125-40131	172 ‡	MR48 TM231-SS1			28560612 28530651 28535654 27530651	15 13 24 24	WP520/TC26 FP389 FP234 FP145					14	*6SQ7, 6SL7, 6J5, *6V6GT, *5Z4			
74GSG-8700A (AMP)	Vol. Tone	124504131 12540131	172 ‡	MR48 TM231			28560612 28530651 28535654 27530651	15 13 24 24	WP520/TC26 FP389 FP234 FP145					22	*6SQ7, 6SL7, 6J5, *6V6GT, *5Z4			
74GSG-8810A (AMP)	Vol. Mic. Bass Phono Treble Master	25B576 25B575 25B592 25B578 25B578	241 242 241 241 242	MR53 MR53 TM231 MR50 MR50			45-096 285-5055 45B111 46A137	15 24/13 24 ‡	TC36 FP444 BS91 Order from Mfr.		27A141	Order from Mfr.		10	*6SQ7, 6F6G, *807, *6X5GT			
74GSG-8820A (AMP)	Vol. Mic. Bass Phono Treble Master	25B576 25B575 25B592 25B578 25B578	241 242 241 241 242	MR53 MR53 TM231 MR50 MR50			45-096 285-5055 45B111 46A137	15 24/13 24 ‡	TC36 FP444 BS91 Order from Mfr.		27A141	Order from Mfr.		10	*6SQ7, 6F6G, *807, *6X5GT			
74KR-2706A, 74KR-2706B	Vol.	25690	157	Order from Mfr.			25688	1/24	FP339					6	*6SK7, 6SA7, 6SQ7, 6V6GT, 5Y3GT	455		
74WG-925A	Vol.	36X367	172	MK401	M26		45X341	80	2N521					3	12AT6, 50B5, 35W4			
74WG-1052B	Vol.	36X307	75	MK401			45X347 45X348	24/78 24/78	Order from Mfr. 2N520					5	1R5, 1U4, 1S5, 3Q4, D. R. Ballast	455	16-5	
74WG-1054A, 74WG-1054B	Vol.	36X310	75	MK401	M27		45X353 45X354 45X356	88 78/78 24/78	FP357 Order from Mfr. FP409/TC2501					5	1R5, 1U4, 1S5, 3V4, D. R.	455		
74WG-1056A	Vol.	36X370	18	MK401			45X356	24/78	FP409/TC2501	B6/B8				5	1R5, 1U4, 1S5, 3V4, D. R.	455		
74WG-1207B	Vol.	36X355	24	MK401	M27		45X250	12	TC40					5	1R5, 1U4, 1S5, 3Q4, D. R.	455	16-8	
74WG-1509A, 74WG-1509B	Vol.	36X347	18	Order from Mfr.			45X344	24	FP311					6	12SK7, 12SA7, 12SF7, 12SJ7, 35L6GT, 35Z5GT	455		
74WG-1510A, 74WG-1510B	Vol.	36X347	157	TM230-SS25	M26		45X344	24/15	2N521/TC26	B6				6	12SK7, 12SA7, 12SF7, 12SJ7, 35L6GT, 35Z5GT	455		
74WG-1511B, 74WG-1512B	Vol.	36X347	157	TM230-SS25	M26		45X344	24	2N521/TC26					6	12SK7, 12SA7, 12SF7, 12SJ7, 35L6GT, 35Z5GT	455		

‡ Data not substantiated.

\* IMPORTANT: Read Notes in Note Section if specified in Note Column.

§ Indicates miscellaneous section.

THE MALLORY VIBRATOR DATA BOOK ANSWERS YOUR "WHY" QUESTIONS ABOUT VIBRATORS.



MANUFACTURER AND MODEL	CONTROLS							CONDENSERS				VIBRATORS			No. Tubes	Complete Tube Complement	I. F. Peak	Rider's Reference
	Use	Original Part	Circuit	Correct Replacement	Switch	Bias	*Note	Original Part	Circuit	Correct Replacement	*Note	Original Part	Replacement	*Note				
MONTGOMERY WARD & CO.—Continued Note: The prefix "62-" or for "62-" in indicates				Radio Division	on in	Montgomery-Ward Catalog												
74WG-1801D	Vol.	36X368	18	MK401	M26		45X341	24	2N521					5	12SA7, 12SK7, 12SQ7, 50L6GT, 35Z5GT	455		
74WG-1802A, 74WG-1803A	Vol.	36X368	205	MK401	M26		45X341	80	2N521					5	12SA7, 12SK7, 12SQ7, 50L6GT, 35Z5GT	455		
74WG-1804C	Vol.	36X347	157	TM230-SS25	M26		45X344	24	2N521					6	12SK7, 12SA7, 12SF7, 12SJ7, 35L6GT, 35Z5GT	455		
74WG-1804D	Vol.	36X347	157	TM230-SS25	M26		45X344	24/15	2N521/TC26	B6				6	12SK7, 12SA7, 12SF7, 12SJ7, 35L6GT, 35Z5GT	455		
74WG-1805A	Vol.	36X347	157	TM230-SS25	M26		45X344	24/15	2N521/TC26	B6				6	12SK7, 12SA7, 12SF7, 12SJ7, 35L6GT, 35Z5GT	455		
74WG-1807A, 74WG-1807B	Vol. Tone (Early) (Late)	36X354	167	TM227-SS25	M26		45X346	24/15	FP346					6	6SA7, 6SK7, 6SF7, 6SJ7, 6V6GT, 6X5GT	455		
74WG-1809B	Vol.	40X275 40X280 36X347	167 167 157	UM165-SS25 Order from Mfr. TM230-SS25	M26		45X344	24/15	2N521/TC26	B6				6	12SK7, 12SA7, 12SF7, 12SJ7, 35L6GT, 35Z5GT	455		
74WG-2002A	Vol.	36X347	157	TM230-SS25	M26		53X345	24/15	FP311					6	12SK7, 12SA7, 12SF7, 12SJ7, 35L6GT, 35Z5GT	455		
74WG-2004A	Vol.	36X368	18	MK401	M26		45X341	80	2N521					5	12SA7, 12SK7, 12SQ7, 50L6GT, 35Z5GT	455		
74WG-2007B, 74WG-2007C	Vol.	36X340	161	MK401	M26		45X341	80	2N521					5	12SA7, 12SK7, 12SQ7, 50L6GT, 35Z5GT	455		
74WG-2009B	Vol.	36X347	157	TM230-SS25	M26		45X345	24/15	2N521/TC26	B6				6	12SK7, 12SA7, 12SF7, 12SJ7, 35L6GT, 35Z5GT	455		
74WG-2010B	Vol. Tone	36X348 40X276	167 167	TM227-SS25 Order from Mfr.	M26		45X346	24	FP346					6	6SA7, 6SK7, 6SF7, 6SJ7, 6V6GT, 6X5GT	455	16-13	
74WG-2500A	Vol. Tone	40X281 36X311 40X259	167 161 21	UM165-SS25 MK401 UM165-SS25	M26		45X277	123	TC78/TC75					7	6SJ7, 6J5, 6SK7, 6SQ7, 6V6GT, 5Y3GT	455		
74WG-2504A, 74WG-2504B, 74WG-2504C	Vol. Tone	36X358 40X246	161 161	TM227-SS25 Order from Mfr.	M26		45X346	24/15	FP346					6	6SA7, 6SK7, 6SF7, 6X5GT	455		
74WG-2505A	Vol. Tone	36X363 40X259B	167 167	TM227-SS25 Order from Mfr.	M26		45X351 45X302 45X352	109 109 121	FP144 FP146 TC70					10	6BA6, 6J6, 6BE6, 6AL5, 6AT6, 6U5GT, 6V6GT, 5Y3GT	455 10.7		
74WG-2700A, 74WG-2700B, 74WG-2700C	Vol. Tone	36X311 40X259	161 21	MK401 Order from Mfr.	M26		45X277	123	TC75/TC78	B197				7	6SJ7, 6J5, 6SK7, 6SQ7, 6V6GT, 5Y3GT	455		
74WG-2703A	Vol. Tone	36X311 40X259	161 21	MK401 UM165-SS25	M26		45X277	123 123	TC78 TC75					7	6SJ7, 6J5, 6SK7, 6SQ7, 6V6GT, 5Y3GT	455	16-27	
74WG-2704A, 74WG-2704B, 74WG-2704C	Vol. Tone	36X358 40X246	167 167	TM227-SS25 Order from Mfr.	M26		45X346	24/15	FP346					6	6SA7, 6SK7, 6SF7, 6SJ7, 6V6GT, 6X5GT	455		
74WG-2705A, 74WG-2705B	Vol. Tone	36X369 40X259B	167 107	TM227-SS25 Order from Mfr.	M26		45X351 45X302 45X352	109 109 121	FP144 FP146 TC70					10	6BA6, 6J6, 6BE6, 6AL5, 6AT6, 6U5GT, 6V6GT, 5Y3GT	455	16-22	
74WG-2709A	Vol. Tone	36X311 40X259B	18 21	MK401 Order from Mfr.	M26		45X277	1	TC75/TC78					7	6SJ7, 6J5, 6SK7, 6SQ7, 6V6GT, 5Y3GT	455		
74WG-2711A	Vol. Tone	36X363 40X259B	167 167	TM227-SS25 Order from Mfr.	M26		45X351 45X302 45X352	109 109 121	FP144 FP146 TC70					10	6BA6, 6J6, 6BE6, 6AL5, 6AT6, 6U5GT, 6V6GT, 5Y3GT	455 10.7		
93BR-335A	Vol.	101-208	18	MK402	M26		BE119-103	1/15	FP346					5	6SA7, 6SK7, 6SQ7, 6K6G, 5Y3G	465	11-20	
93BR-391A	Vol. Tone	101-184 101-206	18 57	MK402 UM144-SS25			BE119-100 BE119-91 BE119-81 TC74	1/15 13 13	FP444 TC29 TC74	B69				7	6SK7, 6K8, 6K7, 6SQ7, 6V6G, 6U5, 5Y3G	465	11-21, 39	
93BR-392A	Vol. Tone	101-184 101-207	18 57	MK402 MK402			BE119-98 BE119-64	1/19 13	FP426 2S569	B168				7	6SK7, 6K8, 6K7, 6SQ7, 25N6G, 6U5, 2S26G	465	11-22	

† Data not substantiated.

\* IMPORTANT: Read Notes in Note Section if specified in Note Column.  
ASK YOUR DISTRIBUTOR FOR THE LATEST MALLORY CATALOG AND PRICE LIST.

‡ Indicates miscellaneous section.

MANUFACTURER AND MODEL	CONTROLS							CONDENSERS				VIBRATORS			No. Tubes	Complete Tube Complement	I. F. Peak	Rider's Reference
	Use	Original Part	Circuit	Correct Replacement	Switch	Bias	*Note	Original Part	Circuit	Correct Replacement	*Note	Original Part	Replacement	*Note				
MONTGOMERY WARD & CO.—Continued Note: The prefix "62-" or for "62-" in indicates				Radio Division in Montgomery-Ward Catalog														
93BR-393A.....	Vol. Tone	101-184..... 101-207.....	18 57	MK402..... MK402.....				BE119-98.....	1/15	FP444.....	B69				8	(AC) *6S7G, 6K8, 6T7G, 6SC7, 6L5G, 6AB5, 5Y3G	465 11-23,24	
93BR-393A (Batt.).....	Vol. Tone	101-184..... 101-207.....	57 57	MK402..... MK402.....				BE119-98..... .006	1/15	FP444..... Buffer	B69 B14	12616	246	C3	7	(Batt.) *6S7G, 6K8, 6T7G, 6SC7, 6L5G, 6AB5.....	465 11-23,24	
93BR420A, B, 93BR421A, B, 93BR-423B, 93BR-424B, 93BR-431B.....	Vol.	101-188.....	18	MK401.....	M26			BE11992..... BE11993..... 119-35.....	24 24 19	FP354..... FP214..... TC26.....	B8 B12				4	12SA7, 12SK7, 12SQ7, 70L7GT	465 11-25,26	
93BR-454A.....	Vol.	101-163.....	18	MK402.....	M27										4	1A7G, 1N5G, 1H5G, 1C5G	465 14-119	
93BR-459.....	Vol.	101107.....	18	UM154-SS18	M26			11957..... 11958..... .003..... 119-75.....	15/24 24 19	TCD45..... TC47..... Buffer..... TC22.....		126-8	246	C3	4	6D8, 6S7, 6T7, 6K6.....	465	
93BR-460A.....	Vol.	101-175.....	18	MR53.....	M27						B14				4	1A7G, 1P5G, 1H5G, 1C5G	465	
93BR-461A.....	Vol.	101-173.....	18	MK402.....	M27			BE119-75.....	19	TC22.....					4	1A7G, 1N5G, 1H5G, 1A5G	465 11-27,28	
93BR-462A.....	Vol.	101-204.....	18	MR53.....				BE119-75.....	19	TC22.....					4	1A7GT, 1N5GT, 1H5GT, 1A5GT.....	465	
93BR-508A, 93BR-509A.....	Vol.	101-170.....	18	MK402.....	M26			119-87.....	24	2N513.....					5	12SA7, 12SK7, 12Q7GT, 35L6GT, 35Z5GT	465 10-53,54	
93BR-560A.....	Vol. Tone	101-166..... 101-169.....	18 22	MK402..... MK402.....	M27			119-86.....	12	TC52.....					5	1A7G, *1N5G, 1H5G, 1Q5G	465 10-55,56	
93BR-561A.....	Vol. Tone	101-184..... 101-179.....	18 22	MK402..... MK400.....	M27			BE119-86.....	12	TC42.....					5	1A7G, *1N5G, 1H5G, 1Q5G	465	
93BR-563A.....	Vol. Tone	101-184..... 101-179.....	18 22	MK402..... MK400.....	M27			BE119-86.....	12	TC42.....					5	1A7G, *1N5G, 1H5G, 1Q5G	455	
93BR-564A.....	Vol.	101-150.....	18	MK402.....	M26			119-79..... .008..... 11992.....	22/15 24	TCS64/TC26..... Buffer..... FP354.....	B14 B69	126-6	859	C3	5	6D8G, 6K7, 6T7G, 6G6G, 6Z5G	465 10-58 14-118, 144	
93BR-571.....	Vol.	101209.....	18	MK401.....	M26			11925..... 11929.....	11 4	UR182..... 2S556.....					5	6A7, 78, 75, 43, 25Z5.....	465 14-120	
93BR-601.....	Vol. Tone	10154..... 10155.....	18 22	MR53..... MR53.....	M26			11925..... 11929.....	11 4	UR182..... 2S556.....					5	6A7, 78, 75, 43, 25Z5.....	465 14-120	
93BR-657A.....	Vol. Tone	101-166..... 101-171.....	18 57	MK402..... MK401.....	M26T			119-85..... .003.....	24/15	FP331..... Buffer.....	B14	12616	246A	C3	5	6D8G, 6SK7, 6T7G, 6G6G, 5Y3G	465	
93BR-658A.....	Vol. Tone	101-184..... 101-177.....	18 21	MK402..... MK401.....	M26T			BE119-85..... .003.....	24/15	FP331..... Buffer.....	B14	12616	246	C3	7	6D8G, 6SK7, 6T7G, 6G6G, 6AE6G, 6AD6G 5Y3G	465 11-30	
93BR-659A.....	Vol. Tone	101-180..... 101-179.....	18 22	TM238-SS18..... MK400.....	M27			BE119-86.....	12	TC42.....					6	1P5, 1A7, *1N5, 1H5, 1Q5	465 11-31	
93BR-660A.....	Vol. Tone	101-180..... 101-179.....	18 22	TM238-SS18..... MK400.....	M27			BE119-86.....	12	TC42.....					6	1P5, 1A7, *1N5, 1H5, 1Q5	465	
93BR-666A.....	Vol. Tone	101-184..... 101-177.....	18 21	MK402..... MK400.....	M26T			BE119-85..... .003.....	24/15	FP331..... Buffer.....	B14	12616	246	C3	7	6D8G, 6SK7, 6T7G, 6G6G, 6AE6G, 6AD6G, 5Y3G	465	
93BR-677.....	Vol.	101-109.....	18	TM238-SS18	M26			11951..... .01.....	4	2S569..... Buffer.....	B14	126-1	294		6	*6K7, 6A8, 6Q7, 6V6, 0Z5 or 6X5.....	465 14-139, 140	
93BR-713A.....	Vol. Tone	101-166..... 101-167.....	18 22	MK402..... MK402.....				119-84.....	1/13	FP390.....					7	6SA7, 6SK7, 6SQ7, 6P5G, 6AC5G, 5Y3G, 6AD6G	456 10-60	
93BR-714A.....	Vol. Tone	101-185..... 101-183.....	18 22	MK402..... MK402.....				BE119-84.....	1/13	FP390.....					7	6SA7, 6SK7, 6SQ7, 6P5G, 6AC5G, 6AD6G, 5Y3G	465	
93BR-714B.....	Vol. Tone	101-185..... 101-183.....	18 22	MK402..... MK402.....				BE119-84.....	1/13	FP390.....					7	6SA7, 6SK7, 6SQ7, 6P5G, 6AC5G, 6AD6G, 5Y3G	465 11-19	
93BR-715.....	Vol. Tone	101-184..... 101-176.....	18 22	MK402..... MK402.....				BE119-84.....	1/13	FP390.....					7	6SA7, 6SK7, 6SQ7, 6P5G, 6AC5G, 6AD6G, 5Y3G	465 11-33	
93BR-716A.....	Vol. Tone	101-185..... 101-183.....	18 22	MK402..... MK402.....				BE119-84.....	1/13	FP390.....					7	6SA7, 6SK7, 6SQ7, 6P5G, 6AC5G, 6AD6G, 5Y3G	465	
93BR-717A.....	Vol. Tone	101-184..... 101-176.....	127 22	MK402..... MK402.....				BE119-84.....	1/13	FP390.....					7	6SA7, 6SK7, 6SQ7, 6P5G, 6AC5G, 6AD6G, 5Y3G	465	
93BR-719A.....	Vol.	101-202.....	18	UM161.....	M26		A96	BE119-101.....	46	FP357.....					7	12A8GT, 12SK7, 12Q7GT, 35L6GT, 35Z4GT.....	465 11-35	
93BR-720A.....	Vol.	101-195.....	18	MK402.....	M26			BE119-101.....	46	FP357.....					7	6A8G, 6SK7, *6SQ7, *35L6GT, 35Z4GT.....	465 11-36	
93BR-1075 (Series A, B).....	Vol. Tone	101128..... 101129.....	124 22	TM236-SS25..... MK400.....				11961..... 11964.....	13 1	TC65..... 2S569.....					10	*6K7, 6K8, 6U5, 6Q7G, *6J5G, *6K6G, 5Y3G.....	465 14-141- 143	

† Data not substantiated.

\* IMPORTANT: Read Notes in Note Section if specified in Note Column.  
WHEN YOU BUY PLUGS AND JACKS BUY MALLORY.

‡ Indicates miscellaneous section.

MANUFACTURER AND MODEL	CONTROLS							CONDENSERS				VIBRATORS			No. Tubes	Complete Tube Complement	I. F. Peak	Rider's Reference
	Use	Original Part	Circuit	Correct Replacement	Switch	Bias	*Note	Original Part	Circuit	Correct Replacement	*Note	Original Part	Replacement	*Note				
<b>MONTGOMERY WARD &amp; CO.</b> Note: The prefix "62" or for 93BR-1201A.....	Vol. Tone	CO.—Continued m of "62." indicates	18	Radio Division Order from Mfr.	on in Mfr.	Montg	omery-Ward Catalog	BE103-10.....	25	RS223					12	*6SK7, 6K8, 6SQ7, 6J5G, 6F6G, 5U4G, 6AD6G	465	
93BR-1455A.....	Vol.	101-181.....	18	Order from Mfr.	M27		BE119-89.....	14/15	TC72/TC26						4	1A7G, 1N5G, 1H5G, 1C5G	465	
93BR-1460A.....	Vol.	101-182.....	18	Order from Mfr.	M27		BE119-91.....	19	TC29						4	1A7G, 1P5G, 1H5G, 1C5G	465	
93BR-1461.....	Vol.	101-163.....	18	MK402	M27		119-35.....	19	TC26						4	1A7G, 1N5G, 1H5G, 1A5G	465	14-162
93WG-382.....	Vol. Tone	101-175.....	18	MR53	M27		119-75.....	19	TC22						8	*6SK7, 6SA7, 6SQ7, 6V6G, 5Y3G, 6AD6G	456	11-41
93WG-510.....	Vol. Tone	101173.....	18	MK402	M27		11975.....	44	TC22						5	12SA7, 12SK7, 12SQ7, 35L6GT, 35Z5GT	456	11-43
93WG-562.....	Vol.		124	UM154			20.....	23	RS219						5	6D8G, 6AB5, 6S7G, 6T7G, 6G6G	456	10-37
93WG-565A.....	Vol.	36X262.....	18	Order from Mfr.			A96 40.....	23	RS224						5	1A7GT, 1N5GT, 1H5GT, 1Q5GT	456	11-44
93WG-602, 93WG-603.....	Vol.		18	UM154			A96 20-20-20.....	22/15	3N533						6	12SA7, 12SK7, 12SQ7, 6AB5, 35L6GT, 35Z5GT	456	10-59
93WG-604, 93WG-605.....	Vol.		18	UM154			A96 20-20-20.....	22/15	3N533						6	12SA7, 12SK7, 12SQ7, 35L6GT, 35Z5GT, 6AB7	456	12-53,54
93WG-663.....	Vol.	36X274.....	149	MK401	M27		45X268.....	46	FP357	B117					6	1A7GT, 1N5GT, 1H5GT, 3Q5GT, 35Z5GT	456	13-79,80
93WG-668.....	Vol.	36X274.....	149	MK401	M27		45X269.....	78	FP304	B70					6	1A7GT, 1N5GT, 1H5GT, 3Q5GT, 35Z5GT	456	13-79,80
93WG-754, 93WG-755.....	Vol. Tone		17	UM165			A96 30-20.....	1/15	2N514						7	6SA7, *6SK7, 6V7G, 25A6G, 6J5G, 6N7G	456	11-45
93WG-800, 93WG-801, 93WG-802 (with and without loop)	Vol. Tone		124	2 Meg. UM165			A96 20.....	23	RS219						8	*6SK7, 6SA7, 6SQ7, 6F6G, 5Y3G, 6AD6G	456	11-46
93WG-805.....	Vol. Tone		124	2 Meg. UM165			A96 40.....	23	RS219						8	*6SK7, 6SA7, 6SQ7, 6F6G, 5Y3G, 6AD6G	456	11-49
93WG-809, 93WG-809A, 93WG-809B, 93WG-809C.....	Vol. Tone	36X276, 40X241.....	157	TM251, UM165			A96 44X40.....	123	RS224						8	*6SK7, 6SA7, 6SQ7, 6AD6G, 6F6G, 5Y3G	456	15-98, 102
93WG-1000, 93WE-1001.....	Vol. Tone		20	2 Meg. UM165			A96 14.....	23	RS216						10	*6SK7, 6SA7, 6SQ7, 6P5G, *6V6G, 5Y3G, 6AD6G	456	11-51
93WG-1102.....	Vol. Tone	36X245, 40X228.....	20	TM247-SS25, MK402, UM165-SS25			A27 44X30.....	25	RS216						11	*6U7G, *6J7G, *6J5G, 6H6, 6U5, *6F6G, 5Y3G	456	14-128, 149-151
93WG-1103, 93WG-1104.....	Vol. Tone		15	MR55			A4 44X36.....	25	RS224						11	*6D6, 6C6, *76, *41, 6U5, 80	456	11-53
93WG-2208.....	Vol.		18	MR53			10.....	15	TC22						5	1N5GT, 1A7GT, 1H5GT, 1Q5GT	456	11-54
93WG-2663.....	Vol.		18	UM154	M27		A96 4.....	12	TC40						6	1A7GT, 1N5GT, 1H5GT, 3Q5GT, 35Z5GT	456	14-133, 134
93WG-2668.....	Vol.		18	UM154	M27		A96 20-40-10, 40-200.....	46	FP357, FP304	B117, B70					6	1A7GT, 1N5GT, 1H5GT, 3Q5GT, 35Z5GT	456	14-133, 134
<b>MOPAR</b>																		
802 (Philco).....	Vol. Tone	67-0040.....	75	Order from Mfr.			61-0150.....	88/24	FP424			83-0026.....	859	C3	8	*7A7, 7B8, 7B6, 7A7, *7C5, 7Y4	455	
602 (Colonial).....	Sens. Vol.	67-0040, 67-0025, 44662.....	158, 202, 75	Order from Mfr.			43691.....	24/15	FP328	B14		43697.....	859	C3	6	*7A7, 7Q7, 7B6, 7C5, 0Z4G	260	

† Data not substantiated.

\* IMPORTANT: Read Notes in Note Section if specified in Note Column.  
THE MALLORY TECHNICAL MANUAL IS YOUR COMPLETE TECHNICAL HANDBOOK.

‡ Indicates miscellaneous section.

MANUFACTURER AND MODEL	CONTROLS							CONDENSERS				VIBRATORS			No. Tubes	Complete Tube Complement	I. F. Peak	Rider's Reference
	Use	Original Part	Circuit	Correct Replacement	Switch	Bias	*Note	Original Part	Circuit	Correct Replacement	*Note	Original Part	Replacement	*Note				
<b>MOTOROLA</b>																		
Super 6.....	Vol. Tone		56	Order from MR39	Mfr.		8420	1	TCS71		94A	270B		6	77,78, 85, 212A5	456	4-10	
Dual 6.....	Vol. Tone		77	Order from Mfr.			8825	1	3S579		53	294	C3	6	77, 78, 75, 42, 84	262	5-1,7	
A1.....	Vol.	18A24918	18	Order from Mfr.			23A14747	12	TC42					4	1R5, 1T4, 1S5, 1S4	455		
AR-96-23 (M-5)	Vol.	18A24918	251	Order from Mfr.			23A14727	12	TC42					4	1R5, 1T5, 1S5, 3S4	465		
B150.....	Vol.	1A21688	18	Order from UM161	M27	A96	23A21877	12	TC44					3	1A7GT, 3A8GT, 1O5GT	455	12-38,20	
BK-6 (Buick)	Vol.	18A71925	75	Order from Mfr.			23A75429	24/19	FP339		3333	859	C3	8	*6SK7GT, 6SA7GT, 6SQ7GT, 6V6GT, 0Z4/6X5GT	455		
Ch. AS-22.....	Vol.	18A70172	75	Order from Mfr.			.006		Buffer	B14								
CR-6 (Chrysler)	Vol. (Late)	18A71925	75	Order from Mfr.			23A75429	24/19	FP339	B14	48B3333	859	C3	8	*6SK7, 6SA7, 6SQ7, 6V6GT	455	15-10	
Ch. AS-19.....	Vol. (Early)	18A70172	75	Order from Mfr.			.006		Buffer	B14				6	6X5GT/0Z4	455	16-1,5	
CR-76.....	Vol. Sens.	18A71920-A	205	Order from Mfr.			23A75429	24/19	FP339					6	6SA7GT, 6SK7, 6SQ7GT, 6V6GT, 6X5GT	455		
CT-6 (Chevrolet)	Vol.	18A70172	161	Order from Mfr.			23A75429	24/19	FP339	B14	3333	859	C3	6	*6SK7GT, 6SA7GT, 6SQ7GT, 6V6GT, 0Z4/6X5GT	455	15-11	
Ch. AS-24.....	Vol.	18A70172	161	Order from Mfr.			.006		Buffer	B14				6	6V6GT, 0Z4/6X5GT	455	16-7,16	
D-6.....	Vol. Tone	60H37832	18	MR48	M26		14H37286	15/15	2N514					5	6A8G, 6K7G, 6Q7G, 25L6G, 25Z6G	262	15-6	
60H37826.....	Vol. Tone	60H37826	22	MR48			14H37284	22	2N111									
FD-6 (Ford)	Vol.	18A70172	161	Order from Mfr.			23A75429	24/19	FP339	B14	3333	859	C3	6	*6SK7GT, 6SA7GT, 6SQ7GT, 6V6GT, 0Z4/6X5GT	455	15-12	
Ch. AS-27.....	Vol.	18A70172	161	Order from Mfr.			.006		Buffer	B14				8	*6SK7GT, 6SA7, 6SQ7, 6H6, 5W4GT	4.3mc	14-26, 27, 28	
FM82.....	Vol.	18A70172	161	Order from Mfr.			23A27718	24	FP331									
JB.....	Vol. Tone		7	MR34		EX200	32-16-16	11	TC47/TCS44					6	*6D6, 6A7, 75, 43, 25Z5			
J8.....	Vol. Tone		22	MR33		EX150	10	15	TC22					6	*6D6, 6A7, 75, 43, 25Z5	175	4-3	
NH6 (Nash)	Vol.	18A70172	75	Order from Mfr.			23A75529	24/19	FP339	B14	3333	859	C3	6	*6SK7, 6SA7, 6SQ7, 6V6, 0Z4/6X5	455	15-12	
Ch. AS-30.....	Vol.	18A70172	161	Order from Mfr.			.006		Buffer	B14				6	*6SK7GT, 6SA7GT, 6SQ7GT, 6V6GT, 0Z4/6X5GT	455	16-6,21	
OE-6 (Oldsmobile)	Vol.	18A70172	161	Order from Mfr.			23A75429	24/19	FP339	B14	3333	859	C3	6	*6SK7GT, 6SA7GT, 6SQ7GT, 6V6GT, 0Z4/6X5GT	455	15-11	
Ch. AS-18.....	Vol.	18A70172	161	Order from Mfr.			.006		Buffer	B14				6	*6SK7GT, 6SA7GT, 6SQ7GT, 6V6GT, 0Z4/6X5GT	455	16-7,16	
PC-6 (Pontiac)	Vol.	18A70172	161	Order from Mfr.			23A75429	24/19	FP339	B14	3333	859	C3	6	*6SK7GT, 6SA7GT, 6SQ7GT, 6V6GT, 0Z4/6X5GT	455	15-11	
Ch. AS-23.....	Vol.	18A70172	161	Order from Mfr.			.006		Buffer	B14				6	*6SK7GT, 6SA7GT, 6SQ7GT, 6V6GT, 0Z4/6X5GT	455	16-7,16	
PD-6.....	Vol. (Late)	18A71925	75	Order from Mfr.			23A75429	24/19	FP339	B14	48B3333	859	C3	6	*6SK7GT/G, 6SA7GT, 6SQ7GT, 6V6GT, 0Z4/6X5GT	455	15-11	
(Early).....	Vol. (Early)	18A70172	75	Order from Mfr.			.006		Buffer	B14				6	*6SK7GT/G, 6SA7GT, 6SQ7GT, 6V6GT, 0Z4/6X5GT	455	16-23,28	
RW1.....	Vol. Bias	18A22175	15/63	MK402	M26		23A14963	24/15	FP339					5	6SQ7GT, 6Q7GT, 6K6GT, 6SK7GT, 5W4GT			
18A20889.....	Vol. Bias	18A20889	7	Order from Mfr.			23A22953	15	TC26									
S10.....	Vol. Tone		83	MR48			8-8-12	3	See Note	B3				8	*78, 77, 85, 56, 345, 83	175	4-4	
Sen. 7.....	Vol. Sen.		22	MR33		EX300	25	15	TC26									
Twin "8".....	Vol. Tone		15	Order from Mfr.			8825	1/19	3S579	B14	53	294	C3	8	*6A4, 37, 77, 78, 84, 85	262	5-1,7	
VT-71—Television,	Vol.	1-150		MK402	M26				FP140					16	*6AG5, 12AT7/7F8, 6AU6, 6AL5, 6SQ7, 25L6, 212SN7, 6SL7, 7JP4, 1B3GT		Chan. 1-6	
Ch. TS-4.....	Vrt. Hld. Brgtness			UM159-SS1					Order from Mfr.								Video 26.2	
	Hor. Hld.			MR29					Order from Mfr.								Snd. 21.7	
	Hor. Size			MR29					Order from Mfr.								Chan. 7-13	
	Focus			Order from Mfr.					Order from Mfr.								Video 22.9	
	Hor. Ctr.			Order from Mfr.					Order from Mfr.								Snd. 27.4	
	Vrt. Size			Order from Mfr.					Order from Mfr.									
	Contrast			Order from Mfr.					Order from Mfr.									
	Vrt. Ctr.			TM251-SS1					Order from Mfr.									
WR6, WR7, WR8, Wireless Record Player, Ch. HS-18	Vol.	18A20889	206	Order from Mfr.			23A20887	24/15	3N527					2	6SK7, 6J5			
Auto Set, "Golden Voice".....	Vol. Tone	2168	7	MR45			2326	1	TCD62/TCD45		2404	901M	C3	10	*24, 01A, 212, 6K7, 6A8, 6R7, 6H6, 6C5, 6F6, 0Z4	262	51-7	
	Vol. Tone	2167A	18	UM154-SS10	M26		.005		Buffer	B14							7-1,9	
	Vol. Sen.	2303	7	Order from Mfr.														

‡ Data not substantiated.

\* IMPORTANT: Read Notes in Note Section if specified in Note Column. WHEN YOU BUY ROTARY SWITCHES BUY MALLORY.

§ Indicates miscellaneous section.

MANUFACTURER AND MODEL	CONTROLS							CONDENSERS				VIBRATORS			No. Tubes	Complete Tube Complement	I. F. Peak	Rider's Reference
	Use	Original Part	Circuit	Correct Replacement	Switch	Bias	*Note	Original Part	Circuit	Correct Replacement	*Note	Original Part	Replacement	*Note				
MOTOROLA—Continued																		
Golden Voice (1937)	Vol.	3294.....	45	TM230-SS19	M26			3348.005	1/19	3S579 Buffer	B14	2404	901M	C3	8	*6K7, 6A8G, 6H6G, 6C5G, 6J5G, 6N7G, 0Z4/6X5G	262	8-1
3A5.....	Vol.	18A24918...	18	Order from Mfr...				23B27161	24/46	TN129/TC2501					5	1R5, 1T4, 1S5, 3S4, 117Z6G	455	
5 Tube, "Split Case"	Vol.		7	MR40											5	01A, *24, 71A	455	3-1
5A-1, Ch. HS-6	Vol.	18A24918...	18	Order from Mfr...				23A14727	12	TC42					4	1R5, 1T4, 1S5, 3S4	455	15-1
5A-5, Ch. HS-15	Vol.	18A24918...	18	Order from Mfr...				23A71212	95/78	FP407					5	1R5, 1T4, 1S5, 3S4, 117Z3	455	15-2
5A-7, 5A-7A, Ch. HS-62, HS-62A	Vol.	18A471705	205	Order from Mfr...				23B470692	91	Order from Mfr...					4	1R5, 1U4, 1S5, 3S4, D. R.	455	
5T (5-1)	Vol.	60H37838	18	UM147-SS16				23B470693	78	TC2501					5	6A7, 6D6, 75, 41, 80	465	8-3
Tone		60H37835	34	MR33	M26			14H37285	4	2S567					5	6A7, 6D6, 75, 41, 80	465	
5T late (5-3)	Vol.	60H37829	15	UM161		A96		14H37285	4	2S567					5	6A7, 6D6, 75, 41, 80	465	
Tone		60H37835	34	MR33	M26			14H37281	4	3S584	B8				5	6A7, 6D6, 75, 42, 80	465	8-5
5T1, 5T2, 5Y (5-2)	Vol.	60H37838	18	UM147-SS16				14H37281	4	3S584	B8				5	6A7, 6D6, 75, 42, 80	465	
Tone		60H37835	34	MR33	M26			8	12	See Note	B3				5	*24, 38, 71A		3-2
5T 71	Vol.	60H37838	7	MR40				14H37281	4	3S584	B8				6	6A7, 6D6, 75, 42, 6G5, 80	465	8-6
6A (6-1)	Vol.	60H37838	18	UM147-SS16				14H37281	12	3S584	B8				6	6A7, 6D6, 75, 41, 80, 6U5	465	
Tone		60H37835	34	MR33	M26			14H37285	4	2S567					6	6A8G, 6K7G, 6H6G, 6F5G, 6V6G, 5Y3	465	8-7
6A1 (6-5)	Vol.	60H37829	15	UM154		A96		14H37275	25/13/19	TC74/3S579					6	*24, 01, 12		3-3
Tone		60H37835	34	MR33	M26			14H37277	4	RS216					5	6A8G, 6K7G, 6Q7G, 25L6G, 25Z6G	465	
6T, 6Y (6-2)	Vol.	60H37840	75	UM147-SS16				14H37288	13	TC70					7	*24, *37, *38		3-4
Tone		60H37834	34	MR33	M26			50	1	See Note	B3				7	*51, *37, *38		3-6
6T-12PL	Vol.		7	MR45				14H37286	6	2N514					7	*37, *39, 1A	175	3-7,9
6X (6-3, 6-6)	Vol.	60H37832	18	MR48	M26			14H37284	15	TN111					6	*78, 6A7, 75, 41, 84	262	9-1,9, 10,11
Tone		60H37826	22	MR48				10	19	TC32					7	*78, 6A7, 75, 41, 84	262	9-2,9, 10,11
7T-38	Vol.		15	MR39				23A5186	24/19	3S579 Buffer	B14	48A5333	859	C3	6	*78, 6A7, 75, 41, 84	262	9-3,9, 10,11
7T-38A	Vol.		62	MR48				.01	1/19	3S579 Buffer	B14	48A5333	859	C3	6	*78, 6A7, 75, 42, 0Z4	262	9-5,9, 10,11
7T-47A	Vol.		62	MR48				23A4309	4	2S567	B14	48A3333	859	C3	6	*78, 6A7, 75, 41, 0Z4	262	9-5,9, 10,11
8-30	Vol.	18A4046	18	UM154-SS19	M26			23A4309	4	2S567	B14	48A3333B	901M	C3	8	*6K7G, 6A8G, 6V7G, 6C5G, 6V6G, 0Z4	262	9-4,9, 10,11
8-40	Vol.	18A4238	18	UM147-SS19	M26			23A4571	1/15	3S584/TC22 Buffer	B14	48A3333B	901M	C3	8	*6K7G, 6A8G, 6V7G, 6C5G, 6V6G, 0Z4	262	9-7,11
8-50	Vol.	18A4364	18	UM154-SS19	M26			.005	1/15	3S584/TC22 Buffer	B14	48A3333B	901M	C3	8	*6K7G, 6A8G, 6V7G, 6C5G, 6V6G, 0Z4	262	9-7,11
8-60	Vol.	18A4885	18	UM154-SS19	M26			23A4662	1/15	3S584/TC22 Buffer	B14	48A3333B	901M	C3	8	*6K7G, 6A8G, 6V7G, 6C5G, 6V6G, 0Z4	262	9-7,11
8-70	Vol.	18A4204	18	TM227-SS19	M26			.005	1/15	3S584/TC22 Buffer	B14	48A3333B	901M	C3	8	*6K7G, 6A8G, 6V7G, 6C5G, 6V6G, 0Z4	262	9-7,11
8-80	Vol.	18A4740	18	TM227-SS19	M26			14H37275	25/13/19	TC74/3S579					9	6A8G, *6K7G, 6H6G, *6J5G, 6V6G, 6G5, 5Y3	465	8-9
9A, 9R, 9Y (9-1, 9-2, 9-3)	Vol. Tone	60H37827 60H37834	75 34	TM225-SS16 MR33	M26			14H37277	4	RS216					9	6A8G, *6K7G, 6H6G, *6J5G, 6V6G, 6G5, 5Y3	465	8-9
9-24	Vol.	18A12638	18	SM302				14H37279	4	ST595					6	*7A7, 7B8, 7B6, 7B5, 0Z4/6X5	455	10-3,4
9-24A	Vol.	18A12638	18	SM302				14-H-37288	13	TC70					6	*6K7GT, 6A8GT, 6Q7GT, 6K6GT, 0Z4/6X5	455	10-3,4
9-29	Vol.	18A4046	18	UM154-SS19	M26			23A12645	24/19	FP380 Buffer	B14	48K12312	859	C3	6	*7A7, 7B8, 7B6, 7B5, 0Z4/6X5	455	10-3,4
9-39	Vol.	18A4046	18	UM154-SS19	M26			.006	24/15	FP380 Buffer	B14	48K12312	859	C3	6	*6K7GT, 6A8GT, 6Q7GT, 6K6GT, 0Z4/6X5	262	10-5,6
9-44	Vol.	18A4364	18	UM154-SS19	M26			23A12645	24/15	FP380 Buffer	B14	48K12312	859	C3	6	*6K7GT, 6A8GT, 6Q7GT, 6K6GT, 0Z4/6X5	262	10-5,6
9-49	Vol.	18A1376L	18	UM154-SS19	M26			.006	24/15	FP380 Buffer	B14	48K12312	859	C3	6	*6K7GT, 6A8GT, 6Q7GT, 6K6GT, 0Z4/6X5	262	10-5,6
9-69	Vol.	18A13683	75	TM227-SS19	M26			23A14219	1/19	FP380 Buffer	B14	48A3333	859	C3	6	*78, 6A7, 75, 41, 84	262	10-7,8
9-69 (Bantam)	Vol.	18A13683	75	TM227-SS19	M26			.01	1/19	FP380 Buffer	B14	48A3333	859	C3	6	*78, 6A7, 75, 41, 84	262	10-7,8
10Y (10-1)	Vol. Tone	60H37839 60H37836 60H37833	45 1 1	UM147-SS16 MR39 MR48	M26			23A12645	1/19	FP380 Buffer	B14	48A3333	859	C3	6	*7B7, 7A8, 7C6, 7C5, 0Z4, or *7A7, 7B8, 7B6, 7B5, 6X5	262	10-9
Fid.		60H37831	7	MR19				23A13037	1	FP231 Buffer	B14	48A3333B	901M	C3	8	*7A7, 7B8, 7A6, 7B6, 7C5, 6X5	262	10-10
Sen.		60H37839	7	MR19				.005	1	FP231 Buffer	B14	48A3333B	901M	C3	8	*6K7GT, 6A8GT, 6H6GT, 6Q7GT, *6V6GT, 0Z4/6X5	262	
10Y late (10-3)	Vol. Tone	60H37839 60H37836 60H37833	18 1 1	UM147-SS16 MR39 MR48	M26			23A13037	1	FP231 Buffer	B14	48A3333B	901M	C3	8	*6K7GT, 6A8GT, 6H6GT, 6Q7GT, *6V6GT, 0Z4/6X5	262	
Fid.		60H37831	7	MR19				.005	1	FP231 Buffer	B14	48A3333B	901M	C3	8	*6K7GT, 6A8GT, 6H6GT, 6Q7GT, *6V6GT, 0Z4/6X5	262	
Sen.		60H37839	7	MR19				14H37275	25/13/19	TC74/3S579					10	*6K7G, 6A8G, *6J5G, 6H6G, 6V6G, 6G5, 5Y3	465	8-11,12
10Y late (10-3)	Vol. Tone	60H37839 60H37836 60H37833	18 1 1	UM147-SS16 MR39 MR48	M26			14H37277	25	RS213					10	*6K7G, 6A8G, *6J5G, 6H6G, 6V6G, 6G5, 5Y3	465	
Fid.		60H37831	7	MR19				14H37288	13	TC70					10	*6K7G, 6A8G, *6J5G, 6H6G, 6V6G, 6G5, 5Y3	465	
Sen.		60H37839	7	MR19				14H37279	13	ST595					10	*6K7G, 6A8G, *6J5G, 6H6G, 6V6G, 6G5, 5Y3	465	

† Data not substantiated.

\* IMPORTANT: Read Notes in Note Section if specified in Note Column.  
FREE! MALLORY VIBRATOR REPLACEMENT GUIDE... SEE YOUR DISTRIBUTOR.

‡ Indicates miscellaneous section.

MANUFACTURER AND MODEL	CONTROLS							CONDENSERS				VIBRATORS			No. Tubes	Complete Tube Complement	I. F. Peak	Rider's Reference
	Use	Original Part	Circuit	Correct Replacement	Switch	Bias	*Note	Original Part	Circuit	Correct Replacement	*Note	Original Part	Replacement	*Note				
MOTOROLA—Continued																		
10Y1 (10-2)	Vol. Tone Fid. Sen.	60H37839 60H37836 60H37833 60H37831	18 18 18 7	UM147-SS16 MR39 MR48 MR19	M26		14H32724 14H32727 14H32723 14H32729	25 25 13/19 13	RS223 RS213 Order from ST595	Mfr.				10	*6K7G, 6A8G, 6B8G, 6H6G, 6G5, 6J7G, 6R7G, 6V6G, 5Y3	465	9-13,20	
11A Wireless Record Player																		
12Y, 12Y1 (12-1)	Vol. Tone Fid. Sen.	60H37839 60H37836 60H37833 60H37831	18 18 18 7	UM147-SS16 MR39 MR48 MR19	M26		10 14H32724 14H32727 14H32723 14H32729	13 25 25 13/19 13	TC42 RS223 RS213 Order from ST595	Mfr.				12	25A7G *6K7G, 6A8G, 6B8G, *6J5G, 6H6G, 6J7G, 6R7G, 6V6G, 5X4G, 6U5	465	9-15,20 10-11,12	
15F	Vol.	18A13761	18	UM154-SS19	M26		23A12645	1/19	FP380		B14	48A3333	859	C3	6	*7A7, 7B8, 7B6, 0Z4, 7B5	455	10-13,14 10-15,16
16C	Vol.	1X13617	18	UM154-SS20	M26		23A12645	1/19	FP380		B14	48A3333	859	C3	6	*7A7, 7B8, 7B6, 0Z4, 7B5	455	10-13,14 10-15,16
17D	Vol.	1X13040	18	TM230-SS21	M26		23K13504	1/15	FP380		B14	48A3333	859	C3	6	*7A7, 7B8, 7B6, 0Z4, 7B5	455	10-13,14 10-15,16
17FM41	Vol. Tone	18K28356 18K28357	37 37	TM238-SS25 MK402	M26		23A14963 23A11710	1 13	FP339 TC62		B14			18	*6S17GT, 6A8GT, 6SK7GT, *6SQ7GT, 6E5, *6SD7GT, 6J5GT, 6H6, 6H6GT, *6V6G, 5Z3	AM 455 FM 4.3mc.	14-1,2, 3, 4	
18O	Vol.	18A12999	18	Order from	Mfr.		23A12645	1/19	FP380		B14	48A3333	859	C3	6	*7A7, 7B8, 7C6, 0Z4, 7C5	455	10-17,18
19B	Vol.	18A13174	18	MRT430	M26		23A13637	1	FP380		B69 B14	3333B	901M	C3	7	*7A7, 7B8, 7B6, *6V6, 0Z4	455	10-19,20
20P	Vol.	18A13761	18	UM154-SS19	M26		23A12645	1/19	FP380		B14	48A3333B	901M	C3	7	*7A7, 7B8, 7B6, *6V6, 0Z4	455	10-21,22
21A Wireless Record Player																		
21L	Vol.	18A13761	18	UM154-SS19	M26		10 23A12645	12 1/19	TC42 FP380		B14	48A3333B	901M	C3	2	6K6GT, 76	455	11-32
22A	Bias	18A20889	7	Order from	Mfr.		23A20887	24/15	FP380		B14			7	*7A7, 7B8, 7B6, *6V6, 0Z4	455	10-21,22	
22B	Bias Control	18A20889	7	Order from	Mfr.		23A20887	24/15	TN125		B14			2	6SK7GT, 6J5GT	12-4 13-3		
22S	Vol.	18A13761	18	UM154-SS19	M26		23A12645	1/19	FP380		B14	48A3333	859	C3	6	*7A7, 7B8, 7B6, *6V6, 0Z4	455	12-5,6
23RC, 23RCW	Bias	18A20889	7	Order from	Mfr.		23A20887	24/15	TN125		B14			2	6SK7GT, 6J5GT	12-4		
24K	Vol.	18A13761	18	UM154-SS19	M26		23A12645	1/19	FP380		B14	48A3333B	901M	C3	7	*7A7, 7B8, 7B6, *6V6, 0Z4	455	10-21,22
25F	Vol.	18A18283	18	Order from	Mfr.		23A17738	24/15	FP328		B14	48A3333	859	C3	6	*6SK7GT, 6SA7GT, 6SQ7GT, 6K6GT, 0Z4/6X5	455	11-2,1 12-5,6
25N	Vol.	18A13761	18	UM154-SS19	M26		23A12645	1/19	FP380		B14	48A3333	859	C3	6	*7A7, 7B8, 7B6, *6V6, 0Z4	455	12-5,6
26C	Vol.	18B18676	18	Order from	Mfr.		23A17738	24/19	FP328		B14	48A3333	859	C3	6	*6K7GT, 6A8GT, 6Q7GT, 6K6GT, 0Z4/6X5	455	11-3,4
26C7	Vol.	18B18676	18	Order from	Mfr.		23A17190	1	FP234		B14	48A3333	859	C3	7	*6K7GT, 6SA7GT, 6Q7GT, *6K6GT, 0Z4	455	10-3,4
27D	Vol.	1K17377	18	UM154	M26		23A17190	24	FP234		B14	48A3333	859	C3	7	*6K7GT, 6SA7GT, 6Q7GT, *6K6GT, 0Z4	455	11-5,6
27D6	Vol.	18A17378	18	UM154	M26		23A17738	24/19	FP328		B14	48A3333	859	C3	6	*6K7GT, 6A8GT, 6Q7GT, 6K6GT, 6X5-0Z4	455	12-7,8
27D6-41	Vol.	1K17377	18	Order from	Mfr.		23A17738	24/19	FP328		B14	48A5067 48A3333	859	C3	6	*6K7GT, 6A8GT, 6Q7GT, 6V6GT, 6X5GT	455	
28O	Vol.	28B17109	18	Order from	Mfr.		23A17190	1	FP234		B14	48A3333	859	C3	7	*6K7GT, 6SA7GT, 6Q7GT, *6K6GT, 0Z4	455	11-7,8
29B	Vol.	18B17108	18	Order from	Mfr.		23A17190	1	FP234		B14	48A3333B	901M	C3	7	*6SK7GT, 6SA7GT, 6G7GT, *6V6GT, 0Z4-6X5	455	11-9,10
29B6	Vol.	18A17108	18	Order from	Mfr.		23A17738	1/15	FP328		B14	48A3333	859	C3	6	*6SK7GT, 6SA7GT, 6SQ7GT, 6K6GT, 0Z4	455	11-11,10
30P	Vol.	28B17457	18	Order from	Mfr.		23A17190	1	FP234		B14	48A3333	859	C3	7	*6K7GT, 6SA7GT, 6Q7GT, *6K6GT, 0Z4	455	11-7,8 5-8
34	Vol.	1010A	77	UM154-SS3	M26		8426 R2520	1 19	TCS71 TC26		B14	2404	901M	C3	6	*7A7, 77, 75, 42, 84	456	
34K6	Vol.	1K20085	18	UM154	M26		23A17738	24/19	FP328		B14	48A3333	859	C3	6	*6SK7GT, 6SA7GT, 6SQ7GT, 6K6GT, 0Z4	455	12-9,8
34K7	Vol.	1K20085	18	UM154	M26		23A17738	24/19	FP328		B14	48A3333	859	C3	7	*6SK7GT, 6SA7GT, 6SQ7GT, *6K6, 0Z4	455	12-10,8
35	Vol.	3238	18	UM154-SS19	M26		3344	19/24	2N518/TC26		B14	2404	901M	C3	6	*7A7, 6A7, 75, 41, 84/6Z4	262	8-15

† Data not substantiated.

\* IMPORTANT: Read Notes in Note Section if specified in Note Column.  
USE MALLORY CAPACITORS—STANDARD OF THE INDUSTRY.

‡ Indicates miscellaneous section.

MANUFACTURER AND MODEL	CONTROLS							CONDENSERS				VIBRATORS			No. Tubes	Complete Tube Complement	I. F. Peak	Rider's Reference
	Use	Original Part	Circuit	Correct Replacement	Switch	Bias	*Note	Original Part	Circuit	Correct Replacement	*Note	Original Part	Replacement	*Note				
MOTOROLA—Continued																		
35F.....	Vol.	18A24737...	18	UM154-SS30	M26			23A22738..	24/19	FP313 Buffer	B14	48A3333....	859	C3	6	6SD7GT, 6SA7GT, 6SK7GT, 6SQ7GT, 6U6GT, 6X5GT...	262	12-11,12
35N.....	Vol.	1K18144....	18	Order from	Mfr..			23A17738..	24/15	FP328 Buffer	B14	48K12793... 48K12312... 859	859 859	C3 C3	6	6SK7GT, 6SA7GT, 6SQ7GT, 6K6GT, 8ZA	455	12-13- 11-8
36C1.....	Vol.	18B24046...	18	Order from	Mfr..			23A22738..	24/19	FP313 Buffer	B14	48A5067.... 48A5333.... 859	859 859	C3 C3	6	6SD7GT, 6SA7GT, 6SK7GT, 6SQ7GT, 6U6GT, 6X5GT...	262	.....
36C2.....	Vol.	18B24046...	18	Order from	Mfr..			23A22738..	24/19	FP313 Buffer	B14	48A5067.... 48A5333.... 859	859 859	C3 C3	6	6SK7GT, 6SA7GT, 6SQ7GT, 6U6GT, 6X5GT	455	.....
37D1.....	Vol.	1K17377....	18	Order from	Mfr..			23A23651..	24/13	FP390 Buffer	B14	48K11026...	901M	C3	8	6SD7GT, 6SA7GT, 6SK7GT, 6SQ5GT, 6J5GT, 6V6GT, 0ZA	262	12-14,16
37D2.....	Vol.	1K17377....	18	Order from	Mfr..			23A22738..	24/19	FP313 Buffer	B14	48A3333....	859	C3	6	6SD7GT, 6SA7GT, 6SK7GT, 6SQ7GT, 6U6GT, 6X5GT...	455	12-15,16
38O.....	Vol.	18B24254...	18	Order from	Mfr..			23A22738..	24/19	FP313 Buffer	B14	48A5333.... 48A5067.... 859	859 859	C3 C3	6	6SD7GT, 6SA7GT, 6SK7GT, 6SQ7GT, 6U6GT, 6X5GT...	262	12-17,18
39B1.....	Vol.	18K23489...	18	Order from	Mfr..			23A17190..	1	FP234 Buffer	B14	48K11026...	901M	C3	7	6SD7GT, 6SA7GT, 6SK7GT, 6R7GT, 6V6GT, 0ZA	262	.....
39B2.....	Vol.	18K23489...	18	Order from	Mfr..			23A22738..	24/19	FP313 Buffer	B14	48A5067....	859	C3	6	6SK7GT, 6SA7GT, 6Q7GT, 6U6GT, 6X5GT	455	.....
40-40B.....	Vol.	18A19979...	18	MK402....	M27			23A14727..	12	TC42					4	1A7GT, 1N5GT, 1H5GT, 1Q5GT...	455	12-23
40B1.....	Vol.	18A19979...	18	MK402....	M27			23A14727..	12	TC42					4	1A7GT, 1N5GT, 1H5GT, 1Q5GT...	455	12-19,20
40BK, 40BW.....	Vol.	18A19979...	18	MK402....	M27			23A14727..	12	TC42					4	1A7GT, 1N5GT, 1H5GT, 1Q5GT...	455	12-19,20
40P.....	Vol.	18B23844...	18	Order from	Mfr..			23A22738..	24/19	FP313 Buffer	B14	48A5067.... 48A5333.... 859	859 859	C3 C3	6	6SD7GT, 6SA7GT, 6SK7GT, 6SQ7GT, 6U6GT, 6X5GT...	262	12-21,22
40-50W.....	Vol.	18K19939...	18	MK401....	M26			23A19877..	24/19	FP339					5	6A8GT, 6SK7GT, 6SQ7GT, 6K6GT, 80	455	12-25, 26,36
40-60W.....	Vol.	18A14629...	18	UM154-SS22	M26			23A18744..	24	2N521					6	12SK7GT, 12SA7GT, 12SQ7GT, 35L6GT, 35Z5GT...	455	12-24
41A.....	Vol.	18A14812...	18	UM154-SS22	M27			23A14828..	19	TC26					4	1A7G, 1N5G, 1H5G, 1Q5G	455	11-12
41B.....	Vol.	18K14839...	18	UM154-SS22	M27			23A14828..	19	TC26					4	1A7G, 1N5G, 1H5G, 1Q5G	455	11-13
41B11, 41B12.....	Vol.	18A19979...	18	MK402....	M27			23A14727..	12	TC42					4	1A7GT, 1N5GT, 3Q5GT	455	13-4
41D.....	Vol.	18K15633...	18	MK401....	M27			23A14826..	20	TC26					4	1A7G, 1N5G, 1H5G, 1Q5G	455	14-9,10
41D1, 41D2.....	Vol.	18K15633...	18	UM154-SS22	M27			23A14828..	19	TC26					4	1A7G, 1N5G, 1H5G, 1Q5G	455	11-14,13
41E.....	Vol.	18A14812...	18	UM154-SS22	M27			23A14828..	19	TC26					4	1A7G, 1N5G, 1H5G, 1Q5G	455	11-12
41F.....	Vol.	18K14839...	18	UM154-SS22	M27			23A14828..	19	TC26					4	1A7G, 1N5G, 1H5G, 1Q5G	455	11-13
41H.....	Vol.	18K17174...	18	Order from	Mfr..			23A16138..	78	TC605					4	1A7GT, 3A8GT, 1Q5GT, 25Z6GT...	455	.....
41S.....	Vol.	18A15869...	18	UM161-SS22	M27			23A16139..	24	FP214/TC45	B217				4	1A7GT, 1N5GT, 1H5GT, 1T5GT...	455	11-12
42S.....	Vol.	18A24657...	18	UM154-SS29	M26			23A22738..	24/19	FP313 Buffer	B14	48A3333.... 48A5067.... 859	859 859	C3 C3	6	6SD7GT, 6SA7GT, 6SK7GT, 6SQ7GT, 6U6GT, 6X5GT...	262	12-27,28
43H.....	Vol.	18A23198...	18	Order from	Mfr..			23A22738..	24/19	FP313 Buffer	B14	48A3333.... 48A5067.... 859	859 859	C3 C3	6	6SD7GT, 6SA7GT, 6SK7GT, 6SQ7GT, 6U6GT, 6X5GT...	262	12-29,30
44.....	Vol.	531C.....	17	Order from	Mfr..			1823.....	1	TC22		944.....	Order from	Mfr..	5	12A5, 75, 77, 78...	456	4-5,8
44K.....	Vol.	1K24074....	18	UM154....	M26		A96	23A22738..	24/19	FP313 Buffer	B14	48A5067.... 48A5333.... 859	859 859	C3 C3	6	6SD7GT, 6SA7GT, 6SK7GT, 6SQ7GT, 6U6GT, 6X5GT...	262	12-31
45.....	Vol.	3244.....	18	UM147-SS19	M26			3344.....	1/19	2N518/TC26	B14	2404.....	901M	C3	6	78, 6A7, 75, 41, 84/ 62A	262	8-16
45B12. Ch. HS-8...	Vol.	18A19979...	205	MK402....	M27			23A14727..	12	TC42					4	1A7, 1N5, 1H5, 30S..	455	15-27,29
45N.....	Vol.	18B24193...	18	Order from	Mfr..			23A22738..	24/19	FP313 Buffer	B14	48K12793...	859	C3	6	6SD7GT, 6SA7GT, 6SK7GT, 6SQ7GT, 6U6GT, 6X5GT...	262	12-33

† Data not substantiated.

\* IMPORTANT: Read Notes in Note Section if specified in Note Column.

‡ Indicates miscellaneous section.

WHEN YOU BUY JACK SWITCHES BUY MALLORY.

MANUFACTURER AND MODEL	CONTROLS							CONDENSERS				VIBRATORS			No. Tubes	Complete Tube Complement	I. F. Peak	Rider's Reference
	Use	Original Part	Circuit	Correct Replacement	Switch	Bias	*Note	Original Part	Circuit	Correct Replacement	*Note	Original Part	Replacement	*Note				
MOTOROLA—Continued																		
46-C, Ch. A-06	Vol.	18B24046	205	Order from	Mfr.		23A22738 .02	24	FP313 Buffer	B14	48A5067	859	C3	6	*6SK7GT, 6SA7GT, 6SQ7GT, 6U6GT, 6X5GT	262	15-31	
47-B11, Ch. HS-72	Vol.	18K77615	18	MK402	M27		23A14727	12	TC42					4	1A7GT, 1N5GT, 1H5GT, 30SGT	455		
47-D1, 47-D1A	Vol.	1K17377	†	Order from	Mfr.		23A23651 .007-.0008-.0008	88	FP380 Buffer	B14	48K11026	901M	C3	8	*6SK7GT, 6SA7GT, 6SQ7GT, 6J5GT, *6V6GT, 0Z4	262	15-33	
47-D2, 47-D2A, Ch. A17, A18	Vol.	1K17377	75	Order from	Mfr.		23A22738 .02	24/19	FP313 Buffer	B14	48A5067	859	C3	6	*6SK7GT, 6SA7GT, 6SQ7GT, 6U6GT, 6X5GT	455	15-36	
48-02	Vol.	18B24254	18	Order from	Mfr.		23A22738 .02	24/19	FP313 Buffer	B14	48A5333 48A5067	859 859	C3	6	6SD7GT, 6SA7GT, 6SK7GT, 6SQ7GT, 6U6GT, 6X5GT	262		
49-B, 49-BU, Ch. A04, A11	Vol.	18K23409	18	Order from	Mfr.		23A17190 .006-.0008-.0008 23X12223	1 19	FP234 Buffer TC26	B14	48K11026	901M	C3	7	*6SK7GT, 6SA7GT, 6R7GT, *6V6GT, 0Z4	262	15-37	
49BT1, 49BT2	Vol.	18A12131	18	MR48	M27		2317	1	TC D62/TC22	B14	2404	901M	C3	6	1A7G, 1N5G, 1H5G, 1A5G	455		
50	Vol.	2336	18	UM154-SS11	M26		23A22738 .02	24/19	FP313 Buffer	B14	48A5067	859	C3	6	6A7, *78, 75, 41, 84	262	7-2	
50-P, Ch. A05	Vol.	18B23844	75	Order from	Mfr.		23A22738 .02	24/19	FP313 Buffer	B14	48A5067	859	C3	6	*6SK7GT, 6SA7GT, 6SQ7GT, 6U6GT, 6X5GT	262	15-40	
50W	Vol.	18K19939	18	MK401	M26		23A19877	24/19	FP339					5	6A8GT, 6SK7GT, 6SQ7GT, 6K6GT, 80	455	12-25	
50X1, 50X2	Vol.	18A14629	18	UM154-SS22	M26		23A20504	1	2N509					5	12SA7GT, 12SK7GT, 12SQ7GT, 50L6GT, 35Z5GT..	455	12-35,36	
50XC1, 50XC2, 50XC3, 50XC4	Vol.	18A14629	18	UM154-SS22	M26		23A20504	1	2N509					5	12SA7GT, 12SK7GT, 12SQ7GT, 50L6GT, 35Z5GT..	455	12-35,36	
50XH1, 50XH2	Vol.	18A14629	18	UM154-SS22	M26		23A20504	1	2N509					5	12SA7GT, 12SK7GT, 12SQ7GT, 50L6GT, 35Z5GT..	455	12-37	
50XW	Vol.	18A14629	18	UM154-SS22	M26		23A20504	1	2N509					5	12SA7GT, 12SK7GT, 12SQ7GT, 50L6GT, 35Z5GT..	455	12-35,36	
51	Vol.		83	MR48										5	*36, 39, 85, 41	175		
51A (Ch. 5A)	Vol.	18A14629	18	UM154-SS22	M26		23A14615	1	2N509					5	12A8GT, 12K7GT, 12Q7GT, 50L6GT, 35Z5GT	455	11-15,16	
51A (Ch. 5AA)	Vol.	18A14629	18	UM154-SS22	M26		23A14615	1	2N509					5	12SA7GT, 12K7GT, 12SQ7GT, 50L6GT, 35Z5GT..	455	11-15,16	
51C (Ch. 5C)	Vol.	18A14629	18	UM154-SS22	M26		23A14615	1	2N509					5	12A8GT, 12K7GT, 12Q7GT, 50L6GT, 35Z5GT	455	11-17	
51D	Vol.	18A16143	18	Order from	Mfr.		23A16139 23A16138	24 78	FP214/TC45 TC605	B217				5	1A7GT, 1N5GT, 1H5GT, 1T5GT, 25Z6GT	455		
51D1, 51D2	Vol.	18A16143	18	Order from	Mfr.		23A16139 23A16138	24 78	FP214/TC45 TC605	B217				5	1A7GT, 1N5GT, 1H5GT, 1Q5GT, 25Z6GT	455	11-14	
51F11	Vol.	18K19939	18	MK401	M26		23A27881	1/19	FP330					5	6SA7GT, 6SK7GT, 6SQ7GT, 6V6GT, 5W4GT	455	13-5,6,9	
51F12	Vol.	18A14629	18	UM154-SS22	M26		23A31059 23A30679 23A22953 23A27718	9/13 9 15 1/19	TC D45/TC52 TC45 TC26 FP331					5	12SA7GT, 12SK7GT, 12SQ7GT, 35L6GT, 50Y6GT	455	14-7,18	
51R11	Vol.	18A28750	18	MK401	M26		23A27718	1/19	FP331					5	6SA7GT, 6SK7GT, 6SQ7GT, 6V6GT, 5W4GT	455	13-7,8	
51X11, 51X12	Vol.	18A14629	18	UM154-SS22	M26		23A25508	1/15	3N527					5	12SA7GT, 12SK7GT, 12SQ7GT, 50L6GT, 35Z5GT..	455	13-10,12	
51X13, 51X14	Vol.	18A14629	18	UM154-SS22	M26		23A25508	1/15	3N527					5	12SA7GT, 12SK7GT, 12SQ7GT, 50L6GT, 35Z5GT..	455	13-11	
51X15, 51X16, 51X17	Vol.	18A14629	18	UM154-SS22	M26		23A25508	1/15	3N527					5	12SA7GT, 12SK7GT, 12SQ7GT, 50L6GT, 35Z5GT..	455	13-10,12	
51X18	Vol.	18A14629	18	UM154-SS22	M26		23A25508	1/15	3N527					5	12SA7GT, 12SK7GT, 12SQ7GT, 50L6GT, 35Z5GT..	455	13-11	

† Data not substantiated.

\* IMPORTANT: Read Notes in Note Section if specified in Note Column.  
12 BASIC MALLORY VIBRATORS MEET 90% OF YOUR REPLACEMENT NEEDS.

‡ Indicates miscellaneous section.



MANUFACTURER AND MODEL	CONTROLS							CONDENSERS				VIBRATORS			No. Tubes	Complete Tube Complement	I. F. Peak	Rider's Reference
	Use	Original Part	Circuit	Correct Replacement	Switch	Bias	*Note	Original Part	Circuit	Correct Replacement	*Note	Original Part	Replacement	*Note				
MOTOROLA—Continued																		
51X19.....	Vol.	18A14629...	18	UM154-SS22	M26			23A25508...	1/15	3N527.....					5	12SA7GT, 12SK7GT, 12SQ7GT, 50L6GT, 35Z5GT..	455	13-12
51X20.....	Vol.	18A14629...	18	UM154-SS22	M26			23A25508...	1/15	3N527.....					5	12SA7GT, 12SK7GT, 12SQ7GT, 50L6GT, 35Z5GT..	455	13-11
52BK, 52BW.....	Vol.	18K23336...	18	MK402.....	M27			23A14727...	12	TC22.....					5	1P5GT, 1A7GT, 1N5GT, 1H5GT, 1Q5GT.....	455	.....
52C (Ch. 5C).....	Vol.	18A14629...	18	UM154-SS22	M26			23A14615...	1	2N509.....					5	12A8GT, 12K7GT, 12Q7GT, 50L6GT, 35Z5GT.....	455	11-17,18
52D.....	Vol.	18A16143...	18	Order from	Mfr.			23A16139... 23A16138...	24 78	FP214/TC45 TC605.....	.B217				5	1A7GT, 1N5GT, 1H5GT, 1G5GT, 25Z6GT.....	455	.....
52-S.....	Vol.	18A24657...	75	UM154-SS29	M26			23A22738... .02	24/19	FP131 Buffer.....	.B14	48A5067.....	859	C3	6	6SA7GT, 6SK7GT, 6SQ7GT, 6U6GT, 6X5GT.....	262	15-42
52T, 52Y.....	Vol.	60H37837...	18	MR44.....											4	1C7G, 1D5G, 1F7G, 1G5G.....	465	.....
52T1.....	Vol.	18A22551...	18	MK401.....	M26			23A19877...	24/19	FP339.....					5	6A8GT, 6SK7GT, 6SQ7GT, 4L 80.....	455	12-25
52XAH1.....	Vol.	18A14629...	18	UM154-SS22	M26			23A20504...	1	2N509.....					5	12A8GT, 12SK7GT, 12SQ7GT, 50L6GT, 35Z5GT..	455	12-38
53A, 54A (Ch. 5A)..	Vol.	18A14629...	18	UM154-SS22	M26			23A14615...	1	2N509.....					5	12A8GT, 12K7GT, 12Q7GT, 50L6GT, 35Z5GT.....	455	11-15
53A, 54A (Ch. 5AA)	Vol.	18A14629...	18	UM154-SS22	M26			23A14615...	1	2N509.....					5	12SA7GT, 12K7GT, 12SQ7GT, 50L6GT, 35Z5GT..	455	11-15-18
53C (Ch. 5C).....	Vol.	18A14629...	18	UM154-SS22	M26			23A14615...	1	2N509.....					5	12A8GT, 12K7GT, 12Q7GT, 50L6GT, 35Z5GT.....	455	11-17,18
55.....	Vol.	531C.....	56	Order from	Mfr.			88300... 830... .01	24 1/19	2N518... TCD62/TC22 Buffer.....	.B14	625.....	Order from	Mfr.	5	77, 78, 75, LA.....	456	4-9
55F11, Ch. HS-30..	Vol.	18A70032-A	161	MK402.....	M26			23A74827...	1/19	FP331.....					5	7Q7, 7A7, 7B6, 7B5, 5Y3GT.....	455	.....
55X11, 55X12, 55X13, Ch. HS-1.	Vol.	18A70032...	18	MK402.....	M26			23A70008...	1	TCD45.....					5	12SA7, 12SK7, 12SQ7, 50L6GT, 35Z5GT..	455	15-45
55X11A, 55X12A, 55X13A, Ch. HS-50.....	Vol.	18A70032-A	18	MK402.....	M26			23A70008...	1	TCD45.....					5	12SA7, 12SQ7, 12SK7, 50L6GT, 35Z5GT..	455	15-47
56T, 56Y.....	Vol. Tone	60H37828... 60H37834...	18 22	Order from MR33.....	Mfr. M26			14H37283... 10-10... .005	1 15	Order from TN111... Buffer.....	Mfr. .B14	59H37825...	246	C3	5	6D8G, 6S7G, 6T7G, 6K6G, 6Z7G.....	465	.....
56X1, 56XA1, 56XA2, 56XAW..	Vol.	18A14629...	18	UM154-SS22	M26			23A20504... 23A22953...	1 15	2N509... TC26.....					5	12SA7GT, 12SK7GT, 12SQ7GT, 50L6GT, 35Z5GT..	455	.....
56X11, Ch. HS-94..	Vol.	18A72888-1.	205	MK401.....	M26			23B75808...	88	TN129.....					5	12SA7GT, 12SK7GT, 12SQ7GT, 50L6GT, 35Z5GT..	455	.....
57.....	Vol.	1449.....	17	UM154-SS15	M26			1540... .01	1/19	TCD62/TC22 Buffer.....	.B14	1784.....	294	C3	5	6A7, 41, 75, 78, 8A... 50L6GT, 35Z5GT..	456	6-1
57B61V, Ch. HS-77	Vol. Tone	18K76685... 18K76686...	140 140	TM238... Order from	M26 Mfr.	A96		23B77245... 8A76496... .007	1 15	TC55... TC29... Buffer.....	.B14	48B76714...	246	C3	5	6SG7, 6SB7Y, 6SS7, 6AQ6, 6G6GT.....	455	.....
57BP1, 57BP2, 57BP3, 57BP4...	Vol.	18A20580...	18	MK402.....	M27			23A20324... 23A20318...	24 78	FP214... TC1505.....					5	1A7GT, 1N5GT, 1H5GT, 3Q5GT, 117Z6G.....	455	12-39,40
57BP1A, 57PB2A, 57BP3A, 57BP4A	Vol.	18K20339...	18	MK402.....	M27			23A20324... 23A20318...	76 76	FP214... TC1505.....					5	1A7GT, 1N5GT, 1H5GT, 3Q5GT, 117Z6G.....	455	.....
57X11, 57X12, Ch. HS-60.....	Vol.	18A70032...	18	MK402.....	M26			23B75808...	88	TN129.....					5	12SA7GT, 12SK7, 12SQ7GT, 50L6GT, 35Z5GT..	455	.....
58F1.....	Vol.	18K19939...	18	MK401.....	M26			23A19877...	24/13	FP339.....					5	6A8GT, 6SK7GT, 6SQ7GT, 6V6GT, 5W4GT.....	455	.....
58FRC.....	Vol.	18K19939...	18	MK401.....	M26			23A19877...	24/13	FP339.....					5	6A8GT, 6SK7GT, 6SQ7GT, 6V6GT, 5W4GT.....	455	.....

† Data not substantiated.

\* IMPORTANT: Read Notes in Note Section if specified in Note Column.  
THERE'S A PLACE FOR A MALLORY NOISE FILTER IN EVERY HOME.

‡ Indicates miscellaneous section.

MANUFACTURER AND MODEL	CONTROLS							CONDENSERS				VIBRATORS			No. Tubes	Complete Tube Complement	I. F. Peak	Rider's Reference
	Use	Original Part	Circuit	Correct Replacement	Switch	Bias	*Note	Original Part	Circuit	Correct Replacement	*Note	Original Part	Replacement	*Note				
MOTOROLA—Continued																		
59F1.....	Vol.		18	MR53.....	M27		15-10-20.....	1/19	FP328.....	.B117				5	6A7, 6D6, 75, 6V6G, 80.....	455	9-22	
59K1 (59R5).....	Vol. Tone	18A10991... 18A10992...	80 80	TM238-SS22..... UM160-SS22	M26	A99	23A11336.....	1/19	TC70..... FP339	.B117				5	6A7, 6D6, 75, 41, 80.....	455	9-23,24	
59T1, 59T3 (59R3, 59R1).....	Vol.	18A10847...	18	MR53.....	M26		23A11519..... 23A10846.....	24/19 24/19	FP357..... TN129	.B10				4	6C6/6A7, 6D6, 75, 25A7G, M73B.....	455	9-25,26	
59T2, 59T4 (59R2, 59R4).....	Vol.	18A10847...	18	MR53.....	M26		23K11087.....	1/19	FP328.....	.B117				5	6A7, 6D6, 75, 41, 80.....	455	9-27	
59T5 (59R5).....	Vol. Tone	18A10991... 18A10992...	80 80	TM238-SS22..... UM160-SS22	M26	A99	23A11336.....	1	FP339.....	.B117				5	6A7, 6D6, 75, 41, 80.....	455	9-23	
60.....	Vol.	2166.....	18	UM154-SS10	M26		2188..... .008..... 23A20504.....	1	2S567..... Buffer..... 2N509	.B14	2404	901M	C3	6	78, 6A7, 75, 6B5, 84.....	262	7-3,6	
60X1, 60X2.....	Vol.	18A14629...	18	UM154-SS22	M26									6	12SK7GT, 12SA7GT, 12SQ7GT.....			
60XA1, 60XA2.....	Vol.	18A14629...	18	UM154-SS22	M26		23A20504.....	1	2N509					6	12SK7GT, 12SA7GT, 12SQ7GT.....	455	12-41	
60XW.....	Vol.	18A14629...	18	UM154-SS22	M26		23A20504.....	1	2N509					6	12SK7GT, 12SA7GT, 12SQ7GT.....	455	12-42	
60XW3.....	Vol.	18A14629...	18	UM154-SS22	M26		23A20504.....	1	2N509					6	12SK7GT, 12SA7GT, 12SQ7GT.....	455	12-41	
61.....	Vol.	511.....	83	MR48.....			8200 L or W.....	1	TC71.....	.B14	538	Order from Mfr.		5	12SJ7GT, 12SA7GT, 12SK7GT, 12SQ7GT, 35L6GT, 35Z5GT.....	455 175	..... 3-15	
61A (Ch. 6A).....	Vol.	18K14681...	18	MK401.....	M26		23A14615.....	1	TC71..... Buffer..... 2N509					5	6A7, 6D6, 75, 25L6G, 25Z5.....	455	11-18	
61B (Ch. 6B).....	Vol.	18K14681...	18	MK401.....	M26		23A14615.....	1	2N509					5	6A7, 6D6, 75, 25L6G, 25Z5.....	455	11-19	
61C (With R.F. Stage).....	Vol.	18K15058...	18	MK401.....	M26		23A15246.....	1/19	FP339.....	.B117				6	6D6, 6A7, 75, 41, 80.....	455	11-20	
61CA (With Separate Osc.).....	Vol. Tone	18K15058... 18A16083...	18 22	MK401..... UM160-SS25	M26	A99	23A15246.....	1/19	FP339.....	.B117				6	6A7, 6D6, 75, 41, 80, 76.....	455	11-21	
61D (With R. F. Stage).....	Vol.	18K15058...	18	MK401.....	M26		23A15246.....	1/19	FP339.....	.B117				6	6D6, 6A7, 75, 41, 80.....	455	11-20	
61D (With Loop).....	Vol. Tone	18K15058... 18A16083...	18 22	MK401..... UM160-SS25	M26	A99	23A15246.....	1/19	FP339.....	.B117				6	6A7, 6D6, 75, 76, 41, 80.....	455	11-22,23	
61DA (With Separate Osc.).....	Vol. Tone	18K15058... 18A16083...	18 22	MK401..... UM160-SS25	M26	A99	23A15246.....	1/19	FP339.....	.B117				6	6A7, 6D6, 75, 41, 76, 80.....	455	11-21	
61E (Ch. 6E).....	Vol.	18K14681...	18	MK401.....	M26		23A14615.....	1	2N509					5	6A7, 6D6, 75, 25L6G, 25Z5.....	455	11-24	
61F.....	Vol.	18K15058...	18	MK401.....	M26		23A15284..... 23A15291.....	11 11	FP360..... TC45.....					6	6A7, 6D6, 6Q7GT, 25B6G, 25Z5.....	455	12-32	
61F21.....	Vol.	18K26678...	18	MK401.....	M26		23A27718.....	1/19	FP331					6	6SD7GT, 6J5GT, 6SK7GT, 6SQ7GT, 6K6GT, 5Y3G.....	455	13-9, 15,16	
61K21.....	Vol.	18K26678...	18	MK401.....	M26		23A27718.....	1/19	FP331					6	6SD7GT, 6SK7GT, 6J5GT, 6SQ7GT, 6K6GT, 5Y3G.....	455	13-19,22	
61L11, 61L12.....	Vol.	18A25882...	18	UM161-SS18	M26		23A25889..... 23A25888.....	76 78	FP357..... TC2501					6	1N5GT, 1A7GT, 1H5GT, 3Q5GT, 117Z6GT.....	455	14-15,17	
61T21.....	Vol.	18K26678...	18	MK401.....	M26		23A27718.....	1/19	FP331					6	6SD7GT, 6J5GT, 6SK7GT, 6SQ7GT, 6K6GT, 5Y3G.....	455	13-17,18	
61T22.....	Vol.	18K26678...	18	MK401.....	M26		23A27718.....	1/19	FP331					6	6SD7GT, 6J5GT, 6SK7GT, 6SQ7GT, 6K6GT, 5Y3G.....	455	13-19,20	
61T23.....	Vol.	18K26678...	18	MK401.....	M26		23A27718.....	1/19	FP331					6	6SJ7GT, 6SA7GT, 6SK7GT, 6SQ7GT, 6K6GT, 5Y3GT.....	455	13-23,25	
61X11, 61X12, 61X13, 61X15, 61X16, 61X17.....	Vol.	18A14629...	18	UM154-SS22	M26		23A20504.....	1	2N509					6	12SJ7GT, 12SA7GT, 12SK7GT, 12SQ7GT, 35L6GT, 35Z5GT.....	455	14-16,17	
61X14.....	Vol.	18A14629...	18	UM154-SS22	M26		23A20504.....	1	2N509					6	12SJ7GT, 12SA7GT, 12SK7GT, 12SQ7GT, 35L6GT, 35Z5GT.....	455	13-26	
61XW.....	Vol.	18A14629...	18	UM154-SS22	M26		23A20504.....	1	2N509					6	12SK7GT, 12SA7GT, 12SQ7GT.....			
62.....	Vol.	1449.....	17	UM154-SS15	M26		1540..... .01.....	1/19	TCD62/TC22..... Buffer.....	.B14	1784	294	C3	5	35L6GT, 35Z5GT, 6A7, 41, 75, 78, 84.....	455 456	12-42 6-1	
62A (Ch. 6A).....	Vol.	18K14681...	18	MK401.....	M26		23A14615.....	1	2N509					5	6A7, 6D6, 75, 25L6G, 25Z5.....	455	11-18	
62B (Ch. 6B).....	Vol.	18K14681...	18	MK401.....	M26		23A14615.....	1	2N509					5	6A7, 6D6, 75, 25L6G, 25Z5.....	455	11-18-19	

‡ Data not substantiated.

\* IMPORTANT: Read Notes in Note Section if specified in Note Column.

‡ Indicates miscellaneous section.

MANUFACTURER AND MODEL	Use	CONTROLS							CONDENSERS				VIBRATORS			No. Tubes	Complete Tube Complement	I. F. Peak	Rider's Reference	
		Original Part	Circuit	Correct Replacement	Switch	Bias	*Note	Original Part	Circuit	Correct Replacement	*Note	Original Part	Replacement	*Note						
MOTOROLA—Continued																				
62E (Ch. 6E).....	Vol.	18K14681...	18	MK401....	M26			23A14615...	1	2N509					5	6A7, 6D6, 75, 25L6G, 25Z5	455	11-16,24		
62F1.....	Vol.	18A21176...	18	TM230-SS25	M26			23A14963...	1/19	FP339					6	*6SK7GT, 6A8GT, 6SQ7GT, 41, 80	455	12-45,46		
62L.....	Vol.	18A21481...	18	UM160-SS25	M26			23A15246...	1/19	FP339					6	*6D6, 6A7, 75, 41, 80	455	12-43		
62L1, 62L2.....	Vol.	18K15058...	18	MK401....	M26		A99	23A15246...	1/19	FP339					6	*1N5GT, 1A7GT, 1H5GT, 3Q5GT, 117Z6GT	455	13-27, 21,22		
	Vol.	18A16083...	22	UM160-SS25	M27			23A25889...	76	FP357					6	*6SK7GT, 6A8GT, 6SQ7GT, 41, 80	455	12-44		
	Vol.	18A25882...	149	UM161-SS18	M27			23A25888...	78	TC2501					6	*6SK7GT, 6A8GT, 6SQ7GT, 41, 80	455	12-43		
62T1.....	Vol.	18A21176...	18	TM230-SS25	M26			23A14963...	1/19	FP339					6	*6SK7GT, 6A8GT, 6SQ7GT, 41, 80	455	12-44		
62T2.....	Vol.	18A21481...	18	UM160-SS25	M26			23A14963...	1/19	FP339					6	*6SK7GT, 6A8GT, 6SQ7GT, 41, 80	455	12-44		
63A (Ch. 6A).....	Vol.	18K14681...	18	MK401....	M26			23A14615...	1	2N509					5	6A7, 6D6, 75, 25L6G, 25Z5	455	11-16,18		
63E (Ch. 6E).....	Vol.	18K14681...	18	MK401....	M26			23A14615...	1	2N509					5	6A7, 6D6, 75, 25L6G, 25Z5	455	11-16,18		
65.....	Vol.	3264.....	18	UM154-SS19	M26			3345	1	2N518					5	6A7, 6D6, 75, 25L6G, 25Z5	455	11-16,24		
65BP1, 65BP2, 65BP3, 65BP4.....	Vol.	18K20339...	18	MK402....	M27			.01		Buffer		B14		901M	C3	6	*78, 6A7, 75, 6AB6G, 024/6X5G	262	8-17	
65BP1A, 65BP2A, 65BP3A, 65BP4A.....	Vol.	18K20339...	18	MK402....	M27			23A20324...	76	FP214					6	1P5GT, 1A7GT, 1N5GT, 1H5GT, 3Q5GT, 117Z6G	455	12-37		
	Vol.	18K20339...	18	MK402....	M27			23A20318...	76	TC1505					6	1P5GT, 1A7GT, 1N5GT, 1H5GT, 3Q5GT, 117Z6G	455	12-37		
	Vol.	18K20339...	18	MK402....	M27			23A20324...	76	FP214					6	1P5GT, 1A7GT, 1N5GT, 1H5GT, 3Q5GT, 117Z6G	455	12-37		
	Vol.	18K20339...	18	MK402....	M27			23A22953...	78	TC26					6	1P5GT, 1A7GT, 1N5GT, 1H5GT, 3Q5GT, 117Z6G	455	12-37		
65F11, 65F12, Ch. HS-31.....	Vol.	18A70032...	161	MK402....	M26			23A27718...	1/19	FP331					6	7H7, 7A4, 7B6, 7B5, 5Y3GT	455	15-85		
65F21, Ch. HS-26.....	Vol.	18A70068B...	140	TM240-SS25	M26			23A27718...	1/19	FP331					6	*6SG7, 6J5, 6SQ7, 6K6GT, 5Y3GT	455	15-56		
65L11, 65L12, Ch. HS-7.....	Vol.	18A25882-O	18	MK402....	M27			23A25889...	95	FP357					6	*1N5GT, 1A7GT, 1H5GT, 3Q5GT, 117Z6GT	455	15-58,60		
	Vol.	18A25882-O	18	MK402....	M27			23A25888...	78	TC2501					6	*1N5GT, 1A7GT, 1H5GT, 3Q5GT, 117Z6GT	455	15-58,60		
65T21, 65T21B, Ch. HS-32, HS-37.....	Vol.	18K70068...	140	TM238-SS25	M26			23A27718...	1/19	FP331					6	*6SG7, 6J5, 6SQ7, 6K6GT, 5Y3GT	455	15-62,63		
	Vol.	18K70087...	140	UM160-SS25	M26			23A27718...	1/19	FP331					6	*6SG7, 6J5, 6SQ7, 6K6GT, 5Y3GT	455	15-62,63		
65X11, 65X12, 65X13, 65X14, 65X14B, Ch. HS-2.....	Vol.	18A14629...	18	MK401....	M26			23A70008...	1	TCD45					6	12SJ7GT, 12SA7GT, 12SK7GT, 12SQ7GT, 35L6GT, 35Z5GT	455	15-66		
65X11A, 65X12A, 65X13A, 65X14A, 65X14BA, Ch. HS-51.....	Vol.	18A72888...	18	MK401....	M26			23A70008...	1	TCD45					6	12SJ7GT, 12SA7GT, 12SK7GT, 12SQ7GT, 35L6GT, 35Z5GT	455	15-66		
66.....	Vol.		17	Order from	Mfr.			8420	1	TCD71				270B	6	77, 78, 85, 12A5	456	4-10		
	Vol.		44	MR39											6		456	4-10		
67F11, 67F12, 67F12B, Ch. HS-63.....	Vol.	18K470033	161	TM226-SS25	M26			23B75808...	91	TN129					6	12AU6, 6BJ6, 12BA6, 6AQ6, 50B5, 35W4	455			
67F61-BN, Ch. HS-69.....	Vol.	18K76685...	140	TM238	M26		A96	23A76473...	1/19	FP346					6	*6SG7, 6SB7Y, 6SQ7, 6K6GT, 5Y3GT	455			
	Vol.	18K76686...	140	Order from	Mfr.			23K76985...	95/78	FP409/TC29		B6			5	*1U4, 1R5, 1S5, 3V4, D. R.	455			
67L11, Ch. HS-59.....	Vol.	18A76948...	18	MK402....	M27			23K76985...	95/78	FP409/TC29		B6			5	*1U4, 1R5, 1S5, 3V4, D. R.	455			
67X11, 67X12, 67X13, Ch. HS-58.....	Vol.	18A76191...	19	TM226-SS25	M26			23B75808...	91	TN129					6	14C7, 14Q7, 14A7, 14B6, 35A5, 35Y4	455			
67XM21, Ch. HS-64.....	Vol.	18A470427...	161	Order from	Mfr.			23B470429...	91	FP363					5	12AT7, 12BE6, 12BA6, 19T8, 50B5, D. R.	455			
69K1 (69R1).....	Vol.	18A10991...	80	TM238-SS22				23K11357...	25	FP339		B117			6	6A7, 6D6, 6Q7G, 42, 80	455	9-28,29		
70.....	Vol.	18A10992...	80	UM160-SS22	M26		A99	3346	4	2S567		3316		901M	C3	6	*78, 6A7, 75, 42, 024/6X5G	262	8-18	
	Vol.	3274.....	18	UM154-SS19	M26			.005		Buffer		B14			6	*6A7, 6D6, 6SQ7GT, 25B6G, 25Z5	455			
71A.....	Vol.	18A17041...	80	TM231-SS25	M26			23A16805...	9	Order from		Mfr.			7	6A7, 6D6, 6SQ7GT, 25B6G, 25Z5	455			
	Vol.	18A16083...	80	UM160-SS25	M26		A99	23A15291...	9	TC45					7	6A8GT, 6K7GT, 6SQ7GT, 6V6G, 5V4GT	455			
72C.....	Vol.	18A17425...	80	TM251-SS25	M26		A99	23A17422...	24	FP331		B192			7	6A8GT, 6K7GT, 6SQ7GT, 6V6G, 5V4GT	455			
	Vol.	18A16083...	80	UM160-SS25	M26		A99	23A17422...	24	FP331		B192			7	6A8GT, 6K7GT, 6SQ7GT, 6V6G, 5V4GT	455			
75.....	Vol.	1466.....	18	UM154-SS15	M26			1465 or 1468	1/19	TCD62/TC22		B14		1784	294	C3	6	*78, 77, 75, 41, 84	262	6-1,2
	Vol.	1466.....	18	UM154-SS15	M26			.01		Buffer		B14			6	*78, 77, 75, 41, 84	262	6-1,2		
75F21, Ch. HS-91.....	Vol.	18K74891...	167	TM240-SS25	M26			23A27718...	1/19	FP331					7	*7Q7, 6SG7, 6SQ7, 6K6GT, 5Y3GT	455			
	Vol.	18A28062C...	167	UM160-SS25	M26			23A27718...	1/19	FP331					7	*7Q7, 6SG7, 6SQ7, 6K6GT, 5Y3GT	455			

† Data not substantiated.

\* IMPORTANT: Read Notes in Note Section if specified in Note Column.

‡ Indicates miscellaneous section.

MANUFACTURER AND MODEL	CONTROLS							CONDENSERS				VIBRATORS			No. Tubes	Complete Tube Complement	I. F. Peak	Rider's Reference
	Use	Original Part	Circuit	Correct Replacement	Switch	Bias	*Note	Original Part	Circuit	Correct Replacement	*Note	Original Part	Replacement	*Note				
MOTOROLA—Continued																		
75FB1, 75F31A, 75F31B, Ch. HS-36, HS-36A...	Vol. Tone	18K74891... 18A28062...	167 167	TM240-SS25 Order from	M26 Mfr...			23A27718... 23K77635...	1/19 121	FP331... TC42					7	7F8, 7Q7, 7SG6, 7W7/6SG7, 6S8GT, 6K6GT/6Y6GT, 5Y3GT.	455 4.3	
76F31, Ch. HS-98...	Vol. Tone	18K74891... 18A28062...	167 167	TM240-SS25 Order from	M26 Mfr...			23A27718... 23K77635...	1/19 121	FP331... TC42					7	7F8, 7Q7, 6SG7, 7W7/6SG7, 6S8GT, 6K6GT/6Y6GT, 5Y3GT.	455 4.3	
77.....	Vol.	531C.....	17	Order from	Mfr...			8300A..... 8300B..... 6530..... .01..... 8420.....	4 4 19 1 1	TC71... TC71... TC39... Buffer... TCD71...		735.....	Order from	Mfr.	7	*39, 77, 75, 2LA.....	456	4-11,15
77A.....	Vol. Tone		56 44	Order from MR39	Mfr...						B14	852.....	270B		7	*12A5, 77, *78, 85	456	4-12
77FM21, 77FM22, 77FM22M, 77FM22WM, 77FM23, Ch. HS-89, HS-97...	Vol.	18A76191...	243	TM226-SS25	M26			23B47029...	91	FP363					6	19T8, 50B5, *12BA6, 12AT7, 12BE6, D. R.	455 4.3	
77XM21, 77XM22, 77XM22B, Ch. HS-102.....	Vol.	18A470427...	161	Order from	Mfr...			23B470429...	91	FP363					6	12AT7, 12BE6, *12BA6, 19T8, 50B5, D. R.	455 4.3	
78.....	Vol.		15	MR48											7	*36, *38, 39, 85, 37.....	175	
79.....	Vol.	1466.....	56	UM154-SS15	M26			1468 or 1465 .01	1/19	TCD62/TC22 Buffer		1784.....	294	C3	6	*78, 77, 75, 41, 84.....	262	6-1,2
80.....	Vol. Tone	2168.....	55 76	UM154-SS10 Order from	M26 Mfr...			2185..... .005.....	1	3S579... Buffer		2404.....	901M	C3	8	*6K7, 6A8, 6H6, 6C5, *6N6, 0Z4.	262	7-4,7
81C (Cylindrical Loop)	Vol. Tone	18A15332... 18A16083...	18 22	TM233-SS25 UM160-SS25	M26 M26		A99	23A14963...	1/19	FP339					8	6A7, 6D6, 76, *6Q7G, *41, 80.	455	11-25
81C (Square Loop)	Vol. Tone	18A15332... 18A16083...	18 22	TM233-SS25 UM160-SS25	M26 M26		A99	23A14963...	1/19	FP339					8	6A7, 6D6, 76, *6Q7G, *41, 80. 117Z6GT	455 455	11-26 21,22
81F21.....	Vol. Tone	18A22065... 18A28062...	139 139	TM238-SS25 Order from	M26 Mfr...			23A27718...	1/19	FP331					8	6SD7GT, 6SK7GT, *6SQ7GT, *6F6G, 5Y3G, 6J5GT.	455	13-25, 29,30
81K31.....	Vol. Tone	18A21724... 18A21725...	139 139	TM238-SS25 UM160-SS25	M26			23A27718...	1/19	FP331					8	6S17GT, 6SA7GT, 6SK7GT, *6SQ7GT, *6F6G, 5Y3G.	455	13-31,32
82A.....	Vol. Tone	18A14938... 18K14937...	18 22	TM233-SS25 UM160-SS25	M26 M26		A99	23A14963... 23A11981... 23A14963...	1/19 1 1/19	FP339... Order from FP339			Mfr.		8	6A7, 6D6, *6Q7G, *41, *384	455	11-27,30
83F1.....	Vol. Tone	18A22065... 18A21481...	140 140	TM236-SS25 UM160-SS25	M26 M26			23A14963...	1/19	FP339					8	*12SK7GT, 12A8GT, *12SQ7GT, *42, 80.	455	12-49
83K1.....	Vol. Tone	18A21481... 18A21724... 18A21725...	140 140 140	UM160-SS25 TM236-SS25 UM160-SS25	M26 M26 M26			23A14963...	1/19	FP339					8	*12SK7GT, 12A8GT, *12SQ7GT, *42, 80.	455	12-50,52
85F21, Ch. HS-22.....	Vol. Tone	18A70068-B 18K70086...	140 140	TM240-SS25 Order from	M26 Mfr...			23A27718...	1/19	FP331					8	*6SG7, 6J5, *6SQ7, *6K6GT, 5Y3GT.	455	
85K21, Ch. HS-52.....	Vol. Tone	18A70068-B 18K70087-B	140 140	TM240-SS25 UM160-SS25	M26 M26			23A27718...	1/19	FP331					8	*6SG7, 6J5, *6SQ7, *6K6GT, 5Y3GT.	455	
87T61BN, Ch. HS-70.....	Vol. Tone	18K76685... 18K76686...	140 140	TM238... Order from	M26 Mfr...		A96	23A76473...	1/19	FP346					8	*6SG7, 6SB7Y, *6SQ7, *6K6GT, 5Y3GT.	455	3-10,14
*8.....	Vol.	511.....	15	MR48				8200 L or W .05	1	TC71... Buffer		537.....	Order from	Mfr.	7	*36, 39, 85, 37, *38	175	
89K1, 89K2 (89R1).....	Vol. & Tone	18A11423 or 18A11781...	18 80	Order from	Mfr...			23A10045... 23A10044... 23A11951... 23A10044... 23A22501... 23A11710...	1 1 25 25 1/19 13	RS224... RS224... FP146... RS224... FP346... TC62					8	*6D6, 6A7, *75, *42, 80, 76	455	9-31,32 11-33-36
89K3.....	Vol. Tone	18A11645... 18A11953...	80 80	MRT438... UM160-SS1			A99								8	6A7, 6D6, *75, *42, 80, 76	455	11-36
93F1.....	Vol. Tone	18A22493... 18A21481...	124 22	TM236-SS25 UM160-SS25	M26			23A22501... 23A11710...	1/19 13	FP346... TC62					9	*12SK7GT, 12A8GT, *12SQ7GT, *42, 80.	455	12-55,56
95F31, 95F31B, 95F31M, Ch. HS-39, 95F33, Ch. HS-38.....	Vol. Tone	18K74891-B 18A28062-C	167 167	TM240-SS25 Order from	M26 Mfr...			23A27718... 23A75235...	1/19 83	FP331... TC42					9	7F8, 7Q7, *6SG7, 6S8GT, 6SQ7, *6K6GT, 5Y3GT.	455 4.3	
100.....	Vol.	1399.....	77	UM154-SS11	M26			1388..... .01.....	1/19	3S579... Buffer		1784.....	294	C3	8	*78, 77, 85, 76, *LA, 84	262	6-2,5
101C31.....	Vol. Tone	18A22010... 18A22090...	140 140	TM238-SS25 UM160-SS25				23A14963... 23A11710...	1/15 13	FP339... TC62					10	6SJ7GT, 6A8GT, *6J5GT, 6SK7GT, *6SQ7GT, *6V6G, 5Y3G.	455	13-33,34

‡ Data not substantiated.

\* IMPORTANT: Read Notes in Note Section if specified in Note Column.  
GRID BIAS CELLS ARE EXCLUSIVE WITH MALLORY!

§ Indicates miscellaneous section.

MANUFACTURER AND MODEL	CONTROLS							CONDENSERS				VIBRATORS			No. Tubes	Complete Tube Complement	I. F. Peak	Rider's Reference
	Use	Original Part	Circuit	Correct Replacement	Switch	Bias	*Note	Original Part	Circuit	Correct Replacement	*Note	Original Part	Replacement	*Note				
MOTOROLA—Continued																		
101F21, 101F22	Vol. Tone	18A22065... 18A21481...	140 140	TM238-SS25 UM160-SS25	M26			23A27718	1	FP331					10	6SJ7GT, 6SA7GT, 6SK7GT, 6SQ7GT, 6P5GT, 6AC5GT, 5Y3G	455	14-29, 30,33,44
101R21	Vol. Tone	18A22065... 18A21481...	140 140	TM238-SS25 UM160-SS25	M26			23A27718	1	FP331					9	6SJ7GT, 6SA7GT, 6SK7GT, 6SQ7GT, 6AE7GT, 6AC5GT, 5Y3	455	14-31, 32,34
103F1	Vol. Tone	18K22590... 18A21481...	124 22	TM234-SS25 UM160-SS25	M26			23A22051... 23A11710	1 13	FP346 TC62					10	6SK7GT, 6A8GT, 6J5GT, 6SQ7GT, 6V6G, 80	455	12-56,57
103F2	Vol. Tone	18K22590... 18A21481...	124 22	TM234-SS25 UM160-SS25	M26			22A22051... 23A11710	1 13	FP346 TC62					10	6SK7GT, 6A8GT, 6J5GT, 6V6G, 6SQ7GT, 80	455	12-56-58
103K1	Vol. Tone	18A22010... 18A22009...	140 140	TM238-SS25 UM160-SS25	M26			23A14963... 23A11710	1/19 13	FP339 TC62					10	6SK7GT, 6A8GT, 6J5GT, 6SQ7GT, 6V6G, 80	455	12-52,53
103CK2	Vol. Tone	18A22010... 18A22090...	140 140	TM238-SS25 UM160-SS25	M26			23A14963... 23A11710	1/15 13	FP339 TC62					10	6SK7GT, 6A8GT, 6J5GT, 6SQ7GT, 6V6G, 80	455	12-52,54
109K1	Vol. Tone	18A11645... 18A11871...	80 80	MRT440... UM160-SS1				23A10045... 23A10044... 23A11710... 23K12069... 23A11981... 23K12220...	25 25 14 1 1 1	RS224... RS224... TC62... TC29... Order from Mfr... WP041... B128					10	6K7G, 6J5G, 6A8G, 6H6G, 6Q7G, 6F6G, 5Z3, 6U7G	455	
109K2	Vol. Tone	18A11780... 18A11871...	140 140	MRT440... UM160-SS1				23A10045... 23A10044... 23A11710... 23K12069... 23A11981... 23K12220...	25 25 14 1 1 1	RS224... RS224... TC62... TC29... Order from Mfr... WP041... B128					10	6K7G, 6A8G, 6H6G, 6Q7G, 6V7G, 6F6G, 5Z3, 6U5G	455	11-37-40
110	Vol.		18	UM154-SS11	M26			1388... .01	1/19	3S579... Buffer... B14		1784	294	C3	8	78, 77, 85, 37, LA, 84	262	6-2,3
250	Vol.	18A18652	18	Order from Mfr				23A17738... .006	24/19	FP328... Buffer... B14		48K12312	859	C3	6	6K7GT, 6A8GT, 6Q7GT, 6K6GT, 0Z4/6X5	455	12-59,80
251	Vol.	18A18652	18	Order from Mfr				23A22738... .02	24/19	FP313... Buffer... B14		48K12793... 48K12711...	859 859	C3 C3	6	6SK7GT, 6SA7GT, 6SQ7GT, 6U6GT, 6X5GT	455	12-61,62
300	Vol.	18A17767	18	Order from Mfr				23A17738... .01	24/19	FP328... Buffer... B14		48A3333... 48A5067...	859 859	C3 C3	6	6K7GT, 6A8GT, 6Q7GT, 6K6GT, 0Z4	262	11-45
301	Vol.	18A17767	18	Order from Mfr				23A22738... .02	24/19	FP313... Buffer... B14		48A5333... 48A5067...	859 859	C3 C3	6	6SK7GT, 6SA7GT, 6SQ7GT, 6U6GT, 6X5GT	262	12-63
302, Ch. A-29	Vol.	18A25638	205	Order from Mfr				23A22738... .02	24/19	FP313... Buffer... B14		48A5067	859	C3	6	6SK7GT, 6SA7GT, 6SQ7GT, 6U6GT, 6X5GT	262	15-72
350	Vol.	18A19113	18	TM233-SS19	M26			23A17738... .006	24/19	FP328... Buffer... B14		48K12312... 48K12793...	859 859	C3 C3	6	6K7GT, 6A8GT, 6Q7GT, 6K6GT, 0Z4	262	11-46,47
351	Vol.	18A19113	18	TM233-SS19	M26			23A22738... .02	24/19	FP313... Buffer... B14		48A5333... 48A5067...	859 859	C3 C3	6	6SD7GT, 6SA7GT, 6SK7GT, 6SQ7GT, 6U6GT, 6X5GT	262	12-64
352, Ch. A-29	Vol.	18A25639	75	Order from Mfr				23A22738... .02	24/19	FP313... Buffer... B14		48K12793	859	C3	6	6SK7GT, 6SA7GT, 6SQ7GT, 6U6GT, 6X5GT	262	15-74
400	Vol.	18K17853	18			A3		23A17738... .006	24/19	FP328... Buffer... B14		48A3333	859	C3	7	6K7GT, 6A8GT, 6Q7GT, 6K6GT, 0Z4	262	11-48
401	Vol.	18A17767	18	Order from Mfr				23A17738... .01	24/19	FP328... Buffer... B14		48A5333	859	C3	7	6SD7GT, 6SA7GT, 6SK7GT, 6Q7GT, 6K6GT, 6X5GT	262	12-65
402	Vol.	18A17767	18	Order from Mfr				23A17738... .01	24/19	FP328... Buffer... B14		48A5333	859	C3	7	6SD7GT, 6SA7GT, 6SK7GT, 6Q7GT, 6K6GT, 6X5GT	262	
405, Ch. AS-13	Vol.	18A71920-D	18	UM154-SS19	M26			23A27718... .006	24/19	FP331... Buffer... B14		3333	859	C3	6	6SK7GT, 6SA7GT, 6SQ7GT, 6V6GT, 6X5GT/0Z4	455	15-75 16-16,36
405M	Vol.	18A71920-D	205	UM154-SS19	M26			23A75429... .006	24/19	FP339... Buffer... B14		3333	859	C3	5	6BA6, 6BE6, 6AT6, 6X4	455	
450	Vol.	1K19343	18	UM154-SS28	M26			23A17190... .007	1	FP339... Buffer... B14		48A3333	859	C3	7	6SK7GT, 6SA7GT, 6K7GT, 6SQ7GT, 6K6GT, 0Z4/6X5	262	11-49,50
451	Vol.	18A17767	18	Order from Mfr				23A22738... .02	24/15	FP313... Buffer... B14		48K12793	859	C3	6	6SD7GT, 6SA7GT, 6SK7GT, 6SQ7GT, 6U6GT, 6X5GT	262	12-66
452, Ch. A-31	Vol.	18A25638	75	Order from Mfr				23A22738... .02	24/19	FP313... Buffer... B14		48K12793	859	C3	6	6SK7GT, 6SA7GT, 6SQ7GT, 6U6GT, 6X5GT	262	15-76

† Data not substantiated.

\* IMPORTANT: Read Notes in Note Section if specified in Note Column.

‡ Indicates miscellaneous section.

MANUFACTURER AND MODEL	CONTROLS							CONDENSERS				VIBRATORS			No. Tubes	Complete Tube Complement	I. F. Peak	Rider's Reference
	Use	Original Part	Circuit	Correct Replacement	Switch	Bias	*Note	Original Part	Circuit	Correct Replacement	*Note	Original Part	Replacement	*Note				
MOTOROLA—Continued																		
496BT1.....	Vol.	18A12156...	18	MR48.....	M26			23A11959... .03	24/15	FP357 Buffer	B14	48X12412...	246A	C3	4	6D8G, 6S7G, 6T7G, 6G6G.....	455	.....
500.....	Vol.	18A19341...	18	UM154-SS28	M26			23A17190... .01	24	FP339 Buffer	B192 B14	48A3333... 48A5067...	859 859	C3 C3	7	*6K7GT, 6A8GT, 6Q7GT, *6K6GT, 0Z4/6X5.....	262	12-67,68
501.....	Vol.	1K19343....	18	UM154-SS28	M26			23A17190... .01	1	FP339 Buffer	B192 B14	48K11026...	901M	C3	7	6SD7GT, 6SA7GT, 6SK7GT, 6Q7GT, *6K6GT, 0Z4.....	262	12-69
505, Ch. AS-14.....	Vol.	18A71925-O	18	TM233-SS19	M26			23A27718... .006	24/19	FP331 Buffer	B14	3333.....	859	C3	6	*6SK7GT, 6SA7GT, 6SQ7GT, 6V6GT, 6X5GT/0Z4.....	455	15-77 16-30,36
550.....	Vol.	1A20435....	18	†			A3	23A17738... .01	24/19	FP328 Buffer	B14	48A5333... 48A5067...	859 859	C3 C3	6	*6SK7GT, 6A8GT, 6SQ7GT, 6K6GT, 0Z4.....	262	12-70
550A.....	Vol.	1A20435....	18	†			A3	23A22738... .02	24/19	FP313 Buffer	B14	48A5067... 48A5333...	859 859	C3 C3	6	6SD7GT, 6A8GT, 6SK7GT, 6SQ7GT, 6UGT, 6X5GT/0Z4	262	.....
551.....	Vol.	18A17767...	18	Order from	Mfr.			23A23651... .007	46	FP390 Buffer	B14	48K11026...	901M	C3	8	6SD7GT, 6SA7GT, 6SK7GT, 6SQ7GT, 6J5GT, *6V6GT, 0Z4.....	262	12-71
552, Ch. A-32.....	Vol.	1K25619....	75	Order from	Mfr.			23A23651... .007	88	FP390 Buffer	B14	48K11026...	901M	C3	8	*6SK7GT, 6SA7GT, 6SQ7GT, 6J5GT, *6V6GT, 0Z4.....	262	15-81
605, Ch. AS-15.....	Vol.	18A71925-O	161	TM233-SS19	M26			23A27718... .006	24/19	FP331 Buffer	B14	3333.....	859	C3	6	*6SK7GT, 6SA7GT, 6SQ7GT, 6V6GT, 6X5GT/0Z4.....	455	15-83 16-31,36
700.....	Vol. Tone	1K19085... 1K19085....	18 75	† †			A3 A3	23A17190... .005	1	FP339 Buffer	B192 B14	48K11026...	901M	C3	8	*6K7GT, 6A8GT, 6SQ7GT/6H6GT, 6Q7GT, *6V6GT, 0Z4/6X5.....	262	12-73,74
701.....	Vol.	1K19343....	18	UM154-SS28	M26			23A17190... .005	1	FP339 Buffer	B192 B14	48K11026...	901M	C3	8	6SD7GT, 6SA7GT, 6SK7GT, 6Q7GT, 6J5GT, *6V6GT, 0Z4.....	262	12-72
705, Ch. AS-16.....	Vol.	18A71925-O	161	TM233-SS19	M26			23A27718... .006	24/19	FP331 Buffer	B14	3333.....	859	C3	8	*6SK7GT, 6SA7GT, *6SQ7GT, *6V6GT, 6X5GT/0Z4.....	455	15-84 16-32,36
MURPHY—G. C. Murphy & Co.																		
112.....	Vol.	664.....	205	MR48.....	M26		A106		125	TN129.....					5	14Q7, 12SK7GT, 12SQ7, 50B5, 35Z5GT.....	455	.....
113.....	Vol.	5348.....	205	MR48.....	M26		A106		125	TN129.....					5	12SA7GT, 12SK7GT, 12SQ7GT, 50L6GT, 35Z5GT..	455	.....
MURRAY INDUSTRIES																		
MW-110-60-A.....	Vol.		11	Order from	Mfr.				24	TC45.....					1	117L7/M7GT.....		
MUSITRON CO.																		
PX.....	Vol. Tone		172 22	MR48 MR33	M26				88 88	ST597 2N518					4	7N7, *7C5, 7Z4.....		
PT-10.....	Vol. Tone		172 22	MR50 MR39					88 88	TC78 2N518					4	7N7, *7C5, 7Z4.....		
SRC-3.....	Vol. Tone		50 22	UM159-SS1 MR41	M26				24 15	2N509 TC26					3	14A7, 50L6GT, 35Z3.		
101 "Piccolo".....	Vol. Tone		22 50	MR50 MR33	M26				24 15	2N509 TC26					3	14A7, 50L6GT, 35Z3.		
103 "Piccolo".....	Vol.		22 172	MR33 UM159-SS1					24 24	TC45 2N509					3	*1LA4, 117Z6GT.....		
105.....	Vol.		245	MR48.....	M26				78 24	TC2501 2N520					2	50L6GT, 35Z3.....		
202.....	Vol.		50	MR48.....	M26				15 24	TC26 2N520					2	50L6GT, 35Z3.....		
NASH																		
AC4289.....	Vol.	63-1040....	20	Order from	Mfr.			22-917... .007	24/15	FP339 Buffer	B14		246	C3	6	*6K7GT, 6SA7GT, 6Q7GT, *6V6GT..	†	.....
AC4389.....	Vol.	63-1040....	18	Order from	Mfr.			22-904... .006	24/19	FP332 Buffer	B14		859	C3	6	*6K7GT, 6SA7GT, 6Q7GT, 6K6GT, 6X5GT.....	†	.....
AC6001.....	Vol. & Tone	63-1129....	140					22-917... .007	24/15	FP339 Buffer	B14	190-15....	859	C3	7	*7A7, 7B8, 7B6, *7C5, 6X5GT/0Z4.....	455	.....
AC6011.....	Vol.	63-1128....	18	250M.....			A19	22-904... .006	24/15	FP332 Buffer	B14	190-15....	859	C3	6	*7A7, 7B8, 7B6, 7B5, 0Z4/6X5GT.....	455	.....
6MN082, Ch. 6C82	Vol. Sens.	63-1342... 63-1379....	244 206	Order from Order from	Mfr. Mfr.			22-1387... .008	24/15	FP369/TC26 Buffer	B14	190-20....	859	C3	6	*7A7, 7B8, 7B6, 7C5, 7Y4.....	265	.....

† Data not substantiated.

\* IMPORTANT: Read Notes in Note Section if specified in Note Column.  
WHEN YOU BUY LEVER ACTION SWITCHES BUY MALLORY.

‡ Indicates miscellaneous section.

MANUFACTURER AND MODEL	CONTROLS							CONDENSERS				VIBRATORS			No. Tubes	Complete Tube Complement	I. F. Peak	Rider's Reference
	Use	Original Part	Circuit	Correct Replacement	Switch	Bias	*Note	Original Part	Circuit	Correct Replacement	*Note	Original Part	Replacement	*Note				
NATIONAL ACOUSTIC WRA-1	TIC PRODUCTS							18S020 19S011	24 78	TC45/TC45 TC2501					1	1R5, D, R.	16-7	
NATIONAL CARBON 1, 2, 3, 31, 32, 33, 34, 42, 43, 44, 52, 53, 54 (Three Types)	VEREADY		13	SRP179				2-4	1	See Note	B1				8	*26, *27, *71A, 80	1-1	
	Vol.	2364	8	A550P				4-2-1-1	3/14	See Note	B1				8	*27, *71A, 80	1-2	
	Vol.	2364	8	A550P				4-2-1-1	3/14	See Note	B1				8	*27, *45, 80	1-3	
	Vol.	2917	13/12 13/7	DRP117	Type	1, 2	A50 A50	...	3/15	See Note	B1				8	*24, *27, *45, 80	1-4	
	Vol.			Order Mfr.	Type	3												
THE NATIONAL CO. AC-SW 3	Vol.		7	D											3	*58, 27		
	Regen.		12	MR33											3			
AC-SW 58	Vol.		40	D12											5	*58, 56, *45	8-2	
	Regen.		12	MR33											5	*24A, *27	1-2	
AC "Thrill Box" (Power Supply)	Vol.		7	E12											5			
AGS with GRDPU	Vol.		7	A550P				8-8-8	3	See Note	B3				11	*36, 37, 89, *80	3-1	
AGSX	Vol.		7	A550P				8-8-8	3	See Note	B3				11	*77, *78, 37, *36, 89, *80		
Auto-Box	Vol.		12	MR33											5	*24, *12A	1-1,2	
DC-SW-3	Vol.		7	D											3	*36, 37		
	Regen.		12	MR33	M27										3			
DC-SW-34 (Batt.)	Vol.		40	D12											5	*34, 30, *31	8-2	
	Regen.		12	MR33											5			
FBX & FBXA	Vol.		7	G				5	13	TC71					7	*24, 57, 56, *58, 59	500 8-2	
	Vol.		17	MR48				10	15	TC22					7			
HRO	Vol.		7	G				10	15	TC22					9	*6D6, *6C6, 6B7, 42, or 458, *57, 2B7, 2A5	456	
MB-29	Vol.		12	MR18				8-8-8	3	3S584					9	*24, *27, *45, 80	1-2	
MB-30	Vol.		12	MR33											5	*24A, 27	1-2	
NC-2-40C	Vol.		228	MR48					15	TC32					12	*6SK7, 6K8, 6K7, 6SL7GT/G, 6J5, *6SJ7, 6SN7GT/G, *6V6, 5Y3G	455 15-4,18	
NC-2-40CS	Tone		121	MR48					19	RS224								
	RF Gain		215	MR18					1	RM262								
	Limiter		250	MR20														
	S-Meter		247	M1MP														
NC-2-40D	Adj.		247	MR48					15	TC32					12	*6SK7, 6K8, 6K7, 6SL7GT/G, 6SN7GT/G, *6SJ7, *6V6, 6J5, 5Y3G	455 15-19,24	
	Vol.		228	MR48					19	RS224								
	Tone		121	MR48					1	RM262								
	RF Gain		215	MR18														
	Limiter		250	MR20														
	S-Meter		247	M1MP														
NC44, NC44A	Vol.		17	MR48	M26			40-40	1	2N511					7	6K8, *6L7, 6SQ7, 25L6G, 6J7, 25Z5	456	
	RF Gain		7	MR20	M26			25, 25	15	TC26								
NC44B	Vol.		17	MR48				25, 25	15	TC26					6	6K8, *6L7, 6SQ7, 6V6G, 6J7	456	
NC-46	Vol.		228	MR48	M26				1	TC48					10	6K8, *6SG7, 6H6, 6SJ7, 6SF7, 6SC7, *25L6GT/G, 25Z5GT	455	
	Sens.		202	G	6-9				15	TC36					10			
NC100	Vol.		7	MR35				8, 8, 8	3	RS213					12	*6K7, *6J7, 6C5, 6E5, *6F6, 80	456	
	Tone		7	MR50				10	15	TC22								
	Sen.		7	G														
Screen Grid SW (71)	Vol.		12	MR33											4	*24A, 27, 71A	i-1	
1-10A	Regen.		7	Order from	Mfr.				15/15 13	TC32 TC52					4	954, 955, 6J5, 6V6	15-1,3	
NATIONAL CO-OPERATIVE INC. R-546	Vol.		18	MR48	M26				24	FP214					5	12SA7, 12SK7, 12SQ7, 50L6GT, 35Z5GT	465 §16-8	
NATIONAL TRANSFORMER CO. Midget 6	Vol.		6	MR21				8-8	1	See Note	B3				6	*27, 45, 80	3-1	
	Tone		22	MR15														
Screen Grid 8	Vol.		6	MR21				8-8-8	3	See Note	B3				8	*24, *27, *45, 80	3-1	
	Tone		22	MR15														
NATIONAL UNION RADIO CORP. G-613 "Commuter"	Vol.		18	MK401	M26			CE1-4A81	24/78 78	FP410 TC26					6	1A7GT, *1N5GT, 1H5GT, 3Q5GT, 117Z6GT	455 16-1,2	
G-615	Vol.		18	MR48	M26				80	2N521					6	*12SK7GT, 12SA7GT, 12SQ7GT, 35L6GT, 35Z5GT	455 16-3,4	
G-619	Vol.	650.504E	18	MR48	M26				80	2N521					6	*12SK7GT, 12SA7GT, 12SQ7GT, 35L6GT, 35Z5GT	455 15-1,2	

‡ Data not substantiated.

\* IMPORTANT: Read Notes in Note Section if specified in Note Column.

§ Indicates miscellaneous section.

MALLORY STANDARDIZATION OF PARTS SIMPLIFIES YOUR REPLACEMENT WORK.

MANUFACTURER AND MODEL	CONTROLS							CONDENSERS				VIBRATORS			No. Tubes	Complete Tube Complement	I. F. Peak	Rider's Reference
	Use	Original Part	Circuit	Correct Replacement	Switch	Bias	*Note	Original Part	Circuit	Correct Replacement	*Note	Original Part	Replacement	*Note				
NATIONAL UNION 571, 571A, 571B...	RADIO Vol.	CORP.—Con B-9051-1...	tinued 18	MK401...	M26			A-8948...	1	FP306...	B192				5	12SA7GT/G, 12SK7GT/G, 12SQ7GT/G, 50L6GT, 35Z5GT/G.....	455	
NEWCOMB AUDIO H-10.....	RODU Vol.	CTS RV-15.....	192	MR48.					88	TC82					5	6SC7, 6SJ7, 6V6GT, 6X5GT.....		
H-14.....	Tone Phono	RV-7.....	246	Order from	Mfr.				15	TC36					6	6SC7, 6SJ7, 6J5, 6V6GT/G, 5Y3GT/G.....		
KX-30.....	Mic. Phono	RV-41.....	248	MR48.					88	TC82	B275				13	6J7, 6J5, 6SQ7, 6AF6G, 6SN7GT, 6L6G, 5Y4G, 6V6GT.....		
	Treble	RV-42.....	249	MRT460.					15	TC36								
	Bass	RV-41.....	254	UC508.					88/13/1	Order from	Mfr.							
	Mic. 1	RV-41.....	192	MR48.					15	TC36								
	Mic. 2	RV-41.....	192	MR48.														
	Mic. 3	RV-41.....	15	MR48.														
	Phono 1	RV-42.....	249	MRT460.														
	Mst. Vol.	RV-41.....	15	MR48.														
	Vol. Ind.	RV-37.....	252	MR28.														
	Treble	RV-38.....	253	MRT443.														
	Bass	RV-38.....	253	MRT443.														
NOBLITT-SPARKS 5.....	(Arvin) Vol.	17-13392...	18	UM162...		See Note	A96	17-13419	23	2S567		17-14747...	859	C3	5	6A8, 6K7, 6Q7G, 6K6G, 6X5G.....	455	9-1,2
6.....	Vol.	17-13420...	18	MR53...	M26			17-13419	23	2S567		17-14747...	859	C3	5	6A8, 6K7, 6Q7G, 6K6G, 6X5G.....	455	9-4
7.....	Vol.	17-4152-3...	15	UM154-SS3	M26			17-4787	1	RM262		17-4732	294	C3	5	6F7, 6A7, 6B7, 41, 84.	170	6-1,3
7A (Ch. RE44).....	Vol.	17-14536...	18	UM157-SS12				17-4786	15	TC22								
8A (Ch. RE45).....	Vol.	17-16225...	18	MR48...	M26			.02-.02	24/15	Buffer	B14	17-14747...	294	C3	5	6A8, 6K7, 6Q7G, 6K6G, 6X5G.....	455	10-1
9A.....	Vol.	17-14536...	17	UM157-SS12				17-14297	24/15	FP332		17-14747...	294	C3	6	6A8, 6K7, 6Q7G, 6K6G, 6X5G.....	455	10-4
10A (Two Types)...	Vol.	17-16225...	18	MR48...	M26			.005	24	2S569	B3	17-14747...	294	C3	6	6A8, 6K7, 6Q7G, 6P5G, 6AC5G, 6X5G.....	170	8-9,9-9
15.....	Vol.	17-14536...	17	UM157-SS12				17-15286	24	Buffer	B14	17-14747...	859	C3	6	78, 6A7, 6B7, 41, 84.	175	4-1,5-1
16.....	Vol.	17-4152-1...	17	SRP251...	6-9			.01	1	3S584	B8	292		C3	5	6A7, 6B7, 78, 41, 84.	175	5-3,6
17.....	Vol.	17-4152-3...	17	UM154-SS3	M26			8-16	1	TN111/TP422								
18.....	Vol.	17-14536...	17	UM157-SS12				12-12-1	1	Buffer	B14							
19.....	Vol.	17-14536...	17	UM157-SS12				.02-.02	1	RM265		29-2169C	292	C3	6	6D6, 6A7, 75, 41, 84.	175	5-19
20A (Two Types)...	Vol.	17-4152-1...	17	SRP251...	6-9			17-4201	1	3S584	B8	17-4732	294	C3	6	78, 6A7, 6B7, 41, 84.	175	6-7,8
20B.....	Vol.	17-4152-3...	17	UM154-SS3	M26			17-2082	15	TC22								
22A.....	Vol.	17-14536...	18	UM157-SS12				.02-.02	1	Buffer	B14	17-14747...	859	C3	6	6K7, 6A8, 6Q7G, 6K6G, 6X5G.....	170	9-5
25.....	Vol.	17-4152...	17	SRP251...	6-9			17-4703	1	RM265		17-14552	294	C3	6	78, 6A7, 6B7, 41, 84.	175	5-6,8
27.....	Vol.	17-4152-3...	17	UM154-SS3	M26			17-4707	15	TN111								
28.....	Vol. Tone	17-14536...	17	UM157-SS12				.02-.02	1	Buffer	B14	17-14747...	859	C3	6	6A7, 78, 75, 42, 84.	170	7-2,3
29.....	Vol. Tone	17-14505...	34	UM143-SS12				17-14614	1	RM265		17-14552	294	C3	6	6A7, 78, 75, 42, 84.	170	7-2,3
30A (Three Types)	Vol. Vol. Tone	17-14536...	17	UM157-SS12				17-4707	15	TN111								
		17-14505...	34	UM143-SS12				.005	1	Buffer	B14	17-14747...	859	C3	6	6K7G, 6A8G, 6Q7G, 6V6G, 6X5G.....	170	8-3,4
		114/22	114/22	SRP251...	6-9	See Note	A27	17-14092	1	RM265								
				SRP251...	6-9	See Note	A4	17-4707	15	TN111								
				MR39				.004	1/15	3S584/TC22	B14							
								.02-.02		Buffer								

‡ Data not substantiated.

\* IMPORTANT: Read Notes in Note Section if specified in Note Column.  
USE MALLORY COMPONENTS IN YOUR TELEVISION WORK.

§ Indicates miscellaneous section.



MANUFACTURER AND MODEL	CONTROLS							CONDENSERS				VIBRATORS			No. Tubes	Complete Tube Complement	I. F. Peak	Rider's Reference
	Use	Original Part	Circuit	Correct Replacement	Switch	Bias	*Note	Original Part	Circuit	Correct Replacement	*Note	Original Part	Replacement	*Note				
NOBLITT-SPARKS 32	Continued Vol. Tone	17-14536... 17-14505...	17 34	UM157-SS12 UM154-SS12				17-14090... 17-4709... 17-14221... 004	1 15 1/15	2S569... TN111... 4S718... Buffer		17-14747... 859	C3	6*6K7, 6A8, 6Q7G, 6V6G, 6X5G	170	9-7		
33	Vol. Tone	17-14536... 17-14505...	15 34	UM157-SS12 UM154-SS12			17-14611... 17-4707... 005	1 1	RM265... TN111... Buffer		17-14552... 294	C3	6*6K7, 6A8, 6Q7, 6F6, 6X5	170	7-2,6			
35 (Two Types)	Vol.	17-4152...	15	SRP251	6-9		17-4184... 02-02...	1	RM265... Buffer		29-4186... 298 292	C13 C14	8 77, 78, 79, 6B7, 41, 84, 37	175	5-11, 6-10			
37	Vol.	17-4152-3...	15	UM154-SS3	M26		17-4716... 17-4710... 17-4707... 02-02...	1 13 15	RM265... RS213... TN111... Buffer		17-4732... 294	C3	8 *76, 78, 6A7, 6B7, 41, 84	175	6-13,15			
38	Vol. Tone	17-14536... 17-14505...	17 34	UM157-SS12 UM143-SS12			17-14090... 17-4710... 17-4707... 005	1 13 15	2S569... RS213... TN111... Buffer		17-14552... 294	C3	7 *78, 6A7, 75, 76, 6A6, 02A or 6X5	170				
39	Vol. Tone	17-14536... 17-14505...	15 44	UM157-SS12 UM143-SS12			17-14090... 17-4710... 17-4707... 004	1 13 15	2S569... RS213... TN111... Buffer		17-14552... 294	C3	7 *6K7G, 6A8G, 6Q7G, 6C5G, 6N7G, 02A or 6X5	170	8-5,6			
40, 40A (RE49)	Vol.	17-14320...	8	MR20	M26	EX2M	17-14319...	1/15	FP354				2 25B8GT, 70L7GT		11-3			
41	Vol.	17-13906...	6	MR19	M26		17-14001... 17-14002... 17-14005... 15	1 1 15	RS213... RS216... TC22				4 6A7, 6F7, 41, 80	456	6-16, 7-7			
42	Vol. Tone	17-14536... 17-14505...	17 44	UM157-SS12 UM143-SS12			17-14222... 004	1/15	2S569/TN111 Buffer		17-14552... 294	C3	7 *6K7, 6A8, 6Q7G, 6C5G, 6N7G, 6X5G or 02A	170	9-9			
44C (Ch. RE46)	Vol. Tone	17-14536... 17-14505...	18 34	UM157-SS12 UM143-SS12			10-10-20... 005	24/15	FP332... Buffer			294	C3	6 *6SK7, 6A8, 6Q7G, 6V6G, 6X5G	170	10-1		
45 (Two Types)	Vol.	17-4152...	17	SRP251	6-9		17-4184... 02-02...	1	RM265... Buffer		29-4186... 298 292	C13 C14	9 37, 75, 77, 78, 41, 84	175	5-15, 6-17			
51	Vol.	17-13308...	17	MR48	M26	A58	17-14000... 17-14002... 17-14707... 15	1 1 15	RS215... RS216... TN111... TC22				5 6A7, 6D6, 75, 41, 80	456	6-18, 7-7			
51B	Vol.	17-13308...	17	MR48	M26	A58	17-14053... 17-14004... 17-14239... 1	1 1 1	FP211				4 1C6, 34, 1B5, 33, 1A1	456	7-8			
58, 58A	Vol.	17-15926A...	18	MR48	M26		17-14002... 17-14003... 17-14004... 15	1 1 15	RS216... RS223... TC22				5 6A8, 6K7, 6Q7G, 25Z6G, 25L6G	455 456	9-11 6-19, 7-9			
61, 62	Vol. Tone	17-13030... 17-13101...	17 34	MR48... MR39...	M26		17-14002... 17-14003... 17-14004... 15	1 1 15	RS216... RS223... TC22		17-13187... 245	C3	5 *78, 6A7, 6B7, 41	175	7-11,12			
61B, 62B	Vol.	17-13030...	17	MR48			17-4703... 17-4707... 005	1 15	RM265... TN111... Buffer				7 *6K7, 6A8, 6H6, 6F5, 6F6, 5Z4	456	6-20, 7-9			
61M, 62M	Vol. Tone	17-13030... 17-13101...	17 34	MR48... MR39...	M26		17-14002... 17-14003... 17-14004... 15	1 1 15	RS216... RS223... TC22				5 6A8, 6K7, 6Q7G, 5Y3G, 6K6G	455	9-13			
68	Vol.	17-15926A...	18	MR48	M26		17-14233...	1/19	FP332				5 6A8, 6K7, 6Q7G, 6K6G, 5Y3G	455	11-1			
71 (Ch. RE43)	Vol.	17-15926A...	18	MR48	M26		17-14271...	4	2S569				5 6K8, 6K7, 6Q7G, 6K6G, 5Y3G	455	9-15			
78	Vol. Tone	17-16166... 17-16097... 17-16098...	18 18 22	MR48... MR48... MR39...	M26	A2	17-14233...	1/19	FP332				8 *6D6, 6A7, 6B7, 76, *6B5, 80	456	6-21, 7-9			
81	Vol. Tone	17-13030... 17-13101...	15 44	MR48... MR39...	M26	See Note A3	17-14002... 17-14003... 17-14000... 15	3 3 3	RS216... RS223... RS215... TC22				9 *6K7, 6A8, 6C5, 6H6, *6B5, 5Z4	456	6-22, 7-9			
81M	Vol. Tone	17-13030... 17-13101...	15 44	MR48... MR39...	M26		17-14002... 17-14003... 17-14000... 15	3 3 3	RS216... RS223... RS215... TC22				5 6A8, 6K7, 6Q7G, 25L6G, 25Z6G, M49B	455	9-11			
88	Vol.	17-15926A...	18	MR48	M26		17-14239...	1	FP211				6 6A8, 6K7, 6Q7G, 6V6G, 6U5, 5Y3G	455	10-7			
89, 91 (Ch. RE27)	Vol. Tone	17-16008... 17-16009...	18 34	MR48... MR39...	M26		17-14249...	1/19	3S579				4 12SA7, 12SQ7, 50L6GT, 35Z4GT/ 35Z5GT		12-1			
Chassis RE91	Vol.	17-17117...	18	MR55	M26		17-14390...	1/15	3N533				8 6K8, *6K7, 6Q7G, *6V6G, 6U5, 5Y3G	455	10-8			
92 (Ch. RE31)	Vol. Tone	17-13795... 17-13796...	17 44	MRT427... MR39...			17-14001... 17-14126... 17-14124... 14	1 1 14	RS213... RS216... RS213				5 1R5, 1U4, 1S5, 3V4, 0Y4	455				
140P, Ch. RE-209	Vol.	C-21050...	18	UM161-SS1	M27		A-21163... A-21164...	97 78	TN129... TC2501				6 12BE6, *12BD6, 12AT6, 35B5, 35W4	455				
150TC-151TC, Ch. RE-228	Vol. Tone	C-19927... C-19928...	18 173	Order from MK401	Mfr... M26		A-21349...	22	2N514				8 6C4, *12BA6, 12BE6, 6A06, 12H6, 50L6GT, D, R...	455	10.7			
182TFM, Ch. RE-237	Vol. Tone	C-21404-1... C-25405-1...	161 21	MK402... MK401	M26		A-21402... A-21403...	82 83	FP409/TC49... TC32	B273								

† Data not substantiated.

\* IMPORTANT: Read Notes in Note Section if specified in Note Column.  
BE SURE TO SPECIFY MALLORY RADIO AND ELECTRONIC PARTS.

‡ Indicates miscellaneous section.

MANUFACTURER AND MODEL	CONTROLS							CONDENSERS				VIBRATORS			No. Tubes	Complete Tube Complement	I. F. Peak	Rider's Reference
	Use	Original Part	Cir- cuit	Correct Replacement	Switch	Bias	*Note	Original Part	Cir- cuit	Correct Replacement	*Note	Original Part	Replac- ement	*Note				
NOBLITT-SPARKS 302, 302A, (Ch-RE64).....	Continued Vol.	17-16650	18	Order from	Mfr.			17-16637	1/15	TN129					4	12SK7, 12SQ7, 50L6GT, 35Z5GT..	13-2	
402, 402A (Ch. RE55).....	Vol.	17-14320	8	MR20	M26	EX2M		17-14319	1/15	FP354					3	25B8GT, 50L6GT, 35Z5GT	11-3	
417, 467..... 422, 422A, (Ch-RE91).....	Vol.	17-15759	6	MR18	M26			17-14069	1/15	3S579					4	6A7, 6F7, 4I, 80...	456 7-17,18	
444, 444A, 444M, 444AM, Ch. RE-200, RE-200M	Vol.	17-17117	18	MR55	M26			17-14398	24/15	3N533					4	12SA7, 12SQ7, 50L6GT, 35Z4GT or 35Z5GT	13-3	
502, 502A (Ch. RE48).....	Vol.	B-18587	18	MR55	M26			A-19176	80	3N533					4	12SA7/12BE6, 12SQ7/12AT6, 50L6GT/50B5, 35Z5GT/35W4	455 15-1,2	
508.....	Vol.	17-14315	18	UM154	M26		A96	17-14326	1/15	3N533					5	12A8GT, 12K7GT, 12Q7GT, 50L6GT, 35Z5GT	455 11-4	
510 (Ch. RE54)....	Vol.	17-14158	7	H	6-9			17-14160	23	TC44/TC42					4	6D6, 6C6, 25B6G, 25Z5, BK55B	8-7,8	
517, 527.....	Vol.	17-16422	18	MR53	M26			17-14297 .005	24/15	FP332 Buffer	B14	17-14747	859	C3	5	6A8GT, 6K7GT, 6Q7GT, 6K6GT, 6X5GT	455 11-5 456 7-19,20	
517B, 527B.....	Vol.	17-15758	17	MR48	M26			17-14002 17-14000 17-4707 17-14082 17-14005	1 1 15 1 15	RS216 RS215 TN111 3S584 TC22 Buffer	B8 B14	17-15831	245	C3	5	6A7, 78, 75, 42, 80 6A7, 15, 75, 76, 19	456 7-21,22	
518, 518A, 518DW..	Vol.	17-13654	6	MR20	M26			17-14001 17-14111 17-14203 17-14202 17-14297 .005	25 25 25 25 24/15	RS213 HD684 RS213 RS207 FP332 Buffer	B14	17-15589	245	C3	5	6A7, 78, 76, 41, 80 6D8G, 6S7G, 6T7G, 1F5G	455 8-10,13	
518B.....	Vol.	17-15599	18	UM161	M26	See Note	A96	17-14203	25	RS213		17-15589	245	C3	5	6D8G, 6S7G, 6T7G, 1F5G	456 8-11	
520 (Ch-RE84)....	Vol.	17-15600	22	UM137	M26		A96	17-14202	25	RS207			859	C3	5	6SA7, 6SK7, 6SQ7, 6K6GT, 6X5GT	455 13-4	
520 (Ch-RE84)....	Vol.	17-17006	18	MR53	M26			17-14297 .005	24/15	FP332 Buffer	B14		859	C3	5	6SA7, 6SK7, 6SQ7, 6K6GT, 6X5GT	455 13-4	
522, 522A.....	Vol.	17-16857	18	MR53	M26			17-14375	1	2N509					5	12SA7, 12SK7, 12SQ7 50L6GT, 35Z5GT..	455 13-5	
524, 524A, (Ch-RE99).....	Vol.	17-16857	18	MR53	M26			17-14415	1/15	TN129					5	12SA7, 12SK7, 12SQ7, 50L6GT, 35Z5GT..	455 13-6	
527.....	Vol.	17-15758	17	MR48	M26			17-14002 17-14000 17-4707 17-14082 17-14005	1 1 15 1 15	RS216 HD684 TN111 3S584 TC22 Buffer	B14				5	6A7, 78, 75, 42, 80	456 7-19	
527B.....	Vol.	17-15758	17	MR48	M28			17-4707 17-14082 17-14005 .01	15 1 15	TN111 3S584 TC22 Buffer	B8 B14	17-15831	245	C3	5	6A7, 15, 75, 76, 19	456 7-21	
532, 532A, (Ch-RE92).....	Vol.	17-17193	18	MK402	M26			17-17140	1/15	3N527					5	12SA7GT, 12SK7GT, 12SQ7GT, 50L6GT, 35Z5GT	455 13-4	
544, 544A, 544AR, 544R, Ch. RE-201, RE-201R.....	Vol.	B-17291	18	MK406	M26			A-19136	80	3N533					5	12SA7, 12SK7, 12SQ7, 50L6GT, 35Z5GT..	455 15-3,5	
552AN, 552N, Ch. RE-231.....	Vol.	C-19389	18	MK402	M26			C-19840	22	2N514					5	12SA7GT, 12SK7GT, 12SQ7GT, 50L6GT, 35Z5GT..	455 16-1,4	
555, 555A, Ch. RE-202.....	Vol.	C-19389	18	MK402	M26			C-19840	22	2N514					5	12SA7GT, 12SK7GT, 12SQ7GT, 50L6GT, 35Z5GT..	455 16-1,4	
558, Ch. RE-204....	Vol.	C-19753	18	MK402	M26			A-19780	82	TN129					5	12SA7GT, 12SK7GT, 12SQ7GT, 50L6GT, 35Z5GT..	455 15-7,9	
568, 568A, 568DW..	Vol.	C-19752	22	UM133-SS25	M26		A113								5	6A7, 78, 76, 41, 80...	455 8-10,13	
578B.....	Vol.	C-19947	173	MK401	M26		A113								4	1C7G, 1D5G, 1H6G, 1G5G	456 8-10	
602, 602A (Ch. RE53).....	Vol.	17-13654	6	MR20	M26			17-14001 17-14111 17-14005B	1 1 19	RS213 HD684 TC22					5	6A7, 78, 76, 41, 80...	455 8-10,13	
608.....	Vol.	17-13869	56	MR48	M27										4	1C7G, 1D5G, 1H6G, 1G5G	456 8-10	
608.....	Vol.	17-14333	18	MR53	M26			17-14319	1/15	FP354					6	12A8GT, 12K7GT, 12SQ7, 35L6GT, 35Z5GT	455 11-7	
610 (Ch. RE58)....	Vol.	17-14334	39	MR39	M26			17-14153 17-14154	23 23	RS216 RS207					5	6A7, 6D6, 6Q7G, 25B6G, 25Z5, BK49D	456 8-14, 9-17	
610 (Ch. RE58)....	Vol.	17-16422	18	MR53	M26			17-14297 .005	24/15	FP332 Buffer	B14	17-14747	859	C3	5	6A8GT, 6K7GT, 6Q7GT, 6K6GT, 6X5GT	455 11-5	

† Data not substantiated.

\* IMPORTANT: Read Notes in Note Section if specified in Note Column.  
MAKE FULL USE OF NOTES AND CIRCUIT DIAGRAMS.

‡ Indicates miscellaneous section.

MANUFACTURER AND MODEL	CONTROLS							CONDENSERS				VIBRATORS			No. Tubes	Complete Tube Complement	I. F. Peak	Rider's Reference	
	Use	Original Part	Circuit	Correct Replacement	Switch	Bias	*Note	Original Part	Circuit	Correct Replacement	*Note	Original Part	Replacement	*Note					
<b>NOBLITT-SPARKS</b>	Continued																		
616, 616A, (Ch-RE98).....	Vol.	17-17291	18	MK402	M26			17-14417	1/15	TN129						6	12SK7, 12SA7, 12SQ7, 35L6GT, 35Z5GT..	455	13-6
617.....	Vol. Tone	17-15601 17-15604	17 34	MR48 MR39				17-14003 17-14002 17-14001 17-14075 17-14082 17-14084 17-14075	1 1 13 15 1 13 15	RS223 RS216 RS213 TC22 3S584 RS213 TC22						6	*6K7G, 6A8G, 6Q7G, 6F6G, 5Y3..	456	7-23,24
617B.....	Vol. Tone	17-15601 17-15604	17 44	MR48 MR39				17-14082 17-14084 17-14075 .01 17-14001 17-14111 17-14130 17-14005 17-14297 .005	1 13 15 23 23 23 19 24/15	3S584 RS213 TC22 Buffer RS213 HD684 RM262 TC22 FP332 Buffer	B8 B14 B10	17-15831	245	C3	6	*15, 6A7, 75, 76, 19	456	7-25,26	
618, 618A.....	Vol. Tone	17-13655 17-13687	17 22	MR53 MR39	M26			17-14001 17-14111 17-14130 17-14005 17-14297 .005	23 23 23 19 24/15	RS213 HD684 RM262 TC22 FP332 Buffer	B10				6	6A8G, 6K7G, 6Q7G, 6F6G, 5Y3G, 6E5..	455	8-10,16	
618B.....	Vol.	17-13754	62	MR48	M27			17-14005 17-14297 .005	19 24/15	TC22 FP332 Buffer	B14		859	C3	5	1C6,*1A4, 30,*950, 6SA7, 6SK7, 6SQ7, 6K6GT, 6X5GT..	456	8-17,18	
620 (Ch-RE85).....	Vol.	17-16488	18	MR53	M26			17-14005 17-14297 .005	19 24/15	TC22 FP332 Buffer	B14		859	C3	5	1C6,*1A4, 30,*950, 6SA7, 6SK7, 6SQ7, 6K6GT, 6X5GT..	455	13-7	
622, 622A (Ch. RE78).....	Vol.	17-16876	18	1 Meg.		A3		17-14376	1	2N509					5	12SA7, 12SK7, 12SQ7, 50L6GT, 35Z5GT..	455	12-1	
627.....	Vol. Tone	17-15601 17-15604	17 34	MR48 MR39				17-14003 17-14002 17-14001 17-14075 17-14082 17-14084 17-14075 .01 17-14001 17-14111 17-14130 17-14005 17-14297 .005	1 1 13 15 1 13 15 23 23 23 19 24/15	RS223 RS216 RS213 TC26 3S584 RS213 TC26 Buffer RS213 HD684 RM262 TC22 2N509				6	*6K7G, 6A8G, 6Q7G, 6F6G, 5Y3..	456	7-23		
627B.....	Vol. Tone	17-15601 17-15604	17 44	MR48 MR39				17-14003 17-14002 17-14001 17-14075 17-14082 17-14084 17-14075 .01 17-14001 17-14111 17-14130 17-14005 17-14297 .005	1 1 13 15 1 13 15 23 23 23 19 24/15	RS223 RS216 RS213 TC26 3S584 RS213 TC26 Buffer RS213 HD684 RM262 TC22 2N509	B8 B14 B10	17-15831	245	C3	6	*15, 6A7, 75, 76, 19	456	7-26	
628, 628CS.....	Vol. Tone	17-13655 17-13687	17 22	MR53 MR39	M26			17-14001 17-14111 17-14130 17-14005 17-14297 .005	23 23 23 19 24/15	RS213 HD684 RM262 TC22 FP332 Buffer	B10				6	6A8G, 6K7G, 6Q7G, 6F6G, 5Y3G, 6E5..	455	8-10,16	
628B.....	Vol.	17-13754	62	MR48	M27			17-14005 17-14297 .005	19 24/15	TC22 FP332 Buffer	B14		859	C3	5	1C6,*1A4, 30,*950, 12SA7, 12SK7, 12SQ7, 50L6GT, 35Z5GT..	455	12-1	
632 (Ch. RE79).....	Vol.	17-16899	18	1 Meg.		A3		17-14376	1	2N509					5	12SA7, 12SK7, 12SQ7, 50L6GT, 35Z5GT..	455	12-1	
638, 638CS.....	Vol. Tone	17-13655 17-13887	17 22	MR53 MR53	M26			17-14001 17-14111 17-14130	23 23 23	RS213 HD684 RM262	B10				6	6A8G, 6K7G, 6Q7G, 6F6G, 5Y3G, 6E5..	455	8-10	
664, 664A, Ch. RE-206.....	Vol. Tone	C-19224 C-19279	18 184	MK401 UM124-SS25	M26			A-19239	22	FP306					6	*12SK7GT, 12SA7GT, 14R7, 35L6GT, 35Z5GT	455	15-5,10	
664, 664A, Ch. RE-206-1.....	Vol. Tone (Late) (Early)	C-19244 C-19965 C-19279	205 22 22	MK401 UM124-SS25	M26			A-19239	1	FP306					6	*12SK7, 12SA7GT, 12SQ7GT, 35L6GT, 35Z5GT	455		
665, Ch. RE-229.....	Vol. Tone	C-19582 C-19946	18 173	MK402 UM156-SS25	M26			A-19780	82	TN129					6	12SK7, *6SS7, 12SQ7, 50L6GT, 35Z5GT..	455	16-5,7	
702.....	Vol. Tone	17-16521 17-16520	18 34	UM161 UM140	M26		A96	17-14344	1/15	FP306					6	*12K7GT, 12A8GT, 12SQ7, 35L6GT, 35Z5GT	455	11-8	
710 (Ch. RE59).....	Vol.	17-14536	18	UM157-SS12				17-14297 .005	24/19	FP332 Buffer	B14	17-14747	859	C3	5	6A8, 6K7, 6Q7G, 6K6G, 6X5G..	455	11-9	
720 (Ch. RE86).....	Vol.	17-14536	18	UM157-SS12				17-14297 .005	24/15	FP332 Buffer	B14	17-14747	859	C3	6	*6SK7, 6SA7, 6SQ7, 6K6GT, 6X5GT	455		
722, 722A (Ch. RE80).....	Vol. Tone	17-16950 17-16951	18 22	MR44 MR39	M26			17-6918	1	TN129					6	*12SK7, 12SA7, 12SQ7, 35L6GT, 35Z5GT..	455	12-3	
732.....	Vol. Tone	17-16950 17-16951	18 22	MR44 MR39	M26			17-6918	1	TN129					6	*12SK7, 12SA7, 35L6GT, 12SQ7, 35Z5GT	455	12-3	
802 (Ch. RE57).....	Vol.	17-14350	18	MR53	M26			17-14353	24/13	FP304					5	1A7GT, 1N5GT, 1H5GT, 3Q5GT, 35Z5GT	455	11-11	
803 (Ch. RE63).....	Vol.	17-14350	18	MR53	M26			17-14353	24/13	FP304					5	1A7GT, 1N5GT, 1H5GT, 3Q5GT, 35Z5GT	455	11-12	
810 (Ch. RE60).....	Vol. Tone	17-14536 17-14505	18 34	UM157-SS12 UM143-SS12				17-14299 .005	24/15	FP332 Buffer	B14	17-14747	859	C3	6	*6SK7, 6A8, 6Q7G, 6V6G, 6X5G..	170	11-9	
818.....	Vol. Tone	17-13712 17-13713	7 22	C2MP MRT427 MR39			A68	17-14001 17-14126 17-14124 17-14123 17-14396 .01	1 1 14 15 24/15	RS213 RS216 RS213 TC29 FP328 Buffer	B14				8	6A8G, *6K7G, 6H6G, 6F5G, 6V6G, 5Y3G, 6E5..	455	8-19,20	
820, 821.....	Vol.	17-17056	18	250M			A3	17-14396 .01	24/15	FP328 Buffer	B14	17-14747	859	C3	6	*6SK7, 6SA7, 6SQ7, 6U6GT, 6X5GT/6X5	455	12-4,6	
822 (Ch. RE82).....	Vol.	17-14350	18	MR53	M26			17-14353	24/13	FP304					5	1A7GT, 1N5GT, 1H5GT, 3Q5GT, 35Z5GT	455	12-5	

† Data not substantiated.

\* IMPORTANT: Read Notes in Note Section if specified in Note Column.

‡ Indicates miscellaneous section.

MANUFACTURER AND MODEL	CONTROLS							CONDENSERS				VIBRATORS			No. Tubes	Complete Tube Complement	I. F. Peak	Rider's Reference
	Use	Original Part	Circuit	Correct Replacement	Switch	Bias	*Note	Original Part	Circuit	Correct Replacement	*Note	Original Part	Replacement	*Note				
NOBLITT-SPARKS 828	Continued Vol. Tone	17-13712 17-13713	20 22	MRT427 MR39	M26			17-14001 17-14126 17-14124 17-14123	1 1 14 15	RS213 RS216 RS213 TC29					8	6A8G, 6K7G, 6H6G, 6E5, 6F5G, 6V6G, 5Y3G	455	8-19,20
828A, 828CS	Vol. Tone	17-13712 17-13713	20 22	MRT427 MR39	M26			17-14001 17-14126 17-14124 17-14123	1 1 14 15	RS213 RS216 RS213 TC29					8	6A8G, 6K7G, 6H6G, 6F5G, 6V6G, 6E5, 5Y3G	455	8-19
828AT, 838AT	Vol. Tone	17-13712 17-13713	17 22	MRT427 MR39	M26			17-14001 17-14124 17-14126 17-14123	1 14 15 15	RS213 RS213 RS216 TC29					8	6A8G, 6K7G, 6H6G, 6F5G, 6V6G, 6E5, 5Y3G	455	10-9
848CS	Vol. Tone	17-13712 17-14984	45 22	MRT427 MR39				17-14126 17-14123 17-14195 17-14123	15 15 1/14 15	TC29 3S584/TC72 TC29					8	6A8G, 6K7G, 6H6G, 6F5G, 6V6G, 6E5, 5Y3G	455	8-21
927	Vol. Tone	17-15688 17-15604	17 44	MRT427 MR39				17-14003 17-14002 17-14000 17-14075	3 3 3 15	RS223 RS216 RS215 TC22					9	6K7G, 6A8G, 6R7G, 6C5G, 6N6G, 5Y3, 6G5	456	7-27,28
1127	Vol. Tone Supp.	17-15688 17-15707 17-15706	17 21 7	MRT427 MR48 E	6-9			17-14003 17-14001 17-14000 17-14086 17-14087 17-14075	3 3 3 14 14 15	RS223 RS213 RS215 RS207 RS207 TC22					11	6K7G, 6A8G, 6C5G, 6N6G, 5Z3, 6E5, 6R7G	456	7-29,32
1237, 1247, 1247A	Vol. Tone	17-13795 17-13796	17 44	MRT427 MR39				17-14002 17-14138 17-14005B	25 25 20	RS216 RS216 TC22					12	6K7G, 6A8G, 6Q7G, 6J7G, 6H6G, 6E5, 6V6G, 5U4G	455/100	8-21-24
1237D	Vol. Tone	17-13795 17-13796	18 44	MRT427 MR39				17-14002 17-14005 17-14138	54 54 54	RS216 TC22 RS216					12	6K7G, 6A8G, 6Q7G, 6J7G, 6H6G, 6AB5, 6V6G, 5U4G	455/100	9-21,24
1427, 1427D	Vol. Tone	17-13795 17-13796	18 44	MRT427 MR39				17-14002 17-14005 17-14138	54 54 54	RS216 TC22 RS216					14	6K7G, 6A8G, 6J7G, 6H6G, 6AB5, 6C5G, 6L6G, 5U4G	455/100	10-11-14
6640, Ch. RE-206-2	Vol. Tone (Late) (Early)	C-19244 C-19965 C-19279	205 22 22	MK401 MK401 UM124-SS25	M26			A-19239	1	FP306					6	12SA7, 12SK7, 12SQ7, 35L6, 35Z5GT	455	
NORTHEASTERN ENGINEERING INC.	— See	Electone																
NORTHERN RADIO N605-E	CO. Vol. Treble Bass Sens. Mtr. Adj.		231 248 206 247	MR48 C100P MR48 MR20 C400P					2 15	RS217 TC32					11	6K7, 6K8, 6B8, 6J5, 6SN7, 6V6G, VR105, 5Z3	465	16-1,4
OLDSMOBILE 4036	Vol. Tone	1207607 1207798	17 44	UM154-SS3 MR48	M27			1207830 .015	1	TC71 Buffer	B14	1207758	292	C3	7	36, 39, 85, 89, 84	262	
393884	Vol. Tone	1209078 1209078	15 45	UM154-SS3 MR48				1209047 1209144	1/15 1/15	3S579 4S718		5037400 5037400	273C 273C		4	6F7, 6A7, 6B7, 42	262	
393885	Vol. Tone	1207798 1207798	44 44	MR48				1209144	1/15	4S718		5037400	273C		6	78, 6A7, 6F7, 85, 41	262	
405045	Vol. Tone	1209364 1207798	127 44	Order from Mfr. MR48				1209144	1/15	4S718		5037400	273C		6	78, 6A7, 6F7, 85, 41	262	
405046	Vol. Tone	1209368 1209368	44 15	MR48 UM157-SS3				1209047	1/15	3S579		5037400	273C		4	6F7, 6A7, 6B7, 42	262	
405057, 405062 (Early and Late)	Vol. Tone	1209540 1209539	15 128	UM162-SS12 MR48				1209588	1	TC D71		5039661	273C		5	6F7, 6A7, 6B7, 41	172	
405063	Vol. Tone	1209540 1207607	15 17	UM162-SS12 UM154-SS3				1209531	1/15	TC D71/TC26		5039661	273C		4	6F7, 6A7, 6B7, 42	262	
980393	Vol. Tone	1207607 1207798	17 44	UM154-SS3 MR48	M27			1207830 .015	1	TC71 Buffer	B14	1207758	292	C3	7	36, 39, 85, 89, 84	262	8-31
980455	Vol. Tone	1208157 1208157	17 18	UM154-SS3 MR48	M26			1207995	1/15	TC D71/TN111		5035120	222		5	78, 6F7, 75, 41	262	
980459	Vol. Tone	1207798 1207798	44 44	MR48				1208241	1	TC D71		5035120	222		6	78, 6F7, 85, 41	262	
982006	Vol. Tone	1210519 1562084	17 22	UM157-SS12 MR45				1210514	1/15	3S579		5040700	273C		6	6D6, 75, 76, 42	262	
982007, 982008	Vol. Tone	1210518 1210518	17 22	UM162-SS12 MR48				1210515	1/15	TC D71/TN111		5040700	273C		7	6D6, 85, 76, 6E6	262	
982043	Vol. Tone	7230117	20	TM239-SS3				7230264 .005	1	SR638 Buffer	B14	5050673	852	C3	6	6K7G, 6A8G, 6Q7G, 6N6G, 6X5G	262	9-1
982044	Vol. Tone	1210545	20	TM224-SS12				1211580 .005	1/15	3S579 Buffer	B14	5050673	852	C3	6	6U7G, 6A8G, 6Q7G, 6F6G, 6X5G	262	9-5,6
982045	Vol. Tone	1210545	17	TM224-SS12				8-8 5-5 .005	1 15	2N518 TN111 Buffer	B14	5050673	852	C3	8	6U7G, 6J5G, 6V7G, 6N7G, 6X5G	262	9-7,8
982083	Vol. Tone	1212440	17	TM232-SS3				8-8 10 .005	1 15	2N518 TC22 Buffer	B14	5050673	852	C3	6	6U7G, 6A8G, 6B8G, 6V6G, 0Z4G	262	10-1,4
982084	Vol. Tone	1212440	20	TM232-SS3				8-8-2-5-5 .005	1/13/15	4S718/TC70 Buffer	B14	5050673	852	C3	8	6U7G, 6A8G, 6J5G, 6Q7G, 6N7G, 0Z4G	262	10-5,8

† Data not substantiated.

\* IMPORTANT: Read Notes in Note Section if specified in Note Column.

‡ Indicates miscellaneous section.

MANUFACTURER AND MODEL	CONTROLS							CONDENSERS				VIBRATORS			No. Tubes	Complete Tube Complement	I. F. Peak	Rider's Reference
	Use	Original Part	Circuit	Correct Replacement	Switch	Bias	*Note	Original Part	Circuit	Correct Replacement	*Note	Original Part	Replacement	*Note				
OLDSMOBILE—Continued																		
982085	Vol.	7233559	20	TM224-SS12				8-8 12 .005	1 15	2N518 TC22 Buffer	B14	5050673	852	C3	6 <sup>†</sup> 6K7G, 6A8G, 6B8G, 6V6G, 0Z4G	262	9-9,12	
982126	Vol. & Tone	7236753	124/22	SMD506				7236854 7236486 7237190 7237189 .005	24/15 14 24 14/15	FP328 TC52 2N518 2N516 Buffer	B117	5050673	852	C3	7 <sup>†</sup> 6K7, 6A8G, 6Q7G, 6J5G, 6N7G, 0Z4G	260	10-9-12	
982127	Vol.	1213501	18	Order from	Mfr.			7237238 7236846 .0075	24/15 14	3S579 TC52 Buffer	B14	1211594	870	C3	5 6A8G, 6K7G, 6Q7G, 6V6G, 6X5G	455	10-13,14	
982153	Vol.	1212440	17	TM232-SS3				1212441 1212487 .005	24/14 15	3S584 TC22 Buffer	B14	5050673	852	C3	6 <sup>†</sup> 6U7G, 6A8G, 6B8G, 6V6G, 6X5G	262	10-15,16	
982160	Vol. & Tone	1213696	17/22	SMD508				1213694 .004	24/15	FP426 Buffer	B14	1213671	870	C3	7 <sup>†</sup> 7A7, 7Q7, 7E6, 7C5, 0Z4G	260	11-1,2	
982161	Vol. & Tone	7238806	106	SMD507				7238829 .01-.01	24/15	FP332 Buffer	B14	7238829	870	C3	6 <sup>†</sup> 7A7, 7B8, 7B6, 7C5, 0Z4	260	11-3,4	
982215	Vol.	1214418	17/22	Order from	Mfr.			1214417 .004	24/15	FP444 Buffer	B14	1213671	870	C3	7 <sup>†</sup> 7A7, 7A8, 7E6, 7C5, 0Z4G	260	12-1-4	
982216	Vol. & Tone	7241048	106	Order from	Mfr.			7240724 .006	24/15	FP339 Buffer	B14	7238829	870	C3	6 <sup>†</sup> 7A7, 7B8, 7B6, 7C5, 0Z4	260	12-4-6	
982259	Vol.		18	UM154	M26	A96		15-10-20 .004	24/15	FP328 Buffer	B14		859	C3	5 6SA7GT, 6SK7GT, 6SQ7GT, 6V6GT, 0Z4G	455	12-7,8	
982282	Vol. & Tone	1215914	18/22	Order from	Mfr.			1214417 .004	24/15	FP444 Buffer	B14	1213732	870	C3	7 <sup>†</sup> 7A7, 7Q7, 7E6, 7C5, 0Z4G	260	13-1,2,3	
982283	Vol. & Tone	7241958	106	Order from	Mfr.			7240724 .006	24/15	FP339 Buffer	B14	7238829	870	C3	6 <sup>†</sup> 7A7, 7B8, 7B6, 7C5, 0Z4	262	13-4,5,6	
982375	Vol.	1216673	18	Order from	Mfr.			1214417 .004	24/15	FP424/TC26 Buffer	B6/B8 B14	8638	870	C3	7 <sup>†</sup> 7A7, 7Q7, 7E6, 7C5, 0Z4G	260		
982376	Vol.	7255298	167	Order from	Mfr.			7240724 .006	24	FP339 Buffer	B14	8638	870	C3	6 <sup>†</sup> 7A7, 7B8, 7B6, 7C5, 0Z4	262	15-6,10	
982399	Vol.	7255298	167	Order from	Mfr.			M908 .006	24/15	FP339 Buffer	B14	8638	870	C3	7 <sup>†</sup> 7A7, 7B8, 7E6, 7C5, 0Z4	262		
OLYMPIC RADIO	& TELE	VISION CO.																
6-501, 6-502, 6-502P, 6-503	Vol.	PT-102	161	MK401	M26			CO-107	1	2N511					5 12SA7GT, 12SK7GT, 12SQ7, 50L6GT, 35Z5GT	455	15-1	
6-501W-U, 6-501V-U, 6-502-U	Vol.	PT-102	161	MK401	M26			CO-107	1	2N511					5 12SA7, 12SK7, 12SQ7, 50L6GT, 35Z5GT/G		15-2	
6-504, 6-504L	Vol.	PT-102	161	MK401	M26			CO-107	1	2N511					5 12SA7, 12SK7, 12SQ7GT, 50L6GT, 35Z5GT/G	455	15-3,4	
6-504U, 6-504L-U	Vol.	PT-102	161	MK401	M26			CO-107	1	2N511					5 12SA7, 12SK7, 12SQ7, 50L6GT, 35Z5GT/G	455	15-3	
6-601W, 6-601V	Vol. & Tone (Late) (Early)	PT-435 PT-240 PT-436	161	MK403 MK401 MK401	M26 M26 M26			CO-158	1/13/24	FP429					6 6SG7, 6SA7, 6SK7, 6SQ7GT, 6V6GT, 5Y3GT	455	15-5,8	
6-602	Vol. & Tone (Late) (Early)	PT-239 PT-240 PT-436	161	MK403 MK401 MK401	M26 M26 M26			CO-158	1/13/24	FP429					6 6SG7, 6SA7, 6SK7, 6SQ7GT, 6V6GT, 5Y3GT	455	15-5,8	
6-604 Series	Vol. & Tone	PT-105 PT-106	205	MK403 MK401	M26 M26			CO-111	1/15	2N511/TC29	B6				6 12BA6, 12BE6, 6SS7, 6S27, 50B5, 35W4	455		
6-606	Vol.	PT-383	205	MK403	M27			CO-182	80/78	FP309/TC45	B275				6 11LN5, 11LA6, 11LH4, 11LB4, 35Z5GT	455	15-9,10	
6-606A	Vol.	PT-576	75	MK402	M27			CO-182 CO-808	80/78 78	FP309/TC45 TC29	B275				6 11LN5, 11LA6, 11LH4, 3Q5GT, 35Z5GT	455		
6-606-U	Vol. (Late) (Early)	PT-576 PT-383	205 205	MK402 MK403	M27 M27			CO-182	80/78	FP309/TC45	B275				6 11LN5, 11LA6, 11LH4, 11LB4, 11T26GT	455		
6A-606	Vol.	PT-576	75	MK402	M27			CO-182 CO-808	24/78 78	FP309/TC45 TC29	B275				6 11LN5, 11LA6, 11LH4, 3Q5GT/G, 35Z5GT/G	455	16-1,2	

† Data not substantiated.

\* IMPORTANT: Read Notes in Note Section if specified in Note Column.

‡ Indicates miscellaneous section.

THE MALLORY VIBRATOR DATA BOOK ANSWERS YOUR "WHY" QUESTIONS ABOUT VIBRATORS.

MANUFACTURER AND MODEL	CONTROLS							CONDENSERS				VIBRATORS			No. Tubes	Complete Tube Complement	I. F. Peak	Rider's Reference	
	Use	Original Part	Circuit	Correct Replacement	Switch	Bias	*Note	Original Part	Circuit	Correct Replacement	*Note	Original Part	Replacement	*Note					
<b>OLYMPIC RADIO</b> 6B-606	& TELE Vol.	VISION CO. PT-576	Continued 75	MK402	M27			CO-182 CO-808	24/78 78	FP309/TC45 TC29	B275				6	1LN5, 1LA6, 1LH4, 3Q5GT/G, 1I7Z6GT/G.	455	16-3,4	
6-617, 6-617U	Vol. Tone	PT-105	161	MK403				CO-158	1/13/15	FP390/TC29					6	12SK7, 12SA7, 12SQ7, 6V6GT, 5Y3GT	455	15-11,12	
7-526	Vol.	PT-106 PT-576	191 75	MK401 MK402	M26 M27			CO-182	24/78	FP309/TC45	B275				5	1LN5, 1LA6, 1LH4, 3Q5GT, D. R.	455	16-5,6	
7-724	Vol. Tone	PT-567 PT-568	167 167	TM254-SS25 UM165-SS25	M26			CO-768	1/15	FP339					8	6SG7, 6SA7, 6SK7, 6SQ7, 6K6GT, 5Y3GT	455		
<b>OPERADIO MFG. CO.</b> 478A, 478AH, 2478A	Vol.		15	MR48				8-8 8-8 10 20 75	2/25 2/25 15 19 14	HD684 2N518 TC22 TC47 See Note					5	56, 53, 2A3, 5Z3		6-1	
484, 484A, 484B 677A	Vol. Phono.		15 15 50	MR48 MR48 MR48				30 8-8 10 25 30	1 1/13 15 15 1	RS223 2N518 TC22 TC26 RS223	B3				3 6	864 57, 6B5, 83		6-3 7-2	
678A	Vol. Phono.		15 50	MR48 MR48				8-8 10 25 30	1/13 15 15 1	2N518 TC22 TC26 RS223					6	57, 6B5, 83		7-3	
683A								8-8 16 8	1 1 1	RS216 RS213					5	6B5, 83		7-1	
823A								25 16 8	15 1 1	TC26 RS216 RS213					5	6B5, 83		7-4	
2667A	Vol. Phono.		15 50	MR48 MR48				8-8 30 8-8 10 25	1 1 1/13 15 15	RS223 2N518 TC22 TC26					6	57, 6B5, 83		7-2	
<b>ORGATRON (Everet</b> LS-2	Piano) Quality Pedal S. Flute U. Flute String Horn Bril.			Order from MR48 NN NN NN MR48 Order from	Mfr.			Main and Pre- 8, 8, 8 10 Echo Field 8, 8	e-Amp. 3 15 Supply 1	RS213 TC22 RS213						†			
MD-1					Mfr.			Pre-Amplifier 8-8 25 10	13 15 15	2N518 TC26 TC22						†			
								Main Amplifier 30 25	13 15	RS223 TC26									
								Power Supply 30 50	2 19	RS223 TC48									
								Echo Field Supply 8, 8	1	RS213									
<b>PACIFIC RADIO (Aetna, Knight, Manches, etc.)</b> Midget Super	Vol.	221	18	MR48	M26			20 12 20-12-12 16-12	6 6/13 46 27	TC47 TC44 See Note TCS44					5	6A8, 6K7, 6Q7, 25L6, 25Z6	456	9-4	
TRF Midget A60B	Vol. Vol.	220	6	MR48		See Note	A5	16-12	27	See Note TCS44	B3				4	6K7, 6J7, 25L6, 25Z6		10-10	
1, 2	Vol. Tone	217	6			See Note	A5	16-12	4	TCS44					4	6A7, 6D6, 75, 43, 25Z5	465	10-5	
3-(38)	Vol.	215	18	MR48				16-12	4	TCS44					4	6D6, 6C6, 25L6, 25Z5, L49C			
4-(38)	Vol. Tone	215 304A	18 22	MR48		See Note	A5	16-12 10	4 15	TCS44 TC22					6	6A7, 6D6, 75, 25L6, 25Z5, 6G5, L49C	465	9-1	
5SW	Vol.		18	MR48				16-12	4	TCS44					5	6A7, 6D6, 6B7, 43, 25Z5	456	9-2	
H6-37	Vol. Tone		17 22	MR55		See Note	A5	8-6 10 .008	4 15 1	2S567 TC22 Buffer		294	C3	6	6D6, 6A7, 6Q7, 41, 0Z4	262	8-1		
6V	Vol.		18	MR48				12-6 10 .02	1 15 1	2S569 TC22 Buffer	B14		294	C3	5	6A7, 6D6, 75, 41, 84	465	7-1	
H7-1937	Vol. Tone		17 34	UM163 UM133		See Note	A96 A96	8-6 10 .008	4	2S567 Buffer	B14		294	C3	7	6K7, 6L7, 6Q7, 6F6, 6C5, 0Z4	262	8-1	

† Data not substantiated.

\* IMPORTANT: Read Notes in Note Section if specified in Note Column.  
ASK YOUR DISTRIBUTOR FOR THE LATEST MALLORY CATALOG AND PRICE LIST.

‡ Indicates miscellaneous section.

MANUFACTURER AND MODEL	CONTROLS							CONDENSERS				VIBRATORS			No. Tubes	Complete Tube Complement	I. F. Peak	Rider's Reference
	Use	Original Part	Circuit	Correct Replacement	Switch	Bias	*Note	Original Part	Circuit	Correct Replacement	*Note	Original Part	Replacement	*Note				
PACIFIC RADIO—Continued M7-(38)	Vol.	223	18	UM154	M26		A96	6-6.006	4	2S567		1505	294	C24	5	6A7, 6K7, 6Q7, 41, 84	456	9-3
8AC	Vol. Tone	221 305	18 44	MR48	M26			1736	1	Buffer FP371	B14 B3				8	6A7, 6D6, 6Q7, 76, 6U5, 43, 25Z5	465	
8T-6V	Vol. Tone		18 44	MR48				15-15-40	1/15	FP316	B3		See Note	C8	8	6D8, 6S7, 6J7, 6AB5, 6L5, 333, 1H4	465	9-3
11	Vol.	215	18	MR48				8-4	23	2S567					5	6A7, 6D6, 75, 41, 80	456	9-1
12-(38)	Vol. Tone	215 304A	18 34	MR48				1703	23	2S567					6	6A8, 6D6, 6G5, 6Q7, 41, 80	465	10-1
14-(38)	Vol. Tone	215	45 34	MR48				8-4	23	2S567					7	6A8, 6D6, 76, 6K5, 6G5, 42, 80	465	
15, 16-37 Series	Vol.		6	MR18				16-12	23	TCS44					4	6D6, 6C6, 43, 25Z5, L49C		10-2
15-(38)	Vol. Tone	218	17 44					12	1	RS215					9	*6K7, 6A8, 6Q7, 6G5, 6C5, 6F6, 5Y3	465	
20-37 Series	Vol.		6	MR21				16-12	23	TC22 TCS71					4	6D6, 6C6, 25L6, 25Z5, L49C		
21, 22	Vol.	216	18	MR48	M27			8-8	1	2N518		480	245	C3	4	1C7, 1D5, 1H6, 1G5	456	9-5
23	Vol. Tone	215	45 34	MR48	M26			.01-.01	1	Buffer 2N516	B14				6	6D8, 6S7, 6L5, 1J6	465	9-5
25	Vol. Tone	221 305	45 34	MR48	M26			.01	1/15	Buffer 3S579	B14	480	245	C3	6	6A8, 6S7, 6L5, 41	465	10-3
25 (4T, TRF)	Vol.	305	6	MR21	M26			.01-.01	23	Buffer	B14				4	6D6, 6C6, 43, 25Z5		
30-37 Series	Vol.		18	MR48				16-12	27	TCS44					6	6A7, 6D6, 75, 25L6, 6G5, 25Z5, L49C	456	
35-(38)	Vol.	221	18	MR48	M26			16-12	27	TCS44					6	6A7, 6D6, 6Q7, 25A6, 25Z5, 6U5, L49B	465	9-6
37-61	Vol.		18	MR48				16-12	27	TCS44					6	6A7, 6D6, 75, 43, 6G5, 25Z5	456	7-2
37-321	Vol. Tone		18 22	MR48				8-4	23	2S567					5	6A7, 6D6, 75, 42, 80, or 6A7, 6K7, 75, 6F6, 80	465	8-10
37-6320	Vol. Tone		45 34	MR48				8-4	23	2S567					6	6A8, 6K7, 6H6, 6F5, 6F6, 5Z4	465	7-6
37-6322	Vol. Tone		45 34	MR48				16-12	27	TCS44					7	6A7, 6D6, 76, 6F5, 43, 6G5, 25Z5	465	7-7
37-7370	Vol. Tone		20 34					12-14	23	2S569					8	*6K7, 6A8, 6H6, 6F5, 6F6, 6G5, 5Y3	465	7-9
37-14370	Vol. Tone		34 34	2 Meg. No. 1				12	25	RS215					14	*6K7, 6A8, 6H6, 6C5, 6G5, 6F6, 5Z4	465	7-10
40	Vol.		6	G7	6-9			16-12	23	TCS44					4	6D6, 6C6, 43, 25Z5		10-5
41	Vol. Tone	221 305	45 34	MR48	M26			8-4	23	2S567					7	6A7, 6D6, 76, 6K5, 6U5, 41, 80	465	10-6
42	Vol. Tone	221 305	45 34	MR48	M26			1727	1	2S569					8	6A7, 6D6, 6Q7, 76, 6U5, 43, 25Z5	465	10-7
43-(38)	Vol. Tone	221 305	45 44	MR48				1729	1	2N509					11	6A7, 6D6, 76, 6U5, 43, 25Z5	465	9-7
50-37 Series	Vol. Tone		18 34	MR48				10	15	TC22					6	6A7, 6D6, 75, 6G5, 42, 80	465	8-3
60	Vol. Tone		18 34	MR48				8-4	23	2S567					7	*6K7, 6A8, 6Q7, 6G5, 6F6, 5Y3	465	8-4
80-37 Series	Vol. Tone		45 34	MR48				8-8	1	2N516			245	C3	6	6D6, 6S7, 6L5, 19	465	8-5
81A	Vol.		18	MR48				.01		Buffer	B14				5	1C6, 34, 1B5, 30, 19	465	7-3
101	Vol.		18	UM154	M26			6-12	1	3S584	B3		292	C3	5	6A7, 6D6, 6B7, 41, 84	456	8-6
101B, 101C	Vol.		18	MR48	M26			.02-.02	15	TC22					5	6A7, 6D6, 75, 41, 0Z4	456	
102 (Knight 6 tube)	Vol.		18	MR48	M26			8-8	4	TC22 TC871	B14 B3		294	C3	5	*6D6, 6A7, 75, 41, 84	175	8-6
102B	Vol. Tone		18 22	MR48	M26			.01	4	Buffer TCS71	B14 B3		294	C3	6	*6K7, 6A8, 6Q7, 6F6, 0Z4	262	8-6
110-37 Series	Vol.		20	2 Meg. No. 1				12	1	RS215					12	*6K7, 6A8, 6H6, 6G5, 6C5, 6F6, 5Y3	465	8-7
150-37 Series	Vol. Chan.		20	2 Meg. No. 1				12	1	RS215					15	*6K7, 6A8, 6H6, 6C5, 6G5, 6F6, 5Y3	465	8-8
301	Vol. Tone	221 305	18 34	MR55 MR48	M26			1732	1/15	FP316		1505	294	C3	5	6A8, 6S7, 6T7, 41, 6ZY5	465	11-2
302	Vol. Tone	221 305	45 34	MR33 MR48	M26			.01	1/15	Buffer FP316	B14		See Note	C8	7	6A8, 6S7, 6L5, 6AB5, 1J6	465	9-8
321-36	Vol.		18	MR48				8-4	23	2S567					5	6A7, 6D6, 75, 42, 80	465	8-9
501	Vol.	220	6					1733	46/15	FP409					4	6D6, 6C6, 43, 25Z5		
601	Vol.	221	18	MR48	M26			1732	1/15	FP316					5	6A7, 6D6, 6Q7, 41, 80	465	9-8
602	Vol.	221	18	MR48	M26			1733	46/15	FP409					6	6A7, 6D6, 6Q7, 25A6, 6U5, 25Z5	465	

† Data not substantiated.

\* IMPORTANT: Read Notes in Note Section if specified in Note Column.

‡ Indicates miscellaneous section.

MANUFACTURER AND MODEL	CONTROLS							CONDENSERS				VIBRATORS			No. Tubes	Complete Tube Complement	I. F. Peak	Rider's Reference
	Use	Original Part	Circuit	Correct Replacement	Switch	Bias	*Notes	Original Part	Circuit	Correct Replacement	*Note	Original Part	Replacement	*Note				
<b>PACIFIC RADIO—C</b>	<i>Continued</i>																	
603.....	Vol. Tone	221	127	MR48	M26			1733	46/15	FP409				7	6A7, 6D6, 75, 6K5, 25A6, 25Z5, 6U5	465		
682.....	Vol. Tone	305	34	MR48		See Note A5		8-4	1	2N516		Order from Mfr.		6	1C6, 34, 30, 19	465	7-4	
702.....	Vol. Tone	221	45	MR33				.01-.01		Buffer	B14			11	6A7, 6D6, 76, 743, TC25	465	10-9	
915.....	Vol. Tone	305	44	MR48	M26			1729	1	2S569				9	*6K7, 6A7, 6Q7, 6C5, 6G5, *6F6, 5Y3	465	10-10	
3280.....	Vol. Tone	218	17			See Note A19		12	1	HD684				6	6A7, 6D6, 76, 75, 48	465	7-5	
6370.....	Vol. Tone		44			See Note A5		18	1	RS219				6	6A8, 6K7, 6H6, 6F5, 6F6, 5Y3	465	7-8	
			22	MR48				25	1	RS223								
			18	MR48				8-4	23	2S567								
			45	MR48				8-4	23	2S567								
			22			See Note A5												
<b>PACIFIC RADIO EXCHANGE</b>	<b>CHANGE</b>																	
27.....	Vol.		6	MR18				16-8	4	TC44/TC42				4	78, 6C6, 43, 25Z5, 55A			
37-37A.....	Vol.		18	MR48				4-4	23	2S567				5	6A7, 78, 75, 41, 80	456		
57.....	Vol.		18	500M No. 1		See Note A19		16	25	ST597				6	6A7, 6D6, 6G5, 75, 41, 80	456		
556.....	Vol.		18	MR48				12	25	ST597				5	6A8, 6K7, 6Q7, 6F6, 5W4	456		
5 Tube TRF.....	Vol. Tone		7	MR28	M26			8, 8	1	RS213				5	*58, 57, 2A5, 83			
"Round the World Five".....	Vol. Reg.		22	SRP263				5	15	TC22				5				
"Round the World Six".....	Vol. Reg.		7	MR19				8, 8	4	RS213				5	*58, 57, 2A5, 5Z3			
	Vol. Sen.		12	MR33	M26			5	15	TC22				6	58, 57, 56, 47, 82			
Super Auto Midget.....	Vol.		33	MR53				8, 8	4	RS213				3	6A7, 6B7, 41 or 89	465		
Spero Autodyne.....	Vol.		18	UM154	M26		A96	5-5	15	TN111				6	44, 36, 85, 89, 84	†		
	Vol.		15	UM154		See Note A96		4-4	1	TCD71		292	C3	6				
								5	15	TC22								
Spero Four.....	Vol. Tone		6	MR18	M26			.02	23	Buffer	B14			4	58, 57, PZ, 82		§6-24	
	Vol. Tone		22	MR33				4, 4	23	RS213				10	*56, 458, 447, 82, Wunderlich	175	§6-25	
Spero Super.....	Vol. Tone		83	MR48	M26			8-8	1	RS213				10				
	Vol. Tone		41	MR44				4	1	RS213				7	57, 56, *58, 55, 59, 83	†		
Spero 7 Tube All-Wave.....	Vol. Tone		15	MR48	M26			8, 8	1	RS213				7				
	Vol. Tone		†	MR39				10	15	TC22				10	*58, 57, *56, 55, *59, 83	†		
Spero 10 Tube All-Wave.....	Vol. Tone		15	MR48	M26			4	3	RS213				10				
	Vol. Tone		†	MR39				8	3	RS213								
<b>PACKARD</b>																		
P-4635.....	Vol. Tone Sens.	67-0052	255	Order from Mfr.	Mfr.			61-0150	88/15	FP424		83-0026	859	C3	8	*7A7, 7B8, 7B6, 7A4, *7C5, 7Y4	265	
	Vol.	67-0051	256	Order from Mfr.	Mfr.			.005		Buffer	B14							
PA333915 (Early).....	Vol.	67-0036	206	Order from Mfr.	Mfr.			117314	1/15	FP332		116202	854	C3	7	*6SK7, 6A8, 6R7, *6V6GT, 0Z4	455	
PA333915 (Late Marked with R).....	Vol.	118270	17	UM162-SS3				.01	1/15	FP332	B14	116202	854	C3	7	*6SK7, 6A8, 6R7, *6V6GT, 0Z4	455	
PA351099, PA351100.....	Vol.	117321	17	UM162-SS3				.01	1/15	FP332	B14	116202	854	C3	7	*6SK7, 6A8, 6R7, *6V6GT, 0Z4	455	
PA351101, PA351102.....	Vol.	117321	17	UM162-SS3				114258	.01	74	TC71	116202	854	C3	6	*6SK7, 6A8, 6SQ7, 6V6GT, 6X5GT	455	
PA353832.....	Vol.	118270	17	UM162-SS3				117314	.01	1/15	FP332	116202	854	C3	7	*6SK7, 6A8, 6R7, *6V6GT, 0Z4	455	
<b>PACKARD BELL CO</b>																		
5 "Kompak".....	Vol.		6	MR18	M26	EX300		4-4	23	TCS71				5	6J7, 6K7, 6C5, 6F6, 5W4	460	8-1	
5A.....	Vol.		17	MR48				4-4	23	TCS71				5	6A8, 6K7, 6Q7, 6F6, 5W4	460		
5AC.....	Vol.		18	MR48				8-4-4	60	3S584				5	6SA7, 6SK7, 6Q7G, 6K6G, 6X5G	460	11-1	
5AE, 5AEP.....	Vol.		18	MR48				16-8-4	60	3S584/TC71	B8			5	6SA7, 6SK7, 6SQ7, 6K6GT, 6X5GT	460	11-1	
5B.....	Vol.		17	MR48				8-4	23	2S567				5	6A8, 6SK7, 6SQ7, 6F6, 5W4	460	10-1	
5D.....	Vol.		18	MR48				20-20	1	2N509				5	12SA7, 12SK7, 12SQ7GT, 35L6GT, 35Z5GT		10-2, 12-1	
5DA.....	Vol.	25001	18	MR48	M26				88/15	3N533/TC26	B6			5	12SA7, 12SK7, 12SQ7, 50L6GT, 35Z5GT	455	16-1	
5E, 5EP.....	Vol.		18	MR48				30-50	77	2N520				5	12SA7, 12SK7, 12SQ7, 50L6GT, 35Z5GT	456	13-1	
5FP.....	Vol.	25001	18	MR48	M26			24003	12	TC65				5	6SA7, 6SK7, 6SQ7, 6K6GT, 6X5GT	455	15-1	
								24005	12	TC62								

† Data not substantiated.

\* IMPORTANT: Read Notes in Note Section if specified in Note Column.  
THE MALLORY TECHNICAL MANUAL IS YOUR COMPLETE TECHNICAL HANDBOOK.

‡ Indicates miscellaneous section.



MANUFACTURER AND MODEL	CONTROLS							CONDENSERS				VIBRATORS			No. Tubes	Complete Tube Complement	I. F. Peak	Rider's Reference
	Use	Original Part	Circuit	Correct Replacement	Switch	Bias	*Note	Original Part	Circuit	Correct Replacement	*Note	Original Part	Replacement	*Note				
PACKARD BELL CO.	Continued																	
5M	Vol.		17	MR48				8-4	23	2S567					5	6A7, 6D6, 75, 41, 80	460	9-1
5MP	Vol.		17	MR48				8-4	23	2S567					5	6A7, 6D6, 75, 41, 80	460	
5N	Vol.		18	MR48				20-40	6	2N514					5	12SA7, 12SK7, 12SQ7GT, 35L6GT, 35Z5GT	460	10-4
5NP	Vol.		18	MR48				20-40	6	2N514					5	12SA7, 12SK7, 12Q7GT, 35L6GT, 35Z5GT	460	10-4
5T	Vol.		17	MR48				4-4	23	TCS71					5	6A7, 6D6, 75, 41, 80	460	
5TP	Vol.		17	MR48				8-4	23	2S567					5	6A7, 6D6, 75, 41, 80	460	9-1
6A	Vol.		18	MR48	M26			20-20-50	1/15	2N509/TC29					6	12SK7, 12SA7, 12SQ7, 35L6GT, 35Z5GT	460	12-1
6B	Vol. Tone		18	MR48 MR57	M26			30-50	24	2N520					6	12SA7, 12SK7, 12SF7, 35L6GT, 35Z5GT	456	13-2
15	Vol.		6	MR18		EX300		8-4	40	2S567	B3				5	6C6, 6D6, 76, 41, 80	460	10-1
D-17	Vol. Bass	25008	†	Order from	Mfr.			24006	15	TC26					7	6SK7, 6H6, 6SN7GT, 6V6GT, 5U4G	460	
	Treble	25502	262	MR57				24002	98	TC72								
		25002A	263	MR57	M26			24001	98	TC75								
25	Vol.		18	UM154	M26	See Note	A96	8-8	74	See Note	B3		294		5	6A7, 6D6, 85, 42, 84	460	6-1
34	Vol.		6	MR18	M26	EX300		5-5	23	See Note	B3				4	6D6, 76, 42, 80	460	6-4
35	Vol. Tone		6	MR18	M26	EX300		5-5	23	See Note	B3				5	6C6, 6D6, 76, 42, 80	460	6-4
			22	MR33														
35 Late	Vol.		18	MR48				4-4	23	TCS71					5	6A7, 6D6, 75, 42, 80	460	7-1
35A	Vol.		6	MR18	M26	EX300		4-4	23	TCS71	B3				5	57, 58, 56, 2A5, 80	460	6-2
35H	Vol.		18	500M		See Note	A19	10	25	RS215					5	6A7, 6D6, 75, 41, 80	460	8-3
			12					12	25	RS215								
35J	Vol.		18	500M		See Note	A19	10	25	RS215					6	6A7, 6D6, 75, 41, 80, 6U5/6G5	460	
			12					12	25	RS215								
35L	Vol.		17	MR48				8-4	23	2S567					5	6A7, 6D6, 75, 41, 80	460	10-5
35LP	Vol.		17	MR48				8-4	23	2S567					5	6A7, 6D6, 75, 41, 80	460	
35M	Vol.		17	MR48				8-4	23	2S567					5	6A7, 6D6, 75, 41, 80	460	9-1
35N	Vol.		18	MR48				40-20	40	2N514					5	12SA7, 12SK7, 12Q7GT, 35L6GT, 35Z5GT	460	10-4
								20	13	TC47								
36	Vol.		15	MR48				4-4	23	TCS71	B3				6	2A7, 358, 55, 2A5, 80	460	6-3
40	Vol.		18	MRT430				8	12	TC42					4	1A7G, 1N5G, 1H5G, 1Q5G	460	10-2
40B	Vol.		18	MR48	M27			20-10-10-100	24	FP407	B211				5	1A7G, 1N5G, 1H5G, 1A5G, 117Z6G	460	11-2
41	Vol.		18	MRT430				8	12	TC42					4	1A7G, 1N5G, 1H5G, 1A5G	460	10-1
45M	Vol. Tone		6	MR18		EX175		8-8	23	TCS71	B3				5	6A8, 6K7, 6F5, 6F6, 5Z4	460	6-4
46	Vol. Tone		18	MR48	M26			8-4	23	2S567					5	6A7, 6D6, 75, 42, 80	460	7-2
			22	MR33														
46B	Vol.		17	500M		See Note	A19	12, 12	25	RS215					5	6A7, 6D6, 75, 41, 80	460	8-3
46D	Vol.		17	500M		See Note	A19	12, 12	25	RS215					6	6A7, 6D6, 75, 41, 80, 6G5	460	9-1
46DP	Vol.		18	500M		See Note	A19	12, 12	25	RS215					6	6A7, 6D6, 75, 42, 80, 6G5	460	9-2
46E	Vol.		17	500M		See Note	A19	12, 12	25	RS215					6	6A7, 6SK7, 75, 6AF6G, 41, 80	460	
46EP	Vol.		17	500M		See Note	A19	12, 12	25	RS215					6	6A7, 6SK7, 75, 42, 80, 6AF6G	460	
46G	Vol. Tone		124	MR48				12-12	23	2S569					6	6SA7, 6SK7, 75, 6AF6G, 41, 80	460	11-3
			†	MR57														
46H, 46HC	Vol. Tone		124	MR48				12-12	23	2S569					6	6SA7, 6SK7, 6SQ7, 6AF6G, 6K6GT, 5Y3G	460	11-4
			†	MR57														
46HP	Vol. Tone		124	MR48				12-12	23	2S569					6	6SA7, 6SK7, 6SQ7, 6AF6G, 6F6G, 5Y3G	460	11-4
			21	MR57														
46J	Vol. Tone		124	500M			A19	16	23	TC74					6	6SK7, 6SA7, 6SQ7, 6V6GT, 6X5GT	460	12-2
			†	MR57				8	23	TC71								
47M	Vol. Tone		45	MR48				8-8	25	TCS71					7	6K7, 6A8, 6H6, 6F5, 6F6, 5Z4	458	7-1
			22	MR33				8	13	TC71								
48	Vol. Tone		45	MR48				8-8	25	TCS71					7	6A8, 6K7, 6H6, 6E5, 6F6, 5Z4	458	7-3
			22	MR33				8	13	TC71								
48B, 48BC	Vol.		18	500M		See Note	A19	8, 8	25	RS213					7	6A8, 6K7, 6G5, 6H6, 6F6, 5Z4	460	9-2
								8	13	TC71								
48BP	Vol.		20	500M		See Note	A19	8	25	RS213					7	6A8, 6K7, 6U5, 6H6, 6F6, 5Z4, 610-10	460	
								16	25	RS216								
								8	13	TC71								
48D, 48DC, 48DK	Vol.		20	500M		See Note	A19	8-16	25/13	ST595	B8				8	6K8, 6SK7, 6AF6G, 76, 41, 80, 6AE6G	460	
48E, 48EP	Vol. Treble		140	500M			A19	8-8	25/1	3S584					8	6SA7, 6SK7, 6SQ7, 6AF6G, 6J5	460	11-5
	Bass		140	MR57				12	25	2N518								
			†	MR57						TC74								
48F	Vol. Treble		124	MR57			A19	12-8-8	25/1	TC74/2N518					8	6SA7, 6SK7, 6SQ7, 6AF6G, 6J5, 6V6GT, 5Y3G	460	11-5
	Bass		†	MR57														

† Data not substantiated.

\* IMPORTANT: Read Notes in Note Section if specified in Note Column.

‡ Indicates miscellaneous section.

MANUFACTURER AND MODEL	CONTROLS							CONDENSERS				VIBRATORS			No. Tubes	Complete Tube Complement	I. F. Peak	Rider's Reference
	Use	Original Part	Circuit	Correct Replacement	Switch	Bias	*Note	Original Part	Circuit	Correct Replacement	*Note	Original Part	Replacement	*Note				
PACKARD BELL CO 48FPA.....	Cont. Vol.	140	500M				A19	12-8-8	25/13	TC74/2N518					8	6SA7, 6SK7, 6SQ7, 6AF6G, 6J5, *6V6GT, 5Y3G	460	11-6
48H.....	Bass Vol.	124	MR57			See Note	A19	20-20	1	FP234	B117				8	*6SK7, 6SA7, 6SQ7, *6V6GT, 6X5GT	460	13-4
50 High Fidelity.....	Treble Vol.	18	MR57 MR48					16, 16- 8-8	30 30/13	RS216 2S567 2N509				10	*6K7, 6A8, 6R7, 6G5, *6L6, *5Z4 12SA7, 12SK7, 12SQ7, 35L6GT, 35Z5GT	460	8-1,2	
50P.....	Vol.	18	MR48	M26				20-20	1					5	1A7GT, 1N5GT, 1H5GT, 1Q5GT, 25Z6G	460	11-2	
56.....	Vol.	18	MR53	M27				100-20 500	76 78	FP357 TC1505	B117			5	1A7GT, 1N5GT, 1H5GT, 1Q5GT, 25Z6G	460	12-1	
57.....	Vol.	18	MR53	M27				100-20 500	40 78	FP357 TC1505	B117			6	*1N5GT, 1A7GT, 1H5GT, 1Q5GT, 25Z6G	460	12-4	
57A.....	Vol.	18	MR53	M27				100-20 500	40 78	FP357 TC1505	B117			6	*1N5GT, 1A7GT, 1H5GT, 1Q5GT, 117Z6G	460	12-4	
58.....	Vol. Bass	140	MR57			See Note	A19	16, 16- 8	4 13	RS216 TC71				8	6K8, 6SK7, 6SQ7, 6C5, *6V6G, 5U4G, 6AF6G	460	10-6	
58A.....	Treble Vol.	124	MR57				A19	16-16	4	RS216				8	6SA7, 6SK7, 6SQ7, 6AF6G, 6J5, *6V6GT, 5U4G	460	11-6	
65.....	Bass Treble Vol.	22	MR57					10	19	TC52				5	56, 57, 58, 2A5, 80	465	6-2	
65 (Auto).....	Tone Vol.	6	MR18	M26	EX300			4-4	23	TCS71	B3			5	6A7, 6D6, 75, 42, 84	460	7-4	
65A.....	Vol. Tone	21	MR44				A96	8-8	74	TCS71			294	C3	6A7, 6D6, 75, 42, 84	460	7-4	
65A.....	Vol. Tone	18	UM154				A19	16-8	23	3S584	B8			6	*6SK7, 6SA7, 6SQ7, 6K6GT, 6X5GT	460	12-2	
65AP.....	Vol. Tone	124	MR57			See Note	A19	16-8	4	3S584	B8			5	6SA7, 6SK7, 6SQ7, 6K6GT, 6X5GT	460	13-2	
66.....	Vol. Tone	20	MR57				A19	12, 12	25	RS215				6	6A7, *6D6, 76, 41, 80	460	9-3	
66D.....	Vol. Treble	124	500M				A19	16-8	23	3S584	B8			6	*6SK7, 6SA7, 6SQ7, 6V6GT, 6X5GT	460	12-5	
66DP.....	Bass Vol.	124	MR57				A19	16-8	23	3S584	B8			6	*6SK7, 6SA7, 6SQ7, 6V6GT, 6X5GT	460	12-5	
66DPA.....	Bass Treble Vol.	124	MR57				A19	16-8	4	3S584	B8			6	*6SK7, 6SA7, 6B8G, 6V6GT, 6X5GT	460	12-2	
66DR, 66DRC.....	Vol. Bass	21	MR57					6	13	TC52				6	*6SK7, 6SA7, 6B8G, 6V6GT, 6X5GT	460	13-5	
66DR, 66DRC.....	Vol. Bass	124	MR57			See Note	A19	16-8	4	3S584	B8			6	*6SK7, 6SA7, 6B8G, 6V6GT, 6X5GT	460	13-5	
67 (Auto).....	Treble Vol.	21	MR57				A96	8-8	4	TCS71			294	C3	*6K7, 6A8, 6H6, 6F6, 84	460	7-4	
67 (Auto).....	Vol. Tone	22	UM154 MR33				A96	8-8	4	TCS71			294	C3	*6K7, 6A8, 6H6, 6F6, 84	460	7-4	
67B, 67BA, 67BK, 67BKA, 67BPR, 67BPRDL, 67BR.....	Vol. Tone	18 34	MR48 MR57					16-8	25	3S584	B8			7	6SA7, 6SF7, 6SQ7, 6SK7, 6U5, 6V6GT, 6X5GT	456	13-6	
75.....	Vol.	18	500M			See Note	A19	8-8	74	TCS71			294	C3	6A8G, 6KT7G, 6Q7G, 6K6G, 6X5G	460	6-5	
76.....	Vol. Tone	18	M					.005	23	TC571	B14			6	2A7, 2B7, *57, 2A5, 80	465	6-5	
76 (Auto).....	Tone Supp. Vol.	21 12	Y250MP					4-4	23	TCS71	B3			6	2A7, 2B7, *57, 2A5, 80	465	6-5	
76 (Auto).....	Vol.	18	500M				A19	8-8	74	TCS71		600	859	C3	*6K7G, 6A8G, 6Q7G, 6K6G, 6X5G	460	8-4	
78.....	Vol.	18	UM154				A96	8-8	1	2N518		94	294	C3	*6K7, 6A8, 6Q7G, 6C5, *6K6G, 6X5G	460	9-4	
86.....	Vol. Tone	45	N					.005	23	TC571	B14			6	2A7, 2B7, *57, 2A5, 80	465	6-6	
86.....	Tone Supp. Vol.	21	M					4-4	23	TC571	B3			6	2A7, 2B7, *57, 2A5, 80	465	6-6	
88, 88P, 88PA.....	Vol. Tone	18	500M			See Note	A19	20-20	1	TCD75				8	6SA7, *6SK7, 6SQ7, *6V6GT, 6X5GT	456	13-6	
120.....	Vol. Tone	44	MR57				A19	16, 16- 8	13	ST597 TC62				11	*6K7, 6A8, 6H6, 6F5, *6C5, *6F6, *5W4	460	8-1,2	
120AB.....	Vol.	45	500M			See Note	A19	16, 16- 8	13	RS216 TC62				12	*6K7, 6K8, 6H6, 6F5, *6C5, *6F6, *5Z4, 6U5	460	9-3	
120D, 120DR.....	Vol. Treble	124	500M				A19	20	1	FP144				12	*6SK7, 6AF6, 6K8, *6J5GT, *6V6GT, *6X5GT	460	12-6	
120ER.....	Bass Vol.	124	MR57			See Note	A3	20-10	1/13	FP234				12	*6SK7, *6SA7, 6SQ7, 6AF6G, 6J5GT, 6U5, *6V6GT, 5Y3G	460	13-7	
120ER.....	Vol. Bass	124	MR57					20-10	46	FP144				12	*6SK7, *6SA7, 6SQ7, 6AF6G, 6J5GT, 6U5, *6V6GT, 5Y3G	460	13-7	
130PR.....	Treble Vol.	124	MR48			See Note	A19	20, 20	46	TC75				13	*6SK7, 6SA7, 6AF6, *6SQ7, 6SR7, 6J5, 6U5, *6V6GT, 5Y3G	456	13-8	
130PR.....	Bass Treble	124	MR57					10	46	TC72				13	*6SK7, 6SA7, 6AF6, *6SQ7, 6SR7, 6J5, 6U5, *6V6GT, 5Y3G	456	13-8	

‡ Data not substantiated.

\* IMPORTANT: Read Notes in Note Section if specified in Note Column.

§ Indicates miscellaneous section.

FREE MALLORY VIBRATOR REPLACEMENT GUIDE... SEE YOUR DISTRIBUTOR.

MANUFACTURER AND MODEL	CONTROLS							CONDENSERS				VIBRATORS			No. Tubes	Complete Tube Complement	I. F. Peak	Rider's Reference
	Use	Original Part	Circuit	Correct Replacement	Switch	Bias	*Note	Original Part	Circuit	Correct Replacement	*Note	Original Part	Replacement	*Note				
PACKARD BELL CO.	Continued																	
160	Vol.		20	500M.		See Note A19	16, 16	1	RS216					16	6K7, 6A8, 6U5, 6J7, 6B8, 6H6, 6F5, 6J5, 6F6, 5W4	460		
261	Vol.		172	MR48	M26		10	15	TC22					2	50B5, 35W4			
471	Vol.	25005A	18	MR57			8	13	RS213					4	1R5, 1T4, 1S5, 3V4, D. R.	455		
551, 551-D, 556	Vol.	25003A	18	MR48	M26		24007A	24/15	FP304					5	6SA7, 6SK7, 6SQ7, 6K6GT, 6X5GT	455	15-3,4	
561, 563	Vol.	25011	161	MR48	M26		24040	78	TC2501					5	6SA7, 6SK7, 6SQ7, 6K6GT, 6X5GT/G	455	15-5,6	
566	Vol.	25003A	18	MR48	M26		24004B	74	TC78					5	6SA7, 6SK7, 6SQ7, 6K6GT, 6X5GT	455	15-9,10	
568	Vol.	25001	228	MR48	M26		24003	74	TC65					5	12BE6, 12BA6, 12AT6, 50B5, 35W4	455	16-3,4	
571, 572	Vol.		18	MR48	M26		24011	74	TC78					5	12BE6, 12BA6, 12AT6, 50B5, 35W4	455		
651	Vol.	25003A	18	MR48	M26		24012	74	TC65					5	12BE6, 12BA6, 12AT6, 50B5, 35W4	455		
661	Vol.	25003B	161	MR48	M26		24004B	74	TC78					6	6SK7, 6SA7, 6SQ7, 6K6GT, 6X5GT	455	15-11,12	
	Tone	25005A	143	MR57			24003	24	TC75					6	6SG7, 6SA7, 6SK7, 6SQ7, 6V6GT, 5Y3GT	455	15-10,15	
662	Vol.	25010B	258	TM240	M26		24003	74	TC75					6	6SK7, 6SA7, 6SQ7, 6V6GT, 5Y3GT	455	15-41,43	
	Tone	25506B	258	MR57			24003	74	TC65					7	6SK7, 6SA7, 6SQ7, 6K6GT, 6X5GT, 5Y3GT	455		
771	Vol.	25003	18	Order from	Mfr.			128	TC75					8	6SK7GT, 6SA7, 6SK7, 6H6, 6SF7, 6SQ7, 6V6GT, 5Y3GT/G	455		
	Tone	25509	264	MR57					TC65					10	6SK7, 6SA7, 6SF7, 6H6, 6SQ7, 6V6GT, 5Y3GT	455	15-16,25	
861	Vol.	25010B	259	MRT440	M26		24001	12	TC75					10	6SK7, 6SA7, 6SF7, 6H6, 6SQ7, 6V6GT, 5Y3GT	455	15-29,40	
	Tone	25506B	259	Order from	Mfr.		24003	24	TC65					10	6SK7, 6SA7, 6SF7, 6H6, 6SQ7, 6V6GT, 5Y3GT	455		
1054B	Vol.	25500A	185	Order from	Mfr.		24001	12	TC75					10	6SK7, 6SA7, 6SF7, 6H6, 6SQ7, 6V6GT, 5Y3GT	455		
	Tone	25002A	185	MR57	M26		24001	13	TC75					10	6SK7, 6SA7, 6SF7, 6H6, 6SQ7, 6V6GT, 5Y3GT	455		
1052, 1052A	Vol.	25800	191	UM156-SS12			24002	13	TC72					10	6SK7, 6SA7, 6SF7, 6H6, 6SQ7, 6V6GT, 5Y3GT	455	15-16,25	
	Tone	25500A	185	Order from	Mfr.		24002	13	TC72					10	6SK7, 6SA7, 6SF7, 6H6, 6SQ7, 6V6GT, 5Y3GT	455		
	Mixer Control	25002A	185	MR57	M26		24001	13	TC75					10	6SK7, 6SA7, 6SF7, 6H6, 6SQ7, 6V6GT, 5Y3GT	455	15-29,40	
1054	Vol.	25800	191	UM156-SS12			24001	13	TC75					10	6SK7, 6SA7, 6SF7, 6H6, 6SQ7, 6V6GT, 5Y3GT	455		
	Tone	25500A	185	Order from	Mfr.		24002	13	TC72					10	6SK7, 6SA7, 6SF7, 6H6, 6SQ7, 6V6GT, 5Y3GT	455		
	Mixer Control	25002A	185	MR57	M26		24001	12	TC75					10	6SK7, 6SA7, 6SF7, 6H6, 6SQ7, 6V6GT, 5Y3GT	455		
1063	Vol.	25800	191	UM156-SS12			24001	13	TC75					10	6SK7, 6SA7, 6SF7, 6H6, 6SQ7, 6V6GT, 5Y3GT	455		
	Tone	25500A	185	Order from	Mfr.		24001	12	TC75					10	6SK7, 6SA7, 6SF7, 6H6, 6SQ7, 6V6GT, 5Y3GT	455		
	Mixer Control	25002A	185	MR57	M26		24001	13	TC75					10	6SK7, 6SA7, 6SF7, 6H6, 6SQ7, 6V6GT, 5Y3GT	455		
C-1362	Vol.	25800	191	UM156-SS12			24002	13	TC72					3	6SQ7GT, 6V6GT, 6X5GT			
	Tone	25007	165	MR48	M26		24001	12	TC75					4	1S5, 3Q4, 50B5, 35W4			
	Mixer Control	25002A	185	MR57	M26		24001	13	TC75					4				
C-1451, C-1461	Vol.	25004-A	194	MR48	M26		24002	13	TC72					4				
	Tone	25005-A	158	MR57			24006	15	TC26					4				
							24007A	24/15	FP304									
PACKARD RADIO CO.	CO.																	
4 tube Superhet	Vol.		22	MR18		See Note A5	4-4	23	See Note	B3				4	57, 47, 80	235	3-1	
4	Vol.		22	MR18	M26		4-4	23	TCS71	B3				4	57, 47, 80	470	4-1	
5 Auto Set	Vol.		11	MR44			5	19	TC31					5	55, 57, 58, 47	465	3-1	
6 tube Auto	Vol.		18	UM147		See Note A96	4-4	1	2N518	B14		294	C3	6	6D6, 6A7, 75, 41, 84	470	4-2	
11, 13	Vol.		6	G7	6		4-4	23	TCS71	B3				4	58, 57, 2A5, 80	235	4-1	
24, 24C	Vol.		22	MR18	M26		4-4	23	TCS71	B3				4	57, 47, 80	470	4-1	
85	Vol.		6	MR44			4-4	23	TCS71	B3				5	55, 57, 58, 47 or 2A5, 80	470	4-2	
	Tone		22	MR44														
PARAMOUNT RADIO CO.	CO.																	
Laurel Tone	Vol.		6	G7		2	7-7	1	2N518					4	57, 58, 47, 80		5-14	
5M-17	Vol.	B16970	6	MR33	M26		10	19	TC22					4	6D6, 6C6, 43, 25Z5			
6M-27	Vol.	B17010	17	MR53			B16973	27	RS207					5	6A8G, 6K7G, 6Q7G, 25B6G, 25Z6G	456		
6U-107, 6L-137, 6C-607	Vol.	B17047	17	MR44	M26		B17042	27	RS207					6	6A8G, 6K7G, 6Q7G, 6G5, 6K6G, 5Y3	456		
	Tone	B16542-2	18	MR53	M26		B17041-3	4	FP115					7	6L7G, 6C5G, 6K7G, 6Q7G, 6G5, 6F6G, 5Y3	456		
	Tone	B16540-2	34	MR42			B17197	4	FP115									
7U-117, 7L-147, 7C-707	Vol.	B16542-2	18	MR53	M26		B16466	4	RS216									
	Tone	B16540-2	34	MR42			B16467-2	4	HD684									
							B16466	4	RS216									
							B16467-2	4	HD684									

† Data not substantiated.

\* IMPORTANT: Read Notes in Note Section if specified in Note Column.  
USE MALLORY CAPACITORS—STANDARD OF THE INDUSTRY.

‡ Indicates miscellaneous section.

MANUFACTURER AND MODEL	CONTROLS							CONDENSERS				VIBRATORS			No. Tubes	Complete Tube Complement	I. F. Peak	Rider's Reference
	Use	Original Part	Circuit	Correct Replacement	Switch	Bias	*Note	Original Part	Circuit	Correct Replacement	*Note	Original Part	Replacement	*Note				
PARAMOUNT RADIO 8C-807.....	CO.—	Continued																
	Vol. Tone	B16542-2... B16540-2...	18 44	MR53 MR42	M26			A15236-3 A15237-3	25 25	RS223 RS215					8	6A8G, 6K7G, 6Q7G, 6G5, 6C5G, 6F6G, 5Y3	456	
	8U-127.....	Vol. Tone	B16542-2... B16539-2...	18 44	MR53 Order from	M26 Mfr.			A15236-3 A15237-2	25 25	RS223 RS215				8	6A8G, 6K7G, 6Q7G, 6G5, 6C5G, 6F6G, 5Y3	456	
10C-1007.....	Vol. Tone	B16553-2... B16540-2...	17 22	MRT448 MR42	M26			B16554-2 B15427 B16551	1 1 15	RS223 RS216 TN111				10	6K7G, 6L7G, 6C5G, 6Q7G, 6G5, 6F6G, 5Z3	456		
PARKER McCRORY BA41.....	Vol.		45	MR48	M26			8-8 .01-.01 P2602	1 19	2N518 Buffer TC47	B14	P402	245C	C3	6	1C6, 34, 30, 32, 33	456 12-7	
4A (1939).....	Vol.	P2600	18	MK401	M27			P2602	19	TC26					4	1A7G, 1N5G, 1H5G, 1C5G	456 12-1,2	
4A (1940).....	Vol.	P2600	18	MK401	M27			P2602	19	TC26					4	1A7G, 1N5G, 1H5G, 1Q5G	456 12-1,2	
4J.....	Vol.	P3317	18	MK401	M27			P3024	12	TC42					4	1A7G, 1N5G, 1H5G, 1Q5G	455 12-3	
5DB (775,001 and up).....	Vol. Tone		17 22	MR48 MR39	M26			10-20 5 .01	1 15	TC22 TC22 Buffer	B14		245C	C3	4	1C6, 34, 1B5, 38	456 13-1	
6C (1939 Masterpiece).....	Vol. Tone	P2848 P2849	18 34	Order from UM140-SS25	Mfr. M27			8-8-5 .015	1/15	2N516/TC22 Buffer	B14		859	C3	6	6L5G, 6D8G, 6S7G, 6T7G, 6G6G, 6ZY5G	456 12-1,2	
6D.....	Vol.	P2271	18	Order from	Mfr.			8-8-5 .015	1/15	2N516/TC22 Buffer	B14		859	C3	6	6D8G, 6S7G, 6T7G, 6G6G, 6L5G, 6ZY5G	455 12-5,6	
7C.....	Vol. Tone	P3335 P3337	18 22	MK401 MK401	M26			10-10	1	FP231					7	6A7, 6D6, 75, 76, 41, 80	455 12-3,4	
7H.....	Vol. Tone	P3335 P3337	18 22	MK401 MK401	M26			P3419	1	FP231					7	6A7, 6D6, 75, 76, 41, 80	455 12-4,5	
400.....	Vol.		18	500M		A3		8-8 12 .0075	1 15	2N516 TC22 Buffer	B14			C8	4	6A7, 34, 1B5, 41	456 12-8	
525.....	Vol.		18	MR48				8-8 .005	1	2N516 Buffer	B14		See Note	C8	5	1C6, 1A4, 75, 30, 19	456 13-2	
590 Victory.....	Vol.		75	UM154	M26	A96									5	1A6, 1A4, 30, 1B4, 1F4	465 15-12	
630.....	Vol.		18	MR48				12 8	1 1	RS215 RS213					8	6A7, 6D6, 85, 76, 6V6G, 80	456 12-7	
680.....	Vol.		18	MR48				8-8 5	1 15	2N518 TC22 Buffer	B14		859	C3	7	6D8G, 6S7G, 6T7G, 6L5G, 6Z7G, 6ZY5G	456 13-3	
733.....	Vol.		45	MR48				8-8 .005	1	2N516 Buffer	B14		245C	C3	7	1C6, 34, 30, 19	456 13-4,2	
PATHE P5.....	Vol. Tone		75 22	MR48 MR48	M26			25 16	1 1	ST598 ST597					6	6K8GT, 6K7GT, 6H4GT, 12SJ7GT, 6V6GT, 6X5G	455 11-1	
23X.....	Vol.		7	MR28	M26			30-20	24	2N514					4	12K7GT, 12J7GT, 35L6GT, 35Z5GT	11-2	
38T.....	Vol.		18	MR48	M27			8	12	TC42					4	1A7G, 1N5G, 1H5G, 1Q5G	455 11-3	
39T.....	Vol.		18	MR48	M27			8	12	TC42					4	1A7G, 1N5G, 1H5G, 1Q5G	455 12-2	
40T.....	Vol.		18	MR48	M27			8	12	TC42					4	1A7G, 1N5G, 1H5G, 1C5G	455 11-3	
41P.....	Vol.		18	MR48	M27			70-24 100	24 78	See Note TC2501	B3				5	1A7G, 1N5G, 4H5G, 1A5G, 35Z5GT	455 12-1	
52.....	Vol.		18	MR48	M26			30-18	1	2N514					5	6A7, 6D6, 75, 25L6G, 25Z5, M49HG	455 11-3	
54.....	Vol.		18	MR48	M26			30-18	1	2N514					5	6A7, 6D6, 75, 25L6G, 25Z5	455 11-4	
102.....	Vol. Tone		18 21	MR48 MR48	M26			38-18 40	1 12	2N514 TC48					8	6A7, 6D6, 75, 76, 25L6G, 25Z5	455 12-3	
109T.....	Vol. Tone		7 50	MR28 MR44	M26 M28			40 30	24 24	TC48 TC47					5	12K7GT, 12J5GT, 12F5GT, 35L6GT, 35Z5GT	12-4	
114C.....	Vol. Tone		106 106	MR48 MR48	M26			20 16	1 1	ST598 ST597					6	6A8G, 6K7G, 6H6G, 6F5G, 6V6G, 6X5G	455 11-2	
140.....	Vol.		18	MR48	M26			40 30	24 24	TC48 TC47					5	12A8GT, 12K7GT, 12Q7GT, 35L6GT, 35Z5GT	455 12-4	
201.....	Vol. Tone		106 106	MR48 MR48	M26			40-20	1	2N514					5	6K8G, 6D6, 75, 25L6G, 25Z5	455 12-3	
240.....	Vol.		18	MR48	M26			40 30	24 24	TC48 TC47					5	12A8GT, 12K7GT, 12Q7GT, 35L6GT, 35Z5GT	455 12-4	

‡ Data not substantiated.

\* IMPORTANT: Read Notes in Note Section if specified in Note Column.

§ Indicates miscellaneous section.

WHEN YOU BUY JACK SWITCHES BUY MALLORY.

MANUFACTURER AND MODEL	CONTROLS							CONDENSERS				VIBRATORS			No. Tubes	Complete Tube Complement	I. F. Peak	Rider's Reference
	Use	Original Part	Circuit	Correct Replacement	Switch	Bias	*Note	Original Part	Circuit	Correct Replacement	*Note	Original Part	Replacement	*Note				
PATHE—Continued																		
340	Vol.		75	MR48	M26			40	24	TC48					6	12A8GT, 12K7GT, 6H4GT, 12F5GT, 35L6GT, 35Z5GT	455	12-2
342P	Vol.		18	MR48	M27			70-24	24	See Note	B3				5	1A7G, 1N5G, 1H5G, 1A5G, 35Z5GT	455	12-1
440	Vol. Tone		18	MR48	M26			100	78	TC2501					6	12A8GT, 12K7GT, 6H4GT, 12F5GT, 35L6GT, 35Z5GT	455	§13-3
500P	Vol. Tone		22	MR48				40-30	24	FP214					6	6K8GT, 6K7GT, 6H4GT, 12SJ7GT, 6V6GT, 6X5G	455	11-1
740	Vol.		18	MR48	M26			25	1	ST598					6	12A8GT, 12K7GT, 6H4GT, 12F5GT, 35L6GT, 35Z5GT	455	§13-3,4
740	Vol.		18	MR48	M26			16	1	ST597					6	12A8GT, 12K7GT, 6H4GT, 12F5GT, 35L6GT, 35Z5GT	455	§13-3,4
740	Vol.		18	MR48	M26			40-30	24	2N511					6	12A8GT, 12K7GT, 6H4GT, 12F5GT, 35L6GT, 35Z5GT	455	§13-3,4
PATTERSON RADIO CO.																		
Pre-Selector	Vol.		6	D12											2	58		5-1
PR10	Vol.		15	MR48	M26			8, 8	35	RS213					10	55, 56, 57, 58, 59, 5Z3	467.5	5-2
	M. Vol.		7	D12	6-9			10	15	TC22								
	Sen. Meter		1	C1MP														
	Meter		1	C1MP														
PR15	Vol.		127	MR48				16, 16	1	RS216					15	6K7, 6A8, 6K6G, 6L7, 6Q7, 6H6, 6N7, 6J7, 6C5, 6V6G, 5X4G	458	
	Tone		76	MR48	M26			8	13	RS213								
	Sen. Meter		1	UC500				25	15	TC26								
	Man. Vol.		1	C200P														
	Vol.		8	MR28														
PR16	Vol.		15	MR48	M26			16, 16, 16	4	RS216					16	7G, 6A6, 6A3, 6F7, 6C6, 6D6, 5Z3	458	6-1
	Tone		21	MR33				8	13	RS213								
	M. Vol.		15	MR48	M26			10	15	TC22								
	Sil. Meter		1	UC500														
	Vol.		15	MR48	M26			16, 16, 16	1	RS216					16	6D6, 6C6, 7G, 75, 6A6, 42, 5Z3	458	7-1,4
PR16 Series C	Vol.		15	MR48	M26			8	13	RS213								
	Tone		149	MR39				4	14	RS213								
	Sen.		8	MR28														
	I.F. Gain		1	MR28														
	Meter		7	C1MP														
50AW	Vol.		83	MR48	M26			8-8	1	See Note	B3				8	55, 56, 57, 58, 59, 5Z3	262.5	4-2
	Tone		22	MR42														
	Sen.		8	UC500														
60 Series	Vol.		15	MR48	M26			8-8	1	See Note	B3				6	2A7, 58, 55, 2A5, 80	465	5-1
	Tone		22	MR42				10	15	TC22								
70AW (without rear fuse and cover)	Vol.		15	MR48	M26			8-8	1	See Note	B3				7	56, 57, 58, 55, 59, 82	262	3-1
	Tone		34	MR42				10	15	TC22								
70AW, 74AW (with rear fuse and cover)	Vol.		15	MR48	M26			8-8	35	See Note	B3				7	56, 57, 58, 55, 59, 82	262	4-1
	Tone		22	MR42				10	15	TC22								
75AW	Vol.		15	MR53				16	1	RS216					7	6A7, 6D6, 6B7, 6A6, 42, 80	458	8-1
	Tone		147	MR44				8	1	RS213								
	Sen.		7			See Note	A5	10	15	TC22								
75AWA	Vol.		114	MR48	M26			16	1	RS216					7	6A7, 6D6, 6B7, 6A6, 42, 80	458	8-3,4
	Tone		114	MR33				8	1	RS213								
78B, 79B (Chassis 77B, 77BA)	Vol.		76	MR48				8-8	1	2N518		245	C3	7	6S7, 6A8, 6B8, 6G5, 6K6	465	9-1	
	Tone		76	MR48	M26			.0075	1	Buffer	B14							
	Sen.		7	C1MP														
80AW, 84AW	Vol.		83	MR48	M26			8-8	1	See Note	B3				8	55, 56, 57, 58, 59, 5Z3	262	4-2
	Tone		22	MR42														
	Sen.		8	UC500														
80B (Chassis 77B, 77BA)	Vol.		76	MR48	M26			8-8	1	2N518		245	C3	7	6S7, 6A8, 6B8, 6G5, 6K6	465	9-1	
	Tone		76	MR48				.0075	1	Buffer	B14							
	Sen.		7	C1MP														
85AW	Vol.		18	MR48	M26			8-8	1	2N518					8	6D6, 6A7, 75 or 85, 42, 5Z3	432	8-5,6
	Tone		149	MR33				8	14	RS216								
85AWA	Vol.		15	MR48	M26			16	1	RS216					8	6A7, 6D6, 85, 6A6, 42, 80	458	8-3,4
	Tone		22	MR33				8	1	RS213								
								10	15	TC22								
86AW	Vol.	750	15			See Note	A19	16	4	RS216					8	6A7, 6B7, 6A6, 6D6, 42, 5Z3	458	6-3
	Tone	751	21	MR33				10	15	TC22								
	Sil.	752	7	UC500														
87, 87A	Vol.		124	MR48				16, 16	1	RS216					8	6K7, 6A8, 6Q7, 6G5, 6F6, 5X3	465	8-7,8
	Tone		124	MR48	M26			10	15	TC22								
88, 89 (Chassis 87)	Vol.		124	MR48				16, 16	1	RS216					8	6K7, 6A8, 6Q7, 6G5, 6F6, 5X3	465	8-7
	Tone		124	MR48	M26			10	15	TC22								
	Sen.		124	C1MP														
90 (Chassis 87A)	Vol.		124	MR48				16, 16	1	RS216					8	6K7, 6A8, 6Q7, 6G5, 6F6, 5X3	465	8-7
	Tone		124	MR48	M26			10	15	TC22								
	Sen.		7	C1MP														

‡ Data not substantiated.

\* IMPORTANT: Read Notes in Note Section if specified in Note Column.

§ Indicates miscellaneous section.

12 BASIC MALLORY VIBRATORS MEET 90% OF YOUR REPLACEMENT NEEDS.

MANUFACTURER AND MODEL	CONTROLS							CONDENSERS				VIBRATORS			No. Tubes	Complete Tube Complement	I. F. Peak	Rider's Reference
	Use	Original Part	Circuit	Correct Replacement	Switch	Bias	*Note	Original Part	Circuit	Correct Replacement	*Note	Original Part	Replacement	*Note				
PATTERSON RADIO CO.—	Continued																	
104AW (46 power tubes)	Vol.		15	MR48	M26			4-8-4	3	See Note	B3				10	55, 56, 57, 58, 46, 83	262	4-3
104AW (59 power tubes)	Vol.		15	MR48	M26			8-8	35	See Note	B3				10	55, 56, 57, 58, 59, 82	262	4-4
	Tone		22	MR42				4	19	TC40								
	Supp.		1	MR42														
105AW	Vol.		45	MRT430	M26			8	7	RS213				10	6D6, 6A7, 85, 76, 42, 5Z3	432	8-2	
	Tone		22	MR33				8-8	7	2N518								
	Sil.		48	CIMP				5	15	TC22								
106AW	Vol.		15	MR48	M26			16	4	RS216				10	6A6, 6A7, 6D6, 76, 6C6, 42, 5Z3	458	6-3	
	Tone		21	MR33				10	15	TC22								
	Sil.		7	UC500														
107, 107A	Vol.		124	MR48				16, 16	1	RS216				10	6K7, 6L7, 6Q7, 6G5, 6F6, 5X3	465	8-7,8	
	Tone		1	MR48	M26													
107AW (without rear fuse and cover)	Vol.		15	MR48	M26			8-4	1	See Note	B3			7	57, 58, 56, 55-Wunderlich, 59, 82	262	3-1	
	Tone		22	MR42				10	15	TC22								
108, 109 (Chassis 107)	Vol.		124	MR48				16, 16	1	RS216				10	6K7, 6L7, 6Q7, 6G5, 6F6, 5X3	465	8-7	
	Tone		1	MR48	M26													
110 (Chassis 107A)	Vol.		124	MR48				16, 16	1	RS216				10	6K7, 6L7, 6Q7, 6G5, 6F6, 5X3	465	8-7	
	Tone		1	MR48	M26													
111	Vol.		124	MR48				16, 16	1	RS216				8	6K7, 6A8, 6Q7, 6G5, 6F6, 5X3	465	8-7	
	Tone		1	MR48	M26													
126AW	Vol.		15	MR48	M26			16	4	RS216				12	6D6, 6A7, 6C6, 76, 6A6, 6A3, 5Z3	458	6-3	
	Tone		21	MR33				10	19	TC32								
	Sil.		7	UC500														
127, 127A	Vol.		124	MR48				16, 16	1	RS216				12	6K7, 6L7, 6Q7, 6C5, 6G5, 6F6, 5X4	465	8-7,8	
	Tone		1	Y1000MP														
	Sen.		7	UC500														
128 (Chassis 127)	Vol.		124	MR48				16, 16	1	RS216				12	6K7, 6L7, 6Q7, 6C5, 6G5, 6F6, 5X4	465	8-7	
	Tone		1	Y1000MP														
	Sen.		7	UC500														
128 (Chassis 228, 428)	Vol.		76	MR48				16	1	RS216				12	6A8, 6K7, 6H6, 6U5, 6C5, 6F6, 6K6G, 5Y3	465	9-2	
	Tone		76	MR48	M26			8	1	RS213								
129 (Chassis 127A)	Vol.		124	MR48				16-16	1	RS216				12	6K7, 6L7, 6Q7, 6C5, 6G5, 6F6, 5X4	465	8-7	
	Tone		1	Y1000MP														
	Sen.		7	UC500														
130	Vol.		124	MR48				16, 16	1	RS216				8	6K7, 6A8, 6Q7, 6G5, 6F6, 5X3	465	8-7	
	Tone		1	MR48	M26			10	15	TC22								
168	Vol.		76	MR48	M26			8-8	1	2N518			245	C3	6	6K7, 6A8, 6B8, 6G5, 6V6G	465	9-3
	Tone		76	MR48				.0075		Buffer	B14							
175AW	Vol.		15	MR53				16	1	RS216				7	6A7, 6D6, 6B7, 6A6, 42, 80	458	8-1	
	Tone		147	MR44				8	1	RS213								
								10	15	TC22								
175AWA	Vol.		114	MR48	M26			16	1	RS216				7	6A7, 6D6, 6B7, 6A6, 42, 80	458	8-3	
	Tone		114	MR33				8	1	RS213								
185AW	Vol.		18	MR48	M26			8-8	1	2N518				8	6D6, 6A7, 75, 42, 5Z3	432	8-5	
	Tone		149	MR33				8	14	RS213								
185AWA	Vol.		15	MR48	M26			16	1	RS216				8	6A7, 6D6, 85, 6A6, 42, 80	458	8-3	
	Tone		22	MR33				8	1	RS213								
								10	15	TC22								
186AW	Vol.		15	MRT427	M26			16	4	RS216				8	6A7, 6B7, 6A6, 6D6, 42, 5Z3	458	6-2,4	
	Tone		21	MR33				10	19	TC32								
	Sil.		7	UC500														
198	Vol.		76	MR48	M26			8-8	1	2N518				9	6K7, 6A8, 6G5, 6V6G, 6H6, 6N7, 5Y3	465	9-3	
	Tone		76	MR48														
207AW, 210AW (without rear fuse and cover)	Vol.		15	MR48	M26			8-4	1	See Note	B3			7	55, 56, 57, 58, 59, 82	262	3-1	
	Tone		22	MR42				10	15	TC22								
208	Vol.		76	MR48				16, 16	1	RS216				8	6K7, 6A8, 6B8, 6E5, 6V6, 5Y3	465	9-4	
	Tone		76	MR48	M26			10, 10	15	TC22								
	Vol.		76	MR48				16, 16	1	RS216				12	6K7, 6A8, 6K6, 6E5, 6Q7, 6C5, 6J7, 6A8, 5Y3	465	9-4	
	Tone		76	MR48	M26			25	15	TC22								
								10	15	TC22								
Chassis 228	Vol.		76	MR48				16	1	RS216				12	6A8, 6K7, 6H6, 6U5, 6C5, 6F6, 5Y3, 6K6G	465	9-2	
	Tone		76	MR48	M26			8	1	RS213								
268	Vol.		76	MR48	M26			8-8	1	2N518			245	C3	6	6K7, 6A8, 6B8, 6G5, 6V6G	465	9-3
	Tone		76	MR48				.0075		Buffer	B14							
275AW	Vol.		15	MR53				16	1	RS216				7	6A7, 6D6, 6B7, 6A6, 42, 80	458	8-1	
	Tone		147	MR44				8	1	RS213								
								10	15	TC22								
275AWA	Vol.		114	MR48	M26			16	1	RS216				7	6A7, 6D6, 6B7, 6A6, 42, 80	458	8-3	
	Tone		114	MR33				8	1	RS213								
285AW	Vol.		18	MR48	M26			8-8	1	2N518				8	6D6, 6A7, 75, 42, 5Z3	432	8-5	
	Tone		149	MR33				8	14	RS213								

‡ Data not substantiated.

\* IMPORTANT: Read Notes in Note Section if specified in Note Column.  
THERE'S A PLACE FOR A MALLORY NOISE FILTER IN EVERY HOME.

§ Indicates miscellaneous section.

MANUFACTURER AND MODEL	CONTROLS							CONDENSERS				VIBRATORS			No. Tubes	Complete Tube Complement	I. F. Peak	Rider's Reference	
	Use	Original Part	Circuit	Correct Replacement	Switch	Bias	*Note	Original Part	Circuit	Correct Replacement	*Note	Original Part	Replacement	*Note					
PATTERSON RADIO CO. 285AWA	Continued		15	MR48	M26			16	1	RS216					8	6A7, 6D6, 85, 6A6, 742, 80	458	8-3	
	Vol. Tone		22	MR33				8	1	RS213									
								10	15	TC22									
286AW	Vol. Tone		15	MRT427	M26			16	4	RS216					8	6A7, 6A6, 6B7, 6D6, 742, 5Z3	458	6-2,4	
	Sil.		21	MR33				10	4	TC32									
	Vol. Tone		7	UC500															
298	Vol. Tone		76	MR48	M26			8-8	1	2N518					9	6K7, 6A8, 6G5, 6V6G, 6H6, 6N7, 5Y3	465	9-3	
	Vol. Tone		76	MR48				16, 16	1	RS216					8	6K7, 6A8, 6B8, 6E5, 6V6, 5Y3	465	9-4	
	Vol. Tone		76	MR48	M26			10, 10	15	TC22									
	Vol. Tone		76	MR48				16, 16	1	RS216					12	6K7, 6A8, 6K6, 6E5, 6Q7, 6C5, 6J7, 6V6, 5Y3	465	9-4	
	Vol. Tone		76	MR48	M26			25	15	TC26					7	6A7, 6D6, 6B7, 6A6, 742, 80	458	8-1	
	Vol. Tone		76	MR48				10	15	TC22									
375AW	Vol. Tone		15	MR53				16	1	RS216									
	Vol. Tone		147	MR44				8	1	RS213									
	Vol. Tone							10	15	TC22									
375AWA	Vol. Tone		114	MR48	M26			16	1	RS216					7	6A7, 6D6, 6B7, 6A6, 742, 80	458	8-3	
	Vol. Tone		114	MR33				8	1	RS213									
	Vol. Tone		18	MR48	M26			8-8	1	2N518					8	6D6, 6A7, 75, 742, 5Z3	432	8-5	
385AW	Vol. Tone		149	MR33				8	14	RS213									
	Vol. Tone		15	MR48	M26			16	1	RS216					8	6A7, 6D6, 85, 6A6, 742, 80	458	8-3	
	Vol. Tone		22	MR33				8	1	RS213									
	Vol. Tone							10	15	TC22									
386AW	Vol. Tone		15	MRT427	M26			16	4	RS216					6	6A6, 6A7, 6B7, 6D6, 42, 5Z3	458	6-3	
	Vol. Tone		21	MR33				10	19	TC32									
	Sil.		7	UC500															
408	Vol. Tone		76	MR48				16, 16	1	RS216					8	6K7, 6A8, 6B8, 6E5, 6V6, 5Y3	465	9-4	
	Vol. Tone		76	MR48	M26			10, 10	15	TC22									
	Vol. Tone		76	MR48				16, 16	1	RS216					12	6K7, 6A8, 6K6, 6E5, 6Q7, 6C5, 6J7, 6V6, 5Y3	465	9-4	
	Vol. Tone		76	MR48	M26			25	15	TC26									
	Vol. Tone		76	MR48				10	15	TC22									
428	Vol. Tone		76	MR48	M26			16	1	RS216					12	6A8, 6K7, 6H6, 6U5, 6C5, 6F6, 5Y3, 6K6G	465	9-2	
	Vol. Tone		76	MR48				8	1	RS213									
507AW (with rear fuse and cover)	Vol. Tone		15	MR48	M26			8-8	35	See Note	B3				7	55, 56, 57, 58, 59, 82	262	4-1	
	Vol. Tone		22	MR42				10	15	TC22									
508AW	Vol. Tone		83	MR48	M26			8-8	1	See Note	B3				8	55, 56, 57, 58, 59, 5Z3	262	4-2	
	Vol. Tone		22	MR42															
	Vol. Sen.		8	UC500															
510AW (46 power tube)	Vol.		15	MR48	M26			4-8-4	3	See Note	B3				10	55, 56, 57, 58, 46, 82	262	4-3	
510AW (59 power tubes)	Vol. Tone		15	MR48	M26			8-8	35	See Note	B3				10	55, 56, 57, 58, 59, 82	262	4-4	
	Vol. Supp.		22	MR42				4	19	TC40									
	Vol. Tone		45	MRT430	M26														
1105AW	Vol. Tone		22	MR33				8	7	RS213					10	6D6, 6A7, 85, 76, 742, 5Z3	432	8-2	
	Sil.		48	CIMP				8-8	7	2N518									
1106AW	Vol. Tone		15	MR48	M26			5	15	TC22					10	6A6, 6A7, 6D6, 76, 6C6, 742, 5Z3	458	6-2,4	
	Vol. Tone		21	MR33				16	4	RS216									
	Sil.		7	UC500				10	19	TC32									
1126AW	Vol. Tone		15	MR48	M26			16	4	RS216					12	6A6, 6A7, 6C6, 6D6, 76, 6A3, 5Z3, 76	458	6-2,4	
	Vol. Tone		21	MR33				10	19	TC32									
	Sil.		7	UC500															
2105AW	Vol. Tone		45	MRT430	M26			8	7	RS213					10	6D6, 6A7, 85, 76, 742, 5Z3	432	8-2	
	Vol. Tone		22	MR33				8-8	7	2N518									
	Sil.		48	CIMP				5	15	TC22									
2106AW	Vol. Tone		15	MR48	M26			16	4	RS216					10	6A6, 6A7, 6C6, 6D6, 76, 742, 5Z3	458	6-2,4	
	Vol. Tone		21	MR33				10	19	TC32									
	Sil.		7	UC500															
2126AW	Vol. Tone		15	MR48	M26			16	4	RS216					12	6D6, 6A7, 6C6, 6A6, 76, 6A3, 5Z3	458	6-2,4	
	Vol. Tone		21	MR33				10	19	TC32									
	Sil.		7	UC500															
3105AW	Vol. Tone		45	MRT430	M26			8	7	RS213					10	6D6, 6A7, 85, 76, 742, 5Z3	432	8-2	
	Vol. Tone		22	MR33				8-8	7	2N518									
	Sil.		48	CIMP				5	15	TC22									
3106AW	Vol. Tone		15	MR48	M26			16	4	RS216					10	6A6, 6A7, 6D6, 6C6, 76, 742, 5Z3	458	6-2,4	
	Vol. Tone		21	MR33				10	19	TC32									
	Sil.		7	UC500															
3126AW	Vol. Tone		15	MR48	M26			16	4	RS216					12	6D6, 6A7, 6C6, 6A6, 76, 6A3, 5Z3	458	6-2,4	
	Vol. Tone		21	MR33				10	19	TC32									
	Sil.		7	UC500															
9507AW (with rear fuse and cover)	Vol. Tone		15	MR48	M26			8-8	35	See Note	B3				7	55, 56, 57, 58, 59, 82	262	4-1	
	Vol. Tone		22	MR42				10	15	TC22									
PEERLESS—See United Reproducers																			
PERFECTONE, INC. 4 tube receiver	Vol.		15	MR48				10	15	TC22					4	36, 41			55-15

† Data not substantiated.

\* IMPORTANT: Read Notes in Note Section if specified in Note Column.

‡ Indicates miscellaneous section.

THERE'S A FULL RANGE OF MALLORY VITREOUS ENAMEL RESISTORS FOR EVERY PURPOSE.

MANUFACTURER AND MODEL	CONTROLS							CONDENSERS				VIBRATORS			No. Tubes	Complete Tube Complement	I. F. Peak	Rider's Reference
	Use	Original Part	Circuit	Correct Replacement	Switch	Bias	*Note	Original Part	Circuit	Correct Replacement	*Note	Original Part	Replacement	*Note				
<b>PETER PAN</b>																		
B.....	Vol. Tone		6	MR18	M26			4, 4.	23	TC71.					4	57, 47, 80	465	7-2
4, 4S.....	Vol.		6	MR44				4, 4.	23	TC71.					4	6D6, 6C6, 42, 80		7-1
4 (With Tone Control).....	Vol. Tone		6	MR18	M26			4, 4.	23	TC71.					4	57, 47, 80		7-2
25AV-25AU.....	Vol. Tone		56	MR48	M26	See Note A5		4, 4.	23	TC71.					5	58, 57, 55, 47, 80	255	7-2
34.....	Vol.		6	MR18				4, 4.	23	TC71.					4	6D6, 76, 42, 80		7-1
45.....	Vol.		18	MR48				4, 4.	23	TC71.					5	6A7, 78, 75, 42, 80	465	7-1
56.....	Vol. Tone		21	MR48				8-8.	23	2S567					5	6J7, 6K7, 6Q7, 6F6, 5Z4	465	7-1
<b>PHILCO</b>																		
A (Packard).....	Vol.	VC7525	16	MR53	M27	EB247									6	36, 85, 37, 79	260	6-87, 88
A-361.....	Vol. & Tone	67-0060	18/22	Order from Mfr.				61-0089	1/15	FP328					6	7A7, 7B8, 7B6, 7C5, 7Y4	265	14-115, 116
A-801.....	Vol. & Tone	67-0025	7	Order from Mfr.				61-0150	12/13/15	FP424					8	7A7, 7B8, 7B6, 7A4, 7C5, 7Y4	455	14-117, 118
AC206 (Studebaker).....	Vol.	67-0040	1	Order from Mfr.				61-0150	12/13/15	FP424					8	7A7, 7B8, 7B6, 7A4, 7C5, 7Y4	455	14-117, 118
AC206 code 122 (Studebaker).....	Vol.	67-0025	7	Order from Mfr.				30-2072	1/15	TC71/TC22 Buffer	B14	38-5036	853	C3	6	44, 77, 75, 42, 84	260	6-79
AC206 (Studebaker).....	Vol.	38-5935	18	MRT425	M26	FS252	A52	30-2015	1	TC71		38-5036	853	C3	6	44, 6A7, 75, 42, 84	260	5-6
AC236 (Studebaker Jr.).....	Vol.	33-5058	18	MR53	M26	FS252	A52	30-4065	15	TC26 Buffer	B14							
AC236 (Studebaker Jr.).....	Vol.	33-5058	18	MR53	M26	FS252	A52	30-2072	15	TC22 Buffer	B14	38-5036	853	C3	6	44, 77, 75, 42, 84	260	6-84
AC266 (ST3) (Studebaker DeLuxe).....	Vol.	38-6297	17	MRT425	M26	FS251	A51	30-2105	1	TC71		38-5036	853	C3	6	36, 77, 44, 75, 42, 84	260	6-99
AC266 (ST3) (Studebaker DeLuxe).....	Vol.	38-6297	17	MRT425	M26	FS251	A51	30-2106	15	TN111 Buffer	B14							
AC989 (Nash).....	Vol.	38-5280	19	TM221-SSL	M26	FS252	A52	30-2015	1	TC71		38-5036	853	C3	6	44, 6A7, 75, 41, 84	260	6-79, 8-3
AC989 (Nash).....	Vol.	38-5280	19	TM221-SSL	M26	FS252	A52	30-4065	15	TC26 Buffer	B14							
AC989 (Code 122) (Nash).....	Vol.	38-5935	18	MRT425	M26	FS252	A52	30-2015	1	TC71		38-5036	853	C3	6	44, 6A7, 75, 41, 84	260	6-78, 8-3
AC1089 (Nash).....	Vol.	38-5606	18	MR48	M26			30-4065	15	TC26 Buffer	B14							
AC1089 (Nash).....	Vol.	38-5606	18	MR48	M26			30-2072	1/15	TC71/TC22 Buffer	B14	38-5036	853	C3	6	44, 77, 75, 42, 84	260	6-85, 8-4
AC1289 (Nash Jr.).....	Vol.	33-5058	18	MR53	M26	FS252	A52	30-2015	1	TC71		38-5036	853	C3	6	44, 77, 75, 42, 84	260	6-84, 8-4
AC1289 (Nash Jr.).....	Vol.	33-5058	18	MR53	M26	FS252	A52	7440	15	TC22 Buffer	B14							
AR1, AR2.....	Vol.	67-0020	18	Order from Mfr.				61-0089	24/15	FP328	B14	83-0025	859	C3	6	7B7, 7A8, 7C6, 7A5, 7Y4	455	12-101, 102
AR3.....	Vol.	67-0020	18	Order from Mfr.				61-0089	24/15	FP328	B14	83-0025	859	C3	6	7A7, 7B8, 7B6, 7B5, 7Y4	455	12-102, 103
AR4.....	Vol.	67-0032-1	18	SM316				61-0089	24/15	FP328	B14	83-0025	859	C3	6	7B8, 7A7, 7B6, 7C5, 7Y4	455	12-102, 103
AR5.....	Vol.	67-0032-1	18	SM316				61-0089	24/15	FP328	B14	83-0025	859	C3	6	7A7, 7B8, 7B6, 7C5, 7Y4	455	12-105
AR6.....	Vol.	33-5268	18	UM161-SS27	M26			61-0089	24/15	FP328	B14	83-0025	859	C3	6	7A7, 7B8, 7B6, 7C5, 7Y4	455	12-104
AR7.....	Vol.	33-5268	18	UM161-SS27	M26			61-0089	24/15	FP328	B14	83-0025	859	C3	6	7A7, 6A7, 75, 41, 7Y4	455	12-107, 108
AR8.....	Vol.	33-5268	17	UM161-SS25	M26			61-0089	24/15	FP328	B14	83-0025	859	C3	7	7A7, 6A7, 75, 7A4, 6Y7G, 7Y4	455	12-109
AR9.....	Vol.	67-0032-2	18	SM316				61-0089	24/15	FP328	B14	83-0025	859	C3	6	7L7, 7J7, 7A7, 7B6, 7C5, 7Y4	455	12-110
AR10.....	Vol.	67-0020	18	Order from Mfr.				61-0068	24/15	FP332	B14	83-0025	859	C3	6	7B7, 7A8, 7C6, 7A5, 7Y4	455	13-1
AR40.....	Vol.	67-0043	18	Order from Mfr.				61-0089	24/15	FP328	B14	83-0025	859	C3	6	7A7, 7B8, 7B6, 7C5, 7Y4	455	13-3, 2
AR45.....	Vol.	67-0043	18	Order from Mfr.				61-0089	24/15	FP328	B14	83-0025	859	C3	6	7A7, 7B8, 7B6, 7C5, 7Y4	455	13-16, 3
AR50.....	Vol.	67-0043	18	Order from Mfr.				61-0089	24/15	FP328	B14	83-0025	859	C3	6	7A7, 7B8, 7B6, 7C5, 7Y4	455	13-17, 3
AR55.....	Vol.	67-0043	18	Order from Mfr.				61-0089	24/15	FP328	B14	83-0025	859	C3	6	7A7, 7B8, 7B6, 7C5, 7Y4	455	13-18, 3
AR65.....	Vol.	67-0032	18	SM316				61-0089	24/15	FP328	B14	83-0025	859	C3	6	7L7, 7J7, 7A7, 7B6, 7C5, 7Y4	455	13-19, 20
AR75.....	Vol.	67-0043	18	Order from Mfr.				61-0150	24/13/15	FP424		83-0025	859	C3	8	7A7, 7B8, 7B6, 7A4, 7C5, 7Y4	455	13-3, 21
B.....	Vol.	7525	16	MR53	M27	EB247		.005	1	Buffer	B14	38-5036	853	C3	6	36, 85, 41, 84	260	6-89, 90
B.....	Vol.	7525	16	MR53	M27	EB247		30-2030	1	SR638								
B.....	Vol.	7525	16	MR53	M27	EB247		04354	14/15	See Note	B133							
B6.....	Vol.	7525	16	MR53	M27	EB247		.006	14/15	Buffer	B14							
B6.....	Vol.	7525	16	MR53	M27	EB247		04354	14/15	See Note	B133							

‡ Data not substantiated.

\* IMPORTANT: Read Notes in Note Section if specified in Note Column.

§ Indicates miscellaneous section.



MANUFACTURER AND MODEL	CONTROLS							CONDENSERS				VIBRATORS			No. Tubes	Complete Tube Complement	I. F. Peak	Rider's Reference
	Use	Original Part	Cir- cuit	Correct Replacement	Switch	Bias	*Note	Original Part	Cir- cuit	Correct Replacement	*Note	Original Part	Replac- ment	*Note				
PHILCO—Continued																		
C.....	Vol.	38-5280	18	TM221-SS1	M26	FS252	A52	30-2015 30-2027 .01	1 15	TCD71 TC26 Buffer	B14	38-5036	853	C3	6 <sup>†</sup> 39, 6A7, 75, 42, 84	260	4-56,57	
C (Nash) (AC989)...	Vol.	38-5280	19	TM221-SS1	M26	FS252	A52	30-2015 30-4065 .006	1 15	TCD71 TC26 Buffer	B14	38-5036	853	C3	6 <sup>†</sup> 44, 6A7, 75, 42, 84	260	6-79,80	
C (122).....	Vol.	38-5851	18	MRT425	M26	FS251	A51	30-2015 30-4065 .01	1 15	TCD71 TC26 Buffer	B14	38-5036	853	C3	6 <sup>†</sup> 39, 6A7, 75, 42, 84	260	5-5,6	
C6 (Chrysler) CT2, CT5.....	Vol.	33-5088	17	TM225-SS5	M26			30-2107 30-2076 .01	1 15	2N518 TN111 Buffer	B14	38-5036	853	C3	6 <sup>†</sup> 36, 77, 44, 75, 42, 84	260	6-67,68	
C1423 (Chrysler)...	Vol.	33-5139	18	SRP282			A67	30-2179 .008	4	SR645 Buffer	B14	41-3170	505P	C3	7 <sup>†</sup> 78, 6A7, 75, 41, 84	260	9-45	
C1450.....	Vol.	33-5121	18	SRP282				30-2179 .008	4	SR645 Buffer	B14	41-3170	505P	C3	6 <sup>†</sup> 78, 6A7, 75, 41, 84	260	8-146	
C1452.....	Vol.	33-5121	18	SRP282				30-2179 .008	4	SR645 Buffer	B14	41-3170	505P	C3	6 <sup>†</sup> 78, 6A7, 75, 41, 84	260	8-147	
C1550 (Chrysler)...	Vol.	33-5257	17	Order from	Mfr.			30-2179 .0075	4	SR645 Buffer	B14	41-3170	505P	C3	6 <sup>†</sup> 78, 6A7, 75, 42, 84	260	9-53,54	
C1606 (Chrysler)...	Vol.	67-0010	18	†		See Note	A3	61-0022 .015	4	2S567 Buffer	B14	41-3398	859	C3	5 <sup>†</sup> 6A7, 78, 75, 41, 84	400	10-49, 50	
C1608 (Chrysler)...	Vol.	67-0003	18	Order from	Mfr.			61-0009 .0075	4	2S567 Buffer	B14	41-3170	505P	C3	6 <sup>†</sup> 78, 6A7, 75, 42, 84	470	10-51, 52	
C1708.....	Vol.	67-0022	18	Order from	Mfr.			61-0072 .002	24/15	FP444 Buffer	B69 B14	83-0017	859	C3	6 <sup>†</sup> 7A7, 7B8, 7B6, 7B5, 7Y4	455	12-112	
C1808.....	Vol.	67-0040	18/22	Order from	Mfr.			61-0150 .005	24/13/15	FP444 Buffer	B14	83-0027	859	8 <sup>†</sup> 7A7, 7B8, 7B6, 7A4, 7C5, 7Y4	455	13-31, 32		
C1908.....	Vol. & Tone	67-0040	18/†	Order from	Mfr.			61-0150 .005	46/15	FP424 Buffer	B14	83-0026	859	C3	8 <sup>†</sup> 7A7, 7B8, 7B6, 7A4, 7C5, 7Y4	455	14-128-	
C-4608 (Mopar)....	Vol/Tone Sens.	67-0040 67-0025	261/260 206	Order from Order from	Mfr. Mfr.			61-0150 .005	88/15	FP424 Buffer	B14	83-0026	859	C3	8 <sup>†</sup> 7A7, 7B8, 7B6, 7A4, 7C5, 7Y4	455	131	
CDS.....	Vol.	38-5280	19	TM221-SS1	M26	FS252	A52	30-2015 30-4065 .006	1 15	TCD71 TC26 Buffer	B14	38-5036	853	C3	6 <sup>†</sup> 44, 6A7, 75, 41, 84	260	6-79,80	
CR-2.....	Vol.		18	UM154-SS12	M26			.015	24/15	FP316 Buffer	B14	859	C3	6 <sup>†</sup> 7A7, 7B8, 7B6, 7A5, 7Y4	455	16-1,3		
CR-4.....	Vol.		205	Order from	Mfr.			.005	15/24	FP328 Buffer	B14	859	C3	6 <sup>†</sup> 6BA6, 6BE6, 6AV6, 7C5, 6X4	455	16-4,8		
CR-6.....	Vol.		205	Order from Order from	Mfr. Mfr.			.005	15/24	FP328 Buffer	B14	859	C3	6 <sup>†</sup> 6BA6, 6BE6, 6AV6, 7C5, 6X4	455	16-5,8		
CT2 (Chrysler DeLuxe).....	Vol.	33-5088	17	TM225-SS5	M26			30-2107 30-2076 .01	1 15	2N518 TN111 Buffer	B14	38-5036	853	C3	6 <sup>†</sup> 36, 77, 44, 75, 42, 84	260	6-67,68	
CT5 (Chrysler Air- flow DeLuxe)....	Vol.	33-5088	17	TM225-SS5	M26			30-2107 30-2076 .01	1 15	2N518 TN111 Buffer	B14	38-5036	853	C3	6 <sup>†</sup> 36, 77, 44, 75, 42, 84	260	6-95	
CT11 (Chrysler)...	Vol. Sen.	33-5121 33-5129	17 22	SRP282 CIMP			A68	30-2134 .01	4	TC571 Buffer	B14	38-5036	853	C3	6 <sup>†</sup> 78, 6A7, 75, 41, 84	260	7-3,4	
CU & CV (Chrysler) (Code 122).....	Vol.	33-5067	17	TM225-SS5	M26			30-2030 30-2076 .01	1 15	SR638 TN111 Buffer	B14	38-5036	853	C3	6 <sup>†</sup> 44, 77, 75, 42, 84	260	6-62,64	
CZ (Chrysler) (CT2, CT5).....	Vol.	33-5088	17	TM225-SS5	M26			30-2107 30-2076 .01	1 15	2N518 TN111 Buffer	B14	38-5036	853	C3	6 <sup>†</sup> 36, 77, 44, 75, 42, 84	260	6-67,68	
D (Nash) (AC989)...	Vol.	38-5280	19	TM221-SS1	M26	FS252	A52	30-2015 30-4065 .006	1 15	TCD71 TC26 Buffer	B14	38-5036	853	C3	6 <sup>†</sup> 44, 6A7, 75, 41, 84	260	6-79,80	
D (Code 122) (AC989 Code 122)	Vol.	38-5935	18	MRT425	M26	FS252	A52	30-2015 30-4065 .006	1 15	TCD71 TC26 Buffer	B14	38-5036	853	C3	6 <sup>†</sup> 44, 6A7, 75, 41, 84	260	6-78,80	
DP (Code DP121, DP122) Police...	Vol.	38-5606	18	MR48	M26			30-2072 .006	1/15	TCD71/TC22 Buffer	B14	38-5036	853	C3	6 <sup>†</sup> 44, 77, 75, 41, 84	260	8-136	
DPV.....	Vol.	38-5534	17	MR48	M26	FS251	A51	30-2072 .01	1/15	TCD71/TC22 Buffer	B14	38-5036	853	C3	6 <sup>†</sup> 44, 6A7, 75, 42, 84	260	8-136	
DU (Dodge) (CT2, CT5).....	Vol.	33-5088	17	TM225-SS5	M26			30-2107 30-2076 .01	1 15	2N518 TN111 Buffer	B14	38-5036	853	C3	6 <sup>†</sup> 36, 77, 44, 75, 42, 84	260	6-67,68	
E.....	Vol.	38-5280	18	TM221-SS1	M26	FS252	A52	30-2015 30-2027 .01	1 15	TCD71 TC26 Buffer	B14	38-5036	853	C3	6 <sup>†</sup> 39, 6A7, 75, 42, 84	260	4-56,57	

† Data not substantiated.

\* IMPORTANT: Read Notes in Note Section if specified in Note Column.

‡ Indicates miscellaneous section.

MANUFACTURER AND MODEL	CONTROLS							CONDENSERS				VIBRATORS			No. Tubes	Complete Tube Complement	I. F. Peak	Rider's Reference	
	Use	Original Part	Circuit	Correct Replacement	Switch	Bias	*Note	Original Part	Circuit	Correct Replacement	*Note	Original Part	Replacement	*Note					
PHILCO—Continued E-10 (Pierce-Arrow)	Vol.	38-5511	19	TM221-SS1	M26	FS251	A51	30-2015 30-4065 .01	1 15	TCD71 TC26 Buffer		38-5036	853	C3	6	44, 6A7, 75, 42, 84...	260	6-79	
E (122)	Vol.	38-5851	18	MRT425	M26	FS251	A51	30-2015 30-4065 .01	1 15	TCD71 TC26 Buffer	B14	38-5036	853	C3	6	39, 6A7, 75, 42, 84...	260	5-5,6	
EA Dynamotor EF Eliminator								8 30-2008 .006	12 1	TC71 TCD71 Buffer		38-5036	853	C3		84		3-5,7 3-9	
F1440	Vol.	33-5139	18	SRP282			A67	30-2168 .008	4	SR645 Buffer	B14	41-3170	505P	C3	6	78, 6A7, 75, 41, 84...	260	8-144	
F1442	Vol.	33-5139	18	SRP282			A67	30-2168 .0075	4	SR645 Buffer	B14	41-3170	505P	C3	6	78, 6A7, 75, 41, 84...	260	8-145	
F1540 (Ford)	Vol. Sen.	33-5260 33-5239	18 7	SM300 CIMP			EX450	A68	30-2295 .0075	4	SR645 Buffer	B14	41-3170	505P	C3	6	78, 6A7, 75, 42, 84...	260	9-49
F1640	Vol.	67-0008	17	SM305					61-0028 .0075	1/15	FP328 Buffer	B14	41-3398	859	C3	6	78, 6A7, 75, 42, 84...	470	10-59
F1641	Vol.	67-0018	18	Order from	Mfr.				61-0028 .0075	24/15	FP328 Buffer	B14	41-3398	859	C3	6	7A7, 7B8, 7B6, 41, 84	470	12-111, 108
F1740	Vol.	67-0026	18	TM225	M26			A96	61-0089 .003	24/15	FP328 Buffer	B14	83-0017	859	C3	6	7A7, 7B8, 7B6, 7C5, 7Y4	455	11-88, 89,84
F1840	Vol. Tone	67-0042 85-0128	18 22	Order from Order from	Mfr. Mfr.				61-0089 .005	24/15	FP328 Buffer	B14	83-0027	859	C3	6	7A7, 7B8, 7B6, 7C5, 7Y4	455	14-125, 127
F1841	Vol. Tone Sen.	67-0042 85-0128 67-0025	18 22 7	Order from Order from Order from	Mfr. Mfr. Mfr.				61-0089 .005	24/15	FP328 Buffer	B14	83-0026	859	C3	6	7A7, 7B8, 7B6, 7C5, 7Y4	455	13-40-42
F1942	Vol. & Tone	67-0060	18/22	Order from	Mfr.				61-0089 .005	24/15	FP328 Buffer	B14	83-0026	859	C3	6	7A7, 7B8, 7B6, 7C5, 7Y4	265	14-139, 140
FT6	Sen. Vol.	67-0025 33-5067	7 17	Order from TM225-SS5	Mfr. M26				30-2030 30-2076 .01	1 15	SR638 TN111 Buffer		38-5036	853	C3	6	44, 77, 75, 42, 84...	260	6-59,60
FT9 (Ford)	Vol.	33-5139	18	SRP282				A67	30-2134 .01	4	TCS71 Buffer	B14	38-5036	853	C3	6	78, 6A7, 75, 41, 84...	260	6-61
FT9X	Vol.	33-5139	18	SRP282				A67	30-2134 .01	4	TCS71 Buffer	B14	38-5036	853	C3	6	78, 6A7, 75, 41, 84...	260	6-61
G (121)	Vol.	33-5056	18	UM154-SS3	M26				30-2030 30-2063 .006	1 15	SR638 TC26 Buffer	B14	38-5036	853	C3	6	44, 6A7, 75, 41, 84...	260	5-1,4
G (Code 122)	Vol.	33-5067	17	TM225-SS5	M26				30-2030 30-2076 .01	1 15	SR638 TN111 Buffer		38-5036	853	C3	6	44, 77, 75, 42, 84...	260	6-62
G1418	Vol.	33-5139	18	SRP282				A67	30-2150 .0075	4	2S567 Buffer	B14	41-3170	505P	C3	6	78, 6A7, 75, 41, 84...	260	8-131
G1436	Vol. Tone	33-5139 33-5192	18 22	SRP282 MR39				A67	30-2168 .008	4	SR645 Buffer	B14	41-3170	505P	C3	6	78, 6A7, 75, 41, 84...	260	8-142
G1528 (Graham)	Vol.	33-5245	17	SRP290				A67	30-2258 .0075	4	SR645 Buffer	B14	41-3170	505P	C3	7	78, 6A7, 75, 41, 84...	260	9-43,44
H	Vol.	38-5534	18	MR48	M26	FS251	A51	30-2015 30-4135	1 14/15	TCD71 TCS71/TP420 Buffer	B135 B14	38-5036	853	C3	7	44, 6A7, 75, 37, 79, 84	260	6-75	
H (Code 122)	Vol.	38-5851	18	MRT425	M26	FS251	A51	30-2015 30-4135 .01	1 14/15	TCD71 TCS71/TP420 Buffer	B135 B14	38-5036	853	C3	7	44, 6A7, 75, 37, 79, 84	260	6-74	
HT11X	Vol.	33-5121	18	SRP282					30-2134 .01	4	TCS71 Buffer	B14	41-3186	853	C3	6	78, 6A7, 75, 41, 84...	260	7-8,9
J (Nash)	Vol.	33-5058	18	MR53	M26	FS252	A52	30-2015 7440 .01	1 15	TCD71 TC22 Buffer	B14	38-5036	853	C3	6	44, 77, 75, 42, 84...	260	6-83,84	
J (Code 122)	Vol.	38-5534	18	MR48	M26	FS251	A51	30-2072 .01	1/15	TCD71/TC22 Buffer	B14	38-5036	853	C3	6	44, 77, 75, 42, 84...	260	6-43,44	
L1420, L1424, L1425	Vol.	33-5202	18	SRP282				A67	30-2167 .008	1	SR638 Buffer	B175 B14	41-3170	505P	C3	6	78, 6A7, 75, 79, 84...	260	8-132, 133
L1427, L1429, L1460	Vol. Tone	33-5202 33-5141	18 44	SRP282 Order from	Mfr.			A67	30-2167 30-4493 .008	1 15	SR638 TC32 Buffer	B175 B14	41-3170	505P	C3	7	78, 6A7, 75, 37, 79, 84	260	8-135
L1560 (Lincoln Zephyr)	Vol.	33-5246	18	SRP282				A67	30-2167 .0075	1	SR638 Buffer	B175 B14	41-3170	505P	C3	6	78, 6A7, 75, 6Y7G, 84	260	9-51
L1660 (Lincoln Zephyr)	Vol. Sen.	67-0009 33-5264-4	17 8	UM161 CIMP	M26			A96 A68	30-2295 .0075	4	SR645 Buffer	B14 B3	41-3170	505P	C3	6	78, 6A7, 75, 42, 84...	470	10-61
L1760, L1761	Vol. Sen.	67-0026 67-0029	18 7	Order from Order from	Mfr. Mfr.				61-0086 .003	24/15	FP371 Buffer	B3 B14	83-0017	859	C3	6	7A7, 7B8, 7B6, 7C5, 7Y4	455	13-20,30
LT14X3, LT14X4	Vol.	33-5139	18	SRP282					38-7693 .01	4	TCS71 Buffer	B14	38-5036	853	C3	6	78, 6A7, 75, 41, 84...	260	7-9,10
ME (Pierce-Arrow)	Vol.	38-5280	19	TM221-SS1	M26	FS252	A52	30-2015 30-2027 .01	1 15	TCD71 TC26 Buffer	B14	38-5036	853	C3	6	44, 6A7, 75, 42, 84...	260		

‡ Data not substantiated.

\* IMPORTANT: Read Notes in Note Section if specified in Note Column.  
MALLORY PARTS ARE DESIGNED WITH THE SERVICEMAN IN MIND.

§ Indicates miscellaneous section.

MANUFACTURER AND MODEL	CONTROLS							CONDENSERS				VIBRATORS			No. Tubes	Complete Tube Complement	I. F. Peak	Rider's Refer- ence	
	Use	Original Part	Cir- cuit	Correct Replacement	Switch	Bias	*Note	Original Part	Cir- cuit	Correct Replacement	*Note	Original Part	Replac- ement	*Note					
PHILCO—Continued MED.....	Vol.	38-5511....	19	TM221-SS1	M26	FS251	A51	30-2015....	1	TCD71....		38-5036....	853	C3	6	344, 6A7, 75, 42, 84...	260	6-79	
								30-4065....	15	TC26....									
MED (122).....	Vol.	38-5851....	18	MRT425...	M26	FS251	A51	30-2015....	1	TC26....	B14	38-5036....	853	C3	6	39, 6A7, 75, 42, 84...	260	5-5,6	
								30-4065....	15	TC26....	B14								
MT3 (Pierce-Arrow DeLuxe).....	Vol.	38-6297....	17	MRT425...	6-9	FS251	A51	30-2105....	1	TCD71....		38-5036....	853	C3	6	36, 77, 44, 75, 42, 84...	260	6-99	
								30-2106....	15	TN111....									
MT14X4 (Pierce- Arrow).....	Vol.	33-5121....	18	SRP282....				30-2134....	4	TCS71....		38-5036....	853	C3	6	78, 6A7, 75, 41, 84...	260	6-97,98	
								.01....		Buffer....	B14								
N (Ford Center- Control).....	Vol.	33-5067....	17	TM225-SS5	M26			30-2030....	1	SR638....		38-5036....	853	C3	6	44, 77, 75, 42, 84...	260	8-4,5	
								30-2076....	15	TN111....									
N1418.....	Vol.	33-5139....	18	SRP282....			A67	30-2150....	4	2S567....		41-3170....	505P	C3	6	78, 6A7, 75, 41, 84...	260	8-131	
								.0075....		Buffer....	B14								
N1433H.....	Vol.	33-5139....	18	SRP282....			A67	30-2168....	4	SR645....		41-3170....	505P	C3	6	78, 6A7, 75, 41, 84...	260	8-140	
								.008....		Buffer....	B14								
N1434H.....	Vol.	33-5139....	18	SRP282....			A67	30-2179....	4	SR645....		41-3170....	505P	C3	6	78, 6A7, 75, 41, 84...	260	8-141	
								.008....		Buffer....	B14								
N1514.....	Vol.	33-5139....	18	SRP282....			A67	30-2150....	4	2S567....		41-3170....	505P	C3	6	78, 6A7, 75, 41, 84...	260	9-34	
								.0075....		Buffer....	B14								
N1524 (Nash).....	Vol.	33-5245....	17	SRP290....				30-2258....	4	SR645....		41-3170....	505P	C3	7	78, 6A7, 75, 41, 84...	260	9-39,40	
								.0075....		Buffer....	B14								
N-FND.....	Vol.	33-5067....	17	TM225-SS5	M26			30-2030....	1	SR638....		41-3186....	853	C3	6	44, 77, 75, 42, 84...	260	8-4,5	
								30-2076....	15	TN111....									
								.01....		Buffer....	B14								
NQD (Nash).....	Vol.	38-5606....	18	MR48.....	M26			30-2072....	1/15	TCD71/TC22		38-5036....	853	C3	6	44, 77, 75, 42, 4...	260	6-85,86	
								.01....		Buffer....	B14								
NT7, NT8.....	Vol.	38-6605....	18	MRT425....		FS251	A58/	30-2109....	4	TCS71....		38-5036....	853	C3	6	78, 6A7, 75, 41, 84...	260	6-48,49	
	Tone	33-5101....	22	MR39....			A51	.01....		Buffer....	B14								
NT12X, NT12X2...	Vol.	33-5139....	18	SRP282....			A67	30-2134....	4	TCS71....		38-5036....	853	C3	6	78, 6A7, 75, 41, 84...	260	7-5,6	
	Sen.	33-5129....	7	CIMP....			A68	.01....		Buffer....	B14								
NT15 (Nash).....	Vol.	33-5139....	18	SRP282....		See Note	A67	30-2145....	4	TCS71....		38-5036....	853	C3	6	78, 6A7, 75, 41, 84...	260	7-11,12	
								.01....		Buffer....	B14								
P1417.....	Vol.	33-5139....	18	SRP282....		See Note	A67	30-2150....	4	2S567....		41-3170....	505P	C3	6	78, 6A7, 75, 41, 84...	260	8-127	
								.0075....		Buffer....	B14								
P1421.....	Vol.	38-7968....	18	MRT425....		FS251	A51	4-8....	1	SR638....	B175	41-3170....	505P	C3	7	78, 6A7, 75, 37, 79, 84	260	7-143, 144	
								30-4475....	13/15	TC26/TN111	B195								
								.008....		Buffer....	B14								
P1426 (Packard)...	Vol.	38-8596....	18	Order from	Mfr.			30-2167....	1	SR638....	B175	41-3170....	505P	C3	7	78, 6A7, 75, 37, 79, 84	260	8-134	
								.008....		Buffer....	B14								
P1430, P1432H...	Vol.	33-5121....	18	SRP282....				30-2168....	4	SR645....		41-3170....	505P	C3	6	78, 6A7, 75, 41, 84...	260	8-138	
								.008....		Buffer....	B14								
P1517 (Packard)...	Vol.	33-5139....	18	SRP282....			A67	30-2150....	4	2S567....		41-3170....	505P	C3	6	78, 6A7, 75, 41, 84...	260	8-139	
								.0075....		Buffer....	B14								
P1530 (Packard)...	Vol.	33-5245....	17	SRP290....			A67	30-2257....	4	SR645....		41-3170....	505P	C3	7	78, 6A7, 75, 41, 84...	260	9-46	
								.0075....		Buffer....	B14								
P1535 (Packard)...	Vol.	33-5246....	17	SRP282....			A67	30-2167....	1	SR638....	B175	41-3170....	505P	C3	7	78, 6A7, 75, 6C6,	260	9-47	
								.0075....		Buffer....	B14					6Y7G, 84...	470	10-53,54	
P1617 (Packard)...	Vol.	67-0004-1...	17	SM304....				61-0018....	4	2S567....		41-3170....	505P	C3	6	7A7, 6A7, 75, 41, 7Y4	260	9-47	
	Sen.	33-5264....	8	CIMP....		EX450	A68	.0075....		Buffer....	B14								
P1630 (Packard)...	Vol.	67-0002....	7	Order from	Mfr.			61-0012....	1/15	3S579....		41-3170....	505P	C3	6	78, 6A7, 75, 42, 84...	470	10-56	
	Sen.	33-5264....	8	CIMP....		EX450	A68	.0075....		Buffer....	B14								
P1635.....	Vol.	67-0005....	17	UM161....		See Note	A96	61-0012....	1/15	3S579....		41-3170....	505P	C3	7	78, 6A7, 75, 6C6,	470	10-57	
	Sen.	33-5278-4...	8	C....				.0075....		Buffer....	B14					6Y7G, 84...	470	10-57	
P1830.....	Vol.	67-0047....	18	Order from	Mfr.			61-0072....	24/15	FP371....	B3	83-0026....	859	C3	6	7A7, 7B8, 7B6, 7C5,	270	14-123, 124	
	Tone	67-0048....	22	Order from	Mfr.			.005....		Buffer....	B14					7Y4...			
P1835.....	Vol. & Tone	67-0035....	18/22	Order from	Mfr.			61-0150....	24/13/15	FP444....		83-0027....	859	C3	8	7A7, 7B8, 7B6, 7A4, 7C5, 7Y4...	270	13-38,39	
								.005....		Buffer....	B14								
P1935.....	Vol.	67-0052....	18	Order from	Mfr.			61-0150....	46/15	FP424....		83-0026....	859	C3	8	7A7, 7B8, 7B6, 7A4, 7C5, 7Y4...	270	14-136- 138	
	Tone	67-0051....	1	Order from	Mfr.			.005....		Buffer....	B14								
	Sen.	67-0036....	7	Order from	Mfr.														
P4635, Packard...	Vol.	67-0052....	255	Order from	Mfr.			61-0150....	88	FP444....		83-0026....	859	C3	8	7A7, 7B8, 7B6, 7A4, 7C5, 7Y4...	265		
	Tone	67-0051....	266	Order from	Mfr.			.005....		Buffer....	B14								
	Sens.	67-0036....	206	Order from	Mfr.														
PA (Packard DeLuxe).....	Vol.	7525.....	16	MR53.....	M27	EB247										7	36, 85, 37, 79, 84...	260	
PAD, PAL.....	Vol.	7525.....	16	MR53.....	M27	EB247										6	36, 37, 85, 79...	260	6-87,88
PB (Packard)...	Vol.	7525.....	16	MR53.....	M27	EB247		30-2030....	1	SR638....		38-5036....	853	C3	6	36, 85, 41, 84...	260		
								04354....	14/15	See Note....	B133								
								.006....		Buffer....	B14								
PBD.....	Vol.	7525.....	16	MR53.....	M27	EB247		30-2030....	1	SR638....		38-5036....	853	C3	6	36, 85, 41, 84...	260	6-89,90	
								.25-5-8....	14/15	See Note....	B133								
								.006....		Buffer....	B14								

‡ Data not substantiated.

\* IMPORTANT: Read Notes in Note Section if specified in Note Column.  
WHEN YOU BUY LEVER ACTION SWITCHES BUY MALLORY.

§ Indicates miscellaneous section.

MANUFACTURER AND MODEL	CONTROLS							CONDENSERS				VIBRATORS			No. Tubes	Complete Tube Complement	I. F. Peak	Rider's Reference
	Use	Original Part	Circuit	Correct Replacement	Switch	Bias	*Note	Original Part	Circuit	Correct Replacement	*Note	Original Part	Replacement	*Note				
PHILCO—Continued PHD, PHXD (Packard).....	Vol.	38-6022	18	MRT425...	M26	FS251	A51	30-2015... 30-4135... .01	1 14/15	TCD71... TCS71/TP420 Buffer	.B135 .B14	38-5036...	853	C3	7	44, 6A7, 75, 37, 79, 84	260	6-91,93
PJ (Plymouth) (CT2, CT5).....	Vol.	33-5088	17	TM225-SS5.	M26			30-2107... 30-2076... .01	1 15	2N518... TN111... Buffer	.B14	38-5036...	853	C3	6	36, 77, 44, 75, 42, 84	260	6-67,68 6-95
PT2.....	Vol.		18	MR48.....	M26			20-20.....	1	2N509					5	7A8, 7B7, 7C6, 50L6GT, 35Z3.....	455	12-43
PT5 (120) Packard DeLuxe.	Vol.	33-5088	17	TM225-SS5.	M26			30-2107... 30-2076... .01	1 15	2N518... TN111... Buffer	.B14	38-5036...	853	C3	6	36, 77, 44, 75, 42, 84	260	6-95
PT6.....	Vol.		18	MR48.....	M26			20-20.....	1	2N509					5	7A8, 7B7, 7C6, 50L6GT, 35Z3.....	455	12-43
PT12.....	Vol.	33-5434	18	MR48.....	M26			30-2382.....	1	2N509					6	7C7, 7A8, 7B7, 7C6, 50L6GT, 35Z3.....	455	12-44
PT14 (Packard)....	Vol.	33-5121	18	SRP282.....				30-2134... .01	4	TCS71... Buffer	.B14	38-5036...	853	C3	6	78, 6A7, 75, 41, 84	260	6-97,98
PT25.....	Vol.		18	MR48.....	M26			20-20.....	1	2N509					5	7A8, 7B7, 7C6, 35A5, 35Z3.....	470	12-4
PT26.....	Vol.	33-5306	18	MR48.....	M26			30-2382.....	1	2N509					5	7A8, 7B7, 7C6, 35A5, 35Z3.....	455	12-4
PT27 (121, 122)....	Vol.		18	MR48.....	M26			20-20.....	1	2N509					5	7A8, 7B7, 7C6, 35A5, 35Z3.....	470	12-4
PT28.....	Vol.	33-5306	18	MR48.....	M26			30-2382.....	1	2N509					5	7A8, 7B7, 7C6, 35A5, 35Z3.....	455	12-4
PT29.....	Vol.	33-5306	18	MR48.....	M26			30-2382.....	1	2N509					5	7A8, 7B7, 7C6, 35A5, 35Z3.....	470	12-5
PT30.....	Vol.	35-5306	18	MR48.....	M26			20-20.....	1	2N509					5	7A8, 7B7, 7C6, 50L6GT, 35Z3.....	455	12-45,46
PT31.....	Vol.	33-5306	18	MR48.....	M26			30-2382.....	1	2N509					5	7A8, 7B7, 7C6, 35A5, 35Z3.....	470	12-5
PT33.....	Vol.	33-5306	18	MR48.....	M26			30-2382.....	1	2N509					5	7A8, 7B7, 7C6, 35A5, 35Z3.....	455	12-5
PT35.....	Vol.	33-5306	18	MR48.....	M26			30-2382.....	1	2N509					5	7A8, 7B7, 7C6, 35A5, 35Z3.....	470	12-6
PT36.....	Vol.	33-5306	18	MR48.....	M26			30-2382.....	1	2N509					5	7A8, 7B7, 7C6, 35A5, 35Z3.....	455	12-4
PT37.....	Vol.	33-5306	18	MR48.....	M26			30-2402.....	1/15	3N533					5	7A8, 7B7, 7C6, 35A5, 35Z3.....	470	12-6,100
PT38.....	Vol.	33-5306	18	MR48.....	M26			30-2402.....	1/15	3N533					5	7A8, 7B8, 7C6, 35A5, 35Z3.....	470	12-6,100
PT39.....	Vol.		18	MR48.....	M26			20-20.....	1	2N509					5	7A8, 7B7, 7C6, 35A5, 35Z3.....	470	12-4
PT41.....	Vol.	33-5306	18	MR48.....	M26			30-2382.....	1	2N509					5	7A8, 7B7, 7C6, 35A5, 35Z3.....	455	12-5
PT42.....	Vol.	33-5306	18	MR48.....	M26			20-20.....	1	2N509					5	7A8, 7B7, 7C6, 50L6GT, 35Z3.....	455	12-45,46
PT43.....	Vol.	33-5306	18	MR48.....	M26			30-2382.....	1	2N509					5	7A8, 7B7, 7C6, 35A5, 35Z3.....	455	12-7
PT44.....	Vol.	33-5306	18	MR48.....	M26			20-20.....	1	2N509					5	7A8, 7B7, 7C6, 50L6GT, 35Z3.....	455	12-45,46
PT45.....	Vol.		18	MR48.....	M26			20-20.....	1	2N509					5	7A8, 7B7, 7C6, 35A5, 35Z3.....	470	12-7
PT46.....	Vol.	33-5306	18	MR48.....	M26			30-2382.....	1	2N509					5	7A8, 7B7, 7C6, 35A5, 35Z3.....	455	12-8
PT47.....	Vol.		18	MR48.....	M26			20-20.....	1	2N509					5	7A8, 7B7, 7C6, 35Z3, 35A5.....	470	12-7
PT48.....	Vol.	33-5306	18	MR48.....	M26			30-2382.....	1	2N509					5	7A8, 7B7, 7C6, 35A5, 35Z3.....	455	12-8
PT49.....	Vol.	33-5306	18	MR48.....	M26			30-2382.....	1	2N509					5	7A8, 7B7, 7C6, 35A5, 35Z3.....	470	12-45,46
PT50.....	Vol.	33-5306	18	MR48.....	M26			30-2382.....	1	2N509					5	7A8, 7B7, 7C6, 35A5, 35Z3.....	455	12-6
PT51.....	Vol.	33-5306	18	MR48.....	M26			30-2382.....	1	2N509					5	7A8, 7B7, 7C6, 35A5, 35Z3.....	470	12-8
PT53.....	Vol.	33-5306	18	MR48.....	M26			30-2402.....	1/15	3N533					5	7A8, 7B7, 7C6, 35A5, 35Z3.....	470	12-6,100
PT55.....	Vol.	33-5306	18	MR48.....	M26			30-2382.....	1	2N509					5	7A8, 7B7, 7C6, 35A5, 35Z3.....	455	12-7
PT57.....	Vol.	33-5306	18	MR48.....	M26			30-2382.....	1	2N509					5	7A8, 7B7, 7C6, 35A5, 35Z3.....	455	12-9
PT59.....	Vol.	33-5306	18	MR48.....	M26			30-2382.....	1	2N509					5	7A8, 7B7, 7C6, 35A5, 35Z3.....	470	12-9
PT61.....	Vol.	33-5306	18	MR48.....	M26			30-2382.....	1	2N509					5	7A8, 7B7, 7C6, 35A5, 35Z3.....	455	12-5
PT63.....	Vol.	33-5331	18	MR53.....	M27			30-2396.....	12	TC44					4	1A7G, 1N5G, 1H5G, 1A5G.....	455	12-10,18
PT65.....	Vol.	33-5306	18	MR48.....	M26			30-2382.....	1	2N509					5	7A8, 7B7, 7C6, 35A5, 35Z3.....	455	12-9

‡ Data not substantiated.

\* IMPORTANT: Read Notes in Note Section if specified in Note Column.  
MALLORY STANDARDIZATION OF PARTS SIMPLIFIES YOUR REPLACEMENT WORK.

§ Indicates miscellaneous section.

MANUFACTURER AND MODEL	CONTROLS							CONDENSERS				VIBRATORS			No. Tubes	Complete Tube Complement	I. F. Peak	Rider's Reference
	Use	Original Part	Circuit	Correct Replacement	Switch	Bias	*Note	Original Part	Circuit	Correct Replacement	*Note	Original Part	Replacement	*Note				
PHILCO—Continued																		
PT66	Vol.	33-5306	18	MR48	M26			30-2382	1	2N509				5	7A8, 7B7, 7C6, 35A5, 35Z3	455	12-10	
PT67	Vol.	33-5306	18	MR48	M26			30-2382	1	2N509				5	7A8, 7B7, 7C6, 35Z3, 35A5	455	12-11	
PT69	Vol.	33-5306	18	MR48	M26			30-2382	1	2N509				5	7A8, 7B7, 7C6, 35A5, 35Z3	455	12-11	
PT87	Vol.		18	MR48	M27			20-10-20-20	76/78	*2N509				5	1A7G, 1N5G, 1H5G, 3Q5G, 117Z6G	455	12-46	
PT89	Vol.	33-5410	18	MR53	M27			30-2396	12	TC44				4	1LC6, 1LN5, 1LD5, 1LB4	455	14-113	
PT91, PT92, PT93, PT94, PT95, PT96	Vol.	33-5429	18	MR48	M26			30-2382	1	2N509				5	7A8, 7B7, 7C6, 50L6GT, 35Z3	455	14-114	
Q	Vol.	38-5534	18	MR48	M26	FS251	A51	30-2072	1/15	TC271/TC22	B14	38-5036	853	C3	6*44, 77, 75, 42, 84	260	5-47, 48	
Q (Nash)	Vol.	38-5606	18	MR48	M26			30-2072	1/15	TC271/TC22	B14	38-5036	853	C3	6*44, 77, 75, 42, 84	260	6-85	
R	Vol.	33-5058	18	MR53	M26	FS252	A52	30-2015	1	TC271	B14	38-5036	853	C3	6*44, 77, 75, 42, 84	260	6-103	
R (Code 122)	Vol.	38-5534	18	MR48	M26	FS251	A51	30-2072	1/15	TC271/TC22	B14	38-5036	853	C3	6*44, 77, 75, 42, 84	260	6-43, 44	
R1415, W1419	Vol.	33-5139	18	SRP282			A67	30-2150	4	2S567	B14	41-3170	505P	C3	6*78, 6A7, 75, 41, 84	260	8-125, 8-126	
RP1 (123, 122) Record Player								30-2388	24	2N516				2	6A7, 84		12-40 & 10-12	
RP3 Wireless Record Player	Vol.	33-5322	50	UM161-SS3				30-2388	24	2N516				2	6A7, 84		11-5	
RT3 (Reo DeLuxe)	Vol.	38-6297	17	MRT425	M26	FS251	A51	30-2105	1	TC271	B14	38-5036	853	C3	6*36, 77, 44, 75, 42, 84	260	6-99	
RT14X (Reo DeLuxe)	Vol.	33-5139	18	SRP282		See Note	A67	30-2134	4	TCS71	B14	38-5036	853	C3	6*78, 6A7, 75, 41, 84	260	6-97, 98	
S1416	Vol.	33-5148	18	SRP282			A67	30-2150	4	2S567	B14	41-3170	505P	C3	6*78, 6A7, 75, 41, 84	260	8-115	
S1431	Vol.	33-5139	18	SRP282		See Note	A67	30-2168	4	SR645	B14	41-3170	505P	C3	6*78, 6A7, 75, 41, 84	260	7-145, 7-146	
S1437	Vol.	33-5139	18	SRP282			A67	30-2179	4	SR645	B14	41-3170	505P	C3	6*78, 6A7, 75, 41, 84	260	8-143	
S1516 (Studebaker)	Vol.	33-5139	18	SRP282			A67	30-2150	4	2S567	B14	41-3170	505P	C3	6*78, 6A7, 75, 41, 84	260	9-35	
S1526 (Studebaker)	Vol.		17	Order from Mfr.				30-2258	4	SR645	B14	505P	505P	C3	7*78, 6A7, 75, 41, 84	260	9-41	
S1616	Vol.	67-0014	17				A19	61-0018	4	2S567	B14	41-3398	505P	C3	6*7A7, 6A7, 75, 41, 7Y4	470	10-48	
S1622 (Studebaker)	Vol.	67-0015	18	UM161-SS31	M26			61-0050	1/15	FP328	B14	41-3398	859	C3	6*7A7, 7B8, 78, 7B6, 41, 84	470	10-55	
S1626	Vol.	67-0012	18	Order from Mfr.				30-2295	4	2S567	B14	41-3170	505P	C3	6*78, 6A7, 75, 42, 84	470	13-25, 26	
S1722	Sen. Vol.	33-5264	7	Order from Mfr.				61-0076	24/15	FP313	B14	83-0017	859	C3	6*7A7, 7B8, 78, 7B6, 7A5, 84	470	11-87	
S1726	Vol.	67-0028	18	Order from Mfr.				61-0089	24/15	FP328	B14	83-0017	859	C3	6*7A7, 7B8, 7B6, 7C5, 7Y4	455	13-27, 28	
S1824	Sen. Vol.	67-0025	7	Order from Mfr.				61-0072	24/15	FP371	B3	83-0027	859	C3	6*7A7, 7B8, 7B6, 7A5, 7Y4	455	13-33, 34	
S1825	Vol.	67-0039	18	Order from Mfr.				61-0072	24/15	FP444	B69	83-0027	859	C3	6*7A7, 7B8, 7B6, 7B5, 7Y4	455	13-36, 38	
S1826	Vol.	67-0037	18	Order from Mfr.				61-0150	24/13/15	FP444	B14	83-0027	859	C3	8*7A7, 7B8, 7B6, 7A4, 7C5, 7Y4	270	13-37, 38	
S1924	Tone Vol.	67-0038	22	Order from Mfr.				61-0150	46/15	FP424	B14	83-0026	859	C3	6*7A7, 7B8, 7B6, 7A5, 7Y4	455	14-131	
S1926	Tone Vol.	67-0056	18	Order from Mfr.				61-0150	46/15	FP424	B14	83-0026	859	C3	7*7A7, 7B8, 7A6, 7B5, 7Y4	265	14-134	
S4624, Studebaker	Vol.	67-0056	22	Order from Mfr.				61-0150	46/15	FP424	B14	83-0026	859	C3	6*7A7, 7B8, 7B6, 7A5, 7Y4	455	135	
S4626, Studebaker	Vol.	33-5540	18	Order from Mfr.				61-0150	88	FP444	B14	83-0026	859	C3	8*7A7, 7B8, 7B6, 7A4, 7C5, 7Y4	265		
S4626, Studebaker	Vol.	33-5522	205	Order from Mfr.				61-0150	88	FP444	B14	83-0026	859	C3	6*44, 6A7, 75, 42, 84	260	6-78, 79	
S4626, Studebaker	Vol.	33-5521	266	Order from Mfr.				61-0150	88	FP444	B14	83-0026	859	C3	6*39, 6A7, 75, 42, 84	260	5-5, 6	
SCD	Sen. Vol.	67-0036	206	Order from Mfr.				30-2015	1	TC271	B14	38-5036	853	C3	6*44, 6A7, 75, 41, 84	260	6-79, 80	
SCD (122)	Vol.	38-5851	18	MRT425	M26	FS251	A51	30-2015	1	TC26	B14	38-5036	853	C3	6*44, 6A7, 75, 41, 84	260	6-62, 65	
SDD	Vol.	38-5280	19	TM221-SS1	M26	FS252	A52	30-2015	1	TC26	B14	38-5036	853	C3	6*44, 6A7, 75, 41, 84	260		
SE (DeSoto)	Vol.	33-5067	17	TM225-SS5	M26			30-2030	1	SR638	B14	38-5036	853	C3	6*44, 77, 75, 42, 84	260		
								30-2076	15	TN111	B14							
								.01		Buffer	B14							

† Data not substantiated.

\* IMPORTANT: Read Notes in Note Section if specified in Note Column.

‡ Indicates miscellaneous section.

USE MALLORY COMPONENTS IN YOUR TELEVISION WORK.

MANUFACTURER AND MODEL	CONTROLS							CONDENSERS				VIBRATORS			No. Tubes	Complete Tube Complement	I. F. Peak	Rider's Reference	
	Use	Original Part	Circuit	Correct Replacement	Switch	Bias	*Note	Original Part	Circuit	Correct Replacement	*Note	Original Part	Replacement	*Note					
PHILCO—Continued SF, SG (DeSoto) (CT2, CT5).....	Vol.	33-5088	17	TM225-SS5	M26			30-2107	1	2N518		38-5036	853	C3	6	36, 77, 44, 75, 42, 84	260	6-67,68	
								30-2076	15	TN111 Buffer	B14								
SJD (122).....	Vol.	38-5534	18	MR48	M26	FS251	A51	30-2072	1/15	TCD71/TC22 Buffer	B14	38-5036	853	C3	6	44, 77, 75, 42, 84	260	6-43,44	
SQD (Nash).....	Vol.	38-5606	18	MR48	M26			30-2072	1/15	TCD71/TC22 Buffer	B14	38-5036	853	C3	6	44, 77, 75, 42, 84	260	6-85,86	
ST7.....	Vol.	38-6605	18	MRT425		FS251	A58/A51	30-2109	4	TCS71	B14	38-5036	853	C3	6	78, 6A7, 75, 41, 84	260	6-48,52	
	Tone	33-5101	22	MR39				30-2134	4	Buffer	B14								
ST12 (Studebaker).....	Vol.	33-5139	18	SRP282		See Note	A67	30-2134	4	TCS71	B14	38-5036	853	C3	6	78, 6A7, 75, 41, 84	260	7-7,8	
ST15 (Studebaker).....	Vol.	33-5139	18	SRP282		See Note	A67	38-7684	4	Buffer	B14	38-5036	853	C3	6	78, 6A7, 75, 41, 84	260	7-13,14	
T2.....	Vol.	33-5088	17	TM225-SS5				30-2107	1	2N518		38-5036	853	C3	6	36, 77, 44, 75, 42, 84	260	6-67,68	
								30-2076	15	TN111 Buffer	B14								
T3.....	Vol.	38-6297	17	MRT425	M26	FS251	A51	30-2105	1	TCD71		38-5036	853	C3	6	36, 77, 44, 75, 42, 84	260	6-99, 102	
								30-2106	15	TN111 Buffer	B14								
T5.....	Vol.	33-5088	17	TM225-SS5	M26			30-2107	1	2N518		38-5036	853	C3	6	36, 77, 44, 75, 42, 84	260	6-68	
								30-2076	15	TN111 Buffer	B14								
T6.....	Vol.	33-5067	17	TM225-SS5	M26			30-2030	1	SR638		38-5036	853	C3	6	44, 77, 75, 42, 84	260	6-59	
								30-2076	15	TN111 Buffer	B14								
T7.....	Vol.	38-6786	18	MRT425		FS251	A51	30-2109	4	TCS71	B3	38-5036	853	C3	6	78, 6A7, 75, 41, 84	260	6-49	
	Tone		22	MR39				30-2109	4	Buffer	B14								
T8 (Nash).....	Vol.	38-6605	18	MRT425		FS251	A51	30-2109	4	TCS71	B3	38-5036	853	C3	6	78, 6A7, 75, 41, 84	260	6-48,49	
	Tone	33-5101	22	MR39				30-2134	4	Buffer	B14								
T9.....	Vol.	33-5139	18	SRP282			A67	30-2134	4	TCS71	B14	38-5036	853	C3	6	78, 6A7, 75, 41, 84	260	6-61	
TI0, CT10.....	Vol.	33-5121	18	SRP282				38-7693	4	TCS71	B14	41-3186	853	C3	6	78, 6A7, 75, 41, 84	260	8-7,8	
								30-2134	4	Buffer	B14								
TI1.....	Vol.	33-5121	17	SRP282				30-2134	4	TCS71	B14	38-5036	853	C3	6	78, 6A7, 75, 41, 84	260	7-3	
	Tone	33-5141	34	Order from	Mfr.			30-2134	4	Buffer	B14								
TI2.....	Vol.	33-5139	18	SRP282			A67	30-2134	4	TCS71	B14	38-5036	853	C3	6	78, 6A7, 75, 41, 84	260	7-5	
TI4.....	Vol.	33-5139	18	SRP282			A67	30-2134	4	TCS71	B14	38-5036	853	C3	6	78, 6A7, 75, 41, 84	260	6-97,98	
TI5.....	Vol.	33-5139	18	SRP282			A67	38-7684	4	Buffer	B14	38-5036	853	C3	6	78, 6A7, 75, 41, 84	260	7-13	
								31-116	8	TN125/TC22									
TH1.....	Vol.	49115	8	MR37	M26		A14	30-2327	25	RS215		6D6, 6C6, 43, 25Z5	4		4	6D6, 6C6, 43, 25Z5	470	11-3,4	
TH3.....	Vol.	33-5254	18	MR48	M26			30-2328	25	RS213		6A7, 78, 75, 41, 84	5		5	6A7, 78, 75, 41, 84	470	11-3,4	
TH4, TH4T.....	Vol.	33-5306	18	MR48	M26			30-2382	1	2N509		7A8, 7B7, 7C6, 35A5, 35Z3	5		5	7A8, 7B7, 7C6, 35A5, 35Z3	470	11-6	
TH5, TH5T.....	Vol.	33-5306	18	MR48	M26			30-2382	1	2N509		7A8, 7B7, 7C6, 35A5, 35Z3	5		5	7A8, 7B7, 7C6, 35A5, 35Z3	470	11-8	
TH9.....	Vol.	33-5306	18	MR48	M26			30-2402	1/15	3N533		7A8, 7B7, 7C6, 35A5, 35Z3	5		5	7A8, 7B7, 7C6, 35A5, 35Z3	455	12-2,100	
TH14.....	Vol.		18	MR48	M26			20-20	1	2N509		7A8, 7B7, 7C6, 35A5, 35Z3	5		5	7A8, 7B7, 7C6, 35A5, 35Z3	455	12-2,1	
TH15.....	Vol.	33-5306	18	MR48	M26			30-2382	1	2N509		7A8, 7B7, 7C6, 35A5, 35Z3	5		5	7A8, 7B7, 7C6, 35A5, 35Z3	455	12-2,1	
TH16.....	Vol.		18	MR48	M26			20-20	1	2N509		7A8, 7B7, 7C6, 35A5, 35Z3	5		5	7A8, 7B7, 7C6, 35A5, 35Z3	455	12-1,3	
TH17.....	Vol.	33-5306	18	MR48	M26			30-2382	1	2N509		7A8, 7B7, 7C6, 35A5, 35Z3	5		5	7A8, 7B7, 7C6, 35A5, 35Z3	455	12-1,2	
TH18.....	Vol.	33-5306	18	MR48	M26			30-2402	1/15	3N533		7A8, 7B7, 7C6, 35A5, 35Z3	5		5	7A8, 7B7, 7C6, 35A5, 35Z3	455	12-1,3	
TH22.....	Vol.	33-5306	18	MR48	M26			30-2402	1/15	3N533		7A8, 7B7, 7C6, 35A5, 35Z3	5		5	7A8, 7B7, 7C6, 35A5, 35Z3	455	12-2,100	
TP4, TP4I.....	Vol.	33-5306	18	MR48	M26			30-2382	1	2N509		7A8, 7B7, 7C6, 35A5, 35Z3	5		5	7A8, 7B7, 7C6, 35A5, 35Z3	455	12-2,100	
TP5, TP5I, TP5T.....	Vol.	33-5306	18	MR48	M26			30-2382	1	2N509		7A8, 7B7, 7C6, 35A5, 35Z3	5		5	7A8, 7B7, 7C6, 35A5, 35Z3	470	11-7	
TP10.....	Vol.	33-5306	18	MR48	M26			30-2382	1	2N509		7A8, 7B7, 7C6, 35A5, 35Z3	5		5	7A8, 7B7, 7C6, 35A5, 35Z3	470	11-9,10	
TP11.....	Vol.	33-5306	18	MR48	M26			30-2382	1	2N509		7A8, 7B7, 7C6, 35A5, 35Z3	5		5	7A8, 7B7, 7C6, 35A5, 35Z3	470	11-11	
TP12.....	Vol.	33-5306	18	MR48	M26			30-2382	1	2N509		7A8, 7B7, 7C6, 35A5, 35Z3	5		5	7A8, 7B7, 7C6, 35A5, 35Z3	470	11-12	
TP20.....	Vol.		18	MR48	M26			20-20	1	2N509		7A8, 7B7, 7C6, 35A5, 35Z3	5		5	7A8, 7B7, 7C6, 35A5, 35Z3	470	11-13	
TP21.....	Vol.	33-5306	18	MR48	M26			30-2382	1	2N509		7A8, 7B7, 7C6, 35A5, 35Z3	5		5	7A8, 7B7, 7C6, 35A5, 35Z3	455	12-1,2	
UN6-100.....	Vol.	67-0020	18	UM154	M26			61-0068	24/15	FP316		83-0025/6	859	C3	6	7A7, 7B8, 7B6, 7A5, 7Y4	455	12-1,3, 100	
UN6-400.....	Vol.	67-0043	205	Order from	Mfr.			61-0089	24/15	Buffer FP328	B14	83-0025	859	C3	6	7A7, 7B8, 7B6, 7C5, 7Y4	455		

‡ Data not substantiated.

\* IMPORTANT: Read Notes in Note Section if specified in Note Column.  
BE SURE TO SPECIFY MALLORY RADIO AND ELECTRONIC PARTS.

§ Indicates miscellaneous section.

MANUFACTURER AND MODEL	CONTROLS							CONDENSERS				VIBRATORS			No. Tubes	Complete Tube Complement	I. F. Peak	Rider's Reference
	Use	Original Part	Circuit	Correct Replacement	Switch	Bias	*Note	Original Part	Circuit	Correct Replacement	*Note	Original Part	Replacement	*Note				
PHILCO—Continued																		
UN6-450	Vol.	67-0032	205	Order from	Mfr.		61-0089	24/15	FP328		83-0025/6	859	C3	6	*7A7, 7B8, 7B6, 7C5, 7Y4	455		
UN6-500	Vol.	67-0043	205	Order from	Mfr.		61-0089	24/15	FP328	B14	83-0025/6	859	C3	6	*7A7, 7B8, 7B6, 7C5, 7Y4	455		
UN6-550	Vol.	67-0032	205	Order from	Mfr.		61-0089	24/15	FP328	B14	83-0026	859	C3	6	*7A7, 7B8, 7B6, 7C5, 7Y4	455		
3 Transitone	Vol.	4463	15	MR53			4916	1	HD684					7	*24A, *71A, *01A		3-1,2	
4 Converter	Vol.	33-5009	17	MR48	M26	EC240	30-2008	1	TCD71		38-5036	853	C3	3	27, 24A, 80	1000	2-1,2	
5 Transitone																		5
5 (AC Home Receiver)	Vol.		2				See Note	A5						7	*26, 27, 71A, 80		4-53,55	
6, 6F	Vol.	7525	16	MR53	M27	EB247	04354	14/15	See Note	B3				5	*36, 85, 41	260	3-5,5	
7 Transitone	Vol.	6109	15	MR39	M27	EB247	04354	14/15	See Note	B133				5	*36, *38	175	3-3,4	
8	Vol.	7322	16	MR48	M27	EB247				B133				6	*36, 38, *41	175	3-5,7	
9 Transitone	Vol.	7525	16	MR53	M27	EB247				B14				6	*36, 85, 37, 79	260	3-5,6	
10 Transitone	Vol.	38-5280	18	TM221-SS1	M26	FS252	30-2015	1	TCD71		38-5036	853	C3	6	*39, 6A7, 75, 42, 84	260	4-56,57	
							30-2027	15	TC26									
							.01		Buffer	B14								
10 (Code 122) C-(Studebaker) E-(Pierce-Arrow)	Vol.	38-5851	18	MRT425	M26	FS251	30-2015	1	TCD71		38-5036	853	C3	6	*39, 6A7, 75, 42, 84	260	5-5,6	
							30-4065	15	TC26									
							.01		Buffer	B14								
11 Transitone	Vol.	33-5058	18	MR53	M26	FS252	30-2015	1	TCD71		38-5036	853	C3	6	*44, 77, 75, 42, 84	260	5-7,8	
							7440	15	TC22									
							.01		Buffer	B14								
11 (Code 122)	Vol.	38-5534	18	MR48	M26	FS251	30-2072	1/15	TCD71/TC22		38-5036	853	C3	6	*44, 77, 75, 42, 84	260	6-43,44	
							.01		Buffer	B14								
12	Vol.	7322	15	MR48	M27	EB247								6	*36, 38, *41	175	3-5,7	
12 (122)	Vol.	7525	15	MR53	M27	EB247								6	*36, 85, 37, 79	260	3-5,6	
12TP	Vol.	33-5230	18	MR48	M26		30-2235	23	HD684					5	6A7, 78, 75, 41, 84	470	11-14,15	
	Tone	33-5330	22	MR33			30-2236	23	RS213									
14 (Code 121 & 122) (Runs 1-4)	Vol.	33-5024	64	MRT425	M26		30-2022	1	TC82					9	*78, 6A7, 37, 77, *42, 80	175	4-1,2	
							30-2003	19	TC32									
							30-2029	13/14	Order from	Mfr.								
14 (Codes 121, 122) (Runs 5 & after)	Vol.	33-5024	64	MRT425	M26		30-2025	1	HD684					9	*78, 6A7, 37, 77, *42, 80	175	4-1,2	
							30-2045	1/19	2N518									
							30-2029	13/14	Order from	Mfr.								
14 (123)	Vol.	33-5024	64	MRT425	M26		7464	1	HD684					9	*78, 6A7, 37, 77, *42, 80	175	4-1,2	
							30-2003	19	TC32									
							30-2029	13/14	Order from	Mfr.								
14 (126-226)	Vol.	8054	64	MRT425	M26		4916	1	HD684					9	*44, 36, *37, *42, 80	260	2-21,22	
							7464	1	HD684									
							6706	1	HD684									
							30-2025	1	HD684									
15 (Early 221)	Vol.	7050	64	MR48										11	*37, *44, *42, 80	175	3-10,12	
15 (Early 223) 15 Late	Vol.	8054	64	MRT425			4916	1	HD684					11	*37, *44, *42, 80	175	3-10,12	
	Vol.	33-5022	64	MRT448	M26		30-2069	1	TC82					11	*37, *77, *78, *42, 80, 76	460	4-3,11	
	Supp.	33-5015	12	MR18			30-2003	19	TC32									
16 (Codes 121, 122, 123)	Vol.	33-5022	64	MRT448	M26		30-2069	1	TC82					11	*78, *77, 37, 76, *42, 80	460	4-3,10	
	Supp.	33-5015	12	MR18			30-2045	1/19	2N518									
16 (Codes 125, 126, 127)	Vol.	33-5022	64	MRT448	M26		30-2069	1	TC82					11	*78, *77, 37, 76, *42, 80	460	6-1,3	
							30-2045	1/19	2N518									
							30-2078	13/14	Order from	Mfr.								
17	Vol.	33-5013	64	TM233-SS1	M26	A27/A58	30-2022	1	TC82					11	6A7, *37, 77, *78, *42, 5Z3	175	4-9,14	
	Vol.	33-5023	64	MRT448	M26	See Note	30-2003	19	TC32									
	Supp.	33-5015	1	Order from	Mfr.	See Note												
17 (Code 121)	Vol.	33-5013	64	TM233-SS1	M26	See Note	30-2011	1	TC82					11	*78, 6A7, *37, *42, 5Z3, 77	175	4-9,14	
	Vol.	33-5023	64	MRT448	M26	See Note	30-2045	1/19	2N518									
	Supp.	33-5015	1	Order from	Mfr.	See Note												
17, 17A (Codes 122 & 123)	Vol.	33-5013	64	TM233-SS1	M26	A27/A58	30-2011	1	TC82					11	*78, 6A7, *37, *42, 5Z3	175	4-9,14	
	Vol.	33-5023	64	MRT448	M26	A4	30-2046	1/19	2N518									
	Supp.	33-5015	1	Order from	Mfr.													
18	Vol.	33-5024	18	MRT425	M26		6706	1	HD684					8	6A7, *78, 75, *42, 80	260	4-15,17	
							30-2003	19	TC32									
							30-2029	13/14	Order from	Mfr.								
							6706	1	HD684									
18 (Codes 121 & 122)	Vol.	33-5024	18	MRT425	M26		30-2045	1/19	2N518					8	6A7, *78, 75, *42, 80	260	4-15,17	
							30-2029	13/14	Order from	Mfr.								
							30-2025	1	HD684									
18 (Code 124)	Vol.	33-5069	124	MRT425			30-2045	1/19	2N518					8	6A7, 75, *78, *42, 80	260	5-9,10	
							30-2045	1/19	2N518									
							30-2029	13/14	Order from	Mfr.								
19	Vol.	33-5004	18	MR48	M26		8166	1	HD684					6	*44, 36, 75, 42, 80	260	3-33,34	

† Data not substantiated.

\* IMPORTANT: Read Notes in Note Section if circuit in Note Column.  
MAKE FULL USE OF NOTES AND CIRCUIT DIAGRAMS.

‡ Indicates miscellaneous section.

MANUFACTURER AND MODEL	CONTROLS							CONDENSERS				VIBRATORS			No. Tubes	Complete Tube Complement	I. F. Peak	Rider's Reference
	Use	Original Part	Circuit	Correct Replacement	Switch	Bias	*Note	Original Part	Circuit	Correct Replacement	*Note	Original Part	Replacement	*Note				
PHILCO—Continued																		
19 (Codes 122, 126, 126B)	Vol.	33-5007	18	MR48				30-2020	1	HD684					6	244, 36, 75, 42, 80	260	3-33,34
19 (Code 128)	Vol.	33-5000	18	MRT438				30-2026	1	HD684					6	36, 244, 75, 42, 80	260	4-19,20
20, 20A, 21	Vol.	4094	2/8	DRP114		See Note	A56	30-2062	1/13/19	2S567/TC32				7	24A, 27, 71A, 80		1-6, 2-3	
22	Vol.	6499	45	MR53				6453	1	HD684				7	36, 37, 44, 42, 80	260	3-23,24	
								6706	1	HD684								
								6707	1	HD684								
22L	Vol.	6499	64	MR53				6707	1	HD684				7	44, 36, 37, 42, 80	260	3-43	
23X	Vol.	6499	64	MR53				6707	1	HD684				9	36, 37, 42, 80, 44	260	3-45	
24	Vol.	5839	6	E7				4916	4	HD684				5	24A, 35, 47, 80	175	2-11,14	
								5142	4	HD684								
25	Vol.	6892	45	MR53	M26		A58	4916	4	HD684				8	44, 37, 42, 80	450	3-13,14	
								7556	13	HD684								
28	Vol.	33-5066	18	MRT425	M26	EB247	A58	30-2083	49	2N509				6	6A7, 39, 75, 43, 25Z5	460	5-11,12	
29, 29 (Code 123TX)	Vol.	33-5097	18	MRT425	M26	EB247	A58	30-2073	1/19	3S579				6	6A7, 44, 75, 42, 80	460	5-11,15	
								30-2026	13	HD684								
30	Vol.	4093	15	MR48				30-2014	25	TC82			F502P	8	32, 30, 31		1-7, 2-5	
32	Vol.		18	MR48		See Note	A27							6	39, 36, 75, 42, 84	260	5-17,20	
					M26	See Note	A4							7	30, 32, 34, 1C6, 19	460	5-21,24	
34, 34A	Vol.	33-5064	45	MR44	M23-24		A54							7	30, 32, 33	260	1-8, 9-10	
35, 35B, 36	Vol.	5317	43	CE			A54							5	15, 30, 32, 19	175	3-19,20	
37	Vol.	7239	43	CE			A54							9	6K7G, 6A8G, 6N7G, 6H6G, 6Q7G, 6F6G, 5Y4G	470	8-11,12	
37-9	Vol.	33-5158	17	TM251-SS5			A58	30-2183	1/19	TCS74/TC26								
								30-2024	1	HD684								
								30-2118	13	2N518								
37-10, 37-11 (Codes 121-125)	Vol.	33-5158	124	TM251-SS5			A58	30-2183	1/19	TCS74/TC26				11	6K7G, 6A8G, 6N7G, 6H6G, 6J5G, 6K5G, 6Q7G, 6F6G, 5Y4G	470	8-13,16	
								30-2024	1	HD684								
								30-2118	14	2N518								
37-33	Vol.	33-5169	18	MR48	M23-24		A55	30-2158	13	TC70				5	1D7G, 1D5G, 1H4G, 1E7G, 1H6G	470	7-15,16	
37-34	Vol.	33-5157	18	UM154-SS5			A58	30-2160	1	2N518		41-3222	246	C3	5	1D7G, 1D5G, 1H6G, 1H4G, 1E7G	470	8-17,18
								.01		Buffer					6	1C7G, 1D5G, 1H4G, 1E5G, 1J6G	470	7-17,18
37-38	Vol.	33-5165	45	UM154-SS5				30-2162	13	Order from Mfr.					5	6A8G, 6K7G, 6Q7G, 6F6G, 5Y4G	470	7-19,22
37-60	Vol.	33-5157	18	UM154-SS5				30-2117	25	HD684					5	6A8G, 6K7G, 6Q7G, 6F6G, 5Y4G	470	7-23,25
								30-2024	25	HD684								
								30-2118	14	2N518								
								30-2117	25	HD684								
37-61	Vol.	33-5157	18	UM154-SS5				30-2024	25	HD684					5	6A8G, 6K7G, 6Q7G, 6F6G, 5Y4G	470	7-23,25
								30-2118	14	2N518								
								30-2192	1/19	3S579								
37-62	Vol.	33-5198	18	MR48	M26			30-2013	1	SR638				5	6A8G, 6K7G, 6Q7G, 6F6G, 5Y4G	470	8-19,20	
37-84, Code 122	Vol.	33-5055	2	MR20	M26			30-2117	25	HD684				4	6J7G, 6F6G, 5Y4G	470	7-27,28	
37-89	Vol.	33-5157	18	UM154-SS5			A58	30-2024	25	HD684				6	6K7G, 6A8G, 6Q7G, 6F6G, 5Y4G	470	7-29,30	
								30-2073	1/19	3S579				5	6K7G, 6A8G, 6R7G, 6F6G, 5Y4G	470	8-21,22	
37-116 (Codes 121, 122)	Vol. Exp.	33-5158	17	TM251-SS5				30-2026	1	HD684				15	6K7G, 6J5G, 6L7G, 6N7G, 6A8G, 6H6G, 6B4G, 6F6G, 5U4G	470	7-31,36	
								30-2123	1/19	HD684								
								30-2169	13/14	3S584								
37-600	Vol.	33-5152	6	UM121-SS12	M26			30-2149	1	TCS71				4	6A8G, 6J7G, 6K6G, 5Y4G	470	7-37,38	
37-602	Vol.	33-5145	18	UM154-SS12	M26			30-2148	1/15	3N527				5	6A8G, 6K7G, 6Q7G, 25A6G, 25Z6G	470	7-39,40	
37-604	Vol.	38-7630	18	Order from Mfr.				30-2154	41/15	3N527/TC42				5	6A8G, 6K7G, 6Q7G, 25A6G, 25Z6G	470	7-41,43	
37-610 (Codes 121, 122)	Vol.	33-5158	124	TM251-SS5		See Note	A58	30-2117	25	HD684				5	6A8G, 6K7G, 6Q7G, 6F6G, 5Y4G	470	7-45,48	
								30-2024	25	HD684								
								30-2118	12	2N518								
37-610 (Codes 125, 126)	Vol.	33-5158	124	TM251-SS5			A58	30-2117	25	HD684				5	6A8G, 6K7G, 6Q7G, 6F6G, 5Y4G	470	7-45,48	
								30-2024	25	HD684								
								30-2118	12	2N518								
37-611	Vol.	33-5166	124	TM251-SS5				30-2124	25	RS216				5	6A8G, 6K7G, 6Q7G, 25A6G, 25Z6G	470	7-49,50	
								30-2166	25/15	RS207/TC22								
								30-2157	13/12	2N516								
37-620	Vol.	33-5158	18	TM251-SS5		See Note	A58	30-2117	25	HD684				6	6K7G, 6A8G, 6Q7G, 6F6G, 5Y4G	470	7-51,54	
								30-2024	25	HD684								
								30-2119	14	RS216								
37-623	Vol.	33-5158	124	TM251-SS5		See Note	A58	30-2161	12/13	3S582				6	1D5G, 1C7G, 1F7G, 1H4G, 1J6G	470	7-55,56	
								30-2160	1	2N518		41-3222	246	C3	6	1D5G, 1C7G, 1F7G, 1H4G, 1J6G	470	8-23,24
37-624	Vol.	33-5166	124	TM251-SS5				30-2171	13/12	2N516								
								.01		Buffer								

‡ Data not substantiated.

\* IMPORTANT: Read Notes in Note Section if specified in Note Column.  
DON'T MISS THE MALLORY 1485 CONTROL DEAL!

§ Indicates miscellaneous section.



MANUFACTURER AND MODEL	CONTROLS							CONDENSERS				VIBRATORS			No. Tubes	Complete Tube Complement	I. F. Peak	Rider's Refer- ence
	Use	Original Part	Cir- cuit	Correct Replacement	Switch	Bias	*Note	Original Part	Cir- cuit	Correct Replacement	*Note	Original Part	Replac- ement	*Note				
PHILCO—Continued 37-630.....	Vol.	33-5158	124	TM251-SS5		See Note	A58	30-2117	25	HD684					6	*6K7G, 6A8G, 6Q7G, 6F6G, 5Y4G	470	7-57,60
37-640.....	Vol.	33-5158	124	TM251-SS5		See Note	A58	30-2024	25	HD684					7	*6K7G, 6A8G, 6Q7G, 6F6G, 5Y4G	470	7-61,64
37-641.....	Vol.	33-5166	18	TM251-SS5				30-2117	14	2N518	B8				7	*6K7G, 6A8G, 6Q7G, 6F6G, 5Y4G	470	8-25,26
37-643.....	Vol.	33-5158	124	TM251-SS5			A58	30-2045	1/19	2N518					7	*6K7G, 6A8G, 6Q7G, 25A6G, 25Z6G	470	8-27,29
37-650.....	Vol.	33-5158	124	TM251-SS5		See Note	A58	30-2124	25	RS216					7	1D5G, 1C7G, 1H4G, 1E5G, 1J6G	470	7-65,68
37-660.....	Vol.	33-5158	124	TM251-SS5		See Note	A58	30-2125	12/15	2N509					9	*6K7G, 6A8G, 6J5G, 6K5G, 6F6G, 5Y4G	470	7-69,72
37-665.....	Vol.	33-5158	124	TM251-SS5			A58	30-2126	13/14	HD684		Mfr.			9	*6K7G, 6A8G, 6J5G, 6K5G, 6F6G, 5Y4G	470	8-30,33
37-670.....	Vol.	33-5158	124	TM251-SS5		See Note	A58	30-2163	1/19	TCS74/TC26					11	*6K7G, 6A8G, 6J5G, 6K5G, 6F6G, 5Y4G	470	7-73,76
37-675 (Codes 121, 122)	Vol. Tone	33-5158 33-5173	124 121	TM251-SS5 MR48			A58	30-2024	1	HD684					12	*6K7G, 6F6G, 6L7G, 6N7G, 6A8G, 6Q7G, 6H6G, 5X4G	470	7-137, 142
37-690.....	Vol. Bass Exp.	33-5183 33-5182 33-5178	127 15 1	UM154-SS5 UM154-SS1 Order from	M26 Mfr.		A58	30-2170	13	2N518					20	*6K7G, 6L7G, 6A8G, 6J5G, 6N7G, 6H6G, 6R7G, 6B8G, 6F6G, 6B4G, 5X4G	470	8-34,41
37-2620.....	Vol.	33-5158	124	TM251-SS5		See Note	A58	30-2176	30/19	RS213/TC32		Mfr.			6	*6K7EG, 6A8EG, 6Q7EG, 6F6EG, 5Y4G	470	8-42,45
37-2650.....	Vol.	33-5158	124	TM251-SS5		See Note	A58	30-2159	13/14	Order from		Mfr.			8	*6K7EG, 6F6EG, 6A8EG, 6K5G, 6J5G, 5Y4G	470	8-44,47
37-2670.....	Vol.	33-5158	124	TM251-SS5		See Note	A58	30-2177	13/14	Order from		Mfr.			11	*6K7EG, 6A8EG, 6J5EG, 6F6EG, 5X4G	470	8-48,51
38, 38A (Codes 122, 123)	Vol.	33-5017	2	MR24			A58	30-2117	25	HD684					5	15, 30, 32, 19	460	4-21,22
38-1 (Code 121)....	Vol.	33-5233	124	MRT451			A58	30-2024	14	2N518	B8				12	6U7G, 6A8G, 6N7G, 6K7G, 6H6G, 6R7G, 6J5G, 6F6G, 5X4G	470	8-52,54
38-2 (Code 121)....	Vol.	33-5233	124	MRT451			A58	30-2024	14	2N518	B8				11	6U7G, 6A8G, 6N7G, 6K7G, 6J5G, 6F6G, 5X4G, 6H6G, 6R7G	470	8-55,57
38-3 (Code 121)....	Vol.	33-5158	124	TM251-SS5			A58	30-2163	1/19	TCS74/TC26					9	6U7G, 6A8G, 6N7G, 6H6G, 6Q7G, 6K7G, 6F6G, 5Y4G	470	8-58,60
38-4, 38-5 (Code 121).....	Vol.	33-5224	124	MRT451			A58	30-2118	14	2N518	B8				8	6U7G, 6A8G, 6K7G, 6J5G, 6K5G, 6F6G, 5Y4G	470	8-61,63
38-7, 38-8, 38-9 (Code 121).....	Vol.	33-5216	124	MRT451				30-2201	1/15	RS213/TC22					6	6A8G, 6K7G, 6J5G, 6K5G, 6F6G, 5Y4G	470	8-64,66
38-10 (Code 121)...	Vol.	33-5215	18	MR48				30-2217	25/12	2N518					5	6A8G, 6K7G, 6Q7G, 6F6G, 5Y4G	470	8-67,68
38-12 (Code 121)...	Vol.	33-5230	18	MR48	M26			30-2210	25	HD684					5	6A7, 78, 75, 41, 84	470	8-69,70
38-14 (Codes 121, 124)	Vol.	33-5236	18	MR48	M26			30-2217	25/12	2N518					5	6A7, 78, 75, 42, 25Z5	470	8-71,72
38-15 (Codes 121, 124)	Vol.	33-5230	18	MR48	M26			30-2235	25	HD684					5	6A7, 78, 75, 41, 84	470	9-1,2
38-22, 38-23 (121)...	Vol.	33-5228	124	MRT451				30-2236	25	HD684					6	6A8G, 6K7G, 6R7G, 25L6G, 25Z6G	470	9-23,25
38-33 (Code 121)....	Vol.	33-5249	18	Order from	Mfr.			30-2256	25	FP115					5	1D7G, 1D5GT, 1H6G, 1H4G, 1E7G	470	9-3,4
38-34 (125).....	Vol.	33-5237	18	MR48	M27			30-2239	1/13/15	3N527					5	1D7G, 1D5GT, 1H6G, 1H4G, 1E7G	470	9-5,6
38-35 (121).....	Vol.	33-5253	18	MR48	M27			30-2158	13	TC70					5	6A8G, 6K7G, 6Q7G, 6K6G, 6X5G	470	9-7,8
38-38 (121).....	Vol.	33-5234	45	MR48				30-2160	1	2N518	B14	41-3222	246	C3	6	1C7G, 1D5G, 1H4G, 1E5GP, 1J6G	470	8-73,74
								.01		Buffer					5			
								30-2270	23	2S569	B14	41-3367	859	C3	5			
								.015		Buffer					6			
								30-2241	12/13	Order from	Mfr.				6			

‡ Data not substantiated.

\* IMPORTANT: Read Notes in Note Section if specified in Note Column.  
WHEN YOU BUY A BATTERY CHARGER BUY A MALLORY.

‡ Indicates miscellaneous section.

MANUFACTURER AND MODEL	CONTROLS							CONDENSERS				VIBRATORS			No. Tubes	Complete Tube Complement	I. F. Peak	Rider's Refer- ence
	Use	Original Part	Cir- cuit	Correct Replacement	Switch	Bias	*Note	Original Part	Cir- cuit	Correct Replacement	*Note	Original Part	Replac- ment	*Note				
PHILCO—Continued																		
38-39 (121).....	Vol.	33-5234.....	45	MR48.....				30-2226.....	1/13	3S582/TC70 Buffer.....	B14	41-3222.....	246	C3	6	1C7G, 1D5G, 1H4G, 1E5GP, 1J6G.....	470	8-75,76
38-40 (121).....	Vol.	33-5215.....	45	MR48.....				30-2219.....	25	RS223.....		41-3367.....	859	C3	6	6A8G, 6K7G, 6J5G, 6K5G, 6K6G, 6X5G.....	470	9-9,10
38-60 (Codes 125) ..	Vol.	33-5157.....	18	UM154-SS5.....			A58	30-2210.....	25	HD684.....	B14				5	6A8G, 6K7G, 6Q7G, 6F6G, 5Y4G.....	470	8-77,78
38-62.....	Vol.	33-5198.....	18	MR48.....	M26			30-2211.....	25	HD684.....					5	6A8G, 6K7G, 6Q7G, 6F6G, 5Y4G.....	470	8-19,20
38-89 (Code 125)...	Vol.	33-5157.....	18	UM154-SS5.....			A58	30-2212.....	12	RS216.....					6	6U7G, 6A8G, 6K7G, 6Q7G, 6F6G, 5Y4G.....	470	8-79,80
38-93.....	Vol.	33-5193.....	56	MR48.....	M26			30-2073.....	1/19	3S579.....					5	6K7G, 6A8G, 6R7G, 6F6G, 5Y4G.....	470	8-21,22
38-116 (Code 121) ..	Vol. Exp.	33-5158..... 33-5235.....	124 †	TM251-SS5..... UM160-SS5.....			A58	30-2026.....	1	HD684.....					15	*6K7G, 6L7G, 6N7G, 6A8G, *6J5G, 6R7G, *6L6G, 5X4G.....	470	8-81,86
38-116 (Code 125) ..	Vol. Exp.	33-5158..... 33-5235.....	124 22	TM251-SS5..... UM160-SS5.....			A58	30-2026.....	1	HD684.....					15	6U7G, *6A8G, 6N7G, *6K7G, *6J5G, 6R7G, *6L6G, 5X4G.....	470	9-11,16
38-610 (125, 126)...	Vol.	33-5158.....	124	TM251-SS5.....			A58	30-2024.....	25	HD684.....					5	6A8G, 6K7G, 6Q7G, 6F6G, 5Y4G.....	470	7-45,48
38-620 (121, 125)...	Vol.	33-5158.....	124	TM251-SS5.....			A58	30-2118.....	12	2N518.....	B8				6	6U7G, 6A8G, 6K7G, 6Q7G, 6F6G, 5Y4G.....	470	9-17,18
38-623.....	Vol.	33-5158.....	124	TM251-SS5.....			A58	30-2210.....	25	HD684.....					6	*1D5G, 1C7G, 1F7G, 1H4G, 1J6G.....	470	7-55,56
38-624.....	Vol.	33-5166.....	124	TM251-SS5.....			A58	30-2212.....	13	RS216.....					6	*1D5G, 1C7G, 1F7G, 1H4G, 1J6G.....	470	8-23,24
38-630.....	Vol.		18	TM251-SS5.....			A58	30-2171.....	13	2N518..... 2N516.....	B14	41-3222.....	246	C3	6	*6K7G, 6A8G, 6Q7G, 6F6G, 5Y4G.....	470	7-57,60
38-640.....	Vol.	33-5158.....	124	TM251-SS5.....			A58	30-2117.....	1	HD684.....	B8				7	*6K7G, 6A8G, 6Q7G, *6F6G, 5Y4G.....	470	7-61,64
38-643.....	Vol.	33-5158.....	124	TM251-SS5.....			A58	30-2045.....	1/19	2N518.....					7	*1D5G, 1C7G, 1H4G, 1E5G, 1J6G.....	470	8-27,29
38-665.....	Vol.	33-5158.....	124	TM251-SS5.....			A58	30-2161.....	13	3S582.....					9	*6K7G, 6A8G, *6J5G, 6K5G, *6F6G, 5Y4G.....	470	8-30,33
38-690 (125).....	Vol. Exp.	33-5240..... 33-5241.....	15 †	Order from Order from	Mfr. Mfr.			30-2163.....	1/19	TCS74/TC26 HD684.....	B8				20	6U7G, *6A8G, *6N7G, *6K7G, 6B8G, *6J5G, 6H6G, 6R7G, 6F6G, *6L6G, *5X4G.....	470	9-18,22 6-4,6
39, 39A.....	Vol.	33-5020.....	45	MR48.....	M23-24			30-2024.....	1	HD684.....					6	1C6, 34, 30, 32, 19.....	460	6-4,6
39-6, 39-7 (121).....	Vol.	33-5254.....	18	MR48.....	M26			30-2328.....	25	ST597.....					5	6A7, 78, 75, 41, 84.....	470	10-1,2
39-8, 39-8T.....	Vol.	33-5254.....	18	MR48.....	M26			30-2327.....	25	ST595.....					5	6A7, 78, 75, 41, 25Z5.....	470	11-26
39-12, 39-12TP.....	Vol. Tone	33-5230..... 33-5330.....	18 22	MR48..... MR33.....	M26			30-2246.....	8	RS216.....					5	6A7, 78, 75, 41, 84.....	470	11-14,15
39-17 (121, 122).....	Vol.	33-5276.....	18	Order from	Mfr.			30-2245.....	8	RS207.....					5	6A7, 78, 75, 41, 84.....	470	10-3,4
39-18 (121, 122).....	Vol.	33-5276.....	18	Order from	Mfr.			30-2235.....	23	HD684.....					5	6A7, 78, 75, 41, 84.....	470	11-14,15
39-19 (121, 122).....	Vol.	33-5276.....	18	Order from	Mfr.			30-2236.....	23	RS213.....					5	6A7, 78, 75, 41, 84.....	470	10-3,4
39-25 (121).....	Vol.	33-5289.....	18	MRT431.....				30-2319.....	25	HD684.....					5	6A7, 78, 75, 41, 84.....	470	10-7,8
39-30, 39-35 (121) ..	Vol.	33-5275.....	124	MRT451.....			A58	30-2236.....	25	HD684.....					5	6A8G, 78, 75, 41, 84.....	470	10-9,11
39-31, 39-31XF, 39-31XK.....	Vol.	33-5275.....	124	MRT451.....			A58	30-2332.....	74	RS224.....					5	6A7, 78, 75, 43, 25Z5, BKV51DJ.....	470	11-27
39-36 (121).....	Vol.	33-5286..... 33-5287.....	140 140	Order from Order from	Mfr. Mfr.			30-2245.....	74	RS207.....					5	6A7, 78, 75, 41, 84.....	470	10-7,8
39-40 (121).....	Vol. Tone	33-5286..... 33-5286.....	80 80	Order from Order from	Mfr. Mfr.			30-2323.....	25/13	2N518.....					5	6A8G, 78, 75, 41, 84.....	470	10-9,11
39-45 (121).....	Vol. Tone	33-5286..... 33-5287.....	80 80	Order from Order from	Mfr. Mfr.			30-2330.....	25	HD684.....					5	6A8G, 78, 37, 75, 41, 84.....	470	10-13,18
39-55 (121).....	Vol. Tone Sen.	33-5300..... 33-5287..... 33-5295.....	80 80 7	Order from Order from MR34.....	Mfr. Mfr.			30-2331.....	25/13	RS216.....					6	6A8G, 78, 37, 75, 41, 84.....	470	11-25
39-70, 39-75 (121, 122).....	Vol.	33-5290.....	18	MR48.....	M27			30-2331.....	25	HD684.....					6	6A7, 78, 37, 75, 41, 84.....	470	10-17,18
								30-2371.....	25	HD684.....					6	6A7, 78, 37, 75, 41, 84.....	470	10-17,18
								30-2370.....	25	RS216.....					6	6A7, 78, 37, 75, 41, 84.....	470	10-17,18
								30-2331.....	13	RS216.....					8	*78, 6A7, 6Q7, 6J5G, *42, 5Y4G.....	470	10-19,21
								30-2335.....	25	RS219.....					9	*78, 6A7, *6J5G, 6K5G, *42, 5Y4G.....	470	10-23,24
								30-2333.....	25	RS223.....					9	*78, 6A7, *6J5G, 6K5G, *42, 5Y4G.....	470	10-23,24
								30-2334.....	13	HD684.....					10	6J8G, *78, 6J7G, 6Q7G, 2A4G, 6ZY5G, *42, 80.....	470	9-55,62
								30-2335.....	25	RS219.....					10	6J8G, *78, 6J7G, 6Q7G, 2A4G, 6ZY5G, *42, 80.....	470	9-55,62
								30-2360.....	25	RS223.....					10	6J8G, *78, 6J7G, 6Q7G, 2A4G, 6ZY5G, *42, 80.....	470	9-55,62
								30-2334.....	13	HD684.....					10	6J8G, *78, 6J7G, 6Q7G, 2A4G, 6ZY5G, *42, 80.....	470	9-55,62
								30-2356.....	†	RS216.....					4	1A7G, 1N5G, 1H5G, 1C5G.....	470	10-25,26

† Data not substantiated.

\* IMPORTANT: Read Notes in Note Section if specified in Note Column.

‡ Indicates miscellaneous section.

THE MALLORY VIBRATOR DATA BOOK ANSWERS YOUR "WHY" QUESTIONS ABOUT VIBRATORS.

MANUFACTURER AND MODEL	CONTROLS							CONDENSERS				VIBRATORS			No. Tubes	Complete Tube Complement	I. F. Peak	Rider's Reference
	Use	Original Part	Circuit	Correct Replacement	Switch	Bias	*Note	Original Part	Circuit	Correct Replacement	*Note	Original Part	Replacement	*Note				
PHILCO—Continued																		
39-71 (121).....	Vol.	33-5301	18	MR53	M27			30-2359	12	TC40					4	1A7G, 1N5G, 1H5G, 1C5G	470	10-22
39-80 (121).....	Vol.	33-5288	17	MRT451	M27		A58	30-2346	12	ST595					4	1A7G, 1N5G, 1H5G, 1A5G	470	10-27
39-85 (121).....	Vol.	33-5288	17	MRT451	M27		A58	30-2348	12/13	2N516					4	1A7G, 1N5G, 1H5G, 1A5G	470	11-29
39-116 (121).....	Vol. Tone	33-5300 33-5287	80 80	Order from Order from	Mfr. Mfr.			30-2200 30-2360 30-2356 30-2334 30-2319 30-2323 30-2332 30-2245 30-2319 30-2323 30-2346	25 25 1 13 25 25/13 74 74 25 25 25	RS219 RS223 RS216 HD684 HD684 2N518 RS224 RS207 HD684 2N518 ST595				13	6J5G, 7B7, 6J7G, 6K7G, 6Q7G, 2A4G, 6A8G, 6Z5G, 42, 80, 37	470	9-56,62	
39-117 (121, 122)...	Vol.	33-5276	18	Order from	Mfr.			30-2319 30-2323 30-2332 30-2245	25 25/13 74	HD684 2N518 RS224				5	6A7, 78, 75, 41, 84	470	11-31-33	
39-118 (121, 122)...	Vol.	33-5276	18	Order from	Mfr.			30-2319 30-2245 30-2319 30-2323 30-2346	25 74 74 25 25	HD684 RS207 HD684 2N518 ST595				5	6A7, 78, 75, 43, 25Z5, BKV51DJ	470	32,33	
39-119 (121, 122)...	Vol.	33-5276	18	Order from	Mfr.			30-2319 30-2323 30-2346	25 25 12	HD684 2N518 ST595				5	6A7, 78, 75, 41, 84	470	11-34	
39-175 (121, 122)...	Vol.	33-5291	18	MR48	M27			30-2346	12	ST595				4	1A7G, 1N5G, 1H5G, 1C5G	470	11-35	
39-711.....	Vol.	33-5305	18	MRT431				30-2380 30-2235 30-2374	1/15 1 24/13	3N527 RS207 FP444	B8			5	6J8G, 78, 75, 25L6G, 25Z5	470	11-37	
39-744.....	Vol. Tone	33-5298 33-5303	140 140	MRT451 Order from	Mfr.			.01	1/15	Buffer	B14	41-3222	246	C3	7	26S7G, 6D8G, 6T7G, 6G6G, 249	470	11-41,42
39-751.....	Vol. Tone	33-5304 33-5299	140 140	MRT451 Order from	Mfr.			30-2372 30-2373 30-2245	1/15 1 13	3S579 RS224 RS207	B8			8	6J8G, 7B7, 75, 25L6G, 25Z5, 76	470	11-38	
39-770.....	Vol. Tone	33-5302 33-5287	124 124	Order from Order from	Mfr. Mfr.			30-2368 30-2366 30-2367	43 43 1	RS219 RS224 TC40				11	26K7G, 6J8G, 6H6G, 6J5G, 6F6G, 5Y4G	470	11-43-45	
40 DC.....	Vol.	4056	8	A2MP											6	24A, 27, 71A		1-10
40-74.....	Vol.	33-5310	18	MR53	M27			30-2359	12	TC40				4	1A7G, 1N5G, 1H5G, 1A5G	470	12-12	
40-81.....	Vol.	33-5331	18	MR53	M27			30-2396	12	TC44				4	1LA6, 1LN5, 1LH4, 1LA4, or 1A7G, 1N5G, 1H5G, 1A5G	455	12-13	
40-82 (121).....	Vol.	33-5331	18	MR53	M27			30-2396	12	TC44				4	1LA6, 1LN5, 1LH4, 1LA4	455	12-13,18	
40-83.....	Vol.	33-5331	18	MR53	M27			30-2396	12	TC44				4	1A7G, 1N5G, 1H5G, 1A5G	455	12-13,18	
40-84.....	Vol.	33-5375	18	MR53	M27			30-2453 30-2452 30-2388	24/78 46 12/13	2N509 TN125 2N516				5	1LA6, 1LN5, 1LH4, 1LA4, 1I726G	455	12-12,18	
40-88.....	Vol.	33-5310	18	MR53	M27			30-2388	12/13	2N516				5	1LN5, 1LA6, 1LH4, 1LA4	455	11-65	
40-90.....	Vol.	33-5312	18	MR53	M27			30-2396	12	TC44				4	1A7G, 1N5G, 1H5G, 1A5G	455	12-14,18	
40-95 (121, 122)...	Vol.	33-5321	18	MR53	M27			30-2396	12	TC44				4	1A7G, 1N5G, 1H5G, 1A5G	455	12-14,18	
40-100 (121, 122)...	Vol.	33-5321	18	MR53	M27			30-2396	12	TC44				4	1A7G, 1N5G, 1H5G, 1A5G	455	12-15, 16,18	
40-105.....	Vol.	33-5326	17	MRT451	M27			30-2396	12	TC44				4	1A7G, 1N5G, 1H5G, 1A5G	455	12-15,18	
40-110.....	Vol.	33-5326	17	MRT451	M27			30-2408	12/13	2N509				4	1A7G, 1N5G, 1H5G, 1A5G	455	11-47,48	
40-115.....	Vol.	33-5306	18	MR48	M26			30-2403	1	2N509				6	7C7, 7A8, 7B7, 7C6, 35A5, 35Z3	455	11-49	
40-120, 40-125.....	Vol.	33-5306	18	MR48	M26			30-2403	1	2N509				6	7C7, 7A8, 7B7, 7C6, 35A5, 35Z3	455	12-17,18	
40-124.....	Vol.	33-5306	18	MR48	M26			30-2403	1	2N509				6	7C7, 7A8, 7B7, 7C6, 35A5, 35Z3	455	11-49	
40-130, 135.....	Vol.	33-5332	18	MR48				30-2409 30-2401 30-2409 30-2401 30-2409 30-2401 30-2405 30-5314 30-5314 30-5314 30-5319 30-5319	25 25 25 25 25 25 25 25 25 25 25 25 25	TC74 TC70 TC74 TC70 TC74 TC70 HD684 RS216 HD684 RS216 2S567 3S584			6	7C7, 7A8, 7B7, 7C6, 7B5, 7Y4	455	12-21		
40-140.....	Vol. Tone	33-5319 33-5333	18 21	MR48 MR48	M26			30-2409 30-2401 30-2409 30-2401 30-2405 30-2406 30-2405 30-5314 30-5314 30-5314 30-5319 30-5319	25 25 25 25 25 25 25 25 25 25 25 25 25	TC74 TC70 TC74 TC70 HD684 RS216 HD684 RS216 2S567 3S584			6	1232, 7J7, 7B7, 7C6, 7B5, 7Y4	455	12-21		
40-145.....	Vol. Tone	33-5319 33-5333	18 21	MR48 MR48	M26			30-2409 30-2401 30-2409 30-2401 30-2405 30-2406 30-2405 30-5314 30-5314 30-5314 30-5319 30-5319	25 25 25 25 25 25 25 25 25 25 25 25 25	TC74 TC70 TC74 TC70 HD684 RS216 HD684 RS216 2S567 3S584			6	1232, 7J7, 7B7, 7C6, 7B5, 7Y4	455	12-21		
40-150.....	Vol. Tone	33-5275 33-5314	140 140	MRT451 SM303	M26		A58	30-2405 30-2406 30-2405 30-5314 30-5314 30-5314 30-5319 30-5319	25 25 25 25 25 25 25 25 25	HD684 RS216 HD684 RS216 2S567 3S584			7	1232, 7J7, 7B7, 7C6, 741, 84	455	12-19		
40-155.....	Vol. Tone	33-5275 33-5314	140 140	MRT451 SM303	M26		A58	30-2405 30-2406 30-2405 30-5314 30-5314 30-5314 30-5319 30-5319	25 25 25 25 25 25 25 25 25	HD684 RS216 HD684 RS216 2S567 3S584			8	1232, 7J7, 7B7, 7A6, 7C6, 741, 84	455	12-19		
40-158 (Code 121)...	Vol.	33-5319	18	MR48			A103	30-2406	25	RS216				6	7B7, 7A8, 7C6, 41, 84	455	12-20	
40-160.....	Vol.	33-5319	18	MR48			A103	30-2447 30-2400	25 28	2S567 3S584				6	7C7, 7B7, 7C6, 41, 84, 7A8	455	10-33& 12-21	
40-165.....	Vol. Tone	33-5319 33-5333	18 22	MR48 MR48	M26			30-2400 30-2409 30-2401 30-2405 30-2405 30-2405 30-2405 30-5314 30-5314 30-5314 30-5319 30-5319	28 25 25 25 25 25 25 25 25 25 25 25 25	3S584 TC74 TC70 HD684 RS216 HD684 RS216 2S567 3S584			6	1232, 6J8G, 7B7, 7C6, 41, 84	455	12-22		
40-170C.S.....	Vol.	33-5332	18	MR48				30-2409 30-2401 30-2405 30-2405 30-2405 30-2405 30-2405 30-5314 30-5314 30-5314 30-5319 30-5319	25 25 25 25 25 25 25 25 25 25 25 25 25	TC74 TC70 HD684 RS216 HD684 RS216 2S567 3S584			6	7C7, 7A8, 7B7, 7C6, 7B5, 7Y4	455	12-21		
40-180.....	Vol. Tone	33-5275 33-5314	140 140	MRT451 SM303	M26		A58	30-2405 30-2406 30-2405 30-5314 30-5314 30-5314 30-5319 30-5319	25 25 25 25 25 25 25 25 25	HD684 RS216 HD684 RS216 2S567 3S584			8	1232, 7J7, 7B7, 7A6, 7C6, 741, 84	455	12-22,23		
40-185.....	Vol. Tone	33-5275 33-5314	140 140	MRT451 SM303	M26		A58	30-2405 30-2406 30-2405 30-5314 30-5314 30-5314 30-5319 30-5319	25 25 25 25 25 25 25 25 25	HD684 RS216 HD684 RS216 2S567 3S584			8	1232, 7J7, 7B7, 7A6, 7C6, 741, 84	455	12-23		
40-190.....	Vol. Tone	33-5275 33-5314	140 140	MRT451 SM303	M26		A58	30-2405 30-2406 30-2405 30-5314 30-5314 30-5314 30-5319 30-5319	25 25 25 25 25 25 25 25 25	HD684 RS216 HD684 RS216 2S567 3S584			8	1232, 7J7, 7B7, 7A6, 7C6, 741, 84	455	12-22-24		

† Data not substantiated.

\* IMPORTANT: Read Notes in Note Section if specified in Note Column.

‡ Indicates miscellaneous section.

ASK YOUR DISTRIBUTOR FOR THE LATEST MALLORY CATALOG AND PRICE LIST.

MANUFACTURER AND MODEL	CONTROLS							CONDENSERS				VIBRATORS			No. Tubes	Complete Tube Complement	I. F. Peak	Rider's Reference
	Use	Original Part	Circuit	Correct Replacement	Switch	Bias	*Note	Original Part	Circuit	Correct Replacement	*Note	Original Part	Replacement	*Note				
PHILCO—Continued																		
40-195	Vol. Tone	33-5286	140	Order from SM303	Mfr.		A103	30-2335	25	RS219				10	1232, 7B7, 7C6, *37, *42, 80, 7J7, 7A7	455	12-24,25	
40-200	Vol. Tone	33-5286	140	Order from SM303	Mfr.		A103	30-2335	25	RS219				11	1232, 7J7, 7B7, 7A6, 7C6, *37, *42, 80	455	12-24,25	
40-205	Vol. Tone	33-5300	140	Order from Mfr.	Mfr.			30-2200	25	RS219				11	7C7, 6J8G, *78, 6Q7G, *42, 6J7G, 6H6G, 2A4G, 80	470	11-55-58,62	
40-215RX	Vol. Tone	33-5300	140	Order from Mfr.	Mfr.			30-2200	25	RS219				11	1232, 6J8G, *78, 6Q7G, *42, 6J7G, 6H6G, 2A4G, 80	470	12-26-28	
40-216	Vol. Tone	33-5287	140	Order from Mfr.	Mfr.			30-2360	25	RS223				13	*6J7G, 6A8G, *78, 6Q7G, 37, *42, 80, 2A4G, 6J5G, 6ZY5G	470	11-59,60	
40-217RX (Code 121)	Vol. Tone	33-5300	140	Order from Mfr.	Mfr.			30-2200	25	RS219				11	1232, 6J8G, *78, 6Q7G, *42, 6J7G, 6H6G, 2A4G, 80	470	12-26-28	
40-501, 40-502	Vol.	33-5306	18	MR48	M26			30-2382	1	2N509				5	7A8, 7B7, 7C6, 35A5, 35Z3	470	12-29	
40-503	Vol.	33-5332	18	MR48				30-2410	25	TC74				6	7C7, 7A8, 7B7, 7C6, 7B5, 7Y4	455	11-63	
40-504	Vol.	33-5310	18	MR53	M27			30-2359	12	TC40				4	1A7G, 1N5G, 1H5G, 1C5G	470	12-30	
40-506	Vol.	33-5332	18	MR48				30-2411	25	TC70				6	7C7, 7A8, 7B7, 7C6, 7B5, 7Y4	455	11-63	
40-507	Vol. Tone	33-5289	18	MRT431				30-2437	25/19	48T18	B8			6	1232, 7J7, 7B7, 7C6, 7B5, 7Y4	455	11-66	
40-508, 40-509	Vol. Tone	33-5333	21	MR48	M26		A58	30-2410	25	TC74				6	1232, 7J7, 7B7, 7C6, 7B5, 7Y4	455	12-32,33	
40-510	Vol. Tone	33-5275	124	MRT451				30-2413	25	RS215				8	1232, 6J8G, 7B7, 7C6, 7A4, *42, 80	455	12-32,33	
40-510	Vol. Tone	33-5314	22	SM303	M26			30-2412	25	RS216				8	1232, 6J8G, 7B7, 7C6, 7A4, *42, 80	455	12-32,33	
40-510	Vol. Tone	33-5300	140	Order from Mfr.	Mfr.			30-2200	25	RS219				11	7C7, 6J8G, *78, 6Q7G, *42, 80, 2A4G, 6H6G, 6J7G	470	11-67	
40-510	Vol. Tone	33-5287	140	Order from Mfr.	Mfr.			30-2360	25	RS223				11	7C7, 6J8G, *78, 6Q7G, *42, 80, 2A4G, 6H6G, 6J7G	470	11-67	
40-510	Vol. Tone	33-5295	7	MR34				30-2334	13	HD684				13	*6J7G, 6A8G, *78, 6Q7G, 37, *42, 80, 2A4G, 6J5G, 6ZY5G	470	11-59,60	
40-516	Vol. Tone	33-5300	140	Order from Mfr.	Mfr.			30-2200	25	RS219				13	*6J7G, 6A8G, *78, 6Q7G, 37, *42, 80, 2A4G, 6J5G, 6ZY5G	470	11-59,60	
40-516	Vol. Tone	33-5287	140	Order from Mfr.	Mfr.			30-2360	25	RS224				13	*6J7G, 6A8G, *78, 6Q7G, 37, *42, 80, 2A4G, 6J5G, 6ZY5G	470	11-59,60	
40-516	Vol. Tone	33-5295	7	MR34				30-2334	13	HD684				13	*6J7G, 6A8G, *78, 6Q7G, 37, *42, 80, 2A4G, 6J5G, 6ZY5G	470	11-59,60	
40-525, 40-526, 40-527	Vol.	33-5332	18	MR48				30-2411	25	TC70				6	7C7, 7A8, 7B7, 7C6, 7B5, 7Y4	455	12-30,31	
40-710	Vol.	33-5336	18	MRT431				30-2437	25/19	48T18	B8			6	7C7, 7A8, 7B7, 7C6, 7B5, 7Y4	455	12-30,31	
40-710	Vol.	33-5336	18	MRT431				30-2436	6/13/15	*TCD55				5	7A8, 7B7, 7C6, 35A5, 35Z3	455	11-71	
40-715 (121)	Vol.	33-5305	18	MRT431				30-2364	4	RS216				5	6J8G, 78, 75, 41, 84	455	11-73	
40-725 (121)	Vol. Tone	33-5298	140	MRT451				30-2363	4	RS216				6	*78, 6J8G, 75, 41, 84	455	11-75	
40-725 (121)	Vol. Tone	33-5299	140	Order from Mfr.	Mfr.			30-2364	4	RS216				6	*78, 6J8G, 75, 41, 84	455	11-75	
40-748 (121)	Vol. Tone	33-5298	140	MRT451				30-2319	4	RS215				6	*78, 6J8G, 75, 41, 84	455	11-75	
40-748 (121)	Vol. Tone	33-5303	140	Order from Mfr.	Mfr.			30-2374	24/13	TN125/TC42	B14	41-3222	246	C3	7	*6S7G, 6D8G, 6T7G, 6G6G, *49	455	11-77
40-755 (121)	Vol. Tone	33-5298	152	MRT451				.01		Buffer				8	*78, 6J8G, 75, 76, *42, 80	455	11-79	
40-755 (121)	Vol. Tone	33-5299	152	Order from Mfr.	Mfr.			30-2364	4	RS216				8	*78, 6J8G, 75, 76, *42, 80	455	11-79	
40-756 (121)	Vol. Tone	33-5299	152	Order from Mfr.	Mfr.			30-2366	4	RS224				8	*78, 6J8G, 75, 76, *42, 80	455	11-79	
40-756 (121)	Vol. Tone	33-5304	152	MRT451				30-2373	1	RS224				8	*78, 6J8G, 75, 76, *42, 80	455	11-79	
40-756 (121)	Vol. Tone	33-5299	152	Order from Mfr.	Mfr.			30-2446	1/13/15	FP339	B117			8	*25L6G, 25Z5	455	12-34,35	
40-780 (121, 151)	Vol. Tone	33-5334	140	MRT451				30-2364	4	RS216				11	*7C7, 6J8G, 6K7G, 7A6, 6R7G, *6J5G, *6V6G, 80	455	12-35,36	
40-780 (121, 151)	Vol. Tone	33-5335	140	Order from Mfr.	Mfr.			30-2366	4	RS224				11	*7C7, 6J8G, 6K7G, 7A6, 6R7G, *6J5G, *6V6G, 80	455	12-35,36	
40-2710	Vol.	33-5336	18	MRT431				30-2415	13	TC70				5	7A8E, 7B7E, 7C6, 35A5E, 35Z3	455	12-37,38	
40-2710	Vol.	33-5336	18	MRT431				30-2436	6/13/15	*TCD55				5	7A8E, 7B7E, 7C6, 35A5E, 35Z3	455	12-37,38	
40-2725 (121)	Vol. Tone	33-5298	152	MRT451				30-2364	4	RS216				6	*78E, 6J8E, 75, 41E, 84	455	12-38,39	
40-2725 (121)	Vol. Tone	33-5299	152	Order from Mfr.	Mfr.			30-2319	4	RS216				6	*78E, 6J8E, 75, 41E, 84	455	12-38,39	
40-2780	Vol. Tone	33-5334	140	MRT451				30-2412	4	RS216				11	*7C7E, 6J8EG, 6K7EG, 7A6, 6R7G, *6J5G, *6V6EG, 80	455	12-41,42	
40-2780	Vol. Tone	33-5335	140	Order from Mfr.	Mfr.			30-2445	4	RS224				11	*7C7E, 6J8EG, 6K7EG, 7A6, 6R7G, *6J5G, *6V6EG, 80	455	12-41,42	
40-2780	Vol. Tone	33-5335	140	Order from Mfr.	Mfr.			30-2415	13	TC70				11	*7C7E, 6J8EG, 6K7EG, 7A6, 6R7G, *6J5G, *6V6EG, 80	455	12-41,42	
41-KR	Vol.	33-5306	18	MR48	M26			30-2382	1	2N509				5	7A8, 7B7, 7C6, 35A5, 35Z3	455	14-4,16	
41-RP-2, 41-RP-5, 41RP6 (Record Player)								30-2388	24	2N516				2	6A7E, 84	455	14-5,20	
41-22CL, 42-22CL	Vol.	33-5405	18	MR48	M26			30-2388	24	2N516				2	6A7, 84	455	12-49	
41-22CL, 42-22CL	Vol.	33-5405	18	MR48	M26			30-2403	1	2N509				6	7C7, 7A8, 7B7, 7C6, 35A5, 35Z3	455	14-6, 14,16	
41-81	Vol.	33-5389	18	MR53	M23-24			30-2396	12	TC44				4	1A7G, 1N5G, 1H5G, 1A5G	455	13-4,5	
41-83	Vol.	33-5389	18	MR53	M23-24			30-2396	12	TC44				5	1A7G, 1N5G, 1H5G, *1LA4	455	13-4,5	
41-84	Vol.	33-5390	18	MR53	M27			30-2452	76/12	TN125				5	1LA6, 1LN5, 1LH4, 1LA4, 117Z6G	455	13-5	
41-84	Vol.	33-5390	18	MR53	M27			30-2453	76/78	2N509				5	1LA6, 1LN5, 1LH4, 1LA4, 117Z6G	455	13-5	
41-85	Vol.	33-5390	18	MR53	M27			30-2452	76/12	TN125				5	1LA6, 1LN5, 1LH4, 1LA4, 117Z6G	455	13-6	
41-85	Vol.	33-5390	18	MR53	M27			30-2453	76/78	2N509				5	1LA6, 1LN5, 1LH4, 1LA4, 117Z6G	455	13-6	

‡ Data not substantiated.

\* IMPORTANT: Read Notes in Note Section if specified in Note Column.  
WHEN YOU BUY PLUGS AND JACKS BUY MALLORY.

‡ Indicates miscellaneous section.

MANUFACTURER AND MODEL	CONTROLS							CONDENSERS				VIBRATORS			No. Tubes	Complete Tube Complement	I. F. Peak	Rider's Reference
	Use	Original Part	Circuit	Correct Replacement	Switch	Bias	*Note	Original Part	Circuit	Correct Replacement	*Note	Original Part	Replacement	*Note				
<b>PHILCO — Continued</b>																		
41-90	Vol.	33-5407	18	†		See Note A3	30-2396	12	TC44					4	1A7G, 1N5G, 1H5G, 1A5G	455	13-7	
41-95	Vol.	33-5398	18	MR53	M27	A58	30-2396	12	TC44					5	1A7G, 1N5G, 1H5G, 2A5G	455	13-7	
41-100	Vol.	33-5398	18	MR53	M27	A58	30-2396	12	TC44					5	1A7G, 1N5G, 1H5G, 2A5G	455	13-7,8	
41-105	Vol.	33-5402	17	MRT451			30-2396	12	TC44					5	1A7G, 1N5G, 1H5G, 2A5G	455	13-8	
41-110	Vol.	33-5412	140	TM251		A96	30-2396	12	TC44					6	1N5G, 1A7G, 1H5G, 2A5G	455	12-47	
41-220	Tone Vol.	33-5416	140	†		A3												
41-220	Vol.	33-5404	18	MR48			30-2403	1	2N509					6	7C7, 7A8, 7B7, 7C6, 35A5, 35Z3	455	12-48,49	
41-221	Vol.	33-5411	18	MR48			30-2491	1	2N509					6	XXD, 7B7, 7C6, 35A5, 35Z3	455	12-50	
41-225	Vol.	33-5411	18	MR48			30-2403	1	2N509					6	7C7, 7A8, 7B7, 7C6, 35A5, 35Z3	455	12-48,49	
41-226	Vol.	33-5411	18	MR48			30-2491	1	2N509					6	XXD, 7B7, 7C6, 35A5, 35Z3	455	12-50	
41-230 (Code 121)	Vol.	33-5332	18	MR48			30-2409	25	TC74					7	*XXL, 7B7, 7C6, 7B5, 7Y4	455	12-51	
41-231	Vol.		18	UM154		A96	30-2401	25/13	TC70					6	XXD, 7B7, 7C6, 35A5, 35Z3	455	12-50,55	
41-231	Vol.		18	UM154			20-20	1	2N509					6	XXD, 7B7, 7C6, 35A5, 35Z3	455	12-50,55	
41-235 (Code 121)	Vol.	33-5332	18	MR48			30-2409	25	TC74					7	*XXL, 7B7, 7C6, 7B5, 7Y4	455	12-51	
41-240 (Code 121)	Vol.	33-5332	18	MR48			30-2401	25/13	TC70					7	*XXL, 7B7, 7C6, 7B5, 7Y4	455	12-51	
41-240 (Code 121)	Tone Vol.	33-5333	21	MR48	M26		30-2409	25	TC74					7	*XXL, 7B7, 7C6, 7B5, 7Y4	455	12-52	
41-245 (Code 121)	Vol.	33-5332	18	MR48			30-2477	25/13	2N518					7	*XXL, 7B7, 7C6, 7B5, 7Y4	455	12-52	
41-245 (Code 121)	Tone Vol.	33-5404	21	MR48			30-2409	25	TC74					7	*XXL, 7B7, 7C6, 7B5, 7Y4	455	12-53,54	
41-246 (Code 121)	Vol.		18	MR48			30-2477	25/13	2N518					7	*XXL, 7B7, 7C6, 7B5, 7Y4	455	12-53,54	
41-246 (Code 121)	Tone Vol.		18	MR48			4-4	25	TC74					7	*XXL, 7B7, 7C6, 7B5, 7Y4	455	12-55,61	
41-250 (Code 121)	Vol.	33-5408	80	MRT451			30-2474	25	TC74					9	*XXI, 7B7, 7A6, 7C6, 41, 84	455	12-56	
41-250 (Code 121)	Tone Vol.	33-5403	80	SM303		A103	30-2475	25/13	3S584	B8				9	*XXI, 7B7, 7A6, 7C6, 41, 84	455	12-56	
41-255 (Code 121)	Vol.	33-5408	80	MRT451			30-2474	25	TC74					9	*XXI, 7B7, 7A6, 7C6, 41, 84	455	12-56	
41-255 (Code 121)	Tone Vol.	33-5403	80	SM303		A103	30-2475	25/13	3S584	B8				9	*XXL, 7B7, 7A6, 7C6, 41, 84	455	12-57,61	
41-256 (121)	Vol.		140	MRT451			16-8	25/13	3S584	B8				9	*XXL, 7B7, 7A6, 7C6, 41, 84	455	12-57,61	
41-256 (121)	Tone Vol.		140	SM303			16	25	TC55					6	XXD, 7B7, 7C6, 50L6GT, 35Z5GT	455	12-58	
41-258 (122)	Vol.	33-5405	18	MR48	M26		30-2403	1	2N509					7	*XXL, 7B7, 7C6, 41, 84	455	12-59	
41-260	Vol.	33-5319	18	MR48			30-2471	25	TC74					7	*XXL, 7B7, 7C6, 41, 84	455	12-59	
41-260	Tone Vol.	33-5404	22	MR48			30-2476	25/13	2N518					7	*XXL, 7B7, 7C6, 41, 84	455	12-60,61	
41-265	Vol.	33-5319	18	MR48			30-2471	25	TC74					7	*XXL, 7B7, 7C6, 41, 84	455	12-60,61	
41-265	Tone Vol.	33-5404	22	MR48			30-2476	25/13	2N518					7	*XXL, 7B7, 7C6, 41, 84	455	12-60,61	
41-280 (Code 121)	Vol.	33-5408	140	MRT451			30-2474	25	TC74					9	*XXL, 7B7, 7C6, 7A6, 41, 84	455	12-73, 63,64	
41-280 (Code 121)	Tone Vol.	33-5403	140	SM303			30-2475	25/13	3S584	B8				9	*XXL, 7B7, 7C6, 7A6, 41, 84	455	12-73, 63,64	
41-285, 41-287 (Code 121)	Vol.	33-5408	140	MRT451			30-2474	25	TC74					9	*XXL, 7B7, 7A6, 7C6, 41, 84	455	12-63, 64,73	
41-285, 41-287 (Code 121)	Tone Vol.	33-5403	140	SM303			30-2475	25/13	3S584	B8				10	*XXL, 7B7, 7A6, 7C6, 37, 41, 84	455	12-63, 64,73	
41-290 (Code 121)	Vol.	33-5408	140	MRT451			30-2474	25	TC74					11	*XXL, 7B7, 7C6, 37, 41, 84	455	12-65, 66,61	
41-290 (Code 121)	Tone Vol.	33-5403	140	SM303			30-2475	25/13	3S584	B8				11	*XXL, 7B7, 7C6, 37, 42, 80	455	12-65, 66,61	
41-295	Vol.	33-5286	140	Order from Mfr.			30-2472	25	RS219					12	*XXL, 7B7, 7A6, 7C6, 37, 42, 80	455	12-65, 66,61	
41-295	Tone Vol.	33-5325	140	†		A3	30-2333	25	RS223					12	*XXL, 7B7, 7A6, 7C6, 37, 42, 80	455	12-65, 66,61	
41-300	Vol.	33-5286	140	Order from Mfr.			30-2472	25	RS219					14	*XXL, 7B7, 7C6, 37, 42, 80, 78, 6J7G	455	12-67,69	
41-300	Tone Vol.	33-5325	140	†		A3	30-2333	25	RS223					14	*XXL, 7B7, 7C6, 37, 42, 80, 78, 6J7G	455	12-67,69	
41-316 (121)	Vol.	33-5417	140	Order from Mfr.			30-2200	25	RS219					15	XXL, 7B7, 7C6, 37, 42, 80, 78, 6J7G, 6J5G, 2A4G, 6ZY5G	455	12-67,69	
41-316 (121)	Tone Vol.	33-5325	140	†		A3	30-2360	25	RS223					15	XXL, 7B7, 7C6, 37, 42, 80, 78, 6J7G, 6J5G, 2A4G, 6ZY5G	455	12-67,69	
41-601 (121)	Vol.		†	Order from Mfr.			30-2473	13	TC71					5	7A8, 7B7, 7C6, 50L6GT, 35Z3	455	12-62	
41-602	Vol.	33-5396	18	TM243	M26	A96	30-2382	1	2N509					5	7A8, 7B7, 7C6, 35A5, 35Z3	455	12-71	
41-603	Vol.	33-5414	18/50	Order from Mfr.			30-2491	1	2N509					6	XXD, 7B7, 7C6, 35A5, 35Z3	455	12-72,73	
41-604, 41-605, 41-607	Vol.	33-5409	18/50	Order from Mfr.			30-2403	1	2N509					6	XXD, 7B7, 7C6, 35A5, 35Z3	455	12-72,73	
41-608, 41-609	Vol.	33-5408	140	MRT451			30-2488	25/13	3S584/TC74	B8				9	XXL, 7B5, 7C7, 7B7, 7C6, 41, 7Y4	455	12-75,76	
41-608, 41-609	Tone Vol.	33-5403	140	SM303		A103								10	XXL, 7B7, 7C6, 7B5, 37, 41, 80	455	12-77, 78,61	
41-610, 41-611 (121)	Vol.	33-5408	140	MRT451			30-2480	25/13	3S584	B8				10	XXL, 7B7, 7C6, 7B5, 37, 41, 80	455	12-77, 78,61	
41-610, 41-611 (121)	Tone Vol.	33-5403	140	SM303		A103	30-2481	25	TC82	B8				10	XXL, 7B7, 7C6, 7B5, 37, 41, 80	455	12-77, 78,61	
41-616P, 41-616PW (121)	Vol.	33-5417	140	Order from Mfr.			30-2200	25	RS219					15	XXL, 7B7, 7C6, 37, 42, 80, 78, 6J7G, 6J5G, 2A4G, 80, 6ZY5G	455	12-79, 82,70	
41-616P, 41-616PW (121)	Tone Vol.	33-5325	140	†		A3	30-2360	25	RS223					15	XXL, 7B7, 7C6, 37, 42, 80, 78, 6J7G, 6J5G, 2A4G, 80, 6ZY5G	455	12-79, 82,70	
41-620 (Phonograph)	Vol.		140	2 Meg.		A19	16-8	25/13	3S584	B8				6	7F7, 7A4, 7B5, 80	455	12-74	
41-620 (Phonograph)	Tone Vol.		140	†		A3	12	25/13	TC74					6	7F7, 7A4, 7B5, 80	455	12-74	

† Data not substantiated.

\* IMPORTANT: Read Notes in Note Section if specified in Note Column.  
THE MALLORY TECHNICAL MANUAL IS YOUR COMPLETE TECHNICAL HANDBOOK.

‡ Indicates miscellaneous section.

MANUFACTURER AND MODEL	CONTROLS							CONDENSERS				VIBRATORS			No. Tubes	Complete Tube Complement	I. F. Peak	Rider's Reference
	Use	Original Part	Circuit	Correct Replacement	Switch	Bias	*Note	Original Part	Circuit	Correct Replacement	*Note	Original Part	Replacement	*Note				
PHILCO—Continued 41-623, 41-624, 41-625.....	Vol.	33-5405	18	MR48	M26			30-2494 30-2500 30-2495	1 15 13/15	TN129 TC22 2N516					7	XXD, 7B7, 7C6, 50L6GT, 50Y6GT	455	12-83,84
41-629 (121).....	Vol. Tone	33-5408 33-5403	140 140	MRT451 SM303				30-2496 30-2497 30-2396	25 25/13 12	TC74 3S584 TC44	B8				9	XXL, 7B7, 7C6, 7A1, 7B5, 6X5G, 1A7G, 1N5G, 1H5G, 21A5G	455	12-85, 86,61
41-695.....	Vol.	33-5413	18	†			A5								5	7A8E, 7B7E, 7C6, 35A5E, 35Z3	455	12-85,97
41-705.....	Vol.	33-5230	18	MR48	M26			30-2463	1/15	3N533					5	7A8E, 7B7E, 7C6, 35A5E, 35Z3	455	12-87,88
41-708.....	Vol.	33-5391	18	TM231			A96	30-2478 30-2479 .01	24 24/13	TC52 2N509 Buffer	B14		See Note	C8	4	7A8E, 7B7E, 7C6, 7B5E	455	12-88
41-712.....	Vol.	33-5391	18	TM231			A96	30-2459 30-2467	4 4/13	TC62 2N516					5	7A8E, 7B7E, 7B6, 6K6EG, 7Y4	455	12-89,90
41-713.....	Vol.	33-5397	18	TM231			A96	30-2436	25/13/15	FP409	B117				5	7A8E, 7B7E, 7C6, 35A5E, 35Z3	455	12-89,90
41-714.....	Vol.	33-5391	18	TM231			A96	30-2459 10	4 4	TC72 TC72					6	7A7E, 7J7E, 7B7E, 7B6, 6K6EG, 7Y4	455	12-94
41-722.....	Vol. Tone	33-5392 33-5293	140 140	MRT451		See Note	A58	30-2464	4	TC65					6	7A7E, 6J8EG, 78E, 75, 41E, 84	455	14-7-9
41-745.....	Vol. Tone	33-5392 33-5394	140 140	MRT451 SM303	M27		A58	30-2469 30-2468 .01	13 46	TC42 FP369 Buffer	B14	41-3222	246	C3	7	7B7E, 7A8E, 7C6, 6G6EG, 7A9	455	14-9, 10,13 14-8, 9,11
41-758.....	Vol. Tone	33-5392 33-5393	140 140	MRT451 SM303	M26		A58	30-2445 30-2465	4 4	FP146 FP143					8	7A7E, 6J8EG, 78E, 75, 76, 7A2E, 80	455	14-9, 12,13
41-759.....	Vol. Tone	33-5395 33-5393	140 140	MRT451 SM303	M26			30-2435 30-2466	46/15 46	FP306 FP137					8	7A7E, 7J7E, 78E, 7B6, 76, 25L6EG, 25Z5	455	14-9, 12,13
41-788 (121, 122).....	Vol. Tone	33-5399 33-5400	140 140	TM259-SS1 SM303	M26			16 40-5-5	4 4/13	FP143 Order from	Mfr.				11	7C7E, 7J7E, 78E, 7A6, 76, 6V6EG, 80	455	12-91-93
41-841 (121— Runs 1 and 2).....	Vol.	33-5390	18	MR53	M27			20-10-20-20	76/78	TN125/TC26					5	1A7G, 1N5G, 1H5G/ ILD5, 3Q5G, 117Z6	455	12-96,97
41-842, 41-843, 41-844.....	Vol.		18	UM154	M27		A96	20-20-10/ 100-25	76/78/13	Order from	Mfr.				7	1LE3, 1LN5, 1LH4, 1LB4, 117Z6G	455	12-98
41-851 (121— Runs 1 and 2).....	Vol.	33-5390	18	MR53	M27			30-2452 30-2453 30-2382	76 13/78 13	TN125 2N509 2N509					5	1A7G, 1N5G, 1H5G/ ILD5, 3Q5G, 117Z6G	455	12-95-97
41 DC, 42 DC.....	Vol.	4094	2/8	DRP114			A56	†	†	See Note	B11				6	24A, 27, 71A		1-11,2-8
42-KR-3, 42-KR-5.....	Vol.	33-5456	18	MR48	M26			30-2382	1	2N509					5	7A8, 7B7, 7C6, 50L6GT, 35Z3	455	14-14-16
42-PT-2, 42-PT-4, 42-PT-7 (121, 122).....	Vol.	33-5434	18	MR48	M26			30-2382	1	2N509					5	7A8, 7B7, 7C6, 50L6GT, 35Z3	455	14-17,18
42-PT-10.....	Vol.	33-5434	18	MR48	M26			30-2382	1	2N509					6	7C7, 7A8, 7B7, 7C6, 50L6GT, 35Z3	455	14-18,19
42-PT-321.....	Vol.	33-5469	18	MR48	M26			30-2382	1	2N509					6	7C7, 7A8, 7B7, 7C6, 50L6GT, 35Z3	455	14-18,19
42-RP-1, 42-RP-2.....								30-2388 30-2396	24 12	2N516 TC44					2	6A7, 84		14-20
42-121.....	Vol.	33-5441	18	MR53	M27		A58	30-2396	12	TC44					4	1LA6, 1LN5, 1LH4, 1LA4	470	14-21,23
42-122.....	Vol.	33-5447	18	MR53	M27		A58	30-2396	12	TC44					5	1LA6, 1LN5, 1LH4, 1LA4	455	14-22,23
42-123.....	Vol.	33-5453	18	†		See Note	A3	30-2396	12	TC44					5	1LA6, 1LN5, 1LH4, 1LA4	455	14-22,23
42-124T, 42-125K.....	Vol.	33-5452	17	MRT451	M27		A58	30-2396	12	TC44					5	XXB, 1LN5, 1LH4, 1LB4	455	14-24-26
42-126.....	Vol.	33-5452	17	MRT451	M27		A58	30-2396	12	TC44					6	1LE3, 1LN5, 1LH4, 1LB4	455	14-25, 26,72
42-322.....	Vol.	33-5482	18	†		See Note	A3	30-2530	46	TN129					6	7C7, 7A8, 7B7, 7C6, 50L6GT, 35Z3	455	14-27,28
42-323.....	Vol.	33-5458	18	UM154			A96	30-2503	1	2N509					6	XXD, 7B7, 7C6, 50L6GT, 35Z3GT/ 35Z5GT	455	14-29, 30,31
42-327.....	Vol.	33-5448	18	Order from	Mfr.			30-2503	1	2N509					6	XXD, 7B7, 7C6, 50L6GT, 35Z3GT/ 35Z5GT	455	14-30,31, 32,141
42-335.....	Vol.	33-5443	18	MR48				12 4-4	25 13/25	TC74 2N518					7	2XXL, 7B7, 7C6, 7B5, 7Y4	455	14-33, 34,141
42-340.....	Vol.	33-5443	18	MR48				30-2409 30-2477	25 25/13	TC74 2N518					7	2XXL, 7B7, 7C6, 7B5, 7Y4	455	14-35,31, 36,141
42-345.....	Vol. Tone	33-5443 33-5450	18 21	MR48 MR48				30-2409 30-2477	25 25/13	TC74 2N518					7	2XXL, 7B7, 7C6, 7B5, 7Y4	455	14-37,31, 36,141
42-350.....	Vol. Tone	33-5470 33-5471	140 140	MRT451 UC508			A58 A36	30-2477 30-2409	25/13 25	2N518 TC74					7	2XXL, 7V7, XXFM, 7B5, 7Y4	455 kc. 4.3 mc.	14-28,38 40, 141

† Data not substantiated.

\* IMPORTANT: Read Notes in Note Section if specified in Note Column.  
WHEN YOU BUY ROTARY SWITCHES BUY MALLORY.

§ Indicates miscellaneous section.

MANUFACTURER AND MODEL	CONTROLS							CONDENSERS				VIBRATORS			No. Tubes	Complete Tube Complement	I. F. Peak	Rider's Reference
	Use	Original Part	Circuit	Correct Replacement	Switch	Bias	*Note	Original Part	Circuit	Correct Replacement	*Note	Original Part	Replacement	*Note				
PHILCO—Continued																		
42-355	Vol. Bass Treble	33-5477 33-5460 33-5461	140 140 22	MRT451 UM160-SS1 MR48			A36	30-2513 30-2517	13/25 25	2N518 TC75				8	2XXL, 27V7, XXFM, 241, 6X5G	AM 455 kc. FM 4.3 mc.	14-41- 43,141	
42-358 (121)	Vol.	33-5464	18	MR48	M26			30-2515	1	2N509				6	XXD, 27B7, 7C6, 50L6GT, 35Z3	455	14-34,44	
42-358 (122)	Vol.	33-5464	18	MR48	M26			30-2529	8	TN129				6	XXD, 27B7, 7C6, 35L6GT, 50Y6GT	455	14-34,44	
42-360	Vol. Tone	33-5451	18	MR48				30-2471	25	TC74				7	2XXL, 27B7, 7C6, 41, 84	455	14-45,31, 42,46	
42-365	Vol. Tone	33-5451	18	MR48	M26			30-2471	25	TC74				7	2XXL, 27B7, 7C6, 41, 84	455	14-47,31, 42,46	
42-380	Vol. Bass Treble	33-5459 33-5460 33-5461	140 140 21	MRT451 UM160-SS1 MR48			A58 A36	30-2476 30-2513 30-2517	25/13 25/13 25	2N518 2N518 TC75				7	2XXL, 27B7, 7C6, 41, 6X5G	455	14-43, 48,49, 142	
42-390	Vol. Bass Treble	33-5477 33-5460 33-5461	140 140 22	MRT451 UM160-SS1 MR48			A36	30-2513 30-2517	13/25 25	2N518 TC75				8	2XXL, 27V7, XXFM, 241, 6X5G	AM 455 kc. FM 4.3 mc.	14-41- 43,141	
42-395	Vol. Bass Treble	33-5478 33-5479 33-5480	140 140 22	MRT451 MR53 MR48			A36 A36	30-2526 30-2517	13/25 25	2N518 TC75				9	2XXL, 27V7, XXFM, 7A4, 27B5, 7Z4	AM 455 kc. FM 4.3 mc.	14-50- 53,142	
42-400	Vol. Bass Treble	33-5280 33-5472 33-5470	140 140 1	TRP603 Order from Mfr. MRT451	6-9	FS252	A52 A58	30-2437 30-2531 30-2525	13 25 25	TC71 XXFM, 7A4, TC75				11	2XXL, 27B7, 7A6, XXFM, 7A4, 26F6G, 5Y4G	AM 455 kc. FM 4.3 mc.	14-54- 56,142	
42-706	Vol.	33-5434	18	MR48	M26			30-2510	1	2N514				5	7A8E, 7B7E, 7C6, 35A5E, 35Z3	455	14-57,61	
42-716	Vol.	33-5465	18	MR48				30-2459	4	TC62				5	6J8EG, 7B7E, 7C6, 6K6EG, 7Y4	455	14-58,61	
42-717	Vol.	33-5446	18	MR48	M26			30-2506	1/15	TN129/TC26				5	7A8E, 7B7E, 7C6, 35A5E, 35Z3	455	14-59,61	
42-718	Vol.	33-5465	18	MR48				30-2479 30-2478 .01	46 46 4	2N509 TC55 Buffer TC78		41-3553	246	C3	4	7A8E, 7B7E, 7C6, 7B5E	455	14-60, 61,142
42-724	Vol.	33-5475	18	†		See Note	A3	30-2520 30-2521	4 4/13	2S569 TC78				6	7J7E, 7B7E, 7C6, 7B5E, 6X5G	455	14-62,63 14-64	
42-730	Vol. Tone	33-5454 33-5455	140 140	† †		See Note	A3 A3	30-2445 30-2465	4 4	FP146 FP143				7	7A7E, 7J7E, 7B7E, 7C6, 341E, 80	455	65,142 14-66	
42-760	Vol. Tone	33-5438 33-5439	140 140	† †		See Note	A3 A3	30-2445 30-2465	4 4	FP146 FP143				8	7A7E, 7J7E, 75, 76, 242E, 80	455	67,70, 7,142	
42-761	Vol. Tone	33-5442 33-5439	140 140	† †		See Note	A3 A3	30-2435 30-2504 30-2505	15/46 13 46	3N527 2N514 TC74				8	7A7E, 7J7E, 7B6, 76, 25L6EG, 25Z5	455	14-67, 68,70- 72,142	
42-762	Vol. Tone	33-5438 33-5445	140 140	† †		See Note	A3 A3	30-2468 30-2469 .01	24/13 13 4	FP369 TC62 Buffer FP146		41-3222	246	C3	7	27B7E, 7A8E, 7C6, 6G6EG, 249	455	14-67, 69,70, 72,142
42-788 (121, 122)	Vol. Tone Sen.	33-5399 33-5400 33-5401	140 140 7	TM259-SS1 SM303 M15MP	M26			30-2511 30-2512	4 4/13/14	Order from Mfr.				11	27C7E, 7J7E, 78E, 7A6, 76, 75, 26V6EG, 80	455	14-73- 76,142	
42-842, 42-843, 42-844	Vol.	33-5436	18	MR48	M27			30-2498	24/12/ 78	Order from Mfr.				7	21LE3, 21LN5, 1LH4, 1LB4, 117Z6G	455	14-77, 78,81, 143	
42-853, 42-854	Vol.	33-5436	18	MR48	M27			30-2498	12/15/ 76	Order from Mfr.				7	21LE3, 21LN5, 1LH4, 1LB4, 117Z6G	455	14-78- 81,143	
42-1001 (121), 42-1001P (121)	Vol.	33-5437	18	MRT443	M26			30-2501	1/15	2N511/TC22				5	7A8, 7B7, 7C6, 50L6GT, 35Z3	455	14-82, 83,143	
42-1001 (122)	Vol.	33-5437	18	MRT443	M26			30-2501 30-2396 30-2507	8 8 1	2N511/TC26 TC44 2N511				5	7A8, 7B7, 7C6, 50L6GT, 50Y6GT	455	14-82,84	
42-1002 (121)	Vol.	33-5462	18	MRT443	M26			30-2507	1	2N511				6	7C7, 7A8, 7B7, 7C6, 50L6GT, 35Z3	455	14-85, 86,143	
42-1002 (122)	Vol.	33-5462	18	MRT443	M26			30-2507 30-2396 30-2509	8 8 1/15	2N511 TC44 2N511/TC22				6	7C7, 7A8, 7B7, 7C6, 50L6GT, 50Y6GT	455	14-85, 86,143	
42-1003 (121)	Vol.	33-5457	18	MRT451	M26			30-2509 30-2508 30-2508	1/15 13/15 13/15	2N511/TC22 TCD52 TCD52				7	XXD, 27B7, 7C6, 50L6GT, 50Y6GT	455	14-86- 89,100, 143	
42-1003 (122)	Vol.	33-5457	18	MRT451	M26			30-2509 30-2396 30-2508 30-2528	3/15 3 13/15 8/15	2N511/TC22 TC44 TCD52 2N511/2N509				7	XXD, 27B7, 7C6, 50L6GT, 50Y6GT	455	14-86- 89,100, 143	
42-1004	Vol.	33-5466	18	MRT460	M26			30-2528	8/15	2N511/2N509				6	7C7, 7A8, 7B7, 7C6, 35L6GT, 50Y6GT	455	14-18, 90,143	
42-1005 (121)	Vol.	33-5457	18	MRT451	M26			30-2508 30-2509	13/15 1/15	TCD52 2N511/TC22				7	XXD, 27B7, 7C6, 50L6GT, 50Y6GT	455	14-91- 93,143	
42-1005 (122)	Vol.	33-5457	18	MRT451	M26			30-2509 30-2509 30-2396 30-2508	3/15 3/15 3 13/15	2N511/TC22 2N511/TC22 TC44 TCD52				8	XXD, 27B7, 7C6, 50L6GT, 50Y6GT	455	14-91, 92,93, 143	

† Data not substantiated.

\* IMPORTANT: Read Notes in Note Section if specified in Note Column.

§ Indicates miscellaneous section.

FREE! MALLORY VIBRATOR REPLACEMENT GUIDE... SEE YOUR DISTRIBUTOR.

MANUFACTURER AND MODEL	CONTROLS							CONDENSERS				VIBRATORS			No. Tubes	Complete Tube Complement	I. F. Peak	Rider's Reference
	Use	Original Part	Circuit	Correct Replacement	Switch	Bias	*Note	Original Part	Circuit	Correct Replacement	*Note	Original Part	Replacement	*Note				
PHILCO—Continued 42-1006 (122)	Vol.	33-5469	18	MR48	M26			30-2509 30-2396 30-2533	1/15 18 13/15	2N511/TC22 TC44 TCDS2				7	7C7, 7A8, 7B7, 7C6, 35L6GT, 50Y6GT	455	14-18, 94,143	
42-1008, 42-1009M, 42-1009W (121)	Vol. Tone	33-5468 33-5467	18 22	MRT451 UC507			A58 A36	30-2481 30-2480	1 1/13	TC74 3S584	B8			9	7C5, XXL, 7B7, 7C6, 7A1, 6X5G	455	13-9-12	
42-1010, 42-1011M, 42-1011W (121)	Vol. Treble Bass	33-5481 33-5480 33-5479	140 22 140	MR48 MR53		See Note	A3 A36 A36	30-2517 30-2535 30-2500	1 1/13 15	TC75 2N518 TC22				10	XXL, 7C5, 7B7, 7C6, 7A4, 5Y4G	455	13-12-15	
42-1012, 42-1013M, 42-1013W	Vol. Bass Treble	33-5478 33-5479 33-5480	140 140 22	MRT451 MR53 MR48			A36 A36	30-2535 30-2517 30-2527 30-2500	25/13 25 12 15	2N518 TC75 TC75 TC22				10	XXL, 7C5, 7V7, XXFM, 7C6, 7A4, 5Y4G	AM 455 kc. FM 4.3 mc.	14-82, 95-99, 112	
42-1015	Vol. Bass	33-5286 33-5472	18 1	Order from Order from	Mfr. Mfr.			30-2473 30-2532 30-2527	13 25 25	TC71 RS223 TC75				12	XXL, 7B7, XXFM, 7C5, 7C6, 7A4, 76L6G, 5X4G	AM 455 kc. FM 4.3 mc.	14-100- 104,112	
42-1016	Vol. Bass	33-5417 33-5472	140 140	Order from Order from	Mfr. Mfr.			30-2532 30-2519 30-2499 30-2387 30-2522	25 25 1 1 13	RS223 TC75 Order from TC44 TC75	Mfr.			15	XXL, 7V7, XXFM, 7C6, 7B5, 7B7, 7C7, 37, 7A6, 2A4G, 76L6G, 5X4G	AM 455 kc. FM 4.3 mc.	14-105- 112	
43	Vol.	6892	45	MR53	M26		A58	4916	1	HD684				8	37, 44, 42, 80	450	3-13,16	
43 (Code 121)	Vol.	6892	45	MR53	M26		A58	7556	13	HD684				8	37, 44, 42, 80	450	4-24,26	
44	Vol.	33-5025	18	MR48	M26		A58	6453	13	HD684				6	6A7, 78, 75, 42, 80	460	4-23,26	
45, 45C	Vol.	33-5097	18	MRT425	M26	EB247	A58	30-2028 30-2028 30-2020	13 1 13	2N518 HD684 2N518				6	6A7, 39/44, 75, 42, 80	460	5-24,26	
46, 46E (DC)	Vol.	4141	24	CE			A54							6	14, 27, 71A		1-12,13	
46-131	Vol.	33-5493	142	MR53	M27			30-2540	12	TC42				4	1LA6, 1LN5, 1LH4, 1A5GT	455		
46-132	Vol.	33-5493	205	MR53	M27			30-2540	12	TC42				5	1LA6, 1LN5, 1LH4, 1A5GT	455		
46-142	Vol.	33-5493	205	MR53	M27			30-2540	12	TC42				5	1LA6, 1LN5, 1LH4, 1A5GT/G	455		
46-200, 46-200-1, 46-201, 46-202, 46-203	Vol.	33-5429	205	MR48	M26			30-2547	1	2N509				5	7A8, 7B7, 7C6, 50L6GT, 35Z5GT	455	16-9,11	
46-250, 46-250-1, 46-251	Vol.	33-5429	205	MR48	M26			30-2547	1	2N509				5	7A8, 7B7, 7C6, 50L6GT, 35Z5GT	455	15-1,8	
46-350	Vol.	33-5526	18	Order from	Mfr.			30-2563	94/78	FP409				6	1T4, 1R5, 1U5, 3Q5, 117Z3	265	15-5,9	
46-420, 46-420-1	Vol.	33-5491	205	Order from	Mfr.			30-2547	1	2N509				6	7C7, 7A8, 7B7, 7C6, 50L6GT, 35Z5GT	455		
46-421, 46-421-1	Vol.	33-5469	205	MR48	M26			30-2547	1	2N509				6	7C7, 7A8, 7B7, 7C6, 50L6GT, 35Z5GT	455		
46-427	Vol.	33-5458	205	MR48	M26			30-2541	1	2N509				6	14AF7/XXD, 7B7, 7C6, 50L6GT, 35Z5GT	455		
46-480	Vol. Tone	33-5335-1 33-5539-1	161 260	TM259 Order from	Mfr.			30-2568-8 30-2556 30-2417	129 24 83	FP144 FP343 TC40				7	7F8, 7H7, 6H6GT, 6SQ7GT, 6V6GT, 7Z4	455 9.1	15-15,24	
46-1201	Vol.	33-5519	257	Order from	Mfr.			30-2559 30-2548 30-2559	126 126 127	TC44 TC48 TC44				5	7A8, 7B7, 7C6, 35L6GT, 50Y6GT	455	15-31,39	
46-1201 (Revised)	Vol.	33-5519	257	Order from	Mfr.			30-2554 30-2573 30-2559	24 88 127	2N514 TN129 TC44	B10			5	7A8, 7B7, 7C6, 50A5/50B5, 50X6/35Y4/50Y6	455		
46-1203	Vol.	33-5503	257	Order from	Mfr.			30-2510 30-2555 30-2556	127 94 94	2N514 FP144 FP434				6	7C7, 7A8, 7B7, 7C6, 35L6GT, 50Y6GT	455	16-12,14	
46-1209	Vol. Tone	33-5535-1 33-5538-1	261 260	TM259 Order from	Mfr.			30-2510 30-2555 30-2556	127 94 94	2N514 FP144 FP434	B8			8	7F8, 7H7, 7X7, 7AF7, 76V6GT/G, 5Y3GT/G	455		
46-1213	Vol. Treble Bass	33-5535-5 33-5539-7 33-5539-8	265 22 265	MRT451 MR48 UM160-SS1				30-2568-1 30-2570-1 30-2552	129 12/13/13 12/13	FP143 FP429 FP231	B192			11	7W7, 7F8, 7H7, 7B7, 6SQ7GT, 7AF7, FM1000, 76V6GT, 5U4G	455 9.1		
46-1226	Vol. Tone	33-5535-1 33-5538-1	261 260	TM259 Order from	Mfr.			30-2556	74 74/13	FP146 FP434	B8			8	7AF7, 7H7, 7C6, 6J5GT, 76K6GT/G, 5Y3GT/G	455	15-40,44	
47 (DC) (Code 121- 221)	Vol.	6499	45	MR53										8	36, 744, 737, 743		3-47,48	
47-204, 47-205	Vol.	33-5429	75	MR48	M26			30-2573	88	TN129				5	7A8, 14A7, 14B6, 50L6GT, 35Y4	455		
47-1227	Vol. Tone	33-5535-1	261 260	TM259 Order from	Mfr.			30-2555 30-2556 30-2417	25 25/13 83	FP144 FP434 TC40	B8			9	6AG5, 7F8, 6BA6, 7R7, 7X7, 6J5GT, 76K6GT, 6A24	455 9.1		

‡ Data not substantiated.

\* IMPORTANT: Read Notes in Note Section if specified in Note Column.  
USE MALLORY CAPACITORS—STANDARD OF THE INDUSTRY.

§ Indicates miscellaneous section.



MANUFACTURER AND MODEL	Use	CONTROLS							CONDENSERS				VIBRATORS			No. Tubes	Complete Tube Complement	I. F. Peak	Rider's Reference
		Original Part	Circuit	Correct Replacement	Switch	Bias	*Note	Original Part	Circuit	Correct Replacement	*Note	Original Part	Replacement	*Note					
PHILCO—Continued 47-1230	Vol. Tone	33-5535-1 33-5538-1	261 260	TM259 Order from	Mfr.			30-2555 30-2570-11 30-2417	25 25/13 83	FP144 FP238 TC40					9	7F8, 6AG5, 6BA6, 7R7, 7X7, 7AF7, *6V6GT, 5Y3GT	455 9.1		
48 (DC)	Vol.	5839	6	E12		(Early)	A27								4	*36, 44, 43	175	3-21,22	
48-141, 48-145	Vol.	6415	6	E12	6-9	(Late)	A4												
48-464	Vol.	33-5554	205	MR53	M27			30-2540	12	TC42					4	1LA6, 1LN5, 1LH4, 3LF4	455		
48-482	Vol. Tone	33-5339-11 33-5538-14	205 95	MR48 MR50	M26			30-2573	88	TN129					6	14F7, *7B7, 7C6, 50A5, 35Y4	455		
	Treble	33-5535-3	261	MRT451				30-2568-1	129	FP143					9	7W7, 7F8, *7H7, 7B7, FM1000, 7B6/6SQ7GT, 6V6GT, 5Y3GT	455		
	Bass	33-5539-3 33-5539-4	22 265	MR48 UM160-SS1				30-2570-1 30-2552	24/13 12/13	FP444 FP234	B8				2	14B6, 50L6GT, D.R.	260	5-27,28	
48-1200	Vol.	33-5538-20	164	MR48	M26			30-2568-16	88	FP214/TC42					7	6A7, *78, 85, 76, *43	260	1-14,15	
49 (DC)	Vol.	33-5059	18	MRT425	M26			4916	4	HD684					5	*24A, 47, 80	175	2-11,13	
50, 50A	Vol.	5232	2/8	CE				5142	4	HD684	B12				5	*24A, 35, 47, 80	450	3-17,18	
51, 51A, 52	Vol.	5839	6	E7				4916	4	HD684	B12				4	*77, 43, 12Z3	460	3-57,58	
53 (AC-DC)	Vol.	33-5001	2	MR24	M26			5142	4	HD684	B12				4	*77, 43, 12Z3	460	4-27,29	
54	Vol.	33-5010	18	MR48	M26		A57	30-2000 7440	15 50	2N516 TC22					5	6A7, 78, 75, 43, 25Z5	460	3-57,58	
57	Vol.	33-5011	2	MR24	M26		A58	30-2001 30-2002	50 50	2N516 FP225					4	*77, 42, 80	460	4-27,29	
58, 59	Vol.	33-5057	2	MR24	M26			30-2004 30-2013	1 1	2N518 SR638	B20				4	*77, 42, 80	460	5-29,30	
60	Vol.	33-5006	18	MR48	M26			30-2013	1	SR638					5	6A7, 78, 75, 42, 80	460	4-35,32	
65	Vol.	3528	12	A2MP				7558	3	See Note	B1				6	*24A, 27, *45, 80	460	1-16, 8-2	
66	Vol.	33-5006	18	MR48	M26			30-2028 30-2021	1 13	2N518 HD684					5	6A7, 78, 75, 42, 80	460	5-31,32	
70, 70A (Below No. B-22,000)	Vol.	5039	2/8	DRP114			A56	4916 5142	1 1	HD684 HD684	B12				7	*24A, 27, 47, 80	260	1-17,18	
70, 70A (Above No. B-22,000)	Vol.	6015	45	MR53				4916 5725 5142	4 4 4	HD684 RS216 HD684	B12 B12				7	*35, 24, 27, 47, 80	260	3-31	
71 Series	Vol.	6499	45	MR53				6453 6707	1 1	HD684 HD684	B12 B12				7	36, 37, *44, 42, 80	260	3-23,24	
76	Vol.	3879	8	X				2-2-2 .15	† †	See Note See Note	B1 B9				7	*24A, 27, *45, 80	460	2-19	
77, 77A	Vol.	4094	2/8	DRP114			A56	2-2-2 .15	30 †	See Note See Note	B1 B9				7	*24, 27, *45, 80	460	1-20	
80	Vol.	7439	2	MR24	M26		A58	6707 7467 7440	1 1 19	HD684 HD684 TC22					4	*36, 42, 80	450	3-25,26	
81	Vol.	33-5002	2	MR24		See Note	A27	7558	1	HD684					4	*77, 42, 80	460	3-27,28	
82	Vol.	7439	2	MR24	M26	See Note	A4	7467	1	HD684					8	*26, 27, *71A, 80	460	1-21	
84	Vol.	3076	2	MR18				†	3	See Note	B1				4	*77, 42, 80	460	4-33,34	
86	Vol.	33-5055	2	MR20	M26			30-2013	1	SR638					8	*26, 27, *71A, 80	460	1-21	
87	Vol.	3076	2	MR18				†	3	See Note	B1				8	*26, 27, *45, 80	260	1-22	
89	Vol.	33-5004	18	MR48	M26	See Note	A27	8165	1	HD684					6	*44, 36, 75, 42, 80	260	3-33,34	
	Vol.	33-5007	18	MR48		See Note	A4								6	*44, 77, 75, 42, 80	260	7-77,79	
	Vol.	33-5007	18	MR48		See Note	A27	7558	1	HD684					6	*44, 77, 75, 42, 80	260	4-43	
	Vol.	33-5004	18	MR48	M26	See Note	A4								6	*44, 77, 75, 42, 80	260	4-43	
89 (Codes 126 & 126B)	Vol.	33-5007	18	MR48		See Note	A27	30-2021	1	HD684					6	*44, 77, 75, 42, 80	260	4-43	
90, 90A (with 2-45's)	Vol.	33-5004	18	MR48	M26	See Note	A4								6	*44, 77, 75, 42, 80	260	4-43	
90, 90A (with 1-47, Above 237,001)	Vol.	5039	2/8	DRP114			A56	4916 5142	1 1	HD684 HD684	B12				9	*24A, *27, *45, 80	175	2-22,24	
90, 90A (with 1-47, Above 237,001)	Vol.	5366	15	MR48				4916 5142	25 25	HD684 HD684					9	*24, *27, 47, 80	175	2-26,29	
90, 90A (with 2-47's) Serial No. B-32001 to B-35000, and above B-53100)	Vol.	6015	45	MR53				4916	1	HD684					9	24A, *35, *27, *47, 80	260	3-35,37	
91 (Code 121-221)	Vol.	6499	45	MR53				4916	1	HD684					9	*44, 36, *37, *42, 80	260	3-39,42	
91 (126-226)	Vol.	8054	45	MRT425			A58	5725	1	RS216	B12				9	*44, 36, *37, *42, 80	260	3-29,30	
95	Vol.	3790	15	MR48				7464	1	HD684					9	*44, 36, *37, *42, 80	260	1-23	
96, 96A, 96E	Vol.	4093	15	MR48				.15	†	See Note	B1				9	*24A, *27, *45, 80	470	1-24, 2-31	
97, 98	Vol.	33-5102	18	MR48	M26		A58	30-2117 30-2025 30-2114	1 1 13/14	HD684 HD684 Order from		Mfr.			7	*78, 6A7, 85, *42, 80	460	6-7,8-91	
101	Vol. Tone	33-5306 33-5320	18 22	MR48 MR53	M26			30-2382	1	2N509					5	6A8, 7B7, 7C6, 35A5, 35Z3	470	10-32	

† Data not substantiated.

\* IMPORTANT: Read Notes in Note Section if specified in Note Column.  
WHEN YOU BUY JACK SWITCHES BUY MALLORY.

‡ Indicates miscellaneous section.

MANUFACTURER AND MODEL	CONTROLS							CONDENSERS				VIBRATORS			Tubes	Complete Tube Complement	I. F. Peak	Rider's Reference
	Use	Original Part	Circuit	Correct Replacement	Switch	Blas	*Note	Original Part	Circuit	Correct Replacement	*Note	Original Part	Replacement	*Note				
PHILCO—Continued																		
105	Vol. Tone	33-5254 33-5320	18 22	MR48 MR53	M26			30-2404 30-2265 30-2091	25 25 25	ST597 ST595 RS215					5	6A7, 78, 75, 41, 84	470	10-38
108 (Code 121)	Vol. Tone	33-5286 33-5287	76 76	Order from Order from	Mfr.			30-2371 30-2370 30-2331	25 26 13	HD684 RS216 RS216	B20				6	6A7, 78, 37, 75, 41, 84	470	10-39
111, 111A	Vol.	4093	15	MR48				.15	†	See Note See Note	B1 B9				11	*24A, *27, *45, 80	175	2-32, 34
112, 112A (Below 174,001)	Vol.	4093	15	MR48				.15	†	See Note See Note	B1 B9				11	*24A, *27, *45, 80	175	1-25, 26
112, 112A, 112E (Above 174,001)	Vol.	4093	15	MR48				4916	1	HD684					11	*24A, *27, *47, 80	175	2-38, 39
116B (Code 121)	Vol.	33-5153	124	MRT448	M26		A58	30-2025 30-2045 30-2121	1 1/19 13/14	HD684 2N518 Order from		Mfr.			11	*24A, *27, *78, 37, *42, 80	460	6-10, 12
116X (Code 122)	Vol.	33-5155	124	MRT454	M26		A58	30-2011 30-2123 30-2121	1 1/19 13/14	TC82 TC82/TC44 Order from		Mfr.			11	*76, *77, 37, *78, 42, *6A3, 5Z3	460	6-13, 14
118, 118 (Code 123RX)	Vol.	33-5024	124	MRT425	M26		A58	30-2025 30-2045 30-2078	1 1/19 13/14	HD684 2N518 Order from		Mfr.			8	*78, 6A7, 75, *42, 80	260	5-34, 38
144	Vol.	33-5068	18	MRT425	M26		A58	30-2073 30-2020	1/19 13	3S579 HD684					6	6A7, 75, *78, 42, 80	460	5-40, 44
200X	Vol.	33-5071	124	TRP619	6-9	See Note	A58	30-2011 30-2123 30-2080	1 1/19 13/14	TC82 2N518 Order from		Mfr.			10	6A7, *78, 75, 37, *42, 5Z3	175	5-45, 46
201 (Code 121)	Vol.	33-5071	18	TRP619	6-9	See Note	A58	30-2011 30-2046 30-2080 30-2104	1 1/19 13/14 13	TC82 2N518 Order from Order from		Mfr. Mfr.			10	*78, 6A7, 37, 75, *42, 5Z3	260	6-15, 17
211, 211A	Vol.	4093	15	MR48				.15	†	See Note	B1				11	*24A, *27, *45, 80	175	1-27, 2-32
212, 212A (Radio-Phonograph)	Vol.	4093	15	MR48				.15	†	See Note	B1				11	*24A, *27, *45, 80	175	1-26
212, 212A, 212E (Above 174,001)	Vol.	4093	15	MR48				4916	1	HD684					11	*24A, *27, *47, 80	175	2-37, 41
220, 220A	Vol.	4094	2/8	DRP114		See Note	A56	.15	1/19	See Note	B1				7	*24A, 27, *71A, 80		3-51
233G, 233AG	Vol.	33-5075	2	MR24	M26										3	*32E, 2101, 1D1		8-93, 94
245	Reg. Vol.	33-5076	†	SRP263														
245	Vol.	33-5066	18	MRT425	M26	EB247	A58	30-2079 30-2108	41 41	2N518 RS213					6	6A7, *78E, 75, 42E, 80	460	8-95, 96
261	Vol.	33-5006	18	MR48	M26			7558 7557	1 1	HD684 HD684					5	6A7, 78, 75, 42, 80	125	8-97, 98
263E	Vol.	33-5065	18	MR48	M26			30-2028 30-2030	† †	2N518 SR638					4	6A7, 78E, 75, 18E, 25RE	125	8-99, 100
264, 265	Vol.	33-5006	18	MR48	M26			30-2028	1	2N518					5	6A7, 78E, 75, 42E, 80	125	8-94, 101
267E	Vol.	33-5055	2	MR20	M26			30-2013	1	SR638					4	*77E, 42E, 80		8-103, 104
270, 270A	Reg. Vol.	33-5076	†	SRP263														
270, 270A	Vol.	5039	2/8	DRP114				4916 5142	1 †	HD684 HD684		B12			7	*24A, 27, 47, 80	260	1-28
296, 296A, 296E	Vol.	4093	15	MR48				5142	†	See Note	B1				9	*24A, *27, *45, 80		1-30
470, 470A	Vol.	5039	2/8	DRP114				5142	1	HD684		B12			9	*24A, *27, 47, 80	260	2-40, 42
490	Vol.	5724	15	MR48				4916 5142	25 25	HD684 HD684		B12			11	*24A, *27, 47, 80	BC175 SW1000	2-43, 45
500, 501	Vol. Supp.	33-5022 33-5015	64 12	MRT448 MR18	M26	See Note	A58	30-2069 30-2003	1 19	TC82 TC32					11	*76, *77, *78, 37, *42, 5Z3	460	1-29
503	Vol.	33-5069	124	MRT425	M26		A58	30-2025 30-2003	1 19	HD684 TC32					8	6A7, *78, 75, *42, 80	260	4-37, 38
504	Vol.	33-5025	18	MR48	M26		A58	30-2029 30-2028	13/14 1	Order from 2N518	Mfr.				6	6A7, *78, 75, 42, 80	460	4-39, 40
505	Vol.	33-5006	18	MR48	M26			30-2026 7558	13 1	HD684 HD684					5	6A7, 78, 75, 42, 80	460	4-41, 42
506 (Radio-Phonograph)	Vol.	33-5068	18	MRT425	M26		A58	30-2073 30-2026	1/19 13	3S579 HD684					6	6A7, *78, 75, 42, 80	460	8-105, 106
507	Vol.	33-5024	18	MRT425	M26		A58	30-2025 30-2045	1 1/19	HD684 2N518					8	*78, 6A7, 75, *42, 80	260	5-39, 40
509X	Vol.	33-5071	124	TRP619	6-9		A58	30-2078 30-2011 30-2046 30-2080 30-2104	13/14 1 1/19 13/14 13	Order from HD684 2N518 Order from Order from	Mfr. Mfr. Mfr.				10	*78, 6A7, 37, 75, *42, 80	260	6-18, 8-102
511, 512, 513, 514, 515, 531, 551	Vol.	3076	2	MR18				.15	†	See Note	B1				7	*26, 27, 71A, 80		8-107, 9-4
570 Grandfather's Clock (Below B-22,000)	Vol.	5039	2/8	DRP114				4916 5142	1 1	HD684 HD684		B12			7	*24A, 27, 47, 80	260	1-17, 18

† Data not substantiated.

\* IMPORTANT: Read Notes in Note Section if specified in Note Column.

‡ Indicates miscellaneous section.

12 BASIC MALLORY VIBRATORS MEET 90% OF YOUR REPLACEMENT NEEDS.

MANUFACTURER AND MODEL	CONTROLS							CONDENSERS				VIBRATORS			No. Tubes	Complete Tube Complement	I. F. Peak	Rider's Reference	
	Use	Original Part	Cir- cuit	Correct Replacement	Switch	Bias	*Note	Original Part	Cir- cuit	Correct Replacement	*Note	Original Part	Replac- ement	*Note					
<b>PHILCO—Continued</b> 570 Grandfather's Clock (Above B-22,000).....	Vol.	6015.....	45	MR53.....				4916.....	4	HD684.....					7	35, 24A, 47, 27, 80...	260	3-31,32	
								5725.....	4	RS216.....	B12								
								5142.....	4	HD684.....	B12								
571.....	Vol.	3076.....	2	MR18.....				See Note.....	1	See Note.....	B1				7	26, 27, 71A, 80...			
600.....	Vol.	33-5152.....	6	UM121-SS12.....	M26			30-2149.....	1	2N518.....					4	6A7, 77, 41, 80...	460	7-80,81	
602.....	Vol.	33-5145.....	18	UM154-SS12.....	M26			30-2148.....	1/15	3N527.....				5	6A7, 78, 75, 43, 25Z5...	470	7-82,83		
604.....	Vol.	38-7630.....	18	Order from Mfr.....				30-2154.....	41/15	3N527/TC42.....				5	6A7, 78, 75, 43, 25Z5...	470	7-84,86		
610, 610B, 610F, 610PF.....	Vol.	33-5106.....	18	MR48.....	M26			30-2025.....	1	HD684.....					5	6A7, 78, 75, 42, 80...	460	6-19,21	
611, 611 (121).....	Vol.	33-5114.....	18	MR48.....	M26			30-2118.....	13	2N518.....	B8				5	6A7, 78, 75, 43, 25Z5...	460	6-23,24	
								30-2124.....	51	RS216.....									
								30-2125.....	51/15	2N509.....									
620, 620 (Code 121).....	Vol.	33-5105.....	124	MRT440.....	M26	A58		30-2079.....	1	2N518.....					6	78, 6A7, 75, 42, 80...	460	6-25,27	
								30-2118.....	14	2N518.....	B8								
								30-2127.....	12/13	3S582.....					6	78, 6A7, 75, 42, 80...	460	6-25,27	
623.....	Vol.	33-5115.....	45	MR48.....	M23-24			30-2138.....	1	2N516.....		41-2015.....	246	CI7	6	1C6, 34, 30, 32, 19...	460	6-28,30	
624.....	Vol.	33-5137.....	45	MR48.....	M23-24			30-2143.....	12/15	2N516.....					6	1C6, 1A4, 30, 32, 19...	460	7-91,93	
								01.....		Buffer.....	B14								
625.....	Vol.	33-5105.....	124	MRT440.....	M26	A58		30-2079.....	1	2N518.....	B14				6	78, 6A7, 75, 42, 80...	460	7-94,96	
								30-2118.....	14	2N518.....	B8								
630, 630 (121), 635, 635 (Code 124)...	Vol.	33-5105.....	124	MRT440.....	M26	A58		30-2073.....	1/19	3S579.....					6	78, 6A7, 75, 42, 80...	460	6-31,33 & 7-97, 101	
								30-2118.....	14	2N518.....	B8								
640 (Code 121), 640X (Code 122).....	Vol.	33-5113.....	124	MRT440.....	M26	A58		30-2117.....	1	HD684.....					7	78, 6A7, 85, 42, 80...	460	6-34,36	
								30-2025.....	1	HD684.....									
								30-2114.....	13/14	Order from Mfr.....									
641.....	Vol.	33-5116.....	124	MRT440.....	M26			30-2132.....	39	TC32.....	B11				7	78, 6A7, 85, 76, 43...	460	7-102	
642.....	Vol.	33-5120.....	124	MRT440.....	M26										7	78, 6A7, 76, 6F7, 85, 48...	460	8-108	
643.....	Vol.	33-5119.....	124	MRT454.....	M23-24	A58		30-2127.....	12/13	3S582.....					7	1C6, 1C1, 30, 32, 34, 19...	460	7-105	
645.....	Vol.	33-5113.....	124	MRT440.....	M26	A58		30-2117.....	1	HD684.....					7	6A7, 78, 85, 42, 80...	460	7-108	
								30-2025.....	1	HD684.....									
								30-2080.....	13/14	Order from Mfr.....									
650.....	Vol.	33-5108.....	124	MRT454.....	M26	A58		30-2025.....	1	HD684.....					8	78, 6A7, 75, 42, 80...	460	6-37,39	
								30-2045.....	1/19	2N518.....									
								30-2122.....	13/14	Order from Mfr.....									
651.....	Vol.	33-5116.....	124	MRT440.....	M26			30-2124.....	51	RS216.....					8	78, 6A7, 85, 76, 43, 25Z5...	460	7-111, 113	
								30-2147.....	51/15	3N527.....									
655.....	Vol.	33-5108.....	124	MRT454.....	M26	A58		30-2025.....	1	HD684.....					8	6A7, 78, 75, 42, 80...	460	7-114, 116	
								30-2045.....	1/19	2N518.....									
								30-2122.....	13/14	Order from Mfr.....									
660, 665, 665 (Code 122).....	Vol.	33-5110.....	124	MRT454.....	M26	A58		30-2025.....	1	HD684.....					10	78, 77, 76, 75, 42, 80...	460	6-40,42 and 7-117, 119	
								30-2045.....	1/19	2N518.....									
								30-2122.....	13/14	Order from Mfr.....									
680.....	Vol. Tone Sel.	33-5117..... 33-5118..... 33-5124.....	124 15	MR48..... MR53..... Order from Mfr.....		A58		30-2028.....	1	2N518.....					15	6B7, 76, 78, 85, 6F7, 42, 4A3, 5Z3, 80...	460	7-120, 122	
								30-2129.....	14	2N518.....									
								30-2130.....	13/14	Order from Mfr.....									
700.....	Vol.	38-5534.....	18	MR48.....	M26	FS251	A51	30-2128.....	19	RS224.....					6	44, 77, 75, 42, 84...	260	5-47,48	
								30-2072.....	1/15	2N518/TC22.....		38-5036.....	853	C3					
								01.....		Buffer.....	B14								
800.....	Vol.	33-5058.....	18	MR48.....	M26	FS251	A51	30-2015.....	1	2N518.....		38-5036.....	853	C3	7	44, 6A7, 75, 37, 79, 84...	260	4-61,62	
								30-4135.....	14/15	See Note.....	B135								
								01.....		Buffer.....	B14								
800 (Code 122), 802.....	Vol.	38-5851.....	18	MRT425.....	M26	FS251	A51	30-2015.....	1	2N518.....		38-5036.....	853	C3	7	44, 6A7, 75, 37, 79, 84...	260	5-49,50 & 6-45	
								30-4135.....	14/15	See Note.....	B135								
								01.....		Buffer.....	B14								
805.....	Vol.	38-6635.....	18	MR48.....		FS251	A51	30-2115.....	4	TCS71.....		38-5036.....	853	C3	5	6A7, 78, 75, 41, 84...	260	6-46,47	
								01.....		Buffer.....	B14								
806.....	Vol. Tone	38-6605..... 33-5101.....	18 22	MRT425..... MR39.....		FS251	A58/ A51	30-2109.....	4	TCS71.....		38-5036.....	853	C3	6	78, 6A7, 75, 41, 84...	260	6-48,52	
								01.....		Buffer.....	B14								
808.....	Vol. Tone	38-6636..... 33-5096.....	124 44	Order from Mfr..... Order from Mfr.....				30-2112.....	1	2N518.....		38-5036.....	853	C3	7	77, 6A7, 78, 75, 76, 6A6, 84...	260	6-50,54	
								30-2110.....	14	TC71.....									
								30-2111.....	15	TC32.....	B3								
								01.....		Buffer.....	B14								
809.....	Vol. Tone	38-6605..... 33-5101.....	18 22	MR48..... MR39.....		FS251	A51	30-2109.....	4	TCS71.....		38-5036.....	853	C3	6	78, 6A7, 75, 41, 84...	260	6-52,54	
								01.....		Buffer.....	B14								
810PA, 810PB, 810PV.....	Vol.	38-6605.....	75	MRT425.....		FS251	A67/ A51	30-2109.....	4	TCS71.....		38-5036.....	853	C3	7	78, 6A7, 75, 41, 84...	260	6-55,57	
								01.....		Buffer.....	B14								
811PA, 811PB, 811PV.....	Vol.	33-5139.....	75	SRP282.....			A67	30-2145.....	4	TCS71.....		41-3186.....	853	C3	7	78, 6A7, 75, 41, 84...	VAR	7-124, 126	
								01.....		Buffer.....	B14								

‡ Data not substantiated.

\* IMPORTANT: Read Notes in Note Section if specified in Note Column.

§ Indicates miscellaneous section.

THERE'S A PLACE FOR A MALLORY NOISE FILTER IN EVERY HOME.

MANUFACTURER AND MODEL	CONTROLS							CONDENSERS				VIBRATORS			No. Tubes	Complete Tube Complement	I. F. Peak	Rider's Reference
	Use	Original Part	Circuit	Correct Replacement	Switch	Bias	*Note	Original Part	Circuit	Correct Replacement	*Note	Original Part	Replacement	*Note				
PHILCO—Continued																		
816, 816B	Vol.	33-5148	18	SRP282			A67	30-2145	4	TCS71		38-5036	853	C3	6	78, 6A7, 75, 41, 84	260	7-127, 136
817	Vol.	33-5148	18	SRP282			A67	30-2150	4	2S567	.B14	41-3170D	853	C3	6	78, 6A7, 75, 41, 84	260	7-128, 136
818, 818K	Vol.	33-5149	18	Order from	Mfr.			30-2150	4	2S567	.B14	41-3170D	853	C3	6	78, 6A7, 75, 41, 84	260	7-130, 136
819, 819H	Vol. Tone	33-5149	18	Order from	Mfr.			30-2152	23	2S567	.B14	41-3170D	853	C3	7	78, 6A7, 75, 41, 84	260	7-133, 136
	Vol. Tone	33-5150	22	Order from	Mfr.			30-2151	14	ST595								
821P	Vol.	33-5148	75	SRP282			A67	30-2150	4	2S567	.B14	41-3315-3	506P	C3	7	78, 6A7, 75, 41, 84	274	8-111, 114
821PV	Vol.	33-5148	75	SRP282			A67	30-2150	4	2S567	.B14	41-3315-3	506P	C3	7	78, 6A7, 75, 41, 84	260	8-113, 114
822-P	Vol.	67-0055	18	UM151			A96	61-0089	24/15	FP328	.B14	41-3300	506P	C3	7	78, 6A7, 75, 41, 84	260	14-119, 120
822-PV	Vol.	67-0033	18	UM151			A96	61-0089	24/15	FP328	.B14	41-3300	506P	C3	7	78, 6A7, 75, 41, 84	260	14-121, 122
826	Vol.	33-5148	18	SRP282			A67	30-2150	4	2S567	.B14	41-3170	505P	C3	6	78, 6A7, 75, 41, 84	260	8-115, 118
827	Vol.	33-5148	18	SRP282			A67	30-2150	4	2S567	.B14	41-3170	505P	C3	6	78, 6A7, 75, 41, 84	260	8-116, 119
827K	Vol.	33-5148	18	SRP282			A67	30-2150	4	2S567	.B14	41-3170	505P	C3	6	78, 6A7, 75, 41, 84	260	8-121, 122
828	Vol.	33-5148	18	SRP282			A67	30-2150	4	2S567	.B14	41-3170	505P	C3	7	78, 6A7, 75, 41, 84	260	8-120, 124
828K	Vol.	33-5148	18	SRP282			A67	30-2213	1/19	3S579	.B14	41-3170	505P	C3	7	78, 6A7, 85, 41, 84	260	8-123, 124
901, 902	Vol.	33-5206	16	MR33				30-2203	1	2N509					4	6K5G, 25A6G, 25Z6G		
920	Vol.	33-5269	18	MR44	M26			30-2198	15	TN111					5	6A7, 78, 75, 41, 84	260	9-26,27
921, 922 (Run No. 2)	Vol.	33-5278	18	UM154	M26		A96	30-2311S	23	2S567	.B14	41-3398	859	C3	5	6A7, 78, 75, 41, 84	470	9-27,28
926	Vol.	33-5268	17	UM161-SS27	M26			30-2315	23	Buffer	.B14	41-3170	505P	C3	6	78, 6A7, 75, 41, 84	260	9-29,30
927	Vol.	33-5268	17	UM161-SS27	M26			30-2316	4	SR645	.B14	41-3170	505P	C3	7	78, 6A7, 75, 41, 84	260	9-31,32
928K	Vol.	33-5268	17	UM161-SS27	M26			30-2316	4	SR645	.B14	41-3170	505P	C3	7	78, 6A7, 75, 41, 84	260	9-30,33
931, 932	Vol.	67-0020	18	Order from	Mfr.			61-0068	24/15	Buffer	.B14	83-0017	859	C3	6	7B7, 7A8, 7C6, 7A5, 7Y4	455	11-81
933	Vol.	67-0019	18	Order from	Mfr.			61-0028	24/15	FP328	.B14	83-0017	859	C3	6	7A7, 7B8, 7B6, 7B5, 7Y4	470	11-83
936	Vol.	33-5268	17	UM161-SS27	M26			61-0028	1/15	Buffer	.B14	41-3398	859	C3	6	7A7, 6A7, 75, 41, 7Y4	470	10-40
937	Vol.	33-5268	17	UM161-SS27	M26			61-0028	1/15	FP328	.B14	41-3398	859	C3	6	7A7, 6A7, 75, 41, 7Y4	470	10-41
938K	Vol.	33-5268	17	UM161-SS27	M26			61-0028	1/15	Buffer	.B14	41-3398	859	C3	7	7A7, 6A7, 75, 7A4, 6U7G, 7Y4	470	10-43
2620	Vol.	33-5105	124	MRT440	M26		A58	30-2079	1	2N518					6	78E, 6A7, 75, 42E, 80	460	8-149, 150
								30-2118	14	RS216								
PHILHARMONIC																		
RR-13L	Vol.		75	Order from	Mfr.					2N513/TC47					6	7B7, 14Q7, 14B6, 50A5, 35Y4	456	15-1,2
RR-14	Vol.		228	Order from	Mfr.					FP238					8	6SK7, 6SA7, 6SQ7, 6J5, 6V6, 5Y3GT/G	456	15-3,5
6810, 8701, 8702, 8703, 8710, 8711, 8712	Vol.		157	TM233-SS1	M26					FP238					8	6SK7GT, 6SA7, 6SK7, 6J5, 6V6GT, 5Y3GT, 6SQ7	455	
PHILLIPS PETROLEUM CO.—“Woolaroc”																		
3-A1, 3-2A, Ch. 6-9022-J, 6-9022-K	Vol.	502145	75	MK401	M26			500256	81	FP354	.B8				6	12SK7, 12SA7, 12SF7, 35L6GT, 35Z5GT	455	15-1,2
3-1AX, 3-2AX	Vol.	502145	75	MK401	M26			500256	81	FP354					6	12SK7, 12SA7, 12SF7, 35L6GT, 35Z5GT	455	16-1,2
3-3A (Code 7-9003-D)	Vol.	502117	205	MK401	M26			502207	1/19	FP339					7	6SK7, 6SA7, 6SQ7, 6SJ7, 6K6GT/G, 5Y3GT/G	455	15-3,8
3-5A	Vol.		18	MR48	M26					FP306	.B192				5	12SA7GT, 12SK7GT, 12SQ7GT, 50L6GT, 35Z5GT	455	

‡ Data not substantiated.

\* IMPORTANT: Read Notes in Note Section if specified in Note Column.

§ Indicates miscellaneous section.

THERE'S A FULL RANGE OF MALLORY VITREOUS ENAMEL RESISTORS FOR EVERY PURPOSE.

MANUFACTURER AND MODEL	CONTROLS							CONDENSERS				VIBRATORS			No. Tubes	Complete Tube Complement	I. F. Peak	Rider's Reference
	Use	Original Part	Circuit	Correct Replacement	Switch	Bias	*Note	Original Part	Circuit	Correct Replacement	*Note	Original Part	Replacement	*Note				
<b>PHILLIPS PETROL</b>	<b>EUM C</b>	<b>O. — Continued</b>																
3-6A/5	Vol.		75	MK401	M26			24/15	Order from	Mfr.				5	12SA7, 12SK7, 12SQ7, 50L6, 35Z5	455		
3-9A, 3-10A (Early)	Vol.	36X352	205	MK401	M26			45X341	24	2N521				5	12SA7, 12SK7, 12SQ7, 50L6GT, 35Z5GT	455	15-10, 11	
3-9AX, 3-10AX, 3-9A, 3-10A	Vol.	36X352	75	MK401	M26			45X341	24	2N521				5	12SA7, 12SK7, 12SQ7, 50L6GT, 35Z5GT	455	15-12, 15	
3-11A, Ch. 56A76	Vol. Tone	36X354	157	TM227-SS25	M26			45X346	24/15	FP346				6	6SA7, 6SK7, 6SF7, 6SJ7, 6V6GT, 6X5GT	455	15-16, 18	
	Tone	40X280	22	UM165-SS25	Mfr.	A121								6	1A7GT, 1N5GT, 1H5GT, 3Q5GT, 117Z6GT	455		
3-12A/3	Vol. Tone	40X275	22	Order from	M26				80/13/78	Order from	Mfr.			5	12SA7GT, 12SK7GT, 12SQ7, 50L6GT, 35Z5GT	455		
	Vol.		75	MK401	M26									5	12SA7, 12SK7, 12SQ7, 50L6GT, 35Z5GT	455	15-19, 20	
3-20A	Vol. Tone	RPS-2A RP6-504B	157 95	TM230-SS25 MK401	M26				80/15	FP357/TC45	B8/B6			5	12SA7GT, 12SK7GT, 12SQ7, 50L6GT, 35Z5GT	455		
3-29A	Vol.	36X352	161	MK401	M26			45X341	80	2N521				5	12SA7, 12SK7, 12SQ7, 50L6GT, 35Z5GT	455		
<b>PIERSON-DELANE</b>																		
PR15C, PR15M, PR15R, PR15UH, PR15X	Man. Vol. Tone Noise Meter Sen.		7 76 76 7 7 †	MR28 MR48 MR48 C1MP C200P C1MP	M26			16, 16 8 25	1 13 15	RS216 RS213 TC26				15	6K7, 6A8, 6K6G, 6H6, 6N7, 6L7, 6Q7, 6C5, 6J7, 6V6G, 5X4G	465	9-1, 4	
<b>PILGRIM</b>																		
D, DE (Above 428001)	Vol. Tone		17 22	MR48 MR39				20-20 5	6 15	2N509 TC22				6	75, 6G5, 6A7, 6K7, 25Z5, 43	456	10-1	
DA, DAE	Vol. Tone		17 22	MR48 MR39				5 5	15 19	TC22 TC32				4	1C6, 1A4, 1B5, 30	456	9-1	
DB, DF	Vol. Tone		17 22	MR48 MR39	M26			4-8 5-5	1 15	2N518 TN111	Z6	245C	C3	4	6D8G, 6S7G, 6Q6G, 38	456	9-1	
G (707,001 and up)	Vol. Tone		15 34	MR48 MR39				16-16-8-4 5	9/13 15	Buffer See Note TC22	B14 B3			8	6L7, 6D6, 6H6, 75, 25B5, 76, 6G5, 25Z5	456	10-2	
GB, GBE (780,001 and up)	Vol. Tone		15 22	MR48 MR39				8-8 5	1 15	2N516 TC22		245C	C3	5	6D8G, 6S7G, 6L5G, 6Q6G, 38	456	10-2	
GE (707,001 and up)	Vol. Tone		15 34	MR48 MR39				16-16-8-4 5	9/13 15	Buffer See Note TC22	B14 B3			8	6L7, 6D6, 6H6, 75, 25B5, 76, 6G5, 25Z5	456	10-2	
GF, GFE (780,001 and up)	Vol. Tone		15 22	MR48 MR39				8-8 5 .01	1 15	2N516 TC22 Buffer		See Note	C8	5	6D8G, 6S7G, 6L5G, 6Q6G, 38	456	10-2	
GH, GHE (707,001 and up)	Vol. Tone		15 34	UM154 MR39		See Note A96		20-20 5	6 15	2N509 TC22				8	6D6, 6L7, 6H6, 6G5, 76, 75, 25B5, 25Z5	456	10-1	
200	Vol.		6	MR29		EX3M		16-16	24	2N509				3	6K7, 6J7, 25A7G		10-3	
210	Vol.		6	MR29		A14		8-8 5	24 15	2N516 TC22				4	6D6, 6C6, 38, 76		9-1	
313, 314, 623, 624, 643, 644	Vol. Vol.		6 18	MR29 MR44				16-16-8 8 12 5	8 1 15	2N509/TC42 ST595 ST597 TC22				4	6D6, 6C6, 43, 25Z5		9-2	
	Vol.		18	MR44				8 25 20 5	1 1 15	TC47 TC47 TC32				5	6A7, 6D6, 75, 41, 80, 25Z5		10-3	
713, 714, 753, 754	Vol.		18	MR44	M26			20 5	1 15	TC47 TC32				5	6A7, 6D6, 75, 43, 25Z5		9-2	
860	Vol. Sen. Vol.		127 7 50	MR48 D MR44				8, 8 20-20	4 24	RS213 2N509				8	6K7, 6C5, 6F5, 6F6, 6E5, 80, 6J8G, 76, 6A7	460	10-4 10-1	
<b>PILOT</b>																		
Dual Wave TRF Midget	Vol. Tone		7 34	E MR39				12-8	4	See Note	B3			5	51, 24A, 47, 80		2-1	
Pilotone (Electric)	Vol.		4	D12										6	26, 27		1-3	
B1	Vol.	36-5	18	MR48	M26			24-40	25	*TCD55	B8			6	12SK7, 12SA7, 12SQ7, 35L6GT, 35Z5GT	455	12-1	
T1	Vol.	36-5	18	MR48	M26			24-40	25	*TCD55	B8			6	12SK7, 12SA7, 12SQ7, 35L6GT, 35Z5GT	455	12-1	
2	Vol.		6	MR24	M26			4-12-8 6	8 15	TN125 TC22				5	77, 78, 43, 25Z5		4-1	
B2 Standard	Vol.		6	MR24	M26			4-8-12 5-5	6 15	TN125 TN111				5	77, 78, 43, 25Z5	456	3-8	

‡ Data not substantiated.

\* IMPORTANT: Read Notes in Note Section if specified in Note Column.

§ Indicates miscellaneous section.

MANUFACTURER AND MODEL	CONTROLS							CONDENSERS				VIBRATORS			No. Tubes	Complete Tube Complement	I. F. Peak	Rider's Reference
	Use	Original Part	Circuit	Correct Replacement	Switch	Bias	*Note	Original Part	Circuit	Correct Replacement	*Note	Original Part	Replacement	*Note				
<b>PILOT</b> —Continued																		
B2 (Late) . . . . .	Vol.	36-5	18	MR48	M26			24-40	25	*TCD55	B8				6	*12SK7, 12SA7, 12SQ7, 35L6GT, 35Z5GT.	455	12-1
B-3, T-3, X-3 . . . . .	Vol.	36-5	205	MR48	M26			24-40	25	TC48					6	*12SK7, 12SA7, 12SQ7, 35L6GT, 35Z5GT.	455	15-1,2
T2 . . . . .	Vol.	36-5	18	MR48	M26			24-40	25	*TCD55	B8				6	*12SK7, 12SA7, 12SQ7, 35L6GT, 35Z5GT.	455	12-1
D3 . . . . .	Vol.		6	MR18	M26			70871	8/15	3S582/TN111	B134				5	*77, 78, 43, 25Z5	456	4-1, 3-9
4 Tube DC Super . . . . .	Vol.		5	MR18		EX150		2	4	See Note	B3				4	*36, 37, 48	456	4-3
PE6SG . . . . .	Vol.		72	MR33				3-3-3	3	See Note	B1				7	*24, 27, 271A, 80		1-5
7, 8 (Dragon AW) . . . . .	Vol.		17	MR51				8-8	4	See Note	B3				8	*58, 57, 56, 2A6, 2A5, 5Z3	115	5-2,4
	Tone		34	MR39	M26			2-2	13/15	See Note	B3				8	*58, 56, 57, 55, 2A5, 5Z3	115	5-1
	Supp.		12	MR24				5-5	15	TN111					8	*58, 57, 56, 47, 80	115	4-2
L8 (8 Tube Dragon) . . . . .	Vol.		17	MR51				8-8	23	See Note	B3				8	*36, 39, 37, 38	115	3-7
	Tone		34	MR39	M26			2	13	See Note	B3				4	1A7G, 1N5G, 1H5G, 1C5G	455	10-1
	Sen.		6	H7		5		5-5	15	TN111					7	*58, 57, 56, 47, 80	115	4-2
10AC Dragon Super . . . . .	Vol.		25	GG		EX100		8-8	4	See Note	B3				7	*36, 39, 37, 38	115	3-7
11 Dragon DC . . . . .	Vol.		6	G7											4	1A7G, 1N5G, 1H5G, 1C5G	455	10-1
H11 . . . . .	Vol.		18	MR53	M27			4	12	TC52					6	57, 58, 55, 56, 59, 82	115	4-4
12 . . . . .	Vol.		18	MR48				8-8	23	See Note	B3				6	57, 58, 55, 56, 59, 82	115	4-4
	Tone		34	MR24				P22483	14	TC70					13	*6AC7, 1852, 6K8, 6SJ7, 6H6, 6SQ7, 6G5/6U5, 6L6G, 6C8G, 5U4G	AM 455 kc.	13-2-4
	Sen.		5	MR18				5	15	TC32					13	*6AC7, 1852, 6K8, 6SJ7, 6H6, 6SQ7, 6G5/6U5, 6L6G, 6C8G, 5U4G	AM 455 kc.	13-2-4
FM12 (Early) . . . . .	Vol.	36-38	124	MRT448	M26			85-046	1	3S584	B8				13	*6AC7, 1852, 6K8, 6SJ7, 6H6, 6SQ7, 6G5/6U5, 6L6G, 6C8G, 5U4G	AM 455 kc.	13-2-4
	Tone	37-2A	†	A550P				24-46	13	TC70					13	*6AC7, 1852, 6K8, 6SJ7, 6H6, 6SQ7, 6G5/6U5, 6L6G, 6C8G, 5U4G	AM 455 kc.	13-2-4
	Tone							24-38	13	TC39					13	*6AC7, 1852, 6K8, 6SJ7, 6H6, 6SQ7, 6G5/6U5, 6L6G, 6C8G, 5U4G	AM 455 kc.	13-2-4
FM12 (Late) . . . . .	Vol.	36-38	124	MRT448	M26			85-046	1	3S584	B8				13	*6AC7, 1852, 6K8, 6SJ7, 6H6, 6SQ7, 6G5/6U5, 6L6G, 6C8G, 5U4G	AM 455 kc.	13-2-4
	Tone	37-2A	†	A550P				24-46	13	TC70					13	*6AC7, 1852, 6K8, 6SJ7, 6H6, 6SQ7, 6G5/6U5, 6L6G, 6C8G, 5U4G	AM 455 kc.	13-2-4
	Tone							24-38	13	TC39					13	*6AC7, 1852, 6K8, 6SJ7, 6H6, 6SQ7, 6G5/6U5, 6L6G, 6C8G, 5U4G	AM 455 kc.	13-2-4
	Tone							24-28	13	TC39					4	1A7G, 1N5G, 1H5G, 1C5G	455	10-1
H12 . . . . .	Vol.	83903	18	MR53	M27			23500H	12	TC42					4	1A7G, 1N5G, 1H5G, 1C5G	455	10-1
F14 DC . . . . .	Vol.		18	MR51				4-4	13	2N516					6	77, 78, 85, 37, 48	456	4-3
	Tone		22	MR18											7	*57, 58, 55, 2A5, 25Z5	115	4-4
	Sen.		5	MR18				8-8	4	TC571	B3				6	*57, 58, 55, 2A5, 25Z5	115	4-4
20 . . . . .	Vol.		17	MR51				5	15	TC32					7	*6K7, 6A8, 6Q7, 25L6, 25Z6, 6G5	456	8-1,3
	Tone		21	MR51				85007	4	*TC49					7	*6K7, 6A8, 6Q7, 25L6, 25Z6, 6G5	456	8-1,3
	Sen.		7	H				85008	13	2N516					7	*6K7, 6A8, 6Q7, 25L6, 25Z6, 6G5	456	8-1,3
23, 25 (20 Series) . . . . .	Vol.	78714	15	MR51				22481	15	TC22					8	*39, 36, 85, 37, 48	115	4-5
	Tone	78821	34	MR18	M26			2	1	2N516	B11				8	*39, 36, 85, 37, 48	115	4-5
28DC . . . . .	Vol.		18	MR51											8	*39, 36, 85, 37, 48	115	4-5
	Tone		22	MR18	M26										8	*39, 36, 85, 37, 48	115	4-5
	Sen.		7	H7		5	A27								8	*39, 36, 85, 37, 48	115	4-5
31-81 (Rainbow Super) . . . . .	Vol.		2	MR18				8-8	4	TC571	B3				4	*57, 2A5, 82	115	4-6
TP31 . . . . .	Vol.	36-9	18	MRT448	M26			5	15	TC22					6	*12SK7, 12SA7, 12SQ7, 35L6GT, 35Z5GT.	455	13-5
	Tone							24-41	25	*TCD55	B8				6	*12SK7, 12SA7, 12SQ7, 35L6GT, 35Z5GT.	455	13-5
TP32 . . . . .	Vol.	36-9	124	MRT448	M26			24-41	25	*TCD55	B8				6	*12SK7, 12SA7, 12SQ7, 35L6GT, 35Z5GT.	455	13-5
33, 35 (30 Series) . . . . .	Vol.	78845	15	MR51	M26			71045	1	RM262					5	6A8, 6K7, 6Q7, 6F6, 5Y3G	456	12-2
	Tone	78846	34	MR39				72353	14	TC71					7	*24A, 27, 35, 47, 80	115	3-2
	Tone							22481	15	TC22					7	*36, 37, 39, 38	115	3-1
39 Series . . . . .	Vol.		25	GG				8-8	4	See Note	B3				7	*24A, 27, 35, 47, 80	115	3-2
	Tone		34	MR33											7	*24A, 27, 35, 47, 80	115	3-2
41 AC . . . . .	Vol.	71656	7	E	6-9	2		71647	1	SR638					4	6A7, 6F7, 42, 80	456	6-1
41 Series DC Dragon . . . . .	Vol.		6	MR18											7	*36, 37, 39, 38	115	3-1
	Tone		34	MR33											4	6A7, 6F7, 42, 80	456	7-1
X41 . . . . .	Vol.	71656	7	E	6-9	2		71647	1	SR638					4	6A7, 6F7, 42, 80	456	7-1
TD42 . . . . .	Vol.	36-9	18	MRT448	M26			24-41	25	*TCD55	B8				6	*12SK7, 12SA7, 12SQ7, 35L6GT, 35Z5GT.	455	13-6,7
	Tone														6	*12SK7, 12SA7, 12SQ7, 35L6GT, 35Z5GT.	455	13-6,7
TX42 . . . . .	Vol.	36-9	18	MRT448	M26			24-41	25	*TCD55	B8				6	*12SK7, 12SA7, 12SQ7, 35L6GT, 35Z5GT.	455	13-7
	Tone														5	*58, 57, 47, 80		4-8
43 (with 47 output) . . . . .	Vol.		6	D12		2		P22455	4	TC71					5	*58, 57, 47, 80		4-8
	Tone		34	MR39				4	4	TC71					5	*58, 57, 47, 80		4-8
43, 45 (with 42 output) . . . . .	Vol.		7	E	6-9	2		71647	1	SR638					4	6A7, 6F7, 42, 80	456	6-2
T43 . . . . .	Vol.	83529B	18	MRT436	M26			24-21	25	TC78					6	*12SK7, 12SA7, 12SQ7, 50L6GT, 35Z4GT.	455	13-8
	Tone	79209D	22	MR18				24-15	25	TC77					4	6A7, 6F7, 42, 80	456	6-2,7-11
	Vol.		7	E	6-9	2		8-4	1	RM262					4	6A7, 6F7, 42, 80	456	6-2,7-11
Y43, Y45 . . . . .	Vol.																	
G44, G45 (G40 Series) . . . . .	Vol.	79297	17	MR53				71203	12	RS213					5	1C7G, 1D5G, 1H6G, 1F5G	456	8-2,3
	Tone	78846	22	MR39				22481	20	TC22					6	*6SK7, 6SA7, 6SQ7, 6F6G, 5Y3G	455	12-3
	Tone	83529B	124	MRT436	M26			24-11	25	TC74					4	6A7, 6F7, 42, 80	456	12-3
	Tone	84642	22	MR33				24-3	25	TC71					4	6A7, 6F7, 42, 80	456	12-3
T44 . . . . .	Vol.		7	E	6-9	2		8-4	1	RM262					4	6A7, 6F7, 42, 80	456	12-3
	Tone		7	E	6-9	2		8-4	1	RM262					4	6A7, 6F7, 42, 80	456	12-3
45 (Long Wave) . . . . .	Vol.	36-1	17	MRT436	M26			24-32	15	*TCD55	B8				6	6SA7, 6SK7, 6SQ7, 25L6G, 6U5, 25Z6G	455	12-4
T47 . . . . .	Vol.	37-1	22	MR39				24-14	15	TC29					6	6SA7, 6SK7, 6SQ7, 25L6G, 6U5, 25Z6G	455	12-4
	Tone							24-6	15	TC22					6	6SA7, 6SK7, 6SQ7, 25L6G, 6U5, 25Z6G	455	12-4

‡ Data not substantiated.

\* IMPORTANT: Read Notes in Note Section if specified in Note Column.

§ Indicates miscellaneous section.

GRID BIAS CELLS ARE EXCLUSIVE WITH MALLORY

MANUFACTURER AND MODEL	CONTROLS							CONDENSERS				VIBRATORS			No. Tubes	Complete Tube Complement	I. F. Peak	Rider's Reference
	Use	Original Part	Circuit	Correct Replacement	Switch	Bias	*Note	Original Part	Circuit	Correct Replacement	*Note	Original Part	Replacement	*Note				
PILOT—Continued																		
T-48.....	Vol. Tone		18	MRT436 MR39	M26			32 10 10	1 1 15	TC77 TC72 TC22					7	6SA7, 6SK7, 6H6, 6U5, 6SF5, 6F6G, 5Y3G	455 456	13-9 8-4
X48, X49.....	Vol. Tone	72262 78557	7 22	A3MP MR18	6-9	2		71600	1	*TC40					4	6A7, 6F7, 7A3	456	
53.....	Vol. Tone		17 34	MR51 MR39					8-8 5-5	2N518 TN111					5	6A7, 6D6, 75, 42, 80	115	5-6,7
55 Captain Kidd Chest.....	Vol. Tone		6	D12			A14	8-8	4	See Note	B3				5	58, 57, 47, 80		3-10
55 (with 42 output)	Vol. Tone		34 17 34	MR39 MR51 MR39				8-8 5-5	1 15	2N518 TN111					5	6A7, 6D6, 75, 42, 80	115	5-7,8
G56, G57 (G50 Series).....	Vol. Tone	78647 78648	17 34	MR51 MR39	M26			85020 22481 .006	1/13 15	3S584/TC70 TC22 Buffer	B8	45A	245A	C3	5	*6D6, 6A7, 75, 41	456	8-5,6
63.....	Vol. Tone	70955	17	MR51				71106	1/13	*2N518	B3				6	*6D6, 6A7, 75, 42, 80	456	6-3,4
X63, X65.....	Vol. Tone	70954 71913	34 17	MR39 MR51	M26			70991	15	TN111					6	*6D6, 6A7, 75, 42, 80	456	6-5,6
H64.....	Vol. Tone	71914 83763 83447C	34 17 44	MR39 1 Meg UM140	M26			71915 23600C .01	13/15 1/13	2N518/TC22 FP380 Buffer	B3		859	C3	7	*6S7G, 6K8, 6T7G, 6L5G, 1J6G, 6ZY5G	455 456	10-3 5-9
68 DC.....	Vol. Tone		17 34	MR51 MR18				4-4-4 5	26 15	Order from Mfr. TC22					6	*6D6, 6A7, 75, 7A3	456	6-7,8
X68, X69 (DC).....	Vol. Tone	71913 72138	17 22	MR51 MR18	M26			4-4-4 22481	26 15	Order from Mfr. TC22					6	*6D6, 6A7, 75, 7A3	456	6-7,8
T71.....	Vol. Tone	36-1	17	MRT436	M26			24-20 24-14 24-26 71203	24 78 24 12	TC48 TC29 TC50 RS213					5	1A7GT, 1N5GT, 1H5GT, 1T5GT, 25Z6GT	455 456	13-10 6-9
73, 75.....	Vol. Tone		15 44	NN MR39											7	*3A, 1C6, 1A6, 30, 19	456	6-11,12
X73, X75.....	Vol. Tone	71913 78629	15 44	MR51 MR39	M27			71203	12	RS213					7	*3A, 1C6, 1B5, 30, 19	456	6-11,12
81 (Dragon AW).....	Vol. Tone		17 34	MR51 MR39	M26			8-8 2-2	4 13	See Note See Note	B3 B3				8	*58, *57, 56, 2A6, 2A5, 5Z3	115	5-2,4
81 Rainbow.....	Vol. Supp.		12	MR24				5-5	15	TN111					4	*57, 2A5 or 47, 80 or 82	482	3-9
84 (Dragon AW).....	Vol. Tone		17 34	MR51 MR39	M26			8-8 2-2	4 13	See Note See Note	B3 B3				8	*58, *57, 56, 2A6, 2A5, 5Z3	115	5-2,4
91.....	Vol. Supp.	83529B	124	MRT436	M26			23500MX 23500EX .006	25 25	FP146 FP145 Buffer	B117 B117 B14	84750	294	C3	5	7A8, 7B7, 7C6, 6G6G, 6ZY5G	455	12-5
93 (AC-DC).....	Vol. Tone		17	MR51				70871	8/15	3S582/TN111	B134				5	6A7, 6D6, 75, 43, 25Z5	456	5-10,7-2
T101.....	Vol. Tone	83529B 79209D	124 22	MRT436 MR18	M26			23500MX 23500EX	25 25	FP146 FP145	B117 B117				6	*12SK7, 12SA7, 12SQ7, 50L6GT, 35Z4GT	455	11-1
103, 105.....	Vol. Tone	71211	17	MR51	M26			71045-B 71215	1 13	RM262 TC71					5	6A7, 6D6, 75, 42, 80	456	6-13,14
SG105.....	Vol. Tone		12 17	MR44 MR51				71045	13	See Note	B1				6	24, *27, *71, 80		
X105.....	Vol. Tone	71211 71615	17 22	MR51 MR38	M26			71045 72353	13	RM262 TC70					5	6A7, 6D6, 75, 42, 80	456	8-7,8
K106.....	Vol. Tone	942	12	MR44				71600	26	Order from Mfr.					7	24, *27, 71A, 80		
108, 109 (DC).....	Vol. Tone	71211 71634	17 34	MR51 MR18	M26			22481	15	TC22					5	6A7, 6D6, 75, 7A3	456	6-10,7-2
K108.....	Vol. Tone	350	4	E12				71589	41/13	See Note	B1				7	*26, *27, *71, 80		
114, 115.....	Vol. Sen.	71566 71567	15 7	MR51 E	M26			71588 71590	41/14 15	3S579 2N518 *TC32					11	*6D6, 6A7, *76, 85, 6C6, *42, 5Z3	456	6-15,16
K117 "Twin Screen Grid 8".....	Vol. Tone		2	D12				2-3-3	3	See Note	B1				8	*24, 27, *45, 80		1-4
K121, K121X (Battery).....	Vol. Tone	940	12	MR33											6	*24, *01A, *12A		1-5
Country Special.....	Vol. Tone	83529B 79209D	124 22	MRT436 MR19	M26			23500MX 23500EX	25 25	FP146 FP145	B117 B117				7	*12SK7, 12SA7, 12SQ7, 50L6GT, 6AB5, 35Z4GT	455	11-3,4
T121.....	Vol. Tone	83529B	124	MRT436	M26			23500CX	25	ST597					7	*6SK7, 6SA7, 6SQ7, 6F6G, 6U5, 5Y3G	455	11-3,4
T122.....	Vol. Tone	84642	22	MR33				23500DX	25	TC71					7	*24A, *27, *71A, 80		1-5
K122, K123, K124.....	Vol. Tone	940	12	MR33				3-3-3	3	See Note	B1				7	*24A, *27, *71A, 80		1-5
123.....	Vol. Tone	70955	17	MR51				71676	1/24	UR182-193					6	*6D6, 6A7, 75, 43, 25Z5	456	6-17,18
125.....	Vol. Tone	70954 70955	34 17	MR39 MR51	M26			71675	15	TN111					6	*6D6, 6A7, 75, 43, 25Z5	456	7-3,4
K126, K128.....	Vol. Tone	70954	34	MR39	M26			71676	6/13	UR182-193					6	*6D6, 6A7, 75, 43, 25Z5	456	7-3,4
T131, T135.....	Vol. Tone	940 36-2	12 18	MR39 MRT436	M26			3-3-3 24-32 24-10 24-39 24-14	3 1 13 13 15	See Note *TC55 TC55 TC52 TC29	B1 B8			7	*24, 27, *45, 80		1-5	
															10	*6SK7, 6SA7, 6SQ7, 6SF5, 6U5, *25L6G, *25Z6G	455	13-11

† Data not substantiated.

\* IMPORTANT: Read Notes in Note Section if specified in Note Column.

‡ Indicates miscellaneous section.

MALLORY PARTS ARE DESIGNED WITH THE SERVICEMAN IN MIND.

MANUFACTURER AND MODEL	CONTROLS							CONDENSERS				VIBRATORS			No. Tubes	Complete Tube Complement	I. F. Peak	Rider's Reference
	Use	Original Part	Circuit	Correct Replacement	Switch	Bias	*Note	Original Part	Circuit	Correct Replacement	*Note	Original Part	Replacement	*Note				
PILOT—Continued X131	Vol.	36-2	18	MRT436	M26			24-32 24-10 24-39 24-14	1 13 13 15	*TCD55 TC55 TC52 TC29	B8				10	*6SK7, 6SA7, 6SQ7, 6SF5, 6U5, *25L6G, 25Z6G	455	13-12
T132	Vol.	36-2	18	MRT436	M26			24-36 24-3 24-6 24-32 24-14 .005	1 13 15 1 15	TC77/TC72 TC71 TC22 *TCD65 TC29 Buffer	B8	84750	294	C3	9	*6SK7, 6SA7, 6H6, 6SF5, 6AF6G, 6F6G, 5Y3G *7B7, 7A8, 7C6, 7C7, 6AB5, *6G6G, 6ZY5G	455	13-13
T133	Vol. Tone	36-8 37-3	18 41	MRT436 MR18	M23-24			24-32 24-14 .005	1 15	*TCD65 TC29 Buffer	B8	84750	294	C3	9	*7B7, 7A8, 7C6, 7C7, 6AB5, *6G6G, 6ZY5G	455	13-14
H134, 135 (Ch. H130)	Vol. Tone	83529B 83447B	17 34	MRT436 MR39	M26			85039 10	1 15	FP238 TC22	B3				5	6K8, 6K7, 6Q7, 25L6G, 25Z6G	455	10-13
K136 AC Universal Wasp	Vol.	940	12	MR33			A58	4-2-2-1-1	†	See Note	B1				6	*24, 27, *45, 80		2-2
140 Auto Set	Vol.	941	12	MR39				16	1	TC45	B3				6	*24A, 27, 45		1-6
H141	Vol.	83625	88	MR48	M26			16 10	1 15	TC45 TC22	B3				4	6D6, 6C6, 25L6G, 25Z5		10-14
S141 Universal W145 Public Address System	Vol. Tone		15 7	MR48 D				2-2-4	3	See Note	B1				6	*24, 27, *45, 80		2-1
S148	Vol. Tone		15 7	MR48 D				12-8	3 4	See Note See Note	B4 B3				7	*27, *50, *81 *51, 24, *27, 47, 80	175	1-1 3-5
TH150, H151 (Ch. H150)	Vol.	79429	18	MR48	M26			16 30	1 1	TC45 TC47	B3				5	6A8, 6K7, 6Q7, 25L6G, 25Z6G	455	10-9
C151	Vol. Tone		7 34	D MR39				12-8	4	See Note	B3				7	*51, 24, *27, 47, 80	175	
C153, C154 (with 2-45e)	Vol. Tone		23 41	MM MR39				8-8-4	1/14	See Note	B3				10	*51, *27, *45, 80	175	2-3
C153, C154 (with 47e)	Vol. Tone		23 41	MM MR39				8-8-8-4	3/14	See Note	B3				10	*51, *27, *47, 80	175	2-4
I53, 155, X153, X155, Model AC Midget S155, S155A, S155B, S155F	Vol. Tone	72398	15	MR51	M27			71203	12	RS213	B3				5	1C6, *34, 1B5, 33	456	7-5
S156, S158 DC Midget	Vol.		6 12	E12 MR33				2-3-4-1	3	See Note	B1				6	*24, 27, 45, 80		3-3
AC Midget C157, C157A, C157B, C157F	Vol. Tone		11 21	MR33 MR48				6	†	See Note	B11				6	*01A, *71A		3-4
C162	Vol. Tone		21 21	MR33 MR48				2-3-4-1	3	See Note	B1				6	*24A, 27, 45, 80		3-3
G162, TG162, G163 (G160 Series)	Vol. Tone		7 34	D MR39				12-8	4	See Note	B3				7	*51, 24, *27, 47, 80	175	3-5
G162A, G162B, G163A, G163B	Vol. Tone	79540	18	MR44	M26			30-20	4	TCS47	B3				5	6A7, 6D6, 75, 25L6, 25Z5	456	8-9,12
S164	Vol. Tone	79540	18	MR44	M26			85027	1	2N509	B3				5	6A7, 6D6, 75, 43, 25Z5, Ballast Tube	456	8-10
C165	Vol. Tone		7 34	D MR39				12-8	4	See Note	B3				7	*51, 24, *27, 47, 80	175	3-5
171 Amplifier and Power Supply	Mic.			A400P				2-2-2	3	See Note	B1				4	27, *71A, 80		1-1
173	Vol. Tone	36-10 37-5	18 44	MRT436 MR18	M26			24-32 24-8 24-17 24-14	1 13 13 15	*TCD55 TC44 TC48 TC29	B8				12	*6SK7, 6SA7, *6SQ7, 6U5, *25L6G, *25Z6G	455	13-15, 29
G174, G175 (G170 Series)	Vol. Tone	78714 78821	17 34	MR51 MR18	M26			85007 85008 22481	4 13 15	*TC49 2N516 TC22	B3				7	*6K7, 6A8, 6Q7, 25L6, 25Z6G, 6G5	456	
183	Vol. Tone	71211 71615	15 34	MR51 MR39	M26			71045 72168 22481	28 28 15	RM262 TC71 TC22	B3				6	6A8, 6K7, 6H6, 6J7, 6F6, 5Z4	456	6-19,20
G184, PG184, TG184, G185 (G180 Series)	Vol. Tone	78714 78821	17 34	MR51 MR18	M26			85007 85008 22481	4 13 15	*TC49 2N516 TC22	B3				7	*6K7, 6A8, 6Q7, 25L6, 25Z6G, 6G5	456	8-11,12
185	Vol. Tone	71211 71615	15 34	MR51 MR39	M26			71045 72168 22481	28 28 15	RM262 TC71 TC22	B3				6	6A8, 6K7, 6H6, 6J7, 6F6, 5Z4	456	6-19,20

† Data not substantiated.

\* IMPORTANT: Read Notes in Note Section if specified in Note Column.  
WHEN YOU BUY LEVER ACTION SWITCHES BUY MALLORY.

‡ Indicates miscellaneous section.



MANUFACTURER AND MODEL	Use	CONTROLS						CONDENSERS				VIBRATORS			No. Tubes	Complete Tube Complement	I. F. Peak	Rider's Reference
		Original Part	Circuit	Correct Replacement	Switch	Bias	*Note	Original Part	Circuit	Correct Replacement	*Note	Original Part	Replacement	*Note				
PILOT—Continued T186	Vol.	36-4	17	MRT448	M23-24			24-37 24-30	24 78	FP410 TC29	B220			6	1N5GT, 1A7GT, 1H5GT, 1Q5GT, 25Z6GT	262	12-6	
T187	Vol.	36-4	17	MRT448	M23-24			24-37 24-30	24 78	FP410 TC29	B220			6	1N5GT, 1A7GT, 1H5GT, 1Q5GT, 25Z6GT	262	12-6	
191	Vol. Tone	83529B 84826	17 22	MRT436 MR51	M26			23600B 23500A 23500G 23500B	1 13 15 15	FP238 TC44 TC29 TC22			12	6U5, *6SK7, 6SA7, *6SQ7, *25L6G, *25Z6G, Ballast	455	12-7		
V191, S.W. Conv. 193, C193, 195 (190 Series)	Vol. Tone	78845 78846	17 34	MR51 MR39	M26			71045 72353 22481	1 13 15	RM262 TC71 TC22		B10	4	*24A, 27, 80		2-4		
193, 194 (Late)	Vol. Bass Treble	83529B 84826 30-192	18 1 1	MRT436 MR51 MR48	M26			24-32 24-8 24-14 24-17 24-6	1 13 15 13 15	*TC29 TC44 TC29 TC48 TC22	B8		13	*6SK7, 6SA7, *6SQ7, 6SF5, 6U5, *25L6G, *25Z6G	455	13-16		
D194	Vol. Treble Bass Mike Mixer Harm.	83-529B 84826 84826 36-7 36-6 236-5 37-6	124 1 1 15 1 18 1	MRT436 MR51 MR51 MR53 Order from MR41	M26 Mfr.	See Note	A5	24-47 24-45 24-28	2 2 15	*TC65 *TC92 TC39	B8 B8		18	*6AC7/1852, *6SA7, *6J5, 6SK7, *6SJ7, *6H6, 6SQ7, *6L6, 6U5/6G5, 5U4G	AM 455 kc. FM 4.3 mc.	13-17- 21		
VX201, WX201, X201	Vol. Tone	79204 71615	17 22	MR51 MR39	M26			85014 85021 22481	4 4/13 15/19	RS224 2N509 TC22			5	6A7, 6D6, 75, 25L6, 25Z5	456	9-1,2		
203, 205	Vol.	78697	17	MR55	M26			72382 78704 22481	1 13 15	2N509 RS213 TC22			5	6A8, 6D6, 75, 43, 25Z5	456	7-6		
X203, BX203, UX203, WX203, X205	Vol.	79204	17	MR51	M26			85014 85021 22481	4 4/13 15/19	RS224 2N509 TC22			5	6A7, 6D6, 75, 25L6, 25Z5	456			
213	Vol. Tone	72119 72120	15 22	MR51 MR39	M26			71045 72252 70971	1 24 15	RM262 2N518 TN111			7	*6K7, 6A8, 6H6, 6J7, 6F6, 5Z4	456	6-21,7-2		
215	Vol. Tone	72119 72120	15 22	MR51 MR39	M26			71045 72252 70971	1 24 15	RM262 2N518 TN111			7	*6K7, 6A8, 6H6, 6J7, 6F6, 5Z4	456	6-21,7-2		
223	Vol. Tone		17 22	MR51 MR39	M26			16-12 4 10	1 13 15	2S569 TC70 TC22			6	*6D6, 6A7, 75, 43, 25Z6	456	8-14		
H224 (Ch. H220)	Vol. Tone	83529 79209B	17 44	MRT436 MR39	M26			23600B 23600A	1 24/13	FP238 FP367			11	*6K7, 6K8, 6R7, 6U5, *25L6G, *25Z6G, 5Z3	455 456	10-5 7-8,9		
253, 255	Vol. Tone	78647B 78648B	17 34	MR51 MR39	M26			78623 22481 .01	1/13 15 1	3S582 TC22 Buffer		85X 45 45A	Order from 245 245A	Mfr. C19	5	*6D6, 6A7, 75, 41	456	
268, 269	Vol. Tone	71913 72138	17 34	MR51 MR18	M26			85001 22481	46 15	Order from TC22	Mfr.		6	*6K7, 6A8, 6Q7, *25A6	456			
G274	Vol. Tone	78714 78715	17 34	MR51 MR39	M26			78594 85013 22481	1/13 13 15	TC29/TC52 3S582 TC22			7	*6K7, 6A8, 6Q7, 25A6, 25Z6G, 6G5	456			
G274J	Vol. Tone	78714 78715	17 34	MR51 MR39	M26			12-12-4 34-4 22481	1/13 1/13 15	TC29/TC52 TC29/TC52 TC22	B3 B8		7	*6K7, 6A8, 6Q7, 25A6, 25Z6G, 6G5	456			
G284	Vol. Tone	78714 78821	17 34	MR51 MR18	M26			85007 85023 22481	4 13 15	*TC49 3S582 TC22			7	*6K7, 6A8, 6Q7, 25L6, 25Z6G, 6G5	456	9-3,4		
T-286	Vol.	36-4	1	Order from	Mfr.			24-37 24-30	24 78	TC29/TC48 TC29			6	1N5GT, 1A7GT, 1H5GT, 3Q5GT, 35Z5GT	262	15-3,4		
293, 295, S295	Vol. Tone	78714 78715	17 34	MR53 MR39	M26			85004 85005 22481	1 1 15	RS215 RS216 TC22			6	*6K7, 6A8, 6Q7, 6F6, 5W4	456	7-11,12		
300	Vol. Tone	36-14 37-9	124 1	MRT438 MR48	M26			72252 24-37 24-28	13 1 15	2N518 Order from TC39	Mfr.		8	14Q7, 7B7, 14H7, *TC7, 7A6, 35A5, 35Y4	AM 455 kc. FM 5.4 mc.	13-22		
304, 305 (300 Series)	Vol. Tone	78669 78668	17 44	MR55 MR39	M26			78689 78688 85002	1 13 15	2N514 TN125 TC32			11	*6K7, 6A8, 6R7, *25A6, *25Z6, 6E5	456	7-13,14		

† Data not substantiated.

\* IMPORTANT: Read Notes in Note Section if specified in Note Column.

‡ Indicates miscellaneous section.

MALLORY STANDARDIZATION OF PARTS SIMPLIFIES YOUR REPLACEMENT WORK.

MANUFACTURER AND MODEL	CONTROLS							CONDENSERS				VIBRATORS			No. Tubes	Complete Tube Complement	I. F. Peak	Rider's Reference
	Use	Original Part	Cir- cuit	Correct Replacement	Switch	Bias	*Note	Original Part	Cir- cuit	Correct Replacement	*Note	Original Part	Replac- ement	*Note				
<b>PILOT—Continued</b> X304, X305 (X300 Series).....	Vol. Tone	78669..... 79209.....	17 44	MR57..... MR18.....	M26		85014..... 78688..... 85002.....	1 13 15	FP115..... TN125..... TC29.....					11	*6K7, 6A8, 6R7, 25A6, 6E5, 25Z6.....	456	8-16,17	
H324 (Ch. H320)....	Vol. Tone	83529A..... 79209B.....	17 44	MRT436..... MR39.....	M26		H23600B..... H23600A.....	1 24/13	FP238..... FP367.....					11	*6K7, 6K8, 6R7, 6U5, 25L6G, 25Z6G.....	455	10-5	
330.....	Vol. Tone	36-15..... 37-11.....	18 22	MRT436..... MR39.....	M26		24-32..... 24-28.....	1 15	*TC55..... TC39.....	B8				7	6SG7, 6J5GT, 6SA7GT, 6SK7GT, 6S07GT, 25L6GT, 25Z6GT.....	455	14-1,2	
340.....	Vol. Tone	36-13..... 37-8.....	18 22	MRT436..... MR39.....	M26		24-32..... 24-39..... 24-14.....	1 13 15	*TC55..... TC52..... TC29.....	B8				11	6SG7, 6SA7GT, 6J5, 6SK7GT, 6SF5GT, 6S07GT, 25L6GT, 6U5, 25Z6GT.....	455	13-23, 24	
G352, VG352, WG352, G353....	Vol.	79561.....	17	MR51.....	M26		85014..... 85021..... 22481.....	4 4/13 15/19	RS224..... 2N509..... TC22.....					5	6A7, 6D6, 75, 25L6, 25Z5.....	456	9-2,5	
364, 365 (360 Series)	Vol. Tone Chr'ty	72203..... 72202..... 72197.....	44 44 205	Order from MR39..... 20M.....	Mfr.		72195..... 72194.....	1/20 13/14	RM265..... 3S584/TC70.....					12	*6K7, 6C5, 6L7, 6J7, 6E5, 6F6, 5Z4.....	456	7-15,16	
T-370.....	Vol.	36-12.....	205	Order from	Mfr.	See Note A3	24-44..... 24-37..... 24-28..... 24-48.....	24 24 78 78	FP146..... TC49..... TC39..... TC2501.....					6	1A7GT, 1N56GT, 1H5GT, 3Q5GT, 35Z5GT.....	455	15-5,6	
H372, H373 (Ch. H370).....	Vol.	79540.....	18	MR44.....	M26		23500E..... 22481.....	1 15	2S569..... TC22.....	B8				6	6K8, 6K7, 6Q7, 25L6G, 6U5, 25Z6G.....	455	10-7	
H384, H385 (Ch. H380).....	Vol. Tone	83529A..... 83447A.....	18 34	MRT436..... MR39.....	M26		85042..... 22481.....	1 15	FP238..... TC22.....	B117				7	*6K7, 6K8, 6Q7, 25L6G, 6U5, 25Z6G.....	455	10-17	
393, 395, S393.....	Vol. Tone	78714..... 78715.....	17 34	MR53..... MR39.....	M26		71045..... 22481..... 72252.....	1 15 24	RM262..... TC22..... 2N518.....					7	*6K7, 6A8, 6Q7, 6G5, 6F6, 5W4.....	456	7-10,14	
403, 405 (400 Series)	Vol. Tone	78845..... 78846.....	17 34	MR51..... MR39.....	M26		71045-A..... 72353.....	1 13	RM262..... TC71.....					5	6A8, 6K7, 6Q7, 6F6, 5W4.....	456	9-6,8	
T-411-U.....	Vol. Tone	36-5..... 37-14.....	18 95	MR48..... MR18.....	M26		24-40.....	25	TC48.....					6	*12SK7, 12SA7, 12SQ7, 35L6GT, 35Z5GT.....	455	16-1,2	
423, 425 (420 Series)	Vol. Tone	78986..... 78987.....	17 34	MR51..... MR39.....	M26		71676..... 71675.....	1/13 15	UR182-193..... TN111.....					6	*6K7, 6A8, 6Q7, 25L6, 25Z6.....	456	9-7,8	
TP423, TP425 (TP420 Series)....	Vol. Tone	78986..... 79070.....	17 34	MR51..... MR24.....	M26		85014-B..... 78688..... 22481.....	25 25/13 15	RS224..... TN125..... TC22.....					6	*6K7, 6A8, 6Q7, 25L6, 25Z6G.....	456		
H454, H455 (Ch. H450).....	Vol. Tone	83529C..... 83447C.....	17 34	MRT436..... MR39.....	M26		85039..... 22481.....	1 15	FP238..... TC22.....	B117				5	6K8, 6K7, 6Q7, 25L6G, 25Z6G.....	455	10-10	
G462.....	Vol.	79540.....	18	MR44.....	M26		85026..... 85032.....	4 13	TCS47..... 2N516.....					5	6A7, 6D6, 75, 25L6, 25Z5.....	456		
G462A, G462B.....	Vol.	79540.....	18	MR44.....	M26		85207..... 85035..... 22481.....	1 13 15	3S582/TC52..... 2N516..... TC22.....	B8				5	6A7, 6D6, 75, 43, 25Z5.....	456		
G463A, G463B.....	Vol.	79540.....	18	MR44.....	M26		85027..... 22481.....	1 15	2N509..... TC22.....					5	6A7, 6D6, 75, 43, 25Z5.....	456		
H474, H475 (Ch. H470).....	Vol. Tone	83529B..... 83447B.....	17 34	MRT436..... MR39.....	M26		85039..... 10.....	1 15	FP238..... TC22.....	B117				6	6K8, 6K7, 6Q7, 25L6G, 25Z6G, 6U5.....	455	10-13	
H484, H485 (Ch. 480).....	Vol. Tone	83529A..... 83447A.....	20 34	MRT436..... MR39.....	M26		85042..... 22481.....	1 15	FP238..... TC22.....	B117				7	*6K7, 6K8, 6Q7, 25L6G, 6U5, 25Z6G.....	455	10-17	
T-500, Series.....	Vol.	36-24.....	18	MR48.....	M26		24-61.....	1/15	FP313.....					5	12SA7, 12SK7, 12SQ7, 50L6GT, 35Z5GT.....	455	15-7,8	
G508, G509.....	Vol. Tone	79171..... 79598.....	17 41	MR51..... MR51.....	M26		85030..... 85028..... 22481.....	1 13/14 15	RS219..... 3S584/TC70..... TC22.....					10	*6K7, 6L7, 6J7, 6B8, 6E5, 6Q7, 6V6G, 5U4G.....	456		
T-510, T-511.....	Vol. Tone	36-5..... 37-14.....	205 95	MR48..... MR18.....	M26		24-40.....	25	TC48.....					6	*12SK7, 12SA7, 12SQ7, 50L6GT/35L6GT, 35Z5GT.....	455	15-9,11	
T-521.....	Vol. Tone	36-26..... 37-16.....	161 158	MR53..... MR18.....	M26		24-69..... 24-64.....	1 15 13	Order from TC26..... TC45.....	Mfr.				8	6AG5, 6SB7Y, 6SG7, 6H6, 6SJ7, 25L6GT, 25Z6GT.....	455 10.7	16-4,6	
G528, TG528, G529, TG529.....	Vol. Tone Sen.	79171..... 79176..... 79178.....	17 41 7	MR51..... MR51..... M15MP.....	M26		85016..... 85019..... 85018..... 22481.....	1 13/14 1/13 15	RS223..... 3S584/TC70..... 3S584..... TC22.....					12	*6K7, 6L7, 6J7, 6H6, 6E5, 6Q7, 6L6, 5Z3.....	456	8-19,20	
T-530 Series.....	Vol. Tone	36-21..... 37-12.....	267 267	TM238-SS1 Order from	M26 Mfr.		24-37..... 24-64.....	1 15	FP410..... TC26.....	B8/ B192				8	6SB7Y, 6SG7, 6SJ7, 6H6, 25L6GT, 25Z6GT.....	455 10.7		

‡ Data not substantiated.

\* IMPORTANT: Read Notes in Note Section if specified in Note Column.  
USE MALLORY COMPONENTS IN YOUR TELEVISION WORK.

§ Indicates miscellaneous section.

MANUFACTURER AND MODEL	CONTROLS							CONDENSERS				VIBRATORS			No. Tubes	Complete Tube Complement	I. F. Peak	Rider's Reference
	Use	Original Part	Circuit	Correct Replacement	Switch	Bias	*Note	Original Part	Circuit	Correct Replacement	*Note	Original Part	Replacement	*Note				
PILOT—Continued																		
H554, H555	Vol. Tone	83529C 83447C	17 34	MRT436 MR39	M26		85024 22481	1 15	3S584 TC22	B8				5	6K8, 6K7, 6Q7, 6F6G, 5Y3G	455	9-11,12	
BG562, BG563	Vol. Tone	79158 79159	17 34	MR51 MR39	M26		71045A 72353	1 14	RM262 TC71					6	6A8G, 6K7G, 6H6G, 6J7G, 6F6G, 5Y3G	456	9-9,10	
G562, G563	Vol. Tone	79158 79159	17 34	MR51 MR39	M26		71045-A 72353 22481	1 14 15	RM262 TC71 TC22					6	6A8G, 6K7G, 6H6G, 6J7G, 6F6G, 5Y3G	456	9-9,10	
G576, G577 (G570 Series)	Vol. Tone	78714 78715	17 34	MR53 MR39	M26		85004 85005 72252 22481	1 1 13 15	RS215 RS216 2N518 TC22					7	*6K7, 6A8, 6Q7, 6G5, 6F6, 5Y3G	456	8-23,30	
G584, G585 (G580 Series)	Vol. Tone	79492 79493	17 44	MR51 MR33	M26		85024 85025 22481	1 13 15	3S584 3S584/TC70 TC22					8	6A8G, 6K7G, 6Q7G, 6H6, 6E5, *6V6G, 5Y3G	456	8-21,22	
H594, H597	Vol. Tone Sen.	83364 83366 79178B	17 34 7	MRT436 MR39 M15MP	M26		71045 85018 22481	3 3/13 15	RM262 3S584 TC22					9	6K8, *6K7, 6J7, 6H6, 6U5, 6Q7G, 6F6G, 5Y3G	455	9-15,16	
623, 625	Vol. Tone	78714 78715	17 22	MR51 MR39	M26		78595 78594	13 1/13	RS213 TCD55/TC52					7	*6K7, 6A8, 6Q7, 25A6, 6G5, 25Z6	456	8-24	
S623, S623J	Vol. Tone	78714 78715	17 22	MR51 MR39	M26		71675 85012 85013 78594 85010 22481 23500D	15 1/13 13 1/13 1/13 15 1	TN111 2S569/TC70 3S582 TCD55/TC52 TCD55/TC52 TC22 TC71					7	*6K7, 6A8, 6Q7, 25A6, 6G5, 25Z6	456	8-25	
TH650 (Ch. H650)	Vol.	79429	18	MR48	M26		85024 22481	1 15	3S584 TC22	B8				5	6A8, 6K7, 6Q7, 6F6G, 5Y3G	455	10-16	
H651 (Ch. H650)	Vol.	79429	18	MR48	M26		85024 22481	1 15	3S584 TC22	B8				5	6A8, 6K7, 6Q7, 6F6G, 5Y3G	455	10-16	
H664, H665	Vol. Tone	83529B 83447B	17 34	MRT436 MR39	M26		85024 22481	1 15	3S584 TC22	B8				6	6K8, 6K7, 6Q7G, 6F6G, 5Y3G, 6U5	455	9-13,17	
G674, G675	Vol. Tone	78714 78715	17 34	MR53 MR39	M26		71045 72252 22481	13 13 15	RM262 2N518 TC22					7	*6K7, 6A8, 6Q7, 6G5, 6F6, 5Y3G	456		
H710	Vol. Tone Sen.	83364 83871 83870	20 41 7	MRT436 MR51 A2MP	M26	See Note A68	23600E 23600D 23500B	46 46/13 20	FP234 FP389 TC22					11	*6K7, 6K8, 6J7, 6H6, 6R7, *6V6G, 5U4G, 6U5	455	10-19	
G752, TG752, G753 (G750 Series)	Vol.	13024	18	MR48			85022 22481	1 19	2N518 TC22					5	6A7, 6D6, 75, 41, 80	456	8-26,27	
H762, H763 (Ch. H760)	Vol.	79429	18	MR48	M26		23500C 23500D 22481	1 1 15	ST597 ST595 TC22					6	6K8, 6K7, 6Q7, 6F6G, 5Y3G, 6U5	455	10-21	
G774	Vol. Tone	78714 78715	17 34	MR53 MR39	M26		71045-B 72252 22481	1 13 15	RM262 2N518 TC22					7	*6K7, 6A8, 6Q7, 6G5, 6F6, 5Y3G	456		
G852	Vol.	79429	18	MR48	M26		85022 85031	1 13	2N518 2N518					5	6A7, 6D6, 75, 41, 80	456		
H874, H875 (Ch. H870)	Vol. Tone	83529A 83447A	20 34	MRT436 MR39	M26		71045A 85038 22481	46 46/13 15	RM262 2N518 TC22					7	*6K7, 6K8, 6Q7G, 6F6G, 6U5, 5Y3G	455	10-23	
H974, H975 (Ch. H970)	Vol. Tone	83529A 83447A	20 34	MRT436 MR39	M26		71045A 85038 22481	46 46/13 15	RM262 2N518 TC22					7	*6K7, 6K8, 6Q7G, 6F6G, 6U5, 5Y3G	455	10-23	
1010 All Wave Dragon	Vol.		6	MR18			8-8	4	See Note	B3				6	*24A, 27, 35, 47, 80	115	3-6	
T1151 (Early and Late)	Vol.	79429B	18	MR48	M26		23500J 23500J	1 25	TC48 TC48	B20				5	6SA7, 6SK7, 6SQ7, 25L6G, 25Z6G	455	12-8	
T1164	Vol.	83529E	18	MR53	M26		78689 85035	1 13	2N513 2N516					5	12SA7, 12SK7, 12SQ7, 50L6GT, 35Z5GT, 6K8, 6SK7, 6SQ7, 25L6G, 25Z6G, Ballast Tube	455	12-8	
T1252	Vol.	79429B	18	MR48	M26		23500E	1	FP145	B117				5	6SA7, 6SK7, 6SQ7, 25L6G, 25Z6G, 81985	455	12-11	
X1252	Vol.	79429B	18	MR48	M26		23500E	25	FP145	B117				5	12SA7, 12SK7, 12SQ7, 50L6GT, 35Z5GT, Ballast	455	10-25	
T1264	Vol. Tone	83529D 83447D	127 22	MR53 MR39	M26		23500EX	25	FP145	B117				6	6SA7, 6SK7, 6SQ7, 25L6G, 6U5, 25Z6G	455	12-11	
T1351	Vol.	84209	18	MR53	M26		23500J 23500G	1 78	TC48 TC29					5	1A7G, 1N5G, 1H5G, 1T5GT, 117Z6G	455	11-5	

† Data not substantiated.

\* IMPORTANT: Read Notes in Note Section if specified in Note Column.  
BE SURE TO SPECIFY MALLORY RADIO AND ELECTRONIC PARTS.

‡ Indicates miscellaneous section.

MANUFACTURER AND MODEL	CONTROLS							CONDENSERS				VIBRATORS			No. Tubes	Complete Tube Complement	I. F. Peak	Rider's Reference
	Use	Original Part	Circuit	Correct Replacement	Switch	Bias	*Note	Original	Circuit	Correct Replacement	*Note	Original Part	Replacement	*Note				
<b>PILOT—Continued</b>																		
1424 (Phono) T1424 Series	Vol. Tone	83529 79209	18 44	MRT436 MR18	M26			23600B 23500A 23500B 23500JX 23500G	6 13 15 13 15	FP238 TC45 TC22 TC49 TC29					12	*6SK7, 6SA7, *6SQ7, 6U5, *25L6G, *25Z6G	455	13-6,26 27,29
X1451	Vol.	84105	18	MR55	M27			40, 40 30	1 78	TC48 TC26					7	*1N5G, 1A7G, 1H5G, *1Q5GT, 117Z6G	262	13-28
T1452	Vol.	84105	17	MR55	M27			23500J 23500B 23500G	46 20 78	TC48 TC22 TC29					5	1A7G, 1N5G, 1H5G, 1C5G, 25Z6G	455	10-26
X1452, X1453	Vol.		18	MR55	M27			23500J 23500G	46 78	TC48 TC29					7	*1N5G, 1A7G, 1H5G, *1Q5GT, 117Z6G	262	12-12
T1364, T1464 (Early)	Vol. Tone	78714-B 83447-E	18 44	UM161-SS1 UM140-SS1	M26			23500E	1	FP145	B117				10	*12SK7, 12SA7, *12SQ7, 6AB5, *35L6GT, *35Z4GT	455	13-25, 26
T1464	Vol. Tone	78714B 83447E	18 44	UM161-SS1 UM140-SS1	M26			23500E	1	FP145	B117				10	*12SK7, 12SA7, *12SQ7, 6AB5, *35L6GT, *35Z4GT	455	13-25, 26
T1524 (Series)	Vol. Tone	83529G 84638	18 44	MRT436 MR51	M26			84045 84046 23500D	3 3 13	*TC82 3S584 TC71	B8 B8				10	*6SK7, 6SA7, 6H6, *6SF5, 6U5, *6V6G, 5U4G	455	13-30
T1564	Vol. Tone	83529D 83447D	127 22	MR53 MR39	M26			23500D 23500C	25 25	TC71 ST597					6	6SA7, 6SK7, 6SQ7, 6F6G, 6U5, 5Y3G	455	12-12
X1584	Vol. Tone	83529D 83447D	127 22	MR53 MR39	M26			23500E	1	FP145	B117				8	12SA7, 12SK7, 12SQ7, *50L6GT, 6U5, *35Z4GT	455	11-7
X1684	Vol. Tone	83529D 83447D	18 22	MR53 MR39			A27	23500E	1	FP145	B117				8	12SA7, 12SK7, 12SQ7, *50L6GT, 6U5, *35Z4GT	455	11-7
T1854	Vol.	83529E	18	MR53	M26			85044 23500D 23500B	1 13 15	FP238 ST595 TC22	B117				5	6K8, 6SK7, 6SQ7, 6F6G, 5Y3G	455	11-7
2108, 2109	Vol. Tone	71211 71634	17 34	MR51 MR18	M26			85001	†	Order from Mfr.					5	6A7, 6D6, 75, *43	456	
2203, 2205	Vol.	78697	17	MR55	M26			22481 78594	15 1/13	TC22 TCD55/TC52					5	6A7, 6D6, 75, 43, 25Z6	456	
M2203, M2205	Vol.	71211	17	MR51	M26			22481 78595 78594	15 13 1/13	TC22 RB213 TCD55/TC52					5	6A8, 6K7, 6Q7, 25A6, 25Z6	456	8-28
X2253, X2255	Vol. Tone	78647C 78648C	17 34	MR51 MR39	M26			22481 85006	† †	Order from Mfr.		F45	Order from Mfr.		5	*6D6, 6A7, 75, 41	456	8-29
G5206, CG5206, TG5206, G5207 (G5200 Series)	Vol. Tone	78647C 78648C	18 34	MR51 MR39	M26			85033 22481	1/13 †	3S584 TC22		F45	Order from Mfr.		5	*6D6, 6A7, 75, 41	456	
H6204 (Ch. H6200)	Vol. Tone	83763 83447C	17 44	MR39			See Note A19	23600C 23500B .01	1/13 15	Buffer FP380 TC22	B14		859	C3	7	*6S7G, 6K8, 6T7G, 6L5G, 1J6G, 6ZY5G	455	10-27
<b>PONTIAC</b>																		
4036	Vol. Tone	1207607 1207798	17 44	UM154-SS3 MR48	M27			1207830 .015	1	TC71 Buffer	B14	1207758	292	C3	7	*36, 39, 85, *89, 84	262	4-1,4
544245	Vol.	1209078	15	UM154-SS3		EB247		1209047	1/15	3S579		5037400	273C		4	6F7, 6A7, 6B7, 42	262	
544246	Vol. Tone	1209078 1207798	127 44	UM154-SS3 MR48		EB247		1209144	1/15	2S569/TN111		5037400	273C		6	78, 6A7, 6F7, 85, *41	262	8-15
544267	Vol.	1209368	15	UM157-SS3				1209047	1/15	3S579		5037400	273C		4	6F7, 6A7, 6B7, 42	262	7-42
544268	Vol. Tone	1209364 1207798	127 44	Order from Mfr. MR48	Mfr.			1209144	1/15	2S569/TN111		5037400	273C		6	78, 6A7, 6F7, 85, *41	262	7-42
544289	Vol.	1209540	15	UM162-SS12				1209531	1/15	TCD71/TC26		5039661	273C		4	6F7, 6A7, 6B7, 42	262	8-23
544290-1	Vol. Tone	1209296 1209628	15 22	UM162-SS12 MR48				1209819	1	3S584	B8	5039661	273C		5	6F7, 6A7, 6B7, *42	262	9-59
980455	Vol.	1208157	17	UM154-SS3	M26			1207995	1/15	TCD71/TN111		5035120	222		5	*78, 6F7, 75, 41	262	
980459	Vol. Tone	1208157 1207798	18 44	UM154-SS3 MR48	M26			1208241	1	TC71		5035120	222		6	*78, 6F7, 85, *41	262	6-39,40
983506	Vol. Tone	1210518 1562122	17 22	UM162-SS12 MR48				1210528	1/15	TCD71/TN111		5040700	273C		6	*6D6, 6A7, 85, 76, 6E6	262	9-54
983507	Vol. Tone	1210519 1210536	17 22	UM157-SS12 MR48				1210511	1/15	2N518/TC22		5040700	273C		5	*6D6, 6A7, 75, 42	262	
983526	Vol.	1210545	20	TM224-SS12				1210548 1210549 .005	1 15	2N518 TN111 Buffer	B14	5050673	852	C3	7	*6U7G, 6A8G, 6V7G, 6J5G, 6N7G, 6X5G	†	9-77
983527	Vol.	1210545	17	TM224-SS12				1211580 .005	1/15	3S579 Buffer	B14	5050673	852	C3	6	*6U7G, 6A8G, 6Q7G, 6F6G, 6X5G	†	9-79
983534	Vol. Tone	7230117 7230802	17 22	TM239-SS3 MR39			A105	7230264 .005	1	2N518 Buffer	B14	5050673	852	C3	6	*6K7G, 6A8G, 6Q7G, 6N6G, 6X5G	262	9-81
983569	Vol.	1210545	17	TM224-SS12				1212274 .005	1/14/15	3S584/TN111 Buffer	B14	5050673	852	C3	7	*6U7G, 6A8G, 6R7G, 6J5G, 6N7G, 0Z4G	262	
983570	Vol.	7232384	18	TM224-SS3				7232668 .01-.01	4	Buffer 25567 Buffer	B14	5050673	852	C3	6	*6K7G, 6J7G, 6Q7G, 6F6G, 0Z4G	262	

† Data not substantiated.

\* IMPORTANT: Read Notes in Note Section if specified in Note Column.  
MAKE FULL USE OF NOTES AND CIRCUIT DIAGRAMS.

‡ Indicates miscellaneous section.

MANUFACTURER AND MODEL	CONTROLS							CONDENSERS				VIBRATORS			No. Tubes	Complete Tube Complement	I. F. Peak	Rider's Reference
	Use	Original Part	Circuit	Correct Replacement	Switch	Bias	*Note	Original Part	Circuit	Correct Replacement	*Note	Original Part	Replacement	*Note				
<b>PONTIAC—Continued</b>																		
983616	Vol.	7232384	18	TM224-SS3				7232668 .01-.01	4	2S567 Buffer		5050673	852	C3	6	2K7G, 6J7G, 6Q7G, 6F6G, 0Z4G	262	
983617	Vol.	1210545	17	TM224-SS12				1212274 .005	1/14/15	3S584/TN111 Buffer	B14	5050673	852	C3	7	6U7G, 6A8G, 6R7G, 6J5G, 6N7G, 0Z4G	262	
983667	Vol.	1213425	20	Order from	Mfr.			1213459 .015-.015	1/15	FP332 Buffer	B14	5053183 M80783-4	249 249	C3 C3	7	6K7, 6A8, 6R7, 6Z7G, 6V6G	260	
983679	Vol. & Tone	7238529	17/‡	Order from	Mfr.			7238830 .01-.01	24/15	FP332 Buffer	B14	7238839	870	C3	7	7A7, 7B8, 7E7, 7F7, 7C5, 0Z4	260	
983680	Vol. & Tone	1213667	18/‡	Order from	Mfr.			1213665 .004	46/15	FP424 Buffer	B14	1213671	870	C3	5	7A7, 7A8, 7B6, 7C5, 0Z4G	260	
983705	Vol. & Tone	1214171	17/‡	Order from	Mfr.			1214202 1214172 .015-.015	24/15	FP339 TN111 Buffer	B14	1213446	249	C3	7	6SK7, 6SA7, 6SQ7, 6SF5, 6V6G	260	
983775	Vol. & Tone	1214388	18/‡	Order from	Mfr.			1213665 .004	24/13/15	FP424 Buffer	B14	1213671	870	C3	5	7A7, 7A8, 7B6, 7C5, 0Z4G	260	
983776	Vol. & Tone	7240703	17/‡	Order from	Mfr.			7238830 .006	24/15	FP332 Buffer	B14	7238839	870	C3	7	7A7, 7B8, 7E7, 7F7, 7C5, 0Z4	260	
983777	Vol. & Tone	1214496	17/‡	Order from	Mfr.			1214489 1214490 .015-.015	24/15 24/‡	FP332 FP328 Buffer	B69 B14	1214832	742	C3	7	6K7, 6SA7, 6SK7, 6SQ7, 6SF5, 6V6GT	260	
983910	Vol.	1214388	18	Order from	Mfr.			1213868 .004	24/15	FP328 Buffer	B14	8638	870	C3	5	6SA7GT, 6SK7GT, 6SQ7GT, 6V6GT, 0Z4G	260	
983911	Vol.	7242017	17	Order from	Mfr.			7238830 .006	24/15	FP339 Buffer	B14	8639	870	C3	7	7A7, 7B8, 7E7, 7F7, 7C5, 0Z4	262	
983912	Vol.	1215806	17	Order from	Mfr.			1216122 .008	24/15	FP328 Buffer	B8 B14	8542	859	C3	8	6K7, 6SA7, 6SK7, 6SQ7, 6V6GT, 0Z4	260	
984170	Vol.	1216541	205	Order from	Mfr.			1213868 .004	24/15	FP328 Buffer	B14	1213671	870	C3	5	7Q7, 7A7, 7B6, 7C5, 0Z4G	260	
984171	Vol. & Tone	7242017	157	Order from	Mfr.			7238830 .006	24/15	FP339 Buffer	B14	7238829	870	C3	7	7A7, 7B8, 7E7, 7F7, 7C7, 0Z4	260	15-14
984172	Vol. & Tone	1215806	157	Order from	Mfr.			1216122 1216122 .008-15M	13/15 12/15	FP328 FP328 Buffer	B8 B8 B14	87963-137	859	C3	8	6K7, 6SA7, 6SK7, 6SQ7, 6V6GT/G, 0Z4	260	
7232553	Vol.	7232384	18	TM224-SS3				7232668 .01-.01	4	2S567 Buffer	B14	5050673	852	C3	6	2K7G, 6J7G, 6Q7G, 6F6G, 0Z4G	262	9-95
<b>PORT-O-MATIC</b>																		
18A, C, R (Ch. P-8)	Vol. & Tone		18 22	MR48 MR48	M26			32-24 12 25	8 8 15	2N514 TC44 TC26					7	6A8G, 6K7, 6Q7G, 25L6G, 6E5, 25Z6G, BK23B	456	10-1
25A, C, R (Ch. P8LW)	Vol. & Tone		18 22	MR48 MR48	M26			32-24 12 25	8 8 15	2N514 TC22 TC26					7	6A8G, 6K7G, 6Q7G, 25L6G, 6E5, 25Z6G, E5748	456	10-2
80A, F, C (Ch. P-8)	Vol. & Tone		18 22	MR48 MR48	M26			32-24 12 25	8 8 15	2N514 TC44 TC26					7	6A8G, 6K7, 6Q7G, 25L6G, 6E5, 25Z6G, BK23B	456	10-1
210C, F, R (Ch. P-8)	Vol. & Tone		18 22	MR48 MR48	M26			32-24 12 25	8 8 15	2N514 TC44 TC26					7	6A8G, 6K7, 6Q7G, 25L6G, 6E5, 25Z6G, BK23B	456	10-1
212C, F, R (Ch. P-8)	Vol. & Tone		18 22	MR48 MR48	M26			32-24 12 25	8 8 15	2N514 TC44 TC26					7	6A8G, 6K7, 6Q7G, 25L6G, 6E5, 25Z6G, BK23B	456	10-1
250C, F, R (Ch. P8LW)	Vol. & Tone		18 22	MR48 MR48	M26			32-24 12 25	8 8 15	2N514 TC44 TC26					7	6A8G, 6K7, 6Q7G, 25L6G, 6E5, 25Z6G, BK23B	456	10-2
<b>PORTO SERVER IN</b>																		
PA-510, PB-520, Ch. 9008A, 9008B	Vol.	500223	18	Order from	Mfr.			500256	81	2N514					5	12SA7, 12SK7, 12SQ7, 50L6GT, 35Z5GT	455	15-1,2
PE-610, PF-611, Ch. 9022E, 9022F	Vol.	502145	‡	Order from	Mfr.			500256	81	2N514					6	12SK7, 12SA7, 12SF7, 35L6GT, 35Z5GT	455	15-3,4
<b>PRECISION</b>																		
6 Tube A-W Super.	Vol. & Tone		18 22	MR48 MR24	M26			8-8	23	TCS71					6	6A7, 6D6, 75, 42, 80	465	6-1
8 Tube A-W	Vol. & Tone		83 44	MR48 MR24				8-8	1	2N518					8	57, 58, 55, 2A5, 5Z3, 56	465	6-2
511	Vol.		18	MR48	M26			4-4	23	TCS71					5	6A7, 6D6, 75, 42, 80	465	6-3
<b>PREMIER—See Airking</b>																		

‡ Data not substantiated.

\* IMPORTANT: Read Notes in Note Section if specified in Note Column.  
DON'T MISS THE MALLORY 1485 CONTROL DEAL!

‡ Indicates miscellaneous section.

MANUFACTURER AND MODEL	CONTROLS							CONDENSERS				VIBRATORS			No. Tubes	Complete Tube Complement	I. F. Peak	Rider's Reference
	Use	Original Part	Circuit	Correct Replacement	Switch	Bias	*Note	Original Part	Circuit	Correct Replacement	*Note	Original Part	Replacement	*Note				
<b>PREMIER CRYSTAL</b>	<b>LABS.</b>																	
15-L.....	Vol.		18	MR48	M26				88	2N513/TC47					5	14Q7, 7B7, 14B6, 50A5, 35Y4.....	455	§15-13
15-LW.....	Vol.	34-1	18	MR48	M26				15	TC39					5	14Q7, 7B7, 14B6, 50A5, 35Y4.....	455	
<b>PURE OIL CO.—"Puritan"</b>																		
501, 502, Ch. 5D15WG, 5D25WG.....	Vol.	36X352	205	MK401	M26			45X341	24	2N521					5	12SA7, 12SK7, 12SQ7, 50L6GT, 35Z5GT..	455	15-3,4
501X, 502X, Ch. 5D15WG, 5D25WG.....	Vol.	36X352	205	MK401	M26			45X341	24	2N521					5	12SA7, 12SQ7, 50L6GT, 35Z5GT..	455	15-3,5
503, 503W, Ch. 5A65WG.....	Vol.	36X352	161	MK401	M26			45X341	24	2N521					5	12SA7, 12SK7, 12SQ7, 50L6GT, 35Z5GT..	455	15-1,5
504, 504W, Ch. 6A35WG.....	Vol. Tone	36X354 40X275	80 80	Order from Order from	Mfr.. Mfr..			45X346	24/15	FP346	B197				6	6SA7, 6SK7, 6SF7, 6SJ7, 6V6GT, 6X5GT.....	455	15-6,8
506X, 507X, Ch. 6D15SW, 6D25SW	Vol.	502145	205	MK401	M26			500256	81	FP306	B192				6	12SK7, 12SA7, 12SF7, 35L6GT, 35Z5GT..	455	
508 (Code 7A35SW)	Vol.	502117	161	MK401	M26			502207	1/19	FP339					7	6SK7, 6SA7, 6SQ7, 6SJ7, 6K6GT/G, 5Y3GT/G.....	455	15-13,16
509.....	Vol.		205	MK401	M26				24/78 78	FP409 TC26	B6/B8				6	1A7GT, 1N5GT, 1H5GT, 3Q5GT, 117Z6GT.....	455	
512, Ch. 582.....	Vol.	B-51445-3	161	Order from	Mfr..			A-51356 A-51419	1 13	FP234 TC52					6	6SK7GT, 6SA7GT, 6SQ7GT, 6V6GT, 5Y3GT.....	455	
515.....	Vol.	RP5-2	205	MK401	M26				24/15	FP357/TC26					5	12SA7GT, 12SK7GT, 12SQ7GT, 50L6GT, 35Z5GT..	455	
5015, 5025, Ch. 5D15WG, 5D25WG.....	Vol.	36X352	205	MK401	M26			45X341	24	2N521					5	12SA7, 12SK7, 12SQ7, 50L6GT, 35Z5GT..	455	16-1,2
<b>PUROTONE RADIO</b>	<b>CORP.</b>																	
4506, 4516.....	Vol.	4506-9	18	Order from	Mfr..			4506-8	1	2N509					6	12SK7GT/12BA6, 12SA7/12BE6, 12SQ7/12AT6, 35L6GT 35Z5GT/35W4.....	455	15-15
<b>RADIOBAR</b>																		
106 (6 tube).....	Vol. Tone		15 22	MR48 MR33	M26			8-8	4	See Note	B3				6	2A7, 58, 55, 2A5, 80..	262.5	
210 (10 tube with 46's).....	Vol.		15	MR48	M26			4-8-4	3	See Note	B3				10	55, 56, 57, 58, 546, 82.	262	4-2
210B (8 tube with 59's).....	Vol. Tone Sen.		83 22 8	MR48 MR42 UC500	M26			8-8	1	See Note	B3				8	55, 56, 57, 58, 59, 5Z3	262	4-1
210B (10 tube with 59's).....	Vol. Tone Sil.		15 22 1	MR48 MR42 1	M26			8-8 4	35 19	See Note TC52	B3				10	57, 56, 58, 55, 59, 82.	262	
210C (10 tube with 59's).....	Vol. Tone Sil.		15 22 1	MR48 MR42 1	M26			8-8 4	35 19	See Note TC52	B3				10	55, 56, 57, 58, 59, 82.	262	
505 (5 tube).....	Vol. Tone		56 22	MR48 MR18	M26			4-8	23	See Note	B3				5	57, 58, 55, 2A5, 80..	175	4-1
506 (6 tube).....	Vol. Tone		15 22	MR48 MR33	M26			8-8	4	See Note	B3				6	2A7, 58, 55, 2A5, 80..	262	4-1
508 (8 tube with 59's).....	Vol. Tone Sen.		83 22 8	MR48 MR42 UC500	M26			8-8	1	See Note	B3				8	55, 56, 57, 58, 59, 5Z3	262	4-1
510 (10 tube with 46's).....	Vol.		15	MR48	M26			4-8-4	3	See Note	B3				10	58, 57, 55, 56, 546, 82.	262	4-2
510 (10 tube with 59's).....	Vol. Tone Sil.		15 22 1	MR48 MR42 1	M26			8-8 4	35 19	See Note TC52	B3				10	55, 56, 57, 58, 59, 82.	262	4-2

‡ Data not substantiated.

\* IMPORTANT: Read Notes in Note Section if specified in Note Column.

§ Indicates miscellaneous section.

WHEN YOU BUY A BATTERY CHARGER BUY A MALLORY.

MANUFACTURER AND MODEL	CONTROLS							CONDENSERS				VIBRATORS			No. Tubes	Complete Tube Complement	L. F. Peak	Rider's Reference
	Use	Original Part	Circuit	Correct Replacement	Switch	Bias	*Note	Original Part	Circuit	Correct Replacement	*Note	Original Part	Replacement	*Note				
<b>RADIOBAR</b> —Continued																		
526 (6 tube).....	Vol. Tone		83 22	MR48 MR42	M26			8-8	4	See Note	B3				6	2A7, 58, 55, 2A5, 80.	262.5	
528 (8 tube with 59's).....	Vol. Tone Sen.		15 22	MR48 MR33 UC500	M26			8-8	1	See Note	B3				8	55, 56, 57, 58, 59, 5Z3	262	4-1
<b>RADIO CHASSIS, INC. (Marquette)</b>																		
Auto Receiver.....	Vol.		18	UM154		See Note	3	5-5	15	TC22					5	78, 6A7, 75, 41	175	4-1
ASD.....	Vol.		6	G7				16-8	6	2N509					5	78, 77, 43, 25Z5	175	4-2
A6D.....	Vol.		18	MR48				5-5	15	TN111					6	78, 6A7, 75, 43, 25Z5	175	4-3
AC25.....	Vol.		6	G7		3		16-8	6	2N509					6	78, 6A7, 75, 43, 25Z5	175	4-3
AC35.....	Vol.		8	G		3		5-5	15	TN111					5	58, 57, 56, 47, 80		3-2
AC36.....	Vol.		8	G		3		8-8	4	See Note	B3				5	58, 57, 47, 80	175	3-4
L5D.....	Vol. Tone		6	D		3		8-8	4	See Note	B3				6	58, 57, 56, 47, 80	175	3-4
L6D.....	Vol.		22	MR39				16-8	6	2N509					5	6A7, 78, 77, 43, 25Z5	456	4-4
L6W.....	Vol.		17	MR48				5-5	15	TN111					6	78, 6A7, 75, 43, 25Z5	115	4-5
LSA36.....	Vol.		8	G		3		5-5	15	TN111					6	78, 6A7, 75, 43, 25Z5	115	4-5
LSA37.....	Vol.		8	G		3		8-8	4	See Note	B3				6	58, 2A7, 2A6, 47, 80	125	4-6
QAC35.....	Vol.		8	G		3		5-5	15	TC22					6	58, 2A7, 2A6, 47, 80	125	4-6
QAC36.....	Vol.		8	G		3		8-8	4	See Note	B3				6	58, 57, 47, 80, 56	175	3-4
SDC36.....	Vol.		8	G		3		8-8	4	See Note	B3				7	58, 56, 47, 80	175	3-2
SMA24.....	Vol.		8	G		2		8-8	4	See Note	B3				5	58, 57, 47, 80	175	3-4
SMA25.....	Vol.		6	G7		3		8-8	4	See Note	B3				6	39, 36, 37, 48		3-3
			6	D7		3		8-8	4	See Note	B3				4	58, 57, 47, 80		3-1
			6	D7		3		8-8	4	See Note	B3				5	58, 57, 56, 47, 80		3-2
<b>RADIOCHRON</b> —See Clago.																		
<b>R. C. A.</b>																		
9 Tube General Purpose A.W. (AVR-5A).....	Vol. Tone Sen.	K69461-1 6953 6892	19 21 6	TM221-SS1 UC505 MR28	6-9			6889 6609 6626	6 6 14/15	RS216 RS216 TC70/TN111					9	58, 2A7, 2B7, 56, 53, 80	445	5-165, 170
RCA Short Wave Adapter Premax PI AC/DC.....	Vol.	67817-1	26	MR28 MR45	M26			3538 3536	1 15	2N516 TN111					3	2A4, 27	1000	1-53, 54
AVR-1.....	Vol. Tone	K69461-1 6627	19 21	TM221-SS1 MR53	M26			6571 6609 6626	1 1 14/15	RS215 RS216 TC70/TN111					8	58, 2A7, 2B7, 56, 53, 80	445	4-70, 76
HF1.....	Vol.	72357-36	20	MRT449				14531 5212 30105	1 1 14	RS223 RS216 RS216					9	6A8, 6K7, 6R7, 6J5, 6F6, 6U5, 5T4	455	9-1,4
QB1-Ch. RC-529A.....	Vol.	37833	18	MRT427	M26			32405 86011-10 86011-13 .008	24 13 24	TC65 TC55 TC77 Buffer		35543	249	C3	5	6SA7, 6S7, 6T7G, 6W7G, 6Z7G	455	14-1,2, 62
1AX, 1AX2 (RC1003A).....	Vol.	84701-30	18	MR48	M26		A106	36301	77	2N521					5	12SA7, 12SK7, 12SQ7, 50L6GT, 35Z5GT	455	12-7
1X, 1X2 (RC1003).....	Vol.	84701-30	18	MR48	M26		A106	36301	77	2N521					5	12SA7, 12SK7, 12SQ7, 50L6GT, 35Z5GT	455	12-7
HF2.....	Vol. Tone	K84394-5 84304-3	20 22	MRT449 Order from Mfr.	M26			86015-4 80385-8	25 25/14	2S569 2S569					12	6K7, 6A8, 6J7, 6R7, 6U5, 6J5, 6F6, 5T4	455	9-4,10
QB2 (RC529).....	Vol. Tone		18 44	MRT430 MR33				10-10	12/13	FP211					6	1R5, 1N5GT, 1A5G, 1H5GT, 1G6G	455	12-3, 4,85
QU2, QU2C (RC507C), QU2M (RC507).....	Vol. Tone		18 22	MRT430 MR48	M26			10-10-10-20	1/13/15	FP424					6	6SA7, 6SK7, 6SQ7, 6AD7G, 6F6G, 5Y3G	455	12-5,6
QB3-Ch. RC-539D.....	Vol. Tone	37897 37926	17 22	MRT454 MR53	M26			86027-1	13	FP225					7	6S7, 6SA7, 6T7G, 6W7G, 6Z7G, 6N5	455	14-3,4, 5,15
QU3C (RC507F), QU3M (9RC507H).....	Vol. Tone		18 22	MRT430 MR48	M26			10-10-10-20	1/13/15	FP424					6	6SA7, 6SK7, 6SQ7, 6AD7G, 6F6G, 5Y3G	455	12-92-94
R-3-B (Battery).....	Vol.		9	MR41											6	34, 32, 30, 33	456	
R-3-C (200/230 V. D. C.).....	Vol.		7	E				4-4	13/15	See Note	B156				6	39, 37, 89	460	
4T.....	Vol.	11663	6	F7	6T	3		11240	25	HD684					4	6A7, 6B7, 41, 1V	460	7-1,3
4X, 4X3, 4X4.....	Vol.	72558-30	7	G	6-9	3		5212	25	RS219					4	6A7, 6F7, 43, 25Z5	460	7-7,8
HF4.....	Vol. Tone	K84394-5 84304-3	20 22	MRT449 Order from Mfr.	M26			12844 86015-4	50 25	*TC44 2S569	B157 B8				12	6K7, 6A8, 6J7, 6R7, 6U5, 6J5, 6F6, 5T4	455	9-4,10
4QB (RC440).....	Vol.	33780	18	MR53	M27			80385-8 86038-5	25/14 12/13	2S569 FP211					4	1A7G, 1N5G, 1H5G, 1C5G	455	11-1-3

† Data not substantiated.

\* IMPORTANT: Read Notes in Note Section if specified in Note Column.

‡ Indicates miscellaneous section.

THE MALLORY VIBRATOR DATA BOOK ANSWERS YOUR "WHY" QUESTIONS ABOUT VIBRATORS.

MANUFACTURER AND MODEL	CONTROLS							CONDENSERS				VIBRATORS			No. Tubes	Complete Tube Complement	I. F. Peak	Rider's Reference
	Use	Original Part	Circuit	Correct Replacement	Switch	Bias	*Note	Original Part	Circuit	Correct Replacement	*Note	Original Part	Replacement	*Note				
R. C. A.—Continued 4QB4 (RC440A)...	Vol.	33780	18	MR53	M27			86038-5	12/13	FP211					4	1A7G, 1N5G, 1H5G, 1C5G	455	11-3-6
R-4	Vol. Tone	63750-1	7	SRP134		EX150		8839	4/14	3S584	B158				7	2A4, 3P5, 47, 80, 277	175	2-1,3
T4-8	Vol.	6667	98	MR33	M26			6661	1/15	2N518/2N509					4	6A7, 6F7, 41, 1V	460	6-73,75
T4-8A	Vol.	11663	6	E	6-9			6832	13	TC52					4	6A7, 6B7, 41, 1V	460	7-4,5
T4-9	Vol.	6667	98	F7	6T	3		11240	25	HD684					4	6A7, 6B7, 41, 1V	460	7-4,5
T4-9A	Vol.	6667	98	E	6-9			11497	25	RS213					4	6A7, 6B7, 41, 1V	460	7-4,5
T4-9A	Vol.	11663	6	F7	6T	3		6661	1/15	2N518/2N509					4	6A7, 6F7, 41, 1V	460	6-73,75
T4-10	Vol.	11263	7	MR45	M26	EX300		6832	13	TC52					4	6A7, 6B7, 41, 1V	460	6-73,75
5BT	Vol.	13214	18					11240	25	HD684					4	6A7, 6B7, 41, 1V	460	7-4,5
5M Automobile	Vol. Tone	72558-14	56	MR44	M27			11497	25	RS213					5	1A6, 1A4, 1F6, 30, 19	460	8-1,3
	Tone	72558-7	22	TM222-SS4				11268	1	2N516			12236	249	5	6D6, 6A8, 6K7, 6B7, 42	260	7-9,13
				MR39		See Note A60		7956	15	TN111								
5Q1 (Formerly 95FT)	Vol. Tone	30575	18	MRT420				12238	1/15	TC71/TN111 Buffer	B14							
	Tone	30574	22	MR53	M26T			.01-.01										
5Q2 (RC325C)	Vol. Tone	30575	18	MRT420				11203	1	HD684					5	6A8, 6K7, 6Q7G, 6F6G, 5Y3G	455	11-7
	Tone	30574	22	MR53	M26T			5212	13/19	RS216								
5Q2X (RC325D)	Vol. Tone	30575	18	MRT420				30577	13/19	2N509					5	6A8G, 6K7, 6Q7G, 6F6G, 5Y3G	455	11-9
	Tone	30574	22	MR53	M26T			11203	1	HD684								
5Q4 (RC366)	Vol. Tone	30575	18	MRT420				5212	1	RS216					5	6K8, 6K7, 6Q7G, 25L6G, 25Z6G, Ballast	455	11-11
	Tone	30574	22	MR53	M26T			14377	25	RS216								
5Q5, 5Q55, 5Q56	Vol.	32818	18	MR53	M26			86027-2	13	FP225					5	6K8, 6K7, 6Q7G, 25L6G, 25Z6G, Ballast	455	11-11
5Q6 (RC477A)	Vol. Tone	84304-40	18	MRT443	M26			86018-13	1/15	FP332					5	6K8, 6K7, 6Q7G, 6K6G, 5Y3G	455	11-13
	Tone	34224	1	MR44				86031-4	1/15	FP332					5	6SA7, 6K7, 6SQ7, 6P6G, 5Y3G	455	10-31,32
5Q8 (RC396B)	Vol.	32818	18	MR53	M26			32851	1/15	FP306					5	6SA7, 6K7, 6SQ7, 25L6G, 25Z6G	455	11-17
5Q66	Vol. Tone	84304-40	18	MRT443	M26			86045-3	77	FP409	B222				5	6SA7, 6K7, 6SQ7, 25L6G, 25Z6G	455	11-19
	Tone	34146	1	MR48				11240	1	HD684					5	12SA7, 12SK7, 12SQ7, 50L6GT, 35Z5GT	455	11-123, 124
5T	Vol.	72291-46	17	MRT454				5212	1	RS216					5	6A7, 6D6, 75, 42, 80	460	7-15,17
5T1, 5T4, 5T5	Vol.	72558-44	17	MRT449				11240	1	HD684					5	6A7, 6D6, 75, 42, 80	460	8-5,14
5T6, 5T7, 5T8	Vol.	72558-44	17	MRT449				5212	1/13	RS216					5	6A8, 6K7, 6Q7, 6F6, 5W4	460	8-15,18
5U	Vol.	72558-44	17	MRT449				11240	1	HD684					5	6A7, 6D6, 75, 42, 80	460	9-11,16
5X2	Vol.	72558-23	18	MR44	M26			5212	25	HD684					5	6A7, 78, 75, 43, 12Z3	460	7-21,23
5X, 5X3, 5X4	Vol.	72558-23	18	MR44	M26			12677	4	TC544					5	6A7, 78, 75, 43, 25Z5	460	7-18,20
5X5 (RC406)	Vol.	32578	75	MR44	M26			12682	15	TC22					5	12SA7, 12C8, 12SC7, 35L6GT, 35Z5GT	455	10-34,35
				MR44	M26			12398	6/15	3N527								
				MR44	M26			39124-4	1	2N514								
AVR-5A 9 Tube Gen. Purpose AW.	Vol. Tone	K69461-1	19	TM221-SS1				6889	6	RS216					9	58, 2A7, 2B7, 56, 53, 80	445	5-165, 170
	Tone	6953	21	UC505	6-9			6609	6	RS216								
	Sen.	6892	6	MR28				6626	14/15	TC71/TN111								
Radiola P5	Vol.	36125	18	MR53				34472	76	FP304					5	1A7GT, 1N5GT, 1H5GT, 3Q5GT, 35Z5GT	455	12-8
QB5-Ch. RC-563A	Vol.	38406	18	MR53	M26			86041-17	12/13	2N509					4	1A7GT, 1N5GT, 1H5GT, 3Q5GT	455	14-6,7
QU5 (RC530)	Vol. Bass Treble		18	MRT430	M26			40	46	TC78					8	6SA7, 6SK7, 6SQ7, 6AD7G, 6F6G, 5U4G	455	12-9, 10,83
			22	MR53				30-20	46	FP211					4	22A4, 47, 80		1-10,11
R-5-AC Radiolette	Vol.	2959	2	MR48				100	19	TC2501					4	736, 738		3-79
R-5 DC	Vol.	2959	2	MR24				2957	4	HD684					4	22A4, 47, 80		2-4,6
R-5-X AC Radiolette	Vol. Reg.	3067	7	MR24				2957	4	HD684					4	22A4, 47, 80		
T-5 End Table Electrola	Vol.	7078	63	SRP152												No tubes used.		
T-5-2	Vol.	72294-7	19	TM221-SS1	M26			7790	1	HD684					5	6A7, 6D6, 6B7, 41, 80	460	6-79,82
								4428	1	RS213								
6BK	Vol.	72291-56	18	MR44				7589	13/14	TCD71					6	1C6, 1A4, 1F6, 30, 49	460	7-29,32
6BK6	Vol.	72291-56	18	MR44				3796	15	TC32					6	1C6, 1A4, 1F6, 30, 49	460	7-29,32
								11387	12	HD684								
6BT	Vol.	72291-56	18	MR44				.02-.02		Buffer	B14				6	1C6, 1A4, 1F6, 30, 49	460	7-29,32
6BT6	Vol.	72291-56	18	MR44				12804	12/13	2N509					6	1C6, 1A4, 1F6, 30, 49	460	7-29,32
								12804	12/13	2N509			12817	W245A	6	1C6, 1A4, 1F6, 30, 49	460	7-29,32
								11387	12	HD684								
6K	Vol. Tone	72558-44	150	MRT449				.02-.02		Buffer	B14				6	6A8, 6K7, 6H6, 6F5, 6F6, 5Z4	460	7-37,40
	Tone	12668	150	SRP288	6T			11240	1	HD684								
								5212	1	RS216								

‡ Data not substantiated.

\* IMPORTANT: Read Notes in Note Section if specified in Note Column.

§ Indicates miscellaneous section.

ASK YOUR DISTRIBUTOR FOR THE LATEST MALLORY CATALOG AND PRICE LIST.



MANUFACTURER AND MODEL	CONTROLS							CONDENSERS				VIBRATORS			No. Tubes	Complete Tube Complement	I. F. Peak	Rider's Reference
	Use	Original Part	Circuit	Correct Replacement	Switch	Bias	*Note	Original Part	Circuit	Correct Replacement	*Note	Original Part	Replacement	*Note				
R. C. A.—Continued																		
6K2.....	Vol. Tone	72558-44 12668	150	MRT449 SRP288	6T		11240 5212	1	HD684 RS216					6	6A8, 6K7, 6H6, 6F5, 6F6, 5Z4	460	7-41,43	
6K3.....	Vol.	72558-44	20	MRT449			11387 11240 5212	14 1	HD684 HD684 RS216					6	6A8, 6K7, 6H6, 6F5, 6F6, 5W4	460	8-21,24	
6M and 6M2.....	Vol. Tone	72558-6 72558-7	17 22	TM239-SS4 MR39		See Note A60	12234 12238	1	RS213 TC71/TN111		12236	249	C3	6	6D6, 6A8, 6K7, 85, 6C5, 6A6	260	7-24,28	
6Q1 (RC441).....	Vol.	84304-31	18	Order from Mfr.			.01-.01 33014	1/13/15	Buffer FP424	B14				6	6SK7, 6SA7, 6SQ7, 6F6G, 5Y3G	455	11-21-23	
6Q4 (RC441A).....	Vol.	84304-31	18	Order from Mfr.			33014	1/13/15	FP424					6	6SK7, 6SA7, 6SQ7, 6F6G, 5Y3G	455	11-25,26	
6Q4X (RC442).....	Vol.	33951	18	Order from Mfr.			86037-4	1/13/15	FP416					6	6SK7, 6SA7, 6SQ7, 25L6G, 25Z6G	455	11-27	
6Q7.....	Vol. & Tone	32928	18/21	Order from Mfr.			86031-4	1/15	FP332					6	6SA7, 6K7, 6SQ7, 6F6G, 5Y3G, 6U5	455	11-15,16	
6Q8 (RC414B).....	Vol.	32928	18/†	Order from Mfr.			86031-4	1/15	FP332					6	6SA7, 6K7, 6SQ7, 6F6G, 6U5, 5Y3G	455	11-33,34	
6QU (RC414).....	Vol.	33533	18/†	Order from Mfr.			86031-4	1/15	FP332					6	6SA7, 6K7, 6SQ7, 6F6G, 6U5/6G5, 5Y3G	455	12-12,13	
6T.....	Vol. Tone	72558-44 12668	150	MRT449 SRP288	6T		11240 5212	1	HD684 RS216					6	6A8, 6K7, 6H6, 6F5, 6F6, 5Z4	460	7-37,40	
6T2.....	Vol. Tone	72558-44 12668	150	MRT449 SRP288	6T		11240 5212	1	HD684 RS216					6	6A8, 6K7, 6H6, 6F5, 6F6, 5Z4	460	7-41,43	
6T5.....	Vol.	72558-44	17	MRT449			11387 5212 11240	14 25 25	HD684 RS216 HD684					6	6A7, 6D6, 75, 42, 6G5, 80	460	8-25,27	
6X2 (Ch. RC1013).....	Vol.	36242	18	MR48	M26	A106	36301	77	2N521					5	12SA7, 12SK7, 12SQ7, 50L6GT, 35Z5GT	455		
BC6-4.....	Vol.	72291-56	18	MR44			11595	12	TC71		11656	245A	C3	6	1C6, 34, 1B5, 30, 749	460	6-87,90	
BC6-6.....	Vol.	72291-56	18	MR44			11387 6832 11645	13 13 15	HD684 TC52 TC22					6	1C6, 34, 75, 30, 749	460	7-44,47	
BT6-3.....	Vol.	72291-56	18	MR44			.01-.01 11595		Buffer TC71	B14				6	1C6, 34, 1B5, 30, 749	460	6-87,90	
BT6-5.....	Vol.	72291-56	18	MR44			11387 6832 11645	13 13 15	HD684 TC52 TC22		11656	245A	C3	6	1C6, 34, 75, 30, 749	460	7-44,47	
BT6-10.....	Vol.	72291-56	18	MR44			.01-.01 11595		Buffer TC71	B14				6	1C6, 34, 1B5, 30, 749	460	6-87,90	
C6-2.....	Vol.	72291-46	20	MRT454			11240 5212	1	HD684 RS216					6	6A8, 6K7, 6H6, 6F5, 6F6, 80	460	6-83,86	
C6-8.....	Vol.	72291-46	20	MRT454			11387 11821	14 27/19	HD684 2S556/TC22					6	6A8, 6K7, 6H6, 6J7, 25A6, 25Z6	460	7-48,52	
C6-12.....	Vol.	76391-2	75	MR44	M26T		5212 11240	13 25	RS216 HD684					6	6A8, 6K7, 6H6, 6F5, 6F6, 5Z4	460	7-53,55	
H-6 (Hudson).....	Vol.	11406	17	UM147-SS6	M27		4961 4958	1 1/15	RS213 3S579		5067	294	C3	6	6D6, 6A7, 6B7, 41, 84	260	7-33,36	
HF6.....	Vol.	84304-6	20	DTM291-SS1			.02-.02 14531		Buffer RS223	B14				14	6K7, 6L7, 6J7, 6R7, 6H6, 6U5, 6J5, 6F6, 5T4	455	9-18,29	
R-6.....	Vol. Tone	63750-1 3234	7 21	SRP134 MR33	M26	EX150	5212 14377	25 14	RS216 3S584					7	35, 24A, 727, 47, 80	175	2-1,3	
T6-1.....	Vol.	72291-46	20	MRT454			8839	4/14	3S584	B158				6	6A8, 6K7, 6H6, 6F5, 6F6, 80	460	6-83,86	
T6-7.....	Vol.	72291-46	20	MRT454			11240 5212	1	HD684 RS216					6	6A8, 6K7, 6H6, 6J7, 25A6, 25Z6	460	7-48,52	
T6-9.....	Vol.	72291-62	15	MR55			11821 5212	27/19 13	2S556/TC22 RS216					6	6A8, 6K7, 6H6, 6F5, 6F6, 80	460	6-91,94	
T6-11.....	Vol.	76391-2	75	MR44	M26T		11240 5212	1 25	HD684 RS216					6	6A8, 6K7, 6H6, 6F5, 6F6, 5Z4	460	7-53,55	
7K, 7T.....	Vol. Tone	72558-44 12668	150	MRT449 SRP288	6T		11240 5212	1	HD684 RS216					7	6L7, 6J7, 6K7, 6H6, 6F5, 6F6, 5Z4	460	7-56,60	
7K1.....	Vol.	72558-44	20	MRT449			11240 5212	1	HD684 RS216					7	6A8, 6K7, 6H6, 6F5, 6F6, 6G5, 5W4	460	8-21,24	
7Q4 (RC478A).....	Vol.	84701-8	18	TM220-SS2	M26		11387 33014	13 1/13/15	HD684 FP424					7	6SK7, 6SA7, 6SQ7, 6F6G, 5Y3G, 6U5/ 6G5	455	12-19	
7Q4X (RC502).....	Vol.	35187	18	MRT430	M26		86045-1	1/13	Order from Mfr.					7	12SK7, 12SA7, 12SQ7, 50L6GT, 6N5, 35Z5GT	455	11-125	
7QB, 7QBK (RC496).....	Vol. Tone	31776 31777	17 22	Order from Mfr. MR55	M26		86027-1	13	FP211					7	6S7G, 6SA7, 6T7G, 6W7G, 6L5G	455	12-14-16	

† Data not substantiated.

\* IMPORTANT: Read Notes in Note Section if specified in Note Column.

‡ Indicates miscellaneous section.

MANUFACTURER AND MODEL	CONTROLS							CONDENSERS				VIBRATORS			No. Tubes	Complete Tube Complement	I. F. Peak	Rider's Reference
	Use	Original Part	Circuit	Correct Replacement	Switch	Bias	*Note	Original Part	Circuit	Correct Replacement	*Note	Original Part	Replacement	*Note				
R. C. A.—Continued 7QK4 (RC478B)	Vol.	84701-8	18	MRT420	M26			33014	1/13/15	FP424					7	*6SK7, 6SA7, 6SQ7, *6F6, 5Y3G, 6U5/ 6G5	455	12-19
7T1	Vol.	72558-44	20	MRT449				11240 5212	1 1	HD684 RS216					7	6A8, 6K7, 6H6, 6F5, 6F6, 6G5, 5W4	460	8-21,24
7U	Vol. Tone	72558-44 12668	150 150	MRT449 SRP288	6T			11387 11240 5212	13 1 1	HD684 HD684 RS216					7	6A8, 6K7, 6H6, 6F5, 6F6, 5Z4, 6E5	460	7-61,65
7U2	Vol. Tone	72558-44 12668	150 150	MRT449 SRP288	6T			11387 11240 5212	13 1 1	HD684 HD684 RS216					7	6A8, 6K7, 6H6, 6G5, 6F5, 6F6, 5Z4	460	8-28,31
7X	Vol. Tone	62558-44 12668	150 150	MRT449 SRP288	6T			11387 12998 5212	13 52 52	HD684 2S556/TC22 RS216					7	6L7, *6J7, 6K7, 6H6, 25A6, 25Z6	460	8-32,34
BC7-9	Vol.	72291-70	45	MR44				11344	12	TC71					7	1C6,*34,*30, 32, 19	460	6-95,98
BT7-8	Vol.	72291-70	45	MR44				11344	12	TC71					7	1C6,*34,*30, 32, 19	460	6-95,98
C7-6	Vol.	72291-46	20	MRT454				11240 5212	1 1	HD684 RS216					7	*6K7, 6A8, 6H6, 6F5, 6F6, 80	460	7-67,70
C7-14	Vol.	72291-46	20	MRT454				11387 11240 5212	14 1 1	HD684 HD684 RS216					7	6A8, 6K7, 6H6, 6F5, 6F6, 5Z4, 6E5	460	7-75,76
D7-7	Vol. Phono.	72291-46 72291-68	20 63	MRT454 Order from	Mfr.			11387 11240 5212	14 1 1	HD684 HD684 RS216					7	*6K7, 6A8, 6H6, 6F5, 6F6, 80	460	7-71,74
R7 Superette	Vol. Tone	A369 A370	7 41	SRP134 MR48				2957 3057	4 4	HD684 HD684					8	*35, 24A,*27,*45, 80	175	1-12,13
R-7A (AC) Superette	Vol. Tone	63750-1 3083	7 41	SRP134 Y200MP	6-9			2957	4	HD684					8	*35,*27,*47, 80, 24	175	2-11,12
R-7 Superette (DC)	Vol. Tone	63750-1 2996	7 41	SRP134 MR48											7	24A,*35,*45,*27	175	2-8,10
R7-LW	Vol.	3231	7	A5MP				2957	4	HD684					8	*35, 24A,*27,*45, 80	110	4-15,18
T7-5	Vol.	72291-46	20	MRT454				3057 11240 5212	4 1 1	HD684 HD684 RS216					7	*6K7, 6A8, 6H6, 6F5, 6F6, 80	460	7-67,70
T7-12	Vol.	72291-46	20	MRT454				11387 11240 5212	14 1 1	HD684 HD684 RS216					7	6A8, 6K7, 6H6, 6F5, 6F6, 5Z4, 6E5	460	7-75,76
Victor 7-11 (Radiola 18)	Vol.		1	EI2				1-1-5	3	See Note	B1				7	*26, 27, 71A, 80		1-59
Victor 7-25 (Radiola 17)	Vol.		1	EI2				†	3	See Note	B1				7	*26, 27, 71A, 80		1-59
Victor 7-26 Electro Radiola	Vol. Phono.		1 63	EI2		See Note	A61	1-1-5	3	See Note	B1				7	*26, 27, 71A, 80		1-62
8A, B, C (Power Supply Units)								11203 14531	1 1	HD684 RS223						5Y3G		11-120
8BK	Vol. Tone	72291-56 11219	18 41	MR44 MR48				12804	13	2N509					8	1A6,*1A4, 1F6, 1B4, 30,*49	460	8-35,39
8BK6	Vol. Tone	72291-56 11219	18 41	MR44 MR48				12804 11387	13 12	2N509 HD684		12817	W245A	C3	8	1A6, *1A4, 1B4, 1F6, 30,*49	460	8-35,39
8BT	Vol. Tone	72291-56 11219	18 41	MR44 MR48				.02-.02 12804	13	Buffer 2N509	B14				8	1A6, *1A4, 1F6, 30, *49, 1B4	460	8-35,39
8BT6	Vol. Tone	72291-56 11219	18 41	MR44 MR48				12804 11387	13 12	2N509 HD684		12817	W245A	C3	8	1A6, *1A4, 1B4, 1F6, 30,*49	460	8-35,39
8K, 8T	Vol. Tone	72558-44 12668	150 150	MRT449 SRP288	6T			11240 5212	1 1	HD684 RS216					8	6L7, 6J7, 6K7, 6H6, 6F5, 6F6, 5Z4, 6E5	460	7-56,60
8K11	Vol.	72558-44	20	MRT449				11240 5212	1 1	HD684 RS216					8	*6K7, 6A8, 6H6, 6F5, 6E5, 6F6, 5Z4	460	8-40,44
8M	Vol.	30628	18	MR48	M26			80375-2 .0075	24/19	3S584 Buffer	B14	13688	859	C3	5	6A8G, 6K7G, 6Q7G, 6K6G, 6X5G	460	9-31,32
8M1	Vol.	72558-54	18	UM157-SS4				80392-6 .0075	1	2S567 Buffer	B14	13688	859	C3	6	6K7G, 6A8, 6K7, 6Q7G, 6K6G, 6X5G	260	9-33,36
8M2	Vol. Tone	72558-14 72558-7	18 22	TM222-SS4 MR39				80392-6 .0075	24	2S567 Buffer	B14	13688	859	C3	6	6K7G, 6A8, 6K7, 6Q7G, 6K6G, 6X5G	260	9-34,36
8M3	Vol. Tone	72558-58 72558-7	17 22	TM239-SS4 MR39				30828 14902	1 15	SR638 TN111		12236	249	C3	6	6K7G, 6A8, 6K7, 6R7G, 6J5, 6N7G	260	9-32,40
8M4	Vol.	72558-58	17	TM239-SS4				.01-.01 30828 80372-18 .01-.01	1 1 15	Buffer SR638 TN111/TC22	B14	12236	249	C3	6	6K7G, 6A8, 6K7, 6R7G, 6J5, 6N7G	260	9-37,40
8Q1 (RC337)	Vol. Tone	31450 31807	17 22	MRT449 MR53	M27		A59	5212	25	Buffer RS216	B14				7	*6K7, 6L7, 6Q7, 6F6G, 6U5, 6J7	455	11-31
8Q2 (RC443)	Vol.	84304-31	18	Order from	Mfr.			33014	1/13/15	FP424					8	6SK7, 6SA7, 6B8, 6SC7,*6F6G, 5Y3G, 6U5/6G5	455	11-131, 134

† Data not substantiated.

\* IMPORTANT: Read Notes in Note Section if specified in Note Column.

‡ Indicates miscellaneous section.

MANUFACTURER AND MODEL	CONTROLS							CONDENSERS				VIBRATORS			No. Tubes	Complete Tube Complement	I. F. Peak	Rider's Reference
	Use	Original Part	Circuit	Correct Replacement	Switch	Bias	*Note	Original Part	Circuit	Correct Replacement	*Note	Original Part	Replacement	*Note				
R. C. A.—Continued 8QB, 8QBK (RC336)	Vol. Tone	31776 31777	17 22	Order from MR53	Mfr. M26			86015-3 .02-.02	13	3S584 Buffer	B14	M81657-6	246		8 *6S7G, 6D8G, 6T7G, 6J7, 6Z7G, 6L5G	455	11-129	
8QU5C, 8QU5M (RC443B)	Vol.	84304-31	18	Order from	Mfr.			33014	1/13/15	FP424					8 6SK7, 6SA7, 6B8, 6SC7, *6F6G, 5Y3G, 6U5/6G5	455		
8T2, 8T11	Vol.	72558-44	20	MRT449				11240 5212	1 1	HD684 RS216					8 *6K7, 6A8, 6H6, 6F5, 6E5, 6F6, 5Z4	460	8-40,44	
8U	Vol. Phono.	72558-44 72291-68	20 1	MRT449 Order from	Mfr.			11240 5212 11387	1 1 14	HD684 HD684 HD684					8 *6K7, 6A8, 6H6, 6F5, 6F6, 5Z4, 6E5	460	8-45,51	
8U2	Vol. Phono.	72558-44 72291-68	20 63	MRT449 Order from	Mfr.			11240 5212 11387	1 1 13	HD684 RS216 HD684					8 *6K7, 6A8, 6H6, 6E5, 6F5, 6F6, 5Z4	460	8-53,58	
C8-15, C8-17	Vol. Tone	72291-46 72291-58	20 34	MRT454 MR39				11240 5212 11248	1 1 14	HD684 RS216 HD684					8 *6K7, 6L7, 6J7, 6H6, 6F5, 6F6, 5Z3	460	7-77,86	
C8-19, C8-20	Vol.	72291-46	20	MRT454				11240 5212 11387	1 1 12	HD684 RS216 HD684					8 *6K7, 6A8, 6H6, 6F5, 6F6, 5Z4, 6E5	460	7-87,88	
CV8 Pak-O-Power								13046 .01-.01	12	RS213 Buffer	B14	14422	W245A	C3			8-52	
D8-28	Vol. Phono.	72291-46 72291-58	20 1	MRT454 Order from	Mfr.			11240 5212 11387	1 1 14	HD684 RS216 HD684					8 *6K7, 6A8, 6H6, 6F5, 6F6, 6E5, 5Z4	460	7-89,92	
HF8	Vol.	84304-6	20	DTM291-SS1				11240 5212 11203 5212 14377	1 1 25 25 14	HD684 RS216 HD684 RS216 RS216					16 *6K7, 6L7, *6J7, *6H6, *6J5, 6U5, *6L6, *5T4	455	9-21,29	
PSU8E (Power Supply Units)								32047 32048 32045 7342	12/19 12 1 4/13	3S579 RS213 TC44 See Note	B8 B158	32050	Order from Mfr.		5W4		11-35,36	
R8 (AC)	Vol. Tone	3092 3234	99 21	SRP153 MR33	M26										8 *35, 24A, *27, 47, 80	175	2-13,15	
R8 (DC) (230V.)	Vol. Tone		7	SRP134											7 *37, *39, 36, *71A	175		
T8-14, T8-16	Vol. Tone	72291-46 72291-58	20 34	MRT454 MR39				11240 5212 11248	1 1 14	HD684 RS216 RS213					8 *6K7, 6L7, 6J7, 6H6, 6F5, 6F6, 5Z3	460	7-77,86	
T8-18	Vol.	72291-46	20	MRT454				11240 5212 11387	1 1 14	HD684 RS216 HD684					8 *6K7, 6A8, 6H6, 6F5, 6F6, 5Z4, 6E5	460	7-87,88	
U8 (RC404A)	Vol.	33504	18	MR44	M26			39124-1	1	2N509					5 12SA7, 12SK7, 12SQ7, 35L6GT, 35Z5GT	455	10-36,37	
9K	Vol. Tone	12861 72558-21	20 34	DTM295-SS1 MR39				12467 5212	25 25	RS223 RS216					9 *6K7, 6L7, 6H6, 6F5, 6F6, 6J7, 5Z4, 6E5	460	7-93,98	
9K1	Vol. Tone	13647 13649	150 150	DTM295-SS1 SRP288	M26T			12467 5212	25 25	RS223 RS216					9 *6K7, 6L7, 6J7, 6H6, 6G5, 6F5, 6F6, 5Z4	460	8-59,66	
9K2	Vol. Tone	12861 72558-24	20 34	DTM295-SS1 MR39				12467 5212 12872	30 30 15	RS223 RS216 TC26					9 *6K7, 6L7, 6J7, 6H6, 6F5, 6L6, 6E5, 5Z4	460	7-99, 106	
9K3	Vol. Tone	12861 72558-21	20 34	DTM295-SS1 MR39				12467 5212	1 1	RS223 RS216					9 *6K7, 6L7, 6J7, 6H6, 6G5, 6F5, 6L6, 5Z4	460	8-60,62	
9M1	Vol.	31637	18	MR48	M26			80392-8 .0075	24/15	3S579 Buffer	B14	13688	859	C3	5 6A8, 6K7, 6Q7, 6F6, 6X5	455	9-41,42	
9M2	Vol.	31638	18	MR44	M26			80392-9 .0075	24	3S567 Buffer	B14	13688	859	C3	6 *6K7, 6A8, 6Q7, 6F6, 6X5	455	9-43,44	
9Q1	Vol. Tone	34667 34666	75 22	MRT420 Order from	M26 Mfr.			33014	1/13/15	FP424					9 6SK7, *6SA7, 6B8, 6SC7, *6F6G, 6U5, 5Y3G	455	11-139	
9Q4 (RC478)	Vol. Tone	34389 90987-1	17 22	MRT420 Order from	M26 Mfr.			86039-6	1/19	FP444	B8				9 *6SK7, 6SA7, 6SQ7, 6SF5, *6F6G, 6U5/ 6G5, 5U4G	455	11-142, 143	
9QK	Vol. Tone	34667 34666	75 22	MRT420 Order from	M26 Mfr.			33014	1/13/15	FP424					9 6SK7, *6SA7, 6B8, 6SC7, *6F6G, 6U5, 5Y3G	455	11-139	
9SX1, 2, 3, 4, 5, 6, 7, 8	Vol.	32385	18	MR48	M26			32386	4	TCS45					5 6A8, 6K7, 6Q7, 25L6, 25Z6	456	10-38,39	
9T	Vol. Tone	12861 72558-24	20 34	DTM295-SS1 MR39				12467 5212 12872	30 30 15	RS223 RS216 TC26					9 *6K7, 6L7, 6J7, 6H6, 6F5, 6L6, 6E5, 5Z4	460	7-99, 106	
9TX1, 2, 3, 4, 5	Vol.	32578	18	MR44	M26			39124-1	1	2N509					5 6A8, 6SK7, 6SQ7, 25L6, 25Z6	455	10-39,40	
9TX21, 22, 23	Vol.	32580 32578	18 18	MR44 MR44	M26 M26			39124-1	1	2N509					5 6A8, 6SK7, 6SQ7, 25L6, 25Z6	455	10-41	
9TX31, 32, 33	Vol.	32578	18	MR44	M26			39124-1	1	2N509					5 12SA7, 12SK7, 12SQ7, 35L6GT, 35Z4GT	455	10-43	
9TX50 (RC435)	Vol.	33291	18	MR44	M26			39124-1	1	2N509					5 12SA7, 12SK7, 12SQ7, 35L6GT, 35Z5GT	455	10-44	
9TX50, 9TX50M (Ch. RC454)	Vol.	33291	18	MR44	M26			39124-3	1	2N509					5 12SA7, 12SK7, 12SQ7, 50L6GT, 35Z5GT	455	11-37	

† Data not substantiated.

\* IMPORTANT: Read Notes in Note Section if specified in Note Column.

‡ Indicates miscellaneous section.

MANUFACTURER AND MODEL	CONTROLS							CONDENSERS				VIBRATORS			No. Tubes	Complete Tube Complement	I. F. Peak	Rider's Reference
	Use	Original Part	Circuit	Correct Replacement	Switch	Bias	*Note	Original Part	Circuit	Correct Replacement	*Note	Original Part	Replacement	*Note				
R. C. A.—Continued 9U, 9U2.....	Vol. Tone Phono.	12861 13468 13126	20 34 63	DTM295-SS1 Order from Mfr.	Mfr.			12467 5212 12872	30 30 15	RS223 RS216 TC26					9	6K7, 6L7, 6J7, 6H6, 6F5, 6E5, 6L6, 5Z4	460	8-67,78
9X.....	Vol.	31322	6	MR33	M26T	EX200		86011-1	15	TC44					4	6K7, 6J7, 25L6, 25Z6		9-30
C9-4.....	Vol. Tone	72291-46 72291-58	20 34	MRT454 MR39				11240 5212	1 1	HD684 RS216					9	6K7, 6L7, 6J7, 6H6, 6F5, 6F6, 6E5, 5Z3	460	6-99,103
C9-6.....	Vol. Tone	72291-46 72291-58	20 34	MRT454 MR39				11240 5212 11248	1 1 14	HD684 RS216 RS213					9	6K7, 6L7, 6J7, 6H6, 6F5, 6F6, 5Z3, 6E5	460	7-110, 114
CRD9 (AC) Counter Demonstrator.....	Phono.	6384	16	TM221-SS1				10-4-10	4/17	See Note	B158				4	30, 47, 80		5-217
CRD9 (DC) Counter Demonstrator.....	Vol. Tone	6384 72291-46 72291-58	16 20 34	TM221-SS1 MRT454 MR39				6383 11240 5212	12/15 1 1	See Note HD684 RS216	B160				3	37, 389 6K7, 6L7, 6J7, 6H6, 6F5, 6F6, 5Z3, 6E5	460	7-123, 129
D9-19.....	Vol. Tone	72291-46 72291-58	20 34	MRT454 MR39				11248 32405	14 12	RS213 TC65					5	6SA7, 6SS7, 6T7G, 6W7G, 6Y7G	455	14-13- 15
QB9 Ch. RC-529H..	Vol.	38412	18	MRT427	M26			86011-10 86011-13 .008	13 13	TC55 TC77 Buffer		35543	249	C3				
R9 (AC) Superette.	Vol. Tone		7 4	SRP134 MR48				2957 3057	4 4	HD684 HD684					8	35, 27, 24, 45, 80	175	1-12,13
R9 (DC) Superette.	Vol. Tone	63750-1 2996	7 41	SRP134 MR48											7	24A, 35, 27, 45	175	2-8,10
T9-7, T9-8.....	Vol.	72291-46	20	MRT454				12055 12056	25/13 25/15	2N509 3S579					9	6K7, 6A8, 6H6, 6F5, 25A6, 6E5, 25Z6	460	7-115, 122
T9-9.....	Vol. Tone	72291-46 72291-58	20 34	MRT454 MR39				11240 5212 11248	1 1 14	HD684 RS216 RS213					9	6K7, 6L7, 6J7, 6H6, 6F5, 6F6, 5Z3, 6E5	460	7-110, 114
T9-10.....	Vol. Tone	72291-46 72291-58	20 34	MRT454 MR39				11240 5212	1 1	HD684 RS216					9	6K7, 6L7, 6J7, 6H6, 6F5, 6F6, 6E5, 5Z4	460	7-107, 109
U9 (Ch. RC482B)	Vol.	34034	18	MR44	M26			86041-7	24	2N521					5	12SA7, 12SK7, 12SQ7, 50L6GT, 35Z5GT	455	11-52
U9 (2nd Production) (Ch. RC482C)	Vol.	34034	18	MR44	M26			86041-7	77	2N521					5	12SA7, 12SK7, 12SQ7, 50L6GT, 35Z5GT	455	11-147, 148
10A, B, C (Power Supply) Victor 9-18.....	Vol. Sen. Phono.		59 1	A1MP D12				14531 †	1 †	RS223 See Note	B2				11	5U4G 27, 50, 381	180	11-120 1-64
Victor 9-54.....	Vol. Sen. Phono.		63 59 1	A1MP D12		See Note	A61	†	†	See Note	B2				11	27, 50, 381	180	1-66
Victor 9-56 (Ra- diola 64).....	Vol. Sen. Phono.		59 1	A1MP D12		See Note	A61	†	†	See Note	B2				11	27, 381, 50	180	
10K, 10T.....	Vol. Tone	12861 72558-31	20 34	DTM295-SS1 Order from Mfr.	Mfr.			12467 5212 12872 12873	30 30 15 15/13	RS223 RS216 TC26 TC26/TC52					10	6K7, 6L7, 6J7, 6H6, 6F5, 6L6, 5Z4, 6E5	460	7-130, 136
10K1, 10T (2nd Prod.).....	Vol. Tone	12861 72558-31	20 34	DTM295-SS1 Order from Mfr.	Mfr.			12467 5212	30 30	RS223 RS216					10	6K7, 6L7, 6J7, 6H6, 6E5, 6F5, 6L6, 5Z4	460	8-79,82
10Q1 (RC377B)	Vol. Tone	31450 31807	75 22	MRT449 MR53	M27			5212 86015-2	1 13/19/15	RS216 TN125					9	6K7, 6L7, 6B8, 79, 6F6G, 6U5, 6J7	455	11-39
10X.....	Vol.	84779-1	18	MR48	M26		A106	35348	1	2N514					5	12SA7, 12SK7, 12SQ7, 50L6GT, 35Z5GT	455	12-17,18
BP10 (RC544) PSU 10E (Power Supply Unit)	Vol.	94817-1	18	Order from Mfr.				36718 32047 32045 32048	12 1/19 18 †	TC44 3S579 TC44 RS213		32050	Order from Mfr.		4	1R5, 1T4, 1S5, 1S4 5T4	455	12-11 11-35,36
Q10, Q10A (Early) Ch. RC594C.....	Vol.	38406	18	MR53	M26			70371	81	3N533					5	12SA7, 12SK7, 12SQ7, 50L6GT, 35Z5GT	455	15-4
Q10, Q10A, Q10-2, Q10-2A (Late) Ch. RC594.....	Vol.	38406	18	MR53	M26			70371	81	3N533					5	12SA7, 12SK7, 12SQ7, 50L6GT, 35Z5GT	455	15-6
R10 (AC).....	Vol. Tone	3092 3234	99 21	SRP153 MR33	M26			7342	4/13	See Note	B158				8	35, 24A, 47, 27, 80	175	2-16,17
R10 (DC).....	Vol. Tone	63750-1 2996	7 41	SRP134 MR48											7	24, 35, 45, 27	175	7-15
T10-1.....	Vol. Tone	72291-49 11219	20 41	DTM295-SS1 MR48				11203 5212	25 25	HD684 RS216					10	6K7, 6L7, 6H6, 6C5, 6F6, 6J7, 5Z3	460	6-104, 108
T10-3.....	Vol. Tone	72291-49 11219	20 41	DTM295-SS1 MR48				11203 5212 11215	25 25 †	See Note HD684 RS216	B161				10	6K7, 6L7, 6J7, 6H6, 6C5, 6F6, 5Z3	460	6-109, 114
U10 (Ch. RC418B)	Vol.	84304-39	20	MRT438	M26			86031-14	1	FP231					5	6SA7, 6SK7, 6SQ7, 6F6G, 5Y3G	455	11-42

† Data not substantiated.

\* IMPORTANT: Read Notes in Note Section if specified in Note Column.

FREE! MALLORY VIBRATOR REPLACEMENT GUIDE... SEE YOUR DISTRIBUTOR.

‡ Indicates miscellaneous section.

MANUFACTURER AND MODEL	CONTROLS							CONDENSERS				VIBRATORS			No. Tubes	Complete Tube Complement	I. F. Peak	Rider's Reference
	Use	Original Part	Circuit	Correct Replacement	Switch	Bias	*Note	Original Part	Circuit	Correct Replacement	*Note	Original Part	Replacement	*Note				
R. C. A.—Continued																		
Victor SW10 Short Wave Adapter	Vol.		26	MR28											3	24, 27	1000	1-53, 54
11QK (RC335C)	Vol. Fid.	31836 84304-2	17 22	MRT449 Order from Mfr.	M26			86015-4 5212	25 25	ST598 RS216					11	6K7, 6L7, 6Q7, 6F5, 6F6G, 6U5, 6J7, 5T4	455	11-43, 44
11OU (RC335E)	Vol. Fid.	31836 84304-2	17 22	MRT449 Order from Mfr.	M26			86015-4 86015-5	25 25	ST598 RS216					11	6K7, 6L7, 6Q7, 6F5, 6F6G, 6U5, 6J7, 5T4	455	11-43, 44
11Q4	Vol. Fid.	31836 84304-2	17 22	MRT449 Order from Mfr.	M26			86015-4 5212	25 25	ST598 RS216					11	6K7, 6L7, 6Q7, 6F5, 6F6G, 6U5, 5T4, 6J7	455	11-43
11X1 (Ch. RC1001A)	Vol.	84779-1	18	MR48	M26		A106	35348	1	2N514					5	12SA7, 12SK7, 12SQ7, 50L6GT, 35Z5GT	455	12-20
C11-1, D11-2	Vol. Tone	72291-49 11219	20 41	DTM295-SS1 MR48				11203 5212 11215	25 25 ‡	HD684 RS216 See Note					11	6K7, 6L7, 6J7, 6H6, 6C5, 6F6, 6E5, 5Z3	460	6-115, 120, 7-137, 143
Q11, Ch. RC-563E, RC-563F	Vol.	38406	18	MR53	M26			38327	1/15	Order from Mfr.					5	12SA7, 12SK7, 12SQ7, 50L6GT, 35Z5GT	455	14-16, 17, 20
QB11, Ch. 529A	Vol.	37833	18	MRT427	M26			37250 37867 37877 .008-.01	13 85 85 ‡	TC55 TC77 TC65 Buffer					5	6SA7, 6S7, 6T7G, 6J7, 6Z7G	455	15-8
R11 (AC)	Vol. Tone	3092 3093	99 41	SRP153 Y200MP		6-9				See Note	B14 B1	35543	249	C3	9	24, 27, 35, 47, 80	175	2-18, 20
T11-8	Vol. Tone	72291-49 11219	20 41	DTM295-SS1 MR48				11203 5212 11215	25 25 ‡	HD684 RS216 See Note					11	6K7, 6L7, 6J7, 6H6, 6C5, 6F6, 6E5	460	7-144, 148
R12 (AC)	Vol. Tone	3092 3234	99 21	SRP153 MR33	M26			7342	4/13	See Note	B161 B158				8	24A, 35, 27, 47, 80	175	2-13, 15
12AX (1st. Prod.) Ch. RC-1001C	Vol.	36584	18	MR48	M26		A106	36301	76	2N520					5	12SA7, 12SK7, 12SQ7, 50L6GT, 35Z5GT	455	14-63
12AX, 12AX2 (RC1001C)	Vol.	84779-1	18	MR48	M26		A106	36301	77	2N521					5	12SA7, 12SK7, 12SQ7, 50L6GT, 35Z5GT	455	12-21
12X, 12X2 (RC1001B)	Vol.	84779-1	18	MR48	M26		A106	36301	77	2N521					5	12SA7, 12SK7, 12SQ7, 50L6GT, 35Z5GT	455	12-21
12QK (RC338)	Vol.	31848	17	DTM291-SS1				5212	25	RS216					11	6K7, 6L7, 6U5, 6R7, 6F6, 6J5, 6J7	455	11-47
12OU	Vol.	31848	17	DTM291-SS1				5212	25	RS216					11	6K7, 6L7, 6U5, 6R7, 6F6, 6J5, 6J7	455	11-47
12Q4 (RC338)	Vol.	31848	17	DTM291-SS1				5212	25	RS216					11	6K7, 6L7, 6R7, 6U5, 6F6, 6J5, 6J7	455	11-47
Q12 Ch. RC-563, RC-563B, RC-563C, RC-563D	Vol.	38406	18	MR53	M26			38327	15/77	Order from Mfr.					5	12SA7, 12SK7, 12SQ7, 50L6GT, 35Z5GT	455	14-18-20
U12 (Ch. RC425A)	Vol.	84304-39	20	MRT438	M26			86031-4	1/15	FP332					7	6SA7, 6SK7, 6SQ7, 6SF5, 6F6G, 5Y3G	455	11-53, 54
13K	Vol. Tone	72558-48 13015	20 41	Order from Mfr. Order from Mfr.				11203 5212 12470	25 25 15	HD684 RS216 TC26					13	6K7, 6L7, 6J7, 6H6, 6C5, 6E5, 6L6, 5Z4	460	8-83, 90
C13-2	Vol. Tone	72291-49 72291-48	20 41	DTM295-SS1 UC505				11203 5212 11204	25 25 ‡	HD684 RS216 See Note					13	6K7, 6L7, 6J7, 6H6, 6C5, 6F6, 6E5, 5Z3	460	6-121, 127
QB13, Ch. RC529A, RC612	Vol.	37833	18	MRT427	M26			72121 37250 37867 37877 .008-.01	15 13 85 85 77	TC40 TC55 TC77 TC74 Buffer					5	6SA7, 6S7, 6AQ6, 6AK6, 6Z7G	455	16-7, 16-19, 23
14AX (RC1001E)	Vol.	84779-1	18	MR48	M26		A106	36301	77	2N521					5	12SA7, 12SK7, 12SQ7, 50L6GT, 35Z5GT	455	12-22, 86
14BK (Ch. RC525B)	Vol.	36080	18	MR53	M27			33911	12	TC44					4	1A7GT, 1N5GT, 1H5GT, 3Q5GT	455	11-149, 150
14BT1, 14BT2, 14BK (RC525, 525A), (RC525B)	Vol.	36080	18	MR53	M27			33911	12	TC44					4	1A7GT, 1N5GT, 1H5GT, 3Q5GT	455	11-149, 150
14X (RC1001D)	Vol.	84779-1	18	MR48	M26		A106	36301	77	2N521					5	12SA7, 12SK7, 12SQ7, 50L6GT, 35Z5GT	455	12-22, 86
Q14, Q15 Ch. RC-566	Vol.	38406	18	MR53	M26			35761	77	TCD75					5	6SA7, 6SK7, 6SQ7, 6K6GT, 5Y3G	455	14-21-23

‡ Data not substantiated.

\* IMPORTANT: Read Notes in Note Section if specified in Note Column.

§ Indicates miscellaneous section.

MANUFACTURER AND MODEL	CONTROLS							CONDENSERS				VIBRATORS			No. Tubes	Complete Tube Complement	I. F. Peak	Rider's Reference
	Use	Original Part	Circuit	Correct Replacement	Switch	Bias	*Note	Original Part	Circuit	Correct Replacement	*Note	Original Part	Replacement	*Note				
R. C. A.—Continued Q14E, Q15E Ch. RC-566B	Vol.	38406	18	MR53	M26			39195	1	TCD72				5	6SA7, 6SK7, 6SQ7, 6K6GT, 5Y3G	455	14-21-23	
Victor R14	Vol. Tone		2/12 44	DRP116 MR24				1-2-1.5	26	See Note	B1			7	*24, *45, 80		3-19	
15BP (Ch. RC527, 527A) Ser.	Vol.	36125	18	MR53				34472 34965	76 78	FP304 TC26				5	1A7GT, 1N5GT, 1H5GT, 3Q5GT, 35Z5GT	455	12-23	
15BT (Ch. RC526)	Vol.	36080	18	MR53	M27			86041-17	12/13	2N509				5	*1N5GT, 1A7GT, 1H5GT, 3Q5GT	455	12-24	
15K	Vol. Fidelity Tunlgt.	13014 13015 13016	20 41 †	Order from Order from UM161-SS3	Mfr. Mfr.			11203 5212 5212 12470 13025 12467 11240 11496 5212 12740 12472 13610 13611 36301	25 25 13 15 15 28 28 28 13 15 14 15 77	HD684 RS216 RS216 TC26 TN111 RS223 HD684 RS216 RS216 TC26 TC22 TC62 TC26 2N521			15	*6K7, 6L7, *6H6, *6C5, *6L6, *5Z4, 6E5	460	7-149, 155		
15U	Vol. Fid. Exp. Exp. bias	12861 13616 72558-10 12468	20 41 15 †	DTM295-SS1 Order from MR55 Order from	Mfr. Mfr.			11240 11496 5212 12740 12472 13610 13611 36301	28 28 13 15 15 14 15 77	HD684 RS216 RS216 TC26 TC22 TC62 TC26 2N521			15	*6K7, *6L7, 6J7, *6H6, *6C5, 6E5, *2A3, 5Z3	460	8-91, 140		
15X (RC462)	Vol.	36242	18	MR48	M26		A106							6	*12SK7, 12SA7, 12SQ7, 35L6GT, 35Z5GT	455	12-25,26	
15X, 36X, (2nd Prod.), Ch. RC-1011	Vol.	36242	18	MR48	M26T		A106	35348	1	2N513				6	12SG7, 12J5GT, 12SK7, 12SQ7, 35L6GT, 35Z5GT	455	14-23,24	
C15-3	Vol. Tone	72291-45 72291-48	100 41	TRP622 UC505				11203 5212 5213	1 1 13/14/ 19	HD684 RS216 3S584				15	*6K7, 6L7, 6J7, *6H6, *6C5, 6E5, *6F6, 5Z3	460	6-129, 134	
R15 Victor	Vol.	64000-1	2/12	DRP116				†	Order	from Mfr.				7	*24A, *45, 80		1-14	
VA15	Vol.	72357-40	50	MRT420														
16K (RC509C)	Vol.	35859	18	MRT420	M26			35858	1/15	FP339				6	*6SK7, 6SA7, 6SQ7, 6K6GT, 5Y3G	455	11-150- 154	
16T2, 16T3 (RC509B, RC509A)	Vol.	35859	18	MRT420	M26			35858	1/15	FP339				6	*6SK7, 6SA7, 6SQ7, 6K6GT, 5Y3G	455	11-150- 153	
16T4 (Ch. RC509)	Vol.	35859	127	MRT420	M26			35858	1/15	FP339				6	*6SK7, 6SA7, 6SQ7, 6K6GT, 5Y3G	455	11-55,56	
16X1, 16X2, 16X3	Vol.	36242	18	MR48	M26		A106	36301	77	2N521				6	*12SK7, 12SA7, 12SQ7, 35L6GT, 35Z5GT	455	12-25,26	
16X4 (Ch. RC462C)	Vol.	36242	18	MR48	M26		A106	36301	77	2N521				6	*12SK7, 12SA7, 12SQ7, 35L6GT, 35Z5GT	455	12-27	
16X11 (Ch. RC1000)	Vol.	36242	18	MR48	M26		A106	36301	77	2N521				6	*12SK7, 12SA7, 12SQ7, 35L6GT, 35Z5GT	455	12-28	
16X13 (Ch. RC1000A)	Vol.	36242	18	MR48	M26		A106	36301	77	2N521				6	*12SK7, 12SA7, 12SQ7, 35L6GT, 35Z5GT	455	12-28	
16X14 (Ch. RC1000B)	Vol.	36242	18	MR48	M26		A106	36301	77	2N521				6	*12SK7, 12SA7, 12SQ7, 35L6GT, 35Z5GT	455	12-29	
PT16-A1, PT16-A2, Q16 Ch. RC-561	Vol. Vol. Tone	4100 37980 37977	63 18 22	SRP152 MRT454 MR48				18975	77	FP228				5	6SA7, 6SK7, 6SQ7, 6F6G, 5Y3G	455	5-219 14-25, 26,32	
RE16	Vol. Tone Phono.	3100	7 41 63	SRP134 MR48 SRP152				2957 3057	4 4	HD684 HD684				7	*35, *27, *45, 80	175		
RE16A	Vol. Tone Phono.	3100	7 41 63	SRP134 Y200MP SRP152				2957	4	HD684				8	*35, 24A, *27, *47, 80	175	4-19,20	
17K (Ch. RC512)	Vol.	36250	127	MRT449	M26			35858	1/15	FP339				7	*6SK7, 6SA7, 6H6, 6SF5, 6K6GT, 5Y3G	455	11-157- 159	
PT17-A1, PT17-A2, PT17-B1, PT17-B2, Q17 Ch. RC561A	Vol. Vol. Vol. Tone	4100 4715 37980 37977	63 † 18 22	SRP152 MRT454 MR48				35747	15/77	Order from	Mfr.			5	12SA7, 12SK7, 12SQ7, 50L6GT, 35Z5GT	455	5-222 5-223 14-27, 28,32 1-15	
Radiola 17 R17M	Vol. Vol.	67817-1	7	MR45	M26			3.5-3.5 3538 3536	† 1 15	See Note 2N516 TN111	B4			7 4	*26, 27, 71A, 80 36, 37, 38, 39		4-21,22	
Victor RE17	Vol. Phono.		2/12 63	DRP116 SRP152				†	Order	from Mfr.				7	*24A, *45, 80			
18T (RC511)	Vol. Vol.	35807 36250	124 124	MRT420 MRT449	M26 M26		A4	33014	1/13/15	FP424				8	*6SK7, 6SA7, 6SQ7, 6SF5, *6K6GT, 5Y3G	455		

† Data not substantiated.

\* IMPORTANT: Read Notes in Note Section if specified in Note Column.  
WHEN YOU BUY JACK SWITCHES BUY MALLORY.

§ Indicates miscellaneous section.

MANUFACTURER AND MODEL	CONTROLS							CONDENSERS				VIBRATORS			No. Tubes	Complete Tube Complement	I. F. Peak	Rider's Reference
	Use	Original Part	Circuit	Correct Replacement	Switch	Bias	*Note	Original Part	Circuit	Correct Replacement	*Note	Original Part	Replacement	*Note				
R. C. A.—Continued																		
RE18.....	Vol. Tone	3092.....	99	SRP153.....				2-4.....	4	See Note.....	B1				9	24A, 27, 35, 47, 80...	175	2-23, 25
	Phono.	3093.....	41	Y200MP.....	6-9													
		7391.....	63	SRP152.....														
RE18A.....	Vol. Tone	3092.....	99	SRP153.....				10-4.....	4	TCS71.....	B169				9	24A, 27, 35, 47, 80...	175	2-23, 27
	Phono.	3093.....	41	Y200MP.....	6-9													
		7391.....	63	SRP152.....														
Radiola 18 (AC).....	Vol.		1	E12.....				1-1-5.....	3	See Note.....	B1				7	26, 27, 71A, 80.....		1-16
Radiola 18 (DC).....	Vol.		1	E12.....				4-2.....	1	See Note.....	B11				6	12A, 71A.....		1-16
R18W.....	Vol.	67817-1.....	7	MR45.....	M26			3338.....	9/14	2N516.....					4	78, 77, 38, 25Z5.....		4-23, 24
								6535.....	9	2S567.....								
								3536.....	15	TC32.....								
19K (Ch. RC512A).....	Vol.	35962.....	124	MRT449.....	M26		A19	35858.....	1/15	FP339.....					9	6SK7, 6SA7, 6H6, 6SF5, 6F6G, 5Y3G	455	11-64, 66
RE19 (AC) (AVC).....	Vol. Tone	3092.....	99	SRP153.....				10-4-4.....	4/13	See Note.....	B158				8	24A, 27, 35, 47, 80...	175	2-28, 29
	Phono.	3234.....	21	MR33.....	M26													
			63	SRP152.....														
Q20 (RC514).....	Vol.	35764.....	18	MR53.....	M26			35761.....	77	2S569.....					5	6SA7, 6SK7, 6SQ7, 6K6GT, 5Y3G	455	11-167, 168
RE20 Electrola.....	Vol. Tone	3142.....	13	MR33.....				2-3.....	4	TCS71.....	B169				10	35, 24A, 27, 47, 80...	175	2-30, 33
	Phono.	3143.....	101	MR48.....														
		6225.....	63	SRP152.....														
U20 (Ch. RC498).....	Vol.	84701-15.....	124	MRT449.....	M26			86031-4.....	1/15	FP332.....					7	6SA7, 6K7, 6SQ7, 6SF5, 6F6G, 5Y3G	455	11-55, 56
Q21.....	Vol.	35764.....	18	MR53.....	M26			35761.....	77	2S569.....					5	6SA7, 6SK7, 6SQ7, 6K6GT, 5Y3G	455	
VA20.....	Vol.	32499.....	63	MR44.....	M26			86027-1.....	24	FP225.....					2	6A8, 25Z6G.....		
R21.....	Vol. Tone	3092.....	99	SRP153.....				2-3.....	4	TCS71.....	B169				9	24A, 27, 35, 47, 80...	175	2-34, 36
	Phono.	3093.....	41	Y200MP.....	M26													
		32499.....	50	MR44.....				86027-1.....	24	FP225.....					2	6A8, 25Z6G.....		12-38
VA21.....	Vol.	6049.....	12	MR33.....						See Note.....	B1				5	22, 12A, 71A.....		1-18
Radiola 21, 22.....																		
D22-1.....	Vol. Tone	72291-45.....	100	Radio Section TRP622.....				Radio Section 11203.....	1	HD684.....					22	6K7, 6L7, 6H6, 6C5, 6J7, 6E5, 2A3, 5Z3	460	6-135 to 6-149
		72291-48.....	41	UC505.....				5212.....	1	RS216.....								
	Vol. LF Tone	11877.....	1	Order from Mfr.				5213.....	13/14	3S584.....								
	HF Tone	11581.....	1	MR44.....				11608.....	13/14	3S584.....								
	Exp. Bias	11579.....	1	MR39.....				11497.....	43	RS213.....								
		11884.....	1	MR53.....	M28			11496.....	15/19	RS216.....								
		11512.....	1	Y5MP.....				11498.....	43	TCS71.....	B165							
Qsc. 22.....	Phono.	83404-44.....	50	MR44.....				39123-1.....	24	2N509.....					2	6SA7, 25Z6G, B86A.....		11-61
Q22, Q32 (RC507).....	Vol. Tone		18	MRT430.....	M26			10-10-10-20.....	1/13/15	FP424.....					6	6SA7, 6SK7, 6SQ7, 6AD7G, 6F6G, 5Y3G	455	12-31, 32
			22	MR48.....											5	78, 6A7, 77, 43, 25Z5.....	175	4-25, 26
R22.....	Vol.	6508.....	9	A5MP.....	6-9	2		6518.....	9	2N518.....								
								6511.....	9	TC52.....								
								6510.....	13/15	TCS52/TC22.....								
VA22.....	Phono.	72357-40.....	50	MRT420.....	M26										5	6SA7, 6SK7, 6SQ7, 6AD7G, 5Y3G	455	14-29, 30, 32
Q23 Ch. RC-592.....	Vol. Tone	38412.....	18	MRT427.....	M26			33014.....	1/13/15	FP424.....								
		38409.....	22	MR48.....														
QK23 (RC507B).....	Vol. Tone		18	MRT430.....	M26			10-10-10-20.....	1/13/15	FP424.....					6	6SA7, 6SK7, 6SQ7, 6AD7G, 6F6G, 5Y3G	455	12-31, 32
			22	MR48.....											10	24A, 27, 35, 47, 80...	175/1075	2-37, 42
RO23.....	Vol. Tone	3092.....	99	SRP153.....				4-4-10.....	4/13	See Note.....	B158							
		3093.....	22	MR33.....	M26													
25 (DC) (220 V).....	Vol.		7	SRP134.....											6	37, 39, 89.....	175	5-56
24BT1, 24BT2 (Ch. RC1004F).....	Vol.	36080.....	18	MR53.....	M27			38593.....	12	TC44.....					4	1A7GT, 1N5GT, 1H5GT, 3Q5GT	455	
Q24 (RC508).....	Vol. Tone		18	MRT430.....	M26			40-40-10-20.....	24/13/15	FP416.....					6	12SA7, 12SC7, 12C8, 50L6GT, 35Z5GT	455	12-33, 34
			22	MR48.....														
25BK (Ch. RC1004B).....	Vol.	36080.....	18	MR53.....	M27			38706.....	12/13/78	4S715.....					5	1N5GT, 1A7GT, 1H5GT, 3Q5GT	455	
25BP (Ch. RC527D).....	Vol.	36125.....	18	MR53.....				34472.....	76	FP304.....					5	1A7GT, 1N5GT, 1H5GT, 3Q5GT, 35Z5GT	455	
								34965.....	78	TC26.....								
25BP Ch. RC-1020.....	Vol.	36125.....	18	MR53.....				34472.....	76	FP304.....					5	1A7GT, 1N5GT, 1H5GT, 3Q5GT, 35Z5GT	455	14-69
								36718.....	78	TC22.....								
25BT2 (Ch. RC1004A).....	Vol.	36080.....	18	MR53.....	M27			38705.....	13	TC47.....					5	1N5GT, 1A7GT, 1H5GT, 3Q5GT	455	
								38718.....	78	TC22.....								
25BT3 (Ch. RC1004B).....	Vol.	36080.....	18	MR53.....	M27			38706.....	12/13/78	4S715.....					5	1N5GT, 1A7GT, 1H5GT, 3Q5GT	455	
25X.....	Vol.	35344.....	18	MR48.....	M26		A106	36301.....	1	2N521.....					5	12SA7, 12SK7, 12SQ7, 50L6GT, 35Z5GT	455	14-64, 65
Q25 (RC507A).....	Vol. Tone		18	MRT430.....	M26			10-10-10-20.....	1/13/15	FP424.....					6	6SA7, 6SK7, 6SQ7, 6AD7G, 5Y3G, 6F6G	455	12-31, 32
			22	MR48.....														

† Data not substantiated.

\* IMPORTANT: Read Notes in Note Section if specified in Note Column.

‡ Indicates miscellaneous section.

MANUFACTURER AND MODEL	CONTROLS							CONDENSERS				VIBRATORS			No. Tubes	Complete Tube Complement	I. F. Peak	Rider's Reference
	Use	Original Part	Circuit	Correct Replacement	Switch	Bias	*Note	Original Part	Circuit	Correct Replacement	*Note	Original Part	Replacement	*Note				
R. C. A.—Continued U25 (Ch. 386B)	Vol. & Tone	K85479-2	17/22	SMD503				86018-4. 86011-3	1/19 14	3S579 TC70				8	6A8G, 6K7, 6Q7G, 6J5, 6K6G, 6U5, 5Y3G	455	11-58-60	
26BP Ch. RC-559	Vol.	38915	18	Order from	Mfr.			38910 38775	24 24/15	FP371 Order from	Mfr.			6	1T4, 1A7GT, 1S5, 3Q5GT, 117Z6GT	455	14-31,32	
26X1, 26X3 (Ch. RC1014), (Ch. RC1014A)	Vol.	38410	18	MR48	M26			36301	77	2N521				6	12SG7, 12SA7, 12SK7, 12SQ7, 35L6GT, 35Z5GT	455		
26X4 (Ch. RC1014B)	Vol.	38410	18	MR48	M26			36301	77	2N521				6	12SG7, 12SA7, 12SK7, 12SQ7, 35L6G, 35Z5GT	455		
Q26 (RC507J)	Vol. & Tone		18 22	MRT430 MR48	M26			10-10-10-20	1/13/15	FP424				7	6SA7, 6SK7, 6SQ7, 6AD7G, 6F6G, 6U5/6G5, 5Y3G	455	12-02-04	
RAE26	Vol. & Tone	3092 3093 3186	99 41 63	SRP153 Y200MP SRP152				2-4	4	See Note	B1			9	35, 24, 27, 347, 80	175	2-43,45	
U26 (RC386B)	Vol.	K85479-2	17/22	SMD503				86018-4. 86011-3	1/19 14	3S579 TC70				8	6A8G, 6K7, 6Q7G, 6J5, 6K6G, 6U5, 5Y3G	455	12-02-04	
27K (Ch. RC567)	Vol.	38404	18	MRT454	M27			38571 86011-3	1/15 13	FP332 TC70				7	6SK7, 6SA7, 6SQ7, 6K6GT, 5Y3G	455		
R27, R27 (REV.)	Vol.	67817-1	7	MR45	M26	EX300		3538 3536	1 15	2N516 *TC32				4	36, 37, 38, 39		4-27,28	
28T (Ch. RC569)	Vol.	38404	17	MRT454	M27			33014	1/13/15	FP424				8	6SK7, 6SA7, 6SQ7, 6K6GT, 5Y3G	455		
28X (Ch. RC1002)	Vol. & Tone	38404 38409	124 95	MRT454 MR48	M27			39152	77	2N521/TC47	B8			8	6SG7, 6SA7, 6SK7, 6SQ7, 25L6GT, 25Z6GT	455		
28X5 (Ch. RC1002A)	Vol. & Tone	38404 38409	124 95	MRT454 MR48	M27			31952	77	2N521/TC47	B8			8	6SG7, 6SA7, 6SK7, 6SQ7, 25L6GT, 25Z6GT	455		
R28, R28BW, R28BWC, R28P	Vol. & Phono.	6465 3588	7 7	A3MP D	6-9 6-9	1 1		7590 7589	1 1/14	HD684 TCD71				5	58, 2A7, 57, 2A5, 80	175	3-4, 5-3 4-29	
CE29 M30 Auto Radio	Vol. & Phono.	6157	8	SRP152 MR35		See Note EX300	A3	10-10-4	26 12	See Note TC70	B158			4	30, 347, 80		3-55,58	
Q30 Ch. RC-538B	Vol. & Tone	37051 37052	18 22	Order from Order from	Mfr.			4 33014	12 1/13/15	TC70 FP424				9	36, 37, 12	175	2-46,58	
U30 (RC335KR)	Vol. & Tone	72357-44 72357-43	20 22	MRT449 MR53	M26		A59	86015-4 80385-7	25 25	2S569 RS216	B8			10	6A8, 6J7, 6K7, 6H6, 6F5, 6F6G, 5U4G, 6U5	455	10-47-53 2-59,60	
P31 Portable Q31 Ch. RC-538C	Vol. & Tone	6239 37051	15 18	MR53 Order from				4 37892	12 77/13/15	See Note	B1			8	34, 32, 30			
M32 Auto Radio Victor R32	Vol. & Phono. & Tone	6363	16 102 63 41	MR55 DRP115 A MR53				3-2-5-3	3	See Note	B1			6	6S7, 12SA7, 12SQ7, 50L6GT, 35Z5GT	455	14-35, 36,41	
PT33 Portable Turn-Table 29K, 29K2 (Ch. RC570 and RC570C)	Phono. & Vol.	7391	63	SRP152										10	26, 27, 345, 80		1-26	
Q33 (RC539)	Vol. & Tone		124 22	MRT438 MR53	M26			38571	1/15	FP332				9	6SG7, 6SA7, 6SK7, 6SQ7, 6K6GT, 5Y3G	455		
Radiola 33 (AC) Radiola 33 (DC), (110 V)	Vol.		1	E12				1-1	2	See Note	B166			7	26, 27, 71A, 80	455	12-86-88 1-28	
34X Ch. RC-1001E	Vol.	36584	18	MR48	M26		A106	36301	1	2N521				7	12A, 71A		1-28	
M34	Vol.	K67967	1	SRP251	6-9			7600 6492 6513 33014	1 13 15 1	See Note Order from *TC32 FP424	B167 Mfr.	67954	270B	C15	4	78, 6A7, 6B7, 89	175	3-9,14
Q34, Ch. RC539E	Vol. & Tone	37087 36109	18	Order from MR53	Mfr.									8	6SK7, 6SA7, 6SQ7, 6AD7G, 6F6G, 6U5/6G5, 5Z3GT/G	455	15-17	
35X, Ch. RC-1001C	Vol.	36584	18	MR48	M26		A106	36301	1	2N521				5	12SA7, 12SK7, 12SQ7, 50L6GT, 35Z5GT	455	13-37	
Victor R35	Vol. & Tone & Phono.		2/8 22 63	DRP250 MR55 SRP152				2-2-2	3	See Note	B1			8	24, 27, 345, 80		1-29,30	

† Data not substantiated.

\* IMPORTANT: Read Notes in Note Section if specified in Note Column.  
THERE'S A PLACE FOR A MALLORY NOISE FILTER IN EVERY HOME.

§ Indicates miscellaneous section.



MANUFACTURER AND MODEL	CONTROLS							CONDENSERS				VIBRATORS			No. Tubes	Complete Tube Complement	I. F. Peak	Rider's Reference
	Use	Original Part	Circuit	Correct Replacement	Switch	Bias	*Note	Original Part	Circuit	Correct Replacement	*Note	Original Part	Replacement	*Note				
R. C. A.—Continued 36X Ch. RC-462A...	Vol.	36242.....	18	MR48.....	M26		A106	35348.....	1	2N520.....					6	12SK7, 12SA7, 12SQ7, 35L6GT, 35Z5GT..	455	13-38
Q36, Ch. RC585.....	Vol. Tone	39789..... 39788.....	157 22	TM254-SS1. MR50.....	M26			33879..... 34393.....	3 3/44	TC62..... FP339.....					11	6XG7, 6SA7, 6SK7, 6SQ7, 6RT, 6F6G, 5U4G, 6U5/6G5...	455	16-1,7
R37, R37P, R38, R38P.....	Vol. Tone		19 103	MRT431..... MR48.....	M26			7590..... 6487.....	1 1/14/15	HD684..... TCS61/2N509					6	58, 2A7, 2B7, 2A5, 80	175	3-15, 4-31
R39.....	Vol. Tone Phono.		2/8 22 63	DRP250..... MR55..... SRP152.....				2-2-2.....	3	See Note.....	B1				8	24A, 27, 45, 80.		1-29,30
BT40.....	Vol.	33059.....	18	MR48.....	M27			32187.....	12	TC52.....					4	1A7G, 1N5G, 1H5G, 1C5G.....	455	
RE40, RE40P.....	Vol. Phono.	6465..... 6475.....	7 87	A3MP..... E12.....	6-9 8	1	See Note	7590..... 7589.....	1 1/14	HD684..... TCD71.....					5	58, 2A7, 57, 2A5, 80.	175	3-17, 4-33
40X30, 31 (Ch. RC405C, D)	Vol.	32578.....	18	MR44.....	M26			39124-1.....	1	2N509.....					5	12SA7, 12SK7, 12SQ7, 35L6GT, 35Z5GT..	455	11-62
40X50 (Ch. RC436)	Vol.	32545.....	18	MR44.....	M26			39124-1.....	1	2N509.....					5	12SA7, 12SK7, 12SQ7, 35L6GT/50L6GT, 35Z5GT.....	455	11-63
40X52, 55 (Ch. RC453).....	Vol.	32545.....	18	MR44.....	M26			39124-3.....	1	2N509.....					5	12SA7, 12SK7, 12SQ7, 50L6GT, 35Z5GT..	455	
U40 (Ch. RC498A)	Vol.	84701-15.....	18	MRT449.....	M26			86031-4.....	1/15	FP332.....					7	6SA7, 6K7, 6SQ7, 6SF5, 6F6G/ 6K6G, 5Y3G.....	455	11-55,56
Radiola 41 (AC).....	Vol.		1	E12.....				2-2.....	1	See Note.....	B1				7	26, 27, 10, 80.		1-32
Radiola 41 (DC)	Vol.		1	E12.....											10	12A, 71A.....		1-31
BK41 (Ch. RC449)	Vol.	34557.....	18	MR44.....	M27			86011-4.....	12	TC42.....					4	1A7G, 1N5G, 1H5G, 1Q5GT.....	455	
BT41 (Ch. RC449)	Vol.	72357-33.....	18	MR44.....	M27			86011-4.....	12	TC42.....					4	1A7G, 1N5G, 1H5G, 1Q5GT.....	455	
BT42 (Ch. 408A)...	Vol.	34120.....	18	MR53.....	M27			86041-14.....	12	TC42.....					4	1A7G, 1N5G, 1H5G, 1Q5G.....	455	11-65
CV42 Electrifier U42 (Ch. RC498B)	Vol.	84701-15.....	18	MRT449.....	M26			38701..... 86031-4.....	24/78 1/15	FP309..... FP332.....					8	35Z5GT, Ballast, 6SA7, 6SQ7, 6K7, 6SF5, 6F6G/ 6K6G, 5Y3G, 6U5.	455	11-57
Radiola 42.....	Vol. Tone		2/12 44	DRP116..... MR24.....				2-1.....	26	See Note.....	B1				7	24A, 45, 80.		1-34
U43 (RC498E)	Vol.	84701-15.....	124	MRT449.....	M26			86031-4.....	1/15	FP332.....					8	6SA7, 6K7, 6SQ7, 6SF5, 6K6GT, 5Y3G, 6G5/6U5.....	455	1-33
R43.....	Vol. Tone		54 41	MR33..... MR33.....				2957.....	12	HD684.....					8	32, 330.....	175	
Q44 (Ch. RC531)...	Vol.		124	MRT440.....	M26			40-100..... 30-20-5.....	25/19 25/13	Order from Mfr. FP371.....					12	6SK7, 6SA7, 6AD7G, 6B8G, 6R7, 6F6G, 6U5/6G5, 5U4G.....	455	12-89,91
U44 (Ch. RC486B)	Vol.	84701-5.....	17	Order from Mfr.....				34533..... 86011-1.....	1/19 14	FP339..... TC55.....					10	6SK7, 6SA7, 6H6, 6SF5, 6F6, 6U5, 5U4G.....	455	11-69,70
Radiola 44 (AC).....	Vol.		12	A3MP.....				2-2-2.....	3	See Note.....	B1				5	24, 45, 80.		1-35,36
45E (Ch. RC435A)	Vol.	33291.....	18	MR44.....	M26			39124-4..... 86041-14.....	24 13	2N514..... TC42.....					5	12SA7, 12SK7, 12SQ7, 50L6GT, 35Z5GT..	455	11-72
45X1, 45X2 (Ch. RC457).....	Vol.	35113.....	18	MR44.....	M26			39124-1.....	1	2N509.....					5	12SA7, 12SK7, 12SQ7, 50L6GT, 35Z5GT..	455	
45X3, 45X4 (Ch. RC457E).....	Vol.	84701-37.....	18	MR44.....	M26T		A106	39124-1.....	1	2N509.....					5	12SA7, 12SK7, 12SQ7, 50L6GT, 35Z5GT..	455	
45X5, 45X6 (Ch. RC457D).....	Vol.	35113.....	18	MR44.....	M26			39124-1.....	1	2N509.....					5	12SA7, 12SK7, 12SQ7, 50L6GT, 35Z5GT..	455	
45X11, 45X12 (Ch. RC459), 45X13 (Ch. RC459A).....	Vol.	35057.....	18	MR48.....	M26T			39124-1.....	1	2N509.....					5	12SA7, 12SK7, 12SQ7, 50L6GT, 35Z5GT..	455	
45X16, 45X17 (Ch. RC459M)...	Vol.	84701-30.....	18	MR48.....	M26T		A106	35348.....	1	2N514.....					5	12SA7, 12SK7, 12SQ7, 50L6GT, 35Z5GT..	455	
45X18 (Ch. RC541C)...	Vol.	35728.....	18	MR48.....	M26		A106	35348.....	1	2N514.....					5	12SA7, 12SK7, 12SQ7, 50L6GT, 35Z5GT..	455	12-35
45X111, 45X112 (RC459J).....	Vol.	84701-30.....	18	MR48.....	M26T		A106	35348.....	1	2N514.....					5	12SA7, 12SK7, 12SQ7, 50L6GT, 35Z5GT..	455	
45X113 (RC459K).....	Vol.	84701-30.....	18	MR48.....	M26T		A106	35348.....	1	2N514.....					5	12SA7, 12SK7, 12SQ7, 50L6GT, 35Z5GT..	455	

‡ Data not substantiated.

\* IMPORTANT: Read Notes in Note Section if specified in Note Column.

§ Indicates miscellaneous section.

THERE'S A FULL RANGE OF MALLORY VITREOUS ENAMEL RESISTORS FOR EVERY PURPOSE.

MANUFACTURER AND MODEL	CONTROLS							CONDENSERS				VIBRATORS			No. Tubes	Complete Tube Complement	I. F. Peak	Rider's Reference
	Use	Original Part	Circuit	Correct Replacement	Switch	Bias	*Note	Original Part	Circuit	Correct Replacement	*Note	Original Part	Replacement	*Note				
R. C. A.—Continued																		
Victor RE45.....	Vol. Phono.		102	DRP115.....				3-2-5-3	3	See Note.....	B1				10	*26, 27, 45, 80.....	1-26	
U45 (RC486C).....	Vol.	84701-5	63 20	A..... Order from	Mfr.....			34533 86011-1	1/19 14	FP339 TC44				10	*6SK7, 6SA7, 6H6, *6SF5, *6F6G, 6U5/ 6G5, 5U4G.....	455		
46X1, 46X2 (Ch. RC459B), 46X3 (Ch. RC459C)....	Vol.	35057	18	MR48.....	M26			35064	1	2N509				5	12SA7, 12SK7, 12SQ7, 50L6GT, 35Z5GT..	455	12-36	
46X11, 46X12 (Ch. RC456), 46X13 (Ch. RC456A)....	Vol.	84701-21	18	MRT425.....	M26			39124-1	1	2N509				5	12SA7, 12SK7, 12SQ7, 50L6GT, 35Z5GT..	455		
46X21 (RC461A)....	Vol.	84701-21	18	MRT425.....	M26			35673	77	2N521				5	12SA7, 12SK7, 12SQ7, 50L6GT, 35Z5GT..	455		
46X23 (RC461B)....	Vol.	84701-21	18	MRT425.....	M26			35673	77	2N521				5	12SA7, 12SK7, 12SQ7, 50L6GT, 35Z5GT..	455		
46X24 (RC461)....	Vol.	84701-21	18	MRT425.....	M26			35673	77	2N521				5	12SA7, 12SK7, 12SQ7, 50L6GT, 35Z5GT..	455		
U46 (Ch. RC501)....	Vol.	84701-22	20	DTM291-SS1	M26			86042-5 35017	25/19 25/14	Order from FP228	Mfr.....			13	*6SK7, 6SA7, 6H6, *6SF5, *6F6G, *5U4G, 6U5/6G5....	455		
Radiola 46 (AC)....	Vol.		12	A3MP.....				2-2-2	3	See Note.....	B1			5	*24A, 45, 80.....	1-36		
Radiola 46 (DC)....	Vol.		12	Order from	Mfr.....			2-2-2	3	See Note.....	B1			6	*22, *12A, *71A.....	1-35		
Radiola 47.....	Vol.		12	SRP142.....				2-2-2	3	See Note.....	B1			5	*24A, 45, 80.....	1-37		
48 Radiola.....	Phono. Vol.		63 2/12	SRP152 DRP116				1-2	4	See Note.....	B1			7	*24A, *45, 80.....	1-38, 2-70		
B50 Ch. RC-1004H	Vol.	36080	18	MR53.....	M27			38593	12	TC44				4	1A7GT, *1N5GT, 3Q5GT.....	455	13-39	
K50 (Ch. RC418A).	Vol.	84304-39	20	MRT438.....	M26			86031-14	1	FP231				5	6SA7, 6SK7, 6SQ7, 6F6G, 5Y3G.....	455	11-87,88	
K50 (Ch. RC497)...	Vol.	34796	124	MRT449.....	M26			86031-4	1/15	FP332				5	6SA7, 6K7, 6SQ7, 6F6G, 5Y3G.....	455		
M50 (Ch. RC357J)...	Vol.	31637	18	MR48.....	M26			86031-4 .0075	24/15	FP332 Buffer	B14	13688	859	C3	5	6A8, 6K7, 6Q7, 6K6GT, 024G.....	455	10-55
O50.....	Vol.	84304-30	50	MRT420.....	M26T			33214	1/15	FP426				3	6SF5, 6F6G, 5Y3G.....	175	2-71,72	
R50.....	Vol. Tone		13 101	MR33 MR48				4-4	4	See Note.....	B1			10	*35, *24A, 27, *47, 80.....	175	2-71,72	
Radiola 50.....	Vol.		1	E12.....				3.5-3.5	1	See Note.....	B4			7	*26, 27, 71, 80.....	1-15		
U50 (RC414C).....	Vol.	33409	18/22	E12 SMD510				86031-4	1/15	FP332				5	6SA7, 6K7, 6SQ7, 6F6G, 5Y3G.....	455	10-61,62	
Radiola 51 (AC)....	Vol.		1	E12.....				1-1-5	3	See Note.....	B1			7	*26, 27, 71, 80.....	1-16		
Radiola 51 (DC)....	Vol.		1	E12.....										6	*12, 71.....	1-16		
QU51C, QU51M, Ch. RC-568.....	Vol.	37992	18	MRT440.....	M26			34185 86011-4	1/44 12	FP339 TC42				8	*6SK7, 6SA7, 6U5 or 6G5, 6SQ7, 6AD7G 6F6G, 5U4G.....	455	14-37-41	
QU51C, QU51M, Ch. RC-568A.....	Vol.	37992	18	MRT440.....	M26			34185 86011-4	1/44 12	FP339 TC42				8	*6SK7, 6SA7, 6U5 or 6G5, 6SQ7, 6AD7G 6F6G, 5T4.....	455	14-37-41	
R51B.....	Vol. Tone	3707 6449	20 41	MRT451 UC505				6548	12	TC52				10	*34, *30.....	175	4-37,38	
B52 Ch. RC-1004D	Vol.	36080	18	MR53.....	M27			38705 36718	12 78	TC47 TC22				5	*1N5GT, 1A7GT, 1H5GT, 3Q5GT.....	455	13-40	
QU52C, Ch. RC-507L.....	Vol. Tone	38412 38409	18 22	MRT427 MR48	M26			33014	1/13/14	FP424				6	6SA7, 6SK7, 6SQ7, 6AD7G, 6F6G, 5Y3G.....	455	14-42- 44,68	
QU52M, Ch. RC-507N.....	Vol. Tone	38412 38409	18 22	MRT427 MR48	M26			33014	1/13/14	FP424				6	6SA7, 6SK7, 6SQ7, 6AD7G, 6F6G, 5Y3G.....	455	14-42- 44,68	
Victor R52.....	Vol. Phono.		102	DRP115.....				3-2-5-3	3	See Note.....	B1			10	*26, 27, *45, 80.....	1-26		
R53B.....	Vol. Tone	3707 6449	63 20 41	A..... MRT451 UC505				6548	12	TC52				10	*30, *34.....	175	4-37,38	
54B1, 54B1N, 54B2, 54B3 (Ch. RC589, RC589A, RC589B, RC589D)	Vol.	70436	18	Order from	Mfr.....			36718	12	TC42				4	1R5, 1T4, 1S5, 3S4..	455	15-22	
54B5 (Ch. RC1047)	Vol.	72228	18	Order from	Mfr.....			36718	12	TC42				4	1R5, 1T4, 1S5, 3S4..	455		
55AU, 55U (Ch. RC1017)....	Vol.	70322	18	MR48.....		A106		70408	81	2N520				5	12SA7, 12SK7, 12SQ7, 50L6GT, 35Z5GT..	455		
55F, 55FA (Ch. RC1004E)....	Vol.	36080	18	MR53.....	M27			36718	78	TC22				5	*1N5GT, 1A7GT, 1H5GT, 3Q5GT.....	455		

‡ Data not substantiated.

\* IMPORTANT: Read Notes in Note Section if specified in Note Column.

§ Indicates miscellaneous section.

WHEN YOU BUY RECTIFIERS BUY MALLORY.

MANUFACTURER AND MODEL	CONTROLS							CONDENSERS				VIBRATORS			No. Tubes	Complete Tube Complement	I. F. Peak	Rider's Reference
	Use	Original Part	Circuit	Correct Replacement	Switch	Bias	*Note	Original Part	Circuit	Correct Replacement	*Note	Original Part	Replacement	*Note				
R. C. A.—Continued 55X (Ch. RC1003C)	Vol.	84701-30	18	MR48	M26		A106	36301	77	2N521				5	12SA7, 12SK7, 12SQ7, 50L6GT, 35Z5GT	455		
BP55, 56 (Ch. RC455)	Vol.	34465	18	MR53	M27			34472	1	FP304				5	1A7GT, 1N5GT, 1H5GT, 1T5GT, 117Z6G/35Z5GT	455	11-90	
QB55 (Ch. RC563A)	Vol.	36080	18	MR53	M27			32548	12/13	TCD45				4	1A7GT/G, 1N5GT/G, 15HGT/G, 3Q5GT/G	455	15-27	
QU55 Ch. RC-568	Vol.	37992	18	MRT440	M26			34185, 86011-4	1/44 12	FP339 TC42				8	6SK7, 6SA7, 6U5 or 6G5, 6SQ7, 6AD7, 6F6G, 5U4G	455	14-37-41	
QU55 Ch. RC-568A	Vol.	37992	18	MRT440	M26			34185, 86011-4	1/44 12	FP339 TC42				8	6SK7, 6SA7, 6U5 or 6G5, 6SQ7, 6AD7G 6F6G, 5T4	455	14-37-41	
R55	Vol. Tone		13 101	MR33 MR48				4-4	4	See Note	B1			10	35, 24A, 27, 47, 80	175	2-71, 72	
T55 (Ch. RC418)	Vol.	33631	18	MR53	M26			86031-14	1	FP231				5	6SA7, 6SK7, 6SQ7, 6F6G, 5Y3G	455	11-87, 88	
X55	Vol.	33631	18	MR53				34212	24	FP214				5	12SA7, 12SK7, 12SQ7, 50L6GT, 35Z5GT	455	15-30	
56X, 56X2, 56X3 (Ch. RC1001, RC1011A, RC1011B)	Vol.	36242	18	MR48	M26T		A106	39152	81	2N520				6	12SG7, 12SK7, 12SQ7, 35L6, 35Z5, 12J5 (12SR5, Ch. RC1011A) (12SH7, Ch. RC1011B)	455	15-31	
56X5, 56X10 (Ch. 1023B)	Vol.	36242	18	MR48	M26T		A106	39152	81	2N520				6	12SG7, 12SA7, 12SK7, 12SQ7, 35L6GT, 35Z5GT	455		
56X11 (Ch. RC1023A)	Vol.	36242	18	MR48	M26T		A106	36301	81	2N520				6	12SG7, 12SA7, 12SK7, 12SQ7, 35L6GT, 35Z5GT	455	15-37	
QU56C, QU56M, Ch. RC-566A	Vol.	38408	18	MRT440	M26			35761	77	TCD75				5	6SA7, 6SK7, 6SQ7, 6K6GT, 5Y3G	455	14-45-47	
R56, Electric Phonograph	Vol.	38410	50	MR53	M26			39684, 39500	1 1	TCD55 TC45				2	50L6GT, 50Y6GT		13-42	
RE57	Vol. Tone Phono.		2/8 22 63	DRP250 MR55 SRP152				2-2-2	3	See Note	B1			8	24A, 27, 45, 80		1-29, 30	
58V, 58AV (Ch. RC604)	Vol.	70342	152	DTM291-SS1	M26			37888, 37877	1/44 13	FP339 TC74				8	6SG7, 6SA7, 6SK7, 6SQ7, 6K6GT/G, 5Y3GT/G	455	15-40	
59AV1, 59V1 (Ch. RC605)	Vol. Tone	36447 38402	152 22	DTM291-SS1 MR55				34533 34889	90 14/90	FP339 FP234				9	6SG7, 6SA7, 6SK7, 6R7, 6SQ7, 6F6G, 5U4G	455		
RAE59	Vol. Tone Phono.	3142 3143 3186	13 101 63	MR33 MR48 SRP152				2-3	4	See Note	B1			10	35, 24A, 27, 47, 80	175	2-73, 74	
K60 (Ch. RC415)	Vol.	86304-28	45	MRT420	M26			86031-4	1/15	FP332				6	6SA7, 6SK7, 6H6, 6SF5, 6F6G, 5Y3G	455	11-91-94	
K60 (Ch. RC415B)	Vol.	84701-13	124	MRT449	M26		A59	86031-4	1/15	FP332				6	6SA7, 6K7, 6H6, 6SF5, 6F6G, 5Y3G	455	11-94-96	
M60 (Ch. RC357K)	Vol.	31638	18	MR44	M26			33803, .0075	24	FP231 Buffer	B14	13688	859	C3	6K7, 6A8, 607, 6K6GT, 0Z4G	455	10-63 11-103	
R60 (Ch. RS91B)	Vol.	84304-30	50	MRT420	M26T			33214	1/15	FP426				3	6SF5, 6F6G, 5Y3G			
T60 (Ch. RC425)	Vol.	84304-39	20	MRT438	M26			86031-14	1	FP231				6	6SA7, 6SK7, 6SQ7, 6F6G, 6U5, 5Y3G	455	11-97, 98	
Radiola 60	Vol.		8	A400P				2-2	2	See Note	B1			9	27, 71A, 80	180	1-39	
X60 (Ch. RC474D)	Vol.	33631	18	MR53	M26			34212	24	FP214				6	12SA7, 12SK7, 12SQ7, 35L6GT, 6N5, 35Z5GT	455	16-25, 27	
61-1, 61-2, 61-3 (Ch. RC1011)	Vol.	36242	18	MR48			A106	39152	81	2N520				6	12SG7, 12SK7, 12SQ7, 12J5GT, 35L6GT/G, 35X5GT/G	455	15-49	
61-5, 61-10 (Ch. RC1023, RC1023B)	Vol.	36242	18	MR48			A106	39152	81	2N520				6	12SG7, 12SA7, 12SK7, 12SQ7, 35L6GT/G, 35Z5GT/G	455	15-51	
61-6, 61-7 (Ch. RC594D)	Vol.	38406	18	MR53	M26			39152	81	2N520				5	12SA7, 12SK7, 12SQ7, 50L6GT, 35Z5GT/G	455	15-53	

† Data not substantiated.

\* IMPORTANT: Read Notes in Note Section if specified in Note Column.

§ Indicates miscellaneous section.

GRID BIAS CELLS ARE EXCLUSIVE WITH MALLORY!

MANUFACTURER AND MODEL	CONTROLS							CONDENSERS				VIBRATORS			No. Tubes	Complete Tube Complement	I. F. Peak	Rider's Reference
	Use	Original Part	Circuit	Correct Replacement	Switch	Bias	*Note	Original Part	Circuit	Correct Replacement	*Note	Original Part	Replacement	*Note				
R. C. A.—Continued 61-8, 61-9 (Ch. RC1034).....	Vol.	70322	18	MR48	M26		A106	70408	81	2N520					5	12SA7, 12SK7, 12SQ7, 50L6GT, 35Z5GT.	455	16-31,32
QU61 (Ch. RC568B)	Vol.	37992	18	MRT440	M26			32187, 37888	90	TC42, FP339					8	6SK7, 6SA7, 6SQ7, 6AD7G, 6F6G, 6U5/6G5, 5U4G		15-55
K61 (RC498F).....	Vol.	84304-30	18	MRT420	M26T			86031-4	1/15	FP332					6	6SA7, 6K7, 6H6, 6SF5, 6F6G, 5Y3G	455	
K62 (RC415B).....	Vol.	84701-13	124	MRT449	M26		A59	86031-4	1/15	FP332					6	6SA7, 6K7, 6H6, 6SF5, 6F6G, 5Y3G	455	11-94-96
T62 (Ch. RC425D)	Vol.	84304-39	20	MRT438	M26			86031-14	1	FP231					6	6SA7, 6SK7, 6SQ7, 6F6G, 6U5, 5Y3G	455	11-97-98
Radiola 62. 63E, 63EM (Phono.) (Ch. RS127).....	Vol.	72000	153	MR48				72312	80	FP357	B1				9	27, 71A, 80	180	1-40
T63 (RC472F).....	Vol.	35585	124	MRT449	M26			86031-4	1/15	FP332					3	12SQ7, 50L6GT, 35Z5GT.		
T64 (Ch. RC416)...	Vol.	84304-36	18	MRT420	M26			86031-4	1/15	FP332					6	6SA7, 6K7, 6SQ7, 6F6G, 6U5/6G5, 5Y3G	455	11-101, 102
Radiola 64.....	Vol. Sen.		54 1	A1MP D12				4-4-4	26	See Note	B2				11	27, 50, 781	180	455 1-41
64F1, 64F2, 64F3 (Ch. RC1037, RC1037A (64F3))	Vol.	71168	18	MR53	M27		A106	38593	12	TC92					4	1A7GT, 1N5GT, 1H5GT, 3Q5GT	455	
65BR9 (Port.) (Ch. RC1045).....	Vol.	38405	18	MR53				72077 .002	24/78	FP354/TC610 Buffer	B6 B14	72107	T4000	C3	5	21T4, 1R5, 1S5, 3V4	455	
65F (Ch. RC1004E, RS1000).....	Vol.	36080	18	MR53	M27			36718 38705 38701	13 13 86	TC22 TC47 FP407					5	1N5GT, 1A7GT, 1H5GT, 3Q5GT	455	15-25,26
(CV-42 Pack) 65U, 65AU, 65UI (Ch. RC1017A, RC1017B).....	Vol.	72756	18	MR48			A106	73212	81	FP357	B8				5	12SA7, 12SK7, 12SQ7, 50L6, 35Z5	455	15-85
65X1, 65X2 (Ch. RC1034).....	Vol.	70322	18	MR48	M26T		A106	70408	81	2N520					5	12SA7, 12SK7, 12SQ7, 50L6GT, 35Z5GT	455	
Radiola 66..... 66E (Phono.) (Ch. RS126).....	Vol.		8	A550P				2-2-1	3	See Note	B1				8	27, 45, 80	175	1-42
66X1, 66X2, 66X3, 66X7, 66X8, 66X9 (Ch. RC1038, RC1038A).....	Vol.	38405	152 15 22	DTM291-SS1 MR55 MR53	M26			71976	24/14 15	FP339 FP330					6	6J5, 6SQ7, 6K6GT, 5Y3GT		
66X11, 66X12, 66XB, 66X14, 66X15 (Ch. RC1046A, RC1046B).....	Vol.	38410	18	MR48	M26			70408	81	2N520					6	12SG7, 12SA7, 12SK7, 12SQ7, 35L6GT, 35Z5GT	455	15-89
Radiola 67.....	Vol. Tone Phono.		8 21 63	A1MP MR48 SRP152				2-4-4	26	See Note	B1				10	27, 50, 781	455 175	1-43
67V1, 67AV1 (Ch. RC606).....	Vol.	70342	152	DTM291-SS1	M26			37888	1/15	FP390/TC26					7	6SA7, 6SG7, 6SQ7, 6K6GT, 5Y3GT	455	16-35,39
67M.....	Vol.	72558-54	56	UM158-SS4				13687 .01-.01	1	2N518 Buffer	B14	13688	859	C3	6	6D6, 6A8, 6K7, 6B7, 42, 84	260	9-47,52
67M1.....	Vol. Tone	52558-58 52558-7	17 22	TM239-SS4 MR39				12234 12238 .01-.01	1 1/15	RS213 TC71/TN111 Buffer	B14	12236	249	C3	6	6D6, 6A8, 6K7, 85, 6C5, 6A6	260	9-49,52
67M2, 67M3.....	Vol.	52558-58	17	TM239-SS4				12234 12238 .01-.01	1 1/15	RS213 TC71/TN111 Buffer	B14	12236	249	C3	6	6D6, 6A8, 6K7, 85, 6C5, 6A6	260	9-49,52
68R1, 68R2, 68R3, 68R4 (Ch. RC608)	Vol.	38404	18	MRT454	M26			72271 72121	24/15 83	Order from TC40	Mfr.				8	6BE6, 6BA6, 6AU6, 6AL5, 6SQ7, 6K6GT, 5Y3GT	455	

‡ Data not substantiated.

\* IMPORTANT: Read Notes in Note Section if specified in Note Column.  
MALLORY PARTS ARE DESIGNED WITH THE SERVICEMAN IN MIND.

§ Indicates miscellaneous section.

MANUFACTURER AND MODEL	CONTROLS							CONDENSERS				VIBRATORS			No. Tubes	Complete Tube Complement	I. F. Peak	Rider's Reference
	Use	Original Part	Circuit	Correct Replacement	Switch	Bias	*Note	Original Part	Circuit	Correct Replacement	*Note	Original Part	Replacement	*Note				
R. C. A.—Continued																		
RAE68.....	Vol. Tone Phono.		8 34 63	Y5MP. MR33. SRP152.				3-3-3.	26	See Note.	B1				9	24, 27, 45, 80.	175	7-14
M70 (Ch. RC394) ..	Vol. & Tone	86704-1.	80	Order from Mfr.														
R70.....	Vol. Tone	6372. 7522.	8 21	F. MR48.	M26			86031-4. .0075.	1/15	FP332. Buffer	B14 B158	13688.	294	C3	7	6K7, 6A8, 6SK7, 6R7, 6V6G, 0Z4G.	260 175	10-65 4-39,40
R71.....	Vol. Tone	6322. 6307.	8 21	MR35. MR33.	M26			10-8-4.	4	See Note.	B158				8	58, 56, 47, 80.	175	3-25,28
R71B.....	Vol. Tone	6328. 6329.	20 41	MRT438. MR42.				8.	12	TC52.	B169				8	34, 32, 30.	175	3-29,32
R72.....	Vol. Tone	6322. 6307.	8 21	MR35. MR33.	M26			10-8-4.	4	See Note.	B158				8	58, 56, 47, 80.	175	3-25,28
R73 (with 47's)....	Vol. Tone	6369. 6370.	8 41	A10MP. MR55.	M26			10-10-8-8.	4	See Note.	B169				8	58, 56, 55, 47, 80.	175	5-7,8
Victor RE73.....	Vol. Tone Phono.	62895. 10813. 3164.	2/8 22 63	DRP250. MR55. SRP152.				2-2-2.	3	See Note.	B1				8	24A, 27, 45, 80.		2-75,82
R73A (2A5 Output)	Vol. Tone Supp.	65982-5. 65222-7. 6453.	17 41 7	MR55. MR55. F.	M26			10-10-8-8.	4	See Note.	B169				8	58, 56, 55, 2A5, 80.	175	4-41,42
R74.....	Vol. Tone		105 21	MR34. MR39.	M26			10-10-7. 10-10.	2/14 15/19	3S584. TCS71.	B169 B169				10	58, 56, 46, 82.	175	3-33,34
R75 (47 Output) ..	Vol. Sen. Tone		104 104 41	G. G. MR55.	M26			10-8-10. 10-8-10.	4/15	3S584. 3S584.	B169 B169				8	58, 55, 56, 47, 80.	175	5-10,12
R75 (2A5 Output) ..	Vol. Tone Sen.		17 41 7	MR55. MR55. F.	M26			10-8-10.	4/15	3S584.	B169				8	58, 56, 55, 2A5, 80.	175	5-10,14
Victor RE75.....	Vol. Phono.	10450.	102 63	DRP115. A.				3-2-5-3.	3	See Note.	B1				10	26, 27, 45, 80.		1-26
R76, R77.....	Vol. Tone		105 21	MR35. MR39.	M26			10-10-7. 10-10.	2/14 15/19	3S584. TCS71.	B169 B169				10	58, 56, 46, 82.	175	3-33,36
R78 (Less Noise Suppressor).....	Vol. Tone		7/20 1	Order from MR48.	Mfr.			8910.	4	TCS71.	B169				12	58, 56, 46, 82.	175	3-37,41
R78 (With Noise Suppressor).....	Vol. Supp. Tone		7 20	TRP601. Order from MR48.	Mfr.			8910.	4	TCS71.	B169				12	55, 58, 56, 46, 82.	175	3-42, 7-166
RAE79.....	Vol. Tone Phono.		13 101 87	MR33. MR48. MR48.		See Note A61		4-4.	4	TCS71.	B169				13	35, 24A, 27, 47, 80.	175	2-83,88
K80 (Ch. RC415A) ..	Vol. Phono.	84304-28.	18	MRT420.	M26	See Note A5		33014.	1/13/15	FP424.					8	6SK7, 6SA8, 6SQ7, 6SF5, 6F6G, 5Y3G, 6G5/6U5.	455	11-107
K80, 81 (Ch. RC415D, C)	Vol.	84701-13.	124	MRT449.	M26		A59	33014.	1/15	FP424.					8	6SA7, 6K7, 6SF5, 6F6G, 5Y3G, 6U5/6G5.	455	11-108
T80.....	Vol.	84304-36.	18	MRT420.	M26			33014.	1/13/15	FP424.					8	6SA7, 6SK7, 6SQ7, 6SF5, 6F6G, 5Y3G, 6U5/6G5.	455	11-109
Radiola 80.....	Vol.		7	A5MP.		See Note A76		2-3-3. 3.	26 26	3S584. TC70.	B169 B12				9	24, 27, 45, 80.	175	1-44, 2-89
RE80.....	Vol. Tone Sil.	K67241. 65222-7.	8 41 9	A10MP. MR55. G.	M26			10-8-10.	4	See Note.	B158				8	58, 56, 55, 47, 80.	175	4-44,48
RE81.....	Phono. Vol. Tone	6385.	9 8 21	Order from Mfr. MR35. MR48.	M26			10-10-10. 10-10.	2/14 15/19	3S584. TCS71.	B169 B169				10	58, 56, 46, 82.	175	3-43,46
K82 (Ch. 415C)....	Phono. Vol.	84701-13.	16 124	TM221-SS1 MRT449.	M26		A59	33014.	1/13/15	FP424.					8	6SA7, 6K7, 6SQ7, 6SF5, 6F6G, 6U5/6G5, 5Y3G.	455	11-108
Radiola 82, 82 (with Remote Control).	Vol. Tone		8 101	Y5MP. MR33.				2-3-3.	26	See Note.	B1				9	24A, 27, 45, 80.	175	1-45, 2-92
RAE84.....	Vol. Tone Supp.	6355. 6276. 67068.	100 21 7	TRP601. MR48. A5MP.				10-10.	4	See Note.	B2				12	58, 56, 46, 55, 82.	175	3-47,52
84BT.....	Vol.	14282.	17	MR55.	M27			14287.	13	2N516.					4	1C6, 1A4, 1F6, 1F4.	460	9-53,56
84BT6.....	Vol.	14307.	18	MR44.	M26			13046. 14310. .01-.01. 14403.	46 46/15 12	RS213. 3S579. Buffer 2N516.		14309.	246A	C22	4	6A7, 6D6, 75, 42.	460	9-54,56
85BK, 85BT.....	Vol.	14400.	17	MR55.				11203.	1	HD684.		30666.	246A	C22	5	1C6, 1A4, 1F6, 30, 19.	460	8-105, 108
85BT6.....	Vol.	30658.	18	MR44.	M26			30657. .01-.01.	1/13/15	3S579. Buffer.	B14				5	6A8G, 6K7G, 6Q7G, 6K6G, 5Y3G.	460	9-57,60

† Data not substantiated.

\* IMPORTANT: Read Notes in Note Section if specified in Note Column.

‡ Indicates miscellaneous section.

MANUFACTURER AND MODEL	CONTROLS							CONDENSERS				VIBRATORS			No. Tubes	Complete Tube Complement	I. F. Peak	Rider's Reference
	Use	Original Part	Circuit	Correct Replacement	Switch	Bias	*Note	Original Part	Circuit	Correct Replacement	*Note	Original Part	Replacement	*Note				
R. C. A.—Continued																		
85E.....	Vol.	14645.....	18	MR44.....	M26		14814.....	25	HD684.....					5	6A7, 6D6, 75, 42, 80.	460	9-61,63	
85T.....	Vol.	14645.....	18	MR44.....	M26		14813.....	25/13	2S569.....					5	6A7, 6D6, 75, 41, 80.	460	8-109, 111	
85T1.....	Vol.	14645.....	18	MR44.....	M26		14669.....	1/19	3S579.....					5	6A7, 6D6, 75, 42, 80.	460	8-112, 114	
85T5.....	Vol.	14335.....	17	MRT449.....			11203.....	25	HD684.....					5	6A7, 6D6, 75, 42, 80.	460	8-115, 117	
85T8.....	Vol. Tone	30575..... 30574.....	18 158	MRT420..... MR53.....	M26T		5212.....	25	RS216.....					5	6D6, 6A7, 75, 42, 80.	460	8-115, 117	
BP85 (Ch. RC455)	Vol.	34465.....	18	MR53.....	M27		14377.....	13	RS216.....					5	6A8G, 6K7, 6Q7G, 6F6G, 5Y3G.	460	18-44,47	
Radiola 86.....	Vol. Tone Phono.	..... ..... .....	8 101 63	Y5MP..... MR33..... SRP152.....			2-3-3.....	26	See Note.....	B1				9	1A7GT, 1N5GT, 1H5GT, 1T5GT, 117Z6GT/35Z5GT.	455 175	11-90 1-51,52	
86BK, 86BT.....	Vol.	14335.....	17	MRT449.....			14403.....	12	2N516.....					6	1A4, 1C6, 1F6, 30, 19.	460	8-118, 121	
86E.....	Vol.	14335.....	20	MRT449.....			11240.....	25	HD684.....					6	6A8, 6K7, 6H6, 6F5, 6F6, 5W4.	460	8-123, 128	
86K, 86K7.....	Vol.	14335.....	20	MRT449.....			5212.....	25	HD684.....					6	6A8, 6K7, 6H6, 6F5, 6F6, 5W4.	460	8-123, 128	
86T, 86T1.....	Vol.	14335.....	20	MRT449.....			11240.....	25	HD684.....					6	6A8, 6K7, 6H6, 6F5, 6F6, 5W4.	460	8-123, 128	
86T3.....	Vol. Tone	30575..... 30574.....	45 22	MRT420..... MR53.....	M26T		14377.....	13	RS216.....					6	6A8, 6K7, 6H6, 6F5, 6F6, 5W4.	460	9-64,66	
86T4, 86T44.....	Vol.	14335.....	17	MRT449.....			5212.....	1	HD684.....					5	6A7, 6D6, 75, 42, 80.	460	9-67,70	
86T6.....	Vol. Tone	30575..... 30574.....	45 22	MRT420..... MR53.....	M26T		14377.....	13	RS216.....					6	6A8G, 6K7, 6H6, 6F5, 6F6, 5W4.	455	9-71,74	
86X.....	Vol.	14645.....	18	MR44.....	M26		14643.....	6	RS207.....					5	6A7, 6D6, 75, 43, 25Z5, 135K1.	460	8-129, 131	
86X4.....	Vol.	14645.....	18	MR44.....	M26		14644.....	6/13	2S569.....	B12				5	6A8, 6D6, 6Q7G, 25L6, 25Z5.	460	9-75,78	
87EY.....	Vol.	14335.....	20	MRT449.....			14767.....	6/13	2S569.....	B12				6	6A8, 6K7, 6H6, 6J7, 25L6, 25Z5.	460	9-79,82	
87K, 87T.....	Vol.	14335.....	20	MRT449.....			30297.....	1	TC48.....					7	6A8, 6K7, 6H6, 6F5, 6F6, 6G5, 5W4.	460	8-122, 128	
87K1, 87K2, 87T2.....	Vol. & Tone	K85479-1.....	20/22	SMD501.....			30298.....	1/14	2N509.....	B8				7	6A8, 6K7, 6H6, 6F5, 6F6, 5W4, 6U5.	460	9-83,86	
87T1.....	Vol. Tone	30575..... 30574.....	45 22	MRT420..... MR53.....	M26T		14621.....	1	2N509.....	B8				7	6A8, 6K7, 6H6, 6U5, 6F5, 6F6, 5W4.	460	9-64,66	
87X, 87Y.....	Vol.	14335.....	20	MRT449.....			14622.....	1/13	2N509.....	B8				6	6A8, 6K7, 6H6, 6J7, 25L6, 25Z5.	460	9-79,82	
88K.....	Vol.	14335.....	17	MRT449.....			14624.....	19	TC22.....					8	6K7, 6L7, 6J7, 6Q7, 6F6, 6G5, 5W4.	460	8-132, 135	
R89.....	Vol.	84304-13.....	50	MR55.....	M26		5212.....	25	HD684.....					10	6F5, 25L6G, 25Z6G.	175	9-87,88	
R90, R90P.....	Vol. B. Tone T. Tone Supp.	67656-1..... 6448..... 6449..... 6450.....	100 1 41 7	TRP622..... Y200MP..... UC505..... E.....	M26 6-9		86011-1.....	1	TC44.....					10	58, 56, 2A5, 80.	175	3-53, 4-49	
R91.....	Vol.	31582.....	50	MR53.....			6430.....	4/13	HD684.....	B169				3	6F5, 25L6, 25Z6, BK61B.			
91B.....	Vol.	6829.....	7	Y200MP.....		EX350	6832.....	12	TC52.....					3	78, 77, 38.		5-15,16	
R92 Recorder.....	Vol.	4401.....	16	MR48.....	M26		6844.....	15	TC32.....					4	56, 53, 80.		5-17,20	
R93 Phonograph.....	Vol.	4502.....	63	MR24.....			7590.....	1	HD684.....					4				
R93B, R93C.....	Vol.	.....	50	MR44.....	M26T		4498.....	1	TC71.....									
R93F (Record Player).....	Vol.	33359.....	50	MR44.....	M26T		3536.....	15	TC32.....									
94BK, 94BT.....	Vol.	72357-33.....	18	MR44.....	M27		13610.....	12	TC62.....					4	1C7G, 1D5G, 1F7G, 1G5G.	455	9-89,90	
94BK1, 94BT1.....	Vol.	72357-33.....	18	MR44.....	M27		86011-4.....	12	TC42.....					4	1A7G, 1N5G, 1H5G, 1C5G.	455	10-68	

‡ Data not substantiated.

\* IMPORTANT: Read Notes in Note Section if specified in Note Column.

§ Indicates miscellaneous section.

MALLORY STANDARDIZATION OF PARTS SIMPLIFIES YOUR REPLACEMENT WORK.

MANUFACTURER AND MODEL	CONTROLS							CONDENSERS				VIBRATORS			No. Tubes	Complete Tube Complement	I. F. Peak	Rider's Reference
	Use	Original Part	Circuit	Correct Replacement	Switch	Bias	*Note	Original Part	Circuit	Correct Replacement	*Note	Original Part	Replacement	*Note				
R. C. A.—Continued																		
94BK2, 94BT2.....	Vol.	32262.....	18	MR53.....	M27			86011-1.....	12	TC44.....					4	1A7G, 1N5G, 1H5G, 1A5G	455	10-69
94BP1 (Portable)...	Vol.	33304.....	18	MR48.....	M27			86041-13.....	12	TC52.....					4	1A7G, 1N5G, 1H5G, 1C5G	455	12-36
94BP4.....	Vol.	32594.....	18	MR53.....	M27			86011-4.....	12	TC52.....					4	1A7G, 1N5G, 1H5G, 1C5G	455	10-73
96BP61, 62 (Ch. RC407).....	Vol.	33304.....	18	MR48.....	M27			86041-13.....	12	TC52.....					4	1A7G, 1N5G, 1H5G, 1C5G	455	10-72
94BP64, 94BP66, 94BP80, 94BP81 (Ch. RC407).....	Vol.	33304.....	18	MR48.....	M27			86041-13.....	12	TC52.....					4	1A7G, 1N5G, 1H5G, 1C5G	455	10-72
94BT6.....	Vol.	72357-34.....	18	MR44.....	M26T			80378-3.....	24	2S569 Buffer	.B14	14309.....	246A	C22	4	6A8G, 6K7G, 6Q7G, 6K6G	455	9-90,91
94BT61.....	Vol.	72357-34.....	18	MR44.....	M26T			86027-1.....	24	FP225 Buffer	.B14	14309.....	246A	C22	4	6D8G, 6S7G, 6T7G, 6G6G	455	10-75,76
94X.....	Vol.	72357-32.....	6	MR33.....	M26T	EX200		80385-3.....	1	2N509					4	6K7, 6J7, 25L6G, 25Z6G		9-92
94X1, 94X2.....	Vol.	72357-32.....	6	MR33.....	M26T	EX200		80385-3.....	1	2N509					4	6K7, 6J7, 25L6G, 25Z6G		9-100
R94B.....	Vol.	72357-40.....	50	MRT420.....			A59											
95T.....	Vol.	72357-27.....	18	MR44.....	M26T			80385-4.....	1	2N518					5	6A8, 6K7, 6Q7G, 6K6G, 5Y3G	455	9-104
95T5.....	Vol.	72357-45.....	18	MR44.....	M26T			86005-2.....	1	2N518					5	6A8G, 6K7, 6Q7G, 6K6G, 5Y3G	455	9-93,95
95T5LW.....	Vol.	72357-45.....	18	MR44.....	M26T			86005-2.....	1	2N518					5	6A8, 6K7, 6Q7G, 6K6G, 5Y3G	455	11-111
95X1.....	Vol.	31194.....	6	MR33.....	M26	EX200		80385-3.....	1	2N509					4	6K7, 6J7, 25L6, 25Z6, BK55B		9-112
95X, 95XL.....	Vol.	31194.....	6	MR33.....	M26	EX200		80385-3.....	1	2N509					4	6K7, 6J7, 25L6, 25Z6, BK55B		9-108
R95 Electrola.....	Vol.	11861.....	63	MR24.....				11867.....	9/15	3S582	.B171				3	77, 43, 25Z5		
95XLW (RC345F).....	Vol.	31194.....	6	MR33.....	M26	EX200		31584.....	1	TC48					4	6K7, 6J7, 25L6G, 25Z6G		11-110
95X6.....	Vol.	31966.....	159	MR34.....	M26		A106	86011-1.....	1	TC44					4	6K7, 6J7, 25L6, 25Z6G (BK55B)	TRF	15-81
95X11.....	Vol.	31966.....	159	MR34.....	M26		A106	31323.....	1	TC44					4	6K7, 6J7, 25L6, 25Z6G (BK55)	TRF	15-82
96BK6, 96BT6.....	Vol.	84304-19.....	18	DTM282-SS1	M26			86027-1.....	24	FP225					6	6D8G, 6S7G, 6T7G, 6W7G, 6L5G	455	10-77-79
96E.....	Vol. & Tone	K85479-3.....	18/21	SMD504.....			A67	86005-3.....	1	2N518					6	6A8G, 6K7, 6H6, 6F5, 6K6G, 5Y3G	455	9-94,95
96E2 (RC351L).....	Vol. & Tone	K85479-5.....	20/22	SMD501.....				86023-2.....	1/14/15	FP424					6	6K8, 6K7, 6H6, 6F5, 6F6G, 5Y3G	455	10-80-82
96K.....	Vol. & Tone	K85479-2.....	20/22	SMD503.....				86018-2.....	1/14/15	FP424	.B48				6	6K8, 6K7, 6H6, 6F5, 6F6, 5W4	455	9-97,99
96K2, 96T3.....	Vol. & Tone	K85479-2.....	20/22	SMD503.....				86018-2.....	1/14/15	FP424	.B48				6	6K8, 6K7, 6H6, 6F5, 6F6, 5W4	455	9-102, 103
96K5, 96K6 (RC351L).....	Vol. & Tone	K85479-5.....	20/22	SMD501.....				32485.....	1/14/15	FP424					6	6K8, 6K7, 6H6, 6F5, 6F6G, 5Y3G	455	.....
96T.....	Vol. & Tone	K85479-3.....	18/22	SMD504.....			A67	86005-3.....	1	2N518					6	6A8G, 6K7, 6H6, 6F5, 6K6G, 5Y3G	455	9-94,95
96T1.....	Vol. & Tone	K85479-3.....	18/22	SMD504.....			A67	86005-3.....	1	2N518					6	6A8G, 6K7, 6H6, 6F5, 6K6G, 5Y3G	455	9-94,95
96T2.....	Vol. & Tone	K85479-2.....	18/22	SMD503.....				86018-2.....	1/15/14	FP424	.B48				6	6K8, 6K7, 6H6, 6F5, 6F6, 5W4	455	9-97,99
96T4, 96T5 (RC399).....	Vol. & Tone	K85479-3.....	18/95	SMD504.....			A67	86027-8.....	1	FP311					5	6SA7, 6K7, 6SQ7, 25L6, 25Z6G, BK49B	455	10-83-85
96T6 (RC399A).....	Vol. & Tone	K85479-3.....	18/21	SMD504.....			A67	86027-8.....	1	FP311					5	6SA7, 6K7, 6SQ7, 25L6, 25Z6G, BK49B	455	10-83-85
96T7 (RC351L).....	Vol. & Tone	K85479-5.....	18/22	SMD501.....				86023-2.....	1/14/15	FP424					6	6K8, 6K7, 6H6, 6F5, 6F6G, 5Y3G	455	.....
96X1, 96X2, 96X3, 96X4 (RC400).....	Vol.	32545.....	18	MR44.....	M26			86041-17.....	1	2N509					5	6K8, 6SK7, 6SQ7, 25L6, 25Z6G	455	10-85-87
								86041-15.....	13	TC47.....								

† Data not substantiated.

\* IMPORTANT: Read Notes in Note Section if specified in Note Column.

‡ Indicates miscellaneous section.

MANUFACTURER AND MODEL	CONTROLS							CONDENSERS				VIBRATORS			No. Tubes	Complete Tube Complement	I. F. Peak	Rider's Reference
	Use	Original Part	Circuit	Correct Replacement	Switch	Bias	*Note	Original Part	Circuit	Correct Replacement	*Note	Original Part	Replacement	*Note				
R. C. A.—Continued 96X11, 96X12, 96X13, 96X14 (RC400A).....	Vol.	32545.....	18	MR44.....	M26			86041-17.....	1	2N509.....					5	6K8, 6SK7, 6SQ7, 25L6, 25Z6G.....	455	10-86,87
R96, R97.....	Vol. Tone	14798..... 14797.....	34	Order from MR39.....	Mfr... M26			11203.....	13	TC47..... HD684.....					3	6C6, 42, 80.....		8-142, 146
97E, 97KG, 97T.....	Vol. & Tone	K85479-2.....	18/22	SMD503.....				86018-2.....	1/14/15	FP424.....	B48				7	6K8, 6K7, 6H6, 6F5, 6F6, 5W4, 6U5.....	455	9-101, 103
97K.....	Vol. & Tone	K85479-2.....	18/22	SMD503.....				86018-2.....	1/14/15	FP424.....	B48				7	6K8, 6K7, 6H6, 6F5, 6F6, 5Y3G, 6U5.....	455	10-88-94
97K2, 97T2 (RC351K).....	Vol. & Tone	K85479-5.....	20/22	SMD501.....				86023-2.....	1/14/15	FP424.....					7	6K8, 6K7, 6H6, 6F5, 6F6G, 5Y3G, 6U5.....	455	10-80,82
97X.....	Vol. & Tone	K85479-3.....	75/†	SMD504.....			A67	86019-1.....	1	2N509.....					6	6A8G, 6K7, 6H6, 6F5, 25L6G, 25Z6G.....	455	9-105- 107
97Y (RC352A).....	Vol. & Tone	K85479-2.....	20/22	SMD503.....				86018-1.....	46	TN129.....					6	6K8, 6K7, 6H6, 6J7, 25L6, 25Z6.....	455	9-109, 111
98EY (RC352).....	Vol. & Tone	K85479-2.....	20/22	SMD503.....				86018-1.....	46	TN129.....					7	6K8, 6K7, 6H6, 6J7, 25L6, 25Z6, 6U5, BK63B.....	455	9-109
98K.....	Vol. Tone	72357-48..... 72357-43.....	15 22	MRT449..... MR53.....	M26		A59	11203.....	25	HD684.....					8	6A8, 6J7, 6K7, 6H6, 6F5, 6F6, 6G5, 6U5, 5W4.....	455	9-113, 116
98K2, 98T.....	Vol. & Tone	K85479-5.....	18/22	SMD501.....				86018-4.....	1/19	3S579.....					8	6A8G, 6K7, 6Q7G, 6J5, 6K6G, 6U5, 5Y3G.....	455	10-97-99
98T2 (Ch. RC352D)	Vol. & Tone	K85479-5.....	20/22	SMD501.....				86018-1.....	1/13	TN129.....					7	6K8, 6K7, 6H6, 6J7, 25L6, 25Z6, 6U5.....	455	11-113- 115
98X (RC352).....	Vol. & Tone	K85479-2.....	20/22	SMD503.....				86018-1.....	46	TN129.....					7	6K8, 6K7, 6H6, 6J7, 25L6, 25Z6, 6U5, BK63B.....	455	9-109, 111
98YG (RC352).....	Vol. & Tone	K85479-2.....	20/22	SMD503.....				86018-1.....	46	TN129.....					7	6K8, 6K7, 6J7, 6H6, 25L6, 25Z6, 6U5, BK63B.....	455	9-109, 111
R98 (RS77).....	Vol.	84304-35.....	50	DTM291-SS1				14531.....	28	RS223.....					5	6J5, 6A3, 5U4G.....		10-85,86
R99 High Fidelity Electrola.....	Vol. Tone Exp. Exp. Bias	14026..... 12553..... 72558-10..... 12468.....	16 41 15 7	Order from UC505..... MR55..... Order from	Mfr... 6-9 Mfr...			12467.....	28	RS223.....					7	6L7, 6C5, 6H6, 6A3, 5Z3.....		7-161, 165
99K, 99T.....	Vol. Tone	31450..... 72357-43.....	20 22	MRT449..... MR53.....	M26		A59	14531.....	25	RS223.....					9	6A8, 6K7, 6J7, 6Q7, 6F5, 6F6, 6G5 or 6U5, 5T4.....	455	9-117, 120
100, 101.....	Vol.	6667.....	7	E.....	6-9	2		6661.....	1/15	2N518/2N509.....					4	6A7, 6F7, 38, 1V.....	460	4-53,54
R100.....	Vol.	33359.....	50	MR42.....	M26													
V100 (RC517).....	Vol.	36287.....	18	MR48.....				35673.....	77	2N521.....					5	12SA7, 12SK7, 12SQ7, 50L6GT, 35Z5GT.....	455	12-37
M101.....	Vol.	72291-28.....	17	MR44.....	M26			4961.....	1	RS213.....		7857.....	286S	C3 C16	5	6D6, 6A7, 6B7, 41.....	175	6-1,4
V101 (RC540).....	Vol.	84779-34.....	18	MRT420.....				4958.....	24/15	3S579.....					6	6SA7, 6SK7, 6SQ7, 25L6GT, 35Z5GT.....	455	12-38
102 Victor.....	Vol.	67817-1.....	7	MR45.....	M26			37845.....	9/13	Buffer.....	B14				6	37, 77, 78, 38.....		5-25,26
U102E.....	Vol.	72357-11.....	18	MRT420.....	M26			37846.....	9	TC47.....					4			
V102 (RC524).....	Phono. Vol.	14815..... 36486.....	63 124	Order from MRT449.....	Mfr... M26			6823.....	15	2N516.....					5	6A7, 6D6, 75, 42, 80.....	460	9-61,63
103.....	Vol.	6667.....	7	E.....	6-9	2		6824.....	15	†TC32.....					7	6SA7, 6SK7, 6SQ7, 6F5, 6F6G, 5Y3G.....	455	12-39,40
U101, U103.....	Vol. Phono.	72357-11..... 14815.....	18	Order from MRT420.....	Mfr... M26			14814.....	25	HD684.....					4	6A7, 6F7, 41, 1V.....	460	6-5,7
								5212.....	25	RS216.....					5	6A7, 6D6, 75, 42, 80.....	460	8-147, 151
								14377.....	13	RS216.....								

‡ Data not substantiated.

\* IMPORTANT: Read Notes in Note Section if specified in Note Column.  
BE SURE TO SPECIFY MALLORY RADIO AND ELECTRONIC PARTS.

§ Indicates miscellaneous section.



MANUFACTURER AND MODEL	CONTROLS							CONDENSERS				VIBRATORS			No. Tubes	Complete Tube Complement	I. F. Peak	Rider's Reference
	Use	Original Part	Circuit	Correct Replacement	Switch	Bias	*Note	Original Part	Circuit	Correct Replacement	*Note	Original Part	Replacement	*Note				
R. C. A.—Continued Q103, -2, A, A-2, Q103-X, -2, AX, AX-2 (Ch. RC1044, RC1044B).....	Vol.	38410	18	MR48	M26			72281	81	FP357	B69				5	12SA7, 12SK7, 12SQ7, 50L6GT, 35Z5GT	455	16-8,13
M104.....	Vol.	72291-28	17	MR44	M26			4961	15	RS213	B6	7857	286S G286S	C3 C16	5	6D6, 6A7, 6B7, 41	175	6-8,12
U104.....	Vol.	31966	6	MR33	M26			4958	24/15	3S579	B14				4	6K7, 6J7, 25L6G, 25Z6G, BK55B		10-102, 103
K105 (Ch. RC476)	Phono. Vol.	32209 84701-13	50 45	MR33 MRT449	M26			.02-.02 86011-1	1	Buffer TC44					10	6SK7, 6SA7, 6H6, 6SF5, 6F6G, 5U4G, 6U5/6G5	455 175	11-117- 119 5-27,32
M105.....	Vol.	K67967	17	SRP251	6-9			86011-1	1/19 13	FP339 TC65	B169	7689	270B	C15	4	2N518 Order from Mfr. 7TC32	455 175	5-27,32
U105, U107.....	Vol.	14597	15	Order from	Mfr.			6492	13	2N518	B169				10	6K7, 6L7, 6H6, 6N7, 6J7, 6F6, 6G5, 5T4	460	9-121, 128
V105.....	P.U. Volt	30099	18	MR48				3536	15	RS223					5	12SA7, 12SK7, 12SQ7, 50L6GT, 35Z5GT	455	
U106.....	Vol. & Tone	37977	18	MR48				14531	25	RS213					9	6A8, 6K7, 6H6, 6F5, 6F6, 6U5, 5T4	460 175	9-129, 133 5-33,38
M107.....	Vol.	K85479-1	15/22	SMD501				5212	25	RS216		7780	294 G826C	C3 C16	6	6D6, 6A7, 75, 41, 84	460 175	5-33,38
U107.....	Vol.	6978	19	TM221-SS1	M26	See Note A68		6963	15	TN111	B14				10	6K7, 6L7, 6H6, 6U7, 6J7, 6F6, 6G5, 5T4	460 175	9-121, 129 6-8,12
M108.....	Vol.	14597	20	Order from	Mfr.			.02-.02	25	Buffer					16	6K7, 6L7, 6J7, 6H6, 6C5, 6F5, 6A3, 6G5, 5Z3	460	9-134, 148
U108.....	Phono. P.U. Volt	72357-15 30099	1 1	DTM289-SS1 MR48				5212	25	RS223					10	6K7, 6L7, 6J7, 6H6, 6C5, 6F5, 6A3, 6G5, 5Z3	460	9-134, 148
M108.....	Vol.	72291-28	56	MR44	M26			4961	1	RS213		7857	286S G286S	C3 C16	5	6D6, 6A7, 6B7, 41	175	6-8,12
U108.....	Vol. Fid.	14835 14836	20 41	DTM295-SS1 UC505	M26 7			4958	24/15	3S579	B14				16	6K7, 6L7, 6J7, 6H6, 6C5, 6F5, 6A3, 6G5, 5Z3	460	9-134, 148
M109.....	Phono. P.U. Adj. Exp. Bias	14833 14788 12468	1 1 7	DTM289 MR44 Order from				14531	25	RS223					10	6K7, 6L7, 6J7, 6H6, 6C5, 6F5, 6A3, 6G5, 5Z3	460	9-134, 148
M109.....	Vol. Tone	72291-28 5072	56 44	MR44 MR39	M26			5212	13	RS216		5067	294	C3	7	6D6, 6A7, 6B7, 76, 6A6, 84	175	6-13,17
U109.....	Vol. Fid.	14835 14836	20 41	DTM295-SS1 UC505	M26 7			5054	15	TC22	B14				16	6K7, 6L7, 6J7, 6H6, 6C5, 6F5, 6A3, 6G5, 5Z3	460	9-134, 148
U109.....	Phono. P.U. Adj. Exp. bias	14833 14788 12468	1 1 7	DTM289 MR44 Order from				11496	28	RS216					10	6SK7, 6SA7, 6SQ7, 6SF5, 6K6GT, 5U4G	455	12-43,44
110, 111.....	Vol. Tone		8 34	D MR39	6-9	1		5212	13	RS216					5	58, 2A7, 57, 2A5, 80	175	4-55,56
110K (Ch. RC513)	Vol.	35962	124	MRT449	M26			14273	15	TC26/TC22					10	6SK7, 6SA7, 6SQ7, 6SF5, 6K6GT, 5U4G	455	12-43,44
CV110 (A.C. Power Supply)								14773	14	RS216					5	58, 2A7, 57, 2A5, 80	175	4-55,56
ACR111.....	Vol. Fid. Noise Sen.	13039 14134 13042 13038	15 41 7 7	MR55 MR44 MR14 MR14	M26			12682	15	TC22					16	6K7, 6J7, 6H6, 6C5, 6F6, 6R7, 6E5, 5Z3	460	9-149, 160
111K (Ch. RC513A)	Vol.	35962	124	MRT449	M26			14273	13	TC26/TC22					12	6SK7, 6SA7, 6H6, 6SF5, 6K6GT, 5U4G, 6U5/6G5	455	12-45,46
CV111.....								14773	14	RS216					5	6A8, 6K7, 6Q7G, 6K6G, 5Y3G	455	7-169, 170
RS111A (CV112X) PWR Supply								12682	15	TC22					1	25Z6GT		14-6,7
U111.....	Vol.	72357-27	18	MR44	M26T			80385-3	1	2N509					5	6A8, 6K7, 6Q7G, 6K6G, 5Y3G	455	7-169, 170
112, 112A (DC-220V)	Vol.	69149-2	8	A5MP				36553	3	TC310					5	78, 6A7, 77, 43, 12Z3, 25Z6GT	175	4-57,59 12-85
CV112.....								86005-1	1	2S569	B172				5	78, 6A7, 77, 43, 12Z3, 25Z6GT	175	4-57,59 12-85
U112 (RC341CM)	Vol.	72357-27	18	MR44	M26T			6728	25/15	3S582/TN111	B172				5	78, 6A7, 77, 43, 12Z3, 25Z6GT	175	4-57,59 12-85
114.....	Vol.	6508	8	A5MP	6-9	2		36553	3	TC310					5	6A8, 6K7, 6Q7G, 6K6G, 5W4	455	9-169, 170
114.....	Vol.	6508	8	A5MP	6-9	2		6783	9/15	3S582/TC52/ TC552	B171				5	78, 6A7, 77, 43, 25Z5	175	4-60,62

‡ Data not substantiated.

\* IMPORTANT: Read Notes in Note Section if specified in Note Column.

‡ Indicates miscellaneous section.

MAKE FULL USE OF NOTES AND CIRCUIT DIAGRAMS.

MANUFACTURER AND MODEL	CONTROLS							CONDENSERS				VIBRATORS			No. Tubes	Complete Tube Complement	I. F. Peak	Rider's Reference
	Use	Original Part	Circuit	Correct Replacement	Switch	Bias	*Note	Original Part	Circuit	Correct Replacement	*Note	Original Part	Replacement	*Note				
R. C. A.—Continued																		
115.....	Vol. Tone	6465.....	7	A3MP.....	6-9	1	7590.....	1	HD684.....					5	58, 2A7, 57, 2A5, 80.	175	4-55,56	
UI15.....	Vol. & Tone	6623.....	34	MR39.....			7589.....	1/14	2N518/2N509.....									
M116.....	Vol. Tone	32355.....	75/†	SMD504.....			86005-3.....	1	2N518.....					6	6A8G, 6K7, 6H6, 6F5, 6K6G, 5Y3G.....	455	10-104-106	
		K67846.....	†	MR44.....			6738.....	1	RS213.....		7694.....	270B	C15	5	78, 6A7, 6B7, 41, 1V.....	175	5-39,42	
		6747.....	34	MR53.....			6782.....	1	TC71.....									
							6781.....	13	Order from Mfr.....									
							3536.....	15	*TC32.....									
117, 118, 119.....	Vol. Vol.	4790.....	19	TM221-SS1.....	M26		7790.....	1	HD684.....					5	6A7, 6D6, 6B7, 41, 80.....	460	6-18, 5-43 & 6-25	
		4429.....	19	TM221-SS1.....	M26		4428.....	1	RS213.....									
							7589.....	13	TC71.....									
							3796.....	15	TC32.....									
UI19.....	Vol. & Tone	K85479-2.....	20/22	SMD503.....			86018-2.....	1/14/15	FP424.....	B48				6	6K8, 6K7, 6H6, 6F5, 6F6, 5W4.....	455	9-171, 174	
120.....	Vol. Tone	K69109.....	19	MRT431.....			7590.....	1	HD684.....					6	2A7, 2B7, 58, 2A5, 80.....	175	4-63,65	
		6619.....	34	MR39.....	M26		6487.....	13/14	TCS61/2N509.....									
121, 122.....	Vol. Vol. Tone	K69461-2.....	19	TM221-SS1.....			6571.....	1	HD684.....					6	58, 2A7, 2B7, 2A5, 80.....	370	4-66,69	
		6705.....	34	MR39.....	M26		6703.....	1/13	3S584.....									
							3796.....	15	TC32.....									
Q121 (Ch. RC507U)	Vol. Tone	35620.....	18	MRT430.....	M26		33014.....	1/13	FP424.....					6	6SA7, 6SK7, 6SQ7, 6AU7G, 6F6G, 5Y3GT.....	455	16-14,18	
		35629.....	22	MR48.....				15										
UI21 (RC348J)....	Vol. & Tone	32355.....	18/21	SMD504.....			86031-14.....	1	FP231.....					6	6A8G, 6K7, 6H6, 6F5, 6K6G, 5Y3G.....	455	10-107-113	
UI22E.....	Vol. & Tone	K85479-2.....	20/22	SMD503.....			86018-2.....	1/14/15	FP424.....	B48				6	6K8, 6K7, 6H6, 6F5, 6F6, 5W4.....	455	9-171, 174	
M123.....	Vol. Tone Supp.	69854-14.....	18	MR44.....	M26	A68	7758.....	1	See Note.....	B173	7757.....	222	C4	6	6D6, 6A7, 75, 41, 79.....	175	5-47,52	
		6971.....	41	MR33.....			6963.....	15	TN111.....									
		6972.....	7	A2MP.....														
UI23 (RC348H 1 Band) (RC421 2 Band)....	Vol. & Tone	32355.....	75/†	SMD504.....			86031-14.....	1	FP231.....					6	6A8G, 6H6, 6K7, 6F5, 6K6G, 5Y3G or 6SA7, 6K7, 6H6, 6SF5, 6F6G, 5Y3G.....	455	10-107-111	
124.....	Vol. Tone	K69109.....	19	MRT431.....			7590.....	1	HD684.....					6	58, 2A7, 2B7, 2A5, 80.....	175	5-53,55	
		6619.....	34	MR39.....	M26		6487.....	1/13	HD684.....									
UI24.....	Vol. & Tone	K85479-2.....	25/22	SMD503.....			86018-2.....	1/14/15	FP424.....	B8				6	6K8, 6K7, 6H6, 6F5, 6F6, 5W4.....	455	9-171, 174	
125.....	Vol.	72294-7.....	19	TM221-SS1.....	M26		7790.....	1	HD684.....					6	6A7, 6D6, 6B7, 41, 80.....	460	6-29,32	
							5101.....	1/14	3S584.....									
UI25.....	Vol. & Tone	K85479-2.....	17/22	SMD503.....			86018-4.....	1/19	3S579.....					8	6A8G, 6K7, 6Q7G, 6J5, 6K6G, 6U5, 5Y3G.....	455	10-114-118	
126B.....	Vol.	6995.....	9	MR35.....			4349.....	12	See Note.....	B174				6	1A6, 34, 32, 30.....	460	5-57,60	
UI26.....	Vol. Tone	72357-44.....	18	MRT449.....		A59	86015-4.....	25	2S569.....	B8				10	6A8, 6J7, 6K7, 6H6, 6F5, 6F6, 6U5, 5T4.....	455	9-201, 210	
		72357-43.....	22	MR53.....	M26		80385-7.....	25	RS216.....									
127.....	Vol. Tone	69461-2.....	19	TM221-SS1.....			6986.....	12	2N509.....	B11				6	6D6, 6A7, 75, 41.....	370	5-61,64	
		6705.....	44	MR39.....	M26		6985.....	13	2N516.....									
							3796.....	15	TC32.....									
UI27E (RC348L)....	Vol. & Tone	32355.....	18/21	SMD504.....			86031-14.....	1	FP231.....					6	6A8G, 6K7, 6H6, 6F5, 6K6G, 5Y3G.....	455	9-201, 210	
128, 128E.....	Vol. Tone	72291-4.....	19	TM221-SS1.....			7790.....	1	HD684.....					6	6D6, 6A7, 6B7, 41, 80.....	460	5-65,70 6-35,39	
		4517.....	34	MR39.....			4428.....	1	RS213.....									
							7589.....	13	TC71.....									
							4525.....	15	TC22.....									
UI28.....	Vol. Tone	72357-44.....	18	MRT449.....		A59	86015-4.....	25	2S569.....	B8				10	6A8, 6J7, 6K7, 6H6, 6F5, 6F6, 6U5, 5T4.....	455	9-201, 210	
		72357-43.....	22	MR53.....	M26		80385-7.....	25	RS216.....									
UI29 (RC335K)....	Vol. Tone	72357-44.....	18	MRT449.....		A59	86015-4.....	25	2S569.....	B8				10	6A8, 6J7, 6K7, 6H6, 6F5, 6F6G, 5U4G, 6U5.....	455	10-47-51	
		72357-43.....	22	MR53.....	M26		80385-7.....	25	RS216.....									
K130 (Ch. RC501A)	Vol.	84701-22.....	20	DTM291-SS1.....	M26		35016.....	25/19	Order from Mfr.....					13	6SK7, 6SA7, 6H6, 6SF5, 6F6G, 5U4G, 6U5/6G5.....	455	11-79-82	
							35017.....	25/14	FP228.....									
UI30.....	Vol. Tone	84394-5.....	17	MRT449.....	M26		86015-4.....	25	2S569.....	B8				12	6K7, 6A8, 6J7, 6R7, 6U5, 6F6, 6J5, 5T4.....	455	9-4,10	
		84304-3.....	†	Order from Mfr.....			80385-8.....	25/14	2S569.....									
UI32.....	Vol.	84304-6.....	20	DTM291-SS1.....			68597-16.....	25	RS223.....					14	6K7, 6L7, 6J7, 6R7, 6H6, 6U5, 6J5, 6F6, 5T4.....	455	9-18,29	
							68597-15.....	25	RS216.....									
							14377.....	14	RS216.....									
							11203.....	25	HD684.....									
							68597-15.....	25	RS216.....									
UI34.....	Vol.	84304-6.....	20	DTM291-SS1.....			14377.....	14	RS216.....					16	6K7, 6L7, 6U5, 6J7, 6H6, 6J5, 6L6, 5T4.....	455	9-21,29	

† Data not substantiated.

\* IMPORTANT: Read Notes in Note Section if specified in Note Column.

‡ Indicates miscellaneous section.

DON'T MISS THE MALLORY 1485 CONTROL DEAL!

MANUFACTURER AND MODEL	CONTROLS							CONDENSERS				VIBRATORS			No. Tubes	Complete Tube Complement	I. F. Peak	Rider's Reference
	Use	Original Part	Circuit	Correct Replacement	Switch	Bias	*Note	Original Part	Circuit	Correct Replacement	*Note	Original Part	Replacement	*Note				
R. C. A.—Continued																		
135B.....	Vol. Tone	4535.....	45	MR44.....			4498.....	12	TC71.....					7	1C6, 34, 30, 32, 19...	460	5-71,74	
V135 Ch. RC517H.	Vol.	69648-4..... 38409.....	41 18	MR48..... MR48.....			39500..... 39501.....	9 9	TC45..... Order from Mfr.					5	12SA7, 12SK7, 12SQ7, 35L6GT, 50Y6GT.	455	13-9,70	
ACR136.....	Vol. Tone Sen.	4809..... 4810..... 4726.....	18 34 7	TM221-SS1..... MR39..... SRP134.....			7790..... 4498..... 7589..... 4525.....	1 1 14 15	HD684..... TC71..... TCD71..... TC22.....					7	6D6, 6A7, 6B7, 41, 80	460	6-40,46	
140, 141, 141E.....	Vol. Tone	K69461-2..... 6627.....	19 21	TM221-SS1..... MR53.....	M26		6571..... 6609..... 6626.....	1 1 14/15	HD684..... RS216..... TC71/TN111					8	58, 2A7, 2B7, 56, 53, 80	445	4-70,76	
140, 141, 141E (Revised)	Vol. Tone	K69461-1..... 6892.....	19 21	TM221-SS1..... UC505.....	6-9		6889/6609..... 6626.....	1 13/15	RS216..... TC71/TN111					8	58, 2A7, 2B7, 56, 53, 80	445	5-75,80	
V140, Ch. RC572A.	Vol.	38408.....	18	MRT440.....	M26		37846..... 37845.....	9 9/13	TC47..... Order from Mfr.					6	6SK7, 6SA7, 6SQ7, 25L6GT, 25Z6GT.	455	13-71,72	
142B.....	Vol.	6714.....	9	MR35.....			6548.....	12	TC52.....					8	34, 30, 32	175	4-77,80	
143.....	Vol. Tone Sen.	72291-4..... 72291-5..... 4618.....	19 41 7	TM221-SS1..... MR53..... UC500.....	M26		7790..... 4626..... 4619.....	1 13/15 15	HD684..... 3S579..... TC22/TP431	B177				8	6D6, 6A7, 75, 76, 42, 5Z3	460	5-80,89 6-45,47	
V170 (RC523).....	Vol.	36486.....	124	MRT449.....	M26		35858.....	1/15	FP339.....					6	6SA7, 6SK7, 6H6, 6SF5, 6K6GT, 5Y3G	455	12-47,48	
ACR175.....	Vol. Sen.	12087..... 12090.....	15 7	MR55..... G.....			11203..... 5212.....	1 1	HD684..... RS216.....					11	6J7, 6K7, 6L7, 6H6, 6F5, 6F6, 5Z4, 6E5	460	9-162, 168	
V175, Ch. RC582.....	Vol.	38404.....	18	MRT454.....	M26		11248..... 37846..... 37845.....	14 9 9/13	RS213..... TC47..... Order from Mfr.					6	6SK7, 6SA7, 6SQ7, 25L6GT, 25Z5GT.	455	13-73,74	
V200 (RC519), V201 (RC522).....	Vol.	36534.....	20	MRT449.....	M26		36569.....	1/19	FP339.....					7	6SA7, 6SK7, 6SQ7, 6SF5, 6K6GT, 5Y3G	455	12-49,50	
VHR202 (RC548).....	Vol. Treble Bass Mike	37604..... 37024..... 37023..... 84779-22.....	124 22 † 127	MRT454..... MR33..... MR55..... MR48.....	M26 M26		36569..... 32405.....	1/19 13	FP339..... TC65.....					9	6SA7, 6SK7, 6Q7, 6SJ7, 6K6GT, 6U5/6G5, 5Y3G	455	12-52-59	
V205 (RC521).....	Vol. Treble	36337..... 36339.....	20 22	MRT449..... MR53.....	M26		34533..... 32405.....	1/19 13	FP339..... TC65.....					9	6SK7, 6SA7, 6H6, 6SF5, 6F6G, 5U4G	455	12-61, 62,83, 85	
VHR207 (RC547).....	Vol. Mike Bass Treble	37019..... 84779-22..... 37023..... 37024.....	124 127 † 22	MRT427..... MR48..... MR55..... MR53.....	M26 M26		34889..... 31584..... 36589..... 32405.....	1 19 13 13	FP234..... TC29..... FP143..... TC65.....	B3				11	6SK7, 6SA7, 6Q7, 6SJ7, 6F6G, 12K7GT, 6H6, 6U5/6G5, 5U4G	455	12-54-57	
V209, V210, Ch. RC573, Ch. RC573A.....	Vol.	38404.....	18	MRT454.....	M26		37877..... 37888.....	13 1/19	TC74..... FP339.....					8	6SG7, 6SA7, 6SK7, 6SQ7, 6K6GT, 5Y3G	455	13-75-77	
210.....	Vol. Tone	67889-8..... 6645.....	8 34	D..... MR39.....	6-9	1	7590..... 7589.....	1 1/14	HD684..... TCD71.....					5	58, 2A7, 57, 2A5, 80	175	4-81,83	
211K (Ch. RC571).....	Vol.	38404.....	20	MRT454.....	M27		36045.....	1/13/15	FP429.....					11	6SK7, 6SA7, 6SQ7, 6K6GT, 5U4G	455	5-43,46 6-18,24	
211, 214.....	Vol.	73294-7.....	19	TM221-SS1.....	M26		7790..... 4428..... 7589..... 3796.....	1 1 13 15	HD684..... RS213..... TCD71..... TC32.....					5	6A7, 6D6, 6B7, 41, 80	460	6-18,24	
VHR212, Ch. RC574.....	Vol. Treble Bass Mic. Vol.	39171..... 38405..... 38402..... 38409.....	18 22 † 124	MRT427..... MR55..... MR53..... MR48.....	M26		37888..... 37877.....	1/19 13	FP339..... TC74.....					10	6SG7, 6SA7, 6SK7, 6U5 or 6G5, 6SJ7, 6Q7, 6K6GT, 5Y3G	455	14-48-60	
V215, Ch. RC564.....	Vol. Bass Treble	36447..... 38402..... 38405.....	18 † 22	DTM291-SS1..... MR55..... MR53.....	M26		37888..... 34889.....	1/19 13	FP339..... FP234.....					9	6SG7, 6SA7, 6SK7, 6SQ7, 6F6G, 6R7, 5U4G	455	13-7,11, 80-82	
V219, Ch. RC564A.....	Vol. Bass Treble	36447..... 38402..... 38405.....	18 † 22	DTM291-SS1..... MR55..... MR53.....	M26		37888..... 34889.....	1/19 13	FP339..... FP234.....					9	6SG7, 6SA7, 6SK7, 6SQ7, 6F6G, 6R7, 5U4G	455	13-7,11 80-82	
220.....	Vol. Tone	6682..... 6681.....	19 34	TM221-SS1..... MR39.....	M26		6571..... 6691.....	1 13/15	HD684..... 3S584/TC22					6	58, 2A7, 2B7, 2A5, 80	175	4-84,86	
221.....	Vol. Tone	K69461-2..... 6705.....	19 34	TM221-SS1..... MR39.....	M26		6571..... 6703..... 3796.....	1 1/13 15	HD684..... 3S584..... TC32.....					6	58, 2A7, 2B7, 2A5, 80	370	5-91,94	
V221, Ch. RC564.....	Vol. Bass Treble	36447..... 38302..... 38405.....	18 † 22	DTM291-SS1..... MR55..... MR53.....	M26		37888..... 34889.....	1/19 13	FP339..... FP234.....					9	6SG7, 6SA7, 6SK7, 6SQ7, 6R7, 6F6G, 5U4G	455	13-7,11, 80-82	
222.....	Vol. Tone	6682..... 6681.....	19 34	TM221-SS1..... MR39.....	M26		6571..... 6691.....	1 13/15	HD684..... 3S584/TC22					6	58, 2A7, 2B7, 2A5, 80	175	4-84,86	
223.....	Vol. Tone	K69109..... 6860.....	19 34	MRT431..... MR39.....	M26		6859.....	13/15	3S584/TC62	B176	7735	Order from Mfr.		6	6D6, 6A7, 6B7, 38, 84	175	5-95, 100	

† Data not substantiated.

\* IMPORTANT: Read Notes in Note Section if specified in Note Column.  
WHEN YOU BUY A BATTERY CHARGER BUY A MALLORY.

‡ Indicates miscellaneous section.

MANUFACTURER AND MODEL	CONTROLS							CONDENSERS				VIBRATORS			No. Tubes	Complete Tube Complement	I. F. Peak	Rider's Reference
	Use	Original Part	Circuit	Correct Replacement	Switch	Bias	*Note	Original Part	Circuit	Correct Replacement	*Note	Original Part	Replacement	*Note				
R. C. A.—Continued 224, 224E.....	Vol. Tone	72291-4 4517.....	19 34	TM221-SS1 MR39.....				7790 4428 7589 4525	1 13 15	HD684 RS213 TCD71 TC22					6	*6D6, 6A7, 6B7, 41, 80	460	6-33,39 5-65,70
225.....	Vol.	73294-7.....	19	TM221-SS1	M26			7790 5101	1 1/14	HD684 3S584					6	6A7, *6D6, 6B7, 41, 80	460	6-29,32
V225, Ch. RC564B	Vol. Bass Treble	36447 38402 38405.....	18 1 22	D*TM291-SS1 MR55 MR53	M26			37888 34889	1/19 13	FP339 FP234					9	6SG7, 6SA7, 6SK7, *6S07, 6R7, *6F6G, 5U4G	455	13-7,11, 80-82
226.....	Vol. Tone		19 44	TM221-SS1 MR39.....				7790 4428 7589 4525	1 1 13/14 15	HD684 RS213 TCD71 TC22					6	*6D6, 6A7, 6B7, 42, 80	460	6-33,36
235B.....	Vol. Tone	4535 69648-4.....	45 41	MR44 MR48				4498	12	TC71					7	1C6,*34,*30, 32, 19...	460	5-71,74
236B.....	Vol.		45	MR44				4498	12	TC71					7	1C6,*34,*30, 32, 19...	460	6-48,50
240.....	Vol. Tone	K69461-2 6705.....	19 21	TM221-SS1 MR53	M26			6571 6609 6626	1 1 14/15	HD684 RS216 TC71/TN111					8	*58, 2A7, 2B7, 56, 53, 80	445	4-70,76
240 (Revised).....	Vol. Tone	K69461-1 6892.....	19 21	TM221-SS1 UC505	6-9			6889/6609	1	RS216					8	*58, 2A7, 2B7, 56, 53, 80	445	5-75,80
241B.....	Vol.	6714.....	9	MR35				6548	12	TC52					8	*34,*30, 32	175	4-77,80
242, 243.....	Vol. Tone	72291-4 72291-5.....	19 41	TM221-SS1 MR53	M26			7790 4626	1 13/15	HD684 3S579			B177		8	*6D6, 6A7, 75, 76,*42, 5Z3	460	5-81,89 6-45,47
260, 261.....	Sen. Vol.	4618 67656-1.....	7 100	UC500 TRP622	6-9			4619 6443	15/13 4	TC22/TP431 HD684					10	*58,*56,*2A5, 80	175	4-87,94
	B. Tone T. Tone	6448 6450.....	1 7	Y200MP UC505				6430	4/13	TCS71			B169					
262 (Two Types)...	Supp. Vol. B. Tone	K69461-6 7795.....	45 1	TM221-SS16 Y200MP				7790 7788	1 1	HD684 RS216					10	*6D6, 6A7,*76,*42, 5Z3	460	5-101, 110
	T. Tone Sen.	6448 7804.....	1 7	MR53 UC500				7833	15/14/ 19	3S579								6-51,52
262, 263 (1935 Production).....	Vol. B. Tone	4832 72291-9.....	19 1	TM221-SS16 MR45				7790 7788	1 1	HD684 RS216					10	*6D6, 6A7, 85,*76,*42, *80	460	6-53,59
	T. Tone Sen.	72291-10 7804.....	34 7	MR53 UC500				4831	14/19	TCS71								
280.....	Vol. B. Tone	67656-1 6448.....	100 1	UC500 Y200MP				6571 6574	2 13/14	HD684 2N518					12	*58,*56, 55,*59, 5Z3	175	4-95,98
	T. Tone Supp.	6449 6450.....	41 7	UC505 A5MP														
281.....	Vol. B. Tone	67656-4 7795.....	100 1	TRP622 Y200MP				7790 7788	1 1	HD684 RS216					12	*6D6, 6A7, 85,*76,*42, 5Z3	460	5-111, 118
	T. Tone Supp.	65469-2 7804.....	41 7	UM165-SS16 UC500				7789	13/14/ 19	2S567/TC32 See Note			B179 B180		4	78, 77, 38, 25Z5		4-99, 102
300.....	Vol. Phono.		6 64	MR34 E12	M26	EX150		6587	9/15									
V300 (RC518), V301, V302 (RC518A, R518A)	Vol. Treble	36447 36449.....	20 121	D*TM291-SS1 Order from Mfr.				36599 86031-4	1/19 13/15	FP426 FP332	B8				11	*6SK7, 6SA7, 6H6, 6J5, *6F6G, 6U5/ 6G5, 5U4G	455 460	12-63,64 5-119, 122
301.....	Vol. Phono.	6667 6827.....	7 16	E MR53	6-9			6661 6832	1/15 13	2N518/2N509 TC52					4	6A7, 6F7, 41, 1V		
VHR307 (RC555)...	Vol. Treble Mike	37859 36449 84779-22.....	20 121 15	D*TM291-SS1 Order from Mfr. MR48	M27			34065 37877 31584 34150	1 13 19	FP145 TC74 TC48					12	*6SK7, 6SA7, *6H6, 6SJ7, *6F6G, 12K7GT, 6U5/ 6G5, 5U4G	455	12-65, 66,86
	Vol. Tone Phono.	67889-8 6645.....	7 34	D MR39 E12	6-9	1		7590 7589	1 1/14	HD684 TCD71					5	58, 2A7, 57, 2A5, 80..	175	4-103, 106
Duo 320, Duo 321..	Vol. Tone Phono.	K69461-2 6705.....	19 34	TM221-SS1 MR39	M26		A66	6571 6703	1 1/13	HD684 3S584					6	*58, 2A7, 2B7, 2A5, 80	370	5-123, 134
	Vol. Phono.	73000.....	1	Order from Mfr.				3796	15	TC32								
322, Duo 322, 322E, Duo 322E..	Vol. Tone Phono.	72291-4 4517.....	19 34	TM221-SS1 MR39				7790 4428	1 1	HD684 RS213					6	*6D6, 6A7, 6B7, 41, 80	460	6-60,71
	Vol. Phono.	69915-1.....	1	Order from Mfr.				7589 4525	13 15	TCD71 TC22								
327.....	Vol. Tone Phono.	K69461-2 6705.....	19 44	TM221-SS1 MR39	M26			6986 6985	24 13	2N509 2N516	B11				6	*6D6, 6A7, 75,*41	370	5-135, 140
	Vol. Phono.	73979 6594.....	1 19	Order from Mfr. MRT431				3796 7590	15 25	TC32 HD684					7	*58, 2A7, 55, 56, 80, 53	175	4-107, 118
330, 331.....	Vol. Tone Phono.	6595 69651-2.....	19 63	MR48 MRT443	M26			6555 3536	25/13 15	TC32 *TC32								
	Vol. Tone Phono.	K69461-1 6627.....	19 21	TM221-SS1 MR53	M26			6571 6609	1 1	HD684 RS216					8	*58, 2A7, 2B7, 56, 53, 80	445	5-149, 156
340, 340E.....	Vol. Tone Phono.	69915-1.....	1	Order from Mfr.				6626	13/15	TC71/TN111								

‡ Data not substantiated.

\* IMPORTANT: Read Notes in Note Section if specified in Note Column.

§ Indicates miscellaneous section.

MANUFACTURER AND MODEL	CONTROLS							CONDENSERS				VIBRATORS			No. Tubes	Complete Tube Complement	I. F. Peak	Rider's Reference
	Use	Original Part	Circuit	Correct Replacement	Switch	Bias	*Note	Original Part	Circuit	Correct Replacement	*Note	Original Part	Replacement	*Note				
R. C. A.—Continued 340, 340E "All Wave Duo"	Vol. Tone	K69461-1...	19	TM221-SS1				6609/6889	1	RS216					8	*58, 2A7, 2B7, 56, 53, 80	445	5-141, 148
	Phono.	6892	21	UC505				6626	13/15	TC71/TN111								
341, 342	Vol. Tone	69915-1	†	Order from	Mfr.			7790	1	HD684					8	*6D6, 6A7, 75, 76, 42, 5Z3	460	5-157, 164
	Sen.	72291-4	†	TM221-SS1				4626	13/15	3S579	B177							
	Phono.	72291-5	41	MR53	M26			4619	15	TC22/TP431								
Duo 380, Duo 380 HR	Vol. Tone	4618	7	UC500				6571	2	HD684					12	*58, 56, 55, 59, 5Z3	175	5-171, 188
	T. Tone	69915-1	†	Order from	Mfr.			6574	13/14	2N518								
	B. Tone	67656-1	100	TRP622	6-9			6797	15	TC22								
	Supp.	6449	41	UC505														
	Phono.	6448	†	Y200MP														
Duo 381	Vol. Tone	6450	7	A5MP				7799	†	Order from	Mfr.							
	T. Tone	6799	†	TRP622				7790	1	HD684					12	*6D6, 6A7, 76, 85, 42, 5Z3	460	5-189, 202
	B. Tone	65469-2	41	UM165-SS16				7788	1	RS216								
	Supp.	7795	†	Y200MP				7789	13/19	2S567/TC32	B179							
V405 (RC521B)	Vol. Treble	7804	7	UC500				25433	1/19	FP339					9	*6SK7, 6SA7, 6H6, 6SF5, 6F6G, 5U4G	455	12-83
		36337	20	MRT449				32405	13	TC44								
		36339	22	MR53	M26													
VHR407 (RC547A)	Vol. Mike	37019	124	MRT427	M26			34889	1	FP234					11	*6SK7, 6SA7, 6Q7, 6SJ7, 6F6G, 12K7GT, 6H6, 6U5/6G5, 5U4G	455	12-54-57
	Bass	84779-22	127	MR48				31584	19	TC29								
	Treble	37023	†	MR55	M26			36589	13	FP143								
Radiola 500, 501	Vol.	37024	22	MR53				32405	13	TC44								
		35330	18	MR44	M26		A106	39124-1	1	2N509					5	12SA7, 12SK7, 12SQ7, 50L6GT, 35Z5GT	455	12-60
510 (3rd Prod.) Ch. RC1003D	Vol.	35344	18	MR48	M26		A106	35348	1	2N513					5	12SA7, 12SK7, 12SQ7, 50L6GT, 35Z5GT	455	14-61, 82
Radiola 510, 511, 512, 513	Vol.	84701-30	18	MR48	M26		A106	35348	1	2N513					5	12SA7, 12SK7, 12SQ7, 50L6GT, 35Z5GT	455	12-67
515	Vol.	36242	18	MR48	M26		A106	36301	77	2N520					6	*12SK7, 12SA7, 12SQ7, 35L6GT, 35Z5GT	455	
516, 517 Ch. RC1001C	Vol.	36584	18	MR48	M26		A106	36301	1	2N520					5	12SA7, 12SK7, 12SQ7, 50L6GT, 35Z5GT	455	13-83
520 (1st. Prod.) Ch. RC1003D	Vol.	35344	18	MR48	M26		A106	35348	1	2N513					5	12SA7, 12SK7, 12SQ7, 50L6GT, 35Z5GT	455	14-61, 82
522 (2nd Prod.) Ch. RC1022A	Vol.	35344	18	MR48	M26		A106	35348	1	2N513					5	12SA7, 12SK7, 12SQ7, 50L6GT, 35Z5GT	455	14-63
526, 527 Ch. RC1001E	Vol.	36584	18	MR48	M26		A106	36301	1	2N520					5	12SA7, 12SK7, 12SQ7, 50L6GT, 35Z5GT	455	13-84
R560P Ch. RC517F	Vol.	37977	18	MR48				36301	77	2N520					5	12SA7, 12SK7, 12SQ7, 50L6GT, 35Z5GT	455	13-85
R566P	Vol.	38409	18	MR48				39500	9	TC45					5	12SA7, 12SK7, 12SQ7, 35L6GT, 50Y6GT	455	13-86
								39501	9	Order from	Mfr.					or 50L6GT, 35Z5GT		
610V1, 610V2 (Ch. RC610, RC610C)	Vol.	70342	152	DTM291-SS1	M27			72052	24/15	FP238/TC48	B6				10	*6BE6, 6BA6, 6AU6, 6AL5, 6Q7, 6K6, 5Y3	455	10.7
								72121	83	TC40								
612V1, 612V2, 612V3 (Ch. RK121, RS123)	Vol. Tone HF	71596	152	DTM291-SS1			110	36599	1	FP238					12	*6BA6, 6BE6, 6AU6, 6AL5, 6AT6, 6J5, 6F6G, 5U4G	455	10.7
	Tone LF	38405	22	MR53				31323	84	TC29	B6							
		38401	15	MR55				33879	14	FP143								
								72121	83/92	TC40								
711V2 (Ch. RK117, RS123)	Vol.	72034	152	Order from	Mfr.			31323	1	TC44					11	*6BA6, 6EB6, 6AU6, 6AL6, 6SQ7, 6J5, 6F6, 5U4	455	10.7
								36599	84	FP238	B6							
								72121	19/83	TC29								
								14531	25	RS223					10	*6K7, 6L7, 6J7, 6H6, 6N7, 6F6, 6G5, 5T4	460	9-175, 179
810K, 810K1, 810T	Vol.	14335	20	MRT449				5212	25	RS216					10	*6K7, 6L7, 6J7, 6H6, 6N7, 6F6, 6G5, 5U4G	460	9-181, 184
810T4	Vol.	14335	20	MRT449				14531	25	RS223					10	*6K7, 6L7, 6J7, 6H6, 6N7, 6F6, 6G5, 5U4G	460	8-153, 159
								5212	25	RS216								
811K	Vol. Fid.	72558-44	20	MRT449				14531	25	RS223					11	*6K7, 6L7, 6J7, 6H6, 6N7, 6F6, 6G5, 5T4	460	8-161, 166
	Fid.	14764	22	MR48				5212	25	RS216								
								14829	13/14	3S579								
812K	Vol. Fid.	12861	20	DTM295-SS1				14531	25	RS223					12	*6K7, 6L7, 6J7, 6H6, 6N7, 6G5, 6F6, 5T4	460	
	Fid.	14703	22	Order from	Mfr.			5212	25	RS216								
								14829	13/14	3S579								

† Data not substantiated.

\* IMPORTANT: Read Notes in Note Section if specified in Note Column.

‡ Indicates miscellaneous section.

MANUFACTURER AND MODEL	CONTROLS							CONDENSERS				VIBRATORS			No. Tubes	Complete Tube Complement	I. F. Peak	Rider's Reference	
	Use	Original Part	Circuit	Correct Replacement	Switch	Bias	*Note	Original Part	Circuit	Correct Replacement	*Note	Original Part	Replacement	*Note					
R. C. A.—Continued																			
813K	Vol. Fid.	12861 14703	20 22	DTM295-SS1 Order from	Mfr.			14531 5212 14377 13611 14902	30 30 14 19 15	RS223 RS216 RS216 TC26 TN111					13	*6K7, 6L7, *6J7, 6H6, 6C5, *6F6, 6G5, 5T4	460	9-185, 193	
816K	Vol. Fid.	12861 14703	20 22	DTM295-SS1 Order from	Mfr.			14531 5212 14377 14902 13611	30 30 14 15 19	RS223 RS216 RS216 TN111 TC26					16	*6K7, 6L7, *6J7, *6H6, 6C5, 6F6, *6L6, 6G5, *5T4	460	9-192, 200	
910KG	Vol. Tone	31450 72357-43	20 22	MRT449 MR53	M26		A59	14531 5212	25 25	RS223 RS216					10	6A8, 6K7, 6J7, 6U5, 6H6, *6F5, *6F6, 5T4	455	9-201, 206	
911K	Vol. Tone	72357-44 72357-43	18 22	MRT449 MR53	M26		A59	14531 5212	25 25	RS223 RS216					11	*6K7, 6A8, 6J7, 6H6, 6U5, *6F5, *6F6, 5T4	455	9-207, 210	
ER-1240-A2	Vol. Tone Mike		7 41	SRP134 MR48				10 4	4 4	HD684 HD684					12	*35, *27, 24A, *45, 80, *81, *50	175	3-63,67	
AC3789 (Nash)	Vol.	32295		MR48				10-10-20 .0075	24/15	FP332 Buffer	B14	13688	859	C3	5	6A8, 6K7, 6Q7, 6F6G, 6X5G			
AR-4229	Vol.	K67967	18	SRP251	6-9			4-4 6492 3536	1 13 15	2N518 Order from *TC32	B169 Mfr.	7689	270B	C15	4	78, 6A7, 6B7, 41	175	5-203, 206	
MI-4816, MI-4817, MI-4818	Vol.	12392	50	V MR48															13-89 13-90
MI-4829A	Vol.	37047	50	A MR48															13-90
MI-4839	Vol.	35473		MR48															13-90
MI-8122 (Vib. Power Sup.)	Tone	31637		MR48	M26			46708 46707	46/13/ 15 13	Order from TC22	Mfr.				6	*6SC7, 6N7, *6L6, 5V4G		14-84,85	
MI-12224 MI-12224A	Vol. Tone	35473 35474	15 21	MR48 MR53				33879 .02-.02	1	TC72 Buffer	B14	31795	246A	C22				14-4	
MI-12232	Vol. Tone	35473 31637	141 †	MR48 MR48	M26			34065 31323 18530 34061 46731 46707	12 13 13 15 46/15 15	FP145 TC45 FP227 FP211 Order from TC22	Mfr.	46735	Order from	Mfr.	5	*6SJ7, 6SC7, *6L6, 6X5		14-75-78 14-79,80	
MI-12233	Vol. Tone	35473 31637	† †	MR48 MR48	M26			.001 46708 46707	46/13/ 15 13	Buffer Order from TC22	B14 Mfr.				6	*6SC7, 6N7, *6L6, 5V4G		14-84,85	
MI-12236-A, MI-12237-A	Vol. Tone	35317 35319	15 57	MR48 E12				32240 31323 31568	14/13/ 15 15 24	FP339 TC45 RS223					4	*6J7, 6L6, 5Y3G		14-81,83	
MI-12238-A, MI-12239-A	Vol. Tone	35317 35319	15/16 57	MR48 E12				32240 31323 31568	13/14/ 15 15 24	FP339 TC45 RS223					4	*6J7, 6L6, 5Y3G		14-82,83	
MI-12754, P-A Equipment	Vol. Tone	30164 30452	† 41	MR44 MR53	M28			32019 32020 32021 32018 .005	13 13 12 15	FP434 FP145 FP144 FP354 Buffer		18010	725C	C3	7	*1612, *6N7, *6L6, 5Z3		13-91-94	
MI-12763	Vol. Tone	35473 31637	141 †	MR48 MR48	M26			46731 46707 .001	46/15 15	Order from TC22 Buffer	B14 Mfr.	46735	Order from	Mfr.	5	*6SJ7, 6SC7, *6L6, 6X5		14-79,80	
23590-2	Vol.	4702	9	A5MP	6-9			6728	25/15	8S582/TN111	B172				5	78, 6A7, 77, 43, 12Z3	175	5-207, 209	
RADIO DEVELOPMENT & RESEARCH	—See			Magitone															
RADIO MFG. ENGINEERS, 9D	Vol. Tone Sens.	INC.—R.M. E. A209	83 21 202	MR44 MR53 MR38	M27 M26			12 8	3 3	RS215 RS213					9	*58, 57, 24A, 2B7, 2A5, 80	455	15-1,5	
ME-14	Vol. (Audio Gain)	1.8	2/12	Order from	Mfr.										6	*1N5G, 1A7G, 1H5G, 1A5G	525	11-1,2	
DM-30X 41-43	Vol. Tone RF Gain		15 21 7	MR44 MR53 Order from	M26 M26 Mfr.			10-15 15-15-10 20	1 3 15	FP227 FP390 TC26	B3				4 9	1852, 6SJ7, 6J5, 80, *7B7, 7J7, 7B6, 7C7, 7A6, 7C5, 80	1550 455	11-6 13-1-7	

† Data not substantiated.

\* IMPORTANT: Read Notes in Note Section if specified in Note Column.  
WHEN YOU BUY PLUGS AND JACKS BUY MALLORY.

§ Indicates miscellaneous section.

MANUFACTURER AND MODEL	CONTROLS							CONDENSERS				VIBRATORS			No. Tubes	Complete Tube Complement	I. F. Peak	Rider's Reference
	Use	Original Part	Circuit	Correct Replacement	Switch	Bias	*Note	Original Part	Circuit	Correct Replacement	*Note	Original Part	Replacement	*Note				
RADIO MFG. ENGR 45	NEERS, Vol.	INC.—Continued	172	MR44					46	FP390				9	7B7, 7J7, 7B6, 7C7, 7A6, 7C5, 80	455		
45 Early	Tone		158	MR53	M26				15	TC26				9	7B7, 7J7, 7B6, 7A6, 7C7, 7C5, 80	455	15-6	
45B	RF Gain		202	Order from	Mfr.				46	FP390				9	7B7, 7J7, 7B6, 7A6, 7C7, 7C5, 80	455	15-7,18	
45 Late	Mtr. Adj.		225	C200P					46	FP390				9	7B7, 7J7, 7B6, 7A6, 7C7, 7C5, 80	455	15-10	
RME 69A AC	Vol.		83	MR44	M27			8, 8	3	ST595				9	6D6, 6C6, 6B7, 42, 80	465	8-1	
RME 69B Battery	Tone		21	MR53	M26			12	3	ST597				8	6D6, 6C6, 6B7, 42	465	8-1	
RME70	Sen. Meter		7	C200P				20	15	TC26				11	6K7G, 6J7G, 6H6, 6A6, 6F6, 80, 6K7	465	11-12-14 12-8-10	
84	Vol.	1.19	83	Order from	Mfr.			15-15-10-40	3/15	FP444				8	7B7, 7S7, 7K7, 6G6G, 5Y3G	455		
	Tone	1.1	8	MR28	M26													
	RF Gain	1.24	21	MR53	M26													
RME99	Meter	1.28	8	X														
	Vol.		172	MR44					46	FP390				12	7A7, 7B8, 7F7, 7C5, 7A6, 7A4, VR150, 80	465	12-13-15	
	RF Gain		172	MR48					15	TC26				12	7B7, 7B8, 7F7, 7C5, 7A6, 7A4, VR150, 80	465	13-8,9	
	Limit		7	Order from	Mfr.													
	Meter		7	Order from	Mfr.													
RADIONIC EQUIPMENT Y62W, Y728	Vol.	—"Chancellor"	75	MR48	M26				88	2N513/TC47				6	7B7, 14Q7, 14B6, 50A5, 35Y4	455		
R. P. C. (Radio Products Corp.) A1	Vol.	P934	18	MR48	M26			P950	1	2N518				5	6A8, 6K7, 6Q7, 6F6, 5W4	456	7-1,2	
A3	Tone	P943	34	MR48				4	32	ST595				6	6A7, 6D6, 76, 75, 42, 80	456	10-1	
B2	Vol.	P934	45	MR48	M26			8-4	32	2N518				5	6A7, 6D6, 75, 43, 25Z5, L49B	456	7-3,4	
L2	Vol.	P943	34	MR39				P337	6	2N509				6	6A7, 6K7, 6H6, 6F5, 6F6, 80	456	7-5	
L4	Vol.	P912	18	MR48	M26			P304	15	TC22				7	6A8, 6K7, 6H6, 6A6, 6F6, 80	456	7-6	
L5	Vol.		75	Order from	Mfr.			4	32	HD684				7	6F5, 6F6, 6H6, 6K7, 6L7, 5Z4, 6C5	456	9-6	
L6	Tone		34	MR53	M26			8-4	32	2N518				8	6C5, 6F6, 6K7, 6L7, 6Q7, 5Z4	456	8-1	
L7	Vol.	P660	18	MR48	M26			4	32	HD684				7	1C6, 19, 30, 34	456	8-2	
M1	Vol.	P661	34	MR39				8-4	32	2N518				6	6A8, 6Q7, 6K7, 6F6, 5Y3	456	8-3	
U6	Vol.	P801	17	UM163-SS3	M26			P474	32	HD684				6	6D6, 6A7, 75, 6F6, 84, 6K7	175		
X8	Vol.	P828	22	MR39				P160	32	2N518				5	6A7, 6D6, 75, 42, 80	456	10-5	
Z2	Vol.		45	MR48	M26			P304	15	TC22				6	6A7, 6D6, 6H6, 6F5, 42, 80	456	8-4	
Z3	Tone		34	MR39				P474	32	HD684				6	6A8, 6K7, 6H6, 6F5, 6F6, 5W4	456	7-7,8 9-2	
Z4	Vol.	P691	45	Order from	Mfr.			P391	1	2N516				6	1C6, 19, 30, 32, 34	456	7-9,10	
Z5	Vol.	P682	44	MR39				.01-.01	1	Buffer	B14			4	1A7G, 1N5G, 1H5G, 1C5G	456	9-1	
4A	Vol.	P961	45	Order from	Mfr.			P95B	1	2N516								
	Vol.	P962	44	MR39				.01-.01	1	Buffer	B14							
	Vol.	P2600	18	MR48	M27			P2602	19	TC26								

† Data not substantiated.

\* IMPORTANT: Read Notes in Note Section if specified in Note Column.

‡ Indicates miscellaneous section.

MANUFACTURER AND MODEL	CONTROLS							CONDENSERS				VIBRATORS			No. Tubes	Complete Tube Complement	I. F. Peak	Rider's Reference
	Use	Original Part	Circuit	Correct Replacement	Switch	Bias	*Note	Original Part	Circuit	Correct Replacement	*Note	Original Part	Replacement	*Note				
R. P. C. (Radio Products Corp.)—Continued																		
4H.....	Vol.	P2498.....	6	MR36.....	M26.....			P2434.....	1	TC47.....					4	6K7, 6J7, 25L6, 25Z6.....	10-2	
5A.....	Vol.	P2392.....	18	MR53.....	M26.....			P2500.....	1	TC44.....					5	6A7, 6D6, 75, 41, 5Y3G.....	456 9-3	
5C, 5CPH.....	Vol.	P2213.....	6	MR36.....	M26.....			P2397.....	23	2S567.....					4	6D6, 6C6, 25L6G, 25Z5, L55B.....	9-4	
5E.....	Vol.	P2432A.....	18	MR48.....	M26.....		A58	P2216.....	1	2N509.....					5	6A8, 6K7, 6Q7, 25L6, 25Z6.....	456 9-5	
5F.....	Vol.	P2450A.....	18	MR48.....	M26.....			P2434.....	25	TC47.....					5	6A7, 6D6, 75, 41, 80.....	456 10-3	
5G.....	Vol.	P2450.....	6	MR33.....	M26.....			P2427.....	23	TC44.....					5	6D6, 6C6, 41, 76, 80.....	456 10-3	
6D.....	Vol.	P2271.....	18	Order from Mfr.....				8-8.....	25	2S567.....					6	6A8G, 6U7G, 6Q7G, 6G6G, 6J5G, 6ZY5G.....	456 9-7	
7A.....	Vol. Tone	P2136..... P2137.....	18 34	Order from Mfr..... MR39.....	M27.....			P2251.....	1	2N518.....	.B14	P1414.....	859	C3	7	6D8G, 6S7G, 6T7G, 6G6G, 6L5G, 6AB5, 6ZY5G.....	456 9-8	
7G.....	Vol. Tone	P2558A..... P2559A.....	80 80	MK401..... MK401.....	M26.....			.015.....	1/15	3S579.....	.B14	P2147.....	859	C3	7	6A7, 6D6, 75, 41, 6G5, 80, 76.....	456 9-9	
55 (Auto).....	Vol.	P2321.....	18	UM154-SS3.....	M26.....			P2575.....	25	ST597.....					7	6A8, 6K7, 6Q7G, 6K6G, 6X5G.....	456 9-10	
69.....	Vol. Tone	P1371..... P828.....	18 22	UM154-SS3..... MR39.....	M26.....			8-8.....	23	2S567.....	.B14	P1414.....	859	C3	6	*6K7, 6A8G, 6Q7G, 6K6G, 6X5G.....	175 10-6	
RADIO PRODUCT SALES CO.																		
140, 170.....	Vol.		6	MR18.....				4-4.....	23	2S567.....					4	6D6, 76, 42, 80.....	\$8-7	
178 (No. 78143 and up).....	Vol.		6	MR18.....				4-4.....	23	2S567.....					5	6A7, 6K7, 76, 42.....	450 \$8-7	
RADIO AND TELEVISION INC.																		
D-6876, SF-6810, T-4000, T-4000-1/2.....	Vol. Tone	78120..... 78072.....	167 167	Order from Order from Mfr..... Mfr.....				25214..... 25316.....	80/15 1	Order from TC32.....	Mfr.....				10	6AG5, 6SB7Y, 6SG7, 6SF7, 6H6, 6SA7, 6SL7GT, *6V6GT, 5Y3GT.....	455 10.7 16-1.5	
RADIOTROPE (Also G Console).....	see U. S. Vol. Tone	Radio and Television n)	6	F7.....	6-9			8, 8, 8.....	28	RS213.....					8	*24A, *27, *45, 80.....	3-2	
R Console.....	Vol. Tone		7	MR48.....				8, 8, 8.....	28	RS213.....					8	*24A, *27, *45, 80.....	3-2	
S2 (Two Types).....	Vol. Tone		8	A400P.....				1-3-1.....	3	See Note.....	.B1				8	*24A, *27, *45, 80.....	3-1	
27R (Early & Late).....	Vol. Tone		41	MR48.....				8, 8.....	1	RS213.....					5	*24A, 27, 45, 80.....	1-2	
62, 64.....	Vol. Tone		6	F7.....				8, 8, 8.....	28	RS213.....					7	*24A, 27, *45, 80.....	3-3	
70R.....	Vol. Tone		41	MR48.....				2803.....	1	TC71.....					10	*35, *27, *47, 80.....	262	
71R, 72R, 73R.....	Vol. Tone		15	MR53.....				2719.....	13	TC71.....					8	*35, *27, 47, 80.....	262	
74R (First Type).....	Vol. Tone		34	MR42.....				2852.....	14	TC71.....					5	*24A, 45, 80.....	3-4	
74R (Second Type).....	Vol. Tone		6	F7.....				2852.....	17	TC71.....					5	*24A, 47, 80.....	1-1	
RADIO VISION CORP.																		
AX.....	Vol. Tone	2009B..... 2021.....	45 22	MR48..... MR39.....	M26.....			317.....	4	RS213.....					6	6A7, 6D6, 76, 6F5G, 42, 80.....	456 \$8-10	
RADIO WIRE TELEVISION CO.—See Lafayette																		
RADOLEK																		
Marvelo & Monroe "6-7".....	Vol.		10	D12.....				2-1-1-2-1.....	3	See Note.....	.B1				7	*26, 27, 71A, 80.....	4-1	
Marvelo 8-9.....	Vol.		10	D12.....				1-2-1-1-2.....	3	See Note.....	.B1				9	*26, *27, *71A, 80.....	3-1	
Marvelo 30, SR222, Monroe.....	Vol.		12	A5MP.....				4-4-2.....	3	See Note.....	.B1				7	*35, *56, *47, 80.....	2-1	
SR223 Marvelo & Monroe (Trio Tone Dynamic).....	Vol. Tone		12	A5MP.....				2-3-2-2.....	3	See Note.....	.B1				9	*35, *56, *47, *80.....	3-1	
SR224 Little Leader.....	Vol.		6	E7.....		4		4-4.....	1	2N518.....					4	*24A, 47, 80.....	3-4	
SR225 Marvelo "6" Midget.....	Vol. Tone		12	A5MP.....				4-4-4.....	3	3S584.....					6	*35, *56, 47, 80.....	2-1	
SR227 Batt. Super..	Vol. Tone		22	MR18.....											9	*34, *30.....	456 3-2	
SR228 Marvelo.....	Vol. Tone		22	MR48.....											9	*34, *30.....	456 3-2	
SR228 Marvelo.....	Vol. Tone		8	MR42.....				8-8.....	1	See Note.....	.B3				7	*35, *24A, 47, 80, 27.....	175 3-2	
SR229 10 Tube Super.....	Vol. Tone		22	MR33.....			A14								7	*35, *24A, 47, 80, 27.....	175 3-2	
SR229 10 Tube Super.....	Vol. Tone		6	MR18.....				10-10.....	1	See Note.....	.B3				10	*56, *57, *58, 47, *80.....	175 3-1	
SR229 10 Tube Super.....	Vol. Tone		22	MR33.....											10	*56, *57, *58, 47, *80.....	175 3-1	

‡ Data not substantiated.

\* IMPORTANT: Read Notes in Note Section if specified in Note Column.

§ Indicates miscellaneous section.

WHEN YOU BUY ROTARY SWITCHES BUY MALLORY.



MANUFACTURER AND MODEL	CONTROLS							CONDENSERS				VIBRATORS			No. Tubes	Complete Tube Complement	I. F. Peak	Rider's Reference
	Use	Original Part	Circuit	Correct Replacement	Switch	Bias	*Note	Original Part	Circuit	Correct Replacement	*Note	Original Part	Replacement	*Note				
RADOLEK—Continued																		
SR230 (1933—12 Tube Super)	Vol. Tone Supp.		45 41 12	MR33 MR42 E12				8-8-4 8	3 19	See Note TC32	.B3				12	458, 56, 57, 46, 82	175	4-1
SR231 "1933" Compact 5 Tube	Vol.		6	G7		2		8-4	25	TCS71					5	57, 58, 55, 47, 80	†	3-3
SR232 "Little Master"	Vol.		7	G		2		8-4	4	TCS71					4	58, 57, 47, 80		3-4
SR233 (1933—12 Tube Super)	Vol. Tone		16 22	MR48 MR33				8-8-8 4	3 15	3S584 TC32	.B3				12	56, 57, 58, 47, 80	†	4-2
SR234 (1933—10 Tube Super)	Vol. Tone Supp.		15 44 12	MR48 MR33 MR18				8-8-8	3	3S584	.B3				10	56, 58, 55, 47, 80, 57	†	4-2
SR235 (1933—5 Tube Super)	Vol.		17	MR48				8-8	1	2N518					5	57, 58, 55, 47, 80	†	2-1
SR236 Marveto (1932 9 Tube)	Vol. Tone		62 22	MR48 MR33				12-8	34	See Note	.B3				9	35, 24A, 27, 47, 80	†	4-2
SR237 DeLuxe 5 Tube	Vol. Tone		6 22	G7 MR33		2		8-4	4	2S567					5	57, 58, 47, 80	†	3-3
SR241	Vol.		16	MR48				8, 8	1	ST595					4	58, 47, 80		8-2
SR243 "1933" 7 Tube Super	Vol. Tone		17 22	MR48 MR33				8-8	1	2N518					7	56, 57, 58, 55, 47, 80	†	3-3
SR247	Vol.		10	D12				8, 8	2	ST595					5	24, 46, 83		8-2
SR248 Monroe	Vol.		1	D12				1-2-1-1-2	3	See Note	.B1				9	26, 27, 71A, 80		3-1
SR249 Marveto	Vol. Tone		22	MR18				†	†	See Note	.B4				10	26, 27, 50, 80		3-2
SR270 (1934) 15 Watt Amp. (AC)	Vol. Tone		16 41	MR44 MR44				8, 8, 8 10	30 15	RS213 TC22					5	57, 56, 2A3, 5Z3		6-1
SR271 (1934—30 Watt Amp.)	Vol. Tone		16 41	MR44 MR44				8-8-8 10	30 15	See Note TC22	.B3				7	57, 56, 2A3, 5Z3		6-2
SR274 (1934) 15 Watt Amp. (DC)	Vol.		16	MR44				8, 8 10	24 15	RS213 TC22					4	39, 37, 2A3		6-1
SR280 (3 Watt Amp.)	Vol. Phono.		16 16	MR44 MR33				8-8 10	1 15	RS213 TC22					3	57, 2A5, 80		6-2
SR287 Octomatic	Vol. Tone		17 22	MR44 MR33				8, 8 10	1 20	See Note TC22	.B3				6	58, 2A7, 2A6, 2A5, 80	†	6-1
951	Vol.	9331	6	H7	6-9	2		25	15	TC26					5	6A7, 78, 75, 43, 25Z5	265	5-1
956, 958	Vol. Tone	9666 9174	17 22	MR44 MR33	M26			9442 9659	11 1	UR182-193 RM262	.B31				6	57, 58, 2A6, 2A5, 80	465	5-3,6
10926	Vol.		18	MR48	M26			8876	15	TC22					5	6A7, 6D6, 75, 43, 25Z5	456	7-1
10927	Vol.		75	MR48	M26			16-12-8 8-8	11 23	UR182-193 TCS71	.B3 .B3				6	6A8, 6K7, 6H6, 6F5, 6F6, 80		456 7-2
10928	Vol.		18	MR48				6-10	23	TCS71	.B3				5	6A7, 6D6, 75, 42, 80	456	7-3
10931	Vol.		6	MR21	M26	EX200		16-12	23	TCS44					4	6D6, 6C6, 43, 25Z5		7-4
10943, 10944, 10946	Vol. Tone		75 34	MR48 MR48				4 8-4	32 32	HD684 2N518					6	6A7, 6K7, 6H6, 6F5, 6F6, 80		456 7-5
10951	Vol.	9331	6	H7	6-9	2		9442	11	UR182-193	.B31				5	6A7, 78, 75, 43, 25Z5	262	5-7,8
10953	Vol.		7	MR34		EX150		7-4	15	2N518 TC22					4	58, 57, 2A5, 80		5-9
10956	Vol. Tone	9666 9174	17 22	MR44 MR33	M26			5 9659	1 15	RM262 TC22					6	57, 58, 2A6, 2A5, 80	465	5-9,10
10962	Vol. Tone		6 22	G7 MR39		2		4-4	4	See Note	.B3				4	78, 77, 42, 80		5-12
10963, 10964	Vol. Tone		15 22	MR44 MR39				4-4 5	4 19	See Note TC32	.B3				5	6A7, 78, 75, 42, 80	465	5-13
10966	Vol.		6	G7		2		4-4 5 5	4 19 15	See Note TC32 TC22	.B3				5	6D6, 6C6, 42, 80		5-14
10967	Vol.		6	MR39		EX400		20-4-5-5	6/15	3S582/TN111	.B98				5	78, 44, 43, 25Z5, 77	456	5-12
10968 (32 Volt)	Vol. Tone		15 22	MR44 MR39				6-10 5-5	1 1	2N518 TN111			Order from Mfr.		5	6A7, 78, 75, 42, 84	456	5-13
10969	Vol. Tone		54 22	MR44 MR39				.05-.05	19	Buffer TC32	.B14				5	1A6, 34, 32, 30, 19	456	5-11
10970	Vol. Tone		17 41	MR48 MR39				4-8-4	26	3S584	.B3				8	78, 37, 85, 42, 80	456	5-14
11908	Vol.	1059	6	MR39 MR18		EX250		2027	11/15	2N516/2N509	.B120				5	6A8, 6K7, 6J7, 43, 25Z5	456	7-6
11910	Vol.		6	MR21		EX200		16-12	23	TCS44					4	6D6, 6C6, 43, 25Z5	456	7-7
11911	Vol. Tone		6 22	MR21 SRP263		EX250		8, 8	23	ST595					5	6A7, 6D6, 76, 42, 80	456	7-8

† Data not substantiated.

\* IMPORTANT: Read Notes in Note Section if specified in Note Column.

‡ Indicates miscellaneous section.



MANUFACTURER AND MODEL	CONTROLS							CONDENSERS				VIBRATORS			No. Tubes	Complete Tube Complement	I. F. Peak	Rider's Reference
	Use	Original Part	Circuit	Correct Replacement	Switch	Bias	*Note	Original Part	Circuit	Correct Replacement	*Note	Original Part	Replacement	*Note				
RADOLEK—Continued N16782.....	Vol.	3403.....	20	TM251-SS16				3167..... 3941..... 1110..... 1693.....	25 25/13 13 20	RS223..... 2N518..... TC70..... TC22.....				11	6K7, 6A8, 6J7, 6H6, 6C5, 6F6, 80.....	465		
RANGER 118.....	Vol.		18	MR41.....	M27				24 78	2N520..... TC32.....				5	1T4, 1R5, 1S5, 3Q4, D. R.....	150		
RAULAND CORP.— See Lyric																		
RAY ENERGY RADIO A, AD, B, BP.....	Vol.	ELEVISION 118-C-1.....	CORP. 18	MR50.....	M26				1 15	2N513..... 2N513/TC45..... TC47.....				5	12SA7, 12SK7GT, 12SQ7GT, 50L6GT, 35Z5GT..	455	15-1	
AD4.....	Vol.	113-C-1.....	18	MR48.....	M26				88 88	2N511..... TC48.....				5	12SA7GT, 12SK7GT, 12SQ7GT, 50L6GT, 35Z5GT..	456	15-4	
SRB-1X.....	Vol.		205	MR48.....	M26				15 88 88	TC39..... 2N520..... TC45..... TC36.....			5	12SA7/14Q7, 12SK7/14A7, 12SQ7/14B6, 50L6GT/50A5, 35Z5GT/35Y4.....	455	15-1		
RECORDIO—See Wilcox Gay																		
REGAL ELECTRONIC CORP. Tok-Fone (20-Watt Amp.)..	Tone Phono Mike 1 Mike 2		166 165 213 213	MR48..... MR48..... MR48..... MR48.....	M26				12 13 15	ST597/ST597..... ST597..... TC32.....	B276			7	7C7, 7N7, 6L6GT, 5U4G.....			
AP40, ARP400, ARP450.....	Vol. Tone		245 158	MR48..... MR48.....	M26 M26				24 13	TC42..... TC42.....				4	14F7, 35L6GT/ 35A5, 35Z5GT/35Y4.....			
L-46.....	Vol.		18	Order from	Mfr.				24	FP214.....				6	12SA7, 12SK7, 12SQ7, 35L6GT, 35Z5GT.....	455	15-1	
L-47.....	Vol.		18	MR48.....	M26				24	Order from	Mfr.			6	6SK7, 6SA7, 6SF7, 35L6GT, 25Z6GT, 12SK7GT, 12SA7GT, 12SQ7GT.....	455	15-2	
L-76.....	Vol. (Late) (Early)	7241928..... 20-101.....	75 75	MR53..... MR48..... MR53.....	M26 M26 M26			60-101.....	24	2N521.....				6	12SK7GT, 12SA7GT, 12SQ7GT, 35L6GT, 35Z5GT..	455	15-3	
W-800.....	Vol.		75	MR53.....	M26				24	2N520.....	B8			6	12SK7GT/14A7, 12SA7GT/14Q7, 12SQ7GT/14B6, 35L6GT/35A5, 35Z5GT/35Y4.....	455		
W-801.....	Vol.	20-101.....	75	MR48.....	M26			60-101.....	24	2N520.....				6	12SK7GT/14A7, 12SA7GT/14Q7, 12SQ7GT/14B6, 35L6GT/35A5, 35Z5GT/35Y4.....	455		
W-900, W-901.....	Vol. (Late) (Early)	20-101.....	75 75	MR48..... MR53.....	M26 M26			60-101.....	24	2N521.....				6	12SH7/14A7, 12SA7/14Q7, 12SK7/14A7, 12SQ7GT/14B6, 35L6GT/35A5, 35Z5GT/35Y4.....	455		
205.....	Vol.	20-101.....	18	MR48.....	M26			60-101.....	24	2N521.....				5	12SA7GT, 12SK7, 12SQ7GT, 50L6GT, 35Z5GT..	455		
747.....	Vol.	20-102.....	18	MK402.....	M27				24/78	2N520/TC2501				4	1R5, 1T4, 1S5, 3S4, D. R.....	455		
762.....	Vol.	20-101.....	75	MR48.....	M26			60-101.....	24	2N521.....				6	12SG7/12SH7/14A7, 14SA7/14Q7, 12SK7/14A7, 12SQ7/14B6, 35L6GT/35A5, 35Z5GT/35Y4.....	455	15-4,5	
1049.....	Vol.	20-101.....	75	MR48.....	M26				24	2N521.....				6	12SH7/12SG7/14A7, 12SA7GT/14Q7, 12SK7GT/14A7, 12SQ7GT/14B6, 35L6GT/35A5, 35Z5GT/35Y4.....	455		
1749.....	Vol.	20-101.....	75	MR48.....	M26			60-101.....	24	2N521.....				6	12SG7, 12SA7, 12SK7GT, 12SQ7GT, 35L6GT, 35Z5GT..	455		

† Data not substantiated.

\* IMPORTANT: Read Notes in Note Section if specified in Note Column.

‡ Indicates miscellaneous section.

MANUFACTURER AND MODEL	CONTROLS							CONDENSERS				VIBRATORS			No. Tubes	Complete Tube Complement	I. F. Peak	Rider's Reference
	Use	Original Part	Circuit	Correct Replacement	Switch	Bias	*Note	Original Part	Circuit	Correct Replacement	*Note	Original Part	Replacement	*Note				
<b>RELIANCE</b>																		
L5.....	Vol. Tone	P660 P661	18 34	MR48 MR39	M26			P474 P160 P304	32 32 15	HD684 2N518 TC22					6	6F5, 6F6, 6H6, 6K7, 6L7, 5Z4	456	
L6.....	Vol. Tone	P660 P661	18 44	MR48 MR39	M26			P474 P160 P304	32 32 15	HD684 2N518 TC22					8	6C5, 6F6, 6K7, 6L7, 6Q7, 5Z4	456	
L7.....	Vol. Tone	P691 P682	45 45	Order from MR39	Mfr.			P391 .01-.01	1 1	2N516 Buffer	B14	P402	245C	C3	6	1C6, 19, 30, 34	456	
Z4.....	Vol. Tone	P680 P682	45 44	Order from MR39	Mfr.			P391 .01-.01	1 1	2N516 Buffer	B14	P402	245C	C3	6	1C6, 19, 30, 32, 34	456	
Z5.....	Vol. Tone	P691 P962	45 44	Order from MR39	Mfr.			P958 .01-.01	1 1	2N516 Buffer	B14	P402	245C	C3	6	1C6, 30, 19, 32, 34	456	
<b>REMLER</b>																		
M50	Vol.		15	MR48				4. 4.	4	TC70					3	6N7, 6F6, 5Z4		8-3
MP5-5-3	Vol.	L-20305	124	MR53	M26				12 13/13	ST597 2S567 TC70	B20				5	6SA7, 6SK7, 6SQ7, 6K6GT, 6X5GT	450	
10.....	Vol.		58	H	6-9			8-8	4	See Note	B3				6	35, 24A, 27, 47, 80	180	3-2
10-3 "Cameo"	Vol. Tone		6 22	MR21 MR21	M26	EX300		8-8	4 4	See Note See Note	B3 B3				6 6	27, 58, 57, 47, 80	250	4-1
10-3 "Cameo" (With 2A5 Output)	Vol. Tone		6 22	MR21 MR24	M26		A14	8-8	4	See Note	B3				6	27, 58, 57, 2A5, 80	250	
10-4.....	Vol. Tone		76 76	MR48 MR48	M26			8-8	4	TCS71	B3				6	6A7, 78, 6B7, 42, 80	450	5-1
11.....	Vol. Tone		6 34	MR24 MR21		EX400		8-4-2	3	3S584					5	24A, 47, 80		3-4
14.....	Vol. Tone		6 34	MR24 MR21		EX400		8-4-2	3	3S584					6	24A, 27, 45, 80		1-1
15.....	Vol.		7	H				8. 8.	4	See Note	B3				7	51, 24A, 27, 47, 80	180	3-3
15-3.....	Vol. Tone		13 22	MR48 MR21	M26			8. 8. 4	4 13	RS213 TC70					9	56, 58, 57, 47, 82	180	2-2
17.....	Vol. Supp.		12	MR48				8-4-2	1/17	3S584					8	24A, 27, 45, 80	180	3-5
19.....	Vol. Tone		34 15 44	MR21 MR48 MR24				8-6-8	3	3S584					10	35, 24A, 27, 47, 80	180	3-2
21 Minuette	Vol.		7	H				8-8	4	TCS71	B3				4	35, 24A, 47, 80		3-3
21-3.....	Vol. Tone		14 22	MR48 MR24	M26		3	8-4	4	TCS71	B3				4	57, 47, 82	250	3-6
21-4.....	Vol. Tone		18 76	MR48	M26			8-8	4	TCS71	B3				5	2A7, 58, 2B7, 2A5, 80	450	5-2
26 (First Type) "Scotty"	Vol.		6	MR21	M26		A14	8-8 10	1 15	2N516 TC22					5	77, 78, 43, 25Z5	450	3-6
26 (Above 54760) "Scotty"	Vol.		6	MR21	M26		A14	8-8 10	6 15	2N516 TC22					5	6A7, 78, 77, 43, 25Z5	450	6-1
27 "Scotty"	Vol.		17	MR48	M26			8-8 10	1 15	2N518 TC22		292			6	6A7, 78, 6B7, 89, 1V, 84	465	4-2
28.....	Vol.		6	MR18	M26	See Note	A14	10-10	4	TC44/TC42					5	6A8, 6K7, 6J7, 25A6, 25Z6, K49B	450	9-1
30.....	Vol.		6	MR21	M26	See Note	A96	4-4	1	2N518		292			4	6A7, 6F7, 41, 84	450	4-3
35 Auto.....	Vol. Tone		18 22	UM154 UM154-SS17	M26	See Note	A5	8-4 10-10	1 15	2N518 TN111					6	6A7, 78, 75, 41, 84	450	5-3
36 Auto Radio	Vol. Tone		18 22	UM154-SS17 MR24	M26	See Note	A5	4-4 8	4 14	TCS71 TC71					6	6D6, 6A7, 75, 76, 41	250	6-2
37 Police.....	Vol. Tone		18 22	UM154-SS17 MR24	M26			4-4 8	4 13	TCS71 TC71					6	6K7, 6A8, 6Q7, 6C5, 6F6	250	7-1
39.....	Vol. Tone		18 21	MR48 MR48	M26			16-4	4	See Note	B3				5	6A7, 6K7, 75, 42, 80	450	10-1
40.....	Vol.		6	MR21	M26			4-4	1	2N516					4	6A7, 6F7, 41, 84	450	4-3, 6-3
41.....	Vol.		6	MR18	M26			4-4	1	2N518					5	6A8, 6K7, 6J7, 6F6, 5Z4	450	7-2
42.....	Vol.		18	MR48	M26			8-8	4	TCS71	B3				6	6D6, 6A7, 75, 42, 80	450	6-4
43.....	Vol. Tone		17 22	MR48 MR24				8-8-10	1/19	3S579					7	6K7, 6A8, 6H6, 6J7, 6F6, 5Z4	450	7-3
44.....	Vol. Tone		18 22	MR39 H7				8-8 10	25 19	2S567 TC32	B10				7	6K7, 6L7, 6C5, 6Q7, 6F6, 5Z4	450	7-4
45.....	Vol. Tone		15 22	MR48 MR33	M26			10-10 10	25 15	TCS71 TC22	B3				7	6L7, 6C5, 6K7, 6H6, 6F5, 6F6, 5Z4	450	7-5
46.....	Vol.		6	MR18	M26	EX200		4-4	23	TCS71					5	6A8, 6K7, 6J7, 6F6, 5Z4	450	8-1
46 (Above 107767)	Vol. Tone		18 34	MR48 MR24	M26			16-4	4	See Note	B3				5	6A8, 6K7, 6Q7, 6F6, 5W4	450	9-1
47.....	Vol.		17	MR48	M26			4-4	25	TCS71					5	6A8, 6K7, 6Q7, 6F6, 5Z4	450	9-2
49.....	Vol.		6	MR18	M26	EX200		8-4	4	2S567					4	6D6, 6C6, 41, 80		9-3
51.....	Vol.		6	MR18	M26			4-4	23	TCS71					4	78, 77, 42, 80		7-5
53 (Above 54862)	Vol.		6	MR21	M26			8-4	1	2N518					5	6A7, 6D6, 53, 42, 80	450	6-5

‡ Data not substantiated.

\* IMPORTANT: Read Notes in Note Section if specified in Note Column.

§ Indicates miscellaneous section.

12 BASIC MALLORY VIBRATORS MEET 90% OF YOUR REPLACEMENT NEEDS.

MANUFACTURER AND MODEL	CONTROLS							CONDENSERS				VIBRATORS			No. Tubes	Complete Tube Complement	I. F. Peak	Rider's Reference
	Use	Original Part	Circuit	Correct Replacement	Switch	Bias	*Note	Original Part	Circuit	Correct Replacement	*Note	Original Part	Replacement	*Note				
REMLER—Continued																		
53C (Above 56208)	Vol.		6	MR21	M26			8-4	1	2N518				5	6A7, 6D6, 76, 42, 80	450	6-6	
55	Vol.		18	MR48	M26			16-4	4	See Note	B3			5	6A7, 6K7, 75, 42, 80	450		
60	Vol.		17	MR48	M26			4-4	23	TC871				5	6A7, 6D6, 75, 42, 80	450	7-6	
61	Vol.		18	MR48	M26			8-4	23	2S567				6	6A7, 6K7, 76, 6D6, 42, 80	450	9-4	
62	Tone		21	MR48	M26	EX200		10, 10	19	TC22				5	6A8, 6K7, 6J7, 6F6, 5Z4	450	7-6	
62	Vol.		6	MR18				10, 10	1	ST597				6	6A8, 6K7, 6H6, 6F6, 6F5, 5Z4	450	7-7	
63	Tone		22	MR33				10, 10	15	TC22				6	6A8, 6K7, 6H6, 6F5, 5Z4	450	7-7	
63	Vol.		17	MR48				10, 10	25	ST597				6	6A8, 6K7, 6H6, 6F5, 6F6, 5Z4	450	7-7	
64	Tone		22	MR33				10, 10	15	TC22				6	6A8, 6K7, 6H6, 6F5, 6F6, 5Z4	450	7-7	
64	Vol.		15	MR48	M26			10, 10	15	TC22				6	6A8, 6K7, 6H6, 6F5, 6F6, 5Z4	450	7-7	
65	Vol.		18	MR48	M26			8-4	1	2N518				7	6D6, 6K7, 76, 75, 42, 80, 6G5	450	9-4	
71	Tone		34	MR24				10	19	TC22				7	6K7, 6L7, 6C5, 6F6, 6H6, 5Z4	450	7-2	
71	Vol.		15	MR48	M26			10, 10	25	ST597				8	6K7, 6L7, 6C5, 6F6, 6H6, 5Z4	450	7-2	
72	Tone		22	MR24				10, 10	25	ST597				10	6K7, 6L7, 6C5, 6G5, TC22	450	9-5	
72	Vol.		18	500M No. 1		See Note	te A19	10, 10	25	ST597				10	6H6, 6N7, 6F6, 5Z4	450	9-5	
73	Tone		34	MR33				10	15	TC22				6	6K8, 6SK7, 76, 42, 80	450	10-3	
73	Vol.		62	UM154		See Note	te A96	16-4	23	See Note	B3			10	6K7, 6A8, 6H6, 6J7, 6A6, 2A3, 5Z4	450	7-8	
88	Tone		17	MR48				8	25	ST595				10	6K7, 6A8, 6H6, 6J7, 6A6, 2A3, 5Z4	450	7-8	
88	Vol.		44	MR48				4	13	TC70				10	6K7, 6A8, 6H6, 6J7, 6A6, 2A3, 5Z4	450	7-8	
89	Tone		10	MR48				10	15	TC22				11	6K7, 6L7, 6C5, 6H6, 6E5, 6F5, 6V6G, 5X4G	450	9-6	
89	Vol.		15	MR48		See Note	te A5	10, 10, 10	30	ST597				11	6K7, 6L7, 6C5, 6H6, 6E5, 6F5, 6V6G, 5X4G	450	9-6	
91	Tone		18	MR48				20	20	TC22				4	1C6, 1A4, 1F6, 33, 1A1	450	7-8	
140, 170	Vol.		6	MR18	M26			4-4	23	2S567				4	6D6, 76, 42, 80	450	8-8	
171	Vol.		6	MR18	M26	EX200		8-4	23	2S567				4	6D6, 6C6, 41, 80	450	8-8	
178 (Above No. 78142)	Vol.		6	MR18				4-4	23	2S567				5	6A7, 6K6, 76, 42, 80	450	8-8	
179	Vol.		62	UM154		See Note	te A96	8-4	23	2S567				6	6A7, 6K7, 76, 6D6, 42, 80	450	8-8	
180	Vol.		62	UM154		See Note	te A96	10	15	TC22				8	6D6, 6K7, 76, 41, 25Z5, 190B	455	11-1	
462	Vol.		18	MR48	M26			8	29	TC55				5	6A8GT, 6SK7, 6Q7GT, 6K6GT, 6X5G	455	11-1	
5300B, 5300B1, 53001	Vol.	L-20393	161	MR53	M26			16-4	23	3S584				5	12BE6, 12BA6, 12AT6, 50B5, D. R.	450		
5500, 5510 "Scottie-Pup"	Vol.		18	MR53	M26				80	2N521				5	12SA7, 12SK7, 12SQ7, 50L6GT, 35Z5GT	455		
5520, 5530 "Scottie Jr."	Vol.		18	MR53	M26				80	2N521				5	12SA7, 12SK7, 12SQ7, 50L6GT, 35Z5GT	455		
RENARD RADIO & L-1A	TELEVISION CORP.		205	MR53	M26				24	2N509				5	12SA7GT, 12SK7GT, 12SQ7GT, 50L6GT, 35Z5GT	455		
PT-1A, 1B5T-1	Vol.		205	MR48	M26				24	2N509				5	12SA7GT, 12SK7GT, 12SQ7GT, 50L6GT, 35Z5GT	455		
REPUBLIC INDUSTRIES Sky Hawk Patrician	Vol.	853	6	MR18	M26			965	8	UR182-193	B3			5	78, 77, 43, 25Z5	175	6-12	
MS & Jr. RC5, RC6 "Skyhawk"	Vol.	534	6	MR18				928	15	TC26				5	75, 58, 47, 80	175	3-7	
SL5D "Skyhawk"	Vol.		18	MR48				4-4	4	See Note	B3			7	78, 6A7, 75, 42, 25Z5	175	4-1	
SL6 "Skyhawk"	Tone		76	MR44				4-4-8-8-4	1	See Note	B3			7	78, 6A7, 75, 42, 25Z5	175	4-1	
SL6D "Skyhawk"	Vol.	535	76	MR48	M26			496	4	2S567				5	6A7, 78, 75, 42, 80	175	4-2	
BP5E	Tone	534	76	MR44				928	19	TC26				5	77, 78, 43, 25Z5	115	5-3	
CS6	Vol.	512	6	MR18	M26	EX200		1085	8	UR182-193	B3			5	77, 78, 43, 25Z5	115	5-3	
TL6C	Tone	534	22	MR44				928	15	TC26				6	78, 6A7, 75, 43, 25Z5	175	4-4	
TR5B	Vol.	535	18	MR48	M26			1085	8	UR182-193	B3			6	78, 6A7, 75, 43, 25Z5	175	4-4	
42	Tone	534	21	MR44				928	15	TC26				5	77, 78, 43, 25Z5	115	4-1	
51	Vol.	534	6	MR18	M26			4-10-4	8	UR182-193	B182			5	77, 78, 43, 25Z5	115	4-1	
56C, 56T	Vol.		17	MR48	M26			25	15	TC26				6	77, 78, 76, 75, 42, 80	115	5-2	
	Vol.		21	MR44				4-4	4	2S567				6	78, 6A7, 75, 42, 80	175	5-3	
	Tone		17	MR48				25	19	TC26				6	78, 6A7, 75, 42, 80	175	5-3	
	Vol.		21	MR44				4-4	4	2S567				6	78, 6A7, 75, 42, 80	175	5-3	
	Vol.		17	MR48	M26			25	19	TC26				5	6A7, 78, 75, 42, 80	175	5-4	
	Vol.	19-1291	17	MR48	M26			8-4	25	2S567				5	6A7, 78, 75, 42, 80	175	5-4	
	Vol.	19-1291	17	MR48	M26			25	19	TC26				5	6A7, 78, 75, 43, 25Z5	175	7-1	
	Vol.	19-1291	17	MR48	M26			18-2003	8	UR182-193				5	6A7, 78, 75, 43, 25Z5	175	7-2	
	Vol.		15	MR48	M26			18-928	15	TC26				5	6A7, 78, 75, 43, 25Z5	175	7-2	
	Vol.		15	MR48	M26			18-2003	8	UR182-193				5	6A7, 78, 75, 43, 25Z5	175	7-2	
	Vol.		15	MR48	M26			18-928	15	TC26				5	34, 6A7, 32, 30, 38	465		
	Vol.		15	MR48	M26			12-6	1	3S584	B8	245C	C3	5	34, 6A7, 32, 30, 38	465		
	Vol.		15	MR48	M26			10	15	TC22				5	34, 6A7, 32, 30, 38	465		
	Vol.		15	MR48	M26			.01-.01	15	Buffer	B14			5	34, 6A7, 32, 30, 38	465		

† Data not substantiated.

\* IMPORTANT: Read Notes in Note Section if specified in Note Column.  
THERE'S A PLACE FOR A MALLORY NOISE FILTER IN EVERY HOME.

‡ Indicates miscellaneous section.

MANUFACTURER AND MODEL	CONTROLS							CONDENSERS				VIBRATORS			No. Tubes	Complete Tube Complement	I. F. Peak	Rider's Reference
	Use	Original Part	Circuit	Correct Replacement	Switch	Bias	*Note	Original Part	Circuit	Correct Replacement	*Note	Original Part	Replacement	*Note				
REPUBLIC INDUSTRIES — 76C, 76T.....	Continued		15	MR48.....				12-6 10 .01-01.....	1 15	3S584 TC22 Buffer.....	B8 B14		245C C3	7	3A, 30, 6A7, 32, 76, 19.	465		
632C, 632T.....	Vol.		18	MR48.....	M26			12-6 10 .01-01.....	1 15	3S584 TC22 Buffer.....	B8 B14		F294 C3	6	6C6, 6A7, 6D6, 85, 248			
732C, 732T.....	Vol.		15	MR48.....	M26			12-6 10 .01-01.....	1 15	3S584 TC22 Buffer.....	B8 B14			7	*6D6, 6A7, 6C6, 76, 42, 84.....	465		
REX—See Airking																		
REXEL MERCHANTISE CO. L-266.....	Vol.		205	MR55.....	M27				80/78	TCD48/TC45/ TC2501.....				6	1LA6, 1LN5, 1LH4, 1LB4, 35Z5GT/G.....	455	16-1,2	
L-266-A.....	Vol.		205	MR48.....	M27				80/78	TCD48/TC45/ TC2501.....				6	1LA6, 1LN5, 1LH4, 3Q5GT/G.....	455	16-3	
L-266-U.....	Vol.		205	MR48.....	M27				80/78	TCD48/TC45/ TC2501.....				6	1LA6, 1LN5, 1LH4, 1LB4, 117Z6GT/G.....	455	16-5,6	
RGH. MFG. CO. 5 Tube.....	Vol.		205	MR48.....	M26				1	FP389.....	B8			5	6SA7, 6SK7, 6SL7, 6V6GT, 5Y3GT.....	455	§15-18	
RK RADIO LABORATORIES 4 Tube Broadcast & Long Wave.....	Vol.		6	SRP263.....	6-9	EX500		12-8-5.....	6/15	3N527.....				4	6D6, 6C6, 43, 25Z5.....		5-1	
RKP4 (AC-DC).....	Vol.		6	SRP263.....		EX500		12-8-5.....	6/15	3N527.....				4	6D6, 6C6, 43, 25Z5.....		5-4	
RKS5 Radio Keg.....	Vol.		6	G7.....	6-9	3		12-8-5.....	6/15	3N527.....				5	6C6, 6D6, 85, 43, 25Z5.....	175	§4-9	
RK60G.....	Vol.		15	MR48.....				8-8.....	1	2N518.....				6	2A7, 58, 55, 56, 2B6, 80.....	175	5-2	
RK60L.....	Vol.		17	MR48.....	M26			8-8.....	1	2N518.....				6	2A7, 58, 55, 56, 2B6, 80.....	115	5-3	
421, 422, 423, 424.....	Vol.		6	SRP263.....		EX500		25-10.....	27	TCS47.....				4	6D6, 6C6, 43, 25Z5.....		6-1	
425, 426, 427, 428.....	Vol.		6	SRP263.....		EX500		4-4.....	1	2N518.....				4	6D6, 6C6, 42, 80.....		6-1	
521, 522.....	Vol.		18	MR48.....				25-10-5.....	27/15	UR182-193.....	B95			5	6A7, 6D6, 75, 43, 25Z5.....	465	6-1	
534.....	Vol. Tone		34	MR39.....				8-8.....	4	TCS71.....	B3			5	6A7, 6D6, 75, 42, 80.....	465	6-2	
631, 633.....	Vol. Tone		18	MR48.....				8-8.....	4	TCS71.....	B3			6	6A7, 6D6, 75, 42, 80.....	465	6-2	
631, 633.....	Vol. Tone		22	MR18.....				8-8.....	4	TCS71.....	B3			6	6A7, 6D6, 75, 42, 80.....	465	6-2	
RYAN SALES CO. C-5TS3.....	Vol.		18	MR48.....	M26				24	FP354.....	B8			4	12SA7, 12SK7, 12SQ7, 50L6GT, D. R.....	456	16-1,2	
SCOTT RADIO LABORATORIES INC. Dynamic Noise Suppressor.....	Vol.	70H2613.....	172	UM161-SS12.....				15B795.....	15	TC26.....				4	6B8, 6SG7, 6SJ7.....			
Export Receiver.....	Vol.	70E1285.....	172	MR44.....				15E1276.....	15	FP116.....				12	1629, 12SK7, 12J5, 12H6, 12SA7, 12SN7GT, 6K6, 25L6G, 25Z6G.....	455		
	Tone	70E1286.....	22	MR44.....				15A15.....	1	BS26.....								
	Sens.	70E1287.....	202	A2MP.....				15E1278.....	13	RS207.....								
Lareate Revised.....	Vol.		172	Order from Mfr.....				15E1277.....	1	FP228.....	B8			18	6SK7GT, 7J7, 6K7G, 6B8G, 6J5G, 6C8G, 1853, 6SA7, 6AC7, 6SJ7, 6H6, 6E5, 6L6G, 5U4G.....	455	15-5,7	
	Tone		↑	Order from Mfr.....					2	FP238.....								
	Phono		↑	Order from Mfr.....					13	FP238.....								
	Sens.		↑	Order from Mfr.....					15	FP434.....								
800-B Series.....	Vol.	70B570.....	172	MR53.....				15B481.....	13	HS693.....				24	6SK7GT, 6SA7GT, 6J5, 6H6GT, 6E5, 6AG5, 6CA, 6AC7, 6SJ7, 6H6, 6J5GT, 6SL7GT, 6L6G, 5Y3GT.....	455		
	Treble	70B540.....	268	TM221-SS1.....				15B477.....	2	FP238.....								
	Bass	70B540.....	268	TM221-SS1.....				15B477.....	24	FP238.....								
	Sens.	70B569.....	202	A10MP.....				15A15.....	15	BS26.....								
	T.E. Adj.	70B568.....	172	UM159-SS12.....			A122	15B638.....	15	TC36.....								
								15B475.....	13/13	2N518.....								
								15B795.....	130	FP234.....								
								15B795.....	15	TC26.....								
SEA PAL Marine Portable.....	Vol.	36X289.....	18	MK401.....	M27			45X297.....	46	TN129.....				6	1A7GT, 1N5GT, 1H5GT, 3Q5GT, 35Z5GT.....	456	13-1,2	
6P21.....	Vol.	101256.....	11	MK402.....	M27			119-125.....	24/13/78	FP407.....	B117			6	1A7GT, 1N5GT, 1H5GT, 1T5GT, 117Z6GT.....	455		
101, 102 (Radio Compass)	Vol.	101212.....	11	MR48.....				119-107.....	24/78	FP304.....				6	1N5GT, 1A7GT, 1H5GT, 1A5GT, 117L7GT.....	465	12-1,2	
								119-113.....	78	Order from Mfr.....								

‡ Data not substantiated.

\* IMPORTANT: Read Notes in Note Section if specified in Note Column.

§ Indicates miscellaneous section.

THERE'S A FULL RANGE OF MALLORY VITREOUS ENAMEL RESISTORS FOR EVERY PURPOSE.

MANUFACTURER AND MODEL	CONTROLS							CONDENSERS				VIBRATORS			No. Tubes	Complete Tube Complement	I. F. Peak	Rider's Reference	
	Use	Original Part	Circuit	Correct Replacement	Switch	Bias	*Note	Original Part	Circuit	Correct Replacement	*Note	Original Part	Replacement	*Note					
SEARLE AERO INDUSTRIAL S, INC. 5S1-8	Vol.		18	Order from	Mfr.				24	TC D65					5	6SK7, 6SH7, 6SL7, 26V6, Ballast	456	15-1,2	
SEARS-ROEBUCK CO. "Silvertone" (Also see Colonial).	Vol.	R4351	4	MR18															
FF	Vol.	9YR459	50	MR57	M26			8JC-513B	46	See Note	B1				6	26, 27, 12A, 80		3-15	
FY434 Ch. FY	Vol.	R4351	2	MR18				1-1-2	46	See Note	B1				3	12SQ7, 50L6, 35Z5		14-93	
H	Vol.	R4351	4	MR18				3-2	46	See Note	B1				7	26, 27, 71A, 80			
J	Vol.	R4351	4	MR18				3-2	46	See Note	B1				8	26, 27, 71A, 80		3-16	
N6 Early	Vol.	P4089	18	TM231-SS22	M26			P4130	1/15	FP339					6	6SA7, 6SK7, 6SQ7, 6K6GT, 5Y3G	455	14-1	
N6 Late	Tone	P4531	18	MK401											6	6SA7, 6SK7, 6SQ7, 6K6GT, 5Y3G	455	14-1	
P6	Vol.	P4820	18	MK402				P5072	1/15	FP339					6	6SA7, 6SK7, 6SQ7, 6K6GT, 5Y3G	455	14-1	
R71 (101.612, 101.612A)	Vol.	1012442951	127	MR48				P5271	13	TC42					6	1N5, 1A7, 1H5, 3Q5, 117Z6	455	14-2	
R81 (101.613)	Vol.	1012443108	20	Order from	Mfr.			P4860A	1/78	FP309					7	6K8G, 6U7G, 6J5G, 6Q7G, 6F6G, 5Y3G	455	12-3	
R101 (101.614)	Vol.	1012443065	124	Order from	Mfr.										8	6K8G, 6U7G, 6Q7G, 5Y3G, 6F6G	455	12-4	
R111 (101.615)	Vol.	1012443157	124	Order from	Mfr.										10	6U7G, 6K8G, 6J5G, 6U5, 6Q7G, 6V6G, 5Y3G	455	12-5,6	
R121 (101.616)	Tone	1012543123	22	MR53	M26										11	6U7G, 6K8G, 6J5G, 6Q7G, 6V6G, 6U5, 5X4G	455	12-7	
R301 (101.574-2B)	Vol.	1012443065	124	Order from	Mfr.										12	6U7G, 6K8G, 6J5G, 6H6G, 6U5, 6Q7G, 6V6G, 5X4G	455	12-8	
R381 (101.639)	Vol.		127	UM154			A96								10	6K8G, 6U7G, 6Q7G, 6P5G, 6AC5G, 6U5, 5Y3G	455	13-1,2	
R1021 (110.989-1A)	Vol.	1102433	75	MR48	M26										8	6K8G, 6U7G, 6J5G, 6Q7G, 6F6G, 6U5, 5Y3G	455	12-9,3	
R1061 (110.400)	Vol.	1102433	75	MR48	M26										6	12A8GT, 12K7GT, 6H4GT, 12J7GT, 35L6GT, 35Z5GT	455		
R1161 (101.609)	Vol.	1012442645	18	MR53											6	12A8GT, 12K7GT, 6H4GT, 12J7GT, 35L6GT, 35Z5GT	455	12-10	
R1171 (101.610-1)	Vol.	1012443200	45	TM233-SS1											6	6K8G, 6U7G, 6Q7G, 25C6G, 35Z6G	455	12-11,12	
R1181 (101.611)	Vol.	1012442988	124	Order from	Mfr.										7	6K8G, 6U7G, 6J5G, 6F5G, 25C6G, 35Z4G	455	12-13	
R1261 (100.351)	Vol.	10023160006	18	MR48											8	6K8G, 6U7G, 6J5G, 6Q7G, 6F6G, 6U5, 5Y3G	455	12-14	
R5501, R5501A (101.618), (101.618-1A)	Vol.	1012443157	124	Order from	Mfr.										6	6K8G, 6U7G, 6Q7G, 25C6G, 5Y3G	455	12-15,16	
R5561 (101.617)	Vol.	1012543583	22	MR53	M26										10	6U7G, 6K8G, 6J5G, 6Q7G, 6V6G, 5Y3G, 6U5	455	12-37,38	
R5854 (135.241)	Vol.	135243690	50	MK401			A96								6	6K8G, 6U7G, 6Q7G, 6V6G, 5Y3G	455	12-42	
S61 (100.350)	Vol.	10024119634	124	MRT443											6	6A8G, 6P5G, 6K7G, 6Q7G, 6F6G, 5Y3G	455	12-1,2	
XP6	Vol.	P4820	18	MK402											6	1N5, 1A7, 1H5, 3Q5, 117Z6	455	14-2	
9 Tube Super AVC.	Vol.	7864	15	MR48	M26										9	35, 24, 27, 47, 80	175		
36	Tone	7037	44	MR33															
36P	Hum.	R5390	66	Order from	Mfr.														
37	Hum.		66	Order from	Mfr.														
37P																			
39-125																			
41, 41P, 42																			
44, 45	Vol.		29	R															
44 (Late)	Vol.	R6025A	6	H7			1												
47, 48	Vol.	R6025A	6	H7			2												
49, 50	Vol.		1	MR18															
50 AVC	Vol.		7	H															
51	Vol.		6	MR18															
52	Vol.		6	G7															
53, 54 (Factory Model 94)	Vol.		6	G7															
56	Vol.		6	MR18															
62	Tone		6	H7	6-9														
			57	MR48															

† Data not substantiated.

\* IMPORTANT: Read Notes in Note Section if specified in Note Column.

‡ Indicates miscellaneous section.

MANUFACTURER AND MODEL	CONTROLS							CONDENSERS				VIBRATORS			No. Tubes	Complete Tube Complement	I. F. Peak	Rider's Reference
	Use	Original Part	Circuit	Correct Replacement	Switch	Bias	*Note	Original Part	Circuit	Correct Replacement	*Note	Original Part	Replacement	*Note				
SEARS-ROEBUCK—65, 69	Continued		34	MR48				8-20	12-19	TC52 TC26				7-5	*30, *32, 33, Ballast No. 31	175		
90	Vol.	R4223A	29	R											*01A, 12A			
91	Vol.	R4684A	29	R											*01A, 12A or 71A			
92	Vol.	R4640	6	MR18				1-2-1-1	3/13	See Note	B1				*26, *27, 71A, 80			
93, 93T	Vol.	R4640	6	MR18				1-2-2-2	3/14	See Note	B1				*27, *26, 71A, 80			
94, 95, 99	Vol.	R4640	6	G7				1-2-1-2	3/14	See Note	B1				*27, *45, 80		6-1	
100 Ch. 152.100	Vol.	R4640	6	MR18				20-20	24	2N509					2 50L6GT, 35Z5GT		14-30	
100	Vol.	R4640	6	MR18				1-2-1-2	3/14	See Note	B1				*24A, *27, *45, 80		6-2	
107HA62	Vol.	R4640	18	UM154-SS3				8-8	1	2N518	B3	249	C3	6	*6D6, 6L7, 76, 75, 6B5	465	6-3	
	Tone	R4640	22	MR39				.005		Buffer	B14							
108	Vol.	R4640	6	MR18				2-2-2-2-2	3/14	See Note	B1				*27, *26, *71A, 80		6-2	
109	Vol.	R5202	6	MR21				8-8-8	46	3S584					*24A, 27, *45, 80		2-17	
110	Vol.	R5045	71	H7				8-8-8	46	3S584					*27, *45, 80		6-3	
111, 112	Vol.	R5045	6	MR21				8-8-8	46	3S584					*24A, *27, *45, 80		6-4	
112	Vol.	R5046A	6	MR21	M26			8-8-8	46	3S584					*24A, *27, *45, 80		6-4	
114, 116	Hum.	R5390	66	Order from	Mfr.			4758P	1	HD684					*24A, *45, 80		2-17	
218	Vol.		6	†		See Note A5		8-8-8	46	3S584					*24A, 27, *45, 80		9-3	
550	Vol.		6	†		See Note A5		9327	1	2N516					*36, 39, 38, 80	265		
				9328				119-20	4	TN111								
566	Vol.	101-41	18	UM154/SS13	M26			.01		TC571	B14	126-1	294	C3	5 6A8, 6K7, 75, 41, 84-6Z4	465		
666	Vol.	101-42	18	UM154-SS3				119-21	1	2N518	B14	126-1	294	C3	6 *6K7, 6A8, 6Q7, 6N6, 84-6X5	465		
671 (101.612, 101.612A)	Vol.	1012442951	127	MR48				.01	1/15	FP339					7 6K8G, *6U7G, 615G, 6Q7G, 6F6G, 5Y3G	455	12-3	
701 (101.574-1A)	Vol.	1012440330	127	Order from	Mfr.			1012013903	1	RS223					6K8G, 6U7G, 6Q7G, *6P5G, *6AC5G, 6U5, 5Y3G	455		
				1012014808					1	RS223								
721 (101.616)	Vol.	1012443158	124	Order from	Mfr.			1012013903	3	RS223					*6U7G, 6K8G, *615G, 6H6G, 6U5, *6Q7G, *6V6G, 5X4G	455	12-8	
	Tone	1012543123	22	MR53	M26			1012043153	3	FP234								
771 (101.645-1)	Vol.	1012444892	18	TM233-SS1				1012044553	1/15	FP346					*6J5GT, *6U7G, 6Q7G, 6F6G, 5Y3G	455		
802, 812	Vol.		46	†		See Note A19		40, 40	1	RS224					*6K7G, 6H6, 6L7, 6J7G, 6C5, 6G5, 6F6G, *6L6, 5Z3	465	9-5	
	Tone		22	MR48				5	15	TC22								
1130, 1132	Vol.	2616	6	MR18				15-5	2	3S584	B8				*24A, 27, *45, 80			
1134	Vol.	2359	6	MR21				2-1-1-1-1	3/13	See Note	B1				*24, 27, *45, 80		2-1,2	
1150	Hum.	R5390	66	Order from	Mfr.			D4758P	1	HD684					*24A, *45, 80		2-3,4	
1152, 1154	Hum.	R5390	66	Order from	Mfr.			R5734A	1	RS216					*24A, *45, 80		2-1,2	
1170	Hum.	R5390	66	Order from	Mfr.			D4758P	1	HD684					*24A, *45, 80		2-3	
1174	Hum.	R5390	66	Order from	Mfr.			R5734A	4	RS216					*24A, 45, 80		2-3	
1250	Hum.	R5390	66	Order from	Mfr.			R4758P	4	HD684					24A, *35, 47, 80		2-5,6	
1252	Hum.	R5390	66	Order from	Mfr.			4758A	4	HD684								
	Vol.	7121	6	MR18				4758P	4	HD684								
1260	Hum.	R5390	66	Order from	Mfr.			D4758P	1	HD684					*24A, *45, 80		2-1	
1280, 1282	Vol.	7121	6	MR18				8-16	31	See Note	B3				*24A, 27, 45, 80	175		
	Tone	7037	22	MR33														
1310, 1312	Vol.	R6025	6	H7		1		R5734A	4	RS216					*35, 24A, *45, 80		2-9,10	
1320, 1322, 1324 (101)	Vol.	R6025	6	H7		1		4758A	4	HD684					*35, 24A, *47, 27, 80	175	2-11,12	
				4758P				7078	4	HD684								
1320 (106)	Vol.	7613	26	F	6-9			7078	4	RS216					*35, *24, 27, *47, 80	175		
	Tone	7037	22	MR33				7051	4	RS213								
1324 (106)	Vol.	7613	26	F	6-9			7078	4	RS216					*35, *24, 27, *47, 80	175		
	Tone	7037	22	MR33				7051	4	RS213								
1326 (101)	Vol.	R6025	6	H7		1		4758	4	HD684					*35, 24A, *47, 27, 80	175	2-11	
1326X (106)	Vol.	7613	26	F	6-9			7078	4	RS216					*35, *24, 27, *47, 80	175		
	Tone	7037	22	MR33				7051	4	RS213								
1330	Vol.	63-141	12	Order from	Mfr.			R5734A	4	RS216					*35, 24A, *45, 80		2-9	
1340	Vol.	63-142	34	Order from	Mfr.			22-84	1	TC70					*24, *45, 80	175		
	Tone	7121	6	MR18				22-87	1	RS213								
1360	Vol.	7121	6	MR18				16-8	31	See Note	B3				*24A, 27, 45, 80	175		
	Tone	7037	22	MR33														
1370 (101)	Vol.	R6172	7	H				R6122	1	RS213					35, 24A, 47, 80		2-13	
1370, 1371 /W/ Tap Field (106)	Vol.	7613	7	F				7617	4	2S567					24A, 35, 47, 80			
1380 (106)	Vol.	7613	8	F	6-9			7051	34	RS213					*51, *24, 27, 47, 80	175		
	Tone	7613	22	MR33														
1382 (106)	Vol.	7613	8	F	6-9			7051	34	RS213					*51, *24, 27, 47, 80	175		
	Tone	7613	22	MR33														
1386 (106)	Vol.	7613	26	F	6-9			7078	4	RS216					*35, *24, 27, *47, 80	175		
	Tone	7037	22	MR33				7051	4	RS213								
1390, 1400, 1402, 1404, 1406 (101)	Vol.	R6025	6	H7		1		4758	4	HD684					*24A, 35, 47, 27, 80	175	2-14	
1404 (106)	Vol.	7613	8	F	6-9			7051	34	RS213					*51, *24, 27, 47, 80	175		
	Tone	7613	22	MR33														
1406 (106)	Vol.	7613	8	F	6-9			7051	34	RS213					*51, *24, 27, 47, 80	175		
	Tone	7613	22	MR33														

† Data not substantiated.

\* IMPORTANT: Read Notes in Note Section if specified in Note Column.

‡ Indicates miscellaneous section.



MANUFACTURER AND MODEL	CONTROLS							CONDENSERS				VIBRATORS			No. Tubes	Complete Tube Complement	I. F. Peak	Rider's Reference
	Use	Original Part	Circuit	Correct Replacement	Switch	Bias	*Note	Original Part	Circuit	Correct Replacement	*Note	Original Part	Replacement	*Note				
SEARS-ROEBUCK—	Continued																	
1408 (106)	Vol. Tone	7613	8	F	6-9		7051	34	RS213					7	*51, *24, 27, 47, 80	175		
1408 (106) (47 Output)	Vol. Tone	7864 7037	109 22	MR48 MR33	M26		7078 7051	34 34	RS216 RS213					10	*35, *24, *27, *47, 80	175		
1420	Vol.	R6242	7	H			5734A	1	RS216					6	*24A or *35, *45, 80		2-3,4	
1430	Vol.	R6242	7	H			4758	4	HD684					10	24A, 27, *35, *47, 80	175	2-15,16	
1430 (106) (9 Tubes)	Vol. Tone	7864 7037	62 22	MR48 MR33	M26		7078 7051	34 34	RS216 RS213					9	*35, *24, *27, *47, 80	175		
1430 (106) (10 Tubes)	Vol. Tone	7864 7037	109 22	MR48 MR33	M26		7078 7051	34 34	RS216 RS213					10	*35, *24, *27, *47, 80	175		
1442 (106)	Vol. Tone	7613	8	F	6-9		7051	34	RS213					7	*51, *24, 27, 47, 80	175		
1446 (106)	Vol. Tone	7613	8	F	6-9		7051	34	RS213					7	*51, *24, 27, 47, 80	175		
1450	Vol.	R6025	6	H7		1	4758	4	HD684					8	*35, 24A, *47, 27, 80	175	2-11,12	
1454 (106)	Vol. Tone	7613 7037	26 22	F MR33	6-9		7078 7051	34 34	RS216 RS213					8	*35, *24, 27, *47, 80	175		
1456 (106)	Vol. Tone	7613 7037	26 22	F MR33	6-9		7078 7051	34 34	RS216 RS213					8	*35, *24, 27, *47, 80	175		
1462	Vol.	R6420	21	MR48			4758	25	HD684					8	*35, 24A, 47, *27, 80	175	2-18,19	
1470 (101)	Vol.	R6025	6	H7		1	4758	4	HD684					6	*24A, 35, 47, 27, 80	175	2-14	
1480, 1482, 1484	Vol. Tone	R6456 R6454	7 57	H MR48			4758	23	HD684					7	*35, 24A, 27, 47, 80	175	2-19,20	
1482 (106)	Vol. Tone	7613	8	F	6-9		7051	34	RS213					7	*51, *24, 27, 47, 80	175		
1490 (45 Output)	Vol. Tone	7121 7037	22 22	MR33 MR18			16-8	31	See Note	B3				7	*24A, 27, 45, 80	175		
1490 (47 Output)	Vol. Tone	7613	8	F	6-9		7051	34	RS213					7	*51, *24, 27, 47, 80	175		
1500, 1502	Vol. Tone	7732 7037	6 22	F7 MR33	6-9	2	7077	4	RS213					5	*24, 35, 47, 80	175		
1506	Vol.	P4035	8	E	6-9	2	1-1-1	26	See Note	B1				6	*51, *24A, 47, 80	175	6-5,6	
1506A (106)	Vol.	9070	15	MR48	M26		9110	1	2S567					6	*58, 57, 55, 47, 80	175		
1510 (101)	Vol.	R6242	7	H	6-9		4758	4	HD684					10	27, *35, 24A, *47, 80	175	2-15,16	
1510 (106)	Vol. Tone	7864 7037	109 22	MR48 MR33	M26		7078 7051	34 34	RS216 RS213					10	*35, *24, *27, *47, 80	175		
1512X, 1520, 1522, 1522X	Vol. Tone	7864 7037	109 22	MR48 MR33			7078 7051	4 4	RS216 RS213					10	*27, *35, *24A, *47, 80	175		
1521 (109.354 [A, B, C])	Vol.	109248524	18	MR48	M26		109208525	24	2N514					6	12SA7GT, *12K7GT, 12SQ7GT, 35L6GT, 35Z5GT	455	12-30	
1531 (106)	Vol. Tone	7613 7037	26 22	F MR33	6-9		7078 7051	34 34	RS216 RS213					8	*35, *24, 27, *47, 80	175		
1560, 1562, 1564	Vol. Tone	7613	15	MR48			8	12	TC52					7	*30, *32, 33	175		
1561 (100.351)	Vol.	10023160006	18	MR48			5	17	TC22					6	6K8G, *6U7G, 6Q7G, 25C6G, 5Y3G	455	12-15,16	
1570, 1572, 1574, 1575, 1576	Tone	R6570	22	MR48			8	12	TC52					7	*30, *32, 33	175	3-6,7	
1571 (101.610)	Vol.	1012442656	45	TM233-SS1			R7069 1012042425 1012042653	19 9 9/15	TC26 2N514 Order from Mfr.	B8				7	6K8G, *6U7G, 6J5G, 6F5G, 25C6G, 35Z6G	455	12-13	
1580, 1582, 1584, 1585, 1586, 1588, 1589	Vol. Tone	R7240 R6570	6 57	MR21 MR48			8, 8	25	RS213					7	57, *58, 24A, 47, 56, 80	175	3-2,3	
1581 (101.572-2A)	Vol.	1012443049	127	Order from Mfr.			4	13	TC70					8	6K8G, 6U7G, *6J5G, 6F5G, 6F6G, 5Y3G, 6U5	455	12-6	
1590, 1592 (101)	Vol. Tone	R6762 R6454	6 57	MR21 MR48			4758P	23	HD684					6	57, 58, *24A, 47, 80	175	3-8	
1590 (106)	Vol.	9070	15	MR48	M26		9110	1	2S567					6	*58, 57, 55, 47, 80	175		
1590A (106)	Vol.	9070	15	MR48	M26		8876	17	TC22					6	*58, 57, 55, 47, 80	175		
1591 (100.353)	Vol.	10024160558	124	MRT443			9110	1	2S567					6	*58, 57, 55, 47, 80	175		
1592 (106)	Vol.	9070	15	MR48	M26		8876	17	TC22					9	*6U7G, 6K8G, *6Q7G, *6F6G, 5Y3G, 6U5	455	12-17,18	
1592A, 1592B	Vol.	9070	15	MR48	M26		10020110377	13	TC32					6	*58, 57, 55, 47, 80	175		
1594 (101)	Vol. Tone	R6762 R6454	6 57	MR21 MR48			8876 4758P	17 23	TC22 HD684					6	57, 58, *24A, 47, 80	175	3-8	
1596 (101)	Vol. Tone	R6762 R6454	6 22	MR21 MR48			4758P	23	HD684					6	57, 58, *24A, 47, 80	175	3-8	

† Data not substantiated.

\* IMPORTANT: Read Notes in Note Section if specified in Note Column.  
MALLORY PARTS ARE DESIGNED WITH THE SERVICEMAN IN MIND.

‡ Indicates miscellaneous section.

MANUFACTURER AND MODEL	CONTROLS							CONDENSERS				VIBRATORS			No. Tubes	Complete Tube Complement	I. F. Peak	Rider's Reference
	Use	Original Part	Circuit	Correct Replacement	Switch	Bias	*Note	Original Part	Circuit	Correct Replacement	*Note	Original Part	Replacement	*Note				
SEARS-ROEBUCK— 1597, 1598	Continued Vol. Tone	R6762 R6570	6 57	MR21 MR48				8, 8 4-4	23 1	HD684 See Note					6 4	39, 36, 89, 80 24A, 27, 80	175 1000	7-1,2 3-1
1600	Vol.	R7002	29	U	6-9						B3				4	32 or 34, 33		3-4,5
1620, 1622	Vol.	109248524	18	MR48	M26			109208525 109208525	24 24	2N514 2N514					6	12SA7GT, 12K7GT, 12SQ7GT		
1626	Vol.		15	MR48				8876	15	TC22					5	35L6GT, 35Z5GT	455	12-41
1630	Vol. Tone	R6944 R6570	6 57	MR21 MR48				7236 4958	23 23	RS216 HD684					9	*39, 36, 85, 41 *57, 58, 46, 56, 80	175 175	3-2 3-9,11
1640, 1641	Vol. Phantom	R6570 R7295	22 7	MR48 W				R7325 4758P	34 34	HD684 HD684					12	*57, 58, 46, 83, 56	175	3-12,13
1650	Vol. Tone	R7385 R6571	7 57	MR53 MR48				4758	23	HD684					10	*58, 56, 27, 47, 80	175	6-7,9
1652, 1654	Vol. Tone	R7385 R6571	15 57	MR53 MR48				7236 4758	† †	RS216 HD684					12	*58, 56, 27, 46, 80	175	6-10,12
1660 1661 (110.414), (110.415), (110.414)	Vol.	R6944 1102433	6 75	MR21 MR48				4758	23	HD684					5	39, 36, 89, 80	175	6-13,15
1670 (Early)	Vol. Tone	R7385 R6571	15 57	MR53 MR48				1102058 1102046	46 46	TN129 2N513					6	12A8GT, 12K7GT, 6H4GT, 12J7GT, 35L6GT, 35Z5GT	455 175	12-19 6-16,19
1670 (Late) "B"	Vol. Tone	R7385 R6571	15 57	MR53 MR48				4758	23	HD684					11	*58, 56, 27, 47, 24A, 80	175	6-16,19
1675	Vol. Tone	R7385 R6571	15 57	MR53 MR48				4758	23	HD684					11	*58, 56, 27, 47, 24A, 80	175	6-18
1700	Vol.	R8059	68	D12	6-9			8053 8058	29 15	TCS71/TC71 TC22				5	6A7, 6B7, 77, 43, 25Z5	175	4-1,2	
1702	Vol.	421	7	D	6-9			405	6	3N527				4	78, 77, 43, 25Z5		4-3	
1703	Vol.	R8304	6	MR45	M26	EX300		R8313	23	†TC42				4	78, 77, 43, 1V		4-4,5	
1704	Vol.	R8433	56	MR48	6-9			R8431	4	†TC42				6	6A7, 78, 6B7, 43, 1V	480	4-4,5	
1705	Vol. Tone	R8515 R8598	19/7 57	Order from MR53	Mfr.			R8624	23	RS213				5	6A7, 78, 41, 85, 84	175	4-6,7	
1706, 1707	Vol.	R8414	18	MR48	M26			R8488	23	HD684				5	41, 75, 78, 6A7, 84	480	4-8,9	
1708, 1709	Vol. Tone	R8679 R6570	7/18 57	DRP317 MR48				R7236 R8488	23 23	RS216 HD684				8	*78, 6A7, 75, 45, 37, 80	175	4-10,13	
1708A	Vol. Tone	R6570 R6570	62 147	MR48 MR48				R8488	23	HD684				8	6A7, 78, 37, 42, 83V	175	5-61,62	
1710	Vol.	R8402	29	U				R8389	13/19	TC42/TC26				5	30, 950, 951	175	4-15,16	
1711	Vol.	R8359	29	U				R8357	13/19	TC42/TC26				5	950, 951, 30	175	4-17	
1711A	Vol.		29	U				R8357	13/19	TC42/TC26				5	951, 30, 950	480	5-5,6	
1711X	Vol.	9611	6	H7										5	*32, 34, 30, 33, SE1	465		
1712, 1713	Tone	R6570	22	MR48				R8449	12/13/19	2N516/TC29				7	*951, 930, 33	175	4-18,19	
1714	Vol. Tone	R7385 R6570	15 34	MR53 MR48				R8707	12/13/19	2N516/TC29				8	*951, 930, 950	175	4-20,21	
1715	Vol. Tone	R8679 R6571	7/18 57	DRP317 MR48										6	*78, 6A7, 75, 41	175	5-7,8	
1716	Vol. Tone	A111 A110	9 22	MR39 MR39	M26			A117	1/15	3S579				5	*36, 39, 38, 37	175		
1720	Vol. Tone	R8679 R6571	7/18 57	DRP317 MR48				R7236 D4758P	23 23	RS216 HD684				10	*78, 6A7, 75, 45, 37, 83V	175	4-22,23	
1721	Vol. Tone	R8934 R6570	7/15 34	DRP317 MR48				R7236 R8780	4 13/14	RS216 2N518				11	*78, 37, 2A3, 56, 83V	175	4-24,25	
1721 Ch. 110.415-1	Vol.	1102433	18	MR48	M26			1102058	46	TN129				6	12A8GT, 12K7GT, 6H4GT, 12J7GT, 35L6GT, 35Z5GT	455	14-3	
1722	Vol. Tone Hum.	R8934 R6570 R9062	7/15 34 †	DRP317 MR48 Order from				R7236 R8780	4 13	RS216 2N518				12	*78, 37, 2A3-H, 26B7, 56, 83V	175	4-26,28	
1722 (Revised)	Vol. Tone Hum.	R8934 R6570 R9062	7/17 34 †	DRP317 MR48 Order from				R7236 R8780	4 13/14	RS216 2N518				12	*78, 85, 56, 37, 2A3, 26B7, 5Z3	175	5-9,10	
1722X	Vol. Tone Hum.	R8934 R6570 R9062	7/17 34 †	DRP317 MR48 Order from				R7236 R8780	4 13/14	RS216 2N518				12	*78, 85, 56, 37, 2A3, 26B7, 83V		4-29,30	
1724	Vol. Tone	R7240 R6571	6 57	MR21 MR48				R9150	29	3S582				4	78, 77, 43, 25Z5		5-11,19	
1725	Vol. Tone	R8679 R6571	7/18 57	DRP317 MR48				R7236 D4758P	23 23	RS216 HD684				10	*78, 75, 37, 45, 6A7, 83V	175	4-22,23	
1726	Vol. Tone	R8934 R6570	7/15 34	DRP317 MR48				R1114 R7236	† †	TC70 RS216				11	*78, 37, 2A3, 56, 83V	175	4-24,25	
1726X	Vol. Tone Hum.	R9255 R6570 R9062	7/17 34 †	DRP317 MR48 Order from				R8780 R7236 R8780	13/15 4 13/14	2N518 RS216 2N518				11	*78, 56, 85, 37, 2A3, 5Z3	175	5-15,16	
1727	Vol.	554	1	MR18				560	4	2S567				5	*58, 57, 47, 80			
1728	Vol.	R8304	6	MR45	M26	EX300		R8313	23	†TC42				4	78, 77, 43, 1V		4-3	
1728A	Vol.	E60	58	MR45				5-12-5 10	8 15	TN125 TC22				4	78, 77, 43, 25Z5		5-17	

† Data not substantiated.

\* IMPORTANT: Read Notes in Note Section if specified in Note Column.

§ Indicates miscellaneous section.

WHEN YOU BUY LEVER ACTION SWITCHES BUY MALLORY.

MANUFACTURER AND MODEL	CONTROLS							CONDENSERS				VIBRATORS			No. Tubes	Complete Tube Complement	I. F. Peak	Rider's Reference
	Use	Original Part	Circuit	Correct Replacement	Switch	Bias	*Note	Original Part	Circuit	Correct Replacement	*Note	Original Part	Replacement	*Note				
SEARS-ROEBUCK—	Continued																	
1729	Vol.	R9296	64	MR51			D4758P	23	HD684					7	*78, 6A7, 37, 41, 80	175	5-19,20	
	Tone	R6571	22	MR48	M26									5	*78, 6A7, 85, 41	175	5-21,22	
1730	Vol.	R10172	56	UM154	6-9	See Note A96	R10086	1	TC70					5	*2A7, 58, 2A6, 2A5, 80	456	5-18	
	Tone	R9711	22	MR48			156	4	2N518					12	*78, 37, 2A3-H, 26B7, 56, 83V	175	4-26,28	
1731	Vol.	256	18	MR48			R7236	4	RS216									
1732	Vol.	R8934	7/15	DRP317			R8780	13	2N518									
	Tone	R6570	34	MR48														
	Hum.	R9062	34	Order from	Mfr.													
1732 (Revised)	Vol.	R8934	7/17	DRP317			R7236	4	RS216					12	*78, 56, 85, 37, 2A3, 26B7, 83V	175	5-9,10	
	Tone	R6570	34	MR48			R8780	13	2N518									
	Hum.	R9062	34	Order from	Mfr.													
1732X	Vol.	R8934	7/17	DRP317			R7236	4	RS216					12	*78, 56, 85, 37, 2A3, 26B7, 83V	175	4-29,30	
	Tone	R6570	34	MR48			R8780	13	2N518									
	Hum.	R9062	34	Order from	Mfr.													
1733	Vol.	R9062	34	Order from	Mfr.													
	Tone	R6570	56	MR48	M26		R8488	40	HD684			Order from	Mfr.	5	6A7, 78, 6B7, 38, 1V	480	5-23,24	
	Tone	R6571	107	MR48														
1743	Vol.	1004	18	MR48	M26													
1743A	Vol.	452	18	MR48	M26		9659	1	2N518									
							1108	13	TC70									
1744, 1745	Vol.		29	U			156	1	2N518									
1750	Vol.	R6570	56	MR48	M26		307	15	TC22									
	Tone	R6571	56	MR48			R8357	13/19	TC42/TC26					5	*951, 30, 950	480	5-5,6	
							R9070	29	RS207					7	6A7, 78, 6B7, 37, 243, 25Z5	175	4-31,32	
							R9071	29	RS215									
							R9072	29	RS215									
1760	Vol.	R6571	62	MR48	M26		R4758P	23	HD684					8	6A7, 78, 37, 42, 83V	480	5-26,28	
1771 (101.645)	Vol.	1012444892	18	TM233-SS1			1012044553	1/15	FP346					7	*6J5GT, 6U7G, 6Q7G, 6F6G, 5Y3G	455	13-3,4	
1781, 1781A (101.646, -1)	Vol.	1012442988	124	Order from	Mfr.		1012044581	1/13	FP380					8	*6G5GT, 6U7G, 6Q7G, 6F6G, 6U5, 5Y3G	455	13-5	
							1012044794	15	TC26									
1800	Vol.	105	6	SRP263	6-9	EX300	156	1	2N518					4	58, 57, 2A5, 80		5-29	
							307	15	TC22									
1801, 1801A, 1802, 1802A, 1803, 1803A	Vol.	256	18	MR48	M26		5-16-5	11	UR182-193					5	6A7, 78, 75, 43, 25Z5	456	5-30	
	Vol.	R10839	18	MR48	M26													
							R10836	1	RM262					5	2A7, 58, 2A5, 2A6, 80	445	5-3,5-31	
							R10837	13	TC70									
1804, 1805	Vol.	R10458	106	MR48	M26		D4758P	23	HD684					7	*78, 75, 47, 41, 80	480	5-33,34	
	Tone	R10457	106	MR48			R8488	23	HD684									
1805A	Vol.	R11161	106	MR48			R7236	23	RS216					7	*58, 2A6, 47, 56, 80	175	6-20,21	
	Tone	R10742	106	MR48	M26		R8488	23	HD684									
1806	Vol.	R10648	18	MR48			R7236	23	RS216					8	*78, 6A7, 75, 37, 47, 80	445	5-35,36	
	Tone	R10740	107	MR53			R8488	23	HD684									
							R9237	13	TC70									
1807	Vol.	R10839	18	MR48	M26		R10836	1	RM262					5	2A7, 58, 2A6, 2A5, 80	445	5-31,32	
							R10837	13	TC70									
1808	Vol.	R10458	106	MR48	M26		D4758P	23	HD684					7	*78, 75, 41, 47, 80	480	5-33,34	
	Tone	R10457	106	MR48			R8488	23	HD684									
1808A	Vol.	R11161	106	MR48			R7236	23	RS216					7	*58, 2A6, 47, 56, 80	175	6-20,21	
	Tone	R10742	106	MR48	M26		R8488	23	HD684									
1809, 1811	Vol.	R11161A	106	MR48			R7236	23	RS216					7	*58, 2A6, 47, 56, 80	175	6-22,23	
	Tone	R10742	106	MR48	M26		R8488	23	HD684									
1810 (104)	Vol.	256	18	MR48	M26		106	11	UR182-193					5	6A7, 78, 75, 43, 25Z5	456	5-30	
1820	Vol.	R10458	106	MR48	M26		D4758P	23	HD684					7	*78, 75, 47, 41, 80	480	5-33,34	
	Tone	R10457	106	MR48			R8488	23	HD684									
1821	Vol.	R10458	106	MR48	M26		R7236	23	RS216					11	*78, 85, 37, 47, 41, 80	480	5-37,38	
	Tone	R10457	106	MR48			R8488	23	HD684									
1822	Vol.	R10740	106	MR53			4758P	28	HD684					14	*78, 75, 45, 37, 41, 5Z3	445	6-24,25	
	Tone	R10740	106	MR53			R9237	13	TC70									
1823	Vol.	R10648	18	MR48			R7236	23	RS216					8	6A7, 78, 75, 47, 37, 80	445	5-35	
	Tone	R10740	107	MR53			R8488	23	HD684									
							R9237	13	TC70									
1824	Vol.	R10740	106	MR53			D4758P	28	HD684					11	*78, 75, 45, 37, 41, 80	445	6-27,29	
	Tone	R10740	106	MR53			R9237	13	TC70									
1825	Vol.	R10458	106	MR48	M26		R7236	23	RS216					14	41, 78, 75, 45, 37, 5Z3	480	5-39,40	
	Tone	R10457	106	MR48			R8488	23	HD684									
							R8217	17	TC70									
1825A	Vol.	R10458	106	MR48	M26		R7236	23	RS216					14	*78, 75, 45, 37, 6, 5Z3	175	6-30,31	
	Tone	R10457A	106	MR48			R8488	23	HD684									
1826	Vol.	R10458	106	MR48	M26		D4758P	23	HD684					7	*78, 75, 41, 47, 80	480	5-33,34	
	Tone	R10457	106	MR48			R8488	23	HD684									
1826A	Vol.	R11161	106	MR48			R7236	23	RS216					7	*58, 2A6, 47, 56, 80	175	6-20,21	
	Tone	R10742	106	MR48	M26		R8488	23	HD684									
1827	Vol.	R10458	106	MR48	M26		R7236	23	RS216					11	*78, 85, 37, 47, 41, 80	480	5-37,38	
	Tone	R10457	106	MR48			R8488	23	HD684									
1828	Vol.	R10458	106	MR48	M26		R7236	23	RS216					14	*78, 75, 45, 37, 41, 5Z3	480	5-39,40	
	Tone	R10457	106	MR48			R8488	23	HD684									
							R8217	13	TC70									
1829	Vol.	R10648	18	MR48			R7236	23	RS216					8	*78, 75, 47, 37, 6A7, 80	445	5-35,36	
	Tone	R10740	107	MR53			R8488	23	HD684									
							R9237	13	TC70									
1830	Vol.	R10740	106	MR53			D4758P	28	HD684					11	*78, 75, 45, 37, 41, 80	445	6-27,29	
	Tone	R10740	106	MR53			R9237	13	TC70									

‡ Data not substantiated.

\* IMPORTANT: Read Notes in Note Section if specified in Note Column.

§ Indicates miscellaneous section.

MANUFACTURER AND MODEL	CONTROLS							CONDENSERS				VIBRATORS			No. Tubes	Complete Tube Complement	I. F. Peak	Rider's Reference
	Use	Original Part	Circuit	Correct Replacement	Switch	Bias	*Note	Original Part	Circuit	Correct Replacement	*Note	Original Part	Replacement	*Note				
SEARS-ROEBUCK—	Continued																	
1831	Vol.	R10740	106	MR53				4758P	28	HD684					14	*78, 75, *45, *37, 41, 5Z3	445	6-24,26
	Tone	R10740	106	MR53			R9237	13	TC70									
1832	Vol.	R10458	106	MR48	M26		R7236	23	RS216						11	*78, *37, *47, 85, 41, 80.	480	6-32,34
	Tone	R10457A	106	MR48	M26		R8488	23	HD684									
1832A	Vol.	R10458	106	MR48	M26		R7236	23	RS216						11	*78, 85, *37, *47, 41, 80.	445	6-35,36
	Tone	R10457A	106	MR48	M26		R8488	23	HD684									
1833	Vol.	R11161A	106	MR48			R7236	23	RS216						7	*58, 2A6, 47, *56, 80.	175	6-22,23
	Tone	R10742	106	MR48	M26		R8488	23	HD684									
1835	Vol.	R10458	45	MR48			R7236	23	RS216						9	*58, *56, 57, 2A5, 80.	456	7-5,6
	Tone	R10457A	147	MR48			R11153	23	RS216									
1840	Vol.	R10458	106	MR48	M26		R7236	23	RS216						9	*58, *56, 57, 2A5, 80.	480	6-37,39
	Tone	R10457	106	MR48	M26		R8488	23	HD684									
1841	Vol.	R11161	106	MR48			R7236	23	RS216						7	*58, 2A6, 47, *56, 80.	175	6-20,21
	Tone	R10742	106	MR48	M26		R8488	23	HD684									
1842	Vol.	R10458	106	MR48	M26		R7236	23	RS216						8	*58, *56, 57, 2A5, 80.	480	6-37
	Tone	R10457	106	MR48	M26		R11153	23	RS216									
1845	Vol.	R11161A	106	MR48			R7236	23	RS216						7	*58, *56, 2A6, 47, 80.	175	6-22,23
	Tone	R10742A	106	MR48	M26		R8488	23	HD684									
1850	Vol.	R10712	29	U			R10673	13/19	2N516/TC29						5	*951, 32, 33, 30.	175	5-41,42
	Tone	R10648	34	MR48														
1850A	Vol.	R12101	29	U			R12117	13/19	2N516/TC29						5	*951, 32, 33, 30.	175	5-41
	Tone	R12100	34	MR48	M27													
1851	Vol.	R10712	29	U			R10673	13/19	2N516/TC29						5	*951, 32, 33, 30.	175	5-41
	Tone	R10648	34	MR48														
1852, 1853	Vol.		29	U			R8357	13/19	TC42/TC26						5	*951, 30, 950.	480	5-5,6
1854	Vol.	R10556	64	MR48			R10555	13/19	2N516/TC22						9	*951, *950, *30, Ballast No. 31	175	5-43,44
	Tone	R10529	44	MR48	M27													
1854A	Vol.	R11161	45	MR48			R11300	13/19	2N516/TC26						9	*951, *30, *950, Ballast No. 31	175	7-7
	Tone	R11174	44	MR48	M26													
1855, 1856 (38 Output)	Vol.	R6570	56	MR48			R8488	40	HD684			F294	C13	5	6A7, 78, 6B7, 38, 84.	480	5-45,46	
	Tone	R6571	107	MR48	M26		03-.03		Buffer	B14		F294	C14					
1856 (33 Output)	Tone	R6570	22	MR48			R8449	12/13/19	2N516/TC29						7	*951, *30, 33, Ballast No. 31	175	4-18,19
1857	Tone	R10529	34	MR48	M27		R10546	13/19	2N516/TC22						7	*951, *30, 33, Ballast No. 31	175	5-47,48
1857A	Vol.	R11175A	68	D12			R11178	13/19	2N516/TC26						7	*951, 32, 33, *30, Ballast No. 31	175	6-40,41
	Tone	R11174	34	MR48	M26													
1858	Vol.	R10172	56	UM154	M26	See Note A96	R10086	12	TC70					5	*78, 6A7, 85, 41.	175	5-49,50	
	Tone	R9711	22	MR48														
1859	Vol.	1145	17	UM154	M26	See Note A96	1138	1	2N518			270B		4	6A7, 6D6, 6B7, 41.	370		
1859A	Vol.	1145	17	UM154	M26	See Note A96	9328	15	TN111			270B		4	6A7, 6D6, 6B7, 41.	370	5-59,60	
	Tone	1138	1	2N518			1258	1	RS213			F294	C3	5	6A7, 6D6, 78, 38, 84.	465		
1860	Vol.	1322	18	MR48			9328	15	TN111									
	Tone	1382	22	SRP263	6-9		9328	15	TN111									
1862	Vol.	R10712	29	U			R10673	13/19	2N516/TC29						5	*951, 32, 33, 30, Ballast No. 30	175	5-41,42
	Tone	R10648	34	MR48	M26										6	*6D6, 6A7, 85, *48.	175	7-9,10
1863	Vol.	608	17	MR48	M26													
	Tone	609	149	MR33														
1864	Vol.	R11638	17	UM163		See Note A96	R11909	12/15	TC70/TC22						5	*78, 6A7, 85, 41.	175	6-42,43
	Tone	R9711	22	MR48														
1865	Vol.	608	17	MR48	M26										6	*6D6, 6A7, 85, *48.	175	7-10
	Tone	609	149	MR33														
1866	Vol.	R10556	64	MR48			R10555	13/19	2N516/TC22						9	*951, *950, *30, Ballast No. 31	175	5-43
	Tone	R10529	44	MR48	M27													
1867	Vol.	R11175A	68	D12			R11178	13/19	2N516/TC26						7	*951, 32, 33, *30, Ballast No. 31	175	6-41
	Tone	R11174	34	MR48	M26													
1868	Vol.	R10712	29	U			R10673	13/19	2N516/TC29						5	*951, 32, 30, 33, Ballast No. 30	175	5-41,42
	Tone	R10648	34	MR48														
1868A	Vol.	R12101	29	U			R12117	13/19	2N516/TC29						5	*951, 32, 30, 33, Ballast No. 30	175	5-42
	Tone	R12100	34	MR48	M27													
1869	Vol.	P5035	18	UM154		See Note A96	P34	1/15	3S579			3260B	294	C3	5	77, 78, 75, 41, 84.	456	
	Tone						.02		Buffer	B14								
1869X	Vol.	2B	18	UM154		See Note A96	23B	1	2N518				294	C3	5	77, 78, 75, 41, 84.	456	7-4
	Tone	R10712	29	U			R10673	13/19	2N516/TC29						5	*951, 32, 30, 33, Ballast No. 30	175	5-41,42
1870	Vol.	R10648	34	MR48														
	Tone	P5035	18	UM154		See Note A96	P34	1/15	3S579			294	C3	6	*78, 77, 75, 41, 84 or 6Z4	262		
1900	Vol.	452	18	MR48	M26		.02		2N518						6	6A7, 6D6, 75, *42, 80.	456	
	Tone	47A	22	MR48	M26		56A	1	TC22									
1903	Vol.	64A	18	MR48	M26		68A	8	TC42						5	6A7, 6D6, 75, 43, 25Z5	456	7-11
	Tone						69A	8	TC44									
1903X	Vol.	104B	18	MR48	M26		16-16	27	TCS44						5	6A7, 6D6, 75, 43, 25Z5	456	
	Tone	R13467	21	MR48	M26	A4	R12478	23	RS213					6	6A7, 6K7G, 75, 6F6G,	175	6-44,45	
1904, 1904A	Vol.						R12451	23	RS213									
	Tone						R7236	23	RS216									
1905	Vol.	R12648	18	MR48			R12840	23	RS216						8	6D6, 41, 6K7MG, 75, 6C5MG, *6F6MG, 80.	175	7-12,14

‡ Data not substantiated.

\* IMPORTANT: Read Notes in Note Section if specified in Note Column.

§ Indicates miscellaneous section.

USE MALLORY COMPONENTS IN YOUR TELEVISION WORK.

MANUFACTURER AND MODEL	CONTROLS							CONDENSERS				VIBRATORS			No. Tubes	Complete Tube Complement	I. F. Peak	Rider's Reference
	Use	Original Part	Circuit	Correct Replacement	Switch	Bias	*Note	Original Part	Circuit	Correct Replacement	*Note	Original Part	Replacement	*Note				
SEARS-ROEBUCK-1906	Continue d Tone	R13467	21	MR48	M26		A4	R12478 R12451	23 23	RS213 RS213					6	6A7, 6K7G, 75, 6F6G, 6C5G, 84.	175 456	6-44,45
1907	Vol.	P385	18	MR48				P160	1	2N518					5	6A7, 6D6, 75, 42, 80.		
1908	Tone	R13467	21	MR48	M26		A4	R12478 R12451	23 23	RS213 RS213					6	6A7, 6K7G, 75, 6F6G, 6C5G, 84.	175	6-44,45
1909	Vol.	R12648	18	MR48				R12656 R12840	23 23	RS216 RS216					7	6A8MG, 6K7MG, 6Q7MG, 6C5MG, 6F6MG, 5Z4MG...	175 456	7-15,16
1910	Vol.	452	18	MR48	M26			656	1	2N518					6	6A7, 6D6, 75, 42, 80.		
	Tone	47A	22	MR48				56A	15	TC22					6	6A7, 6K7G, 75, 6F6G, 6C5G, 84.	175	6-45,44
1911	Tone	R13467	21	MR48	M26		A4	R12478 R12451	23 23	RS213 RS213					6	6A7, 6K7G, 75, 6F6G, 6C5G, 84.	175	6-45,44
1912	Vol.	R12648	18	MR48				R12656 R12840	23 23	RS216 RS216					7	6A8MG, 6K7MG, 6Q7MG, 6C5MG, 6F6MG, 5Z4MG...	175	7-15,16
1914	Tone	R13467	21	MR48	M26		A4	R12478 R12451	23 23	RS213 RS213					6	6A7, 6K7G, 75, 6F6G, 6C5G, 84.	175	6-44,45
1915	Vol.	R12648	18	MR48				R7236 R12840	23 23	RS216 RS216					8	6D6, 41, 6K7MG, 75, 6C5MG, 6F6MG, 80.	175	7-13,14
1917	Vol.	R12633	127	MR53				R7236	23	RS216					10	78, 6K7G, 76, 75, 6C5G, 6F6G, 5Z3.	385	7-17,19
1918	Vol.	R12595	108	MR53				R11153	23	RS216					12	6D6, 6A7, 6K7G, 75, 6C5G, 45, 5Z3.	385	7-20,22
	Tone	R12596	108	MR53	M26			R12656	30	RS216					12	6K7MG, 6A8MG, 75, 45, 6C5MG, 5Z3.	385	7-23,25
1918A	Vol.	R12595	108	MR53														
	Tone	R12596	108	MR53	6-9													
1919	Vol.	R13911	15	Order from	Mfr.			R12117	19	2N516/TC26					5	1C6, 1A4, 1B5, 230, 950, 1G1.	175	8-5
	Tone	R13583	21	MR53	M27										4	1C6, 1A4, 32, 950, 1B1 Ballast	480	6-46,47
1920	Vol.	R12163	9	MR21											5	951, 32, 30, 33, Bal- last No. 30	175	5-42
1921	Vol.	R10712	29	U				R10673	13/19	2N516/TC29					5	951, 232, 233, 230, 1A2	175	
	Tone	R10648	34	MR48											5	1C6, 1A4, 32, 950, 30, 1G1 Ballast	175	6-48,49
1922	Vol.	R12101	29	U											6	1C6, 1A4, 32, 30, 950, 1E1.	175	7-26,27
	Tone	R12100	34	MR48	M27										6	1C6, 34, 30, 19.	465	
1922A	Vol.	R12741	68	Order from	Mfr.			R12117	13/19	2N516/TC26					6	6A7, 6D6, 75, 76, 48.	456	7-28,29
	Tone	R13077	34	MR48	M27										4	1C6, 1A4, 32, 950, 1B1 Ballast	480	6-46
1923	Vol.	R12371	68	Order from	Mfr.			R12117	13/19	2N516/TC26					6	1C6, 34, 30, 19.	456	7-31
	Tone	R12457	34	MR48											4	1C6, 1A4, 32, 950, 1B1 Ballast	480	6-46
1924	Vol.	2198	45	UM154-SS16				2272	1	TC D55		2269	245A	C3	6	1C6, 34, 30, 19.	465	7-31
	Tone	2282	22	MR33	M27			.02		Buffer	B14				6	6A7, 6D6, 75, 76, 48.	456	7-28,29
1925	Vol.	R12177	18	MR48											4	1C6, 1A4, 32, 950, 1B1 Ballast	480	6-46
	Tone	R12195	44	MR48	M26										6	1C6, 34, 30, 19.	456	7-31
1926	Vol.	R12163	9	MR21											4	1C6, 1A4, 32, 950, 1B1 Ballast	480	6-46
1927, 1927X	Vol.	2198	45	UM154-SS16				2289	12	TC42					6	1C6, 34, 30, 19.	456	7-31
	Tone	2331	22	MR33	M23-24										4	1C6, 1A4, 951 or 32, 950, 1B1.	480	7-30
1928	Vol.	R12163	9	MR29											5	1C6, 1A4, 1B5, 230, 950, 1G1.	175	8-5
1929	Vol.	R13911	56	UM154			See Note A96	R12117	13/19	2N516/TC26					7	6A7, 6K7, 76, 6C5, 75, 6F6, 80.	456	7-32
	Tone	R13583	21	MR53	M27										5	951, 32, 30, 33, Bal- last No. 30	175	5-42
1930	Vol.	RC410	18	MR48				CC21	23	RS213					5	951, 232, 233, 230, 1A2	175	
	Tone	RC405	34	MR33				10.	19	TC22					5	951, 32, 30, 33, Bal- last No. 30	175	5-42
1931	Vol.	R10712	29	U				R10673	13/19	2N516/TC29					5	951, 232, 233, 230, 1A2	175	
	Tone	R10648	34	MR48											5	1C6, 1A4, 32, 950, 30, 1G1 Ballast	175	6-48,49
1932	Vol.	R12101	29	U											6	1C6, 1A4, 32, 30, 950, 1E1.	175	7-26,27
	Tone	R12100	34	MR48	M27										6	1C6, 1A4, 1B5, 30, 950, 1E1.	175	7-33,34
1932A	Vol.	R12741	68	Order from	Mfr.			R12117	13/19	2N516/TC26					6	1C6, 34, 30, 19.	465	
	Tone	R13077	34	MR48											6	6A7, 6D6, 75, 76, 48.	456	7-28,29
1933	Vol.	R12371	68	Order from	Mfr.			R12117	13/19	2N516/TC26					6	1C6, 1A4, 32, 950, 1B1 Ballast	480	6-46
	Tone	R12457	34	MR48											6	1C6, 34, 30, 19.	456	7-31
1933A	Vol.	R14066	15	Order from	Mfr.			R12117	13/19	2N516/TC26					6	6A7, 6D6, 75, 76, 48.	456	7-28,29
	Tone	R14065	57	MR53											9	1C6, 1A4, 30, 32 or 951, 950.	175	7-35,36
1934	Vol.	2198	45	MR48				2272	1	TC D55		2269	245A	C3	6	1C6, 34, 30, 19.	465	
	Tone	2282	22	MR33	M27			.02		Buffer	B14				6	6A7, 6D6, 75, 76, 48.	456	7-28,29
1935	Vol.	R12177	18	MR48											9	1C6, 1A4, 30, 32 or 951, 950.	175	7-35,36
	Tone	R12195	44	MR48	M26										6	1C6, 34, 30, 19.	456	7-31
1936	Vol.	R12371	68	Order from	Mfr.			R12488	13/19	2N516/TC22					6	6A7, 6K7G, 75, 6F6G, 6C5G, 84.	175	6-44,45
	Tone	R12457	44	MR48											5	6A7, 6D6, 75, 42, 80.	456	
1937, 1937X	Vol.	2198	45	UM154-SS16				2289	12	TC42					6	6A7, 6K7, 76, 6C5, 75, 6F6, 80.	456	7-32
	Tone	2331	22	MR33	M23-24										9	6K7, 6L7, 6H6, 6C5, 6F6, 5Y3.	262.5	7-43,44
1938	Vol.	R13467	21	MR48	M26										8	6A8MG, 6K7MG, 6Q7MG, 6E5, 6C5MG, 6F6MG, 5Z4MG.	175	7-15,16
	Tone																	
1939	Vol.	P385	18	MR48				R12478	23	RS213					6	6A7, 6K7G, 75, 6F6G, 6C5G, 84.	175	6-44,45
	Tone	RC410	18	MR48				R12451	23	RS213					5	6A7, 6D6, 75, 42, 80.	456	
1940	Vol.	RC405	34	MR33				P160	1	2N518					7	6A7, 6K7, 76, 6C5, 75, 6F6, 80.	456	7-32
	Tone	RC405	34	MR33				8, 8.	23	RS213					9	6K7, 6L7, 6H6, 6C5, 6F6, 5Y3.	262.5	7-43,44
1941	Vol.	A15253	15	MR53	M26			A15236	25	RS223					9	6K7, 6L7, 6H6, 6C5, 6F6, 5Y3.	262.5	7-43,44
	Sen.	A15377	7	A				A15237	25	HD604								
								A15258	14/15	2N518								
1942	Vol.	R12648	18	MR48				R12656	23	RS216					8	6A8MG, 6K7MG, 6Q7MG, 6E5, 6C5MG, 6F6MG, 5Z4MG.	175	7-15,16
	Tone	R14029	22	MR48	M26			R12840	23	RS216								

† Data not substantiated.

\* IMPORTANT: Read Notes in Note Section if specified in Note Column.

‡ Indicates miscellaneous section.

BE SURE TO SPECIFY MALLORY RADIO AND ELECTRONIC PARTS.

MANUFACTURER AND MODEL	CONTROLS							CONDENSERS				VIBRATORS			No. Tubes	Complete Tube Complement	I. F. Peak	Rider's Reference
	Use	Original Part	Circuit	Correct Replacement	Switch	Bias	*Note	Original Part	Circuit	Correct Replacement	*Note	Original Part	Replacement	*Note				
SEARS-ROEBUCK—	Continued																	
1943.	Vol.	R12371	68	Order from	Mfr.		R12117	13/19	2N516/TC26					6	1C6, 1A4, 32, 30, 950, 1E1	175	7-26	
	Tone	R12457	34	MR48														
1944.	Vol.	R12648	18	MR48			R12656	23	RS216					8	6A8MG, 6K7MG, 6Q7MG, 6E5, 6C5MG, 6F6MG, 5Z4MG	175	7-15,16	
	Tone	R14029	22	MR48	M26		R12840	23	RS216									
1945.	Vol.	R12595	127	MR53			R13903	23	RS223					10	6K7MG, 6L7MG, 6Q7MG, 6C5MG, 6E5, 6F6MG, 5Z4MG	385	7-37,38	
	Tone	R13467	22	MR48	M26		R13901	23	RS216									
1946.	Vol.	R13843	20	MRT440			R12656	30	RS216					13	6K7MG, 6L7MG, 6C5MG, 6E5, 6F5MG, 6F6MG, 5Z4MG	385	7-39,40	
	Tone	R14228	22	MR42	M26	A4	R13806	15/19	TN111									
	Sen.	R13801	105	X														
1947, 1948	Vol.	R13911	15	Order from	Mfr.		R12117	13/19	2N516/TC26					5	1C6, 1A4, 1B5, 230, 950, 1G1	175	8-7	
	Tone	R13583	21	MR53	M27													
1949	Vol.	105B	18	UM154	M26	A96	130E	1/15	3S579	B14		294	C3	5	6A7, 6D6, 75, 41, 84	175	8-9	
1949A	Vol.	105B	18	UM154	M26	A96	130E	1/15	3S579	B14		294	C3	5	6A7, 6D6, 75, 41, 84	175	8-10	
1953	Vol.	64A	18	MR48	M26		68A	8	TC42					5	6A7, 6D6, 75, 43, 25Z5	456	7-11	
1953X	Vol.	104B	18	MR48	M26		69A	8	TC44					5	6A7, 6D6, 75, 43, 25Z5	456		
1954	Tone	R13467	21	MR48	M26	A4	R12478	23	RS213					6	6A7, 6K7G, 75, 6F6G, 6C5G, 84	175	6-45	
							R12451	23	RS213									
1954X	Vol.	P517	45	MR48			P474	32	HD684					6	6A7, 6K7G, 6C5G, 75, 6F6G, 80	456	7-41,42	
1955	Vol.	R12648	18	MR48			P160	32	2N516					8	6D6, 41, 6K7MG, 75, 6C5MG, 6F6MG, 80	175	7-13,14	
							R7236	23	RS216									
							R12840	23	RS216									
1956	Vol.	RC410	18	MR48			CC21	23	RS216					7	6A7, 6K7, 76, 6C5, 75, 6F6, 80	175	7-32	
	Tone	RC405	34	MR33			C20	19	TC22									
1956X	Vol.	P385	75	MR48			P474	32	HD684					7	6A8, 6K7, 6H6, 6A6, 6F6, 80	456		
							P160	32	2N518									
1957	Vol.	P385	18	MR48			P160	1	2N518					5	6A7, 6D6, 75, 42, 80	456		
1962	Vol.	R12648	18	MR48			R12656	23	RS216					7	6A8MG, 6K7MG, 6Q7MG, 6C5MG, 6F6MG, 5Z4MG	175	7-15,16	
							R12840	23	RS216									
1964, 1964A	Tone	R13467	21	MR48	M26	A4	R12478	23	RS213					6	6A7, 6K7G, 75, 6F6G, 6C5G, 84	175	6-44,45	
							R12451	23	HD684									
							R13058	13	TC42									
1965	Vol.	R12648	18	MR48			R7236	23	RS216					8	6D6, 41, 6K7MG, 75, 6C5MG, 6F6MG, 80	175	7-13,14	
							R12840	23	RS216									
1967	Vol.	R12633	127	MR53			R7236	23	RS216					10	7B, 6K7G, 76, 75, 6C5G, 6F6G, 5Z3	385	7-17,19	
							R11153	23	RS216									
1967A, 1967C	Vol.	R12633	127	MR53			R7236	23	RS216					10	6K7MG, 6L7MG, 6C5MG, 6K7G, 75, 6C5G, 6F6G, 5Z3	385	7-17,19	
							R11153	23	RS216									
1968	Vol.	R12595	108	MR53			R12656	30	RS216					12	6D6, 6A7, 6K7G, 75, 6C5G, 45, 5Z3	385	7-20,22	
	Tone	R12596	108	MR53														
1968A	Vol.	R12595	108	MR53			R12656	30	RS216					12	6K7MG, 6A8MG, 75, 6C5MG, 45, 5Z3	385	7-23,25	
	Tone	R12596	108	MR53	M26													
1970	Vol.	95A	18	MR48	M26		94A	23	RS213					7	6A7, 76, 6K7, 6C5, 75, 6F6, 80	456	8-11	
	Tone	96A	34	MR33														
1970A	Vol.	RC410	18	MR48			CC21	23	RS213					7	6A7, 6K7, 76, 6C5, 75, 6F6, 80	456	7-32	
	Tone	RC405	34	MR33			C20	19	TC22									
1971	Vol.	R11638	17	UM163		See Note A96	R11909	12/15	TC70/TC22					5	7B, 6A7, 85, 41	175	6-42	
	Tone	R9711	22	MR48														
1972	Vol.	R12648	18	MR48			R12656	23	RS216					8	6A8MG, 6K7MG, 6Q7MG, 6E5, 6C5MG, 6F6MG, 5Z4MG	175	7-15,16	
	Tone	R14029	22	MR48	M26		R12840	23	RS216									
1978, 1980A	Vol.	R12163	1	MR21										4	1C6, 1A4, 951 or 32, 950, 1B1	480	7-30	
1981, 1981C, 1981CX	Vol. Sen.	A15253	15	MR53	M26		A15236	25	RS223					9	6K7, 6L7, 6H6, 6C5, 6F6, 5Y3	262.5	7-43,44	
		A15377	7	A			A15237	25	HD684									
							A15258	14/15	2N518									
1982	Vol.	R12101	29	Order from	Mfr.									5	951, 232, 233, 230, 1A2	175		
	Tone	R12100	34	MR48	M27													
1982A (345)	Vol.	R12741	68	Order from	Mfr.		R12117	13/19	2N516/TC26					5	1C6, 1A4, 32, 950, 30, 1G1 Ballast	175	6-48,49	
	Tone	R13047	34	MR48	M27													
1982A (345X)	Vol.	R13911	56	Order from	Mfr.		R12117	13/19	2N516/TC26					5	1C6, 1A4, 1B5, 230, 950, 1G1	175	8-5	
	Tone	R13583	21	MR53	M27													
1983	Vol.	R12371	68	D12			R12117	13/19	2N516/TC26					6	1C6, 1A4, 32, 30, 950, 1E1	175	7-26,27	
	Tone	R12457	34	MR48		A27												
1983A	Vol.	R14066	15	MR48			R12117	13/19	2N516/TC26					6	1C6, 1A4, 1B5, 330, 950, 1E1	175	7-33,34	
	Tone	R14065	57	MR53														

‡ Data not substantiated.

\* IMPORTANT: Read Notes in Note Section if specified in Note Column. MAKE FULL USE OF NOTES AND CIRCUIT DIAGRAMS.

§ Indicates miscellaneous section.

MANUFACTURER AND MODEL	CONTROLS							CONDENSERS				VIBRATORS			No. Tubes	Complete Tube Complement	I. F. Peak	Rider's Reference
	Use	Original Part	Circuit	Correct Replacement	Switch	Bias	*Note	Original Part	Circuit	Correct Replacement	*Note	Original Part	Replacement	*Note				
SEARS-ROEBUCK—	Continued																	
1984	Tone	R13467	21	MR48	M26	A4	R12478 R12451	23 23	RS213 RS213					6	6A7, 6K7G, 75, 6F6G, 6C5G, 84	175 456	6-44,45 7-28,29	
1985	Vol. Tone	R12177 R12195	18 44	Order from MR48	Mfr. M26									6	6A7, 6D6, 75, 76, 748	456		
1986, 1987 (100.150)	Vol. Tone	1002488676 1002588677	18 57	MR48	M26		1002088679 1002088680	25 25	RS216 RS213					6	6A7, 6D6, 6H6G, 6F5G, 6B5, 80	262	8-13	
1986, 1987 (101.407)	Vol. Tone	1012414184 1012414303	75 15	MR44 MR53	M26	A27 A4	1012014573 1012012451	23 23	RS216 RS213					6	6A7, 78, 6H6H, 6F5G, 6B5, 84	262	7-45,46	
1988 (101.408)	Vol. Tone	1012514183 1012414214	57 17	MR48 MR53			1012014213 1012014573	1 1	TC D71 RS216		B12			5	6A7, 6D6, 75, 6B5, 1V	465	7-47,48	
1989 (101.414)	Vol.	1012414083	12	MR29	M27		101209144	19	TC22					4	IC6, 1A4, 951, 1F4	465	7-49,50	
1992	Vol. Tone	R12101 R12100	29 34	Order from MR48	Mfr. M27		R12117	13/19	2N516/TC26					5	951, 232, 233, 230, 1A2	175		
1992A (101.345)	Vol. Tone	R12741 R13077	68 34	Order from MR48	Mfr. M27		R12117	13/19	2N516/TC26					5	IC6, 1A4, 32, 950, 30, 1G1	175 456	6-48,49 7-51	
1992X	Vol. Tone	2290 2162	18 22	MR48 MR29	M23-24		2289	12	TC42					5	IC6, 34, 1B5, 30, 19	456		
1993 (101.334)	Vol. Tone	R12371 R12457	68 34	D12 MR48		A27	R12117	13/19	2N516/TC26					6	IC6, 1A4, 32, 30, 950, 1E1	175 465	7-26,27 7-52	
1993X (101.334X)	Vol. Tone	2198 2331	45 22	UM154-SS16 MR33	M23-24		2289	13	TC42					6	IC6, 34, 30, 19	465		
1995	Vol. Tone	R12177 R12195	18 44	Order from MR48	Mfr. M26									6	6A7, 6D6, 75, 76, 748	456	7-28,29	
1996 (101.359 101.359X)	Vol. Tone	R12371 R12457	68 44	D12 MR48		A27	R12488	13/19	2N516/TC22					9	IC6, 1A4, 30, 32 or 951, 950	175	7-35,36	
1998	Vol.	R13930	18	MR44			R12656 R12840	23 23	RS216 RS216					7	6A8MG, 6K7MG, 6Q7MG, 6C5MG, 6F6MG, 5Z4MG	262	7-53,54	
1999 (101.345X)	Vol. Tone	R13911 R13583	15 57	Order from MR53	Mfr. M27		R12117	13/19	2N516/TC26					5	IC6, 1A4, 1B5, 230, 950, 1G1	175	8-5	
2011 (101.642)	Vol.	1012444452	18	Order from	Mfr.		1012019891	12	TC44					5	1A7GT, 1N5GT, 1H5GT, 1A5G/GT	455	13-6	
2051 (101.642)	Vol.	1012444452	18	Order from	Mfr.		1012019891	12	TC44					5	1A7GT, 1N5GT, 1H5GT, 1A5G/GT	455	13-6	
2061 (101.602)	Vol.	1012443234	17	MR55			1012018184 1012018672 .009-.009	1/15 78	2N516/TC22 TC26 Buffer		B14	1015114840	246	C3	6	1C7G, 1H4G, 1D5GP, 1F7GH, 6G6G, 6AB5	455	12-20
2312 (163.34)	Vol.	31A3107	15	MR39	M26		30A3075 30A3067 20	46 15 15	FP389 TC26 TC26					4	6J7, 6SF5, 6V6GT, 5Y3G		14-3	
2411 (101.642)	Vol.	1012444452	18	Order from	Mfr.		1012019891	12	TC44					5	1A7GT, 1N5GT, 1H5GT, 1A5G/GT	455	13-6	
2421 (101.602)	Vol.	1012443234	17	MR55			1012018184 1012018672 .009-.009	1/15 78	2N516/TC22 TC26 Buffer		B14	1015114840	246	C3	6	1C7G, 1H4G, 1D5GP, 1F7GH, 6G6G, 6AB5	455	12-20
2451 (101.641)	Vol.	1012442433	18	MR48			1012019891	12	TC44					5	1A7GT, 1N5GT, 1H5GT, 1A5G/GT	455	13-7	
2461 (101.643)	Vol.	1012444528	18	MR48			1012019891	12	TC44					6	1A7GT, 1N5GT, 1H5GT, 1A5GT/G	455	13-9,10	
2511 (101.605)	Vol.	1012442450	18	MR48			1012019891	12	TC44					5	1A7G, 1N5G, 1H5G, 1A5G	455	12-21,22	
2511 (101.642)	Vol.	1012444452	18	Order from	Mfr.		1012019891	12	TC44					5	1A7GT, 1N5GT, 1H5GT, 1A5G/GT	455	13-6	
2541 (101.603)	Vol.	1012440005	18	MR48	M27		1012019891	12	TC44					4	1A7G, 1N5G, 1H5G, 1A5G	455	12-23,24	
2551 (101.604)	Vol.	1012442433	18	MR48			1012019891	12	TC44					5	1A7G, 1N5G, 1H5G, 1A5G	455	12-25,26	
2611 (101.605)	Vol.	1012442450	18	MR48			1012019891	12	TC44					5	1A7G, 1N5G, 1H5G, 1A5G	455	12-21,22	
2641 (101.603)	Vol.	1012440005	18	MR48	M27		1012019891	12	TC44					4	1A7G, 1N5G, 1H5G, 1A5G	455	12-23,24	
2651 (101.604)	Vol.	1012442433	18	MR48			1012019891	12	TC44					5	1A7G, 1N5G, 1H5G, 1A5G	455		
2711 (101.605)	Vol.	1012442450	18	MR48			1012019891	12	TC44					5	1A7G, 1N5G, 1H5G, 1A5G	455	12-21,22	
2741 (101.603)	Vol.	1012440005	18	MR48	M27		1012019891	12	TC44					4	1A7G, 1N5G, 1H5G, 1A5G	455	12-23,24	
2751 (101.604)	Vol.	1012442433	18	MR48			1012019891	12	TC44					5	1A7G, 1N5G, 1H5G, 1A5G	455	12-25,26	
2761 (101.606)	Vol.	1012442872	18	MR48			1012019891	12	TC44					6	1A7G, 1N5G, 1H5G, 1A5G	455	12-25,27	
2761 (101.643)	Vol. Tone	1012444528 1012544355	18 22	MR48 Order from	Mfr. M26		1012019891	12	TC44					6	1A7GT, 1N5GT, 1H5GT, 1A5G/GT	455	13-9,10	
3011 (132.810)	Vol.	1322417126	18	MR53			1322017140	79/15	TN129					5	12SA7GT, 12SK7GT, 12SQ7GT	455	13-4,8	
3041 (132.804)	Vol.	1322416763	18	Order from	Mfr.		1322016838	1/15	3N533					4	12K7GT, 12SQ7GT, 35L6GT, 35Z5GT	455	12-28,30	

‡ Data not substantiated.

\* IMPORTANT: Read Notes in Note Section if specified in Note Column.

§ Indicates miscellaneous section.

DON'T MISS THE MALLORY 1485 CONTROL DEAL!

MANUFACTURER AND MODEL	CONTROLS							CONDENSERS				VIBRATORS			No. Tubes	Complete Tube Complement	I. F. Peak	Rider's Reference
	Use	Original Part	Circuit	Correct Replacement	Switch	Bias	*Note	Original Part	Circuit	Correct Replacement	*Note	Original Part	Replacement	*Note				
SEARS-ROEBUCK— 3051 (109.352).....	Continued Vol.	109248389..	18	MR48.....	M26			109208391..	24	FP211.....					5	12SA7GT, 12K7GT, 12SQ7GT, 35L6GT, 35Z5GT..	455	.....
3061 (109.354, A, B, C).....	Vol.	109248524..	18	MR48.....	M26			109208525..	24	2N514.....					6	12SA7GT, 12K7GT, 12SQ7GT, 35L6GT, 35Z5GT..	455	12-30
3111 (132.810).....	Vol.	1322417126.	18	MR53.....	M26			1322017140.	79/15	TN129.....					5	12SA7GT, 12SK7GT, 12SQ7GT, 35L6GT, 35Z5GT..	455	13-4,8
3141 (132.804).....	Vol.	1322416763.	18	Order from	Mfr...			1322016838.	1/15	3N533.....					4	12K7GT, 12SQ7GT, 35L6GT, 35Z5GT..		12-28,30
3151 (109.352).....	Vol.	109248389..	18	MR48.....	M26			109208391..	24	FP211.....					5	12SA7GT, 12K7GT, 12SQ7GT, 35L6GT, 35Z5GT..	455	.....
3161 (109.354, A, B, C).....	Vol.	109248524..	18	MR48.....	M26			109208525..	24	2N514.....					6	12SA7GT, 12K7GT, 12SQ7GT, 35L6GT, 35Z5GT..	455	12-30
3211 (132.810).....	Vol.	1322417126.	18	MR53.....	M26			1322017140.	79/15	TN129.....					5	12SA7GT, 12SK7GT, 12SQ7GT, 35L6GT, 35Z5GT..	455	13-4,8
3211 (132.810-1).....	Vol.	1322417126.	18	MR53.....	M26			1322014403.	79/15	3N533.....					5	12SA7GT, 12SK7GT, 12SQ7GT, 35L6GT, 35Z5GT.....	455	14-18,20
3241 (132.804).....	Vol.	1322416763.	18	Order from	Mfr...			1322016838.	1/15	3N533.....					4	12K7GT, 12SQ7GT, 35L6GT, 35Z5GT..		12-28,30
3251 (109.352).....	Vol.	109248389..	18	MR53.....	M26			109208391..	24	FP211.....					5	12SA7GT, 12K7GT, 12SQ7GT, 35L6GT, 35Z5GT..	455	.....
3261 (109.354, A, B, C).....	Vol.	109248524..	18	MR48.....	M26			109208525..	24	2N514.....					6	12SA7GT, 12K7GT, 12SQ7GT, 35L6GT, 35Z5GT..	455	12-30
3311 (132.803).....	Vol.	1322416671.	18	MR53.....	M26			1322016707.	1	2N514.....					5	12A8GT, 12K7GT, 12SQ7GT, 35L6GT, 35Z5GT..	455	12-31
3321 (109.357).....	Vol.	109248524..	18	MR48.....	M26			109208525..	24	2N514.....					6	12SA7GT, 12K7GT, 12SQ7GT, 35L6GT, 35Z5GT..	455	12-32
3341 (132.805).....	Vol.	1322416763.	18	Order from	Mfr...			109208032..	24	TC47.....	B12				4	12K7GT, 12SQ7GT, 35L6GT, 35Z5GT..		12-33
3351 (132.802).....	Vol.	1322416671.	18	MR53.....	M26			1322016719.	1	2N516.....					5	12A8GT, 12K7GT, 12SQ7GT, 35L6GT, 35Z5GT..	455	12-34
3361 (109.356).....	Vol.	109248524..	18	MR48.....	M26			109208525..	24	2N514.....					6	12SA7GT, 12K7GT, 12SQ7GT, 35L6GT, 35Z5GT..	455	12-35
3411 (132.803).....	Vol.	1322416671.	18	MR53.....	M26			1322016707.	1	2N514.....					5	12A8GT, 12K7GT, 12SQ7GT, 35L6GT, 35Z5GT..	455	12-31
3421 (109.357).....	Vol.	109248524..	18	MR48.....	M26			109208525..	24	2N514.....					6	12SA7GT, 12K7GT, 12SQ7GT, 35L6GT, 35Z5GT..	455	12-32
3441 (132.805).....	Vol.	1322416763.	18	Order from	Mfr...			109208032..	24	TC47.....	B12				4	12K7GT, 12SQ7GT, 35L6GT, 35Z5GT..		12-33
3451 (132.802).....	Vol.	1322416671.	18	MR53.....	M26			1322016791.	1	2N516.....					5	12A8GT, 12K7GT, 12SQ7GT, 35L6GT, 35Z5GT..	455	12-34
3461 (109.356).....	Vol.	109248524..	18	MR48.....	M26			109208525..	24	2N514.....					6	12SA7GT, 12K7GT, 12SQ7GT, 35L6GT, 35Z5GT..	455	12-35
3511 (132.803).....	Vol.	1322416671.	18	MR53.....	M26			1322016707.	1	2N514.....					5	12A8GT, 12K7GT, 12SQ7GT, 35L6GT, 35Z5GT..	455	12-31
3521 (109.357).....	Vol.	109248524..	18	MR48.....	M26			109208525..	24	2N514.....					6	12SA7GT, 12K7GT, 12SQ7GT, 35L6GT, 35Z5GT..	455	12-32
3541 (132.805).....	Vol.	1322416763.	18	Order from	Mfr...			109208526..	24	2N516.....					4	12K7GT, 12SQ7GT, 35L6GT, 35Z5GT..		12-33
3551 (132.802).....	Vol.	1322416671.	18	MR53.....	M26			1322016719.	1	2N516.....					5	12A8GT, 12K7GT, 12SQ7GT, 35L6GT, 35Z5GT..	455	12-34
3561 (109.356).....	Vol.	109248524..	18	MR48.....	M26			109208525..	24	2N514.....					6	12SA7GT, 12K7GT, 12SQ7GT, 35L6GT, 35Z5GT..	455	12-35
3611 (132.811).....	Vol.	1322417126.	18	MR53.....	M26			1322014403.	79/15	3N533.....					5	12SA7GT, 12SK7GT, 12SQ7GT, 35L6GT, 35Z5GT..	455	13-11, 99
3621 (109.356).....	Vol.	109248524..	18	MR48.....	M26			109208525..	24	2N514.....					6	12SA7GT, 12K7GT, 12SQ7GT, 35L6GT, 35Z5GT..	455	12-35

‡ Data not substantiated.

\* IMPORTANT: Read Notes in Note Section if specified in Note Column.

§ Indicates miscellaneous section.

WHEN YOU BUY A BATTERY CHARGER BUY A MALLORY.



MANUFACTURER AND MODEL	CONTROLS							CONDENSERS				VIBRATORS			No. Tubes	Complete Tube Complement	I. F. Peak	Rider's Refer- ence
	Use	Original Part	Cir- cuit	Correct Replacement	Switch	Bias	*Note	Original Part	Cir- cuit	Correct Replacement	*Note	Original Part	Replac- ement	*Note				
SEARS-ROEBUCK— 3651 (109.353) . . . . .	Continued Vol.	109248389 . . . . .	18	MR48 . . . . .	M26			109208630 . . . . .	24	2N509 . . . . .					5	12SA7GT, 12K7GT, 12SQ7GT, 35L6GT, 35Z5GT..	455	12-36
3661 (109.355) . . . . .	Vol.	109248524 . . . . .	18	MR48 . . . . .	M26			109208525 . . . . .	24	2N514 . . . . .	B12				6	12SA7GT, 12K7GT, 12SQ7GT, 35L6GT, 35Z5GT..	455	12-41
3711 (132.811) . . . . .	Vol.	1322417126 . . . . .	18	MR53 . . . . .	M26			1322014403 . . . . .	79/15	3N533 . . . . .					5	12SA7GT, 12SK7GT, 12SQ7GT, 35L6GT, 35Z5GT..	455	13-11, 99
3711 (132.811-1) . . . . .	Vol.	1322417126 . . . . .	18	MR53 . . . . .	M26			1322014403 . . . . .	79/15	3N533 . . . . .					5	12SA7GT, 12SK7GT, 12SQ7GT, 35L6GT, 35Z5GT.	455	14-20,21
3721 (109.357) . . . . .	Vol.	109248524 . . . . .	18	MR48 . . . . .	M26			109208525 . . . . .	24	2N514 . . . . .					6	12SA7GT, 12K7GT, 12SQ7GT, TC47	455	12-32
3751 (109.353) . . . . .	Vol.	109248389 . . . . .	18	MR48 . . . . .	M26			109208526 . . . . .	24	2N516 . . . . .	B12				5	35L6GT, 35Z5GT. 12SA7GT, 12K7GT, 12SQ7GT	455	12-36
3761 (109.355) . . . . .	Vol.	109248524 . . . . .	18	MR48 . . . . .	M26			109208630 . . . . .	24	2N509 . . . . .					6	12SA7GT, 12K7GT, 12SQ7GT, 2N514	455	12-41
3811 (132.811) . . . . .	Vol.	1322417126 . . . . .	18	MR53 . . . . .	M26			109208529 . . . . .	24	2N514 . . . . .	B12				5	35L6GT, 35Z5GT. 12SA7GT, 12SK7GT, 12SQ7GT	455	13-11, 99
3851 (109.353) . . . . .	Vol.	109248389 . . . . .	18	MR48 . . . . .	M26			1322014403 . . . . .	79/15	3N533 . . . . .					5	35L6GT, 35Z5GT. 12SA7GT, 12K7GT, 12SQ7GT	455	12-36
3861 (109.355) . . . . .	Vol.	109248524 . . . . .	18	MR48 . . . . .	M26			109208525 . . . . .	24	2N514 . . . . .	B12				6	12SA7GT, 12K7GT, 12SQ7GT, 2N514	455	12-41
3972 (113.972) . . . . .	Vol.	113249729 . . . . .	18	MR48 . . . . .	M26			109208529 . . . . .	24	2N514 . . . . .	B12				5	35L6GT, 35Z5GT. 12SA7GT, 12K7GT, 12SQ7GT	455	10-1,2
4104 . . . . .	Vol.	7777 . . . . .	12/2	DRP119 . . . . .	6-9			1132097253 . . . . .	23	2S567 . . . . .					5	6A7, 6D6, 6Q7G, 41, 80	465	10-1,2
4400 (107HA6) . . . . .	Vol.	107246220 . . . . .	18	UM154-SS3 . . . . .				109208630 . . . . .	24	2N509 . . . . .	B12				5	35L6GT, 35Z5GT. 12SA7GT, 12K7GT, 12SQ7GT	455	12-36
4400A (107HA62) . . . . .	Tone	107256225 . . . . .	22	UM140-SS18 . . . . .				109208663 . . . . .	24	2N514 . . . . .	B12				6	6A7, 6D6, 6L7, 76, 75, 6B5	465	
4401, 4402 (101.408) . . . . .	Tone	107246227 . . . . .	18	UM157-SS3 . . . . .				109208529 . . . . .	24	2N514 . . . . .	B12				6	6A7, 6D6, 6L7, 76, 75, 6B5	465	
4403 (101.407) . . . . .	Vol.	101241483 . . . . .	57	MR48 . . . . .	M26			1012014213 . . . . .	1	TC27 . . . . .	B14				5	6A7, 6D6, 75, 6B5, 1V	465	7-47,48
4404 (101.416) . . . . .	Vol.	101241483 . . . . .	57	MR48 . . . . .	M26			1012014573 . . . . .	1	RS216 . . . . .					6	6A7, 78, 6H6G, 6F5G, 6B5, 84	262	7-45,46
4405 (101.419) . . . . .	Vol.	101241483 . . . . .	15	MR48 . . . . .	M27			1012014573 . . . . .	23	RS216 . . . . .					6	6A7, 78, 6H6G, 6F5G, 6B5, 84	262	7-45,46
4405A (101.432) . . . . .	Vol.	101241483 . . . . .	15	MR48 . . . . .	M27			1012014478 . . . . .	13	TC62 . . . . .	B14				6	6A7, 78, 6H6G, 6F5G, 6B5, 84	262	7-45,46
4406 (101.416) . . . . .	Vol.	101241483 . . . . .	15	MR48 . . . . .	M27			1012014478 . . . . .	13	TC62 . . . . .	B14				6	6A7, 78, 6H6G, 6F5G, 6B5, 84	262	7-45,46
4407 (101.419) . . . . .	Vol.	101241483 . . . . .	15	MR48 . . . . .	M27			1012014478 . . . . .	13	TC62 . . . . .	B14				6	6A7, 78, 6H6G, 6F5G, 6B5, 84	262	7-45,46
4408 (101.414) . . . . .	Vol.	101241483 . . . . .	15	MR48 . . . . .	M27			1012014478 . . . . .	13	TC62 . . . . .	B14				6	6A7, 78, 6H6G, 6F5G, 6B5, 84	262	7-45,46
4409 (101.415) . . . . .	Vol.	101241483 . . . . .	15	MR48 . . . . .	M27			1012014478 . . . . .	13	TC62 . . . . .	B14				6	6A7, 78, 6H6G, 6F5G, 6B5, 84	262	7-45,46
4410, 4411 (101.416) . . . . .	Vol.	101241483 . . . . .	15	MR48 . . . . .	M27			1012014478 . . . . .	13	TC62 . . . . .	B14				6	6A7, 78, 6H6G, 6F5G, 6B5, 84	262	7-45,46
4413 (101.415) . . . . .	Vol.	101241483 . . . . .	15	MR48 . . . . .	M27			1012014478 . . . . .	13	TC62 . . . . .	B14				6	6A7, 78, 6H6G, 6F5G, 6B5, 84	262	7-45,46
4414, 4415 (101.393) . . . . .	Vol.	101241483 . . . . .	15	MR48 . . . . .	M27			1012014478 . . . . .	13	TC62 . . . . .	B14				6	6A7, 78, 6H6G, 6F5G, 6B5, 84	262	7-45,46
4416 (101.446) . . . . .	Vol.	101241483 . . . . .	15	MR48 . . . . .	M27			1012014478 . . . . .	13	TC62 . . . . .	B14				6	6A7, 78, 6H6G, 6F5G, 6B5, 84	262	7-45,46
4418 (104.127) . . . . .	Vol.	1042487 . . . . .	18	MR48 . . . . .	M26			1012014478 . . . . .	13	TC62 . . . . .	B14				6	6A7, 78, 6H6G, 6F5G, 6B5, 84	262	7-45,46
4419 (101.449) . . . . .	Vol.	1012415818 . . . . .	17	Order from Mfr. . . . .				1012014478 . . . . .	13	TC62 . . . . .	B14				6	6A7, 78, 6H6G, 6F5G, 6B5, 84	262	7-45,46
4420 (101.414) . . . . .	Vol.	1012415819 . . . . .	44	MR39 . . . . .	M26			1012014478 . . . . .	13	TC62 . . . . .	B14				6	6A7, 78, 6H6G, 6F5G, 6B5, 84	262	7-45,46
4421 (104.127) . . . . .	Vol.	1042487 . . . . .	18	MR48 . . . . .	M26			1012014478 . . . . .	13	TC62 . . . . .	B14				6	6A7, 78, 6H6G, 6F5G, 6B5, 84	262	7-45,46
4422 (101.438) . . . . .	Vol.	101241483 . . . . .	57	MR48 . . . . .	M27			1012014478 . . . . .	13	TC62 . . . . .	B14				6	6A7, 78, 6H6G, 6F5G, 6B5, 84	262	7-45,46
4423 (101.438) . . . . .	Vol.	101241483 . . . . .	57	MR48 . . . . .	M27			1012014478 . . . . .	13	TC62 . . . . .	B14				6	6A7, 78, 6H6G, 6F5G, 6B5, 84	262	7-45,46
4424 (101.416) . . . . .	Vol.	101241483 . . . . .	57	MR48 . . . . .	M27			1012014478 . . . . .	13	TC62 . . . . .	B14				6	6A7, 78, 6H6G, 6F5G, 6B5, 84	262	7-45,46
4425 (101.416) . . . . .	Vol.	101241483 . . . . .	57	MR48 . . . . .	M27			1012014478 . . . . .	13	TC62 . . . . .	B14				6	6A7, 78, 6H6G, 6F5G, 6B5, 84	262	7-45,46

† Data not substantiated.

\* IMPORTANT: Read Notes in Note Section if specified in Note Column.

‡ Indicates miscellaneous section.

MANUFACTURER AND MODEL	CONTROLS							CONDENSERS				VIBRATORS			No. Tubes	Complete Tube Complement	I. F. Peak	Rider's Reference
	Use	Original Part	Circuit	Correct Replacement	Switch	Bias	*Note	Original Part	Circuit	Correct Replacement	*Note	Original Part	Replacement	*Note				
SEARS-ROEBUCK—Continued																		
4426, 4426A (101.417A)	Vol. Tone	1012414579. 1012514144.	17 41	MR55 MR48				1012014578.	12/13	2N516					8	1A4, 1C6, 1B5, *230, 19	465 8-25	
4427, 4427A (101.417A)	Vol. Tone	1012414579. 1012514144.	56 41	MR55 MR48				1012014578.	12/13	2N516					8	1A4, 1C6, 1B5, *230, 19	465 8-25	
4428 (101.419)	Vol. Tone	1012414183. 1012514252.	15 57	MR48 MR48	M27		1012014289. 1012014478. .006	1 13	TC62 TC62 Buffer		1015113004.	294	C3	6	6A8G, 1D5G, 1H4G, 1F5G, 6X5G	465 7-57,58		
4228A (101.432)	Vol. Tone	1012414784. 1012514252.	17 57	MR55 MR48	M27		1012014874. 1012014574. 1012014478. .012-.012	1 1 13	TC74 TC71 TC62 Buffer	B14	1015148401.	246	C3	6	*6S7G, 6D8G, 1H4G, 6Q6G, 6K6G	465 7-61,62		
4429 (101.437)	Vol. Tone	1012414303. 1012514710.	18 57	MR53 MR53	M26										6	6A7, 6D6, 75, 76, *48	465 9-11	
4430 (104.127)	Vol.	1042487	18	MR48	M26		1042011. .01	1/15	3S579 Buffer	B14	1045113.	246	C3	4	6D8G, 6S7G, 6Q6G, 6K6G	456		
4431, 4432 (101.443)	Vol.	1012415547.	17	MR55	M27										4	1C7G, 1F7G, 1D5G, 1F5G	465 9-15	
4433 (101.432)	Vol. Tone	1012414784. 1012514252.	17 57	MR55 MR48	M26		1012014874. 1012014574. 1012014478. .012-.012	1 1 13	TC74 TC71 TC62 Buffer	B14	1015114840.	246	C3	6	*6S7G, 6D8G, 6Q6G, 1H4G, 6K6G	465 9-7		
4434 (104.127)	Vol.	1042487	18	MR48	M26		1042011. .01	1/15	3S579 Buffer	B14	1045113.	246	C3	4	6K8G, 6S7G, 6Q6G, 6K6G or 6A8G, 6K7G, 6Q7G, 6K6G	456 8-19		
4435, 4436 (101.443)	Vol.	1012415547.	17	MR55	M27										4	1C7G, 1F7G, 1D5G, 1F5G	465 9-15	
4437, 4438 (101.447)	Vol. Tone	1012415883. 1012515507.	15 149	MR55 MR39			1012015576.	12/13	2N509						6	1C7G, 1D5GP, 1H4G, 1H6G, 1E7G	465 9-19	
4439, 4440 (101.448)	Vol. Tone	1012415748. 1012515747.	17 44	Order from MR39	Mfr.		1012015803.	12/13	2N516						8	*1D5G, 1C7G, 1H6G, 1H4G, *1J6G	465 8-28	
4441 (101.450)	Vol. Tone	1012415959. 1012514726.	17 21	Order from MR48	Mfr. M26		1012015882. 1012015726. .02-.02	1 1/13	TC62 ST599/TC52 Buffer	B14	1015114840.	246	C3	8	*1D5GP, 1C7G, 1H6G, 6N5, 1H4G, 1J6G	465 8-31		
4442, 4443 (101.415)	Vol. Tone	1012414156. 1012514144.	15 57	MR48 MR48	M27		1012014142.	13/19	2N516/TC26						5	1C6, 1A4, 1B5, 1F4, 30, 1P1	465 7-59,60	
4444 (101.416)	Vol. Tone	1012414252. 1012514183.	15 57	MR48 MR48	M27		1012015136. 1012015137.	13 19	2N516 TC26						6	*1A4, 1C6, 1B5, 30, 1F4	465 7-55,56	
4445 (101.416)	Vol. Tone	1012414252. 1012514183.	15 57	MR48 MR48	M27		1012015136. 1012015137.	12/13 19	2N516 TC26						6	*1A4, 1C6, 1B5, 30, 1F4	465 7-55,56	
4446, 4446A (101.417A)	Vol. Tone	1012414579. 1012514144.	17 41	MR55 MR48			1012014578.	12/13	2N516						8	1C6, *1A4, 1B5, *230, 19	465 8-25	
4447 (101.417, 101.417A)	Vol. Tone	1012414579. 1012514144.	17 41	MR55 MR48			1012014578.	12/13	2N516						8	*1A4, 1C6, 1B5, *230, 19	465 8-25	
4448 (101.419)	Vol. Tone	1012414183. 1012514252.	127 57	MR48 MR48	M26		1012014289. 1012014478. .006	1 13	TC62 TC62 Buffer	B14	1015113004.	294	C3	6	6A8G, 1D5G, 1H4G, 1F5G, 6X5G	465 7-57,58		
4448A (101.432)	Vol. Tone	1012414784. 1012514252.	17 57	MR55 MR48	M26		1012014874. 1012014574. 1012014478. .012-.012	1 1 13	TC74 TC71 TC62 Buffer	B14	1015114840.	246	C3	6	*6S7G, 6D8G, 1H4G, 6Q6G, 6K6G	465 7-61,62		
4449 (101.437)	Vol. Tone	1012414303. 1012514710.	18 57	MR53 MR53	M26										6	6A7, 6D6, 75, 76, *48	465 9-11	
4450 (101.420)	Vol. Tone	1012414579. 1012514726.	17 41	MR55 MR48	M26		1012014874. 1012014734. .006	1 1	TC74 TCS55/TC22 Buffer	B14	1015114300.	294	C3	9	*1D5G, 6A8G, 6G5, 1H6G, 1H4G, 1J6G	465 8-33		
4451 (101.450)	Vol. Tone	1012415959. 1012514726.	17 21	Order from MR48	Mfr. M26		1012015726. 1012015882. .02-.02	1/13 1	ST599/TC52 TC62 Buffer	B14	1015114840.	246	C3	8	*1D5GP, 1C7G, 1H6G, 6N5, 1H4G, 1J6G	465 8-31		
4453	Vol. Tone	1012414784. 1012514252.	17 57	MR55 MR48	M26		1012014874. 1012014574. 1012014478. .012-.012	1 1 3	TC74 TC71 TC62 Buffer	B14	1015114840.	246	C3	6	*6S7G, 6D8G, 6Q6G, 1H4G, 6K6G	465 9-7		
4455, 4456 (101.448)	Vol. Tone	1012415748. 1012515747.	17 44	Order from MR39	Mfr.		1012015803.	12/13	2N516						8	*1D5G, 1C7G, 1H6G, 1H4G, *1J6G	465 8-28	
4459 (101.449)	Vol. Tone	1012415818. 1012515819.	17 44	Order from MR39	Mfr. M26		1012015971. 1012015882. .02-.02	1/13 1	3S582 TC62 Buffer	B14	1015114840.	246	C3	6	*1D5GP, 6K8G, 6T7G, 1J4G, 1J6G	465 8-17		
4461, 4462 (101.408)	Vol.	1012414214.	17	MR53			1012014213. 1012014573.	1 1	TC62 TC62						5	6A7, 6D6, 75, 6B5, 1V	465 7-47,48	
4463, 4464 (100.150)	Vol. Tone	1002488676. 1002588677.	18 57	MR48 MR48	M26		1002088679. 1002088680.	25 25	RS216 RS216						6	6A7, 6D6, 6H6G, 6F5G, 6B5, 80	262 8-13	
4463, 4464 (101.407)	Vol. Tone	1012414184. 1012414303. 1012514183.	45 15 57	MR44 MR53 MR48	M26 M26		1012014573. 1012012451.	23 23	RS216 RS213						6	6A7, 78, 6H6G, 6F5G, 6B5, 84	262 7-45,46	
4465 (100.151)	Vol. Tone	1002488676. 1002588677.	45 21	MR44 MR48	M26		1002088679. 1002088680. 1002088880.	25 25 13	RS216 RS213 RS213						8	*6K7G, 6C5G, 6L7G, 6Q7G, 6N6G, 6G5, 5Y3	456 9-21	

‡ Data not substantiated.

\* IMPORTANT: Read Notes in Note Section if specified in Note Column.  
ASK YOUR DISTRIBUTOR FOR THE LATEST MALLORY CATALOG AND PRICE LIST.

§ Indicates miscellaneous section.

MANUFACTURER AND MODEL	CONTROLS							CONDENSERS				VIBRATORS			No. Tubes	Complete Tube Complement	I. F. Peak	Rider's Reference
	Use	Original Part	Circuit	Correct Replacement	Switch	Bias	*Note	Original Part	Circuit	Correct Replacement	*Note	Original Part	Replacement	*Note				
SEARS-ROEBUCK— 4465 (101.410).....	Continued Vol. Tone	1012414365. 1012514144.	17 57	MR55..... MR48.....	M26.....			1012013903. 1012014360.	1 1	RS223..... RS216.....					8	6K7G, 6L7G, 6C5G, 6Q7G, 6G5, 6N6G, 5Y3.....	465	8-35,38
4466, 4467, 4469 (104.218).....	Vol.	1042413.....	18	MR48.....	M26.....			1042012.....	23	3S584.....	B8				5	6A7, 6D6, 75, 42, 80, 6A8G, 6K7G, 6B6G, 6N6G, 6H5, 6X5G	456	9-24
4468 (101.454).....	Vol. Tone	1012415663. 1012514183.	127 57	MR55..... MR48.....	M26.....			1012014573. 1012012451.	1 1	RS216..... RS213.....					6	6A8G, 6K7G, 6B6G, 6N6G, 6H5, 6X5G	262	8-39
4470 (101.454).....	Vol. Tone	1012415663. 1012514183.	127 57	MR55..... MR48.....	M26.....			1012014573. 1012012451.	1 1	RS216..... RS213.....					6	6A8G, 6K7G, 6B6G, 6N6G, 6H5, 6X5G	262	8-39
4471 (104.222).....	Vol.	1042413.....	18	MR48.....	M26.....			1042020.....	4	TCS44.....					5	6A7, 6D6, 75, 43, 25Z5.....	456	
4472, 4473 (101.464)	Vol.	1012415763.	17	MR55.....											4	1C7G, 1D5G, 1F7G, 1F5G.....	465	9-27
4477, 4478 (101.447)	Vol. Tone	1012415883. 1012515567.	17 149	MR55..... MR39.....				1012015576.....	12/13	2N509.....					6	1C7G, 1D5GP, 1H4G, 1H6G, 1E7G	465	9-19
4484 (100.150).....	Vol. Tone	1002488676. 1002588677.	18 57	MR48..... MR48.....	M26.....			1002088679. 1002088680.	25 25	RS216..... RS213.....					6	6A7, 6D6, 6E6G, 6F5G, 6B5, 80	262	7-45,46
4484 (101.407).....	Vol. Tone	1012414184. 1012414303.	75 75	MR44..... MR53.....	M26.....		A27 A4	1012014573. 1012012451.	23 23	RS216..... RS213.....					6	6A7, 78, 6H6G, 6F5G, 6B5, 84.....	262	7-45,46
4485 (100.151).....	Vol. Tone	1012414183. 1002488876. 1002588677.	57 45 21	MR48..... MR48..... MR48.....	M26.....			1002088679. 1002088680. 1002088880.	25 25 13	RS216..... RS213..... RS213.....					8	6K7G, 6C5G, 6L7G, 6Q7G, 6N6G, 6G5, 5Y3.....	456	9-21
4485 (101.410).....	Vol. Tone	1012414365. 1012514144.	17 57	MR55..... MR48.....	M26.....			1012013903. 1012014360.	1 1	RS223..... RS216.....					8	6K7G, 6L7G, 6C5G, 6Q7G, 6G5, 6N6G, 5Y3.....	465	8-35,38
4486 (100.156).....	Vol. Tone	1002489524. 1002588677.	124 22	MRT420..... MR48.....	M26.....			1002088679. 1002089542. 1002089186.	25 25 13	RS216..... RS213..... TC70.....					10	6K7G, 6A8, 6H6G, 6F5G, 6C5G, 6F6G, 5V4G, 6G5.....	456	
4486 (101.425).....	Vol. Tone	1012414516. 1012514544.	124 21	MRT448..... MR53.....	M26.....			1002089614. 1012013903. 1012014808.	13 1 1	RS213..... RS223..... RS223.....					10	6K7G, 6L7G, 6C5G, 6G5, 6Q7G, 6F6G, 5Y3.....	465	8-43
4487 (101.411A).....	Vol. Tone	1012414888. 1012514959.	124 57	MRT448..... MR53.....	M26.....			1012013903. 1012014808. 1012015117.	28 28 28	RS216..... RS223..... TC62.....					11	6K7G, 6L7G, 6C5G, 6H6G, 6J7G, 6Q7G, 5Y3, 6N6G.....	465	9-29
4488, 4488A, 4488B (101.412).....	Vol. Tone	1012414888. 1012514887.	15 21	MRT448..... MR48.....	M26.....			1012014903. 1012014904. 1012014808.	28 28 13	RS223..... RS223..... RS223.....					13	6K7G, 6L7G, 6C5G, 6J7G, 6R7G or 6Q7G, 6N6G, 5X4G	465	8-45
4490 (101.454).....	Vol. Tone	1012415663. 1012514183.	127 57	MR55..... MR48.....	M26.....			1012014996. 1012014573.	28/13 1	2N518..... RS216.....					6	6A8G, 6K7G, 6B6G, 6N6G, 6H5, 6X5G	262	8-39
4492, 4493 (101.443)	Vol.	1012415547.	17	MR55.....	M27.....			1012012451.	1	RS213.....					4	1C7G, 1F7G, 1D5G, 1F5G.....	465	9-15
4498, 4499 (101.465)	Vol. Tone	1012415916. 1012515910.	15 22	MR55..... MR39.....	M27.....			1012015913.....	12/13	2N509.....					6	1C7G, 1D5GP, 1H4G, 1H6G, 1E7G	465	8-59
4500, 4500A (101.393).....	Vol.	1012414034.	6	MR29.....	M26.....			1012014036.....	1/15	3S579.....					5	6D6, 6C6, 43, 1V.....		8-15
4501, 4501A (101.426).....	Vol.	1012414034.	6	MR29.....	M26.....			1012015401.....	1/15	3S579.....					5	6D6, 6C6, 43, 1V.....		8-61
4502, 4502A (101.427).....	Vol.	1013418344.	6	MR20.....	M26	EX150		1012014415. 1012014036.	9 9/15	TC42..... 3S579.....					5	6D6, 6C6, 43, 25Z5.....		8-58
4503 (101.426).....	Vol.	1012414034.	6	MR29.....	M26	EX150		1012015401. 1012014415.	1/15 9	3S579..... TC42.....					5	6D6, 6C6, 43, 1V.....		8-61
4504 (101.427).....	Vol.	1012418344.	6	MR20.....	M26	EX150		1012014415. 1012014036.	9 9/15	TC42..... 3S579.....					5	6D6, 6C6, 43, 25Z5.....		8-58
4505, 4505A, 4506 (101.393).....	Vol.	1012414034.	6	MR29.....	M26	EX150		1012014036.....	1/15	3S579.....					5	6D6, 6C6, 43, 1V.....		8-15
4507 (101.426).....	Vol.	1012414034.	6	MR29.....	M26	EX150		1012015401.....	1/15	3S579.....					5	6D6, 6C6, 43, 1V.....		8-61
4508 (101.427).....	Vol.	1012418344.	6	MR20.....	M26	EX150		1012014415. 1012014036.	9 9/15	TC42..... 3S579.....					5	6D6, 6C6, 43, 25Z5.....		8-58
4509, 4510, 4511 (101.393).....	Vol.	1012414034.	6	MR29.....	M26	EX150		1012014036.....	1/15	3S579.....					5	6D6, 6C6, 43, 1V.....		8-15
4512, 4513, 4514 (101.427).....	Vol.	1012418344.	6	MR20.....	M26	EX150		1012014415. 1012014036.	9 9/15	TC42..... 3S579.....					5	6D6, 6C6, 43, 25Z5.....		8-58
4515, 4516, 4517 (101.426).....	Vol.	1012414034.	6	MR29.....	M26	EX150		1012015401.....	1/15	3S579.....					5	6D6, 6C6, 43, 1V.....		8-61
4519 (101.449).....	Vol. Tone	1012415818. 1012515819.	17 44	Order from MR39.....	Mfr. M26			1012015971. 1012015882.	1/13 1	3S582..... TC62.....		1015114840.	246	C3	6	1D5GP, 6K8G, 6T7G, 1H4G, 1J6G	456	8-17
4520 (101.414).....	Vol.	1012414083.	12	MR29.....	M27			02-02 101209144.	1 19	Buffer..... TC22.....	B14				4	1C6, 1A4, 951, 1F4, 6K8G, 6S7G, 6Q6G, 6K6G or 6A8G	465	7-49,50
4521 (104.127).....	Vol.	1042487.....	18	MR48.....				1042011. 01.	1/15	3S579..... Buffer.....	B14	1045113.	246	C3	4	6K7G, 6Q7G, 6K6G	456	8-19
4522, 4523 (101.415)	Vol. Tone	1012414156. 1012514144.	15 57	MR48..... MR48.....	M27.....			1012014142.....	13/19	2N516/TC26.....					5	1C6, 1A4, 1B5, 1F4, 30, 1P1.....	465	7-59,60
4524 (101.416).....	Vol. Tone	1012414252. 1012514183.	15 57	MR48..... MR48.....	M27.....			1012015136. 1012015137.	13 19	2N516..... TC26.....					6	1A4, 1C6, 1B5, 30, 1F4.....	465	7-55,56

‡ Data not substantiated.

\* IMPORTANT: Read Notes in Note Section if specified in Note Column.

§ Indicates miscellaneous section.

MANUFACTURER AND MODEL	Use	CONTROLS						CONDENSERS				VIBRATORS			No. Tubes	Complete Tube Complement	I. F. Peak	Rider's Reference
		Original Part	Circuit	Correct Replacement	Switch	Bias	*Note	Original Part	Circuit	Correct Replacement	*Note	Original Part	Replacement	*Note				
SEARS-ROEBUCK— 4526, 4526A (101.417A) . . . . .	Continued Vol. Tone	1012414579 1012514144	56 41	MR55 MR48				1012014578	12/13	2N516					8	1A4, 1C6, 1B5, 230, 19	465	8-25
4528 (101.419) . . . . .	Vol. Tone	1012414183 1012514252	15 57	MR48 MR48	M26			1012014289 .006	1	TC71 Buffer	B14	1015113004	294	C3	6	6A8G, 1D5G, 1H4G, 1F5G, 6X5G	465	7-57,85
4528A (101.432) . . . . .	Vol. Tone	1012414784 1012514252	17 57	MR55 MR48	M27			1012014874 1012014574 1012014478 .012-.012	1 1 13	TC74 TC71 TC62 Buffer	B14	1015114840	246	C3	6	6S7G, 6D8G, 1H4G, 6Q6G, 6K6G	465	7-61,62
4529 (101.437) . . . . .	Vol. Tone	1012414303 1012514710	18 57	MR53 MR53	M26										6	6A7, 6D6, 75, 76, 248	465	9-11
4531 (101.443) . . . . .	Vol.	1012415547	17	MR55	M27										4	1C7G, 1F7G, 1D5G, 1F5G	465	9-15,16
4532 (101.438) . . . . .	Vol. Tone	1012414252 1012514183	15 57	MR48 MR48	M27			1012014250	13/19	TC71/TC26					5	1C6, 1A4, 1B5, 230, 1F4	465	8-23
4533 (101.464) . . . . .	Vol.	1012415763	17	MR55											4	1C7G, 1D5G, 1F7G, 1F5G	465	9-27
4537 (101.447) . . . . .	Vol. Tone	1012415883 1012515567	15 149	MR55 MR39				1012015576	12/13	2N509					6	1C7G, 1D5GP, 1H4G, 1H6G, 1E7G	465	
4539 (101.448) . . . . .	Vol. Tone	1012415748 1012515747	17 44	Order from MR39	Mfr.			1012015803	12/13	2N516					8	1D5G, 1C8G, 1H6G, 1H4G, 1J6G	465	8-28
4542 (101.415) . . . . .	Vol. Tone	1012414156 1012514144	15 57	MR48 MR48	M27			1012014142	13/19	2N516/TC26					5	1C6, 1A4, 1B5, 1F4, 30, 1P1	465	7-59,60
4542A (101.438) . . . . .	Vol. Tone	1012414252 1012514183	15 57	MR48 MR48	M27			1012014250	13/19	TC71/TC26					5	1C6, 1A4, 1B5, 230, 1F4	465	8-23
4544 (101.416) . . . . .	Vol. Tone	1012414252 1012514183	15 57	MR48 MR48	M27			1012015136 1012015137	13 19	2N516 TC26					6	1A4, 1C6, 1B5, 30, 1F4	465	7-55,56
4546, 4546A (101.417A) . . . . .	Vol. Tone	1012414579 1012514144	17 41	MR55 MR48				1012014578	12/13	2N516					8	1A4, 1C6, 1B5, 230, 19	465	8-25
4548 (101.419) . . . . .	Vol. Tone	1012414183 1012514252	15 57	MR48 MR48	M27			1012014289 .006	1	TC71 Buffer	B14	1015113004	294	C3	6	6A8G, 1D5G, 1H4G, 1F5G, 6X5G	465	7-57,58
4548A (101.432) . . . . .	Vol. Tone	1012414784 1012514252	17 57	MR55 MR48	M27			1012014874 1012014574 1012014478 .012-.012	1 1 13	TC74 TC71 TC62 Buffer	B14	1015114840	246	C3	6	6S7G, 6D8G, 1H4G, 6Q6G, 6K6G	465	7-61,62
4549 (101.437) . . . . .	Vol. Tone	1012414303 1012514710	127 21	MR53 MR53	M26										6	6A7, 6D6, 76, 75, 248	465	9-11
4550 (101.420) . . . . .	Vol. Tone	1012414579 1012514726	21 41	MR55 MR48	M26			1012014874 1012014734 .006	1 1	TC74 TCS55/TC22 Buffer	B14	1015114300	294	C3	9	1D5G, 6A8G, 6G5, 1H6G, 1H4G, 1J6G	465	8-33
4559 (101.449) . . . . .	Vol. Tone	1012415818 1012515819	17 44	Order from MR39	Mfr. M26			1012015971 1012015882 .02-.02	1/13 1	3S582 TC62 Buffer	B14	1015114840	246	C3	6	1D5GP, 6K8G, 6T7G, 1H4G, 1J6G	465	8-17
4563, 4564 (100.150)	Vol. Tone	1002488676 1002588677	18 57	MR48 MR48	M26			1002088679 1002088680	25 23	RS216 RS213					6	6A7, 6D6, 6H6G, 6F5G, 6B5, 80	262	8-13
4563, 4564 (101.407)	Vol. Tone	1012414184 1012414303	15 15	MR44 MR53	M26		A27 A4	1012014573 1012012451	23 23	RS216 RS213					6	6A7, 78, 6H6G, 6F5G, 6B5, 84	262	7-45,46
4565 (100.151) . . . . .	Vol. Tone	1012514183 1002488676	15 45	MR48 MR44	M26			1002088679 1002088680	25 25	RS216 RS213					8	6K7G, 6C5G, 6L7G, 6Q7G, 6N6G, 6G5, 5Y3	456	9-21
4565 (101.410) . . . . .	Vol. Tone	1012414365 1012514144	21 57	MR55 MR48	M26			1002088880 1012013903 1012014360	13 1	RS213 RS223 RS216					8	6K7G, 6L7G, 6C5G, 6Q7G, 6G5, 6N6G, 5Y3	465	8-35,38
4566 (101.442) . . . . .	Vol. Tone	1012414303 1012514183	15 57	MR53 MR48	M26			1012014573 1012012451	23 23	RS216 RS213					7	6A7, 78, 6H6G, 6F5G, 6B5, 6X5G, 6G5	262	9-31
4567 (104.218) . . . . .	Vol.	1042413	18	MR48	M26			1042012	23	3S584	B8				5	6A7, 6D6, 75, 42, 80	456	9-24
4569 (101.445) . . . . .	Vol. Tone	1012415483 1012515482	45 22	MR53 MR48	M26			1012014573 1012012451	23 23	RS216 RS213					7	6A7, 78, 6H6G, 6F5G, 6G5, 6B5, 6X5G	262	8-63
4570, 4571, 4572 (100.150) . . . . .	Vol. Tone	1002488676 1002588677	18 57	MR48 MR48	M26			1002088679 1002088680	25 25	RS216 RS213					6	6A7, 6D6, 6H6G, 6F5G, 6B5, 80	262	8-13
4570, 4571, 4572 (101.407) . . . . .	Vol. Tone	1012414184 1012414303	45 15	MR44 MR53	M26		A27 A4	1012014573 1012012451	23 23	RS216 RS213					6	6A7, 78, 6H6G, 6F5G, 6B5, 84	262	7-45,46
4575 (101.454) . . . . .	Vol. Tone	1012415663 1012514183	127 57	MR55 MR48	M26			1012014573 1012013451	1 1	RS216 RS213					6	6A8G, 6K7G, 6B6G, 6N6G, 6H5, 6X5G	262	8-39
4577 (101.447) . . . . .	Vol. Tone	1012415883 1012515567	15 149	MR55 MR39				1012015576	12/13	2N509					6	1C7G, 1D5GP, 1H4G, 1H6G, 1E7G	465	9-19
4584 (100.150) . . . . .	Vol. Tone	1002488676 1002588677	18 57	MR48 MR48	M26			1002088679 1002088680	25 25	RS216 RS213					6	6A7, 6D6, 6H6G, 6F5G, 6B5, 80	262	8-13
4584 (101.407) . . . . .	Vol. Tone	1012414184 1012414303	15 15	MR44 MR53	M26		A27 A4	1012014573 1012012451	23 23	RS216 RS213					6	6A7, 78, 6H6G, 6F5G, 6B5, 84	262	7-45,46
4585, 4585A (100.151) . . . . .	Vol. Tone	1002488676 1002588677	45 21	MR44 MR48	M26			1002088679 1002088680 1002088880	25 25 13	RS216 RS213 RS213					8	6K7G, 6C5G, 6L7G, 6Q7G, 6N7G, 6G5, 5Y3	456	9-21

‡ Data not substantiated.

\* IMPORTANT: Read Notes in Note Section if specified in Note Column.

THE MALLORY TECHNICAL MANUAL IS YOUR COMPLETE TECHNICAL HANDBOOK.

§ Indicates miscellaneous section.

MANUFACTURER AND MODEL	CONTROLS							CONDENSERS				VIBRATORS			No. Tubes	Complete Tube Complement	I. F. Peak	Rider's Reference
	Use	Original Part	Circuit	Correct Replacement	Switch	Bias	*Note	Original Part	Circuit	Correct Replacement	*Note	Original Part	Replacement	*Note				
SEARS-ROEBUCK 4585, 4585A (101.410)	Continued Vol. Tone	1012414365. 1012514144.	17 57	MR55 MR48	M26			1012013903. 1012014360.	1 1	RS223 RS216					8	2K7G, 6L7G, 6C5G, 6Q7G, 6G5, 6N6G, 5Y3	465	8-35,38
4586, 4586A (100.156)	Vol. Tone	1002489524. 1002588677.	124 22	MRT420 MR48	M26			1002088679. 1002089542. 1002089186. 1002089614.	25 25 13	RS216 RS210 TC70 RS213				10	2K7G, 6A8, 6H6G, 6F5G, 6C5G, 6P6G, 5V4G, 6G5	456		
4586, 4586A (101.425)	Vol. Tone	1012414516. 1012514544.	124 21	MRT448 MR53	M26			1012013903. 1012014808.	1 1	RS223 RS223				10	2K7G, 6L7G, 6C5G, 6G5, 6Q7G, 6F6G, 5Y3	465	8-43	
4587, 4587A (101.411A)	Vol. Tone	1012414888. 1012514959.	124 57	MRT448 MR53	M26			1012013903. 1012014808. 1012015117.	28 28 28	RS216 RS223 TC62				11	2K7G, 6L7G, 6C5G, 6J7G, 6Q7G, 6H6G, 6N6G, 5Y3	465	8-65	
4588, 4588A, 4588B (101.412)	Vol. Tone	1012414888. 1012514887.	15 21	MRT448 MR48	M26			1012014903. 1012014904. 1012014808. 1012014996. 1012014573.	28 28 13 28/13 23	RS223 RS223 RS223 2N518 RS216				13	2K7G, 6L7G, 6C5G, 6J7G, 6R7G or 6Q7G, 6N6G, 5X4G	465	8-45	
4589 (101.445)	Vol. Tone	1012415483. 1012515482.	45 22	MR53 MR48	M26			1012012451. 1012013903. 1012014808. 1012015117.	23 28 28 28	RS216 RS213 RS223 TC62				7	6A7, 78, 6H6G, 6P5G, 6G5, 6B5, 6X5G	262	8-63	
4590 (101.411A)	Vol. Tone	1012414888. 1012514959.	124 57	MRT448 MR53	M26			1012013903. 1012014808. 1012015117.	28 28 28	RS216 RS223 TC62				11	2K7G, 6L7G, 6C5G, 6H6G, 6J7G, 6Q7G, 6N6G, 5Y3	465	9-29	
4593 (101.451)	Vol. Tone	1012415640. 1012515482.	127 57	MR55 MR48	M26			1012014573. 1012012451.	1 1	RS216 RS213				6	6A8G, 6K7G, 6B6G, 6N6G, 6H5, 6X5G	262	9-33	
4598 (101.465)	Vol. Tone	1012415916. 1012515910.	15 22	MR55 MR39	M27			1012015913.	12/13	2N509				6	1C7G, 1D5GP, 1H4G, 1H6G, 1E7G	465	8-59	
4600 (101.458)	Vol. Tone	1012416101. 1012516024.	17 22	UM157 MR48		See Note A96		1012016105. .005	1	2N518 Buffer	B14	1015116034.	852	C3	6	6U7G, 6A8G, 6Q7G, 6N5G, 6X5G	262	9-35
4601 (101.463)	Vol.	1012416100.	17	TM224-SS12				1012016105. 1012016102. .005	1 15	2N518 TN111 Buffer	B14	1015116034.	852	C3	7	6U7G, 6A8G, 6V7G, 6J5G, 6N7G, 6X5G	262	8-75
4602, 4603 (101.475)	Vol.	1012416232.	17	MR55	M27										4	1C7G, 1D5GP, 1F7G, 1G5G	465	8-77
4604, 4605 (101.474)	Vol.	1012416260.	15	MR55	M27			1012016259.	12/13	2N516					6	1C7G, 1D5GP, 1H4G, 1J6G	465	8-78
4606, 4607 (101.473)	Vol.	1012416298.	15	Order from	Mfr.			1012016259.	12/13	2N516					6	1C7G, 1D5GP, 1H4G, 1J6G	465	9-37,38
4608, 4609, 4608A, 4609A (101.472, 101.472X)	Vol.	1012416445.	56	MR55	M27			1012015803. 1012014306.	12/13 1	2N516 RS216					8	1D5GP, 1C7G, 6B6G, 6V6G, 6U5, 5Y3G	465	9-53-56
4608-9 (101.472)	Vol.	1012416445.	18	MR55	M27			1012015803.	13	2N516					8	1D5GP, 1C7G, 1H6G, 1H4G, 1J6G	465	14-4,5
4608A-9A (101.472X)	Vol.	1012416445.	18	MR55	M27			1012015803.	13	2N516					8	1D5GP, 1C7G, 1H6G, 1H4G, 4A6G	465	14-5,6
4610 (101.482)	Vol.	1012416815.	127	MR55	M26			1012013903. 1012014360.	1 1	RS223 RS216					8	2K7G, 6J5G, 6L7G, 6B6G, 6V6G, 6U5, 5Y3G	465	9-53-56
4611 (101.487)	Vol.	1012417213.	127	MR55	M26			1012016355.	1/13/15	TN125/TC22					6	6A8G, 6K7G, 6B6G, 25L6G, 6X5G, 6U5	465	9-39
4612A (101.533)	Vol.	1012419219.	18	MR48				10020110804	1	2N518		10051110800	246	C3	6	6A7, 6D6, 75, 76, 448.	465	10-5
4613 (100.157)	Vol.	10024110672	17	MR53	M27			10020110377	78	TC22 Buffer	B14				6	1H4G, 6D8G, 1D5GP, 6T7G, 1F5G, 6AB5	465	
4614 (101.497)	Vol.	1012416907.	17	Order from	Mfr.			1012017603. .012	1/13/15	3N527/2N516 Buffer	B14	1015114300.	294	C3	8	15, 6D8G, 6T7G or 6Q6G, 6L5G, 1J6G, 6AB5, 6ZY5G	465	9-41,42
4619 (101.478)	Vol. Tone	1012416951. 1012516893.	127 57	MR53 MR53	M26										6	6A7, 6D6, 76, 75, 448	465	9-43
4620, 4621 (101.475)	Vol.	1012416232.	17	MR55	M27										4	1C7G, 1D5GP, 1F7G, 1G5G	465	8-77
4620A (101.503)	Vol.	1012416232.	17	MR55	M27										4	1C7G, 1D5GP, 1F7G, 1G5G	465	
4620A (101.503-1)	Vol.	1012418877.	17	MR55	M27										4	1C7G, 1D5GP, 1F7G, 1G5G	455	13-15
4621A (101.503)	Vol.	1012416232.	17	MR55	M27										4	1C7G, 1D5GP, 1F7G, 1G5G	465	
4621A (101.503-1)	Vol.	1012418877.	17	MR55	M27										4	1C7G, 1D5GP, 1F7G, 1G5G	455	13-15
4622 (100.179)	Vol.	10024110672	17	MR53	M27			10020110804 10020110377 .01	1 78	2N518 TC22 Buffer	B14	10051110800	246	C3	4	1C7G, 1D5GP, 6T7G, 1F5G	465	9-45
4623 (100.157)	Vol.	10024110672	17	MR55	M27			10020110804 10020110377 .01	1 78	2N518 TC22 Buffer	B14	10051110800	246	C3	6	1H4G, 6D8G, 1D5GP, 6T7G, 1F5G, 6AB5	465	9-47,48

† Data not substantiated.

\* IMPORTANT: Read Notes in Note Section if specified in Note Column.  
WHEN YOU BUY ROTARY SWITCHES BUY MALLORY.

‡ Indicates miscellaneous section.

MANUFACTURER AND MODEL	CONTROLS							CONDENSERS				VIBRATORS			No. Tubes	Complete Tube Complement	I. F. Peak	Rider's Reference
	Use	Original Part	Circuit	Correct Replacement	Switch	Bias	*Note	Original Part	Circuit	Correct Replacement	*Note	Original Part	Replacement	*Note				
SEARS-ROEBUCK—	Continued																	
4624, 4625 (101.474)	Vol.	1012416260.	15	MR55 . . . . .	M27			1012016259.	12/13	2N516 . . . . .					6	1C7G, 2D5GP, 2H4G, 1J6G . . . . .	465	8-78
4626, 4627 (101.473)	Vol.	1012416298.	15	Order from Mfr.				1012016259.	12/13	2N516 . . . . .					6	1C7G, 2D5GP, 2H4G, 1J6G . . . . .	465	
4628, 4629 (101.472)	Vol.	1012416445.	56	MR55 . . . . .	M27			1012015803.	12/13	2N516 . . . . .					8	1D5GP, 1C7G, 1H6G, 1H4G, 2J16G . . . . .	465	14-4.5
4628A-9A (101.472X)	Vol.	1012416445.	18	MR55 . . . . .	M27			1012015803.	13	2N516 . . . . .					8	1D5GP, 1C7G, 1H6G, 2H4G, 4A6G . . . . .	465	14-5.6
4630, 4631 (101.475)	Vol.	1012416232.	17	MR55 . . . . .	M27										4	1C7G, 1D5GP, 1F7G, 1G5G . . . . .	465	8-77
4632A, 4633A (101.505)	Vol.	1012418350.	17	Order from Mfr.				1012016259.	13	2N516 . . . . .					6	1C7G, 1F7GH, 2H4G, 4A6G . . . . .	465	
4634, 4635 (101.474)	Vol.	1012416260.	45	MR55 . . . . .	M27			1012016259.	12/13	2N516 . . . . .					6	1C7G, 2D5GP, 2H4G, 1J6G . . . . .	465	10-7.8
4636, 4637 (101.473)	Vol.	101246298 . . . . .	15	Order from Mfr.				1012016259.	12/13	2N516 . . . . .					6	1C7G, 2D5GP, 2H4G, 1J6G . . . . .	465	8-78
4638, 4639 (101.472)	Vol.	1012416445.	56	MR55 . . . . .	M27			1012015803.	12/13	2N516 . . . . .					8	1D5GP, 1C7G, 1H6G, 1H4G, 2J16G . . . . .	465	
4638A-9A (101.472X)	Vol.	1012416445.	18	MR55 . . . . .	M27			1012015803.	13	2N516 . . . . .					8	1D5GP, 1C7G, 1H6G, 2H4G, 4A6G . . . . .	465	14-5.6
4640 (101.476)	Vol.	1012416907.	17	MR55 . . . . .	M27			1012016473.012	1/13	3S582/TC52 Buffer	B14	1015114840.	246	C3	7	1D5GP, 1C7G, 1F7G, 1H4G, 1J6G, 6AB5 . . . . .	465	
4641A (101.503)	Vol.	1012416232.	17	MR55 . . . . .	M27										4	1C7G, 1D5GP, 1F7G, 1G5G . . . . .	465	
4641A (101.503-1)	Vol.	1012418877.	17	MR55 . . . . .	M27										4	1C7G, 1D5GP, 1F7G, 1G5G . . . . .	455	13-15
4642A (101.503)	Vol.	1012416232.	17	MR55 . . . . .	M27										4	1C7G, 1D5GP, 1F7G, 1G5G . . . . .	465	
4642 (101.503-1)	Vol.	1012418877.	17	MR55 . . . . .	M27										4	1C7G, 1D5GP, 1F7G, 1G5G . . . . .	455	13-15
4643 (100.157)	Vol.	10024110672	17	MR55 . . . . .	M27			10020110804	1	2N518 . . . . .		10051110800	246	C3	6	1H4G, 6D8G, 1D5GP, 6T7G, 1F5G, 6AB5 . . . . .	465	
4644A (101.504)	Vol.	1012417919.	15	MR55 . . . . .				1012010377	78	TC22 Buffer	B14				6	1C7G, 2H4G, 1F7GH, 1G5G . . . . .	455	10-9,10
4645A (100.504-1-2)	Vol.	1012417919.	15	MR55 . . . . .				1012016259.	12/13	2N516 . . . . .					6	1C7G, 2H4G, 1F7GH, 1G5G . . . . .	465	10-9,10
4646, 4647 (101.473)	Vol.	1012416298.	15	Order from Mfr.				1012016259.	12/13	2N516 . . . . .					6	1C7G, 2D5GP, 2H4G, 1J6G . . . . .	465	
4648, 4649 (101.472)	Vol.	1012416445.	56	MR55 . . . . .	M27			1012015803.	12/13	2N516 . . . . .					8	1D5GP, 1C7G, 1H6G, 1H4G, 2J16G . . . . .	465	14-4.5
4648A-9A (101.472X)	Vol.	1012416445.	18	MR55 . . . . .	M27			1012015803.	13	2N516 . . . . .					8	1D5GP, 1C7G, 1H6G, 2H4G, 4A6G . . . . .	465	14-5.6
4650 (101.476)	Vol.	1012416907.	17	MR55 . . . . .	M27			1012016473.012	1/13	3S582/TC52 Buffer	B14	1015114840.	246	C3	7	1D5GP, 1C7G, 1F7G, 1H4G, 1J6G, 6AB5 . . . . .	465	
4651 (101.497)	Vol.	1012416907.	17	MR55 . . . . .	M27			1012017603.012	1/13/15	3N527/2N516 Buffer	B14	1015114300.	294	C3	8	15, 6D8G, 6T7G or 6Q6G, 6L5G, 1J6G, 6AB5, 6Z5G . . . . .	465	9-41
4660 (101.487)	Vol.	1012417213.	127	MR55 . . . . .	M26			1012016355.	1/13/15	TN125/TC22					6	6A8G, 6K7G, 6B6G, 25L6G, 6X5G, 6U5	465	9-39
4663 (100.158)	Vol.	10024110939	17	MR53 . . . . .	M26			1002089937.	25	RS223					6	6A8G, 6U7G, 6Q7G, 6K6G, 5W4G, 6U5	465	
4663 (101.471)	Vol.	1012416452.	127	MR55 . . . . .	M26			10020110974	25/13	2N518					6	6A8G, 6K7G, 6B6G, 6V6G, 6U5, 6X5G	465	
4664 (101.480)	Vol.	1012416452.	127	MR55 . . . . .	M26			10020110377	19/20	TC22					7	6K7G, 6A8G, 6B6G, 6V6G, 6U5, 6X5G	465	9-51,52
4665 (101.488)	Vol.	1012416962.	18	MR55 . . . . .	M26			1012014573.	25	RS216					8	6K7G, 6J5G, 6L7G, 6B6G, 6V6G, 6U5, 5Y3G	465	
4666 (100.483)	Vol. Sil.	1012416975. 1012616704.	124	TM248-SS16 A1MP	M26			1012016570.	25/13	RS216					10	6K7G, 6A8G, 6Q7G, 6U5, 6J5G, 6V6G, 5Y3G	465	
4667 (101.498)	Vol.	1012416815.	127	MR55 . . . . .	M26			1012013903.	1	RS223					8	6K7G, 6J5G, 6L7G, 6B6G, 6V6G, 6U5, 5Y3G	465	10-11-13
4668 (103AR166)	Vol.	3ZR288 . . . . .	45	MR48 . . . . .	M26			1012013903.	1	RS216					6	6A7, 6D6, 76, 41, 80	456	10-15,16
4669 (101.482)	Vol.	1012416815.	127	MR55 . . . . .	M26			2NC246 . . . . .	23	RS216					8	6K7G, 6J5G, 6L7G, 6B6G, 6V6G, 6U5, 5Y3G	465	
4677 (101.498)	Vol.	1012416815.	127	MR55 . . . . .	M26			2NC247 . . . . .	23	RS216					8	6K7G, 6J5G, 6L7G, 6B6G, 6V6G, 6U5, 5Y3G	465	
4680 (101.479)	Vol. Sen.	1012416705. 1012616704.	124	MRT448 A1MP	M26			1012013903.	1	RS223					10	6K7G, 6A8G, 6Q7G, 6J5G, 6V6G, 6U5, 5Y3G	465	9-57

‡ Data not substantiated.

\* IMPORTANT: Read Notes in Note Section if specified in Note Column.  
FREE! MALLORY VIBRATOR REPLACEMENT GUIDE . . . SEE YOUR DISTRIBUTOR.

§ Indicates miscellaneous section.

MANUFACTURER AND MODEL	CONTROLS							CONDENSERS				VIBRATORS			No. Tubes	Complete Tube Complement	I. F. Peak	Rider's Reference
	Use	Original Part	Circuit	Correct Replacement	Switch	Bias	*Note	Original Part	Circuit	Correct Replacement	*Note	Original Part	Replacement	*Note				
SEARS-ROEBUCK—4681 (101.499) . . . . .	Continued Vol.	1012416975.	124	TM248-SS16	M26			1012013903. 1012014808.	1 1	RS223. RS223.					10	6K7G, 6L7G, 6J5G, 6Q7G, 6J5G, 6V6G, 6U5, 5Y3G.	465	10-17-20
4684 (101.502) . . . . .	Vol.	1012416452.	127	MR55 . . . . .	M26			1012014573. 1012016570.	25 25/13	RS216. 2N518.					7	6K7G, 6A8G, 6B6G, 6V6G, 6U5, 6X5G.	465	9-59
4685 (101.488) . . . . .	Vol.	1012416962.	18	MR55 . . . . .	M26			1012013903. 1012014360.	1 1	RS223. RS216.					8	6K7G, 6J5G, 6L7G, 6B6G, 6V6G, 6U5, 5Y3G.	465	
4686 (101.483) . . . . .	Vol. Sil.	1012416975. 1012616704.	124	TM248-SS16 A1MP . . . . .	M26			1012013903. 1012014808. 1012016703.	1 1 1	RS223. RS223. TC32.					10	6K7G, 6A8G, 6Q7G, 6U5, 6J5G, 6V6G, 5Y3G.	465	
4687 (101.484) . . . . .	Vol.	1012417004.	20	TM248-SS16	M26			1012013903. 1012014808. 1012015117.	3 3 1	RS223. RS223. TC62.					12	6B8G, 6L7G, 6J5G, 6J7G, 6K7G, 6H6G, 6U5, 6C8G, 6V6G, 5X4G.	465	
4688 (100.159) . . . . .	Vol.	10024111533	20	TM240-SS16	M26			1002088679. 1002089937. 10020111689	3 3 15	RS216. RS223. TC26.					14	6K7G, 6L7G, 6C5G, 6H6G, 6J7G, 6U5, 6V6G, 5U4G.	465	9-61,74
4700 (104.235) . . . . .	Vol.	1042423 . . . . .	18	UM158-SS12				10020110377 1042021 . . . . . .01	15 1	TC22 2N518 Buffer		104512.	294	C3	5	6A8G, 6K7G, 6Q7G, 6V6G, 6X5G.	456	9-80
4701 Power Shifter (139.450) . . . . .								1391005 1391007 . . . . . 1391006 . . . . .	1 3 3	FP217 WP200 TC610						25Z6GT		
4708 (139.200) . . . . .								1391005 1391007 . . . . . 1391006 . . . . .	1 3 3	FP217 WP200 TC610						25Z6GT		
4720 (101.475) . . . . .	Vol.	1012416232.	17	MR55 . . . . .	M27										4	1C7G, 1D5GP, 1F7G, 1G5G	465	8-77
4722 (100.179) . . . . .	Vol.	10024110672	17	MR53 . . . . .	M27			10020110804 10020110377 .01	1 78	2N518 TC22 Buffer		10051110800	246	C3	4	1C7G, 1D5GP, 6T7G, 1F5G	465	9-45
4723 (100.157) . . . . .	Vol.	10024110672	17	MR55 . . . . .	M27			10020110804 10020110377 .01	1 78	2N518 TC22 Buffer		10051110800	246	C3	6	1H4G, 6D8G, 1D5GP, 6T7G, 1F5G, 6AB5	465	
4724 (101.474) . . . . .	Vol.	1012416260.	45	MR55 . . . . .	M27										6	1C7G, 1D5GP, 1H4G, 1J6G	465	8-78
4726 (101.473) . . . . .	Vol.	1012416298.	15	Order from Mfr.				1012016259.	12/13	2N516.					6	1C7G, 1D5GP, 1H4G, 1J6G	465	
4728 (101.472) . . . . .	Vol.	1012416445.	56	MR55 . . . . .	M27			1012015803.	12/13	2N516.					8	1D5GP, 1C7G, 1H6G, 1H4G, 1J6G	465	14-4,5
4728A, (101.472X) . . . . .	Vol.	1012416445.	18	MR55 . . . . .	M27			1012015803.	13	2N516.					8	1D5GP, 1C7G, 1H6G, 1H4G, 4A6G	465	14-6,5
4730 (101.475) . . . . .	Vol.	1012416232.	17	MR55 . . . . .	M27										4	1C7G, 1D5GP, 1F7G, 1G5G	465	8-77
4740 (101.476) . . . . .	Vol.	1012416907.	17	MR55 . . . . .	M27			16473 . . . . . .012	1/13	3S582/TC52 Buffer		1015114840.	246	C3	7	1D5GP, 1C7G, 1F7G, 1H4G, 1J6G, 6AB5	465	
4743 (100.157) . . . . .	Vol.	10024110672	17	MR55 . . . . .	M27			10020110804 10020110377 .01	1 78	2N518 TC22 Buffer		10151110800	246	C3	6	1H4G, 6D8G, 1D5GP, 6T7G, 1F5G, 6AB5	465	
4746 (101.473) . . . . .	Vol.	1012416298.	15	Order from Mfr.				1012016259.	12/13	2N516.					6	1C7G, 1D5GP, 1H4G, 1J6G	465	
4748 (101.472) . . . . .	Vol.	1012416445.	56	MR55 . . . . .	M27			1012015803.	12/13	2N516.					8	1D5GP, 1C7G, 1H6G, 1H4G, 1J6G	465	14-4,5
4748A (101.472X) . . . . .	Vol.	1012416445.	18	MR55 . . . . .	M27			1012015803.	13	2N516.					8	1D5GP, 1C7G, 1H6G, 1H4G, 4A6G	465	14-5,6
4750 (101.476) . . . . .	Vol.	1012416907.	17	MR55 . . . . .	M27			1012016473. .012	1/13	3S582/TC52 Buffer		1015114840.	246	C3	7	1D5GP, 1C7G, 1F7G, 1H4G, 1J6G, 6AB5	465	
4760 (101.453) . . . . .	Vol.	1012417212.	18	MR55 . . . . .	M26			1012016355.	1/13/15	TN125/TC22					5	6A8G, 6K7G, 6B6G, 25L6G, 6X5G	465	
4761 (101.490) . . . . .	Vol.	1012416343.	18	MR55 . . . . .	M26			1012016355.	1/13/15	TN125/TC22					5	6A8G, 6K7G, 6B6G, 25L6G, 6X5G	465	9-75
4762 (101.489) . . . . .	Vol.	1012416343.	18	MR55 . . . . .	M26			1012016892. 1012017053.	9/13/15 9	TCS64/TCS61 TC55					5	6A8G, 6K7G, 6B6G, 25L6G, 25Z6G	465	
4763 (101.471) . . . . .	Vol.	1012416452.	127	MR55 . . . . .	M26			1012014573. 1012016570.	25 25/13	RS216. 2N518.					6	5A8G, 6K7G, 6B6G, 6V6G, 6U5, 6X5G.	465	
4763 (100.158) . . . . .	Vol.	10024110939	17	MR53 . . . . .	M26			1002089937. 10020110974 10020110377	25 25/13 19/20	RS223. 2N518 TC22					6	6A8G, 6U7G, 6Q7G, 6K6G, 6U5, 5W4G	465	
4764 (101.480) . . . . .	Vol.	1012416452.	127	MR55 . . . . .	M26			1012014573. 1012016570.	25 25/13	RS216. 2N518.					7	6K7G, 6A8G, 6B6G, 6V6G, 6U5, 6X5G.	465	
4765 (101.488) . . . . .	Vol.	1012416962.	18	MR55 . . . . .	M26			1012013903. 1012014360.	1 1	RS223. RS216.					8	6K7G, 6J5G, 6L7G, 6B6G, 6V6G, 6U5, 5Y3G.	465	
4766 (101.483) . . . . .	Vol. Sil.	1012416975. 1012616704.	124	TM248-SS16 A1MP . . . . .	M26			1012013903. 1012014808. 1012016703.	1 1 1	RS223. RS223. TC32.					10	6K7G, 6A8G, 6Q7G, 6U5, 6J5G, 6V6G, 5Y3G.	465	

† Data not substantiated.

\* IMPORTANT: Read Notes in Note Section if specified in Note Column.  
USE MALLORY CAPACITORS—STANDARD OF THE INDUSTRY.

‡ Indicates miscellaneous section.

MANUFACTURER AND MODEL	CONTROLS							CONDENSERS				VIBRATORS			No. Tubes	Complete Tube Complement	I. F. Peak	Rider's Reference
	Use	Original Part	Circuit	Correct Replacement	Switch	Bias	*Note	Original Part	Circuit	Correct Replacement	*Note	Original Part	Replacement	*Note				
SEARS-ROEBUCK— 4767 (101.498) .....	Continued Vol.	1012416815.	127	MR55 .....	M26			1012013903. 1012014360.	1 1	RS223 .....				8	*6K7G, 6J5G, 6L7G, 6B6G, 6V6G, 6U5, 5Y3G .....	465		
4769 (101.482) .....	Vol.	1012416815.	127	MR55 .....	M26			1012013903. 1012014360.	1 1	RS223 .....				8	*6K7G, 6J5G, 6L7G, 6B8G, 6V6G, 6U5, 5Y3G .....	465		
4770 (101.453) .....	Vol.	1012417212.	18	MR55 .....	M26			1012016355.	1/13/15	TN125/TC22				5	6A8G, 6K7G, 6B6G, 25L6G, 6X5G .....	465		
4771 (101.490) .....	Vol.	1012416343.	18	MR55 .....	M26			1012016355.	1/13/15	TN125/TC22				5	6A8G, 6K7G, 6B6G, 25L6G, 6X5G .....	465	9-75	
4772 (101.489) .....	Vol.	1012416343.	18	MR55 .....	M26			1012016892.	9/13/15	TCS64/TCS61				5	6A8G, 6K7G, 6B6G, 25L6G, 25Z6G .....	465		
4776 (126-200) .....	Vol.	1262430704.	20	† .....		See Note A19		1012017053. 1262011203. 126205212. 1262014377.	9 25 25 13	TC55 .....				6	6A8G, 6K7G, 6Q7G, 25L6G, 6V6G, 6U5	460	9-77	
4777 (101.498) .....	Vol.	1012416815.	127	MR55 .....	M26			1012013903. 1012014360.	1 1	RS223 .....				8	*6K7G, 6J5G, 6L7G, 6B6G, 6V6G, 6U5, 5Y3G .....	465		
4781 (101.499) .....	Vol.	1012416975.	124	TM248-SS16	M26			1012013903. 1012014808.	1 1	RS223 .....				10	*6K7G, 6L7G, *6J5G, 6Q7G, *6V6G, 6U5, 5Y3G .....	465		
4783 (101.502) .....	Vol.	1012416452.	127	MR55 .....	M26			1012014573. 1012016570.	25 25/13	RS216 .....				7	*6K7G, 6A8G, 6B6G, 6V6G, 6U5, 6X5G .....	465	9-59	
4784 (101.480) .....	Vol.	1012416452.	127	MR55 .....	M26			1012014573. 1012016570.	1 1/13	RS216 .....				7	*6K7G, 6A8G, 6B6G, 6V6G, 6U5, 6X5G .....	465		
4785 (101.488) .....	Vol.	1012416962.	18	MR55 .....	M26			1012013903. 1012014360.	1 1	RS223 .....				8	*6K7G, 6J5G, 6L7G, 6B6G, 6V6G, 6U5, 5Y3G .....	465		
4786 (100.196) .....	Vol. Sil.	10024111736 10026111734	124 8	TM248-SS16 A1MP	M26			10020111726 10020111727 10020111708	1 1 †	RS223 .....				10	*6K7G, 6A8G, *6Q7G, 6J5G, *6V6G, 5Y3G, 6U5 .....	465		
4786 (101.483) .....	Vol. Sil.	1012416975. 1012616704.	124 †	TM248-SS16 A1MP	M26			1012013903. 1012014808. 1670310120.	1 1 †	RS223 .....				10	*6K7G, 6A8G, *6Q7G, 6U5, 6J5G, *6V6G, 5Y3G .....	465		
4787 (101.484) .....	Vol.	1012417004.	20	MRT448	M26			1012013903. 1012014808. 1012015117.	3 3 †	RS223 .....				12	6B8G, 6L7G, 6J5G, 6J7G, *6K7G, 6H6G, 6U5, 6C8G, *6V6G, 5X4G .....	465		
4788 (100.159) .....	Vol.	10024111533	20	TM240-SS16	M26			1002088679. 1002089937. 10020111689 10020110377	3 3 15 15	RS216 .....				14	*6K7G, 6L7G, *6C5G, *6H6G, 6J7G, 6U5, *6V6G, 5U4G .....	465	9-61,74	
4789 (101.482) .....	Vol.	1012416815.	127	MR55 .....	M26			1012013903. 1012014360.	1 1	RS223 .....				8	*6K7G, 6J5G, 6L7G, 6B6G, 6V6G, 6U5, 5Y3G .....	465		
4790 (101.479) .....	Vol. Sen.	1012416705. 1012616704.	124 8	MRT448 A1MP	M26			1012013903. 1012014808. 1012016703.	1 1 15	RS223 .....				10	*6K7G, 6A8G, *6Q7G, 6J5G, *6V6G, 5Y3G, 6U5 .....	465	9-57	
4791, 4792 (101.483)	Vol. Sil.	1012416975. 1012616704.	124 †	TM248-SS16 A1MP	M26			1012013903. 1012014808. 1012016703.	1 1 †	RS223 .....				10	*6K7G, 6A8G, *6Q7G, 6U5, 6J5G, *6V6G, 5Y3G .....	465		
4796 (126.201) .....	Vol.	1262430704.	17	† .....		See Note A19		1262014814. 1262014813.	25 25/13	HD684 .....				6	6A8G, 6K7G, 6Q7G, 6F6G, 6U5, 5Y3G .....	460		
4798 (101.498) .....	Vol.	1012416815.	127	MR55 .....	M26			1012013903. 1012014360.	1 1	RS223 .....				8	*6K7G, 6J5G, 6L7G, 6B6G, 6V6G, 6U5, 5Y3G .....	465		
4799 (100.159) .....	Vol.	10024111533	20	TM240-SS16	M26			1002088679. 1002089937. 10020111689 10020110377	3 3 15 15	RS216 .....				14	*6K7G, 6L7G, *6C5G, *6H6G, 6J7G, 6U5, *6V6G, 5U4G .....	465	9-61,74	
5275. 5280, 5281, 5282 (130.282) .....	Vol. Mic. Phono. Tone	135241247. 130243111. 130243103. 130243107.	63 15 63 22	MR48 .....				8-8 12-12	24 24	2N518 .....				7	*6N7, *6J7, *6V6, 5V4			
5302 (Ch. 139.210) .....				MR39 .....				1392017.	1	2N516 .....					6P5GT		13-18	
5502 (101.687) .....	Vol. Tone	R47240 .....	18	DTM296-SS1				1392016. R45829	1 79	TC610 .....								
5511, 5511A (Ch. 101.619, 101.619A) .....	Vol. Tone	1012443157. 1012543123.	124 22	Order from MR53 .....	Mfr. M26			1012013903. 1012043153.	3 3	RS223 .....				11	*6U7G, 6K8G, *6J5G, *6Q7G, *6V6, 6U5, 5X4G .....	455	14-17,18	
5571, 5571A (Ch. 101.631, 101.631A) .....	Vol. Tone	1012443157. 1012543892.	124 22	Order from MR53 .....	Mfr. M26			1012044225. 1012043888.	3 13	FP444 .....				11	*6U7G, 6K8G, 6J5G, *6Q7G, *6V6G, 6U5, 6J7G, 5X4G .....	455	13-35, 36	

† Data not substantiated.

\* IMPORTANT: Read Notes in Note Section if specified in Note Column.  
WHEN YOU BUY JACK SWITCHES BUY MALLORY.

‡ Indicates miscellaneous section.



MANUFACTURER AND MODEL	CONTROLS							CONDENSERS				VIBRATORS			No. Tubes	Complete Tube Complement	I. F. Peak	Rider's Reference
	Use	Original Part	Circuit	Correct Replacement	Switch	Bias	*Note	Original Part	Circuit	Correct Replacement	*Note	Original Part	Replacement	*Note				
SEARS-ROEBUCK— 5581 (101.634).....	Continued Vol. Tone	1012443437. 1012543434.	124 22	MRT440. MR53				1012043995.	1	FP238					8	6K8G, 6U7G, 6Q7G, 6F6G, 5Y3G.	455	12-43
5601A (Ch. 101.628, 101.628-1A).....	Vol. Tone	1012443157. 1012543892.	124 22	Order from MR53	Mfr.	A27		1012043064. 1012043888.	3 13	FP444 RS215				10	6U7G, 6K8G, 6Q7G, 6V6G, 6U5, 6J7G, 5Y3	455		
5601A (101.629-1A)	Vol. Tone	1012444110. 1012444110.	124 22	Order from MR53	Mfr.	A4		1012043064. 1012043888.	3 13	FP444 TC72	B8			10	6U7G, 6K8G, 6Q7G, 6U5, 6J7G, 6V6G, 5Y3G.	455	13-37-39	
5621 (101.632).....	Vol. Tone	1012444631. 1012541939.	124 22	MRT440 UM160-SS1	M26			1012044032.	1/13	FP444				8	6K8G, 6U7G, 6B8G, 6Q7G, 6V6G, 6J7G, 6U5, 5Y3G.	455		
5656A.....	Vol. Tone		15	MR53				8	1	HD684				8	6K7MG, 6L7MG, 6Q7MG, 6C5MG, 6F6MG, 5Y3.	465	10-33	
5661 (101.633).....	Sen. Vol. Tone	1012444029. 1012544027.	18 22	MRT440 UM160-SS1	M26			1012043441.	1/15	TN111 FP346	B117			6	6K8G, 6U7G, 6Q7G, 6V6G, 5Y3G.	455	12-44	
5689, 5690 (116SA10).....	Mic. Tone Phono.	116242521. 116252517. 116242520.	16 21 50	MR33 MR53 MR39	M26			116204250. 116204238. 116204165.	1 1 15/†	HD684 HD684 TC26				3	77, 6B5, 80.			
5691, 5692 (116SA20).....	Mic. Phono. Tone	116242518. 116242519. 116252517.	50 50 21	MR53 MR48 MR53	M26			116204194. 116204165.	1 15	HD684 TC26				5	6C6, 6B5, 80.			
5693, 5694 (116SA40).....	Mic. Phono. Tone	116242520. 116242519. 116252517.	15 50 21	MR39 MR48 MR53	M26			116204165. 116204224.	15 15	TC26 TC63/TC26				7	6J7, 6C5, 6L6, 5Z3.			
5695 (116RT3).....	Vol. Tone	116242519. 116252562.	50 1	MR48 MR48	M26													
5697, 5698 (116SA30).....	Mic. Tone Phono.	116242518. 116252517. 116242519.	15 21 50	MR53 MR53 MR48	M26			4194. 4165.	1 15	HD684 TC26				6	6J7, 6N7, 5Z3.			
5701 (132.809).....	Vol.	1322416780.	18			A5		1322014370.	46/15	TN129/TC22				4	12K7GT, 12SQ7GT, 35L6GT, 35Z4GT.		12-45	
5710, 5710A, 5711, 5711A (107.450).....	Vol. Tone BFO. Gain	1072426281. 1072513278. 1072427281. 1072428281.	18 21 1 7	MR53 MR48 MR48 E.				29-266. 17-266.	1/13 1	2S567 RS213				10	6K7, 6L7, 6J5G, 6Q7G, 6V6G, 80, 6J7G, 6U5.	465	11-1,2	
5711 (110.409).....	Vol.	1102446.	18	MR48	M26			1102053. 1102046.	46 46	FP357 2N513	B117 B12			5	12A8GT, 12K7GT, 12SQ7GT, 35L6GT, 35Z5GT.	455	12-46	
5721 (110.418).....	Vol. Tone	1102454. 1102515.	18 22	MRT427 MR54	M26			1102063.	46	ST598/2S569				6	6SA7GT, 6SK7GT, 6SQ7GT, 6S7GT, 6F6GT, 6X5GT.	455	13-32	
5727, 5728 (107.A450).....	Vol. Tone BFO. Gain Meter	1072426281. 1072513278. 1072427281. 1072428281. 1072430381.	18 22 1 7 7	MR53 MR48 MR48 E. E.	6-9			1072017266. 1072029266.	1 1/13	RS213 2S567				12	6K7, 6L7, 6J5G, 6Q7G, 6V6G, 6J7G, 80.	465	11-3-6	
5731 (109.359).....	Vol. Tone	109288260. 109258519.	106 106			A5 A5		109208339.	1/15	FP332				7	6A8G, 6U7G, 6Q7G, 6V6G, 5Y3G, 6U5.	455	12-47,48	
5732, 5732B (109.371, 109.371-1)	Vol.	109248910.	18	MR53	M26			109208425.	1/13	FP360				8	12SA7GT, 12K7GT, 12SQ7GT, 35L6GT, 35Z6G, 6U5.	455		
5732 (116SA2232).....	Mic. Phono. Tone	116252518. 116242948. 116252518.	15 50 21	MR53 MR48 MR53				116204194. 116204165. 116204224.	1 15 15	HD684 TC26 TC36/TC26				5	6C5, 6J7, 5U4, 6L6.		14-16	
5737 (130.637).....	Mic. Tone Phono.	130253103. 130243111. 130243124.	15 1 63	MR39 MR48 MR33				130203056. 130203064. 130203061. 130203059.	24 24 15 15	2N518 2S569 TN111 TC22				6	6J7, 6N7, 6L6, 6W5.			
5741 (132.808).....	Vol.	1322416780.	18			A5		1322014370.	46/15	TN129/TC22				4	12K7GT, 12SQ7GT, 35L6GT, 35Z4GT.		12-49	
5750 (Ch. 107.A450-S4).....	Vol. Tone BFO. RF Gain R Meter	1072426281. 1072513278. 1072427281. 1072427281. 1072430381.	18 22 1 7 7	MR53 MR48 MR48 E. E.	6-9			1072017266. 1072029266.	1 1/13	RS213 2N518				12	6K7, 6L7, 6Q7G, 6V6G, 6J5, 6J7G, 80.	1560 465	11-3	
5751 (110.403).....	Vol.	1102446.	18	MR48	M26			1102053. 1102046.	46 46	FP357 2N513	B117 B12			5	12A8GT, 12K7GT, 12SQ7GT, 35L6GT, 35Z5GT.	455	12-50	
5752, 5753 (107.440-S1).....	Vol. Tone Gain Meter	1072426281. 1072513278. 1072428281. 1072435281.	18 22 7 7	MR53 MR48 E. MR14				1072030266. 1072031266.	1 13	FP231 FP231				9	6K7, 6K8G, 6Q7G, 6V6G, 6J7G, 80.	465	11-7-9	

† Data not substantiated.

\* IMPORTANT: Read Notes in Note Section if specified in Note Column.

‡ Indicates miscellaneous section.

MANUFACTURER AND MODEL	CONTROLS							CONDENSERS				VIBRATORS			No. Tubes	Complete Tube Complement	I. F. Peak	Rider's Reference
	Use	Original Part	Circuit	Correct Replacement	Switch	Bias	*Note	Original Part	Circuit	Correct Replacement	*Note	Original Part	Replacement	*Note				
SEARS-ROEBUCK—	Continue d																	
5761 (109.359) . . . . .	Vol. Tone	109288260	106	†			A5	109208339	1/15	FP332					7	6A8G, 6U7G, *6Q7G, 6V6G, 5Y3G, 6U5	455	12-47,48
5771 (109.358) . . . . .	Vol.	109258519	106	†			A5	109208425	1/13	FP360					7	12SA7GT, 12K7GT, *12SQ7GT, *35L6GT, 35Z6G	455	12-51,52
5789 (116SA3041) . . . . .	Mic.	116242757	†	MR18	M26			116204194	†	HD684					3	*6L6, 5Z3		
5790 (116SA40) . . . . .	Mic. Phono. Tone	116242520	15	MR39				116201002	15	TC36					7	*6J7, 6C5, *6L6, 5Z3		
5791, 5792 (116SA20) . . . . .	Mic. Phono. Tone	116242519	63	MR48				116204194	1	HD684					7	*6J7, 6C5, *6L6, 5Z3		
5793 (116SA40) . . . . .	Mic. Phono. Tone	116252517	21	MR53	M26			116204224	15	TC26					6	*6J7, *6N7, 5Z3		
5797 (116SA30) . . . . .	Mic. Phono. Tone	116242518	50	MR53				116204194	1	HD684					5	*6C6, *6B5, 80		
5812 (138.905) . . . . .	Vol.	116242519	63	MR48				116204165	15	TC26					5	*6C6, *6B5, 80		
5815 (145.815) . . . . .	Vol. Tone	116252517	21	MR53	M26			116204194	1	HD684					7	*6J7, 6C5, *6L6, 5Z3		
5818 (184.5818) . . . . .	Vol. Tone	116242519	63	MR39				116204165	15	TC26					6	*6J7, *6N7, 5Z3		
5819 (178.5819) . . . . .	Vol. Tone	116242519	63	MR48				116204224	15	TC36/TC26					6	*6J7, *6N7, 5Z3		
5827 (138.903) . . . . .	Vol. Tone	116242518	15	MR53	M26			116204194	1	HD684					6	*6J7, *6N7, 5Z3		
5827 (134.903) . . . . .	Phono. Tone	116252517	21	MR53	M26			116204165	15	TC26					6	*6J7, *6N7, 5Z3		
5828 (138.906) . . . . .	Vol. Tone	138242014	15	MR48	M26			30-30-20	24/15	3N533					2	35Z4GT, 35L6GT		13-41
5829 (138.904) . . . . .	Vol. Tone	B301	50	MR48	M26			B259	24	2N514					2	35L6GT, 35Z4GT		13-42
5833 (138.907) . . . . .	Vol. Tone	B300	†	MR48	M26			B208	15	TC22					2	35L6GT, 35Z5GT		14-93
5844 (100.355) . . . . .	Phono.	1842465	50	MR48				1842065	24	2N511					2	35L6GT, 35Z5GT		14-93
5848 (100.356) . . . . .	Phono.	1842520	22	MR48	M26			1842070	15	TC22					2	35L6GT, 35Z5GT		14-93
5849 (100.356) . . . . .	Vol.	2465	50	MR48				2065	24	2N511					2	35L6GT, 35Z5GT		14-93
R5854 (135.241) . . . . .	Vol.	2520	22	MR48	M26			2070	15	TC22					3	6Q7G, 6K6G, 6X5G		14-94
6000 (101.495X) . . . . .	Vol.	138242013	50	MR44	M26			138202012	1/15	3S584/TC22	B8				3	6Q7G, 6K6G, 80		14-94
6001 (101.496X) . . . . .	Vol.	138242012	21	MR45	M26			20	15	TC26					3	6Q7G, 6K6G, 80		14-94
6002 (100.195) . . . . .	Vol.	134192013	50	MR44	M26			134182015	1	TC71					2	35L6GT, 35Z5GT		14-95
6002, Ch. 132.818 . . . . .	Vol.	134192013	21	MR44	M26			134182014	1	TC71					3	6Q7G, 6K6G, 80		14-94
6003, 6004 (101.510) . . . . .	Vol.	138242014	15	MR48				134182012	15	TC22					2	35L6GT, 35Z5GT		14-95
6005 (101.507) . . . . .	Vol.	138242013	15	MR44	M26			30-20-20	24/15	3N533					2	35L6GT, 35Z5GT		14-95
6008, 6009 (101.524) . . . . .	Vol.	138242014	21	MR48	M26			138202012	1/15	TC26					3	6J5GT, 6K6GT, 6X5GT		14-95
6010 (101.519) . . . . .	Vol.	138242013	15	MR48				8-8-20	1/15	TC26					3	6N7GT, 6V6GT, 6X5GT		14-96
6011, 6012, Ch. 132.816, 132.816A . . . . .	Vol.	138242014	21	MR48	M26			20	15	TC26					3	6N7GT, 6V6GT, 6X5GT		14-96
6012, 6013 (101.509) . . . . .	Vol.	10023170768	50	MR44	M26			10020116470	24	2N509					2	35L6GT, 35Z5GT		13-44
6014, 6015 (101.505) . . . . .	Vol.	10024160743	50	MR44	M26			10020116470	24	FP211					2	35L6GT, 35Z5GT		13-46
6016, 6017 (101.512) . . . . .	Vol.	10024160743	50	MR44	M26			1012017567	24/13	3S584		R16034	852	C3	6	*6U7G, 6A8G, 6B8G, 6V6G, 0Z4G or 6X5G	262	
6016, Ch. 132.820 . . . . .	Vol. Tone	135243690	50	MK401				1012017576	24/13/15	3S584/TN111	B14	R16034	852	C3	7	*6U7G, 6A8G, 6R7G, 6N7G, 0Z4G or 6X5G	262	
		1012416101	18	UM157		See Note A96		1012017567	24/13	3S584	B14	R16034	852	C3	6	6A8G, 6K7G, 6Q7G, 6K6G, 5W4G, 6U5	465	
								1012017576	24/13/15	3S584/TN111	B14	R16034	852	C3	7	*6U7G, 6A8G, 6R7G, 6N7G, 0Z4G or 6X5G	262	
								10020112883	60	3S584					6	6A8G, 6K7G, 6Q7G, 6K6G, 5W4G, 6U5	465	
								1012013903	1	RS223					4	12SA7GT, 12SQ7GT, 50L6GT, 35Z5GT	455	15-1,2
								1012014808	1	RS223					8	6A8G, 6J5G, 6U7G, 6H6G, 6F5G, 6V6G, 6U5, 5Y3G	465	
								1012018184	1/15	2N516/TC22		1015114840	246	C3	6	1C7G, 1H4G, 1D5GP, 1F7GV, 6C6G, 6AB5	465	
								1012818672	78	TC26					7	1C7G, 1D5GP, 1F7GH, *1H4G, 4A6G	465	
								1012018559	13	Buffer	B14				4	1C7G, 1D5GP, 1F7GH, *1H4G, 4A6G	465	
								1012018560	13	TC42					4	1C7G, 1D5GP, 1F7GH, 1G5G	465	
								N19360	1	2N514					5	12SA7GT/G, 12SK7GT/G, 12SQ7GT/G, 50L6GT, 35Z5GT/G	455	
								1012016259	12/13	2N516					6	1C7G, *1H4G, 1F7GH, 1G5G	455	
								1012016259	12/13	2N516					1C7G, 1F7GH, *1H4G, 4A6G	455		
								1012016259	12/13	2N516					6	1C7G, 1F7GH, *1H4G, 4A6G	455	
								N19239	22	FP354	B8				6	*12SK7GT, 12SA7GT, 12SQ7GT, 35L6GT, 35Z5GT	455	

† Data not substantiated.

\* IMPORTANT: Read Notes in Note Section if specified in Note Column.  
THERE'S A PLACE FOR A MALLORY NOISE FILTER IN EVERY HOME.

§ Indicates miscellaneous section.

MANUFACTURER AND MODEL	CONTROLS							CONDENSERS				VIBRATORS			No. Tubes	Complete Tube Complement	I. F. Peak	Rider's Reference
	Use	Original Part	Circuit	Correct Replacement	Switch	Bias	*Note	Original Part	Circuit	Correct Replacement	*Note	Original Part	Replacement	*Note				
SEARS-ROEBUCK— 6018, 6019 (101.524)	Continued Vol.	1012418335.	15	Order from	Mfr...			1012018559. 1012018560.	13 13	TC42 TC42					7	1C7G, 1D5GP, 1F7GH, 1H4G, 4A6G	465	
6021 (100.195) . . . . .	Vol.	10024113889	127	MR48 . . . . .	M26			10020112883	60	3S584 . . . . .					6	6A8G, 6K7G, 6Q7G, 6K6G, 5W4G, 6U5	465	
6022 (101.509.1-2) . . . . .	Vol.	1012418257.	127	MR55 . . . . .				1012018256.	1/15	TCD55/2N509	B181				7	6J8G, 6U7G, 6H6G, 6B6G, 25L6G, 6U5, 25Z6G	465 455	
6023 (101.506) . . . . .	Vol.	1012418163.	17	MR55 . . . . .				1012018161.	1/15	TN129 . . . . .					6	6J8G, 6U7G, 6B6G, 25L6G, 6U5, 25Z6G	465	
6024 (101.510) . . . . .	Vol.	1012418394.	15	MR55 . . . . .				1012013903. 1012014808.	1 1	RS223 RS223					8	6A8G, 6J5G, 6U7G, 6H6G, 6F5G, 6V6G, 6U5, 5Y3G	465 455	
6025 (101.547) . . . . .	Vol.	1012418881.	127	MR55 . . . . .				1012018869.	1/15	TCD55/2N509	B181				7	6J8G, 6U7G, 6J5G, 6F5G, 25L6G, 6U5, 25Z6G	455	11-11,12
6028 (126.204) . . . . .	Vol.	1262430891.	18	MR44 . . . . .	M26T			1262031099.	1	2S569 . . . . .					5	6A8, 6K7, 6Q7G, 6K6G, 5Y3G	455	
6031 (100.195) . . . . .	Vol.	10024113889	127	MR48 . . . . .	M26			10020112883	60	3S584 . . . . .					6	6A8G, 6K7G, 6Q7G, 6K6G, 5W4G, 6U5	465	
6034 (101.510) . . . . .	Vol.	1012418394.	15	MR55 . . . . .				1012013903. 1012014808.	1 1	RS223 RS223					8	6A8G, 6J5G, 6U7G, 6H6G, 6F5G, 6V6G, 6U5, 5Y3G	465 455	
6036 (101.511) . . . . .	Vol.	1012418616.	17	MRT448 . . . . .				1012013903. 1012014808.	1 1	RS223 RS223					10	*6U7G, 6A8G, *6J5G, 6Q7G, *6V6G, 7G5, 5Y3G	465 455	
6038 (101.517) . . . . .	Vol.	1012418616.	20	MRT448 . . . . .				13903 . . . . . 14808 . . . . . 18764 . . . . .	3 3 13/15	RS223 RS223 TC52/TC26					13	*6B8G, *6J5G, 6A8G, *6U7G, 6H6G, *6V6G, 6AE6G, 6AD6G, 5X4G	455	
6040 (101.519) . . . . .	Vol.	1012418418.	17	MR55 . . . . .	M27										4	1C7G, 1D5GP, 1F7GH, 1G5G	465	
6042, 6043 (101.504) . . . . .	Vol.	1012417919.	15	MR55 . . . . .				1012016259.	12/13	2N516 . . . . .					6	1C7G, 1H4G, 1F7GH, 1G5G	465 455	
6044 . . . . .	Vol.	1012418108.	17	MR55 . . . . .	M27			1012016259.	12/13	2N516 . . . . .					6	1C7G, 1F7GH, 1H4G, 4A6G	465 455	
6045 . . . . .	Vol.	1012418108.	17	MR55 . . . . .	M27			1012016259.	12/13	2N516 . . . . .					6	1C7G, 1F7GH, 1H4G, 4A6G	465 455	
6046, 6047 (101.512) . . . . .	Vol.	1012418335.	17	Order from	Mfr...			1012016259.	12/13	2N516 . . . . .					6	1C7G, 1F7GH, 1H4G, 4A6G	465	
6048, 6049 (101.524) . . . . .	Vol.	1012418335.	15	Order from	Mfr...			1012018559. 1012018560.	13 13	TC42 TC42					7	1C7G, 1D5GP, 1F7GH, 1H4G, 4A6G	465	
6050, 6051 (Ch. 101.503-1) . . . . .	Vol.	1012418877.	17	MR55 . . . . .	M27										4	1C7G, 1D5GP, 1F7G, 1G5G	455	
6050, Ch. 132.825-4 . . . . .	Vol. Tone	N19529 . . . . . N19967 . . . . .	18 95	MR48 . . . . . MR48 . . . . .	M26			N19239 . . . . .	1	FP306 . . . . .	B192				6	*12SK7GT/G, 12SA7GT/G, 12SQ7GT/G, 35L6GT/G, 35Z5GT/G	455	
6051, Ch. 110.451 . . . . .	Vol.	A2463 . . . . .	18	Order from	Mfr..			A2065 . . . . .	24	2N511 . . . . .					6	*12SK7GT, 12SA7GT, 12SQ7GT, 35L6GT, 35Z5GT..	455	15-3,4
6052, 6053 (101.525) . . . . .	Vol.	1012418808.	15	MR55 . . . . .				1012016259.	12/13	2N516 . . . . .					6	1C7G, 1F7GH, 1H4G, 1G5G	465 455	
6052, Ch. 110-542 . . . . .	Vol.	A2463 . . . . .	18	Order from	Mfr..			A2068-D . . . . .	24/15	2N511/TC26					6	*12SK7GT, 12SA7GT, 12SQ7GT, 35L6GT, 35Z5GT..	455	15-3,4
6054, 6055 (101.532) . . . . .	Vol.	1012419021.	17	MR55 . . . . .	M27										4	1C7G, 1D5GP, 1F7GH, 1G5G	465	10-65
6056, 6057 (101.548) . . . . .	Vol.	1012419892.	15	MR55 . . . . .				1012019891.	12	TC44 . . . . .					5	1C7G, 1F7GH, 1H4G, 1G5G	455	11-13
6058, 6059 (101.505) . . . . .	Vol.	1012418108.	17	MR55 . . . . .	M27			1012016259.	12/13	2N516 . . . . .					6	1C7G, 1F7GH, 1H4G, 4A6G	455	
6064 (101.505) . . . . .	Vol.	1012418108.	17	MR55 . . . . .	M27			1012016259.	12/13	2N516 . . . . .					6	1C7G, 1F7GH, 1H4G, 4A6G	465 455	
6065 (101.505) . . . . .	Vol.	1012418108.	17	MR55 . . . . .	M27			1012016259.	12/13	2N516 . . . . .					6	1C7G, 1F7GH, 1H4G, 4A6G	455	
6068, 6069 (101.504) . . . . .	Vol.	1012418335.	15	Order from	Mfr...			1012018559. 1012018560.	13 12	TC42 TC42					7	1C7G, 1D5GP, 1F7GH, 1H4G, 4A6G	465	
6070 (100.189) . . . . .	Vol.	10024113419	18	MR44 . . . . .	M27			10020113422 10020110377 .01	1 78	2N516 TC22 Buffer		10151110800	246	C3	5	1C7G, 1D5GP, 6T7G, 1F5G, 6AB5	465	10-63,64
6071 (101.507) . . . . .	Vol.	1012418163.	17	MR55 . . . . .				1012018184. 1012018672. .009-.009	1/15 1	2N516/TC22 TC26 Buffer	B14 B14	1015114840.	246	C3	6	1C7G, 1H4G, 1D5GP, 1F7GV, 6G6G, 6AB5	465	

† Data not substantiated.

\* IMPORTANT: Read Notes in Note Section if specified in Note Column.

‡ Indicates miscellaneous section.

MANUFACTURER AND MODEL	CONTROLS							CONDENSERS				VIBRATORS			No. Tubes	Complete Tube Complement	I. F. Peak	Rider's Reference
	Use	Original Part	Circuit	Correct Replacement	Switch	Bias	*Note	Original Part	Circuit	Correct Replacement	*Note	Original Part	Replacement	*Note				
SEARS-ROEBUCK— 6071, Ch. 132.826-1.	Continued Vol.	N19529	161	MR48	M26			N19239	1	FP306	B192				6	12SK7GT/G, 12SA7GT/G, 12SQ7GT/G, 35L6GT/G, 3Z5GT/G	455	
6072 (101.513)	Vol.	1012418259	17	MR55				1012018493, 1012018672, .009-.009	1/15 78	3N527 TC26 Buffer		1015114840	246	C3	6	1C7G, 1H4G, 1D5GP, 1F7GV, 6G6G, 6AB5	466	
6072, Ch. 110.454	Vol.	A2466	161	MRT427	M26			A20102	88	ST597/2S569	B14				5	6SA7GT, 6SK7GT, 6SQ7GT, 6V6GT, 6X5GT	455	
6073 (101.528)	Vol.	1012418939	18	Order from	Mfr.			1012018938, .012	1/15	TCS64/TC26 Buffer	B14	1015114300	294	C3	6	6D8G, 6S7G, 6T7G, 6AB5, 6G6G, 6Z5Y5G	465	10-67,68
6074 (101.515)	Vol.	1012418715	17	Order from	Mfr.			1012018714, .012	1/13/15	TCD55/TCD52 Buffer	B14	1015114300	294	C3	7	6D8G, 15 6T7G, 6Z5Y5G, 6L5G, 1J6G, 6AB5	465	10-71
6076 (101.507)	Vol.	1012418163	17	MR55				1012018184, 1012018672, .009-.009	1/15 78	2N516/TC22 TC26 Buffer	B14	1015114840	246	C3	6	1C7G, 1H4G, 1D5GP, 1F7GV, 6G6, 6AB5	465	
6077 (101.513)	Vol.	1012418259	17	MR55				1012018493, 1012018672, .009-.009	1/15 78	3N527 TC26 Buffer	B14	1015114840	246	C3	6	1C7G, 1H4G, 1D5GP, 1F7GV, 6G6G, 6AB5	465	
6079 (101.515)	Vol.	1012418715	17	Order from	Mfr.			1012018714, .012	1/13/15	TCD55/TCD52 Buffer	B14	1015114300	294	C3	6	6D8G, 15 6T7G, 6L5G, 1J6G, 6AB5	465	
6092, 6093, Ch. 101.672-1B, 101.672-1A	Vol. Tone	R47240 R47235	169 22	DTM296-SS1 MR53	M26			R45829	1	FP238	B227				8	7E6, 7H7, 6SK7GT, 6SQ7GT, 6K6GT/G, 5Y3G	455	15-7,9
6100 (101.495)	Vol.	1012416101	15	UM157		See Note A96		1012017567, .005	24/13	3S584 Buffer	B14	R16034	852	C3	6	6U7G, 6A8G, 6B8G, 6V6G, 0Z4G or 6X5G	262	10-69,70
6100, Ch. 101.660-1A	Vol.	R45414	161	MR55	M26			R45421	1/15	2S569/TC22					5	6SA7GT, 6SK7GT, 6SQ7GT, 6K6GT/G, 6X5GT/G	455	15-2,10
6101 (101.496)	Vol.	1012416100	20	TM224-SS12				1012017576, .005	24/13/15	3S584/TN111 Buffer	B14	R16034	852	C3	7	6U7G, 6A8G, 6R7G, 6N7G, 0Z4G or 6X5G	262	10-72
6102, 6102A, 6103, 6103A (101.526)	Vol.	1012418344	6	MR20	M26	EX150		1012017761	1/15	TN129					5	6D6, 6F5G, 25L6G, 12Z3		10-73,74
6104 (126.203)	Vol.	1262431637	18	MR48	M26			1262031598, .0075	24/15	3S579 Buffer	B14	80985-3	859	C3	5	6A8, 6K7, 6Q7, 6F6, 6X5	455	10-75-77
6104A, 6104B, 6105A, 6105B, Ch. 101.622-2D, 101.662-2B	Vol. Tone	R47240 R47235	169 22	DTM296-SS1 UM159-SS1	M26			R45829	1	TC77/TC77					8	7E6, 7H7, 6SK7GT, 6SQ7GT, 6K6GT/G, 5Y3, 6SO7GT	455	15-8,12
6105, 6105A (101.526)	Vol.	1012418344	6	MR20	M26	EX150		1012017761	1/15	TN129					5	6D6, 6F5G, 25L6G, 12Z3		
6105, Ch. 101.622-2B, 101.622-2D	Vol. Tone	R47240 R47235	169 22	DTM296-SS1 MR53	M26			R45829	1	FP238	B277				8	7E6, 7H7, 6SK7GT, 6SQ7GT, 6K6GT/G, 5Y3GT	455	
6106, 6107, 6108 (109.278)	Vol.	109245912	8	MR22	M26			109205780, 109205779	25 25	TC47 TC42					4	12K7GT, 12F5GT, 35L6GT, 35Z4GT		11-14
6106A, Ch. 101.662-4E	Vol. Tone	R47240 R47235	169 22	DTM296-SS1 UM159-SS1	M26			R61272 R45829	80 80/13	TC78 TC77/TC77					8	7E6, 7H7, 6SK7GT, 6SQ7GT, 6K6GT, 5Y3GT	455	
6109, 6110, 6111 (101.508)	Vol.	1012418827	6	MR21	M26	EX150		1012018823	1/15	3S579					5	6K7, 6J7, 25A6G, 1V		
6111, Ch. 101.6623C	Vol. Tone	R47240 R47235	169 22	DTM296-SS1 MR53	M26			R45829	1	FP238	B277				8	7E6, 7H7, 6SK7GT, 6SQ7GT, 6K6GT/G, 5Y3G	455	
6111A, Ch. 101.662F	Vol. Tone	R47240 R47235	169 22	DTM296-SS1 UM159-SS1	M26			R61272 R45829	80 80/13	TC78 TC77/TC77					8	7E6, 7H7, 6SK7GT, 6SQ7GT, 6K6GT, 5Y3GT	455	
6112, 6113 (101.521)	Vol.	1012418827	6	MR21	M26	EX150		1012018823	1/15	3S579					5	6K7, 6J7, 25A6G, 1V		10-79
6114, 6115 (101.522)	Vol.	1012418827	6	MR21	M26	EX150		1012018823, 8	9	3S579 TC52					5	6K7, 6J7, 25A6G, 25Z6G		10-80
6116 (109.278)	Vol.	109245912	8	MR22	M26			109205780, 109205779	25 25	TC47 TC42					4	12K7GT, 12F5GT, 35L6GT, 35Z4GT		11-14
6118 (101.521)	Vol.	1012418827	6	MR21	M26	EX150		1012018823	1/15	3S579					5	6K7, 6J7, 25A6G, 1V		

‡ Data not substantiated.

\* IMPORTANT: Read Notes in Note Section if specified in Note Column.  
WHEN YOU BUY RECTIFIERS BUY MALLORY.

‡ Indicates miscellaneous section.

MANUFACTURER AND MODEL	CONTROLS							CONDENSERS				VIBRATORS			No. Tubes	Complete Tube Complement	I. F. Peak	Rider's Reference
	Use	Original Part	Circuit	Correct Replacement	Switch	Bias	*Note	Original Part	Circuit	Correct Replacement	*Note	Original Part	Replacement	*Note				
SEARS-ROEBUCK— 6119, 6120 (101.546)	Continued Vol.	1012419856	18	MR48				1012019845 1012019913	9/15 9	TN129 TC44				6	6J8G, 6U7G, 6B6G, 25B6G, 6U5, BK42B, 25Z6G	455		
6121 (100.195)	Vol.	10024113889	127	MR48	M26			10020112883	60	3S584				6	6A8G, 6K7G, 6Q7G, 6K6G, 6U5, 5W4G	465		
6122 (101.509-1-2)	Vol.	1012418259	127	MR55				1012018256	1/15	TCD55/2N509	B181			7	6J8G, 6U7G, 6H6G, 6B6G, 25L6G, 6U5, 25Z6G	465 455		
6123 (101.506)	Vol.	1012418163	17	MR55				1012018161	1/15	TN129				6	6J8G, 6U7G, 6B6G, 25L6G, 6U5, 25Z6G	465		
6124 (101.510)	Vol.	1012418394	15	MR55				1012013903 1012014808	1 1	RS223 RS223				8	6A8G, 6J5G, 6U7G, 6H6G, 6F5G, 6V6G, 6U5, 5Y3G	465 455		
6125 (101.527)	Vol.	1012418881	127	MR55				1012018869	1/15	TCD55/2N509	B181			6	6J8G, 6U7G, 6B6G, 25L6G, 6U5, 25Z6G	465	10-81	
6126, 6127 (101.546)	Vol.	1012419856	18	MR48				1012019845 1012019913	9/15 9	TN129 TC44				6	6J8G, 6U7G, 6B6G, 25B6G, 6U5, 25Z6G, BK42B	455		
6128 (101.547)	Vol.	1012418881	127	MR55				1012018869	1/15	TCD55/2N509	B181			7	6J8G, 6U7G, 6J5G, 6F5G, 25L6G, 6U5, 25Z6G	455		
6130 (101.557)	Vol.	1012419856	18	MR48				1012019845 1012019913	9/15 9	3N533 TC44				6	6J8G, 6U7G, 6B6G, 25B6G, 6U5, 25Z6G, BK42B	455	11-17,18	
6131 (100.195)	Vol.	10024113889	127	MR48	M26			10020112883	60	3S584				6	6A8G, 6K7G, 6Q7G, 6K6G, 5W4G, 6U5	465		
6132 (101.509-1-2)	Vol.	1012418259	127	MR55				1012018256	1/15	TCD55/2N509	B181			7	6J8G, 6U7G, 6H6G, 6B6G, 25L6G, 6U5, 25Z6G	465 455		
6133 (101.535)	Vol.	1012418259	127	MR55				1012019192	1/15	Order from Mfr.				8	6J8G, 6U7G, 6J5G, 6F5G, 6Y5G, 6U5, 6W5G	455	11-19,20	
6134 (101.510)	Vol.	1012418394	15	MR55				13903 14808	1 1	RS223 RS223				8	6A8G, 6J5G, 6U7G, 6H6G, 6F5G, 6V6G, 6U5, 5Y3G	465 455		
6136 (101.511)	Vol.	1012418616	17	MRT448				1012013903 1012014808	1 1	RS223 RS223				10	6U7G, 6A8G, 6H6G, 6Q7G, 6V6G, 6G5, 5Y3G	465 455	10-56,57	
6137 (101.535)	Vol.	1012418259	127	MR55				1012019192	1/15	Order from Mfr.				8	6J8G, 6U7G, 6J5G, 6F5G, 6Y5G, 6U5, 6W5G	455	11-10, 19,20,27	
6138 (101.517)	Vol.	1012418616	20	MRT448				1012013903 1012014808 1012018764	3 3 13/15	RS223 RS223 TC52/TC26				13	6B8G, 6J5G, 6A8G, 6U7G, 6H6G, 6V6G, 6AE6G, 6AD6G, 5X4G	465 455	10-44 55,58	
6139 (101.535)	Vol.	1012418259	127	MR55				1012019192	1/15	Order from Mfr.				8	6K8G, 6U7G, 6J5G, 6F5G, 6Y5G, 6U5, 6W5G	455	11-10, 19,20,27	
6140 (101.534)	Vol.	1012419076	20	MRT448				1012013903 1012019079	1 1	RS223 RS216				10	6A8G, 6J5G, 6U7G, 6H6G, 6Q7G, 6V6G, 6U5, 5Y3G	465	10-82-84	
6141 (101.535)	Vol.	1012418259	127	MR55				1012019192	1/15	Order from Mfr.				8	6J8G, 6U7G, 6J5G, 6F5G, 6Y5G, 6U5, 6W5G	455	11-10, 19,20,27	
6142 (101.504)	Vol.	1012417919	15	MR55				1012016259	12/13	2N516				6	1C7G, 1H4G, 1F7GH, 1G5G	465 455		
6144 (101.505)	Vol.	1012418108	17	MR55	M27			1012016259	13	2N516				6	1C7G, 1F7GH, 1H4G, 4A6G	465 455	10-6-8	
6146 (101.512)	Vol.	1012418335	17	Order from Mfr.				1012016259	12/13	2N516				6	1C7G, 1F7GH, 1H4G, 4A6G	465	10,47,48	
6148 (101.524)	Vol.	1012418335	15	Order from Mfr.				1012018559 1012018560	13 12	TC42 TC42				7	1C7G, 1D5GP, 1F7GH, 1H4G, 4A6G	465	10-44,45	
6150 (101.503-1)	Vol.	1012418877	17	MR55	M27									4	1C7G, 1D5GP, 1F7G, 1G5G	455		
6151 (101.556)	Vol.	1012419856	18	MR48				1012020721 1012020722	9 9/15	TC47 3N533				6	6J8G, 6U7G, 6B6G, 25B6G, 6U5, 25Z6G	455	11-21,22	
6152, 6153 (101.537)	Vol.	1012419207	20	MRT448				1012013903 1012019079	1 1	RS223 RS216				10	6A8G, 6J5G, 6U7G, 6H6G, 6Q7G, 6V6G, 6U5, 5Y3G	465	10-82,84	
6155, 6156 (101.549)	Vol.	1012419207	20	MRT448				1012013903 1012019079	1 1	RS223 RS216				11	6A8G, 6J5G, 6U7G, 6Q7G, 6V6G, 6U5, 5Y3G	455	11-23	
6157 (100.198)	Vol.	10024114651	20	TM243-SS16	M26			10020113261 1002089937 10020110377	25 25 15	RS223 RS223 TC22				11	6A8G, 6J5G, 6K7G, 6H6G, 6F5G, 6F6G, 5Y3G, 6U5	465	10-85-88	
6158, 6159 (101.555)	Vol.	1012418616	20	MRT448				1012013903 1012014808	1 1	RS223 RS223				11	6U7G, 6A8G, 6J5G, 6Q7G, 6V6G, 6U5, 5Y3G	455	11-25	
6160, 6161 (109.199)	Vol.	109244872	18	MR48	M26			5780 5893	4 4	TC47 TC44				5	6A8, 6K7, 6Q7, 25L6, 25Z6	455	11-26	

‡ Data not substantiated.

\* IMPORTANT: Read Notes in Note Section if specified in Note Column.

§ Indicates miscellaneous section.

MANUFACTURER AND MODEL	Use	CONTROLS					CONDENSERS				VIBRATORS			No. Tubes	Complete Tube Complement	I. F. Peak	Rider's Reference	
		Original Part	Circuit	Correct Replacement	Switch	Bias	*Note	Original Part	Circuit	Correct Replacement	*Note	Original Part	Replacement					*Note
SEARS-ROEBUCK—	Continued																	
6162 (101.533)	Vol.	1012419219	18	MR48										6	6A7, 6D6, 75, 76, 2A8	465		
6163 (109.199)	Vol.	109244872	18	MR48	M26									5	6A8, 6K7, 6Q7, 25L6, 25Z6	455	11-26	
6164 (101.505)	Vol.	1012418108	17	MR55	M27			109205780 109205893 1012016259	4 4 12/13	TC47 TC44 2N516				6	1C7G, 1F7GH, 1H4G, 4A6G	465 455	10-6-8	
6165, 6166, 6167 (109.216-1)	Vol.	109245912	8	MR22	M26			109205780 109205779 1012018559 1012018560	23 23 13 12	TC47 TC42 TC42 TC42				4	6K7, 6F5, 25L6, 25Z6			
6168 (Ch. 101.524)	Vol.	1012418335	15	Order from	Mfr.									7	1C7G, 1D5GP, 1F7GH, 1H4G, 4A6G	465	10-45	
6170 (100.189)	Vol.	10024113419	18	MR44	M27			10020113422 10020110377 .01	1 78	2N516 TC22 Buffer		10051110800	246	C3	5	1C7G, 1D5GP, 6T7G, 1F5G, 6AB5	465	10-63
6171 (101.507)	Vol.	1012418163	17	MR55				1012018184 1012018672 .009-.009	1/15 78	2N516/TC22 TC26 Buffer	B14	1015114840	246	C3	6	1C7G, 1H4G, 1D5GP, 1F7GV, 6G6G, 6AB5	465	10-6
6172 (101.513)	Vol.	1012418259	17	MR55				1012018493 1012018672 .009-.009	1/15 78	2N516/TC22 TC26 Buffer	B14	1015114840	246	C3	6	1C7G, 1H4G, 1D5GP, 1F7GV, 6G6G, 6AB5	465	10-66
6173 (101.528)	Vol.	1012418939	18	Order from	Mfr.			1012018938 1012018938 .012	1/15	TCS64/TC26 Buffer	B14	1015114300	294	C3	6	6D8G, 687G, 6T7G, 6AB5, 6G6G, 6ZY5G	465	10-67
6175 (109.199)	Vol.	109244872	18	MR48	M26			109205780 109205893	4 4	TC47 TC44				5	6A8, 6K7, 6Q7, 25L6, 25Z6	455	11-26	
6176 (101.507)	Vol.	1012418163	17	MR55				18184 18672 .009-.009	1/15 78	2N516/TC22 TC26 Buffer	B14	1015114840	246	C3	6	1C7G, 1H4G, 1D5GP, 1F7GV, 6G6G, 6AB5	465	10-6
6177, 6178, 6179 (109.279)	Vol.	109244872	18	MR48	M26			109205780 109205893	4 4	TC47 TC44				5	12A8GT, 12K7GT, 12Q7GT, 35L6GT, 35Z4GT	455	11-28	
6177A, 6178A, 6179A (101.279-1)	Vol.	109244872	18	MR48	M26			109205780 109205893	4 4	TC47 TC44				5	12A8GT, 12K7GT, 12Q7GT, 35L6GT, 35Z4GT	455	11-22	
6185 (109.279)	Vol.	109244872	18	MR48	M26			109205780 109205893	4 4	TC47 TC44				5	12A8GT, 12K7GT, 12Q7GT, 35L6GT, 35Z4GT	455	11-28	
6185A (109.279-1)	Vol.	109244872	18	MR48	M26			109205780 109205893	4 4	TC47 TC44				5	12A8GT, 12K7GT, 12Q7GT, 35L6GT, 35Z4GT	455	11-22	
6190 (126.209)	Vol.	1262433393	18	MR44	M26			10-10-20 .0075	24/15	FP332 Buffer	B14	1265113688	859	C3	6	6K7, 6A8, 6SK7, 6S07, 6K6G, 0Z4G	260	11-29-31
6192 (101.555)	Vol.	1012418616	20	MRT448				1012016259	12/13	2N516				11	*6U7G, 6A8G, *6J5G, 6Q7G, *6V6G, 6U5, 5Y3G	455	11-25	
6193 (101.517)	Vol.	1012418616	20	MRT448				1012013903 1012014808 1012018764	3 3 13/15	RS223 RS223 TC52/TC26				13	*6B8G, *6J5G, 6A8G, *6U7G, 6H6G, *6V6G, 6AE6G, 6AD6G, 5X4G	455		
6195, 6196, 6197 (109.216)	Vol.	109245252	8	MR22	M26			109205295	23	TCS45				4	6K7, 6J7, 25L6, 25Z6		10-91	
6199 (101.535)	Vol.	1012418259	127	MR55				1012019192	1/15	Order from	Mfr.			8	6K8G, 6U7G, *6J5G, 6F5G, 6Y5G, 6U5, 6W5G	455	11-10, 19,20,27	
6200 (101.546)	Vol.	1012419856	18	MR48				1012019845 1012019913	9/15 9	TN129 TC44				6	6J8G, 6U7G, 6B6G, 25B6G, 6U5, 25Z6G, BK42B	455	11-15	
6200, Ch. 101.800	Vol.		205	MR48	M27				12	TC42				4	1LC6, 1LC5, 1LD5, 1LB4	455	15-2,13	
6200A, Ch. 101.800-1	Vol.	R57072	205	MR48	M27			R57054	12	TC42				4	1LC6, 1LC5, 1LD5, 1LB4	455		
6201 (101.547)	Vol.	1012418881	127	MR55				1012018869	1/15	TCD55/2N509	B181			7	6J8G, 6U7G, 6J5G, 6F5G, 25L6G, 6U5, 25Z6G	455	11-11	
6202, 6203 (101.535)	Vol.	1012418259	127	MR55				1012019192	1/15	Order from	Mfr.			8	6J8G, 6U7G, *6J5G, 6F5G, 6Y5G, 6U5, 6W5G	455	11-10, 19,20,27	
6203, Ch. 101.800-A	Vol.	R57072	205	MR48	M27			R57054	12	TC72				4	1LC6, 1LC5, 1LD4, 1LB4	455		
6208, 6209 (101.554)	Vol.	1012418335	18	Order from	Mfr.			1012016259	12/13	2N516				7	1D7G, 1H4G, 1F7GH, 1H6G, 4A6G	455	11-32	
6210 (100.189)	Vol.	10024113419	18	MR44	M27			10020113422 10020110377 .01	1 78	2N516 TC22 Buffer	B14	10051110800	246	C3	5	1C7G, 1D5GP, 6T7G, 1F5G, 6AB5	465	
6214 (101.552, A)	Vol.	1012419789	17	Order from	Mfr.			1012019788 1012018672 .009-.009	1/15 78	3S579 TC26 Buffer	B14	1015114840	246	C3	6	1C7G, 1H4G, 1D5GP, 1F7GH, 6G6G, 6AB5	455	11-33
6218 (101.553, A)	Vol.	1012418939	18	Order from	Mfr.			1012018938 1012018938 .012	1/15	TCS64/TC26 Buffer	B14	1015114300	294	C3	7	6D8G, 687G, 6T7G, 6L5G, 6AB5, 6G6G, 6ZY5G	455	11-34,45

‡ Data not substantiated.

\* IMPORTANT: Read Notes in Note Section if specified in Note Column.  
MALLORY PARTS ARE DESIGNED WITH THE SERVICEMAN IN MIND.

§ Indicates miscellaneous section.

MANUFACTURER AND MODEL	CONTROLS							CONDENSERS				VIBRATORS			No. Tubes	Complete Tube Complement	I. F. Peak	Rider's Reference
	Use	Original Part	Circuit	Correct Replacement	Switch	Bias	*Note	Original Part	Circuit	Correct Replacement	*Note	Original Part	Replacement	*Note				
SEARS-ROEBUCK—Continued																		
6220, 6220A, Ch. 101.801, 101.801-A	Vol. & Tone	R57071	205	Order from	Mfr.		R57128	12	FP217					5	1L6, 1L6C, 1L6S, 1LD5, 1LB4	455	15-2.14	
6225 (133.333)	Vol.	13324181003	6	MR48	M26		1332001482	24	2N514					3	6K8, 6B8, 25Z6	1570	11-35-37	
6226 (134.802-1)	Vol.	134192013	50	MR44	M26		16	24	TC44					2	6A7, 25Z5		14-96	
6227, 6228 (126.212)	Vol.	1262432499	50	MR44	M26T		8	24	TC42					2				
6229 (126.210)	Vol.	1262432499	50	MR44	M26T		1262032152	24	FP217					2	6A8, 25Z6G		11-38.36	
6230, 6230A, Ch. 101.802, 101.802-1	Vol.	R57071	205	Order from	Mfr.		R57128	12	FP217					5	1L6, 1L6C, 1L6S, 1LD5, 1LB4	455	15-15.18	
6233 (Ch. 126.222)	Vol.	1262434804	50	MR44	M26		86027-1	24	FP211					2	12A8GT, 35Z4GT		11-40	
6250 (101.546)	Vol.	1012419856	18	MR48			1012019845	9/15	TN129					6	6J8G, 6U7G, 6B6G, 25B6G, 6U5, 25Z6G, BK42B	455	11-15.16	
6251 (101.547)	Vol.	1012418881	127	MR55			1012018869	1/15	TCD55/2N509	B181				7	6J8G, 6U7G, 6J5G, 6F5G, 25L6G, 6U5, 25Z6G	455	11-11	
6252, 6253 (101.535)	Vol.	1012418259	127	MR55			1012019192	1/15	Order from	Mfr.				8	6J8G, 6U7G, 6J5G, 6F5G, 6Y5G, 6U5, 6W5G	455	11-10, 19,20,27	
6254 (101.549)	Vol.	1012419207	20	MRT448			1012013903	1	RS223					11	6A8G, 6J5G, 6U7G, 6O7G, 6V6G, 6U5, 5Y3G	455	11-23	
6256 (101.290)	Vol.		18	MR48	M27		8	12	TC42					4	1A7, 1B5, 1H5, 1C5	455	11-41	
6260 (101.558)	Vol.	1012420813	18	MR48	M27		1012018560	12	TC42					4	1A7G, 1N5G, 1H5G, 1A5G	455	11-42	
6261 (101.561)	Vol.	1012420715	18	MR48			1012019891	12	TC44					5	1A7G, 1N5G, 1H5G, 1A5G	455	11-43	
6262 (101.550)	Vol.	1012420515	18	MR48			1012019891	12	TC44					5	1A7G, 1N5G, 1H5G, 1A5G	455	11-44	
6263 (101.562)	Vol.	1012420807	18	Order from	Mfr.		1012019891	24	TC44					6	1A7G, 1N5G, 1H5G, 1G4G, 1G6G	455	11-45	
6264, 6265 (101.551)	Vol.	1012420807	18	Order from	Mfr.		1012019891	24	TC44					6	1A7G, 1H5G, 1N5G, 1G4G, 1G6G	455	11-46	
6266 (101.563)	Vol.	1012420819	18	MR48	M27		1012019891	12	TC44					4	1A7G, 1N5G, 1H5G, 1C5G	455	11-47	
6270 (101.552, A)	Vol.	1012419789	17	Order from	Mfr.		1012019788	1/15	3S579		1015114840	246	C3	6	1C7G, 1H4G, 1D5GP, 1F7GH, 6G6G, 6AB5	455	11-33	
6271, 6272 (101.553, A)	Vol.	1012418939	18	Order from	Mfr.		1012018672	78	TC26	Buffer	B14			7	6D8G, 687G, 6T7G, 6L5G, 6AB5, 6G6G, 6ZY5G	455	11-34,45	
6285, 6285A, Ch. 101.666A, 101.666-1B	Vol. Tone	R45139	75	Order from	Mfr.		R45167	24/15	FP328		R45160	870	C3	6	7A7, 7Q7, 7B6, 7C5, 0Z4G	260		
6290, Ch. 101.667-B	Vol.	R42244	75	Order from	Mfr.		.004	24	FP328	Buffer	B14	R45160	870	C3	6	6SK7GT, 6A8GT, 6S07GT, 6V6GT, 0Z4G	455	
6301 (126.211)	Vol. & Tone	1262432978	80	Order from	Mfr.		1262032240	1/15	FP332		1265113688	294	C3	7	6K7, 6A8, 6SK7, 6R7, 6V6G, 0Z4G	260	11-49,50	
6302 (101.598)	Vol.	1012442244	18	†		See Note A19	1012042243	24/15	FP328	Buffer	B14	1015142249	870	C3	6	6K7GT, 6A8GT, 6Q7GT, 6V6G, 0Z4G	455	11-51
6303 (126.223)	Vol.	1262435550	18	MR53	M26		86031-4	24/15	FP332	Buffer	B14	80783-6	742	C3	4	6SA7, 6SK7, 6S07, 6V6GT	455	11-53
6320 (101.585)	Vol.	1012420911	18	Order from	Mfr.		1012020935	1	2N514					6	12A8GT, 12K7GT, 12Q7GT, 6H4GT, 35L6GT, 35Z5GT	455	11-55,56	
6321, 6322, 6323 (101.471, 1A, 1B)	Vol.	1012440078	45	MR48			1012040101	1/15	3N533					6	6K8G, 6U7G, 6J5G, 6F5G, 25L6G, 25Z6G	455	11-57	
6324 (101.570)	Vol.	1012440078	45	MR48			1012040101	1/15	3N533					7	6K8G, 6U7G, 6J5G, 6F5G, 25L6G, 6U5, 25Z6G	455	11-58	
6325 (101.572)	Vol.	1012440208	127	MR55			1012040158	9/15	FP331					8	6K8G, 6U7G, 6J5G, 6F5G, 25B6G, 6U5, 25Z6G	455	11-59,60	
6326 (110.987, 1)	Vol. Phono.	1102428	6	MR28	M26		1102053	46	FP357		B117			5	12K7GT, 12J5GT or 12J7GT, 12F5GT, or 12J7GT		12-53	
6327 (110.990)	Vol.	1102429	50	MR44	M26		1102046	46	2N513		B12			6	35L6GT, 35Z5GT, 12A8GT, 12K7GT, 6H4GT, 12J7GT, 35L6GT, 35Z5GT	455	11-62	

† Data not substantiated.

\* IMPORTANT: Read Notes in Note Section if specified in Note Column.

‡ Indicates miscellaneous section.

MANUFACTURER AND MODEL	CONTROLS							CONDENSERS				VIBRATORS			No. Tubes	Complete Tube Complement	I. F. Peak	Rider's Reference
	Use	Original Part	Circuit	Correct Replacement	Switch	Bias	*Note	Original Part	Circuit	Correct Replacement	*Note	Original Part	Replacement	*Note				
SEARS-ROEBUCK— 6329 (110.989).....	Continued Vol.	1102433.....	75	MR48.....	M26.....			1102050..... 1102046.....	24 24	FP214..... 2N513.....	B12.....			6	12A8GT, 12K7GT, 6H4GT, 12J7GT, 35L6GT, 35Z5GT.....	455	11-76	
6335 (101.573).....	Vol.	1012440208.....	127	MR55.....				1012040274.....	46	See Note.....	B3.....			8	6K8G, 6U7G, 6Q7G, 25L6G, 6U5, 25Z6G, 6J5G.....	455	11-63	
6336 (101.574).....	Vol.	1012440330.....	127	Order from	Mfr.....			1012013903..... 1012014808.....	1 1	RS223..... RS223.....				10	6K8G, 6U7G, 6Q7G, *6P5G, *6AC5G, 5Y3G, 6U5.....	455	11-65	
6337 (101.576).....	Vol.	1012440381.....	124	SM307.....				1012041502..... 1012041503.....	1 1	RS223..... RS223.....				13	*6U7G, 6K8G, *6P5G, 6F5G, *6AC5G, 6U5, 5X4G.....	455	11-67	
6345 (110.982, 2, 3)	Vol. Tone	1102431..... 1102571.....	76 76	MR48..... MR48.....	M26.....			1102028..... 1102029.....	1 15	TC65..... TC65.....				6	6A8G, 6K7G, 6H6G, 6F5G, 6V6G, 6X5G.....	455	11-69	
6346, 6346A (101.584, 1, 2).....	Vol.	1012440789.....	124	Order from	Mfr.....			1012013903..... 1012014808.....	1 1	RS223..... RS223.....				11	*6U7G, 6K8G, 6Q7G, *6P5G, *6AC5G, 6U5, 5X4G.....	455	11-71,72	
6350, 6351, 6352 (101.580).....	Vol.	1012440005.....	18	MR48.....	M27.....			1012019891.....	12	TC44.....				4	1A7G, 1N5G, 1H5G, 1A5G.....	455	11-77	
6353, 6354, 6355 (101.577).....	Vol.	1012440087.....	18	MR48.....				1012019891.....	12	TC44.....				5	1A7G, *1N5G, 1H5G, 1A5G.....	455	11-78	
6356, 6357, 6358 (101.578).....	Vol.	1012420515.....	18	MR48.....				1012019891.....	12	TC44.....				5	1A7G, *1N5G, 1H5G, 1A5G.....	455	11-79	
6359, 6360, 6361 (101.579).....	Vol.	1012440271.....	18	Order from	Mfr.....			1012019891.....	12	TC44.....				6	1A7G, *1N5G, 1H5G, 1G4G, 1G6G.....	455	11-81,82	
6362, 6363, 6364 (101.581).....	Vol.	1012440271.....	18	Order from	Mfr.....			1012019891.....	12	TC44.....				6	1A7G, *1N5G, 1H5G, 1G4G, 1G6G.....	455	11-80,82	
6368 (Ch. 101.582).....	Vol.	1012441753.....	18	Order from	Mfr.....			1012041756..... .012.....	1/15	FP360..... Buffer.....	B117 B14.....	1015114300.....	859	C3	7 6DB8, 6S7G, 6T7G, 6L5G, 6AB5, 6G6G, 6ZY5G.....	455	11-82,83	
6372, 6373 (110.991)	Vol.	1102423.....	18	MR48.....	M27.....			1102025.....	12	TC42.....				4	1A7G, 1N5G, 1H5G, 1A5G.....	455	11-84	
6379, 6380, 6381 (101.579).....	Vol.	1012440271.....	18	Order from	Mfr.....			1012019891.....	12	TC44.....				6	1A7G, *1N5G, 1H5G, 1G4G, 1G6G.....	455	11-81,82	
6382 (Ch. 101.594).....	Vol.	1012441753.....	18	Order from	Mfr.....			1012041756..... .012.....	1/15	FP360..... Buffer.....	B117 B14.....	1015114300.....	294	C3	7 6DB8, 6S7G, 6T7G, 6L5G, 6AB5, 6G6G, 6ZY5G.....	455	11-82,83	
6400, 6401, 6402 (101.565).....	Vol.	1012420889.....	8	MR22.....	M26.....			30-20.....	1	2N514.....				4	12K7GT, 12F5GT, 35L6GT, 35Z5GT.....		11-91	
6400A, 6401A, 6402A (101.593, A, B).....	Vol.	1012420889.....	8	MR22.....	M26.....			30-20.....	1	2N514.....				4	12K7GT, 12F5GT, 35L6GT, 35Z5GT.....		11-91	
6403, 6404, 6405, 6406 (101.566).....	Vol.	1012420911.....	18	Order from	Mfr.....			1012020935.....	1	2N514.....				5	12A8GT, 12Q7GT, 12K7GT, 35L6GT, 35Z5GT.....	455	11-85,86	
6407, 6408, 6409 (101.567).....	Vol.	1012420911.....	18	Order from	Mfr.....			1012020935.....	1	2N514.....				5	12A8GT, 12K7GT, 12Q7GT, 35L6GT, 35Z5GT.....	455	11-86,87	
6421 (101.471).....	Vol.	1012440078.....	45	MR48.....				1012040101.....	1/15	3N533.....				6	6K8G, 6U7G, 6J5G, 6F5G, 25L6G, 25Z6G.....	455	11-57	
6424 (101.570).....	Vol.	1012440078.....	45	MR48.....				1012040101.....	1/15	3N533.....				7	6K8G, 6U7G, 6J5G, 6F5G, 25L6G, 6U5, 25Z6G.....	455	11-58	
6425 (101.572).....	Vol.	1012440208.....	127	MR55.....				1012040158..... 1012040157.....	9/15 15	See Note..... TC47.....	B3.....			8	6K8G, 6U7G, 6J5G, 6F5G, 25B6G, 6U5, 25Z6G.....	455	11-59,60	
6435 (101.573).....	Vol.	1012440208.....	127	MR55.....				75-30-16.....	46	See Note.....	B3.....			8	6K8G, 6U7G, 6Q7G, *25L6G, 6U5, 6J5G, 25Z6G.....	455	11-63	
6436 (101.574).....	Vol.	1012440330.....	127	Order from	Mfr.....			1012013903..... 1012014808.....	1 1	RS223..... RS223.....				10	6K8G, 6U7G, 6Q7G, *6P5G, *6AC5G, 6U5, 5Y3G.....	455	11-65	
6437, 6437A (101.576).....	Vol.	1012440381.....	124	SM307.....				1012041502..... 1012041503.....	1 1	RS223..... RS223.....				13	*6U7G, 6K8G, *6P5G, 6F5G, *6AC5G, 6U5, 5X4G.....	455	11-67	

‡ Data not substantiated.

\* IMPORTANT: Read Notes in Note Section if specified in Note Column.

§ Indicates miscellaneous section.

MALLORY STANDARDIZATION OF PARTS SIMPLIFIES YOUR REPLACEMENT WORK.



MANUFACTURER AND MODEL	CONTROLS							CONDENSERS				VIBRATORS			No. Tubes	Complete Tube Complement	I. F. Peak	Rider's Reference
	Use	Original Part	Circuit	Correct Replacement	Switch	Bias	*Note	Original Part	Circuit	Correct Replacement	*Note	Original Part	Replacement	*Note				
SEARS-ROEBUCK—Continued																		
6438, 6438A, 6438B, 6439, 6439A, 6440 (101.583).....	Vol.	1012440381.	124	SM307.....				1012013903. 1012014808.	1 1	RS223 RS223				11	6U7G, 6K8G, 6Q7G, 6P5G, 6AC5G, 6U5, 5X4G	455	11-89	
6441 (101.599).....	Vol.	1012440381.	124	SM307.....				1012042113.	46	Order from Mfr.				9	6U7G, 6K8G, 6Q7G, 6J5G, 25C6G, 6U5, 25Z6G	455	11-92	
6446 (101.584, 1, 2)	Vol.	1012440789.	124	Order from Mfr.				1012013903. 1012014808.	1 1	RS223 RS223				11	6U7G, 6K8G, 6Q7G, 6P5G, 6AC5G, 6U5, 5X4G	455	11-71,72	
6447 (Ch. 101.590, 1)	Vol.	1012441616.	124	MRT449.....				1012041596.	1	FP228	.B117			6	6K8G, 6U7G, 6B6G, 6AF5G, 25AC5G, 25Z6G	455	11-93,94	
6447 (Ch. 101.590, 2, 3, 4, 5).....	Vol. Tone	1012441616. 1012541939.	124 22	MRT449. UM160-SS1	M26			1012041596.	1	FP228	.B117			6	6K8G, 6U7G, 6B6G, 6AF5G, 25AC5G, 25Z6G	455		
6449 (Ch. 101.628)...	Vol. Tone	1012443157. 1012543892.	124 22	Order from Mfr. MR53				1012043064. 1012043888.	3 13	FP444 RS215	.B69			10	6U7G, 6K8G, 6Q7G, 6V6G, 6U5, 6J7G, 5Y3	455		
6490 (101.573).....	Vol.	1012440208.	127	MR55.....				75-30-16	46	See Note	.B3			8	6K8G, 6U7G, 6Q7G, 25L6G, 6U5, 6J5G, 25Z6G	455	11-63	
6491 (110.982-1A)...	Vol. Tone	1102431..... 1102571..... 1102444.....	76 76 76	MR48..... MR48..... MR48.....		A4		1102028..... 1102029..... 1102018.....	1 15 15	TC65..... TC65..... TC29.....				6	6A8G, 6K7G, 6H6G, 6F5G, 6V6G, 6X5G	455	11-69	
6491A (110.410).....	Vol. Tone	1102431..... 1102571..... 1102444.....	76 76 76	MR48..... MR48..... MR48.....	M26	A27		1102018.....	15	TC29				6	6A8G, 6U7G, 6H4GT, 6F5G, 6V6G, 5Y3G	455	12-54	
6492 (101.566).....	Vol.	1012420911.	18	Order from Mfr.				1012020935.	1 46	2N514				5	12A8GT, 12Q7GT, 12K7GT, 35L6GT, 35Z6GT	455	11-85	
6493 (Ch. 101.570, 1A, 1B).....	Vol.	1012440078.	45	MR48.....				1012040101.	1/15	3N533				7	6K8G, 6U7G, 6J5G, 6F5G, 25L6G, 6U5, 25Z6G	455	11-58	
6493A (101.610-2A)	Vol.	1012442656.	45	TM233-SS1				1012043653. 1012042425.	9/15 9	Order from Mfr. TC50				7	6K8G, 6U7G, 6J5G, 6F5G, 25C6G, 35Z4G	455	11-58	
6494 (110.982-1A)...	Vol. Tone	1102431..... 1102571..... 1102444.....	76 76 76	MR48..... MR48..... MR48.....		A4		1102028..... 1102029..... 1102018.....	1 1 15	TC65..... TC65..... TC29.....				6	6A8G, 6K7G, 6H6G, 6F5G, 6V6G, 6X5G	455	11-69	
6495 (101.573).....	Vol.	1012440208.	127	MR55.....				75-30-16	46	See Note	.B3			8	6K8G, 6U7G, 6Q7G, 25L6G, 6U5, 6J5G, 25Z6G	455	11-63	
6496 (101.566).....	Vol.	1012420911.	18	Order from Mfr.				1012020935.	1	2N514				5	12A8GT, 12Q7GT, 12K7GT, 35L6GT, 35Z5GT	455	11-85	
6497 (101.595).....	Vol.	1012440381.	124	SM307.....				1012041502. 1012041503.	1 1	RS223 RS223				11	6U7G, 6K8G, 6Q7G, 6P5G, 6AC5G, 6U5, 5X4G	455	11-95	
6521 (101.621, 1, 1A, 1B, 1C)...	Vol.	1012442622.	18	MR53.....	M27			1012042644.	1/78	Order from Mfr.				6	1A7GT, 1N5GT, 1H5GT, 3Q5GT, 50Y6GT	455	12-55, 56,58	
6541 (110.401).....	Vol.	1102439.....	18	MR48.....	M27			1102025.....	12	TC42				4	1A7GT, 1N5GT, 1H5GT, 1A5GT	455	12-59	
6551 (101.620, 1, 2)	Vol.	1012442622.	18	MR53.....	M27			1012042644.	1/78	Order from Mfr.				5	1A7GT, 1N5GT, 1H5GT, 1A5G, 50Y6GT	455	12-57,58	
6561 (101.621-1, A, 1A, 1B, 1C, 2)	Vol.	1012442622.	18	MR53.....	M27			1012042644.	1/78	Order from Mfr.				6	1A7GT, 1N5GT, 1H5GT, 3Q5GT, 50Y6GT	455	12-55,56	
6621 (101.637).....	Vol.	1012444265.	18	Order from Mfr.				1012042033. 1012042031.	1 1/78	2N511..... FP357	.B8 .B8			6	1A7GT, 1N5GT, 1H5GT, 3Q5GT, 11Z6GT	455	12-60	
6641 (136.410).....	Vol.	1363525.....	18	.....		See Note A3		1362521.....	12	TC42				4	1R5, 1T4, 1S5, 1S4	455		
6651 (110.402).....	Vol.	1102439.....	18	MR48.....	M27			1102025.....	12	TC42				5	1A7GT, 1N5GT, 1H5GT, 1A5GT	455	12-59	
6661 (101.621, A-1, 1A, 1B, 1C)	Vol.	1012442622.	18	MR53.....	M27			1012042644.	1/78	Order from Mfr.				6	1A7GT, 1N5GT, 1H5GT, 3Q5GT, 50Y6GT	455	12-55,56	
6685 "Power Shifter" Ch. 139.150, 139.150-1									1 1	2N509 TC310				1	6J5		15-19	
6686, Ch. 139.151								J20687/J20622 J20690	24 24	TC2501 2N511					D. R.			

‡ Data not substantiated.

\* IMPORTANT: Read Notes in Note Section if specified in Note Column.

‡ Indicates miscellaneous section.

USE MALLORY COMPONENTS IN YOUR TELEVISION WORK.

MANUFACTURER AND MODEL	CONTROLS							CONDENSERS				VIBRATORS			No. Tubes	Complete Tube Complement	I. F. Peak	Rider's Reference
	Use	Original Part	Circuit	Correct Replacement	Switch	Bias	*Note	Original Part	Circuit	Correct Replacement	*Note	Original Part	Replacement	*Note				
SEARS-ROEBUCK 6721 (101.622-A, 101.622, 1, 1A)...	Continued Vol.	1012442976.	18	Order from	Mfr.			1012042644.	1/78	Order from	Mfr.				6	1A7GT, 2N5GT, 1H5GT, 3Q5GT, 25Z6GT	455	12-61
6751 (101.623, 1)...	Vol.	1012442976.	18	Order from	Mfr.			1012042644.	1/78	Order from	Mfr.				5	1A7GT, 1N5GT, 1H5GT, 1A5GT, 25Z6GT	455	12-62
6751A (101.636)...	Vol.	1012444265.	18	Order from	Mfr.			1012042033. 1012044264.	1 1/78	2N511 FP357	B8 B8				5	1A7GT, 1N5GT, 1H5GT, 1A5G/GT, 117Z6GT	455	12-63
6761 (101.622-A, 101.622, 1, 1A)...	Vol.	1012442976.	18	Order from	Mfr.			42644.	1/78	Order from	Mfr.				6	1A7GT, 2N5GT, 1H5GT, 3Q5GT, 25Z6GT	455	12-61
6761A (101.637, 1)...	Vol.	1012444265.	18	Order from	Mfr.			1012042033. 1012042031.	1 1/78	2N511 FP357	B8 B8				6	1A7GT, 2N5GT, 1H5GT, 3Q5GT, 117Z6GT	455	12-60
6921 (101.637)...	Vol.	1012444265.	18	Order from	Mfr.			1012042033. 1012042031.	1 1/78	2N511 FP357	B8 B8				6	1A7GT, 2N5GT, 1H5GT, 3Q5GT, 117Z6GT	455	12-60
7000, 7001, 7002...	Vol. Tone	7864. 7037	109 22	MR48 MR33	M26			7078. 7051	4 4	RS216 RS213				10	*27, *35, *24A, *47, 80.	175	12-60	
7000 (132.810-1)...	Vol.	1322417126.	18	MR53	M26			1322014403.	79/15	3N533				5	12SA7GT, 12SK7GT, 12SQ7GT, 35L6GT, 35Z5GT	455	14-19-20	
7001	Vol.	1322417126.	18	MR53	M26			1322014403.	79/15	3N533				5	12SA7GT, 12SK7GT, 12SQ7GT, 35L6GT, 35Z5GT	455	14-20,21	
7001 (132.811-1)...	Vol.	1322417126.	18	MR53	M26			1322014403.	79/15	3N533				5	12SA7GT, 12SK7GT, 12SQ7GT, 35L6GT, 35Z5GT	455	14-20,21	
7002 (132.810-1)...	Vol.	1322417126.	18	MR53	M26			1322014403.	79/15	3N533				5	12SA7GT, 12SK7GT, 12SQ7GT, 35L6GT, 35Z5GT	455	14-19-20	
7003	Vol. Tone	P4081 P4079	8 44	G MR39	6-9 M26	EX150		P1632.	28	RS213	B3			10	*51, *27, *47, 80.	175	14-19-20	
7003 (132.811-1)...	Vol.	1322417126.	18	MR53	M26			1322014403.	79/15	3N533				5	12SA7GT, 12SK7GT, 12SQ7GT, 35L6GT, 35Z5GT	455	14-20,21	
7004 (106)...	Vol. Tone	7613. 7037	26 22	F MR33	6-9			7078. 7051	34 34	RS216 RS213				8	*35, *24, 27, *47, 80.	175	14-20,21	
7004, 7006, 7008 (132.812)...	Vol.	1322416671.	18	MR53	M26			1322016719.	1	FP354	B69			5	12SA7GT, 12SK7GT, 12SQ7GT, 35L6GT, 35Z5GT	455	13-49,50	
7005, 7007, 7009 (132.813) A-B...	Vol.	1322416671	18	MR53	M26			1322016707.	1	FP354	B69			5	12SA7GT, 12SK7GT, 12SQ7GT, 35L6GT, 35Z5GT	455	13-51,52	
7006	Vol. Tone	7613. R6025	8 22	F MR33	6-9			7051.	34	RS213				7	*51, *24, 27, 47, 80.	175	2-14	
7009 (101)...	Vol.	R6025	6	H7		1		4758P	4	HD684	B69			6	*24, 35, 47, 27, 80.	175	2-14	
7010 (100.363)...	Vol.	W500482.	18	MR53	M26			W500256. W500744.	24 24	FP354 FP357	B69 B12			6	14H7, 12J5GT, 12SK7GT, 12SQ7GT, 35L6GT, 35Z5GT	455	13-53-55	
7010, 7012, 7016 (106)...	Vol. Tone	7864. 7037	109 22	MR48 MR33	M26			7078. 7051	34 34	RS216 RS213				10	*27, *35, *24, *47, 80.	175		
7011 (100.380)...	Vol.	W500482.	18	MR53	M26			W500256. W500744.	24 24	FP354 FP357	B69 B12			6	14H7, 12J5GT, 12SK7GT, 12SQ7GT, 35L6GT, 35Z5GT	455	13-56	
7016 (100.364)...	Vol.	W500482.	18	MR53	M26			W500256. W500744.	24 24	FP354 FP357	B69 B12			6	14H7, 12J5GT, 12SK7GT, 12SQ7GT, 35L6GT, 35Z5GT	455	13-57	
7017 (100.381-1)...	Vol.	W500482.	18	MR53	M26			W500256. W500744.	24 24	FP354 FP357	B69 B12			6	14H7, 12J5GT, 12SK7GT, 12SQ7GT, 35L6GT, 35Z5GT	455	13-60	
7020	Vol. Tone	7732. 7037	6 22	F7 MR33	6-9	2		7077.	4	RS213				5	*24, 35, 47, 80.	175		
7020 (132.814)...	Vol.	N16671	18	MR53	M26			16719.	1	FP354	B69			5	12SA7GT, 12SK7GT, 12SQ7GT, 35L6GT, 35Z5GT	455	14-23,24	
7020, 7021, Ch. 101.807, 101.807A...	Vol.	R60430.	205	Order from	Mfr.			R60416.	81/15	FP357				6	*7B7, 14Q7, 7C6, 50A5, 35Y4.	455	16-1	

‡ Data not substantiated.

\* IMPORTANT: Read Notes in Note Section if specified in Note Column.  
BE SURE TO SPECIFY MALLORY RADIO AND ELECTRONIC PARTS.

§ Indicates miscellaneous section.

MANUFACTURER AND MODEL	CONTROLS							CONDENSERS				VIBRATORS			No. Tubes	Complete Tube Complement	I. F. Peak	Rider's Reference
	Use	Original Part	Circuit	Correct Replacement	Switch	Bias	*Note	Original Part	Circuit	Correct Replacement	*Note	Original Part	Replacement	*Note				
SEARS-ROEBUCK— 7021 (132.815).....	Continued Vol.	N16671.....	18	MR53.....	M26			16707.....	1	FP354.....	B69				5	12SA7GT, 12SK7GT, 12SQ7GT, 35L6GT, 35Z5GT.....	455	14-25,26
7021, 7022, 7023, 7024, 7025, 7026..	Vol. Tone	7613.....	8	F.....	6-9			7051.....	34	RS213.....					7	*51, *24, 27, 47, 80.....	175	
7022 (132.814).....	Vol.	N16671.....	18	MR53.....	M26			16707.....	1	FP354.....	B69				5	12SA7GT, 12SK7GT, 12SQ7GT, 35L6GT, 35Z5GT.....	455	14-23,24
7023 (132.815).....	Vol.	N16671.....	18	MR53.....	M26			16707.....	1	FP354.....	B69				5	12SA7GT, 12SK7GT, 12SQ7GT, 35L6GT, 35Z5GT.....	455	14-25,26
7024, 7026 (132.806).....	Vol.	N16671.....	18	MR53.....	M26			N16719.....	1	FP354.....	B69				5	12SA7GT, 12SK7GT, 12SQ7GT, 35L6GT, 35Z5GT.....	455	13-61,62
7024, 7026 (132.806-1).....	Vol.	N16671.....	18	MR53.....	M26			N16719.....	1	FP354.....	B69				5	12SA7GT, 12SK7GT, 12SQ7GT, 35L6GT, 35Z5GT.....	455	13-62
7025 (132.807).....	Vol.	N16671.....	18	MR53.....	M26			N16707.....	1	FP354.....	B69				5	12SA7GT, 12SK7GT, 12SQ7GT, 35L6GT, 35Z5GT.....	455	13-63
7025, Ch. 132.807.2.	Vol.	N16671.....	18	MR53.....	M26			N16707.....	22	FP306.....	B192				5	12SA7GT, 12SK7GT, 12SQ7GT, 35L6GT, 35Z5GT..	455 175	
7030 (106).....	Vol. Tone	7864..... 7037.....	109 22	MR48..... MR33.....	M26			7078..... 7051.....	34 34	RS216..... RS213.....					9	*35, *24, *27, *47, 80.....	455 175	
7031, 7032, 7033, 7034, 7035, 7036, 7037.....	Vol. Tone	7864..... 7037.....	109 22	MR48..... MR33.....	M26			7078..... 7051.....	34 34	RS216..... RS213.....					10	*27, *35, *24A, *47, 80...	175	
7031A (100.364-1)...	Vol.	W500482.....	18	MR53.....	M26			W500256..... W500744.....	77 77	FP354..... FP357.....	B69 B69 B12				6	14H7, 12SK7GT, 12J5GT, 12SQ7GT, 35L6GT, 35Z5GT..	455	13-57,58
7032 (100.381-1)....	Vol.	W500482.....	18	MR53.....	M26			W500256..... W500744.....	24 24	FP354..... FP357.....	B69 B69 B12				6	14H7, 12J5GT, 12SK7GT, 12SQ7GT, 35L6GT, 35Z5GT.....	455	13-60
7034 (100.363-1)....	Vol.	W500482.....	18	MR53.....	M26			W500256..... W500744.....	24 24	FP354..... FP357.....	B69 B69 B12				6	14H7, 12J5GT, 12SK7GT, 12SQ7GT, 35L6GT, 35Z5GT.....	455	13-53-55
7035 (100.380-1)....	Vol.	W500482.....	18	MR53.....	M26			W500256..... W500744.....	24 24	FP354..... FP357.....	B69 B69 B12				6	14H7, 12SK7GT, 12J5GT, 12SQ7GT, 35L6GT, 35Z5GT.....	455	13-56
7036 (110.421).....	Vol.	A2457.....	18	MR48.....	M26			A2067.....	46	Order from	Mfr.				6	7H7, 6SK7GT, 6SQ7GT, 6J5GT, 6K6GT, 6X5GT..	455	13-65,66
7037 (141.415).....	Vol.	M1103.....	18			See Note	A19	M550.....	1	TC74.....					7	6J5GT, 7H7, 6SK7GT, 6SQ7GT, 6K6GT, 5Y3G.....	455	13-64,68
7038 (101.653).....	Vol.	R45627.....	18	MRT449.....				R45108 or R45658.....	1/15 1/15	FP331..... FP331.....	B117 B12				8	7H7, 6J5GT, 6SK7GT, 6SQ7GT, 6K6GT, 5Y3G.....	455	13-67,68
7039 (100.359).....	Vol.	W116558.....	18			See Note	A19	W500807.....	1	FP234.....					9	6SK7GT, 7H7, 6J5GT, 6SQ7GT, 6K6GT, 5Y3G.....	455	13-69,70
7042.....	Vol.		6	G7.....	6-9	2		9110-0.....	25	2S567.....					5	55, 57, 58, 47, 80.....	175	
7043, 7044, 7045, 7046, 7047.....	Vol. Tone	P4260..... P4259.....	15 22	MR51..... MR39.....	M26			1-2-8.....	26	See Note...	B1				10	*35, 57, *27, 56, *47, 80.....	175	5-51,52
7046 (141.416).....	Vol.	M1193.....	18			See Note	A19	M482..... M550.....	1 1	TC74..... TC74.....					6	6J5GT, 7H7, 6SK7GT, 6SQ7GT, 6K6GT, 5Y3G.....	455	
7048 (101.657).....	Vol.	R45470.....	18	MRT449.....				R45392..... R45664.....	1 1	FP228..... FP228.....	B12				8	6J5GT, 7J7, 6SK7GT, 6SQ7GT, 6K6G/GT, 5Y3G..	455	13-68,71
7048.....	Vol.		6	MR18.....				P4443.....	23	2S567.....					5	*57, 58, 47, 80.....	175	5-53
7049.....	Vol.		8	E.....				↑.....	26	See Note...	B1				6	*51, 24A, 57, 47, 80.....	175	5-55,56
7049 (101.672).....	Vol. Tone	P4259..... R47240..... R47235.....	22 18 22	MR39..... DTM296-SS1 MR53.....	M26			R45829.....	1	TC77.....					8	7E6, 7H7, 6SK7GT, 6SQ7GT, 6K6GT or 6K6G, 5Y3G..	455	14-22
7050 (101.674).....	Vol. Tone	R45910..... R45909.....	18 22	Order from MR53.....	Mfr. M26			R45779.....	3	FP444.....	B69				10	6J5GT, 7H7, 6SK7GT, 6SQ7GT 6V6G/GT, 5Y3G..	455	14-27
7050.....	Vol. Tone	R6762..... R6570.....	6 57	MR21..... MR48.....				4758P.....	23	HD684.....					6	39, *36, *89, 80.....	175	7-1,2

† Data not substantiated.

\* IMPORTANT: Read Notes in Note Section if specified in Note Column.

‡ Indicates miscellaneous section.

MANUFACTURER AND MODEL	Use	CONTROLS						CONDENSERS				VIBRATORS			No. Tubes	Complete Tube Complement	I. F. Peak	Rider's Reference
		Original Part	Circuit	Correct Replacement	Switch	Bias	*Note	Original Part	Circuit	Correct Replacement	*Note	Original Part	Replacement	*Note				
SEARS-ROEBUCK-7051 (101.684)	Continued Vol. Tone	R47240 R47235	18 22	DTM296-SS1 MR53	M26		A105	R45829	1	*TC77					8	7H7, 7E6, 6SK7GT, *6SQ7GT, *6K6GT, 5Y3G	455	14-28,29
7054, Ch. 101.808	Vol.	R60430	18	Order from	Mfr.			R60416	81	FP357					6	*7B7, 14Q7, 7C6, 50A5, 35Y4	455	
7054 (110.426)	Vol.	A2456	18	MR48	M26			A2066 A2056	46	FP357 TCD47	B117 B12				5	12SA7GT, 12SKGT, 12SQ7GT, 35L6GT, 35Z5GT	455	13-44,72
7055 (110.427)	Vol.	A2456	18	MR48	M26			A2066	46	FP357					5	12SQ7GT, 12SA7GT, 12SK7GT, 35L6GT, 35Z5GT	455	13-72,73
7055, 7055A, 7055L	Vol.	9331	6	H7	6-9	2		9327 9372 9328	8 8 15	2N516 TC40 TN111				5	*38, 39, 36, 25Z5	262		
7056 (141.417)	Vol.	M1239	18				See Note A19	M550	1	TC74				7	6J5GT, 7H7, 6SK7GT, *6SQ7GT, 6K6GT, 5Y3G	455	13-75,76	
7056	Vol.	R6944	6	MR21				4758P	23	HD684				5	39, *36, 89, 80	175	6-13	
7057, 7058	Vol.	9331	6	H7	6-9	2		9442	11	UR182-193	B31			5	6A7, 78, 75, 43, 25Z5	265 or 465		
7057 (141.418)	Vol. Phono.	M1676 M1533	20 1	MR55			See Note A19	M550	1	TC74				7	6J5GT, 7H7, *6SK7GT, 6SQ7GT, 6K6GT, 5Y3GT	455	13-77,78	
7058 (110.428)	Vol. Tone	A24060 A25017	18 22	MRT427 MR48	M26			A2067 A2069	46 24	Order from TCS64	Mfr. B12			7	7H7, 6J5GT, 6SK7GT, *6SQ7GT, 6K6GT, 6X5GT	455	13-79,80 13-74	
7059 (100.382)	Vol.	W500723	50	MR53	M26									5	*38, 39, 36, 25Z5	262		
7060, 7060A	Vol.	9331	6	H7	6-9	2		9327 9372 9328	8 8 15	2N516 TC40 TN111				5	*38, 39, 36, 25Z5	262		
7061 (100.383)	Vol.	W500723	50	MR53	M26			W116470	24	2N509				2	35L6GT, 35Z5GT		13-74	
7061, 7062	Vol.	R8059	68	D12	6-9			8053	29	TCS52/TC52	B51			5	6A7, 6B7, 77, 43, 25Z5	175	4-1,2	
7063	Vol. Tone	1026-Z 1026-3	15 22	UM154 UM133	M26		A96	1028-2 1067-4	1 15	2N518 TC22		10704	Order from Mfr.	5	6A8, 6E7, 6B7, 41, 84	456		
7063 (110.430)	Vol.	A24059	50	MR48	M26		See Note A96	A2065 A2056	24 24	2N511 2N513	B12			2	12SA7GT, 35Z4GT or 35Z5GT		13-81	
7064	Vol.	R8304	6	MR45	M26	EX300		R8313	23	*TC42				4	78, 77, 43, 1V		4-3	
7065	Vol. Tone	R8679 R6571	7/18 57	Order from MR48	Mfr.			R7236 D4758P R1114	23 23 1	RS216 HD684 TC70				10	*78, 75, 37, *45, 6A7, 83V	175	4-22,23	
7065 (101.660)	Vol.	R54414	18	MR55	M26			R1114 R45421	1 1/15	TC70 2S569/TC26				6	6SA7GT, 6SK7GT, 6K6GT, *6SQ7GT, 6X5GT	455	13-83,84 5-57	
7066	Vol. Tone		15 21	MR51 MR39				8-12	34	See Note	B3			10	*58, 57, *56, *46, 80	175		
7066 (101.680)	Vol.	R45414	18	MR55	M26			16-16-25	1/15	2S569/TC26				6	6SA7GT, 6SK7GT, 6SQ7GT, 6Q7GT, 6K6G/GT, 6X5G/GT	455	14-31,32	
7067 (101.662)	Vol. Tone	R45827 R45828	124 22	DTM296-SS1 MR53	M26		A105	R45829	1	*TC77				8	7E6, 7H7, 6SK7GT, *6SQ7GT, *6K6G/GT, 5Y3G	455	13-82	
7068	Vol.	9776	15	UM154	M26		A96	9532 9328	1 15	3S584 TC22	B8	9536	292	C3	*78, 6A7, 75, 41, 84	265		
7068 (101.681)	Vol. Tone	R45827 R46489	18 1	DTM296-SS1 MR53	M26			.02 R46021	1/15	Buffer Order from	B14 Mfr.			9	7E6, 7H7, 6SK7GT, 6SQ7GT, 6Q7GT, *6K6GT, 5Y3G, 6U5	455	14-33-35	
7069 (101.658)	Vol. Tone	R45910 R45909	18 22	Order from MR53	Mfr. M26		A105	R45779	3	FP444	B69			10	*6J5GT, 7H7, 6SK7GT, *6SQ7GT, *6V6G/GT, 5Y3G	455	13-85,86	
7070 (101.682) (101.682-1)	Vol. Tone	R45910 R46490	124 22	Order from MR48	Mfr. M26			30-20-20	1/13	FP444	B69			10	6J5GT, 7H7, 6SK7GT, *6SQ7GT, 6Q7GT, *6V6GT, 5Y3G, 6U5	455	14-37-39	
7070, Ch. 101.817	Vol.	R61684	18	MR48	M26			R61683	80 15	TN129 TC26				5	14Q7, 14A7, 7C6, 50A5, 35Y4	455		
7070, 7071, 7072, 7073, 7074	Vol.	R8433	56	MR48	M26			R8431	4	*TC42				5	6A7, 78, 6B7, 43, 1V	480	4-4,5	
7071	Vol.	W119634	124	MRT443				W501060	1/19	TCD75/TC26				7	7H7, *6J5GT, 6SK7GT, 6SQ7GT, 6K6GT, 5Y3G	455	13-87,88	
7072 (100.385)	Vol.	W501237	139	†			See Note A19	W501060	1/15	TCD75/TC26				8	7H7, 6J5GT, 6SK7, 6Q7GT, 6U5, 6SQ7GT, 6K6GT, 5Y3G	455	14-41,42	

† Data not substantiated.

\* IMPORTANT: Read Notes in Note Section if specified in Note Column.

‡ Indicates miscellaneous section.

DON'T MISS THE MALLORY 1485 CONTROL DEAL!

MANUFACTURER AND MODEL	CONTROLS							CONDENSERS				VIBRATORS			No. Tubes	Complete Tube Complement	I. F. Peak	Rider's Reference
	Use	Original Part	Circuit	Correct Replacement	Switch	Bias	*Note	Original Part	Circuit	Correct Replacement	*Note	Original Part	Replacement	*Note				
SEARS-ROEBUCK— 7075, 7076, 7077, 7078	Continue d																	
7075 (109.383)	Vol.	R8433	56	MR48	M26		R8952	29	3S582						5	6A7, 78, 6B7, 43, 25Z5	480	4-33,34
7076 (101.662)	Vol. Tone	D9179 R45827 R45828	18 18 22	Order from DTM296-SS1 MR53	Mfr. M26		D9175 D9218 R45829	24/78 24 1	FP309 TC44 *TC77						5 8	1A7GT, 1N5GT, 1A5GT, 35Z5GT, 7E6, 7H7, 6SK7GT, *6SQ7GT, *6K6GT, 5Y3G	455	14-43,44
7077 (109.409)	Vol.	D9394	18	Order from	Mfr.		D9218 D9395 80-30-40	24 24/78 1/78	TC44 FP309 Order from						5	1A7GT, 1N5GT, 1A5GT, 35Z5GT, 1H5GT, 1A5GT/G, 50Y6GT	455	14-44,45
7079 (101.620-3)	Vol.		18	MR53	M27										5	1A7GT, 1N5GT, 1H5GT, 1A5GT/G, 50Y6GT	455	14-44,45
7080, 7081	Vol. Tone	P4365 P4259	20 22	MRT427 MR39	M26		6-8	34	See Note						14	58, 56, 46, 82	455 175	14-36
7080, Ch. 101.809	Vol. Tone	R60505 R60516	161 239	MRT454 MR39	M26		R60416	81	FP357						6	*7B7, 14Q7, 7C6, 50A5, 35Y4	455	16-1.8
7081 (101.636-1)	Vol.		18	MR53	M27		80-80-40	1/78	Order from	Mfr.					5	1A7GT, 1N5GT, 1H5GT, 1A5GT/GT, 117Z6GT	455	14-36
7082	Vol. Tone	P4260 P4259	15 21	MR51 MR39	M26		P4514	23	3S584						10	*58, 57, 56, 46, 80	455 175	14-36
7083, 7083A, B, C, D	Vol. Tone Sen.		15 44 7	MR44 MR33 MR28	M26		50-10-8 8	11 13	See Note TC42						12	*6D6, 85, 747, 43, 25Z5	175	
7083, 7087, 7089	Vol.	R42622	18	MR53	M27		R43897	1/78	Order from	Mfr.					6	1A7GT, 1P5GT, 1H5GT, 3Q5GT, 50Y6GT	455	13-89,90
7084	Vol.	9042	6	MR33			651	†	UR182-193						4	6D7, 6E7, 43, 25Z5		
7085, 7090 (101.688) (101.688A)	Vol.		6	MR33			21-8-4	11	UR182-193						5	*6E7, 6D7, 43, 25Z5		
7085, 7090 (101.688) (101.688A)	Vol.	R45694	18	Order from	Mfr.		R42031 R42033	1/78 1	FP357 FP116						6	1A7GT, 1P5GT, 1H5GT, 3Q5GT, 117Z6GT	455	13-91,92
7085, Ch. 101.814	Vol. Tone	R61128 R61864	228 258	TM233-SS1 MR55			R61507 R61517 R60416 A2074	91 91 81/15 98/15 15	Order from TC48 FP311 FP409 TC26	Mfr.					8	14Q7, 7B7, 7C6, *50A5, 1280, 35Y4	455	
7086, Ch. 110.466	Vol. Tone	A2475 A2474	258 258	MR48 MR48	M26										7	12SA7GT, 12SK7GT, 12SQ7GT, 12SJ7GT, *50L6GT, 35Z5GT	455	
7088	Vol.		15	UM147	M27		A96 9337	4	2S567						6	G57AS, G58AS, G75, G89, G6Z5	456	
7090	Vol.	R8359	29	U			R8357	13/19	TC42/TC26						5	*951, 30, 950, Ballast No. 52	175	4-17
7090, Ch. 101.810	Vol. Tone	R60430 R61232	18 239	Order from MR39	Mfr. M26		R60416	81	FP357						6	*7B7, 14Q7, 7C6, 50A5, 35Y4	455	
7090A	Vol.		29	U			R8357	13/19	TC42/TC26						5	*951, 30, 950, Ballast No. 52	480	5-5
7091 (101.665)	Vol.	R45235	18	Order from	Mfr.		10-15-20 .004	24/15	FP328 Buffer			R45160	870	C3	5	6SA7GT, 6SK7GT, 6SQ7GT, 6V6GT, 0Z4G	455	14-46,47
7093 (101.666)	Vol.	R45139	18/22	Order from	Mfr.		R45167 .004	24/15	FP328 Buffer			R45160	870	C3	6	*6SK7GT, 6SA7GT, 6SQ7GT, 6V6GT, 0Z4G	260	14-40,47
7094, 6306-3G (101.667 & 101.667-A)	Vol.	R42244	18	Order from	Mfr.		10-15-20 .004	24/15	FP328 Buffer			R45160	870	C3	6	6K7GT, 6A8GT, 6SK7GT, 6SQ7GT, 6V6GT, 0Z4G	455	14-49,50
7091, 7092, 7093, 7094	Vol.	R8433	56	MR48	M26		R8952	29	3S582						5	6B7, 43, 78, 6A7, 25Z5	480	4-33,34
7093, Ch. 101.666	Vol.	R45139	205	Order from	Mfr.		R45167 .004	24/15	FP328 Buffer			R45160	870	C3	6	*6SK7GT, 6SA7GT, 6SQ7GT, 6V6GT, 0Z4G	260	
7095, Ch. 101.826	Vol. Tone	R60733 R60758	161 22	MRT440 MR53	M26		R57054 R60730	15 81/15	TC42 FP331						9	7F8, 7H7, *7W7, 7C7, 7A6, 7C6, 7C5, 7Z4		
7099 (164.158)	Vol. Bass Treble	F505 F511	18 22	MRT438 MR44	M26		F2710 F271 F271	1 67 67	RS224 TC71 TC26						15	*7H7, *6K8GT, *6J5GT, 6SJ7GT, 6H6GT, 6SK7GT, 6SQ7GT, 6U5, *6Y6G, 5X4G	462 kc. FM 4.3 mc.	14-52,53 3-2
7100	Vol. Tone	R7240 R6570	6 57	MR21 MR48			4758P	25	HD684						7	57, *58, 24A, 47, 56, 80	175	
7100 (101.661)	Vol.	R45055	18	MR53	M27		R19891	13	TC42						4	1A7GT, 1N5GT, 1H5GT, 1A5GT/G	455	13-93,94
7100, Ch. 101.811	Vol. Tone	R60505 R60516	161 239	MRT454 MR39	M26		R60416	81	FP357						6	*7B7, 14Q7, 7C6, 50A5, 35Y4	455	16-1.8

† Data not substantiated.

\* IMPORTANT: Read Notes in Note Section if specified in Note Column.

‡ Indicates miscellaneous section.

MANUFACTURER AND MODEL	CONTROLS							CONDENSERS				VIBRATORS			No. Tubes	Complete Tube Complement	I. F. Peak	Rider's Reference
	Use	Original Part	Circuit	Correct Replacement	Switch	Bias	*Note	Original Part	Circuit	Correct Replacement	*Note	Original Part	Replacement	*Note				
SEARS-ROEBUCK—	Continued																	
7101	Vol. Tone Sen.		15 44 7	MR44 MR33 MR28				50-10-8 8	11 13	See Note TC42	B3				12	*6D6, 85, *47, *43, *25Z5	175	
7102	Vol. Tone		6 22	MR33 MR33				8-4 10	1 17	2N518 TC22					5	*58, 57, 47, 80	456	
7102, Ch. 101.814-1A	Vol. Tone	R61128 R61864	228 258	TM233-SS1 MR55				R61507 R61517 R60416	91 91 81/15	Order from Mfr. TC48 FP311					8	14Q7, 7B7, 7C6, *50A5, 1280, *35Y4	455	
7103	Vol. Tone	R8679 R6571	7/18 57	DRP317 MR48				R7236 D4758P R1114 A2074	23 23 1 98/15	RS216 HD684 TC70 FP409 TC26					10	*78, 6A7, 75, *45, 37, 83V	175	4-22
7103, Ch. 110.466-1	Vol. Tone	A2475 A2474	258 258	MR48 MR48	M26				15						7	12SA7GT, 12SK7GT, 12SQ7GT, 12SI7GT, *50L6GT, 35Z5GT	455	
7104 (101.644)	Vol.		18	MR48	M27			R19891	13	TC44					5	1A7GT, *1P5GT, 1H5GT, 1A5GT/G	455	13-101
7105, 7106, Ch. 101.828, 101.828-1A	Vol. Tone	R47240 R60758 9611	169 22 6	DTM296-SS1 MR53 H7	M26			R61455	24	FP444					8	7E6, 7H7, 7A7, *7C6, *7C5, 7Z4		
7106	Vol.	R44898	18	MR48				R19891	13	TC44					5	*32, 34, 30, 33, 5E1 1A7GT, *1P5GT, 1H5GT, 1A5GT/G	455	14-55, 56 5-63
7106 (101.663)	Vol.	9611	6	MR21				9925 9328	12 15	TC71 TN111					5	*78, 77, 38, 37	465	
7108	Vol.	R44898	18	MR48				R19891	13	TC44					5	1A7GT, *1P5GT, 1H5GT, 1A5GT/G	455	14-49, 51
7109	Vol. Tone Sen.		15 44 7	MR44 MR33 MR28				50-10-8 8	11 13	See Note TC42	B3				12	*6D6, 85, *47, *43, *25Z5	175	
7110	Vol.	452	7	MR45	M26			12-8-10-10 10, 10	24/15 13	TN125/TC22 TC44					4	*78, 77, 38, 12Z3		5-58
7110 (101.649)	Vol.	R45083	18	MR53											5	*1P5GT, 1A7GT, 1H5GT, 1A5GT/G	455	14-48
7111	Vol. Tone	P4979 P4978	18 22	MR48 MR21	M26			P4961	28	3S584					8	*58, 55, *56, 53, 80	175	
7111, Ch. 434.140	Vol.	X13371	228	TM233-SS1	M26				24	FP238					8	6SK7GT, 6SA7, 6SK7, 6SQ7, 6J5 *6V6GT, 5Y3GT	455	
7111X, 7112, 7114	Vol.	105	6	SRP263	6-9			106	11	UR182-193	B31				5	6A7, 75, 6D6, 43, 25Z5	456	5-63
7112 (101.664)	Vol.	R45267	18	MR53				R45368 R19891	1/78 13	Order from Mfr. TC44					6	*1P5GT, 1A7GT, 1H5GT, 1A5GT/G, 11Z26GT	455	14-54
7114 (101.661)	Vol.	R45055	18	MR53	M27			R19891	13	TC44					4	1A7GT, 1N5GT, 1H5GT, 1A5GT	455	13-93, 94
7115	Vol. Tone	R8679 R6571	7/18 57	DRP317 MR48				R7236 D4758P R1114	23 23 1	RS216 HD684 TC70					10	*78, 6A7, 75, *45, 37, 83V	175	4-22
7115, 7116, 7117, Ch. 101.825, 101.825-1A, 101.825-1B	Vol. Tone	60733 60758 582	161 22 18	MRT440 MR53 MR48	M26			R60730 R57054 569	81 15 1	FP331 TC42 2N518					9	7H7, 7F8, *7W7, 7C7, 7A6, 7C6, 7C5, 7Z4	455	10, 7
7116	Vol.	1145	17	UM154	M26	See Note	A96	1138 9328	1 15	2N518 TN111		270B	C3		5	2A7, 58, 2A6, 2A5, 80 6A7, 6D6, 6B7, 41	456 370	5-59, 60
7117	Vol.							R8488	23	HD684					8	*78, *37, 42, 6A7, 83V	175	5-61, 62
7118	Vol. Tone	R6570 R6570	62 147	MR48 MR48											6	2A7, *58, 2A6, 2A5, 80	465	
7119, 7120	Vol. Tone	9666 9174	17 22	MR44 MR33	M26			9659 1110	1 13	2N518 TC70					6	2A7, *58, 2A6, 2A5, 80	465	
7121, 7122	Vol.	105	6	SRP263	6-9	EX300		8876	15	TC22					4	58, 57, 2A5, 80		5-64
7123	Vol.	256	18	MR48	M26			156	1	2N518					4	58, 57, 2A5, 80		5-64
7123	Vol.	256	18	MR48	M26			106	11	UR182-193					5	6A7, 78, 75, 43, 25Z5	456	5-30
7124	Vol. Tone	306	22	MR33	M26			156	1	2N518					7	*58, 57, 2A6, 56, 2A5, 80	456	5-65
7125	Vol. Tone Sen.	9296 9295 9834	15 22 7	MR48 MR33 G	M26			307 9739 9738	15 31 31/15	TC22 RS215 4S718					10	*58, 2B7, 57, *56, *2A3, 5Z3	465	
7126	Vol.	60	7	MR45											4	77, 78, 38, 12Z3		5-66
7127	Vol. Tone	256 306	18 22	MR48 MR33	M26			156 307	1 15	2N518 TC22					5	2A7, 58, 2A6, 2A5, 80	456	7-63
7127 (revised)	Vol. Tone	462 464	18 1	MR48				461 307	1 15	2N518 TC22					5	2A7, 58, 2A6, 2A5, 80	456	10-5
7128	Vol.	R9710	56	SRP251	6-9	See Note	A5	R10264 .01-.01 4758P	23 1 23/15	TCS71 Buffer HD684	B14			6	*78, 6A7, 85, 41, 84	175	5-67, 68	
7129	Vol.	R6571	62	MR48				70	23	TN125					8	6A7, *78, *37, 42, 83	480	
7130	Vol.	60	7	MR45	M26										4	78, 77, 38, 12Z3		5-66
7132	Vol. Tone	256 306	18 22	MR48 MR33	M26			156 307	1 15	2N518 TC22					7	*58, 57, 2A6, 56, 2A5, 80	456	5-65
7133	Vol. Tone	462 464	18 1	MR48		See Note	A5	461 307	1 15	2N518 TC22				5	2A7, 58, 2A6, 2A5, 80	456	10-5	

‡ Data not substantiated.

\* IMPORTANT: Read Notes in Note Section if specified in Note Column.

§ Indicates miscellaneous section.

MANUFACTURER AND MODEL	CONTROLS							CONDENSERS				VIBRATORS			No. Tubes	Complete Tube Complement	I. F. Peak	Rider's Reference
	Use	Original Part	Circuit	Correct Replacement	Switch	Bias	*Note	Original Part	Circuit	Correct Replacement	*Note	Original Part	Replacement	*Note				
SEARS-ROEBUCK—7134	Continued	105	6	SRP263	6-9	EX300	156	1	2N518					4	58, 57, 2A5, 80			
7134 (110.448)	Vol.	A2463	18	MR48	M26		307	15	TC22					6	12SK7, 12SA7, 12SQ7, 35L6GT, 35Z5GT	455	14-57	
7135	Vol.	E60	58	MR45			205	8	TN125/TC22					4	78, 77, 43, 25Z5	456	5-17	
7136, 7137	Vol.	452	18	MR48	M26		E156	1	2N518					5	2A7, 58, 2A6, 2A5, 80	456	7-64	
7138	Vol.	R6571	62	MR48			461	1	HD684					8	6A7, 78, 75, 42, 83	480		
7139	Vol.	470	18	MR48	M26		461	1	2N518					5	2A7, 58, 2A6, 2A5, 80	456	10-5	
7140	Tone	464	1			See Note A5	307	15	TC22					5	2A7, 58, 2A6, 2A5, 80	456	7-64	
7140	Vol.	E452	18	MR48	M26		156	1	2N518					6	43, 75, 6D6, 6A7, 25Z5	456	6-50	
7141, 7142	Vol.	24A	18	MR48			307	15	TC22					9	58, 57, 56, 2A5, 80	456	8-79	
7143	Vol.	256	18	MR48	M26		156	1	2N518					5	2A7, 58, 2A6, 2A5, 80	456	7-64	
7143A	Tone	306	149	MR33			E156	1	2N518					6	6A7, 6D6, 75, 42, 80	456	7-65	
7144	Vol.	E452	18	MR48	M26		307	15	TC22					5	6A7, 78, 75, 41, 84	480		
7145	Vol.	452	18	MR48	M26		656	1	2N518					6	6A7, 6D6, 75, 42, 80	456	7-65	
7145, Ch. 436.200	Vol.	R10201	18	MR48	M26		R9204	23	RS213					5	6A7, 78, 75, 41, 84	480		
7146	Vol.	UC-125	165	MR53	M26		R9397	23	RS213					2	50L6GT, 35Z5GT			
7146	Vol.	R10604	18	MR48	M26		R10601	29	TC45					5	6A7, 78, 75, 43, 25Z5	480		
7147	Vol.	R10712	29	U			R10673	13/19	*TCS52					5	95L1, 32, 30, 33, Bal- last No. 30	175	5-42	
7147	Tone	R10648	34	MR48					2N516/TC29					6	78, 75, 42, 41, 80	480		
7148	Vol.	R10648	18	MR48			4758P	23	HD684					2	50A5, 35Y4			
7148, 7148A, Ch. 431.188, 431.188-1	Tone	YA-10A-821	165	MR53	M26		YA-8C-880	80	2N521/TC47	B8				6	78, 6B7, 41, 6A7, 84	175		
7149	Vol.	YA-11B-820	239	MR29			R9743	1	2N518		R9723	Order from	Mfr.	6	78, 6B7, 41, 6A7, 84	175		
7150	Vol.	R9710	18	SRP251	6-9		R9144	15	TC22		R10073	298	C14	5	6A7, 6D6, 75, 42, 80	456	7-66	
7150	Vol.	R9711	22	MR48			.01-.01	1	Buffer	B14				6	6A7, 78, 75, 42, 80	370		
7151	Vol.	452	18	MR48	M26		656	1	3S584	B8				4	78, 77, 43, 25Z5			
7151	Tone	1572	17	MR53			10	15	TC22					3	12AT6, 50B5, 35W4			
7152	Vol.	1573	34	MR44	M26		1624A	1	2N518					4	58, 57, 2A5, 80		7-9	
7152, Ch. 109.626	Vol.	E60	7	MR45			205	8/15	TN125/TC22					3	12SQ7GT, 50L6GT, 35Z5GT			
7152	Vol.	DB54466-1	245	MK401			DA-8948	24	FP211					6	6A7, 6D6, 75, 42, 80	456	7-66	
7153	Tone	DB54466-1	57	MK401			DB-9564-1	24	FP211					6	6A7, 6D6, 75, 42, 80	456	7-67	
7153	Vol.	87A	6	MR24	M26		156	1	2N518					6	6A7, 6D6, 75, 42, 80	456	7-67	
7153, Ch. 109.627	Vol.	DB54466-1	245	Order from	Mfr.		307	15	TC22					5	1A7GT, 1P5GT, 1H5GT, 1A5GT/G	455	14-48, 51	
7154	Tone	DB54466-1	158	Order from	Mfr.		DA8948	24	FP211					6	6A7, 6D6, 75, 42, 80	456	7-66	
7154	Vol.	452	18	MR48	M26		504	1	2N518					6	6A7, 6D6, 75, 42, 80	456	7-67	
7155	Vol.	452	18	MR48	M26		10	15	TC22					6	6A7, 6D6, 75, 42, 80	456	7-67	
7156	Tone	47A	22	MR33			650	1	2N518					6	6A7, 6D6, 75, 42, 80	456	7-67	
7156	Vol.	2410	18	SRP251	6-9		10	15	TC22		9600	294	C3	6	6D6, 6A7, 75, 41, 84	175		
7157	Vol.	2B	18	UM154		See Note A96	1809	4	2S567	B14				5	77, 78, 75, 41, 84	456	7-4	
7158	Vol.	452	18	MR48	M26		.015	1	Buffer	B14				6	6A7, 6D6, 75, 42, 80	456	7-68	
7158 (101.648-1)	Vol.	R44898	18	MR48			8-4	1	2N518	B8	22B	294	C3	5	77, 78, 75, 41, 84	456	7-4	
7159	Vol.	1572	17	MR53			.02	1	Buffer	B14				6	6A7, 6D6, 75, 42, 80	456	7-68	
7159	Tone	1573	34	MR44	M26		656	1	3S584	B8				5	1A7GT, 1P5GT, 1H5GT, 1A5GT/G	455	14-48, 51	
7160	Vol.	256	56	MR48	M26		10	15	TC22					6	6A7, 6D6, 75, 42, 80	456	7-66	
7161, 7162	Vol.	452	18	MR48	M26		10	15	TC22					6	6A7, 6D6, 75, 42, 80	456	7-66	
7163	Tone	47A	22	MR48			1809	4	2S567	B14				5	6A7, 6D6, 6B7, 41, 84	370		
7163	Vol.	1145	17	UM154	M26		.015	1	Buffer	B14	1893	294	C3	5	6A7, 6D6, 6B7, 41, 84	370		
7164	Vol.	R10740	106	MR53			8876	15	TC22					14	78, 75, 45, 37, 41, 523	445	6-25	
7165, 7165X, 7165, 7166, Ch. 101.823, 101.823-1, 101.823-A, 101.823-1A	Tone	R10740	106	MR53			.02	28	Buffer	B14				4	6D6, 6C6, 38, 12Z3		7-65	
7166, 7166X	Vol.	RA408	7	MR45	M26		4758P	13	HD684					5	6A7, 78, 75, 43, 25Z5	456	5-30	
7166A	Vol.	102A-B	6	MR45	M26		R9237	13	RS216					6	6A7, 6D6, 75, 42, 80	456		
7167	Vol.	78B	18	UM154	M26		CA23	24/15	4S715					5	6A7, 6D6, 75, 41, 84	486	7-70	
7167	Vol.	102A-B	6	MR45	M26		102	1/15	4S715					5	6D6, 6J7, 43, 25Z5			
7167	Vol.	78B	18	UM154	M26		79B	1/15	3S579			294	C3	5	6A7, 6D6, 75, 41, 84	486	7-70	
7167	Vol.	78B	18	UM154	M26		.03		Buffer	B14				5	6A7, 6D6, 75, 41, 84	486	7-70	

† Data not substantiated.

\* IMPORTANT: Read Notes in Note Section if specified in Note Column.

‡ Indicates miscellaneous section.

MANUFACTURER AND MODEL	CONTROLS							CONDENSERS				VIBRATORS			No. Tubes	Complete Tube Complement	I. F. Peak	Rider's Reference
	Use	Original Part	Circuit	Correct Replacement	Switch	Bias	*Note	Original Part	Circuit	Correct Replacement	*Note	Original Part	Replacement	*Note				
SEARS-ROEBUCK-7167 (101.662-1A)	Continue d Vol. Tone	R47240 R47235	124 22	DTM296-SS1 MR53	M26		A105	R45829	1	TC77				8	7E6, 7H7, 6SK7GT, 6SQ7GT, 6K6G/GT, 5Y3G	455	14-60,61 7-69	
7168	Vol.	6207A	6	MR21	M26	EX300		8812 3003 R46021	4 15 1/15	TCS44 TC22 Order from Mfr.				5	6D6, 6J7, 43, 25Z5			
7168 (101.681)	Vol. Tone	R45827 R46489	18 1	DTM296-SS1 MR53	M26									9	7E6, 7H7, 6SK7GT, 6SQ7GT, 6Q7GT, 6K6GT, 5Y3G, 6U5	455	14-33- 35	
7168 (101.681-1A)	Vol. Tone	R45827 R46489	18 22	DTM296-SS1 MR53	M26			R46021	1/15	Order from Mfr.				9	7H7, 7E6, 6SK7GT, 6SQ7GT, 6Q7GT, 6K6GT/G, 5Y3G, 6U5	455	14-62,63	
7169	Vol.	P385	75	MR48	M26			P160	1	2N518				6	6A7, 6D6, 6H6, 6F5, 42, 80	456		
7170, 7170A	Vol. Tone	A15368 A15357	18 34	MR44 MR39	M26			A15313 A15237	25 25	RS216 RS215				7	6K7, 6D6, 6L7, 75, 76, 42, 80	262.5	10-93	
7171	Vol.	6212	75	MR48	M26			8817 3003 110E	15 15 23	2N518 TC22 3S584		B8		6	6A7, 6D6, 6H6, 6F5G, 42, 80	465	10-94,96 8-80	
7172	Vol. Tone	110B 110C	18 34	MR48 MR33	M26									5	6A7, 6D6, 75, 43, 25Z5	456	8-80	
7172X	Vol. Tone	108B 108C	18 34	MR48 MR33	M26			108E	4	TC44				4	6D6, 6C6, 38, 12Z3		9-81	
7173	Vol.	106B	7	MR45	M26			106E	24/15	UR182-193				11	78, 37, 85, 47, 41, 80	480	6-32	
7175	Vol. Tone	R10458 R10457A	106 106	MR48 MR48	M26			R7236 R8488 R7236	23 23 23	RS216 HD684 RS216				11	78, 37, 85, 47, 41, 80	445	6-35	
7175A	Vol. Tone	R10458 R10457A	106 106	MR48 MR48	M26			R8488	23	HD684				5	6K7, 76, 43, 25Z5		10-98	
7176	Vol.	RE408	6	MR44	M26			16-8-5	40/15	UR182-193				5	6D6, 6J7, 43, 25Z5		10-99	
7177	Vol.	1042420	6	MR18				206	4/15	TCS44/TC22				4	6D6, 6C6, 43, 25Z5, 50B			
7178	Vol.	104	6		6-9	See Note	A5	106	4	UR182-193				7	6A7, 6D6, 6H6, 6C5, 41, 6E5, 80	480		
7179, 7180	Vol.		15	MR48				8 5	1 5	TC71 TC22				7	6K7, 6L7, 6Q7, 6P6, 6C5, 5Y3	465	9-82,84	
7181, 7182	Vol. Tone	T6222 T6223	17 34	MR53 MR48	M26			8819 8822 8821 8820	1 1 15 13	RS216 ST595 TN111 RS213				4	6D6, 6C6, 38, 12Z3		9-81	
7183	Vol.	106B	7	MR45	M26			106E	24/15	UR182-193				5	6A7, 6D6, 75, 42, 80	456		
7184	Vol. Tone	110B 110C	18 34	MR48 MR33	M26			110E	23	3S584		B8		4	6D6, 6C6, 38, 76			
7185, 7185A	Vol.		6	SRP263				8-8-5	24/15	3N527				4	6D6, 6C6, 38, 76			
7186	Vol.	1042414	6			See Note	A5	1042013	24/15	3N527				4	6D6, 6C6, 38, 76			
7188 (109.417)	Vol.	D10038	18	MK401	M26			D9363	1	2N514				5	12SA7GT, 12SK7GT, 12SQ7GT, 35L6GT, 35Z5GT	455	14-85,86	
7189 (109.378)	Vol.	D8958	18			See Note	A3	D8952	78/24	FP309				1	1R5, 1T4, 185, 384, 45Z3	455	14-87,88	
7210	Vol.	R57072	161	MR48	M27			R57054	12	TC42				4	1LC6, 1LCS, 1LD5, 1LB4	455		
7210 (101.472, X)	Vol.	1012416445	56	Order from	Mfr.			1012015803	12/13	2N516				8	1D5GP, 1C7G, 1H6G, 1H4G, 1J6G	465		
7211 (110.7211) 7212, 7212A (110.7212)	Vol.	1102417	7	MR28	M26			1102016	24/15	3N527				4	6D6, 6C6, 38, 76		10-100	
7213 (101.7213)	Vol.	1012417	7	MR28	M26			1102097	1	2N509				4	6D6, 6C6, 25L6G, 25Z5			
7214 (110.7214)	Vol.	1012417	7	MR28	M26			10120101	1	2N509				4	6D6, 6C6, 25L6G, 25Z5, M55HG		10-101	
7215	Vol. Tone	1102444 1102571	15 21	MR48 MR48	M26			1102042	1	2S569				5	6A7, 6D6, 75, 25L6G, 1V	456	10-101	
7216 (100.184)	Vol.		15			See Note	A19	1102043	1	2N514				5	6A7, 6D6, 75, 25L6G, 25Z5, M49HG	456	10-110	
7217 (100.185)	Vol.	10024111358	20	TM240-SS16	M26			1002089937 10020111469 10020112113 10020110377 10020111298 1002089937 1002089680	51 51 15 15 13 3 3	RS223 RS216 TC32 TC22 TC70 RS223 RS213				11	6K7, 6L7, 6C5, 6H6, 6V6, 6J7, 5U4	465		
7218 (100.186)	Vol.	10024111358	20	TM240-SS16	M26			10020112467 10020110377 10020112113 1002089937 10020111469 10020112476 10020111689	13 15 15 3 3 1 15	TC70 TC22 TC32 RS223 RS216 TC44 TC26				14	6K7, 6L7, 6C5, 6H6, 6V6, 6J7, 5W4	465		
7219 (110.7219)	Vol.	1102421	7	MR28	M26			1102011	1	2N514				4	6D6, 6C6, 25L6G, 25Z5, M55HG		11-96	
7220 (110.7220)	Vol.	1102444	18	MR48	M26			1102043	1	2N514				5	6A7, 6D6, 75, 25L6G, 25Z5, M49HG	456	10-103, 104	
7221 (126.202)	Vol.	1262431517	124	MRT449				1262014531 126205212	25 25	RS223 RS216				10	6K7G, 6A8G, 6H6G, 6F5G, 6F6G, 6U5, 5U4G	465	10-105, 106	

‡ Data not substantiated.

\* IMPORTANT: Read Notes in Note Section if specified in Note Column.

§ Indicates miscellaneous section.

WHEN YOU BUY PLUGS AND JACKS BUY MALLORY.



MANUFACTURER AND MODEL	CONTROLS							CONDENSERS				VIBRATORS			No. Tubes	Complete Tube Complement	I. F. Peak	Rider's Reference
	Use	Original Part	Circuit	Correct Replacement	Switch	Blas	*Note	Original Part	Circuit	Correct Replacement	*Note	Original Part	Replacement	*Note				
SEARS-ROEBUCK— 7225 (110.255).....	Continued Vol.	1102445	127	MR48	M26			1102010	1	2N509					5	6A7, 6D6, 75, 25L6G, 25Z5, M49HG	456	10-111
7226, Ch. 101.819-A	Vol.	R57071	205	Order from	Mfr.			R60803	88/78	Order from	Mfr.				6	1L6G, 1L6C, 1L6S, 1L6D, 1L6B, 35Y4, 6A7, 6D6, 75, 25L6G, 25Z5, M22HG	455	
7226 (110.880).....	Vol.	1102411	76	MR48				1102014	12	FP115					6	6A7, 6D6, 75, 25L6G, 25Z5, M22HG	456	10-112
7227 (110.258).....	Tone Vol.	1102510 1102444	76 18	MR48 MR48				1102012	1	2N514					5	6A8G, 6U7G, 6Q7G, 25L6G, 25Z6G, M49HG	455	11-97
7228 (126.206).....	Vol.	1262432402	124	MRT449		See Note	A59	32400 32405	25 25	FP144 TC74				10	*6K7G, 6A8G, 6J7G, 6Q7G, 6F5G, *6F6G, 6U5, 5U4G	455	11-99	
7230 (126.208).....	Vol. & Tone	1262431366	45/22	SMD503				1262032485	1/15/14	FP424				6	6K8, 6K7G, 6H6G, 6F5G, 6F6G, 5Y3G	455	11-104, 105	
7231 (105.6H).....	Vol.	P1555	18	MR48	M26			P1561	23	TCS45				5	6A7, 6D6, 75, 25B6G, 25Z5, L49BJ	456	11-107	
7232 (105.6L).....	Vol.	P1555	18	MR48	M26			P1561	4	TCS45				5	6A7, 6D6, 75, 25B6, 25Z5, L49BJ	456	11-108	
7233 (105.6PU).....	Vol.	P1677	18	MR48	M27			P958	1	2S567		P402	245C	C3	6	6D8G, 6S7G, 6T7G, *30, 19	456	11-109
7234 (105.7MU).....	Tone Vol.	P1764 P1749	44 139	MR39 MRT427				.01-.01 P1755	23	Buffer 3S584	B14 B8			7	6A7, 6D6, 76, 75, 42, 6U5, 80	456	11-110	
7235 (105.8KU).....	Tone Vol.	P1750 P1821	139 45	UM160-SS1 MRT436	M26			P304 P1825	19 46	TC22 3S584				8	6A7, 6D6, *76, 75, *42, 80	456	11-111	
7236 (105.8TU).....	Tone Vol.	P1822 P1821	22 20	UM160-SS1 MRT436	M26			P1783 P1853	15 1	TC22 2N514				7	6A7, 6D6, 75, 76, *43, 25Z5, 17AJ	456		
7241, 7241A (109.246).....	Vol. Tone	109245100 109255511	45 22	MR48 MR39				109202733 109205101	1 1	RS213 RS216				7	6D8G, 6D6, 76, 6K5G, 6V6G, 80	455	11-115, 116	
7242, 7242A (109.190).....	Vol. Tone	109242726 109242737	76 76	MR48 MR55	M26			109203375 109203351	23 23	RS216 RS213				8	6A8G, 6D6, 75, 76, *42, 80, 6U5	455	11-118	
7243 (110.255).....	Vol.	1102444	18	MR48	M26			1102012	1	2N514				5	6A8G, 6U7G, 6Q7G, 25L6G, 25Z6G, M49HG	455	11-97	
7244 (110.907).....	Vol. Phono.	1102417 1102416	7 50	MR28 MR44	M26 M26			1102012 1102018	1 15	2N514 TC29				5	6D6, 6C6, 25L6G, 25Z5, M49HG, 76		11-119	
7245 (107.375).....	Vol. Tone	1072447281 1072511278	18 21	MR53 MR48				1102019 10172030266 107205321	15 1 15	TC22 FP231 TC22				7	6K8G, 6A7, 6D6, 75, 6U5, 6V6G, 80	465	11-133, 134	
7246 (110.988, 1A, 2A).....	Vol.	1102444	75	MR48	M26			1102034 1102032	24 24	2N521 TC48				6	12A8GT, 12K7GT, 6H4GT, 12F5GT, 35L6GT, 35Z5GT		11-120	
7250 (110.558-1).....	Vol.	1102444	18	MR48	M26			1102012	1	2N514				5	6A8G, 6K7G, 6Q7G, 25L6G, 25Z6G, M49HG	455	11-97	
7251 (110.988-1A, 2A).....	Vol.		75	MR48	M26			1102034 1102032	24 24	2N521 TC48			B12	6	12A8GT, 12K7GT, 6H4GT, 12F5GT, 35L6GT, 35Z5GT		11-20	
7300 (Export) (126.216).....	Vol. & Tone	1262434110	18/†	Order from	Mfr.			1262032240	1/15	FP332				5	6SA7, 6K7, 6SQ7, 6F6G, 5Y3G	455	11-121	
7305 (Ch. 126.217).....	Vol. Tone	1262433814 1262534186	18 22	Order from MR53	Mfr.			1262033014	1/13/15	FP424				7	6SA7, *6SK7, 6SQ7, 6F6G, 6U5, 5Y3G	455	11-125- 128	
7306 (Ch. 126.218).....	Vol. Tone	1262433814 1262534186	18 22	Order from MR53	Mfr.			1262033014	1/13/15	FP424				7	6SA7, *6SK7, 6SQ7, 6F6G, 6U5, 5Y3G	455	11-124	
7307 (Ch. 126.220).....	Vol. Tone	1262433814 1262534186	18 22	Order from MR53	Mfr.			1262034014	1/13/15	FP424				7	6SA7, *6SK7, 6SQ7, 6F6G, 6U5, 5Y3G	455	11-125- 128	
7310 (Ch. 126.219).....	Vol. Tone	1262433814 1262534186	18 22	Order from MR53	Mfr.			1262034185	1/19	FP339				9	*6SK7, 6SA7, 6SQ7, 6SF5, *6F6G, 6U5, 5Y3G	455	11-129- 131	
7312 (Ch. 126.221).....	Vol. Tone	1262433814 1262534186	18 22	Order from MR53	Mfr.			1262034185	1/19	FP339				9	*6SK7, 6SA7, 6SQ7, 6SF5, *6F6G, 6U5, 5Y3G	455	11-129- 131	
7315 (Export) (126.224).....	Vol.	1262436564	18	MR53	M26			1262035761	77	ST598/TC72				5	6SA7, 6SK7, 6SQ7, 6K6GT, 5Y3G	455	12-65,66	
7318 (109.369).....	Vol.		18	MR48	M26			20 40-100	1 1/78	TC47 TC48/TC2501				6	1A7GT, 1N5GT, 1H5GT, 3Q5GT, 117M7GT	455	12-67,68	
7320 (Export) (126.225).....	Vol. Tone	1262436702 1262436703	18 1	MR53 MR48	M26			1262032240	1/15	FP332				5	6SA7, 6K7, 6SQ7, 6F6G, 5Y3G	455	13-39, 95,96	
7321 (Export) (126.229).....	Vol. Tone	1262436706 1262436707	18 1	MR53 MR55	M27			1262033790	12/13	FP211				4	1A7G, 1N5G, 1H5G, 1C5G	455	12-69,70	

† Data not substantiated.

\* IMPORTANT: Read Notes in Note Section if specified in Note Column.

‡ Indicates miscellaneous section.

MANUFACTURER AND MODEL	CONTROLS							CONDENSERS				VIBRATORS			No. Tubes	Complete Tube Complement	I. F. Peak	Rider's Reference
	Use	Original Part	Circuit	Correct Replacement	Switch	Bias	*Note	Original Part	Circuit	Correct Replacement	*Note	Original Part	Replacement	*Note				
SEARS-ROEBUCK— 7322 (Export) (126.231).....	Continued Vol. Tone	1262436705	18	MRT438... MR48	M26			1262035747	77/15	Order from Mfr.				5	12SA7, 12SK7, 12SQ7, 50L6GT, 35Z5GT	455	13-97-98	
7325 (126.226).....	Vol. Tone	1262437051	124	Order from Mfr.				1262033014	1/13/15	FP424				6	*6SK7, 6SA7, 6SQ7, 6F6G, 5Y3G	455	12-72-74	
7327 (109.370).....	Vol. Tone	109248524	18	MR48	M26			109208525	24	2N514				6	12A8G, *12SK7GT, 12SQ7GT, 25L6GT, 25Z6GT	455	13-99, 100	
7330 (Export) (126.227).....	Vol. Tone	1262437183	124	MRT440... MR53	M26			1262033014	1/13/15	FP424				8	*6SK7, 6SA7, 6SQ7, 6AD7G, 6F6G, 6U5, 5Y3G	455	13-102, 104	
7356 (138.250).....	Vol. Treble Bass Exp. Vol.	N103 N118 N103 N103 113244149	50 1 1 1 127	MR48 MR50 MR48 MR48 MR55				35 16 8-8 20 1132041453	46 46 46/13 15 1/15	RS224 TC75 TCD71 TC26 FP332				7	6J5G, 6H6G, 6SA7GT, 6N7G, *6L6G, 5V4G		14-64	
7807 (113.414).....	Vol.	1135049	18	MR53				11350453	76	FP304				5	6SA7, 6SK7, 6SQ7, 6F6G, 5Y3G	465	11-132	
7814 (113.504).....	Vol.	1262438406	18	MR53	M26			1262039195	1	TCD74				5	1A7G, 1N5G, 1H5G, 1A5G, 35Z4GT	465	12-75	
7900 (126.233).....	Vol.	1262438406	18	MR53	M26			1262039195	1	TCD74				5	6SA7, 6SK7, 6SQ7, 6K6GT, 5Y3G	455	13-105- 107	
7905 Export (126.234).....	Vol. Tone	1262438412	18	MRT427... MR48	M26			1262033014	1/13/15	FP424				6	6SA7, 6SK7, 6SQ7, 6AD7G, 6F6G, 5Y3G	455	14-69-71	
7906 Export (126.235).....	Vol.	1262438410	18	MRT430	M26			1262037250 1262037867 .008	24 24	TC55 TC77 Buffer		1265135543	249	C3	5	6SA7, 6SS7, 6T7G, 6W7G, 6Z7G	455	14-72-74
7910 Export (126.237).....	Vol. Tone	1262437051	18	Order from Mfr.				1262033014	1/15	FP424				7	*6SK7, 6SA7, 6U5, 6SQ7, 6F6G, 5Y3G	455	14-75-77	
7915 Export (126.238).....	Vol. Tone	1262438934	18	MRT420... MR53	M26			1262033014	1/13/15	FP424				9	6SK7, *6SA7, 6SF7, 6U5, 6SC7, *6F6G, 5Y3G	455	14-78-80	
7984 (138.250).....	Vol. Treble Bass Exp. Vol.	N103 N118 N103 N103 N21335	50 1 1 1 18	MR48 MR50 MR48 MR48 MR55				35 16 8-8 20 N21455	46 46 46/13 15 80	RS224 TC75 TCD71 TC26 TN129				7	6J5G, 6H6G, 6SA7GT, 6N7G, *6L6G, 5V4G		14-64	
8000.....	Vol.	N21335	18	MR55	M26			N21455	80	TN129				4	12SA7GT/G, 12SG7GT/G, 50L6GT, 35Z5GT/G	455		
8050, Ch. 101.813	Vol.	R61658	205	MR48	M26			R60416	81/15	FP357				5	14Q7, 14A7, 7C6, 50A5, 35Y4	455		
8072, Ch. 101.834	Vol.	R61684	161	MR48	M26			R61683	81/15	TN129/TC26				5	14Q7, 14A7, 7C6, 50A5, 35Y4	455		
8105, 8105A, Ch. 101.833	Vol. Tone	R62528 R62529	161 22	MR55 MR55				R60416	81	FP357				6	*7B7, 14Q7, 7C6, 50A5, 35Y4	455		
8144, Ch. 431.199	Vol.	YA-10A-821	50	MR53	M26			YA-8C-880	80	2N521/TC47				2	50A5, 35Y4			
8150, Ch. 109.634	Vol. Tone	DB54466-1	245	MK401				DA8948	24	FP211				3	12SQ7GT, 50L6GT, 35Z5GT			
8900 (138.130).....	Vol. Tone	13824201	50	MR48														
8903 (138.210).....	Vol. Mike Bass Phono. Treble Master	13824203 13824500M6 13824500M6 13824500M6 13824250M1 13824500M6	21 15 57 50 57 15	MR48 MR48 MR48 MR48 MR44 MR48	M26			13820113 13820102	46/13 15	2S567 2N509				7	6Q7G, 6SC7G, 6N7G, *6L6G, *6W5G		13-109	
8904 (138.230).....	Vol. Mike Tone Phono.	13824500M6 138241000M1 13824500M6	15 1 50	MR48 UM159-SS1 MR48				13820121 13820108 13820102 1382025	46 46/13 15 15	HD684 3S584 2N509 TC26				8	*6Q7GT, *6SC7, 6J5GT, *6L6G, 5V4G		13-40	
8906, 8907, 8908, 8909, 8910, 8911 8912, 8913, 8914 (Ch. 138.100).....	Vol. Mike Phono. Tone	13824201 13824201 13825204	15 50 21	MR48 MR48 MR48				13820107 13820115 13820106	46 46 15	TC71 2N518 TC26				5	6J7G, 6Y7G, *6V6G, 5V4G		14-97	
8915, 8916, 8917, 8918, 8919, 8920 (138.120).....	Vol. Mike Phono. Tone		15 50 57	MR48 MR48 MR33				13820113	46	RM262				6	6J7G, *6N7G, 6W5G, *6L6G		14-81	

† Data not substantiated.

\* IMPORTANT: Read Notes in Note Section if specified in Note Column.

‡ Indicates miscellaneous section.

MANUFACTURER AND MODEL	CONTROLS							CONDENSERS				VIBRATORS			No. Tubes	Complete Tube Complement	I. F. Peak	Rider's Reference
	Use	Original Part	Circuit	Correct Replacement	Switch	Bias	*Note	Original Part	Circuit	Correct Replacement	*Note	Original Part	Replacement	*Note				
SEARS-ROEBUCK	Continued																	
8922, 8923, 8924, 8925 (138.110)	Vol. Phono. Tone	13824202 13824201 13824201	15 50 1	MR48 MR48 MR48				13820107 13820108 13820102 13820106	46 46 15 15	TC71 3S584. TN111 TC26					7	*6J7G, *6N7G, *6L6G, 5V4G		
8928, 8930, 8950 (138.190, 1, 2, 3)	Mike Tone Phono.	13824500M6 13824250M1 1382450M1	15 21 50	MR48 MR44 MR33			13820113 13820102	3/13 15	2S567. 2N509		490.	Order from Mfr.		10	*6J7, 6N7, *6C5, *6L6, *6W5		13-111, 112	
8935, 8936, 8937, 8938, 8939, 8940, 8941, 8942 (138.180)	Mike Phono. Tone	13824500M6 13824500M6 1382450M1 13824250M1	15 50 21 21	MR48 MR48 MR33 MR44			13820121 13820108 13820102	46 46/13 15	RS224 3S584. TN111					9	*6J7G, 6N7G, 5V4G, *6C5G, *6L6G		14-82	
8960 (Amplifier) (138.140)	Mike Inst. Vol.		15	MR48 MR48			13820108 13820106	46 15	3S584. TC22					5	*6J7, 6Y7, 6L6, 80		13-110	
12816, 12817, 12818, 12819, 12820, 12821, 12822, 12823 (138.210)	Mike Bass Phono. Treble Master	13824500M6 13824500M6 13824500M6 13824250M1 13824500M6	15 57 50 57 15	MR48 MR48 MR48 MR44 MR48			13820113 13820102	46/13 15	2S567. 2N509					7	6Q7G, 6SC7G, 6N7G, *6L6G, *6W5G		13-109	
12860, 12861, 12862 (138.150)	Vol. Tone Phono.	N103 P118 P103	15 21 50	MR48 MR50 MR48	M26		8-8 8-8	46 46	TCD71 TCD71					5	6J7G, 6Y7G, *6V6G, 5V4G		14-98	
12865, 12866, 12867 (138.111)	Vol. Tone Phono. Mic.	N103 NT121 N103 N103	15 121 50 15	MR48 MRT443 MR48 MR48			8-8 8-8	46 46/13	TCD71 TCD71					7	*6J7G, 6SC7, 6N7G, *6L6G, 5V4G		14-83	
12870 (138.250)	Vol. Tone	N103 P118	15 21	MR48 MRT460 MR50			20	15	TC26					7	6J5G, 6H6G, 6SA7G, 6N7G, *6L6G, 5V4G		14-64	
12874, 12875 (138.007)	Vol. Tone	N103 P118	15 21	MRT460 MR50			8-8 20	1 15	TCD71 TC26					3	6SC7, 6L6G, 5Y3G		14-83	
SENTINEL RADIO C 5-Tube Battery	ORP. (A) Vol. Fil. Vol. Tone	iso see Erla 9611 9624 1495 1732	71 29 18 44	MR21 R. MR48 MR44		EX250								5	*32, 34, 33, 30	465		
6A	Vol. Tone	1495 1732	18 44	MR48 MR44	M26		1477 1476 1110 1693	1 13 15	RS215 RS216 TC70 TC22					9	*6D6, *76, 75, *41, 80	465	8-1,2	
8, 9, 10M	Vol. Vol.		6 17	MR21 UM154	M26		2-1-1 1188 8876	3 1 15	See Note 2N518 TC22	B1	1893	294	C3	8	*24A, 27, *45, 80		3-1	
10MF	Vol.	1145	17	UM154	M26		1188 8876 .02	1 15	2N518 TC22 Buffer	B14	1893	294	C3	5	6A7, 6D6, 6B7, 41, 84	370	8-5	
11, 12, 15, 16, 11M	Vol. Vol. Tone	1145 1950 2220	6 18 34	MR18 UM154 MR44	M26		1188 8876 .02	1 15	2N518 TC22 Buffer	B14 B8	1974	294	C3	7	*24A, *24A, 80		1-1	
14A	Vol. Tone	2220 1732	18/7 44	DRP314 MR44	6-9		1477 1476 1110 1693	1 1 13 15	RS215 Buffer RS216 TC70 TC22	B14				6	*6D6, 6A7, 75, 41, 84	465	8-6	
19A	Vol. Tone	2055 2056	18 34	MR48 MR33	M26		1477 1476 1110	24 24 13	RS215 RS216 TC70					6	6A7, 6D6, 75, *42, 80	465	8-7	
20A	Vol. Tone	2055 2162	18 22	MR48 MR29	M26		1477 1476	25 25	RS215 RS216					5	6A7, 6D6, 75, 42, 80	465	7-1	
30A	Vol.	1835	6	MR24	M26	EX200	1258 1260 8876	25 25 15	RS213 RS213 TC22					4	6D6, 6C6, 42, 80		8-8	
31, 33, 31B	Vol. Vol. Tone	2198 2282 2239	10 45 22	D12 UM154-SS16 MR33			5-1-2 2272 .02	3 1	See Note TCD55 Buffer	B1	2269	245A	C3	7	*26, 27, 45, 80		2-8	
32B, 33B	Vol. Vol. Tone	2239 2290 2162	18 18 22	MR48 MR48 MR29	M27 M23-24		2289	12	TC42					4	1C6, 34, 1B5, 33	465	8-9	
34B	Vol. Tone	2260 2239	18 57	MR48 MR48	M27		2272 .02	1	TCD55 Buffer	B14	2269	245A	C3	5	1C6, 34, 1B5, 30, 19	465	8-10	
35B	Vol. Tone	2198 2331	45 22	UM154-SS16 MR33			2289	12	TC42					6	1C6, *34, *30, 19	465	8-11	

† Data not substantiated.

\* IMPORTANT: Read Notes in Note Section if specified in Note Column.

‡ Indicates miscellaneous section.

MANUFACTURER AND MODEL	CONTROLS							CONDENSERS				VIBRATORS			No. Tubes	Complete Tube Complement	I. F. Peak	Rider's Reference
	Use	Original Part	Circuit	Correct Replacement	Switch	Bias	*Note	Original Part	Circuit	Correct Replacement	*Note	Original Part	Replacement	*Note				
SENTINEL RADIO C	OR P.	Continued																
36L	Vol. Tone	2055 2162	18 44	MR48 MR29	M26										6	6A7, 6D6, 75, 76, 748.	465	8-12
37B	Vol. Tone	2239	18	MR48											4	1C6, 34, 1B5, 33, 5E1	465	8-13
38B	Vol. Tone	2290 2162	18 22	MR48 MR29	M23-24		2289.	13	TC42						5	1C6, 34, 1B5, 30, 19	465	8-14
39B	Vol. Tone	2198 2131	18 22	UM154-SS16 MR33	M23-24		2289.	13	TC42						6	1C6, 34, 30, 19	465	8-15
40B	Vol. Tone	2198 2199	18 34	UM154-SS16 MR33	M26		1477 1476	25 25	RS215 RS216						6	6A7, 6D6, 6H6, 6F5, 42, 80	465	8-16
44A	Vol. Tone	2198 2199	75 34	UM154-SS16 MR33	M26		1477 1476	25 25	RS215 RS216						6	6A7, 6D6, 6H6, 6F5, 42, 80	465	9-7,8
46A	Vol. Tone	2198 2199	18 44	UM154-SS16 MR33	M26		1477 1476	25 25	RS215 RS216						8	6A7, 6K7, 75, 6C5, 6E5, 6F6, 80	465	9-9,10
47A, 47AE	Vol. Tone	2699 2700	20 22	TM228-SS16 MR33	M26		1110 3167	13 25	TC70 RS223						11	6K7, 6L7, 6J7, 6H6, 6G5, 6C5, 6F6, 5Z3	465	7-5,6
48A	Vol. Tone	2624 2625	7 22	E MR33	M26	3	2627	1/15	3S579						5	6A7, 6D6, 76, 41, 80	465	8-17
49B	Vol. Tone	2239 2282	18 22	MR48 MR33	M27		2272 .02	1	TC22	B14	2269.	245A	C3		5	1C6, 34, 6B7, 30, 19	465	8-18
50B	Vol. Tone	2198 2282	45 22	UM154-SS16 MR33	M27		2272 .02	1	TC22	B14	2269.	245A	C3		7	1C6, 34, 30, 19	465	8-19,20
52A	Vol. Tone	2239 2199	18 22	MR48 MR33	M26		2627	1/15	3S579						5	6A7, 6D6, 75, 41, 80	465	8-21
53A	Vol. Tone	2198 2199	18 44	UM154-SS16 MR33	M26		1477 1476	1 1	RS215 RS216						8	6A7, 6K7, 75, 6E5, 6C5, 6F6, 80	465	8-22
54A	Vol. Tone	2239 2199	18 22	MR48 MR33	M26		2627	1/15	3S579						5	6A7, 6D6, 75, 41, 80	465	8-23
55U	Vol. Tone	2775	18	MR48	M26		12-20	27	TCS45						5	6A7, 6D6, 75, 43, 25Z5	465	8-24
56U	Vol. Tone	2055 2373	75 22	MR48 MR33	M26		2159	11	TCS45/TC42						8	6A8, 6K7, 6H6, 6E5, 6F5, 25A6, 25Z6	465	10-3
60B	Vol. Tone	2239	18	MR48											4	1C6, 34, 1F6, 33, 5E1	465	8-25
63B	Vol. Tone	2239 2239	18 22	MR48 MR48			3060 1693	1 15	2N518 TC22		3069.	245A	C3		4	15, 75, 41	465	8-26
65B	Vol. Tone	2239 2331	18 22	MR48 MR33	M23-24		.01 3150	12	Buffer RS216	B14					5	1C6, 34, 1F6, 30, 19, 5H1	465	8-27
66B	Vol. Tone	2966 2965	45 44	TM234-SS16 MR33	M26		3060 3159 8876 .02	1 13 15	2N518 TC70 TC22 Buffer		3069.	245A	C3		8	15, 6A7, 76, 6E5, 19	465	9-3,4
67L	Vol. Tone	2239	18	MR48											6	6A7, 6D6, 75, 76, 748.	465	10-5
68B, 68BE	Vol. Tone	2199 2239 2199	22 45 22	MR33 MR48 MR33	M26		3060 1693 .02	1 15	2N518 TC22 Buffer		3069.	245A	C3		6	6A7, 15, 76, 19	465	10-6
69U	Vol. Tone	3171	6	MR21	M26	EX250	3013 1693	27 15	TCS45 TC22	B14					4	6D6, 6C6, 43, 25Z5, L55B		
70A	Vol. Tone	3024	7	E	6-9	3	3041	1	2N518						5	6A7, 6D6, 76, 41, 80	465	8-28
71U	Vol. Tone	2775	17	MR48	M26		20-12	27	TCS45						5	6A7, 6D6, 75, 43, 25Z5	465	8-31
72A, 72AE	Vol. Tone	2775 3545	17 22	MR48 MR33	M26		3041	1	2N518						6	6A7, 6D6, 75, 41, 80, 6G5	465	9-13
73B	Vol. Tone	3671 3545	15 22	MR48 MR33			3060 1693	1 15	2N518 TC22		3698.	245A	C3		5	6D8G, 6S7G, 6L5G, 41	465	10-7
74A, 74AE	Vol. Tone	2775 3545	15 22	MR48 MR33	M26		3718 1693	1 25	Buffer 2N518 TC22	B14					6	6A7, 6D6, 75, 41, 6G5, 80	465	9-15
76A	Vol. Tone	3403	20	TM251-SS16			3167 3041 1110 1693	15 25/13 13 20	RS223 2N518 TC70 TC22						11	6K7, 6A8, 6J7, 6H6, 6C5, 6F6, 80	465	9-17,19
78B, 78BE	Vol. Tone	3761 2199	15 22	UM154-SS16 MR33	M26		3060 1693 .03	1 15	2N518 TC22 Buffer		3698.	245A	C3		7	6D8G, 6S7G, 6L5G, 19, 6N5	465	10-9
80B	Vol. Tone	2239	17	MR48											4	1C6, 34, 1F6, 33, 5E1	465	10-11
82A, 82AE	Vol. Tone	3761 2199	17 22	UM154-SS16 MR33	M26		3718 1693	1 15	2N518 TC22						7	6A7, 6D6, 75, 41, 6G5, 80, 76	465	9-21,22
83UE	Vol. Tone	3761 2199	15 22	UM154-SS16 MR33	M26		3638	4	TC48/TC42						7	6A7, 6D6, 76, 6C6, 43, 6G5, 25Z5	465	10-13
84A, 84AE	Vol. Tone	3761 2199	17 22	UM154-SS16 MR33	M26		3718 1693	1 15	2N518 TC22						6	6A7, 6D6, 75, 41, 6G5, 80	465	
85U, 85UE	Vol. Tone	2775 3545	17 22	MR48 MR33	M26		3638	27	TC48/TC42						5	6A7, 6D6, 75, 43, 25Z5, M49B, or 6A7, 6D6, 75, 6G5, 43, 25Z5, M42B	465	
86AE	Vol. Tone	4078 2199	17 44	TM251-SS16 MR33	M26		3718 1108	1 13	2N518 TC70						8	6A8G, 6K7G, 6Q7G, 6C5G, 6K6G, 6G5, 5Y4G	465	9-20 10-15

† Data not substantiated.

\* IMPORTANT: Read Notes in Note Section if specified in Note Column.

‡ Indicates miscellaneous section.

USE MALLORY CAPACITORS—STANDARD OF THE INDUSTRY.

MANUFACTURER AND MODEL	CONTROLS							CONDENSERS				VIBRATORS			No. Tubes	Complete Tube Complement	I. F. Peak	Rider's Reference
	Use	Original Part	Circuit	Correct Replacement	Switch	Bias	*Note	Original Part	Circuit	Correct Replacement	*Note	Original Part	Replacement	*Note				
SENTINEL RADIO CO 87AE	OR P. Vol.	Continued 4186	20	TM251-SS16				4261 4262 1693 4188 1693 .03	1 1 15 1 15	RS223 RS216 TC22 2S569 TC22 Buffer					9	*6K7, 6A8, 6Q7, 6C5, 6G5, *6F6, 5Y3G	465	10-17
88BE	Vol.	4186	15	TM251-SS16								3698	245	C3	8	*6S7G, 6D8G, *6L5G, 19, 6N5	465	10-19,20
90B 91B	Vol. Vol.	2239 3761	17 17	MR48 UM154-SS16				3150 1693	12 19	RS216 TC22					4 7	1C6, 34, 1F6, 33, 5E1 1C6, 34, *30, 1B4, 4H1	465 465	9-23,24 10-21
92AE	Vol. Tone	3761 2199	17 22	UM154-SS16 MR33	M26			3718 1693	1 15	2N518 TC22					6	6A7, 6D6, 75, 41, 6C5, 80	465	
93L	Vol. Tone	3761 2199	17 22	UM154-SS16 MR33	M26										6	6A7, 6D6, 75, 76, *48	465	9-25,26
95B	Vol. Tone	3761 2331	17 44	UM154-SS16 MR33	M23-24			3150 1693	12 19	RS216 TC22					6	1C6, 34, 1F6, *30, 4-1	465	10-24
96BE	Vol. Tone	2775 3545	15 22	MR48 MR33	M26			3060 1693 .03	1 15	2N518 TC22 Buffer		3698	245A	C3	6	6D8G, *6S7G, 6L5G, 41, 6N5	465	10-25
97L	Vol. Tone	3879 3880	17 44	UM154-SS16 MR33											9	*6D6, 6A7, 75, 76, *48	465	9-27
98AE	Vol. Tone	2775 3545	15 22	MR48 MR33	M26			3718	1	2N518					7	6A7, 6D6, 76, 75, 6G5, 41, 80	465	10-27,28
99AE	Vol.	4304	20	TM251-SS16				4261 4321 1110 1693	1 13/15 13 15	RS223 2N518/TC39 TC70 TC22					10	*6K7, 6L7, 6J7, 6H6, 6C5, 6N7, *6L6, 5Z3	465	10-29
100X	Vol. Tone	3671 3545	17 22	MR48 MR33				4096 1693 .02	1 15	2N518 TC22 Buffer		4105	294	C3	5	6D8G, 6S7G, 6T7G, 41, 6ZY5G	465	9-29
104 106A	Vol. Vol.		6 18	MR18 MR48	M26			15-5 4140	2 23	3S584 2S567	B14 B8				7 5	27,*45,*24A, 80 6A8G, 6K7G, 6Q7G, 6K6G, 5Y4G	465 175	1-1 10-32
106B	Vol. Tone		6 34	MR18 MR33				16-8	2	3S584	B8				8	*24A,*27,*45, 80	175	1-2
107AE	Vol. Tone	4408 4409	17 22	MR48 MR33	M26			3718	1	2N518					6	6A7, 6D6, 75, 41, 6G5, 80	465	10-34
108	Vol. Tone		6 22	MR39 MR33				8-16	31	3S584	B8				7	*24A, 27, 45, 80	175	1-3
108A	Vol. Tone		7 22	F MR33				8-8	34	See Note	B3				7	*35, 27,*24A, 47, 80	175	2-1,2
109	Vol. Tone		7 22	F MR33				16 8	34 34	RS216 RS213					8	*24, 27,*35,*47, 80	175	2-3
110	Vol. Tone		7 22	F MR33				8, 8	34 34	RS213 RS213					7	27,*35,*24A, 47, 80	175	2-1,2
110A	Vol.	3403	20	TM251-SS16				3167 3041 1110 1693	25 25/13 13 20	RS223 2N518 TC70 TC22					11	*6K7, 6A8, 6J7, 6H6, *6C5,*6F6, 80	465	10-37,38
111 114	Vol. Vol.		7 15	F MR48	M26			8, 8 7078	4 34	RS213 RS215					4 9	47, 24A, 35, 80 *47,*24A,*35,*27, 80	175	2-4 2-5 & 5-1
116 118	Vol. Vol.	7037 7864	44 109	MR33 MR15		EX200		7051 8, 8	34 4	RS213 RS213	B3				5	*24, 35, 47, 80	465	7-22
118B	Vol.	7037	22	MR33	M26			7078 7051	34 34	RS215 RS213					10	*27,*35,*24A,*47, 80	175	5-3,4
118B	Vol.	4803	18	MK401	M23-24			1693	19	TC22					4	1A7G, 1N5G, 1H5G, 1A5G	455	10-40
119B	Vol.	4839	18	MK401	M26			4841 1693 .03	24 15	2N509 TC22 Buffer		3698	245	C3	4	6D8G, 6S7, 6T7G, 6G6G	455	10-41,42
124A, 124AE	Vol.	4839	18	MK401	M26			4772 1693 6-4-4	1 15 3	2N518 TC22 See Note	B3				6	6A8G, 6K7, 6Q7G, 6U5, 6K6G, 5Y4G	455	10-43,44
125	Vol. Tone		64 22	MR48 MR33				20	16	TC26					8	*24A,*35, 27, 47, 80	175	5-5
125AE	Vol. Tone	10012 10013	18 22	MK401 UM133-SS25				3718 1693	1 15	2N518 TC22					6	6K8, 6K7, 75, 41, 6U5, 80	455	10-45
127B	Vol.	4871	18	UM154-SS22				1693	19	TC22					4	1A7G, 1N5G, 1H5G, 1A5G	455	10-47,48
128B	Vol. Tone	4803 4862	45 22	MK401 UM133-SS25	M23-24			1693	19	TC22					5	1C7G, 1D5GP, 1H4G, 1E5GP, 1G5G, 4-1	455	10-49
130B, 130BE	Vol. Tone	4871 4872	45 22	UM154-SS22 UM133-SS22	M26			4841 1693 .03	24 15	2N509 TC22 Buffer	B14				5	6D8G, 6S7, 6L5G, 6T7G, 6G6G	455	10-51,52
137U	Vol.	4894	6	UM133-SS18	M26	EX250		4895 4896	4 4	TC47 TC42					4	6K8, 6J7, 25L6, 25Z6, L55B/L5A	455	10-61
138AE	Vol. Tone	10057 10058	80 80	TM251-SS25 TM261-SS25	M26			10102 10245 10188	1 14 15	3S584 TC71 TC29	B8				7	*6K7, 6K8, 6Q7G, 6V6G, 6U5, 5Y4G	455	10-53
139UE	Vol. Tone	10057 10058	80 80	TM251-SS25 TM261-SS25	M26			50-32	25	See Note	B3				8	*6K7, 6K8, 6R7, *25L6G, 6U5, 25Z6G, 10233	455	10-55

† Data not substantiated.

\* IMPORTANT: Read Notes in Note Section if specified in Note Column.

‡ Indicates miscellaneous section.

MANUFACTURER AND MODEL	CONTROLS							CONDENSERS				VIBRATORS			No. Tubes	Complete Tube Complement	I. F. Peak	Rider's Reference
	Use	Original Part	Circuit	Correct Replacement	Switch	Bias	*Note	Original Part	Circuit	Correct Replacement	*Note	Original Part	Replacement	*Note				
SENTINEL RADIO CORP.— 140B, 140BE	Continued Vol. Tone	10057 10058	124 21	TM251-SS25 TM261-SS25				10036 1693 .05	24 15	2S569 TC22 Buffer 2S567		3698	245	C3	7	6S7, 6K8, 6T7G, 6G6G, 6Z7G, 6N5.	455	10-57
141AE	Vol. Tone	4871 4872	18 22	UM154-SS22 UM133-SS22	M26			10158	23	2S567	B14				6	6K8, 6K7, 6Q7G, 6K6G, 6U5, 5Y4G.	455	10-59
142A, 142AE	Vol. Tone	4871 4872	18 22	UM154-SS22 UM133-SS22	M26			10158	4	2S567					6	6K8, 6K7, 6Q7G, 6K6G, 6U5, 5Y4G.	455	10-62
143L	Vol. Tone	4871 4872	127 22	UM154-SS22 UM133-SS22	M26										5	6K8, 6K7, 6Q7G, 6C5G, 25L6G.	455	10-63,64
144X, 144XE	Vol. Tone	4871 10148	18 22	UM154-SS22 UM133-SS22	M27			4096 1693 .03-.03	1 15	2N518 TC22 Buffer RS223 2S569 TC22	B14	4105	294	C3	6	6D8G, 6S7G, 6T7G, 6D6G, 6Z5G, 6U5	455	10-65
145AE	Vol.	10227	124	TM251-SS25				10470 10102 1693	3 3 15	TC22 RS223 2S569 TC22					11	6K7, 6K8, 6Q7G, 6C5G, 6L6, 6AE6G, 6AF6G, 5Z3.	455	10-67
147U	Vol.	10204	18	UM154-SS18	M26			4895	25	TC47					5	6A8, 6K7, 6Q7, 25L6, 25Z6	455	10-69
148A	Vol.	4839	18	MK401	M26			10245	25	TC71					5	6A7, 6K7, 6Q7G, 41, 80	455	10-71,72
149A, 149AE	Vol.	4839	18	MK401	M26			10245	25	TC71					6	6A7, 6K7, 6Q7G, 41, 80, 6U5.	455	10-79
151BL	Vol.	10441	18	MK401	M27			1693	19	TC22					4	1A7G, 1N5G, 1H5G, 1A5G.	455	10-73
158AE	Vol. Tone	10057 10058	80 80	TM251-SS25 TM261-SS25	M26			10102 10245 10188	1 13 15	3S584 TC71 TC29	B8				8	6K8, 6K7, 6C5G, 6F5G, 6V6G, 6U5, 5Y4G.	455	10-75
163UL	Vol.	4839	18	MK401	M26			4895	4	TC47					5	6A7, 6D6, 75, 25L6G, 25Z5, 1A9B.	455	10-77
167U	Vol.	10204	18	UM154-SS18	M26			10245	25	TC71					5	6A8, 6SK7, 6SQ7, 25L6, 25Z6	455	10-80
168B	Vol. Tone	10441 11098	18 22	MK401 Order from Mfr.	M27			1693	19	TC22					5	1A7G, 1N5G, 1H5G, 1A5G.	455	11-7,8
175B	Vol.	11132	18	MK401	M27			1693	19	TC22					4	1A7G, 1N5G, 1H5G, 1A5G.	455	11-9,10
176B	Vol. Tone	10441 11098	45 22	MK401 Order from Mfr.	M27			1693	19	TC22					6	1A7G, 1N5G, 1A5G, 1H5G.	455	11-11,12
177U	Vol.	10204	18	UM154-SS18	M26			4895	25	TC47					5	6A8GT, 6K7GT, 6Q7, 25L6GT, 25Z6GT.	455	10-82
178BL	Vol.	10441	18	MK401	M27			1693	19	TC22					4	1A7G, 1N5G, 1H5G, 1A5G.	455	10-83
180XL	Vol.	4871	18	UM154-SS22				10847 9196	1 78	FP214 TC26					5	1A7G, 1N5G, 1H5G, 1Q5G, 35Z4GT.	455	11-13
181BL	Vol.	10772	18	MK401	M27			1693	19	TC22					4	1A7G, 1N5G, 1H5G, 1Q5G.	455	11-15
184U, 184UE	Vol. Tone	4871 4872	18 22	UM154-SS22 UM133-SS22	M26			11070	4	TC49					6	12A8GT, 12SK7, 12SQ7, 35L6GT, 6AB5, 35Z5GT.	455	11-17
185A, 185AE	Vol. Tone	4871 4872	18 22	UM154-SS22 UM133-SS22	M26			11031 1693	1 15	FP390 TC22	B69				6	6K8, 6SK7, 6SQ7, 6K6G, 6U5, 5Y4G.	455	11-19
186B, 186BE	Vol. Tone	4871 4872	45 22	UM154-SS22 UM133-SS22	M26			11150 1693 .03	1 15	FP371 TC22 Buffer	B14	3698	245A	C3	6	6D8G, 6S7, 6L5G, 6T7G, 6G6G, 6AB5	455	11-21,22
189L	Vol. Tone	4871 4872	18 44	UM154-SS22 UM133-SS22	M26			11080 1693	12 19	TC39 TC22					6	6K8, 6SK7, 6SQ7, 6J5G, 25L6G.	455	11-23,24
191B, 191BE	Vol. Tone	11301	124 140	TM251-SS22 †		See Note A19		30-10 10 .03	1 15	FP228 TC22 Buffer		3698	245A	C3	7	6S7, 6K8, 6T7G, 6G6G, 6Z7G, 6AB5	455	11-27,28
194UL, C194UL, RC194UL	Vol.	11389	18	MK401	M26			11493	24	FP214					5	12SA7, 12SK7, 12SQ7, 50L6GT, 35Z5GT.	455	11-31
1UC194UL, RC1U194UL, 1U194UL	Vol.	11389	18	MK401	M26			11494	24	FP214					5	12SA7, 12SK7, 12SQ7, 50L6GT, 35Z5GT.	455	11-3
195UL	Vol.	11359	18	MK401	M26			11493	24	FP214					5	12SA7, 12SK7, 12SQ7, 50L6GT, 35Z5GT.	465	11-33
1U195UL	Vol.	11359	18	MK401	M26			11493	24	FP214					5	12SA7, 12SK7, 12SQ7, 50L6GT, 35Z5GT.	465	11-5
197X	Vol. Tone	4871 10148	18 22	UM154-SS22 UM133-SS22	M27			11150 1693 .02	1 15/19	FP371 TC22 Buffer	B14	4105	294	C3	5	6D8G, 6S7, 6T7G, 6G6G, 6Z5G	455	11-35,36
198A, 198AE	Vol. Tone	11434 11435	124 †	TM251-SS22 TM248-SS22	M26			11324	1	FP234					8	6SA7, 6SK7, 6SQ7, 6K6G, 6SF5, 5Y4G, 6AB5.	455	11-37
199A, 199AE	Vol. Tone	11789 11790	124 140	TM251-SS25 TM261-SS25	M26			20-20 8	1 13	FP234 TC42					12	6K8, 6SK7, 6H6, 6C5, 6SF5, 6K6G, 6AB5, 5Y4G.	455	11-39-41
200X	Vol. Tone	10441 11098	18 22	MK401 Order from Mfr.	M27			11502 11508 1693	4 4 19	2N514 FP214 TC22	B8 B69				5	1A7G, 1N5G, 1H5G, 1A5G, 25Z6G.	455	11-43,44

† Data not substantiated.

\* IMPORTANT: Read Notes in Note Section if specified in Note Column.

‡ Indicates miscellaneous section.

12 BASIC MALLORY VIBRATORS MEET 90% OF YOUR REPLACEMENT NEEDS.

MANUFACTURER AND MODEL	CONTROLS							CONDENSERS				VIBRATORS			No. Tubes	Complete Tube Complement	I. F. Peak	Rider's Refer- ence
	Use	Original Part	Cir- cuit	Correct Replacement	Switch	Blas	*Note	Original Part	Cir- cuit	Correct Replacement	*Note	Original Part	Replac- ement	*Note				
SENTINEL RADIO C 201XL.....	ORP.— Vol.	Continued 10441.....	18	MK401....	M27			11493..... 9196..... 1693.....	1 78 15	FP214..... TC26..... TC22.....				5	1A7G, 1N5G, 1H5G, 1A5G, 35Z5GT..	455	11-45,46	
202BL.....	Vol.	11631.....	18	MK401....	M27									5	1A7G, 1N5G, 1H5G, 1A5G	455	11-47	
203UL.....	Vol. Tone	4839..... 4862.....	18 22	MK401.... UM133-SS25	M26			11411.....	4	TC47				6	12SA7, 12SK7, 12SQ7, 35L6GT, 35Z5GT..	455	11-49	
204A, 204AE, RC204A, RC204AE.....	Vol.	4839.....	18	MK401....	M26			10625.....	4	TC71				6	6SA7, 6SK7, 6SQ7, 6F6G, 6U5, 5Y4G..	455	11-51,52	
205BL.....	Vol.	11580.....	18	UM154-SS18	M27			1693.....	19	TC22				4	1A7G, 1N5G, 1H5G, 1A5G	455	11-53	
206A, 206AE, RC206A, RC206AE.....	Vol.	4839.....	18	MK401....	M26			10625.....	4	TC62				6	6SA7, 6SK7, 6SQ7, 6F6G, 6U5, 5Y4G..	455	11-55	
207U, 207UE.....	Vol. Tone	11301..... 10058.....	124 140	TM251-SS22 TM261-SS25	M26			10113..... 1108.....	1 13	*TC49 TC70				8	*6SK7, 6K8, 6R7, *25L6G, 25Z6G, 6U5	455	12-9,10	
210B.....	Vol.	11132.....	18	MK401....	M27			1693.....	19	TC22				4	1A7G, 1N5G, 1H5G, 1A5G	455	12-11,12	
211U.....	Vol.	11389.....	18	MK401....	M26			11493.....	24	FP214				5	12SA7, 12SK7, 12SQ7, 50L6GT, 35Z5GT..	455	12-13,14	
212UL, 1U212UL, 212, 1U212.....	Vol.	12033.....	18	MK401....	M26			12001.....	1	2N521				6	*12SK7, 12SA7, 12SQ7, 50L6GT, 35Z5GT..	455	12-1,2	
213XL, 1U213XL, 213P.....	Vol.	12075.....	18	UM154-SS18	M27			12001..... 12179.....	1 78	2N521 TC29				5	1A7GT, 1N5GT, 1H5GT, 1T5GT, 11Z6G	455	12-3,4	
214UL, 1U214UL, 214U, 1U214U.....	Vol.	11359.....	18	MK401....	M26			12055.....	24	2N521				5	12SA7, 12SK7, 12SQ7, 50L6GT, 35Z5GT..	455	12-5	
216, 216J.....	Vol. Tone Mike	10227..... 12131..... 12132.....	124 † †	TM251-SS25 TM261-SS25 MK401	M26			12139..... 9196.....	1 15	FP214 TC26	B197			7	6SA7, 6SK7, *6SQ7, 6U5, 6F6G, 5Y3G..	455	12-15-17	
217, 217P.....	Vol.	12525.....	18	Order from	Mfr.			12001..... 12179.....	1 78	2N521 TC29				6	1P5GT, 1A7GT, 1N5GT, 1H5GT, 3Q5GT, 11Z6G/GT	455	12-18,19	
218UL, 1U218UL.....	Vol.	11359.....	18	MK401....	M26			12055.....	24	2N521				5	12SA7, 12SK7, 12SQ7, 50L6GT, 35Z5GT..	455	12-7,8	
219, 219P.....	Vol.	12525.....	18	Order from	Mfr.			12001..... 12179.....	1 78	2N521 TC29				6	1P5GT, 1A7GT, 1N5GT, 1H5GT, 3Q5GT, 11Z6G/GT	455	12-18,19	
220.....	Vol. Tone	12132..... 12350.....	18 22	MK401.... MK401....	M26			12355.....	1	FP390	B197			8	6SA7, 6SK7, 6SQ7, 6SF5, *6K6G, 6U5, 5Y3G	455	12-20,21	
221.....	Vol. Tone	12132..... 12350.....	18 22	MK401.... MK401....	M26			12400.....	1	FP390	B224			9	6SA7, 6SK7, 6SQ7, 6SF5, *6K6G, 6SJ7, 6U5/6G5, 5Y3G..	455	12-22-24	
226, 1U226.....	Vol.	11389.....	18	MK401....	M26			11493..... 11494..... 12750.....	24 24 12	FP214 FP214 TC44				5	12SA7, 12SK7, 12SQ7, 50L6GT, 35Z5GT..	455	13-1,2	
227.....	Vol.	12604.....	18	MK401....			A27							4	1R5, 1T4, 1S5, 1S4...	455	13-3,4	
228.....	Vol.	13014..... 11631.....	18 18	MK403.... MK401....			A4							4				
228.....	Vol.	11631.....	18	MK401....	M27			12960..... 12179.....	24 15	2N521 TC29				6	*1P5GT, 1A7GT, 1H5GT, 3Q5GT, 50Z7G	455	13-5,6	
230.....	Vol.	12537.....	124	TM251-SS25	M26			11324.....	1	FP234				9	*6SK7, 6K8, 6SQ7, 6SF5, *6V6G, 6U5/ 6G5, 5Y3G	455	13-7,8	
231.....	Vol.	11035.....	18	Order from	Mfr.			12001..... 12179.....	24 78	2N521 TC29				6	1A7GT, 1P5GT, 1N5GT, 1H5GT, 3Q5GT, 35Z4GT..	455	13-9,10	
232.....	Vol.	12033.....	18	MK401....	M26			11031..... 1693.....	1 19	FP390 TC22	B69			6	6SA7, 6SK7, 6SQ7, 6K6G, 5Y3G, 6U5/6G5	455	13-11,12	
233.....	Vol.	13014.....	18	MK403....				12750.....	12	TC44				4	1R5, 1T4, 1S5, 1S4...	455	13-3,4,19	
235.....	Vol. Tone	12462..... 12461.....	18 22	MK401.... MK401....	M26			11031..... 1693.....	1 15	FP228 TC22				6	6K8, 6SK7, 6SQ7, 6K6G, 6U5/6G5, 5Y3G	455	12-27,28	
236.....	Vol. Tone	12462..... 12461.....	18 22	MK401.... MK401....	M26			11150..... 1693.....	1 15	FP228 TC22		3698	245A	C3	6	6K8, 6S7, 6L5G, 6T7G, 6G6G, 6AB5	455	12-29, 30,34
237.....	Vol. Tone	12462..... 12480.....	18 22	MK401.... MK401....	M27			11150..... 1693..... 02	1 19/15	Buffer FP228 TC22	B14	4105	294	C3	6	6K8, 6S7, 6T7G, 6G6G, 6AB5, 6ZY5G	455	12-30, 31,34
238.....	Vol.	11359.....	18	MK401....	M26			12055.....	24	Buffer 2N521	B14			5	12SA7, 12SK7, 12SQ7, 50L6GT, 35Z5GT..	455		
240.....	Vol.	10772.....	18	MK401....	M27			1693.....	19	TC44				4	1A7GT, 1N5GT, 1H5GT, 1A5G/GT	455	12-32,36	
241.....	Vol.	12381.....	18	MK401....	M27			1693.....	19	TC44				4	1A7GT, 1N5GT, 1H5GT, 1A5G/GT	455	12-35,36	

† Data not substantiated.

\* IMPORTANT: Read Notes in Note Section if specified in Note Column.  
THERE'S A PLACE FOR A MALLORY NOISE FILTER IN EVERY HOME.

‡ Indicates miscellaneous section.

MANUFACTURER AND MODEL	CONTROLS							CONDENSERS				VIBRATORS			No. Tubes	Complete Tube Complement	I. F. Peak	Rider's Reference
	Use	Original Part	Circuit	Correct Replacement	Switch	Bias	*Note	Original Part	Circuit	Correct Replacement	*Note	Original Part	Replacement	*Note				
SENTINEL RADIO C 249	ORP. Vol.	Continued 13229	18	MK401	M26		A106	12055	24	2N521					6	12SK7, 12SA7, 12SQ7, 50L6GT, 35Z5GT	455	13-15,16
255	Vol. Tone	12462	18	MK401				11031	1	FP390	B69				6	6K8, 6SK7, 6U5 or 6G5, 6SQ7, 6K6G, 5Y3G	455	13-17,18
256	Vol. Tone	12461	22	MK401	M26			11150	15	TC22					6	6K8, 6S7, 6L5G, 6AB5, 6T7G, 6G6G	455	13-20,21
257	Vol. Tone	12462	18	MK401				11150	1	FP390	B69	3698	245	C3	6	6K8, 6S7, 6L5G, 6AB5, 6T7G, 6G6G	455	13-20,21
261, 262	Vol.	12480	22	MK401	M27			11150	1	Buffer	B14				6	6K8, 6S7, 6T7G, 6AB5, 6G6G, 6ZY5G	455	13-22
262 (Late)	Vol.	8883-0	15	MR48				8876	15	TC22	B14				5	39, 36, 85, 41	175	5-6,8
	Vol.	13324	18	Order from	Mfr.			13326	24	2N521					6	1N5GT, 1A7GT, 1H5GT, 3Q5GT, 117Z6GT	455	13-23,24
1U262	Vol.	13324	18	Order from	Mfr.			13326	24	2N521					6	1N5GT, 1A7GT, 1H5GT, 3Q5GT, 117Z6GT	455	13-23,24
263	Vol.	13441	18	MK401	M26		A106	13396	77	2N520					6	12SK7, 12SA7, 12SQ7, 50L6GT, 35Z5GT	455	13-25,26
1U263	Vol.	13441	18	MK401	M26		A106	13396	77	2N520					6	12SK7, 12SA7, 12SQ7, 50L6GT, 35Z5GT	455	13-25,26
264	Vol.	9070	15	MR48	M26			9110-0	1	2S567					6	58, 57, 55, 47, 80	175	
264 (Late)	Vol.	13441	18	MK401	M26		A106	8876-0	17	TC22					6	12SG7, 12SA7, 12SK7, 12SQ7, 50L6GT, 35Z5GT	455	13-27,28
264 (Late)	Vol.	13441	18	MK401	M26		A106	13396	77	2N520					6	12SG7, 12SA7, 12SK7, 12SQ7, 50L6GT, 35Z5GT	455	13-27,28
1U264	Vol.	13441	18	MK401	M26		A106	13396	77	2N520					6	12SG7, 12SA7, 12SK7, 12SQ7, 50L6GT, 35Z5GT	455	13-27,28
265	Vol.	12381	18	MK401	M27			1619	12	TC42					4	1A7GT, 1N5GT, 1H5GT, 1A5GT	455	13-29,30
267	Vol.	12297	18	MK401	M27			1619	12	TC42					5	1A7GT, 1N5GT, 1H5GT, 1A5GT	455	13-31,32
268	Vol. Tone	12132	106	MK401				13492	4	TC78					7	6SG7, 6SA7, 6SK7, 6SQ7, 6F6G, 6AD7G, 5Y3G	455	13-33,34
269T, 269C, 269F	Vol. Tone	12350	106	MK401	M26			13491	4	TC65					9	6SG7, 6SA7, 6SK7, 6H6, 6SF5, 6F6G, 5Y3G	455	15-1,5
271	Vol.	12381	18	MK401	M27			1693	20	TC44					4	1A7GT, 1N5GT, 1H5GT, 1A5GT	455	13-35,36
273	Vol.	12297	18	MK401	M27			1693	19	TC22					5	1A7GT, 1N5GT, 1H5GT, 1A5GT	455	13-37,26
275	Vol.	12381	18	MK401	M27			1619	12	TC42					4	1A7GT, 1N5GT, 1H5GT, 1A5GT	455	13-38,39
284GA, 1U284GA	Vol.	28E-1	161	MK401	M26		A123	25E1	80	FP214					5	12SA7, 12SK7, 12SQ7, 50L6GT, 35Z5GT	455	16-6,7
1U-284NA, 1U-284NT, 1U-284W	Vol.	28E-1	205	MK401	M26		A123	25E1	80	FP214					6	12SA7, 12SK7, 12SQ7, 50L6GT, 35Z5GT	455	15-6,8
L-284NA, L284N1, L-284NR, L-284W	Vol.	28E-1	205	MK401	M26		A123	25E1	80	FP214					5	14Q7, 14A7, 14B6, 50A5, 35Y4	455	16-8,10
284N1, 284W	Vol.	28E1	205	MK401	M26		A123	25E1	80	FP214					5	12SA7, 12SK7, 12SQ7, 50L6GT, 35Z5GT	455	15-6,8
285P, 1U-285	Vol.	28E6/28E12	18	MK402				25E1	24	FP214					6	1N5GT, 1A7GT, 1H5GT, 3Q5GT, 117Z6GT	455	16-12,13
1U-286	Vol.	28E14	18	Order from	Mfr.			25E4	78	WP520					4	1R5, 1T4, 1S5, 3Q4, D. R.	455	
286P, 286PR	Vol.	28E14	18	Order from	Mfr.			25E13	80	2N511					5	1R5, 1T4, 1S5, 3Q4, 117Z3	455	16-15,16
286PLR, 286PLI, 286PLT	Vol.	28E14	18	Order from	Mfr.			25E12	78	TC2501					4	1R5, 1T4, 1S5, 3Q4, D. R.	455	
289T	Vol.	28E2	18	MK401	M27			25E13	80	2N511					4	1R5, 1T4, 1S5, 3Q4, D. R.	455	
292K	Vol. Tone	28E4	161	MK401	M26			25E9	12	TC42					4	1A7, 1N5, 1H5GT, 1A5GT	455	15-8,18
	Vol. Tone	28E18	22	MK401	M26			25E2	98	FP234					6	6SK7GT/G, 6SA7GT/G, 6SF7, 6V6GT/G, 5Y3GT/G	455	
	Vol. Tone	28E18	22	MK401	M26			25E3	15	TC26					6	6SK7GT/G, 6SA7GT/G, 6SF7, 6V6GT/G, 5Y3GT/G	455	
293-CT, 1U-293-CT	Vol. (Early)	28E7	161	MK401	M26		A123/	25E13	80	2N511					4	1R5, 1T4, 1S5, 3Q4, D. R.	455	
	Vol. (Late)	28E24	95	MK401	M26		A106	25E12	78	TC2501					4	1R5, 1T4, 1S5, 3Q4, D. R.	455	
	Vol. (Late)	28E24	95	MK401	M26		A123	25E6	24	2N521					6	12SK7, 12SA7, 12SQ7, 35L6GT, 35Z5GT	455	16-17,19

‡ Data not substantiated.

\* IMPORTANT: Read Notes in Note Section if specified in Note Column.

§ Indicates miscellaneous section.

THERE'S A FULL RANGE OF MALLORY VITREOUS ENAMEL RESISTORS FOR EVERY PURPOSE.



MANUFACTURER AND MODEL	CONTROLS							CONDENSERS				VIBRATORS			No. Tubes	Complete Tube Complement	I. F. Peak	Rider's Reference
	Use	Original Part	Circuit	Correct Replacement	Switch	Bias	*Note	Original Part	Circuit	Correct Replacement	*Note	Original Part	Replacement	*Note				
SENTINEL RADIO C 293T, 293W, 1U-293T, 1U-293W	ORP.	Continued																
	Vol.	28E7	18	MK401	M26		A123/ A106 A123	25E6	24	2N511					6	12SK7, 12SA7, 12SQ7, 35A5, 35Z5GT	455	15-11,13
294N, 294T, 1U-294N, 1U-294T	Vol.	28E7	18	MK401	M26		A123/ A106 A123	25E10 25E6	24 24	2N513 2N511					6	12SQ7, 12SA7, 12SK7, 12SQ7, 35L6GT, 35Z5GT	455	15-13,16
295-T	Vol. Tone	28E10 28E9	161 269	MK401 MK401	M27			25E7 25E8 .0125	1 19/15	FP371 TC22 Buffer		61E1	859	C3	6	6K8, 6K7/6S7, 6U5/6G5, 6Q7G/ 6T7G, 6K6GT/ 6G6G, 6X5GT	455	
298W	Vol.	28E11	18	MK401	M27			25E9	12	TC42					4	1A7GT, 1N5GT, 1H5GT, 1A5GT	455	
302-I, 302-W, 302-T	Vol. Tone	28E23 28E22	167 167	Order from MK401	Mfr.			25E22 25E3 25E23	102 15 83	FP357 TC26 TC40					6	12BA6, 12BE6, 12S8GT, 50B5, D. R.	455 10.7	
309-1, 309-N, 309-R, 309-W	Vol.	28E27	18	MK401	M27			25E24	24	2N521					5	12BE6, 12BA6, 12A7, 50B5, 35W4	455	
440, 444	Vol.		6	MR18				†	†	See Note	B1				7	24A, 27, 45, 80	465	1-5
501, 502	Vol. Fil.	9611 9624	70 29	MR21 R											5	32, 34, 33, 30	465	4-1
510	Vol.		6	G7				4-8		2S567					5	57, 58, 59, 47, 80	265	16-20
513	Vol.	9042-0	6	G7	6-9	2		9110-0	25	2S567					5	57, 58, 55, 47, 80	175	4-2,3
521	Vol.	8833-0	15	MR48				8876	15	TC22					5	39, 36, 85, 41	175	5-6,8
550, 560, 561	Vol.	9331	6	H7	6-9	2		9355	8	3S582					5	36, 39, 38, 25Z5	265	5-9 & 3-3
560TV	Vol.	9331	6	H7	6-9	2		9328 9355	15 8	TN111 3S582					5	6A7 78, 77, 38, 25Z5	265	9-12
570	Vol.	9331	6	H7	6-9	2		9328 9442	15 11	TN111 UR182-193	B31				5	6A7, 78, 75, 43, 25Z5	265 or 465	4-4,5
590	Vol.	9331	6	H7	6-9	2		9442	11	UR182-193	B31				5	6A7, 75, 78, 43, 25Z5	465	4-6,7
599	Vol.	9331	6	H7	6-9	2		9442	11	UR182-193	B31				5	6A7, 78, 75, 43, 25Z5	265	4-6,7
600, 602	Vol.	9776	17	UM154	M26	See Note	A96	9532	1	3S584	B8	9536	292	C3	6	78, 6A7, 75, 41, 84	265	5-14 & 4-8
603	Vol.	1229	17	MR48	M26			9328 .02	15 1	TN111 Buffer	B14				6	78, 6A7, 75, 41, 84	265	5-17,18
610	Vol.		7	F				1247	1	2N518		1245	292	C3	6	78, 6A7, 75, 41, 84	265	
614	Vol. Tone	9033-0	22 15	MR33 MR48	M26			9328 .02	15 34	TN111 Buffer RS213	B14				7	51, 27, 24A, 47, 80	175	
622, 623	Vol. Tone	9666 9174	17 22	MR44 MR33	M26			9110-0 8876	1 17	2S567 TC22					6	58, 57, 55, 47, 80	175	2-9
630	Vol. Tone	9666 9174	17 22	MR44 MR33	M26			9659 8876	1 15	RM262 TC22					6	57, 58, 2A6, 2A5, 80	465	4-10,11
634, 635	Vol. Tone	9666 9174	17 22	MR44 MR33	M26			9659 8876	1 15	RM262 TC22					6	57, 58, 2A5, 2A6, 80	456	4-12,14
660	Vol.	9611	70	MR21				9659 8876	1 15	RM262 TC22					6	57, 58, 2A6, 2A5, 80	465	4-12,14
666C	Vol.		6	G7				†	†	See Note	B1				5	32, 34, 33, 30, 5B1	465	5-19
810	Vol.	9128-0	46	MR48	M27										9	24A, 27, 45, 80	175	1-6
1010	Vol. Tone	9175-0 9174-0	75 22	MR48 MR33	M26			9193-0	3	3S584					10	58, 57, 55, 46, 80	175	7-5,6
1020, 1030	Vol. Tone	9296 9295	127 22	MR48 MR33	M26			9193	3	3S584					10	58, 57, 55, 59, 80	115	2-10 & 1-7
1020A, 1030A	Vol. Tone	9296 9295	15 22	MR48 MR33	M26			9739 9736	3 3/15	RS215 2N518/TN111	B31				10	58, 57, 56, 2A3, 80	115	4-15,18
1040	Vol. Tone Supp.	9296 9295 9834	7 22 7	MR48 MR33 G	M26			9739 9736	3 3/15	RS215 2N518/TN111	B31				10	58, 57, 2B7, 56, 2A3, 5Z3	465	5-21,23
2841, 281NA	Vol.	28E1	205	MK401	M26		A123	25E1	80	FP214					5	12SA7, 12SK7, 12SQ7, 50L6GT, 35Z5GT	455	15-6,8
1U-2841	Vol.	28E1	205	MK401	M26		A123	25E1	80	FP214					5	12SA7, 12SK7, 12SQ7, 50L6GT, 35Z5GT	455	15-6,8
L-2841	Vol.	28E-1	205	MK401	M26		A123	25E1	80	FP214					5	14Q7, 14A7, 14B6, 50A5, 35Y4	455	16-8,10
2931	Vol.	28E7	18	MK401	M26		A123/ A106 A123	25E6	24	2N511					6	12SK7, 12SA7, 12SQ7, 35A5, 35Z5GT	455	15-11,13
2941, 1U-2941	Tone Vol.	28E8 28E7	95 18	MK401 MK401	M26		A123/ A106 A123	25E10 25E6	24 24	2N513 2N511					6	12SQ7, 12SA7, 12SK7, 35L6GT, 35Z5GT	455	15-13,16
4100	Vol.	9331	6	H7	6-9	2		1395	6	2N509					4	6D6, 6C6, 43, 25Z5		7-5,6
4100B	Vol.	9331	6	H7	6-9	2		9982	11	UR182-193	B31				4	6D6, 6C6, 43, 25Z5		6-5
4300	Vol.	9331	7	H	6-9			1693 9982	15 11	TC22 UR182-193	B31				4	6A7, 6F7, 38, 25Z5	465	5-24

† Data not substantiated.

\* IMPORTANT: Read Notes in Note Section if specified in Note Column.

§ Indicates miscellaneous section.

MANUFACTURER AND MODEL	CONTROLS							CONDENSERS				VIBRATORS			No. Tubes	Complete Tube Complement	I. F. Peak	Rider's Reference
	Use	Original Part	Circuit	Correct Replacement	Switch	Bias	*Note	Original Part	Circuit	Correct Replacement	*Note	Original Part	Replacement	*Note				
<b>SENTINEL RADIO CORP.</b>		Continued																
4500	Vol.	1262	6	SRP263	6-9	EX200		1258	25	RS213				4	42, 6C6, 6D6, 80		6-6	
4800	Vol.	9331	110	H7	6-9	2		1260	25	RS213				4	6D6, 6C6, 43, 25Z5		6-8	
5000, 5100	Vol.	9611	6	MR21				9882	11	UR182-193	B31			5	78, 77, 38, 37	465	4-19,20	
5200	Vol.		18	MR48	M26			8876	15	TC22				5				
5500	Vol.	1145	17	UM154	M26	See Note A96		9925	12	TC71				5				
								9328	15	TN111				5	6A7, 78, 75, 43, 25Z5	465	5-25,27	
								9982	11	UR182-193	B31			5	6A7, 6D6, 6B7, 41, 84	370		
								1188	11	2N518		1187	294	C3				
								9328	15	TN111								
								.01-.01	1	Buffer	B14							
5600	Vol. Tone	1322	18	MR48				1258	1	RS213		1381	F294	C3	5	6A7, 6D6, 75, 38, 84	465	6-7
		1382	22	MR24	M26			1260	1	RS213								
								9328	15	TN111								
								.01-.01	1	Buffer	B14							
5700	Vol.	1104	18	MR48	M26			9659	1	RM262				5	58, 2A7, 2A6, 2A5, 80	465	5-27,28	
								1100	13	TC70								
5700B	Vol. Tone	1004	18	MR48	M26			9659	1	RM262				5	2A5, 2A6, 2A7, 58, 80	465	6-12	
		1322	21	MR48				1108	13	TC70								
5721	Vol. Tone	1104	18	MR48	M26			9659	1	RM262				5	58, 2A7, 2A6, 2A5, 80	465	5-27,28	
								1100	13	TC70								
5800	Vol.	1004	18	MR48	M26			9659	1	RM262				5	2A7, 58, 2A6, 2A5, 80	465	7-11,12	
6100, 6101, 6102	Vol.	9611	6	MR21				9925	12	TC71		8701	Order from Mfr.	7	77, *78, 38, 37, 25Z5, 84	465	5-29,31	
								9328	15	TN111								
								.02-.02	1	Buffer	B14							
6200, 6234, 6241	Vol.	1322	45	MR48				9659	1	RM262				5	1A6, 34, 30, 33, 32, 5B1	465	5-34	
6300	Vol. Tone	9666	17	MR44	M26			8876	15	TC22				6	2A7, 2A6, 2A5, *58, 80	465		
		9174	22	MR33				9659	1	RM262								
6315, 6317, 6321	Vol. Tone	9666	17	MR44	M26			1110	13	TC70				6	2A7, *58, 2A6, 2A5, 80	465	5-31,33	
		9174	22	MR33				8876	15	TC22								
6700	Vol.	1004	45	MR48	M26			5	15	TC22				6	1C6, 34, *30, 15, 19	465	7-7	
6800	Vol.	1004	17	MR48	M26			20-8-8	8	See Note	B3			6	*6D6, 6A7, 75, 43, 25Z5	465	7-8	
								5	15	TC22								
6900	Vol.	1004	18	MR48	M26			1477	1	RS215				7	*6D6, 6A7, 75, 76, *48	465	8-29,30	
7100	Vol. Tone	1495	17	MR48	M26			1476	1	RS216				7	*6D6, 6A7, 75, 76, 41, 80	465	7-9,10	
		1450	22	MR33				5	15	TC22								
7100B	Vol. Tone	1495	17	MR48	M26			1477	1	RS215				7	*6D6, 6A7, 75, 76, 41, 80	465	7-13,15	
		1732	21	MR44				1476	1	RS216								
								8876	15	TC22								
7200	Vol. Tone	1495	17	MR48	M26			1477	1	RS215				7	*6D6, 6A7, 75, 76, 41, 80	465	8-32	
		1450	22	MR33				1476	1	RS216								
7200B	Vol. Tone	1495	17	MR48	M26			1477	1	RS215				7	*6D6, 6A7, 75, 76, 41, 80	465	6-9,11	
		1450	22	MR33				1476	1	RS216								
								1110	13	TC70								
								8876	15	TC22								
7700, 7732, 7741	Vol.	1289	45	MR48	M27			1291	12	ST595				6	1C6, 34, *30, 32, 19	465	5-35,36	
8100B	Vol. Tone	1495	15	MR48	M26			1477	3	RS215				8	*6D6, 6A7, 76, 75, *41, 5Z3	465	7-16,18	
		1732	21	MR44				9659	3	RM262								
								1110	14	TC70								
								8876	15	TC22								
8200B	Vol. Tone	1495	15	MR48	M26			1477	3	RS215				8	*6D6, 6A7, 76, 75, *41, 5Z3	465	6-13,15	
		1732	21	MR44				9659	3	RM262								
								1110	14	TC70								
								8876	15	TC22								
9100	Vol. Tone	1447	45	MR48				1477	3	RS215				9	*34, 1C6, *30, 6-1	465	7-19,21	
		1450	22	MR33				9659	3	RM262								
5 Tube Superhet	Vol.	9042-0	6	G7	6-9	2		9110-0	25	2S567				5	57, 58, 55, 47, 80	262		
7 Tube Super-Het. (with 45)	Vol. Tone		6	MR18				8	31	RS213				7	27, *2A4, 45, 80	175		
			22	MR33				16	31	RS216								
7 Tube Superhet. (with 47)	Vol. Tone		7	F				8, 8	34	RS213	B3			7	*51, 27, *24, 47, 80	175		
			22	MR33				16	34	RS216								
8 Tube Superhet	Vol. Tone		7	F				8	34	RS213				8	*24, 27, *47, 80	175		
			22	MR33				8	34	RS216								
<b>SETCHELL CARLSON</b>																		
DM1	Vol.		15	MR48				8-8	13	2N518				3	*19, 33		14-1	
PA6	Vol. Tone		22	MR48				8	3	HS693				8	*6F5, *37, *6A6, *6X5			
			15	MR48				10	15	TC32								
7B	Vol. Tone		22	MR48				10, 10, 10	46	RS215				5	6F5, 6Y7G, *6V6G, 80			
			15	MR48				10, 10	15	TC32								
PA13	Vol. Tone		15	MR53				8	46	HS693				5	6F5, 6N7, *6V6, 80		8-1	
			22	MR53				10	15	TC32								
14 (Amplifier)	Vol. Tone		141	UC506				10, 10, 10	46	RS215				6	*6F5, 6SC7, *6V6, 80		13-1	
			22	MR48				10	15	TC32								
PA15	Phono. Tone		63	MR48				8	3/13	HS693				7	*6F5, 42, *2A3, 5Z3			
			34	MR48				10	15	TC32								
			15	MR48				60	15	TC29								

‡ Data not substantiated.

\* IMPORTANT: Read Notes in Note Section if specified in Note Column.

§ Indicates miscellaneous section.

GRID BIAS CELLS ARE EXCLUSIVE WITH MALLORY!

MANUFACTURER AND MODEL	CONTROLS							CONDENSERS				VIBRATORS			No. Tubes	Complete Tube Complement	I. F. Peak	Rider's Reference
	Use	Original Part	Circuit	Correct Replacement	Switch	Bias	*Note	Original Part	Circuit	Correct Replacement	*Note	Original Part	Replacement	*Note				
SETCHELL CARLS PA25	ON—Continued Vol. Tone Phono.		15 22 63	MR53 MR53 MR53				25 8 60 10	46 46/24 15 15	RS223 HD684 TC29 TC32					6	*6F5, 6N7, *6L6, 5Z3		8-1
25B	Vol. Tone		141 22	UC506 UC506				10, 10, 10, 10 10, 10	1/24 15	RS215 TC32					7	*6F5, 6C5, *6L6G, 5Z3		
26 (Amplifier)	Vol. Tone		141 22	UC506 MR48				25 10, 10	46 46	RS219 RS215					6	*6F5, 6SC7, 6L6, 5Z3		13-2
RA50	Vol. Vol.		141 15	UC506 MR48	6-9			10, 10 25	15 46	TC32 RS219					13	6A8, 6B8, *6F5, *6SC7, *6L6, 5Z3	465	14-2
55 (Portable)	Vol.		18	MR48	M27			20-20 75	24 78	2N509 TC2501					5	1A7, 1N5, 1H5, 1A5, 6X5	465	\$10-8
65B	Vol. Tone		141 22	MR55 MR55				24, 24 8, 8, 8	46 46/13	RS219 RS213					11	*6F5, 6C5, *6L6, *5Z3		14-1
66	Vol.		18	MR48				10, 10, 10 40 20	15 24 24	TC32 TC48 TC45		Order from Mfr.			5	1N5, 1A7, 3A8, 1T5, 3Z5	182	14-3
PA115	Mic. Phono. Tone		15 63 22	MR53 MR53 MR53				8 10 75	24 15 15	HS693 TC32 TC29	B14				14	*6F5, *6C5, *6L6, *83		8-2
PA613	Mic. Phono. Tone		15 63 22	MR53 MR53 MR53				8 10	46 15	HS693 TC32					6	*6F5, 6C5, *6V6, 80		
221, 225	Vol.		17	MR48				8, 8 10, 10, 10	1 15	RS213 TC32		Order from Mfr.	C3		7	6A8, 6K7, 6Q7, *6V6, 6J5, 6X5	465	14-4
332	Vol.		15	MR48				10	15	TC22					9	6A8, *6K7, *6J7, *25L6, 1N5, 1A7, 1N5/1P5, 1H5, 1T5/1Q5	465	9-1
401	Vol.		18	MR48				10	15	TC22					5	1N5, 1A7, 1N5/1P5, 1H5, 1T5/1Q5	175	11-2
405	Vol.		18	MR48				10	15	TC22					5	1N5, 1A7, 1N5/1P5, 1H5, 1T5/1Q5	175	11-2
411 ("Radio-Dor-Phone")	Vol.		18	MR48	M26			50-20	24	TN129	B8				5	12A8, 12K7, 12SQ7, 50L6, 3Z5	465	12-2
412	Vol.		18	MR48				50-20	24	TN129	B8				7	12A8, 12K7, 12SQ7, 12J5, *50L6, 3Z5	465	12-3
413	Vol. Tone		18 147	MR48 MR48	M27			8-8 10	1 15	2N518 TC22		Order from Mfr.			6	*7A7, 7J7, 7B6, 7B5, 7Y4	465	12-3
416	Vol. (Late) (Early)		18 18	MR44 MR48	M26 M26				24	FP214					5	12SA7GT, 12SK7GT, 12SQ7GT, 50L6GT, 3Z5GT	465	\$15-19
421RD Radio-Dor-A-Phone	Vol.		18	MR48	M26			50-20	24	2N520					5	12A8, 12K7, 12SQ7, 50L6, 3Z5	465	14-5
427	Vol.		205	MR48	M26				24	FP214					6	12SK7GT, 12SA7GT, 12SQ7GT, 50L6GT, 3Z5GT	455	16-1
437	Vol.		205	MR48	M26				12	TC49					7	*6SK7, 6SA7, 6SQ7, 12SN7, *25L6	455	
447	Vol.		18	MR48	M26				80/78	FP214					5	*1T4, 1R5, 1S5, 3V4, D. R.	455	16-2
501	Vol.		12	MR40	M27			10	19	TC32					5	*1LC5, 1LA6, 1LH4, 3Q5	152	14-6
588	Vol.	VS588	18	MR48	M26			8-8 10	1 15	2N518 TC22					5	6A8, 6K7, 6Q7, 6K6, 6X5	456	11-1
589	Vol.		18	MR48				8-8 10	1 15	2N518 TC22					5	6A8, 6K7, 6SQ7, 6K6, 6X5	465	12-4
600	Vol.		17	UM154		See Note A96									5	1C7, 1D5, 1F7, 1H4, 1J6	465	9-2
602	Vol. Tone		17 21	UM154 UM154		See Note A96 See Note A96									6	1C7, 1F7, *1D5, *1G5	465	9-2
613B	Vol. Tone		141 22	UC506 MR48				10, 10, 10 10, 10	46 15	RS215 TC32					5	6F5, 6Y7, 6V6G, 6X5G		
620	Vol. Tone		17 57	UM154 UM154		See Note A96 See Note A96		8-8-10	1/15	3S579		Order from Mfr.			6	6D8, 6S7, 6T7, 6N5, 6K6, 19	465	9-2
622	Vol. Tone		17 21	UM154 UM154		See Note A96 See Note A96		8-8-10	1/15	3S579		Order from Mfr.			7	6D8, 6S7, 6T7, 6N5, 6L5, 6Z7, 19	465	9-1
SHAMROCK 28-29	Vol.		26	†		See Note A73		†	1	See Note	B1				7	*27, *71A, 80		\$4-10
SHELLY 5 Kompak	Vol.		6	G7	6-9	3		4-4	23	2S567					5	6J7, 6K7, 6C5, 6F6, 5W4		7-1
25	Vol.		6	SRP263				20-20	4	TCS45					4	6D6, 76, 25B6G, 25Z5		\$9-3

† Data not substantiated.

\* IMPORTANT: Read Notes in Note Section if specified in Note Column.

‡ Indicates miscellaneous section.

MALLORY PARTS ARE DESIGNED WITH THE SERVICEMAN IN MIND.

MANUFACTURER AND MODEL	CONTROLS							CONDENSERS				VIBRATORS			No. Tubes	Complete Tube Complement	I. F. Peak	Rider's Reference
	Use	Original Part	Circuit	Correct Replacement	Switch	Bias	*Note	Original Part	Circuit	Correct Replacement	*Note	Original Part	Replacement	*Note				
<b>SHELLY</b> —Continued																		
35C.....	Vol.		18	MR48				4-4	23	2S567					5	6A7, 6D6, 75, 42, 80.	465	8-1
35C-AW, 37C.....	Vol.		18	MR48				8-4	23	2S567					6	6A7, 6D6, 75, 42, 80, 6G5, Ballast.	465	8-2
48.....	Vol. Tone		45	MR48				8-8-8	25/13	See Note	B3				7	6A8, 6K7, 6H6, 6G5, 6K7, 6K6, 5Z4.	458	7-1
48A.....	Vol.		45	MR33				8-8-8	25/13	See Note	B3				7	6A8, 6K7, 6G5, 6H6, 6F6, 5Z4.	460	8-1
65.....	Vol.		18	UM154		See Note	A96	8-8	74	2S567		294	C3	5	6A7, 6D6, 75, 42, 84.	460	7-2	
67 Auto.....	Vol. Tone		45	UM154		See Note	A96	8-8	4	2S567		294	C3	7	*6K7, 6A8, 6H6, 6F6, 84.	460	7-2	
75 Auto.....	Vol.		18	UM133		See Note	A19	8-8	74	2S567		294	C3	5	6A8G, 6K7G, 6Q7G, 6K6G, 6X5G.	460	8-2	
								.005		Buffer	B14							
<b>SHERIDAN ELECTRONICS</b>																		
532 A-P.....	Vol. Tone	—"Vogue"	270	UM159-SS1	M26			15-2	80/78	FP306					3	12SQ7GT, 50L6GT, 35Z5GT		
553R, 554R.....	Vol.	26-A-2	22	UM149-SS1											5	12SA7GT, 12SK7, 12SQ7, 50L6GT, 35Z5GT	456	§15-20
	Vol.	26-Y-3	18	MR53	M26			15-Y-11	80	2N514								
<b>SIGNAL ELECTRONICS, INC.</b>																		
341T.....	Vol.		155	MK401	M27				80/78	Order from Mfr.					4	1R5, 1T4, 1S5, 3S4, D. R.	455	§16-10
<b>SILVER KING</b> (See Appel & Henderson)																		
<b>SILVER-MARSHALL</b>																		
A.....	Vol. Tone		8	A5MP	6-9			13177	46	TC70					8	24A, 35, 47, 80, 27	175	1-30
B.....	Vol. Tone	4492	8	MR48				13181	46	TC71					6	*24A, 27, 35, 47, 80	175	2-6
	Vol. Tone	14403	57	MR20				13177	46	TC70								
				MR48				13203	17	TC22								
C.....	Vol. Tone	14419	8	A5MP				13181	3	TC71					12	24A, 27, 35, 47, 80	175	2-7,8
	Vol. Tone	14427	8	MR24				13177	3	TC70								
C w/AVC.....	Vol. Tone	14427	8	MR24				13177	34	TC70					12	*35, 24A, 27, 47, 80	175	4-3
	Vol. Tone	4507	8	MR48				13181	34	TC71								
D, E.....	Vol. Tone		8	A5MP				4-4-4	3	3S584					9	24A, 27, 35, 47, 80	175	1-31
	Vol. Tone		34	MR48														
F.....	Vol. Tone		8	A5MP				4-4-4	3	3S584					7	24A, 35, 47, 80, 27	175	1-30
	Vol. Tone		22	MR48														
G.....	Vol. Tone	14323	8	A5MP	6-9			13120	3	3S584					10	24A, 27, 35, 47, 80	175	2-9
	Vol. Tone	14371	8	MR53				13177	13	TC70								
J, JT.....	Vol. Tone		8	A5MP	6-9			13181	3	TC71					10	24A, 27, 35, 47, 80	175	2-10
	Vol. Tone		22	MR48				13177	3	TC70								
KB (21).....	Vol. Tone		9	MR39											8	*30, 32, 34	175	§9-5
	Vol. Tone		57	MR48														
Q with push-pull 47's	Vol. Tone		100	MR39	M26			13181	7	TC71					10	24A, 27, 35, 47, 80	465	4-4
	Vol. Tone		22	MR48				13177	7	TC70								
Q with parallel 47's	Vol. Tone		15	MR44	M26			3162	28	TC74					10	24A, 27, 35, 47, 80	465	4-5
	Vol. Tone		15	MR39				13181	28	TC71								
			15	MR44				13177	28	TC70								
Q DeLuxe.....	Vol. Tone	4360	15	MR44	M26			3162	34	TC74					12	*56, 58, 45, 82	465	2-11,12
	Vol. Tone	14438	95	MR39				13177	34	TC70								
	Sen. Vol.	4430	7	D				13326	19	TC71								
R, RT.....	Vol. Tone	4360	15	MR44	M26			3162	4	TC74					10	24A, 27, 35, 47, 80	465	2-13,14
	Vol. Tone	14438	95	MR39				13181	4	TC71								
				MR44				13177	14	TC70								
V.....	Vol. Tone	4360	15	MR44	M26			3162	34	TC74					10	*56, 58, 45, 82	465	3-4,5
	Vol. Tone	14438	95	MR39				13177	34	TC70								
	Sen. Vol.	4430	7	D				13326	19	TC71								
X.....	Vol. Tone		15	MR44	M26			3162	34	TC74					10	*58, 56, 45, 82	465	
	Vol. Tone		95	MR39				13177	34	TC70								
				MR44				13326	19	TC71								
Y.....	Vol. Tone		56	MR44	M26			13181	4	TC71					8	*51, 56, 55, 47, 80	465	§6-29
	Vol. Tone		57	MR48				13177	4	TC70								
Z10.....	Vol. Tone		15	MR48				8-8	2	2N518					7	2A7, 58, 2B7, 56, 2A5, 5Z3	465	4-7
	Vol. Tone		57	MR44	M26			8	14	TC71								
								4	15	TC32								
Z13.....	Vol. Tone		45	MR48	M26			8	34	TC71					13	*58, 56, 59, 5Z3, 57	472.5	4-8
	Vol. Tone		85	E12				12	34	TC74								
Z DeLuxe.....	Vol. Tone		45	MR48				12	34	TC74					13	*56, 58, 2A5, 5Z3, 57	472.5	4-6
	Vol. Tone		85	E12				8	34	TC71								
Bearcat Midget.....	Vol. Tone		8	G				8, 8	1	RS213					8	*24A, 27, 45, 80	175	1-8
	Vol. Tone		22	MR53														
30.....	Vol. Tone		12	A10MP				2-2-4-1	3	See Note	B1				8	*24A, 27, 45, 80		1-1
30B.....	Vol. Tone		12	A10MP				2-1-2-4	3	See Note	B1				7	*24A, 27, 45, 80		1-2
34A (with 33A Pwr. Unit)	Vol. Tone		9	A3MP				4-4-4	34/40	TCS71/TC71					7	*24A, 45, 80, 27		1-5,6
	Vol. Tone		34	MR18				12-8-4	2/19	3S584	B12							
35A (with 33A Pwr. Supply)	Vol.		†	†		See Note	A74	4-4-4	34/40	TCS71/TC71					9	*24A, 27, 45, 80		1-5,6
								12-8-4	2/19	3S584	B12							
36A.....	Vol.		58	D				4-4-4	3	2S567					9	*24A, 27, 45, 80	175	1-7

† Data not substantiated.

\* IMPORTANT: Read Notes in Note Section if specified in Note Column.  
WHEN YOU BUY LEVER ACTION SWITCHES BUY MALLORY.

§ Indicates miscellaneous section.

MANUFACTURER AND MODEL	CONTROLS							CONDENSERS				VIBRATORS			No. Tubes	Complete Tube Complement	I. F. Peak	Rider's Reference
	Use	Original Part	Circuit	Correct Replacement	Switch	Bias	*Note	Original Part	Circuit	Correct Replacement	*Note	Original Part	Replacement	*Note				
SILVER-MARSHAL	L—Continued																	
37, 38, 39 Midget...	Vol.		8	A10MP				8, 8	1	RS213					8	*24A, *27, *45, 80	175	1-8
684 P.E. Amplifier...	Tone		22	MR53				13181	3	TC71					5	*24A, 27, *47, 80		2-1
685 P.A. Amplifier...	Vol.	14371	15	MR53				13203	19	TC22					5	27, 26, 50, *81		1-15
686 Portable P.A. Amplifier...	Vol.		16	MR48				2-6-4	2/19	See Note	B1							
690 Amplifier...	Vol.	14371	15	MR53				13181	3	TC71					5	24A, 27, *47, 80		
692 Amplifier...	Vol.		16	MR39				13203	19	TC22					7	27, *26, *50, *81		1-15
710 Sargent-Rayment...	Vol.		15	MR48				†	3	See Note	B1			6	24A, 45, *50, *81		1-15	
712 Tuner...	Vol.		12	A3MP										7	*22, *01A, 12A or 71A		1-16	
714 Tuner...	Vol.		12	A10MP										4	*24A, 27		1-17	
716 Tuner with 683 Amplifier...	Vol.		58	D										6	*24A, *27	175	1-18	
	Tone		8	A5MP				13181	3	TC71				10	24A, *27, *35, *47, 80	175	2-2	
	†		†	MR18				13177	3	TC70								
								13023	15	TC22								
720 AC...	Vol.		12	A3MP										6	*24A, *27, 45		1-19	
720 Battery...	Vol.		12	A3MP										6	*22, *01A, 12A		1-19	
722...	Vol.		12	A10MP				†	3	See Note	B1			7	*24A, 27, *45, 80		1-20	
722 DC (Battery)...	Vol.		12	A10MP										6	*22, 01A, *12A		1-21	
724 AC...	Vol.		58	A3MP				4-4-4	3	3S584				9	*24A, 27, *45, 80	175	1-22	
724 DC...	Vol.		9	MR35				2-2	12	See Note	B3			8	*32, *30, *31	175	1-23	
726 (S.W. & Broadcast)...	Vol.	14367	8	A5MP	6-9			13120	3	3S584				11	*24A, *35, *27, *47, 80	175	1-24	
727 DC...	Vol.		9	MR39										8	*30, 32, *34	175		
	Tone		57	MR48														
727 SW...	Vol.	4360	15	MR44	M26			3162	4	TC74				10	24A, *35, *27, *47, 80	465	2-3,4	
	Tone	14438	†	MR39				13181	4	TC71								
728 SW...	Vol.		15	MR48	M26			3162	34	TC74				12	*58, *56, *45, 82	465	3-1	
	Tone		95	MR39				13177	34	TC70								
	Sen.		7	D				13326	19	TC71								
729 SW...	Vol.		45	MR48	M26			8	34	TC71				13	*58, *56, *2A5, 5Z3, 57	465	4-2	
	Tone		22	E12				12	34	TC74								
738 Converter...								8-8	1	2N518				3	24A, 27, 26	1000	1-26	
739 Converter...								4-4	1	2N518				3	24A, 27, 80	650	1-27	
Sheridan 750, 750BS	Vol.		4	D12				2-2-5	3	See Note	B1			8	*26, *27, *45, 80			
760	Vol.		4	D12				1-1-1-5	†	See Note	B1			5	*26, *27, 45, 80			
770 Auto Set...	Vol.		7	MR28										5	*24A, 12A, 71A		1-29	
773 B'cast/Long Wave...	Vol.	14342	8	A5MP	6-9			13120	3	3S584				8	24A, *35, *27, *45, 80	115	2-5	
	Tone	4507	22	MR48														
782 Midget...	Vol.		8	A10MP				8, 8	1	RS213				8	*24A, *27, *45, 80	175	1-8	
	Tone		22	MR53														
1022 (724 AC)...	Vol.		58	A3MP				4-4-4	3	3S584				9	*24A, 27, *45, 80	175		
4801, 4802	Vol.	P4260	15	MR51				P4514	34	TCS71/TC71				10	*58, *56, *59, 5Z3	Early	5-1	
	Tone	P4259	21	MR39	M26			P4585	15	TN111						Late		
	Sen.	P4923	12	MR24												175		
McMURDO SILVER 5D	Vol.		15	MR48				16	3	RS216				10	6B7, 6C6, 6D6, *76, 42, 5Z3	465		
	Tone		21	MR53				18	3	RS216								
	Sen.		7	G				12	3	RS215								
World Wide Nine...	Vol.		18	MR53				8	2	See Note	B3			9	2A7, *58, 55, *2A5, 5Z3	465	§5-12	
	Tone		57	MR36				12	2	See Note	B3							
								4	14	See Note	B3							
SILVERTONE (See Sears-Roebuck Co.)																		
SIMPLEX RADIO CO.																		
AA	Vol.		†	UC513				2	12	TC70				4	1A6, *1B4, 1F4	456	7-2	
	†		†					5	19	TC22				8	*10, 27, *26, 80		1-1	
D	Vol.		4	MR21	M26			†	†	See Note	B2							
	Sen.		†			See Note	to A5											
D (420,001 and up)	Vol.		17	MR48				20-4-5	6/15	TN125				5	6A7, 6K7, 75, 43, 25Z5	456	7-1	
	Tone		22	MR39														
D (428,001 and up)	Vol.		17	MR48				20-20	6	2N509				6	6A7, 6K7, 75, 6G5, 43, 25Z5	456		
	Tone		22	MR39				5	15	TC22								
DB, DF (500,001 and up)	Vol.		17	MR48				4-8	1	2N518				5	6D8G, 6S7G, 6Q6G, 6G5, 38	456		
	Tone		22	MR39	M26			.01		Buffer	B14		245C	C3				
DB, DF (775,001 and up)	Vol.		17	MR48				10-20	1	2S569			245C	C3	4	1C6, 34, 1B5, 38	456	
	Tone		22	MR39	M26			.01		Buffer	B14							
G	Vol.		†	Order from Mfr.				†	3	See Note	B3			4	45, 27, 24A, 80		1-1	
	†		†			See Note	to A5											
G (703,001 and up)	Vol.		15	MR48				8-8	4	TCS71				6	6A7, 6K7, 76, 6F5, 42, 80	456	7-2	
	Tone		34	MR39				5	15	TC22								
G (707,001 and up)	Vol.		15	MR48				16-16-8-4	9/13	See Note	B3			7	6L7, 6D6, 6H6, 6G5, 75, 25B5, 25Z5	456		
	Tone		34	MR39				5	15	TC22								

† Data not substantiated.

\* IMPORTANT: Read Notes in Note Section if specified in Note Column.

§ Indicates miscellaneous section.

MANUFACTURER AND MODEL	CONTROLS							CONDENSERS				VIBRATORS			No. Tubes	Complete Tube Complement	I. F. Peak	Rider's Reference
	Use	Original Part	Circuit	Correct Replacement	Switch	Bias	*Note	Original Part	Circuit	Correct Replacement	*Note	Original Part	Replacement	*Note				
<b>SIMPLEX—Continued</b>																		
GB (779,001 and up)	Vol. Tone		17	MR48				8-8	1	2N518			245C	C3	5	1C6, 1A4, 1B5, 30, 19.	456	7-2
GH (691,001 and up)	Vol. Tone		22	MR48				.01		Buffer	B14				6	6A7, 6K7, 76, 6F5, 43, 25Z5.	456	7-2
H	Vol. Tone		15	MR48				24-8	1	2N513					5	24A, 45, 80.		
H (AC)	Vol. Tone		34	MR39				5	15	TC22					5	24A, 45, 80.		
HA	Vol. Tone		12	A20MP	6-9			8-8	1	See Note	B3				5	24A, 45, 80.		3-1
J	Vol. Tone		7	MR48				8-8	1	See Note	B3				5	24A, 45, 80.		
K	Vol. Tone		8	D	6-9			8-8	1	2N518					5	24, 45, 80.		§11-7
L	Vol. Tone		95	A3MP	6-9			8-8	1	See Note	B3				6	35, 24A, 47, 80.		3-2
N	Vol. Tone		6	MR48				8-8	1	See Note	B3				5	24A, 35, 47, 80.	175	3-1
N (DC)	Vol. Tone		6	D12	6-9			8-4	4	See Note	B3				7	35, 24A, 47, 80.	175	3-2
NT (902,001 and up)	Vol. Tone		22	MR39				4-4-4	26	TCS71/TC71					5	24A, 35, 47, 80.	175	8-1
OP (550,001 and up)	Vol. Tone		6	MR18				8-4	4	See Note	B3				5	24A, 35, 47, 80.	175	2-1
P AC	Vol. Tone		22	MR39				8-4	4	See Note	B3				5	39, 36, 38.	175	
P AC (Above serial No. 162500)	Vol. Tone		6	MR18				8-8	2	TC71					10	6K7, 6L7, 6D6, 76, 75, 6B5, 80, 6G5.	456	
P AC (Above serial No. 330001)	Vol. Tone		20	MR48				8-8	1	2N518					3	6C6, 6B5, 80.		7-1
P Battery	Vol. Tone		16	MR48				50	1	TC29					5	57, 58, 55, 47, 80.	175	2-2
PB, PF (Serial No. 352001 and up)	Vol. Tone		15	MR48				4-4-10	4/19	See Note	B3				5	57, 58, 55, 47, 80.	175	8-1
PH (690,001 and up)	Vol. Tone		22	MR39				4-4	4	TCS71					5	57, 58, 55, 47, 80.	175	4-2
P 32V (No. 350001 and up)	Vol. Tone		15	MR44				10	19	TC22					5	6A7, 78, 75, 42, 80.	456	4-1, 2-2
P Dual Band (Above serial No. 600001)	Vol. Tone		22	MR39				4-4	4	TCS71					5	6A7, 78, 75, 42, 80.	456	
P Battery (Above serial No. 173501)	Vol. Tone		9	MR20	M27		A75	8	12	TC52					5	34, 32, 33.	175	
P 1931	Vol. Tone		22	MR39				10	19	TC22					5	6A7, 78, 75, 42, 80.	456	4-2
Q 1931	Vol. Tone		17	MR48				20-10-4	1/13	TC55/TC52		9A	245C	C3	4	6D6, 6A7, 75, 38.		†
Q (378,001 and up)	Vol. Tone		17	MR39	M26			.01	11	Buffer	B14				5	6A7, 6D6, 75, 43, 25Z5.		†
R	Vol. Tone		15	MR44				15-8-8	11	2N509/TC42	B3				5	6A7, 6D6, 75, 43, 25Z5.		†
R AC (Above No. 320001)	Vol. Tone		22	MR39				5	15	TC22					5	6A7, 78, 75, 42, 84.	456	4-2
R DC	Vol. Tone		15	MR44				6-10	1	See Note	B3		Order from Mfr.		5	6A7, 78, 75, 42, 84.	456	4-2
RJH (300,001 and up)	Vol. Tone		22	MR39	M27		A75	5	15	TC22	B14				5	6A7, 6D6, 75, 42, 80.	456	6-1
RK, RKE, RKS (760,001 and up)	Vol. Tone		17	MR48				8-8-4	4/13	3S584					5	6A7, 6D6, 75, 42, 80.	456	6-1
T	Vol. Tone		22	MR39	M26			5	15	TC32					5	1A6, 34, 32, 19, 30.	456	4-4
TA	Vol. Tone		9	Y250MP				5	19	TC32					5	24A, 35, 47, 80.	175	4-3
U AC-DC Receiver	Vol. Tone		22	MR39				8-4	4	See Note	B3				5	24A, 35, 47, 80.	175	4-3
U AC-DC (Late)	Vol. Tone		6	MR18				8-4	4	See Note	B3				5	24A, 35, 47, 80.	175	4-3
UE, AC-DC Serial 215001	Vol. Tone		22	MR39	M28			8-4	4	See Note	B3				5	24A, 35, 47, 80.	175	4-3
	Vol. Tone		6	MR18				8-4	4	See Note	B3				5	24A, 35, 47, 80.	175	4-3
	Vol. Tone		22	MR39				10-6	1	2N518	B3		294	C3	6	6K7, 6A8, 78, 75, 6N6, 0Z4.	175	7-2
	Vol. Tone		6	MR18				.01-.01	15	TC22	B14				4	58, 57, 47, 80.		4-1
	Vol. Tone		22	MR39	M27			8-4	4	See Note	B3				4	78, 77, 42, 80.		4-4
	Vol. Tone		6	MR18				AB108	4	TCS71					4	39, 36, 38.		8-2
	Vol. Tone		22	MR39	M27										4	39, 36, 38.		
	Vol. Tone		6	MR18											4	39, 36, 38.		
	Vol. Tone		22	MR39	M27										5	6A7, 6K7, 6Q7, 25B5, 25Z5MG.	456	
	Vol. Tone		17	MR48				20-20	1	2N509					4	6D6, 6C6, 43, 25Z5MG.		7-1
	Vol. Tone		6	MR39				15-8	6	2N509					6	78, 6A7, 75, 41, 84.		4-5
	Vol. Tone		17	UM154				5	15	TC22			292	C3	6	78, 6A7, 75, 41, 84.		†
	Vol. Tone		17	UM154				6-10	1	TC22			245C	C14	6	78, 6A7, 75, 41, 84.		†
	Vol. Tone		17	UM154				5	15	TC22					4	6A7, 78, 6B7, 41.	456	
	Vol. Tone		17	UM154	M26			.05-.05	1	Buffer	B14				4	6A7, 78, 6B7, 41.	456	
	Vol. Tone		17	UM154				5	15	TC22	B3	V7	248	C3	4	6A7, 78, 6B7, 41.	456	
	Vol. Tone		17	UM154				.0125-.0125	1	Buffer	B14				4	6A7, 78, 6B7, 41.	456	
	Vol. Tone		6	MR42				20-4	6	2N509					5	78, 44, 77, 43, 25Z5.	456	4-6
	Vol. Tone		17	MR48				5	15	TC22					5	75, 6A7, 6D6, 43, 25Z5.	456	6-2
	Vol. Tone		17	MR48				5-20-8	11	UR182-193	B3				5	75, 6A7, 6D6, 43, 25Z5.	456	6-2
	Vol. Tone		17	MR48				5	15	TC22					5	6A7, 6D6, 75, 43, 25Z5.	456	6-2

† Data not substantiated.

\* IMPORTANT: Read Notes in Note Section if specified in Note Column.

§ Indicates miscellaneous section.

USE MALLORY COMPONENTS IN YOUR TELEVISION WORK.

MANUFACTURER AND MODEL	CONTROLS							CONDENSERS				VIBRATORS			No. Tubes	Complete Tube Complement	I. F. Peak	Rider's Reference
	Use	Original Part	Circuit	Correct Replacement	Switch	Bias	*Note	Original Part	Circuit	Correct Replacement	*Note	Original Part	Replacement	*Note				
<b>SIMPLEX—Continued</b>																		
UX52.....	Vol. Tone		17 22	MR48 MR39				4-8 8-8 5-4	30 30 15	TCS71 TCS71 TC22					8	6D6, 6A7, 75, 42, 80	†	
V AC-DC Receiver..	Vol.		7	MR40				20-4 5-4	6 15	2N509 TC22					4	44, 77, 43, 25Z5		4-6
V All-Wave.....	Vol.		12	MR48				40-8 5-4	6 15	2N514 TC22					4	6F7, 77, 43, 25Z5		
W All-Wave.....	Vol. Tone		17 41	MR48 MR39				4-8-4	26	See Note	B3				8	78, 85, 37, 42, 80	456	5-1
X.....	Vol.		6	MR18		EX200		4-4 5-4 5-4	4 15 19	TCS71 TC32 TC32					5	6D6, 6C6, 42, 80		5-1
Z, ZS, ZE (321,001 and up).	Vol.		6	MR39		EX300		15-8-5-5	24/15	3S582/TN111	B5				3	6D6, 6C6, 12A7		7-1
4Z.....	Vol.		6	MR39	M26			15-8-5-5	24/15	3S582/TN111					4	6C6, 78, 38, 76		
5DE (780,001 and up)	Vol. Tone		17 22	MR48 MR39	M26			20-4-5-5	6/15	3S582/TN111	B5				5	6A7, 6D6, 75, 43, 25Z5	456	
6A.....	Vol. Tone		12	†	6-9	See Note A5		†	3	See Note	B1				6	45, 27, 24A, 80		1-2
6GH (691,000 and up)	Vol. Tone		†	MR48 MR39	M26			8-8-24 5-4	† 15	See Note TC22	B3				5	6A7, 6D6, 85, 76, 43, 25Z5	456	
8J (765,001 and up)	Vol. Tone		17 22	MR48 MR39				4-8 8-4 5-4	30 30 15	2N518 TC71 TC22					8	6D6, 6A7, 75, 42, 80	†	
8J (765,361 and up)	Vol. Tone		17 22	MR48 MR39				4-8 8-4 5-4	1 13 15	2N518 TC71 TC22					8	6D6, 6A7, 75, 76, 6B5, 80	456	
8JM.....	Vol. Tone		† 22	MR39 MR39			A17	4-8 8-4 5-4	1 13 15	2N518 TC71 TC22					8	6K7, 6A8, 6F6, 5Z4	†	
<b>SIMPLON—Industrial</b>																		
CA-5.....	Electronics Vol.	PT-109W	161	MR48	M26				91	TN129					5	12BE6, 12BA6, 12AT6, 50B5, 35W4	455	
WVV2.....	Vol.	PT-109W	18	MR48	M26			CO127 CO127	88 91	TN129 TN129	B10				5	14Q7/12BE6, 14A7/12BA6, 14B6/12AT6, 50A5/50B5, 35Y4/35W4	455	§15-6
<b>SKY HAWK—See Airking</b>																		
<b>SKY KING—See Airking</b>																		
<b>SKY NIGHT—See Butler Bros.</b>																		
<b>SKY ROVER</b> .....	Vol.		6	MR18				4-8	4	TCS71					4	35, 24, 47, 80		§4-11
—Also see Butler Bros.																		
<b>SOLAR</b>																		
062.....	Vol.		45	MR48				4	15	TC32			Order from Mfr.		6	39, 36, 37, 38	262	§5-18
062A, 3622A.....	Vol. Tone		45 34	MR48 MR42				4	15	TC32			Order from Mfr.		6	39, 36, 37, 41	262	
<b>SONGBIRD—See Airking</b>																		
<b>SONORA</b>																		
A11.....	Vol.	V6	6	MR28	M26	EX200		235	8	Order from Mfr.					4	6D6, 6C6, 25L6G, 25Z5, K55B		
A30, A32.....	Vol. Sen.		10 7	Order from Mfr.	Mfr.	See Note A3		2-1-1-3	3/13	See Note	B1					†		1-4,5
A36.....	Vol. Sen.		10 7	Order from Mfr.	Mfr.	See Note A3		2-2-1-3	37	See Note	B1					†		1-7
A40.....	Vol. Sen.		10 7	Order from Mfr.	Mfr.	See Note A3		2-1-1-3	3/13	See Note	B1					†		1-8,9
A46.....	Phono. Vol. Sen.		63 10 7	Order from Mfr.	Mfr.	See Note A5		2-3-1-3	37	See Note	B1					†		1-7
B31 (25 cycle)	Vol. Sen.		12	A2MP		See Note A3		8-8	1	See Note	B3				8	24, 27, 45, 80		1-6
E AC	Vol.		14	MR48				2-2-7	3	See Note	B1				7	26, 27, 71A, 80		
P101.....	Vol. Tone		†	MR48				16-8	1	3S584	B8				3	6C6, 6A3, 83		8-2
P300.....	Vol. Tone		57 50 57	MR39 MR48 MR39				10 60 16	15 1 1	TC44 FP115 TC44					5	6C5, 25L6, 25Z5		8-2
PR101, PR202 (AC)	Vol.		18	MR48				8-5	13	TC42	B3				5	6A7, 6D6, 75, 41, 84	456	8-1
PR101, PR300, PR400 (AC-DC)	Vol. Tone		17 147	MR48 MR53				8-16 5-4	1 15	3S584 TC22	B8				5	6A7, 6D6, 75, 25L6, 25Z5	456	8-1
2RP (25 cycle)	Vol. Sen. Phono.		10 7 63	Order from Mfr.	Mfr.	See Note A3		2-1-1-3	3/13	See Note	B1					†		1-12

† Data not substantiated.

\* IMPORTANT: Read Notes in Note Section if specified in Note Column.  
BE SURE TO SPECIFY MALLORY RADIO AND ELECTRONIC PARTS.

§ Indicates miscellaneous section.

MANUFACTURER AND MODEL	CONTROLS							CONDENSERS				VIBRATORS			No. Tubes	Complete Tube Complement	I. F. Peak	Rider's Reference
	Use	Original Part	Circuit	Correct Replacement	Switch	Bias	*Note	Original Part	Circuit	Correct Replacement	*Note	Original Part	Replacement	*Note				
SONORA —Conti 3RP	nued Vol. Sen. Phono.		10 7 63	Order from 2M	Mfr.		See Note A3 See Note A5	3-2-1-3	37	See Note	B1				†			
3R, 4R	Vol. Sen.		10 7	Order from 2M	Mfr.		See Note A3	2-1-1-3	3/13	See Note	B1				†		1-1	
5R (Arcturus Tubes)	Vol. Sen.		10 7	Order from 2M	Mfr.		See Note A3 See Note A5	2-3-1-3	37	See Note	B1				†		1-2	
7P Elec. Phonograph DeLuxe 44	Phono. Vol. Sen. Phono.		63 10 7 63	Order from 2M	Mfr.		See Note A3 See Note A5	2-3-1-3 2-3-1-3	37 37	See Note See Note	B1 B1			10	*RA1, *DE1, *SO2, *RE2		1-3 1-10	
64	Vol. Tone		6 41	MR18 MR48			EX350	8-8-8	28	RM265				7	*24A, 27, 45, 80		3-1	
70	Vol. Tone		15 34	MR53 MR42				8-8	1	2N518				8	*35, *27, 47, 80	262	3-3, 4	
71, 72, 73	Vol. Tone		15 44	MR53 MR42				8-8	1	2N518				10	*27, *35, *47, 80	262	2-1	
74	Vol.		6	MR18			EX350	8, 8	1	RS213				5	*24, 47, 80		3-2	
84, 85	Vol.		6	MR18			EX350	4-8	1	2N518				5	*24A, 35, 47, 80	262	2-2, 3	
86, 87	Vol. Loc'l'r. Tone		15 † 34	MR48 Y200MP MR42				4-2-4	28	3S584				7	*35, *24A, 27, 47, 80	262	2-4, 5	
SONORA RADIO & A11	TELEVISION Vol.	V6	6	MR28	M26		EX200	235	8	Order from	Mfr.			4	6D6, 6C6, 25L6G, 25Z5			
AU10	Vol.	N1238	18	Order from	Mfr.			N1236 .008-.008 C237	24/15 46	FP328 Buffer FP357	B117 B14	N1236	246	C3/C25	4A8GT, 6K7GT, 6Q7GT, 6K6GT	456	11-1	
B	Vol.	V20	18	MR53	M26			C237	46	FP357				5	6A8G, 6K7, 6Q7G, 25L6G, 25Z6G, K49B/165R4G	456		
BA (Ch. A, B, D-D)	Vol.	V20	18	MR53	M26			C237	46	FP357				5	6A8G, 6K7, 6Q7G, 25L6G, 25Z6G, K49B/165R4G	456		
BA (Ch. D)	Vol. Tone	V20 V109	18 22	MR53 MR28	M26			C237	46	FP357				5	6A8G, 6K7, 6Q7G, 25L6G, 25Z6G, K49B/165R4G	456		
BE	Vol.	V20	18	MR53	M26		A90	C237	46	FP357				5	6K8, 6K7, 6Q7G, 25L6G, 25Z6G	456	11-2	
BJE	Vol.	N2257	18	MR48	M26			N2015	24	2N514				5	12A8GT, 12K7GT, 12Q7GT, 35L6GT, 35Z5GT	456	11-3	
BJI	Vol.	N2257	18	MR48	M26			N2015	24	2N514				5	12SA7/12SA7GT, 12K7GT, 12Q7GT, 35L6GT, 35Z5GT	456	11-4	
BS	Vol.	V20	18	MR53	M26			C237	46	FP357				5	6K8, 6K7, 6Q7G, 25L6G, 25Z6G	456	11-2	
E, EA (1938)	Vol. Tone	V20 V15	18 †	MR53 MR48	M26			C238	1/19	FP332				5	6K8, 6K7, 6Q7G, 25A6G, 25Z6G, K49C/165R8G	456		
F	Vol. Tone	V20 V15	18 †	MR53 MR48	M26			C239	1/13	FP367				7	6K8, 6K7, 6Q7G, 6J5G, *25A6G, 25Z6G	456		
G, GA	Vol. Tone	V22 V111	124 22	MRT427 MR48	M26			C246 C245 C247	54 54 20	RS215 See Note TC26	B3			9	6K8, 6H6, 6K7, *6J5G, *6F6G, 5Y3G	456		
KB73	Vol.	N2623	18	UM161-SS18				N2748	24/12	FP304				5	1A7GT, 1N5GT, 1H5GT, 1A5GT, 35Z5GT	456	11-5	
KD75	Vol.	N2623	18	UM161-SS18				N2627	46/78	FP304/TC47	B128			6	1A7GT, 1N5GT, 1H5GT, 1A5GT, 50L6GT, 35Z5GT	456	11-6	
KE78	Vol.	N2876	18	UM154-SS18	M26			N2915	24	2N514				5	12A8GT, 12K7GT, 12Q7GT, 35L6GT, 35Z5GT	456	11-7	
KF, KFU	Vol.	N3728	†	UM129-SS25	M26		EX100	N3734	24/15	3N533				4	12SK7GT, 12SJ7GT, 50L6GT, 35Z5GT	456	12-4	
KL185	Vol. Tone Mic.	N4462 N3369 N2963	18 22 15	MRT427 MR53 MR44	M26			N2947 N2946	1 13/15	FP234 TC72/TC26				9	6SA7, 6SK7, 6J7, 6BBG, *6K6GT, 6U5 or 6G5, 6SQ7, 5Y3G	456	13-11, 10	
KNF, KNFU	Vol.	N3045	18	UM154-SS22	M26			N3114	24	2N514				5	12A8GT, 12K7GT, 12Q7GT, 35L6GT, 35Z5GT	456	12-3	
KTU	Vol.	N3307	18	MK401	M26			N3302	24	TC48/TC47				5	12SA7, 12SK7, 12SQ7, 35L6GT, 35Z5GT	456	12-4	
KU9	Vol.	N1238	18	Order from	Mfr.			N2795 .013-.013	24/15	3N527 Buffer	B14	N2794	246	C3/C25	6SA7, 6SK7, 6SQ7, 6K6GT	456	11-9	
KVU85, KVU97, Phono Oscillator. KWU78 (Phono)	Vol.	N3248	50	MK401	M26			N1675 N3617	12 24/15	TC47 2N511/TC26				2 2	50L6GT, 35Z5GT 50L6GT, 35Z5GT		12-9 13-5	

† Data not substantiated.

\* IMPORTANT: Read Notes in Note Section if specified in Note Column.

‡ Indicates miscellaneous section.



MANUFACTURER AND MODEL	CONTROLS							CONDENSERS				VIBRATORS			No. Tubes	Complete Tube Complement	I. F. Peak	Rider's Reference
	Use	Original Part	Circuit	Correct Replacement	Switch	Bias	*Note	Original Part	Circuit	Correct Replacement	*Note	Original Part	Replacement	*Note				
SONORA RADIO & KWU79 (Phono) KXF, KXFU	TELEVISION—Continued	N1864	50	MR48	M26		N3617	24/15	2N511/TC26					2	50L6GT, 35Z5GT		13-5	
	Vol.	N2982	106	MR48	M26		N2437	10/15	FP331	B128				6	6SA7GT, 6SK7GT, 6SQ7GT, 25C6G, *25Z6GT	456	12-5	
	Tone	N3369	106	MR53	M26		N2436	10	TC47					6	6SA7, 6SK7, *6SQ7, *6K6GT, 5Y4G	456	12-6	
KY, KYU	Vol.	N2982	106	MR48	M26		N3688	1	FP234					7	1A7GT, 1N5GT, 1H5GT, 1Q5GT	456	14-1	
KZ	Vol.	N3369	106	MR53	M26		N1367	12	TC42					4	1C7G, 1D5GP, 1F7G, 1G5G	456		
L	Vol.	N3411	18	MR53	M27									4	6A8GT, 6SK7GT, *6Q7GT, 6K6GT, 6X5GT	456	13-1,2	
LC, LCU	Vol.	V18	18	MR48	M27		C230	12	TC42					4	12SA7, 12SK7, 12SQ7, 35L6GT, 35Z5GT	456	12-7	
LD, LDU	Vol.	N3065	18	UM154-SS22	M26		N3440	23	TCS64					6	12SA7, 12SK7, 12SQ7, 35L6GT, 35Z5GT	456	13-2,3	
LD, LDU	Vol.	N3065	18	UM154-SS22	M26		N3658	24	FP214					5	12SA7, 12SK7, 12SQ7, 35L6GT, 35Z5GT	456	13-2,3	
LKS, LKSU	Vol.	N4071	18	MK401	M26		N4015	1	2N511					6	12SA7, 12SK7, 12SQ7, 35L6GT, 35Z5GT	456	13-2,3	
LMS, LMSU	Vol.	N3877	18	MK401	M26		N3302	24	2N511					5	12SA7, 12SK7, 12SQ7, 35L6GT, 35Z5GT	456	13-2,3	
LQS, LQSU	Vol.	N4014	18	MK401	M26		N4015	24	2N511					5	12SA7, 12SK7, 12SQ7, 35L6GT, 35Z5GT	456	13-2	
LR	Vol.	N2623	18	UM161-SS18			40-20-100	76	See Note	B3				5	1A7GT, 1N5GT, 1H5GT, 1A5GT, 35Z5GT	456	13-4,2	
LV181, LV186	Vol. Tone	N4398	18	Order from	Mfr.		N4429	1/15	ICD74/TC26					7	6SD7GT, 6SK7GT, 6J5GT, *6SQ7GT, 6K6GT, 5Y3G/GT	456	13-9,10	
		N4399	†	Order from	Mfr.									7	6SD7GT, 6J5GT, 6SK7GT, *6SQ7GT, 6K6GT, 5Y3G/GT	456	14-2	
LW	Vol. Tone	N4398	18	Order from	Mfr.		N4411	1/15	ICD72/TC26					7	6SD7GT, 6J5GT, 6SK7GT, *6SQ7GT, 6K6GT, 5Y3G/GT	456	14-2	
		N4399	†	Order from	Mfr.									7	6SD7GT, 6J5GT, 6SK7GT, *6SQ7GT, 6K6GT, 5Y3G/GT	456	14-2	
LWU	Vol. Tone	N4398	18	Order from	Mfr.		N4429	1/15	ICD74/TC26					7	6SD7GT, 6J5GT, 6SK7GT, *6SQ7GT, 6K6GT, 5Y3G/GT	456	14-2	
		N4399	†	Order from	Mfr.									7	6SD7GT, 6J5GT, 6SK7GT, *6SQ7GT, 6K6GT, 5Y3G/GT	456	14-2	
LZ	Vol.	N3411	18	MR53	M27		N1367	12	TC42					4	1A7GT, 1N5GT, 1H5GT, 1Q5GT	456	13-10,2	
M	Vol.	V20	18	MR53	M26		C236	46	FP360		F4	246	C3	4	6A8G, 6K7, 6Q7G, 6C6G	456		
MTF164	Vol.	N2876	18	UM154-SS18	M26	A4	.01-.01	24	Buffer	B14				5	12A8GT, 12K7GT, 12Q7GT, 35L6GT, 35Z5GT	456	13-8,2	
	Vol.	N3248	18	MK401	M26	A27	N2915	24	2N514					5	12A8GT, 12K7GT, 12Q7GT, 35L6GT, 35Z5GT	456	13-8,2	
P	Vol.	V23	6	UM129-SS18	M26	EX200		46	TN125					4	6K7GT, 6J7GT, 25L6GT, 25Z6GT	456	11-10	
PL29	Vol.	N1546	18	MR48	M27		N1367	12	TC42					4	1A7G, 1N5G, 1H5G, 1C5G	456		
PL37	Vol.	N1738	18	MK401	M27		N1367	12	TC42					4	1A7G, 1N5G, 1H5G, 1C5G	456		
PS	Vol.	V13	18	MR48	M26		C240	24	TC44					5	6A8GT, 6K7GT, 6Q7GT, 25L6GT, 25Z6GT	455		
	Vol.	V13	18	MR48	M26		C230	18	TC42					5	6A8GT, 6K7GT, 6Q7GT, 25L6GT, 25Z6GT	455		
Q, QA	Vol. Tone	V20	18	MR53	M26		C242	1	FP225		F4	246	C3	6	6D8G, 1H4G, 687G, 6T7G, 6L5G, 1J6G	456	11-12	
	Vol.	V110	22	MR48	M26		.01-.01		Buffer	B14				7	6K8, 6K7, 6Q7G, 6J5G, *25L6G, 25Z6G, BK17EI	456		
	Vol. Tone	V13	18	MR48	M26		C241	6	2N514					7	6K8, 6K7, 6Q7G, 6J5G, *25L6G, 25Z6G, BK17EI	456		
	Vol. Tone	V15	†	MR48	M26									7	6K8, 6K7, 6Q7G, 6J5G, *25L6G, 25Z6G, BK17EI	456		
RBM/RBMU-175, RBM/RBMU-176, RBM/RBMU-177	Vol.	N-4026	18	MK401	M26		N-3302	80	2N511					5	12SA7, 12SK7, 12SQ7, 35L6GT, 35Z5GT	455	16-2	
RBM/RBMU-207	Vol.	N-4026	18	MK401	M26		N-3302	80	2N511					5	12SA7, 12SK7, 12SQ7, 35L6GT, 35Z5GT	455	16-2	
RBU-176, RB-207	Vol. (Early) (Late)	N-4999	18	MK401	M26		N-3302	80	2N511					5	12SA7, 12SK7, 12SQ7, 35L6GT, 35Z5GT	455	15-1	
	Vol.	N-4843	18	MK401	M26	A106		81	2N511					6	12SA7, *12SK7, 12SQ7, 35L6GT, 35Z5GT	455	15-2,3	
	Vol.	N-4889	205	MK401	M26		N-3658	81	2N511					6	12SA7, *12SK7, 12SQ7, 35L6GT, 35Z5GT	455	15-2,3	
	Vol.	N-4889	205	MK401	M26		N-1367	13	TC42					6	12SA7, *12SK7, 12SQ7, 35L6GT, 35Z5GT	455	15-2,3	
RDA/RDAU-209, RDA/RDAU-229	Vol.	N-5026	205	MK401	M26		N-3658	81	2N511					6	*12SK7, 12SA7, 12SQ7, 35L6GT, 35Z5GT	455		
RDU-209, RDU-222, RDU-229	Vol.	N-4889	205	MK401	M26		N-3658	81	2N511					6	12SA7, *12SK7, 12SQ7, 35L6GT, 35Z5GT	455	15-2,3	
	Vol.	N-4889	205	MK401	M26		N-1367	13	TC42					6	12SA7, *12SK7, 12SQ7, 35L6GT, 35Z5GT	455	15-2,3	
RET-210	Vol. Tone	N-4843	161	MK401	M26		N-4411	22	FP339	B277				7	6SG7, 6J5, 6SK7, *6SQ7, 6K6GT, 5Y3GT	455		
	Vol.	N-4399	†	Order from	Mfr.									7	6SG7, 6J5, 6SK7, *6SQ7, 6K6GT, 5Y3GT	455		
RGMF-212, RGMF-230	Vol.	N-4843	161	MK401	M26		N-4986	80	2N511					5	12BE6, 12BA6, 12AT6, 50B5, 35W4	455	16-3	

† Data not substantiated.

\* IMPORTANT: Read Notes in Note Section if specified in Note Column.

‡ Indicates miscellaneous section.

MANUFACTURER AND MODEL	CONTROLS							CONDENSERS				VIBRATORS			No. Tubes	Complete Tube Complement	I. F. Peak	Rider's Refer- ence
	Use	Original Part	Cir- cuit	Correct Replacement	Switch	Bias	*Note	Original Part	Cir- cuit	Correct Replacement	*Note	Original Part	Replac- ment	*Note				
SONORA RADIO & RKRU-215, RK-215, Ch. RKRU.....	TELEVISION	Continued																
RMR-219, RMR-220, RMR-245, RMR-271, RMR-272.....	Vol.	N-4076.....	161	MK401.....	M26			N-5051.....	81	2N511.....					6	12BA6, 12BE6, 12AT6, 35L6GT, 35W4.....	455	16-2,4
RQ-222, RQU-222..	Vol.	N-5651.....	75	TM227-SS25	M26			N-5595.....	88	Order from Mfr..					8	6SG7, 6J5, 6SK7, 6SQ7, 25L6GT, 25Z6GT.....	455	
RWF/RWFU-78, RWF/RWFU-238	Vol.	N-3248.....	245	MK401.....	M26			N-5439.....	81/15	FP311.....					2	50L6GT, 35Z5GT.....		
RX-223.....	Vol.	N-3411.....	205	MR53.....	M27			N-1367.....	12	TC42.....					4	1A7GT, 1N5GT, 1H5GT, 30SQT.....	455	16-5
RYMU-224.....	Vol.	N-3940.....	205	Order from	Mfr..			N-2740.....	24	2N511/TC2501					5	1R5, 1T4, 1S5, 3Q4, 35W4.....	455	16-6
RZ/RZU-222, RZ/RZU-248.....	Vol.	N-5026.....	205	MK401.....	M26			N-3658.....	81	2N511.....					6	12SK7, 12SA7, 12SQ7, 35L6GT, 35Z5GT.....	455	
RZL/RZLU-222, RZL/RZLU-248..	Vol.	N-5026.....	205	MK401.....	M26			N-3658.....	81	2N511.....					6	14A7, 14Q7, 14B6, 35Z5, 35Y4.....	455	
SL.....	Vol. Tone	N1373.....	18	MR48.....	M27			N1367.....	12	TC42.....					5	1A7G, 1N5G, 1H5G, 1A5G.....	456	11-13
SM.....	Vol. Tone	N1320.....	18	MR53.....	M26			N1468.....	46	FP360.....		N1431.....	859	C3	5	6A8G, 6K7, 6Q7G, 6G6G, 6Z5Y5G.....	456	11-14
TB.....	Vol. Tone	N1734.....	17	MR48.....	M26			N1755.....	24/13	TN129.....	B14				7	6A8G, 6K7G, 6Q7G, 6J5G, 25L6G, 25Z6G.....	456	11-15
TC.....	Vol. Tone	N1320.....	18	MR53.....	M26			N1312.....	1	FP217.....	B128				5	6A8G, 6K7, 6Q7G, 25L6G, 25Z6G.....	456	11-16
TD.....	Vol. Tone	N1321.....	45	MR48.....	M26			C237.....	46	FP357.....					7	6A8G, 6K7G, 6J5G, 6F5G, 25L6G, 25Z6G.....	456	11-17
TE38, 40, 41.....	Vol.	N1864.....	50	MR48.....	M26			N1866.....	24/15	3N533.....					4	70L7GT.....		
TF39.....	Vol.	N1738.....	18	MK401.....	M27			N1367.....	12	TC42.....					4	1A7G, 1N5G, 1H5G, 1C5G.....	456	12-13
TH46.....	Vol.	N2056.....	18	UM154-SS18				N1367.....	12	TC42.....					4	1A7GT, 1N5GT, 1H5GT, 1Q5GT.....	456	11-19
TJ62, 63.....	Vol.	N2257.....	18	MR48.....	M26			N2015.....	24	2N514.....					5	12A8GT, 12K7GT, 12Q7GT, 35L6GT, 35Z5GT.....	456	11-20
TJF68.....	Vol.	N2257.....	18	MR48.....	M26			N2015.....	24	2N514.....					5	12A8GT, 12K7GT, 12Q7GT, 35L6GT, 35Z5GT.....	456	11-21
TK44.....	Vol.	N2013.....	6	UM128-SS18	M26	EX200		N1850.....	24/15	3N533.....					4	12K7GT, 12J7GT, 50L6GT, 35Z5GT.....		
TKE.....	Vol.	N1537.....	6	UM129-SS18	M26	EX200		N2380.....	24/15	3N533.....					4	12K7GT, 12J7GT, 50L6GT, 35Z5GT.....		11-22
TL.....	Vol.	N1373.....	18	MR48.....	M27			N1367.....	12	TC42.....					4	1A7G, 1N5G, 1H5G, 1C5G.....	456	11-13
TM.....	Vol.	N1320.....	18	MR53.....	M26			N1468.....	46	FP360.....		N1475.....	246	C3	4	6A8G, 6K7, 6Q7G, 6G6G.....	456	11-24
TN45.....	Vol.	N2070.....	18	UM154-SS18	M26			N1366.....	24	2N514.....	B14				5	12A8GT, 12K7GT, 12Q7GT, 35L6GT, 35Z5GT.....	456	11-20
TNE.....	Vol.	N1595.....	18	UM154-SS18	M26			N1366.....	24	2N514.....					5	12A8GT, 12K7GT, 12Q7GT, 35L6GT, 35Z5GT.....	456	11-25
TNF60.....	Vol.	N2070.....	18	UM154-SS18	M26			N2015.....	24	2N514.....					5	12A8GT, 12K7GT, 12Q7GT, 35L6GT, 35Z5GT.....	456	11-26
TNF68.....	Vol.	N2257.....	18	MR48.....	M26			N2015.....	24	2N514.....					5	12A8GT, 12K7GT, 12Q7GT, 35L6GT, 35Z5GT.....	456	11-26
TP108.....	Vol.	N1537.....	6	UM129-SS18	M26	EX200		N1850.....	24/15	3N533.....					4	12K7GT, 12J7GT, 50L6GT, 35Z5GT.....		
TPE.....	Vol.	N2013.....	6	UM128-SS18	M26	EX200		N2380.....	24/15	3N533.....					4	12K7GT, 12J7GT, 50L6GT, 35Z5GT.....		11-22
TR53.....	Vol. Tone	N2163.....	18	MR48.....	M26			N2206.....	24	2N514.....					6	12A8GT, 12K7GT, 12J5GT, 12Q7GT, 35L6GT, 35Z5GT.....	456	11-27
TS.....	Vol.	N1434.....	6	Order from	Mfr..			N1366.....	1	2N514.....					5	6A8GT, 6K7GT, 6J5GT, 25L6GT, 25Z6GT.....	456	11-16

† Data not substantiated.

\* IMPORTANT: Read Notes in Note Section if specified in Note Column.

§ Indicates miscellaneous section.

WHEN YOU BUY A BATTERY CHARGER BUY A MALLORY.

MANUFACTURER AND MODEL	CONTROLS							CONDENSERS				VIBRATORS			No. Tubes	Complete Tube Complement	I. F. Peak	Rider's Reference
	Use	Original Part	Circuit	Correct Replacement	Switch	Bias	*Note	Original Part	Circuit	Correct Replacement	*Note	Original Part	Replacement	*Note				
SONORA RADIO & TSA105.....	TELEVISION	SION—Continued	18	UM154-SS18	M26			N1366	24	2N514					5	12A8GT, 12K7GT, 12Q7GT, 35L6GT, 35Z5GT	456	11-20
TSB47.....	Vol.	N1595	18	UM154-SS18	M26			N1366	24	2N514					5	12A8GT, 12K7GT, 12Q7GT, 35L6GT, 35Z5GT	456	12-8
TSBU.....	Vol.	N1955	18	MK401	M26			N2599	24	2N514					5	12A8GT, 12K7GT, 12Q7GT, 35L6GT, 35Z5GT	456	12-8
TSG-R "Globe Navigator".....	Vol.	N2745	18	MR48	M26			N2763	24	2N514					5	12A8GT, 12K7GT, 12Q7GT, 35L6GT, 35Z5GT	456	12-1,2
TSU105.....	Vol.	N1955	18	MK401	M26			N1366	24	2N514					5	12A8GT, 12K7GT, 12Q7GT, 35L6GT, 35Z5GT	456	12-8
TT52, 64, TTU64.....	Vol.	N2223	127	MR53	M26			N2224	4	2S567					5	6A8G, 6K7G, 6Q7G, 6K6G, 80	456	11-28
TV48, TVU48.....	Vol.	N2173	6	UM128-SS22	M26	EX350		N2174	24/15	3N533				4	12A8GT, 12SJ7/12SJ7GT, 50L6GT, 35Z5GT	456	12-9	
TV48, TVU48.....	Vol.	N2506	6	UM133-SS22	M26	EX350												
TW49, TWU49.....	Vol.	N2087	18	UM154-SS22	M26			N2015	24	2N514					5	12A8GT, 12K7GT, 12Q7GT, 35L6GT, 35Z5GT	456	11-28
TW49, TWU49.....	Vol.	N2522	18	UM154-SS22	M26													
TX53, 58.....	Vol. Tone	N2411	106	MR48	M26			N2437	10/15	FP330	B128				6	6A8GT, 6K7GT, 6Q7GT, 25C6G, *25Z6G	456	11-29
TX53, 58.....	Vol. Tone	N2435	106	UM160-SS1	M26			N2436	10	TC47					7	6A8GT, 6K7GT, 6Q7GT, 6G5, 25C6G, *25Z6G	456	12-11
TXF67.....	Vol. Tone	N2411	106	MR48	M26			N2437	10/15	FP330	B128				7	6A8GT, 6K7GT, 6Q7GT, 6G5, 25C6G, *25Z6G	456	12-11
TXF67.....	Vol. Tone	N2435	106	UM160-SS1	M26			N2436	10	TC47					7	6A8GT, 6K7GT, 6Q7GT, 6G5, 25C6G, *25Z6G	456	12-11
TY54.....	Vol. Tone	N2282	17	MR48	M26			N2283	1	FP225	B128				7	6A8G, 6K7G, 6Q7G, *6K6G, 6J5G, 80	456	11-30
TZ56.....	Vol. Tone	N2281	44	MR40				N2459	25	TC74				12	6A8GT, 6SK7, *76, *6F6G, 80	456	12-10	
TZ56.....	Vol. Tone	N2482	45	MRT440				N2460	25	TC74								
TZ56.....	Vol. Tone	N2483	1	UC513														
W17, W19, W24 Phono. Oscillator. WA/WAU-243, WA/WAU-244.....	Vol.	N-2087	205	MK401	M26			N1675	12	TC47						32L7GT		12-13
WBR-WBRU-239.....	Vol.	N-4843	161	MK401	M26			N-5051	81	2N511					5	12SA7, 12SK7, 12SQ7, 35L6GT, 35Z5GT	455	16-4,7
WC/WCU-246, WC/WCU-247.....	Vol.	N-6239	205	MK402	M26			N-6236	80	2N520					5	12SA7, 12SK7, 12SQ7, 35L6GT, 35Z5GT	455	
WD/WDU-233, WD/WDU-249.....	Vol.	N-6007	205	UM161-SS1	M27			N-6006	80/78	Order from Mfr.					4	1R5, 1U4, 1S5, 3V4, D. R.	455	
WEU-240, WEU-262.....	Vol. Tone	N-6274	265	MK401	M26			N-6313	89/15	FP410					8	*6BA6, 6BE6, 6AL5, 6SQ7, 25L6GT, 25Z6GT	455	10.7
WEU-240, WEU-262.....	Vol. Tone	N-6273	265	MK401	M26			N-6312	89	FP210	B8							
WEU-240, WEU-262.....	Vol. Tone	N-6374						N-6374	83	TC40								
WGFU-241, WGFU-242.....	Vol.	N-6097	161	MK401	M26			N-5051	81	2N511					5	12SA7, 12SK7, 12SQ7, 35L6GT, 35Z5GT	455	16-8
WJ/WJU-250, WJ/WJU-251, WJ/WJU-252, WJ/WJU-253.....	Vol.	N-6275	18	MK401	M26			N-6281	80/15	TN129					4	12BE6, 12AT6, 50B5, 35W4	455	
WKR/WKRU-254.....	Vol. Tone	N-6274	265	MK401	M26			N-6313	89/15	FP410					8	*6BA6, 6BE6, 6AL5, 6SQ7, 25L6GT, 25Z6GT	455	10.7
WKR/WKRU-254.....	Vol. Tone	N-6273	265	MK401	M26			N-6312	89	FP210								
WKR/WKRU-254.....	Vol. Tone	N-6374						N-6374	83	TC40								
WLRU-219A, WLRU-220A, WLRU-245A, WLRU-255A, WLRU-271A, WLRU-272A.....	Vol. Tone	N-5651	265	MK401	M26			N-6523	91	FP410	B192				9	*6BA6, 6BE6, 6AL5, 6SQ7, *25L6GT, D. R.	455	10.7
WLRU-219A, WLRU-220A, WLRU-245A, WLRU-255A, WLRU-271A, WLRU-272A.....	Vol. Tone	N-5578	265	MK401	M26			N-6312	13	FP210								
WLRU-219A, WLRU-220A, WLRU-245A, WLRU-255A, WLRU-271A, WLRU-272A.....	Vol. Tone	N-5161	161	MK401	M26			N-6374	83	TC40								
WLRU-219A, WLRU-220A, WLRU-245A, WLRU-255A, WLRU-271A, WLRU-272A.....	Vol. Tone	N-4014	161	MK401	M26			N-4411	1/15	FP339	B277				7	6SG7, 6SK7, *6SQ7, 6J5, 6K6GT, 5Y3GT	455	
WLRU-219A, WLRU-220A, WLRU-245A, WLRU-255A, WLRU-271A, WLRU-272A.....	Vol. Tone	N-5161	161	MK401	M26													
XL28.....	Vol.	N1504	18	UM154-SS18	M27			N1367	12	TC42					4	1A7G, 1N5G, 1H5G, 1C5G	456	
SOUND INC. Interm. System (3 Tube)																		
MB7E3.....	Mike Tone Phono		192	MR48	Order from Mfr.				24	2N509					3	12SL7GT, 50L6GT, 35Z5GT		
MB7E3.....	Mike Tone Phono		271	MR48	Order from Mfr.				13/15	2N509								
MB7E3.....	Mike Tone Phono		192	MR48	Order from Mfr.				24	FP146					5	6SQ7, 6SL7GT, *6V6GT, 6X5GT		
MB7E3.....	Mike Tone Phono		192	MR48	Order from Mfr.				24	FP140								
MB7E3.....	Mike Tone Phono		192	MR48	Order from Mfr.				15	TC26								

† Data not substantiated.

\* IMPORTANT: Read Notes in Note Section if specified in Note Column.

‡ Indicates miscellaneous section.

MANUFACTURER AND MODEL	CONTROLS							CONDENSERS				VIBRATORS			No. Tubes	Complete Tube Complement	I. F. Peak	Rider's Reference
	Use	Original Part	Circuit	Correct Replacement	Switch	Bias	*Note	Original Part	Circuit	Correct Replacement	*Note	Original Part	Replacement	*Note				
SOUND INC.—Continued																		
MB7E8.....	Mike Tone		192	MR48.....					24	FP146					5	6SQ7, 6SL7GT, 6V6GT, 6X5GT		
	Phono		271	Order from	Mfr.				24	FP140								
5R2.....	Vol.		192	MR48.....					15	TC26					4	12SA7GT, 12SQ7GT, 50L6GT, 35Z5GT	375	
			18	Order from	Mfr.				24	2N509								
									13/15	2N509								
SPARKS-WITHING TON—See Sparton.																		
SPARTA—See Simplex																		
SPARTON																		
AC7.....	Vol.	A3491	7	SRP154.....				2-2-2	3	See Note	B1				8	6C401, 71A or C181, BH	1-5	
AR19.....	Vol.	A5405	11	Order from	Mfr.										5	624A, 12A	1-1	
AR50, AR50A	Vol.	A5405	11	Order from	Mfr.										5	324A, 27, 12A	1-1	
AC62, AC63	Vol.	A3491	7	SRP154.....				2-2-2	3	See Note	B1				8	6C401 or C373, 71A or C181, BH	1-5	
5, 9.....	Vol.	A6634	8	H.....	6-9	RS244		A6610	11	TC70					5	435, 27, 45, 80	2-1	
5A116, Ch. 5-16	Vol.	PA-4400-3	18	MK401.....	M26			A6611	11	TC71					5	12SA7GT, 12SK7GT, 12SQ7GT, 50L6GT, 35Z5GT	456	
								PA-4301-1	24	2N514								
5AM26-PS, Ch. 5-26PS	Vol.	PA-4400-3	271	MK401.....	M26				98/15	FP332					5	6SA7GT, 6SK7GT, 6SQ7GT, 6F6GT, 5Y3GT	455	
5AW06.....	Vol.	PA-4400-2	15	MK401.....	M26			PA-4301	24	2N511					5	14Q7, 14A7, 14B6, 50A5, 35Y4	456	
5AW16, Ch. 5-16	Vol.	PA-4400-3	18	MK401.....	M26			PA-4301-1	24	2N514					5	12SA7GT, 12SK7GT, 12SQ7GT, 50L6GT, 35Z5GT	456	
6AW26-PA, Ch. PC5-6-26	Vol. Tone	PA-4402-1 PA-4400-5	161 44	MK401 MK401				PA-4300-5	19/12	FP339					6	6A8GT, 7A7, 7B6, 6K6GT/G, 5Y3GT/G	456	
6F1.....	Vol.	A15144	18	UM151-SS3	M26			A15946	24/15	FP328		A15949	859	C3	6	7A7, 7B8, 6SQ7GT, 6K6GT, 6X5GT	455	
6F1D.....	Sen. Vol. Tone	A15962 R15142 R15143	7 18 34	Order from TM225-SS3	Mfr. M26			.003 A15946	24/15	Buffer FP328	B14	A15949	859	C3	6	7A7, 7B8, 7B6, 7C5, 7Y4	455	
6F2D.....	Sen. Vol. Tone	R15962 A-15146	7 167	Order from	Mfr.			.003		Buffer	B14							
	Sens. Vol.	A-15146 A-15962	167 206	Order from	Mfr.			A-20092	24/15	FP328		A-15949	859	C3	6	7A7, 7B8, 6SQ7GT, 6V6GT, 6X5GT	265	
6-06.....	Vol.	A-18002-1	75	MK402.....	M27			.004		Buffer	B14							
								A-9007-1	78	Order from	Mfr.							
6-26, 6-26-PA	Vol. Tone	PA-4402-1 PA-4400-5	161 44	MK401 MK401				A-9003-4	88	FP363					6	1T4, 1R5, 1S5, 3Q5GT, 117Z6GT	456	
7AM46, Ch. 7-46	Vol. Tone	PA-4401-2	161	MK403				PA-4300-5	13/12	FP339	B192				6	6A8GT, 7A7, 7B6, 6K6GT/G, 5Y3GT	456	
7-46, 7-46-PA	Vol. Tone	PA-4404-1	44	MK400				PA-4300-1	98	FP390					7	7A7, 7Q7, 7B6, 6F6, 5Y3GT/G	456	
		PA-4401-2	161	MK403				PA-4303-1	131	TC70					7	7A7, 7Q7, 7B6, 6F6GT/G, 5Y3GT/G	456	
		PA-4404-1	44	MK400				PA-4303-1	131	TC70					7	7A7, 7Q7, 7B6, 6F6GT/G, 5Y3GT/G	456	
7EW36, 7-36	Vol. Tone	A15140-3 A15128-8	18 130	MK403 MK400	M26			A14684-7	46	FP390					7	6SK7GT, 6SA7GT, 6SQ7GT, 6F6G, 5Y3G	456	
								A14782-8	14	TC71					8	7A7, 7Q7, 7B6, 6F6G, 6U5, 5Y3G	456	
8 Series	Vol. Tone	A15140-2 A15129-12	18 57	MK403 MK401	M26			A14684-7	3	FP390					8	7A7, 7Q7, 7B6, 6F6G, 6U5, 5Y3G	456	
								A14782-8	13	TC71								
								A14782-6	15	TC29								
								A14782-9	15	TC26								
8AM46, Ch. 8-46	Vol. Tone	PA-4401-2 PA-4404-1	161 44	MK403 MK400				PA-4300-1	98	FP390					8	7A7, 7Q7, 7B6, 6F6, 5Y3GT/G, 6U5/6G5	456	
								PA-4303-1	131	TC70								
8W31	Vol. Tone	A15140-2 A15129-12	18 57	MK403 MK401	M26			A14684-7	3	FP390					8	7A7, 7Q7, 6U5, 7B6, 6F6G, 5Y3G	456	
								A14782-8	13	TC71								
								A14782-6	15	TC29								
								A14782-9	15	TC26								
8-36	Vol. Tone	A15140-3 A15128-8	18 130	MK403 MK400	M26			A14684-7	46	FP390					8	6SK7GT, 6SA7GT, 6SQ7GT, 6U5 or 6G5, 6F6G, 5Y3G	456	
								A14782-8	14	TC71								
8-61, 8W61	Vol. Tone	A15140-2 A15129-12	18 57	MK403 MK401	M26			A14684-7	3	FP390					8	7A7, 7Q7, 6U5, 7B6, 6F6G, 5Y3G	456	
								A14782-8	13	TC71								
								A14782-6	15	TC29								
								A14782-9	15	TC26								
8W71	Vol. Tone	A15140-2 A15129-12	18 57	MK403 MK401	M26			A14684-7	3	FP390					8	7A7, 7Q7, 6U5, 7B6, 6F6G, 5Y3G	456	
								A14782-8	13	TC71								
								A14782-6	15	TC29								
								A14782-9	15	TC26								
9-30	Vol.	A3491	7	SRP154				†	46	See Note	B1				9	485, 482B8, 80		
9A.....	Vol.	A5663	24	DRP246	6-9			B2327	1	3S584	B8				6	24A, 27, 483, 80	2-2	

‡ Data not substantiated.

\* IMPORTANT: Read Notes in Note Section if specified in Note Column.  
ASK YOUR DISTRIBUTOR FOR THE LATEST MALLORY CATALOG AND PRICE LIST.

§ Indicates miscellaneous section.

MANUFACTURER AND MODEL	CONTROLS							CONDENSERS				VIBRATORS			No. Tubes	Complete Tube Complement	I. F. Peak	Rider's Reference
	Use	Original Part	Circuit	Correct Replacement	Switch	Bias	*Note	Original Part	Circuit	Correct Replacement	*Note	Original Part	Replacement	*Note				
SPARTON—Continued																		
9X	Vol. Tone	A8516	109	MR44	.....	RS244	A24	A8123-1	4	TC82				8	*58, 24A, *56, 47, 80	172.5	2-6,7	
	Supp.	A8517	34	MR33	M26	RS244	A24	A9019A	4	TC71								
10	Vol. Tone	A8652	7	D.		RS244	A77							7	*35, *27, 47, 80	172.5	2-3,4	
	Supp.	A7000	7	A2MP		RS244	A24	B2748A	1	3S584								
10BW76-PA, Ch. 10-76PA	Vol. Tone	A6926	22	MR33		RS244	A24											
	Supp.	PA-4401-2	161	MK403				PA-4300-1	3	FP390				10	6SG7, 7Q7, *6SK7GT, 6E5, *6SJ7GT, 6S8GT, 6V6GT/G, 5Y3GT	456	10.7	
	Supp.	PA-4400-6	1	MK401	M26			PA-4303-2	130	TC26								
	Supp.							PA-4303-4	13	TC71								
11-36	Vol. Tone	A15141-1	18/15	Order from MK400	Mfr.			A14684-7	3	FP390				11	*7A7, 7Q7, *7B6, 6SJ7GT, 7A4, *6V6G, 6U5/6G5, 5Y3G	456	13-4,5,6	
	Supp.	A15128-6	44		M26			A14782-8	13	TC71								
	Supp.							A14782-6	15	TC29								
	Supp.							A14782-7	15	TC22								
12	Vol. Tone	A7903	4	DRP169		RS244	A24		4	TC70				5	*24A, 35, 47, 80	172.5	2-5,6	
	Supp.	A9017	22	MR33		RS244	A24		7	TC71								
13, 14, 14A	Vol. Tone	A8516	109	MR44		RS244	A24	A8123-1	4	TC82				8	*58, 24A, *56, 47, 80	172.5	2-6,7	
	Supp.	A8517	22	MR33	M26	RS244	A24	A9019A	4	TC71								
	Supp.	A8652	7	D.														
15	Vol. Tone	A7180	7	UC500		RS244	A24	B2748A	1	2N518				8	*35, *27, 47, 80	172.5	2-8,9	
	Supp.	A6926	22	MR33		RS244	A24	A6611	1	TC71								
15X	Vol. Tone	A8516	109	MR44		RS244	A24	A8123-1	4	TC82				8	*58, 24A, *56, 47, 80	172.5	2-6,7	
	Supp.	A8517	34	MR33	M26	RS244	A24	A9019A	4	TC71								
	Supp.	A8652	7	D.														
16, 16AW	Vol. Tone	A7935	111	G.	6-9			A8123-1	26	TC82				9	*27, *35, *47, 80	172.5	2-10,11	
	Supp.	A7896	44	MR33				A6611A	26	TC71								
17, 18	Vol. Tone	A8513-A-1	111	A10MP	6-9	RS244	A24	A8123-1	26	TC82				10	*58, 24A, *56, *47, 80	172.5	4-1,3	
	Supp.	A8514	22	MR39		RS244	A24	A6611A	26	TC71								
	Supp.	A8515	1	UC508				A94										
19A	Vol. Tone	A5405	11	Order from	Mfr.									5	*24A, 12A		1-1	
25, 26, 26AW	Vol. Tone	A7029A	32	A5MP	6-9	RS244	A24	A6884	28	RM265				10	*35, *27, *45, 80	172.5	2-14,15	
	Supp.	A7028	44	MR33		RS244	A24											
27	Vol. Tone	A8670	111	C.		RS244	A24	A8123-1	26	TC82				13	*58, 24A, *56, *47, *80	172.5	3-1,2	
	Supp.	A8514	22	MR39		RS244	A24	A6611A	26	TC71								
	Supp.	A8515	32	UC508				A94										
27A	Vol. Tone	A8513A	111	A10MP	6-9	RS244	A24	A8123-1	26	TC82				13	*58, 24A, *56, *47, *80	172.5	4-1,5	
	Supp.	A8514	22	MR39		RS244	A24	A6611A	26	TC71								
	Supp.	A8515	32	UC508				A94										
28	Vol. Tone	A8513A	111	A10MP	6-9	RS244	A24	A8123-1	26	TC82				13	*58, 24A, *56, *47, *80	172.5	4-6	
	Supp.	A8514	22	MR39		RS244	A24	A6611A	26	TC71								
	Supp.	A8515	32	UC508				A94										
28X	Vol. Tone	A8513-A-1	111	A10MP	6-9	RS244	A24	A8123-1	26	TC82				10	*58, 24A, *56, *47, 80	172.5	4-2,3	
	Supp.	A8514	22	MR39		RS244	A24	A6611A	26	TC71								
	Supp.	A8515	1	UC508	See Note			A94										
30, 30A, 30B	Vol. Tone	A7029A	111	A5MP	6-9	RS244	A24	A6884	28	RM265	B65			10	*35, *27, *45, 80	172.5	2-17,22	
	Supp.	A7028	44	MR33		RS244	A24											
	Phono.		63	MR33				A37										
31, 32	Vol. Tone	A5248	12	UC507										6	*32, 30, 31		1-4	
33	Vol. Tone	A9458	83	MR44										6	*39, 36, 85, 41, 84	172.5	4-7,8	
	Supp.							A8907	1	TC71		B5417	292	C3				
	Supp.							A9308	15	TC26								
	Supp.							.02		Buffer	B14							
33A, 33B	Vol. Tone	A10216-1	15	UM147-SS3	M26			A10277	1	2N518		B5417	292	C3	*78, 36, 75, 41, 84	172.5	7-1,2	
	Supp.							A9308	15	TC26								
	Supp.							.02		Buffer	B14							
34	Vol. Tone	A8587	15	MR44										7	*39, 36, 70, *38, 37	172.5	3-3,4	
35	Vol. Tone	A6941	111	Y5MP		RS244		2-4-1	3	See Note	B2			13	*35, *27, *50, *81	172.5	3-5,6	
	Supp.		44	MR33														
	Phono.	A6694	63	MR33														
36	Vol. Tone	A10310	83	MR44	M26			A10001	46	3S584		A10345	222	7	*78, 36, 85, 37, 89, 79	172.5	4-9	
	Supp.		17	W.				A10308	15	TN111								
40 Auto	Vol. Tone	A7210	15	MR44										6	*36, 37, 38		2-30	
41 Police Auto	Vol. Tone	A7808	7	Order from	Mfr.									5	*36, 37, 38		2-31	
41A	Vol. Tone	A7808	7	Order from	Mfr.									5	*39, 36, 12		4-1	
42	Vol. Tone	A8938	15	MR44										6	*39, 36, 38, 37		8-8	
43 Police Auto	Vol. Tone	A8938	15	MR44										6	*39, 36, 37, 38		4-10	
43S, 43S-1600, 43S-2400	Vol. Tone	A8938	15	MR44										6	*37, *39, 36, 41 or 42			
45	Vol. Tone	A7029A	111	A5MP	6-9	RS244	A24	A6884	28	RM265	B65			10	*35, *27, *45, 80	172.5	2-32,33	
	Supp.	A7028	44	MR33		RS244	A24											
	Phono.		63	W.														
46P	Vol. Tone	A10216-1	17	MR44	M26			A9308	15	TC26				5	*78, 36, 75, 42	172.5	9-1	
49	Vol. Tone	A3491	26	SRP154										9	*C486, *01A, 71A		1-5	
AR50, AR50A	Vol. Tone		11	MR55	See Note	A77								5	*24, 27, 12A		1-1	
51, 52	Vol. Tone	A5248	12	UC507	See Note	A4								6	*32, 30, 31		2-34,35	
	Supp.	A7595	22	MR33														
53 AC-DC	Vol. Tone	A11480	17	MR48	M26			A11093-1	11	UR182-193	B31			5	*78, 75, 43, 25Z5	456	5-1,3	
54	Vol. Tone	A8516	56	MR44		RS244	A24	A8907	12	TC71				8	*34, 25S, *30, 32	172.5	3-7,8	
	Supp.	A8932	44	MR33	M27	RS244	A24											
55 Police Desk	Vol. Tone	A5608	26	UC513				B2948	1	3S584				6	*24A, 27, C183, 80		2-36	
	Relay		1		See Note	A5											1-6	
56	Vol. Tone	A7006	7	C.	6-9			B2748A	1	3S584				7	*35, *27, 47, 80	172.5	2-37,38	
	Supp.	A6926	22	MR33		RS244	A24											

† Data not substantiated.

\* IMPORTANT: Read Notes in Note Section if specified in Note Column.

‡ Indicates miscellaneous section.

MANUFACTURER AND MODEL	CONTROLS							CONDENSERS				VIBRATORS			No. Tubes	Complete Tube Complement	I. F. Peak	Rider's Reference
	Use	Original Part	Circuit	Correct Replacement	Switch	Bias	*Note	Original Part	Circuit	Correct Replacement	*Note	Original Part	Replacement	*Note				
SPARTON—Continued																		
57, 57A, 57B (AC-DC)	Vol.	A11480	17	MR48	M26			A11093	11	UR182-193	B31				5	78, 75, 43, 25Z5	456	5-3,5
58	Vol.	A10316	40	MR24		RS244	A24	A10318	12	TC70					5	1A6, 32, 30, 33	456	6-1,2
60 S.W. Converter								A6611-2	1	TC71					4	24A, 27, 80		2-39
61, 61A, 61B, 62	Vol.	A9579	17	MR44	M26			A9550	11	UR182-193	B31				5	78, 75, 43, 25Z5	456	4-11
65, 66, 65T, 66T	Vol.	A11492	17	MR44	M26			A11093	11	UR182-193	B31				6	78, 75, 43, 25Z5	456	5-7,9
67, 68, 68XS	Vol.	A11245	17	MR44	M26			A11223-1	11	RM262					6	78, 6A7, 75, 42, 80	345	5-10,12
								A11224-1	13	TC70								
								A10377	15	TC22								
69	Vol.	A3491	7	SRP154				†	†	See Note	B1				8	484, 585, 80		1-7
70	Vol.	A11575	17	UM147-SS2	M27			A11623	12	TC52					7	34, 1C6, 1A6, 30, 19	345	6-3,4
								A10377	19	TC22								
71, 71B	Vol.	A10014	18	UM147-SS2	M26			A9754	4	RM262	B73				6	6D6, 6C6, 75, 42, 80	456	4-12
72	Vol.	A10031	56	MR44	M26		A77	A9754	4	RM262	B73				7	6D6, 85, 42, 37, 80	172.5	4-13
	Supp.	A10135	58	E			A77											
72PQ (Police)	Vol.	A10031	56	MR44	M26		A77	A9754	4	RM262					8	6D6, 37, 85, 6C6, 42, 80		172.5
	Supp.	A10953	12	MR33		RS244	A24	A10377	4	TC22								
73	Vol.	A9755	17	MR44	M26	RS244	A24	A9754	4	RM262					6	6D6, 37, 75, 42, 80	456	7-4,6
73AX, 73BX	Vol.	A9755	17	MR44	M26	RS244	A24	A9754	4	RM262					6	78, 75, 43, 25Z5	456	7-5,6
74	Vol.	A10027	109	MR44	M26	RS244	A24	A10018	35	TC71					9	58, 24A, 56, 2A5, 80	172.5	4-14
	Tone	A10029	22	MR33	M26	RS244	A24	A10118	35	TCS71								
	Supp.	A10028	7	E		RS244	A24											
75A	Vol.	A8516	83	MR44		RS244	A24	A8123	4	TC70					8	58, 56, 57, 55, 47, 80	456	5-13,14
	Tone	A8517	22	MR33	M26	RS244	A24	A9019A	4	TC71								
	Supp.	A10446	7	MR40		RS244	A77											
75AX	Vol.	A8516	83	MR44		RS244	A24	A8123	4	TC82					8	58, 57, 56, 55, 47, 80	456	8-1,2
	Tone	A8517	22	MR33	M26	RS244	A24	A9019A	4	TC71								
76	Vol.	A10447	15	MR44	M26		A77	A8123-1	26	TC82					13	58, 57, 56, 2A5, 5Z3	456	7-7,8
	Tone	A10418	22	MR39			A77	A6611A	26	3S584								
	Supp.	A10446	7	MR40			A77	A10609-1	13	TC70								
77	Vol.	A11575	15	UM147-SS2	M27		A77	A11623	12	TC52					7	34, 1C6, 1A6, 19, 30	345	6-3,4
							A77	A10377	19	TC22								
78	Vol.	A10031	62	MR44	M26		A77	A9754	4	RM262	B73				8	6D6, 37, 42, 80	172.5	4-15
	Sen.	A10135	7	E			A77											
79, 79A	Vol.	A3491	7	SRP154				†	†	See Note	B1				8	484, 585, 80		1-7
80	Vol.	A11297	56	MR44	M26		A77	11223	1	RM262					8	78, 6A7, 76, 85, 42, 80	456	5-15,18
	Tone	A11334	22	MR39			A77	A10377	15	TC22								
	Voltage	A11381	26	A5MP			A77											
	Supp.	A10446	58	MR40			A77											
81, 81A	Vol.	A10316	40	MR24		RS244	A24	A10318	12	TC70					5	1A6, 32, 30, 33	456	4-16
	Vol.	A10350	29	Q			A77											
82	Vol.	A10316	40	MR24		RS244	A24	A10318	12	TC70					5	1A6, 32, 30, 19	456	7-18
	Vol.	A10350	29	Q			A77											
83, 84, 85X, 86X	Vol.	A11297	56	MR44	M26		A77	11223	1	RM262					8	78, 6A7, 76, 85, 42, 80	456	5-15,18
	Tone	A11334	22	MR39			A77	A10377	15	TC22								
	Voltage	A11381	26	A5MP			A77											
	Supp.	A10446	58	MR40			A77											
89, 89A	Vol.	A3491	7	SRP154				†	†	See Note	B1				8	484, 585, 80		1-7
99	Vol.	A4770	7	SRP154				†	†	See Note	B1				11	484, 26, 50, 81		1-10,11
101	Vol.	A4770	7	MR33			A37	1-4-1	26	See Note	B1				13	484, 27, 26, 585, 81		4-18,19
	Phono.	A4770	63	MR33			A37											
103	Vol.	A11297	56	MR44	M26		A77	1-4-1	26	See Note	B1				13	484, 485, 2C586, 81		2-40,41
104, 105X, 105XS	Vol.	A11334	22	MR39			A77	A11223-1	1	RM262					10	78, 6A7, 76, 85, 42, 5Z3	456	5-19,20
	Tone	A11381	26	MR40			A77	A10377	15	TC22								
	Voltage	A10446	98	Y200MP			A77											
109 DeLuxe	Vol.	A10446	7	SRP154				†	†	See Note	B1				10	484, or 485, 2585, or 586, 81		1-12
110, 111 (DeLuxe) (Two Types)	Vol.	A3491	7	SRP154				1-4-1	3	See Note	B1				12	484, 26, 50, 81		1-13
111A	Vol.	A4770	7	MR33			A37	1-4-1	3	See Note	B1				13	484, 26, 50, 81		2-43
111X	Vol.	A8513	111	A10MP	6-9	RS244	A24	A8123-1	26	TC82					10	58, 24A, 56, 47, 80	172.5	4-2,3
	Tone	A8514	22	MR39		RS244	A24	A6611A	26	TC71								
	Supp.	A8515	†	UC508			A94											
134, 136	Vol.	A10447	15	MR44	M26	RS244		A8123-1	37	TC82					13	58, 2A7, 56, 2A5, 5Z3	456	6-5,6
	Tone	A10418	22	MR39		RS244		A6611A	37	TC71								
	Sen.	A10446	7	MR40		RS244		A10609-1	13	TC70								
	Voltage	A11381	26	E			A77	A6316-1	19	TC52								
								A10377	15	TC22								
								A11582	15	TC22								
135	Vol.	A11297	56	MR44	M26		A77	A11223-1	1	RM262					10	78, 6A7, 76, 85, 42, 5Z3	456	5-19,20
	Tone	A11334	22	MR39			A77	A10377	15	TC22								
	Volt.	A11381	26	A5MP			A77											
	Supp.	A10446	98	MR40			A77											
219P, 219PD	Vol.	1325	58	Order from	Mfr.			A14927-1	24	FP211					2	6A7, 25Z5, BK80B		10-1
235	Vol.	1386	63	MR33			A37	15-5	1	3S584					10	484, 2C183, 80		2-44
301 AC	Phono.	880	7	SRP154				2-2	1	See Note	B1				10	484, 50, 81		1-14
301 DC	Vol.	A3491	7	SRP154				3	†	See Note	B1				8	484, 182		2-45
333	Vol.	A10216	17	UM147-SS3	M26			A10277	1	Order from	Mfr.	B5392	292	C3	5	6F7, 78, 75, 41, 84	456	4-20
								A9308	15	TC26								
								.02		Buffer	B14							

† Data not substantiated.

\* IMPORTANT: Read Notes in Note Section if specified in Note Column.

§ Indicates miscellaneous section.

THE MALLORY TECHNICAL MANUAL IS YOUR COMPLETE TECHNICAL HANDBOOK.

MANUFACTURER AND MODEL	CONTROLS							CONDENSERS				VIBRATORS			No. Tubes	Complete Tube Complement	I. F. Peak	Rider's Reference
	Use	Original Part	Circuit	Correct Replacement	Switch	Bias	*Note	Original Part	Circuit	Correct Replacement	*Note	Original Part	Replacement	*Note				
SPARTON—Continued																		
400	Vol.		24	DRP246	6-9			15-5	1	3S584					6	24A, 27, 3C183, 80		
409GL	Vol.	A12708-A-1	6	MR18	M26			A14972	1/15	3N533					4	6A8GT, 6J7GT, 25L6GT, 25Z6GT	456	10-2
410 AC (Junior)	Vol.	A5663	24	DRP246	6-9			A14782-2	15	TC22					6	24A, 27, 3C183, 80		2-46, 1-15
410 DC (Junior)	Vol.	A5663	24	DRP246	6-9			B2327	1	3S584					5	24A, 27, 3C183		2-48, 1-17
411-1	Vol.	A15132-1	18	MR48	M27			A14958	12	TC42					4	1A7G, 1N5G, 1H5G, 1Q5G	456	13-7,8
417X	Vol.	A12708	6	F7	6-9			A12706	1/15	3S579					4	6A7, 6F7, 41, 80	456	9-9
420 AC (Jewell)	Vol.	A5663	24	DRP246	6-9			B2327	1	3S584					6	24A, 27, 3C183, 80		2-46, 1-15
420 DC (Jewell)	Vol.	A5663	24	DRP246	6-9										5	24A, 27, 3C183		2-48, 1-17
427X	Vol.	A12708	7	MR39	M26			A14101	1/15	3S579					4	6A7, 6F7, 42, 80	456	8-3,4
437X	Vol.	A12708	7	MR39	M26			A14101	1/15	3S579					4	6A7, 6F7, 42, 80	456	8-3,4
457X	Vol.	A12708	7	MR39	M26			A14101	1/15	3S579					4	6A7, 6F7, 42, 80	456	8-3,4
475A	Vol.	A8516	83	MR44		RS244		A8123	4	TC82					8	58, 57, 55, 56, 47, 80	456	5-13,14
	Tone	A8517	22	MR33	M26	RS244		A9019A	4	TC71								
	Sen.	10446	58	MR40		See Note A77												
475AX, 478AX	Vol.	A8516	83	MR44		RS244	A24	A8123	4	TC82					8	58, 57, 56, 55, 47, 80	456	8-1,2
	Tone	A8517	22	MR33	M26	RS244	A24	A9019A	4	TC71								
478	Vol.	A10031	62	MR44	M26	See Note A77		A9754	4	RM262		B73			8	6D6, 37, 42, 80	172.5	4-15
	Supp.	A10135	58	E		RS244												
478A	Vol.	A8516	83	MR44		RS244		A8123	4	TC82					8	58, 57, 56, 55, 47, 80	456	5-13,14
	Tone	A8517	22	MR33	M26	RS244		A9019A	4	TC71								
	Sen.	10446	58	MR40		See Note A77												
500	Vol.	A15129	18	MK401	M26			A15124	1	2N514					5	12A8GT, 12K7GT, 12Q7GT, 35L6GT, 40Z5GT	456	10-3
500C, CB, CG, CR	Vol.	A15129	18	MK401	M26			A15124-1	1	2N514					5	12A8GT, 12K7GT, 12Q7GT, 35L6GT, 40Z5GT	456	12-1
500Y, 500Z	Vol.	A15129	18	MK401	M26			A15124-1	1	2N514					5	12A8GT, 12K7GT, 12Q7GT, 35L6GT, 40Z5GT	456	12-1
506	Vol.	A11480-1	17	MR48	M26			A11093-1	11	UR182-193		B31			5	78, 75, 43, 25Z5	456	12-1
510	Vol.	A15129	18	MK401	M26			A15093	1	2N514					5	12A8GT, 12K7GT, 12Q7GT, 35L6GT, 40Z5GT	456	6-7,8
511, 511U	Vol.	A20137	18	UM154	M26		A96	A20135	24	2N509					5	12SA7, 12SK7, 12SQ7, 50L6GT, 35Z5GT	456	10-4
516, 516X	Vol.	A12308	76	MR48	M26			A12307	4	TCS71					5	6A7, 78, 75, 42, 80	456	12-2
	Tone	A12309	76	MR44														
	Tone	A12988-1	15	MR53	M26			A14102	1/15	3S579					5	6A7, 78, 75, 42, 80	456	7-11,12
517	Vol.	A14216A	18	MR48				A14428	1/15	3S579					5	6A8G, 6K7G, 6Q7G, 6F6G, 5Y3G	456	8-5,6
518, 518X	Vol.	A14217A	22	MR53	M26										5	6A8G, 6K7G, 6Q7G, 6F6G, 5Y3G	456	9-2,3
520M	Vol.	A15129-4	18	MK401	M26			A14684-4	1/15	FP332					5	6A8GT, 6K7GT, 6Q7GT, 6K6GT, 6X5GT	456	11-1
527-2	Vol.	A14274	18	MR48	M26			A14273	12	TC42					5	1C7G, 1D5G, 1H6G, 33	456	11-1
	Tone	A12987	22	MR53														
528-2	Vol.	A14274A	18	MR48	M26			A14273	12	TC42					5	1C7G, 1D5G, 1H6G, 33	456	10-5
	Tone	A12987A	22	MR39														
530X	Vol.	A15129-2	18	MK401	M26			A14675	1/15	3S584/TC22		B8			5	6A7, 78, 75, 42, 80	456	9-3,4
531X	Vol.	A15130-5	18	MK401	M26			A14780-1	1/15	2S569/TC36					5	6A8GT, 6SK7GT, 6SQ7GT, 6F6G, 5Y3G	456	11-2
	Tone	A15129-2	57	MK401	M26													
532X	Vol.	A15130-5	18	MK401	M26			A14780-1	1/15	2S569/TC36					5	6A8GT, 6SK7GT, 6SQ7GT, 6F6G, 5Y3G	456	13-9,10
	Tone	A15129-2	57	MK401	M26													
536, 536X	Vol.	A12075	17	MR53	M26			A12048	1/15	3S584/TC22		B8			5	6A7, 6K7, 75, 6F6, 80	456	13-9,10
537	Vol.	A12988	15	MR53	M26			A14102	1/15	3S579					5	6A8G, 6K7G, 6Q7G, 6F6G, 5Y3G	345	7-13,14
	Tone	A12987	22	MR53														
538, 538X	Vol.	A14216A	18	MR48				A14073	25	RS216					6	6A8G, 6K7G, 6Q7G, 6ES, 6F6G, 5Y3G	456	8-6,7
	Tone	A14217A	22	MR53				A14072	25	RS223								
540LX	Vol.	A15130	18	MK401				A14073A	25	RS216					5	6J8G, 6K7G, 6Q7G, 6F6G, 5Y3G	456	9-5,6
	Tone	A15131	22	MK402	M26			A14072A	25	RS223								
540SX	Vol.	A15130	18	MK401				A14073A	25	RS216					5	6J8G, 6K7G, 6Q7G, 6F6G, 5Y3G	456	11-3
	Tone	A15131	22	MK402	M26			A14072A	25	RS223								
541SX	Vol.	A15130	18	MK401				A14073A	25	RS216					5	6J8G, 6K7G, 6Q7G, 6F6G, 5Y3G	456	11-4
	Tone	A15131	22	MK402	M26			A14072A	25	RS223								
546X	Vol.	A12308	76	MR48	M26			A14073A	25	RS216					5	6J8G, 6K7G, 6Q7G, 6F6G, 5Y3G	456	11-4
	Tone	A12309	76	MR44				A1472A	25	RS223								
547X	Vol.	A12988	15	MR53	M26			A12307	4	TCS71					5	6A7, 78, 75, 42, 80	456	7-11,12
	Tone	A12987	22	MR53				A12306	20	TC26								
548X	Vol.	A14216-A-1	18	MR48	M26			A14102	1/15	3S579					5	6A8G, 6K7G, 6Q7G, 6F6G, 5Y3G	456	8-11,14
	Tone	A14217-A-1	22	MR53				A14073	25	RS216								
549-1	Vol.	A14957	18	MR39	M27			A14072	25	RS223					5	6A8G, 6K7G, 6Q7G, 6F6G, 5Y3G	345	9-7
	Tone	A14957	18	MR39	M27			A14958	12/13	TC42								
550M	Vol.	A15130-1	18	MK401				A14780	1/15	3S584/TC44		B8			5	1A7G, 1N5G, 1H5G, 1C5G	456	10-7
	Tone	A15128	22	MK400	M26										5	6J8G, 78, 75, 42, 80	456	11-5

† Data not substantiated.

\* IMPORTANT: Read Notes in Note Section if specified in Note Column.

‡ Indicates miscellaneous section.

MANUFACTURER AND MODEL	CONTROLS							CONDENSERS				VIBRATORS			No. Tubes	Complete Tube Complement	I. F. Peak	Rider's Reference	
	Use	Original Part	Circuit	Correct Replacement	Switch	Bias	*Note	Original Part	Circuit	Correct Replacement	*Note	Original Part	Replacement	*Note					
SPARTON—Continued																			
557	Vol.	A12988-1	15	MR53	M26			A14102	1/15	3S579					5	6A7, 78, 75, 42, 80	456	8-5,6	
558B, 558BX, 558C, 558CX	Vol. Tone	A14216 A14217 A3491	18 22 7	MR48 MR53 SRP154	M26			A14428	1/15	3S579					5	6A8G, 6K7G, 6Q7G, 6F6G, 5Y3G	456	9-2,3	
564	Vol.	A3491	7	SRP154				2-2-2	3	See Note	B1			10	*484,*C586,*B1		2-50		
564 DC	Vol.	SRP154	7	SRP154				3	†	See Note	B11			9	*484,*182A		2-53		
566	Vol.	A11480	17	MR48	M26			A11093-1	11	UR182-193	B31			5	*78, 75, 43, 25Z5	456	6-7,8		
567	Vol.	A12988-1	15	MR53	M26			A14102	1/15	3S579				5	6A7, 78, 75, 42, 80	456	8-5,6		
568, 568X	Vol. Tone	A14216 A14217	18 22	MR48 MR53	M26			A14228	1/15	3S579				5	6A8G, 6K7G, 6Q7G, 6F6G, 5Y3G	456	9-2,3		
570	Vol.		7	Order from Mfr.				2-2-2	3	See Note	B1			11	*C484,*C586,*B1		2-50		
570 DC	Vol.		7	Order from Mfr.				3	†	See Note	B11			9	*484,*182A		2-53		
570M	Vol.	A15129-4	18	MK401	M26			A14684-3	1/15	FP339				5	6A8GT, 6K7GT, 6Q7GT, 6K6GT, 6X5GT	456	11-6		
574	Vol.	A4770	7	MR33			A37	1-4-1	3	See Note	B1			13	*484,*26,*586,*B1		2-43		
577	Vol. Tone	A12988 A12987	17 22	MR53 MR53	M26			A14102	1/15	3S579				5	6A8G, 6K7G, 6Q7G, 6F6G, 5Y3G	456	8-6,7		
578	Vol.		98	Order from Mfr.				1-4-1	26	See Note	B1			12	*484,*485,*C586,*B1		2-41		
578X	Vol. Tone	A14216A A14217A	18 22	MR48 MR53	M26			A14428	1/15	3S579				5	6A8G, 6K7G, 6Q7G, 6F6G, 5Y3G	456	9-2		
580X	Vol.	A15129-3	18	MK401	M26			A14715	1/15	3S579				5	6A7, 78, 75, 42, 80	456	11-9		
581X	Vol.	A15129-3	18	MK401	M26			A14715	1/15	3S579				5	6A7, 78, 75, 42, 80	456	12-5		
587-2	Vol. Tone	A14274 A12987	18 22	MR48 MR53	M26			A14273	12	TC42				5	1C7G, *1D5G, 1H6G, 33	456	10-5		
588-2	Vol. Tone	A14274A A12987A	22 22	MR48 MR39	M26			A14273	12	TC42				5	1C7G, *1D5G, 1H6G, 33	456	9-3,4		
589	Vol.		7	Order from Mfr.				15-5	1	3S584				10	*484,*182, 80		1-19		
590-1	Vol.	A15132-1	18	MR48	M27			A14604-5	1/78	FP354				5	1A7G, 1N5G, 1H5G, 1A5G, 35Z5GT	456	11-7		
591, 593	Vol.		7	SRP154				15-5	1	3S584				9	*484,*C182B, 80		2-52		
594	Vol.	A11480	17	MR48	M26			A11093-1	11	UR182-193	B31			5	*78, 75, 43, 25Z5	456	6-7,8		
600	Vol.		7	Order from Mfr.				15-5	1	3S584				10	*484,*183, 80		1-20		
600A	Vol.	A5663	24	DRP246	6-9			B2327	1	3S584				6	*24A, 27,*483, 80		2-2		
600 DC	Vol.		7	Order from Mfr.				3	†	See Note	B11			9	*484,*182A		2-53		
601B	Vol.	A15129-7	18	MK401	M26			A15571	1	2N513				6	*12SK7GT, 12A8GT, 12SQ7GT, 35L6GT, 35Z5GT	456	12-7		
601MS	Vol.	A15129-6	18	MK401	M26			A14782-4 A14782-5	9 9	TC65 ST598				6	*6SK7GT, 6A8GT, 6SQ7GT, 6K6GT, 117Z6GT	456	12-8		
601S	Vol.	A15129-8	18	MK401	M26			A15571	24	2N513				6	*12SK7GT, 12A8GT, 12SQ7GT, 35L6GT, 35Z5GT	456			
606	Vol. Tone Supp.	A8513 A8514 A8515	8 22 1	A10MP MR39 MR45		RS244 RS244 See Note		4 5	26 26	TC82 TC71				13	*58, 24,*56, 47,*80	172.5			
608, 608B	Vol.	A14503	18	MR48	M26			A14500	1	2N514				5	6A8G, 6K7G, 6Q7G, 25L6G, 25Z6G, BK49B	456	9-10		
608, 608B, G, K, R, V, W	Vol.	A14503	18	MR48	M26			A14500	1	2N514				5	6A8G, 6K7G, 6Q7G, 25L6G, 25Z6G, BK49B	456	9-10,11		
610	Vol.		7	Order from Mfr.				15-5	1	3S584				10	*484,*183, 80		1-20		
610A	Vol.	A5663	24	DRP246	6-9			B2327	1	3S584				6	*24A, 27,*483, 80		2-2		
610 DC	Vol.		7	Order from Mfr.				3	†	See Note	B11			9	*484,*182A		2-53		
616, 616X, 616M, 616MX	Vol.	A12075	17	MR53	M26			A12048	1/15	3S584/TC22	B8			5	78-6K7, 6A7, 75, 42-6F6, 80	345	6-9,10		
617, 617X	Vol. Tone	A14216 A14217	77 22	MR48 MR53	M26			A14073 A14072	25 25	RS216 RS223				6	*6K7G, 6A8G, 6Q7G, 6F6G, 5Y3G	345	8-9,10		
620	Vol.		7	Order from Mfr.				15-5	1	3S584				10	*484,*183, 80		1-20		
620 DC	Vol.		7	Order from Mfr.				3	†	See Note	B11			9	*484,*182A		2-53		
620M	Vol. Tone	A15130-1 A15128-1	18 22	MK401 MK400	M26			A14799	1	3S584	B8			6	6J8G, 78, 75, 6AC5G, 76, 80	456	11-10		
620X	Vol. Tone Supp.	A8516 A8517 A8652	109 34 7	MR44 MR33 D	M26	RS244 RS244	A24 A24 A94	A8123-1 A9019A	4 4	TC82 TC71				8	*58, 24A,*56, 47, 80	172.5	2-6,7		
628, 628X	Vol. Tone	A14216A A14217A	18 22	MR48 MR53	M26			A14073 A17072	25 25	RS216 RS223				6	6A8G, 6K7G, 6Q7G, 6E5, 6F6G, 5Y3G	456	9-5,6		
636MX	Vol.	A12075	17	MR53	M26			A12048	1/15	3S584/TC22	B8			6	78, 6A7, 6K7, 75, 6F6, 5Y3	345	7-19,20		
637-6	Vol. Tone	A14274 A12987	18 22	MR48 MR39	M27			A14326 A14273	1 13	2N518 TC52		A14344	245	C3	6	1C7G, *1D5G, 1H6G, 1H4G, 1E7G	456	10-9	
638-6	Vol. Tone	A14274A A12987A	18 149	MR48 MR53	M27			A14326 A14273	1 12	2N518 TC52	B14	A14344	245	C3	6	1C7G, *1D5G, 1H6G, 1H4G, 1E7G	456	9-11,12	
640LX	Vol. Tone	A15127 A15128-1	18 22	MK400 MK400	M26			A14684-2	1/15	FP339				6	*6K7G, 6J8G, 6Q7G, 6F6G, 5Y3G	456	11-11,12		

† Data not substantiated.

\* IMPORTANT: Read Notes in Note Section if specified in Note Column.

‡ Indicates miscellaneous section.

FREE! MALLORY VIBRATOR REPLACEMENT GUIDE... SEE YOUR DISTRIBUTOR.



MANUFACTURER AND MODEL	CONTROLS							CONDENSERS				VIBRATORS			No. Tubes	Complete Tube Complement	I. F. Peak	Rider's Reference
	Use	Original Part	Circuit	Correct Replacement	Switch	Bias	*Note	Original Part	Circuit	Correct Replacement	*Note	Original Part	Replacement	*Note				
SPARTON—Continue																		
640SX	Vol. Tone	A15127	18	MK400				A14684-2	1/15	FP339					6	6K7G, 6J8G, 6Q7G, 6F6G, 5Y3G	456	11-12,13
642X	Vol. Tone	A15128-1	22	MK400	M26			A14684-3	1/15	FP339					7	7A7, 7J7, 7B6, 7B5, 7Z4	456	14-7,8,9
649-6L, S	Vol. Tone	A15128-5	34	MK400	M26			A14782-9	15	TC26					6	6J8G, 1D5GP, 6T7G, 1G5G, 6ZY5G	456	10-11
651 (Series)	Vol. Tone	A14075-A1	18	MR44	M26			A14942	1/19	TCS64/TC26		A14945	859	C3	6	6A8GT, 6SK7GT, 6SQ7GT, 6F6G, 5Y3G	456	12-9,10
652X	Vol. Tone	A14778	22	MR44	M26			A14782-1	12	TC52					6	7B8, 6SK7GT, 6SQ7GT, 6F6G, 5Y3G	456	13-11, 12,13
652XD	Vol. Tone	A15130-4	18	MK401				A15755	1	FP380	B14				6	6A8GT, 6SK7GT, 6SQ7GT, 6F6G, 5Y3G	456	13-11, 12,13
655	Vol. Tone	A15131-1	44	MK402	M26			15-30	1	See Note	B3				6	7B8, 6SK7GT, 6SQ7GT, 6F6G, 5Y3G	456	6-11,12
660M	Vol. Tone	A15131-2	44	MK401	M26			A14782-11	13	TC74					6	7B8, 6SK7GT, 6SQ7GT, 6F6G, 5Y3G	456	13-11, 12,13
661RP	Vol. Tone	A15130-6	18	MK401				15-30	1	See Note	B3				6	7B8, 6SK7GT, 6SQ7GT, 6F6G, 5Y3G	456	13-11, 12,13
666, 666X	Vol. Tone	A15131-2	44	MK401	M26			A14782-11	13	TC74					6	7B8, 6SK7GT, 6SQ7GT, 6F6G, 5Y3G	456	6-11,12
666M, 666MX	Vol. Tone	A11069	17	MR44	M26			A11093	11	UR182-193	B31				6	78, 75, 43, 25Z5	456	6-11,12
667, 667X	Vol. Tone	A15130-1	18	MK401				A14799	1	3S584	B8				6	6A7, 78, 75, 76, 6AC5G, 80	456	11-14
668	Vol. Tone	A15128	22	MK400	M26			A14780-2	1/15	2S569/TC22					7	6SA7GT, 6SK7GT, 6SQ7GT, 6F6G, 5Y3G, 6U5/6G5	456	12-11,12
668X	Vol. Tone	A15130-5	18	MK401	M26			A14782-1	13	TC52					7	6A7, 78, 75, 76, 6AC5G, 80	456	7-15,17
670-6L, 670-6S	Vol. Tone	A12075	17	MR53	M26			A12048	1/15	3S584/TC22	B8				5	78 or 6K7, 6A7, 75, 42 or 6F6, 80	345	6-9,10
672-6XA, 672-6XE	Vol. Tone	A12075	17	MR53	M26			A12048	1/15	3S584/TC22	B8				5	78 or 6K7, 6A7, 75, 42 or 6F6, 80	345	6-9,10
676 (Late)	Vol. Tone	A14216	77	MR48				A14073	25	RS216					6	6K7G, 6A8G, 6Q7G, 6F6, 5Y3	345	8-9,10
678	Vol. Tone	A14217	22	MR53	M26			A14072	25	RS223					6	6A8G, 6K7G, 6Q7G, 6E5, 6F6G, 5Y3G	456	9-5,6
678A, 678X	Vol. Tone	A14217A	22	MR53	M26			A14072	25	RS223					6	6A8G, 6K7G, 6Q7G, 6E5, 6F6G, 5Y3G	456	9-5
685	Vol. Tone	A14216A	18	MR48				A14073	25	RS216					6	6A8G, 6K7G, 6Q7G, 6E5, 6F6G, 5Y3G	456	5-11,12
686, D686, H686	Vol. Tone	A14217A	22	MR53	M26			A14072	25	RS223					6	6A8G, 6K7G, 6Q7G, 6E5, 6F6G, 5Y3G	456	9-5
687-6	Vol. Tone	A14217A	22	MR53	M26			A14072	25	RS223					6	6A8G, 6K7G, 6Q7G, 6E5, 6F6G, 5Y3G	456	9-5
688-6	Vol. Tone	A14217A	22	MR53	M26			A14072	25	RS223					6	6A8G, 6K7G, 6Q7G, 6E5, 6F6G, 5Y3G	456	9-5
690M	Vol. Tone	A11245	17	MR44	M26			A11223-1	1	RM262					6	78, 6A7, 75, 42, 80	345	5-11,12
691	Vol. Tone	A15145	18	500M		See Note	A19	15-30	1	Buffer	B14	A15949	859	C3	6	7A8, 7B7, 7C6, 6G6G, 6ZY5G	456	14-10, 11,12
699	Vol. Tone	A15129-10	44	MK401	M26			.005		Buffer	B14				6	6K7, 6A8, 6Q6, 6F6, 84	172.5	9-30
707	Vol. Tone	A14013	17	UM150		See Note	A96	A12674	1/15	3S579		A12726	294	C3	6	6K7, 6A8, 6Q6, 6F6, 84	172.5	9-30
711X	Vol. Tone	A12681	22	MR53				.009		Buffer	B14				6	6A8G, 6K7G, 6Q7G, 6E5, 6F6G, 5Y3G	456	9-5,6
716, 716X	Vol. Tone	A14216A	18	MR48				A14073	25	RS216					6	6A8G, 6K7G, 6Q7G, 6E5, 6F6G, 5Y3G	456	9-5,6
727X, 727XD	Vol. Tone	A14217A	22	MR53	M26			A14072	25	RS223					6	6A8G, 6K7G, 6Q7G, 6E5, 6F6G, 5Y3G	456	9-5
728X	Vol. Tone	A14216A	18	MR48				A14073	25	RS216					6	6A8G, 6K7G, 6Q7G, 6E5, 6F6G, 5Y3G	456	9-5
737	Vol. Tone	A14216A	18	MR48				A14072	25	RS223					6	6A8G, 6K7G, 6Q7G, 6E5, 6F6G, 5Y3G	456	9-5
737DC	Vol. Tone	A14217A	22	MR53	M26			A14072	25	RS223					6	6A8G, 6K7G, 6Q7G, 6E5, 6F6G, 5Y3G	456	9-5
738	Vol. Tone	A1245	17	MR44	M26			A11223-1	1	RM262					6	78, 6A7, 75, 42, 80	345	5-10,12
740	Vol. Tone	A15130-1	18	MK401				A11224	13	TC70					6	6J8G, 78, 75, 6AC5G, 76, 80	456	5-10,12
	Vol. Tone	A15128-1	22	MK400	M26			A10377	15	TC22					6	6D6, 6A7, 6Q7, 41, 0Z4	262	10-6
	Vol. Tone	A11245	17	MR44	M26			8-6	4	2S567			294	C3	6	6D6, 6A7, 6Q7, 41, 0Z4	262	10-6
	Vol. Tone	A15129-1	15	MR55		See Note	A5	10	15	TC22					13	58, 24, 456, 47, 80	172.5	
	Vol. Tone	A8513	22	A10MP		RS244		.008		Buffer	B14				7	12SK7GT, 12A8GT, 6H4GT, 12SF5GT, 35L6GT, 35Z5GT	456	12-6
	Vol. Tone	A8514	22	MR39		RS244		A8123-1	26	TC82					7	78, 6A7, 75, 42, 80	456	6-13,14
	Vol. Supp.	A8515	22	UC508		See Note	A94	A6611-A	26	TC71					7	6K7, 6A8, 6Q7G, 6F6G, 6E5, 5Y3G	456	8-12,14
	Vol. Tone	A15129-1	18	MK401	M26			A15571	1	2N513					10	484, 1B2, 80	2-55, 1-20	
	Vol. Tone	A11297-1	17	MR44	M26		A77	A12048	1/15	3S584/TC22	B8				7	78, 6A7, 75, 42, 80	456	6-13,14
	Vol. Tone	A14075	17	MR44				A10377	15	TC22					7	6K7, 6A8, 6Q7G, 6F6G, 5Y3	456	8-12,14
	Vol. Tone	A14089	107	MR48				A14073	25	RS216					7	6K7G, 6A8G, 6Q7G, 6F6G, 6E5, 5Y3G	456	10-15
	Vol. Tone	A14075A	18	MR44				A14072	25	RS223					7	6K7G, 6A8G, 6Q7G, 6F6G, 6E5, 5Y3G	456	10-15
	Vol. Tone	A12987A	22	MR53				A14073	25	RS216					7	6K7G, 6A8G, 6Q7G, 6F6G, 6E5, 5Y3G	456	10-15
	Vol. Tone	A14075A	18	MR44				A14072	25	RS223					7	6K7G, 6A8G, 6Q7G, 6F6G, 6E5, 5Y3G	456	10-15
	Vol. Tone	A14089A	107	MR48				A14403	13	RS223					10	484, 1B2, 80	2-55, 1-20	
	Vol. Tone	A14075A	18	MR44				B2948	1	3S584					9	484A, 1B2A	2-53	
	Vol. Tone	A14089A	22	MR48				A14073	25	RS216					8	6A8G, 6K7G, 6H6G, 6J7G, 6E5, 6Q7G, 6V6G, 5Y3G	456	9-13
	Vol. Tone	A14089A	22	MR48				A14072	25	RS223					10	484, 1C586, 81	2-50	

† Data not substantiated.

\* IMPORTANT: Read Notes in Note Section if specified in Note Column.

‡ Indicates miscellaneous section.

MANUFACTURER AND MODEL	CONTROLS							CONDENSERS				VIBRATORS			No. Tubes	Complete Tube Complement	I. F. Peak	Rider's Refer- ence
	Use	Original Part	Cir- cuit	Correct Replacement	Switch	Bias	*Note	Original Part	Cir- cuit	Correct Replacement	*Note	Original Part	Replac- ement	*Note				
SPARTON—Continued																		
740 DC.	Vol.		7	Order from	Mfr.			3	1	See Note	.B11				9	7484A, 7182A.	2-53	
740LX, 740LXPA.	Vol.	A15127	18	MK400				A14684-2	1/15	FP339					7	*6K7G, 6J8G, 6Q7G, 6F6G, 5Y3G, 6U5	456 11-11,12	
740SX, 740SXPA.	Vol.	A15127	18	MK400				A14684-2	1/15	FP339					7	*6K7G, 6J8G, 6Q7G, 6F6G, 5Y3G, 6U5	456 11-12,13	
748X.	Vol.	A15128-1	18	MK400	M26			A14073	25	RS216					7	*6K7G, 6A8G, 6Q7G, 6F6G, 6E5, 5Y3G	345 9-15,16	
750 AC.	Vol.	A14217-A1.	18	MR44				A14072	25	RS223					11	7484, 7C586, 781	2-50	
750 DC.	Vol.		7	Order from	Mfr.			2-2-2	3	See Note	.B1				9	7484A, 7182A	2-53	
750A, 750X.	Vol.	A8513	111	A10MP		RS244	A24	A8123-1	26	TC82	.B1			10	*58, 24A, *56, *47, 80	172.5 4-2,3		
	Vol.	A8514	22	MR39		RS244	A24	A6611A	26	TC71								
	Supp.	A8515	1	UC508			A94											
760PS.	Vol.	A15130-1	18	MK401				A14799	1	3S584	.B8				7	6SA7GT, 78, 75, 76, 6AC5G, 5W4GT, 6U5	456 11-17	
	Vol.	A15128-1	22	MK400	M26			A14780	1/15	3S584/TC44	.B8				7	6SA7GT, 6SK7GT, *6P5GT, 6K6GT, *6SF5GT, 5Y3G	456 12-12,13	
761.	Vol.	A15130-2	45	MK401														
	Vol.	A15128-1	22	MK400	M26			A12048	1/15	3S584/TC22	.B8				7	*78, 6A7, 75, 42, 80	456 6-13,14	
766, 766X, 766XP, 766XS.	Vol.	A11297	17	MR44	M26		A77	A10377	15	TC22					7	*6K7G, 6A8G, 6Q7G, 6E5, 6F6G, 5Y3	456 9-16,17	
768, 768X.	Vol.	A14075A	18	MR44				A14073	25	RS216					7	*6K7G, 6A8G, 6Q7G, 6E5, 6F6G, 5Y3	456 11-18	
	Vol.	A12987A	22	MR53				A14072	25	RS223					7	*34, 1C6, 1A6, 30, 19	345 6-3,4	
770, 770PA.	Vol.	A15130-1	45	MK401				A14403	13	FP390					7	6J8G, 6K7G, 6P5G, 6F5G, *6F6G, 5Y3G	456 11-18	
	Vol.	A15129-5	57	MK401	M26			A14782-2	15	TC22					7	*34, 1C6, 1A6, 30, 19	345 6-3,4	
775.	Vol.	A11575	15	UM147-SS2	M27			A11623	12	TC52					7	*6K7G, 6A8G, 6Q7G, 6E5, 6F6G, 5Y3	456 9-16,17	
	Vol.	A14075A	18	MR44				A10377	19	TC22					7	*6K7G, 6A8G, 6Q7G, 6E5, 6F6G, 5Y3	456 9-16,17	
	Vol.	A12987A	22	MR53				A14073	25	RS216					7	*6K7G, 6A8G, 6Q7G, 6E5, 6F6G, 5Y3	456 9-16,17	
782PA.	Vol.	A15130-6	18	MK401				A14072	25	RS223					7	6SD7GT, 6SA7GT, 6SK7GT, 6SQ7GT, *6F6G, 5Y3G	456 12-15,16	
	Vol.	A15129-9	22	MK401	M26			A14403	13	RS223					7	*6K7, 6A8, 6Q7G, 6J7G, 6N6G, 6E5, 5Y3	456 8-17	
827X, 827XD.	Vol.	A14110	83	MRT427				A14122	25	RS216					9	*6K7, 6A8, 6Q7G, 6J7G, 6N6G, 6E5, 5Y3	456 8-17	
	Vol.	A14112	22	MR48	M26			A14113	25	RS223					8	*78, 6A7, 76, 85, 42, 80	456 5-15,18	
831X.	Vol.	A15130-3	45	MK401				A15741	1	2S569					8	*6SK7GT, 6SA7GT, *6J5GT, 6SQ7GT, 6AC5G, 7Y4	456 12-10,17	
	Vol.	A15128-2	22	MK400	M26										8	*78, 6A7, 76, 85, 42, 80	456 5-15,18	
835.	Vol.	A11297	56	MR44	M26		A77	11223	1	RM262					8	*78, 6A7, 76, 85, 42, 80	456 5-15,18	
	Vol.	A11334	22	MR39			A77	A10377	15	TC22								
	Voltage	A11381	26	A5MP			A77											
	Supp.	A10446	58	MR40			A77											
842SX.	Vol.	A15140-1	17	MK403				A14684-7	3	FP390					8	7B7, 7J7, 6K7G, 6E5, 7B6, *6F6G, 5Y3G	456 14-13-16	
	Vol.	A15129-11	57	MK401	M26			A14782-9	15	TC26					8	*7A7, 7Q7, 6U5/6G5, 7B6, *6F6G/GT, 5Y3G/GT	456 15-5,7	
846, 846-PA.	Vol.	PA-4401-2	161	MK403				A14782-10	15	TC29					8	*7A7, 7Q7, 6U5/6G5, 7B6, *6F6G/GT, 5Y3G/GT	456 15-5,7	
	Vol.	PA-4404-1	44	MK400				PA-4300-1	98	FP390					8	*7A7, 7Q7, 6U5/6G5, 7B6, *6F6G/GT, 5Y3G/GT	456 15-5,7	
	Vol.	PA-4303-1	131	MK400											8	*7A7, 7Q7, 6U5/6G5, 7B6, *6F6G/GT, 5Y3G/GT	456 15-5,7	
867.	Vol.	A14075	77	MR44				A14073	25	RS216					8	6K7, 6A8, 6K7G, 6Q7G, *6F6G, 5Y3, 6E5	456 8-13,14	
	Vol.	A14089	107	MR48				A14072	25	RS223					8	*6K7, 6A8, 6Q7G, 6E5, *6F6G, 5Y3	456 8-12,14	
870.	Vol.		7	Order from	Mfr.			1-4-1	3	See Note	.B1				13	7484, 7C586, 781	2-43	
870A, 870X.	Vol.	A8513	111	A10MP		RS244		A8123-1	26	TC82					10	*58, 24, *56, *47, 80	172.5 4-2,3	
	Vol.	A8514	22	MR39		RS244	A24	A6611A	26	TC71								
	Supp.	A8515	1	UC508			A94											
877X.	Vol.	A14075	17	MR44				A14073	25	RS216					8	*6K7, 6A8, 6Q7G, 6E5, *6F6G, 5Y3	456 8-12,14	
	Vol.	A14089	107	MR48				A14072	25	RS223					8	*6K7G, 6J8G, 6Q7G, 6AC5G, 6J5G, 5Y3G, 6U5	456 11-19,20	
880.	Vol.	A15127	18	MK400				A14799-2	1	3S584	.B8				8	*6K7G, 6J8G, 6Q7G, 6AC5G, 6J5G, 5Y3G, 6U5	456 11-19,20	
	Vol.	A15128-1	22	MK400	M26										8	6J8G, 6K7G, 6P5G, 6F5G, *6F6G, 5Y3G, 6U5	456 11-18	
880A.	Vol.	A15130-1	45	MK401				A14684-7	3	FP390					8	*6K7G, 6A8G, *6Q7G, 6G7G, 6C5G, 6E5, 5Y3G	456 9-21	
	Vol.	A15129-5	57	MK401	M26			A14782-2	15	TC22					9	*C484, 7182, 80	1-21	
928X.	Vol.	A14075A	17	MR44				A14122	25	RS216					9	*C484, 7182, 80	1-22	
	Vol.	A14112A	22	MR48	M26			A14113	25	RS223					9	*C484, 7182, 80	1-22	
	Vol.		7	SRP154				A14516	13	RS223					9	*C484, 7182, 80	1-22	
930 AC.	Vol.		7	SRP154							.B1				9	*C484, 7182, 80	1-21	
931 AC.	Vol.		7	SRP154				B2327	1	3S584					9	*C484, 7182, 80	1-22	
931 DC.	Vol.		7	SRP154				3	1	See Note	.B11				8	*C484, 7182A	1-22	
940LX, 940SX.	Vol.	A15127-1	75	MK400				A14073A	25	RS216					9	*6K7G, 6J8G, 6H6G, 6F5G, *6F6G, 6U5, 5Y3G	456 11-21,22	
	Vol.	A15133	22	MK402				A14072A	25	RS223					10	*6K7, 6A7, 6H6, 6E5, 6C5, *42, 5Z3	456 7-21,22	
966, 966X.	Vol.	A11297-1	15	MR44	M26		A77	A12215	1	3S584					10	*6K7G, 6A8G, *6Q7G, 6E5, 6C5G, 6V6G, 5Y3G	456 9-18,19	
968, 968X.	Vol.	A14075A	18	MR44				A14122	25	RS216					9	*6K7G, 6A8G, *6Q7G, 6E5, 6C5G, 6V6G, 5Y3G	456 9-18,19	
	Vol.	A14112A	22	MR48	M26			A14113	25	RS223					10	*76, 6A7, *6K7, 6H6, 6F5, 6E5, 42, 80	456 9-23	
977.	Vol.	A11297-1	15	MR44	M26		A77	A12048	1/15	3S584/TC22	.B8				10	*76, 6A7, *6K7, 6H6, 6F5, 6E5, 42, 80	456 9-23	

‡ Data not substantiated.

\* IMPORTANT: Read Notes in Note Section if specified in Note Column.

§ Indicates miscellaneous section.

WHEN YOU BUY JACK SWITCHES BUY MALLORY.

MANUFACTURER AND MODEL	CONTROLS							CONDENSERS				VIBRATORS			No. Tubes	Complete Tube Complement	I. F. Peak	Rider's Reference
	Use	Original Part	Circuit	Correct Replacement	Switch	Bias	*Note	Original Part	Circuit	Correct Replacement	*Note	Original Part	Replacement	*Note				
SPARTON—Continued																		
987.....	Vol. Tone	A14110..... A14112.....	77 22	MRT427... MR48.....	M26			A14122..... A14113.....	25 25	RS216... RS223.....				9	6K7, 6A8, *6K7G, 6Q7G, 6J7G, 6N6G, 5Y3G, 6E5G.....	456	8-18	
997X.....	Vol. Tone	A14110..... A14112.....	83 22	MRT427... MR48.....	M26			A14122..... A14113.....	25 25	RS216... RS223.....				9	*6K7, 6A8, 6Q7G, 6J7G, 6N6G, 6E5, 5Y3G.	456	8-17	
1005, 1006, 1007, 1008, Ch. 8-57.....	Vol. Tone	PA-4407-1... PA-4400-7...	161 158	MR48..... MK401....	M26		A124 A124	PA-4302... PA-4303-6... PA-4303-2...	24 12 15	FP238... TC42..... TC26.....	B277			8	6BA6, 6BE6, *7A7, 7C7, 6S8GT, 7B5, 5Y3GT.....	456 10.7		
1068, 1068X, 1078, 1078X.....	Vol. Tone	A14075..... A14112A....	18 22	MR44..... MR48.....	M26			A14122..... A14113..... A14516..... A15696.....	25 25 13 1/13	RS216... RS223..... RS223..... FP380.....				10	*6K7G, 6A8G, 6H6G, 6J7G, 6Q7G, 6E5, 6V6G, 5Y3G.....	456	9-19,20	
1071PA, 1071PAD..	Vol. Tone	A15130-2... A15128-4...	18 44	MK401.... MK400....	M26			A15696.....	1/13	FP380.....	B117			10	7L7, 6SA7GT, 6SK7GT, 6SQ7GT, *6P5GT, *6AC5G, 5Y3G.....	456	12-18, 20,22	
1071RPA.....	Vol. Tone	A15130-2... A15128-4...	18 44	MK401.... MK400....	M26			A15729.....	1/13	FP444.....				11	7L7, 6SA7GT, 6SK7GT, 6P5G, *6SQ7GT, 7N7, *6AC5G, 5Y3G, 6U5/6G5.....	456	12-19, 20,22	
1081.....	Vol. Tone	A15130-2... A15128-4U..	18 44	MK401.... MK400....	M26			A14684-9...	1/13	FP380.....				10	7L7, 6SA7GT, 6SK7GT, 6SQ7GT, *6P5G, *6F6G, 6AF6G, 5Y3G.....	456	12-21, 22,26	
1091.....	Vol.	A15140.....	17	UM163.....			A96	A14684-7... A14782-6... A14782-8...	3 13 14	FP390... TC29..... TC70.....				11	6SK7GT, 6J8G, 6K7G, 6SQ7GT, 6J5G, *6V6G, 6P5G, 6AF6G, *5Y3G.....	456	12-23,24	
1089.....	Vol. Tone	A14075A.... A14112A....	18 22	MR44..... MR48.....	M26			A14122..... A14113..... A14516.....	25 25 13	RS216... RS223..... RS223.....				10	*6K7G, 6A8G, 6H6G, 6J7G, 6Q7G, 6V6G, 6E5, 5Y3G.....	456	10-17	
1116X.....	Vol. Tone Supp.	A12228..... A11334-1... A10446.....	15 22 7	MR48..... MR39..... MR40.....	M26		A77 A77 A77	A12330... A11223-1... A10377.....	1 24 15	3S584... RM262... TC22.....	B8			12	*6K7, 6L7, *6C5, 6H6, *6F6, 5Z3, 6E5.....	456	7-23,24	
1160.....	Vol. Tone	A14075A.... A14112A....	18 22	MR44..... MR48.....	M26			A14122A... A14113A... A14516A...	25 25 13	RS216... RS223..... RS223.....				11	*6K7G, 6A8G, 6H6G, 6U5, 6J7G, 6Q7G, *6F6G, 5Y3G.....	456	11-23	
1166, 1166XP, 1166XS.....	Vol. Tone Supp.	A12228..... A11334-1... A10446.....	15 22 7	MR48..... MR39..... MR40.....	M26			A12330... A11223-1... A10377.....	1 24 15	3S584... RM262... TC22.....	B8			12	*6K7, 6L7, *6C5, 6H6, *6F6, 5Z3, 6E5.....	456	7-23,25	
1167.....	Vol. Tone	A14110..... A14137.....	83 †	MRT427... †.....			See Note A5	A14073... A14138... A14139... A14184...	54 † 54 54	RS216... RS216... RS216... 2S569...	B184			11	*6K7, 6A8, 6Q7G, 6C5G, 6J7G, *45, 5Y3, 6E5.....	456	8-14,16	
1176, 1176XP, 1176XS, 1186, 1196.....	Vol. Tone Supp.	A12228..... A11334-1... A10446.....	15 22 7	MR48..... MR39..... MR40.....	M26		A77 A77 A77	A12330... A11223-1... A10377.....	1 24 15	3S584... RM262... TC22.....	B8			12	*6K7, 6L7, *6C5, 6H6, *6F6, 6E5, 5Z3.....	456	7-23,25	
1268.....	Vol. Tone	A14533..... A14532.....	18 †	MRT443... MR53.....	M26			A14073... A14139... A14138... A14184... A15625...	54 † 54 54 1	RS216... RS216... RS216... 2S569... 2S569...	B184 B8			12	*6K7G, 6A8G, 6H6G, 6E5, 6J7G, 6R7G, 6J5G, *45, 5Y3G...	456	9-25,26	
1271.....	Vol. Tone	A15130-2... A15128-1U..	18 44	MK401.... MK400....	M26			A14138... A14139... A14184... A15625...	† 54 54 1	RS216... RS216... RS216... 2S569...	B184 B8			12	*6SK7GT, 6SA7GT, 6SQ7GT, *6P5GT, 6AF6G, *6AC5G, 5Y3G.....	456		
1281.....	Vol. Tone	A15130-2... A15128-4U..	18 44	MK401.... MK400....	M26			A14684-9...	1/13	FP380.....				12	7L7, 6SA7GT, 6SK7GT, 6SQ7GT, *6P5G, 6AF6G, *6AC5G, 5Y3G.....	456	12-14,22	
1288, 1288P.....	Vol. Tone	A14533..... A14532.....	18 †	MRT443... MR53.....	M26			A14073... A14139... A14138... A14184... A15625...	54 † 54 54 1	RS216... RS216... RS216... 2S569... 2S569...	B184 B8			12	*6K7G, 6A8G, 6H6G, 6E5, 6J7G, 6R7G, 6J5G, *45, 5Y3G...	456	9-25,26	
1288LXP.....	Vol. Tone	A14533..... A14547.....	18 †	MRT443... †.....			See Note A5	A14073... A14139... A14184... A14138... A14684-7... A14782-6... A14782-7... A14782-2... A14782-8...	54 54 54 † 3 13 15 19 14	RS216... RS216... RS223... RS216... FP390... TC29... TC22... TC22... TC70...	B184			12	*6K7G, 6A8G, 6H6G, 6J7G, 6R7G, 6J5G, *45, 6E5, 5Y3G...	456	10-19	
1291RPA.....	Vol.	A15141.....	17/15	Order from Mfr...				A14684-7... A14782-6... A14782-7... A14782-2... A14782-8...	3 13 15 19 14	FP390... TC29... TC22... TC22... TC70...				13	6SK7GT, 6J8G, 6K7G, *6SQ7GT, 6J5G, *6V6G, 6P5G, 6AF6G, 6SJ7GT, 5Y3G.....	456	12-25,26	
1466.....	Vol. Tone Sen.	A12228..... A11334..... A10446.....	15 22 7	MR48..... MR39..... MR40.....	M26		A77 A77 A77	A12330... A11223... A11223...	1 1 1	3S584... RM262... RM262...	B8			15	*6K7, 6L7, *6C5, 6E5, 6H6, *6F6, *5Z3, *6A6.....	456	7-26	

†Data not substantiated.

\* IMPORTANT: Read Notes in Note Section if specified in Note Column.

‡ Indicates miscellaneous section.

MANUFACTURER AND MODEL	CONTROLS							CONDENSERS				VIBRATORS			No. Tubes	Complete Tube Complement	I. F. Peak	Rider's Reference
	Use	Original Part	Circuit	Correct Replacement	Switch	Bias	*Note	Original Part	Circuit	Correct Replacement	*Note	Original Part	Replacement	*Note				
<b>SPARTON—Continued</b>																		
1476.....	Vol. Tone	A12228.....	15	MR48.....	M26		A77	A12330.....	1	3S584.....	B8				15	*6K7, 6L7, *6C5, 6E5, 6H6, *6F6, *6A6, *5Z3	456	7-26
	Sen. Vol. Tone	A11334.....	22	MR39.....			A77	A11223.....	13	RM262.....								
		A10446.....	7	MR40.....			A77											
1567.....	Vol. Tone	A14110.....	18	MRT427.....				A12674.....	1/15	3S579.....					12	*6K7G, 6A8, 6Q7G, 6E5, 6J7G, 6C5G, *45, 5Y3	456	9-27,28
		A14137.....	22			See Note	A5											
1568, 1588P.....	Vol. Tone	A14546.....	18	Order from Mfr.....				A14548.....	1	RS216.....					15	*6K7G, 6A8G, 6H6G, 6J7G, 6E5, 6R7G, 6C5G, 6J5G, 5Y3G, *2A3, 5X4G	456	10-21
		A14547.....	†			See Note	A5	A14260.....	1	RS216.....								
								A14387-1.....	1	RS216.....								
								A14545-1.....	1	RS216.....								
								A14184.....	1	RS223.....								
								A14259.....	17	RS207.....	B3							
1867.....	Vol. Tone	A14110.....	18	MRT427.....				A14310.....	3/30	RS216.....					18	6K7, 6L7, *6J5G, *6K7G, 6Q7G, 6J7G, 6C5G, *6L6G, *6F6G, 6E5, *5X4G	456	10-23, 24
		A14137.....	†			See Note	A5	A14305.....	3	RS223.....								
								A14139.....	3	RS216.....								
								A14306.....	15	TC39.....								
								A14315.....	30	RS216.....								
								A14139.....	30	RS216.....								
								A14184.....	13	RS223.....								
								A14958.....	12	TC42.....								
4121.....	Vol.	A15132-1.....	18	MR48.....	M27										4	1A7G, 1N5G, 1H5G, 1Q5G	456	13-7,8
5008.....	Vol.	A14656-1.....	6	MR33.....	M26			A14691.....	1	2N514.....					4	6K7G, 6J7G, 25L6G, 25Z6G, BK55BJ		10-27
5018.....	Vol.	A14656.....	6	MR33.....	M26			A14691.....	1	2N514.....					4	6K7G, 6J7G, 25L6G, 25Z6G, BK55BJ		10-28
5028.....	Vol.	A14656-1.....	2	MR33.....	M26			A14907.....	1/15	3N533.....					4	6A7, 77, 25L6G, 25Z5, BK44BJ	456	10-33
5218.....	Vol. Tone	A14779.....	18	MR48.....				A14780.....	1/15	3S584/TC44.....					5	6A7, 78, 75, 42, 80	456	10-29
	Vol. Tone	A14778.....	22	MR44.....	M26													
5321.....	Vol. Tone	A15130-5.....	18	MK401.....				A14780-1.....	1/15	2S569/TC26.....					5	6A8GT, 6SK7GT, 6SQ7GT, 6F6G, 5Y3G	456	14-17,18
	Vol. Tone	A15129-2.....	21	MK401.....	M26													
5518, 5118A, 5518AX.....	Vol.	A14725.....	18	MR48.....	M26			A14715.....	1/15	3S579.....					5	6A7, 78, 75, 42, 80	456	10-31
5521.....	Vol. Tone	A15130-5.....	18	MK401.....				A14780-1.....	1/15	2S569/TC26.....					5	6A8GT, 6SK7GT, 6SQ7GT, 6F6G, 5Y3G	456	14-17,18
	Vol. Tone	A15129-2.....	21	MK401.....	M26										6	*1T4, 1R5, 1S5, 3Q5GT, 11Z6GT, 6A7, 78, 75, 6AC5G, 76, 80	456	13-14, 15,16
6021.....	Vol.	A15147.....	18	MK402.....	M26			A14684-10.....	46	Order from Mfr.....	B70				6		456	10-34
								A20367.....	12/78	FP304.....	B8				6		456	10-34
6218.....	Vol. Tone	A14779.....	18	MR48.....				A14799.....	1	3S584.....					6		456	10-34
	Vol. Tone	A14778.....	22	MR44.....	M26													
6521.....	Vol. Tone	A15130-6.....	18	MK401.....				A20316.....	1	FP390.....	B117				6	7B8, 6SK7GT, 6SQ7GT, *6F6G, 5Y3G	456	13-19,20
	Vol. Tone	A15131-2.....	44	MK401.....	M26			A14782-11.....	13	TC74.....					7	6A7, 78, 75, 6AC5G, 76, 6E5, 80	456	10-34
7618.....	Vol. Tone	A14779.....	18	MR48.....				A14799.....	1	3S584.....	B8				7		456	10-34
	Vol. Tone	A14778.....	22	MR44.....	M26													
8618.....	Vol. Tone	A14216A.....	18	MR48.....				A14829-D7.....	25	FP144.....					9	*6K7G, 6J5G, 6J8G, 6H6G, 6Q7G, 6V6G, 6E5, 5Y3G	456	10-35
	Vol. Tone	A14217A.....	22	MR53.....	M26			A14829-E7.....	25	FP146.....								
<b>SPENCER (See True value)</b>																		
<b>SPIEGEL—Also see Aircastle</b>																		
A2000, AP2000, A9P2000, A14P2000.....	Vol. Tone	A15130-3.....	18	MK401.....				A14780-1.....	46	3S584/TC74.....	B8				8	*6SK7GT, 6SA7GT, 6SQ7GT, 6P5GT, 6K6GT, 6AF6G, 5Y3G	456	12-12
		A15128-2.....	22	MK400.....	M26													
A2002, AP2002.....	Vol.	N1595.....	18	UM154-SS18.....	M26			N1366.....	24	2N514.....					5	12A8GT, 12K7GT, 12Q7GT, 35L6GT, 35Z5GT	456	12-1
AP2004, AP2005.....	Vol.	17-14320.....	8	MR20.....	M26	EX2M		17-14319.....	1/15	FP354.....					3	25B8GT, 50L6GT, 35Z5GT		12-40
A2006, AP2006.....	Vol.	P3746.....	18	MK401.....	M26			P3792.....	46	TN129.....					5	12A8, 12SK7, 12SQ7, 50L6, 35Z5	455	12-15,16
A2008, AP2008.....	Vol.	A15129-1.....	124	MK401.....	M26			A15571.....	1	2N513.....					7	*12SK7GT, 12A8GT, 6H4GT, 12SF5GT, 35L6GT, 35Z5GT	456	13-43,44
A2010, AP2010.....	Vol.	A15129-1.....	124	MK401.....	M26			A15571.....	1	2N513.....					7	*12SK7GT, 12A8GT, 6H4GT, 12SF5GT, 35L6GT, 35Z5GT	456	13-43,44
A2012, AP2012.....	Vol.	11389.....	18	MK401.....	M26			11493.....	24	FP214.....					5	12SA7, 12SK7, 12SQ7, 50L6GT, 35Z5GT	455	12-17,18
AP2014.....	Vol. Tone	A15130-1.....	18	MK401.....				A14799.....	1	2S569.....					6	6A7, 78, 75, 76, 6AC5G, 80	456	
A9P2014.....	Vol.	A15128.....	22	MK400.....	M26													
	Vol.	A15132-2.....	18	MR48.....	M26			A14958.....	12	TC42.....					5	1A7G, 1N5G, 1H5G, *1A5G	456	
A2016, A3P2016.....	Vol.	A15129-1.....	124	MK401.....	M26			A15571.....	1	2N513.....					7	*12SK7GT, 12A8GT, 6H4GT, 12SF5GT, 35L6GT, 35Z5GT	456	13-43,44

† Data not substantiated.

\* IMPORTANT: Read Notes in Note Section if specified in Note Column.

§ Indicates miscellaneous section.

THERE'S A PLACE FOR A MALLORY NOISE FILTER IN EVERY HOME.

MANUFACTURER AND MODEL	CONTROLS							CONDENSERS				VIBRATORS			No. Tubes	Complete Tube Complement	I. F. Peak	Rider's Reference
	Use	Original Part	Circuit	Correct Replacement	Switch	Bias	*Note	Original Part	Circuit	Correct Replacement	*Note	Original Part	Replacement	*Note				
SPIEGEL—Continued A2022, A6P2022	Vol.	A15129-1	124	MK401	M26			A15571	1	2N513				7	12SK7GT, 12A8GT, 6H4GT, 12SF5GT, 35L6GT, 35Z5GT	456	13-43,44	
A2026, A9P2026 (Ch. 10-70)	Vol.	24-146	18	MR48	M26			18-255	1	2N514				6	6SA7GT, 6SK7GT, 6SQ7GT, 25L6GT, 6P5GT, 25Z6GT	455	12-11, 24,29	
AP2028	Vol. Tone	24-103 26-103	18 22	UM157-SS17 MR48				18-264 .003	24/19	FP234/TC29 Buffer	B14	34-104	859	C3	7	6SK7, 6SA7, 6SQ7, 6J5GT, 6K6GT, 6X5GT	262	
A10P2030	Vol.	33-5306	18	MR48	M26			30-2382	1	2N509				5	7A8, 7B7, 7C6, 35A5, 35Z3	455		
A11P2032	Vol. Tone	A15130-1 A15128	18 22	MK401 MK400	M26			A14799	1	2S569				6	6A7, 78, 75, 76, 6AC5G, 80	456		
A14P2036	Vol.	A15129-1	64	MK401	M26			A15571	1	2N513				7	12SK7GT, 12A8GT, 6H4GT, 12SF5GT, 35L6GT, 35Z5GT	456		
AP2050	Vol. Tone	A15130-3 A15128-2	18 22	MK401 MK400	M26			A14780-1	1/15	2S569/TC45				7	6SA7GT, 6SK7GT, 6SQ7GT, 6P5GT, 6AF6G, 6K6GT, 5Y3G	456		
A2052, AP2052, A10P2052, A14P2052	Vol. Tone	A15130-3 A15128-3	45 44	MK401 MK400	M26			A14799-2	1	3S584	B8			10	6SA7GT, 6SK7GT, 6P5GT, 6K6GT, 6U5, 6SF5GT, 5Y3G	456	12-19	
A2054, AP2054, A11P2054 (Ch. 1012)	Vol. Tone		†			See Note A19	25		1	TC77				12	6SK7, 6SA7, 6J5G, 6U5, 6K6G, 5Y3G	456	13-46	
A2056, A6P2056	Vol.	4839	18	MK401	M26	See Note A3	10625		4	TC75 TC71				6	6SA7, 6SK7, 6SQ7, 6F6G, 5Y4G, 6U5	455	12-20	
A2060, A2P2060	Vol. Tone	A15130-3 A15128-3	45 44	MK401 MK400	M26			A14799-2	1	3S584	B8			10	6SA7GT, 6SK7GT, 6P5GT, 6K6GT, 6U5, 6SF5GT, 5Y3G	456	12-19	
A2062	Vol. Tone	A15130-3 A15128-3	45 44	MK401 MK400	M26			A14799-2	1	3S584	B8			10	6SA7GT, 6SK7GT, 6P5GT, 6K6GT, 6U5, 6SF5GT, 5Y3G	456	12-19	
A6P2062	Vol. Tone	A15130-3 A15128-3	18 44	MK401 MK400	M26			A15625	1	2S569				12	6SK7GT, 6SA7GT, 6SQ7GT, 6P5GT, 6AF6G, 6AC5G, 5Y3G	456		
A8P2064	Vol. Tone	A15130-3 A15128-3	45 44	MK401 MK400	M26			A14799-2	1	2S569				10	6SA7GT, 6SK7GT, 6P5GT, 6K6GT, 6U5, 6SF5GT, 5Y3G	456		
A2080, AP2080	Vol. Tone	P3335 P3337	18 22	MK401 MK401	M26			10-10	1	FP231	B117			7	6A7, 6D6, 75, 41, 76, 80	455	12-21,22	
A2100, AP2100, A14P2100	Vol. Tone	A15130-3 A15138	18 57	MK401 MK403	M27			A14958	12	TC42				6	1A7G, 1E4G, 1N5G, 1H5G, 1A5G	456	12-25	
A2104 (Ch. 0-44)	Vol.	24-149	18	MR53	M27			18-250	12	TC42				4	1A7GT, 1N5GT, 1H5GT, 1Q5GT	455	13-47	
A2108, AP2108	Vol.	A15132-1	18	MR48	M27			A14958	12	TC42				5	1A7C, 1N5G, 1H5G, 1A5G	456	12-26	
A2112, A3P2112	Vol.	A15132-1	18	MR48	M27			A14958	12	TC42				5	1A7C, 1N5G, 1H5G, 1A5G	456	12-26	
A2116, AP2116	Vol.	A15132-1	18	MR48	M27			A14958	12	TC42				5	1A7C, 1N5G, 1H5G, 1A5G	456	12-26	
A2120, AP2120	Vol.		18	MR48				CE58	12	TC40				3	1A7GT, 1N5GT, 1D8GT	455	12-27	
A2122, AP2122 (Ch. KD)	Vol.	N2623	18	UM161-SS18				N2627	46/78	FP407				6	1A7GT, 1N5GT, 1H5GT, 1A5GT, 50L6GT, 35Z5GT	456	12-28	
A2125, AP2125	Vol.	Y-VC-41	18			See Note A5		Y-CE-47 Y-CE-57	24 24	2N509 TC39	B8			5	1A7GT, 1N5GT, 1H5GT, 1T5GT, 25Z6GT	455	12-29	
A2130, A3P2130	Vol.	N2623	18	UM161-SS18				N2748	24/12	FP304	B128			5	1A7GT, 1N5GT, 1H5GT, 1A5GT, 35Z5GT	456	12-30	
A2132, A6P2132	Vol.	P3961	18	UM161-SS18	M27			P3971	46/78	FP409				5	1A7, 1N5, 1H5, 3Q5, 117Z6	455	12-15,16	
A2134, A7P2134, A9P2134 (Ch. BP12)	Vol.		18	MR53	M27			80-40-20	24/78	Order from Mfr.				6	1A7, 1N5, 1H5, 1T5, 35Z5	455	13-48	
A2136 (Ch. BP11S)	Vol.		18	MR53	M26			80-40-20	24/78	Order from Mfr.				5	1A7, 1N5, 1H5, 1T5, 35Z5	455	13-49	

† Data not substantiated.

\* IMPORTANT: Read Notes in Note Section if specified in Note Column.

‡ Indicates miscellaneous section.

MANUFACTURER AND MODEL	CONTROLS							CONDENSERS				VIBRATORS			No. Tubes	Complete Tube Complement	I. F. Peak	Rider's Refer- ence
	Use	Original Part	Cir- cuit	Correct Replacement	Switch	Blas	*Note	Original Part	Cir- cuit	Correct Replacement	*Note	Original Part	Replac- ment	*Note				
SPIEGEL—Continued																		
A9P2138	Vol.		18	MR48				CE58	12	TC40					3	1A7GT, 1N5GT, 1D8GT	455	
A10P2144	Vol.	A15132-2	18	MR48	M26			A14958	12	TC42					5	1A7G, 1N5G, 1H5G, 1A5G	456	
A14P2148	Vol.	24-150	18	MK402				18-262 18-263	24 78/15	FP211 TCS45					5	1A7GT, 1N5GT, 1H5GT, 1T5GT, 35Z5GT	455	
A2150, AP2150	Vol. Tone	A15130-3 A15138	18 57	MK401 MK403	M27			A14958	12	TC42					6	1A7G, 1E4G, 1N5G, 1H5G, 1A5G	456 12-25	
A2154, A6P2154	Vol.	11132	18	MK401	M27			1693	19	TC22					4	1A7G, 1N5G, 1H5G, 1A5G	455 12-31,32	
A2200, AP2200, A14P2200	Vol. Tone	A15130-3 A15128-2	45 22	MK401 MK400	M26			A14684-6 .01	46	FP354 Buffer	B14	A15301	245A	C3	6	7A8, 7B7, 7C7, 7C6, 6G6G	456 12-33	
A2204, A6P2204 (Ch. 119B)	Vol.	4839	18	MK401	M26			4841 1693 .03 A14684-6 .01	24 15 46	2N509 TC22 Buffer FP354 Buffer	B14 B14	3698	245A	C3	4	6D8G, 6S7, 6T7G, 6G6G	455 12-35,36	
A2250, AP2250	Vol. Tone	A15130-3 A15128-2	45 22	MK401 MK400	M26			A14684-6 .01	46	FP354 Buffer	B14	A15301	245A	C3	6	7A8, 7B7, 7C7, 7C6, 6G6G	456 12-33	
A2450, AP2450, AP2451 (Ch. 620N)	Vol.		18	MR48	M26			12-12-10 .0005	24/15	TCD74/TC22 Buffer	B14		859	C3	6	6K7GT, 6A8GT, 6Q7GT, 6K6GT, 6X5GT	456 13-51	
A2454, AP2454, A9P2455	Vol.	17-16422	18	MR53	M26			17-14297 .005	24/15	FP332 Buffer	B14	17-14747	859	C3	5	6A8GT, 6K7GT, 6Q7GT, 6K6GT, 6X5GT	455 12-34	
A2456, AP2456, A14P2456	Vol.	17-16422	18	MR53	M26			17-14297 .005	24/15	FP332 Buffer	B14	17-14747	859	C3	5	6A8GT, 6K7GT, 6Q7GT, 6K6GT, 6X5GT	455 12-34	
A2460	Vol. Tone	24-103 26-103	18 22	UM157-SS17 MR48				18-247 18-248 .007	24 24/78	TC72 FP332 Buffer	B70 B14	34-101	859	C3	7	6K7GT, 6A8GT, 6D6, 75, 6P5GT, 6AC5G, 80	262 13-18	
A2462, A6P2462, A10P2464	Vol.	17-14536	18	UM157-SS12				17-14297 .005 A20188	24/15 1	FP332 Buffer 2S569	B14	17-14747	859	C3	5	6A8, 6K7, 6Q7G, 6K6G, 6X5G	455 12-40	
A11P2470	Vol. Tone	A15130-3 A15128-2	45 22	MK401 MK400	M26										8	6SD7GT, 6SA7GT, 6SK7GT, 6J5G, 6SQ7GT, 6AC5G, 7Z4	456	
BP6500	Vol. Tone	A15130-5 A15129-2	46 21	MK401 MK401	M26			A15786	1/15	2S569/TC29					7	6SK7GT, 6SA7GT, 6J5GT, 6SQ7GT, 6F6G, 5Y3G	456	
BP6502	Vol. Tone	A15130-3 A15128-2	64 22	MK401 MK400	M26			A15741	1	2S569					8	6SK7GT, 6SA7GT, 6J5GT, 6SQ7GT, 6AC5G, 7Y4	456	
B3P6506	Vol. Tone	A15130-3 A15128-2	18 22	MK401 MK400	M26			A14780	46	2S569/TC45					8	6SK7GT, 6SA7GT, 6SQ7GT, 6P5GT, 6K6GT, 6AF6G, 5Y3G	456	
B3P6508	Vol.	A15129-1	64	MK401	M26			A15571	1	2N513					7	12SK7GT, 12A8GT, 6H4GT, 12SF5GT, 35L6GT, 35Z5GT	456	
B5P6518	Vol. Tone	A15130-5 A15129-2	46 21	MK401 MK401	M26			A15786	1/15	2S569/TC29					7	6SK7GT, 6SA7GT, 6J5GT, 6SQ7GT, 6F6G, 5Y3G	456	
B5P6540	Vol.		18	UM154	M26	A96		30-20	1	2N513					6	12SA7GT, 12SK7GT, 12SQ7GT, 35L6GT, 35Z5GT	456	
B5P6542	Vol.		18	UM154	M26	A96		30-20	1	2N513					6	12SA7GT, 12SK7GT, 12SQ7GT, 35L6GT, 35Z5GT	456	
BP6552	Vol. Tone	A15130-3 A15128-2	64 22	MK401 MK400	M26			A15741	1	2S569					8	6SK7GT, 6SA7GT, 6J5GT, 6SQ7GT, 6AC5G, 7Y4	456	
B3P6554	Vol. Tone	A15130-3 A15128-3	45 44	MK401 MK400	M26			A14799-2	1	2S569					10	6SA7GT, 6SK7GT, 6P5GT, 6K6GT, 6U5, 6SF5GT, 5Y3G	456	
B3P6556	Vol. Tone	A15130-1 A15128	18 22	MK401 MK400	M26			A14799	1	2S569					6	6A7, 78, 75, 76, 6AC5G, 80	456	
B5P6570	Vol. Tone	A15130-3 A15128-2	64 22	MK401 MK400	M26			A15741	1	2S569					8	6SK7GT, 6SA7GT, 6J5GT, 6SQ7GT, 6AC5G, 7Y4	456	
B5P6580	Vol. Tone	A15130-3 A15128-3	18 44	MK401 MK400	M26			A15625	1	2S569					12	6SK7GT, 6SA7GT, 6SQ7GT, 6P5GT, 6AF6G, 6AC5G, 5Y3G	456	

‡ Data not substantiated.

\* IMPORTANT: Read Notes in Note Section if specified in Note Column.  
WHEN YOU BUY RECTIFIERS BUY MALLORY.

§ Indicates miscellaneous section.

MANUFACTURER AND MODEL	CONTROLS							CONDENSERS				VIBRATORS			No. Tubes	Complete Tube Complement	I. F. Peak	Rider's Reference
	Use	Original Part	Cir- cuit	Correct Replacement	Switch	Bias	*Note	Original Part	Cir- cuit	Correct Replacement	*Note	Original Part	Replac- ment	*Note				
SPIEGEL—Continued B5P6582	Vol. Tone	A15130-3 A15128-2	64 22	MK401 MK400	M26			A15741	1	2S569					8	6SK7GT, 6SA7GT, 6J5GT, 6SQ7GT, 6AC5G, 7Y4	456	
BP6600	Vol.	A15132-5	18	MR48	M27			A15958	12	TC42					5	1A7G, 1N5G, 1H5G, 1A5G	456	
B3P6608	Vol. Tone	A15130-3 A15138	18 21	MK401 MK403	M27			A14958	12	TC42					6	1A7G, 1E4G, 1N5G, 1H5G, 1A5G	456	
B5P6612 (Ch. 571)	Vol.	A15132-5	18	MR48	M26			A15958	12	TC42					5	1A7G, 1N5G, 1H5G, 1A5G	456	
B5P6612 (Ch. 611-1)	Vol. Tone	A15130-3 A15138	18 21	MK401 MK403	M27			A14958	12	TC42					6	1A7G, 1E4G, 1N5G, 1H5G, 1A5G	456	
BP6622	Vol.	5-65	17	MR53	M27			7-56	12	TC42					5	1A7G, 1N5G, 1H5G, 1O5G	456	
BP6700	Vol. Tone	A15130-3 A15128-2	45 22	MK401 MK400	M26			A14684 .01	46	FP354 Buffer	B14	A15301	245A	C3	6	7A8, 7B7, 7C7, 7C6, 6P6G	456	
BP6850, B1P6850	Vol.		18	MR48	M26			12-12-10 .0005	24/15	2S569/TC22 Buffer	B14		859	C3	6	6K7GT, 6A8GT, 6Q7GT, 6K6GT, 6X5GT	456	
B3P6854	Vol.	17-14536	18	UM157-SS12				17-14297 .005	24/15	FP332 Buffer	B14	17-14747	859	C3	5	6A8, 6K7, 6Q7G, 6K6G, 6X5G	455	
B5P6856	Vol.	17-16422	18	MR53	M26			17-14297 .005	24/15	FP332 Buffer	B14	17-14747	859	C3	5	6A8GT, 6K7GT, 6Q7GT, 6K6GT, 6X5GT	455	
B5P6858	Vol.	17-16422	18	MR53	M26			17-14297 .005	24/15	FP332 Buffer	B14	17-14747	859	C3	5	6A8GT, 6K7GT, 6Q7GT, 6K6GT, 6X5GT	455	
BP6860	Vol. Tone	24-103 26-103	18 22	UM157-SS17 MR48				18-264 .003	24/19	FP234/TC29 Buffer	B14	34-104	859	C3	7	6SK7, 6SA7, 6SQ7, 6J5GT, 6K6GT, 6X5GT	262	
CP5006, CP5007	Vol. Tone	A15130-5 A15129-2	124 21	MK401 MK401	M26			A14780-2	1/15	2S569/TC45					7	6SD7GT, 6SA7GT, 6SK7GT, 6J5G, 6SQ7GT, 6P6G, 5Y3G	456	
CP5008, CP5009	Vol. Tone	A15130-3 A15128-2	45 22	MK401 MK400	M26			A20188	1	2S569					8	6SD7GT, 6SA7GT, 6SK7GT, 6J5GT, 6SQ7GT, 6AC5G, 7Z4	456	
CP5010, CP5011	Vol. Tone	A15130-3 A15128-2	45 22	MK401 MK400	M26			A20188	1	2S569					8	6SD7GT, 6SA7GT, 6SK7GT, 6J5G, 6SQ7GT, 6AC5G, 7Z4	456	
C5P5012	Vol.	A15129-1	64	MK401	M26			A15571	1	2N513					7	12SK7GT, 12A8GT, 6H4GT, 12SF5GT, 35L6GT, 35Z5GT	456	
C5P5014	Vol. Tone	A15130-3 A15128-2	64 22	MK401 MK400	M26			A15741	1	2S569					8	6SK7GT, 6SA7GT, 6J5GT, 6SQ7GT, 6AC5G, 7Y4	456	
C7P5014	Vol. Tone	A15130-3 A15128-2	64 22	MK401 MK400	M26			A15741	1	2S569					8	6SK7GT, 6SA7GT, 6J5GT, 6SQ7GT, 6AC5G, 7Y4	456	
CP5020	Vol. Tone	50.70 55.29	140 140	MRT450 MR57	M26			20.125	1/13	TC74	B3				8	6SA7GT, 6U5, 6SK7GT, 6SQ7GT, 6K6GT, 80	456	13-54
CP5024	Vol.		1	MR51				30-30-10	24/15	3N533					2	50L6, 35Z5		
CP5025	Vol.	5-301	50	MK402	M26			7-302	24/15	2N520/TC22					2	50L6GT, 35Z5GT		
CP5027	Vol.	5-301	50	MK402	M26			7-301	24	2N514					2	12SA7GT, 35Z5GT		
C5P5030	Vol.	5-301	18	MK402	M26			80-10-10	24/15	2N511/2N509	B8				5	12SA7GT, 12SK7GT, 12SQ7GT, 50L6GT, 35Z5GT	456	
CP5050, CP5051	Vol. Tone	A15130-3 A15128-2	45 21	MK401 MK400	M26			A20188	1	2S569					8	6SD7GT, 6SA7GT, 6SK7GT, 6J5G, 6SQ7GT, 6AC5G, 7Z4	456	
CP5052, CP5053	Vol. Tone	A15130-3 A15128-2	45 22	MK401 MK400	M26			A20188	1	2S569					8	6SD7GT, 6SA7GT, 6SK7GT, 6J5GT, 6SQ7GT, 6AC5G, 7Z4	456	
C5P5054, C5P5055	Vol. Tone	A15130-3 A15128-3	18 44	MK401 MK400	M26			A15625	1	2S569					12	6SK7GT, 6SA7GT, 6SQ7GT, 6P5GT, 6AF6G, 6AC5G, 5Y3G	456	
C5P5056	Vol. Tone	A15130-1 A15128	18 22	MK401 MK400	M26			A14799	1	2S569					6	6A7, 78, 75, 76, 6AC5G, 80	456	
CP5060	Vol. Tone	50.70 55.29	140 140	MRT450 MR57	M26			20.125	1/13	TC74	B3				8	6SA7GT, 6U5, 6SK7GT, 6SQ7GT, 6K6GT, 80	456	13-54
CP5062	Vol. Tone	50.70 55.29	140 140	MRT450 MR57	M26			20-125	1/13	TC74	B3				8	6SA7GT, 6U5, 6SK7GT, 6SQ7GT, 6K6GT, 80	456	13-54

† Data not substantiated.

\* IMPORTANT: Read Notes in Note Section if specified in Note Column.

‡ Indicates miscellaneous section.

MANUFACTURER AND MODEL	CONTROLS							CONDENSERS				VIBRATORS			No. Tubes	Complete Tube Complement	I. F. Peak	Rider's Reference
	Use	Original Part	Circuit	Correct Replacement	Switch	Bias	*Note	Original Part	Circuit	Correct Replacement	*Note	Original Part	Replacement	*Note				
<b>SPIEGEL—Continued</b>																		
CP5100	Vol.	A15132-5	18	MR48	M27			A15953	12	TC42					5	1A7G, 1N5G, 1H5G, 21A5G	456	
CP5104, CP5105, CP5106, CP5107	Vol.	A15132-5	18	MR48	M27			A15958	12	TC42					3	1A7G, 1N5G, 1H5G, 21A5G	456	
C5P5110	Vol. Tone	A15130-3 A15138	18 21	MK401 MK403	M26			A13958	12	TC42					6	1A7G, 1E4G, 1N5G, 1H5G, 21A5G	456	
CP5125	Vol.	P4612	18	UM161	M27		A96	1339	24/78	Order from Mfr.					5	1R5, 1T4, 1S5, 3S4, 3Z5	455	
C7P5128	Vol.	24-150	18	MK402				13-262 13-263	24 13/78	FP211 TCS45					5	1A7GT, 1N5GT, 1H5GT, 1T5GT, 3Z5GT	455	
CP5150, CP5151	Vol.	A15132-5	18	MR48	M26			A15958	12	TC42					5	1A7G, 1N5G, 1H5G, 21A5G	456	
CP5200, CP5201, CP5202, CP5203	Vol.	5-55	18	MR48	M26			7-62 7-57	1 15	TCD62 TC22		39-6	859	C3	5	6D8G, 6S7G, 6T7G, 6C6G, 6ZY5G	456	
CP5450, CP5451	Vol.	17-17006	18	MR53				.015-.015 17-14297	24/15	Buffer FP332	B14	17-14747	859	C3	5	6SA7, 6SK7, 6SQ7, 6K6GT, 6X5GT	455	
C5P5452, C5P5453	Vol.		18	MR48	M26			.005 12-12-10 .0005	24/15	Buffer 2S569/TC22 Buffer	B14		859	C3	6	2K7GT, 6A8GT, 6Q7GT, 6K6GT, 6X5GT	456	
C7P5454	Vol.	67-0020	18	Order from Mfr.				61-0068 .015	24/15	FP332 Buffer	B14	83-0025	859	C3	6	7B7, 7A8, 7C6, 7A5, 7Y4	455	
CP5460, CP5461	Vol. Tone	24-103 26-103	18 22	UM157-SS17 MR48				18-264 .003	24/19	FP234/TC29 Buffer	B14	34-104	859	C3	7	6SK7, 6SA7, 6SQ7, 6J5GT, 6K6GT, 6X5GT	262	
DP7000, DP7001, (Ch. T502)	Vol.	5-301	18	MK402	M27			7-301	24	2N514					5	12SA7GT, 12SK7GT, 12SQ7GT, 50L6GT, 35Z5	456	
DP7001-2 (Ch. T530)	Vol.	5-301	18	MK402	M26			7-301	24	2N514					5	14Q7, 14A7, 14B6, 50L6GT, 35Y4	456	13-69
DP7002-3	Vol.	5-304	18	MK402	M26			7-301	1	2N514					6	12SK7GT, 12SA7GT, 12SQ7GT, 35L6GT, 35Z5GT	456	13-70
DP7006, DP7007	Vol.		18	MR48	M26			30-30	1	2N513					6	12SA7GT, 12SK7GT, 12SQ7GT, 35L6GT, 35Z5GT	456	14-15
DP7010, DP7011	Vol.	N3248	18	MK401	M26			N3554	24	TCD48					5	12A8GT, 12K7GT, 12Q7GT, 35L6GT, 35Z5GT	456	
DP7012-50-60 (Ch. 722)	Vol. Tone	A15130-6 A15129-9	45 21	MK401 MK401	M26			A14780-2	1/15	2S569/TC45					7	6SD7GT, 6SA7GT, 6SK7GT, 6J5G, 6SQ7GT, 6P6G, 5Y3G	456	13-71, 72
DP7014	Vol. Tone	A15130-2 A15128-7	45 22	MK401 MK400	M26			A20188	1	2S569					8	6SK7GT, 6SA7GT, 6J5G, 6SQ7GT, 6AC5G, 7Z4	456	13-78, 79, 80
DP7016	Vol. Tone	M409 M1384	18 22	MR48 MR53	M26			M126 M127	1 1	TC45 TC48					7	6SK7, 6SA7, 7E7, 7F7, 25L6, 25Z6	455	14-16
DP7021	Vol.	N3065	18	UM154-SS22	M26			N3440	23	2S569					6	6A8GT, 6K7GT, 6Q7GT, 6K6GT, 6X5GT	456	
DP7022	Vol.	5-301	50	MK402	M26			7-302	24/15	2N520/TC22					2	50L6GT, 35Z5GT		
DP7025	Vol.	5-301	50	MK402	M26			7-302	24/15	2N520/TC22					2	50L6GT, 35Z5GT		
DP7031	Vol.	8910	18	MR48	M26			8425	1/13	FP360					8	12SA7GT, 12K7GT, 12SQ7GT, 6U5, 12SQ7GT, 6U5, 35L6GT, 35Z6G	455	
D5P7044, D5P7046	Vol. Tone	A15130-3 A15128-2	45 22	MK401 MK400	M26			A20188	1	2S569					8	6SD7GT, 6SR7GT, 6SK7GT, 6J5GT, 6SQ7GT, 6AC5G, 7Z4	456	
DP7052	Vol. Tone	A15130-2 A15128-7	64 22	MK401 MK400	M26			A20188	1	2S569					9	6SK7GT, 6SA7GT, 6J5G, 6U5, 6SQ7GT, 6AC5G, 7Z4	456	
DP7062	Vol. Tone	50.74A 55.32	140 140	MRT450 UC506	M26			20.132	1	2S569					8	6SK7GT, 6SA7GT, 6SQ7GT, 6K6GT, 80	456	
DP7064	Vol. Tone	50.74A 55.32	140 140	MRT450 UC506	M26			20.132	1	2S569					8	6SK7GT, 6SA7GT, 6SQ7GT, 6K6GT, 80	456	
D5P7068	Vol. Tone	A15130-3 A15128-2	45 22	MK401 MK400	M26			A20188	1	2S569					8	6SD7GT, 6SA7GT, 6SK7GT, 6J5G, 6SQ7GT, 6AC5G, 7Z4	456	
D5P7070	Vol. Tone		18 22	MR48 MR33	M26			40-20	1	2N514					6	12SA7, 12SK7, 12SQ7, 35L6GT, 35Z5GT	455	

‡ Data not substantiated.

\* IMPORTANT: Read Notes in Note Section if specified in Note Column.

§ Indicates miscellaneous section.

WHEN YOU BUY LEVER ACTION SWITCHES BUY MALLORY.



MANUFACTURER AND MODEL	CONTROLS							CONDENSERS				VIBRATORS			No. Tubes	Complete Tube Complement	I. F. Peak	Rider's Reference
	Use	Original Part	Circuit	Correct Replacement	Switch	Bias	*Note	Original Part	Circuit	Correct Replacement	*Note	Original Part	Replacement	*Note				
SPIEGEL—Continued																		
DP7104 (Ch. 582-1)	Vol.	A15132-2	18	MR48	M26			A14958	12	TC42					5	1A7G, 1N5G, 1H5G, 3Q5GT	456	
DP7108 (Ch. 582-1)	Vol.	A15132-2	18	MR48	M26			A14958	12	TC42					5	1A7G, 1N5G, 1H5G, 3Q5GT	456	
DP7108 (Ch. 5821M)	Vol.	A15132-5	18	MR48	M27			A14958	12	TC42					5	1A7G, 1N5G, 1H5G, 3Q5GT	456	13-75, 76,72
DP7112	Vol.	24-154	18	MK402	M27			18-250	12	TC42					4	1A7GT, 1N5GT, 1H5GT, 1Q5GT	455	
DP7120	Vol.	5-304	18	MK403	M24			7-303	24/78	Order from Mfr.					6	1N5GT, 1A7GT, 1H5GT, 3Q5GT, 50Y6GT	456	13-77
DP7121	Vol.	50.67	18	MR48	M27			20-118 20-123	1 78	2N513 *TC2501					7	1N5GT, 1A7GT, 1H5GT, 3Q5GT, 50L6GT, 35Z5GT	456	14-17
DP7122	Vol.	50.75	18	MR48	M26			20-137 20-136	24 78	2N513 *TC2501					5	1R5, 1T4, 1S5, 3S4, 35Z5GT	456	14-19
D5P7154	Vol.		18	MR53	M27			10	13	TC42					5	1A7GT, 1N5GT, 1H5GT, 3Q5GT	456	
DP7450	Vol.		18	MR48	M26			12-12-10 .0005	24/15	2S569/TC22 Buffer			859	C3	6	*6K7GT, 6A8GT, 6Q7GT, 6K6GT, 6X5GT	456	14-20,6
DP7452	Vol.	67-0043	18	Order from	Mfr.			61-0089 .003	24/15	FP328 Buffer		83-0025	859	C3	6	*7A7, 7B8, 7B6, 7C5, 7Y4	455	
DP7454	Vol.	67-0043	18	Order from	Mfr.			61-0089 .003	24/15	FP328 Buffer		83-0025	859	C3	6	*7A7, 7B8, 7B6, 7C5, 7Y4	455	
D5P7456	Vol.	17-17006	18	MR53				17-14297 .005	24/15	FP332 Buffer		17-14747	859	C3	5	6SA7, 6SK7, 6SQ7, 6K6GT, 6X5GT	455	
EP2000, EP2001 (Ch. T502)	Vol.	5-301	18	MK402	M26			7-301	24	2N514					5	12SA7GT, 12SK7GT, 12SQ7GT, 50L6GT, 35Z5	456	
EP2000-1 (Ch. T530)	Vol.	5-301	18	MK402	M27			7-301	24	2N514					5	14Q7, 14A7, 14B6, 50L6GT, 35Y4	456	13-69
EP2002-3	Vol.	5-304	18	MK402	M26			7-301	1	2N514					6	12SK7GT, 12SA7GT, 12SQ7GT, 35L6GT, 35Z5GT	456	13-70
EP2004	Vol. Tone	5-310 5-311	18 22	MK402 UM124-SS25				A7-302	24/15	2N520/TC22					6	12SA7GT, 12SK7GT, 12SQ7GT, 35L6GT, 35Z5GT	456	
EP2010 (Ch. 722)	Vol. Tone	A15130-6 A15129-9	45 21	MK401 MK401	M26			A14780-2	1/15	2S569/TC45					7	6SD7GT, 6SA7GT, 6SK7GT, 6J5G, 6SQ7GT, 6F6G, 5Y3G	456	13-71,72
EP2014, E10P2014, E11P2014	Vol. Tone		18 22	MR48 MR33	M26			40-20	1	2N514					6	12SA7, 12SK7, 12SQ7, 35L6GT, 35Z5GT	455	
EP2050	Vol. Tone	A15130-2 A15128-7	64 22	MK401 MK400	M26			A20188	1	2S569					9	*6SK7GT, 6SA7GT, *6J5G, 6U5, 6SQ7GT, 6AC5G, 7Z4	456	
EP2060	Vol. Tone	A15130-3 A15128-2	45 22	MK401 MK400	M26			A20188	1	2S569					8	6SD7GT, 6SA7GT, 6SK7GT, *6J5G, 6SQ7GT, 6AC5G, 7Z4	456	13-73, 74,78
EP2100, E10P2100	Vol.		18	MR53	M27			10	13	TC42					4	1A7GT, 1N5GT, 1H5GT, 3Q5GT	456	
EP2104 (Ch. 582-1)	Vol.	A15132-2	18	MR48	M26			A14958	12	TC42					5	1A7G, 1N5G, 1H5G, 3Q5GT	456	
EP2104 (Ch. 5821M)	Vol.	A15132-5	18	MR48	M26			A14958	12	TC42					5	1A7G, 1N5G, 1H5G, 3Q5GT	456	13-75, 76,72
E11P2108	Vol.	24-162	18	MK402	M27			18-266 18-271	24 78	2N513 Order from Mfr.					5	1A7GT, 1N5GT, 1H5GT, 3Q5GT, 117Z4GT	455	
EP2120	Vol.	5-304	18	MK403	M23-24			7-303	24	Order from Mfr.					6	1N5GT, 1A7GT, 1H5GT, 3Q5GT, 50Y6GT	456	13-77
EP2121, E11P2121	Vol.	24-150	18	MK402				18-266 18-271	24 78	2N513 Order from Mfr.					5	1A7GT, 1N5GT, 1H5GT, 1T5GT, 117Z4GT	455	14-6
EP2121 (Ch. 2-54)	Vol.	24-150	18	MK402				18-266 18-271	24 78	2N513 Order from Mfr.					5	1A7GT, 1N5GT, 1H5GT, 1T5GT, 117Z4GT	455	
EP2122	Vol.		149	MK402				30-20-100	76	Order from Mfr.					6	1R5, 1T4, 1S5, 3S4, 35Z5GT	455	
EP2124	Vol.		18	MR53	M27			10	13	TC42					5	1A7GT, 1N5GT, 1H5GT, 3Q5GT	456	
EP2450, E10P2451, E11P2451	Vol.		18	MR48	M26			12-12-10 .0005	24/15	2S569/TC22 Buffer			859	C3	6	*6K7GT, 6A8GT, 6Q7GT, 6K6GT, 6X5GT	456	14-20,6

† Data not substantiated.

\* IMPORTANT: Read Notes in Note Section if specified in Note Column.

‡ Indicates miscellaneous section.

MANUFACTURER AND MODEL	CONTROLS							CONDENSERS				VIBRATORS			No. Tubes	Complete Tube Complement	I. F. Peak	Rider's Reference
	Use	Original Part	Circuit	Correct Replacement	Switch	Bias	*Note	Original Part	Circuit	Correct Replacement	*Note	Original Part	Replacement	*Note				
SPIEGEL—Continued																		
EP2452	Vol.	67-0043	18	Order from	Mfr.		61-0089	24/15	FP328		B14	83-0025	859	C3	6	7A7, 7B8, 7B6, 7C5, 7Y4	455	
EP2454	Vol.	67-0043	18	Order from	Mfr.		61-0089	24/15	FP328		B14	83-0025	859	C3	6	7A7, 7B8, 7B6, 7C5, 7Y4	455	
F5P508	Vol. Tone	A15130-2 A15128-7	64 22	MK401 MK400	M26		A20188	1	2S569						8	*6SK7GT, 6SA7GT, *6J5G, 6SQ7GT, 6AC5G, 7Z4	456	
FP510	Vol.	5-310	18	MK402	M26		7-304 7-308	46 15	TN129 TC32						6	12SA7GT, 12SK7GT, *12SQ7GT, 35L6GT, 35Z5GT	456	
FP512	Vol.		18	MR48	M26		40-20	1	2N514						5	12SA7, 12SK7, 12SQ7, 50L6GT, 35Z5GT	455	
FP514	Vol.	5-301	18	MK402	M26		7-301	24/15	2N514						5	12SA7GT, 12SK7GT, 12SQ7GT, 50L6GT, 35Z5GT	456	
FP515	Vol.	5-301	50	MK402	M26		7-302	24/15	2N520/TC22						2	50L6GT, 35Z5GT	455	
F5P520	Vol. Tone		18 22	MR48 MR33	M26		40-20	1	2N514						6	*12SA7, 12SK7, 12SQ7, 35L6GT, 35Z5GT	455	
F5P608	Vol.	A15132-2	18	MR48	M26		A14958	12	TC42						5	1A7G, *1N5G, 1H5G, 3Q5GT	456	
F5P624	Vol.	24-150	18	MK402			18-266 18-271	24 78	2N513 Order from		Mfr.				5	1A7GT, 1N5GT, 1H5GT, 1T5GT, 117Z4GT	455	
1-40	Vol.	24-152	18	MR48	M26		18-265	24/15	3N533						4	12SA7, 12SQ7, 50L6GT, 35Z5GT	455	14-1
KG6628	Vol.	N3092	18	MK402	M27		N3161	12	TC32						4	1R5, 1T4, 1S5, 1S4	456	13-56
LB6517, LB6518	Vol.	N3248	18	MK401	M26		N3554	24	2N511						5	12A8GT, 12K7GT, 12Q7GT, 35L6GT, 35Z5GT	456	13-55
T40	Vol.	5-300	18	MK402			7-300	12	TC42						4	1A7GT, 1N5GT, 1H5GT, 3Q5GT	456	13-1
TP2000	Vol. Tone	P1579 P1642	18 22	MR48 MR39	M26		P1591	1	2S567						6	6A7, 6D6, 75, 6H5, 41, 80	456	
TP2004	Vol. Tone	2726 2737	106 106	MR48 MR55	M26		3375 3351	23 23	RS216 RS213						8	6A7, 6D6, 75, 76, 6G5, *42, 80	456	
TP2008	Vol. Tone	221 305	18 22	MR48 MR33	M26		1703	23	2S567						6	6A7, 6D6, 6Q7, 6U5, 41, 80	465	
TP2012	Vol.	19-2007	18	MR48	M26		18-2008	1	2N518						5	6A8, 6K7, 6Q7, 6F6, 5Z4	456	
TP2014	Vol.	P2392	18	MR53	M26		P2397	23	2S567						5	6A7, 6D6, 75, 41, 5Y3G	456	
TP2018	Vol. Tone	221 305	18 22	MR48 MR33	M26		1703	23	2S567						7	6A7, 6D6, 76, 6U5, 6K5, 41, 80	465	
T2054	Vol. Tone	2726 2737	106 106	MR48 MR55	M26		3375 3351	23 23	RS216 HD684						8	6A7, 6D6, 75, 76, *42, 80, 6G5	456	12-13,14
TP2056	Vol.	24-105	18	MR48			18-102	1/15	3S579						6	6A7, 6D6, 6G5, 75, 41, 80	456	
TP2058	Vol. Tone	P1916 P1917	124 1	MRT440 MR53	M26		P1939	24	2N518						11	6A8, 6J7, *6K7, *6J5, *6F6, 5Z3	456	
TP2060	Vol. Tone Bass	P1989 P1990 P1991	124 21 21	Order from MR44 MR48	Mfr.		P1993 P1994 P1992 P1997	3 3 3 13	RS223 RS215 RS224 2N518						16	*6K7G, 6L7G, 6J7G, *6H6G, *6J5G, *6L6G, *5Z3	456	
TP2064	Vol. Tone	24-105 26-106	18 21	MR48 MR48	M26		18-213	23	2S567						7	6A7, 76, 6D6, 6G5, 75, 41, 80	456	
TP2068	Vol.	221	45	MR48	M26		1730	1/15	FP316						6	6A7, 6D6, 76, 6K5, 41, 80	465	
TP2070	Vol. Tone	24-115 26-112	1 44	Order from	Mfr.	See Note A5	18-214 18-215 18-216	1 1 13	RS216 RS215 TC52						11	6A8G, *6C5G, 6G5, 6K7G, 6H6G, *6J7G, *6V6G, 80	456	
TP2080	Vol. Tone	2726 2737	18 147	MR48 MR55	M26		3375 3351	23 23	RS216 RS213						7	6A7, 6D6, 76, 75, *42, 80	456	
TP2100, TP2102	Vol. Tone	3671 4486	15 22	MR48 MR33	M23-24										5	1C6, 1A4, 30, 1B4, 1G5G	465	
TP2104, TP2106	Vol. Tone	3761 2331	15 44	UM154-SS16 MR33	M23-24		3150	12	TC45						6	1C6, 34, 1F6, *30	465	
TP2108, TP2110, TP2112, TP2120	Vol. Tone	2239 3671 4486	124 15 22	MR48 MR48 MR33	M23-24										4 5	1C6, 34, 1F6, 33, 1G5G, 1A4, 30, 1B4	465 456	
TP2152	Vol. Tone	P1579 P1642	63 22	MR48 MR39	M26		P1783	19	TC22						5	1A6, *1A4, 30, 1G5G	456	
TP2200, TP2202	Vol.	215	63	MR48	M26		1720	1	2N518		B14		See Note	C8	6	6D8, 6S7, *6L5, 1J6	465	
TP2212	Vol.	3418	18	MR48	M27		3675 3574 .01	1 1/13	TC71 TC55/TC52 Buffer		B14	3421	245	C3	7	6D8G, 6S7G, 6T7G, 6L5G, 1H4G, *33	456	
TP2216	Vol. Tone	P2136 P2137	18 34	Order from MR39	Mfr. M27		P2140 .015	1/15	3S579 Buffer		B14	P2147	859	C3	6	6D8G, 6L5G, 6S7G, 6T7G, 6G6G, 6Z5G	456	
TP2226, TP2228	Vol. Tone	3671 3545	124 22	MR48 MR33			3060 1693 .03	1 15	2N518 TC22 Buffer		B14	3698	245A	C3	5	6D8G, *6S7G, 6L5G, 41	456	

‡ Data not substantiated.

\* IMPORTANT: Read Notes in Note Section if specified in Note Column.

§ Indicates miscellaneous section.

MALLORY STANDARDIZATION OF PARTS SIMPLIFIES YOUR REPLACEMENT WORK.

MANUFACTURER AND MODEL	CONTROLS							CONDENSERS				VIBRATORS			No. Tubes	Complete Tube Complement	I. F. Peak	Rider's Reference
	Use	Original Part	Circuit	Correct Replacement	Switch	Bias	*Note	Original Part	Circuit	Correct Replacement	*Note	Original Part	Replacement	*Note				
SPIEGEL—Continued																		
TP2302	Vol.	P1371	64	UM154-SS3	M26			P1293	23	2S567		P1414	859	C3	7	6D6, 6A7, 6K7, 6H6, 6C5, 6V6G, 84	175	
TP2305, TP2306	Vol.	223	18	UM154	M26		A96	.0075	4	Buffer	B14	1505	294	C3	5	6A7, 6K7, 6Q7, 41, 84	456	
T2307 (Ch. 101505)	Vol.	24-119	18	MR48	M26			.006	23	Buffer	B14	34-102	859	C3	5	6A7, 6D6, 6Q7G, 41, 84	456 13-24	
VP1000, VP1004, VP1006	Vol.	A14779	18	MR48				A14799	1	2S569					7	6A7, 78, 75, 6U5, 76, 6AC5G, 80	456	
VP1008	Vol.	A14778	22	MR44	M26			18-2008	1	2N518					5	6A8, 6K7, 6Q7, 6F6, 5Z4	456	
VP1010, V8P1010	Vol.	19-2007	18	MR48	M26			20-12-12	46	TN125					5	6A8, 6K7, 6Q7, 25L6, 25Z6	456	
VP1012, V4P1012	Vol.	221	18	MR48	M26			18-232	1	TC48					5	6A7, 6D6, 75, 25L6G, 25Z5	455	
VP1014, V6P1014, V8P1014	Vol.	24-124	18	MR48	M26			A14799	1	2S569					7	6A7, 78, 75, 6U5, 76, 6AC5G, 80	456	
VP1016, V6P1016, V8P1016	Vol.	A14779	18	MR48				A14778	22	MR44	M26				5	6A7, 6D6, 75, 25L6G, 25Z5	455	
VP1020	Vol.	24-124	18	MR48	M26			18-232	1	TC48					5	6A7, 6D6, 75, 25L6G, 25Z5	455	
V8P1026	Vol.	A14779	18	MR48				A14799	1	2S569					7	6A7, 78, 75, 6U5, 76, 6AC5G, 80	456	
VP1030	Vol.	A14778	22	MR44	M26			18-2008	1	2N518					5	6A8, 6K7, 6Q7, 6F6, 5Z4	456	
V1032	Vol.	19-2007	18	MR48	M26			1736	1	FP227					8	6A7, 6D6, 6Q7, 76, 6U5, 243, 25Z5	465	
V1050 (Ch. 529)	Vol.	221	18	MR48	M26		See Note A5	1732	1/15	FP316					5	6A7, 6D6, 6Q7, 41, 80	465 12-3	
VP1052	Vol.	A14779	18	MR48				A14799	1	2S569					6	6A7, 78, 75, 76, 6AC5G, 80	456 13-31,32	
VP1054, VP1056	Vol.	A14778	22	MR44	M26			1729	1/15	2S569/TC22					11	6A7, 6D6, 76, 6U5, 243, 25Z5	465	
VP1058	Vol.	305	44	MR48	M26		See Note A5	A14799	1	2S569					7	6A7, 78, 75, 6U5, 76, 6AC5G, 80	456	
VP1060, V4P1060, V12P1060, VP1064, V6P1064, V8P1064	Vol.	A14779	18	MR48				1730	1/15	FP316					6	6A7, 6D6, 76, 6K5, 41, 80	465	
VP1062	Vol.	A14778	22	MR44	M26			A14799	1	2S569					7	6A7, 78, 75, 6U5, 76, 6AC5G, 80	456	
V4P1062	Vol.	221	18	MR48	M26			1703	23	2S567					6	6A7, 6D6, 6Q7, 6U5, 41, 80	465	
VP1066	Vol.	305	22	MR48	M26		See Note A5	P3024	13	TC42					4	1A7G, 1N5G, 1H5G, 1C5G	456	
V1068, VP1068, (Ch. 6TAC)	Vol.	P3015	18	MK401	M27			1729	1/15	2S569/TC22					11	6A7, 6D6, 76, 6U5, 243, 25Z5	465	
V8P1068	Vol.	221	45	MR48	M26		See Note A5	1730	1/15	FP316					6	6A7, 6D6, 76, 6K5, 41, 80	465 13-34	
VP1070, VP1074	Vol.	P801	17	UM163-SS3	M26			P1293	4	2S567		P816	294	C3	6	6D6, 6A7, 75, 41, 84	175	
VP1080	Vol.	P828	22	MR39				P1312	15	TC22					11	6A7, 6D6, 76, 6U5, 243, 25Z5	465	
VP1100, VP1102	Vol.	221	64	MR48	M26		See Note A5	.0075	1/15	2S569/TC22					7	6A7, 78, 75, 6U5, 76, 6AC5G, 80	456	
VP1104, VP1106	Vol.	A14779	18	MR48				1729	1	2S569					7	6A7, 6D6, 76, 6U5, 243, 25Z5	465	
VP1112, VP1114	Vol.	A14778	22	MR44	M26			A14799	1	2S569					7	6A7, 78, 75, 6U5, 76, 6AC5G, 80	456	
V1116 (Ch. 222)	Vol.	221	64	MR48	M26		See Note A5	1732	22	FP316	B14	1506	See Note C8	C8	7	6A8, 6S7, 6AB5, 6L5, 1J6	465	
V1120, VP1120, V1P1120, V4P1120, VP1122, VP1124, V6P1124, V8P1124, VP1126	Vol.	221	18	MR48	M26			.02	1/15	FP316	B14	1506	See Note C8	C8	8	6D8, 6S7, 6AB5, 6T7, 6L5, 33, 1H4	465	
VP1124 (5T-1.5v)	Vol.	305	44	MR48	M26		See Note A5	1732	15	TC22					7	6A8, 6S7, 6AB5, 6L5, 1J6	465	
V12P1132	Vol.	A14779	18	MR48				.02	22	Buffer	B14	1506	See Note C8	C8	7	6A8, 6S7, 6AB5, 6L5, 1J6	465	
V1140, VP1140, V8P1140, VP1145, V4P1145 (Ch. 101505)	Vol.	221	64	MR48	M26		See Note A5	1736	1	Buffer	B14	1505	294	C3	6	6A8, 6S7, 6L5, 41, 6ZY5G	465 13-39	
	Vol.	11389	18	MK401	M26			10	15	TC22					6	6A8, 6S7, 6L5, 41, 6ZY5G	465 13-39	
	Vol.	24-124	18	MR48	M26			.01	15	Buffer	B14				7	6A8, 6S7, 6AB5, 6L5, 1J6	465	
	Vol.	221	18	MR48	M26			40-16	24	See Note	B3	34-103	246A	C3	4	6D8G, 6S7G, 6T7G, 6G6G	455 13-35	
	Vol.	11389	18	MK401	M26			.004	19	Buffer	B14				5	1A7G, 1N5G, 1H5G, 1A5G	465	
	Vol.	24-119	18	MR48	M26			11493	24	FP214					5	12SA7, 12SK7, 12SQ7, 50L6GT, 35Z5GT	455	
	Vol.	24-119	18	MR48	M26			.0038	23	TC70	B14	34-102	859	C3	5	6A7, 6D6, 6Q7G, 41, 84	456 13-24	

† Data not substantiated.

\* IMPORTANT: Read Notes in Note Section if specified in Note Column.

‡ Indicates miscellaneous section.

USE MALLORY COMPONENTS IN YOUR TELEVISION WORK.

MANUFACTURER AND MODEL	CONTROLS							CONDENSERS				VIBRATORS			No. Tubes	Complete Tube Complement	I. F. Peak	Rider's Reference
	Use	Original Part	Circuit	Correct Replacement	Switch	Bias	*Note	Original Part	Circuit	Correct Replacement	*Note	Original Part	Replacement	*Note				
SPIEGEL—Continued VP1142	Vol. Tone		17 22	MR55			See Note A5	8-6 10 .008	4 15	2S567 TC22 Buffer					6	6D6, 6A7, 6Q7, 41, 0Z4	262	
VP1146, V6P1146	Vol.	223	18	UM154	M26		A96	1718 .006	4	2S567 Buffer	B14	1505	294	C3	5	6A7, 6K7, 6Q7, 41, 84	456	
V1148, VP1148, V12P1148	Vol.	24-119	18	MR48	M26			18-240 .004	4	FP227 Buffer	B117 B14	34-102	859	C3	6	6A7, 6D6, 6R7, 76, 41, 6Z4/84	456	12-7,8
VP1150, VP1152	Vol.	221	64	MR48	M26			1732 .02	22	FP316 Buffer	B14	1506	See Note	C8	7	6A8, 6S7, 6AB5, 6L5, 1J6	465	
VP1154, VP1156, VP1157	Vol. Tone	221 305	18 44	MR48	M26		See Note A5	1732 10 .02	1/15 15	FP316 TC22 Buffer	B14	1506	See Note	C8	8	6D8, 6S7, 6AB5, 6T7, 6L5, 33, 1H4	465	
VP1160, VP1162, VP1164, VP1166	Vol.	221	64	MR48	M26			1732 .02	22	FP316 Buffer	B14	1506	See Note	C8	7	6A8, 6S7, 6AB5, 6L5, 1J6	465	
VP1170, VP1172	Vol. Tone	221 305	18 44	MR48	M27		See Note A5	1732 10 .02	1/15 15	FP316 TC22 Buffer	B14	1506	See Note	C8	8	6D8, 6S7, 6AB5, 6T7, 6L5, 33, 1H4	465	
VP1200, VP1202	Vol.	4803	18	MK401	M23-24			1693	19	TC22					5	1C7G, 1D5G-P, 1H4G, 1E5G-P, 1G5G	455	
VP1208, V8P1208, V12P1208, VP1210, VP1212, VP1214	Vol.	4803	18	MK401	M23-24			1693	19	TC22					5	1C7G, 1D5G-P, 1H4G, 1E5G-P, 1G5G	455	
V1216, VP1216, V4P1216, V6P1216, V8P1216 (Ch.405)	Vol.	24-129	18	MR53	M27			18-235	19	TC22					4	1A7G, 1N5G, 1H5G, 1A5G	455	13-36
VP1220, V4P1220, VP1222	Vol.	4803	18	MK401	M23-24			1693	19	TC22					5	1C7G, 1D5G-P, 1H4G, 1E5G-P, 1G5G	455	
V1224 (Ch. 902)	Vol.	221	45	MR48	M26			10	12	TC42					5	1A7G, 1N5G, 1H5G, 1A5G	465	13-39
VP1230	Vol.	P3015	18	MK401	M27			P3024	13	TC42					4	1A7G, 1N5G, 1H5G, 1C5G	456	
W102, WP102	Vol. Tone	N1320 N1321	18 1	MR53 Order from Mfr.	M26			N1312	1	FP217	B128				5	6A8G, 6K7, 6Q7G, 25L6G, 25Z6G	456	12-1
W104, WP104	Vol.	A14725-1	18	UM154	M26		A96	A14799-1	1	2S569					6	6J8G, 78, 75, 76, 6AC5G, 80	456	13-3,4
W108, WP108, W2P108	Vol.	A14725-1	18	UM154	M26		A96	A14799-1	1	2S569					6	6J8G, 78, 75, 76, 6AC5G, 80	456	
W112, WP112, W5P112, W5P113	Vol.	P2935	18	MR48	M26			P2936	1	2N509					5	6A7, 6D6, 75, 25L6, 25Z5	455	13-5,6
W114, WP114, W4P114	Vol.	A14725-1	18	UM154	M26		A96	A14799-1	1	2S569					6	6J8G, 78, 75, 76, 6AC5G, 80	456	13-3,4
W116, WP116	Vol.	A14725-1	18	UM154	M26		A96	A14799-1	1	2S569					7	6J8G, 78, 6U5, 75, 76, 6AC5G, 80	456	13-3
W120	Vol.	A14725-1	18	UM154	M26		A96	A14799-1	1	2S569					6	6J8G, 78, 75, 76, 6AC5G, 80	456	13-3,4
W122, WP122, (Ch. KR-20)	Vol.	R198	18	MR48				A481	1	2N513					5	6K8, 6K7, 6R7, 25L6, 25Z6	448	13-7,8
W130	Vol.	V23	6	UM129-SS18	M26		EX200	C233	46	TN125					4	6K7GT, 6J7GT, 25L6GT, 25Z6GT		12-2
W132	Vol.	221	18	MR48	M26			1732	1/15	FP316					5	6A7, 6D6, 6Q7, 41, 80	465	12-3
W134, W6P134	Vol.	N1738	18	MK401	M27			N1367	12	TC42					4	1A7G, 1N5G, 1H5G, 1C5G	456	12-4
W150, WP150	Vol.	A14725-1	18	UM154	M26		A96	A14799-1	1	2S569					6	6J8G, 78, 75, 76, 6AC5G, 80	456	13-3,4
W154, W156	Vol. Tone	5-61 5-52	15 21	MK401 MK401	M26			7-49 7-51	1 1	RS223 RS219					12	6A7, 6D6, 76, 6U5, 342, 380	456	13-11
W164, WP164, W6P164	Vol.	A14725-1	18	UM154	M26		A96	A14799-1	1	2S569					6	6J8G, 78, 75, 76, 6AC5G, 80	456	13-3,4
W166	Vol. Tone	A15130-1 A15128-1	18 22	MK401 MK400	M26			A14799	1	2S569					6	6A7, 78, 75, 76, 6AC5G, 80	456	13-57
W180, WP180	Vol. Tone	P2558A P2559A	18 22	MK401 MK401	M26			P2761	1	TC72					5	6A7, 6D6, 75, 41, 80	262	13-9,10
W200, WP200, WP202, WP203 (Ch. QT)	Vol. Tone	V-20 V-112	18 67	MR53 MR36	M26			C242 .01	1	FP225 Buffer	B14	F-4	246	C3	7	6D8G, 6S7G, 1H4G, 6T7G, 6L5G, 1J6G	456	13-65,66

‡ Data not substantiated.

\* IMPORTANT: Read Notes in Note Section if specified in Note Column.

§ Indicates miscellaneous section.

BE SURE TO SPECIFY MALLORY RADIO AND ELECTRONIC PARTS.

MANUFACTURER AND MODEL	CONTROLS							CONDENSERS				VIBRATORS			No. Tubes	Complete Tube Complement	I. F. Peak	Rider's Reference
	Use	Original Part	Circuit	Correct Replacement	Switch	Bias	*Note	Original Part	Circuit	Correct Replacement	*Note	Original Part	Replacement	*Note				
SPIEGEL—Continued WP212, WP214	Vol. Tone	221. 305	18 44	MR48	M26	See Note A5	1732 10 .02	1/15 15	FP316 TC22 Buffer	B14	1506	See Note	C8	8	6D8, 6S7, 6AB5, 6T7, 6L5, *33, 1H4	465		
W216, WP216	Vol.	N1320	18	MR53	M26		N1468 .01-.01	46	FP360 Buffer	B14	N1475	246	C3	4	6A8G, 6K7, 6Q7G, 6G6G	456	12-5	
WP218	Vol.	N1320	18	MR53	M26		N1468 .01-.01	46	FP360 Buffer	B14	N1475	246	C3	4	6A8G, 6K7, 6Q7G, 6G6G	456		
W230, WP230, W2P230, WP232 (Ch. QT)	Vol. Tone	V-20 V-112	18 67	MR53 MR36	M26		C-242 .01	1	FP225 Buffer	B14	F-4	246	C3	7	6D8G, 6S7G, *1H4G, 6T7G, 6L5G, 1J6G	456	13-65,66	
W4P234	Vol.	11389	18	MK401	M26		11493	24	FP214					5	12SA7, 12SK7, 12SQ7, 50L6GT, 35Z5GT	455		
W240, WP240, W6P240 (Ch. QT)	Vol. Tone	V-20 V-112	18 67	MR53 MR36	M26		C-242 .01	1	FP225 Buffer	B14	F-4	246	C3	7	6D8G, 6S7G, *1H4G, 6T7G, 6L5G, 1J6G	456	13-65,66	
W254, WP254, W2P254, WP256, (Ch. QT)	Vol. Tone	V-20 V-112	18 67	MR53 MR36	M26		C-242 .01	1	FP225 Buffer	B14	F-4	246	C3	7	6D8G, 6S7G, *1H4G, 6T7G, 6L5G, 1J6G	456	13-65,66	
WP260	Vol. Tone	221. 305	18 44	MR48	M26	See Note A5	1732 10 .02	1/15 15	FP316 TC22 Buffer	B14	1506	See Note	C8	8	6D8, 6S7, 6AB5, 6T7, 6L5, *33, 1H4	465		
W264, WP264, W4P264 (Ch. QT)	Vol. Tone	V-20 V-112	18 67	MR53 MR36	M26		C-242 .01	1	FP225 Buffer	B14	F-4	246	C3	7	6D8G, 6S7G, *1H4G, 6T7G, 6L5G, 1J6G	456	13-65,66	
W270, WP270, W5P270 (Ch. QT)	Vol. Tone	V-20 V-112	18 67	MR53 MR36	M26		C-242 .01	1	FP225 Buffer	B14	F-4	246	C3	7	6D8G, 6S7G, *1H4G, 6T7G, 6L5G, 1J6G	456	13-65,66	
W300, WP300	Vol. Tone	N1373 N1454	18 22	MR48	M27	Order from Mfr.	N1367	12	TC42					5	1A7G, 1N5G, 1H5G, *1A5G	456	12-6	
W302, WP302 (Ch. TL)	Vol.	N1373	18	MR48	M27		N1367	12	TC42					4	1A7G, 1N5G, 1H5G, 1C5G	456	13-17,2	
WP304, WP306	Vol.	4803	18	MK401	M23-24		1693	19	TC22					5	1C7G, 1D5G-P, 1H4G, 1E5G-P, 1G5G	455		
W310 (Late)	Vol.	10441	18	MK401	M27		1693	19	TC22					4	1A7, 1N5G, 1H5G, 1A5G	455	13,12, 13,14	
W312, WP312, W2P312	Vol. Tone	N1373 N1454	18 22	MR48	M27	Order from Mfr.	N1367	12	TC42					5	1A7G, 1N5G, 1H5G, *1A5G	456	12-6	
W314, WP314, W4P314, W6P314 (Ch. 187B)	Vol.	4871	62	UM154-SS22			1693	19	TC22					5	1A7G, 1N5G, *1A5G, 1H5G	455	13-15,16	
W316, WP316, W5P316 (Ch. 187B)	Vol.	4871	62	UM154-SS22			1693	19	TC22					5	1A7G, 1N5G, *1A5G, 1H5G	455	13-15,16	
W320, WP320, W5P320	Vol.	5-62	18	MR48			10	19	TC22					4	1A7G, 1N5G, 1H5G, 1Q5G	456	12-9	
W330, WP330, W6P330	Vol.	5-62	18	MR48			10	19	TC22					4	1A7G, 1N5G, 1H5G, 1Q5G	456	12-9	
WP350, WP352	Vol.	4803	18	MK401	M23-24		1693	19	TC22					5	1C7G, 1D5G-P, 1H4G, 1E5G-P, 1G5G	455		
W400, WP400	Vol.	24-119	18	MR48	M26		18-240 .004	4	FP227 Buffer	B117 B14	34-102	859	C3	6	6A7, 6D6, 6R7, 76, 41, 6Z4/84	456	12-7,8	
WP402	Vol.	24-119	18	MR48	M26		18-240 .004	4	FP227 Buffer	B117 B14	34-102	859	C3	6	6A7, 6D6, 6R7, 76, 41, 6Z4/84	456		
W404, WP404	Vol. Tone	24-103 26-103	18 22	UM157-SS17 MR48			18-247 18-248 .007	24 24/19	TC72 FP332 Buffer	B14 B70 B14	34-101	859	C3	7	6K7GT, 6A8GT, 6D6, 75, 6P5GT, 6AC5G, 80	262	13-18	
W406, WP406, W4P406, W5P406, W6P406 (Ch. 620)	Vol.	5-62	18	MR48	M26		7-65 .016-.016	24	TCS74 Buffer	B14 B14		859	C3	6	6A7, 6D6, 75, 76, 6AC5G, 84	456	13-19	
W408	Vol.	N1238	18	Order from Mfr.			N1369 .008-.008	24/15	FP328 Buffer	B117 B14	N1236	264	C3	4	6A8GT, 6K7GT, 6Q7GT, 6K6GT	456	12-10	
Z7000, ZP7000	Vol. Tone	A15130-1 A15128-1	18 22	MK401 MK400	M26		A14799	1	2S569					6	6A7, 78, 75, 76, 6AC5G, 80	456	13-57	
Z7002 (Ch. 0-51)	Vol.	24-140	18	MR48	M26		18-254	1	2S569					5	6SA7GT, 6SK7GT, 6SQ7GT, 6K6GT, 5W4GT	455	13-58	
ZP7004	Vol.	5-61	18	MK401	M26		7-58	1	2S569					8	6A7, 6D6, 75, 6U5, 76, *41, 80	456		

† Data not substantiated.

\* IMPORTANT: Read Notes in Note Section if specified in Note Column.

‡ Indicates miscellaneous section.

MAKE FULL USE OF NOTES AND CIRCUIT DIAGRAMS.

MANUFACTURER AND MODEL	CONTROLS							CONDENSERS				VIBRATORS			No. Tubes	Complete Tube Complement	I. F. Peak	Rider's Reference
	Use	Original Part	Circuit	Correct Replacement	Switch	Bias	*Note	Original Part	Circuit	Correct Replacement	*Note	Original Part	Replacement	*Note				
SPIEGEL—Continued Z7006, ZP7006, Z5P7006.....	Vol.	N1595.....	18	UM154-SS18	M26			N1366.....	24	2N514.....					5	12A8GT, 12K7GT, 12Q7GT, 35L6GT, 35Z5GT.....	456	12-1
Z7008-9 (Ch. P)....	Vol.	V23.....	6	UM129-SS18	M26	EX200		C233.....	46	TN125.....					4	6K7GT, 6J7GT, 25L6GT, 25Z6GT..		12-2
Z7008-9 (Late) (Ch. TP).....	Vol.	N1537.....	6	UM129-SS18	M26	EX200		N1850.....	24/15	3N533.....					4	12K7GT, 12J7GT, 50L6GT, 35Z5GT..		12-2
ZP7008, ZP7009....	Vol.	6556.....	6	MR22.....	M26			†.....	24	See Note.....	B3				4	6K7GT, 6F5GT, 25L6GT, 25Z6GT..		14-11
Z7010, ZP7010, Z7011, Z7012 (Ch. 5L).....	Vol.	P2935.....	18	MR48.....	M26			P2936.....	1	2N509.....					5	6A7, 6D6, 75, 25L6, 25Z5.....	455	13-5,6
Z7014, ZP7014, Z3P7014.....	Vol. Tone	A15130-1..... A15128-1.....	18 22	MK401..... MK400.....	M26			A14799.....	1	2S569.....					6	6A7, 78, 75, 76, 6AC5G, 80.....	456	13-57
Z7016, ZP7016, Z5P7016.....	Vol. Tone	A15130-1..... A15128-1.....	18 22	MK401..... MK400.....	M26			A14799.....	1	2S569.....					6	6A7, 78, 75, 76, 6AC5G, 80.....	456	13-57
Z7018 (Ch. 0-61)...	Vol.	24-142.....	18	MR48.....	M26			18-241.....	1	2N509.....					5	6A7GT, 6SK7GT, 6SQ7GT, 25L6GT, 25Z6GT.....	455	13-59
ZP7024.....	Vol.	Y-VC-37.....	18	MR48.....	M26			†.....	1	See Note.....	B3				5	12SA7GT, 12K7GT, 12Q7GT, 35L6GT, 35Z5GT.....	455	
Z5P7026.....	Vol.	24-146.....	45	MR48.....	M26			18-255.....	1	2N514.....					6	6SA7GT, 6SK7GT, 6P5GT, 6SQ7GT, 25L6GT, 25Z6GT..	455	11-1
Z7026, Z5P7026 (Ch. 0-77).....	Vol.	24-144.....	18	MR48.....	M26			18-258.....	1	2N509.....					6	6SA7GT, 6SK7GT, 6P5GT, 6SQ7GT, 25L6GT, 25Z6GT..	455	13-60
Z7028 (Ch. 8C)....	Vol. Tone		18 22	UM154..... UM154.....	M26		A96	10-10.....	1	FP231.....					8	6A7, 6D6, 75, 6U5, 76, 741, 80.....	455	13-61
Z7030, Z7P7030....	Vol.	A15129-1.....	18	MK401.....	M26			A15571.....	1	2N513.....					7	†12SK7GT, 12A8GT, 6H4GT, 12SF5GT, 35L6GT, 35Z5GT, 25Z6GT.....	456	13-62
ZP7030.....	Vol.	A15129-1.....	64	MK401.....	M26			A15571.....	1	2N513.....					7	†12SK7GT, 12A8GT, 6H4GT, 12SF5GT, 35L6GT, 35Z5GT..	456	
Z7050, ZP7050....	Vol. Tone	A15130-1..... A15128-1.....	18 22	MK401..... MK400.....	M26			A14799.....	1	2S569.....					6	6A7, 78, 75, 76, 6AC5G, 80.....	456	13-57
ZP7052.....	Vol.	5-61.....	18	MK401.....	M26			7-58.....	1	2S569.....					8	6A7, 6D6, 75, 6U5, 76, 741, 80.....	456	
Z7054, ZP7054 (Ch. 912).....	Vol. Tone	5-61..... 5-52.....	15 21	MK401..... MK401.....	M26			7-49..... 7-51.....	1 1	RS223..... RS219.....					12	6A7, 6D6, 76, 6U5, 742, 780.....	456	13-63
Z7056, ZP7056, Z5P7056.....	Vol.	A14725-1.....	18	UM154.....	M26		A96	A14799-1.....	1	2S569.....					6	6J8G, 78, 75, 76, 6AC5G, 80.....	456	13-3,4
Z7058, ZP7058, Z5P7058.....	Vol.	A14725-1.....	18	UM154.....	M26		A96	A14799-1.....	1	2S569.....					6	6J8G, 78, 75, 76, 6AC5G, 80.....	456	13-3,4
Z7062, ZP7062, Z5P7062 (Ch. 912)	Vol. Tone	5-61..... 5-52.....	15 21	MK401..... MK401.....	M26			7-49..... 7-51.....	1 1	RS223..... RS219.....					12	6A7, 6D6, 76, 6U5, 742, 780.....	456	13-63
Z7064, Z7P7064....	Vol.	A15130-1.....	18	MK401.....	M26			A14799.....	1	2S569.....					6	6A7, 78, 75, 76, 6AC5G, 80.....	456	13-57
Z7080.....	Vol. Tone	P3335..... P3337.....	18 22	MK401..... MK401.....	M26			10-10.....	1	FP231.....	B117				7	6A7, 6D6, 75, 741, 76, 80.....	455	12-21,22
ZP7080, Z5P7080....	Vol. Tone	P3335..... P3337.....	18 22	MK401..... MK401.....	M26			P3419.....	1	FP231.....					7	6A7, 6D6, 75, 76, 741, 80.....	455	
Z7100.....	Vol. Tone	10441..... 11098.....	124 22	MK401..... Order from Mfr.....	M27			1693.....	19	TC22.....					6	1A7G, 1N5G, 1A5G, 1H5G.....	455	13-29
Z7104, ZP7104, ZP7106 (Ch. 560-1)	Vol.	A15132-2.....	18	MR48.....	M26			A14958.....	12	TC42.....					5	1A7G, 1N5G, 1H5G, 1A5G.....	456	13-64
Z7108 (Early).....	Vol.	4803.....	18	MK401.....	M23-24			1693.....	19	TC22.....					4	1A7G, 1N5G, 1H5G, 1A5G.....	455	12-38
Z7108.....	Vol.	11132.....	18	MK401.....	M27			1693.....	19	TC22.....					4	1A7G, 1N5G, 1H5G, 1A5G.....	455	12-31,32
Z5P7112.....	Vol.	24-148.....	18	UM161.....	M27		A96	18-250.....	12	TC40.....					5	1A7GT, 1N5GT, 1H5GT, 1A5GT...	455	11-1
ZP7112, ZP7114, (Ch. 560-1).....	Vol.	A15132-2.....	18	MR48.....	M26			A14958.....	12	TC42.....					5	1A7GT, 1N5G, 1H5G, 1A5G.....	456	
Z7116, ZP7116, Z7P7116.....	Vol. Tone	10441..... 11098.....	45 22	MK401..... Order from Mfr.....	M27			1693.....	19	TC22.....					6	1A7G, 1N5G, 1A5G, 1H5G.....	455	12-39

† Data not substantiated.

\* IMPORTANT: Read Notes in Note Section if specified in Note Column.

§ Indicates miscellaneous section.

DON'T MISS THE MALLORY 1485 CONTROL DEAL!

MANUFACTURER AND MODEL	CONTROLS							CONDENSERS				VIBRATORS			No. Tubes	Complete Tube Complement	I. F. Peak	Rider's Reference
	Use	Original Part	Circuit	Correct Replacement	Switch	Bias	*Note	Original Part	Circuit	Correct Replacement	*Note	Original Part	Replacement	*Note				
SPIEGEL—Continued																		
ZP7118	Vol. Tone	10441	45	MK401	M27			1693	19	TC22					6	1A7G, 1N5G, 1A5G, 1H5G	455	
ZP7120	Vol. Tone	11098	22	Order from Mfr.				5779	12	TC42					5	1N5, 1A7, 1H5, 1C5	455	
ZP7122	Vol. Tone	6257	18	MR48	M27			6640	1	TC48					5	1A7, 1N5, 1H5, 1Q5, 25Z6GT	455	
ZP7122	Vol. Tone	6257	18	MR48	M27			5779	12	TC42					5	1A7, 1N5, 1H5, 1Q5, 25Z6GT	455	
ZP7122	Vol. Tone	6257	18	MR48	M27			6660	78	TC26					5	1A7, 1N5, 1H5, 1Q5, 25Z6GT	455	
ZP7122	Vol. Tone	6257	18	MR48	M27			N1367	12	TC42					4	1A7G, 1N5G, 1H5G, 1C5G	456	
Z7124, ZP7124	Vol. Tone	N1738	18	MK401	M27			A14958	12	TC42					5	1A7G, 1N5G, 1H5G, 1A5G	456	
ZP7125	Vol. Tone	A15132-2	18	MR48	M26			A14684-5	46	FP354					5	1A7G, 1N5G, 1H5G, 1A5G, 35Z5GT	456	
Z5P7125	Vol. Tone	A15132-1	18	MR48	M27										5	1A7G, 1N5G, 1H5G, 1A5G, 35Z5GT	456	
Z7126, ZP7126, Z7P7126	Vol. Tone	P3560	18	UM161-SS22	M27			P3563	1	2N514					5	1A7GT, 1N5GT, 1H5GT, 3Q5GT, 70L7GT	455	
Z7126, ZP7126, Z7P7126	Vol. Tone	P3560	18	UM161-SS22	M27			P3562	15/12	TC29					5	1A7GT, 1N5GT, 1H5GT, 3Q5GT, 70L7GT	455	
Z7150, ZP7150, (Ch. 560-1)	Vol. Tone	A15132-2	18	MR48	M26			A14958	12	TC42					5	1A7G, 1N5G, 1H5G, 1A5G	456	
Z7154	Vol. Tone	10441	124	MK401	M27			1693	19	TC22					6	1A7G, 1N5G, 1A5G, 1H5G	455	
ZP7154	Vol. Tone	11098	22	Order from Mfr.				1693	19	TC22					4	1A7G, 1N5G, 1H5G, 1A5G	455	
ZP7154	Vol. Tone	10441	18	MK401	M27			1693	19	TC22					4	1A7G, 1N5G, 1H5G, 1A5G	455	
ZP7200, ZP7202 (Ch. QT)	Vol. Tone	V-20	18	MR53	M26			C-242	1	FP225		F-4	246	C3	7	6D8G, 6S7G, 1H4G, 6T7G, 6L5G, 1J4G	456	
Z7208	Vol. Tone	V-112	95	MR36	M26			4841	24	2N509		3698	245A	C3	4	6D8G, 6S7, 6T7G, 6G6G	455	
Z7208	Vol. Tone	4839	18	MK401	M26			1693	15	TC22					4	6D8G, 6S7, 6T7G, 6G6G	455	
Z7208	Vol. Tone	4839	18	MK401	M26			.03		Buffer								
ZP7212, Z3P7212, ZP7214, ZP7216, Z5P7216, ZP7218	Vol. Tone	A15130-1	64	MK401	M26			A14684-6	46	FP354		A15301	245A	C3	6	7A8, 7B7, 7A6, 7C6, 6G6G	456	
ZP7250, ZP7252, ZP7254, Z5P7254, ZP7256	Vol. Tone	A15130-1	64	MK401	M26			A14684-6	46	FP354		A15301	245A	C3	6	7A8, 7B7, 7A6, 7C6, 6G6G	456	
ZP7250, ZP7252, ZP7254, Z5P7254, ZP7256	Vol. Tone	A15130-1	64	MK401	M26			.01		Buffer					6	7A8, 7B7, 7A6, 7C6, 6G6G	456	
Z7450, ZP7450, ZP7454 (Ch. 620)	Vol. Tone	5-62	18	MR48	M26			7-65	24	TCS74			859	C3	6	6A7, 6D6, 75, 76, 6AC5G, 84	456	
Z7450, ZP7450, ZP7454 (Ch. 620)	Vol. Tone	5-62	18	MR48	M26			.016-.016		Buffer					6	6A7, 6D6, 75, 76, 6AC5G, 84	456	
Z7456, Z7458 (Ch. 297)	Vol. Tone	6687	18	MR48	M26			6714	24	2N518		6735	248	C3	4	6K8GT, 6K7GT, 6S07GT, 6K6GT	455	
Z7460, ZP7460	Vol. Tone	17-16422	18	MR53	M26			17-14297	24/15	FP332		17-14747	859	C3	5	6A8GT, 6K7GT, 6Q7GT, 6K6GT, 6X5GT	455	
Z7460, ZP7460	Vol. Tone	17-16422	18	MR53	M26			.005		Buffer					5	6A8GT, 6K7GT, 6Q7GT, 6K6GT, 6X5GT	455	
Z7462, ZP7462	Vol. Tone	17-16422	18	MR53	M26			17-14297	24/15	FP332		17-14747	859	C3	5	6A8GT, 6K7GT, 6Q7GT, 6K6GT, 6X5GT	455	
Z7462, ZP7462	Vol. Tone	17-16422	18	MR53	M26			.005		Buffer					5	6A8GT, 6K7GT, 6Q7GT, 6K6GT, 6X5GT	455	
100	Vol. Tone	P630	18	MR48	M26			P160	1	2N518					5	6A7, 6D6, 75, 42, 80	456	
102, 104, 112, 114, 124 (Ch. Z4)	Vol. Tone	P680	45	Order from Mfr.				P391	1	2N516		P402	245C	C3	6	1C6, 34, 30, 32, 19	456	
120	Vol. Tone	P682	34	MR39	M26			.01-.01		Buffer					7	6L7, 6K7, 6H6, 6F5, 6F6, 6C5, 5Z4	456	
120	Vol. Tone	P660	75	MR48	M26			P474	32	HD684					7	6L7, 6K7, 6H6, 6F5, 6F6, 6C5, 5Z4	456	
120	Vol. Tone	P661	34	MR39	M26			P160	32	2N518					7	6L7, 6K7, 6H6, 6F5, 6F6, 6C5, 5Z4	456	
128B	Vol. Tone	4803	45	MK401	M23-24			P304	15	TC22					5	1C7G, 1D5GP, 1H4G, 1E5GP, 1G5G	455	
130	Vol. Tone	4862	22	UM133-SS25				1693	19	TC22					8	6L7, 6K7, 6Q7, 6C5, 6F6, 5Z4	456	
130	Vol. Tone	P660	18	MR48	M26			P474	32	HD684					8	6L7, 6K7, 6Q7, 6C5, 6F6, 5Z4	456	
130	Vol. Tone	P661	44	MR39	M26			P160	32	2N518					8	6L7, 6K7, 6Q7, 6C5, 6F6, 5Z4	456	
132	Vol. Tone	6221	18	MR48	M26			P304	15	TC22					5	6A7, 6D6, 75, 43, 25Z5	465	
134	Vol. Tone	P660	18	MR48	M26			8812	27	TCS44					8	6A7, 6D6, 75, 43, 25Z5	465	
134	Vol. Tone	P661	44	MR39	M26			P474	32	HD684					8	6L7, 6K7, 6Q7, 6C5, 6F6, 5Z4	456	
134 (Ch. 46A)	Vol. Tone	2198	18	UM154-SS16				P160	32	2N518					8	6A7, 6K7, 75, 6C5, 6F6, 6G5, 80	465	
134 (Ch. 46A)	Vol. Tone	2199	44	MR33	M26			1477	25	RS215					8	6A7, 6K7, 75, 6C5, 6F6, 6G5, 80	465	
140	Vol. Tone	P660	75	MR48	M26			1476	25	RS216					7	6L7, 6K7, 6H6, 6F5, 6F6, 6C5, 5Z4	456	
140	Vol. Tone	P661	34	MR39	M26			1110	13	TC70					6	1C6, 34, 1B5, 30, 19	456	
142	Vol. Tone		18	MR48	M27			P474	32	HD684					6	1C6, 34, 1B5, 30, 19	456	
142	Vol. Tone		22	MR33				P160	32	2N518					7	1C6, 34, 1B5, 30, 19	456	
144	Vol. Tone	P691	45	Order from Mfr.				P391	1	2N516		P402	245C	C3	7	1C6, 34, 1B5, 30, 19	456	
144	Vol. Tone	P682	1	MR39	M26			.01-.01		Buffer					7	1C6, 34, 1B5, 30, 19	456	
146	Vol. Tone	P660	18	MR48	M26			P474	32	HD684					8	6L7, 6K7, 6Q7, 6C5, 6F6, 5Z4	456	
146	Vol. Tone	P661	44	MR39	M26			P160	32	2N518					8	6L7, 6K7, 6Q7, 6C5, 6F6, 5Z4	456	
146	Vol. Tone	P661	44	MR39	M26			P304	15	TC22					8	6L7, 6K7, 6Q7, 6C5, 6F6, 5Z4	456	
150	Vol. Tone	2239	18	MR48	M26			P391	1	2N516		P402	245C	C3	4	1C6, 34, 1B5, 33	465	
152	Vol. Tone	P691	45	Order from Mfr.				.01-.01		Buffer					7	1C6, 34, 1B5, 30, 19	456	
152	Vol. Tone	P682	1	MR39	M26										7	1C6, 34, 1B5, 30, 19	456	

‡ Data not substantiated.

\* IMPORTANT: Read Notes in Note Section if specified in Note Column.

§ Indicates miscellaneous section.

WHEN YOU BUY A BATTERY CHARGER BUY A MALLORY.

MANUFACTURER AND MODEL	CONTROLS							CONDENSERS				VIBRATORS			No. Tubes	Complete Tube Complement	I. F. Peak	Rider's Reference
	Use	Original Part	Circuit	Correct Replacement	Switch	Bias	*Note	Original Part	Circuit	Correct Replacement	*Note	Original Part	Replacement	*Note				
SPIEGEL—Continued																		
154	Vol. Tone		18	MR48	M27										6	1C6, *34, 1B5, 30, 19.	456	11-5
160 (Ch. 603 1936)	Vol. Tone		22	MR33											6	*6D6, 76, 75, 42, 80	456	10-3
167	Vol. Tone		17	MR48	M26			8, 8	4	RS213					6	*6D6, 76, 75, 42, 80	456	10-3
169 (Ch. H1)	Vol. Tone	P691	45	Order from	Mfr.			P958	1	2N518	B14	P402	245C	C3	6	1C6, 34, *30, 32, 19	456	9-9
	Vol. Tone	P692	44	MR39				8-8	1	2N518			249	C3	6	*6D6, 6L7, 75, 76, 42.	465	10-6
172 (Ch. Z4)	Vol. Tone		18	UM154-SS3				12	15	TC22					6			
178	Vol. Tone	P680	45	Order from	Mfr.			.005	1	Buffer	B14	P402	245C	C3	6	1C6, 34, *30, 32, 19	456	10-5
178 (Ch. M5 1936)	Vol. Tone	P682	34	MR39				P391	1	2N516	B14	P402	245C	C3	7	1C6, *34, *30, 19	456	9-6
180, 184 (Ch. 603 1936)	Vol. Tone	P691	45	Order from	Mfr.			.01-.01	1	Buffer	B14	P402	245C	C3	7	1C6, *34, *30, 19	456	10-7
182, 183	Vol. Tone	P962	44	MR39				8-8	1	2N516	B14	P402	245C	C3	7	1C6, *34, *30, 19	456	10-7
184 (Ch. 603 1936)	Vol. Tone		17	MR48	M26			.01-.01	1	Buffer	B14	P402	245C	C3	7	1C6, *34, *30, 19	456	10-7
186	Vol. Tone	P801	17	MR53				8-8	1	2N516	B14	P402	245C	C3	7	1C6, *34, *30, 19	456	10-7
188	Vol. Tone		22	MR39				.01-.01	1	Buffer	B14	P402	245C	C3	7	1C6, *34, *30, 19	456	10-7
190	Vol. Tone	P661	44	MR39				.01-.01	1	Buffer	B14	P402	245C	C3	7	1C6, *34, *30, 19	456	10-7
204 (Ch. SM)	Vol. Tone	N1320	18	MR48	M26			8, 8	4	RS213					6	*6D6, 76, 75, 42, 80	456	10-3
297	Vol. Tone	N1454	20	MR39				.01-.01	1	2N518	B14	P402	245C	C3	6	1C6, 34, *30, 32, 19	456	9-9
510	Vol. Tone		18	MR48	M26			8, 8	4	RS213					6	*6D6, 76, 75, 42, 80	456	10-3
512	Vol. Tone		18	MR48	M26			8, 8	4	RS213					6	*6D6, 76, 75, 42, 80	456	10-3
520 (Ch. RE-84)	Vol. Tone	17-17006	18	MR53				8, 8	4	RS213					6	*6D6, 76, 75, 42, 80	456	10-3
540, 541	Vol. Tone		18	MR48	M26			8, 8	4	RS213					6	*6D6, 76, 75, 42, 80	456	10-3
571-1	Vol. Tone	A15132-2	18	MR48	M26			8, 8	4	RS213					6	*6D6, 76, 75, 42, 80	456	10-3
572-1M	Vol. Tone	A15132-5	18	MR48	M26			8, 8	4	RS213					6	*6D6, 76, 75, 42, 80	456	10-3
604	Vol. Tone		18	UM154	M27		A96	10	12	TC42					5	1A7G, 1N5G, 1H5G, 1A5G	456	13-23
621	Vol. Tone		85	UM154	M27		A96	10	12	TC42					5	1A7G, 1N5G, 1H5G, 1A5G	456	13-23
629	Vol. Tone	A14779	18	MR48	M26			12-12-10	24/15	2S569/TC22	B14		859	C3	6	*6K7GT, 6A8GT, 607GT, 6K6GT, 6X5GT	456	13-25
630-6	Vol. Tone	A15130-1	127	MK401				.0005		Buffer					7	6A7, 78, 75, 6U5, 76, 6AC5G, 80	456	13-26
661	Vol. Tone	A15128	22	MK400	M26			12-12-10	24/15	2S569/TC22	B14	A15301	245A	C3	6	7A8, *7B7, 7A6, 7C6, 6G6G	456	14-4,5
701-8AC	Vol. Tone	A15130-5	18	MK401	M26			12-12-10	24/15	2S569/TC45					7	6SA7GT, 6SK7GT, *6SQ7GT, 6F6G	456	14-9,10
720	Vol. Tone	A15128	22	MK400	M26			12-12-10	24/15	2S569/TC45					7	6SA7GT, 6SK7GT, *6SQ7GT, 6F6G	456	14-9,10
751	Vol. Tone	A15129-2	21	MK401	M26			12-12-10	24/15	2S569/TC26					7	6SK7GT, 6SA7GT, 6J5G, 6SQ7GT, 6F6G, 5Y3G	456	13-33
752	Vol. Tone	A15130-5	46	MK401	M26			12-12-10	24/15	2S569/TC45					7	6SD7GT, 6SA7GT, 6SK7GT, 6J5G, 6SQ7GT, 6F6G, 5Y3G	456	13-27,28
822	Vol. Tone	A15130-2	45	MK401	M26			12-12-10	24/15	2S569/TC45					8	*6SK7GT, 6SA7GT, *6J5G, 6SQ7GT, 6AC5G, 7Z4	456	14-13,14
832	Vol. Tone	A15130-3	45	MK401	M26			12-12-10	24/15	2S569/TC45					8	6SD7GT, 6SA7GT, 6SK7GT, *6J5GT, 6SQ7GT, 6AC5G, 7Z4	456	13-29,30
922	Vol. Tone	A15130-2	45	MK401	M26			12-12-10	24/15	2S569/TC45					9	*6SK7GT, 6SA7GT, *6J5G, 6U5, 6SQ7GT, 6AC5G, 7Z4	456	14-13,14

† Data not substantiated.

\* IMPORTANT: Read Notes in Note Section if specified in Note Column.

‡ Indicates miscellaneous section.



MANUFACTURER AND MODEL	CONTROLS							CONDENSERS				VIBRATORS			No. Tubes	Complete Tube Complement	I. F. Peak	Rider's Reference
	Use	Original Part	Circuit	Correct Replacement	Switch	Bias	*Note	Original Part	Circuit	Correct Replacement	*Note	Original Part	Replacement	*Note				
SPIEGEL—Continued 932.....	Vol. Tone	A15130-3 A15128-2	45 22	MK401 MK400	M26			A20169	1	2S569				9	6SD7GT, 6SA7GT, 6SK7GT, 6U5, *6J5G, 6SQ7GT, 6AC5G, 7Z4	456 465	13-29,30 10-8	
1002, 1003 (Ch. 219) 1008, 1009.....	Vol. Vol.	221 19-2007	18 18	MR48 MR48	M26 M26			1732 18-208	1/15 1	FP316 2N518				5 5	6A7, 6D6, 6Q7, 41, 80 6A8, 6K7, 6Q7, 6F6, 5Z4	456 456	11-6 10-9	
1010, 1011 (Ch. 216) 1026.....	Vol. Vol.	221 19-2007	18 18	MR48 MR48	M26 M26			20-12-12 18-2008	46 1	TN125 2N518				5 5	6A8, 6K7, 6Q7, 25L6, 25Z6 6A8, 6K7, 6Q7, 6F6, 5Z4	456 456	10-9 10-9	
1050, 1051 (Ch. 529) 1052, 1053 (Ch. 218)	Vol. Tone Vol. Tone	A14779 A14778 221 305	18 22 45 44	MR48 MR44 MR48	M26 M26			A14799 1729 10	1 1 15	2S569 2S569 TC22				6 11	6A7, 78, 75, 76, 6AC5G, 80 6A7, 6D6, *76, *43, 6U5, 25Z5	456 465	13-31,32 10-10	
1100 to 1103 inc. (Ch. 202).....	Vol. Tone	221 305	45 34	MR48	M26		See Note A5	1732 .02	1/15	FP316 Buffer		1506	See Note C8	7	6A8, 6S7, *6L5, 1J6, 6AB5	465	10-11	
1104 to 1107 inc. (Ch. 220).....	Vol. Tone	221 305	18 44	MR48	M26		See Note A5	15-15-40 .02	1/15	FP316 Buffer			See Note C8	8	6D6, 6S7, 6T7, 6AB5, 6L5, *33, 1H4	465	10-12	
1108 to 1111 inc. (Ch. 211).....	Vol. Tone	221 305	18 34	MR48	M26		See Note A5	1732 .01	1/15	FP316 Buffer		1505	294 C3	5	6A8, 6S7, 6T7, 41, 6ZY5	465	10-13	
1142, V1142, 1143.....	Vol. Tone	221 305	17 22	MR55			See Note A3	8-6 10 .008	4 15	2S567 TC22 Buffer			294 C3	6	*6D6, 6A7, 6Q7, 41, 0Z4	262	12-11	
1150 to 1153 inc. (Ch. 212).....	Vol. Tone	221 305	45 34	MR48	M26		See Note A5	1732 .02	1/15	FP316 Buffer			See Note C8	7	6A8, 6S7, *6L5, 1J6, 3AB5	465	10-11	
1154 to 1157 inc. (Ch. 220).....	Vol. Tone	221 305	18 44	MR48	M26		See Note A5	15-15-40 .02	1/15	FP316 Buffer			See Note C8	8	6D6, 6S7, 6T7, 6AB5, 6L5, *33, 1H4	465	10-12	
1204, 1205, 1206, 1207 1271SP.....	Vol. Tone Vol. Tone	2239 A15130-3 A15128-3	17 18 44	MR48 MK401 MK400				A15625	1	2S569				12	1C6, 34, 1F6, 33, 5E1 *6SK7GT, 6SA7GT, 6SQ7GT, *6P5GT, 6AF6G, *6AC5G, 5Y3G	465	11-7	
1555.....	Vol.	5-65	18	MR53	M27			7-56	12	TC42				5	1A7G, *1N5G, 1H5, 1Q5G	456	13-37,38 13-40	
1831.....	Vol. Tone	A15130-3 A15128-2	45 130	MK401 MK400	M26			A15741	1	2S569				8	*6SK7GT, 6SA7GT, *6J5GT, 6SQ7GT, 6AC5G, 7Y4	456	13-41,42	
1901 (Ch. X6, BA41).....	Vol.		45 75	MR48				8-8 .01-.01 8-4	1 1	2N516 Buffer 2N518		P402	245C C3	6	1C6, 34, *30, 32, 33	456	10-14	
1902.....	Vol.		75				A5							6	6A7, 6D6, 6H6, 6F5, 80, 6F6	456 465	11-9 10-15	
1903 (Ch. 14A).....	Vol. Tone	2220 1732	18/7 44	DRP314 MR44	6-9			1477 1476 1693	1 1 15	RS215 RS216 TC22				9	*6D6, *76, 75, *41, 80	456 465	11-9 10-15	
1904.....	Vol. Tone		75 44	Order from MR39	Mfr. M26			4 8-4 5 2289	32 32 15 12	HD684 2N518 TC22 TC52				7	6A7, 6D6, 76, 6A6, *42, 80	456	11-8	
1906 (Ch. 39B).....	Vol. Tone	2198 2331	18 22	MR48 MR33	M23-24			8-8 .01-.01	1	2N516 Buffer		P402	245C C3	6	1C6, 34, *30, 32, 33	456	10-14	
1907 (Ch. X6, BA41)	Vol.	2239	18	MR48				8-8 .01-.01	1	2N516 Buffer		P402	245C C3	6	1C6, 34, 1B5, 33	465	9-11	
1910 1911 (Ch. X6, BA41)	Vol. Vol.	2239	18 45	MR48 MR48				8-8 .01-.01	1	2N516 Buffer		P402	245C C3	6	1C6, 34, *30, 32, 33	465 456	9-11 10-14	
1916.....	Vol. Tone		75 44	Order from MR39	Mfr. M26			4 8-4 5 2289	32 32 15 12	HD684 2N518 TC22 TC52				7	6A7, 6D6, 76, *42, 6A6, 80	456	11-8	
1917.....	Vol.		75				A5	8-4	1	2N518				6	6A7, 6D6, 6H6, 6F5, 80, 6F6	456	11-9	
1921 (Ch. X6, BA41)	Vol.		45	MR48				8-8 .01-.01	1	2N516 Buffer		P402	245C C3	6	1C6, 34, *30, 32, 33	456	10-14	
1926.....	Vol.		75				A5	8-4	1	2N518				6	6A7, 6D6, 6H6, 6F5, 80, 6F6	456	11-9	
1932 (Ch. X6, BA41)	Vol.		45	MR48				8-8 .01-.01	1	2N516 Buffer		P402	245C C3	6	1C6, 34, *30, 32, 33	456	10-14	
1936.....	Vol.		75				A5	8-4	1	2N518				6	6A7, 6D6, 6H6, 6F5, 80, 6F6	456	11-9	
1952.....	Vol. Tone		75 44	Order from MR39	Mfr. M26			4 8-4 5 2289	32 32 15 12	HD684 2N518 TC22 TC52				7	6A7, 6D6, 6A6, 76, *42, 80	456	11-8	
1954 (Ch. 39B).....	Vol. Tone	2198 2331	18 22	MR48 MR33	M23-24									6	1C6, *34, *30, 19	465	10-22	

‡ Data not substantiated.

\* IMPORTANT: Read Notes in Note Section if specified in Note Column.

‡ Indicates miscellaneous section.

MANUFACTURER AND MODEL	CONTROLS							CONDENSERS				VIBRATORS			No. Tubes	Complete Tube Complement	I. F. Peak	Rider's Reference
	Use	Original Part	Circuit	Correct Replacement	Switch	Bias	*Note	Original Part	Circuit	Correct Replacement	*Note	Original Part	Replacement	*Note				
<b>SPIEGEL</b> —Continued																		
1955, 1957 (Ch. X6, BA41)	Vol.		15	MR48				8-8	1	2N516	B14	P402	245C	C3	6	1C6, 34, *30, 32, 33	456 10-14	
1959	Vol.		75	†			A5	.01-.01	1	Buffer					6	6A7, 6D6, 6H6, 6F5, 80, 6F6	456 11-9	
1960 (Ch. 14A)	Vol. Tone	2220 1732	18/7 44	DRP314 MR44	6-9			1477 1476 1693	1 1 15	RS215 RS216 TC22					9	*6D6, *76, *41, 75, 80	465 10-15	
1961 (Ch. X6, BA41)	Vol.		45	MR48				8-8	1	2N516	B14	P402	245C	C3	6	1C6, 34, *30, 32, 33	456 10-14	
1965	Vol. Tone		75 44	Order from MR39	Mfr. M26			.01-.01 4 8-4 5	32 32 15	HD684 2N518 TC22					7	6A7, 6D6, 76, 6A6, *42, 80	456 11-8	
1971	Vol.		75	†			A5	8-4	1	2N518					6	6A7, 6D6, 6H6, 6F5, 80, 6F6	456 11-9	
1980	Vol.		75	†			A5	8-4	1	2N518					6	6A7, 6D6, 6H6, 6F5, 80, 6F6	456 11-9	
1981 (Ch. X6, BA41)	Vol.		45	MR48				8-8	1	2N516	B14	P402	245C	C3	6	1C6, 34, *30, 32, 33	456 10-14	
2000, 2001 (Ch. 40)	Vol. Tone	221 305	18 34	MR48	M26			.01-.01 1703	1 23	2N516 2S567					6	6A7, 6D6, 6Q7, 41, 6U5, 80	465 10-17	
2000, 2001 (6W)	Vol. Tone	P1579 P1642	18 22	MR48 MR39	M26	See Note A5		P1591	23	2S567					6	6A7, 6D6, 75, 6H5, 41, 80	456 9-12	
2002, 2003 (Ch. 6B)	Vol. Tone	P2092 P2093	18 †	MK401 MK401	M26			P2104	23	2S567					6	6A7, 76, 6D6, 75, 41, 80	456 13-45	
2004, T2004, 2005	Vol. Tone	2726 2737	18 147	MR48 MR55	M26			3375 3351	23 23	RS216 HD684					8	6A7, 6D6, 75, 76, *42, 80, 6G5	456 12-13, 14	
2006, 2007 (Ch. IT) 2006, 2007 (Ch. IS6A)	Vol. Tone	217 P2136 P2137	6 18 34	† Order from MR39	† Mfr. M27			16-12 P2140 .015	4 1/15	TC544 3S579 Buffer		P1414	859	C3	6	6D8G, 6S7G, 6T7G, 6G6G, 6L5G, 6ZY5G	456 11-10	
2008, 2009 (Ch. 40)	Vol. Tone	221 305	18 34	MR48	M26	See Note A5		1703	23	2S567					6	6A7, 6D6, 6Q7, 41, 6U5, 80	465 10-17	
2012, 2013	Vol.	19-2007	18	MR48	M26	See Note A5		18-208	1	2N518					5	6A8, 6K7, 6Q7, 6F6, 5Z4	456 11-6	
2014, 2015, 2016	Vol.	P2392	18	MR53	M26			P2397	23	2S567	B33				5	6A7, 6D6, 75, 41, 5Y3G	456 11-11	
2018, 2019 (Ch. 40)	Vol. Tone	221 305	18 34	MR48	M26	See Note A5		1703	23	2S567					6	6A7, 6D6, 6Q7, 41, 6U5, 80	465 10-17	
2020, 2021 (Ch. 6B)	Vol. Tone	P2092 P2093	18 †	MK401 MK401	M26			P2104	23	2S567					6	6A7, 6D6, 76, 75, 41, 80	456 13-45	
2050, 2051 (Ch. 40)	Vol. Tone	221 305	18 34	MR48	M26	See Note A5		1703	23	2S567					6	6A7, 6D6, 6Q7, 41, 6U5, 80	465 10-17	
2050, 2051 (6W)	Vol. Tone	P1579 P1642	18 22	MR48 MR39	M26	See Note A5		P1591	23	2S567					6	6A7, 6D6, 75, 6H5, 41, 80	456 9-12	
2052 (Ch. 6B)	Vol. Tone	P2092 P2093	18 †	MK401 MK401	M26			P2104	23	2S567					6	6A7, 76, 6D6, 75, 41, 80	456 13-45	
2054	Vol. Tone	2726 2737	106 106	MR48 MR55	M26			3375 3351	23 23	RS216 RS213					8	6A7, 6D6, 75, 76, 6G5, *42, 80	456	
2056, 2057	Vol. Tone	24-105 26-106	18 21	MR48 MR48	M26			18-102	1/15	3S579					6	6A7, 6D6, 75, 41, 6G5, 80	456 11-12	
2058, 2059 (1938)	Vol. Tone	P1916 P1917	140 140	MRT440 UM160-SS1	M26			P1937 P1939	1 1/13	RS223 2N518					11	6A8, *6K7, 6J7, *6J5, *6F6, 5Z3	456 9-13	
2060, 2061 (Ch. 16R)	Vol. Tone Bass	P1989 P1990 P1991	† 34 15	Order from MR44 MR48	Mfr.			P1993 P1994 P1997 P1992	30 30 13/14 30	RS223 HD684 2N518 RS224					16	*6K7G, 6L7G, *6H6G, *6J5G, *6L6G, *5Z3, 6J7G	456 10-19, 20	
2064, 2065 (Ch. 745, 1937)	Vol. Tone	24-105 26-106	18 21	MR48 MR48	M26			18-213	23	2S567					7	76, 6A7, 6D6, 75, 41, 6G5, 80	456 10-23	
2066, 67, 68 (Ch. 43)	Vol. Tone	221 305	45 44	MR48	M26			1729	1	2S569					11	6A7, 6D6, *76, *43, 6U5, 2S25	465 10-10	
2070, 71 (Ch. 1105)	Vol. Tone	24-115 26-112	148 44	† Order from	† Mfr.	See Note A5		18-214 18-215 18-216	1 1 13	RS216 RS215 TC52					11	*6CSG, 6A8G, 6K7G, 6H6G, *6J7G, *6V6G, 80, 6G5	456 10-24	
2072	Vol. Tone	P1579 P1642	18 22	MR48 MR39	M26			P1591	1	2S567					6	6A7, 6D6, 75, 6H5, 41, 80	456	
2074, 2075 (Ch. 6B)	Vol. Tone	P2092 P2093	18 †	MK401 MK401	M26			P2104	23	2S567					6	6A7, 76, 6D6, 75, 41, 80	456 13-45	
2080, 2081	Vol. Tone	2726 2737	76 76	MR48 MR55	M26			3375 3351	23 23	RS216 HD684					8	6A7, 6D6, 75, 76, *42, 80, 6G5	456 9-16	
2082, T2082, 2083	Vol. Tone	2726 2737	18 147	MR48 MR55	M26			3375 3351	23 23	RS216 HD684					8	6A7, 6D6, 75, *42, 80, 6G5, 76	456 12-13, 14	
2100 to 2103 inc. (Ch. 109B)	Vol. Tone	3671 4486	15 22	MR48 MR33	M23-24										5	1C6, 1A4, 30, 1B4, 1G5G, 4-1	465 10-25	
2104 to 2107 inc. (Ch. 1095B)	Vol. Tone	3761 2331	17 44	UM154-SS16 MR33	M23-24			3150 1693	12 15	RS216 TC22					6	1C6, 34, 1F6, *30	465 12-23, 24	

† Data not substantiated.

\* IMPORTANT: Read Notes in Note Section if specified in Note Column.

‡ Indicates miscellaneous section.

MANUFACTURER AND MODEL	CONTROLS							CONDENSERS				VIBRATORS			No. Tubes	Complete Tube Complement	I. F. Peak	Rider's Reference
	Use	Original Part	Circuit	Correct Replacement	Switch	Bias	*Note	Original Part	Circuit	Correct Replacement	*Note	Original Part	Replacement	*Note				
SPIEGEL—Continued																		
2108 to 2111 (Ch. 1090B)	Vol.	2239	17	MR48											4	1C6, 34, 1F6, 33, 5E1	465	10-27
2112, 2113 (Ch. 90B)	Vol.	2239	17	MR48											4	1C6, 34, 1F6, 33, 5E1	465	10-27
2120, 2121 (Ch. 90B)	Vol.	2239	17	MR48											4	1C6, 34, 1F6, 33, 5E1	465	10-27
2122 (Ch. KD)	Vol.	N2623	18	UM161-SS18				N2748	46	FP304	B128				5	1A7GT, 1N5GT, 1H5GT, 1A5GT, 35Z5GT	456	12-30
2150 to 2153 inc. (Ch. 109B)	Vol.	3671	15	MR48											5	1C6, 1A4, 30, 1B4, 1G5G, 4-1	465	10-25
2154, 2155 (1938)	Tone	4486	22	MR33	M23-24										5	1A6, 1A4, 30, 1G5G, 1B1	465	9-17
2200 to 2203 inc. (Ch. X23)	Vol.	P1579	62	MR48	M26			10	19	TC22					6	6D8, 6S7, 6L5, 1J6	465	10-31
2204 to 2207 inc. (Ch. 23E)	Tone	P1642	22	MR39											6	6D8, 6S7, 6L5, 1J6	465	10-31
2208, 2209, 2210, 2211	Vol.	215	45	MR48		See Note A3		1720	1	2N518 Buffer	B14		See Note C8	6	6D8, 6S7, 6L5, 1J6	465	10-31	
2212, 2213, 2214, 2215	Tone	215	45	MR48		See Note A5		1720	1	2N518 Buffer	B14		See Note C8	7	6D8, 6S7, 6L5, 1J6, 6AB5	465	10-31	
2218	Vol.	3418	18	MR48	M27			4459	24	2N513 Buffer	B14			4	6D8G, 6S7G, 6T7G, 1G5G	456	12-27	
2220, 2221 (Ch. X23)	Tone	3418	18	MR48	M27			3575	1	TC71		3421	245	C3	7	6D8G, 6S7G, 6T7G, 1G5G	456	9-18
2222, 2223, 2224, 2225 (Ch. 25)	Vol.	3571	147	MR55				3574	13	3S584 Buffer	B8, B14				7	6D8G, 6S7G, 6T7G, 1H4G, 6L5G	456	9-18
2222 to 2229 inc. (Ch. 73B)	Tone	P2136	18	Order from	Mfr.			P2140	1/15	3S579 Buffer	B14	P2147	859	C3	6	6D8G, 6L5G, 6S7G, 6T7G, 6G6G, 6ZY5G	456	10-31
2222 to 2229 inc. (Ch. 73B)	Vol.	P2137	34	MR39	M27			015							6	6D8, 6S7, 6L5, 1J6	465	10-31
2222 to 2229 inc. (Ch. 73B)	Tone	215	45	MR48		See Note A5		1720	1	2N518 Buffer	B14		See Note C8	6	6D8, 6S7, 6L5, 1J6	465	10-31	
2222 to 2229 inc. (Ch. 73B)	Vol.	221	45	MR48	M26			1720	1/15	3S579 Buffer	B14	480	245	C3	6	6A8, 6S7, 6L5, 41	465	11-16
2222 to 2229 inc. (Ch. 73B)	Tone	305	34	MR48		See Note A5		01-01							6	6A8, 6S7, 6L5, 41	465	11-16
2230 to 2233 inc. (Ch. X23)	Vol.	3671	15	MR48				3060	1	2N518 Buffer	B14	3698	245A	C3	5	6D8G, 6L5G, 6S7G, 41	465	10-29
2230 to 2233 inc. (Ch. X23)	Tone	3545	22	MR33				1693	15	TC22 Buffer	B14				6	6D8, 6S7, 6L5, 1J6	465	10-31
2254, 2255, 2256, 2257	Vol.	215	45	MR48		See Note A5		1720	1	2N518 Buffer	B14		See Note C8	6	6D8, 6S7, 6L5, 1J6	465	10-31	
2254, 2255, 2256, 2257	Tone	3418	18	MR48	M27			3575	1	TC71		3421	245	C3	7	6D8G, 6S7G, 1H4G, 6L5G, 6T7G	456	9-18
2280, 2281	Vol.	3571	147	MR55				3574	13	3S584 Buffer	B8, B14				7	6D8G, 6S7G, 6T7G, 1H4G, 6L5G	456	9-18
2280, 2281	Tone	3418	18	MR48	M27			01	1	TC71		3421	245	C3	7	6D8G, 6S7G, 6T7G, 1H4G, 6L5G	456	9-18
2300, 2301, T2300	Vol.	3571	147	MR55				01	13	3S584 Buffer	B8, B14				7	6D8G, 6S7G, 6T7G, 1H4G, 6L5G	456	9-18
2300, 2301, T2300	Tone	3571	147	MR55				8-6	4	2S567			294	C3	6	6D6, 6A7, 6Q7, 41, 02A	262	12-11
2302, 2303 (Ch. 78-780)	Vol.	10	15	TC22				008	15	TC22 Buffer	B14				6	6D6, 6A7, 6Q7, 41, 02A	262	12-11
2302, 2303 (Ch. 78-780)	Tone	P1371	45	UM154-SS3	M26			P1293	23	2S567 Buffer	B14	P1414	859	C3	7	6D6, 6A7, 6K7, 6H6, 6V6G, 84, 6C5	175	10-32
2460 (Late)	Vol.	P1388	22	†		See Note A3		0075							7	6SK7, 6SA7, 6SQ7, 6J5GT, 6K6GT	262	13-52,10
2460 (Late)	Tone	24-103	18	UM157-SS17				18-294	19	Order from	Mfr.	34-104	859	C3	7	6SK7, 6SA7, 6SQ7, 6J5GT, 6K6GT	262	13-52,10
4000	Vol.	26-103	22	MR48				003		Buffer	B14				7	6A7, 6D6, 76, 75, 41, 6G5, 80	465	11-17
4002 (Ch. 1072AE)	Vol.	2775	15	MR48	M26			3718	1	2N518					7	6A7, 6D6, 76, 75, 41, 6G5, 80	465	11-17
4002 (Ch. 1072AE)	Tone	2775	15	MR48	M26			3041	1	2N518					6	6A7, 6D6, 75, 41, 6G5, 80	465	10-33
4004 (Ch. 871)	Vol.	3545	22	MR33											8	6A7, 6D6, 75, 76, 42, 6H5, 80	456	10-35
4004 (Ch. 871)	Tone	24-105	18	MR48				18-202	1	RS215					12	6K7, 6A8, 6H6, 6G5, 6C5, 6F6, 5Y3	465	10-36
4006 (Ch. 12AC)	Vol.	26-106	21	MR48	M26			18	1	RS215					8	6A7, 6D6, 76, 6G5, 25L6, 25Z5, L10C	456	10-37
4010 (Ch. 11X)	Tone	26-106	21	MR48		See Note A5		12	1	RS215					7	76, 6A7, 6D6, 75, 41, 6G5, 80	456	10-23
4010 (Ch. 11X)	Vol.	215	45	MR48				18	1	RS219					7	6A7, 6D6, 75, 76, 41, 6G5, 80	465	11-17
4014 (Ch. 745 1937)	Tone	304A	22	†		See Note A5		20-20	4	TC545					8	6A7, 6D6, 76, 6G5, 25L6, 25Z5, L10C	456	10-37
4020	Vol.	24-105	18	MR48				18-213	23	2S567					7	76, 6A7, 6D6, 75, 41, 6G5, 80	456	10-23
4020	Tone	26-106	21	MR48	M26										7	6A7, 6D6, 75, 76, 41, 6G5, 80	465	11-17
4040	Vol.	2775	15	MR48	M26			3718	1	2N518					7	6A7, 6D6, 75, 76, 41, 6G5, 80	465	11-17
4040	Tone	3545	22	MR33											6	6D8G, 6S7G, 6T7G, 6G6G, 6L5G, 6ZY5G	456	11-10
4050 (Ch. 1072AE)	Vol.	P2136	18	Order from	Mfr.			P2140	1/15	3S579 Buffer	B14	P1414	859	C3	6	6D8G, 6S7G, 6T7G, 6G6G, 6L5G, 6ZY5G	456	11-10
4050 (Ch. 1072AE)	Tone	P2137	34	MR39	M27			015							6	6A7, 6D6, 75, 41, 6G5, 80	465	10-33
4052 (Ch. 871)	Vol.	2775	15	MR48	M26			3041	1	2N518					6	6A7, 6D6, 75, 41, 6G5, 80	465	10-33
4052 (Ch. 871)	Tone	3545	22	MR33											8	6A7, 6D6, 75, 76, 42, 6H5, 80	456	10-35
4054 (1937)	Vol.	24-105	18	MR48				18-202	1	RS215					8	6A7, 6D6, 75, 76, 42, 6H5, 80	456	10-35
4054 (1937)	Tone	26-106	21	MR48	M26			18-201	1	RS215					11	6A8, 6K7, 6J7, 6J5, 6F6, 5Z3	456	9-13
4054 (1937)	Vol.	P1916	140	TM240-SS1	M26			P1937	1	RS223					11	6A8, 6K7, 6J7, 6J5, 6F6, 5Z3	456	9-13
4054 (1937)	Tone	P1917	140	UM160-SS1				P1939	1/13	2N518					11	6A8, 6K7, 6J7, 6J5, 6F6, 5Z3	456	9-13

† Data not substantiated.

\* IMPORTANT: Read Notes in Note Section if specified in Note Column.

‡ Indicates miscellaneous section.

THE MALLORY TECHNICAL MANUAL IS YOUR COMPLETE TECHNICAL HANDBOOK.

MANUFACTURER AND MODEL	CONTROLS							CONDENSERS				VIBRATORS			No. Tubes	Complete Tube Complement	I. F. Peak	Rider's Reference
	Use	Original Part	Circuit	Correct Replacement	Switch	Bias	*Note	Original Part	Circuit	Correct Replacement	*Note	Original Part	Replacement	*Note				
SPIEGEL—Continued 4056 (Ch. 16R)	Vol. Tone Bass	P1989 P1990 P1991	† 34 15	Order from MR44 MR48	Mfr.			P1993 P1994 P1997 P1992	30 30 13/14 30	RS223 HD684 2N518 RS224					16	6K7G, 6L7G, 6H6G, 6J5G, 6L6G, 6J7G, 5Z3	456	10-19,20
4064, 4066 (Ch. 745 1937)	Vol. Tone	24-105 26-106 24-113	18 21 148	MR48 MR48	M26			18-213	23	2S567					7	6A7, 76, 6D6, 75, 41, 6G5, 80	456	10-23
4068 (Ch. 885)	Vol. Tone	26-110	39	†		See Note A5		18-201	1	RS215					8	6A7, 6D6, 6H6G, 80, 6Y7G, 6V6G, 6G5	456	10-38
4070 (Ch. 12AC)	Vol. Tone	26-110	15	†		See Note A19		12. 18. 13 9	1 1 1 13	RS215 RS215 RS219 TC71					12	6K7, 6A8, 6H6, 6G5, 6C5, 6F6, 5Y3	465	10-36
4074 (Ch. 16R)	Vol. Tone Bass	P1989 P1990 P1991	† 34 15	Order from MR44 MR48	Mfr.			P1993 P1992 P1994 P1997	30 30 30 13/14	RS223 RS224 HD684 2N518					16	6K7G, 6L7G, 6H6G, 6J5G, 6L6G, 6J7G, 5Z3	456	10-19,20
4076 (Ch. 1105)	Vol. Tone	24-115 26-112	148 44	† Order from	Mfr.	See Note A5		18-214 18-215 18-216	1 1 13	RS216 RS215 TC52					11	6C5G, 6A8G, 6K7G, 6H6G, 6J7G, 6V6G, 80, 6G5	456	10-24
4210 (Ch. 66, 660)	Vol. Tone	P801 P828	17 22	UM163-SS3 MR39	M26			P1293 P1312	4 15	2S567 TC32	B33	P1414	859	C3	6	6D6, 6A7, 75, 41, 84	175	10-39
4212 (Ch. 88, 880)	Vol. Tone	P1408 P1388	17 22	UM161-SS12 Order from	Mfr.			.0075 6-8 5	1 15	Buffer 2N518 TC32	B14		294	C3	8	6D6, 6A7, 6K7, 6C5, 6R7, 6V6G, 0Z4	175	10-40
4215	Vol. Tone		17 22	MR55		See Note A3		.0075 8-6 10	4 15	Buffer 2S567 TC22	B14		294	C3	6	6D6, 6A7, 6Q7, 41, 0Z4	262	12-11
4400	Vol. Tone	P1677 P1764	18 34	MR48 MR39	M27			P958 .01-.01	1	2N518 Buffer	B14	P402	245C	C3	7	6K8G, 6S7G, 6AB5, 6T7G, 30, 19	456	9-19
4402	Vol. Tone	24-105 26-107	18 21	MR48 MR53	M27			1845 .01-.01	1	2N516 Buffer	B14	3407	246	C3	5	1C6, 1A4, 6T7G, 41, 6N5	456	11-19
4404	Vol. Tone	P1677 P1764	18 44	MR48 MR39	M27			P958 .01-.01	1	2N518 Buffer	B14	P402	245C	C3	6	6D8G, 6S7G, 6T7G, 30, 19	456	9-21
4410	Vol. Tone	24-105 26-107	18 22	MR48 MR53	M27			1845 .01-.01	1	2N518 Buffer	B14	3407	246	C3	5	1C6, 1A4, 6T7G, 41, 6N5	456	11-19
4420	Vol. Tone	P1677 P1764	18 34	MR48 MR39	M27			P958 .01-.01	1	2N518 Buffer	B14	P402	245C	C3	7	6K8G, 6S7G, 6AB5, 6T7G, 30, 19	456	9-19
4452	Vol. Tone	P1677 P1764	18 44	MR48 MR39	M27			P958 .01-.01	1	2N518 Buffer	B14	P402	245C	C3	6	6D8G, 6S7G, 6T7G, 30, 19	456	9-21
4500 (4536)	Vol.	1262	6	SRP263	6-9	EX200		1258 1260	25 25	RS213 RS213					4	78, 77, 42, 80 or 6D6, 6C6, 42, 80		9-20
4500, 4502, 4504 (6Q)	Vol. Tone	P1579 P1642	62 22	MR48 MR39	M26			10	19	TC22					5	1A6, 1A4, 30, 1G5G, 1B1	456	8-4 & 9-17
4503	Vol.		75	†			A5	8-4	1	2N518					6	6A7, 6D6, 6H6, 6F5, 80, 6F6	456	11-9
4504 (Ch. 190)	Vol. Tone		18 44	Order from MR39	Mfr.			8-4 4	25 25	2S567 TC70	B212				7	6A7, 6D6, 85, 42, 80	456	11-20
4505 (Ch. 6A60)	Vol. Tone	1495 1732	18 149	MR48 MR44	M26			1477 1476 1693	1 1 15	RS215 RS216 TC22					8	6D6, 75, 76, 42, 80	465	10-41,42
4506	Vol.		75	†			A5	8-4	1	2N518					6	6A7, 6D6, 6H6, 6F5, 80, 6F6	456	11-9
4507	Vol. Tone		18 44	Order from MR39	Mfr.			8-4 4	25 25	2S567 TC70	B212				7	6A7, 6D6, 85, 42, 80	456	11-20
4508	Vol. Tone	P96005 P97003	15 41	MR55 MR57	M26			P81039 P81018	2 2/13	RS216 3S584					10	6D6, 76, 45, 80	456	9-23
4509	Vol. Tone	P96005 P97011	15 21	MR55 MR42	M26			P81058 P81056 P82000 P81039A	48 48 48 48	RS216 2N516 TC39 RS216					12	6D6, 76, 42, 80	456	9-25
4510	Vol.	1322	45	MR48											5	1A6, 34, 30, 32, 33, 5E1	465	9-32
4510 (Ch. 1091B)	Vol. Tone	3761 2331	17 22	UM154-SS16 MR33	M23-24			3150 1693	12 19	RS216 TC22					7	1C6, 34, 30, 1B4	465	11-21
4512 (6Q)	Vol. Tone	P1579 P1642	62 22	MR48 MR39	M26			10	19	TC22					5	1A6, 1A4, 30, 1G5G, 1B1	465	9-18
4512 (7700)	Vol.	1289	45	MR48	M27			1291	12	ST595					6	1C6, 34, 30, 32, 19	465	9-27
4514 (6Q)	Vol. Tone	P1579 P1642	62 22	MR48 MR39	M26			10	19	TC22					5	1A6, 1A4, 30, 1G5G, 1B1	465	9-17
4514 (9148)	Vol. Tone	1447	45	MR48											9	34, 1C6, 30	465	9-29,30
4516	Vol. Tone	1450 1322	22 45	SRP263 MR48											5	1A6, 34, 30, 32, 33, 5E1	465	9-32
4519 (Ch. 603, 1934)	Vol.	9776	17	UM154	M26		A96	9532 9328	1 15	3S584 TN111	B8	9536	292	C3	6	78, 6A7, 75, 41, 84	265	10-43
4525	Vol.		75	†			A5	.02 8-4	1	Buffer 2N518	B14				6	6A7, 6D6, 6H6, 6F5, 80, 6F6	456	11-9
4530	Vol.		75	†			A5	8-4	1	2N518					6	6A7, 6D6, 6H6, 6F5, 80, 6F6	456	11-9

† Data not substantiated.

\* IMPORTANT: Read Notes in Note Section if specified in Note Column.

§ Indicates miscellaneous section.

MANUFACTURER AND MODEL	CONTROLS							CONDENSERS				VIBRATORS			No. Tubes	Complete Tube Complement	I. F. Peak	Rider's Reference
	Use	Original Part	Circuit	Correct Replacement	Switch	Bias	*Note	Original Part	Circuit	Correct Replacement	*Note	Original Part	Replacement	*Note				
SPIEGEL—Continued																		
4532	Vol.		75	†			A5	8-4	1	2N518					6	6A7, 6D6, 6H6, 6F5, 80, 6F6	456 11-9	
4533 (6246)	Vol.	1322	45	MR48											5	1A6, 3A, 30, 32, 33, 5E1	465 9-32 370 11-22	
4534	Vol.	1145	17	UM154	M26		A96	1188 8876 .02	1 15	2N518 TC22 Buffer		1893	294	C3	5	6A7, 6D6, 6B7, 41, 84	456 11-20	
4536	Vol. Tone		18	Order from	Mfr.			8-4	25	2S567	B14				7	6A7, 6D6, 85, 42, 80	456 11-20	
4550	Vol. Tone	P1579	62	MR39				4	25	TC70	B212				5	1A6, 1A4, 30, 1G5G, 1B1	† 9-17 465 11-21	
4556	Vol. Tone	P1642	22	MR48	M26			10	19	TC22					7	1C6, 3A, 40, 1B4	465 11-21	
5002	Vol. Tone	3761	15	UM154-SS16	M23-24			3150	12	RS216					7	6A7, 6D6, 75, 41, 84	456 12-9	
5004, 5005	Vol. Tone	2331	22	MR33	M23-24			1693	19	TC22					5	76, 6A7, 6D6, 75, 42, 6G5, 80	456 11-26	
5006	Vol. Tone	24-101	18	MR48	M26			8-8	4	2S567					8	6A7, 6D6, 75, 76, 42, 80, 6G5	456 9-16	
5020 (Ch. 1072AE)	Vol. Tone	2737	76	MR55	M26			18-202	25	RS215					6	6A7, 6D6, 75, 41, 6G5, 80	465 10-33	
5052	Vol. Tone	2737	76	MR55	M26			3375	23	RS216					8	6A7, 6D6, 75, 76, 42, 80, 6G5	456 9-16	
5054, 5062 (Ch. AM7)	Vol. Tone	P1158	15	MRT436	M26			3351	23	HD684					11	6K7, 6A7, 6H6, 6C5, 6F6, 6G5, 5Z3	456 10-49	
5056	Vol. Tone	P1159	44	MR33	M26			P1156	1	RS223					7	76, 6A7, 6D6, 75, 42, 6G5, 80	456 11-26	
5058, 5060	Vol. Tone	24-101	18	MR48	M26			18-201	25	RS215					6	6A7, 6D6, 75, 6G5, 41, 80	456 9-35	
5101, 5102, 5103	Vol. Tone	24-101	18	MR48	M26			18-102	1/15	3S579					5	1A7G, 1N5G, 1H5G, 1A5G	456 9-33 465 11-23,24	
5102	Vol. Tone	A15132-5	18	MR48	M27			A15958	12	TC42					4	1C6, 3A, 1F6, 33, 5E1	465 11-23,24	
5104	Vol. Tone	2239	17	MR48				3150	12	RS216					5	1C6, 3A, 1F6, 30, 19	465 10-45	
5106, 5110 (Ch. 65B)	Vol. Tone	2198	17	UM154-SS16	M23-24		See Note A96	1693	15	TC22					6	1N5GT, 1A7GT, 1H5GT, 3Q5GT, 50Y6GT	456 13-54 465 11-23,24	
5120, 5121	Vol. Tone	2331	44	MR33	M23-24			20-10	24	2N509					6	30, 1A6, 1A4, 6T7G, 6L5G, 19	456 9-36	
5120, 5210, 5214, 5216	Vol. Tone	2038	149	Order from	Mfr.			40-10	24	2N514					6	6D8G, 687G, 6T7G, 33, 1H4G	456 9-18	
5152	Vol. Tone	2198	17	UM154-SS16	M23-24			1845	1	ST595		3407	246	C3	6	30, 1A6, 1A4, 6T7G, 6L5G, 19	456 9-36	
5218	Vol. Tone	24-101	18	MR48			See Note A5	16-100	15	TC22					5	6D8G, 687G, 6T7G, 33, 1H4G	456 9-18	
5256, 5260 (Ch. 700)	Vol. Tone	3418	18	MR48	M27			.01-.01	1	Buffer	B14	3421	245	C3	7	1C6, 3A, 1A4, 30, 19	456 10-50	
5300	Vol. Tone	3571	147	MR55	M26			3575	13	TC71					6	6D6, 6A7, 6K7, 75, 6F6, 84	175 9-10	
6500 (Ch. 603 1936)	Vol. Tone	P801	17	UM163-SS3	M26			.01	1	Buffer	B14	P816	294	C3	6	6D6, 76, 75, 42, 80	456 10-3	
6502 (Ch. 7AC)	Vol. Tone	P828	22	MR39	M26			8-8	4	TC571					7	6L7, 6K7, 6Q7, 6C5, 6F6, 6G5, 5W4	456 10-46 456 10-3	
6504 (Ch. 603 1936)	Vol. Tone		15	MR48	M26			.0075	4	TC22					6	6D6, 75, 76, 42, 80	456 10-3	
6504	Vol. Tone		17	MR39	M26			P795	4	TC571					6	6D6, 6A7, 6K7, 75, 6F6, 84	175 9-10	
6504	Vol. Tone	24-101	18	MR48	M26			G864	15	TC22					6	6D6, 76, 75, 42, 80	456 10-3	
6506 (Ch. AM3)	Vol. Tone	26-101	21	MR48	M26			.0075	4	Buffer	B14				7	6L7, 6K7, 6Q7, 6C5, 6F6, 6G5, 5W4	456 10-46 456 10-3	
6506 (Ch. AM3)	Vol. Tone		22	UM154				8, 8	4	RS213					6	6D6, 75, 76, 42, 80	456 10-3	
6508 (Ch. AM6)	Vol. Tone		17	UM154				8	3	HD684					10	6K7, 6A8, 6Q7, 6G5, 6L6, 5W4	456 10-48	
6510, 6514, 6520	Vol. Tone		22	UM161				4-8	3	2N518					5	6A7, 6D6, 75, 42, 80	456 9-37	
6512 (Ch. 14-142ES)	Vol. Tone	P912	18	MR48				5	15	TC22					7	78, 6A7, 75, 6D6, 42, 6G5, 80	456 10-51 456 10-3	
6518 (Ch. 603 1936)	Vol. Tone	2726	106	MR55				8	4	RS216					6	6A7, 6D6, 75, 76, 42, 80	456 10-3	
6525	Vol. Tone	2737	106	MR48				3351	1	RS216					6	6A7, 6D6, 75, 6G5, 41, 1V	456 9-41	
6530	Vol. Tone		15	MR48	M26			8, 8	4	RS213					7	6SK7GT, 6SA7GT, 6J5GT, 6SQ7GT, 6F6G, 5Y3C	456 9-41	
6532	Vol. Tone		22	MR39				16	25	RS216					6	6A7, 6D6, 75, 6G5, 41, 1V	456 9-41	
6532	Vol. Tone	A15130-5	46	MK401				8	25	HD684					7	6SK7GT, 6SA7GT, 6J5GT, 6SQ7GT, 6F6G, 5Y3C	456 9-41	
6532	Vol. Tone	A15129-2	21	MK401	M26			A15786	1/15	2S569/TC26					6	6A7, 6D6, 75, 6G5, 41, 1V	456 9-41	
6532	Vol. Tone		18	MR48				16	25	RS216					6	6A7, 6D6, 75, 6G5, 41, 1V	456 9-41	

† Data not substantiated.

\* IMPORTANT: Read Notes in Note Section if specified in Note Column.

‡ Indicates miscellaneous section.



MANUFACTURER AND MODEL	CONTROLS							CONDENSERS				VIBRATORS			No. Tubes	Complete Tube Complement	I. F. Peak	Rider's Reference
	Use	Original Part	Circuit	Correct Replacement	Switch	Bias	*Note	Original Part	Circuit	Correct Replacement	*Note	Original Part	Replacement	*Note				
SPIEGEL—Continued																		
7152	Vol.	A15132-2	18	MR48	M27		A14958	12	TC42					5	1A7G, 1N5G, 1H5G, 1A5G	456		
9902	Vol.	1004	18	MR48	M26		9659	1	RM262					5	2A5, 2A6, 2A7, 58, 80.	465	9-42	
9904	Tone	1322	22	MR48			1108	13	TC70					7	6D6, 6B7, 76, 42, 80.	456	9-43	
	Vol.	P96014	17	MR48	M26		P80916	23	RS213									
	Tone	P97011	34	MR42			P81043	23	RS216	B20								
							P81032	23	RS213									
							P81042	23	RS216	B20								
9905	Vol.	P96005	15	MR55	M26		P81039	2	RS216					10	6D6, 76, 45, 80.	456	9-23	
	Tone	P97003	41	MR57			P81039	2	RS216									
9907 (Ch. 5258)	Vol.	1004	18	MR48	M26		P81018	2/13	3S584	B8				5	6A7, 6D6, 75, 42, 25Z5	465	10-52	
							8-8-20	27	UR182-193					5	2A5, 2A6, 2A7, 58, 80.	465	9-42	
9908	Vol.	1104	18	MR48	M26		9659	1	RM262					7	6D6, 6B8, 76, 42, 80.	456	9-43	
	Tone	1322	22	MR48			1108	13	TC70									
9910	Vol.	P96014	17	MR48	M26		P80916	23	RS213									
	Tone	P97011	34	MR42			P81043	23	RS216	B20								
							P81032	23	RS213									
							P81042	23	RS216	B20								
9911	Vol.	P96005	15	MR55	M26		P81039	2	RS216					10	6D6, 76, 45, 80.	456	9-23	
	Tone	P97003	41	MR57			P81039	2	RS216									
9912	Vol.	P96005	15	MR55	M26		P81018	2/13	3S584					12	6D6, 76, 42, 80.	456	9-25	
	Tone	P96011	21	MR42			P81058	48	RS216									
							P81056	48	2N516									
							P82000	48	TC39									
							P81039A	48	RS216									
9914, 9915 (7700)	Vol.	1289	45	MR48	M27		1291	12	ST595					6	1C6, 34, 30, 32, 19.	465	9-27	
9916, 9917	Vol.	P96016	15	MR55			1291	12	ST595					9	34, 30, 19	456	9-45	
	Tone	P97013	44	MR33			P82001	12/13	2N516									
9923	Vol.	1322	45	MR48										5	1A6, 34, 30, 32, 33, 5E1	465	9-32	
9926, 9928	Vol.	P96014	17	MR48	M26		P80916	23	RS213					7	6D6, 6B7, 76, 42, 80.	456	9-43	
	Tone	P97011	34	MR42			P81043	23	RS216	B20								
							P81032	23	RS213									
							P81042	23	RS216	B20								
9930	Vol.	P96017	17	MR55	M26		P82002	1/15	3S579		P2229	248	C3	5	6D6, 6C6, 75, 41	175	9-47	
							.007		Buffer	B14								
9932, 9933	Vol.	1289	45	MR48	M27		1291	12	ST595					6	1C6, 34, 30, 32, 19	465	9-27	
9936	Vol.	Order from Mfr.	18	Order from Mfr.			8-4	25	2S567					7	6A7, 6D6, 85, 42, 80.	465	11-20	
	Tone	UMR39	44	UMR39			4	25	TC70	B212								
27452, 2P7452	Vol.	24-103	18	UM157-SS17			18-247	24	TC72		34-101	859	C3	7	6K7GT, 6A8GT, 6D6, 75, 6P5GT, 6AC5G, 80.	262	13-18	
	Tone	26-103	22	MR48			18-248	24/19	FP332	B70								
							.007		Buffer	B14								
STAR																		
All Star Junior	Vol.		8	MR28	M26		4-4-4	3	3S584					5	6F7, 6A7, 77, 42, 80.	1		
All Star Senior	Vol.		8	G			8-8-8	3	RS213					7	2A7, 358, 56, 2A5, 80.	1		
062, 062A	Tone		21	MR39														
6U	Vol.		45	MR48	M26		4	15	TC22			Order from Mfr. 294		6	39, 36, 37, 38	262	5-1	
	Vol.		18	MR44			10-10	1	2N518					6	78, 77, 75, 41, 84	262.5	5-2	
	Tone		22	MR42			12-12	15	TN111									
							.01		Buffer	B14								
STAR RAIDER (See Continental Radio Corp.)																		
STEELMAN																		
200	Vol.		50	MR48				24/15	2N521					2	50A5, 35Y4			
	Tone		22	MR48														
303	Vol.		15	MR48				24	FP331					3	7A4, 7C5, 7Y4			
	Tone		22	MR48	M26													
350, 351	Vol.		15	MR53				1	FP331					3	6SL7GT/7F7, 6V6GT/7C5, 6X5GT/7Y4			
	(Late)		15	MR48														
	(Early)		273	MR48	M26													
	Tone		273	MR44	M26													
	(Late)																	
	(Early)																	
STEINITE RADIO CO.																		
10	Vol.		7	Z			2-2-1-3	37	See Note	B1				7	24A, 27, 45, 80.		1-3	
10 Chassis No. 15	Vol.		7	Z			8-8	1	See Note	B3				6	24A, 27, 71, 80.		2-3	
20 (Chassis No. 22)	Vol.		6	G7				3	See Note	B1				8	24A, 27, 45, 80.	175	2-1	
	Tone		22															
Chassis No. 21	Vol.		6	Z	6-9	See Note A5	8-8-8	3	3S584					6	24A, 45, 80.		2-5	
Chassis No. 23	Vol.		6	Z			8-8	1	2N518					5	24A, 47, 80.		2-6	
25 (8 tube Pentode)	Vol.		6	G7			8-2-4	3	See Note	B3				8			6-32	
	Tone		7	E			8-2-4	3	See Note	B3				8	51, 24A, 27, 47, 80.	175	2-7	
26	Vol.		149	D12														
	Tone		6	E7			8-8	4	See Note	B3				5	51, 24A, 47, 80.		2-9	
28	Vol.		7	Z			2-3-2	3	See Note	B1				8	27, 71A, 80.		1-1	
40, 40A	Vol.		7	Z			2-3-3	3	See Note	B1				8	45, 27, 80.		1-2	
40C	Vol.		7	Z			1-2-4	3	See Note	B1				9	27, 50, 81		1-1, 2	
50, 50A	Vol.		63	MR33														
	Phono.		7	Z														
60C	Vol.		7	Z			2-3-3	3	See Note	B1				8	45, 27, 80.		1-2	

‡ Data not substantiated.

\* IMPORTANT: Read Notes in Note Section if specified in Note Column.

§ Indicates miscellaneous section.

MANUFACTURER AND MODEL	CONTROLS							CONDENSERS				VIBRATORS			No. Tubes	Complete Tube Complement	I. F. Peak	Rider's Reference
	Use	Original Part	Circuit	Correct Replacement	Switch	Bias	*Note	Original Part	Circuit	Correct Replacement	*Note	Original Part	Replacement	*Note				
<b>STEINITE RADIO CO.</b>	O.—Continued																	
70, 80, 95 (Chassis No. 10)	Vol.		7	Z			EX450	2-2-1-3	37	See Note	B1				7	24A, 27, 45, 80	1-3	
102, 102A	Vol.		7	Z				1-2-4	3	See Note	B1				9	27, 50, 81	1-1	
102C	Phono.		63	MR33														
203 (Chassis No. 22)	Vol.		7	Z				2-3-3	3	See Note	B1				8	27, 45, 80	1-2	
	Vol.		6	MR18			EX450	↓	3	See Note	B1				8	24A, 27, 45, 80	2-1	
	Tone		22	↓			See Note	te A5										
261, 262, 263, 264, 265	Vol.		10	MR18				1-1-1-1	3/13	See Note	B1				7	26, 27, 71A, 80	1-4	
420 (Chassis No. 15)	Vol.		7	Z			EX450	8-8	1	See Note	B3				6	24A, 27, 71, 80	2-3	
420 (Chassis No. 17)	Vol.		7	Z			EX450	2-2-3	3	See Note	B1				7	24A, 27, 45, 80	2-2	
421, 425 (Chassis No. 21)	Vol.		6	Z				8-8-8	3	3S584					6	24A, 45, 80	2-4, 5	
423 (Chassis No. 23)	Vol.		6	Z				8-8	1	2N518					5	24A, 45-47, 80	2-6	
450 (Chassis No. 15)	Vol.		7	Z			EX450	8-8	1	See Note	B3				6	24, 27, 71, 80	2-3	
450 (Chassis No. 17)	Vol.		7	Z			EX450	2-2-3	3	See Note	B1				7	24A, 45, 27, 80	2-2	
600, 605, 630, 635, 642, 643 (Chassis No. 22)	Vol.		6	MR18			EX450	↓	3	See Note	B1				8	27, 24A, 45, 80	175 2-1	
	Tone		22	↓			See Note	te A5										
642B, 700 (Chassis No. 26)	Vol.		7	E				8-2-4	3	See Note	B3				8	27, 51, 24, 47, 80	175 2-7	
	Tone		149	D12														
700, 701 (Chassis No. 28)	Vol.		6	E7				8-8	4	See Note	B3				5	51, 24A, 47, 80	2-9	
705, 706, 725 (Chassis No. 26)	Vol.		7	E				8-2-4	3	See Note	B3				8	51, 24A, 27, 47, 80	175 2-7	
	Tone		149	D12														
<b>STERLING MFG. CO.</b>	O.																	
A (DC)	Vol.		25	DRP119	6-9			4	↓	See Note	B11				6	32, 30, 731	3-1	
3A	Vol.	7031	12	MR18				7350	3	RS213					8	51, 27, 45, 80	1-1	
B3	Vol.		12	MR18											7	24, 27, 45	3-3	
B	Vol.		12	MR18											7	24, 27, 45		
4	Vol.		12	MR18				8-8	1	See Note	B3				8	35, 27, 45, 80	1-2	
B4	Vol.		12	MR18											7	24, 27, 45	3-3	
C	Vol.		40/12	DRP119	6-9			1-2	1	See Note	B1				6	24, 45, 80	3-3	
F	Vol.	7777	24	DRP119	6-9			1-2	1	See Note	B1				5	24, 45, 80	1-5	
Miniature	Vol.		25	DRP119	6-9			1-2	1	See Note	B1				5	24, 45, 80	1-3	
M, N, P, Q	Vol.	7775	24	DRP119	6-9			8237	1	RS213					5	24, 45, 80	3-2	
								8238	1	RS213					5	24, 45, 80		
8 Tube Receiver	Vol.	7777	25	DRP119	6-9			8-8-8	3	See Note	B3				8	24, 27, 45, 80	1-5	
	Tone	7779	41	MR53														
VA	Vol.	8753	6	MR21	M26			8573	4	TC71					5	24, 51, 47, 80	175 3-1	
<b>STEWART RADIO CORP.</b>	O.																	
50, 60	Vol.		17	UM154			See Note	6-10-5-5	1-15	2N518, TN111			292	C3	6	6D6 or 78, 6A7, 75, 41, 6Z5	262 1-1	
<b>STEWART-WARNER CORP.</b>	O.																	
01-5D9, 01-5D9WT	Vol.	116762	18	UM161	M26		A96	113472, 112898	1-1	TC48, TC44					5	12SA7, 12SK7, 12SQ7, 35L6GT, 35Z5GT	455 11-33	
01-5H, 01-5H1 to 01-5H9	Vol.	117035	124	TM243-SS25	M26			117034	23	3S584	B8				5	6SA7, 6SK7, 6SQ7, 6F6G, 5W4G	455 11-1, 2	
01-6A, 6B, 6D	Vol.	117035	124	TM243-SS25	M26			114972, 117356, 114972	23-19-23	TC74, TC22, TC74					6	6SA7, 6SK7, 6H6, 6SQ7, 6F6G, 5W4G	455 11-3, 4	
01-6C9	Vol.	117069	124	TM238-SS25	M26			114972	23	TC74					6	6SA7, 6SK7, 6H6, 6SQ7, 6F6G, 5W4G	455 11-7, 8	
01-6E (Rev. MD) 01-6E1 to 01-6E9	Vol.	117035	124	TM243-SS25	M26			114258, 116262, 118421	23-23-23	TC71, TC74, 3S584					6	6SA7, 6SK7, 6H6, 6SQ7, 6F6G, 5W4G	455 11-13, 14	
01-6F9 (Ch. 01-6F)	Vol.	117069	124	TM238-SS25	M26			118421	23	3S584	B8				6	6SK7, 6SA7, 6SQ7, 6F6G, 5W4G	455 12-1-4	
01-6G, 01-6G-Z	Vol.	117035	124	TM243-SS25	M26			118421, 110377	23-19	3S584, TC22	B8				6	6SK7, 6SA7, 6SQ7, 6F6G, 5W4G	455 11-15, 16	
01-6G4-1 to 01-6G4-5 inc., 01-6G1-Z, 01-6G4-1-Z to 01-6G4-5-Z inc.	Vol.	117035	124	TM243-SS25	M26			118421, 110377	23-19	3S584, TC22	B8				6	6SK7, 6SA7, 6SQ7, 6F6G, 5W4G	455 11-15	
01-6K1	Vol.	119086	18	MK402	M26			119343	23	Order from Mfr.					6	12K7GT, 12SA7, 12SQ7, 25L6G, 6X5G	455 11-17	
01-6M9	Vol.	119086	18	MK402	M26			119343	23	Order from Mfr.					6	12K7GT, 12SA7, 12SQ7, 25L6G, 6X5G	455 11-17	
01-8A	Vol.	118198	15	UM163	M26		A96	114972	25	TC74					8	6SK7, 6SA7, 6H6, 6J5GT, 6SF5, 6V6G, 5W4G	455 11-19	

‡ Data not substantiated.

\* IMPORTANT: Read Notes in Note Section if specified in Note Column.

§ Indicates miscellaneous section.

12 BASIC MALLORY VIBRATORS MEET 90% OF YOUR REPLACEMENT NEEDS.



MANUFACTURER AND MODEL	CONTROLS							CONDENSERS				VIBRATORS			No. Tubes	Complete Tube Complement	I. F. Peak	Rider's Reference
	Use	Original Part	Circuit	Correct Replacement	Switch	Bias	*Note	Original Part	Circuit	Correct Replacement	*Note	Original Part	Replacement	*Note				
STEWART-WARNE 01-8B.....	R CORP Vol.	— Continued 118198.....	15	UM163.....	M26		A96	114972.....	25	TC74.....					8	*6SK7, 6J5GT, 6SF5, 6H6, 6V6G, 5W4G, 6SA7.....	455	11-27
01-8C and 01-8C-Z..	Vol.	118669.....	124	TM243-SS25	M26			114972..... 110377.....	23 19	TC74 TC22.....					8	*6SK7, 6SA7, *6J5GT, 6SQ7, 6F6G, 5W4G	455	11-21
01-0A, 01-9A-Z.....	Vol.	118669.....	124	TM243-SS25	M26			114972..... 110377.....	23 19	TC74 TC22.....					9	*12SK7, 12A8GT, 12Q7GT, *6J5GT, *6K6G, 5Y3G.....	455	11-23,24
01-521 to 01-529 (Ch. 01-52).....	Vol.	116005.....	18	UM161.....	M26		A96	114258.....	1	TC71.....					5	6A8G, 6K7, 6Q7G, 6F6G, 5W4G.....	465	10-55
01-531 to 01-539 (Ch. 01-53).....	Vol.	116236.....	18	MR48.....	M26			114972..... 114258..... 110377.....	23 23 19	TC74 TC71 TC22.....					5	6A8G, 6K7, 6Q7G, 6F6G, 5W4G.....	465	10-57
01-531S to 01-539S (Ch. 01-53S).....	Vol.	116236.....	18	MR48.....	M26			114972..... 114258..... 110377.....	23 23 19	TC74 TC71 TC22.....					5	6A8G, 6K7, 6Q7G, 6F6G, 5W4G.....	465	10-57
01-611 to 01-619, 01-611S to 01-619S (Ch. 01-61, 01-61S).....	Vol.	116236.....	75	MR48.....	M26			114972..... 114258..... 110377.....	23 23 19	TC74 TC71 TC22.....					6	6A8G, 6K7, 6H6, 6Q7G, 6F6G, 5W4G.....	465	10-60
01-811 to 01-819 (Ch. 01-81).....	Vol.	114928.....	124	MRT443.....	M26			113965..... 116262..... 116263.....	25 25 13	RS216 TC74 TC70.....					8	*6K7, 6A8G, 6J5G, 6H6, 6Q7G, 6F6G, 5W4G.....	465	10-61, 62
02-4A1 to 02-4A9 inc.	Vol.	117706.....	18	UM161.....	M27		A96	113118.....	12	TC42.....					4	1A7GT, 1N5GT, 1H5GT, 1C5GT.....	455	11-28
02-4B1 to 02-4B9 (Chassis 02-4B).....	Vol.	119426.....	18	UM161.....	M27		A96	113118.....	12	TC42.....					4	1A7GT, 1N5GT, 1H5GT, 1A5GT.....	455	12-5,6,8
02-4C1 to 02-4C9 (Ch. 02-4C).....	Vol.	119529.....	18	UM161.....	M27		A96	112898.....	12	TC44.....					4	1A7GT, 1N5GT, 1H5GT, 1A5GT.....	455	12-6-8
02-5T1 to 02-5T9 (Chassis 02-5T).....	Vol. Tone	119551.....	18	UM161.....	M27		A96	112898.....	12	TC44.....					5	1A7G, 1N5G, 1H5G, 1Q5G, 1G4G.....	455	12-8-10
02-41.....	Vol.	116393.....	18	MR53.....	M27			113118.....	12	TC42.....					4	1A7G, 1N5G, 1H5G, 1C5G.....	465	10-65
03-5A1 to 03-5A9 (Ch. 03-5A).....	Vol.	116691.....	18	MR53.....	M26			113472..... 112898.....	22 22	TC48 TC44.....					5	12SA7, 12SK7, 12SQ7, 35L6GT, 35Z5GT.....	455	11-29
Senior Varsity (Ch. 03-5B, 07-5B)	Vol.	116691.....	18	.....	.....		A5	113472..... 112898.....	22 22	TC48 TC44.....					5	12SA7, 12SK7, 12SQ7, 35L6GT, 35Z5GT.....	455	11-31
03-5C1.....	Vol.	116762.....	18	UM161.....	M26		A96	113472..... 112898.....	22 22	TC48 TC44.....					5	12SA7, 12SK7, 12SQ7, 35L6GT, 35Z5GT.....	455	11-33
03-5E and 03-5J.....	Vol.	116834.....	18	MK402.....	M26			113472..... 112898.....	22 22	TC48 TC44.....					5	12SA7, 12SK7, 12SQ7, 35L6GT, 35Z5GT.....	455	11-35,36
03-5K1 to 03-5K9 inc.....	Vol.	114879.....	18	UM161.....	M26		A96	117559.....	22	2N513.....					5	12SA7, 25B8GT, 12SQ7, 35L6GT, 35Z5GT.....	455	11-37
03-5R1.....	Vol.	119413.....	18	UM161.....	M26		A96	118911.....	22	2N509.....					5	12SA7, 12SK7, 12SQ7, 50L6GT, 35Z5GT.....	455	11-39
03-5R3 to 03-5R6 inc.....	Vol.	119413.....	18	UM161.....	M26		A96	118911.....	22	2N509.....					5	12SA7, 12SK7, 12SQ7, 50L6GT, 35Z5GT.....	455	11-39
03-5S1, 03-5S2.....	Vol.	119086.....	18	MK402.....	M26			118911.....	22	2N509.....					5	12SA7, 12SK7, 12SQ7, 50L6GT, 35Z5GT.....	455	11-41
03-6J, 03-6J-Z, 03-6L, 03-6L-Z.....	Vol.	116834.....	18	MK402.....	M26			119021..... 110377.....	4 20	TCS47 TC22.....		B10			6	*6SK7, 6SA7, 6SQ7, 25L6GT, 25Z6GT.....	455	11-43,44
03-6N-1, 03-6N1-Z, (Ch. 03-6N, 03-6N-Z).....	Vol.	116834.....	18	MK402.....	M26			119021.....	4	TCS47.....					6	*6SK7, 6SA7, 6SQ7, 25L6GT, 25Z6GT.....	455	12-11,12
05-5L1 to 05-5L9 inc.....	Vol.	117897.....	15	UM161.....	M27		A96	117759..... 117730.....	22 78	2N509 TC2501.....					5	1A7GT, 1N5GT, 1H5GT, 1Q5GT, 70L7GT.....	455	11-12
06-6H1.....	Vol.	119357.....	18	MK400.....	M27			119428..... 113422..... 118452..... .01	1 1 78	TC55 TC52 TC2501 Buffer.....		110800	246A	C3	6	1C7G, 1H4G, *1D5GP, 1H6G, 1F5G.....	455	14-1,2
07-5EX.....	Vol.	116834.....	18	MK402.....	M26			117623..... 117622.....	1 1	TC48 TC45.....					5	12SA7, 12SK7, 12SQ7, 35L6GT, 35Z5GT.....	455	14-3,4
07-5NX.....	Vol.	116834.....	18	MK402.....	M26			117622..... 118248.....	1 1	TC45 TC77.....					5	12SA7, 12SK7, 12SQ7, 50L6GT, 35Z5GT.....	455	14-4,5

‡ Data not substantiated.

\* IMPORTANT: Read Notes in Note Section if specified in Note Column.

§ Indicates miscellaneous section.

MANUFACTURER AND MODEL	CONTROLS							CONDENSERS				VIBRATORS			No. Tubes	Complete Tube Complement	I. F. Peak	Rider's Reference
	Use	Original Part	Circuit	Correct Replacement	Switch	Blas	*Note	Original Part	Circuit	Correct Replacement	*Note	Original Part	Replacement	*Note				
STEWART-WARNE R CORP 07-5R1.....	Vol.	— Continued 119413.....	18	UM161.....	M26		A96	118911.....	22	2N509.....				5	12SA7, 12SK7, 12SQ7, 50L6GT, 35Z5GT.....	455	11-39	
07-5R3 to 07-5R6 inc.....	Vol.	119413.....	18	UM161.....	M26		A96	118911.....	22	2N509.....				5	12SA7, 12SK7, 12SQ7, 50L6GT, 35Z5GT.....	455	11-39	
07-511 to 07-519 (Ch. 07-51).....	Vol.	114879.....	18	UM161.....	M26		A96	114869.....	22	2N509.....				5	6A8GT, 6K7GT, 6Q7GT, 25L6GT, 25Z6GT.....	465	11-67	
07-511H to 07-519H (Ch. 07-51H).....	Vol.	114879.....	18	UM161.....	M26		A96	116470.....	22	FP211.....				5	12SA7, 12SK7, 12SQ7, 35L6GT, 35Z5GT.....	465	10-69	
07-551 to 07-559 (Ch. 07-55).....	Vol.	114879.....	18	MR53.....	M26			116470.....	1	FP211.....				5	12SA7, 12SK7, 12SQ7, 35L6GT, 35Z5GT.....	465	10-69	
07-631 to 07-639 (Ch. 07-63).....	Vol.	116272.....	18	MR53.....	M26			112898 113472.....	24 13	TC44 TC48.....				5	6A8G, 6K7G, 6Q7G, 25L6G, 25Z6G, 149B.....	465	10-71	
08-521 to 08-529 (Ch. 08-52).....	Vol.	116005.....	18	UM161.....	M26		A96	114258.....	1	TC71.....				5	6A8G, 6K7, 6Q7G, 6F6G, 5W4G.....	465	10-55	
08-811 to 08-819 (Ch. 08-81).....	Vol.	114928.....	124	MRT443.....	M26			113965 116262 116263.....	25 25 13	RS216 TC74 TC70.....				8	6K7, 6A8G, 6J5G, 6H6, 6Q7G, 6F6G, 5W4G.....	465	10-61, 62	
010-6BX, 010-6DX, 010-6AX.....	Vol.	117035.....	124	TM243-SS25	M26			114972 117356 114972.....	23 19 23	TC74 TC22 TC74.....				6	6SA7, 6SK7, 6H6, 6SQ7, 6F6G, 5W4G.....	455	.....	
010-6C9X.....	Vol.	117069.....	124	TM238-SS25	M26			114972.....	23	TC74.....				6	6SA7, 6SK7, 6H6, 6SQ7, 6F6G, 5W4G.....	455	11-78	
010-6K1-X.....	Vol.	119086.....	18	MK402.....	M26			119343.....	4	Order from Mfr.....				6	12SA7, 12J5GT, 12K7GT, 12SQ7, 25L6G, 6X5G.....	455	14-6,7	
010-521 to 010-529 (Ch. 010-52).....	Vol.	116005.....	18	UM161.....	M26		A96	114258.....	1	TC71.....				5	6A8G, 6K7, 6Q7G, 6F6G, 5W4G.....	465	10-55	
010-531 to 010-539 (Ch. 010-53).....	Vol.	116236.....	18	MR48.....	M26			114972..... 114258..... 112113.....	23 23 19	TC74 TC71 TC32.....				5	6A8G, 6K7, 6Q7G, 6F6G, 5W4G.....	465	10-57	
010-531S to 010-539S (Ch. 010-53S).....	Vol.	116236.....	18	MR48.....	M26			114972..... 114258..... 112113.....	23 23 19	TC74 TC71 TC32.....				5	6A8G, 6K7, 6Q7G, 6F6G, 5W4G.....	465	10-57	
010-611 to 010-619, 010-611S to 010-619S (Ch. 010-61, 010-61S).....	Vol.	116236.....	75	MR48.....	M26			114972..... 114258..... 110377.....	23 23 19	TC74 TC71 TC22.....				6	6A8G, 6K7, 6H6, 6Q7G, 6F6G, 5W4G.....	465	10-60	
010-811 to 010-819 (Ch. 010-81).....	Vol.	114928.....	124	MRT443.....	M26			113965..... 116262..... 116263.....	25 25 13	RS216 TC74 TC70.....				8	6K7, 6A8G, 6J5G, 6H6, 6Q7G, 6F6G, 5W4G.....	465	10-61, 62	
11-2A1 (Wireless Record Player) (Ch. 11-2A).....	Vol.	160576.....	50	MK400.....	M26			116470.....	24	FP211.....				2	35L6GT, 35Z5GT.....	.....	12-18	
11-5V9 (Ch. 11-5V).....	Vol.	119912.....	18	MK402.....	M26			160012.....	1/15	3N533.....				5	12SA7, 12SK7, 12SQ7, 50L6GT, 35Z5GT.....	455	12-13	
11-5W1 to 11-5W9 (Ch. 11-5W).....	Vol.	119629.....	18	UM161.....	M26		A96	114258.....	1	TC71.....				5	6F6G, 6SQ7, 5W4G, 6SK7, 6SA7.....	455	12-14	
11-6T1 to 11-6T9, 11-6T1S to 11-6T9S (Ch. 11-6T, 11-6TS).....	Vol.	160175.....	124	†.....			A19	160174.....	1/15	FP339.....				6	6SA7, 6SK7, 6SQ7, 6F6G, 6J5GT, 5Y3G.....	455	12-15-17	
11-6U1 to 11-6U9, 11-6U1-Z to 11-6U9-Z (Ch. 11-6U, 11-6U-Z).....	Vol.	160407.....	18	†.....			A5	117034 110377.....	23 19	3S584 TC22.....	B8			6	6SA7, 6SK7, 6SQ7, 6F6G, 6J5GT, 5W4G.....	455	12-19,21	
11-6V1 to 11-6V9 (Ch. 11-6V).....	Vol. Tone	160238..... 160361.....	140 140	TM243-SS25 MK402.....	M26 M26			161193.....	1/15	FP339.....				6	6SA7, 6SK7, 6J5GT, 6SQ7, 6F6G, 5Y3G.....	455	12-20,21	

† Data not substantiated.

\* IMPORTANT: Read Notes in Note Section if specified in Note Column.

§ Indicates miscellaneous section.

WHEN YOU BUY RECTIFIERS BUY MALLORY.

MANUFACTURER AND MODEL	CONTROLS							CONDENSERS				VIBRATORS			No. Tubes	Complete Tube Complement	I. F. Peak	Rider's Reference
	Use	Original Part	Circuit	Correct Replacement	Switch	Bias	*Note	Original Part	Circuit	Correct Replacement	*Note	Original Part	Replacement	*Note				
STEWART-WARNE R CORP	— Continued																	
11-7A1 to 11-7A9 (Ch. 11-7A)	Vol. Tone	160238 160361	140 140	TM243-SS25 MK402	M26 M26			160008	1	FP234					7	6SA7, 6SK7, 6SQ7, 6J5GT, *6F6G, 5Y3G	455	12-12,22
11-8F1 to 11-8F9, 11-8F1-Z to 11-8F9-Z (Ch. 11-8F, 11-8F-Z)	Vol.	118669	124	TM243-SS25	M26			114972 110377	23 19	TC74 TC22				8	*6SK7, 6SA7, *6J5GT, 6SQ7, 6F6G, 5W4G	455	12-23,24	
11-9B1-Z to 11-9B9-Z (Ch. 11-9B-Z), 11-9B1 to 11-9B9 (Ch.11-9B)	Vol.	118669	124	TM243-SS25	M26			160008	1	FP234				9	*6SK7, 6SA7, 6SQ7, *6J5GT, *6F6G, 5Y3G	455	12-16,31	
12-4D1 (Ch. 12-4D)	Vol.	161325	18	MK401	M27			110377	19	TC32				4	1A7GT, 1N5GT, 1H5GT, 1A5GT	455	12-32,40	
13-5U1 to 13-5U9 (Ch. 13-5U)	Vol.	119912	18	MK402	M26			160012 118911	1/15 1	3N533 2N509				5	12SA7, 12SK7, 12SQ7, 50L6GT, 35Z5GT	455	12-33	
13-6P1 to 13-6P9 (Ch. 13-6P)	Vol.	119912	18	MK402	M26			112898 113472	4 4	TC44 TC48				6	12SA7, 12SK7, 12SQ7, 35L6GT, 35Z5GT, 12J5GT	455	12-34	
15-5X1 to 15-5X9 (Ch. 15-5X)	Vol.	160297	18	UM161	M27		A96	117559 118452	1 78	2N513 TC2501				5	1LA6, 1LN5, 1LH4, 1LA4, 35Z3	455	12-35	
15-5Y1 to 15-5Y9 (Ch. 15-5Y)	Vol.	161227	18	Order from Mfr.				117559 161273	1 78	2N513 TC29				5	1LA6, 1LN5, 1LH4, 305GT, 35Z3	455	12-21,36	
17-7B	Vol. Tone	160238 160361	140 140	TM243-SS25 MK402	M26			116470 113472	1 1	FP211 TC48				7	6SA7, 6SK7, 6SQ7, 6J5GT, *25L6G, 25Z6G	455	14-8,9	
17-8E1, 17-8E9, 17-8E9Z, 17-8E12	Vol. Bass Treble	160412 160414 160413	265 265 275	TM257-SS25 MK402 Order from Mfr.	M26			116470 160095	1 1	FP211 Order from Mfr.				8	*6SK7, 6SA7, 6SQ7, 6J5GT, *25L6GT, 25Z6G	455	15-1,4	
51T46, 51T56, Code 9024-B, 9024-C	Vol.	502928	18	Order from Mfr.				500256	81	FP354				5	12SA7, 12SK7, 12SQ7, 50L6GT, 35Z5GT	455	15-5,6	
51T126, 51T136, Code 9018-C, 9018-F	Vol.	502928	18	Order from Mfr.				500256	81	FP354				5	12BE6, 12BA6, 12AT6, 50B5, 35W4	455	.....	
51T176, Code 9018-B	Vol.	502928	18	Order from Mfr.				500257	81	FP306				5	12BE6, 12BA6, 12AT6, 50B5, 35W4	455	.....	
61T16, 61T26, Ch. 9022A, 9022B	Vol.	502145	205	MK401	M26			500256	81	FP354				6	*12SK7, 12SA7, 12SF7, 35L6GT, 35Z5GT	455	.....	
61T146, Code 9018-H	Vol.	502928	18	Order from Mfr.				500257	81	FP306				5	12BE6, 12BA6, 12AT6, 50B5, 35W4	455	.....	
61TR36, 61TR46, 61TR56, 61TR66, 61TR76, Code 9029-B, 9029-H, 9029-J, 9029-K, 9029-L	Vol.	502654	274	Order from Mfr.				502207	24/19	FP339				6	6SG7, 6J5GT, 6SF7, 6SJ7, 6V6GT, 5Y3GT	455	15-9,10	
62T16, 62TC16, 62T26, 62TC36, Ch. 9023-C, 9023-D, 9023-E, 9023-F	Vol.	502148	161	MK401	M26			502207	1/19	FP339				6	*6SK7, 6SA7, 6SF7, 6K6GT, 5Y3GT	455	.....	
62T36	Vol.	502145	274	MK401	M26			500256	81	FP354				6	12SA7, 12SF7, 12SK7, 35L6GT, 35Z5GT	455	15-16,17	
72CR16, 72CR26	Vol.	502148	161	MK401	M26			502207	1/19	FP339				7	*6SK7, 6SA7, 6SQ7, 6SJ7, 6V6GT/G, 5Y3GT/G	455	.....	
91-511 to 91-519 (Ch. 91-51)	Vol.	113049	18	MR48	M26			113096	23	2S567				5	6A8G, 6K7, 6Q7G, 6K6G, 5W4G	465	10-9	
91-531 to 91-539 (Ch. 91-53)	Vol.	113024	18	UM154	M26		A96	8-4-4	60	See Note				5	6A8G, 6K7, 6Q7G, 6K6G, 5W4G	465	10-11	

‡ Data not substantiated.

\* IMPORTANT: Read Notes in Note Section if specified in Note Column.

§ Indicates miscellaneous section.

MANUFACTURER AND MODEL	CONTROLS							CONDENSERS				VIBRATORS			No. Tubes	Complete Tube Complement	I. F. Peak	Rider's Reference
	Use	Original Part	Circuit	Correct Replacement	Switch	Bias	*Note	Original Part	Circuit	Correct Replacement	*Note	Original Part	Replacement	*Note				
STEWART-WARNE 91-611 to 91-619 (Ch. 91-61)	R CORP. Vol.	Continued 113062	18	UM154	M26		A96	89937 113066 110377	25 25 19	RS223 TC71 TC22					6	6A8G, 6K7, 6Q7G, 6U5, 6K6G, 5W4G.	465	10-15, 16
91-621 to 91-629 (Ch. 91-62)	Vol.	113024	18	UM154	M26		A96	8-4-4	60	See Note	B3				6	6A8G, 6K7, 6Q7G, 6K6G, 6U5, 5W4G.	465	10-19
91-641 to 91-649 (Ch. 91-64)	Vol.	113852	18	MR48	M26			114329 113808	23 23	TC74 TC71					6	6A8G, 6K7, 6Q7G, *6K6G, 5W4G.	465	10-21
91-648 (Ch. 91-64) (With S Stamped on Chassis)	Vol.	116274	45	MR48	M26			114972 113808	23 23	TC74 TC71					6	6A8G, 6K7, 6H6, 6Q7G, 6F6G, 5W4G	465	10-23
91-711 to 91-719 (Ch. 91-71)	Vol.	110766	18	MR53	M26			89937 110768 110377	25 25 19	RS223 TC71 TC22					7	6L7G, 6U7G, 6C5G, 6U5, 6Q7G, 6L6G, 5W4G	465	10-25
91-811 to 91-819 (Ch. 91-81)	Vol.	113254	18	TM221-SS1	M26			113261 89937	1 1	RS223 RS223					8	*6K7, 6A8G, 6Q7G, 6U5, *6K6G, 5Y3G	465	10-29
91-821 to 91-829 (Ch. 91-82)	Vol.	113967	20	MRT443				113965 113962 89937 113963 113961 110377	30 30 30 13 14 15	RS216 TC72 RS223 TC74 TC52 TC22					8	6A8G, 6K7G, 6H6G, *6J5G, 6U5, 6L6G, 5U4G	465	10-31, 32
91-1111 to 91-1119 (Ch. 91-111)	Vol. Remote Cont.	113258 113646	15 7	MRT438 MR34	M26			113261 89937 110377	1 1 15/19	RS223 RS223 TC22					11	*6K7, 6L7G, 6J5G, 6R7G, 6U5, *6V6G, *5W4G	465	10-5,6
97-521 to 97-529 (Ch. 97-52)	Vol.	113049	18	MR48	M26			112898	4	TC44					5	6A8G, 6K7, 6Q7G, 25L6G, 25Z6G, L49B	465	10-35
97-561 to 97-569 (Ch. 97-56)	Vol.	113501	6	UM124-SS18	M26	EX300		113472 112898	4 4	TC48 TC44					4	6A8G, 6J7G, 25L6G, 25Z6G, L55B	465	10-37
97-561S to 97-569S (Ch. 97-56S)	Vol.	113501	6	UM124-SS18	M26	EX300		113472 112898	4 4	TC48 TC44					4	6A8G, 6J7G, 25L6G, 25Z6G, L55B	465	10-37
97-571 to 97-579 (Ch. 97-57)	Vol.	114814	18	UM161	M26		A96	113472 112898	23 23	TC48 TC44					5	6A8G, 6K7G, 6Q7G, 25L6G, 25Z6G	465	10-41
98-511 to 98-519 (Ch. 98-51)	Vol.	113049	18	MR48	M26			113096	23	2S567					5	6A8G, 6K7, 6Q7G, 6K6G, 5W4G	465	10-9
98-531 to 98-539 (Ch. 98-53)	Vol.	113024	18	UM154	M26		A96	112802	60	2S567/TC70					5	6A8G, 6K7, 6Q7G, 6K6G, 5W4G	465	10-11
98-611 to 98-619 (Ch. 98-61)	Vol.	113062	18	UM154	M26		A96	89937 113066 110377	25 25 19	RS223 HD684 TC22					6	6A8G, 6K7, 6Q7G, 6U5, 6K6G, 5W4G	465	10-15,16
98-621 to 98-629 (Ch. 98-62)	Vol.	113024	18	UM154	M26		A96	112802	60	2S567/TC70					6	6A8G, 6K7, 6Q7G, 6K6, 6U5, 5W4G	465	10-19
98-641 to 98-649 (Ch. 98-64)	Vol.	113852	18	MR48	M26			114329 113808	23 23	TC74 TC71					6	6A8G, 6K7, 6Q7G, *6K6G, 5W4G	465	10-21
98-511 to 98-519 (Ch. 98-51)	Vol.	113049	18	MR48	M26			113096	23	2S567					5	6A8G, 6K7, 6Q7G, 5W4G, 6K6G	465	10-9
98-711 to 98-719 (Ch. 98-71)	Vol.	110766	18	MR53	M26			89937 110768 110377	25 25 19	RS223 TC71 TC22					7	6L7G, 6U7G, 6C5G, 6U5, 6Q7G, 6K6G, 5W4G	465	10-25
98-811 to 98-819 (Ch. 98-81)	Vol.	113254	56	TM221-SS1	M26			113261 89937	1 1	RS223 RS223					8	*6K7, 6A8G, 6Q7G, 6U5, *6K6G, 5Y3G	465	10-29
98-821 to 98-829 (Ch. 98-82)	Vol.	113967	15	MRT443				113965 113962 89937 113963 113961 110377	30 30 30 13 14 15	RS216 TC72 RS223 TC74 TC52 TC22					8	6A8G, 6K7G, 6H6G, *6J5G, 6U5, 6L6G, 5U4G	465	10-31,32
98-1111 to 98-1119 inc. (Ch. 98-111)	Vol. Remote Vol.	113258 113646	15 7	MRT438 MR34	M26			113261 89937 110377	1 1 15/19	RS223 RS223 TC22					11	*6K7, 6L7G, 6J5G, 6R7G, 6U5, *6V6G, *5W4G	465	10-5,6
205CA-205CZ, (Ch. 205C)	Vol. Tone	500356 500357	18 22	MK402 UM142-SS25	M27			112898	12	TC45					5	1A7GT, 1N5GT, 1H5GT, 1A5GT	455	13-1,2

† Data not substantiated.

\* IMPORTANT: Read Notes in Note Section if specified in Note Column.

‡ Indicates miscellaneous section.

GRID BIAS CELLS ARE EXCLUSIVE WITH MALLORY!

MANUFACTURER AND MODEL	CONTROLS							CONDENSERS				VIBRATORS			No. Tubes	Complete Tube Complement	I. F. Peak	Rider's Refer- ence
	Use	Original Part	Cir- cuit	Correct Replacement	Switch	Bias	*Note	Original Part	Cir- cuit	Correct Replacement	*Note	Original Part	Replac- ement	*Note				
STEWART-WARNER CORP.	—Continued																	
205AA to 205AZ (Ch. 205A)	Vol.	500480	18	MK402	M26			500256	77	FP354	B69				5	12SA7, 12SK7, 12SQ7, 50L6GT, 35Z5GT..	455	13-7
205BA to 205BZ (Ch. 205B)	Vol.	500480	18	MK402	M26			500256	77	FP354	B69				5	12SA7, 12SK7, 12SQ7, 50L6GT, 35Z5GT..	455	13-7
205FA (Ch. 205F)	Vol.	119912	18	MK402	M26			160012	77/15	3N533					5	12SA7, 12SK7, 12SQ7, 50L6GT, 35Z5GT..	455	13-3,4
205GA to 205GZ (Ch. 205G)	Vol.	500223	18	MK402	M26			501213	1	2N514					5	12SA7, 12SK7, 12SQ7, 50L6GT, 35Z5GT..	455	13-5,6
206BA to 206BZ (Ch. 206B)	Vol.	500480	18	MK402	M26			500256	77	FP354	B69				6	14H7, 12SK7, 12J5GT, 12SQ7, 35L6GT, 35Z5GT..	455	13-8
206BAS to 206BZS (Ch. 206BS)	Vol.	500480	18	MK402	M26			500256	77	FP354	B69				6	14H7, 12J5GT, 12SK7, 12SQ7, 35L6GT, 35Z5GT..	455	13-9
206CA to 206CZ (Ch. 206C)	Vol.	500480	18	MK402	M26			500256	77	FP354	B69				6	14H7, 12SK7, 12J5GT, 12SQ7, 35L6GT, 35Z5GT..	455	13-8
206CAS to 206CZS (Ch. 206CS)	Vol.	500480	18	MK402	M26			500256	77	FP354	B69				6	14H7, 12SK7, 12SQ7, 35L6GT, 12J5GT, 35Z5GT..	455	13-9
206DA to 206DZ (Ch. 206D)	Vol.	500480	18	MK402	M26			500256	77	FP354	B69				6	14H7, 12SK7, 12SQ7, 12J5GT, 35L6GT, 35Z5GT..	455	13-10,11
206DAS to 206DZS (Ch. 206DS)	Vol.	500480	18	MK402	M26			500256	77	FP354	B69				6	14H7, 12J5GT, 12SK7, 12SQ7, 35L6GT, 35Z5GT..	455	13-12,11
206EA to 206EZ (Ch. 206E)	Vol.	500480	18	MK402	M26			500256	77	FP354	B69				6	14H7, 12J5GT, 12SK7, 12SQ7, 35L6GT, 35Z5GT..	455	13-10-11
206EAS to 206EZS (Ch. 206ES)	Vol.	500480	18	MK402	M26			500256	77	FP354	B69				6	14H7, 12J5GT, 12SK7, 12SQ7, 35L6GT, 35Z5GT..	455	13-12-11
206F	Vol.	116834	18	MK402	M26			500256	77	FP354	B69				6	14H7, 12J5GT, 12SK7, 12SQ7, 35L6GT, 35Z5GT..	455	14-14
206GA to 206GZ (Ch. 206G)	Vol.	500481	18	MK402	M23-24			500714, 161273	1/12 78	FP354 TC39	B69				6	1A7GT, 1N5GT, 1H5GT, 3Q5GT, 35Z5GT..	455	13-13,14
206HA	Vol.	501405	18	MK402	M26			501213	77	2N514					6	14H7, 12J5GT, 12SK7, 12SQ7, 35L6GT, 35Z5GT..	455	14-10-13
207A	Vol.	500208	64	MK402	M26			160174	1/15	FP339					7	6S37, 6SK7, 6J5GT, 6SQ7, 6F6G, 5W4G	455	14-15,16
207BA to 207BZ (Ch. 207B)	Vol.	500439	18	MK402	M26			500201	1/19	FP371					7	6S37, 6J5GT, 6SK7, 6SQ7, 6F6G, 5Y3G	455	13-15,16
207CA to 207CZ (Ch. 207C)	Vol.	500481	18	MK402	M23-24			500766, 161273	1/12 78	FP354 TC39					7	1N5GT, 1A7GT, 1H5GT, 3Q5GT, 35Z5GT..	455	13-17,18
207DK (Ch. 207D)	Vol.	118669	45	TM243-SS25	M26			501060	1/19	TCD75/TC26					7	7H7, 6J5GT, 6SK7, 6SQ7, 6F6G, 5Y3G	455	13-19,20
207FK (Ch. 207F)	Vol.	119634	64	TM243-SS1				501060	1/19	TCD75/TC26					7	7H7, 6J5GT, 6SK7, 6SQ7, 6K6GT, 5Y3G	455	14-17,20
208A	Vol.	117685	18	TM243-SS25	M26			500026	1	TC74					8	6SK7, 6J5GT, 6SA7, 6SQ7, 6K6GT, 5W4G	455	14-21,22
208BK (Ch. 208B)	Vol.	118669	18	TM243-SS25	M26			501060	1/15	TCD75/TC26					8	7H7, 6J5GT, 6SK7, 6SQ7, 6F6G, 5Y3G	455	13-21,22
208CK (Ch. 208C)	Vol.	118669	18	TM243-SS25	M26			501060	1/15	TCD75/TC26					8	7H7, 6J5GT, 6SK7, 6SQ7, 6F6G, 5Y3G	455	13-21,22
910-511 to 910-519 inc. (Ch. 910-51)	Vol.	113049	18	MR48	M26			113536	23	2S567					5	6A8G, 6K7, 6Q7G, 5W4G, 6K6G	465	10-9
910-531 to 910-539 (Ch. 910-53)	Vol.	113024	18	UM154	M26		A96	112802	60	2S567/TC70					5	6A8G, 6K7, 6Q7G, 6K6G, 5W4G	465	10-11

† Data not substantiated.

\* IMPORTANT: Read Notes in Note Section if specified in Note Column.

‡ Indicates miscellaneous section.

MANUFACTURER AND MODEL	CONTROLS							CONDENSERS				VIBRATORS			No. Tubes	Complete Tube Complement	I. F. Peak	Rider's Reference
	Use	Original Part	Circuit	Correct Replacement	Switch	Bias	*Note	Original Part	Circuit	Correct Replacement	*Note	Original Part	Replacement	*Note				
STEWART-WARNE R CORP 910-611 to 910-619 (Ch. 910-61).....	Vol.	113062.....	18	UM154.....	M26		A96	89937..... 113066..... 110377.....	25 25 19	RS223..... HD684..... TC22.....				6	6A8G, 6K7, 6Q7G, 6U5, 6K6G, 5W4G	465	10-15,16	
910-621 to 910-629 (Ch. 910-62).....	Vol.	113024.....	18	UM154.....	M26		A96	112802.....	60	2S567/TC70				6	6A8G, 6K7, 6Q7G, 6K6G, 6U5, 5W4G	465	10-19	
910-641 to 910-649 (Ch. 910-64).....	Vol.	113852.....	18	MR48.....	M26			114329..... 113808.....	23 23	TC74..... TC71.....				6	6A8G, 6K7, 6Q7G, 6K6G, 5W4G	465	10-21	
910-711 to 910-719 (Ch. 910-71).....	Vol.	110766.....	18	MR53.....	M26			89937..... 110768..... 110377.....	25 25 19	RS223..... TC71..... TC22.....				7	6L7G, 6U7G, 6C5G, 6U5, 6Q7G, 6K6G, 5W4G	465	10-25	
910-811 to 910-819 (Ch. 910-81).....	Vol.	113254.....	56	TM221-SS1	M26			113261..... 89937.....	1 1	RS223..... RS223.....				8	6K7, 6A8G, 6Q7G, 6U5, 6K6G, 5Y3G	465	10-29	
910-821 to 910-829 (Ch. 910-82).....	Vol.	113967.....	15	MRT443.....				113965..... 113962..... 89937..... 113963..... 113961..... 110377.....	30 30 30 13 14 15	RS216..... TC72..... RS223..... TC74..... TC32..... TC22.....				8	6A8G, 6K7G, 6H6G, 6J5G, 6U5, 6L6G, 5U4G	465	10-31,32	
910-1111 to 910-1119 inc. (Ch. 910-111)	Vol. Remote	113258.....	15	MRT438.....	M26			113261..... 89937..... 110377.....	1 1 15/19	RS223..... RS223..... TC22.....				11	6K7, 6L7G, 6J5G, 6R7G, 6U5, 6V6G, 5W4G	465	10-5,6 10-3	
102D (7 tubes).....	Vol. Tone	113646.....	7 2/12	MR34.....	Mfr.									7	32, 30, 33		10-4	
102D (8 tubes).....	Vol. Tone		22 2/12	MR36.....	Mfr.									8	32, 30		10-4	
A6 (Ch. 07-31), Air Pal.....	Vol.	116579.....	6	UM124-SS22	M26	EX300		116587.....	1	2N509.....				3	12SA7, 25B8GT, 70L7GT	455	10-1	
A6S (07-32).....	Vol.	117088.....	18	UM154-SS25	M26			116587.....	1	2N509.....				3	12SA7, 25D8GT, 70L7GT	455	11-32	
A41T1.....	Vol.	505197.....	18	MK402.....	M26			505174.....	12	TC42.....				4	1R5, 1U4, 1S5, 3Q4	455		
A51T1, Code 9020-A, A51T2, Code 9020-B, A51T3, Code 9020-C, A51T4, Code 9020-D.....	Vol.	504391.....	18	MK402.....	M26			504431.....	81	TC45.....				5	12BE6, 12BA6, 12AT6, 50B5, 35W4	455		
A61CR1, A61CR2, A61CR3, Code 9034-C, 9034-D, 9034-E, 9034-F...	Vol.	505318.....	274	MK401.....	M26			50207.....	24/19	FP339.....				6	6SG7, 6SF7, 6J5GT, 6SJ7, 6V6GT, 5Y3GT.....	455		
A72T1, A72T2, A72T3, A72T4, Code 9026-A, 9026-B, 9026-C, 9026-D.....	Vol.	504967.....	276	MK402.....	M26			504937..... 504980.....	83 94/15	TC40..... FP410.....				7	12BA6, 12BE6, 12H6, 6AQ6, 50B5, D. R.....	455 10.7		
A92CR3, A92CR3S, A92CR6, Code 9028-C, 9028-F...	Vol.	502148.....	274	MK401.....	M26			161193..... 505190..... 504719..... 504937.....	24/1/19 24/13 13 83	FP339..... TC74..... TC70..... TC40.....				9	6BA6, 6SB7Y, 6AL5, 6SQ7, 6SJ7, 6V6GT, 5Y3GT	455 10.7		
A92CR6, A92CR6S, Ch. 9028-F.....	Vol.	502148.....	274	MK401.....	M26			161193..... 505190..... 504719..... 504937..... 66170.....	24/1/19 24/13 13 83 3	FP339..... TC74..... TC70..... TC40..... 2N518.....				9	6BA6, 6SB7Y, 6AL5, 6SQ7, 6SJ7, 6V6GT, 5Y3GT	455 10.7		
R100A, B, E (AC).. Tone	Vol. Tone	66389..... 67023.....	113 22	SRP245..... MR36.....										8	24, 27, 45, 80		1-10	
R100C, R100CF (DC).....	Vol. Tone	66559..... 67023.....	1 22	Order from MR36.....	Mfr.									7	12A, 01A, 22, 71A		1-12	
R101A, R101B.....	Vol.	67267.....	6	E12.....				67265..... 67264.....	4 4	RS213..... RS213.....				4	51 or 35, 24, 47, 80		2-1	
R102A, B and E... Tone	Vol. Tone	67457..... 67679.....	6 22	A10MP..... MR36.....			A66	67328..... 67588.....	5 26	RS213..... RS213.....				6	24A, 51 or 35, 47, 27, 80	177.5	2-4,5	
R-102-C (DC)..... Tone	Vol. Tone	67822..... 67704.....	5/12 34	DRP241..... MR36.....										7	36, 37, 33			
R-102-D7..... Tone	Vol. Tone	67821.....	5/12 22	DRP241..... MR36.....	7									7	32, 30, 33			

‡ Data not substantiated.

\* IMPORTANT: Read Notes in Note Section if specified in Note Column.

§ Indicates miscellaneous section.

WHEN YOU BUY LEVER ACTION SWITCHES BUY MALLORY.

MANUFACTURER AND MODEL	CONTROLS							CONDENSERS				VIBRATORS			No. Tubes	Complete Tube Complement	I. F. Peak	Rider's Reference				
	Use	Original Part	Circuit	Correct Replacement	Switch	Bias	*Note	Original Part	Circuit	Correct Replacement	*Note	Original Part	Replacement	*Note								
STEWART-WARNE R CORP	—Continued																					
R-102-D8	Vol. Tone	67822 67701	5/12 31	DRP241 MR36														8	32, 30			
R104A, B and E	Vol. Tone	67937 67309	15 114	MR48 MR36				67328 67588	5 26	RS213 RS213								6	57, 58, 47, 56, 80, Wunderlich	177.5	3-1,4	
105 Series (50 to 59)	Vol. Tone	81419 81437	100 22	MR36 MR39				81347 81367 67328 67328	26 26 26 2	RS213 RS215 RS213 RS213								11	57, 58, 56, 27, 47, 80	177.5	3-3,5	
R106	Vol. Sen.	81484 81534	56 7	MR48 A10MP	M26													7	58, 55, 59, 56, 80	177.5	4-1,2	
108, 108X, (10 to 20 incl.)	Vol.	81679	6	MR45	M26	EX100		81678 81698	1 15	2N518 TN111								4	39, 36, 38, 12Z3		3-6	
109 (1090-1099)	Vol.	81722 81870	56 56	MR48 Order from Mfr.	M26		A4	81347 81901 81959 83394	1 14 11 11	RS213 TC52 UR182-193 TC44								6	58, 55, 56, 2A5, 80	177.5	3-7,8	
R110, R110B, R110C	Vol.	81904	56	MR48	M26			81347 81901 81959 83394	1 14 11 11	RS213 TC52 UR182-193 TC44								10	58, 51, 55, 27, 2A5, 80	177.5	4-3,4	
R112 (1121, 1122, 1123)	Vol.	83202	18	MR48	M26			83111 83118 .02-.02	1/15 4 11	2N518/TN111 Order from Mfr. Buffer		83371	292	C3				5	6A7, 78, 75, 41, 84	456	4-7,8	
R115	Vol.		17	MR48	M26			81959 83394	11 11	UR182-193 TC44	B31							6	78, 37, 6B7, 43, 25Z5	456	4-5,6	
R116, R116X, R116XH, R116AL, R117 (1171, 1172)	Vol. Tone	83551 83728 83812	17 17 22	MR48 UM154-SS3 MR33	M26 M26			83613 83734 83803 .015-.015	1 4 15	ST595 TC871 TC22 Buffer		83800	294	C3				5	6A7, 78, 75, 42, 80	456	4-10,11	
R118 (1181, 1182, 1183)	Vol. Tone	83728 83812	17 22	UM154-SS3 MR33	M26			83734 83803 .015-.015	4 15	TCS71 TC22 Buffer		83800	294	C3				6	78, 6A7, 41, 75, 84	177.5	6-11	
R119, R119A, R119EF	Vol.	83424	56	MR48	M26			81347 67328 80537	1 1 15	RS213 RS213 TC22								6	78, 6A7, 85, 42, 80	177.5	4-12,13	
R120 (1201-1209)	Vol. Tone	83425 83466	56 39	MR48 MR24				81347 67328	4 4	RS213 RS213								12	57, 58, 55, 2A5, 56, 80	177.5	4-14,16	
R123 (1231-1239)	Vol.	83959	6	F7	M26	3		83960 83962	1 1/15	HD684 2N518								4	6A7, 6F7, 41, 80	456	6-1,5-3	
R125, R125A and R125X (1251-1259)	Vol.	83551	56	MR48	M26			84193	25	RS216								5	6A7, 6D6, 75, 41, 80	456	5-5,6-3	
R126, Series R126A, R126P, R126X (1261-1269)	Vol. Tone	84289 84279	19 107	MRT430 MR44				84288 84286	25 25/13	HD684 RM262								7	6C6, 6D6, 75, 42, 76, 80	456	5-9,6-5	
R127, R127X (1271-1279)	Vol. Tone	83551 84368	18 107	MR48 MR44	M26			84192 84193	25 25	RS216 RS216								5	6A7, 6D6, 75, 41, 80	456	6-8, 5-15	
R128D (Batt. 1281D-1289D)	Vol. Tone	84528 84368	18 57	MR48 MR44	M23-24														5	1C6, 34, 25S, 30, 33	456	7-1,2
R130 (1301-1309)	Vol. Tone	84739 84942	18 107	MR48 MR44	M26			84193 85112	25 25	RS216 RS216								5	6A7, 6D6, 75, 42, 80	456	6-12	
R131 (1311-1319)	Vol.	83728	17	UM154-SS3	M26			84829 83803 .03-.03	4 15	TCS71 TC22 Buffer		84904	294	C3				6	78, 77, 75, 41, 84	177.5	6-13,14	
R132 (Firestone R1322)	Vol. Tone	85215 85179	1 44	UM147-SS3 MR36	M26			85237 83803 85216 .005	1 15 15	2N518 TC22 TC32 Buffer		85243	249	C3				7	78, 77, 85, 41, 76	177.5	6-15	
R133 (Firestone 1332)	Vol.	83728	17	UM154-SS3	M26			84961 83803 .03-.03	4 15	TCS71 TC22 Buffer		84995	294	C3				5	6A7, 6D6, 75, 41, 84	456	6-16	
R134 (1341-1349)	Vol. Tone	85073 85074	18 107	MR44 MR48	M26			85792 85793	25 25	RS216 RS216								6	6D6, 6A7, 75, 42, 80	456	6-17, 7-3	
R136 (1361-1369)	Vol. Tone	85073 85074	46 107	MR44 MR48	M26			85431 85430	25 25	RS216 RS216								7	6K7, 6A8, 6H6, 6J7, 6F6, 5Z4	456	6-18, 7-4	
R137 (1371-1379)	Vol. Tone	85073 85074	15 57	MR44 MR48	M26			85583 85584 85588 85565 83803	31 31 31 18 15	RS216 RS216 RS216 TC48 TC22							9	6K7, 6A8, 6H6, 6C5, 2A3, 83V	456	6-19, 7-5		

‡ Data not substantiated.

\* IMPORTANT: Read Notes in Note Section if specified in Note Column.

‡ Indicates miscellaneous section.

MANUFACTURER AND MODEL	CONTROLS							CONDENSERS				VIBRATORS			No. Tubes	Complete Tube Complement	I. F. Peak	Rider's Reference
	Use	Original Part	Circuit	Correct Replacement	Switch	Bias	*Note	Original Part	Circuit	Correct Replacement	*Note	Original Part	Replacement	*Note				
STEWART-WARNE R138 (1381-1389)...	Vol. B. Tone T. Tone	85073 85621 85620	15 1 57	MR44 MR48 MR53	M26			85583 85584 85588 85565 85692 83803	31 31 31 18 14 15	RS216 RS216 RS216 TC48 TC40 TC22					11	*6K7, 6A8 *6H6, 6C5, *2A3, 6J7, 83V	456	6-20, 7-6
R139D.....	Vol.	84528	18	MR48	M27										6	1A6, 34, 1B5, *30, Ballast-1G1	456	7-7
R140 (1401-1409)...	Vol.	83551	18	MR48	M26			84193 85112	25 25	RS216 RS216					5	6A7, 6D6, 75, 42, 80.	456	7-9,10
R142A, R142AS, (1421-1429).....	Vol.	88036	6	SRP263	6-9			88033 88007	25 25	RS213 RS213					5	*6K7, 6J7, 6F6, 6X5	456	7-11,12
R143 (R1431).....	Vol.	88171	17	UM154-SS11	M26			88256 88170 .01	4 15 25	TCS71 TC22 Buffer		88156	854	C3	6	*6D6, 77, 75, 41, 84.	456	8-15,16
R144AS (1441-1449)	Vol.	88036	6	MR24	M26			88007 88033	25 25	RS213 RS213	B14				5	*6D6, 6C6, 41, 84.	456	7-13,14
R145 (1451-1459)...	Vol. Tone	88487 88488	18 57	MRT420 MR48	M26			88512 88511	25 25	RS216 RS216					6	6A8, 6K7, 6H6, 6F5, 6F6, 5Z4	456	7-15,16
R146 (1461-1469)...	Vol. Tone	88487 88488	18 57	MRT420 MR48	M26			85431 88033 88576	25 25 13	RS216 RS213 RS213					7	*6K7, 6A8, 6H6, 6F5, 6F6, 5Z4	456	7-17,18
R147 (1471-1479)...	Vol. Tone	88487 88488	18 57	MRT420 MR48	M26			85431 88033 88576	25 25 13	RS216 RS213 RS213					8	*6K7, 6A8, 6H6, 6F5, 6L6, 5Z4, 6G5	456	8-1,2
R148 (1481-1489)	Vol. Tone	88487 88488	75 41	MRT420 MR48	M26			85583 88511 88007	25 25 13	RS216 RS216 RS213					10	*6K7, 6A8, 6H6, *6C5, *6L6, 6G5, 5V4G	456	8-3,4
R149 (1491-1499)...	Vol.	89118	20	MRT440	M26			89053 85583 88511	19 54 54	TC22 RS216 ST595					12	*6K7, 6A8, *6H6, *6C5, 6J7, 6G5, *6L6, 5V4G	456	7-19,22
R160 (1601-1609)...	Vol.	88171	17	UM154-SS11	M26			88256 88170 .01	4 15 25	TCS71 TC22 Buffer		88156	854	C3	6	*6D6, 77, 75, 41, 84.	456	7-8
R161D (1611D- 1619D).....	Vol.	89330	18	MR48	M27										6	1C7G, 1D5G, 1H6G, *1H4G, 1R1G	456	8-7,8
R162D (1621D- 1629D).....	Vol. Tone	89330 88488	18 57	MR48 MR48	M27										6	1C7G, 1D5G, 1H6G, *1H4G, 1R1G	456	8-9,10
R163D (1631D- 1639D).....	Vol.	89332	18	MR48	M26			89147 89145 88170	25 1 19	ST595 Order from Mfr. TC22		89272	Order from Mfr.		6	1C7G, 1D5G, 1H6G, *1H4G	456	9-1,2
R164D (1641D- 1649D).....	Vol. Tone	89332 88488	18 57	MR48 MR48	M26			.005 89147 89145 88170	25 1 19	Buffer ST595 Order from Mfr. TC22	B14	89272	Order from Mfr.		6	1C7G, 1D5G, 1H6G, *1H4G	456	9-1,2
R166.....	Vol. Tone	88487 88488	75 57	MRT420 MR48	M26			.005 88512 88511 89755	25 25 25 13	RS216 RS216 RS216 TC52					7	6A8, 6K7, 6H6, 6F5, 6F6, 6G5, 5Z4	456	
R167S, R168 (1671- 1689).....	Vol.	88036	6	MR24	M26			88033 88007	25 25	RS213 RS213					5	*6K7G, 6J7G, 6K6G, 6X5G	456	9-3,4
R169 (1691 to 1695)	Vol. Tone	89606 88488	18 57	MR44 MR48	M26			88512 88511	25 25	RS216 RS216					5	6A8G, 6K7G, 6Q7G, 6K6G, 5V4G	262	8-11,12
R171 (1711 to 1719)	Vol.	89953	18	MR48	M26			89954	27	TCS44					5	6A7, 6D6, 75, 43, 25Z5	465	9-5,6
R172 (1721 to 1729)	Vol. Tone		18 57	MR44 MR48	M26			88512 88511	25 25	RS216 RS216					6	6A8G, 6K7G, 6Q7G, 6G5, 6K6G, 5V4G	262	8-11,12
R173 (1731-1739)...	Vol. Tone	88487 88488	75 57	MRT420 MR48	M26			88512 88511 89755	25 25 13	RS216 RS216 TC52					7	6A8, 6K7, 6H6, 6F5, 6F6, 6G5, 5Z4	456	8-13,14
R178 (R1781).....	Vol. Tone	110311 110310	17 21	TM229-SS3	Order from Mfr.			110376 110377 .01	4 15 4	2S567 TC22 Buffer		110432	854	C3	6	*6K7, 6J7, 6Q7, 6F6, 6X5	262	
R180 (1801 to 1809)	Vol. Tone	110503 110504	18 57	MR53 MR48	M26			110497 112359	4 4	2S567 2S567	B14				5	6A8G, 6U7G, 6Q7G, 6K6G, 5W4G	465	9-7,8
R181 (1811 to 1819)	Vol. Tone	110766 110767	18 57	MR53 MR48	M26			89937 110768 110377	25 25 19	RS223 RS213 TC22					6	6L7G, 6C5G, 6U7G, 6Q7G, 6K6G, 5W4G	456	9-9,10
R182 (1821 to 1829)	Vol. Tone	110927	45 57	MRT438 MR48	M26			112113 112108 89937 110768 110377	19 25 25 25 19	TC32 RS213 RS223 RS213 TC22					7	6L7G, 6U7G, 6C5G, 6H6G, 6K5G, 6V6G, 5W4G	465	9-11,12

‡ Data not substantiated.

\* IMPORTANT: Read Notes in Note Section if specified in Note Column.

‡ Indicates miscellaneous section.

USE MALLORY COMPONENTS IN YOUR TELEVISION WORK.



MANUFACTURER AND MODEL	CONTROLS							CONDENSERS				VIBRATORS			No. Tubes	Complete Tube Complement	I. F. Peak	Rider's Reference
	Use	Original Part	Circuit	Correct Replacement	Switch	Bias	*Note	Original Part	Circuit	Correct Replacement	*Note	Original Part	Replacement	*Note				
STEWART-WARNER CORP R183 (1831 to 1839)	Vol.	Continued 111096	20	MRT438	M26			89937	25	RS223					8	6K7, 6L7, 6C5, 6H6, 6F5, 6L6, 5Y3G	465	9-13,14
R184 (1841 to 1849)	Vol.	111358	20	TM240-SS16	M26			111098	25/19	2S567					10	6K7, 6L7, 6C5, 6J7, 6H6, 6F5, 6L6, 5U4G	465	9-15,17
R185 (1851 to 1859)	Vol.	111358	20	TM240-SS16	M26			89937	25	RS223					11	6K7, 6L7, 6C5, 6J7, 6H6, 6V6G, 5U4G	465	
R186 (1861 to 1869)	Vol.	111358	20	TM240-SS16	M26			111468	15	TN111					14	6K7, 6C5, 6L7, 6J7, 6H6, 6V6G, 5W4	465	9-19,22
R188 (1881 to 1889)	Vol. Tone	112275	17	MR48	M26			89937	1/13	RS223					5	6A7, 6D6, 75, 43, 25Z5, M49B	465	9-23,24
R189	Vol. Tone	112056	22	MR33				11652	13	TC44					5	1C6, 34, 33	370	
R190D (1901 to 1909)	Vol. Tone	112220	17	MR48				110377	15	TC22					4	1C6, 34, 1F6, 33, 5E1	465	10-47,48
R191D (1911 to 1919)	Vol. Tone	112061	15	MR48				112476	13	TC44					5	6A8G, 6S7G, 6L5G, 41	465	10-49,50
R192D (1921 to 1929)	Vol. Tone	112255	15	MR48				112480	15	TC22					6	6A8G, 6S7G, 6L5G, 19	465	10-52
R304 (3041 to 3049)	Vol.	112614	18	MR48	M26			112270	27	TCS47					5	6A8G, 6K7G, 6Q7G, 6K6G, 5Y4G	465	10-53
R358 (3581 to 3589)	Vol.	500223	18	MK402	M26			56110	22/13	ST595 Buffer	B14	56265	Order from Mfr.		5	12SA7, 12SK7, 12SQ7, 50L6GT, 35Z5GT	455	14-23,24
R358S (3581S to 3589S)	Vol.	500223	18	MK402	M26			.01							5	12SA7, 12SK7, 12SQ7, 50L6GT, 35Z5GT	455	14-25
R386 (3861 to 3869)	Vol.	500223	18	MK402	M26			110804	1	2N516		111126	245	C3	5	12SA7, 12SK7, 12SQ7, 50L6GT, 35Z5GT	455	14-24,26
202A, B, E	Vol. Tone	67457	6	A10MP				89053	15	TC22					6	24A, 35, PZ or 47, 27, 80	177.5	
715, 720	Vol.	67679	22	MR36				.03		Buffer	B14				6	26, 27, 71A		1-3
750	Vol.		3	MR15				112244	1	2N516		111126	245	C3	6	26, 27, 12A, 80		1-3
801, 802	Vol.		112	MR20	M26			110377	15	TC22					7	26, 27, 71A, 80		1-4
801, 801A, 811, 811A	Vol.	39256	84	MR20				.03		Buffer	B14				8	26, 27, 12A, 80		1-4
900, 901, 902, 903, 911, 912, 913	Vol.	39256	116	MR20				112604	23	2S567					8	26, 27, 12A, 80		1-4
950 Series (AC)	Vol.	61557	7	MR37		See Note A10		61303	3	2N518					8	27, 45, 80		1-7
971, 972, 973 (DC)	Vol.		113	SRP245		See Note A80		66170	3	2N518					8	24A, 27, 45, 80		1-5,6
9000-B	Vol.		1	Order from Mfr.				61303	1	2N516	B11				7	12A, 01A, 22, 71A		1-9
9001-C, 9001-D, 9001-E, 9001-F	Vol.	502145	274	MK401	M26			500256	81	FP354	B8				6	12SK7, 12SA7, 12SF7, 35L6GT, 35Z5GT	455	
9002-A, 9002-B, 9002-P, 9002-R	Vol.	502148	161	MK401	M26			502207	1/19	FP339					6	6SK7, 6SA7, 6SF7, 6K6GT, 5Y3GT	455	
9003-B Early & 1st Revision	Vol.	502145	75	MK401	M26			500256	81	FP354	B8				6	12SK7, 12SA7, 12SF7, 35L6GT, 35Z5GT	455	15-27,28
9004-B, 9004-F, 9004-G	Vol.	502117	274	MK401	M26			502207	1/19	FP339					7	6SK7, 6SA7, 6SQ7, 6SJ7, 6K6GT, 5Y3GT	455	15-29,33
9005-A, 9005-B	Vol.	502148	274	MK401	M26			502207	1/19	FP339					7	6SK7, 6SA7, 6SQ7, 6SJ7, 6V6GT, 5Y3GT	455	15-35,39
9007-A, 9007-F, 9007-G	Vol.	161325	18	MK401	M27			502286	19	TC22					4	1A7GT, 1N5GT, 1H5GT, 1A5GT	455	
9009-B, 9009-H	Vol.	502525	205	MK402	M24			500714	1/13	FP354					6	1A7GT, 1N5GT, 1H5GT, 3Q5GT, 35Z5GT	455	
9010-A	Vol.	502654	274	Order from Mfr.				502457	13	TC40					6	6SG7, 6J5GT, 6SF7, 6SJ7, 6V6GT, 5Y3GT	455	15-44,45
	Vol.	502750	161	MK403	M26			502527	78	TC29					8	6SK7, 6K8, 6SQ7, 6K6GT, 5Y3GT	455	16-1,7

‡ Data not substantiated.

\* IMPORTANT: Read Notes in Note Section if specified in Note Column.

‡ Indicates miscellaneous section.

BE SURE TO SPECIFY MALLORY RADIO AND ELECTRONIC PARTS.

MANUFACTURER AND MODEL	CONTROLS							CONDENSERS				VIBRATORS			No. Tubes	Complete Tube Complement	I. F. Peak	Rider's Reference	
	Use	Original Part	Circuit	Correct Replacement	Switch	Bias	*Note	Original Part	Circuit	Correct Replacement	*Note	Original Part	Replacement	*Note					
STEWART-WARNER CORP 9011-E.....	Vol.	—Continued 119357.....	205	MK400.....	M27			502866.....	22	TC55.....		110800.....	246A	C3	6	1A7, 1R5, 1N5GT, 3Q5GT, 1H5GT...	455		
								502867.....	22	TC52.....									
								502865.....	78	TC2501.....									
								01.....		Buffer.....	B14								
								504033.....	1/19	FP339.....						6	6SA7, 6J5GT, 6SK7, 6SQ7, 6K6GT, 5Y3GT	455	16-8,12
9013A.....	Vol.	504029.....	161	MK402.....	M26														
9014-E.....	Vol.	502145.....	274	MK401.....	M26			500256.....	81	FP354.....	B8				6	12SK7, 12SA7, 12SF7, 35L6GT, 35Z5GT...	455	15-46,48	
9017-A, 9017-B.....	Vol.	502145.....	205	MK401.....	M26			500256.....	81	FP354.....	B8				6	12SA7, 12SK7, 12SQ7, 35L6GT, 12J5GT, 35Z5GT	455	15-49,52	
9023-C, 9023-D, 9023-E, 9023-F.....	Vol.	502148.....	161	MK401.....	M26			502207.....	1/19	FP339.....					6	6SK7, 6SA7, 6SF7, 6K6GT, 5Y3GT...	455		
STRATFIELD—See	Electrical	Specialties Export Co.																	
STRATOVOX 579-1-58A.....	Vol.		131	MK401.....	M26				1	FP306.....	B192				6	12SK7, 12SA7GT, 12SQ7, 35L6GT, 35Z5GT	455		
STROMBERG - CARLSON 27 (AC) 29.....	Vol.	P19458.....	1	SRP213.....				2-2-2.....	3	See Note.....	B1				10	24, 27, 45, 80.....	175	2-12,14	
	Vol.	P22318.....	15	MR48.....	M28			6-2-1.....	3	See Note.....	B1				9	45, 45, 27, 80.....	175	2-15,17	
	Tone Hum.	P19617.....	30	Order from Mfr.	M26														
	32.....	Mic. 1	46313.....	277	MR53.....			35590.....	13/15/12	FP238.....					6	6SC7, 6L6G, 5Y3GT, 6J5			
		Mic. 2	46313.....	172	MR53.....			34698.....	15/13	FP444.....									
		Phono	46313.....	277	MR53.....			41157.....	15	TC29.....									
		Tone	39838.....	21	UM159-SS1.....	M26													
		Tone	P23586.....	15	UM161-SS3.....	M26			P23538.....	1	3S584.....		P23466.....	Order from Mfr.	6	78, 6A7, 6B7, 37, 41.	175	4-3,6	
		Tone	P23587.....	44	MR53.....														
	33A.....	Vol.	P23586.....	15	UM161-SS3.....	M26			P23538.....	1	3S584.....			Order from Mfr.	6	78, 6A7, 6B7, 37, 41.	175	6-14	
	37.....	Vol.	22696.....	15/15	MM.....			22701.....	22	3S584.....					9	58, 45, 56, 80.....	175	3-3,4	
		Tone	22593.....	34	MR51.....	M26													
		Hum.	19617.....	30	Order from Mfr.														
	38, 39, 40, 41 (1st type).....	Vol.	P22546.....	15/15	MM.....	8		4-7-3-3.....	22	See Note.....	B1				9	58, 56, 45, 80.....	175	2-18,20	
		Tone	P22593.....	34	MR51.....	M26													
		Hum.	P19617.....	30	Order from Mfr.														
	38, 39, 40, 41 (2nd type).....	Vol.	P22546.....	15/15	MM.....	8		4-7-6-1.....	22	See Note.....	B1				10	58, 55, 45, 56, 57, 80.	175	3-5,7	
		Tone	P22593.....	34	MR51.....	M26													
		Supp.	P22862.....	1	Order from Mfr.														
		Hum.	P19617.....	30	Order from Mfr.														
	48, 49, 50, 51.....	Vol.	P23004.....	1	Order from Mfr.			4-5-6-4.....	1	See Note.....	B1				11	58, 55, 56, 2A3, 57, 5Z3	175	3-8,11	
		B. Tone		1	Order from Mfr.														
		T. Tone	P23024.....	44	MR44.....	M26													
		Hum.	P19617.....	30	Order from Mfr.														
	52, 54.....	Vol.	P23005.....	1	Order from Mfr.			4-5-6.....	3	See Note.....	B1				12	35, 2B7, 55, 56, 2A3, 57, 27, 5Z3	175	4-7,9	
		B. Tone		1	Order from Mfr.														
		T. Tone	P23236.....	44	MR45.....	M26													
		Hum.	P19617.....	30	Order from Mfr.														
	55, 56.....	Vol.	P23696.....	8	G.....			8-8-4.....	22	3S584.....	B3				8	58, 78, 2A5, 55, 2B7, 6A7, 5Z3	175	4-10,15	
		Tone	P23650.....	34	MR44.....														
		Hum.	P23815.....	30	Order from Mfr.														
	58L, 58LB, 58T, 58TB, 58W, 58WB.....	Vol.	P25507.....	17	MR53.....			P25479.....	1	SR638.....					6	6D6, 6A7, 75, 42, 80.	465	6-1,2	
		Tone	P25508.....	21	UC513.....	6-9		P25480.....	13	RS213.....									
							P25510.....	15	TN111.....										
60.....	Vol.	P24201.....	15	MR55.....			P24190.....	3	RM265.....					7	6D6, 6A7, 6B7, 37, 41, 80	370	5-1,4		
	Tone	P24202.....	34	MR21.....	M26		P24207.....	15	TC32.....										
61 Series (AC).....	Vol.		15	MR53.....			8-8.....	1	2N518.....					7	6K7, 6A8, 6H6, 6F5, 6F6, 80	465	7-1,2		
	Tone		57	UC513.....	6-9		10.....	15	TC22.....										
61, 61Y, 61Z (AC-DC).....	Vol.	P25507.....	18	MR53.....			P25907.....	1	RS207.....					7	6K7, 6A8, 6Q7, 43, 25Z5	465	7-3,4		
	Tone	P25508.....	57	UC513.....	6-9		P25934.....	6	2N516.....										
							P25459.....	13	TC52.....										
							P25498.....	15	TN111.....										
62, 63, 62B, 63B.....	Vol.	P25570.....	15	MR55.....			P22757.....	3	RS213.....					8	6K7, 6A8, 6H6, 6F6, 5Z3	465	6-3,6		
	Tone	P25571.....	22	MR55.....	M26		P25757.....	3/13	RM265.....										
							P25458.....	3	RS216.....										
							P25788.....	13	TC70.....										
							P25459.....	13	TC52.....										
							P24207.....	15	TC22.....										
64.....	Vol.	P24064.....	15	MR55.....			16-8-8-4-4.....	3/13	See Note.....	B195				8	78, 6A7, 6B7, 37, 42, 5Z3	175	4-16,20		
	Tone	P24065.....	34	MR45.....	M26														
	Vol.		8	MR19.....			16-8-8-8-4-4-4.....	3/13/15	See Note.....	B247				9	78, 6A7, 6B7, 85, 42, 80	465	7-5,6		
65, 66, 67.....	Tone		34	MR45.....															

‡ Data not substantiated.

\* IMPORTANT: Read Notes in Note Section if specified in Note Column.

§ Indicates miscellaneous section.

MANUFACTURER AND MODEL	CONTROLS							CONDENSERS				VIBRATORS			No. Tubes	Complete Tube Complement	I. F. Peak	Rider's Refer- ence
	Use	Original Part	Cir- cuit	Correct Replacement	Switch	Bias	*Note	Original Part	Cir- cuit	Correct Replacement	*Note	Original Part	Replac- ment	*Note				
STROMBERG-CAR 68.....	Vol. Tone	Continued P24346..... P22593.....	8 22	G MR51.....	M26			16-16-8-4-4-4	3/13	See Note.....	B195				10	*6D6, 6A7, 76, 6B7, 85,*42, 5Z3.....	370 545	5-5,7 5-11,14
69 All Wave Selector 70, 70B, 72, 72B, 72D.....	Vol. Tone	P24848..... P24957.....	† 22	Order from MR55.....	Mfr. M26			P24835.....	†	See Note.....	B195				13	*6D6, 76, 6A7, 6B7, *6C6, 42,*2A3, 5Z3.....	370	6-7,13
74, 74B, 74D.....	Vol. Tone	P25570..... P25571.....	15 22	MR55..... MR55.....	M26			P24835.....	†	See Note.....	B195				16	*6D6, 6A7, 76, 6B7, *6C6, 42,*2A3,*5Z3.....	370	6-7,13
80.....	Vol. Tone	P22767..... P22769.....	20 22	TM244-SS1 MR55.....	M26			8..... 16..... 8-4-4.....	3 3 3/13	RS213 RS216 RM265.....					8	*6K7, 6A8, 6J7, 6H6, *6F6, 5Z3.....	465	7-7,9
82, 82B.....	Vol. Tone	P22767..... P22769.....	20 22	TM244-SS1 MR55.....	M26			P22757..... P22789..... P22758..... P22759..... P22760..... P24207.....	3 3 3 3 14 15	RS213 RS213 RS213 RM265..... TC39..... TC22.....					10	*6D6, 6A7,*76,*42, 5Z3.....	465	6-15,18
83, 83B.....	Vol. Tone	P22767..... P22769.....	20 22	TM244-SS1 MR55.....	M26			P22757..... P22789..... P22758..... P22759..... P22760..... P24207.....	3 3 3 3 14 15	RS213 RS213 RS216 RM265..... TC39..... TC22.....					10	*6K7, 6A8, 6C5, 6H6, *6F6, 5Z3.....	465	6-19,22
84, 84B.....	Vol. Tone	P22767..... P25807.....	20 22	TM244-SS1 MR55.....	M26			P22757..... P22789..... P22758..... P22759..... P22760..... P24207.....	3 3 3 3 14 15	RS213 RS213 RS216 RM265..... TC39..... TC22.....					12	*6K7, 6A8, 6C5, 6H6, 6J7,*6F6, 5Z3.....	465	7-11,13
115.....	Vol. Tone	P25507..... P26033.....	17 57	MR53..... MR48.....	M26			P26049..... P25480.....	1 13	RM262..... RS213.....		P26028	245	C3	7	*34, 1C6, 1B5, 30, *49.....	465	7-14,15
125 (AC-DC).....	Vol.	P26114.....	18	MR53.....				26162..... 26163..... 26164.....	6 6 13/15	Buffer RS207..... FP115.....	B14				5	6A8, 6K7, 6Q7, 4B, 25Z5.....	465	7-16,18
126 (AC-DC).....	Vol. Sen.	P26114..... P26095.....	124 †	MR53..... †		See Note A5		26164..... 26163..... 26872.....	13/15 13	FP115..... 2N516/TC26.....					7	*6K7, 6A8, 6Q7, *4B, 25Z5.....	465	8-1,3
127 (AC-DC).....	Vol. Sen.	P26114..... P26095.....	124 †	MR53..... †		See Note A5		27014..... 26162..... 26164.....	3 3 13/15	FP115..... RS207..... 2N516/TC26.....					8	*6K7, 6A8, 6Q7, *4B, *25Z5.....	465	8-4,6
130 Series.....	Vol. Sen.	P26114.....	15 †	MR48..... MR18.....				26403..... 25458..... 24207.....	1 1 15	RS223..... RS216..... TC22.....					7	*6K7, 6A8, 6H6, 6F6, 6F5, 80.....	465	7-19,22
140 Series.....	Vol. Sen.		17 †	MR48..... MR18.....				22757..... 22789..... 25458..... 26048..... 25788.....	3 3 3 15 13	RS213..... RS213..... RS216..... TN111..... TC70.....					9	*6K7, 6A8, 6Q7, 6E5, *6F6, 5Z3.....	465	8-15,17
145 Series.....	Vol. Tone	P26077.....	17 39	MRT440..... †		See Note A5		22757..... 22789..... 25458..... 26693..... 25788..... 24207..... 26048.....	3 3 3 13 13 19 15	RS213..... RS213..... RS216..... TC71..... TC70..... TC22..... TN111.....					10	*6K7, 6J7, 6A8, 6Q7, 6E5,*6L6, 5Z3.....	465	7-23,26
150.....	Vol. Fid.	P26077..... P26439.....	20 †	MRT440..... Order from	Mfr.			22757..... 26773..... 24580..... 26693..... 24207..... 25498..... 22757.....	3 3 13 13 15 15 3	HD684..... RS216..... TC70..... TC70..... TC22..... TN111..... RS213.....					12	*6K7, 6J7, 6A8, *6H6, *6L6, 6E5, 5Z3.....	465	8-7,10 9-2,5
160.....	Vol. Tone	P26077..... P26485.....	20 21	MRT440..... Order from	Mfr.			26510..... 26773..... 24580..... 26693..... 26772..... 25498..... 25788..... 22757.....	3 3 13 13 15 15 13 3	RS216..... RS216..... TC70..... TC70..... TC22..... TN111..... TC70..... RS213.....					14	*6K7, *6J7, 6A8, *6H6, 6E5, 6F6,*6L6, 5Z3.....	465	8-10,14
180.....	Vol. T.Tone B.Tone	P26077..... P26485..... P26798.....	17 21 15	MRT440..... MR55..... MR53.....				26773..... 22759..... 26693..... 26797..... 25788..... 26510..... 26773.....	13 13 13 15/19 13 3 3	RM265..... TC70..... *TN111/TC36..... TC70..... FP115..... RS216..... RS216.....	B12				17	*6K7, *6J7, 6A8, *6H6, 6E5,*6F6,*6L6, 5Z3.....	465	8-18,21 9-7,9
225 (AC-DC).....	Vol. Tone	P26114..... P27311.....	18 57	MR53..... MR53.....	M26			27014..... 26162..... 26164.....	6 6 13/15	RS207..... 2N516/TC26.....					5	6A8, 6K7, 6Q7, 25A6G, 25Z6G.....	465	8-22,24

† Data not substantiated.

\* IMPORTANT: Read Notes in Note Section if specified in Note Column.

§ Indicates miscellaneous section.

MANUFACTURER AND MODEL	CONTROLS							CONDENSERS				VIBRATORS			No. Tubes	Complete Tube Complement	I. F. Peak	Rider's Reference
	Use	Original Part	Circuit	Correct Replacement	Switch	Bias	*Note	Original Part	Circuit	Correct Replacement	*Note	Original Part	Replacement	*Note				
STROMBERG-CAR 228	Vol. Tone	Continued	17	MRT443	M26			27552	1	RM262				6	6A8, 6K7, 6Q7, 6G5, 6F6G, 5Y4G	465	8-25,26	
		P27610	†	MR50				27553	13	RS216								
229P	Vol. Tone Sen.	P27610	20	MRT443	M26			27554	13	TC55				7	6K7, 6A8, 6H6, 6F5, 6F6, 80	465	8-27,30	
		P27311	†	MR50				27619	15	TN111								
230 Series	Vol. Tone	P27610	20	MRT443	M26			26403	1	RS223				7	6A8, 6K7, 6H6, 6G5, 6F5, 6F6, 5Y4G	465	8-31,36	
		P27311	†	MR53				25458	1	RS216								
231 Series	Vol. Tone		20	1 Meg. No. 1 Y1000MP	6-9		See Note A19	26880	13	RS216				7	6A8, 6K7, 6H6, 6G5, 6F5, 6F6, 5Y4G	465	8-34	
								27554	13	TC55								
235H, HB, L, LB	Vol. Tone	P27610	20	MRT443	M26			24207	15	TC22				8	6A8, 6J5, 6K7, 6H6, 6B8, 6F6, 6U5, 5Y4G	465	9-13,16	
		P27311	22	MR53				27122	1	RS223								
240	Vol.	P27569	20	DTM289-SS1				27123	1	RS216				11	6K7, 6A8, 6H6, 6C5, 6G5, 6F5, 6F6, 5U4G	465	9-19,24	
								27124	13/15	TC70/TC22								
245L, LB, M, MB, R, RB, P, PB	Vol.	P27569	20	DTM289-SS1				27595	13	RS216				11	6K7, 6A8, 6J5, 6B8, 6H6, 6F5, 6C5, 6F6, 6U5, 5U4G	465	9-26,30	
								27685	15	TC22								
250	Vol.	P27569	20	DTM289-SS1				27399	1/15	RM265/TC22				13	6K7, 6A8, 6J7, 6B8, 6G5, 6H6, 6F5, 6C5, 6L6, 5U4G	465	8-37,40	
								27611	1	RS216								
255	Vol.	P27569	20	DTM289-SS1				27398	13	RM265				13	6K7, 6A8, 6J7, 6B8, 6H6, 6F5, 6C5, 6L6, 6G5, 5U4G	465		
								27685	15	TC22								
260	Vol. Tone	P28389	124	TRP621			See Note A5	27123	1	RS223				16	6K7, 6A8, 6J7, 6H6, 6G5, 6Q7, 6C5, 6L6, 5U4G	465	9-31,38	
		P27897	22					27123	1	RS216								
320	Vol.	26114	15	MR53				27537	3/13	3S584	B130	B130	B130	5	6A8, 6K7, 6Q7, 6V6G, 80	455	10-9	
								27123	14	RS216								
325	Vol.		15	MR53	M26			25498	15	TN111				5	6A8, 6K7, 6Q7G, 6V6G, 80	455	10-13	
								27753	30	RS213								
335	Vol. Tone		45	MR53	M26		A19	27754	30	RS216				7	6A8, 6K7, 6H6, 6F5, 6F6G, 6U5, 80	455	10-17	
								27755	30	RS216								
337	Vol. Tone	P29518	124	MR53	M26			27756	13	RS216				7	6K8, 6K7, 6H6, 6F5, 6F6G, 6U5, 80	455		
		P27311	†	MR53				27757	13	2N516								
340	Vol. Tone	P27610	124	MRT443	M26			25498	15	TN111				9	6A8, 6K7, 6H6, 6F5, 6C5, 6V6G, 6U5, 80	455		
		P27311	†	MR53				27759	15	TC22								
341	Vol. Tone	P27610	124	MRT443	M26			27753	30	HD684				9	6A8, 6K7, 6H6, 6F5, 6C5, 6V6G, 6U5, 80	455		
		P27311	†	MR53				27754	30	RS216								
345	Vol. Tone	P27610	124	MRT443	M26			27755	30	RS216				10	6K8, 6K7, 6H6, 6F5, 6C5, 6V6G, 6U5, 80	455		
		P27311	57	MR53				27757	24	2N516								
								27756	13	RS216				10	6K8, 6K7, 6H6, 6F5, 6C5, 6V6G, 6U5, 80	455		
								25498	15	TN111								
								27759	15	TC22				10	6K8, 6K7, 6H6, 6F5, 6C5, 6V6G, 6U5, 80	455		
								28256	30	HD684								
								28257	30	RS216				10	6K8, 6K7, 6H6, 6F5, 6C5, 6V6G, 6U5, 80	455		
								28258	30	RS216								
								28259	13	RS216				10	6K8, 6K7, 6H6, 6F5, 6C5, 6V6G, 6U5, 80	455		
								28260	13/15/19	3S579/TC32								
								28654	1	RS216	B130	B130	B130	5	6A8, 6K7, 6Q7, 6V6G, 80	455	10-9	
								28655	1	RS216								
								28656	13	RS216				5	6A8, 6K7, 6Q7G, 6V6G, 80	455	10-13	
								27685	15	TC26								
								16	1	RS216				5	6A8, 6K7, 6Q7G, 6V6G, 80	455	10-13	
								16	1	RS216								
								16	13	RS216				7	6A8, 6K7, 6H6, 6F5, 6F6G, 6U5, 80	455	10-17	
								12	15	TC26								
								16, 16	1	RS216				7	6A8, 6K7, 6H6, 6F5, 6F6G, 6U5, 80	455	10-17	
								16	13	RS216								
								12	15	TC26				7	6K8, 6K7, 6H6, 6F5, 6F6G, 6U5, 80	455		
								12	15	TC26								
								28730	25	RS216				7	6K8, 6K7, 6H6, 6F5, 6F6G, 6U5, 80	455		
								28731	25	RS216								
								28914	1	RS223				9	6A8, 6K7, 6H6, 6F5, 6C5, 6V6G, 6U5, 80	455		
								28915	1	RS216								
								28916	13	RS216				9	6A8, 6K7, 6H6, 6F5, 6C5, 6V6G, 6U5, 80	455		
								28917	13/15	TC70/TC72								
								29002	1	RS223				9	6A8, 6K7, 6H6, 6F5, 6C5, 6V6G, 6U5, 80	455		
								29003	1	RS216								
								28917	13/15	TC70/TC22				10	6K8, 6K7, 6H6, 6F5, 6C5, 6V6G, 6U5, 80	455		
								28914	1	RS223								
								28915	1	RS216				10	6K8, 6K7, 6H6, 6F5, 6C5, 6V6G, 6U5, 80	455		
								29009	13	RS216								

† Data not substantiated.

\* IMPORTANT: Read Notes in Note Section if specified in Note Column.

§ Indicates miscellaneous section.

WHEN YOU BUY A BATTERY CHARGER BUY A MALLORY.

MANUFACTURER AND MODEL	CONTROLS							CONDENSERS				VIBRATORS			No. Tubes	Complete Tube Complement	I. F. Peak	Rider's Reference
	Use	Original Part	Circuit	Correct Replacement	Switch	Bias	*Note	Original Part	Circuit	Correct Replacement	*Note	Original Part	Replacement	*Note				
STROMBERG - CAR 350	LSON Vol.	Continued 27569	124	DTM289-SS1				27622 27336 29543 27123 27685	30 30 30/13 13 15	RS216 RS216 3S584/TC70 RS216 TC26					11	*6K7, 6A8, 6F8G, 6H6, 6B8, 6C5, *6F6, 6U5, 5Z3	455	
360	Vol.		20	†		See Note	A19	16, 16, 16 16 4-4-10	30 13 13	RS216 RS216 3S579					12	*6K7, 6A8, 6F8G, 6B8, 6H6, 6R7, 6N7, *6F6, 6U5, 5Z3	455	10-37
370	Vol.		20	†		See Note	A19	8, 8 16 16 4-4-8-12-12-12	30 30 30 13	HS693 RS216 RS216 RS216					14	*6K7, 6A8, 6F8G, *6H6, 6R7, 6F5, 6C5, *6L6, 6U5, 5Z3	455	10-40
400	Vol.	30136	18	MR48				† 30119	1/15	Order from Mfr. FP339					5	6A8G, 6K7, 6SQ7, 6V6G, 80	455	
402	Vol.	31026	18	MR53	M27			31024	12	TC42					4	1A7GT, 1N5GT, 1H5GT, 1Q5GT	455	11-3,4
405	Vol.	30136	18	MR48				30426	1/15	FP311					5	12SA7, 12SK7, 12SQ7, 35L6GT, 35Z5GT	455	
410	Vol.	30136	18	MR48				30399	1/13/15	FP429					5	6A8G, 6K7, 6SQ7, 6F6G, 80	455	11-7,8
411	Vol.	29560	18	MRT440				30399	1/13/15	FP429					5	6A8G, 6K7, 6SQ7, 6F6G, 80	455	
412H, 412HB	Vol.		127	MR53				16, 16 16	25 13	RS216 RS216					6	6A8, 6J5, 6K7, 6B8, 6K6G, 80	455	11-11
420	Vol. Tone	30136 29560 27311	75 124 †	MR48 MRT440 MR53	M26			30399	1/13/15	FP429					7	6A8G, 6K7, 6H6, 6SQ7, 6F6G, 80, 6AF6G, 80	455	
425	Vol. Tone	127 114	127 114	MR48 MR53	M26			40-15-15-20	1/14/15	FP429					8	6SA7, *6AC7/1852, 6SJ7, 6H6, 6SF5, 6F6G, 80	2100	
430	Vol. Tone	29560 27311	75 †	MRT440 MR53	M26			30499 27685	1/13 15	FP444 TC26	B8				9	6A8, 6K7, 6H6, *6SQ7, *6V6G, 80, 6AF6G	455	
435	Vol. Tone	29560 27311	127 †	MRT440 MR53	M26			30499 27685 31856	1/13 15 24/14	FP444 TC26 FP444	B8 B8 B8				16	6A8, 6K7, *6H6, 6SA7, *6AC7, 6SJ7, 6SK7, *6SQ7, *6V6G, 6AF6G, 80	455/ 2100	
440	Vol. Tone	30249 30566	124 22	SM308 MR53				30499 27685 30539	1/13 15 †	FP444 TC26 Order from Mfr.	B8				10	6A8, 6J5, 6K7, 6H6, *6SQ7, *6V6G, 80, 6AF6G	455	
450	Vol.	30249	124	SM308				27622 27336 30232 30231 30539	66 66 66/15 66/13 †	RS216 RS216 TC62/TC36 FP234 Order from Mfr.					11	*6K7, 6A8, 6J5, 6H6, *6SQ7, *6F6G, 5Z3, 6AF6G	455	
455	Vol. Tone	31534 31535	124 †	† MR55	M26		A19	31531 27685	3/13 15	FP444 TC26					12	6SK7, 6SA7, *6AC7, *6H6, 6SJ7, 6SC7, *6V6G, 5Z3, 6U5	455/ 2100	
460	Vol.		20	†			A19	16, 16, 16 16 4-4-10	30 13 13/15	RS216 RS216 3S579					12	*6K7, 6A8, 6F8G, 6B8, 6H6, 6R7, 6N7, *6F6, 6U5, 5Z3	455	10-37
470	Vol.		20	†			A19	8, 8 16 16 16 4-4-8-12-12-12	30 30 30 13 †	HS693 RS216 RS216 RS216 Order from Mfr.					14	*6K7, 6A8, 6F8G, *6H6, 6R7, 6F5, *6C5, *6L6, 6U5, 5Z3	455	10-40
480	Vol.	30249	20	SM308				31405 31495 31406 31335 30539 31682	37 37 13 13/15 † 46	HS693 FP389 RS216 FP444 Order from Mfr. FP357	B8				20	*6SK7, 6F8G, *6SA7, 6K7, *6H6, 6SJ7, 6R7, 6C8G, 6SQ7, *6L6, 5Z3, 6AF6G	455/ 3000	
500 (AC-DC)	Vol.	31694	18	MR53	M26			30399	1/13/15	FP429					6	*12SK7, 12SA7, 12SQ7, 35L6GT, 35Z5GT	455	
505	Vol. Tone	30136 27311	76 114	MR48 MR53	M26			30399	1/13/15	FP429					9	*6AC7, 6SA7, 6AB7, 6SJ7, 6H6, 6SF5, 6F6G, 80	4300	
509	Vol. Tone	29560 30566	124 †	MRT440 MR53				30399 30477	1/13/15 46	FP429 FP146					5	6A8G, 6K7, 6SQ7, 6F6G, 80	455	
515	Vol. Tone	29560 27311	124 †	MRT440 MR53	M26			30499 31856 27685	1/13 1/13 15	FP444 FP444 TC26	B8 B8				17	6A8, 6K7, *6H6, 6SA7, 6AB7, *6AC7, 6SJ7, 6SK7, *6SQ7, *6V6G, 6AF6G, 80	455/ 4300	12-3-6
520 Series	Vol. Tone Bass	29560 32821 32259	18 22 †	MRT440 MR53 MR53	M26			32052	1/13/15	FP429					7	*6SK7, 6SA7, 6SQ7, 6V6GT, 6U5, 5Y3G	455	
530 Series	Vol. Tone Bass	29560 32821 32259	20 22 †	MRT440 MR53 MR53	M26			32238 32479 27685 32055	3/13 13/15 15 15	Order from Mfr. FP331 TC26 TC26	Mfr.				9	*6SK7, 6SA7, 6SR7, 6AC7, *6V6GT, 5Y3G, 6U5	455	

† Data not substantiated.

\* IMPORTANT: Read Notes in Note Section if specified in Note Column.

‡ Indicates miscellaneous section.

MANUFACTURER AND MODEL	CONTROLS						CONDENSERS				VIBRATORS			No. Tubes	Complete Tube Complement	I. F. Peak	Rider's Reference
	Use	Original Part	Circuit	Correct Replacement	Switch	Bias	*Note	Original Part	Circuit	Correct Replacement	*Note	Original Part	Replacement				
STROMBERG-CAR	Vol.	Continued															
535	Tone	29560	20	MRT440			32238	3/13	Order from	Mfr.				15	*6SK7, *6SA7, 6SR7,		
	Bass	32821	22	MR53			32479	13/15	FP331						6AC7, 6U5, *6V6GT,		
		32259	†	MR53			27685	15	TC26						5U4G, *6AB7, 6SJ7,	4300	
555 Series	Vol.	31534	124				32055	15	TC26						6H6, 6SC7	455	
	Tone	31535	†	MR55	M26	See Note	31531	3/13	FP444						*6AB7, 6SA7, *6AC7,		
							27685	15	TC26						*6H6, 6U5, 6SC7,	455	13-3
585	Vol.	30249	20	SM308			31405	3	HS693						*6SK7, 6AB7, 6F8G,		
							31495	3	FP389	B8					*6SA7, 6K7, *6H6,	4300	
							31406	13	RS216						6SJ7, 6R7, 6C8G,	455	
600H	Vol.	31694	18	MR53	M26		31335	13/15	FP444						*6L6, 5Z3, 6AF6G,		
							31682	46	FP357						*12SK7, 12SA7, 12SQ7,	455	13-4.5
															35L6GT, 35Z5GT		
635 (DC)	Vol.		3	SRP961		Front	4-1	1	See Note	B11					†		
	Vol.		10	SRP901		Rear											
635, 636	Vol.		3	SRP961		Front	3-10	4	See Note	B1							1-5
	Vol.		10	SRP901		Rear											
638 (AC)	Vol.	P18422	3	SRP961		Front	5-9	4	See Note	B1							1-6.7
	Vol.	P18421	10	SRP269		Rear											
638 (DC)	Vol.		3	SRP961		Front	4-1	1	See Note	B11							1-7
	Vol.		10	SRP269		Rear											
641	Vol.		8	SRP960		Front	2-1-2-1	3	See Note	B1							1-8
	Vol.		3	SRP900		Rear											2-21
642	Vol.		8	SRP960		Front	2-2-2-2	3	See Note	B1							1-8.9
	Vol.		3	SRP900		Rear											
652, 654	Vol.		8	SRP960		Front	2-1-2-1	3	See Note	B1							1-8,10
	Vol.		3	SRP900		Rear											
846, 848	Vol.		115	Order from	Mfr.	Front	†	3	See Note	B1							1-12,13
	Vol.		3	SRP900		Rear											
900 Series	Vol.	31694	18	MR53	M26		31682	46	FP357						*12SK7, 12SA7, 12SQ7,	455	13-5.6
															35L6GT, 35Z5GT		
920 Series	Vol.	29560	124	MRT440			33894	1/13/15	FP429						*6SK7, 6SA7, 6SC7,	455	13-7
															*6V6GT, 5Y3G		9.22
925 Series	Vol.	33559	18	MRT440	M26		33526	1/13	Order from	Mfr.					6AB7, *6AC7, 6SA7,		
	Treble	33582	22	MR53			34013	13/15	35584/TC26	B8					6SK7, 6SQ7, 6SC7,		
	Bass	33583	†	MR53											*6SJ7, 6H6, *6P6G,	455	13-10-16
															6U5, 5U4G		
935 Series	Vol.	33559	15	MRT440	M26		33739	3	TC74						*6AB7, *6AC7, 6SA7,		
	Treble	33582	22	MR53			34050	3/13	FP444						*6SJ7, 6H6, *6SQ7,		
	Bass	33583	†	MR53			34052	13/15	TC74/TN129						*6SC7, 6U5, *6L6G,	455	13-10,
															5U4G		17-22
955	Vol.	33559	15	MRT440	M26		33739	3	TC74						*6AB7, or 6SG7,		
	Treble	33582	22	MR53			34050	3/13	FP444						*6AC7, 6SA7, 6AB7,		
	Bass	33583	†	MR53			34116	1/17	FP234/TC39						*6SJ7, 6H6	AM	
							34122	1	2S569						*6SQ7GT, *6SC7,	455 kc.	
							34052	13/15	TC74/TN129						6U5, *6L6G,	FM	
														5U4G, 5Y3G	4.3 mc.		
955PF	Vol.	33559	15	MRT440	M26		33739	3	TC74						*6SG7, 7V7, 6SA7,		
	Treble	33582	22	MR53			34050	3/13	FP444						6AC7, *6SJ7, 6U5,	AM	
	Bass	33583	†	MR53			34116	1/19	FP234/TC39						6H6, *6SC7,	455 kc.	
							34122	1	2S569						*6SQ7GT, *6L6G,	FM	
							34052	13/15	TC74/TN129						5U4G	4.3 mc.	13-23-28
1000 Series	Vol.	31694	18	MR53	M26		34506	4	Order from	Mfr.					*12SK7, 12SA7, 12SQ7,	455	13-29,30
															35L6GT, 35Z5GT		
1020PL, 1020PLM, 1020LW, 1020PLW, 1120PLM, 1120PL, 1120PM	Vol.	29560	†	Order from	Mfr.		33894	†	FP429						6SK7, 6SA7, 6SF7,		
															6SC7, *6V6GT,	455	15-1.5
															5Y3G		
1025 Series	Vol.	33559	18	MRT440	M26		33526	1/13	Order from	Mfr.					6AB7, *6AC7, 6SA7,		
	Treble	33582	22	MR53			34013	13/15	35584/TC26	B8					6SK7, 6SQ7, 6SC7,		
	Bass	33583	†	MR53											*6SJ7, 6H6, *6P6G,	455	
															6U5, 5U4G		
1035 Series	Vol.	33559	15	MRT440	M26		33739	3	TC74						*6AB7, *6AC7, 6SA7,		
	Treble	33582	22	MR53			34050	3/13	FP444						*6SJ7, 6H6, *6SQ7,		
	Bass	33583	†	MR53			34052	13/15	TC74/TN129						*6SC7, 6U5, *6L6G,	455	
															5U4G		
1100-H, 1100-H1	Vol.	31694	205	MR53	M26		111001	1	FP214						*14A7, 14Q7, 14B6,	455	15-5.7
							34506	1	FP214						35A5, 35Y4		
1101-HB, 1101-H1, 1101-HM, 1101-HW, 1101-WY, Ch. 112002, 112001	Vol.	145001	75	MR53	M26		111001	1	FP214						*12SK7, 12SA7, 12SQ7,	455	15-5.7
															35L6GT, 35Z5GT		
1105 (Series 10-11)	Vol.	145007	205	MR53	M27		111008	24/78	FP309/TC2501						*1LG5, 1LC6, 1LD5,	455	16-1.3
							111013	13	TC47						3LF4, 117Z6GT		
							110010	78	TC2501								

† Data not substantiated.

\* IMPORTANT: Read Notes in Note Section if specified in Note Column.

‡ Indicates miscellaneous section.

ASK YOUR DISTRIBUTOR FOR THE LATEST MALLORY CATALOG AND PRICE LIST.

MANUFACTURER AND MODEL	Use	CONTROLS						CONDENSERS				VIBRATORS			No. Tubes	Complete Tube Complement	I. F. Peak	Slider's Reference	
		Original Part	Circuit	Correct Replacement	Switch	Bias	*Note	Original Part	Circuit	Correct Replacement	*Note	Original Part	Replacement	*Note					
STROMBERG-CAR 1110-HW, 1110-PTW (Series 10).....  1121HW, 1121LW, 1121M1D, 1121M2W, 1121M2Y, 1121PFM, Series 10-11-12, Ch. 112004.....  1121PFW, 1121PGM, 1121PGW, 1121PLM, 1121PLW, 1121PSM, Series 10-11-12.....  1135A.....  1135PFM, 1135PLM, 1135PLW, Series 10-11.....	LSON—	Continued																	
	Vol. Tone	145005..... 145004.....	80 80	MRT443... Order from	M26 Mfr.....			111004.....	1/15	FP330					6	6SK7, 6SA7GT/G, 6SQ7, 6K6GT, 6X5GT/G.....	455	16-4,7	
	Vol. Tone	145002..... 145003.....	157 260	TM240-SS1 MR57.....	M26			111002..... 111003.....	132 12/15	FP238 FP346					11	6SG7, 6SB7, 6SH7, 6H6, 6SQ7, 6SC7, 6V6GT, 5U4G.....	445 10.7	15-12,20	
	Vol. Tone	145002..... 145003.....	157 260	TM240-SS1 MR57.....	M26			111002..... 111003.....	132 12/15	FP238 FP346					11	6SG7, 6SB7, 6SH7, 6H6, 6SQ7, 6SC7, 6V6GT, 5U4G.....	455 10.7	15-12,20	
	Vol.		157	MRT440...	M26				3 3/15 3/24 1	RS219 FP346 Order from FP214	Mfr.....				16	6SG7, 6SB7Y, 6SH7, 6SJ7, 6H6, 6SQ7, 6U5G, 6SL7, 6SN7, 6L6GT, 5R4G.....	455 10.7	16-11,15	
STUDEBAKER AUTO S-4624, S-4625, "Liberator".....  S-4626, S-4627.....	Vol.	33-5540.....	205	Order from	Mfr.....			61-0150.....	88	FP424 Buffer		83-0026	859	C3	6	7A7, 7B8, 7B6, 7A5, 7Y4.....	455		
	Vol. Tone (Early) (Late) Sens.	33-5522..... 33-5521..... 67-0036.....	75 266 206	Order from Order from Order from	Mfr..... Mfr..... Mfr.....			60-0150..... .005	88/15	FP424 Buffer	B14 B14	83-0026	859	C3	8	7A7, 7B8, 7B6, 7A4, 7C5, 7Y4.....	265		
	Vol.		6	D12			8-8.....	1	2N518						5	5L324A, 47, 80.....		§3-8	
	Vol.		6	MR24.....			8-8.....	1	2N518						7	5L1, 27, 24A, 47, 80.....			
STUDEBAKER LABORATORIES 31..... 42.....	Vol. Vol.		6 6	D12 MR24.....			8-8.....	1 1	2N518 2N518						5 7	5L324A, 47, 80..... 5L1, 27, 24A, 47, 80.....		§3-8	
SUNGLOW Melody-Chest.....	Vol.		40/12	GE.....			..... †	..... †	See Note.....	B1					..... †				
SUPERTONE PRODUCTS CO., INC. Superba..... L5.....  L6.....  L7..... Z4..... Z5..... A31.....	Vol. Vol. Tone	P660..... P661.....	17 18 34	MR48..... MR48..... MR39.....	M26			8-16..... P474..... P160..... P304.....	4 32 32 15	See Note..... HD684..... 2N518..... TC22.....	B3				7 7	57, 58, 2A5, 56, 2A6, 80 5Z4, 6F5, 6F6, 6H6, 6K7, 6L7, 6C5.....	465 456	§5-21	
	Vol. Tone	P660..... P661.....	18 44	MR48..... MR39.....	M26			P474..... P160..... P304.....	32 32 15	HD684..... 2N518..... TC22.....					8	5Z4, 6C5, 6F6, 6K7, 6L7, 6Q7.....	456		
	Vol. Tone	P691..... P682.....	45 †	Order from MR39.....	Mfr.....			P391..... .01-01	1 1	2N516 Buffer	B14	P402	245C	C3	7	1C6, 19, 30, 34.....	456		
	Vol. Tone	P680..... P682.....	45 44	Order from MR39.....	Mfr.....			P391..... .01-01	1 1	2N516 Buffer	B14	P402	245C	C3	6	1C6, 19, 30, 32, 34.....	456		
	Vol. Tone	P691..... P962.....	45 44	Order from MR39.....	Mfr.....			P958..... .01-01	1 23	2N518 Buffer 2S567	B14 B33	P402	245C	C3	6	1C6, 19, 30, 32, 34.....	456		
	Vol.		18	MR48.....			8-4.....	23							5	6A7, 6D6, 75, 42, 80.....	456	§5-20	
	SWANK ER61.....  DU101, 5 Tube Radio-Phono.....	Vol.		153	MR48.....	M26				24 15	2N509 TC26.....					3	12SL7GT, 50L6GT, 35Z5GT.....		
		Vol. Tone	650-504-E..... 174054.....	161 22	MR48..... MR35.....	M26				88	TN129					5	12SA7GT, 12SK7GT, 12SQ7GT, 50L6GT, 35Z5GT.....	455	
	SYNCHROPHASE (See A. H. Grebe & Co.)																		

† Data not substantiated.

\* IMPORTANT: Read Notes in Note Section if specified in Note Column.

‡ Indicates miscellaneous section.

MANUFACTURER AND MODEL	CONTROLS							CONDENSERS				VIBRATORS			No. Tubes	Complete Tube Complement	I. F. Peak	Rider's Reference
	Use	Original Part	Circuit	Correct Replacement	Switch	Bias	*Note	Original Part	Circuit	Correct Replacement	*Note	Original Part	Replacement	*Note				
L. TATRO PRODUCTIONS CORP.																		
AK54 (Mayor)	Vol.		17	MR48			10	15	TC22					5	6A7, 78, 75, 338	175	5-1	
AM54 (Senator)	Tone		44	MR48			16	1	TC65			Order Mfr.	C3	6	6D8G, 6S7G, 6T7G, 41, 6E5, 6ZY5G	456	10-6	
AQ69	Tone		15	MR48			8	1	TC62									
	Tone		21	†		See Note	10	15	TC22									
							5	15	TC32									
							.005	15	Buffer	B14								
A525, B525	Vol. Tone	10L1	17	MR48			4L-5	15	TC22					5	77, 78, 75, 338	456	6-2	
		10L11	22	MR48	M26		4L11	15	TC22									
BQ69	Vol. Tone		15	MR48			16	1	TC65			Order Mfr.	C3	6	6D8G, 6S7G, 6T7G, 41, 6E5, 6ZY5G	456	10-6	
	Tone		21	†		See Note	8	1	TC62									
							10	15	TC22									
							5	15	TC32									
							.005	15	Buffer	B14								
C625, D625	Vol. Tone	10L1	17	MR48	M26		4L3	1	RS213		15L2	F294	C3	6	78, 6A7, 75, 38, 84	177.5	6-4	
		10L11	22	MR48			4L5	15	TC22									
							4L11	15	TC22									
							.005	15	Buffer	B14								
CQ69, DQ69	Vol. Tone		17	MR48			8	1	TC71			245	C3	7	6A8G, 6S7G, 6T7G, 6L5G, 6Z7G, 6ZY5G, 6E5	456	9-1,2	
	Tone		57	†		See Note	16	1	TC74									
							5	15	TC22									
							.005	15	Buffer	B14								
E83	Vol. Tone		117	E12								Order from Mfr.		8	44, 37, 38, 85			
			41	MR48														
EN64	Vol. Tone		56	MR48			6N-2	1	2N518			246	C3	4	1C6, 1A4, 1B5/25S, 1F4	457	7-1	
	Tone		57	MR48	M26		6N-1	19	TC22									
							.005	15	Buffer	B14								
EQ39	Vol.		15	MR53			16	1	TC65			F294	C3	6	6A7, 78, 75, 41, 84, 6E5	456	10-1	
							8	1	TC62									
							10	15	TC22									
							.01-.01	15	Buffer	B14								
F725	Vol. Tone	10L1	17	MR48	M26		4L3	1	RS213		15L2	F294	C3	7	78, 6A7, 75, 41, 84	177.5	6-6	
		10L11	34	MR48			4L4	1	RS216									
							4L14	15	†TC39	B196								
							4L5	15	TC22									
							4L11	15	TC22									
							.005	15	Buffer	B14								
F913	Vol. Tone		117	E12								Order from Mfr.		8	44, 85, 41, 37		4-4	
			41	MR48														
FQ39	Vol.		15	MR53			16	1	TC65			F294	C3	6	6A7, 78, 75, 41, 84, 6E5	456	10-1	
							8	1	TC62									
							10	15	TC22									
							.01-.01	15	Buffer	B14								
H465, 1465	Vol. Tone	10L1	17	MR48	M26		4L1	1	RS213			270B		4	15, 75, 38	456	6-1	
		10L11	22	MR48			4L5	15	TC22									
							4L11	15	TC22									
HQ39	Vol.		17	MR48			16	1	TC65			Order from Mfr.		8	6A7, 78, 75, 37, 42, 6E5, 84	456	10-2	
							8	1	TC62									
							10	15	TC22									
							5	15	TC32									
							.02-.02	15	Buffer	B14								
1N25	Vol. Tone		18	MR48			6N-4	1	2N518			F294	C3	5	6A7, 78, 75, 38, 84	457	7-2	
			57	MR48			6N-5	15	TC22									
							6N-1	15	TC22									
							.02-.02	15	Buffer	B14								
J665	Vol. Tone	10L1	17	MR48	M26		4L1	1	RS213		15L1	270B		6	15, 6A7, 75, 30, 19	177.5	6-5	
		10L11	22	MR48			4L5	15	TC22									
							4L6	19	TC26									
K54	Vol.		17	MR48			10	15	TC22					4	77, 78, 75, 38	175	4-2	
K665	Vol. Tone	10L1	17	MR48	M26		4L1	1	RS213		15L1	270B		6	15, 6A7, 30, 75, 19	177.5	6-5	
	Tone	10L11	22	MR48			4L5	15	TC22									
							4L6	19	TC26									
L54	Vol. Tone		17	MR48			8	1	TC52			Order from Mfr.		4	78, 6A7, 75, 41	177	4-3	
			41	MR48			16	1	TC55									
							20	1	†TC39	B196								
L74 (Lt. Governor)	Vol. Tone		17	MR48			8	1	TC52			F294	C3	7	6A7, 78, 75, 41, 84	175	5-2	
			41	MR48			16	1	TC55									
							20	1	†TC39	B196								
							10	1	†TC26	B196								
							†	1	Buffer	B14								
L525	Vol. Tone	10L3	15	MR53										5	6A7, 78, 12A7, 48	456	6-3	
		10L12	22	MR39	M26													
M54	Vol.		17	MR48			10	15	TC22					5	77, 78, 75, 38	175	4-2	
M4616	Vol. Tone	10L1	18	MR48			4L1	1	RS213		25L25	Order from Mfr.		4	6A7, 15, 75, 33	456	8-1	
	Tone	10L11	57	MR48	M26		.005	15	Buffer	B14								
N54	Vol. Tone		17	MR48			8	1	TC52			Order from Mfr.		5	6A7, 78, 75, 41	177	4-3	
			41	MR48			16	1	TC55									
							20	1	†TC39	B196								
N74 (Governor)	Vol. Tone		17	MR48			8	1	TC52			F294	C3	7	78, 6A7, 75, 41, 84	175	5-2	
			41	MR48			16	1	TC55									
							20	1	†TC39	B196								
							10	1	†TC26	B196								
							†	1	Buffer	B14								

† Data not substantiated.

\* IMPORTANT: Read Notes in Note Section if specified in Note Column.

‡ Indicates miscellaneous section.

THE MALLORY TECHNICAL MANUAL IS YOUR COMPLETE TECHNICAL HANDBOOK.





MANUFACTURER AND MODEL	CONTROLS							CONDENSERS				VIBRATORS			No. Tubes	Complete Tube Complement	I. F. Peak	Rider's Reference
	Use	Original Part	Circuit	Correct Replacement	Switch	Bias	*Note	Original Part	Circuit	Correct Replacement	*Note	Original Part	Replacement	*Note				
<b>TELEPHONE</b> 5 Tube TRF.....	Vol. Tone		6 22	E12 MR33	6-9			4-6	4	RM262	B3				5	*24, 47, 80		
100, 101, 111, 113, Ch. "A" Early....	Vol.		205	MR48	M26		A106		88	TN129					5	12SA7, 12SK7, 12SQ7, 50L6GT, 35Z5GT..	455 15-1	
100, 100A, 101, 109, 111, 122, 130, Ch. "A" Late....	Vol.		18	MR48	M26		A106		88	TN129					5	12SA7, 12SK7, 12SQ7, 50L6GT, 35Z5GT..	455 15-2	
101J, 122J, 130J, Ch. Series "J"....	Vol.		18	MR48	M26				88	TN129					5	12BE6, 12BA6, 12AT6, 50B5, 35W4	455 15-4	
109, Ch. Series "J"	Vol.	A-VC-1	205	MR48	M26		A106		88	TN129					5	12BE6, 12BA6, 12AT6, 50B5, 35W4	455	
115, Ch. Series "B"	Vol.		161	MR48	M26				88	TN129					5	12SA7, 12SK7, 12SQ7, 50L6GT, 35Z5GT..	455 15-3	
117, 117A, 118, 120, Ch. Series "D"....	Vol.	672	18	MR48	M26		A106		88	TN129					6	14Q7, 14A7/12B7, 14B6, 35L6GT, 35Y4	455	
133.....	Vol. Tone	A-VC-1 C-VC-1	161 163	MR48 MR28	M26		A106		88	FP380	B277				8	6SA7, 6SK7, 6SQ7GT, *6SJ7GT, *6K6GT, 6X5GT	455	
134, Ch. Series "C"	Vol. Tone	A-VC-1 C-VC-1	161 163	MR48 MR28	M26		A106		88	FP380	B277				8	6SA7, 6SK7, 6SQ7, *6SJ7, *6K6GT, 6X5GT	455 15-3	
135.....	Vol.	H-VC-2	55	Order from	Mfr.				88	TN129					5	12BE6, 12BA6, 12AT6, 50B5, 35W4	455 \$16-11	
138, Ch. Series "N"	Vol.	A-VC-1	205	MR48	M26		A106	CE-11	125	TN129					5	12SA7, 12SK7, 12SQ7, 50L6GT, 35Z5GT..	455 \$16-11	
148, Ch. Series "J"	Vol.	H-VC-2	55	Order from	Mfr.			A-CE-1	88	FP354					5	12BE6, 12BA6, 12AT6, 50B5, 35W4	455	
<b>TELEVOX</b> RP.....	Vol. Tone		274 22	MR48 MR41	M26				88 88 15	2N514 TC47 TC45					5	12BE6, 12BA6, 12AT6, 50B5, 35W4	455	
27JB-2W.....	Vol. Tone		245	MR48	M26				88	2N514					2	50L6GT, 35Z5GT		
27K-W.....	Vol. Tone		22 245	MR48 MR48	M26 M26				88 88	TC47 2N514					2	50L6GT, 35Z5GT		
27-P-T.....	Vol. Tone		50 22	MR48 MR41	M26				88 24 24 13	TC45 TC48 TC47 TC45					2	50L6GT, 35Z5GT		
<b>TEMPLE CORP.</b> 8-60, 8-80, 8-90.....	Vol.		4	E12				1-4-2 .15	3	See Note	B1 B9				9	*27, *45, 80	1-1	
8-61, 8-81, 8-91.....	Vol.		6/16	DRP240				2-4-2 .15	3	See Note See Note	B1 B9				9	*45, *27, *24A, 80	1-2	
<b>TEMPLETON RAD</b> E-301.....	Vol. Tone	P.—"Temple"	50 184	MR48 MR14	M26				24/15	FP409	B8				3	50L6GT, 35Z5GT		
E-510.....	Vol.	650.504E	205	MR48	M26			161.520	88/15	FP409 FP410 TC47 TC26	B192				5	12SA7GT, 12SK7GT, 12SQ7GT, 50L6GT, 35Z5GT..	455 15-5,6	
E-511.....	Vol. Tone	650.504E 650.504J	142 262	MK401 MR48	M26 M26			CE-78	24/15	2N511/2N514					5	12SA7GT, 12SK7, 12SQ7GT, 50L6GT, 35Z5GT..	455 15-7	
E-512, E-513, E-514.....	Vol.	650.504E	205	MR48	M26			161.520	88/15	FP409 FP410 TC47 TC26	B192				5	12SA7GT, 12SK7GT, 12SQ7GT, 50L6GT, 35Z5GT..	455 15-5,6	
E-515, E-516, E-517, E-518.....	Vol.	650.504E	75	MR48	M26			161.520	88	FP409					5	12SA7, 12SK7, 12SQ7, 50L6GT, 35Z5GT..	455 15-5,6	
E-519.....	Vol.	650.504E	205	MR48	M26			161.520	88/15	FP409 FP410 TC47 TC26	B192				5	12SA7GT, 12SK7GT, 12SQ7GT, 50L6GT, 35Z5GT..	455 15-5,6	
F-301.....	Vol. Tone	RP6-504-B AP5-103-B	165 184	MR48 MR18	M26			CE1-4A83	88/15	FP409					3	50A5/50L6GT, 35A5/35L6GT, 35Y4/35Z5GT		
F-611.....	Vol.	RP6-2	205	MK401	M27			CE1-4A81	80/13/78	FP410/TC45					6	*1N5GT, 1A7GT, 1H5GT, 3Q5GT, 117Z6GT	455 15-6,8	
F-616.....	Vol.	650.504E	205	MR48	M26				24	2N521					6	*12SK7GT, 12SA7GT, 12SQ7GT, 35L6GT, 35Z5GT..	455	

‡ Data not substantiated.

\* IMPORTANT: Read Notes in Note Section if specified in Note Column.

§ Indicates miscellaneous section.

MANUFACTURER AND MODEL	CONTROLS							CONDENSERS				VIBRATORS			No. Tubes	Complete Tube Complement	I. F. Peak	Rider's Reference
	Use	Original Part	Circuit	Correct Replacement	Switch	Bias	*Note	Original Part	Circuit	Correct Replacement	*Note	Original Part	Replacement	*Note				
TEMPLETON RAD F-617	Vol.	P.—Continued RP5-2	161	MK401	M26			161.552	91	FP357/TC45				6	12SK7, 12SA7GT, 12SQ7GT, 35L6GT, 35Z5GT..	455	15-4	
G-410	Vol.	RP10-504B	205	MK401	M26			CE1-4A81	80/13/78	FP410/TC45	B192			4	1A7GT, 1N5GT, 1H5GT, 3Q5GT, D. R.	455		
G-418, G-419	Vol.	RP16	18	Order from	Mfr.				24	2N521				4	12SA7, 12SQ7, 50L6GT, 35Z5GT..	455		
G-513	Vol.		205	MK401	M26				24	2N521				5	12SA7GT, 12SK7GT, 12SQ7GT, 50L6GT, 35Z5GT..	455		
G-515	Vol.	RP5-2	205	MK401	M26				24	2N511/2N514				5	14Q7/12SA7, 14A7/12SK7, 14B6/12SQ7, 50L6GT, 35Y4/35Z5GT..	455		
G-516	Vol. Tone	RP5-2 RP6-504B	161 95	MK401 MK401	M26				80/15	FP357/TC45				5	12SA7GT/G, 12SK7, 12SQ7GT/G, 50L6GT, 35Z5GT/G..	455		
G-518	Vol. Tone	RP5-2A RP6-504B	161 95	TM230-SS25 MK401	M26				80/15	FP357/TC26	B8			5	12SA7GT, 12SK7GT, 12SQ7GT, 50L6GT, 35Z5GT..	455		
G-521	Vol.	RP10-504	281	TM230-SS25	M26			CE1-4A81	80/13/78	FP410/TC45				6	1LA6, 1LN5, 1LH4, 3LF4, D. R.	455		
G-522	Vol. Tone	RP6-504B RP5-103B	205 184	MK401 UM118-SS25	M26			CE-86	78	TC26				5	12SA7GT, 12SK7GT, 12SQ7GT, 50L6GT, 35Z5GT..	455		
G-615, G-618	Vol.	RP5-2	205	MK401	M26			CE-85	80	2N521				6	12SK7GT, 12SA7GT, 12SQ7GT, 35L6GT, 35Z5GT..	455		
G-619	Vol.	RP5-2	205	MK401	M26				80	2N521				6	12SK7GT, 12SA7GT, 12SQ7GT, 35L6GT, 35Z5GT..	455	15-9	
G-721, G-722, G-723	Vol. Tone	RP8-105	169	Order from	Mfr.				1	FP234				7	7Q7, 7H7, 7B6, 7C7, 7C5, 5Y3GT	455		
L-525	Vol.	RP5-2	205	MR48	M26				24/15	2N511/2N514				5	12SA7, 12SK7, 12SQ7, 50L6GT, 35Z5GT..	455	15-1	
L-535	Vol. Tone		50	MR48	M26				24/15	FP409				2	50L6GT, 35Z5GT..			
P-2	Vol.	RP5-2	205	MR14 MK401	M26 M26			CE-82	24/15	2N511/2N514				5	14Q7, 14A7/12B7, 14B6, 50L6GT, 35Y4		15-1	
P-4	Vol.		205	MK401	M27				80/13/78	FP357/TC45				6	1N5GT, 1A7GT, 1H5GT, 3Q5GT, 117Z6GT	455		
P-5	Vol. Tone		169	Order from	Mfr.				1	FP234				9	7Q7, 7H7, 7B6, 7C5, 5Y3GT	455	15-2,3	
P-8	Vol.	RP10-504	281	TM230-SS25	M26			CE1-4A81	80/13/78	FP410/TC45				6	1LA6, 1LN5, 1LH4, 3LF4, D. R.	455		
P-9	Vol. Tone		165	MR48	M26			CE-86	78	TC26				3	50A5, 35A5, 35Y4			
P-13	Vol.	RP5-2	161	MR18 MK401	M26 M26			161.552	91	FP357/TC45				6	12SK7GT, 12SA7GT, 12SQ7GT, 35L6GT, 35Z5GT..	455	15-4	
TEMPOTONE 500 E Series	Vol.	A-20365-1	18	MR48	M26			A-40045-1	24	2N520				5	12SA7, 12SK7, 12SQ7, 50L6GT, 35Z5GT..	455		
THORDARSON T-30W08A	Vol. Tone	RCP-1-105	277	MR53				CE-2004	1/15	FP332				4	6SJ7, 6L6/6L6G, 5Y3GT/G			
	Phono	RCP-1-254S	158	MR44	M26			CE-2004	24/15	FP332				7	6SJ7, 6J5, 6SN7GT, 6B4G, 5U4G			
T-31W10A	Vol. Bass Treble	RCP-1-105	277	MR53				CE-25-256	15	TC26				7	6SJ7, 6J5, 6SN7GT, 6B4G, 5U4G			
			172	MR53					91	HS693				7	6SJ7, 6N7GT, 6L6G, 5X4G			
			†	Order from	Mfr.				12	RM638				7	6SJ7, 6N7GT, 6L6G, 5X4G			
			†	Order from	Mfr.				19	TC48				7	6SJ7, 6N7GT, 6L6G, 5X4G			
T-31W25A	Mic. 1 Bass Phono Mic. 2 Treble	RCP-1-105 RCP-3-905 RCP-1-105 RCP-1-105 RCP-1-254S	277 267 172 277 158	MR53 UC508 MR53 MR53 MR44				CE601-805	1	HS693				13	6SJ7, 6J5, 6V6GT, 6L6G, 5X4G, 6X5GT			
			267	UC508				CE601-805	1	HS693				13	6SJ7, 6J5, 6V6GT, 6L6G, 5X4G, 6X5GT			
			172	MR53				CE50-506	19	TC39				13	6SJ7, 6J5, 6V6GT, 6L6G, 5X4G, 6X5GT			
			277	MR53				CE2004	15/13/12	FP332				13	6SJ7, 6J5, 6V6GT, 6L6G, 5X4G, 6X5GT			
			158	MR44				CE451-106	12	TC72				13	6SJ7, 6J5, 6V6GT, 6L6G, 5X4G, 6X5GT			
			†	Order from	Mfr.			CE25-256	15	TC26				13	6SJ7, 6J5, 6V6GT, 6L6G, 5X4G, 6X5GT			
			†	Order from	Mfr.			CE25-256	130	TC26				13	6SJ7, 6J5, 6V6GT, 6L6G, 5X4G, 6X5GT			
			279	NN					1	HS693				13	6SJ7, 6J5, 6V6GT, 6L6G, 5X4G, 6X5GT			
			†	Order from	Mfr.				1	HS693				13	6SJ7, 6J5, 6V6GT, 6L6G, 5X4G, 6X5GT			
			†	Order from	Mfr.				80	FP234				13	6SJ7, 6J5, 6V6GT, 6L6G, 5X4G, 6X5GT			
			279	NN					13	TC72				13	6SJ7, 6J5, 6V6GT, 6L6G, 5X4G, 6X5GT			
			†	Order from	Mfr.				19	TC32				13	6SJ7, 6J5, 6V6GT, 6L6G, 5X4G, 6X5GT			
			†	Order from	Mfr.				19	TC39				13	6SJ7, 6J5, 6V6GT, 6L6G, 5X4G, 6X5GT			
			†	NN					15	TC26				13	6SJ7, 6J5, 6V6GT, 6L6G, 5X4G, 6X5GT			
			†	NN					15	TC39				13	6SJ7, 6J5, 6V6GT, 6L6G, 5X4G, 6X5GT			

† Data not substantiated.

\* IMPORTANT: Read Notes in Note Section if specified in Note Column.

§ Indicates miscellaneous section.

MANUFACTURER AND MODEL	CONTROLS							CONDENSERS				VIBRATORS			No. Tubes	Complete Tube Complement	I. F. Peak	Rider's Reference
	Use	Original Part	Circuit	Correct Replacement	Switch	Bias	*Note	Original Part	Circuit	Correct Replacement	*Note	Original Part	Replacement	*Note				
TIFFANY TONE—(See Herbert H. Horn)																		
TOBE DEUTSCHMAN Browning 35.....	NN Vol. Sen.		45 7	MR48 G.....				8, 8. 10.....	1 15	RS213 TC22.....					8	*6K7, 6A8, 6F5, 6C5, 6H6, 6F6, 5Z4.....	456	
TOK-FONE—See Regal																		
TOM THUMB—See Automatic Radio																		
TONE MASTER—See Airking																		
TONE PACK AC8HF.....	Mic. Tone Phono		277 22 277	UM159-SS1 MR53 UM159-SS1					24/15 13 15	FP339 TC52 TC36.....				4	*6SJ7GT, 6L6GA, 5Y3GT.....			
TRANSFORMER CO TC1, TC2.....	RP. OF Vol. Tone	AMERICA 10840..... 10830.....	(TCA) 17 22	(Clarion) MR53..... MR44.....				10140..... 10850.....	28 28	RM262..... RS213.....				7	*78, 37, 75, 42, 80.....	262	9-1,2	
TC6.....	Vol.		18	MR48.....	M26			8-4.....	23	2S567.....				5	6A7, 6D6, 75, 42, 80.....	465	8-1,3	
TC10.....	Vol.	6210.....	†	MRT460.....				8.....	3	RS213.....	B3			4	*6C6, 6B5, 83V.....		7-1	
TC16.....	Vol.	6223.....	†	MR48.....				8-8.....	3	2N518.....				6	6C6, 76, 6A6, *6B5, 83V.....		7-2	
TC17.....	Vol.	6210.....	†	MRT460.....				8, 8.....	1	RS213.....	B3			6	6C6, 76, 6A6, *6B5, 83V.....		7-2	
TC20, TC21.....	Vol.		56	MR48.....	M26			9659.....	1	2N518.....				5	58, 2A7, 2A6, 2A5, 80.....	465	5-7,8	
TC21.....	Vol. Tone	6210..... 6223.....	† 57	MRT460..... MR48.....				1108..... 8, 8, 8.....	13 15	TC70..... TC36.....	B3			8	*6J7, *6C5, *6L6, 83.....		7-3	
TC22, TC23.....	Vol. Tone		18 22	MR48..... MR39.....	M26			12, 12.....	4 15	RS215..... TC22.....				7	*6D6, 6A7, 76, 42, 80.....	456	9-3	
TC27.....	Vol. Tone	6210..... 6223.....	† 57	MRT460..... MR48.....				8, 8.....	2 15	HD684..... TC22.....				8	*2A6, *53, 59, *46, 83.....		7-3	
TC28, TC29.....	Vol. Tone		18 22	MR48..... MR39.....				5..... 24, 24.....	15 8	TC22..... TC47.....				6	6A8, 6K7, 75, 43, 25Z5, 12Z3.....	465	8-2,3	
TC30.....	Vol.		6	†				12-16.....	4	TCS44.....				4	6D6, 6C6, 43, 12Z3.....		5-6	
TC31.....	Vol.	TPE2090.....	6	†				TPE2290.....	6	TC44.....				5	*6C6, 6D6, 43, 12Z3.....	456	10-1	
TC33.....	Vol. Tone	6210..... 6224.....	† 57	MRT460..... MR48.....				TPE2300.....	6	TC42.....				7	*75, 6A6, 76, 6E6, *79.....		7-4	
TC35A, TC35LW.....	Vol. Tone		18 34	MR48..... MR39.....	M26			8-4.....	13	2N518.....				5	6A7, 6D6, 75, 42, 80.....	456	10-2,3	
TC36.....	Vol. Tone		18 22	MR48..... MR39.....				12, 12.....	4 6	TC71..... TC22.....	B20 B5			6	6A7, *6D6, 75, 43, 25Z5.....	456	10-4	
TC36A, TC36LW.....	Vol. Tone		45 34	MR48..... MR39.....	M26			20-12.....	6 15	2N509..... TC22.....				5	6A7, 6D6, 75, 43, 25Z5.....	456	9-4	
TC37.....	Vol. Tone		7 22	D..... MR39.....				20-12-8.....	8 13	TN125..... TC40.....				8	6A7, *6D6, 85, *43, *25Z5.....	456	9-5	
TC37A, TC37LW.....	Vol. Tone		18 44	MR48..... MR39.....				5.....	6 12	TC22..... 2N514.....				8	*6D6, 6A7, 85, *43, *25Z5.....	456	10-5	
TC38.....	Vol. Tone		18 22	MR48..... MR39.....				12-20.....	6 13	2N509..... TC40.....				6	6A7, *6D6, 75, 43, 25Z5.....	456	9-6	
TC39.....	Vol. Tone		45 34	MR48..... MR39.....				4.....	15 4	TN111..... ST597.....				7	*6D6, 6A7, 76, 42, 80.....	456	8-7,8	
TC39A, TC39W.....	Vol. Tone		45 34	MR48..... MR39.....				12, 12.....	4	RS215.....				7	*6D6, 6A7, 76, 42, 80.....	456	9-7	
40.....	Vol.		8	A5MP.....	6-9	1		1-4.....	25	See Note.....	B1			5	*51, 2A4, 47, 80.....		1-1,2	
TC40.....	Vol.		6	MR18.....				4-4.....	4	TCS71.....				5	*6D6, 6C6, 42, 80.....		5-9	
TC42, TC43, TC44.....	Vol. Tone		45 44	MR48..... MR39.....	M26			5.....	19 15	TC32..... TC22.....				10	*6K7, 6A8, 6H6, *6C5, *45, 6E5, 80.....	456	8-4,5	
TC50.....	Vol.		18	UM154.....	M26		A96	12, 12.....	1	ST597.....				6	*78, 77, 75, 41, 84.....	175	5-10	
AC51, 53, 55.....	Vol.		12	MR24.....	M28			.015.....	37	Buffer.....	B14			8	*24A, *27, *45, 80.....		1-3,4	
TC52.....	Vol. Tone		6 †	MR18..... MR18.....	M26			1-1.5-1-1.5.....	8 15	See Note..... 3S582.....	B1			5	*77, 78, 43, 25Z5.....	115	5-9	
TC53A.....	Vol. Tone Sen.		45 44 7	MR48..... MR39..... A3MP.....	M27			12.....	3 13 15	TC26..... TC26..... TC22.....				10	*6D6, 6A7, *76, *45, 5Z3.....	456	9-8	

† Data not substantiated.

\* IMPORTANT: Read Notes in Note Section if specified in Note Column.

§ Indicates miscellaneous section.

MANUFACTURER AND MODEL	CONTROLS							CONDENSERS				VIBRATORS			No. Tubes	Complete Tube Complement	I. F. Peak	Rider's Reference
	Use	Original Part	Circuit	Correct Replacement	Switch	Bias	*Note	Original Part	Circuit	Correct Replacement	*Note	Original Part	Replacement	*Note				
<b>TRANSFORMER CO.</b>	RP.—Continued																	
AC60 (25-60)	Vol.		12	MR24	M26			1.5-1.5-.5	3	See Note	B1				6	24A, 45, 80	1-5,6	
TC60	Vol.		7	G				TCG1018	6	UR182-193	B3				6	6A7, 6D6, 75, 43, 25Z5	456 5-11,12	
	Tone		22	MR39				TCG1019	15	TN111					6	24, 45, 80	1-7,8	
AC61 (25-60)	Vol.		6	MR21				1.5-1.5-1	3	See Note	B1				10	6K7, 6A7, 85, 443, 25Z5	8-4,6	
TC65	Vol.		18	MR48	M27			25-12	6	2N513					6	6A7, 6K7, 75, 43, 25Z5	456 10-6	
	Tone		44	MR39				20	12	TC47					6	6A7, 6K7, 75, 43, 25Z5	456 10-6	
TC66	Vol.		18	MR48				12-20	6	2N509					6	6A7, 6K7, 75, 43, 25Z5	456 10-6	
	Tone		22	MR39				4	13	TC40					6	6A7, 6K7, 75, 43, 25Z5	456 10-6	
AC70	Vol.		6	MR21				10-10	15	TN111					7	24, 27, 45, 80	1-7,9	
TC75, TC76	Vol.		45	MR48	M26			1.5-1.5-1	3	See Note	B1				6	6A8, 6K7, 6H6, 6F5, 6F6, 80	456 10-6	
	Tone		34	MR39				12, 12	4	TC74					7	51, 24A, 47, 27, 80	175 1-10,12	
AC80, 81	Vol.		8	G				8	25	RS213					7	51, 24A, 47, 27, 80	175 2-1,4	
AC84, 85	Vol.		8	G				2-2-2.5	28	See Note	B1				7	51, 24, 27, 47, 80	175	
88	Vol.		8	G				2-2-2.5	28	See Note	B1				7	51, 27, 24A, 47, 80	175	
	Tone		34	MR21	M26													
AC90, 90A, 91, 91A, (25-90, 25-91)	Vol.		8	A400P				8, 8	28	RS213					8	35, 24A, 27, 47, 80	175 1-10,12	
	Tone		34	MR21	M26										8	27, 51, 24A, 47, 80	175 2-2,6	
92, AC94 (25-94)	Vol.		8	A400P				8, 8	28	RS213					8	27, 51, 24A, 47, 80	175	
	Tone		34	MR21	M26										6	35, 24A, 47, 80	175 2-7,10	
AC100 Series	Vol.		8	A5MP	6-9			1-1-1	26	See Note	B1				5	6A7, 78, 6B7, 89, 6Z4	465 5-1	
100AR	Vol.		15	MR39				P4767	4	TCS71		P4763	294	C3	7	51, 24A, 47, 27, 80	175 2-11	
120-139	Vol.		8	G				2-2-2.5	28	See Note	B1				7	51, 24A, 47, 27, 80	175	
	Tone		34	MR39	M26													
AC160 (25-160), 160AVC	Vol.		8	A1MP	6-9			8, 8	28	RS213					10	51, 427, 47, 80	175 3-1,2	
	Tone		44	MR39	M26										6	35, 57, 47, 24A, 80	175 3-5,7	
AC220 (25-220)	Vol.		8	A5MP				1-1-1	26	See Note	B1				8	24A, 51, 56, 58, 27, 47, 80	490 2-12, 4-1	
	Tone		22	MR39	M26										8	51, 56, 27, 47, 80, 57	175 5-2	
AC240	Vol.		15	MR51				2-2-2.5	28	See Note	B1				10	51, 57, 27, 56, 47, 80	175 4-2,3	
	Tone		22	MR39	M26										12	51, 27, 57, 56, 46, 80	175 3-8,9	
241	Vol.		15	MR51				8	26	See Note	B3				14	58, 56, 46, 82	175 4-4	
	Tone		22	MR39	M26										5	57, 58, 47, 80	175 4-5	
AC260	Vol.		15	MR51				8	26	See Note	B3				8	58, 57, 56, 47, 80	175 4-6	
	Tone		22	MR39	M26										10	58, 57, 56, 46, 82	175 5-3	
AC280 (25-280)	Vol.		15	MR51				8	26	See Note	B3				5	57, 58, 47, 80	175 4-5	
	Tone		22	MR39	M26										8	58, 57, 56, 47, 80	175 4-6	
AC300	Vol.	P4365	6	MRT427				6-8	34	See Note	B3				10	58, 57, 56, 46, 82	175 5-3	
	Tone	P4259	22	MR39	M26										5	57, 58, 47, 80	175 4-5	
	Supp.	P4366	20	MR18											8	58, 57, 56, 47, 80	175 4-6	
AC320	Vol.		6	MR18				8-4	23	TCS71					5	57, 58, 47, 80	175 4-5	
	Tone		15	MR51				P4514	23	3S584					8	58, 57, 56, 47, 80	175 4-6	
AC340	Vol.		22	MR39	M26										10	58, 57, 56, 46, 82	175 5-3	
360	Vol.		15	MR51				P4514	23	3S584					5	39, 36, 38, 25Z5		
	Tone		21	MR39	M26										5	6A7, 78, 75, 43, 25Z5	3-10	
400 AC-DC	Vol.		7	H				8-8	6	2N518					5	6A7, 78, 77, 43, 25Z5	465 4-7,8	
								5-5	15	TN111					4	6A7, 77, 43, 25Z5	465 4-9	
AC420	Vol.		17	MR48				2-16-8	11	UR182-193	B31				5	6A7, 78, 75, 43, 25Z5	465 4-10	
								10	15	TC22					6	58, 2A6, 47, 56, 80	465 4-11	
422, 423, 425	Vol.		98	MR28				P4633	11	TC42					5	6A7, 78, 77, 43, 25Z5	465 4-12	
								P4717	11	TC44					4	6A7, 77, 43, 25Z5	465 4-9	
								P4632	11	TC42					4	6A7, 77, 43, 25Z5	465 4-10	
440	Vol.		98	MR28				P4709	11	UR182-193	B31				6	78, 6A7, 85, 43, 25Z5	465 4-11	
	Tone		56	MR48				P4737	29	3S582/TC52	B72				6	58, 2A6, 47, 56, 80	465 4-11	
450	Vol.		17	MR51				P4443	23	TCS71					10	58, 56, 59, 5Z3	465 4-12	
	Tone		22	MR39	M26			P4724	15	TC22					8	58, 55, 53, 56, 80	175 5-4	
470, 472	Vol.		12	MR51				P4514	34	3S584					7	34, 1A6, 30, 19	175 5-5	
	Tone		21	MR39	M26			P4585	15	TC32								
480	Vol.	P4260	15	MR51														
	Tone	P4259	21	MR39	M26													
	Sen.	P4923	12	MR24														
490	Vol.		56	MR51				P4961	28	3S584					8	58, 55, 53, 56, 80	175 5-4	
	Tone		22	MR39														
500	Vol.		15	MR51											7	34, 1A6, 30, 19	175 5-5	
	Tone		22	MR39														
<b>TRANSITONE—See</b>	Philco Radio & Television Corp.																	
<b>TRANSVISION FM Radio Kit</b>	Vol.	28	221	MR53	M26			00-90	1/13/15	FP429					9	6C4, 6AG5, 6AL5, 6SN7GT, 6V6GT, 6X5GT, 6E5		
								0-230	83	TC40								

‡ Data not substantiated.

\* IMPORTANT: Read Notes in Note Section if specified in Note Column.

‡ Indicates miscellaneous section.

MANUFACTURER AND MODEL	CONTROLS							CONDENSERS				VIBRATORS			No. Tubes	Complete Tube Complement	I. F. Peak	Rider's Reference
	Use	Original Part	Circuit	Correct Replacement	Switch	Bias	*Note	Original Part	Circuit	Correct Replacement	*Note	Original Part	Replacement	*Note				
TRANSVISION—Continued 7" Television Kit...	Vol. Tone	28	205	MR53	M26			90	1/15/24	FP429				18	*6AC7, 6H6, 6AG7, 6SQ7, 6V6, *6SN7, 7C4, 7EP4, 5U4G, 2X2	Video 27.4 Snd. 21.9		
	Brightness	29	57	MR48														
	Vrt. Hld.	30	297	B100MP														
	Contrast	31	293	B100MP														
	Hor. Pos.	32	290	MR14														
	Vrt. Pos.	33	296	UM159-SS1														
	Focus	34	296	UM159-SS1														
	Hor. Syn.	35	296	UM159-SS1														
	Vrt. Hld.	36	293	UM159-SS1														
	Width	37	291	Order from	Mfr.													
	12" Television Kit...	Vol.	38	298	B500MP													
	Hor. Hld.	28	288	MR53	M26			0-90	1/12/						23	*6AC7, 6AG7, 6V6GT, *6SN7, 6BG6G, *6AL5, 8016/1B3GT, 6SL7, 6X5GT, 5U4/5V4, 12JP4, 6J6, 6AK5, 6C4	Snd. 21.9 Video 27.9	
	Contrast	30	289	MR41					13/15	FP429								
	Hor. Dr.	32	290	MR14				0-230	83	TC40								
Vrt. Size	36	21	B100MP															
Focus	37	291	Order from	Mfr.														
Vrt. Hld.	0-326	292	M2MP															
Brightness	0-374	293	UM159-SS1															
Hor. Lin.	0-328	211	MR41	M26														
Vrt. Lin.	0-373	295	C5MP															
		0-373	C5MP															
TRAV-LER RADIO AC-SG-DX	& TELE Vol.	6	MR18	Also Trav-ler	Karenola			2-1-1	30	See Note	B1			6	*24A, 45, 80	1-2		
B70, B71	Screen Vol.	12	A5MP					40, 40, 40	76	TC48				4	1A7GT, 3A8GT, 1T5GT, 35Z4GT	456 12-1,2		
B712	Vol.	1	MR53					40, 40, 40	76	TC48				4	1A7GT, 3A8GT, 1T5GT, 35Z4GT	456 12-1,2		
C	Vol.	12	A5MP					2-1-1	3	See Note	B1			6	*24A, 45, 80	1-2		
FB73	Vol.	1	MR53					40, 40, 40	76	TC48				4	1A7GT, 3A8GT, 1T5GT, 117Z6GT	456 12-2		
FB82	Vol.	5-65	18	MR53	M27			80	78	TN129	B8			5	1A7GT, 1N5GT, 1H5GT, 1T5GT, 117Z6GT	13-5		
K	Vol.	6	E12					8-8	1	See Note	B3			5	24, *51, 47, 80	1-2		
S8	Vol.	8	G					8-8-2	30	See Note	B3			8	*51, 24A, *27, *47, 80	175 3-1		
S9	Tone	41	MR33					4-2	4	See Note	B1			9	*35, *27, *47, 80, 24	175 3-2		
SG-AC-Super	Tone	100	MR39					4-2	4	See Note	B1			9	*35, *27, *47, 24, 80	175 3-2		
SG-DC	Tone	41	MR48					8-8	3	See Note	B11			7	1	3-2		
SG-DX	Vol.	12	MR35					2-1-1	3	See Note	B1			6	*24A, 45, 80	1-2		
Trav-Lette	Vol.	6	MR18					4-4	4	TCS71				4	51, 24A, 47, 80	1-2		
T501L	Vol.	5-301	18	MK402	M26			7-301	24	2N514				5	14Q7, 14A7, 14B6, 50L6GT, 35Y4	456 14-1,2		
T530A-L	Vol.	5-301	18	MK402	M26			7-301	24	2N514				5	14Q7, 14A7, 14B6, 50L6GT, 35Y4	456 14-1,2		
T2625	Vol.	5-310	18	MK402	M26			80-10-10	24/15	See Note	B3			6	12SA7GT, 12SK7GT, 12SQ7GT, 35L6GT, 35Z5GT	456 14-1, 4,6		
TAC-3726	Vol.	5-312	140			See Note A19		7-307	1/15	2S569/TC22				7	6A8GT, 6K7GT, 6Q7GT, 6J5GT, *6V6GT, 5Y3GT	456 14-5,6		
TB-601	Vol.	5-313	140	MK401	M26			7-303	78/24	Order from	Mfr.			6	*1N5GT, 1A7GT, 1H5GT, 3Q5GT, 50Y6GT	456 14-4		
TB-512	Vol.	5-305	18	MK402	M23-24			7-304	24	TN129				5	1A7GT, 1N5GT, 1H5GT, 3Q5GT, 50Y6GT	456 14-2,3		
TK-509, TK-510	Vol.	5-301	18	MK402	M26			7-305	78	TC45				5	1H5GT, 3Q5GT, 50Y6GT	456 14-2,3		
5-Tube AC-DC Superhet	Vol.	6	MR21	M26				80-10-10	24/15	See Note	B3			5	12SA7GT, 12SK7GT, 12SQ7GT, 50L6GT, 35Z5GT	456 14-2		
5-Tube AC-DC TRF	Vol.	6	MR35	M26				20-12-5	27/19	UR182-193				4	6A7, 6C6, 43, 25Z5	456 10-1		
5-Tube Battery Receiver	Vol.	18	MR48					20-12	27	TCS45				4	6D6, 6C6, 43, 25Z5	11-1		
6-Tube Auto	Vol.	17	UM154		See Note A96			5	19	TC22				5	1C6, 1A4, 75, 30, 19	456 8-2		
6-Tube Battery or AC	Vol.	45	MR48					8-8	1	2N516			246	C3				
6 Tube TRF	Vol.	6	E12					.005	1	Buffer	B14			6	*6D6, 6A7, 75, 41, 84	262 10-3		
	Tone	34	MR33					8-8	1	2N518			859	C3				
	Screen	12	A5MP					10	15	TC22				6				
								.008	15	Buffer	B14			6				
								12-12	1	2S569			859	C3				
								10	15	TC22				6	6K8, 6S7G, 6T7G, 6L5G, 6G6G, 6ZY5G	456 10-4		
								.012-.012	15	TC22	B14			6	*26, 24, 45, 80	3-1		
								2-1-1	30	See Note	B1			6				

‡ Data not substantiated.

\* IMPORTANT: Read Notes in Note Section if specified in Note Column.

‡ Indicates miscellaneous section.

THERE'S A PLACE FOR A MALLORY NOISE FILTER IN EVERY HOME.

MANUFACTURER AND MODEL	CONTROLS							CONDENSERS				VIBRATORS			No. Tubes	Complete Tube Complement	I. F. Peak	Rider's Reference
	Use	Original Part	Circuit	Correct Replacement	Switch	Bias	*Note	Original Part	Circuit	Correct Replacement	*Note	Original Part	Replacement	*Note				
TRAV-LER—Continued																		
7-Tube AC-DC	Vol.		17	MR48	M26			20-12-5	4/15	UR182-193					6	6A7, 6D6, 75, 25B6G, 6G5, 25Z5	456	11-1
8-Tube Batt. or AC	Vol.		18	MR48				16, 16, 10, .012-.012	15	RS216, TC22, Buffer			859	C3	8	6T7G, 6K8, 6S7G, 6L5G, 6Z7G, 6N5, 6ZY5G	456	10-4
8 Super	Vol. Tone		8	G				8-8-2	30	See Note	B14, B3				8	51, 24A, 27, 47, 80	†	
11-Tube AC Superhet.	Vol. Tone		75	MR48	M26			12, 12	1	RS215					11	6K7, 6A8, 6H6, 6G5, 6F5, 6F6, 80	456	10-1
41	Vol.		41	MR21				20	15	TC36					4	6D6, 6C6, 43, 25Z5		6-1
42F Air Chief	Vol.		6	MR21		EX200		12-16	27	TCS44					4	6D6, 6C6, 43, 25Z5		9-2
46R	Vol.		6	H7	6-9			16-10	23	TCS44					4	6D6, 6C6, 43, 25Z5		6-1
50A	Vol.		6	MR21		EX200		12-16	27	TCS44					4	6D6, 6C6, 43, 25Z5		6-1
51	Vol.		18	MR48				16-12	27	TCS44					5	6A7, 6D6, 75, 42, 80	†	6-1
53	Vol.		18	MR48				4-8	23	TC571					5	6A7, 6D6, 75, 42, 80	†	6-2
54	Vol.		18	UM154	M26		A96	6-10	23	TCS71			294	C3	5	6A7, 6D6, 75, 42, 84	456	6-2
56	Vol.		116	MR33				.02	4	Buffer	B14				4	34, 32, 33, 1E1		6-3
60A	Vol.		18	MR48				4	12	TC52					5	6A7, 6D6, 75, 43, 25Z5	456	6-3
63A	Vol.		75	MR48				8, 8	23	RS213					6	6A8, 6K7, 6H6, 6F5, 6F6, 5Z4, or 6A7, 6D6, 75, 42, 80		6-4
64	Vol.		18	UM154	M26		A96	6-10	4	See Note	B3		294	C3	6	6A7, 6D6, 75, 42, 84	456	6-4
76	Vol.		18	MR48				.02	1	Buffer	B14		246	C3	6	34, 1B5, 1E1, 1C6, 30	†	6-4
112	Vol.		127	MR53	M26			.02	46	RS213	B14				12	6K7G, 6L7G, 6C5G, 6H6G, 6G5, 6V6G, 5Y3G	465	
115	Vol.		15	MR53	M26			8, 25, 46	46/13	RS223, 3S584					15	6K7G, 6L7G, 6C5G, 6H6G, 6G5, 6V6G, 5Y3G	465	
131	Vol.		75	MR48	M26			8-16	46/13	RS213, RS223, 3S584					11	6K7, 6A8, 6C5, 6H6, 6F5, 6F6, 80, 6G5	456	9-1
136	Vol.		18	MR48				4	13	TC70					6	6A7, 76, 6D6, 75, 41, 80	456	
137	Vol.	5-46	18	MR48	M26			12	1	RS215					6	6A7, 6D6, 75, 76, 25L6G, 25Z5	456	
138	Vol.		18	MR48	M26			5	15	TC22					8	6A7, 76, 6D6, 85, 6V6G, 80	456	
173	Vol.		45	MR48				8	13	TC70					7	1C6, 34, 30, 19	456	7-2
179	Vol.	5-41	18	MR48				4	1	2N518	B3		246	C3	7	6D8G, 6S7G, 6T7G, 6L5G, 6Z7G, 6ZY5G	456	
180	Vol.		18	MR48				.005	1	Buffer	B14				8	6D8G, 6S7G, 6T7G, 6L5G, 6Z7G, 6ZY5G, 6N5	456	
250	Vol.		45	MR48				7-21	15	TC22			294	C3	5	1A6, 1A4, 30, 1B4, 1F4	456	
315	Vol.	5-55	18	MR48	M26			.01-.01	1	Buffer	B14				5	6A8GT, 6K7GT, 6Q7GT, 25L6GT, 25Z6GT	456	11-5
315SW	Vol.		18	MR48	M26			8-8	1	2N518					5	6K8GT, 6K7GT, 6Q7GT, 25L6GT, 25Z6GT	456	11-5
325	Vol.	5-55	18	MR48	M26			5	15	TC22					5	6A8GT, 6K7GT, 6Q7GT, 25L6GT, 25Z6GT	456	11-5
337	Vol.		45	MR48				7-53	1	TC48					6	6K8G, 6K7G, 76, 75, 25L6G, 25Z6G	456	12-3
400	Vol.		6	MR29	M26	EX300		7-54	1	TC44					4	6K7GT, 6F5GT, 25L6G, 25Z6GT		10-2
415	Vol.		18	MR48	M26			40	1	TC48					5	6A8GT, 6K7GT, 6Q7GT, 25L6GT, 25Z6GT	456	10-5
420A, 420S	Vol.		6	MR29	M26	EX400		12	1	TC44					4	6K7G, 6F5G, 25L6G, 25Z5, L5B		10-7
425	Vol.		18	MR48	M26			10	15	TC22					5	6A7, 6D6, 75, 41, 80	456	10-5
426	Vol.		18	MR48	M26			8-8	1	2N518					5	6A7, 6D6, 75, 25L6G		
431, 431SW	Vol.		6	H7				40-12	1	2N514					4	6D6, 6C6, 25A7	456	10-5
436M	Vol.		18	MR48				10	15	TC22					4	6K8, 6K7, 75, 76, 6AC5G, 80	456	10-7
437M	Vol.		45	MR48				20-12	74	2S556					6	6K8, 6K7, 76, 25L6G, 25Z5, L42X	456	10-7
440, 445	Vol.	5-42	6	MR33	M26			12-12	1	2S569					3	6D6, 6C6, 25A7		

† Data not substantiated.

\* IMPORTANT: Read Notes in Note Section if specified in Note Column.

‡ Indicates miscellaneous section.

MANUFACTURER AND MODEL	CONTROLS							CONDENSERS				VIBRATORS			No. Tubes	Complete Tube Complement	I. F. Peak	Rider's Reference
	Use	Original Part	Circuit	Correct Replacement	Switch	Bias	*Note	Original Part	Circuit	Correct Replacement	*Note	Original Part	Replacement	*Note				
TRAV-LER—Continued																		
442	Vol.		6	MR21		2	16-12	27	TCS44					4	6D6, 6C6, 43, 25Z5		6-1	
450, 452	Vol.	5-42	6	MR33	M26		20-20-8	1	See Note	B3				4	6D6, 6C6, 43, 25Z5			
455L	Vol.		18	MR48	M26		40-12	1	2N514					5	6A7, 6D6, 75, 25L6G, 25Z5	456	10-7	
455L 2nd Type, 455LN	Vol.		15	MR53	M26		40-12	1	2N514					6	6A7, 6D6, 76, 75, 25L6G, 25Z5	456	11-3	
465M	Vol.		18	MR48	M26		8-8	1	2N518					5	6K8, 6D6, 75, 41, 80	456	10-9	
466M	Vol.		18	MR48	M26		40-12	1	2N514					5	6K8, 6D6, 75, 25L6G, 25Z5, L49B	456	10-9	
470, 471, 472, 473	Vol.	5-45	6	MR33	M26		20-20-8	1	See Note	B3				4	6D6, 6C6, 43, 25Z5			
500	Vol.	5-44	18	MR48	M26		8-8	25	TCS71					5	6A7, 6D6, 75, 41, 1V	456		
501	Vol.		6	MR22			20-12-5	1/15	3N527					4	6D6, 6C6, 43, 25Z5, 55KB		10-10	
A502	Vol.		6	MR22	M26		20-12-5	4/13	TCS45/TC42					4	6D6, 6C6, 43, 25Z5, 185R8		10-9	
511	Vol.		18	MR48			4-8	23	TCS71					5	6A7, 6D6, 75, 42, 80	456	6-1	
512	Vol.		18	MR48	M26		16-12-8	11	See Note	B3				5	6A8, 6K7, 6B6, 25A6, 25Z6	456	7-1	
521	Vol.		6	MR21	M26		16-12	23	TCS44					4	6D6, 6C6, 43, 25Z5, K55B		8-1	
522	Vol.		18	MR48	M26		20-12	27	TCS45					5	6A7, 6D6, 75, 25A7, K74B	456	8-1	
525	Vol.		18	UM154		A96	8-8	1	2N518	B14		246	C3	5	1C6, 1A4, 75, 30, 19	456	7-1	
526, 527	Vol.		18	MR48			.005	1	Buffer					5	6A7, 6D6, 75, 41, 80	456		
536M	Vol.		18	500M		See Note A19	8-8-8	19	3S584					7	6K7, 6K8, 6Q7	456	10-11	
539M 1st Type	Vol.	5-54	18	MR48	M26		5	1	TC22					9	6K7, 6K8, 6R7	456	10-11	
539M 2nd Type	Vol.		18	MR48	M26		16	1	RS216					9	6K7, 6K8, 6R7, 6V6G, 6U5, 5X4G	456	10-11	
542	Vol.		18	UM154		See Note A96	20	1	RS223					9	6K7, 6K8G, 6R7G, 6J5G, 6V6G, 6U5, 5X4G	456	11-6	
552B	Vol.		18	MR48			7-49	1	RS216					5	6A7, 6D6, 75, 6B5, 84	456	7-2	
553, 553BT, 554, 554BT	Vol.	5-62	18	UM154		A96	7-51	1	RS216					4	1A7G, 1N5G, 1H5G, 1C5G	456	10-11	
555, 555BT	Vol.	5-65	17	MR53	M27		7-66	13	TCS71	B14		294	C3	4	1A7G, 1N5G, 1H5G, 1Q5G	456	11-3	
556, 556B, 556BT	Vol.	5-65	17	MR53	M27		.01	4	Buffer					5	1A7G, 1N5G, 1H5G, 1Q5G	456		
560	Vol.		18	MR48	M26		7-53	1	TC48					5	1A7G, 1N5G, 1H5G, 1T5G, 25Z6G	456		
570B	Vol.		18	500M		A19	7-67	78	TC2501					5	6D8G, 6S7G, 6T7G, 6G6G, 6ZY5G	456	10-5	
576, 576B	Vol.		18	Order from Mfr.			8-8	1	TC22	B14				8	6S7G, 6K8, 6T7G, 6L5G, 6Z7G, 6N5, 6ZY5G	456	11-9	
600	Vol.	5-43	45	MR48			10	15	TC22	B14				6	6K8G, 6S7G, 6T7G, 6G6G, 6ZY5G, 6U5	456		
620 Early	Vol.	5-62	18	MR48	M26		.012-.012	1	Buffer	B14				6	6K8G, 6S7G, 6T7G, 6G6G, 6ZY5G, 6U5	456		
620 Late, 621	Vol.		18	MR48	M26		10	15	TC22	B14				6	6K8G, 6S7G, 6T7G, 6G6G, 6ZY5G, 6U5	456		
622, 623	Vol.		18	MR48			.012-.012	1	Buffer	B14				6	6K8G, 6S7G, 6T7G, 6G6G, 6ZY5G, 6U5	456		
626, 627	Vol.		18	MR48			7-30	1	2N518	B14		39-4	246	C3	6	1A6, 1A4, 30, 6N5, 1B4, 1F4	456	
630	Vol.	5-46	18	MR48	M26		.005	1	Buffer	B14				6	6A7, 6D6, 75, 76, 6AC5G, 84	456	11-4,7	
633, 634	Vol.		75	MR48			.016-.016	1	Buffer	B14				6	6K7GT, 6A8GT, 6Q7GT, 6K6GT, 6X5GT	456	11-7,4	
635M	Vol.		45	MR48	M26		12-12-10	1/15	TCS64/TC26	B14				6	6K7GT, 6A8GT, 6Q7GT, 6K6GT, 6X5GT	456	11-7,4	
642	Vol.		18	UM154		See Note A96	.005	11	See Note	B3				5	6A7, 6D6, 75, 43, 25Z5	456	7-3	
645E	Vol.		18	MR48			30-20	27	TCS47					5	6A7, 6D6, 75, 43, 25Z5	456		
650	Vol.	5-43	45	MR48			5	20	TC22					6	6A7, 76, 6D6, 75, 41, 80	456		
							7-32	1	2N518					6	6A7, 76, 6D6, 75, 41, 80	456		
							5	15	TC22					6	6A7, 76, 6D6, 75, 41, 80	456		
							8-8	23	TCS71					6	6A7, 6D6, 76, 75, 42, 80	456	7-3	
							12, 12	23	RS215					6	6A8, 6K7, 6H6, 6F5, 6F6, 80	456	8-2	
							8-8	4	TCS71	B3				6	6D6, 6A7, 75, 6B5, 0Z4	456	7-4	
							.01	1	Buffer	B14				7	6K7, 6K8, 6Q7, 6F6G, 6U5, 5Y3G	456	10-10	
							16	1	RS216					7	6K7, 6K8, 6Q7, 6F6G, 6U5, 5Y3G	456	10-10	
							20	1	RS216					7	6K7, 6K8, 6Q7, 6F6G, 6U5, 5Y3G	456	10-10	
							10	15	TC22					5	1A6, 1A4, 30, 1B4, 1F4	456		
							7-30	1	2N518					5	1A6, 1A4, 30, 1B4, 1F4	456		
							.005	1	Buffer	B14				5	1A6, 1A4, 30, 1B4, 1F4	456		

† Data not substantiated.

\* IMPORTANT: Read Notes in Note Section if specified in Note Column.

‡ Indicates miscellaneous section.

WHEN YOU BUY RECTIFIERS BUY MALLORY.



MANUFACTURER AND MODEL	CONTROLS							CONDENSERS				VIBRATORS			No. Tubes	Complete Tube Complement	I. F. Peak	Rider's Reference	
	Use	Original Part	Circuit	Correct Replacement	Switch	Bias	*Note	Original Part	Circuit	Correct Replacement	*Note	Original Part	Replacement	*Note					
TRAV-LEER—Continued																			
679	Vol.	5-41	18	MR48				8-8	1	2N518			294	C3	7	6D8G, 6S7G, 6T7G, 6L5G, 6Z7G, 6ZY5G	456		
680	Vol.		18	MR48				5-.01-.01	15	TC22	B14				8	6D8G, 6S7G, 6T7G, 6L5G, 6Z7G, 6ZY5G, 6N5	456		
720	Vol.	5-55	45	MR48	M26			8-8	1	2N518	B14				6	6A7, 6D6, 76, 75, 25L6G, 25Z5	456		
730	Vol.	5-46	18	MR48	M26			5	20	TCS47					6	6A7, 6D6, 75, 76, 25L6G, 25Z5	456		
733	Vol.		45	MR48				8-8	1	TC22	B3		246	C3	7	1C6, 34, 30, 19	456	7-2	
801	Vol.	5-69	18	MR48	M26			8-8	1	2N518	B14				7	6A7, 6D6, 75, 76, 6AC5G, 80	456		
1555, 1555BT	Vol.	5-65	17	MR53	M27			7-65	1	Buffer					5	1A7G, 1N5G, 1H5G, 1Q5G	456		
1556, 1556B, 1556BT	Vol.	5-65	17	MR53	M27			7-56	12	TC42					5	1A7G, 1N5G, 1H5G, 1Q5G	456		
5000, 5001, Ch. 100	Vol. (Late) (Early)		18	MR48	M26			7-72	76/78	2N521/TC2501					5	1A7G, 1N5G, 1H5G, 1T5G, 25Z6G	456	11-9	
			18	MR48	M26			EC-3	24	2N514					5	12SA7GT/12BE6, 12SK7GT/12BA6, 12SQ7GT/12AT6, 50L6GT/50B5, 35Z5GT/35W4	455	15-1,2	
5002, Ch. 102	Vol.	VC-3	18	MR53	M26			EC-3	24	2N514					6	12SK7GT, 12SA7GT, 12SQ7GT, 35L6GT, 35Z5GT	455	15-1,2	
5003, 5004, 5005, 5006	Vol.	VC-4	205	MK402	M26			EC-10	80	2N521					5	12SK7, 12SA7, 12SQ7, 50L6GT, D. R.	455	16-1	
5007, 5008, 5009, Ch. 104	Vol. Tone	VC-3	205	MK402				EC-3	24	2N514					6	12SK7GT, 12SA7GT, 12SQ7GT, 35L6GT, 35Z5GT	455	15-3	
		VC-1	184	UM129-SS25	M26										6	12SK7GT, 12SA7GT, 12SQ7GT, 35L6GT, 35Z5GT	455	15-3	
5010, 5011, 5012, Ch. 105	Vol. Tone	VC-3	205	MK402				EC-4	91	FP357					6	12SK7GT, 12SA7GT, 12SQ7GT, 35L6GT, 35Z5GT	455	15-4,5	
		VC-1	184	UM129-SS25	M26										4	1R5, 1U4, 1S5, 38A	455	16-2	
5019	Vol.	VC-3	205	Order from Mfr.				EC-11	12	TC44					4	1LC6, 1LN5, 1LH4, 3Q5GT, D. R.	455	15-6	
5020, Ch. 800	Vol. (Late) (Early)		205	MR53				EC-10	95	2N521					4	12SA7, 12SK7, 12SQ7, 50L6GT, D. R.	455	16-3	
			205	MR48				EC-6	131	Order from Mfr.					4	6A7, 76, 6D6, 75, 41, 80	456		
5030, 5031	Vol.	VC-4	161	MK402	M26			EC-10	80	2N521					2	50B5, 35W4			
6300	Vol.	5-46	18	MR48	M26			7-32	1	2N518					6	6A7, 76, 6D6, 75, 41, 80	456		
								5	15	TC22					2	50B5, 35W4			
7003, Ch. 501	Vol. (Early) (Late)		245	MK401	M26			EC-5	1/13	Order from Mfr.					2	50B5, 35W4			
		VC-6	245	MK402	M26										6	12SA7GT, 12SK7GT/12BA6, 12SQ7GT/12AT6, 35L6GT, 35Z5GT/35W4	455		
50002 Series, Ch. 109	Vol. (Late) (Early)		18	MR48	M26			EC-3	24	2N514					6	12SA7GT, 12SK7GT/12BA6, 12SQ7GT/12AT6, 35L6GT, 35Z5GT/35W4	455		
		VC-3	18	MR53	M26										1	384			
TRELA																			
HW-301	Vol. Tone		278	UM159-SS1					44	TC22					1	384			
			162	MR55															
TRIANGLE ELECTRIC CO.																			
5M17	Vol.	B16970	6	MR33	M26			B16973	27	RS207					4	6D6, 6C6, 43, 25Z5			
6M27	Vol. Tone	B17010	17	MR53				B17042	27	RS207					5	6A8G, 6K7G, 6Q7G, 25B6G, 25Z6G	456	7-1,2	
6P	Vol. Tone	B17047	18	MR44	M26			B17041-3	4	RS224					6	6D6, 6L7, 76, 75, 42	456		
		6226	18	UM154-SS11				B17197	4	RS224					6	6A8G, 6K7G, 6Q7G, 6G5, 6K6G, 5Y3	456		
6U107, 6L137, 6C607	Vol. Tone	6225	22	MR39				8-8	1	2N518	B14		9600	249	C3	6	6A8G, 6K7G, 6Q7G, 6G5, 6K6G, 5Y3	456	
		B16542-2	18	MR48	M26			.005		Buffer					6	6A8G, 6K7G, 6Q7G, 6G5, 6K6G, 5Y3	456		
		B16540-2	34	MR42				B16466	4	RS216					7	6L7G, 6C5G, 6K7G, 6Q7G, 6G5, 6F6G, 5Y3	456		
7U117, 7L147, 7C707	Vol. Tone	B16542-2	18	MR48	M26			B16467-2	4	HD684					8	6A8G, 6K7G, 6Q7G, 6G5, 6C5G, 6F6G, 5Y3	456		
		B16540-2	34	MR42				B16466	4	RS216					7	6L7G, 6C5G, 6K7G, 6Q7G, 6G5, 6F6G, 5Y3	456		
		B16540-2	34	MR42				B16467-2	4	HD684					8	6A8G, 6K7G, 6Q7G, 6G5, 6C5G, 6F6G, 5Y3	456		
8C807	Vol. Tone	B16542-2	18	MR48	M26			A15236-3	25	RS223					8	6A8G, 6K7G, 6Q7G, 6G5, 6C5G, 6F6G, 5Y3	456		
		B16540-2	44	MR42				A15237-2	25	RS213					8	6A8G, 6K7G, 6Q7G, 6G5, 6C5G, 6F6G, 5Y3	456		
8U127	Vol. Tone	B16542-2	18	MR48	M26			A15236-3	25	RS223					8	6A8G, 6K7G, 6Q7G, 6G5, 6C5G, 6F6G, 5Y3	456		
		B16539-2	44	Order from Mfr.				A15237-2	25	RS213					8	6A8G, 6K7G, 6Q7G, 6G5, 6C5G, 6F6G, 5Y3	456		

‡ Data not substantiated.

\* IMPORTANT: Read Notes in Note Section if specified in Note Column.

‡ Indicates miscellaneous section.

MANUFACTURER AND MODEL	CONTROLS							CONDENSERS				VIBRATORS			No. Tubes	Complete Tube Complement	I. F. Peak	Rider's Reference
	Use	Original Part	Circuit	Correct Replacement	Switch	Bias	*Note	Original Part	Circuit	Correct Replacement	*Note	Original Part	Replacement	*Note				
TRIANGLE ELECT 10C1007.....	RIC CO. Vol. Tone	—Continued																
		B16553-2... B16540-2...	17 22	MRT448... MR42	M26			B16554-3 B15427 B16551-4	1 1 15	RS223 RS216 TN111					10	*6K7G, 6L7G, 6C5G, 6Q7G, 6G5,*6F6G, 5Z3	456	
TROPIC-AIRE 06W.....	Vol. Tone		56 44	MR48 MR42			8-16 4 4	1 13 15	3S582 TC52 TC22			Order from Mfr.		6	*78, 77, 85,*41	262	\$5-22	
TROY RADIO MFG. 2A3.....	Vol.		†	MR44			8, 8, 8 12	3 17	RS213 TC44					5	2A6, 53,*2A3, 5Z3		7-1	
2A5.....	Vol.		†	MR44			8, 8, 8 10	3 15	RS213 TC32					5	56, 53,*2A5, 80		7-1	
4 (Revised)	Vol.		6	MR18	M26	EX200	4-4	23	TC871					4	6D6, 6C6, 42, 80		6-1	
4 Tube TRF	Vol.		6	MR18	M26	EX250	4-4	23	2S567					4	6D6, 76, 41, 80		11-1	
5L5, 5U5	Vol.		56	MR48	M26		4-4	23	TCS71					5	58, 57, 2A5, 80		5-4	
14	Vol.		6	MR18			4-4	23	TCS71					5	6A7, 6D6, 85, 80, 42	465	6-1	
15, 15-5	Vol.		56	MR48	M26		4-4	23	TCS71					5	58, 57, 2A5, 80		6-1	
40	Vol.		6	MR18			4-4	23	TCS71					5	2A7, 58, 55, 2A5, 80	465	6-1	
42	Vol. Tone		6 22	MR18 MR39		EX300	4-4 4-4	23 23	TCS71 TCS71					4	58, 57, 2A5, 80 6A7, 6F7, 42, 80	465	6-1 5-1	
45	Vol.		18	MR48			4-4	23	2S567					5	6A7, 6D6, 75, 41, 80	465	11-1	
46	Vol.		17	UM154		See Note	4-4 5-5	15	TCS71 TN111					4	6A7, 6D6, 75, 42	465	5-2	
51B5	Vol. Tone		17 22	MR48 MR33			4-4 10	23 15	TCS71 TC22					5	1A6, 34, 2S5, 30, 19	465	7-3	
52	Vol. Tone		17 22	MR48 MR33	M26		4-4 10	23 15	TCS71 TC22					5	2A5, 2A6, 2A7, 58, 80	465	5-1	
53	Vol. Tone		17 22	MR48 MR33	M26		4-4 10	23 15	TCS71 TC22					5	6A8, 6K7, 6Q7, 6F6, 5Y3	465	7-4	
54	Vol. Tone		17 22	MR48 MR33			8-8	23	TCS71					5	2A5, 2A6, 2A7, 58, 80	465	5-3	
55	Vol.		6	MR19			4-4	23	TCS71					5	6A7, 6D6, 76, 41, 80	465	8-1	
55 (Revised)	Vol. Tone		18 22	MR48 MR33			4-4	23	2S567					5	6A7, 6D6, 75, 41, 80	465	11-1	
56	Vol. Tone		17 22	UM154		See Note	4-4 5-5	1 15	2N518 TN111					5	*6D6, 6A7, 75, 42	175	5-2	
57	Vol. Tone	7374 7866	18 22	MR48 MR34	M26		4-4	23	2S567					5	6A7, 6D6, 75, 41, 80	465	11-1	
62BC, 62BU	Vol. Tone		17 22	MR48 MR33			8-8 10	23 15	TCS71 TC22					6	*34, 1C6, 2S5, 30, 19	465	6-2	
62C, 62PC, 62L, 62U	Vol. Tone		17 21	MR48 MR33			4-4	23	TCS71					6	*6D6, 6A7, 75, 42, 80	465	6-2	
67	Vol.		18	MR48			4-4	23	TCS71					6	6A7, 6D6, 75, 6G5, 42, 80	465	8-2	
67SW	Vol.		18	MR48			4-4	23	TCS71					6	6A7, 6D6, 75, 6G5, 42, 80	465	8-3	
68	Vol. Tone		17 22	UM154 MR33		A96	8-8 10 .01	1 15	2N518 TC22 Buffer			294	C3	5	6A8, 6K7, 6Q7, 6F6, 84	465	7-2	
75 (AC)	Vol.		18	MR48			4-4	23	TCS71	B14				5	6A7, 6D6, 75, 42, 80	465	7-4	
75B	Vol. Tone		18 22	MR48 MR33			4-4	23	TCS71					4	1A6, 1A4, 1B5, 33	465	7-3	
77	Vol. Tone		† 22	MR48 MR33			8-8	23	TCS71					7	*6K7, 6A8, 6Q7, 6E5, 6F6, 5Y3	465	7-3	
79	Vol. Tone		18 22	MR48 MR33			8-4	23	TCS71					6	6A7, 6D6, 75, 6G5, 42, 80	465	8-3	
84	Vol. Tone		17 22	MR48 MR39			8-8 10	1 15	2N518 TC22					8	2A7,*58, 55, 53,*45, 80	465	5-3,4	
84C, 84PC, 84U	Vol. Tone		118 22	MR48 MR33			16-16 4 10	4 13 15	See Note TC70 TC22	B3				8	*6D6, 6A7, 85,*42, 76, 80	465	6-3	
TR86	Vol. Tone		17 22	UM154 MR33		See Note	8-8 10-10 .01	1 15	2N518 TN111 Buffer			298	C3	6	*6D6, 6A7, 75, 41, 84	465	6-3	
95	Vol. Tone		15 22	MR48 MR44			8-8 10	23 15	TCS71 TC22					8	6A8,*6K7, 6H6, 6G5, 6F5, 6F6, 5Y3	465	8-2	
100	Vol.		18	MR48			8-4	23	TCS71					5	6A7, 6D6, 75, 42, 80	465	8-4	
113	Vol. Tone		15 22	250M MR33		A19	8-8 8 10	23 13 15	2S567 TC71 TC22					11	6A8,*6K7, 6H6,*6C5, 6U5,*41, 80	465	11-2	
151-5	Vol. Tone		17 22	MR48 MR33			16-8-10-10	6/15	3S582/TN111	B98				5	6A7, 6D6, 75, 43, 25Z5	465	6-4	
153, 153C	Vol. Tone		17 22	MR48 MR33			4-12-16 10	8 15	UR182-193 TC22					5	6A8, 6K7, 6Q7, 25A6, 25Z6	465	7-4	
162C, 162U	Vol. Tone		17 22	MR48 MR33			16-12 10-10	6 15	2N509 TN111					6	*6D6, 6A7, 75, 43, 25Z5	465	6-4	
170	Vol.		17	UM154		See Note	8, 8, 8, 8 10	26	RS213 TC22	B3				7	6A7, 6D6, 6R7G, *6V6G, 6U5, 80	465	9-2	

† Data not substantiated.

\* IMPORTANT: Read Notes in Note Section if specified in Note Column.

‡ Indicates miscellaneous section.

MANUFACTURER AND MODEL	CONTROLS							CONDENSERS				VIBRATORS			No. Tubes	Complete Tube Complement	I. F. Peak	Rider's Reference
	Use	Original Part	Circuit	Correct Replacement	Switch	Bias	*Note	Original Part	Circuit	Correct Replacement	*Note	Original Part	Replacement	*Note				
TROY RADIO MFG.	Continued																	
175.....	Vol. Tone		18	MR48				16-12-4	8	TN125				5	6A7, 6D6, 75, 43, 25Z5	465	7-2	
179.....	Vol. Tone		22	MR33				10	15	TC22				6	6A7, 6D6, 75, 6G5, 25L6, 25Z5	465	8-4	
825.....	Vol. Tone		17	MR53				16-12	6	2N509				5	6A7, 6D6, 75, 41, 80	465	9-1	
	Vol. Tone		22	MR33				10	15	TC22								
	Vol. Tone		18	MR48				4, 4	23	2S567								
	Vol. Tone		22	MR33														
TRUETONE—See Western Auto Supply Co.																		
TRUEVALUE 6U.....	Vol. Tone	P96015..... P97012.....	18 22	UM147-SS3 MR42				P81028 P81021 .01	1 15	2N518 TN111 Buffer			294	C3	6	*78, 77, 75, 41, 84	262.5	§5-23
TURNER CO.																		
M8.....	Vol. Tone		15 57	MR44 MR44				8-8 8 25	1 13 15	2N518 TC52 TC26				3	57, 2A5, 5Z3		§6-34	
M16.....	Vol. Tone		15 57	MR44 MR44				8-8 8 25	1 13 15	2N518 TC52 TC26				5	*56, *2A5, 80		§6-34	
MC16.....	Vol.		15	MR44				8-8 8 25	1 13 15	2N518 TC52 TC26				6	*57, *56, *2A5, 80		5-1	
5780.....	Vol.		15	MR44				8-8 8 25	1 13 15	2N518 TC52 TC26				3	*57, 80		5-2	
TYRMAN ELECTRIC IMPERIAL 80.....	CORP. Vol.		29	MR37				†	3	See Note	B3			10	*27, *22, 50, *81		§1-20	
ULTRADYNE—See Regal Electronics																		
ULTRAMAR																		
306.....	Vol.		18	MR48	M26			20 40	1 1	RS207 RS224				5	6A8G, 6K7G, 6Q7G, 25L6G, 25Z5	465	10-4	
307.....	Vol. Tone		17 22	MR53 MR48	M26			14 16	25 25	RS216 RS216				8	*6K7G, 6J7G, 6Q7G, 6C5G, 6G5, 6F6G, 5Y3G	465	9-1	
309.....	Vol. Tone		18 22	MR44 MR33	M26			40	11	TC48				8	*6K7G, 6A8G, 6R7G, 6G5, 25B6G, *25Z5	465	9-2	
316.....	Vol.		18	MR48				30-30 20	11/13 1	2N514 RS207				5	6A8G, 6K7G, 6Q7G, 25L6G, 25Z5	465		
317.....	Vol. Tone		17 22	MR53 MR48	M26			40 14 16	1 25 25	FP115 RS216 RS216				8	*6K7G, 6J7G, 6Q7G, 6C5G, 6G5, 6F6G, 5Y3G	465	9-1	
319.....	Vol. Tone		18 22	MR44 MR33	M26			1563 9029	11 11/13	TC48 2N514				8	*6K7G, 6A8G, 6R7G, 6G5, 25B6G, *25Z5	465	9-2	
325, 335.....	Vol.		18	MR48	M26			8, 8	25	RS213				5	6A8G, 6K7G, 6Q7G, 6F6G, 80	456		
327.....	Vol. Tone		127 22	MR53 MR48	M27			9055 .005	1	2N516 Buffer	B14	9056	246	C3	8	*1A4, 1C6, 1B5, 6L5G, 19, 6AB5	465	11-1
337.....	Vol. Tone		127 22	MR53 MR48	M27			9055 .005	1	2N516 Buffer	B14	9056	246	C3	8	*1A4, 1C6, 1B5, 6L5G, 19, 6AB5	465	11-1
345, 355.....	Vol. Tone		17 57	MR53 MR48	M27			9055 .005	1	2N516 Buffer	B3 B14	9056	246	C3	6	6D8G, 6S7G, 6T7G, 6AB5, 6L5G, 19	465	
366, 376.....	Vol. Tone		17 22	MR53 MR48	M26			8, 8	25	RS213				7	6A8G, 6K7G, 76, 6Q7G, 6E5, 6F6G, 80	465		
456.....	Vol.		18	MR48				12-12	1	2S569				6	6K8, 6K7, 75, 76, 6AC5G, 80	456	10-1	
465.....	Vol.		18	MR48	M27			8-8	1	2N518				5	6A7, 6D6, 75, 41, 80	456	10-1	
477.....	Vol.		45	MR48				40-12 10	1 15	2N514 TC22				6	6K8, 6K7, *76, 25L6G, 25Z5, L42C	456	10-1	
587.....	Vol.		18	500M		See Note A19		16 20 10	1 1 15	RS216 RS216 TC22				7	*6K7, 6K8, 6Q7, 6F6G, 6U5, 5Y3G	456	10-3	
801, 802.....	Vol. Tone	1110..... 1109..... 1114A.....	75 57 59	† MR48 A5MP	M28	See Note A19		8 25	25 25	RS213 RS223				8	*6K7, 6L7, 6H6, 6C5, 6F5, 6F6, 5Y3	465	8-1	
826.....	Vol. Tone		18 21	MR48 MR48				10-10	1	2S569				6	6J8G, 6D6, 75, 6V6G, 80, 6U5	465	11-3	
856.....	Vol.		45	MR48				12-12 10	1 15	2S569 TC22			859	C3	6	6K8, 6S7G, 6L5G, 6T7G, 6G6G, 6ZY5G	456	10-1
857.....	Vol. Tone		18 21	MR48 MR48				.012-.012 30-24	27	Buffer TCS47	B14			6	6J8G, 6D6, 75, 25L6G, 6U5, 25Z5	465	11-3,4	
877.....	Vol.		18	500M		See Note A19		10 10 .012-.012	19 1 15	TC22 RS216 TC22 Buffer	B14		859	C3	8	*6S7G, 6T7G, 6L5G, 6K8, 6Z7G, 6N5, 6ZY5G	456	10-3

† Data not substantiated.

\* IMPORTANT: Read Notes in Note Section if specified in Note Column.

§ Indicates miscellaneous section.

MANUFACTURER AND MODEL	CONTROLS							CONDENSERS				VIBRATORS			No. Tubes	Complete Tube Complement	I. F. Peak	Rider's Reference	
	Use	Original Part	Circuit	Correct Replacement	Switch	Bias	*Note	Original Part	Circuit	Correct Replacement	*Note	Original Part	Replacement	*Note					
ULTRAMAR—Continued 889.....	Vol.		18	500M.....			See Note A19	25..... 20..... 4.....	1 1 13	RS223..... RS216..... RS213.....					9	*6K7, 6K8, 6R7, *6V6G, 6U5, 5X4G.	456	10-3	
UNITED AIR CLEANER—See Sentinel.																			
UNITED AMERICAN BOSCH Model T.....	Vol.		6	MR18.....				3-3.....	25	See Note.....	B1				5	*36, 37, 33.....			
04.....	Vol.	VR9515	7	MR28.....	M26			CE9520.....	6/15	2N509/TN111	B98				4	6D6, 6C6, 43, 25Z5, 185R8—Ballast.....		6-8	
05.....	Vol.	VR9526	7	MR23.....	M26										5	6A7, 6D6, 75, 43, 25Z5.....	465	6-20	
4 (Essex).....	Vol.		6	MR48.....	M26			CE9519.....	6/15	2N513/TN111					5	6A7, 6D6, 75, 43, 25Z5.....	465	6-20	
5A.....	Vol.	102342	7	G.....	6-9	See Note	te A5	4-8.....	25	TCS71.....	B198				4	*224, 47, 80.....		3-5	
5 (AC).....	Vol.		6	MR18.....				SA102553.....	25	TCS71.....	B199				5	*51, 24, 47, 80.....		2-12,13	
7, 7C (DC).....	Vol.		6	MR18.....				4-8.....	25	TCS71.....	B198				5	*24, 47, 80.....		1-2,3	
10 (Essex).....	Vol.		15	MR48.....				3-3.....	25	See Note.....	B11				5	*36, 37, 33.....		3-4	
20, 20J, 20K, 20L.....	Tone		22	MR48.....				8-8-4.....	30	See Note.....	B3				10	*51, *58, *27, *45, 80.....	175	3-6	
28 (AC).....	Vol.	102347	6	G.....	6-9			2-3-5-2.....	26	See Note.....	B1				8	*51, *27, *47, 80.....	175	2-1,2	
29 (AC).....	Vol.		13	SRP179.....		See Note	te A5	2-4.....	1	See Note.....	B1				8	*26, 27, *71, 80.....		1-5,6	
31, 32 (AC).....	Vol.		13	SRP179.....				2-4.....	1	See Note.....	B2				8	*26, 27, *10, 81.....		1-7	
36, 36A & B, 37.....	Vol.		6	MR18.....	M26			3.5-3.5.....	25	See Note.....	B1				6	*51, 24, 47, 27, 80.....	175	2-3,4	
38.....	Vol.		13	SRP179.....				.08.....	25	See Note.....	B9				6	*51, 24, 47, 80, 27.....	175	3-7,8	
40, 41 (AC).....	Vol.		15	MR48.....	M26			8-4.....	14	TCS71.....	B199				6	*51, 24, 47, 80, 27.....	175	3-7,8	
45A, 45C.....	Tone		22	MR48.....				2-4.....	1	See Note.....	B1				8	*26, 27, *71, 80.....		1-5	
46 (AC).....	Vol.		18	MR48.....	M26			8-8-4.....	56	3S584.....	B205				8	*51, *27, 47, 80.....	175	4-1,2	
48, 49 (AC).....	Vol.		14	MR48.....				SA106878.....	1	2N518.....		SA106450	270B		5	*77, 78, 75, 41.....	175	5-1,5	
54 (DC).....	Vol.		40/12	GK.....		Early	A79	SA105741.....	15	TC22.....					7	*71A, *26, 27, 80.....		1-8	
56 (Battery).....	Vol.		40/12	GE.....		Late	A79	4-2-1.....	3	See Note.....	B1				7	*45, 27, *24, 80.....		1-9,10	
58 (AC).....	Vol.		40/8	CE.....			A54	4-4.....	1	See Note.....	B11				7	*27, *24, *71.....		1-11,12	
60, 60D, 60E, 61.....	Tone		41	D.....				4-4.....	3	See Note.....	B1				7	*22, *201A, *112A.....		1-13,14	
62 (DC).....	Vol.		41	MR48.....				2-2-4.....	3	See Note.....	B1				8	*24, 27, *45, 80.....		1-17	
63 (DC).....	Vol.		8	D.....				2-2-4-2.....	3	See Note.....	B1				9	*24, 27, *45, 80.....		1-16	
66 (AC).....	Vol.		41	MR48.....				4-4.....	1	See Note.....	B11				7	*24, 27, *45.....		1-18,19	
73, 74.....	Vol.		15	MR48.....				4-4.....	1	See Note.....	B11				8	*24, 27, *45.....		1-20,21	
79C.....	Vol.	106514	144	MR48.....				2-2-4.....	26	See Note.....	B1				6	*26, 27, 71.....		1-15	
80, 84.....	Vol.	106715	18	MR33.....	M26			SA106536.....	4	TCS71.....		294	C3		6	*24, 27, *45, 80.....	175	1-22,23	
91, 92.....	Tone		22	MR48.....				.008.....	4	Buffer.....	B14				6	*26, 27, 71.....		1-15	
96 (AC).....	Vol.		14	MR48.....				16.....	25	TC74.....	B39				5	*24, 12A.....		1-24,25	
96 (DC).....	Vol.		14	MR48.....				4.....	25	TC71.....	B39				7	*51, *24, 47, 27, 80.....	175	2-6,7	
100 (Adv. 9-20 Auto).....	Vol.		14	MR48.....				8.....	14	TC52.....					7	*26, 27, 71, 80.....		1-15	
107 (AC).....	Vol.		14	MR48.....				4-6.....	24	2N516.....					7	*26, 27, 71.....		1-8	
113.....	Vol.		15	MR48.....											7	*36, 37, *38.....	175	2-8,9	
113X.....	Sen.		7	MR28.....											7	*26, 27, 71.....		1-15	
114.....	Vol.		18	MR48.....											7	*39, 85, 89, *52.....			
116 (AC).....	Vol.		15	MR48.....											7	*39, 75, 89, *52.....			
119 (Police Motorcycle Radio).....	Vol.		7	MR28.....											7	*39, 85, 89, *52.....			
123.....	Vol.		14	MR48.....											6	*26, 27, 71.....		1-15	
123X.....	Sen.		15	MR48.....											5	*78, 6A7, 75, 41.....	456	5-11,13	
126 (AC).....	Vol.		18	MR48.....				4-4.....	1	See Note.....	B3				7	*39, 85, 89, *52.....			
129 (Police Motorcycle Radio).....	Vol.		14	MR48.....				5.....	15	TC22.....					6	*71, *26, 27.....		1-8	
133, 135.....	Vol.		18	UM154.....		See Note	te A96	4-4.....	1	See Note.....	B3				5	*78, 6A7, 75, 41.....	456	5-11,13	
136 (AC).....	Tone		6	MR18.....	M26			5.....	15	TC22.....					7	*24, 27, *45, 80.....		1-22,23	
139 (Types H, L, HT, LT, HC, LC, HTC, LTC).....	Vol.	VR951	18	MR33.....				2-2-4.....	26	See Note.....	B1				6	*26, 27, 71.....		1-15	
	Vol.		14	MR48.....				CE9510.....	1	2N516.....					5	78, 6A7, 75, 41, 77.....	456	5-14,20	
	Vol.		15	SA105910.....				SA105910.....	15	TN111.....									

‡ Data not substantiated.

\* IMPORTANT: Read Notes in Note Section if specified in Note Column.

§ Indicates miscellaneous section.

MANUFACTURER AND MODEL	CONTROLS							CONDENSERS				VIBRATORS			No. Tubes	Complete Tube Complement	I. F. Peak	Rider's Reference
	Use	Original Part	Circuit	Correct Replacement	Switch	Bias	*Note	Original Part	Circuit	Correct Replacement	*Note	Original Part	Replacement	*Note				
UNITED AMERICA 139 (Types V, VC, VT, VTC).....	N BOSC	H—Continued																
Vol.	VR951.....	18	UM154-SS23	M26			CE951 SA105910..	4 15	TCS71 TN111 Buffer			294	C3	6	78, 6A7, 75, 41, 84, 77	456	5-14,20	
140A.....	Vol.	18	†			See Note A5	8-8 10	1 15	Buffer See Note TC22	B14 B3	SA105499	270B		5	78, 6A7, 75, 41	456	4-3	
146..... 149 (Types H, L, HT, LT, HC, LC, HTC, LTC).....	Vol.	14	MR48.....											6	71, 27, 26		1-8	
Vol.	VR951.....	18	UM154-SS23	M26			CE9510 SA105910..	1 15	2N518 TN111					5	78, 6A7, 75, 41	456	5-14,20	
149 (Types V, VC, VT, VTC).....	Vol.	18	UM154-SS23	M26			CE951 SA105910..	4 15	TCS71 TN111 Buffer		VI951	294	C3	6	78, 6A7, 75, 41, 77, 84	456	5-14,20	
150 (Type 1).....	Vol.	18	MR48.....				SA105456 SA104614 SA105456	1 1 1	2N518 TC52 2N518		SA104601	Order from Mfr.		6	36, 39, 85, 41	175	4-4	
150 (Type 2)..... 156 (DC).....	Vol.	18	MR48.....								SA105499	270B		7	77, 78, 85, 41	175	4-5	
160.....	Vol.	14	MR48.....											6	726		1-8	
166, 176 (AC).....	Vol.	18	UM154.....			See Note A96	8-8	1	2N518		SA105499	270B		6	77, 78, 85, 41	175	4-6	
169 (H, L, HT, LT, HC, LC, HTC, LTC).....	Vol.	14	MR48.....											6	71, 27, 26		1-8	
Vol.	VR951.....	18	UM154-SS23	M26			CE9510 SA105910..	1 15	2N518 TN111					5	77, 78, 6A7, 75, 41	456		
169 (V, VC, VT, VTC).....	Vol.	18	UM154-SS23	M26			CE951 SA105910..	4 15	TCS71 TN111 Buffer		VI951	294	C3	6	77, 78, 6A7, 75, 41, 84	456	5-15,19	
178.....	Vol.	18	MR48.....	M26			SA106536..	4	2S567		SA106561	298	C3	6	77, 78, 75, 42, 84		1	
179.....	Tone Vol.	22 18	MR48 MR48	M26			.02 SA106536..	4	Buffer 2S567	B14	SA106562	294	C3	6	77, 78, 75, 42, 84		1	
200, 201 (AC)..... 205, 205A, 206 (5A) 224.....	Vol. Vol. Vol.	7 7 6	G G G7	6-9 6-9 6-9			SA101881 SA102553	25 25	TCS71 TCS71	B199 B199				5	51, 24, 47, 80		3-9,10	
226.....	Tone Vol.	21 16	MR48 MR48				3-3 .01	25	See Note See Note	B11 B9				8	39, 71A, 352, 37	175	2-14	
236, 237 (AC).....	Tone Vol.	114 6	† MR18			See Note A5	8-4 8 8-4	25 14 25	TCS71 TC71 TCS71	B199 B199				6	51, 57, 47, 27, 80	175	3-11	
239AA.....	Vol.	6	MR18				8-4	14	TCS71	B199				6	51, 24, 27, 47, 80	175	3-11	
239 AC.....	Tone Vol.	22 6	MR48 MR18				8-4	25	TC52 TCS71	B199				6	51, 57, 47, 27, 80	175	3-11	
242, 243 (AC).....	Vol.	15	MR48	M26			SA103595	30/14	3S584/TC71	B200				8	56, 58, 47, 80	175	3-12	
250, 251.....	Tone Vol.	22 15	MR48 MR48	M26			SA103950 SA103740	3/13 1	3S584/TC71 2N518	B201 B12				10	58, 56, 45, 80	175	4-7	
260, 261.....	Tone Vol.	120 20	MR39 500M No. 1			See Note A19	SA103950	3/13	3S584/TC71	B201				10	58, 56, 45, 80	517.5	4-8	
305A.....	Tone Vol.	120 6	MR39 G7	6-9			SA102768 SA105237	25 25/19	TCS71 TCS71/TC26	B199 B202				5	57, 58, 47, 80	456	3-13,14	
305 Ed. 2.....	Vol.	18	MR48	M26			CE9516 CE9517	59 15	HD684 RS216					10	6K7, 6A8, 6C5, 6H6, 6F5, 6F6, 5Z3	465	8-1,4	
306.....	Vol.	15	MR53				SA107913 SA105165	25/19	TN111 TCS71/TC26	B202				7	57, 58, 55, 24, 80	175	5-23	
307.....	Vol. Tone	18 22	MR48 MR48	M26			SA104422 SA103037	30 15	3S584 TC52	B206				10	58, 57, 45, 56, 80	175	5-25,26	
310, 310A.....	Vol. Tone Vol.	15 22 1	MR48 MR48 A10MP	M26			SA103740 SA103595 SA103037	57 57 16	3S584 3S584 TC52	B203 B204				12	58, 57, 56, 46, 82	175	3-1	
312, 313 (AC).....	Vol. Tone	118 122	MR39 MR39	M26			SA106340	25/19	TCS71/TC26	B202				5	2A7, 58, 2A6, 2A5, 80	175	4-9	
350, 352.....	Vol.	18	MR48				SA105700	8/15	TN125/TC22					5	6A7, 78, 75, 43, 25Z5	175	4-10	
355, 357.....	Tone Vol.	22 18	MR48 MR48	M26			CE954	25/19	RM262/TC26	B213				7	2A5, 2A6, 58, 56, 80	456	7-5,6	
360, 361, 364.....	Vol. Tone	18 22	MR48 MR48	M26			SA105817 SA105818	3 3/13/15	RM262 3S584/TC26	B208				7	2A7, 58, 2B7, 53, 83	265	4-12, 5-31	
370, 371.....	Vol. Tone	1 22	MR48 MR48	M26			SA107029	12/13	2N516	B209				5	1A6, 34, 33, 32	456	5-33	
376, 376BT, 376F, 376S.....	Vol. Tone	4/9 121	GG MR48				CE959	12/13	2N516	B209				5	1A6, 34, 33, 32	463	6-1,2	
385.....	Vol.	4/9	GG				CE959	12/13	2N516	B209				6	1C6, 34, 30, 32, 33	463	6-3,4	
386.....	Vol.	45	MR48				SA105722	8/15	UR182-193/ TC22	B210 B210				5	6F7, 78, 75, 43, 25Z5	456	6-9,10	
402 Ed. 1, 2.....	Vol.	18	MR48	M26			CE957	8	UR182-193	B210				5	6F7, 78, 75, 43, 25Z5	456	6-9,10	
402 Ed. 3.....	Vol.	18	MR48	M26			CE958	15	TC22	B210				5	57, 58, 2A6, 47, 80	456	7-3,4	
405.....	Vol.	18	MR48	M26			SA105237	25/19	TCS71/TC26	B202				5	57, 58, 2A6, 47, 80	456	7-3,4	

† Data not substantiated.

\* IMPORTANT: Read Notes in Note Section if specified in Note Column.

‡ Indicates miscellaneous section.

MANUFACTURER AND MODEL	CONTROLS							CONDENSERS				VIBRATORS			No. Tubes	Complete Tube Complement	I. F. Peak	Rider's Reference
	Use	Original Part	Circuit	Correct Replacement	Switch	Bias	*Note	Original Part	Circuit	Correct Replacement	*Note	Original Part	Replacement	*Note				
UNITED AMERICA	N BOSC	H—Continued																
420, 421	Vol. Tone	SA107253 SA107251	18 121	MR48 MR44				SA107288	1/15	RM265					5	6F7, 6D6, 75, 42, 80	456 5-35, 6-11	
430, 430J, 430T, 431, 431J, 431T, 434, 434J, 434T	Vol.	SA107951	18	MR48	M26			SA107239 SA107288	1 1/13/15	HD684 RM265					5	6A7, 6D6, 75, 42, 80-83V	450 6-13,14	
440C, 440T, 441C, 441T, 444C, 444T	Vol. Tone	SA105562 SA107250	18 121	MR48 MR44				SA106665 SA107239	25/19 13	RM262/TC26 HD684	B213				6	6A7, 6D6, 75, 42, 80	456 6-15,16	
450L, 450H, 451L, 451H	Vol.	SA107951	18	MR48	M26			SA107239 SA107288	1 1/13/15	HD684 RM265					6	6A7, 6D6, 75, 42, 80	450 6-17,19	
454L, 454H	Vol.	SA107951	18	MR48	M26			SA107239 SA107288	1 1/13/15	HD684 RM265					6	6A7, 6D6, 75, 42, 83V	450 6-17,19	
460, 460A-B-R, 461A-B-R (Ed. 1 and 2), 464A-B-R	Vol. Tone	SA105562 SA105561	18 121	MR48 MR44				SA106665	25/19	RM262/TC26	B213				7	58, 2A6, 2A5, 56, 80	456 5-36, 6-21	
462A, 462Y	Vol. Tone	SA105562 SA105561	18 22	MR48 MR48											7	78, 76, 85, 48	456 7-8,10	
470G-U, 471G-U, 474G-U	Vol. Tone	VR954 VR955	18 121	MR48 MR44				CE954	25/19	RM262/TC26	B213				7	58, 2A6, 2A5, 56, 80, (83V)	456 6-27	
480 (Ed. 3)	Vol. Tone	SA107585 SA107584	18 121	MR48 MR44				SA107510 SA107516	59 15	RM265 TC22					10	78, 77, 6B7, 42, 6A6, 76, 83V	456 6-25,28	
480 (Ed. 1 and 2), 481, 484	Vol. Tone Supp.	SA107585 SA107584	18 121	MR48 MR44				CE955 SA107510 SA107516	59 59/13 15	RM262 RM265 TC22					10	78, 77, 42, 6A6, 76, 83V, 6B7	456 6-25,28	
500	Vol.	SA105308	18	MR48	M26			SA105309	11/15	UR182-193/ TC22	B214				5	78, 75, 43, 25Z5	456 5-37,38	
501, 502 (AC-DC)	Vol.	SA105308	18	MR48	M26			SA105722	8/15	UR182-193/ TC22	B210				5	6F7, 78, 75, 43, 25Z5	456 5-39,40	
503	Vol.	SA105308	18	MR48	M26			SA106487	25/19	TCS71/TC26					5	6F7, 78, 75, 43, 12Z3	465 5-43,44	
505, 510, 510E	Vol.	VR957	18	MR48	M26			CE9512 CE9511 CE958	25 25 19	RS215 RS213 TC22					5	6F7, 6D6, 75, 42, 80	465 6-29,32	
515	Vol.	VR957	18	MR48	M26			CE9512 CE9511 CE958	1 1 19	RS215 RS213 TC22					5	6F7, 6D6, 75, 42, 80	465 8-5	
524A (Ed. 1, 2, 2D, 2G)	Vol.	VR951	18	UM154-S823	M26			CE951	4	TCS71	B14	VI951	294	C3	5	6A7, 78, 75, 42, 84	456 6-33,34	
536	Vol.	VR951	18	UM154-S823	M26			.008 CE951	4	Buffer TCS71	B14	VI951	294	C3	5	6A7, 78, 75, 42, 84	456 7-11,12	
565W, 565K	Vol.	VR9516	18	MR48	M26			.008 CE9512 CE9511 CE958	1 1 19	RS215 RS213 TC22					6	6L7, 6K7, 75, 6F6, 6C5, 80	465 7-13,14	
575F, 575Q	Vol. Tone	VR959 VR9512	75 121	MR48 MR48				CE954 CE9511	25/19 14	RM262/TC26 RS213	B213				7	6K7, 6H6, 6F5, 6F6, 6A8, 80	465 7-15,18	
585, 585Y, 585Z, 586	Vol. Tone	VR959 VR9512	18 121	MR48 MR48				CE954 CE9518	25/19 14	RM262/TC26 RS213	B213				8	6K7, 6H6, 6F5, 6F6, 6A8, 6C5, 80	465 6-35,39	
595M, 595P	Vol.	VR9510	15	MR53				CE9515 CE9516 CE9517 SA107913	15 59 59 15	TC22 RS213 RS216 TN111					10	6K7, 6A8, 6C5, 6H6, 6F5, 6F6, 5Z3	465 6-41,44	
600	Vol.	VR9523	18	MR48	M26			CE9541	1/15	3S579	B14	VI957	245	C3	4	6A7, 6D6, 75, 41	465 7-19, 9-2	
601	Vol.	VR9538	18	MR48	M23-24			.008 CE9542	12	Buffer TC52	B14				5	IC6, 1A4, 1B5, 30, 19	465 7-20	
602	Vol. Tone	VR9540 VR9539	18 22	MR48											6	IC6, 1A4, 1B5, 30, 1J6G	465 7-21	
604, 604B	Vol.	VR9531	7			See Note A5		CE9533 CE9534 CE9515	6 6 15	RS215 RS216 TC22					4	6A7, 6C6, 43, K55C— Ballast, 25Z5	465 7-23,24	
605, 605C	Vol.	VR9532	18	MR48	M26			CE9536 CE9535 CE9515	1 1 19	RS215 RS216 TC22					5	6A8, 6K7, 75, 6F6, 5Y3	465 7-25,26	
610, 610A	Vol.	VR957	18	MR48	M26			CE9545 CE9546	27 27	RS207 RS215					5	6A7, 6D6, 75, 43, 25Z5, K49C	465 7-38	
620	Vol. Tone	VR9533 VR9534	75 22	MRT431 MR24				CE9539 CE9538 CE9540	27 27 13	RS207 RS207 RS213					6	6A8, 6K7, 6H6, 6F5, 25A6, 25Z6, K42C, —Ballast	465 7-27,28	
625	Vol. Tone	VR9533 VR9534	75 22	MRT431 MR24	6-9			CE9539 CE9538 CE9540	27 27 13	RS207 RS207 RS213					6	6A8, 6K7, 6H6, 6F5, 25A6, 25Z6, K42E —Ballast	465 7-27,28	
634A, 634A (Ed. 2)	Vol. Tone	VR951 VR952	18 121	UM154-S823 MK401				CE951	4	TCS71	B14	VI951	294	C3	6	77, 78, 75, 42, 84	175 6-45,46	
636, 637	Vol. Tone	VR9524 VR9525	18 121	MR48 MR48		RS246		.008 CE951	4	Buffer TCS71	B14	VI951	294	C3	6	77, 78, 75, 42, 84	175 7-29,30	
640, 650	Vol. Tone	VR9533 VR9534	75 125	MRT431 MR24				CE9536 CE9535 CE9537	25 25 13/15	RS215 RS216 RM262					6	6A8, 6K7, 6H6, 6F6, 6F5, 5Z4 or 5Y3	465 7-31,34	

† Data not substantiated.

\* IMPORTANT: Read Notes in Note Section if specified in Note Column.

‡ Indicates miscellaneous section.

ASK YOUR DISTRIBUTOR FOR THE LATEST MALLORY CATALOG AND PRICE LIST.

MANUFACTURER AND MODEL	CONTROLS							CONDENSERS				VIBRATORS			No. Tubes	Complete Tube Complement	I. F. Peak	Rider's Reference			
	Use	Original Part	Circuit	Correct Replacement	Switch	Bias	*Note	Original Part	Circuit	Correct Replacement	*Note	Original Part	Replacement	*Note							
UNITED AMERICAN 660T, 660C.....	N BOSC Vol. Tone	H—Continued VR9536..... VR9512.....	75	MRT427...				CE9536.....	25	RS215.....					7	6K7, 6H6, 6F5, 6A8, 6F6, 5Z4 or 5Y3...	465	7-35,37			
			121	MR48.....	M26			CE9535.....	25	RS216.....											
			75	MR48.....				CE9528.....	14	RS213.....											
			22	MR39.....	M26		A99	CE9526.....	15	TN111.....											
670S, 670C.....	Vol. Tone	VR959..... VR9537.....	75	MR48.....				CE9536.....	25	RS215.....					9	6K7, 6H6, 6C5, 6F5, 6A8, 6F6, 5Z4...	465	7-39,42			
			22	MR39.....	M26			CE9535.....	25	RS216.....											
			15	MR53.....				CE9528.....	14	RS213.....											
			15	MR53.....				CE9526.....	15	TN111.....											
680.....	Vol.	VR9510.....	30	RS213.....				CE9528.....	30	RS213.....					13	6K7, 6A8, 6C5, 6H6, 6F5, 6L6G, 5Y3, 5Z3.....	465	7-43,44 9-7			
			30	RS215.....				CE9536.....	30	RS215.....											
			30	RS213.....				CE9548.....	30	RS213.....											
			15	TN111.....				CE9547.....	15	TN111.....											
736, 737, 738.....	Vol. Tone	VR9527..... VR9525.....	75	MR44.....		RS246		CE9549.....	3	TC71.....					7	6J7, 6A8, 6K7, 6H6, 6F5, 6F6, 0Z4...	175	7-47,48			
			121	MR44.....				CE9548.....	3	TC71.....											
			75	MR44.....		RS246		CE9541.....	4	TCS71.....			V1955	294	C3						
			22	MR44.....		See No	te A5	CE9524.....	19	TC22.....											
838.....	Vol. Tone	VR9527..... VR9529.....	75	MR44.....		RS246		CE951.....	4	TCS71.....					8	6K7, 6A8, 6H6, 6F5, 6F6, 0Z4...	175	7-46			
			22	MR44.....		See No	te A5	CE9524.....	19	TC22.....											
			75	MR44.....		See No	te A5	CE9524.....	19	TC22.....											
			22	MR44.....		See No	te A5	CE9524.....	19	TC22.....											
UNITED MOTORS	SERVIC	E—See Delco	Buick,	Cadillac, Ch	evrolet,	G.M. C.,	Old	damobile and	Pontiac												
UNITED REPRODU 20 Series.....	CERS C Vol. Sen.	ORP. (Pearles ss)	35	..... †				2-2.....	60	See Note.....	B1				9	24A, 27, 45, 80.....		1-1			
			105	X.....			See No	te A5	..... †	1/14	See Note.....	B1							8	26, 27, 71A, 80.....	
			4	MR18.....																	
			7	UC500.....			See No	te A3	2-1.....	1	See Note.....	B1							9	24A, 27, 45, 80, 99.....	
6	E12.....			See No	te A3	2-2.....	1	See Note.....	B1				9	24A, 01A, 27, 45, 80.....		1-3					
98	X.....			See No	te A3																
UNITED SCIENTIF IC LAB	S.	See Dewald.																			
UNITONE 88.....	Vol.	500M-6.....	75	MR48.....	M26				1	2N511.....					6	14A7/12B7, 14Q7, 14B6, 35L6GT, 35Z5GT.....	455				
									15	TC26.....											
UNIVERSAL BATTER Y CO.	Vol.		18	MR48.....				10.....	15	TC22.....					5	6A7, 6D6, 75, 76, 48.....		†			
			15	MR48.....					12-6.....	1	3S582.....	B3		Order from	Mfr.				6	6A7, 34, 76, 75, 19.....	
7 tube 6 volt.....	Vol.		15	MR48.....				10.....	15	TC22.....					7	34, 6A7, 76, 75, 19.....		†			
									.01-.01.....	1	Buffer.....	B14		Order from	Mfr.						
50A6.....	Vol. Tone		17	MR48.....				12-6.....	1	3S582.....	B3				7	34, 6A7, 76, 75, 19.....		†			
			57	MR48.....					10.....	15	TC22.....										
60.....	Vol. Tone	24-103..... 26-103.....	18	UM157-SS17.....				.01-.01.....	1	Buffer.....	B14				5	1D7G, 1D5G, 1H4G, 1H6G, 1F5G.....	175				
			21	MR48.....					4-8.....	1	2N518.....		246	C3							
61A6.....	Vol. Tone		17	MR48.....				.01.....	1	Buffer.....	B14				6	6K7, 6A8, 6D6, 75, 41, 84.....	262				
			65	MR48.....					18-203.....	74	3S579.....	B64	30-100	294	C3						
70.....	Vol. Tone	24-103.....	18	UM157-SS17.....				.005.....	1	Buffer.....	B14				6	6D8G, 1D5G, 1H4G, 1J6G.....	465				
			22	Order from	Mfr.				4.....	1	TC70.....		245C	C3							
72A6.....	Vol. Tone		17	MR48.....				20.....	1	TC55.....					7	1D5G, 6D8G, 1H6G, 1H4G, 1J6G.....	465				
			65	MR48.....					.01.....	1	Buffer.....	B14									
80.....	Vol. Tone	24-103.....	18	UM157-SS17.....				18-204.....	24/15	3S579.....					8	6K7, 6A8, 6K7G, 6Q7G, 6J5G, 6N7G, 0Z4G.....	262				
			22	Order from	Mfr.				18-205.....	13	TC70.....		30-100	294	C3						
613V (32 Volt DC). 636V.....	Vol. Tone		18	MR48.....				.008.....	1	Buffer.....	B14				5	6A7, 6D6, 85, 6C6, 48.....	465	§6-35			
			15	MR48.....					4.....	1	TC70.....		See Note	C8							
802.....	Vol.		18	UM154.....		See No	te A96	4.....	4	TCS71.....					5	6A7, 6D6, 75, 42, 84.....	456	7-1			
			18	UM154.....		See No	te A96	4.....	4	Buffer.....	B14		294	C3							
803.....	Vol.		18	UM154.....		See No	te A96	.01.....	4	TCS71.....					6	6D6, 6A7, 75, 42, 84.....	456	7-1			
			18	MR48.....	M26				12-16.....	4	Buffer.....	B14									
5010.....	Vol.		18	MR48.....				4.....	4	TCS44.....					5	6A8G, 6K7G, 6Q7G, 25A6G, 25Z6G.....	465	7-1			
			18	MR48.....					10.....	15	TC22.....										
5032.....	Vol.		18	MR48.....				4.....	4	TCS44.....					5	6A8G, 6K7G, 6Q7G, 6C5G, 48.....	465	7-1			
			18	MR48.....					8-8.....	23	2S567.....										
6110.....	Vol.		18	MR48.....				4.....	4	TCS44.....					6	6C5G, 6J7G, 6K7G, 6Q7G, 6F6G, 5Y3.....	456	7-2			
			18	MR48.....					8-8.....	23	2S567.....										
6132.....	Vol. Tone		18	MR48.....				4.....	4	TCS44.....					6	6A8G, 6K7G, 6Q7G, 38, 48.....	465				
			57	MR48.....					8-8.....	23	2S567.....										
6310.....	Vol.		18	MR48.....				4.....	4	TCS44.....					6	6C5G, 6J7G, 6K7G, 6Q7G, 6F6G, 5Y3.....	456	7-2			
			18	MR48.....					12-6.....	1	See Note.....	B3		F294							
7232, 7332 (32 V.)	Vol.		15	MR48.....				10.....	15	TC22.....					5	76, 6D6, 6C6, 6A7, 42.....	465	§6-35, 7-2			
			15	MR48.....					10.....	15	TC22.....										

† Data not substantiated.

\* IMPORTANT: Read Notes in Note Section if specified in Note Column.

§ Indicates miscellaneous section.

MANUFACTURER AND MODEL	CONTROLS							CONDENSERS				VIBRATORS			No. Tubes	Complete Tube Complement	I. F. Peak	Rider's Reference
	Use	Original Part	Circuit	Correct Replacement	Switch	Bias	Note	Original Part	Circuit	Correct Replacement	Note	Original Part	Replacement	Note				
UNIVERSAL BATTERY C	O.—Continued																	
8210.....	Vol. Tone		45	MR48			8, 8	3	RS213					8	6J7G, 6C5G, 6K7G, 6Q7G, 6G5, 6N6G, 5Y3G	465	7-2	
8232, 8332.....	Vol. Tone		15	MR48			8, 8	1	TC71			F294	C3	8	6K7G, 6A8G, 6H6G, 6G5, 6J7G, 6F6G, 6X5G	465		
8410.....	Vol. Tone		18	MR48			8, 8	3	RS213	B14				8	6J7G, 6C5G, 6K7G, 6Q7G, 6G5, 6N6G, 5Y3G	465	7-2	
U. S. RADIO & TELEVISION	(Apex, Radio trope)																	
3.....	Vol.		58	F			8, 8	4	RS213	B3				4	24A, 47, 80			
5A (AC) (Chassis 502).....	Vol.		6	MR18	M26		4703	1	2N518					5	57, 58, 47, 80	455	3-1,2	
7 (AC).....	Vol. Lclzr. Tone		15	MR48			3366	28	TC70					7	35, 24A, 27, 47, 80	262	2-1,4	
7D (Chassis 700).....	Vol. Tone		22	MR42			3529	28	TC70					7	56, 57, 58, 47, 80	455	4-1,2	
8 Series.....	Vol. Tone		6	Y200MP			8-8	1	See Note	B3				8	35, 27, 47, 80	262	2-5,7	
9 (Chassis 900, 902).....	Vol. Sen. Tone		34	MR18			8	19	TC22					9	58, 57, 56, 46, 80	262	3-3,4	
10.....	Vol. Tone		15	MR44	M26		2803	1	TC71	B194				10	35, 27, 47, 80	262	2-8,10	
10C (Chassis 1000-1001).....	Vol. Tone	2962	15	MR53			2803	1	TC71					10	35, 27, 47, 80	262	2-11,14	
12 (Class "B") (Chassis 1200).....	Vol. Tone	3838	41	MR44			2719	13	TC52					10	35, 27, 47, 80	262	2-11,14	
19 (Chassis 900, 902).....	Vol. Sen. Tone		15	MR44		See Note A27	4	3	TC92					12	58, 56, 46, 57, 82	262	4-3,4	
20.....	Vol. Sen. Tone		20	MRT427		See Note A4	8-8-8	3/18	See Note	B3				9	58, 57, 56, 46, 80	262	3-3,4	
24 (Chassis 400).....	Vol. Tone		21	MR39		See Note A27	8	16	TC32					4	24A, 71A, 80		1-1,2	
25 (Chassis 500) (2 types).....	Vol. Tone		7/12	Order from Mfr.		See Note A4	8-8-8	28	See Note	B3				4	47, 57, 80	455	3-5,6	
26.....	Vol. Tone		15	MR44			4	1	TC40					4	24A, 71A, 80		1-1,2	
26P.....	Vol. Tone		95	MR39			8-8	25	See Note	B3				4	47, 57, 80	455	3-5,6	
27 (Early).....	Vol. Tone		98	F			8-8	1	2N518					4	24A, 71A, 80		1-1,2	
27 (Late).....	Vol. Tone		6	MR18			8-8	1	2N518					4	47, 57, 80	455	3-5,6	
27P.....	Vol. Tone		40	MR24	M26		8-8	1	TC22					4	24A, 71A, 80		1-1,2	
28 (Early) (Late).....	Phono. Tone		87	MR18			8-8	1	See Note	B3				5	57, 58, 47, 80	455	4-5,6	
29.....	Vol. Tone		6	MR18		See Note A5	1942	1	HD684					5	24A, 45, 80		1-3,4	
30 Auto.....	Vol. Tone		41	MR48	M26		2678	1	HD684					5	24A, 47, 80		1-3,4	
31 Apex.....	Vol. Tone		7	MR48			8-8	1	See Note	B3				5	24A, 27, 45, 80		1-5	
31R (Remote Control).....	Vol. Tone		6	MR18	M26		8-8	1	See Note	B3				5	24A, 27, 45, 80		1-5	
32 Series.....	Vol. Tone		6	MR18			8-8	1	See Note	B3				5	24A, 27, 45, 80		1-6	
33 (DC).....	Vol. Tone		87	A400P			1-3-1	3	See Note	B1				8	24A, 27, 45, 80		1-7,8	
36, 37 Apex.....	Vol. Tone		41	MR48			8-8-8	1/14	See Note	B3				8	24A, 27, 45, 80		1-9	
41 (60 Cycle).....	Vol. Tone		6	MR18	M26		8-8-8	1/14	See Note	B3				8	24A, 27, 45, 80		1-9	
42 (60 Cycle).....	Vol. Tone		41	MR48			8, 8, 8	28	HD684					5	24A, 26, 71A, 01A		2-16	
43 (25 Cycle).....	Vol. Tone		7	MR19			8, 8, 8	28	HD684					8	27, 24A, 45, 80		1-10	
44 (25 Cycle).....	Vol. Tone		6	MR18	M26		8, 8, 8	28	RS213					8	27, 24A, 45, 80		1-10	
46, 46A, 47, 47A.....	Vol. Tone		41	MR48			8, 8, 8	28	RS213					7	45, 27, 24A, 80		1-11	
48, 48A, 48W.....	Vol. Tone		7	G			8, 8, 8	28	RS213					8	27, 24A, 45, 80		1-10	
49.....	Vol. Tone		41	MR48			8, 8, 8	28	RS213					7	45, 27, 24A, 80		1-11	
69 (Chassis 906).....	Vol. Tone		6	MR18			8, 8, 8	28	RS213					7	45, 27, 24A, 80		1-11	
80 (Case).....	Vol. Tone		41	MR48			8, 8, 8	28	RS213					7	45, 27, 24A, 80		1-11	
99 Series.....	Vol. Tone	3406	6	MR18			8, 8, 8	28	RS213					7	45, 27, 24A, 80		1-11	
	Vol. Tone		4	D12			1-1-1	3	See Note	B1				6	64, 71A		3-7,8	
	Vol. Tone		8	A400P			1-1-1	3	See Note	B1				7	71A, 26, 27, 80		1-12	
	Vol. Tone		8	A400P			1-1-1	3	See Note	B1				8	27, 45, 80		1-13	
	Vol. Tone		8	A400P			1-1-1	3	See Note	B1				8	27, 45, 80		1-13	
	Vol. Tone		8	A400P			1-1-1	3	See Note	B1				8	27, 45, 80		1-13	
	Vol. Tone		8	A400P			1-1-1	3	See Note	B1				8	27, 45, 80		1-13	
	Vol. Tone		8	A400P			1-1-1	3	See Note	B1				7	27, 24A, 45, 80		1-14	
	Vol. Tone		8	A400P			1-1-1	3	See Note	B1				8	27, 24A, 45, 80		1-15	
	Vol. Tone		41	MR48			1-3-1	3	See Note	B1				5	24A, 26, 01A, 71A		1-15	
	Vol. Tone		15	MR48			4-4	12/19	2N516					9	32, 34, 30	262	3-9	
	Vol. Tone		44	MR42					See Note	B1				9	26, 27, 71A, 80		1-16	
	Vol. Tone		4	D12		See Note A27			See Note	B1				9	26, 27, 71A, 80		1-16	
	Vol. Tone		40	MR18		See Note A4			TC70					5	24A, 35, 47, 80	262	2-17,18	
	Vol. Tone		6	MR18			3366	1	TC70					5	24A, 35, 47, 80	262	2-17,18	
	Vol. Tone		6	MR18			2803	1	TC71					5	24A, 35, 47, 80	262	2-17,18	

‡ Data not substantiated.

\* IMPORTANT: Read Notes in Note Section if specified in Note Column.

§ Indicates miscellaneous section.

WHEN YOU BUY A BATTERY CHARGER BUY A MALLORY.



MANUFACTURER AND MODEL	CONTROLS							CONDENSERS				VIBRATORS			No. Tubes	Complete Tube Complement	I. F. Peak	Rider's Reference
	Use	Original Part	Circuit	Correct Replacement	Switch	Bias	*Note	Original Part	Circuit	Correct Replacement	*Note	Original Part	Replacement	*Note				
<b>U. S. RADIO &amp; TELEVISION</b> 120 Class "B" (Chassis 1200)...	VISION	Continued																
Vol.		15	MR44			See Note A27	4-8-8	3	See Note	B3				12	58, 56, 46, 57, 82	262	4-3,4	
Vol.		20	MRT427			See Note A4	8	18	See Note	B3								
Tone		1	MR39			See Note A27	8	17	TC32									
Tone		21	MR48			See Note A4												
Sen.		7/12	Order from	Mfr.														
Vol.		40				See Note A5	2-2-2	1/14	See Note	B1				9	27, 45, 80		3-10	
Vol.		213	UM149-SS1					1/15	FP339					3	6SN7GT, 6V6GT/G, 6X5GT			
Tone		22	MR39	M26														
482		8	A400P				1-3-1	3	See Note	B1				8	24A, 27, 45, 80		1-15	
Tone		41	MR48															
1006, 1007 Class "B"		15	MR44				8-8-8	28	See Note	B3				10	58, 56, 46, 80	262	4-9,10	
Vol.		15	MR44				8-8	1	See Note	B3								
Tone		95	MR33															
3040, 3056 (Chassis 507)		6	MR24				8-8	1	2N518					5	47, 57, 58, 80	455	3-11,12	
Vol.		4					4	17	TC22									
3070 (Chassis 1009)		15	MR44				8-8	55	2N518					10	58, 56, 46, 80	262	4-11,12	
Vol.		41	MR33				4	55	TC70									
Tone		6	MR24				4-12-4	11	UR182-193	B182				5	6F7, 78, 75, 43, 25Z5	455	5-1	
Vol.		6223																
<b>U. S. TELEVISION</b> 5A16, 5B16, 5C16...	CO.—"C"	learnsonic"	PA4400-2	18	MR48	M26								5	12SA7GT, 12SK7GT, 12SQ7GT, 50L6GT, 35Z5GT	455		
Vol.							PA4300-1	24	TC48									
							PA4300-1	24	TC48									
							PA4300-5	13	TC42									
								15	TC32									
5A66, 5B66, 5C66	Vol.	PA4400-2	161	MR48	M26		PA4300-1	1	TC48					5	12SA7GT, 12SK7GT, 12SQ7GT, 50L6GT, 35Z5GT	455		
							PA4300-1	1	TC48									
							PA4300-1	13/15	TC48									
5D66MPA	Vol.	PA4400-2	161	MR48	M26		PA4300-1	1	TC48					5	12SA7GT, 12SK7GT, 12SQ7GT, 50L6GT, 35Z5GT	455		
							PA4300-1	1	TC48									
							PA4300-1	13/15	TC48									
5-16	Vol.	PA4400	18	MR48	M26		PA4300-1	1	TC48					5	12SA7GT, 12SK7GT, 12SQ7GT, 50L6GT, 35Z5GT	455		
							PA4300-1	1	TC48									
							PA4301-1	15	Order from Mfr.									
5-16M	Vol.	PA4400	18	MR48	M26		PA4300-1	24	TC48					5	12SA7GT, 12SK7GT, 12SQ7GT, 50L6GT, 35Z5GT	455	15-1,2	
							PA4300-1	24	TC48									
							PA4300-5	13	TC42									
							PA4301-1	15	Order from Mfr.									
5-36MPA	Vol.	PA4400	161	MR48	M26		PA4300-1	24	TC48					5	14Q7, 14A7/12B7, 14B6, 50A5, 35Y4	455	16-1,2	
							PA4300-1	24	TC48									
							PA4300-5	13	TC42									
							PA4301-1	15	Order from Mfr.									
5-46, Series	Vol.	PA4400	18	MR48	M26		PA4300-1	24	TC48					5	12BE6, 12BA6, 12AT6, 50B5, 35W4	455	15-3,4	
							PA4300-1	24	TC48									
							PA4300-5	13	TC42									
							PA4301-1	15	Order from Mfr.									
8-16M	Vol.	PA4403	228	MK403			PA4311-1	81	FP390					8	7A7, 7Q7, 7B6, 7A4, 6V6GT, 5Y3GT	455		
Tone		PA4402	239	MK400	M26		PA4386-3	15	TC26									
							PA4300-3	12	TC70									
							PA4386-2	15	TC29									
<b>UTAH PRODUCTS</b> 400A Series	CO.																	
Vol.		15	MR44			See Note A4	8-8-4-2	37	See Note	B3				14	58, 55, 56, 57, 47, 80	180		
Supp.		41	UM149-SS1				40	15	TC29									
Tone		33	MR53				8-8-4-2-2	3	See Note	B3				17	55, 58, 56, 57, 42A5, 5Z3	180		
Tone		44	MR44				40	15	TC29									
"B" Elim. (Non Sync.)			MR19															
							8	1	TC71			292	C3	84			1-1	
							20	1	TC26									
							.02		Buffer	B14								
<b>V-ELECTRICAL MFG</b> Z463	CO.																	
Vol.		205	Order from	Mfr.				24	TC45					5	12SA7, 12SK7, 12SQ7, 50L6GT, 35Z5GT	455	15-22	
								24	TC48									
Z468	Vol.	205	Order from	Mfr.				24	TC45					5	14Q7, 14A7, 14B6, 50A5, 35Y4	455	15-22	
								24	TC48									
<b>VAN CAMP</b> 576-1-6A	Vol.	B-51725-2	75	TM233-SS25			A-8948	1	FP306	B192				6	12SK7GT, 12SA7GT, 12SQ7GT, 35L6GT, 35Z5GT	455		
Tone		B-51724-1	158	MK401	M26													
<b>VICTOR—See RCA.</b>																		
<b>VIEWTONE</b> RC-201A, RRC-201	Vol.		161	MR48	M26									5	14Q7, 14A7/12B7, 14B6, 50A5, 35Y4	455		
Tone			22	UM149-SS1				24	2N520									
								15	TC22									

‡ Data not substantiated.

\* IMPORTANT: Read Notes in Note Section if specified in Note Column.

§ Indicates miscellaneous section.

MANUFACTURER AND MODEL	CONTROLS							CONDENSERS				VIBRATORS			No. Tubes	Complete Tube Complement	I. F. Peak	Rider's Reference
	Use	Original Part	Circuit	Correct Replacement	Switch	Bias	*Note	Original Part	Circuit	Correct Replacement	*Note	Original Part	Replacement	*Note				
V-M CORPORATION 0101-A.....	Vol. Tone	11A0170 11A0525	50 50	MR55 MR55	M26			15A0068 15A0069	24 15	2N509 TC42				3	12S17GT, 50L6GT, 45Z5GT			
VIZ—See Molded Insulation Co.																		
VOCO RADIO MFG. CO., INC.																		
V41N.....	Vol.		6	SRP263				8-4	4	See Note	B3			4	35, 24A, 47, 80		175	
V60.....	Vol.		15	MR48				6-6	1	2N518	B3			6	58, 57, 55, 47, 80		175	
V80.....	Vol.		15	MR48				†	1	See Note	B3			8	58, 56, Wunderlich, 47, 80		†	
V100.....	Vol.		15	MR48				†	1	See Note	B3			10	58, Wunderlich, 56, 47, 80		†	
VOGUE—See Sheridan Electronics Corp.																		
WALGREEN—AETNA																		
B25-RS.....	Vol.	2009C	18	MR48	M27			1845		TC42		3407	246	5	1C6, 1A4, 1B5, 30, 19	456	8-1	
B66RIS.....	Vol. Tone	24-101 26-102	18 21	MR48 MR53	M27			16-100 .01-.01	15 1	TC22 Buffer				6	30, 1A6, 1A4, 6T7G, 6L5G, 19	456	11-3	
M8 (Ch. M, ME)...	Vol. Tone	2011 2012	18 34	MR48 MR36	M26			317 364	1 2	RS213 TC22				8	6A7, 6D6, 76, 6F5G, 42, 6G5, 80	456	10-1	
ME5, NT5.....	Vol. Tone		15 34	MR48 MR39				4-8-8 5	15 15	3S584 TC22				10	6K7, 6A8, 6D6, 76, 75, 6G5, 6B5, 80	456	13-3	
P5.....	Vol.	P4820	18	MK402	M27			P4860 P4831	76 78	FP309 TC2501				5	1A7, 1N5, 1H5, 3Q5, 117Z6	455	13-1,2	
R31 (Ch. R).....	Vol.	2006	6	MR18	M26	EX300		P4860 P4831 2037	76 78 12	FP309 TC2501 TC52				5	6D6, 6C6, 43, 25Z5, L55B		10-3	
XP5.....	Vol.	P4820	18	MK402	M27			P4860 P4831	76 78	FP309 TC2501				4	1A7, 1N5, 1H5, 3Q5, 117Z6	455	13-1,2	
4-tube Batt. 10, 12, 22U73.....	Vol.	1050	†	MR18	M26	EX300		2037	12	TC52				4	34, 32, 33	456	13-4	
32B.....	Vol. Tone	2055 2373	18 22	MR48 MR33	M26	EX200		14-8-5-5 2159	6/15 11	48715 UR182-193				4	6D6, 6C6, 43, 25Z5		10-2	
34D.....	Vol.	2239	18	MR48										5	6A7, 6K7, 75, 43, 25Z5	465	11-1	
34B.....	Vol. Tone	2260 2239	18 57	MR48 MR48	M27			2272 8876	1 15	TC42 TC22		2269	245A	4	1C6, 34, 1B5, 33	465	10-4	
41, 42.....	Vol.		7	G				.02	4	Buffer	B14			4	35, 24, 47, 80		10-2	
41A, 42A.....	Vol.		7	G				4, 4	4	ST597				4	58, 57, 47, 80		10-2	
46.....	Vol.	1057	45	MR48	M26			8	12	TC52				6	1C6, 34, 30, 33	456	13-4	
55-RS.....	Vol.	2009	18	MR48	M26			2037	4	RS213				5	6A7, 6D6, 75, 42, 80	456	8-2	
57-RS.....	Vol.	2009	18	MR48	M26			311	27	ST599				6	6A7, 6D6, 75, 43, 25Z5, 6G5	456	8-3	
66.....	Vol.		18	MR48				314	27	ST597				5	6A7, 6D6, 75, 43, 25Z5	456	11-2	
78RLS, C78RLS.....	Vol. Tone		18 22	MR48 MR33				40 16	23 23	RS224 RS216				8	6K7G, 6J7G, 6L7G, 6Q7G, 6V6, 6G5, 5Y4	456	12-1,2	
99RLS, C99RLS.....	Vol. Tone		18 44	MR48 MR33				40, 40	23	RS224				10	6K7G, 6J7G, 6L7G, 6Q7G, 6C5, 6V6, 5Y4, 6G5	456	12-2,3	
166RIS.....	Vol. Tone	24-101 26-101	18 21	MR48 MR48	M26			18-202 18-201	25 25	RS215 RS215				6	76, 6A7, 6D6, 75, 42, 80	456	10-6	
200.....	Vol.	2006	6	MR18	M26	EX300		316	24/15	TN125/TN111				4	6D6, 6C6, 43, 25Z5		11-3	
204R.....	Vol.		6	MR39	M26	EX350		12	4	RS215				4	6A7, 6C6, 42, 80	456	12-4	
209.....	Vol.	2031	6	MR20	M26			16	4	RS216				2	12B8GT, 32L7GT		11-4	
250.....	Vol.	W60	7	UM151-SS1				344	1	2N513				4	78, 77, 38, 12Z3		11-5	
252.....	Vol.		6	MR20	M26			W70	1/15	3S582/TN111				4	6D6, 6C6, 43, 25Z5		11-6	
253CL Early.....	Vol.		6	MR29	M26			16-12	27	TC844				4	6D6/6K7, 6C6/6J7, 43, 25Z5		12-4	
253CL Late.....	Vol.		6	MR29	M26			16-12	27	TC844				5	6D6/6K7, 6C6/6J7, 43, 12Z3		12-4	
255.....	Vol. Tone	2426 259	6 21	MR24 MR48	M26	EX200		2525	1	FP115				4	6D6, 6C6, 25L6, 25Z5, R55CP		9-1	
300CL.....	Vol.		18	MR48				8-8	23	RM262				6	6C6, 6D6, 75, 42, 76, 80		†	
300, 300P Early.....	Vol. Tone		18 22	MR48				16-12	27	TC844				5	6A7, 6D6, 75, 43, 25Z5	465	12-4	
300P Late.....	Vol.		18	MR48				16-8	11	2S569				5	6A7, 6D6, 75, 43, 25Z5	456	12-4	
300T.....	Vol.		18	MR48				8	11	TC52				5	6A7, 6D6, 75, 43, 25Z5		†	
308 (Ch. 801, 802)...	Vol. Tone		75 57	†				16-12-10-10	6/15	48715				5	6A7, 6D6, 75, 43, 25Z5		13-9	
360 (Ch. HE).....	Vol. Tone	2009	18 22	MR48 MR33	M26			8	25	HD604				8	6K7, 6L7, 6C5, 6F5, 6H6, 5Y3, 6F6	465	10-7	
370.....	Vol. Tone	2009	18 22	MR33 MR36	M26			311	25	RS223				6	6A7, 6D6, 75, 6G5, 43, 25Z5, L42C	456	10-3	
	Vol.		18	MR48	M26			314	27	TC42				6	6A7, 6D6, 85, 43, 25Z5, 6G5 or L49C	456	8-4	

† Data not substantiated.

\* IMPORTANT: Read Notes in Note Section if specified in Note Column.

‡ Indicates miscellaneous section.

MAKE FULL USE OF NOTES AND CIRCUIT DIAGRAMS.

MANUFACTURER AND MODEL	CONTROLS							CONDENSERS				VIBRATORS			No. Tubes	Complete Tube Complement	I. F. Peak	Rider's Reference
	Use	Original Part	Circuit	Correct Replacement	Switch	Bias	*Note	Original Part	Circuit	Correct Replacement	*Note	Original Part	Replacement	*Note				
WALGREEN—Continued																		
400	Vol.		6	MR18	M26	EX200		4, 4	1	TC70				4	78, 77, 42, 80		10-8	
								10	15	TC22				4				
400 Late	Vol.	V600	7	MR37	M26	EX100		C514	1	2N518				4	39, 36, 41, 56		11-8	
								C520	15	TN111				4				
401	Vol.	1835	6	MR24	M26	EX200		1258	4	RS213				4	6D6, 6C6, 42, 80		10-9	
								1260	4	RS213								
								8876	15	TC22								
404B, 404I	Vol.	2028	6	MR19	M26			336	1	TN125				4	6K7GT, 6J7GT, 25L6GT, 25Z6GT		11-9	
409	Vol.	2009G	18	MR48	M27			10	12	TC55				4	1A7GT, 1N5GT, 1H5GT, 1O5GT	†	11-9	
410	Vol.	2032	6	MR28	M26			343	1	2N513				4	12K7GT, 12SQ7GT, 50L6GT, 45Z5GT		11-4	
419	Vol.	2009G	18	MR48	M27			10	12	TC55				4	1A7GT, 1N5GT, 1H5GT, 1O5GT	†	11-9	
500 (2 Bands)	Vol. Tone		17	MR53				8-8	1	See Note	B3			5	6A7, 78, 75, 42, 80	370	10-10	
			34	MR44				10	19	TC22								
500 (3 Band)	Vol. Tone		17	MR53				8-8	1	See Note	B3			5	6A7, 6D6, 75, 42, 80	370	10-10	
			34	MR44				10	19	TC22								
500DC	Vol. Tone		6	MR18	M26									5	36, 38		13-5, 8	
502	Vol. Tone		6	MR22	M26	EX250								5	6A7, 6D6, 76, 42, 80	456	11-8	
			22	MR33				8, 8	4	TC71								
510 AC (Early)	Vol. Tone		18	MR48	M26			8, 8	4	RS213				5	6A7, 6D6, 75, 42, 80	456	11-10	
510 AC-DC (Late)	Vol. Tone	2009F	18	UM154	M26		A96	344	1	2N513				5	12A8GT, 12K7GT, 12Q7GT, 50L6GT, 35Z5GT		11-11	
522	Vol.	5-301	18	MK401	M26			7-301	24	2N514				5	12SA7GT, 12SK7GT, 12SQ7GT, 50L6GT, 35Z5GT	456	13-6	
															456		11-2	
525	Vol.	V601	17	MR48	M26			C525	63	UR182-193				5	6D6, 75, 43, 25Z5		11-2	
529	Vol.	2009E	18	UM154	M27		A96	345	76/78	TN129/TC2501				5				
532	Vol.		149	MR55	M26			40-40	24	2N511	B3			5	1A7G, 1N5G, 1H5G, 1T5GT, 25Z6GT	456	11-11	
								40-70-70	24/78	See Note	B3							
540	Vol.	P101-1	17	MR48	M26			C525C/C525D	11	UR182-193	B31			5	3Q5GT, 11Z6GT	456	13-9	
542	Vol.	24-127	6	UM154	M26		A96	19-234	1/15	FP346				4	6D6, 6F5G, 25L6G, 25Z5	456	10-11	
550AC	Vol.	P1008	17	MR48	M26			P1003	4	2S567	B33			5	2A7, 58, 2A6, 2A5, 80	456	11-12	
550 Auto	Vol.		17	UM154	M26	See Note	A96	4-8-4	4/15	3S579			See Note	C6	6A7, 6D6, 75, 42, 84	456	10-11	
								.0075		Buffer	B14							
568	Vol.	R-9051-5	75	MR48	M26			A-8948	1	FP363				5	12SA7GT, 12SK7GT, 12SQ7GT, 50L6GT, 35Z5GT	455	15-1, 4	
571	Vol.	B-9051-1	75	MK401	M26			A-8948	1	FP363				5	12SA7GT, 12SK7GT, 12SQ7GT, 50L6GT, 35Z5GT	455	15-5, 7	
575	Vol.	P101-10	6	MR33	M26	EX100		P119-6	4	2S567				5	58, 57, 2A5, 80	175	10-13	
576	Vol.	P101-10	69	MR36	M26	EX100		P119-8	8/15	3S584/TC22				5	6D6, 6C6, 43, 25Z5	175	13-10	
585 Ser. A	Vol.	P101-18	18	MR48	M26			P119-11	1/15	3S579				5	6F7, 6D6, 75, 42, 80	370	10-14	
600	Vol. Tone		18	MR48	M26			8-8	1	2S567				6	6A7, 6D6, 75, 42, 80	456	11-15	
			22	MR33				10	15	TC22								
604	Vol. Tone		18	MR48				8, 8	1	RS213				6	6D6, 75, 42, 76, 80	456	12-5	
			22	MR33														
606	Vol. Tone		18	MR48				8, 8	1	RS213				6	6D6, 75, 42, 76, 80	456	12-5	
			22	MR33														
630, 635, 652	Vol. Tone		18	MR48				8-8	1	2S567				6	6D6, 75, 6B5, 80, 76	456	9-1 & 12-2	
			22	MR33														
630 (Revised)	Vol.	24-124	18	MR48	M26			18-232	6	2N509	B8			5	6A7, 6D6, 75, 25L6G, 25Z5, BK49B	455	12-2, 5	
								18-235	15	TC22				6	6A7, 6D6, 75, 42, 80	456	11-15	
650	Vol. Tone		18	MR48	M26			8-8	1	2S567				6	6A7, 6D6, 75, 42, 80	465	10-15	
			22	MR33				10	15	TC22								
651	Vol. Tone	2055	18	MR48	M26			1477	25	RS215				6	6A7, 6D6, 75, 42, 80	465	10-15	
			34	MR33				1476	25	RS216								
653	Vol. Tone	2056	18	MR48				8, 8	1	RS213				6	6D6, 75, 42, 76, 80	456	12-5	
			22	MR33														
660 (Early, 2 Types)	Vol. 1st		17	UM154			A96	4-4-8	4/13	3S584				6	6D6, 6C6, 75, 41/42, 84	262.5	12-6	
	Vol. 2nd		17	UM161			A96	.0075		Buffer	B14							
660 (Auto) Late	Vol.	V603	17	MR48	M26			C550	4	TCS71			Order from Mfr.	6	6D6, 6A7, 75, 89, 6Z4	175	10-8	
675	Vol.	P101-11	18	MR48	M26			P103-4	4	RS216				6	57, 27, 58, 2A6, 2A5, 80	370	10-16	
								P103-3	4	RS216				5	6A7, 6D6, 75, 43, 25Z5	456	8-2	
700	Vol. Tone		18	MR48				16, 16	27	TC44								
			34	MR33														
750	Vol.	6216	75	MR48	M26			3004	1	RM262				7	6K7, 6A8, 6H6, 6F5, 6F6, 5Y3	465	11-13	
								8814	14	TC70								
								3003	15	TC22								
800 (Ch. M. ME)	Vol. Tone	2011	18	MR48				317	1	RS213				8	6A7, 6D6, 76, 6F5G, 42, 6G5, 80	456	10-1	
		2012	34	MR36	M26			364	15	TC22								
901	Vol.	64A	18	MR48	M26			16-16-8	63	2S567/TC42				5	6A7, 6D6, 75, 43, 25Z5	456	11-16	

† Data not substantiated.

\* IMPORTANT: Read Notes in Note Section if specified in Note Column.

‡ Indicates miscellaneous section.

BE SURE TO SPECIFY MALLORY RADIO AND ELECTRONIC PARTS.

MANUFACTURER AND MODEL	CONTROLS							CONDENSERS				VIBRATORS			No. Tubes	Complete Tube Complement	I. F. Peak	Rider's Reference
	Use	Original Part	Circuit	Correct Replacement	Switch	Bias	*Note	Original Part	Circuit	Correct Replacement	*Note	Original Part	Replacement	*Note				
WALGREEN—Continued 1050.....	Vol. Tone Supp. Vol.	P1025.....	15 11	MR48..... MR39.....	M26.....			P1048..... P1038.....	26 26	HD684..... ST595*/TC32.....				10	58, 2A7, 456, 445, 80, Tun-a-lite.....	175	10-17	
	4154.....	Vol.	9331.....	12 6	F7..... H7.....	6-9	2	9982..... 1693.....	11 15	UR182-193..... TC22.....	B31			4	6D6, 6C6, 43, 25Z5.....		10-18	
WALTHAM 32.....	Vol.		6	MR21.....				8-8.....	4	See Note.....	B3			6	24A, 45, 80.....		3-1	
WALTON RADIO CORP. Wal-Tone "EX".....	Vol.		8	H.....		2		A403..... A404.....	4 4	TC71..... TC70.....				6	56, 57, 58, 47, 80.....	457.5		
WARWICK 4 tube AC.....	Vol.		6	MR48.....			A14	12..... 16.....	4 4	RS215..... RS216.....				4	6A7, 6C6, 42, 80.....	456	7-4	
5-Tube Super A. C. 6-Tube AC Superhet	Vol. Vol.		17 17	MR48..... MR48.....	M26..... M26.....			8-8..... 8-8.....	4 4	23567..... 23567.....				5 6	6A7, 6D6, 75, 42, 80..... 6A7, 6D6, 75, 42, 80, 6G5.....	456 262.5	9-1 7-2	
6 tube Auto.....	Vol. Tone Supp. Vol.		17	UM162..... MR39.....		See Note	A96	4-4-8..... .0075.....	4/15	3S579..... Buffer.....	B14		246	C12	6D6, 6C6, 75, 42, 84.....		7-2	
7 tube Battery.....	Vol. Tone Supp. Vol.		18 22	MR48..... MR33.....										6	1C6, 34, 1B5, 30, 19.....	456	7-3	
0-30.....	Vol.	24-139.....	18	UM154.....	M26.....		A96	18-251.....	24	2N513.....				3	12SA7GT, 25D8GT, 70A7GT.....	455	11-1	
0-40.....	Vol.	24-138.....	18	MR53.....	M27.....			18-250.....	12	TC40.....				4	1A7GT, 4N5GT, 1H5GT, 1C5GT.....	455	11-1	
0-41.....	Vol.	24-138.....	18	MR53.....	M27.....			18-250.....	12	TC40.....				4	1A7GT, 4N5GT, 1H5GT, 1C5GT.....	455	12-1	
0-42.....	Vol.	24-138.....	18	MR53.....	M27.....			18-250.....	12	TC40.....				4	1A7GT, 4N5GT, 1H5GT, 1C5GT.....	455	12-1	
0-43, 0-44.....	Vol.	24-149.....	18	UM161.....	M27.....		A96	18-250.....	12	TC40.....				4	1A7GT, 4N5GT, 1H5GT, 1Q5GT.....	455	11-2	
0-46.....	Vol.	24-151.....	18	UM161.....	M27.....		A96	18-250.....	12	TC40.....				4	1A7GT, 4N5GT, 1H5GT, 1Q5GT.....	455	12-1	
0-50.....	Vol.	24-138.....	18	MR53.....	M27.....			18-257..... 18-258..... 18-259.....	76 76 78	TN129..... TC44..... TC39.....	B8			5	1A7GT, 4N5GT, 1H5GT, 1A5GT, 35Z4GT.....	455	11-7	
0-51.....	Vol.	24-140.....	18	MR48.....	M26.....			18-254.....	1	FP234.....	B117			5	6SA7GT, 6SK7GT, 6SQ7GT, 6K6GT, 5W4GT.....	455	11-3	
0-53.....	Vol.	24-150.....	18	MK402.....				18-262..... 18-263.....	76 76/78	FP211..... 2N509.....				5	1A7GT, 4N5GT, 1H5GT, 1T5GT, 35Z5GT.....	455	11-5	
0-54.....	Vol.	24-142.....	18	MR48.....	M26.....			18-241.....	22	2N509.....				5	12SA7GT, 12SK7GT, 12SQ7GT, 50L6GT, 35Z5GT.....	455	12-3	
0-60.....	Vol.	24-140.....	18	MR48.....	M26.....			18-255.....	1	2N514.....				5	6SA7GT, 6SK7GT, 6SQ7GT, 25L6GT, 25Z6GT.....	455	11-6	
0-61.....	Vol.	24-142.....	18	MR48.....	M26.....			18-241.....	1	2N509.....				5	6SA7GT, 6SK7GT, 6SQ7GT, 25L6GT, 25Z6GT.....	455	11-7	
0-62.....	Vol.	24-142.....	18	MR48.....	M26.....			18-241.....	1	2N509.....				5	6SA7GT, 6SK7GT, 6SQ7GT, 25L6GT, 25Z6GT.....	455	11-2	
0-63.....	Vol.	24-146.....	45	MR48.....	M26.....			18-254..... 18-243.....	1 19	FP234..... TC26.....	B117			6	6SA7GT, 6SK7GT, 6PSGT, 6SQ7GT, 6K6GT, 5W4GT.....	455	11-3	
0-64.....	Vol.	24-144.....	18	MR48.....	M26.....			18-254..... 18-243.....	1 19	FP234..... TC26.....	B117			6	6SA7GT, 6SK7GT, 6SQ7GT, 6K6GT, 6PSGT, 5W4GT.....	455	11-8	
0-65.....	Vol.	24-145.....	45	UM154.....	M26.....		A96	18-254..... 18-243.....	1 19	FP234..... TC26.....	B117			6	6SA7GT, 6SK7GT, 6PSGT, 6SQ7GT, 6K6GT, 5W4GT.....	455	11-9	
0-66.....	Vol.	24-144.....	45	MR48.....	M26.....			18-254..... 18-243.....	1 19	FP234..... TC26.....	B117			6	6SA7GT, 6SK7GT, 6PSGT, 6SQ7GT, 6K6GT, 5W4GT.....	455	11-8	
0-67.....	Vol.	24-146.....	45	MR48.....	M26.....			18-254..... 18-243.....	1 19	FP234..... TC26.....	B117			6	6SA7GT, 6SK7GT, 6PSGT, 6SQ7GT, 6K6GT, 5W4GT.....	455	11-9	
0-70.....	Vol.	24-147.....	18	500M.....			A19	18-254.....	1	FP234.....	B117			7	6SA7GT, 6SK7GT, 6SQ7GT, 6PSGT, 6AC5GT, 5W4GT.....	455	11-10	
0-71.....	Vol.	24-146.....	18	MR48.....	M26.....			18-255.....	1	2N514.....				6	6SA7GT, 6SK7GT, 6SQ7GT, 25L6GT, 6PSGT, 25Z6GT.....	455	11-10	
0-72.....	Vol.	24-145.....	18	UM154.....	M26.....		A96	18-255.....	1	2N514.....				6	6SA7GT, 6SK7GT, 6SQ7GT, 25L6GT, 6PSGT, 25Z6GT.....	455	11-11	

‡ Data not substantiated.

\* IMPORTANT: Read Notes in Note Section if specified in Note Column.

‡ Indicates miscellaneous section.

WHEN YOU BUY PLUGS AND JACKS BUY MALLORY.

MANUFACTURER AND MODEL	CONTROLS							CONDENSERS				VIBRATORS			No. Tubes	Complete Tube Complement	I. F. Peak	Rider's Reference
	Use	Original Part	Circuit	Correct Replacement	Switch	Bias	*Note	Original Part	Circuit	Correct Replacement	*Note	Original Part	Replacement	*Note				
WARWICK—Continued																		
0-73	Vol.	24-144	18	MR48	M26			18-255	1	2N514					6	6SA7GT, 6SK7GT, 6SQ7GT, 25L6GT, 6P5GT, 25Z6GT	455	11-11
0-74	Vol.	24-144	45	MR48	M26			18-256 18-243	1 19	FP234 TC26					7	6SA7GT, 6SK7GT, 6P5GT, 6SQ7GT, 6K6GT, 5W4GT	455	11-12
0-75	Vol.	24-143	45	UM154	M26		A96	18-256 18-243	1 19	FP234 TC26					7	6SA7GT, 6SK7GT, 6P5GT, 6SQ7GT, 6K6GT, 5W4GT	455	11-12
0-76	Vol.	24-145	18	UM154	M26		A96	18-255	1	2N514					6	6SA7GT, 6SK7GT, 6SQ7GT, 25L6GT, 6P5GT, 25Z6GT	455	11-13
0-77	Vol.	24-146	45	MR48	M26			18-255	1	2N514					6	6SA7GT, 6SK7GT, 6P5GT, 6SQ7GT, 25L6GT, 25Z6GT	455	11-14
0-78	Vol.	24-144	18	MR48	M26			18-255	1	2N514					6	6SA7GT, 6SK7GT, 6SQ7GT, 25L6GT, 6P5GT, 25Z6GT	455	11-14
0-79	Vol.	24-144	18	MR48	M26			18-254 18-243	1 19	FP234 TC26	B117				7	6SA7GT, 6SK7GT, 6SQ7GT, 6K6GT, 6P5GT, 6U5, 5W4GT	455	11-15
0-80	Vol.	24-131	45	UM154			A96	18-256	1	FP234					8	6SA7GT, 6SK7GT, 6P5GT, 6SQ7GT, 6AC5GT, 5W4GT	455	11-14
0-81	Vol.	24-144	18	MR48	M26			18-261	1	TC48					8	12SA7GT, 12SK7GT, 12SQ7GT, 12E5GT, 50L6GT, 45Z5GT	455	11-15
0-82, 0-82B, 0-82C	Vol.	24-144	45	MR48	M26			18-256 18-243	1 19	FP234 TC26					8	6SA7GT, 6SK7GT, 6P5GT, 6SQ7GT, 6K6GT, 6U5, 5W4GT	455	11-16
0-83	Vol.	24-144	45	MR48	M26			18-256 18-243	1 19	FP234 TC26					8	6SA7GT, 6SK7GT, 6P5GT, 6SQ7GT, 6K6GT, 6U5, 5W4GT	455	11-16
0-84	Vol.	24-144	18	MR48	M26			18-255	1	2N514					7	6SA7GT, 6SK7GT, 6SQ7GT, 25L6GT, 25Z6GT, 6U5, BM36C, 6P5GT	455	12-2
0-300 to 0-309 inc.	Vol.	24-139	18	UM154	M26		A96	18-251	24	2N513					3	12SA7GT, 25D8GT, 70A7GT	455	11-1
0-407	Vol.	24-138	18	MR53	M27			18-250	12	TC40					4	1A7GT, 1N5GT, 1H5GT, 1C5GT	455	10-1
0-411	Vol.	24-138	18	MR53	M27			18-250	12	TC40					4	1A7GT, 1N5GT, 1H5GT, 1C5GT	455	12-1
0-430 to 0-439 inc., 0-440 to 0-449 inc.	Vol.	24-149	18	UM161	M27		A96	18-250	12	TC40					4	1A7GT, 1N5GT, 1H5GT, 1Q5GT	455	11-2
0-501	Vol.	24-138	18	MR53	M27			18-257 18-258 18-259	76 76 78	2N511 TC44 TC39	B8				5	1A7GT, 1N5GT, 1H5GT, 1A5GT, 35Z4GT	455	11-7
0-530	Vol.	24-150	18	MK402				18-262 18-263	76 76/78	FP211 2S556					5	1A7GT, 1N5GT, 1H5GT, 1T5GT, 35Z5GT	455	12-2
0-610 to 0-619 inc.	Vol.	24-142	18	MR48	M26			18-241	1	2N509					5	6SA7GT, 6SK7GT, 6SQ7GT, 25L6GT, 25Z6GT	455	11-7
0-620 to 0-629 inc.	Vol.	24-142	18	MR48	M26			18-241	1	2N509					5	6SA7GT, 6SK7GT, 6SQ7GT, 25L6GT, 25Z6GT	455	11-2
1-40 (1-400 to 1-409)	Vol.	24-152	18	MK402	M26			18-265	24/15	3N533					4	12SA7, 12SQ7, 50L6GT, 35Z5GT	455	12-3
1-41	Vol.	24-152	18	MK402	M26			18-265	24/15	3N533					4	12SA7, 12SQ7, 50L6GT, 35Z5GT	455	12-3
1-42 (1-420 to 1-429)	Vol.	24-154	18	MK402	M27			18-250	12	TC40					4	1A7GT, 1N5GT, 1H5GT, 1Q5GT	455	12-4
1-43 (1-430 to 1-439)	Vol.	24-148	18	UM161	M27		A96	18-250	12	TC40					4	1A7GT, 1N5GT, 1H5GT, 1Q5GT	455	12-6
1-50 (1-500 to 1-509)	Vol.	24-153	18	MK401	M26			18-266	24	2N513					5	12SA7, 12SK7, 12SQ7, 50L6GT, 35Z5GT	455	12-4
1-52	Vol.	24-153	18	MK401	M26			18-266	24	2N513					5	12SA7, 12SK7, 12SQ7, 50L6GT, 35Z5GT	455	12-4
1-53	Vol.	24-150	18	MK402				18-262 18-263	76 76/78	FP211 2N509					5	1A7GT, 1N5GT, 1H5GT, 1T5GT, 35Z5GT	455	12-5
1-60	Vol.	24-153	18	MK401	M26			18-266	22	2N513					6	12SK7, 12SA7, 12SQ7, 35L6GT, 35Z5GT	455	12-5,6
1-61	Vol.	24-146	18	MR48	M26			18-267	1/15	FP339	B3				6	6SK7, 6SA7, 6SQ7, 6K6GT, 5W4GT	455	12-5

‡ Data not substantiated.

\* IMPORTANT: Read Notes in Note Section if specified in Note Column.

‡ Indicates miscellaneous section.

MANUFACTURER AND MODEL	CONTROLS							CONDENSERS				VIBRATORS			No. Tubes	Complete Tube Complement	I. F. Peak	Rider's Reference
	Use	Original Part	Circuit	Correct Replacement	Switch	Bias	*Note	Original Part	Circuit	Correct Replacement	*Note	Original Part	Replacement	*Note				
WARWICK—Continued																		
1-541, 1-543 (Ch. 1-54)	Vol.	24-150	18	MK402				18-262 18-263	24 12/78	FP211 2N509				5	1A7GT, 1N5GT, 1H5GT, 1T5GT, 117Z6GT	455	13-1,10	
1-550, 1-559 (Ch. 1-55)	Vol.	24-152	18	MK402	M26			18-265	24/15	3N533				5	12SK7, 12SA7, 12SQ7, 50L6GT, 35Z5GT	455	13-2,10	
1-561 (Ch. 1-56)	Vol.	24-156	18	TM249-SS25	M26			18-265	24/15	3N533				5	12SK7, 12SA7, 12SQ7, 50L6GT, 35Z5GT	455	13-3,10	
1-621, 1-622	Vol.	24-155	18	†		See Note A5		18-267	1/15	FP339	B3			6	6SK7, 6SA7, 6SQ7, 6K6GT, 5W4GT	455	12-6	
2-400, 2-409 (Ch. 2-40)	Vol.	24-154	18	MK402	M27			18-250	12	TC42				4	1A7GT, 1N5GT, 1H5GT, 1Q5GT	455	13-5,10	
2-500, 2-509 (Ch. 2-50)	Vol.	24-157	18	MK402	M26			18-266	1	2N513				5	12SA7, 12SK7, 12SQ7, 50L6GT, 35Z5GT	455	13-5,10	
2-530, 2-539 (Ch. 2-53) (1941)	Vol.	24-153	18	MK401	M26			18-266	1	2N513				5	12SA7, 12SK7, 12SQ7, 50L6GT, 35Z5GT	455	13-6,10	
2-541, 2-543 (Ch. 2-54)	Vol.	24-150	18	MK402				18-266 18-271	24 78	2N513 Order from Mfr.				5	1A7GT, 1N5GT, 1H5GT, 1T5GT, 117Z4GT	455	13-4,9	
2-550 to 2-559 (Ch. 2-55) (1941)	Vol.	24-153	18	MK401	M26			18-266	24	2N513				5	12SA7, 12SK7, 12SQ7, 50L6GT, 35Z5GT	455	13-6,9	
2-560 to 2-569 (Ch. 2-56)	Vol.	24-162	18	MK402	M27			18-266 18-271	24 78	2N513 Order from Mfr.				5	1A7GT, 1N5GT, 1H5GT, 3Q5GT, 117Z4GT	455	13-7,9	
2-610, 2-619 (Ch. 2-61) (1941)	Vol.	24-161	18	MK401	M26			18-266	1	2N513				6	12SA7, 12SK7, 12SQ7, 12J5GT, 35L6GT, 35Z5GT	455	13-7,9	
2-701 (Ch. 2-70) (1941)	Vol.	24-160	18	TM230-SS25	M26			18-266	1	2N513				7	6SA7, 6SK7, 6SQ7, 25L6GT, 25Z6GT	455	13-4,10	
2-703, 2-704 (Ch. 2-70) (1941)	Vol.	24-160	18	TM230-SS25	M26			18-266	1	2N513				7	6SA7, 6SK7, 6SQ7, 25L6GT, 25Z6GT	455	13-4,10	
2-708, 2-709 (Ch. 2-70) (1941)	Vol.	24-160	18	TM230-SS25	M26			18-266	1	2N513				7	6SA7, 6SK7, 6SQ7, 25L6GT, 25Z6GT	455	13-4,10	
2-711, 2-714 (Ch. 2-71)	Vol.	24-160	18	TM230-SS25	M26			18-266	1	2N513				7	6SA7, 6SK7, 6SQ7, 25L6GT, 25Z6GT	455	13-8,9	
3-561, 3-561V (Ch. 3-56)	Vol.	24-153	18	MK401	M26			18-266	1	2N513				5	12SA7, 12SK7, 12SQ7, 50L6GT, 35Z5GT	455	13-6,10	
3-571 (Ch. 3-57)	Vol.	24-153	18	MK401	M26			18-266	1	2N513				5	12SA7, 12SK7, 12SQ7, 50L6GT, 35Z5GT	455	13-6,9	
3-622, 3-622V, 3-623 (Ch. 3-62)	Vol.	24-161	18	MK401	M26			18-266	1	2N513				6	12SA7, 12SK7, 12SQ7, 12J5GT, 35L6GT, 35Z5GT	455	13-7,9	
3-721 (Ch. 3-72)	Vol.	24-160	18	TM230-SS25	M26			18-266	1	2N513				7	6SA7, 6SK7, 6SQ7, 25L6GT, 25Z6GT	455	13-4,10	
3-732 (Ch. 3-73)	Vol.	24-160	18	TM230-SS25	M26			18-266	1	2N513				7	6SA7, 6SK7, 6SQ7, 25L6GT, 25Z6GT	455	13-8,9	
9-21 Phono-Oscil. 9-23								18-241 18-241	24 24	2N509 2N509				2	6A7, 76		11-4 10-2	
9-41	Vol.	24-124	18	MR48	M26			18-236 .004	24	2N514 Buffer	B14	34-103	246A	C3	4	6D8G, 6S7G, 6T7G, 6G6G	455	11-17
9-42	Vol.	24-126	18	MR53	M27			18-235	19	TC32				4	1A7G, 1N5G, 1H5G, 1A5G	455	11-19	
9-43, 9-45	Vol.	24-130	18	MR53	M27			18-243	19	TC22				4	1A7G, 1N5G, 1H5G, 1Q5G	455	10-3	
9-44	Vol.	24-124	18	MR48	M26			18-236 .004	24	2N514 Buffer	B14	34-103	246A	C3	4	6D8G, 6S7G, 6T7G, 6G6G	455	11-17
9-46	Vol.		6	MR21	M26			40-10-20	1/15	3N533				4	12K7GT, 12F5GT, 50L6GT, 25Z4GT		10-4	
9-51, 9-52	Vol.	24-127	6	MR22	M26			40-10-20	1/15	3N533				4	6D6, 6F5G, 25L6G, 25Z5		11-18	
9-53	Vol.	24-130	18	MR53	M27			18-235	19	TC22				5	1A7G, 1N5G, 1H5G, 1A5G	455	10-7	
9-54	Vol.		6	MR22	M26			40-10-20	1/15	3N533				4	6D6, 6F5G, 25L6G, 25Z5		11-18	
9-58	Vol.		18	MR48	M26			40-10-20	1/15	3N533				5	12A8GT, 12K7GT, 12Q7GT, 35L6GT, 35Z5GT	455	10-6	

† Data not substantiated.

\* IMPORTANT: Read Notes in Note Section if specified in Note Column.

‡ Indicates miscellaneous section.

WHEN YOU BUY ROTARY SWITCHES BUY MALLORY.

MANUFACTURER AND MODEL	CONTROLS							CONDENSERS				VIBRATORS			No. Tubes	Complete Tube Complement	I. F. Peak	Rider's Reference
	Use	Original Part	Circuit	Correct Replacement	Switch	Bias	*Note	Original Part	Circuit	Correct Replacement	*Note	Original Part	Replacement	*Note				
WARWICK—Continued																		
9-59	Vol.	24-135	18	MR53	M26			18-246	1	Order from Buffer	Mfr... B14	34-102	859	C3	5	6SA7, 6D6, 75, 41, 84	455	10-8
9-61	Vol.		18	UM154	M26		A96	40-10-20	1/15	3N533					5	6A7, 6D6, 75, 25L6G, 25Z5	455	11-20
9-62	Vol.	24-155	18			See Note	A5	18-267	1/15	FP339	B3				6	6SK7, 6SA7, 6SQ7, 6K6GT, 5W4GT	455	12-6
9-63, 9-64	Vol.		18	UM154	M26		A96	40-10-20	1/15	3N533					5	6A7, 6D6, 75, 25L6G, 25Z5	455	11-20
9-66	Vol.	24-124	18	MR48	M26			18-241	1	2N509					5	6A7, 6D6, 75, 25L6G, 25Z5, BK49B	455	10-9
9-220 to 9-229 inc. (9-22)	Vol.	24-136	6			See Note	A5	18-249	1	2N509					2	12B8GT, 35L7GT		10-10
9-480 to 9-489 inc.	Vol.	24-130	18	MR53	M27			18-243	19	TC22					4	1A7G, 1N5G, 1H5G, 1Q5G	455	10-11
9-550 to 9-559 inc.	Vol.	24-132	18	MR48	M26			18-241	1	2N509					5	12A8GT, 12K7GT, 12Q7GT, 35L6GT, 35Z4GT	455	10-12
9-627	Vol.	24-119	18	MR48	M26			18-240	40	Order from Buffer	Mfr... B14	34-102	859	C3	6	6A7, 6D6, 6R7, 76, 41, 6Z4 or 84	456	11-21
9-670 to 9-679 inc.	Vol.	24-132	18	MR48	M26			18-241	1	2N509					5	6A8GT, 6K7GT, 6Q7GT, 25L6GT, 25Z6GT, BK49B	455	10-12
9-680 to 9-689 inc.	Vol.	24-132	18	MR48	M26			18-241	1	2N509					5	6A8GT, 6K7GT, 6Q7GT, 25L6GT, 25Z6GT, BK49B	455	10-11
10-70	Vol.	24-146	18	MR48	M26			18-255	1	2N514					6	6SA7GT, 6SK7GT, 6SQ7GT, 25L6GT, 6P5GT, 25Z6GT	455	11-6
Ch. 10-72	Vol. Tone	24-103, 26-103	18, 22	UM157-SS17, MR48				18-264, .003	24/19	FP316 Buffer	B14	34-104	859	C3	7	6SK7, 6SA7, 6SQ7, 6J5GT, 6K6GT, 6X5GT	262	13-8,9
C100	Vol.	24-153	18	MK401	M26			18-266	24/78	2N513					5	12SA7, 12SK7, 12SQ7, 50L6GT, 35Z5GT	455	15-1
C101	Vol.	24-153	18	MK401	M26			18-266	24	2N513					5	12SA7, 12SK7, 12SQ7, 50L6GT, 35Z5GT	455	15-2
C102	Vol.	A24-164	18	MK401	M26			A-18-272	24	TC45					5	12SA7, 12SK7, 12SQ7, 50L6GT, 35Z5GT	455	15-3
C103	Vol. Tone	A24-169, A26-123	18, 22	MK401, MK403				A-18-280, A-18-274, A-18-279	24, 24, 24	TC48, TC74, TC74					6	6SK7GT, 6SA7GT, 6SQ7GT, 6K6GT, 5Y3GT	455	15-4,5
C104, C105	Vol. Tone	A24-169, A26-123	18, 22	MK401, MK403				A-18-274, A-18-279, A-18-278, A-18-274, A-18-279	1, 1, 15, 24	TC74, TC74, TC26, TC74					6	6SK7GT, 6SA7GT, 6SQ7GT, 6K6GT, 5Y3GT	455	15-6,8
C104A, C105A	Vol. Tone	A24-169, A26-123	18, 22	MK401, MK403				A-18-274, A-18-279	15, 24	TC26, TC74					6	6SK7GT, 6SA7GT, 6SQ7GT, 6K6GT, 5Y3GT	455	15-7,9
C108, Ch. 101	Vol.	A24-165	18	MK402	M27			A-18-273	12	TC40					4	1A7GT, 1N5GT, 1H5GT, 3Q5GT	455	15-10
C110	Vol.	A24-164	18	MK401	M26			A-18-280, A-18-272	24, 24	TC48, TC45					5	12SA7, 12SK7, 12SQ7, 50L6GT, 35Z5GT	455	16-1
400	Vol.		18	MR48	M27			8-8, 12, 15	1	2N516, TC22					4	6A7, 34, 1B5, 41	456	9-2
401	Vol.	24-117	6	MR36	M26			18-219	24/15	4S715					4	6K7, 6F5, 25L6, 25Z6		10-13
401 LW	Vol.	24-117	6	MR36	M26			18-219	24/15	4S715					4	6K7, 6F5, 25L6, 25Z6		10-13
404	Vol.	24-117	6	MR36	M26			18-230	1/15	TN125					4	6K7, 6F5, 25L6, 25Z6		10-14
406	Vol.	24-124	18	MR48	M26			18-236	24	2N514		34-103	246A	C3	4	6D8G, 6S7G, 6T7G, 6G6G	455	11-17
419, 420	Vol.		6	MR21		EX300		16-12, .004	27	TCS44	B14				4	6D6, 6C6, 43, 25Z5		7-3
453	Vol.	24-106	18	MR53	M26			1845, .008	1	2N516, Buffer	B14		246	C3	5	6D8G, 6S7G, 6T7G, 6N5, 1F5G	456	
501	Vol.		18	MR48				16-12	4	TCS44					5	6A7, 6D6, 75, 43, 25Z5	456	8-1
510C	Vol.		18	MR48	M26			8-8		RS213					5	6A7, 6D6, 75, 42, 80	456	10-14
515	Vol.	24-108	18	MR48	M26			18-102	1/15	2N518/TC22					5	6A7, 6D6, 75, 41, 80	456	
517	Vol.	24-104	17	MR53	M26			18-102	1/15	2N518/TC22					5	6A7, 6D6, 75, 41, 80	456	
518	Vol.	24-102	18	MR48	M26			18-102	1/15	2N518/TC22					5	6A7, 6D6, 75, 41, 80	456	8-2
520	Vol.		6	MR21	M26			8-4-10-10	24/15	2N516/TN111					4	6D6, 6C6, 43, 25Z5	456	7-3
521	Vol.	24-104	17	MR53	M26			18-102	1/15	2N518/TC22					5	6A7, 6D6, 75, 41, 80	456	
524	Vol.	24-112	6	MR44	M26			18-212	24	3N533					4	6D6, 6C6, 43, 25Z5, L55C	456	9-3
525	Vol.		18	MR48	M27			8-8	23	2S567					4	1C6, 34, 1B5, 33, 5E1	456	7-4
530	Vol.		18	MR48	M26			16-100	20	TC22					4	6A7, 6D6, 75, 42, 80	456	8-2
536	Vol.	24-102	17	MR48	M26			16-100	19	TC22					4	1C6, 34, 1B5, 33, 5E1	456	
537	Vol.	24-111	18	MR48	M27			16-100	19	TC22					4	1D7G, 1D5G, 1H6G, 1G5G, NBL	456	
542	Vol.		6	MR21		EX300		16-12	27	TCS44					4	6D6, 6C6, 43, 25Z5		7-4
542 Late	Vol.	24-127	6	MR22	M26			40-10-20	1/15	3N533					4	6D6, 6F5G, 25L6G, 25Z5		10-10, 11-18
550C	Vol.		15	UM154			A96	4-8-4, .0075	4/15	3S579 Buffer	B14		246	C12	5	6C6, 6D6, 75, 42, 84	456	10-13
551	Vol.		17	MR48	M26			8-8	23	2S567					5	6A7, 6D6, 75, 42, 80	456	8-1

‡ Data not substantiated.

\* IMPORTANT: Read Notes in Note Section if specified in Note Column.

‡ Indicates miscellaneous section.

MANUFACTURER AND MODEL	CONTROLS							CONDENSERS				VIBRATORS			No. Tubes	Complete Tube Complement	I. F. Peak	Rider's Reference
	Use	Original Part	Circuit	Correct Replacement	Switch	Bias	*Note	Original Part	Circuit	Correct Replacement	*Note	Original Part	Replacement	*Note				
WARWICK—Continued																		
553	Vol.	24-106	18	MR53	M26		1845	1	2N516		3407	246	C3	5	6D8G, 6S7G, 6T7G, 6N5, 1F5G	456	10-15	
562	Vol. Tone	24-105	18	MR48			1845	1	2N516	B14	3407	246	C3	5	1C6, 1A4, 6T7G, 41, 6N5	456		
600	Vol. Tone	26-107	21	MR48	M27		.01-.01	1	2N518	B14	3407	246	C3	6	1C6, *34, *30, 19	456	9-4	
601	Vol. Tone	24-101	18	MR33			.01	25	2N518	B14				6	6A7, 76, 6D6, 75, 42, 80	456	8-3	
604, 606	Vol. Tone	26-101	21	MR48	M26		18-202	25	RS215					6	*6D6, 75, 42, 76, 80	456	10-7	
610	Vol. Tone	24-106	15	MR48			18-201	25	RS215					6				
613	Vol. Tone	24-106	15	MR53	M26		8, 8	4	RS213					6				
613	Vol. Tone	24-101	18	MR53			18-211	1	2N513					5	6A7, 6D6, 6Q7G, 25B5, 25Z5, L49B	456	10-17	
623	Vol. Tone	26-101	21	MR48	M26		18-102	1/15	2N518/TC22					6	6A7, 6D6, 75, 41, 6G5, 80	456	8-3	
623	Vol. Tone	24-105	18	MR48			18-102	1/15	2N518/TC22					6	6A7, 6D6, 75, 41, 6G5, 80	456		
629	Vol. Tone	26-106	21	MR48	M26		18-102	1/15	2N518/TC22					6	6A7, 6D6, 75, 41, 6G5, 80	456		
629	Vol. Tone	24-104	18	MR53	M26		18-102	1/15	2N518/TC22					6	6A7, 6D6, 75, 41, 6G5, 80	456	10-18	
630, 631	Vol. Tone	24-106	15	MR53			18-211	1	2N513					5	6A7, 6D6, 75, 41, 6G5, 80	456	10-17	
633	Vol. Tone	24-101	18	UM154	M26	A96	40-10-20	1/15	3N533					5	6A7, 6D6, 75, 41, 6G5, 80	455	11-20	
633	Vol. Tone	26-101	21	MR48	M26		18-102	1/15	2N518/TC22					6	6A7, 6D6, 75, 41, 6G5, 80	456	8-4	
645	Vol. Tone	24-105	18	MR48			18-102	1/15	2N518/TC22					6	6A7, 6D6, 75, 41, 6G5, 80	456		
646	Vol. Tone	26-106	21	MR48	M26		18-102	1/15	2N518/TC22					6	6A7, 6D6, 75, 41, 6G5, 80	456	12-7	
646	Vol. Tone	24-101	18	UM157		A96	18-203	74/19	3S579	B64		294	C3	6	6K7, 6A8, 6D6, 75, 41, 84	262	8-1	
648, 648B, 655B	Vol. Tone	24-121	127	MR48	M26		.005	1	2N518	B14				6	6A7, 6D6, 75, 76, 6AC5G, 80	455	10-19	
651	Vol. Tone	26-117	22	MR48			18-226	1	2N518					6	1A6, 30, 1A4, 6T7G, 6L5G, 19	456	8-4	
651	Vol. Tone	26-102	21	MR48			1845	1	2N516		3407	246	C3	6	6D8G, 1D5GP, 6T7G, 1H4G, 1J6G	455	11-5	
652B	Vol. Tone	24-126	18	MR53	M27		16-100	15	TC22					6	*6D6, 75, 76, 42, 80	456	10-7	
653	Vol. Tone	26-118	22	MR48			.01-.01	24	2N518	B14	34-103	246A	C3	6				
653	Vol. Tone	26-118	18	MR48			.002	4	2N518	B14				6				
654	Vol. Tone	24-105	18	MR33			8, 8	4	RS213					6				
654	Vol. Tone	26-107	21	MR48	M26		18-45	1	2N516		3407	246	C3	6	30, 1A6, 1A4, 6T7G, 6L5G, 19	456	10-20	
654	Vol. Tone	24-101	18	MR48			16-100	15	TC22					6				
668, 668B	Vol. Tone	24-123	127	MR53	M26		.01-.01	1	2N518	B14				6	6A7, 6D6, 75, 76, 6AC5G, 80	455	10-22	
683	Vol. Tone	26-118	22	MR48			18-226	1	2N518					6	6A7, 6D6, 6Q7G, 6V6G, 6G5, 80	456	10-23	
683	Vol. Tone	24-109	18	MR48			18-213	4	2S567					6	1C6, *34, 1A4, *30, 19	456	9-5	
700	Vol. Tone	26-108	21	MR48			†							7	6A7, 76, 6D6, 75, 42, 6G5, 80	456	9-6	
701	Vol. Tone	24-101	18	MR48	M27		8-8	1	2N518	B14		246	C3	7	6A7, 76, 6D6, 75, 42, 6G5, 80	456		
701	Vol. Tone	26-101	21	MR33			.0075	1	2N518	B14				7				
710	Vol. Tone	24-101	18	MR48	M26		18-202	25	RS215					7	6A7, 76, 6D6, 75, 42, 6G5, 80	456	9-6	
710	Vol. Tone	26-101	21	MR48	M26		18-201	25	RS215					7				
710	Vol. Tone	24-106	17	MR53	M26		18-211	1	2N513					6	6A7, 6D6, 6Q7G, 6G5, 25B5, 25Z5, L42B	456		
715A	Vol. Tone	24-106	17	MR53	M26		18-211	1	2N513					6	6A7, 6D6, 6Q7G, 6G5, 25B5, 25Z5, L42B	456		
725	Vol. Tone	24-106	17	MR53	M26		18-211	1	2N513					6	6A7, 6D6, 6Q7G, 6G5, 25B5, 25Z5, L42B	456		
725	Vol. Tone	26-101	21	MR48	M27		†							6	1C6, *34, 1B5, 30, 19, 6E1	456	9-7	
735	Vol. Tone	24-105	18	MR33			18-202	25	RS215					7	6A7, 6D6, 76, 6Q7G, 6V6G, 6G5, 80	456		
735	Vol. Tone	26-106	21	MR48	M26		18-201	25	RS215					7				
741	Vol. Tone	24-101	18	MR48			18-200	23	TC571					7	6A7, 76, 6D6, 75, 41, 6G5, 80	456	9-8	
741	Vol. Tone	26-101	21	MR48	M26		18-200	23	TC571					7				
746	Vol. Tone	24-101	18	UM157		A96	18-204	24/15	3S579	B14		294	C3	7	6K7, 6A8, 6K7G, 6Q7G, 6J5G, 6N7G, 0Z4	262		
746	Vol. Tone	26-101	22	Order from Mfr.			.008	1	Buffer					7	*6K7/G, 6A8, 6R7G, 6V6G, 6R7, 6X5G	262	10-25	
747	Vol. Tone	24-103	18	UM157		A96	18-221	23	2S567	B14	34-101	859	C3	7	6A7, 6D6, 75, 25L6G, 25Z5, BM17C	456	9-9 &	
747	Vol. Tone	26-114	22	†			.005	1	Buffer	B14				6	1A6, 30, 1A4, 6T7G, 6L5G, 19	456	10-26	
749	Vol. Tone	24-123	18	MR53	M26		18-237	1 or 4	FTC48					6				
749	Vol. Tone	26-118	22	MR48			18-238	15	TC22					7				
751	Vol. Tone	24-101	18	MR48			1845	1	2N516		3407	246	C3	7	1A6, 30, 1A4, 6T7G, 6L5G, 19, 6N5	456	9-10	
751	Vol. Tone	26-102	21	†			16-100	15	TC22					7				
751	Vol. Tone	24-101	18	MR48			.01-.01	1	Buffer	B14				7				
761	Vol. Tone	24-101	18	MR48			1845	1	2N516		3407	246	C3	7	6D8G, 30, 1A4, 6T7G, 6L5G, 19	456		
761	Vol. Tone	26-102	21	†			16-100	15	TC22					7				
761	Vol. Tone	24-101	18	MR48			.01-.01	1	Buffer	B14				7	6A7, 6D6, 75, 76, 6AC5G, 6G5, 80	455	10-27	
768, 768B	Vol. Tone	24-123	127	MR53	M26		18-226	1	2N518					7	1A6, 1A4, *30, 1F6, 19, 5H1 (Ballast)	456		
780	Vol. Tone	26-118	18	MR48			†							6				
780	Vol. Tone	24-101	18	MR48			†							6				
846	Vol. Tone	26-102	21	†			†							8	*6K7, 6A8, 6K7G, 6Q7G, 6J5G, 6N7G, 0Z4	262		
846	Vol. Tone	24-103	18	UM157		A96	18-204	24/15	3S579	B14		294	C3	8	6A7, 6D6, 75, 76, 42, 6H5, 80	456		
871, 872	Vol. Tone	24-105	18	MR48			18-202	1	RS215					8				
871, 872	Vol. Tone	26-106	21	MR48	M26		18-201	1	RS215					8				

† Data not substantiated.

\* IMPORTANT: Read Notes in Note Section if specified in Note Column.

‡ Indicates miscellaneous section.

USE MALLORY CAPACITORS—STANDARD OF THE INDUSTRY.



MANUFACTURER AND MODEL	CONTROLS							CONDENSERS				VIBRATORS			No. Tubes	Complete Tube Complement	I. F. Peak	Rider's Reference
	Use	Original Part	Circuit	Correct Replacement	Switch	Bias	*Note	Original Part	Circuit	Correct Replacement	*Note	Original Part	Replacement	*Note				
WARWICK—Continued																		
881, 885	Vol. Tone	24-113 26-110	148 41	‡		See Note	A5	18-202 18-201	1 1	RS215 RS215					8	6A7, 6D6, 6H6G, 6G5, 6Y7G, 6V6G, 80	456	
910	Vol.	24-155	18	‡		See Note	A5	18-267	1/15	FP339	B3				6	6SK7, 6SA7, 6SQ7, 6K6GT, 5W4GT	455	12-6
1101, 1105	Vol. Tone	24-115 26-112	148 44	‡	Order from	See Note	A5	18-214 18-215 18-216	1 1 13	RS216 RS215 TC52					11	6C5G, 6A8G, 6K7G, 6H6G, 6G5, 6J7G, 6V6G, 80	456	
11011	Vol.	A24-170	18	MK402	M27			A-18-281	88/78	FP363/TC2501					4	1R5, 1U4, 1S5, 3Q4, D. R.	455	
11305	Vol.	A24-164	18	MK401	M26			A-18-280	24	TC48					4	12SA7, 12SK7, 12SQ7, 50L6GT, D. R.	455	16-2
11801	Vol.	A24-161	18	MK401	M26			B18-283	24	TC47					5	12SA7, 12SK7GT, 12SQ7GT	455	
12708	Vol. Tone	A24-169 A26-123	161 22	MK401 MK403	M26			A18-280	24	TC48					4	12SA7, 12SK7, 12SQ7, 50L6GT, D. R.	455	
11802V-M	Vol. Tone	A24-157	18	MK402	M26			B18-283	24	2N513					5	12SA7, 12SK7, 12SQ7, 50L6GT, 35Z5GT	455	
12310W	Vol. Tone	A24-169 A26-123	18 22	MK401 MK403				A18-279 A18-274	24 24	TC74 TC74					6	6SK7, 6SA7, 6SQ7, 6K6, 5Y3GT	455	
12312M	Vol. Tone	A24-169 A26-124	161 22	MK401 MK403	M26			A18-279 A18-274	24 24	TC74 TC74					6	6SK7, 6SA7, 6SQ7, 6K6, 5Y3GT	455	
WATTERSON P6B	Vol.		18	MR48				8-4 10-10	1 15/78	2N518 TN111			245	C3	4	6A7, 34, 1B5, 41	456	13-1
W6B	Vol.		18	MR48				.01 8-8 12	1 15	Buffer 2N516 TC22	B14		246	C3	4	6A7, 34, 1B5, 41		13-1
49	Vol. Tone		18	UM154	M27		A96	.0075 10	19	Buffer TC22	B14				4	1A7G, 1N5G, 1H5G, 1C5G	455 465	11-8 12-2
56AC	Vol. Tone		34	MR48			A5	8-4	23	2S567					5	6A7, 6D6, 75, 42, 80	456	
57	Vol.	3361	18	MR48	M26			2767 3351	25 25	RS216 HD684					5	6A7, 6D6, 75, 41, 1V	456	12-2
60B	Vol.		6	MR21				8-8 25	1 15	2N518 TC26			245	C3	5	32, 34, 33, 30, 6AA	456	12-1
67	Vol.		18	MR48				10 .01-.01 8-4	15 23	TC22 Buffer 2S567	B14				4	6D8, 687, 6T7, 41		
68, 69	Vol. Tone		45 34	MR48				8-4	23	2S567					6	6A7, 6D6, 76, 6K5, 42, 80	456	11-8
79	Vol. Tone	24-123 26-118	127 22	MR53 MR48	M26	See Note	A5	18-226	1	2S569					7	6A7, 6D6, 75, 76, 6AC5G, 6G5, 80	455	12-3
95	Vol. Tone		45 34	MR48				8-4	23	2S567					6	6A7, 6D6, 76, 6K5, 42, 80	456	11-8
400 (1936)	Vol.		6	MR19	M26	See Note	A5	16-12	23	TC844					4	6D6, 6C6, 43, 25Z5	456	11-8
AC405	Vol.		18	MR48				12-4	25	2S569					5	6A8G, 6U7G, 75, 41, 80	456	12-4
406	Vol.	24-124	18	MR48	M26			18-236 .004	24 1	2N514 Buffer	B14	34-103	246A	C3	4	6D8G, 687G, 6T7G, 6G6G	455	12-3
AC406	Vol.		18	MR48				20 8	1 1	ST598 TC71					6	6A8G, 6U7G, 75, 6P5G, 6AC5G, 80	456	12-3
L440	Vol. Tone		18 34	UM154 UM133	M27		A96	10	19	TC22					4	1A7G, 1N5G, 1H5G, 1C5G	455	11-8
500	Vol.		6	MR19	M26			16-12	23	TC844					4	6D6, 6C6, 43, 25Z5	456	11-8
L540, L540W	Vol.		18	MR48				12-4	25	2S569					5	6A8G, 6U7G, 75, 41, 80	456	12-4
6V600	Vol. Tone		45 22	MR48 MR33	M27			8-8 .01	1	2N518 Buffer	B14	3407	246	C3	6	1C6, 34, 30, 19	456 456	12-2
630	Vol.		18	UM154	M26		A96	40-40 10	6 15	2N521 TC29					5	6A7, 6D6, 75, 25L6G, 25Z5, BK49B	455	12-1
L640W	Vol.		18	MR48				20 8	1 1	ST598 TC71					6	6A8G, 6U7G, 75, 6P5G, 6AC5G, 80	456	12-3
W651	Vol. Tone	24-101 26-102	18 21	MR48		See Note	A5	1845 16-100 .01-.01	1 15	2N516 TC22		3407	246	C3	6	30, 1A6, 1A4, 6T7G, 6L5G, 19	456	12-1
669	Vol. Tone		45 34	MR48		See Note	A5	15-15-40 .02	1/15	Buffer FP339	B14		See Note	C8	6	6A8, 687, 6L5, 1J6	465	12-3
4581	Vol.	13W1	205	MR48	M26	See Note	A5	19W2	1/15	FP306	B10				5	12SA7, 12SK7, 12SQ7, 50L6GT, 35Z5GT	455	15-1
RC-4581	Vol. Tone	13W1 13W3	161 22	MR48 UM149	M26			19W16 19W5 19W18 19W4	88 88 15 12	2N513 TC47 TC32 TC22				5	12SA7GT, 12SK7GT, 12SQ7GT, 50L6GT, 35Z5GT	455		
4582	Vol.	13W2	18	MR48	M27				12	TC22					4	1A7GT, 1N5GT, 1H5GT, 3Q5GT	455	15-2
PA-4585, APA-4587	Vol.	13W1	282	MR48	M26				88 88 15	TC47 TC45 TC26					3	12SK7GT, 50L6GT, 35Z5GT		

‡ Data not substantiated.

\* IMPORTANT: Read Notes in Note Section if specified in Note Column.

‡ Indicates miscellaneous section.

MANUFACTURER AND MODEL	CONTROLS							CONDENSERS				VIBRATORS			No. Tubes	Complete Tube Complement	I. F. Peak	Rider's Reference
	Use	Original Part	Circuit	Correct Replacement	Switch	Bias	*Note	Original Part	Circuit	Correct Replacement	*Note	Original Part	Replacement	*Note				
WATERSON—Continued ARC-4591A.....	Vol.	13W1.....	161	MR48.....	M26			19W17.....	88	FP357.....					6	128K7, 128A7GT, 128Q7GT, 35L6GT, 35Z5GT..	455	
4782.....	Vol.	13W2.....	18	MR48.....	M27			19W6.....	15	TC45.....					4	1A7GT, 1N5GT, 1H5GT, 3Q5GT..	455	16-1
4790.....	Vol.		205	MR48.....	M26			19W11.....	12	TC22.....					6	128K7GT, 128A7GT, 128Q7GT, 35L6GT, 35Z5GT..	455	16-2
WEBSTER CO. OC2.....	Vol.		35	B.....				20-8.....	1	2N509.....					3	6J7, 25A6, 25Z6, R3003.....		8-1
OC2A.....	Vol.		35	B.....				12, 12.....	15	TC22.....					3	6J7, 25L6, 25Z6, R3003.....		8-1
C (OX and OXM).....	Vol.		35	UM118-SS4.....				16-16.....	1	2N509.....					3	6J7, 25L6, 25Z6, R3003.....		8-2
D (OC3 to OC10).....	Vol.		35	†.....		See Note A5		16-16.....	24	2N509.....					3	6J7, 25L6, 25Z6, R3003.....		8-2
B53.....	Vol. Phono.		†	†.....		See Note A5		10.....	15	TC22.....					4	2A6, 53, 82.....		5-2
HG417.....	Vol. Phono. Tone		15 63 41	MR53..... MR33..... MR39.....				8-8-8.....	5/13	See Note.....	B3				6	57, 53, 2A5, 5Z3.....		16-38
K358A.....	Vol. Phono.		16 63	MR33..... S.....				8-8-8.....	3	See Note.....	B3				5	57, 56, 2A3, 83.....		5-4
K359A.....	Vol. Mic. Adj.		16	MR33..... M100P.....				8-8-8.....	3	See Note.....	B3				5	†, 2A3, 83.....		5-4
PA17.....	Vol. Phono.		16	MR39..... MR33.....				4.....	15	TC22.....					5	58, 56, 2B6, 5Z3.....		5-1
PA42.....	Vol. Phono. Tone		16 63 34	MR33..... MR18..... MR18.....				20-20.....	15	TC26.....					4	79, 42, 82.....		5-1
WR85.....	Vol. P.E. Adj. Tone		15 † †	MR53..... Order from M50MP..... †.....	Mfr.			8-8-8.....	3	See Note.....	B3				5	58, 56, 2A5, 80.....		2-3
WELLS-GARDNER & CO.— A1.....	Vol. Tone	"Gulbrandsen" 36X235..... 40X223.....	75 34	"True tone"—(See MR48..... MR42.....	Trade Name) M26			44X31.....	23	RS215..... RS223.....					8	6J7, 6K7, 6H6, 6C5, 6G5, 6F5, 6F6, 5Y3, or glass equivalents	456	9-14,16
A2.....	Vol. Tone	36X236..... 40X224.....	45 34	MRT428..... MR53.....	M26			44X30.....	25	RS216.....					11	6K7, 6J7, 6C5, 6H6, 6G5, 6F6, 5Y3, or glass equivalents...	456	9-21,23
A3.....	Vol. Tone	36X238..... 40X225.....	15 41	MRT450..... MR55.....	M26			45X223.....	13	TC52.....					13	6K7, 6J7, 6C5, 6H6, 6G5, 6L6, 5Y3.....	456	9-17,20
A4.....	Vol. Tone	36X235..... 40X223.....	18 34	MR48..... MR39.....	M26			44X21.....	25	RS223.....					7	6J7, 6K7, 6C5, 6Q7, 6G5, 6F6, 5Y3G.....	456	9-25
A5.....	Vol. Tone	36X236..... 40X223.....	34 34	MRT428..... MR39.....	M26			44X36.....	25	RS224.....					9	6K7, 6J7, 6C5, 6G5, 6H6, 6F5, 6F6, 5Y3G.....	456	9-27
A6.....	Vol. Tone	36X238..... 40X225.....	15 41	MRT450..... MR55.....	M26			44X21.....	25	RS223.....					13	6K7, 6J7, 6C5, 6H6, 6G5, 6L6, 5Y3.....	456	9-17,20
A7.....	Vol. Tone	36X236..... 40X223.....	18 95	MRT428..... MR42.....	M26			44X36.....	25	RS224.....					9	6K7, 6J7, 6C5, 6H6, 6G5, 6F5, 6F6, 5Y3G.....	456	14-5-7
A8.....	Vol.	36X227.....	18	UM154.....	M26		A96	44X31.....	23	HD684.....					6	6A8, 6K7, 6Q7, 6F6, 6G5, 5W4.....	456	10-25
A10.....	Vol. Tone	36X243..... 40X227.....	18 34	MR48..... MR39.....	M26			44X37.....	23	RS219.....					7	6A8G, 6U7G, 6Q7G, 6K6G, 6J5G, 6U5, 5Y3G.....	456	10-27,28
A11.....	Vol.	36X244.....	71	UM120-SS18.....	M26			44X21.....	25	RS223.....					4	6J7, 25L6G, 25Z6G, L55B.....	456	
A12.....	Vol. Tone	36X245..... 40X228.....	20 †	TM247-SS25..... MK402.....				45X242.....	1/15	Order from Mfr.....					11	6U7G, 6J7G, 6J5G, 6U5, 6H6, 6F6G, 5Y3G.....	456	9-36,38 and 10-31,32
A13.....	Vol. Tone	36X249..... 40X229.....	127 34	UM165-SS25..... UM144-SS25.....	M26			44X36.....	25	RS224.....					7	6A8G, 6U7G, 6Q7G, 6J5G, 6K6G, 6U5, 5Y3G.....	456	10-33,34
A14.....	Vol. Tone	36X250..... 40X228.....	20 †	TM247-SS25..... MK402.....	M26			44X37.....	23	RS219.....					11	6U7G, 6J7G, 6J5G, 6H6, 6U5, 6F5G, 6K6G, 5Y3G.....	456	9-39,40

† Data not substantiated.

\* IMPORTANT: Read Notes in Note Section if specified in Note Column.

‡ Indicates miscellaneous section.

12 BASIC MALLORY VIBRATORS MEET 90% OF YOUR REPLACEMENT NEEDS.

MANUFACTURER AND MODEL	CONTROLS							CONDENSERS				VIBRATORS			No. Tubes	Complete Tube Complement	I. F. Peak	Rider's Reference
	Use	Original Part	Circuit	Correct Replacement	Switch	Bias	*Note	Original Part	Circuit	Correct Replacement	*Note	Original Part	Replacement	*Note				
WELLS-GARDNER & CO. A15	Vol. Tone	Continued 36X249 40X229	127 34	UM165-SS25 UM144-SS25	M26			44X37 44X38	23 23	RS219 RS224					7	6A8G, 6U7G, 6J5G, 6U5, 6Q7G, 6K6G, 5Y3G	456	10-35,36
A16	Vol. Tone	36X253 40X232	20 21	MRT450 Order from	Mfr.			44X21 44X36 44X244 45X239	25 25 19 15	RS223 RS224 TC39 TC22					13	6U7G, 6J7G, 6H6, 6J5G, 6F8G, 6U5, 6F6G, 5U4G	456	10-37-39
A17	Vol. Tone	36X251 40X230	45 1	UM163-SS22 UM161-SS22	M26	See Note	A100	44X39 44X40 45X239	4 4 15	RS219 RS224 TC22					11	6K6, 6C6, 76, 6U5, 741, 80	465	
A20	Vol. Tone	36X255 40X235	17 22	TM247-SS25 UM165-SS25	M26			44X41 44X42 45X247 45X239	23 23 13 15	RS219 RS224 TC40 TC22					9	6A7, 6D6, 76, 75, 6U5, 741, 80	456	10-41,42
A22	Vol. Tone	36X255 40X235	17 22	TM247-SS25 UM165-SS25	M26			44X41 44X42 45X247 45X239	23 23 13 15	RS219 RS224 TC70 TC22					9	6A7, 6D6, 75, 76, 6U5, 741, 80	456	
A23	Vol. Tone	36X256 40X238	76 76	MR48 MR57	M26			44X42 44X41	23 23	RS224 RS219					7	6A7, 6D6, 75, 76, 6U5, 41, 80	456	10-45
A24	Vol. Tone	36X255 40X235	17 22	TM247-SS25 UM165-SS25	M26			44X43 44X44 45X247 45X239	23 23 13 15	RS219 RS224 TC70 TC22					9	6A7, 6D6, 75, 76, 6U5, 741, 80	456	
B1	Vol. Fil.	36X237 43X70	18 27	MR53 C6R	M27			4	12	TC52					4	1D7G, 1D5G, 1H6G, 1F5G	456	10-9
B2	Vol. Tone	36X239 40X226	45 44	MR53 MR42	M26			45X225	13	2N516					7	1C7G, 1D5G, 1H4G, 1E5G	456	
B2A	Vol. Tone	36X239 40X226	18 44	MR53 MR42				45X225 45X234 45X233 .02	13 1 1	2N516 2N514 Order from Buffer	Mfr.	19A28	246	C3	7	1C7G, 1D5G, 1H4G, 1E5G	456	10-13,14
B3, B4	Vol.	36X258	18	MR48	M27			45X250	12	TC52					5	1A7G, 1N5G, 1H5G, 1C5G	456	
C6	Vol.	36X248	15	MR55	M26			45X236 45X239 .018	24 15	TCS64/TC22 TC22 Buffer			952W	C3	5	6A8G, 6U7G, 6H6, 6F5G, 6K6G	456	9-31
C7	Vol.	36X246	17	UM163	M26		A96	45X235 45X240 45X239 .008	1 13 15	2N518 TC70 TC22 Buffer		19A33	952W	C3	6	6U7G, 6J7G, 6B8G, 6K6G, 6N7G	175	
C11	Vol. Tone	36X246	127 22	UM163 UM163			A96 A96	45X235 45X240 45X239 .008	1 13 15	2N518 TC70 TC22 Buffer		19A33	248	C3	6	6U7G, 6J7G, 6B8G, 6K6G, 6N7G	175	10-29
C13, C14	Vol. Tone	36X275 40X212	124 22	Order from MR55	Mfr.			40-20-20 .008	24/15	FP346 Buffer		R19A33	248	C3	6	6SA7, 6SK7, 6B8G, 6K6G, 6N7G	456	
Federal Recorder & Record Changer 0C Series (20C5)	Vol. Tone	36X292 P96005 P97003 P36X206 P40X205	15 15 41 7/15 41	MK403 MR55 MR57 DRP315 MR57	M26 M26 6T			45X287 P81039 P81018 44X10 44X11 44X18 44X10 44X11 44X213 P45X214	13/15 2 2/13 4 4 13 25 13/15 12	TC72/TC26 RS216 3S584 RS216 RS216 RS216 RS216 TC40/TC22 3S582					2 10 10	6SJ7 6D6, 76, 745, 80 6K7, 76, 745, 80	456 456	14-15-17 5-1,2 7-1,3
OEL	Vol. Tone	P36X219 P40X213	62 65	MRT447 Order from	M26 Mfr.			44X11 44X18 44X10 44X11 44X213	4 13 25 25 13/15	RS216 RS216 RS216 RS216 TC40/TC22					11	6K7, 6C5, 6G5, 6F6, 5Z4MG	456	8-1,4
OF Series	Vol. Tone	P36X220 P40X211	64 44	MRT447 Order from	M23-24 Mfr.			44X11 44X18 44X10 44X11 44X213	4 13 25 25 13/15	RS216 RS216 RS216 RS216 TC40/TC22					10	30, 32, 34	456	8-5,7
OFLB	Vol. Tone	P36X220 P40X211	45 44	MRT447 Order from	M26 Mfr.			45X214 45X226 45X228 .01	13 23 1	3S582 TCS45 Buffer	Mfr.		Order from	Mfr.	11	34, 32, 6N5, 30	456	
00A	Vol. Tone	P96009 P97005	62 44	MR53 MR42				80968	12	TC52					9	34, 30, 10AB	175	4-1
00B	Vol. Tone	P96011 P97009	15 41	MR55 MR57	M26			P80990 P81000	2 2/13	RS216 2N518					10	58, 56, 745, 80	175	
S2	Vol. Tone	36X249 40X231	17 22	UM165-SS25 Order from	M26 Mfr.			45X243 45X239 .015	1/15 15	TCS64/TC22 TC22 Buffer		19A28	246	C3	6	6D8G, 6S7G, 6T7G, 6AB5, 6G6G	456	
T1	Vol. Tone	36X213 40X209	18 44	MR48 MR36	M26			45X227	12/15	TC39/TC22					7	6A8G, 6U7G, 6V7G, 6C5G, 25A6G, 6N7G	456	
T2	Vol. Tone	36X252 40X229	17 41	UM165-SS25 UM144-SS25	M26			45X241	12/15	TC36/TC26					7	6A8G, 6U7G, 6V7G, 25A6G, 6J5G, 6N7G	456	10-15,16
T3	Vol. Tone	36X252 40X229	17 41	MR57 UM147-SS25	M26			45X241	12/15	2N514					7	6A8G, 6U7G, 6V7G, 6J5G, 25A6G, 6N7G	456	10-17,18
02A	Vol. Tone	P96008 P97006	17 41	MR55 MR57	M26			P80984	2/13/14	3S584/TC71/ TC42					12	58, 55, 56, 745, 82	175	4-2

† Data not substantiated.

\* IMPORTANT: Read Notes in Note Section if specified in Note Column.

‡ Indicates miscellaneous section.

MANUFACTURER AND MODEL	CONTROLS							CONDENSERS					VIBRATORS			No. Tubes	Complete Tube Complement	I. F. Peak	Rider's Reference
	Use	Original Part	Circuit	Correct Replacement	Switch	Bias	*Note	Original Part	Circuit	Correct Replacement	*Note	Original Part	Replacement	*Note					
WELLS-GARDNER & CO. 02AA	Vol.	Continued	17	MR55	M26			P80984	2/13/14	3S584/TC71/TC42	B164				12	58, 55, 45, 56, 82	175		
	Tone		41	MR57															
022	Vol.		45	MR36				8	58	TC82					12	58, 56, 57, 46, 82	175	4-10	
	Tone		41	MR42				8	58	RS213									
	Supp.	91032	8	E				4	58	RS213									
05A	Vol.	P91019C	6	MR18	M26	EX300		4	19	TC40					5	77, 78, 43, 25Z5	262	4-3	
								P80944	11	UR182-193									
								80878C	19	TC40									
								80936C	15	TC22									
05AA	Vol.	P91019D	6	MR21	M26			80944E	11	2N509/TC44					5	6C6, 6D6, 43, 25Z5	262	4-4	
05BA	Vol.	P91019D	6	MR21	M26			80944E	11	2N509/TC44					5	6C6, 6D6, 43, 25Z5	262	4-5	
052 Series	Vol.		6	MR21	M26	EX300		8-8	4	TCS71				5	57, 35, 47, 80	262	2-1		
06A	Vol.	P96001	97	TRP602	14			P80968	12	TC52				5	32, 34, 19, 30	175	4-6		
06W	Vol.	P91061	18	UM154	M26		A96	P80939	2	3S584	B8	P1765	Order from Mfr.	6	78, 77, 85, 41	262	4-7, 8		
	Tone	P91013	44	MR42				P80937	14/15	2N516									
								.01		Buffer	B14								
06Z	Vol.	P91066	17	UM154	M26		A96	P80956	25/19	RM262/TC26	B126	P1926	292	C12	6	78, 77, 75, 41, 84	262		
								P80937	14/15	2N516									
								.02		Buffer	B14								
062 (Auto Set)	Vol.		45	MR48				4	13	TC52			Order from Mfr.	6	39, 37, 36, 38	262	3-1		
								4	15	TC32			Order from Mfr.	6	39, 36, 37, 41	262	5-8		
062A	Vol.		45	UM154			A96	4	13	TC52			Order from Mfr.	6	39, 36, 37, 41	262	5-8		
								4	15	TC32									
07A	Vol.		15	MR53	M26			P80990	25	RS216				7	6D6, 6C6, 37, 42, 80	175	4-9		
	Tone		22	MR42				P80916	25	RS213									
072	Vol.		18	MR48				P80902	13/15	See Note	B3		Order from Mfr.	7	39, 36, 37, 38	262			
	Tone		44	MR42															
073	Vol.		15	MR48				4	13	TC40				7	36, 39, 41	175	4-11		
	Tone		22	MR33															
092 Series Battery	Vol.		45	MR48				P80878C	12	TC40				9	34, 30	175	3-2		
	Tone		22	MR42															
1A17	Vol.		15	UM163			A96	20	23	RS219				11	6D6, 6C6, 76, 41, 6U5, 80	456	11-1		
	Tone		22	UM165			A96	40	23	RS224									
1A29 Early	Vol.		124	2 Meg.			A19	14	23	RS216				11	6SK7, 6SA7, 6P5G, 6C8G, 6SQ7, 6V6G, 5Y3G, 6U5	456	11-3, 4		
	Noise		7	UM120		See Note	A96	40	23	RS224									
								10	15	TC22									
								10	13	TC62									
								10	15	TC22									
1A29 Issue D	Vol.		124	2 Meg.			A19	14	23	RS216				11	6SK7, 6SA7, 6P5G, 6C8G, 6SQ7, 6V6G, 5Y3G, 6U5	456	11-5, 6		
	Noise		7	UM120		See Note	A96	40	23	RS224									
								10	13	TC62									
								10	15	TC22									
1A62-4 (1A62 Series)	Vol.	36X320	124	MK401	M26			45X322	4	TC75/TC78				11	6SK7, 6SJ7, 6J5GT, 6U5, 6SQ7, 6K6GT, 5Y3G	456	13-1, 2		
	Tone	40X269	22	Order from Mfr.															
1A63-3, 1A63-4 (1A63 Series)	Vol.	36X320	124	MK401	M26			45X322	4	TC75/TC78				11	6SK7, 6SJ7, 6J5GT, 6U5, 6SQ7, 6K6GT, 5Y3G	456	13-3, 4		
	Tone	40X270	22	Order from Mfr.															
2B Series (22B5)	Vol.	P96005	15	MR55	M26			P81058	2	RS216				11	6D6, 76, 42, 80	456	6-1, 3		
	Tone	P97011	21	MR42				P81039A	2	RS216									
								P81056	13	2N518									
								P82000	19	TC36									
2CM	Vol.	36X210	7/15	DRP315	6-9			P44X21	25	RS223				12	6K7, 76, 6F6, 80	456	7-4, 6		
	Tone	40X206	21	MR57				P44X11	25	RS216									
								P44X20	19	Order from Mfr.									
2DL	Vol.	P36X221	20	MRT450	M26			44X21	30	RS223				13	6K7, 6H6, 6C5, 6L6, 5Z4MG, 6G5	456	7-7, 9		
	Tone	P40X214	65	Order from Mfr.				44X11	30	RS216									
								44X216	13	TC40									
								44X209	19	TC22									
5A25S	Vol.	36X268	18	MR48	M26			45X255	1/15	3N527				5	12SA7, 12SK7, 12SQ7, 35L6GT, 35Z5GT	456	11-11		
	Tone	40X245	21	MR57				45X259	1	2N511/TC26									
5B	Vol.	P91019C	6	MR18	M26	EX300		P80944	11	UR182-193				5	77, 78, 43, 25Z5	262	4-12		
								P80878C	19	TC40									
								P80936C	15	TC32									
5C6	Vol.	36X248	15	MR55	M26			45X236	24/15	TCS64/TC22	B14		952W	C3	5	6A8G, 6U7G, 6H6, 6F5G, 6K6G	456		
								.018		Buffer									
5D Series	Vol.	P96019	6	MR21	M26			P82004	25	RS215				5	6C6, 6D6, 42, 80	456	6-4, 5		
								P82003	23	RS213									
5E Series (25E1, 25E5)	Vol.	P96001	97	TRP602	14			P80968	12	TC40				5	32, 34, 30, 19	175	5-3, 4		
5F, 5FL	Vol.		18	MR48				12	23	RS215				6	6A8, 6K7, 6Q7, 6G5, 6F6, 5W4	456	8-8, 10		
								16	23	RS216									
5G Series (35G510, 35G560)	Vol.	36X201	97	TRP617	14			P45X28	12	TC40				5	32, 34, 30, 19	175	6-6, 8		
	Vol.	P90928	6	MR21			A14							5	24A, 301A, 71A				
5 Tube D. C. Model	Vol.	P90920	21	MR53															
	Tone		21	MR53															
Series 5H	Vol.	36X226	18	MR53	M26			45X218	46	TN129	B14	19A28	246	C3	5	1C6, 34, 1B5, 1F4	456	8-11, 13	
								.01		Buffer									
5K, 5KL	Vol.		18	MR48				12	23	RS213				6	6A8, 6K7, 6Q7, 6G5, 6F6, 5W4	456	8-14, 16		
								16	23	RS216									

† Data not substantiated.

\* IMPORTANT: Read Notes in Note Section if specified in Note Column.

‡ Indicates miscellaneous section.

THERE'S A FULL RANGE OF MALLORY VITREOUS ENAMEL RESISTORS FOR EVERY PURPOSE.

MANUFACTURER AND MODEL	CONTROLS							CONDENSERS				VIBRATORS			No. Tubes	Complete Tube Complement	I. F. Peak	Rider's Reference
	Use	Original Part	Circuit	Correct Replacement	Switch	Bias	*Note	Original Part	Circuit	Correct Replacement	*Note	Original Part	Replacement	*Note				
WELLS-GARDNER 5Y Series (25Y1)	& CO.— Vol.	Continued P96017	17	MR55	M26			P82002	1/15	2N516/TC22			248	C3	5	6D6, 6C6, 75, 41	175	6-9,11
6A44	Vol. Tone	36X280 40X248	18 21	MK401 UM165-SS25	M26			.007 45X277 45X293	4 13	Buffer TC78/TC75 TC52	B14		Order Mfr.	C16	6	6SA7, 6SK7, 6SQ7, 6V6GT, 5Y3G	456	14-1,2
6A65-3, 6A65-4 (6A65 Series)	Vol. Tone	36X280 40X248	18 21	MK401 UM165-SS25	M26		A36	45X277	4	TC78/TC75					6	6SA7, 6SK7, 6SQ7, 6V6GT, 5Y3G	456	13-10,11
6B Series (26B1, 26B5)	Vol. Tone	P96014 P97011	56 34	MR48 MR42				P81016 .015	23	2S567 Buffer	B14	P2153	F294	C3	6	6F7, 6D6, 6B7, 12A5, 12Z3	175	6-12,14
6B10	Vol.	36X286	18	MK401	M27			45X283 45X284	76/13 76/78	TN129 FP304	B3				6	1A7GT, 1N5GT, 1H5GT, 3Q5GT, 3S25GT	456	12-3,4
6B16	Vol.	36X299	18	MK401				45X297 45X283 45X284 45X297 45X301 45X283 45X284	46 46 78 46 78 46 78	TN129 TN129 FP304 TN129 FP304 TN129 FP304	B12 B117 B117 B12 B117				6	1A7GT, 1N5GT, 1H5GT, 3Q5GT, 3S25GT	456	14-3,4
6B18	Vol.	36X299	18	MK401				45X297 45X301 45X283 45X284 P81042 P81043 P81003	46 78 46 78 23 23 15	TN129 FP304 TN129 FP304 RS215 RS216 TC22	B12 B117 B12 B117				6	6D6, 6A7, 42, 6B7, 80	456	6-15,17
6C Series	Vol. Tone	P96018 P97014	17 34	MR55 MR42				P81042 P81043 P81003	23 23 15	RS215 RS216 TC22					6	6D6, 6A7, 42, 6B7, 80	456	6-15,17
6C1	Vol. Tone	36X234 40X207	18 22	UM147-SS3 MR42	M26			45X210 .0075	4	TCS71 Buffer	B14	19A25	294	C3	6	6D6, 6C6, 75, 41, 84	175	8-17,19
6C7	Vol.	36X246	127	UM163	M26		A96	45X235 45X240	1 1	2N518 TC70	B14 B3		248	C3	6	6U7G, 6K8G, 6K6G, 6N7G	175	
6C17	Vol.	36X296	18	UM154-SS3	M26			.008 40-20-20	24/15	Buffer See Note.	B14 B3	19A37	Order from Mfr.		6	6SK7, 6SA7, 6SQ7, 6K6GT, 6X5GT or 6X5	456	13-7,8
6C18	Vol. Tone	36X298 40X257	18 22	TM227-SS3 MK403	M26			45X294	24/15	Order from Mfr.		19A33	248	C3	6	6SK7, 6SA7, 6SQ7, 6K6GT, 6N7	456	13-9,8
6D	Vol. Tone	36X213	18 44	MR48 MR36	M26			25 30 12	12 13 15	TC36 RS207 TC22					6	6D6, 6A7, 85, 43, 6A6	175	7-10,11
6F	Vol. Tone		7/15 34	Order from MR53	Mfr.			P44X22 P44X23 P45X205 P44X26 45X212 45X219	3 13 13/1 13 12 1/15	RS223 RS224 2N518/TC44 TC62 TC40 3S579				16	6K7, 76, 6B7, 6F7, 2A3, 45, 5Z3	456	7-12,17	
6G	Vol.	36X218	18	MR53	M23-24			45X212	12	TC40					6	1C6, 34, 1B5, 30	456	7-18,19
6J	Vol. Tone	36X233 40X212	56 22	Order from MR53	Mfr.			45X219 .0055	1/15	3S579 Buffer	B14	19A30	248	C3	6	6K7, 6J7, 6B7, 41, 6A6	175	9-33,34
6K	Vol. Tone	36X217 40X212	56 22	Order from MR53	Mfr.			E45X211B .005	1/15	TC72/TC22 Buffer	B14	19A26	248	C3	6	6K7, 6J7, 6B7, 41, 6A6	175	7-20,21
6L	Vol. Tone	36X216 40X207	18 22	UM154-SS3 MR42	M26			45X210 .0075	4	TCS71 Buffer	B14	19A25	294	C3	6	6D6, 6C6, 75, 41, 84	175	7-22,23
6N, 6R	Vol. Tone	36X200 40X207	17 34	UM163-SS3 MR42	M26			E45X206C .0075	4/15	3S579 Buffer	B14	19A25	294	C3	6	6D6, 6C6, 75, 41, 84	175	7-24,28
6S (26S1)	Vol. Tone	36X200 40X201	17 22	UM163-SS3 MR44	M26			45X204 45X203 .01	1 15 23	2N518 TN111 Buffer	B14		294	C3	6	6D6, 6C6, 75, 41, 84	175	8-20,22
6 Tube 32 Volt	Vol. Tone		56 34	MR48 MR42				P81016 .015	23	TCS71 Buffer	B14		F294	C3	6	6F7, 6D6, 6B7, 12A5, 12Z3	175	
6U Series (26U1)	Vol. Tone	P96015 P97012	18 22	UM147-SS3 MR42	M26			P81028 P81021 .01	1 15 4	2N518 TN111 Buffer	B14	2080 2110	294 294	C3 C3	6	78, 77, 75, 41, 84	262	5-5,7
7A66-2 (7A66 Series)	Vol. Tone	36X280 40X248	18 21	MK401 UM165-SS25	M26		A36	45X277	4	TC78/TC75					7	6SJ7, 6J5GT, 6SK7, 6SQ7, 6V6GT, 5Y3G	456	13-12,13
7C Series (27C1, 27C5)	Vol.	P96012	45	MR53				P81014	12	TCS55					7	34, 30, 19	175	6-18,19
7C15	Vol. Tone	36X275 40X212	124 22	Order from MR53	Mfr.			45X271 .008	24/15	FP346 Buffer	B3 B14	19A33	248	C3	7	6SK7, 6SA7, 6SQ7, 6K6G, 6N7G	456	12-12,14
7D Series (27D1, 27D5)	Vol. Tone	P96014 P97011	56 34	MR48 MR42	M26			P81043 P81042 P80916 P81032	4 4 4 4	RS216 RS216 RS213 RS213	B10 B10				7	76, 6D6, 6B7, 42, 80	456	5-9,10
7D11-3 (7D11 Series)	Vol. Tone	36X309 40X267	18 21	TM227-SS25 UM165-SS25	M26			30-20-30-20	46/15	2N513/2N509					7	12SJ7, 6L5G, 12SK7, 12SQ7, 35L6GT, 3S25GT	456	13-14,15
7E	Vol. Tone	36X209 40X203	45 44	MR53 MR42	M27			P44X17	40	RS207					7	34, 1C6, 30, 19	456	8-23,26
7F, 7FL	Vol. Tone	36X215 40X211	17 34	MRT446 Order from Mfr.	M26T			44X10 44X11 45X209	23 23 15	RS216 RS216 TC22					8	6K7, 6C5, 6Q7, 6G5, 6F6, 5Z4MG	456	8-27,29
7GM Series (37G508, 37G566)	Vol. Tone	36X204 40X203	7/56 34	DRP314 MR42	6T			44X10 44X11	23 23	RS216 RS216					7	6K7, 6B7, 6F6, 76, 80	456	6-21,23
7H Series (37H508, 37H566)	Vol. Tone		45 44	MR53 MR42	M24			20	12	TC47					7	34, 1C6, 30, 19	456	6-24,26

‡ Data not substantiated.

\* IMPORTANT: Read Notes in Note Section if specified in Note Column.

§ Indicates miscellaneous section.

MANUFACTURER AND MODEL	CONTROLS							CONDENSERS				VIBRATORS			No. Tubes	Complete Tube Complement	I. F. Peak	Rider's Reference
	Use	Original Part	Circuit	Correct Replacement	Switch	Bias	*Note	Original Part	Circuit	Correct Replacement	*Note	Original Part	Replacement	*Note				
WELLS-GARDNER & CO.	Continued																	
7J	Vol. 36X205	56	MR48	M26			44X11	23	RS216					7	*6D6, 6B7, 76, 42, 80.	456	8-30,32	
	Tone 40X204	34	MR42				44X10	23	RS216									
7K	Vol. 7/56		DRP314	6-9			44X10	23	RS216					7	*6K7, 76, 6B7, 6F6, 80	456	7-29,31	
	Tone	34	MR42				44X11	23	RS216									
7L	Vol. 36X215	17	MRT446	M26T			44X10	23	RS216					8	*6K7, 6C5, 6Q7, 6F6, 6G5, 5ZAMG	456	8-33,34	
	Tone 40X211	34	Order from Mfr.				44X11	23	RS216									
							44X209	15	TC22									
7P	Vol. 36X213	18	MR48	M26			45X217	12/15	2N513					7	*6K7, 6A8, 6A6, 85, 43	456		
	Tone 40X209	44	MR36															
7Q	Vol. 36X222	45	MR53	M27			P45X215	1/13	TN129		19A27	Order from Mfr.		7	*34, 1C6, 30, 19	456		
	Tone 40X215	44	MR42				P44X17	1	RS207									
							.01		Buffer	B14								
7T5-4	Vol. 36X319	17	UM165-SS25	M26			45X262	13/15	2N513					7	6SA7, *6SK7, 6J5G, 6V7G, 25A6G, 6N7G	456	13-15,16	
	Tone 40X263	41	UM144-SS25				45X250	13	TC52									
8A30	Vol. & Tone 36X241	124	Order from Mfr.				20	23	RS219					8	*6SK7, 6SA7, 6SQ7, 6V6G, 6U5, 5Y3G	456	11-19,20	
							40	23	RS224									
8A31	Vol. 124		↑			A19	20	23	RS219					8	*6SK7, 6SA7, 6SQ7, 6V6G, 6U5, 5Y3G	456	11-21,22	
	Tone	22	UM165			A96	40	23	RS224									
8A51-3, 8A51-4	Vol. 36X303	140	TM233-SS25	M26			45X277	4	TC78/TC75					8	6SJ7, 6J5GT, 6U5, *6SK7, 6SQ7, 6V6GT, 5Y3G	456	13-17,18	
	Tone 40X259	140	UM165-SS25											5	24A, *27, 45, 80			
8T (AC)	Vol. 2/7		GG				↑	↓	See Note	B1								
	Tone	41	MR53															
9 in Line	Vol. P917	1/15	Order from Mfr.				2-1-1-1.5	3	See Note	B1				9	*26, 24A, *45, 80			
9B Series (29B5)	Vol. P96016	15	MR55				P82001	24	2N516					9	*34, *30, 19	456	5-11,13	
	Tone P97013	41	MR33															
		15	MR55				P82001	13	2N516					9	*34, *30, 19	456	7-32,34	
		44	MR42															
10-7 Tube Super	Vol. F				2		80848	23	RS213					7	*35, *24A, 47, 27, 80	175		
	Tone	103	MR53	M26			80849	23	RS213									
20 Series	Vol. 78		MR48				8, 8, 8	30	RS213					10	*35, *27, *47, 80	175		
	Tone	41	MR55	M26														
20C5	Vol. P96005	15	MR55	M26			P81039	2	RS216					10	*6D6, *76, *45, 80	456	5-1,2	
	Tone P97003	41	MR57				P81018	2/13	3S584									
27D	Vol. P96014	17	MR48	M26			P80916	23	RS213					7	*6D6, 6B7, 76, 42, 80	456		
	Tone P97011	34	MR42				P81043	23	RS216	B20								
29B	Vol. P96016	15	MR55				P82001	12/13	2N516					9	*34, *30, 19	456	9-45	
	Tone P97013	44	MR33															
37D14-600	Vol. 36X309	18	MK401	M26			45X342	24	2N521					7	12SA7, 12SK7, 6SS7, 12SQ7, 12SJ7, 35L6GT, 35Z5GT	455		
														8	*35, *24A, 47, 27, 80	175	5-15,16	
40	Vol. 111		Y5MP				P80896	30	3S584									
	Tone	34	MR42				P80878	13	TC40									
40A	Vol. 14		MR48				P80896	30	3S584					8	*35, *24A, 47, 27, 80	175	5-15,16	
	Tone	34	MR42				P80878	13	TC40									
50	Vol. ↑		A400P				P80196	4	RS213					7	*35, *24A, 47, 80	175	4-15	
	Tone	34	MR42				P80878C	13	TC40									
51A2	Vol. 36X236	75	MRT428	M26			44X11	25	RS216					11	*6K7, *6J7, 6H6, *6C5, 6G5, *6F6, 5Y3G	456		
	Tone 40X224	34	MR53				44X30	25	RS216									
							45X222	19	TC26									
							45X223	13	TC40									
53A3	Vol. 36X238	20	MRT450	M26			44X21	25	RS223					13	*6K7, 6J7, 6H6, *6C5, 6G5, *6L6, *5Y3G	456		
	Tone 40X225	41	MR55				44X36	25	RS224									
							45X224	19	TC26									
57A4	Vol. 36X235	18	MR48	M26			44X31	23	RS215					7	6J7, 6K7, 6Q7, 6F6, 6C5, 6G5, 5Y3G	456		
	Tone 40X223	34	MR39				44X35	23	RS224									
59A5	Vol. 36X236	45	MRT428	M26			44X10	23	RS216					9	*6K7, 6J7, 6C5, 6H6, 6G5, 6F5, 6F6, 5Y3G	456		
	Tone 40X223	34	MR39				44X11	23	RS216									
60, 63	Vol. 90942C	97	Order from Mfr.				P80849	25	RS213					6	*24A, 45, 80			
							P80848	25	RS213									
72	Vol. 6		MR21				↑	↓	See Note	B1				7	*24A, 27, *45, 80		1-3	
	Tone	41	MR53															
80, 82A	Vol. 90918	2/7	GG				↑	↓	See Note	B1				8	*24A, *27, *45, 80		1-4	
	Tone	41	MR53															
80A, 82	Vol. P90966	↑	D	6-9			↑	↓	See Note	B1				8	*24A, *27, *45, 80			
	Tone P90920	41	MR53															
88A9	Vol. 36X235	75	MR48	M26			44X37	23	RS219					8	6J7, 6K7, 6H6, 6J5, 6G5, 6F5, 6F6, 5Y3G	456		
	Tone 40X223	34	MR39				44X38	23	RS224									
90, 91, 92, 93	Vol. 4		Order from Mfr.				4	12	TC40					5	*32, 33	175	5-14	
161, 162	Vol. 90942C	97	Order from Mfr.				P80849	25	RS213					6	*24A, 45, 80			
							P80848	25	RS213									
200, 291, 292, 295	Vol. 1/15		Order from Mfr.				2-1-1-1.5	3	See Note	B1				9	*26, 24A, *45, 80			
322	Vol. 45		MR36				8	30	TC82					12	*58, *56, *57, *46, 82	175		
	Tone	41	MR42				8	30	RS213									
	Supp.	8	E				4	30	RS213									
							4	30	TC40									
352 Series	Vol. 6		H7	6-9	3		8-8	4	TC571					5	*57, 35, 47, 80	175		
	Tone	15	MR48	M26			P80923A	30	3S584					10	*58, *57, *56, *47, 80	175	4-16	
502	Vol. 21		MR53				80873	30	TC71									
	Tone						80878C	13	TC40									

† Data not substantiated.

\* IMPORTANT: Read Notes in Note Section if specified in Note Column.

‡ Indicates miscellaneous section.

GRID BIAS CELLS ARE EXCLUSIVE WITH MALLORY!

MANUFACTURER AND MODEL	CONTROLS							CONDENSERS				VIBRATORS			No. Tubes	Complete Tube Complement	I. F. Peak	Rider's Reference
	Use	Original Part	Circuit	Correct Replacement	Switch	Bias	*Note	Original Part	Circuit	Correct Replacement	*Note	Original Part	Replacement	*Note				
WELLS-GARDNER & CO.—																		
572 (AC)	Vol. Tone	Continued P91041	1	X				80894B	4	TCS71					7	58, 57, 47, 80	175	3-3,4
872 Series	Vol. Tone	P90993	34	MR42				80891B	13	TC40					7	58, 57, 47, 80	175	
C-CG (1st and 2nd types)	Vol. Tone		1	X				80894B	4	TCS71								
V622, Z6Z1	Vol. Tone	P917	60/15	MR42				80891B	13	TC40								
	Vol. Tone	P911	2	Order from E12	Mfr.	See Note A4		2-1-1-1	59	See Note	B1			9	26, 24A, 45, 80		1-1	
	Vol. Tone	P91066	17	UM154	M26	See Note A27		P80956	25/19	RM262/TC26	B126	P1804	292	6	78, 77, 75, 41, 84	262	4-13,14	
						See Note A96		P80937	14/15	2N516	B14							
								.02		Buffer								
WESTERN AIR PAT 5-Tube 3-Dial (209)	Vol. Fil.		9	Y200MP										5	401A, 71			
Model 100 D. C. (W215)	Vol.		29	M60R														
Model 100 D. C. (W216)	Vol.		6	MR18		See Note A14		2-2-2	3	See Note	B1			8	27, 45, 80			
80 Midget (W184)	Vol.		7	MR34				2-2-4	3	See Note	B1			8	27, 71, 80			
80 Console (W185)	Vol.		3	MR21	M26			2-2-4	3	See Note	B1			7	26, 27, 71A, 80			
80 Console (W186)	Vol.		3	MR21	M26			2-2-4	3	See Note	B1			7	26, 27, 71A, 80			
80 Power Pack	Vol.		3	MR21	M26			2-2-4	3	See Note	B1			8	27, 24, 45, 80			
90 A. C. (W170)	Vol. Tone		6	A		See Note A14		2-2-4	3	See Note	B1			8	27, 24, 45, 80			
70 (W172)	Vol. Tone		6			See Note A3		8-8	1	2N518				7	24, 27, 45 or 71A, 80			
40 (W187)	Vol. Tone		8			See Note A3		8-8	1	2N518				7	35, 27, 47, 80			
60 Console (W188)	Vol. Tone		7	MR39		See Note A3		8-8	17	TC22				9	51, 24, 27, 47, 80			
25 Midget (W159)	Vol. Tone		6	H	6-9	See Note A3	A14	8, B	1	ST595				4	58, 57, 47, 82			
25SW Police (W152)	Vol. Tone		22	MR18				4-8	23	2S567				4	58, 57, 47, 82			
44 (W157)	Vol. Tone		6	F7				8-4	23	2S567								
46 Console (W151)	Vol. Tone		15	MR18	M26			8-4	1	See Note	B3			7	57, 58, 56, 55, 59, 82	262		
46 Console (W151)	Vol. Tone		22	MR48	M26			8-4	15	TC22				10	57, 58, 55, 56, 59, 82	262		
46 Console, No. 46 Power Tubes	Vol. Tone		127	MR48	M26			8-8	35	See Note	B3			10	57, 58, 55, 56, 59, 82	262		
46 Console, No. 59 Power Tubes	Vol. Tone		22	MR42				4	19	TC40								
49 Console (W158)	Vol. Tone		1	MR42														
30 Table Type (W202)	Vol. Tone		15	MR48	M26			4-8-4	3	See Note	B3			10	55, 56, 58, 46, 83, 57	262		
31 Super Table Type (220)	Vol. Tone		22	MR42	M26			8-8	35	See Note	B3			10	55, 56, 57, 58, 59, 82	262		
32 Super (W219)	Vol. Tone		1	MR42				4	19	TC40								
J8 (W435)	Vol. Tone		15	MR48	M26			8-4	1	See Note	B3			7	57, 56, 58, 55, 59, 82	262		
S10 Motorola	Vol. Tone		22	MR42				10	15	TC22								
35 Console (W225)	Vol. Tone		6	MR18				4, 4	23	ST595				4	57, 58, 2A5, 80			
37 (W221)	Vol. Tone		22	E12				4-4	23	2S567				4	2A7, 57, 2A5, 80			
51 (W404)	Vol. Tone		56	MR33				8-4	23	See Note	B3			5	57, 58, 55, 2A5, 80			
79 8-Tube Console (W224)	Vol. Tone		22	MR48				8-4	23	See Note	B3			5	57, 58, 55, 2A5, 80			
79 7-Tube Console (W224)	Vol. Tone		22	MR18				8-4	23	See Note	B3			5	57, 58, 55, 2A5, 80			
79 10-Tube Console (W224)	Vol. Tone		7	MR34	EX150			21632	11	*TC55/TC77				6	6D6, 6A7, 75, 43, 25Z5	175		
PR10 (W403)	Vol. Tone		83	MR33				8-8-12	3	See Note	B3			8	78, 77, 85, 56, 45, 83	175		
17 (W405)	Vol. Tone		21	MR33				25	15	TC26								
19 (W410)	Vol. Tone		7	MR34	EX300			8-4	23	See Note	B3			5	57, 58, 55, 2A5, 80	175		
20C5 (W416)	Vol. Tone		56	MR48	M26			8-4	23	See Note	B3			5	57, 58, 55, 2A5, 80	175		
	Vol. Tone		22	MR18	M26			8-8	1	See Note	B3			7	55, 56, 57, 58, 59, 80	262.5	11-1	
	Vol. Tone		15	MR48	M26			10	15	TC22				4	6A7, 6F7, 42, 80			
	Vol. Tone		22	MR42				6-4	1	See Note	B3							
	Vol. Tone		6	G7	6-9			10	15	TC22								
	Vol. Tone		22	MR33				8-8	1	See Note	B3			8	55, 56, 57, 58, 59, 5Z3	262.5	12-9	
	Vol. Tone		1	MR48	M26			8-8	1	See Note	B3			7	55, 56, 57, 58, 59, 82	262.5	12-8	
	Vol. Tone		22	MR42				10	15	TC22								
	Vol. Tone		15	MR48	M26			8-8	1	See Note	B3			10	57, 58, 55, 53, 56, 59, 80	262.5	12-10	
	Vol. Tone		22	MR42				4	1	TC40				10	55, 57, 58, 59, 5Z3	467.5	11-2	
	Vol. Tone		7	D	6-9			8, 8	35	RS213								
	Vol. Tone		26	CIMP				10	15	TC22								
	Vol. Tone		15	CIMP														
	Vol. Tone		6	MR48				4-4	23	See Note	B3			4	58, 57, 2A5, 80			
	Vol. Tone		113	G7				4-4	23	See Note	B3			5	57, 58, 56, 2A5, 80	458		
	Vol. Tone		15	MR48	M26	EX300	A14	4-4	2	P81039				10	6D6, 76, 45, 80	456	11-5,6	
	Vol. Tone		41	MR57				P81018	2/13	3S584								

† Data not substantiated.

\* IMPORTANT: Read Notes in Note Section if specified in Note Column.  
MALLORY PARTS ARE DESIGNED WITH THE SERVICEMAN IN MIND.

‡ Indicates miscellaneous section.

MANUFACTURER AND MODEL	CONTROLS							CONDENSERS				VIBRATORS			No. Tubes	Complete Tube Complement	I. F. Peak	Rider's Reference
	Use	Original Part	Circuit	Correct Replacement	Switch	Bias	*Note	Original Part	Circuit	Correct Replacement	*Note	Original Part	Replacement	*Note				
WESTERN AIR PAT 28 (W405)	ROL—C	continued	18	MR48	M26			4-8	23	See Note	B3			5	57, 58, 2A6, 2A5, 80	175		
36 (W407)	Vol. Tone		22	MR33				8-8	4	See Note	B3			6	2A7, 58, 55, 2A5, 80	262.5		
48 (W408)	Vol. Tone		15	MR48	M26			10	15	TC22				6	2A5, 58, 55, 80	262.5		
15A (W417)	Vol. Tone		22	MR33				8-8	4	2S567				4	58, 57, 2A5, 80			
18 (W418)	Vol. Tone		15	MR48	M26			10	15	TC22				4	58, 57, 2A5, 80			
25E1 (W409)	Vol. Tone		6	H7				4, 4	23	ST595				5	32, 34, 30, 19	175		
29 (W414)	Vol. Tone	P96001	97	TRP602	14		See Note A14	4, 4	23	ST595				5	57, 58, 2A6, 2A5, 80	175		
38 (W415)	Vol. Tone		18	MR48	M26			8	23	TC71				5	6A7, 78, 75, 42, 80	460	15-1	
175AW (W421)	Vol. Sen.		15	MR53				4	23	TC70				7	6A7, 6D6, 6B7, 6A6, 42, 80			
185AW (W411)	Vol. Tone		7				See Note A5	10	15	TC22				8	6D6, 6A7, 76, 42, 80	432		
1105AW (W423)	Vol. Tone		18	MR48	M26			8-8	1	2N518				10	6D6, 6A7, 85, 76, 42, 5Z3	432		
4G1T (W476)	Vol. Tone		149	MR33				8	14	RS213				4	78, 77, 42, 80		12-13	
4G2T (W477)	Vol. Tone		45	MRT430	M26			8	7	RS213				4	58, 57, 2A5, 80		12-2	
5G1T (W478)	Vol. Tone		22	MR33				8-8	7	2N518				5	77, 78, 42, 80	460		
6M2T (W479)	Vol. Tone		48	C1MP				5	15	TC22				6	6J7, 6K7, 6H6, 6F5, 6F6, 5Z4	175		
6M3T (W480)	Vol. Tone		6	H7				5-5	23	2S567				6	6A8, 6K7, 6H6, 6F5, 6F6, 5Z4	460		
7M3C (W481)	Vol. Tone		6	G7				4-4	23	2S567				7	6K7, 6A8, 6H6, 6F5, 6F6, 5Z4	460		
9M3C (W482)	Vol. Tone		6	H7			See Note A14	4-4	23	2S567				9	6K7, 6A8, 6H6, 6C5, 6F6, 5Z4	460		
11M3C (W483)	Vol. Tone		45	MR48	M26			4-8	23	2S567				11	6K7, 6A8, 6H6, 6C5, 6F6, 5Z4	460		
25G (W419)	Vol. Tone		75	MR33				8, 8	1	ST595				5	32, 34, 30, 19	175	12-3	
27E (W420)	Vol. Tone	36X201	97	TRP617	14			10	19	TC32				7	34, 1C6, 30, 19	456	12-5, 6	
2116 (W491)	Vol. Tone		44	MR53				4	12	TC40				11	6K7, 6A8, 6R7, 6G5, 6C5, 6F6, 5X4G	462	11-7	
2136 (W492)	Vol. Tone		7/83	DRP314				16	1	RS216				13	6K7, 6H6, 6C5, 6A8, 6G5, 6Q7, 6F6, 5X4G	462	12-14	
16 (W497)	Vol. Tone		44	MR33				18	1	RS219				4	78, 76, 42, 80			
26G (W493)	Vol. Tone	9-012-008	6	MR21	M26			8	13	TC71				6	1C6, 34, 1B5, 30	456	11-9, 10	
27T (W496)	Vol. Tone		18	MR53	M23-24			25	19	TC26				7	1C6, 34, 30, 19	456	12-15, 16	
46	Vol. Tone		7/56	DRP314				01	1	RS207				4	78, 77, 42, 80			
24B1 (W831)	Vol. Fil.		44	MR33				5-5	23	TCS71				4	1D7C, 1D5G, 1H6G, 1F5G	456	11-8	
57 (W499)	Vol. Tone		6	MR21	M26			5	23	ST595				5	6A7, 78, 75, 42, 80	460		
77 (W481)	Vol. Tone	A33005	18	MR48				8-8	23	TCS71				7	6A7, 78, 6H6, 6F5, 6T5, 42, 80	460		
157 (W827)	Vol. Tone		29	C6P				8, 8	25	RS213				5	6A8, 6K7, 6Q7, 6F6, 5Z4	460	12-11	
257 (W500)	Vol. Tone	A33005	18	MR48				10	19	TC22				5	6A7, 78, 75, 42, 80	460	12-12	
258 (W958)	Vol. Tone	A34002	22	MR33				10	23	TCS71				5	6A7, 78, 75, 42, 80	460		
377	Vol. Tone		18	MR48				8, 8	25	RS213				7	6A7, 6H6, 78, 6F5, 6T5, 42, 80	460		
388	Vol. Tone		22	MR33	M26			10	19	TC22				8	6A8G, 78, 75, 6J5G, 41, 6U5, 80	460		
587 (W835)	Vol. Tone		124	500M			See Note A19	12	13	ST597				8	6K7G, 6A8G, 6U5, 6H6G, 6F5G, 6F6G, 5Y3	460		
557M (W496)	Vol. Sen.		98	D				8, 8	1	ST595				5	6A7, 78, 75, 42, 80	460		
56 (W485)	Vol. Tone	A33005	18	MR48				10	19	TC32				5	6A7, 6D6, 75, 42, 80	460	12-18	
66 (W486)	Vol. Tone		22	MR33				5-5	23	TCS71				5	6A7, 78, 75, 42, 80	460		
76 (W487)	Vol. Tone		75	MR48	M26			10	15	TC22				7	6A8, 6K7, 6H6, 6F5, 6G5, 6F6, 5Y3	175		
146 (W488)	Vol. Tone		22	MR33				8-4	23	TCS71				7	6K7, 6A8, 6H6, 6F5, 5Y3	460	15-1, 3	
	Vol. Tone		6	G7			See Note A14	4-4	23	TCS71				4	58, 57, 2A5, 80			

‡ Data not substantiated.

\* IMPORTANT: Read Notes in Note Section if specified in Note Column.

‡ Indicates miscellaneous section.



MANUFACTURER AND MODEL	CONTROLS							CONDENSERS				VIBRATORS			No. Tubes	Complete Tube Complement	I. F. Peak	Rider's Reference	
	Use	Original Part	Circuit	Correct Replacement	Switch	Bias	*Note	Original Part	Circuit	Correct Replacement	*Note	Original Part	Replacement	*Note					
WESTERN AIR PAT 708 (W832)	ROL—C Vol. Tone	continued	62 34	MR48 MR42				18, 18 4 .01	1 15	TC55 TC32 Buffer			246	C3	7	*687G, *6L5G, 6K6G, 6N5	456		
1337 (W838)	Vol.		127	500M No. 1		See Note A19	18 10 25	4 1 19	RS219 RS215 TC36	B14					13	*6K7G, 6A8G, 6H6G, 6U5G, 6F5G, *6C5G, *6F6G, *5Y3G	460		
1388	Vol.		18			See Note A19	12 16 12	25 25 14	ST597 ST597 ST597						8	6A8G, 78, 75, 6U5, 6J5G, *42, 80	460		
1487 (W839)	Vol. Tone Sen.		127 22 98	MR48 MR33 D			8, 8	1	TC42 ST595						8	*6K7G, 6A8G, 6H6G, 6U5, 6F5G, 6F6G, 5Y3	460		
WESTERN AUTO SUPPLY CO. (Tru-tone)	O.	Wells	45	Gardner															
062, 062A	Vol. Tone	UM154	45	UM154			A96	4	13	TC52			Order from Mfr.		6	*39, 36, 37, 41	262	5-1	
06W	Vol. Tone	P91061	34	MR42			A96	16-8	15	TC32 3S584	B8	P1765	Order from Mfr.		6	*78, 77, 85, *41	262		
06Z	Vol. Tone	P91013	56	UM154	M26			4	1	TC32					5	78, 77, 41, 84, 75	262		
	Vol. Tone	P91066	41	MR42			A96	P80956	25/19	RM262/TC26	B126	P1926	292	C12	5	78, 77, 41, 84, 75	262		
	Vol. Tone		17	UM154	M26			P80937	14/15	2N516	B14				6	*6D6, 6C6, 75, 41, 84	175		
68	Vol. Tone	36X200	17	UM163-SS3	M26			45X204	1	2N518			294	C3	6	*6D6, 6C6, 75, 41, 84	175		
	Vol. Tone	40X201	22	MR44				45X203	15	TN111	B14				6	*78, 77, 75, 41, 84	262	5-2	
6U	Vol. Tone	P96015	18	UM147-SS3	M26			P81028	1	2N518		2080	294	C3	6	*78, 77, 75, 41, 84	262	5-2	
	Vol. Tone	P97012	22	MR42				P81021	15	TN111	B14	2110	294	C3	6	*78, 77, 75, 41, 84	262	5-2	
670	Vol.	P101-9	17	MR48	M26			Buffer	4	RM262		142-1	298	C3	6	*6D6, 6C6, 78, 75, 42, 84	175	6-1,2	
	Vol. Tone	101-46	18	MR53	M26			P103-6	23	TC26	B14				7	6L7, 6K7, 6C5, 6Q7, 6F6, 5Y3, 6G5	465		
	Vol. Tone	101-53	22	MR33				P103-7	23	RS213					7	6L7, 6K7, 6C5, 6Q7, 6G5, 6F6, 5Y3	465		
720, 732	Vol. Tone	101-53	22	MR33	M26			103-6	42	RS213					7	6L7, 6K7, 6C5, 6Q7, 6G5, 6F6, 5Y3	465		
786 Series A	Vol. Tone	101-46	18	MR53	M26			P103-6	23	RS213					7	6L7, 6K7, 6C5, 6Q7, 6F6, 5Y3, 6G5	465		
1312 (R131)	Vol. Tone	101-53	22	MR33				P103-7	23	RS213					6	*78, 77, 75, 41, 84	177.5	6-9,10	
	Vol. Tone	83728	17	UM154-SS3	M26			84829	4	TC571		84905	294	C3	6	*78, 77, 75, 41, 84	177.5	6-9,10	
	Vol. Tone		15	DTM298-SS1				83803	15	TC22	B14				5	6D6, 6A7, 75, 42, 84	175	13-21	
D580	Vol.	P101-9	18	MR48	M26			.03-.03	4	Buffer	B14	P-142-4	298	C3	5	6D6, 6A7, 75, 42, 84	175	13-21	
	Vol. Tone	119-15	4	MR48	M26			01	4	2S567	B14				9	*6U7G, 6J7G, 6J5G, 6H6, 6F5G, 6K6G, 5Y3G, 6U5	456		
D689	Vol. Tone	36X250	20	TM247-SS25	M26			44X39	4	RS219					14	*6D6, 6A7, 6H6G, *76, *42, 80, 6G5	456		
	Vol. Tone	40X228	22	MK402				44X40	4	RS224					11	6A7, 6D6, 6Q7G, *76, *42, 6G5, 80	456	10-7,8	
D690	Vol. Tone	3800	15	DTM298-SS1				45X239	15	TC22					11	*6K7, 6A7, 6H6, 6G5, 6C5, *76, *42, 80	385	10-9-12	
	Vol. Tone	2737	15	MR55				4649	4	RS223					11	*6D6, 6A7, *76, 75, *42, 80, 6G5	456		
D691	Vol. Tone		18	MR48	M26			4062	4	RS224					11	6A7, 6D6, 6Q7G, *76, *42, 6G5, 80	456	10-7,8	
	Vol. Tone		147	MR55				3079	14	TC42					11	*6K7, 6A7, 6H6, 6G5, 6C5, *76, *42, 80	385	10-9-12	
D692 (155)	Vol. Tone Sen.	3800	124	DTM298-SS1				3375	23	RS216					11	*6D6, 6A7, *76, 75, *42, 80, 6G5	456		
	Vol. Tone	3799	147	UM181-SS1	M28			4062	23	RS224					11	*6K7, 6A7, 6H6, 6G5, 6C5, *76, *42, 80	385	10-9-12	
	Vol. Tone	3801	48	A2MP				4528	14	TC40					11	*6D6, 6A7, *76, 75, *42, 80, 6G5	456		
D692 (164)	Vol. Tone Sen.	3800	124	DTM298-SS1				3111	72	RS216					11	*6K7, 6A7, 6H6, 6G5, 6C5, *76, *42, 80	385	10-9-12	
	Vol. Tone	3799	147	UM181-SS1	M28			3112	72	RS216					11	*6D6, 6A7, *76, 75, *42, 80, 6G5	456		
	Vol. Tone	3801	105	A2MP				3113	72	RS216					11	*6D6, 6A7, *76, 75, *42, 80, 6G5	456		
D694	Vol. Tone Sen.	3800	124	DTM298-SS1				3136	72	TC26					15	*6K7G, 6A7, 6H6G, 6G5, *76, *42, 5Z3	456	10-13	
	Vol. Tone	3799	147	UM181-SS1	M28			3111	72	RS216					15	*6K7G, 6A7, 6H6G, 6G5, *76, *42, 5Z3	456	10-13	
	Vol. Tone	3801	48	A2MP				3112	72	RS216					15	*6K7G, 6A7, 6H6G, 6G5, *76, *42, 5Z3	456	10-13	
	Vol. Tone		48	A2MP				4062	72	RS224					15	*6K7G, 6A7, 6H6G, 6G5, *76, *42, 5Z3	456	10-13	
D695	Vol. Tone	36X221	20	MRT450	M26			3079	14	TC42					13	*6K7, *6C5, 6H6, 6G5, *6L6, *5Z4MG	456	10-14-16	
	Vol. Tone	40X214	41	Order from Mfr.				4071	15/72	TC26					13	*6K7, *6C5, 6H6, 6G5, *6L6, *5Z4MG	456	10-14-16	
D697	Vol. Tone	36X236	75	MRT428	M26			P44X21	30	RS223					11	*6K7, *6C5, 6H6, 6G5, 6J7, *6F6, 5Y3G	456		
	Vol. Tone	40X224	75	MR53				P44X11	30	RS216					11	*6K7, *6C5, 6H6, 6G5, 6J7, *6F6, 5Y3G	456		
	Vol. Tone		75	MR53				P45X216	14	TC40					11	*6K7, *6C5, 6H6, 6G5, 6J7, *6F6, 5Y3G	456		
D698	Vol. Tone	36X235	75	MR48	M26			P45X209	15	TC22					11	*6K7, *6C5, 6H6, 6G5, 6J7, *6F6, 5Y3G	456		
	Vol. Tone	40X223	34	MR42				44X30	1	RS216					11	*6K7, *6C5, 6H6, 6G5, 6J7, *6F6, 5Y3G	456		
D699 (147E)	Vol. Tone	2726	18	MR48	M26			44X11	13	RS216					8	6J7, 6K7, 6H6, 6C5, 6F5, 6G5, 6F6, 5Y3	456		
	Vol. Tone	2737	147	MR55				45X223	13	TC40					8	6A7, 6D6, 75, 76, *42, 80, 6G5	456		
D699 (840)	Vol. Tone	101-74	18	MR53	M26			45X222	19	TC26					8	6A8, 6K7, 6Q7, 6C5, *6F6, 5Y3, 6G5	465	9-1,2	
	Vol. Tone	101-75	22	MR44				44X35	23	RS215					8	6A8, 6K7, 6Q7, 6C5, *6F6, 5Y3, 6G5	465	9-1,2	
D700	Vol. Tone	2726	18	MR48	M26			44X31	23	RS223					8	6A7, 6D6, 75, 76, *42, 80, 6G5	456		
	Vol. Tone	2737	147	MR55				3575	23	RS216					8	6A7, 6D6, 75, 76, *42, 80, 6G5	456		
	Vol. Tone		18	MR48	M26			103-6	4	HD684					8	6A8, 6K7, 6Q7, 6C5, *6F6, 5Y3, 6G5	465	9-1,2	
	Vol. Tone		22	MR44				103-14	4	RS216					8	6A8, 6K7, 6Q7, 6C5, *6F6, 5Y3, 6G5	465	9-1,2	
	Vol. Tone		18	MR48	M26			3375	23	RS216					7	6A7, 6D6, 75, 76, *42, 80	456		
	Vol. Tone		147	MR55				3351	23	HD684					7	6A7, 6D6, 75, 76, *42, 80	456		

† Data not substantiated.

\* IMPORTANT: Read Notes in Note Section if specified in Note Column.

‡ Indicates miscellaneous section.

MALLORY STANDARDIZATION OF PARTS SIMPLIFIES YOUR REPLACEMENT WORK.

MANUFACTURER AND MODEL	CONTROLS							CONDENSERS				VIBRATORS			No. Tubes	Complete Tube Complement	I. F. Peak	Rider's Reference
	Use	Original Part	Circuit	Correct Replacement	Switch	Bias	*Note	Original Part	Circuit	Correct Replacement	*Note	Original Part	Replacement	*Note				
WESTERN AUTO SUPPLY CO.	O.—Continue																	
D701	Vol. Tone	36X215 40X211	20 34	MRT446 Order from	M26T Mfr.		44X10 44X11 44X209	23 23 15	RS216 RS216 TC22					8	*6K7, 6C5, 6R7, 6F6, 6G5, 5Z4G	456	10-25	
D702	Vol. Tone	P1515	18	MR53	M26		P1511	23	RM262					5	6A7, 6D6, 75, 41, 80, 25Z5, L49BJ	456		
D703 (6Y)	Vol. Tone	P1555	18	MR48	M26		P1561	4	TC545					5	6A7, 6D6, 75, 41, 80, 25Z5, L49BJ	456		
D705	Vol. Tone	36X245 40X228	20 1	TM247-SS25 MK402			44X30 44X36 45X238	25 25 19	RS216 RS224 TC29					11	*6U7G, *6J7G, *6J5G, 6U5, 6H6, *6F6G, 5Y3G	456		
D706	Vol. Tone	101-66	18	MR48	M27		119-32	1	2N516		126-4	246	C3	8	*6S7G, 6D8G, *6L5G, 6T7G, 19, 6N5	465	9-3,4	
D707	Vol. Tone	101-67 3612	22 7	MR39 H	M26 6-9		.005 3229	1 23	Buffer TC44/TC42	B14				4	6D6, 6C6, 43, 25Z5, BK55B	456	8-3	
D708	Vol. Tone	P680	45	Order from	Mfr.		P391	1	2N516		P402	245C	C3	6	1C6, 34, *30, 32, 33	456		
D709	Vol. Tone	P682 P2271	34 18	MR39 Order from	Mfr.		P2251 .015	1	2N516 Buffer	B14	P1414	859	C3	6	6A8G, 6J5G, 6U7G, 6Q7G, 6G6G, 6ZY5G	456		
D709 (1935)	Vol. Tone	36X205	6	TRP617			4	12	TC40					5	32, *34, 30, 19	175	10-33	
D710 (1935) (7J)	Vol. Tone	40X204	31	MR48	M26		44X11	23	RS216					7	*6D6, 76, 6B7, 42, 80	456	10-35	
D711 (7J)	Vol. Tone	36X205	56	MR48	M26		44X11	23	RS216					7	*6D6, 76, 6B7, 42, 80	456		
D711 (209)	Vol. Tone	40X204	34	MR42	M26		44X10	23	RS216					7	*6D6, 76, 6B7, 42, 80	456		
D712	Vol. Tone	5100 5099 36X206 40X205	18 107 7/15 41	MR48 MR55 DRP315 MR57	M26 6T		3285 5101 44X10 44X11 44X18	1 1 4 4 13	RS216 RS216 RS216 RS216 RS213					8	6A7, 6D6, 6Q7G, 76, *41, 80, 6G5	456 456	12-13	
D712 (193)	Vol. Tone	2726	18	MR48	M26		3375	23	RS216					9	6A7, 6D6, 6Q7G, *76, *42, 80, 6G5	456		
D712M (1935)	Vol. Tone	2737 P36X206 P40X205	147 7/15 41	MR55 DRP315 MR57	6T		3351 44X10 44X11 44X18	23 4 4 14	HD684 RS216 RS216 RS213					10	*6K7, *76, *45, 80	456 456	10-39	
D713 (7H)	Vol. Tone	36X207 40X203	45 44	MR53 MR42	M23-24		20	12	TC47					7	*34, 1C6, *30, 19	456		
D713 (7GM)	Vol. Tone	36X204	7/56	DRP314	6T		44X10	23	RS216					7	*6K7, 6B7, 6F6, 76, 80	456		
D713 (6B)	Vol. Tone	40X203	34	MR42	M26		44X11	23	RS216					6	6A7, 6D6, 76, 75, 41, 80	456		
D714	Vol. Tone	P2271 P2093 101-142 101-143	18 1 17 22	Order from MK401 MK402 MK400	Mfr. M26 M26		10-5 119-69	23 25	2S567 TC44					6	6K8G, 6K7, 6Q7G, 6P5G, 6AC5G, 5Y3G	465		
D714M (1935)	Vol. Tone	36X204 40X203	56/7 34	DRP314 MR42	6T		44X10 44X11	23 23	RS216 RS216					7	*6K7, 6B7, 76, 6F6, 80	456	10-47	
D715 (205)	Vol. Tone	4982	18	MR48	M26		5006	1	2N518					5	6A7, 6D6, 6Q7G, 41, 80	456		
D716 (1935)	Vol. Tone	36X210 40X206	7/15 22	DRP315 MR57	6-9		P44X21 P44X11 P44X20	25 19 25	RS223 RS216					12	*6K7, *76, *6F6, *80	456 456		
D716 (1938-39)	Vol. Tone	P2136 P2137	18 34	Order from MR39	Mfr. M27		P2140 P2140 .015	1/15 1/15	Order from 3S579 Buffer	Mfr. B14	P2147	859	C3	7	6D8G, 6S7G, 6T7G, 6G6G, 6L5G, 6AB5, 6ZY5G	456	11-2	
D717	Vol. Tone	101-94	18	MR53	M26		119-38	23	2S567					5	6A7, 6K7, 75, 41, 80	465	11-3	
D717 (6V-110V)	Vol. Tone	101-59 P2136 P2137	21 18 34	MR53 Order from MR39	M26 M27		P2140 .015	1/15	3S579 Buffer	B14	P2147	859	C3	7	6D8G, 6L5G, 6S7G, 6T7G, 6G6G, 6ZY5G, 6AB5	456		
D718	Vol. Tone	P1677	18	MR48	M27		P958	1	2N518		P402	245C	C3	6	6D8G, 6S7G, 6T7G, *30, 19	456		
D719	Vol. Tone	P1764 3418	44 18	MR39 MR48	M27		.01-.01 4459	24	2N513	B14		245	C3	4	6D8G, 6S7G, 6T7G, 1G5G	456		
D720 (142)	Vol. Tone	2726	18	MR48	M26		16	25	RS216	B14				6	78, 6A7, 6D6, 75, 42, 80	456		
D721	Vol. Tone	36X215 40X211	147 34	MR55 MRT446 Order from	M26T Mfr.		8 44X10 44X11 44X209	25 23 23 15	HD684 RS216 RS216 TC22					8	*6K7, 6Q7, 6C5, 6F6, 6G5, 5Z4MG	456	10-23	
D721 (206)	Vol. Tone	45	45	MR48	M26		10-6	1	2S569					6	6A7, 6D6, 76, 6AC5G, 41, 80	456		
D722	Vol. Tone	36X219 40X213	62 65	MRT447 Order from	M26 Mfr.		44X10 44X11 44X213	25 23 13/15	RS216 RS216 TC40/TC22					11	*6K7, *6C5, 6G5, *6F6, 5Z4MG	456		
D723	Vol. Tone	2726	18	MR48	M26		3375	23	RS216					7	6A7, 6D6, 75, 76, *42, 80	456		
D723 (723)	Vol. Tone	2737 101-108	147 18	MR55 MK402	M26		3351 11959C	23 24	HD684 2N513			246	C3	4	6D8G, 6S7G, 6T7G, 6K6G	465	12-1,2	
D724	Vol. Tone	2726	18	MR48	M26		.003	23	Buffer	B14				8	6A7, 6D6, 75, 76, *42, 80, 6G5	456		
D724U	Vol. Tone	2737	147	MR55	M26		3351	23	HD684					8	6A7, 6D6, 6Q7G, *43, 76, 25Z5, 6G5	456	12-5	
D725	Vol. Tone	2737 P-96014 P-97011	147 15 22	MR55 MR48 MR42	M26 M26		4297 4298 P81043 P81042	73 73/15 12 12	RS207 3N533 RS216 RS216					7	*6D6, 6B7, 76, 42, 80	456	13-96,97	

‡ Data not substantiated.

\* IMPORTANT: Read Notes in Note Section if specified in Note Column.  
USE MALLORY COMPONENTS IN YOUR TELEVISION WORK.

‡ Indicates miscellaneous section.

MANUFACTURER AND MODEL	CONTROLS							CONDENSERS				VIBRATORS			No. Tubes	Complete Tube Complement	I. F. Peak	Rider's Reference
	Use	Original Part	Circuit	Correct Replacement	Switch	Bias	*Note	Original Part	Circuit	Correct Replacement	*Note	Original Part	Replacement	*Note				
WESTERN AUTO SUPPLY CO.—Continued																		
D725 (A3)	Vol. P934	18	MR48	M26			8-4	32	2N518					6	6A7, 6D6, 76, 75, 42, 80	456		
	Tone P943	34	MR39				4	32	TC70					5	6A7, 6D6, 75, 42, 80	456		
D726 (B1)	Vol. P912	18	MR48	M26			P160	1	2N518					8	6A7, 6D6, 75, 6G5, 76, 42, 80	456		
D727	Vol. 2726	18	MR48	M26			3375	23	RS216					4	6A7, 6D6, 75, 42, 80	456		
	Tone 2737	147	MR55				3351	23	HD684					5	6A7, 6D6, 75, 42, 80	456		
D728 (X8)	Vol. P630	18	MR48	M26			P160	1	2N518					4	6D6, 6C6, 43, 25Z5	456	11-5	
D729	Vol. 2574	7	H				3229	23	TC44/TC42					4	6D6, 6C6, 25L6G, 25Z5			
D730	Vol. P2213	6	MR36	M26			P2216	1	2N509					5	6F7, 6K7, 75, 6F6, 80	465	11-6	
D731 (1935)	Vol. 101-18	18	MR48	M26			103-6	4	RS213					5	6A8, 6K7, 6Q7, 25L6, 25Z6, L49B	470		
D731 (1938-9)	Vol. 101-108	18	MK402	M26			103-7	4	RS213					6	6L7, 6K7, 6C5, 6F6, 5Y3	465		
D732 (686 Ser. A, B)	Vol. 101-46	18	MR53	M26			103-6	42	RS213					5	6A8, 6K7, 6Q7, 6F6, 6X5	465	9-5,6	
D734	Tone 101-53	22	MR33				103-7	42	RS213					5	6A8, 6K7, 75, 41, 84/6Z4	465	11-10	
D734 (1935)	Vol. 101-41	17	UM154-SS17	M26			119-33	4	2S567	B14	126-1	294	C3	5	6D6, 6C5, 75, 41	175	13-98,99	
	Tone .005						119-20	4	Buffer					5	6D6, 6C5, 75, 41			
D735	Vol. P-96017	18	MR55	M26			.01		TCS71	B14	126-1	294	C3	6	6D6, 6A7, 6B7, 42, 84	175		
D737 (1935)	Vol. P82002	17	MR55	M26			.007	1/15	3S579	B14	P2229	248	C3	6	6D6, 6C6, 75, 41, 84	175		
	Tone .007	34	UM161-SS3				E45X206C	4/15	3S579	B14	19A25	294	C3	6	6D6, 6C6, 75, 41, 84	175		
D737C (1936)	Vol. MR42	17	MR42				.0075	4/15	3S579	B14	19A25	294	C3	6	6D6, 6C6, 75, 41, 84	175		
D737C (1936)	Vol. UM161-SS3	17	UM161-SS3				E45X206C	4/15	3S579	B14	19A25	294	C3	6	6D6, 6C6, 75, 41, 84	175		
D739	Tone MR42	34	MR42				.0075	4/15	3S579	B14	19A25	294	C3	6	6D6, 6C6, 75, 41, 84	175		
D739	Vol. 101-21	56	MR44	M26	EC256		P119-17	4	TCS71	B14	142-4	298	C3	6	6D6, 6A7, 6B7, 42, 84	175		
D740	Vol. SA106514	18	MR48	M26			.01		Buffer					6	6D6, 6A7, 6B7, 42, 84	175	11-16	
	Tone SA106715	22	MR48				SA106536	4	2S567	B14	SA106561	298	C3	6	6D6, 6C6, 75, 41, 84	175		
D743	Vol. SA106715	18	MR48	M26			.02		Buffer					6	6K7, 6A8, 6Q7, 41, 6X5	465		
D743	Vol. 101-41	18	UM154-SS17	M26			119-37	4	2S567	B14	126-1	294	C3	6	6K7, 6A8, 6Q7, 41, 6X5	465		
D743W (1935)	Vol. 36X200	17	UM163-SS3	M26			.005		Buffer					6	6D6, 6C6, 75, 41, 84	175	11-19,20	
	Tone 40X201	22	MR44				45X204	1	2N518		2080	294	C3	6	6D6, 6C6, 75, 41, 84	175		
D744	Vol. 101-73	18	UM147-SS17	M26			45X203	15	TN111	B14	2110	294	C3	6	6K7, 6A8, 6Q7, 6F6, 6X5	262.5		
	Tone 101-45	22	Order from Mfr.				.01	4	Buffer	B14	126-1	294	C3	6	6K7, 6A8, 6Q7, 6X5, 6F6	262.5	11-25,26	
D744, Series "A"	Vol. 101-73	18	UM147-SS17	M26			.01	4	2S567	B14	126-1	294	C3	6	6K7, 6A8, 6Q7, 6X5, 6F6	262.5		
D744 (1936)	Vol. 101-45	22	Order from Mfr.				.01	1	Buffer	B14	126-1	294	C3	6	6K7, 6A8, 6Q7, 6N6, 6X5	465	11-23,24	
	Tone 101-42	18	UM133-SS17	M26			119-21	1	2N518	B14	126-1	294	C3	6	6K7, 6J7, 6B7, 41, 6A6	175	13-102	
D745	Vol. 36X217	56	Order from Mfr.				.01	1/15	Buffer					6	6K7, 6J7, 6B7, 41, 6A6	175	103	
	Tone 40X212	22	MR53				P45X211	1/15	TC72/TC26	B14	P19A26	248	C3	6	6K7, 6J7, 6B7, 41, 6A6	175		
D745 (Late)	Vol. 36X217	18	Order from Mfr.				.005	1/15	Buffer	B14	P19A26	248	C3	6	6K7, 6J7, 6B7, 41, 6A6	175		
D745 (Late)	Vol. 40X212	22	MR53				.005	1/15	TC72/TC26	B14	P19A26	248	C3	6	6K7, 6J7, 6B7, 41, 6A6	175		
D746, Series "A" (Issue "A" & "B")	Vol. 101-110	18	MK402	M26			119-50	40	2S567	B14	126-7	294	C24	5	6A8, 6K7, 6Q7, 6K6, 6X5	465		
D746, Issue "C"	Vol. 101-110	18	MK402	M26			.005	40	Buffer					5	6A7, 6K7, 6Q7, 6K6, 6X5	465		
D746D (577D)	Vol. 101-110	18	MK402	M26			119-50	40	2S567	B14	126-7	294	C24	5	6A7, 6K7, 6Q7, 6K6, 6X5	465		
	Tone .005						119-105	24/15	Buffer					5	6A7, 6K7, 6Q7, 6K6, 6X5	465		
D747, Series "A" (Issues "A," "B," & "C")	Vol. 101-109	18	TM238-SS18	M26			.005	24/15	FP339	B14	126-7	294	C24	5	6A7, 6K7, 6Q7, 6K6, 6X5	465		
D748	Vol. 36X246	127	UM163	M26			119-51	4	2S569	B14	126-1	294	C3	6	6A8, 6K7, 6Q7, 6V6, 0Z4 or 6X5	465		
	Tone .01						45X235	1	Buffer					6	6U7G, 6J7G, 6B8G, 6K6G, 6N7G	175		
	Tone 45X240	13					45X239	15	2N518		19A33	952W	C3	6	6U7G, 6J7G, 6B8G, 6K6G, 6N7G	175		
	Tone .008						TC70		TC70	B14				7	6A7, 6D6, 6Q7G, 76, 41, 80	456		
D900 (215)	Vol. 5100	15	MR48				16	1	RS216					9	6A7, 6D6, 76, 6G5, 6K5G, 6V6G, 80	456		
D901	Vol. 5100	45	MR55				16	1	RS216					7	6A8G, 6K7G, 6Q7G, 6C5G, 6F6G, 80	455		
D904 DC (308)	Vol. 5099	107	MR48	M26			3285	1	RS216					5	6A7, 6D6, 6Q7G, 25L6G, 25Z5, BK49BG	456	12-5	
D905 (214)	Vol. 5100	18	MR48	M26			5101	1	RS216					11	6K7G, 6K8G, 6Q7G, 76, 6AC5, 6U5, 80	455		
	Tone 5511	34	MR39	M26			16-16	1	2S569					11	6K7G, 6K8G, 6Q7G, 76, 6AC5, 6U5	455		
	Tone 5511	18	MR48	M26			16-8	4	TC44/TC42					4	6K7, 6J7, 25L6, 25Z6			
D906 (311EPCW)	Vol. 7196	17						1	TC74					6	6K8/6K8G, 6SK7, 6Q7G, 6P5G	465		
	Tone 7196	21						13	TC47					8	6K8G, 6D6, 6G5, 6Q7G, 76, 41, 80	455	13-22,23	
D906C (DC) (332EPCW)	Vol. 7196	17	3 Meg.					1	TC74					8	6K8G, 6D6, 6G5, 6Q7G, 76, 41, 80	455		
D909 (216)	Vol. 5252	8	MR22	M26			16-6	23	TC44/TC42					4	6K7, 6J7, 25L6, 25Z6			
D910 Series A, B	Vol. 101187	18	MR53				11980	1	TC74					6	6K8/6K8G, 6SK7, 6Q7G, 6P5G	465		
	Tone 101189	22	MR53	M26				1	TC74					8	6AC5G, 5Y3G	465		
D911	Vol. 5100	18	MR48				3285	1	RS216					8	6K8G, 6D6, 6G5, 6Q7G, 76, 41, 80	455	13-22,23	
	Tone 5099	76	MR55	M26			5101	1	RS216					8	6K8G, 6K7G, 6Q7G, 76, 6N6G, 80, 6U5	455		
D911B (312)	Vol. 7196	17	3 Meg.				16	1	RS216					8	6K8G, 6K7G, 6Q7G, 76, 6N6G, 80, 6U5	455		
	Tone 7195	21	MR48	M26			16	1	RS216					8	6K8G, 6K7G, 6Q7G, 76, 6N6G, 80, 6U5	455		

† Data not substantiated.

\* IMPORTANT: Read Notes in Note Section if specified in Note Column.

‡ Indicates miscellaneous section.

BE SURE TO SPECIFY MALLORY RADIO AND ELECTRONIC PARTS.

MANUFACTURER AND MODEL	CONTROLS							CONDENSERS				VIBRATORS			No. Tubes	Complete Tube Complement	I. F. Peak	Rider's Reference
	Use	Original Part	Circuit	Correct Replacement	Switch	Bias	*Note	Original Part	Circuit	Correct Replacement	*Note	Original Part	Replacement	*Note				
WESTERN AUTO SUPPLY CO. D912 (5L).....	Vol.	O.—Continued P2935	18	MR48	M26			P2936	1	2N509					5	6A7, 6D6, 75, 25L6, 25Z5, 1A9B	456	
D913 (7B).....	Vol. Tone	P3099 P3279	18 22	MR48 MR48	M26			P2936	1	2N509					7	6A8G, 6K7G, 6Q7G, 25L6G, *25Z6G, 6P5G	455	
D913 (7K).....	Vol. Tone	P3099	18 22	MR48 MR48	M26			20-20 20	1 15	2N509 TC26				7	6A8G, 6K7G, 6P5G, 6Q7G, 25L6G, *25Z6G	455		
D914 (7BS).....	Vol. Tone	P3099 P3279	18 22	MR48 MR48	M26			25-25-5	46	TN129				7	6A8G, 6K7G, 6P5G, 6Q7G, 25L6G, *25Z6G	455		
D914C (7KS).....	Vol. Tone	P3099	18 22	MR48 MR48	M26			25-25-20	1/15	3N533				7	6A8G, 6K7G, 6P5G, 6Q7G, 25L6G, *25Z6G	455		
D915 (Issue A, B).....	Vol.	P3346	18	Order from	Mfr.			P3355	24	2N513				5	12SA7, 12SK7GT, 12SQ7, 50L6GT, 35Z5GT	455	13-32, 33, 28	
D915C (5Q).....	Vol.	P3346	18	Order from	Mfr.			P3355	24	2N514				5	12SA7GT, 12K7GT, 12SQ7GT, 50L6GT, 35Z5GT	455		
D920.....	Vol. Tone	101-133 101-134	127 22	MK402 MK400				119-64	1	2S569				8	6K8G, 6K7, 6Q7G, *6K6G, 6A8G, 6U5, 5Y3G	465	12-7, 8	
D921, Issue "A".....	Vol. Tone	101-159 101-165	45 21	MK402 MK402	M26			119-73B 119-69	1 1	ST597 ST597				9	6K8, 6K7, *6J5, 6Q7, 6U5, *6K6, 5Y3	465	12-8-10	
D924 (313).....	Vol. Tone	7357 7195	17 21	3 Meg. MR48	M26		A19	16 16	1 1	RS216 RS216				11	*6K7G, 6K8G, 6Q7G, *76, *6AC5, 80, 6U5	455		
D924C.....	Vol. Tone	7357 7195	17 21	3 Meg. MR48	M26		A19	16 16	1 1	RS216 RS216				11	*6K7G, 6K8G, 6Q7G, *76, *6AC5, 6U5, 80	455		
D925 (312).....	Vol. Tone	7196 7195	17 21	3 Meg. MR48	M26		A19	16 16	1 1	RS216 RS216				8	6K8, 6K7G, 6Q7G, 76, *6N6G, 80, 6U5	455		
D925B (336).....	Vol. Tone	7195	17	3 Meg. MR48	M26		A19	16 16	1 1	RS216 RS216				8	6K8G, 6K7G, 6Q7G, 76, *6N6G, 80, 6U5	455		
D926.....	Vol.	36X270	20	TM254-SS25				14 40	23 23	RS216 RS224				11	*6SK7, 6SA7, *6P5G, 6SQ7, *6V6G, 5Y3G, 6AD6G	456		
D926 (Issue A).....	Vol.	36X270	124	TM254-SS25				44X30 44X36	23 23	RS216 RS224				11	*6SK7, 6SA7, *6P5G, 6SQ7, 6AD6G, *6V6G, 5Y3G	456	13-39, 40	
D926 (Issue B).....	Vol.	36X270	124	TM254-SS25				45X239 44X30 44X36 45X239	15 23 23 15	TC22 RS216 RS224 TC22				11	*6SK7, 6SA7, 6AD6G, *6P5G, 6SQ7, *6V6G, 5Y3G	456	13-41, 40, 42	
D929.....	Vol. Tone	101-137 101-157	18 22	MK402 MK402	M26			119-80	1	TC74				7	6K8G, 6K7, 6Q7G, 6P5G, 6AC5G, 5Y3G, 6U5	465	12-11, 12	
D930.....	Vol. Tone	5100 5099	18 107	MR48 MR55	M26			3285 5101	1 1	RS216 RS216				8	6A7, 6D6, 6Q7G, 76, *41, 80, 6G5	456	12-13	
D935, D936 (4A).....	Vol.	P2600	18	MK401	M27			P2602	19	TC26				4	1A7G, 1N5G, 1H5G, 1C5G	456		
D937.....	Vol.	36X258	18	MR48	M27			45X250	12	TC40				5	1A7G, 1H5G, 1N5G, 1C5G	456	12-15	
D939 (4F).....	Vol.	P3317	18	MK401	M27			P3024	12	TC42				4	1A7G, 1N5G, 1H5G, 1C5G	455		
D940 (Issue A, B).....	Vol.	P3560	18	UM161-SS22	M27			P3563 P3562	1 78	2N513 TC29				5	1A7GT, 1N5GT, 1H5GT, 1Q5G, 3Q5GT, 70L7GT	455	13-45, 46	
D940 (5N).....	Vol.	P3560	18	UM161-SS22	M27			P3563 P3562	1 15/12	2N514 TC29				5	1A7GT, 1N5GT, 3Q5GT, 1H5GT, 70L7GT	455		
D941, Issue "A".....	Vol.	101-108	45	MK402	M26			119-53D	1/15	3N533		B193		6	12SA7, 12SK7, 12J5GT, 12SQ7, 35L6GT, 35Z5GT	465		
D941, (Issue B).....	Vol.	101-108	45	MK402	M26			119-94	46	FP357				6	12SA7, 12SK7, 12J5GT, 12SQ7, 35L6GT, 35Z5GT	465	13-47, 48	
D976, Issue "A".....	Vol.	101-161	18	Order from	Mfr.			119-81 .008	74	TC65 Buffer		12610	294	C3	6	*6K7, 6A8, 6Q7, 6K6, 6X5	465	
D978.....	Vol. Tone	101-161 101-162	18 106	Order from UM163-SS18	Mfr.			119-78 .0055	24	FP426 Buffer		1269	248	C3	6	6K7, 6A8, 6SK7, 6Q7, 6J5G, 6N7	465	
D1001 (Issue A).....	Vol.	101-209	18	MK401	M26			11992	24	FP211				5	12SA7, 12SK7, 12SQ7, 35L6GT, 35Z4GT	465		
D1002 (323).....	Vol. Tone		106 106	MR48 MR55	M26			16, 16	23	RS216				7	6K8G, 6K7G, 6Q7G, 6C5G, *6F6G, 80	455		
D1003.....	Vol. Tone	P4089 P4193	64 22	MRT431 Order from	M26 Mfr.			P4264	1/15	FP339				7	*6SK7, 6SA7, 6SQ7, 6K6G, 5Y3G	455	12-27, 28	
D1011, D1012 (612A).....	Vol.	101-211	18	MK402	M26			11994	46	FP357				6	12SA7, *12SK7, 12SQ7, 35L6GT, 35Z5GT	455		
D1013. (Issue A).....	Vol.	P4089	62	TM231-SS22	M26			P4106	1/15	3N533				7	6SA7, *6SK7, 6SQ7, 6J5G, 25L6G, 25Z6G	455	13, 54-55	

‡ Data not substantiated.

\* IMPORTANT: Read Notes in Note Section if specified in Note Column.  
MAKE FULL USE OF NOTES AND CIRCUIT DIAGRAMS.

§ Indicates miscellaneous section.

MANUFACTURER AND MODEL	CONTROLS							CONDENSERS				VIBRATORS			No. Tubes	Complete Tube Complement	I. F. Peak	Rider's Reference
	Use	Original Part	Circuit	Correct Replacement	Switch	Bias	*Note	Original Part	Circuit	Correct Replacement	*Note	Original Part	Replacement	*Note				
WESTERN AUTO SUPPLY CO. D1014 (Issue A)	Vol.	O.—Continued P4089	62	TM231-SS22	M26			P4106	1/15	3N533					7	6SA7, 6SK7, 6SQ7, 6J5G, 25L6G, 25Z6G	455	13-54,55
D1015, D1016	Vol.	101-230	18	MK401	M26			11992	24	FP354	B69				5	12SA7, 12SK7, 12SQ7, 50L6GT, 35Z5GT	455	
D1020 (4J)	Vol.	P3317	18	MK401	M27			P3024	12	TC42					4	1A7G, 1N5G, 1H5G, 1Q5G	455	
D1022	Vol.	P4231	18	MK401	M27			P4224 .015	1/15	FP360 Buffer	B14	P4221	246A	C3	6	6D8G, 6S7G, 6T7G, 6G6G, 6L5G, 6X5GT	455	
D1040	Vol.	101-208	18	MK402	M26			119102	1	FP228					6	6SA7, 6SK7, 6SQ7, 6P5G, 6AC5G, 5Y3G	465	
D1041	Vol. Tone	101-214 101-213	18 22	MK401 MK402	M26			119106	1/13	FP380					10	6SK7, 6SA7, 6SQ7, 6P5G, 6F6G, 6U5, 5Y3G	465	
D1042	Vol.		17	2 Meg.			A19	40 30 20-4 11994	23 23 14/15 46	RS224 RS223 2N509 FP357					11	6SK7, 6SA7, 6SQ7, 6V6GT, 6AD6G, 5Y3G	456	12-17-20
D1070	Vol.	101-217	18	MK401	M26			7113	40	TC75					5	12SA7, 12SK7, 12SQ7, 50L6GT, 35Z5GT	465	12-21,22
D1075DC	Vol. Tone	2726 2737	106 106	MR48 MR55	M26										7	6K8G, 6K7G, 6J5G, 6Q7G, 6F6G, 80	455	13-60
D1076	Vol. Tone	101232 101231	18 22	MK402 MK402	M26			119115	1	2S569					6	6SA7, 6SK7, 6SQ7, 6V6GT, 5Y3G	455	12-29, 30,31
D1077	Vol.	25004	124				A19	14670	1	FP234					11	6SK7, 6SA7, 6J5GT, 6U5, 6SQ7, 6V6GT, 5Y3G	456	13-61
D1080, 1080B	Vol.	101210	18	UM161-SS22	M27			119104	76	FP304					5	1A7GT, 1N5GT, 1H5GT, 1A5GT, 35Z5GT, 5459	465	12-29
D1081	Vol.	P4418	18	MK402	M27			P4415 P4414	1 78	FP211 WP520	B117 B117				6	1N5, 1A7, 1H5, 3Q5, 117Z6	455	13-62
D1090 (Issues A, C)	Vol. Tone	36X275 40X212	22 22	Order from Mfr. MR55				45X271 .008	24/15	FP346 Buffer	B14	19A33	248	C3	6	6SK7, 6SA7, 6B8G, 6K6G, 6N7G	456	13-64,65
D1090, D1091 (C13, C14)	Vol. Tone	36X275 40X212F	124 22	Order from Mfr. MR55				40-20-20 .008	24/15	FP346 Buffer	B14	19A330	248	C3	6	6SA7, 6SK7, 6B8G, 6K6G, 6N7G	456	
D1109	Vol.	9008	18	MR48	M26			8948	24	2N514					5	12SA7, 12SK7, 12SQ7, 50L6GT, 35Z5GT	455	14-5
D1118	Vol.	36X309	64	TM227-SS25	M26			45X308	1/13/15	2N513/2N509					7	12SA7, 12SK7, 6L5G, 12SQ7, 35L6GT, 35Z5GT	456	13-68,69
D1120	Vol.	P4916	18	MK401	M27			P2602	19	TC26					4	1A7, 1N5, 1H5, 3Q5	455	14-6
D1124	Vol.	101210	18	UM161-SS22	M26			119117	12	TC44					4	1A7GT, 1N5GT, 1H5GT, 3Q5GT	455	
D1125	Vol.	25367	18	UM154	M27		A96	25396 17080	12 19	TC45 TC22					5	1P5GT, 1A7GT, 1N5GT, 1H5GT, 3Q5GT	456	14-7
D1126	Vol.	25004	46				A19	14670	1	FP234					11	6SK7, 6SA7, 6J5GT, 6U5, 6SQ7, 6V6GT, 5Y3G	456	14-8,7
D1135	Vol.	P4916	18	MK401	M27			P2602	19	TC26					4	1A7, 1N5, 1H5, 3Q5	455	14-9
D1136	Vol.	P3720	18	MK402	M27			P4568	1/78	FP357					6	1A7GT, 1N5GT, 1H5GT, 3Q5GT, 35Z5GT	455	14-10
D1143 (Issue A)	Vol.	25004	18				A19	14670	1	FP234					8	6SA7, 6SK7, 6SQ7, 6J5GT, 6U5, 6K6GT, 5Y3	456	13-72,73
D1144	Vol.	25004	46				A19	14670	1	FP234					11	6SK7, 6SA7, 6J5GT, 6U5, 6SQ7, 6V6GT, 5Y3G	456	14-8
D1145	Vol. Tone	36X280 40X248	64 21	MK401 UM165-SS25	M26			45X277	4	TC78/TC75					6	6SA7, 6SK7, 6SQ7, 6V6GT, 5Y3G	456	13-74, 67,78
D1169	Vol.	P3720	18	MK402	M27			P4568	1/78	FP357	B3				6	1A7GT, 1N5GT, 1H5GT, 3Q5GT, 35Z5GT	455	14-10
D1170	Vol.	9051	18	MR48	M26			8525	24	2N514					5	12SA7, 12SK7, 12SQ7, 50L6GT, 35Z5GT	455	14-11
D1171 (Early)	Vol.	P4060	18	MK401	M26			P4683	77	2N520					5	12SA7, 12SK7, 12SQ7, 50L6, 35Z5	455	14-12
D1171 (Issue B)	Vol.	P4060	18	MK401	M26			P4683	77	2N520					5	12SA7, 12SK7, 12SQ7, 50L6, 35Z5	455	13-75,76
D1172 (Issue A)	Vol. Tone	36X280 40X248	64 21	MK401 UM165-SS25	M26			45X277	4	TC78/TC75					6	6SA7, 6SK7, 6SQ7, 6V6GT, 6X5GT	456	13-78,77
D1173	Vol.	9221	18	MR48	M26			8525	24	2N514					6	12SA7, 12SK7, 12SQ7, 35L6GT, 35Z5GT	455	14-13,14
D1174	Vol.	9051	18	MR48	M26			9363	1	2N514					5	12SA7, 12SK7, 12SQ7, 50L6GT, 35Z5GT	455	14-15
D1175	Vol.	25004	124				A19	14670	1	FP234					8	6SA7, 6SK7, 6SQ7, 6J5GT, 6U5, 6K6GT, 5Y3	456	13-72,73

‡ Data not substantiated.

\* IMPORTANT: Read Notes in Note Section if specified in Note Column.

‡ Indicates miscellaneous section.

MANUFACTURER AND MODEL	Use	CONTROLS						CONDENSERS				VIBRATORS			No. Tubes	Complete Tube Complement	I. F. Peak	Rider's Reference
		Original Part	Circuit	Correct Replacement	Switch	Bias	*Note	Original Part	Circuit	Correct Replacement	*Note	Original Part	Replacement	*Note				
WESTERN AUTO SUPPLY CO.—Continued																		
D1176	Vol. Tone	36X280 40X248 P4231	64 21 18	MK401 UM165-SS25 MK401	M26 M27			45X277 P4224 .015	4 1/15	TC78/TC75 FP371 Buffer					6 6	6SA7, 6SK7, 6SQ7, 6V6GT, 5Y3G 6D8G, 6L5G, 6SR7, 6T7G, 6G6G, 6X5GT	456	13-74, 67,78
DW1177	Vol.										B14	P4221	246A	C3	5	1A7GT, 1N5GT, 1H5GT, 1A5GT, 35Z5GT	455	14-16
D1180	Vol.	36X310	18	MK401	M27			45X309	24/78	Order from	Mfr.				6	1N5, 1A7, 1H5, 3Q5, 117Z6	456	13-79,69
D1181	Vol.	P4820	18	MK402	M27			P4860	1/78	FP309					5	1A7GT, 1N5GT, 1H5GT, 1A5GT, 35Z5GT	455	14-17
D1182	Vol.	101252	18	MK402	M27			119123	76/78	Order from	Mfr.				5	1A7GT, 1N5GT, 1H5GT, 1A5GT, 35Z5GT	455	
D1183	Vol.	P4706	18	UM161-SS18				P4589	24/78	FP304					5	1R5, 1T4, 1S5, 3S4, 35Z5	455	14-19
D1184	Vol.	8958	18	Order from	Mfr.			8952	24/78	FP304					5	1R5, 1T4, 1S5, 3S4, 45Z3	455	14-20
D1191 (Issue A)	Vol. Tone	36X298 40X257	18 22	TM227-SS3 MK403	M26			45X294 .008	24/15	FP346 Buffer	B117 B14	19A33	248	C3	6	6SK7, 6SA7, 6SQ7, 6K6GT, 6N7	456	13-81, 82,65
D1191 (Issue B)	Vol. Tone	36X298 40X257	18 22	TM227-SS3 MK403	M26			45X294 .008	24/15	FP346 Buffer	B117 B14	19A33	248	C3	6	6SK7, 6SA7, 6SQ7, 6K6GT, 6N7	456	13-82,85
D1191 (Issue C)	Vol. Tone	36X298 40X257	18 22	TM227-SS3 MK403	M26			45X294 .016	24/15	FP346 Buffer	B117 B14	19A33	248	C3	6	6SK7, 6SA7, 6SQ7, 6K6GT, 6N7	456	
D1192	Vol. Tone	101242 101245	18 21	UM154-SS17 Order from	M26 Mfr.			119118 .005	24/15	FP339 Buffer	B14	12627	248	C3	6	6SK7, 6SA7, 6SQ7, 6J5GT, 6N7	455	
D1202	Vol.	101245 36X309	21 64	Order from TM227-SS25	Mfr. M26			.005 45X308	1/13/15	FP339 Buffer	B14	12627	248	C3	7	12SA7, 12SK7, 6L5G, 12SQ7, 35L6GT, 35Z5GT	456	13-68,69
D1203	Vol.	101211	18	MK402	M26			11994 11995	46 46	FP357 Order from	B12				6	12SK7, 12SA7, 12SQ7, 35L6GT, 35Z5GT	455	14-21
D1210	Vol.	101277	†	DTM296-SS25				119109	1/13	FP390					8	6SK7, 6SA7, 6SQ7, 6V6GT, 6U5, 5Y3G	455	
D1215	Vol.	101230	18	MK401	M26			11992	24	FP354	B69				5	12SA7, 12SK7, 12SQ7, 50L6GT, 35Z5GT	455	14-24
D1224	Vol.	101210	18	UM161-SS22	M27			119117	12	TC44					4	1A7GT, 1N5GT, 1H5GT, 3Q5GT	455	14-25
D1250	Vol. Tone	101278 101279	18 22	MK401 MK402	M26			119124	1	Order from	Mfr.				11	6SK7, 6SA7, 6SQ7, 6J5GT	455	14-26,27
D1281	Vol.	P4820	18	MK402	M27			P4860A	1/78	FP309					6	1N5, 1A7, 1H5, 3Q5, 117Z6	455	14-18,28
D1294	Vol. Tone	101242 101245	18 21	UM154-SS17 Order from	M26 Mfr.			119118 .005	15/24	FP339 Buffer	B14	12627	248	C3	6	6SK7, 6SA7, 6SQ7, 6J5GT, 6N7	455	14-29
D1296	Vol.	101276	18	Order from	Mfr.			119105 .0035	24/15	FP339 Buffer	B14	12629	Order from	Mfr.	5	6SA7, 6SK7, 6SQ7, 6K6GT, 6X5	455	14-30
D1612	Vol.	25690	157	TM254-SS1	M26			25688	1/15	FP339					6	6SK7, 6SA7, 6SQ7, 6V6GT, 5Y3GT	455	
D1644	Vol. Tone	A24-169 A26-123	18 22	MK401 UM165-SS25				A18-279 A18-274	24 24	ST597 ST597					6	6SA7GT, 6SK7GT, 6SQ7GT, 6K6GT, 5Y3GT	455	
D1645	Vol. Tone (Early) (Late)	36X358 40X276 40X281	167 167 167	TM227-SS25 Order from UM165-SS25	M26 Mfr.			45X346	24/15	FP346					6	6SA7, 6SK7, 6SF7, 6SJ7, 6V6GT, 6X5GT	455	15-1,3
D1752, Serial No. 434001 Up	Vol. Tone	B-58218-1 B-58219-1	167 167	Order from Order from	Mfr. Mfr.			A57950	1/13/15	FP429					8	6BA6, 6BE6, 6SG7, 6SQ7, 6H6, 6V6GT, 5Y3GT	455 10.7	
D1926	Vol.	36X270	124	TM254-SS25				44X30 44X36 45X239	23 23 15	RS216 RS224 TC22					11	6SK7, 6SA7, 6P5G, 6SQ7, 6V6G, 5Y3G, 6AD6G	456	13-38,40
D1926 (Issue A)	Vol.	36X270	124	TM254-SS25				44X30 44X36 45X239	23 23 15	RS216 RS224 TC22					11	6SK7, 6SA7, 6P5G, 6SQ7, 6AD6G, 6V6G, 5Y3G	456	13-39,40
D1926 (Issue B)	Vol.	36X270	124	TM254-SS25				44X30 44X36 45X239	23 23 15	RS216 RS224 TC22					11	6SK7, 6SA7, 6AD6G, 6P5G, 6SQ7, 6V6G, 5Y3G	456	13-41, 40,42
D2015, D2016	Vol.	101211	18	MK402	M26			11994	46	FP357					6	12SK7, 12SA7, 12SQ7, 35L6GT, 35Z5GT	455	14-4
D2106	Vol.	9008	18	MR48	M26			8948	24	2N514					5	12SA7, 12SK7, 12SQ7, 50L6GT, 35Z5GT	455	14-5
D2121	Vol.	25367	18	UM154	M27		A96	25396 17080	12 19	TC45 TC22					5	1P5GT, 1A7GT, 1N5GT, 1H5GT, 3Q5GT	456	14-7
D2127	Vol.	36X309	64	TM227-SS25	M26			45X308	1/13/15	2N513/2N509					7	12SA7, 12SK7, 6L5G, 12SQ7, 35L6GT, 35Z5GT	456	13-68,69
D2133	Vol. Tone	36X280 40X248	18 21	MK401 UM165-SS25	M26			45X277	4	TC78/TC75					7	6SJ7, 6J5GT, 6SK7, 6SQ7, 6V6GT, 5Y3G	456	13-107, 108

† Data not substantiated.

\* IMPORTANT: Read Notes in Note Section if specified in Note Column.  
WHEN YOU BUY A BATTERY CHARGER BUY A MALLORY.

‡ Indicates miscellaneous section.

MANUFACTURER AND MODEL	CONTROLS							CONDENSERS				VIBRATORS			No. Tubes	Complete Tube Complement	I. F. Peak	Rider's Reference
	Use	Original Part	Circuit	Correct Replacement	Switch	Bias	*Note	Original Part	Circuit	Correct Replacement	*Note	Original Part	Replacement	*Note				
WESTERN AUTO SUPPLY CO.—Continued																		
D2142	Vol.	9051	18	MR48	M26			8525	24	2N514					5	12SA7, 12SK7, 12SQ7, 50L6GT, 35Z5GT	455	14-11
D2144 (Early)	Vol.	P4060	18	MK401	M26			P4683	77	2N520					5	12SA7, 12SK7, 12SQ7, 50L6, 35Z5	455	14-12
D2149 (Issue A)	Vol. Tone	36X280 40X248	64 21	MK401 UM165-SS25	M26			45X277	4	TC78/TC75					6	6SA7, 6SK7, 6SQ7, 6V6GT, 6X5GT	456	13-77,78
D2155	Vol.	9221	18	MR48	M26			8525	24	2N514					6	12SA7, 12SK7, 12SQ7, 35L6GT, 35Z5GT	455	14-13,14
D2163	Vol.	P4916	18	MK401	M27			P2602	19	TC26					4	1A7, 1N5, 1H5, 3Q5	455	14-6
D2166	Vol.	P4916	18	MK401	M27			P2602	19	TC26					4	1A7, 1N5, 1H5, 3Q5	455	14-9
D2206	Vol.	9008	18	MR48	M26			8948	1	2N514				5	12SA7, 12SK7, 12SQ7, 50L6GT, 35Z5GT	455	14-32	
D2210	Vol.	101230	18	MK401	M26			11992	24	FP354	B69			5	12SA7, 12SK7, 12SQ7, 50L6GT, 35Z5GT	455	14-24	
D2211	Vol.	101230	18	MK401	M26			11992	24	FP354	B69			5	12SA7, 12SK7, 12SQ7, 50L6GT, 35Z5GT	455	14-33	
D2215	Vol.	101211	18	MK402	M26			11994 11995	46 46	FP357 Order from Mfr.	B12			6	12SK7, 12SA7, 12SQ7, 35L6GT, 35Z5GT	455	14-21	
D2224	Vol.	36X309	64	TM227-SS25	M26			45X308	1/13/15	2N513/2N509				7	12SA7, 12SK7, 6L5G, 12SQ7, 35L6GT, 35Z5GT	456	13-68,69	
D2245	Vol.	9051	18	MR48	M26			9363	1	2N514				5	12SA7, 12SK7, 12SQ7, 50L6GT, 35Z5GT	455	14-15	
D2261	Vol.	101210	149	UM161-SS22	M27			119117	12	TC44				4	1A7GT, 1N5GT, 1H5GT, 3Q5GT	455	14-25	
D2269	Vol.	P4820	18	MK402	M27			P4860A	1/78	FP309				6	1N5, 1A7, 1H5, 3Q5, 117Z6	455	14-18,34	
D2603	Vol. Tone	2472 2473	282 22	MR48 UM149-SS1	M26			2065	24	2N511				3	14B6/12SQ7GT, 50A5/50L6GT, 35Y4/35Z5GT			
D2604	Vol.	75B1-9	245	MK402	M26			67A10	24	2N521				3	12A7, 50B5, 35W4			
D2605	Vol.	A10A-11555	165	MK402	M26			A-8C-11119	24	FP214				2	50L6GT, 35Z5GT			
D2606								1-W-101	24	2N509				3	12SJ7, 50L6GT, 35Z5GT			
D2610, D2611	Vol.	101230	18	MK401	M26			11992 11993	24 24	Order from Mfr. FP354	B8			5	12SA7, 12SK7, 12SQ7, 50L6GT, 35Z5GT	455	15-4,6	
D2612	Vol.	502145	75	MK401	M26			500256	81	FP306	B192			6	12SK7, 12SA7, 12SF7, 35L6GT, 35Z5GT	455	15-7,9	
D2613	Vol.	502145	75	MK401	M26			500256	81	FP306	B192			6	12SK7, 12SA7, 12SF7, 35L6GT, 35Z5GT	455	15-9,12	
D2615	Vol.	101211	18	MK402	M26			11994 11995	88 88	FP354 Order from Mfr.	B272			6	12SK7, 12SA7, 12SQ7, 35L6GT, 35Z5GT	455	15-13,14	
D2616-A, D2616-B	Vol.	A-10A10642	75	UM161-SS25	M26			A-8C-10077	88	Order from Mfr.	Mfr.			6	12SK7, 12SA7, 12SF7, 12SJ7, 35L6GT, 35Z5GT	455	16-1,3	
D2619	Vol.	W444A	205	MR48	M26			C-466A	24	2N511				6	12SK7GT, 12SA7GT, 12SQ7GT, 35L6GT, 35Z5GT	455	16-3,5	
D2620	Vol.	75B1-6	18	MK402	M26			67A3	1	2N520				5	12SA7, 12SK7, 12SQ7, 50L6GT, 35Z5GT	455	15-15,16	
D2621	Vol.	25367	18	MR48	M27			25600	12	TC44				5	1A7GT, 1N5GT, 1H5GT, 3Q5GT	455		
D2622	Vol.	75B1-6	18	MK402	M26			67A8 67A3	88 24	TN129 2N520	B10			5	12SA7, 12SK7, 12SQ7, 50L6GT, 35Z5GT	455		
D2623	Vol. Tone	A24-169 A26-123	18 22	MK401 UM165-SS25				A18-279 A18-274	24 24	ST597 ST597				6	6SK7, 6SA7, 6SQ7, 6K6GT, 5Y3GT	455		
D2624, D2630	Vol.	36X309	75	MK401	M26			45X342	24/15	2N521/TC26	B6			7	12SA7, 12SK7, 68S7, 12SQ7, 12SJ7, 35L6GT, 35Z5GT	455	16-5,10	
D2634	Vol.	25690	157	TM254-SS1	M26			25688	1/15	FP339				6	6SA7, 6SK7, 6SQ7, 6V6GT, 5Y3GT	455		
D2642	Vol.	75B3-2	169	DTM283-SS25	M26			67A8 67A3	91 80	TN129 2N520	B10			5	12SA7, 12SK7, 12SQ7, 50L6GT, 35Z5GT	455		
D2644	Vol.	A24-165	18	MK402	M27			A18-273	12	TC40				4	1A7GT, 1N5GT, 1H5GT, 3Q5GT	455	16-10,11	
D2645	Vol. Tone (Late) (Early)	36X358 40X281 40X276	167 167 167	TM227-SS25 UM165-SS25	M26			45X346	24/15	FP346				6	6SA7, 6SK7, 6SF7, 6SJ7, 6V6GT, 6X5GT	455	16-12,14	
D2661	Vol.	101210	18	MK402	M27		A121	119117	12	TC42				4	1A7GT, 1N5GT, 1H5GT, 3Q5GT	455		
D2663	Vol.	75B1-1	18	MK402	M27			67A4-2	12	TC40				4	1A7GT, 1N5GT, 1H5GT, 3Q5GT	455		
D2665	Vol.	A-10B10368	18	MK402	M27			A-8C10528	12/13	FP231				4	1R5, 1T4, 1S5, 3S4	455		
D2691	Vol.	B-9051-5	18	MK401	M26			A-8948	1	FP306	B192			5	12SA7GT, 12SK7GT, 12SQ7GT, 50L6GT, 35Z5GT	455		

‡ Data not substantiated.

\* IMPORTANT: Read Notes in Note Section if specified in Note Column.

§ Indicates miscellaneous section.

THE MALLORY VIBRATOR DATA BOOK ANSWERS YOUR "WHY" QUESTIONS ABOUT VIBRATORS.

MANUFACTURER AND MODEL	CONTROLS							CONDENSERS				VIBRATORS			No. Tubes	Complete Tube Complement	I. F. Peak	Rider's Reference
	Use	Original Part	Circuit	Correct Replacement	Switch	Bias	*Note	Original Part	Circuit	Correct Replacement	*Note	Original Part	Replacement	*Note				
WESTERN AUTO SUPPLY CO. D2692	Vol.	O.—Continued 2463	18	MR48	M26				24	2N511					6	12SA7, 12SK7, 12SQ7, 35L6GT, 35Z5GT	455	
D2693A	Vol.	A-20365-1	18	MR48	M26			A-40045-1	24	2N520					5	12SA7GT, 12SK7GT, 12SQ7GT, 50L6GT, 35Z5GT	455	
D2693B	Vol.		205	MR48	M26				24	2N520				5	12BE6, 12BA6, 12A7, 50B5, 35W4	455		
D2709	Vol.	2480	18	MR55	M26			2073	24	FP214				4	12SA7GT, 12SQ7GT, 50L6GT, 35Z5GT	455		
D2710	Vol.	36X352	18	MK401	M26			45X341	24	2N521				5	12SA7, 12SK7, 12SQ7, 50L6GT, 35Z5GT	455		
D2718	Vol.	36X309	75	TM227-SS25	M26			45X342	24/15	2N521/TC26	B6			7	12SA7, 12SK7, 6SS7, 12SQ7, 12SJ7, 35L6GT, 35Z5GT	455		
D2743	Vol.	2480	18	MR55	M26			2073	24	FP214				4	12SA7GT, 12SQ7GT, 50L6GT, 35Z5GT	455		
D2748, D2749	Vol.	B-54466-2	161	MK401	M26			B-9564-1	24	2N514				5	12BE6, 12BA6, 12A7, 50B5, 35W4	455		
D2762	Tone	B-57841-1	57	MK401	M26									4	1A7GT, 1N5GT, 1H5GT, 3Q5GT	455		
D2762	Vol.	75B1-1	205	MK402	M27			67A4-2	12	TC40				4	1A7GT, 1N5GT, 1H5GT, 3Q5GT	455		
D3115	Vol.	36X310	18	MK401	M27			45X309	24/78	Order from Mfr.				5	1A7GT, 1N5GT, 1H5GT, 1A5GT, 35Z5GT	456	13-70, 69	
D3123	Vol.	P4706	18	UM161-SS18				P4589	24/78	FP304				5	1R5, 1T4, 1S5, 3S4, 35Z5	455	14-19	
D3124	Vol.	8958	18	Order from Mfr.				8952	24/78	FP304				5	1R5, 1T4, 1S5, 3S4, 45Z3	455	14-20	
D3130	Vol.	P4820	18	MK402	M27			P4860	1/78	FP309				6	1N5, 1A7, 1H5, 3Q5, 11Z6	455	14-17	
D3230	Vol.	P4820	18	MK402	M27			P4860	1/78	FP309				6	1N5, 1A7, 1H5, 3Q5, 11Z6	455	14-18, 28	
D3615	Vol.	36X310	75	MK401	M27			45X349	24/78	Order from Mfr.				5	1R5, 1U4, 1S5, 3Q4, 11Z3	455		
D3619	Vol.	101252	18	MK402	M27			119123	24/78	Order from Mfr.				5	1A7GT, 1N5GT, 1H5GT, 3Q5GT, 35Z5GT	455		
D3630, D3630A, D3630B, D3630N	Vol.	75B1-10C	18	MK402	M27			67C7-42	22	FP309				5	1N5GT, 1A7GT, 1H5GT, 3Q5GT, D. R.	455		
D3635A, D3635B	Vol.	502525	75	MR53	M26			500714	1/19	Order from Mfr.				6	1A7GT, 1N5GT, 1H5GT, 3Q5GT, 35Z5GT	455		
D3720	Vol.	A24-170	75	MK402	M27			AA-18281	80/13/78	FP363/TC2501				4	1R5, 1U4, 1S5, 3Q4, D. R.	455		
D4035	Vol.	36X275	124	Order from Mfr.				45X271	24/15	FP346		19A33	248	C3	6	6SK7, 6SA7, 6B8G, 6K6G, 6N7G	456	13-63, 38
D4035 (Issues A, C)	Tone	40X212	22	MR55	Mfr.			008		Buffer	B14	19A33	248	C3	6	6SK7, 6SA7, 6B8G, 6K6G, 6N7G	456	13-64, 65
D4040 (Issue A)	Vol.	36X275	21	Order from Mfr.				45X271	24/15	FP346		19A33	248	C3	6	6SK7, 6SA7, 6B8G, 6K6G, 6N7G	456	13-66
D4140 (Issue A)	Tone	40X212	21	MR55	Mfr.			008		Buffer	B14	19A33	248	C3	6	6SK7, 6SA7, 6B8G, 6K6G, 6N7G	456	10, 67
D4140 (Issue A)	Vol.	36X298	18	TM227-SS3	M26			45X294	24/15	FP346	B117	19A33	248	C3	6	6SK7, 6SA7, 6SQ7, 6K6GT, 6N7	456	13-81
D4140 (Issue B)	Tone	40X257	22	MK403	Buffer			008		Buffer	B14	19A33	248	C3	6	6SK7, 6SA7, 6SQ7, 6K6GT, 6N7	456	82, 65
D4140 (Issue B)	Vol.	36X298	18	TM227-SS3	M26			45X294	24/15	FP346	B117	19A33	248	C3	6	6SK7, 6SA7, 6SQ7, 6K6GT, 6N7	456	13-82, 85
D4220	Tone	40X257	22	MK403	Buffer			008		Buffer	B14	12629	Order from Mfr.		5	6SA7, 6SK7, 6SQ7, 6K6GT, 6X5	455	14-30
D4220	Vol.	101276	18	Order from Mfr.				119105	24/15	FP339		12629	Order from Mfr.		5	6SA7, 6SK7, 6SQ7, 6K6GT, 6X5	455	14-30
D4230	Vol.	36X296	18	UM154-SS3	M26			45X296	24/15	FP346	B117	19A37	Order from Mfr.		6	6SK7, 6SA7, 6SQ7, 6K6GT, 6X5/GT	456	13-109, 110
D4240	Vol.	36X298	18	TM227-SS3	M26			45X294	24/15	FP346	B117	19A33	248	C3	6	6SK7, 6SA7, 6SQ7, 6K6GT, 6N7	456	13-85, 85
D4255	Tone	40X257	22	MK403	Buffer			008		Buffer	B14	12627	248	C3	6	6SK7, 6SA7, 6SQ7, 6K6GT, 6N7	455	14-29
D4255	Vol.	101242	18	UM154-SS17	M26			119118	24/15	FP339		12627	248	C3	6	6SK7, 6SA7, 6SQ7, 6J5GT, 6N7	455	14-29
D4620	Tone	101245	21	Order from Mfr.				005		Buffer	B14	12629	859	C3	5	6SA7, 6SK7, 6SQ7, 6K6GT, 6X5GT	455	
D4620	Vol.	101276	75	Order from Mfr.				119-105	24/15	FP339		12629	859	C3	5	6SA7, 6SK7, 6SQ7, 6K6GT, 6X5GT	455	
D4630	Vol.	36X296	75	UM154-SS12	M26		A126	45X296	80/15	FP306	B197	19A37	Order from Mfr.	C3	5	6SK7, 6SA7, 6SQ7, 6K6GT, 6X5GT	455	
D4630	Vol.	36X296	75	UM154-SS12	M26		A126	0055		Buffer	B14	19A37	Order from Mfr.	C3	5	6SK7, 6SA7, 6SQ7, 6K6GT, 6X5GT	455	
DE3000, Issue "A"	Vol.	101-41	18	UM154-SS17	M26			119-65C	74	TC65		126-7	294	C24	6	6K7G, 6A8G, 6Q7G, 6K6G, 6X5G	465	
DE3001	Vol.	P4231	18	MK401	M27			P4224	1/15	FP371		P4221	246A	C3	6	6D8G, 6L5G, 6S7G, 6T7G, 6G6G, 6X5GT	455	14-16
DE3002	Vol.	9143	18	MR48	M27			9146	12	TC42				5	1A7GT, 1N5GT, 1H5GT, 3Q5GT	455	14-31, 14	
DW2090	Vol.	9143	18	MR48	M27			9146	12	TC42				5	1A7GT, 1N5GT, 1H5GT, 3Q5GT	455	14-31, 14	
L7	Vol.	P691	45	Order from Mfr.				P391	1	2N516		P402	245C	C3	7	1C6, 19, 30, 34	456	
S690, S691	Tone	P682	45	MR39	Mfr.			01-01		Buffer	B14				5	39, 36, 38	262	7-1
S690, S691	Vol.		45	MR48	Mfr.			4	13	TC40					5	39, 36, 38	262	7-1
S690, S691	Tone		34	MR39	Mfr.			4	15	TC32					5	39, 36, 38	262	7-1

† Data not substantiated.

\* IMPORTANT: Read Notes in Note Section if specified in Note Column.

‡ Indicates miscellaneous section.



MANUFACTURER AND MODEL	CONTROLS							CONDENSERS				VIBRATORS			No. Tubes	Complete Tube Complement	I. F. Peak	Rider's Reference
	Use	Original Part	Circuit	Correct Replacement	Switch	Bias	*Note	Original Part	Circuit	Correct Replacement	*Note	Original Part	Replacement	*Note				
WESTERN AUTO SUPPLY CO.	O.—Continue																	
S709 (1935)	Vol.	36X201	6	TRP617				P45X28	12	TC40					5	32, 34, 30, 19	175	
S710, S711	Vol.	36X205	56	MR48				44X11	23	RS216					7	6D6, 76, 6B7, 42, 80	456	
S712 (1935)	Tone	40X204	34	MR42				44X10	23	RS216					7	6K7, 6B7, 76, 6F6, 80	456	
S712M	Vol.	36X204	56/7	DRP314	6T			44X10	23	RS216					7	6K7, 76, 45, 80	456	
	Tone	40X203	34	MR42				44X11	23	RS216					10	6K7, 76, 45, 80	456	
	Vol.	36X206	7/15	DRP315	6T			44X10	4	RS216					10	6K7, 76, 45, 80	456	
	Tone	40X205	41	MR57				44X11	4	RS216					10	6K7, 76, 45, 80	456	
S716, S717	Vol.		8	A5MP				4-2-6	13	RS213					8	35, 24, 27, 47, 80	175	
	Tone		34	MR42					46	3S584					8	35, 24, 27, 47, 80	175	
S719	Vol.		6	MR24	M26	EX300									5	37, 35, 47, 80	262	
S720	Vol.		1	A400P											7	35, 24, 47, 80	175	
	Tone		34	MR42											7	35, 24, 47, 80	175	
S721	Vol.	P91041	1	X											7	58, 57, 47, 80	175	
	Tone	P90993	34	MR42											5	32, 34, 30, 19	175	
S724	Vol.	P96001	97	TRP602	14			P8091-C	13	TC40					5	32, 34, 30, 19	175	
S725, S726	Vol.	P96014	56	MR48	M26			P61043	23	RS216					7	6D6, 6B7, 76, 42, 80	456	
	Tone	P97011	34	MR42				P61032	23	RS213					7	6D6, 6B7, 76, 42, 80	456	
S727	Vol.	P96005	15	MR55	M26			P61039	2	RS216					10	6D6, 76, 45, 80	456	
	Tone	P97003	41	MR57				P61018	2/13	3S584	B126	P1926	292	C12	6	78, 77, 75, 41, 84	262	
S732, S733	Vol.	P91066	17	MR48	M26			P80956	25/19	RM262/TC26	B126				6	78, 77, 75, 41, 84	262	
								P80937	14/15	2N516	B14				6	78, 77, 75, 41, 84	262	
								.02		Buffer	B14				6	78, 77, 75, 41, 84	262	
S735	Vol.	P96017	17	MR55	M26			P82002	1/15	TCDS2/TC22	B14	P2229	248	C3	5	6D6, 6C6, 75, 41	175	
S740	Vol.		18	UM147-SS3	M26			P81028	1	2N518			294	C3	6	78, 77, 75, 41, 84	262	
	Tone		22	MR42				P81021	15	TN111					6	78, 77, 75, 41, 84	262	
S740 (1934)	Vol.	SA106514	18	MR48	M26			.01		Buffer	B14	SA106561	298	C3	6	77, 78, 75, 42, 84	175	
	Tone	SA106715	22	MR48				.02		Buffer	B14				6	77, 78, 75, 42, 84	175	
S741 Series A, B, C	Vol.	101-21	15	MR44	M26	EC256		11916	1	3S584	B8	142-4	298	C3	8	6D6, 6A7, 6A6, 85, 76, 84	465	
	Tone	101-39	22	MR39				.015		Buffer	B14				6	78, 77, 75, 41, 84	177.5	
S743	Vol.	83728	17	UM154-SS3	M26			84829	4	TCS71		84905	294	C3	6	78, 77, 75, 41, 84	177.5	
								83803	15	TC22					6	78, 77, 75, 41, 84	177.5	
V6Z2	Vol.		17	MR48	M26			.03-.03		Buffer	B14				6	78, 77, 75, 41, 84	262	
								P80956	25/19	RM262/TC26	B126		292	C12	6	78, 77, 75, 41, 84	262	
								P80937	14/15	2N516	B14				6	78, 77, 75, 41, 84	262	
								.02		Buffer	B14				6	78, 77, 75, 41, 84	262	
Z4	Vol.	P680	45	Order from	Mfr.			P391	1	2N516		P402	245C	C3	6	1C6, 19, 30, 32, 34	456	
	Tone	P682	44	MR39				.01-.01		Buffer	B14				6	1C6, 19, 30, 32, 34	456	
Z5	Vol.	P691	45	Order from	Mfr.			P958	1	2N516		P402	245C	C3	6	1C6, 19, 30, 32, 34	456	
	Tone	P962	44	MR39				.01-.01		Buffer	B14				6	1C6, 19, 30, 32, 34	456	
Z6Z1	Vol.	P91066	17	MR48	M26			P80956	25/19	RM262/TC26	B126		292	C12	6	78, 77, 75, 41, 84	262	
								P80937	14/15	2N516	B14				6	78, 77, 75, 41, 84	262	
								.02		Buffer	B14				6	78, 77, 75, 41, 84	262	
WESTERN AUTO SUPPLY CO. OF CALIFORNIA				"Coronado"	—Also see Gambler-Skogmo													
158	Vol.		18	MR48				8-8	23	2S567					5	6A7, 78, 75, 41, 5W4	460	
	Tone		22	MR33				8-8	23	ST595					6	6A7, 78, 6H6, 6J7G, 42, 80	460	
168P	Vol.		45	MR48				8-8	23	ST595					6	6A7, 78, 6H6, 6J7G, 42, 80	460	
169	Vol.	24-145	45	UM154	M26	A96		18-254	1	FP234	B197				6	6A7GT, 6SK7GT, 6P5GT, 6SQ7GT, 6K6GT, 5W4GT	455	
								18-243	15	TC26					6	6A7GT, 6SK7GT, 6P5GT, 6SQ7GT, 6K6GT, 5W4GT	455	
268	Vol.		18	MR48				12	25	ST597					5	6K8, 78, 75, 41, 80	460	
279	Vol.	24-147	18	See Note		A19		16	25	ST597					5	6K8, 78, 75, 41, 80	460	
								18-254	1	FP234	B197				7	6A7GT, 6SK7GT, 6SQ7GT, 6P5GT, 6AC5GT, 5W4GT	455	
558	Vol.		18	MR48				8-8	23	2S567					5	6A7, 78, 75, 41, 80	460	
WESTERN ROYAL																		
W261	Vol.	101-240	18	MK402	M26			119115	1	2S569					6	6SA7, 6SK7, 6SQ7, 6K6GT, 5Y3G	455	
	Tone	101-241	22	MK402				11997	1/15	FP339					8	6J5GT, 6SK7, 6SQ7, 6K6GT, 6U5, 5Y3G	455	
W481	Vol.	101-239	18	MK401	M26			11994	46	FP357	B211				6	6SK7, 12SA7, 12SQ7, 35L6GT, 35Z5GT	455	
W642	Vol.	125-140	21	Order from	Mfr.			11994	46	FP357	B211				6	6SK7, 12SA7, 12SQ7, 35L6GT, 35Z5GT	455	
	Tone	101-193	18	UM161-SS22	M26			119115	1	2S569					6	6SA7, 6SK7, 6SQ7, 6Y6GT, 5Y3G	455	
W671	Vol.	101-232	18	MK402	M26			119115	1	2S569					6	6SA7, 6SK7, 6SQ7, 6Y6GT, 5Y3G	455	
	Tone	101-231	22	MK402				119115	1	2S569					6	6SA7, 6SK7, 6SQ7, 6Y6GT, 5Y3G	455	
WESTINGHOUSE																		
(For Model Reference)	See	RCA)																
H-104, H-105	Vol.	V-3221	168	TM254	M26			V-3216	1/13/15	FP429					7	6SK7, 6SA7, 6SF7, 6Y6G, 5U4G	455	
	Tone	V-3222	168	MR55				V-3236	15	TC26					7	6SK7, 6SA7, 6AT6, 6Y6G, 5U4G	455	
H-104A, H-105A, H-107A, H-108A, H-154	Vol.	V-3221	168	TM254	M26			V-3216	1/13/15	FP429					7	6SK7, 6SA7, 6AT6, 6Y6G, 5U4G	455	
	Tone	V-3222	168	MR55				V-3236	15	TC26					7	6SK7, 6SA7, 6AT6, 6Y6G, 5U4G	455	
H-107, H-108, H-110, H-111	Vol.	V-3221	168	TM254	M26			V-3216	1/13/15	FP429					7	6SK7, 6SA7, 6SF7, 6Y6G, 5U4G	455	
	Tone	V-3222	168	MR55				V-3236	15	TC26					7	6SK7, 6SA7, 6SF7, 6Y6G, 5U4G	455	

‡ Data not substantiated.

\* IMPORTANT: Read Notes in Note Section if specified in Note Column.

‡ Indicates miscellaneous section.

MANUFACTURER AND MODEL	CONTROLS							CONDENSERS				VIBRATORS			No. Tubes	Complete Tube Complement	I. F. Peak	Rider's Reference
	Use	Original Part	Circuit	Correct Replacement	Switch	Bias	*Note	Original Part	Circuit	Correct Replacement	*Note	Original Part	Replacement	*Note				
WESTINGHOUSE—Continued																		
H-113, H-114, H-116, H-117, H-119	Vol. Tone	V-3293, V-3305	169 22	DTM296, MR53	M26			V-3302	1/135 15	FP238/TC65 TC26					14	6SG7, 6SB7Y, 6SJ7GT, 6H6GT, 6SQ7GT, 6Y6G, 5U4G, 6E5	455 10.7	16-1,7
H-122	Vol. Tone	V-3298, V-3303	161 22	MR53	M26			V-3304	24	2N520					6	6SA7, 6SF7, 6SC7GT, 25L6GT, 25Z6GT	455	15-5,7
H-125, H-126	Vol.	V-3476	205	TM227-SS25	M26			V-3470	24/15	FP311					6	12SK7, 12SA7, 12SF7, 12SJ7, 35A5/35L6GT, 35Z5GT	455	15-8,10
H-130	Vol. Tone	V-3298, V-3303	161 22	MR53	M26			V-3304	24	2N520					6	6SA7, 6SF7, 6SC7GT, 25L6GT, 25Z6GT	455	15-5,7
H-133	Vol.	V-3364	205	MR53	M27			V-3581	12	TC42					5	1LA6, 3E6, 1LD5, 1LB4	455	16-8,10
H-137, H-138	Vol. Tone	V-3221, V-3222	168 168	TM254, MR55	M26			V-3216, V-3236	1/13/16 15	FP429, TC26					7	6SK7, 6SA7, 6SF7, 6Y6G, 5U4G	455	15-1,4
H-148	Vol.	V-3852	205	MR53	M27			V-3861, V-3866	24 78	2N520, TC2501					4	1LA6, 3E6, 1LH4, 3LF4, D. R.	455	16-9,10
H-155	Vol. Tone	V-3298, V-3303	161 22	MR53	M26			V-3304	24	2N520					6	6SA7, 6SF7, 6SC7GT, 25L6GT, 25Z6GT	455	
H-157	Vol. Tone	V-4982, V-4882	205 22	MR53	M26			V-3304	24	2N520					5	6SA7, 6SF7, 6SC7, 25L6GT, 25Z6GT	455	
H-161, H-168, H-168A	Vol. Tone	V-4640, V-4639	161 284	MR48, MR55	M26			V-4635, V-4636, V-4885	1 15 83	FP238, TC29, TC70					8	6J6, 6BA6, 6AU6, 7A6, 6AT6, 6L6, 5A4	455 10.7	
H-165	Vol. Tone	V-4797, V-4796	205 283	MR53				V-4791	80	FP214					5	1U4, 1R5, 1S5, 3V4	455	
H-1251	Vol.	V-3476	205	TM227-SS25	M26			V-3866, V-3470	78 24/15	TC2501, FP311					6	12SK7, 12SA7, 12SF7, 12SJ7, 35A5/35L6GT, 35Z5GT	455	
WR4—See Radiola	48																	
WR5—See Radiola	80																	
WR6—See Radiola	82																	
WR6R—See Radiola	82R																	
WR7—See Radiola	86																	
WR7R—See Radiola	86R																	
WR8—See Radiola	82 (with clock)																	
WR8R—See Radiola	82R (mod. for vertical operation.)																	
WR9—See T5																		
WR10—See R7 (Supercat)																		
WR10A—See R7A																		
WR10 (DC)—See R7 (DC)																		
WR12—See R9																		
WR12 (DC)—See R9 (DC)																		
WR12K1	Vol.	35344	18	MR48	M26		A106	36301	1	2N520					5	12SA7, 12SK7, 12SQ7, 50L6GT, 35Z5GT	455	13-1,11
WR12X1, WR12X2	Vol.	35344	18	MR48	M26		A106	36301	1	2N520					5	12SA7, 12SK7, 12SQ7, 50L6GT, 35Z5GT	455	13-1,11
WR12X3	Vol.	36584	18	MR48	M26		A106	36301	1	2N520					5	12SA7, 12SK7, 12SQ7, 50L6GT, 35Z5GT	455	13-2
WR12X4	Vol.	35728	18	Order from Mfr.				36301	1	2N520					5	12SA7, 12SK7, 12SQ7, 50L6GT, 35Z5GT	455	14-1
WR12X5, WR12X6	Vol.	36584	18	MR48	M26		A106	36301	1	2N520					5	12SA7, 12SK7, 12SQ7, 50L6GT, 35Z5GT	455	13-2
WR12X7	Vol.		18	MR44	M26			30-50	77	2N520					5	12SA7, 12SK7, 12SQ7, 50L6GT, 35Z5GT	455	14-3,4
WR12X8	Vol.	36584	18	MR48	M26		A106	36301	1	2N520					5	12SA7, 12SK7, 12SQ7, 50L6GT, 35Z5GT	455	13-3,11
WR12X9	Vol.	38410	18	MR48	M26			36301	77	2N520					6	12SG7, 12SA7, 12SK7, 12SQ7, 35L6GT, 35Z5GT	455	13-4,11
WR12X10, WR12X11	Vol.	36242	18	MR48	M26T		A106	36301	1	2N520					6	12SK7, 12SA7, 12SQ7, 35L6GT, 35Z5GT	455	13-5,6
WR12X12	Vol.	38410	18	MR48	M26			36301	77	2N520					6	12SG7, 12SA7, 12SK7, 12SQ7, 35L6GT, 35Z5GT	455	13-4,11
WR12X14	Vol.	36242	18	MR48	M26T		A106	36301	1	2N520					6	12SK7, 12SA7, 12SQ7, 35L6GT, 35Z5GT	455	13-5,6
WR12X15	Vol.	38410	18	MR48	M26			36301	1	2N520					6	12SG7, 12SA7, 12SK7, 12SQ7, 35L6GT, 35Z5GT	455	13-7, 6,8
WR12X16	Vol. Tone	38404, 38409	124 22	MRT454, MR48	M26			39150	24	2N521/TC47	B217				8	6SG7, 6SA7, 6SK7, 6SQ7, 25L6GT, 25Z6GT	455	13-9, 10,8
WR13—See RE16																		
WR13A—See RE16A																		
WR13E5	Vol.	35344	18	MR48	M26		A106	36301	1	2N520					5	12SA7, 12SK7, 12SQ7, 50L6GT, 35Z5GT	455	14-5,6

† Data not substantiated.

\* IMPORTANT: Read Notes in Note Section if specified in Note Column.

‡ Indicates miscellaneous section.

MANUFACTURER AND MODEL	CONTROLS							CONDENSERS				VIBRATORS			No. Tubes	Complete Tube Complement	I. F. Peak	Rider's Reference	
	Use	Original Part	Cir- cuit	Correct Replacement	Switch	Bias	*Note	Original Part	Cir- cuit	Correct Replacement	*Note	Original Part	Replace- ment	*Note					
WESTINGHOUSE— WR13X8.....	Continued Vol.	36584.....	18	MR48.....	M26.....		A106	36301.....	1	2N520.....					5	12SA7, 12SQ7, 12SK7, 50L6GT, 35Z5GT..	455	14-2	
WR14—See R5 WR14 (DC)—See R5 WR14CR—See R5X WR15—See R11 WR15A—See R10 WR16—See R023 WR17—See R4 WR18—See R8 WR18 (DC)—See R8 WR19—See R71	(DC)																		
WR20.....	Vol.		6	MR24.....	M26.....			4-8.....	4	TCS52.....					4	6D6, 6C6, 38, 1V		5-1	
WR21.....	Vol.	SR78.....	6	MR24.....	M26.....	EX300.....		KC68.....	11	UR182-193.....	B264				5	*78, 77, 43, 25Z5.....	456	5-2	
WR22.....	Vol.		6	MR24.....	M26.....	EX500.....		UC93.....	4	TCS71.....					5	*58, 57, 47, 80.....	456	5-9	
WR23, WR24.....	Vol.	WR05562.....	18	MR48.....	M26.....			SA106665.....	25	RM262/TC26.....	B213				7	*58, 2A6, 2A5, 56, 80.....	456	5-3,4	
WR25.....	Tone Vol.	WR05561.....	26	MR44.....	M26.....														
	Vol.	WRWR92.....	17	UM154.....	M26.....		A96	ZC123.....	1	2N518.....			294	C20	6	*78, 6A7, 75, 41, 84.....	172.5	5-5,6	
								IC43.....	15	TC22.....			298	C20					
WR26.....	Vol.	WR06514.....	18	MR48.....	M26.....			.02.....		Buffer.....	B14								
WR27.....	Tone	WR06715.....	22	MR48.....	M26.....			WR06558.....	4	TCS71.....	B14		294	C20	6	*77, 78, 75, 42, 84.....	175	5-7,8	
WR28, WR29.....	Vol.	WRBBR112.....	6	MR36.....	M26.....	EX250.....		.02.....		Buffer.....	B14		298	C20					
WR30.....	Tone	WR05562.....	18	MR48.....	M26.....			WRUC-93.....	4	TCS71.....	B14								
WR42X1.....	Tone	WR07250.....	121	MR44.....	M26.....			WR06665.....	25/19	RM262/TC26.....	B213				4	6A7, 77, 42, 80.....	456	5-10	
WR42X2.....	Vol.	WR07585.....	18	MR48.....	M26.....			WR07239.....	13	RS213.....					6	6A7,*6D6, 75, 42, 80.....	456	5-11,12	
WR42X3.....	Vol.	WR07584.....	121	MR44.....	M26.....			WR07510.....	59	RM265.....					10	*78, 77, 6B7,*6A6, 42, 76, 83V.....	456	5-13,14	
WR42X4.....	Vol.	37977.....	18	MR48.....	M26.....			WR07516.....	15	TC22.....					5	12SA7, 12SK7, 12SQ7, 50L6GT, 35Z5GT..	455	13-12	
WR42X5.....	Vol.	38408.....	18	MRT440.....	M26.....			36301.....	77	2N520.....					6	*6SK7, 6SA7, 6SQ7, 25L6GT, 25Z6GT..	455	14-8	
WR42X7.....	Vol.	38404.....	124	MRT454.....	M26.....			37845.....	9/13	Order from Mfr.....					6	*6SK7, 6SA7, 6SQ7, 25L6GT, 25Z6GT..	455	13-13,14	
WR42X14.....	Vol.	38404.....	17	MRT454.....	M26.....			37846.....	9	TC47.....					8	6SG7, 6SA7, 6SK7, *6SQ7, *6K6GT, 5Y3G.....	455	13-15,16	
WR42X15.....	Vol.	38404.....	17	MRT454.....	M26.....			37888.....	1/19	FP339.....					8	6SG7, 6SA7, 6SK7, *6SQ7, *6K6GT, 5Y3G.....	455	13-17,16	
WR62K1, WR62K2.....	Vol.	38404.....	17	MRT454.....	M26.....			37877.....	13	TC74.....					6	*6SK7, 6SA7, 6SQ7, 25L6GT, 25Z6GT..	455	13-13,14	
WR62K3.....	Vol.	38405.....	18	MR53.....	M26.....			37877.....	13	TC74.....					8	6SG7, 6SA7, 6SK7, *6SQ7, *6K6GT, 5Y3G.....	455	13-15,16	
WR100.....	Vol.	D8958.....	18	MK402.....	M26.....			37888.....	1/19	FP339.....					8	6SG7, 6SA7, 6SK7, *6SQ7, *6K6GT, 5Y3G.....	455	13-17,16	
WR101 (U6A).....	Vol.	2DR169.....	18	MR48.....	M26.....			37877.....	13	TC74.....					6	*1NSGT, 1A7GT, 1H5GT, 3Q5GT, 35Z5GT.....	455	13-15	
WR101 (U6F).....	Tone	ZZR190A.....	55	MR48.....	M26.....			30-20-100.....	24/78	See Note.....	B3				5	1R5, 1T4, 1S5, 3S4, 45Z3.....	455	13-18	
WR102.....	Vol.	ZZR191A.....	121	MR44.....	M26.....			2DC203.....	27	TC44/TC42.....					5	6A7, 6D6, 75, 43, 25Z5.....	456	6-1	
WR102A.....	Vol.	ZZR191A.....	121	MR44.....	M26.....			2C222A.....	11/27	UR182-193.....	B99				6	6A8, *6K7, 75, 43, 25Z5.....	456	6-2,3	
WR103, WR103A.....	Vol.	ZZR190A.....	55	MR48.....	M26.....			YC98A.....	19	TC40.....					6	6A7, 6K7, 6H6, 6F5, 43, 25Z5.....	456	7-1,2	
WR116.....	Vol.	ZZR191A.....	121	MR44.....	M26.....			CE9533.....	6	RS215.....					4	6A7, 6C6, 43, 25Z5, K55C.....	465	7-1	
WR120.....	Vol.	VR9531.....	7	MR18.....	M26.....	EX300.....		CE9534.....	6	ST597.....					4	6A7, 6C6, 43, 25Z5, K55C.....	465	7-1	
WR120.....	Vol.	VR9531.....	7	MR18.....	M26.....	EX300.....		CE9515.....	15	TC22.....					4	6A7, 6F7, 25B6G, 25Z5, K55C.....	465	8-1	
WR140.....	Vol.	VR957.....	18	MR48.....	M26.....			CE9553.....	27	FP115.....					4	6A7, 6D6, 75, 43 or 25B6, 25Z5, K49C.....	465	8-2,4	
WR150.....	Vol.	VR9533.....	45	MRT430.....	M26.....			CE9534.....	27	ST597.....					5	6A8, 6K7, 6H6, 6F5, 25A6, 25Z6, K42E.....	465	9-1,4	
WR152.....	Vol.	VR9534.....	22	MR24.....	M26.....			CE9545.....	27	RS207.....					6	6A8, 6K7, 6H6, 6F5, 25A6, 25Z6, K42E.....	465	9-1,4	
WR154.....	Vol.	VR9549.....	18	MR48.....	M26.....			CE9546.....	27	RS215.....					5	6A8G, 6K7G, 6Q7G, 25B6G, 25Z6G, K49CB.....	455	11-1	
								CE9539.....	27	RS207.....					5	6A8, 6K7, 6H6, 6F5, 25A6, 25Z6, K42E.....	465	9-1,4	
								CE9538.....	27	RS207.....					5	6A8G, 6K7G, 6Q7G, 25B6G, 25Z6G, K49CB.....	455	11-1	
								CE9540.....	13	RS213.....					5	6A8, 6K7, 6H6, 6F5, 25A6, 25Z6, K42E.....	465	9-1,4	
								CE9559.....	4	FP115.....					5	6A8G, 6K7G, 6Q7G, 25B6G, 25Z6G, K49CB.....	455	11-1	
								CE9560.....	4	RS207.....					5	6A8, 6K7, 6Q7G, 25L6, 25Z6G, K49CB.....	455	11-3,4	
								CE9557.....	4	FP115.....					5	6A8, 6K7, 6Q7G, 25L6, 25Z6G, K49CB.....	455	11-3,4	
								CE9574.....	4	RS207.....					5	6A8, 6K7, 6Q7G, 25L6, 25Z6G, K49CB.....	455	11-3,4	
								CE9575.....	13	RS213.....					4	*6J7, 25L6G, 25Z6G.....	456	11-5	
								45X237.....	1/15	3N527.....					5	6A8G, 6K7G, 6Q7G, 25L6G, 25Z6G.....	455	11-7	
								D5499.....	1	2N509.....					5	6A8G, 6K7, 6Q7G, 25L6G, 25Z6G, BK42B.....	455	10-10	
								16-16.....	1	2N509.....					5	6A8G, 6K7, 6Q7G, 25L6G, 25Z6G, BK42B.....	455	10-10	

‡ Data not substantiated.

\* IMPORTANT: Read Notes in Note Section if specified in Note Column.

§ Indicates miscellaneous section.

MANUFACTURER AND MODEL	CONTROLS							CONDENSERS				VIBRATORS			No. Tubes	Complete Tube Complement	I. F. Peak	Rider's Reference
	Use	Original Part	Circuit	Correct Replacement	Switch	Bias	*Note	Original Part	Circuit	Correct Replacement	*Note	Original Part	Replacement	*Note				
WESTINGHOUSE— WR158.....	Continued Vol. & Tone	K85479-3...	75/†	SMD504			A67	86019-1	1	2N509					6	6A8G, 6K7, 6H6, 6F5, 25L6G, 25Z6G	455	12-1,2
WR162.....	Vol. Tone	D5576 D5575	18 44	MR48 MR39	M26			D5780 D5968	27 27	TC47 TC48				8	6K8, 6K7G, 6Q7G, 6U5, 25A6G, 6C5G, 25Z6G	455	11-9	
WR165W, WR165I, WR165M.....	Vol.	32578	18	MR44	M26			39124-1	1	2N509				5	6A8, 6SK7, 6SQ7, 25L6, 25Z6	455	11-6	
WR166B, C, G, I, R, W.....	Vol.		18	MR44	M26			20-12	1	2N509				5	12SA7, 12SK7, 12SQ7, 35L6GT, 35Z4GT	455	11-11	
WR166A.....	Vol.		18	MR44	M26			20-12	1	2N509				5	12SA7, 12SK7, 12SQ7, 50L6GT, 35Z5GT	455	11-7	
WR166L, LB, LC, LG, LI, LR, LW	Vol.		18	MR44	M26			20-12	1	2N509				5	12SA7, 12SK7, 12SQ7, 50L6GT, 35Z5GT	455	11-36	
WR168, WR168A..	Vol.		18	MR44	M26			30-30	24	2N513				5	12SA7, 12SK7, 12SQ7, 50L6GT, 35Z5GT	455	11-12	
WR168B.....	Vol.		18	MR44	M26			30-30	24	2N513				5	12SA7, 12SK7, 12SQ7, 50L6GT, 35Z5GT	455	11-13	
WR169.....	Vol.		18	MR48	M26			30-20	24	2N514				5	12SA7, 12SK7, 12SQ7, 50L6GT, 35Z5GT	455	11-14	
WR170.....	Vol.		18	MR55	M26			50-50	24	FP214				5	12SA7, 12SK7, 12SQ7, 50L6GT, 35Z5GT	455	11-23	
WR172.....	Vol. Vol.		18 18	MR53 1 Meg.			A27 A19	50-50	24	FP214				6	12SA7, 12SK7, 12SQ7, 35L6GT, 6N5, 35Z5GT	455	12-3, 4,32	
WR173L.....	Vol.		18	MR44	M26			20-12	1	2N509				5	12SA7, 12SK7, 12SQ7, 50L6GT, 35Z5GT	455	12-5	
WR174L.....	Vol.		18	MR44	M26			20-12	1	2N509				5	12SA7, 12SK7, 12SQ7, 50L6GT, 35Z5GT	455	12-5	
WR175.....	Vol.		18	MR48	M26		A106	30-20	1	2N514				5	12SA7, 12SK7, 12SQ7, 50L6GT, 35Z5GT	455	12-4,5	
WR176.....	Vol.		18	MR48	M26		A106	30-20	1	2N514				5	12SA7, 12SK7, 12SQ7, 50L6GT, 35Z5GT	455	12-4,6	
WR177, WR178, WR179, WR180..	Vol.	35728	18	Order from Mfr.				35348	1	2N513				5	12SA7, 12SK7, 12SQ7, 50L6GT, 35Z5GT	455	14-6,11	
WR182.....	Vol.	36584	18	MR48	M26		A106	35348	1	2N513				5	12SA7, 12SK7, 12SQ7, 50L6GT, 35Z5GT	455	14-12	
WR182A.....	Vol.	36584	18	MR48	M26		A106	36301	77	2N520				5	12SA7, 12SK7, 12SQ7, 50L6GT, 35Z5GT	455	14-12	
WR184.....	Vol.	36390	18	MR44	M26			35673	77	2N520				5	12SA7, 12SK7, 12SQ7, 50L6GT, 35Z5GT	455	14-13	
WR186.....	Vol.	36390	18	MR44	M26			35673	77	2N520				5	12SA7, 12SK7, 12SQ7, 50L6GT, 35Z5GT	455	14-3,4	
WR201.....	Vol.		6	E12				8-6 12 XXC188	1 15 4	See Note... TC22 2S567	B3			5	6D6, 76, 42, 80	456	6-4	
WR203.....	Vol. Tone	XXR185A XXR186A	55 22	MR44 MR44	M26			CE954 CE9511 CE9515	25/19 14 15	RM262/TC26 RS213 TC22	B213			7	6K7, 6A8, 6H6, 6F5, 6F6, 80	465	6-7,10	
WR204.....	Vol. Tone	VR959 VR9512	75 121	MR48 MR48	M26			CE954 CE9518 CE9515 2NC246 2NC247 IC43A	25/19 14 15 1 15	RM262/TC26 RS213 TC22 RS216 RS216 TC22	B213		8	6K7, 6A8, 6C5, 6H6, 6F5, 6F6, 80	465	6-11,14		
WR205.....	Vol. Tone	VR959 VR9512	75 121	MR48 MR48	M26			CE9515 2NC246 2NC247 IC43A	15 1 15	TC22 RS216 RS216 TC22			5	6A7, 6D6, 85, 42, 80	456	7-3,4		
WR208.....	Vol.	2NR214	56	MR44	M26			CE9512 CE9511 CE9511 CE9558 CE9536 CE9535 CE9515	1 1 1 19 1 19	RS215 RS213 TC22 RS215 RS216 TC22			5	6F7, 6D6, 75, 42, 80	465	7-2		
WR209.....	Vol.	VR957	18	MR48	M26			CE9536 CE9535 CE9537	25 25 13/15	RS215 RS216 2N518			6	6A8, 6K7, 75, 6F6, 5Y3	465	7-3 & 12-7,8		
WR210.....	Vol.	VR9532	18	MR48	M26			CE9536 CE9535 CE9537	25 25 13/15	RS215 RS216 2N518			6	6A8, 6K7, 6H6, 6F5, 6F6, 5Y3	465	8-9		
WR211.....	Vol. Tone	VR9533 VR9534	75 22	MRT430 MR24	M26			CE9536 CE9535 CE9537	25 25 13/15	RS215 RS216 2N518			7	6K7, 6A8, 6F5, 6H6, 6F6, 5Y3 or 5Z4	465	8-5,8		
WR212.....	Vol. Tone	VR9536 VR9512	75 15	MRT430 MR48	M26			CE9528 CE9526 CE9536 CE9535 CE9528 CE9526	13 15 25 25 13 15	RS213 TN111 RS215 RS216 RS213 TN111			10	6K7, 6A8, 6C5, 6H6, 6F5, 6F6, 5Y3 or 5Z4, 6G5	465	9-5,8		
WR214, WR214X..	Vol. Tone	VR959 VR9537	75 22	MR48 MR53	M26			CE9536 CE9535 CE9528 CE9526	25 25 13 15	RS215 RS216 RS213 TN111			5	6A7, 6D6, 75, 41, 80	456			
WR217.....	Vol.	3FR256A	18	MR48	M26			3RC318	23	TCS71				5	6A8G, 6K7, 6Q7G, 6Y6G, 5Y3G	455	9-9,10	
WR222.....	Vol.	VR9553	18	MR48	M26			CE9564 CE9565	4 4	RS216 RS216				5				

† Data not substantiated.

\* IMPORTANT: Read Notes in Note Section if specified in Note Column.

‡ Indicates miscellaneous section.

FREE MALLORY VIBRATOR REPLACEMENT GUIDE... SEE YOUR DISTRIBUTOR.

MANUFACTURER AND MODEL	CONTROLS							CONDENSERS				VIBRATORS			No. Tubes	Complete Tube Complement	I. F. Peak	Rider's Reference
	Use	Original Part	Circuit	Correct Replacement	Switch	Bias	*Note	Original Part	Circuit	Correct Replacement	*Note	Original Part	Replacement	*Note				
WESTINGHOUSE— WR224	Continued Vol.	VR9553	18	MR48	M26			CE9554 CE9562 CE9568	1 1 13	RS216 RS216 RS213				5	6A8G, 6K7, 6Q7G, 6V6G, 5Y3G	455	11-15,16	
WR226	Vol.	VR9548	75	MR48	M26			CE9554 CE9562 CE9568	1 1 13	RS216 RS216 RS213				6	6A8, 6K7, 6H6, 6F5, 6V6G, 5Y3G	455	10-1,2	
WR228	Vol.	VR9556	18	MRT451	M26			CE9568 CE9554 CE9562 CE9568	13 1 1 13	RS213 RS216 RS216 RS213				8	6K7, 6Q8, 6Q7G, 6F6G, 6U5, 5Y3G	455	10-3,4	
WR256	Vol.		18	MR44	M26T			5-5	1	2N518				5	6A8, 6K7, 6Q7G, 6K6G, 5Y4G	455	10-19	
WR258 (All Runs)	Vol.		18	MR44	M26T			5-5	1	2N518				5	6A8G, 6K7, 6Q7G, 6K6G, 5Y4G	455	11-18	
WR260 (All Runs)	Vol.		18	MR48	M26T			5-5	1	2N518				5	6A8G, 6K7, 6Q7G, 6K6G, 5Y4G	455	11-19	
WR262	Vol. Tone	D5576	18	MR48				8	1	HD684				6	6A8G, 6K7G, 6Q7G, 6V6G, 6U5, 5Y4G	455	11-13	
WR264	Vol. & Tone	D5575	44	MR39	M26			18	1	RS216				6				
			15/22	SMD501				10-10-5-20	1/13/15	FP424	B48			7	6K8, 6K7, 6H6, 6F5, 6U5, 6K6G, 5Y4G	455	10-5	
WR270	Vol.		18	MR53	M26			10-10	1	FP231				5	6SA7, 6SK7, 6SQ7, 6F6G, 5Y4G	455	11-21	
WR272	Vol.		18	MR53	M26			10-10	1	FP231				6	6SA7, 6SK7, 6SQ7, 6F6G, 6U5, 5Y4G	455	12-4,11	
WR272L	Vol.		18	MR53	M26			10-10-20	1/15	FP332				5	6SA7, 6K7, 6SQ7, 6F6G, 5Y4G	455	12-9,10	
WR274	Vol.		75	TM221-SS1	M26			10-10-20	1/15	FP332				7	6SA7, 6SK7, 6H6, 6SF5, 6F6G, 6U5, 5Y4G	455	12-12,22	
WR288	Vol.	35859	18	MRT420	M26			35858	1/15	FP332				6	6SK7, 6SA7, 6SQ7, 6K6GT, 5Y3G	455	14-17,18	
WR290	Vol.		124	MRT449	M26			10-10-10-20	1/13/15	FP424				8	6SK7, 6SA7, 6SQ7, 6SF5, 6K6GT, 5Y3G	455 456	12-41-42 6-5,6	
WR303	Vol. Tone	XXR185A	55	MR44				XXC188	4	2S567				6	6A8, 6K7, 75, 6F6, 80	455	12-41-42	
WR304	Vol. Tone	XXR186A	22	MR44	M26			CE954	25/19	RM262/TC26	B213			7	6K7, 6A8, 6H6, 6F5, 6F6, 80	465	6-7,10	
WR305	Vol. Tone	VR959	75	MR48	M26			CE9511 CE9515 CE954	14 15 25/19	RS213 TC22 RM262/TC26	B213			8	6K7, 6A8, 6C5, 6H6, 6F5, 6F6, 80	465	6-11,14	
WR306	Vol.	VR9512	121	MR48	M26			CE9518 CE9515 CE9516 CE9517	14 15 59 59	RS213 TC22 RS213 RS216				10	6K7, 6A8, 6C5, 6H6, 6F5, 6F6, 5Z3	465	7-5,8	
WR310	Vol.	VR9532	18	MR48	M26			SA107913 CE9536 CE9535 CE9515	15 1 1 19	TN111 RS215 RS216 TC22				5	6A8, 6K7, 75, 6F6, 5Y3	465	12-7,8	
WR311	Vol. Tone	VR9535	75	MR48	M26			CE9536 CE9535 CE9537	23 23 13/15	RS215 RS216 2N518				6	6A8, 6K7, 6H6, 6F5, 6F6, 5Y3 or 5Z4	465	7-4	
WR311 (Late)	Vol. Tone	VR9534	22	MR24				CE9536 CE9535 CE9537	1 1 15	RS215 RS216 2N518				6	6A8, 6K7, 6H6, 6F5, 6F6/G, 5Y3 or 5Z4	465	13-19-22	
WR312	Vol. Tone	VR9536	75	MRT430				CE9536 CE9535 CE9528	25 25 13	RS215 RS216 RS213				7	6K7, 6A8, 6F5, 6H6, 6F6G, 5Y3 or 5Z4	465	8-5,8	
WR314, WR314X	Vol. Tone	VR9512	15	MR48	M26			CE9526 CE9536 CE9535 CE9528	15 25 25 13	TN111 RS215 RS216 RS213				10	6K7, 6A8, 6C5, 6H6, 6F5, 6F6, 5Y3 or 5Z4, 6G5	465	9-5,8	
WR315	Vol.	VR9537	22	MR53	M26			CE9526 CE9536 CE9535 CE9528	15 3 3 3	TN111 RS215 RS213 RS216				12	6K7, 6A8, 6J7, 6H6, 6Q7, 6L6, 5Z3, 6G5	465	8-10,13	
WR316	Vol. Tone	VR9536	18	MRT430				CE9526 CE9536 CE9535 CE9528	15 3 3 3	TN111 RS215 RS213 RS216				6	6A8, 6K7, 6H6, 6F5, 25A6, 25Z6, K42E	465	9-1,4	
WR326	Vol.	VR9533	75	MRT430	M26			CE9539 CE9538 CE9540	27 27 13	RS207 RS207 RS213				6	6A8, 6K7, 6H6, 6F5, 6V6G, 5Y3G	455		
WR328	Vol.	VR9548	75	MR48	M26			CE9554 CE9562 CE9568	1 1 13	RS216 RS216 RS213				8	6K7, 6A8, 6Q7G, 6F6G, 6U5, 5Y3G	455		
WR330, WR332	Vol.	VR9556	18	MRT451	M26			CE9554 CE9562 CE9568	1 1 13	RS216 RS216 RS213				10	6K7, 6A8, 6H6, 6F5, 6C5, 6F6G, 6U5, 5Y3G	455	10-7-9	
WR334	Vol.	VR9555	124	MRT451				CE9554 CE9528 CE9554 CE9570 CE9562	3 14 3 3 3	RS216 RS213 RS216 RS216 RS216				12	6K7, 6A8, 6Q7, 6J7, 6H6, 6C5, 6V6G, 6U5, 5X4G	465		

‡ Data not substantiated.

\* IMPORTANT: Read Notes in Note Section if specified in Note Column.

‡ Indicates miscellaneous section.

MANUFACTURER AND MODEL	CONTROLS							CONDENSERS				VIBRATORS			No. Tubes	Complete Tube Complement	I. F. Peak	Rider's Reference	
	Use	Original Part	Circuit	Correct Replacement	Switch	Bias	*Note	Original Part	Circuit	Correct Replacement	*Note	Original Part	Replacement	*Note					
WESTINGHOUSE — WR336.....	Continued Vol.	VR9555.....	124	MRT451.....				CE9554.....	3	RS216.....					12	*6K7, 6A8, 6Q7, 6C5, 6J7, 6H6, *6V6G, 6U5, 5X4G.....	465		
WR338.....	Vol.	VR9548.....	75	MR48.....	M26			CE9570.....	3	RS216.....					6	6A8, 6K7, 6H6, 6F5, 6V6G, 5Y3G.....	455		
WR342.....	Vol.	VR9561.....	124	MRT451.....	M26			CE9554.....	1	RS216.....					8	*6K7, 6A8, 6Q7, *6F6G, 6U5, 5Y3G.....	455	12-15-18	
WR366.....	Vol. Tone		17	MRT449.....			A108	CE9562.....	10	RS216.....					8	*6K7, 6A8, 6Q7G, 6F6G, 6U5, 6J7, 5Y4G.....	455	11-24	
WR368.....	Vol. Tone		17	MRT449.....			A108	CE9570.....	25	RS223.....					10	*6K7, 6A8, 6Q7G, *6F6G, 6F5, 6U5, 6J7, 5U4G.....	455	11-31	
WR370.....	Vol. Tone		17	MRT449.....				CE9562.....	20	ST598.....					12	*6K7, 6A8, 6R7, *6J5, *6F6, 6U5, 6J7, 5T4	455	11-33	
WR372.....	Vol.		75	Order from MRT440.....	M26			CE9568.....	16-16	2S569.....					12	6SA7, 6SK7, 6H6, 6SF5, 6F6G, 5Y4G	455	12-4, 19	
WR372L.....	Vol.		75	MR55.....	M26			CE9568.....	10-10	FP231.....					6	6SA7, 6K7, 6H6, 6SF5, 6F6G, 5Y4G	455	12-20	
WR373.....	Vol.		75	MR44.....	M26		A4	CE9568.....	10-10	FP231.....					7	6SA7, 6SK7, 6H6, 6SF5, 6F6G, 6U5, 5Y4G.....	455	12-4, 19	
WR373L.....	Vol.		75	MRT449.....	M26			CE9568.....	10-10	FP231.....					7	6SA7, 6K7, 6H6, 6SF5, 6F6G, 6U5, 5Y4G.....	455	12-20	
WR373Y.....	Vol. Vol.		18	MR53.....				A27	50-50.....	24	FP214.....				6	12SA7, 12SK7, 12SQ7, 25L6GT, 6N5, 35Z5GT.....	455	12-3, 4, 32	
WR374.....	Vol.		18	MRT420.....	M26			A19	10-10-10-20.....	1/13/15	FP424.....				8	6SA7, 6SK7, 6SQ7, *6F6G, 6SF5, 6U5/ 6G5, 5Y4G.....	455	12-21, 22	
WR374L.....	Vol.		18	MRT427.....	M26				10-10-10-20.....	1/13/15	FP424.....				8	6SA7, 6K7, 6SQ7, *6F6G, 6SF5, 6U5, 5Y4G.....	455	12-23, 24	
WR386.....	Vol.		18	MRT420.....	M26				10-10-20.....	1/15	FP332.....				6	*6SK7, 6SA7, 6SQ7, 6K6GT, 5Y3G.....	455	12-26	
WR388.....	Vol.	35962.....	124	MRT449.....	M26				35858.....	1/15	FP332.....				9	*6SK7, 6SA7, 6H6, *6SF5, *6F6G, 5Y3G	455	12-28	
WR468.....	Vol.		18	MR44.....	M26				30-30.....	24	2N513.....				5	12SA7, 12SK7, 12SQ7, 50L6GT, 35Z5GT.....	455	11-35	
WR468L.....	Vol.		18	MR44.....	M26				30-30.....	24	2N513.....				5	12SA7, 12SK7, 12SQ7, 50L6GT, 35Z5GT.....	455	11-35	
WR470.....	Vol.		18	MRT438.....	M26				10-10.....	1	FP231.....				5	6SA7, 6SK7, 6SQ7, 6F6G, 5Y4G.....	455	12-29, 32	
WR472.....	Vol.	72357-27.....	18	MR44.....	M26T				86005-1.....	1	2S569.....				5	6A8, 6K7, 6Q7G, 6K6G, 5Y3G.....	455	10-11	
WR473, WR474.....	Vol.		18	MRT438.....	M26				10-10-20.....	1/15	FP332.....				8	6SA7, 6SK7, 6SQ7, *6F6G, 6U5, 6SF5, 5Y4G.....	455	12-31, 32	
WR474L.....	Vol.		18	MRT449.....	M26				10-10-20.....	1/15	FP332.....				8	6SA7, 6K7, 6SQ7, *6F6G, 6SF5, 6U5, 5Y4G.....	455	12-30, 33, 34	
WR475.....	Vol.		18	MR44.....	M26				20-12.....	1	2N509.....				5	12SA7, 12SK7, 12SQ7, 35L6, 35Z5.....	455	11-9	
WR476.....	Vol.		124	MRT449.....	M26				10-10-20.....	1/15	FP332.....				7	6SA7, 6K7, 6SQ7, *6F6G, 6SF5, 5Y4G	455	12-24, 34, 35	
WR480.....	Vol.	36892.....	124	MRT443.....	M26				35858.....	1/15	FP332.....				5	6SA7, 6SK7, 6SQ7, 6F6G, 5Y3G.....	455	13-31, 32	
WR482.....	Vol.		17	MRT449.....	M26				15-10-40.....	1/19	FP339.....				6	6SA7, 6SK7, 6SQ7, 6AD7G, 6F6G, 5Y3G.....	455	12-37, 38	
WR484.....	Vol.		17	MRT449.....	M26				15-10-40.....	1/19	FP339.....				7	6SF5, 6SA7, 6SK7, 6SQ7, *6K6GT, 5Y3G.....	455	12-37, 38	
WR486.....	Vol. LF Tone HF Tone		124	MRT454.....	M26				10-15-40.....	1/19	FP339.....				9	6SA7, 6SK7, *6K6GT, *6Q7, 6U5, 6SJ7, 5Y3G.....	455	12-36	
WR500.....	Vol.	VR951.....	18	MR55.....	M26				16, 16.....	13	TC65.....				6	77, 78, 75, 42, 84.....	175	6-15	
WR501.....	Vol.	VR952.....	121	MR48.....							B14			294	C3	5	78, 6A7, 85, 41, 84.....	172.5	6-16
WR502.....	Vol.	VR9524.....	18	UM154-SS23.....	M26						B14			294	C3	6	77, 78, 75, 42, 84.....	175	11-37, 40
WR503.....	Vol. Tone	VR9525.....	121	MR48.....	M26	RS246					B14			294	C3	7	*6K7, 6A8, 6H6, 6F5, 6F6, 0Z4.....	175	11-41-43
WR601.....	Vol.	VR9527.....	75	UM150.....							A96			294	C3	5	33, 34, 25S, 1C6, 30	456	6-4
WR603.....	Vol.	VR9525.....	121	UM150.....							A96			294	C3	4	6D6, 6A7, 75, 41	465	10-13, 14
WR601.....	Vol.	VR9523.....	17	MR48.....	M27									245	C3	4	6D6, 6A7, 75, 41	465	10-13, 14

‡ Data not substantiated.

\* IMPORTANT: Read Notes in Note Section if specified in Note Column.

‡ Indicates miscellaneous section.

WHEN YOU BUY JACK SWITCHES BUY MALLORY.

MANUFACTURER AND MODEL	CONTROLS							CONDENSERS				VIBRATORS			No. Tubes	Complete Tube Complement	I. F. Peak	Rider's Reference
	Use	Original Part	Circuit	Correct Replacement	Switch	Bias	*Note	Original Part	Circuit	Correct Replacement	*Note	Original Part	Replacement	*Note				
WESTINGHOUSE	Continued																	
WR604	Vol.	VR9538	18	MR48	M23-24		CE9542	12	RS213					5	1C6, 1A4, 1B5, 30, 19	465	10-15,16	
WR605	Vol.	VR9540	18	MR48	M23-24		CE9543	12	RS207					6	1C6, 1A4, 1B5, 30, 19	465	10-17,18	
WR606	Vol.	VR9539	18	MR18														
WR607	Vol.	VR9523	18	MR48	M26		CE9541	1/15	3S579		VI957	245	C3	4	6D6, 6A7, 75, 41	465		
WR608	Vol.	VR9538	18	MR48	M23-24		CE9542	12	RS213					5	1C6, 1A4, 1B5, 30, 19	465		
WR610	Vol.	VR9539	18	MR48	M23-24		CE9543	12	RS207					6	1C6, 1A4, 1B5, 30, 19	465		
WR675, WR675A	Vol.	VR9560	18	MR18			CE9573	1	RS213		VI9512	245	C3	4	6D8G, 6S7G, 6T7G, 6K6G	455		
WR676	Vol.	VR9559	18	MR48	M26		CE9550	15	TC29					4	1A7G, 1N5G, 1H5G, 1C5G or 1Q5G	455	11-44	
WR677	Vol.	34972	18	MR53	M27		34472	24/78	FP304					5	1A7GT, 1N5GT, 1H5GT, 1T5GT, 1I7Z6G	455	13-33	
WR678, WR679	Vol.	3480	18	MR53	M27		34965	78	TC26					4	1A7GT, 1N5GT, 1H5GT, 1Q5GT, 1I7Z6G	455	11-47	
WR680, WR681	Vol.	8.153	18	MR53	M27		40-20-100	24/78	FP309					5	1A7GT, 1N5GT, 1H5GT, 1T5GT, 35Z4GT	455	14-19	
WR682, WR682A	Vol.	94817-1	18	Order from Mfr.			5.362	24/78	Order from Mfr.					5	1A7, 1N5, 1H5, 3Q5	455	14-20	
							36718	12	TC44					4	1R5, 1T4, 1S5, 1S4	455	12-40	
WESTINGHOUSE INTERNATIONAL																		
B-470A, B-470B, B-470C, B-470D	Vol.	595769-2	18	MR53	M27		595086-4	12	TC42					4	1A7GT, 1N5GT, 1H5GT, 1T5GT	460	15-12	
M101	Vol.	36X312	18	MR48	M26		20-20	24	FP234		B117			5	6SA7, 6SK7, 6SQ7, 6K6GT, 80	456	13-1,2	
M102	Vol.	36X306	18	MK401	M26		45X298	24	FP234					5	6SA7, 6SK7, 6SQ7, 6K6GT, 6X5GT	456	13-3,4	
M103	Vol.	36X306	18	MK401	M26		45X330	1/13	FP371		B117			5	6SA7, 6SK7, 6SQ7, 6U6GT, 80	456	14-1,2	
M104	Vol.	36X306	18	MK401	M26		45X323	22	TC78					5	12SA7, 12SK7, 12SQ7, 50L6GT, 35Z5GT	456	13-5, 6,7	
M106	Vol.	8.153A	18	MR53	M27		45X324	22	TC55					5	12SA7, 12SK7, 12SQ7, 50L6GT, 35Z5GT	456	14-3, 4,5	
M108	Vol.	36X300	18	MK401	M26		45X333	13/15	FP328		B69			7	1N5GT, 1R5, 1H5GT, 3Q5GT, 50L6GT, 35Z5GT	455	14-7,8	
M109, M109B, M109C	Vol.	40X256	22	UM165-SS25			5.378A	24/78	Order from Mfr.					6	6SJ7, 6I5GT, 6SK7, 6SQ7, 6U6GT, 80	456	13-11, 12,13	
M109X	Vol.	W29560	18	MRT440			45X326	1/13	FP380					7	6SK7, 6SA7, 6SQ7, 6V6GT, 6U5, 80	455	14-0,10, 12,13	
M110	Vol.	36X304	18	MK401	M26		45X328	15	TC26					7	6SK7, 6SA7, 6U5, 80	455	14-11,9, 12,13	
M111	Vol.	40X260	21	UM165-SS25			W32052	1/13/15	FP429					9	6SK7, 6SA7, 6U5, 80	455	13-15, 14,16	
M112	Vol.	36X312	18	MK401	M26		W32052	1/13/15	FP429					9	6SK7, 6SA7, 6U5, 80	455	13-15, 14,16	
M113, M113C	Vol.	W29560	18	MRT440			45X302	23	FP146					9	6SK7, 6SA7, 6U5, 80	455	13-15, 14,16	
M114	Vol.	36X304	18	MK401	M26		45X310	13	TC52					5	6SA7, 6SK7, 6SQ7, 6K6GT, 6X5GT	456	13-3,4	
M115	Vol.	40X260	21	UM165-SS25			45X298	24	FP234					5	6SA7, 6SK7, 6SQ7, 6U6GT, 80	456	13-5, 6,7	
M116	Vol.	81670	18	MR53	M26	A102	45X330	1/13	FP380					5	6SA7, 6SK7, 6SQ7, 6U6GT, 80	456	13-5, 6,7	
N204	Vol.	36X306	18	MK401	M26		45X323	22	TC78					7	6SK7, 6SA7, 6U5, 80	455	14-13,9, 14,12	
WR102	Vol.	VR9531	7	MR18	M26	EX300	45X324	22	TC55					9	6SK7, 6SA7, 6U5, 80	455	13-15, 14,16	
WR102A	Vol.	VR9531	7	MR18	M26	EX300	45X333	13/15	FP328		B69			5	12SA7, 12SK7, 12SQ7, 50L6GT, 35Z5GT	455	14-6	
WR103	Vol.	VR957	18	MR48	M26		CE9533	6	RS215					4	6A7, 6C6, 43, 25Z5	465	7-1	
WR116	Vol.	VR9533	45			See Note A19	CE9534	6	ST597					4	6A7, 6F7, 25B6G, 25Z5	465	10-1	
WR209	Vol.	VR9534	22	MR24			CE9515	15	TC22					4	6A7, 6F7, 25B6G, 25Z5	465	10-1	
WR210	Vol.	VR9532	18	MR48	M26		CE9553	27	FP115		B197			4	6A7, 6D6, 75, 43, 25Z5	465	13-8, 9,10	
							CE9534	27	ST597					5	6A8, 6K7, 6H6, 6F5, 25A6, 25Z6	465	9-1,2	
							CE9545	2	RS223					5	6F7, 6D6, 75, 42, 80	465	7-2	
							CE9546	2	2N516		B8			5	6A8, 6K7, 75, 6F6, 5Y3	465	7-3	
							CE9539	27	RS207					5				
							CE9538	27	RS207					5				
							CE9540	13	RS213					5				
							CE9512	1	RS215					5				
							CE9511	1	TC22					5				
							CE958	19	TC22					5				
							CE9536	1	RS215					5				
							CE9535	1	RS216					5				
							CE9515	19	TC22					5				

† Data not substantiated.

\* IMPORTANT: Read Notes in Note Section if specified in Note Column.

‡ Indicates miscellaneous section.

MANUFACTURER AND MODEL	CONTROLS							CONDENSERS				VIBRATORS			No. Tubes	Complete Tube Complement	I. F. Peak	Rider's Reference
	Use	Original Part	Circuit	Correct Replacement	Switch	Bias	*Note	Original Part	Circuit	Correct Replacement	*Note	Original Part	Replacement	*Note				
WESTINGHOUSE INTERNATIONAL WR211	Vol. Tone	VR9533 VR9534	Continued 75 22	MR24			See Note A19	CE9536 CE9535 CE9537	25 25 13/15	RS215 RS216 2N518				6	6A8, 6K7, 6H6, 6F5, 6F6, 5Y3	465	8-3,8-9	
	Vol. Tone	VR9536 VR9512	75 15	MR48	M26		See Note A19	CE9536 CE9535 CE9528 CE9526 CE9536 CE9535 CE9528 CE9526	25 25 13 15	RS215 RS216 RS213 TN111				7	*6K7, 6A8, 6F5, 6H6, 6F6, 5Y3 or 5Z4	465	8-5,6	
WR214, WR214X	Vol. Tone	VR959 VR9537	75 22	MR48 MR53	M26			CE9536 CE9535 CE9528 CE9526	25 25 13 15	RS215 RS216 RS213 TN111				10	*6K7, 6A8, 6C5, 6H6, 6F5, *6F6, 5Y3 or 5Z4, 6G5	465	9-5,6	
WR310	Vol.	VR9532	18	MR48	M26			CE9536 CE9535 CE9515	1 1 19	RS215 RS216 TC22				5	6A8, 6K7, 75, 6F6, 5Y3	465		
WR314, WR314X	Vol. Tone	VR959 VR9537	75 22	MR48 MR53	M26			CE9536 CE9535 CE9528 CE9526	25 25 13 15	RS215 RS216 RS213 TN111				10	*6K7, 6A8, 6C5, 6H6, 6F5, *6F6, 5Y3 or 5Z4, 6G5	465	9-5,6	
WR315	Vol.	VR9536	18				See Note A19	CE9536 CE9528 CE9535 CE9515	3 3 3 15	RS215 RS213 RS216 TC22				12	*6K7, *6A8, 6J7, 6H6, 6Q7, *6L6, 5Z3, 6G5	465	8-11,12	
WR316	Vol. Tone	VR9533 VR9534	75 22	MR24			See Note A19	CE9539 CE9538 CE9540	27 27 13	RS207 RS207 RS213				6	6A8, 6K7, 6H6, 6F5, 25A6, 25Z6	465	9-1,2	
WR330	Vol.	VR9555	18	MRT451				CE9562 CE9554 CE9528	1 1 13	RS216 RS216 RS213				10	*6SK7, 6A8, 6H6, 6F5, 6C5, *6F6G, 6U5, 5Y3G	455	13-17-21	
WRL165	Vol.	W32003	18	MR53	M26			W32348	1/15	FP429				5	12SA7, 12SK7, 12SQ7, 50L6GT, 35Z5GT	455	14-15, 16,17	
WRL217	Vol.		18	MR48				5-5	23	2S567				5	6A7, 6D6, 75, 41, 80	456	14-18,19	
WRL250	Vol.	W31694	18	MR53	M26			W31682	46	FP357				5	12SA7, 12SK7, 12SQ7, 50L6GT, 35Z5GT	455	14-18, 20,21	
WRL258, WRL258C, WRL259, WRL259C	Vol.	W32003	18	MR53	M26			W31976	24/13/15	FP429				5	6SA7, 6SK7, 6SQ7, 6K6GT, 80	455	14-22, 23,24	
WRL263, WRL263C	Vol. Tone	W29518 W32821	18 21	MR53	M26			W31976	24/13/15	FP429				5	6SA7, 6SK7, 6SQ7, 6K6GT, 80	455	14-25, 26,27	
WRL277, WRL277B	Vol. Tone	W29560 W32821	18 1	MRT440 MR53	M26			W29566 W31976	1 1/13/15	RS223 FP429				7	*6SK7, 6SA7, 6SQ7, 6V6GT, 6U5, 80	455	14-28-31,37	
WRL295, WRL295B	Vol.	W29560	18	MRT440				W29566 W31976	1 13/15	RS223 FP429				9	*6SK7, 6SA7, 6U5, *6SQ7, *6V6GT, 80	455	14-32-36	
WRL371	Vol.	W29560	18	MRT440				W30008 W31976	1 1/13/15	RS223 FP429				7	*6SK7, 6SA7, 6U5, 6SQ7, 6V6, 80	455	14-37, 38,30,31	
WRL451, WRL451C, WRL451D	Vol.	W32003	18	MR53	M26			W31976	24/13/15	FP429				5	6SA7, 6SK7, 6SQ7, 6K6GT, 80	455	14-22, 23, 24	
WRL471, WRL471D	Vol. Treble	W29560 W32782	18 121	MRT440 MR53				W30008 W31976	1 1/13/15	RS223 FP429				7	*6SK7, 6SA7, 6U5, 6SQ7, 6V6, 80	455	14-37, 38,30,31	
WRL493, WRL493D	Vol. Bass	W29560 W33252	18 1	MRT440 MR53				W30008 W31976	1 13/15	RS223 FP429				9	*6SK7, 6SA7, 6U5, *6SQ7, *6V6GT, 80	455	14-32-36	
WESTONE RADIO CORP.																		
20	Vol.		6	MR18				4-4	4	2S567				4	58, 56, 2A5, 80		6-2	
34 (4 Tube)	Vol.		6	MR18				4-4	23	2S567				4	2A7, 57, 2A5, 80	456	6-1	
34 (5 Tube)	Vol.		6	MR18				4-4	23	2S567				5	57, 58, 56, 2A5, 80	456	6-1	
40	Vol.		18	MR48				4-4	23	2S567				5	2A7, 58, 2A6, 2A5, 80	456	6-2	
WEXTARK RADIO CORP.		(See Allied Radio & Knight Radio)																
WHOLESALE RADIO SERVICE LI (AC)	Vol. Tone Supp.	ICE "Lafayette"	45 41 8	MR36 MR42 E			Also see Wells-Gardner	8 8 4 4	58 58 58 19	HD684 HD684 RS213 TC40				12	*56, *57, 58, *46, 82	175	3-1	
BS-3	Vol. Tone		17 21	MR53 MR44	M26			16-16 10 5	1 15 15	2S569 TC22 TC22				8	6K8G, 6D6, 6Q7G, 6F5G, *6V6G, 6U5, 80	456 175	13-1	
10	Vol. Tone		7 103	F MR53	6-9	2		8, 8	23	RS213				7	*35, *24A, 27, 47, 80	456 175		
C16	Vol.	8-139B	17	MR53	M26			16-16	1	2S569				6	6K8, 6D6, 6Q7, 42, 6U5, 80	456	13-3	
19	Vol.	8-139B	17	MR53	M26			16-16	1	2S569				6	6K8, 6D6, 6Q7, 42, 6U5, 80	456	13-3	

‡ Data not substantiated.

\* IMPORTANT: Read Notes in Note Section if specified in Note Column.  
THERE'S A PLACE FOR A MALLORY NOISE FILTER IN EVERY HOME.

§ Indicates miscellaneous section.



MANUFACTURER AND MODEL	CONTROLS							CONDENSERS				VIBRATORS			No. Tubes	Complete Tube Complement	I. F. Peak	Rider's Reference
	Use	Original Part	Circuit	Correct Replacement	Switch	Bias	*Note	Original Part	Circuit	Correct Replacement	*Note	Original Part	Replacement	*Note				
WHOLESALE RADIO SERVICE	ICE—Continued																	
20.....	Vol. Tone	78	MR48				8, 8, 8	30	RS213					10	35, 27, 47, 80	175		
L20 (05A Series)...	Vol. P91019C	41 6	MR55 MR18	M26				11	2N509/TC44					5	77, 78, 43, 25Z5	262	3-2	
M31.....	Vol. 534	6	MR18					20	TC40					5	57, 58, 47, 80	175	3-3	
C34.....	Vol. 8-139B	18	MR53	M26				15	TC32					7	6D6, 6K8, 6Q7, 42, 6U5, 80	456	13-7	
M35, M37.....	Vol. 535	124	MR48					4	ST597					7	58, 55, 56, 47, 80	175	3-3	
40.....	Vol. 534	22	MR44					4	TC70					8	35, 24A, 27, 47, 80	175		
40A.....	Vol. 534	111	Y5MP					30	3S584					8	35, 24A, 27, 47, 80	175		
M42.....	Vol. 534	34	MR42					13	TC52					8	35, 24A, 27, 47, 80	175		
M53.....	Vol. 534	14	MR48					30	3S584					8	35, 24A, 27, 47, 80	175		
S53.....	Vol. 3487	18	MR48	M26				13	TC52					12	6K7, 6A8, 6H6, 6G5, 6C5, 6F6, 5Y3	465	13-8	
CC57, CC57T.....	Vol. 3488	22	MR53					1	TC70					7	58, 55, 56, 47, 80	175	3-3	
CC98.....	Vol. 18	18	MR53	M26				1	2S569					9	6SA7, 6SK7, 6SQ7, 6K6GT, 6U5, 5Z4	455	13-2	
C117 (Series B).....	Vol. 18	22	MR53	M26				1/13	See Note	B3				9	6D6, 6K8G, 6Q7, 76, 25L6G, 6U5, 25Z5	455	13-4	
259.....	Vol. 8.139B	17	MR53	M26				1/13	See Note	B3				9	6D6, 6K8G, 6Q7, 76, 25L6G, 6U5, 25Z5	456	13-5	
269.....	Vol. 8.139B	17	MR53	M26				15	TC22					7	6SA7GT, 6SK7GT, 6J5GT, 6SQ7GT, 6K6GT, 6U5, 5W4GT	455	13-9	
493.....	Vol. 18	22	MR53	M26				1	2S569					6	6K8, 6D6, 6Q7, 42, 6U5, 80	456	13-3	
939.....	Vol. 18	22	MR53	M26				1	2S569					6	6K8, 6D6, 6Q7, 42, 6U5, 80	456	13-3	
3790.....	Vol. 8.139B	18	MR53	M26				1/13	See Note	B3				9	6D6, 6K8G, 6Q7, 76, 25L6G, 6U5, 25Z5	455	13-4	
Mighty Atom V.A. Great Duo-Symphonic.....	Vol. 8.140	22	MR53	M26				15	TC22					9	6D6, 6K8G, 6Q7, 76, 25L6G, 6U5, 25Z5	456	13-5	
Duo-Symphonic Jr. 1931.....	Vol. 6	6	MR18	M26				4	ST597					7	6D6, 6K8, 6Q7, 42, 6U5, 80	456	13-7	
Duo-Symphonic 1930.....	Vol. 6	6	MR21	M26				1	See Note	B2				5	51, 24, 47, 80	175		
Auto Radio Super-heterodyne.....	Vol. 8753	6	MR21	M26				4	ST595					5	24A, 51, 47, 80	175		
WILCOX-GAY A3, A4 (5A6) A5, A6 (5F8).....	Vol. 15	45	MR44					61	See Note	B1				8	24, 27, 45, 80	175	1-1	
A11 (6A5).....	Vol. 19-1291	18	MR48	M26				1	See Note	B1				7	24A, 27, 45, 80	175	1-1	
A16.....	Vol. 19-1291	18	MR48	M26				59	See Note	B1				9	26, 24, 45, 80	175	1-2	
A18, A19.....	Vol. 19-1319	17	MR48											6	39, 36, 37, 38	262	3-4	
A21.....	Vol. 19-2005	15	MR48	M26										6	1A6, 34, 30, 33	456	9-1	
A22, A23.....	Vol. 19-1315	12	MR48											8	34, 30, 33, 84	456	9-2	
A24, A25.....	Vol. 19-1296	6	MR18	M26										5	6A7, 78, 75, 42, 80	175		
A26.....	Vol. 19-1291	18	MR48	M26										5	6A7, 78, 75, 42, 80	175		
A27, A28.....	Vol. 19-1317	21	MR45											5	6A7, 78, 75, 42, 80	175		
A29.....	Vol. 19-1315	18	MR48											6	6A8, 6K7, 6Q7, 6F6, 6G5, 5Z4	175	8-4	
	Vol. 19-1317	21	MR45											12	6K7, 6A8, 6H6, 6F5, 6L6, 5Z4, 6G5	456		
	Vol. 19-1317	21	MR45											4	1C6, 1A4, 1B4, 1F4	175		
	Vol. 19-1317	21	MR45											4	6A7, 75, 38	175		
	Vol. 19-1317	21	MR45											11	6A8, 6K7, 6H6, 6F5, 6G5, 6F6, 80	456		
	Vol. 19-1317	21	MR45											5	6A7, 78, 75, 42, 80	175		
	Vol. 19-1317	21	MR45											5	6A7, 78, 75, 25L6, 25Z5	175		

† Data not substantiated.

\* IMPORTANT: Read Notes in Note Section if specified in Note Column.

‡ Indicates miscellaneous section.



MANUFACTURER AND MODEL	CONTROLS							CONDENSERS				VIBRATORS			No. Tubes	Complete Tube Complement	I. F. Peak	Rider's Reference
	Use	Original Part	Circuit	Correct Replacement	Switch	Bias	*Note	Original Part	Circuit	Correct Replacement	*Note	Original Part	Replacement	*Note				
WILCOX-GAY—Continued																		
A85, A87, A88	Vol.	19-2014	17	MR48	M26			18-2017	1/13/15	FP424					7	6A8, 6K7, 6Q7, 6K6,		
	Tone	19-2009	34	MR45				18-2012	15	TC22					10	6J7, 6U5/6G5, 5W4	456	
A89	Vol.	19-2014	17	MR48	M26			18-2020	1/13	FP389					10	*6K7, 6A8, *6Q7, 6J7,		
	Tone	19-2009	22	MR45				20	15	TC26					10	*6K6, 6U5/6G5,	456	
A90	Vol.	19-2014	17	MR48	M26			18-2017	1/13/15	FP424					7	6A8, 6K7, 6Q7, 6K6,		
	Tone	19-2009	34	MR45				18-2012	15	TC22					7	6J7, 6U5/6G5, 5W4	456	
A91, A92, A93, A94	Vol.	19-2014	17	MR48	M26			18-2020	1/13	FP389					10	*6K7, 6A8, *6Q7, 6J7,		
	Tone	19-2009	22	MR45				20	15	TC26					10	*6K6, 6U5/6G5,	456	
A95								18-2010	24	TC44					2	12A8, 35Z4	456	
								18-2011	24	TC42					2		13-12	
A100	Vol.	19-2018	17	MR48	M26			18-2011	1/15	FP389					5	6A8, 6K7, 6SQ7, 6K6,		
								18-2020	1/15	TC26					5	5W4	456	
A103	Vol.		15	MR48				18-2021	15	FP389					5	6J7, 6Q7, 6V6, 5Y3,		
	Tone		22	MR44				10-10-10	1/13	TC26	B3				5	6U5	13-5	
A104	Vol.		15	MR48	M26			20, 20, 20	15	FP389	B3				7	6A8, 6K7, 6J7, 6Q7,		
	Tone		22	MR44				10-10-10	1/13	TC22	B3				7	6U5/6G5, 6K6,		
								10-10-10	15	TC26					6	5W4	456	
A105	Vol.		18	MR48	M26			10-10-10	46	FP389					6	6A8, 6K7, 6SQ7, 6K6,		
	Tone		22	MR44				20	15	TC26					6	6J5, 5Y3	456	
A107	Vol.		15	MR48	M26			10-10-10	1/13	FP389	B3				7	6A8, 6K7, 6J7, 6Q7,		
	Tone		22	MR44				10	15	TC22					7	6U5/6G5, 6K6,		
								20	15	TC26					11	5W4	456	
A113	Vol.		15	MR48				10-10-10	1/13	FP389	B3				11	*6K7, 6A8, 6J5, *6SQ7,		
	Tone		22	MR44				20, 20, 20	15	TC26	B3				11	6J7, 6U5, *6K6,	456	
A113B	Vol.		15	MR48				10-10-10	1/13	FP389	B3				11	*6K7, 6A8, 6J5, *6SQ7,		
	Tone		22	MR44				20, 20, 20	15	TC26	B3				11	6J7, 6U5, *6K6, 5Y3	456	
A114	Vol.		15	MR48				10-10-10	1/13	FP389	B3				11	*6K7, 6A8, 6J5, *6SQ7,		
	Tone		22	MR44				20, 20, 20	15	TC26	B3				11	6J7, 6U5, *6K6, 5Y3	456	
A115, A115B	Vol.		15	MR48				10-10-10	1/13	FP389	B3				11	*6K7, 6A8, 6J5, *6SQ7,		
	Tone		22	MR44				20, 20, 20	15	TC26	B3				11	6J7, 6U5, *6K6, 5Y3	456	
C15	Vol.	19-1291	18	MR48	M26			18-2005	1	HD684					5	6A7, 78, 75, 42, 80	175	
								18-2006	1	RS216					5		175	
2S5	Vol.	534	6	MR18				18-928	15	TC26					5	*57, 58, 47, 80	175	
2T5	Vol.	534	6	MR18				4, 4	4	TC70					5	*57, 58, 47, 80	175	
2U7	Vol.		18	MR48				4, 4	4	TC70					7	2A5, 2A6, 56, *58, 80	175	
	Tone		21	MR44				4-12	4	See Note	B3				7		175	
2VA7	Vol.	535	124	MR48	M26			4, 4	4	TC70					7	*58, 56, 55, 47, 80	175	
	Tone		22	MR44				4, 4	4	TC70					7		175	
2VB7	Vol.		18	MR48				4-12	4	See Note	B3				7	*58, 2A6, 2A5, 56, 80	175	
	Tone		21	MR44				4, 4	4	TC70					7		175	
3D5	Vol.	445	6	MR18	M26			4, 4	4	TC70					5	*57, 58, 47, 80	175	
	Tone		21	MR44				4, 4	4	TC70					5		175	
3F7	Vol.		6	MR18	M26			4-12	4	See Note	B3				7	57, 58, *56, 47, 80	115	
	Tone		21	MR44				4-12	4	See Note	B3				7		115	
3J4	Vol.	19-1315	18	MR48											4	*34, 33, 1A6	175	
3J5, 3K5	Vol.	853	6	MR18	M26			965	8	TN125					5	*78, 77, 43, 25Z5	175	
								928	15	TC26					5		175	
3JC5	Vol.	19-1296	6	MR18	M26			18-1085	8	TN125					5	6A7, 78, 77, 43, 25Z5	175	
								18-928	15	TC26					5		115	
3JD5, 3JG5	Vol.	19-1296	6	MR18	M26			18-1085	8	TN125					5	6A7, 78, 77, 43, 25Z5	115	
								18-928	15	TC26					5		175	
3JES	Vol.	19-1296	6	MR18	M26			18-1085	8	TN125					5	6A7, 78, 77, 43, 25Z5	175	
								18-928	15	TC26					5		175	
3JF5	Vol.	19-1296	6	MR18	M26			18-2001	6	2N516					5	6A7, 78, 77, 43, 25Z5	175	
3JM6, 3JQ6	Vol.	19-1291	17	MR48	M26			18-2003	8	TN125					6	6A7, 78, 75, 43, 25Z5,	175	
	Tone	19-1317	21	MR45											6	L9B	175	
3KD5	Vol.		6	MR18	M26			4-10-4	8	TN125					5	*77, 43, 78, 25Z5	115	
								25	15	TC26					5		115	
3KE5	Vol.	19-1296	6	MR18	M26			18-1085	8	TN125					5	*77, 78, 43, 25Z5	175	
								18-928	15	TC26					5		175	
3LB7	Vol.		18	MR48				8-8-4-4-4-4	62	See Note	B3				7	*78, 6A7, 75, 42, *25Z5	175	
	Tone		76	MR44											7		175	
3PA6-66, 3P6	Vol.	512	6	MR18	M26			18-1085	8	TN125					6	*77, 78, 43, 25Z5	115	
	Tone		22	MR44				18-928	15	TC26					6		115	
3PB8	Vol.		6	MR18	M26			4-10-4	8	TN125					8	*43, 76, *77, 78, 25Z5	115	
	Tone		21	MR44											8		115	
3R6	Vol.		7	MR28	M26		A1	8-4	1	2N518			298	C3	6	*77, *78, 75, 79, 84	175	
	Tone		22	MR44				928	15	TC26					6		175	
3SB5	Vol.		15	MR48				.02	25	Buffer	B14				5	6A7, 78, 75, 42, 80	175	
	Tone		21	MR44				8-4	19	See Note	B3				5		175	
3S5-66	Vol.	535	76	MR48	M26			25	19	TC26					5	6A7, 78, 75, 42, 80	175	
	Tone		76	MR44				4-4	4	TC871	B3				5		175	
3T6-66	Vol.	535	18	MR48	M26			928	15	TC26					6	6A7, *78, 75, 43, 25Z5	175	
	Tone		21	MR44				18-1085	8	TN125					6		175	
3TB8	Vol.		18	MR48				18-928	15	TC26					8	*78, 6A7, 76, 75, *43,	175	
	Tone		22	MR44				4-19-4	8	UR182-193	B3				8	25Z5	175	

† Data not substantiated.

\* IMPORTANT: Read Notes in Note Section if specified in Note Column.

‡ Indicates miscellaneous section.

MANUFACTURER AND MODEL	CONTROLS							CONDENSERS				VIBRATORS			No. Tubes	Complete Tube Complement	I. F. Peak	Rider's Reference
	Use	Original Part	Circuit	Correct Replacement	Switch	Bias	*Note	Original Part	Circuit	Correct Replacement	*Note	Original Part	Replacement	*Note				
WILCOX-GAY—Continued																		
3V6 (BC & SW) 3VA6 (BC only)	Vol. Tone		17	MR48				4-4	4	TC571					6	*78, 6A7, 75, 42, 80	175	5-4
3VB6	Vol. Tone		17	MR48	M26			25	19	TC26					6	6A7,*78, 42, 75, 80	175	5-3
4B6 Road Mate	Vol.		18	MR48				1327	1	TC26		298	C23	6	*78, 77, 75, 41, 84	175	5-5	
4C5, 4CA5 4CB5	Vol.		17	MR48				.015		Buffer	.B14							
4CD5	Vol.		17	MR48				8-4	25	See Note	.B3				5	6A7, 78, 75, 42, 80	175	5-6
4D10, 4DB10	Vol. Tone		106	MR48	M26			25	19	TC26					5	6A7, 78, 75, 42, 80	175	5-7
4E6	Vol. Tone		106	MR45				8-8	1	2N518				10	2B7, 445, 2A7,*58, 56, 80	175	5-9	
4G7	Vol. Tone	19-1291	17	MR48	M26			4-4	4	TC571	.B3			6	42, 75, 76, 77, 78, 80	115	5-10	
4H11	Vol. Tone	19-1317	76	MR45				25	15	TC26				7	42, 75, 76,*78, 80	456	6-5	
	Vol. Tone	19-1291	76	MR48	M26			18-1129	4	RM262				11	445, 6B7,*76,*78, 80	456	6-6	
	Vol. Tone	19-1317	76	MR45				18-928	20	TC26				6	6A7,*78, 43, 75, 25Z5	456	6-4	
4J6, 4JC6	Vol. Tone	19-1291	76	MR48	M26			18-721	1	RS213				6	6A7,*78, 43, 75, 25Z5	456	6-4	
	Vol. Tone	19-1317	76	MR45				75-267A	13	TC52				6	6A7,*78, 43, 75, 25Z5	456	6-4	
4JA6, 4JB6	Vol. Tone	19-1291	76	MR48	M26			18-928	15	TC26				6	6A7,*78, 43, 75, 25Z5	456	6-3	
	Vol. Tone	19-1317	76	MR45				1295	8	TN125				6	6A7,*78, 43, 75, 25Z5	456	6-3	
5A6	Vol.	19-1317	45	MR45				1379	13	TC42				6	6A7,*78, 43, 75, 25Z5	456	6-3	
5B5, 5BC5	Vol. Tone	19-1291	17	MR48	M26			928	15	TC26				6	6A7,*78, 43, 75, 25Z5	456	6-3	
5BA5	Vol. Tone	19-1317	17	MR45				1295	8	TN125				6	6A7,*78, 43, 75, 25Z5	456	6-3	
5BE6	Vol. Tone	19-1291	17	MR48	M26			1379	8	TC42				6	6A7,*78, 43, 75, 25Z5	456	6-3	
5E7	Vol. Tone	19-1317	21	MR45				928	15	TC26				6	6A7,*78, 43, 75, 25Z5	456	6-3	
5EA7	Vol. Tone	19-1291	17	MR48	M26			18-2002	4	TC571				6	1A6, *34, *30, 33	456	13-6	
5E8, 5E9	Vol. Tone	19-1317	22	MR45				18-928	15	TC26				5	6A7, 78, 75, 42, 80	175	7-4	
6A5	Vol.	19-1291	15	MR48	M26			18-1274	4	TC571				5	6A7, 78, 75, 42, 80	456	7-5	
6A10, 6A20	Vol. Tone		172	MR48	M26			18-928	15	TC26				6	6A7, 78, 75, 42, 80	456	7-5	
	Vol. Tone		285	Order from Mfr.				18-2002	4	TC571				5	6A7, 78, 75, 42, 80	456	7-5	
6AB5, 6AC5	Vol.	19-1291	15	MR48	M26			18-1274	4	TC571	.B3			6	6A7, 78, 75, 42, 80	456	7-6	
6B8	Vol. Tone	19-1291	17	MR48	M26			18-928	19	TC26				7	6A7, 78, 75, 42, 80	456	7-6	
6B10, 6B20, 6B30, 6B32	Vol. Tone	19-1317	21	MR45				18-1274	15	TC571	.B3			7	76,*78, 42, 75, 80	456	6-7	
	Vol. Tone		172	MR48	M26			18-928	4	TC571	.B3			7	76,*78, 75, 42, 80	456	6-8	
	Vol. Tone		286	MR45				18-2004	20	TC26				8	*6K7, 6C5, 6H6, 6F5, 6P6, 5Z4	456	7-5	
6D6	Vol.	19-1291	17	MR48	M26			18-2002	4	TC571				5	6A7, 78, 75, 42, 80	175	8-1	
6F6, 6FB6	Vol. Tone	19-2006	17	MR48				18-2005	1	HD684				6	6A7, 78, 75, 42, 80	175	8-1	
	Vol. Tone	19-1317	21	MR45				18-2006	1	RS216				6	6A7, 78, 75, 42, 80	175	8-1	
6J4	Vol.	19-1296	6	MR18	M26			18-2006	15	TC26				8	6A7, 78, 75, 42, 80	175	8-1	
	Vol.							.015		Buffer	.B14			4	6A7,*78, 42, 75, 80	175	8-2	
6M6	Vol. Tone	19-1315	17	MR48				18-2003	11	TN125				5	6A7, 78, 75, 43, 25Z5	115	12-2,3	
6P4	Vol.	19-1317	21	MR45				18-928	15	TC26				4	1C6, 1A4, 1B4, 1F4	175		
6S12	Vol. Tone	19-2005	15	MR48	M26			18-2006	1	RS216				12	*6K7, 6A8, 6H6, *6F5, *6L6, *5Z4, 6G5	456		
	Vol. Tone	19-2004	21	MR45	M27			18-928	15	TC26				11	6A8, *6K7, 6H6, *6F5, 6G5,*6F6,*80	456	9-3	
6T11	Vol. Tone	19-1291	18	MR48	M26			18-2006	1	HD684				5	6A7, 78, 75, 42, 80	175		
7A5	Vol. Tone	19-1317	21	MR45				18-2005	4	HD684				5	6A7, 78, 75, 42, 80	175		
	Vol. Tone	19-1291	18	MR48	M26			18-2006	1	RS216				5	6A7, 78, 75, 42, 80	175		
	Vol. Tone	19-1317	21	MR45				18-928	15	TC26				5	6A7, 78, 75, 42, 80	175		
7AB5	Vol. Tone	19-1291	18	MR48	M26			18-2005	1	HD684				5	6A7, 78, 75, 42, 80	115		
	Vol. Tone	19-1317	21	MR45				18-2006	1	RS216				5	6A7, 78, 75, 42, 80	175		
7AC5	Vol. Tone	19-1291	18	MR48	M26			18-928	15	TC26				5	6A7, 78, 75, 42, 80	175		
	Vol. Tone	19-1317	21	MR45				18-2005	1	HD684				5	6A7, 78, 75, 42, 80	175		
	Vol. Tone	19-1317	21	MR45				18-2006	1	RS216				5	6A7, 78, 75, 42, 80	175		

† Data not substantiated.

\* IMPORTANT: Read Notes in Note Section if specified in Note Column.  
MALLORY PARTS ARE DESIGNED WITH THE SERVICEMAN IN MIND.

‡ Indicates miscellaneous section.

MANUFACTURER AND MODEL	CONTROLS							CONDENSERS				VIBRATORS			No. Tubes	Complete Tube Complement	I. F. Peak	Rider's Reference
	Use	Original Part	Circuit	Correct Replacement	Switch	Bias	*Note	Original Part	Circuit	Correct Replacement	*Note	Original Part	Replacement	*Note				
WILCOX-GAY—Continued																		
7B6	Vol. Tone	19-1291 19-1317	18 21	MR48 MR45	M26			18-2003 18-928	8 15	TN125 TC26					5	6A7, 78, 75, 25L6, 25Z5	175	13-10
7BA6	Vol. Tone	19-1291 19-1317	18 21	MR48 MR45	M26			18-2003 18-928	8 15	TN125 TC26					5	6A7, 78, 75, 25L6, 25Z5	175	13-11
7C6, 7CB6	Vol. Tone	19-1315 19-1317	17 21	MR48 MR45			A4	18-2005 18-2006	1 15	HD684 RS216					5	6A8, 6K7, 6Q7, 6F6, 5Z4	175	12-2,7
7D6	Vol. Tone	19-2006 19-1315	17 18	MR48 MR48				18-928 18-2003	15 8	TC26 TN125					5	6A7, 78, 75, 25L6, 25Z5	175	
7E5, 7EA5	Vol. Tone	19-1317 19-1291	21 18	MR45 MR48	M26			18-928 18-2008	15 1	TC26 2N518					5	6A8, 6K7, 6Q7, 6F6, 5Z4	456	
7G5, 7GB5	Vol. Tone	19-1317 19-1291	18 21	MR48 MR45	M26			18-2005 18-2006	1 15	HD684 RS216					5	6A7, 78, 75, 42, 80	175	
7J7, 7K7	Vol. Tone	19-2008 19-2009	17 21	MR48 MR45				18-928 18-721	15 1	TC26 RS213					7	*78, 6A7, 75, 42, 80	456	
7R5	Vol. Tone	19-2008 19-2010	17 21	MR48 MR45	M27			18-2005 18-928	1 15	HD684 TC26					5	1C7G, *1D5G, 1H6G, 1F5G	456	
7S5 (Chassis)	Vol.	19-2007	18	MR48	M26			18-2009 18-928	1 15	2N513 TC22				5	6A7, 78, 75, 43, 25Z5	456	10-3	
7T5	Vol. Tone	19-2007 19-2009	18 21	MR48 MR45	M26			18-2009 18-928	1 15	2N513 TC26				5	6A7, 78, 75, 43, 25Z5	456		
7X10 (Police Receiver)	Vol. Muter	10-2007 19-2010	75 1	MR48 MR45	M26 M27			18-721 18-928	1 15	RS213 TC26				10	*78, 6A7, 6H6, *76, 42, 80	175		
8A5	Vol.	19-1296 19-2007	8 18	MR18 MR48	M26			18-2008	1	2N518				5	6A8, 6K7, 6Q7, 6F6, 5Z4	456		
8C4	Vol.	19-2011	7	MR22	M26			18-2010 18-2011	23 23	TC44 TC42				4	6K7, 6J7, 25L6, 25Z6		12-13	
8D5	Vol. Tone	19-2007 19-2009	18 21	MR48 MR45	M26			18-2012 18-2010	15 1	TC22 TC44				5	6A7, 6D6, 75, 42, 25Z5	456	10-5	
8E5	Vol. Tone	19-2007 19-2009	18 21	MR48 MR45	M26			18-2011 18-928	1 15	TC42 TC26				5	6A7, 6D6, 75, 42, 80	456	10-6	
8J5	Vol.	19-2012	18	MR48	M26			18-2014 18-2013	23 23	TC71 TC70				5	6A8, 6K7, 6Q7, 25L6, 25Z6	456	10-7	
8K2								18-2011 18-2010	8 15	TC42 TC44				5	6A7, 25Z5		12-11	
8L7	Vol. Tone	19-2007 19-2009	17 22	MR48 MR45	M26			18-2012 18-2011	1 24	RS213 TC42				7	6A7, 6D6, *75, *42, 80	456	10-8	
8N7	Vol. Tone	19-2007 19-2009	17 22	MR48 MR45	M26			18-721 18-2006	1 1	RS213 RS216				7	6A7, 6D6, *75, *42, 80	456	10-8	
8P2								18-2012 18-2010	15 24	TC22 TC44				2	6A8GT, 5Z4GT			
8R4	Vol.	19-2008	18	MR48				18-2011	24	TC42				4	1A7G, 1N5G, 1H5G, 1C5G	456		
9A2								19-2010 18-2011	24 24	TC44 TC42				2	12A8, 35Z4		11-5	
9B3	Vol. Tone	19-2013 19-2013	50 21	MR44 MR44	M26 M26			18-2016 18-2011	24 24	TC48 TC42				3	12A8, 35L6, 25X6			
9C5	Vol.	19-2012	18	MR48	M26			18-2012 18-2010	15 6	TC22 TC44				5	12A8, 12K7, 12Q7, 35L6, 45Z5	456	12-11	
9E5	Vol.	19-2017	18	MR53	M27			18-2011 18-2012	6 15	TC42 TC22				5	1A7, 1N5, 1H5, 1A5, 45Z5	456	11-15,18	
9F2	Vol.	19-2013	50	MR44	M26			18-2018	78/76	FP409				2	12SA7, 35Z4			
9G3	Vol. Tone	19-2013 19-2013	50 21	MR44 MR44	M26 M26			18-2010 18-2011	24 24	TC44 TC48				3	12A8, 25X6, 35L6			
9J9	Vol. Tone	19-2014 19-2009	17 22	MR48 MR45	M26			18-2012 18-2017	15 1/13/15	TC26 FP424				9	6A8, 6K7, *6Q7, 6J7, *6K6, 6U5/6G5	456	11-7,12	
9L5	Vol. Tone	19-2014 19-2009	17 22	MR48 MR45	M26			18-2012 18-2010	15 1	TC71 TC22				5	6A8, 6K7, 6Q7, 6K6, 5W4	456	11-6	
9M5	Vol. Tone	19-2007 19-2009	15 22	MR48 MR45	M26			18-2011 18-2012	13 15	TC42 TC22				5	12J7, 12Q7, 35L6, 6N5, 45Z5		11-21	
9N7	Vol. Tone	19-2014 19-2009	17 34	MR48 MR45	M26			18-2015 18-2015	1 1	TC71 TC71				7	6A8, 6K7, *6Q7, *6K6, 5W4	456	11-19,20	
9P7	Vol. Tone	19-2014 19-2009	17 34	MR48 MR45	M26			18-2006 18-2012	1 15	RS216 TC22				7	6A8, 6K7, *6Q7, *6K6, 5W4	456	11-17,18	
9Q5	Vol. Tone	19-2014 19-2009	15 22	MR48 MR45	M26			18-2012 18-2017	15 1/13/15	TC22 FP424				5	6J7, 6Q7, 6U5, 6G5, 6K6, 5W4		11-13,14	

‡ Data not substantiated.

\* IMPORTANT: Read Notes in Note Section if specified in Note Column.

‡ Indicates miscellaneous section.

MANUFACTURER AND MODEL	CONTROLS							CONDENSERS				VIBRATORS			No. Tubes	Complete Tube Complement	I. F. Peak	Rider's Reference
	Use	Original Part	Circuit	Correct Replacement	Switch	Bias	*Note	Original Part	Circuit	Correct Replacement	*Note	Original Part	Replacement	*Note				
WILCOX-GAY—Contingued 9R5.....	Vol.	19-2014....	17	MR48.....	M26			18-2010....	1	TC44.....					5	12A8, 12K7, 12Q7, 35L6, 45Z5.....	456	
9-559 (8T6).....	Vol. Tone	19-2008....	17	MR48.....				18-2011....	13	TC42.....					5	6A8, 6D6, 75, 42, 80.....	456	
9-569 (8S5).....	Vol. Tone	19-2009....	21	MR45.....				18-2012....	15	TC22.....					6	6A8, 6D6, 75, 42, 80, 6E5.....	456	
9-689 (8V8).....	Vol. Tone	19-2008....	17	MR48.....				18-2013....	1	TC71.....					8	6A7, 6D6, 75, 42, 80, 6E5, 80.....	456	
	Vol. Tone	19-2009....	21	MR45.....				18-2014....	15	TC70.....								
	Vol. Tone	19-2007....	17	MR48.....	M26			18-2012....	15	TC22.....								
	Vol. Tone	19-2009....	17	MR45.....	M26			18-2005....	1	HD684.....								
	Vol. Tone	19-2009....	17	MR45.....	M26			18-2015....	1	TC71.....								
	Vol. Tone	19-2009....	17	MR45.....	M26			18-2012....	15	TC22.....								
WILMAK CORP. W-446 "DENchum"	Vol.	11C0727....	205	Order from Mfr.....				15A0816....	95/78	FP407.....					4	1R5, 1T4, 1S5, 3Q4.....	455	
WINDHAM—See Airking																		
WINGS—See Goodyear Service																		
WOOLAROC—See Phillips Petroleum																		
RUDOLPH WURLITZER—Also see All American Model "B" 1930-31. C4, M4.....	Vol.	5740.....	25	Mohawk "Lyric" DRP169.....	M26			16.....	10	TC55.....					6	32, 30, 31, 6A7, 6B7, 43, 25Z5.....	456	4-1, 5-10
P5.....	Vol.		17	MR48.....	M26			8-4-10.....	10/15	3S579.....					5	6A7, 78, 75, 43, 12Z3.....	456	4-2, 5-11
SA5.....	Vol. Tone		18	MR48.....				Y3715RA.....	1/15	3S579.....					5	2A7, 58, 2A6, 2A5, 80.....	175	4-3, 5-12
SU5.....	Vol. Tone		22	MR18.....	M26			10.....	15	TC22.....					5	6A7, 78, 75, 43, 12Z3.....	456	4-5, 5-15
SA6.....	Vol. Tone		18	MR48.....				16-12-10.....	6/15	3N527.....					6	2A7, 58, 2A6, 2A5, 80.....	175	4-4, 5-13
B6.....	Vol. Tone		22	MR21.....				8-8.....	1	RM262.....					5	1A6, 34, 32, 33, 10AB.....	175	5-19
D.C. 7, 110 volts.....	Vol. Tone	1821.....	24	DRP244.....	M26			10.....	15	TC22.....					7	33, 36, 37.....	175	
S40.....	Vol.	1587.....	34	MR21.....		See Note	te A5	1.5-2.....	1	See Note.....	B7				4	47, 57, 80.....	175	
S50.....	Vol. Tone		6	MR18.....	M26			8, 8.....	1	ST595.....					4	47, 57, 80.....	175	
U50.....	Vol. Tone		22	MR18.....				10.....	19	TC22.....					5	47, 57, 58, 80.....	175	
A60.....	Vol. Tone		6	MR18.....				8, 8.....	1	RS213.....					5	44, 43, 25Z5.....	485	4-6
S63.....	Vol. Tone		22	MR24.....	M26			16-12-10.....	6/15	3N527.....					6	6B7, 78, 6A7, 41, 8A.....	485	4-7
DC65, 110 volts.....	Vol. Tone		42	MR42.....				Y3773RA.....	1/15	3S579.....			292	C3	5	24, 27, 35, 47, 80.....	175	
SA65.....	Vol. Tone		22	MR21.....				.02.....	1	Buffer.....	B14				6	24, 27, 35, 47, 80.....	175	
B80.....	Vol. Tone		22	H.....				6900.....	15	RS213.....					6	33, 36, 37, 39.....	175	
SW80.....	Vol. Tone		8	MR18.....				10.....	15	TC22.....					6	33, 36, 37, 39.....	175	
SW88.....	Vol. Tone		34	G.....				3.5.....	1	See Note.....	B11				6	47, 55, 57, 58, 80.....	175	
SA90.....	Vol. Tone		15	MR33.....	M26			8, 8.....	1	RS213.....					6	47, 55, 57, 58, 80.....	175	
SA91.....	Vol. Tone		22	MR48.....				10.....	16	TC22.....					8	30, 34, 32.....	175	
SA91A.....	Vol. Tone		43	DRP169.....				8.....	12	RS213.....					8	30, 34, 32.....	175	
SA120.....	Vol. Tone		21	MR44.....				8, 8.....	1	RS213.....					8	47, 56, 57, 58, 80.....	485	4-8, 5-16
SA130.....	Vol. Tone		15	MR48.....				8, 8.....	1	RS213.....					8	57, 58, 56, 2A5, 80.....	485	4-8, 5-16
SA133.....	Vol. Tone		22	MR18.....	M26			10.....	15	TC22.....					9	24, 27, 35, 47, 55, 80.....	175	
450.....	Vol. Tone		45	MR48.....		See Note	te A4	10.....	15	TC22.....					9	47, 56, 57, 58, 55, 80.....	175	
454.....	Vol. Tone		45	MR48.....		See Note	te A4	10.....	15	TC22.....					9	57, 58, 56, 55, 2A5, 80.....	175	4-9, 5-14
460.....	Vol. Tone		45	F.....				8, 8.....	1	RS213.....					12	58, 56, 57, 46, 80.....	175	4-10
470, 471.....	Vol. Tone		21	MR48.....	M26			10.....	15	TC22.....					12	58, 56, 57, 46, 80.....	175	4-10
	Vol. Tone		15	F.....				5.....	17	TC32.....					13	47, 56, 57, 58, 82.....	175	
	Vol. Tone		39	MR48.....	M26			8, 8, 8.....	7	RS213.....					13	47, 56, 57, 58, 82.....	175	
	Vol. Tone		8	MR48.....		See Note	te A4	5.....	15	TC32.....					13	56, 57, 58, 2A5, 82.....	175	4-11, 5-17
	Vol. Tone		15	MR53.....				8, 8, 8.....	7	RS213.....					13	56, 57, 58, 2A5, 82.....	175	4-11, 5-17
	Vol. Tone		21	MR48.....	M26			Y3715RA.....	1/15	3S579.....					5	58, 57, 2A5, 80.....	456	5-1, 2
	Vol. Tone		6	F7.....	6-9	1		Y3715RA.....	1/15	3S579.....					5	6A7, 6D6, 75, 41, 80.....	456	5-4
	Vol. Tone		18	MR48.....	M26			10.....	15	TC22.....					6	41, 6B7, 6D6, 84.....	175	5-5, 6
	Vol. Tone		17	UM154-SS3.....				8-6-10.....	4/15	3S579.....	B3		292	C3	6	41, 6B7, 6D6, 84.....	175	5-5, 6
	Vol. Tone		22	MR21.....				.02.....	4/15	Buffer.....	B14				7	6D6, 76, 6A7, 75, 41, 80.....	370	5-7, 8
	Vol. Tone		18	MR48.....				8-8.....	1	2N518.....					7	6D6, 76, 6A7, 75, 41, 80.....	370	5-7, 8
	Vol. Tone		22	MR18.....				10.....	15	TC22.....					7	6D6, 76, 6A7, 75, 41, 80.....	370	5-7, 8

‡ Data not substantiated.

\* IMPORTANT: Read Notes in Note Section if specified in Note Column.

§ Indicates miscellaneous section.

MANUFACTURER AND MODEL	CONTROLS							CONDENSERS				VIBRATORS			No. Tubes	Complete Tube Complement	I. F. Peak	Rider's Reference
	Use	Original Part	Circuit	Correct Replacement	Switch	Bias	*Note	Original Part	Circuit	Correct Replacement	*Note	Original Part	Replacement	*Note				
RUDOLPH WURLITZER— 480.....	Continued Vol. Tone		18 21	MR48 MR39				8 12 10	1 1 15	ST595 ST597 TC22					7	*6D6, 6A7, 75, 41, 80.	456	5-9
U500.....	Vol.		17	MR48	M26			Y3764RA	6/15	3N527					5	6A7, 78, 6B7, 43, 25Z5	456	4-12
ZENITH A, B, C, D (2004) ..	Vol. Tone	63-141	1	Order from Mfr.	Mfr.			22-87	1	RS213					6	*24, 45, 80.		1-26
AH.....	Vol. Tone	63-142	34	Order from Mfr.	Mfr.			22-84	1	TC70					8	*27, *51, 24, 47, 80.	175	1-23, 24
BH (2021).....	Vol. Tone	63-161	8	SRP262	6-9			22-118	4	RS213					7	*51, 24, *27, 47, 80.	175	2-11
CH.....	Vol. Tone	63-154	22	MR53				22-119	4	RS213					8	*27, *51, 24, 47, 80.	175	1-23, 24
L (2009-C).....	Vol.	63-181	7	G	6-9			22-132	26	TC71					5	*24, 45, 80.		1-27
LH, MH (2022).....	Vol. Tone	63-200	22	MR33				22-133	26	TC70					7	*51, 24, *27, 47, 80.	175	2-12
LP (2009CP).....	Vol.	63-161	8	SRP262	6-9			22-131	26	TC71					8	*27, *51, 24, 47, 80.	175	1-23, 24
RH (2012).....	Vol. Tone	63-154	21	MR53				22-118	4	RS213					5	*51, 24, 47, 80.		1-25
S7000, S7001, S7002, S7003.....		63-209	8	A10MP	6-9			22-102	1	RS213					2	12SA7GT, 35Z4GT		
S8500, S8501.....		63-200	34	MR48				22-131	4	TC71					2	12SA7GT, 35Z4GT		
S8500Z.....		63-164	6	MR18				22-140	4	TC71					2	7B8, 25Z6G		
S9000.....		63-161	8	SRP262	6-9			22-119	1	RS213					2	12SA7GT, 35Z4GT		
S9001, S9002 (Phono. Osc.).....		63-154	21	MR53				22-118	1	RS213					2	12SA7GT, 35Z4GT		
S9005 (Ch. 6B25).....	Vol.	63-1272	124	MK401				22-876	24	2N514					2	7B8, 25Z6G		13-47
WH (2022).....	Vol. Tone	63-209	8	A10MP	6-9			22-1320	46	TC78					6	7G7, 7C7, 7A6, 7B4, 6V6G, 5Y4G		13-48
4B106, 4B131, 4B132 (5406).....	Vol. Tone	63-200	34	MR48				22-1321	46	FP234/TC65	B8				7	*51, 24, *27, 47, 80.	175	2-12
4B231 (Chassis 5409).....	Vol.	63-534	18	MR48	M26			22-991	13	2S569					4	*15, 75, 38.	456	7-1, 2
4B313, 4B355 (5410).....	Vol.	63-469	34	MR44				22-419	1	2N516		190-6	246	C3	4		456	
4B314, 4B317 (5411).....	Vol.	63-547	18	MR48	M26			22-225	15	TC22					4		456	
4B422, 4B437, 4B466, 4B468 (Chassis 5417).....	Vol.	63-547	18	MR48	M26			.01-.01		Buffer	B14				4		456	
4B515 (Ch. 4A01).....	Vol.	63-547	18	MR48	M26			22-582	1/15	3S579		190-6	246	C3	4	6D8G, 6S7G, 6T7G, 38	456	8-1, 6
4B536 (Ch. 4A03).....	Vol.	63-955	18	UM147-SS18	M26			.01-.01		Buffer	B14				4	6A8G-6D8G, 6K7G- 6S7G, 6Q7G-6T7G, 6G6G	455	9-1
4B639 (Ch. 4B04).....	Vol.	63-955	18	UM147-SS18	M26			22-739	46	FP380		190-6	246	C3	4	6A8G-6D8G, 6K7G- 6S7G, 6Q7G-6T7G, 6G6G	455	9-3
4F133 (Chassis 5407).....	Vol.	63-1079	18	UM161-SS33	M26			.01-.01		Buffer	B14				4		455	
4F227 (Chassis 5408).....	Vol.	63-1079	18	UM161-SS33	M26			22-742	46	FP380	B223	190-17	Order from Mfr.		4	1A7G, 1N5G, 1H5G, 1Q5G	455	11-1
4K016, Ch. 4C52.....	Vol.	63-1079	18	UM161-SS33	M26			22-961	78	WP057	B14	190-17	Order from Mfr.		4	1A7G, 1N5G, 1H5G, 1Q5G	455	12-1
4K035, Ch. 4C53.....	Vol.	63-1079	18	UM161-SS33	M26			22-742	46	FP380	B223	190-17	Order from Mfr.		4	1A7G, 1N5G, 1H5G, 1Q5G	455	12-1
4K040, 4K040G, Ch. 4C54.....	Vol.	63-1079	18	UM161-SS33	M26			22-961	78	WP057	B14	190-17	Order from Mfr.		4	1A7G, 1N5G, 1H5G, 1Q5G	455	12-1
4K310 (5412).....	Vol.	63-1079	18	UM161-SS33	M26			22-742	46	FP380	B223	190-17	Order from Mfr.		4	1A7G, 1N5G, 1H5G, 1Q5G	455	13-1, 3
4K329 (Ch. 5413).....	Vol.	63-1079	18	UM161-SS33	M26			.04-.04		Buffer	B14				4		455	
4K331, 4K355 (Ch. 5412).....	Vol.	63-548	17	MR53	M27			22-522	1	2N516		190-8	W246	C3	4	1C7, 1D5, 1F7, 1F5	456	8-2
4K331, 4K355 (Ch. 5412).....	Vol.	63-548	17	MR53	M27			.01-.01		Buffer	B14				4		456	8-3
4K331, 4K355 (Ch. 5412).....	Vol.	63-1235	155	MK402	M27		A127	22-684	13	TC42					4	1C7G, 1D5G, 1F7G, 1F5G	456	8-3
4K331, 4K355 (Ch. 5412).....	Vol.	63-1235	155	MK402	M27		A127	22-684	13	TC42					4	1A7GT, 1N5GT, 1H5GT, 1C5GT	455	15-1, 2
4K331, 4K355 (Ch. 5412).....	Vol.	63-1236	18	TM238	M27			22-684	13	TC42					4	1A7GT, 1N5GT, 1H5GT, 1C5GT	455	15-1, 2
4K331, 4K355 (Ch. 5412).....	Vol.	63-997	18	UM154-SS26	M27			22-684	12	TC42					4	1R5, 1N5GT, 1H5GT, 1C5GT	455	16-1, 3
4K331, 4K355 (Ch. 5412).....	Vol.	63-548	17	MR53	M27			22-684	12	TC42					4	1A7G, 1N5G, 1H5G, 1C5G	455	10-5
4K331, 4K355 (Ch. 5412).....	Vol.	63-997	18	UM154-SS26	M27			22-684	12	TC42					4	1A7G, 1N5G, 1H5G, 1C5G	456	10-6
4K331, 4K355 (Ch. 5412).....	Vol.	63-997	18	UM154-SS26	M27			22-684	12	TC42					4	1A7G, 1N5G, 1H5G, 1C5G	456	10-5

† Data not substantiated.

\* IMPORTANT: Read Notes in Note Section if specified in Note Column.

‡ Indicates miscellaneous section.

MANUFACTURER AND MODEL	CONTROLS							CONDENSERS				VIBRATORS			No. Tubes	Complete Tube Complement	I. F. Peak	Rider's Reference
	Use	Original Part	Circuit	Correct Replacement	Switch	Bias	*Note	Original Part	Circuit	Correct Replacement	*Note	Original Part	Replacement	*Note				
ZENITH—Continued																		
4K400D, 4K400L, 4K400M, 4K400S (Ch. 5416).....	Vol.	63-1026	18	MK402	M27		22-684	12	TC42					4	1A7G, 1N5G, 1H5G, 1C5G	455	14-1,2	
4K402 (Ch. 5419) ..	Vol.	63-1034	18	Order from	Mfr.		22-684	12	TC42					4	1A7G, 1N5G, 1H5G, 1C5G	455	11-2	
4K422, 4K435, 4K465, 4K466 (Ch. 5420).....	Vol.	63-1072	18	UM161-SS33	M27		22-684	12	TC42					4	1A7G, 1N5G, 1H5G, 1C5G	455	11-3	
4K515 (Ch. 4A02) ..	Vol.	63-1072	18	UM161-SS33	M27		22-684	12	TC42					4	1A7G, 1N5G, 1H5G, 1C5G	455	12-2	
4K535, 4K570 (Ch. 4A04).....	Vol.	63-1072	18	UM161-SS33	M27		22-684	12	TC42					4	1A7G, 1N5G, 1H5G, 1C5G	455	12-2	
4K600 (Ch. 4B01) ..	Vol.	63-1176	18	1 Meg.		A3	22-1176	12	TC42					4	1R5, 1T4, 1S5, 1S4...	455	12-30	
4K616 (Ch. 4B02) ..	Vol.	63-1235	18	MK402	M27		22-684	12	TC42					4	1A7G, 1N5GT, 1H5GT, 1C5G	455	13-3	
4K635 (Ch. 4B03) ..	Vol.	63-1235	18	MK402	M27		22-684	12	TC42					4	1A7G, 1N5GT, 1H5G, 1C5G	455	13-3	
4K640 (Ch. 4B05) ..	Vol.	63-1236	18	TM243-SS25	M27		22-684	12	TC42					4	1R5, 1N5GT, 1H5GT, 1C5GT	455	13-4,5	
4K658 (Ch. 4B03) ..	Vol.	63-1235	18	MK402	M27		22-684	12	TC42					4	1A7G, 1N5GT, 1H5G, 1C5G	455	13-3	
4K2616 (Ch. 4B02) ..	Vol.	63-1235	18	MK402	M27		22-684	12	TC42					4	1A7G, 1N5GT, 1H5G, 1C5G	455	13-3	
4P26, 4T26 (Chassis 5403).....	Vol.	63-455	6	D7	6-9		22-407	4/13	RM265	B58				4	6A7, 6F7, 42, 80, or 6A8, 6P7, 6F6, 5Y3	456	6-17,18	
4P51, 4T51 (Chassis 5401).....	Vol.	63-455	6	D7	6-9		22-407	4/13	RM265	B58				4	6A7, 6F7, 42, 80, or 6A8, 6P7, 6F6, 5Y3	456	6-17,18	
4V31, 4V59 (5405) ..	Vol. Tone	63-468 63-469	18 34	MR44 MR44	M26		22-419 22-225 .006	1 15	2N516 TC22 Buffer	B14	190-5	246	C3	4	15, 75, 38	456	6-19,20	
5A119, 5A126, 5A127, 5A151 (Ch. 5517A).....	Vol. Tone	63-525 63-521	18 34	MR48 MR33	M27		22-294 22-505	4 4	RS216 RS215					5	6A8G, 6K7, 6Q7G, 6F6G, 5W4/5Y3	456	10-15	
5A318, 5A325 (Ch. 5532A).....	Vol.	63-998	18	UM147	M26	A96	22-775 22-776	4 4	TC71 TC71					5	6J8G, 6U7G, 6Q7G, 6K6G, 6X5G	455	10-13	
5B042, Ch. 5C26T..	Vol.	63-1249	18	Order from	Mfr.		22-1058 22-1266 .006	24 15/13	FP238 Order from Buffer	B197 Mfr. B14	190-6	246	C3	5	7Q7, 7B7, 7C6, 6L5G/ 6J5GT, 1J6G	455	15-3,7	
5D011, 5D027, 5D011Z, 5D027Z, Ch. 5C01, 5C01Z.	Vol.	63-1337	18	Order from	Mfr.		22-1519	89	FP357					5	12SA7GT, 12SK7GT, 12SQ7GT, 50L6GT, 35Z5GT	455	15-8,9	
5D042T, Ch. 5C64T	Vol.	63-1249	18	TM231-SS25	M26		22-1059 22-1060	136 136/13	TC78 FP371	B8				5	14Q7, 7B7, 7C6 50L6GT, 35Z5GT	455	15-14,19	
5D610, 5D610W, 5D625 (Ch. 5B01)	Vol.	63-1112	18	MK401	M26		22-1186	24	FP357					5	12SA7G, 12K7GT, 12SQ7GT, 50L6GT, 35Z5G	455	12-31	
5D611 (Ch. 5B02) ..	Vol.	63-1112	18	MK401	M26		22-1186	46	FP357					5	12SA7G, 12K7GT, 12SQ7GT, 50L6GT, 35Z5G	455	13-6	
5D627 (Ch. 5B02) ..	Vol.	63-1112	18	MK401	M26		22-1186	46	FP357					5	12SA7GT, 12K7GT, 12SQ7GT, 50L6GT, 35Z5G	455	13-6	
5D2611 (Ch. 5B02) ..	Vol.	63-1112	18	MK401	M26		22-1186	46	FP357					5	12SA7GT, 12K7GT, 12SQ7GT, 50L6GT, 35Z5G	455	13-6	
5F134 (Chassis 5518).....	Vol. Tone	63-541 63-521	17 44	MR53 MR33	M27		22-522 .01-.01	1	2N516 Buffer	B14	190-8	W246	C3	5	1C7, 1D5, 1F7, 1H4, 1J6	456	8-4	
5F166 (Chassis 5518).....	Vol. Tone	63-541 63-521	17 44	MR53 MR33	M27		22-522 .01-.01	1	2N516 Buffer	B14	190-8	W246	C3	5	1C7, 1D5, 1F7, 1H4, 1J6	456	8-4	
5F233, 5F251 (Chassis 5522) ..	Vol.	63-541	15	MR53	M27		22-522	1	2N516	B14	190-8	W246	C3	5	1C7G, 1D5G, 1F7G, 1H4G, 1J6G	456	8-5,6	
5G003, Ch. 5C40 ..	Vol.	63-1549	205	Order from	Mfr.		22-1014 22-1081	95 95	FP217 FP306					5	1LA6, 1LN5, 1LH4, 1LB4, 117Z3	455	16-4,6	
5G003Z, 5G003ZZ, Ch. 5C40Z, 5C40ZZ.....	Vol.	63-1236	287	TM243-SS25	M27		22-1026 22-1027	91 91	FP306 FP217	B192				5	1A6, 1LN5, 1LH4, 1LB4, 117Z6GT	455		
5G036, Ch. 5C51 ..	Vol.	63-1549	205	Order from	Mfr.		22-1081 22-1014	88 88/13	FP354 FP211	B8				4	1LA6, 1LN5, 1LH4, 1LB4, D. R.	455		

† Data not substantiated.

\* IMPORTANT: Read Notes in Note Section if specified in Note Column.

‡ Indicates miscellaneous section.

BE SURE TO SPECIFY MALLORY RADIO AND ELECTRONIC PARTS.



MANUFACTURER AND MODEL	CONTROLS							CONDENSERS				VIBRATORS			No. Tubes	Complete Tube Complement	I. F. Peak	Rider's Reference
	Use	Original Part	Circuit	Correct Replacement	Switch	Bias	*Note	Original Part	Circuit	Correct Replacement	*Note	Original Part	Replacement	*Note				
ZENITH—Continued 5G401 (Ch. 5537)...	Vol.	63-1026	18	MK402	M27			22-918 22-871	46 46/24	2N514 FP354					5	1A7G, 1N5G, 1A5G, 1H5G, 117Z6G	455	
5G441, 5G442, 5G461 (Ch. 5539)	Vol.	63-1080	18	Order from	Mfr.			22-879 22-880	46 46/24	FP214 FP354	B211				5	1A7G, 1N5G, 1H5G, 1Q5G, 117Z6G	455	
5G484 (Ch. 5538)	Vol.	63-1026	18	MK402	M27			22-918 22-871	46 46/24	2N514 FP354					4	1A7G, 1N5G, 1H5G, 1A5G	455	11-6
5G438, 5G467 (Ch. 5536)	Vol.	63-1081	18	Order from	Mfr.			22-879 22-928	46 46/13	FP214 2N514	B211				5	1A7G, 1N5G, 1H5G, 1Q5G, 117Z6G	455	
5G500, 5G501 (Ch. 5A01)	Vol.	63-1121	18	MK402	M27			22-1026 22-1027	76 76	FP354 FP211	B211 B211				5	1LA6, 1LN5, 1LH4, 1LB4, 117Z6G	455	12-3
5G504 (Ch. 5A03)	Vol.	63-1126	18	MK402	M27			22-1026 22-1027	76 76	FP354 FP211	B211 B211				5	1LA6, 1LN5, 1LH4, 1LB4, 117Z6G	455	12-4,9
5G510, 5G534 (Ch. 5A10)	Vol.	63-1144	18	1 Meg.		A3		22-1026 22-1027	76 76	FP354 FP211	B211 B211				5	1LA6, 1LN5, 1LH4, 1LB4, 117Z6G	455	12-5
5G537, 5G572 (Ch. 5A02)	Vol.	63-1124	18	Order from	Mfr.			22-1047 22-1027	76 76	FP371 FP211	B211 B211				5	1A7G, 1N5G, 1H5G, 3Q5G, 117Z6G	455	12-6
5G603 (Ch. 5B07)	Vol.	63-1126	149	MK402	M27			22-1026 22-1027	46 46/13	FP354 FP211	B211 B211				5	1LA6, 1LN5, 1LH4, 1LB4, 117Z6G	455	13-7,5
5G617 (Ch. 5B05)	Vol.	63-1241	18	TM243-SS25	M27			22-1026 or 22-1281	46	FP354	B211				5	1LA6, 1LN5, 1LH4, 1LB4, 117Z6G	455	13-9
5G636 (Ch. 5B06)	Vol.	63-1236	18	TM243-SS25	M27			22-1026 or 22-1281	46	FP354	B8 B112				5	1LA6, 1LN5, 1LH4, 1LB4, 117Z6G	455	13-9
5G2617 (Ch. 5B05)	Vol.	63-1241	18	TM243-SS25	M27			22-1026 or 22-1281	46	FP354	B8 B211				5	1LA6, 1LN5, 1LH4, 1LB4, 117Z6G	455	13-9
5J217, 5J247, 5J255 (Chassis 5524)	Vol.	63-689	18	MR48	M27			22-577 .02-.02	1/15	3S579 Buffer	B14	190-11	294	C3	5	6D8G, 6S7G, 6T7G, 38, 6ZY5G	456	8-6,8
5J217T (5524T)	Vol.	63-689	18	MR48	M27			22-653 .02-.02	1/13/15	3S582/TC22 Buffer	B14	190-11	294	C3	5	6D8G, 6S7G, 6T7G, 38, 6ZY5G	456	9-5
5K037, Ch. 5C50	Vol.	63-1236	18	TM243-SS25	M27			22-684	12	TC42					5	1N5GT, 1A7GT, 1H5GT, 1C5GT	455	
5K637 (Ch. 5B04)	Vol.	63-1236	18	TM243-SS25	M27			22-684	12	TC42					5	1N5GT, 1A7GT, 1H5GT, 1C5GT	455	13-10
5L228, 5L237 (Ch. 5525A)	Vol.	63-511	18	UM154	M26	A96		22-596	25	3S584	B8				5	6A8G, 6K7G, 6Q7G, 6F6G, 5Y4G	456	10-15
5M90 (Chassis 5510)	Vol.	63-434	18	MR48	M26	EC256		22-388 .01	4	TCS71 Buffer	B14	190-4	854	C3	5	6A7, 6D6, 75, 4I, 6Z4	456	7-3,4
5M191 (Chassis 5520)	Vol.	63-551	17	MR53	M27	A31		22-528 .008	23	2S567 Buffer	B14	190-9	294	C3	5	6A8G, 6K7G, 6Q7G, 6F6G, 6X5 or 0Z4	465	8-9,12
5M291 (Ch. 5527)	Vol.	63-939	18	TM230-SS34	M27			22-659 .006	1/15	3S579 Buffer	B14	190-13	853	C3	5	6A8G, 6K7G, 6Q7G, 6F6G, 6X5G	455	10-9,10
5M294 (Ch. 5530)	Vol.	63-952	18	TM230-SS34	M26			22-659 .006	1/15	3S579 Buffer	B14	190-13	853	C3	5	6A8G, 6K7G, 6Q7G, 6F6G, 6X5G	456	10-11
5MX080, Ch. 5C80	Vol.	63-1513	18	Order from	Mfr.			22-1387 .008	24/15	FP328 Buffer	B14	190-20	859	C3	5	7Q7, 7B7, 7C6, 6V6GT, 0Z4	265	16-7,9
5R080, 5R086, 5R086Z, Ch. 5C04, 5C02, 5C02Z	Vol.	63-1348	161	Order from	Mfr.			22-1381	91	FP357					5	12SA7GT, 12SK7GT, 12SQ7GT, 50L6GT, 35Z5GT	455	15-9,20
5R123, 5R135, 5R165 (Chassis 5519)	Vol.	63-547	18	MR48	M26			22-505 22-506	4 4	RS215 RS216					5	6A8, 6K7, 6Q7, 6F6, 5W4, or glass equivalents	456	8-13
5R216, 5R226, 5R236 (Chassis 5526)	Vol.	63-565	18	MR48	M26			22-596 8 14	4 4 4	3S584 RS213 RS216	B8 B10 B10				5	6A8G, 6K7G, 6Q7G, 6F6G, 5Y4G	456	8-14
5R303, 5R312, 5R316, 5R317, 5R337 (5528)	Vol.	63-955	18	UM147-SS18	M26			22-691 22-692	4 4	TC71 TC71					5	6A8G, 6K7G, 6Q7G, 6K6G, 6X5G	455	9-7,8

‡ Data not substantiated.

\* IMPORTANT: Read Notes in Note Section if specified in Note Column.

‡ Indicates miscellaneous section.

MANUFACTURER AND MODEL	CONTROLS							CONDENSERS				VIBRATORS			No. Tubes	Complete Tube Complement	I. F. Peak	Rider's Reference
	Use	Original Part	Circuit	Correct Replacement	Switch	Bias	*Note	Original Part	Circuit	Correct Replacement	*Note	Original Part	Replacement	*Note				
ZENITH—Continued 5R680 (Ch. 5B03) ..	Vol.	63-1112	18	MK401	M26		22-1026	1	FP354	{B8 B211				5	12SA7G, 14R7, 12SK7GT, 50L6GT, 35Z5G	455	13-10	
5R680X, 5R680XJ (Ch. 5B14) .....	Vol.	63-1112	18	MK401	M26		22-1026	1	FP354	{B8 B211				5	12SA7G, 14R7, 12SK7GT, 50L6GT, 35Z5G	455	13-11,5	
5R686, 5R686J (Ch. 5B13 Phono)	Vol.	63-1112	18	MK401	M26		22-1026	1	FP354	{B8 B211				5	12SA7G, 14R7, 12SK7GT, 50L6GT, 35Z5G	455	13-12	
5S042AT, 5S042BT, 5S042CT, Ch. 5C63	Vol.	63-1249	18	Order from	Mfr.		22-1056	137	FP231					5	7Q7, 7A7, 6SQ7GT, 6K6GT, 6X5GT	455	15-21,25	
5S29, 5S56 (Chassis 5513, 5513A) .....	Vol. Tone	63-366 63-475	18 34	MR44 MR33	M26		22-125	23	RS213					5	6A8, 6K7, 6B6, 6F6, 5Z4, or glass equivalents	252.5	7-5,6	
5S119, 5S126, 5S127, 5S150, 5S151, 5S161 (5516) .....	Vol. Tone	63-520 63-521	18 34	MR48 MR33	M26		22-505 22-506	4 4	RS215 RS216					5	6A8, 6K7, 6Q7, 6F6, 5W4, or glass equivalents	456	7-2,7	
5S201, 5S218, 5S220, 5S228, 5S237, 5S250, 5S252 (Chassis 5521) ..	Vol.	63-565	18	MR48	M26		22-596 8 16	25 25 25	3S584 RS213 RS216		B10 B10			5	6A8G, 6K7G, 6Q7G, 6F6G, 5Y4G	456	8-22	
5S218AT, 5S228AT, 5S237AT (5521AT)	Vol.	63-929	124	MR48	M26		22-686 22-634	25 25/13	TC82 3S584		B8			5	6A8G, 6K7G, 6Q7G, 6F6G, 5Y4G	456	9-9,10	
5S313B (Ch. 5535BT) .....	Vol.	63-1027	18	†		See Note A5	22-775 22-776	4 4	TC71 TC71					5	6J8G, 6U7G, 6Q7G, 6K6G, 6X5G	455	10-13	
5S319, 5S327, 5S330, 5S338, 5S339 (5529) .....	Vol.	63-956	18	MK400	M26		22-700 22-701	4 4	TC71 TC71					5	6A8G, 6K7G, 6Q7G, 6K6G, 6X5G	455	9-11	
5X230, 5X248, 5X274 (Ch. 5523)	Vol. Tone	63-520 63-521	18 34	MR48 MR33	M26		22-647 22-648 1-1	1/13 1/15	2N518 3S579 Buffer		B8 B14	190-10	Order from Mfr.	5	6A8G, 6K7G, 6Q7G, 6V6G, 6X5G	456	10-15	
6A203, 6A223, 6A229, 6A239 6A241 (Ch. 5640AT)	Vol. Tone	63-525 63-934	18 34	MR48 MR33	M27		22-633 22-637	25 25/13	TC82 3S584/TC70		B8			6	6L7G, 6J5G, 6K7G, 6Q7G, 6V6G, 5Y4G	456	10-19	
6B107, 6B129, 6B164 (5635) .....	Vol.	63-522	124	MRT454	M26		22-459 .01-.01	1	2N516 Buffer		B14	190-6	246	C3	6#15, 6A7, 75, 76, 19...	456	7-8,9	
6B321 (5653) .....	Vol. Tone	63-983 63-982	18 34	MK400 UM133-SS25	M26		22-742 22-741 .01-.01	46 13	FP380 TC52 Buffer		B14	190-6	246	C3	6D8G, 687G, 6T7G, 6G6G	455	9-17,18	
6D014, 6D014W, Ch. 6C01 .....	Vol.	63-1335	156	TM230-SS25	M26		22-1519	89	FP306					6	14C7, 14Q7, 12SQ7GT, 35L6GT/G, 35Z5GT/G	455	15-26,27	
6D015, 6D030, 6D015Z, 6D030Z, Ch. 6C05, 6C05Z.	Vol.	63-1337	18	Order from	Mfr.		22-1519	89	FP357					6	12SJ7GT, 12SA7GT, 12BA6, 12SQ7GT, 35L6GT, 35Z5GT	455	15-2,29	
6D029, 6D029G, Ch. 6C01 .....	Vol.	63-1335	156	TM230-SS25	M26		22-1519	89	FP306					6	14C7, 14Q7, 12SQ7GT, 35L6GT, 35Z5GT	455	15-26,27	
6D116, 6D117, 6D118 (5633) .....	Vol.	63-517	18	MR48	M26		22-517 22-518 22-481	11 11 11	2N509 TC52 UR182-193		B10			5	6A8, 6K7, 6Q7, 25A6, 25Z6, or glass equivalents	456	7-10,11	
6D202, 6D219, 6D221, 6D238 (Chassis 5639) ..	Vol.	63-687	18	MR48	M26		22-560	1/15	3N533					5	6A8G, 6K7G, 6Q7G, 25L6G, 25Z6G	456	8-15,16	
6D302, 6D311, 6D326, 6D336, 6D360 (5646) .....	Vol.	63-953	18	UM147-SS11	M26		22-681 22-680	25 25	TC48 TC44					5	6A8G, 6K7G, 6Q7G, 25L6G, 25Z6G	455	9-4	

† Data not substantiated.

\* IMPORTANT: Read Notes in Note Section if specified in Note Column.

‡ Indicates miscellaneous section.

MANUFACTURER AND MODEL	CONTROLS							CONDENSERS				VIBRATORS			No. Tubes	Complete Tube Complement	I. F. Peak	Rider's Reference
	Use	Original Part	Circuit	Correct Replacement	Switch	Bias	*Note	Original Part	Circuit	Correct Replacement	*Note	Original Part	Replacement	*Note				
ZENITH—Continued 6D312, 6D316, 6D317, 6D337 (5647).....	Vol.	63-955.....	18	UM147-SS18	M26			22-681.....	25	TC48.....					5	6A8G, 6K7G, 6Q7G, 25L6G, 25Z6G.....	455	9-13
6D315 (Ch. 5657)...	Vol.	63-1004.....	18	Order from	Mfr.			22-680.....	25	TC44.....					5	6A8G, 6U7G, 6Q7G, 25L6G, 25Z6G.....	455	10-17
6D410, 6D411 (Ch. 5659).....	Vol.	63-1028.....	18	Order from	Mfr.			22-835.....	1/15	3N533.....					5	12A8G, 12K7G, 12Q7G, 35L6G, 35Z5G.....	455	11-7
6D413, 6D414 (Ch. 5660, 5664)...	Vol.	63-1028.....	18	Order from	Mfr.			22-835.....	1/15	3N533.....					5	12A8G, 12K7G, 12Q7G, 35L6G, 35Z5G.....	455	11-8
6D425 (Ch. 5659, 5663)...	Vol.	63-1028.....	18	Order from	Mfr.			22-835.....	1/15	3N533.....					5	12A8G, 12K7G, 12Q7G, 35L6G, 35Z5G.....	455	11-7
6D426, 6D427, 6D446, 6D455 (Ch. 5660, 5664)...	Vol.	63-1028.....	18	Order from	Mfr.			22-835.....	1/15	3N533.....					5	12A8G, 12K7G, 12Q7G, 35L6G, 35Z5G.....	455	11-8
6D510 (Ch. 6A01)...	Vol.	63-1130.....	18	MK401.....	M26			22-1073.....	1/15	FP306.....					6	12J7G, 12SA7G, 12K7GT, 12SQ7GT, 35L6G, 35Z5G.....	455	12-7
6D512, 6D512W (Ch. 6A16).....	Vol.	63-1130.....	18	MK401.....	M26			22-1073.....	1/15	FP306.....					6	14H7, 12SA7G, 12K7GT, 35L6GT, 12SQ7GT, 35Z5G.....	455	12-8
6D516 (Ch. 6A24)...	Vol.	63-1130.....	18	MK401.....	M26			22-1014.....	1	FP211.....	B211				6	12J7G, 12SA7G, 12K7GT, 12SQ7GT, 35L6G, 35Z5G.....	455	12-32
6D520, 6D520W (Ch. 6A26).....	Vol.	63-1149.....	18	TM230-SS22	M26			22-1014.....	1	FP211.....	B211				6	12J7G, 12SA7G, 12K7GT, 12SQ7GT, 35L6G, 35Z5G.....	455	12-34
6D525, 6D526 (Ch. 6A10).....	Vol.	63-1112.....	18	MK401.....	M26			22-1014.....	1	FP211.....	B211				6	12J7G, 12SA7G, 12K7GT, 12SQ7GT, 35L6GT, 35Z5G.....	455	12-7
6D538 (Ch. 6A26)...	Vol.	63-1149.....	18	TM230-SS22	M26			22-1014.....	1	FP211.....	B211				6	12J7G, 12SA7G, 12K7GT, 12SQ7GT, 35L6G, 35Z5G.....	455	12-34
6D539 (Ch. 6A16)...	Vol.	63-1130.....	18	MK401.....	M26			22-1073.....	1/15	FP306.....					6	14H7, 12SA7G, 12K7GT, 12SQ7GT, 35L6GT, 35Z5G.....	455	12-8
6D612, 6D612W (Ch. 6B04).....	Vol.	63-1112.....	18	MK401.....	M26			22-1014.....	1	FP211.....					6	12J7G, 12SA7G, 12SK7GT, 12SQ7GT, 35L6G, 35Z5G.....	455	13-13
6D614, 6D614W (Ch. 6B01).....	Vol.	63-1236.....	18	TM243-SS25	M27			22-1014.....	1	FP211.....					6	14C7, 14Q7, 14R7, 14A7/12B7, 35L6G, 35Z5G.....	455	13-14
6D615, 6D615W (Ch. 6B05).....	Vol.	63-1233.....	18	TM230-SS25	M26			22-1014.....	1	FP211.....					6	14C7, 14Q7, 14R7, 14A7/12B7, 35L6G, 35Z5G.....	455	13-15
6D620 (Ch. 6B14)...	Vol.	63-1238.....	18	MK401.....	M26			22-1280.....	1	FP211.....					6	12SK7GT, 12SA7GT, 12SQ7GT, 35L6GT, 35Z5G.....	455	13-16
6D621 (Ch. 6B01)...	Vol.	63-1236.....	18	TM243-SS25	M27			22-1014.....	1	FP211.....					6	14C7, 14Q7, 14R7, 14A7/12B7, 35L6G, 35Z5G.....	455	13-14
6D622 (Ch. 6B04)...	Vol.	63-1112.....	18	MK401.....	M26			22-1014.....	1	FP211.....					6	12J7G, 12SA7G, 12SK7GT, 12SQ7GT, 35L6G, 35Z5G.....	455	13-13
6D623 (Ch. 6B05)...	Vol.	63-1233.....	18	TM230-SS25	M26			22-1014.....	1	FP211.....					6	14C7, 14Q7, 14R7, 14A7/12B7, 35L6G, 35Z5G.....	455	13-15
6D624 (Ch. 6B14)...	Vol.	63-1238.....	18	MK401.....	M26			22-1280.....	1	FP211.....					6	12SK7GT, 12SA7GT, 12SQ7GT, 35L6GT, 35Z5G.....	455	13-16
6D628 (Ch. 6B04)...	Vol.	63-1112.....	18	MK401.....	M26			22-1014.....	1	FP211.....					6	12J7G, 12SA7G, 12SK7GT, 12SQ7GT, 35L6G, 35Z5G.....	455	13-13

‡ Data not substantiated.

\* IMPORTANT: Read Notes in Note Section if specified in Note Column.

§ Indicates miscellaneous section.

MANUFACTURER AND MODEL	CONTROLS							CONDENSERS				VIBRATORS			No. Tubes	Complete Tube Complement	I. F. Peak	Rider's Reference
	Use	Original Part	Circuit	Correct Replacement	Switch	Bias	*Note	Original Part	Circuit	Correct Replacement	*Note	Original Part	Replacement	*Note				
ZENITH—Continued 6D629 (Ch. 6B01) ..	Vol.	63-1236 .....	18	TM243-SS25	M27			22-1014 .....	1	FP211 .....					6	14C7, 14Q7, 14R7, 14A7/12B7, 35L6G, 35Z5G .....	455	13-14
6D630 (Ch. 6B05) ..	Vol.	63-1233 .....	18	TM230-SS25	M26			22-1014 .....	1	FP211 .....					6	14C7, 14Q7, 14R7, 14A7/12B7, 35L6G, 35Z5G .....	455	13-15
6D644 (Ch. 6B14) ..	Vol.	63-1238 .....	18	MK401 .....	M26			22-1280 .....	1	FP211 .....					6	*12SK7GT, 12SA7GT, 12SQ7GT, 35L6GT, 35Z5GT .....	455	13-16
6D2612 (Ch. 6B04) ..	Vol.	63-1112 .....	18	MK401 .....	M26			22-1014 .....	1	FP211 .....					6	12I7G, 12SA7G, 12SK7GT, 12SQ7GT, 35L6G, 35Z5G .....	455	13-13
6D2614 (Ch. 6B01) ..	Vol.	63-1236 .....	18	TM243-SS25	M27			22-1014 .....	1	FP211 .....					6	14C7, 14Q7, 14R7, 14A7/12B7, 35L6G, 35Z5G .....	455	13-14
6D2615 (Ch. 6B05) ..	Vol.	63-1233 .....	18	TM230-SS25	M26			22-1014 .....	1	FP211 .....					6	14C7, 14Q7, 14R7, 14A7/12B7, 35L6G, 35Z5G .....	455	13-15
6DL120, 6DL122 (Ch. 5636 AC-DC)	Vol.	63-538 .....	18	MR48 .....	M27			22-517 .....	27	2N509 .....					5	6A8G, 6K7G, 6Q7G, 25A6G, 25Z6G, or 6A8, 6K7, 6Q7, 25A6, 25Z6 .....	456	10-19
6G001, 6G001Y, Ch. 6C40 .....	Vol.	63-1537 .....	18	MK402 .....	M27			22-1443 .....	95	FP407/TC45 .....					6	*1LN5, 1LA6, 1LH4, 3Q5GT, 117Z6GT .....	455	15-30,31
6G004Y, Ch. 6C41 ..	Vol.	63-1537 .....	18	MK402 .....	M27			22-1443 .....	95/78	FP407/TC48 .....					6	*1LN5, 1LA6, 1LH4, 3Q5GT, 117Z6GT .....	455	16-10,12
6G038, Ch. 6C50 ..	Vol.	63-1244 .....	169	Order from	Mfr.			22-1047 .....	91	FP371 .....	B211				6	*1N5GT, 1A7G, 1LD5, 3Q5GT, 117Z6G/GT .....	455	16-13,15
6G501, 6G505 (Ch. 6A19) .....	Vol.	63-1121 .....	18	MK402 .....	M27			22-1026 .....	†	FP354 .....	B211				6	*1LN5, 1LA6, 1LH4, 3Q5G, 117Z6G .....	455	12-10
6G533 (Ch. 6A25) ..	Vol.	63-1178 .....	18	1 Meg. ....		A19		22-1026 .....	46	FP354 .....	B211				6	*1LN5, 1LA6, 1LH4, 3Q5G, 117Z6G .....	455	12-33
6G560 (Ch. 6A25) ..	Vol.	63-1178 .....	18	1 Meg. ....		A19		22-1026 .....	46	FP354 .....	B211				6	*1LN5, 1LA6, 1LH4, 3Q5G, 117Z6G .....	455	12-33
6G601D, 6G601L, 6G601M, 6G601MH, 6G601ML (Ch. 6B03) .....	Vol.	63-1231 .....	18	MK402 .....	M27			22-1026 .....	24	FP354 .....					6	*1LN5, 1LA6, 1LH4, 3Q5G, 117Z6G .....	455	13-17
6G638 (Ch. 6B09) ..	Vol.	63-1244 .....	18	Order from	Mfr.			22-1159 .....	13/78	Order from	Mfr.				6	*1N5GT, 1A7G, 1H5GT, 3Q5GT, 117Z6GT .....	455	13-18,5
6G660 (Ch. 6B09) ..	Vol.	63-1244 .....	18	Order from	Mfr.			22-1234 or 22-1298 .....	12/78	Order from	Mfr.				6	*1N5GT, 1A7GT, 1H5GT, 3Q5GT, 117Z6GT .....	455	13-18,5
6J230, 6J257 (Chassis 5642) ..	Vol. Tone	63-798 .....	17	MR53 .....	M27			22-577 .....	1/15	3S579 .....		190-11 .....	294	C3	6	6D8G, 6S7G, 6T7G, 6L5G, 1J6G, 6ZY5G .....	456	8-17,18
6J322, 6J357 (5654)	Vol.	63-521 .....	44	MR33 .....				.02-.02 .....		Buffer .....	B14				6	6D8G, 6S7G, 6T7G, *6G6G, 6ZY5G .....	455	9-19
6J436, 6J463 (Ch. 5679) .....	Vol.	63-990 .....	124	DTM295-SS26	M27			22-742 .....	46	FP380 .....		190-11 .....	294	C3	6	6D8G, 6S7G, 6T7G, *6G6G, 6ZY5G .....	455	11-9
6M90S, 6M90D (Chassis 5630) ..	Vol. Tone	63-485 .....	18	MR48 .....	M26	EC256		22-771 .....	46	FP371 .....		190-11 .....	859	C3	6	6D8G, 6S7G, 6T7G, *6G6G, 6ZY5G .....	455	11-9
6M91S, 6M91D (Chassis 5631) ..	Vol. Tone	63-487 .....	22	Order from	Mfr.			22-974 .....	13/15	FP217 .....	B223				6	*6K7G, 6A8G, 6Q7G, 6F6G, 6X5G .....	252.5	7-12,13
6M92 (Chassis 5632)	Vol.	63-487 .....	18	MR48 .....	M26	EC256		.015-.015 .....		Buffer .....	B14				6	*6K7G, 6A8G, 6X5G, 6Q7G, 6F6G .....	252.5	7-13,14
6M192 .....	Vol.	63-514 .....	18	Order from	Mfr.			22-405 .....	15	TC32 .....		190-7 .....	294	C3	6	*6K7G, 6A8G, 6Q7G, 6F6G, 6X5G .....	252.5	7-13,15
6M193, 6M194 (5637) .....	Vol./ Tone	63-551 .....	17	UM147-SS17	M26			.02-.02 .....		Buffer .....	B14				6	*6K7G, 6A8G, 6Q7G, 6F6G, 6X5 or 0Z4 .....	262.5	8-19,21
6M292, 6M293 (Ch. 5645) .....	Vol.	63-549 .....	145	MR53 .....	M27		A31	22-474 .....	4	TC371 .....		190-9 .....	294	C3	6	*6K7G, 6A8G, 6Q7G, 6F6G, 6X5 or 0Z4 .....	252.5	8-20,21
6M295 (Ch. 5650) ..	Vol.	63-551 .....	17	SMD500 .....				22-526 .....	23	Buffer .....	B14				5	*6K7G, 6A8G, 6Q7G, 6F6G, 6X5 or 0Z4 .....	252.5	8-20,21
		63-549 .....	145	SMD500 .....				22-526 .....	4	2S567 .....		190-9 .....	294	C3	5	*6K7G, 6A8G, 6Q7G, 6F6G, 6X5 or 0Z4 .....	252.5	8-20,21
		63-950 .....	18	TM239-SS17				.006 .....	1/15	3S579 .....		190-13 .....	853	C3	6	*6K7G, 6A8G, 6Q7G, 6V6G, 6X5G .....	252.5	10-21
		63-980 .....	18	DTM295-SS26				22-656 .....	1/15	3S579 .....		190-13 .....	853	C3	6	*6K7G, 6A8G, 6Q7G, 6V6G, 6X5G .....	252.5	10-23

† Data not substantiated.

\* IMPORTANT: Read Notes in Note Section if specified in Note Column.

‡ Indicates miscellaneous section.

MANUFACTURER AND MODEL	CONTROLS							CONDENSERS				VIBRATORS			No. Tubes	Complete Tube Complement	I. F. Peak	Rider's Reference
	Use	Original Part	Circuit	Correct Replacement	Switch	Bias	*Note	Original Part	Circuit	Correct Replacement	*Note	Original Part	Replacement	*Note				
ZENITH—Continued																		
6M390.....	Vol. Sen.	63-995 63-994	18 8	Order from Mfr.	Mfr.			22-721 .012-.012	24/15	FP332 Buffer	B197 B14	190-14	853	C3	6*7B, 6A7, 75, 42, 84...	455	10-25,26	
6MF080, 15A-18805-A1, Ch. 6C81.....	Vol.	63-1333	140	Order from Mfr.	Mfr.			22-1387 .008	24/15	FP328 Buffer	B14	190-20	859	C3	6*7A7, 7B8, 7B6, 7C5, 7Y4	265	15-32,35	
6MF490.....	Vol.	63-1073	17	Order from Mfr.	Mfr.			22-955 .012-.012	24/15	FP332 Buffer	B14	190-15	859	C3	6*7A7, 7B8, 7B6, 7C5, 7Y4	455	11-13-14	
6MF590, 6MF591 (Ch. 6A21).....	Vol.	63-1133	18	250M			A19	22-955 .006	24/15	FP332 Buffer	B14	190-15	859	C3	6*7A7, 7B8, 7B6, 7C5, 0Z4/6Z5GT	455	12-41,42	
6MF690, 21A-18805-A1, Ch. 6B19.....	Vol. & Tone	63-1258	1	Order from Mfr.	Mfr.			23-1305 .008	24/15	FP328 Buffer	B14	190-19	1100	C3	6*7A7, 7B8, 7B6, 7C5, 7Y4	265	15-36,39	
6MF780, 6MM790, 6MM790E, 6MF780E, 6MF780Z, Ch. 6D80.....	Vol. Tone	63-1333 63-1333	18 21	Order from Order from Mfr.	Mfr.			22-1554 .008	24	TCD65 Buffer	B14	190-20	859	C3	6*7B8, 7A7, 7B6, 7C5, 7Y4	265		
6MH081, Ch. DB46	Vol. & Tone	63-1334 63-1379	1	Order from Order from Mfr.	Mfr.			22-1387 .008	24/15	FP330 Buffer	B14	190-20	859	C3	6*7A7, 7B8, 7B6, 7C5, 7Y4	265	15-95,99	
6MH089, Ch. 6C89	Vol. Tone	63-1539 63-1539	140 140	Order from Order from Mfr.	Mfr.			22-1644 .008	24	Order from Buffer	Mfr. B14	190-29	859	C3	6*7A7, 7B8, 7B6, 7C5, 7Y4	265		
6MN082, 6MN887, Ch. 6C82.....	Vol. Tone	63-1342 63-1342	1	Order from Order from Mfr.	Mfr.			22-1387 .008	24/15	FP328 Buffer	B14	190-20	859	C3	6*7A7, 7B8, 7B6, 7C5, 7Y4	262	15-40,43	
6MN088, 6MN788..	Vol. Tone	63-1538 63-1538	1	Order from Order from Mfr.	Mfr.			22-1387 .008	24/15	FP328 Buffer	B14	190-20	859	C3	6*7A7, 7B8, 7B6, 7C5, 7Y4	265		
6MN495.....	Vol.	63-1379 63-1040	206 18	Order from Mfr.	Mfr.			22-904 .006	24/19	FP332 Buffer	B14	190-15	859	C3	6*6K7GT, 6SA7GT, 6Q7GT, 6K6GT, 6X5GT	455	11-15	
6MN496 (Ch. 5676)	Vol.	63-1040	20	TM240-SS3	M26			22-917 .007	24/15	FP339 Buffer	B14	190-16	246	C3	6*6K7GT, 6SA7GT, 6Q7GT, 6V6GT	455	11-16	
6MN595 (6A17)....	Vol.	63-1128	18	250M			A19	22-904 .006	24/15	FP332 Buffer	B14	190-15	859	C3	6*7A7, 7B8, 7B6, 7B5, 0Z4/6X5GT	455	12-45,46	
6MN695.....	Vol.	63-1266	18	Order from Mfr.	Mfr.			22-1233 .008	24/15	FP328 Buffer	B14	190-19	1100	C3	6*7A7, 7B8, 7B6, 7C5, 7Y4	265		
6MW083, Ch. 6C83	Vol. Tone	63-1508 63-1267	167 167	Order from Order from Mfr.	Mfr.			22-1387 .008	24/15	FP328 Buffer	B14	190-20	859	C3	6*7A7, 7B8, 7B6, 7C5, 7Y4	265	16-16,19	
6MW693.....	Vol.	63-1379 63-1254	206 18	Order from Order from Mfr.	Mfr.			22-1233 .008	24/15	FP328 Buffer	B14	190-19	1100	C3	6*7A7, 7B8, 7B6, 7C5, 7Y4	265	13-19,20	
6R084, Ch. 6C21...	Vol. Tone	63-1340 63-1341	167 167	TM231-SS25 Order from Mfr.	M26			22-1372	1	FP346	B8				6*6SK7, 6SA7, 6SQ7, 6K6GT, 6X5GT	455		
6R087, Ch. 6C22...	Vol. Tone	63-1340 63-1341	167 167	TM231-SS25 MK402	M26			22-1372	98	FP434	B8				6*6SK7GT, 6SA7, 6SQ7GT, 6K6GT, 6X5GT	455	15-45,46	
6R087Z, Ch. 6C22Z	Vol. Tone	63-1340 63-1341	167 167	TM231-SS25	M26			22-1382 22-1611	88/15 88	FP346 TC78					6*6SK7GT, 6SA7, 6SQ7GT, 6K6GT, 6X5GT	455		
6R481 (Ch. 5675)...	Vol.	63-1028	18	Order from Mfr.	Mfr.			22-894 22-893	1/15 1	FP331 ST599	B117			5	12A8G, 12K7G, 12Q7G, 35L6F, 50Z7G	455	11-11	
6R485 (Ch. 5672P)	Vol.	63-1028	18	Order from Mfr.	Mfr.			22-894 22-893	1/15 1	FP331 ST599	B117			5	12A8G, 12K7G, 12Q7G, 35L6G, 50Z7G	455	11-12	
6R583 (Ch. 6A08)...	Vol.	63-1112	18	MK401	M26			22-1014	1	FP211				6	12J7G, 12SA7G, 12K7GT, 12SQ7GT, 35L6G, 35Z5G	455		
6R592 (Ch. 6A08)...	Vol.	63-1112	18	MK401	M26			22-1014	1	FP211				6	12J7G, 12SA7G, 12K7GT, 12SQ7GT, 35L6G, 35Z5G	455	13-21	
6R631 (Ch. 6B02)...	Vol.	63-1245	18	TM251-SS25	M26			22-1221	1	FP369	B8			6	7A7, 7Q7, 7R7, 7C7, 6K6GT, 6X5G	455	13-22,23	
6R683, 6R684 (Ch. 6B06).....	Vol. Tone	63-1246 63-1247	140 140	TM231-SS25 MK402	M26			22-1036 22-719	1 1	TC74 TC65				6	*6SK7GT, 6SA7GT, 6SQ7GT, 6K6GT, 6X5GT	455	13-24	
6R687R, 6R688 (Ch. 6B06).....	Vol. Tone	63-1246 63-1247	140 140	TM231-SS25 MK402	M26			22-1036 22-719	1 1	TC74 TC65				6	*6SK7GT, 6SA7GT, 6SQ7GT, 6K6GT, 6X5GT	455	13-24	

† Data not substantiated.

\* IMPORTANT: Read Notes in Note Section if specified in Note Column.

‡ Indicates miscellaneous section.

MANUFACTURER AND MODEL	CONTROLS							CONDENSERS				VIBRATORS			No. Tubes	Complete Tube Complement	I. F. Peak	Rider's Reference
	Use	Original Part	Circuit	Correct Replacement	Switch	Bias	*Note	Original Part	Circuit	Correct Replacement	*Note	Original Part	Replacement	*Note				
ZENITH—Continued 6S071T, Ch. 5C61T	Vol.	63-1357	157	TM230-SS25	M26			22-1441 22-1381	13/15 91	FP306 FP357	B70				6	12SA7GT, 12SK7GT, 7C6, 50L6GT, 7F7, 35Z5GT	455	15-47,53
6S27, 6S52 (Chassis 5619)	Vol. Tone	63-456 63-458	18 34	MR44 MR24	M26			22-414 22-420	25 15	2S567 TC22					6	6A8, 6K7, 6F6, 6H6, 5Y3	252.5	7-16,20
6S128, 6S137, 6S147, 6S152, 6S157 (5634)	Vol.	63-522	124	MRT454	M26			22-294 22-491	1 1/13	RS216 2N518					6	6A8, 6K7, 6F6, 6H6, 6F5, 5W4, or glass equivalents	456	7-17
6S203, 6S222, 6S223, 6S229, 6S239, 6S241 (Chassis 5638)	Vol. Tone	63-520 63-521	18 34	MR48 MR33	M26			22-596 8. 14.	25 25 25	3S584 RS213 RS216	B8 B10 B10				6	6A8G, 6K7G, 6H6G, 6F5G, 6F6G, 5Y4G	456	8-23,24
6S254, 6S256 (Chassis 5644)	Vol.	63-799	124	MRT454	M26			22-551 22-552	25 25	RS216 RS219					6	6A8G, 6K7G, 6H6G, 6F5G, 6F6G, 5Y4G	456	8-33
6S254AT, 6S256AT (5644AT)	Vol.	63-936	45	MRT454	M26			22-633 22-634	25 25/13	TC82 3S584	B8				6	6A8G, 6K7G, 6H6G, 6F5G, 6F6G, 5Y4G	456	9-21
6S301, 6S302, 6S303, 6S304, 6S305, 6S306, 6S321, 6S322, 6S340 (5651)	Vol. Tone	63-983 63-982	45 34	MK400 UM133-SS25	M26			22-718 22-719	25 25	TC74 TC74					6	6A8G, 6K7G, 6J5G, 6F5G, 6F6G, 6X5G	455	9-15
6S341, 6S362 (5649)	Vol.	63-799	20	MRT454	M26			22-551 22-552	25 25	RS216 RS219					6	6A8G, 6K7G, 6H6G, 6F5G, 6F6G, 5Y4G	456	9-23
6S439, 6S469 (Ch. 5678)	Vol.	63-1030	124	TM251-SS25	M26			22-975 22-976	25 25/13	ST598 FP234					6	6K7G, 6A8G, 6Q7G, 6F6G, 6X5G	455	11-17
6S511, 6S527, 6S528 (Ch. 6A02)	Vol.	63-1118	18	MK401	M26			22-1029	4	3S584	B267				6	7H7, 7B8, 7A7, 7B6, 6K6G, 6X5G	455	12-13
6S532 (Ch. 6A05R)	Vol.	63-1123	124	SM317		A109		22-1036 22-1034	4 4/13	TC74 FP234					6	7H7, 7B8, 7A7, 7B6, 6F6G, 6X5G	455	12-33,36
6S546, 6S556 (Ch. 6A05)	Vol.	63-1123	124	SM317		A109		22-1036 22-1034	4 4/13	TC74 FP234					6	7H7, 7B8, 7A7, 7B6, 6F6G, 6X5G	455	12-11,12
6S580 (Ch. 6A04)	Vol.	63-1118	18	MK401	M26			22-1029	4	3S584	B267				6	7A7, 7B8, 7H7, 7B6, 6K6G, 6X5G	455	12-9,13 27,28
6S596, 6S597 (Ch. 6A20)	Vol.	63-1123	124	SM317		A109		22-1036 22-1034	25 25/13	TC74 FP234					6	7H7, 7B8, 7A7, 7B6, 6F6G, 6X5G	455	12-14,26
6S632 (Ch. 6B08)	Vol.	63-1123	18	SM317				22-1036	1	TC74					6	7H7, 7B8, 7A7, 7B6, 6F6G, 6X5G	455	13-27,23
6S646 (Ch. 6B08)	Vol.	63-1123	18	SM317				22-1036	1	TC74					6	7H7, 7B8, 7A7, 7B6, 6F6G, 6X5G	455	13-27,23
6S656 (Ch. 6B08)	Vol.	63-1123	18	SM317				22-1034 22-1036	1/13 1	FP234 TC74					6	7H7, 7B8, 7A7, 7B6, 6F6G, 6X5G	455	13-27,23
6V27, 6V62 (Chassis 5621)	Vol. Tone	63-456 63-458	18 34	MR44 MR24	M26			22-432 .01	1	2N516 Buffer	B14	190-5	246	C3	6	15, 6A7, 75, 76, 19	456	6-21,22
6VA27, 6VA62 (Ch. 5629)	Vol. Tone	63-456 63-458	18 22	MR44 MR24	M26			22-459 .01-.01	1	2N516 Buffer	B14	190-6	246	C3	6	15, 6A7, 75, 76, 19	456	10-27
7	Vol.	7101-9	17	UM154-SS3	M26			7119-4 .015	4	2S567 Buffer	B14	P7142-1	298	C3	5	6D6, 75, 42, 6C6, 84	175	5-3
7D119, 7D126, 7D127, 7D138, 7D148, 7D151, 7D162, 7D168 (5707)	Vol. Tone	63-520 63-521	45 34	MR48 MR33	M26			22-514 22-515	1/11 11/13	3S582 2N516	B218 B218				6	6A8, 6K7, 6H6, 6F5, 25A6, 25Z6, or glass equivalents	456	7-11,18
7DA119, 7DA126, 7DA127, 7DA138, 7DA148, 7DA162, 7DA168(Ch.5708E)	Vol. Tone	63-525 63-521	18 34	MR48 MR33	M27			22-514 22-515	11 11/13	3S582 2N516	B8				6	6A8, 6K7, 6H6, 6F5, 25A6, 25Z6, or glass equivalents	456	10-27
7D203, 7D222, 7D223, 7D229, 7D239, 7D241, 7D243, 7D253 (Chassis 5710)	Vol. Tone	63-520 63-521	75 34	MR48 MR33	M26			22-559	6/13/15	TN129/TC22					6	6A8G, 6K7G, 6H6G, 6F5G, 25L6G, 25Z6G	456	8-25,26

‡ Data not substantiated.

\* IMPORTANT: Read Notes in Note Section if specified in Note Column.

§ Indicates miscellaneous section.

WHEN YOU BUY PLUGS AND JACKS BUY MALLORY.

MANUFACTURER AND MODEL	CONTROLS							CONDENSERS				VIBRATORS			No. Tubes	Complete Tube Complement	I. F. Peak	Rider's Reference
	Use	Original Part	Circuit	Correct Replacement	Switch	Bias	*Note	Original Part	Circuit	Correct Replacement	*Note	Original Part	Replacement	*Note				
ZENITH—Continued 7G605 (Ch. 7B04)	Vol.	63-1265	18	TM243-SS25	M27			22-1307 or 22-1330 22-1282 or 22-1159	46/78	Order from Mfr.					7	11L5, 1LA6, 1LE3, 1LD5, 3Q5G, 117Z6G	455	13-25, 26,42,40
7J045T, Ch. 7C61T	Vol. Tone	63-1155 63-1155	157 157	Order from Order from	Mfr. Mfr.			22-1069 22-1198	46/12/ 78 15 24/13	Order from TC26 Order from Mfr.					7	7H7, 6K8GT, 7B7, 7C6, 6L5G, 1J6G, 6X5GT	455	15-19,58
7J232, 7J259 (Chassis 5711)	Vol.	63-568	124	MRT454				22-577 .02-.02	1/15	3S579 Buffer	B14	190-11	294	C3	7	6S7G, 6D8G, 6T7G, 6L5G, 1J6G, 6Z15G	456	8-27,28
7J232T, 7J259T (5711T)	Vol.	63-931	124	MRT449				22-653 .02-.02	1/13/15	3S582/TC22 Buffer	B14	190-11	294	C3	7	6S7G, 6D8G, 6T7G, 6L5G, 1J6G, 6Z15G	456	9-25
7J323, 7J368 (5715)	Vol.	63-990	124	DTM295-SS26	M27			22-742 22-741 .02-.02	46 13	FP380 TC52 Buffer	B14				7	6S7G, 6D8G, 6T7G, 6L5G, 1J6G, 6Z15G	455	9-27
7M918, 7M91D (Chassis 5706)	Vol. Tone	63-507 63-487	18 22	MRT427 Order from	M26 Mfr.	RS246		22-469 .008	1/15	3S579 Buffer	B14	190-7	294	C3	7	6K7G, 6A8G, 6Q7G, 6X5G, 6C5G, 6N7G	252.5	7-19,20
7ML080, 7ML081, Ch. 7C80	Vol. Tone Sens.	63-1385 63-1384 63-1379	167 167 206	Order from Order from Order from	Mfr. Mfr. Mfr.			22-1484 22-1483 .008	24/15 15	FP339 TC26 Buffer	B14	190-22	859	C3	7	7A7, 7B8, 7E6, 7C5, 7Y4	265	15-1,61
7MLS92 (7A09)	Vol. & Tone	63-1134	140	Order from	Mfr.			22-917 .008	24/15	FP339 Buffer	B14	190-15	859	C3	7	7A7, 7B8, 7B6, 7C5, 6X5GT/0Z4	455	12-49,50
7MN596 (7A08)	Vol. & Tone	63-1129	140	Order from	Mfr.			22-917 .007	24/15	FP339 Buffer	B14	190-15	859	C3	7	7A7, 7B8, 7B6, 7C5, 6X5GT/0Z4	455	12-47,48
7S28, 7S53 (Chassis 5704)	Vol. Tone	63-457 63-458	45 34	MR48 MR24	M26			22-416 22-420	25/13 15	3S584 TC22					7	6K7, 6A8, 6H6, 6F6, 5Y3	456	7-20,21
7S204, 7S232, 7S240, 7S242, 7S258, 7S260, 7S261 (Chassis 5709)	Vol.	63-611	124	MRT449	M26			22-569 22-562	25 13/25	5T597 3S584	B8				7	6A8G, 6K7G, 6H6G, 6T5, 6F5G, 6F6G, 5Y4G	456	8-29,30
7S232AT, 7S240AT, 7S242AT, 7S258AT, 7S260AT (5709AT)	Vol.	63-935	45	MRT454	M26			22-633 22-634	25 25/13	TC82 3S584	B8				7	6A8G, 6K7G, 6H6G, 6T5, 6F5G, 6F6G, 5Y4G	456	9-29
7S323, 7S342, 7S343, 7S363, 7S364, 7S366 (5715)	Vol.	63-985	124	DTM295-SS26	M26			22-718 22-719	25 25	TC74 TC74					7	6A8G, 6K7G, 6J5G, 6U5, 6F5G, 6F6G, 6X5G	455	9-31
7S432, 7S433, 7S434 (Ch. 5719)	Vol.	63-1030	18	TM251-SS25	M26			22-852 22-851	10 10/13	FP135 FP371	B211				7	6A8G, 6K7G, 6Q7G, 6AF5G, 25AC5G, 25Z6G	455	11-18
7S432, 7S433, 7S434 (Ch. 5724)	Vol.	63-1030	124	TM251-SS25	M26			22-941 22-719	25/13 25	FP234 TC65					7	6K7G, 6A8G, 6J5G, 6F5G, 6F6G, 6X5G	455	
7S449, 7S450 (Ch. 5719)	Vol.	63-1030	18	TM251-SS25	M26			22-852 22-851	10 10/13	FP135 FP371	B211				7	6A8G, 6K7G, 6Q7G, 6AF5G, 25AC5G, 25Z6G	455	11-18
7S449, 7S450 (Ch. 5724)	Vol.	63-1030	124	TM251-SS25	M26			22-941 22-719	25/13 25	FP234 TC65					7	6K7G, 6A8G, 6J5G, 6F5G, 6F6G, 6X5G	455	
7S458, 7S459, 7S460, 7S461, 7S462 (Ch. 5719)	Vol.	63-1030	18	TM251-SS25	M26			22-852 22-851	10 10/13	FP135 FP371					7	6A8G, 6K7G, 6Q7G, 6AF5G, 25AC5G, 25Z6G	455	11-18
7S458, 7S459, 7S460, 7S461, 7S462 (Ch. 5724)	Vol.	63-1030	124	TM251-SS25	M26			22-941 22-719	25/13 25	FP234 TC65					7	6K7G, 6A8G, 6J5G, 6F5G, 6F6G, 6X5G	455	
7S487, 7S488 (Ch. 5721)	Vol.	63-1035	18/3	SMD509				22-852 22-851	10 10/13	FP135 FP371					7	6A8G, 6K7G, 6Q7G, 6AF5G, 25AC5G, 25Z6G	455	11-20
7S487, 7S488 (Ch. 5725)	Vol.	63-1035	124/3	SMD509				22-941 22-719	25/13 25	FP234 TC65					7	6K7G, 6A8G, 6J5G, 6F5G, 6F6G, 6X5G	455	11-21

‡ Data not substantiated.

\* IMPORTANT: Read Notes in Note Section if specified in Note Column.

‡ Indicates miscellaneous section.

MANUFACTURER AND MODEL	CONTROLS							CONDENSERS				VIBRATORS			No. Tubes	Complete Tube Complement	I. F. Peak	Rider's Reference
	Use	Original Part	Circuit	Correct Replacement	Switch	Bias	*Note	Original Part	Circuit	Correct Replacement	*Note	Original Part	Replacement	*Note				
ZENITH—Continued 7S490 (Ch. 5721)...	Vol.	63-1035	18/†	SMD509				22-852 22-851	10 10/13	FP135 FP371				7	6A8G, 6K7G, 6Q7G, 6AF5G, 25AC5G, 25Z6G	455	11-20	
7S490 (Ch. 5725)...	Vol.	63-1035	124/†	SMD509				22-941 22-719	25/13 25	FP234 TC65				7	*6K7G, 6A8G, 6J5G, 6F6G, 6F5G, 6X5G	455	11-21	
7S529, 7S530, 7S547, 7S557, 7S558, 7S559 (Ch. 7A02).....	Vol.	63-1122	124	SM317				22-1036 22-1034	25 25/13	TC74 FP234				7	1232, 7B8, 7A7, 7A4, 7B4, 6F6G, 6X5G	455	12-15,16	
7S541, 7S582 (Ch. 7A04).....	Vol.	63-1122	124	SM317				22-1036 22-1034	25 25/13	TC74 FP234				7	1232, 7B8, 7A7, 7A4, 7B4, 6F6G, 6X5G	455	.....	
7S585 (Ch. 7A01)...	Vol.	63-1115	124/†	Order from	Mfr.			22-941 22-719	25/13 25	FP234 TC74				7	*6K7G, 6A8G, 6J5G, 6F5G, 6F6G, 6X5G	455	12-17	
7S598 (Ch. 7A11)...	Vol.	63-1122	124	SM317				22-1187	1/15	FP234/TC39				7	7G7/1232, 7B8, 7A7, 7B6, 6AD7G, 6F6G, 5Y4G	455	12-37,38	
7S633, 7S634, 7S633R, 7S634R (Ch. 7B01R).....	Vol.	63-1122	18	SM317				22-1035	1/13	FP390	B3			7	7H7, 7B8, 7A7, 7B6, 6P5G, 6AC5G, 6X5G	455	13-28,29	
7S657, 7S657R (Ch. 7B01, 7B01R)	Vol.	63-1122	18	SM317				22-1035	1/13	FP390	B3			7	7H7, 7B8, 7A7, 7B6, 6P5G, 6AC5G, 6X5G	455	13-28,29	
7S681, 7S682, 7S685 (Ch. 7B02-Phono)	Vol.	63-1122	18	SM317				22-1187	1/15	FP234/TC29				7	7H7, 7B8, 7A7, 7B6, 6AD7G, 5Y4G	455	13-30,23	
8A129, 8A147, 8A154, 8A157 (Ch. 5802A).....	Vol.	63-526	125	MRT449	M27			22-294 22-491	25 25/13	RS216 2N518				7	*6K7, 6A8, 6H6, 6F5, 6F6, 5W4, or glass equivalents	456	10-29	
8A232, 8A242, 8A244, 8A262 (Ch. 5804AT).....	Vol. Sen.	63-931 63-812	124 7	MRT449 †		See Note A5		22-633 22-636	25 25/13	TC82 3S584/TC74				8	*6K7G, 6T5, 6L7G, 6J5G, 6Q7G, 6V6G, 5Y4G	456	10-29	
8G005, 8G005BT, 8G005Y, Ch. 8C40.....	Vol.	63-1344	75	TM238-SS25	M27			22-1426 22-1234	91 78/12	FP357 FP304	B192			8	*1LN5, 1LC6, 1LD5, 1LE3, 1LB4, 117Z6GT	455	15-63	
8H023, 8H034, Ch. 8C0L.....	Vol.	63-1336	157	Order from	Mfr.			23-1366	1/15	FP357				8	6AG5, 6SB7, 6SG7GT, 6SH7, 6S8GT, 25L6GT, 25Z6GT	455 8.3	16-71,75	
8H023Z, 8H034Z, Ch. 8C01Z.....	Vol.	63-1336	157	Order from	Mfr.			22-1366	1/15	FP357				8	6AG5, 6SB7, 6SG7GT, 6SH7, 6S8GT, 25L6GT, 25Z6GT	455 8.3	.....	
8H032, 8H033, 8H050, 8H051, 8H052, 8H061, Ch. 8C20.....	Vol.	63-1466	169	DTM296-SS25	M26			22-1382	1/15	FP238/TC78	B6			8	6AG5, 6SB7, 6SG7GT, 6SH7, 6S8GT, 6K6GT, 5Y3GT/G	455 8.3	16-76,80	
8M195 (Chassis 5803).....	Vol/ Tone Sen.	63-549 63-560	145 140	SMD500 X				22-527 .008	1/15	Order from Buffer	Mfr. B14	190-9	294	C3	*6K7, 6A8G, 6H6G, *6C5G, 6N7G, 6X5G	252.5	8-31,32	
8ML692.....	Vol. Tone	63-1262 62-1261	140 140	TM221-SS25 Order from	M26 Mfr.			22-1272 .008	24/15	FP339 Buffer	B14	190-15	859	C3	*7A7, 7B8, 7B6, 7A4, *7C5, 7Y4	265	16-20,24	
8S129, 8S154 (Chassis 5801)...	Vol.	63-522	124	MRT454	M26			22-294 22-491	25 25/13	RS216 2N518				8	*6K7, 6A8, 6H6, 6C5, 6F5, 6F6, 5W4, or glass equivalents	456	8-34,36	
8S359 (Ch. 5807)...	Vol.	63-985	124	DTM295-SS26	M26			22-718 22-719	1 1	TC74 TC65				8	6A8G, 6K7G, 6U5, 6J5G, 6F5G, 6P5G, 6AC5G, 6X5G	455	10-31	
8S432, 8S433, 8S434 (Ch. 5810)...	Vol.	63-1030	124	TM251-SS25	M26			22-851 22-852	10/13 10	FP371 FP135				8	1232, 6A8G, 6K7G, 6Q7G, 6AF5G, 25AC5G, 25Z6G	455	11-22	
8S443 (Ch. 5808)...	Vol.	63-1075	124	DTM296-SS26	M26			22-933 22-719	25/13 25	3S584 TC65	B8			8	1232, 6A8G, 6K7G, 6J5G, 6F5G, 6F6G, 6U5, 6X5G	455	11-23	

† Data not substantiated.

\* IMPORTANT: Read Notes in Note Section if specified in Note Column.

‡ Indicates miscellaneous section.

WHEN YOU BUY ROTARY SWITCHES BUY MALLORY.



MANUFACTURER AND MODEL	CONTROLS							CONDENSERS				VIBRATORS			No. Tubes	Complete Tube Complement	I. F. Peak	Rider's Reference
	Use	Original Part	Circuit	Correct Replacement	Switch	Bias	*Note	Original Part	Circuit	Correct Replacement	*Note	Original Part	Replacement	*Note				
ZENITH—Continued 88449, 88450 (Ch. 5801).....	Vol.	63-1030	124	TM251-SS25	M26			22-851 22-852	10/13 10	FP371 FP135				8	1232, 6A8G, 6Q7G, 6K7G, 6AF5G, 25AC5G, 25Z6G...	455	11-22	
88451 (Ch. 5808)...	Vol.	63-1075	124	DTM296-SS26	M26			22-933 22-719	25/13 25	3S584 TC65	B8			8	1232, 6A8G, 6K7G, 6J5G, 6F5G, 6F6G, 6U5, 6X5G	455	11-23	
88458 to 88462 inc. (Ch. 5810).....	Vol.	63-1030	124	TM251-SS25	M26			22-851 22-852	10/13 10	FP371 FP135				8	1232, 6A8G, 6K7G, 6Q7G, 6AF5G, 25AC5G, 25Z6G...	455	11-22	
88463 (Ch. 5808)...	Vol.	63-1075	124	DTM296-SS26	M26			22-933 22-719	25/13 25	3S584 TC65	B8			8	1232, 6A8G, 6K7G, 6J5G, 6F5G, 6F6G, 6U5, 6X5G	455	11-23	
88531, 88548, 88563 (Ch. 8A02).....	Vol.	63-1075	124	DTM296-SS26	M26			22-1035	1/13	FP390				8	1232, 6A8G, 6K7G, 6J5G, 6F5G, 6P5G, 6AC5G, 6X5G	455	12-18	
88586 (Ch. 8A01)...	Vol.	63-1117	124/†	Order from	Mfr.			22-933 22-719	25/13 25	3S584 TC65	B8			8	1232, 6A8G, 6K7G, 6J5G, 6F5G, 6F6G, 6X5G, 6U5	455	12-19,20	
88587, 88588 (Ch. 8A03).....	Vol.	63-1075	124	DTM296-SS26	M26			22-1035	1/13	FP390				8	1232, 6A8G, 6K7G, 6J5G, 6F5G, 6P5G, 6AC5G, 6X5G	455	12-18	
88593, 88594 (Ch. 8A04).....	Vol. Mike	63-1123 63-1146	124 †	SM317			A109 A5	22-1036 22-1099 22-1069	25 12/25/13 15	TC74 FP380 TC26				8	7H7, 7B8, 7A7, 7B6, 6V6G, 6U5, 7C7, 5Y4G	455	12-21,26	
88647 (Ch. 8B01)...	Vol.	63-1075	18	DTM296-SS26	M26			22-1108	1	FP234				8	7H7, 6A8G, 6SK7GT, 6SQ7GT, 6J5G, 6F6G, 5Y4G	455	13-31,29	
88661 (Ch. 8B01)...	Vol.	63-1075	18	DTM296-SS26	M26			22-1108	1	FP234				8	7H7, 6A8G, 6SK7GT, 6SQ7GT, 6J5G, 6F6G, 5Y4G	455	13-31,29	
9H079, 9H081, 9H082, 9H085, 9H088, Ch. 8C21	Vol.	63-1466	154	DTM296-SS25	M26			22-1382 22-1449	1/15 13	FP346 FP135				8	6AG5, 6SB7Y, 6SQ7GT, 6SH7, 6S8GT, 6K6GT, 5Y3GT	455 8.3	15-79,86	
9830, 9854, 9855 (5903).....	Vol. Tone	63-450 63-451	45 †	MRT438 MR53	M26			22-412 22-420	46 15	3S584/TC70 TC22	B8			8	6K7, 6A8, 6H6, 6C5, 6F6, 5Y3	456	6-27,28	
98203, 98232, 98242, 98244, 98262, 98263, 98264 (Chassis 5905)...	Vol.	63-568	124	MRT454				22-569 22-571	1 1/13/15	ST597 3S584				9	6K7G, 6L7G, 6J5G, 6H6G, 6T5, 6F5G, 6F6G, 5Y4G	456	8-35	
98204AT, 98232AT, 98244AT, 98262AT, 98264AT (5905AT).....	Vol.	63-931	20	MRT449				22-633 22-637	25 25/13/ 14	TC82 3S584/TC70	B8			9	6K7G, 6L7G, 6H6G, 6F5G, 6F6G, 5Y4G, 6J5G, 6T5	456	9-33	
98307, 98324, 98344, 98367, 98369 (5907).....	Vol.	63-978	45	DTM296-SS26				22-711 22-710	25/13 25/14	FP231 FP234				8	6K7G, 6L7G, 6J5G, 6U5, 6F5G, 6F6G, 5Y4G	455	9-35	
98365 (5906).....	Vol.	63-568	124	MRT454				22-569 22-571	25 25/13/ 14	ST597 3S584				9	6K7G, 6L7G, 6H6G, 6U5, 6J5G, 6F5G, 6F6G, 5Y4G	455	9-37	
10, 11, 12.....	Vol. Tone	63-128 63-126	12 41	SRP289 MR48				22-72	3	3S584 RS213				8	24, 27, 45, 80	455	2-9,10	
10H551 (Ch. 10A3)	Vol.	63-1074	124	DTM296-SS26	M26			22-1124 22-1125 22-1123	1 1/13 13	FP145 FP380 TC62				10	6AC7/1852, 7J7, 7G7/ 1232, 7C7, 7A6, 7B6, 6V6G, 5Y4G	455	12-12,22	
10H571R (Ch. 10A3R).....	Vol.	63-1074	124	DTM296-SS26	M26			22-1178 22-1124	25/13 25	FP380 FP145				10	7V7, 7J7, 7C7, 7A6, 7B6, 5Y4G, 6V6G	455 8600	12-35, 38,39,40	
10H571 (Ch. 10A3)	Vol.	63-1074	124	DTM296-SS26	M26			22-1124 22-1125 22-1123	1 1/13 13	FP145 FP380 TC62				10	6AC7/1852, 7J7, 7G7/ 1232, 7C7, 7A6, 7B6, 6V6G, 5Y4G	455	12-12,22	
10H573 (Ch. 10A3R)	Vol.	63-1074	124	DTM296-SS26	M26			22-1178 22-1124	25/13 25	FP380 FP145				10	7V7, 7J7, 7C7, 7A6, 7B6, 5Y4G, 6V6G	455 8600	12-35, 38-40	

† Data not substantiated.

\* IMPORTANT: Read Notes in Note Section if specified in Note Column.

‡ Indicates miscellaneous section.

MANUFACTURER AND MODEL	CONTROLS							CONDENSERS				VIBRATORS			No. Tubes	Complete Tube Complement	I. F. Peak	Rider's Reference
	Use	Original Part	Cir- cuit	Correct Replacement	Switch	Bias	*Note	Original Part	Cir- cuit	Correct Replacement	*Note	Original Part	Replac- ment	*Note				
ZENITH—Continued 10S130, 10S153, 10S155, 10S156, 10S157, 10S160, (1004).....	Vol.	63-522.....	124	MRT454...	M26			22-504.....	3	RS213.....					10	6K7, 6A8, 6H6, 6C5, 6L6, 5W4, or glass equivalents.....	456	8-36,38
10S147 (1004).....	Vol.	63-522.....	124	MRT454...	M26			22-506.....	14	RS216.....					10	6K7, 6A8, 6C5, 6L6, 6H6, 5W4, or glass equivalents.....	456	8-37,38
10S443, 10S452, 10S464, 10S470, 10S491, 10S492 (Ch. 1005).....	Vol.	63-1074.....	124	DTM296-SS26	M26			22-493.....	3	2N518.....					10	1232, 6A8G, 6K7G, 607G, 6J5G, 6V6G, 6U5, 6X5G.....	455	
10S531, 10S549, 10S566 (Ch. 10A1)	Vol.	63-1074.....	124	DTM296-SS26	M26			22-405.....	19	TC52.....					10	1232, 6A8G, 6K7G, 6J5G, 6F5G, 6V6G, 6X5G.....	455	12-23
10S589, 10S590 (Ch. 10A2).....	Vol.	63-1074.....	124	DTM296-SS26	M26			22-507.....	15	TC22.....					10	1232, 6A8G, 6K7G, 6J5G, 6F5G, 6V6G, 6X5G.....	455	
10S669 (Ch. 10B1).....	Vol.	63-1075.....	45	DTM296-SS26	M26			22-512.....	3	RS213.....					10	7G7/1232, 6A8G, 6K7G, 6J5GT, 6F5G, 6J5G, 6V6G, 5Y4G.....	455	13-32,29
10S690 (Ch. 10B2).....	Vol.	63-1075.....	45	DTM296-SS26	M26			22-510.....	3/14	3S584.....					10	7G7/1232, 6A8G, 6K7G, 6J5GT, 6J5G, 6F5G, 6V6G, 5Y4G.....	455	13-32,29
11S474 (Ch. 1103).....	Vol.	63-1074.....	124	DTM296-SS26	M26			22-405.....	19	TC32.....					11	1232, 6A8G, 6K7G, 6J5G, 6F5G, 6V6G, 6U5, 6X5G.....	455	
11, 12.....	Vol.		11	MR39.....				22-294.....	3	RS216.....					6	6U5, 6X5G.....		1-2
12 (2nd Type) 12A57, 12A58, 12L57, 12L58 (Chassis 1202, 1202A).....	Vol.		11	MR39.....				22-445.....	3	2N518.....					6	6U5, 6X5G.....		1-2
12H090, 12H091, 12H092, 12H093, 12H094, Ch. 11C21.....	Vol.	63-450.....	124	MRT438...	M26			22-405.....	19	TC32.....					12	6K7, 6A8, 6C5, 6H6, 6F6, 5Z4, or glass equivalents.....	456	7-23,25
12H090, 12H091, 12H092, 12H093, 12H094, Ch. 11C21.....	Vol.	63-451.....	124	MR53.....	M26			22-420.....	15	TC22.....					12	6A8G, 6SB7Y, 6SG7, 7W7, 6SH7, 6S8GT, 6AL7GT, 7F7, 6J5GT, 6V6GT, 5Y3GT.....	455	15-87,94
12H650 (Ch. 12B1).....	Vol.	63-1349.....	169	DTM296-SS25	M26			22-1124.....	1	FP145.....					12	6SD7GT, 7S7, 7C7, 7A6, 7B6, 7A4, 6V6G, 5X4G.....	455 8.3 AM	13-33, 34,41
12H650 (Ch. 12B1).....	Vol.	63-1074.....	18	DTM296-SS26	M26			22-1178.....	1/13	Order from Mfr.....					12	6SD7GT, 7S7, 7C7, 7A6, 7B6, 7A4, 6V6G, 5X4G.....	455 kc. FM 8.3 mc.	13-33, 34,41
12H671 (Ch. 12B1).....	Vol.	63-1074.....	18	DTM296-SS26	M26			22-1124.....	1	FP145.....					12	6SD7GT, 7S7, 7C7, 7A6, 7B6, 7A4, 6V6G, 5X4G.....	455 kc. FM 8.3 mc.	13-33, 34,41
12H671 (Ch. 12B1).....	Vol.	63-1074.....	18	DTM296-SS26	M26			22-1178.....	1/13	Order from Mfr.....					12	6SD7GT, 7S7, 7C7, 7A6, 7B6, 7A4, 6V6G, 5X4G.....	455 kc. FM 8.3 mc.	13-33, 34,41
12H678, 12H679 (Ch. 12A6).....	Vol.	63-1074.....	45	DTM296-SS26	M26			22-1124.....	1	FP145.....					12	6SD7GT, 7S7, 7C7, 7A6, 7B6, 7A4, 6V6G, 5X4G.....	455 kc. FM 8.3 mc.	13-35, 36,41
12H678, 12H679 (Ch. 12A6).....	Vol.	63-1074.....	45	DTM296-SS26	M26			22-1178.....	1/13	Order from Mfr.....					12	6SD7GT, 7S7, 7C7, 7A6, 7B6, 7A4, 6V6G, 5X4G.....	455 kc. FM 8.3 mc.	13-35, 36,41
12H689 (Ch. 12B2 Phono).....	Vol.	63-1074.....	45	DTM296-SS26	M26			22-1124.....	1	FP145.....					12	6SD7GT, 7S7, 7C7, 7A6, 7B6, 7A4, 6V6G, 5X4G.....	455 kc. FM 8.3 mc.	13-37, 38,41
12H689 (Ch. 12B2 Phono).....	Vol.	63-1074.....	45	DTM296-SS26	M26			22-1178.....	1/13	Order from Mfr.....					12	6SD7GT, 7S7, 7C7, 7A6, 7B6, 7A4, 6V6G, 5X4G.....	455 kc. FM 8.3 mc.	13-37, 38,41
12H691 (Ch. 12B1).....	Vol.	63-1074.....	18	DTM296-SS26	M26			23-1124.....	1	FP145.....					12	6SD7GT, 7S7, 7C7, 7A6, 7B6, 7A4, 6V6G, 5X4G.....	455 kc. FM 8.3 mc.	13-33, 34,41
12H691 (Ch. 12B1).....	Vol.	63-1074.....	18	DTM296-SS26	M26			23-1178.....	1/13	Order from Mfr.....					12	6SD7GT, 7S7, 7C7, 7A6, 7B6, 7A4, 6V6G, 5X4G.....	455 kc. FM 8.3 mc.	13-33, 34,41

‡ Data not substantiated.

\* IMPORTANT: Read Notes in Note Section if specified in Note Column.

‡ Indicates miscellaneous section.

USE MALLORY CAPACITORS—STANDARD OF THE INDUSTRY.

MANUFACTURER AND MODEL	CONTROLS							CONDENSERS				VIBRATORS			No. Tubes	Complete Tube Complement	I. F. Peak	Rider's Refer- ence
	Use	Original Part	Cir- cuit	Correct Replacement	Switch	Bias	*Note	Original Part	Cir- cuit	Correct Replacement	*Note	Original Part	Replac- ement	*Note				
ZENITH—Continued 12H695 (Ch. 12B2 Phono)	Vol.	63-1074	45	DTM296-SS26	M26			22-1124 22-1178	1 1/13	FP145 Order from Mfr.				12	*6SD7GT, 7S7, *7C7, 7A6, 7N7, 7F7, *6V6G, 5X4G	AM 455 kc. FM 8.3 mc.	13-37, 38, 41	
12S205, 12S232, 12S245, 12S265, 12S266, 12S267, 12S268 (1204)	Vol.	63-568	124	MRT454				22-566 22-573 22-572	1 13/14 15/19	2S569 2N518 TN111/TC22				12	*6K7G, 6L7G, *6J5G, 6H6G, 6T5, *6V6G, 5Y4G	456	8-41	
12S345, 12S370, 12S371 (1206)	Vol.	63-980	124	DTM296-SS26				22-714 22-728 22-748	1 13/14 15/19	2S569 Order from Mfr.				12	*6K7G, 6L7G, *6J5G, 6U5, 6F8G, *6V6G, 5Y4G	455	9-39	
12S445, 12S453, 12S471, 12S475, 12S494 (Ch. 1207)	Vol.	63-1078	124	DTM296-SS26				22-970 22-991	1 13	FP234 2S569				12	*6K7G, 6A8G, *6J5G, 6F8G, *6V6G, 6U5, *6X5G	455	11-25, 26	
12S550 (Ch. 12A3)	Vol.	63-1078	124	DTM296-SS26				22-970 22-991	1 13	FP234 2S569				12	*6K7G, 6A8G, *6J5G, *6V6G, *6X5G	455		
12S550Z (Ch. 12A1)	Vol.	63-1078	124	DTM296-SS26				22-1108 22-1053	1 13	FP234 2S569				12	1232, 7B8, 6K7G, *6J5G, 6AE7GT, *6AC5G, 5Y4G	455	12-25, 28	
12S568, 12S569 (Ch. 12A3)	Vol.	63-1078	124	DTM296-SS26				22-970 22-991	1 13	FP234 2S569				12	*6K7G, 6A8G, *6J5G, *6V6G, *6X5G	455		
12S568E, 12S568Z, 12S569E, 12S569Z (Ch. 12A1)	Vol.	63-1078	124	DTM296-SS26				22-1108 22-1053	1 13	FP234 2S569				12	1232, 7B8, 6K7G, *6J5G, 6AE7GT, *6AC5G, 5Y4G	455	12-25, 28	
12S595 (Ch. 12A4)	Vol.	63-1078	124	DTM296-SS26				22-970 22-991	1 13	FP234 2S569				12	*6J5G, *6K7G, 6A8G, *6V6G, *6X5G	455		
12S595Z (Ch. 12A2)	Vol.	63-1078	124	DTM296-SS26				22-1108 22-1053	1 13	FP234 2S569				12	1232, 7B8, 6K7G, *6J5G, 6AE7GT, *6AC5G, 5Y4G	455	12-25, 28	
12U158, 12U159 (Chassis 1203)	Vol.	63-522	124	MRT454	M26			22-504 22-294 22-125 22-506 22-405 22-509	3 3 3 14 15 19	RS213 RS216 RS213 RS216 TC32 TC32				12	*6K7, 6H6, 6F5, 6P6, *6L6, *5W4, 6L7, *6C5, or glass equivalents	456	8-36, 40	
14 14H697 (Ch. 14B1)	Vol. Vol.	 63-1074	11 45	MR39 DTM296-SS26	 M26			22-1124 22-1178 22-1123	1 1/13 13	FP145 Order from Mfr. TC62				6 14	*6A1A, 12A, 71A, 00A, *6SD7GT, 7S7, *7C7, 7A6, 7N7, 7F7, 7B6, 6U5, *6V6G, 5X4G	AM 455 kc. FM 8.3 mc.	1-2 13-39, 40, 42	
15S308, 15S346, 15S372, 15S373 (1502)	Vol.	63-980	124	DTM296-SS26				22-569 22-727 22-747 22-748	3 3 1 1	ST597 2N518 Order from Mfr. Order from Mfr.				15	*6K7G, 6L7G, *6J5G, 6U5, 6F8G, *6V6G, 5Y4G	455	9-41	
15S479, 15S495 (Ch. 1503)	Vol.	63-980	124	DTM296-SS26				22-727 22-569 22-747 22-960	3 3 1 19/15	2N518 ST597 Order from Mfr. FP311			B3	15	*6K7G, 6A8G, *6J5G, 6C5G, 6F8G, *6V6G, 6U5, 5Y4G	455	12-27, 28	
15U246, 15U269, 15U270, 15U271, 15U272 (Chassis 1501)	Vol.	63-688	124	DTM295-SS1				22-569 22-568 22-578 22-580	3 3 13/14 15	ST597 2N518 2N518 TN111/TC22				15	*6K7G, 6L7G, 6T5, *6J5G, 6H6G, *6V6G, 5Y4G	456	8-43, 44	
16A61, 16A63 (1601C, 1601P)	Vol. Tone Fid.	63-450 63-451 63-480	15 15 15	MRT438 MR53	M26			22-361 22-438 22-420 22-321	1/3/14 15 15 13	RS216 TC36 TC22 TC71				16	*6K7, 6A8, 6C5, 6H6, 6F5, *6F6, *5Z4	456	7-27, 29	
17 22H698, 22H699 (Ch. 22B1)	Vol. Vol.	 63-1074	11 45	MR39 DTM296-SS26	 M26			22-1124 22-1178 22-1303 22-1304 22-719 22-893	24 24/13 3 3 13 19	FP145 Order from Mfr. FP238 FP143 TC65 TC65				22	*6SD7GT, 7S7, *7C7, 7A6, 7N7, *7A4, *6A3, 6AD7G, *5X4G	AM 455 kc. FM 8.3 mc.	13-42-46	

‡ Data not substantiated.

\* IMPORTANT: Read Notes in Note Section if specified in Note Column.

‡ Indicates miscellaneous section.

MANUFACTURER AND MODEL	Use	CONTROLS						CONDENSERS				VIBRATORS			No. Tubes	Complete Tube Complement	I. F. Peak	Rider's Reference
		Original Part	Circuit	Correct Replacement	Switch	Bias	*Note	Original Part	Circuit	Correct Replacement	*Note	Original Part	Replacement	*Note				
ZENITH—Continued																		
31, 32 Battery	Vol.	S353	11	SRP289											6	01A, 12A, 71A, 00A		1-6
34P	Vol.	S387	11	SRP289											8	*27, 10, *81		1-7
33, 33X, 34, 35, 35A	Vol.	S387	11	SRP289											6	*27, 71A		1-8
35P, 35AP	Vol.	S353	11	SRP289											8	*27, 10, *81		1-10
35APX, 35PX	Vol.	S3-93	11	SRP289											7	*27, 26, 50		1-9
37A, 39, 39A	Vol.	S353	11	SRP289											6	*27, 10		1-9, 11
40A	Vol.	S339	11	SRP289											8	*27, 26, 10		1-11
41, 42	Vol.	S387	11	SRP289											6	24, *27, 71A		1-13
	Sen.	S434	1	MR33														
52, 53, 54, 55 (50 Series)	Vol.	S446	12	SRP261		Single	A82	22-61		3	FP434		B83		9	*24, *27, *45, 80		1-14, 15
	Vol.	S516	123	DRP221		Dual	A83											
60, 61, 62, 64, 67 (60 Series)	Vol.	S446	12	SRP261		Single	A82	22-61		3	FP434		B83		9	*24, *27, *45, 80		1-16
	Vol.	S516	123	DRP221		Dual	A83											
71, 72, 73, 77 (70 Series)	Vol.	63-122	12	SRP261		Single	A82	22-72		3	HD684				9	*24, *27, *45, 80		1-18
	Vol.	63-126	123	DRP221		Dual	A83	22-73		3	RS216							
	Tone		41	MR44														
80 (Hypermetron)	Vol.	63-128	12	SRP289				22-72		3	HD684				10	*24, *27, *45, 80		1-20, 22
	Tone	63-147	41	MR48				22-73		3	RS216							
	Tone	63-171	111	ASMP		See Note	A27	22-119		26	RS213				10	*51, *27, *45, 24, 80	175	2-3, 8
91, 92	Vol.	63-212	15	MR48		See Note	A4	22-125		26	RS213							
	Tone	63-172	41	MR48		See Note	A4											
	Tone	63-128	12	SRP289				22-72		3	HD684				8	*24, 27, *45, 80		2-9, 10
102	Vol.																	
103 (2017) Serials 450,001 to 450,450	Vol.	63-171	111	Y5MP				22-119		26	RS213				13	*51, *24, *27, *45, 80	175	2-16
	Tone	63-193	41	MR48				22-125		26	RS213							
103 (2017) Serials above 450,451	Vol.	63-213	23	MM				22-119		26	RS213				13	*51, *24, *27, *45, 80	175	2-15
	Tone	63-193	41	MR48				22-125		26	RS213							
112, 122	Vol.	63-128	12	SRP289				22-72		3	HD684				8	*24, 27, *45, 80		2-9, 10
	Tone	63-126	41	MR48														
200	Vol.		6	MR18		EX200		8		4	ST595				5	*57, 58, 47, 80		10-33
	Vol.							4		4	ST595							
210, 210-5, 211-5 (2022 A & B)	Vol.	63-209	8	A10MP		6-9		22-156		4	TC71				7	*58, 24, *27, 47, 80	175	3-1, 2
	Tone	63-200	34	MR48				22-157		4	TC71							
215, 216, 217 (Chassis 2044)	Vol.	63-235	15	MR48		M26		22-173		25	TC71				7	*58, 56, 55, 59, 80	175	7-30
	Tone	63-232	34	MR48														
	Sen.	63-255	7	SRP262														
220, 221 (2022 A & B)	Vol.	63-209	8	A10MP		6-9		22-157		4	TC71				7	*58, 24, *27, 47, 80	175	3-2
	Tone	63-200	34	MR48				22-156		4	TC71							
225 (Chassis 2044)	Vol.	63-235	15	MR48		M26		22-173		25	TC71				7	*58, 56, 55, 59, 80	175	7-30
	Tone	63-232	34	MR48														
	Sen.	63-255	7	SRP262														
230, 240, 241, 244, 245 (Chassis 2036)	Vol.	63-235	15	MR48		M26		22-172		23	TC70				8	*58, 56, *57, 59, 80	175	3-3, 4
	Tone	63-232	34	MR48				22-173		23	TC71							
	Sen.	63-233	7	UC513														
250, 251, 252 (Chassis 2031)	Vol.	63-209	8	A10MP		6-9		22-156		4	TC71				9	*58, 24, *27, 47, 57, 80	175	2-20,
	Tone	63-200	34	MR48				22-157		4	TC71							7-32
258 (Chassis 2051)	Vol.	63-284	15	MR48		M26		22-204		1	RM262				8	*58, 55, 56, 59, 80	485	8-45, 47
	Tone	63-285	34	MR33				22-203		15	TC22							
	Sen.	63-286	7	MR28														
259, 260, 261, 262 (Chassis 2031)	Vol.	63-209	8	A10MP		6-9		22-156		4	TC71				9	*58, 24, *27, 57, 47, 80	175	2-20,
	Tone	63-200	34	MR48				22-157		4	TC71							7-32
263 (Chassis 2044)	Vol.	63-235	15	MR48		M26		22-173		1	TC71				7	*58, 56, 55, 59, 80	175	7-30
	Tone	63-232	34	MR48														
	Sen.	63-255	7	SRP262														
268 (Chassis 2051)	Vol.	63-284	15	MR48		M26		22-204		1	RM262				8	*58, 56, 55, 59, 80	485	8-45, 47
	Tone	63-285	34	MR33				22-203		15	TC22							
	Sen.	63-286	7	MR28														
269 (Chassis 2031)	Vol.	63-209	8	A10MP		6-9		22-157		4	TC71				9	*58, 57, 24, *27, 47, 80	175	2-20,
	Tone	63-200	34	MR48				22-156		4	TC71							7-32
270-5	Vol.	63-209	8	A10MP		6-9		22-156		4	TC71				7	*58, 24, *27, 47, 80	125	3-1
	Tone	63-200	34	MR48				22-157		4	TC71							
271 (Chassis 2036)	Vol.	63-235	15	MR48		M26		22-173		42/12	TC71				8	*58, 56, *57, 59, 80	175	3-3, 4
	Tone	63-232	34	MR48				22-172		42	TC70							
	Sen.	63-233	7	UC513														
272 (Chassis 2031)	Vol.	63-209	8	A10MP		6-9		22-156		4	TC71				9	*58, 24, *27, 47, 57, 80	175	2-20,
	Tone	63-200	34	MR48				22-157		4	TC71							7-32
273 (Chassis 2030)	Vol.	63-231	20	MRT430		M26		22-167		28	TC71				10	*58, *56, 57, *59, 80	175	3-5, 8
	Tone	63-232	41	MR48				22-169		15	TC32							
	Sen.	63-233	7	UC513														
277 (Chassis 2056)	Vol.	63-284	17	MR48		M26		22-204		1	RM262				8	*58, 56, 2A6, 59, 80	485	4-15
	Tone	63-285	34	MR33				22-203		15	TC22							
	Sen.	63-309	7	E														

‡ Data not substantiated.

\* IMPORTANT: Read Notes in Note Section if specified in Note Column.

§ Indicates miscellaneous section.



MANUFACTURER AND MODEL	Use	CONTROLS						CONDENSERS				VIBRATORS			No. Tubes	Complete Tube Complement	I. F. Peak	Rider's Reference
		Original Part	Circuit	Correct Replacement	Switch	Bias	*Note	Original Part	Circuit	Correct Replacement	*Note	Original Part	Replacement	*Note				
ZENITH—Continued 278, 280, 281 (Chassis 2051)...	Vol. Tone Sen.	63-284 63-285 63-286	15 34 7	MR48 MR33 MR28	M26			22-204 22-203	1 15	RM262 TC22				8	*58, 56, 55, 59, 80	485	8-45, 47	
281 (2nd) (Chassis 2056)...	Vol. Tone Sen.	63-284 63-285 63-286	17 34 7	MR48 MR33 E	M26			22-204 22-203	1 15	RM262 TC22				8	*58, 56, 2A6, 59, 80	485	4-15	
288, 289 (Chassis 2051)...	Vol. Tone Sen.	63-284 63-285 63-286	15 34 7	MR48 MR33 MR28	M26			22-204 22-203	1 15	RM262 TC22				8	*58, 56, 55, 59, 80	485	8-45, 47	
288 (2nd) (Chassis 2056)...	Vol. Tone Sen.	63-284 63-285 63-309	17 34 7	MR48 MR33 E	M26			22-204 22-203	1 15	RM262 TC22				8	*58, 56, 2A6, 59, 80	485	4-15	
291, 292 (Chassis 2022)...	Vol. Tone	63-209 63-200	8 34	A10MP MR48	6-9			22-157 22-157	4 4	TC71 TC71				7	*58, 24, 27, 47, 80	175	3-2	
293 (Chassis 2056)...	Vol. Tone Sen.	63-284 63-285 63-309	17 34 8	MR48 MR33 E	M26			22-204 22-203	1 15	RM262 TC22				8	*58, 56, 2A6, 59, 80	485	4-15	
299 (Chassis 2031)...	Vol. Tone	63-209 63-200	8 34	A10MP MR48	6-9			22-157 22-156	4 4	TC71 TC71				9	*58, 57, 24, 27, 47, 80	175	2-20, 7-32	
333.....	Vol.	S353	11	SRP289										6	*01A, 71A		1-29	
342.....	Vol.	S353	11	SRP289										6	*27, 71A		1-8	
342P.....	Vol.	S387	11	SRP289										8	*27, 10, *81		1-7	
352, 352A.....	Vol.	S353	11	SRP289										6	*27, 71A		1-8	
352P, 352AP.....	Vol.	S353	11	SRP289										8	*27, 10, *81		1-10	
352PX, 352APX.....	Vol.	63-93	11	SRP289										7	*27, 26, 50		1-9	
353A.....	Vol.	S353	11	SRP289										6	*01A, 71A		1-29	
362, 362X.....	Vol.	S353	11	SRP289										6	*27, 71A		1-5, 8	
392, 392A.....	Vol.	S353	11	SRP289										9	*27, 10, *81		1-11	
410, 411.....	Vol. Tone	63-231 63-232	20 41	MRT430 MR48	M26			22-167 22-169	28 15	TC71 TC32				9	*58, *56, *59, 57, 80	175	3-5, 8	
412 (414).....	Vol.	S387	11	SRP289										6	24, *27, 71A		3-5, 8	
420.....	Vol. Tone	63-231 63-232	20 41	MRT430 MR48	M26			22-167 22-169	28 15	TC71 TC32				10	*56, 57, *58, *59, 80	175	3-5, 8	
422.....	Vol. Sen.	S387 S434	11 1	SRP289 MR33										6	24, *27, 10		1-13	
430, 440, 441, 442.....	Vol. Tone Sen.	63-231 63-232 63-250	20 41 8	MRT430 MR48 A400P	M26			22-167 22-169	28 15	TC71 TC32				12	*56, *57, *58, *59, 80	175	3-7	
443 (Chassis 2030)...	Vol. Tone Sen.	63-231 63-232 63-233	20 41 7	MRT430 MR48 UC513	M26			22-167 22-169	28 15	TC71 TC32				10	*58, *56, 57, *59, 80	175	3-5, 8	
444 (Chassis 2033)...	Vol. Tone Sen.	63-231 63-232 63-250	124 41 8	MRT431 MR48 A400P	M26			22-167 22-169	28 15	TC71 TC32				12	*58, *56, *57, *59, 80	175	3-7	
460 (2047) (Auto)...	Vol. Tone Sen.	63-276 63-253 63-283	1 44 7	MR48 MR33 MR28				22-183 22-195 .02	1 15	2N518 TC22 Buffer	190-1	292	C3	7	*6D6, 85, *89, 6Z4, 6C6	485	4-1, 2	
462 (Chassis 2057)...	Vol. Tone Sen.	63-321 63-330 63-235	17 34 15	UM147-SS3 MR33 MR48	M26			22-236 .02	4/15 1	2S567/TC22 Buffer TC71	B14	190-2	292	C3	6	6C6, 6F7, 6D6, 75, 42, 84	252.5 175	4-3, 4 7-30
470 (Chassis 2044)...	Vol. Tone Sen.	63-232 63-255 63-209	34 7 8	MR48 SRP262 A10MP	M26			22-173	1					7	*58, 56, 55, 59, 80	175	4-11	
472 (Chassis 2031)...	Vol. Tone	63-209 63-200	8 34	A10MP MR48	6-9			22-157 22-156	4 4	TC71 TC71				9	*58, 57, 24, *27, 47, 80	175	2-20	
473 (Chassis 2030)...	Vol. Tone Sen.	63-231 63-232 63-233	20 41 7	MRT430 MR48 UC513	M26			22-167 22-169	28 15	TC71 TC32				10	*58, *56, 57, *59, 80	175	3-5, 8	
474 (Chassis 2053)...	Vol. Tone Sen.	63-306 63-232 63-255	17 41 7	MR48 MR48 SRP262	M26			22-168	1	2N518				8	*58, 55, *59, 56, 80	175	4-8	
475 (Chassis 2054)...	Vol. Tone Sen.	63-306 63-232 63-304	15 41 7	MR48 MR48 UC500	M26			22-168 22-169	1 15	2N518 TC32				9	*56, *58, *59, 80	175	4-11	
476, 476A (Chassis 2032).....	Vol. Tone Supp.	63-231 63-232 63-250	20 41 7	MRT430 MR48 A400P	M26			22-241 22-240	28 28	2N518 HD684				12	*56, *57, *58, *59, 80	175	4-12	
476B (Chassis 2059).....	Vol. Tone Sen.	63-306 63-315 63-316	15 57 7	MR48 MR33 MR34	M26			22-230 22-247 22-225	3 3 15	2N518 HD684 TC22				12	*56, *58, *59, 80	175	4-13, 14	
478 (Chassis 2056)...	Vol. Tone Sen.	63-284 63-285 63-309	17 34 7	MR48 MR33 E	M26			22-204 22-203	1 15	RM262 TC22				8	*58, 56, 2A6, 59, 80	485	4-15	
478 (2nd) (Chassis 2051)...	Vol. Tone Sen.	63-284 63-285 63-286	15 34 7	MR48 MR33 MR28	M26			22-204 22-203	1 15	RM262 TC22				8	*58, 56, 55, 59, 80	485	8-45, 47	

‡ Data not substantiated.

\* IMPORTANT: Read Notes in Note Section if specified in Note Column.

‡ Indicates miscellaneous section.

THERE'S A PLACE FOR A MALLORY NOISE FILTER IN EVERY HOME.

MANUFACTURER AND MODEL	Use	CONTROLS						CONDENSERS				VIBRATORS			No. Tubes	Complete Tube Complement	I. F. Peak	Rider's Reference
		Original Part	Circuit	Correct Replacement	Switch	Bias	*Note	Original Part	Circuit	Correct Replacement	*Note	Original Part	Replacement	*Note				
ZENITH—Continued 479 (Chassis 2059) ..	Vol. 63-306 .....	15	MR48 .....	M26			22-247 .....	3	HD684 .....					12	*58,*56,*59, 80 .....	175	4-13,14	
	Tone 63-315 .....	57	MR33 .....				22-230 .....	3	2N518 .....									
	Sen. 63-316 .....	58	MR34 .....				22-225 .....	15	TC22 .....									
500, 501, 502, 503, 514, 515, 516 (Chassis 2037) ..	Vol. 63-235 .....	15	MR48 .....	M26			22-173 .....	23	TC71 .....					8	*56,*57,*58, 59, 80 .....	175	2-21,	
	Tone 63-232 .....	34	MR48 .....				22-172 .....	23	TC70 .....									
	Sen. 63-234 .....	7	UC500 .....															
517, 518 (Chassis 2031) ..	Vol. 63-209 .....	8	A10MP .....	6-9			22-157 .....	4	TC71 .....					9	*58, 57, 24,*27, 47, 80 .....	175	2-2	
	Tone 63-200 .....	34	MR48 .....				22-156 .....	4	TC71 .....									
520, 521, 530, 531, 533, 535 (Chassis 2035) .....	Vol. 63-231 .....	20	MRT430 .....	M26			22-167 .....	28	TC71 .....					12	*58,*56,*59,*57, 80 .....	175	8-48,	
	Tone 63-232 .....	41	MR48 .....				22-169 .....	15	TC32 .....									
	Sen. 63-234 .....	7	UC500 .....															
530, 531, 532, 533 (2038) .....	Vol. 63-231 .....	124	MRT430 .....	M26			22-167 .....	28	TC71 .....					12	*58,*56,*57,*59, 80 .....	175	8-4	
	Tone 63-232 .....	41	MR48 .....				22-169 .....	15	TC32 .....									
	Sen. 63-249 .....	7	†			See Note A5												
558 (Chassis 2051) ..	Vol. 63-284 .....	15	MR48 .....	M26			22-204 .....	1	RM262 .....					8	*58, 56, 55, 59, 80 .....	485	8-45,47	
	Tone 63-285 .....	34	MR33 .....				22-203 .....	15	TC32 .....									
	Sen. 63-286 .....	7	MR28 .....															
563 .....	Vol. 63-120 .....	11	SRP289 .....				22-61 .....	3	FP434 .....	B83				7	*01A,*71 .....		1-29	
568 (Chassis 2051) ..	Vol. 63-284 .....	15	MR48 .....	M26			22-204 .....	1	RM262 .....					8	*58, 56, 55, 59, 80 .....	485	8-45,47	
	Tone 63-285 .....	34	MR33 .....				22-203 .....	15	TC22 .....									
	Sen. 63-286 .....	7	MR28 .....															
577 (Chassis 2056) ..	Vol. 63-284 .....	17	MR48 .....	M26			22-204 .....	1	RM262 .....					8	*58, 56, 2A6, 59, 80 .....	485	4-15	
	Tone 63-285 .....	34	MR33 .....				22-203 .....	15	TC22 .....									
	Sen. 63-286 .....	7	MR28 .....															
578 (Chassis 2051) ..	Vol. 63-284 .....	15	MR48 .....	M26			22-204 .....	1	RM262 .....					8	*58, 56, 55, 59, 80 .....	485	8-45,47	
	Tone 63-285 .....	34	MR33 .....				22-203 .....	15	TC22 .....									
	Sen. 63-286 .....	7	MR28 .....															
588 (Chassis 2056) ..	Vol. 63-284 .....	17	MR48 .....	M26			22-204 .....	1	RM262 .....					8	*58, 56, 2A6, 59, 80 .....	485	4-15	
	Tone 63-285 .....	34	MR33 .....				22-203 .....	15	TC22 .....									
	Sen. 63-309 .....	7	E .....															
589, 590 (Chassis 2051) ..	Vol. 63-284 .....	15	MR48 .....	M26			22-204 .....	1	RM262 .....					8	*58, 56, 55, 59, 80 .....	485	8-45,47	
	Tone 63-285 .....	34	MR33 .....				22-203 .....	15	TC22 .....									
	Sen. 63-286 .....	7	MR28 .....															
593 (Chassis 2056) ..	Vol. 63-284 .....	17	MR48 .....	M26			22-204 .....	1	RM262 .....					8	*58, 56, 2A6, 59, 80 .....	485	4-15	
	Tone 63-285 .....	34	MR33 .....				22-203 .....	15	TC22 .....									
	Sen. 63-309 .....	7	E .....															
600 (Chassis 2037) ..	Vol. 63-235 .....	15	MR44 .....	M26			22-173 .....	23	TC71 .....					8	*56,*57,*58, 59, 80 .....	175	2-21,22	
	Tone 63-232 .....	34	MR48 .....				22-172 .....	23	TC70 .....									
	Sen. 63-234 .....	7	UC500 .....															
M601 (P51) .....	Vol. 63-164 .....	6	MR18 .....				22-119 .....	1	RS213 .....					5	*35, 24, 47, 80 .....		5-1,2	
							22-118 .....	1	RS213 .....									
602 .....	Vol. S446 .....	12	SRP261 .....			See Note A82	22-61 .....	3	FP434 .....	B83				9	*24,*27,*45, 80 .....		1-16	
602 (2035) .....	Vol. 63-231 .....	20	MRT430 .....	M26			22-167 .....	28	TC71 .....					12	*58,*56,*59,*57, 80 .....	175	8-48	
	Tone 63-232 .....	41	MR48 .....				22-169 .....	15	TC32 .....									
	Sen. 63-234 .....	7	UC500 .....															
603 (Chassis 2038) ..	Vol. 63-231 .....	124	MRT430 .....	M26			22-167 .....	28	TC71 .....					12	*58,*56,*57,*59, 80 .....	175	8-49,50	
	Tone 63-232 .....	41	MR48 .....				22-169 .....	50	TC32 .....									
	Sen. 63-249 .....	8	†			See Note A5												
604, 606 (Chassis 2037) ..	Vol. 63-235 .....	15	MR48 .....	M26			22-173 .....	23	TC71 .....					8	*56,*57,*58, 59, 80 .....	175	2-21,22	
	Tone 63-232 .....	34	MR48 .....				22-172 .....	23	TC70 .....									
	Sen. 63-234 .....	7	UC500 .....															
605 (2035) .....	Vol. 63-231 .....	20	MRT430 .....	M26			22-167 .....	28	TC71 .....					12	*58,*56,*59,*57, 80 .....	175	8-48	
	Tone 63-232 .....	41	MR48 .....				22-169 .....	15	TC32 .....									
	Sen. 63-234 .....	7	MR34 .....															
608 (Chassis 2035) ..	Vol. 63-231 .....	20	MRT430 .....	M26			22-167 .....	28	TC71 .....					10	*58,*56, 57,*59, 80 .....	175	8-48,50	
	Tone 63-232 .....	41	MR48 .....				22-169 .....	15	TC32 .....									
	Sen. 63-234 .....	7	MR34 .....															
610 (Chassis 2031) ..	Vol. 63-235 .....	15	MR48 .....	M26			22-173 .....	23	TC71 .....					8	*58, 56,*57, 59, 80 .....	175	2-21,22	
	Tone 63-232 .....	34	MR48 .....				22-172 .....	23	TC70 .....									
	Sen. 63-234 .....	7	UC500 .....															
611 (Chassis 2035) ..	Vol. 63-231 .....	20	MRT430 .....	M26			22-167 .....	28	TC71 .....					10	*58,*56, 57,*59, 80 .....	175	8-48,50	
	Tone 63-232 .....	41	MR48 .....				22-169 .....	15	TC32 .....									
	Sen. 63-234 .....	7	UC500 .....															
612 (Chassis 2038) ..	Vol. 63-231 .....	124	MRT430 .....	M26			22-167 .....	28	TC71 .....					12	*58,*56,*57,*59, 80 .....	175	8-49,50	
	Tone 63-232 .....	41	MR48 .....				22-169 .....	15	TC32 .....									
	Sen. 63-249 .....	8	†			See Note A5												
612, 613 .....	Vol. S446 .....	12	SRP261 .....			See Note A82	22-61 .....	3	FP434 .....	B83				8	*24,*27,*45 .....		1-16	
615 (Chassis 2035) ..	Vol. 63-231 .....	20	MRT430 .....	M26			22-167 .....	28	TC71 .....					10	*58,*56, 57,*59, 80 .....	175	8-48,50	
	Tone 63-232 .....	41	MR48 .....				22-169 .....	15	TC32 .....									
	Sen. 63-234 .....	7	MR34 .....															
616 (Chassis 2037) ..	Vol. 63-235 .....	15	MR48 .....	M26			22-173 .....	23	TC71 .....					8	*56,*57,*58, 59, 80 .....	175	2-21,22	
	Tone 63-232 .....	34	MR48 .....				22-172 .....	23	TC70 .....									
	Sen. 63-234 .....	7	UC500 .....															

† Data not substantiated.

\* IMPORTANT: Read Notes in Note Section if specified in Note Column.

‡ Indicates miscellaneous section.

THERE'S A FULL RANGE OF MALLORY VITREOUS ENAMEL RESISTORS FOR EVERY PURPOSE.

MANUFACTURER AND MODEL	CONTROLS							CONDENSERS				VIBRATORS			No. Tubes	Complete Tube Complement	I. F. Peak	Rider's Reference
	Use	Original Part	Circuit	Correct Replacement	Switch	Blas	*Note	Original Part	Circuit	Correct Replacement	*Note	Original Part	Replacement	*Note				
ZENITH—Continued																		
617 (Chassis 2038) ..	Vol. Tone	63-231	124	MRT430	M26			22-167	28	TC71					12	58, 56, 57, 59, 80	175	8-49, 50
	Sen.	63-232	41	MR48				22-169	15	TC32								
618 (Chassis 2037) ..	Vol. Tone	63-235	15	MR44	M26			22-173	23	TC71					8	58, 56, 57, 59, 80	175	2-21, 22
	Sen.	63-232	34	MR48				22-172	23	TC70								
619 (Chassis 2033) ..	Vol. Tone	63-234	7	UC500														
	Sen.	63-231	124	MRT430	M26			22-167	28	TC71					12	58, 56, 57, 59, 80	175	3-7
620 (Chassis 2038) ..	Vol. Tone	63-232	41	MR48				22-169	15	TC32								
	Sen.	63-250	8	A400P														
622 ..	Vol.	63-231	124	MRT430	M26			22-167	28	TC71					12	58, 56, 57, 59, 80	175	8-49, 50
623 (Chassis 2038) ..	Vol. Tone	63-232	41	MR48				22-169	15	TC32								
	Sen.	63-249	8															
642 ..	Vol.	S446	12	SRP261				22-61	3	FP434	B83				9	24, 27, 45, 80		1-16
650 (2057) ..	Vol.	63-321	17	UM147-SS3	M26			22-236	4/15	2S567/TC22 Buffer	B14	190-2	292	C3	6	6C6, 6F7, 6D6, 75, 42, 84	252.5	4-3, 4
650HD, 651HE, 660TD, 661TE ..	Vol. Tone	63-321	17	UM147-SS3	M26			22-236	4/15	2S567/TC22 Buffer	B14	190-2	292	C3	6	6D6, 6F7, 75, 42, 84	252.5	4-5, 6
663-4 (Chassis 5510)	Vol. Tone	63-330	34	MR33				.02		TC571		190-4		C3	5	6A7, 6D6, 75, 41, 6Z4	456	7-31
	Vol.	63-434	18	MR48	M26	EC256		.01		Buffer	B14							
660, 666, 668 (Chassis 5616, 5626)	Vol.	63-402	18	MR48	M26	EC256		.01		TCS71	B14	190-4	294	C3	6	6D6, 6C6, 75, 42, 84	252.5	6-1, 2
672 ..	Vol.	S446	12	SRP261				22-61	3	FP434	B83				9	24, 45, 27, 80		1-16
680 (Chassis 5617) ..	Vol.	63-402	18	MR48	M26	EC256		.01		TCS71	B14	190-4	294	C3	6	6D6, 6C6, 75, 42, 84	252.5	6-3, 4
701 ..	Vol.	V601	15	MR48	M26			C525	11	UR182-193	B31				5	6D6, 75, 43, 25Z5	456	5-4, 3-9
702 ..	Vol.	V601	17	MR48	M26			C525	11	UR182-193	B31				5	6A7, 6D6, 75, 43, 25Z5	465	5-4
705, 706, 707 (Chassis 2052) ..	Vol.	63-299	17	MR48	M26			22-217	1	RM262					6	57, 58, 56, 2A6, 59, 80	485	4-7
								22-225	15	TC22								
711, 712 (Chassis 2052) ..	Vol.	63-299	17	MR48	M26			22-217	1	RM262					6	56, 57, 58, 2A6, 59, 80	485	4-7
								22-225	15	TC22								
712 (Early) ..	Vol. Tone	63-122	123	SRP261		Single Dual	A82	22-72	3	HD684					9	24, 27, 45, 80		1-18, 19
	Sen.	63-306	17	MR44		See Note	A4	22-73	3	RS216								
715 (Chassis 2053) ..	Vol. Tone	63-306	17	MR48	M26			22-168	1	2N518					8	58, 55, 59, 56, 80	175	4-8
	Sen.	63-232	41	MR48														
722 ..	Vol. Tone	63-255	7	SRP262														
	Sen.	63-232	41	MR48														
730 ..	Vol.	96001	97	TRP602				P80968	12	TC32					5	19, 30, 32, 34	175	4-9
732 ..	Vol. Tone	63-122	123	SRP261		Single Dual	A82	22-72	3	HD684					9	24, 27, 45, 80		1-18, 19
	Sen.	63-304	41	MR44		See Note	A4	22-73	3	RS216								
735 ..	Vol.	96001	97	TRP602				P80968	12	TC32					5	19, 30, 32, 34	175	4-9
740 ..	Vol. Tone	P96009	15	MR53				P80968	12	TC32					9	34, 30, 10AB	175	4-10
	Sen.	P97005	44	MR42														
750 (Chassis 2052) ..	Vol.	63-299	17	MR48	M26			22-217	1	RM262					6	56, 57, 58, 2A6, 59, 80	485	4-7
								22-225	15	TC22								
755, 756 (Chassis 2053) ..	Vol. Tone	63-306	17	MR48				22-168	1	2N518					8	58, 55, 59, 56, 80	175	4-8
	Sen.	63-232	41	MR48														
757 (Chassis 2054) ..	Vol. Tone	63-306	15	MR48	M26			22-168	1	2N518					9	58, 56, 59, 80	175	4-11
	Sen.	63-232	41	MR48				22-169	15	TC32								
760, 765, 767 (Chassis 2054) ..	Vol. Tone	63-306	15	MR48	M26			22-168	1	2N518					9	56, 58, 59, 80	175	4-11
	Sen.	63-232	41	MR48				22-169	15	TC32								
770 (Chassis 2032) ..	Vol. Tone	63-231	20	MRT430	M26			22-241	28	2N518					12	58, 56, 57, 59, 80	175	4-12
	Supp.	63-232	41	MR48				22-240	28	HD684								
770B (Chassis 2059)	Vol. Tone	63-306	15	A400P	M26			22-230	3	2N518					12	58, 56, 59, 80	175	4-13, 14
	Sen.	63-315	57	MR33				22-247	3	HD684								
772 ..	Vol.	63-122	123	DRP221	6-9			22-225	15	TC22					9	24, 27, 45, 80		1-18, 19
								22-72	3	HD684								
775 (Chassis 2032) ..	Vol. Tone	63-231	20	MRT430	M26			22-241	28	2N518					12	56, 57, 58, 59, 80	175	4-12
	Supp.	63-232	41	MR48				22-240	28	HD684								
775B (Chassis 2059)	Vol. Tone	63-306	15	A400P	M26			22-230	3	2N518					12	56, 58, 59, 80	175	4-13, 14
	Sen.	63-315	57	MR33				22-247	3	HD684								
		63-316	7	MR34				22-225	15	TC22								

† Data not substantiated.

\* IMPORTANT: Read Notes in Note Section if specified in Note Column.

‡ Indicates miscellaneous section.

MANUFACTURER AND MODEL	CONTROLS							CONDENSERS				VIBRATORS			No. Tubes	Complete Tube Complement	I. F. Peak	Rider's Reference
	Use	Original Part	Circuit	Correct Replacement	Switch	Bias	*Note	Original Part	Circuit	Correct Replacement	*Note	Original Part	Replacement	*Note				
ZENITH—Continued 777, 778	Vol.		12	SRP261		Single	A82	22-72	3	HD684					12	24, 27, 345	1-18	
	Vol.	63-122	123	DRP221		Dual	A83	22-73	3	RS216								
	Tone		41	MR44		See Note	A4											
780 (Chassis 2032)	Vol.	63-231	20	MRT430	M26			22-241	28	2N518					12	56, 57, 58, 59, 80	175 4-12	
	Tone	63-232	41	MR48				22-240	28	HD684								
	Supp.	63-250	7	A400P														
785 (2053)	Vol.	63-306	17	MR48	M26			22-168	1	2N518					8	58, 55, 59, 56, 80	175 4-8	
	Tone	63-232	41	MR48														
	Sen.	63-255	7	SRP262														
788 (Chassis 2059)	Vol.	63-306	15	MR48	M26			22-247	3	HD684					12	58, 56, 59, 80	175 4-13,14	
	Tone	63-306	15	MR48				22-230	3	2N518								
	Sen.	63-315	57	MR33				22-225	15	TC22								
	Vol.	63-316	58	MR34				C525	11	UR182-193	B31				5	6D6, 75, 43, 25Z5	456 5-5	
801	Vol.	P101-1	17	MR48	M26			106	11	UR182-193					5	6A7, 78, 75, 43, 25Z5	456 10-34	
804	Vol.	256	18	MR48	M26			22-125	23	RS213					5	6F7, 6D6, 75, 42, 80	252.5 5-6	
805 (Chassis 5502)	Vol.	63-356	18	MR48	M26			8-8	23	RM262	B10							
806, 807 (Chassis 5504, 5505)	Vol.	63-366	18	MR44	M26			22-125	23	RS213					5	6A7, 6D6, 75, 42, 80	252.5 5-7,8	
								8-8	23	RM262	B10							
808, 809 (Chassis 5605, 5607)	Vol.	63-366	18	MR44	M26			22-125	25	RS213					6	6D6, 6A7, 75, 42, 80	252.5 5-9,10	
								22-318	25/14	RM262								
								22-306	1	TC70								
810, 811 AC-DC (Chassis 5609)	Vol.	63-366	18	MR44	M26			22-307	11	2N513					6	6D6, 6A7, 75, 43, 25Z5	252.5 6-5	
								22-308	11	RS216								
								22-195	15	TC22								
812 (Chassis 5608) AC-DC	Vol.	63-366	18	MR44	M26			22-307	11	2N513					6	6D6, 6A7, 75, 43, 25Z5	125 5-11,12	
								22-308	11	RS216								
814, 815 (Chassis 5611, 5612)	Vol.	63-366	18	MR44	M26			22-125	25	RS213					6	6D6, 6A7, 75, 42, 80	125 6-6	
								22-318	25/13	RM262								
816, 817 (Chassis 5608)	Vol.	63-366	18	MR44	M26			22-307	11	2N513					6	6D6, 6A7, 75, 43, 25Z5	125 5-11,12	
								22-308	11	RS216								
819 (Chassis 5608)	Vol.	63-366	18	MR44	M26			22-307	11	2N513					6	6D6, 6A7, 75, 43, 25Z5	125 5-11,12	
								22-308	11	RS216								
825, 827 (Chassis 5701-2-3)	Vol.	63-338	18	MR44	M26			22-283	23	2S567					7	6D6, 75, 42, 37, 80	485 5-13,14	
								22-266	23	3S584	B10							
S827 (Chassis 5701R)	Vol.	63-338	18	MR44	M26			22-321	25	TC71					7	6D6, 76, 75, 42, 80	252.5 6-23,24	
								22-322	25/13	RM262								
829 (Chassis 5701-2-3)	Vol.	63-338	18	MR44	M26			22-283	23	2S567					7	6D6, 75, 42, 37, 80	485 5-13,14	
								22-266	23	3S584	B8							
S829 (Chassis 5701R, 5702R, 5703R)	Vol.	63-338	18	MR44	M26			22-321	25	TC71					7	6D6, 75, 42, 76, 80	252.5 6-23,24	
								22-322	25/13	RM262								
835 (Chassis 1001, 1001A)	Vol.	63-384	18	MRT430	M26			22-331	3	RS213					10	6D6, 75, 42, 76, 5Z3, 6A7	485 5-15,16	
								22-125	3	RS213								
								22-225	15	TC22								
845 (Chassis 5502)	Vol.	63-356	18	MR48	M26			22-125	23	RS213					5	6F7, 6D6, 75, 42, 80	252.5 5-6	
								8-8	23	RM262	B10							
S847, 850 (Chassis 5504, 5505)	Vol.	63-366	18	MR44	M26			22-125	23	RS213					5	6A7, 6D6, 75, 42, 80	252.5 5-7,8	
								8-8	23	RM262	B10							
860, 861 (Chassis 5605, 5607)	Vol.	63-366	18	MR44	M26			22-125	25	RS213					6	6D6, 6A7, 75, 42, 80	252.5 5-9,10	
								22-318	25/14	RM262								
								22-306	1	TC70								
862 AC-DC (Chassis 5609)	Vol.	63-366	18	MR44	M26			22-307	11	2N513					6	6D6, 6A7, 75, 43, 25Z5	252.5 6-5	
								22-308	11	RS216								
								22-195	15	TC22								
864 (Chassis 5611, 5612)	Vol.	63-366	18	MR44	M26			22-125	25	RS213					6	6D6, 6A7, 75, 42, 80	125 6-6	
								22-318	25/13	RM262								
865, 866 AC-DC (Chassis 5609)	Vol.	63-366	18	MR44	M26			22-307	11	2N513					6	6D6, 6A7, 75, 43, 25Z5	252.5 6-5	
								22-308	11	RS216								
								22-195	15	TC22								
870 (Chassis 5701-2-3)	Vol.	63-338	18	MR44	M26			22-283	23	2S567					7	6D6, 75, 42, 37, 80	485 5-13,14	
								22-266	23	3S584	B10							
S870, S871 (Chassis 5701R, 5702R, 5703R)	Vol.	63-338	18	MR44	M26			22-321	25	TC71					7	6D6, 75, 42, 76, 80	252.5 6-23,24	
								22-322	25/13	RM262								

‡ Data not substantiated.

\* IMPORTANT: Read Notes in Note Section if specified in Note Column.

§ Indicates miscellaneous section.

GRID BIAS CELLS ARE EXCLUSIVE WITH MALLORY!



MANUFACTURER AND MODEL	CONTROLS							CONDENSERS				VIBRATORS			No. Tubes	Complete Tube Complement	I. F. Peak	Aider's Refer- ence
	Use	Original Part	Cir- cuit	Correct Replacement	Switch	Bias	*Note	Original Part	Cir- cuit	Correct Replacement	*Note	Original Part	Replac- ment	*Note				
ZENITH—Continued 880, 881, 885 (Chassis 1001, 1001A).....	Vol.	63-384.....	18	MRT430...	M26			22-331.....	3	RS213.....					10	*6D6, 75, *42, 76, 5Z3, 6A7.....	485	5-15,16
908, 909 (Chassis 5614).....	Vol. Tone	63-366..... 63-316.....	18 22	MR44..... MR35.....	M26			22-385.....	25/13	3S584.....					6	*6D6, 6A7, 75, 42, 80.....	252.5	6-15,16
S908, S909 (Chassis 5618).....	Vol. Tone	63-366..... 63-316.....	18 34	MR44..... MR35.....	M26			22-385.....	25/13	3S584.....					6	*6D6, 6A7, 75, 42, 80.....	252.5	6-25,26
935 (Chassis 1001)...	Vol.	63-384.....	124	MRT430...	M26			22-331.....	3	RS213.....					10	*6D6, 6A7, 76, 75, *42, 5Z3.....	485	5-15,16
945, 950 (Chassis 5508, 5509).....	Vol. Tone	63-366..... 63-316.....	18 22	MR44..... MR35.....	M26			22-125.....	25	RS213.....					5	6A7, 6D6, 75, 42, 80.....	252.5	6-7,8
960, 961 (Chassis 5614).....	Vol. Tone	63-366..... 63-316.....	18 22	MR44..... MR35.....	M26			22-385.....	25/13	3S584.....					6	*6D6, 6A7, 75, 42, 80.....	252.5	6-15,16
S961 (Chassis 5618)...	Vol. Tone	63-366..... 63-316.....	18 34	MR44..... MR35.....	M26			22-385.....	25/13	3S584.....					6	*6D6, 6A7, 75, 42, 80.....	252.5	6-25,26
963 (5609).....	Vol.	62-366.....	18	MR44.....	M26			22-307.....	11	2N513.....					6	*6D6, 6A7, 75, 25Z5, 43.....	262.5	6-5
970, 975 (Chassis 5902).....	Vol. Tone	63-392..... 63-393.....	114 114	MR48..... MR48.....	M26			22-125.....	3	RS213.....					9	*58, 2A7, *2A5, *56, 80.....	175	6-9,10
978 (Chassis 1001)...	Vol.	63-384.....	124	MRT430...	M26			22-230.....	3	2N518.....					10	*6D6, 6A7, 76, 75, *42, 5Z3.....	485	5-15,16
980 (Chassis 1201, 1201A).....	Vol.	63-384.....	20	MRT430...	M26			22-331.....	3	RS213.....					12	*6D6, *76, 6A7, *42, 5Z3.....	485	6-11,14
983 (Chassis 1001)...	Vol.	63-384.....	124	MRT430...	M26			22-125.....	3	RS213.....					10	*6D6, 6A7, 76, 75, *42, 5Z3.....	485	5-15,16
985, 990 (Chassis 1201, 1201A).....	Vol.	63-384.....	20	MRT430...	M26			22-331.....	3	RS213.....					12	*6D6, 6A7, *76, *42, 5Z3.....	485	6-11,14
Stratosphere 1000Z (Chassis 2501C, 2501P).....	Vol. Tone Supp.	63-390..... 63-391..... 63-408.....	1 1 1	Order from Order from MRT431	Mfr. Mfr.			22-361.....	3	RS216.....					25	*6D6, 6A7, *76, *42, 85, 79, *45, *5Z3.....	485	6-29,32
1101 (Chassis 1001)	Vol.	63-384.....	124	MRT430...	M26			22-360.....	3	HS693.....								
1105 (Chassis 1001)	Vol.	63-384.....	124	MRT430...	M26			22-362.....	14	TC71.....								
1115 (5609).....	Vol.	63-366.....	18	MR44.....	M26			22-189.....	15	TC26.....								
1117 (Chassis 5614)...	Vol. Tone	63-366..... 63-316.....	18 22	MR44..... MR35.....	M26			22-225.....	15	TC22.....								
1161 (Chassis 5611, 5612).....	Vol.	63-366.....	18	MR44.....	M26			22-331.....	3	RS213.....					10	*6D6, 6A7, 76, 75, *42, 5Z3.....	485	5-15,16
1162 (Chassis 5609) AC-DC.....	Vol.	63-366.....	18	MR44.....	M26			22-125.....	3	RS213.....					10	*6D6, 6A7, 76, 75, *42, 5Z3.....	485	5-15,16
1167 (Chassis 5618)...	Vol. Tone	63-366..... 63-316.....	18 34	MR44..... MR35.....	M26			22-307.....	11	2N513.....					6	*6D6, 6A7, 75, 43, 25Z5.....	252.5	6-5, 7-22
1170 (Chassis 5701R, 5702R, 5703R)...	Vol.	63-338.....	18	MR44.....	M26			22-308.....	11	RS216.....					6	*6D6, 6A7, 75, 42, 80.....	125	6-6
2009C.....	Vol.	63-153.....	6	MR18.....				22-318.....	25/13	RM262.....					6	*6D6, 6A7, 75, 42, 80.....	252.5	6-23,24
2051 (Chassis).....	Vol. Tone Sen.	63-284..... 63-285..... 63-286.....	15 34 7	MR48..... MR33..... MR28.....	M26			22-307.....	11	2N513.....					7	*6D6, 75, 42, 76, 80.....	252.5	6-23,24
2056, 2056I (Chassis)	Vol. Tone Sen.	63-284..... 63-285..... 63-309.....	18 34 7	MR48..... MR33..... E.....	M26			22-308.....	11	RS216.....					5	*24, 45, 80.....	485	1-27
2062 (Chassis).....	Vol. Tone Sen.	63-284..... 63-285..... 63-316.....	17 34 7	MR48..... MR33..... MR34.....	M26			22-225.....	15	TC22.....					8	*58, 55, 59, 56, 80.....	485	1-45,47
								22-204.....	1	RM262.....					8	*58, 2A6, 59, 56, 80.....	485	4-15
								22-203.....	15	TC22.....					7	*58, 57, 56, 2A6, 2A5, 80.....	125	

For all other Zenith models see Cross Reference by Chassis Number on following page

# ZENITH CROSS REFERENCE BY CHASSIS NUMBER

<p>4A01.....4B515 4A02.....4K515 4A03.....4B536 4A04.....4K535, 4K570 4B01.....4K600 4B02.....4K616, 4K2616 4B03.....4K635, 4K658 4B04.....4B639 4B05.....4K460</p> <p>5A01.....5G500, 5G501 5A02.....5G537, 5G572 5A03.....5G504 5A10.....5G510, 5G534 5B01.....5D610, 5D610W 5B02.....5D611, 5D627, 5D2611 5B03.....5R680 5B04.....5K637 5B05.....5G617, 5G2617 5B06.....5G636 5B07.....5G603 5B13.....5R686, 5R686J 5B14.....5R680X, 5R680XJ</p> <p>6A01.....6D510 6A02.....6S511, 6S527, 6S528 6A04.....6S580 6A05.....6S546, 6S556 6A05R.....6S532 6A08.....6R583 6A10.....6D525, 6D526 6A16.....6D512, 6D512W, 6D539 6A17.....6MN595 6A19.....6G501F, 6G501M, 6G501L, 6G505 6A20.....6S596, 6D597 6A21.....6MF590, 6MF591 6A23.....6MF593 6A24.....6D516 6A25.....6G533, 6G560 6A26.....6D520, 6D520W, 6D538 6B01.....6D614, 6D614W, 6D621, 6D629, 6D2614 6B02.....6R631 6B03.....6G601D, 6G601L, 6G601M, 6G601MH, 6G601ML 6B04.....6D612, 6D612W, 6D622, 6D628, 6D2612 6B05.....6D615, 6D615W, 6D623, 6D630, 6D2615 6B06.....6R683, 6R684, 6R687R, 6R688 6B08.....6S632, 6S646, 6S656 6B09.....6G638, 6G660 6B14.....6D620, 6D624, 6D644 6B25.....89005</p> <p>7A01.....7S585 7A02.....7S529, 7S530, 7S547, 7S557, 7S558, 7S559 7A08.....7MN596 7A09.....7ML592 7A11.....7S598 7B01.....7S633, 7S634, 7S657 7B01R.....7S633R, 7S634R, 7S657R 7B02 (Phono).....7S681, 7S682, 7S685 7B04.....7G605</p> <p>8A01.....8S586 8A02.....8S531, 8S548, 8S563, 8S564 8A03.....8S587, 8S588 8A04.....8S593, 8S594 8B01.....8S647, 8S661</p> <p>10A1.....10S531, 10S549, 10S566 10A2.....10S589, 10S590 10A3.....10H551, 10H571 10A3R.....10H571R, 10H573 10B1.....10S699 10B2.....10S690</p> <p>12A1.....12S550Z, 12S568E, 12S568Z, 12S569E, 12S569Z 12A2.....12S595Z 12A3.....12S550, 12S568, 12S569 12A4.....12S595 12A6.....12H678, 12H679 12B1.....12H650, 12H671, 12H691 12B2 (Phono).....12H689, 12H695 14B1.....14697</p> <p>22B1.....22H698, 22H699</p> <p>1001, 1001A.....835, 880, 881, 885, 935, 978, 983, 1101, 1105 1004.....10S130, 10S147, 10S147, 10S153, 10S155, 10S156, 10S157, 10S160 1005.....10S443, 10S452, 10S464, 10S470, 10S491, 10S492 1103.....11S474</p>	<p>1201, 1201A.....980, 985, 990 1202, 1202A.....12A57, 12A58, 12L57, 12L58 1203.....12U158, 12U159 1204.....12S205, 12S232, 12S245, 12S265, 12S266, 12S267, 12S268</p> <p>1206.....12S345, 12S370, 12S371 1207.....12S445, 12S453, 12S471, 12S475, 12S494</p> <p>1501.....15U246, 15U269, 15U270, 15U271, 15U272, 15U273 1502.....15S308, 15S346, 15S372, 15S373 1503.....15S579, 15S495</p> <p>1601C.....16A61, 16A63 1601P.....16A61, 16A63</p> <p>2004.....6-Tube Zenette 2009C.....5-Tube Zenette 2009C-P.....L-P</p> <p>2012J.....AH, CH, BH 2012-4J.....090, 90, V8 2014.....91, 92 2017.....103 2021.....RH 2022A, 2022B.....LH, WH, MH, 210, 211, 220, 221, 270, 291, 292 2030, 2043.....273, 410, 411, 412, 414, 420, 443, 473 2031.....250, 251, 252, 259, 260, 261, 262, 269, 272, 299, 472, 516, 517, 518</p> <p>2032.....476, 476A, 770, 775, 780 2033.....430, 440, 441, 442, 444, 619 2035.....520, 521, 602, 605, 611, 615 2036.....230, 240, 241, 244, 245, 619 2037.....500, 501, 502, 503, 514, 515, 516, 600, 604, 606, 610, 616, 618</p> <p>2038.....530, 603, 612, 617, 620, 623, 631, 632, 633 2044.....215, 216, 217, 225, 263, 470 2047.....460 2051.....258, 268, 278, 280, 281, 288, 289, 478, 558, 568, 578, 589, 590</p> <p>2052.....705, 706, 711, 712, 750 2053.....474, 585, 715, 755, 756, 785 2054.....475, 757, 760, 765, 767 2056.....277, 281, 288, 293, 478, 577, 588, 593 2057.....462, 650 2059.....476B, 479, 770B, 777, 788</p> <p>2501C, 2501P 1000Z, Stratosphere 1st and 2nd Series</p> <p>5401.....4P26, 4P51 5403.....4T26, 4T51 5405.....4V31, 4V59 5406.....4B106, 4B131, 4B132 5407.....4F133 5408.....4F227 5409.....4B231 5410.....4B313, 4B355 5411.....4B314, 4B317 5412.....4K310, 4K331, 4K355 5413.....4K329 5416.....4K400D, 4K400L, 4K400M, 4K400S 5417.....4B422, 4B437, 4B466, 4B468 5419.....4K402 5420.....4K422, 4K435, 4K465, 4K466</p> <p>5502.....805, 845 5504, 5505.....806, 807, 847, 850 5508, 5509.....945, 950 5510.....663, 664, 5M90 5513, 5513A.....5S29, 5S56 5516.....5S119, 5S126, 5S127, 5S150, 5S151, 5S161 5517A.....5A119, 5A126, 5A127, 5A151 5518.....5F134, 5F166 5519.....5R123, 5R135, 5R165 5520.....5M191 5521.....5S201, 5S218, 5S220, 5S228, 5S237, 5S250, 5S252 5521AT.....5S218AT, 5S228AT, 5S237AT 5522.....5S233, 5S251 5523.....5X230, 5X248, 5X274 5524.....5J217, 5J247, 5J255 5524T.....5J217T 5525A.....5L228, 5L237 5526.....5R216, 5R226, 5R236 5527.....5M291 5528.....5R303, 5R312, 5R316, 5R317, 5R337 5529.....5S319, 5S320, 5S327, 5S338, 5S339 5530.....5M294 5532A.....5A318, 5A325 5535BT.....5S313B 5536.....5G438, 5G467 5537.....5G401 5538.....5G484 5539.....5G441, 5G442, 5G461</p>	<p>5605, 5607.....808, 809, 860, 861 5608.....812, 816, 817, 819, 962, 1112, 1116 5609, 5610.....810, 811, 862, 865, 866, 963, 1115, 1162 5611, 5612.....814, 815, 864, 1161 5614.....908, 909, 960, 961, 1117 5616.....660, 666 5618.....S908, S909, S961, 1167 5619.....6S27, 6S52 5621.....6V27, 6V62 5626.....668 5629.....6VA27, 6VA62 5630.....6M90D, 6M90S 5631.....6M91D, 6M91S 5632.....6M92 5633.....6D116, 6D117, 6D118 5634.....6S128, 6S137, 6S147, 6S152, 6S157 5635.....6B107, 6B129, 6B164 5636.....6DL120, 6DL121, 6DL122 5637.....6M192, 6M193, 6M194 5638.....6S203, 6S222, 6S223, 6S229, 6S239, 6S241 5639.....6D202, 6D219, 6D221, 6D238 5640AT.....6A203, 6A223, 6A229, 6A239, 6A241 5642.....6G230, 6J257 5644.....6S254, 6S256 5644AT.....6S254AT, 6S256AT 5645.....6M292, 6M293 5646.....6D302, 6D311, 6D326, 6D336, 6D360 5647.....6D312, 6D316, 6D317, 6D337 5648.....6S330, 6S361 5649.....6S341, 6S362 5650.....6M295 5651.....6S301, 6S304, 6S305, 6S306, 6S321, 6S322, 6S340 5653.....6B321 5654.....6J322, 6J357 5657.....6D315 5659.....6D410, 6D411, 6D425 5660.....6D413, 6D414, 6D426, 6D427, 6D446, 6D455 5663.....6D410, 6D411, 6D425 5664.....6S413, 6D414, 6D426, 6D427, 6D446, 6D445 5672P.....6R485 5675.....6R481 5678.....6S439, 6S469 5679.....6J436, 6J463 5696.....6MN496</p> <p>5701.....825, 827, 829, 870 5701R.....S827, S829, S870, S871, 1170 5702.....825, 827, 829, 870 5702R.....S827, S829, S870, S871, 1170 5703.....825, 827, 829, 870 5703R.....S827, S829, S870, S871, 1170 5704.....7S28, 7S53 5706.....7M91S, 7M91D 5707.....7D119, 7D126, 7D127, 7D138, 7D148, 7D151, 7D162, 7D178</p> <p>5708E.....7DA119, 7DA126, 7DA127, 7DA138, 7DA148, 7DA162, 7DA168 5709.....7S204, 7S232, 7S240, 7S242, 7S258, 7S260, 7S261 5709AT.....7S232AT, 7S240AT, 7S242AT, 7S258AT, 7S260AT 5710.....7D203, 7D222, 7D223, 7D229, 7D239, 7D241, 7D243, 7S253 5711.....7J232, 7J259 5711T.....7J232T, 7J259T 5714.....7S323, 7S342, 7S343, 7S363, 7S364, 7S366 5715.....7J323, 7J368 5719.....7S432, 7S433, 7S434, 7S449, 7S450, 7S458, 7S459, 7S460, 7S461, 7S462 5721.....7S487, 7S488, 7S490 5724.....7S432, 7S433, 7S434, 7S449, 7S450, 7S458, 7S459, 7S460, 7S461, 7S462 5725.....7S487, 7S488, 7S490</p> <p>5801.....8S129, 8S154 5802A.....8A129, 8A154, 8A147, 8A157 5803.....8M195 5804AT.....8A232, 8A242, 8A244, 8A262 5807.....8S359 5808.....8S443, 8S451, 8S463 5810.....8S432, 8S433, 8S434, 8S449, 8S450, 8S458, 8S459, 8S460, 8S461, 8S462</p> <p>5902.....970, 975 5903.....9S03, 9S54, 9S55 5905.....9S203, 9S232, 9S242, 9S244, 9S262, 9S263, 9S264 5905AT.....9S204AT, 9S232AT, 9S244AT, 9S262AT, 9S264AT 5906.....9S365 5907.....9S307, 9S324, 9S344, 9S367, 9S369</p>
--	---	---

‡ Data not substantiated.

\* IMPORTANT: Read Notes in Note Section if specified in Note Column.  
WHEN YOU BUY LEVER ACTION SWITCHES BUY MALLORY.

‡ Indicates miscellaneous section.



MANUFACTURER AND MODEL	CONTROLS							CONDENSERS				VIBRATORS			No. Tubes	Complete Tube Complement	I. F. Peak	Rider's Reference
	Use	Original Part	Circuit	Correct Replacement	Switch	Bias	*Note	Original Part	Circuit	Correct Replacement	*Note	Original Part	Replacement	*Note				
ZEPHYR—Continued																		
32Y5	Vol. Tone		15	MR48	M26			8-4	4	TCS71					5	6A7, 6D6, 75, 42, 80	456	10-6
32Y6	Vol. Tone		34	MR39											7	6K7, 6A8, 6Q7, 6F6, 6G5, 80	456	11-3
33B6	Vol. Tone		15	MR48	M26			8-8	1	2N518		See Note	C8	6	6D8, 1E5, 1A4, 1J6, 6T7	456	10-5	
35X5, 36X5	Vol. Tone		34	MR39											4	6D6, 6C6, 43, 25Z5, 185R8		11-4
35Y12	Vol. Tone		6	MR18	M26	EX300		20-8-6-5	1/15	UR182-193/TC22				12	6K7, 6A8, 6H6, 6G5, 6C5, 6F6, 6Y3	456	10-11	
36Y12	Vol. Tone	V15	34	MR39				12	4	RS215				12	6K7, 6A8, 6H6, 6G5, 6C5, 6F6, 6Y3	456	10-11	
	Vol. Tone	V107	45	MR48				C216	1	HD684				12	6C6, 6D6, 476, 422, 6G5, 80	456	12-2	
	Vol. Tone		147	MR39				8-8	1	2N518				4	6K7, 6J7, 25L6, 25Z6		10-8	
39X4	Vol. Tone		6	MR36				10, 10	15	TC22				4	6K7, 6J7, 25L6, 25Z6		10-8	
39Y6	Vol. Tone		18	MK401	M26			30-10	1	2N513				6	6A7, 6D6, 76, 75, 41, 80	456	10-8	
39YP5	Vol. Tone		22	MK401				10, 10	25	TC72				4	6D6, 6C6, 25L6G, 25Z5, L55BG		10-10	
40X4	Phono. Vol.		6	MR36	M26			16-16	1	2N509				4	6K7, 6J7, 25L6, 25Z6		11-4	
40Y6	Phono. Vol.		63	Order from Mfr.										5	6A7, 6K7, 6Q7, 25B5, 25Z5	456	11-4	
40Y8, 40Y8C	Vol.	P2659	6	MR29	M26			12-8-6	46	2N509/TC42				8	6A7, 6D6, 476, 75, 41, 80	456	10-10	
	Vol.		17	MR48				16-16-8-4	9/13	See Note	B3			4	6D6, 6C6, 43, 25Z5, L55C		10-7	
41X5	Vol.		18	TM233-SS25	M26			10-10	1	2S569				4	6D6, 6C6, 43, 25Z5, L55C		10-7	
41X6	Vol.		6	MR18	M26	EX500		16-12	4	TCS55				5	6A7, 6D6, 6Q7, 43, 25Z5, BM49B	456	10-12	
42X5	Vol.		15	MR48	M26			16-12	4	TCS55				4	6D6, 6C6, 43, 25Z5, L49C		10-7	
42X6	Vol.		6	MR18	M26	EX500		16-12	4	TCS55				5	6A7, 6D6, 6Q7, 25L6, 25Z5, BM49B	456		
43X5	Vol.		15	MR48	M26			16-20	4	TCS55				4	6D6, 6C6, 43, 25Z5, L55C		10-7	
61X6	Vol.		6	MR18	M26	EX500		14-8-4-5	1/15	UR182-193/TC22				4	6D6, 6C6, 43, 25Z5, L55C		10-7	
61X8	Vol. Tone		15	MR48	M26			16-12	4	TCS55				5	6A7, 6D6, 75, 43, 25Z5, L49C	456	10-7	
62P	Vol. Tone	V6	34	MR39				16-12	4	TCS55				7	6A7, 6D6, 75, 6G5, 76, 25L6, 25Z5, L49C	456		
62X8	Vol. Tone		6	UM128-SS1	M26	EX200		C212	8/15	UR182-193/TC22				4	6D6, 6C6, 43, 25Z5		11-5	
62X8 (Late)	Vol. Tone	V13	15	MR48	M26			40-10-8	6/13	2N514/TC42				7	6A7, 6D6, 75, 6G5, 76, 25L6, 25Z5, L49C	456	11-5	
	Vol. Tone	V105	34	MR39				C226	6	TC48				7	6A7, 6D6, 76, 6Q7G, 25B5, 6G5, 25Z5	456	11-5	
	Vol. Tone		45	MR48				C200	6	TC44				7	6A7, 6D6, 76, 6G5, 76, 25L6, 25Z5, L49C	456	11-5	
	Vol. Tone		22	MR39				C204	13	TC42				7	6A7, 6D6, 76, 6Q7G, 25B5, 6G5, 25Z5	456	11-5	
63X8	Vol. Tone		15	MR48	M26			16-12	4	TCS55				7	6A7, 6D6, 76, 6G5, 6F5, 43, 25Z5, L40S	456		
67Y8	Vol. Tone		34	MR39				8, 8	1	HD684				8	6A7, 6D6, 76, 6F5, 6G5, 42, 80, WL22	456		
153-5L	Vol. Tone	P2935	15	MR48	M26			10	15	TC22				5	6A7, 6D6, 75, 25L6, 25Z5	455	11-6	
352-5R	Vol. Tone	P3346	18	MR48	M26			P2936	1	2N509				5	6A7, 6D6, 75, 25L6, 25Z5	455	11-6	
381-7H	Vol. Tone	P3335	18	Order from Mfr.				P3355	24	2N514				5	12SA7GT, 12K7GT, 12SQ7GT, 50L6GT, 35Z5GT	455	11-6	
576-5Q, 577-5Q	Vol. Tone	P3337	22	MK401				P3419	1	FP231				7	6A7, 6D6, 75, 41, 76, 80	455	11-8	
	Vol. Tone	P3346	18	Order from Mfr.				P3355	24	2N514				5	12SA7GT, 12K7GT, 12SQ7GT, 50L6GT, 35Z5GT	455	11-9	
605-7C	Vol. Tone	P3335	18	MK401	M26			10-10	1	FP231		B117		7	6A7, 6D6, 75, 41, 76, 80	455	11-8	
666-6J to 669-6J inc.	Vol. Tone	P3099	18	MK401										7	6A7, 6D6, 75, 41, 76, 80	455	11-8	
696-6M, 697-6M	Vol. Tone	P3279	22	MR48				P2936	1	TC47				6	6A7, 6D6, 75, 25L6, 25Z5	455	11-10	
	Vol. Tone		18	UM154	M26			20-20	1/15	3N533				6	12SK7, 12SA7, 12SQ7, 35L6, 35Z5	455	11-10	
	Vol. Tone		22	UM154										6	12SK7, 12SA7, 12SQ7, 35L6, 35Z5	455	11-10	

‡ Data not substantiated.

\* IMPORTANT: Read Notes in Note Section if specified in Note Column.

§ Indicates miscellaneous section.

EXPLANATION OF ABBREVIATIONS

Att..... Attenuator Control  
 AVC..... Automatic Volume Control  
 Band..... Band Adjustment Control  
 Bass..... Bass Tone Adjustment Control  
 Batt..... Battery Voltage Control  
 BFO..... Beat Frequency Osc. Control  
 Bias..... Bias Adjustment Control  
 B. Tone..... Bass Tone Control  
 Ch..... Chassis  
 Clr'ty..... Clarity Control  
 D.R..... Dry Rectifier

Equal..... Equalizer Control  
 Exp..... Expander Control  
 Exp. Bias..... Expander Bias Adjustment  
 Fid..... Fidelity Control  
 Fid'ty..... Fidelity Control  
 Fil..... Filament Control  
 F.O.G..... Flashgraph Adjustment Control  
 Gain..... Gain Control  
 Harm..... Harmonic Control  
 H.F. Tone..... High Frequency Tone Control  
 Hum..... Hum Control  
 L.F. Tone..... Low Frequency Tone Control  
 Loc'l'zr..... Localizer Control

Meter..... Meter Adjustment Control  
 Mic..... Microphone Adjustment Control  
 Mike..... Microphone Adjustment Control  
 Mod..... Modulator Control  
 Mon..... Monitor Control  
 M. Vol..... Manual Volume Control  
 NSC..... Noise Suppression Control  
 Osc. Adj..... Oscillator Adjustment Control  
 P.E. Adj..... Phono-Electric Cell Adjustment Control  
 Phantom..... Phantom Tuning Control  
 Phono..... Phonograph Pick-up Control  
 Power..... Line Voltage Control

Primary..... Primary Voltage Control  
 P.U. Adj..... Pick-up Adjustment Control  
 P.U. Volt..... Pick-up Voltage Control  
 QAVC..... Q.A.V.C. Adjustment Control  
 Regen..... Regeneration Control  
 Regen..... Regeneration Control  
 Relay..... Relay Adjustment Control  
 Screen..... Screen Voltage Control  
 Sel..... Selectivity Control  
 Sen..... Sensitivity Control  
 Sil..... Silencing Control  
 Supp..... Suppressor Control  
 Tone..... Tone Control

Tone B'm..... Tone Beam Adjustment Control  
 T. Tone..... Treble Tone Control  
 Tunigt..... Tuning Light Adjustment Control  
 Vol..... Volume Control  
 Voltage..... Plate Voltage Adjustment Control  
 V. R..... Voltage Regulator Control

EX100..... EX followed by a numeral indicates that an external resistor of the stated value must be connected between the right hand terminal of the control and the cathode circuit of the receiver.

# "A" NOTES

**A1**—Shape of shaft unknown. If slotted or tongued see description of Mallory control types UC511, UC512, SRP251, SRP282, extension shafts types RS245, RS246, and plug-in shafts (SS types in general parts catalog).

**A2**—This control used on some types of this chassis in place of the first mentioned control.

**A3**—Mechanics of control unknown; select the proper Mallory control having resistance and taper given, or if value is not given, see Note 5. If control is of two sections use a Mallory dual. See Note 1.

**A4**—This control used on later type of this chassis.

**A5**—Resistance value unknown. Measure the overall resistance and taper of the original unit; then select the Mallory type having an equivalent value and taper mechanically suited for the application. See complete control and shaft descriptions in general parts catalog.

**A7**—Circuit was changed during production so as to use a 500M control.

**A8**—This receiver was originally equipped with either a Mallory wire control of 6M ohms, or a carbon control of 30M ohms. Mallory type MR24 control will replace either of the originals. However, if a wire control is desired, use the Mallory F7.

**A9**—Space available unknown; if not sufficient for the Mallory DRP119, change the circuit to the ordinary "Ant.-Bias" circuit as shown in Circuit No. 6 and use the Mallory MR18 control.

**A10**—Improved signal attenuation may be obtained by connecting the left-hand terminal of the control to the antenna. This gives the ordinary Bias and Antenna type of control circuit.

**A11**—Original control is in filament circuit. Change to Circuit No. 2 and use Mallory type MR18.

**A12**—Atwater Kent receivers for which Mallory SRP239 is specified may be serviced with the Mallory silent carbon control type E12 by installing it in the original bakelite control housing.

**A14**—Check original control circuit to ascertain if the minimum bias resistor is included in the original control. If so use the Mallory minimum bias plate on the wire controls, or if a carbon control is recommended, use the adjustable resistor.

**A15**—Requires the use of Mallory shoulder nut A11260-12 and also the regular nut. Arrange so that control is set back from the panel so as to clear the dial. Mallory extension bushing EB247 may be used.

**A16**—May require use of Mallory bracket RB248.

**A17**—Be sure to check the coupling condenser before replacing the control.

**A18**—Some of these chassis use the Mallory type GG control.

**A19**—To find the correct Mallory replacement in all tone compensated tap circuits measure the resistance 528.

between the left-hand terminal and tap (when facing shaft, terminals at the bottom), and select a tapped replacement control having a similar overall resistance and tapped at a value nearest that of the original control.

When the tap is used in a degenerative circuit or in any application other than that of tone compensation, it is our suggestion that the original control be forwarded to the factory for examination and recommendation by our engineering staff.

If there is any question with regard to a replacement choice in any tapped control application, please forward information as to make and model of the receiver, and the original control; and we will be glad to give a specific recommendation for the Mallory control best suited for the application.

**A20**—Originally a dual control, this circuit is easily adaptable to the Mallory type MR18 control by using Circuit No. 6. Refer to Note 14 when installing the control. If desired, Mallory DRP119 is suitable for this circuit.

**A21**—This receiver may require a control with a portion of the shaft of smaller diameter to clear the dial.

**A22**—Use the Mallory extension shafts RS242 and RS244. These shafts are attached to the type T control and cut to the proper length, preferably by cutting the shaft of the type T control and the RS242 shaft.

**A23**—When using the Mallory SRP185 with metal shaft, be sure to ground the shaft near the front of the set by means of a pigtail, if there is any tendency toward oscillation.

**A24**—Extension shaft required, use RS244 for the 3/16" diameter. For 1/4" diameter use the RS242 or RS243.

**A25**—If shaft of UC512 control is not of sufficient length use the Mallory type MR48 control and extension shaft RS245.

**A27**—Used on the first type of this chassis.

**A28**—Volume control for radio tuner section.

**A29**—Volume control for radio amplifier section.

**A30**—This is a replacement strip to be installed in the original housing.

**A31**—Parallel the two sections of the Mallory No. 7 switch to prevent overload.

**A33**—Requires Nos. 203 and 212 washers.

**A34**—"Kennedy" made by Detrola; see Detrola Model 1000.

**A36**—In using the recommended replacement for this application ground the center terminal of the control to the case by the use of the ground strap packed in the envelope with the control.

**A37**—Use an MR33 control and replace the original knob with a standard 1/4" type.

**A39**—Switch used on later types and model KDC only.

**A40**—Switch used on volume control only on chassis having a tone control.

**A41**—Connect left-hand terminal to chassis, center terminal to screen circuit, and right-hand terminal to +67.5 volts (view control from shaft end, terminals down or toward operator).

**A42**—Cut off the shaft of the SRP251 control flush with the bushing.

**A43**—Original control was of the inductive type. Replacement with a variable resistance control is highly satisfactory. Connect the left-hand terminal to the antenna and grid, and the center to ground. (Control viewed from the shaft end, terminals at the bottom.)

**A44**—Original control is a dual; however, only one section is to be used at any one time. The Mallory G7 is a perfect replacement for the antenna shunt section which is most commonly used.

**A45**—When replacing the tone control, use Mallory Bracket RB249, or file out the hole in the original mounting bracket. Be sure to use only the left-hand and center terminals of the control.

**A48**—Refer to schematic No. 14. The original control was in the filament circuit. We recommend a change to Circuit No. 14, using a Mallory type MR44 control as a shunt across the detector grid coil.

**A49**—The DRP222 control was originally made with a short shaft for use in the chassis 180 (model 181), and requires the use of two RS242 extension shafts when used in the chassis 100 (model 101).

The DRP222 is now being made with a 7 5/32" shaft to fit the chassis 100. When used in the chassis 180 this shaft should be cut off at a point 1 3/8" from the body of the control.

**NOTE**—The chassis 100 requires the use of three terminals on the rear (phono) section and only the center and right-hand terminals of the front section.

In some cases better ratio of signal attenuation is obtained by connecting the left-hand terminal of the front section to the antenna so as to obtain a signal attenuation in addition to the bias increase.

**A50**—The DRP117 is an exact replacement for the Mallory original. The DRP242 control is an exact replacement for the control in the bakelite housing.

**A51**—Requires Mallory FS251 flexible shaft.

**A52**—Requires Mallory FS252 flexible shaft.

**A53**—This control does not require the fixed resistor shunt.

**A54**—When installing the "CE" control, connect the front section to the antenna circuit and the rear section to the bias circuit. This is the reverse of the original but has been field checked and found to give satisfactory results.

**A55**—The Mallory No. 14 switch has four terminals which must be connected as follows: One terminal to the chassis, one terminal to the white lead, and one to the black lead with the white tracer. Disconnect the 1,500 ohm resistor from the chassis and connect it between the remaining switch terminal and the remaining lead, which goes to C9 volts and to the grid returns of the 1H4G and 1E7G.

**A56**—The Mallory DRP114 has a 250 ohm front section for the bias control (circuit 8) and a 5,000 ohm rear section for the antenna control (circuit 2). Original control may have had sections in reverse order.

**A57**—The original control is two megohms.

**A58**—Left-hand terminal (control viewed from shaft end, terminals down) must be grounded to the chassis.

**A59**—The original control has a dummy terminal. This terminal is the junction point of a condenser and a fixed resistor. When using the Mallory replacement solder together and tape the connections formerly made to this terminal.

**A60**—May require the use of Mallory EB247 extension bushing.

**A61**—Can be replaced with standard Mallory control. May require the use of RB248.

**A64**—Some of the General Motors receivers used three terminals on the antenna section of the original control. This was then changed to two terminals. When using the DRP309 to replace the control having three terminals on the antenna section connect the lead from the antenna coil to the moving arm (center terminal) together with the lead from the antenna.

**A65**—For emergency replacement use SRP265 control.

**A66**—Wire the switch so that it is shorted when the control is turned to extreme counter-clockwise position.

**A67**—Disregard the tap in this replacement.

**A68**—File the shaft to duplicate the original.

**A72**—The EC240 is a 1/4" shaft coupler having an internal sleeve to reduce the diameter to 3/16".

**A73**—For this replacement we advise a change in the volume control circuit to correspond to Circuit No. 8. Use an A3MP control and a 4,500 ohm fixed resistor in series, in place of the original tapped control.

**A74**—Due to many variations in both circuit and control, we advise measuring the original control carefully and duplicating with similar Mallory control, or returning the original to Mallory for duplication.

**A75**—If tone control on the broadcast band is not desired, an MR39 control with an M27 switch may be used.

**A76**—Improved operation may often be obtained by removing the shunt (6M ohms) resistor across the control and using Mallory E control. In extreme cases, use a Mallory E7 control and connect as in Circuit No. 6.

**A77**—If original control has 3/16" diameter shaft end, use Mallory RS244 extension shaft.

**A79**—If trouble with oscillation is encountered in this set, the addition of a 5,000 ohm resistor connected from the antenna to ground will usually effect a cure.

**A80**—BE SURE to check the series resistor between the screen circuit and "B" positive. If it is NOT a FULL 20,000 ohms or if it is of the carbon type REPLACE it with a WIRE WOUND 20,000 ohm resistor. This will prevent the control from being burned out and the possibility of a dissatisfied customer.

**A82**—The voltage applied across the SRP261 control should not exceed a maximum of 170 volts. If the voltage exceeds this value, the control will be burned out. IMPORTANT: Be sure that the bias on the tubes is at the rated value when using the SRP261 control as a plate voltage regulator.

**A83**—The Mallory DRP221 control is an exact replacement for the dual control used on the 50, 60, and 70 series receivers, although it is used interchangeably with SRP261 control in the earlier 50 and 60 series. In many cases a change of circuit to the antenna bias type, and

the use of the Mallory H7 control will give much better control action.

**A85**—Because of a tendency toward noisy operation with the present volume control circuit, we recommend a change to circuit 15 using a Mallory MR53 control. Connect a 500M ohm fixed resistor between the leads that were soldered to the outside terminals of the original control. Take out the one megohm resistor connected between the grid of the first audio tube (type 27) and the chassis. Install the MR53 control as follows: The right-hand terminal to the coupling condenser, the center terminal to the first audio grid, and the left-hand terminal to the chassis. (Control viewed from the shaft end, terminals down.)

**A86**—The tone control as connected in Circuit 130 has its maximum treble response in the extreme counter-clockwise or normal off position.

**A87**—If control is single section type, use Mallory MR57.

**A88**—Ground the cover of the control for this installation.

**A90**—Refer to specified circuit and reverse "L" and "R" terminals.

**A94**—To save yourself time and trouble we advise the use of Mallory RS244 extension shaft which allows the use of the old 3/16" knob with an easily obtained Mallory Universal Control. Where the original has a short 3/16" shaft, either drill out the knob or use the later 1/4" type which may be obtained from the set manufacturer.

**A95**—The original volume control had a 5,000 ohm resistor connected between the two actuating arms of the switch. This or a similar resistor must be connected in the same manner on the Mallory No. 7 replacement switch.

**A96**—Select proper replacement shaft. See replacement shaft (SS types) description in the Mallory general parts catalog.

**A99**—Connect a 5,000 ohm fixed resistor in series with the right terminal of the replacement control. (Control viewed from shaft side, terminals down.)

**A100**—The original control has no connection to the resistance on the right-hand terminal. When using the Mallory replacement, remove the wires connected to the right-hand terminal (facing shaft side, terminals down), solder together and tape.

**A101**—The original control does not have a center terminal. To replace with a Mallory control, connect the center terminal to ground and connect the two wires from the original control to the remaining two terminals.

**A103**—In some cases, the original control has a 400M ohm stop between the rotor and the right-hand terminal. Check to see if the stop is included in the original control. If so, add a 400M resistor in series with the right-hand terminal and the lead that originally connected to this point. (Viewing control from shaft end, terminals down.)

**A105**—In using the recommended replacement for this application ground the right-hand terminal at the control to the case by use of ground strap packed in en-

velope with the control. (Control viewed from shaft side, terminals down.)

**A106**—Install a 50,000 ohm resistor in series with the right-hand terminal of the control and the lead connecting to the same terminal of the original control. (Controls viewed from shaft side, terminals down.)

**A108**—The original control has a dummy tap which is used as a tying point and is insulated from the control. When using the Mallory replacement, solder and tape the wires that originally joined at this point.

**A109**—Disregard first tap when installing this control.

**A110**—Models A6K and A6P have AC switch on volume control. Model 6K has switch on clock.

**A111**—Install a 22K resistor in series with the right hand terminal of the control and the lead connecting to the same terminal of the original control. (Control viewed from shaft side terminals down.)

**A112**—Used in later production.

**A113**—The UM133 control replaces the 50K control used in plate circuit of the output tube. In some models the tone control can be found in grid circuit of the output tube. In this case the MK401 is the correct replacement.

**A114**—Used in Aviola model 612.

**A115**—Used in Aviola model 601.

**A116**—Do not attempt to replace any items except those which have part numbers. For any other repair work, the entire unit should be returned to the factory.

**A117**—Used in early production.

**A118**—Use MK401 if original control has no tap. Use DTM283 if original control has tone taps.

**A119**—Cut shaft to proper length and saw screw driver slot in the end.

**A120**—Use original insulating sleeve to insulate control from chassis. Use ground strap supplied with control for shell bypass.

**A121**—The original arm must be attached to the tone control shaft to actuate the radio-phonograph switch.

**A122**—If the original sensitivity control has no switch on rear, we recommend a replacement as listed in this catalog, but if a switch is on the rear, the replacement should be ordered from the manufacturer.

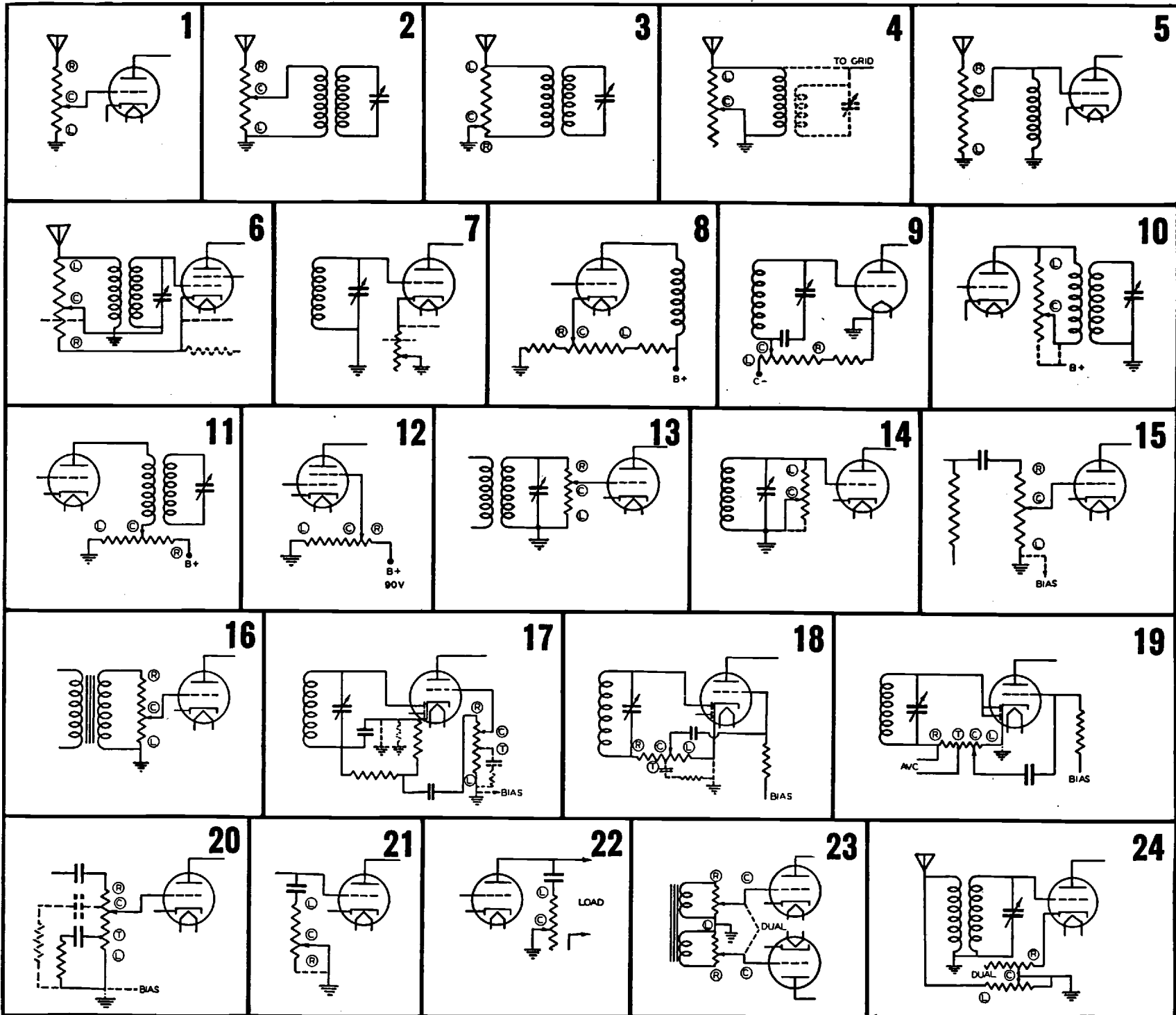
**A123**—Wrap scotch tape around shaft adjacent to lock ring for drive cord surface.

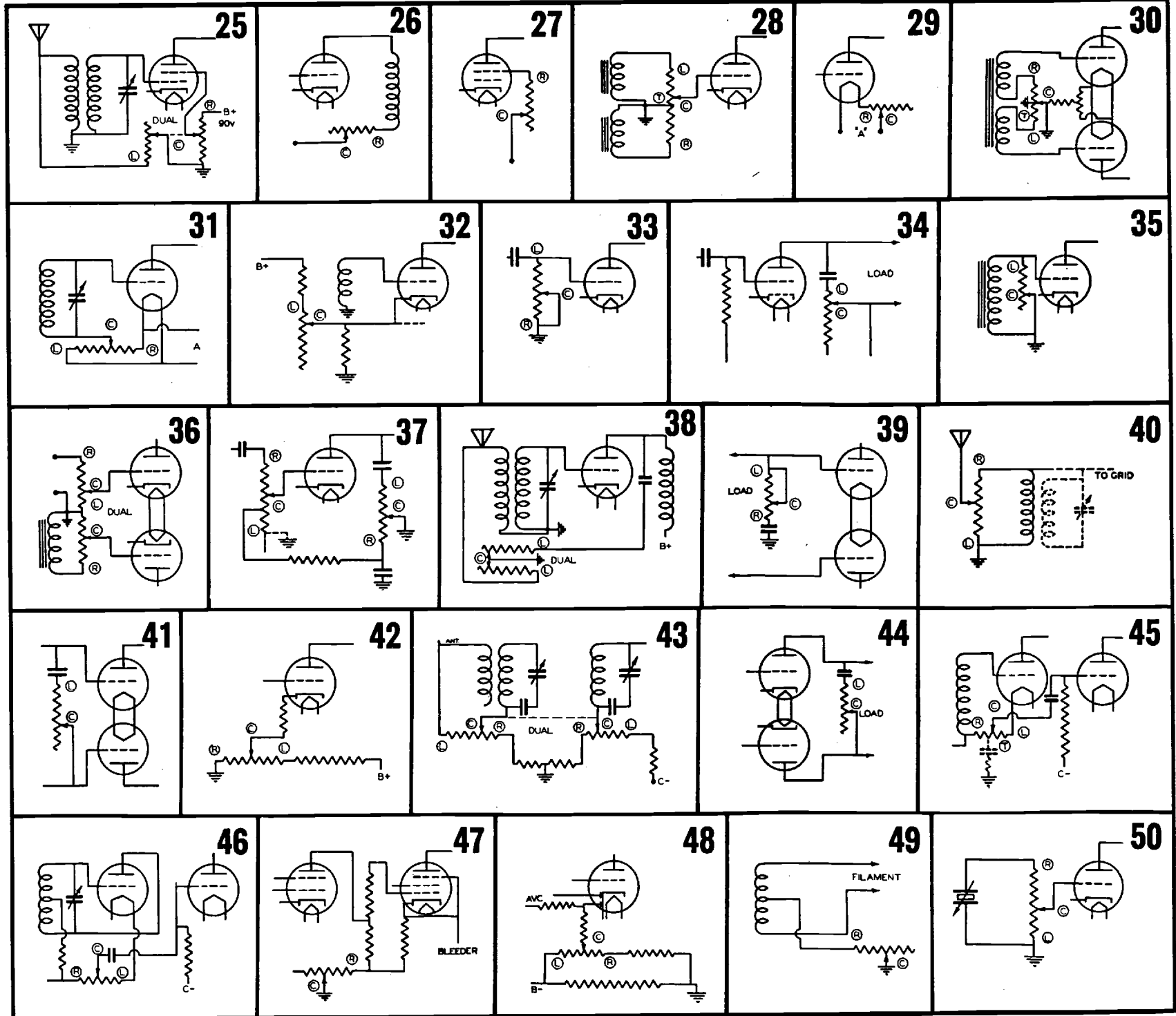
**A124**—Use the original pulley on the new volume control shaft, and use the original sleeve on the new tone control shaft in this model of Sparton.

**A125**—These models use three (3) different tone controls. To determine the proper replacement, measure the over-all resistance of the old control and select replacement control that corresponds to this resistance value.

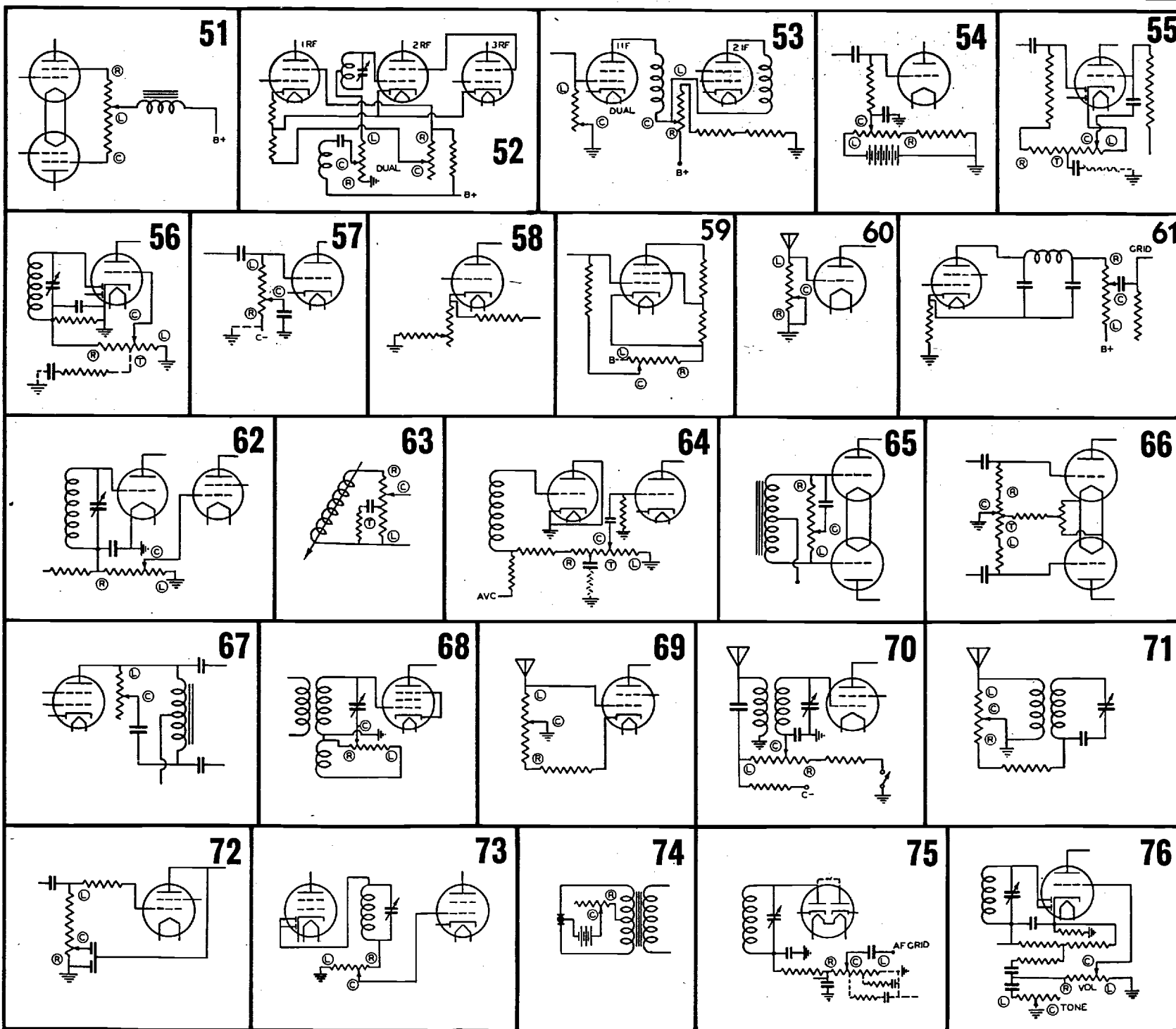
**A126**—Cut shaft to required length and use original guide funnel.

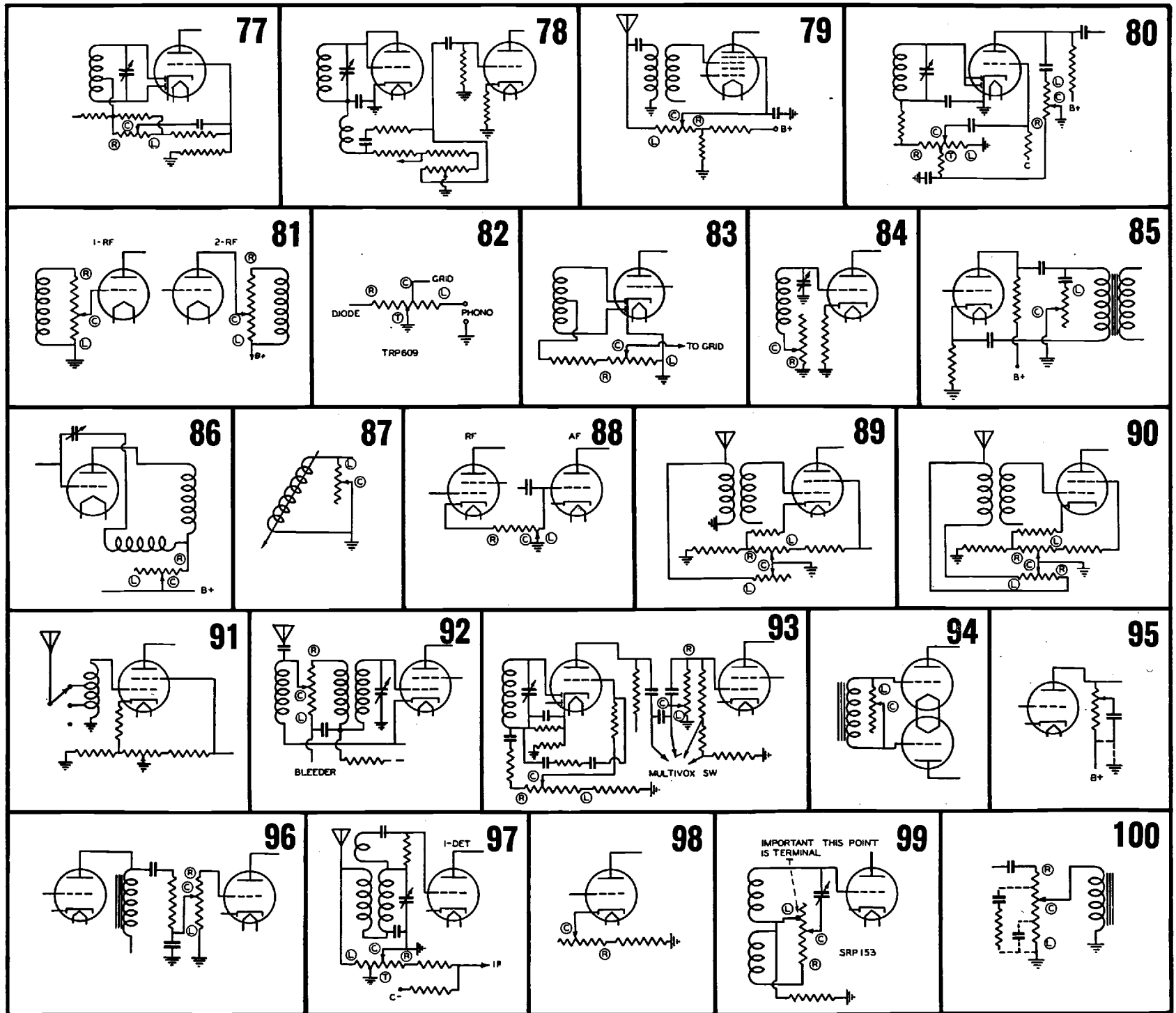
**A127**—Use original bushing to actuate "on" and "off" indicator.

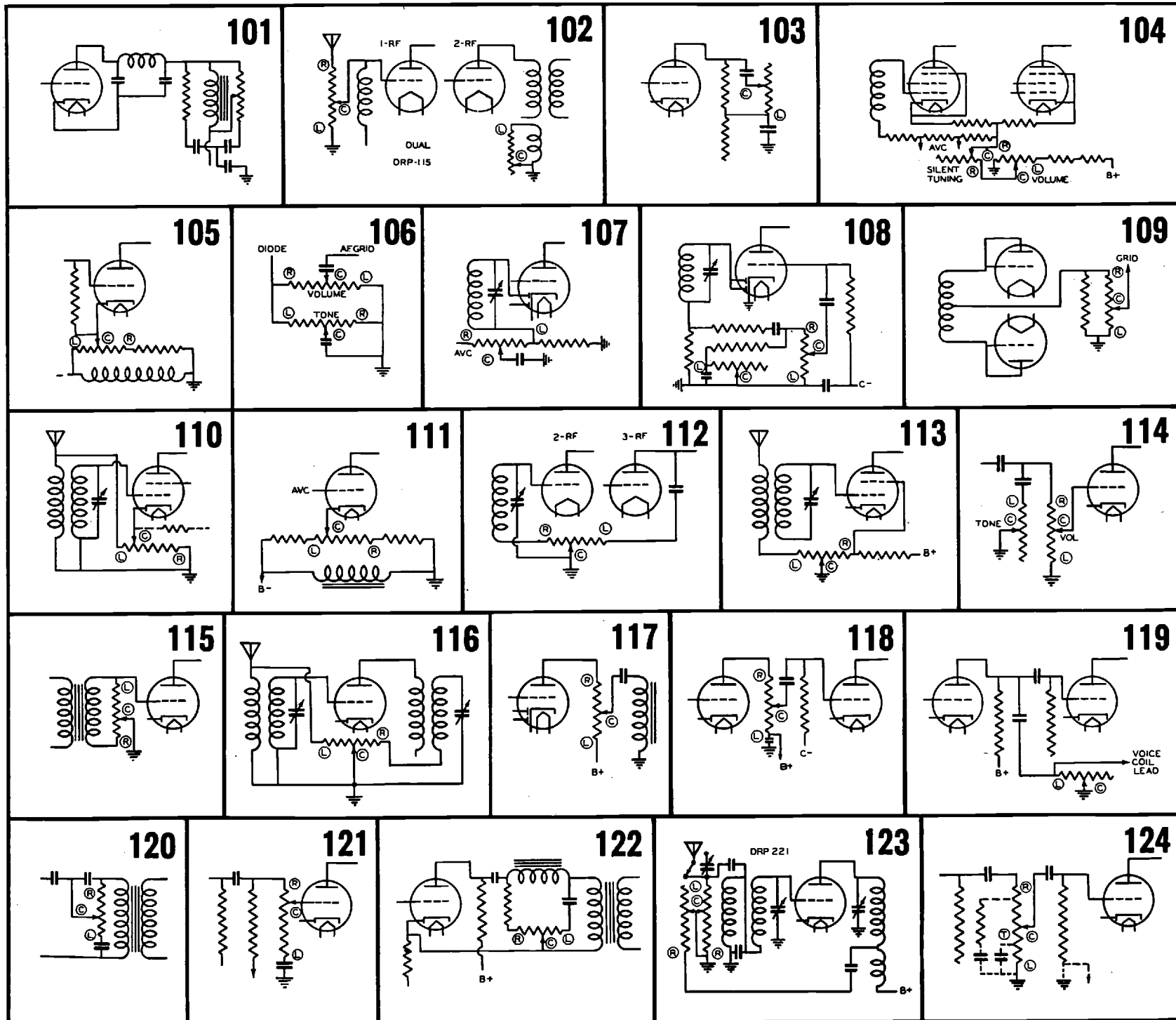


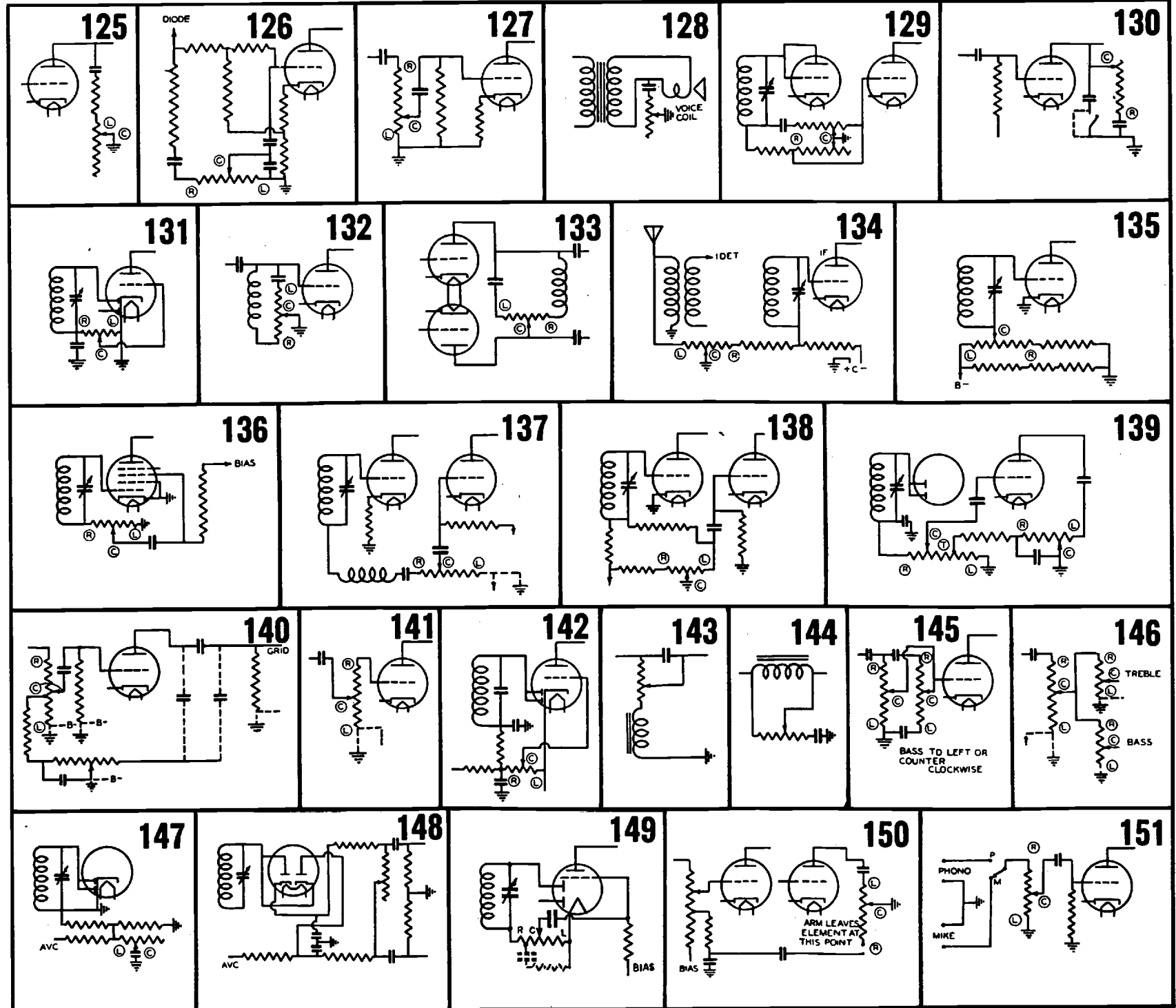


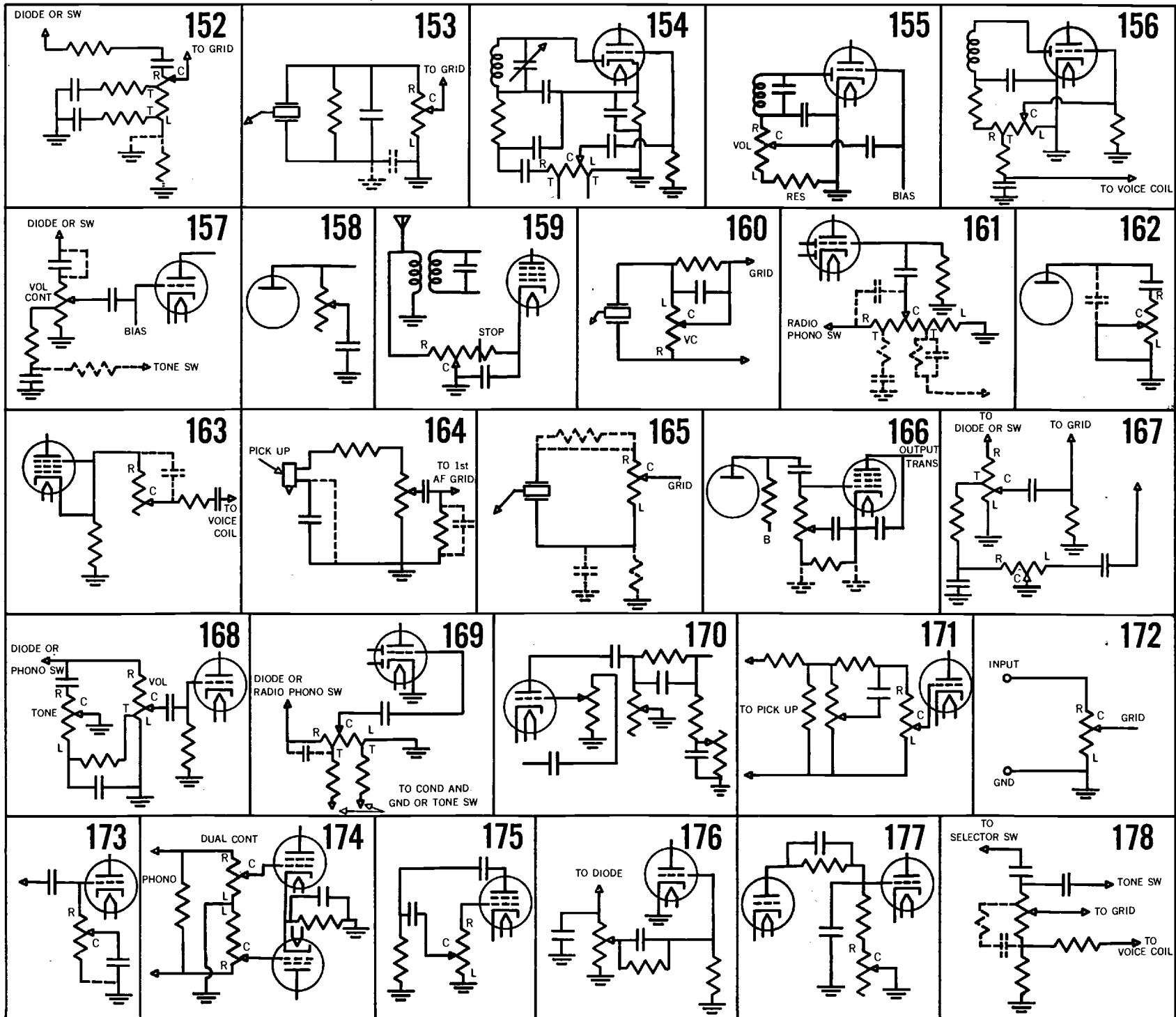


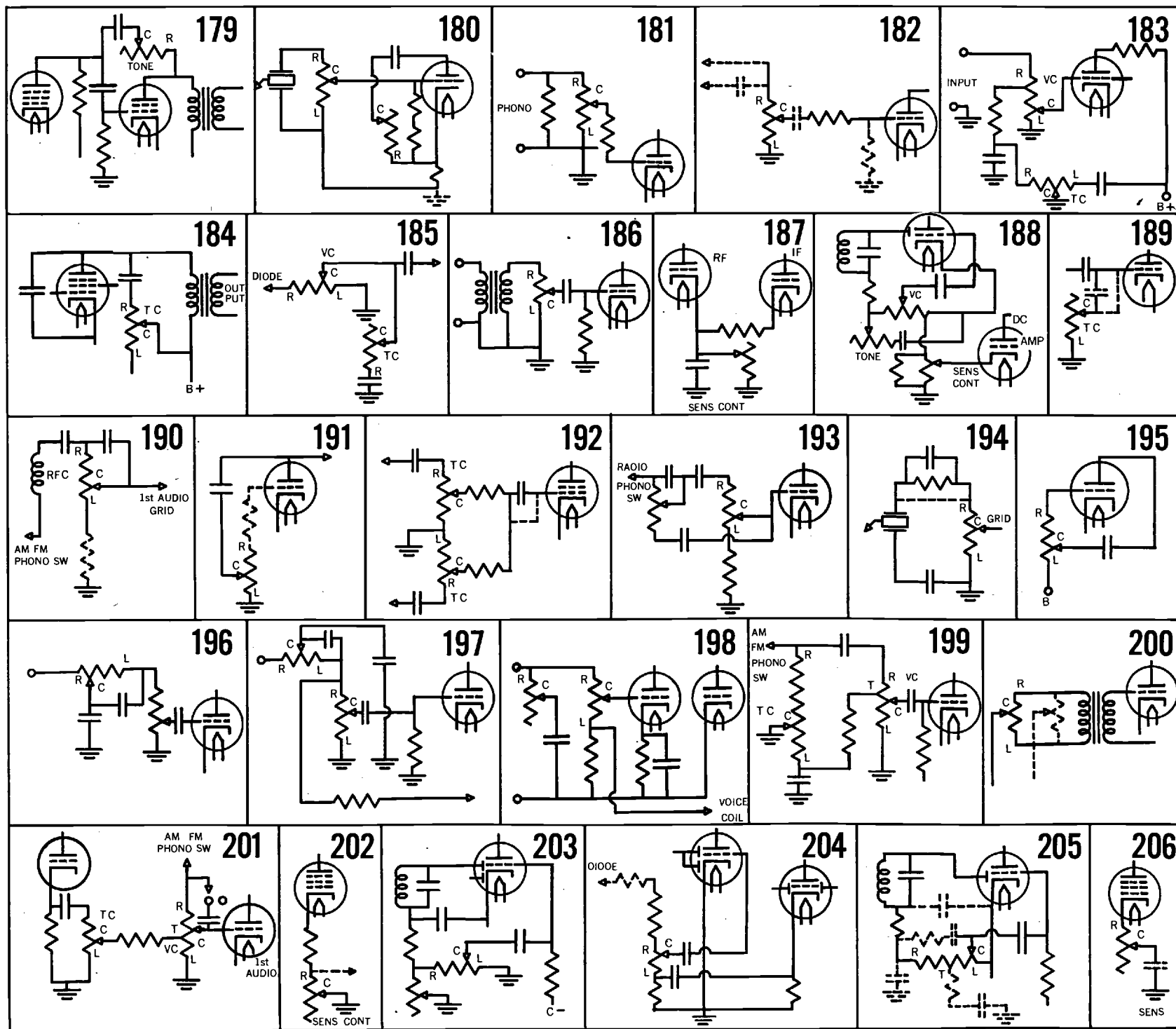


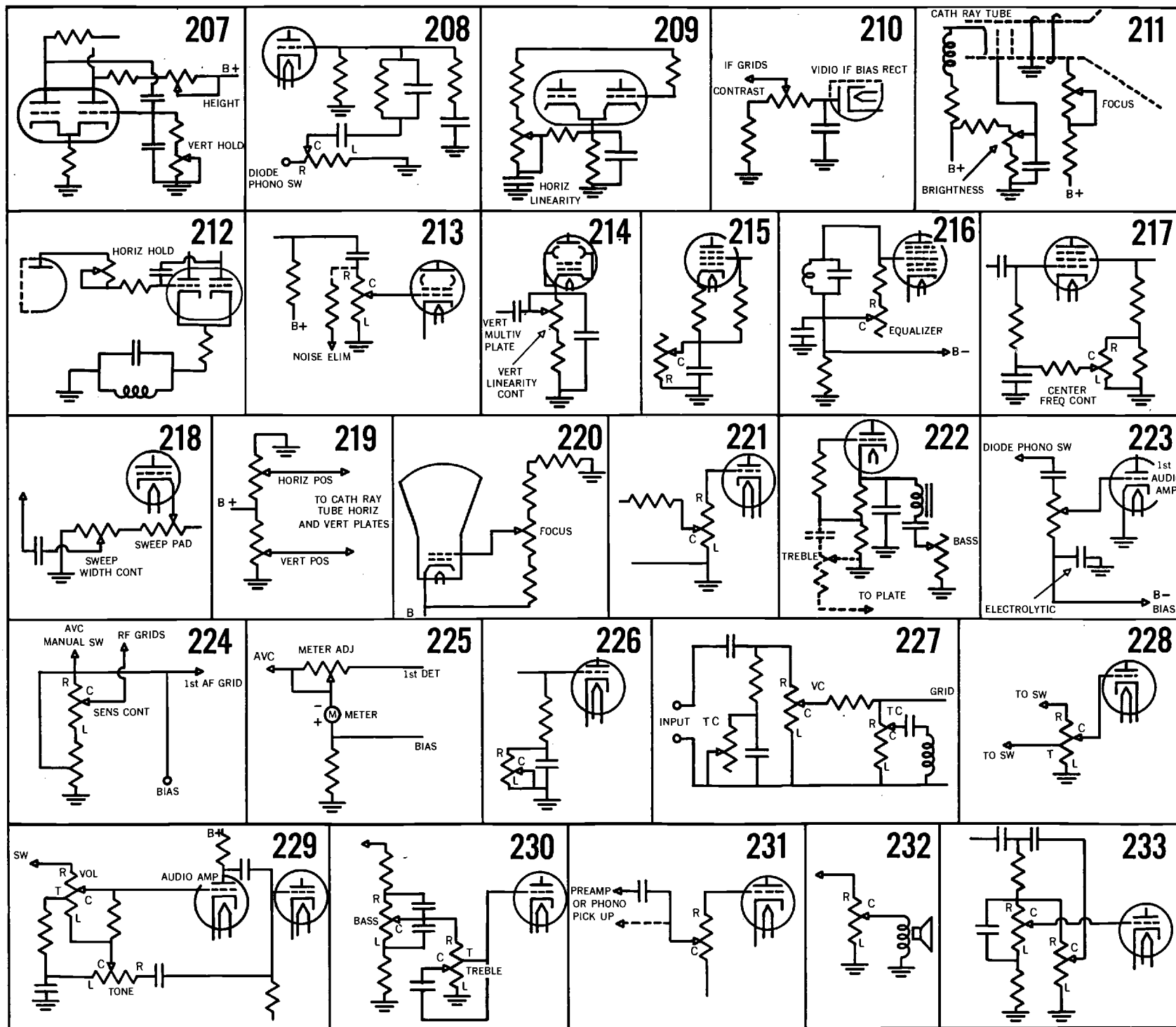


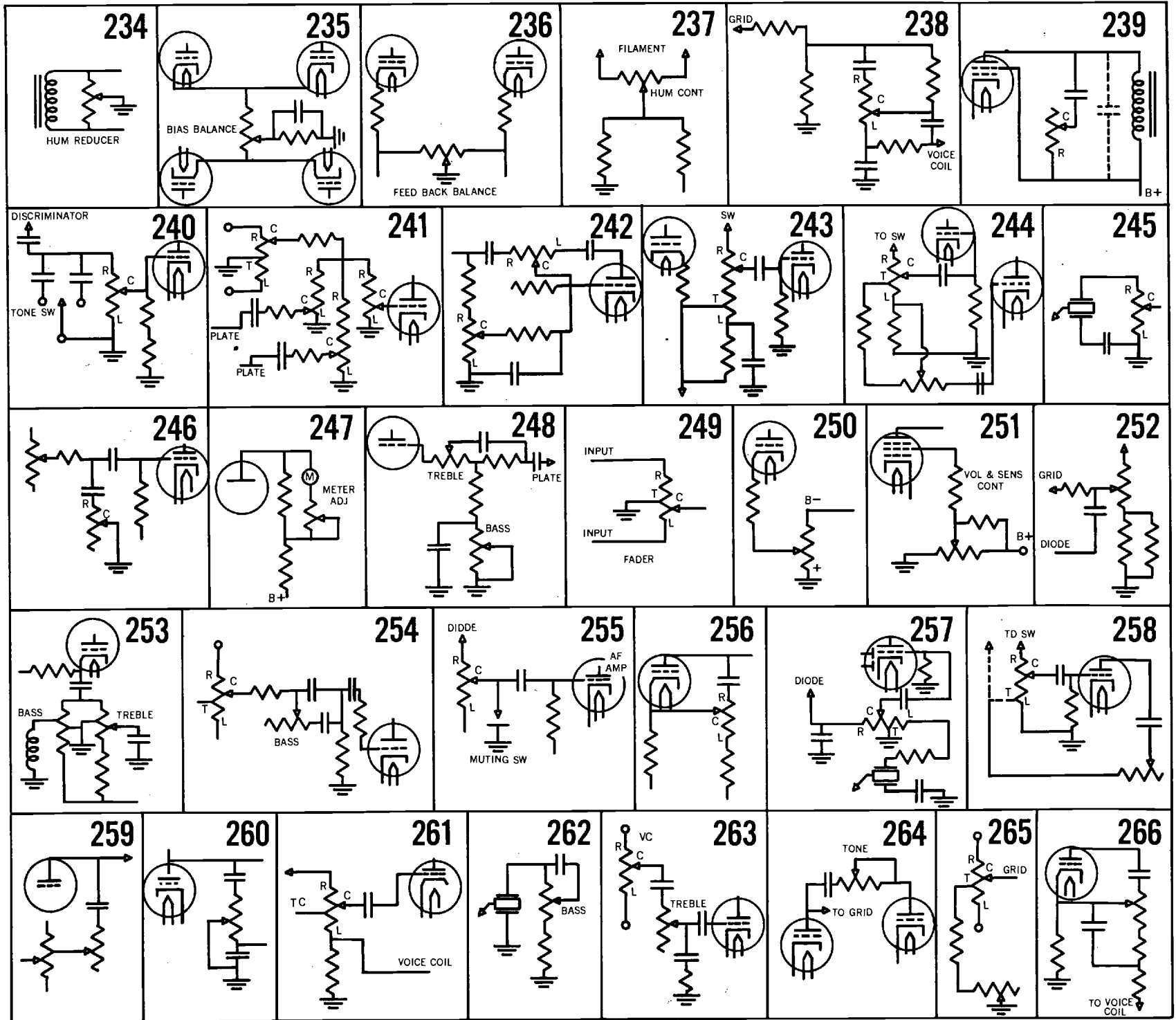




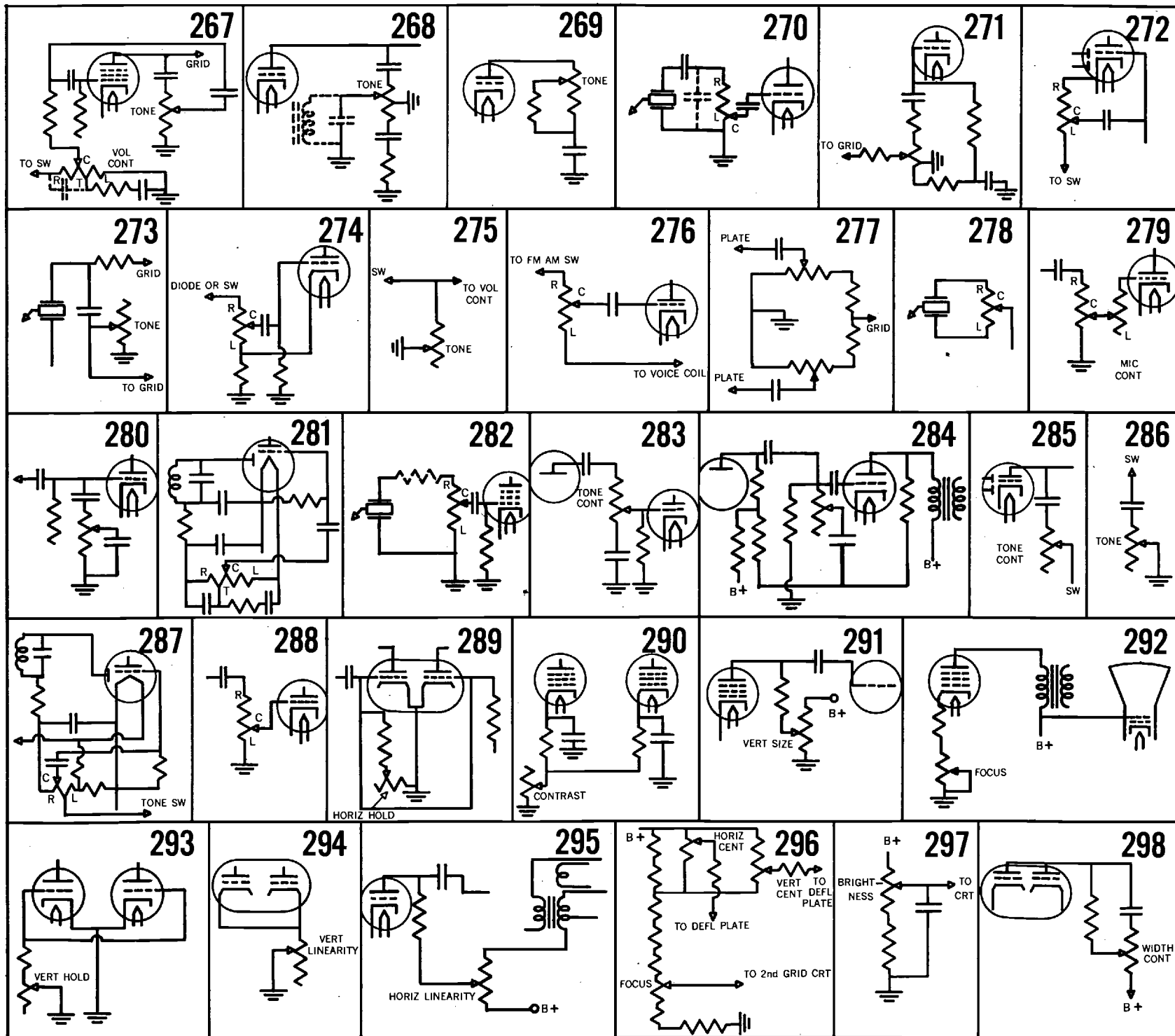












# "B" NOTES

**B1**—Originally equipped with paper condensers. Electrolytics of equal or greater capacity are O.K. for replacement. Check voltage to determine proper condenser rating.

**B2**—Input condenser may be paper type. In such cases we suggest the replacement be made with a paper condenser or Mallory HS or TC high voltage units, the choice being determined by the voltage requirements.

**B3**—Physical characteristics are unknown. We suggest replacing with equivalent Mallory type of equal or higher capacity. Check voltage for proper rating.

**B4**—Filter condensers may be of paper; if so, replace with Mallory HS or TC types. Working voltage, capacity, and mounting will determine type.

**B5**—Use types 3S582 or 3S584 to replace combinations such as 16-8, 12-12, etc. Sections may be paralleled to give satisfactory replacement. Choice of condenser depends on voltage. Low voltage sections (TN111) may be connected in parallel if only one by-pass is required.

**B6**—It is not necessary that the cathode by-pass condensers be in the same container as the filter condenser. Mallory TC units are easily installed within the chassis, the wire leads offering firm support.

**B7**—Originally equipped with paper condensers. Replace with Mallory UB units of proper voltage and capacity.

**B8**—When a Mallory multi-section condenser is recommended to replace a condenser having fewer sections, connect sections in parallel to obtain equal or higher capacity.

**B9**—This condenser is enclosed in the original block and tunes the filter choke to the ripple frequency. Replace with Mallory TP unit or combination of units giving the same capacity as the original.

**B10**—This condenser is used only on the later type of this model.

**B11**—Requires a non-polarized electrolytic for replacement. Common negative type condensers may be used by taping the negative lead to prevent shorting and using the two positive leads as the terminals of the condenser. Select a dual condenser having equal capacities in the two sections. The resulting non-polarized capacity will be half the capacity of one section at a voltage rating equal to that of one section. Separate section types of condensers may be used by connecting the negative leads together and taping as above.

**B12**—This additional capacity used on 25 cycle models only.

**B13**—This power pack is used in many early Mohawk models. Color code of the filter condensers is: Green 2 mfd., Blue 2 mfd., Yellow 1 mfd. In addition there is a .5 mfd. from B positive to B negative. See Note B1.

**B14**—These condensers are used across the secondary of the vibrator transformer. Replace with Mallory VB or OT type condensers of the same capacity value.

**B17**—Refer to schematic No. 11 and connect UR182-193 as follows: Black and Brown to points "D" and "E," Red to point "A," Blue to point "B," Yellow to point "C," and Green to point "F."

**B18**—Refer to schematic No. 6 and connect UR182-193 as follows: Green, Brown, and Black to points "C" and "D," Red to point "A," Yellow and Blue to point "B."

**B20**—This condenser is used only on later models.

**B21**—Install beneath chassis and connect Red and Yellow leads together to positive, Black and Blue to negative. Leave old unit in place if desired, but be sure to remove leads from it.

**B22**—Refer to schematic No. 9 and connect 3S582 as follows: Red to point "A," Black and one Yellow to point "B," remaining Yellow to point "D," Blue to points "C" and "E."

**B24**—Connect as follows: Red to point "A," Yellow to point "B," Black to point "C," Blue to point "D."

**B26**—Refer to schematic No. 1 and connect as follows: Red to point "A," Yellow to point "C," Black and Blue to points "B" and "D."

**B27**—Later type used a 16 mfd. condenser in place of the 8 mfd. No. 27585; in which case use the RS216.

**B28**—There were two types of filter circuits used in this model; the older type used a dual 4 mfd. as first and second filter with an 8 mfd. in the output. The later type used the same combination but with the 8 mfd. as the input condenser.

**B29**—"Refer to schematic No. 1 and connect 3S582 and TN111 as follows." Red to point "A," Yellows together and to point "C," Black and Blue to chassis. Connect negative of TN111 to chassis, one positive to cathode of output tube, other positive to cathode of detector tube.

**B31**—Refer to schematic No. 11 and connect UR182-193 as follows: Yellow to point "A," Red and Blue to points "B" and "C," Green and Brown to points "D" and "E," Black to point "F" (chassis).

**B32**—Join the Yellow leads together and to B positive, Red lead to Blue lead from switch, Black to plate of 25Z5, Blue to chassis.

**B33**—Connect as follows: Red and Yellow to points "A" and "B," Black to point "C," Blue to point "D."

**B38**—On some chassis of the model 525 the condenser was in two cartons, the C525C (5 mfd.—25 mfd.) and the C525D (5 mfd.). We recommend the UR182-193 which replaces both of the units.

**B39**—Install Mallory condenser in the old can or beneath the chassis.

**B40**—Connect as follows: Red to rectifier filament, Yellow to junction of resistors in 6C6 plate circuit, Black and Blue to chassis.

**B41**—Connect 2S567 as follows: Red to point "C," Yellow to junction of resistors in 6C6 plate supply; Black and Blue to chassis. If the 3S584 is recommended

the two Yellow leads should be connected together to obtain a 16 mfd. section.

**B42**—Connect as follows: One Red to point "A," other Red to point "C," Black to points "B," and "D."

**B45**—The original block No. P80902 contained two 4 mfd. condensers and a .1 mfd. paper. Replace with a 2N516 and TP428 connected as follows: one Red of 2N516 to screen circuit, remaining Red to first audio cathode, Black to chassis. Connect TP428 from RF screen to ground.

**B46**—Substitute TP431 for TP428 and connect as in note B45.

**B48**—Mount FP424 under clamp and connect as follows: 15 @ 450 (■) to rectifier filament, 15 @ 450 (●) to screen of output tube, 10 @ 450 (▲) to screen of first detector and I.F. tubes, 20 @ 25 (—) to cathode of output tube. Solder wire from common terminal (can) to chassis.

**B49**—Refer to schematic No. 9 and connect 3S584 as follows: Red to point "A," Black and one Yellow to point "B," other Yellow to point "D," Blue to point "E." If the set has two pigtail resistors between points "C" and "E" it will be necessary to use three TC52 instead of the 3S584.

**B51**—Refer to schematic No. 29 and connect TCS52 and TC52 as follows: one positive lug of TCS52 to point "A," corresponding negative to point "B," remaining positive lug to point "B," corresponding negative to point "C." Connect TC52 positive to point "D," negative to point "E." In this receiver there may be a pigtail resistor between the field and point "E."

**B54**—This chassis is the same as the Majestic 300, 300A.

**B55**—Both positives to points "B" and "C," one negative to point "E," other negative to point "F."

**B58**—Refer to schematic No. 4 and connect RM265 as follows: Red and Blue to points "A" and "B," Black to point "C," Brown and Yellow to point "D," Green to screen circuit.

**B60**—Connect one section to rectifier side of choke, combine two sections and connect to speaker side of choke, the remaining section to voltage divider at output side of speaker field.

**B61**—Connect as follows: Yellow to point "A," Red to point "B," Green to cathode of output tube, Black to chassis.

**B64**—Refer to circuit 74 and connect as follows: Yellow to point "A," Red to point "B," Green and Black to chassis at point "D," Blue to point "C."

**B65**—If original is in three sections use three RS213.

**B66**—Red to point "A," Yellow to point "C," Black to points "B" and "D."

**B69**—When using an FP type condenser to replace a capacitor having fewer sections, connect sections in parallel to get the required capacities.

**B70**—This replacement condenser has three sections. One of the two high voltage sections should be left unwired.

**B72**—Refer to schematic No. 29 and connect 3S582 and TC52 as follows: Yellows to point "A," Blue and Red to point "B," Black to point "C." Positive of TC52 to point "D," negative to point "E." Point "B" is connected to DC side of switch.

**B73**—Refer to schematic No. 4 and connect RM262 as follows: Red and Blue to points "A" and "B," Brown to "C" and Black to "D."

**B75**—Red to point "A," Yellows to point "C," Black and Blue to points "B" and "D."

**B78**—Red to point "B," Yellow to point "C," Black and Blue to points "E" and "F."

**B79**—Red to point "A," one Yellow to point "C," other Yellow to plate return of first AF, Black and Blue to chassis.

**B81**—Refer to schematic 32 and connect as follows: Red to point "A," Yellow to point "C," Black and Blue to point "D."

**B82**—Red to point "B," Yellow to point "C," Black and Blue to points "E" and "F."

**B83**—Refer to schematic No. 3 and connect one section to point "A," connect two of the sections together and to point "B," connect the other section to point "C."

**B85**—Mount the Mallory condenser in original can.

**B87**—Red to point "A," one Yellow to point "B," other Yellow to point "C," Black and Blue to points "D," "E," and "F."

**B88**—Refer to schematic No. 27 and connect as follows: Red and Yellow leads to points "A," "B," and "C." Blue to points "D," and "E," Black to point "F."

**B95**—Refer to schematics Nos. 27 and 15 and connect the UR182-193 as follows: Red and Blue to "A," "B" and "C," Black and Green to chassis at "F," Brown to line at "D" and "E," Yellow to cathode of detector (or in some cases the first AF stage).

**B96**—We suggest the use of the UR182-193 for this installation.

**B98**—Refer to schematics Nos. 6 and 15 and connect as follows: Yellow leads to point "A," Red to point "B," Black and Blue to chassis. Connect TN111 negatives to chassis, one positive to cathode of detector tube, other positive to cathode of output tube.

**B99**—The chassis type number is the group prefixing the serial numbers. The first run of this chassis used schematic No. 27 with 16 mfd. from cathodes (in parallel) to line, 8 mfd. from cathodes to chassis and 4 mfd. from 6A8 plate supply to chassis, also a .25 paper across the choke. For the first run, connect UR182-193 as follows: Refer to schematic No. 27, connect Blue to "A" and "B," Red to "C," Brown to line at "D," "E," Black and Green to chassis, Yellow to 6A8 plate supply. In the second run the cathodes of the 25Z5 were separated thus changing the circuit to schematic No. 11 and the .25 mfd. condenser was removed from across the choke and a separate 4 mfd. tubular connected across the field. For this circuit refer to schematic No. 11 and connect UR182-193 as follows: Blue to "B," Red to

"C," Brown to line at "E," Black and Green to chassis at "F," Yellow to 6A8 plate supply. Use an additional TC42 with positive to "A," negative to "D."

**B101**—Red to point "A," one Yellow to point "B," other Yellow to anode grid return of 6A7, Black to chassis.

**B104**—When AC-DC switch is in AC position the filter circuit is the same as schematic No. 8 with the exception that there is an additional choke connected at point "C." Connect UR182-193 as follows: Red to point "C," Black to point "F," Yellow to point "A," Blue to point "B," Green to the AC side of the AC-DC switch connected to the speaker field, and Brown to points "D" and "E."

**B106**—Refer to schematics Nos. 4 and 17 and connect RM265 as follows: Red and Blue to points "A" and "B," Black to "C," Brown and Yellow to "D," Green to filament center tap resistor.

**B109**—To replace RC501 refer to schematics Nos. 13 and 15, and connect 2N518 as follows: One Red to osc. plate supply, other Red to cathode of output tube, and Black to chassis. For RC502 refer to schematics Nos. 13 and 14, and connect 2N518 as follows: one Red to junction of 20M ohms and 500M ohms resistors in the first AF plate supply, remaining Red to first AF screen, and Black to chassis.

**B110**—If the filter and by-pass condensers are all in one block, refer to schematics Nos. 6 and 15, and use UR182-193 connected as follows: Connect Blue to point "A," Yellow to point "B," Black, Green and Brown together to points "C" and "D," remaining Red to detector cathode.

**B111**—Red to point "C," Yellow to anode grid return, Green to cathode, Black and Blue to chassis.

**B112**—Yellow to point "A," Red to point "B," Black to points "C" and "D."

**B115**—Refer to schematic No. 27 and connect as follows: Red, Blue and Yellow to points "A," "B" and "C," Brown and Green to points "D" and "E," Black to chassis at point "F."

**B116**—Refer to schematics Nos. 3 and 14 and connect TC92 positive to point "A," negative to point "D." Connect TC74 positive to point "B," negative to point "E." Connect 2N518 as follows: one Red to point "C," remaining Red to the 100-volt tap on the voltage divider, Black to point "F."

**B117**—This replacement may require the use of a strap or an "FP" mounting plate to mount the condenser on the chassis.

**B118**—Refer to schematic No. 11 and connect UR182-193 as follows: Yellow to point "A," Red and Blue together and to points "B" and "C." Green and Black together and to point "F," and Brown to point "E." This connection is not the same as the standard described in note 31. However, the wiring used in note 31 is applicable in some cases of noticeable hum.

**B119**—Refer to circuit 74 and connect as follows: one yellow to point "A," Red to point "B," Blue to point "C," remaining Yellow and Black to point "D."

**B120**—One Red of 2N509 to point "A," other Red to point "B," one Red of 2N516 to point "C," other Red to cathode of detector. Black of 2N509 to points "D" and "E," Black of 2N516 to chassis at point "F."

**B121**—If receiver should be disconnected from the power pack the voltage rises to 900 volts for 9P6 and correspondingly for the other similar power packs, therefore, we advise the use of TC92 units for replacement.

The by-pass sections of the original may be replaced with larger capacity units of electrolytic type, thereby giving better filtering action at the by-pass point.

**B123**—Refer to schematic No. 29 and connect as follows: one positive of TCS44 to point "A," corresponding negative to point "B," remaining positive to point "B," corresponding negative to point "C." Connect positive lead of TC52 to point "D," negative to point "E." In some cases there may be a pigtail resistor between the field and point "E."

**B124**—Blue of UR182-193 to original red. Red to original yellow. Yellow to original green, Brown, Black, and Green to original black.

**B125**—Condenser supplied on order. State part, make and model number of receiver.

**B126**—To replace P80956 refer to schematic 25 and connect RM262 and TC26 as follows: Red of RM262 to point "A," Black to point "C," Blue to point "B," and Brown to chassis. Connect TC26 negative to point "C," and positive to chassis.

**B127**—To replace P80937 refer to schematics Nos. 14 and 15 and connect 2N516 as follows: One Red to IF screen, the other Red to second detector cathode, and Black to chassis.

**B128**—Original is cardboard tube mounted by means of a radial strap. To replace, we suggest the use of an FP Type condenser mounted by means of adjustable strap No. MS-1.

**B129**—Since these condensers originally had a screw-socket base, we recommend replacement with a carton beneath the chassis.

**B130**—May require the use of washer No. A-017.

**B131**—Red of 3N527 replaces one yellow of original, Yellow replaces other original yellow. Green replaces original red. One Red of 2N509 to original blue, other Red to original green. Both Blacks to chassis.

**B132**—Installation same as B131 above.

**B133**—Original unit was combination of .25 mfd. and .5 mfd. paper, and 8 mfd. electrolytic. Replace with combination of TP420, TP432 and TC22 respectively.

**B134**—Refer to schematics Nos. 8 and 15 and connect as follows: Red to point "A," one Yellow to point "B," other Yellow to point "C," Black and Blue to points "D," "E," and "F." Connect negative of TN111 to points "D," "E," and "F." One positive to cathode of detector tube, other positive to cathode of output tube.

**B135**—Refer to schematics Nos. 14 and 15 and connect as follows: one positive of TCS71 to oscillator plate supply, other positive to cathode of first audio tube,

negatives to chassis. Connect TP420 to the junction of 25M ohm and 250M ohm resistors in the second detector plate lead, and to the chassis.

**B136**—The original condenser had two .25 mfd. and one .5 mfd. paper sections, and one 20 mfd. electrolytic. To replace electrolytic section, use TC26, connecting positive to cathode of output tube, negative to chassis.

**B139**—Red of 4S715 to cathode of the 25Z5 which supplies plate power, Yellow to junction of filter choke and the 4000 ohm resistor, one Green to cathodes of the 43 output tubes, other Green to cathode of 6C5, Black and Blue to chassis. Connect one Red of 2N516 to cathode of 25Z5 supplying field power, other Red to RF screen, Black to chassis.

**B140**—Reds of 2N509 to original yellows, Black to chassis. Red of 3N527 to original green, Yellow to original blue. Green to original red, Black to chassis.

**B141**—Black and Blue of 3S579 to center tap of high voltage winding. Red to screen of first detector, Yellow to first AF plate supply, Green to cathode of output tubes. Positive of TC74 to output side of filter choke, negative to high voltage center tap.

**B144**—Connect 3S579 to output screen, Yellow to target of tuning eye, Green to cathode of audio driver, Black and Blue to chassis. Connect positive of TC36 to cathode of output tube, negative to chassis.

**B156**—These two 4 mfd. sections are contained in the same unit with several small capacity condensers of the paper type. For the replacement of the filter section use a non-polarized unit as in note B11. The 4 mfd. by-pass section may be replaced with TC32 installed at socket.

**B157**—Refer to schematic No. 50 and connect as follows: one TC44 positive to point "A" negative to point "C." Another TC44 positive to point "B," negative to point "D."

**B158**—These condensers are contained in a capacitor block with several small paper condensers. To replace these units we recommend for external replacement a 3S584 connected as follows: Red and one Yellow to points "A" and "B," other Yellow to screens, Black to point "C," Blue to point "D."

**B160**—The original block contained two 10 mfd. electrolytics and a .5 mfd. paper. Replace with 2N518 and TP431. Connect one Red of the 2N518 to the screen of output tubes, the remaining Red to the cathode of detector tube, Black to negative line. TP431 replaces the coupling condenser between the 37 plate and the interstage transformer.

**B161**—Use 4S718 and TC32 and connect as follows: Red of 4S718 to RF screen, Yellow to driver plate supply, one Green to first audio cathode, other Green to driver cathode, Black and Blue to chassis. Connect TC32 positive to chassis, negative to high voltage center tap.

**B162**—Use 3S579 and TC32 and connect as follows: Red to RF screen, Yellow to the junction to the two resistors in the first AF plate supply, Green to first AF cathode, Black and Blue to chassis. Connect TC32 negative to high voltage center tap, positive to chassis.

**B164**—Refer to circuits 2, 13, and 44, and connect as follows: two Yellows of 3S584 to point "A," Blue to chassis, Red to chassis, Black to bias supply. One Red of 2N516 to point "C," other Red to plate return of the 55 triode section, Black to chassis.

**B165**—Refer to schematics Nos. 15 and 19 and connect TCS71 as follows: one negative to transformer center tap, corresponding positive to chassis, remaining positive to first AF cathode, negative to chassis.

**B166**—This block contains the filter condensers and the output choke and condenser. When replacing by section be sure to leave output assembly intact.

**B167**—For replacement of this entire block, we recommend purchase of original block from manufacturer. However, in case of emergency, the block may be taken apart and replacement accomplished by using the 2N518 unit or exterior application may be made. Precaution should be taken to preserve the original block wiring, not affected by the replacement.

**B168**—When using the FP426 to replace original part 119-88, the wires which originally were attached to terminal (▲) should be connected to the can of the FP426. Terminal (▲) of the FP426 may be left unwired, or it may be connected in parallel with the unmarked terminal.

**B169**—This condenser is contained in a block with several paper condensers and this replacement is suggested to replace this section only and the rest of the block must be left in the receiver as connected.

**B171**—Refer to schematics Nos. 9 and 15 and connect as follows: one Yellow of 3S582 to point "B," other Yellow to point "A," Blue to point "C," Red to point "A," Black to point "B." Positive of TC52 to point "D," negative to output cathode. One positive of TCS52 to point "D," other positive to output cathode, negative to point "E." A second 3S582 may be used instead of the TC52 and TCS52, using the red and black leads to replace the positive and negative of the TC52, the Yellows to replace the positives of the TCS52, and the Blue to replace the negatives of the TCS52.

**B172**—One Yellow to rectifier cathode, other Yellow to RF screens, Blue to negative line, Red to output plate supply, Black to output cathode. Connect TN111 negative to negative line, positives to output cathode.

**B173**—For replacement of this entire block we advise purchase of a duplicate from the manufacturer. In case of emergency, the block may be taken apart and replacement accomplished by using the 2N518 unit. Wiring to parts of the block not affected by the replacement should be left intact.

**B174**—This assembly contains an 8 mfd. electrolytic, a .5 mfd. and a .25 mfd. paper condenser and the driver transformer. We advise the TC71 unit for external replacement of the 8 mfd. section.

**B175**—Ground lug with Black dot (negative) to chassis.

**B176**—Refer to schematics Nos. 13 and 15 and connect as follows: Red of 3S584 to output plate supply, one Yellow to anode grid, remaining Yellow to screen supply, Black and Blue to chassis. Positive of TC62 to detector cathode, negative to chassis.

**B177**—Refer to schematics Nos. 13 and 15 and connect 3S579 as follows: Red to first AF plate supply, Yellow to RF screen supply, Green to first AF cathode, Blue and Black to chassis.

**B179**—Refer to schematics Nos. 13, 14 and 19 and connect 2S567 and TC32 as follows: Red of 2S567 to screen circuit, Yellow to second det. plate supply, Black and Blue to chassis. Positive of TC32 to chassis, negative to power transformer HV. center tap.

**B180**—Refer to schematics Nos. 9 and 15 and connect 3S584 and 3S579 as follows: Red of 3S584 to point "A," Black and one Yellow to point "B," Blue to point "C," remaining Yellow to point "A." Red of 3S579 to point "D," Green and Black to cathode of output tube, Blue to point "E," Yellow to RF screen circuit.

**B181**—Refer to schematics Nos. 1 and 15 and connect as follows: positives of TCD55 to point "A," negative to chassis. One Red of 2N509 to point "C," remaining Red to cathode of output tube, Black to chassis.

**B182**—The UR182-193 replacement has higher capacity values than the original. However, the UR182-193 will not cause any change in the operation of the set.

**B183**—Refer to schematics 12, 13 and 19 and connect 2N516 and TC29 as follows: one Red of 2N516 to screen of AF output, remaining Red to RF screen, Black to chassis. Connect TC29 positive to chassis, negative to B minus.

Where note B183 is used in Sparton listings, refer to circuit 28 and connect RM265 as follows: Red to point "A," Blue to point "B," Green to point "C," Black and Brown to points "D" and "E," Yellow to point "F."

**B184**—This condenser is connected between points "B" and "D" in circuit No. 54.

**B188**—Refer to Circuits Nos. 1 and 19 and connect as follows: Yellow to point "A," Red to point "C," Black to B minus at points "B" and "D," Green to chassis.

**B190**—This replacement can best be made using three type TC condensers. Connect one TC45 positive to point "A," negative to point "B," another TC45 positive to point "B," negative to point "C." Connect a TC55 positive to point "D," negative to point "E."

**B192**—The by-pass section should be left unwired in this replacement.

**B193**—Refer to circuits Nos. 1 and 15 and connect as follows: Yellow to point "A," Red to point "C," Black to B minus, Green to cathode of output tube.

**B194**—This model originally used two 8 mfd. carton type condensers. If both units are defective, 2S567 affords an ideal replacement.

**B195**—The filter condenser for this receiver is contained in a block which is of the plug-in type. We advise replacing the defective sections with Mallory carton type units of the same voltage and capacity beneath the chassis.

**B196**—When two units are specified for a non-polarized replacement, connect the negative leads together and tape. Use the two positive leads for wiring into the circuit. Also see Note B11.

**B197**—This replacement requires an insulating tube. Use a mounting clamp to fasten the condenser on the chassis.

**B198**—Refer to schematic No. 25 and connect TCS71 as follows: one positive to point "A," corresponding negative to point "C," other positive to point "B," corresponding negative to point "D."

**B199**—One positive to point "A," corresponding negative to point "C," other positive to point "B," corresponding negative to point "D."

**B200**—Refer to schematics Nos. 30 and 14 and connect as follows: Yellows of 3S584 to points "A" and "B," Blue to points "D" and "E," Red to point "C," Black to chassis at point "F." Connect TC71 positive to the IF plate supply, negative to chassis.

**B201**—Refer to schematics Nos. 3 and 13 and connect 3S584 and TC71 as follows: Red to point "A," one Yellow to point "B," remaining Yellow to point "C," Black and Blue to chassis. Connect TC71 positive to first AF plate supply, negative to chassis.

**B202**—Refer to schematic No. 25 and connect TCS71 and TC26 as follows: one positive of TCS71 to point "A," other positive to point "B," one negative to point "C," and other negative to point "D." Connect TC26 positive to point "D," and negative to point "C."

**B203**—Refer to schematic No. 57 and connect as follows: Red to point "B," one Yellow to point "D," remaining Yellow to point "G," Black and Blue to chassis to point "H."

**B204**—Refer to schematic No. 57 and connect as follows: positive of TC71 to point "A," one positive of TCS71 to point "C," remaining positive to points "E" and "F," all negatives to chassis at point "H."

**B205**—Refer to schematic No. 56 and connect 3S584 as follows: two Yellow leads to point "A," Blue lead to point "C," Red to point "B," Black to point "D" (chassis). This unit may be installed in the original case.

**B206**—Refer to schematic No. 30 and connect 3S584 as follows: one Yellow to point "A," remaining Yellow to point "B," Blue to points "D" and "E," Red to point "C," Black to chassis at point "F."

**B208**—Connect Red to center tap of output transformer, one Yellow to the driver plate supply, remaining Yellow if IF plate supply, Black and Blue to chassis. Connect TC26 positive to driver cathode, negative to Chassis.

**B209**—Connect 2N516, one Red to "B" plus 135V., other Red to RF screen, and Black to chassis. Some models used a non-polarized filter condenser. 2N516 is satisfactory for this replacement if the proper battery polarity is observed. Be sure to check this point, as a reversal of polarity may result in serious damage to the receiver.

**B210**—Refer to schematics Nos. 8 and 15 and connect UR182-193 and TC22 as follows: connect Yellow of UR182-193 to point "A," Blue to point "B," Red to point "C," Black, Brown and Green together and to

points "D," "E" and "F." Connect TC22 positive to output tube cathode, negative to point "F."

**B211**—This replacement requires the use of an insulating tube.

**B212**—This condenser is connected between points "C" and "B" in circuit 25.

**B213**—Refer to schematic No. 25 and connect RM262 and TC26 as follows: Red to RM262 to point "A," Blue to point "B," Black to point "C," and Brown to point "D." Connect TC26 positive to point "D," and negative to point "C."

**B214**—Refer to schematics Nos. 11 and 15 and connect UR182-193 and TC22 as follows: connect UR182-193, Yellow to point "A," Blue and Red together and to points "B" and "C," Green and Brown together and to points "D" and "F," and Black to point "F." Connect TC22 positive to detector cathode and negative to point "F."

**B217**—This replacement must have the two high capacity sections connected in parallel to obtain the required capacity.

**B218**—Refer to schematic No. 11 and connect 3S582 as follows: Red to point "A," Yellows to point "B," Black and Blue to point "C." To replace second condenser connect 2N516, one Red to point "C," other Red to osc. anode grid supply, Black to point "F."

**B220**—This replacement requires an insulating tube. The by-pass section should be left unwired. The two 50 mfd. sections should be wired in parallel.

**B221**—Refer to schematics 27 and 15 and connect UR182-193 as follows: Red and Blue leads together and to points "A," "B," "C." Brown lead to points "D," "E." Black and Green leads together and to point "F" (chassis) and Yellow lead to detector cathode.

**B222**—The two 40 mfd. sections should be connected in parallel to give the required capacity.

**B223**—This replacement requires the use of adjustable strap No. MS-1.

**B224**—This replacement requires an insulating tube and a clamp to mount the condenser on the chassis. The two high voltage sections should be wired in parallel to give the required capacity.

**B226**—The use of two UR182-193 condensers is recommended for this replacement. Refer to schematic 64 and connect as follows: both Blue leads and one Red lead to point "A"; remaining Red lead to point "B"; both Yellow leads to point "C"; both Brown leads and both Green leads to point "D"; and both Black leads to point "E." The following color code replacement is applicable to the Detrola Model 1200. Both Yellow leads together replace the original Yellow lead. Both Green leads and both Brown leads together replace the original Black lead. Both Blue leads together replace the original Red lead. The two Red leads replace the two original lugs marked +8. Both Black leads together replace the original lug marked - (neg.). The Mallory terminal connector A-016 is helpful for ease of installation.

**B247**—The filter condensers are in a large plug-in type block with connections as follows (starting with the large pin opposite the grounding pin and proceeding in

a clockwise direction): Pin No. 1-negative 16 mfd. second filter and negative 8 mfd. power tube bias by-pass; Pin No. 2-positive 4 mfd. 350V IAF plate filter; Pin No. 4-positive 8 mfd. 100V first detector cathode by-pass; Pin No. 5-common negative to all pins except Nos. 2 and 8; Pin No. 6-positive 4 mfd. 100V IAF cathode by-pass; Pin No. 7-positive 4 mfd. 100V driver tube cathode by-pass; and Pin No. 8-positive 16 mfd. second filter. In 25 cycle models Pin No. 8 is positive 20 mfd. In an emergency individual sections may be replaced with Mallory tubular type units of proper capacity and voltage ratings mounted beneath the chassis. However for complete replacement we recommend the purchase of an entire block from the set manufacturer.

**B256**—Red to point "A," Yellow to point "B," one Green to cathode of detector, remaining Green to cathode of output tube, Black and Blue to chassis. TC42 positive to output tube screen, negative to chassis.

**B259**—Refer to schematics 4 and 13 and connect UR182-193 as follows: Blue and Red leads to points "A" and "B"; Brown lead to point "C"; Black and Green leads to point "D"; and Yellow to detector cathode.

**B264**—Refer to schematic No. 11 and connect UR182-193 as follows: Yellow to point "A"; Red and Blue to points "B" and "C"; Green and Brown to points "D" and "E"; Black to point "F."

**B265**—Refer to schematics 11 and 13 and connect UR182-193 and TC40 as follows: Red and Blue of UR182-193 to points "B" and "C"; Brown to point "E"; Black and Green to point "F"; Yellow to oscillator anode return. Connect TC40 positive to point "A"; negative to point "D."

**B267**—Original is an FP type can. Connect replacement as follows: Yellows replace terminal marked (■), Red replaces terminal marked (▲), Black replaces uncoded terminal, Blue replaces can negative.

**B268**—Refer to schematics 24 and 15 and connect UR182-193 as follows: Blue to point "A"; Red to point "B"; Brown, Black and Green to points "C" and "D"; Yellow to cathode of audio tube.

3N527 may be used as follows: Red to point "A," Yellow to point "B," Black to points "C" and "D," Green to cathode of audio tube.

**B269**—Refer to schematics 1 and 13 and connect UR182-193 as follows: Blue to point "A"; Red to point "C"; Brown, Black and Green to points "B" and "D"; Yellow to cathode of audio tube.

3N527 may be used as follows: Red to point "A," Yellow to point "C," Green to cathode of audio tube, Black to points "B" and "D."

**B270**—Do not use last section of capacitor.

**B271**—Used in models with EM speaker.

**B272**—For use in 25 cycle models.

**B273**—Connect the TC49 in parallel with the thirty (30) MFD section of FP for desired capacity.

**B275**—Parallel sections to obtain equal or greater capacity.

**B276**—Connect condensers in parallel.

**B277**—Select proper TH type mounting clip for this replacement.



