

# ELECTRONIC TECHNICIAN

WORLD'S LARGEST ELECTRONIC TRADE CIRCULATION

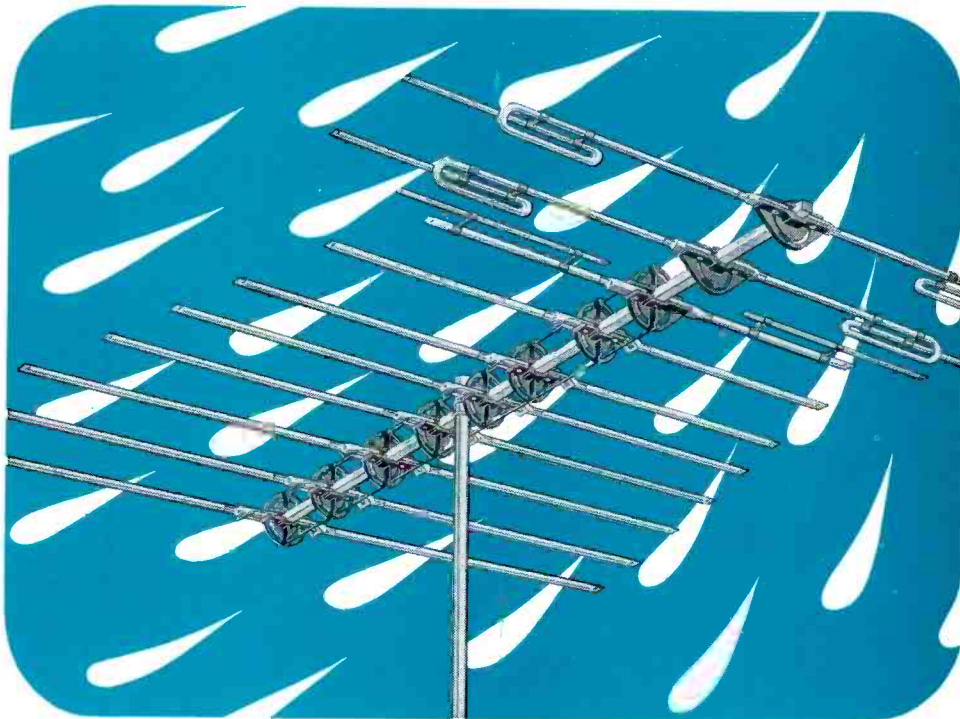
JUNE 1967



SERVICING A MODERN COLOR TV  
PROTECTING ELECTRONIC CIRCUITS  
THE APPRENTICE AND THE PRO

EVANABRA MI  
FRICKSON  
12TH ST  
28332X367BE  
49829 4658

# New Jerrold Colorpeak™ VHF Antenna weathers any reception problem



Here's one outdoor antenna that stays put—even in a howling storm. The new Jerrold Colorpeak 300-ohm VHF-FM Antenna.

Colorpeak is a high gain antenna with unusual flatness across the entire VHF-FM band. It picks up strong, clear signals—even in difficult reception areas—because of its excellent front-to-back ratio. And it's built as rugged as a tank.

Vibration-proof point-contact element locks, corrosion-resistant Golden Armor Coating and tough Cycloc insulators make each insulating mount a strong point. No shorting out because of icing. No wavering image as wind whips through the antenna. No flimsy criss-cross conductors for transfer of the signal. Jerrold Colorpeak quality construction sees to all that.

Jerrold Colorpeak antennas,

like Jerrold VUfinder, Paralog Plus and Pathfinder antennas, assemble faster than any other antenna made today. All parts snap into place—anywhere—on the ground or on the roof. For hook-up ease, Colorpeak lead connections are made close to the mast.

For more details on the Jerrold Colorpeak antenna, see your Jerrold distributor.

**JERROLD**®

Focusing on one thing—  
better reception.

... for more details circle 102 on postcard

**New low cost.**  
**New ease of operation.**  
**No waiting. No warm-up.**  
**No adjustments.**  
**Brightest patterns in the industry.**



## The **B&K** 1242 Color Generator is all business\$!

There's nothing else like it. The all-new B&K 1242 represents the highest state of the art today. Go ahead and compare it; it's unique.

Ultrastable solid-state circuits make antiquated heating elements unnecessary. The 1242 works instantly in all service

environments — no waiting, no warm-up, no adjustments. Other units have up to 3 times as many front panel controls. For ease of operation, the 1242 has just two color level and selector switches. It provides dots, crosshatch, horizontal or vertical lines, and color bars. And these are the sharpest, brightest patterns in the industry.

The 1242 handles easily, too. It's the smallest, lightest-weight color generator. Rugged, too; it's all steel with storage

space for leads. It's transformer powered and complete with leads. Calls take less time and you make more money, because you can go from a cold or hot truck into a home and get right to work.

On every count, the new B&K 1242 is amazing. In time saved, it will pay for itself in just a few weeks — especially at this low price: **\$99.95**

B&K Division of Dynascan Corporation  
 1801 N. Belle Plaine • Chicago, Illinois 60613



Where Electronic Innovation Is A Way Of Life

... for more details circle 110 on postcard

# Will solid state technology stump your TV technicians?

**Not if you take advantage of all the training help made possible by Motorola's greatly expanded field-service staff.**

**Read what it can mean to you.**

No question about it. A technological revolution is now underway in the home entertainment business. Radios are solid state. Stereos are solid state, and now TV is rapidly going solid state. And, the trend is bound to continue as customers seek other products with advanced space-age reliability. But, if your men understand tube technology—they can learn transistor technology quickly.

That's why Motorola has introduced the new "Professional Technician Program." Our training staff of technical representatives has been greatly expanded to handle the program. These men will work with Motorola Distributor Service Representatives . . . and in some cases with your own men in your own shop to help them learn the new technology.

With the help of P.T.P., Motorola distributors have strengthened their own service training programs, too. Some have training facilities set up in their own places of business so you can send your technicians in for "refresher courses."

Many hold periodic training meetings for large groups. Motorola Regional Service Managers are often in attendance at these meetings to provide detailed information about design and service features.

Just talk with the service manager from your Motorola Distributor's. He is well prepared to help you with training for solid state circuitry. Motorola is the television industry's largest producer of solid state components and a leader in solid state technology.



... for more details circle 134 on postcard  
ELECTRONIC TECHNICIAN

# ELECTRONIC TECHNICIAN

WORLD'S LARGEST ELECTRONIC TRADE CIRCULATION

JUNE 1967  
VOL. 85, NO. 6

RON KIPP Publisher  
JACK HOBBS Managing Editor  
JOSEPH ZAUHAR Technical Editor  
PHILLIP DAHLEN Associate Editor  
RICHARD CLAYTON Field Editor  
JUDITH BERINI Editorial Production  
KEN McSHANE Artist  
MAGGIE KANE Advertising Production  
RUTH GELINEAU Circulation Fulfillment

## OJIBWAY PRESS, Inc.

Ojibway Building, Duluth, Minn. 55802  
AREA CODE 218 727-8511

### PUBLICATIONS DIVISION:

ROBERT EDGELL President  
BEN MARSH Editorial Director  
HARRY RAMALEY Production Director  
JIM GHERNA Art Director  
LARS FLADMARK Circulation Director  
WARREN BODIN Ad Production Supervisor

### Sales Offices:

NEW YORK: Ron Kipp, 25 W. 45 St.  
New York, N.Y. 10036  
AREA CODE 212 581-4200

CHICAGO: Jack Daniels, 43 E. Ohio St.  
Chicago, Ill. 60601  
AREA CODE 312 467-0670



Copyright 1967 by Ojibway Press, Inc., Duluth, Minn. 55802. Reproduction and reprinting prohibited except by written authorization of the publication. Subscription price: \$5 for 1 year, \$8 for 2 years, \$10 for 3 years. Pan American and Foreign, \$9 for 1 year, \$14 for 2 years, and \$18 for 3 years.

If you have a change of address or a question about your subscription, write: ELECTRONIC TECHNICIAN, Circulation Department, Ojibway Building, Duluth, Minnesota 55802. BE SURE TO SEND ALONG THE ADDRESS LABEL FROM YOUR MOST RECENT ISSUE. Second class postage at Waseca, Minnesota and at additional mailing offices.

POSTMASTER: Send notification form 3579 to ELECTRONIC TECHNICIAN, Ojibway Building, Duluth, Minnesota 55802.

## Cover

The electronic component distributor plays an important role in the economic lives of the nation's service-dealers. He is attending the National Electronics Week (NEW) show in Chicago this month.

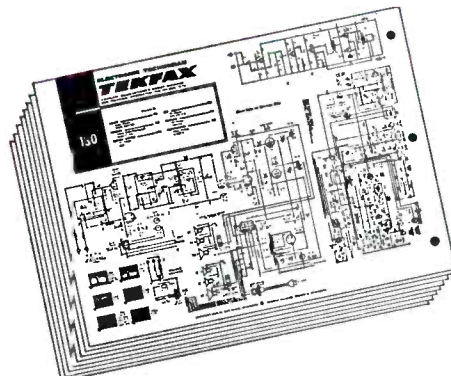
## FEATURES

- A Look at the 20X1C38 Zenith Color Chassis** ..... 37  
*An ET TEKLAB report gives you advanced information that will help you service this set properly*
- Understanding Modern AGC Circuits** ..... 42  
*Part three of a continuing series digs into the "triple-threat" 'BU8 circuit and introduces trouble symptoms and servicing techniques*
- The Apprentice and the Pro** ..... 45  
*A true-to-life in-shop story about one service dealer who did something about the technician shortage*
- Protecting Electronic Circuits** ..... 48  
*Read this one and learn how to avoid the "fuse-abuse"*
- Semiconductors from A to Z** ..... 51  
*The eleventh part of a continuing series is becoming a complete book on this important aspect of TV-radio servicing*
- TV Sales Thrive on Good Service** ..... 56  
*A Texas service-dealer tells how he is expanding and operating a highly successful business*

## DEPARTMENTS

Letters to the Editor	22	1967 ELECTRONIC TECHNICIAN'S	
Editor's Memo	26	Directory	72
Technical Digest	28	Catalogs & Bulletins	88
Colorfax	60	News of the Industry	90
New Products	64	Advertisers Index	92

## TEKFAQ — 16 PAGES OF THE LATEST SCHEMATICS



Group 178 June • 1967  
AIRLINE: TV Model GMW-14447A, 57A  
MAGNAVOX: Color TV Chassis T911 Series  
MOTOROLA: TV Chassis T5-460 Series  
OLYMPIC: TV Chassis 9P59/60 Series  
SYLVANIA: Color TV Chassis DO6-1, -2  
WESTINGHOUSE: TV Chassis V-2652-2

# LETTERS

## TO THE EDITOR

### Clarifying the Formulas

On page 61 of the March, 1967, issue of ELECTRONIC TECHNICIAN the following formula is written, " $R_1 + R_2 + r_s < -r_d$ ." Should this formula be changed to read, " $R_1 + R_2 + r_s > [-r_d]$ ," where  $[-r_d]$  is the absolute value of  $-r_d$  or  $r_d$ ? This observation is based on values of  $r_d$  calculated from

table 1 on page 42 of the February, 1967, issue.

Calculations:

$$A_V = 3.28, \Delta V_D = .105v - .117 = -.012v, \Delta I_D = .001a = .0009a = .0001a, r_d = \frac{-.012v}{.0001a} = -120\Omega.$$

$$A_V = 3.28, \Delta V_D = .117v - .129v = -.012v, \Delta I_D = .0009a - .0008a = .0001a, r_d = \frac{-.012v}{.0001a} = -120\Omega.$$

$$A_V = 3.22, \Delta V_D = .129v - .142v = -.013v, \Delta I_D = .0008a - .0007a = .0001a, r_d = \frac{-.013v}{.0001a} = -130\Omega.$$

$$A_V = 1.59, \Delta V_D = .142v - .157v = -.015v, \Delta I_D = .0007a - .0006a = .0001a, r_d = \frac{-.015v}{.0001a} = -150\Omega.$$

$$.0001a, r_d = \frac{-.015v}{.0001a} = -150\Omega.$$

In each case calculated (neglecting the positive resistance of the tunnel diode) the value of  $r_d$  is less than  $60\Omega + 92\Omega$ , which represents  $R_1 + R_2$ .

The articles on semiconductors are interesting.

JOHN HAMMER

Ashland, Nebr.

• By carrying your calculations further, the following values can be obtained for  $r_d$ :

$$A_V = 0.78, \Delta V_D = .157v - .178v = -.021v, \Delta I_D = .0006a - .0005a = .0001a, r_d = \frac{-.021v}{.0001a} = -210\Omega.$$

$$A_V = 0.31, \Delta V_D = .227v - .295v = -.067v, \Delta I_D = .0003a - .0002a = .0001a, r_d = \frac{-.067v}{.0001a} = -670\Omega.$$

Our last calculated value of  $r_d$  ( $-670\Omega$ ) is considerably larger than the  $152\Omega$  total representing resistances  $R_1 + R_2$ .

In the paragraph preceding the equation, " $R_1 + R_2 + r_s < -r_d$ ," we said "... a tunnel diode circuit is stable when the sum of the positive resistances in the circuit is smaller than the tunnel diode's maximum negative resistance." For clarification we could have changed the statement, "Circuit stable when  $R_1 + R_2 + r_s < -r_d$ ," to read, "Circuit stable when  $R_1 + R_2 + r_s < [-r_d]$ , and  $r_d$  represents the diode's maximum negative resistance."

When dealing with the tunnel diode's maximum negative resistance, the following equations are basically the same.  $R_1 + R_2 + r_s < -r_d$ .  $R_1 + R_2 + r_s < [r_d]$ . If the maximum negative resistance was  $-800\Omega$ , then  $-r_d$  is  $-(-800\Omega)$  or  $+800\Omega$  while  $[r_d]$  is  $[-800]$  or merely  $800\Omega$  — a double negative being a positive, and an absolute number being without positive or negative sign.

Thank you for bringing this viewpoint to our attention.—Ed.

### Needs Parts for FME Tape Recorder

Can any reader tell me where I can get parts for the Federal Manufacturing and Engineering Co. (FME) tape recorder? Answer via ET editor.

I. W. SOUTHERN

Silver Spring, Md.

### Metz Address

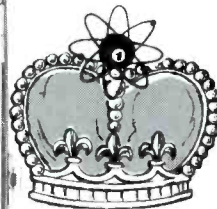
For those who need the address of Metz, here it is: Metz Apparate-fabrik, Furth/Bayern, Germany.

V. J. SIRANI

Brooklyn, N.Y.

# stability!

NEW



COLOR KING



In one word, STABILITY is why you need a new Sencore Color King. With its exclusive thermostatically controlled heating element and its patent pending timer circuitry, the Color King maintains absolute stability from  $20^\circ$  below zero to  $140^\circ$  in the shade. Gives you the most reliable and rock solid patterns ever designed into a standard color bar generator.

Now-generates seven patterns in all: Standard RCA color bars, cross-hatch, individual vertical and horizontal lines, adjustable size dots plus two new patterns — single dot and cross that can be moved to any spot on the screen to speed up dynamic convergence. New snap tuning, channel 2 through 6; interlace control to form a perfectly round dot; and increased chroma and sync signals make the color king a complete color analyzer too.

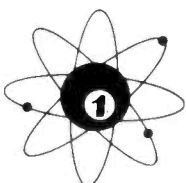
Get yours now — the KING OF VALUE at **\$149<sup>95</sup>**

See America's most complete line of professional test instruments — at your Distributor now.

**SENCORE**

NO. 1 MANUFACTURER OF ELECTRONIC MAINTENANCE EQUIPMENT

426 SOUTH WESTGATE DRIVE, ADDISON, ILLINOIS 60101



... for more details circle 142 on postcard

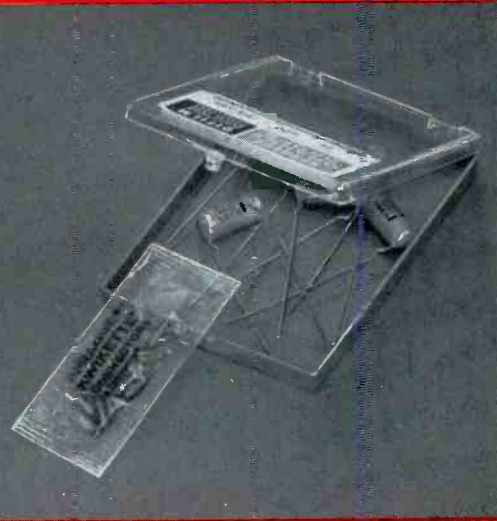
# KWIKETTE\* Soldering Aids available these NEW ways...



Packet of 10  
for 29¢



Package of 100  
for \$2.79



With all Sprague pre-packaged wire-lead service-type capacitors at no extra cost to you!



7x  
actual  
size

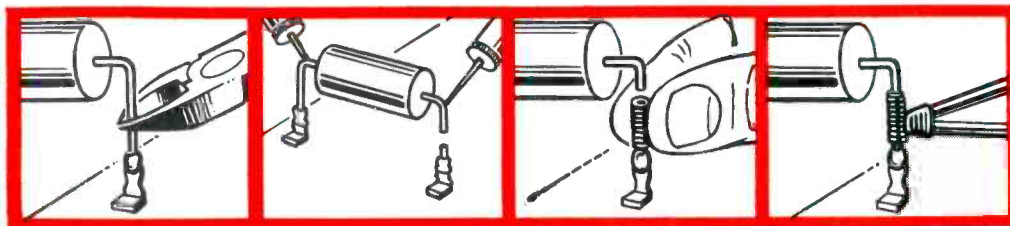
WIRE  
FLUX  
SOLDER

## NOW...YOU CAN SAVE TIME, TROUBLE, AND \$\$\$\$ ON MORE SOLDERING JOBS

*This is it:* the revolutionary KWIKETTE that speeds component replacement . . . and practically lets you do "in-circuit" parts testing. This unique soldering aid is not just another wire spring connector. It features a Copperweld wire inner core, an intermediate layer of flux, and an outer jacket of solder . . . all you need is heat!

You can now buy KWIKETTES from your Sprague distributor in packages of 10 and 100. You'll also find them included with all Sprague pre-packaged wire-lead service-type capacitors . . . at no extra cost to you.

★Trademark



SNIP LEAD...

TEST...

SLIP ON KWIKETTE...

APPLY HEAT!

If you haven't tried KWIKETTES yet, do it now. They're the biggest boon to the service technician since the soldering gun!

**DON'T FORGET TO ASK YOUR CUSTOMERS  
"WHAT ELSE NEEDS FIXING?"**



... for more details circle 145 on postcard

# LETTERS TO THE EDITOR

## Another View of the Technician Shortage

You (and a lot of service-dealers, too) seem to think there is a technician shortage. I say there is only a shortage of technicians willing to work in this business. Why? Ask the ex-TV-radio technicians. Too low pay, too few benefits, too many hours, too many "charge its," too many abuses, too much ingratitude and too many

headaches. When the manufacturers begin running interference for the independent service-dealer and help to re-educate the public regarding the job of keeping their equipment in top shape and when professional fees are charged for maintaining this equipment, perhaps some of the good technicians who have left this area of the industry will return. The technician's job is strictly technical and this means repairing the equipment. He is not a "goodwill ambassador," "company psychologist," "bill collector," "credit manager," "one-man grievance committee" nor is he a "record keeper." He needs someone to help him get

the world off his back. I've been in this business for 20 years and I have seen them come and go. Too many of the good technicians have gone into industrial electronics. I have been called upon to repair everything from TVs to 2-way radios to electronic furnace controls. It wasn't easy. The reason I've stayed in this industry so long is simply that I love it. I went into the distributor end of the business 5 years ago after 14 years as a service-dealer. I want to say that ET helped me a lot during those years. Don't ever underestimate your value to the industry. Keep up the fine work.

EDWARD CIMORELL (owner)  
SESCO Electronic Supply Co.

Ashtabula, Ohio

# Knuckle-Saver.



Putting a sleeve on a connection can be frustrating. (If your hand slips, it can also be rough on the knuckles.)

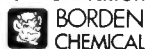
Why not use Krylon Crystal Clear Spray Coating instead?

Krylon forms a hard, waterproof coating that stops many of the causes of high-voltage section loss and picture

fading. It doesn't dry out or crack. It prevents rusting.

Try it. All you have to lose are a few skinned knuckles.

*Krylon Crystal Clear...standard equipment for all TV/ Radio installation and repair work.*



... for more details circle 114 on postcard

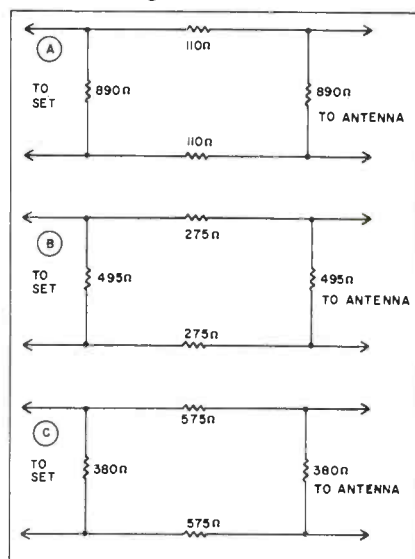
## Antenna Pads

I'm having trouble with a nearby station and a distant station where a high-gain antenna is used. The nearby station overloads on the high-gain antenna. How do you make antenna "pads" for reducing signal strength?

JOHN BURKE

Monroe, La.

• You can buy variable pads. But here are three fixed pads we worked out some time ago. The one at "A" will



reduce the signal about 6db, the one at "B" about 12db and the one at "C" will cut the signal about 18db Use a DPDT switch to cut the pad in and out of the antenna circuit.—Ed.

## Will Give Old ETs

Am retired and will give my file of back issues of ET to any newcomer in the business.

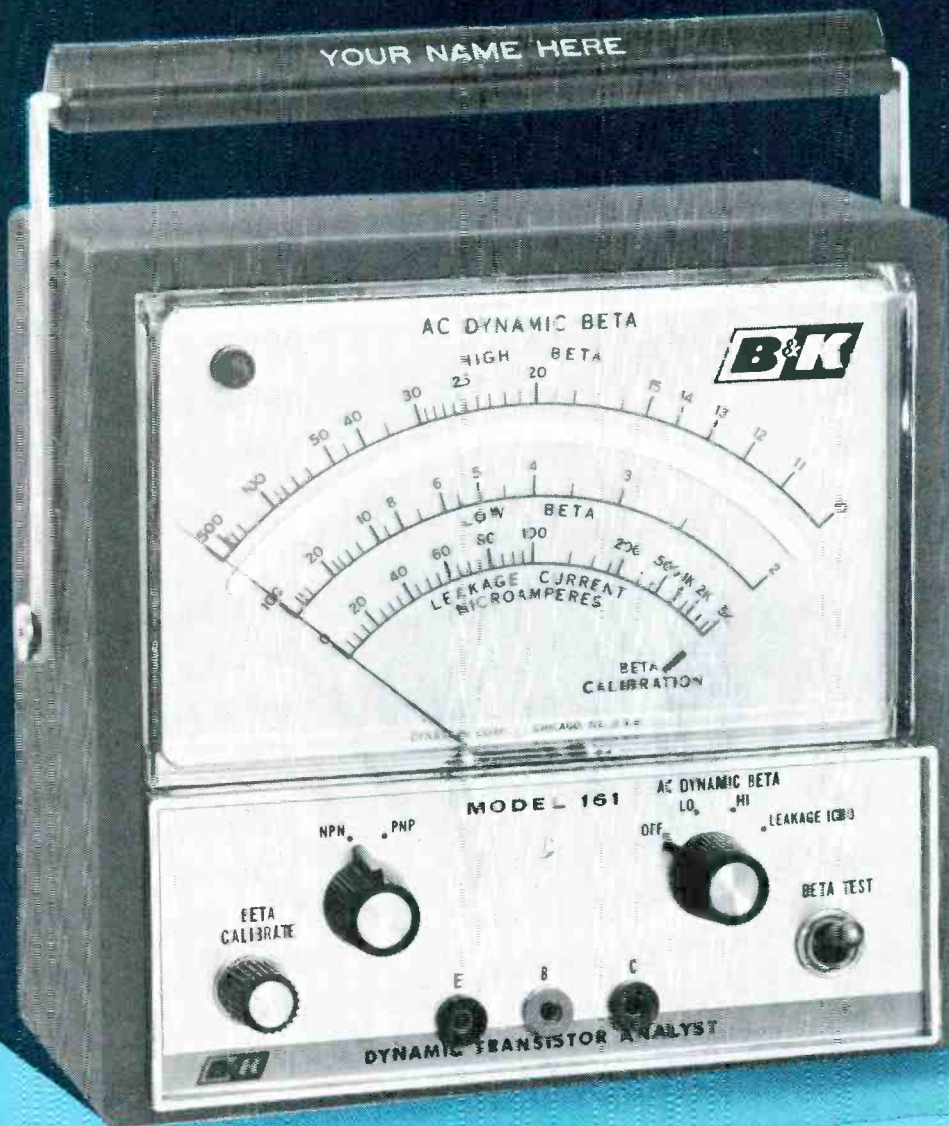
J. KWIATKOWSKI  
487 10th St.

Brooklyn, N.Y.

... for more details circle 111 on postcard →



# New **B&K** Dynamic Transistor Analyst



## Simple to operate... fast ... safe to use. In-Circuit Transistor Tester. Personalized for professional pride.

B&K ends the mystery, fears and misunderstanding surrounding transistor servicing, application and theory. With every Model 161 Transistor Analyst, you get two free reference manuals: the new edition of Howard W. Sams' Transistor Specification Handbook plus the all-new, years-ahead B&K Basic Course on Transistors — everything you need to know to test and service unfamiliar solid-state sets. You get ahead of your competition and stay ahead of the market.

The new B&K 161 means fast, accurate, *in-circuit* testing of transistors for AC Beta. With the same simple procedures, the 161 makes out-of-circuit tests, too, including  $I_{cbo}$  (current leakage) and front-to-back conduction of diodes and rectifiers. There's no chance of damaging transistors or components; special circuitry protects all parts, even if leads are connected incorrectly. The huge 7" mirrored meter insures accurate readings on three separate scales. Two ranges check AC Beta: 2 to 100; 10 to 500. For leakage tests,  $I_{cbo}$

range is 0 to 5000 microamps on an expanded scale for better readability. A flick of the switch checks polarity. It's so simple, you don't need any set-up book.

To stay ahead of the game, get the B&K Model 161 with a scuff-proof case and the two exclusive B&K Transistor reference manuals. A complete transistor service package with all leads included and your personalized name plate — for only \$89.95.

B&K Division of Dynascan Corporation  
1801 W. Belle Plaine • Chicago, Illinois 60513



Where Electronic Innovation Is A Way Of Life

# EDITOR'S MEMO

## It's About Time

We pioneered in the idea of upgrading electronics technicians' titles. The words "serviceman," "TV-radio mechanic," "repairman" and such degrading titles have been taboo in the editorial material of *ELECTRONIC TECHNICIAN* for years.

But we have been constantly amazed at those who have never "caught on" to the idea.

Now we observe that the concept has been grasped by a knowledgeable sector of the industry. We have just received a copy of the following resolution recently adopted by the National Electronics Assn. at their quarterly board meeting in Cincinnati:

"WHEREAS: There are presently several titles used to identify those performing installation, adjustment or repair of television, radio, electronic equipment;

"WHEREAS: There is a need for greater understanding between technicians and the public;

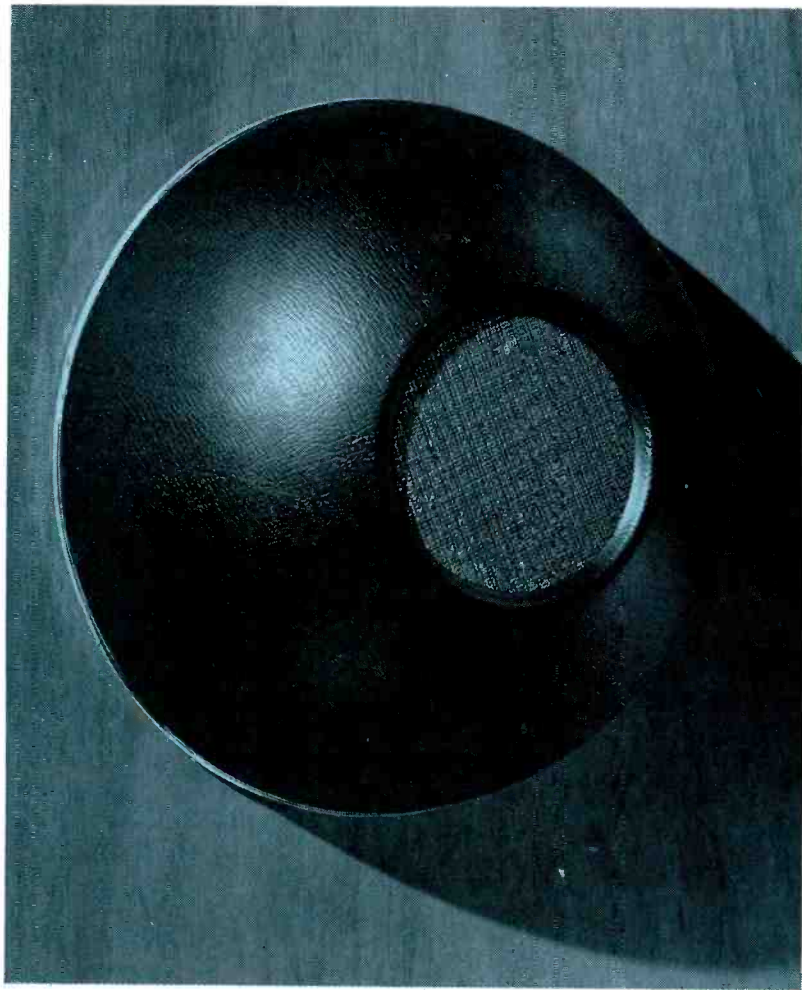
"WHEREAS: A proper public image is desired by those who have chosen electronics repair as a vocation;

"THEREFORE BE IT RESOLVED: That the terms used to describe those who install and adjust and repair electronic home entertainment equipment, communications equipment, electronically controlled or regulated devices and other similar equipment, be henceforth known as 'Electronics Technicians';

"FURTHER BE IT RESOLVED: That the terms 'repairman,' 'serviceman,' 'TV man,' 'radioman,' 'appliance repairman or serviceman' as they may be referenced to electronics technicians, be deleted wherever possible at the manufacturing, distributing or dealer-technician levels of the electronics industry and also in all publications where possible;

"FUTHER BE IT RESOLVED: That the terms 'electronics technician,' 'certified electronics technician' (or specialist), and 'service technician' be promoted as standard terminology."

Some elements of the industry caught on to the idea years ago. Now it's about time for the stragglers to follow suit and help out in the upgrading program.



THE FIRST **NEW** IDEA IN A

## SPEAKER ENCLOSURE COMBINATION

IN 20 YEARS

Cuts installation time by 50%—Wider sound dispersion—Weatherproof for inside or outside use—Improved clarity and tone.

See it demonstrated and displayed at Display Room 534 NEW Show, or write for Brochure PVS-800.



... for more details circle 136 on postcard

# Getting a hernia and not getting paid for it?

Let Arcolytic® capacitors lift the load off your mind. Or anywhere else it happens to be.

These aluminum electrolytics are built to last: wound with computer-grade 99.99% pure aluminum foil so they'll keep operating in your customers' sets even at continuous temperatures of 85°C.

You'll find they take the worry right out of premature failure, lost customer confidence and costly call-backs.

There's no premium cost, either. Arcolytics are priced along with other home entertainment capacitors.

Ask your Authorized Arco Distributor for Arcolytic electrolytic capacitors in single-section tubular, multiple-section tubular, or twist-mount designs. It may be the best break you get this year.

## Arco Electronics

A DIVISION OF LORAL CORPORATION  
Community Drive, Great Neck, N. Y./  
Arlington, Texas/Elk Grove Village,  
Illinois/Pasadena, Menlo Park,  
California. Write for our free catalog.



... for more details circle 105 on postcard



Home or commercial? VHF, UHF or 82 channel?

# Come up with the big plus in all MATV installations.



## Start with a Channel Master Continuous MATV Color Amp. Add our Color-Duct 82.

When you install new Channel Master continuous MATV color amplifiers and coordinated UHF/VHF components, there's only one piece of equipment you'll ever need to change to convert any MATV installation to 82 channels. That's the antenna.

Why? Because Channel Master color amplifiers—and only Channel Master amplifiers—bring in all 82 channels directly on channel—in a *single broadband electronic circuit*. (Not merely two separate VHF and UHF sections in a little box as it is in all other MATV VHF/UHF amps.) And you get this total bandwidth without sacrifice of power. At tremendous savings.

No matter which channels you have in mind in your MATV setup, a Channel Master color amplifier is automatically ready to receive both VHF and UHF.

Choose from: 30 db Color Tandem Amp (Model 7261), shown above. Combination 75 ohm preamplifier and amplifier. Also available in 300 ohm (Model 7262). 15 db Color Booster, Model 7264. Mast-mounted 75 ohm preamplifier with separate power supply. Also available in 300 ohm (Model 0062). 15 db Color Distribution Amplifier (Model 7263). 75 ohm MATV Distribution Amplifier. Also available in 300 ohm (Model 7260).

Color-Duct 82 is the ultra-low loss UHF/VHF RG-59 type coaxial cable (Model 9537).

It's the first major improvement in 75 ohm coaxial cable since the introduction of braided shielding. And only Channel Master makes it.

It takes the 100% Total Shielding formerly used only on transmission cables in commercial and industrial applications; applies it to MATV-designed 75 ohm coaxial cable; and literally creates a direct line to color. Produces lowest loss in 82-channel coax without losing one iota of the flexibility and handling ease of ordinary coax. (Uses standard F-fittings).

Take the first step now toward installing the most efficient and economical MATV system anywhere. Use a Channel Master color amplifier and a Color-Duct 82 coaxial cable.

... for more details circle 116 on postcard

**CHANNEL MASTER**

Elizville, N.Y.

# WORLD'S LARGEST SELLING Hand Size

## V·O·M's



**MODEL 310**  
Volt-Ohm-Milliammeter



**MODEL 310-C**  
Volt-Ohm-Milliammeter

- 1** HAND SIZE AND LIGHTWEIGHT, but with the features of full-size V-O-M's.
- 2** 20,000 OHMS PER VOLT DC; 5,000 AC (310)—15,000 AC (310-C).
- 3** EXCLUSIVE SINGLE SELECTOR SWITCH speeds circuit and range settings. The first miniature V-O-M's with this exclusive feature for quick, fool-proof selection of all ranges.

SELF-SHIELDED Bar-Ring instrument; permits checking in strong magnetic fields. FITTING INTERCHANGEABLE test prod tip into top of tester makes it the common probe, thereby freeing one hand. UNBREAKABLE plastic meter window. BANANA-TYPE JACKS—positive connection and long life.

Model 310—\$42.00                      Model 310-C—\$53.00  
Model 369 Leather Case—\$4.00

### 310-C PLUS FEATURES

1. Fully enclosed lever range switch
2. 15,000 Ohms per volt AC (20,000 O/V DC same as 310)
3. Reversing switch for DC measurements

### MODELS 100 AND 100-C

Comprehensive test sets. Model 100 includes: Model 310 V.O.M., Model 10 Clamp-on Ammeter Adapter; Model 101 Line Separator; Model 379 Leather Case; Model 311 leads. (\$78.00 Value Separate Unit Purchase Price.)



MODEL 100—U.S.A. User Net . . . \$74.00  
MODEL 100-C—Same as above, but with Model 310-C. Net . . . . . \$84.00

ALL PRICES ARE SUGGESTED U.S.A. USER NET, SUBJECT TO CHANGE

**THE TRIPLETT ELECTRICAL INSTRUMENT CO., BLUFFTON, OHIO**

... for more details circle 147 on postcard

## TECHNICAL DIGEST

to be negative with respect to its emitter, thus reverse biasing its emitter/base junction which prevents conduction.

When tuned to a channel, the video amplifier, Q7, will be driven toward cutoff by the negative sync pulses and dc voltage introduced to its base from the 2nd detector, E100. As a result, the collector current of Q7 decreases, the voltage drop across R119 will then reduce. This, in turn, will elevate the base of Q16 to a higher positive voltage with respect to its emitter which will forward bias it and allow collector current to flow — if a positive voltage is applied to its collector that is higher than the emitter voltage.

A pulse coil wound on the flyback transformer will supply a 20v P-P positive pulse to the anode of E400. This pulse will forward bias E400 switching it on. The pulse will then appear on the collector of Q16. Q16 will now conduct, charging C400. The horizontal sync pulse on the base of Q16 and the horizontal gate pulse on the collector of Q16 occur simultaneously (with sync pulse varying in amplitude as a function of received signal strength). The magnitude of negative voltage (with respect to the 12.5v supply) developed at TP "B" is directly proportional to the amplitude of the received signal. This negative-going (less positive) voltage is applied to the base of Q15 increasing its forward bias. Its impedance lowers, causing a larger voltage drop across voltage divider resistor R104. This additional voltage supplements the existing 1.4v at TP "A" (IF AGC). Thus, the voltage at the IF AGC point will now increase to a more positive value and positive voltage is then coupled to the base of Q4 and Q5 through base current limiting resistors R103 and R107. The positive voltage on the base of the NPN IF transistors forward biases their emitter/base junction and causes a gain reduction by forward AGC.

The function of the AGC delay, Q14, is to apply AGC to the RF amplifier just prior to signal overload in the tuner. This gives us the necessary RF AGC delay as previously explained.

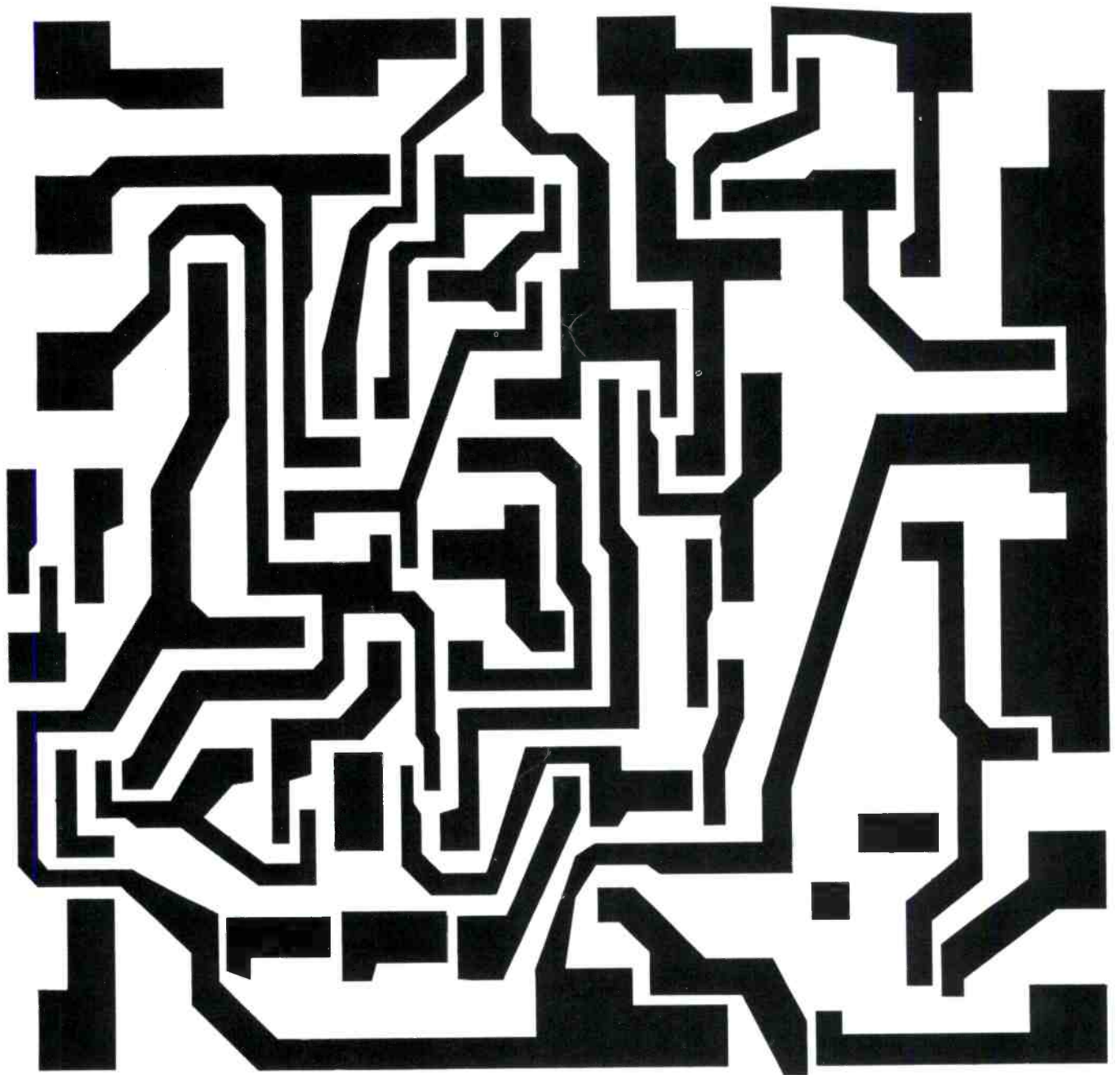
The RF AGC delay (Q14) is a PNP transistor and is held at cutoff by its emitter voltage divider network, R401 and R402. If the received signal is strong enough to cause approximately 2.1v to be developed at the IF AGC (TP "A"), Q14 will then be forward biased by this voltage and switch on. Collector current of Q14 will flow through R125 and R400 and cause TP "C" to become more positive. This positive voltage will be applied to the RF amplifier to cause a gain reduction. Any further increase in signal strength will result in RF amplifier gain reduction providing the necessary RF AGC.

## GENERAL ELECTRIC

### Record Changers—Binding Turntables

The following information gives possible causes and cures for binding turntables. 1. **Cause:** Spindle and bearing are improperly lubricated. **Cure:** The spindle and bearing area must be lubricated in accordance with appropriate changer service manual. (If the turntable hub is cast zinc, use vaseline to lubricate the spindle and hub.) 2. **Cause:** Foreign material in the area of the turntable hub, the spindle or bearing. **Cure:** Clean hub, spindle or bearing area. (Lubricate Ref. Cure #1.) 3. **Cause:**

# Start here:

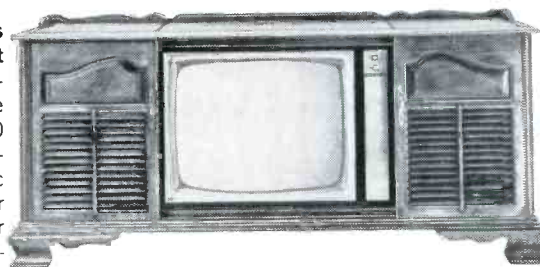


MEET US AT BOOTH A 201 A & B  
**CEESSE**  
CONSUMER ELECTRONICS SHOW  
THE NEW YORK YONGE HILL GARDEN/AMERICAN HOTEL  
JUNE 25-30, 1967

## and come out dollars ahead.

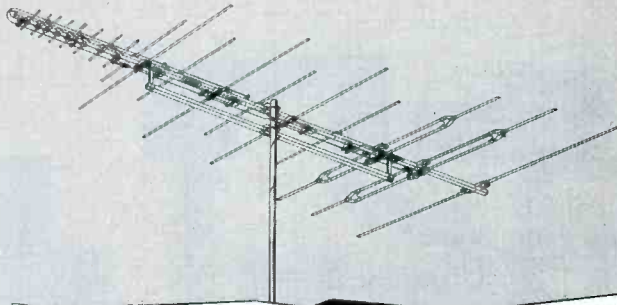
(It's an integrated circuit—and RCA Victor uses it now.)

Blown up to several thousand times its actual size, an RCA integrated circuit looks like no more than a maze. In actuality, it's no less than amazing. Just one of these silicon chips may incorporate 40 or 50 electrically interconnected components. Patterns that make up the mosaic are as narrow as two human hairs. Far more amazing than that, though, is their dollar-making potential. Integrated cir-



cuits are designed to be the most reliable kind of circuitry ever made for a consumer product. Reliability is what prompted RCA Victor to use integrated circuits in the sound system of some of our newest color and black-and-white TV sets. When you start with an integrated circuit, there's just no telling where it can take you.





**3-Way Combination  
FREE SPACE STANDING WAVE  
MAGNETIC ANTENNA**

**ZEROS IN  
YOUR SIGNAL—**

**Discriminates Between  
Desired Signal and  
Unwanted Noise!**

Here is an antenna with the unique ability to discriminate between the desired signal and unwanted noise! A complete absence of minor lobes and an extremely high front to back ratio are characteristics of these antennas. This is made possible by the development of the Free Space Standing Wave Magnetic Drive Antenna system (F.S.M.). The outstanding electrical qualities, combined with the simplified mechanical construction of this system yields a total performance package unparalleled in today's market. 4 models, 60-inch to 180-inch boom, all modestly priced.

**UNEXCELLED!**

**UHF — VHF — FM — COLOR**

**INVESTIGATE NOW!**

**S&A Electronics Inc.**

Manufacturers of the TARGET ANTENNA

**204 West Florence Street  
Toledo, Ohio 43605**

... for more details circle 141 on postcard

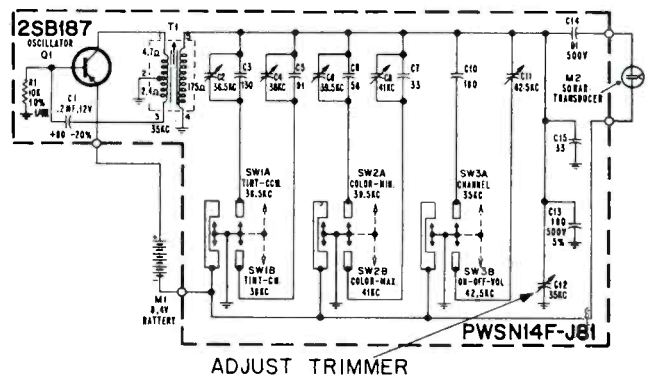


Spindle bent. **Cure:** Replace spindle. (Lubricate Ref. Cure #1.) 4. **Cause:** Nicks or burred edges on the spindle. **Cure:** Remove burred edges and nicks with fine emery cloth. (Caution: Emery dust must be cleaned out of the bearing area.) (Lubricate Ref. Cure #1.) 5. **Cause:** Turntable hub frozen to the spindle because of shrinkage of the zinc hub. **Cure:** Replace turntable. (If zinc material from the hub has adhered to the spindle, it will be necessary to clean bearing surface of the spindle with fine emery cloth.) (Clean and lubricate Ref. Cure #1.)

**ADMIRAL**

Color Remote Control S366AN—Hand Transmitter Oscillator Adjustment

Reports have been received of the ON/OFF function being triggered when the color INCREASE function is activated. This trouble is caused by gradual drift of the S366AN hand transmitter oscillator circuit which can be corrected by a simple adjustment. Adjust only the over-



all trimmer, C12, (as shown in the schematic here) in the S366AN unit (next to transducer). This adjustment will correct all functions.

**ADMIRAL**

Record Changers Stalling in Cycle

Slippage of the idler wheel on the turntable rim, which takes place under change-cycle load, may cause a slower-than-normal turntable speed and, under some circumstances, complete stalling.

An investigation has led to improved specifications which will eliminate the problem on new changers. However, the study also disclosed that thorough cleaning will cure the condition in the field.

1. Firmly wipe the entire inside flange of the turntable with a clean white cloth wet with trichlorethane. Do not use any other solvent!

2. With idler wheel lightly loaded against the rotating motor shaft, clean the circumference with 400 grit sandpaper until the working surface is uniformly black and all glazed surface removed.

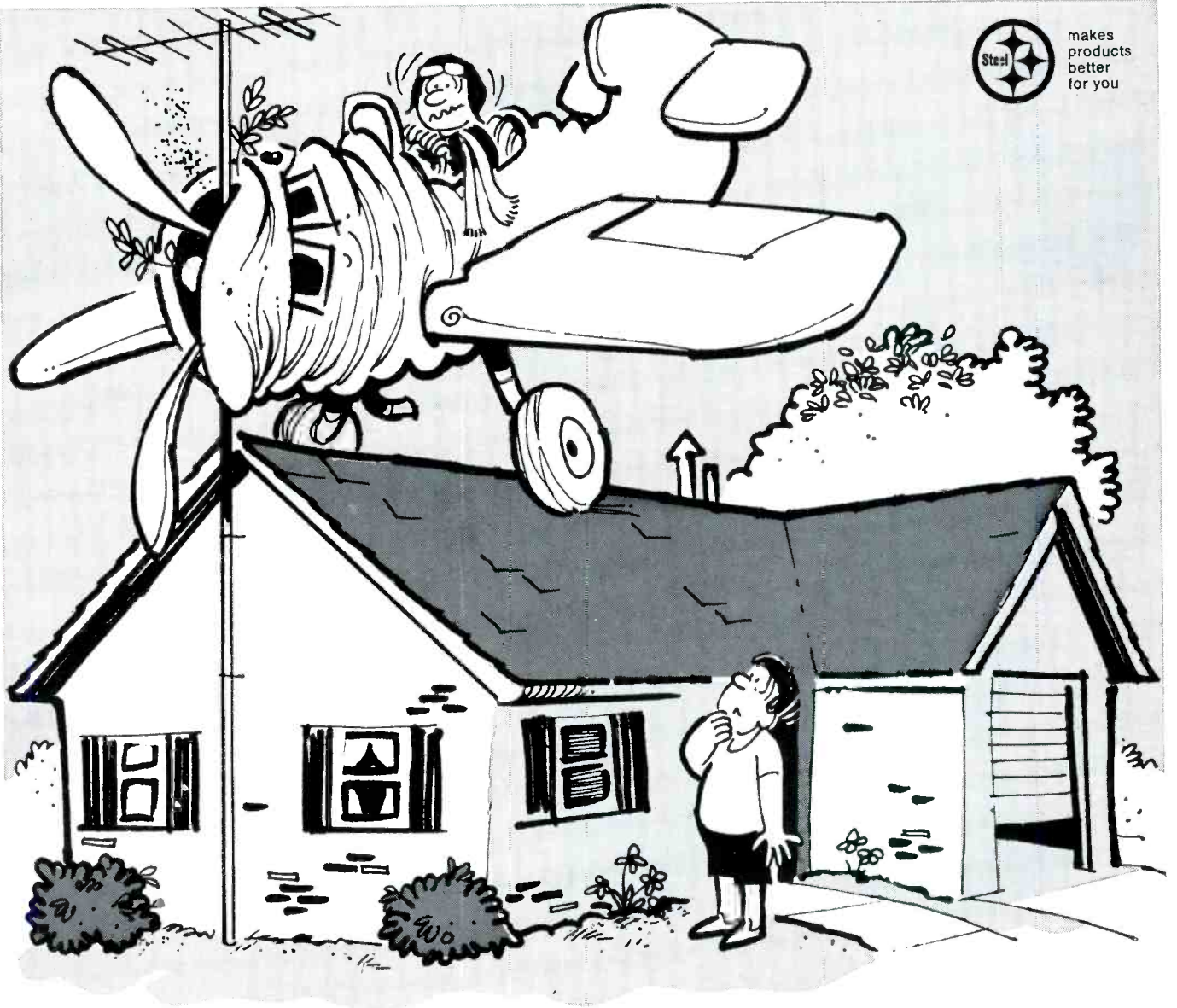
3. Using a clean white cloth wet with trichlorethane wipe all surfaces of the motor shaft that contact the idler wheel (in any function).

4. Carefully replace the turntable, rotating it clockwise to ease installation.





makes products better for you



# Your TV masts are towers of strength when you specify Armco ZINGGRIP Steel Tubing

TV masts of Armco ZINGGRIP® Steel Tubing possess the structural advantages of round tubing, the resistance to rust of Armco ZINGGRIP Steel. Here's high strength and zinc protection that won't give in to severe weather conditions. Masts stay good looking for years—gaining good will for you, giving outstanding service to your customers.

For names of manufacturers who fabricate masts and towers from Armco ZINGGRIP Steel Tubing, mail the coupon to the company with you and your customers in mind: Armco Steel Corporation.



Armco Steel Corporation  
Department E-4377, P.O. Box 600, Middletown, Ohio 45042

Send me names of manufacturers of TV masts and towers made from Armco ZINGGRIP Steel Tubing.

NAME \_\_\_\_\_

FIRM \_\_\_\_\_

STREET \_\_\_\_\_

CITY \_\_\_\_\_ STATE \_\_\_\_\_ ZIP \_\_\_\_\_

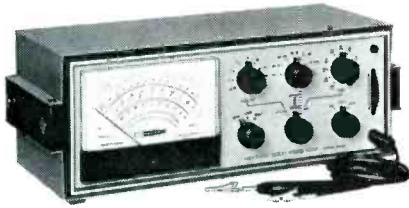


## ARMCO STEEL



... for more details circle 106 on postcard

# The World's Best Values In Test



Kit IM-25 Assembled  
**\$80.00 \$115.00**

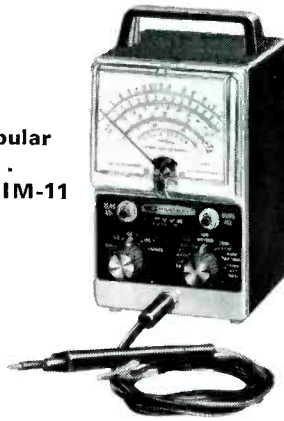
## NEW! Solid-State High Impedance Volt-Ohm-Milliammeter

- Solid-state design for solid-state measurements • All-silicon transistors plus FET's • Full scale ranges down to 150 mv & 15 uA • AC plus battery power for portability • 6" meter with zero center scale for + & - voltage measurements without switching • Accuracy  $\pm 3\%$  full scale on DC volts,  $\pm 5\%$  full scale on AC volts • New styling & unitized construction • Separate range switches for each function. 10 lbs.

## World's Most Popular VTVM ... Heathkit IM-11

Kit IM-11  
**\$24.95**

Assembled  
**\$39.95**



- 7 AC, 7 DC, & ohms ranges — easy-to-read scales •  $4\frac{1}{2}$ " 200 uA meter • 1% precision resistors for high accuracy • Extended frequency response,  $\pm 1$  db 25 Hz to 1 MHz • Measures RMS and Peak-to-Peak • Single test probe for all measurements • Easy-to-build, electronically stable circuit board construction • Costs just 45c more than its predecessor of 16 years ago. 5 lbs.



Kit IM-13 Assembled  
**\$32.95 \$49.95**

## Service-Bench VTVM ... Ideal For In-Shop Servicing

- Measures AC volts (RMS), DC volts, resistance & db • Separate 1.5 & 5 volt AC scales for high accuracy • Large, easy-to-read 6", 200 uA meter • Zero center db scale • Single test probe for all measurements • Gimbal bracket for bench, shelf or wall mounting • Smooth vernier controls for zero & ohms adjust • 1% precision resistors. 7 lbs.

## Mutual Conductance Tube Tester



Kit TT-1A  
**\$149.95**

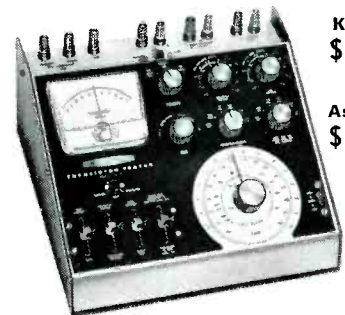
- No finer tube tester anywhere • Indicates Gm to 24,000 micromhos • Ultra-sensitive grid current test • Built-in switch-operated calibration circuit for high accuracy • Built-in adaptor for testing Compactron, Nuvistor, Novar & 10-pin miniature tube types • Includes handsome, easy-to-carry cabinet with handle. 33 lbs.



## Capacitor Checker ... A Direct Reading Bridge

Kit IT-11  
**\$29.95**

- Tests all capacitor types • Low bridge voltage for safe testing of miniature electrolytics • 16 leakage testing voltages • Direct reading scales — no involved calculations • Measures resistance from 5 ohms to 50 megohms • Measures capacitance from 10 pf to 1000 uF • Comparator circuit — measures "L", "C", or "R" with external standard • "Eye" tube null & leakage indicator. 7 lbs.



Kit IM-30  
**\$54.88**

Assembled  
**\$84.95**

## Lab Transistor Tester Provides Complete DC Analysis

- Ideal for servicing, design work, incoming inspection, production testing, etc. • Provides complete DC analysis of PNP & NPN transistors to 15 amps • DC gain (Beta, Alpha) read direct on calibrated scales • 15 uA basic range for leakage (Icbo, Iceo) tests • Four lever switches for fast, easy test selection • Internal battery supply, provisions for external power. 10 lbs.



Kit IG-112  
Was \$99.00  
Now Only **\$69.00**

## NEW LOW PRICE! Now Save \$30 On FM Stereo Generator

- Provides virtually all signals required for trouble-shooting & alignment of multiplex adaptors, FM tuners & receivers • Switch selection of 400 Hz, 1000 Hz, 5000 Hz, 19 kHz, 38 kHz and 65 kHz or 67 kHz SCA signals • Built-in marker oscillator for I.F. and dial tracking checks • 100 MHz sweep signal (adjustable  $\pm 2$  MHz) for overall RF & IF alignment on clear area of FM band. 11 lbs.



## General Purpose RF Signal Generator

Kit IG-102  
**\$27.95**

Assembled  
**\$54.95**

- Covers 100 kHz to 220 MHz in six bands • Large, accurately calibrated dial scales • Factory wired and aligned coil and band-switch assembly • Modulated or unmodulated RF output up to 100,000 microvolts, controlled by both fixed-step or variable output attenuators • 400 Hz signal modulation and 400 Hz audio output for audio tests • 2% tuning accuracy. 7 lbs.



Kit IG-72  
**\$41.95**

Assembled  
**\$64.95**

## Switch-Selected Audio Generator for Near Perfect Sine-Wave Signals

- A near perfect output signal — ideal for servicing or trouble-shooting high fidelity equipment • Switch-selected output frequencies — 10 Hz to 100 kHz • Less than 0.1% 1% distortion — 20 to 20,000 Hz • Panel metered output is calibrated in volts and db • Output level and frequency accurate to within  $\pm 5\%$  • 200 uA meter plus precision resistors for high accuracy. 9 lbs.

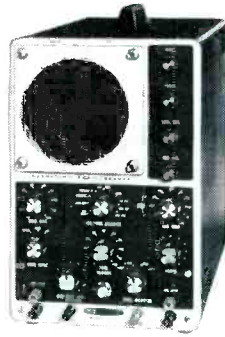
# Instruments Come From HEATH!



Kit IO-14  
Was \$299  
Now Only  
**\$259<sup>00</sup>**  
Assembled  
**\$399<sup>00</sup>**

## NEW LOW KIT PRICE! Now Save \$40 On Professional 5" DC Oscilloscope

- A high stability 5" DC oscilloscope with triggered sweep • DC to 8 MHz bandwidth and 40 nanosecond rise time • Vertical signal delay through high linearity delay lines — capable of faithful reproduction of signal waveforms far beyond the width of the scope • Calibrated vertical attenuation • Calibrated time base • Forced air cooling • Input of Z-axis modulation. 53 lbs.



Kit IO-12  
**\$81<sup>95</sup>**  
Assembled  
**\$137<sup>50</sup>**

## Extra-Duty Wide-Band 5" Oscilloscope

- Ideal for TV trouble-shooting, professional & university labs • 5 MHz bandwidth for TV signal analysis • Heath patented sweep circuit — 10 Hz to 500 kHz • Two extra sweep switch positions which may be adjusted to often used sweep rates • Built-in peak-to-peak calibration reference • Combination of circuit board and wiring harness construction speed assembly time. 24 lbs.



Kit IO-10  
**\$94<sup>95</sup>**

## "Space-Saver" 3" DC Oscilloscope

- Identical vertical & horizontal DC or AC coupled amplifiers • DC to 200 kHz bandwidth — less than 5° phase shift • Recurrent sweep generator, 5 Hz to 50 kHz in four ranges • External capacitor binding posts for slower sweep rates • Small, compact, easy to carry from job to job • All critical voltages regulated for high stability • Transformer operated power supply, 16 lbs.



PKW-2  
**\$12<sup>00</sup>**

## NEW Low Capacitance Scope Probe

- Completely assembled, ready to use • Essential for high frequency wave-form analysis • Minimizes loss of gain, circuit loading or distortion • Designed for scopes with 1 megohm input, such as Heathkit IO-14 (above) • Switch for X1 direct or X10 attenuated operation • DC response to 25 MHz; max. DC voltage is 600 v. • Sliding, spring-loaded tip is notched for hooking to wires or terminals for hands-free use. 1 lb.



Kit ID-22  
**\$23<sup>95</sup>**

## Electronic Switch For Dual-Trace Scope Operation

- Permits display of two separate signals on CRT screen • Displays signal levels as low as 0.1 volt • ±1 db, 0-100 kHz response • Separate gain controls for each channel • All-electronic switching • Four switching rates — 150, 500, 1500 and 5000 Hz • Sync output to control scope sweep • Simple to use — just connect signal sources to "A" and "B" inputs & output to scope vertical input. 7 lbs.



Kit IO-21  
**\$58<sup>95</sup>**

## General Purpose 3" Oscilloscope

- Push-pull vertical and horizontal amplifiers for minimum trace distortion • Wide-range sweep — 20 to 100,000 Hz • Automatic sync • Retrace blanking • Compact, lightweight, versatile • Dependable, well-rated oscilloscope for general purpose requirements • Professional-quality components used throughout • Clean, open circuit layout for easy assembly. 12 lbs.



Kit IG-52  
**\$67<sup>95</sup>**

## TV Alignment Generator

- FM & TV coverage — Sweep oscillator covers 3.6 MHz to 220 MHz with 0-42 MHz max. sweep width • Stable, all-electronic sweep circuit • Built-in marker oscillators — 4.5 MHz crystal & 19 to 60 MHz variable. 14 lbs.

## Color Bar & Dot Generator

- Produces 6 different patterns for picture adjustment • 10 vertical color bars — including special shading bar pattern • Crystal controlled for accuracy & stability • RF & video output. 13 lbs.



Kit IG-62  
**\$64<sup>95</sup>**



## FREE!

World's Largest Electronic Kit Catalog!

Describes these and over 250 kits for stereo/hi-fi, color TV, amateur radio, shortwave, test, CB, marine, educational, home and hobby. Save up to 50% by doing the easy assembly yourself. Mail coupon or write Heath Company, Benton Harbor, Michigan 49022.

HEATH COMPANY, Dept. 24-6  
Benton Harbor, Michigan 49022  
In Canada, Daystrom Ltd.

Enclosed is \$ \_\_\_\_\_, plus shipping.

Please send model (s) \_\_\_\_\_

Please send FREE Heathkit Catalog.

Name \_\_\_\_\_

Address \_\_\_\_\_

City \_\_\_\_\_

State \_\_\_\_\_

Zip \_\_\_\_\_

Prices & specifications subject to change without notice.



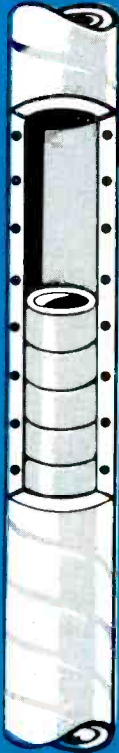
... for more details circle 125 on postcard

The

# PERFECT 36

## Bold . . . New . . . Revolutionary

The Perfect 36 is a citizen's band breakthrough by Shakespeare's internationally-famous engineer-designers. □ The easily installed, performance-shaped, 36-inch fiberglass roof-top mobile antenna has rugged solid-state construction and handsome rocketry design. And our patented parallel fiber process completely encloses this ultra-sensitive, space-age circuitry in a power-pack unit providing the maximum performance and range-expansion which "turns country miles into city blocks." Fiberglass perma-durability eliminates problems caused in other antennas by moisture, rain, dust, salt air, extreme cold, vibrations, abrasions, and other physical hazards. □ Fiberglass' flex-strength inhibits "set" damage on impact with doors, frames, low limbs, etc., insuring that our non-corrosive, anti-static antenna never gets "out of tune." In bringing this bold, new shape to the market, we made no compromise between performance and structural make-up. □ With The Perfect 36 we have created tomorrow's finest antenna today.



See THE PERFECT 36 at the NEW Show • Booth 3308

**... count on** *Shakespeare*  
GLASS FIBER  
**WONDERSHAFT ANTENNAS**

C/P Corporation

A Subsidiary of Shakespeare

RFD 3 Columbia, S. C. 29205

... for more details circle 119 on postcard

ELECTRONIC TECHNICIAN

JUNE 1967

# A Look at the 20X1C38 Zenith Color Chassis

Learn how this set works and  
save time on home calls and  
shop repair jobs

**TEKLAB  
REPORT**

■ A few weeks ago a Zenith model X6520, using chassis 20X1C38, came into ET's TEKLAB and we wasted no time unboxing it and removing the chassis.

If you don't already know it, chassis numbers mean something. In this one, "20" indicates the number of electron tubes in the set — excluding the CRT and tubes in the tuners. The "X" identifies the model year, number "1" tells us that one transistor is used in the chassis, "C" means it's a color set and the "36" or "38" is an engineering design number indicating that some variations exist in the circuits.

We didn't need a screwdriver or hex wrench to remove the set's back cover. You quickly twist seven captive wing-type nuts, remove two clips and the back comes off. This arrangement saves technicians a bit of time.

A quick squint beneath the cabinet also revealed an easily removed heavy metal screen which exposes components in the bottom of the chassis and makes it unnecessary to remove the chassis from the cabinet when making checks or replacing parts. You just turn the cabinet on the side, with a padded mat on the bench, and work on the set.

Controls accessible from the back include set-up switch, buzz control, blue and green video gain; red, green and blue "G2" adjustments; vertical and horizontal centering; pincushion, HV and focus adjustments; and the color killer.

Controls located on the front include brightness range, picture peaking, contrast, brightness, vertical size and linearity. Some models include a tone control.

The HV cage is to the right, looking from the rear of the chassis, and the cage tilts back — permitting the two tubes in front of the cage to be removed easily. Plastic clips hold the HV heater wires away from the 3A3A HV rectifier (see Fig. 1).

When it becomes necessary to remove the chassis for servicing, the tuner assembly is easily detached



Fig. 2—The tuner assembly is easily detached by removing two mounting bolts.

by removing two mounting bolts (see Fig. 2). Two types of VHF tuners are used: rotary switch and "Gold Video Guard."

The chassis layout looks basically the same as the "N" chassis of 1966 (see Fig. 3), except for a few circuit changes which we will now summarize briefly but cover more fully when the various circuits are reviewed.

The automatic fine-tuning control (AFC) uses a pull-in correction (or "error") voltage to center the fine-tuning on the transmitted signal.

A bridge rectifier in the low voltage power supply develops 390v, permitting removal of the boost circuit from the "Y" amplifier plate circuit.

Specifications on the video pre-amplifier transistor have been upgraded with a new part number and an improved video gray scale range definition on the CRT.

The CRT bias potentiometer has been removed — resulting in one less operation when preliminary adjustments are made in a customer's home.

Several changes have been made in the vertical circuitry to improve interlace.

A new yoke mounting assembly has been installed to insure stability of purity adjustment.

New and important circuits used

PLASTIC CLIPS HOLD HEATER WIRE AWAY FROM TUBE

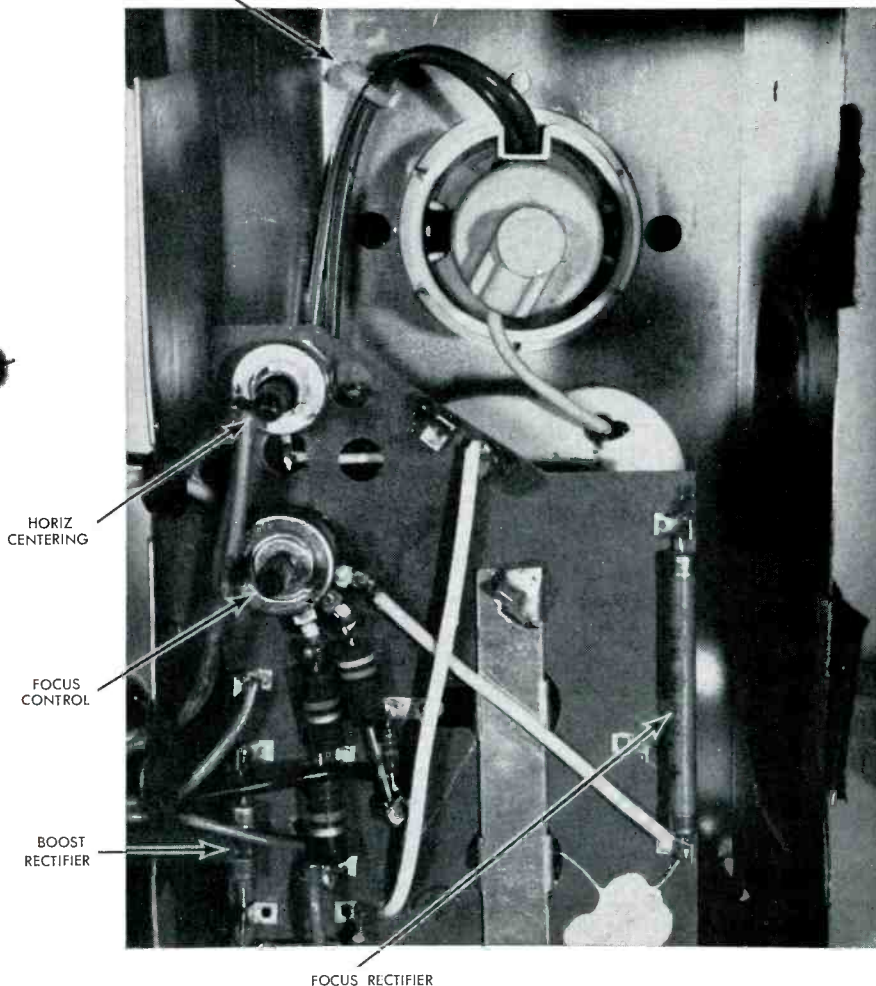


Fig. 1—Plastic clips hold heater wire away from the HV rectifier tube.

in the "XI" chassis will now be described more fully.

### The Low Voltage Power Supply

The low voltage supply used in this chassis delivers 390v. As previously stated, this eliminates the need for B+ boost which was used in earlier chassis. A schematic of the bridge rectifier circuit is shown in Fig. 4.

Capacitor C155, 0.001 $\mu$ f, is used for parasitic suppression or for short circuiting any HF radiation which might otherwise cause interference on some RF channels.

The thermistor, R103, operates to short circuit the degaussing coils after a few seconds of operation when the receiver is switched on. The degaussing coils are symbolized by L42 and L43. Filtering is

accomplished by electrolytic capacitors C32A, C57A and choke L44 for the 390v supply. C32D was added to the 250v supply following dropping resistor R104 — a 1K, 18w wire wound unit.

Two heater windings are shown as the bottom coils in the power transformer secondary. The CRT heater winding is on top and is connected through 220K to the 250v source. This places the heater potential of the CRT at a dc level similar to the cathode — minimizing cathode/heater breakdown.

The primary winding through the interlock, includes the ac switch and, for space-command sets, a tone-generator switch on the stepper.

### Automatic Fine-Tuning Control

The AFTC circuit permits the



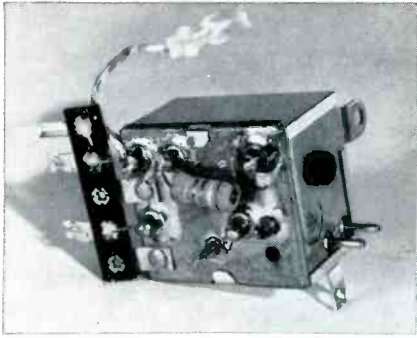


Fig. 6—The plug-in type AFC unit shown removed from chassis.

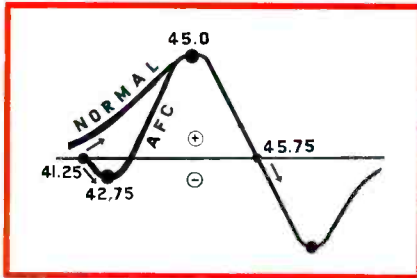


Fig. 7—AFC discriminator response curve.

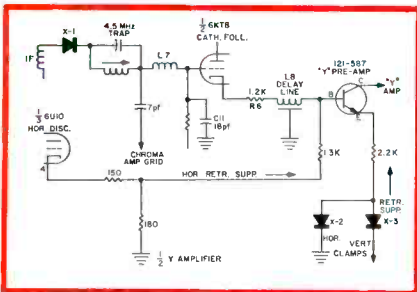


Fig. 9—Simplified schematic of Y-amplifier circuit from video det to transistor.

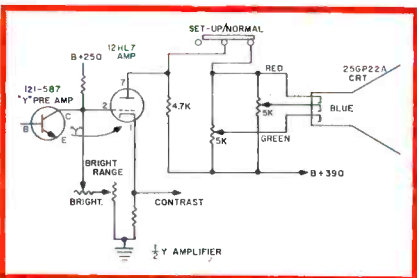


Fig. 10—Simplified schematic of Y-amplifier 12HL7 output to CRT.

receiver to lock on the proper color tuning when the fine tuning control is reasonably close to frequency.

This circuitry is basically an FM discriminator network of two diodes center-tuned to 45.75MHz at the output of a transistor (see Fig. 5). Since 45.75MHz is on the slope of the IF response curve, a correction has to be introduced in the form of L1, which is tuned above 45.75MHz — reacting with the IF

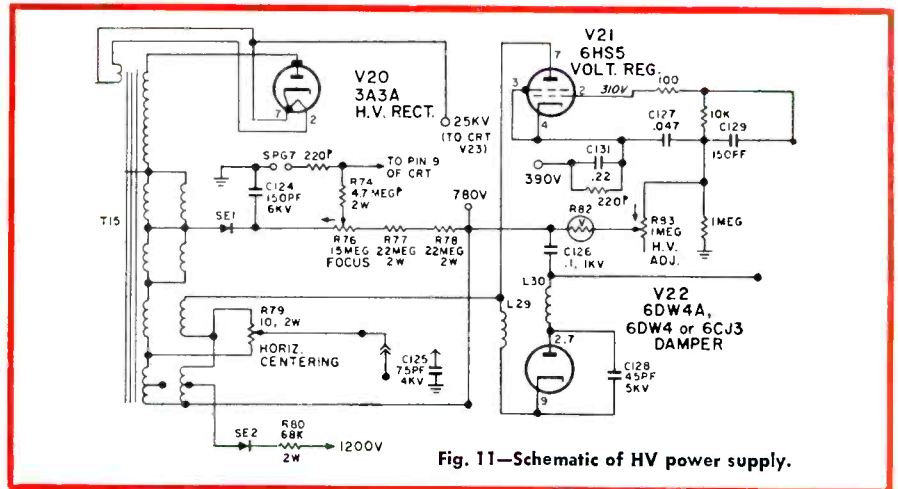


Fig. 11—Schematic of HV power supply.

curve to create a flat area between 45 and 46MHz.

The discriminator transformer is tuned so the primary (top) is on 45.75MHz. The secondary is properly adjusted when no shift occurs in tuning frequency as the AFC switch on the front panel is switched from OFF to ON. The "perma-set" tuning must be previously adjusted for the best picture before the secondary is adjusted.

When making frequency adjustments of L1 and primary of T1, the AFC output white lead is disconnected to improve sensitivity, then connected again while making the final "Zero Shift" adjustment of T1 secondary.

The AFC unit is a plug-in type, with a mounting screw to obtain a firm ground contact (see Fig. 6). It may be removed from the set for servicing without upsetting receiver operation except to disable the AFC function.

The discriminator response curve for the AFC unit is typical, with one exception. The low frequency side of the response curve dips back below zero to the negative side in the vicinity of 42.75MHz (as shown in Fig. 7).

This was designed to operate in this manner for a good reason. Since there are two carriers involved in the transmitted TV signal — the picture carrier at 45.75 and the sound carrier at 41.25MHz — when 45.75MHz shifts upward in frequency on the normal curve it moves into the negative portion of the response curve. But the 41.25-MHz carrier would then be riding

up the far left portion of the positive skirt so the voltage would tend to counteract and cancel.

With the negative dip designed into the response curve at 42.75-MHz, we find the carriers work together. When the frequency shifts upward and the 45.75MHz picture carrier shifts into the negative voltage area, the 41.25MHz sound carrier also dips toward the 42.75MHz minimum and develops a negative voltage — to aid the AFC error voltage.

If the frequency shifts downward and 45.75MHz moves into the positive voltage area, the 41.25-MHz signal drifts out to the left into an area of no correction voltage so it has no effect and can be disregarded.

### Y-Amplifier Circuit

The Y-amplifier circuit handles the basic composite information, sync and video, to create the B/W picture viewed on the CRT screen. The color portion of the receiver merely paints over the appropriate chroma hue to reproduce the transmitted information.

The primary change in this chassis is the relocation of the retrace suppression and blanking circuits (see Fig. 8). Blanking for the "N" chassis was performed in the 12HL7 Y-amplifier grid circuit. Blanking pulses are impressed on the base of "Y" preamp transistor.

The composite signal at the 4.5-MHz trap input is set at 5.4v P-P. (See simplified schematic Fig. 9.) The trap removes the 920kHz beat between sound carrier and chroma



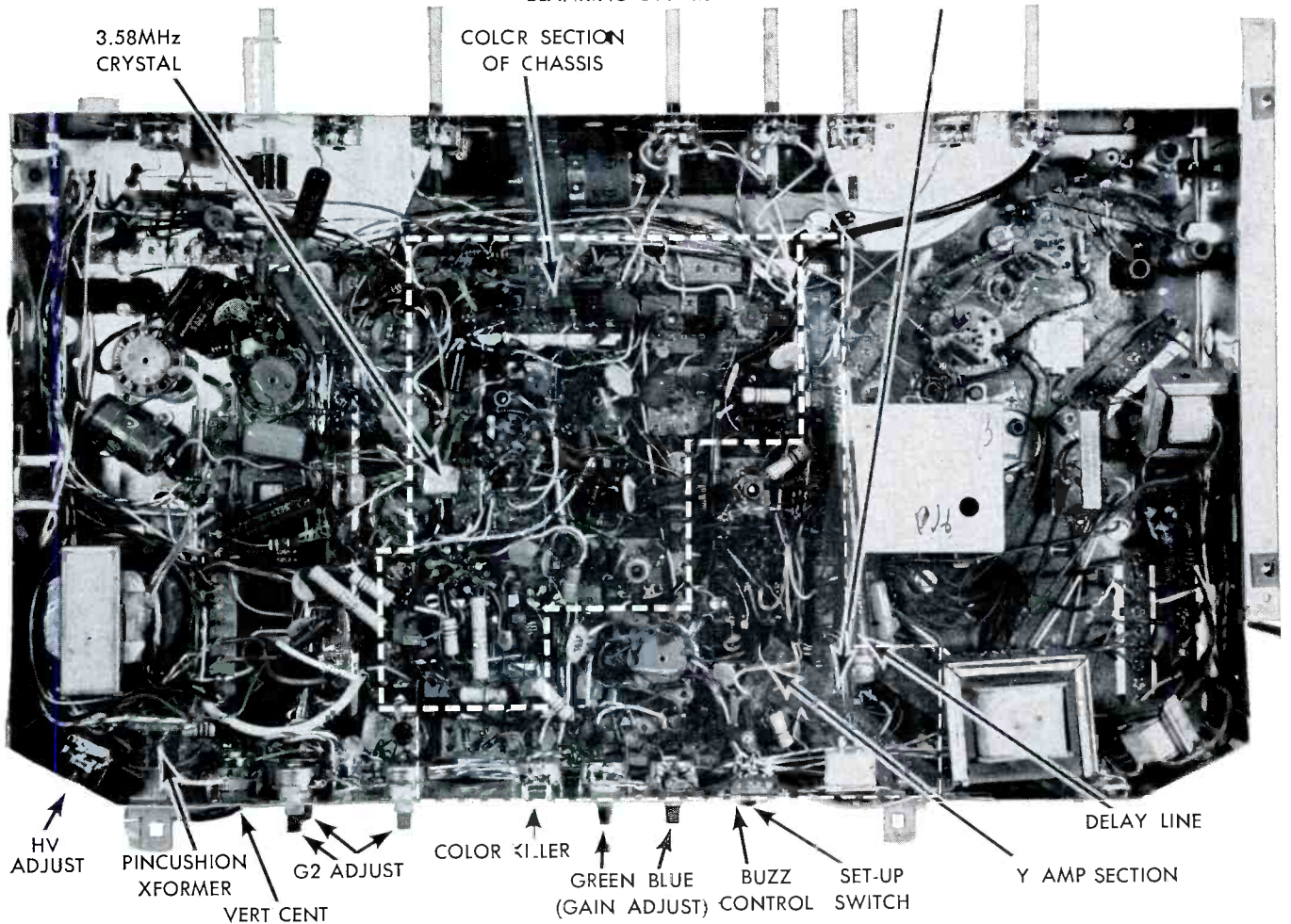


Fig. 8—Bottom view of chassis with color and Y-amplifier circuits outlined.

information by eliminating sound from the detector. The signal goes to the  $\frac{1}{2}$  6KT8 cathode follower which is primarily an impedance matching system, transferring from the high impedance input circuit to the low impedance of the delay line. An amplitude loss occurs through the 1.2K resistor, R6, but a gain of 3v in the transistor delivers a P-P amplitude of about 8v to the Y-amp grid. Chroma information, through a 7pf capacitor, is sampled from the video detector.

L7, the input to the cathode follower grid, is a fixed-tuned trap in which the series-tuned capacity is C11 to ground (18pf) in parallel with 3pf of the cathode follower input. Its null is somewhat below 3.58MHz so chroma information slopes up on the far side, offsetting the downward slope of chroma data on the IF response curve — produc-

ing a flat region in the vicinity of 3.58MHz.

The transistor output drives the Y-amplifier grid (see Fig. 10). The brightness control and brightness range control are in the grid of the 12HL7. Contrast is controlled in the cathode. The 12HL7 output — through the “set-up” switch — then delivers composite P-P information to the CRT red gun and through the “gain adjustment” control to the blue and green CRT cathodes. The blue and green controls will be set at 80 percent full clockwise.

Here we see two changes from the “X” chassis: first, the CRT bias control from the blue and green “gain adjustment” controls has been removed. Second, the “B+ boost” circuit with its associated diode rectifier has been removed. This has occurred since the 117 vac

power supply has been changed to a bridge rectifier network with B+ output of 390v.

In setting up the picture, 2-point video tracking is recommended to neutralize white highlights in bright areas: low level is set with the “set-up” switch and high level is adjusted with drive controls to minimize change between cut-off and highlight.

### HV Power Supply

The “X” and “XI” chassis introduced a new circuit in HV regulation, a circuit in which the regulator tube is in the primary winding area, rather than across the 25kv output, dissipating less power and providing longer life.

Two important features in the operation of the circuitry are:

The flyback transformer has a

*continued on page 62*

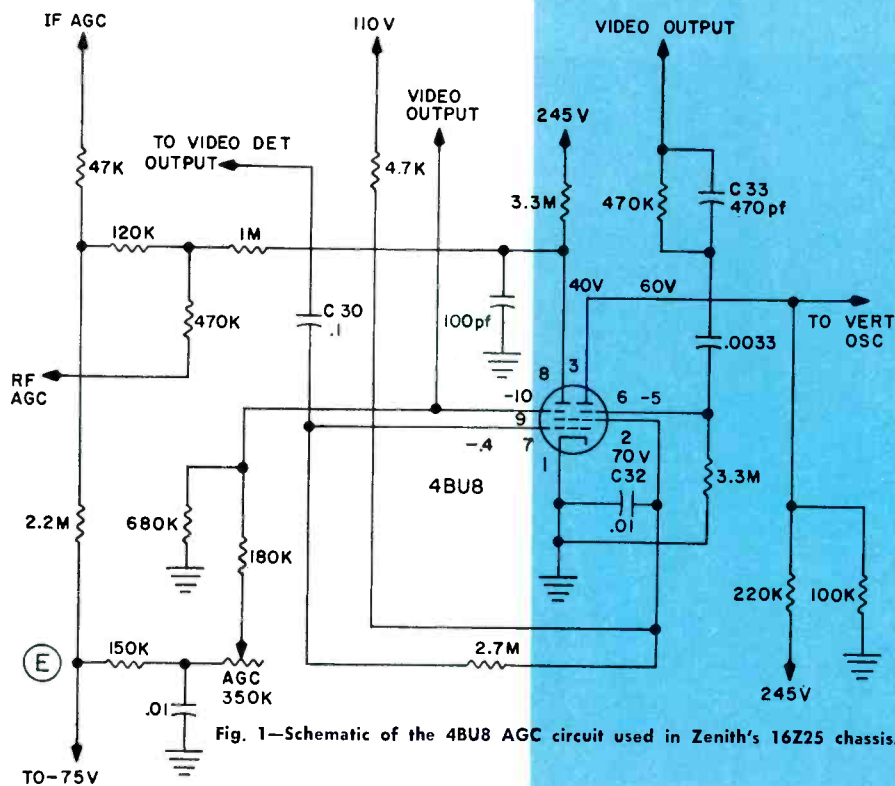


Fig. 1—Schematic of the 4BU8 AGC circuit used in Zenith's 16Z25 chassis.

You can't fix 'em if you don't know how they work

# UNDERSTANDING

■ In the previous article of this series (ET May 1967) we digressed briefly to introduce some important basic considerations concerning solid-state AGC circuits — giving special attention to “forward AGC” techniques. We will now review the operating characteristics of the most notorious of all tube-type keyed AGC circuits — known to every expert bench-technician as the three-in-one, or “triple-threat” circuit.

## The Triple-Threat

Every experienced technician is familiar with a group of 9-pin miniature sharp-cutoff twin pentodes which include the original 6BU8, the 3/4GS8's and the twin pentodes of the duodecar (compactron type) 6/8BA11's. The high-mu triode, sharp-cutoff pentode 6/8KA8's, to-

gether with the 8LC8, may also be associated with this group. The triode section in the 'KA8 and 'LC8 types are generally employed as a sync-separator and the pentode, which has two control grids, is used as a gated-AGC-amplifier and a noise-inverter.

In the twin pentode group, one pentode is generally used as a combined sync separator/clipper and the other as AGC keyer.

The first 6BU8 sharp-cutoff twin pentode AGC circuit made its appearance about 9 or 10 years ago in Zenith sets. This circuit, however, did not use the gated or keyed system as later circuits did. No flyback transformer keying pulse was used. To understand modern 'BU8 circuits, it may prove helpful to review the original circuit design and how it functioned.

The circuit shown in Fig. 1 is used in a Zenith 16Z25 chassis — a 14in. portable which has a series-string 4BU8 as the AGC tube.

AGC voltage in this circuit, applied to both the IF and RF stages, is the resultant of two dc voltages of opposite polarity — one remaining constant while the other changes with the signal level received from the transmitting station.

A constant negative voltage is taken from the grid of the horizontal discharge tube and applied to point “E” shown in the circuit. A varying positive voltage, resulting from a drop through a 3.3M plate load resistor which is connected to a 245v B+ source, is applied to tube element 8 — the plate.

The 2nd control grid (element 9) receives a positive-going compos-

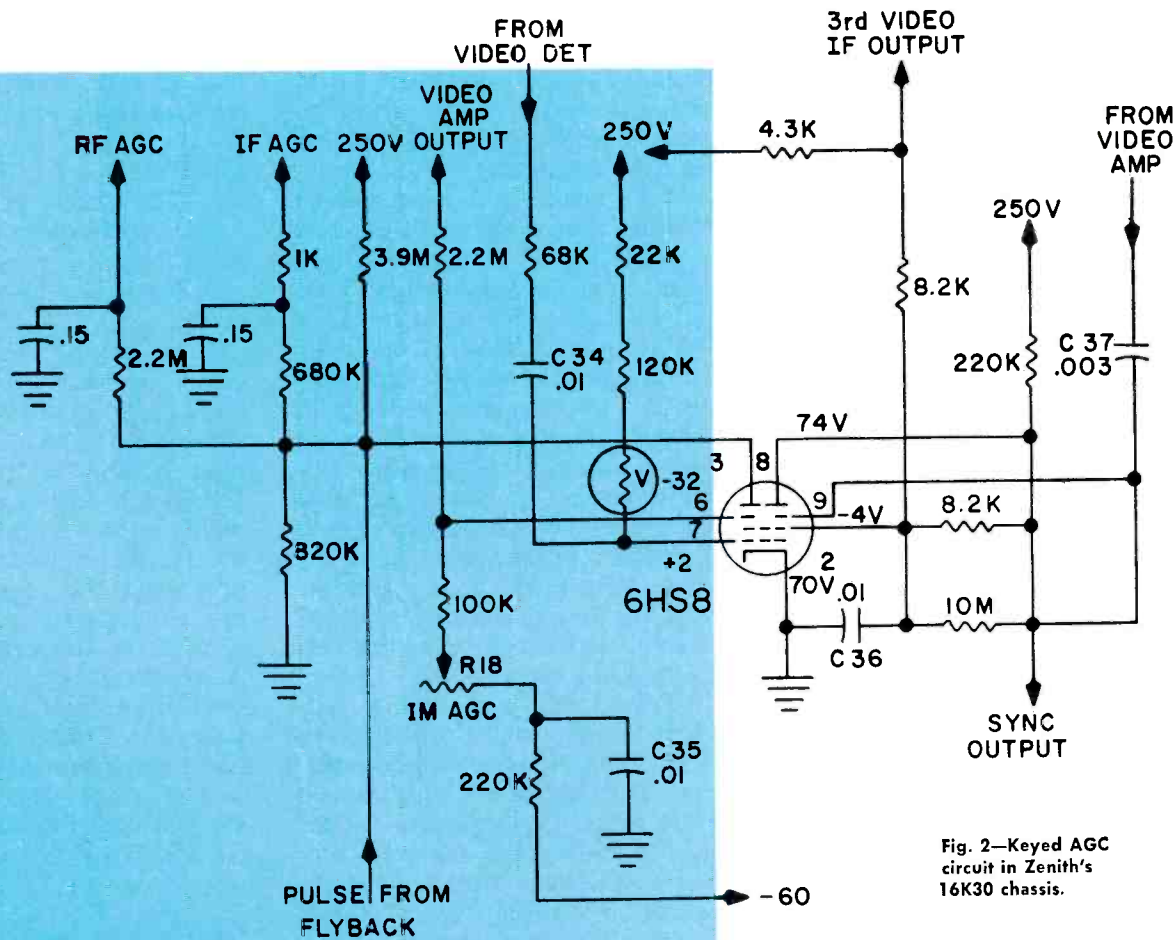


Fig. 2—Keyed AGC circuit in Zenith's 16K30 chassis.

# MODERN AGC CIRCUITS

## PART THREE OF A SERIES

ite video signal from the plate circuit of an 8AU8 video amplifier. This voltage is directly proportional to the strength of the received TV signal. In effect, the stronger the TV signal at element 9, the greater the current and the smaller the positive voltage at tube element 8. When the signal level drops, the opposite effect takes place. When the signal is zero, the +50v from the AGC tube plate and the -70v from the horizontal discharge grid combine across the 2.2M, 120K and 1M resistors so that the resultant IF AGC voltage is zero.

When a signal is received, the positive going composite signal at the 2nd control grid causes an increase in plate current and a greater voltage drop through the 3.3M plate load resistor. As an example, if the received signal is at a level to cause

the plate voltage to drop to 45v, then the difference voltage on the IF AGC bus is -5v. A stronger signal would cause this voltage to become more negative and a weaker signal would cause it to become less negative.

Noise gating for both the AGC and sync is accomplished by applying a negative-going composite signal from the video detector to the 1st control grid, element 7. The 2.7M resistor connected to the grid regulates the bias so that any noise burst greater than the composite video signal will cut the tube off. Noise is prevented from interfering with AGC voltage or sync information.

The 2nd section of the 4BU8 is the sync clipper. A positive-going composite video signal from the video amplifier output is coupled to

the 2nd control grid, element 6, of this section of the tube. The negative bias, as previously stated for AGC action and developed as a result of grid current flow through the 3.3M resistor, is held to a level that allows only the sync tips to appear in the output.

The 2.7M grid resistor regulates the bias at the 1st control grid, element 7, so that any noise burst greater than the composite video signal will cut the tube off. A strong noise pulse may occur on rare occasions at the sync pulse time and cut the tube off, but the flywheel action of the sweep oscillator will maintain sync during this brief period. Operation of this system is based on the principle that the loss of an occasional sync pulse is better than having the sweep oscillator triggered at the wrong time.

## UNDERSTANDING ...

Delayed RF AGC is also used in this circuit. This voltage is taken from the junction of the 120K and 1M resistors. AGC action to the tuner is delayed until the signal level reaches approximately 500 $\mu$ v. The 350K AGC control pot is used to adjust the bias on the 2nd control grid to maintain the detector output at approximately 3v P-P.

The original 'BU8 AGC, noise cancelling, sync clipping circuit has evolved into a number of different arrangements, but most circuits perform approximately the same. We will now look briefly at one of the modern 'BU8 "mutants."

### Modern Triple-Threat Circuit

One modern version of the 'BU8 tube is the 3/4/6SH8. It was widely used in Zenith TV sets a few years ago. While tubes, circuit component values and voltages vary somewhat in most of the recent sets, the circuits all perform similar functions. Let's go over the operating details of this triple-threat circuit which performs the three functions of generating AGC bias voltage, eliminating noise and acting as sync clipper. It's a lot easier and faster to troubleshoot this circuit if you have a thorough knowledge of how it functions.

The schematic in Fig. 2 shows a 6HS8 keyed AGC/sync clipper circuit used in a Zenith 16K30 chassis.

The 6HS8, like the 6BU8, has two plates and two suppressor grids. It has one cathode, one control grid and one screen grid. The suppressor grids act as signal grids — element 6 for AGC and element 9 for sync. The outputs of the two halves are: plate element 3 for AGC, and plate element 8 for sync. The screen grid,

element 2, is common to both halves of the tube. The control grid, element 7, performs noise cancellation for AGC and sync.

The control grid is connected to a B+ source and it also receives a negative-going composite video signal from the video-detector output through a 68K resistor and a 0.01 $\mu$ f capacitor, C34.

Note that a voltage dependent resistor (VDR) is in series with the control grid and the B+ source and is returned to the video amplifier screen grid. The VDR limits the voltage on the control grid to a certain critical value. When the video signals are strong and the voltage on the video amplifier screen is high, for example, the VDR acts as a low resistance.

Element 6, the suppressor grid, receives a dc coupled positive-going signal from the video amplifier output. The suppressor is prevented from being driven positive by the dc component from the video amplifier plate (through a 2.2M resistor) by having a -60v bias applied to it from the horizontal output amplifier control grid. The 1M AGC control, R18, determines the bias level. The dc voltage on the suppressor reflects the dc level variations at the plate of the video amplifier but is always maintained negative by the bias network to prevent the suppressor from drawing current. Approximately -32v is maintained on the suppressor grid to keep the plate cut off except when the positive horizontal sync pulses override the bias.

Once again, when the positive sync pulse at element 6 arrives coincident with a positive keying pulse from the H0T at element 3 (plate), the tube conducts for this brief instant. An AGC voltage is thus developed across the 3.9M plate load. This voltage is divided, filtered and fed to the IF amplifier grid and the grid of the RF amplifier. The grid of the AGC controlled IF amplifier is prevented from going positive by maintaining its cathode more positive than the grid. And the voltage supplied by the divider acts as delay voltage for tuner AGC.

It should be noted here that the AGC delivered by this circuit is

positive with respect to ground because of action which takes place in the 3.9M and the 820K resistors which are in series across the 250v line. The current pulse at element 3 varies the voltage — reducing it more by larger current pulses and reducing it less by weaker current pulses.

Noise is suppressed in the AGC circuit as follows: When a large noise pulse is received, it appears simultaneously as a large negative signal voltage at the control grid (element 7) and as a large positive signal at the suppressor (element 6). The control grid is driven highly negative by the large negative voltage, cutting off plate current. This prevents development of excessive AGC voltage.

We have now completed a review of the basic circuits and functions of modern AGC circuits, including solid-state fundamentals. We will now consider circuit trouble symptoms and troubleshooting techniques.

### Trouble Symptoms

Every technician who earns his daily salt already knows that a logical servicing procedure is the key to effective troubleshooting and repair — and this holds true for TV AGC circuit troubles.

AGC trouble symptoms are varied but we identify the trouble in this section primarily by symptoms that appear on the TV screen or in the audio output.

"Ah," you say, "but the same symptoms can be caused by defects in areas other than the AGC system — namely the RF section, the video detector or the IF circuits, for example."

This is true. But when we're not certain where the trouble lies, we can easily substitute an external bias source and make sure that the trouble is either in the AGC section proper or in some other section. For solid-state circuits we may have to vary this technique somewhat but the principle approach will remain the same.

Forthcoming articles in this series will be devoted primarily to AGC trouble symptoms and the techniques used in troubleshooting and repair. ■

# THE APPRENTICE AND THE PRO

**The critical shortage of technicians inspired this real-life, in-shop story of a wise service-dealer who anticipated the problem and did something about it**

Part One of a Continuing Series

■ From coast to coast, from border to border, you have been hearing the wails of TV-radio service-dealers who have found it increasingly difficult to obtain adequately trained technicians. This was inevitable, considering the lack of proper directives and planning in the industry. And for almost two decades, some self-styled "leaders" in the industry were diverting attention with minor issues, like DIY tube testers, "moonlighting" and so-called "below-the-belt" practices of some manufacturers and distributors. Additionally, they were wasting a lot of valuable time being oversensitive to constructive criticisms and defending themselves from criticisms which were, for the most part, thoroughly justified.

Only in recent years — after the fact — have they become involved in apprentice training programs. In effect, until recently, they have "fiddled and fumed while Rome burned."

But some far-seeing service-dealers continued to read their professional trade journals carefully and

refused to allow their attentions and energies to be diverted by minor issues. A few, for example, exerted considerable effort to establish and develop apprentice training programs and some have continued these programs throughout their successful operations — for up to 15 years. These service-dealers are now reaping valuable rewards from their past efforts.

"The Apprentice and the Pro" is a continuing story relating to one such operation and the story reveals the day-to-day trials and errors of an apprentice and the technicians under whom he worked and trained for four years — before the apprentice became properly skilled in the areas of TV, radio, Hi Fi stereo, two-way radio and audio communications servicing.

## The Apprentice

Donald Jackson graduated from high school at age 18. With a little advice and direction he could have gone on to college, but he didn't get the help he needed. Instead, he went to a trade school for one year and

## Training Centers Established

New York, N.Y., April 12, 1967—Permanent training centers to help cope with the serious shortage of experienced TV technicians are being established by the RCA Service Co. in six key metropolitan areas, A. L. Conrad, president, announced today.

Mr. Conrad said the project, first of its kind in the TV industry, will enable the company to train some 2500 technicians in the coming year—twice as many as it trained in 1966.

He estimated that 25,000 additional color TV service technicians will be required by the industry in each of the next five years because of the tremendous growth of color TV. There are more than 10 million color TV sets now in the United States and this number is expected to jump to more than 16 million by the end of 1967, it was said.

studied the basics of electronics. He later finished a correspondence course in TV-radio servicing, but before that he got a job as a helper with a 15-year-old TV-radio service-dealer operation in his home town. He helped with antenna installations, ran to the distributor for tubes and replacement parts, checked tubes in sets brought in for repair, cleaned the dust from chassis and sometimes watched the two bench technicians troubleshooting TV sets, radios, Hi Fi stereo amplifiers and various types of two-way communications equipment.

Then one day the boss called him aside.

"Don," the boss inquired, "how would you like to become a qualified service technician?"

"I think I would like it," Don answered.

"You'll have to be a little more definite," his boss said.

"Well, I really want to very much," Don said, more enthusiastically.

"It will probably take four years of hard work and study," the boss frowned.

"I'm ready to start now," Don smiled.

"OK. Continue with the work you're doing and beginning next Monday morning I want you to see Jim Barker. And he'll probably be sending you out with one of the house-call technicians, too.

### The Pro

Jim Barker was 33 years old. He graduated from high school, served two years in the armed forces, studied radar while doing his stint, attended a resident electronics school for one year, served two years as an apprentice technician and had since attended two factory-sponsored training schools and many manufacturers' seminars. He had a 20 percent capital interest in the service company he worked for and his income, plus a slice of the annual profits, was well within the five-figure category. He now has a total of almost 7 years' experience as a qualified home-entertainment equipment technician. He also holds a first class FCC telephone license and is nominal "manager" of the service department where he works.

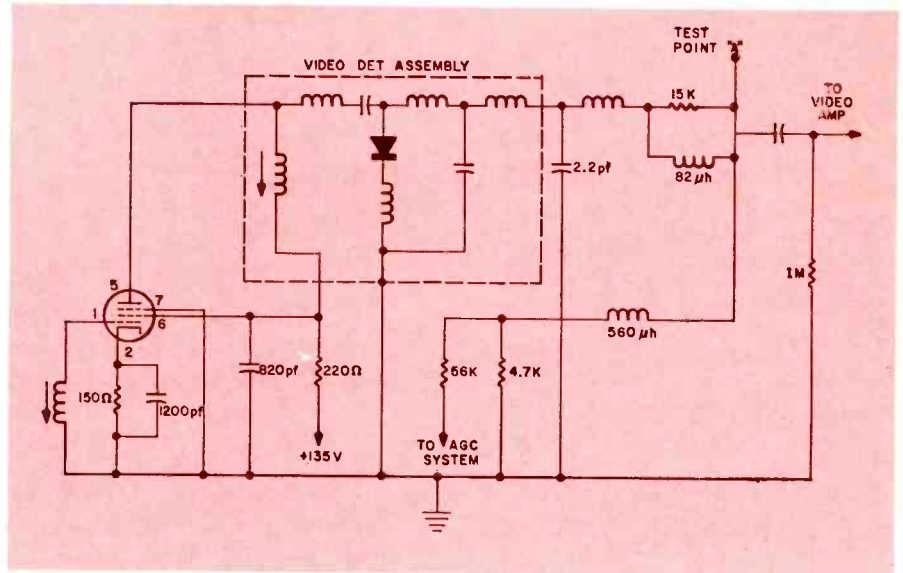


Fig. 1—Typical video detector circuit showing output at test point "A."

### Learning by Experience

Don Jackson arrived at the shop 10 minutes early the following Monday morning. His boss was already there and the store's front door was open. Don said "good morning" to his boss as he hurried back to the work benches. He was surprised to find Jim Barker at the bench concentrating on a scope waveform. Jim glanced up and said "good morning, Don, have a cup of coffee," motioning to the coffee perculator at the other end of the bench. Don poured a cup of coffee and returned to Jim's side.

"Don," Jim began, "we're not going to do this like they do in school. We don't have time to organize 'lessons.' But we do have a plan, and as the weeks, months and years pass — I hope quickly and interestingly — you'll meet every problem that arises in this business. When you've finished, you'll know as much as I do about it." Jim thought he observed an impatient expression flash across Don's face.

"In every skilled profession," Jim continued, "we need specialized instruments to help us with our work. Otherwise, no matter how much we know, we just can't do the work efficiently and fast enough. And we have to learn how to use these test instruments in a systematic way so the process even-

tually becomes automatic, fast and efficient.

"You are already familiar with the tube tester. But remember, a tube tester can only give us certain information. To make sure a tube is good, we have to substitute it with a known-good tube before we're absolutely certain. You'll learn this more thoroughly after you have gone out with the house-call technicians for a few months. Remember, too, a 'known-good' tube means just that. It doesn't mean just a 'new tube' off the shelf or out of the caddy. Some new tubes are defective — or become so the first time they heat up."

Don Jackson was all ears and he hadn't said a word since his good-morning greeting to Jim Barker.

Jim plugged the power cord of a VTVM into an ac outlet on the bench and flicked a switch on the meter front to the ON position.

"Now we'll wait a few minutes for the VTVM to get warm," Jim said. "And before we can use the meter we have to check the needle ZERO adjustment. We turn this control here until the needle is exactly on zero at the left side of the scale. It'll drift slightly until the meter reaches a certain temperature so we also have to remember to check and touch it up if necessary.

"Now we're going to set up the meter to read ohms. Notice this probe. It has a little push/pull

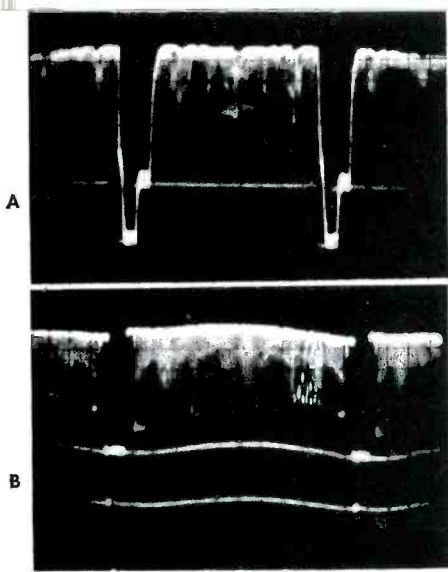


Fig. 2 (A)—Composite video sync-pulse negative signal at video detector output with scope set at 7.875kHz. (B)—Same signal with scope set at 30Hz.

switch on it. We push it forward to measure DC VOLTS and pull it backward for AC/OHMS." Jim pulled the switch back with his thumb.

"But we're still not ready to measure resistance. We must first determine approximately how much resistance we're going to measure." Jim reached up and pulled a resistor box drawer open and took a single 1w carbon resistor from the drawer.

"Do you know how to read the color-code on resistors?" Jim asked suddenly.

"I did once, but I've forgotten," Don frowned.

"Well, you'll learn again and this time you won't forget. This will be part of your home-work for the time being." Jim handed Don a card showing how resistors are color coded.

"You'll learn it more thoroughly by doing. See, this resistor has two red circles, one yellow circle and one silver circle. That means its resistance is 220K with a tolerance of  $\pm 20$  percent. Now let's see what it actually measures on the VTVM."

Jim turned the right function switch on the meter to R OHMS and the meter needle moved to the right but stopped before it reached the far end of the scale.

"Ah, but we're still not ready to measure the resistor's value," Jim smiled. "We now have to 'balance' the meter for ohms."

Jim turned a control marked OHMS which moved the meter needle to the right where it rested on a line next to an INFINITY sign on the scale. He then clipped the COMMON, or GROUND lead to the probe tip and the needle swung quickly back near zero.

"Now, we touch up the ZERO control again," Jim said.

He disconnected the COMMON lead from the probe tip and the needle swung close to the INFINITY line. He touched up the OHMS control again slightly.

"Now we're ready to measure the resistor," Jim said. He clipped the GROUND lead to one end of the resistor and touched the probe to the other end.

"Look," Jim said, "at the top meter scale marked R. The needle splits the 200 marker. Since we're set on the Rx1K scale, the resistor measures 200K. It's barely within tolerance. Let's try the Rx10K scale." Jim turned the left function switch and then rechecked the meter balance. He then measured the resistor once more.

"Now look. The needle comes almost to the 22 marker on the scale. It's resistance is well beyond 200K — closer to 220K.

"Remember, Don," Jim continued, "always balance your meter for ohms each time you make a measurement and each time when you shift to a different Rx position. Incidentally, this meter has an input resistance of 11M and it will measure resistances from about 0.5 $\Omega$  to 1G. That's up to 1000 million ohms, or 1000 megohms," Jim concluded.

"That's a lot of ohms," Don commented.

Jim flicked the right function switch to the OFF/TRANSIT position and handed the probes to Don. "Now you do it," Jim said quietly.

Don had already memorized each step in the procedure but it took him 5 minutes to carry out all the steps and measure the resistor.

"Don't let your slow speed bother you," Jim encouraged. "After you do it the same way a few hundred times it will become automatic and you'll do it within 30 seconds after the meter becomes warm. You'll be using that meter a few minutes

every day from now on." Don switched the meter off and a pleased expression was obvious on his face.

"Now," Jim smiled, "I'd like to introduce you to this scope and a few waveforms. This chassis here is from an old set we took in trade. It needs some work before we can put it on the 'used-set' counter."

Jim picked up the scope probe from the bench and attached it to a test-point in the chassis.

"The scope probe is a high impedance type. It won't load the circuit and give distorted waveforms.

"We now adjust the scope's vertical gain, horizontal gain and set the frequency to about half the horizontal time, or 7.875kHz. Then a touch of the sync control, the focus control and we'll brighten up the display with a little more intensity.

"Now take a look at this schematic," and Jim pointed to the exact spot on the schematic where the scope probe was attached (Fig. 1, test point "A"). "The waveform you now see on the scope screen (Fig. 2A) is a composite video signal having a negative-going sync pulse which you can easily see. That's the horizontal sync pulse, of course, and we have two of them because we have the scope's time-base oscillator set at half the incoming horizontal frequency. If we adjust the scope's time-base frequency to 15.75kHz we'd get one horizontal sync pulse in the display. When we adjust the time-base to 30Hz, half the vertical frequency, we get the waveform shown here (Fig. 2B) and two vertical pulses are easily seen. Remember how these waveforms look because they are typically good composite video signal waveforms at the video detector output of any TV set. But, remember too — the signals *could* be turned upside down 180deg, sync-pulse positive — depending on the circuit design."

"That's all for now, Don," Jim concluded. "Here's Bob Morkin with a fist-full of house calls. I want you to follow him around until lunch time. Report back to me after lunch."

Don and Bob turned and walked away, Bob carrying a stuffed tube caddy, out the back door to the waiting service truck. ■

# PROTECTING ELECTRONIC CIRCUITS

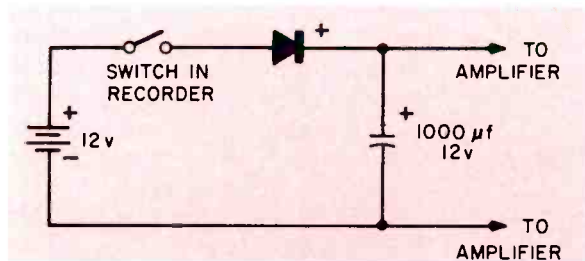


Fig. 1—Diode properly inserted in battery lead discourages do-it-yourselfers and prevents damage to equipment.

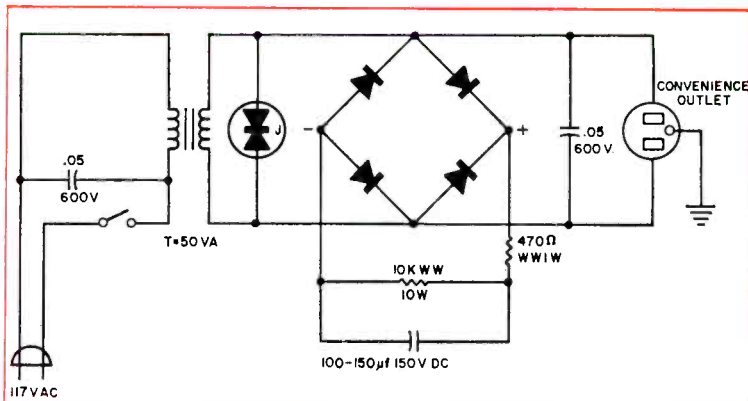


Fig. 3 — Circuit used to prevent phototimer from "tripping."

## Know your fuses, circuit breakers, fuse-type resistors and learn how to 'innovate' protection for your customer's equipment

■ Components used to protect electronic circuits—regular fuses, circuit breakers and fuse-type resistors—have always been held in low esteem by amateur electronics buffs, hobbyists, do-it-yourselfers and many would-be technicians. But experienced service-technicians know the value of these components. What professional technician has not, at least once, come face-to-face with the classic example of this disregard—the well-known "fuse-abuse"—a piece of solder or copper wire wrapped around the two spring clips of a fuse holder?

We remember one specific call for service, made by a rather hysterical lady, who said her set was "smoking." We almost made a wisecrack about a 4-year-old set smoking, but decided against it. We arrived at her home two steps ahead of the fire department and quickly removed the line cord from the wall outlet. The two 5U4s in the full-wave rectifier had holes in their plates and the power transformer was hot enough to fry eggs. A subsequent investigation revealed that an electrolytic power supply filter had shorted and it, the 5U4s and the power transformer refused to give up easily. Yes, you guessed it, the 5a fuse holder had a piece of solder wrapped around its clips.

If you don't already know it—if you are not aware of the importance of circuit protecting components—let's get it straight: when circuit protecting components are called upon to perform the job they were designed for, they are the most important components in the gear.

### The Regular Fuse

The most widely used protective component is the fuse. And if you think "a fuse is just a fuse," you'd better get this brain-boggling idea out of your head. There's a fuse for every purpose—and the various types are *not* interchangeable. You can't put a "slow-blow" fuse, for example, in a circuit which calls for a "fast-blow" type without inviting trouble. A good way to disable an expensive test instrument is to put a "slow-blow" fuse in it.

For test instruments, home-entertainment and CB communications equipment, we normally come into contact with three types of fuses—fast, medium and slow-blow.

The current rating of a fuse is expressed in amperes or fractions of amperes and indicates how much current the fuse will pass safely without blowing.

Voltage ratings are generally specified as 32, 125 and 250. Because fuses are sensitive to current

changes and not voltage, we are not too much interested in voltage ratings—except in designing circuit protection for special equipment.

Quick- and medium-acting fuses are designed with medium to high melting temperature elements which are made as small as possible to reduce thermal inertia and shorten the blowing time.

Delayed action fuses are designed with compound elements having larger mass, low melting point alloy, which increases thermal inertia and slows down the blowing time.

In some equipment, especially mobile radio and audio communications gear, it is advisable to use specially designed anti-shock and vibration type fuses. These are made in various voltage and current ratings.

Fuses used in test instruments should be given careful consideration by technicians. This is especially true for fuses used to protect delicate meter movements from damage caused by sudden current surges, short circuits or accidental voltage overloads.

It should be noted that these special fuses do not blow when maximum current is reached. They are designed to blow faster than the time it takes for a meter's pointer to reach full scale—somewhere



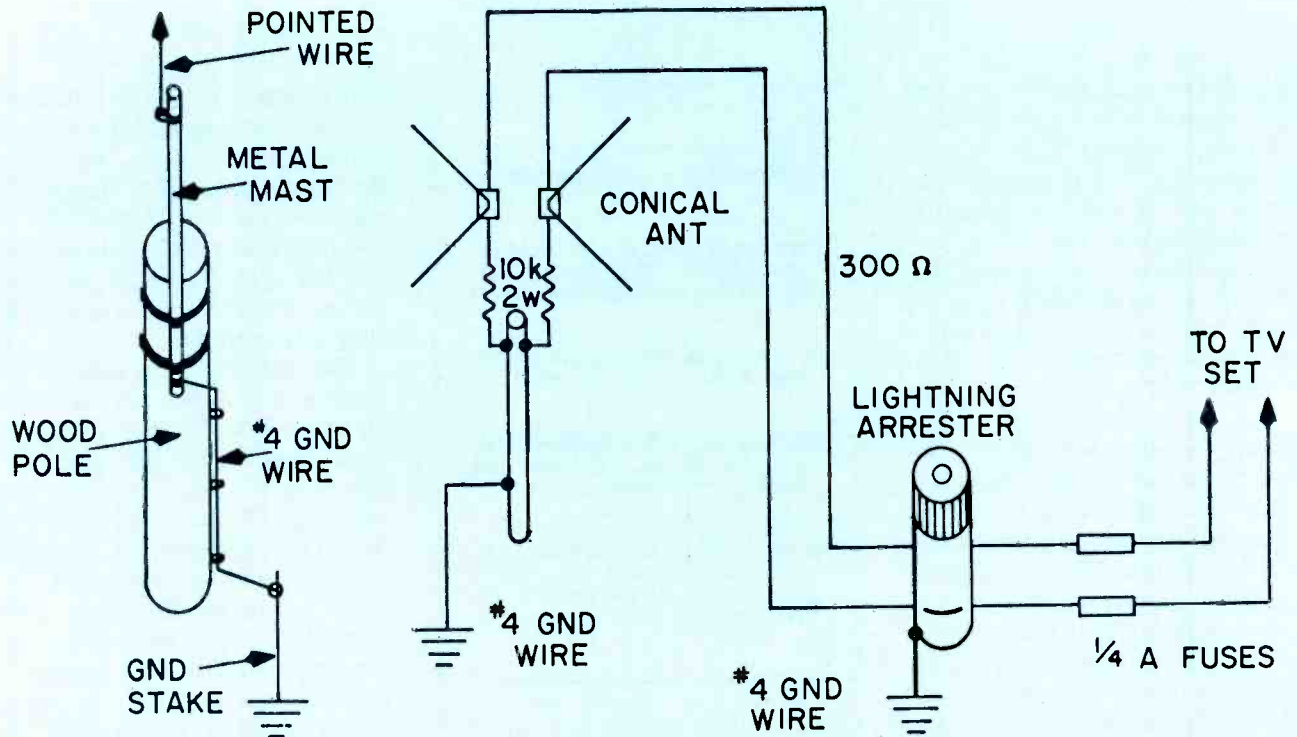


Fig. 2—Method designed to protect TV tuners from lightning strokes.

around 1/100 of a second. This is necessary because damage takes place before the meter coils can burn up. This prevents whiplash-bent pointers and twisted or burned out pointer-coil assemblies.

New and better circuit protective components are constantly being developed. In addition to the temperature-sensitive, voltage-regulating "Globar" and "fused-resistor" types which are more widely used in primary circuits of series-string type power supplies, the "Amp" and "Belfuse" are now being widely used in both the primary and secondary circuits of B/W and color power supplies. Some are even used in damper circuits. The reset-type circuit breaker is also being used in the secondary circuits of many power supplies. The thermistor, of course, is also used in place of Globar-type resistors to some extent.

The Amp and Belfuses are color coded for individual, specific ratings. The colors include black, gray, red, blue, pink, maroon, yellow and green. Technicians should be careful to replace the original part with a similar identical colored fuse.

Not every situation can be solved with fuses, however. Here are some practical problems which can be solved only by the ingenuity of expert technicians.

#### Protecting Solid-State Circuits

It has been estimated that more good semiconductors have been destroyed by voltage surges than any other cause. And every technician is constantly faced with the problem of protecting equipment and instruments against transient voltages. The protective components are seldom included in original equipment design, so it becomes the responsibility of technicians to figure out what protective components are needed and where they must be installed. This is an engineering job, of course, but the work of service technicians requires more and more engineering know-how as new semiconductor types are developed and circuits become increasingly more complex.

A few important situations where surge and other protective measures must be undertaken will be covered here.

#### Wrong-Way Batteries

A portable tape recorder came to our attention which had battery "polarity" troubles. Radio owners seem to have considerable trouble with these penlight cell recorders—when they insert cells backward.

In this particular case, we installed a 1a, 200 PRV silicon diode (see Fig. 1) in series with the posi-

tive battery lead. The voltage drop across this diode was not enough to affect the normal operation of the recorder, but the equipment was protected from those who seem to insist on inserting the cells backward. When they put the penlight cells in backward now, nothing happens, and they have to insert them correctly before the equipment will operate. The same principle can be applied to any solid-state equipment that operates from batteries. It's a good idea to add a large capacitor to the circuit as shown in Fig. 1. The capacitor may be omitted if one is already installed by the manufacturer. Check the equipment wiring diagram. Many better radios and tape recorders already have a capacitor installed to inhibit oscillation with partly run-down batteries. If this capacitor is less than 1k $\mu$ f, replace it with a larger one.

#### 'Electrocuted' Tuners

Electrostatic charges on the antenna were damaging the tuner on a customer's TV set. This is always a revolting development to both owner and service technician because it means an entirely new tuner assembly in many cases. This frequently results in considerable expense and time.

A preliminary inspection of the

installation revealed that the antenna was a conical type, installed on a metal pipe fastened to a wooden pole mounted in the ground. The location was excellent from a signal viewpoint—up and away from surrounding objects. The set was protected by a conventional lightning arrester installed outside the window just before the lead-in came into the house and grounded with size 14 wire to a piece of pipe. The lightning arrester was burned up internally. It did not save the tuner.

The first step in our solution was to ground the TV antenna mast (see Fig. 2). We drove a standard power-line ground stake close to the wooden pole and ran a size 4 wire up to the antenna mast. Additionally, we filed one end of a 3ft piece of size 4 copper wire to a sharp point and installed it atop the antenna mast with the sharp end pointing upward to act as a lightning arrester. We connected two 2w, 10K carbon resistors across the 300Ω lead-in at the antenna. After re-installing a good lightning arrester at the window, we went inside to the TV set and installed two ¼ a, quick-blow fuses—one in each antenna lead just before it entered the cabinet. These fuses may blow during a thunderstorm, but they are cheaper than TV tuners.

#### The 'Tripping' Photo Timer

A phototimer used by a professional photographer tripped when his print dryer and furnace kicked on and off. The timer was a line-operated (transformerless) type having a solid-state timing circuit.

We mounted the components shown in Fig. 3 in a 3 x 4 x 5in. aluminum box. A standard outlet was provided for plugging the timer in. This circuit will solve most line surge problems that occur with equipment within a 50VA wattage rating. If a larger isolation transformer is used, of course, heavier power loads can be handled.

This circuit will clean up the most stubborn cases of power line noise, surges and other disturbances. For simple cases, the bridge rectifier and RC network may be omitted.

#### Blown Transistors

A CB transceiver was blowing

#### Manufacturers of Circuit Protecting Components

Bussmann Mfg. Div., McGraw-Edison Co.,  
University at Jefferson, St. Louis,  
Mo. 63107. Fuses and fuse holders

GC Electronics, Div. of Hydrometals,  
Inc., Rockford, Ill. "Belfuses."

Littelfuse, Inc., 800 E. Northwest Highway,  
Des Plaines, Ill. Fuses, fuse holders, circuit-breakers.

Workman Electronics Products, Inc.,  
Box 3828, Sarasota, Fla. 33578.  
"Amp" fuses, circuit breakers, Glo-bar resistors, fused resistors.

transistors in its power supply—a rather common occurrence and one that many technicians "solve" by replacing transistors. This is no solution, of course. The same transistors will "pop" again within a matter of time—unless the cause is located and eliminated.

When the owner of this CB set was questioned, we determined that he was starting the vehicle many times daily while the CB set was on. Careful voltage checks made during the starting cycle revealed that a surge of about 38v appeared across the 12v system when the engine started.

Two factors must be considered here: The sudden release of a heavy load from the battery as the engine kicks out the starter, and the simultaneous cutting-out of the generator or alternator. There is often quite a bit of corrosion at the battery terminals. Starting voltage kick-backs will vary with different automobiles and trucks and the condition of their electrical systems. These kick-backs can run as high as 40v on a 12v system. Power transistors rated at 30v cannot absorb such starting voltage surges and survive.

We went to work on this problem by cleaning the battery terminals first and then we connected the CB set directly to the battery. To do this, we had to disconnect the transceiver from the cigaret lighter socket where it was originally "installed" and splice on additional

wire to reach the battery terminals.

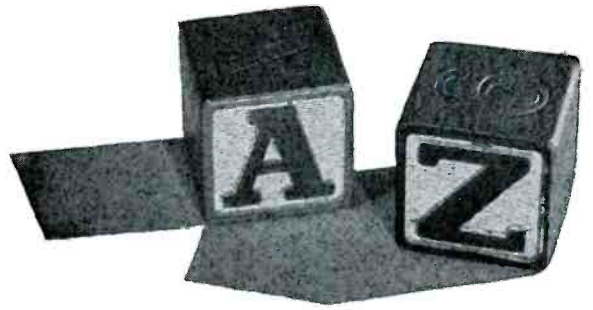
After cleaning and tightening the battery terminals, the surge across the battery dropped to less than 30v when the car was started. We then substituted 40v-rated transistors for the 30v types. This owner had no further trouble from blown power supply transistors.

The solution was simple, inexpensive and quick. It satisfied a customer and made a friend. We could have solved this problem by installing a 10w, 18v zener diode across the 12v input inside the radio. To do this, however, we would have had to remove the radio and find a place to mount the diode. Power transistors were replaceable from the outside of the set without removing the radio from the vehicle. Either solution would have been acceptable. Before it came to us, the CB radio had "devoured" a dozen power supply transistors.

#### Ailing TV

A series-string TV had been a constant source of trouble and annoyance for its owner. He lived in an area where power line voltage was notoriously bad. In early evening, the potential dropped to 90v or less when the load was high, but by midnight the potential would creep up to about 150v. Obviously, any surges over a power line already running at 150v were more than the set could take. A good voltage regulating transformer was recommended and installed — but this did not solve the midnight surge problem. It did help the low voltage condition and gave the owner good reception during the early evening hours. Surges were still coming through at late hours when the line potential was 150v.

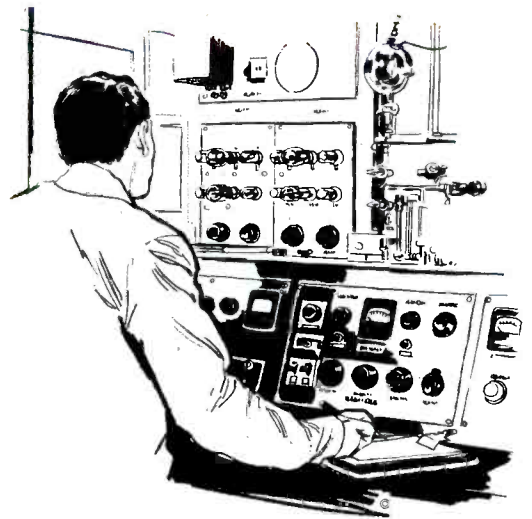
This problem was solved by installing a "Thyrector" diode (essentially a zener but made of selenium and less expensive as symbolized in Fig. 3) directly across the power line inside the TV set. This diode should be installed in the line ahead of the switch and fuse. In this position, if the diode should short, the fuse will blow and when the set is in the OFF position, the diode will not remain across the line. The solution was permanent with no more trouble. ■



# Semiconductors from A to Z

**MAINTAIN YOUR PROFICIENCY  
AS A TECHNICIAN BY  
KEEPING ABREAST OF  
CURRENT DEVELOPMENTS IN  
INTEGRATED CIRCUITS**

The eleventh article in a continuing series



■ The ninth and tenth articles in this series described the principles of unbalanced and balanced differential amplifier circuits. These principles were then applied to the CA3005 integrated circuit.

## **An Integrated FM IF Strip**

A similar integrated circuit, type  $\mu$ A703 (Fig. 1), has been designed for an FM IF strip. The manufacturer's diagram of this circuit is shown in Fig. 2. This diagram can be changed to a form that we are more familiar with (Fig. 3). A fourth transistor ( $Q_4$ ) is used in the circuit in place of the diodes ( $D_1$  and  $D_2$ ) used in the other integrated circuit for temperature compensation. The temperature

characteristics of transistor  $Q_3$  should be quite similar to those of transistor  $Q_4$ . This additional transistor ( $Q_4$ ) provides the same function as resistor  $R_6$ , described with Fig. 1 in the May article of this series. The collector-to-emitter voltage drop across transistor  $Q_4$  produces the desired base-to-emitter bias voltage for the current-limiting transistor ( $Q_3$ ).

Still another transistor  $Q_5$  (Fig. 3) provides the same function as resistor  $R_5$ , described with Fig. 1 of the previous article. It is used as part of a voltage divider to supply transistor  $Q_2$  with nearly constant base-bias current.

The manufacturer's schematic of the FM IF strip is shown in Fig. 4.

A simplified version of the 3rd IF amplifier stage is shown in Fig. 5. Transistors  $Q_1$  and  $Q_2$ , in this circuit (Fig. 5), function in nearly the same manner as transistors  $Q_1$  and  $Q_2$  described with Fig. 2 of the May article. When no current is developed across the secondary winding of transformer  $T_2$ , nearly all the dc bias current passes through the winding, and the base of transistor  $Q_1$  has the same amount of bias as the base of transistor  $Q_2$ . Since there is very little dc resistance in transformer  $T_3$ , nearly the same amount of collector current from the two transistors flows through the common collector resistor and terminal 1. Both transistors ( $Q_1$  and  $Q_2$ ) are maintained at nearly iden-

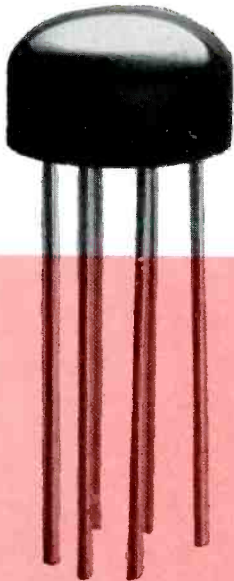


Fig. 1—An integrated circuit designed for an FM IF strip. Courtesy of Scott.

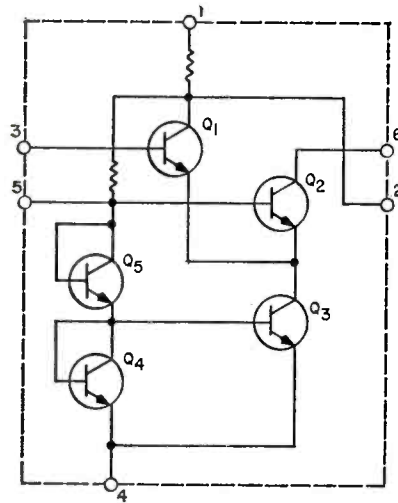


Fig. 3—A more conventional diagram of integrated circuit number  $\mu A703$ .

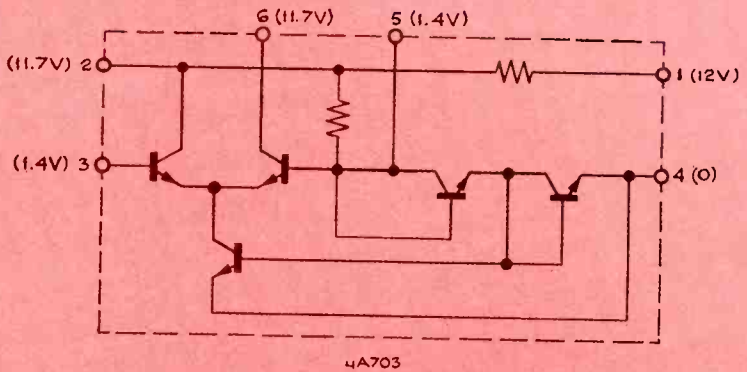
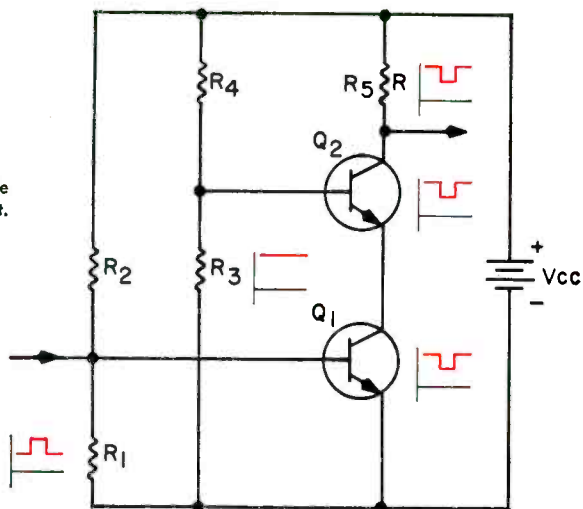


Fig. 2—The manufacturer's schematic of integrated circuit number  $\mu A703$ . Courtesy of Scott.

Fig. 7—A simplified cascode amplifier circuit.



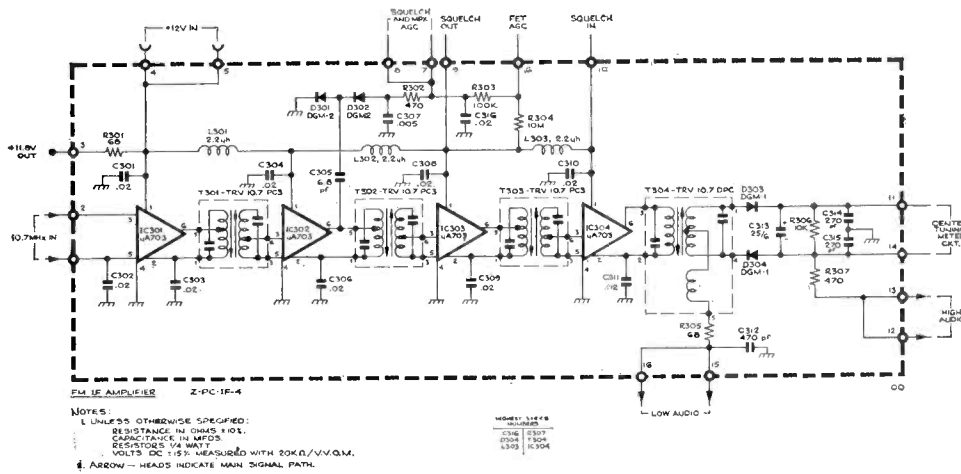


Fig. 4—The manufacturer's schematic of the FM IF strip. Courtesy of Scott.

tical dc collector-to-emitter voltages. When a radio-frequency (RF), positive signal current is induced into the secondary winding of transformer  $T_2$ , the base of transistor  $Q_1$  becomes more forward biased, the transistor conducts more current and a reduction occurs in its collector-to-emitter voltage. The RF portion of the collector current from transistor  $Q_1$  is shorted to ground by the  $0.02\mu\text{f}$  capacitor connected to terminal 2 of the integrated circuit. This capacitor prevents an ac signal from developing across the common collector resistor. The RF change in collector-to-emitter voltage across transistor  $Q_1$  can result

in a RF change in the potential of the emitter only — the ac potential of the collector being shorted to ground. The RF positive signal present at the base of transistor  $Q_1$  results in an amplified RF positive signal at the emitter of the same transistor. Since the emitter of transistor  $Q_2$  is connected to the emitter of transistor  $Q_1$ , there is also an RF positive potential developed at its emitter. Since the base of transistor  $Q_2$  remains at a constant potential, the transistor is less forward biased as the emitter becomes more positive, and the RF positive potential at the emitter results in an RF de-

crease in current flowing through transistor  $Q_2$ . Because of the impedance of the primary winding of transformer  $T_3$  (Impedances were discussed in the March 1966 article.), the winding has a relatively high ac resistance, compared to its dc resistance, and a signal voltage develops across the primary winding of the transformer. The RF positive signal present at the emitter of transistor  $Q_2$  induces an RF positive signal across the primary winding of transformer  $T_3$ . The RF reduction in current flow through transistor  $Q_2$  does not result in an RF change in potential across the common collector resis-

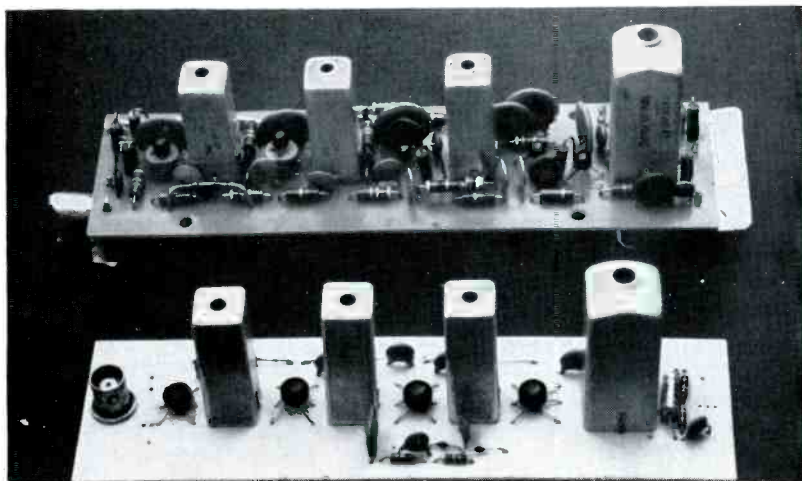


Fig. 6 — A comparative photograph showing the FM IF strip with transistors (above) and with integrated circuits (below). Courtesy of Fairchild.

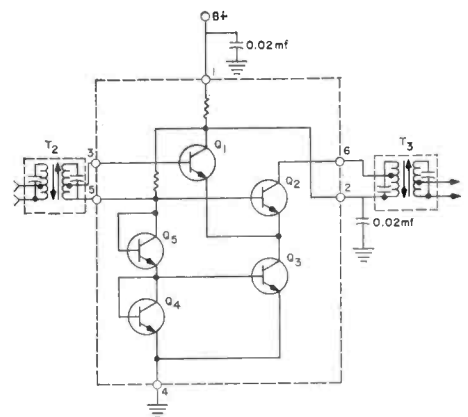


Fig. 5—A simplified diagram of the 3rd IF amplifier stage.

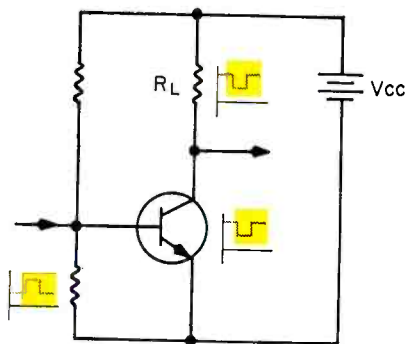


Fig. 8—A simplified common-emitter circuit.

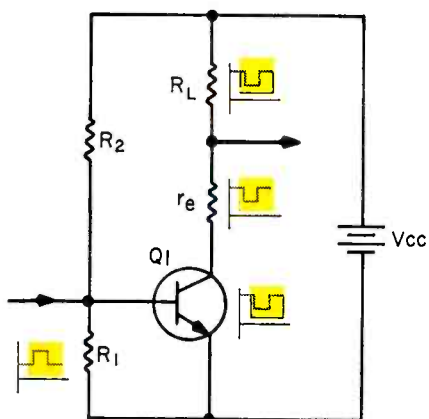


Fig. 9—An equivalent to the simplified cascode amplifier circuit.

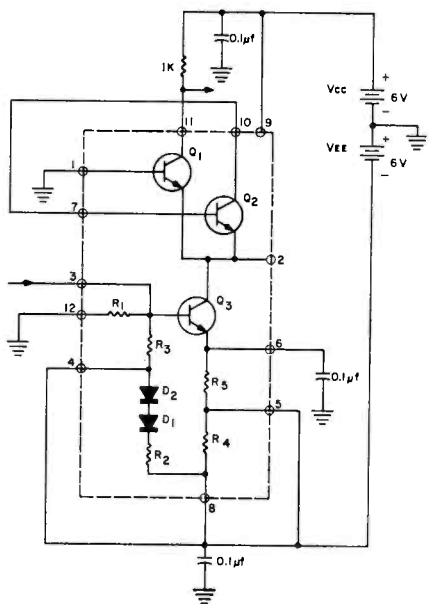


Fig. 10—A cascode amplifier using the CA 3005 integrated circuit.

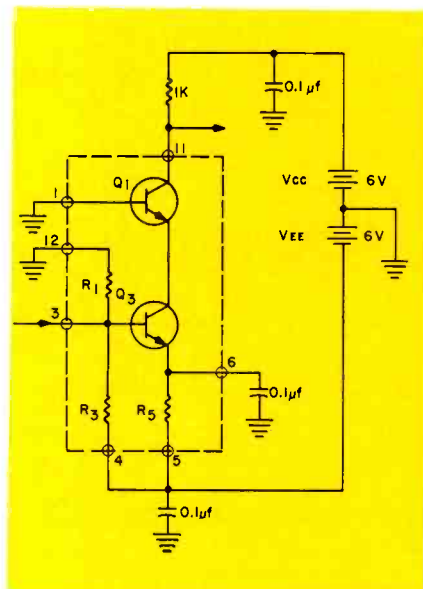


Fig. 11—A simplified diagram of the CA3005 cascode amplifier circuit.

tor. The portion of the RF decrease in current through transistor  $Q_2$  — not neutralized by the RF increase in current through transistor  $Q_1$  — is shorted to ground by the  $0.02\mu\text{f}$  capacitor connected to terminal 2 of the integrated circuit.

An RF negative pulse present at the base of transistor  $Q_1$  causes an RF decrease in current flow through transistor  $Q_1$  and an RF increase in current flow through transistor  $Q_2$ . This results in an RF negative signal across the primary winding of transformer  $T_3$ . Again, any portion of the RF increase in current through one transistor, not neutralized by the RF decrease in current through the other transistor, is shorted to ground through the  $0.02\mu\text{f}$  capacitor, and no signal is developed across the common collector resistor.

Transistor  $Q_1$  functions in this circuit as a common-collector transistor, while transistor  $Q_2$  functions as a common-base transistor. Common-collector and common-base transistor circuits are discussed in the August and September 1966 articles.)

Because of the constant-current-source characteristics and the method of temperature compensation — with transistors said to operate up to 900MHz — the integrated circuit reportedly has a stable bandwidth greater than 150MHz.

The manufacturer indicates that each five-transistor integrated circuit has a minimum gain of 26db at the 10.7MHz IF. With four of these integrated circuits in series, the IF strip has a total maximum gain capability of 104db. Since the integrated circuits are capable of so large a total gain, some of the gain can be sacrificed in the tuned circuits to insure high-loaded "Q's."

The integrated FM IF strip has been compared by the manufacturer with its predecessor, a transistor FM IF strip (Fig. 6). Not only does the integrated FM IF strip require fewer components than the other strip, it is reported to have better specifications. The manufacturer's comparative specifications are as follows:

Transistor IF	Integrated Circuit IF
	Sensitivity
$1.7\mu\text{V}$	$1.5\mu\text{V}$
	Capture Ratio
3db	1.75db
	Selectivity
45db	46db
	AM rejection
-46db	-52db
	Distortion at 400Hz
0.3 percent	0.3 percent
	Stereo separation
35db at 400Hz	41db at 400Hz
19db at 15kHz	30db at 15kHz

### A Cascode Amplifier

The April article in this series indicated that the integrated circuit, sold as part number CA3005, contains a balanced differential-amplifier circuit having a controlled, constant-current source. The major portion of the April and May articles explained how this integrated circuit functioned as a differential amplifier.

It was also indicated that this integrated circuit could be used as a cascode amplifier. The function of a cascode amplifier differs considerably from that of a differential amplifier.

A simplified cascode amplifier circuit is shown in Fig. 7. Here, the base of transistor  $Q_1$  is forward biased with resistors  $R_1$  and  $R_2$ , while the base of transistor  $Q_2$  is forward biased with resistors  $R_3$  and  $R_4$ . Since transistors  $Q_1$  and  $Q_2$  are connected in series, and a col-

lector-to-emitter voltage drop will occur in transistor  $Q_1$ , the emitter of transistor  $Q_2$  must be more positive than the emitter of transistor  $Q_1$ . Hence, if the same amount of forward bias is to be applied to both transistors, the base of transistor  $Q_2$  must be biased more positive than the base of transistor  $Q_1$ .

When a positive signal is applied to the base of transistor  $Q_1$ , the transistor conducts more current, and a reduction in its collector-to-emitter voltage occurs. Because of the reduction in the voltage drop across transistor  $Q_1$ , the emitter of transistor  $Q_2$  becomes less positive. The base of transistor  $Q_2$  is then more positive with respect to its emitter, and since the transistor is now more forward biased, it also experiences a reduction in its collector-to-emitter voltage. Transistor  $Q_2$  functions as though it were in a common-base circuit.

In a simple common-emitter circuit (Fig. 8), a reduction in the transistor's collector-to-emitter voltage results in a corresponding increase in the voltage drop across the load resistor ( $\Delta V_{CE} = -\Delta I_C R_L$ ). (Voltage drops within a circuit are discussed in the October 1966 article of this series.) This relationship is not true for transistor  $Q_1$  in the cascode amplifier circuit (Fig. 7). There, the increase in the voltage drop across the load resistor ( $R_5$ ) is greater than the decrease in the collector-to-emitter voltage drop of transistor  $Q_1$

( $\Delta_{CE} < -\Delta I_C R_5$ ). Instead, it is equal to the sum of the collector-to-emitter voltage changes in the two transistors ( $Q_1$  and  $Q_2$ ).

Transistor  $Q_2$  functions (Fig. 9) as a negative resistor ( $r_e$ ) in series with a load resistor ( $R_L$ ). When a positive signal is applied to the base of transistor  $Q_1$  (Fig. 9), the transistor conducts more current. The transistor's increased collector current results in a greater voltage drop across the load resistor ( $R_L$ ) and a reduced voltage drop across the effective negative resistance,  $r_e$ . (Although the voltage drop across resistor  $R_L$  increases as the voltage drop across resistor  $r_e$  decreases, the squarewave pulses developed across both are shown as negative pulses. A greater voltage drop

across resistor  $R_L$  will make the output less positive with respect to the positive supply-voltage lead, while the reduced voltage drop across the effective negative resistor  $r_e$  will make the output less positive with respect to the negative lead.) Transistor  $Q_1$  in Fig. 9 requires a smaller change in its collector-to-emitter voltage, than the transistor in Fig. 8, to produce the same output signal across an equal load resistor ( $R_L$ ).

The May article in this series showed integrated circuit CA3005 as a standard transistor circuit (Fig. 6 in the May article). By attaching external circuitry to the integrated circuit (Fig. 10), it can be used as a cascode amplifier. This diagram can be simplified without actually changing the circuit (Fig. 11). The unused leads and components are no longer shown.

The collector and emitter voltage sources ( $V_{CC}$  and  $V_{EE}$ ) supply power to the circuit and act as a voltage divider. Since the common battery terminal and the base terminal of transistor  $Q_1$  are both connected to ground, one voltage source ( $V_{CC}$ ) serves to make the transistor's collector more positive than the base while the other voltage source ( $V_{EE}$ ) serves to make the transistor's emitter more negative than the base. The corresponding transistor ( $Q_2$ ) in Fig. 7 received the same base bias current through a resistor voltage divider circuit ( $R_3$  and  $R_4$ ).

We indicated earlier in this article that the base of Transistor  $Q_1$  (Fig. 7) is biased at a more negative potential than the base of transistor  $Q_2$ . The corresponding transistor in Fig. 11 (transistor  $Q_3$ ) is biased at a more negative potential than transistor  $Q_1$  and ground with a resistor voltage divider ( $R_1$  and  $R_3$ ).

Resistor  $R_5$  and the  $0.1\mu\text{f}$  capacitor connected to terminal 6 serve as an "emitter swamping" circuit to improve the stability of the integrated circuit. (The September 1966 article describes emitter swamping circuits.)

The two other  $0.1\mu\text{f}$  capacitors in the circuit (Fig. 11) shunt to ground any portion of the ac signal that would otherwise appear across the emitter- and collector-voltage sources ( $V_{EE}$  and  $V_{CC}$ ).

Transistors  $Q_3$  and  $Q_1$  (Fig. 11) function in the same manner as transistors  $Q_1$  and  $Q_2$  described earlier (Fig. 7). A positive signal applied to the base of transistor  $Q_3$  (Fig. 11) reduces the transistor's internal resistance and thereby reduces its collector-to-emitter voltage and increases its collector current. Transistor  $Q_3$  is connected in series with transistor  $Q_1$  and the 1K resistor, and when a current increase occurs through transistor  $Q_3$ , an increase in current also occurs through transistor  $Q_1$  and the 1K resistor. This results in a reduced voltage drop across the effective negative resistance of transistor  $Q_1$  and an increased voltage drop across the 1K resistor. (The effective negative resistance of transistor  $Q_1$  provides amplification in the same manner as the negative resistance of the tunnel diodes described in the February and March 1967 articles.)

Cascode amplifiers have a greater gain than differential amplifiers. When connected in a circuit designed to operate at 100MHz, the CA3005 integrated circuit reportedly has a 20db power gain ( $G_p$ ) when operating as a cascode amplifier and a 16db power gain when operating as a balanced differential amplifier.

When operating as a cascode amplifier, the integrated circuit no longer has the temperature compensation provided by diodes  $D_1$  and  $D_2$ . Since transistor  $Q_3$  is not operating in a current-regulating circuit, and increases in current through one portion of the circuit are not balanced by virtually equal reductions in current through another portion of the circuit — as in the balanced differential amplifier circuit described earlier — the current drawn by the cascode amplifier is not entirely independent of the signal applied to the circuit. The signal amplified by the cascode amplifier is, therefore, not as isolated from the voltage source as the signal amplified by the balanced differential amplifier.

The next article in this continuing series will describe the function of an integrated circuit currently being used in the audio circuit of several TV sets. ■

# TV SALES THRIVE ON GOOD

Texas service-dealer uses two-way communications system and all-night automatic answering service to speed customer service



Guy Nelson, owner, gives customer an estimate on TV repairs.

■ "Good service is the key to our success here," says Guy Nelson, 30-year-old president of the family-owned Dwight TV Sales & Service Co. in San Antonio, Tex.

The business was started in 1951 by Guy's father, Bill Nelson. By 1962 it was doing a gross business of \$134,000 and last year topped \$288,000.

"I believe we service more TV sets than any other independent service-dealer in San Antonio," Mr. Nelson observes.

From what our reporter saw, Dwight TV's 25 by 50-ft air-condi-

tioned service shop appeared to be the largest and best instrumented in the city.

Mr. Nelson's pretty wife, Linda Marie, is secretary and treasurer of this 14,000-sq ft operation and she also "mans" the two-way radio base station used for dispatching service trucks.

#### Service Stance

Guy Nelson believes his business has prospered because of the company's motto: "Fast and dependable service."

"This has always been our



# SERVICE



Dwight TV puts a low priced used set on the sidewalk in front of the store to attract price-conscious customers.



Mrs. Nelson dispatches a two-way radio equipped service truck to a customer needing fast service.



A home-call technician "checks in" at the office from his two-way radio-equipped truck as neighborhood children watch.

promise to customers," Mr. Nelson emphasizes. "And we do whatever is necessary to keep that promise," he adds.

He stressed the importance of speed in expediting a service call. "TV is the average person's main entertainment these days. When the TV set is out, the customer wants it fixed 'yesterday,' And we try to fix it 'yesterday,'" he smiles.

As this alert service-dealer warmed up to his subject, we learned about some of the important things that had to be done to give customers this kind of service.

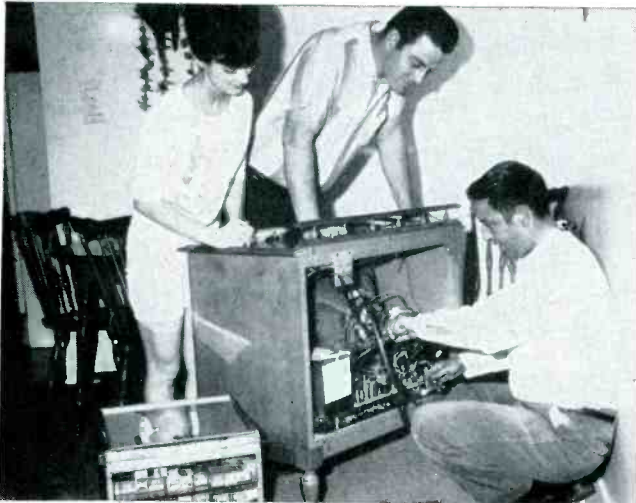
"Our two-way radio system speeds the service technician's arrival at the customer's home," Mr. Nelson says. "As the service calls come in, they are scheduled and routed so each customer will receive the fastest possible service.

"All service calls within a certain area are assigned to the technician who has that area," he explains.

Mr. Nelson assigns each technician to a certain area each morning of each working day. And after the day's service calls are scheduled and a list given to each technician, the technician must "check in" with

the office when arriving at a home and again just before leaving.

"In this way," Mr. Nelson says, "we can take care of all the service calls that come in after the technicians leave in the morning. We have been able to give same-day service to 80 percent of our customers by using this system. Many service calls that come in as late as 4 p.m. in the afternoon are handled the same day since our outside technicians work until 7 p.m. Even if a set has to be brought into the shop, we frequently return it, depending on the age of the set and type of re-



Most of Dwight's customers are friendly, cooperative and loyal.



A section of the floor display where almost 200 sets are in constant supply.

pair, by 7 p.m. that same evening."

When the store is closed, all calls for service are recorded on an automatic "answering service" so the calls can be processed, scheduled and handled in the morning.

Mr. Nelson also points out that this kind of service has been instrumental in bringing about a high level of customer satisfaction and has created a large group of hard-core, loyal customers.

All service technicians wear a standard uniform while they work. And they put on a fresh uniform every morning. The uniform consists of a white shirt and gray slacks. The name of each technician is on the front of his shirt and the company's name is on the back. The lettering on the shirts is in the same bright colors as that on the company's white-bodied service trucks.

Repair work done by house-call technicians includes replacement of tubes, switches, speakers and necessary adjustments.

"Any circuit work has to come into the shop," Mr. Nelson explains. "This includes replacement of transformers, resistors, capacitors and controls."

#### Handling the Technician Shortage

Paul Bazan, Jr., Dwight's manager, had something to say about keeping technicians happy and reducing turnover.

"To begin with, a technician is not hired here unless he has a good five-year experience record," Mr. Bazan says.

After a technician is hired, both Mr. Nelson and Mr. Bazan spend a few days to give the technician a thorough orientation. Mr. Bazan explained it this way: "We go over our system of operation, shop procedure, the work load, our method of charges, preparation of our repair invoices, our company policy regarding warranties on repair jobs and on call-backs."

He explains that technicians get an average salary of about \$125 a week, plus an average of \$40 additional as incentive pay. Mr. Bazan went into details about this.

"We train our technicians to 'trade' in the customers home. If the cost of repairing a set exceeds what we believe to be the set's value, for example, then the technician explains to the owner that money would be wasted on repairs. The technician recommends that the money be invested in a new set. But technicians are cautioned not to 'pressure' customers.

"We give our technicians \$4.50 for each B/W lead turned in which results in a sale," Mr. Bazan continues. "And we give \$20 for a color TV lead that results in a sale."

Follow-up work on these leads is done by Mr. Bazan or Mr. Nel-

son. The technician does not become involved in the sale or any of its details. In the event a technician does close a sale, however, he receives two percent of the total sale in addition to the "lead" money.

Mr. Nelson reports that one-third of new TV sales originate through leads supplied by service technicians.

Dwight's TV has six technicians and they receive paid vacations and sick pay after one year with the company. There are two house-call men, four benchmen and two men who specialize in antennas and installing new TVs in the home. Outside technicians are expected to make 14 service calls a day. This is not difficult when calls are dispatched by two-way radio.

Dwight's charges \$13.50 to \$16.50, plus parts, for B/W sets repaired on the bench. Similar charges for color run from \$18.50 to \$22.50, plus parts.

#### Credit Policy

Mr. Nelson says "credit is given on all repairs if the customer asks for it. We even give the customer a year to pay for a major repair job."

Despite this liberal approach to credit, Mr. Nelson indicates that credit losses are small. "Only about 5 percent," he explains. The reason for this is twofold:

"On each work order, our serv-



Paul Bazan, Jr., is Dwight's manager.



One of the four in-shop technicians is seen working in one section of the large repair shop.

ice technician adds a dollar. Then he explains to the customer that if the bill is paid before the due date, the dollar will be deducted. This encourages the customer to pay his bill before the due date," Mr. Nelson says.

To cut delinquencies further, a paragraph at the bottom of the work order is, in effect, a chattel mortgage on the TV set. If the repair bill is not paid, the set can be possessed by court order. This precaution has proven very effective for this service-dealer.

"At one period we were about to go broke because of bills outstanding—about 45 percent. Now we lose only about 5 percent in bad debts," Mr. Nelson says.

This holds true even though Mr. Nelson often approves credit after closing time—when he cannot check a customer's credit rating with the local Retail Credit Assn. When we showed surprise about his small credit losses, Guy Nelson shrugged his shoulders and said, "I guess it's intuition based on experience."

The service-dealer is aided, however, by a very detailed credit application form which tells a lot about the customer, including his employment record and whether he owns a home. Additionally, Guy Nelson has lived here all his life and knows practically everyone in town.

"Besides," Mr. Nelson smiles,

"this is a military town. A man won't risk having his rank fouled up just for the price of a TV set."

The service-dealer gives his wife much of the credit for this happy state of affairs. "I would be lost without her," he concludes.

#### **Advertising, Promotion and Expansion**

Guy Nelson believes that his service policies have generated much word-of-mouth advertising which results in a continuous stream of new customers. But he is spending a modest amount on advertising.

"In 1962 we spent \$100 for advertising," Mr. Nelson says. "During the past year we've spent \$850 a month—somewhat less than 4 percent of gross. We also shifted from neighborhood newspapers to the metropolitan dailies. We also added one-minute radio and TV spots."

Mr. Nelson estimates that this advertising has brought an increase in store traffic of about 33 percent.

"We have also gone from two TV brands to five," Mr. Nelson says. "And where we used to have 30 color sets on the floor in 1962, we now have 80. We also keep about 100 B/W sets on the floor."

In addition to these sets, Guy Nelson points out that he has a substantial number of both B/W and color sets in "backroom stock."

To attract passing motorists, Mr. Nelson keeps a huge electric sign on all night. It tells the prospective customer what major brands of TV sets the store handles.

Another attention getter is the electric lights which are left on in the entire store all night. "It helps our customers to window shop. It is also inexpensive burglar insurance," Mr. Nelson says.

Guy Nelson plans to open a second store in the new Lone Oak shopping mall soon. And he believes that this expansion will pose few risks. He believes increased color sales will guarantee success.

"We sold three color sets a month in 1962," Mr. Nelson says. "We are selling 30 a month today," he adds. He believes that the present 10 percent market penetration is only the beginning.

"Color TV is in its infancy here," he emphasizes. "And after color, we'll probably have three-dimensional color and video tape recorders to sell."

"I doubt if any alert service-dealer who remains sincere and loyal to his customers can look forward to anything less than success today," he concludes.

Guy Nelson confides that he loves his work and that it is the only job he ever had. And we believe that a man who feels as he does about the business can't help but succeed. ■

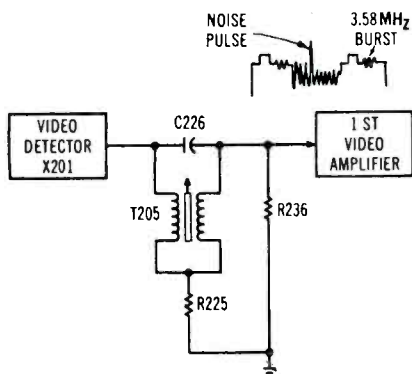


# COLORFAX

## Video Circuits in Westinghouse V2655 Color Chassis

The signal waveform at the video detector output is shown in the block diagram. Diode, X201, is connected so a rectified sync-positive output will be developed. The signal appears across the detector load consisting of R236 in parallel with trap, T205 and resistor, R225.

The waveform may appear to be the same as a B/W signal at first, but

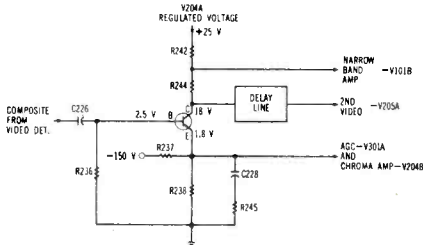


closer examination will reveal a "burst signal" on the back porch of the blanking signal. This is an eight cycle burst of the 3.58MHz signal, transmitted along with the composite signal, to maintain color sync between the receiver and transmitter. This is essential for correct reproduction of colors.

Another difference that may be seen in the composite signal — if viewed on a scope during color telecasting — the video information will appear somewhat more dense. This is caused by the presence of color sidebands and depends on the contents of the picture being televised.

T205 is a 4.5MHz trap used to eliminate any possible 920kHz beat that may develop between the 4.5MHz sound IF and the 3.58MHz color sub-carrier.

An NPN transistor, Q200, is used for the 1st video amplifier. It is shown in the schematic here. To conduct and



amplify, the elements of an NPN transistor must be biased so the emitter will be at the most negative potential, the base slightly positive with respect to the emitter and the collector at the most positive potential. Since the emitter is at 1.8v, the base at 2.5v, the collector at 18v, the dc operating voltages are in correct relationship for an NPN transistor. Forward bias between base and emitter is plus .7v which will allow the transistor to conduct. The dc electron current path through the transistor will be from ground, through R238, transistor emitter to collector, R244, R242 and to the regulated source potential of 25v. The 25v source voltage is taken from the cathode of V204A, the low voltage regulator. It acts as a regulated supply voltage which is very important for operating stability in transistor amplifiers.

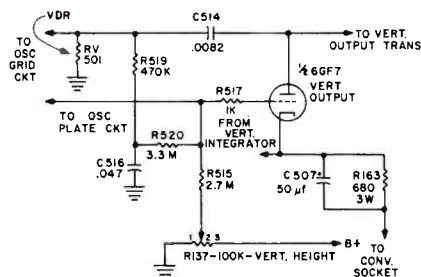
The sync positive composite video waveform is applied between the base and emitter of transistor Q200. Two output signals are produced, one at the emitter which has the same polarity as the one at the base and the amplified output at the collector which is a sync pulse negative composite video signal. The signal from the emitter—an emitter follower arrangement—is applied to the chroma amplifier, V204B, to produce all chroma information and to the AGC keyer stage, V301A.

The amplified composite waveform as produced in the collector circuit is passed on to two sections—through the delay line to the 2nd video amp, V205A and through resistor R244, to the grid of the narrow band amplifier, V101B.

In summary, transistor video amplifier, Q200, amplifies the composite video signal. Since the output signal produced is passed on to four separate sections of the receiver, it is essential that this stage function correctly.

## VDR Application in RCA CTC17X Color Chassis

A "varistor" (VDR) is a component which exhibits the characteristics of decreasing its resistance as the voltage across it increases. This characteristic is used to advantage in TV deflection circuits where regulation of sweep output amplitude is desirable.



A typical application of a VDR is in the vertical output stage—to maintain uniform vertical sweep over a wide range of line voltages (from low to high). The vertical circuit used in the CTC17X color chassis (see schematic) employs a VDR for this purpose.

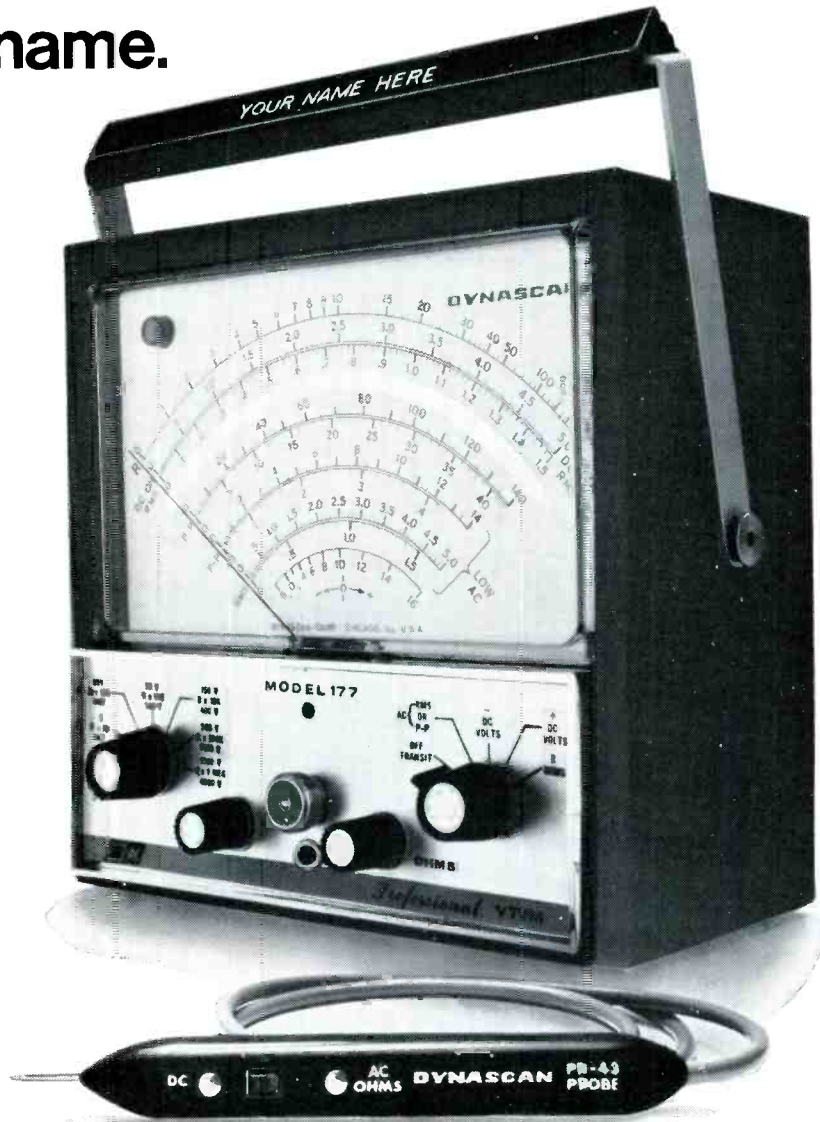
In this circuit, RV501 conducts during the large positive retrace pulse which appears at the vertical output plate. This conduction charges C514 during retrace. During the scanning interval the resistance of the VDR is extremely high, so no loading is presented to the vertical output tube. R519 and C516 form an RC filter so a relatively clean negative dc voltage is developed across C516. Part of this negative voltage is applied to the vertical output tube grid through a voltage divider network consisting of R520, R515 and part of the height control resistance from the arm to ground.

As the line voltage increases, a larger positive pulse appears on the plate of the output tube during retrace. The additional pulse amplitude further reduces the effective resistance of the VDR during retrace and increases the charge on C514. More negative dc voltage is developed at C516 increasing bias on the output stage grid, lowering the output of the 6GF7 vertical output tube.

An open circuited VDR would cause vertical overscan and some loss of vertical sync. The loss in vertical hold is noticed with excessive overscan, the output tube grid is driven positive and plate saturation occurs. This attenuates the sync pulse which is normally amplified before it's fed back to the oscillator grid.

In the case of a shorted VDR, a loss of vertical deflection would result and feedback from the output to oscillator section is shorted to ground through the VDR.

There's a heckuva lot of VTVM units around.  
 Only the 177 "Professional"  
 has battery eliminator, mirrored scale,  
 half volt scale for transistor circuits  
 and—your name.



If you're one of the skeptics who think one VTVM is pretty much like another, the B&K 177 "Professional" will change your mind. This one stands out from the crowd.

A gigantic 7" mirrored scale reads faster, more accurately. An extra-sensitive 0.5 VDC range will check transistor circuits.

A zener diode regulated power supply insures reliable ohmmeter performance. No batteries required. A single probe ends cable fumbling. Transit switch position protects the meter on the road. The vinyl covered steel case is good-looking and tough. Its appearance symbolizes your professional status and, above all, it has B&K quality.

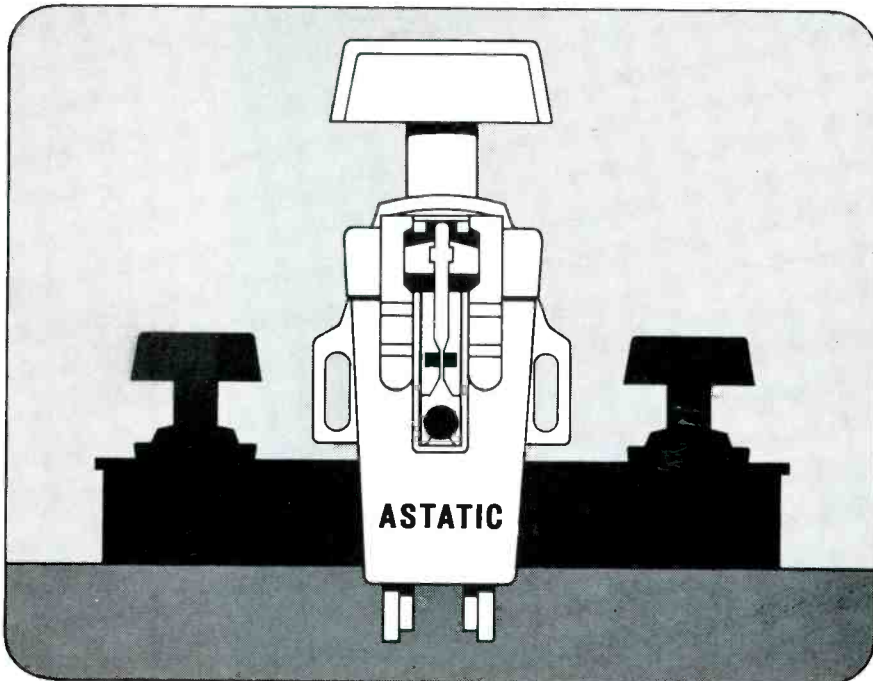
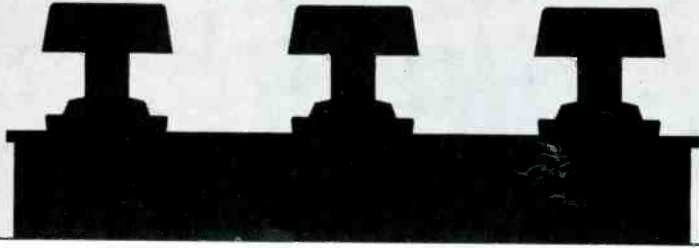
Any way you look at it, the 177 "Professional" is really different and it's all *yours*—the handle is personalized with your name. Cost? Just \$79.95.

B&K Division of Dynascan Corporation  
 1801 W. Belle Plaine • Chicago, Illinois 60613



Where Electronic Innovation Is A Way Of Life  
 . . . for more details circle 112 on postcard

# WILL THE REAL NO. 1 In Replacement Phono Cartridges Please Stand Up!!



So many pretenders have been laying claim to No. 1 position that they've turned the situation into a game.

Having held the No. 1 position for more than 30 years, Astatic is naturally reluctant to play around about it. But, in case you're interested in how to spot the leader, ask questions like these: Is your line really the most COMPLETE, or will I run into complications of needing several sources of supply? Do you follow RESPONSIBLE practices such as visual Date Coding and Shelf Life Control? Are you really the largest OEM supplier creating a replacement demand for your cartridges? There are many similar questions, but this is enough. ONLY ASTATIC CAN SAY YES. There can be only one No. 1—and its STILL ASTATIC.



## THE ASTATIC CORPORATION

Conneaut, Ohio 44030 U.S.A.

In Canada: Canadian Astatic Ltd., Toronto, Ontario

Export Sales: Roburn Agencies, Inc.

431 Greenwich Street, New York, New York 10013, U.S.A.

THE PIONEERS AND THE PACESETTERS OF QUALITY SOUND REPRODUCTION

## ZENITH . . .

*continued from page 41*

strong flyback pulse at the 15.75-kHz rate, after which the windings "ring" during the remainder of the horizontal scan interval.

The 6HS5 voltage regulator grid is hit with a flyback pulse at the beginning of each cycle (from the cathode of the horizontal oscillator) and then "floats" during the remainder of the cycle.

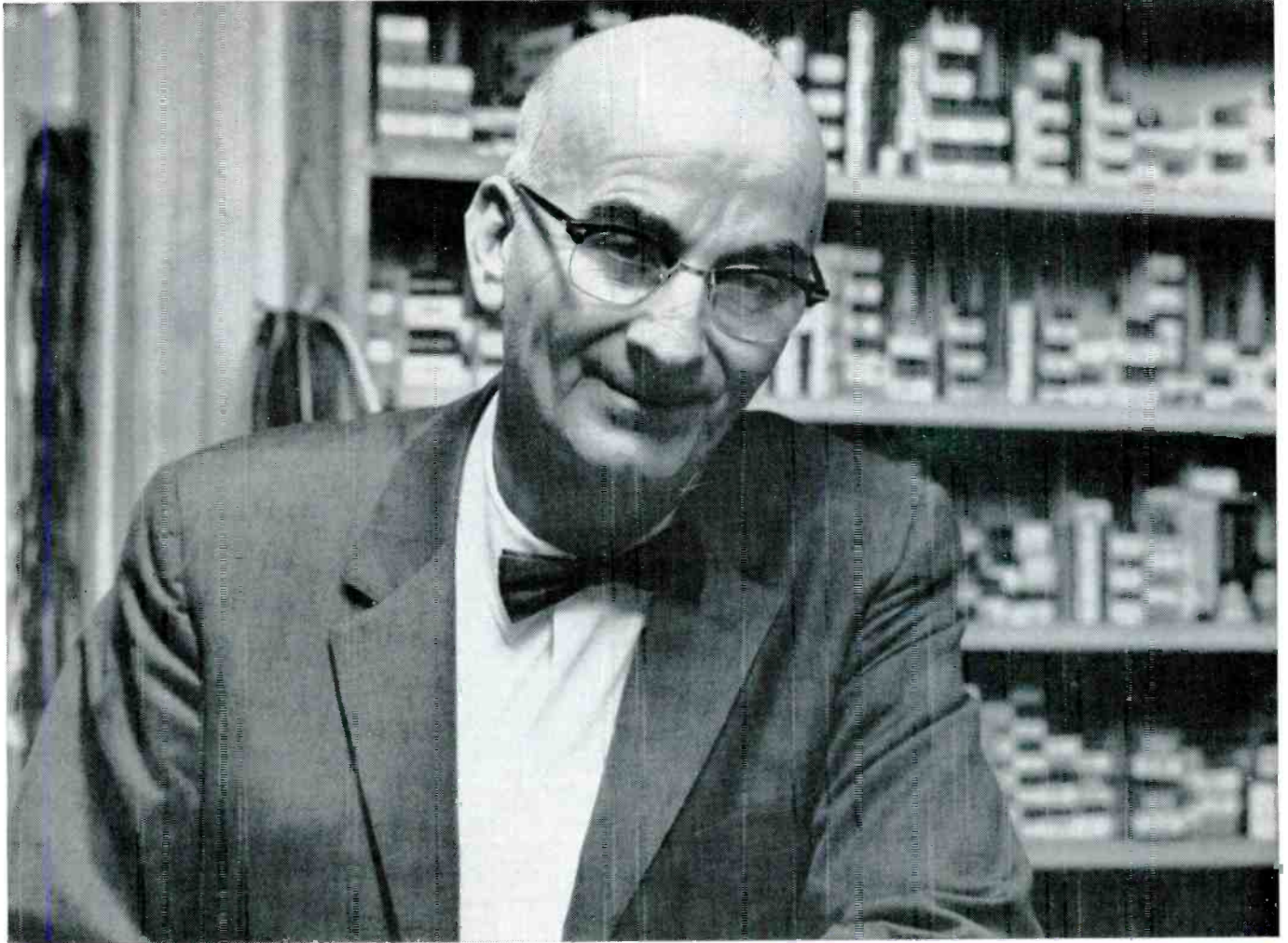
If the circuit is operating at a set value of 25kv, during a portion of the horizontal scan, a bright area appears, requiring more current. This is an added load on the 3A3A HV rectifier which draws more current and loads down the tertiary HV winding. This additional loading reduces the HV output and ringing. The tertiary winding reflects back into the primary winding through mutual coupling so voltage in the primary drops, as does the ringing.

The 6DW4 damper is connected to the primary winding, so the ringing to its cathode is reduced, but the damper thrives on ringing so its output reduces. You will note that the damper plate, through the high voltage adjust pot, delivers the output voltage to the regulator grid (see Fig. 11). When ringing is reduced, damper output drops, this in turn reduces the effect of the regulator, reducing its plate load — which is on the primary winding of the flyback. This reduction in load permits the ringing to recover and thus the primary voltage recovers.

When the primary winding recovers and brings back the ringing level, this is immediately reflected mutually into the tertiary, or high voltage winding, bringing up its ringing, and thus its voltage level which recovers the HV to the original 25kv level.

Then, any additional loading by the CRT during brightness level increase in the scan line loads the tertiary through the 3A3A, which cuts down the ringing and mutual coupling reduces the ringing in the primary — in turn cutting down the output of the damper. This reduces the control of the regulator and lightens the load on the primary, which brings the pulse and ringing, delivering the high voltage at the 3A3A. ■

## Customers wear out the Yellow Pages getting to East Orange Radio



**“Half our new business — sales as well as service — comes from the Yellow Pages,”** says Romolo Bigonzi, owner, East Orange Radio, East Orange, New Jersey. “We get new calls every day and reference is made as to how these people found us, so obviously we’re sure Yellow Pages works for us. We know that regular customers also turn back to the Yellow Pages to get our number — it’s just human nature to do this. People we reach with our other advertising do the same thing. I think the size of our ad helps get across the idea we’re an established, reliable company. That’s important in attracting institutional business — nightclubs and the like. I’m getting a fair return on my Yellow Pages investment.”

Advertise for action...



**EAST ORANGE  
RADIO**  
ESTABLISHED 1932

**TELEVISION**

AUTHORIZED SALES & SERVICE

FEATURING **MAGNAVOX**  
**THE FISHER**

**COLOR TV SALES & SERVICE**  
**SERVICE & REPAIRS ON ALL MAKES**

OPEN FROM 9 TO 9 MON. WED. - FRI.

VISIT OUR SHOWROOM      CONVENIENT TERMS

**Dial 673-2288**

FOR PROMPT SERVICE

170 N. PARK (corner Dodd St.)      EAST ORANGE  
FREE PARKING

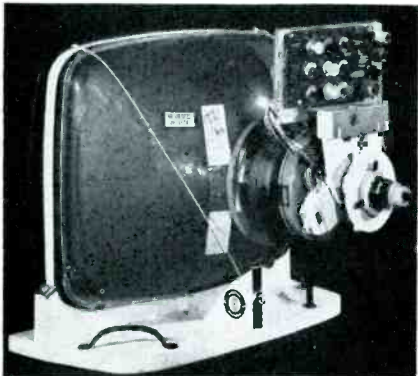
Customers wear out the Yellow Pages instead of themselves. This ad,\* under TELEVISION SERVICE, leads them to East Orange Radio. Call your Yellow Pages man to plan your program. Find him in the Yellow Pages under ADVERTISING — DIRECTORY & GUIDE.  
\*shown reduced

# NEW PRODUCTS

For additional information on any products in this section, circle the numbers on Reader Service Card. Requests will be handled promptly

## Color CRT Pedestal 700

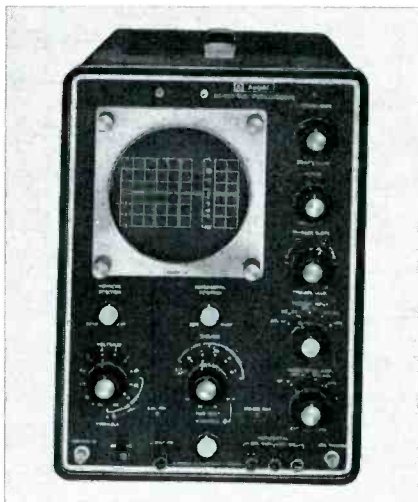
Announced is a pedestal designed to secure a 19-in. color test CRT, deflection yoke and convergence panel in position for direct hookup — exactly as in the customer's cabinet. The pedestal reportedly permits



bench service of the chassis in a horizontal or vertical position without extension cables. Weight 45 lb. Net Price \$14.50. Eight Ball.

## Oscilloscope 701

Announced is a dc to 5MHz, triggered-sweep oscilloscope designed to permit viewing stable waveform presentations even at upper frequency limits. Specifications indicate that signals, of various amplitudes and frequencies, as small as 1/2cm on the CRT face will permit triggering. The manufacturer indicates that the dc vertical sensitivity is 0.05v P-P/cm while the ac vertical sensitivity is 0.005v P-P/cm over a 1M input resist-



ance shunted by a 40pf capacitor. Kit price \$249.94. Wired price \$349.95. Allied.

## Stereo Headphone 702

Announced is a pair of stereo headphones that reportedly have a fre-



quency response of 40Hz to 15kHz and a 2w power capacity. The manufacture indicates that they come with plastic ear cups, a 7-ft four-conductor cable and a standard stereo plug. Price \$19.95. Superex.

## Color Bar Generator 703

Announced is a new solid-state signal generator designed to provide dot, crosshatch and color bar patterns with



video and RF outputs. Gun-killer controls are supplied for fast purity checks and a 4.5MHz crystal-controlled sound carrier output reportedly permits accurate fine tuning settings. Price \$159.50. Hickok.

## FM Tuner 704

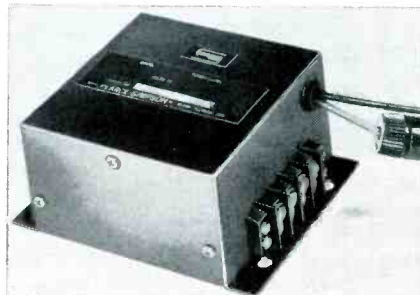
Announced is an FM tuner that, ac-



cording to specifications, has 2 RF stages, containing 5 tuned circuits, coupled with a 4-stage, double-tuned, IF circuit. The solid-state tuner reportedly has a sensitivity of 2.4μv for 30db quieting and 40db channel separation for FM stereo. Kit price \$89.95. Wired price \$119.95. EICO.

## Voltage/Polarity Converter 705

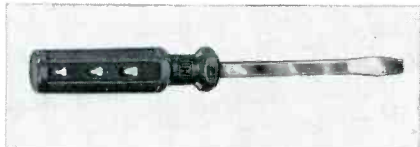
Announced is a converter designed to invert polarities and permit negative-ground-only equipment to be operated from positive-ground battery



systems. The unit is also designed to convert 6v systems to 12v, 12v systems to 24v and 6v systems to 18v. Specifications indicate that the converter can handle loads of up to 30w. Pearce-Simpson.

## Stripping Screwdriver 706

A two-in-one tool is announced that serves as both a screwdriver and a wire stripper. Three blades in the



screwdriver handle are marked for stripping no. 20 through 12 solid or stranded wire. The tool is available with a 3/16- and 1/4-in. wide blade and has an over-all length of 8 1/2 in. Prices range from \$1 to \$1.49. Holub.





# "I was TROUBLE-SHOOTING in the DARK

Only  
**199<sup>50</sup>**



Technicians everywhere are talking about the PS127 5" Wide Band Oscilloscope. Try one and you, too, will send us comments like these—

"So easy to use! With my Sencore scope I can read high or low frequency signals without band switching. As easy to use as a voltmeter."—R. L., Portland, Ore.

"I've only had my PS127 a couple of months, but it's more than paid for itself already with the extra jobs I've been able to handle."—S. O., New Orleans, La.

"With the direct peak-to-peak readout I can compare voltage readings to those on the schematic without wasting valuable time setting up my scope with comparison voltages."—J. M. F., Plymouth, Michigan.

"Those Sencore exclusives really sold me, like the extra 500KC Horizontal Sweep range and the free high voltage probe."—D. N., Brooklyn, N.Y.

You'd expect a wide band scope of this quality to cost at least double."—W. L., Chicago, Ill.

"With the PS127, I find I can trouble-shoot those tough ones twice as fast as before—especially color TV."—F. C., Burlingame, Calif.

"Once I compared the specs, I knew Sencore had the best buy in scopes. We now have three PS127's in our shop."—J. S., Ft. Lauderdale, Fla.

## SPECIFICATIONS

Vert. Freq. Resp. 10 CPS to 4.5 MC  $\pm$  1 db, — 3 db @ 6.2 MC • Rise Time .055 Microseconds • Vert. Sens. .017 Volts RMS/inch • Horiz. Freq. Resp. 10 CPS to 650 KC • Horiz. Sens. .6 Volts RMS/inch • Horiz. Sweep Ranges (10% overlap) 5 to 50 CPS, 50 to 500 CPS, 500 CPS to 5 KC, 5 to 50 KC, 50 to 500 KC • Input Impedance 2.7 megohms shunted by 99 MMF, 27 megohms shunted by 9 MMF thru low-cap. jack • High Voltage Probe 5000 Volts Max. • Dimensions 12"x9"x15½", Wt. 25 lbs. • Price Complete \$199.50



NO. 1 MANUFACTURER OF ELECTRONIC MAINTENANCE EQUIPMENT

# SENCORE

426 SOUTH WESTGATE DRIVE, ADDISON, ILLINOIS 60101

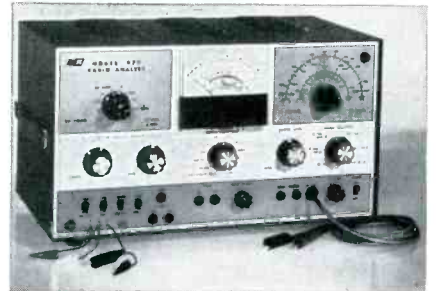
... for more details circle 143 on postcard

## NEW PRODUCTS

### Radio Analyst

707

An analyst is announced which is designed to check FM or AM auto, home and portable radios, transistorized TV sets and audio amplifiers. Specifications indicate that it can be used to make in-circuit and out-of-circuit transistor checks. Its built-in power supply is designed to provide 5amp output, with low ripple, at 1.5 to 15v in eight 1.5v steps. A bias supply is designed for continuously variable 1.5 to 15v output of the same



polarity as the power supply. The AM and FM signal generator has vernier tuning that covers 250kHz to 2MHz with AM modulation, 10MHz to 11.4MHz with AM or FM modulation and 88MHz to 108MHz with FM modulation. The dc VOM has a function switch for transistor test; 0 to 20ma, 200ma, 2amp, 5amp, 2v, 20v, 200v, 500v; and x1, x10 and x100 ohm scales. A 400Hz audio signal has an adjustable output that can be used to check speakers or modulate AM or FM signals. The manufacturer indicates that the instrument contains only solid-state circuits and measures 15½ x 8½ x 9in. Price \$199.95. B&K.

### CB Transceiver

708

A solid-state CB transceiver is announced that reportedly comes complete with all 23 channels operative. Specifications indicate that the re-



ceiver has a selectivity of 5kHz at 6db and 20kHz at 60db, has a sensitivity of 0.7 $\mu$ v at 30 percent modulation and 0.3 $\mu$ v at 100 percent modulation. The transmitter is designed for 3.2w power output from a 12.6vdc source. Sonar.

As a sample of the important savings and significant books available from **Electronic Technician's Book Club**,

accept this helpful new book

for only **\$1<sup>29</sup>**

... with Trial Membership in the Club

**TEN-MINUTE TEST TECHNIQUES**  
for  
**Electronics Servicing**  
by  
**Elmer Carlson**

Publisher's List Price  
**\$6.95**  
**YOURS for only \$1<sup>29</sup>**  
with Trial Membership in Electronic Technician's Book Club.

- 176 pages
- 125 illus.
- BRAND-NEW & Original
- 38 Subject Headings
- Permanent, Hardbound Volume

**PARTIAL LIST OF CONTENTS**

TEN-MINUTE TEST TECHNIQUES for Electronic Servicing, by Elmer C. Carlson, contains 176 pages — over 125 illustrations — 8 BIG CHAPTERS — 38 separate subject headings. Includes the type of practical servicing data every electronics technician should have — step-by-step techniques for localizing trouble to an improperly operating stage, and then to the defective component itself . . . using a minimum of test equipment. Truly an authoritative servicing guide which will help you solve "tough-dog" troubles fast and eliminate costly call-backs.

<b>FUNDAMENTALS OF TROUBLESHOOTING</b>	<b>BASIC AMPLIFIER TESTS</b>
Series R-C Networks	Voltage Testing
Parallel Networks	Static Testing
Three-Component Networks	Disturbance Testing
Resistor and Capacitor Testing	<b>AMPLIFIER TESTS WITH SCOPE</b>
Locating Defective Stages	Linear Amplifiers
<b>POWER SUPPLIES</b>	Push-Pull and Single-Ended Amplifiers
Filament Circuits	Sawtooth Testing
Circuit Protectors	The Scope as a Voltmeter
AC-Powered Supplies	<b>BASIC OSCILLATOR TESTS</b>
Half- and Full-Wave Doublers	Oscillator Types
Voltage Multipliers	Signal Tracing
Transformer Supplies and Full-Wave Rectifiers	AM-FM-TV Local Oscillators
Testing Transformers	<b>SPECIAL AMPLIFIERS AND TRANSMITTERS</b>
<b>FILTERS, BLEEDERS, AND REGULATORS</b>	Non-linear Amplifiers
Filter and Bleeder Circuits	Frequency Selective Amplifiers
Parallel and Series Regulators	Neutralizing
Causes of Regulator Oscillation	Filter Selectivity
<b>SPECIAL PURPOSE POWER SUPPLIES</b>	Fixed-Frequency Communications
DC-to-AC Supplies	Transmitter Troubleshooting and Maintenance
"Instant-on" Supplies	Antenna Loading
Scope Power Supplies	
Stacked B-Plus Power Supplies	
Transistor Power Supplies	

May we send you this unique time-saver as part of an unusual offer of a Trial Membership in Electronic Technician's Book Club?

**A Massive, Authoritative Compilation**

Now you can have at your fingertips, this brand-new book, especially written for service technicians, outlining simple troubleshooting procedures that can be applied to any type of electronic circuit.

Without delving into involved theoretical discussions, this practical new handbook describes how trouble in any piece of electronic equipment may be pinpointed quickly and easily. Especially written for practicing technicians by an accomplished and well known author, the book approaches circuit troubleshooting from a new and unique slant—that every circuit is basically either an amplifier or a rectifier which can be easily tested and analyzed using simple servicing procedures.

Step-by-step techniques are outlined for pinpointing troubles to a specific improper stage, and then to the defective component itself, using the minimum amount of test equipment. Profusely illustrated, the content describes several specific troubleshooting methods which can be used to analyze the performance of various types of circuits—tube or transistor—in any kind of equipment. Contains just the kind of practical, down-to-earth information you can immediately put to use in your everyday service work! Many invaluable "Time and Temper Savers" are included, offering shortcuts and practical hints which will increase your servicing efficiency and cut down on troubleshooting time.

**How You Profit From Club Membership**

This is just a sample of the help and generous savings the Club offers you. For here is a Club devoted exclusively to seeking out only those titles of interest to you as an electronic technician. Membership in the Club offers you several advantages:

- 1. Charter Bonus:** *Ten-Minute Test Techniques* carries a retail price of \$6.95. But it can be yours for only \$1.29 with your Trial Membership.
- 2. Continuous Savings:** The Club saves you 15% to 75% on needed books.
- 3. Editorial Advisory Services:** The Club's Editorial Advisory Board selects *only* the books of interest to you.
- 4. Wide Selection:** Members are annually offered over 50 books on all phases of electronic servicing by means of the Club's FREE monthly *News*.

This extraordinary offer is intended

to prove to you, through your own experience, that these very real advantages can be yours . . . that it is possible to keep up with professional literature . . . and to save substantially while so doing.

**Limited Time Offer!**

Here, then, is an interesting opportunity to enroll on a trial basis . . . to prove to yourself, in a short time, the advantages of belonging to the only Book Club devoted *exclusively* to electronic servicing. We urge you, if this unique offer is appealing, to act promptly, for we've reserved only a limited number of books for new members.

To start your Membership on these attractive terms, simply fill out and mail the Trial Membership coupon today. You will receive *Ten-Minute Test Techniques* for 10-day inspection. **SEND NO MONEY!**

**Send No Money! Simply fill in and mail Trial Membership Coupon Today!**

**ELECTRONIC TECHNICIAN'S BOOK CLUB, Thurmont, Maryland 21788**

Please open my Trial Membership in the Electronic Technician's Book Club and send me a copy of your 176-page *Ten-Minute Test Techniques* billing me for only \$1.29 plus a few cents postage and mailing expense. If not delighted, I may return the book within 10 days and owe nothing. Otherwise, to complete my Trial Membership, I agree to purchase at least 4 additional monthly selections or alternates during the next 12 months. I have the right to cancel my membership anytime after purchasing these four books.

Name \_\_\_\_\_ Phone No. \_\_\_\_\_

Address \_\_\_\_\_

(NOTE: check if  home or  business address)

City \_\_\_\_\_ State \_\_\_\_\_ Zip \_\_\_\_\_

Company \_\_\_\_\_ Title \_\_\_\_\_

(The Club assumes postage on all prepaid orders. Foreign and Canadian prices 10% higher.) T67

... for more details circle 151 on postcard

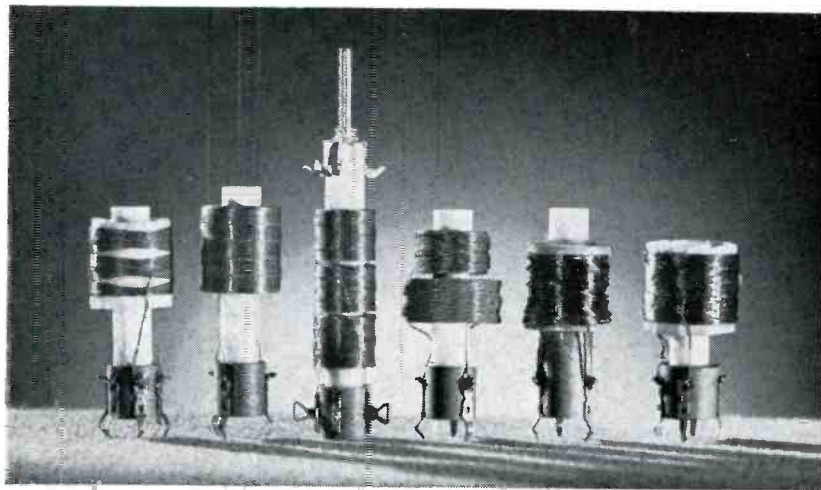


**NON-DRIFT  
COLOR LUBE**  
**CLEANS TUNER  
BETTER**  
**SAFE FOR  
PLASTICS**  
**NON-  
FLAMMABLE**

**TEST AFTER TEST HAS PROVEN  
COLOR LUBE TO BE THE BEST  
TUNER CLEANER  
FOR ALL COLOR TV SETS!**

**CHEMTRONICS inc.** 1260 RALPH AVENUE  
BROOKLYN, NEW YORK 11236

... for more details circle 152 on postcard



**Exact Replacement Sweep Circuit Coils  
for More than 25 Color TV Manufacturers**

Color TV exact replacements for focus, convergence and sweep circuit coils are now available for sets made by manufacturers such as RCA • Philco • Westinghouse • Muntz • Motorola. Installation instructions and diagrams are included.



Write today for Color TV Coil Cross Reference Guide.

**J. W. MILLER COMPANY**

5917 SO. MAIN STREET • LOS ANGELES, CALIFORNIA 90003

SEE YOUR LOCAL DISTRIBUTOR FOR FULL LINE OF RF & IF COILS, CHOKES, FILTERS & TRANSFORMERS.

... for more details circle 132 on postcard

**NEW PRODUCTS**

**Battery Pack**

**709**

Introduced is a self-contained battery pack designed to make a line of CB transceivers completely portable. The pack contains a nickel-cadmium battery and can reportedly supply energy for up to 8 hours of continuous recep-

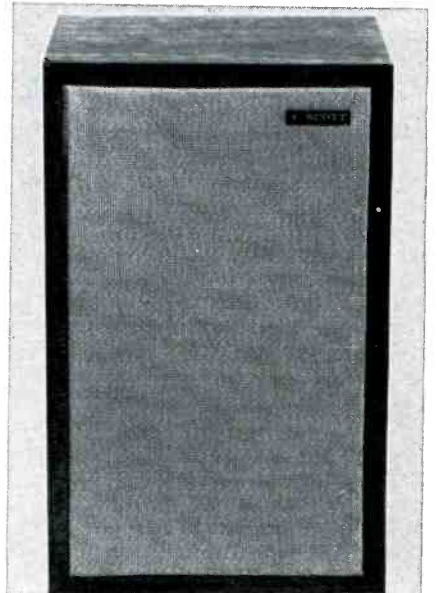


tion. According to the manufacturer, it can be left on trickle charge position continuously to insure ready-to-go operation. Price of pack \$59.95. Price of charger \$12.95. Courier.

**Speaker System**

**710**

A speaker system has been designed to have a limited impedance range and is said to be more effective when



used with solid-state audio equipment. It measures 14 x 8¾ x 5in. and contains a two-way system that includes a woofer, tweeter and crossover system in a walnut finish air suspension enclosure. Price \$39.95. Scott.

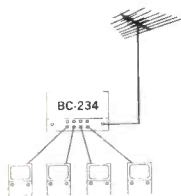
It's a sensational home system TV amplifier!

It's a great amplified 4-set coupler!

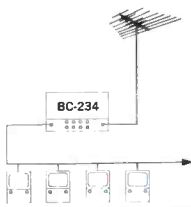
It's an amazing amplified splitter!

It's an ingenious line extender!

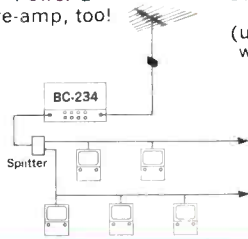
Operate up to 4 sets direct!



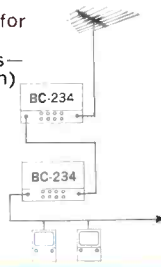
Run sets in series!



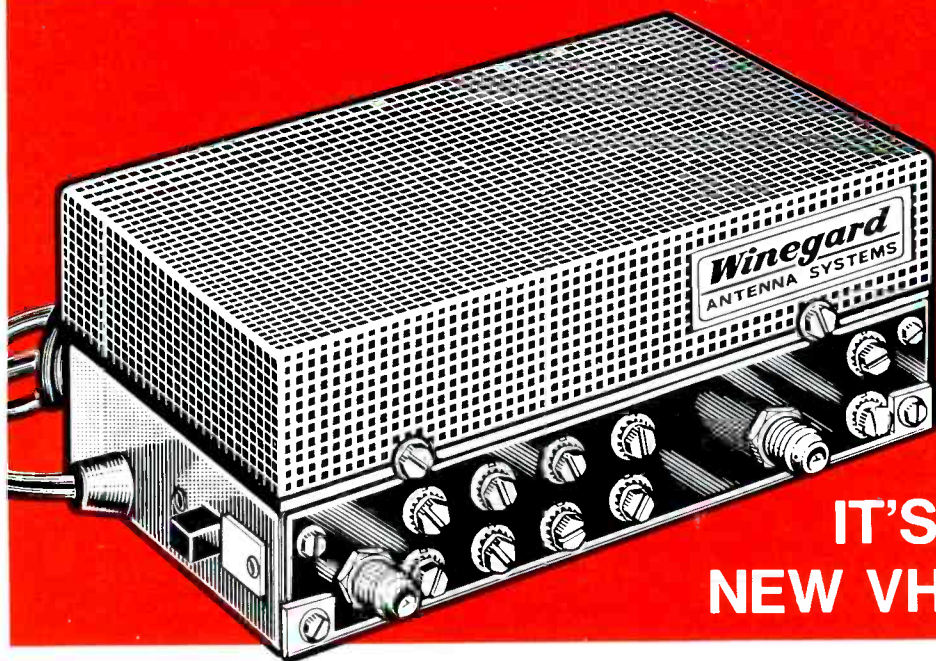
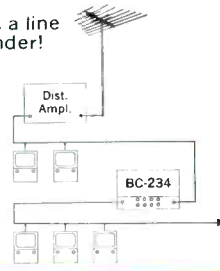
Power a pre-amp, too!



Cascade them for big systems! (up to 100 sets—with 30db gain)



Use as a line extender!



... the first solid state, high gain COLOR TV Booster/Coupler/Amplifier with complete flexibility and no overload problems!

## IT'S WINEGARD'S NEW VHF/FM BC-234

We say there's never been anything like the BC-234. But don't take our word for it. Just try to find another solid state Booster/Coupler/Amplifier capable of producing up to 3,000,000 (3-million) microvolts of signal output—and capable of operating more TV sets than any other home system amplifier on the market.

The sensational BC-234 does it all. And always with exceptionally high gain and *no* overload problems.

Check the features for yourself, including the rugged steel housing (not plastic) that's comparable to housings used on the most expensive commercial amplifiers.

- **Solid State Circuitry**—for long life and the highest gain on each of the four 300 ohm outputs.
- Both 75 ohm and 300 ohm inputs... no switches or transformers needed.
- **Overlay Silicon Transistors**—temperature tested from  $-60^{\circ}$  to  $200^{\circ}$  C. for positive temperature stability.
- All metal housing construction for positive electrical shielding.
- Four 300 ohm outputs and one 75 ohm output. Extremely high isolation—no interaction between sets—no need to terminate unused output terminals.
- Flat gain response: +15db on every channel—makes the BC-234 perfect for COLOR TV reception.
- Responds to the very weakest fringe area signals, yet *can't* overload.
- Can be used as an antenna booster to reduce snow in fringe areas.
- On-off switch enables power to be

sent up line to operate pre-amplifier for increasing number of sets and cutting snow.

- No-strip malco terminals for all 300 ohm connections.
- F-type jacks with connectors provided.
- Complete with mounting brackets and screws.

Now admit it. That's a lot of Booster/Coupler/Amplifier for any price. And especially for only \$34.95. In fact, there's nothing else like it—anywhere! Better call your Winegard distributor today, or write for Fact-Finder #250 for all the facts about the BC-234 and BC-274, plus complete information about Winegard's sensational new 82-Channel Booster Couplers.

### Model BC-274 VHF/FM

All 75 ohm Booster/Coupler/Amplifier with 4 coax outputs, 300 ohm and 75 ohm inputs. Connectors included. \$39.95



© Copyright 1967, Winegard Company, Burlington, Iowa

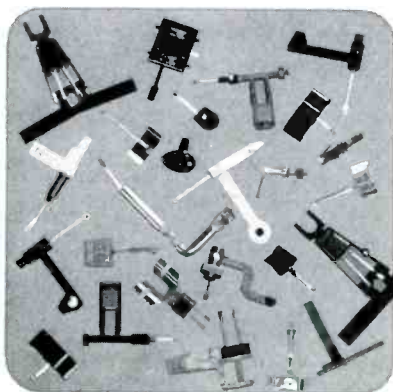
WINEGARD COMPANY • 3000 KIRKWOOD STREET • BURLINGTON, IOWA 52601

... for more details circle 148 on postcard

# 349 PHONO CARTRIDGES!



# 459 PHONO NEEDLES!



## NEW! PHONO AND TAPE RECORDER WHEELS, DRIVES, BELTS!

**(E-V)** That's how many models are listed in the current Electro-Voice phono needle and cartridge catalogs. With more being added as you need them.

No other single source offers such variety—all built to the highest industry standards. All are exact replacements that install quickly, to give your customers "like new" performance—or better!

Electro-Voice models are listed in your Photofact files, or ask your E-V distributor for free copies of the E-V catalogs. It's your guarantee of complete customer satisfaction!

**ELECTRO-VOICE, INC.**, Dept. 677T  
663 Cecil Street, Buchanan, Michigan 49107

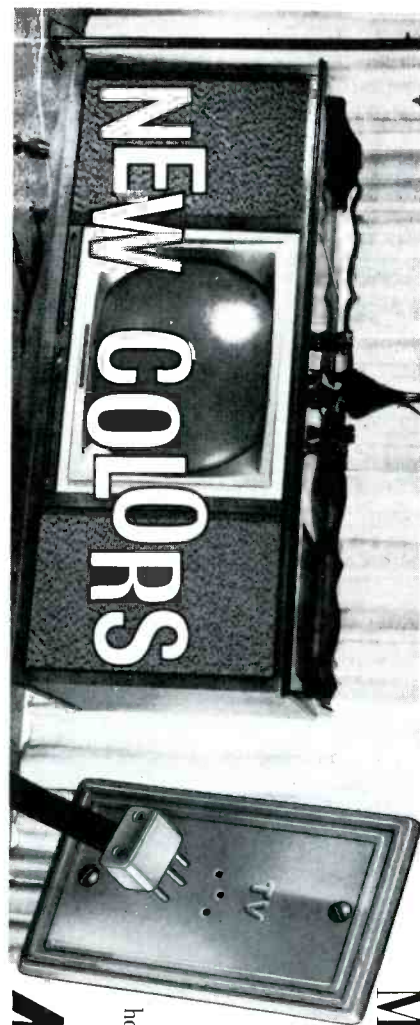
**ElectroVoice**<sup>®</sup>  
SETTING NEW STANDARDS IN SOUND

... for more details circle 121 on postcard

# 1967 ELECTRONIC TECHNICIAN'S DIRECTORY

## A

- AC Electronics Div GMC 1925 E  
Kenilworth Milwaukee Wis 53202  
ATR Electronics 300 E 4th St  
St Paul Minn 55101  
Acme Electric Corp 31 Water St  
Cuba NY 14727  
Acoustic Research 24 Thorndike St  
Cambridge Mass 02138  
Acro Products 369 Shurs Lane  
Philadelphia Pa 19127  
ADC Inc 2833 13 Ave S  
Minneapolis Minn 55407  
Adler TV Specialties PO Box 2005  
Atlantic City NJ 08406  
Admiral Corp 3800 W Cortland St  
Chicago Ill 60647  
Advance Relay 2435 N Naomi St  
Burbank Calif 91504  
Aerovox Corp 740 Belleville Ave  
New Bedford Mass 01730  
Akro-Mills 820 Market St Akron Ohio  
Allen-Bradley 136 W Greenfield Ave  
Milwaukee Wis 53204  
Alliance Mfg Co Alliance Ohio 44601  
Allied Radio 100 N Western Ave  
Chicago Ill 60612  
Alpha Wire Corp 180 Varick St  
New York NY 10013  
Altec-Lansing 1515 S Manchester  
Anaheim Calif 92802  
American Concertone 9449 W Jefferson Blvd  
Culver City Calif 90230  
American Electronic Labs Inc Colmar Pa 18915  
American Geloso Electronics 251 4 Ave  
New York NY 10010  
American Microphone Div see Electro Voice  
American Telephone & Telegraph 195 Bdwy  
New York NY 10007  
American Trading Co Blaustine Bldg  
Baltimore Md 21201  
Amp Inc 3822 Eisenhower Blvd  
Harrisburg Pa 17111  
Amperex Electronic 230 Duffy Ave  
Hicksville LI NY 11802  
Ampex Audio Inc 934 Charter St  
Redwood City Calif 94063  
Ampex Corp 25564 Willow Pond Lane  
Los Altos Hills Calif 94022  
Amphenol Distributor Div 2875 S 25 Ave  
Broadview Ill 60153  
Amprobe Instrument 630 Merrick Rd  
Lynbrook NY 11563  
Analab Instrument 30 Canfield Rd  
Cedar Grove NJ 07009  
Anasphone Corp 10912 La Cienega Blvd  
Inglewood Calif 90304  
Andrea Radio 27-01 Bridge Plaza N  
Long Island City NY 11101  
Antennacraft 1215 Agency St  
Burlington Iowa 52601  
Antenna Designs Inc 802 Washington St



## MOSLEY

originator of TV/FM accessories, announces a major color breakthrough! Now the entire line of Mosley TV accessories, such as the popular Mosley FI-PK, are NOW available in decor-harmonizing colors... ANTIQUE IVORY, FAWN BEIGE, GREY MIST and Standard Brown and Ivory.

The FR-1PK (shown) connects up to eight TV/FM sets with one antenna; utilizes one lead-in without couplers or boosters. Ideal for homes, motels, hotels. Stock and install the complete line of Color-Oriented Mosley TV accessories today!

Write:

**Mosley Electronics, Inc.** 4610 N. LINDBERGH BLVD., BRIDGETON MO. 63044

... for more details circle 133 on postcard

... for more details circle 103 on postcard →

# timesavers for pros

1. Amphenol CRT Commander tests, rejuvenates both color and black and white tubes. Captivated socket assembly reduces lost sockets. 11 filament steps to 20 v give wide range for future CRT development. Built-in high impedance voltmeter 0 to 1000 v, 0 to 5000 v, 0 to 50 KV.

2. Amphenol Signal Commander is battery operated, easily held in one hand. Plug-in frequency modules—840-13 VHF and FM, 840-83 UHF, to cover entire TV Spectrum. Meter accurately reads direct db or mv.



4. Watch this space for a new timesaver coming soon from Amphenol.

3. Amphenol Color Commander cuts alignment time 40%. Nine test patterns—five are exclusive Amphenol timesavers. Three-color-bar test pattern adjusts demodulators without scope—in the home. Single dot pattern simplifies static convergence—returns to the same dot. Squares for horizontal/vertical linearity.



A new brochure.  
"What Watch Watcher Service Means to You"  
Details your professional service to your customers. For your free copies see your local Amphenol distributor.



**AMPHENOL**

**It will actually take you longer to read this advertisement than to install this new "Quick Grip" mobile antenna mount. No holes to drill. Cable is completely hidden. Makes the world's finest antennas the world's most practical.**



Practically every A/S mobile CB antenna made may be ordered with a "Quick-Grip" mount, including all versions of the mighty Maggie Mobiles.

Model M-176, illustrated above. M-175, same coil and whip less spring. M-177 is "Quick-Grip" version of our great 18" Mighty-Mite. Mount only also available.



**the antenna specialists co.** division of Anzac Industries, Inc.

12435 Euclid Ave., Cleveland, Ohio 44106  
Export: 64-14 Woodside Ave., "Stripes of Quality"  
Woodside, N.Y. 11377

Burlington Iowa 52601  
Antenna Products Co Box 110  
Mineral Wells Tex 76067  
Antenna Specialists 12435 Euclid Ave  
Cleveland Ohio 44115  
Antronic Corp 4942 West Div St  
Chicago Ill 60651  
Arco Electronics Community Dr  
Great Neck NY 11021  
Arcturus Electronics 420 Kearny Ave  
Kearny NJ 07032  
Argos Products 600 S Sycamore  
Genoa Ill 60135  
Arkay Int'l 88-06 Van Wyck Expressway  
Richmond Hill NY 11418  
Armco Steel Corp 703 Curtis St  
Middletown Ohio 45042  
Arrow Fastener Co 1 Junius St  
Brooklyn NY 11212  
Arrow-Hart & Hegerman 103 Hawthorn St  
Hartford Conn 06105  
Artisan Organs 2475 N Lake Ave  
Altadena Calif 91001  
Arvin Industries Columbus Ind 47201  
Astatic Corp Jackson & Harbor Sts  
Conneaut Ohio 44030  
Astron Corp 255 Grant Ave E Newark NJ  
Atlas Sound 1449 39 St Brooklyn NY 11218  
Audax Inc 109-01 37 Ave Corona NY 11368  
Audio Devices 444 Madison Ave  
New York NY 10022  
Audio Dynamics 1677 Cody Ave  
Ridgewood NJ  
Audio Empire Div Dyna Empire 1075 Stewart  
Ave Garden City LI NY 11530  
Audio Corp 514 Bdw New York NY 10012  
Audio-Master Corp 17 E 45th St  
New York NY 10017  
Audio Wave Inc 4541 Furman Ave  
Bronx NY 10470  
Audiotex Mfg 400 S Wyman St  
Rockford Ill 61101  
Audiotex Mfg 3225 Exposition Pl  
Los Angeles Calif 90018  
Auricord Corp 34-43 56th St  
Woodside NY 11377  
Automatic Electric Co Northlake Ill 60164

**B**

B&K Instruments (Bruel & Kjaer)  
3006 W 106 St Cleveland Ohio 44111  
B&K Mfg Co 1801 W Belle Plaine  
Chicago Ill 60613  
BSR (Birmingham Sound Reproducers)  
Ltd College Point LI NY 11356  
Ballantine Labs Boonton NJ 07005  
Barber-Colman Co Rockford Ill  
Barker & Williamson Bristol Pa 19007  
Barry Electronics 512 Bdw  
New York NY 10012  
Bauchaine Sales Corp 584 Union Ave  
Laconia NH 03246  
Beckman Instruments Berkeley Div  
220 Wright Ave Richmond Calif 94804  
Belden Corp 415 S Kilpatrick  
Chicago Ill 60644  
Bell & Howell 7100 McCormick Rd  
Chicago Ill  
Bell Sound Systems 6325 Huntley Rd  
Columbus Ohio 43224  
Bell Telephone Labs 463 West St  
New York NY 10014  
Benco TV Assoc 27 Taber Rd  
Rexdale Ont Canada  
Bendix Radio Div Industrial Electronic Prods  
Baltimore Md  
Berns Mfg 9853 Chalmers  
Detroit Mich 48213  
Bird Electronics Corp 30303 Aurora Rd  
Solon Ohio 44139  
Birnback Radio 435 Hudson  
New York NY 10014

Bliley Electric Union Station Bldg Erie Pa  
Blonder-Tongue Labs 9 Alling St  
Newark NJ 07102  
Bogen-Presto PO Box 500 Paramus NJ 07652  
Boonton Radio Boonton NJ 07005  
Bosco Elec Inc Don Littell Rd  
Hanover NJ 07936  
Bourns Labs Box 2112 Riverside Calif 92506  
Bozak Co Rt Box 1166 Darien Conn 06820  
Brach Mfg Corp 899 Main Sayreville NJ 08872  
Bright Star Ind Clifton NJ  
British Ind Port Washington LI NY 11050  
Browning Labs 100 Union Ave  
Laconia NH 03246  
Brush Instruments 37 St & Perkins  
Cleveland Ohio  
BSR (USA) Ltd Route 303 Blauvelt NY 10913  
Bud Radio 4605 E 355 St  
Willoughby Ohio 44094  
Burgess Battery Exchange St  
Freeport Ill 61032  
Burroughs Corp 6072 2 Ave  
Detroit Mich 48202  
Bussman Mfg W University St  
St Louis Mo 63107

**C**

Cabinart Inc 35 Geyer St Haledon NJ  
Cadre Ind Box 150 Endicott NY 13760  
Calbest Electronics 4801 Exposition Bldg  
Los Angeles Calif  
Cannon Electric 3208 Humbolt St  
Los Angeles 90031  
Castle TV Tuner Service 5713 N Western Ave  
Chicago Ill 60645  
Castle TV Tuner Service 41-92  
Vernon LI City NY 13476  
Centralab 900 E Keefe Ave  
Milwaukee Wis 53212  
Channellock Inc S Main St  
Meadville Pa 16335  
Channel Master Corp Ellenville NY 12428  
Charles Engineering Inc 3421 N Kroll Dr  
Los Angeles Calif  
Chem Spray Corp 67-27 Cadillac St  
Houston Tex 77021  
Chemical Electronic Engineering Jackson &  
Ravine Dr Matawan NJ 07747  
Chemtronics Inc 1260 Ralph  
Brooklyn NY 11236  
Cinch Jones Div Cinch Mfg 1026 Homan Ave  
Chicago Ill  
Cisin Co Harry G Amagansett NY 11930  
Clairex Corp 19 W 26 St New York NY 10010  
Clarostat Mfg Dover NH 03820  
Clear Beam Antenna Corp 9754 Deering St  
Chatsworth Calif 91311  
Cletron Inc 1974 E 61 St  
Cleveland Ohio 44103  
Cleveland Institute of Electronics 1776 E 17  
St Cleveland Ohio 44114  
Cohu Electronics Massa Div  
5725 Kearny Villa Rd San Diego Calif 92123  
Colman Tool & Electric Products PO Box 2965  
Amarillo Tex 79105  
Colson Corp 395 LaSalle Chicago Ill 60603  
Colorgrams Inc 58 Old Stewart Ave  
New Hyde Park LI NY 11040  
Columbia Products Co Route 3  
Columbia SC 29206  
Columbia Wire & Supply Co 2850 Irving Park Rd  
Chicago Ill 60618  
Communications Co 300 Greco Ave  
Coral Gables Fla 33146  
Communications Electronics PO Box 1272  
Scottsdale Ariz 85252  
Communications Prod Co Rt 79  
Marlboro NJ 07746  
Conar Instrument 3939 Wis Ave  
Washington DC 20016  
Conrac Inc 19217 Foothill Blvd  
Glendora Calif 91740

... for more details circle 104 on postcard



Order RCA's 9-volt summer special

# "A bucket of batteries"

with



TRANSISTOR



catch all the  
**ACTION**  
this year!

## BATTERIES

9 VOLT VS 323

REPLACES 216



Catch all the battery action during the peak summer months

72 of the popular RCA VS323 9-volt transistor batteries are prepacked in this attractive, reusable ice-bucket merchandiser. It's a sure-fire summer seller. Offer the bucket as a gift to the customer who buys the last battery... or use it at home for picnics or parties. All batteries have a plastic terminal protector to prevent shorting.

See your RCA battery distributor and ask about his summer special "Bucket of Batteries" promotion offer!



RCA Electronic Components and Devices, Harrison, N.J.



The Most Trusted Name in Electronics

Continental Electronics 1050 N Central  
Expressway Dallas Tex 75201  
Cornell-Dubilier Electronics 50 Paris St  
Newark NJ 07105  
Creative Products Inc 8120 Blue Ash Rd  
Cincinnati Ohio 45236  
Crescent Enterprises 7301 Mission Rd  
Prairie Village Kan 66208  
Crown Int'l Box 261 Elkhart Ind 46514  
Cush Craft 621 Hayward St Manchester  
NH 03103  
Cutler-Hammer 436 N 12 St  
Milwaukee Wis 53233

**D**

Dale Electronics 1378 28 Ave Columbus  
Neb 68601  
Davies Molding Co Harry 1428 N Wells St



**COMPLETE TUNER OVERHAUL**

**9.95**

**ALL LABOR AND PARTS (EXCEPT TUBES & TRANSISTORS)\***

**COLOR TUNERS** GUARANTEED ALIGNMENT ADDITIONAL CHARGE — NO COLOR

Simply send us the defective tuner complete; include tubes, shield cover and any damaged parts with model number and complaint. Your tuner will be expertly overhauled and returned promptly, performance restored, aligned to original standards and warranted for 90 days.  
UV combination tuner must be single chassis type; dismantle tandem UHF and VHF tuners and send in the defective unit only.  
Exact Replacements are available for tuners unfit for overhaul. As low as \$12.95 exchange. (Replacements are new or rebuilt.)  
And remember—for over a decade Castle has been the leader in this specialized field... your assurance of the best in TV tuner overhauling.

**CASTLE**  
TV TUNER SERVICE, INC.

5713 N. Western Ave., Chicago 45, Illinois  
41-92 Vernon Blvd., Long Island City 1, N. Y.

For service in Canada write to Chicago or use reader service card in this magazine.  
\*Major parts are charged extra in Canada.

... for more details circle 115 on postcard

Chicago, Ill 60610  
Daystrom Inc Archbald Pa 18403  
DeJur-Amsco 45-01 Northern Blvd Long Island  
City NY 11101  
Delco Radio Div GMC Kokomo Ind 46901  
Delmonico Int'l 120-20 Roosevelt Corona Ill  
DeWald Radio 35-15 37 Ave Long Island  
City NY 11103  
Dialight Corp 60 Stewart Ave Brooklyn  
NY 11237  
Diamond Tool 4602 Grand Ave W  
Duluth Minn 55807  
Dickey Inc D F 4863 Rivoli Dr Macon  
Ga 31204  
Drake Mfg 4626 N Ottcott  
Chicago Ill 60656  
DuKane Corp St Charles Ill 60174  
DuMont Labs Allen B 750 Bloomfield  
Clifton NJ 14431  
Du Pont de Nemours Wilmington Del 19801  
Doutone Co Locust St Keyport NJ 07735  
Dutch Brand Div Johns-Manville 78 S  
Woodlawn Ave Chicago Ill  
Dymo Ind 2725 10 St Berkeley Calif 94710  
Dynaco Inc 3912 Powelton Ave  
Philadelphia Pa 19104  
Dyna-Empire 1075 Steward Ave Garden  
City LI NY 11530

**E**

ECl Electronics Communications 56 Hamilton  
Ave Mt Vernon NY 10552  
ELPA Ind Ortofon Div New Hyde Park Ill  
E-Z Hook Products 1536 Woodborn Ave  
Covington Ky  
E-Z Way Towers Inc PO Box 5797  
Tampa Fla 33605  
Eby Sales 148-05 Archer Ave Jamaica  
LI NY 11435  
Eitel-McCullough 301 Industrial Way San  
Carlos Calif 94070  
Eico Corp M St below Erie Philadelphia Pa  
Eico Electronic Instrument Co 131-01 39th  
Ave Flushing NY 11354  
Electric Auto Lite 3529 24 St Port Huron  
Mich 48060  
Electric Storage Battery 1717 E 9 St  
Cleveland Ohio 44114  
Electro Acoustic Prods 2135 Bueter Rd  
Ft Wayne Ind  
Electro Products Labs 6125 W Howard St  
Chicago Ill 60648  
Electronic Chemical Corp 813 Communipaw  
Ave Jersey City NJ 07304  
Electronic Communications Inc 56 Hamilton  
Ave White Plains NY 10601  
Electronic Measurements Lewis St & Maple  
Ave Eatontown NJ 07724  
Electronic-Missiles & Communications Inc  
262 3rd St Mt Vernon NY  
Electronic Organ Arts 4949 York Blvd Los

Angeles Calif 90042  
Electronic Prods Div Victoreen Instrument  
111 E 3 St Mt Vernon NY 10550  
Electronic Publishing 133 N Jefferson St  
Chicago Ill 60606  
ELECTRONIC TECHNICIAN Ojibway Bldg  
Duluth Minn 55802  
Electro-Voice Inc 629 St Buchanan Mich 49107  
Elgin Advance Relays 2435 W. Naomi St  
Burbank Calif  
Elpha Marketing-Thorens Atlantic & Steward  
Ave New Hyde Park NY 11040  
Eltec 14 Alsop Ave Middletown Conn 06457  
EMC 625 Bway New York NY 10012  
Emerson Radio & Phono 14 & Coles  
Jersey City NJ 07302  
Empire Scientific 1075 Steward Ave  
Garden City LI NY 11530  
Enterprise Development Corp 5123 E 65th  
Indianapolis Ind 46220  
Entron 2141 Industrial Pkwy Silver  
Springs Md 20904  
Ercona Corp 16 W 46 St New York NY 10036  
Essex Wire 1601 Wall St Indianapolis Ind  
Euphonics Corp PO Box 2746 Rio Piedras  
Puerto Rico USA 00926  
Eveready Batteries (see Union Carbide Co)  
Exide Ind Div Electric Storage Battery 52 S  
15 St Philadelphia Pa 19102

**F**

Fanon-Masco 439 Frelinghuysen Ave  
Newark NJ 07114  
Fidelitone Inc 6415 Ravenswood Ave  
Chicago Ill 60626  
Finney Co 34 W Interstate St Belford  
Ohio 44014  
Fischer Special Mfr Co 446 Morgan St  
Cincinnati Ohio 45206  
Fisher Radio 21-24 44 Dr Long Island  
City NY 11101  
Foxboro Co New Ponset Ave Foxboro  
Mass 02035  
Freed Transformer 1718 Weirfield St  
Brooklyn NY 11227

**G**

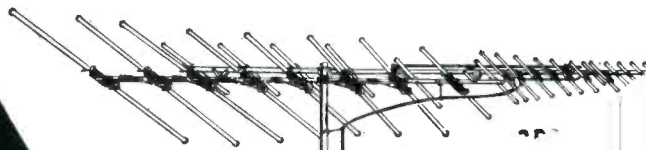
GAM Electronics 138 Lincoln St Manchester  
NH 03103  
Gator Probe Corp 2751 San Juan Rd  
Hollister Calif 95023  
GC Electronics 400 S Wyman St  
Rockford Ill 61101  
Garrard Sales 80 Shore Rd Port Washington  
NY 11050  
Gavin Instruments Depot Sq & Div St  
Somerville NJ 08876  
General Dynamics/Electronics 1407 N  
Goodman St Rochester NY 14609  
General Electric Audio Products Div  
Decatur Ill  
General Electric Communications Products

ORIGINATORS and DESIGNERS  
of the WORLD FAMOUS  
**CROSS PHASE CIRCUIT**  
Now Used By Most Modern-Day Antennas

**KAY-TOWNES**  
UHF · VHF · FM  
antennas

**KAY-TOWNES Antenna Co.**

SEE US AT THE SHOW — BOOTHS 3205-3207

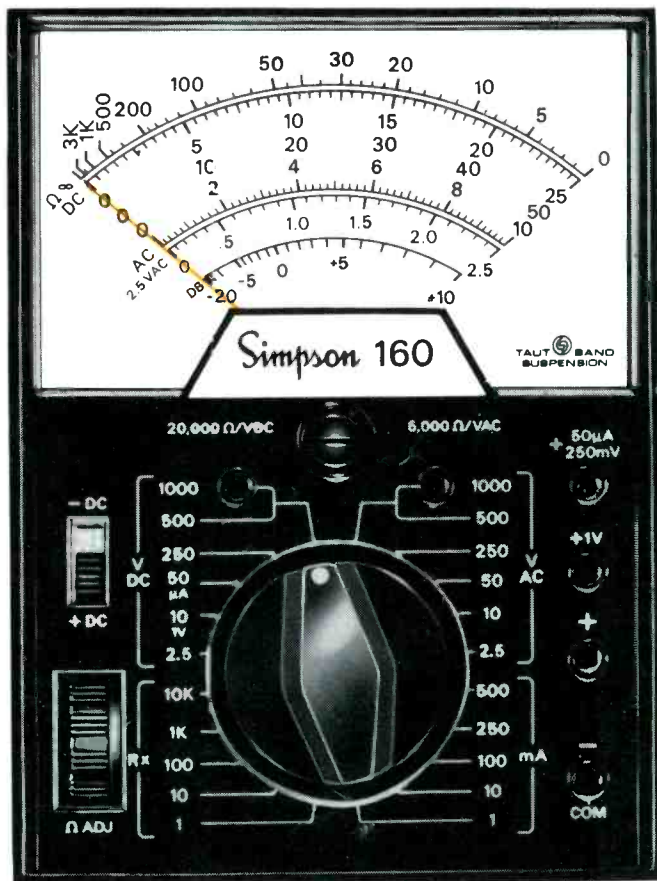
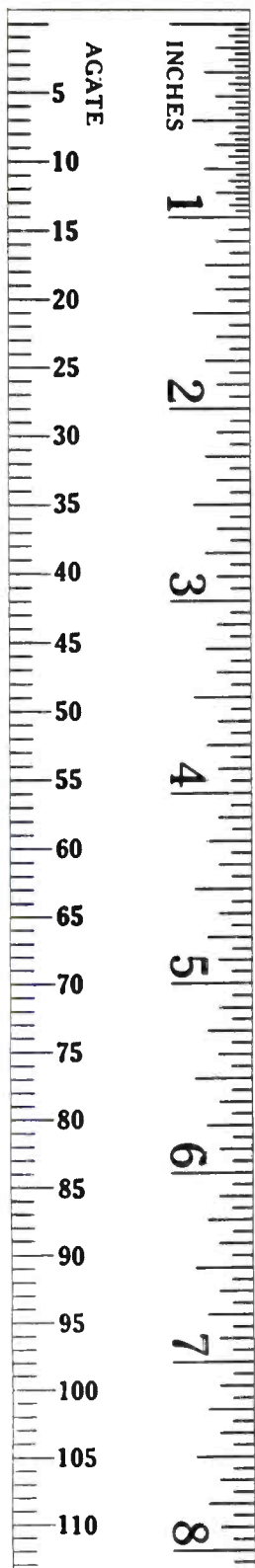


**colorpha**  
COMBINATION ANTENNA

**GETS ALL 82 CHANNELS**

1511 Dean Ave.

# NOW...a full-sized **VOM** in a palm sized "package"



160 Volt-Ohm-Milliammeter  
Complete with alligator clip  
leads and operator's manual.  
..... \$50.00



Carrying Case—  
Cat. No. 2225 ..... \$ 9.50  
Accessory Leads—  
Probe Tip Lead—  
Cat. No. 2055 ..... \$ 2.75

## Simpson 160 Handi-VOM<sup>®</sup>

Simpson Handi-VOM gives you the ranges, the time-saving conveniences and the sensitivity of a full-sized volt-ohm-milliammeter—yet it's only 3-5/16" wide, weighs a mere 12 ounces. Recessed range-selector switch never gets in the way . . . polarity-reversing switch saves fuss and fumble. Self-shielded taut band movement assures high repeatability and freedom from external magnetic fields. Diode overload protection prevents burn-out—permits safe operation by inexperienced employees and students. The demand is BIG, so get your order in to your electronic distributor, TODAY!

### RANGES

ACCURACY:  $\pm 3\%$  FS DC,  $\pm 4\%$  FS AC  
DC VOLTS: 0-0.25, 1.0, 2.5, 10, 50, 250, 500, 1000 @ 20,000  $\Omega/v$   
AC VOLTS: 0-2.5, 10, 50, 250, 500, 1000 @ 5000  $\Omega/v$   
DC MICROAMPERES: 0-50  
DC MILLIAMPERES: 0-1, 10, 100, 500  
DB: -20 to +10, -8 to +22, +6 to +36, +20 to +50  
"O" REFERENCE: 1 MW into 600 $\Omega$   
RESISTANCE: Rx1, Rx10, Rx100, Rx1K, Rx10K (30  $\Omega$  center)



DIVISION



**SIMPSON ELECTRIC COMPANY**

5200 W. Kinzie Street, Chicago, Illinois 60644 • Phone: (312) 379-1121  
Export Dept: 400 W. Madison Street, Chicago, Illinois 60606, Cable, Simelco

IN CANADA: Bach-Simpson Ltd., London, Ontario

IN INDIA: Ruttonsha-Simpson Private Ltd., International House, Bombay-Agra Road, Vikhroli, Bombay

Representatives in Principal Cities  
... See Telephone Yellow Pages

**WORLD'S LARGEST MANUFACTURER OF ELECTRONIC TEST EQUIPMENT**

... for more details circle 144 on postcard

# impedance mismatch problems?

When most voice coil impedances were either 3.2 ohms or 8 ohms, speaker replacement was relatively simple. Then came transistor sets, and equip-

ment without output transformers, and now voice coil impedances range all over the map.

It's important to remember that a mismatched impedance in a speaker replacement will almost surely create problems... from a loss of volume to a blown transistor.

# Quam... and only Quam... helps you avoid these problems these three ways:

**1. WIDE CHOICE**—As Photofacts/Counterfacts participants, we know in advance what voice coil impedance the new equipment will require, so we generally have the right speaker in our comprehensive line *when you need it*.

**2. VERSATILE SPEAKERS**—Quam *multi-tap speakers* offer a choice of impedances in a single unit. Available in all the sizes you need for automotive replacement, Quam multi-taps handle 10, 20, or 40 ohm applications.

**3. SPECIAL SERVICE**—Just in case you run across an oddball, we offer this convenient exclusive: *any Quam speaker can be supplied with any voice coil impedance, only \$1.00 extra, list price.*



**QUAM**

THE QUALITY LINE  
FOR EVERY SPEAKER NEED

**QUAM-NICHOLS COMPANY**

234 East Marquette Road • Chicago, Illinois 60637

... for more details circle 139 on postcard

Div Lynchburg Va  
General Electric Receiving Tube Dept  
Owensboro Ky 42301  
General Electric Receiver Div Utica NY  
General Instrument 65 Gouveneur St  
Newark NJ 07104  
General Precision GPL Div Mt Kisco  
NY 10549  
General Radio West Concord Mass 01742  
General Radiotelephone Co 3501 W Burbank  
Blvd Burbank Calif 91505  
Gertsch Products 3211 S LaCienega Blvd Los  
Angeles Calif 90016  
Greyhound Package Express 140 S Dearborn  
10 S Riverside Plaza Chicago Ill 60606  
Griffiths Electronics 1301 E Linden  
Linden NJ 07036

## H

H & H Equipment Co Laotto Ind 46763  
Hallamore Electronics 714 N Brookhurst St  
Anaheim Calif 92801  
Hallcrafters Co 4401 W 5 Ave Chicago  
Ill 60624  
Hallmark Electronics 436 N 31 St  
Philadelphia Pa 19104  
Hallmark Instruments 2620 Freewood Dr  
Dallas Tex 75220  
Hammarlund Mfg 53 W 23 St New York  
NY 10010  
Harman-Kardon 15th & Lehigh Ave  
Philadelphia Pa  
Hartley Products 521 E 162 St  
Bronx NY 10451  
Hathaway Instrument 5800 E Jewell Ave  
Denver Colo 80222  
Heath Co Benton Harbor Mich 49022  
Heintz & Kaufman Ltd 3650 Hayden Ave  
Culver City Calif 90230  
Hewlett-Packard 1501 Page Mill Rd  
Palo Alto Calif 94304  
Hickok Electrical Instrument 10523 Dupont  
Ave Cleveland Ohio 44108  
Hi-Lo Mfg 1122 Newport St Chicago Ill  
Hitachi (see Sampson Co)  
Hoffman Electronics Consumer Prods Div 3761  
S Hill St Los Angeles Calif 90007  
Hollywood Television Wuerth Surgitron Div  
1949 Moffett St Hollywood Fla  
Honeywell Commercial Residential Div 2753  
4 Ave Minneapolis Minn  
Hunter Sales RN 9851 Alburtus Ave  
Santa Fe Springs Calif 90670  
Hycon Electronics 1030 S Arroyo Pkwy  
Pasadena Calif 91105  
Hy-Gain Electronics 8473 NE Highway 6  
Lincoln Neb  
Hysol Co 322 Houghton Olean NY 14760

## I

I E H Manufacturing Co 102 Prince St  
New York NY 10012  
IERC Div Box 271 Burbank Calif 91503  
Ilumitronic Engineering 680 E Taylor St  
Sunnyvale Calif  
Injectorall Co 4 North Great Neck NY 11024  
Institute of Electrical & Electronic Engineers  
(IEEE) 72 W 45th St New York NY 10036  
Int'l Business Machines 590 Madison Ave  
New York NY 10022  
Int'l Correspondence Schools  
Scranton Pa 18515  
Int'l Crystal Mfg 18 N Lee  
Oklahoma City Okla 73102  
Int'l Electronics 316 S Service Rd  
Melville LI NY 11746  
Int'l Rectifier 233 Kansas St  
El Segundo Calif 90245  
IRC Inc 401 N Broad Philadelphia Pa 19108  
I-T-E Circuit Breaker 601 E Erie Ave  
Philadelphia Pa 19134  
IT&T 320 Park Ave New York NY 10022

IT&T Components 100 Kingsland Rd  
Clifton NJ 07013  
IT&T Distributor Products 250 Broadway  
New York NY 10007

## J

Jackson Electrical Instrument 124 McDonough  
St Dayton Ohio 45402  
J-B-T Instruments 61 Hamilton  
New Haven Conn 06511  
Jensen Industries Div Electrovoice 633 Cecil St  
Buchanan Mich 49107  
Jensen Mfg 6601 S Laramie Chicago Ill 60638  
Jensen Tools 3630 E Indian School Rd  
Phoenix Ariz 85018  
Jerrod Electronics 15th & Lehigh Ave  
Philadelphia Pa  
Jersey Specialty Co Box 576 Mt View NJ  
Jetronic Industries 4312 Main St  
Philadelphia Pa 19127  
JFD Electronics 15 Ave at 62 St Brooklyn NY  
Johnson Co E F 6516 10th Ave SW  
Waseca Minn 56093  
Jones & Laughlin 401 Liberty  
Pittsburgh Pa 15222  
Jones Div Cinch Mfg 1026 S Homan  
Chicago Ill 60624  
JW Electronics 1538 W Jarvis  
Chicago Ill 60626  
JW Electronics PO Box 51  
Bloomington Ind 47401

## K

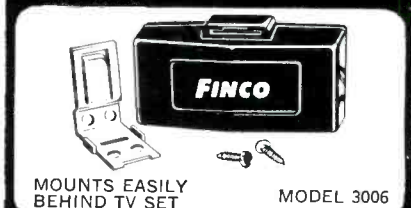
KLH Research & Devel 30 Cross St  
Cambridge Mass 02138  
KTV Tower & Com Equip Co PO Box 294  
Sullivan Ill 61951  
Karr Engineering Co 2998 Middlefield Rd  
Palo Alto Calif 94306  
Karg Laboratories 162 Ely Ave S  
Norwalk Conn 06854  
Karlson Assoc 1610 Neck Rd

**NOW... PERFECT  
COLOR TV**

**ELIMINATE FM and OTHER  
INTERFERENCE**

**With the Sensational**

**NEW  
FINCO**  
FM Trap (Blocks Out FM)



MOUNTS EASILY  
BEHIND TV SET

MODEL 3006

Get pure color signals for perfect color reception. Use a Finco Model 3006 to stop interference and block out unwanted signals from FM, Citizens Band, Amateur transmitters, motors, autos, aircraft, and fluorescent lamps. Size: 4 1/4" x 2" x 1 1/2". Available at your Finco dealer.

Model 3006

Only \$6.25 List

**THE FINNEY COMPANY**

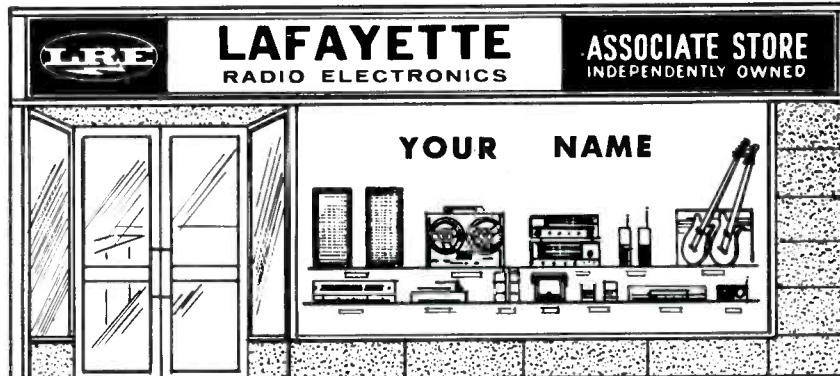
34 W. Interstate St. Dept. 110  
Bedford, Ohio 44146

"FINCO ANTENNAS CAPTURE THE RAINBOW"

... for more details circle 122 on postcard

ELECTRONIC TECHNICIAN

# ARE YOU INTERESTED IN OWNING A LAFAYETTE ASSOCIATE STORE ?



## ALL YOU NEED IS

1. Basic knowledge of Retailing or Radio, Television or Electronics
2. Financial Investment of \$10,000 to \$30,000

## WE WILL PROVIDE YOU WITH

1. Initial Inventory Selection and Stimulating Sales Displays
2. Store Layout Designs
3. Advertising and Publicity Aids Including Catalogs and Flyers
4. Price and Merchandise Return Protection

## And The Famous LAFAYETTE Name



To learn how easy it is to join hands with Lafayette Radio Electronics and have your own electronics department store, fill in and mail the coupon below for full information FREE. There is no obligation.

Tear along this line

Mr. Robert Laub—Vice President, Lafayette Radio Electronics Corporation  
111 Jericho Turnpike, Syosset, L. I., New York 11791

ETAS-7

I am interested in owning a Lafayette Associate Store. Without obligation on my part, please send me full information, FREE and postpaid.

Name \_\_\_\_\_

Address \_\_\_\_\_

City \_\_\_\_\_ State \_\_\_\_\_ Zip \_\_\_\_\_

... for more details circle 130 on postcard

# BELL Carillon

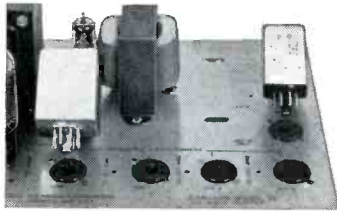
an economical  
standard amplifier  
with a full complement  
of deluxe features . . .

- Continuous audio taper gain control on each input channel.
- Master gain and separate bass and treble controls.
- 70 volt (500 ohm) line output.
- 4-8-16 ohm speaker outputs.



Carillon Amplifiers in  
10-20-23-35-75 Watt Models.

plus plug-in accessories  
for converting to  
the most sophisticated  
applications . . .



- Plug-in transformer converts microphone channels to low impedance.
- Plug-in transformer converts program channel to 600 ohm line.
- Plug-in relay provides for paging from remote microphone.

Write for complete Spec-Data sheets on  
the Carillon line and new Bell Commercial  
Sound Equipment Catalog.



**BELL P/A PRODUCTS CORP.**

1209 N. Fifth St. Columbus, Ohio 43201

. . . See us at the NEW Show . . .  
. . . for more details circle 113 on postcard

Brooklyn NY 11229  
Kay Electric 14 Maple Pine Brook NJ 07058  
Kay-Townes Antenna Co 1511 Dean  
Rome Ga 30162  
Kenwood Electronics 3700 S Broadway Pl  
Los Angeles Calif 90007  
Kepco Inc 131-38 Sanford Ave  
Flushing NY 11355  
Kester Solder 4201 Wrightwood  
Chicago Ill 60639  
Klipsch & Assoc PO Box 96  
Hope Ark 71801  
Kinematix Inc 2040 W Washington  
Chicago Ill 60612  
Knob Corp of America 469 Jericho Tpk  
Mineola NY 11501  
Koss Inc 2227 N 31 St  
Milwaukee Wis 53208  
Krauter & Co 585 18 Ave Newark NJ 07103  
Krylon Inc Ford & Washington St Norristown Pa  
Kwikheat Mfg 3731 San Fernando Rd  
Glendale Calif 91204

## L

LA Turner Exchange 4611 W Jefferson  
Los Angeles Calif 90016  
Lafayette Radio Electronic 111 Jerico Tpk  
Syosset LI NK 11791  
Lambda Electronics 515 Broad Hallow  
Huntington NY 11743  
Lampkin Labs Bradenton Fla 33505  
Lance Antenna 1730 1st St  
San Fernando Calif 91340  
Lansing Sound James B 3249 Casitas Ave  
Los Angeles Calif 90039  
Lavoie Labs Morganville NJ 07751  
Leach Corp 18435 Susana Rd  
Compton Calif 90221  
Lectrotech Inc 1221 W Devon Ave  
Chicago Ill 60626  
Ledex Inc 123 Webster Dayton Ohio 45402  
Leeds & Northrup 4907 Stenton  
Philadelphia Pa 19144  
Lesa of America 11 W 42 St  
New York NY 10036  
Littelfuse Inc Des Plaines Ill  
Litton Industries 336 N Foothill  
Beverly Hills Calif 90210  
Los Angeles Turner Exchange 4611 W  
Jefferson Los Angeles Calif 90016

## M

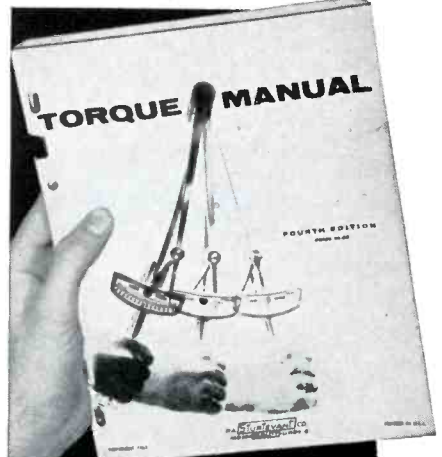
3M Electrical Products Div 900 Bush Ave  
St Paul Minn 55106  
McIntosh Labs 2 Chambers St  
Binghamton NY 13903  
Magnavox Co 2131 Bueter Rd Ft Wayne Ind  
Magnecord Div Midwestern Instrument PO Box  
7186 Tulsa Okla 74105  
Magnettrack Box 147 Caroline Puerto Rico USA  
Majestic Int'l 743 N LaSalle St  
Chicago Ill 60605  
Mallory & Co PR 3029 E Washington  
Indianapolis Ind 46201  
Marantz 25-14 Bdwy Long Island City NY 11106  
Marconi Instruments 111 Cedar Lane  
Englewood NJ 07631  
Mark Products 5439 W Fargo Skokie Ill 60076  
Matsushita Electric Co 200 Park Ave  
New York NY 10017  
Mercury Electronics 315 Roslyn Rd  
Mineola NY 11501  
Mercury TV Tuner Service 890 River Bronx NY  
Merit Coil & Transformer Merit Plaza  
Hollywood Fla  
Methode Mfg 7447 W Wilson Ave  
Chicago Ill 60656  
Metrex (UXL Corp) 819 Blake Ave  
Brooklyn NY 11207  
Metritape Controls 33 Sudbury Road  
Concord Mass 01742  
Michigan Magnetics Vermontville Mich 49096

Microflame Inc 7800 Computer Ave  
Minneapolis Minn 55424  
Midland Int Corp 1519-21 Atlantic N  
Kansas City Mo 64116  
Milgray/NY 136 Liberty St New York NY 10006  
Millen Mfg James 150 Exchange  
Malden Mass 02148  
Miller Co JW 5917 S Main  
Los Angeles Calif 90003  
Milo Electronics 530 Canal New York NY 10013  
Monarch Elec Int'l Inc 7035 Laurel Canyon  
Blvd N Hollywood Calif 90028  
Monitoradio Div Idea 7900 Pendleton Pike  
Indianapolis Ind 46226  
Moss Electronics 4610 N Lindberg  
Bridgeton Mo 63042  
Moss Electronics 2435 White Plains Rd  
Bronx NY 10467  
Motorola Communications Div 4501 W Augusta  
Chicago Ill 60651  
Motorola Consumer Prods 9401 W Grand Ave  
Franklin Park Ill 60131  
Motorola Training Int 4545 W Augusta  
Chicago Ill 60651  
Mueller Electric 1583 E 31 St  
Cleveland Ohio 44114  
Mullard (see Int'l Electronics New York NY)  
Multicore Sales Corp Westbury NY 11590  
Multitron Corp 309 Queen Ann Rd  
Teaneck NJ 07666  
Mura Corp 380 Great Neck Rd  
Great Neck NY 11021  
Muzak Co 220 4 Ave New York NY 10003

## N

National Radio Institute Washington DC 20016  
Neshaminy Electronics Neshaminy Pa  
Newark Electronic 223 W Madison  
Chicago Ill 60606  
Newcomb Audio Products Co 12881 Bradley  
Ave Sylmar Calif 91342

## "TORQUE WRENCH" MANUAL



SENT  
UPON REQUEST  
Formulas  
Applications  
Engineering Data  
Screw Torque Data  
Adapter Problems  
General Principles

P.A. **STURTEVANT CO.**  
ADDISON QUALITY ILLINOIS

Manufacturers of over 85% of the torque  
wrenches used in industry

. . . for more details circle 146 on postcard  
ELECTRONIC TECHNICIAN

**NEW!**

**JFD**®

# COLOR SHIELD-82 COAXIAL CABLEMATCH SOLVES THE 75 OHM INSTALLATION PROBLEM



If you've been vexed by the questionable need for a 300-75 ohm matching transformer at the antenna when installing coaxial cable, here's good news. The new JFD 75-ohm Color Shield-82 Coaxial Cablematch comes with the matching transformer already attached to the cable and ties directly to the 300 ohm output.

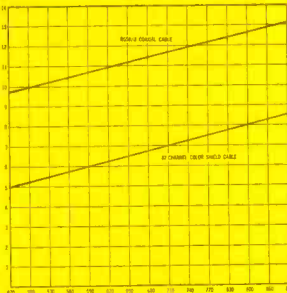
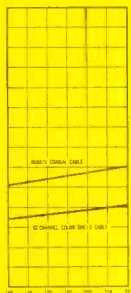
Solves two big antenna installation problems: (1) When you want to use coaxial cable simply connect JFD Color Shield-82 (with the "built-on" transformer) directly to the JFD LPV antenna terminals—for minimum possible loss, and, (2) save time and money by having the transformer as part of the 75 ohm cable (instead of the antenna). No waste. No work. No separate parts or fittings to connect or disconnect. No losses through fittings and connectors. Simply beautiful! Beautifully simple! Great for color, too!

Available in three lengths at your JFD distributors, complete

**WITH ATTACHED 300-75 OHM MATCHING TRANSFORMER**



VHF INSERTION LOSS—JFD 82-CHANNEL COLOR-SHIELD CABLE VS RG59/U CO-AXIAL CABLE



UHF INSERTION LOSS—JFD 82-CHANNEL COLOR-SHIELD CABLE VS RG59/U CO-AXIAL CABLE

Whether you install antenna system in homes, motels, stores or multiple dwellings—rely on the new JFD 82-channel Color Shield-82 with pre-assembled matching transformer for the clearest pictures in sight—color, and black and white.

Model	Length	List
CS82-50	50 ft.	\$11.25
CS82-75	75 ft.	\$14.25
CS82-100	100 ft.	\$17.00

TO INSTALL COLOR SHIELD-82 COAXIAL CABLEMATCH DIRECTLY TO TV RECEIVER, USE A JFD 82-CHANNEL COLORMATCH/SPLITTER MATCHING TRANSFORMER . . .

**Model MT54**  
List \$3.50

VHF, UHF, FM Indoor 75-ohm-300 ohm Matching Transformer. With coaxial cable "F" fitting.

Accessories Included  
1 "F" Connector

**Model MT56**  
List \$7.50

2-Way Indoor 75 ohm-300 ohm Matching Transformer with separate VHF and UHF outputs, plus coaxial cable "F" fitting.

Accessories Included  
1 "F" Connector

**Model MT58**  
List \$8.95

3-Way Indoor 75 ohm-300 ohm Matching Transformer with VHF, UHF and FM outputs. With coaxial cable "F" fitting.

Accessories Included  
1 "F" Connector

ATTRACTIVELY PACKED ON CONVENIENT CLEAR-PAK CARD



TO INSTALL COLOR SHIELD-82 COAXIAL CABLEMATCH DIRECTLY TO A 75 OHM AMPLIFIER OR SYSTEM, USE A JFD SIGNAL SPLITTER . . .

**Model SC42-75**  
List \$7.95

75 ohm VHF/UHF/FM single input—75 ohm VHF/UHF/FM two-set signal splitter. Includes coaxial cable "F" fittings.

**Model SC72-75**  
List \$10.95

75 ohm VHF/UHF/FM single input—75 ohm VHF/UHF/FM four-set signal splitter. Includes coaxial cable "F" fittings.

See your distributor—or write for Form 6735.

**JFD ELECTRONICS CO.**

15th Avenue at 62nd Street, Brooklyn, N.Y. 11219

JFD International, 64-14 Woodside Ave., Woodside, N.Y. 11377 JFD Canada, Ltd., Canada  
JFD de Venezuela, S.A., Avenida Los Haticos 125-97, Maracaibo, Venezuela

**JFD**®

. . . for more details circle 127 on postcard

Newtronics Corp 3455 Vega Ave  
Cleveland Ohio 44113  
North American Philips (Norelco) 100 E 42 St  
New York NY 10017  
Nortronics Co 8133 10th Ave N  
Minneapolis Minn 55427  
Nutone Inc Cincinnati Ohio

Oak Mfg Co Crystal Lake Ill 60014  
Oaktron Industries Monroe Wis 53566  
Oelrich Publications 4308 Milwaukee Ave  
Chicago Ill 60641  
Ohmite Mfg 3673 Howard St Skokie Ill 60076  
Olson Electronics 464 S Forge  
Akron Ohio 44308  
Olympic Radio & TV 34-01 38 Ave  
Long Island City NY 11101  
Ortron Electronics 29 Lincoln Ave  
Orange NY  
Oxford Transducers 3911 S Mich Ave  
Chicago Ill 60653

Packard Bell Electronics 12333 W. Olympic  
Blvd Los Angeles Calif 90064  
Pace Communications Corp 24049 Frampton  
Ave Harbor City, Calif 90710  
Palmer Electronics Laboratories Lowell Rd  
Carlisle Mass 01741  
Parker Metal Goods Co 85 Prescott St  
Wooster Mass  
Parts Unlimited Inc 1 State St  
Bloomfield NJ 07003  
Pearce-Simpson 2295 NW 14 St  
Miami Fla 33142  
Perma-Power Co 5740 N Tripp Ave  
Chicago Ill 60646  
Phaotron Instruments & Electronics 151  
Pasadena Ave S Pasadena Calif 91105  
Phelps Dodge Communications Products Div

Route 79 Marlboro NJ 07746  
Philco Corp "C" and Tioga Sts  
Philadelphia Pa  
Philharmonic Radio & TV 235 Jersey Ave  
New Brunswick NJ 08901  
Pickering & Co Sunnyside Blvd  
Plainview NY 11803  
Pilot Radio 100 Electra Lane Yonkers NY  
Pioneer Electric & Research  
Forest Park Ill 60130  
Planet Mfg Corp 225 Belleville Ave  
Bloomfield NJ 07003  
Pocket Socket Inc 17415 Ecorse  
Allen Park Mich 48101  
Pomona Electronics Co 1500 E 9th St  
Pomona Calif 91766  
Potter & Brumfield 107 N 10th St  
Princeton Ind 46017  
Precise Electronics 76 E 2 St  
Mineola LI NY 11501  
Precision Apparatus Div of Dynascan 1801 W  
Belle Plaine Ave Chicago Ill 60613  
Precision Electronics Inc 9101 King Ave  
Franklin Park Ill 60131  
Precision Tuner Service PO Box 272  
Bloomington Ind 47401  
Pyramid Electronic Co Darlington SC 29532

Qualitone Industries 102 Columbus Ave  
Tuckahoe NY 10707  
Quam-Nichols 234 E Marquette Rd  
Chicago Ill 60637  
Quan-Tech Labs 60 Parsippany Blvd  
Boonton NJ 07005  
Quietrole Co 395 St John St  
Spartanburg SC

Radar Devices Mfg Corp 22003 Harper Ave St  
Clair Shores Mich 48080

RCA Components and Devices Div 415 S 5 St  
Harrison NJ 07029  
RCA Institutes 350 W 4 St New York NY 10014  
RCA Parts and Accessories 2000 Clements  
Bridge Rd Deptford NJ 08096  
RCA Set Div 600 N Sherman Dr  
Indianapolis Ind 46201  
RFS Industries 102 Harbor Rd  
Port Washington NY 11050  
RMS Electronics Inc 2016 Bdvj  
New York NY 10023  
Radiart Co 2900 Columbia  
Indianapolis Ind 46205  
Radio Receptor 240 Wythe Brooklyn NY 11211  
Radio Shack 730 Commonwealth Boston Mass  
Rauland Corp 4245 N Knox Chicago Ill 60630  
Raw Co Spooner Wis 54801  
Ray-O-Vac Co 212 E Washington St  
Madison Wis 53703  
Raytheon Communications Prod 213 Grand S  
San Francisco Calif  
Raytheon Distributor Products Div 55 Chapel  
Newton Miss 39345  
R-Columbia Products 305 Waukegan Ave  
Highwood Ill 60040  
Recoton Corp 52-35 Barnett  
Long Island NY 11104  
Reeves Soundcraft Great Pasture Rd  
Danbury Conn 06810  
Regency Electronics 7900 Pendleton Pike  
Indianapolis Ind 46226  
Rego Insulated Wire 830 Monroe  
Hoboken NJ 07030  
Rek-O-Kut Co 38-19 108 St Corona NY 11368  
Roberts Electronics 829 N Highland Ave  
Hollywood Calif 90028  
Robert Bosh Corp Blaupunkt Car Radio Div  
40-25 Crescent Long Island City NY 11101  
Robins Industries 1558 127 St  
College Pt NY 11356

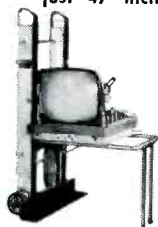
**SAVES**  
your back...  
**SAVES**  
your time...



# YEATS SHORTY DOLLY

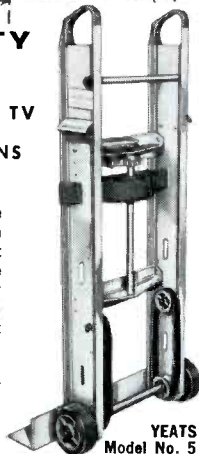
for RADIO and TV

just 47 inches high for STATION WAGONS  
and PANEL PICK-UPS



**FOLDING PLATFORM**  
15 1/4" x 24 1/2" top.  
Snaps on or off.  
(Platform only)  
\$11.95

Designed for TV, radio and appliance men who make deliveries by station wagon or panel truck... the short 47 inch length saves detaching the set for loading into the "wagon" or pick up. Tough, yet featherlight aluminum alloy frame has padded felt front, fast (30 second) web strap ratchet fastener and two endless rubber belt step glides. New folding platform attachment, at left, saves your back handling large TV chassis or table models. Call your YEATS dealer or write direct today!

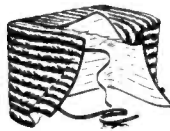


**YEATS**  
Model No. 5  
Height 47"  
Weight 32 lbs.



**FURNITURE PAD**

**"Everlast" COVER AND PADS**  
YEATS semi fitted covers are made of tough water repellent fabric with adjustable web straps and soft, scratchless white flannel liners. All shapes and sizes — Write



**TV COVER**

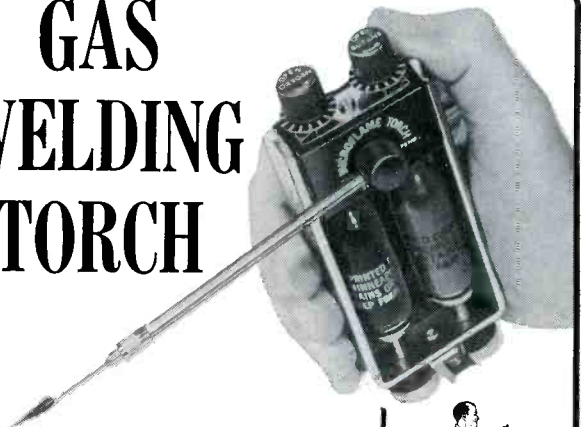
**YEATS**

**APPLIANCE DOLLY SALES COMPANY**

1313 W. Fond du Lac Avenue • Milwaukee, Wis.

... for more details circle 149 on postcard

# GAS WELDING TORCH



**Uses OXYGEN  
and LP GAS**

- Completely self-contained.
- Produces 5000° pin-point flame.
- Welds, brazes, solders.
- Hundreds of lightweight uses.
- Suggested list — \$19.95.

GET COMPLETE DETAILS AT MOST INDUSTRIAL DISTRIBUTORS, OR WRITE TO MICROFLAME, INC.



**MICROFLAME, INC.**

7800 COMPUTER AVENUE  
MINNEAPOLIS, MINNESOTA 55424

... for more details circle 131 on postcard

ELECTRONIC TECHNICIAN



This **Remington** PREMIER PORTABLE TYPEWRITER

**FREE**



**WHEN YOU BUY THIS RCA WR-64B  
COLOR BAR/DOT/CROSSHATCH  
GENERATOR...THE ESSENTIAL  
COLOR TV TEST INSTRUMENT**

Here's a deal you can't afford to miss! A FREE Remington portable typewriter—yours when you purchase the most essential color-TV test instrument—the RCA WR-64B!

Just imagine how handy your new typewriter will be—in the shop or at home. You'll use it almost as much as you use the RCA WR-64B—standard of the color TV servicing industry.

Here's how to get your FREE Remington Typewriter. Mail in the warranty card plus the gold label from the shipping carton of your new RCA color bar generator to RCA Test Equipment Headquarters, Bldg. 17-2, Harrison, N.J. We will ship your new Remington portable typewriter to you direct, freight prepaid. But remember—this offer covers only equipment purchased between February 1, 1967 and July 15th, 1967. To allow for postal delay, we will honor cards postmarked up to July 31st.

Plan NOW to take advantage of this BIG offer—a FREE Remington portable typewriter with your purchase of an RCA WR-64B color bar/dot/crosshatch generator.



The standard of the Color-TV Servicing Industry. Generates all necessary test patterns—color bars, crosshatch, dots plus sound-carrier. Only **\$189.50\***

\*Optional Distributor resale price. All prices subject to change without notice. Price may be slightly higher in Alaska, Hawaii, and the West.

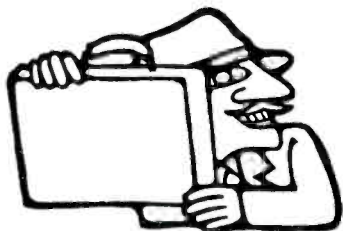
Ask to see it at Your Authorized  
RCA Test Equipment Distributor

RCA Electronic Components and Devices, Harrison, N.J.



The Most Trusted Name in Electronics

# Listen!



Here's a  
salesman you can  
see right through!

He's the strong, see-thru packaging that contains the growing family of Jensen Viking Show Pack loudspeakers. (There are over 40 in the clan for all radio, T.V., hi-fi and automotive applications.)

You'll like these "impulse buy" Show Packs . . . because your customers see before they buy. Actually, it's not only what they see . . . it's what they hear that makes the difference. Jensen quality and engineering are built into every Viking speaker at birth for a life of vibrant, dramatic sound. (*Viking speakers also come individually boxed or bulk packed.*)

Ask for Jensen Show Pack speakers—your best silent salesmen.

They'll speak for themselves.

# jensen

Jensen Manufacturing Division, The Muter Company,  
6601 South Laramie Avenue, Chicago, Illinois 60638.

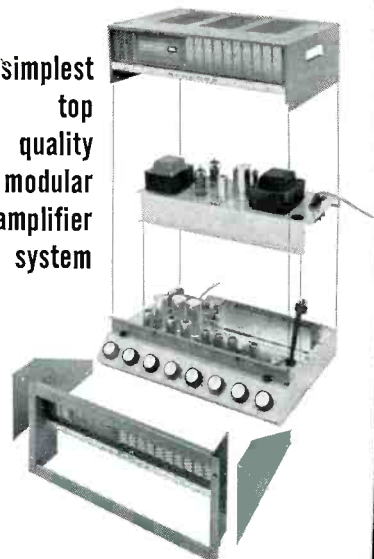
... for more details circle 126 on postcard

Rockbar Corp 650 Halstead  
Mamaroneck NY 10543  
Rohm Mfg 116 Limestone St Peoria Ill  
Rustrak Instrument 130 Silver  
Manchester NH 03103

S

S&A Electronics 204 W Florence St  
Toledo Ohio 43605  
SECO Electronics Corp 1205D S Clover  
Minneapolis Minn 55420  
Sadelco Inc 601 W 26th St New York NY 10001  
Sampson Co 2244 S Western Ave Chicago Ill  
60608  
Sangamo Electric 1301 N 11 St Springfield Ill  
62702  
Sargent Gerkhe Co 323 W 15th St Indianapolis  
Ind 46202  
Sarkes Tarzian Tuner Service 537 S Walnut  
Bloomington Ind 47401  
Sarkes Tarzian Tuner Service 547-49 Tonnele  
Jersey City NJ 07307  
Sarkes Tarzian Tuner Service 10654 Magnolia  
N Hollywood Calif 90028  
Schematic Library 809 N 7th St Phoenix Ariz  
85006  
Schober Organ 43 W 61 New York NY 10023  
Scott Inc HH 111 Powdermill Rd Maynard  
Mass 01754  
Seco Electronics 1201 W Clover Dr Minneapolis  
Minn  
Semiconics Corp 265 Canal St New York NY  
10013  
Sencore Inc 426 S Westgate Dr Addison Ill  
60101  
Sentry Electronics Inc 707 S Okfuskee Wewoka  
Okla 74884  
Setchell-Carlson New Brighton St Paul Minn  
55112  
Sherwood Electronic Labs 4300 N California  
Ave Chicago Ill 60618  
Shure Brothers 222 Hartrey Ave Evanston Ill  
60202  
Simpson Electric 5200 W Kinzie St Chicago Ill  
60644  
Slep Electronic Co Automotive Div PO Box 178  
Ellenton Fla 33532  
Smith Inc Herman H 2326 Norstrand Brooklyn  
NY 11210  
Snyder Mfg 22 & Ontario Philadelphia Pa  
Sola Electric 1717 Busse Rd Elk Grove Village  
Ill  
Sonar Radio 73 Wertman Ave Brooklyn NY  
Sonotone Corp Elmsford NY 10523  
Sony Corp of America 580 5 Ave New York NY  
10036  
Sorensen Prods Div Raytheon S Norwalk Conn  
Soundolier Inc PO Box 3848 St Louis Mo  
South River Metal Products 377 Tpk Rd South  
River NJ  
Sprague Products Marshall St N Adams Mass  
01220  
Stockpole Carbon Electronics Div St Marys Pa  
Stancor Electronics 3501 W Addison Chicago  
Ill 60618  
Standard Instrument Corp 657 Broadway New  
York NY 10012  
Standard Kollsman Industries 2085 N  
Hawthorne Melrose Park Ill 60160  
Stromberg-Carlson Div General Dynamics 1400  
N Goodman St Rochester NY 14609  
Sturtevant Co PA Addison Ill 60101  
Superior Electronics 208-212 Piaget Ave  
Clifton NJ 07011  
Swing O Lite Inc 13 Moonachie Rd  
Hackensack NJ  
Switchcraft Inc 5555 N Elston Chicago Ill  
60603  
Sylvania Electronic Products 730 3 Ave NY NY  
14304  
Sylvania Electronic Tube Div Seneca Falls NY

simplest  
top  
quality  
modular  
amplifier  
system



## NEWCOMB

TOP QUALITY CUSTOM **K**



Newcomb's finest, the Custom K Series is the climax of 30 years devoted to developing and producing the very best public address amplifiers. You quickly and simply get the combination of channels and power you need. A power output module is dropped into either a front-end or booster chassis. Two electrical plug-in connections; no soldering. Put a cover over the top or insert the chassis in a rack mount. You can plug in a transistorized VU meter accessory which has a sensitivity control and monitor jack for crystal headphones. The 4-channel models have provisions for a remote control accessory. There are 3 power amplifier modules: 40, 60, and 125 watts, and a power supply when you want to use a front end as a mixer-preamplifier only. There are three preamplifier modules: 3, 4, and 5 channels, and a chassis for making a booster amplifier out of any of the output modules. All in all, only 14 components permit 70 combinations. Performance is superb. Frequency response is  $\pm 1$  db 20-20,000 cps; distortion is extremely low. Custom K amplifiers run remarkably cool. Easy-to-trace, easy-to-service vacuum tube construction is used throughout. Colors are soft shades of gray-green. Write for Catalog K-15.

NEWCOMB AUDIO PRODUCTS CO., Dept. ET-6  
12881 Bradley Ave.  
Sylmar, California 91342

... for more details circle 135 on postcard  
ELECTRONIC TECHNICIAN



## Sure we've got inky fingers!

There's a widely held theory that business publishers shouldn't get into the printing business. We bought a printing plant anyway, feeling that this was the answer to our particular needs. Then we developed extensive computerized circulation services for the same

reason. And experience has proven that we can handle these functions with a better end result. Now it's reached the point where other publishers can and do make good use of our printing facilities and circulation services, too. Sometimes it pays to buck an old theory.

OJIBWAY PRESS, inc.

Ojibway Building, Duluth, Minn. 55802

*Satisfying the need to know . . . with 27 publications in 13 industries.*



ELECTRONIC TECHNICIAN • DRIVE-IN MANAGEMENT • DRIVE-IN MANAGEMENT GUIDEBOOK • HOSPITAL & NURSING HOME FOOD MANAGEMENT • SCHOOL & COLLEGE FOOD MANAGEMENT • PLANT & BUSINESS FOOD MANAGEMENT • KITCHEN PLANNING • GAS AGE • GAS APPLIANCE MERCHANDISING • LP-GAS • INDUSTRIAL GAS • BROWN'S DIRECTORY • PAPER SALES • THE PAPER YEAR BOOK • CONVENTION NEWS • MODERN CONVERTER • HEARING DEALER • HOSIERY & UNDERWEAR • OFFICE PRODUCTS DEALER • OP CONVENTION DAILY • AMERICAN FUR BREEDER • MEAT • SPONSOR • FLOORING • RSI (ROOFING, SIDING & INSULATION) • BAKERS WEEKLY • BISCUIT & CRACKER BAKER

13148  
Symphonic Radio & Electronic 10 Columbus  
Circle N New York NY 10023

**T**

TACO Sherburne NY 13460  
TRX Electronic Corp 200 Park Ave S New York  
NY 10003  
TV Tuner Service 2103 W 3 St Bloomington  
Ind 47401  
TV Tuner Service 118 3rd St W Twin Falls  
Idaho 83301  
Talk APhone Co 5013 N Kedzie Ave Chicago  
Ill 60625  
Tandberg of America 83 Ave Pelham NY 10803  
Tap A Line Mfg PO Box 563 Pompano Beach  
Fla 33061  
Tech-Master 75 Front St Brooklyn NY 11201

Techni-Parts Corp 156 Hempstead Tpk W  
Hempstead LI NY 11552  
Techpress Inc Brownsburg Ind 46112  
Tektronix Inc PO Box 500 Beaverton Ore 97005  
Telerad Div Lionel Corp Route 69-202  
Flemington NJ 08822  
Telex Inc Inc 3054 Excelsior Minneapolis Minn  
55416  
Telex/Aemco Div Telex Inc Mankato Minn  
56001  
Teleonic Industries 60 N 1 Ave Beech Grove  
Ind 46107  
Tenatronics Ltd 1011 Power Ave Cleveland  
Ohio 44114  
Tenna Mfg 19201 Cranbrook Pkwy Cleveland  
Ohio  
Tennalab 10 & State Sts Quincy Ill 62301

Terado Co 1068 Raymond Ave St Paul Minn  
55108  
Texas Crystals 1000 Crystal Dr Ft Myers Fla  
33901  
Thomas Electronic Organs 8345 Hayvenhurst  
Ave Sepulveda Calif 91343  
Thordarson-Meissner 7 & Belmont Mt Carmel  
Ill 62863  
Thorens Div Atlantic & Stewart Aves ELPA  
Mktg Ind New Hyde Park NY 11040  
Toshiba Mitsui & Co 530 5 Ave New York NY  
10036  
Tram Electronics Lower Bay Road PO Box 187  
Winnisquam NH 03289  
Trav Ler Radio 571 W Jackson Chicago Ill  
60606  
Triad Transformer 4055 Redwood Ave Venice  
Calif 90291  
Trio Mfg Griggsville Ill 62340  
Triplett Electrical Instrument 286 Harmon Rd  
Bluffton Ohio 45817  
Tung-Sol Electric 1 Summer Ave Newark NJ  
07104  
Turner Co 918 17 St NE Cedar Rapids Iowa  
52401

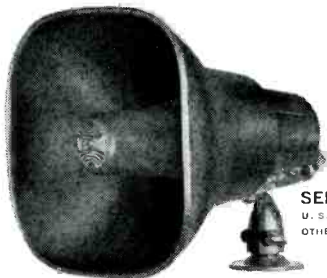
**U**

Ullman Devices Ridgefield Conn 06877  
Ungar Co Sid 1880 Rayford Dr Los Angeles  
Calif 90045  
Union Carbide 270 Park Ave New York NY  
10017  
Useco Div Litton Industries Inc 13536 Saticoy  
St Van Nuys Calif 91402  
Utah Electronics 1123 E Franklin St Huntington  
Ind 46750  
U.Test M Mfg 4325 W Lincoln Milwaukee Wis  
53219  
Ungar Electric Tools 2701 W El Segundo Blvd  
Hawthorne Calif 90250  
United Transformer 150 Varick St New York  
NY 10013  
University Loudspeakers Div Ling Temco Vought  
9500 W Reno St Oklahoma City  
Up Right Towers 1013 Pardee St Berkeley  
Calif 94710  
Utah Radio & Electric Corp 1123 E Franklin  
St Huntington Ind 46750  
Utica Drop Forge & Tool 2415 Whitesboro  
Utica NY 13502  
Utica Electronic Communications 2714 W  
Irving Pk Chicago Ill 60618

**V**

V M Corp 4 & Park Sts Benton Harbor Mich  
49022  
Vaco Products 510 N Dearborn Chicago Ill  
60610  
Valley TV Tuner Service 5641 Cahuenga Blvd  
N Hollywood Calif 90028  
Vector Electronic 1100 Fowler St Glendale  
Calif

## Now an Atlas Sound speaker that can do more than any one speaker could do before...



SERIES AP-30  
U. S. DESIGN PATENT #205,663.  
OTHER PATENTS PENDING.

... and all you need is a screwdriver  
to mount, connect and adjust it.

New Series AP-30 install easier,  
faster and better with built-in trans-  
formers, screw-to-line terminals and  
watts/impedance switch. Very high  
efficiency is thrifty with amplifier  
power for low level reinforcement.  
The speakers are 30 watts rugged for  
penetration over distance and noise.

From solderless installation to  
quality performance on the job, four  
weather-sealed AP-30 models cover  
your requirements for most single and  
multiple installations.

From \$24.30 net.

For the complete Professional Series  
AP-30 story, ask for catalog ET-H16.



**ATLAS SOUND**, Division of  
American Trading and Production Corporation  
10 Pomeroy Road, Parsippany, N.J. 07054  
Canada: Atlas Radio Corporation, Toronto  
THIRTY YEARS OF LEADERSHIP IN COMMERCIAL SOUND



SEE US IN ROOM 513A, CONRAD HILTON HOTEL, 1967 NEW

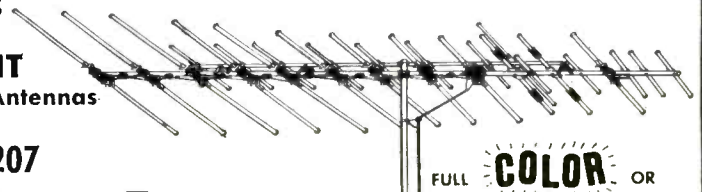
... for more details circle 109 on postcard

# KAY-TOWNES

## UHF-VHF-FM antennas



ORIGINATORS and DESIGNERS  
of the WORLD FAMOUS  
**CROSS PHASE CIRCUIT**  
Now Used By Most Modern-Day Antennas  
SEE US AT  
THE SHOW: BOOTHS 3205-3207



KAY-TOWNES ANTENNA CO.  
1511 DEAN AVE., ROME, GA. 30162

### colorphase

CP-7, 11, 15, 19, 23, 28

FULL **COLOR** OR  
BLACK AND WHITE RECEPTION

... for more details circle 129 on postcard

ELECTRONIC TECHNICIAN

# Precision Apparatus

introduces 5 new models; now a complete line of quality test equipment for service technicians

For over 30 years, professionals in industry, service, laboratory and educational fields have relied on Precision Apparatus Test Equipment. Today, through the experience and marketing know-how of Dynascan Corporation, Precision Apparatus offers even greater reliability and performance—maximum versatility—in all applications. By every standard, they are the hallmark of quality in test equipment.

**NEW! A MUST FOR COLOR TV ALIGNMENT**

**MODEL E-410C—SWEEP GENERATOR AND MARKER ADDEE**



Wide range, frequency modulated signal source combined with Marker Adder circuitry designed for the alignment of color TV, FM and other high frequency wide-band receivers and circuits. Solves marker visibility and overloading problems. Furnished with a 4.5 mc crystal and 5 output cables. \$169.95

**NEW! MODEL B-12—REGULATED POWER SUPPLY**



A reliable source of variable, regulated DC plate voltages, and bias plus AC filament voltages . . . with exclusive 6.3 VAC and 12.6 VAC supply. Perfect for service bench and circuit development, it offers regulated DC voltages from 0 to 400 volts, and a bias supply from 0 to -150 volts. Each output is variable throughout its range. Rugged, double-jewelled, D'Arsonval meters mounted on the front panel. \$99.95

**NEW! MODEL B-10—BATTERY ELIMINATOR & CHARGER**



Twice the filtering provides .15% ripple! Designed to meet rigid, low-ripple output requirements of modern transistorized automobile radios and other electronic equipment of 6 and 12 volt ratings. Does not require additional investment for external filter adapters. Functions as an efficient, reliable battery charger with special high-current output at separately labeled terminals. \$59.95



**NEW!**

**MODEL V-95 PROFESSIONAL VTVM**

More accurate readings on huge 7" mirrored scale. Special 0.5 VDC scale for precise transistor circuit analysis. Zener controlled internal power supply obsoletes ohmmeter batteries. Two-way protection: transit switch position and anti-burnout shunts prevent meter damage on the job or on the road. Single test probe eliminates cable tangles and lead shuffling. Rugged walnut-grain metal case; name-personalized handle stops "borrowing." \$79.95  
MODEL V-75 with 4½" meter. \$59.95



**NEW!**

**MODEL S-55 PUSH-PULL OSCILLOSCOPE**

Wide band amplification, DC coupled, zero to 5 MC. High vertical sensitivity and large CRT screen give more than 6" undistorted deflection. Automatic horizontal synchronization includes 60 Hz sinusoidal sweep for TV and FM alignment. Special 500 KHz sweep makes it easy to see complete 3.58 MKz burst signals; ideal for color TV. Exceptionally low distortion. \$169.95



**ES-550B WIDE-BAND OSCILLOSCOPE**  
Deluxe scope; extra brightness; extra high sensitivity. Unique calibration voltage makes measurement easy. \$279.95



**E-200C MULTI-BAND SIGNAL GENERATOR**  
Unique AVC substitution system for total accuracy. 88 KHz to 400 MHz, hand-calibrated. \$119.95



**120M VOM**  
1½% DC accuracy. Exclusive extra-low R x 1/10 scale reads to 0.1 ohm. Transit and burnout protection. Mirrored scale. \$65.00  
**ALSO: MODEL 120 with 2% DC. \$56.00**  
**E-310 SINE & SQUARE WAVE GENERATOR**  
Only moderate-cost, low-distortion, 5 Hz to 600 KHz wide band generator. \$199.95



*The Complete Line That Sets Industry Standards*



**PRECISION APPARATUS**

hallmark of quality in test equipment

Tube supplement information now available for all Precision and Paco Tube Testers.

Division of Dynascan Corporation  
1801 W. Belle Plaine Avenue  
Chicago, Illinois 60613

Where Electronic Innovation Is A Way Of Life

... for more details circle 138 on postcard

Victoreen Instrument 5806 Hough Ave  
Cleveland Ohio 44103  
Vidaire Electronics 365 Babylon Tpk Roosevelt  
LI NY 11575  
Video Industries Co 242 Madison Ave Port  
Chester NY 10573  
Viking Cable Co 400 9th St Hoboken NJ 07030  
Viking of Minnesota 9600 Aldrich St  
Minneapolis Minn  
Viking Electronics 830 Monroe Hoboken NJ  
07030  
Vitramon Inc Box 544 Bridgeport Conn 06601  
Vocaline Co of America 133 Coulter St Old  
Saybrook Conn 06475  
Volkswagen of America 476 Hudson Terrace  
Englewood Cliffs NJ 07632

**W**

Waber Electronics 200 N 2nd St Philadelphia  
Pa 19106  
Walco Electronics 60 Franklin St East Orange  
NJ 07017  
Waldom Electronics 4625 W 53 St Chicago Ill  
60623  
Wall Mfg Co P Grove City Pa 16127  
Waller Corp Crystal Lake Ill 60014  
Wallin-Knight Industries 3321 McKinley St NE  
Minneapolis Minn 55108  
Walsco Electronics S Wyman St Rockford Ill  
61101  
Ward Leonard Electric 115 McQueston Pkwy Mt  
Vernon NY  
Ward Products Edsom St Amsterdam NY 12010  
Weathers Industries 66 E Gloucester Pike  
Barrington NY 08007  
Webcor Inc 5626 Bloomingdale Ave Chicago Ill  
60639  
Weller Electric 601 Stone Crossing Rd Easton  
Pa  
Wells-Gardner 2701 N Kildare Ave Chicago Ill  
60639

Wen Products 5810 Northwest Hwy Chicago Ill  
60631  
Western Electric Co Inc 195 Broadway New  
York NY 10007  
Western Tuner Rebuilders 1140 N Vermont Ave  
Los Angeles Calif 90029  
Westinghouse Electric Radio TV Dept  
Metuchen NJ 08840  
Westinghouse Electric Corp Tube Div PO Box  
284 Elmira NY 14902  
Wilco Co 4425 Bandini Blvd Los Angeles Calif  
90023  
Windsor Electronics 999 N Main St Glen Ellyn  
Ill 60137  
Winegard Co 3000 Kirkwood Burlington Iowa  
52601  
Workman Electronic Products Box 5297  
Sarasota Fla 33579  
Worner Electronic Rankin Ill 60960  
Wuerth Tube Saver Corp PO Box 66 Hollandale  
Fla  
Wurlitzer Co N Tonawanda NY 14150  
**X**  
Xacto Inc 48-41 Van Dam St Long Island City  
NY 11101  
Xcelite Inc 12 Bank St Orchard Park NY 14127  
**Y**  
Yeats Appliance Dolly 1313 Fond du Lac Ave  
Milwaukee Wis 53205  
**Z**  
Zenith Radio Parts & Accessories 5801 W  
Dickens Chicago Ill 60639

**CATALOGS  
AND BULLETINS**

**Audio-Visual Equipment 400**

A 116-page catalog lists a variety of stereo equipment, video tape recorders, closed circuit TV equipment and accessories such as speakers, microphones and tapes. Sonocraft.

**Test Instruments 401**

A line of test instruments including color generators, tube testers, capacitor testers and meters is described in a 10-page catalog. Mercury.

**Electronics Catalog 402**

A 124-page spring catalog lists high-fidelity components, tape recorders, amateur and CB equipment, test instruments, tools and kits. Allied.

**Embossed Signs 403**

An eight-page catalog contains pictures of a wide assortment of embossed steel signs bearing the proper wording for many situations. Seton.

**Coils 404**

A catalog lists general and exact coil replacements for radios and TV sets. Schematic drawings illustrate all coils. Workman.

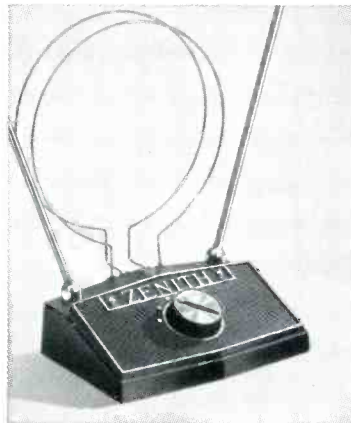
**MOVING?**

Be sure to let us know your new address. Please enclose a complete address label from one of your recent issues.

# Why not sell the best

**3 ZENITH  
WAVEMAGNET®  
INDOOR TV ANTENNAS**  
built to the quality  
standards of Zenith  
original parts

Zenith has designed these Wavemagnet antennas for sensitive reception in color or B/W. Fully adjustable telescopic dipoles. Six-position selector switch for top performance on each channel. Handsome molded base of high-impact styrene. Individually packaged for effective sales display. Order now from your Zenith distributor.



**DELUXE  
ALL-CHANNEL**  
Part No. 973-56  
Two full-size UHF loops develop high front-to-back ratios equal to many outdoor antennas.



**ECONOMY  
ALL-CHANNEL**  
Part No. 973-55



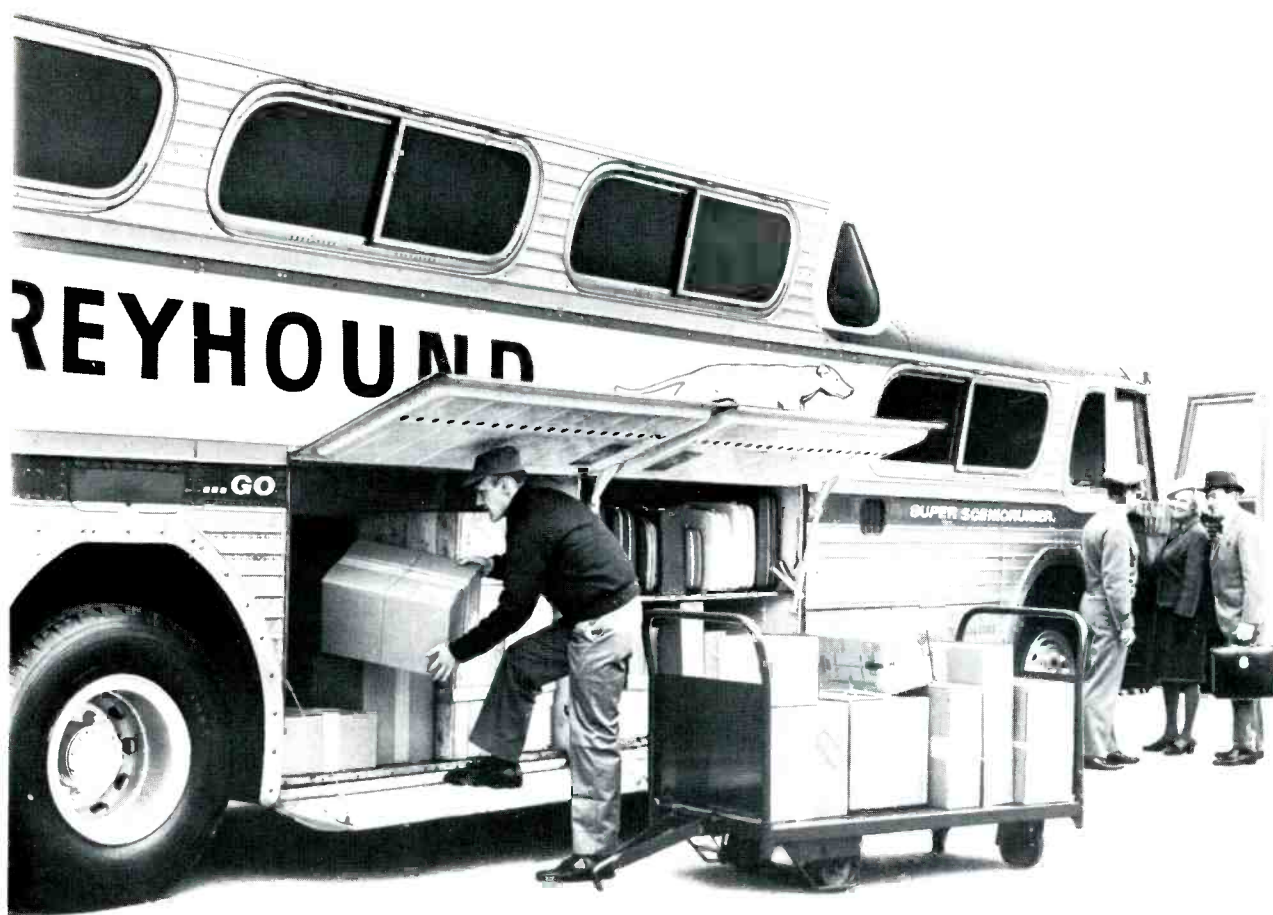
**VHF ONLY**  
Part No. 973-58



*The quality goes in before the name goes on*

... for more details circle 150 on postcard  
ELECTRONIC TECHNICIAN

# Packages that travel on "people" schedules!



## Your packages go everywhere Greyhound goes. Same bus, same fast, frequent schedules, when you ship by Greyhound Package Express

"People" schedules *are* package schedules when you ship by Greyhound Package Express. Got a hurry-up shipment? Put it on a Greyhound...the same Greyhound bus that carries passengers. When the passengers arrive, your shipment arrives. Schedules are regular, fast and frequent. You can ship anytime

at your convenience... day or night, 7 days a week, 24 hours a day. Weekends and holidays, too. Greyhound travels the most direct routes, via the newest super highways, serving thousands of cities, towns and villages all over America. And GPX is a money-saver you can't afford to overlook. Next time

you've got a shipment ready to go, look into GPX. Take your choice of C.O.D., Collect, Prepaid, or open a GPX Charge Account. For complete information about service, rates and routes, call Greyhound, or write: Greyhound Package Express, Dept. 53-F, 10 South Riverside Plaza, Chicago, Ill. 60606.

For Example	Buses Daily	Running Time	20 lbs.	30 lbs.	40 lbs.*
BOSTON NEW YORK	28	4 hrs. 15 min.	2.20	2.60	2.90
LOS ANGELES SAN FRANCISCO	22	9 hrs. 15 min.	2.10	2.45	2.80
PITTSBURGH CLEVELAND	12	2 hrs. 45 min.	2.00	2.25	2.65
INDIANAPOLIS CHICAGO	10	4 hrs.	2.10	2.45	2.85

\*Other low rates up to 100 lbs. Lot shipments, too.



One of a series of messages depicting another growing service of The Greyhound Corporation.

... for more details circle 124 on postcard

Introducing the world's first 5-channel, solid state, Citizens Band Radio with a Class B push-pull audio amplifier, super-sensitive receiver, and full-powered transmitter, that comes with either palm microphone or telephone handset at no extra cost.

**Total weight: 3 pounds. Total price: \$99.90.**

How can anyone put so much into one radio, for so little, without cutting corners?

Anyone can't. Pearce-Simpson can.

In simple, unvarnished terms, Pearce-Simpson makes more marine radio telephones than anyone in the world.

Period.

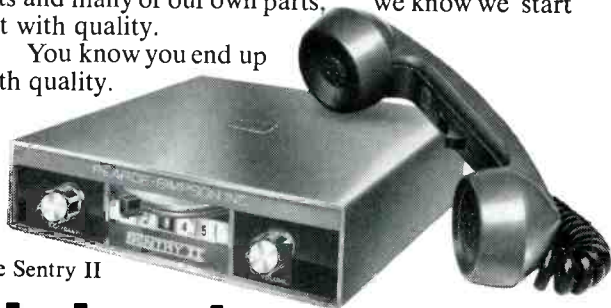
Which means that Pearce-Simpson buys more components for radio telephones than anyone in the world.

In other words, because we buy in such quantity, we save money when we buy our components.

You save money when you buy our radios.

And because we have our own plastics factory and make our own telephone handsets, our own cabinets and many of our own parts, we know we start out with quality.

You know you end up with quality.



The Sentry II

**Nobody can  
make a better  
radio for \$99.90.  
Not even  
Pearce-Simpson.**

Important: Full year warranty.  4.0-watt power output  0.5 uv opens squelch  adjacent channel 50 db down  cross modulation 80 db down  no close range blocking  noise limiting circuit virtually eliminates ignition and alternator noise.

Pearce-Simpson, Inc. P.O. Box 800/Biscayne Annex Miami, Florida 33152		ET-667
Gentlemen: Please send free dealer kit and complete details on your new CB Radio Profit Line.		
Name		
Address		
City		
State	Zip	

See the new Pearce-Simpson CB Profit Line at the N.E.W. Show, Exhibit Hall, Conrad Hilton, Booth 3304, Chicago, June 19-21.

... for more details circle 137 on postcard

## NEWS OF THE INDUSTRY

### General Electric Urges Strong Local Promotions

General Electric urges retailers handling its radios and portable tape recorders to make the most of the upcoming "gift season" by initiating strong local promotions.

Included are ad mats, suggested copy for radio spots, displays and promotion ideas for brides, grads and Dads. But besides these traditional gift occasions, G-E points out that June 11th is Kamehameha Day, giving retailers all over the United States a reason to decorate their departments in Hawaiian motif. It was also pointed out that June 17th is Bunker Hill day.

### Federal Trade Commission Advises On Price Discrimination

The Federal Trade Commission (FTC) recently advised a manufacturer, who had requested an advisory opinion, that nothing is inherently illegal about area price lists that make only due allowance for differences in the cost of shipment and delivery.

The FTC advised the manufacturer further that price discriminations in sales to customers, located in different areas and, who in fact compete with each other, could amount to conduct in violation of Section 2(a) of the Clayton Act, unless cost justified the price or unless the lower price was a good-faith meeting of a competitor's equally low price.

The FTC also pointed out that it could be unlawful if area price lists permitted sales-producing monopoly profits in one area to subsidize sales at much lower prices in another area or to a particular customer or group of customers to the competitive injury of a competitor of the seller.

### FEC Awarded New Contract For Job Corps Center

Federal Electronic Corp. of Paramus, N.J., is awarded a \$21,687,000 renewal contract by the Office of Economic Opportunity for the operation of the Kilmer Job Corps Center.

The 17-month contract takes effect immediately and ends June 30, 1968. It covers academic and vocational training for resident corpsmen and non-resident enrollees in four schools at the Kilmer Center.

In addition to work-skill training, the center provides citizenship training, vocational, recreational and social opportunities and general education development leading to high school equivalency certificates. Federal Electronics also provides food, lodging and other services for the trainees.

The Kilmer center has been in operation since Feb. 11, 1965, and it was said that the center has graduated more than 1900 corpsmen and placed more than 1600 in confirmed jobs.

### Computer Network To Provide National Job Placement Service

James R. Bradburn, vice president and general manager of RCA Electronic Data Processing predicts that the day is rapidly approaching when a jobless worker



will enter a state employment office and, at the flick of a switch, receive a nationwide list of employment opportunities that match his qualifications.

"In dozens of states, computers already are keeping track of statewide job openings and matching them with unemployed workers," Dr. Bradburn said. "As more states employ computers to untangle the gigantic snarl of paperwork involved in unemployment insurance programs and job placement services, the next logical step is to form a nationwide network."

In New Jersey, Commissioner of Labor and Industry, Raymond Male, pointed out: "Much of the unemployment problem could be solved by a fast, efficient method of matching available jobs with the jobless."

New Jersey's Labor Dept. will join the swelling ranks of computerized state unemployment services this year with the installation of one of the nation's most extensive systems. It consists of a computer connected to remote data transmission terminals at each of the state's 37 local unemployment offices.

The growing use of computers in unemployment administration is understandable in view of the mammoth job involved, Mr. Bradburn said. For example, in 1965, a year when unemployment actually dropped from a January high of near five percent to around four percent by the year's end, more than six million insured claimants throughout the United States collected benefits averaging \$36.56 a week for a total of more than \$2.5 billion.

In the same year, the nation's more than 2000 state unemployment offices placed applications in nearly 6.5 million non-farm jobs and more than 6 million year-around and seasonal farm jobs. About 2.5 million job qualification tests and 2 million employment counselling interviews were administered.



## "My shop's been loaded... since I got my FCC License."

"And I could kick myself for not getting it sooner. I'm pulling in all kinds of mobile, marine and CB business that I couldn't touch before; have even had some calls to work on closed-circuit television. I've hired two new men to help out and even with them, I'm two weeks behind."

And so it goes. Once you have that FCC ticket, you open the door to all kinds of new business. And that's not all. The knowledge you need to pass the FCC exam gives you a fundamental understanding of all electronics. You'll find you can do more work in less time...work on almost any kind of electronics gear.

What's the best way to get a Commercial FCC License...and still keep up with your work? Thousands of men will tell you "Cleveland Institute of Electronics." CIE has been preparing men for FCC License exams since 1934. What's more, they back their Home Study Licensing Programs with this remarkable money-back offer:

**A CIE FCC License course will quickly prepare you for a Commercial FCC License. If you fail to pass the FCC examination...on the very first try...after completing your course, CIE will refund all your tuition. You get an FCC License...or your money back!**

And only CIE offers you new, up-to-the-minute lessons in all these subjects: Logical Troubleshooting, Laser Theory and Application, Micro-miniaturization, Single Sideband Technique, Pulse Theory and Application, Boolean Algebra, and many more.

Send coupon today for CIE's FREE informative book "HOW TO GET A COMMERCIAL FCC LICENSE." Cleveland Institute of Electronics, Dept. ET-29 1776 East 17th Street, Cleveland, Ohio 44114.

**ENROLL UNDER NEW G. I. BILL.** All CIE courses are available under the new G. I. Bill. If you served on active duty since January 31, 1955, OR are in service now, check box in coupon for G. I. Bill information.

**MAIL COUPON TODAY FOR FREE BOOK**

**CIE** Cleveland Institute of Electronics  
1776 East 17th Street, Cleveland, Ohio 44114

Please send FREE book, "How To Get A Commercial FCC License."

Name \_\_\_\_\_ (please print)

Address \_\_\_\_\_

City \_\_\_\_\_ State \_\_\_\_\_ Zip \_\_\_\_\_

Occupation \_\_\_\_\_ Age \_\_\_\_\_

Check here for G.I. Bill information

Accredited Member National Home Study Council  
A Leader in Electronics Training... Since 1934 ET-29



be confident with

# Colson STOCK CARTS

Versatile trucks feature 2½" deep trays. Ideally suited for quick, speedy selection of merchandise from stock shelves. Four models, 18" x 30" and 24" x 36", two or three shelves. 5" cushion rubber Colsonite wheels.



Model #6440

As low  
as \$37.50



Write for complete truck catalog



**THE COLSON CORPORATION**

39 S. La Salle St., Chicago, Ill. 60603, Dept. ET-6

Finest quality on wheels — since 1885

... for more details circle 118 on postcard

... for more details circle 117 on postcard

## EXTRA PROFIT! FOR COLOR TV TECH.

Now, you can service color TV as easy as black & white and earn color TV service rates while doing it. Remove chassis only, no truck or helper needed. No time lost carrying test equipment to customers home, etc. —

**NEW!** 21" COLOR TEST PEDESTAL WITH PANEL BRACKET



MODEL C21  
TECH-NET 14.50

PAT. PENDING

**A MUST FOR PROFITABLE COLOR BENCH SERVICE**

This "EIGHT BALL" 21" color test pedestal, is designed to secure your test tube, deflection yoke and convergence panel in position for direct hookup, exactly as in customers cabinet and bench service of chassis in horizontal or vertical positions without cables; plus, full view of picture in service mirror. One man portable and perfect for use on all makes with 70 degree deflection. Costs less than set of extension cables — Pays for itself each day with time saved.

19" color test pedestal also available. — Tech-Net 14.50 See your distributor or remit direct. — Postpaid 14.50

**8 EIGHT BALL COMPANY 8**  
1135 W. MAIN ASHLAND OHIO

... for more details circle 120 on postcard



# ... JUST WHAT THE TV

# PROBLEM ORDERED!



# QUIETROLE

- Lubricates and Cleans
- Apply With Spray or Dropper
- Non-inflammable . . .
- Non-conductive . . . Non-corrosive
- Harmless to plastics & metal — zero effects on capacity & resistance — "for color & black & white".

Quietrol is preferred by manufacturers and servicemen alike. Quiets noisy TV and radio controls. Mark-II for tuners, Spray-Pack for controls & switches, Silitron for general use.

At Your Distributor . . . Ask for Quietrol by Name.

manufactured by  
**QUIETROLE CO.**  
Spartanburg, South Carolina

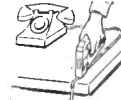
... for more details circle 140 on postcard

## ADVERTISERS' INDEX

American Telephone & Telegraph Co. ....	63
Amperex Electronic Corp. ....	3rd Cover
Amphenol Distributor Div. ....	73
Antenna Specialists Co. ....	74
Arco Electronics ....	27
Armco Steel Corp. ....	33
Arrow Fastener Co. ....	92
Astatic Corp. ....	62
Atlas Sound ....	86
B & K Div., Dynascan Corp. ....	19, 25, 61
Bell P/A Products Corp. ....	80
Borden Chemical, Krylon Div. ....	24
Castle TV Tuner Service ....	76
Channel Master Corp. ....	29
Chemtronics, Inc. ....	70
Cleveland Institute of Electronics ....	91
Colson Corp. ....	91
C/P Corp. ....	36
Eight Ball Co. ....	92
Electro-Voice ....	72
ELECTRONIC TECHNICIAN Book Club ....	69
Finney Co. ....	78, 92
Greyhound Lines, Inc. ....	89
Heath Co. ....	34-35
Jensen Mfg. Div., Muter Co. ....	84
Jerrold Electronics Corp. ....	2nd Cover
JFD Electronics Co. ....	81
Kay-Townes Antenna Co. ....	76, 86
Lafayette Radio Electronics Corp. ....	79
Microflame, Inc. ....	82
Miller Co., J. W. ....	70
Mosley Electronics, Inc. ....	72
Motorola Consumer Products ....	20
Newcomb Audio Products Co. ....	84
Oaktron Industries, Inc. ....	26
Pearce-Simpson, Inc. ....	90
Precision Apparatus Div., Dynascan Corp. ....	87
Quam-Nichols Co. ....	78
Quietrol Co. ....	92
Radio Corp. of America RCA Electronic Components & Devices ....	4th Cover, 75, 83
RCA Parts & Accessories. ....	65
RCA Sales Corp. ....	31
S & A Electronics, Inc. ....	32
Score, Inc. ....	22, 66
Simpson Electric Co. ....	77
Sprague Products Co. ....	23
Sturtevant Co., P. A. ....	80
Triplett Electrical Instrument Co. ....	30
Winegard Co. ....	71
Yeats Appliance Dolly Sales Co. ....	82
Zenith Sales Corp. ....	88

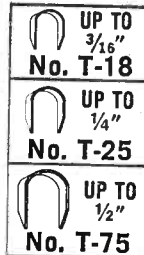


## AUTOMATIC STAPLE GUNS



For Fastening Any  
Inside or Outside

Wire Up to 1/2" in Diameter



- Telephone wire
  - Intercom wire
  - Bell wire
  - Thermostat wire
  - Radiant heating wire
  - Hi-Fi, Radio & TV wires
- Tapered striking edge gets into close corners!

Available in:  
Brown, Ivory, Beige,  
Monel, Bronze, Natural

ARROW FASTENER COMPANY, INC.

1 JUNIUS STREET • BROOKLYN 12, N. Y.

... for more details circle 107 on postcard

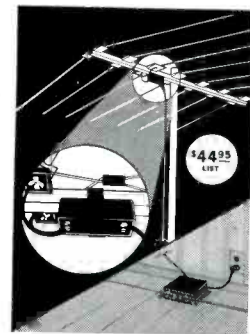
# NEW POWER POWER

FROM

# FINCO

## Model 65-3 VHF-TV ANTENNA AMPLIFIER

improves reception of WEAK VHF-TV signals in FRINGE AREAS even where strong local TV or FM signals are present. AMPLIFIES UP TO 7 TIMES for Better Color and B/W



Model 65-3 VHF-TV ANTENNA AMPLIFIER

A two-transistor—amplifier. Engineered to provide the lowest noise and highest amplification with the most desirable over-load characteristics.

Amplifier used in conjunction with dual outlet power supply for one, two, or multiple set installations. 117 V 60 cycle input. AC power up to amplifier; 24 volts-60 cycle.

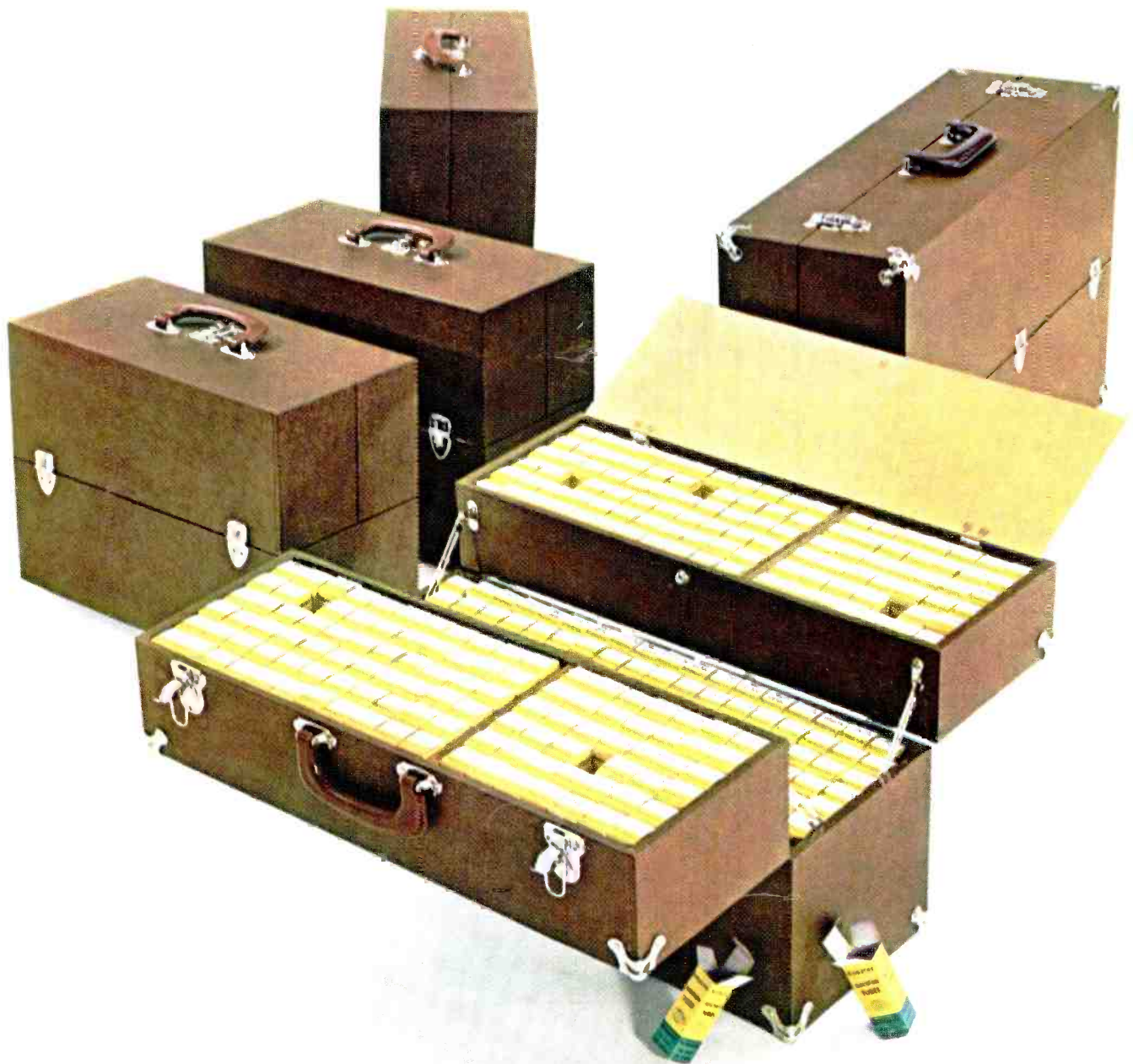
Let Finco solve your Color and B & W reception problems. Write for complete information, schematics and specifications. Form #20-357.

**THE FINNEY COMPANY**

34 West Interstate St., Dept. 110, Bedford, Ohio

... for more details circle 123 on postcard

ELECTRONIC TECHNICIAN



**One out of every five  
professional servicemen  
has switched to Amperex  
TV replacement tubes**

It takes a lot of quality to change the buying habits of 20% of the most knowledgeable technicians in the business. These servicemen are following the pattern set by the leading TV manufacturers, who are designing more and more of their quality lines around tubes originated by Amperex. The Amperex line of popular types is expanding all the time. Look for the green and yellow cartons at your distributor's or write: Amperex Electronic Corp., Hicksville, L. I., N.Y. 11802.



**Amperex**<sup>™</sup>

TOMORROW'S THINKING IN TODAY'S PRODUCTS  
... for more details circle 101 on postcard

**"DRESS UP WITH QUALITY..."  
FROM  
RCA**



**Earn a FREE Van Heusen® Vanopress™ Shirt for each eligible RCA HI-LITE or Colorama Color TV Picture Tube you purchase between now and July 31, 1967.**

Now from RCA, the quality leader in color television, comes the chance for you to "dress up with quality" in Van Heusen shirts, a quality leader in ladies' and men's fashions! And the offer is FREE.

What a selection! You have a 20-page catalog to choose from. *And all are Vanopress... the permanently pressed shirt that never needs ironing!*

You get one shirt FREE through each purchase of any of the four eligible tube types—and there's no limit on quantity.

The details are simple. Complete the Registration Post-card portion of the warranty card, attach it to the Carton Identification Card that comes with each eligible\*

tube and mail *both* to RCA, Box 1140, Lancaster, Pa. 17604 They must be postmarked no later than July 31, 1967. Your Van Heusen gift certificate will be sent to you by return mail.

If you have any questions, just call your Authorized RCA Distributor. But don't wait. The more RCA HI-LITE and Colorama tubes you purchase... the more you can dress up with Van Heusen Vanopress shirts. Start now and you can have a whole new wardrobe of shirts by the time this offer ends.

\*HI-LITE types H21FJP22A, H21FBP22A

\*Colorama types C21FJP22, C21FBP22

RCA Electronic Components and Devices, Harrison, N.J.



**The Most Trusted Name in Electronics**

Trademark(s) ©Registered

RCA Colorama Picture Tubes contain used materials which prior to re-use are carefully inspected to meet our high quality standards.