

# Electronics NOW<sup>®</sup>

## JACOB'S LADDER

Build this fascinating attention-getter!

## ELECTROCHEMISTRY

Build a power supply designed for small scale electrolysis and electroplating

## VIDEO RECEIVER

Easy-to-build experimenter's project

## CIRCUIT COOKBOOK

Waveform generating circuits

## HOBBY POWER SUPPLY

No benchtop is complete without it!



\$3.50 U.S.  
\$3.95 CAN.



A GERNSBACK PUBLICATION

#BXNBQWF\*\*\*\*\* 3-DIGIT 871  
#BRKB4717C96 6#570236 0AP16

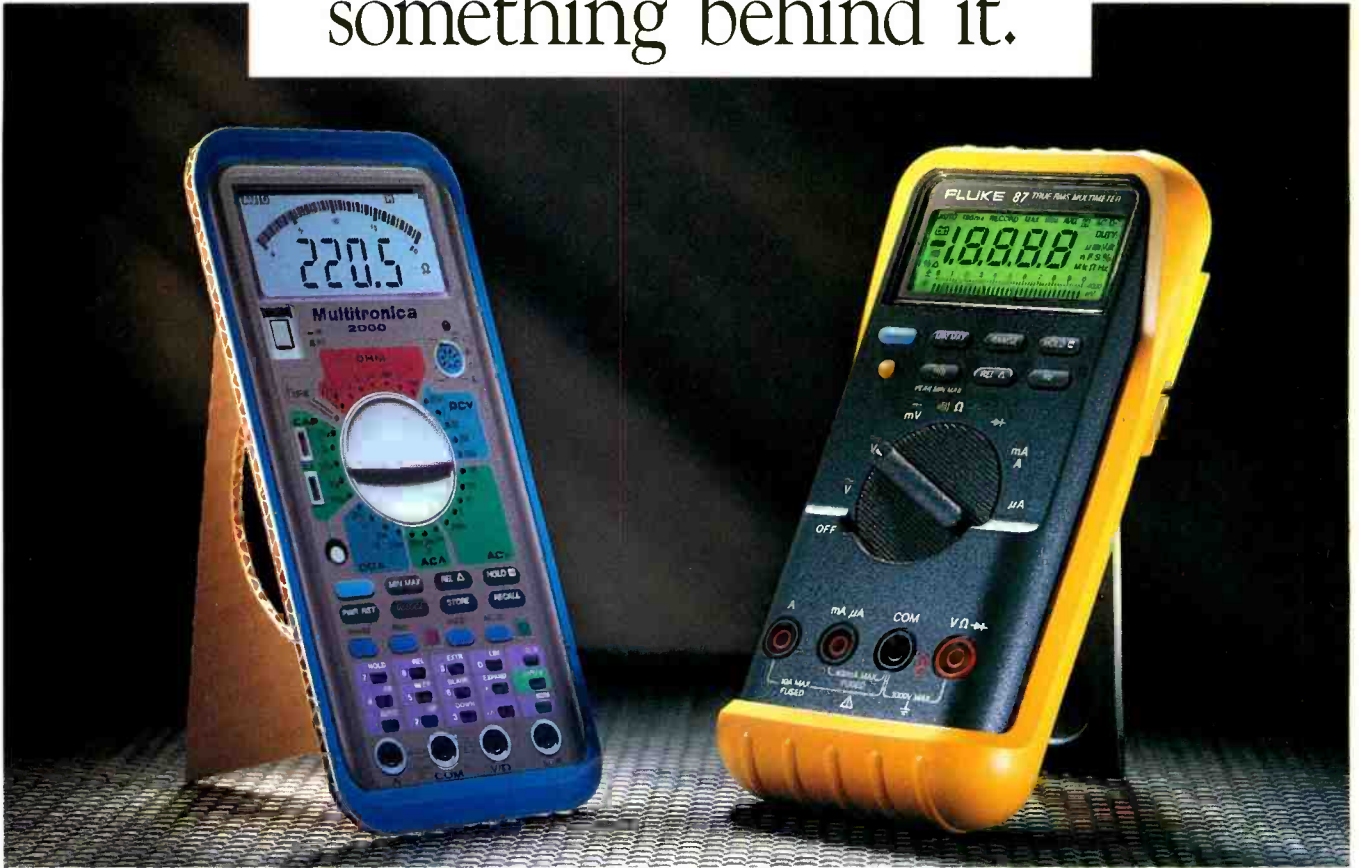


JUN 97

CHRIS BARKER

12EN

Before you get turned on  
by the front of a meter, make sure there's  
something behind it.



**Fluke meters are designed for professionals who value function over frills.**

There's nothing superficial about the Fluke family of versatile digital multimeters. Pick one up and you feel that it's a substantial tool. Designed to fit the application and the way you work. With features like our patented Touch Hold® function that freezes a reading on the display, and intelligently updates with each new reading. Automatically. Without requiring a third hand to push a button. Fluke meters attain stable, accurate readings in half the time of most imitations, making you more productive on the job.



Other meters are merely "designed to meet" certain guidelines; Fluke designs and builds a full line of meters that actually achieve UL, VDE and TÜV safety certification. Fluke's guarantee goes beyond manufacturing defects to include meter specifications for an entire year, so you can trust the readings. And Fluke backs you with toll-free customer assistance numbers, and a world-wide service organization. Discover why more professionals around the world say, "Hand me the Fluke." See your local distributor, or call **1-800-87-FLUKE** for a catalog and the name of the distributor nearest you.

Serious Tools for Serious Work

© 1994 Fluke Corporation. P.O. Box 9090, M.S. 250E, Everett, WA.  
USA 98206-9090 U.S. (206) 356-5400. Canada (905) 890-7600  
Europe (31 40) 644200. Other Countries (206) 356-5500.  
All rights reserved. Ad No. 00567

CIRCLE 121 ON FREE INFORMATION CARD  
[www.americanradiohistory.com](http://www.americanradiohistory.com)

**FLUKE**®

# What's better than speed reading? *Speed Learning.*

Speed Learning has replaced speed reading. It's a whole new way to read and learn. It's easy to learn...lasts a lifetime... applies to everything you read. It may be the most productive course you've ever taken.

Do you have too much to read and too little time to read it? Do you mentally pronounce each word as you read? Do you frequently have to go back and reread words, or whole paragraphs, you just finished reading? Do you have trouble concentrating? Do you quickly forget most of what you read?

If you answer "Yes" to any of these questions — then here at last is the practical help you've been waiting for. Whether you read for business or pleasure, school or college, you will build exceptional skills from this major breakthrough in effective reading, created by Dr. Russell Stauffer at the University of Delaware.

**Not just "speed reading" — but  
speed reading — thinking —  
understanding — remembering —  
and — learning**

The new *Speed Learning Program* shows you, step-by-proven step, how to increase your reading skill and speed, so you understand more, remember more and use more of everything you read. The typical remark from over one million people taking the *Speed Learning* program is, "Why didn't someone teach me this a long time ago." They were no longer held back by their lack of skills and poor reading habits. They could read almost as fast as they could think.

## What makes *Speed Learning* so successful?

The new *Speed Learning Program* does not offer you a rehash of the usual eye-exercises, timing devices, and costly gadgets you've probably heard about in connection with speed reading courses, or even tried and found ineffective.

In just a few spare minutes a day of easy reading and exciting listening, you discover an entirely new way to read and think — a radical departure from anything you have ever seen or heard about. *Speed Learning* is the largest selling self-study reading program in the world. Successful with Fortune 500 corporations, colleges, government agencies and accredited by 18 professional societies. Research shows that reading is 95% *thinking* and only 5% eye movement. Yet most of today's speed reading programs spend their time teaching you rapid eye movement (5% of the problem), and ignore the most important part, (95%) *thinking*. In brief, *Speed Learning gives you what speed reading can't*.

Imagine the new freedom you'll have when you learn how to dash through all types of reading material at least twice as fast as you do now, and with greater comprehension. Think of being able to get on top of the avalanche of newspapers, magazines and correspondence you have to read...finishing a stimulating book and retaining facts and details



**FOR FASTER SHIPMENT CALL 1-800-729-7323 OR FAX 1-609-273-7766**

more clearly, and with greater accuracy, than ever before.

## Listen — and learn — at your own pace

This is a practical, easy-to-learn program that will work for you — no matter how slow a reader you think you are now. The *Speed Learning Program* is scientifically planned to get you started quickly...to help you in spare minutes a day. It brings you a "teacher-on-cassettes" who guides you, instructs, and encourages, explaining material as you read. Interesting items taken from *Time Magazine*, *Business Week*, *Wall Street Journal*, *Money*, *Reader's Digest*, *N.Y. Times* and many others, make the program stimulating, easy and fun...and so much more effective.

Executives, students, professional people, men and women in all walks of life from 15 to 70 have benefitted from this program. *Speed Learning* is a fully accredited course...costing only 1/4 the price of less effective speed reading classroom courses. Now you can examine the same easy, practical and proven methods at home...in your spare time...without risking a penny.

## Examine *Speed Learning* RISK FREE for 15 days

You will be thrilled at how quickly this program will begin to develop new thinking and reading skills. After listening to just one cassette and reading the preface, you will quickly see how you can achieve increases in both the speed at which you read, and in the amount you understand and remember.

You must be delighted with what you see, or you pay nothing. Examine this remark-

able program for 15 days. If, at the end of that time you are not convinced that you would like to master *Speed Learning*, simply return the program for a prompt refund. (See the coupon for low price and convenient credit terms.)

### RISK-FREE ORDER FORM

**YES!** I want to try *Speed Learning* for 15 days without risk. Enclosed is the first of 4 monthly payments of \$32.25\*. If I'm not completely satisfied, I may return it for a prompt refund.

**SAVE 8.00!** I prefer to pay the \$129.00 now, and save the \$8.00 shipping & handling charge. I may still return the program for a full refund.

**Method of payment:** (Federal Tax Deductible)

Check or money order payable to Learn Incorporated

Charge to:  Visa  MC  Am Ex  Discover

Card # \_\_\_\_\_ Exp. \_\_\_\_\_

Signature \_\_\_\_\_

Phone (\_\_\_\_\_) \_\_\_\_\_

Name \_\_\_\_\_

Address \_\_\_\_\_

City \_\_\_\_\_ State \_\_\_\_\_ Zip \_\_\_\_\_

\*Plus \$8.00 shipping and handling. U.S. funds only. For New Jersey residents, sales tax will be added.

**learn** Dept. LEC-01, 113 Gaither Drive,  
INCORPORATED Mt. Laurel, NJ 08054-9987

# CONTENTS

DECEMBER 1995

## ON THE COVER

### 27 JACOB'S LADDER

High-voltage projects are impressive with their zapping sounds and flashing arcs. Perhaps no high voltage project is as impressive as Jacob's ladder. The arcs of a Jacob's ladder are impossible to ignore as they ascend the electrodes and evaporate into space. Who can forget the feeling evoked from seeing a Jacob's ladder in sci-fi and horror flicks such as Frankenstein? This project is based on a 12,000 volt power supply that can also be pressed into duty to power plasma globes, and other projects that require a source of reliable high voltage.

— Robert Iannini

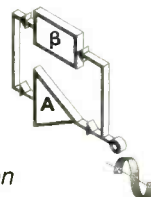


## TECHNOLOGY

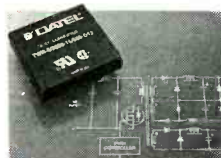
### 35 WAVEFORM GENERATOR CIRCUITS

A cookbook of Wien-bridge and twin-T oscillator circuits

— Ray M. Marston



### 37 MODULAR DC-TO-DC CONVERTERS



A DC-to-DC converter module might be a better alternative to designing a

custom power supply for your next project.

— Dennis Elchenberg

### 69 INFRARED LOGIC PROBE

The perfect tool for troubleshooting any device with an infrared emitter.

— Alexander D. Firmani



As a service to readers, ELECTRONICS NOW publishes available plans or information relating to newsworthy products, techniques and scientific and technological developments. Because of possible variances in the quality and condition of materials and workmanship used by readers, ELECTRONICS NOW disclaims any responsibility for the safe and proper functioning of reader-built projects based upon or from plans or information published in this magazine.

Since some of the equipment and circuitry in ELECTRONICS NOW may relate to or be covered by U.S. patents, ELECTRONICS NOW disclaims any liability for the infringement of such patents by the making, using, or selling of any such equipment or circuitry, and suggests that anyone interested in such projects consult a patent attorney.

ELECTRONICS NOW, (ISSN 1067-9294) December 1995. Published monthly by Gernsback Publications, Inc., 500 Bi-County Boulevard, Farmingdale, NY 11735-3931. Second-Class Postage paid at Farmingdale, NY and additional mailing offices. Canada Post IPM Agreement No. 334103, authorized at Mississauga, Canada. One-year subscription rate U.S.A. and possessions \$19.97, Canada \$27.79 (includes G.S.T. Canadian Goods and Services Tax, Registration No. R125166280), all other countries \$28.97. All subscription orders payable in U.S.A. funds only, via international postal money order or check drawn on a U.S.A. bank. Single copies \$3.50. © 1995 by Gernsback Publications, Inc. All rights reserved. Printed in U.S.A.

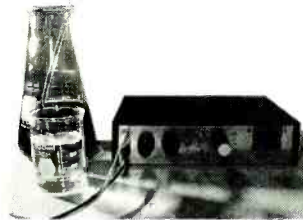
POSTMASTER: Please send address changes to ELECTRONICS NOW, Subscription Dept., Box 55115, Boulder, CO 80321-5115.

A stamped self-address envelope must accompany all submitted manuscripts and/or artwork or photographs if their return is desired should they be rejected. We disclaim any responsibility for the loss or damage of manuscripts and/or artwork or photographs while in our possession or otherwise.

**BUILD THIS**

**29 REGULATED POWER FOR ELECTROCHEMISTRY**

This power supply is perfect for experimenting with small scale electroplating and electrolysis. — *Edward Barrow*



**31 VERSATILE POWER SUPPLY**

No electronics workbench is complete without a reliable source of power. This supply provides five different output voltages! — *Carl J. Bergquist*

**33 EXPERIMENTER'S VIDEO RECEIVER**

Use this project as the basis of descrambling experiments and to learn about video signals. — *Steve Botts*

**DEPARTMENTS**

**6 VIDEO NEWS**

What's new in this fast-changing field. — *David Lachenbruch*

**13 EQUIPMENT REPORT**

Data Depot's PC Clinic SB.



**41 HARDWARE HACKER**

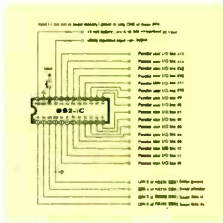
Pseudoscience strikes again. — *Don Lancaster*

**50 AUDIO UPDATE**

Dance SPL and medical music. — *Larry Klein*

**52 COMPUTER CONNECTIONS**

Random thoughts on miscellaneous matters. — *Jeff Holtzman*



**AND MORE**

**4 WHAT'S NEWS**

**8 Q&A**

**10 LETTERS**

**19 NEW PRODUCTS**

**24 NEW LITERATURE**

**94 ADVERTISING SALES OFFICES**

**94 ADVERTISING INDEX**

**Electronics NOW**

Hugo Gernsback (1884-1967) founder

**LARRY STECKLER**, EHF, CET,  
Editor-in-chief and publisher

**EDITORIAL DEPARTMENT**

- BRIAN C. FENTON**, editor
- MARC SPIWAK**, associate editor
- NEIL SCLATER**, associate editor
- TERI SCADUTO**, assistant editor
- JEFFREY K. HOLTZMAN**, computer editor
- ROBERT GROSSBLATT**, circuits editor
- LARRY KLEIN**, audio editor
- DAVID LACHENBRUCH**, contributing editor
- DON LANCASTER**, contributing editor
- MICHAEL A. COVINGTON**, N4TMI, contributing editor
- EVELYN ROSE**, editorial assistant

**ART DEPARTMENT**

- ANDRE DUZANT**, art director
- RUSSELL C. TRUELSON**, illustrator

**PRODUCTION DEPARTMENT**

- RUBY M. YEE**, production director
- KAREN S. BROWN**, advertising production
- KATHRYN R. CAMPBELL**, production assistant
- KEN COREN**, desktop production

**CIRCULATION DEPARTMENT**

- JACQUELINE P. CHEESEBORO**, circulation director
- THERESA LOMBARDO**, circulation assistant

**REPRINT DEPARTMENT**

- MICHELE TORRILLO**, reprint bookstore

Typography by Mates Graphics  
Cover design by David Loewy

**Electronics Now** is indexed in *Applied Science & Technology Index*, and *Readers Guide to Periodical Literature*, *Academic Abstracts*, and *Magazine Article Summaries*.  
Microfilm & Microfiche editions are available. Contact circulation department for details.

**Advertising Sales Offices listed on page 94.**

Electronics Now Executive and Administrative Offices  
**1-516-293-3000.**  
Subscriber Customer Service:  
**1-800-288-0652.**  
Order Entry for New Subscribers:  
**1-800-999-7139.**



Audit Bureau  
of Circulations  
Member



# WHAT'S NEWS

A REVIEW OF THE LATEST HAPPENINGS IN ELECTRONICS

## Serpentine robot snoops in tight places

A long, cylindrical, manually-operated robotic arm, developed by NEC Corporation, can move in three dimensions, giving it the appearance of a living serpent. Its dexterity and form factor suit it for exploring and working in restricted spaces. Consequently, a television camera mounted in the robot's head can give its operator a clear view around corners and over and under obstructions.

NEC sees the possibility of putting the mechanism to work examining inaccessible conduits or plenums to determine the condition of piping or cables. NEC also sees it as a rescue tool that will help to find people trapped under the rubble of buildings collapsed by earthquakes, tornadoes, or explosions.

The "active universal joint" mechanism has six joints, each with two degrees of freedom. This allows the mechanism to move up

and down and left and right. Each of the mechanism's joints contains a microcontroller to control the two drive motors at each joint. This means that with six joints, each with two-degrees of freedom, the complete mechanism has a total of 12 degrees of freedom. Each of the mechanisms joints can be controlled separately or linked with other joints.

The mechanism is 55 inches long and has a diameter of 1.7 inches. It weighs only 10 pounds. Strictly speaking, the device is not a robot because it is controlled manually, not by a stored software program.

Most floor-standing, computer-controlled industrial robots have at least three primary degrees of freedom for positioning their arms. However, the wrist, attached to the end of the arm, can have two or three additional degrees of freedom so that a tool or gripper can be positioned at an optimum angle of attack for the performance of a variety of tasks.

## Digital videodisc standard unified

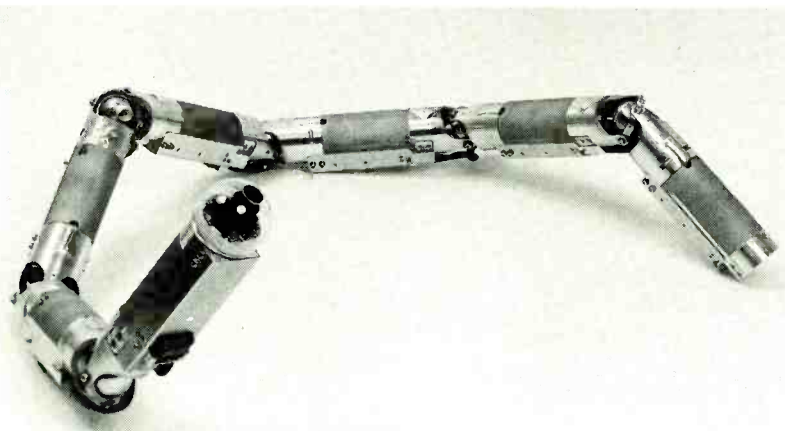
The converging interests of consumer electronics manufacturers, the entertainment industry, and computer manufacturers could be seen clearly in the recent agreement on a unified standard for high-density videodiscs. The standard is a merger of two competing proposals, one put forward by a group of companies lead by Toshiba Corporation and Time Warner Inc, the other by Sony Corporation and Philips Electronics.

The agreement, reached primarily because of the influence of IBM, opens the door for the storage of two-hour movies on a disc the size of today's CD—about seven times more information than can be stored on a CD-ROM.

However, the agreement on a standard was largely at the expense of the Philips-Sony proposal. But Philips and Sony accepted the decision to include only their modulation technique as a kind of consolation prize, more for economic reasons than technical merit.

Computer manufacturers want to include the new videodisc system in future computers because the discs can store far more information than either hard magnetic disks or CD-ROMs. IBM threw its weight behind the combination of the Toshiba format and the Sony-Philips modulation technique because it believes, based on its own laboratory research, that the Sony-Philips modulation technique is more reliable than the one proposed by Toshiba and that it will permit the discs to be manufactured

*Continued on page 81*



**THIS SERPENTINE ROBOT** has six active joints, giving it 12 degrees of freedom. A TV camera in the NEC machine permits its operator to see around corners.

# Electronics Paperback Books

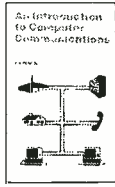
## How to Use Op Amps



□ **BP88—How to Use Op Amps...\$5.95.** A designer's guide that covers operational amplifiers. Serving as both a source book of circuits and a reference book for design calculations. The text is non-mathematical and easy to understand by most readers.



□ **BP113—30 Solderless Breadboard Projects-Book 2...\$5.95.** Companion to BP107. Presented in exactly the same style using "Verobloc" breadboards. All the breadboard projects in this book are based on CMOS logic integrated circuits.



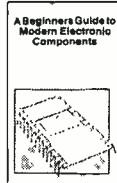
□ **BP177—Introduction to Computer Communications...\$5.95.** Details on types of modems and their suitability for specific application, plus details of connecting various computers to modems, and modems to the telephone system.



□ **BP350—Electronic Board Games...\$6.00.** Twenty novel electronic board games that you can build from the plans in this book. Some games are motor racing, searching for buried treasure or for gold in Fort Knox, — there is something for you to build and enjoy!



□ **BP61—Beginners Guide to Digital Techniques...\$5.00.** Covers the basics of digital techniques—decimal, binary, octal and hexadecimal numbering systems are covered plus insights on weighted and non-weighted binary-coded-decimal codes and alphanumeric codes. The basic building blocks of circuit logic, the common AND, OR, NAND, NOR and EXCLUSIVE-OR gates and bi-stables are thoroughly covered.



□ **BP285—A Beginners Guide to Modern Electronic Components...\$6.50.** It is easy for newcomers to electronics to become confused. There are a great many different types of components available often with numerous variations of each type. This book presents the reader with a vast amount of invaluable parts information to enable the right component to be selected every time for repairs and projects.



□ **PCP103—Practical MIDI Handbook...\$9.95.** The Musical Instrument Digital Interface (MIDI) is surrounded by a great deal of misunderstanding. This book is aimed at musicians and technicians who want to explore the vast capabilities of MIDI. It covers MIDI-based equipment you can use: keyboards, drum machines, sequencers, effects units, mixers, drum pads guitars. There's also a section on computer music.



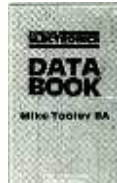
□ **PCP119—Electronic Music and MIDI Projects...\$14.95.** Save cash by building the MIDI gadgets you need. Want a MIDI Thru box, program change pedal, Metronome, analog echo unit? Over 16 practical and very useful music and MIDI projects.



□ **BP121—How to Design and Make Your Own PCB's...\$5.75.** Simple methods for copying printed-circuit board designs from magazines and books on to copper. Covers all aspects of simple PCB construction as comprehensively as possible.



□ **BP44—IC 555 Projects...\$5.95.** Every so often a device appears that is so useful that one wonders how life went on before without it. The 555 timer integrated-circuit chip is one such device. Included are basic and general circuits used by most hobbyists.



□ **PCP109—Everyday Electronics Data Book...\$10.00.** An invaluable source of electronics information—the text contains sections that deal with the underlying theory of electronic circuits and a wide range of practical electronic uses for everyone.



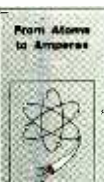
□ **BP301—Antennas for VHF and UHF...\$6.00.** From installing a TV or FM antenna to setting up a multi-antenna array for shortwave listening or amateur radio, this book explains the basics of VHF and UHF antenna operation and installation. The text describes in easy-to-understand terms the essential information about how antennas work, the advantages of different antenna types, and how to get the best performance.



□ **BP297—Loudspeakers for Musicians...\$6.25.** Contains all the information that a working musician needs to know about loudspeakers; the different types, how they work, the most suitable for different instruments, for cabaret work, and for vocals. It gives tips on constructing cabinets, wiring up, available fittings, finishing and how to connect multi-speaker arrays, etc. Includes ten enclosure designs with plans.



□ **PCP110—Electronic Power Supply Handbook...\$10.95.** All types of power supplies used for electronics purposes are covered in detail, starting with cells and batteries and extending by way of rectified supplies and linear stabilizers to modern switch-mode systems. IC switch-mode regulators, DC-converters and inverters. The devices, their operating principles and typical circuits, are dealt with in detail.



□ **BP254—From Atoms to Amperes...\$6.50.** Explains in crystal-clear terms the fundamentals behind the whole of electricity and electronics. Really helps you to understand the basis of the complex subject perhaps for the first time ever.



□ **PCP101—Practical Digital Electronics Handbook...\$9.95.** An introduction to digital circuits, logic gates, bi-stables, timers, micro-processors, memory and I/O devices. A special feature of the book is the section on digital test gear projects.



□ **BP315—Introduction to the Electromagnetic Wave...\$5.95.** A fundamental and easy-to-understand approach to a complicated theory topic. The beginner requires no more than elementary mathematics and basic knowledge of electronics.



□ **#228—Essential Theory for the Hobbyist...\$5.25.** Supplies to the hobbyist background knowledge tailored to the specific requirements of the hobbyist. Relevant material is presented in a readable manner with minimum mathematics.

## TEST EQUIPMENT SPECIALS

- **BP239—Getting the Most from Your Multimeter...\$5.95**  
Covers analog and digital gear, component and gear testing.
- **BP267—How to Use Oscilloscopes & Other Testing Equipment...\$6.95**  
Get with the next step to proficient troubleshooting.
- **PCP111—Electronic Test Equipment Handbook...\$13.95**  
The all-purpose, all-pro handbook that covers basics to in-circuit testing.

## SUBSTITUTION GUIDES FOR HOBBYISTS

- **BP85—International Transistor Equivalents Guide...\$7.50**  
The ultimate guide to replacing foreign and domestic transistors.
- **BP108—International Diode Equivalents Guide...\$5.95**  
Rectifiers, Zeners, LEDs, OCIs, diacs, triacs...all hobby types.
- **BP140—Digital Equivalents and Pin Connectors...\$12.50**  
A master reference for builders who design projects.

**ELECTRONIC TECHNOLOGY TODAY INC.**  
P.O. BOX 240, Massapequa, NY 11762-0240

Name \_\_\_\_\_  
Address \_\_\_\_\_  
City \_\_\_\_\_ State \_\_\_\_\_ Zip \_\_\_\_\_  
PE6

**SHIPPING CHARGES IN USA AND CANADA**

\$0.01 to \$5.00 .....	\$2.00
\$5.01 to \$10.00 .....	\$3.00
\$10.01 to 20.00 .....	\$4.00
\$20.01 to 30.00 .....	\$5.00
\$30.01 to 40.00 .....	\$6.00
\$40.01 to 50.00 .....	\$7.00
\$50.01 and above .....	\$8.50

**SORRY** No orders accepted outside of USA & Canada

Number of books ordered

Total price of merchandise .....	\$ _____
Shipping (see chart) .....	\$ _____
Subtotal .....	\$ _____
Sales Tax (NYS only) .....	\$ _____
<b>Total Enclosed .....</b>	<b>\$ _____</b>

**All payments must be in U.S. funds!**



# VIDEO NEWS

WHATS NEW IN THE FAST-CHANGING VIDEO INDUSTRY

BY DAVID LACHENBRUCH

## DVD Peace Breaks Out

Finally—there is but a single format for the digital videodisc (DVD), after months of conflicting claims and bravado on both sides. The advocates of the Super Density (SD) system espoused by Time Warner and Toshiba and the Multimedia CD (MMCD) approach backed by Sony and Phillips finally have gotten together to avoid a format war. There was face-saving on both sides in reaching a compromise, but the finally approved system appears to be closer to SD than to MMCD. The SD camp had achieved more entertainment and consumer electronics industry endorsements than had MMCD advocates, and the final choice reflects that condition.

The Sony/Philips group was the side which finally sued for peace, and the side which gained the least from the negotiations. One of the principal bones of contention was the issue of two-sided vs. single-sided discs. The SD camp pushed for dual-side discs with the two sides laminated together, while the MMCD group pushed for a single-sided disc but with the future possibility of dual-layer recording on a single side. The final compromise specifies the bonded two-sided disc but also permits dual-layer technology. The conferees in the compatibility discussions chose the Sony-Philips EMMPlus modulation system, which reduces data capacity to 4.7 gigabytes from the 5-gigabyte capacity of the SD specs but is claimed to be more robust.

Although the system is touted as a new videodisc designed eventually to replace the videocassette for pre-recorded material, there is strong

evidence that the compromise was instigated by computer manufacturers anxious for a single format for high density storage. The computer industry demanded that the two sides get together, and IBM reportedly was instrumental in urging Sony and Philips to make the peace overtures. At our press time, the final details hadn't been worked out—the system didn't even have a name—and there was a slight chance that the truce will fall apart. Nevertheless, the parties involved estimated that the switch to the new compromise system would delay the introduction of a consumer digital videodisc by three months—from next summer to around Labor Day.

## 'Micromirrors' are Hot

You'll be hearing a lot in the next few months about the Digital Micromirror Device (DMD) and digital light processing technology. The two catch phrases are part of a system which could revolutionize projection television—and could appear on the market before the end of 1996. The system was developed by Texas Instruments, and is based on a 5/8-inch square chip with half a million tiny pivoting mirrors. In a projection TV, the mirrors tilt to reflect an external light source into a lens or away from it, producing and excellent picture and one which is—to use a magic word—digital. Texas Instruments did its homework carefully and didn't expose its system to the light of publicity until it was perfected. The company worked for three years with Sony to develop an optimum projection system, Sony supplying some optics and

electronics to work with TI's tiny mirrors.

The system is finally ready. Several commercial and industrial projection TV manufacturers will soon offer their versions. But more important, three consumer TV manufacturers so far have announced plans for home systems using the technology. The first was Nokia, the Finnish manufacturer which is the fourth largest color-TV producer in Europe. At the recent Berlin consumer electronics fair, Nokia showed a prototype of a set it plans to offer early in 1997. Although it's a projection set, it's less than 16 inches deep and has a bright flat 51-inch screen. Two manufacturers which specialize in home theater systems have promised DMD projectors for late 1996 or early 1997. Runco is planning to market two different versions of the DMD system this year—front and rear projection systems—initially at a target price of “under \$10,000” and eventually to migrate down to the mainstream consumer electronics market. “At some point down the road we're going to see this technology everywhere,” said President Sam Runco.

Italy's Vidikron plans to introduce DMD projectors in 52 countries, including the U.S. in 1997, also at less than \$10,000. While the only mass marketer to adopt the DMD approach so far is Nokia, which doesn't sell in the U.S., it's still a good guess that we'll be hearing more DMD announcements from major manufacturers about plans to offer sets here. Who's next? Best guess is Sony, which helped perfect the DMD projection system.

*Continued on page 87*



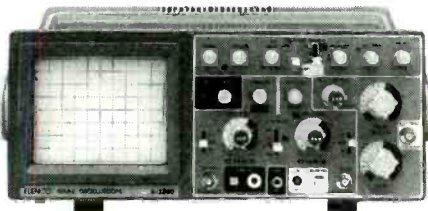
**FREE PROBES  
WITH ALL  
SCOPES**

**ELENCO ♦ HITACHI ♦ B+K  
SCOPES  
AT GUARANTEED LOWEST PRICES**

**WRITE FOR  
FREE  
CATALOG**

**QUALITY - ELENCO OSCILLOSCOPES**

**2- YEAR WARRANTY**



**60MHz**

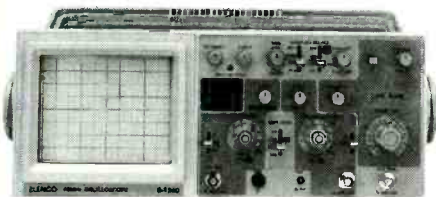
**S-1360 \$775**

Delayed Sweep

**S-1365 \$849**

Cursor Readout

- ♦ Voltage, Time
- ♦ Frequency differences displayed on CRT



**40MHz**

**S-1340 \$495**

2- Channel

**S-1345 \$575**

Delayed Sweep

- ♦ Beam Find
- ♦ Component Tester



**25MHz**

**S-1325 \$325**

2- Channel

**S-1330 \$449**

Delayed Sweep

- ♦ Beam Find
- ♦ Component Tester

*Dependable Equipment at Affordable Prices*

**B+K 20MHz**

2 Channel

**Model 2120 \$389.00**



Delayed Sweep

**Model 2125 \$539.95**

**40MHz DUAL -TRACE**

**Model 1541B \$749.95**

- 1mV/div sensitivity
- Video sync separators
- Z axis input
- Single sweep
- V mode-displays 2 signals unrelated in frequency

**60MHz DUAL-TRACE**

**Model 2160**

**\$949.95**

- 1mV/div sensitivity
- Sweep to 5ns/div
- Dual time base
- Signal delay line
- Component tester
- V mode-displays 2 signals unrelated in frequency

**100MHz THREE-TRACE**

**Model 2190**

**\$1,379.95**

- 1mV/div sensitivity
- Sweeps to 2ns/div
- Dual time base
- Signal delay line
- 19kV accelerating voltage
- Calibrated delay time multiplier

**20MHz ANALOG with DIGITAL STORAGE**

**Model 2522A \$869.95**

- 20MHz analog bandwidth
- 20MS/s sampling rate
- 2k memory per channel
- 20MHz equivalent time sampling

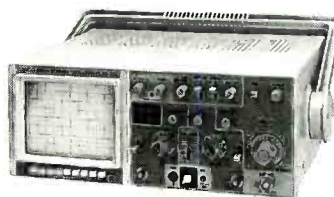
**HITACHI POPULAR SERIES**

V-212 - 20MHz, 2 Channel	\$449.00
V-222 - 20MHz, DC Offset	\$695.00
V-422 - 40MHz, Dual Trace	\$849.00
V-522 - 50MHz, Dual Trace	\$975.00
V-523 - 50MHz, Delayed Sweep	\$995.00
V-525 - 50MHz, w/ Cursor	\$1,069.00

**HITACHI COMPACT SERIES SCOPES**

V-660 - 60MHz, Dual Trace	\$1,375.00
V-665A - 60MHz, DT, w/cursor	\$1,449.00
V-1060 - 100MHz, Dual Trace	\$1,549.00
V-1065A - 100MHz, DT, w/cursor	\$1,695.00
V-1085 - 100MHz, QT, w/cursor	\$2,125.00
VC-6045A - 100MHz, Digital Stor	CALL
VC-6025A - 50MHz, Digital Stor	CALL

**Elenco DS-203 20MHz, 10MS/s Digital Storage Oscilloscope**



**\$749**

2K Word Per Channel • Plotter Output  
8 Bit Vert. Resolution • 2048 Pts Hor. Resolution • Much More.....

**FLUKE SCOPEMETERS**

A handheld instrument that combines a 50MHz, 25MS/s dual channel digital storage oscilloscope with feature-packed 3000 count digital multimeter.



**Model 93 - \$1,225**  
**Model 95 - \$1,549**  
**Model 97 - \$1,795**

- Autotest, automatically sets voltage, time & trigger
- Multimeter display;
- 3-2/3 digits (>3000 counts)
- True RMS volts; AC or AC+DC up to 600V

**C&S SALES INC.**

150 WEST CARPENTER AVENUE, WHEELING, IL 60090  
FAX: 708-520-0085 (708) 541-0710

**CALL TOLL FREE**

**1-800-292-7711**

**1-800-445-3201 (Can)**



**15 DAY MONEY BACK GUARANTEE  
FULL FACTORY WARRANTY  
ALL PRODUCTS ARE FACTORY NEW**

PRICES SUBJECT TO CHANGE WITHOUT NOTICE

CIRCLE 109 ON FREE INFORMATION CARD



# Q & A

READERS' QUESTIONS, EDITORS' ANSWERS

## Remote-control repeater

**Q** How can I extend the use of my IR remote control to operate my VCR from another room? I have experimented with a RadioShack IR emitter and detector, but it burned out.—F. J. H., Jensen Beach, FL

**A** The trick here has to do with how your VCR distinguishes remote-control signals from other sources of infrared (IR) light.

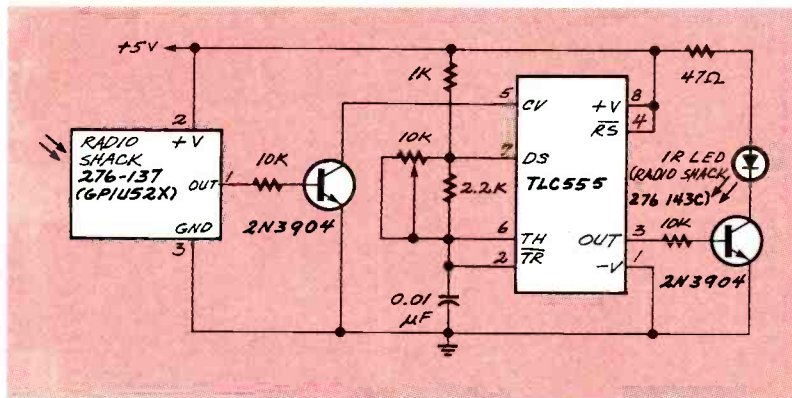
signals out again, you have to regenerate the 40-kHz modulation.

Figure 1 shows a circuit that you can experiment with. The Radio Shack IR detector module gates a TLC555 oscillator on and off. The oscillator, in turn, lights an infrared LED with the requisite 40-kHz on-off pattern. Thus, each pulse coming in is faithfully retransmitted at the output.

Instead of a TLC555, you can use an LMC555 or 7555. Don't use

base of the first transistor and adjust the potentiometer until the frequency counter reads 40 kHz. If you don't have a frequency counter, the alignment procedure is slower but simpler—just set up the circuit and adjust the potentiometer until it works! The IR receiver module must be shielded from extraneous light. The IR LED, which can be mounted separately from the rest of the circuit, might need to be fairly close to the VCR (within a few feet) and aimed straight toward it.

Note that some remote controls are switched at 32 kHz instead of 40 kHz. You can get a 32-kHz receiver module from Jameco (1355 Shoreway Road, Belmont, CA 94002, 405-592-8097). To make the repeater transmit at 32 kHz, simply adjust the potentiometer in the repeater circuit.



**FIG. 1**—THIS CIRCUIT RECEIVES TV REMOTE CONTROL SIGNALS and retransmits them out again. The 555 oscillator provides 40-kHz modulation. The IR LED can be placed in another room.

Each pulse of IR from the remote control is modulated by switching it on and off at a rate of 40 kHz. RadioShack sells a module that detects and recognizes these pulses, but if you want to send the same

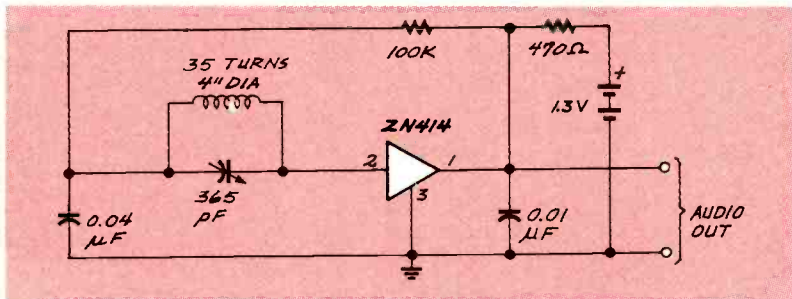
the original NE555 (non-CMOS) timer; it doesn't work well at a frequency this high.

To adjust the frequency, connect a frequency counter across the LED. Then temporarily ground the

## Radio hacker's delight

**Q** I am trying to design a standard broadcast AM receiver using a ZN414 IC. The problem is, I can't find a coil needed for tuning it, called a loopstick antenna. Where can I find this component and some books or data on the ZN414?—N. B. G., Amherst, NY

**A** The Plessey (formerly Ferranti) ZN414 is a fascinating IC that contains a complete AM receiver except for the audio section, and requires only a few external components (see Fig. 2). It will work from 150 kHz to 3 MHz depending on the tuned circuit, and it includes automatic gain control (AGC) so that almost all stations come in at the same loudness regardless of signal strength. Because the input impedance is very



**FIG. 2**—THE ZN414 IC contains a complete AM radio, with AGC, except for an audio section. Like an MMIC, it is powered through its output terminal.

high, the coil and tuning capacitor provide good selectivity without additional tuned circuits. The audio output is about 0.1 volt peak-to-peak, just right for feeding to an LM386 or similar audio amplifier; or you can use the ZN416 chip, which consists of a ZN414 plus a headphone amplifier.

The only peculiar requirement of the ZN414 is the 1.3-volt supply. You can use a 1.5-volt battery, but you might get overloading on strong sig-

might pick up some interesting short-wave stations or longwave beacons.

Ferrite loopsticks, tuning capacitors, and other AM radio parts are available from Antique Electronic Supply, 6221 S. Maple Ave., Tempe, AZ 85283 (phone 602-820-5411). The ZN414, ZN416, and many other interesting chips, along with data sheets, are available from DC Electronics, PO Box 3203, Scottsdale, AZ 85271 (phone 800-467-7736).

## Transistor switching circuits

**Q** I'm hoping you can assist me with a small problem that I am currently facing with transistor switching circuits. What are the proper ways to set the base bias current using current limiting resistors? Should I use Ohm's law, or is there another way to come up with the answer?—L. S., Frackville, PA

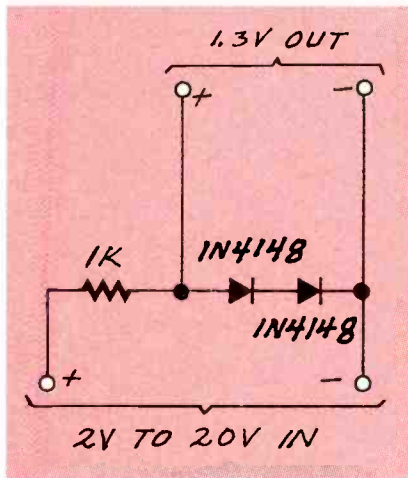


FIG. 3—SIMPLE 1.3-VOLT REGULATOR to power the ZN414 IC.

nals when the battery is fresh. A single Ni-Cd cell, at 1.25 volts, is perfect. Or you can use two diodes as shown in Fig. 3 to derive 1.3 volt from a higher DC voltage. The ZN414 draws less than 1 milliamper.

The antenna is normally a ferrite loopstick, but as you've noticed, these are hard to find nowadays. You can salvage one from a discarded transistor radio, or you can make your own coil. Any coil that has the right inductance to tune the broadcast band and is big enough to be effective as an antenna will work.

Rather than give exact specifications, I'll tell you how to "cut and try." Wind 40 turns of thin wire (such as No. 28 magnet wire) around a non-metallic object about 4 inches in diameter; you can use a large paper cup, a plastic jar, a small rectangular box, or the traditional Quaker Oats cylinder. Hook up the radio and see how well it works. If it tunes only the lower end of the broadcast band, take some turns off the coil; if it tunes only the upper end, add turns. Along the way, you

# MORE FEATURES LESS COST



GoldStar brings you a variety of affordable digital multimeters to meet your test equipment needs.

- Large, easy to read 3 1/2 and 3 3/4 digit displays in Manual and Auto Ranging format
- Functions and Feature packed
- Overload protection voltage up to 600V in Resistance, Capacitance and Continuity-Ranges
- High Reliability and of course, sensibly priced
- Patent Pending wrong position 10A input jack
- Meets IEC-348 Safety Standards

Spec & Model	DM-311	DM-312	DM-313*	DM-331	DM-332*	DM-333*	DM-334
Digit	3.5	3.5	3.5	3.75	3.75	3.75	3.75
Counts	2000	2000	2000	4000	4000	3200	4000
Range (Auto/Manual)	M	M	A/M	M	M	A/M	A/M
DC/AC Voltage (1000v/750v)	.	.	.	.	.	.	.
DC/AC Current (10A)	.	.	.	.	.	.	.
Resistance (20 Meg Ohm)	.	.	.	.	.	.	.
Bar Graph	.	.	.	.	.	.	.
Data Hold	.	.	.	.	.	.	.
Battery Tester	.	.	.	.	.	.	.
Continuity/Diode Check	.	.	.	.	.	.	.
TR Hfe	.	.	.	.	.	.	.
Frequency	.	.	.	.	.	.	.
Capacitance	.	.	.	.	.	.	.
Min./Max. Recording	.	.	.	.	.	.	.
Safety Holster	.	.	.	.	.	.	.
List Price	\$49.95	\$79.95	\$59.95	\$99.95	\$119.95	\$69.95	\$99.95



**LG Precision**  
The Sensible Source

13013 East 166th St., Cerritos, CA 90708-2226 310-404-0101 fax: 310-921-6227

CIRCLE 179 ON FREE INFORMATION CARD

**A** Yes, you're on the right track—Ohm's law figures prominently in the design of switching transistor circuits.

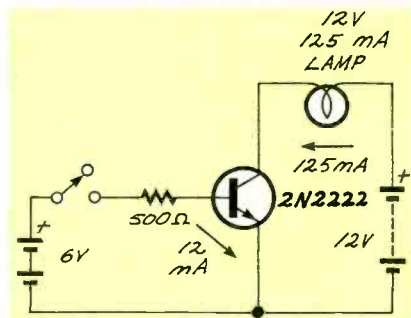
The essence of a transistor is that a small current through the base controls a large current through the collector (see Fig. 4). Both currents go through the emitter, and both of them must be limited so that the transistor won't burn out. In a switching circuit, the transistor is always either *cut off* (not conducting at all) or *saturated* (conducting as much as it can).

In Fig. 4, the collector current is

limited by the resistance of the light bulb. It would be OK to connect the bulb directly to the 12-volt supply, leaving the transistor out of the circuit.

The base current is limited by the 2K resistor. The value of the 2K resistor is not at all critical, but a rule of thumb is that to ensure saturation, the base current should be about  $1/10$  of the collector current. (Anything from about  $1/30$  to  $1/4$  will generally work fine.)

We know that the collector current is 125 milliamperes, so we want to inject about 12 milliamperes into the

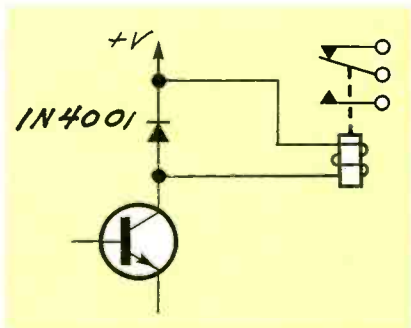


**FIG. 4**—SMALL CURRENT THROUGH THE BASE controls large current through the collector. Close the switch, and the bulb light up.

base, and the current is coming from a 6-volt source. Ohm's law ( $R = E/I$ ) tells us that a 500-ohm resistor will do the job ( $6V/0.012A = 500$  ohms).

If you're a real purist, you'll subtract 0.6 volt, which is the fixed voltage drop of the base-emitter junction; then the formula will tell you need a 466-ohm resistor. This is similar to subtracting 1.8 volts when you calculate the resistor in series with an LED. But the base resistor in a switching circuit is so non-critical that you can ignore the 0.6-volt drop with impunity.

You do need to check transistor maximum ratings. In a switching circuit, the dissipation rating (in watts) doesn't matter because the transistor is always fully on or fully off. But the maximum current ratings (collector and base,  $I_C$  and  $I_B$  respectively) are important. The 2N2222 can take up to 800 milliamperes through the col-



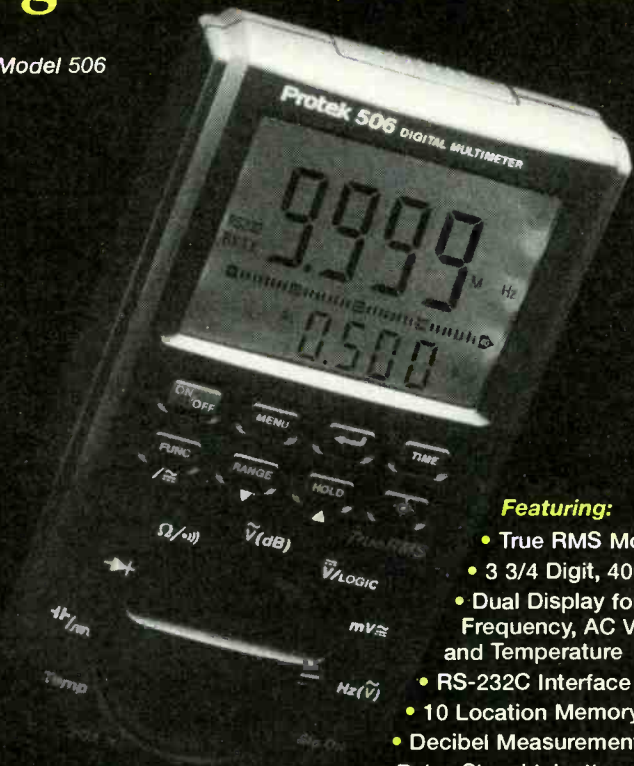
**FIG. 5**—DIODE PROTECTS SWITCHING TRANSISTOR from voltage spike caused by the relay coil.

lector and over 50 milliamperes through the base. The popular 2N3904 (the world's cheapest name-brand transistor, 6 cents each in wholesale quantities) is rated for 100

*Continued on page 40*

## HC Protek The Next Generation of High Performance DMM's

Model 506



### Featuring:

- True RMS Mode
  - 3 3/4 Digit, 4000 Count
  - Dual Display for Frequency, AC Voltage and Temperature
  - RS-232C Interface
  - 10 Location Memory
  - Decibel Measurement
  - Pulse Signal Injection
  - Inductance and Capacitance Measurement
- and, of course, Panel Backlight, Min-Max, Logic Test and many more features.

**\$189<sup>95</sup> with Software**

ISO 9001 CERTIFIED

HC Protek

154 Veterans Drive, Northvale, NJ 07647  
Tel: (201)767-7242 Fax: (201)767-7343

CIRCLE 182 ON FREE INFORMATION CARD

**More lessons!**

**More Services!**

# A Shocking Offer!

Now you don't have to be enrolled at CIE to receive our introductory Electronic and Electricity Lesson Modules. This program is available for a limited time to non-students for the shockingly low price of only \$99.50.

With CIE's patented AUTO-PROGRAMMED method of learning you will quickly learn and then master the basics of electronics and electricity and then move on to... DC/AC circuit theories, fundamentals of bi-polar junction transistors (BJT), field effect transistors (FET), wiring, diagram and schematic readings, component identification, soldering techniques... and much, much, more. This introductory offer includes the first 39 lessons in CIE's Associate in Applied Science in Electronic Engineering Technology Degree.

Your commitment to CIE ends with your payment, but CIE's commitment to your success just begins when you receive your lessons, exams, binder and equip-

ment. This special introductory price includes all the benefits and assistance CIE normally extends to its full time students. You'll be entitled to unlimited access to CIE's faculty and staff to assist you in your studies via a toll free 800 number six days a week, 24-hour turn-around on grading your submitted exams, CIE bookstore privileges, a patented learning method, reference library, access to CIE's electronic bulletin board and a free issue of CIE's school newspaper *The Electron*.

**And best of all, when you decide to continue your electronics education in any of CIE's programs you'll receive full academic credit for successful lessons submitted and a \$100.00 Tuition Credit Certificate.**

All this knowledge and support will put you on the road to understanding digital electronics, automotive and industrial electronics, microprocessing principals, computer systems, telecommunications and much, much, more.



**All This For Only!**

# \$99.50

- \$100.00 Tuition Credit
- Academic Credit
- Free issue of *The Electron*
- Build your personal burglar alarm
- Toll Free Instructor Assistance
- 24-hour grading
- CIE bookstore privileges

- 39 theory and hands-on training lessons and exams.
- Patented learning method
- CIE electronic bulletin board privileges

**Yes! Send me CIE's Introductory Electronic and Electricity Lessons and Equipment.** A7330

Name: \_\_\_\_\_  
 Street: \_\_\_\_\_ Apt#: \_\_\_\_\_  
 City: \_\_\_\_\_  
 State: \_\_\_\_\_ Zip: \_\_\_\_\_  
 Age: \_\_\_\_\_ Phone: (\_\_\_\_) \_\_\_\_\_

Total Merchandise: \_\_\_\_\_ \$99.50  
 Ohio Residents add 7% Sales Tax: \_\_\_\_\_  
 California Residents add 6 1/2% Sales Tax: \_\_\_\_\_  
 Total This Order: \_\_\_\_\_  
 Shipping and Handling Charge: \_\_\_\_\_ \$5.00  
 Method of Payment/Amount Enclosed: \_\_\_\_\_ \$  
 Personal Check or Money Order  
 Master Card    Visa    Discover

Card Expiration Date: \_\_\_\_\_  
 Signature: \_\_\_\_\_



**BOOKSTORE**  
1776 East 17th Street  
Cleveland, Ohio 44114



**CHARGE BY PHONE!**  
9 AM to 4:30 PM Eastern Time;  
1-800-321-2155 ext. 7330

December 1995, Electronics Now



# LETTERS

SEND YOUR COMMENTS TO THE EDITORS OF ELECTRONICS NOW MAGAZINE

## SEEING THE UNSEEN CORRECTIONS

The article, "Seeing the Unseen," by Philip Conday (*Electronics Now*, October 1995) was an impressive review of the contributions of Harold Edgerton. As a professional photographer, I have long admired the work of Mr. Edgerton, and his effects on photography are with me daily.

I must point out two possible errors in the article. The photograph on page 91, showing a .22 caliber bullet "passing through a candle flame," would have been more accurately captioned: "passing through the heat waves above a flame."

The article made this reference to bomb tests: "Edgerton-designed cameras photographed hydrogen bomb tests that were conducted both in Nevada and on Pacific islands." I was under the impression that all *hydrogen* bomb tests were in the Pacific and none in Nevada.

GEORGE DUNBAR  
Scarborough, Ontario, Canada

## BUILDING BARGAIN BRIDGES

I'm writing to add some information to Ray Marston's excellent articles on bridges in the September and October issues of *Electronics Now*.

I've built several bridges over the past 40 years, so I have a few suggestions. If you are building a bridge, look around for General Radio type 1432 or 1433 decade resistors. They were manufactured from the 1930s until the '70s, I think, and are often available at low

cost from used electronic test equipment dealers. Those decades are ruggedly built with solid coin silver contacts and  $\pm 0.05\%$  resistors (except for the lowest resistance decade).

I bought precision fixed resistors ( $\pm 0.01\%$ ) from Electro Scientific Industries, but the new owner (Tegam, Inc.) has apparently discontinued that line. You might try Willbrecht Electronics, Inc. (612-659-0919) for those now.

The Hewlett-Packard model 415 A, B, or C makes an excellent AC balance detector. Although it is called a "standing wave indicator," it's just a very sensitive 1000-Hz voltmeter with a 70-dB measurement range. Those instruments are frequently offered at "give-away" prices. I paid \$10 last year for one in very good condition.

RON TIPTON  
Las Cruces, NM

## TO DOT OR NOT TO DOT

I hope I don't hit a particularly sensitive spot with the editors of *Popular Electronics*—articles of faith that are difficult to prove tend to be held all the more strongly because of that.

I reacted strongly to Tj Byers'

article, "Low-Cost Software for Electronics," which appeared in the October issue. I disagree about placing a dot at junctions. It is much better to omit the dot altogether, and also to forbid four-way joints. Use jogs instead! If two wires cross, they *cross*. They don't join.

That way you avoid the problem illustrated on page 71 in the same October issue, where a dot missing at the drains of Q16/Q23 makes one wonder what exactly is driving the output of the circuit. Don't draw it as a four-way joint and you have no problem.

DEREK W. MOORE, P.ENG.  
Rexdale, Ontario, Canada

## THE DMM DIALOG CONTINUES

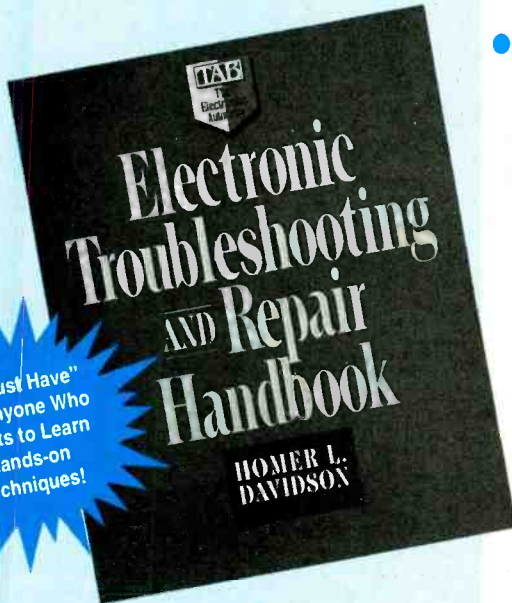
I just read Charles Hansen's letter (*Electronics Now*, October 1995) about my letter, which appeared in the June issue. He is correct. In my letter, I was giving only a short description of the unit that I build. Nevertheless, I should have mentioned that 2000 volts is the maximum reading, but the meter should not be used for voltages that high unless adequate insulation is used. I marked my meter "maximum 1000 volts," similar to what is on most digital multimeters, and probably should change that to 750 volts.

Also, I later replaced the 8.2-megohm and one-megohm resistors mentioned in my letter with two 4.3-megohm resistors, and probably should replace them with four 2.2-megohm resistors, according to Mr. Hansen's data. (I used 1/2-watt carbon film resistors because one-percent resistors are not available in values over 2.2 megohms.)

Write To:  
Letters,  
Electronics Now Magazine,  
500 Bi-County Blvd.,  
Farmingdale, NY 11735

Due to the volume of mail we receive, not all letters can be answered personally. All letters are subject to editing for clarity and length.

# Learn Professional Electronic Troubleshooting and Repair Techniques!



A "Must Have" for Anyone Who Wants to Learn Hands-on Techniques!

### 43 Information-Filled Chapters Including:

- How to use the digital multimeter
- Required electronic tests
- Isolate, locate and repair
- Servicing low-voltage power supplies
- How to signal trace various circuits
- Identifying and replacing unknown parts
- Servicing remote control devices
- How to service without a schematic
- Keeping test equipment in top shape... and much more!

**YOUR SATISFACTION IS ABSOLUTELY GUARANTEED!**  
If you are not satisfied with your selection, simply return it for replacement or a full refund. We even pay the postage.

- Now you can have the most complete and up-to-date guide to professional electronics troubleshooting and repair available today —right at your fingertips.
- You get practical information that is extensively field tested.
- You'll learn testing techniques for resistance, current, frequency and solid-state components.
- You can stay up-to-date on such state-of-the-art products as digital audio tape, VCRs, microwave ovens, CD players and computers.
- You even get a full chapter on servicing imported electronics.

Increase your level of expertise and make those tough repairs easily and quickly by increasing your diagnostic skills, improving your ability to read schematics and recognize key electronic components, developing sophisticated testing techniques and learning to make correct parts selection and replacement decisions. This massive — over 1,100 pages — reference is filled with hundreds of helpful photos, drawings and diagrams. Understand and diagnose today's complex consumer electronics with ease. Order your copy now!

1,104 pp., 1,125 illus., #015676-X, \$69.00

**FOR FASTEST SERVICE ON CREDIT CARD ORDERS  
CALL, TOLL-FREE 1 800 822-8158, 24 hours a day.**

Get a durable "Survival Tool" FREE With Your Paid Order!

### It Features:

- knife edge
- can opener
- mirror
- screw driver
- ruler
- stainless steel utensils
- wrench
- magnifying lens



The McGraw-Hill Companies  
P.O. Box 182607  
Columbus, OH 43218-2607

**YES!** Please rush my copy of Electronic Troubleshooting and Repair Handbook by Homer L. Davidson (#015676-X). I have enclosed payment of \$69.00 (plus \$6 S&H and any applicable tax). Also, please be sure to include my FREE "Survival Tool."

Name \_\_\_\_\_  
Address \_\_\_\_\_  
City \_\_\_\_\_ State \_\_\_\_\_  
Zip \_\_\_\_\_ Phone ( ) \_\_\_\_\_

### PAYMENT METHOD:

- Check or Money Order enclosed  
 Please charge my credit card:



Acct. No. \_\_\_\_\_  
Exp. Date \_\_\_\_\_  
Signature \_\_\_\_\_

### 4 Easy Ways to Order!

1. Complete and mail the attached coupon.
2. Call toll-free **1 800 822-8158**, 24 hours a day, 7 days a week
3. FAX 1 614 759-3644
4. EMAIL: 70007.1531@COMPUSERVE.COM or CompuServe:GO MH

# EARN YOUR B.S. DEGREE IN COMPUTERS OR ELECTRONICS



## By Studying at Home

Grantham College of Engineering, now in our 45th year, is highly experienced in "distance education"—teaching by correspondence—through printed materials, computer materials, fax, modem, and phone.

No commuting to class. Study at your own pace, while continuing on your present job. Learn from easy-to-understand but complete and thorough lesson materials, with additional help from our instructors.

Grantham offers three separate distance-education programs, leading to the following accredited degrees;

- (1) The B.S.E.T. with Major Emphasis in Electronics.
- (2) The B.S.E.T. with Major Emphasis in Computers.
- (3) The B.S.C.S. — the Bachelor of Science in Computer Science.

An important part of being prepared to *move up* is holding the right college degree, and the absolutely necessary part is knowing your field. Grantham can help you both ways—to learn more and to earn your degree in the process.

Write or phone for our free catalog. Toll free, 1-800-955-2527, or see mailing address below.

Accredited by  
the Accrediting Commission of the  
Distance Education and  
Training Council

**GRANTHAM**  
*College of Engineering*  
Grantham College Road  
Slidell, LA 70460

Another consideration is the flashover voltage between terminals of the range switch. The spacing is rather close on most rotary switches.

I have decided that building a DC voltmeter such as mine is not really cost effective. Even using the DPMs advertised in recent issues of *Electronics Now* and *Popular Electronics* at about \$10, a lower-priced digital multimeter is a better buy. A better use for DPMs is for something not on the market, or something that has a high price. For example, I build an automobile voltage monitor, with a range of 20 volts, that works better and costs less than any commercial unit I have found.

BILL STILES, CET  
Hillsboro, MO

## QUIET, PLEASE!

In reference to Mark Rumreich's article, "A Subwoofer for your Car Stereo" (*Electronics Now*, October 1995)—oh boy! Just what we need, more cars cruising the neighborhood with subwoofers pounding. I am ready to kill now.

If you can invent some kind of device to send their loud music back into their vehicles and blow out their stereos, please let me know.

BOB RINEHULS  
Tallahassee, FL

## THERMAL CUTOUTS

Dave Ching's question about thermal cutouts in the June 1995 attracted my attention. I recently replaced a thermal cutout in the motor winding of a portable air compressor with a Microtemp No. 4158A (72°C) whose characteristics matched those of ECG and NTE part numbers 8070 (72°C). The important issue is that my ECG catalog specifies that if the trip temperature of the original thermal cutout is less than 120°, the replacement unit should have a trip temperature within 4°C of that specified for the OEM part.

If the OEM part's trip temperature is greater than 120°C, the replacement should have a rating within 8°C.

Thus, "Q&A" might have given Ching the wrong answer if the trip temperature of his battery pack's OEM thermal cutout was rated very much below the 128°C trip temperature specified for Radio Shack's No. 270-1322 thermal cutout.

M.J. McCCLYMONT  
San Diego, CA

## THE DEMISE OF SWEEP ALIGNMENT

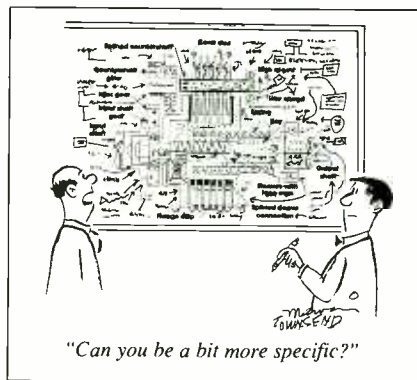
I'd like to offer a more precise answer to the question, "Sweep Alignment A Lost Art?" in the June 1995 "Q&A."

Sweep alignment died because of the introduction and rapid acceptance of the *surface acoustic wave* (SAW) filter more than 20 years ago. Developed for the communications, SAW filters gained wide acceptance in television receivers because they offer precise bandwidth and can't be adjusted. If the device is out-of-limits, you simply replaced it.

The SAW filter is based on piezoelectric principles. If a signal is applied to an input section on a piezoelectric crystal substrate (made from such materials as lithium niobate or quartz), a surface wave will propagate across the substrate and be picked up by an output section at the other end.

A SAW substrate is typically about 0.15-inch square. By carefully controlling the length and spacing (weighting) of the input and output sections, a filter with the desired bandwidth is produced. These devices revolutionized traditional line-up procedures.

DOUGLAS L. MOORE  
Oklahoma City, OK





# Two ways to fit a 100 MHz benchtop scope in your hand.



Bigger hands.



TekScope™



Got huge hands? Then you can probably lug a benchtop scope around the field. For the rest of us, there's TekScope™, the first hand-held with true 100 MHz bandwidth and 500MS/s sample rate on both channels. It's got the familiar Tek interface, a bright, backlit display and is priced at just \$2195 MSRP. Call 1-800-479-4490, action code 709, or visit our Web site at <http://www.tek.com>.

**Tektronix**



# EQUIPMENT REPORTS

DATA DEPOT PC CLINIC SYSTEM TEST SOFTWARE

*Get to the bottom of a personal computer's hardware with PC Clinic System Test Software.*



CIRCLE 15 ON FREE INFORMATION CARD

**T**roubleshooting electronic circuits is a skill that's acquired over time, and it is similar to detective work in that one must follow a series of clues to reach the problem. It's pretty much obvious that when you turn on a stereo receiver and everything works except the FM section, then that's where you start looking for problems. Likewise, if the only problem is that you aren't getting any sound from the left channel, then you should immediately suspect the left-channel amplifier. If an entire unit is completely dead, then the power supply is the first place to look.

Computers are different, though. If a computer is up and running and something starts to act up, someone familiar with operating a PC might know what to do. If you are lucky the problem will turn out to be an annoying setup problem. Having slightly less luck, your computer will turn on, but something such as the floppy disk drive will not work and need to be replaced. Other times a hard disk drive failure is what's giving a computer fits.

If a computer will not boot at all, you might have run out of luck. If your computer is dead and you sus-

pect the power supply, you can swap it with a known good supply if you know how. If it turns out that you were right and your system is up and running again, then three cheers for you because you still had a bit of luck left.

If it turns out that there is a problem with your computer's motherboard or memory, then it's the end of the line for most people. While many people are technically capable enough to swap out a motherboard or a memory module, the cost of doing so might be very expensive and not be worth the cost. Other times a replacement motherboard will simply not be available for one reason or another. In these situations, the only alternative is to diagnose and repair the problem yourself or by someone who knows how to do it.

Now here's the biggest problem: even someone who knows how to repair computers needs something to help pinpoint the problem. A computer with an intermittent problem is a tricky thing to troubleshoot because there are so many components in a computer and almost anything can bring down the entire unit.

Software itself can also get in the way of properly diagnosing a computer problem. Many times a computer will crash for no apparent reason. Sometimes faulty hardware will be suspected when it's actually a troublesome bit of software that's causing all the trouble. In these instances it is necessary to eliminate the possibility of software problems before a computer's hardware can be given a clean bill of health. The question is, how do you give a computer's hardware a thorough workout without accessing or eliminating any of the software loaded on it?

## PC Clinic

A company called Data Depot, Inc. (1710 Drew Street, Suite 5, Clearwater FL, 34615-6213, 800-767-3424) manufactures a system test software package called PC Clinic SB. The "SB" stands for "self booting," and that's the beauty of this software. It requires no operating system to work, and thoroughly checks hardware integrity without accessing any of a computer's own software. It can be used to troubleshoot old computers or to perform quality control on new computers without loading software on them.

The PC Clinic package consists of one PC-compatible diskette and a user's manual for \$199. The package normally includes a 3½-inch diskette that must be placed in the A: drive. A program on the disk, CLINCOPY.EXE, will allow the user to make up to two self-booting copies of the diskette on either 3½- or 5¼-inch disks. If your computer's A: drive is 5¼-inch, then you must first use CLINCOPY.EXE to make

*Continued on page 55*



# NEW PRODUCTS

USE THE FREE INFORMATION CARD FOR FAST RESPONSE

## CLAMP-ON CURRENT PROBES

WAVETEK HAS INTRODUCED its CT235, CT237, and CT238 AC/DC clamp-on current probes that will measure AC or DC current noninvasively from 5 milliamperes to 1000 amperes peak with 1% accuracy. The broad AC bandwidth and 1% accuracy of the probes permit the precise measurement of complex waveforms distorted by harmonics or power-line anomalies.

The current probes can be used

with different test instruments including analog or digital multimeters, dataloggers, chart recorders, and power analyzers. Current measurements are obtained with Hall-effect sensing, and the zero-adjust feature cancels residual magnetic fields, so DC measurement accuracy is unaffected.

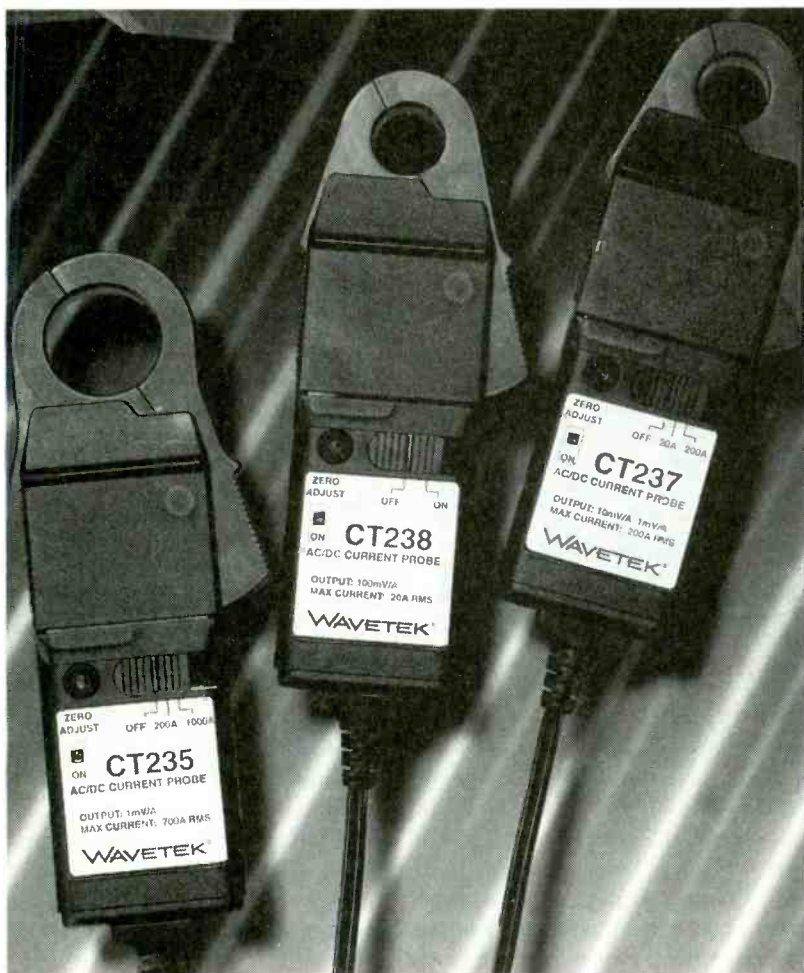
Applications for the probes include the analysis of current waveforms for harmonics, the test-

ing of banks of batteries, the analysis of inverter power output, the recording of UPS charge and discharge rates, and the diagnosis of automotive electrical systems. The probes have IEC1010-1, Category III, 300-volt, pollution degree 2 safety approval.

The pricing on the probes is: CT235 (1000-ampere)—\$179.00; CT237 (200-ampere)—\$249.00, and the CT238 (20-ampere)—\$299.00

### WAVETEK CORPORATION

9045 Balboa Avenue  
San Diego, CA 92123  
Phone: 619-279-2200  
Fax: 619-565-9558



CIRCLE 20 ON FREE INFORMATION CARD

## LOW-COST PIC PROGRAMMER

ITU TECHNOLOGIES MODEL PIC-1 PIC programmer will program the Microchip family of PIC16C6, 16C7 and 16C8 microcontrollers in conjunction with an IBM or compatible personal computer host. An 18-pin socket is provided on board for programming 18-pin PIC devices; and 28/40-pin adapters are available from the manufacturer. An expansion header is provided for adapters and in-system programming of PICs with on-chip EEPROM.

The Model PIC-1 includes all accessories needed to do microcontroller programming. It is recommended for students, hobbyists, and novice programmers. It is supplied with a cable for interfacing to the personal computer's parallel port, a power supply, programming software for the computer, and a user's manual.

The PIC-1 is available as a kit or fully assembled and tested. The kit,

## ELECTRONIC KITS AND MORE!



**World's Smallest Crystal Controlled Transmitter Kit**  
Up to 1/2 mile range  
Uses board mount 3V battery  
Transmits at 143.79 MHz  
XTL1000 E-Z .....\$69.95

**Micro-Minature FM Transmitter Kit**  
Up to 1/2 mile range  
Uses board mount 3V battery  
Transmits from 88 to 108 MHz  
XWB1000 E-Z .....\$49.95



**World's Smallest FM Transmitter kit**  
Up to 1 mile range  
Uses 9V battery/Transmits from 88 to 108 MHz  
XST500 E-Z .....\$44.95

For Catalog and Orders Call 1-800-336-7389  
We accept Check, MO, MC/VISA and COD. S&H Extra  
Send Mail Orders To:

**XANDI ELECTRONICS, INC.**  
1270 E. Broadway Rd. #113 Tempe, AZ 85282

## CABLE TV DESCRAMBLERS

- Quantity Discounts • 24 Hour Shipping
- Save Money Don't Rent

**NOBODY BEATS OUR PRICE**

Call Us Last For Best Price

**1-800-677-0321**

Anyone implying theft of service will be denied service  
VCI - NO FLORIDA SALES

## Be an FCC LICENSED ELECTRONIC TECHNICIAN!



**Earn up to \$60 an hour and more!**

Learn at home in spare time.  
No previous experience needed!

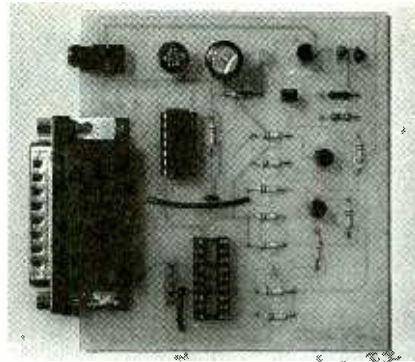
No costly school. No commuting to class. The Original Home-Study course prepares you for the "FCC Commercial Radiotelephone License." This valuable license is your professional "ticket" to thousands of exciting jobs in Communications, Radio-TV, Microwave, Maritime, Radar, Avionics and more...even start your own business! You don't need a college degree to qualify, but you do need an FCC License.

**No Need to Quit Your Job or Go To School**  
This proven course is easy, fast and low cost! **GUARANTEED PASS**—You get your FCC License or money refunded. **Send for FREE facts now. MAIL COUPON TODAY!**  
Or, Call 1-800-932-4268 Ext. 90

### COMMAND PRODUCTIONS

FCC LICENSE TRAINING, Dept. 90  
P.O. Box 2824, San Francisco, CA 94126  
Please rush FREE details immediately!

NAME \_\_\_\_\_  
ADDRESS \_\_\_\_\_  
CITY \_\_\_\_\_ STATE \_\_\_\_\_ ZIP \_\_\_\_\_



CIRCLE 21 ON FREE INFORMATION CARD

including a PC board and construction manual, is priced at \$29.00 The assembled programmer is priced at \$49.00.

### ITU TECHNOLOGIES

3477 Westport Court  
Cincinnati, OH 45248-3026

## DIRECT DIGITAL SYNTHESIZER MODULE

THE MODEL DDS4M DIRECT digital synthesizer (DDS) module from Novatech Instruments generates a precise sine wave and an accurate TTL clock signal. It is packaged on a 3.5x4.5-inch circuit board. The output frequency is programmable from 1 Hz up to a maximum of 34 MHz in steps as small as 0.02 Hz.



CIRCLE 22 ON FREE INFORMATION CARD

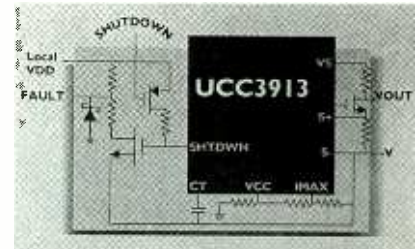
The typical phase noise for the module is  $-90$  dBc at 1-kHz offset from carrier. The desired frequency can be selected by setting a 31-bit binary number, either manually with DIP switches or remotely with HCMOS-compatible parallel input lines. The DDS4m contains a quartz crystal oscillator that provides stability of 10-ppm/year.

The DDS4m direct digital synthe-

sizer module is priced at \$395.00  
**NOVATECH INSTRUMENTS, INC.**  
1530 Eastlake Avenue East, No. 303  
Seattle, WA 98102  
Phone: 206-322-1562  
Fax: 206-328-6904

## NEGATIVE-VOLTAGE CIRCUIT BREAKERS

THE UCC3913 FAMILY OF BiCMOS electronic circuit breakers from Unitrode is intended for negative power supplies. The circuit breakers are intended for mainframe computer systems, telecommunications equipment, fault-tolerant and point-of-sale computers, banking ATMs, mass data storage equipment, and industrial-control systems.




CIRCLE 23 ON FREE INFORMATION CARD

According to Unitrode, the electronic circuit breakers react faster and have more accurate thresholds than the large bus fuses it is designed to replace. Their protection levels exceed those of fuses. Under fault conditions, the UCC3913 devices quickly limit overcurrent, preventing damage to host circuitry. They open the circuit automatically and reset with a 2% duty cycle to limit power dissipation during extended-duration faults.

An automatic reset feature reduces field maintenance. The auto-reset feature also prevents overheating that could lead to circuit failure. The UCC3913 devices manage power by permitting full logic control of each module's power. Their programmable start delays are especially important in "hot-swap" situations such as when power supply modules are being replaced in fault-tolerant computer systems.

The electronic circuit breakers keep the power off, then "soft-start"

# Hobbyist's Paperback Budget Books

 <p><b>Popular Electronic Circuits Book 1</b></p> <p>□ <b>BP80/98—Popular Electronic Circuits-Books 1 and 2...\$11.90.</b> Contains a wide range of circuits which are accompanied by text giving a brief Introduction, circuit description and special notes on construction and setting-up that may be necessary.</p>	 <p><b>Coil Design and Construction Manual</b></p> <p>□ <b>#160—Coil Design and Construction Manual...\$9.95.</b> A complete book for the home builder on how to make RF, IF, audio and power chokes and transformers. Practically every possible type is discussed and calculations are explained in detail.</p>	 <p>□ <b>BP271—How to Expand, Modernize and Repair PC's and Compatibles...\$7.75.</b> All the practical information you are likely to need to upgrade your PC and compatible. Also contains useful information and illustrations to help you with repairs.</p>	 <p>□ <b>BP276—Shortwave Superhet Receiver Construction...\$6.95.</b> Provides construction details, including coil winding, of a number of advanced-design receivers which should have performance levels at least equal to commercial sets of similar complexity.</p>
 <p><b>50 Projects Using IC CA3130</b></p> <p>□ <b>#223—50 Projects Using IC CA3130...\$5.00.</b> One of the more practical and useful operational amplifiers (opamp), the CA3130 integrated circuit chip is the heart of several easy-to-assemble projects covered in the book. The projects are divided into five categories: audio projects, RF projects, test equipment, household projects and a catch-all miscellaneous group. Ideal for all skill levels.</p>	 <p><b>AUDIO AMPLIFIER CONSTRUCTION</b></p> <p>□ <b>BP122—Audio Amplifier Construction...\$5.75.</b> Practical designs are featured and include circuit diagram and description, Veroboard or printed-circuit board layout and construction notes. The text is divided into two parts. The first deals with many types of preamplifiers. The second covers power amplifiers from a simple low-power battery type to a 100-watt DC-coupled amplifier using four MOSFETs in the output stage.</p>	 <p><b>30 SOLDERLESS BREADBOARD PROJECTS</b></p> <p>□ <b>BP107—30 Solderless Breadboard Projects-Book 1...\$5.95.</b> Each project is designed to be built on a "Verobloc" breadboard and is presented with a brief circuit description, circuit diagram, component layout diagram and components list. Notes on construction and applications are provided. Wherever possible, the components are common to several projects to keep project costs down.</p>	
 <p>□ <b>BP266—Electronic Modules and Systems for Beginners...\$7.25.</b> Shows the reader how to build a number of simple analog and digital circuit modules, all suitable for battery operation, and all based on only 1 or 2 transistors or ICs.</p>	 <p><b>Electronic Music Learning Projects</b></p> <p>□ <b>BP329—Electronic Music Learning Projects...\$6.25.</b> A beginner's book that will assist you in assembling such projects as the Elexylophone, Gildaphone, Melody Ranger, Cord-maker, Appealing Handbells, Electronic Sol-Fa, Tune-up Box and more.</p>	 <p><b>Making MS-DOS Work For You</b></p> <p>□ <b>BP319—Making MS-DOS Work for You—\$6.50.</b> What you need to know first, comes first, however the text is written in a circular style so that the reader can start anywhere in the text. This book is relevant to all versions of both MS-DOS and PC-DOS.</p>	 <p><b>UNDERSTANDING PC SOFTWARE</b></p> <p>□ <b>BP303—Understanding PC Software...\$6.95.</b> Covers main types of PC software, giving details of typical uses, the basics of how they are used and their limitations. Each chapter covers popular software and programs of a similar type.</p>
 <p><b>Aerial Projects</b></p> <p>□ <b>BP105 Aerial (Antenna) Projects...\$5.50.</b> In this book the author has considered practical antenna designs, including active, loop and ferrite antennas which perform well and are relatively simple and inexpensive to build. The complex theory and mathematics of antenna design have been avoided. Also included are construction details of a number of antenna accessories including a pre-selector, attenuator and filters.</p>	 <p><b>Electronic Calculator Users Handbook</b></p> <p>□ <b>BP33—Electronic Calculator Users Handbook...\$5.75.</b> The book eliminates the mysteries of the calculator and offers unique ideas for the simplest to most complex calculators. Covers the basic functions plus trigonometric, hyperbolic, logarithms, square roots and powers. Included are formulas and data for VAT, discounts, and mark up, currency conversion, interest, binary and octal numbers, and much more!</p>	 <p><b>25 Simple Amateur Band Antennas</b></p> <p>□ <b>BP125—25 Simple Amateur Band Antennas...\$5.50.</b> Plans to build antennas that are simple and inexpensive to construct and perform well. From the simple dipole to beam, triangle and even mini-rhombic types made from four TV masts and about 400 feet of wire. After the antenna discussion you will find a complete set of dimension tables that will help you "tune" an antenna on a particular frequency.</p>	
 <p><b>A Concise Introduction to dBASE</b></p> <p>□ <b>BP263—A Concise Introduction to dBASE...\$6.95.</b> The most popular data-base program, dBASE, is difficult to master without help. This book helps you spend your time using dBase, not setting it up. A user's guide that covers all the basics up to dBase IV.</p>	 <p><b>Electronics Build and Learn</b></p> <p>□ <b>PCP104—Electronics—Build and Learn...\$9.95.</b> Construction details are given to build a circuit demonstrator that is used throughout the book to introduce common electronic components and how these components are built up to useful circuits.</p>	 <p><b>A Concise Users Guide to Lotus 1-2-3 Release 3.1</b></p> <p>□ <b>BP302—A Concise Users Guide to Lotus 1-2-3 Release 3.1...\$6.25.</b> Written to help existing spreadsheet users upgrade to 1-2-3 Release 3.1, which has the ability to work 3-dimensionally with both multiple worksheets and files.</p>	 <p><b>Pre-BASIC Book</b></p> <p>□ <b>BP146—The Pre-BASIC Book...\$6.95.</b> Another book on BASIC but with a difference. It concentrates on introducing technique by looking in depth at the most frequently used and more easily understood computer instructions.</p>

## Just What the Project Builder Is Looking For!

- |  |   |
|--|---|
| □ #160—Coil Design and Construction Manual .....\$9.95           | □ 1596T—24 Silicon-Controlled Rectifier Projects.....\$9.95 |
| □ #219—Solid State Novelty Projects .....\$4.95                  | □ BP58—50 Circuits Using 7400 Series ICs .....\$5.50        |
| □ #222—Solids State Shortwave Receivers for Beginners.....\$5.50 | □ BP69—Electronic Games.....\$5.50                          |
| □ #223—50 Projects Using IC CA3130 .....\$5.00                   | □ BP71—Electronic House Projects .....\$5.00                |
| □ #225—Practical Introduction to Digital ICs.....\$5.25          | □ BP84—Digital IC Projects.....\$5.50                       |
| □ PCP111—Electronic Test Equipment Handbook.....\$13.95          | □ BP93—Electronic Timer Projects.....\$5.50                 |

**ELECTRONIC TECHNOLOGY TODAY INC.**  
P.O. BOX 240, Massapequa, NY 11762-0240

Name \_\_\_\_\_  
Address \_\_\_\_\_  
City \_\_\_\_\_ State \_\_\_\_\_ Zip \_\_\_\_\_

PE5 Allow 6-8 weeks for delivery

**SHIPPING CHARGES IN USA AND CANADA**

\$0.01 to \$5.00 .....	\$2.00
\$5.01 to \$10.00 .....	\$3.00
\$10.01 to 20.00 .....	\$4.00
\$20.01 to 30.00 .....	\$5.00
\$30.01 to 40.00 .....	\$6.00
\$40.01 to 50.00 .....	\$7.00
\$50.01 and above .....	\$8.50

**SORRY No orders accepted outside of USA & Canada**

Number of books ordered

Total price of merchandise .....	\$ _____
Shipping (see chart) .....	\$ _____
Subtotal .....	\$ _____
Sales Tax (NYS only) .....	\$ _____
<b>Total Enclosed .....</b>	<b>\$ _____</b>

**All payments must be in U.S. funds!**

the module in hot-swap applications. That controlled start prevents the module from excessively loading the bus as it powers up, preventing power and data glitches. The UCC3913 family is offered in eight-pin SOIC and DIP packages in three temperature ranges.

The UCC3913 is priced at \$1.40 in 1000-piece quantities. EP

**UNITRODE CORPORATION**

7 Continental Blvd.

Merrimack, NH 03056-0399

Phone: 603-424-2410

Fax: 603-424-3460

**INSULATED-GATE BIPOLAR TRANSISTORS**

A NEW SERIES OF 600- AND 1200-volt insulated-gate bipolar transistors (IGBTs) for high-voltage applications has been announced by Motorola. The high-voltage IGBTs are optimized to operate efficiently from full-wave rectified 230- or 460-volt AC with minimum conduction and turn-off losses. The IGBTs will withstand a short circuit for a minimum duration of 10 microseconds.

The IGBTs are suitable as inverters for motor drives. They perform the power-switching function that converts rectified DC line voltage to pulses that permit the control of various kinds of motors. IGBTs can also func-



CIRCLE 24 ON FREE INFORMATION CARD

tion in uninterruptible power supplies and conventional switching power supplies operating directly off line at moderate frequencies.

For applications where the stored energy of an inductive load is returned back to the power source through a diode, IGBTs and fast-recovery diodes have been co-packaged. The fast-

recovery diode is connected anti-parallel to the IGBT to allow reverse conduction. That permits the return of energy stored in an inductive load to the power source in bridge circuits.

The reverse characteristics of the anti-parallel diodes have been designed to achieve "soft recovery" to minimize transients and EMI. The co-packaged diode minimizes transient voltages that are generated by stray circuit inductance. For applications where the anti-parallel diode is not needed, IGBTs without the diode are available at a slightly lower price.

The high-voltage IGBTs are priced in the range of \$4.50 to \$6.00 each in 100 to 999 quantity.

**MOTOROLA, INC.**

MD Z-301

5005 East McDowell Road

Phoenix, AZ 85018

Phone: 602-244-4911

Fax: 602-944-4015

**PORTABLE PROTOCOL ANALYZER**

THE MODEL 904 PC COM- scope from Telebyte Technology is a portable protocol analyzer that interfaces with a host computer to access its resources. It can function as a high-performance communications data line monitor, emulator, and bit error rate tester (BERT).

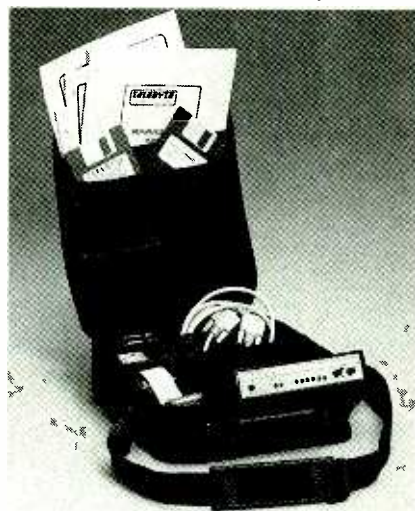
The Model 904 can be connected to any personal computer through any available serial port. The analyzer uses the serial port in a way that provides a high-speed data channel along with a serial control channel. The analyzer's embedded coprocessor permits the monitoring and emulation of data lines rated to 64 kilobytes per second on a full-duplex basis.

The Model 904 supports most WAN protocols, including asynchronous and synchronous protocols such as BiSync and IPARS, and bit-oriented protocols such as HDLC, SNA, and X.25. The protocol analyzer captures all parameters of the communications link: data, control leads, time stamps, and error conditions.

That information permits extensive post-capture analysis of data, even at a different location. Any combination of data line events can be searched or

trapped. This allows the review of live data or search through captured data. Captured data can be saved as a DOS file on disk for later viewing, analysis, or printing. The included protocol emulator program interface allows the use of Telebyte off-the-shelf test analysis programs or the user can write his own custom programs.

In addition to monitoring, the Model 904 has emulation capabilities. A menu-driven program on the PC allows the selection of many combinations of communications options to emulate X.25, HDLC, Async, and



CIRCLE 26 ON FREE INFORMATION CARD

BiSync. A built-in BERT tester offers a choice of test patterns and modes of operation. The analyzer is supplied with standard RS-232C monitoring software and two additional programs for X.25 and HDLC.

For portable field operation the Model 904 will run for 2 hours on a standard 9-volt battery. Since problems don't always happen in the same place, being able to hook up to the nearest PC without having to open the PC's case is convenient. For the lab, the Model 904 includes an AC adaptor for continuous operation.

The Model 904, supplied in a carrying case with cables, software, and manuals, is priced at \$499.00

**TELEBYTE TECHNOLOGY, INC.**

270 Pulaski Road

Greenlawn, NY 11740

Phone: 1-800-835-3298

Fax: 516-385-8184 or 516-385-7060

for complete data sheet

E-mail: Sales@telebyteUSA.com



Enter A World Of Excitement with a Subscription to

# Popular Electronics®

Get the latest electronic technology and information monthly!

Now you can subscribe to the magazine that plugs you into the exciting world of electronics. With every issue of Popular Electronics you'll find a wide variety of electronics projects to build and enjoy, and feature articles that inform and entertain.

Popular Electronics brings you feature articles on technology, computers, test gear, and more—all designed to keep you tuned into the latest developments in electronics. So if you love to build fascinating projects, just fill out the subscription form below to subscribe to Popular Electronics. . . It's a power-house of fun for the electronics enthusiast.

## EXCITING MONTHLY FEATURES LIKE:

- CONSTRUCTION**—Exciting projects that range from simple radios to working robots
- FEATURES**—Learn about new technology, see how to troubleshoot all types of electronics gear, refresh your knowledge of basic electronics theory, see how components work and how to use them in your own designs, and much more
- PRODUCT REVIEWS**—Get in depth, hands-on reviews of all types of hobby gear, and learn about the latest and the greatest in consumer electronics in our no-holds-barred Gizmo section
- SPECIAL COLUMNS**—Think Tank, Circuit Circus, Computer Bits, DX Listening, Antique Radio, Scanner Scene, Amateur Radio, Multimedia Watch, and more

## PLUS: ALL OUR GREAT DEPARTMENTS!

You'll get 12 exciting and informative issues of Popular Electronics for only \$18.95. That's a savings of \$23.05 off the regular single copy price. Subscribe to Popular Electronics today! Just fill out the subscription order form below.



FOR FASTER SERVICE CALL TODAY

**1-800-827-0383**

(7:30AM-8:30PM) EASTERN STANDARD TIME

## Popular Electronics® SUBSCRIPTION ORDER FORM

AENM5

P.O. Box 338, Mt. Morris IL. 61054

**YES!** I want to subscribe to Popular Electronics for 1 Full year (12 Issues) for only \$18.95. That's a savings of \$23.05 off the newsstand price.

(Basic Subscription Rate—1 yr/\$21.95)

Payment Enclosed  Bill me later

Please charge my:  Visa  Mastercard

Acct. #

Signature \_\_\_\_\_

Exp. Date \_\_\_\_\_

PLEASE PRINT BELOW:

NAME \_\_\_\_\_

ADDRESS \_\_\_\_\_

CITY \_\_\_\_\_

STATE \_\_\_\_\_

ZIP \_\_\_\_\_

Allow 6 to 8 weeks for delivery of first issue. U.S. Funds only.

In Canada add \$6.68 Postage (Includes G.S.T.).

All Other Foreign add \$7.50 Postage.



# NEW LITERATURE

USE THE FREE INFORMATION CARD FOR FAST RESPONSE

## Expanding Your BBS

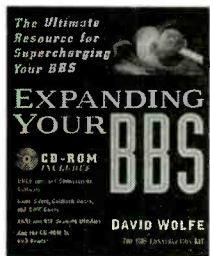
by David Wolfe.

John Wiley & Sons, Inc.

605 Third Avenue, New York, NY 10158-0012

Phone: 1-800-CALL-WILEY

**\$34.95, including CD-ROM**



CIRCLE 337 ON FREE INFORMATION CARD

This book and an included C D - R O M gives bulletin board system (BBS) administrators all the information they need to maintain an

active, attractive bulletin board. There are an estimated 10-million BBS users around the world whose interests are as diverse as scuba diving to gourmet cooking.

Wolfe's book offers the software and expert advice needed to add the most wanted features to your BBS. For example, Wolfe explains how to add UUCP Internet connectivity, fax capability, and QWK networking and mail. Wolfe also explains how to add improved graphics and speed, and multimedia applications. The topics covered include the integration of high-speed modems, digiboards, intelligent I/O boards, and telephone caller ID.

The companion BBS-ready CD-ROM contains game doors such as "Tradewars 2002, Baron Realms Elite, Land of Devastation, Battle Grid, Murder Motel," and "Yankee Trader." Call back doors increase BBS security and automate the registration process, while Waffle and Waffle utilities are for Internet UUCP connectivity.

The CD-ROM also includes

upload checkers that scan for viruses, purge old files, insert BBS ads, and check file integrity. Batch file power is increased with four DOS utilities. ANSI and RIP screen-drawing utilities include "The Draw, Dead Paint," and "Tombstone Artist." Other BBS utilities included are Fossil drivers, external protocols, QWK mail doors, hard-to-find compression utilities, and port and modem diagnostics.

## Zworykin, Pioneer of Television

by Albert Abramson.

University of Illinois Press

1325 South Oak Street  
Champaign, IL 61820

**\$36.95**



CIRCLE 338 ON FREE INFORMATION CARD

system that we know today with his invention of the iconoscope, the first practical television camera tube. To write this book, Abramson researched Zworykin's original patents and both his published and unpublished notebooks and papers, and he interviewed many television pioneers, including Zworykin himself.

This biography reviews the life of this television pioneer and scientist, including its often dramatic periods. It covers Zworykin's early years in Russia as well as his career

at the RCA laboratories. He was invited there by RCA founder David Sarnoff. More than 50 photographs in the book highlight Zworykin's work.

While Abramson acknowledges the important contributions made by other TV experimenters and scientists including Korn, Baird, and Zworykin's chief rival, Philo T. Farnsworth, he argues that Zworykin's inventions really made modern electronically scanned television possible. He sees Farnsworth's invention of the image orthicon as essentially an improvement on Zworykin's iconoscope.

## HTML Sourcebook

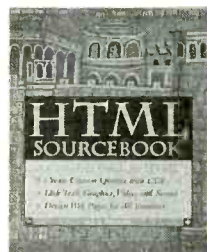
by Ian S. Graham.

John Wiley & Sons, Inc.

605 Third Avenue, New York, NY 10158-0012;

Phone: 1-800-CALL-WILEY

**\$29.95**



CIRCLE 339 ON FREE INFORMATION CARD

This book is a complete guide to composing and distributing documents on the World Wide Web. It provides both the code and the real-world examples of

well-designed hypertext documents that will teach you how to form a Web page. If you want to write documents for publication in the World Wide Web, you will want to use the Hyper Text Markup Language, or HTML.

This language allows the reader to click on a word from a body of text and jump, or "hyperlink," to



other databases, text files, and Web resources. With the introduction of WWW to the Internet, the need for HTML has expanded dramatically. Mosaic or other browsing software might provide an easy way to "surf the net," but the author believes that you must master the right tools to prepare well-designed, functional Web pages.

From a brief tutorial on the basics of HTML to actual programming code, Graham explains all of the HTML commands, CGI tools, and Uniform Resource Locator syntax. He also explains how to translate documents from word-processing programs into hypertext and format the HTML document from Mosaic, Netscape, Lynx, and other WWW browsers. The author explains how to create multimedia documents by including graphics, video, and sound; and how to choose hypertext servers for computers with Unix, Macintosh, and DOS or Windows operating systems

## Pulse Transformer Literature

*James Electronics Inc.*  
4050 North Rockwell Street  
Chicago, IL 60618  
Phone: 312-463-6500  
Fax: 312-463-1504  
free.



CIRCLE 340 ON FREE INFORMATION CARD

This mini catalog from James Electronics covers the manufacturer's Pulse-Mate pulse transformers for data transmission and control applications. It includes data sheets for the Pulse-Mate transformers, a line that includes leaded and surface-mount single and multiple transformers. Each data sheet gives complete electrical and mechanical specifications for the many models available.

The Pulse-Mate line of transformers is expected to find applications in the T' series of digital carrier systems, systems based on the DS data standard developed by the Danish Standards Institution, CEPT a European standard; and the ISDN standard. The

catalog defines typical waveform characteristics, and explains how the matching pulse transformer must interact for optimum system performance in the system under design.

## 1995 Great Sound Catalog

*K-A-B Electro-Acoustics*  
P. O. Box 2922  
Plainfield, NJ 07062-0922  
Phone: 908-754-1479  
free



CIRCLE 341 ON FREE INFORMATION CARD

This brochure covers the high-fidelity equipment available from K-A-B Electro-Acoustics, emphasizing vinyl records and related playback equipment. The company offers a wide selection of phonograph cartridges, books on earlier generation audio equipment, loudspeakers, phonographs, record cleaners, and high fidelity accessories.

Among the products offered are the K-A-B SpeedStrobe, for easy setting and verification of turntable speed, the K-A-B Souvenir VSP Vintage Signal Processor, which restores the sound of vintage 78-rpm shellac and 33 $\frac{1}{3}$ -rpm vinyl monophonic-LP records, and the Stanton 500 cartridge and custom styli.

## Consumer Electronics Replacement Parts Source Book 1995

*The ELA/Consumer Electronics Group*  
2500 Wilson Blvd.  
Arlington, VA 22201  
\$12.00



CIRCLE 342 ON FREE INFORMATION CARD

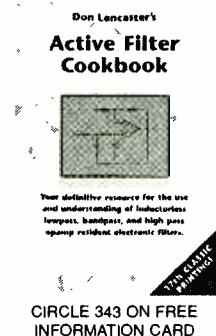
This is the 1995 edition of an annually updated replacement parts catalog for service technicians seeking replacement parts for consumer-electron-

ics products. Prepared by the Consumer Electronics Group of the Electronic Industries Association, the book lists parts information for of its member companies.

The source book is arranged alphabetically with entries from more than 60 manufacturers, from Adcom to Zenith. In addition information from five distributors is included. The addresses and phone numbers are given for each manufacturer and distributor along with information about all of the items available from them, in replacement parts technical support, customer service, and service manuals.

## Active Filter Cookbook

by *Don Lancaster.*  
*Synergetics Press*  
3860 West First Street  
Box 809, Thatcher, AZ 85552  
\$28.50



CIRCLE 343 ON FREE INFORMATION CARD

This 17th edition of the *Active Filter Cookbook* written by Don Lancaster, the "Hardware Hacker" columnist for *Electronics Now*. This new updated book provides information on how to build active low-pass, bandpass, and high-pass filters. It also includes design charts with explanations of the mathematics on which those designs are based. The book emphasizes practical knowledge rather than theory, making it particularly easy to apply to your needs.

Lancaster begins with a discussion of inductorless active-filters and operational amplifiers. He then explains the characteristics of the five basic types of first- and second-order filters, and goes on to explain their response curves.

Three chapters include practical filter circuits, covering four different styles of low-pass, bandpass, and high-pass circuits. Switching, tuning, and voltage control are discussed, and current applications on active filters are included.

# RETAILERS THAT SELL OUR MAGAZINE MONTHLY

## Alaska

Frigid North Co.  
1207 W. 36th Avenue  
Anchorage, AK 99503

## Alabama

Radio Distributing Supply  
121 East Broad Street  
Gadsden, AL 35903

## Arizona

Dalis Electronics  
2829 E. McDowell Road  
Phoenix, AZ 85008

## California

California Electronics  
221 N. Johnson Ave.  
El Cajon, CA 90202

Signal Electronics  
22307 Ocean Avenue  
Torrance, CA 90505

Ford Electronics  
8431 Commonwealth Avenue  
Buena Park, CA 90621

All Electronics  
14928 Oxnard Street  
Van Nuys, CA 91411

Gateway Electronics of CA  
9222 Chesapeake Drive  
San Diego, CA 92123

Mac's Electronics  
191 South "E" Street  
San Bernardino, CA 92401

Electronics Warehouse  
2691 Main Street  
Riverside, CA 92501

Orvac Electronics  
1645 E Orangethorpe Ave.  
Fullerton, CA 92631

Sav-On Electronics  
13225 Harbor Blvd.  
Garden Grove, CA 92643

Marvac Dow Electronics  
980 S. A Street  
Oxnard, CA 93030

Kandarian Electronics  
1101 19th Street  
Bakersfield, CA 93301

Whitcomm Electronics  
105 W. Dakota #106  
Clovia, CA 93612

Marvac Dow Electronics  
265-B Reservation Road  
Marina, CA 93933

Minuteman Electronics  
37111 Post St., Suite 1  
Fremont, CA 94536

HCS Electronics  
6819 S. Redwood Drive  
Cotati, CA 94931

Halted Specialties Co.  
3500 Ryder Street  
Santa Clara, CA 95051

JDR Micro Devices  
2233 Branham Lane  
San Jose, CA 95124

Metro Electronics  
1831 J Street  
Sacramento, CA 95814

The Radio Place, Inc.  
5675-A Power Inn Road  
Sacramento, CA 95824

HSC Electronics  
4837 Amber Lane  
Sacramento, CA 95841

## Colorado

Gateway Electronics of CO  
2525 Federal Blvd.  
Denver, CO 80211

Centennial Electronics  
2324 E. Bijou  
Colorado Sps., CO 80909

## Connecticut

Signal Electronics Supply  
589 New Park Avenue  
W. Hartford, CT 06110

Cables & Connectors  
2198 Berlin Turnpike  
Newington, CT 06111

Electronic Service Prod.  
437 Washington Avenue  
North Haven, CT 06473

## Georgia

Norman's Electronics, Inc.  
3653 Clairmont Road  
Chamblee, GA 30341

## Idaho

The Current Source  
5159 Glenwood  
Boise, ID 83714

## Illinois

Tri State Elex  
200 W. Northwest Hwy.  
Mt. Prospect, IL 60056

## Maryland

Mark Elec. Supply Inc.  
5015 Herzel Place  
Beltsville, MD 20705

## Massachusetts

U-Do-It Electronics  
40 Franklin Street  
Needham, MA 02194

## Michigan

Purchase Radio Supply  
327 East Hoover Avenue  
Ann Arbor, MI 48104

Norwest Electronics  
43087 Plymouth Road  
Livonia, MI 48150

The Elec. Connection  
37387 Ford Road  
Westland, MI 48185

Elec. Parts Specialists  
711 Kelso Street  
Flint, MI 48506

Professional Data Corp.  
1332 US Highway 41 West  
Ishpeming, MI 49849

## Minnesota

Acme Electronics  
224 Washington Avenue N.  
Minneapolis, MN 55401

## Missouri

Gateway Electronics Of MO  
8123-25 Page Blvd.  
St. Louis, MO 63130

## New Jersey

Lashen Electronics Inc.  
21 Broadway  
Denville, NJ 07834

## New York

Sylvan Wellington Co.  
269 Canal Street  
New York, NY 10013

Unicorn Electronics  
Valley Plaza  
Johnson City, NY 13790

## Ohio

Philcap Electronic Suppliers  
275 E. Market Street  
Akron, OH 44308

## Oregon

Norvac Electronics  
7940 SW Nimbus Avenue  
Beaverton, OR 97005

Portland Radio Supply  
234 S.E. Grand Avenue  
Portland, OR 97214

## Texas

Tanner Electronics  
1301 W. Beltline  
Carrollton, TX 75006

Mouser Electronics  
2401 Hwy. 287 N  
Mansfield, TX 76063

Electronic Parts Outlet  
17318 Highway 3  
Webster, TX 77598

## Virginia

Elec. Equipment Bank  
323 Mill Street, N.E.  
Vienna, VA 22180

## Washington

Amateur Radio Supply Co.  
5963 Corson Ave., Ste 140  
Seattle, WA 98108

## Wyoming

Chris Supply  
2007 S. Douglas Hwy., Ste. C  
Gillette, WY 82716

**If you'd like to sell our magazine in your store,  
please circle 210 on Free Information Card.**

# JACOB'S LADDER

*Build this exciting Jacob's Ladder and watch electric arcs ascend the ladder and evaporate in space. It works from a clever 12,000-volt power supply.*

ROBERT IANNINI

PEOPLE HAVE LONG BEEN FASCINATED BY ELECTRIC arcs—and perhaps put off by them. They show up as lightning, Tesla coil discharges, and long sparks that sting as you reach for the doorknob on a cold, dry, winter day. This Jacob's Ladder project turns electric arcs into a dramatic but harmless conversation piece.

If you build this project, you'll learn how a simple power supply operating from the 120-volt AC line can produce 12,000 volts. In addition to powering the Jacob's Ladder, the supply can power plasma displays, and it has even powered a light-duty, bench-type spot welder.

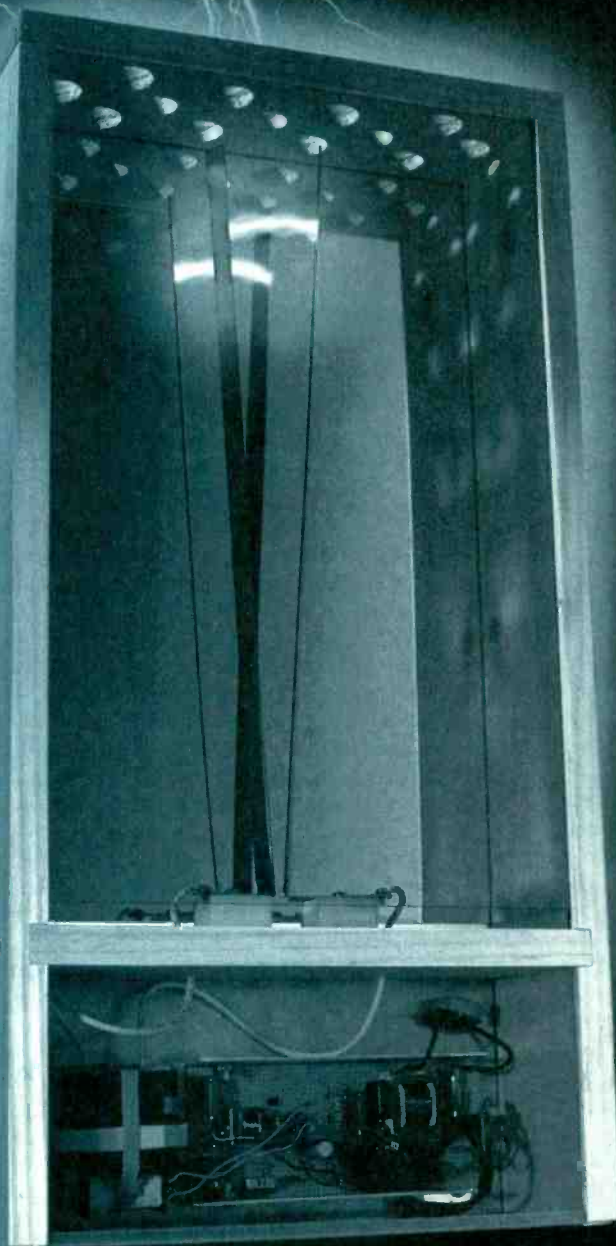
Perhaps you would like to know the origin of the term Jacob's Ladder. The Bible tells the story of Jacob's dream about a ladder that extended from earth to heaven. Jacob, the son of Isaac, was the father of the founders of the twelve tribes of Israel. Among sailors, however, a Jacob's Ladder is a long rope ladder that is hung over the side of a ship so the harbor pilot can climb aboard.

## Climbing arcs

The power supply for this project forms electric arcs across two diverging stainless steel strips mounted in a protective case. The 16-inch long strips are mounted on insulating Teflon blocks to eliminate possible leakage. The stainless steel strips are angled with respect to each other so that the arcs form at the edges of the strips that are separated by about  $\frac{3}{16}$  inch at their bases, but the strips diverge to a distance of about 2 inches at their upper ends.

The strips form a gap in the secondary winding of the output transformer. After power is turned on, the air dielectric breaks down due to the "almost" short-circuit state across the lower end of the gap, and an electric arc is formed.

As the arc heats up, thermal convection causes the arc to rise up the vee-shaped "ladder." As the plasma arc ascends the ladder, its length increases, thereby increasing the arc's dynamic resistance and thus increasing power consumption and heat. This causes the arc to stretch as it rises and extinguish when it reaches the top of the ladder. When the arc extinguishes, the transformer output momentarily exists in an open circuit state until the breakdown of the air die-



electric produces another arc at the base of the ladder and the sequence repeats.

The power supply for the Jacob's Ladder contains circuitry to protect persons and property from electrical shock or fire hazard if the ladder strips should be shorted accidentally when the ladder is operating.

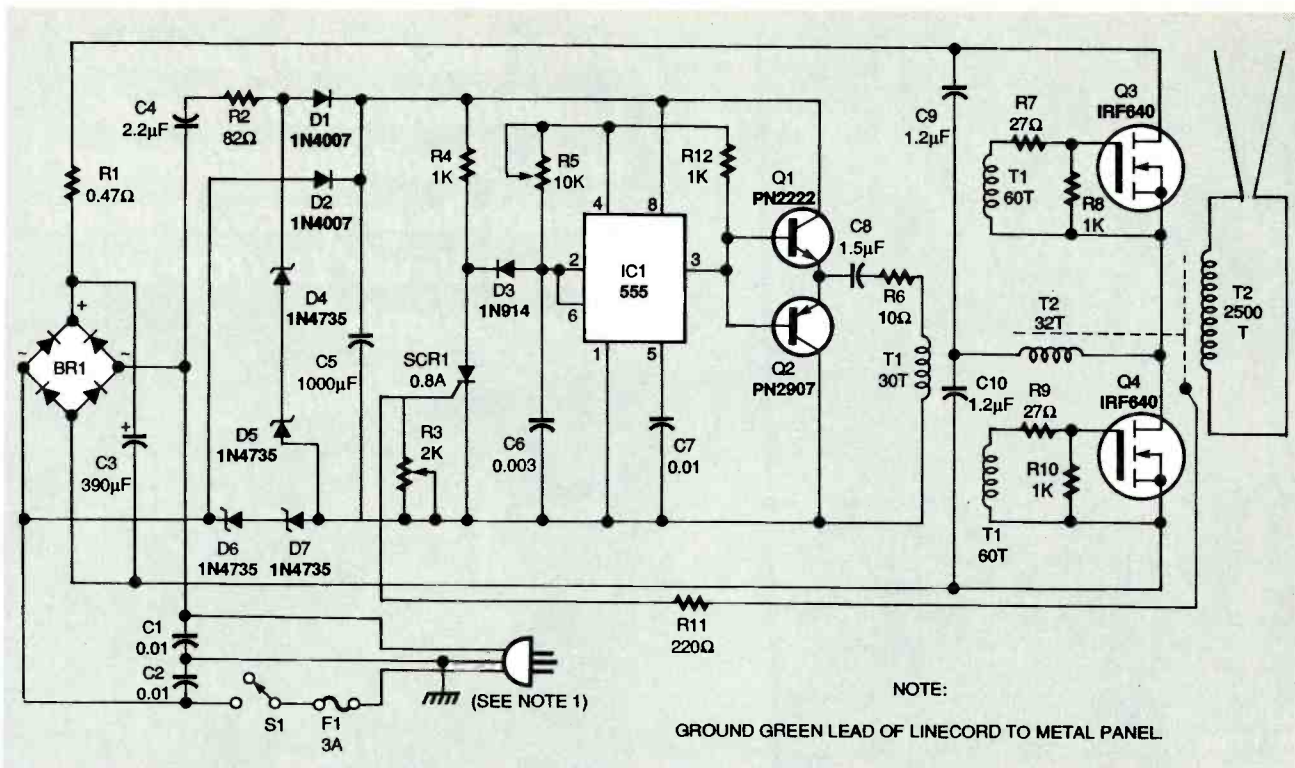


FIG. 1—SCHEMATIC FOR HIGH-VOLTAGE power supply. All components except transformers are standard.

**12,000 volt supply**

The operation of the Jacobs's Ladder depends on the current-limited power supply that delivers 12,000 volts at 40 milliamperes from the 120-volt AC line. Refer to the schematic Fig. 1. The full-wave bridge BR1 rectifies the 120-volt AC line input, and resistor R1 limits the DC charging current of capacitor C3 to a safe value. The Jacob's Ladder project is powered by 150 to 160 volts DC derived from the 120-volt AC line.

The drive circuit power is obtained by dropping the 120-volt AC line through capacitor C4 and current limiting resistor R2. Diodes D1 and D2 alternately conduct only in the positive direction, and their DC output pulses are integrated by filter capacitor C5. Zener diodes D4 and D5 regulate these DC pulses to peak values of 15 volts DC.

Capacitor C4 and resistor R2 present a complex impedance so that most of the AC line voltage is dropped across the reactance. This configuration eliminates the waste of real power and heat losses that would have occurred by dropping the line

voltage with only a resistor.

The 555 timer IC1 is configured as a square-wave oscillator. The output frequency of its square waves is determined by the setting of trimmer potentiometer R5 and capacitor C6. The frequency is about 25 kHz for the values of R5 and C6 shown in Fig. 1. Resistor R12 limits the high-frequency setting to an acceptable value. Potentiometer R5 can be used to adjust the circuit's power output. Increasing the frequency reduces the circuit's output by increasing the inductive reactance of the transformer leakage inductance.

The output of IC1 on OUTPUT pin 3 appears at the bases of the current "source," NPN transistor Q1 and "sink" PNP transistor Q2. The emitters of this transistor pair are AC-coupled through capacitor C8 and resistor R6 to drive the primary of driver-isolation transformer T1. This drive prevents DC from flowing through the primary. Resistor R6 dampens any overshoot that results from transformer T1's leakage inductance.

This scheme provides a satisfactory source for driving the

high gate-to-source capacitance of the two NPN switching power MOSFETs, Q3 and Q4. Transformer T1 is wound on a high-permeability core with as few turns as possible to eliminate leakage inductance.

The gate circuits of MOSFETs Q3 and Q4 contain 27-ohm resistors (R7 and R9) to slow their switching times. This eliminates possible parasitic oscillations that could occur if the MOSFETs were switched at their speed limit.

Output transformer T2 has a half-bridge configuration so that MOSFETs Q3 and Q4 are only subjected to half of the rectified DC line voltage, or about 80 volts. Assuming that the voltage midway between capacitors C9 and C10 is about half of 160 volts (or about 80 volts), when Q3 turns on, the charge on C9 causes current to flow through T2 in one direction.

When Q3 turns off, Q4 turns on, dumping the charge on C10 through T2 in the opposite direction. This drives the magnetic flux of T2 evenly and symmetrically, making full use of T2's core capability. The primary of output transformer T2 contains 32 turns, but its sec-

*Continued on page 56*

## EDWARD BARROW

THE REGULATED POWER SUPPLY CIRCUIT described in this article will permit you to experiment with electrolysis and electroplating. It is intended for the experimenter or hobbyist who wants to perform experiments in electrochemistry and electroplate small objects—tools, rings, spoons, or miscellaneous hardware items.

This power supply will also be especially valuable for science and chemistry teachers or laboratory assistants in high schools, technical schools, and colleges. It is a versatile power supply that can be controlled to adapt it to various demonstrations or experiments in chemistry, physics, biology, or general science.

This power supply permits better control of its output voltage than a typical linear power supply, and it can function either as a constant-voltage or constant-current source. Both functions can be set by a potentiometer with a voltage range of 0 to 10 volts and a current range of 0 to 1.0 amperes. Figure 1-a is a block diagram of the basic regulator circuit.

A constant-current mode can be set to control the current for electroplating. This control is critical for achieving uniform deposition of metal. This mode also permits the user to compensate for electrolyte loss that occurs during electroplating. Figure 1-b is the block diagram for the measurement circuit for the power supply. It monitors the output allowing either the voltage or current value to be read on a two-digit LED digital display.

This display is especially useful in electroplating because the voltage must be monitored continuously. Applied voltage determines the reactions that will take place. If

the voltage is too high, the quality of the plating will suffer.

The digital display can also record the total amount of charge passed from the output. In electrochemistry, this quantity is directly related to the extent of ionization that has occurred within the electrolyte. In electroplating, the thickness of the plating deposited is directly proportional to the charge in coulombs passed per second.

### Electrochemical theory

Before building this power supply, you might want to review the fundamentals of electrochemistry. This subject is covered in most introductory high school chemistry text and college level inorganic or general chemistry texts. There are

also self-teaching texts in general chemistry keyed to do-it-yourself experimentation available.

Even if you have never taken a formal course of instruction in general chemistry, you can learn the fundamentals of electrolysis and electroplating by studying one or more of the available texts. Some of the important terms in electrochemistry that you should know are defined in the box. *Common Electrochemical Terms Defined.*

In electrochemistry, reactions involve only electrons (hole motion is not discussed). Elements bond either by sharing (covalent bonding) or transferring electrons from one another (ionic bonding). Electrochemistry is concerned only with ionic bonding. It is possible to reverse

***Build this regulated electrochemistry power supply and learn about electrolysis and electroplating. Then plate small objects to protect them and improve their appearance.***

# Regulated Power for Electrochemistry



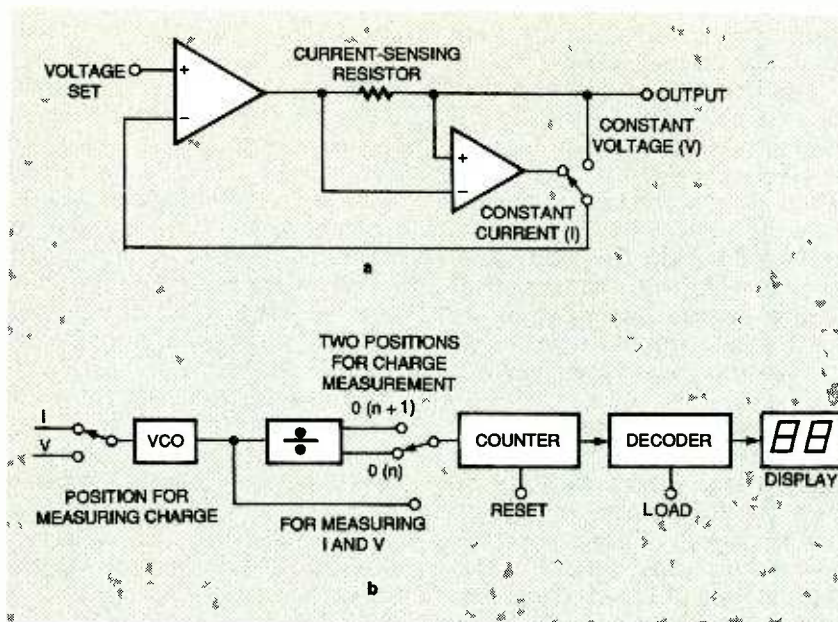


FIG. 1—BLOCK DIAGRAM OF REGULATED POWER SUPPLY CIRCUIT: Basic regulator circuit (a), and measurement circuit (b). Current and voltage or charge can be measured. Values can be read on the LED digital display.

the electron transfer process with current.

### Electrolysis explained

Nearly 200 years ago it was found that water breaks down into hydrogen and oxygen when an electric current is passed through it. This was discovered after the Italian scientist, Alessandro Volta, made the first electric battery capable of producing continuous current. When wires were connected to both terminals of a battery and their ends were dipped into a tank of water to act as electrodes, it was found that gas bubbles formed in the water at each electrode.

When the gas was collected, it was found that hydrogen gas ( $H_2$ ) was given off at the negative electrode and oxygen gas ( $O_2$ ) was given off at the positive electrode. The volume of hydrogen collected was twice the volume of oxygen in the same time the apparatus was operating. It was then discovered that some of water had been decomposed into its elements. This process was called *electrolysis*.

The formula for electrolysis of water is:

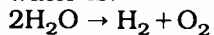


Figure 2 shows a glass Hoffman laboratory apparatus organized for the electrolysis of

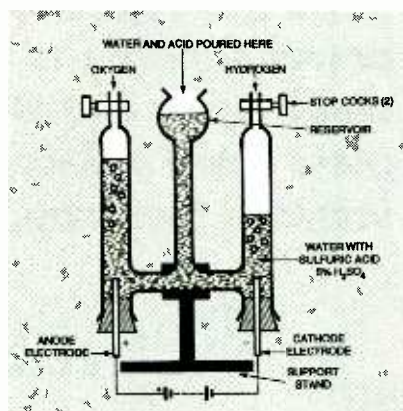


FIG. 2—ELECTROLYSIS OF WATER yields hydrogen and oxygen gas as by-products. Acid additive increases the conductivity of water.

water. It is necessary to add 1 part in 20 of sulfuric acid ( $H_2SO_4$ ) to increase the conductivity of the water. While this experiment can be done with separate small bottles or test tubes, the stop cocks at the top of each column of the Hoffman apparatus permit the gases to be bled off conveniently and ignited by a burning splint to identify them.

### Electroplating.

Electroplating is the process of causing electric current to deposit a layer of metal such as copper on an object to be plated. Figure 4 shows the apparatus

for electroplating. The plating solution is a salt of the metal. In Fig. 4, the electrolyte is a solution of copper sulfate.

A bar or strip of the metal is connected as the anode (positive electrode) to provide positive ions for electroplating. The object to be plated is connected as the cathode (negative electrode) and receives the positive ions that it reduces to a metallic layer of electroplate.

### Regulated power supply

Figure 5 is the schematic for the regulated power supply. Its output current is provided by a voltage regulator consisting of operational amplifier IC5-a and transistors Q1 and Q2. The cir-

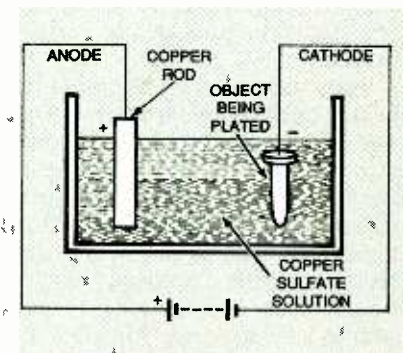


FIG. 3—APPARATUS FOR ELECTROPLATING: The copper strip is the anode and the object to be plated with copper is the cathode.

cuit has two modes of operation: constant-current and constant-voltage. In the constant-voltage mode, a variable reference voltage is generated across potentiometer R34. The voltage is fed to operational amplifier IC5-a, which functions as a buffer. This operational amplifier also serves as a feedback device to monitor the output voltage.

Operational amplifier IC5-a has an inverting input, and its output voltage is altered to match this input with the reference voltage. IC5-a's output is sent to transistor Q1 configured as an emitter follower. This circuit buffers the output, producing a lower impedance version of it.

The output of Q1 is fed to power transistor Q2 which

*Continued on page 64*

# Tektronix Helps You Build a Better Benchtop One Great Instrument at a Time

Insert this tab first.

Look for the  
entry form in a  
future issue.



Call your local  
Tektronix Distributor  
or 1-800-479-4490,  
Action Code 302  
and we'll connect you.

Collect all  
four punch-out  
models,  
then enter  
Tek's drawing  
to win a real  
Model of  
Excellence.

Tektronix offers a full line  
of bench instruments:

- oscilloscopes
- power supplies
- function generators
- digital multimeters
- universal counters
- complete line of accessories

**TAS 250**  
50 MHz Analog Oscilloscope

*Ssshh, the secret code is 250.  
To enter the drawing, you'll need  
to save the code from each  
of the four punch-out  
Models of Excellence in this series.*

Contact your Tektronix Authorized  
Distributor for details, or call  
**1-800-479-4490, Action Code 302**  
and we'll connect you.

**Tektronix**

# Center Your Bench on Legendary Performance

with Affordable, Excellent Scopes from Tektronix

**Power, reliability, ease of use** — the hallmarks of Tektronix laboratory scopes — are alive and well in our portable, benchtop oscilloscopes.

The **TAS 220 and TAS 250 analog oscilloscopes** are affordable cursor-readout scopes for the customer who values low cost and ease of use, and who demands the quality and safety of a Tektronix instrument.

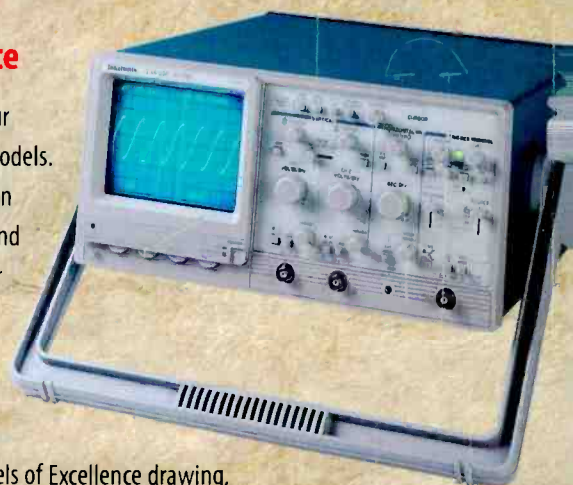
Both the TAS 220 and the TAS 250 are complete, 2-channel, 1 mV/div, single time base, analog oscilloscopes whose feature set will surprise you. Channel 1 output is provided for ancillary instruments such as frequency counters, chop/alt mode is automatically set, and on-screen cursors display  $\Delta T$ ,  $1/\Delta t$ , and  $\Delta V$ . Triggering is simplified by inclusion of both a set to 50% auto trigger, and a TV trigger that automatically selects TV-line/TV-field. The TAS 220 has 20 MHz bandwidth, and the TAS 250 has 50 MHz bandwidth.

The TAS 200 Series is safety certified, as are all Tektronix oscilloscopes. And, like the popular TAS 400 Series, the TAS 200 Series uses a modified "TDS-look-and-feel" user interface.

**Discover Tek's affordable, excellent scopes and the chance to win a real Model of Excellence**

Collect all four punch-out models. Line 'em up on your bench and imagine their problem-solving impact.

Then enter to win our Models of Excellence drawing, and you could turn one of those models into the real thing!



## BENCHTOP SCOPE SOLUTIONS

TAS 200 Series	TAS 400 Series	TDS 300 Series	TDS 400A Series
<ul style="list-style-type: none"> <li>■ Analog</li> <li>■ 20–50 MHz</li> <li>■ 2 Channels</li> <li>■ Single Time Base</li> <li>■ Fast updating analog CRT display</li> <li>■ CRT readout and cursors</li> </ul>	<ul style="list-style-type: none"> <li>■ Analog</li> <li>■ 100–200 MHz</li> <li>■ 2–4 Channels</li> <li>■ Dual Time Base</li> <li>■ Fast updating analog CRT display</li> <li>■ CRT readout and cursors</li> <li>■ Auto Setup/Recall</li> </ul>	<ul style="list-style-type: none"> <li>■ Digital Real-Time</li> <li>■ 50–200 MHz</li> <li>■ 2 Channels</li> <li>■ Dual Time Base</li> <li>■ Single-event waveform up to fastest sweep speed</li> <li>■ 21 automatic measurements</li> <li>■ Auto Setup/Recall</li> <li>■ Selectable pre-trigger</li> </ul>	<ul style="list-style-type: none"> <li>■ Advanced digital signal processing</li> <li>■ 200–400 MHz</li> <li>■ 2–4 Channels</li> <li>■ Triggered delayed sweep</li> <li>■ Record length up to 120K</li> <li>■ 25 automatic measurements</li> <li>■ 12-bit Hi-Res mode</li> <li>■ Selectable pre-trigger</li> </ul>

**Contact your Tektronix Authorized Distributor.**

Your Tektronix Authorized Distributor can tell you more about Tek's low cost, high performance benchtop oscilloscopes, including the TAS 200 Series of analog scopes.

**Not sure who to call?  
Dial 1-800-479-4490, Action Code 302  
and we'll make the connection.**

Drawing good in U.S. only. Void where prohibited. Drawing to be held March 1, 1996.

Copyright © 1995, Tektronix, Inc. 40A-MU6026

**Tektronix**



# VERSATILE POWER SUPPLY



***Build this bench power supply  
that offers five different output voltages.***

CARL J. BERGQUIST

THE VERSATILE POWER SUPPLY IS one of the most basic but overlooked items of test bench equipment. Good commercial bench-type power supplies are expensive, and they might not have some feature you want. The best solution is to build your own supply that can provide the voltages, currents, and features you want.

Circuits such as operational amplifiers and analog to digital converters (A/D) converters require both a positive and negative voltage, so a supply with a dual-polarity output is essential. A +12-volt DC source is necessary for testing car audio equipment and CB radios. A display section that will indicate the active voltages and the exact output voltage is also essential for your convenience.

The prototype power supply described in this article fills those needs. It includes both positive and negative variable

power sources that produce between 1.2 and 28 volts at about 1 ampere. A separate  $\pm 5$  volt source powers the A/D voltage meter, and also provides a second dual-output voltage. A third section provides 12 volts at 1.5 amperes, maximum.

LEDs indicate the status of the five available outputs, and a digital display provides a digital readout of either voltage or current. The prototype has banana jacks as output connections, but binding posts or multi connectors can be substituted. The switches can be either pushbutton, toggle, or slide; it's really just a matter of your personal preference.

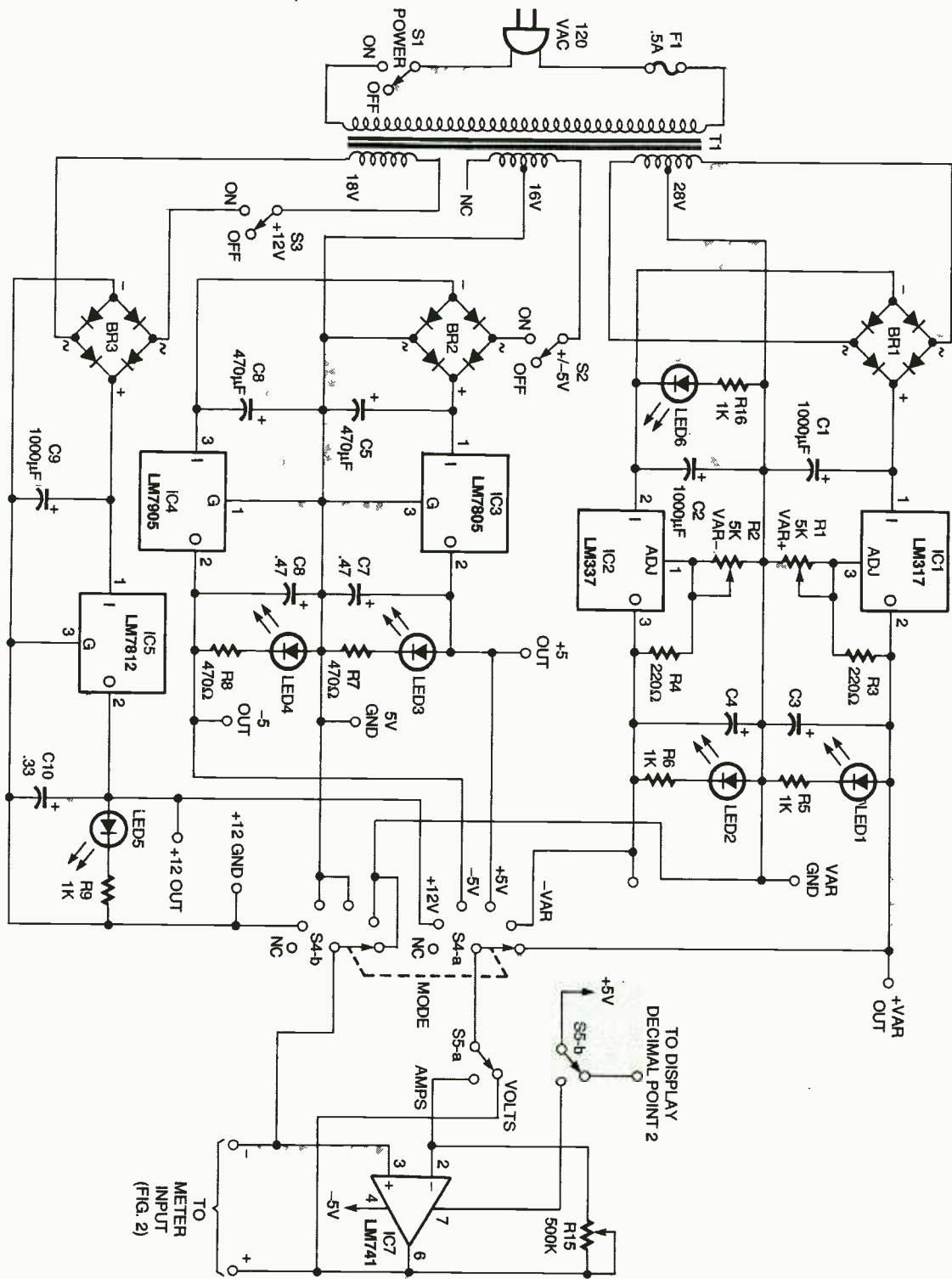
### **Circuit operation**

Figure 1 is the main schematic. All five power supply sections conform to standard design practice. The AC voltage from transformer T1 is rectified by bridges BR1, BR2, and BR3,

and filtered by capacitors C1, C2, C5, C6, and C9. Voltage regulators IC1 to IC5 reduce the voltage to the desired fixed or variable levels.

The LM317 regulator, IC1, provides a positive variable output from 1.2 to 28 volts DC, while an LM337, IC2, provides a negative variable output with the same range. The LM7805 regulator, IC3, supplies a fixed +5 volts, and the LM7905, IC4, supplies a fixed -5 volts. The LM7812 regulator, IC5, supplies a fixed +12 volts.

Capacitors C3, C4, C7, C8, and C10 improve transient response and prevent oscillation. Resistor networks R1-R3 and R2-R4 for IC1 and IC2, respectively, provide the necessary feedback to obtain the variable output voltages. An LED and current-limiting resistor is wired across each output to indicate when each output voltage is present. The main power in-



**FIG. 1—MAIN POWER-SUPPLY SCHEMATIC.** The supply provides both positive and negative variable outputs, a positive 5-volt output, a negative 5-volt output, and a positive 12-volt output.

switches S2 and S3 connect the secondary voltages to the 5- and 12-volt regulator circuits. The  $\pm 5$ -volt supply powers the volt-

*Continued on page 73*

indicator for the entire unit consists of LED5 and R18.

Switch S1 controls AC power to the transformer primary, and

## STEVE BOTTS

THE MINIMALIST VIDEO RECEIVER described in this article could be considered as a kind of "crystal set" of television receivers. This TV receiver offers no frills such as color, automatic gain control, or sound, but it is amazing to see television images appear with only a handful of parts in a simple circuit.

Back in the late 1940s, a TV pitch man/manufacturer named "Madman" Muntz asked the engineer who designed the TVs for him what all the parts inside a TV set did. As the engineer explained the circuits, Muntz began snipping out components until the set stopped working. He told his engineer to put that part back and build the sets that way!

This might be an apocryphal story, but it illustrates the concept of eliminating all nonessential electronics components. Television receivers contain many circuits that are inherently incompatible with each other. High-voltage circuits, oscillators, high-gain amplifiers, and sensitive tuners all must interact compatibly with each other. Moreover, a lot of circuitry is included in the television receiver for user convenience and to assure long-term dependability.

But, as Madman realized, all of those "extra" components add to the complexity and cost of the TV receiver. Nevertheless, Madman's thinking was an example of the minimalist approach taken by the author in this project.

### Possible applications

In addition to experimenting with video signals, there are other applications for the video receiver. The author built one of the receivers into a spectrum analyzer to help identify television signals. The video receiver can also function as a platform for video descrambling experiments. It can also provide amateur television (ATV) and TV long-range reception because of its manual gain control. When it is connected to an old computer monitor, the receiver will let you

catch up on your favorite daytime TV programs.

### Finding parts

Be warned! You might have to be resourceful in obtaining some of the parts for this project, especially the tuner. Figure 1 shows a typical TV tuner. Late model discarded TV receivers (1980s or later) are a valuable source for the right tuners. Surplus tuners can also be purchased for as little as \$5 (see the Parts List for sources). Even if the tuner has extra components or a small circuit board attached to the connecting pins, leave them in place. These are usually filters that improve the tuner's performance. There might be several holes in the tuner's case for accessing vari-

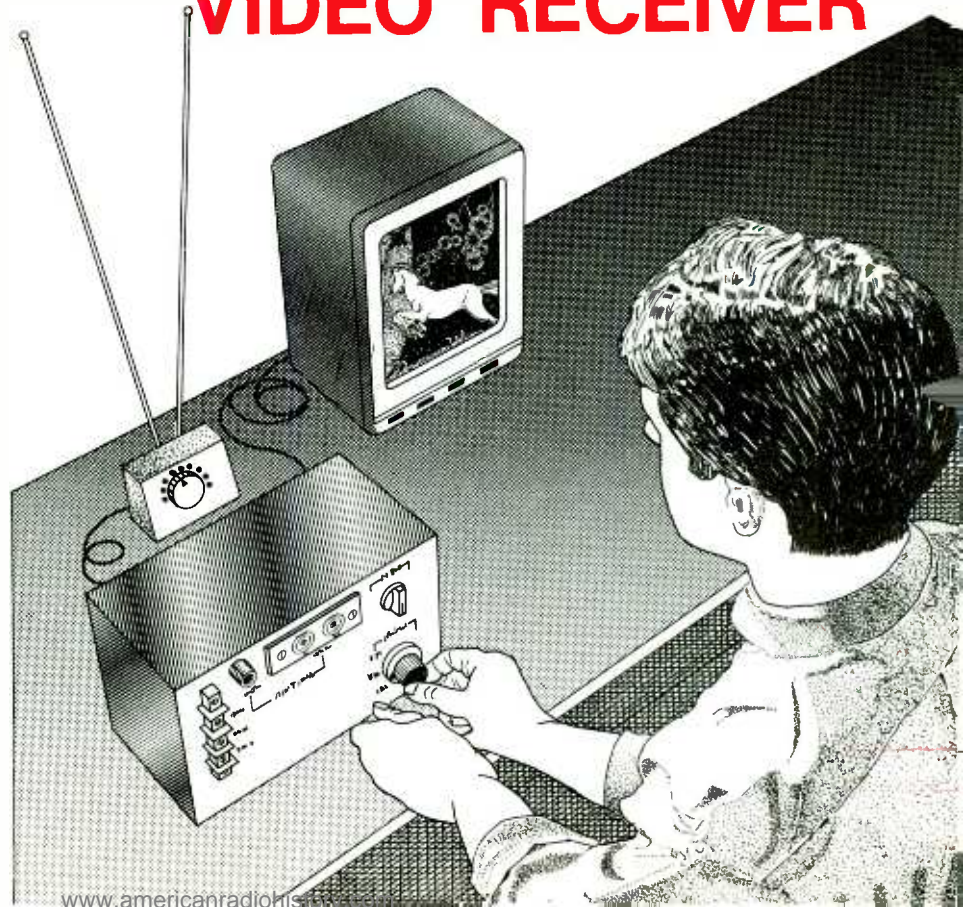
ous tuning controls—do not touch these controls because they are usually factory-set.

The output of the tuner must be 45 MHz or the receiver will not work without making modifications to the tuning circuits. The receiver has been tested with the SW-5800 and the KV-1217 from a Sony TV with good results. The SW-5800 is a good tuner but it is expensive. In addition to the solid-state tuner module, you'll also need a DC power supply, antenna, and video monitor.

All other components are low-cost items that can be purchased from electronics retail stores and mail-order distributors. The tuning circuits require temperature-stable capacitors. The author's prototype

***Build this versatile video receiver so you can perform video descrambling experiments and learn about TV basics.***

# EXPERIMENTER'S VIDEO RECEIVER



## PARTS LIST

All fixed resistors are ¼-watt, 5%.

R1—100 ohms

R2—47 ohms

R3—3300 ohms

R4, R6, R7—4700 ohms

R5—10,000 ohms, PC-mount trimmer potentiometer

R8—56 ohms

### Capacitors

C1, C9—56 pF, 5%, silver mica or ceramic NP0

C2—C6, C10—470 pF, 20% ceramic disc

C7—0.001 μF, 20%, ceramic disc

C8—47 pF, 5%, NPO (optional, see text)

### Semiconductors

IC1—MC1350 monolithic IF amplifier (Motorola)

IC2—MC1330A2P low-level video detector (Motorola)

Q1—2N3904 NPN transistor

### Inductors

L1, L2—0.25 μH coil, Toko No. TK2812, Digi-Key type MC122 or equivalent

L3—1.17 μH coil, Toko No. TK2916, Digi-Key type MC130 or equivalent (optional, see text)

**Miscellaneous:** solid-state tuner (see text), multiturn potentiometer (10K minimum, see text), RF gain-control potentiometer (10K minimum, see text), PC board, two short lengths of small diameter coaxial cable, two RCA-type connectors (for connecting to tuner and monitor), multi-voltage power supply, video monitor, solder, hookup wire.

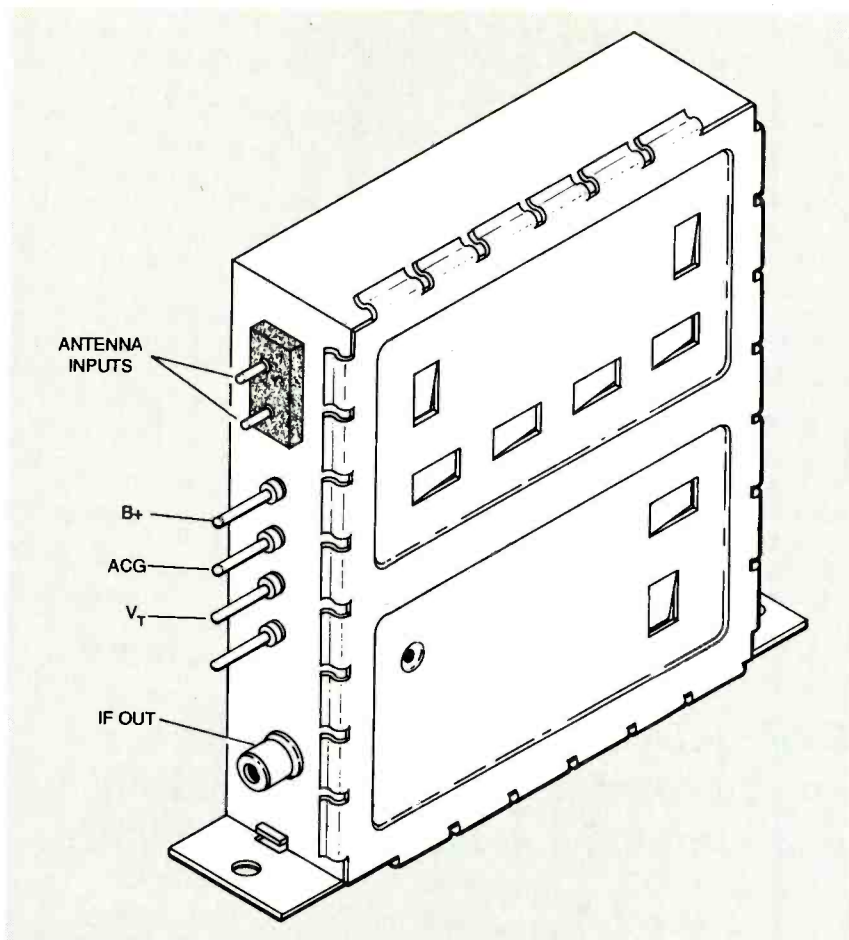


FIG. 1—THIS IS WHAT A TYPICAL TV TUNER looks like. Surplus tuners can be purchased for as little as \$5.

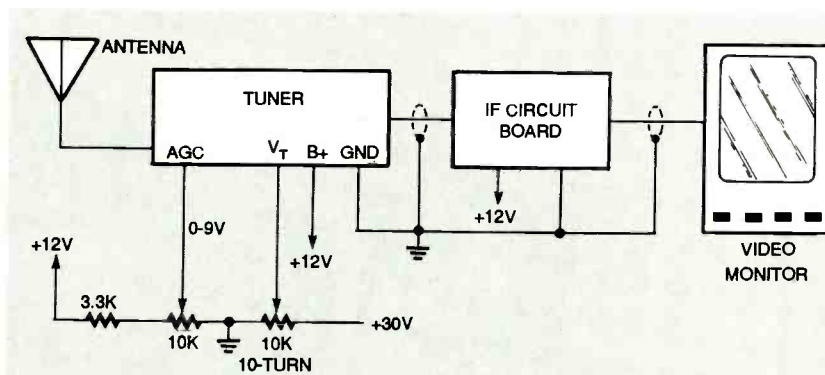


FIG. 2—VIDEO RECEIVER BLOCK DIAGRAM. The tuner requires a B+ voltage of about +12- to +24-volts DC and a variable tuning voltage from 0- to 30-volts DC.

included commonly available coils, but this article also includes instructions for making your own. The total cost for the prototype was less than \$20. Although an oscilloscope is helpful and will save time, the circuit alignment—the adjusting of a couple of coils—can be done visually with the help of a standard video monitor.

### How does it work?

Figure 2 is a block diagram of a typical video receiver. An antenna feeds the tuner module directly. Typically, the tuner requires a B+ voltage of about +12- to +24-volts DC and a variable tuning voltage from 0- to 30-volts DC. Some tuners (typically UHF) also require from 5- to 10-volts DC for the

automatic gain control (AGC). Most tuners have the pin labels stamped on their case covers. The output is typically an RCA- or F-type jack that is connected to the video receiver board with a short length of small diameter coaxial cable. The output from the receiver is a standard NTSC video signal that is then fed into a video monitor.

The prototype worked well with a Sanyo VM4509 monitor, and was also tried with an old Gorilla composite CGA computer monitor—which is fine if you don't mind green TV images! An oscilloscope can be used as a monitor by making use of its Z-axis. The antenna for the prototype was a "rabbit ears" unit.

*Continued on page 77*

CIRCUITS THAT ARE CAPABLE OF generating a variety of waveforms are important for test and analysis in electronics. The sine wave, the most useful waveform, can be generated by various resistive-capacitive (RC) or inductive capacitive (LC) oscillators. They can also be synthesised by integrated circuit waveform generators. This article focuses on two popular, low-frequency sine wave and square wave generators, the Wien-bridge and twin-T oscillators.

### Oscillator fundamentals

An oscillator, as illustrated in block diagram Fig. 1, is basically an amplifier with positive feedback. The gain equation for an amplifier with positive feedback is:

$$A_F = A/(1 + A\beta)$$

Where:

$A_F$  = gain with feedback

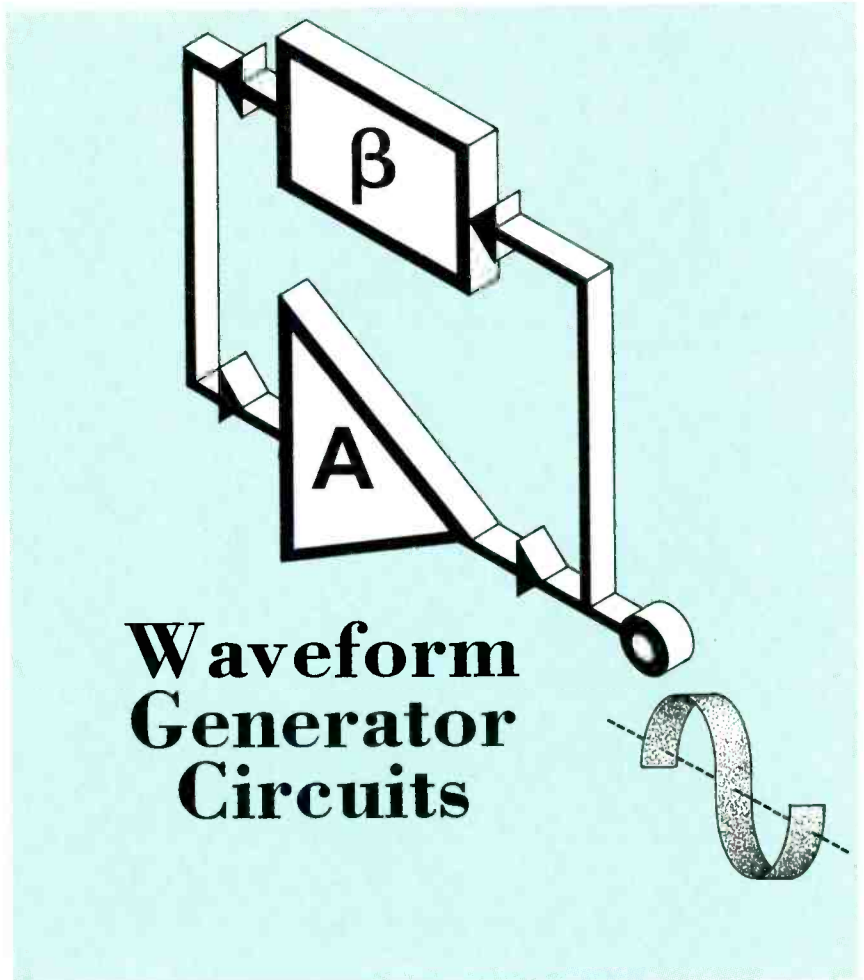
$A$  = open-loop gain

$\beta$  = feedback factor,  $V_f/V_{sbo}$

Feedback is provided by the feedback or phase-shift network, as shown in Fig. 1. The output signal is fed back to the amplifier's input terminal through a phase-shift network, where it undergoes a  $180^\circ$  phase shift. The amplifier also causes a  $180^\circ$  phase shift. The two conditions for sustained oscillation are known as the *Barkhausen criteria*.

1. The phase shift in the circuit is zero.
2. The closed-loop gain, the product of  $A\beta$ , must be equal to or greater than one.

An input signal is not neces-



## Learn about Wien-bridge and Twin-T oscillator circuits and put them to work in your circuit designs.

RAY MARSTON

sary to start oscillation—a transient is sufficient. The closed-loop gain should be greater than unity to ensure strong oscillations. However, if the gain is too high, the circuit will operate in a saturation condition, and the sine wave will be distorted.

An oscillator's frequency-selective, phase-shift network consists of a combination of resistive and capacitive components (RC) or inductive and capacitive components (LC). A combination of inductive and capacitive components is called a *tuned circuit* or a *tank circuit*.

RC oscillators are preferred to LC oscillators at low frequencies because the size and weight of

inductors at low frequencies makes the circuit too large and heavy. RC sine wave oscillators work best at frequencies from 10 Hz to about 150 kHz. This band includes the audio-frequency range of 20 Hz to 20 kHz. By contrast, LC networks work best at frequencies above 50 kHz. There is some overlap between these frequency ranges. The most common output impedances of audio oscillators are 75 ohms and 600 ohms.

Two popular low-frequency oscillators with RC phase-shift networks commonly used today are the Wien-bridge and twin-T oscillators.

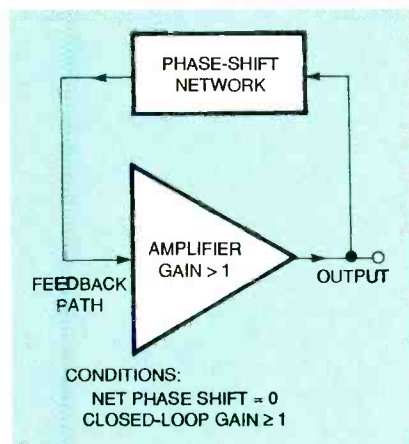


FIG. 1—CONDITIONS for oscillation based on an amplifier.

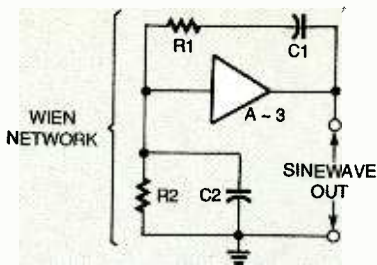


FIG. 2—BASIC WIEN-BRIDGE oscillator for producing sinewaves.

whose balance is achieved at a single frequency. The oscillator produces a relatively pure sine-wave at a very stable frequency.

Figure 2 is a simplified diagram of a Wien-bridge oscillator showing an amplifier with a Wien-bridge, RC frequency-selective network. The Wien network consists of resistor and capacitor pairs R1 and C1 in series and R2 and C2 in parallel.

precisely zero at the center frequency  $f_0 = 1/(2\pi \times RC)$ .

At this frequency, the network has a voltage gain of 0.33. The Wien network in Fig. 2 is connected between the output and input of a noninverting amplifier with a voltage gain of 3. Consequently, the circuit has a zero overall phase shift and a unity loop gain at the center frequency. These satisfy the Barkhausen criteria for oscillation.

A practical Wien network is unlikely to be precisely symmetrical because of the tolerances of its components, so its gain might deviate widely from the ideal 0.33 value. To compensate for this variation and permit the oscillator's loop gain to be set at unity, the amplifier's gain must be variable between about 3 and 5

Moreover, the loop gain must initially be slightly greater than one to initiate oscillation. Then it must be reduced, either manually or automatically, to a value of one necessary to produce low-distortion sinewaves.

If the amplifier's output stage is a simple emitter follower, it might not be a low-distortion drive for the Wien-bridge network. This can be seen in Fig. 3-a, a schematic for a sinewave-driven NPN transistor emitter-follower Q1 driving the input of a Wien-bridge network. The network is represented by capacitor C1 and complex load  $Z_L$ .

On positive-going half-cycles, the forward currents of C1 and  $Z_L$  are sourced (supplied) by transistor Q1, but on negative-going half-cycles, their reverse currents are sunk (absorbed) by  $R_L$ . If  $R_L$  is large relative to  $Z_L$ , the reverse currents of C1 and  $Z_L$  might be too low to permit the  $Z_L$  voltage to follow the negative-going half cycles. If this occurs, the waveforms will be distorted, as shown in Fig. 3-a.

Similar distortion can occur if the amplifier's output stage is an NPN common-emitter amplifier, as shown in Fig. 3-b. Here, the distortion that occurs if  $R_L$  is large relative to  $Z_L$  appears on the rising edge of the output waveform because the C1- $Z_L$  source currents flow through

*Continued on page 82*

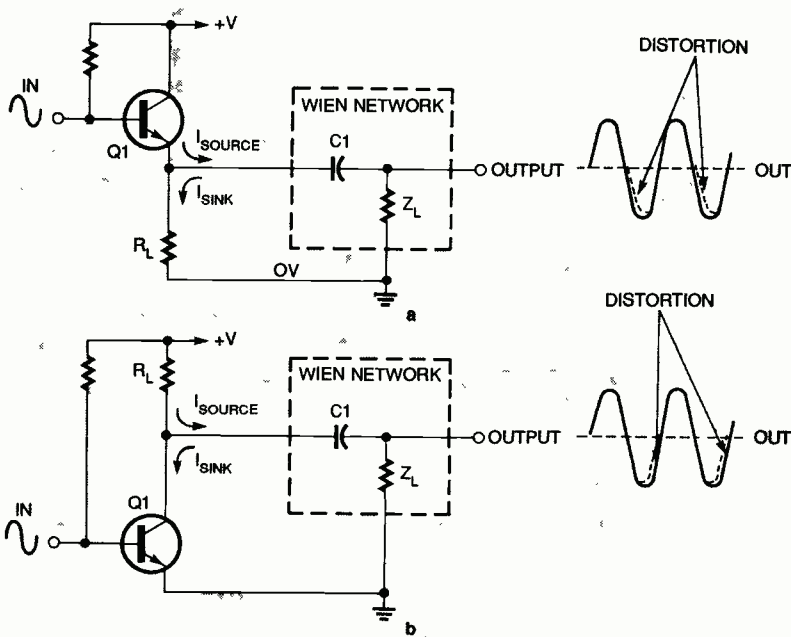


FIG. 3—WAVEFORM DISTORTION from an emitter-follower amplifier (a), and common-emitter amplifier (b), if the value of the load resistor exceeds the load impedance.

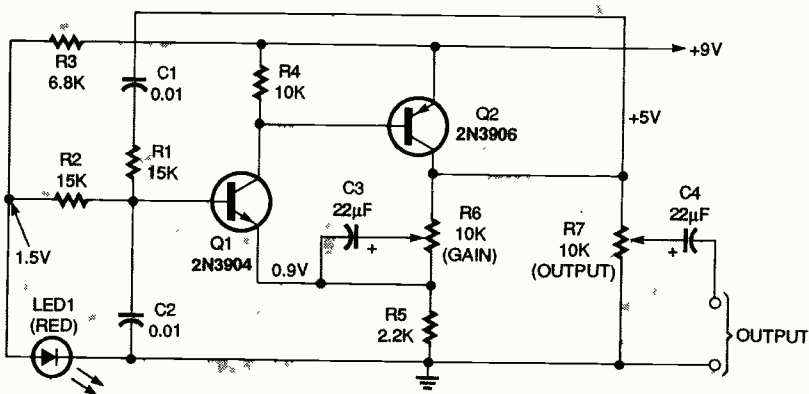


FIG. 4—THIS WIEN-BRIDGE OSCILLATOR generates variable-amplitude, 1-kHz sinewaves.

### Wien-bridge oscillator

The Wien-bridge oscillator is essentially a feedback amplifier that includes a Wien bridge as its phase-shift network. The Wien bridge is an AC bridge

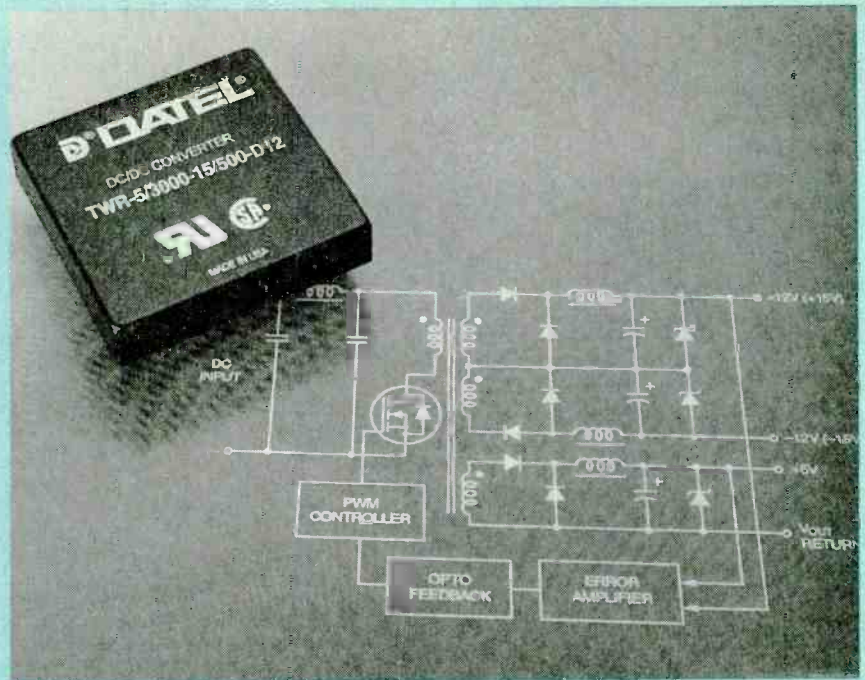
Here  $C1 = C2 = C$ , and  $R1 = R2 = R$ . The main characteristic of the Wien network is that the phase relation between its output and input signals can vary from  $-90^\circ$  to  $+90^\circ$ , and it is

ELECTRONIC CIRCUITS typically require several different operating voltages, which can be provided by many different sources. In AC power systems, transformers usually provide the various voltage levels. Transformers are simple, inexpensive, and efficient. In DC power systems, however, the supply of power can be a lot more complex.

Linear DC regulation, such as is obtainable from the ubiquitous three-terminal integrated circuit regulators, is perfectly acceptable for low power levels. For higher power levels, however, linear regulators are inefficient. This inefficiency shows up as excessive heat dissipation and high power consumption. Switching regulated power supplies have become economical alternatives because of advances and price reductions in magnetic components and switching power transistors. Switching regulators can have efficiencies of 80%, but their application can be complex and difficult because of EMI problems. The modular DC-to-DC converter has greatly simplified switching regulation for many applications.

There are several advantages for the use of modular DC-to-DC converters. These converters are readily available from many manufacturers in an extremely wide range of input and output voltages and power ratings. Because DC converters are efficient, they run cooler, are more reliable, cost less to operate, and are smaller and lighter than other common power supplies.

DC-to-DC converters provide fixed output voltages over a very wide input voltage range, so



## MODULAR DC-TO-DC CONVERTERS

*The DC-to-DC converter module might be a better alternative to the custom design of a power supply.*

DENNIS EICHENBERG

they're suited for many battery-powered applications. The converters can be easily configured and permit great circuit flexibility. In addition, the converters provide substantial isolation between input and output, thus providing a safety advantage as well as improved perfor-

mance in many system applications.

Some modular DC-to-DC converters have built-in output-current limiting, output over-voltage protection, and over-temperature shutdown. These features improve the reliability of the DC-to-DC converters.

### Basic converter circuit

A simplified schematic for a basic modular DC-to-DC converter circuit is shown in Fig. 1. The DC input voltage is "chopped" at a rapid rate, usually 20 kHz or more. A transformer converts the chopped DC to the desired voltage level. The transformer output voltage is rectified to DC and filtered to remove ripple. Output voltage

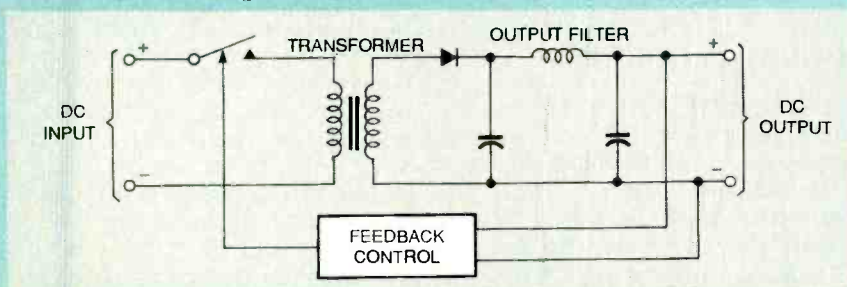
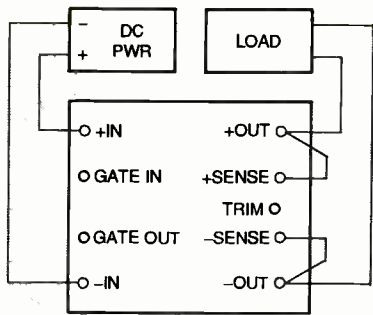


FIG. 1—BASIC DC-TO-DC CONVERTER CIRCUIT. The input voltage is "chopped" and converted to the desired voltage value by a transformer.



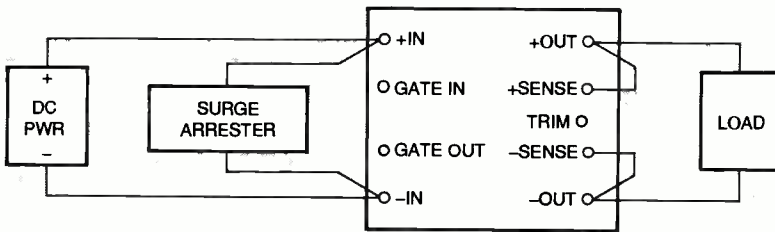
**FIG. 2—BASIC DC-TO-DC CONVERTER APPLICATION.** The output voltage remains constant, independent of the input voltage and the load, within the operating range of the unit.

higher operating frequencies, with 1 MHz typical today, and some units operating at 2 MHz or higher.

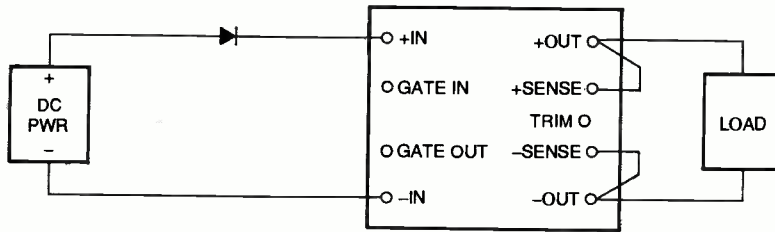
Modular DC-to-DC converters eliminate the need for the circuit designer to get involved in the design particulars of the power-supply circuit. Thus a system can be up and running in a much shorter time.

### Applications

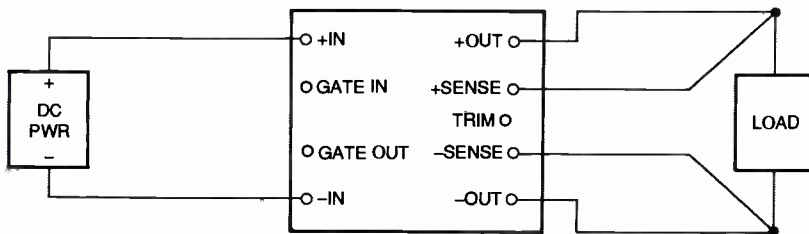
DC-to-DC converters can be configured for many different applications. Here are some of them:



**FIG. 3—A SURGE ARRESTER** should be connected across the converter inputs if input power stability is questionable.



**FIG. 4—THE INPUT CAN BE PROTECTED** from reverse polarity by a series diode. The diode should be rated for twice the maximum expected input voltage and current for the best reliability.



**FIG. 5—REMOTE SENSING** should be used if the load voltage is critical.

regulation is achieved with feedback control.

DC-to-DC converters that operate at frequencies of 1 MHz are usually more efficient. High-frequency operation permits smaller transformer and filter components. The trend in DC-to-DC converters has been to

**Basic configuration.** A basic modular DC-to-DC converter application is shown in Fig. 2. The output voltage remains constant, independent of the input voltage and the load, within the operating range of the converter. Select a converter that is compatible with the in-

put voltage provided and the load that it must feed. Most DC-to-DC converters have sense terminals that must be connected to the output terminals, as indicated in Fig. 2, for proper operation; they should never be left disconnected. The gate terminals are intended for synchronizing multiple converter arrays.

Connect a surge arrester across the converter inputs, as shown in Fig. 3, if the input power stability is questionable. The input polarity is critical, and should be connected cautiously. The input can be protected from reverse polarity by a series diode, as shown in Fig. 4. The diode should be rated for twice the maximum expected input voltage and current for the highest reliability.

A Schottky diode is recommended for this function because of its low forward voltage drop of 0.4 volt. A silicon diode with a 0.7-volt forward drop can be used if lower efficiency is acceptable. For maximum efficiency, install wire of adequate gauge for the input and output connections.

**Remote sensing.** Remote sensing should be used if the load voltage is critical. Compensation for the voltage drop between the DC-to-DC converter and the load can be obtained by configuring the circuit as shown in Fig. 5. A converter will compensate only for a voltage drop within its operating range. The remote sensing wires can have a much smaller gauge than the load wires because very low currents will be carried by these conductors. Connect the remote sense leads as close to the load as possible to obtain the best performance.

**Adjustable output voltage.** Many modular DC-to-DC converters have an output voltage that can be adjusted from its nominal value by setting a voltage at the trim terminal, as shown in Fig. 6. The trim voltage is usually between 0 and 5 volts. Read the manufacturer's literature to determine the actual value for the converter you have.

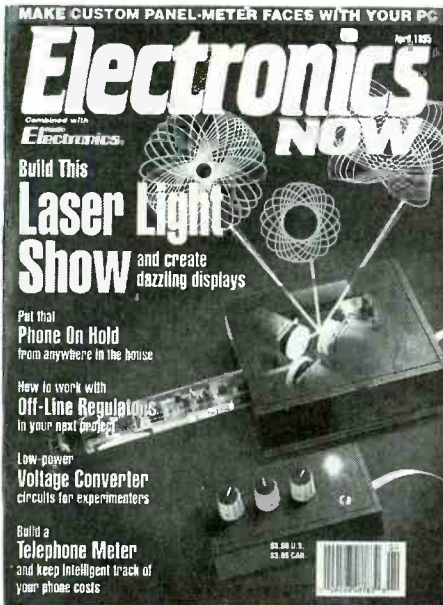
*Continued on page 88*



# GET THE LATEST ADVANCES IN ELECTRONICS

SUBSCRIBE TO—

# Electronics NOW<sup>®</sup>



## ENJOY THE WORLD OF ELECTRONICS EACH MONTH!

Subscribe to the best informed electronics magazine—the one that brings you the latest high-tech construction projects, feature articles on new technology, practical troubleshooting techniques, circuit design fundamentals, and much more.

**Electronics Now** looks to the future and shows you what new video, audio and computer products are on the horizon. You'll find helpful, monthly departments such as Video News, Equipment Reports, Hardware Hacker, Audio Update, Drawing Board, Computer Connections, New Products, and more. All designed to give you instruction, tips, and fun.

### Electronics Now gives you exciting articles like:

- Buyer's Guide to Digital Oscilloscopes
- Build A Scanner Converter
- Single-Chip Voice Recorder
- Build A MIDI Interface for your PC
- Troubleshoot Microprocessor Circuits
- Build A High-Power Amplifier for your Car
- Add Music On Hold to your Phone
- All About Binaural Recording
- VGA-to-NTSC Converter



FOR FAST SERVICE CALL OUR TOLL-FREE NUMBER!

# 1-800-999-7139

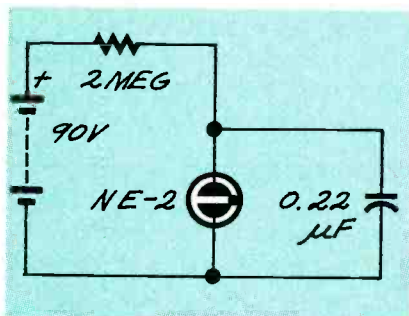
## DON'T DELAY — SUBSCRIBE TODAY!

If you prefer, just fill out the order card in this magazine and mail it in today.

7EM57

milliamperes through the collector, and the base current is not specified. You can get power transistors that handle as much as 60 amps.

One last caution: If you're switching the current to an inductive load (anything with a coil in it, such as a relay or motor), use a protective diode as shown in Fig. 5. Under normal circumstances the diode doesn't conduct, but when the power to the load is suddenly switched off, the collapsing magnetic field induces a sudden pulse of high voltage in the coil. The diode gives this pulse a place to go so it won't damage the transistor.



**FIG. 6**—NEON LAMP HAS NEGATIVE DYNAMIC RESISTANCE—the voltage across it falls while conduction is increasing. As a result, it flashes on and off.

We published an article on transistor switching circuits in February 1986 (pp. 83-87) and a general article on transistor theory in September 1993 (pp. 57-62). You can get these from our Reprint Bookstore.

## State machines

**Q** I am developing a control system that is becoming complex. A colleague suggested using an EPROM as a state machine. Where can I learn more about how to do this?—D. A., Willoughby, OH

**A** A state machine is any machine that has a particular number of distinct states, is always in one of them, and has rules for changing from one state to another. The classic example is a vending machine: its states are "idle" (ready for customer), "25 cents deposited," "50 cents

## HOW TO GET INFORMATION ABOUT ELECTRONICS

**Books:** Several good introductory electronics books, including *Building Power Supplies*, are available at Radio Shack.

Our favorite general electronics textbook is *The Art of Electronics*, by Paul Horowitz and Winfield Hill, available from the publisher (Cambridge University Press, 1-800-872-7423) or on special order through any bookstore. Its 1125 pages are full of information on how to build working circuits, with a minimum of mathematics.

Also indispensable is *The ARRL Handbook for Radio Amateurs*, comprising 1000 pages of theory, radio circuits, and ready-to-build projects, available from the American Radio Relay League, Newington, CT 06111, and from ham radio equipment dealers.

**Copies of past articles** in *Electronics Now*, *Radio-Electronics*, *Popular Electronics*, and *Hands-On Electronics* are available from our Reprint Bookstore, PO Box 4099, Farmingdale, NY 11735 (516-293-3751).

*Electronics Now* and many other magazines are indexed in the *Reader's Guide to Periodical Literature*, available at your public library. Copies of articles in other magazines can be obtained through your public library's interlibrary loan service; expect to pay about 30 cents a page.

**Service manuals** for radios, TVs, VCRs, audio equipment, and some computers are available from Howard W. Sams & Co., Indianapolis, IN 46214 (1-800-428-7267). The free Sams catalog also

lists addresses of manufacturers and parts dealers. Even if an item isn't listed in the catalog, Sams may have a schematic on file that can be copied for you.

Manuals for older test equipment and ham radio gear are available from Hi Manuals, PO Box 802, Council Bluffs, IA 51502.

**Replacement transistors, ICs, and other semiconductors**, marketed by Philips ECG, NTE, and Thomson (SK), are available through most parts dealers (including Radio Shack on special order). The ECG, NTE, and SK lines contain just a few hundred parts that substitute for many thousands of others; a directory (supplied as a large book and on diskette) tells you which one to use. NTE numbers usually match ECG; SK numbers are different.

Remember that the "2S" in a Japanese type number is usually omitted; a transistor marked D945 is actually a 2SD945.

**Hamfests (swap meets) and local organizations** can be located by writing to the American Radio Relay League (Newington, CT 06111). A hamfest is an excellent place to pick up used test equipment, older parts, and other items at bargain prices, as well as to meet your fellow electronics enthusiasts both amateur and professional.

**Writing to Q&A:** We welcome your questions. The most interesting ones are answered in print, usually within 6 to 9 months. Please be sure to include plenty of background information (we'll shorten your letter for publication). We regret that we cannot give personal replies.

deposited," "drink selected," and so on, and the transitions occur when the customer inserts money or presses a button. This same kind of logic applies to lots of other kinds of control systems.

A good introduction to state machines—and a lot of other useful things—is found in *The Art of Electronics*, by Paul Horowitz and Winfield Hill, published by Cambridge University Press (visit your

local bookstore or call 800-872-7423 to order). This is one of the best all-around electronics books we know of, and we recommend it to everyone. **EN**

Send Questions to:

Electronics Now Magazine,  
500 Bi-County Blvd.,  
Farmingdale, NY 11735

Due to the volume of mail we receive, not all Questions can be answered. All Questions are subject to editing for clarity and length.

# Pseudoscience Strikes Again

Plus important EE Internet sites, a MIDI music book, the BASIC Stamp II microcomputer, and more.

IT'S NOW OUR MONSOON SEASON OUT HERE IN ARIZONA. FOR SOME WEIRD REASON, THIS SEEMS TO BRING THE PERPETUAL-MOTION FOLKS AND PSEUDOSCIENCE ENTHUSIASTS OUT OF THE

woodwork. I've recently been seeing one a day. One was a "motors and magnets" drop in. Uh, sure, a magnet offers a repulsive force. But only a few permanent-magnet developers seem to pick up on the fact that you have to think *cyclically*. The energy you will need to get your magnets into a position where they can do the repulsion *always* exceeds any possible output.

The second was an individual who genuinely believes he has a workable *zero point energy* solution. For some strange reason, he is sorely lacking development funds. He does appear a lot more credible than most. To be fair, I'll have to put this one in my "wait and see" mode. But I won't be holding my breath.

Meanwhile, all of the cold-fusion diehards appear to have gone into a "circle the wagons" state. They also seem to be running critically low on ammunition. They are now centered on an *Infinite Energy* magazine and an *CFNET* online resource. The fact that they have now allied themselves with pyramid power (now renamed as *tetrahedral superscalars*) does not bode well.

Genuine new energy developments certainly will emerge. And

research certainly should continue. So should independent thinking. For instance, the August 18th issue

of *Science* tells us about a dramatic improvement in lower cost polymer solar cells on pages 920-921. These are still woefully inefficient and totally unstable, but they just got a whole lot better.

Any legitimate new energy development should meet these guidelines: It must (A) economically generate *one net watt* of useful power in (B) a simple experiment.

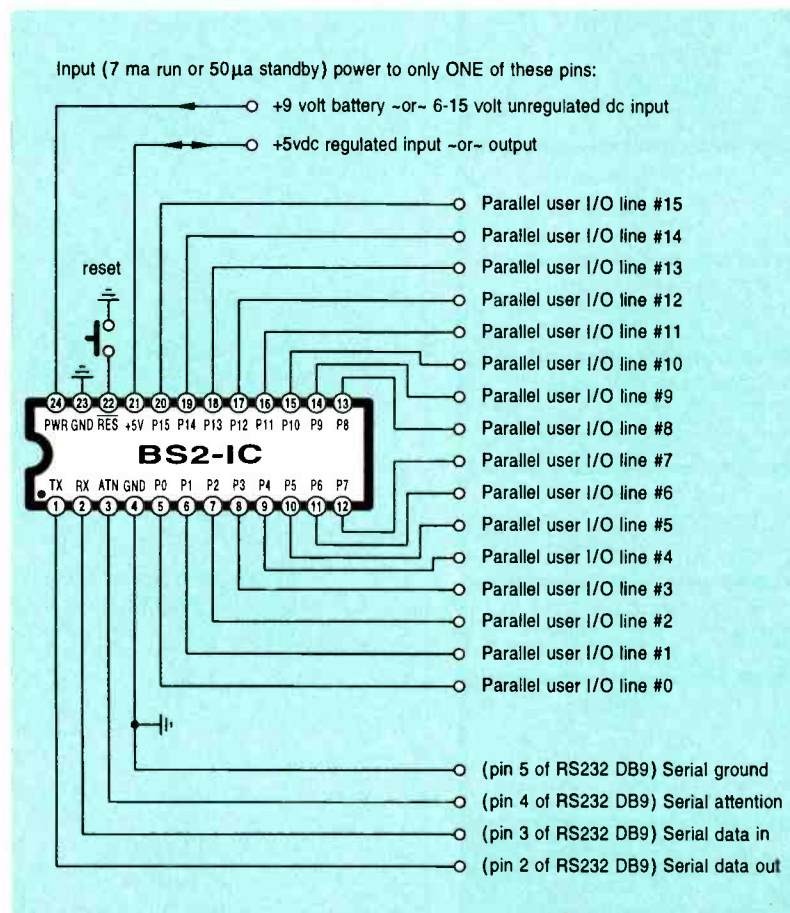


FIG. 1—THE BASIC STAMP II has greatly improved capabilities over its earlier release. This is an entire \$49 computer the size and shape of a 24 pin DIP.

**new from  
DON LANCASTER**

**ACTIVE FILTER COOKBOOK**

The sixteenth (!) printing of Don's bible on analog op-amp lowpass, bandpass, and highpass active filters. De-mystified instant designs. \$28.50

**CMOS AND TTL COOKBOOKS**

Millions of copies in print worldwide. THE two books for digital integrated circuit fundamentals. About as hands-on as you can get. \$24.50 each.

**INCREDIBLE SECRET MONEY MACHINE II**

Updated 2nd edition of Don's classic on setting up your own technical or craft venture. \$18.50

**LANCASTER CLASSICS LIBRARY**

Don's best early stuff at a bargain price. Includes the CMOS Cookbook, The TTL Cookbook, Active Filter Cookbook, PostScript video, Case Against Patents, Incredible Secret Money Machine II, and Hardware Hacker II reprints. \$119.50

**LOTS OF OTHER GOODIES**

Ask the Guru I or II or III .....	\$24.50
Hardware Hacker II or III .....	\$24.50
Micro Cookbook I .....	\$19.50
PostScript Beginner Stuff .....	\$29.50
PostScript Show and Tell .....	\$29.50
Intro to PostScript Video .....	\$29.50
PostScript Reference II .....	\$31.50
PostScript Tutorial/Cookbook .....	\$19.50
PostScript by Example .....	\$31.50
Understanding PS Programming .....	\$29.50
PostScript: A Visual Approach .....	\$22.50
PostScript Program Design .....	\$24.50
Thinking in PostScript .....	\$22.50
LaserWriter Reference .....	\$19.50
Type 1 Font Format .....	\$15.50
Acrobat Reference .....	\$24.50
Whole works (all PostScript) .....	\$380.00
PostScript Insider Secrets .....	FREE
Hacking Insider Secrets .....	FREE

**POSTSCRIPT SECRETS**

A Book/Disk combination crammed full of free fonts, insider resources, utilities, publications, workarounds, fontgrabbing, more. For most any PostScript printer. Mac or PC format. \$29.50

**BOOK-ON-DEMAND PUB KIT**

Ongoing details on Book-on-demand publishing, a new method of producing books only when and as ordered. Reprints, sources, samples. \$39.50

**THE CASE AGAINST PATENTS**

For most individuals, patents are virtually certain to result in a net loss of sanity, energy, time, and money. This two volume set shows you tested and proven real-world alternatives. \$28.50

**BLATANT OPPORTUNIST I**

The reprints from all Don's Midnight Engineering columns. Includes a broad range of real world, proven coverage on small scale technical startup ventures. Stuff you can use right now. \$24.50

**RESOURCE BIN I**

A complete collection of all Don's Nuts & Volts columns to date, including a new index and his master names and numbers list. \$24.50

**FREE SAMPLES**

Well, nearly free anyway. Almost. Do join us on GENIE PSRT to sample all of the Guru's goodies. The downloading cost on a typical Guru file is 21 cents. Modem access: (800) 638-8369, then a JOINGENIE. Use DMD524 for your keycode.

FREE VOICE HELPLINE VISA/MC

**SYNERGETICS**  
Box 809-EN  
Thatcher, AZ 85552  
(520) 428-4073

CIRCLE 205 ON FREE INFORMATION CARD

**MORE OUTPUTS-**

There are now sixteen user defined parallel I/O lines. Each can source or sink 20 mils over the full supply range.

**MORE MEMORY-**

There is now a 2K nonvolatile program memory, good for several hundred BASIC statements, plus lots of data storage.

**IMPROVED MEMORY ACCESS-**

Data may now be prewritten into memory before downloading your Basic program. You can also read or write nonvolatile memory data.

**FULL TIME SERIAL-**

The serial port is now usable at runtime, following simple software commands. The baud rate can go as high as 38,400.

**TOUCH TONE OUTPUT-**

Simultaneously generates a touch tone audio tone pair. Can also be used to generate one or two sinewaves of any frequency to 32 kHz.

**BSR OUTPUT-**

Directly generates the BSR home remote control tones. For use with a TW513 or TW523 power line interface module.

**PWM OUTPUT-**

Simple commands output any number of variable duty cycle pulses. Making for ultra-simple D/A conversion.

**POTENTIOMETER INPUT-**

Directly measure an analog potentiometer. Can also be used to measure RC charging or discharge times.

**BIT SHIFTING-**

Shift bits in from parallel to serial. Or shift bits out serial to parallel. Valuable for talking with other microcontrollers.

**CYCLE COUNTER-**

Count the cycles on any pin for a given time period. Input frequency can be as high as 150 kHz.

**POWER MATH-**

New single command math features now include square root, sine, cosine, and absolute value. One degree accuracy on trig.

**POWER LOGIC-**

Unusual new bit and digit manipulation features include a priority encoder, decimal digit selector, order reversal, and lots more.

FIG. 2—NEW OR IMPROVED FEATURES of the Basic Stamp II.

It must (C) be easily verified by disinterested outsiders. It must be created by a credible individual who is (D) both trade-journal and on-line research literate. They must also be (E) totally devoid of paranoid, patent, political, or puritanical hangups, and backed up by (F) some reasonable and likely theoretical framework based on physics.

The latest perpetual-motion flap on the Internet involved the usual screwup: You can not measure AC power with a voltmeter and an ammeter! You never could and you never will. As usual, their "over unity energy gain" was in fact nothing but awful labwork. More on this in my HACK49.PDF or in my Hardware Hacker reprints.

## MICROCOMPUTER STARTUP RESOURCES

**Scott Edwards Electronics**  
964 Cactus Wren Lane  
Sierra Vista AZ 85635  
(520) 459-4802

**Electronics Now**  
500-B Bi-County Blvd  
Farmingdale NY 11735  
(516) 293-3000

**Microchip Technology**  
2355 W Chandler Blvd  
Chandler AZ 85224  
(602) 963-7373

**Circuit Cellar Ink**  
4 Park St #20  
Vernon CT 06066  
(203) 875-2751

**Midnight Engineering**  
1700 Washington Ave  
Rocky Ford CO 81067  
(719) 254-4558

**Motorola**  
PO Box 1466  
Austin TX 78767  
(800) 521-6274

**Nuts & Volts**  
430 Princland Ct  
Corona CA 91719  
(909) 371-8497

**Parallax**  
3805 Atherton Rd, #102  
Rocklin CA 95765  
(916) 624-8333

**Popular Electronics**  
500-B Bi-County Blvd  
Farmingdale NY 11735  
(516) 293-3000

**Western Design Center**  
2166 E Brown Rd  
Mesa AZ 85203  
(602) 962-4545

## HELP LINE

Phone or write all your Hardware  
Hacker questions to:

Don Lancaster  
Synergetics  
Box 809-EN  
Thatcher, AZ, 85552  
(520) 428-4073

For fast PSRT access, Modem  
(800) 638-8369. On prompt, Type  
JOINGENIE. When asked for the  
offer code, enter DMD524.

US Internet email access link:  
SYNERGETICS@GENIE.GEIS.COM.

The *Skeptical Enquirer* is a good source for pseudoscience debunking. All of the latest new pseudoscience developments show up in the *KeelyNet BBS*.

The sad thing about wasting your time on any pseudoscience is that the odds of success are zero. There are so many new and exciting things you could be trying instead, such as my new magic sinewaves, that mystery band, those PIC chips, X-Y flutter-wumpers, isopods, DNA computing, spread-spectrum communication, book-on-demand publishing, desktop finishing, fluxgates, car alternator steppers, Santa Claus machines, short haul telemetry, sonoluminescence, or Navicubes. More on these in the *Incredible Secret Money Machine II*. Also see EMERGOP4.PDF.

### The BASIC Stamp II

Lance Wally of Parallax just sent me a few samples of his new BASIC Stamp II, a PIC-based microcontroller the size and shape of a 24-pin DIP integrated circuit. The pinouts

are shown in Fig. 1, and new features in Fig. 2.

You program the Basic Stamp by connecting it to a PC's serial port and then executing host software. That places tokenized BASIC commands in the Stamp's internal non-volatile memory. Once programmed, the stamp may be taken anywhere or be used any way you care to.

Because of the nonvolatile serial EEPROM flash memory, you can reprogram the Basic Stamp as often as you like, making for simple debugging and reuse. You can power your stamp from a nine-volt battery or an unregulated 6- to 15-volt source applied to its built-in voltage regulator. Or, you can instead directly input a five-volt regulated DC system supply voltage. The operating current is typically seven milliamperes. Some standby options can reduce this down into the 50-microampere range.

There is an optional breadboard area about three inches square. Included are battery clips, the reset button, and a DB-9 connector for

## New! Oscilloscope in a probe works alone or with your PC.

Priced less than \$100, too!\*



Take RadioShack's ProbeScope  
along for faster, more effective  
troubleshooting. View waveforms  
or read voltages on its 16x32-pixel  
backlit LCD screen. Or, team it with  
your laptop or desktop PC-compatible  
computer for an easy-to-read wave-

form display with simultaneous voltage  
and parameter notation. ProbeScope's  
20-MHz maximum sampling rate pro-  
vides a 5-MHz effective bandwidth.  
Includes Windows/DOS software with  
on-screen help, plus serial cable and  
instructions. See it today!

RadioShack stocks thousands of parts for your repairs and projects. Thousands more are available fast, delivered direct to your door, from RadioShack Unlimited®.



**RadioShack**  
You've got questions. We've got answers.®

\*At participating stores;  
excludes tax.

CIRCLE 78 ON FREE INFORMATION CARD

RS-232 serial access. Improved features include more memory, better and faster serial communication, BSR and touchtone outputs, and more output lines. Programs can now contain up to 600 BASIC instructions. There is also a modest performance improvement.

This is by far the easiest microcontroller to use, ever. I particularly like its A/D conversion that makes use of RC discharges and the D/A conversions based on pulse-width modulation (PWM). I've uploaded the new Basic Stamp II manual to my GENie PSRT along with the earlier Stamp I introduction, instruction sets, and application notes.

### Some alternatives

The BASIC stamp is the best starting point when you decide to become microcomputer literate. And its PIC chip is by far the best low-cost microcontroller available today. First because of its 3<sup>rd</sup> speed and 3<sup>rd</sup> program length advantages. Second, because it is cheap, simple, and fun to use. And third, because the PIC encourages creative new algorithms.

As we've seen in the past, the PIC makes it totally unthinkable to ever again use the 555 timer or any other "bits and pieces" solution. But there are some useful BASIC Stamp alternatives. I've listed several of them in our resource sidebar.

Any interpreted language will chew up resources and slow you down. So, once you're past your bare beginnings of understanding a microcontroller, your stamp may end up a little slow and a tad cramped.

As always, the solution is to drop into machine language in which you select only the exact code you need. This trades off speed for storage and lets you create your own custom integrated circuit in the process. You can begin with the *PIC Data Handbook* and that *Microcontroller Applications Handbook* offered by *Microchip Technology*. I've posted a PIC introduction as HACK88.PDF.

Scott Edwards offers lots of useful PIC products. His *PIC Software Tools* has machine language equivalents to most of the Stamp commands. You select only the ones you really need.

6805  
memory  
map

The 6805 has 1232 bytes of user EPROM or OTP programming space that can not be run time modified.

It also has 64 bytes of user RAM, that normally get used as variable storage (at bottom) and as a stack (at top).

You are also allowed to insert short programs, subroutines, or indirectly written access links into your user RAM area. This is the key to adding your new address modes.

\$07FF

\$07CF

\$0300

\$00FF

\$00C0

\$0000

EEPROM  
-or- OTP  
program  
space

user  
RAM

To add an indexed indirect load addressing mode, first reserve four contiguous user RAM bytes. Then write the following bytes to user RAM during chip setup time...

```

NULOAD EQU #D0 ; Stash code at $00D0
OPCODE EQU #$D6 ; Want LDA (opr),X opcode
BASEHI EQU #$06 ; Default base high address
BASELO EQU #$00 ; Default base low address
RETURN EQU #$81 ; RTS opcode

LDA OPCODE ; poke LDA (opr),X opcode
STA NULOAD ;
LDA BASEHI ; poke default high address
STA NULOAD+1 ;
LDA BASELO ; poke default low address
STA NULOAD+2 ;
LDA RETURN ; poke RTS opcode
STA NULOAD+3 ;

```

To use your new indirect indexed addressing mode, you stuff your two calculated values of BASEHI into NEWLOAD+1 followed by BASELO into NEWLOAD+2. Then simply do a...

```

JSR NULOAD ; get indirect indexed value

```

Your new instruction will get a data value from the sum of an indirectly calculated 16-bit address and an 8-bit offset in your X register. Indirect or indirect indexed loads, jumps, logic, and even subroutine calls can be handled similarly. There is often a 12 clock cycle speed penalty.

FIG. 3—ADDING NEW ADDRESSING MODES to the 6805 microcontroller.

These run a lot faster and take up far less memory. Scott also offers stamp extenders and interfaces for servos, LCD displays, thermometers, touchtone decoders, and A/D converters. Meanwhile, Steve Ciarcia over at *Micro Mint* has an Intel approach to low-end micros in his new low-cost *Domino* series. These are well done "sort of Stampish" solutions. If you

like Intel chips (I definitely do not), these might be a good route to explore.

Whenever the Basic Stamp is not "enough," you might instead want to consider the 65C265-based *Mensch* computer offered by *Western Design Center*. We looked at this gem last month and in MUSE93.PDF. This one includes PCMCIA card access, a

**NAMES AND NUMBERS**

**Amsco Publications**  
257 Park Avenue South  
New York NY 10010  
(212) 886-6500

**Atmel**  
2125 O'Nel Drive  
San Jose CA 95131  
(408) 441-0311

**Biophotonics International**  
PO Box 4949  
Pittsfield MA 01202  
(413) 499-0514

**Gem Star Development**  
135 N Los Robles #870  
Pasadena CA 91101  
(818) 792-5700

**Genie PSRT**  
401 N Washington Street  
Rockville MD 20850  
(800) 638-9636

**Infinite Energy**  
PO Box 2816  
Concord NH 03302  
(603) 228-4516

**International Rectifier**  
233 Kansas Street  
El Segundo CA 90245  
(310) 322-3331

**KeelyNet BBS**  
Box 1031  
Mesquite TX 75149  
(214) 324-3501 BBS

**Maxim**  
120 San Gabriel Drive  
Sunnyvale CA 94086  
(800) 998-8800

**Microchip Technology**  
2355 W Chandler Blvd  
Chandler AZ 85224  
(602) 963-7373

**MicroMint**  
4 Park Street Ste 20  
Vernon CT 06066  
(203) 875-2751

**Motorola**  
5005 E McDowell Road  
Phoenix AZ 85008  
(800) 521-6274

**PAVO**  
PO Box 47  
Buchanan MI 49107  
(800) 546-5461

**Radar Sales**  
5485 Pineview Lane  
Plymouth MN 55442  
(612) 557-6654

**Skeptical Inquirer**  
PO Box 703  
Buffalo NY 14226  
(716) 636-1425

**Synergetics**  
Box 809  
Thatcher AZ 85552  
(520) 428-4073

**Sysop News & Cyberworld**  
8125 SW 21st Street  
Topeka KS 66615  
(913) 478-3157

**Texas Instruments**  
PO Box 809066  
Dallas TX 75380  
(800) 336-5236

graphics and text video display, a printer add-on, 12-megabyte addressability, and full expandability.

Meanwhile, *Motorola* is offering a bargain \$95 development kit for its 6805 microprocessor. The part number is 68HC705J1A. The one-piece hardware includes a programmer, tester, verifier, and even an in-circuit (but not real time) emulator, along with development software that runs on a PC. I found both their assembler and debugger to be fast, fun, and easy to use. Some additional startup resources appear in the sidebar.

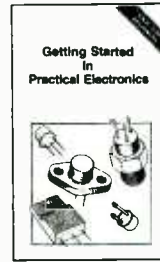
**A 6805 programming trick**

Being a 6502 person, I never go anywhere in microland without an *indexed indirect* addressing mode. This ultra power addressing scheme lets you reach anywhere you want that is

so much as near an on-the-fly calculated 16-bit address. At first glance, the *Motorola* 6805 seems to lack any addressing scheme even remotely as powerful. But, as Fig. 3 shows, there is one ultra-sneaky trick that you can pull to fake indirect indexed power.

Unlike many micros, the 6805's working registers are *inside* of its address space map. Normally, your program goes into the 1280 bytes of write-once memory and your data and variables go in a 64-byte stash of read-write RAM shared with the system stack. Now for the sneaky part: There's nothing keeping you from executing short blocks of program code inside of the register and variable stash! For instance, set aside four user RAM "variables" that happen to sit beside each other, say \$D0-D3. Now force feed this subroutine...

**You can Build Gadgets!**  
**Here are 3 reasons why!**

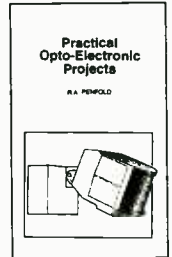


**BP345—GETTING STARTED IN PRACTICAL ELECTRONICS \$5.95**

If you are looking into launching an exciting hobby activity, this text provides minimum essentials for the builder and 30 easy-to-build fun projects every experimenter should toy with. Printed-circuit board designs are included to give your project a professional appearance.

**BP349—PRACTICAL OPTO-ELECTRONIC PROJECTS \$5.95**

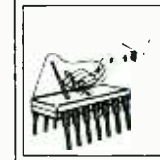
If you shun opto-electronic projects for lack of knowledge, this is the book for you. A bit of introductory theory comes first and then a number of practical projects which utilize a range of opto devices, from a filament bulb to modern infrared sensors and emitters—all are easy to build.



**BP363—PRACTICAL ELECTRONIC MUSIC PROJECTS**

**.....\$5.95**

The text contains a goodly number of practical music projects most often requested by musicians. All the projects are relatively low-in-cost to build and all use standard, readily-available components that you can buy. The project categories are guitar, general music and MIDI.



Mail to:  
**Electronic Technology Today, Inc.**  
P.O. Box 240  
Massapequa Park, NY 11762-0240

**Shipping Charges in USA & Canada**  
\$0.01 to \$5.00 .....\$2.00    \$30.01 to \$40.00 .....\$6.00  
\$5.01 to \$10.00 .....\$3.00    \$40.01 to \$50.00 .....\$7.00  
\$10.01 to \$20.00 .....\$4.00    \$50.01 and above .....\$8.50  
\$20.01 to \$30.00 .....\$5.00

Sorry, no orders accepted outside of USA and Canada. All payments must be in U.S. funds only.

Number of books ordered.  
Total price of books..... \$ \_\_\_\_\_  
Shipping (see chart) ..... \$ \_\_\_\_\_  
Subtotal ..... \$ \_\_\_\_\_  
Sales Tax (NYS only)..... \$ \_\_\_\_\_  
Total enclosed ..... \$ \_\_\_\_\_

Name \_\_\_\_\_  
Address \_\_\_\_\_  
City \_\_\_\_\_ State \_\_\_\_\_ ZIP \_\_\_\_\_

Please allow 6-8 weeks for delivery.

December 1995, Electronics Now

<a href="http://aip.org">http://aip.org</a>	American Institute of Physics
<a href="http://www.info.apple.com">http://www.info.apple.com</a>	Apple Computer technical library
<a href="http://www.bellcore.com">http://www.bellcore.com</a>	Bell Telephone Laboratories
<a href="http://www.civent.carlton.ca/eci">http://www.civent.carlton.ca/eci</a>	Carlton University case studies
<a href="http://www.cmu.edu">http://www.cmu.edu</a>	Carnegie-Mellon university
<a href="http://www.englb.cornell.edu">http://www.englb.cornell.edu</a>	Cornell University engineering library
<a href="http://www.monster.com">http://www.monster.com</a>	East coast technical employment
<a href="http://www.e2w3.com">http://www.e2w3.com</a>	Electrical engineer's hotlist
<a href="http://www.techweb.cmp.com">http://www.techweb.cmp.com</a>	E.E. Times magazine
<a href="http://www.epri.com">http://www.epri.com</a>	Electric Power Research Institute
<a href="http://www.sci.electronics">sci.electronics</a>	Electronic circuits database
<a href="http://www.eff.org">http://www.eff.org</a>	Electronic Frontier Foundation
<a href="http://www.commerce.net">http://www.commerce.net</a>	Electronic marketplace catalog
Gopher to: <a href="mailto:enews.com">enews.com</a>	Electronic newsstand online magazines
<a href="http://www.sci.electronics">sci.electronics</a>	Electronic servicing and repair
<a href="http://www.careermosaic.com">http://www.careermosaic.com</a>	Employment database links
<a href="http://www.comp.software.eng">comp.software.eng</a>	Engineering software listings
<a href="http://galaxy.einet/einet/einet.html">http://galaxy.einet/einet/einet.html</a>	Enterprise integration network
FTP to: <a href="ftp://ftp.prep.ai.mit.edu">ftp.prep.ai.mit.edu</a>	Free Software Foundation
<a href="http://www.ge.com">http://www.ge.com</a>	General Electric online database
<a href="http://www.nearnet.gnn.com">http://www.nearnet.gnn.com</a>	Global network navigator
<a href="http://www.harris.com">http://www.harris.com</a>	Harris Semiconductor technical data
<a href="http://www.ieee.org">http://www.ieee.org</a>	Institute of Electrical & Electronic engineers
<a href="http://www.intel.com">http://www.intel.com</a>	Intel technical product data
<a href="http://www.ibm.com">http://www.ibm.com</a>	IBM online database
<a href="http://www.www.spie.org">http://www.www.spie.org</a>	International Society for Optical Engineering
<a href="http://www.internic.net">http://www.internic.net</a>	InterNIC net locator
<a href="http://www.atp.linl.gov">http://www.atp.linl.gov</a>	Lawrence Livermore National Laboratory
FTP to: <a href="mailto:ra.nrl.navy.mil">ra.nrl.navy.mil</a>	Macintosh Engineering Users Association
<a href="http://www.marshall.com">http://www.marshall.com</a>	Marshall Industries semiconductor reference
<a href="http://www-ntl.mit.edu">http://www-ntl.mit.edu</a>	Massachusetts Institute of Technology
<a href="http://www.mathworks.com">http://www.mathworks.com</a>	Mathworks help and technical support
<a href="http://www.mrc.uidaho.edu">http://www.mrc.uidaho.edu</a>	Microelectronics Research Center
<a href="http://www.motserv.indirect.com">http://www.motserv.indirect.com</a>	Motorola online data library
<a href="http://www.hypatia.gsfc.nasa.gov">http://www.hypatia.gsfc.nasa.gov</a>	National Aeronautics and Space Admin
<a href="http://www.nist.gov">http://www.nist.gov</a>	National Institute Science & Technology
<a href="http://www.nsc.com">http://www.nsc.com</a>	National Semiconductor product information
<a href="http://www.nec.com">http://www.nec.com</a>	NEC semiconductor components
<a href="http://www.ageninfo.tamu.edu/jobs.html">http://www.ageninfo.tamu.edu/jobs.html</a>	Online employment agency links
<a href="http://www.sci.optics">sci.optics</a>	Optoelectronic resources
<a href="http://www.sci.physics.research">sci.physics.research</a>	Physics and physical sciences
<a href="http://www.dynemo.ecn.purdue.edu">http://www.dynemo.ecn.purdue.edu</a>	Purdue University ee labs
<a href="http://www.sandia.gov">http://www.sandia.gov</a>	Sandia National Laboratory
<a href="http://www.sri.com">http://www.sri.com</a>	Sarnoff Research Institute
<a href="http://www.stanford.edu">http://www.stanford.edu</a>	Stanford University design research center
<a href="http://www.sci.math">sci.math</a>	State of the art mathematics
<a href="http://www.sun.com">http://www.sun.com</a>	Sun Microsystems access links
<a href="http://sunsite.unc.edu/unhome.html">http://sunsite.unc.edu/unhome.html</a>	Sun Microsystems technology exchange
<a href="http://www.ti.com/sc/docs/schome.htm">http://www.ti.com/sc/docs/schome.htm</a>	Texas Instruments technical data
<a href="http://www.berkeley.edu">http://www.berkeley.edu</a>	University of California Berkeley research
<a href="http://www.bunny.cs.uiuc.edu/jobs">http://www.bunny.cs.uiuc.edu/jobs</a>	University of Illinois career center
<a href="http://www.ee.umn.edu">http://www.ee.umn.edu</a>	University of Missouri Rolla
<a href="http://town.hall.org">http://town.hall.org</a>	US patent database
<a href="http://www.uspto.gov">http://www.uspto.gov</a>	US patent and trademark office
<a href="http://www.sci.electrical.wiring">sci.electrical.wiring</a>	Wiring standards
<a href="http://www.yahoo.com">http://www.yahoo.com</a>	Yahoo Internet directory

For more details on these sites: <http://techweb.cmp.com/eet/docs/eetff.html>

FIG. 4—IMPORTANT INTERNET SITES for electronic engineering.

\$00D0 FAKEIT LDA (XX YY),X  
\$00D3 RTS

where HH is the high eight bytes of your calculated address and LL is the low eight bytes from your calculated address. To use your new address mode, you stuff the address values

you want on into HH and LL and then call your new mode as an ordinary subroutine...

\$03?? GETVAL JSR FAKEIT

Whenever control is passed back from the subroutine, the accumulator holds a copy of the value stashed at

the sum of the calculated 16-bit address and the offset in the X register. You also have the option of using a JMP into RAM plus a JMP back into the normal program space, or even an indexed jump.

Among many other possibilities, you might now load, store, or jump indirect indexed. You can even do a JSR to an indirect indexed subroutine—a feature that is sorely lacking on many microcontrollers. The only penalties for this sneaky ploy are the extra machine cycles involved and the “loss” of four bytes of user RAM. Note that a subroutine call on a 6805 takes *twelve* or *thirteen* clock cycles to execute. Any PIC can do the same thing in *two* clock cycles!

### This month's contest

If you are not familiar with the 6805, what you have just read might seem like so much gibberish. But every microprocessor family has its *insider snippets*—short and sneaky code sequences that do amazing things in ways previously unthought of ways. As another insider snippet, we looked at a PIC generating a high quality sine wave in an astonishing *six bytes* of code back in HACK85.PDF. So, for this month's contest, just tell me your favorite insider snippet for any low-end micro.

As usual, there will be a dozen or more copies of my *Incredible Secret Money Machine II* book going to the better entries, plus an all expense paid (FOB Thatcher, AZ) *tinaja quest* for two for the best of all—or a tramway hunt if you prefer. The choicest (and hardest) pieces of the trace still remain. Bring your own catclaw, just in case we don't find enough on the route. Naturally, your 4WD vehicle gets an absolutely free Arizona pin-striping job. More information in GRAMTRAM.PDF. Be sure to send all your written entries to me here at *Synergetics* and *not* to the *Electronics-Now* editorial offices. To be fair to everyone, E-mail entries are not acceptable.

### Important EE Internet sites

A detailed listing of the top one hundred EE Internet sites appeared

*Continued on page 54*



## Just like these Fully Trained Electronics Professionals



*"Thanks to CIE I have tripled my previous salary, and I am now in a challenging and rewarding new field where only the sky is the limit."*

**Daniel Wade Reynolds**  
Industrial Electrician  
Ore-Ida Foods



*"CIE was recommended to me by my boss. It was appealing since I could study at my own pace at home and during business travel."*

**Dan Parks**  
Marketing Manager/Consumer Products  
Analog Devices, Inc.



*"I loved the flexibility CIE offered. It was the only way I could continue both school and my demanding job."*

**Britt A. Hanks**  
Director of Engineering  
Petroleum Helicopters, Inc.



*"I liked the way the school was set up with laboratory assignments to enforce conceptual learning. The thing which impressed me the most about CIE's curriculum is the way they show application for all the theory that is presented."*

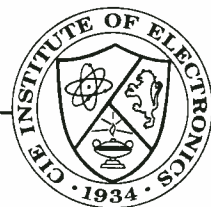
**Daniel N. Parkman**  
Missile Electro-Mechanical Technician  
U.S. Air Force



*"Completing the course gave me the ability to efficiently troubleshoot modern microprocessor based audio and video systems and enjoy a sense of job security."*

**Tony Reynolds**  
Service Manager/Technician  
Threshold Audio & Video

# Graduate with an Associate Degree from CIE!



CIE is the best educational value you can receive if you want to learn about electronics, and earn a good income with that knowledge. CIE's reputation as the world leader in home study electronics is based solely on the success of our graduates. And we've earned our reputation with an unconditional commitment to provide our students with the very best electronics training.

Just ask any of the 150,000-plus graduates of the Cleveland Institute of Electronics who are working in high-paying positions with aerospace, computer, medical, automotive and communications firms throughout the world. They'll tell you success didn't come easy...but it did come...thanks to their CIE training. And today, a career in electronics offers more rewards than ever before.

### CIE'S COMMITTED TO BEING THE BEST...IN ONE AREA...ELECTRONICS.

CIE isn't another be-everything-to-everyone school. CIE teaches only one subject and we believe we're the best at what we do. Also, CIE is accredited by the National Home Study Council. And with more than 1,000 graduates each year, we're the largest home study school specializing exclusively in electronics. CIE has been training career-minded students for nearly sixty years and we're the best at our subject...  
**ELECTRONICS... IT'S THE ONLY SUBJECT WE TEACH!**

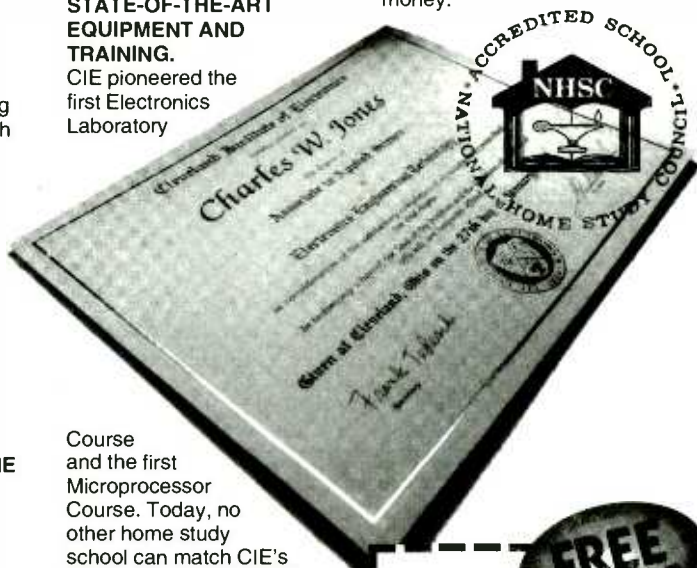
### CIE PROVIDES A LEARNING METHOD SO GOOD IT'S PATENTED.

CIE's AUTO-PROGRAMMED® lessons are a proven learning method for building valuable electronics

career skills. Each lesson is designed to take you step-by-step and principle-by-principle. And while all of CIE's lessons are designed for independent study, CIE's instructors are personally available to assist you with just a toll free call. The result is practical training... the kind of experience you can put to work in today's marketplace.

### LEARN BY DOING...WITH STATE-OF-THE-ART EQUIPMENT AND TRAINING.

CIE pioneered the first Electronics Laboratory



Course and the first Microprocessor Course. Today, no other home study school can match CIE's state-of-the-art equipment and training. And all your laboratory equipment, books and lessons are included in your tuition. It's all yours to use while you study and for on-the-job after you graduate.

### PERSONALIZED TRAINING...TO MATCH YOUR BACKGROUND.

While some of our students have a working knowledge of electronics others are just starting out. That's why CIE has developed twelve career courses and an A.A.S. Degree program to choose from. So, even if you're not sure which electronics career is best for you, CIE can get you started with core lessons applicable to all areas in

electronics. And every CIE Course earns credit towards the completion of your Associate in Applied Science Degree. So you can work toward your degree in stages or as fast as you wish. In fact, CIE is the only school that actually rewards you for fast study, which can save you money.



## YES!

I want to get started. Send me my CIE course catalog including details about the Associate Degree Program. (For your convenience, CIE will have a representative contact you - there is no obligation.)

Please Print Clearly

Name \_\_\_\_\_

Address \_\_\_\_\_

City \_\_\_\_\_

State \_\_\_\_\_ Zip \_\_\_\_\_ Age \_\_\_\_\_

Phone No. \_\_\_\_\_

Check box for G.I. Bill Benefits.  
 Veteran  
 Active Duty

**AE81**

Cleveland Institute of Electronics, Inc.  
1776 East 17th Street  
Cleveland, OH 44114

*A School of Thousands.  
A Class of One. Since 1934.*

**Send for CIE's FREE Course Catalog and See How We Can Help Your Career Too!**

# Hum, Dance SPL, and Medical Music

**L**AST SUMMER MY WIFE SCHLEPPED ME, OUR SON, AND OUR DOG THROUGH AN 1,850 MILE DRIVE/VACATION IN NEW MEXICO. MY WIFE AND THE DOG ENJOYED IT VERY

much. One of our tour stops was Taos, an area revered by many for its perceived New-Age spiritual qualities. From my old-age spiritual perspective, Taos and its crystal shops couldn't compete with Kyoto and its Zen temples, but Taos did have one thing that Kyoto lacked—an elusive hum heard by many Taos residents and others in the surrounding areas.

According to a local paper, this somewhat paranormal audio event appears as an incessant low-frequency vibration that has been described as sounding like a distant idling diesel engine by those who hear it. This noise drives certain Taos residents to distraction—despite the fact that most people in the area, including the Kleins, heard nothing special going on.

The situation came to the attention of Dr. Jim Kelly, director of ear research in the Department of Surgery at the University of New Mexico School of Medicine in Albuquerque. As an initial investigative step Kelly mailed out some 8,000 questionnaires to residents of Taos and adjacent areas within a 60-mile radius. There was a high 18 percent return with 11 percent of the respondents reporting having heard the hum. When statisti-

cal weighting was applied to the results, it appeared that perhaps one percent of the local population was hearing something out of the ordinary.

Kelly and his associates used standard audiological comparison techniques to pin down the hum's spectral characteristics. The tested "hearers" agreed that a 20 to 80 Hz "carrier" AM modulated at 1 or 2 Hz duplicated what they heard—which accounts for the "idling diesel engine" description.

Meanwhile, other investigators were pursuing other theoretical causal agents. For example, a team armed with various low-frequency detectors and geophones plumbed the depths of Carlsbad Caverns exploring the possibility that some sort of seismic phenomenon was at work. Nothing showed up. (The Kleins when visiting the Caverns didn't hear anything strange either.)

Other source ideas include secret Government VLF transmissions to communicate with submarines—and who knows what else? And of course, we shouldn't leave out the ever-popular space aliens communicating with their mother ship. In any case, theories (mostly untestable) run rife.

Dr. Kelly's hypothesis is that the phenomenon is real and entirely natural—if somewhat difficult to explain. His operating theory, which is yet to be proven, is that atmospheric inversions have produced resonant channels by a tunneling effect arising from differing densities of air in the atmosphere. The resonance signal is very low in amplitude and is normally masked by ambient noise. A sensitive listener—meaning someone with excellent low-frequency hearing—can detect the signal through the noise and, once having done so, for better or worse, is then subjectively attuned to it. Apparently also required are the mountainous areas that produce the temperature inversions and a very low level of ambient environmental noise.

I suspect that those of us living in or near big cities rather than in the wide open and mountainous spaces of New Mexico will remain untroubled by mysterious hums. As far as I know, no one has advanced the theory that something is humming simply because it doesn't know the words. (Sorry, I couldn't resist.)

## School dance update

I've written twice before about my efforts to damp the deafening decibels at our local middle-school dances. After my last article I checked out one more dance. Surrounded by prancing pre-adolescent middle-schoolers, I measured between 95 and 105 dB over the course of the evening. This,

despite the DJ's promise to keep it down. (By his normal standards, perhaps he did.)

I reported my findings to the school principal. Apparently he, and the other interested parties, had finally been convinced by my white paper (See the June and July 1995 Audio Updates) and were ready to endorse and enforce my recommendation for a maximum DJ level of 85 dB (measured at 8 feet, slow response, A weighting).

Armed with a new sense of power and my sound pressure level (SPL) meter, I dropped in on the new DJ as he was setting up for a dance. He and his group had been alerted to my arrival and appeared willing, even anxious, to cooperate. To start, I positioned myself on a centerline 8 feet in front of the speakers and asked them to play something at their "normal" dance volume. My SPL reading averaged about 110 dB!

I showed them the reading and asked that they slowly turn the volume down until my meter showed the "legal" maximum of 85 dB—and to leave the volume at that level for the rest of the evening. I turned over my Radio Shack SPL meter with instructions for its use to one of the teachers monitoring the dance and left.

When I checked with my son the next day, he said that the music sounded fine and that none of his friends complained that it wasn't loud enough. I don't expect that the same situation would obtain at a high school dance where the students were used to the aural overloads of live rock concerts, but for the next several years at least that's outside of my jurisdiction. (However, the high school principal has been given a copy of my white paper.)

### The musical cutting edge

Those of us who are addicted to prime-time hospital shows (ER and Chicago Hope) may have been bemused by the musical accompaniments the TV surgeons seem to demand while slicing and dicing their patients. Apparently, music to extract organs by is not simply a scriptwriter's fantasy but is drawn from real life.

A study recently published in The Journal of the American Medical Association concluded that surgeons were likely to do a better job when operating with a musical accompaniment. Fifty doctors were tested as having lower blood pressures and pulse rates and doing better on non-surgical mental exercises when listening to their preferred musical selections. Lest potential patients become concerned about wild rock-and-roll parties during their surgeries, one interviewed doctor felt it necessary to make the point that the music is always played softly.

Medical musical taste varies widely, including country & western, jazz, Mozart, Beatles, Beethoven, and, of course, silence. The last, in fact, is the choice of some older surgeons. One doctor who brings his personal boom-box to the operating room prefers to vary the musical program in accord with his surgical progress. "Opening and closing (the patient) in neurosurgery is lengthy," he said, "but not particularly difficult. For that I use something upbeat. But when I work under a microscope to remove brain tumors, I play Mozart or Vivaldi." Apparently some hospital operating rooms now come equipped with car stereo components as a reasonable alternative to portable boom boxes.

Mind you, all of this music is meant to aid and comfort the surgeon, not the patient. However, there have been claims that patients under anesthesia can hear and remember doctors' comments made during their surgeries. It would be interesting, but unlikely, to find that patients occasionally wake up with, say, their appendix removed and a love of Mozart installed. **EN**

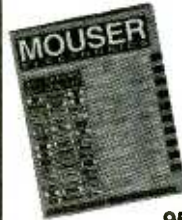


# 55,278

## ELECTRONIC COMPONENTS

Whether you order 1 part or all 55,278...MOUSER stocks and...ships same day!!

CALL... (800) 992-9943



for your  
**FREE**  
CATALOG

958 North Main St.  
Mansfield, TX 76063

## MOUSER<sup>®</sup> ELECTRONICS

Sales & Stocking Locations Nationwide

CIRCLE 117 ON FREE INFORMATION CARD

## Earn \$1000

**A Week While You Learn High Paying VCR Repair.**

**Earn While You Learn . . .  
Secrets Revealed . . .**



**Train at Home**

If you are able to work with small hand tools and possess average mechanical ability, you could earn top dollar part time or full

time. Our learn by doing method teaches you how to work on VCR's without boring unnecessary electronic basics.

**For Free Information Package Send Coupon to:**  
Foley-Belsaw Institute, 6301 Equitable Road,  
Kansas City, MO 64120

<b>Check VCR or another High Paying Career Field</b>	<small>(Check One Box Only)</small>	
	<input type="checkbox"/>	VCR Repair, Dept. 62408
<input type="checkbox"/>	Computer Repair, Dept. 64305	
<input type="checkbox"/>	TV/Satellite Dish, Dept. 31183	
<input type="checkbox"/>	Advance VCR Repair, Dept. 65059	
<input type="checkbox"/>	Camcorder Repair, Dept. 66069	
<input type="checkbox"/>	Fax Repair, Dept. 67069	
<input type="checkbox"/>	Printer Repair, Dept. 68068	
<input type="checkbox"/>	Computer Programming, Dept. 35131	
<b>FOLEY BELSAW</b>		
<b>Since 1926</b>		
Name _____		
Address _____		
City _____		
State _____ Zip _____		

CIRCLE 180 ON FREE INFORMATION CARD

# Solipsism and Cyberspace

**T**HIS COLUMN IS SOMEWHAT DIFFERENT FROM USUAL. USUALLY I TRY TO PRESENT SOME THOUGHTS ON ONE CENTRAL TOPIC IN A LINEAR FASHION. THIS TIME I'M GOING TO DISCUSS SEV-

eral seemingly unrelated topics more or less independently. Then I'll braid them together to show the complex interrelationships among them. My purpose in this is not to provide a definitive answer to the problems that I raise, but rather to instill in you some sense of wonder about how certain themes of human existence keep surfacing again and again in different ways throughout history. The topics are:

- Philosophy and science
- Solipsism
- Going places
- Storytelling
- Space

## Philosophy and science

Philosophy gets a bad rap today, some of it deserved, some not. If they think about it at all, most people think of philosophy as high-falutin' but useless discussions performed by white-bearded university professors. Or else they think of new-age "philosophers," shaman espousing "feel-good-ism" over substance. In truth, a philosopher is simply a lover (philos) of knowledge (sophos). A true philosopher asks hard questions and doesn't settle for easy answers.

Philosophy attempts to gain

knowledge about the world by means of reason, thought, and discourse. But ours is a scientific and technological age. We believe in scientific method: observation, experimentation, and verification. We don't merely assume that heavier bodies fall faster than lighter ones because it seems logical; we perform tests to prove—and to disprove—our conjectures.

Philosophy and science were not always so antithetical; scientists used to be called natural philosophers. Science and philosophy were seldom united in one person, but there have been exceptions, such as Descartes. Science and philosophy have done nothing but diverge since the beginning of the Industrial Revolution, but certain pesky philosophical problems have nonetheless continued to raise their ugly little heads in scientific circles. Early in this century, for example, Heisenberg's Uncertainty Principle taught science a lesson in humility concerning the achievable goals of the profession. Perhaps some things are in principle unknowable.

## Solipsism

An extreme philosophical point of view is called *solipsism*, which is

the theory that the self is the only thing that can be known and verified, or that the self is the only reality.

Thus, if I were a solipsist, I could simply say that you don't exist. Or I could say that you may exist, but I have no way of knowing for sure. Or I could say that you (and everything else) are just figments of my imagination. Even if I grant that you exist, I can never really *know* you or your thoughts. I can never really know whether, when we're looking at something, we're seeing the same thing. I see red, you see orange. I hear Bach, you hear cacophony. I see an elegant design; you see a convoluted mess. I see a promising young athlete; you see a vicious murderer. I see a greed-ridden businessman; you, a generous benefactor. I see a classic automobile; you, an uncomfortable old gas guzzler.

The point is that even in the everyday world, it is hardly uncommon for two people to see two totally different things when looking at what appears to be the same physical object. Then along come cyberspace, virtual reality, and software generally. When you start thinking about what these things are, full-blown solipsism starts looking downright tame.

## Going places

Did you ever notice how people talk about software? "Go to the file menu, click open, and . . ." or "Go to the Windows System directory, and . . ." or "Go to this great new

Web site . . ." But what does it mean to "go" to a menu or a directory or a Web site? Obviously we mean something different than when we tell a recalcitrant child "Go to your room!" (Under other circumstances, it is unlikely that we would tell the child "Go to your home page!") More generally, how can we "go" anywhere at all when we're seated mobile before a computer screen?

Back in the real world, things may seem simpler, but they're not. Listen to this conversation:

A: I'm going on vacation next week.

B: Really? Where are you going?

A: Nowhere, really. We're staying at home this year. What about you?

B: We're going canoeing on the Current River.

A: We don't go there are any more. It's not the same as when we were young. Too many people, too much noise, too much pollution.

B: It's hardly the same as when it was settled. . . .

Think about returning to a place after the death of someone closely associated with it. The place seems different, even though it hasn't changed. Think about returning anywhere you spent significant time: your home town, your college, your high school, your grade school, the house you grew up in.

Ancient Greek philosopher Heraclitus was right: *You could not step twice into the same river; for other waters are ever flowing on to you.*

## Storytelling

People have a universal tendency to anthropomorphize the external world and things in it. In other words, we assign to inanimate objects and other species human characteristics. We see ourselves reflected in the external world. Our society, in its attempt to digest the changes being wrought by computer technology, is anthropomorphizing the computer.

Two films, *The Lawnmower Man* and *Virtuosity* exemplify this tendency. In this view, cyberspace becomes a magical alternate world, directly analogous to the one we live in, perhaps with the same physical constraints, perhaps with enhancements such as

increased mental or physical powers.

This type of displacement seems very imaginative, but it's not. It seems so because of the special effects (provided ironically enough by cyber equipment). In fact, the basic idea is as old as the oldest folk tales. Alice goes through a magic mirror to enter another world. Spaceships enter other galaxies. People enter subterranean caverns and encounter strange creatures. People enter ghost worlds through cemeteries or sacred grounds. There are stories of repetition at scales ranging from the microscopic to the cosmic.

So the stories behind these new cyberflick aren't really so new after all. In fact, they're just the same old adventure stories, but with the cyber stuff serving as the portal to and from the other world.

## Space

The computer has brought us a new kind of "space," along with new ways to "go" to and from it, and new ways of existing "in" it. Science fiction and popular culture represent cyberspace as an different-but-equal form of the everyday space we take for granted. But the truth is a whole lot more subtle, more complicated—and more interesting.

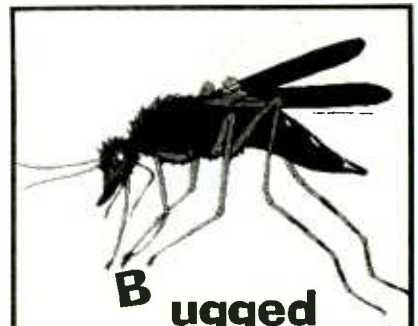
What is the truth about cyberspace? Suppose that space in general is an abstract class from which other specialized instances of space descend. For example, there is cyberspace, fishing and hunting space, book space, sports space, music space, war space, drama space, love space. . . What these different kinds of space share is that they provide an arena for human activity, a "place" where production and transformation and synthesis can occur.

In this sense, everyday 3Dspace is a necessary but insufficient condition for any other kind of space. In other words, without 3Dspace, none of the others could exist; on the other hand, the existence of 3Dspace is no guarantee of the existence of any other kind of space.

## Further ideas

Here are a few more thoughts:

- Imagine a treasure hunt in which a



## Bugged By The High Cost of SMD Removal?

Use  
PRB Line  
**CHIPQUIK™**  
SMD Removal Kit

Breeze through the removal process:

- 1) Apply Flux
- 2) Melt Chip Quik™ alloy on leads with a low temperature soldering iron
- 3) Remove SMD
- 4) Clean up PC board

Kit includes: Part#: CQ123

- Special Desolder/Alloy
- Special Flux
- Solder Removal Braid **\$12.95**
- Complete Instructions

## Quik Stick™

No Clean Rework Paste

- Manufactured with the highest quality, virgin pre-alloyed spherical powder
- No refrigeration required
- No special atmosphere or shipping required
- One year shelf life
- High quality 63-37 no clean solder paste with excellent wetting and solderability
- Undergoes stringent quality control and end product testing
- Meets federal specification QQ5571
- Exceeds Bellcore specifications
- Convenient 12g or 24g 10cc syringe

Note: Paste is not recommended for stencil application

Part#	Price	Quantity
S290 (12g)	\$6.59	Discounts
S291 (24g)	12.75	are Available.

Order from your nearest PRB Line Distributor or call...

# PREMIUM PARTS+

ELECTRONICS COMPANY

For 24 Hour Ordering  
Phone: 800-558-9572  
Fax: 800-887-2727

hunter takes an initial false step. Then every subsequent step moves the hunter farther and farther from the goal. Now suppose that knowledge was the treasure, and that 2000 years ago an early Greek hunter took a wrong step.

- There is no such thing as virtual reality. All reality is virtual. More precisely, every reality is virtual.

- Space is not the final frontier. Space was the initial frontier. And it is not the most interesting frontier.

- Material space is only known through abstract space.

- The computer is only truly interesting in how it opens up new kinds of space, not in how it reinterprets existing forms.

Final thought: *Metaphors are much more tenacious than facts.*—Paul de Man

### E-mail

Lots of people empathized with the “Politically Correct = No PC” column. Some however seemed to want to limit the interpretation of PC to Intel-based machines running MS-based software. In that context, I meant “PC” in the most generic

sense: PC, Mac, whatever.

In that vein, I’ve been hearing from a surprising number of Mac users lately. More than one claims that Windows 95=Macintosh84, but that’s ridiculous. The Macintosh in 1984 was a 128K machine that would “never need to be upgraded.” No color, small screen, no hard disk, limited keyboard, no multitasking, . . . However, based on the increasingly strident tone of the Mac-related messages I’ve been receiving, I can’t help but wonder whether the Mac is now headed down the same spiral as the Amiga. Methinks the Mac-ies do protest too much. Can Apple avoid the fate of Commodore?

Several people out there were offended by my implication that DOS is dead. OK, sure, you can put it on life support, give it dialysis every day, patch it, upgrade, compress it, expand it, do whatever you want with it, but it’s dying. Most major software development companies have dropped all plans for further development of DOS versions, and will soon drop support as well. You can sit around and wait for it to happen, but why not just get with the program?

On the other hand, I keep hearing good things about Linux. The best thing that people seem to have to say is that Linux is not DOS/Windows. Question: Where are the apps? I can certainly see using Linux as an Internet gateway or Web server or something similar. But in that scenario I see it in the computer room of a moderate size company, not on desktops running 1-2-3. If a Linux vendor put together a CD of quality application programs, precompiled, documented, and with filters for popular file formats—then *maybe* there would be some broad-based interest.

John Harrison had some interesting comments about how software development is performed in his company: “. . . if you want to write a program the first thing you do is turn off the computer. The ‘hack until it is OK’ syndrome seems to me to lead to a ‘well I guess it works’ mentality where the customer is expected to figure out that it doesn’t work and yet understand it well enough to describe what went wrong! Whatever happened to . . . “I have thought this through and believe it is correct.”

Contact me at [jkh@acm.org](mailto:jkh@acm.org). **EN**

## HARDWARE HACKER

*Continued from page 46*

in *E.E. Times* for July 10, 1995, pages 75-78. I have extracted some of the more interesting of these for you in Fig. 4.

### A new MIDI book

Craig Anderton just sent me a copy of his unique *Digital Projects for Musicians* book. The book is helped along by Bob Moses and Greg Bartlett, and introduced by Herbie Hancock. It contains some 363 over-size pages for \$24.95; it’s published by *Amsco*. Included are all sorts of hardware and software MIDI goodies. Software and development tools are separately available. One source is PAVO. Most projects use the 6805 microcontroller.

Craig’s earlier *Electronic Projects for Musicians* was a classic. Some additional electronic music resources appear in my NUTS43.PDF. One good source for MIDI and other

electronic music books in general is the *MIX Bookshelf*.

### New tech lit

From *International Rectifier*, there’s a free new 1700-page *Hexfet MOS-FET Designer’s Manual*. And *Texas Instruments* has an equally thick *MOS Memory Data Book*. *Atmel* is offering free samples of its new serial EEPROMS. These are non-volatile memories with densities to 64K and operating voltages down to 1.8 volts. *Maxim* has a new *Power Supplies Design Guide*. It includes dozens of ready-to-go circuits.

*Sysop News & Cyberworld Report* is a tabloid for online sysops. *Biophotonics International* is a brand-new trade journal centering on UV, visible, IR, and submillimeter light solutions for biotechnology and medicine. A tutorial on new mystery band applications (which are called T-Rays) showed up in the July 95 edition on pages 58-59.

Sports radar systems are sold by *Radar Sales*. Uses include baseball, jet

skis, race cars, boating, and RC models. Many of them are recycled police speed radars. Others are new units that have been designed from the ground up for sports uses.

I still get lots of calls concerning VCR Plus+ codes—these are highly proprietary. The leading resource here is *Gem Star Development Corp*.

I’ve just added a MAGSINET .PDF magic sinewave tutorial to PSRT. The already impressive magic sinewaves in last month’s column have also been dramatically improved. This is an outstanding new power-electronics opportunity for you, one that promises to revolutionize power electronics forever. Especially for home energy management.

A new disabled and handicapped resource directory has also been added as NUTS44.PDF. A reminder that my *Active Filter Cookbook* is once again back in print. Autographed texts are now available through my *Synergetics Press*. Reselling partners are welcome. **EN**

## EQUIPMENT REPORTS

Continued from page 16

a 5¼-inch self-booting diskette. Copies of the disk made using DOS's DISKCOPY commands won't work.

PC Clinic is very easy to use, and can be controlled from a keyboard or mouse. You simply insert it in the A: drive and press Ctrl-Alt-Del to reboot the system. If the system is not already you just stick the disk in the A: drive and turn on power. PC Clinic SB is an intensive low-level hardware diagnostic system with its own built-in operating system. A main menu presents five options: The Configuration option displays information concerning the computer's hardware configuration. The Tests option accesses all of the diagnostic tests. The Benchmarks option indicates processor, coprocessor, video, and fixed-disk performance.

### Using PC Clinic

The Configuration menu is used to see how a computer is currently configured. Information on the hardware, CMOS setup, IRQ and DMA usage, memory configuration, and drive partition information is displayed. Information stored in the computer's CMOS memory can be edited. The Configuration menu is divided into General, Video, Memory, Disk Drive, and Port sections, and within them every aspect of a computer's hardware configuration can be checked.

The Diagnostic Tests menu performs various tests on the computer hardware. CPU tests include the main CPU and NPU, internal registers, DMA channels 0-3 on the first DMA controller and 4-7 on the second controller, IRQ 0-7 on the first IRQ controller and 8-15 on the second controller (not available on PCs and XT's), timer channels, real-time clock, and CMOS RAM. Memory tests include base memory from 0 to 640K, extended memory (all memory above 1024K), and video RAM.

Disk drive tests are included for floppy and hard drives. Floppy drives are tested for drive-ready status, write-protect, sequential read/verify, random read/verify, and sequential

write. Hard disks tests include drive ready, controller diagnostics, sequential read/verify, random read/verify, and accordion read/verify. Serial and parallel port tests can also be performed, and the video card and monitor can be exercised as well.

Benchmark tests are used to measure the performance of the hardware installed in a PC. The processor benchmark determines the speed of the microprocessor and calculates an index relative to a PC/XT running at 4.77 MHz. A similar test is used for the coprocessor. The video benchmark tests the speed of the video card's graphics and text RAM and tests the display speed of the video BIOS. Results are displayed in kilobytes per second. The BIOS display speed is calculated by measuring how many characters can be written to the screen through BIOS in one second. The speed of fixed disks, fixed-disk BIOS, fixed-disk device drivers, and disk-caching software can also be measured and displayed.

### Is it worth it?

PC Clinic's clever way of not using any of a computer's loaded software makes it easy to properly determine the status of its hardware. It can help you determine whether the solution to a computer problem involves hardware repair or replacement or just software reformatting. It is also a quick way to give brand new PCs a clean bill of health without loading any software onto them. A print out of every test report display is an invaluable way to record permanently your computer's specifications.

When you obtain PC Clinic or a new computer, run the program and obtain all the printouts. Compare the reports against your computer's printed specifications. You never can tell, you might have been short changed on the computer purchase. People who own only one computer should seriously consider the \$199 investment in the software, particularly when you adjudge the cost of your entire computer setup and what downtime will cost you! Nevertheless, anyone who regularly has to deal with (fix!) malfunctioning computers will appreciate what PC Clinic has to offer. **EN**



# CHRISTMAS SALE!

Save on cable rental fees!

## CABLE TV DESCRAMBLERS WE'LL BEAT ANY PRICE

COMPATABLE REPLACEMENTS  
FOR MOST MAJOR SYSTEMS

- 24 HOUR SHIPMENTS!
- 30 DAY MONEY BACK GUARANTEE!
- QUANTITY DISCOUNTS!

MASTER CARD / AMEX / VISA / C.O.D.

Have make and model number of equipment used in your area ready.

### CALL TOLL-FREE 1-800-284-8432

## CABLE WAREHOUSE

10117 West Oakland Park Blvd., Suite 315, Sunrise, FL 33351

**NO FLORIDA SALES**  
Anyone implying theft of service will be denied assistance.  
ALL SHIPPING & HANDLING FEES AT CUSTOMER'S EXPENSE

# Electronic Security

**2 for 1 SALE!**



**Mini Long Range FM Voice Transmitter (3 mi) Ultra Sensitive** - with fine tune, range control, more! Detects even whispers! FMX-1 Kit and Plans.....~~\$49.50~~



**Tiny Telephone FM Transmitter** (3 mi) - automatically operates when phone is used. Crystal clear clarity with fine tune and range control. TELX-1 Kit and Plans.....~~\$49.50~~

**Both Easy-to-Build Kits Above only \$49.50!**



**Extended Play Telephone Recording System - \$129.50**

- Automatic - Crystal Clear - Easy to Use - Connects to Any Phone - Automatically controls and records both sides of the conversation on our extended play recorder. Caution - check local laws as some states require an alerting beeper. TAP20X Ready-to-Use System ..... only \$129.50

FREE CATALOG with order - or send \$1.00 P&H

**INFORMATION UNLIMITED**

MC, VISA, Check, Cash or C.O.D.  
Send or Fax Orders to: Dept en16  
PO Box 719, Amherst, NH 03031  
Orders: 800-221-1705 FAX 603-672-5406 Tel 603-673-4730

## JACOB'S LADDER

continued from page 28

ondary contains 2500 turns. The ratio of these turns is approximately 1 to 78. When multiplied by the rectified line voltage of 160 volts DC, an output of about 12,000 peak volts is obtained across the secondary.

This 12,000-volt output is the peak open-circuit voltage of the system, and it produces a short-circuit current of approximately 40 milliamperes. This current is limited by the leakage inductance caused by the loose magnetic coupling between the primary and secondary circuits of transformer T2. This leakage inductance can be controlled to some extent by placing air gaps between the cores, changing the reluctance of the magnetic circuit.

### Safety provisions

Because this project is operated from the 120-volt AC line, fault and safety shutdown provisions are included. They are provided by silicon controlled rectifier SCR1 connected as shown in Fig. 1 with its anode in series with diode D3. When the gate current reaches a specified threshold, the SCR is triggered on and latched by the holding current through resistor R4. TRIGGER pin 2 and THRESHOLD pin 6 of IC1 are now clamped to ground, thus preventing oscillation and turning off the circuit.

The signal current for the gate of SCR1 is obtained from the capacitive connection to the actual core of the output transformer T2. This connection is made by winding three to four turns of insulated hookup wire around the core of transformer T2. In effect, it is a capacitive wire pick-up probe. As long as output current is flowing between the output connections of T2, the Jacob's Ladder will continue to operate.

If, for some reason, one of the output leads (vee strips) is grounded, a return current is forced to flow by capacitive action between the core of transformer T2 through the

wrapped-wire pick-up probe. This current then turns on SCR1, shutting down the Jacob's Ladder.

### Building the circuit

The high-voltage power supply circuitry for the Jacob's Ladder can be built by point-to-point wiring methods on a  $5\frac{1}{2} \times 2\frac{1}{4}$ -inch piece of standard perforated circuit board (holes spaced 0.10-inch on centers) or on a circuit board available from the source given in the Parts List. Drill mounting holes in the four corners of the circuit board before inserting any electronic components.

All of the electronic components with the exception of transformers T1 and T2 are standard, off-the-shelf components available from electronics stores and mail-order distributors. However, the transformers must be custom wound. Both transformers, completely wound and tested, are available from the source given in the parts list. Alternatively, you can wind your own transformers if you have some experience in doing this. Some useful information on winding these transformers and material selection is given later in this article under the heading, "Winding the transformers."

Refer to schematic Fig. 1 and parts placement diagram Fig. 2. The parts placement diagram gives the approximate locations of all components except for switch S1 and transformer T2, which are off-board components. There is nothing critical about parts placement, and the

suggested layout of Fig. 2 is based on keeping interconnecting wiring as short as practical. Be sure to make the gate connection to MOSFETs Q3 and Q4 as short and direct as possible.

Begin by inserting and soldering all components except MOSFETs Q3 and Q4. Observe the correct polarities for all silicon diodes, (D1 to D3), Zener diodes (D4 and D5) and electrolytic capacitors (C3 and C5). If you wire point-to-point, do not trim the leads of the components until you have made use of as many excess lead lengths as is practical to form interconnections between components.

Then insert the TO-220-packaged MOSFETs Q3 and Q4 close to the outer edges of the circuit board in the locations shown in Fig. 2, with their metal tabs are facing outward. In a later step, the tabs of Q3 and Q4 will be fastened to the sides of a U-shaped channel that functions both as a heatsink and as a support for the circuit board.

Carefully examine all the electronic components on the board to be sure that they are correctly placed and oriented. Examine all solder joints to verify that there are no inadvertent solder bridges or cold solder joints. Make any corrections at this time before proceeding. Then set the completed circuit board aside.

### Product enclosure

Figure 3 illustrates the author's enclosure for the Jacob's Ladder project. It was designed to meet two objectives: 1. to meet all reasonable safety re-

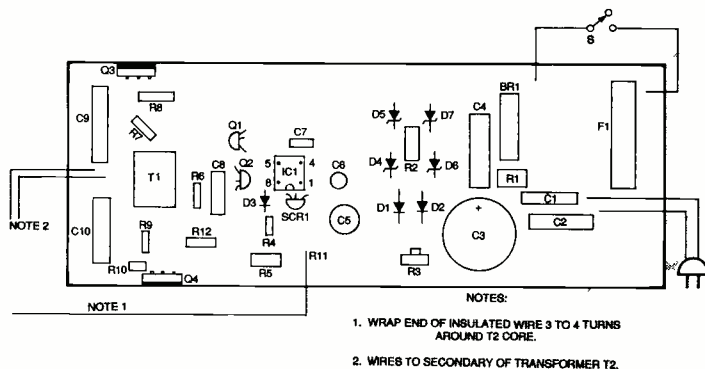


FIG. 2—PARTS PLACEMENT DIAGRAM for high-voltage power supply.EP



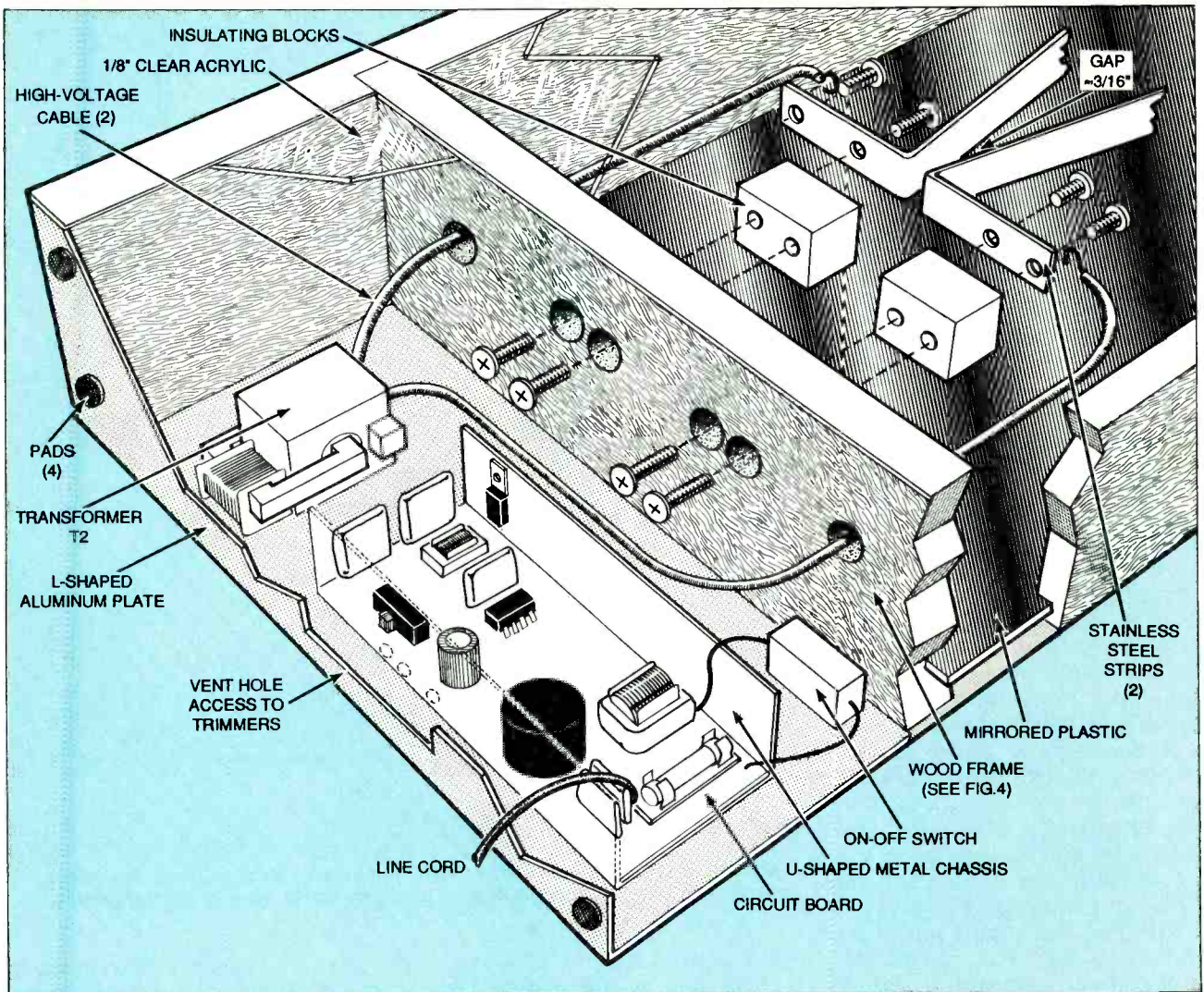


FIG. 3—ASSEMBLY DIAGRAM FOR JACOB'S LADDER. All circuitry is enclosed with insulating wood and protective plastic covers.

quirements by providing adequate insulation between people and flammable materials and the enclosed high-voltage circuitry, while at the same time protecting the circuitry from dust and dirt. 2. to be simple enough to be made by persons with minimal carpentry skills from materials readily available at hardware and home-improvement stores.

Many variations on the author's enclosure design are possible including changes in exterior and interior dimensions and the substitution of more expensive wood for the framing. However, it is imperative that all provisions for ventilating both the circuitry and the vee "ladder" to dissipate any heat buildup be followed, but

make sure that those spaces are not large enough to admit fingers or the small hands of curious children.

The overall case dimensions are  $24 \times 12\frac{1}{2} \times 4$  inches. The closed H-shaped frame was made from  $\frac{3}{4}$ -inch thick  $\times 4$ -inch wide soft wood. Slots that are  $\frac{1}{8}$ -inch wide and  $\frac{1}{4}$  deep were milled  $\frac{1}{8}$ -inch in from each edge of the inside surfaces of the frame members to accommodate protective transparent plastic covers on the front side and a metallized plastic mirror on the back side. (These protective sheets could be fastened directly to the case edges with screws.)

The bottom of the case and the back of the lower circuit/transformer compartment is

covered by an L-shaped aluminum plate that serves as the vertical support for the circuit board and output transformer. Holes drilled in the bottom of this plate permit circuit ventilation and access to the on-board trimmer potentiometers R3 and R5. Another hole is formed in the back of the plate for mounting ON-OFF pull switch S1.

Figure 4 provides general information on the sizes and shapes of the principal wood and aluminum parts. Notice the holes drilled in the top member of the frame for cooling the ladder compartment. The author's prototype frame was made by assembling the wooden frame with screws after the clear  $\frac{1}{8}$ -inch plastic front windows and rear mirror were cut to fit the milled slots.

The transparent plastic cover

for the ladder compartment was cut 1-inch shorter than the inside dimensions of the frame to provide a bottom opening for ventilation. This ventilation slot is important and should be there regardless of any dimensional changes you might want to make in the frame. The cover for the circuit compartment protects that compartment completely. It is transparent plastic in the prototype so that the circuitry could be seen, but it could be opaque.

### Project metalwork

No hole sizes or location dimensions are given here for the enclosure components. Those are left to the builder's judgment. Cut and form the U-shaped aluminum channel from No. 22 gauge sheet aluminum, as shown in Fig. 4. Drill holes in both ends of the channel along the centerline. Then, using the drilled holes in the circuit board as a guide, center-punch and drill four holes for mounting the circuit board to the channel. (These can be omitted if you elect to bond the circuit board to the channel with hot plastic glue drops.)

Cut the L-shaped panel as shown in Fig. 4 from No. 22-gauge sheet aluminum. Before bending the front lip or folding the plate, drill 1-inch diameter holes for circuit cooling and access to trimmer potentiometers R3 and R5. Above the fold line, drill another hole for the linecord, large enough to admit a rubber or plastic grommet, and drill a hole to accommodate chain-pull switch S1. Then bend the flat plate 90° along the fold line and bend up the front lip.

Drill two holes evenly spaced within 2 inches of the ends of the stainless steel "ladder" strips, and bend those 2-inch long sections approximately 90° with respect to the rest of the strips. Note: Stainless steel was selected for the ladder strips because the electric arcs will not cause the strips to oxidize or corrode, and tests showed that stainless steel permits easier starting of the arcs than other metals.

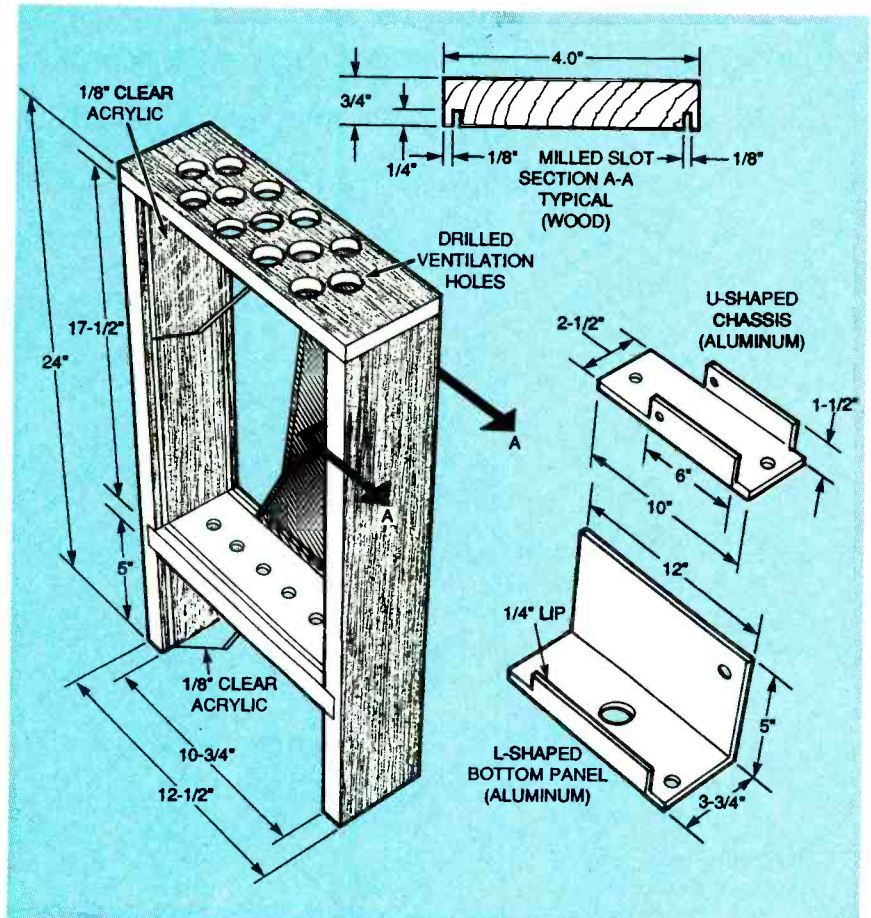


FIG. 4—JACOB'S LADDER ENCLOSURE and circuit mounting hardware details. All materials are readily available at most hardware and home-improvement stores.

### Insulator blocks

The two metal strips that form the "ladder" must be mounted on insulators that have high dielectric strength. The insulators in the prototype were made from Teflon blocks that measure  $1\frac{1}{4} \times 1 \times \frac{3}{4}$ -inch high. This material can be drilled and tapped, and it is strong enough to withstand the heat created by electric arcs. Individual Teflon blocks are available from the source given in the parts list.

### Project assembly

With the completed circuit board inserted in the channel, elevated slightly above the bottom of the channel, mark, center-punch and drill the holes in each side wall for fastening the tabs of MOSFETs Q3 and Q4. Be sure to deburr and perhaps countersink slightly the holes in the channel so that the tabs on the MOSFETs will be clamped securely against the chan-

nel walls. Cut and trim the ends of two 3-inch lengths of insulated, stranded linecord to the circuit board, as shown in Fig. 2, to make the connections with the linecord. Insert and solder the ends of the wires on on-off switch S1.

Attach the circuit board to the U-channel with screws and nuts, using several nuts as standoffs to isolate the circuit board from the channel. Align the tabs of MOSFETs Q3 and Q4 with the holes in the sidewalls of the channel, insert insulating mica washers with a film of silicone grease between each tab and the channel walls, and fasten them with screws and nuts.

Cut a 2½-inch square of phenolic laminate or circuit board stock and place it between the base of transformer T2 and the bottom of the channel. Bond the transformer to the insulator and channel base with epoxy or hot glue.

## PARTS LIST

All resistors are 1/4, 10%, unless otherwise specified.

R1—0.47 ohm, 2 watt  
R2—52 ohms, 2 watt  
R3—2000 ohms, PCB-mount, trimmer potentiometer  
R4, R8, R10, R12—1000 ohms  
R5—10,000  
R6—10 ohms, 1/4 watt  
R7, R9—27 ohms  
R11—1229 ohms

### Capacitors

C1, C2—0.01  $\mu$ F, 1000 volts, ceramic disk  
C3—390  $\mu$ F, 200 volts, aluminum electrolytic  
C4—2.2  $\mu$ F, 250 volts, metallized polyester  
C5—1000  $\mu$ F, 25 volts, aluminum electrolytic  
C6—0.003  $\mu$ F, 50 volts, polyester film  
C7—0.01  $\mu$ F, 50 volts, ceramic disk  
C8—1.5  $\mu$ F, 100 volts, metallized polyester film  
C9, C10—1.2  $\mu$ F, 400 volt, metallized polyester film

### Semiconductors

BR1—bridge rectifier, silicon diode, 4 ampere, SIP  
D1, D2—1N4007, 1000 volts, 1, ampere, silicon diode  
D3—1N914, silicon diode  
D4, D5, D6, D7—1N4735 Zener diode, 6.2-volt, 1 watt  
SCR1—silicon controlled rectifier 0.8 ampere, 200 volt, sensitive gate, TO-92, Teccor EC103B1 or equiv.  
Q1—2N2222, NPN transistor  
Q2—2N2907, PNP transistor  
Q3, Q4—IRF640 N-channel power MOSFET, 200 volt, 10 ampere, International rectifier or equiv.

IC1—555 timer

### Magnetics

T1—driver transformer, 30 turns primary, 60 turns two secondaries (see

text)

T2—output transformer, half bridge, 32 turns primary, 2500 turns secondary (see text)

### Other components

S1—switch, SPST, panel-mount, 10 amperes, pull chain

F1—fuse, 3 ampere, slow-blow

**Miscellaneous:** uit board or perforated board (see text); U-chassis, (see text); mirror, metallized plastic (see text); transparent plastic covers (see text); L-panel, (see text) stainless steel strips, 0.060-inch thick, 18-1/2 inches (see text) insulating blocks (see text); high-voltage wire, 15 kilovolt rating, 2 feet; 3-wire power cord with line plug; fuse holder; phenolic transformer insulator (see text); hookup wire; miscellaneous nuts, screws; rubber feet, four; linecord grommet; silicone grease; TO-220 mica washers; solder.

**Note:**The following parts and kits are available from Information Unlimited, Box 716, Amherst, N.H., 03031; Telephone 603-673-4730; Fax 603-672-5405:

- Kit of electronics components and circuit board, less transformers—\$69.50
- Assembled and tested electronic circuit board—\$89.50
- Assembled and tested driver transformer T1—\$9.50
- Cores and bobbins for driver transformer T1—\$4.50
- Assembled and tested high-voltage transformer T2—\$24.50
- Cores, bobbins, and potting cap for high-voltage transformer T2—\$14.50
- High-voltage wire (15 KV)—\$0.50/foot
- Teflon insulating blocks (2 required)—\$5.00

transformer T2 and the circuit board to the L-shaped panel with screws and nuts, as shown in Fig. 3. Complete the installation of switch S1 and the linecord with a grommet, and complete all soldering. Be sure the L-shaped metal panel is hard-wire connected to the earth ground by means of the green wire within the three-wire power cord. Assemble the enclosure with its plastic covers and aluminum base plate. The Jacob's Ladder is now complete.

### Adjusting the ladder

Carefully examine your work to be sure that there are no inadvertent short circuits or cold solder joints. The circuit is now ready for testing. First, adjust potentiometer R5 as follows:

1. Disconnect one end of R1 to Q3.
2. Connect an oscilloscope to the Q4 gate.
3. Plug in power cord and turn on power.
4. Adjust R5 for a period of 40ns so 15-volt squarewaves are symmetrical.
5. Shut off power, reconnect R1, and connect the oscilloscope to the Q4 drain. Turn on power. A near perfect squarewave should appear, and it should remain constant as arcs form and reform.

Adjust the ground-fault potentiometer R3 to shut off the circuit if there is ground-fault current.

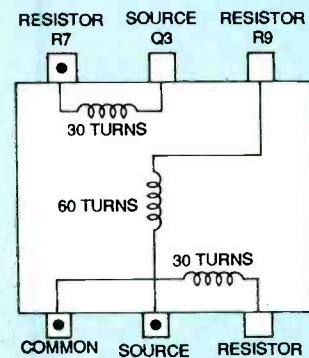
1. Turn off power and set wiper of R3 for maximum sensitivity.
2. Disconnect a high-voltage lead from a ladder strip, and connect it to ten 1-watt, 100 kilohm resistors in series. (This simulates a 10 milliampere ground current.)

3. Apply power and verify that the circuit shuts down. Turn off power, adjust R3 slightly clockwise. Reapply power until high voltage stays on. Note: Allow time for C3 to discharge before reapplying power or SCR1 will stay on.

### Winding the transformers

Figure 5 is a "footprint" diagram of drive transformer T1 with callouts that can be related

*Continued on page 87*



NOTES:  
DOTS ON PINS INDICATE STARTING POINTS FOR ALL WINDINGS.  
FOR SOURCE OF CORES AND BOBBIN, SEE TEXT.

FIG. 5—TRANSFORMER T1 WINDING. This is the "footprint" for driver transformer T1.

Drill two holes through the wooden frame member between the two compartments, and drill mating holes in the two insulating blocks. Drill a single hole in the opposite sides of each block and fasten the ladder strips to the blocks with screws, as shown in Fig. 3.

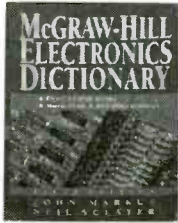
Then attach the insulation blocks and strips to the frame member with screws. Fasten the bent metal strips so that they are offset by about 30°, as shown in Fig. 3. The base strips are diagonal across the insulator blocks so that the corner edges are separated by about 3/16 inch. The upper ends of the strips should be about 2 inches apart.

Fasten the channel with

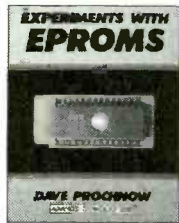
# Get 3 books for only \$9.95 Plus 1 book FREE upon prepayment

when you join the **Electronics Engineers' Book Club®**

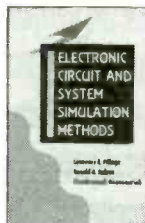
Values to \$220.00



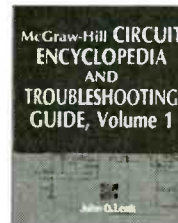
**0404348-XX \$49.50**  
More than 14,000 entries and 1,500 illustrations make up this A-to-Z reference. Its up-to-date definitions cannot be found in general dictionaries. Plus, it focuses on terminology specific to the field of electronics.  
608 pp., 1,500 illus. *Counts as 2*



**2962P \$18.95**  
This complete EPROM instruction manual provides a detailed explanation of underlying theory, plus 15 different projects—including programmers, erasers, and EPROM-based circuits. 240 pp. Softcover.



**0501696 \$55.00**  
Develop sophisticated electronic simulation tools capable of analyzing large, complicated circuits. This book describes a broad range of uses for circuit simulation principles—from running general applications to understanding why SPICE works in some cases and not in others. 320 pp., Illustrated



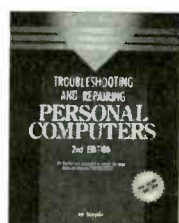
**0376034-XX \$59.50**  
This book provides both a collection of over 700 of the latest commonly used integrated and discrete-component circuits and authoritative testing and troubleshooting methods on each type of circuit. You can use the circuits "as is" or modify the circuits to your specifications. 664 pp., 703 illus. *Counts as 2*



**3837H \$27.95**  
This guide focuses on the specific digital circuits used in electronic power applications. It presents state-of-the-art approaches to analysis, troubleshooting, and implementation of new solid-state devices. 272 pp., 197 illus.



**2672H \$49.50**  
Far more than a replacement for manufacturers' data books, this book covers linear IC offerings from all the major manufacturers—complete with specifications, data sheet parameters, and price information—along with technological background on linear ICs. 624 pp., Illustrated



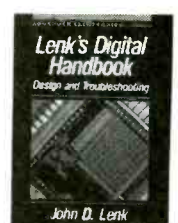
**3677H \$34.95**  
This all-in-one volume presents the theory and practical techniques necessary to service Apple II, Macintosh, Amiga, Commodore, and IBM PC circuitry and components. It includes information on the Intel 80386 and 80486 chips, laptops, video displays, disk drives, power supplies, and more. 696 pp., 460 illus.



**0026718 \$50.00**  
Based on the 1993 National Electrical Code®, and meeting National Standards Institute requirements, this practical guide shows you how to implement electric power protection in both new and existing systems in individual and commercial facilities. 416 pp., 180 illus.



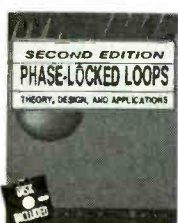
**0380899 \$60.00**  
Find a complete technical description of the design, analysis, and maintenance of cellular systems in the second edition of this classic reference. It features new chapters on the CDMA standard, microcell systems, digital cellular systems, and more. 550 pp., 170 illus.



**037516X \$39.50**  
This helpful volume covers digital electronic devices and components and a simplified system of testing and troubleshooting that can be easily applied to any electronic system or equipment. 320 pp., 150 illus.



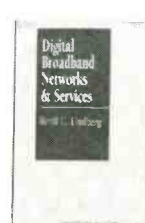
**4228P \$21.95**  
Get all the hands-on instruction you need to translate RF theory into functioning hardware and design working RF power circuits with this guide. 304 pp., 219 illus., Softcover.



**9113869-XX \$55.00**  
Design efficient phase-locked loops for electronic devices. You'll get design and applications information for all four types of PLLs—linear, digital (an analog/digital hybrid), all-digital, and software. 370 pp., 100 illus., 5.25" disk, *Counts as 2*



**012616X-XX \$79.50**  
Featuring contributions from leading experts in industry and academia, this handbook remains the resource for selecting the right piece of equipment, finding out what it does, how it does it, and how to get the most out of its use. 850 pp., Illustrated *Counts as 2*



**037936X \$50.00**  
Explore the next level of networking. If you install and maintain broadband networks, you'll appreciate this up-to-the-minute description of what this technology is and how it can be best used. 272 pp., Illustrated *Counts as 2*



**9255H-XXX \$105.50**  
"Outstanding, extensive reference to current technology of electronics. Covers everything from principles to applications."  
—Computer Book Review  
2,528 pp., 1,800 illus. *Counts as 3*



**0628432-XX \$60.00**  
 Keep up with the changes in top-level microprocessors with this newly revised edition. It covers the latest high-potential systems, such as Pentium, PowerPC, DEC Alpha, SuperSPARC, and others. 580 pp., 155 illus. *Counts as 2*



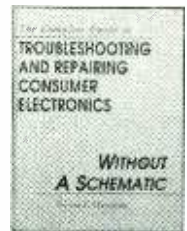
**0679304 \$40.00**  
 Whether you're an optics professional or an engineer or technician interested in the field, you'll appreciate this easy-to-read introduction to modern optical engineering—ranging from the basics of lens selection and system evaluation to the latest design and analysis methods. 362 pp., Illustrated.



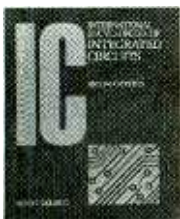
**0042144 \$39.00**  
 This book provides a solid introduction to programmable controllers. You'll explore how to use personal computers with programmable controllers as well as how to compare and select process control schemes. 304 pp., 180 illus.



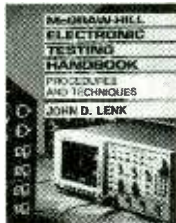
**0297894 \$45.00**  
 Make the most of your LT package to get production-quality results and create top-flight presentations. This book shows you how to take advantage of special tricks, tips, and techniques like drawing borders in paper space, transferring images between applications, and more. 345 pp., Illustrated.



**0156492 \$34.95**  
 Tackle troublesome circuits without the benefit of a schematic with these tricks of the trade by a veteran electronics technician. You'll see how to locate, test, and repair defective components in virtually every type of consumer electronics device imaginable. 304 pp., 250 illus.



**3802H-XX \$84.95**  
 The most thorough coverage of foreign and domestic integrated circuits is available today in this giant resource. Seven separate sections detail thousands of ICs and their applications, including all relevant information, charts, and tables. 1,168 pp., 4,605 illus. *Counts as 2*



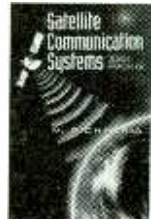
**0376026-XX \$42.95**  
 Make testing hassle-free with the help of best-selling author John D. Lenk. He details the types of test equipment available, what the various types do, and how they operate. Plus, he offers procedures for testing electronic devices, circuits, and components. 416 pp., 526 illus. *Counts as 2*



**0443017 \$45.00**  
 Covering both analog and digital cellular systems, this book provides complete coverage of the principles and design techniques for cellular systems. Gain a firm understanding of some of the most advanced person-to-person communications systems being installed today with this comprehensive look at modern cellular technology. 224 pp., 142 illus.



**0375046 \$39.50**  
 Packed with simplified, circuit-by-circuit troubleshooting examples, this handbook fills the gap that currently exists between complex theoretical works on radio frequency (RF) circuitry and elementary service literature. It provides the practical know-how you need to operate and troubleshoot modern RF equipment. 352 pp., 150 illus.



**0523746 \$55.00**  
 This book provides an in-depth look at the basics of designing the elements and components that comprise a satellite communication system, including the geosynchronous satellites prevalent in mobile communications. 400 pp., 120 illus.

## As a member of the Electronics Engineers' Book Club...

... you'll enjoy receiving Club bulletins every 3-4 weeks that contain exciting offers on the latest books in the field—at savings up to 50% off regular publishers' prices. If you want the Main selection, do nothing and it will be shipped automatically. If you want another book, or no book at all, simply return the reply form to us by the date specified. You'll have at least 10 days to decide. If you ever receive a book you don't want due to late delivery of the bulletin, you can return it at our expense. Plus, you'll be eligible for **FREE books** through the Bonus Book Program. Your only obligation is to purchase 3 more books during the next 2 years, after which you may cancel your membership at any time.

All books are hardcover unless otherwise noted. Publishers' prices shown. If you select a book that counts as 2 choices, write the book number in one box and XX in the next. If you select a Counts as 3 choice, write the book number in one box and XXX in the next 2 boxes. ©1995 EEBC

A shipping/handling charge & sales tax will be added to all orders. If card is missing, write to: Electronics Engineers' Book Club, A Division The McGraw-Hill Companies, P.O. Box 549, Blacklick, OH 43004-9918



**Phone: 1-614-759-3666**  
(8:30 a.m. to 5:00 p.m. EST Monday-Friday)



**FAX: 1-614-759-3749**  
(24 hours a day, 7 days a week)

## ELECTRONICS ENGINEERS' BOOK CLUB

A Division of The McGraw-Hill Companies, P.O. Box 549, Blacklick, OH 43004-9918

**YES!** Rush me the following title(s), billing me just \$9.95 (plus shipping/handling & sales tax). Enroll me as a member of the Electronics Engineers' Book Club according to the terms outlined in this ad. If not satisfied, I may return the book(s) within 10 days for a full refund and my membership will be cancelled. I agree to purchase just 3 more selections at regular Club prices during the next 2 years and may resign anytime thereafter.

Bill me (FREE book not available with this payment option.)

**SPECIAL OFFER!** Prepay your order by check, money order, or credit card and receive a 4th book of your choice FREE.

**YES!** I want the FREE BOOK indicated at right. My introductory payment of \$9.95 plus \$9.95 shipping/handling\* and applicable sales tax is enclosed.

Code # of my FREE BOOK:

SINGLE SELECTION ONLY

Code #'s of my book(s) for \$9.95

--	--	--	--

If you select a book that counts as 2 choices, write the book number in one box and XX in the next. If you select a Counts as 3 choice, write the book number in one box and XXX in the next 2 boxes.

Check or money order enclosed made payable to: McGraw-Hill, Inc.

Please charge my:  VISA  MasterCard  American Express  Discover

Acct. No. \_\_\_\_\_ Exp. Date \_\_\_\_\_

Name \_\_\_\_\_ Signature \_\_\_\_\_  
(required on all credit card orders)

Address / Apt. # \_\_\_\_\_

City/State/Zip \_\_\_\_\_ Phone \_\_\_\_\_

Offer valid for new members only, subject to acceptance by EEBC. U.S. orders are shipped 4th Class Book Post. Canada must remit in U.S. funds drawn on U.S. banks. Canadian orders are shipped International Book Post—add \$12.50 shipping/handling. Applicants outside the U.S. and Canada will receive special ordering instructions. A shipping/handling charge & sales tax will be added to all orders. DRE1295C

## ELECTROCHEMISTRY

continued from page 30

lowers the impedance so that it can source currents up to 1 ampere. The feedback loop consists of resistors R2, R4, R3, and R5. Operational amplifier IC5-a is configured in the feedback loop to compensate for voltage drops across the transistors (i.e., 0.7 volts each). Consequently, the output is a low impedance "mirror" of the input.

A method for measuring the output current and converting it to a voltage allows the circuitry to function as a constant-current source. This voltage can replace the feedback voltage. Then the feedback loop will adjust the output voltage so that this feedback voltage (which represents the output current) is the same as the reference voltage taken from the potentiometer R34. The current will also be set by R34, and the output will behave like a constant-current source.

The voltage across R2 is proportional to the current flowing through it. The 1-ohm value of R2 was selected for connection in series with the output to act as a sensor. The voltage across the resistor is referenced to the output voltage, not the ground. Thus, differential amplifier IC5-b corrects this condition. It responds to the difference in voltage across the resistor and amplifies that difference by a factor of K.

By carefully selecting the values of R and gain or K, a scale is obtained whose current I can be measured in volts. Resistor R and gain K are set so a current of 1 ampere produces 10-volts. Consequently the output current is  $V_{REF}/10$ .

### Measurement method

Electrical charge is current integrated with respect to time. Therefore, to measure the charge passed by the output, the voltage, a measure of the current, is integrated. It will be the output of the differential amplifier IC5-b.

Unfortunately, an analog inte-

**All resistors are ¼-watt, 10% unless otherwise stated.**

- R1—1200 ohms
- R2—1.0 ohm, wirewound, 1 watt
- R3—820 ohms
- R4, R6, R14, R15—10,000 ohms, 1%
- R5, R7—100,000 ohms, 1%
- R8, R10—1000 ohms
- R9—33,000 ohms
- R11—68,000 ohms
- R12—2,000,000 ohms
- R13—47,000 ohms
- R16 to R29—3000 ohms
- R30—3900 ohms
- R31—10,000,000
- R32—86,000 ohms
- R33—panel potentiometer, 10,000 ohms, linear taper, ½ watt, Mouser 31VC401 or equiv.
- R34—panel potentiometer, 25,000 ohms, linear taper, ½ watt, Mouser 31VC403 or equiv.
- R35—trimmer potentiometer, 10,000 ohms, vertical mount

### Capacitors

- C1—2.2µF, tantalum electrolytic
- C2—0.1µF, polyester film
- C3—0.1µF, polyester film
- C4—0.3µF, polyester film
- C5, C6—22pF, ceramic (see text)
- C7, C8—0.010µF, polyester film
- C9—10µF, tantalum electrolytic
- C10—4700µF, aluminum electrolytic
- C11, C12, C13—0.010µF, polyester film

### Semiconductors

- D1—1N5239B, Zener diode, 9.1 volts, 500 mW
- D2—1N5237B, Zener diode, 8.2 volts, 500 mW
- BR1—, bridge rectifier, 1.5 ampere, 200 PIV, General Instrument WO2 or equiv.
- Q1—2N3705, NPN transistor, TO-92
- Q2—MJE3055T NPN power transistor, Motorola or equiv.

grator formed from an operational amplifier and a feedback resistor will not work satisfactorily because of the duration of electrolysis or electroplating (over an hour). A very large and expensive capacitor would be needed to meet this requirement, but it would introduce drift and leakage. Moreover, the output would be an analog value that would have to be converted to obtain a digital readout. For this reason, a voltage-controlled oscillator (VCO)

## PARTS LIST

- IC1—CD4521B CMOS 24-stage frequency divider, Harris or equiv.
  - IC2—CD4011UB CMOS quad 2-input NAND gate, Harris or equiv.
  - IC3—CD4046B CMOS phase-locked loop, Harris or equiv.
  - IC4, IC6, IC7—CD 4518B CMOS dual BCD up-counter, Harris or equiv.
  - IC5—LM358 dual operational amplifier, National or equiv.
  - IC8, IC9—CD4543B CMOS BCD to seven segment decoder driver, Harris or equiv.
  - IC10—MC7812 three-terminal positive voltage regulator, Motorola or equiv.
  - DISP 1—MAN6740, light-emitting diode display, 0.56-inch dual digit, common cathode, RHDP, red, 7-segment or equiv.
- Other components**
- S1, S3—toggle switch, miniature SPDT panel-mount
  - S2—rotary switch 3-pole, 12-station
  - S4—pushbutton switch, nonlatching, push-to-make
  - XTAL1—crystal, 4.194304 MHz, 2-pin metal case
  - TR1—transformer 120 volts to 6 volts, panel-mount
  - J1, J2—banana plug jacks

**Miscellaneous:** main circuit board; dual-digit LED circuit board; metal project case, two part (see text); heatsink (see text); knobs for two potentiometers and one switch; No. 18 and No. 22 AWG stranded, insulated hookup wire; No. 28 AWG flat ribbon cable; 120-volt AC linecord with plug; linecord grommet; red plastic filter for LED display DISP1 (1-14 × 1½ inches—see text); assorted nuts, lockwashers and screws; four adhesive rubber footpads, solder, silicone grease.

was selected as the integrator.

As a result of including the VCO, the following statements can be made:

1. Output frequency = gain ×  $V_{IN}$
2. The number of pulses = frequency × time
3. It then follows that if  $V_{IN} = I$
4. Then the number of pulses =  $K \times I \times \text{time}$

If gain K is chosen correctly, the number of output pulses effectively equals current integrated with respect to time.

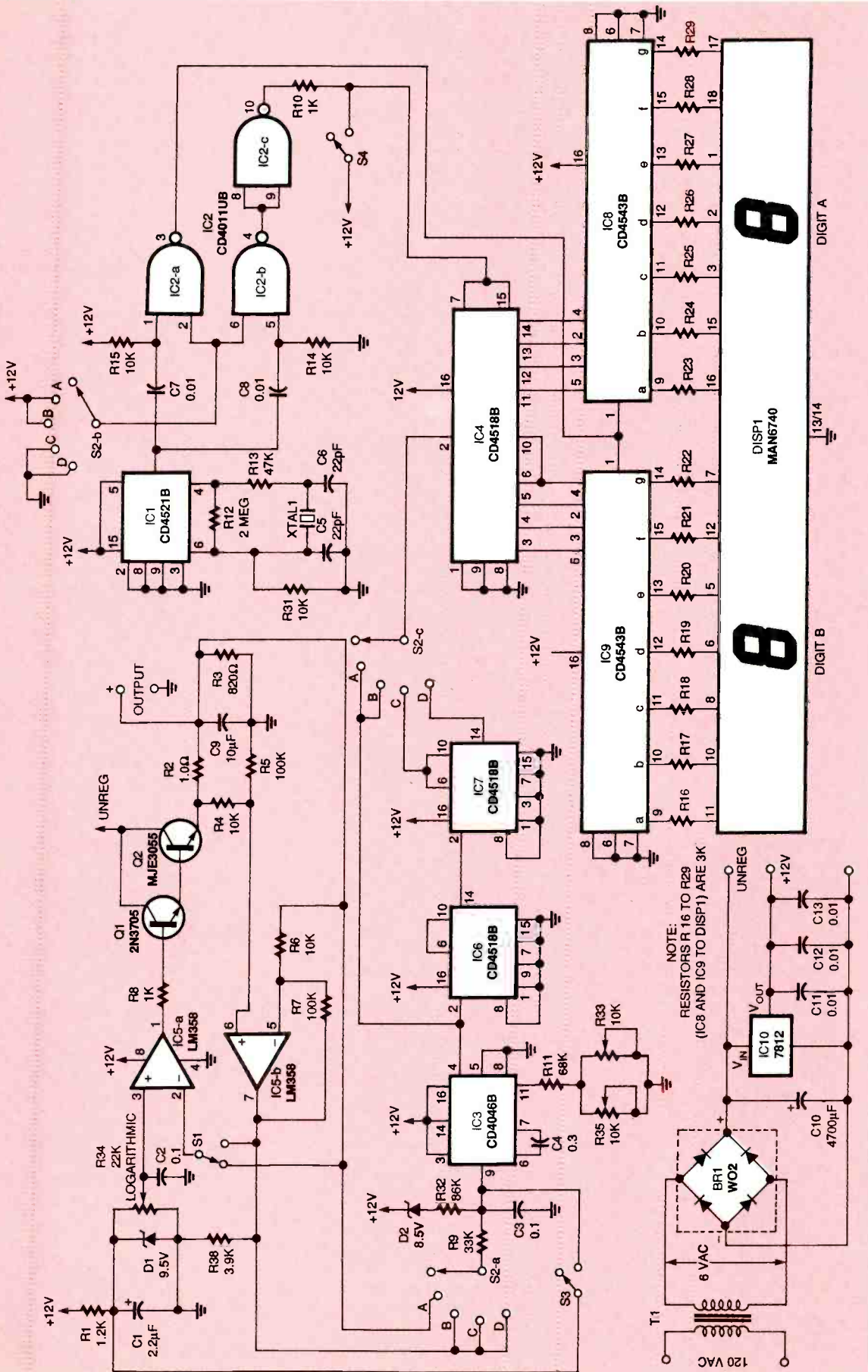


FIG. 4—SCHEMATIC FOR THE REGULATED POWER SUPPLY. Power is obtained from the 120-volt AC line. Provision is made for reading voltage, current and charge on the LED display.

Thus it is a digital representation of the charge passed.

This method offers three advantages: 1. A large capacitor is not needed because the VCO can operate in any frequency range. (The frequency is divided down to obtain the desired range); 2. Range can be changed by altering the divisor to suit your requirements; 3. To display the result it is only necessary to decode the output of the counter to drive a seven-segment display. (This eliminates analog-to-digital conversion.)

The 4518B CMOS binary-coded decimal (BCD) up counter IC4 feeds two 4543B CMOS BCD to 7-segment decoder drivers (IC8 and IC9) to give a maximum count of 100 on DISP1. Two ranges are provided so that each count can represent either 10 or 100 columns.

To increase the versatility of the circuit, options have been provided that permit both the voltage and current to be read on DISP1. Because the VCO in the 4046B CMOS phase-locked loop (IC3) has an output frequency that is proportional to its control voltage, the counter/decoder circuitry can be converted to a frequency counter that will measure voltages.

To make this conversion, a 0.5-Hz reference clock is included in this circuit based on a 4521B CMOS 24-stage frequency divider, crystal XTAL1, and a related resistor-capacitor network. It generates a waveform whose rising edge resets the counters. One second later, the falling edge latches the number of pulses per second or the signal's frequency on the counter. The method for matching the VCO to give an accurate reading and the inaccuracies of scaling is discussed later under the "How it works" section.

### How it works

The variable voltage that sets the current and voltage of the output is obtained from 7812 voltage regulator IC10. The stable 9.5 volts reference applied to potentiometer R34 is derived from Zener diode D1. The voltage drop across D1 limits the voltage to 9.5 volts and the cur-

## COMMON ELECTROCHEMICAL TERMS DEFINED

**Anode**—The electrode at which oxidation occurs

**Atom**—The smallest particle into which an element can be divided and still retain the chemical properties of that element. It is made up of electrons, protons and neutrons.

**Atomic charge**—The electric charge of an ion. It is equal to the number of electrons the atom has gained or lost in its ionization multiplied by the charge on one electron.

**Atomic number**—The number of protons in the nucleus of the atom which defines the element.

**Atomic Weight**—A measure of the average mass of the atoms of a chemical element.

**Cathode**—The electrode at which reduction occurs.

**Charge (C)**—A quantity of electric energy stored in a capacitor, battery, elementary particle, or insulated object.

**Chemical bond**—The stabilizing of two atoms by the sharing or transferring of electrons.

**Coulomb**—The SI unit of electrical charge quantity. With a current of 1 ampere flowing in a conductor, one coulomb of electrons (or other charge carriers) passes a fixed point in 1 second.  $C = 1A \times 1s$ .

**Current (I)**—The flow of electrons or holes measured in amperes (A) or in fractions of an ampere (milliamperes (mA), microamperes ( $\mu$ A), nanoamperes (nA) or picoamperes (pA). Current can be induced by the application of an electric field through a conductor or by changing the electric field across a capacitor (displacement current). Current is proportional to the amount of charge passing per unit of time. Thus, the more charge that is passing on a conductor, the more the flow of current.

Current = Charge/Time or  $I = C/t$  or rearranging terms  
 $C = I \times t$

**Electrolyte**—Aqueous solutions of acids and salts with the ability to conduct electrical current. (nonconductors are called nonelectrolytes).

**Electrolysis**—Conduction due to the motion of ions toward the electrode having a charge opposite its own when current is passed through an electrolyte solution. Two streams of particles move through the electrolyte in opposite directions. When the ions reach the pole toward which they are moving, their charge is neutralized by the transfer of electrons from the ions to the pole, if the ions are negatively charged. They move from pole to the ions, if they are positively charged. As a result of this loss of charge, neutral atoms or groups are released.

**Electrolytic conduction**—Conduction in which the current is carried through the liquid medium by the motion of weighable charged particles of the materials involved.

rent to 950 milliamperes.

The two output transistors, Q1 and Q2, obtain their power directly from the unregulated supply, and the remainder of the circuit derives its power from a 12-volt regulated supply. Capacitor C9 has been included at the output to dampen any sudden load change.

The LM358 operational amplifiers (IC5-a and IC5-b) were selected to avoid a negative power supply requirement. A 1-ohm, 1-watt, wirewound resistor R2 is the sensing resistor, the gain of differential amplifier IC5-b is set at 10 by the ratios of the pairs of resistors R5 and R4, and R7 and R6. The accuracy of this network depends primarily on how well these resistors are matched, so 1% resistors are specified.

Switch S1 selects the feedback to op-amp IC5-a to determine whether IC5-a operates as a constant-voltage or constant-current source. The 820-ohm resistor R3 acts as a load to stabilize the output so that it only sources current.

Circuit instability will occur if other than passive loads are connected to the output. Instability is not likely to happen in normal operation, but it can occur when the output voltage is being monitored by the internal meter, if no passive external load is connected. In that situation, current can flow in the reverse direction through 33-kilohm resistor R9 to the output and disable the feedback loop. Nevertheless, resistor R3 makes this unlikely.

Similarly, errors in the current-sensing network can occur when little or no current is flowing. These errors are caused by the use of a single power source for the operational amplifier because the output impedance of the amplifier rises as its output nears ground. This prevents it from sinking the necessary current from R7 and R9, causing inaccurate readings. To minimize this effect, 3.9-kilohm resistor R30 was added to decrease the effective output impedance of operational amplifier IC5-a when it is near ground level.



Under certain operating conditions, power transistor Q2 can act as a heat dissipating element. For example, if a 1-volt output is sourcing a current of 1 ampere, and Q2 is connected to a 16-volt supply, there will be 15-volt drop across Q2 and 1 ampere will flow through it. This means that Q2 is dissipating 15 watts—as much as a small light bulb or soldering iron!

Obviously this condition cannot exist for long before Q2 is destroyed and the circuit is damaged. Consequently, a heat-sink capable of dissipating about 5°C/watt was included to keep the transistor's case temperature below 110°C at 25°C (room temperature).

The VCO in the 4046B CMOS phase-locked loop IC3 has no minimum frequency limitations (i.e., at  $V_{IN} = 0$  volts,  $f_{OUT} = 0$  Hz). Consequently, the meter can cover the full range without introducing any offset errors.

The frequency range is set with a resistor and a capacitor. To allow the circuit to be set accurately, both a preset trimmer potentiometer R35 and panel-mounted potentiometer R33 can be adjusted. Panel potentiometer R33 allows the meter to be set accurately so that temperature and aging drifts can be compensated out. To simplify the calibration process, switch S3 ties the control voltage pin 9 to the reference voltage discussed earlier. The meter can be set with this known voltage.

The VCO is subject to drift and nonlinearity. Offset and nonlinearity is serious at lower frequencies. The occurrence of offset means that  $f_{OUT}$  is zero from  $V_{IN} = 0$  to 1.5 volts. From here frequency increases nonlinearly until  $V_{IN}$  equals about 3 volts. Compensation requires nonlinear biasing provided by the combination of the 8.5-volt Zener diode D2 and 86-kilohm resistor R32.

Consider what happens when 0 to 10 volts is applied to 33-kilohm resistor R9. When that voltage is zero, current will flow through Zener diode D2 and resistors R32 and R9. This will

cause a voltage at pin 9 of IC3 (set to 1.5 volts). As the voltage on R9 increases, the value of this bias-current level will fall until, at about 3.5 volts, it reaches zero. This happens because the voltage across diode D2 will be less than 8.5 volts, ( $12\text{ V} - 3.5\text{ V} = 8.5\text{ V}$ ).

This offset circuitry compensates for its shortcomings adequately. Nevertheless, it is worth keeping in mind that electrolysis and other electrochemical reactions require only about  $\pm 10\%$  current and voltage output tolerance. As for measuring charge, errors are not accumulated, so a VCO with a  $\pm 5\%$  output accuracy will give errors that are only about 5% of the total reading.

Three-pole, four-throw rotary switch S2 selects the four different functions available. The first of its poles selects the input to the VCO, either the output voltage, or, for the other three settings, the voltage that represents the current.

To transform the squarewave output of the VCO to a signal that corresponds to 10 and 100 coulombs of electric charge, the output signal must be divided down. The VCO has been set so that 10 volts gives a frequency of 100 Hz. Consequently, a current of 1 ampere gives a frequency of 100 Hz.

To translate this signal to a coulomb scale, it is necessary to divide the signal by 100 so that the output is 1 Hz, (i.e., it corresponds to 1 ampere per second). To obtain the two ranges, this signal is further divided by 10 and 100. The respective signals can be selected with S2-c. One output of the VCO is to provide the voltage and current monitoring settings.

The counter/decoder block consists of two 4518B CMOS dual BCD up-counters (IC6 and IC7) connected in series. Their outputs feed another 4518B dual CMOS up-counter (IC4) which, in turn, feeds a pair of 4543B CMOS BCD-to-seven-segment decoder drivers (IC8 and IC9) for the LED display. There are two control lines: one resets the counters, and one latches the display. A pair of

CMOS NAND gates in IC2 (IC2-b and IC2-c) of a 4011UB controls the state of these lines.

When counting coulombs, both of these lines from IC2 are disabled by changing the state of one of the control lines on the two gates, thus disabling the control lines. The latch load line remains high, thus making the latch transparent so the state of the counters is always displayed. Switch S4 resets the counters, and counting can begin at a definite value. This forces the reset line high.

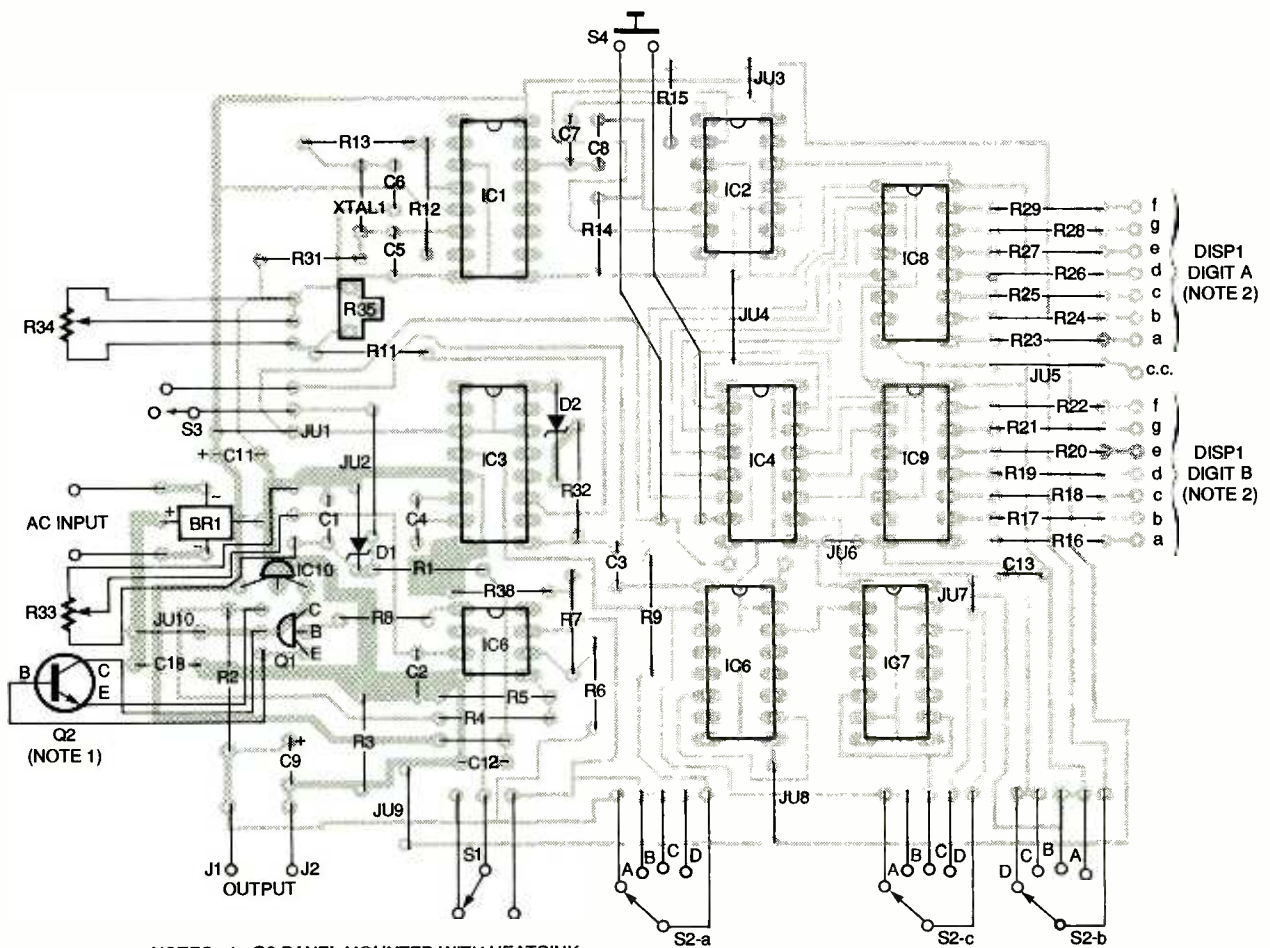
To measure current and voltage, a reference clock signal is generated by a crystal oscillator consisting of a 4521B 24-stage frequency divider IC1, crystal XTAL1, and associated circuitry. A 4.194304-MHz signal is divided by IC1 (division by 8388608) to yield a 0.5-Hz signal. On the positive edge of this clock pulse, the network of capacitor C8 and resistor R14 at pin 5 of IC2-b and c forms a positive-going pulse which is gated through to the reset line.

Because the other input to the NAND gate is high, the counter is reset to zero, and all pulses will be recorded for the next second. The latch load line will normally be low when the gate inputs are both high. This means that changes in the data inputs of the latch will not affect the display.

However, when the negative edge of the clock waveform appears, the capacitor network of C7 and R15 at input pin 1 of IC2-a passes a negative-going pulse that is gated through as a positive-going pulse. This pulse loads the latch with the number held in the counter at that time (i.e., accumulated pulses for 1 second). This value corresponds to the VCO's frequency.

### Circuit construction

The power supply circuit can be built on standard perforated board (0.042-inch diameter holes in a 0.1×0.1 grid) and point-to-point wiring, but a circuit board is recommended. A foil pattern for the circuit board is included in this article. Make a template for drilling a hole in each corner of the circuit board



NOTES: 1. Q2 PANEL MOUNTED WITH HEATSINK  
 2. SEE FIG.7 FOR CONNECTIONS TO DISP1

**FIG. 5—PARTS PLACEMENT DIAGRAM.** The power transformer, power transistor, switches, panel potentiometers and display are mounted off the board.

for mounting it to the base of the case with standoffs. Drill holes in the four corners of the board before mounting any parts.

A second, smaller 2½ × 1¾-inch board is required for the two-digit LED display DISP1. It can be made from the foil pattern provided. Drill two mounting holes on each side of the board, avoiding the circuit traces, for later mounting to the

inside of the case.

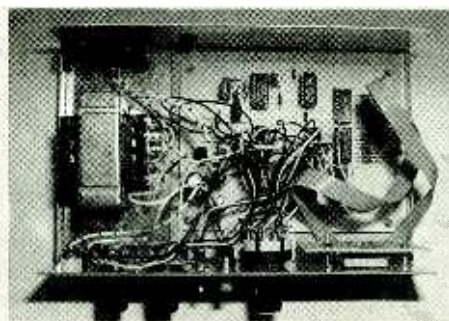
Refer to the parts placement diagram Fig. 6. It is recommended that all nine dual-in-line-(DIP) packaged integrated circuits in this power supply be mounted in sockets. Of those nine ICs, eight are CMOS devices subject to damage or destruction from electrostatic discharge (ESD). Insert and solder all nine IC sockets, all fixed resistors, trimmer potentiometer,

discrete transistors Q1, voltage regulator IC10, and non-polarized capacitors on the board.

Then insert and solder all polarized components, making sure they are correctly oriented: Zener diodes D1 and D2, Capacitors C1, C9, and C10, and bridge BR1. After completing this board, examine it carefully to be sure that there are no inadvertent solder bridges or cold solder joints. Make any corrections necessary, and set the board aside

Insert and solder the LED display DISP1 on the small circuit board. Cut two six-inch lengths of seven-conductor ribbon cable (No. 28 AWG), strip the wire ends, and insert and solder each cable separately to the circuit board.

Next month, case construction and testing instructions will be presented. Ω



IF YOU HAVE EVER TRIED to test an infrared LED with a fluorescent phosphor card, you'll be happy to know that there's a better way. This project, called the infrared logic probe, combines an infrared photodiode sensing circuit and a logic-probe pulse detecting circuit. The device is handy for checking just about any infrared emitting source.

The infrared logic probe consists of two sections: a probe and a PC board containing the electronics. The probe is packaged in a felt-tip pen case. The electronics are packaged in a plastic case and connected to the probe through a thin coaxial cable. The circuit will detect 0.3-milliwatt continuous levels and pulses as narrow as 40 microseconds at a frequency of 7.1 kilohertz. The probe's tip is small enough to fit in a slotted optical switch and other hard-to-reach optical sensing devices. Sensitivity to ambient light is not a problem, but the probe can be sensitive to sunlight or incandescent light that is rich in infrared. The photodiode is packaged in a visible-light rejecting case with a peak spectral response of 925 nanometers and a usable range of 725 to 1150 nanometers.

#### Circuit description

The schematic for the IR logic probe is shown in Fig. 1. Infrared light detected by photodiode D2 is amplified by IC1-a, half of an LM392N op-amp. Resistors R1 and R2 set the voltage gain of IC1-a. The value of R2 can be changed to decrease the sensitivity of the circuit if your application demands it. Con-

# INFRARED LOGIC PROBE



***Here's a device to help you troubleshoot infrared emitters. You can't buy it anywhere—you have to build it yourself!***

**ALEXANDER D. FIRMANI**

nector J1 provides an output to an oscilloscope for the display of the amplified photodiode signal. This is handy when checking the pulsed emitters found in most remote controls.

Voltage comparator IC1-b squares up signals from IC1-a to digital logic levels for IC2-a. Resistors R4 and R5 set the reference voltage at the non-inverting input to one half of the supply voltage, and R6 provides hysteresis to prevent oscilla-

tions. Resistor R8 pulls up the comparator's output for a near rail-to-rail voltage swing for IC2-a. LED1 and current-limiting resistor R7 indicate the presence of steady-state infrared and also function with pulsed emitters, if the duty cycle is appropriate.

Monostable multivibrator IC2-a conditions pulse trains with any period shorter than the time constant of R9 and C1 into a low-frequency waveform with a very high duty cycle. Monostable IC2-b triggers on the waveform from IC2-a. This provides pulses for LED2 that are constant in frequency and duty cycle, regardless of the high input frequency to IC2-a. Any frequency input to IC2-a with a period longer than the time constant of R9 and C1 creates IC2-b output pulses with the same width as before at the input frequency. Resistor R10 and C2 set the output pulse width for IC2-b.

Tricolor LED2 (a dual red/green device) functions as a pilot lamp and indicator for pulsed infrared sources. LED2 will always glow red and pulse amber (red + green) when infrared pulses are detected. Transistor Q1 is

an emitter-follower buffer that allows IC2-b to drive the green diode. Resistors R11 and R12 limit current for LED2.

The power source for the circuit is a 9-volt battery. Diode D1 protects the circuit from accidental voltage reversals when you install the battery. Power supply noise is decoupled by C3 and C4. Alkaline batteries will provide many hours of operation, because the circuit has low-power integrated circuits

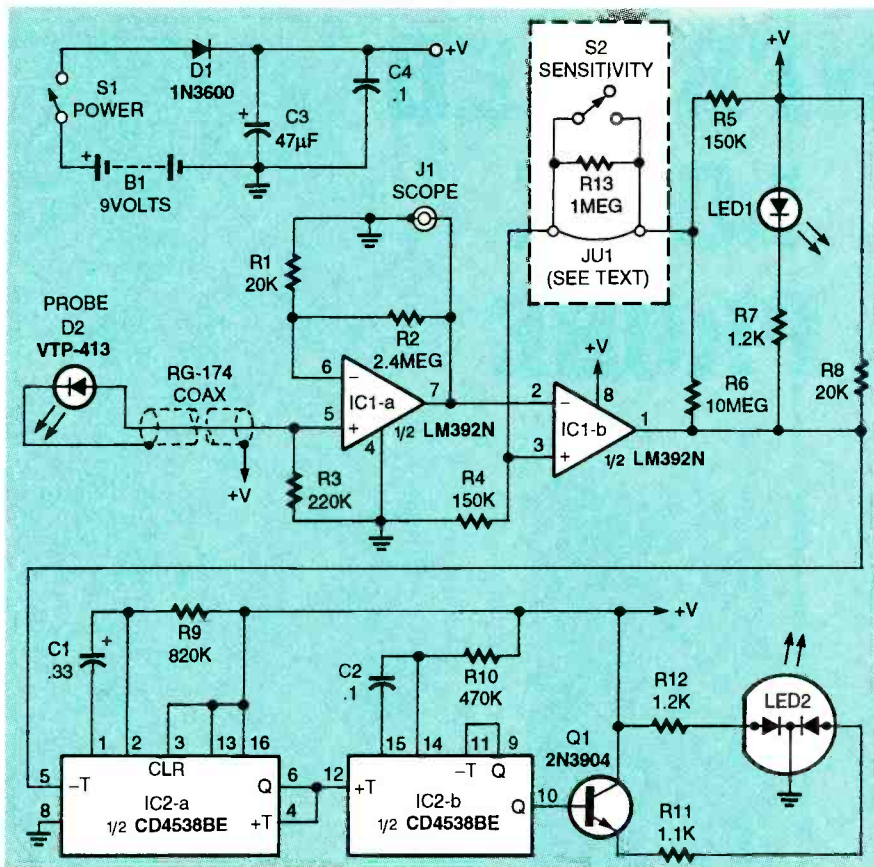


FIG. 1—SCHEMATIC FOR THE IR LOGIC PROBE. Infrared light detected by photodiode D2 is amplified by IC1-a, half of an LM392N op-amp.

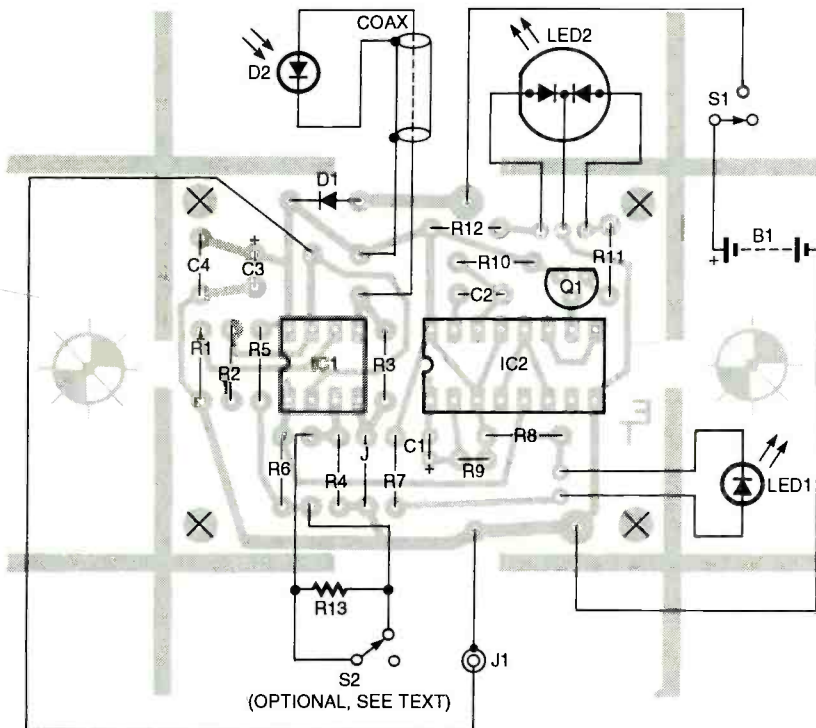


FIG. 2—PARTS-PLACEMENT DIAGRAM. Sockets for mounting the integrated circuits are recommended.

and high-efficiency LEDs. Switch S2 (and R13) is op-

tional. The probe will operate properly with a wire jumper in

place of S2 for most emitters (remote controls) found on consumer electronic equipment. For certain devices such as slotted optical switches, CD laser diodes, and reflective sensors, more sensitivity might be desirable. If you plan to use the probe for LEDs that operate below 0.5 milliwatts, install S2 and R13—if not, you can install a wire jumper on the board instead of the switch.

### Construction

The circuit can be built on a PC board or point-to-point wired. You can make your own PC board from the foil pattern provided here, but point-to-point wiring is practical because of the low component count. The photograph and parts placement diagram within this article will help. Sockets for the ICs are recommended. Figure 2 is the parts-placement diagram.

If you are using the same case as the prototype (see the Parts List), place the unpopulated PC board on the bottom half of the enclosure, centered and positioned about  $\frac{5}{16}$ -inch from the battery compartment wall. Mark the four mounting holes and then drill them for 2-56 hardware.

Mount the components on the board, taking care not to make any solder bridges or poor connections. Note that R9 must be mounted vertically. Again, if you are using the recommended case, cut the leads on the LEDs to approximately  $\frac{5}{8}$ -inch, and solder them to the board straight up. (If you are using a case with a different height, cut the LED leads to a length so that they will just extend through holes drilled in the top of the case after the board is mounted in the case.) Next solder 6-inch lengths of No. 24 wire for the switch/switches (remember that S2 is optional), jack J1, and the negative lead of the battery snap, to the points indicated in Fig. 2. Do not connect the switches and jack now. Mount the board to the bottom of the case with short 2-56 machine screws and nuts.

Drill two holes in the en-

## PARTS LIST

All resistors are 1/8 watt, 5%.

R1, R8—20,000 ohms  
 R2—2.4 megohms  
 R3—220,000 ohms  
 R4, R5—150,000 ohms  
 R6—10 megohms  
 R7, R12—1200 ohms  
 R9—820,000 ohms  
 R10—470,000 ohms  
 R11—1100 ohms  
 R13—1 megohm (optional, see text)

### Capacitors

C1—0.33  $\mu$ F, 50 volts, electrolytic  
 C2—0.1  $\mu$ F, 50 volts, Mylar  
 C3—47  $\mu$ F, 16 volts, electrolytic  
 C4—0.1  $\mu$ F, 25 volts, ceramic disk

### Semiconductors

IC1—LM392N dual op-amp/comparator National Semiconductor  
 IC2—CD4538BE dual monostable multivibrator  
 Q1—2N3904 NPN transistor  
 D1—1N3600 or NTE-519 silicon diode  
 D2—Vactec VTP-413 photodiode (Allied Electronics)  
 LED1—High-efficiency yellow LED  
 LED2—Tricolor LED (Digi-Key P391 or equivalent)

### Other components

S1—SPST slide switch  
 S2—SPST slide switch (optional, see text)  
 J1—Chassis mount phono jack  
 B1—9-volt alkaline or lithium battery

**Miscellaneous:** One 8-pin low profile IC socket, one 16-pin low-profile IC socket, 4 feet of RG-174 coaxial cable, 9-volt battery connector, Pac Tec HM-9VB or Radio Shack 270-293 plastic project case, 2-56 hardware, clear casting resin and catalyst or clear RTV silicone sealer, 5-minute epoxy, Sanford *Sharpie* fine-point permanent marker pen (use a dried up one if you have one), small piece of 1/10-inch thick clear Plexiglas, denatured alcohol, black paint, foam rubber, No. 24 hook up wire, solder.

Next use the drill guide in Fig. 3 to mark and drill the holes in the enclosure's top. (The drill guide matches the PC board layout, so it can be used for any case.) Remember, S2 is optional, so don't drill holes for

mounting it if you're not using it. The rectangular holes for the switches can be made by drilling a pilot hole in the center and carefully cutting away the plastic with a sharp hobby knife. Mount the switches and solder the wires to them. Figure 4 shows the inside of the completed unit.

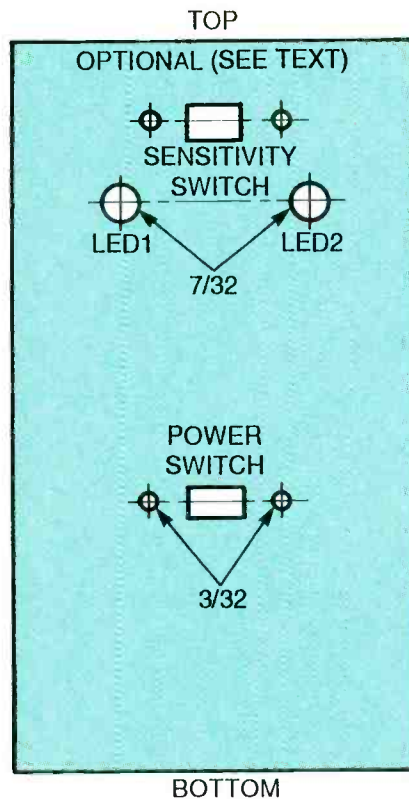


FIG. 3—DRILL GUIDE. S2 is optional, so don't drill holes for mounting it if you're not using it.

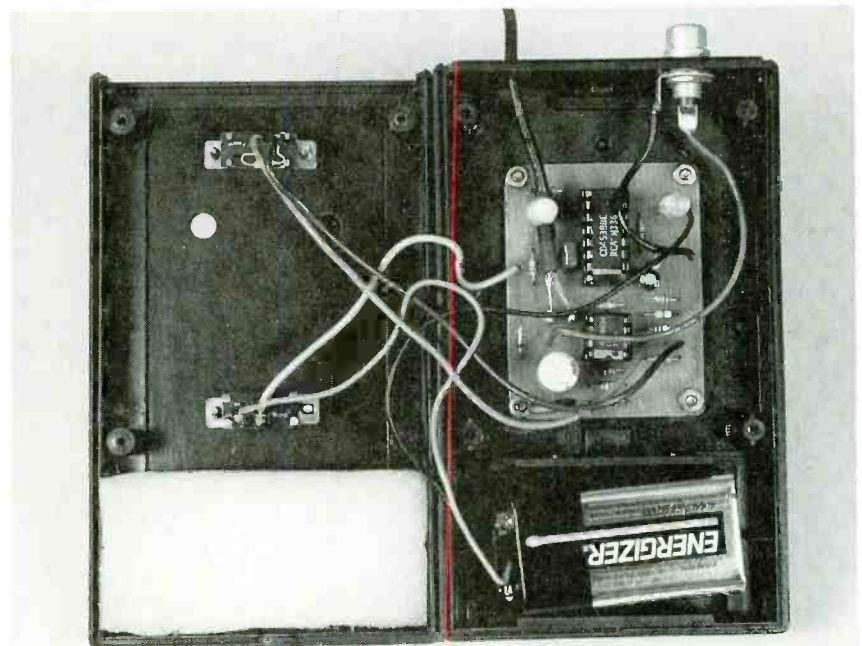


FIG. 4—THE INSIDE OF THE COMPLETED UNIT. You can use the same case (see the Parts List) or any other that will accept the board and a 9-volt battery.

closure's removable end plate: one 1/8-inch hole for the probe's cable and one 1/4-inch hole for phono jack J1. Install J1 in the end plate and place the plate into the enclosure. Solder the wires to the jack, observing polarity and taking care not to melt the plastic end plate.

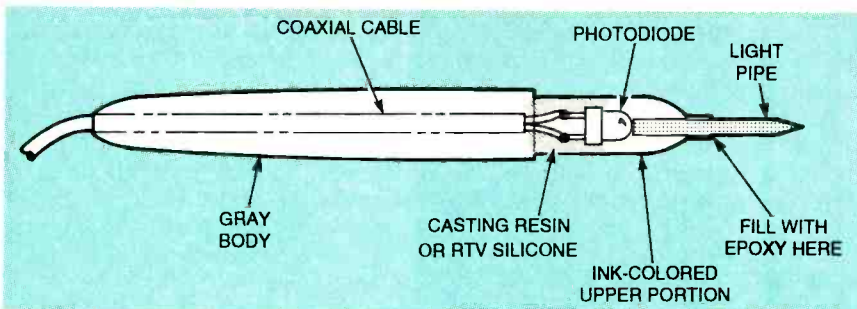


FIG. 5—CUTAWAY VIEW OF THE PROBE. The probe case was made from a fine-point felt-tip marker pen.

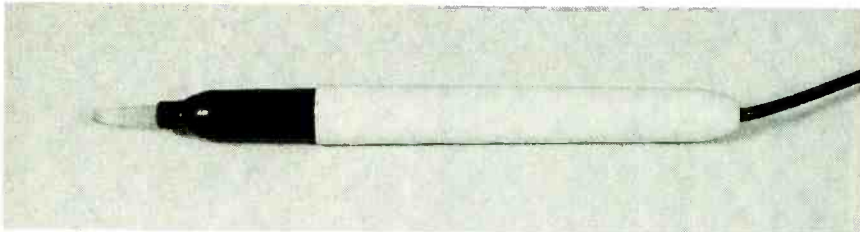
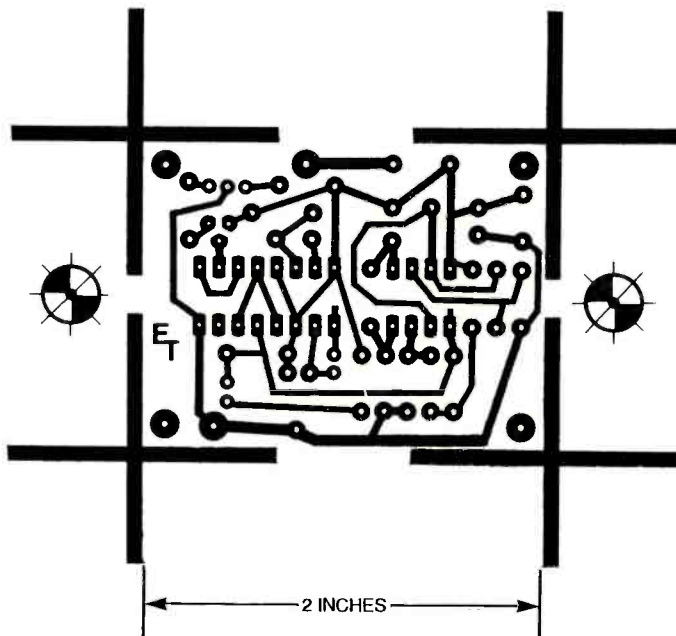


FIG. 6—THE COMPLETED PROBE. Use the pen's original cap to protect the light pipe from breakage.



IR PROBE FOIL PATTERN.

This can be accomplished by deeply scribing the sheet on both sides and clamping the piece to be cut off in a vise. Snap the piece off and cut it to length with diagonal cutters. File one end to a screwdriver-shaped tip, and then dress also clean up the

To make the "light pipe" that conducts light into the probe's interior, cut a small piece of  $\frac{1}{10}$ -inch thick clear Plexiglas,  $\frac{1}{8}$ -inch wide and  $1\frac{1}{4}$ -inches long. This can be accomplished by deeply scribing the sheet on both sides and clamping the

piece to be cut off in a vise. Snap the piece off and cut it to length with diagonal cutters. File one end to a screwdriver-shaped tip, and then dress up the sides with the file.

Tap the light pipe into the hole in the pen's upper portion where the writing tip was. The screwdriver point should be outside, and the light pipe should extend about  $\frac{1}{2}$ -inch. Mix some five-minute epoxy and seal the gaps where the rectangular light pipe enters the round hole in the pen's upper

portion.

Prepare one end of the probe's coaxial cable by stripping about an inch of the jacket off and separating the braid with an awl. Place a length of heat-shrink tubing over the cut jacket for a neat appearance. Drill a hole in the end of the marker's gray barrel large enough to admit the coaxial cable.

The photodiode's leads must be bent to extend from the center of the device. Mark the photodiode's cathode lead (it's the shorter lead), and then cut both leads down to a  $\frac{1}{4}$ -inch length from the back of the device. Solder the leads of the coaxial cable to the leads of the photodiode: use the cable's braid for the cathode and the center conductor for the anode. Make sure the leads cannot short together!

Mix about an ounce of clear casting resin (available at an art supply store) according to the directions on the package. (Alternatively, you can use clear RTV silicone sealant.) Place the probe's upper portion in a vise with the open end facing upwards. Insert the photodiode in the open end, and push it down until its lens touches the light pipe. Pour the resin (or RTV silicone) in the open end and completely fill the void, encapsulating the diode in the marker's upper body. The coaxial cable should be positioned in the center of the upper body while the resin hardens overnight.

When the resin (or RTV silicone) has cured, apply black paint to the resin around the cable. This prevents infrared light from entering through the probe's gray barrel. When the paint dries, slide the barrel over the cable, and push the two sections of the probe together. Sand the light pipe with 400-grit sandpaper to finish the surface. Use the pen's original cap to protect the light pipe from breakage when it is not in use. Figure 6 shows the completed probe.

#### Final assembly & testing

Pass the free end of the probe's coaxial cable through the hole in the enclosure, and

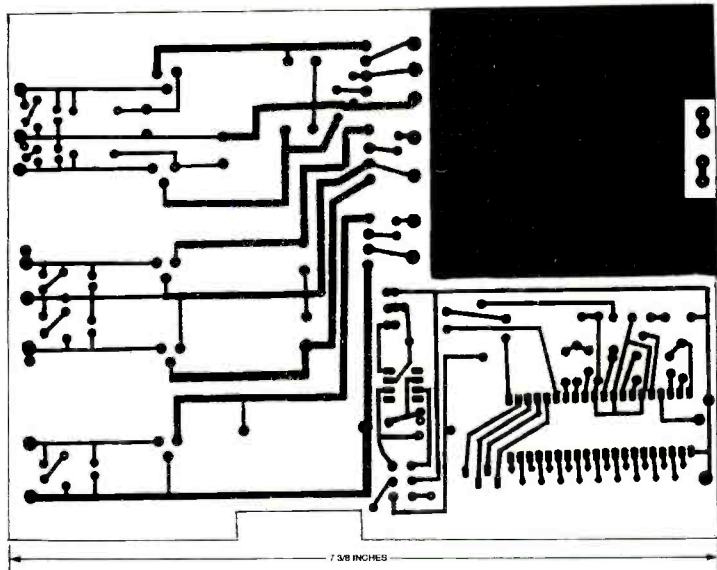
*Continued on page 87*

## POWER SUPPLY

*continued from page 32*

meter and display circuitry, so this section must be turned on to power the output meter. Fuse F1 protects the supply in the event of an overload, and disables it to prevent electrical shock or fire.

Each voltage output is connected to one of the panel jacks and to one throw position of switch S4. Switch S4 is a two-pole, six-throw (2P6T) rotary unit. Pole A switches the positive input to the voltmeter, and pole B switches the ground input. (There are three separate grounds in the circuit.)



MAIN POWER SUPPLY FOIL PATTERN.

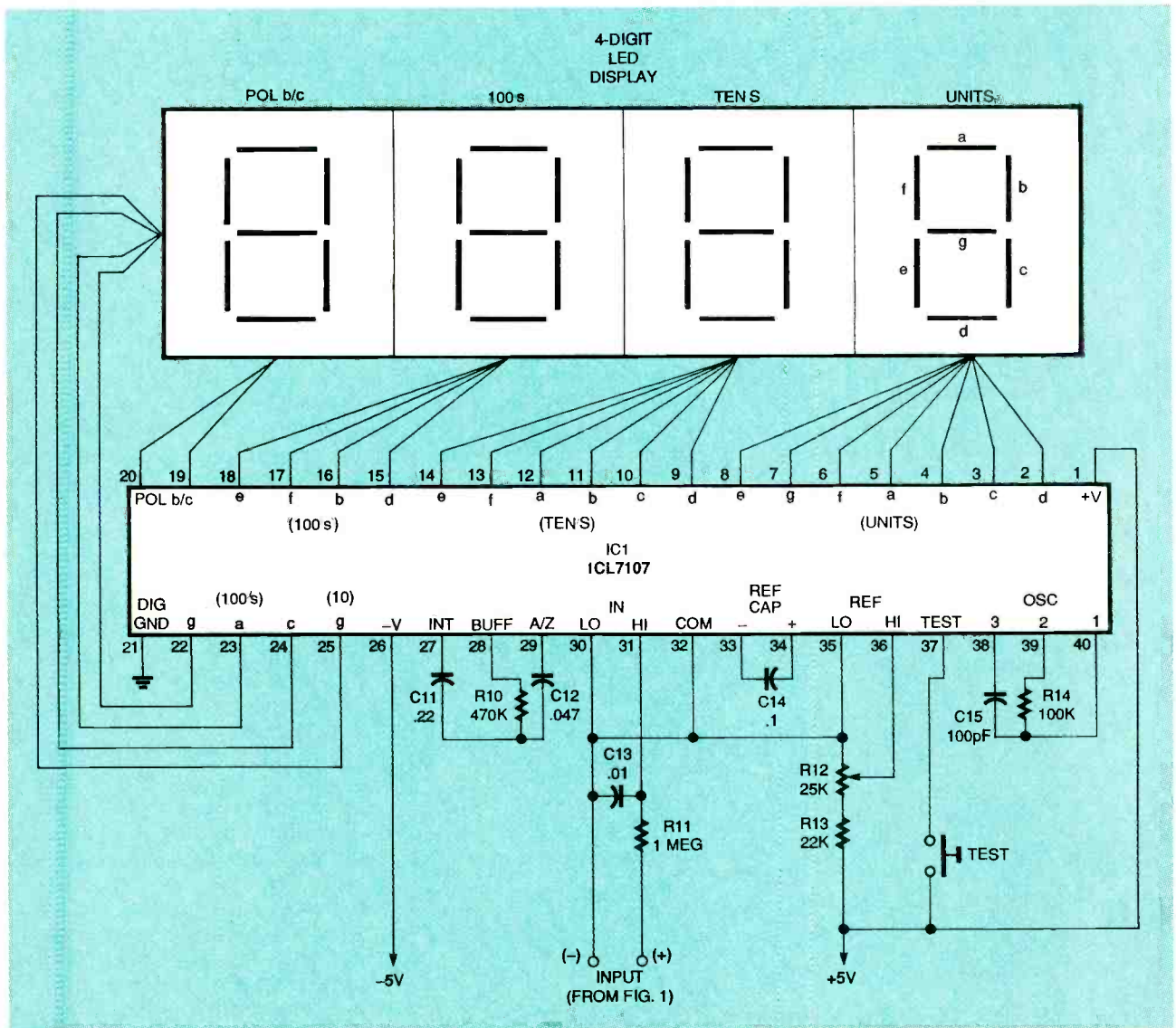
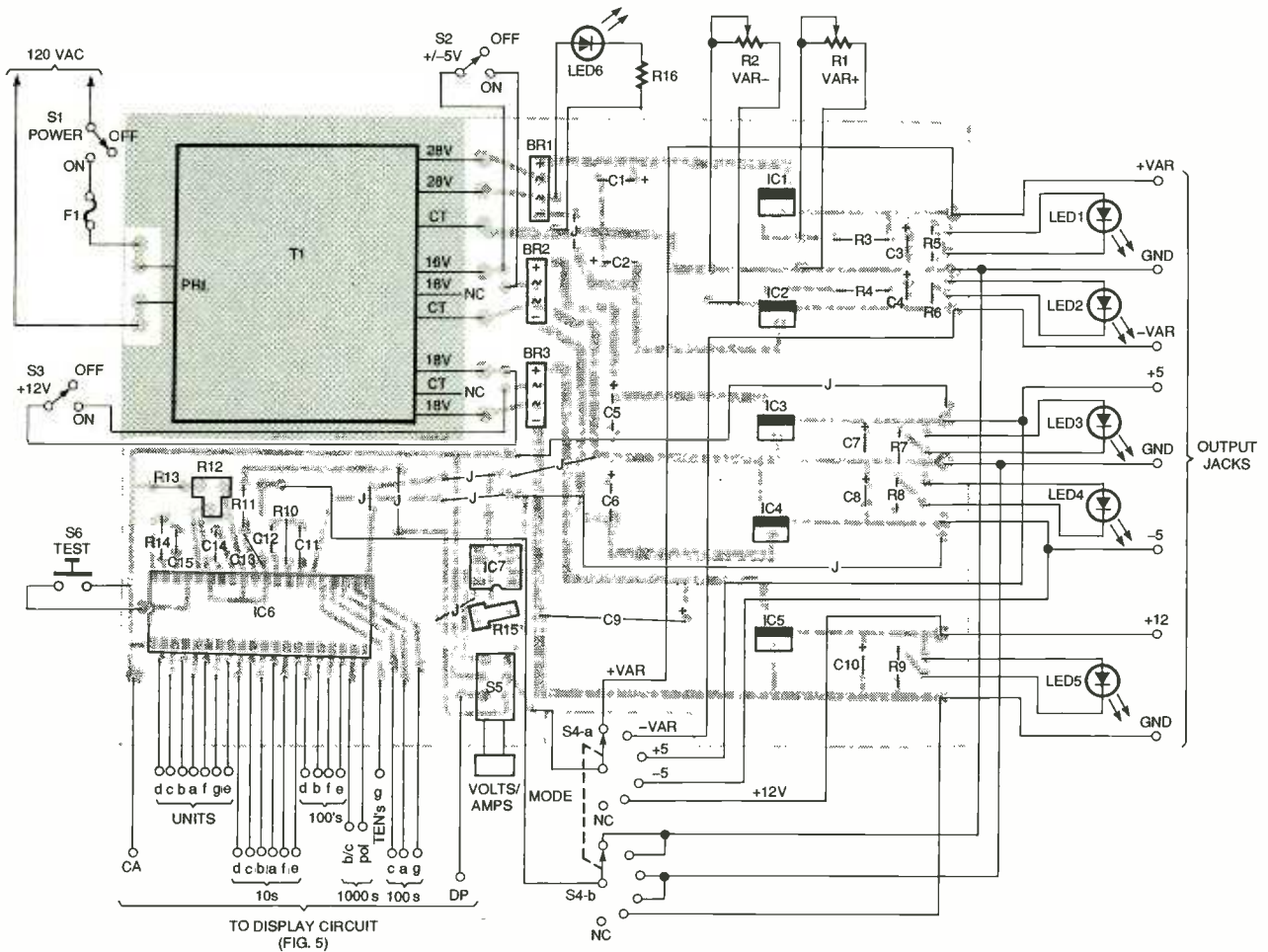


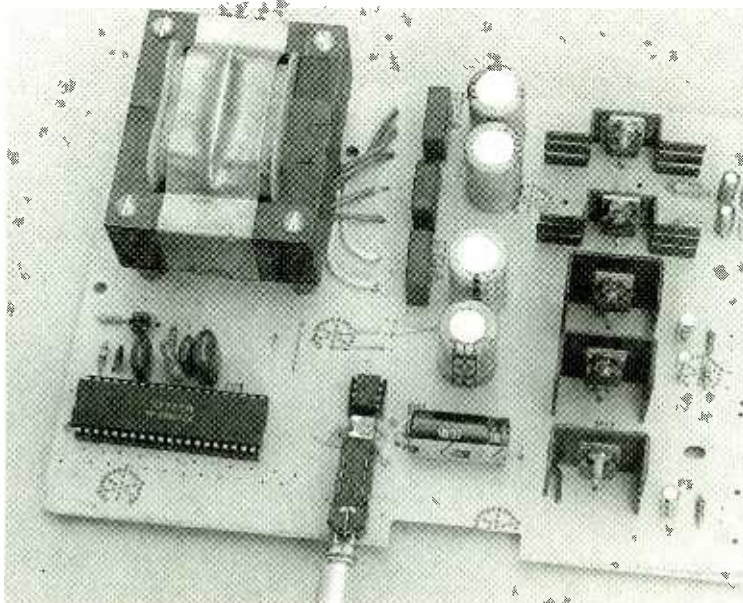
FIG. 2—VOLTMETER CIRCUIT. The Harris ICL7107 A/D converter includes segment decoders and LED display drivers.



**FIG. 3—PARTS-PLACEMENT DIAGRAM.** Mount heatsinks on all voltage regulators to prevent them from overheating.

Pole A of S4 is connected to one pole of DPDT switch S5 so that the signal can be routed directly to the meter for voltage readings, or to the LM741 current-to-voltage converter IC7 for current readings. The second pole of S5 is connected to the +5-volt supply. This pole is switched to the second decimal point of the display in the voltage mode or to pin 7 of the LM741 in the current mode.

The heart of the digital meter is the Harris ICL7107 A/D converter (see Fig. 2). The 7107 contains all the active devices needed to construct the voltmeter. These include the segment decoders and LED display drivers. The optional pushbutton switch connected to pin 37 of the ICL7107 permits the display to be tested. When that pin is connected to +5 volts, the display will indicate “-1888,” testing all of the segments. If a liquid-crystal display is pre-



**FIG. 4—THE COMPLETED PC BOARD.** Be sure to observe the proper polarity on the bridge rectifiers, diode, and electrolytic capacitors.



## PARTS LIST

All resistors are 1/4-watt, 5%, unless noted.

R1, R2—5000 ohms, panel-mount potentiometer  
 R3, R4—220 ohms, 1/2-watt  
 R5, R6, R9, R16—1000 ohms  
 R7, R8—470 ohms  
 R10—470,000 ohms  
 R11—1 megohm  
 R12—100,000 ohms, PC-mount potentiometer  
 R13—22,000 ohms  
 R14—100,000 ohms  
 R15—500,000 ohms, PC-mount potentiometer

### Capacitors

C1, C2, C9—1000  $\mu$ F, 50 volts, electrolytic  
 C5, C6—470  $\mu$ F, 50 volts, electrolytic  
 C3, C4, C7, C8—0.47  $\mu$ F, 50 volts, electrolytic  
 C10—0.33  $\mu$ F, 50 volts, electrolytic  
 C11—0.22  $\mu$ F, polyester  
 C12—0.047  $\mu$ F, polyester  
 C13—0.01  $\mu$ F, polyester  
 C14—0.1  $\mu$ F, polyester  
 C15—100 pF, ceramic disc

### Semiconductors

IC1—LM317T positive adjustable voltage regulator  
 IC2—LM337T negative adjustable voltage regulator  
 IC3—LM7805T positive 5-volt regulator  
 IC4—LM7905T negative 5-volt regulator  
 IC5—LM7812T positive 12-volt regulator

IC6—ICL7107CPL A/D converter/LED display driver (Harris)  
 IC7—LM741 operational amplifier  
 BR1—BR3—200 PIV, 1.5-amp bridge rectifier

LED1, LED3—red light-emitting diode  
 LED1, LED2, LED4—green light-emitting diode  
 LED5—orange light-emitting diode  
 DISP1, DISP2—dual 7-segment common-anode LED display (MAN6710 or Equivalent)

### Other components

S1—S3—SPDT switch  
 S4—2P6T rotary switch  
 S5—DPDT push-on/push-off switch  
 TI—120 VAC primary, 28/18/16-volt center-tapped secondary (Electronic Goldmine # G2713 or equiv., 602-451-7454)  
 F1—1/2-amp slow-blow fuse

**Miscellaneous:** five heatsinks for TO-220 devices, panel-mount LED holders, 8- x 6- x 2.5-inch instrument case (JDR Microdevices GPB862 or equiv.), control knobs, eight panel-mount banana jacks, panel-mount fuse holder, 6-foot grounded AC line cord and strain relief, 1- x 2-inch red display cover (optional), hardware, dry-transfer lettering to label the front and back panels, two 40-pin IC sockets, one 8-pin IC socket.

ferred, substitute an ICL 7106CPL for the 7107. All pin connections will be the same, except that pin 21 will become the backplane instead of the digital ground.

### Building the circuit

The circuit can be built by point-to-point wiring on perforated construction board, but a printed circuit board will make construction easier. A foil pattern is included here if you want to make your own board. All components are mounted on the PC board except items on the front and back panels.

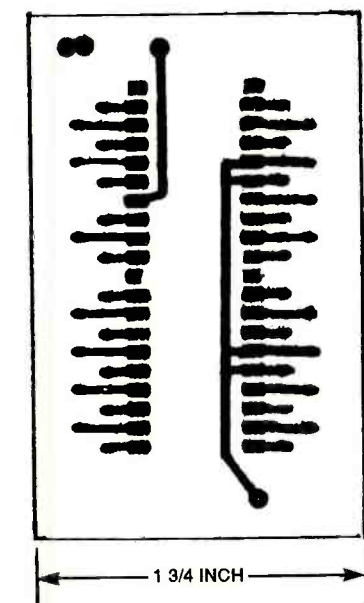
Solder all components to the board as shown in Fig. 3, starting with the discrete capacitors and resistors. Then add all the semiconductor devices. IC sockets are recommended for IC6 and IC7. Be sure to observe the proper polarity on the bridge rectifiers, diode, and electrolytic capacitors. Mount heatsinks on all of the voltage regulators to prevent them from overheating. Figure 4 shows the completed PC board.

The prototype is housed in an 8- x 6- x 2.5-inch instrument case, about the smallest commercial enclosure that will contain all of the parts. You can also make one of your own design. If the case is not ventilated, cut slots in the back, top, and sides to allow air to circulate to dissipate the heat.

All controls and jacks, except for the rotary mode-control switch, are mounted on the front panel. The mode switch is located on top of the case. Wire the front-panel connections with stranded No. 22 AWG hookup wire, except for the meter display and AC power lines. Wire any lines that carry the 120-volt AC voltage with 16-gauge stranded wire, and route them away from the main board.

A foil pattern is also provided here for the seven-segment, four-digit meter display circuit. Mount the parts for the display as indicated in Fig. 5, and connect the display board to the main circuit board with a length of 24-conductor No. 28 AWG flat cable.

Continued on page 93



DISPLAY BOARD FOIL PATTERN.

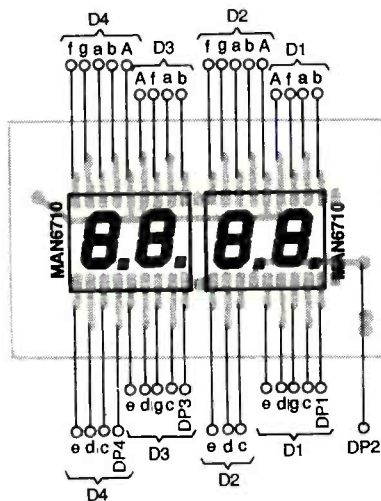


FIG. 5—DISPLAY BOARD PARTS PLACEMENT. Connect the display board to the main circuit board with a 24-conductor flat cable.

# Aerovox®

DC Film and NF1 Suppression Capacitors, Aluminum Electrolytic and AC Oil Capacitors, EMI Filters

# AMP

Electrical/Electronic Connectors, IC Sockets, PCB Switches



Time Delayed Relays, Flashers, Timing Controls



Miniature and Subminiature Coaxial Connectors and Cable Assemblies.

# AVX CORPORATION

A KYOCERA GROUP COMPANY

MLC, Tantalum and Thin Film Capacitors, Resistors, Networks, Integrated Passive Components, Trimmers, Oscillators, Resonators, Filters, Piezo Devices, and Connectors

# CAROL

CAROL CABLE COMPANY INC.

Electronic and Electrical Wire and Cable and Power Supply Cords



Tubing, Conduits, Hose, Sleeveings, Splices, Insulation and Cable Harness Products, Power Cords and Cordsets

# Communications Instruments, Inc.

CI Midtex

Relays and Solenoids



# Bussmann

Fuses, Fuseholders, Fuse Blocks, and Fuse Accessories

# CORNELL DUBILIER

Capacitors-Aluminum Electrolytics, Mica, AC Oil, Film, MICA Paper and Relays



Dale Electronics, Inc.

Resistors, Networks, Oscillators, Displays, Inductors, Thermistors, Connectors, & Transformers



FOX ELECTRONICS  
Quartz Crystals • Clock Oscillators  
Surface Mount • Programmable Devices



Electronics Now Magazine



Electronic Hardware Manufacturers

# MALLORY

North American Capacitor Company  
Tantalums, Aluminums, Sonalaters® Ceramics, Films and AC's

# M-tron

Quartz Crystals, Clock Oscillators, Hybrid Circuits



Fixed Ceramic Capacitors, Variable Capacitors and Resistors, Crystal Oscillators, Ceramic Filters, Resonators, EMI Filters, Hybrid Circuits and more.

# Panasonic Industrial Company

Resistors, Resistor Networks, Ceramic, Film, Electrolytic, Double Layer Capacitors, Potentiometers, Switches, Inductors, Filters, Resonators, Varistors, Thermistors

# Philips Components

Philips Electronics North America Corporation

Resistors, Ferrite Components  
Aluminum Electrolytic, Film & Ceramic Capacitors



DC Film Capacitors, AC Suppression Capacitors

# ROHM

Rohm Electronics Division

Monolithic ICs, Hybrid ICs, Transistors, Diodes, LED, Sensors, Laser Diodes, LCD, Printheads, Resistors, Capacitors



Tantalum Capacitors, Wet & Foil Capacitors, Resistor Networks, Resistor Capacitor Networks, Filters



Monolithic Ceramic, Chip Capacitors

# How to keep Production happy, Marketing bullish, and Management ecstatic

# DI DANTONA INDUSTRIES, INC.

Batteries: Computer, Cordless Phone, Laptop, Scanner, Alarm and Medical  
Antennas: Cordless Phone and Scanner



# DEARBORN WIRE AND CABLE L.P.

Wire • Cable • Insulation  
Tubing • Cord Sets

# EATON

Eaton Corporation, Commercial & Military Controls Operation

Switches, Relays, Displays and Keyboards

# KEMET

Electronics Corporation

Multilayer Ceramic and Solid Tantalum Capacitors

# KOA SPEER

Resistors, SMT Tantalum Capacitors, Inductors, Resistor Networks, SMT Thermistors



# CIRCUIT PROTECTION DEVICES

# Buy—and sell—electronic components through distribution

The sponsors of this message, proud members of the EIA Components Group, understand that top service to customers requires effectively involving distributors as part of their marketing teams.

Distributor involvement produces lower prices, quicker deliveries, better service overall. The buyer wins...the seller wins.

Leadership stems from not only designing products better and manufacturing them better, but also from marketing them better. And that means selling through distributors.

Leadership is also fostered through the manufacturer's involvement in the Components Group of the Electronic Industries Association. EIA fosters better industry relations, coherent industry standards, and the sharing of ideas. This not only helps us; it also helps you, the customer.

Do it right. Buy through distribution. Sell through distribution. And belong to EIA!



Electronic Industries Association  
Components Group  
2500 Wilson Blvd.  
Arlington, VA 22201  
Phone: (703) 907-7536  
Fax: (703) 907-7501

*Committed to the competitiveness of the American electronics producer.*

## VIDEO RECEIVER

continued from page 34

The tuner's local oscillator is controlled by a varactor diode. All diodes, including varactors, exhibit a change in capacitance as voltage is applied across them. As the voltage changes, so does the capacitance. This effect electronically tunes the circuits in the tuner. Figure 3 shows a typical UHF tuner's frequency vs. voltage curve.

The output of the tuner is an intermediate frequency (IF) of about 45-MHz. The signal from the tuner must first be amplified before being sent to the detector. The required gain is typically as high as +50 dB at 45 MHz. The amplified IF is then sent to a low-level video detector that demodulates the IF into baseband video signals. The detector is a fully balanced multiplier circuit that is tuned by another 45 MHz tank circuit.

The detector synchronously demodulates the IF into baseband video by internally dividing the signal into two channels. One channel is a limiting amplifier that provides the switching carrier for the synchronous detection, and the other channel is a linear amplifier. A common-collector, high-to-low impedance-matching buffer amplifier stage follows the detector to approximate the 75-ohm input of most video monitors.

Figure 4 is the schematic diagram of the video receiver circuit. The IF input from the tuner is fed into an MC1350 amplifier (IC1) through capacitor C4. The 56-ohm input resistor

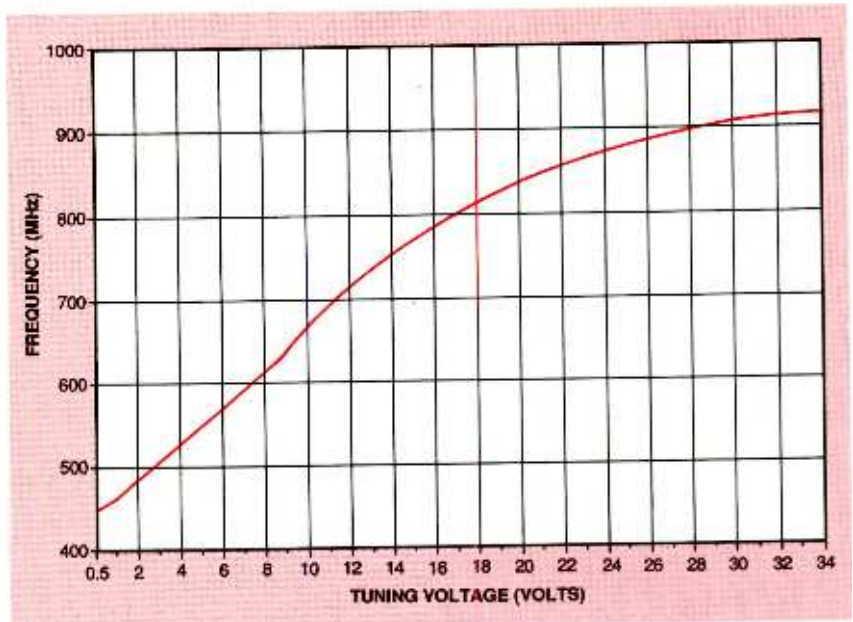


FIG. 3—THE TUNER'S LOCAL OSCILLATOR is controlled by a varactor diode. Here's a typical UHF tuner's frequency vs. voltage curve.

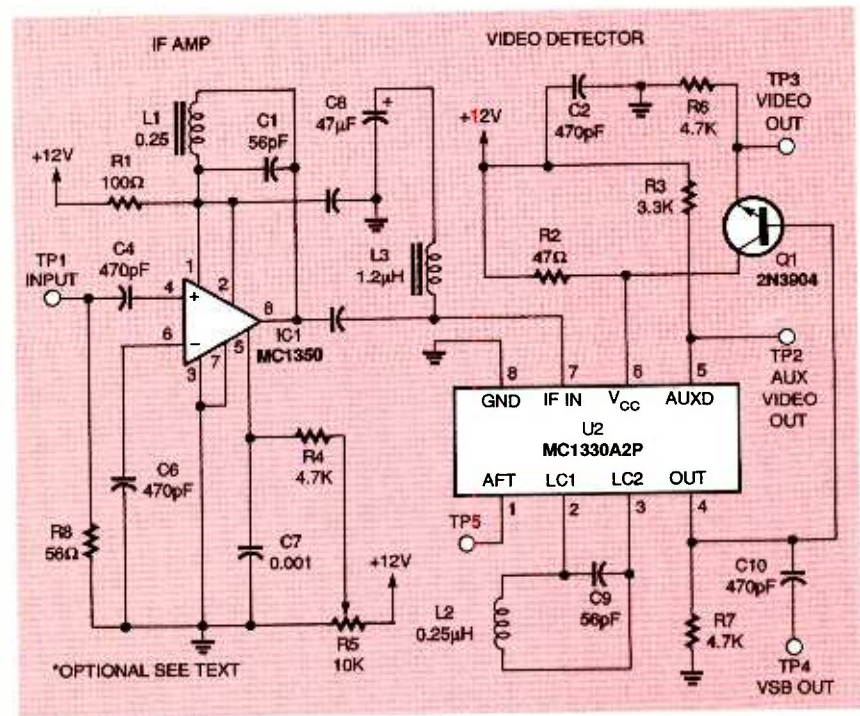


FIG. 4—VIDEO RECEIVER SCHEMATIC DIAGRAM. The IF input from the tuner is fed into an MC1350 amplifier (IC1) through capacitor C4. The 56-ohm input resistor R8 approximates the impedance of the tuner's 50-ohm output.

### VIDEO RECEIVER SPECIFICATIONS

Input: 45.75 MHz IF, 50 ohms  
Output: NTSC composite video, 75 ohms  
Power: +12VDC, 22 mA  
Gain: Approx. 80 dB

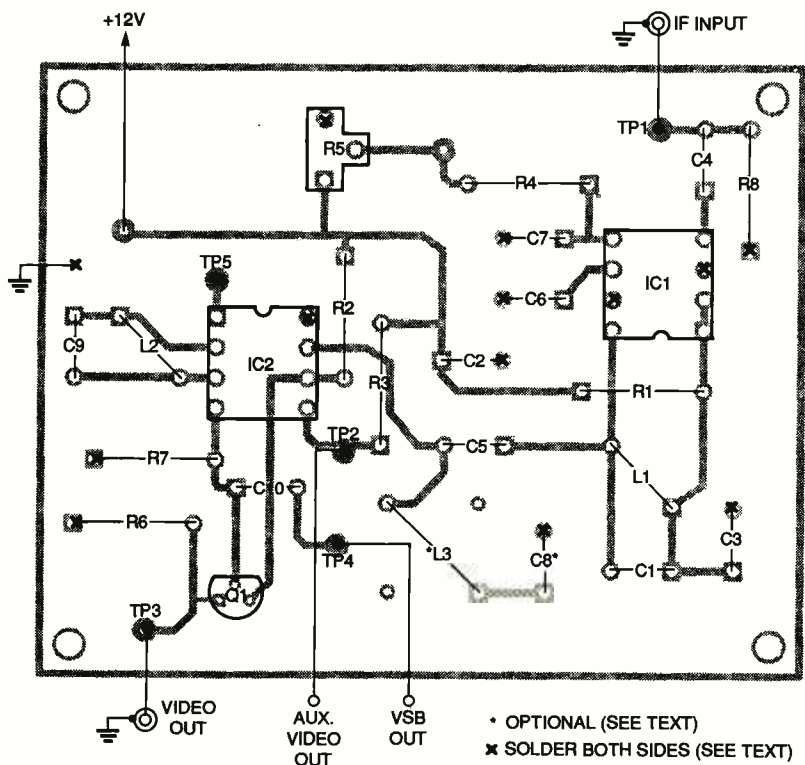
### TUNER SPECIFICATIONS

Type: UHF  
Output: 45.75 MHz IF, 50 ohms  
Range: 450 to 912 MHz  
B+: +12 VDC  
AGC: +5 to +10 VDC  
Tuning Voltage 0 to +30 VDC

R8 approximates the impedance of the tuner's 50-ohm output. The IF amplifier is tuned by variable inductor L1 and capacitor C1, and its gain is controlled by potentiometer R5. The output of the IF amplifier is coupled into an MC1330 low-level video detector (IC2) through C5. The optional LC trap circuit, consisting of C8 and L3, can be adjusted to eliminate a specific signal, but the circuit will work well without the trap.

The MC1330 is also tuned with a tank circuit consisting of L2 and C9. The video outputs are biased with resistor networks. The noninverted video is fed into the base of a 2N3904

The MC1330 is also tuned with a tank circuit consisting of L2 and C9. The video outputs are biased with resistor networks. The noninverted video is fed into the base of a 2N3904

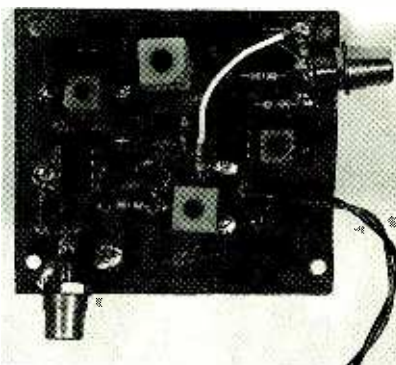


**FIG. 5—PARTS-PLACEMENT DIAGRAM.** The top side of the board is a ground plane. Make sure the grounded component leads (marked with an "X") are soldered to the top and bottom sides of the board.

NPN transistor Q1 configured as a unity-gain, common-collector, buffer-amplifier for impedance matching. The primary video output is taken from the top of Q1's emitter resistor R6, and the auxiliary video output is taken from pin 5 of IC2. The VSB output is an AC-coupled version of the primary output, and it can be used for any sound output you wish to use in the future. The switching carrier output can be used for automatic fine-tuning (AFT) circuits.

### Building the receiver

The prototype was built on a small PC board. A foil pattern is provided here so you can make your own PC board. (The circuit will not function correctly if connections are made by wire wrapping.) The top side of the board is a ground plane. If you make your own PC board, use a double-sided blank and remove the copper from around the non-grounded pins on the ground-plane side. Be sure that the grounded component leads and pins are soldered to the top



**FIG. 6—THE COMPLETED BOARD.** IC sockets are not recommended because it is difficult to solder the grounded pins on both sides with sockets in place.

and bottom sides of the PC board. Remember to keep all component leads as short as possible. Figure 5 is the parts-placement diagram.

If you are not able to buy the coils specified for L1 and L2, you can make your own. They are small air-core coils consisting of 10 turns of No. 26 AWG enameled magnet wire closely wound on a 3/16-inch drill bit. This coil can be tuned by distorting the windings. Toroid coils will

work. They can be tuned by stretching and compressing the windings slightly. IC Sockets are not recommended for this project because it is difficult, if not impossible, to solder the grounded pins on both sides of the board with sockets in place. Figure 6 shows the completed board.

### Aligning the circuit

Use a small plastic alignment tool to tune the slugs. A metal tool can influence the tuning frequency of the circuit, and could also damage the brittle tuning slugs.

To test the circuit, set up the receiver, antenna, and power supplies, as shown in Fig 1. Connect a monitor or oscilloscope to the video output and apply power. Set IF gain control R5 for 0 volts at pin 5 of IC1. If you see "snow" on the screen, the circuits are working. If that occurs, the circuit is ready for its fine tuning.

The best way to adjust the board is to introduce a 45.75 MHz signal with an amplitude of several microvolts into the board at test point TP1 and adjust the coils for maximum DC voltage on the video output at TP3. An alternative method is to make use of an over-the-air signal, with an oscilloscope connected to TP3.

Start with the slugs inserted all the way into the coils and the tuning voltage set to 0 volt. While observing the oscilloscope screen, begin tuning across the band until you see the largest signal. Then peak the output by adjusting L1. You should now see the characteristic video waveform, as shown in Fig. 7, on the oscilloscope, with sync pulses clearly visible. You should also be able to see video on the monitor screen.

If you tune up and down the band, other channels should be seen. Now tune to the lowest possible channel (typically near channel 2 or 14, depending on the band) in your receiving area by setting the  $V_{TUNE}$  voltage to about 0.5 volt. Tune L2 until this channel is visible. Finally, tune through the band to find



**Plug a Friend into  
Electronics  
NOW<sup>®</sup>  
and Save \$26.03\***

*This Christmas give an electrifying gift ... plug a friend into Electronics Now and brighten the whole new year! Whether electronics is your friend's livelihood or hobby, your gift will illuminate the whole spectrum of electronics throughout the coming year and provide a monthly reminder of your friendship.*

Electronics Now will keep your friend informed and up-to-date with new ideas and innovations in all areas of electronics technology ... computers, video, radio, stereo, solid state devices, satellite TV, industrial and medical electronics, communications, robotics, and much, much more.

We'll provide great plans and printed circuit patterns for great electronic projects. In just the last year, Electronics Now has presented amateur TV equipment, computer peripherals, microcontroller programmers, test equipment, audio amplifiers, telephone projects, relay circuits and much more.

PLUS ... equipment troubleshooting techniques ... circuit design ... reports on new technology and products ... equipment test reports ... in-depth coverage on computers, video, audio, vintage radio ... and lots more exciting features and articles.

SAVE \$26.03\* ... OR EVEN \$52.06\* ... For each gift of Electronics Now you give this Christmas, you save a full \$26.03\* off the newsstand price. And as a gift donor, you're entitled to start or extend your own subscription at the same Special Holiday Gift Rate—you save an additional \$26.03\*!

No need to send money ... if you prefer, we'll hold the bill till January, 1996. But you must rush the attached Gift Certificate to us to allow time to process your order and send a handsome gift announcement card, signed with your name, in time for Christmas.

So do it now ... take just a moment to fill in the names of a friend or two and mail the Gift Certificate to us in its attached, postage-paid reply envelope. That's all it takes to plug your friends into a whole year of exciting projects and new ideas in Electronics Now!

\*Basic sub rate — 1 yr/\$19.97 2 yrs/\$38.97

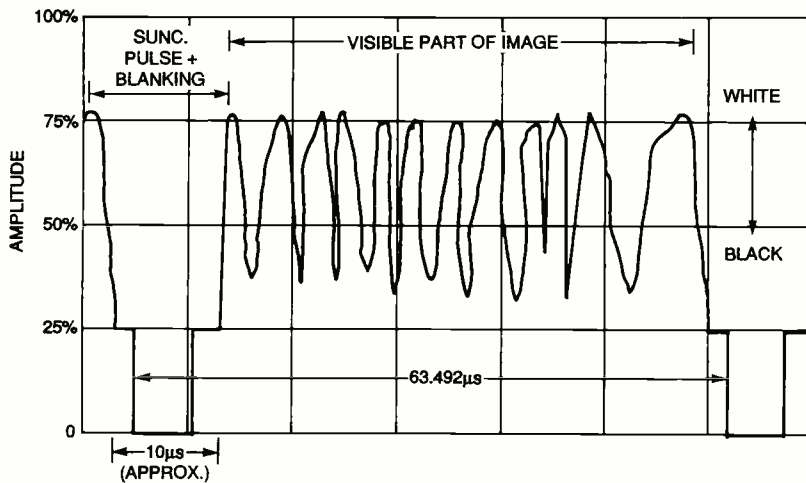
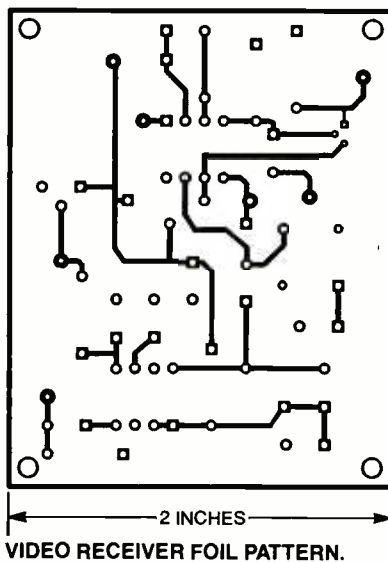


FIG. 7—WHEN YOU PUT A 45.75-MHz signal at TP1 and adjust the coils for maximum DC voltage on the video output at TP3, you should see the characteristic video waveform on an oscilloscope.

the weakest signal.

You can also connect a TV attenuator to the antenna terminals or simply adjust the gain potentiometer until a good video waveform becomes just barely visible. Now retune L1 for the sharpest picture, and reset the gain potentiometer. If all the received signals seem too strong (visible overcontrast and white smearing), back off the gain control until the picture looks good. You can also just experiment with the controls until you are satisfied with the the picture.

If you see two channels or wavy interference lines, it might be necessary to add L3 and C8 to the circuit or to adjust them if they are already in the circuit. If there is ripple on the tuning voltage, add a small-value capacitor between the wiper of the tuning potentiometer and ground. If you want high-impedance video, eliminate Q1



and R6, and connect a jumper between the emitter and base pads.

### I don't see anything!

If you are still experiencing problems, examine the circuit board for inadvertent soldering errors and cold solder joints. Be sure that an antenna is attached and that the voltages for the tuner you have selected are correct. If you have your tuner's data sheet, make sure all of the connection requirements are satisfied.

Verify that the tuner's case is grounded and that the power supply is capable of the voltage and current requirements of the tuner. If the tuner has band-

select pins (usually marked UHF, V-LO, and V-HI), band-select switching might also be required. This can be determined by tying each of those pins, one at a time, to +12 volts.

If you have another source of video available, such as a video game with an RF modulated output in the tuner's range, try it as a test source. If you were trying to adjust the receiver using only a video monitor, be sure that the brightness and contrast controls are turned up. Try another monitor. If all else fails, substitute another tuner. However, if the tuner's output is not at 45 MHz, make any necessary adjustments in the actual frequency of the substitute tuner so that its output is at 45 MHz.

### Using the receiver

Because the receiver does not have automatic gain control (AGC), some interesting effects can be seen. First, as aircraft fly over your receiver or cars pass by in the street, the picture will flutter because the signal reflections add and cancel. Next, because AGC circuitry is designed to work with strong signals as well as weak ones, the manual gain control might permit you to tune in stations not visible on some TV receivers. The better the antenna the better the results will be. There are many ways to achieve this with purchased or salvaged antennas.

### Sound

There are several ways to add sound reception to the receiver. One is to make use of the vestigial sideband (VSB) audio channel. This would require the introduction of the 455-kHz FM IF signal at TP4. The disadvantage of this approach is that there will be some interaction between the audio and video. The second approach calls for installing a splitter on the output of the tuner, with one half going to the video receiver and the other half going to a circuit that downconverts the IF to a 10.7-MHz FM IF signal. You could also listen to a radio that broadcasts the audio portion of the television signal. Ω

### SURPLUS TUNER SOURCES

- Surplus Sales of Nebraska, 1315 Jones St., Omaha, NE 68102, 402-346-4750 (Sony KV-1217 UHF/VHF tuner)
- Science Workshop, PO Box 310, Bethpage, NY 11714, 516-731-7628 (SW-5800 VHF tuner and several UHF units)
- Fair Radio Sales, PO Box 1105, E. Eureka St., Lima, OH 45802, 419-227-5673 (GE No. EP85X66 UHF tuner)

## WHAT'S NEWS

Continued from page 4

at lower cost.

Some manufacturers plan to introduce the new videodisc systems in 1996 for around \$500. Japan's consumer electronics manufacturers are hoping that the new digital video systems will win more market share for them, and help to pull their country out of its economic slump. They see the system as a possible successor to the VCR.

Despite their differing business interests, all participants in the agreement wanted to avoid of a recurrence of the introduction of two competing formats to the marketplace at the same time, as occurred when the VCR was introduced in the 1970s. Both the Beta and VHS formats were offered, but this led to consumer confusion and some anger, especially if customer had purchased a Sony VCR based its losing Beta format.

Not surprisingly, Toshiba gained the support of other large Japanese consumer electronics manufacturers including Matsushita Electric, Hitachi, and Pioneer Electronics for its proposal. Time Warner, on its part, is interested in the new digital video system as a new market for the movies produced by its Warner Brothers studio and Warner Home Video.

The Toshiba proposal is known as the Super Density Disc, or SD format. It can store as many as 5 billion bytes of information on one side of a disk, for a total of 10 billion bytes on both sides. The Toshiba disc will be made by bonding together two discs. This compares with the limit of 3.7 billion bytes that could be stored with the Sony-Philips format because only one side would be used.

The recording layer on the Toshiba disc is only 0.6 millimeter thick, half the thickness of the 1.2-millimeter layer on the proposed Sony-Philips disc. This is the same thickness as the recording layer of CD-ROMs. The 0.6-millimeter layer was favored by IBM because it lends itself to the use of lasers with shorter wavelengths that could increase storage capacity even more.

Although the Sony-Philips signal

modulation technique is expected to reduce the storage capacity of Toshiba's SD disc by about 6 %, the prospect of making the discs more economically apparently overcame that objection.

## IC boosts CRT resolution

A new family of ICs that combine a preamplifier, amplifier, and matching networks makes it easier to connect high-speed video signals to a CRT. A

development of Maxtek Components Corp., Beaverton, Oregon, the devices, which operate in the 250- to 320-MHz range, can increase the resolution of VGA computer monitors to 2000 × 2500 lines.

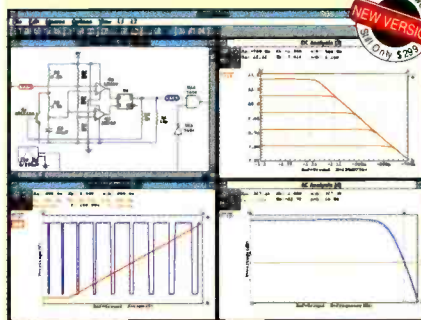
The CRT driver accepts and feeds analog video signals to steer the CRT's electron gun. The devices work on the principle that the faster a CRT's electron beam can excite an individual pixel and reposition itself to excite the next pixel, the higher will be the resolution of the CRT. **EN**

# CircuitMaker®

## The Complete, Low Cost, Circuit Design System

### Professional Schematic Layout

CircuitMaker's schematic capabilities are unmatched and include many advanced editing features not found in similar programs. These powerful features minimize the time and task associated with drawing a schematic and insure a professional looking final product. Printout and export options are numerous and results are of the highest quality. But that's what people have come to expect from CircuitMaker.



### Analog, Digital and Mixed-Mode Simulation

CircuitMaker's SPICE3 based analog simulation is fast and accurate. SPICE subcircuits for all base level digital devices provides advanced mixed-mode simulation capability. Digital simulation is live and highly interactive. This powerful simulation trio is tightly integrated into one package and will confirm your circuit designs with accuracy and ease.

### Comprehensive Device Library

Version 3 features a state-of-the-art device browser which greatly simplifies the task of organizing and selecting devices. With its newly expanded device library, CircuitMaker now ships with more devices (at no additional cost) than any competing product. If you need a device that isn't provided, CircuitMaker provides industry standard SPICE import and a powerful Macro capability to enable you to create new devices. CircuitMaker provides you with the tools to get the job done right.

	Professional Schematic Features	Digital, Analog, and Mixed-Mode Simulation	1000+ Devices/Models	SPICE Export/Import	PCB Export	Retail Price
CircuitMaker	YES	YES	YES	YES	YES	\$299
Electronic Workbench	YES	NO	YES	NO	NO	\$299
Electronic Workbench Engineers' Pack	YES	NO	YES	YES	YES	\$599

**"CircuitMaker Shorts The Competition Out, With An Unbeatable Bottom-line"**

### Total Customer Satisfaction

At MicroCode Engineering we are committed to total customer satisfaction. When you purchase CircuitMaker you have the confidence of knowing that a trained staff of professionals is available to serve you after the sale. Our free unlimited customer service is second to none! Whether you have general or technical questions they will be answered promptly by a knowledgeable representative.

### FREE Functional Demo

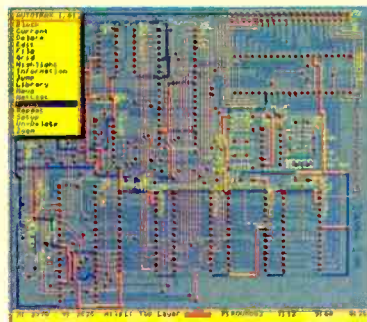
A free functional demo is available on the Internet (<http://www.microcode.com>), on CompuServe (GO MICROCODE) and on America Online (keyword search: CircuitMaker). A demo can be purchased directly from MicroCode Eng. for \$10.

### Printed Circuit Board Netlist Output

The PCB output capability helps you complete your design cycle, by generating a netlist that can be imported into any compatible PCB program. This is not a costly "add-on" product. It comes standard with every copy of CircuitMaker.

### PCB Program

MicroCode Engineering also offers a CircuitMaker compatible, professional level, PCB layout and autorouting program for just \$299. Used in conjunction with CircuitMaker, Autotrax completes a powerful end-to-end circuit design system. Call for details.



**MicroCode Engineering**  
573 W. 1830 N. Suite 4  
Orem, UT 84057 USA  
Phone (801) 226-4470  
FAX (801) 226-6532

**To order or request additional information call 800-419-4242**

Competitive upgrades are available for \$149. Call for details. CircuitMaker is a registered trademark of MicroCode Engineering. All other trademarks are the property of their owners.

## WAVE GENERATING

*continued from page 36*

$R_L$ , and the sinking current flows through transistor Q1. These distortion problems do not occur with a complementary emitter follower because that circuit can source or sink high output currents with equal ease.

### Transistor oscillators

Figure 4 is a schematic for a Wien-bridge oscillator based on two transistors. It will generate 1-kHz sinewaves. The oscillator draws 1.8 milliamperes from a 9-volt supply, and has an output amplitude that can be widely varied with output potentiometer R7 up to 6 volts peak-to-peak. The circuit operates as follows:

Transistors Q1 and Q2 are a pair of direct-coupled complementary feedback, common-emitter amplifiers. They present a very high input impedance to the base of Q1 and a low output impedance from Q2's collector. They also present a noninverted DC-voltage gain of 5.5, obtained from the resistor relationship of  $R6 + R5/R5$ . (Substituting the resistor values shown in Fig. 4 of  $10K + 2.2K/2.2K$  ohms gives a gain of 5.5.)

Transistors Q1 and Q2 also provide an AC voltage gain that is variable from 1.0 to 5.5 with

potentiometer R6. Transistor Q2's collector load impedance (determined by R5, R6, and R7 is approximately 5 kilohms.

Red LED lamp LED1 conducts through R3 to generate a stable, low-impedance 1.5-volt bias source. That bias is fed to the base of transistor Q1 through R2. This biases Q2's output to a quiescent value of +5 volts. The Wien network (formed by R1-C1 and R2-C2 and connected between Q2's output and Q1's input) has an active impedance of about 15 kilohms and is driven by Q2's output. Potentiometer R7 can vary the oscillator's output amplitude widely.

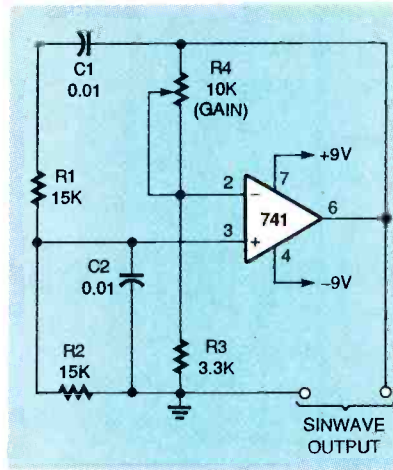


FIG. 6—A WIEN-BRIDGE oscillator based on an operational amplifier.

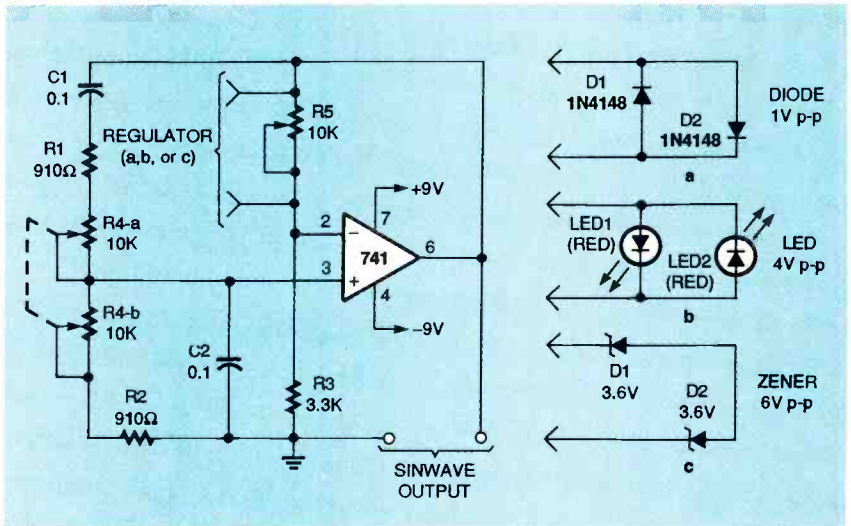


FIG. 7—AMPLITUDE OF SINEWAVES can be varied by a choice of three different voltage regulators in the 150-Hz to 1.5-kHz frequency range Wien-bridge oscillator.

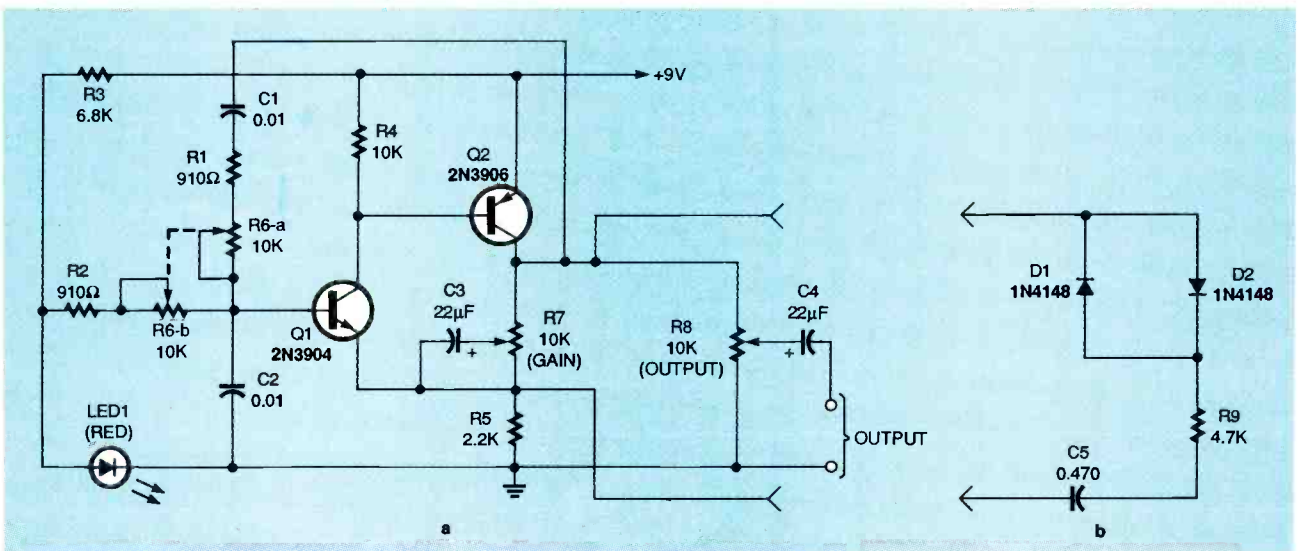


FIG. 5—THIS WIEN-BRIDGE OSCILLATOR will demonstrate its ability to generate variable frequencies between 1.5 and 15 kHz.



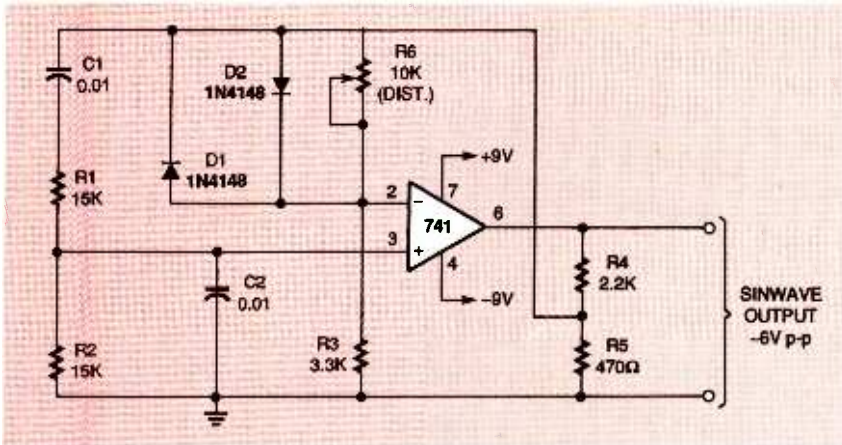


FIG. 8—A 1-kHz WIEN-BRIDGE OSCILLATOR with an amplified-diode regulator.

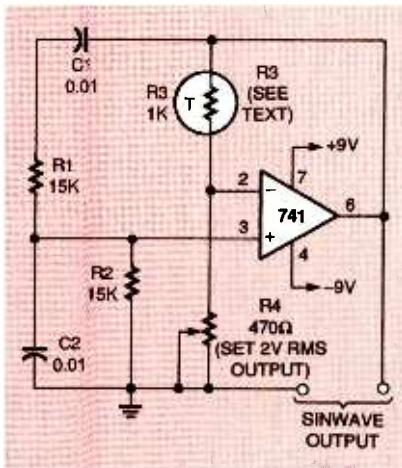


FIG. 9—A 1-kHz WIEN-BRIDGE OSCILLATOR with an NTC thermistor regulator.

To organize the oscillator in the Fig. 4 circuit, connect its output to an oscilloscope and adjust potentiometer R6 so that a stable, clean waveform is generated on the oscilloscope's screen. In this condition, oscillation amplitude is limited only by the onset of positive-peak clipping as the amplifier encounters saturation.

This clipping occurs at a peak-to-peak amplitude of about 6 volts. The clipping is a kind of distortion-generated automatic gain control (AGC) that reduces the oscillator's loop gain below the critical unity level as the waveform's amplitude reaches a specific peak value. If potentiometer R6 is carefully adjusted, this clipping can be reduced to an almost imperceptible level. The result will be high-quality sinewaves with less than 0.5% total harmonic distortion (THD).

The Wien-bridge oscillator circuit in Fig. 4 is versatile and inexpensive in fixed- and switched-frequency applications where a single-ended power supply is required. However, the values of resistors R1 and R2 must not be less than 5 kilohms. The R1-R2 and C1-C2 values can be varied over a wide range to give alternative operating frequencies. Moreover, small frequency changes can be obtained by altering the value of either R1 or R2.

Figure 5 is a schematic for a Wien-bridge oscillator, a modification of the Fig. 4 schematic. The oscillation frequency of the circuit is fully variable from 1.5 kHz to 15 kHz with dual potentiometer R6. The circuit can be both a practical sinewave generator and a Wien-bridge oscillator demonstrator. The Wien bridge is made up of C1-R1-R6-a and C2-R2-R6-b.

To demonstrate the Wien-bridge oscillator with this circuit, build it as shown in Fig. 5-a, and connect its output to an oscilloscope. Set output potentiometer R8 for maximum output, and set dual potentiometer R6 to its maximum resistance value to provide the lowest frequency. Then carefully adjust potentiometer R7 so that clean, stable waveforms appear on the oscilloscope. When set up this way, the Wien network presents a high impedance and is easily driven by transistor Q2. As a result, oscillation amplitude is limited only by the onset of positive-peak clipping at an amplitude of about 6 volts, peak-to-

peak, as described earlier.

Progressively increase the operating frequency by reducing the resistance of R6 while retrimming R7 as necessary to maintain oscillation, until the maximum frequency is obtained. Under this condition, the waveform's peak-to-peak amplitude drops to about 3 volts, and slight distortion is visible on the falling halves of the waveform. This is caused by transistor Q2 losing its ability to drive the Wien network cleanly as its impedance drops below a few kilohms. The result is a form of amplitude-limiting, distortion-generated AGC.

This distortion can be overcome, at the expense of a large increase in the circuit's quiescent current, by inserting a 1.5-kilohm resistor between transistor Q2's collector and ground. This increases Q2's output drive capability. However, with this modification, the waveform's amplitude is again limited by clipping at about 6 volts, peak-to-peak.

To finish setting up the network as a demonstration unit, remove the 1.5-kilohm resistor from Q2's collector, and connect the network formed by diodes D1 and D2, resistor R6 and capacitor C5, as shown in Fig. 5-b across potentiometer R7, at the two jacks.

Vary the wiper of potentiometer R6 across the whole frequency band, and trim potentiometer R7 to find a position where you obtain a clean sinewave with an amplitude of about 1.2 volts peak-to-peak, at all settings of R6. Resistor R6 and the two diodes, D1 and D2, introduce a form of gain control. At the start of each half-cycle, the circuit's loop gain is greater than one, so oscillation starts. However, as soon as the waveform amplitude approaches a peak value of about 600 millivolts, either D1 or D2 will conduct, shunting 4.7-kilohm resistor R9 across R7, thus reducing the loop gain to unity.

This is a gentle form of limiting that causes less than 1% THD. The version of Fig. 5 circuit with the D1, D2, R9, and C5 network plugged in becomes an

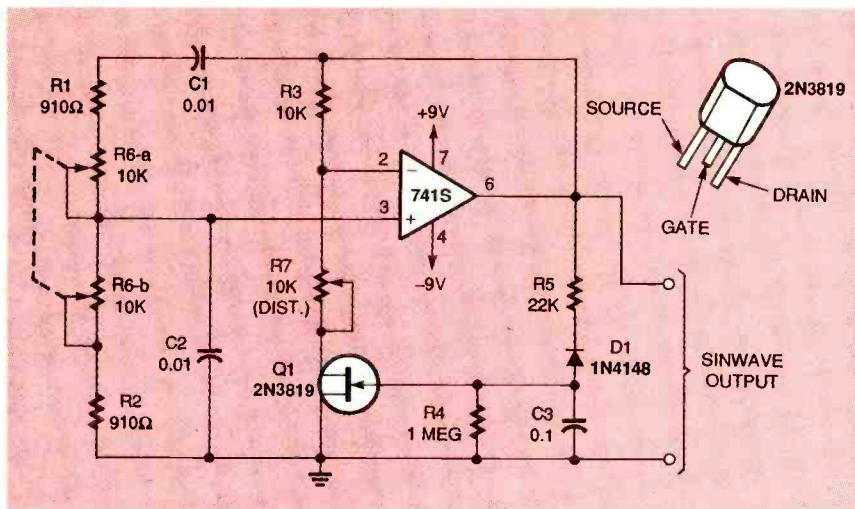


FIG. 10—A JFET-REGULATED 1.5- to 15-kHz Wien-bridge oscillator.

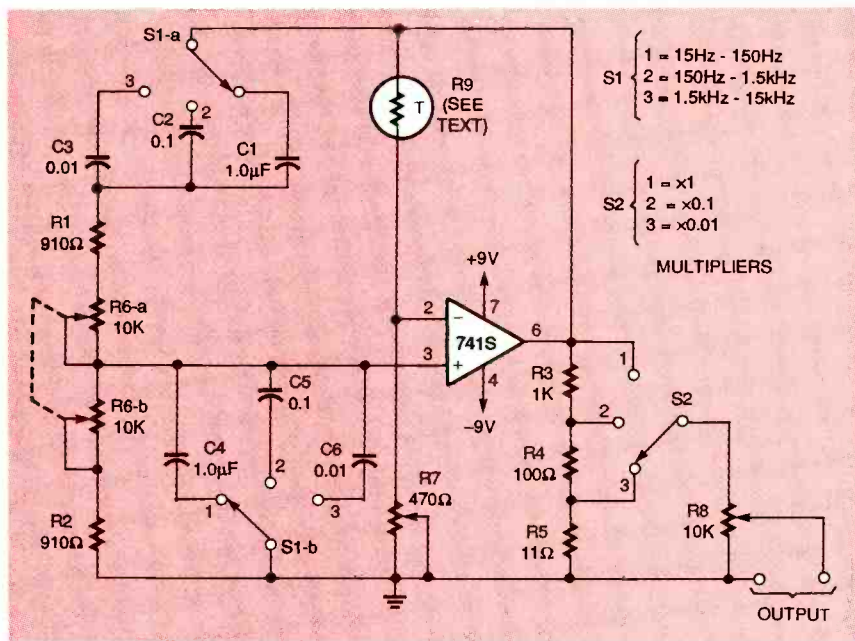


FIG. 11—A THREE-DECADE (15 Hz to 15 kHz) Wien-bridge oscillator.

inexpensive but effective variable-frequency sinewave generator whose frequency range can be changed by substituting different values for capacitor C1 and C2.

### Oscillators with op-amps

Standard integrated-circuit operational amplifiers offer high voltage gain, high input impedance, and low output impedance. They are excellent amplifiers for Wien-bridge oscillators. Figure 6 is a schematic for a simple 1-kHz oscillator. Resistor-capacitor pairs R1-C1 and R2-C2 form the Wien-bridge network. Trimmer potentiometer R4 and resistor R3 control

the operational amplifier's closed-loop gain.

The circuit oscillates when R4 is adjusted, but its waveform amplitude is limited only by the onset of peak clipping as the op-amp encounters saturation. If R4 is adjusted carefully, clipping can be reduced to an insignificant level, so that the output sinewaves are clean. However, this technique is useful only in fixed-frequency applications. Where variable frequency is desired, some form of gain control must be provided so that there will be amplitude limiting with minimal distortion.

Figure 7 shows three ways to regulate waveform amplitude

with diodes providing the distortion-generated AGC, as described earlier. The simple plug-in, back-to-back 1N4148 diode regulator, shown in 7-b, is the least expensive solution. However, its output is limited to 1 volt, peak-to-peak, for low-distortion levels.

The light-emitting diode plug-in regulator (Fig. 7-c) gives a 4-volt peak-to-peak output and the series Zener diode plug-in regulator (Fig. 7-d) gives a peak to peak output of 6 volts. With any of these plug in regulators in position, adjust trimmer potentiometer R5 for the minimum setting that gives sustained oscillation across the whole frequency band. If the Wien bridge components are well matched, THD might be less than 0.5%.

Figure 8 shows a diode-regulated Wien-bridge oscillator that is well suited for fixed-frequency applications. Here, both the Wien-bridge and regulator-feedback loop are taken from the output junction of resistors R4 and R5. This is an alternative to taking it directly from the output of the operational amplifier. This simple modification effectively amplifies the diode regulation voltage by a factor determined by the ratio of the value of  $(R4 + R5)/R5$ . In the Fig. 8 circuit, the sinewave output is about 6 volts, peak-to-peak. If trimmer R6 is adjusted carefully, THD levels of 0.1% can be obtained.

### Linear AGC circuits

The Wien-bridge oscillators shown in Figs. 6, 7, and 8 rely on distortion-generated AGC to control waveform amplitude. Those circuits can maintain a constant and jitter-free amplitude as the frequency is increased and decreased across the available band.

There is an alternative based on automatic linear gain control. Oscillators with this feature usually generate negligible distortion. However, they suffer from amplitude "bounce" when the frequency settings are shifted up and down the available band. The AGC system hunts for the correct gain value. Fig-

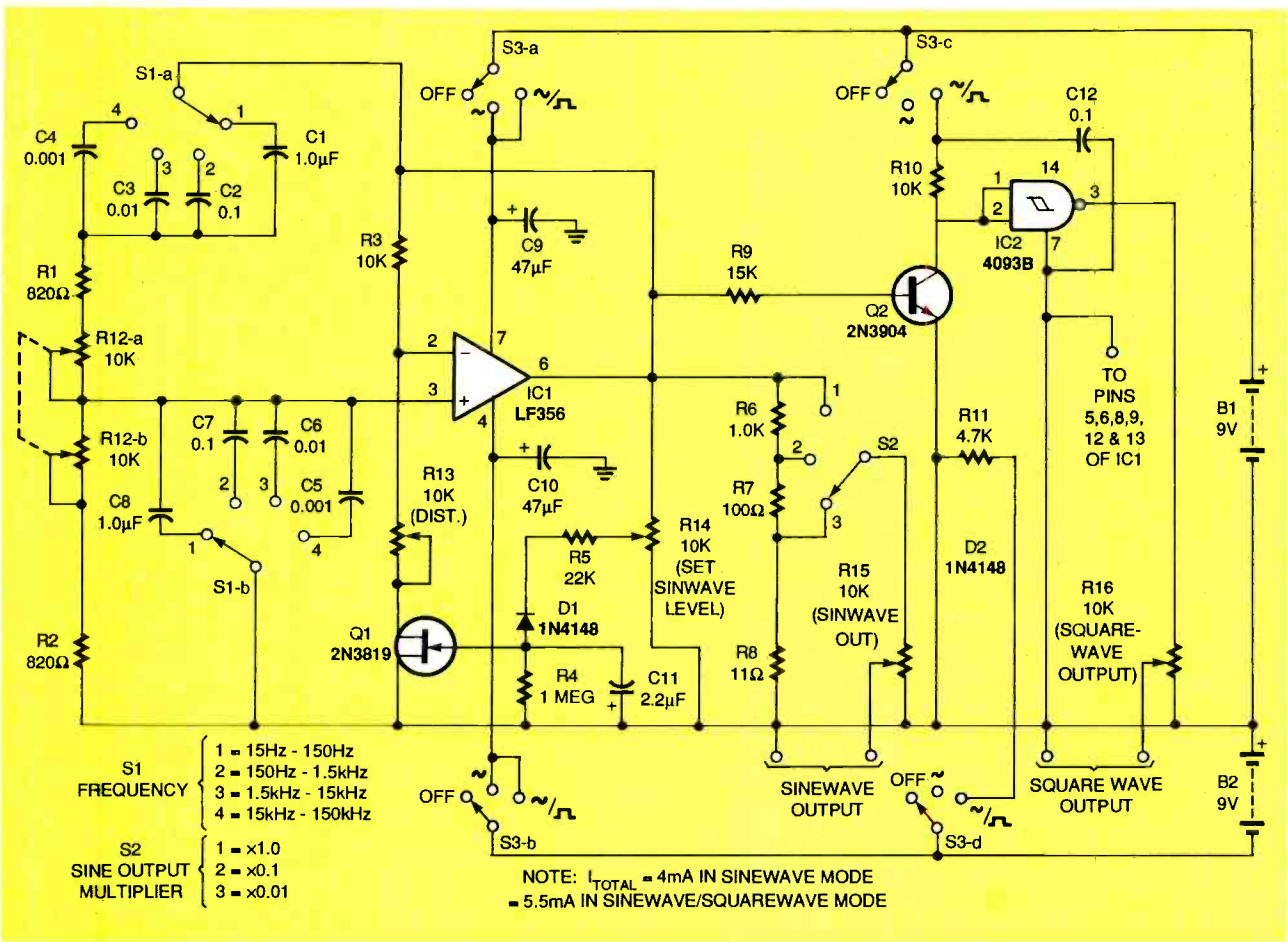


FIG. 12—THIS SINE/SQUAREWAVE generator covers the 15-Hz to 150-kHz band.

ures 9, 10, and 11 show three circuit schematics that contain linear AGC circuits.

Figure 9 is the schematic for a 1-kHz oscillator circuit whose output amplitude is stabilized by a negative temperature coefficient (NTC) thermistor. It is shown here as R3, a resistor symbol in a circle containing the letter T. The resistance of an NTC thermistor decreases as temperature increases. Typical resistance values for NTC thermistors devices range from 200 ohms to 50 kilohms. Thermistor R3 in series with trimmer potentiometer R4 becomes a gain-determining feedback network. The value of R3 is 1 kilohm.

Thermistor R3 is heated by the output signal's average power. At the desired amplitude, R3 has a resistance value double that of the 470-ohm trimmer potentiometer R4, thus giving the circuit an overall gain of unity. If the output amplitude starts to rise, R3's

temperature rises and its resistance falls. This response reduces the gain and restores the original output level. The reverse action occurs if the output starts to fall, and the original output level is again restored. This oscillator generates negligible distortion.

Figure 10 is the schematic for an alternative circuit that consumes only a few milliamperes. In this circuit, JFET Q1 serves as a variable resistance that is voltage-controlled by the oscillator's negative peak amplitude. This is detected by the series network of resistor R5, diode D1, and capacitor C3 in parallel with resistor R4.

The drain-to-source path of JFET Q1 acts as a low resistance when Q1's gate is biased to zero volts. However, the resistance of the path approaches infinity when Q1's gate is biased to a negative pinchoff value of a few volts. When dial potentiometer R6 is suitably adjusted, the circuit oscillates and generates

very little distortion in its output with a peak-to-peak value of X volts.

If the output tries to rise above a set value (X), the detected change automatically increases Q1's resistance value. This response reduces the operational amplifier's gain, bucking the attempted rise in output. However, if the output tries to fall below the X value, an opposite response occurs—gain increases to maintain a constant output level.

To organize the Fig. 10 circuit, connect its output to an oscilloscope and adjust trimmer R7 to the lowest setting that will give stable oscillation without visible distortion of the waveform over the 1.5 kHz to 15 kHz band. If the Wien bridge components are well matched, THD could be less than 0.1%. The output signal amplitude depends on the pinchoff characteristics of the 2N3819 JFET, a value that is typically between 2.5 and 7 volts, peak-to-peak.

Alternatively, the pinch-off level can be preset to 8 volts, peak-to-peak, by connecting a 10-kilohm potentiometer across the operational amplifier's output and supplying resistor R5 from its wiper.

The AGC system's charge/discharge time constants are controlled by R5 and C3 and R4 and C3. The R4-C3 time constant must be long with respect to that of the generated waveform cycle for low distortion. If the oscillator is to generate signals with frequencies as low as 15 Hz, the value of capacitor C3 must be increased to 2.2  $\mu\text{F}$ . However, if capacitor C3 is removed, the circuit will have a simple distortion-generated gain control.

### Wide-frequency oscillator

The frequency ranges of the oscillator circuits in Figs. 6 to 10 can be changed with different values of capacitors C1 and C2. For example, increasing those values by a factor of 10 reduces the frequency by a factor of 10. Those circuits can become wideband multidecade oscillators by installing switches for selecting alternative decade capacitor values.

The maximum useful operating frequency for this kind of circuit is restricted by the slew rate limitations of the operational amplifier. The useful frequency limit for the low-cost 741 operational amplifier is 20 kHz. That limit is raised to 80 kHz with a 741S, 120 kHz with a National Semiconductor LF355, and 250 kHz for a National Semiconductor LF356.

If you build a variable-frequency Wien-bridge oscillator, be sure that the two tracks of the frequency-control potentiometer are well matched if you want low-distortion and stable-amplitude performance. In multidecade oscillators, the values of the Wien-bridge capacitors should be as closely matched as is practical on all ranges. If these capacitors are not well matched, it might be necessary to install an AGC GAIN OR DISTORTION switch for each range.

Figure 11 is the schematic for

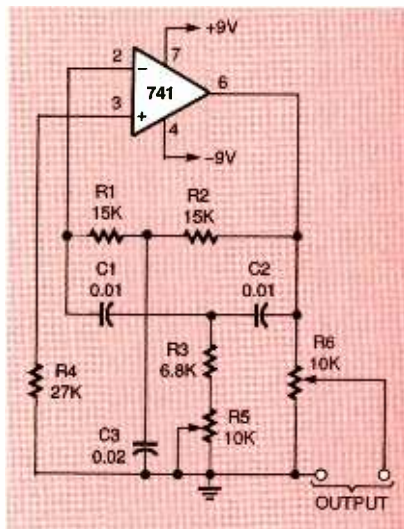


FIG. 13—THIS TWIN-T OSCILLATOR generates a 1-kHz output.

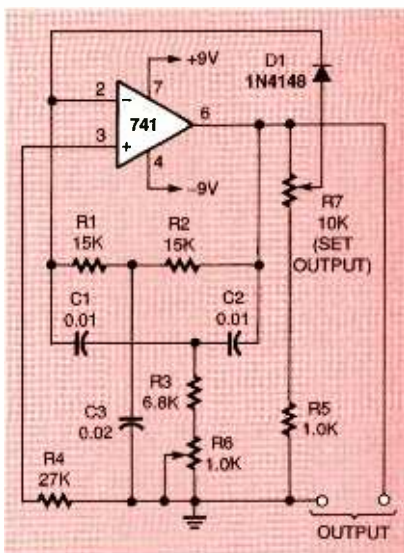


FIG. 14—A TWIN-T OSCILLATOR with diode regulation.

a variable-frequency Wien-bridge oscillator whose output covers the 15-Hz to 15-kHz frequency band in three switched decade ranges. The circuit includes thermistor stabilization, as previously described, and it generates an output with low-distortion. The frequency output of the oscillator can be switched with rotary switch S1 in three bands: 15 Hz to 150 Hz, 150 Hz to 1.5 kHz, and 1.5 kHz to 15 kHz. The amplitude of the output signal can be changed with switch S2.

The frequency limit of this oscillator can be increased to 150 kHz by replacing the 741S operational amplifier with a Nation-

al Semiconductor LF356 operational amplifier and adding a pair of switch-selected 0.001  $\mu\text{F}$  range capacitors.

Figure 12 is the schematic for JFET-regulated version of the circuit in Fig. 10, modified to form an economical sine/squarewave generator. It covers the 15 Hz to 150 kHz frequency range with four settings of switch S1. Sinewave potentiometer R14 permits the sinewave's peak-to-peak output level to be preset to 8 volts. The squarewave generator section consists of common-emitter amplifier Q2 and Schmitt trigger IC2. The base of transistor Q2 is driven by the sinewave output of IC1 through R9, and Q2's emitter is biased to about -600 millivolts through diode D2 and resistor R11.

As a consequence, transistor Q2 is driven on or off whenever the sinewave swings more than a few millivolts above or below the zero-volt level. Transistor Q2 then generates a symmetrical squarewave output, and IC2 reduces the rise and fall times to less than 100 nanoseconds. The final squarewave output is available from R16. Switch S2 is the output multiplier. To conserve battery power, the squarewave generator can be switched off with switch S3-b and S3-d when the circuit is not in use.

### Twin-T oscillators

The twin-T oscillator is another popular RC network-based sinewave oscillator that is useful in fixed-frequency applications. It is made by connecting a twin-T network between the output and input of an inverting operational amplifier, as shown in Fig. 13. The twin-T network consists of resistors R1 and R2 shunted by capacitor C3, and capacitors C1 and C2 shunted by resistor R3 in series with potentiometer R5.

These components form a balanced network because they are in the ratios  $R1 = R2 = 2(R3 + R5)$ , and  $C1 = C2 = C3/2$ . They give a zero output at a center frequency,  $f$  of  $1/2\pi \times R1 \times C1$ , and a finite output at all other frequencies. If

the Twin-T is imperfectly balanced, it gives a feeble output at its center frequency, and its output phase depends on the direction of the imbalance. In other words, if the imbalance is caused by low values of R3 + R5, the output phase is inverted with respect to the input.

The twin-T network in Fig. 13 can be adjusted by R5 so that a small phase-inverted output at a center frequency of 1 kHz can be produced. Consequently, overall phase inversion takes place around the feedback loop, and the circuit oscillates at 1 kHz. Potentiometer R5 can be adjusted so that oscillation is barely sustained. Under this condition, sinewave amplitude is limited to about 5 volts RMS by the onset of operational amplifier clipping. The output has less than 1% THD.

Figure 14 is a schematic for a simple twin-T oscillator that will have lower output distortion. Diode D1 provides distortion-generated automatic gain control. To organize this circuit, set the wiper of potentiometer R7 to the output of the operational amplifier, and adjust R6 so that oscillation is just sustained. A sinewave output of about 500 millivolts, peak-to-peak, will be produced.  $\Omega$

## JACOB'S LADDER

*continued from page 59*

to those found on the schematic Fig. 1. The cores and bobbins for this transformer are from Philips (Ferroxcube) Components, Saugerties, NY). The cores are No. E187 made from 3E2A ferrite material. The plastic molded bobbins are Part No. E187PCB1-8. These parts are available from the source given in the Parts List.

**Transformer T1:** Wind the first 30 turns trifilar (three wires in parallel) from No. 30 AWG magnet wire and the remaining 30 turns as single wire turns. Solder the ends of the windings to the pins, insert the E-core, and tape the assembly together securely.

**Transformer T2:** The core of transformer is No. 4162S from Samhwa USA, Chatsworth CA, with matching seven-segment bobbin, cup and primary bobbin. These parts are also available from the source given in the Parts List.

Start winding the secondary bobbin by securing the magnet wire to a pin insulated on the bobbin end and wind between 300 and 400 turns of No. 37 AWG magnetic wire on each of seven segments. Snap the cup in place and solder the output leads. Fill the cup with epoxy or RTV silicone when you are satisfied that the transformer has been wound correctly.

Wind eight turns of No. 30 twisted wires on the primary bobbin and tape the windings in place. Form the air gap of the primary section with 0.005-inch thick Milar tape and form the air gap for the secondary section with 0.010-inch thick Milar tape. Tape or clamp the two sections together with a heavy rubber band.  $\Omega$

## VIDEO NEWS

*Continued from page 6*

### Digital Camcorders Here

If you have a couple or three thousand dollars to spend on really top-notch video reproduction, you now can buy a digital camcorder using the standard DV (digital video) format from either Sony or Toshiba, with JVC waiting in the wings. In this column we've carried a lot of information about that DVC format (now called DV). The available camcorders produce breathtaking pictures and are ideal for professional or "prosumer" videographers.

Panasonic's model has three CCD pickups, while Sony has two models, one with three pickups and one with a single CCD. The Sony model has a digital interface and utilizes an optional feature of the DV system—a cassette with a built-in chip that stores data on tape specifications and records the date of recording and provides easy access to any scene. **EN**

## IR LOGIC PROBE

*continued from page 72*

prepare the cable ends in the same manner as before. Solder the leads of the cable to the circuit board as shown in Fig. 2. Attach a 9-volt battery to the connector and turn on the power. The unit can be tested with an infrared remote control or an infrared LED and current-limiting resistor connected to the output of a pulse or function generator. (The IR LED can be coupled to the probe's tip with a length of 1/4-inch heat-shrink tubing for test purposes.)

The tricolor LED should glow red; if not check D1 and the battery or its polarity. Point the IR LED at the probe's tip and make sure both LED indicators are functioning. If there is no indication, check the photodiode's polarity, IC1, and its associated components. If the tricolor LED does not flash amber, check IC2 and its associated components. Connect an oscilloscope to J1, and verify that a waveform is present.

Once the circuit has been checked out, join both halves of the enclosure. Be sure that the battery wires do not tangle around the LED indicators. A piece of foam rubber cut to fit the bottom of the battery compartment will keep the battery from rattling around in the case.

### Using the probe

If light from windows and incandescent lamps interferes with the probe's operation, either remove the source of interference or move the work area. Ambient room light should not create problems, especially if its source is fluorescent fixtures.

The probe's plastic light pipe is most sensitive at the screw-driver-shaped tip. The light reflects within the walls of the light pipe (as in fiber optic cable), conducting the light to the photodiode. The probe will indicate if high-frequency pulsed IR LEDs are working, but the photodiode will integrate the pulses to a steady-state level.  $\Omega$

## DC-TO-DC CONVERTERS

*continued from page 38*

The trim feature permits a single DC-to-DC converter to work in many different applications. It also allows the converter to function in control applications where a ramp, step, or other output function is required.

**Series configuration.** Higher output voltages can be obtained from modular DC-to-DC converters by connecting the outputs of two or more units in series, as shown in Fig. 7. The gate terminals synchronize the converters. Adequate wire gauge is required on the inputs and outputs to ensure that each unit carries its share of the load.

**Parallel configuration.** Higher output currents can be obtained from modular DC-to-DC converters by connecting the outputs of two or more units in parallel, as shown in Fig. 8. The gate terminals synchronize the units. Again, wire of adequate gauge is required on the inputs and outputs.

**Redundant configuration.** Reliability is a primary concern in most power systems, particularly those used for data processing and life-support applications. A redundant configuration, such as that shown in Fig. 9, will assure maximum reliability. One converter will power the system if the other unit fails. The surviving unit will not be burdened by the failed unit because of the presence of isolation diodes.

As many DC-to-DC converters as desired can be connected in this manner. The diodes should be rated for twice the maximum expected voltage and current to ensure circuit reliability. Again, a Schottky diode is recommended here because of its low forward voltage drop.

**Constant current configuration.** Most modular DC-to-DC converters are configured to provide a constant output voltage. The configuration shown in Fig. 10 provides a constant-current output. This is useful in applications where the load

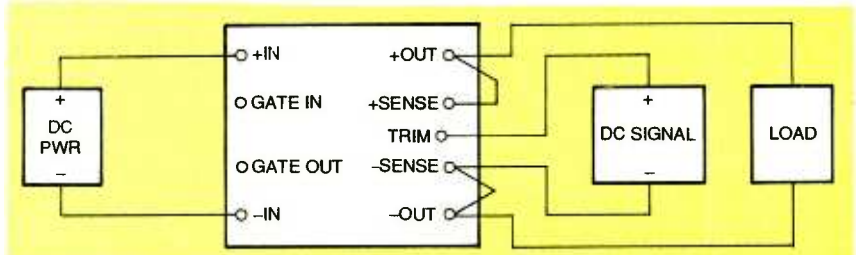


FIG. 6—MANY DC-TO-DC CONVERTERS have an output voltage that can be adjusted by setting a voltage at the trim terminal.

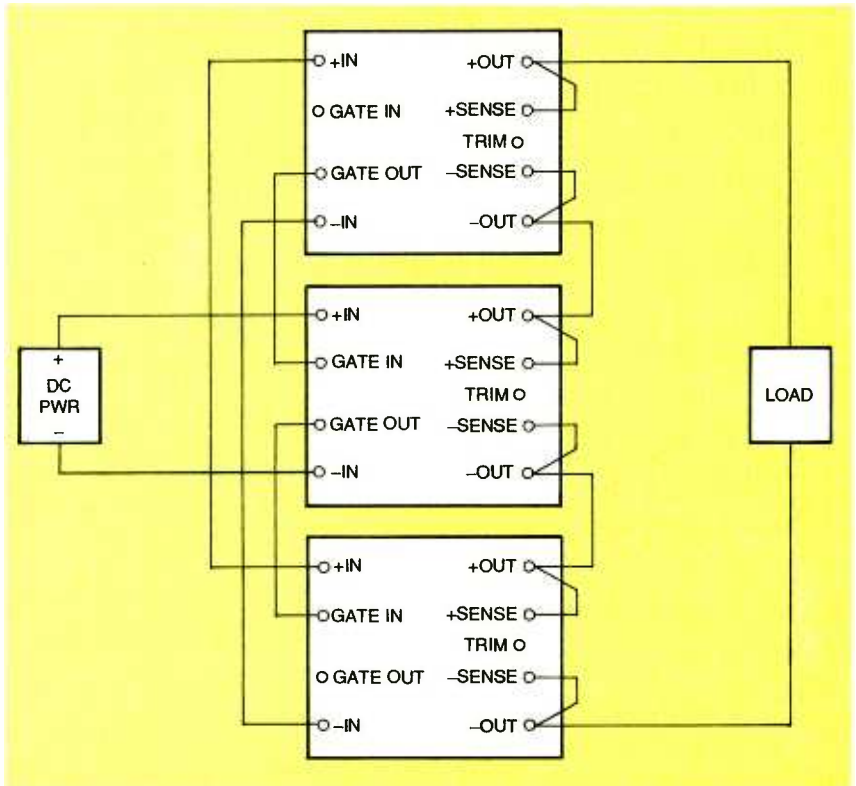


FIG. 7—SERIES CONFIGURATION. Higher output voltages can be obtained by connecting the outputs of one or more units in series.

impedance might change, but the same current is desired. The operational-amplifier voltage rating must be greater than the DC-to-DC converter's output voltage.

### Filtering

Because DC-to-DC converters are switching devices, the input and output lines will have electrical noise on them. This might be acceptable in some applications, but in most cases it is not, so some filtering is visually necessary.

As a minimum, an input capacitor should be installed. The capacitor will conduct any high-frequency transients from the DC line to ground. A 0.1 $\mu$ F by-

pass capacitor is a typical value for this application. Its voltage rating should be twice that of the maximum expected input voltage.

Commercial filters that are effective in attenuating noise are available from many suppliers. A typical filter configuration is shown in Fig. 11. Manufacturer's specifications for the filter will indicate the attenuation at the desired frequency.

Loads such as lamps and motors require no output filtering. For critical applications, however, it might be necessary to reduce output ripple with an output filter. That filter can be as simple as a capacitor con-

## DC-TO-DC CONVERTER MANUFACTURERS

**Abbott Electronics, Inc.**  
2727 La Cienga Blvd.  
Los Angeles, CA 90034

**Advanced Power Solutions**  
5994 W Las-Positas Blvd.  
Pleasanton, CA 94588

**Analogic Corp.**  
8 Centennial Drive  
Peabody, MA 01960

**Calex Manufacturing Company, Inc.**  
3355 Vincent Rd.  
Pleasant Hill, CA 94523

**Computer Products, Inc.**  
7900 Glades Rd.  
Boca Raton, FL 33434

**Conversion Devices, Inc.**  
15 Jonathon Dr.  
Brockton, MA 02401

**Datel, Inc.**  
11 Cabot Blvd.  
Mansfield, MA 02048

**Delta Products Corp.**  
3225 Laurelview Ct.  
Fremont, CA 94538

**International Power Devices, Inc.**  
20 Linden St.  
Boston, MA 02134

**International Power Sources, Inc.**  
200 Butterfield Drive  
Ashland, MA 01721

**Interpoint Corp.**  
10301 Willows Rd.  
P.O. Box 97005  
Redmond, WA 98073

**Lambda Electronics, Inc.**  
515 Broad Hollow Rd.  
Melville, NY 11747

**Total Power International Inc.**  
418 Bridge St.  
Lowell, MA 01850

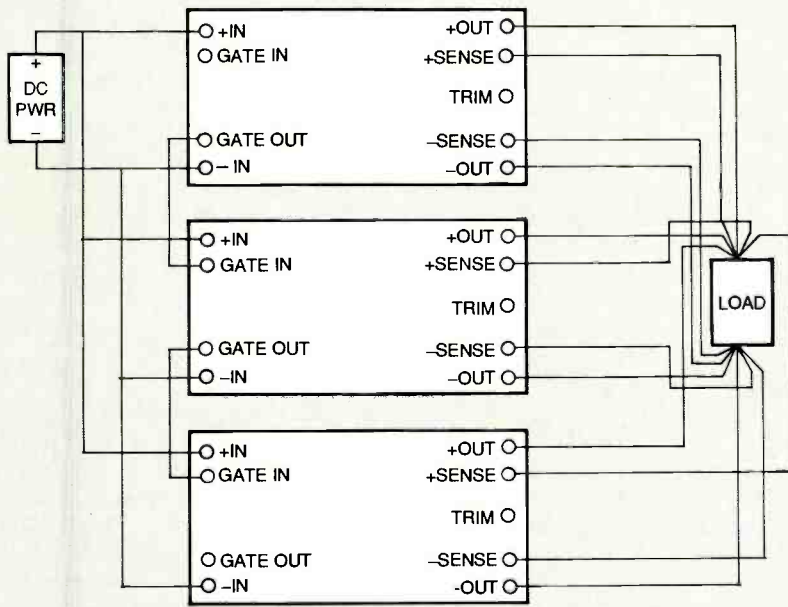
**Vicor Corp.**  
23 Frontage Rd.  
Andover, MA 01810

**Volgen America**  
32980 Alvarado-Niles Rd.  
Union, City, CA 94587

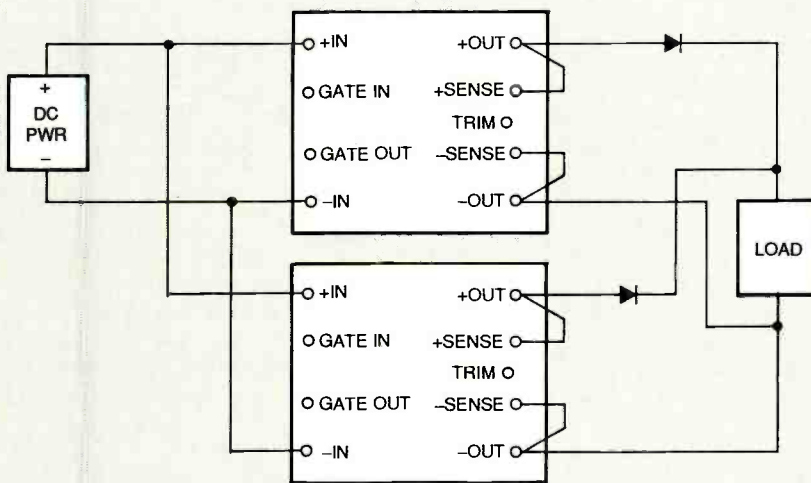
nected in parallel with the output terminals or an inductor in series with the load. The converter manufacturer might provide an add-on output filter that retains the remote sense and output voltage trim features.

### Thermal circuit

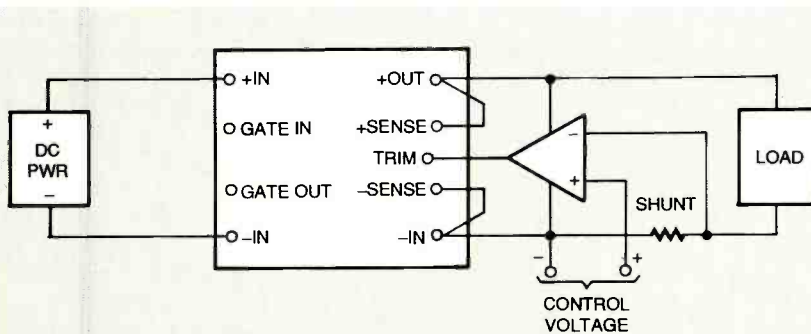
Although most modular DC-to-DC converters are efficient, the heat losses must be dissi-



**FIG. 8—PARALLEL CONFIGURATION.** Higher output currents can be obtained by connecting the outputs of multiple units in parallel.



**FIG. 9—REDUNDANT CONFIGURATION.** One converter will power the system in the event that the other unit fails.



**FIG. 10—CONSTANT CURRENT CONFIGURATION.** This is useful in applications where the load impedance at the output may change, but it is desired that the same current be delivered.

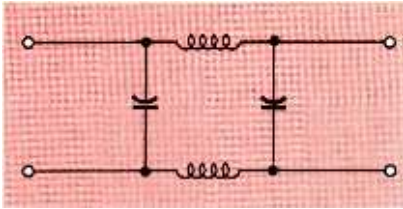


FIG. 11—FILTERS CAN ATTENUATE NOISE. A typical filter configuration is shown here.

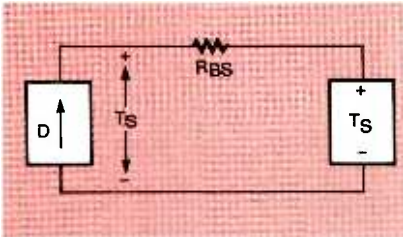


FIG. 12—THERMAL CIRCUIT DUE TO CONDUCTION. Conduction will transfer heat from a DC-to-DC converter to a heatsink.

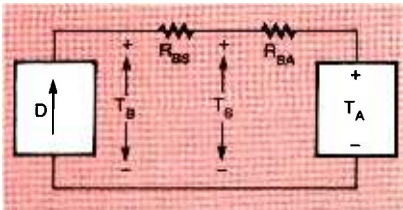


FIG. 13—THERMAL CIRCUIT DUE TO CONVECTION. Convection is the transfer of heat from a surface into cooler surrounding air.

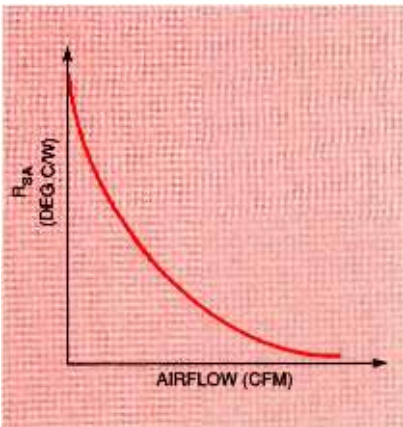


FIG. 14—FORCED CONVECTION is accomplished by using a fan. The effect of air flow on the heatsink thermal resistance is shown here.

rated properly for good performance and high reliability. Efficiency is the ratio of delivered output power to converter input power. Heat is transferred from regions of high temperature to regions of low temperature by

radiation, conduction, convection or combinations of these methods.

Radiation is the spatial transfer of heat, conduction is the transfer of heat through a solid medium, and convection is the transfer of heat through a fluid medium, such as air. Radiation usually accounts for less than 10% of heat transfer in most DC-to-DC converter applications. It is usually neglected so that any cooling by radiation is considered a bonus.

Conduction is an effective means of transfer. Conduction will transfer the heat from a DC-to-DC converter to a heatsink. A good conduction path is maintained by providing close metal-to-metal contact. Heat-conducting compound should be used to fill any surface irregularities. The thermal circuit due to conduction is shown in Fig. 12. The expression for conduction is:

$$T_B = T_S + (D \times R_{BS})$$

where  $T_B$  is the DC-to-DC converter base temperature in degrees Celsius,  $T_S$  is the heatsink temperature in degrees Celsius,  $D$  is the DC-to-DC converter heat dissipation in watts, and  $R_{BS}$  is the DC-to-DC converter base-to-heatsink thermal resistance in degrees Celsius per watt.

Convection is the most common way that heat is transferred. Natural convection is the transfer of heat from a surface into cooler surrounding still air. Forced convection is the transfer of heat from the source by a moving stream of air. The thermal convection circuit is shown in Fig. 13.

The heatsink-to-air thermal resistance depends on a number of factors including material, geometry, air temperature, air density, and air flow. Heatsink manufacturers provide specific thermal-resistance data.

Natural convection is inexpensive and reliable, but it requires a larger heatsink area than one for forced convection. The heatsink is selected by determining the heat dissipation of the DC-to-DC converter with

following the expression:

$$R_{SA} = (T_B - T_A)/D - R_{BS}$$

where  $R_{SA}$  is the heatsink-to-air thermal resistance in degrees Celsius per watt,  $T_B$  is the DC-to-DC converter base temperature in degrees Celsius,  $T_A$  is the air temperature in degrees Celsius,  $D$  is the DC-to-DC converter heat dissipation in watts, and  $R_{BS}$  is the DC-to-DC converter base-to-heatsink temperature in degrees Celsius per watt.

Do your calculations with a base temperature well within the safe operating area of the DC-to-DC converter and a maximum ambient temperature. Select a heatsink with the lowest thermal resistance that's compatible with the application. Reducing the ambient temperature around the DC-to-DC converter slightly will greatly improve its reliability.

Forced convection is usually accomplished with a fan or blower. Fans can be noisy, inefficient, and unreliable, but they supplement the cooling provided by a heatsink alone. The thermal resistance of a heatsink is usually given by the manufacturer for forced convection as well as for natural convection. The effect of air flow on the heatsink thermal resistance is shown in Fig. 14. Increased air flow greatly reduces the thermal efficiency of the heatsink.

### Summing up

Modular DC-to-DC converters provide a compact, regulated isolated voltage source at the required location. They can greatly improve circuit performance, safety, and reliability.

Always be sure to follow a few simple precautions when installing modular DC-to-DC converters. Provide adequate wire size for the input and output circuits. Prevent the input voltage from exceeding the maximum rating. Use a surge arrester if the input power stability is questionable. Prevent an input reverse-polarity condition. Provide a good thermal environment for the DC-to-DC converter with proper heat sinking.  $\Omega$



Call for your  
FREE catalog!

# Your One Stop Holiday Component & Computer Source

Special Prices for  
Electronics Now  
Readers. Please  
mention VIP #DRS!

velleman:kit

## Electronic Kits

### DC to Pulse Width Modulator

This control circuit is ideal for the accurate control of DC motors, lighting levels, small heaters as well as other applications. Converts a DC voltage into a series of pulses, such that the pulse duration is directly proportional to the value of the DC voltage. The great advantage of such a circuit is that almost no power is lost in the control circuit.



- Protected against overload & short circuit
- PWM range: 0 to 100%
- PWM frequency: 100Hz to 5KHz (adjustable)
- Operating voltage: 8 to 35VDC
- Minimum consumption: 35mA
- Maximum output current: 6.5A
- Efficiency: better than 90% at full load
- Adjustable sensitivity: 2.5 to 35VDC
- Size: 3.3"L x 1.9"W x 1.8"H
- Weight: 0.5 lbs.

Part No.	Description	1-4	5-9
120539	Modulator	\$19.95	\$17.95

### Universal Start/Stop Timer

• Timer for applications requiring a delay up to 60 minutes

• Control range may be adjusted • Small size

• Power requirements: 12VDC @ 55mA

• Time interval adjustable from 0 to 15 minutes (without modifications)

• PCB dimensions: 1.5" x 2.7"

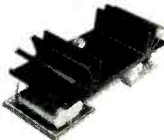
• Weight: 0.4 lbs.



Part No.	Description	1-4	5-9
120619	Start/stop timer	\$14.95	\$13.95

### Electronic Ignition System

- Better starting and smoother running
- Lower fuel consumption
- Less pollution
- Lower servicing costs
- PCB dimensions: 2.8" x 1.4"
- Weight: 0.5 lbs.



Part No.	Description	1-4	5-9
120601	Ignition system	\$16.95	\$14.95

### Infrared Code Lock Transmitter/Receiver

- Use for car alarm activation, door locks, building or house alarms or garage door opener
- Security code selectable (60,000 combinations)



120598: • Key ring housing

- Receiver/transmitter range: ±10m
- Power requirements: (4) LR44 batteries
- Weight: 0.44 lbs.

120580: • Relay output 5A switch-over or pulse contact • LED indicator

- Power requirements: 12-16VDC @ 100mA
- PCB dimensions: 3.0" x 3.6"
- Weight: 0.6 lbs.

Part No.	Description	1-4	5-9
120598	Transmitter	\$19.95	\$17.95
120580	Receiver	\$34.95	\$31.49

## Laser Pointer Kit

Well-suited to engineers, presenters, teachers, lecturers and executives.



- Light weight
- Ergonomically designed
- Easy to assemble
- Some soldering required
- Size: 4.5"L x 0.2"W x 0.6"H

## Laser Diode Module

- Operates on 3VDC @ <5mW
- Has a built in lens
- 670nm wavelength
- 1" color coded, tinned leads
- Size: 0.9"L x 0.4"D



Part No.	Description	1-4	5-9
123043	Laser diode module	\$49.95	\$44.95

## Jameco Analog Display Soldering Station

- Electronic temperature control
- Zero-Voltage thyristor switching protects voltage and current sensitive devices
- Power-on and Heater-on LED indicators
- Power consumption: 60 watts • UL listed
- Includes one 35115, 1/16" tip
- Size: 4.3"W x 6"D x 3.4"H • Weight: 4.2 lbs.



Part No.	Description	Price
114569	Analog station..	SPECIAL \$79.95

## Jameco Solderless Breadboards

Our long-lasting breadboards feature screen printed color coordinates and are suitable for many kinds of prototyping and circuit design.

Larger models feature heavy-duty aluminum backing with voltage and grounding posts.

• One-year warranty



Part No.	Terminal Strips	Bus Strips	Contact Strips	Points	1-9	10-49
20343	0	2	200	\$2.95	\$2.59	
20600	1	2	400	4.95	4.49	
20669	1	0	630	4.95	4.49	
20722	1	2	830	6.95	6.25	
20757	2	1	1,360	12.95	11.49	
20773	2	4	1,660	16.95	14.95	
20790	3	5	2,390	22.95	19.95	
20811	4	7	3,220	29.95	27.95	

## Jameco Wire Jumper Kit

- 25 each of lengths 0.1" through 5.0" (14 sizes)
- 350 assorted lengths in 13 colors
- Pre-stripped/pre-formed 22 AWG solid wire jumpers
- Handy, durable, clear plastic case



Part No.	Description	1-9	10-49
19289	Wire jumper kit	\$9.95	\$8.95
20079	Refill for 19289	7.95	6.95

## 3 1/2 Digit Pocket Multimeter

- Measures: AC/DC voltage, DC current, HFE and resistance
- DC Voltage: 200mV, 2V, 20V, 200V, 1000V
- AC Voltage: 200V, 750V
- Resistance: 200Ω, 2KΩ, 20KΩ, 200KΩ, 2MΩ
- DC Current: 200μA, 2mA, 20mA, 200mA, 10A
- Diode Test • Transistor HFE
- Removable test leads
- Size: 2.6"W X 1"D X 4.8"H
- Weight: 0.5 lbs. • One-year warranty



Part No.	Description	1-9	10-24
119212	Digital multimeter	\$19.95	\$17.95

## Desoldering Station

- Maintenance free, quiet operation
- Simple fine tune feature to select 300°F-850°F range
- Vacuum pump activated "on demand" using finger tip switch on desolder handle
- Spike control feature protects current sensitive components such as CMOS ICs
- Size: 9.2"L x 7.2"W x 3.6"H
- Weight: 10.9 lbs.



Part No.	Description	Price
125508	Desolderer.....	SPECIAL \$249.95

## 7400 Integrated Circuits

Part No.	Product No.	1-9	10-99	100+
48979	7400	\$0.35	\$0.29	\$0.25
49015	7402	.39	.35	.29
49040	7404	.39	.35	.29
49091	7406	.45	.39	.35
49120	7407	.45	.39	.35
49146	7408	.45	.39	.35
49437	7414	.39	.35	.29
50235	7432	.49	.45	.39
50420	7447	1.19	1.09	.99
50551	7474	.35	.29	.25
50577	7475	.45	.39	.35
50593	7476	.89	.79	.69
50665	7486	.55	.49	.45
50681	7489	SALE 2.49	1.95	
50690	7490	.79	.69	.59
49293	74116	SALE .99	.89	
49322	74121	.99	.89	.79

## EPROMs

Part No.	Product No.	Description	Price
40002	2716	2K x 8	\$4.25
40133	2732A-45	4K x 8	3.95
40205	2764-25	8K x 8	3.95
40248	2764A-25	8K x 8	3.95
39829	27C64-15	8K x 8	3.69
39933	27128-25	16K x 8	4.95
39677	27C128-15	16K x 8	4.95
40045	27256-20	32K x 8	4.59
39731	27C256-25	32K x 8	3.49
39773	27C512-12	16K x 8	4.59
39781	27C512-15	64K x 8	4.49
39669	27C010-20	128K x 8	4.95
65699	27C020-15	256K x 8	7.25
85462	27C040-15	512K x 8	11.95

## 2-Button Joystick

- PC/XT/AT and compatible systems
- Precise self centering analog joystick
- 4 suction cups for desktop mount
- Single/rapid fire selector switch & triggers
- X and Y axis trim centering adjustments for cursor control
- Size: 5.5"L x 4.3"W x 7.5"H • Weight: 0.9 lbs.



Part No.	Description	1-4	5-9
120088	2-button joystick	\$11.95	\$10.49

## Gamestar Programmable Game Controller

- IBM compatibles
- MS DOS or PC DOS required
- Program and save created game templates
- Variable rapid-fire feature
- Includes configuration and game control
- Size: 6.5"L x 3.3"W
- Weight: 1.1 lbs. • One-year warranty



Part No.	Description	1-4	5-9
124505	Game controller	\$19.95	\$17.95

## Jameco 101-Key Enhanced Keyboard

- PC/XT/AT/386/486 compatible
- 12 function keys with separate cursor and numeric keys • 90-day warranty
- Size: 19"L x 8"W x 1.3"H • Weight: 5 lbs.



Part No.	Description	Special Price
67432	101-key keyboard	SPECIAL \$14.95

## EPROM Programmers

- Programs EPROM's, and flash memories
- Programs 16KB to 8MB EPROM's
- Menu driven software
- Full screen buffer editor
- File formats supported: Intel Hex, Motorola S Hex, Tektronix Hex, and Binary
- 2 & 4-way Binary file splitting programs
- 2 & 4-way Binary file shuffler programs
- Includes adapter card, software & manual
- Size: 7"L x 5.5"W x 1.75"H
- One-year warranty



Part No.	Description	Price
101400	1 Socket 16K-512KB	\$129.95
78457	1 Socket 16K-2MB	199.95
78465	4 Socket 16K-2MB	259.95
104651	1 Socket 16K-8MB Universal	699.95

## 51 Piece Tool Kit

- An assortment of the most essential tools for maintenance and repair jobs. Black vinyl-covered case features removable pallets, a combination lock and a cushioned, black plastic handle.
- Weight: 11 lbs. • Size: 12.5"L x 17.5"W x 3.5"H



Part No.	Description	1-4	5-9
26681	51 Piece tool kit	\$109.95	\$99.95

## Skynet 42.6 Watt Switching Power Supply

- Output: 5V @ 3A, 12V @ 2A, -12V @ .3A
- Input: 115/230VAC
- Input jumper selectable
- UL/CSA approved
- Size: 5"L x 3"W x 2"H



Part No.	Product No.	Special Price
124177	SNP8171	SPECIAL \$9.95

**JAMECO**  
ELECTRONIC COMPONENTS  
COMPUTER PRODUCTS

© 1995 Jameco 12/95  
No Minimum Order  
Call for Details

1355 Shoreway Road

Belmont, CA 94002-4100

FAX: 1-800-237-6948 (Domestic)

FAX: 415-592-2503 (International)

New Hours: 6AM - 6PM PST

Call for your FREE catalog!



Mention  
V.I.P.# DRS

Call 1-800-831-4242 to order today!

# BUYER'S MART

## SATELLITE TV

**FREE** catalog — Lowest prices worldwide. Satisfaction guarantee on everything sold - Systems, upgrades, parts, all major brands factory fresh and warrantied. **SKYVISION**, 1012 Frontier, Fergus Falls, MN 56537. 1 (800) 334-6455. Outside US (218) 739-5231.

**VIDEOCYpher II** descrambling manual. Schematics, video and audio. Explains DES, EPROM, CloneMaster, Pay-per-view (HBO, Cinemax, Showtime, Adult, etc.) \$16.95, \$2.00 postage. Schematics for Videocypher II Plus, \$20.00. Schematics for Videocypher II 032, \$15.00. Software to copy and alter EPROM codes, \$25.00. VCII Plus EPROM, binary and source code, \$30.00. **CABLETRONICS**, Box 30502R, Bethesda, MD 20824.

**SATELLITE TV** organizer for DOS. Two diskettes & instructions. Database software for quick changing transponders. \$19.95 plus \$3.00 S&H. **HUMANFORM ROBOTICS**, PO Box 158486, Nashville, TN 37215.

## BUSINESS OPPORTUNITIES

**START** your own technical venture! Don Lancaster's newly updated **Incredible Secret Money Machine II** tells how. We now have autographed copies of the Guru's underground classic for \$18.50. **SYNERGETICS PRESS**, Box 809-C, Thatcher, AZ 85552. (520) 428-4073. Visa/MC.

**B + J COMPUTER** Build your own computer and save. Call or fax for your free screensaver and price lists. (203) 484-7565.

**EARN money from home** with new CD-ROM! 600 How-to-books, reports & guides you can re-print and sell. Complete text of all 600 on Windows CD-ROM. Just \$99.00. 1 (800) 600-0612. Visa/MC/COD.

## EDUCATION & INSTRUCTION

**ELECTRONIC engineering**. 8 volumes complete. \$109.95. No prior knowledge required. Free brochure. **BANNER TECHNICAL BOOKS**, 1203 Grant Avenue, Rockford, IL 61103.

**LEARN VCR** repair. Great profits. Home study. **P.C.D.I.**, Atlanta, GA. Free literature. 1 (800) 362-7070 Dept. VRP342.

**LEARN PC** repair-troubleshooting, servicing. Home study. Free literature. **P.C.D.I.**, Atlanta, GA 1 (800) 362-7070 Dept. JJP342.

**MICROWAVE** oven manual, to become a technician. Award winner edition. USA \$42.95, all foreign countries \$69.00. **RANDALL**, Box 2168 R, Van Nuys, CA 91404.

**LEARN** locksmithing. Approved home study. Free career literature, **P.C.D.I.**, Atlanta, GA. 1 (800) 362-7070 Dept. LKP342.

**TODAY'S Electronics**. Don't get left behind! Top home-study courses developed by U.S. Military. Free catalog. **FEDERAL TECHNICAL PUBLISHERS**, Box 1218, E Glen Lake, MN 55345.

**KNOWLEDGE CARDS**. Tables. Formulas. Fun and educational. Package \$2.00. Box 12238, Lexington, KY 40581-2238.

## ANTIQUE RADIO CLASSIFIED

Free Sample!

Antique Radio's  
Largest Circulation Monthly.  
Articles, Ads & Classifieds.



6-Month Trial: \$17.95. 1-Yr: \$34.95 (\$51.95-1st Class).  
A.R.C., P.O. Box 802-L15, Carlisle, MA 01741  
Phone: (508) 371-0512 VISA/MC Fax: (508) 371-7129

## ★ 1995 CATALOG ★ OF THE WORLD'S MOST FAMOUS CB ANTENNAS & ACCESSORIES

— FIRESTIK : FREE CATALOG OFFER —  
2614 E. Adams · Phoenix, AZ 85034  
Write or Call, 602-273-7151

## PLANS AND KITS

**60 SOLDERLESS Breadboard Projects** in two easy-to-read pocket books. Complete with circuit descriptions, schematics, parts layouts, component listings, etc. Both book (BP107 & BP113) only \$11.90 plus \$4.00 for shipping. USA and Canada only. US funds. **ETT, INC.**, PO Box 240, Massapequa Park, NY 11762-0240.

**CRYSTAL** set Handbook — Visit antiquity by building the radios your grandfather built. Assemble a "Quaker Oats" rig, wind coils that work and make it look like the 1920s! Only \$10.95 plus \$4.00 for shipping and handling. **CLAGGK INC.**, PO Box 4099, Farmingdale, NY 11735. US funds only! USA and Canada — no foreign orders.

**ALL-in-one catalog. AM/FM/ham/spy**, transmitters, amplifiers, receivers. Voice scramblers/disguisers, audio, TV, Tesla coils, plans, "secret" books, kits, imports, exports and more. Start your own licensed or unlicensed radio station, 60 full pages for \$1.00. **PAN-COM INTERNATIONAL**, PO Box 130-F12, Paradise, CA 95967.

**FIBER Optic educational experiments kit** includes: tutorial, w/experiments. 40ft. fiber assortment. + cutting tool. \$19.95 + S/H (609) 468-1660.

**BREATHALYZER Secrets** Police, consumer, coin-operated, schematics, operation methods, software techniques, parts sources. Send \$20.00. Kits or ready made available. **KINGSGATE TECHNICAL**, Box 693, Bolton, Ontario, Canada L7E 5T5.

**FREE** catalog. Nearly 100 leading-edge kits. Kl, PIC. Full instructions, source code SASE. **SCIENCE FIRST**, 95 Botsford Place, Buffalo, NY 14216.

## SURVEILLANCE

& COUNTERSURVEILLANCE Electronic Devices

Covert Video Cameras • Transmitter Kits • Voice Changers  
Bug and Phone Tap Detectors • Shotgun Mics • Micro Recorders  
• Vehicle Tracking • Locksmithing • AND MORE!

18-Hour Telephone Recorder: silently tapes incoming/outgoing phone calls automatically. \$199.00

SDY FOR CATALOG SEND \$5.00 TO... CREDIT CARDS WELCOME  
OUTLET P.O. Box 337, Buffalo, NY 14226 (716) 691-3476

## CABLE TV TURN-ON CHIPS

**SUPER Cable TV "Test Chips"**. Provides full service activation. Excellent instructions & illustrations. **Jerrold Starcom**: DP(V)5, DP(V)7, DPBB7. CFT-2000 series. **Pioneer**: BA-5000 thru BA-8700. **Scientific Atlanta**: 8500 thru 8600. **Tocom**: 5503-VIP, 5507. **Zenith**: ST-1000 thru ST-5000. Call now!! **MASTER COMPONENTS**. 1 (800) 233-0570.

## PATENT SERVICES

**PATENT** protection can be crucial to capitalizing on your invention. If you are interested in patenting your invention please call **JON M. JURGOVAN**, (registered patent attorney) for free initial consultation. (404) 951-0931 D (404) 240-0979 E.

## FOR SALE

**TUBES**: "oldest", "latest". Parts and schematics. SASE for lists. **STEINMETZ**, 7519 Maplewood Ave., EN 46324, Hammond, IN 46324.

**FIBER-Optic Projects** — Swing into the new technology by assembling tried and true projects recently published. "Practical Fiber-Optic Projects" only \$9.95 (price includes shipping) **ELECTRONICS TECHNOLOGY TODAY INC.**, PO Box 240, Massapequa Park, NY 11762-0240.

**CABLE TV Test Chips** for Jerrold, Tocom, Pioneer, Scientific Atlanta, etc... **Quick Installation** New Multi-Mode modules available. Prices from \$5.00 each. 1 (800) 786-9025.

**SECRET cable descramblers!** Build your own descrambler for less than \$12.00 in seven easy steps! **Radio Shack** parts list and free descrambling methods that cost nothing to try, included. Send \$10.00 to: **INFORMATION FACTORY**, PO Box 669, Seabrook, TX 77586. For Visa/MC, COD's (713) 922-3512 any time.

**300 Experimenters Circuits** — Complete in 6 practical books using diodes, relays, FET's, LED's, IC 555's, and IC CA3130's for building blocks. Only \$33.00 plus \$6.00 for shipping. USA and Canada only. US funds. **ETT, INC.**, PO Box 240, Massapequa Park, NY 11762-0240.

**RESTRICTED Information**: Surveillance, Locksmithing, Cable, Hacking, Investigation, Transmitter kit, Etc. **MENTOR**, Box 1549-Z, Asbury, NJ 07712.

**THE Case Against the Patents**. Thoroughly tested and proven alternatives that work in the real world. \$28.50. **SYNERGETICS PRESS**, Box 809-C, Thatcher, AZ 85552. (520) 428-4073. Visa/MC.

**CABLE descrambling**. New secret manual. Build your own descramblers for cable and subscription TV. Instructions, schematics for SSAVI, gated sync, sinewave, (HBO, Cinemax, Showtime, UHF, Adult) \$12.95, \$2.00 postage. **CABLETRONICS**, Box 30502R, Bethesda, MD 20824.

**CABLE TV equipment & accessories**. Wholesalers welcome! 30 day moneyback guarantee! Free catalog! **PERFORMANCE ELECTRONICS, INC.**, 1 (800) 815-1512.

**TV Notch filters**, free brochure, **MICRO THINC.**, Box 63/6025, Margate, FL 33063. (305) 752-9202.

**TEST equipment** pre-owned now at affordable prices. Signal generators from \$50.00, oscilloscopes from \$50.00. Other equipment including manuals available. Send \$2.00 U.S. for catalog refunded on first order. **J.B. ELECTRONICS**, 3446 Dempster, Skokie, IL 60076. (708) 982-1973.

**CABLE** descramblers. Bargain headquarters. Below wholesale prices. Absolutely the lowest prices! Money back guarantee. Nobody beats us! **RP ELECTRONICS**, 1 (800) 304-3604.

**SURVEILLANCE** Privacy security protection. Catalog \$5.00. **SPY EMPORIUM**, 6065 Hillcroft 413, Houston, TX 77081. (713) 774-1000.

**CATV Test Chips** as low as \$8.95 for testing converter boxes in full service modes. **Jerrold**, Tocom, Scientific Atlanta, Pioneer BA5XXX/BA67XX cubes clears E2-E5, **MICRO MASTERS**, 1 (800) 360-7654.

**CB Radio modifications!** Frequencies, 10M, sliders, FM, amplifiers, books, kits, repairs, high-performance accessories. The best since 1976! Catalog \$3.00. **CBCI**, Box 31500EN, Phoenix, AZ 85046.

**WHITE Noise** generator, complete with case and power supply. Perfect for getting to sleep and lab projects. Only \$29.95 (plus \$3.50 S&H) Visa/MC call 1 (800) 357-2199, or send check/MO to **COASTAL WINKS**, 6755 Mira Mesa Blvd., #123-282B, San Diego, CA 92121.

**CABLE TV descrambler!** Anybody can build with seven easy parts from Radio Shack. Plans \$8.00. 1 (800) 818-9103.

**FREE Security equipment information,** professional equipment only. Full post sale support. **LVM ELECTRONICS,** 8577 N. Dixie Drive, Dayton, OH 45414, 1 (800) 586-2252.

**MARINE Electronic testing equipment** new and used. Too much to list. 20608 Somerset Court, Riverview, MI 48192 (313) 782-4047.

**A.E.Co.** Basic cable converters and personal security products at the best price for free brochure (207) 286-3204.

**CABLE TV test aids. Quick install test chips from \$5.00 each.** Full test mode activation for most Jerrold, Tocom, S.A., Pioneer, Zenith, Videos, tools, and new multi-mode modules available. **C&C SPECIALTIES,** 1 (800) 452-7090.

**CONVERTER** — descramblers: examples, Zenith Ztac \$199.00, Scientific Atlanta 85XX \$180.00, 8580 compatible \$215.00, 8600 \$335.00, DPV-7212 compatible \$215.00, DP5 \$200.00, Jerrold 400 \$115.00. All Pioneer test generator \$150.00. Most makes in stock, COD ok. **MOUNT HOOD ELECTRONICS,** (503) 543-7239.

**CABLE TV why rent? When you can own.** Low prices, quality products. Call tonight, 6:00PM — 11:00PM EST 1 (800) 865-7493. Free catalog. **TRUE VALUE ELECTRONICS,** PO Box 591, Lincoln, NH 03251.

**GREEN Thumb Alert**— Electronics enters the Garden! New exciting book points out how gardeners can build simple gadgets to promote success where the elements work against you. Some of the projects are: over/under temperature monitoring, dusk/dawn switching, automatic plant watering, warming cables, etc. "Electronic Projects for the Garden" only \$9.95 (price includes shipping) **ELECTRONICS TECHNOLOGY TODAY INC.,** PO Box 240 Massapequa Park, NY 11762-0240.

**SINGERS! REMOVE VOCALS!**  
**Unlimited Backgrounds™**  
From Standard Records & CDs with the Thompson Vocal Eliminator™. Call for Free Catalog & Demo Record.  
Phone: (404) 482-4189 Ext. 72  
Singer's Supply, Dept. RI-1  
7987 Hightower Trail  
Lithonia, GA 30058  
24 Hour Demo/Info Request Line (404) 482-2485 Ext. 72  
Singer's Supply - We Have Anything & Everything For Singers

**POWER SUPPLY**

continued from page 75

The fuse holder is mounted on the rear panel, and the panel allows access for the 120-volt AC line cord. A No. 14- or No. 16-AWG, three-conductor linecord is recommended. Connect the green ground lead to the frame of the transformer. Figure 6 shows the inside of the completed power supply.

**Calibration**

With switch S4 set to the positive variable voltage position and S5 set to the voltage mode, adjust R1 for any desired voltage, and measure the output with a voltmeter. Adjust R12 until the built-in digital display shows the same voltage. Move

**Do-It-Yourself Electronic Kits**  
Free Catalog Available  
Call 213/888-8988 Fax 213/888-6868  
Mark V Electronics 8019 E. Slauson Ave. Montebello, CA 90640

**▲ Beginner ▲▲ Intermediate ▲▲▲ Advanced ▲▲**

**Stereo Loudspeaker Protector TY-25 ▲**  
Super fast acting relay protects speaker against destructive DC voltage. Can connect directly to a power amp, or can use a separate power supply. Has a 3 second turn-on delay to avoid turn-on thumps.  
Kit: \$ 16.75

**120W MOSFET Power Mono Amp. TA-477 ▲▲**  
120W into 8 ohms RMS. THD: < 0.007%. Frequency Response: 8 HZ-20 KHZ, +0-0.4 dB. 2.8 HZ-95 KHZ, +0-3 dB. Sensitivity: 1V. Power Requirement: 55V DC @ 3A. May use Mark V Model # 003 or # 012 transformer.  
Kit: \$ 70.00

**300W High Power Mono Amp. TA-3600 ▲▲▲**  
300W into 8 ohms RMS. Frequency Response: 10 HZ-20 KHZ. THD: < 0.05%. Sensitivity: 1V rms at 47K. Power Requirements: 60-75V DC at 8A. May use Mark V Model # 007 or # 009 transformer.  
Kit: \$ 89.00

**30W+30W Pre & Main Stereo Amp. TA-323A ▲**  
30W into 8 ohms RMS per channel. THD: < 0.1% from 100 HZ-10KHZ. Phono 3mV @ 47K. Tuner, Tape 130mV @ 47K. Power Requirement: 22-36V AC, 3A. May use Mark V Model # 002 transformer.  
Kit: \$ 32.50

Metal Cabinets	Power Transformers
LG-1273 3X12X7" \$ 26.50	#001 28/30VX2 6A \$30.00
LG-1684 4X16X8" 32.50	#002 36VX2 3A 25.00
LG-1924 4X19X11 1/2" 38.25	#003 40VX2 6A 32.00
LG-1925 5X19X11 1/2" 42.00	#004 24VX2 2A 25.00
LG-1983 2 1/2 X 19 X 8" 35.25	#005 26VX2 3A 19.00
Cabinet	#006 18VX2 5A 19.00
	#007 53VX2 8A 47.00
	#009 *48/53VX2 8A 68.00
	*Toroidal Transformer #012 *24/42VX2 8A 68.00

Minimum order \$20.00 We accept Visa, MasterCard, Money orders and Checks. Please call for shipping charges. Quantity discounts available.

**ORDER 1-800-521-MARK/1-800-423-FIVE**

CIRCLE 93 ON FREE INFORMATION CARD

**BEST BY MAIL**  
Rates: Write National, Box 5, Sarasota, FL 34230

**BUSINESS OPPORTUNITIES**

**EARN AMAZING PROFITS** Stun Guns, Sprays, Alarms. Free Catalog 509-457-0688.

**WORLD'S BEST HOME Business!** Amazing five-step plan revealed! FREE book! Mailmax, Box 165AJ, Sharpsville, PA 16150.

**OF INTEREST TO ALL**

**THOUSANDS FREE GIFTS For The Asking \$6.95.** JHEDW-RALT, PO Box 898, Lehigh, FL 33936-0898.

**HIGH SCHOOL DIPLOMA At Home.** Accredited, Fast, "Failure-Proof" 1-800-470-4723, American Academy, 12651 S. Dixie Highway, Miami, FL 33156.

**ELECTRONIC SHOPPER**

S5 to the current position, and connect a resistive load of about 10 kilohms in series with an ammeter to the output. Adjust R15 so that the ammeter and the built-in meter both read the same current value. The power supply is now complete and ready for you to use on your test bench.

**CABLE TV CHANNELS**

EQUIPMENT Direct! **FREE 30 DAY TRIAL**

**GUARANTEED**

SAVE \$1000's

The Nationwide source for cable TV equipment.

**BUY WHERE THE DEALERS BUY!**

TV Cable Descramblers, Converters and Magic Box Catalog. Open Every Day!

**FREE**

YOUR VCR TAPES CAN PLAY AS CLEAR AS DAY!

Eliminates copy protection on any tape

**UNJAM NOW WITH Video Decoder**

• Copy any rental/taught tape  
• Power Cord and RC Plugs Included

2 Year Warranty

**CALL NOW!** FREE 30 Day Trial!

Member Better Business Bureau

**MEGA ELECTRONICS**  
1-800-676-6342 VISA • MC • COD

**PAY TV AND SATELLITE DESCRAMBLING: VOLUME 7**  
All new information 1996 Edition Our Best Yet

Pay TV and Satellite Descrambling Volumes 1-7 (all different) Satellite & DBS Hacking, Wire-less Cable Hacking, Complet Wizard, Buying Surplus, Seized & Distressed Goods, Cellular Phone Hacking, Computer & Phone Hacking, all new Hacker Video. \$15.95 each, any 3/534.95 or any 5/522.95. American Hacker Magazine \$29.95 includes BBS. Our Best Deal is everything listed here and lots more for only \$129.95. New product catalog \$1. Add \$6 for C.O.D.S.

Scrambling News  
3494 Delaware Ave., #123, Buffalo, NY 14217-1230  
BBS 716 871.1915 Voice/FAX 716 874 2088 (dlawson@localnet.ny)

**Parts Express™**

Parts Express is proud to announce that we now stock the NTE line of replacement semiconductors. NTE has been supplying the electronics industry with top notch replacement parts for over 15 years. All NTE products meet or exceed industry specifications and offer an exclusive 2 year manufacturer warranty. We also offer a complete line of parts for the service repair industry. Test equipment, loudspeakers, video and audio heads, magnetrons, belts, idler assemblies, tools, soldering equipment, just to name some of the 12,000 items we stock. Ask about our new dealer program for resellers. Call toll free for a copy of our FREE 212 page catalog. Source Code: ENM

**CALL TOLL FREE 1-800-338-0531**

Parts Express 340 E First St, Dayton, Ohio 45402-1257  
Phone: 513-222-0173 Fax: 513-222-4644

CIRCLE 56 ON FREE INFORMATION CARD

# ALL ELECTRONICS

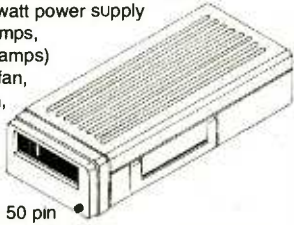
FAST SERVICE • DISCOUNT PRICES

Visit Our **INTERNET** Site  
<http://www.allcorp.com/allcorp/>

## PORTABLE SCSI CASE

Nearly complete case for SCSI device.

Includes 40 watt power supply (5 Vdc @ 3 amps, 12 Vdc @ 2 amps) with cooling fan, power switch, fuse holder, LED socket, power input receptacle, two standard 50 pin



SCSI interface jacks, molex-type power connectors, interior cable with 50 pin socket connector and interior mounting rails. Front face plate is an aftermarket piece that doesn't quite go with the box but serves the purpose pretty well.

Absent from the case is the switch in back which specifies the device's position in the chain. This can be easily bypassed with a few 0.1" shorting jumpers. Also not included is a standard IEC power cord. Off-white case is 14.25" X 7.38" X 3.26" and has a folding handle for easy carrying.  
**CAT# SCSI-1**

**\$19<sup>95</sup>** each

2 for \$36.00

## MERCURY TILT SWITCH



SPST mercury tilt switch. Glass bulb is 0.25 "dia. X 0.67" long. Circuit is closed in vertical position. Rated 750 ma

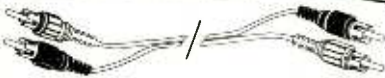
**CAT# MS-15**

**\$1<sup>00</sup>** each

10 for \$9.50 100 for \$80.00

## 9' DUAL AUDIO CABLE

**LARGE QUANTITY AVAILABLE!**



9' shielded dual audio cable with color coded (red and yellow) RCA style pin plugs either end. Black cable. **\$1<sup>00</sup>** each

**CAT# DCB-108**

10 for \$8.50 • 100 for \$75.00  
 1000 for \$500.00

ORDER TOLL FREE

**1-800-826-5432**

CHARGE ORDERS to Visa, Mastercard or Discover

TERMS: NO MINIMUM ORDER. Shipping and handling for the 48 continental U.S.A. \$5.00 per order. All others including AK, HI, PR or Canada must pay full shipping. All orders delivered in CALIFORNIA must include local state sales tax. Quantities Limited. NO COD. Prices subject to change without notice

CALL, WRITE FAX or E-MAIL for our **FREE** 64 Page CATALOG Outside the U.S.A. send \$2.00 postage.

MAIL ORDERS TO:  
**ALL ELECTRONICS CORPORATION**  
 P.O. Box 567  
 Van Nuys, CA 91408  
 FAX (818)781-2653

E-Mail [allcorp@allcorp.com](mailto:allcorp@allcorp.com)

CIRCLE 107 ON FREE INFORMATION CARD

## ADVERTISING INDEX

Electronics Now does not assume any responsibility for errors that may appear in the index below.

Free Information Number	Page
107	All Electronics ..... 94
183	Beige Bag Software ..... CV3
109	C&S Sales ..... 7
181	Cable Warehouse..... 55
—	Cleveland Institute of Elec. . 11, 49
—	Command Productions ..... 20
—	Electronics Tech. Today ..... 5, 21
121	Fluke Corporation..... CV2
180	Foley-Belsaw Company ..... 51
—	Grantham College..... 14
—	Information Unlimited ..... 55
126	Interactive Image Tech. .... CV4
—	Jameco ..... 91
—	Learn Inc. .... 1
179	LG Precision ..... 9
93	Mark V Electronics..... 93
—	Mega Electronics..... 93
184	Microcode Engineering ..... 81
117	Mouser Electronics ..... 51
—	NRI Schools ..... 17
56	Parts Express Inc..... 93
—	Premium Parts Plus ..... 53
182	Protek ..... 10
78	Radio Shack ..... 43
—	Tab Books ..... 13, 63
—	Tektronix, Inc..... 15
—	Tektronix, Inc. .... 30A & B
—	Xandi Electronics ..... 20

## ADVERTISING SALES OFFICES

**Gernsback Publications, Inc.**  
 500 Bi-County Blvd.  
 Farmingdale, NY 11735-3931  
 1-(516) 293-3000

**Larry Steckler**  
 publisher (ext. 201)

**Christina Estrada**  
 assistant to the publisher (ext. 209)

**Arline Fishman**  
 advertising director (ext. 206)

**Adria Coren**  
 credit manager (ext. 208))

### For Advertising ONLY

#### EAST/SOUTHEAST

**Stanley Levitan**  
 Eastern Advertising  
 1 Overlook Ave.  
 Great Neck, NY 11021-3750  
 1-516-487-9357  
 Fax 1-516-487-8402

#### MIDWEST/Texas/Arkansas/Okla.

**Ralph Bergen**  
 Midwest Advertising  
 One Northfield Plaza, Suite 300  
 Northfield, IL 60093-1214  
 1-708-446-1444  
 Fax 1-708-559-0562

#### PACIFIC COAST

**Blake Murphy**  
 Pacific Advertising  
 Hutch Looney & Associates, Inc.  
 6310 San Vicente Blvd.  
 Suite 360  
 Los Angeles, CA 90048-5426  
 1-213-931-3444  
 Fax 1-213-931-7309

#### Electronic Shopper

**Joe Shere**  
 National Representative  
 P.O. Box 169  
 Idyllwild, CA 92549-0169  
 1-909-659-9743  
 Fax 1-909-659-2469

#### Megan Mitchell

National Representative  
 1201 N. Rainbow Blvd., #50  
 Las Vegas, NV 89128  
 1-702-259-7043  
 Fax 1-702-259-7043

#### Subscriber Customer Service

1-800-288-0652  
 7:00 AM - 6:00 PM M-F MST

**CABLE CONVERTERS  
 CABLE DESCRAMBLERS  
 CONVERTER TEST CHIPS**

**WIRELESS QUICK BOARDS IN STOCK**

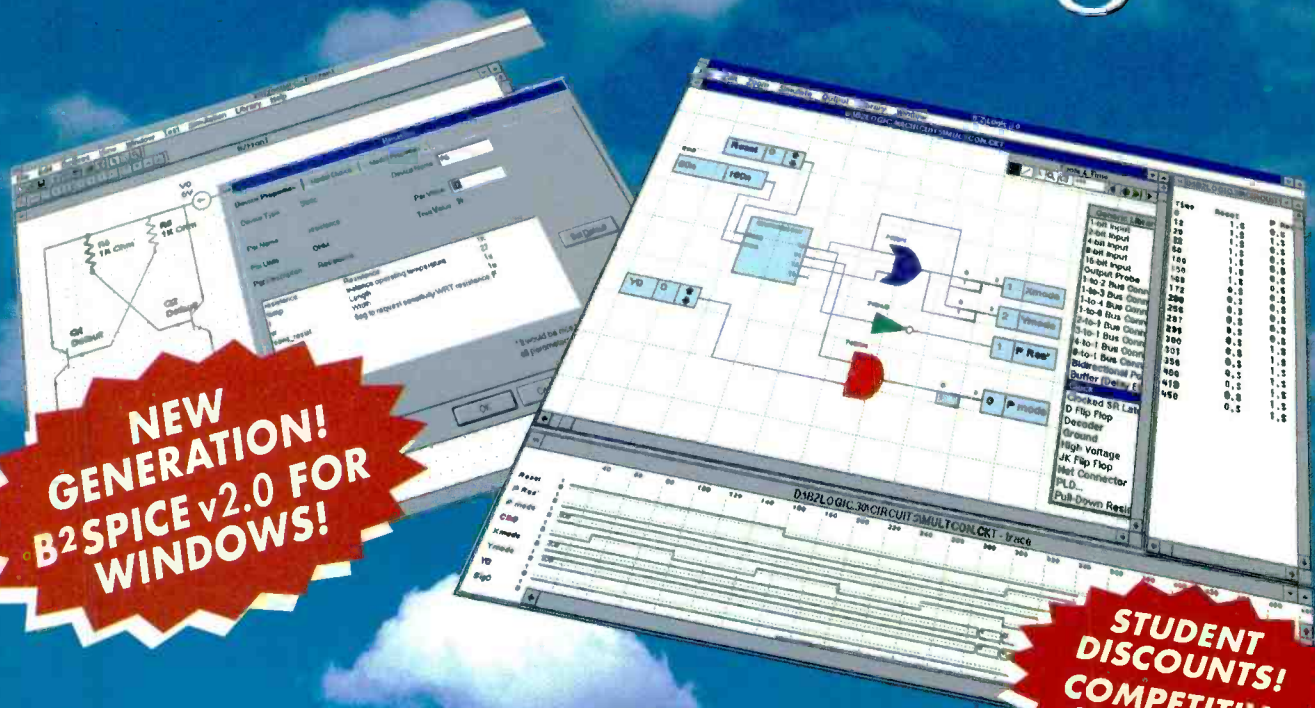
**SCIENTIFIC ATLANTA -ZENITH-TOCOM  
 PIONEER-JERROLD COMPATIBLE-OAK  
 30 DAY MONEY BACK GUARANTEE**

WE SHIP FEDERAL EXPRESS & UPS COD 2DAY AIR  
 #1 IN CUSTOMER SERVICE & PRODUCT SUPPORT  
 VISUAL COMMUNICATIONS INC.  
 615 MAIN ST. SUITE 206 STROUDSBURG PA 18360

**1-800-GO -CABLE**

FOR CATALOG CALL 717-620-4363

# Circuit Simulation Soars to New Heights



**NEW  
GENERATION!  
B2 SPICE v2.0 FOR  
WINDOWS!**

**STUDENT  
DISCOUNTS!  
COMPETITIVE  
UPGRADES!**

## B<sup>2</sup> Spice and B<sup>2</sup> Logic

are simply the best affordably priced analog and digital circuit design, simulation and analysis packages available. B<sup>2</sup> Spice and B<sup>2</sup> Logic are already used at many Fortune 500 companies and major universities, including Hewlett Packard, AT&T Bell Labs, Stanford University, and the University of Michigan. If you're looking for an electronics lab on your desktop that is BOTH powerful and inexpensive, look no further!

**B<sup>2</sup> SPICE v2.0 &  
B<sup>2</sup> LOGIC v3.0  
ONLY \$199 EACH!**

**THE ELECTRONIC DESIGN  
PACKAGE (B<sup>2</sup> SPICE v2.0 &  
B<sup>2</sup> LOGIC v3.0) REG. \$299-**

**SPECIAL OFFER!  
\$269  
EXP. 12/31/95**

### B<sup>2</sup> SPICE v2.0 FEATURES:

- Thousands of devices
- Full SPICE 3F5 implementation
- 32-bit power
- Advanced simulations including noise, distortion, and sensitivity
- Build your own libraries, models and macro models
- Interactive graph modules
- Plus all the features of version 1.1
- Mac version coming soon!

### B<sup>2</sup> LOGIC v3.0 FEATURES:

- Digital circuit simulator
- State of the art circuit editor
- Includes support for buses, virtual net connectors, & subcircuits
- Define your own components using subcircuits & PLD's
- Subcircuit probing
- Customize property devices
- For Macintosh & Windows



**CALL (800) 311-1781!**

**FAX (313) 332-0392 • E-MAIL: info@beigebag.com**

beige bag software • 1756 plymouth road, suite 370 • ann Arbor michigan 48105

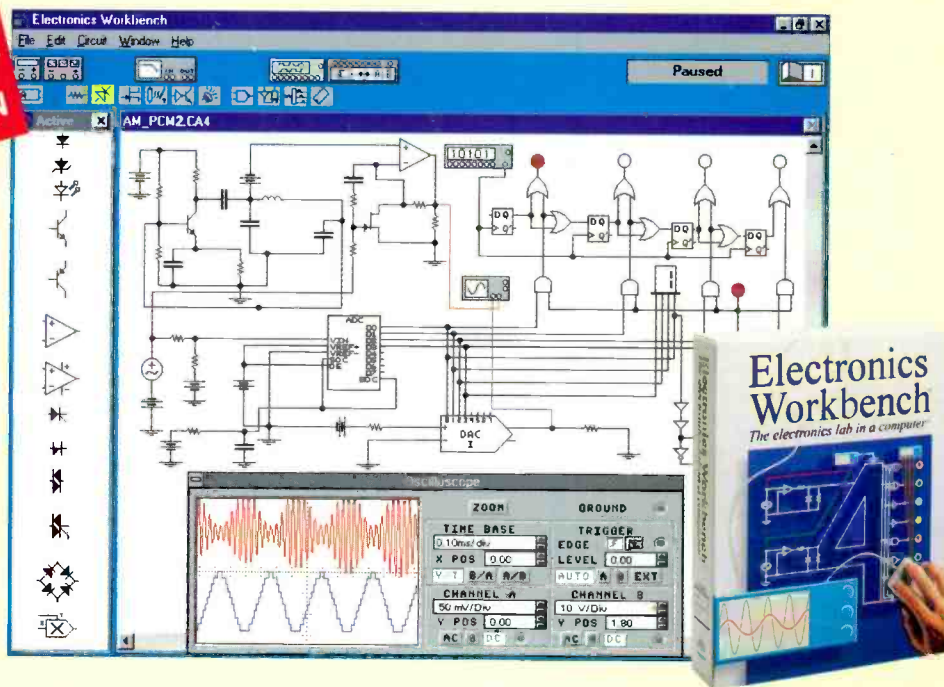
CIRCLE 183 ON FREE INFORMATION CARD

www.americanradiohistory.com

# Electronics Workbench<sup>®</sup>

Version 4.1

**NEW  
WINDOWS 95/NT  
32 BIT VERSION**



## Design and Verify Circuits Faster

Join over 20,000 customers using the affordable mixed-signal simulator

Design faster with Electronics Workbench. Mix the analog and digital components and ICs in any combination. And with a click of the mouse, try 'what if' scenarios and fine tune your designs. The built-in SPICE simulator gives you real-world waveforms.

All without programming or netlist syntax errors.

And in minutes. Not hours or days.

You'll be up and running sooner. And create better designs faster with Electronics Workbench. We guarantee it!

### Electronics Workbench: \$299

- Click & drag schematic capture
- Mixed analog/digital SPICE simulator
- Instant Bode plots and scrollable waveforms
- 50 analog components with 350 models
- 140 digital components and ICs in TTL and CMOS
- Windows 95/NT/3.1, DOS and Macintosh versions
- Free unlimited technical support
- 30-day money-back guarantee

### Engineer's Pack: \$599

- Electronics Workbench
- 2,450 models
- Import/Export SPICE netlists
- Export to PCB packages

To discover more about *the* affordable mixed-signal simulator, call us today at:

# 800-263-5552

Fax: 416-977-1818

Internet: <http://www.interactiv.com>

#### INTERACTIVE IMAGE TECHNOLOGIES LTD.

908 Niagara Falls Blvd. #068, North Tonawanda, NY 14120-2060

Telephone: 416-977-5550

BBS: 416-977-3540

CompuServe: 71333,3435

E-mail: [ewb@interactiv.com](mailto:ewb@interactiv.com)

Australia: 2519-3933 • Brazil: 11-453-5588 • Cyprus: 262-1068 • Czech Republic: 19-224308 • Denmark: 35-25-0109 • Finland: 0-297-5035 • France: 14-908-9000 • Germany: 711-62-7740 • Greece: 1-524-9981 • Hungary: 1-215-0082 • India: 11-544-1343  
Indonesia: 214-70-0815 • Israel: 3-647-5613 • Italy: 11-437-5549 • Japan: 3-3382-3136 • Malaysia: 3-774-2189 • Mexico: 5-593-5260 • Netherlands: 18-031-7660 • New Zealand: 9-267-1756 • Norway: 22-16-70-45 • Philippines: 973-270-1118 • Portugal: 1-81-46609  
Singapore: 777-2303 • Slovenia: 61-317-830 • South Africa: 331-6-8309 • South Korea: 2-222-3431 • Spain: 1-383-8335 • Sri Lanka: 1-86-5970 • Sweden: 8-740-5500 • Taiwan: 886-2-366-0080 • Thailand: 66-2-398-6952 • UAE: 4-453-505 • UK: 203-23-3216



Trademarks are property of their respective holders. Offer is in U.S. dollars and valid only in the United States and Canada. All orders subject to \$15 shipping and handling charge.

CIRCLE 126 ON FREE INFORMATION CARD

[www.americanradiohistory.com](http://www.americanradiohistory.com)

9EA3FP95