

Radio-Electronics®

FOR MEN WITH IDEAS IN ELECTRONICS

WWVB RECEIVER
Runs Superclock On Time

PHASE-LOCK-LOOP FOR FM
A Superior Multiplex Detector

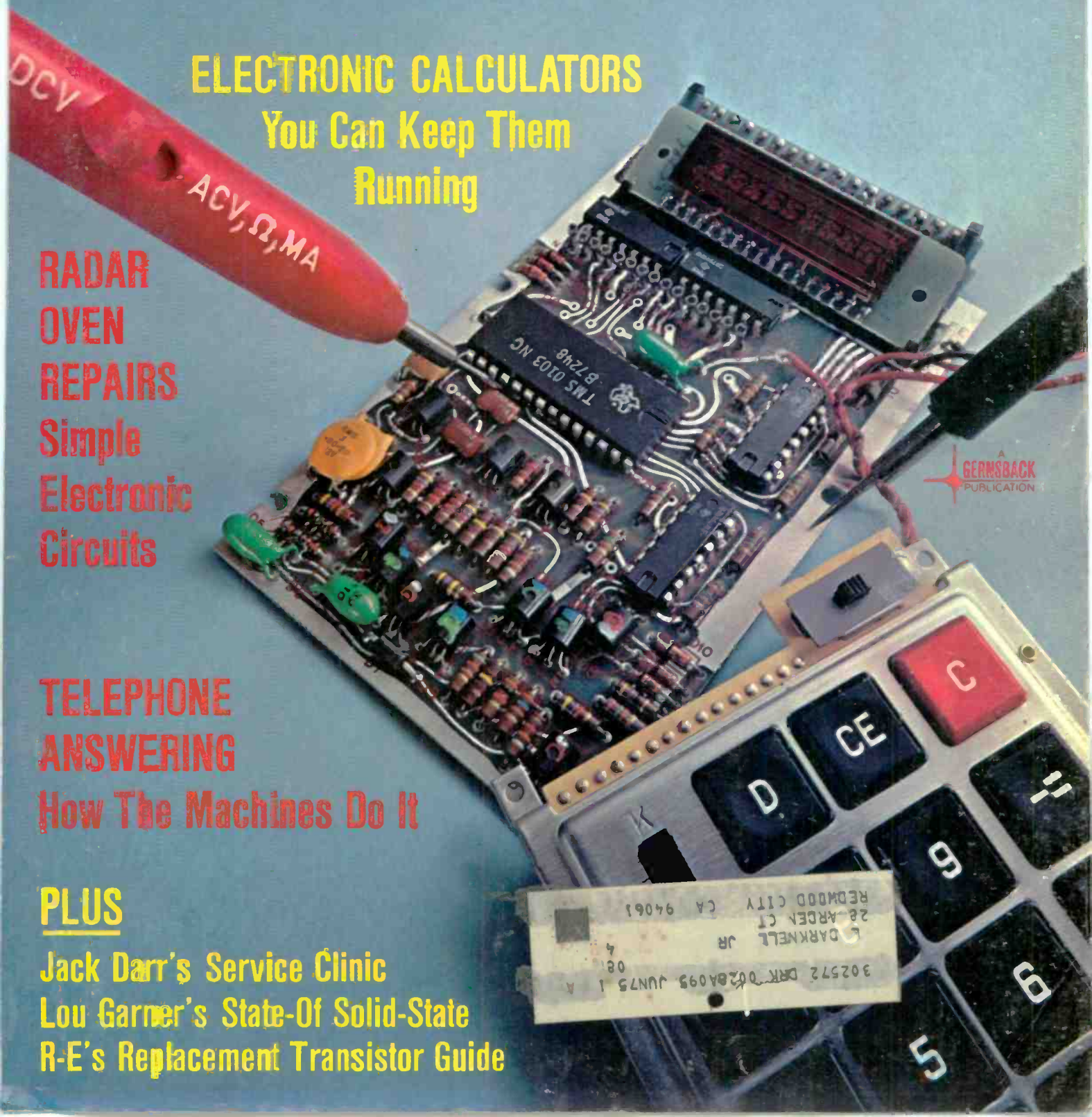
ELECTRONIC CALCULATORS
You Can Keep Them
Running

**RADAR
OVEN
REPAIRS**
Simple
Electronic
Circuits

**TELEPHONE
ANSWERING**
How The Machines Do It

PLUS

Jack Darr's Service Clinic
Lou Garner's State-Of Solid-State
R-E's Replacement Transistor Guide



A
GERNSBACK
PUBLICATION

302572 DRK 0028A095 JUN75 1 A
L DARKNELL JR
28 ARDEN CT
REDWOOD CITY CA 94061

"Contrast is best."

"Brightness is best."



We think Sylvania ChroMatrix™ gives the best of both.

Brightness is great if you don't have to lose contrast.

And contrast is great if you don't have to pay for it with a dimmer picture.

At GTE Sylvania, we think the best replacement tube is the one that gives you just the right balance of both.

That's why we developed the ChroMatrix line using a jet black dark surround and Sylvania bright phosphors.

Our design uses the black surround to get both brightness and contrast. And it also helps to maintain a uniform brightness across the entire face of the tube.

As replacement tubes for many of the color sets now coming out of warranty, ChroMatrix is a line that's hard to beat.

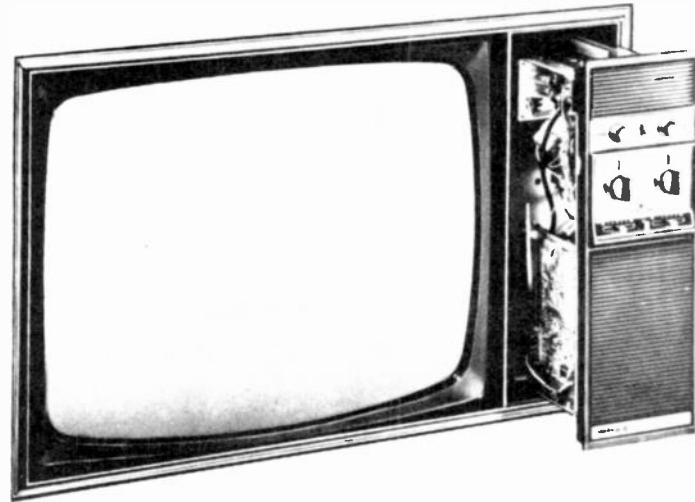
And you can get them now in all large-screen sizes from 19" to 25" diagonal including the popular 23" diagonal size.

Using the replacement line that gives the best of both worlds might make customers think that you're the best serviceman in this

ONE. Sylvania Electronic Components, 100 First Avenue, Waltham, Mass. 02154.

GTE SYLVANIA

FREE...demonstration lesson to prove that you can learn TV servicing at home.



Practice on a new 25" MOTOROLA QUASAR II® chassis.

TV Servicing is a satisfying career . . . and the pay is great. Qualified men are needed now to maintain the 93 million sets in U.S. homes. And prospects for the future are even brighter.

Now . . . here's an opportunity for you to prove to yourself that you can learn TV Servicing . . . at home, in your spare time. ICS, the world's most experienced home-study school, will send you a **FREE** Demonstration Lesson (complete with sample questions) if you will merely fill out the coupon below and mail it to us.

In addition to your free demonstration lesson, we'll send you . . . also **FREE** . . . a brochure that describes the 25" (diagonally measured screen) MOTOROLA QUASAR II® Color TV chassis that we include in our TV Service Training Program.

This chassis with automatic fine tuning control is ideal for training purposes because it combines solid state devices with vacuum tubes to give you both kinds of practical experience.

Credit towards a Certified Electronic Technician (C.E.T.) rating will be granted by the National Electronics Association to ICS students upon completion of the ICS Career Program in TV Service/Repair.

ICS

International Correspondence Schools
Since 1890
School of Electronics
Scranton, Pa. 18515

Approved for Veterans' Training. Eligible Institution under the Guaranteed Student Loan Program. Accredited Member National Home Study Council. Canadian resi-

dents use coupon address for service from ICS Canadian, Ltd. In Hawaii 931 University Ave., Honolulu, Hawaii 96814

All parts carry Motorola's two year replacement guarantee!

The QUASAR II chassis comes to you in three basic sub-assemblies . . . NOT AS A KIT . . . because we want you to learn how to **repair** TV sets, not build them.

Our free literature also describes the fully assembled test equipment you receive such as the Deluxe 5" Solid State Oscilloscope, the tools and the learn-by-doing kits, all of the finest quality.

And we're going to tell you about eight other career opportunities in Electronics and the ICS Career Programs that can help prepare you for them. All you've got to do is mail the coupon. **SEND IT TODAY!**

ICS School of Electronics
International Correspondence Schools
Scranton, Pa. 18515

YES, I want you to mail to me without obligation, the **FREE DEMONSTRATION LESSON** and complete literature on the career program checked below. (Please check one.)

- | | |
|--|--|
| <input type="checkbox"/> Color TV Servicing & Repair | <input type="checkbox"/> FCC Licensing |
| <input type="checkbox"/> Computer Maintenance | <input type="checkbox"/> Communications/
Broadcasting |
| <input type="checkbox"/> CATV/MATV Technician | <input type="checkbox"/> Hi-Fi Sound Systems |
| <input type="checkbox"/> Telephony | <input type="checkbox"/> Industrial Electronics |
| <input type="checkbox"/> Electrician | |

AA683V

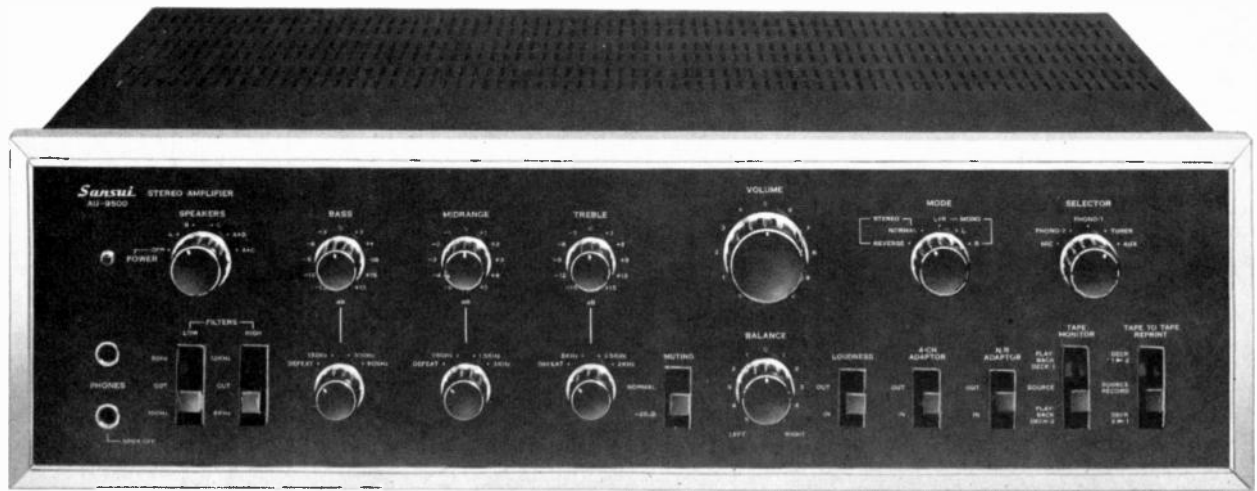
Name _____ Age _____

Address _____

City _____

State _____ Zip _____

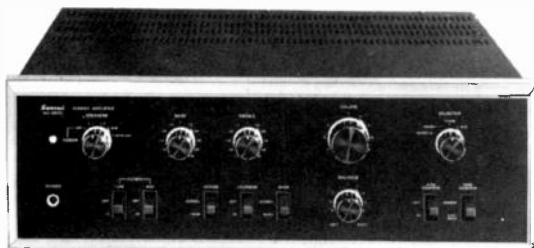
Circle 1 on reader service card



the Sansui AU 9500: hottest-selling power amplifier in the field.



AU7500



AU6500

Here's the power amplifier that not only boasts 85 hefty watts per channel, but also boasts a host of other fantastic features. It's designed and made for people who want only the best—and are willing to pay for it. And, judging by the way the AU9500 is selling, there must be a lot of those folks around.

The new Sansui AU9500 is the most advanced stereo product we make. Its superior performance characteristics include total harmonic distortion and intermodulation distortion below 0.1% throughout the entire audio spectrum and well beyond. Power bandwidth is extremely wide (5-40,000Hz) and RMS true power, conservatively rated, is 85 watts per channel into 8 ohms.

Among the many exciting features of the AU9500 are a wide variety of conveniences, such as a 4-channel adaptor switch, for QS, SQ, or CD-4 add-on units, the ability to handle up to four tape decks, and provision for tape-to-tape dubbing. Triple tone controls allow even the fussiest listener to adjust the AU9500's response to his taste.

As eye-catching as it is functional, the AU9500's elegant front-panel styling is a standout in any audio display. And it has two counterparts, the AU7500 and AU6500, which offer many of the same features, the same quality engineering and manufacturing, but slightly less power. All three are powerful, quality units that are unequalled for fine high fidelity reproduction.



SANSUI ELECTRONICS CORP.

Woodside, New York 11377 • Gardena, California 90247

SANSUI ELECTRIC CO., LTD., Tokyo, Japan • Sansui Audio Europe S. A., Antwerp, Belgium

Circle 2 on reader service card

Radio-Electronics.

FOR MEN WITH IDEAS IN ELECTRONICS

More than 65 years of electronics publishing

AUGUST 1973

SPECIAL FEATURES

- 33 **How To Keep Electronic Calculators Running**
Repairs are easy if you know how. An expert tells how to do it. *by Patrick N. Godding*
- 37 **Radar Oven Repairs**
With a few special tools and techniques you can make money fixing this new appliance. *by D. R. Mackenroth*
- 44 **Telephone Answering Robots**
Been wondering how they work? Here's a look at several machines. *by Eugene Walters*

100TH ANNIVERSARY

- 52 **Lee deForest—Father Of Radio**
Radio-Electronics celebrates the 100th anniversary of this famous electronics pioneer. *by Fred Shunaman*

4-CHANNEL HIGH-FIDELITY STEREO

- 59 **Phase-Lock-Loop For FM**
How this new multiplex detector works. *by Len Feldman*

GENERAL ELECTRONICS

- 5 **Looking Ahead**
Tomorrow's news today. *by David Lachenbruch*
- 22 **Appliance Clinic**
Floor polishers and carpet scrubbers. *by Jack Darr*
- 26 **Equipment Report**
Heathkit GR-110 VHF Automatic-Scanning Monitor Receiver

SOLID-STATE ELECTRONICS

- 48 **Experiments With WWVB**
How to build a receiver to keep Superclock (R-E April 1973) telling the precise time. *by Don Lancaster*
- 56 **State-Of-Solid State**
New developments in solid-state electronics. *by Lou Garner*
- 62 **R-E's Replacement Transistor Guide**
Part VI: 220 more types are listed. 2N1202 thru 2N1445. *by Robert and Elizabeth Scott*

TELEVISION

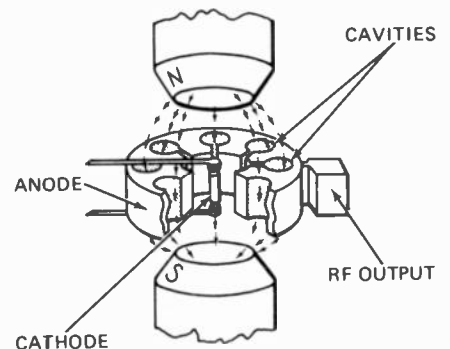
- 65 **Service Clinic**
The horizontal creeper. *by Jack Darr*
- 66 **Reader Questions**
R-E's Service Editor solves reader problems

DEPARTMENTS

- | | | | |
|----|----------------|----|---------------------|
| 83 | Books | 76 | New Products |
| 84 | Circuits | 89 | Next Month |
| 16 | Letters | 99 | Reader Service Card |
| 6 | New & Timely | 82 | Technote |
| 79 | New Literature | 86 | Try This |

ON THE COVER

A LOOK INSIDE the new Heathkit model IC-2009 electronic calculator you can service yourself. It has 8-digit display, constant key, floating decimal and features plug-in keyboard and display panel for easy serviceability.



FUNCTIONAL DRAWING OF A MAGNETRON—the heart of the microwave oven. Are you up on latest servicing tricks? . . . turn to page 37

Hugo Gernsback (1884-1967)
founder
M. Harvey Gernsback, editor-in-chief
and publisher
Larry Steckler, CET, editor
Robert F. Scott, W2PWG CET, technical editor
Jack Darr, CET, service editor
Louis E. Garner, Jr., semiconductor editor
I. Queen, editorial associate
Leonard Feldman, contributing high-fidelity editor
David Lachenbruch, contributing editor
Barbara Schwartz, Editorial Assistant
Vincent P. Cicenia, production manager
Sarah Martin, production assistant
H. Matysko, circulation

Cover photograph by Walter Herstatt
Cover design by Louis E. Rubsamen

Radio-Electronics is indexed in *Applied Science & Technology Index* and *Readers Guide to Periodical Literature*.



Radio-Electronics, August 1973, Vol. 44, No. 8. Published monthly by Gernsback Publications, Inc., 200 Park Avenue South, New York City 10003. Second-class postage paid at New York, N. Y. and additional mailing office. One-year subscription rate: U.S.A., U.S. possessions and Canada, \$7. Pan-American countries, \$8. Other countries, \$8.50. Single copies 60¢. ©1973 by Gernsback Publications, Inc. All rights reserved. Printed in U.S.A.

Subscription Service: Mail all subscription orders, changes, correspondence and Postmaster notices of undelivered copies (Form 3579) to Radio-Electronics Subscription Service, Boulder, Colo. 80302.

A stamped self-addressed envelope must accompany all submitted manuscripts and/or artwork or photographs if their return is desired should they be rejected. We disclaim any responsibility for the loss or damage of manuscripts and/or artwork or photographs while in our possession or otherwise.

As a service to readers, Radio-Electronics publishes available plans or information relating to newsworthy products, techniques and scientific and technological developments. Because of possible variances in the quality and condition of materials and workmanship used by readers, Radio-Electronics disclaims any responsibility for the safe and proper functioning of reader-built projects based upon or from plans or information published in this magazine.

You get more "security" from Mallory. And it's all do-it-yourself.



The Mallory line of security products is not only the most complete line you can get anywhere, it's also just about the easiest to hook up. It's genuinely a do-it-yourself line.

Especially the complete systems. From complete home intrusion alarm systems (plug-in or wire-in) to smoke alarms and car alarms.

And we have all the accessories you need to expand and adapt any of these systems to your specific security needs.

Look for our security systems and accessories on display in their bright, new packages (with installation directions printed right on each package). It's all at your Mallory distributor's now.

**Send for our new Security Systems Catalog 9-654.
It describes and explains how to use every item we have.**

MALLORY

MALLORY DISTRIBUTOR PRODUCTS COMPANY
a division of P. R. MALLORY & CO. INC.
Box 1284, Indianapolis, Indiana 46206; Telephone: 317-636-5353

How VLP works

Eindhoven, Holland—The European electronics giant, Philips, has now moved its VLP (Video Long Play) color television disc system into the pre-production engineering stage, although it's not targeted for commercial introduction until the second half of 1975. Philips is in a competitive videodisc race with Teldec (German Telefunken and British Decca), MCA Disco-Vision (Universal Pictures), RCA and others.

At Philips' sprawling headquarters here, I saw a pressed 12-inch VLP disc and talked with Dr. K. Compaan, the scientist who is considered the father of the VLP. The disc itself looks like an art object—bright silver, emitting rainbow reflections when caught by the light. It is pressed in the conventional manner, then coated with a reflective material and a transparent protective coating.

As reported previously in this column, the disc revolves at 25 rps, one revolution being the equivalent of one television frame (the American version will spin at 30 rps, reflecting the difference in standards). The disc is scanned from the bottom by a laser beam, which is reflected back by a mirror. Looking at the disc, it is possible to discern a radial line running from the center to the outside. This is the vertical interval, or the space between TV frames. The reflective mirror itself assures tracking accuracy, while a servo keeps the pulses on the disc in focus.

One of the significant features of the system is that the picture jumps immediately into sync and stays in sync. The mirror is the integral component in retaining the synchronization as well as tracking, and permits slow motion, stop motion or even

reverse action. A pulse is fed to the mirror during the vertical interval. For stop motion, this pulse instructs the mirror to continuously repeat the previous track. For slow motion, the mirror repeats each track once or more. For rapid motion, it skips one or more tracks each revolution. For reverse, it goes back to the preceding track. These instructions can be fed to the scanning mirror through controls on the record-playing machine or, in a more sophisticated version, through signals impressed on the disc itself in the vertical interval.

The current version of VLP plays for 30 minutes, scanning from the bottom of the disc, from the center to the outside, playing on one side only. Two-sided discs, and 45-minute discs, are also possible, according to Dr. Compaan. In its first version, the disc was to have used a standard high-intensity light, but Dr. Compaan said a breakthrough made possible a low-cost, mass-produced laser system. A by-product of this breakthrough will be reasonably priced lasers for many other applications.

Philips has no plans to make a disc changer, feeling that 30 minutes per disc is sufficient and perhaps the longest period anyone would want to view recorded video material without interruption. Polygram, a joint venture of Philips and Siemens (Germany), is currently developing consumer programming for the VLP, which is expected to be introduced simultaneously in Europe, the United States and Canada.

Other discs

I came away from my interview with Dr. Compaan with the feeling that Philips is seriously determined to be the leader in the video disc

field, despite some allegations that Philips' activities constituted a defensive reaction to other efforts in this field, notably by Teldec.

The Teldec disc, using a mechanical pressure pickup, plays for 10 minutes in color, and achieves long-play status through means of a special disc-changing system. It is expected to be demonstrated, and perhaps launched in the European consumer market, next month at the Berlin Radio-TV Show. We hope to be there, and to report on this event in detail.

Among other video discs are two which use laser readout, placing them generally in the same classification as the Philips system. MCA Disco-Vision appears to be generally similar to Philips, and there have been reports of the beginning of discussions aimed at reaching compatibility between the two systems, but Philips calls these reports premature. The big leader in French electronics, Thomson-CSF, also is developing a laser disc system, about which little is currently known.

In the United States, Zenith has demonstrated what appears to be a variation on the Teldec mechanically-scanned system. RCA is known to have developed an electrostatic LP videodisc system which uses an electrically conductive coating on the disc and conductive stylus with an electrolytic layer in between, the varying capacitance producing video signals. Other video disc systems may also surface before long.

It's becoming clear that the video disc offers a promising method for low-cost home playback of pre-recorded color TV information. It now appears that everybody and his brother are working on new video disc systems. It's probable that only one system can be the winner.

Unlike the audio race which was compromised by the 33-45 player, it would be impractical to develop a device which could play different types of video discs—laser, mechanical and electrostatic.

TV film players

Several years ago, Sylvania introduced its Color Slide Theater, a combination color set and slide viewer, which made possible the showing of 35-mm color slides on the color TV screen. It seemed like a great idea, but the public just didn't take to it, so Sylvania shelved its plans for a followup—the Super-8 electronic movie viewer.

Last month we reported that Eastman Kodak plans to market this year a Super-8 attachment for playing home movies through the family color set. This system uses many of the principles developed jointly by Kodak and Sylvania. Now, others are getting into this act, too. Cassette Sciences says it will introduce a film videoplayer shortly. It will accommodate either Super-8 or 16-mm film with magnetic or optical sound.

Sign of the times

The first major American TV manufacturer to discontinue black-and-white set production entirely to concentrate on color is Warwick Electronics, which makes receivers for Sears Roebuck. The company's goal is to produce solid-state sets exclusively by the end of this year. It will add two new color TV sizes—15 and 17 inches—both using the newly developed slot-mask tube system with in-line electron gun.

by DAVID LACHENBRUCH
CONTRIBUTING EDITOR

New electronics museum preserves radio history

Two unparalleled collections of electronics archives and artifacts form the basis for the new Foothills Electronics Museum, just opened to the public under the sponsorship of Foothills College, Los Altos Hills, near San Jose, California. Called a "hands-on" museum, only a vital few of its exhibits are shielded from handling by visitors. No admission fees are charged.

The Lee de Forest collection preserves some 2,500 photographs, models, personal documents, citations and awards, pertaining to the late Dr. de Forest. His widow, Marie de Forest, aided in identifying and cataloging the material.

The second collection consists of several thousand artifacts of the radio pioneer Douglas Perham. It includes furnishings from "the world's first regularly scheduled broadcast station," started in San Jose in 1909 by C. D. Herrold, as a high-frequency spark radiophone. Known as FN originally, it was KQW from 1921 to 1949 and now operates in San Francisco as KCBS.

Besides the de Forest and Perham

collections, the museum houses a number of other exhibits, including two amateur stations. One is an operating set-up, to show visitors what amateur radio is all about—the other a replica of a 1920 ham station.

Holographic computer memory uses laser, liquid crystals

An optical computer memory that can perform all the operations of a traditional computer memory—read, write, store and erase—has been demonstrated by scientists of the RCA laboratories at Princeton, N.J. The system, still in the early experimental stage, may be the forerunner of a new generation of mass memories with capacity equal to that of the largest present disc systems, but with a speed one hundred times as great.

The binary digits of the computer's two-word language are stored as holographic patterns of light and shade in a thermoplastic material. The holograms are produced in the material by a laser beam. On the way to the thermoplastic, the beam passes through a liquid crystal film, which is controlled electronically to

be transparent to the laser light or to scatter it, according to whether the signal represents a "1" or a "0." This produces the patterns of light and shade in the holographic material. These can be read out again with a laser, as numbers composed of binary digits. Electro-acoustic deflectors direct the beam, both in reading and writing. The holograms can be erased at will, simply by applying heat to the thermoplastic storage material.

Bronx electronic technicians organize new association

A group of electronic technicians and shop owners of the Bronx, NY, met recently to discuss the formation of a



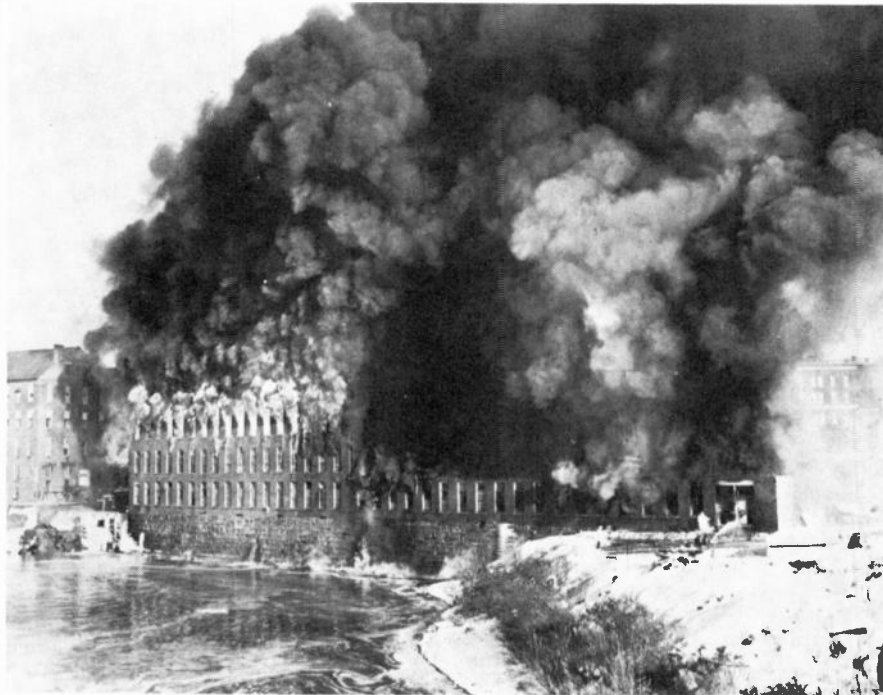
SEATED, LEFT TO RIGHT: John Matos, Sylvania instructor; Miguel Rosado, Astro Electronics; Morris Rosenthal, David Goldknopf, Kingsbridge TV; Andy Hegh, Andy's TV; and Robert O'Casio, Telefix, Inc. All the shops are in the Bronx. STANDING: Robert Plunz, TSA, Inc., Albany, N.Y.; Sarah O'Casio, Telefix, Inc. Warren Baker, of TSA, Albany, N.Y., was operating the camera.

new local association in their area. They invited two members of the Television Service Association (TSA) of Northeastern New York, a group headquartered in Albany, to answer questions. The president of TSA, Robert Plunz, and Warren Baker, CET, responded to the invitation and expressed themselves as well pleased with the turnout and the interest shown.

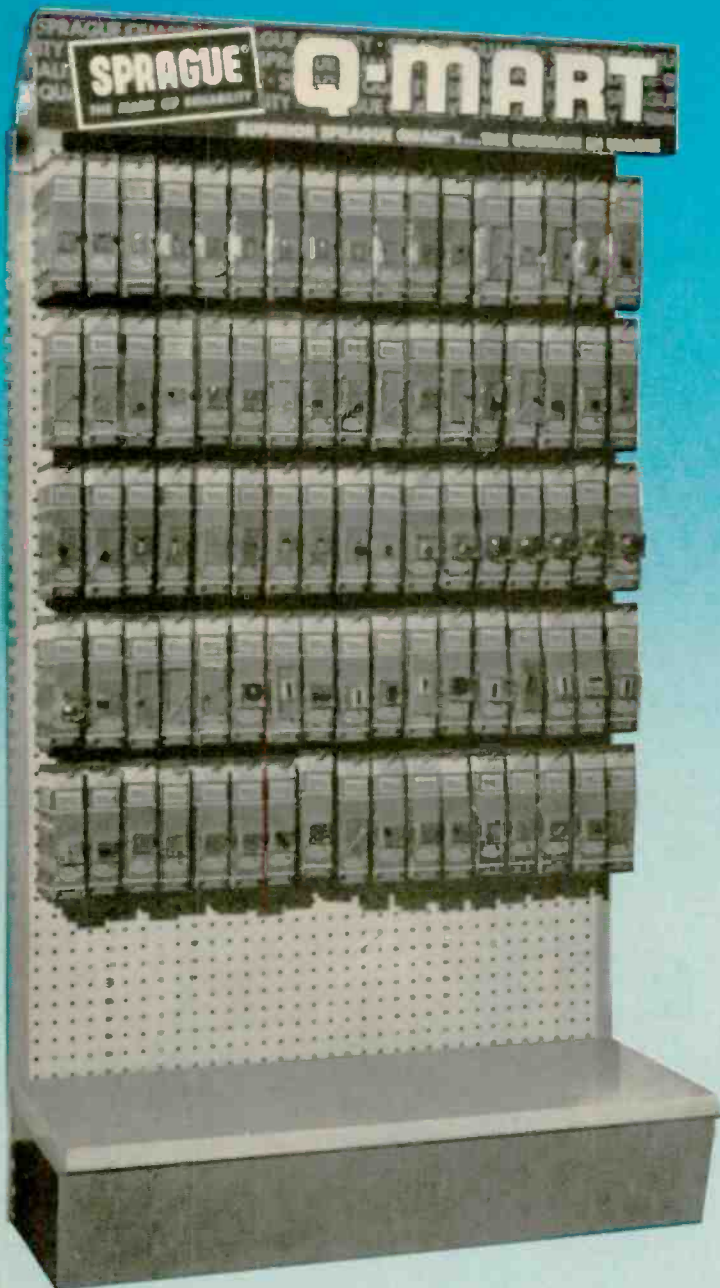
Some of the subjects covered at the meeting were the proposed registration of shops in New York State, and the alternative bill(s) to license the growing industry.

The group scheduled a second meeting, at Telefix, Inc., 862 Gerard Avenue, the Bronx, and arranged to publicize it more widely than the first. Interested parties were requested to contact Robert O'Casio of Telefix, phone 212-588-0884.

(continued on page 12)



A NEW RADIO FIRE ALARM SYSTEM was credited with getting firefighters to this disastrous Lewiston, Maine, fire in time to keep life and property loss to a minimum. The radio alarm box, introduced by Gamewell in outlying regions, looks like a conventional "cottage" call box, but sends out a digitally coded vhf signal, which sounds an alarm and actuates a printout at the fire station. The box transmits in the 72-76-MHz region between TV channels 4 and 5. It also has pushbuttons for police, medical aid and road service calls.



Don't delay . . . Stop at your Sprague distributor's Q-MART today! And while you're there, don't forget to pick up your free copy of Sprague's 48-page Semiconductor Replacement Manual K-500. Or . . . write to Sprague Products Co., 81 Marshall St., North Adams, Mass. 01247.

New SPRAGUE SEMICONDUCTOR Q-MART READY TO SERVE YOU!

Replacement Semiconductors for Service Technicians, Laboratories, Hobbyists, Experimenters

Sprague's "Total-Capability" Replacement Semiconductor Q-MART, being installed in more distributors' stores with each passing day, simplifies the selection and purchase of small-signal transistors, power transistors, field effect transistors, silicon rectifiers, linear integrated circuits, and LED devices, with a product variety that cannot be obtained from any other single source.

Designed with the service technician/hobbyist/experimenter in mind, it gives you ready replacements for over 30,000 original manufacturers' part numbers which are frequently found in home/mobile entertainment and communications equipment.

You'll enjoy the ease with which you can serve yourself right from your Sprague distributor's Q-MART. Every semiconductor is individually packaged in a handy, reusable Kleer-Pak® plastic box (no hard-to-open bubble packs or blister packs) mounted on a card that gives you a good description of the device, complete with pinning diagram, electrical parameters, and important cross-reference replacement information.

What's more, every device is a popular device. There are no dogs to waste time with or cause confusion. Your distributor's Q-MART contains only the hottest, fastest-selling semiconductors based on frequency-of-use. With this kind of movement, you can be sure you're always getting factory-fresh stock.

65-2115



MEMBER

THE BROAD-LINE PRODUCER OF ELECTRONIC PARTS



Discover the ease and excitement of learning Electronics with programmed equipment NRI Sends you

When you train at home with NRI, you train with your hands as well as your head. You learn the WHY of Electronics, Communications, TV-Radio the NRI pioneering "3-Dimensional" way. NRI training is the result of more than half a century of simplifying, organizing, dramatizing subject matter, and providing personal services unique for a home study school. You get the kind of technical training that gives you priceless confidence as you gain experience equal to many, many months of training on the job.



NRI—The Leader in Electronics Training for more than Fifty Years

APPROVED UNDER NEW GI BILL

If you served since January 31, 1955, or are in service, check GI line in postage-free card.



*Earn \$5 to \$7 an hour
spare or full time in*

TV-RADIO SERVICING

Color television sales are soaring. And so is the demand for trained repairmen. If you can service TV sets, portable radios, tape recorders, hi-fi sets, phonographs and auto radios, you'll always be in demand. It's one of your best routes to spare-time earnings, a good paying job or a business of your own. NRI trains you quickly and expertly, showing you how to get started in servicing soon after you enroll, earning as you learn. NRI trains you in today's method of installing and repairing all electronic equipment for the home—including solid state Color TV. You even build, experiment with and keep to enjoy your own solid-state radio plus your choice of black-and-white or the new 25" diagonal solid state Color TV receiver NRI developed from the chassis up for training. Like thousands of others, you can soon be earning good money in your spare time . . . the easy NRI way.

*There's money and
success awaiting you in*

COMMUNICATIONS MOBILE RADIO & BROADCASTING

NRI training in Complete Communications equals as much as two years of training on the job. With NRI, you can train for a choice of careers ranging from mobile, marine and aviation radio to TV broadcasting and space communications. You learn how to install, maintain and operate today's remarkable transmitting and receiving equipment by actually *doing* it. You build and experiment with test equipment, like a TVOM you keep. You build and operate amplifier circuits, transmission line and antenna systems, even build and use a phone-cw transmitter suitable for transmission on the 80-meter amateur band. Whichever of these five intensely practical NRI Communications courses you choose, you prepare for your FCC License exams, and *you must pass your FCC exams or NRI refunds your tuition in full.*

*Move ahead in America's
fast growing industry as*

COMPUTER TECHNICIAN

Ours is rapidly becoming the age of the computer . . . and NRI can train you to cash in on the opportunities in this field. Only NRI trains you at home on a real computer—not a simple logic trainer, but a complete, stored program digital computer using over 50 integrated circuits. As you build the NRI Computer, you explore all fundamental logic circuits, then how to combine them in a complete, stored program computer. You observe the "heart" of a real computer. You solve typical problems and learn how to locate faults with diagnostic programs. Bite-size texts make studying easier. Prove to yourself what nearly a million NRI students could tell you—that you get more for your money from NRI. Check the card and mail it today for your free NRI Color Catalog. **NO SALESMAN WILL CALL.** NRI Training, 3939 Wisconsin Ave., Washington, D.C. 20016.

YOU GET MORE FOR YOUR MONEY FROM NRI

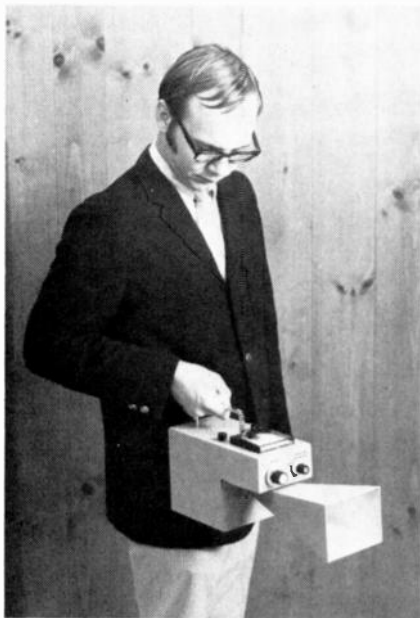


NRI Kits and Equipment

Dollar for dollar, you get more value from NRI training kits, because they are designed as educational tools. In the TV-Radio Servicing Course, for instance, the end product is a superb 25" diagonal color TV your whole family will enjoy. The set is designed so that, while building it, you can introduce and correct defects . . . for trouble-shooting and hands-on experience in circuitry and servicing. The kits include, at no additional cost, a wide-band service type oscilloscope and color cross-hatch generator, and other valuable equipment that will let you start earning money in your spare time making repairs . . . even before the course is completed.

Snooper detects hidden fire

A recently patented piece of fire-fighting equipment spots hidden burning materials, such as hot coals between walls, by the radio waves emitted from the hot material. Operating between 8 and 9 GHz, the equipment is compact and light enough to be handheld and



carried about. The signal becomes louder as the equipment is moved closer to the source of heat. Signals are picked up by a small parabolic antenna about the size of a saucer, and read on a meter mounted on top of the device. Prototype models of the detector have been built by the manufacturer, International Microwave Corp. of Cos Cob, Conn., and are being distributed to fire departments for testing.

Government frequency "need" perturbs uhf broadcasters

Uhf TV broadcasters are watching with a certain fearful interest a government move for more frequencies—presumably in the present uhf-TV band. The director of the Office of Telecommunications Policy has informed FCC Chairman Dean Burch that the government needs an additional 100 MHz "in the 100-to-1215 MHz band."

Since television broadcasting takes up the area between 174 and 216 MHz, and 470 to 890 MHz, the feeling that the government is looking at part of the spectrum allotted to TV broadcasting is

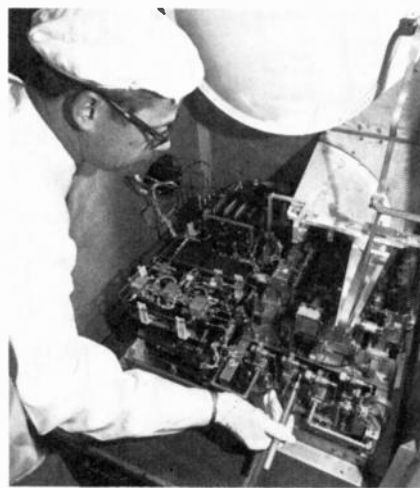
strong, especially as other frequencies in the region carry important services that the government would not be disposed to bother.

The request has puzzled some in the FCC, because the government recently returned to the FCC for reallocation 26 MHz in the spectrum in which it is now asking four times the frequency space.

It was also pointed out that any needs claimed by the government would have to be examined very carefully, since in the past government agencies have not been famous for efficient use of spectrum space available to them.

Millimeter waves may open new communications spectrum

An experiment to test the feasibility of communication at super-high frequencies will be orbited aboard NASA's ATS-F satellite in the spring of 1974. The experiment was designed by Hughes Aircraft Co. to test the feasibility of using this presently unexplored band of microwave frequencies, which could possibly provide a wide spectrum of "talking space" for future satellite systems.



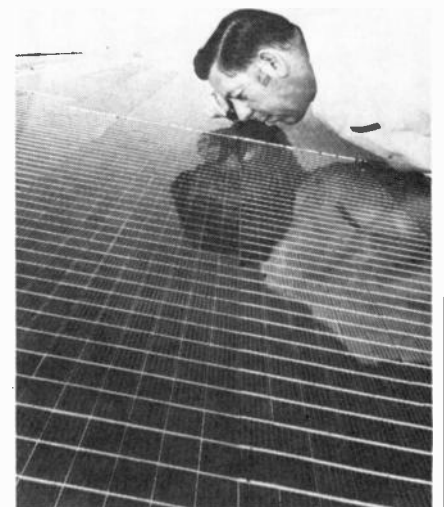
MILLIMETER WAVE COMMUNICATIONS equipment, to orbit the earth aboard the ATS-F satellite, may open up needed "talking space" in the presently unexploited 20 to 30 GHz spectrum.

The Millimeter Wave Experiment contains two transmitters, which will radiate CW (continuous wave) and multi-tone signals on 20 and 30 GHz. (1.5 and 1 centimeter, or 150 and 100 millimeters). These will be received by the Goddard earth station near Rosman, N.C.

Two experiments will be performed. In the first, signals will be transmitted

from the satellite to earth, to check atmospheric effects on the signal quality. In the second experiment, signals will be sent from the earth to the satellite on present earth-satellite communications frequencies and retransmitted to earth in the millimeter wave bands.

It is known that heavy rainfall and—to a lesser extent—other forms of precipitation, varying temperatures and possibly other factors have an effect on signals at super-high frequencies. These tests are intended to find out just how much these factors could affect a practical communications system.



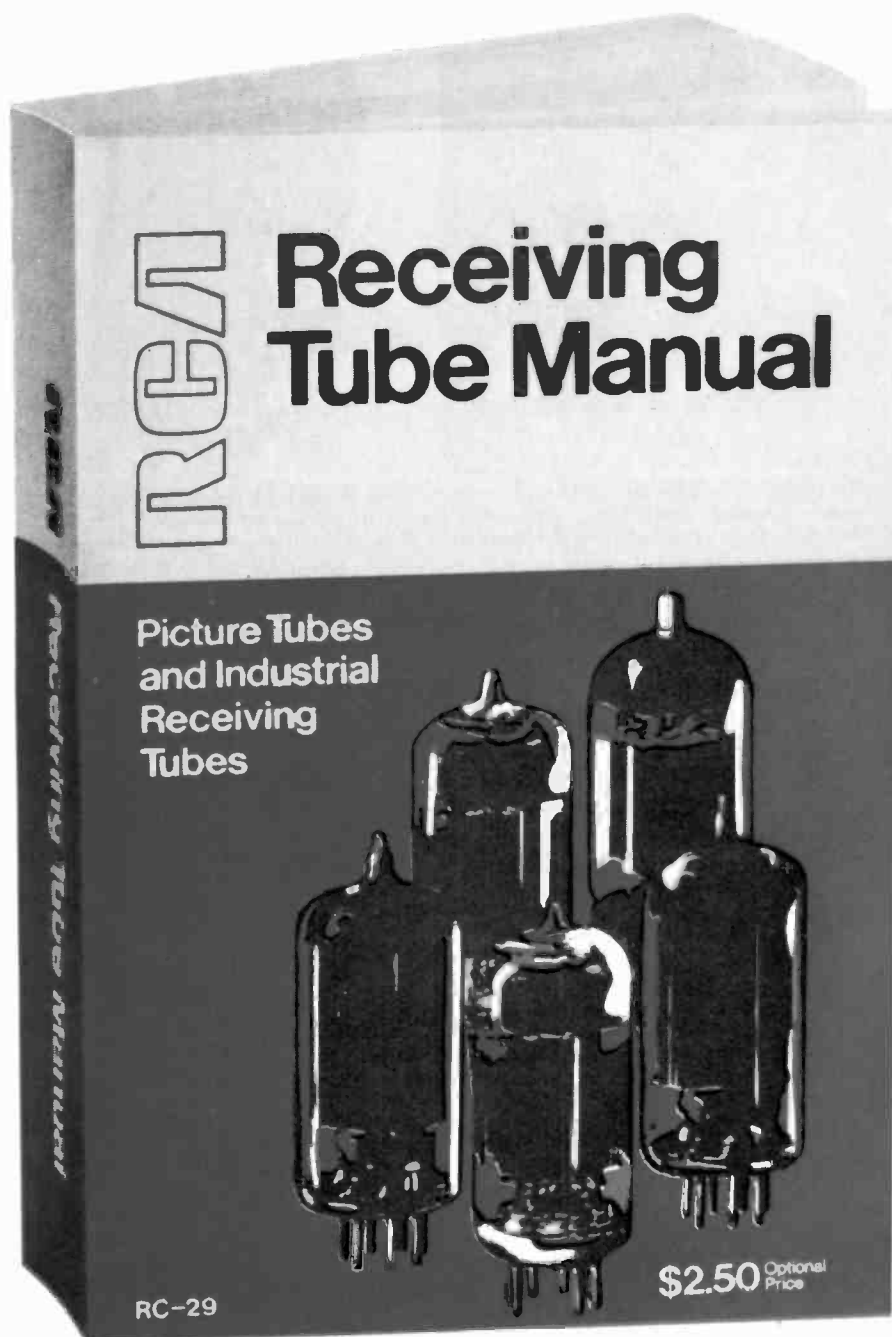
SATELLITE'S SOLAR PANELS are larger than the ship. The two 4 x 8-foot panels, one of whose more than 11,000 solar cells is being inspected by RCA technician John Scheibly, make the 10-foot-high NASA Nimbus-5 look like a butterfly. As a contrast to the widespread solar panels, RCA boasts of installing one of the most compact items on the ship as well, the High Data Rate storage system, which measures only 11 inches high, yet can record 30 million bits of data over a period of 120 minutes. By speeding up for playback, the meteorological and geophysical information is transmitted to ground stations in 5 minutes. Almost 300 watts of power is supplied by the solar cell system.

Cassette tapes introduced for electronics home study

A new system of teaching the basic principles and theories of electronics by correspondence, using pre-recorded cassette tapes, has been announced by RCA Institutes' director L. W. Snow. Studying with pre-recorded tapes is, according to Snow, the nearest thing to having an instructor guide the student through each lesson. The "instructor"

(continued on page 14)

A best seller for over 40 years... and now better than ever.



It's the world-famous RCA Receiving Tube Manual in a new updated edition. And it's available now from your RCA Distributor.

The new 752-page manual, RC-29, includes technical data on more than 1400 RCA tube types. It also provides applications guides, terminal diagrams and replacement guides on entertainment and industrial receiving types as well as characteristics charts on picture tubes. In addition, there is a full section devoted to the use of RCA tubes in practical circuit applications.

So whether you're a service technician, hobbyist, engineer, student or educator, you'll find information you need in the new RC-29. Order your copy today from your RCA Distributor. At \$2.50, it's a real bargain.

RCA/Electronic Components
Harrison, N.J. 07029

RCA

Circle 80 on reader service card

**Now... the most enjoyable,
do-it-yourself project
of your life—a Schober
Electronic Organ!**



You'll never reap greater reward, more fun and proud accomplishment, more benefit for the **whole family**, than by assembling your own Schober Electronic Organ.

You need no knowledge of electronics, woodwork or music. Schober's **complete** kits and crystal-clear instructions show **you** — whoever you are, whatever your skill (or lack of it) — how to turn the hundreds of quality parts into one of the world's most beautiful, most musical organs, worth up to twice the cost of the kit.

Five superb models with kit prices from \$500 to around \$2,000, each an **authentic musical instrument actually superior to most you see in stores**, easy for any musically minded adult to learn to play, yet completely satisfying for the accomplished professional. And there are accessories you can add any time after your organ is finished — lifelike big auditorium reverberation, automatic rhythm, pre-sets, chimes, and more.

Join the thousands of Schober Organ builder-owners who live in every state of the Union. Often starting without technical or music skills, they have the time of their lives — first assembling, then learning to play the modern King of Instruments through our superlative instructions and playing courses.

Get the full story **FREE** by mailing the coupon **TODAY** for the big Schober color catalog, with all the fascinating details!

The *Schober* Organ Corp., Dept. RE-117
43 West 61st Street, New York, N. Y. 10023
 Please send me Schober Organ Catalog.
 Enclosed please find \$1.00 for 12-inch L.P. record of Schober Organ music.

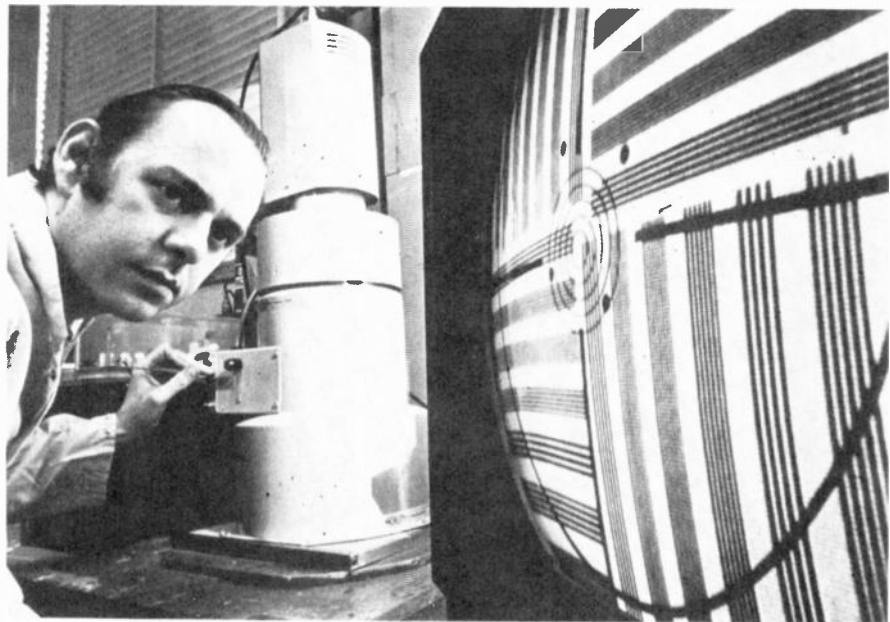
NAME _____
ADDRESS _____
CITY _____ STATE _____ ZIP _____

Circle 5 on reader service card

new & timely (continued from page 12)

explains the material as the student reads the text and describes the

schematic illustrations in easily understood terms. **R-E**



TELEVISED X-RAY MAGNIFIES IMAGES 6,000 times, bringing up details that would be unnoticeable otherwise, and reducing exposure to patient, technician and radiologist. The new system is called "Dynavision" and was developed at Raytheon's Machlett Labs, in Stamford, Conn.

Radio-Electronics is published by Gernsback Publications, Inc. 200 Park Ave. S. New York, N.Y. 10003 (212) 777-6400
President: M. Harvey Gernsback
Secretary: Bertina Baer

ADVERTISING SALES

EAST
Stanley Levitan, Eastern Sales Mgr.
Radio-Electronics
200 Park Ave. South
New York, N.Y. 10003
(212) 777-6400

MIDWEST/Texas/Arkansas/Okla.
Ralph J. Bergen
The Ralph J. Bergen Co.
6319 N. Central Ave.
Chicago, Ill. 60646
(312) 792-3646

PACIFIC COAST/Mountain States
Jay Eisenberg
J.E. Publishers Representative Co.,
8560 Sunset Blvd.,
Suite 601,
Los Angeles, Calif. 90069
(213) 659-3810
420 Market St.,
San Francisco, Calif. 94111
(415) 981-4527

SOUTHEAST
E. Lucian Neff Associates
25 Castle Harbor Isle,
Fort Lauderdale, Florida 33308
(305) 566-5656

MOVING?

Don't miss a single copy of **Radio-Electronics**. Give us:

Six weeks' notice

Your old address and zip code

Your new address and zip code

ATTACH
LABEL
HERE

name (please print)

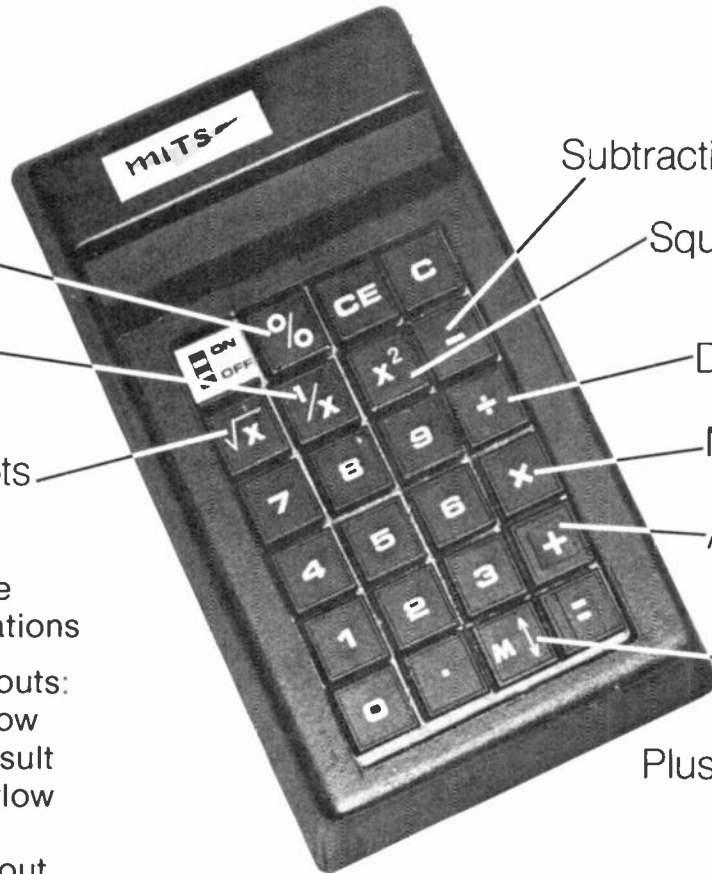
address

city state zip code

Mail to: Radio-Electronics
SUBSCRIPTION DEPT., BOULDER, COLO.
80302

MIT'S Presents The New 150 Series Handheld Calculator

...8 Functions Mean a Handful of Features!



Percentages

Reciprocals

Square Roots

Subtraction

Squaring

Division

Multiplication

Addition

Memory

100% American Made
Chain & Mixed Operations

Special Readouts:

- Entry Overflow
- Negative Result
- Result Overflow
- Low Battery
- 8 Digit Readout
(Always the most significant digits)
- Bright Led Display

- Plus:
- Floating & Fixed Decimal
 - Algebraic Logic

SIZE: 5-3/4" x 3-1/4" x 1-1/2"
Hi-Impact ABS Case
6 AA Batteries

PRICES \$149.95 Assembled
\$119.95 Kit
Full 1 Year Warranty

AC Adapter for 110VAC Operation \$6.95
Carrying Case (very leatherette) \$5.95

MIT'S®

Micro Instrumentation & Telemetry Systems, Inc.

6324 Linn, N.E., Albuquerque, New Mexico 87108
505/266-2330

Enclosed is a Check for \$ _____
or BankAmericard # _____
or Master Charge # _____
or Purchase Order # _____

Include \$5.00 for Postage and Handling

Kit Assembled

Please Send Information on Entire MIT'S Line.

NAME _____

ADDRESS _____

CITY _____

STATE & ZIP _____

MIT'S/ 6324 Linn, N.E., Albuquerque, New Mexico 87108 505/266-2330

RE 8

Circle 6 on reader service card

letters

BRITISH AMATEUR ELECTRONICS CLUB

While we have nearly 250 members in this country and overseas, I am very disappointed that there are no girls, particularly as I know from articles and letters in electronic magazines that there are many who are interested in electronics as a hobby.

I would appreciate it if you would mention in your excellent magazine, which I am sure is read by many girls (of all ages) who are interested in electronics as a hobby, that if they would care to write to me at the above address, I would be only too pleased to send them details of the B.A.E.C. and also a copy of our Newsletter so that they can see the sort of things we do.

I would like to thank you for your interest and support of the B.A.E.C.

CYRIL BOGOD
26 Forrest Road, Penarth
Glam, Great Britain

WHAT WAVEFORM IS THAT?

In the article on the Modulated Function Generator in the July issue, you show a waveform (I) but do not describe it. What is it and how would I use it?

H. HARLEE
Brentwood, N.Y.

The waveform is for an ultra-low-frequency AM signal. Its peculiar shape has made it useful in testing animal perception—as with porpoise and dolphins, earthquake simulation and certain types of oceanographic studies.

BETTER CLOCK GENERATOR

The clock generator circuit for the Digi-Designer shown on page 59 of the February issue of *Radio-Electronics* can be improved with three simple changes:

1. The output waveform has an on time of 45% and an off time of 55%. This is due to the capacitor being charged exponentially and discharged linearly. A

symmetrical output can be obtained by adding a resistor, approximately 27,000 ohms, from the 5-volt supply to pin 2 of IC1. However, this will increase the frequency by approximately 10%.

2. IC1 pin 5 should be connected to ground when switch 1 is in the off position to prevent high-frequency oscillations.

3. The output waveform can be improved by using the unused gates in IC1 as buffer stages per attached sketch.

ROBERT G. FLEEGER
Los Angeles, Calif.

NEW HEARING AID NOT NEW

With regard to the article on hearing through the teeth *Radio-Electronics*, June 1973, page 94), it may interest you to know that my grandfather used this method to tell if his watch was running. (He lost his hearing as a child.)

I saw him do this in 1925 and he had been doing this for some 30 or 40 years before then.

Some more information on medical electronics would be a welcome addition to your excellent publication.

R. H. STOCKMAN
Morrison, Colo.

BOOLEAN BOBBLE

Please allow me to point out an error in the solution to a problem given in the article "Boolean Algebra And Computer Switching" by James F. Kennedy in the July 1973 issue of *Radio-Electronics*, on page 68, the circuit as follows is shown:



The solution as given in the article is"

1—Write the equation $AB + AB = Y$

2—Factor out A $A(B + B) = Y$

3—From a previous rule $B + B = 1$

(this is not so!)

The Idempotent Law states: $B + B = B$ NOT 1.

4—We should now continue:

$A(B + B) = Y$

$A(B) = Y$

$A \text{ and } B = Y$

This finally reduces us down to a two-switch circuit in place of the four original switches.



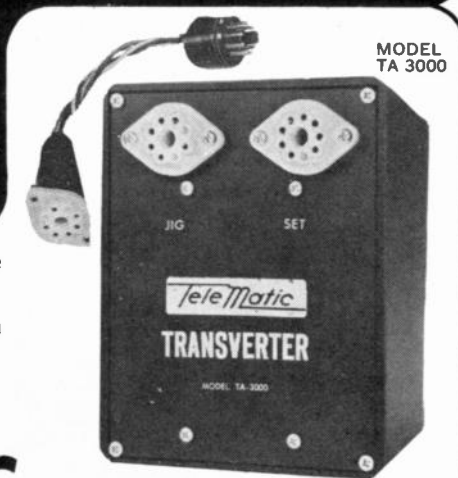
GEORGE J. BEAUPRE
Danvers, Mass.

R-E

all test jigs GO SOLID STATE with a TELEMATIC TRANSVERTER

service:
Motorola
Zenith
Sylvania
RCA... etc. etc...

- Converts any test jig to service any solid state TV.
- Simple plug-in operation
- Economical — Saves buying a solid state jig.
- Versatile — Dual impedance.
Available from your distributor.



TeleMatic

2245 PITKIN AVE., BROOKLYN, N. Y. 11207

Write Us! Free subscription for current cross-reference charts

Circle 7 on reader service card

NEW LOW PRICES ON WINEGARD® QUALITY ACCESSORIES!

set couplers—2-way splitters—band separators—matching transformers ^{reduced up to} **31%**

Why buy "second line" TV components when you can buy the best . . . Winegard engineered-and-built for less and get the same high quality and performance?

Check with your distributor for new low pricing on these items.

Reduced 14%

CS-285 300 OHM V-U BAND SEPARATOR—High quality, low loss Band Separator for adapting single 300 ohm download to separate 300 ohm VHF and UHF antenna connections of TV set. Perfect match insures perfect color and black and white reception.



Reduced 31%

CC-482 82 CH. 4-SET COUPLER—Deluxe low loss coupler connects four TV-FM sets to a single 300 ohm download. Efficient coupler circuit provides a maximum amount of signal to each receiver. Specially designed for color, black and white and stereo.



Reduced 31%

CS-387 75 OHM V-U-FM BAND SEPARATOR—Band Separator for making connection between 75 ohm coaxial download and separate 300 ohm antenna terminals of TV set and FM receiver. Features latest printed circuit design for low loss, high isolation and perfect match. Excellent for quality color and FM stereo reception. Connector included.



Reduced 28%

CC-33 82 CH. 2-SET COUPLER—Inexpensive coupler for connecting two TV or FM sets to a single 300 ohm download. Features handy no-strip terminals for easy connection.



Reduced 18%

CS-380 300 OHM V-U-FM BAND SEPARATOR—Latest Band Separator design adapts 300 ohm download to separate VHF and UHF antenna terminals of TV set and provides FM stereo thru handy no-strip screw terminals. Unique printed circuit design has extremely low loss, excellent match and high isolation for perfect color and FM stereo.



Reduced 22%

CS-175 75 OHM V-U BAND SEPARATOR—Quality 75 ohm Band Separator for attaching coaxial cable to separate 300 ohm antenna terminals of TV set. Features printed circuit and latest circuitry for low insertion loss and perfect color transmission. Connector included.



Reduced 26%

CC-282 82 CH. 2-SET COUPLER—Efficient 300 ohm coupler connects two TV-FM sets to a single 300 ohm download. Input and output connections are handy no-strip type for easy installation. Quality circuitry insures perfect color and black and white reception.



Low Price!

LS-27 82 CH. LINE SPLITTER—High quality line splitter for dividing a single 75 ohm coaxial cable into two trunk lines. Indoor type with transformer network features excellent match. Connectors included.



NEW

Low Price!

T-12BLK 82 CH. MATCHING TRANSFORMER—Compact indoor Matching Transformer for attaching coaxial cable to 300 ohm antenna terminals of TV or FM receiver. Packed 6 per poly bag, 8 bags per master carton. Connectors included.



NEW

WINEGARD
ANTENNA SYSTEMS

3000 KIRKWOOD ST. • BURLINGTON, IOWA 52601

How to become a “Non-Degree Engineer”



Exciting careers in the new industries of the Seventies are waiting for men with up-to-date electronics training. Thousands of engineering jobs are being filled by men without engineering degrees — provided they are thoroughly trained in basic electronic theory and modern application. The pay is good, the future is bright...and the training can now be acquired at home — in your spare time.

ELECTRONICS, The Science of the Seventies, has created a new breed of professional man—the “non-degree engineer.” Because industries depend on them to meet emergencies, move in and keep things running, they get top pay — and a title to match. At Xerox they’re called Technical Representatives. At IBM they’re called Customer Engineers. In radio and TV, they’re the Broadcast Engineers.

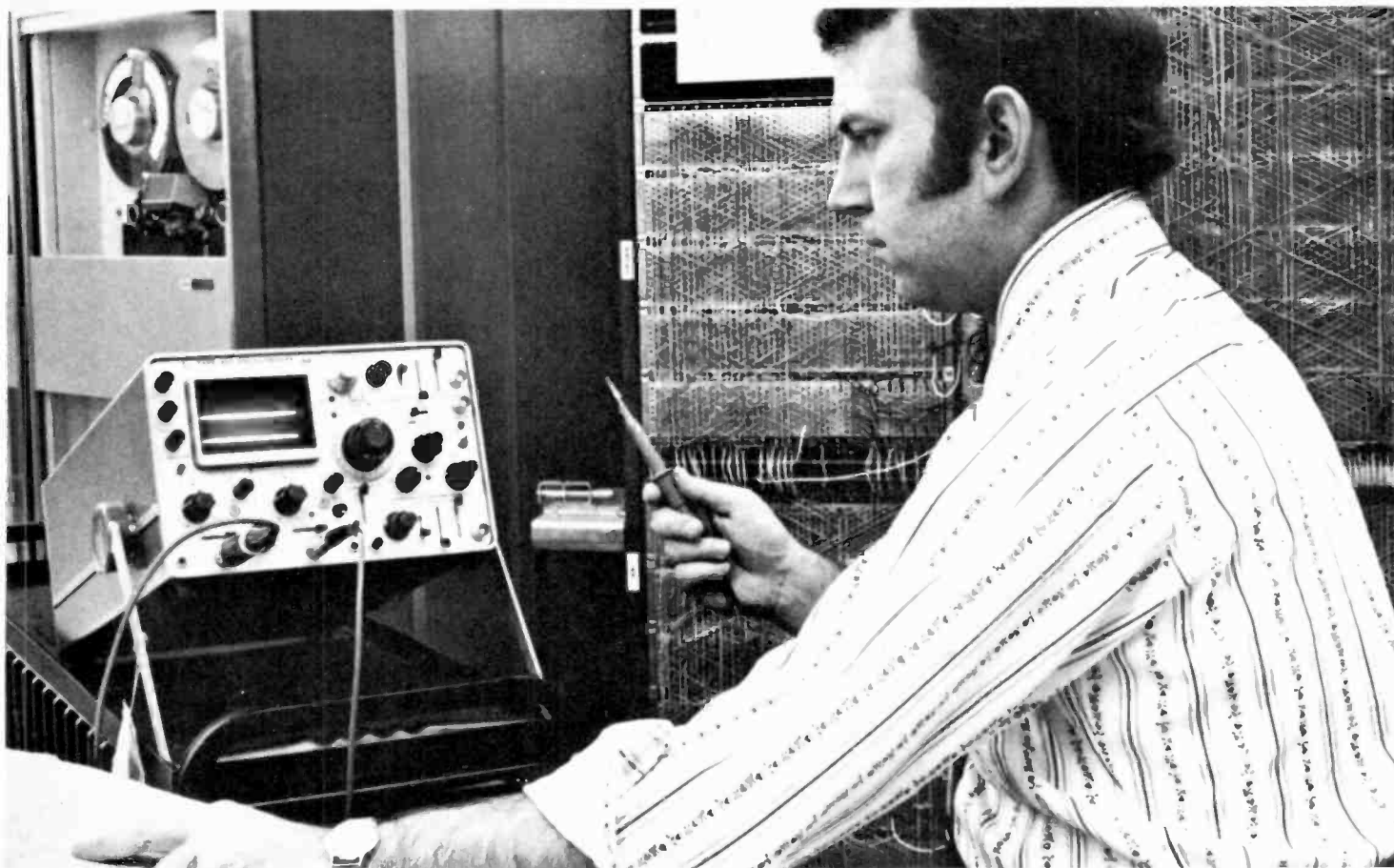
But these men must know more than how to solder a connection, or test circuits or replace components. They need to know the fundamentals of Electronics and how to apply them.

How can you pick up this necessary knowledge? Many of today’s non-degree engineers earned their electronics diplomas at home from Cleveland Institute of Electronics.

7 Electronics Courses to Choose From
CIE is the largest home-study school in the U. S. specializing exclusively in Electronics. The seven CIE career courses provide solid preparation for nearly every career field in Electronics today.

The Electronics Technology with Laboratory Course teaches you fundamentals. With a 161-piece space-age laboratory, you apply the principles you learn by analyzing and troubleshooting electronics equipment.

If an FCC License is your goal, five of our courses prepare you to take the Government FCC License exam. For the man already working in Electronics, CIE offers a college-level Electronics Engineering Course.



CIE Home-Study Method Works

Whatever CIE course you select, you can learn in your spare time while holding down your present job. Over the last 37 years, CIE has developed techniques that make learning at home effective even if you once had trouble studying. CIE's special Auto-Programmed® Lessons help you learn faster and easier than you'd believe possible.

The CIE Instruction Department gives immediate attention to the lesson examinations you send in. Your work is not only graded, it is analyzed. The corrected examination, complete with comments and suggestions, is mailed back to you the same day it is graded so that the lesson is still fresh in your mind.

If you have a special question, it will be referred to the most qualified instructor on the subject. You get the benefit, then, of the combined training and experience of the entire CIE Instruction Department.

Authorities feel that home study is the best way. *Popular Electronics* magazine says: "By its very nature, home study develops your ability to analyze and extract information as well as to strengthen your sense of responsibility and initiative."

Money-Back FCC License Warranty

CIE's home-study courses are so successful that, in a recent survey of 787 CIE graduates, better than 9 out of 10 CIE grads passed the FCC License exam. That's why we can offer our famous Money-Back Warranty: when you complete any CIE licensing course, you'll be able to pass your FCC exam or be entitled

to a full refund of all tuition paid. This warranty is valid during the completion time allowed for your course. You get your FCC License — or your money back!

Students who have good jobs in Electronics often comment on how much they learned from CIE. Says Joe Perry, Cambridge, Mass., Engineering Specialist at National Radio Co., "CIE training gave me the technology I needed to understand many of the electronic concepts I never dreamed I could learn. I'm already earning 30% to 40% more than I could have without my CIE training."

Richard Kihn, Anahuac, Texas, passed the Government exam for his 1st Class FCC License *before* finishing his CIE course. He landed a job as broadcast engineer at KFDM-TV in Beaumont, Texas. "I was able to work, complete my CIE course and get two raises. . . all in the first year of my new career in broadcasting."

FREE Book Can Help You

Thousands of men got started in Electronics by sending for our school catalog, "Succeed in Electronics." It tells of many non-degree engineering jobs and other electronics careers open to men with the proper training. And it tells which courses of study will best prepare you for the career you want.

Let us send you this interesting book FREE. Just fill out and mail the reply card. For your convenience, we will try to have a representative call. If card has been removed, mail coupon or write: Cleveland Institute of Electronics, Inc., 1776 E. 17th St., Cleveland, Ohio 44114.

APPROVED UNDER G.I. BILL

All CIE career courses are approved for educational benefits under the G.I. Bill. If you are a Veteran or in service now, check box for G.I. Bill information.

CIE
Cleveland Institute
of Electronics, Inc.
 1776 East 17th Street
 Cleveland, Ohio 44114

Accredited Member National Home Study Council

Please send me your two FREE books:

1. Your school catalog, "Succeed in Electronics."
2. Your book on "How To Get A Commercial FCC License."

I am especially interested in:

- Electronics Technology
- Electronics Technology with Laboratory
- Broadcast Engineering
- First Class FCC License
- Electronic Communications
- Industrial Electronics
- Electronics Engineering

Name _____
(please print)

Address _____

City _____

State _____

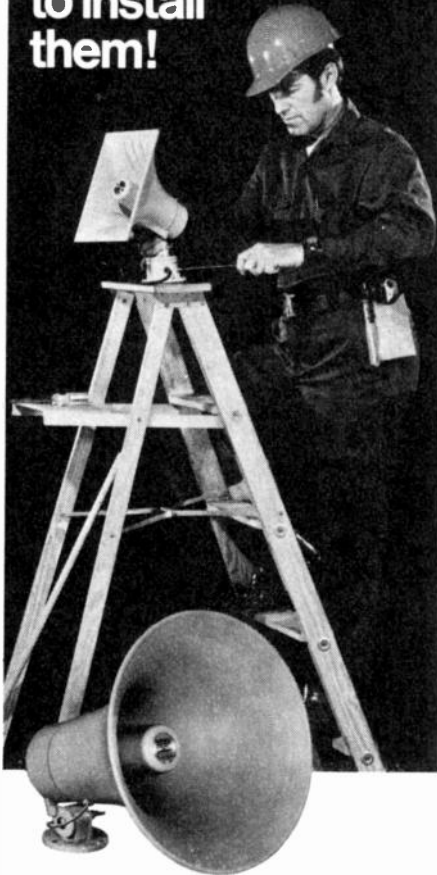
Zip _____ Age _____

Veterans and Servicemen:

- Check here for G.I. Bill information.

RE-21

If paging speakers all seem about alike to you...wait 'til you get to the top of the ladder to install them!



Electro-Voice Paging Speakers...
If you pay less it may cost you more!

How many trips up the ladder does it take you to finally install a paging speaker? (Be honest and include the times you drop hardware, and the extra trips to change level or positioning). Good news! E-V has made paging speaker installation easier and faster.

Now you need fewer tools and less time to get better sound. Speaker base removes for easy mounting, and it won't fall apart in your hands in the process. There are no screw terminals to short out, pigtails are already attached, no transformer cover plates to unscrew, and final speaker positioning is simple and positive.

All this and great sound in the bargain. Plus competitive prices on every model. More than a dozen from which to choose. Write today for our catalog or see your nearby Electro-Voice sound merchant.

ELECTRO-VOICE, INC., Dept. 836E
613 Cecil Street, Buchanan, Michigan 49107
In Europe: Electro-Voice, S. A., Romerstrasse 49, 2500 Nideu, Switzerland
In Canada: EV of Canada, Ltd., Ontario

Electro-Voice®

Gulton
COMPANY

Circle 9 on reader service card

appliance clinic

FLOOR POLISHERS AND CARPET SCRUBBERS

by JACK DARR
SERVICE EDITOR

A LOT OF HOMES NOW HAVE A COMBINATION of floor-coverings; partly hardwood and partly carpeting. Cleaning carpets was once done by large gentlemen pushing monstrous machines back and forth over them. There were rental machines, but even these were pretty hefty, up around 75 pounds. Now, we have "home versions", which will not only scrub carpets, but polish and wax wood floors. With the new tough, light-weight plastics, they're light enough to handle with ease.

These are pretty simple machines. They look like the "stick" type vacuum cleaner. A plastic tank on the handle holds the cleaning fluid; a valve on the handle lets the operator use any amount needed. A small motor drives a large round brush, or a pair of brushes. These are built into a compartment so that the cleaning fluid can be dribbled down over them and to the floor without spraying the vicinity.

In operation, the machine actually "rides" on the brushes; a pair of small wheels are generally mounted on the back of the case for easy transport. Either carpet-cleaning compound or a special thin floor wax can be used in the tank. Heavy waxes will clog the valves and make a cleanup necessary.

For applying wax, and polishing wooden floors, large felt pads are attached to the bottom of the brushes. Most people use two sets, one for applying wax and a dry set, for the polishing.

You'll find some unusual things in the motors and brush-drives. In the single-brush machine, a large eccentric counterweight is used, to balance the brush and keep the machine from vibrating too much. In this model, the brush itself has an eccentric drive, so that the brush revolves, and actually moves back and forth at the same time. This leaves a track of small circles on the floor.

In the two-brush machines, the brushes are usually built so that they rotate in opposite directions. This keeps the machine from wanting to "skate" to one side when it's running.

This also leads to some novel designs and features. In one popular model, the motor has a shaft coming out of each end, with a worm gear on it. These go into small gear boxes, where they drive pinions which turn the brushes. Looking at one end of the motor, the shaft is turning clockwise. Looking at the other end, this is turning counterclock. Other models use straight gear-boxes, and take advantage of the fact that in a multiple gear train, every other gear turns in the same direction, and the ones between opposite.

In the first machine, the brushes are screwed onto the ends of the shaft. A shaft turning counterclock must have right hand threads, and one turning clockwise must have left hand threads. Otherwise, the brushes will unscrew themselves while the machine is running. If you take the brushes off one of these, be sure that you have the one with the correct threads, or it won't start on the shaft. If it won't go, try it on the other shaft. Other types have brushes which bolt to flanges on the ends of the driving shafts, or slip over splines and are held in place by spring clips, etc. If you can't see any bolts or clips on the hubs of the brushes, they are very likely to be the screw-on type.

"Hydraulically", these are pretty simple. The cleaning fluid is poured into the tank, which can be taken off the handle by opening the latches. The bottom of the tank fits into a receptacle, and the fluid comes out through a small pipe, also fitting into a hole in the bottom of the receptacle. There is a control valve, actuated by a long rod going to the top of the handle. Sometimes, this is on the handle, or in the bottom of the tank itself. It's usually a simple flapper valve.

The only problems you'll find in this part is leakage in the valve, which is mostly due to something getting into the tank and lodging on the valve seat. This can be cleaned out by draining the tank and turning it up-

(Continued on page 97)

We've expanded our replacement guide to over 75,000 listings.

That's 34,000 more than our last ECG™ Semiconductor Replacement Guide. And more replacements than you'll find in any other guide.

We've also made our new ECG 212E guide more useful by including our industrial replacement types so you can locate commercial components with the same ease as consumer components.

You'll also find more imported types listed and the proper ECG replacement cross referenced.

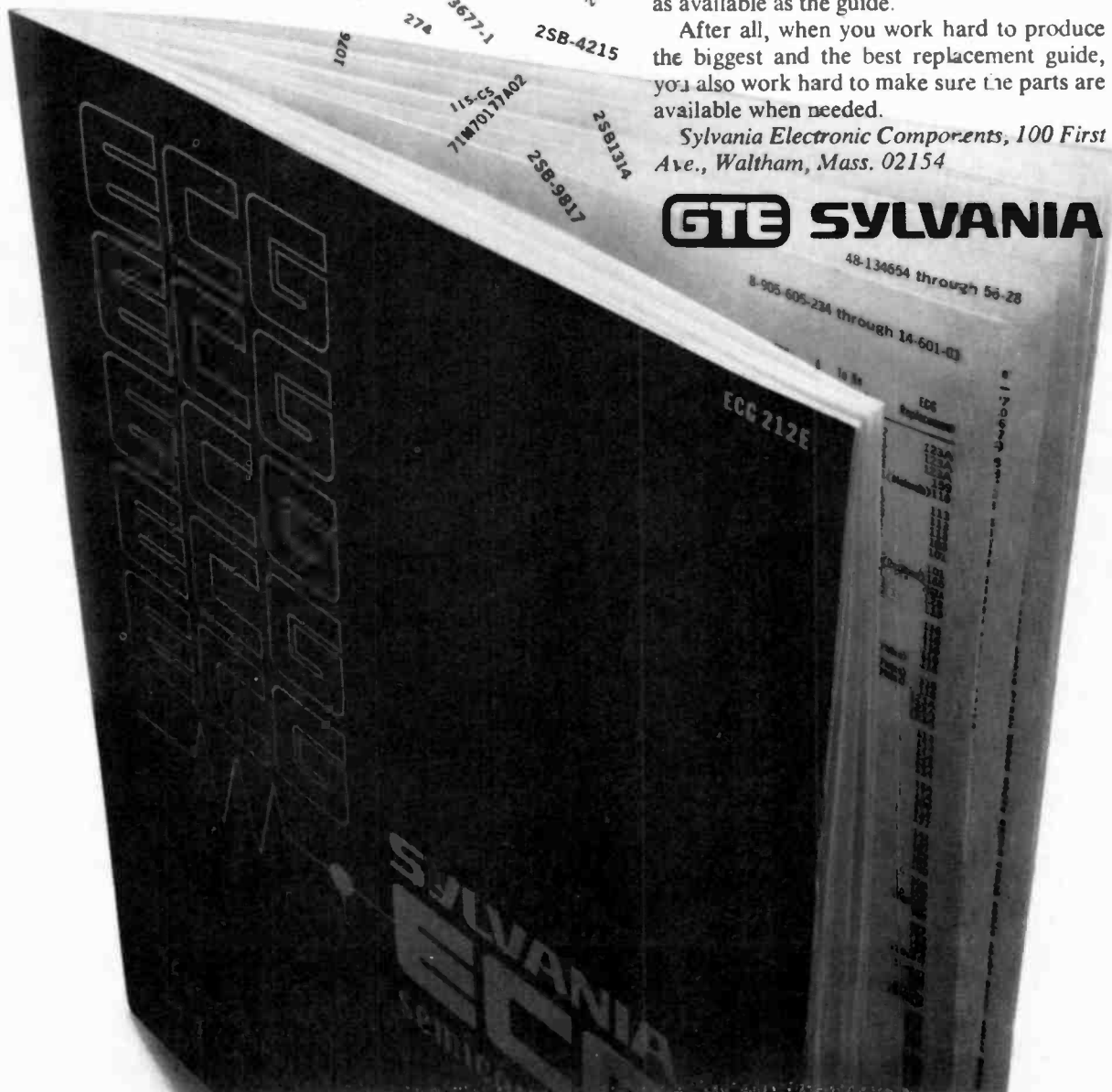
Both the ECG 212E guide and the ECG replacement semiconductors are available at your local Sylvania distributor.

And we've made sure that the parts are just as available as the guide.

After all, when you work hard to produce the biggest and the best replacement guide, you also work hard to make sure the parts are available when needed.

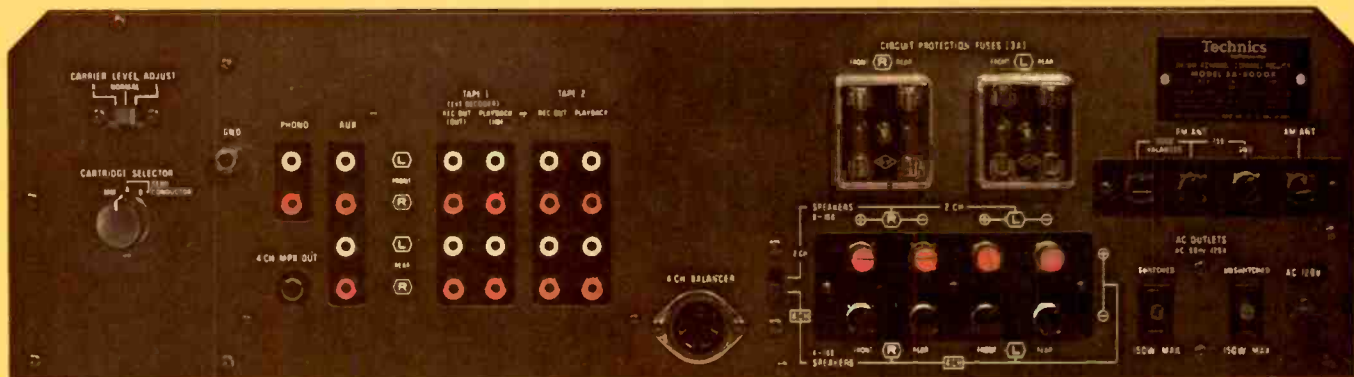
Sylvania Electronic Components, 100 First Ave., Waltham, Mass. 02154

GTE SYLVANIA



**Our new receiver can
demodulate or decode any kind
of 4-channel
including some that haven't
been invented yet.**





The Technics SA-8000X is a 4-channel expert. Not just one kind of 4-channel. All of them. And it translates each one accurately.

We are particularly proud of its discrete capabilities. Because it has a demodulator for CD-4 records. Built in! And it adapts to any CD-4 cartridge instantly. Via front-mounted carrier level and separation controls.

The SA-8000X has an exclusive combination of controls and circuitry that adjusts to the coefficients of any matrix method. The Acoustic Field Dimension (AFD) controls and the Phase Shift Selector provide a variety of blendings that encompass every popular matrix system. Even some that haven't been tried yet. And the same controls can compensate for poor room acoustics. Or undesirable but unavoidable speaker placement.

The Technics "Total 4-Channel" concept shows just as clearly in the rest of the front panel. A well-thought-out set of controls manage both volume and balance. There's a large master gain surrounded by separate controls for each channel. And any balance set with the individual knobs is maintained when the master is adjusted.

The rear panel reflects the same versatility. With plug-ins for three 4-channel tape decks. Plus provisions for future discrete FM.

Technics' attention to detail continues inside the SA-8000X. With sophistications like a pair of 4-pole MOS FETS and a 3-gang linear tuning capacitor. A trio of 2-element ceramic IF filters, a new type of epoxy resin coils as well as monolithic IC's in the multiplex circuit.

The four directly coupled amplifiers are very gutsy in the bottom end and can be "strapped" together. So that in stereo, four amplifiers work as two, which more than doubles per-channel wattage in that mode.

The combined effectiveness of the whole design produces specifications like these:

FM TUNER SECTION		AMPLIFIER SECTION	
Sensitivity	1.9 μ v	1 kHz RMS Power (all ch. driven at 8 Ω)	
Selectivity	65 dB	4-channel operation	64w
S/N Ratio	65 dB	2-channel operation	84w
Capture Ratio	1.8dB	IHF Music Power (4 Ω)	160w
		4-channel operation	
		Power Bandwidth (all ch. driven at 8 Ω)	5Hz-40kHz, -3dB

The concept is simple. The execution is precise. The performance is outstanding. The name is Technics.

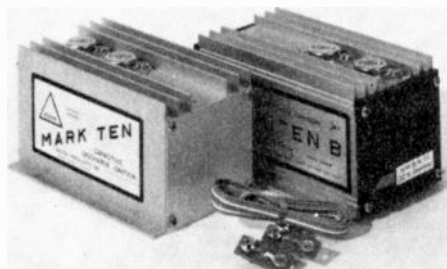
200 PARK AVE., NEW YORK, N.Y. 10017
 FOR YOUR NEAREST AUTHORIZED
 TECHNICS DEALER, CALL TOLL FREE
 800 447-4700. IN ILLINOIS, 800 322-4400.

Technics

by Panasonic

Reduce Car Maintenance Increase Engine Performance.

Put a Mark Ten Capacitive Discharge Ignition (CDI) System On Your Car.



Even Detroit finally recognizes that electronic ignition systems dramatically increase engine performance. Chrysler is now putting them on their new models. The Mark Ten CDI, the original electronic ignition system, has been giving increased performance with lower maintenance to hundreds of thousands of satisfied customers for over eight years. Install a Mark Ten CDI on your car, boat or truck and eliminate 3 out of 4 tune-ups. Increase gasoline mileage up to 20%. Enjoy improved engine performance. Or put a Mark Ten B on your car. It was especially designed for engines with smog control devices. By reducing combustion contaminants, the Mark Ten B restores power losses caused by these devices. Equipped with a convenient switch for instant return to standard ignition, the Mark Ten B is applicable to ANY 12 volt negative ground engine. Both systems install in 10 minutes with no rewiring. Order a Mark Ten or Mark Ten B CDI today.

Mark Ten (Assembled) \$44.95 ppd.
 Mark Ten (DeltaKit) \$29.95 ppd.
 (Kit available in 12 volt only, positive or negative ground.)
 Mark Ten B \$59.95 ppd.
 (12 volt negative ground only)

Superior Products at Sensible Prices
 Mfg. in U.S.A.



DEPT RE
DELTA PRODUCTS, INC.

P.O. Box 1147 / Grand Junction, Colo. 81501
 (303) 242-9000

Please send me free literature.

Enclosed is \$ _____ Ship ppd. Ship C.O.D.

Please send:

___ Mark Ten B @ \$59.95 ppd.

___ Standard Mark Ten (Assembled)
 @ \$44.95 ppd.

___ 6 Volt: Neg. Ground Only

___ 12 Volt: Specify

___ Positive Ground ___ Negative Ground

___ Standard Mark Ten (DeltaKit*) @
 \$29.95 ppd.

(12 Volt Positive Or Negative Ground Only)

Car Year _____ Make _____

Name _____

Address _____

City / State _____ Zip _____

equipment report

Heathkit GR-110 VHF Scanning Monitor



Circle 100 on reader service card

AUTOMATICALLY SCANNING THE 146 to 174 MHz vhf Emergency Radio Service Band the GR-110 is 1000% more convenient than manually tuning a conventional dial receiver. Anyone who wants to monitor more than a single frequency on this busy band will find the manual radio abandoningly frustrating in comparison to the auto-scan technique. The Heathkit GR-110 gives hands-off operation freeing the user for other tasks.

The receiver demodulates narrow-band FM broadcasts with less than ± 7.5 KHz deviation. User specified in frequency, the desired channels are tuned with separately ordered crystals. The kit builder can purchase crystal certificates from Heath which are then mailed to the crystal manufacturer before starting to put together the kit. A 9-MHz limit is imposed between the highest and lowest frequency crystal.

The 50-ohm antenna terminals feed a two-stage FET rf amplifier well known for low intermodulation distortion as a result of their square law transfer characteristics. Sensitivity is better than $1\text{-}\mu\text{V}$ for 20 dB of quieting. A third FET is used for mixing. The oscillator input to the mixer is derived from eight crystal controlled oscillators. The output of one oscillator is selected and fed through a tripler. The crystals are sequentially selected at a 17 per second rate by diodes controlled by IC logic centered around a TTL 7490 decade counter. A BCD-to-decimal decoder supplies the diode select currents. Only eight of the ten decoder outputs are used with one

of the binary inputs grounded so the two extra counts 9 and 10 simply rescan channels 0 and 1.

A second seven segment decoder converts the BCD output of the 7490 to the seven segment display needed to drive the front panel incandescent display tube. The display logic can be wired to be lit all the time including scanning time or to be lit only when receiving a channel. We preferred the latter since it eliminates any extraneous display and unnecessary flicker.

Eight push button switches allow bypassing any of the channels.

Manual selection of channels is opted by putting the AUTO/MANUAL switch in the manual position and stepping the frequencies with the select switch.

The mixer output feeds an LC/crystal filter to give an i.f. rejection greater than 80 dB. Two FM quadrature detector IC's are used, one strictly as an i.f. amplifier and the second as an i.f. amplifier-FM detector. The detector stage of the first amplifier is wired to give additional gain. The FM detector outputs drive the squelch and audio output circuitry.

Three boards are wired, a large scan circuit board, the i.f. and the audio boards. Construction proceeds with the usual Heathkit straight-forwardness although there were a couple of minor snags probably attributable to our early production model. Initial turn-on was delayed by a half hour because of a poor solder joint, verifying Heath's contention that most kit problems are caused by poor soldering. Total construction and alignment time comes to about 12 hours.

While the Heath receiver is no worse than the other scanning and non-scanning receivers we have seen, recent improvements in i.f. amplifier-detector IC's should allow improved squelch design. This is particularly important where there is a great deal of switching on and off of signals.

There are a lot of goodies combined in this kit which among things includes 30 transistors, 8 IC's and 17 diodes well worth the \$119.95 price tag. Crystal certificates are an additional \$4.95 each.

R-E

Check these Heathkit Plus-Values in electronic equipment... for every interest, every budget.

Your dollars buy more in Heathkit electronics, hand-crafted by you. More quality. More features. Better performance. Added self-service savings. Plus the personal pride and satisfaction you get from creating something of value with your own hands. It all adds up to the "plus-value" inherent in every Heathkit product. Check the new Heathkit products shown at right. They're just a few of the world's largest selection of electronic kits described in the new FREE Heathkit catalog.

NEW Heathkit Acoustic Coupled Telephone Amp. \$14.95*

Heathkit 50-watt Stereo Receiver. \$169.95*

NEW Heathkit Ultrasonic Intrusion Alarm. \$49.95*

Heathkit Deluxe Metal Locator. \$89.95*

Heathkit VHF/FM Band-Scanning 8 channel Receiver. \$119.95*

Heathkit 6-Digit Electronic Clock-Alarm. \$54.95*

NEW Heathkit 2-Meter Amateur Transceiver. \$179.95*

NEW Heathkit 8-digit desktop Calculator. \$79.95*

Heathkit 25V Solid-state Color TV with detent power tuning. \$599.95*

Heathkit 2 1/2 Digit VOM. \$79.95*

Heathkit Cassette Deck, with Dolby Circuit. \$249.95*

NEW Heathkit 8-transistor AM Radio for first-time kit-builders. \$14.95*

NEW Heathkit 8-digit pocket Calculator. \$92.50*

NEW Heathkit Small-engine Tune-up Meter for 2- and 4-cycles, all Ignitions. \$39.95*

See them all at your nearest Heathkit Electronic Center...or fill out the coupon below

HEATHKIT ELECTRONIC CENTERS — ARIZ.: Phoenix; CALIF.: Anaheim, El Cerrito, Los Angeles, Pomona, Redwood City, San Diego (La Mesa), Woodland Hills; COLO.: Denver; CONN.: Hartford (Avon); FLA.: Miami (Hialeah); GA.: Atlanta; ILL.: Chicago, Downers Grove; IND.: Indianapolis; KANSAS: Kansas City (Mission); MD.: Baltimore, Rockville; MASS.: Boston (Wellesley); MICH.: Detroit; MINN.: Minneapolis (Hopkins); MO.: St. Louis; N.J.: Fair Lawn; N.Y.: Buffalo (Amherst), New York City, Jericho; L.I.: Rochester; OHIO: Cincinnati (Woodlawn), Cleveland; PA.: Philadelphia, Pittsburgh; R.I.: Providence (Warwick); TEXAS: Dallas, Houston; WASH.: Seattle; WIS.: Milwaukee.

HEATH Schlumberger	
HEATH COMPANY, Dept. 20-8 Benton Harbor, Michigan 49022	
<input type="checkbox"/> Please send FREE Heathkit Catalog.	
Name _____	
Address _____	
City _____	State _____ Zip _____
*Mail order prices; F.O.B. factory. CL-475	

IF YOU CAN USE ANY OF THESE TOOLS...

..You've got a head start on a rewarding career or a profitable business of your own in electronics. We've got two ways for you to make it happen. Which one's right for you?



If you know your way around a screwdriver, a pair of pliers and a soldering iron, you *already* have skills you could turn into a big, bright future in electronics.

There are lots of growth opportunities ahead for the guy who likes working with his hands.

Make sure you're ready for them when they come — with Bell & Howell Schools learn-at-home programs in electronics!

**Get the full story.
Mail the postage-free
card today!**

"Electro-Lab" is a registered trademark of the Bell & Howell Company.

Prepare for a new career in Home Entertainment Electronics

... as you build yourself
a Bell & Howell
solid state color TV!

For the guy who's tuned in to electronic devices, here's a way to build the skills you'll need to fix stereo systems, FM-AM radios, phonographs, recorders, tape decks... almost any kind of home entertainment electronics equipment. Next year the world will buy about \$17 billion worth of consumer electronic equipment. And by 1985 the figure will climb to \$35 billion. Somebody's going to make a lot of money fixing it when it breaks. That's where *you* come in!



Mail the card for all the facts about...

...growing opportunities in electronic equipment servicing—and how you can start getting ready for them now! Bell & Howell Schools offers a complete learn-at-home program in home entertainment electronics equipment that includes building yourself a Bell & Howell 25-inch diagonal solid state color TV!

It's an important part of your training—gives you "hands on" experience with sophisticated solid state circuitry. By the time you've finished this project, you'll be able to troubleshoot just about any kind of home entertainment electronics device on the market today.

One thing's certain, you're going to need...

... something to *sell* if you want to build yourself a future. That's what this Bell & Howell Schools program is designed to give you—up-to-date technical skills employers are looking to buy.

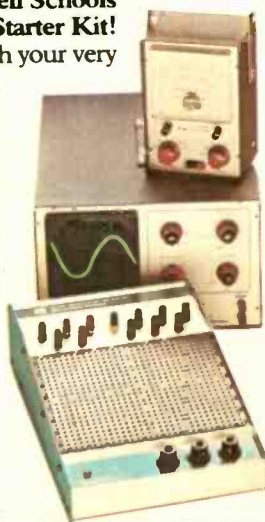
Whichever program you choose, you build...

1 The brand-new Bell & Howell Schools Laboratory Starter Kit!

Starts your "hands on" training with your very first lesson. Includes volt-ohm-meter (VOM) with design panels, modular connectors, experimental parts, battery power source.

2 The exclusive Bell & Howell Schools Electro-Lab® electronics training system!

... three precision instruments you assemble and use in your new career: *Design Console*... "breadboard" circuits for solid state, vacuum tube experiments. *Oscilloscope*... professional technician's diagnostic instrument. *Transistorized Voltmeter*... measures current, voltage, resistance.



Use it all
as you get ready for
a new career...
\$1,500.00 worth of
two-way radio
electronic communications
equipment!



Like to cash in on a ready-made market for your skills? FCC regulations could mean security and regular income for you!

Almost two million commercial two-way radio systems are vital communications links for trucks, planes, boats and taxis. The FCC requires that each system be serviced regularly by a licensed technician. That adds up to at least two million service calls a year for licensed technicians.

That's quite a market—if you've got the training to handle it!

To get ready for a business of your own, you'll need...

... 1) Career-oriented training; 2) "Hands on" experience with commercial-grade equipment; 3) FCC License. By the time you've finished your Bell & Howell Schools learn-at-home program, you'll have the training and the "hands on" experience—and we'll do everything we can to make sure you get your license!

Just look at the equipment you'll work with!

Commercial-Band FM Transceiver... the kind of two-way radio you'll be servicing in your new career. *Deviation Meter*... checks modulation of transmitted signals. *Frequency Meter*... checks signal frequency within precise tolerances established by government standards.

Work with this equipment by dropping by a "help session" or a Bell & Howell Resident School. Or have the equipment shipped to your home in return for a \$100 deposit—refundable when you return it.

We'll help you pass the FCC License Exam!

Getting your FCC License is your first step toward a new career in two-way radio electronic communications. When you've completed your Bell & Howell Schools program in two-way radio, you should have the know-how you'll need to pass the First Class License Exam. If you don't, we'll arrange special tutoring at no additional cost. If you still can't get your license after retaking the exam, your full tuition will be refunded.

If card has been removed, write:

An Electronics Home Study School
DEVRY INSTITUTE OF TECHNOLOGY

ONE OF THE

BELL & HOWELL SCHOOLS

4141 Belmont, Chicago, Illinois 60641

520

Here's everything you'd expect from a high-priced portable VOM.

Except a high price.

The VOM is one of the most important tools in your kit—but you needn't pay high prices to get the features and quality you want. Like the high-priced units, the B & K model 120P VOM has features like a front-resettable overload protection circuit, preventing damage to the instrument and components should an overload occur.

The 120P is more accurate than you'd expect—20,000 ohms/volt sensitivity on DC, with 2% accuracy. Plus a total

of 35 ranges, measuring DC volts and current with 0.25 volt and 50 μ A low-range scales; AC RMS volts, output volts, and decibels; and ohms. That makes it one of the most versatile test units ever designed. But it's also one of the most rugged—its meter movement is a taut-band, self-shielding annular type, to withstand damage from shock or vibration.

You'll also appreciate the 120P's easy-access battery and fuse compartment complete

with extra fuse; and the handy TRANSIT position on the range switch.

All considered, the B & K 120P VOM gives you more accuracy, reliability, and versatility for your money than any other battery-powered portable VOM. And that's just what you'd expect from B & K.

Contact your distributor for complete information. Or write Dynascan Corporation.

\$79⁹⁵



B & K Very good equipment at a very good price.

Product of Dynascan Corporation/1801 W. Belle Plaine Ave., Chicago, Ill. 60613

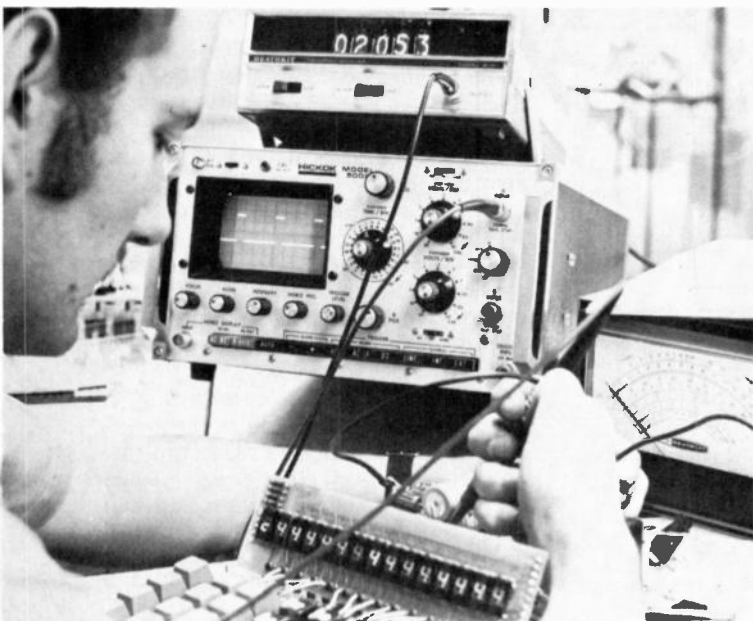
Circle 12 on reader service card

CALCULATORS

how to keep them running

The electronic calculator is perhaps the newest of all consumer devices and one that requires special troubleshooting and servicing techniques.

by PATRICK N. GODDING*



SMALL ELECTRONIC CALCULATORS REQUIRE more sophisticated troubleshooting techniques than those used to service many other kinds of electronic equipment. In addition to the basic procedures used in discrete transistor circuits, calculator servicing requires some understanding of integrated circuits and logic.

To service a defective calculator you will need a pencil-type soldering iron (30 to 40 watts at about 700° F), small screwdrivers, solder remover, sharp knife, diagonal cutters, and needle-nose pliers. A vom and oscilloscope are the only mandatory pieces of test equipment, but a frequency counter can come in handy at times. Some problems can be solved with no test equipment at all or possibly a vom alone.

Basic troubleshooting

A few general procedures will save lots of time and reduce the prospects of inadvertently damaging additional components in an already defective machine. First, give the machine a careful visual inspection. Burned or bubbly resistors, blown electrolytic capacitors, solder bridges, and other obvious malfunctions can usually be quickly found and corrected. If the problem involves a defective component, never install a replacement part until the cause of the problem is found and corrected. Never use a replacement component of poorer quality than the original one.

Next, while it may be necessary to turn on a calculator to find the

symptoms of a problem never leave a malfunctioning machine on longer than necessary. A good example is the overflow indicator. If the readout devices don't light, multiply two numbers whose answer will give an overflow indication. If the "Error" signal is displayed, the problem is not in the input, control, or arithmetic sections of the machine. In this manner possible causes of the trouble can be quickly identified.

Finally, if a thorough visual inspection fails to reveal the problem begin troubleshooting at the point of the improper indication and work backwards checking each associated component. If more than one problem exists, begin with the simplest since it frequently leads to the major trouble spot. Here's a typical example:

In Fig. 1, the "C" segment in the display fails to light. Follow these steps to isolate the trouble:

- (1.) Check continuity from the "C" segment to Q5's emitter
- (2.) Check Q5's base for proper incoming signal
- (3.) Check Q5
- (4.) Check R15
- (5.) Check R14

To cover as many troubleshooting procedures as possible, the remainder of this article is divided into subsections describing the problems and symptoms common to the various subsections of almost all electronic calculators. The accompanying Troubleshooting Chart summarizes this material and helps pinpoint many trouble sources.

Keyboard

The keyboard consists of an array of switches either connected directly to the input LSI chip or connected as a matrix which is scanned by the input chip. The latter technique is usually used in multi-chip calculators.

In the direct input technique such as the one shown in Fig. 2, the 0-9 digit keys are connected to a diode matrix which provides a BCD (Binary Coded Decimal) output. An open or shorted diode will cause incorrect segments on the display readouts to light. A shorted keyboard switch, either digit or function, can cause a great variety of symptoms.

After eliminating other possible causes of the problem, disconnect the keyboard and make entries manually. If this cures the problem, check each switch in the keyboard for continuity. If only one key fails to work properly the problem is in the switch itself, an open line to the input section, or the input LSI chip. Another possible cause of trouble is input lines from the keyboard shorted to one another. This problem can be identified by using a vom to check for shorts.

In most multi-chip calculators, the input chip scans a keyboard matrix to detect entries. In Fig. 3, the keyboard matrix for a MITS 816 desk calculator, the "X" lines are pulsed by the input chip and the "Y" lines are at a negative voltage. When a key is depressed there will be pulses on both lines common to the closed switch.

*Program Manager, Micro Instrumentation and Telemetry Systems, Inc., Albuquerque, New Mexico

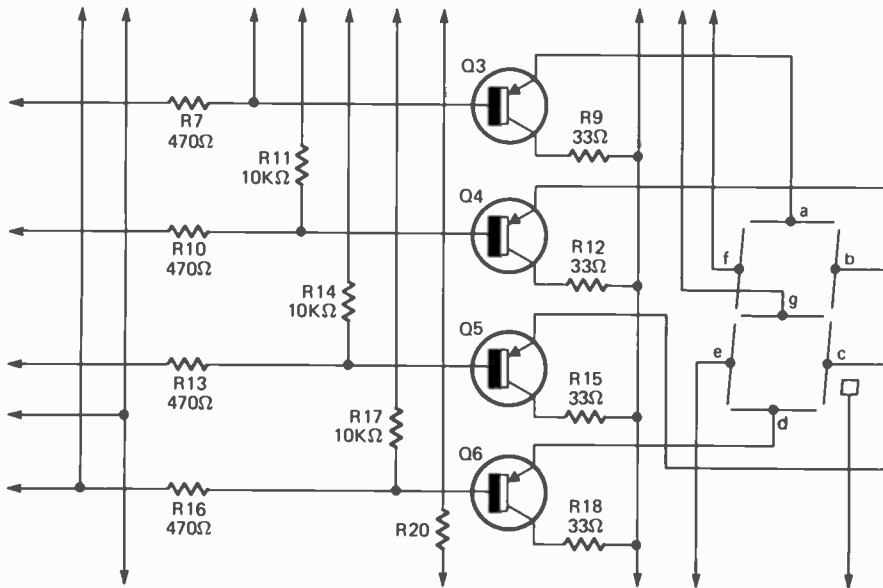


FIG. 1—PARTIAL SCHEMATIC OF DRIVER CIRCUIT for a seven-segment digital readout device. In the problem discussed in the text, the "C" segment of the readout does not light.

The pulses can be seen on an oscilloscope, and, if not present, the problem is either in the keyboard or the input chip. If pulses are seen on a "Y" line with no keyboard entry, that particular line is shorted to one of the "X" lines at the keyboard, the input chip, or one of the interconnection lines. When no pulses appear on the "Y" line with a correct entry, the entry switch is open. An "X" line with no pulses means the input chip is not functioning or the line is shorted (probably to ground). A non-functioning chip is caused by an internal defect, lack of clock pulses, or insufficient voltage. If any key clears the machine, it is shorted to the CLEAR key. And when the CLEAR ENTRY key is shorted the normal display will be on, but the machine will not accept entries.

Power supply

Usually consisting of a transformer and one or more bridge recti-

fiers, some of which are regulated by either a transistor or Zener diode, the power supply is the major source of trouble in most electronic equipment. A close visual inspection is important when a malfunction points to the power supply. A shorted supply line, for example, is indicated by a burned or bubbly series resistor and is usually caused by a shorted regulator, shorted filter capacitor, or possibly a short in the LSI circuitry.

LSI chips generally require two regulated voltages, V_{GG} and V_{DD} . V_{GG} is a higher voltage and if open or shorted no entries are possible and an error indication is sometimes seen. With a missing V_{DD} , there is no display and no entries can be made.

If the regulated driver voltage is shorted or open, the condition of the driver circuitry determines whether the display readouts are all on or off. But one of these malfunctions will be present.

Both gas discharge and electro-

fluorescent readout devices require a large anode voltage with the latter also requiring a filament voltage. The entire display is off when either of these voltages is open or shorted.

Fig. 4 shows a typical power supply for a calculator using electro-fluorescent readout devices. The +45V is anode voltage and the -2.4V is for the filaments. The -26V and -14V are V_{GG} and V_{DD} respectively, and the -5V is the segment and digit drive bias voltage. If a bridge rectifier diode shorts, the output voltage is reduced. If an input filter capacitor opens, the readout tubes receive unfiltered voltage and appear to flicker on and off. If a capacitor shorts, its voltage line is at zero potential and one or more bridge rectifier diodes may short.

Three of the lines shown in Fig. 4 use Zener diodes for regulation. If the output is open, the total current in the line goes through the Zener diode, sometimes causing it to short and the series resistor to bubble. The voltage line reads higher than normal if the Zener opens. This may or may not cause a problem, and if the difference

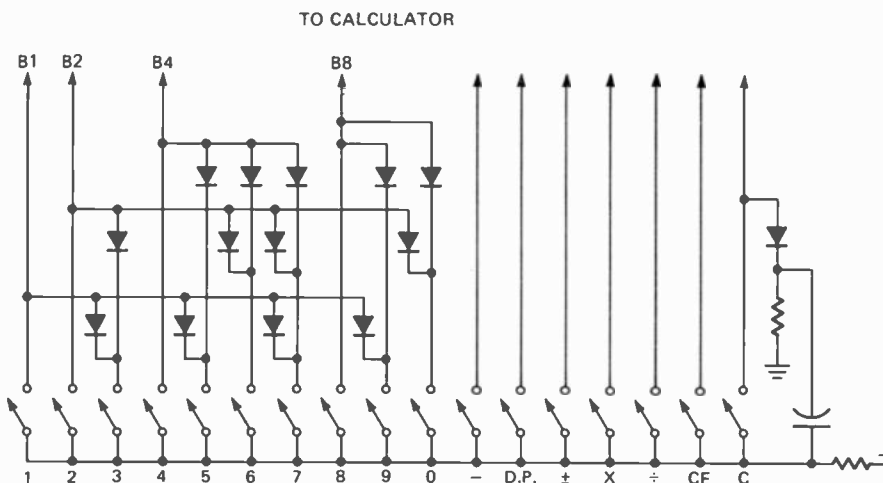


FIG. 2—DIRECT-INPUT KEYBOARD with the 0 to 9 keys connected through a diode matrix that provides a BCD output. An open or shorted diode causes errors in readout indication.

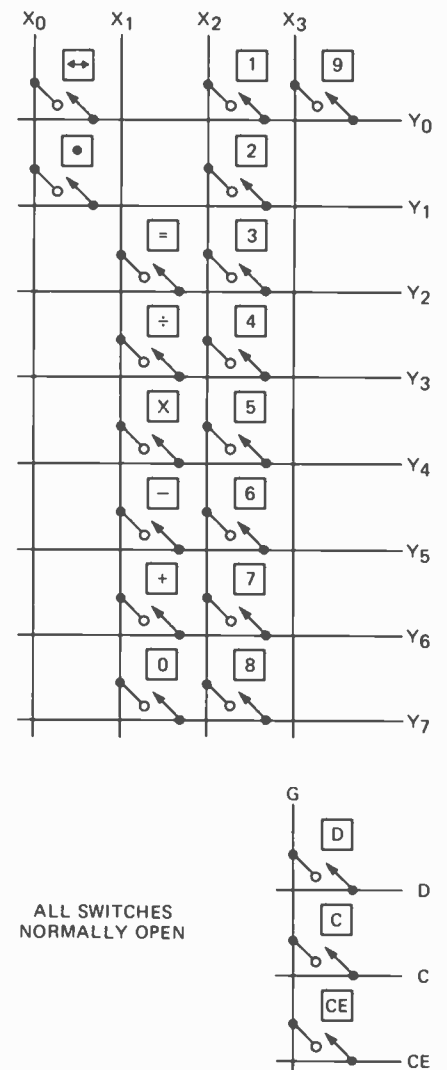


FIG. 3—MATRIX-TYPE KEYBOARD. Closing a key places pulses on the associated "Y" line.

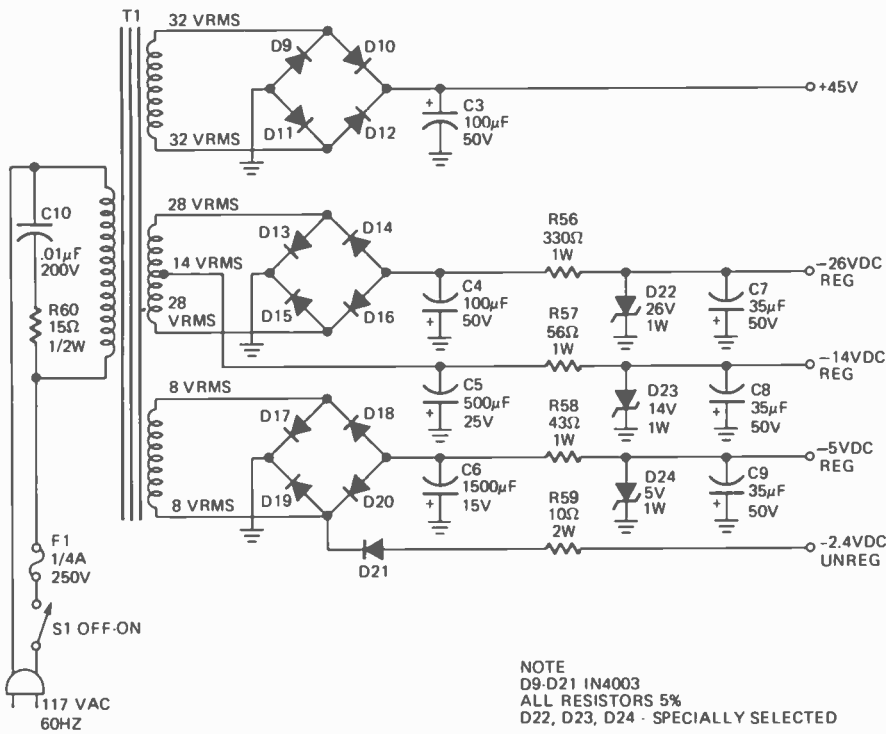
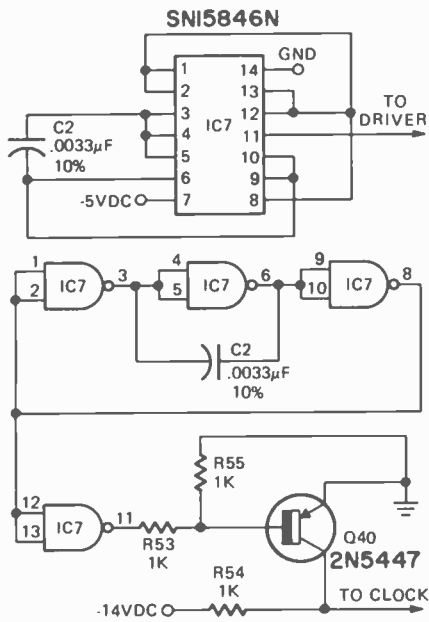


FIG. 4—A TYPICAL POWER SUPPLY FOR A DESK-TYPE ELECTRONIC CALCULATOR. The one shown is for the MITS model 816 and uses Zener diodes to deliver regulated voltages.

between the peak voltage and the Zener's rated voltage is only a few volts the machine should operate normally.

Clock

LSI calculators, just like full-scale digital computers, require a time base to synchronize all operations. The timing pulse generator is called the clock, and it usually consists of an astable or free-running multivibrator or series of gates in a TTL chip.



NOTES
NOMINAL OUTPUT FREQUENCY 130KHz
ALL RESISTORS IN OHMS
ALL RESISTORS 1/2W, 5%

FIG. 5—TIMING PULSE GENERATOR is called a clock in calculator circuits.

proach is used mainly in LSI calculators that require a two-phase clock. These are usually one- or two-chip machines. If the timing pulses are missing at the output of the clock IC, the problem is either in the chip or its associated components, or the chip's supply voltage is open or shorted.

A representative TTL clock is shown in Fig. 5. The clock pulses are fed through a buffer for interfacing with the LSI chips, and the absence of pulses can frequently be traced to the buffer transistor. Check for proper voltage at both the transistor and the chip. If voltages are correct, check the clock chip in an IC tester or try it in another calculator. **CAUTION: To avoid possible damage to the IC, never substitute a good chip for a bad one**

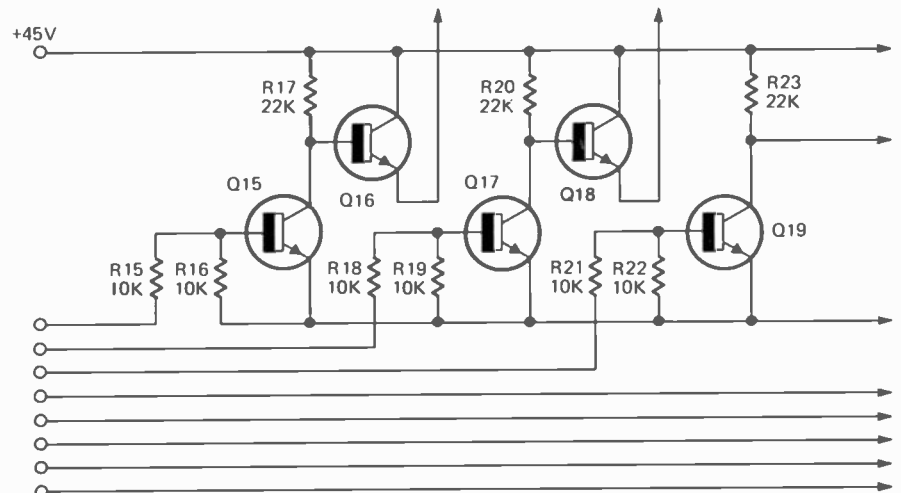


FIG. 6—THE DARLINGTON CONFIGURATION used here is typical of the amplifiers used in the digit drivers in calculators. A similar arrangement is used in some segment drivers.

until the problem is discovered and eliminated.

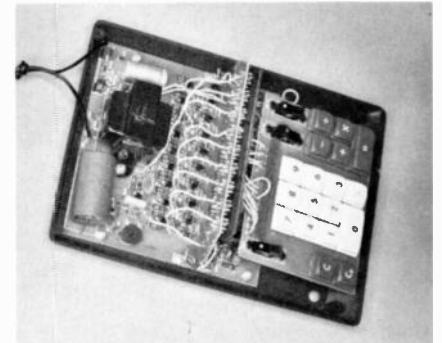
Display drivers

The driver system for a display consists of switching transistors which are sometimes arranged in a Darlington configuration for added current gain. At any one time, a driver transistor is either on or off. Driver circuits are required for the various digits and the segments within a digit, and both are described below.

Digit drivers

The digit drivers are fed from the output LSI chip, and their output goes to the anode of the display device. Fig. 6 shows a typical Darlington configuration used in most drivers. Initially the base of Q15 is positive with respect to its emitter and is driven into saturation. This turns Q16's base negative, turning off Q16 and the digit. When the proper command is received, the digit line output goes negative. This turns Q15 off, which forces Q16 into saturation, and the digit turns on.

A digit which is constantly on can be caused by a faulty output LSI chip, open interconnect leads from the chip to the driver, Q15 open, Q16 shorted, or the readout anode shorted to +V.



INSIDE THE HEATHKIT IC-2108 calculator. Top of main board and rear of readout board shown.

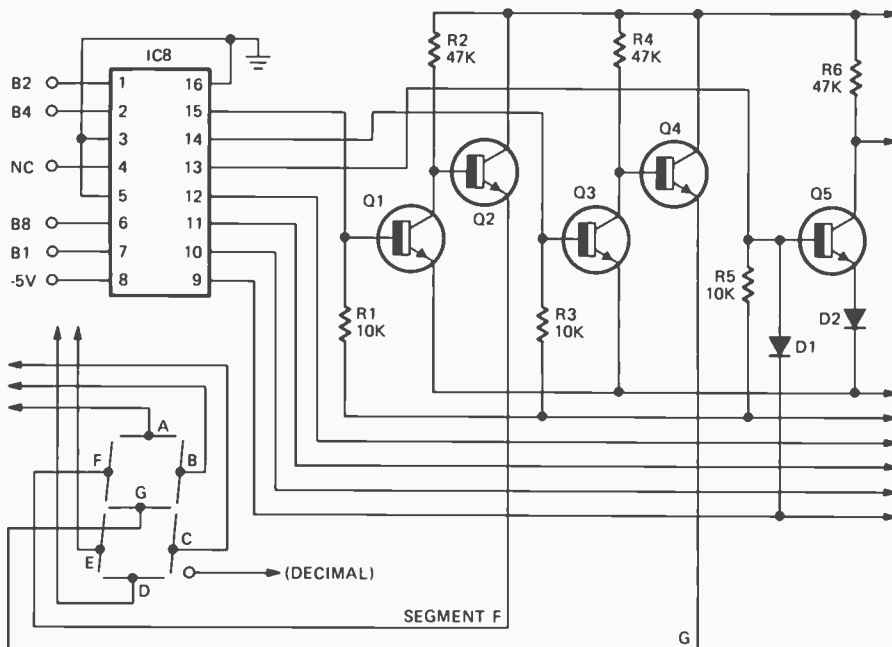


FIG. 7—BCD TO 7-SEGMENT DECODER. BCD Input to IC8 (on pins 1, 2, 6 and 7) is converted to 7-segment data on pins 9-15. Transistor-pair drivers for segments F and G are shown.

TROUBLESHOOTING CHART

SYMPTOM

- No display or entry
- Overflow works but no display
- Display always on or off
- Segment always on or off
- More than one segment or display device on
- Keyboard Switch failure
- All digits on or off
- Random segments on
- Function key failure
- Entries not possible (display normal)
- Constant function always on
- Display warms up and turns off
- Display flickers
- Error indicator on and no entries possible

TROUBLESHOOTING PROCEDURE

- Check:** Power Supply
Clear Circuit
Clock Circuit
- Check:** Power Supply
LSI Chips (output)
- Check:** Display Digit Driver
Soldering
LSI Chips (output)
- Check:** Segment Drivers
Soldering
LSI Chips (output)
- Check:** Soldering
- Check:** Keyboard
LSI Chips (input)
- Check:** Power Supply
- Check:** LSI Chips (output)
Segment Drivers
- Check:** LSI Chips (arithmetic)
- Check:** Keyboard
LSI Chips
- Check:** Constant Circuit and Switch
LSI Chip (input)
- Check:** Soldering
LSI
- Check:** Power Supply
- Check:** Power Supply

Conversely, a digit that never turns on is caused by the opposite of any of the above problems.

Segments drivers

The same basic circuit shown in Fig. 6 is used to drive the segments of the readout devices, but a separate driver is required for each segment. The information coming from the output chip is fed through a BCD to seven-segment converter and then is sent to the segment drivers.

In some driver circuits, such as the one shown in Fig. 7, a shorted transistor can cause the gate in the converter feeding it to short. This is a good example of why a good IC should never be randomly substituted for a defective one. If at all possible, test it in another calculator or in an IC tester. If it's bad, find the cause of the problem before trying a new chip.

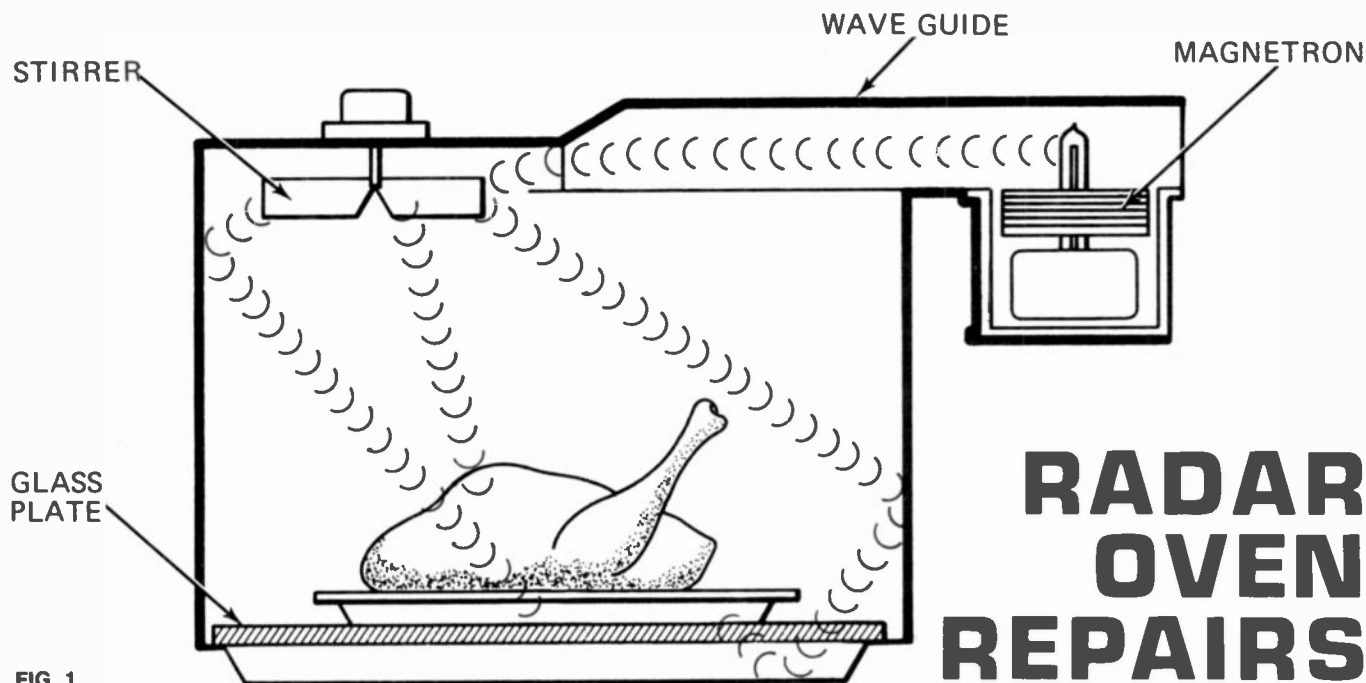
Operation of the driver in Fig. 7 is as follows: With no segments illuminated, the output BCD lines are at -5V and the converter outputs are at 0V. If a 2, for example, is entered on the keyboard, it will appear on the four BCD lines as: B1 = -5V; B2 = 0V; B3 = -5V; and B4 = -5V. This code at the input of the BCD converter forces the A,B,D,E, and G outputs to go to -5V and the remaining segments stay at 0V. The -5V signal at Q1's base cuts off Q1, turns Q2 on, and causes the appropriate segment to be illuminated. This circuit is virtually identical to the digit driver discussed earlier, and the same service procedures apply.

Display devices

Most electronic calculators employ light emitting diode, gas discharge, or electro-fluorescent display devices. The LED readout has characteristics similar to those of a conventional diode. A typical seven segment LED readout has eleven connection pins—one per segment, one for the decimal point, and three for the anodes. LED readouts usually employ a series string of at least two diodes per segment to give dots which merge into a line pattern.

If all the diodes in a particular segment are not illuminated, the readout is defective and should be replaced. When two segments in an LED readout are shorted together internally, isolating the bad readout from others in the display may prove difficult. One way to find the bad readout is to measure the resistance between the two segments on each readout with a high-sensitivity ohmmeter such as a bridge comparator. A second method is to remove each LED readout from the display and test it individually until the defective

(continued on page 80)



RADAR OVEN REPAIRS

Microwave ovens are comparatively simple and easy to service. Be prepared when you're called to fix one.

by D. R. MACKENROTH

MICROWAVE OVENS ARE NOW USED IN trains, on airplanes and ships, in restaurants, and are proliferating in private homes as well. If a microwave oven fails to operate correctly, most consumers rely on appliance servicemen to repair them, when in fact, the devices contain electronic circuitry that should more properly be maintained by qualified electronic technicians. TV and other consumer electronics service technicians should become familiar with the principles involved in microwave ovens, as well as the specialized service techniques which they require.

How it works

About twenty-five years ago, so the story goes, Dr. Percy Spencer of Raytheon walked past a radar device with a chocolate bar in his pocket. The chocolate became very warm and melted. Intrigued, Dr. Spencer and his associates found that they were able to pop popcorn and heat other foods with the microwave radiation from the radar.

This is the principle used in the modern microwave oven. The oven itself is nothing more than a tightly sealed metal box as shown in Fig. 1. Microwaves are generated in a special type of tube, called a *magnetron*, and fed into the box through a waveguide. A *stirrer* is also placed in the box. This is simply a slow-speed fan with metal blades. As these blades rotate, they reflect the microwave energy, bouncing it around to all corners and areas of the interior of the metal box.

Without the stirrer, standing waves would be created in the oven, and some regions would be "hot" and some would be "cold".

The heart of the oven is the magnetron tube (see Fig. 2). The tube is basically a diode with a cylindrical cathode surrounded by a cylindrical anode. A strong magnetic field is

created by a large permanent magnet or electromagnet. This field affects the flow of electrons from anode to cathode.

A high negative dc voltage is applied to the cathode from a power supply. The magnetic field changes the trajectories of the electrons flowing from cathode to anode, causing them to return toward the cathode. The tube oscillates at a high frequency (2450 MHz is the FCC-regulated operating frequency for microwave ovens), and the cavities of the magnetron act as resonant circuits. Energy is given up to the cavities by the electrons, producing rf power which is coupled into the waveguide by a small "antenna" at one end of the tube.

As can be seen in the typical schematic of Fig. 3, most ovens also have a timer that turns the oven off when cooking is completed, a fan that

(continued on page 42)

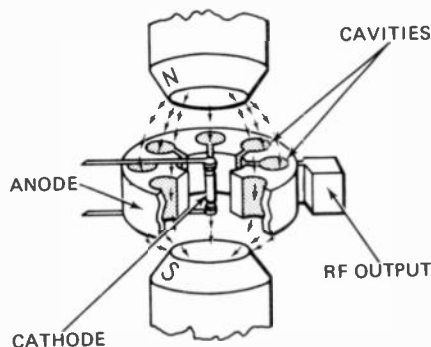
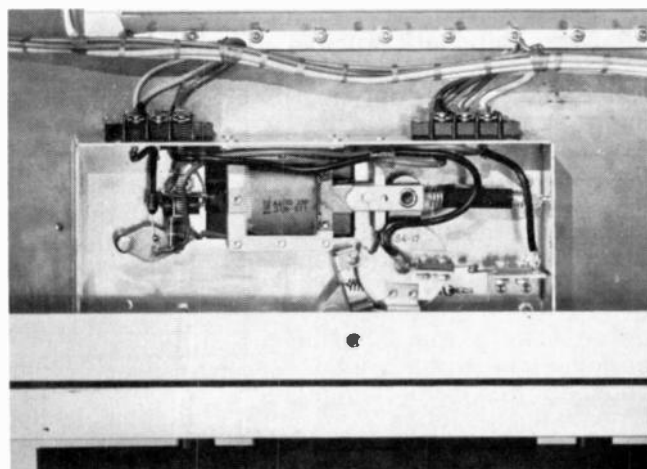


FIG. 2—DIAGRAMATIC REPRESENTATION of a magnetron. Its operation depends on a strong magnetic field developed by a permanent magnet or electromagnet.



DOOR INTERLOCK on Heathkit oven prevents the door from opening until high-voltage to the magnetron is turned off.



NTS Home-Training in Electronics was the start of something big for James Gupton

An NTS Graduate

James A. Gupton Jr. graduated from National Technical Schools with a diploma in TV & Radio Servicing. Today, he's a mighty important man in the world of Electronics!

Research associate with a major electronics corporation; author of numerous articles in electronics magazines; an inventor with five patent applications to his credit. In the field of electro-optics, he has perfected a revolutionary phosphor deposition technique for cathode ray tubes.

Quite a list of accomplish-

ments for a man who began his career with an NTS diploma and a job in TV & Radio servicing.

Any student can succeed

James Gupton is certainly an exceptional NTS graduate. He proves there's nothing to keep a determined man from becoming a success in Electronics. As he himself says, "Any student, properly motivated, can succeed in Electronics through home-training."

Every NTS Electronics Course is specially designed to keep you motivated from the time you

start building your first test instrument until you're ready to plug-in your solid-state Color TV or other advanced electronics equipment.

Exciting "Project Method" Training

NTS Project Method Training is the best way to learn electronics.

You build advanced equipment while you learn Electronics principles and applications.

Each week brings new excitement when you actually see the progress you've made.

NTS builds self-confidence.

For a man to become successful, like James Gupton, he must have confidence in himself.

As an NTS graduate you have this confidence. Your training is practical and thorough. You know Electronics from the bottom up. You enter a world of Electronics you're familiar with.

And if you have the drive and determination of a man like James Gupton, there are no limits on your success!

(James Gupton's address available upon request).

NTS COLOR TV SERVICING



Solid-state
315 sq. in.
Heath Color TV

Build and keep the largest, most advanced color TV made! Over-all solid-state design, ultra-rectangular screen, matrix picture tube, built-in self-servicing features, "Instant On," A.F.T., solid-state, 24-channel detent UHF/VHF power tuning, and much more! Also build and keep AM-SW Radio, solid-state Radio, FET Volt-Ohmmeter, and Electronic Tube Tester. Learn trouble-shooting, hi-fi, stereo, multiplex systems, radio, color and B&W TV servicing.

NTS B&W TV SERVICING

Learn sophisticated solid-state circuitry as you build this B&W TV Receiver, Lo-Silho "Superhet" Radio, FET Volt-Ohmmeter, solid-state Radio, Electronic Tube

Solid-state
B&W TV,
74 sq. in.
picture
(cabinet
included)



Big, Colorful NTS Guide to new opportunities in Electronics. Yours FREE!

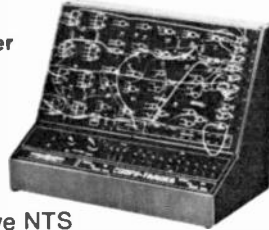
NATIONAL TECHNICAL SCHOOLS
4000 S. Figueroa Street
Los Angeles, California 90037

Please rush me FREE Color NTS Electronics Guide & FREE lesson, plus information on course checked at right. No obligation. No salesman will call.

Checker, and Signal Generator. TV and all other equipment are yours to keep.

NTS ELECTRONIC & COMPUTER TECHNOLOGY

Solid-state Compu-Trainer 14 integrated circuits replace 198 Transistors!



Build and keep this exclusive NTS Compu-Trainer. It teaches you the same principles used in million-dollar systems. Contains 14 integrated circuits! All solid-state! You perform all wiring and patchcording. No shortcuts. No pre-wired circuit boards. Your training is complete! Also receive a FET Volt-Ohmmeter and a 5" wide-band solid-state Oscilloscope.

NTS ELECTRONIC COMMUNICATIONS

Gain the prestige and earning power of owning and F.C.C. First Class Radio-Telephone license. Two comprehensive NTS Courses cover the big opportunity field of transmitting and receiving.



5-watt AM
Transmitter/
Receiver

You build and keep 14 kits, including this amateur phone 6-meter VHF Transceiver, NTS's exclusive 6-transistor solid-state Radio, and a fully transistorized Volt-Ohmmeter. Also, learn 2-way radio, Citizens Band Microwaves, and radar.

NTS INDUSTRIAL & AUTOMATION ELECTRONICS

Automation is the future of industry, and you can play an important part! Learn industrial controls by training on the NTS Electro-Lab (a complete workshop). You also build and operate this 5" solid-state

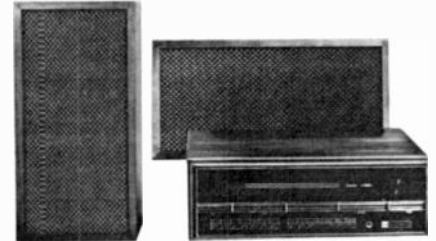
oscilloscope. And you perform experiments that involve regulating motor speeds, temperature, pressure, liquid level, and much more. All equipment is yours to keep.



All solid-state!

NTS AUDIO ELECTRONICS SERVICING

Learn sound theory — how it works in home radio, car tape decks, stereo multiplex component systems, and more! Set up a spectacular music system. Learn about sound distortion, amplification and control, loud-speaker baffles, problems of system installation, etc.



Build and keep this famous Heath Stereo Receiver and Speakers

Included is Volt-Ohmmeter, In-Circuit Transistor Tester and solid-state Radio. Prepare yourself for great opportunities in the Home Entertainment Industry!

CLASSROOM TRAINING AT LOS ANGELES

You can take classroom training at Los Angeles in sunny Southern California. NTS occupies a city block with over a million dollars in technical facilities. Check box in coupon below.

APPROVED FOR VETERAN TRAINING

Accredited Member: National Association of Trade and Technical Schools; National Home Study Council.

NATIONAL TECHNICAL SCHOOLS

World-Wide Training Since 1905
Resident & Home Study Schools
4300 S. Figueroa St., Los Angeles, Ca. 90037

Dept. 206-083

NAME _____ AGE _____

ADDRESS _____

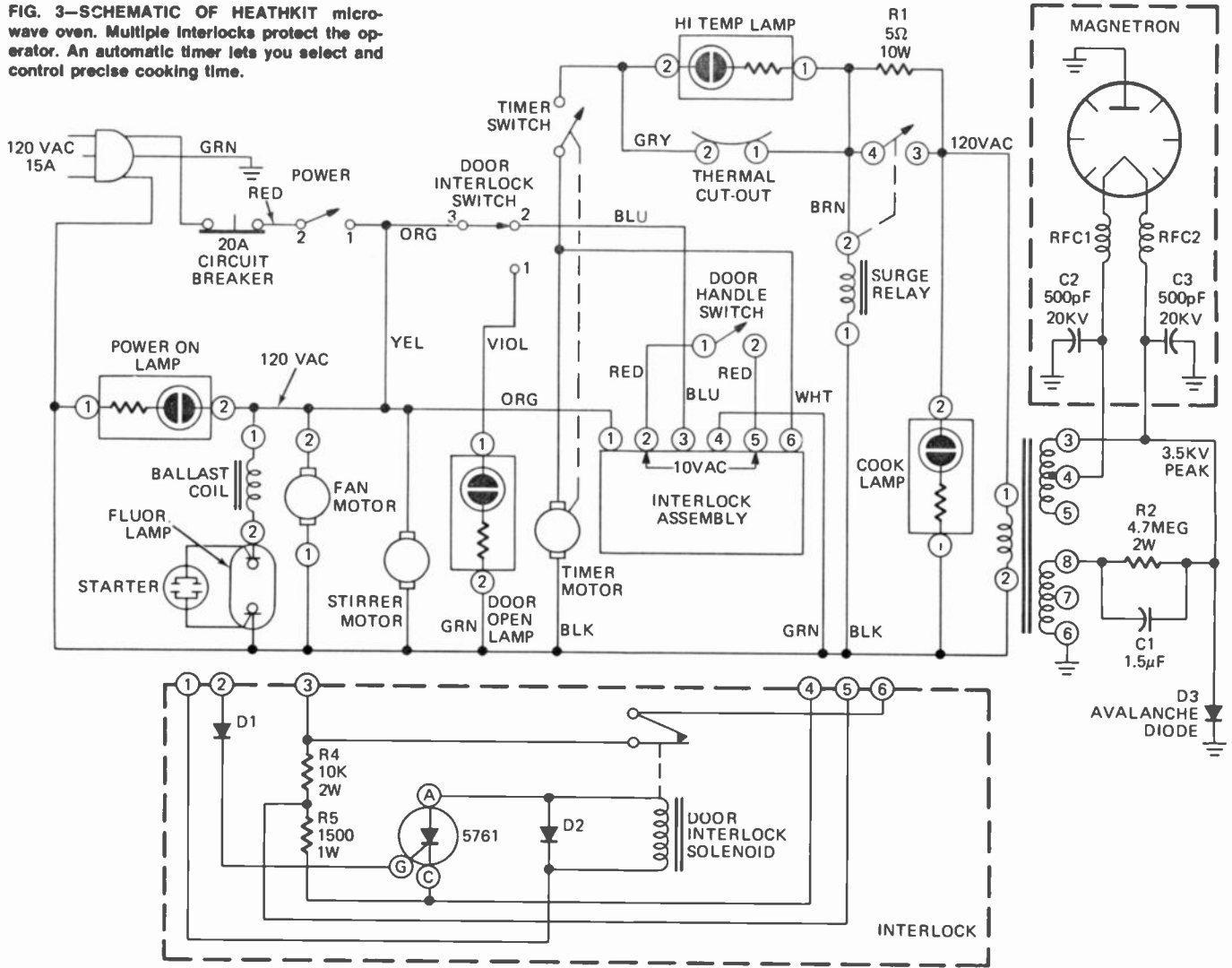
CITY _____

STATE _____ ZIP _____

- Check if interested in Veterans Training under new G.I. Bill.
 Check if interested ONLY in Classroom Training at Los Angeles

- MASTER COURSE IN COLOR TV SERVICING
 COLOR TV SERVICING (FOR ADVANCED TECHNICIANS)
 MASTER COURSE IN B&W TV & RADIO SERVICING
 MASTER COURSE IN ELECTRONIC COMMUNICATIONS
 PRACTICAL RADIO SERVICING
 FCC LICENSE COURSE
 MASTER COURSE IN ELECTRONICS TECHNOLOGY
 AUTOMATION & INDUSTRIAL ELECTRONICS
 COMPUTER ELECTRONICS
 BASIC ELECTRONICS
 AUDIO ELECTRONICS SERVICING

FIG. 3—SCHEMATIC OF HEATHKIT microwave oven. Multiple interlocks protect the operator. An automatic timer lets you select and control precise cooking time.



cools the magnetron assembly, and a series of interlocks and thermal relays designed to shut down the oven when the door is opened or the magnetron temperature climbs too high. Microwaves can be dangerous—they make no distinction between heating food or heating flesh, and we know that microwave energy is particularly damaging to delicate areas of the body, such as eye tissue.

Testing the control circuitry

A microwave oven *never* should be operated completely empty. If it is, you can get arcing within the oven and a damaged magnetron may be the result. Always place a load in the oven when it is on. A good load, as well as a test of the oven, is to place a cup of water into the oven. Then set the timer for five minutes. If the oven is operating correctly, the water should be boiling in 1½ to 3 minutes. Don't use metal utensils, pots, or foil in the oven—this can also cause arcing, since metal surfaces reflect the microwaves and do not absorb them.

For a more accurate measure of the output power (in watts) of the oven, measure the temperature rise of

a specific amount of water in one minute in the oven. Measure 500 milliliters of tap water into a ceramic or china dish, heat the water in the oven and measure the temperature rise. Use the formula:

$$P = (T_2 - T_1 \times 35)$$

where

P = power in watts

T₂ = temperature in °C after heating

T₁ = temperature in °C before heating

Don't leave the thermometer in the oven when it's on, since the mercury is a metal and will reflect microwaves, perhaps damaging the oven.

If the oven doesn't go on at all, check the interlock and timer switch loop. Clean the oven door and make sure that it will close completely, since small particles of food can work themselves into the seals and keep the door from activating the interlock switch. If food does not heat evenly in the oven, check the operation of the stirrer.

Magnetron and high-voltage tests

If the oven appears to operate normally (the stirrer turns, the timer

works, etc.), but there is poor or no heating, the trouble is probably in the magnetron or its power supply. If you are checking these circuits, make sure the unit is unplugged and you've bled the filter capacitors first.

Check the magnetron for loose or dirty connections. It may be a good idea to clean the contacts of the magnetron and the waveguide with metal polish, then remove any residue with alcohol. Dirt or corrosion can severely cut down the efficiency of microwave circuitry. Be careful working around the magnetron, though, since most magnetron tubes have a warranty and



MICROWAVE OVEN is Heath's GD-29 kit. Four panel lamps show operating status at all times.

they are expensive—typically well over \$100 each.

To check the magnetron and associated circuitry, the first step is a simple resistance check. The heater of the magnetron should read about one or two ohms, and the resistance from the cathode to the anode of the magnetron should be infinite.

A good check to make is to read the anode current of the magnetron. Some manufacturers have placed a 10 ohm, 5 or 10-watt resistor in series with the rectifier diode, and reading across this resistor with a dc voltmeter gives a reading for the anode current. If, for example, the voltage drop across the 10-ohm resistor is 3.0 volts, the anode current is 300 mA. If the manufacturer, as in the diagram in Fig. 3, has not inserted this resistor, you can put one in the circuit for test purposes. Place the resistor, a healthy 10-ohm, 10-watt wirewound type, between ground and the cathode of rectifier diode D3. Remove the resistor when tests are completed.

Although manufacturer's specifications should be checked to make sure, anode current in most magnetrons used in microwave ovens will usually range from 250 to 320 mA. A small fluctuation, 5 to 10 mA on either side of the reading is normal, but wide changes of anode current indicate that the magnetron tube has an internal short or is moding (oscillating at a frequency other than the designed frequency of operation). Although anode current is normally not adjustable, the circuit in Fig. 4, from the Westinghouse microwave oven, includes a coil for the electromagnet of the magnetron and a 5000-ohm 25-watt, ad-

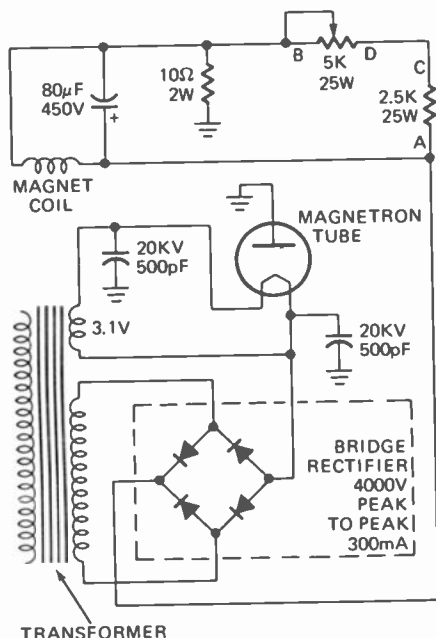


FIG. 4—MAGNETRON POWER SUPPLY. Current through electromagnet is adjustable so you can set magnetron's anode current.

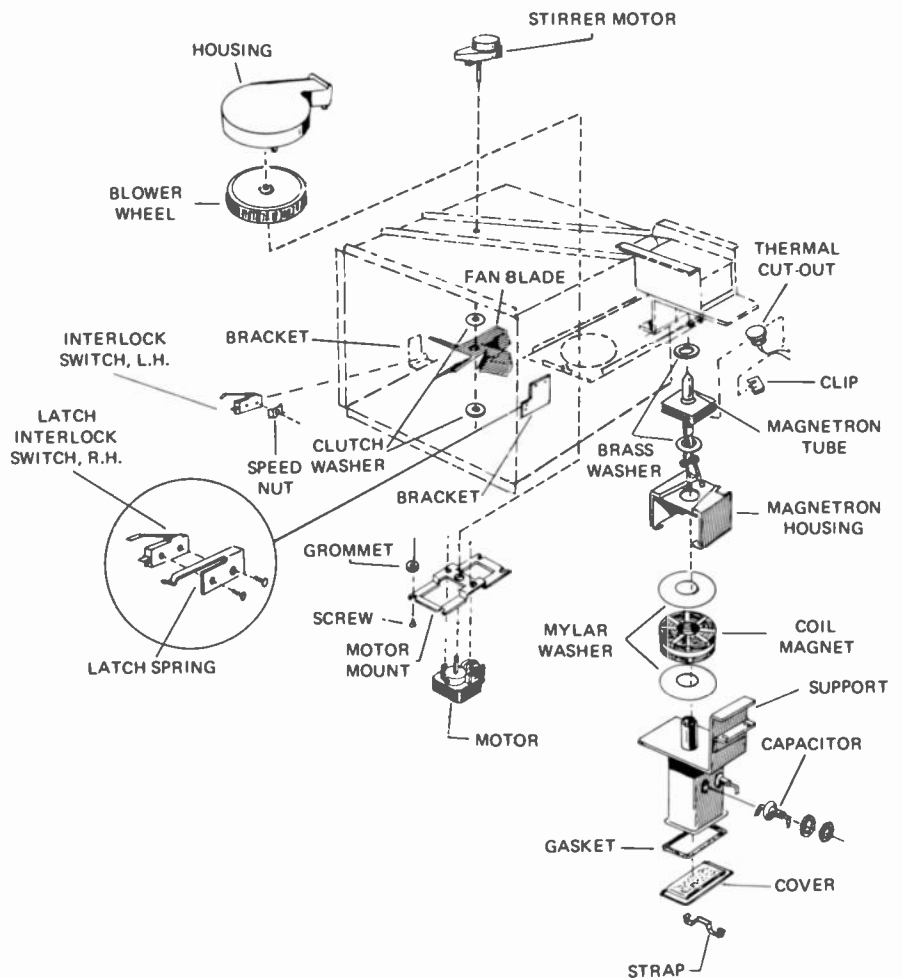


FIG. 5—EXPLODED VIEW of typical microwave oven and magnetron assembly. You'll need this sort of information when removing a defective magnetron and installing a new one.

justable wirewound resistor. This resistor is used to set the magnetron current to its optimum value (300 mA in the case of this Westinghouse oven).

If anode current is nonexistent or very low, all components in the power supply should be eliminated before the magnetron is changed. With a high-voltage probe, measure the anode voltage, but remember that it will normally be in the 2500-4000 Vdc range. If you have to change the magnetron, be very careful to get all seals and gaskets back in the way they came out. Lay them out on the bench in the order they are removed to facilitate reassembly. Fig. 5 shows a typical

magnetron installation, as well as a partial interior of a microwave oven.

A visual inspection of the magnetron may reveal faults. A crack in the glass envelope around the antenna, for example, may indicate excessive vibration or rough handling, or possibly that the magnetron was installed incorrectly. The interior of the tube will take on a milky, whitish color if air has gotten into the tube. If a sunken place or a bubble has developed on the glass envelope, it means that the magnetron probably has been overheated by operating it without a load in the oven.

When a new magnetron is installed, the old one should be kept, and the serial numbers of both tubes recorded. For the warranty to be valid, the old magnetron must be sent back to the factory, along with the serial number of the tube that was newly installed.



THIS MICROWAVE OVEN, Micromite model 2000 has timer dial and see-through oven door.

Leakage, seals and testing

The Bureau of Radiological Health of the Department of Health, Education, and Welfare, regulates the permissible radiation that can emanate from a microwave oven. Under these Federal standards, radiation leakage

(continued on page 47)

I NEEDED A ROBOT PHONE GADGET, and I unpacked my spanking-new one with a little anxiety. After all, how good could such a machine be when it retails for \$129.95? Next, I opened the manual and read. This was no ordinary tape recorder that you could turn on and use right away without instructions; it's two very specialized tape recorders in one package and it's designed to do just one thing in this world: answer the telephone.

I got to the section on recording your answering message. There's a continuous-loop of tape for this message and it holds 30 seconds worth of your own voice. Thirty seconds! How would I ever record that much material; after all, what do you say besides "Hello," and "Please leave your name and phone number"? I soon found out. I read the suggested sample message in the instruction book, then composed a revised version of my own:

"Hello. This is Eugene Walters. I'm out right now, but will return shortly. That's right. You're talking to a friendly robot, and it'll take a message as well as the best secretary. So when the beep sounds, won't you please leave your name, phone number and any brief message that you like. I'll return your call as soon as I can. Remember, wait for the tone before you start talking, then leave your name and phone number. Yes, I will call you back. Thanks for calling, and wait for the tone before speaking."

I read it over, got out the stopwatch and put on my best radio-an-

nouncer's voice. On three readings, I got 32 seconds, 27 and finally 29.

My new phone robot uses two tape drives. One is a continuous-loop drive for the answering message and has a 30-second duration. The other is a reel-to-reel tape that's locked to the reels at both ends. According to the book, it's long enough to hold 30 half-minute messages.

A machine like this—and other inexpensive phone recorders, work basically the same way. The outgoing (answering message) is recorded on an endless loop of tape. At the end of the message, there is either a strip of metal foil, or a physical change in the tape to operate a switch. In the Phone-Mate, a piece of leader tape is spliced into the loop, and this leader is cut down to about half its usual

width (see Fig. 1-a). A wire feeler drops down in this reduced-width area, operating a sensitive snap-action switch which in turn operates two relays to: (1) stop the outgoing message tape (2) release the stored capacitor charge which delivers a short oscillator tone burst and (3) start the message recorder.

The block diagram in Fig. 2 shows a ring charge circuit. On incoming calls, a neon bulb is lit by the ring signal and a 47- μ f capacitor charges from the ring current. By the middle of the second ring the capacitor is charged enough to trigger RY1, the first of two control relays. This starts the outgoing message cycle.

At the end of the outgoing message tape, the switch feeler drops down, switching off RY1 and the out-



SHE WON'T MISS ANOTHER CALL with the Dictaphone Ansafone 640 answering device.

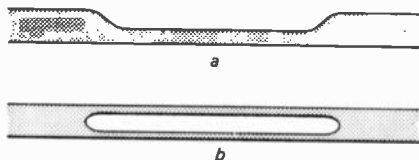


FIG. 1—REDUCED TAPE WIDTH (a) and a slot in tape (b) are two ways of controlling the recorders.

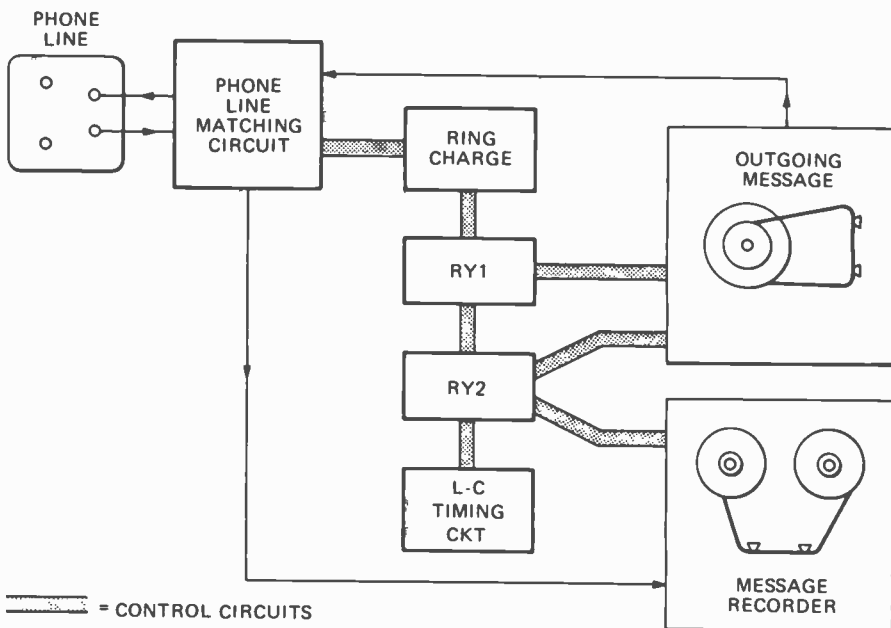


FIG. 2—BLOCK DIAGRAM of a typical telephone answering machine connected to the incoming telephone line. Some message recorders use cassettes for quick removal and storage.

telephone answering robots

An automatic telephone answering machine is a boon to small businesses and to anyone who cannot be at his phone at all times. Here is what they are all about.

by EUGENE WALTERS

going recorder and closing RY2, which latches. RY2 triggers a short oscillator tone burst (the "beep"), powered by a stored capacitor charge, and starts the message recorder—a rim-drive unit that runs at approximately 3¾ ips. At the same time, an L-C circuit with a time constant of about 30 seconds starts to charge. When this circuit is fully charged, it dumps its load across RY2, causing it to unlatch, shutting down the entire machine. The machine is now ready for the next phone call.

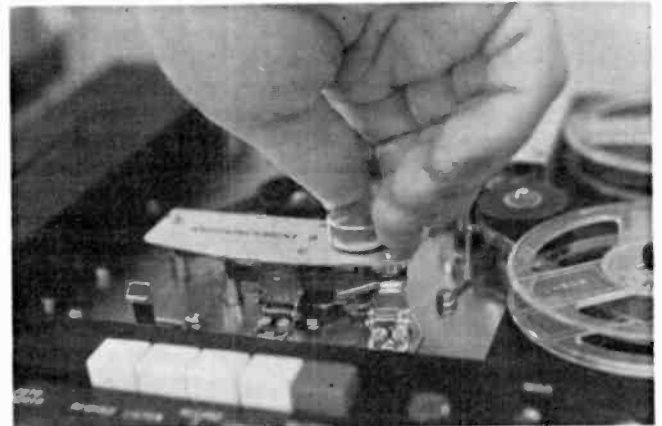
Acting as an interface between the phone line and the recorder is a phone-line matching circuit, which looks to the phone line like any ordinary extension telephone. It's usually at a telephone location, and a "sandwich" phone plug is supplied which plugs into a standard telephone company jack, and accepts the jack phone's plug on its face (see Fig. 3). If you're using the unit with a phone that isn't equipped with a jack connection, you can hook it up as shown in Fig. 4. The other end of the cable

plugs into the Phone-Mate via a six-pin DIN connector.

Tapes can be changed when worn or damaged. Or for that matter, the outgoing message tape can be shortened easily, simply by snipping out some tape where the leader is spliced in, removing a turn or two of tape, and resplicing. Thirty seconds does seem overlong for an outgoing message.

RECORD-A-CALL UNITS (right) give operator a choice of three outgoing message channels. A flick of a switch selects the desired message by moving the head assembly.

FIG. 4 (below)—HOW TO HOOKUP ANSWERING DEVICE to a phone not equipped with a plug-and-jack connection. The phone line may be direct or patched through a switchboard.



Other low-cost phone-answering systems are packages of electronics that require the addition of a standard tape recorder to take messages. Such machines have an outgoing message recorder, and most of the electronics shown in Fig. 2, but don't have the message recorder. Connecting cables are provided, and the recorder that's used for this purpose must be left in the "record" position permanently.

There are several limitations to most inexpensive machines. For one thing, there's the 30-second limit on phone messages; also, the message tape can't be easily removed for file storage or later reference; and there's the unit's limited capacity—30 messages total is plenty for the consumer, but possibly not for business.

To avoid these problems, a more sophisticated (and more expensive) system is called for. Several models made by Record-a-Call offer definite advantages. Depending on the model purchased, messages are taken on open reel tape (3¾ ips, capstan driven) or on a standard cassette—and in either case, the tape can be quickly removed for storage. The outgoing message is on a built-in endless loop tape, and standard length for this message is 20 seconds—although the tape can be changed easily for longer or shorter messages.

The outgoing message tape is set

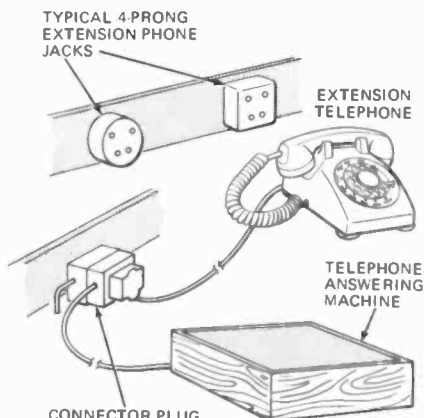
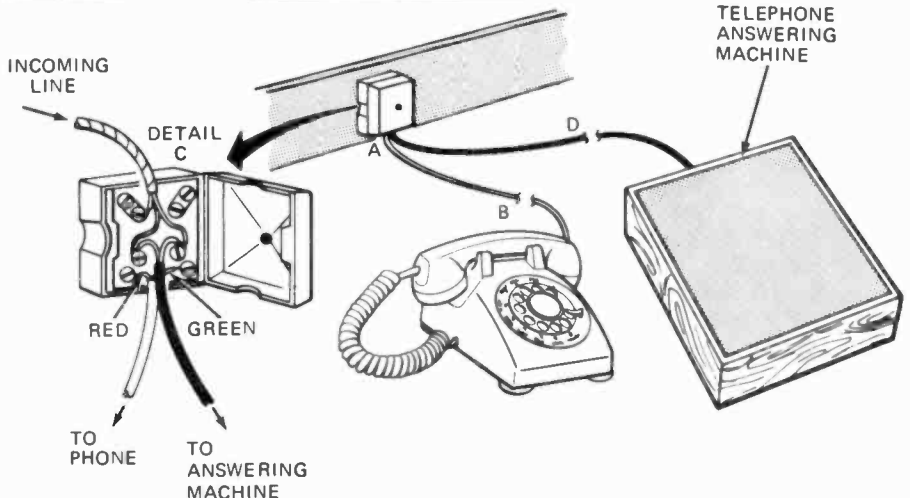


FIG. 3—CONNECTOR PLUG is a handy adapter to interface line and answering device.



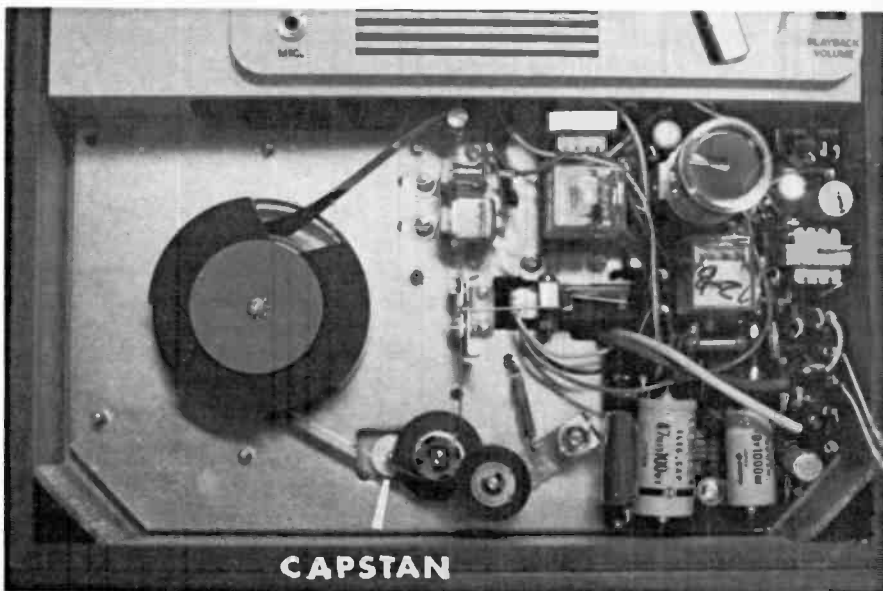
up for three-channel operation; a selector knob picks one of the three tracks, marked for alternate messages. Thus, the user can change outgoing answering messages by turning the selector knob. This change in message capability is especially important for professional offices, where a doctor may be on call and wishes to direct the caller to dial another number, or may be on an emergency, or may simply want the caller to leave a message.

Businesses may want to use different messages for lunchtime closings, evenings and weekends. It's simpler than changing the message cassette as some recorders do, although it's limited to choice of three such messages. Still, this is adequate for most businesses. The message channel is changed by moving the head assembly up or down with the selector knob.

Like other answering equipment, these machines plug into a phone jack with a sandwich plug. For installations where the jack isn't available, and where any kind of direct connection might raise Cain with the local telephone company, equipment is available that makes no electrical connection at all. Instead, the telephone handset is placed on an acoustic coupler and a solenoid-operated finger operates the telephone's relay plunger. This may look a little Rube Goldbergian, but phone company rules are still open to such a wide variety of legal interpretations, that this type of arrangement is all that can be used by some businesses.

In some machines, the outgoing message tape uses a central cutout for triggering, as shown in Fig. 1-b. The cutout portion in the center of the tape admits a feeler which operates a switch to trigger the message-taking cycle. The electronics in these units is highly sophisticated. Such features as adjustable ring lets the user leave the recorder connected and turned on at all times. By setting the unit to answer on the fourth or fifth ring, the machine will even answer the phone when the user is on the premises but too busy to answer. In cases like this, the outgoing message option chosen may simply say, "I'm tied up at the moment but will pick up the phone in a minute or so. If you can't wait, please leave a message after the tone."

Unlike less expensive machines, the better units are caller-controlled; they'll take as long or short a message as the caller wants to leave, and will continue to record until he hangs up. Some manufacturers provide the option of voice-activated control, and such machines will stop recording if there are "six or eight seconds of silence. Because of the unlimited time of recording on these units, it's possible to call your own office and dic-



OUTGOING-MESSAGE TAPE and electronics of Phone Mate telephone answering machine. Pinch roller is always against the capstan and can cause flats to develop on IL.



THE GEMINI, by Record-A-Call uses physical lift unit and offers a choice of acoustic or inductive coupling so there is no need for direct electrical tie to phone line.

tate lengthy memoranda or even letters for your secretary, who can pull the cassette and replace it instantly with a fresh one while she's transcribing dictation.

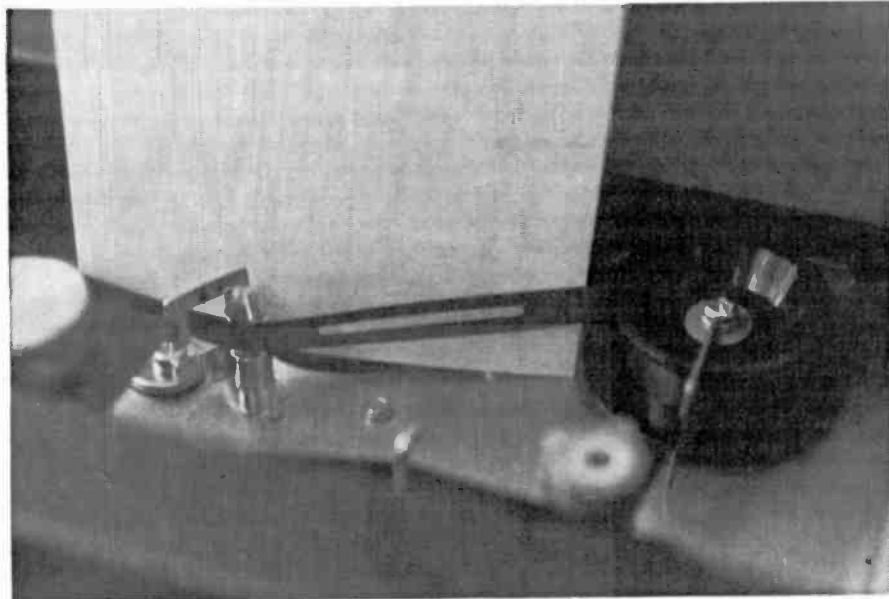
Another type of phone-answering unit is the announcer. This species is favored by movie theaters and special services like "dial-a-prayer" and others. A recorded outgoing message is played for the caller, and it can be a fairly lengthy one, depending on the length of the cassette used. The message can be changed instantly by simply replacing the endless-loop cassette. The tape itself is a specialized continuous-loop cassette/cartridge of a non-standard size. It's somewhat larger than a standard cassette, and much smaller than an 8-track cartridge. This same cassette is used by other manufacturers too.

The low-cost phone-answering machine has its place in the scheme of things. These machines, because of their low cost, are appealing to the consumer, hobbyist and private citizen who would like to have his phone answered on a 24-hour-a-day basis.

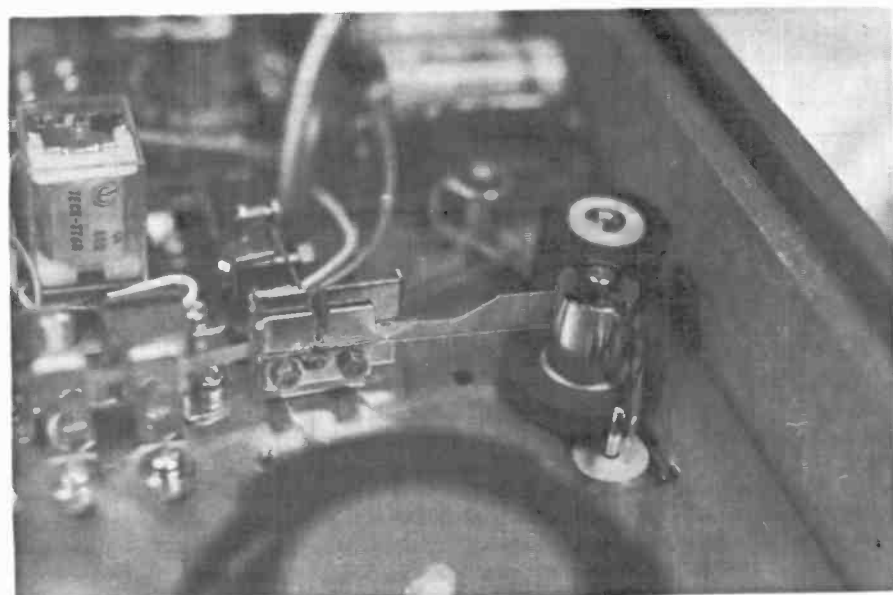
Most sales agencies also offer service and usually have service contracts that are often figured into the selling price. The solid-state electronics usually don't create problems; the main service areas involve replacing tapes and possibly adjusting and cleaning relays. The serviceable mechanical areas are all accessible and pretty much self-explanatory in their operation.

Special options add to the robot's versatility. The remote message pickup can operate in several ways, depending on the unit. On one machine, it's

RADAR OVEN REPAIRS
(continued from page 37)



SLOT IN OUTGOING-MESSAGE TAPE activates switch to stop the announcement loop and turn on the message recorder in the Record-A-Call answering machine.



A NOTCH IN THE MESSAGE TAPE controls change-over in the Phone Mate. The footer of a sensitive snap-action switch drops into notch to activate process.



PHONE-MATE answering machine can be used with any telephone.

a plug-in, add-on module. Incoming messages are recorded as usual, but when the owner calls in and beeps his electronically coded remote "key" into the telephone, the machine plays back its messages.

Some remote units have extra features, such as keyed backup for repeating hard-to-understand or complex messages. In all cases, a special electronic "combination" code is used to trigger the unit—a different combination for each one.

One recurring problem is the robot user who leaves and forgets to turn the machine on. Obviously, the unit can't answer the phone if the switch is turned off. But there's an answer to that one, too. There's a unit soon to appear that will turn itself on after the fourth ring, so it simply can't be forgotten.

R-E

from a microwave oven cannot exceed 1 mW per square centimeter prior to factory release and 5 mW per centimeter measured at a distance of 2 inches from the oven at any time thereafter.

Oven doors are usually sealed primarily by a choke section, a quarter-wave slot around the inside of the door. As you can see in Fig. 6, this is

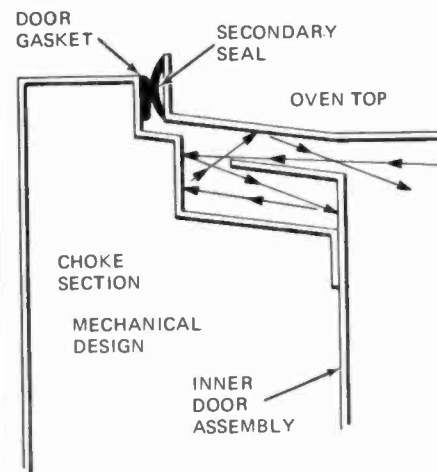


FIG. 6—RADIATION FROM INSIDE OVEN is prevented by a quarter-wavelength slot or trap section around the door perimeter.

backed up by a secondary, Teflon-covered metal-to-metal seal. Particles of food or grease, or wear on the seals themselves, can cause leakage, and an unconnected neon bulb held next to the edges of the door, will indicate leakage. If the edge of the door feels warm to a finger run around it while the oven is operating, leakage is probably excessive.

More accurate tests of leakage are performed with commercially-made leakage testers, such as International Crystal Corporation's Microlite 287 and Microdek 310. The 287 is a simple bulb that glows when radiation levels exceed 5 mW/cm². The Microdek 310 has a meter that reads 0.4 mW to 23 mW in two scales.

To test an oven for leakage, place a measuring cup or bowl filled with water in the oven. Close the door, turn on the oven, and set the timer for the longest available time. The meter probe usually has a spacer that places the antenna of the leakage detector at the proper distance from the oven. Place the tip of the probe into one of the cracks where the door contacts the oven and slide it back and forth all along the door. At the point where maximum indication is obtained on the meter, the level should be recorded and the meter turned 90° and another reading taken. The sum of the

(continued on page 90)

Experiment with WWVB

Details on various 60-kHz reception techniques that can make your superclock self-resetting and always accurate. These are strictly experimental systems, described for advanced electronics buffs only

by DON LANCASTER

THERE ARE AT LEAST THREE REASONABLE ways to make your Superclock (*Radio-Electronics*, July and August 1972) or any other parallel-load clock self-resetting and always accurate. One is to use National Bureau of Standards stations WWV and WWVH. A second is the television timing system, which is still experimental. A final way is with WWVB, a 60-kHz station of the National Bureau of Standards broadcasting from Fort Collins, Colorado. WWVB broadcasts a continuous time code 24 hours a day. The code is in Greenwich Mean time, but this is easily converted to local time with the Time Zone conversion chip in the Superclock. The performance of WWVB varies across the country, being best in the mountain states and poorest far east, far south, and in noisy industrial or high thunderstorm areas. Depending on your area, you might get reliable reception with a very simple system, or you might not get good enough results to reliably run a clock even with the most exotic techniques. We'll try to show you how to build up several receivers, ranging from the simple to the complex, along with a suitable decoder. What we *won't* do is guarantee results—but with our circuits and systems as a start, maybe you can avoid all the pitfalls and mistakes we made along the way.

Even if you can't get continuous coverage, a late night update can usually be used to keep your clock accurate, with the crystal timebase filling in between updates.

The systems we'll talk about were tested in Phoenix, Arizona, where the simplest system worked very well and in San Antonio, Texas, where the more complicated system gave acceptable performance in the middle of a high industrial noise and high topical storm area. Your reception job will be extremely difficult east of the Mississippi, but NBS coverage of the entire US by WWVB is termed "adequate" and maybe you'd just like to try this exciting project.

About WWVB

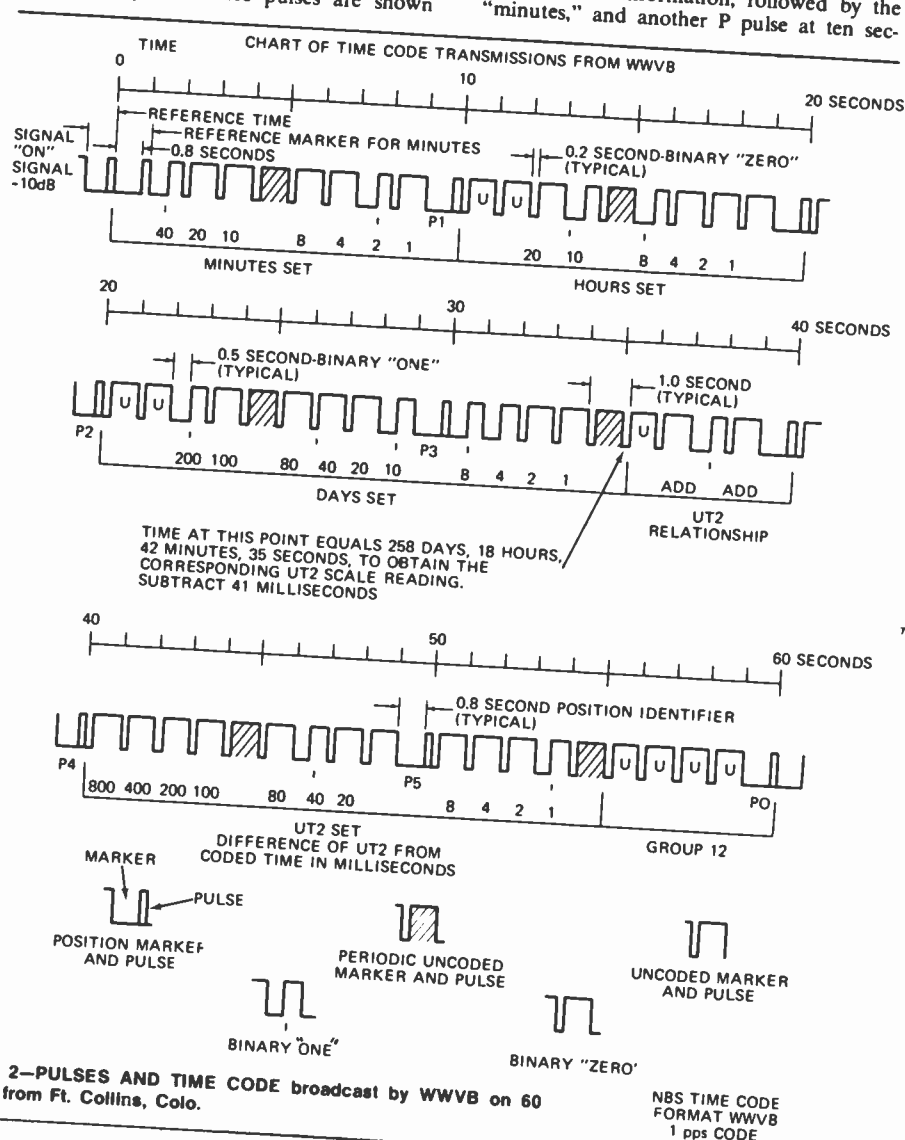
You can find out about all of the NBS services by getting a copy of *NBS Frequency and Time Broadcast Services*, NBS Special Publication #236 for 25¢ from The Superintendent of Documents, U.S. Government Printing Office, Washington, D.C. 20402, Stock Number 0303-0866. Or, you can subscribe to the *NBS Time and Frequency Services Bulletin*, a monthly publication that gives day-to-day operating details of the various stations, announces upcoming changes, and so on.

WWVB transmits a continuous 60-kHz carrier 24 hours a day, except for occasional Tuesday maintenance schedules. The transmitter is located in Fort Collins, Colorado and the transmitted power is 13,000 watts. Field strength contours for the United States are shown in Fig. 1. Except for the code modulation we'll tell you about in a minute, the signal is all carrier—there are no voice announcements, no ticks, goalerts, or anything else. At the beginning of each second, the carrier suddenly drops 10 decibels in amplitude, giving the impression of "half value" on a peak-to-peak scope display. The signal stays low for a portion of the second and then goes high again, dropping on the next second.

One bit of an elaborate time code is

presented each second by the *duration* of the low part of the code. If the signal stays low for 0.2 second, you have a "0." If it stays low for 0.5 second, you have a "1." If it stays low for 0.8 second, you have a "P" or framing pulse. These pulses are shown

in Fig. 2, along with the complete code. The code repeats every minute. It starts out with two "P" pulses in a row identifying the start of a minute. Next comes the "10 minutes" information, followed by the "minutes," and another P pulse at ten sec-



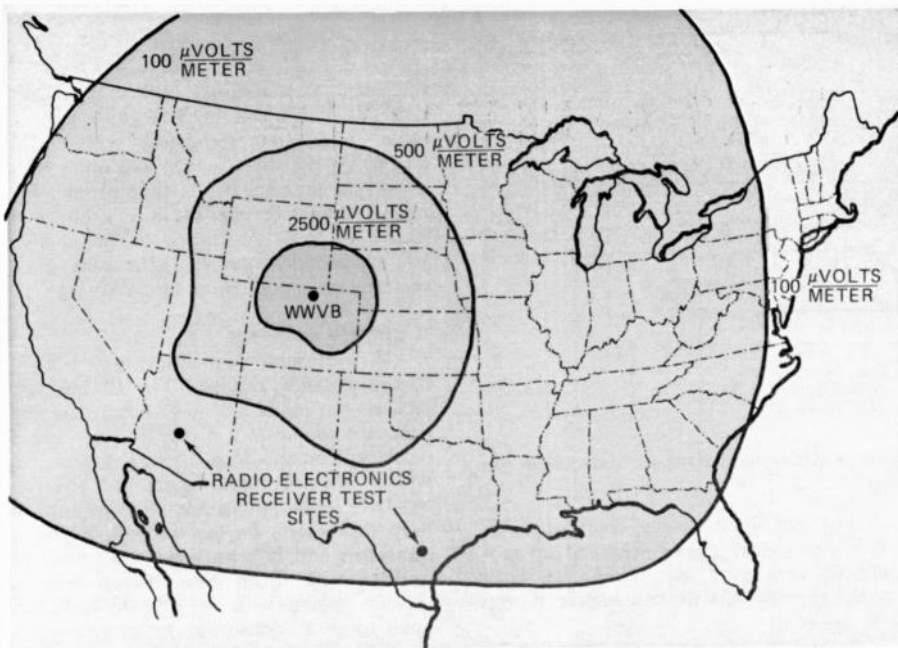


FIG. 1—SIGNAL STRENGTH of WWVB broadcast over the continental U.S.

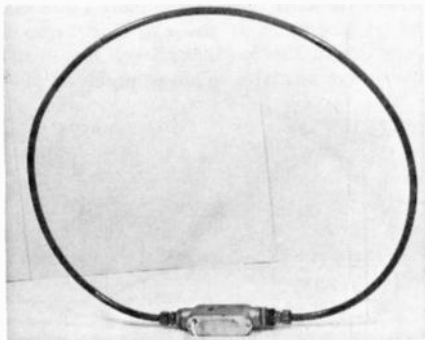
onds. This is followed by the "ten hours" information, and the "hours" information, ending up with a P pulse at 20 seconds. Beyond 20 seconds, the code goes on to give you the day in the form of a number from 1 to 365 or 1 to 366, and some "fine grain" time information we won't be using.

The code repeats once each minute, updating the information for that minute. Since it takes at least 10 seconds to get out the minutes information, the code runs 10 seconds late. To beat this, you preload a "10" into your seconds counter at the time you update the minutes information. The time-zone chip in the Superclock automati-

cally takes care of the 2400 hour GMT to local time conversion.

So, to get from WWVB to a Superclock update, we need a 60-kHz receiver that picks up the signal and converts it to a reliable string of "1"s and "0"s. Then we need a decoder that converts the "1"s and "0"s into a proper format and decides when the Superclock is to be updated. The decoder is easy and reliable—the problem is the receiver.

WWVB is completely free from fading and keeps a remarkably stable output, except for a short diurnal variation for a few minutes at local dusk and dawn. The low frequency allows very accurate timing information with the whole world behaving as a waveguide to bring the signal to you without any of the problems common to the shorter wavelengths. There's almost always enough signal. The problem is that WWVB is an AM system at low frequency and there is substantial terrestrial and man-made noise, particularly near thunderstorms



TRADITIONAL LOOP ANTENNA. Note insulating section on shield.



WWVB PREAMP is in the loop antenna. It should be completely shielded.

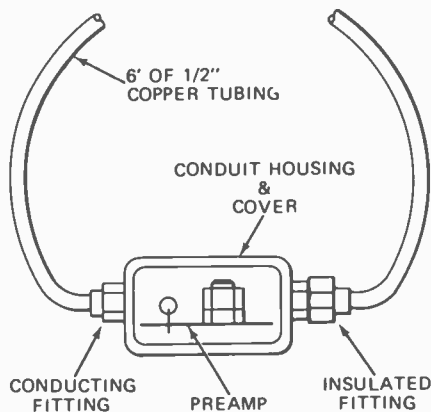
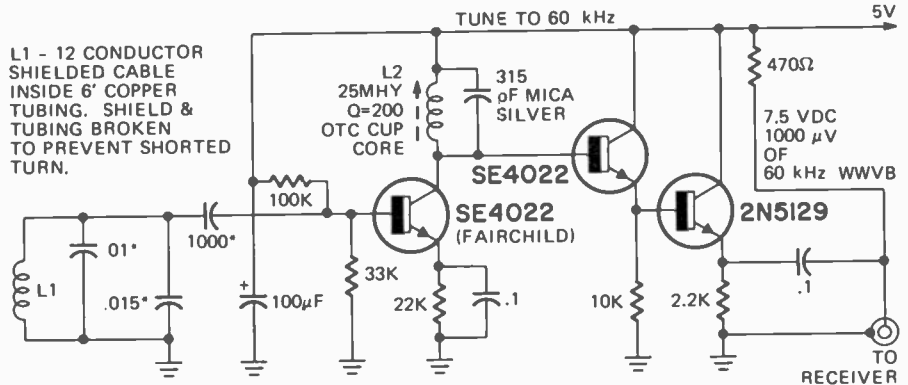


FIG. 3—SHIELDED-LOOP ANTENNA for receiving WWVB broadcasts.



*POLYSTYRENE TUNE TO 60 kHz

ENTIRE PREAMP MUST BE INSIDE CONDUIT SHIELD

FIG. 4—PREAMP SCHEMATIC. Three-transistor circuit is easy to build and inexpensive. Total cost is about \$8.

and in industrial areas. So we have to start with a stable, narrow-band receiver. If we are lucky, that's all we'll need. If not, we'll have to go to some more exotic reception techniques.

Building a preamp

Regardless of what you do with your receiver, a good preamp is absolutely essential. The one we'll tell you about is simple and cheap—but has been the result of many hours of painful testing and lessons learned the hard way.

Before you do anything, if you could beg, borrow, or steal five minutes of time on a real, high-quality, military field strength receiver (*Singer, Empire Devices, etc.*) with a low-frequency plug-in, you can get a fair idea of how hard the signal will be to receive. Use a vertical antenna, a location above all local metal, and try it an hour after dusk. Tune to 60 kHz and watch the S meter. If there's any hope at all, you should get a fairly strong signal on the meter with a distinctive once-each-second sudden drop in amplitude. You should be able to read the code except for occasional noise pulses, and the background level should drop below the minimum signal as you tune off frequency.

A shielded loop antenna is essential for the preamp. It's shown in Fig. 3 along with the complete preamp schematic of Fig. 4. Start with 6 feet of copper tubing, insert a piece of 12-conductor surplus shielded cable, and bend it into a loop. Terminate it in a conduit housing that's big enough to hold the preamp. Be sure to use a plastic fitting on one end to keep from getting a shorted turn on your shield. These are available in many hardware and electrical supply stores and are intended for shock-proofing electric hot water heaters. The shield must be double (the cable plus the tubing) and has to be this thick because of the skin effect at 60 kHz requiring considerable shield thickness. The final form of the loop will be slightly over 2 feet in diameter.

The loop is completed by wiring the conductors together to form a 12-turn loop and then soldering the shield and tubing at one end only. Tune this coil to 60 kHz with high-quality polystyrene capacitors or the much more expensive silver micas. Any other capacitor type is unsuitable. The coil Q should be around 25 to 40. More will cause temperature and tuning problems, less will let in too much noise.

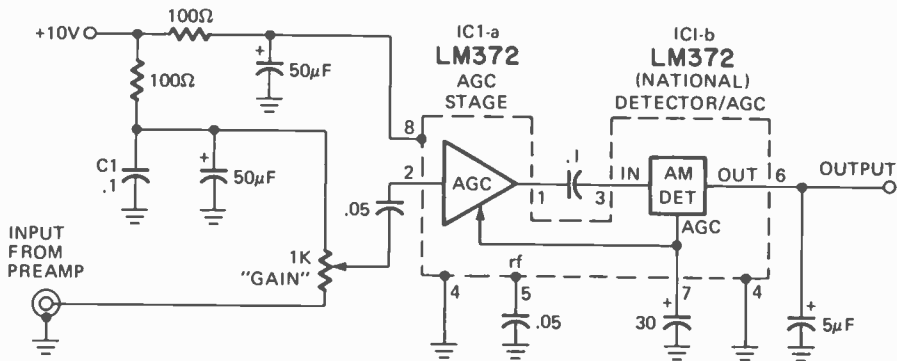


FIG. 5—A SIMPLE WWVB RECEIVER can be built around a National LM372 IC. Just follow this basic schematic.

If you're real lucky, you'll have around $0.5 \mu\text{V}$ to play with. So, you'll need a very high gain, extremely low-noise preamp. Use the transistor called out or another one designed specifically for low-noise, high-gain operation. This one runs a gain of around 1200 with a 0.5 dB noise figure at a $75\text{-}\mu\text{A}$ collector current. A shielded, temperature compensated, variable cup core is used for the collector load, tuned with a silver mica capacitor. One suitable cup is the #448-07-25 mH.

Costs around \$4 from Caddell Burns Mfg. Co., 40 East 2nd Street, Mineola, N.Y. 11501. A special #2103 tuning tool is \$1 extra. The Q of this tank should be over 200 for proper noise reduction. Thus, the coil, the tuning capacitor, and any loading all get into the act. A Darlington emitter follower, using a superbeta transistor driving a plain one superimposes the signal onto the B+ line so you can drive 30–50 feet of shielded single-conductor cable. You power the preamp from a 9- or 10-volt supply. A 470-ohm dropping resistor and capacitor to demultiplex the other end. The supply line must be thoroughly bypassed to prevent any stray signals from getting into your receiver.

The output signal level should be over 100 microvolts in a poor area and up to 4 millivolts in a good one, getting the signal up big enough that we can handle it with ordinary IC's.

To use the preamp, get it above all local metal and point it towards Fort Collins, Colorado, or so the hole in the loop is pointing 90° away from Fort Collins. This is the optimum signal position, although turning it slightly from this might reject some directional local interference.

Hook up some supply power and look at the output with a sensitive $100\text{-}\mu\text{V}$ audio voltmeter, or add some raw gain and look at the output of your amplifier with a vom. Unless you can get a reasonably legible, if somewhat noisy, signal, there's no point in going any further. Try reading the code. Unless the preamp can get you at least a recognizable signal, there's no hope for anything further down the line. Both the loop and the tank cup core should be tuned for maximum amplitude. Try rotating the loop 90° and see how far out of the noise the minimum signal is.

At this point, you should have a good idea of how rough the reception job will be. If it looks like you could arc weld with

the signal—fine, a simple receiver is all you need. If the signal is barely identifiable, some more exotic techniques will do the job. If it's not there, either you don't have a working preamp, it's daytime of an alternate Tuesday, or else the job is hopeless. Above all, don't go beyond this point until you are confident you can get results. Total cost this far should be under \$8.

A simple receiver

A National Semiconductors LM372 makes a dandy receiver. The IC has two sections—an initial agc stage which you can capacitor couple to a high-gain stage and a detector. You should get several tenths of a volt of detected output signal, and you can monitor the output with a vom. Be sure to have data sheets on this and all the other transistors and IC's on hand when you are working with them. Also, if you attempt preamp tuning with the LM372 attached, don't forget to defeat the agc or you won't see your tuning peak. If you can get reliable results with this simple system, all you have to do is add a suitable comparator on the output to get 1's and 0's and then go straight to your decoder. The simplified receiver is shown in Fig. 5.

Some advanced techniques

At this point in the game, you either have a good signal, a marginal one or a worthless one. If it's good, you're done at low cost. If it's a little marginal, maybe some of the tricks we'll show you will help. Which ones you want to use depends on what you want to spend in the way of time and effort and how close you are to reliable operation. Here's a rundown of suggestions:

TECHNIQUE No. 1—Clip the impulse noise. Much of the interference will be caused by high-amplitude, high-energy spikes of short duty cycle many times the signal amplitude. If you can clip these off at twice the normal signal level, they won't contribute nearly as much to problems later

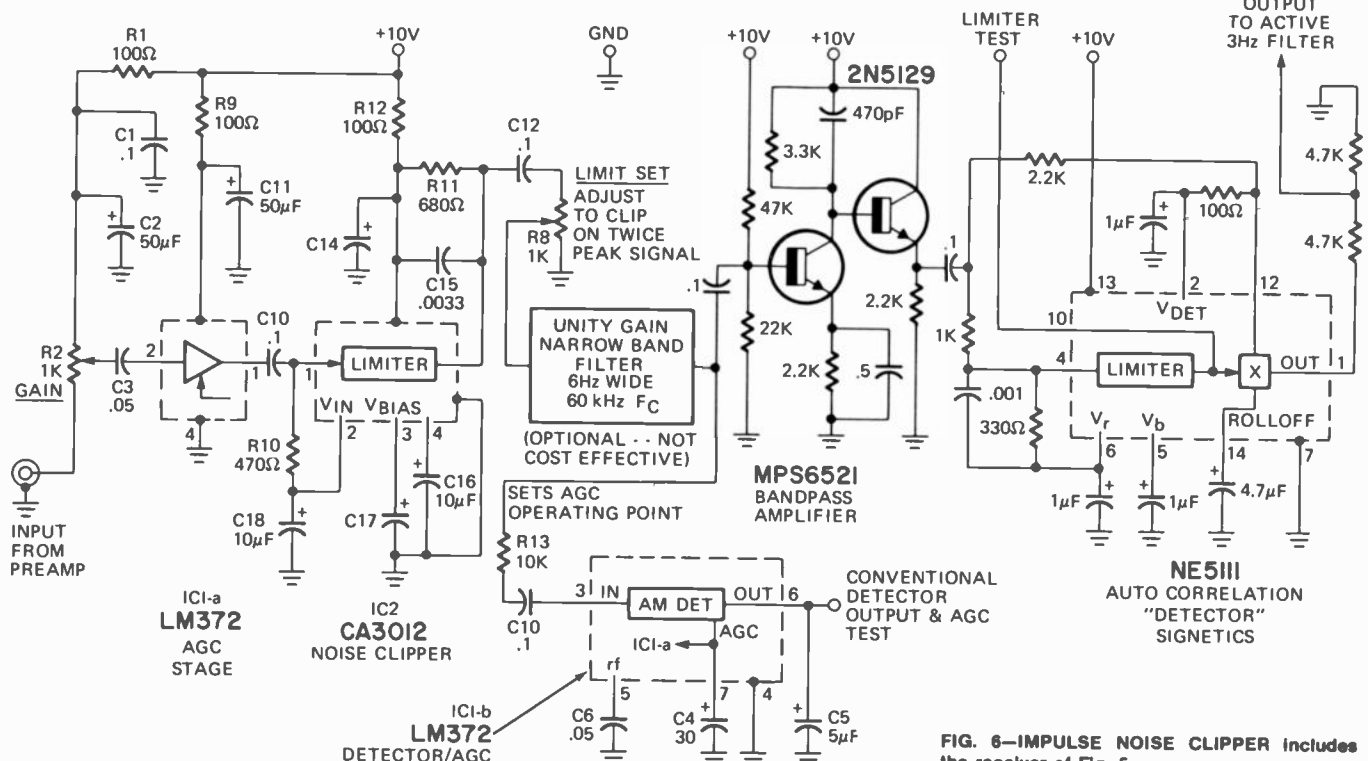


FIG. 6—IMPULSE NOISE CLIPPER includes the receiver of Fig. 5.

in the circuit. The limiter has to be inside the agc loop, and the inside gain has to be adjusted so that limiting takes place at twice the normal signal level over the normal operating agc range. Once set properly, the agc will accommodate a reasonably wide range of signal levels without the clipping level moving around too much. It's absolutely essential that you limit the noise *before* further filtering or detection, for the impulse noise gets wider and lower with further processing. Thus you want to remove as much of the noise energy as soon as possible in the circuit. Fig. 6 shows an experimental circuit that includes the limiter with some of the other advanced techniques. The circuit includes the basic receiver and is used with the preamp.

TECHNIQUE No. 2—Watch how you reduce the bandwidth. The way in which you end up with a final narrow-band detected signal can make a drastic difference. The effective noise bandwidth at the preamp with a Q of 200 is 60,000/200 or about 300 hertz. We need a final "video" bandwidth of around 3 hertz. Here's some facts of life on how we can pick up signal to noise ratio while we decrease bandwidth:

1. If you do your filtering *after* detection, you will only improve the signal-to-noise ratio by $\sqrt{100}$ or a factor of 10. This is how the simple receiver of Fig. 5 does the job.

2. If you do your filtering *before* detection, you will improve the signal-to-noise ratio by a factor of 50 which is slightly better than seven times or 7 power dB better than the basic receiver.

3. If you don't detect, but instead you multiply (autocorrelate) the signal with a limited version of itself and then filter, you also gain 7 times or 7 power dB over the basic receiver. The filtering is now much cheaper, but the circuit more complex.

4. If you don't detect, but instead multiply the input signal (cross correlate) by a signal that looks like WWVB is supposed to and derived from an ultra narrow band phase-lock loop, you can do three power decibels or twice as good as in 2. or 3. The ultimate improvement is then 10 times or ten power decibels better than the simple receiver.

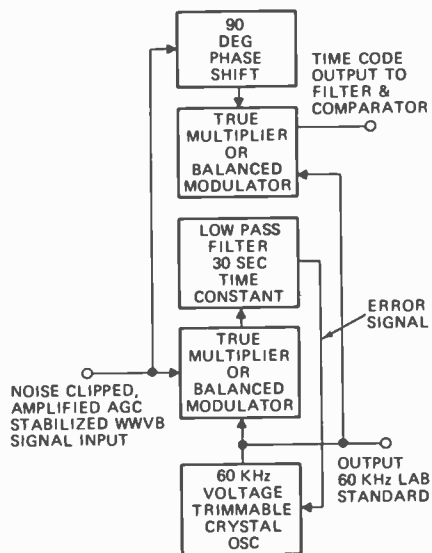


FIG. 7—VARACTOR-TRIMMED CRYSTAL oscillator improves noise 3 dB.

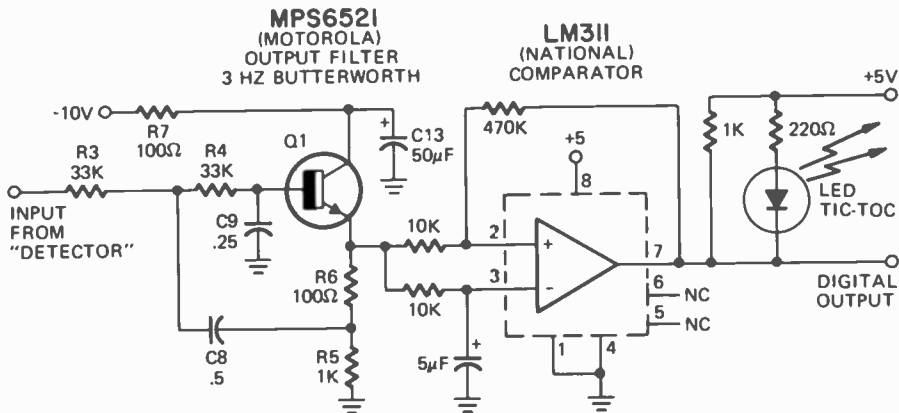


FIG. 8—LOW-PASS FILTER is used to filter the output. Gives a dB or two of additional improvement.

By the way, the final "worst case" signal to noise ratio must be at least 14 dB for error free code reception.

We already went route 1 with the simple receiver of Fig. 5. For 2, all we need is a nice 6-Hz wide, temperature-stable, accurate 60,000 hertz filter. Lots of luck. We tried a bunch of very expensive ones, including quartz resonators, magnetostrictive stacks and ultrasonic filters. All of these worked but were too expensive. You might try several preamp circuits cascaded; this will reduce the signal bandwidth somewhat but probably won't be cost effective and could cause oscillation and shielding problems. 60-kHz crystals have too *high* a Q, even if you let air into the can to damp them, although a pair of crystals properly stagger tuned probably would work. Again, it's not cost effective.

For 3, use the limiter/multiplier, shown in Fig. 6, and you'll get good results. This IC is under \$3. Make absolutely certain the limiter output is a noise-free square wave. Incidentally, this output also makes a reasonable precision frequency reference for lab work if it is hard limited.

This multiplication technique is *not* detection. It translates the signal down to dc, and a filter following it acts just like a narrow band filter in the rf. Since both sidebands fold over, a 3 Hertz low pass output filter does the same job a 6 Hertz Bandpass RF one would.

For 4, you have to ask whether another 3 dB is really worth all that effort. Anyway, a block diagram is shown in Fig. 7. First you build a varactor-trimmed crystal oscillator that runs within a few hertz of 60,000 Hertz. You build a phase detector and an integrator with a half-minute time constant, and critical loop damping. Full details are in *Phaselock Techniques* by Floyd Gardner, published by John Wiley. Master the book before you start.

The theory of the phase lock loop says that you are reconstructing a replica of WWVB that averages out all the phase. When you multiply (cross correlate) this signal against the regular received WWVB, the signal you want gets translated down to dc. Noise that happens to be out of phase (in quadrature) with the signal gets cancelled, while other noise gets reduced in proportion to its phase angle. The average statistical reduction of the noise is 3 dB, or 0.707. It probably isn't worth it, although you get an ultra-accurate, ultra-stable lab standard in the bargain. Note that IC phase

lock loops are hopelessly inadequate for this job where the stability has to be measured in drift rates of cycles per minute.



EXPERIMENTAL SUPER-LOOPSTICK is shown less shield. Rods are 5/8-inch long. Figure of merit is around 2. Resonating capacitor is around 235 pF.

TECHNIQUE No. 3—Filter the output sharply. If we only need 3 Hz bandwidth to get the signal we want, anything else beyond 3 Hz is noise. If your filter falls off slow, you pick up extra noise. So, use a second order low-pass like the one in Fig. 8. It only buys you a decibel or so of improvement, but it's simple and cheap. Fig. 8 also shows a comparator that converts the analog code to digital logic levels.

Once again we've just run out of space and cannot complete this article till next month. In the September issue we will present details of an improved receiver and a decoding circuit including two more schematics.

PC BOARDS

Replicas of the PC boards for the Preamp (Fig. 4) and the Flywheel (Fig. 9) are available free from
SOUTHWEST TECHNICAL PRODUCTS
219 WEST RHAPSODY
SAN ANTONIO, TEXAS 78216

Lee de Forest

WHY THIS ARTICLE?

August 26, 1973 marks the 100th anniversary of the birth of Lee de Forest. And it is in recognition of the many contributions of this electronics pioneer that this article appears.

In this age of solid-state, after 25 years of the transistor, many of us are inclined to underestimate the importance of the fundamental invention of electronics, the vacuum tube. Yet before the 25 years of the transistor, we have had 40 years of the tube.

Indeed, if we had been forced to continue with the crude methods of transmission and reception of the pre-tube era, it is unlikely that radio communications would have developed enough to make the research that led to the transistor's invention possible.

So, as de Forest is acclaimed as the Father Of Radio, his vacuum tube can be considered the progenitor of the transistor—the father of solid state.

De Forest's most important invention has, unfortunately, overshadowed his other accomplishments, which would have made him probably the most important figure in American radio communications without it.

Most of the more important "wireless" stations now operating along the Atlantic coast were established by him. His "radio knife" of electronic surgical scalpel is well known in the medical field and our present talking movies follow very closely the principles of the de Forest Phonofilm.



The Audion—the vacuum tube triode; telephone dialer; and an electronic scalpel

by FRED SHUNAMAN

LEE DE FOREST—LIKE TOO MANY OTHER figures in the history of electronics—is already becoming a victim of neglect by those who write the histories of radio. Given the honorific "Father of Radio" for his invention of the Audion amplifying vacuum tube, practically none of his other work is mentioned—nor remembered. And illiterate historians—because of a superficial resemblance between the two devices—are prone to describe even de Forest's most important invention as a mere improvement on the Fleming valve rectifier. Yet—invention of the vacuum tube aside—de Forest was the prime figure in the development of radio communication in the United States.

Graduating from Sheffield Scientific School, Yale, in 1899, he had chosen for his Ph.D. thesis, "The Reflection of Hertzian Waves from the Ends of Parallel Wires." Marconi was then demonstrating his equipment in England (where he was denounced by some as using the apparatus of Lodge). Popov was experimenting between his station at Kronstadt and ships of the Russian Navy, and Ducretet had sent signals from the Eiffel Tower in Paris to the Pantheon,

4 kilometers distant. Tesla had (in 1898!) actually demonstrated remote radio control in Madison Square Garden, New York City. There was enough "wireless" in the air to fire the imagination of the newly hatched Ph.D., and he immediately sought employment in the communications field, meanwhile starting to work on a detector of his own, which he called the Responder.

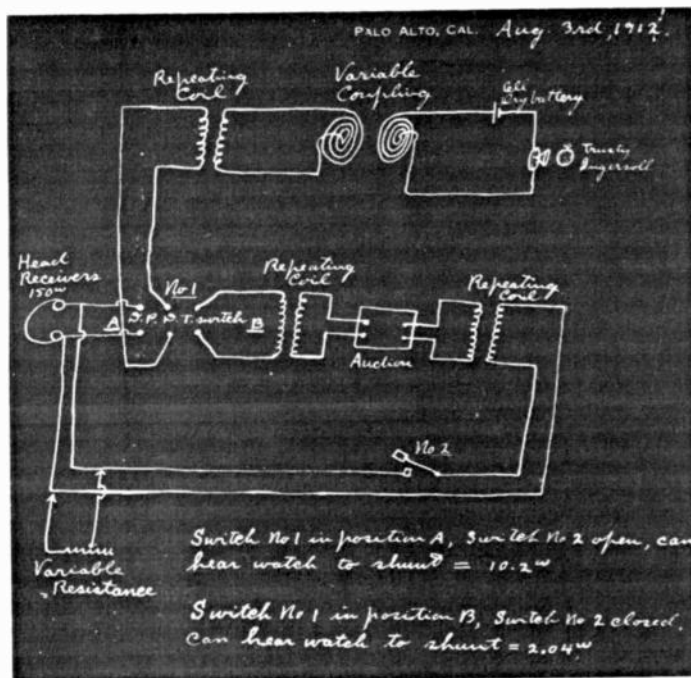
This first de Forest detector was patterned on a principle described by the German scientist Aschkinass. A drop of liquid (de Forest spent many weeks trying to find the perfect one) between two contacts carried current until the arrival of an electric wave. Then its resistance rose suddenly, due to the breakdown of "little trees and bridges" of metal in the liquid. Its great weakness was that after a time—ranging from minutes to days—it would "clog" and pass current continuously.

Working in Chicago, first for Western Electric, then part-time as assistant editor of the *Western Electrician* and receiving some support from a fellow-worker, Ed Smythe, de Forest brought the Responder to a point considered usable, and—jointly

100th Anniversary

→ SCHEMATIC OF THE FIRST AMPLIFIER ever constructed. "Repeating coil" is an old telephone term for transformer. The circuit was made so strength of the signal can be varied and has a variable resistor shunt for phones so amplified and unamplified signals could be compared.

← HUGO GERNSBACK, founder of this magazine, as he presented in 1947, a copy of the special "de Forest" issue to Dr. de Forest. The Jan. 1947 issue of Radio-Craft marked the 40th anniversary of the triode vacuum tube.



the first radio signal jamming; an automatic are all the inventions of this man

with Smythe—took out a patent on it. The famous "gas mantle" incident occurred during this period. Smythe and de Forest noted their spark discharge caused the gaslight to brighten, and devised an interesting theory to account for it. When they found it was simply the sound waves from the spark gap that caused the effect, de Forest refused to abandon the "ionized gas" theory. Finding that a gas flame was, indeed, a crude detector of wireless signals, he patented during the next several years some 11 devices using ionized gas, the last one being the Audion.

Having developed equipment that would work reliably over at least four miles, de Forest went East with the idea of covering the upcoming International Yacht Races by wireless for the Associated Press. But Marconi had already signed a contract with them. After some trouble, de Forest got a contract from the Publishers Press Association, loaded his equipment on a tug, and went out to write a new page in the history of wireless.

That new page was the discovery of interference. Both Marconi and de Forest had heard of tuning, but neither considered that refinement neces-

sary. They jammed each other hopelessly, and the race reports were transmitted to shore—wirelessly, sure enough—by wig-wag flags.

De Forest in business

Organizing a small firm, the American Wireless Telegraph Co., to raise capital to improve his apparatus, de Forest struggled to keep alive through the rest of the year. In January 1902 he met the first of the "businessmen" destined to move the de Forest fortunes into affluence and bankruptcy not once, but three times. Abraham White was a highly successful professional promotor, who was convinced there was money in the glamorous wireless field. Not as critical as de Forest's technical friends, he asked only that the equipment show up well enough to persuade investors to buy stock. Absorbing de Forest's company, he formed the American de Forest Wireless Telegraph Co., and de Forest found himself with capital to work with—plus a regular salary of \$30 a week!

His first development was an operated spark transmitter, with a "high-frequency note" of 120 Hz, which produced a sharper and easier-

WHAT WAS THE AUDION, REALLY?

What actually was this Audion, de Forest's most important invention? Was it—as some say—simply an improvement on the Fleming valve ("de Forest inserted a third electrode") or was it an entirely separate invention?

The answer is that the Fleming valve and the de Forest Audion are not only two distinct inventions, but belong to two different families of detection devices. The Fleming valve is a rectifier. As such, it takes its place with Fessenden's Wollaston wire detector and the crystal detectors of Pickard and Dunwoody. The de Forest Audion is a relay—a device that uses the radio signal to trigger or control a greater amount of power supplied by a local source (de Forest's "B" battery). It belongs to the same family as the Branly coherer and de Forest's earlier Responder.

Because the Audion can control a greater amount of power with a smaller amount, it can amplify, and can also be made to regenerate. Oscillation and radio transmission are, of course, a product of that effect.

Dr. de Forest experimented for a number of years with devices fundamentally similar to the Audion, using the ionized gases of Bunsen burners. In 1904 he turned to partially evacuated lamp bulbs to produce the same ionization. It is quite possible that the idea of using a lamp bulb may have been suggested to him by the Fleming valve. It is equally possible that, since both were working with glass bulbs in 1904, that they may have been working in ignorance of each other's efforts.

But even if de Forest had known of Fleming's valve, and (as an extreme case) had obtained one of them, opened it, placed his grid in it and resealed it, it would still have been in no sense a modification of nor an improvement on the Fleming valve, but a separate and independent invention. Lee de Forest was persuaded of the importance of ionized gas, found that a partly evacuated bulb gave him an opportunity to work with ionized gas. It was a more reliable and rugged device than his earlier open flame devices. Fleming's rectification did not enter into his calculations—in fact one of his earliest patents on what we now know as the Audion was entitled "A Device for the Amplification of Feeble Currents."

to-read signal than the low notes of the dc interrupters previously used. He then set up stations in lower Manhattan and Staten Island, and exchanged messages between them. The Navy became interested, though continuing to depend in the main on German apparatus, which could print messages out on tape. They bought de Forest equipment, both for shipboard use and to

Aerophone, an arc telephone with which he had been experimenting, and \$1,000 in cash.

The radiophone

Organizing the de Forest Radio Telephone Co., almost without capital, he moved into the Parker Building, New York City (now famous as the birthplace of the Audion) and started to make radio telephones. During 1907 and 1908 he installed equipment on two dozen Navy craft for a round-the-world cruise. Because of hurried installation and untrained operators, results were good only in odd cases, according to de Forest. But even these results persuaded Admiral Evans of the value of the radiophone, and he became a strong supporter of it.

In 1908 the Italian government bought four sets of equipment for use in warships, and a little later the British bought two, after tests showed reliable communication over more than 50 miles.

Amplification and regeneration

Working on a method of recording signals, de Forest found they were often too weak to be recorded properly. One of the earliest patents on the Audion was entitled "A Means for Amplifying Feeble Currents," and with two assistants, Charles Logwood and Herbert van Etten, de Forest set about to make it earn the title. But the Audions of that day would glow blue and stop amplifying if more than a few volts were applied to the plate. Realizing that the trouble was probably too much gas (de Forest was still sure that *some* gas was necessary for Audion action) he had a local X-ray manufacturer evacuate some tubes to a higher vacuum. The new Audions would take 120 volts, and were immediately successful as amplifiers.

While working on the amplifier, de Forest and his assistants one day connected the output of the second stage back to the first. That historic day, August 16, 1912, was the birthday of feedback, regeneration and oscillation. They heard (and described in van Etten's notebook) a high musical note as a result of the feedback experiment, and noted that it could be varied by varying the capacitance or inductance in the circuit. Further experiments—on a day when only one good Audion was available—showed that the same results could be obtained with a single tube—self-regeneration or oscillation.

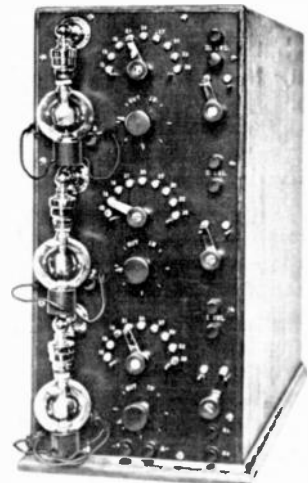
Years later, when Armstrong claimed the invention of regeneration, van Etten's notebook was the instrument that proved de Forest's priority.

De Forest decided to go East and demonstrate his new amplifier to "The

Telephone Company" (AT&T and its subsidiary Western Electric) who had long been searching for a way to boost signals on long-distance telephone lines. He was encouraged by the attitude of the Telephone Co. and decided to remain East. But after nearly a year of waiting, with no money coming in from the North American Wireless Corp., de Forest found himself literally broke, with his watch in pawn.

At this time he was approached by a young lawyer, Sidney Meyers by name, who said he represented parties interested in the Audion as an amplifier. He would not reveal his backers, only pledging his "word of honor as a gentleman," that he did not represent the Telephone Co. He offered \$50,000, a much smaller sum than de Forest thought he could get for the amplifier rights. But his company, owner of the patents, was in a precarious position and might find company assets, including the patents, put up at auction to satisfy creditors. And de Forest himself was on the verge of starvation. So he agreed, only to find a few weeks later that his customer was indeed the Telephone Co., and that its directors had allegedly been prepared to pay as much as half a million dollars for the rights he sold for \$50,000.

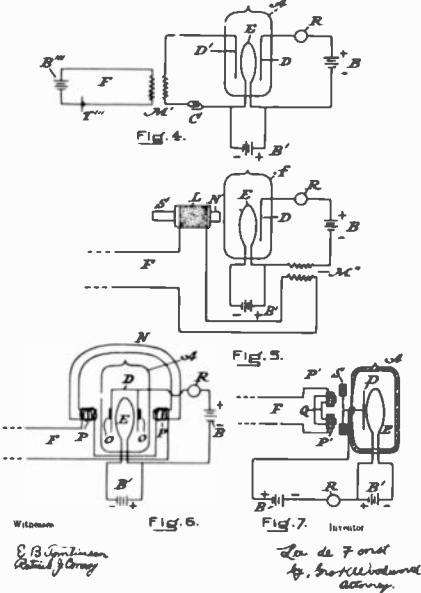
The deal was not as bad as it has been represented; de Forest did not sell the Audion patent—simply the right to use it as an audio amplifier on wire lines.



THIS THREE-STAGE AUDION AMPLIFIER was first built in 1912 by the Federal Telegraph Co. (predecessor of ITT) during the period that de Forest was the head of the research department. The earliest known commercial cascade amplifier, it had a gain of 120. It was first demonstrated to the United States Navy in September of 1912.

A fraud case came to trial late in 1913. Some of the stock-jobbing directors of the company were found guilty and sent to Federal prison. The jury found de Forest innocent, even though the prosecutor produced unassailable proof that de Forest had

41387 L. DE FOREST PATENTED JAN 15 1907
 DEVICE FOR AMPLIFYING FEEBLE ELECTRICAL CURRENTS
 (Application filed Oct. 25, 1906)



PATENT DRAWINGS used to illustrate the principles of an early vacuum-tube amplifier patented by Dr. Lee de Forest in 1907.

outfit two new stations, one at Washington and one at Arlington. This kept the de Forest plant working full-time through the winter of 1902-03.

In 1903, de Forest finally succeeded in reporting the International Yacht Races by radio instead of light waves. 1903 also saw the introduction of wireless to Canada. The first press station, with which the *Providence Journal* kept in contact with Block Island, and the first commercial wireless telegraph—between Nome, Alaska, and Fort St. Michael, a distance of 107 miles—were also installed that year.

The year 1904 was even better, with de Forest's exhibit the main attraction of the St. Louis World's Fair, and a contract for five powerful Government stations—at San Juan, in Puerto Rico; Key West and Pensacola, Florida; Guantanamo, Cuba; and Colon, in the future Canal Zone.

In 1906 de Forest first ran afoul of his stock-selling associates. White and his pals gutted the company by organizing a new outfit, United Wireless, and transferring to it all the assets and none of the debts of the older company. Quitting the organization in disgust, de Forest turned in all his stock, asking nothing but the patents on the Audion and on the

claimed it would soon be possible to send the human voice across the Atlantic with what the prosecutor described as "a queer little tube that had proved worthless—not even a good lamp!"

In 1914 de Forest ran into new legal trouble. The Marconi Co. charged that the Audion infringed the Fleming valve patent, and won the case. But the court also decided that

came the first newscaster, announcing the results of the 1916 Presidential election (four years before KDKA's heralded broadcast). The High Bridge station closed at the outbreak of World War I.

By 1916 the Telephone Co. had decided it needed still more rights in the Audion, and re-opened negotiations. Finally, de Forest sold all rights in the Audion and in radio service for

duced by de Forest Phonofilm in 1925. Phonofilm had some 34 theaters "Wired for sound" at that time, but competition was strong and the movie moguls moved to another system. He retired from the field in 1929, with only \$60,000 as a settlement from one of his commercial and legal competitors.

To get capital for his sound-on-film work, he had sold control of the de Forest Radiotelephone and Telegraph Co. to a group of Detroit automobile capitalists. He was hired by them as a consulting engineer, and was able to watch the company go downhill to ultimate absorption by RCA. Thus the last of the de Forest companies—like the first—finally became part of RCA.

The busy period of de Forest's life ended with sound-on-film. In the '30's and '40's, he experimented with television, devising a color filter hardly larger than the tube screen, instead of the bulky and alarming color wheel.

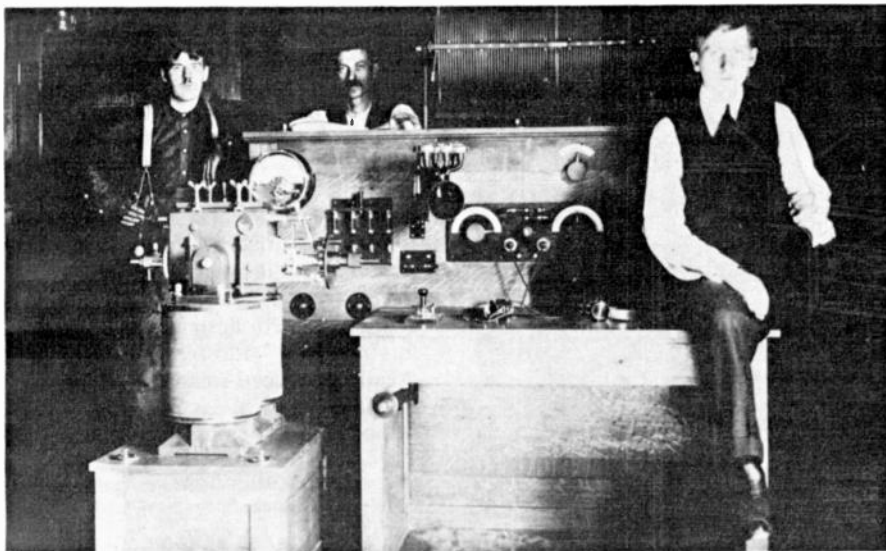
In his work with television he also developed his last important invention, radial scanning, patented in 1941. He disposed of the patent to RCA, at a lower price, he said, than he would have if he could have foreseen radar (only a year or so later) and the PPI display.

Continuing to experiment and invent, he again found himself not oversupplied with funds. A contract entered into in the '40's with the Bell Telephone Laboratories supplied him with means to equip a new laboratory and eased his financial situation considerably. In return, he was to license Bell under all patents that might be granted him.

Dr. de Forest remained more or less active until his retirement in 1958, when he was 84 years old. His last patent—on an automatic telephone dialing device—was issued in 1957. He went to France the same year, to receive the Cross of the Legion of Honor, which was added to a number of earlier honors, including the degree of Doctor of Science from both Yale and Syracuse universities, and awards from various learned institutions and organizations. He died June 30, 1961, after a long illness.

REFERENCES

- Carneal, Georgette, *Conqueror of Space*, 1930.
- Archer, Gleason L., *History of Radio*, 1938.
- MacNicol, Donald, *Radio's Conquest of Space*, 1946.
- Radio-Electronics*, January, 1947, Special de Forest issue. Several articles and items.
- de Forest, Lee, *Father of Radio*, 1950.
- New York Times, July 2, 1961, pages 1, 32. Obituary and short biographical sketch.



SOUTH SAN FRANCISCO STATION of the Federal Telegraph Co., as it appeared in 1912. The station is fitted for duplex operation as developed by Dr. de Forest, with two identical 30-kW transmitters taking turns on one antenna.

the Audion patent was valid as well. The result was that neither de Forest nor Marconi could make Audions. The resulting confusion lasted until the Fleming patent expired in 1922, and produced some absurd effects. For example, Marconi had licensed the Moorehead Co. in San Francisco to make Fleming valves. So de Forest's company ordered Audions from Moorehead, and sold some to Marconi!

Also in 1914, Sidney Meyers appeared again—in the open this time. The Telephone Company was interested, he said, in securing radio signaling rights in the Audion, and offered \$10,000 for such rights. More cautious this time, de Forest asked for \$100,000, and obtained \$90,000. The de Forest company retained the right to manufacture Audions "for amateur and experimental use."

In 1915 de Forest used the Audion to make the first music synthesizer, selling the patent to Wurlitzer.

Broadcasting established

In the winter of 1909-1910 de Forest had pioneered broadcasting by putting the Metropolitan Opera on the air—for one performance. Now he began a regular broadcast service from his High Bridge station. Because he transmitted phonograph records, lent by Columbia, he claims the title of world's first disc jockey. He also be-

came the first newscaster, announcing the results of the 1916 Presidential election (four years before KDKA's heralded broadcast). The High Bridge station closed at the outbreak of World War I.

By 1916 the Telephone Co. had decided it needed still more rights in the Audion, and re-opened negotiations. Finally, de Forest sold all rights in the Audion and in radio service for

public pay, plus rights in all patents pending and to be filed during the next seven years. The price was \$250,000. The de Forest Radio Telephone and Telegraph Co. retained foreign and government rights. This deal has not been nearly as well publicized as the first one. All in all, instead of \$50,000, de Forest received \$390,000 for the Audion and developments based on it. Broadcasting from High Bridge started again after the war, and de Forest moved his station to midtown Manhattan, where he had access to a better antenna. The number of listeners had swelled "into the hundreds" when the station was closed by the Federal radio inspector, Arthur Bachelor. The legal reason was that the station had changed location without a permit, but Mr. Bachelor made it clear that interference with commercial radio stations would not be tolerated, and that "there is no room in the ether for entertainment."

De Forest Phonofilm

De Forest next turned to the movie sound field. He had already experimented with magnetic wire recordings synchronized with the film, but now decided to try to put the sound on the film itself. The world's first talking picture, a Swedish film called "Retribution" in translation, was pro-

STATE-OF-SOLID-STATE

THE DEVELOPMENT OF A NEW AND unique semiconductor imaging device using a novel principle known as *charge-coupling* was announced by scientists and engineers of the Bell Telephone Laboratories (Murray Hill, N.J.) during the first quarter of 1971. Writing at the time, I predicted that commercial devices based on this new principle "probably will not be available . . . for many months." Nearly 24 months later, that prediction has now been fulfilled by Fairchild's Semiconductor Components Group (464 Ellis Street, Mountain View, Calif. 94040) with their recent announcement of the industry's first commercial charge-coupled device (or CCD), a 1 x 500-element image sensor.

Illustrated in Fig. 1, Fairchild's

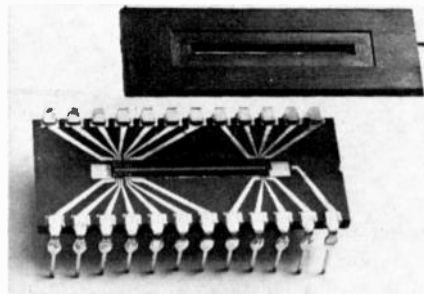


FIG. 1—FAIRCHILD'S NEW CCD image sensor linear array.

new CCD is a linear array comprising 500 photosensitive elements sealed under an anti-reflective glass window in the center of a 24-pin DIP measuring only 0.6 x 1.3 inches. The monolithic n-channel device also includes two charge-transfer gates, two 250-element CCD analog shift registers, a two-element CCD selection register and an on-chip NMOS output amplifier.

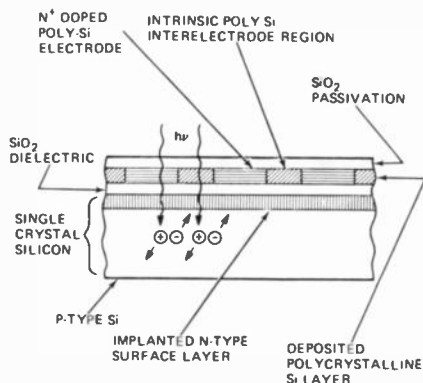
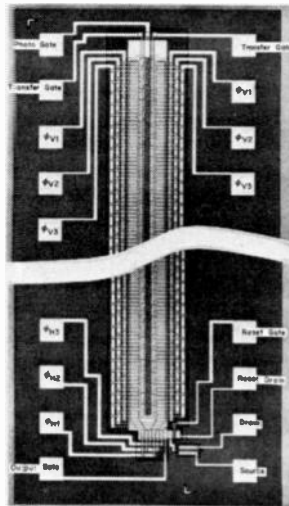


FIG. 2—CROSS-SECTION SKETCH showing layered construction of the new CCD image sensor.

Photosensor elements are spaced on 1.2-mil centers, and the shift register elements are on a 2.4-mil spacing. The new device has a typical dynamic range of 1,000:1, combining this capa-



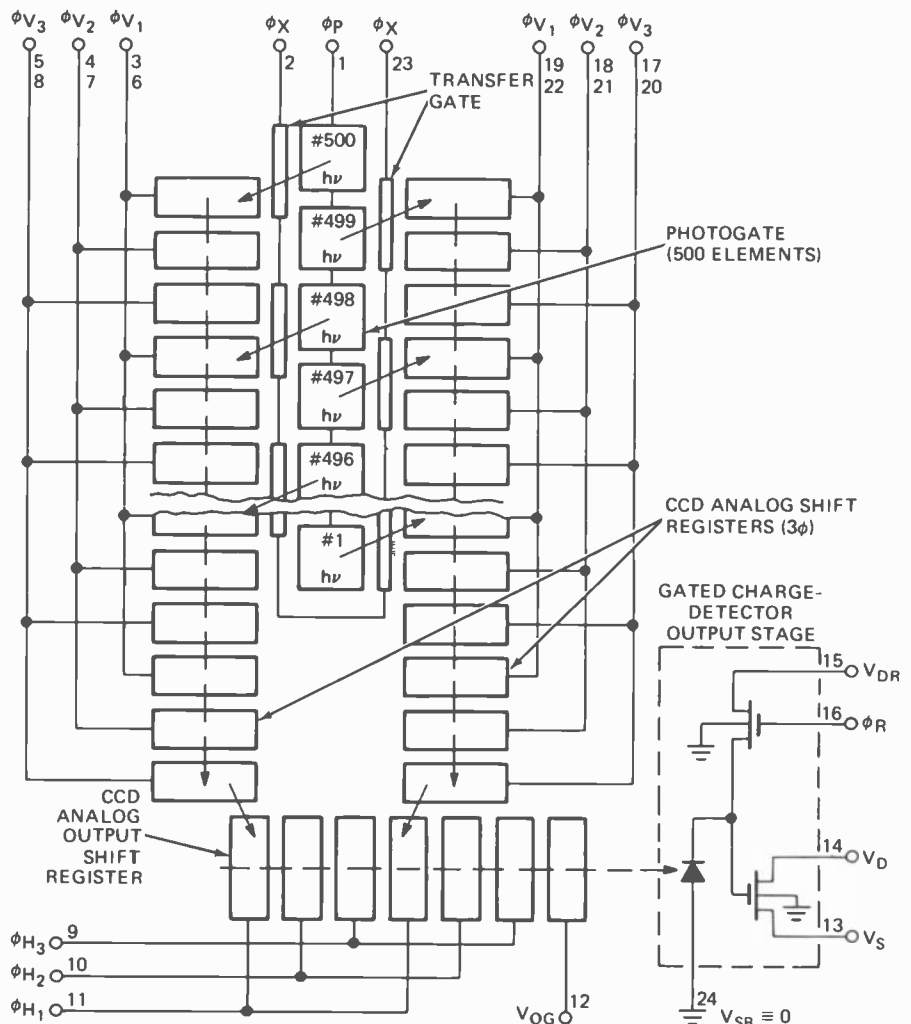
bility with a high sensitivity of 15 microfootcandle seconds.

Fairchild has used a buried-channel structure and poly-silicon gate technology in producing its new device, as shown in the cross-section sketch, Fig. 2. Poly-silicon is transparent to visible and near-infrared light, thus assuring maximum efficiency. A thin n-type donor layer implanted between the oxide dielectric and the silicon substrate forms a transfer channel that is isolated from the oxide-substrate interface, thus eliminating the trapping effects caused by surface states in other types of charge-coupled designs, and resulting in increased transfer efficiency and greatly enhanced image integrity.

The physical layout of the image sensor's circuit components and con-

FIG. 3—PHOTOMICROGRAPH (left) of Fairchild's new device.

FIG. 4—CCD IMAGE SENSOR SCHEMATIC.



trol functions are illustrated in the photomicrograph, Fig. 3, while circuit connections are identified in the corresponding schematic, Fig. 4.

In operation, light striking the photosensitive elements in the thin center strip are collected as individual charge packets proportional to the amount of light at each element. These charge packets then are transferred to one of the 250-element, three-phase charge-coupled shift registers at either side of the photo gate.

Alternate charge packets are simultaneously moved to the left and right shift registers. The packets are then transferred vertically through the shift registers to a two-element horizontal selection register which interleaves alternate packets from the left and right vertical registers to restore the proper sequence of image elements and feeds them to an output gate. This gate then feeds the image signal sequentially into an NMOS output amplifier which, in turn, delivers an output electrical signal representing the scanned light image on the photosensitive elements.

Fairchild's new 500-element linear array is intended for use in slow-scan TV systems, document reading, optical character recognition and similar high-sensitivity imaging applications, including military reconnaissance and weapons systems. Current stock availability and pricing information on the new image sensor may be obtained directly from Fairchild or its authorized distributors and representatives.

The lit bit

One of our best sources of information concerning new device applications is the literature published by semiconductor manufacturers. Despite their value and expense of preparation, these publications often are available either free or for a nominal charge.

Depending on the product and the publisher, individual publications may range from single page specification sheets to multi-page design brochures and even to thick hard-bound handbooks. In addition to basic design information, these publications frequently include complete project schematic diagrams and circuit construction hints.

The practical 28-volt switching regulator circuit illustrated in Fig. 5 is typical of the information given in some manufacturers' literature. Ab-

stracted from Application Note 49, published by the Delco Electronics Division (General Motors Corporation, Kokomo, Ind. 46901), the design features a type DTS 1020 *n*pn Darlington silicon power transistor. According to Delco's 4-page application note, the circuit will furnish 28-volts dc at loads of up to 100 watts when supplied by sources of from 22 to 28 volts dc. Its output regulation and ripple are less than 1% at full output.

Aside from its general performance specifications, the design's most interesting feature is its ability to furnish a regulated output voltage *higher* than its supply voltage (28 volts out with 22 volts input) without using conventional dc-to-dc inverter circuitry and a step-up transformer.

In operation, this is achieved by the flyback action of the 0.4 mH series choke when switched at a 9 kHz rate. Voltage regulation is accomplished by sensing the circuit's output voltage and

cussion of circuit theory, performance curves, all parts values, and even winding details for assembling a suitable choke.

A number of useful publications are available from the Sprague Products Co. (North Adams, Mass. 01247), including a 50-page *Semiconductor Replacement Manual*, Manual K-500, a 40-page IC catalog, and a new series of LED Application Notes, publications SPAN-1A through SPAN-6.

Basic specifications and outline drawings of the 82 general purpose semiconductor devices in Sprague's *Q-Line* are provided in Manual K-500, together with replacement cross-references to over 30,000 standard industry type numbers. In addition, the manual includes a number of valuable guidelines covering semiconductor replacement techniques.

Entitled *Sprague Integrated and Thin-Film Hybrid Circuits*, Short-Form Catalog WR-125F covers the firm's

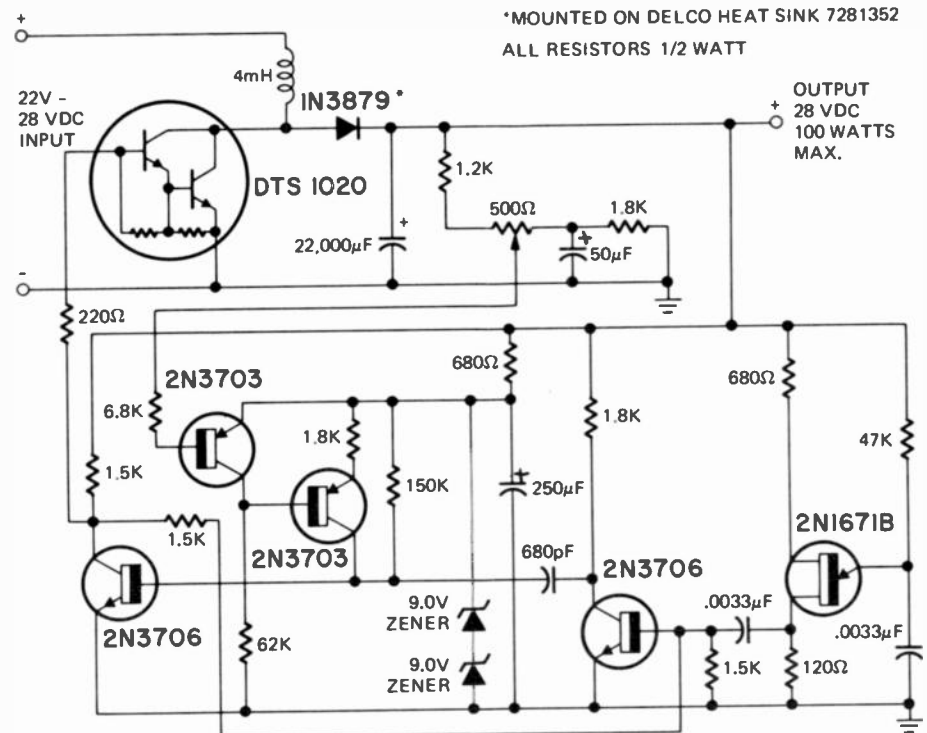


FIG. 5—28-VOLT SWITCHING regulator circuit abstracted from Delco Application Note 49.

using this for pulse-width modulation of the signal used to drive the Darlington switch. A UJT relaxation oscillator serves as the basic 9 kHz signal source.

Delco's complete application note includes not only the circuit diagram, but basic design mathematics, a dis-

line of linear and Hall Effect IC's, functional electronic circuits, thin-film resistor arrays and hybrid circuits, and digital and logic devices. The catalog includes device specifications, terminal connections, internal schematic diagrams, package outlines and suggested applications.

Featuring a down-to-earth "how to" approach, Sprague's series of LED Application Notes should be of particular interest to practical engineers, technicians, and hobbyists. Starting with a discussion of LED power requirements in SPAN-1A, the notes cover such topics as a BCD simulator, the assembly of a seconds timer, device interfacing, and semiconductor relays. SPAN-4, typically, describes an inexpensive LED voltage and continuity tester, illustrated in Fig. 6, which is

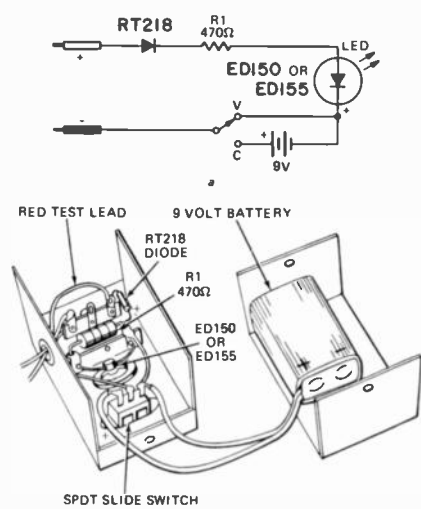


FIG. 6—SCHEMATIC (a) AND CONSTRUCTION details (b) for voltage/continuity tester described in Sprague Application Note.

suitable for many automotive, marine, and household maintenance tests.

Working with FET's? Then you should check with Siliconix, Inc. (2201 Laurelwood Road, Santa Clara, Calif. 95054), for this firm offers a number of superb application notes dealing with these versatile devices. Recent releases include the 16-page *FET's As Voltage-Controlled Resistors* and the 12-page *FET's As Analog Switches*.

If microwaves are your bag, you'll want to check with RCA's Solid State Division (Box 3200, Somerville, NJ 08876). *RF and Microwave Devices*, publication RFT-700K, is an 8-page brochure which includes a quick-selection guide showing power-vs-frequency curves for RCA's entire product line, with power levels to 80 watts and frequencies to 3.5 GHz; block diagrams illustrate typical circuit applications, while photographs show all package styles.

Application Note AN-6084, *High-Power Transistor Microwave Oscillators*, describes a simplified approach to the design of transistor microwave power oscillators with outputs of from 1 to 10 watts at L- and S-band frequencies; a number of practical circuits are included in the brochure. Broadband push-pull rf amplifiers are discussed in Application Note

AN-6126, *60- and 100-watt Broadband (225-to-400 MHz) Push-Pull RF Amplifiers Using RCA-2N6105 VHF/UHF Power Transistors*; AN-6126 contains schematic diagrams, performance characteristics and photographs of the amplifiers described. Finally, Application Note AN-6118, *10-, 16-, 30- and 60-Watt Broadband (620-to-960 MHz) Power Amplifiers Using the RCA-2N6266 and 2N6267 Microwave Power Transistors*, discusses basic broadband circuit design.

Texas Instruments, Inc. (P.O. Box 5012, Dallas, Tex. 75222) has released a number of interesting publications recently, including a simplified guide to JAN IC's, a new TTL IC data book, and an applications report on using dual-gate MOSFETs for TV.

Product/device news

Suitable for use as a photocell amplifier as well as for other general applications, the 3542J (Fig. 7) is a new low-cost op amp recently introduced by the Burr-Brown Research

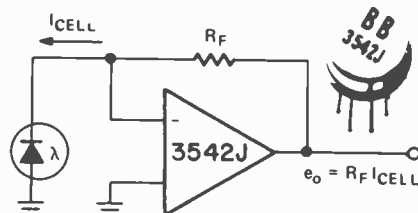


FIG. 7—BURR-BROWN'S NEW low-cost FET op-amp IC used as a photocell amplifier.

Corporation (International Airport Industrial Park, Tucson, Ariz. 85706). Offered in a hermetically sealed TO-99 package, the unit is pin compatible with the familiar 741 type op amps. It features a high impedance monolithic FET input stage, hybrid/thin-film construction, and a maximum voltage drift of only $\pm 50 \mu\text{V}/^\circ\text{C}$. With a minimum dc voltage gain of 88 dB, the 3542J has a full-power frequency response of 8 kHz. When operated on a ± 15 volt dc supply, the new device has a rated output impedance of 75 ohms, and can supply ± 10 volts at ± 10 mA. Both output short-circuit and input-to-supply-voltage protection are provided in the unit.

RCA's Solid State Division, in addition to releasing a number of valuable new application notes, has outdone itself with the introduction of a number of new semiconductor devices, including the following:

A new linear IC dual high-frequency differential amplifier for low-power applications up to 500 MHz. This new device, type CA3102E, consists of two independent differential amplifiers with associated constant-current transistors on a common monolithic substrate. The six transistors

comprising the amplifiers are general-purpose devices which exhibit low 1/f noise and a gain bandwidth product in excess of 1 GHz.

A new multi-purpose 7-ampere, low distortion, 100-watt, linear operational amplifier. Assigned developmental type No. TA8651A, this new power hybrid circuit is intended for use in high-fidelity audio applications requiring very low distortion (less than 0.1% IMD at 50 mW), and is also recommended for use in such applications as servo amplifiers, PA systems, voltage regulators, driven inverters, and power operational amplifiers. The device's output section can be externally biased Class AB for low intermodulation (0.05% at 50 mW) and low total harmonic distortion, while terminals are available for external frequency compensation, external short-circuit protection, and inverting and non-inverting inputs. As shown in Fig. 8, the TA8651A is supplied in a special compact multi-lead hermetic package.

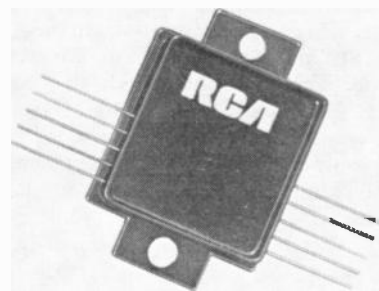


FIG. 8—RCA'S NEW MULTI-PURPOSE 7-amp hybrid amplifier.

Two new plastic-packaged Versawatt 6-ampere silicon triacs designed for the control of ac loads in such applications as motor and heating controls, relay replacement, solenoid drivers, static switching, and power-switching systems. Identified as types 41014 and 41015, they are similar to the popular 8-ampere 40669 series, introduced in 1968. Both are gate-controlled full-wave ac switches in plastic cases with three leads to facilitate mounting on printed circuit boards. They have on-state current ratings of 6 amperes at a case temperature of 80°C ., peak surge full-cycle ratings of 60 amperes, and repetitive off-state voltage ratings of 200 volts (41014) and 400 volts (41015).

Four new epitaxial silicon npn planar power switching transistors designed for aerospace applications in which the devices might be subjected to extreme neutron and gamma-ray exposure. Designated types TA8007, TA8007B, TA8100 and TA8100B, these devices are intended for use in 5- and 10-ampere high-frequency power inverter service. All types utilize a flat, cylindrical package. R-E

how it works

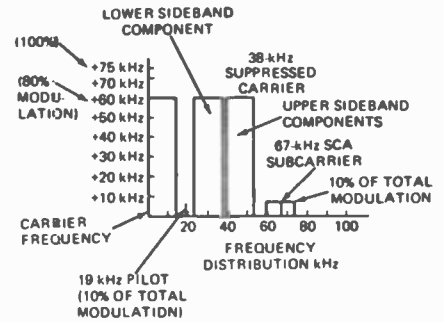


FIG. 1—SPECTRAL DISTRIBUTION of FM stereo composite signal. Note the SCA subcarrier at the right.

New FM Stereo Decoder

Phase-lock-loop circuits are not new, but a PLL IC used as the FM multiplex detector in a FM stereo tuner is. See how this new circuit works

by **LEONARD FELDMAN**
CONTRIBUTING HIGH-FIDELITY EDITOR

STEREO FM BROADCASTING BEGAN back in 1961. Since then, most stereo FM tuners and receivers have used either of two basic decoder circuits to recover independent left and right channel program information.

The standard stereo composite signal consists of left-plus-right program content which modulates the main carrier much as a monophonic program would. In addition, left-minus-right information, amplitude modulates a 38-kHz super-audible subcarrier which is subsequently suppressed. Only the lower and upper sidebands of this modulation are used to further modulate the main FM station carrier. Finally, a constant amplitude 19-kHz super-audible tone, having a fixed phase relationship to the suppressed 38-kHz subcarrier is used to modulate the main carrier to about 10% of total modulation. This 19-kHz signal enables the receiver circuitry to reconstitute the "missing" 38-kHz subcarrier so the "difference" (L-R) signal can be demodulated in a distortion-free manner.

Remember, the L-R program *amplitude modulates* the 38-kHz subcarrier, but the resulting sidebands, sum information (L+R) and 19-kHz "pilot tone" all *frequency modulate* the main station frequency. The spectrum distribution of this entire composite signal is shown in Fig. 1. An SCA subcarrier, used to transmit private, subscriber background music such as you have heard in hotel lobbies, res-

taurants and other public places, has been added.

The suppressed-carrier sidebands attain their instantaneous peak values when the main-channel audio "goes through zero" amplitude (the principle is called interleaving). This makes it possible for both the sidebands and the L+R information to modulate the main carrier to 80% of full modulation, leaving 10% for the pilot tone and another 10% for the SCA (background music) service. When the SCA service is not used, both L+R and sidebands are permitted to modulate up to 90% each, leaving 10% for the necessary pilot tone.

The most obvious kind of circuit that might be used to recover left and right program information is in Fig. 2. The sum and difference signals are recovered separately, through complex low-pass and band-pass filters. A local oscillator, synchronized to the incoming 19-kHz pilot signal, drives a doubler to provide the necessary 38-kHz "subcarrier restoration. The difference L-R information is then AM detected and re-matrixed with the recovered L+R to form "L" and "R" signals.

The phase and amplitude requirements of this type of demodulator are so critical that it was soon abandoned. It can be shown mathematically that an overall phase shift of as little as 26 degrees between the 38-kHz subcarrier and the 38-kHz sidebands will result in a degradation of stereo separation

down to 26 dB. With all those coils and capacitors in the filter and oscillator circuits, that means only a few degrees of phase shift error in each could easily degrade stereo separation to even poorer values.

A somewhat simpler circuit, known as a "time division" demodulator or a "switching circuit" demodulator is shown in Fig. 3. The number of tuned circuits required has been reduced since the entire composite signal is now fed to the "switching detectors", but the conventional oscillator and doubler are still present and subject to phase errors, mis-tuning and drift. Phase errors in this circuit and in the circuit of Fig. 2 tend to become more severe when the desired "L" or "R" signal is a high audio frequency, since the sidebands then involved are further and further apart, bordering on the limits of the "passband", where phase shift is greatest. (A 10-kHz audio signal will produce sidebands at 28 kHz and 48 kHz about the reconstituted 38 kHz subcarrier).

If an SCA rejection filter is added to this circuit (as indeed it must be, if SCA program interference is to be avoided), the added tuned circuit makes the situation that much worse. It has been calculated that the permissible mis-tuning of the 19-kHz coil is only 30 Hz and that of the 38-kHz coil is only 120 Hz if satisfactory separation is to be maintained. Even if the original alignment of the circuitry is that good, the slightest jarring of the

set, temperature variation, or even aging can easily "detune" these coils by that much and even more.

The phase-locked loop

A phase-locked loop is basically a feedback circuit which consists of a phase comparator, a low-pass filter and an error amplifier in the forward signal path and a voltage-controlled oscillator (VCO) in the feedback path. A block diagram of the phase-locked loop in its most basic form is shown in Fig. 4. With no signal applied to the system, the error voltage V_E is zero. The vco operates at a set frequency, ω_0 , which is known as the free-running frequency. If an input signal is applied, the phase comparator compares the phase and frequency of the input with the vco frequency and generates an error voltage V_E that is related to the phase and frequency difference between the two signals. This error voltage is amplified, filtered and applied to the control terminal of the vco, forcing the vco frequency to vary in a direction that reduces the frequency difference between ω_0 and the input signal. If the input signal frequency is close enough to ω_0 , the feedback nature of the phase-locked loop causes the vco to synchronize or lock with the incoming signal. Once in lock, the vco frequency is identical to the input signal except for a small finite but constant phase difference necessary to generate the corrective error voltage which shifts the vco frequency from its free-running value to the input signal frequency and keeps the phase-locked loop in lock.

RCA's IC stereo decoder

The first company to incorporate the phase-locked loop principle in a single, complex integrated circuit designed to do the entire stereo FM decoding job was RCA, and a block diagram of their CA-3090 IC is shown in Fig. 5. Subcarrier regeneration is handled by a phase-locked loop (PLL) circuit made up of a vco operating at 76 kHz, a series of flip-flops to obtain the required signals needed in the system, and a synchronous detector whose dc output is proportional to the phase angle between the frequency-divider output and the incoming 19-kHz pilot signal.

The vco used in the circuit is an LC oscillator and therefore requires one external coil. RCA decided to use a frequency of 76 kHz rather than 38 kHz to insure that the reinserted 38-kHz carrier is perfectly symmetrical, because any loss of symmetry would impair audio channel separation. By starting at 76 kHz and dividing by two to get the required 38 kHz, symmetry is guaranteed.

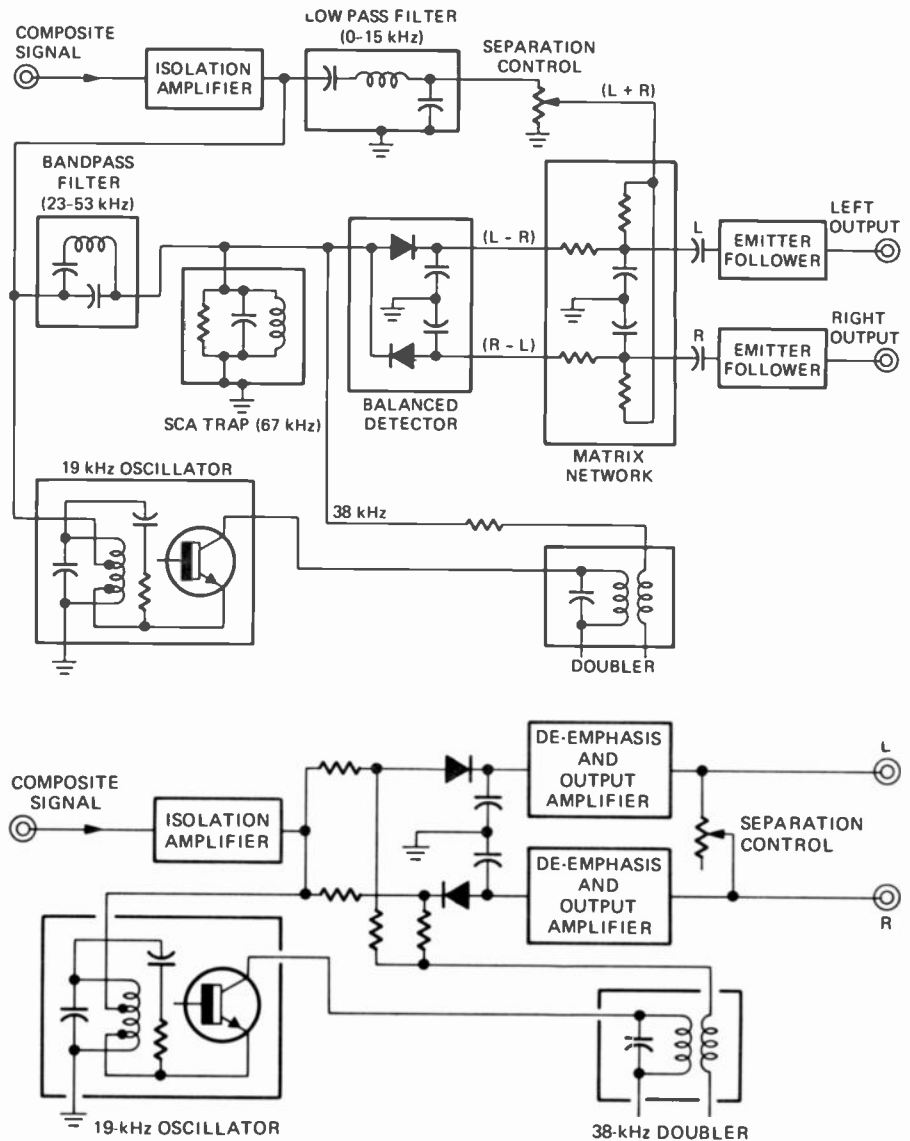
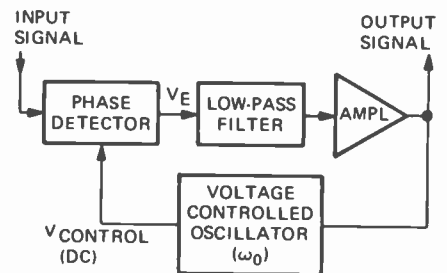


FIG. 2—(top) EARLIEST TYPE of stereo FM decoder suffered from phase shifts because of large number of tuned circuits.

FIG. 3—(above) SWITCHING DECODER has fewer tuned circuits, but is difficult to adjust and drifts.

FIG. 4—(right) SIMPLIFIED BLOCK DIAGRAM illustrates PLL principle.

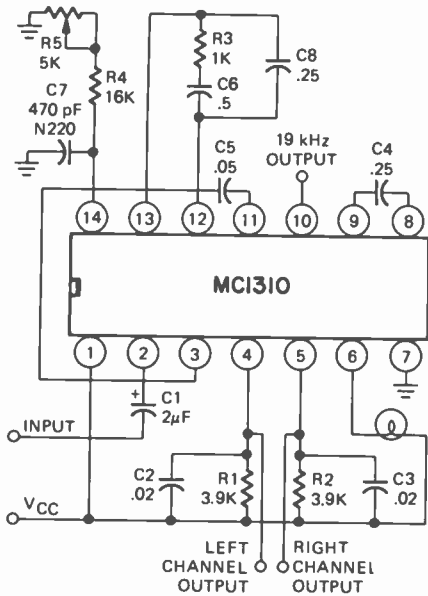


Because the output of the phase-locked detector is zero, either when the frequency of the oscillator is correct or when there is no 19 kHz pilot (no stereo is being broadcast), an extra detector—the pilot presence detector—is needed to signal the presence of a stereo broadcast. The output from the frequency-divider is in phase with the pilot signal and will, therefore, provide a signal to the mono-stereo switch to enable stereo reception. External components connected to pins 6, 7 and 8 set the threshold sensitivity and time constant of this detector. This filtering, along with the hysteresis

action of the stereo-mono switch (Schmitt trigger) circuit, eliminates all flicker of the stereo indicator lamp.

The L-R (difference audio) synchronous detector is a doubly balanced detector and the composite signal fed to it is carefully kept as nearly distortion-free as possible, to preserve both fidelity and SCA rejection. The outputs of the L-R detector are added to the composite signal in summing networks where precisely matched resistors (in the block labelled "matrix") provide the proper voltage ratios.

A circuit detail of one channel of the matrix arrangement is shown in



PIN FUNCTIONS

- PIN 1 = VCC
- PIN 2 = INPUT
- PIN 3 = AMPLIFIER OUTPUT
- PIN 4 = LEFT CHANNEL OUTPUT
- PIN 5 = RIGHT CHANNEL OUTPUT
- PIN 6 = LAMP INDICATOR
- PIN 7 = GROUND
- PIN 8 = SWITCH FILTER
- PIN 9 = SWITCH FILTER
- PIN 10 = 19 kHz OUTPUT
- PIN 11 = MODULATOR INPUT
- PIN 12 = LOOP FILTER
- PIN 13 = LOOP FILTER
- PIN 14 = OSCILLATOR RC NETWORK

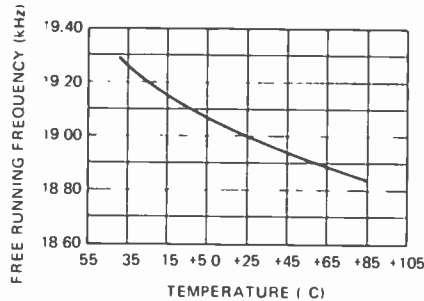
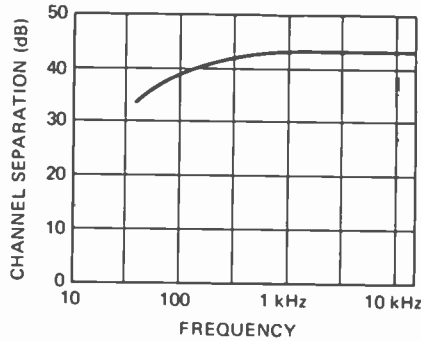


FIG. 7—(top left) HOOKUP of Motorola MC1310 IC as a stereo decoder.

FIG. 8—(top right) CURVE of separation vs frequency for MC1310.

FIG. 9—(below) MOTOROLA IC in block diagram form.

FIG. 10—(above) VCO DRIFT in Motorola MC-1310.

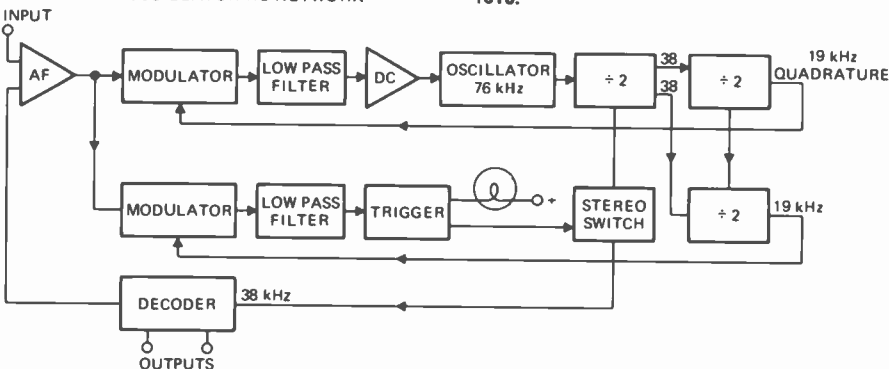


TABLE II

ELECTRICAL PERFORMANCE CHARACTERISTICS, MOTOROLA MC1310P

CHARACTERISTIC	TYPICAL VALUE
Max. Stereo Composite Signal for 0.5% THD	2.8 volts, peak-to-peak
Input Impedance	50,000 ohms
Stereo Separation (50Hz-15kHz)	40 dB
Audio Output Voltage	.485 V, rms
Mono Channel Balance	within 1.5 dB
Total Harmonic Distortion	0.3%
19 kHz Rejection	34.4 dB
38 kHz Rejection	45 dB
Inherent SCA Rejection	80 dB
19-kHz Stereo Switch level	16 mV
Capture Range Of VCO	±3.0%
Operating Supply Voltage Range	8.0 to 16 Vdc

shown by the curve in Fig. 8.

The superior performance of this new IC has prompted several high-fidelity component manufacturers to incorporate it in their new products for 1973-4, and an example of such a new product is Heath's AJ1510 digital

stereo tuner shown in the photo on the first page of this article.

A complete block diagram of the layout of this IC is shown in Fig. 9. The upper line of circuit blocks are involved in the 38 kHz subcarrier regeneration process. An internal os-

cillator, running at 76 kHz, feeds its output to two divider stages, returning a 19-kHz signal to the input modulator. There, the returned 19-kHz signal is compared with the incoming pilot signal so that when a 19-kHz stereo pilot is received a dc component is produced. This dc component is extracted by the low-pass filter and used to control the frequency of the internal oscillator which ultimately becomes phase-locked to the pilot tone, in much the same way as was true of the earlier RCA chip.

The decoder section is actually a modulator in which the incoming signal is multiplied by the regenerated 38-kHz signal to produce L and R outputs. It is therefore analogous to the "time division" approach shown in Fig. 3.

The reconstituted 38-kHz signal is fed to the stereo decoder block via an internal stereo switch. This switch closes when a sufficiently large 19-kHz pilot tone is received. The 19-kHz signal returned to the 38-kHz loop is in quadrature with the 19-kHz pilot tone when the loop is "locked". A third frequency divider shown in the lower line of blocks is connected to produce

(continued on page 88)

R-E's substitution guide for replacement transistors

PART VI

compiled by ROBERT & ELIZABETH SCOTT

R-E's Transistor Substitution Guide is a compilation of material abstracted from the substitution guides of eight leading semiconductor manufacturers and distributors. These are:

ARCH—Indicates the Archer brand of semiconductors sold only by Radio Shack and Allied Radio stores. Allied Radio Shack, 2725 W. 7th St., Ft. Worth, Texas 76107

G-E—General Electric Co., Tube Product Div., Owensboro, Ky. 42301

ICC—International Components, Div. of IESC, 10 Daniel Street, Farmingdale, N.Y. 11735

IR—International Rectifier, Semiconductor Div., 233 Kansas St., El Segundo, Calif. 90245

MAL—Mallory Distributor Products Co., 101 S. Parker, Indianapolis, Ind. 46201

MOT—Motorola Semiconductors, Box 2963, Phoenix, Ariz. 85036

RCA—RCA Electronic Components, Harrison, N.J. 07029

SPR—Sprague Products Co., 65 Marshall St., North Adams, Mass. 01247

SYL—Sylvania Electric Corp., 100 1st Ave., Waltham, Mass. 02154

Radio-Electronics has done its utmost to insure that the listings in this directory are as accurate and reliable as possible; however, no responsibility is assumed by Radio-Electronics for its use. We have used the latest manufacturers material available to us and have asked each manufacturer covered in the listing to check its accuracy. Where we have been supplied with corrections, we have updated the listing to include them. The first part of this Guide appeared in March 1973.

ARCH	GE	ICC	IR	MAL	MOT	RCA	SPR	SYL	ARCH	GE	ICC	IR	MAL	MOT	RCA	SPR	SYL
2N1202	GE-16	NA	TR-03	NA	NA	SK 3012	NA	ECG 105	2N1262	NA	NA	TR-03	PTC 106	NA	SK 3012	NA	ECG 105
2N1203	GE-4	NA	TR-03	NA	NA	SK 3012	NA	ECG 105	2N1263	NA	NA	TR-03	PTC 106	NA	SK 3012	NA	ECG 105
2N1204	GE-51	ICC-253	TR-12	NA	HEP-253	SK 3006	NA	ECG 126	2N1264	RS276-2004	ICC-253	IRTR-85	PTC 107	HEP-253	SK 3006	RT-118	ECG 105
2N1205	GE-60	ICC-53	TR-25	PTC 132	HEP-53	SK 3124	NA	ECG 123	2N1265	RS276-2005	ICC-254	IRTR-85	PTC 109	HEP-254	SK 3003	RT-120	ECG 102
2N1206	GE-63	NA	TR-25	PTC 117	HEP-53	NA	NA	NA	2N1266	RS276-2005	ICC-254	IRTR-85	PTC 107	HEP-254	SK 3005	RT-121	ECG 102A
2N1207	GE-27	NA	IRTR-78	PTC 117	HEP-713	SK 3045	RT-110	ECG 154	2N1267	NA	NA	TR-21	PTC 121	HEP-50	SK 3124	RT-100	ECG 123
2N1208	NA	NA	NA	NA	HEP-S5001	NA	NA	NA	2N1268	NA	NA	TR-21	PTC 121	HEP-50	NA	NA	NA
2N1209	NA	NA	NA	NA	HEP-S5001	NA	NA	NA	2N1269	NA	NA	TR-21	PTC 121	HEP-50	NA	NA	NA
2N1210	NA	NA	NA	NA	HEP-S5001	NA	NA	NA	2N1270	NA	NA	TR-21	PTC 121	HEP-50	NA	NA	NA
2N1211	NA	NA	NA	NA	HEP-S5004	NA	NA	NA	2N1271	NA	NA	TR-21	PTC 121	HEP-50	NA	NA	NA
2N1212	NA	NA	NA	NA	HEP-S5001	NA	NA	NA	2N1272	NA	NA	TR-21	PTC 121	HEP-50	NA	NA	NA
2N1213	GE-2	ICC-2	TR-06	PTC 102	HEP-2	SK 3006	NA	ECG 126	2N1273	RS276-2004	ICC-253	IRTR-85	PTC 109	HEP-253	SK 3004	RT-120	ECG 102
2N1214	GE-2	ICC-2	TR-06	PTC 102	HEP-2	SK 3006	NA	ECG 126	2N1274	RS276-2004	ICC-253	IRTR-85	PTC 109	HEP-253	SK 3004	RT-120	ECG 102
2N1215	GE-2	ICC-2	TR-06	PTC 102	HEP-2	SK 3006	NA	ECG 126	2N1275	NA	NA	IRTR-88	PTC 127	NA	SK 3025	RT-115	ECG 129
2N1216	GE-2	ICC-2	TR-06	PTC 102	HEP-2	SK 3006	NA	ECG 126	2N1276	RS276-2009	ICC-53	TR-21	PTC 132	HEP-53	SK 3124	RT-100	ECG 123
2N1217	GE-5	ICC-641	TR-08	PTC 108	HEP-641	SK 3010	RT-122	ECG 103	2N1277	RS276-2009	ICC-53	TR-21	PTC 132	HEP-53	SK 3124	RT-100	ECG 123
2N1218	NA	ICC-243	TR-01	NA	NA	SK 3009	RT-127	ECG 121	2N1278	RS276-2009	ICC-53	TR-21	PTC 132	HEP-53	SK 3124	RT-100	ECG 123
2N1219	GE-21	ICC-51	TR-19	PTC 131	HEP-51	SK 3114	RT-115	ECG 159	2N1279	RS276-2009	ICC-53	TR-21	PTC 121	HEP-53	SK 3124	RT-100	ECG 123
2N1220	GE-21	ICC-51	TR-19	PTC 131	HEP-51	SK 3114	RT-115	ECG 159	2N1280	RS276-2005	ICC-254	IRTR-85	PTC 102	HEP-254	SK 3005	RT-118	ECG 100
2N1221	GE-21	ICC-51	TR-19	PTC 131	HEP-51	SK 3114	RT-115	ECG 159	2N1281	RS276-2005	ICC-254	IRTR-85	PTC 102	HEP-254	SK 3005	RT-118	ECG 100
2N1222	GF-21	ICC-51	TR-19	PTC 131	HEP-51	SK 3114	RT-115	ECG 159	2N1282	RS276-2006	ICC-2	IRTR-85	PTC 107	HEP-2	SK 3005	RT-118	ECG 100
2N1223	GE-21	ICC-51	TR-19	PTC 131	HEP-51	SK 3114	RT-115	ECG 159	2N1284	RS276-2005	ICC-254	IRTR-85	PTC 107	HEP-254	SK 3005	RT-118	ECG 100
2N1224	GE-9	ICC-638	IRTR-88	PTC 107	HEP-638	SK 3007	NA	ECG 126	2N1285	RS276-2003	ICC-3	IRTR-89	PTC 107	HEP-3	SK 3006	NA	ECG 160
2N1225	GE-9	ICC-639	IRTR-88	PTC 107	HEP-639	SK 3008	NA	ECG 126	2N1287	RS276-2004	ICC-253	IRTR-85	PTC 102	HEP-253	SK 3004	RT-120	ECG 102
2N1226	GE-9	ICC-639	IRTR-88	PTC 107	HEP-639	SK 3008	NA	ECG 126	2N1288	RS276-2002	ICC-641	TR-08	PTC 108	HEP-641	SK 3011	RT-119	ECG 101
2N1227	GE-16	ICC-230/232	TR-01	PTC 114	HEP-230/232	SK 3009	RT-124	ECG 104	2N1289	RS276-2002	ICC-641	TR-08	PTC 108	HEP-641	SK 3011	RT-119	ECG 101
2N1228	GE-22	ICC-51	IRTR-88	PTC 103	HEP-51	SK 3025	RT-115	ECG 129	2N1290	NA	NA	IRTR-85	PTC 102	NA	NA	NA	NA
2N1229	GE-21	ICC-51	IRTR-88	PTC 103	HEP-51	SK 3025	RT-115	ECG 129	2N1291	RS276-2006	ICC-230	TR-01	PTC 114	HEP-230	SK 3009	RT-124	ECG 104
2N1230	GE-21	ICC-51	IRTR-88	PTC 103	HEP-51	SK 3025	RT-115	ECG 129	2N1292	RS276-2006	ICC-230	TR-01	PTC 105	NA	SK 3009	RT-127	ECG 121
2N1231	GE-21	ICC-51	IRTR-88	PTC 103	HEP-51	SK 3025	RT-115	ECG 129	2N1293	RS276-2006	ICC-232	TR-01	PTC 105	HEP-232	SK 3009	RT-127	ECG 121
2N1232	GE-21	ICC-51	IRTR-88	PTC 103	HEP-51	SK 3025	RT-115	ECG 129	2N1294	RS276-2006	ICC-232	TR-01	PTC 138	NA	SK 3014	RT-127	ECG 121
2N1233	NA	NA	IRTR-88	PTC 141	NA	SK 3025	RT-115	ECG 129	2N1295	RS276-2006	ICC-232	TR-01	PTC 138	NA	SK 3009	RT-127	ECG 121
2N1234	GE-67	NA	TR-28	PTC 131	HEP-739	NA	RT-126	ECG 106	2N1296	RS276-2006	ICC-232	TR-01	PTC 138	NA	SK 3014	RT-127	ECG 121
2N1235	GE-67	NA	TR-28	PTC 131	HEP-739	NA	RT-126	ECG 106	2N1297	RS276-2006	ICC-232	TR-01	PTC 138	NA	SK 3009	RT-127	ECG 121
2N1240	GE-67	NA	TR-28	PTC 131	HEP-739	NA	RT-126	ECG 106	2N1298	NA	NA	TR-08	PTC 108	HEP-641	SK 3011	RT-119	ECG 101
2N1241	GE-67	NA	TR-28	PTC 131	HEP-739	NA	RT-126	ECG 106	2N1299	RS276-2001	ICC-641	TR-08	PTC 108	HEP-641	SK 3011	RT-119	ECG 101
2N1242	GE-67	NA	TR-28	PTC 131	HEP-708	NA	NA	NA	2N1300	RS276-2005	ICC-2	IRTR-85	PTC 102	HEP-2	SK 3005	NA	ECG 160
2N1243	GE-67	NA	TR-28	PTC 131	HEP-708	NA	NA	NA	2N1301	RS276-2005	ICC-2	IRTR-85	PTC 102	HEP-2	SK 3005	NA	ECG 160
2N1245	GE-3	ICC-230	TR-01	PTC 114	HEP-230	SK 3009	RT-124	ECG 104	2N1302	RS276-2001	ICC-641	TR-08	PTC 108	HEP-641	SK 3011	RT-119	ECG 101
2N1246	GE-3	ICC-230	TR-01	PTC 114	HEP-230	SK 3009	RT-124	ECG 104	2N1303	RS276-2007	ICC-629	IRTR-85	PTC 102	HEP-629	SK 3004	NA	ECG 158
2N1247	GE-11	ICC-53	TR-21	PTC 132	HEP-53	SK 3124	RT-100	ECG 123	2N1304	RS276-2001	ICC-641	IRTR-85	PTC 108	HEP-641	SK 3011	RT-119	ECG 101
2N1248	GE-11	ICC-53	TR-21	PTC 132	HEP-53	SK 3124	RT-100	ECG 123	2N1305	RS276-2007	ICC-629	IRTR-85	PTC 108	HEP-629	SK 3011	RT-119	ECG 101
2N1249	GE-11	ICC-53	TR-21	PTC 132	HEP-53	SK 3124	RT-100	ECG 123	2N1306	RS276-2001	ICC-641	TR-08	PTC 108	HEP-641	SK 3011	RT-119	ECG 101
2N1250	NA	NA	NA	NA	HEP-S5001	NA	NA	NA	2N1307	RS276-2007	ICC-629	IRTR-85	PTC 108	HEP-629	SK 3123	NA	ECG 158
2N1251	GE-5	ICC-641	TR-08	PTC 134	HEP-641	SK 3010	RT-122	ECG 103A	2N1308	RS276-2007	ICC-641	TR-08	PTC 108	HEP-641	SK 3011	RT-119	ECG 101
2N1252	GE-18	ICC-53	IRTR-87	PTC 125	HEP-53	SK 3024	RT-114	ECG 128	2N1309	RS276-2007	ICC-629	IRTR-85	PTC 107	HEP-629	SK 3123	NA	ECG 100
2N1253	GE-18	ICC-53	IRTR-87	PTC 125	HEP-53	SK 3024	RT-114	ECG 128	2N1310	NA	NA	TR-08	PTC 108	NA	SK 3011	RT-119	ECG 101
2N1254	GE-21	ICC-51	IRTR-88	PTC 103	HEP-51	SK 3025	RT-115	ECG 129	2N1311	NA	NA	TR-08	PTC 108	NA	SK 3010	RT-122	ECG 103
2N1255	GE-21	ICC-51	IRTR-88	PTC 103	HEP-51	SK 3025	RT-115	ECG 129	2N1312	NA	NA	TR-08	PTC 108	NA	SK 3010	RT-122	ECG 103
2N1256	GE-21	ICC-51	IRTR-88	PTC 103	HEP-51	SK 3025	RT-115	ECG 129	2N1313	RS276-2005	ICC-254	IRTR-89	PTC 135	HEP-254	SK 3008	NA	ECG 126
2N1257	GE-21	ICC-51	IRTR-88	PTC 103	HEP-51	SK 3025	RT-115	ECG 129	2N1314	RS276-2006	ICC-230	TR-01	PTC 105	HEP-230	SK 3009	RT-124	ECG 104
2N1258	GE-21	ICC-51	IRTR-88	PTC 103	HEP-51	SK 3025	RT-115	ECG 129	2N1315	NA	NA	TR-01B	NA	NA	SK 3123	NA	NA
2N1259	GE-21	ICC-51	IRTR-88	PTC 103	HEP-51	SK 3025	RT-115	ECG 129	2N1316	RS276-2005	ICC-2	IRTR-85	PTC 102	HEP-2	SK 3005	RT-118	ECG 100
2N1261	GE-4	NA	TR-03	PTC 106	NA	SK 3012	NA	ECG 105	2N1317	RS276-2005	ICC-2	IRTR-85	PTC 102	HEP-2	SK 3005	RT-118	ECG 100
									2N1318	RS276-2005	ICC-2	IRTR-85	PTC 102	HEP-2	SK 3005	RT-118	ECG 100

NA = NOT AVAILABLE

ARCH GE ICC IR MAL MOT RCA SPR SYL

2N1319	RS276-2004	GE-1	ICC-253	IRTR-85	PTC 102	HEP-253	SK 3005	RT-118	EGC 100	2N1390	NA	RS276-2002	GE-18	ICC-641	IRTR-87	PTC 139	HEP-50	NA	NA	NA	RT-122	EGC 103
2N1330	NA	NA	NA	TR-21	NA	NA	SK 3124	NA	NA	2N1391	NA	NA	GE-60	ICC-641	TR-08	PTC 132	HEP-641	NA	NA	NA	RT-120	EGC 103
2N1335	NA	GE-18	NA	IRTR-87	NA	PTC 144	NA	NA	NA	2N1392	NA	RS276-2003	GE-52	NA	IRTR-85	PTC 102	NA	SK 3004	SK 3005	SK 3005	RT-118	EGC 100
2N1336	NA	GE-18	NA	IRTR-87	NA	PTC 144	NA	NA	NA	2N1393	NA	NA	GE-1	NA	IRTR-85	PTC 102	NA	NA	NA	NA	RT-118	EGC 100
2N1337	NA	GE-18	NA	IRTR-87	NA	PTC 144	NA	NA	NA	2N1394	NA	NA	GE-51	NA	IRTR-89	PTC 107	NA	NA	NA	NA	RT-118	EGC 100
2N1338	NA	GE-18	NA	IRTR-87	NA	PTC 144	NA	RT-100	EGC 123	2N1395	RS276-2003	GE-9	ICC-3	ICC-3	IRTR-85	PTC 107	HEP-3	SK 3006	SK 3006	SK 3006	RT-118	EGC 100
2N1339	NA	GE-18	NA	IRTR-87	NA	PTC 144	NA	NA	NA	2N1396	RS276-2003	GE-51	ICC-3	ICC-3	IRTR-89	PTC 107	HEP-3	SK 3006	SK 3006	SK 3006	NA	EGC 126
2N1340	NA	GE-18	NA	IRTR-87	NA	PTC 144	NA	NA	NA	2N1397	RS276-2003	GE-9	ICC-3	ICC-3	IRTR-89	PTC 107	HEP-3	SK 3006	SK 3006	SK 3006	NA	EGC 126
2N1341	NA	GE-18	NA	IRTR-87	NA	PTC 144	NA	NA	NA	2N1398	NA	NA	GE-51	NA	IRTR-89	PTC 107	NA	SK 3006	SK 3006	SK 3006	NA	EGC 126
2N1342	NA	NA	NA	NA	NA	PTC 144	NA	NA	NA	2N1399	NA	NA	GE-51	NA	IRTR-89	PTC 107	NA	SK 3006	SK 3006	SK 3006	NA	EGC 126
2N1343	RS276-2004	GE-1	ICC-253	IRTR-85	NA	PTC 102	SK 3005	RT-118	EGC 100	2N1400	NA	NA	GE-51	NA	IRTR-89	PTC 107	NA	SK 3006	SK 3006	SK 3006	NA	EGC 126
2N1344	RS276-2005	GE-1	ICC-254	IRTR-85	NA	PTC 102	SK 3005	RT-118	EGC 100	2N1401	NA	NA	GE-51	NA	IRTR-89	PTC 107	NA	SK 3006	SK 3006	SK 3006	NA	EGC 126
2N1345	RS276-2005	GE-1	ICC-2	IRTR-85	PTC 102	HEP-2	SK 3005	RT-118	EGC 100	2N1402	NA	NA	GE-51	NA	IRTR-89	PTC 107	NA	SK 3006	SK 3006	SK 3006	NA	EGC 126
2N1346	RS276-2005	GE-1	ICC-2	IRTR-85	PTC 102	HEP-2	SK 3005	RT-118	EGC 100	2N1403	NA	NA	GE-2	ICC-254	IRTR-89	PTC 102	HEP-2	SK 3123	NA	NA	RT-120	EGC 102
2N1347	RS276-2005	GE-1	ICC-254	IRTR-85	PTC 109	HEP-254	SK 3005	RT-118	EGC 100	2N1404	RS276-2005	GE-2	ICC-254	ICC-254	IRTR-85	PTC 102	HEP-254	NA	NA	NA	RT-120	EGC 102
2N1348	RS276-2005	GE-2	ICC-254	IRTR-85	PTC 102	HEP-254	SK 3004	RT-120	EGC 102	2N1405	RS276-2005	GE-50	ICC-3	ICC-3	IRTR-89	PTC 107	HEP-3	NA	NA	NA	EGC 160	
2N1349	RS276-2005	GE-1	ICC-254	IRTR-85	PTC 102	HEP-254	SK 3005	RT-118	EGC 100	2N1406	RS276-2003	GE-50	ICC-3	ICC-3	IRTR-89	PTC 107	HEP-3	NA	NA	NA	EGC 160	
2N1350	RS276-2005	GE-1	ICC-254	IRTR-85	PTC 102	HEP-254	SK 3005	RT-118	EGC 100	2N1407	RS276-2003	GE-50	ICC-3	ICC-3	IRTR-89	PTC 107	HEP-3	NA	NA	NA	EGC 160	
2N1351	RS276-2005	GE-1	ICC-254	IRTR-85	PTC 102	HEP-254	SK 3005	RT-118	EGC 100	2N1408	NA	NA	GE-2	ICC-2	IRTR-89	PTC 107	HEP-2	NA	NA	NA	EGC 160	
2N1352	RS276-2005	GE-53	ICC-254	IRTR-85	PTC 109	HEP-254	SK 3003	RT-120	EGC 102	2N1409	NA	NA	GE-18	ICC-2	IRTR-89	PTC 125	HEP-2	NA	NA	NA	EGC 160	
2N1353	RS276-2005	GE-2	ICC-254	IRTR-85	PTC 135	HEP-254	SK 3003	RT-120	EGC 102	2N1410	NA	NA	GE-18	ICC-2	IRTR-89	PTC 125	HEP-2	NA	NA	NA	EGC 160	
2N1354	RS276-2005	GE-1	ICC-254	IRTR-85	PTC 102	HEP-254	SK 3005	RT-118	EGC 100	2N1411	RS276-2003	GE-9	ICC-3	ICC-3	IRTR-89	PTC 107	HEP-3	NA	NA	NA	EGC 160	
2N1355	RS276-2005	GE-1	ICC-254	IRTR-85	PTC 102	HEP-254	SK 3005	RT-118	EGC 100	2N1412	NA	NA	GE-4	ICC-233	TR-03	PTC 106	HEP-233	NA	NA	NA	EGC 105	
2N1356	RS276-2005	GE-1	ICC-254	IRTR-85	PTC 102	HEP-254	SK 3006	RT-118	EGC 100	2N1413	RS276-2004	GE-53	ICC-253	ICC-253	IRTR-85	PTC 102	HEP-253	SK 3004	SK 3004	SK 3004	RT-120	EGC 102
2N1357	RS276-2005	GE-1	ICC-254	IRTR-85	PTC 102	HEP-254	SK 3005	RT-118	EGC 100	2N1414	RS276-2004	GE-53	ICC-253	ICC-253	IRTR-85	PTC 102	HEP-253	SK 3004	SK 3004	SK 3004	RT-120	EGC 102
2N1358	NA	GE-4	ICC-233	TR-03	PTC 106	HEP-233	SK 3012	NA	EGC 105	2N1415	RS276-2005	GE-53	ICC-254	ICC-254	IRTR-85	PTC 102	HEP-254	SK 3004	SK 3004	SK 3004	RT-120	EGC 102
2N1359	RS276-2006	NA	ICC-232	TR-01	PTC 105	HEP-232	SK 3009	RT-127	EGC 121	2N1416	RS276-2005	GE-53	ICC-254	ICC-254	IRTR-85	PTC 135	HEP-254	NA	NA	NA	RT-121	EGC 102A
2N1360	RS276-2006	GE-2	ICC-232	TR-01	PTC 105	HEP-232	SK 3009	RT-127	EGC 121	2N1417	RS276-2009	GE-61	ICC-53	ICC-53	TR-21	PTC 132	HEP-53	SK 3124	SK 3124	SK 3124	RT-102	EGC 123A
2N1361	RS276-2004	GE-2	ICC-250	TR-01	PTC 102	HEP-250	SK 3009	RT-118	EGC 100	2N1418	RS276-2009	GE-61	ICC-53	ICC-53	TR-21	PTC 132	HEP-53	SK 3124	SK 3124	SK 3124	RT-102	EGC 123A
2N1362	RS276-2006	GE-16	ICC-232	TR-01	PTC 105	HEP-232	SK 3009	RT-127	EGC 121	2N1419	RS276-2006	GE-3	ICC-232	ICC-232	TR-01	PTC 114	HEP-232	SK 3009	SK 3009	SK 3009	RT-124	EGC 104
2N1363	RS276-2006	GE-4	ICC-232	TR-01	PTC 105	HEP-232	SK 3009	RT-127	EGC 121	2N1420	RS276-2009	GE-63	ICC-53	ICC-53	TR-21	PTC 125	HEP-53	NA	NA	NA	RT-102	EGC 123A
2N1364	RS276-2006	GE-16	ICC-232	TR-01	PTC 105	HEP-232	SK 3009	RT-127	EGC 121	2N1421	NA	NA	NA	NA	NA	NA	HEP-S5003	NA	NA	NA	NA	EGC 130
2N1365	RS276-2006	GE-5	ICC-232	TR-01	PTC 105	HEP-232	SK 3009	RT-127	EGC 121	2N1422	NA	NA	NA	NA	NA	NA	HEP-S5003	NA	NA	NA	RT-131	EGC 130
2N1366	RS276-2001	GE-5	ICC-641	TR-08	PTC 107	HEP-641	SK 3011	RT-119	EGC 101	2N1423	NA	NA	NA	NA	NA	NA	HEP-S5003	NA	NA	NA	RT-131	EGC 130
2N1367	RS276-2001	GE-5	ICC-641	TR-08	PTC 107	HEP-641	SK 3011	RT-119	EGC 101	2N1424	NA	NA	NA	NA	NA	NA	HEP-S5003	NA	NA	NA	RT-131	EGC 130
2N1370	RS276-2004	GE-53	ICC-253	IRTR-85	PTC 109	HEP-253	SK 3004	RT-120	EGC 102	2N1425	RS276-2003	GE-50	ICC-3	ICC-3	IRTR-89	PTC 107	HEP-3	SK 3008	SK 3008	SK 3008	NA	EGC 126
2N1371	RS276-2004	GE-2	ICC-253	IRTR-85	PTC 102	HEP-253	SK 3004	RT-120	EGC 102	2N1426	RS276-2003	GE-50	ICC-3	ICC-3	IRTR-89	PTC 107	HEP-3	SK 3008	SK 3008	SK 3008	NA	EGC 126
2N1372	RS276-2004	GE-2	ICC-253	IRTR-85	PTC 135	HEP-253	SK 3004	RT-120	EGC 102	2N1427	RS276-2003	GE-2	ICC-3	ICC-3	IRTR-89	PTC 107	HEP-3	SK 3003	SK 3003	SK 3003	NA	EGC 126
2N1373	RS276-2004	GE-53	NA	IRTR-85	PTC 135	HEP-253	SK 3004	RT-120	EGC 102	2N1428	RS276-2021	NA	ICC-51	ICC-51	TR-19	PTC 127	HEP-51	SK 3114	SK 3114	SK 3114	RT-115	EGC 129
2N1374	RS276-2003	GE-53	ICC-633	IRTR-85	PTC 135	HEP-633	SK 3004	RT-120	EGC 102	2N1429	RS276-2021	GE-9	ICC-51	ICC-51	IRTR-88	PTC 121	HEP-51	SK 3025	SK 3025	SK 3025	RT-115	EGC 129
2N1375	RS276-2004	GE-2	ICC-253	IRTR-85	PTC 102	HEP-253	SK 3004	RT-120	EGC 102	2N1430	RS276-2006	GE-16	ICC-232	ICC-232	TR-01	PTC 105	HEP-232	SK 3014	SK 3014	SK 3014	RT-127	EGC 121
2N1376	RS276-2005	GE-53	ICC-254	IRTR-85	PTC 135	HEP-254	SK 3004	RT-120	EGC 102	2N1431	RS276-2001	GE-59	ICC-641	ICC-641	TR-08	PTC 134	HEP-641	SK 3010	SK 3010	SK 3010	RT-122	EGC 103A
2N1377	RS276-2005	GE-2	ICC-254	IRTR-85	PTC 102	HEP-254	SK 3004	RT-120	EGC 102	2N1432	RS276-2003	GE-9	ICC-3	ICC-3	IRTR-85	PTC 102	HEP-3	SK 3004	SK 3004	SK 3004	RT-120	EGC 102
2N1378	RS276-2005	GE-53	ICC-254	IRTR-85	PTC 102	HEP-254	SK 3004	RT-120	EGC 102	2N1433	NA	NA	GE-4	NA	TR-03	PTC 106	NA	SK 3012	SK 3012	SK 3012	NA	EGC 105
2N1379	RS276-2005	GE-53	ICC-254	IRTR-85	PTC 102	HEP-254	SK 3004	RT-120	EGC 102	2N1434	NA	NA	GE-4	NA	TR-03	PTC 106	NA	SK 3012	SK 3012	SK 3012	NA	EGC 105
2N1380	RS276-2004	GE-53	ICC-253	IRTR-85	PTC 135	HEP-253	SK 3004	RT-120	EGC 102	2N1435	NA	NA	GE-4	NA	TR-03	PTC 106	NA	SK 3012	SK 3012	SK 3012	NA	EGC 105
2N1381	RS276-2004	GE-53	ICC-253	IRTR-85	PTC 135	HEP-253	SK 3004	RT-120	EGC 102	2N1436	NA	NA	GE-50	ICC-2	IRTR-89	PTC 107	HEP-2	NA	NA	NA	EGC 160	
2N1382	RS276-2004	GE-2	ICC-253	IRTR-85	PTC 135	HEP-253	SK 3004	RT-120	EGC 102	2N1437	NA	NA	GE-3	NA	TR-01B	PTC 138	NA	NA	NA	NA	NA	NA
2N1383	RS276-2004	GE-53	ICC-253	IRTR-85	PTC 102	HEP-253	SK 3004	RT-120	EGC 102	2N1438	NA	NA	GE-3	NA	TR-01B	PTC 138	NA	NA	NA	NA	NA	NA
2N1384	NA	GE-9	ICC-2	IRTR-89	PTC 107	HEP-2	SK 3008	NA	EGC 126	2N1439	RS276-2021	GE-2										

R-E's Service Clinic

trapping the creeper

A case of grid emission
at its worst

JACK DARR
SERVICE EDITOR

ONE OF THE MOST MYSTERIOUS TROUBLES in horizontal output stages is "The Creeper." The set plays perfectly when first turned on. Then, the cathode current of the horizontal output tube starts creeping up, and up, and finally **Click**; out goes the circuit-breaker or the flyback, if the set doesn't have the proper protection. In most cases, the raster will pull in, dim, lose focus and gradually disappear.

What causes this? In most sets the standard tests will show no high leakage, or similar problems, in any of the numerous "loads" on this circuit. By loads, I mean the high voltage, boost, boost-boost, sweep and focus. In some, all tubes will be new. So, what in Tunket can cause such a symptom?

There are quite a few suspects. Normal suspects, that is. For one, a gradual loss of grid-drive signal. If the horizontal oscillator is weak, and the peak-to-peak voltage of the drive gradually falls off, you'd see the same symptom. With low drive, the grid voltage of the output tube goes more positive, and cathode current goes up. This voltage is developed by grid-leak action in the horizontal output tube's grid circuit.

A slight leakage in the coupling capacitor might be a good suspect. However, capacitor leakage is more or less fixed, and won't show the creep symptom. They're seldom thermal, too. But don't take chances, check it anyhow.

Another handy-dandy cause for this is the grid-bias control type of high-voltage hold-down circuit. These things use a pulse from the flyback, fed into a diode in the horizontal output tube's grid return circuit. When the output goes up, the pulse amplitude increases. This is rectified, and converted into a higher negative bias for the output tube, holding down its output. There are usually several high-value resistors used in this circuit, always a good suspect for thermal drift. Diode leakage, too, could do it, although this is rare.

All of these are more or less "normal" causes, and we check them as a matter of course. However, a new one has been cropping up of late, and I thought it would be a very good idea to bring this out. It can be identified immediately, by a very simple test, *if* you know about it. (To be frank about it, I discovered it while looking for something else.

The basic fault is *grid emission* in the horizontal output tube! When this happens, the tube starts drawing grid current. This makes the grid go more negative, due to the grid-current flow through the high-value grid resistor. So instead of conducting for the proper amount of time (which is very short, something like 8 to 10 μ s), the tube stays on longer. This increases the pulse width, and conduction time and with it the average cathode current. This phenomenon is definitely thermal; the longer the tube operates the greater the grid emission and the greater the heat dissipation.

The "simple test"? Just hang a scope probe on the control grid of the horizontal output tube, and watch the waveform. The normal waveform is like Fig. 1-a, with a nice sharp peak. When this fault develops, you'll see this peak gradually start to flatten out, as in Fig. 1-b. Even a flattening of this much can raise the cathode current quite a bit. When it has flattened to something like Fig. 1-c, your cathode current will be up around 400 mA, and the breaker had better be getting ready to trip. The equivalent pulse-widths are shown below, so you can see why it acts like this.

The cure? Simple; *another* new tube. Cook the set, with the scope still on the grid, and the meter in the cathode. In one of the first cases I ran into, a brand new set showed these symptoms. The horizontal output tube was replaced, only to find exactly the same trouble. A third new tube turned out to be good. The first two were checked on a tube-tester capable of reading grid-emission, and showed a

This column is for your service problems—TV, radio, audio or general and industrial electronics. We answer all questions individually by mail, free of charge, and the more interesting ones will be printed here.

If you're really stuck, write us. We'll do our best to help you. Don't forget to enclose a stamped, self-addressed envelope. Write: Service Editor, Radio-Electronics, 200 Park Ave. South, New York 10003.

You'll be happy, too, with SK3020.

It replaces nearly 2,800 types and does the job as well or better. That means less service time, less inventory, more business for you. And with RCA's full SK line of only 156 devices, you'll have everything you need to replace over 51,000 foreign and domestic types.

Contact your RCA Distributor today for the full SK story and get the new RCA SK Replacement Guide, SPG-202N, too.

RCA Electronic Components
Harrison, N.J. 07029

RCA Electronic Components

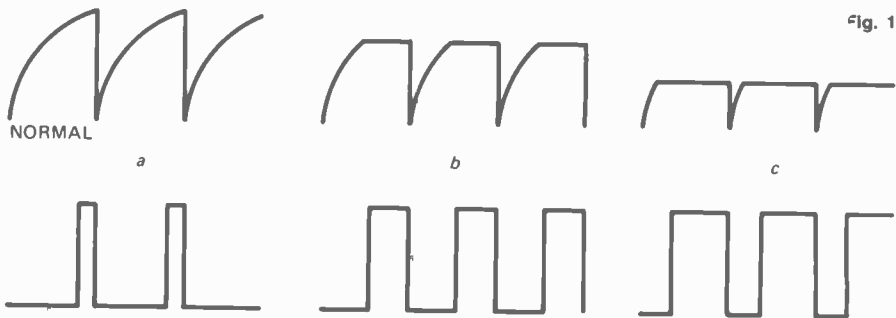


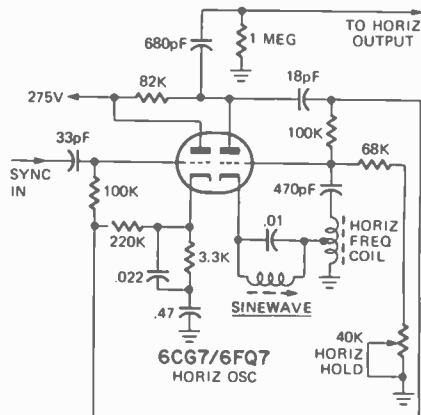
Fig. 1

very high reading. Their emission was good, of course; any tube that can draw 400 mA current is in good shape in that department.

This problem doesn't seem to be confined to any particular tube-type. I first ran across it a couple of years ago, in a 6JE6. Since then, I've seen it in 6LQ6's, 31LZ6's and so on. So, if you find a creeper, scope the horizontal output tube grid, with the current-meter in the cathode, and wait.

This applies to tube and hybrid sets, of course. However, you can see a very similar symptom in solid-state sets. This seems to be due to thermal runaway, or its equivalent, excess junction leakage. This is almost always thermal, and the leakage grows progressively worse as the set plays. Read the current drain, and scope the base of the output transistor, to make sure that the drive pulses are of the correct width. They're different in shape to those of tube sets, but the basic principle is still the same. If the pulse-width stays the same, try replacing the horizontal output transistor. **R-E**

sync, adjust the core of the sinewave coil until it locks in again. There's still no sync, remember; so, the picture will float; get the sides of the picture straight, and it should hold fairly still. Shorting the sinewave coil should cause only a small sidewise shift.



Final step: take the short off the sync-tube grid, and the picture should lock in very firmly. Change channels and see: it should snap in, in horizontal sync, instantly, if it's working properly.

reader questions

HORIZONTAL OSCILLATOR SETUP

There are four or five pictures across the screen of this RCA KCS-130 chassis. I've changed the oscillator tube, and the stabilizer coil, and it still won't sync.—J.B., FPO, N.Y.

This chassis uses a variation of RCA's famous Synchroguide circuit, and must be set up using the factory procedures, or it won't work properly. Try this: 1. Connect a jumper across the terminals of the sinewave coil. 2. Ground the grid of the sync output tube; pin 9 of the 6EA8, on the same PC board with the oscillator. 3. Adjust the horizontal hold control until you can see only *one* picture. This will float from side to side, but if it will stand still for even a moment, fine. This means that the oscillator is able to free-wheel.

4. Take the jumper off the sinewave coil. If the picture falls out of

MIDDLE-STRETCH IN RASTER

This is a new one on me. I've seen pictures stretch at top or bottom, but never seen one stretch in the middle. What causes this?—M.P., Del Rio, Tex.

Most likely cause, the deflection yoke. Frankly, I don't know the exact nature of this defect, but I've cleared up quite a few cases of it by replacing the deflection yoke. Probably some odd short.

NOT ENOUGH WIDTH

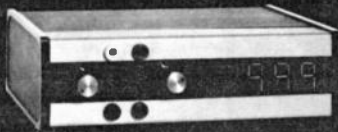
I replaced the deflection yoke in this GE M-760-CWD, and got the raster back. Works fine now but I don't have enough width. Need about an inch on each side. Width control doesn't help. I have a bad hum on all channels, too.—W.P., Carolina P.R.

Two possibilities here. One, low dc supply voltage due to a bad electrolytic in the voltage doubler. This could reduce the width and cause the hum all at the same time. Check dc voltages at power supply. Normal +300 V.

No. 2: if the width control doesn't have *any* effect when you move the core, it could easily be *shorted*. For a

LOW COST DIGITAL KITS

NEW BIPOLAR MULTIMETER: AUTOMATIC POLARITY INDICATION

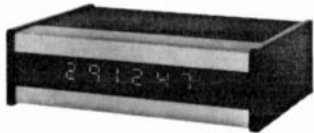


Model ES 210K

Displays Ohms, Volts or Amps in 5 ranges • Voltage from 100 Microvolts to 500 V • Resistance from 100 Milliohms to 1 Megohm • Current from 100 Nano Amps to 1 Amp \$77.00
Case ex: \$12.50 (Optional probe) \$5.00

40 MHz DIGITAL FREQUENCY COUNTER:

- Will not be damaged by high power transmission levels.
- Simple, 1 cable connection to transmitter's output.



ES 220K — Line frequency time base. 1 KHz resolution. 5 digit: \$69.50 Case extra: \$10
ES 221K — Crystal time base. 100 Hz resolution. 6 digit: \$109.50 Case extra: \$10.00

DIGITAL CLOCK:



ES 112K/124K • 12 hr. or 24 hr. clock \$46.95
Case extra: Walnut \$12.00 • Metal \$7.50

CRYSTAL TIME BASE:

ES 201K — Optional addition to ES 112K, 124K or 500K. Mounts on board. Accurate to .002%.
Kit Price \$25.00

I D REMINDER:

ES 200K Reminds operator 9 min. 45 sec. have passed. Mounts on ES 112 or 124 board. Silent LED flash \$9.95. Optional audio alarm \$3.00 extra.

Dependable solid state components and circuitry. Easy reading, 7 segment display tubes with clear, bright numerals. These products operate from 117 VAC, 60 cycles. No moving parts. Quiet, trouble free printed circuit.

Each kit contains complete parts list with all parts, schematic illustrations and easy to follow, step by step instructions. No special tools required.



ORDER YOURS TODAY:
Use your Mastercharge or BankAmericard
Money Back Guarantee

10418 La Cienega • Inglewood, Ca. 90304
(213) 772-6176

Circle 13 on reader service card

tracted from the incoming signal!)

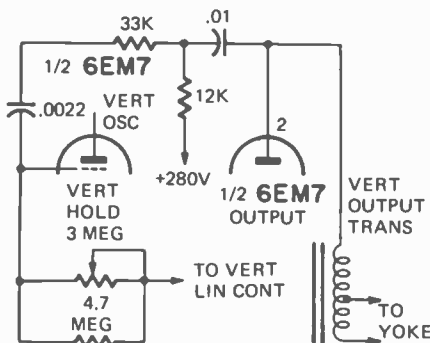
When you turn the horizontal hold control, you "move" this pulse. In effect, you change the *phase* with respect to the horizontal sync from the signal. So you shift the acc; you may clip off part of the color-burst, and so on. Horizontal hold control on these sets must be adjusted exactly in the middle of its range, so the set will not lose sync when the tuner is moved off-channel then back. In this case, color, etc., will be best.

SPLIT PICTURE

The picture is split horizontally in this Sylvania 558. In fact, I'm pretty sure that I have two complete pictures. There is a fast flicker as well. I've checked all of the resistors in the vertical circuits, and replaced the coupling capacitors. Any ideas?—C.T., Miami, Fla.

If your screen is full, but you have two pictures (with flickering), the vertical oscillator and output stages are working, but on the wrong *frequency*. Probably 30 Hz instead of 60 Hz.

This points to some trouble in the *feedback loop* between output plate and input grid. For a guess, I'd say the .01- μ F capacitor from pin 2 of the 6EM7 to the 33,000 and 12,000-ohm resistors. If it shorts, it will upset the time-constants in the feedback loop.



(This used to be a very common complaint in one old set. We got to the point where we replaced a .0015- μ F capacitor, and then looked to see if there was anything else!)

HUM-BARS IN THE COLOR

CTC-11, RCA. Shows horizontal bar about 3 inches high. This creeps up the screen slowly, then repeats. This symptom is present only on color, not in a black and white picture. A solution would be appreciated.—F.M., Blauvelt, N.Y.

We can eliminate quite a few stages, right away. The dc power supply (this is a 60-Hz ripple, not 120 Hz.) the video, and color-diff amplifiers (these work on B/W as well as color) and so on. This is caused by

some stage which handles *only* color signals. It is most apt to be due to heater-cathode leakage in some tube which fits the spec's, and has a cathode bias resistor!

This would be: 1. The 6AU6 color bandpass amplifier; 2. The 6AL5 color phase detector; 3. The 6AW8 killer/1st video and 4. The 6GH8 3.58 MHz osc and control. Try new tubes in these sockets, one at a time.

AGC AND AFC PULSE TROUBLES

I have replaced the flyback on a G-E SB chassis, with a factory part. Now I get a split picture, blanking bar in center. I can unhook the pulse coupling capacitor to the afc, and make the picture hold normally; horizontal hold very sharp, of course.

The waveform from the pulse winding to afc and agc doesn't look right. It's more like a square wave than a sharp pulse. Could this be reversed?—W.M., Satellite Beach, Fla.

It is possible that the pulse is reversed, of course, and this would account for the problem. However, since this flyback fits into holes on the PC board, the pulse winding (terminals 1 and 2) would have had to be reversed accidentally at the factory.

Suggestion; take both the agc and afc pulse-coupling capacitors off, and check the amplitude and *polarity* of the pulse, right at the flyback. Terminal 1 should be ground, and there should be a sharp 250-V positive going pulse on 2.

LOW HV, NO FOCUS VOLTAGE

The high voltage is down to 12V, I have practically no focus voltage, but the cathode current of the 6JE6 reads 220 mA. This is on a Heathkit GR-295 color TV. I am getting some odd readings on the grid-drive to the 6JE6, too. 200 volts p-p at the oscillator plate, only 150 volts p-p at the 6JE6 grid. Also, when I pull the 6BK4, I lose all high voltage.—D.W., Vancouver, Wash.

You do have a lot of odd symptoms, and they all seem to point to one thing; You may have a small short in the high-voltage winding of the flyback. Check all of the other things first, of course; boost capacitor, yoke, and so on. However, the high cathode current of the 6JE6, with all outputs so low, points toward an *overload* of some kind. This can be due to the short in the high-voltage winding, which will make the 6JE6 draw too much current. (Field feedback from thoughtful reader confirmed this; bad flyback.)

HOT (NEW) FLYBACK

This Admiral L33L31 came in with a burnt flyback. I replaced it with a new (bleep) exact duplicate. First replace-

ment heated up and went out in two days. Got another one like it, and it's overheating. Cathode current of 6DQ6 is below normal. The only thing I can see is the resistance of the high-voltage winding; the spec-sheet, and the Sams Photofact data, calls for 550 ohms; I read 620 ohms.—C.G., Alamogordo, N.M.

While this is pretty rare, I am beginning to believe that your new (bleep) replacement flyback is defective. That high resistance reading on the high-voltage secondary could mean that it was wound with too small wire. If so, the I²R loss would be excessive and the flyback would heat. I'd recommend replacing it with an Admiral replacement. Also, write to the (bleep) factory and let them know about this. Without field feedback, they can't tell.

MUSICAL BARN

One of my customers has a Silver-tone radio, which he plays in his barn. The 50HK6 output tube burns out about every two months. In the shop, everything is normal; no shorts, etc. What could cause this?—R.B., Springfield, Ohio.

The first thing I'd check would be the ac line voltage in the barn. In some cases, rural lines run higher than they should, up to 135 volts in some cases. This would shorten the tube-life.

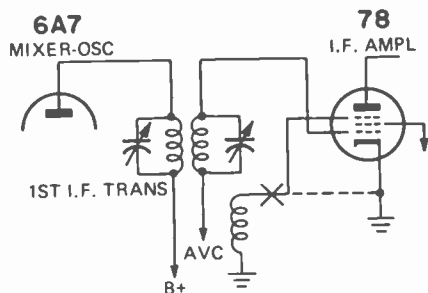
If this is it, you can add a small line-ballast resistor, to hold the voltage down to about 105 for best tube-life. Check this in the shop with a Variac, and be sure that the resistor is well-protected; it'll get pretty hot.

OLD I.F. TRANSFORMER

I'm restoring an old Philco 39-45 radio. It's got an odd 1st i.f. transformer, which is open. It has 5 leads instead of four. Can I get a replacement for this?—E.N., Princeton, Ill.

Not an exact replacement, but one that will work. This has a little tertiary winding, which is connected to the suppressor grid of the 78 i.f. amplifier tube. The diagram shows how, but not why. (Actually, I don't know why. It may have been to neutralize a "hot" stage or to provide regeneration to "hop-up" the stage for more gain.)

Something like a J.W. Miller 512-



C1 input i.f. transformer will work nicely. Just tie the suppressor grid of the 78 tube to its cathode, tune the i.f. transformer to 470 kHz (it is a 455-kHz type, but will easily tune to 470 kHz) and away you go.

PIECRUST FIX

(Note: This is the end result of a series of letters back and forth from here to the reader. Actually, he finally found it, himself. These are the best kind.)

The problem in this Zenith 16D25 TV was a tendency to piecrust or cog-wheel, mostly at low brightness levels. After checking out the anti-hunt net-

work, and several other things in and around the horizontal oscillator, we found that for some odd reason, the set would piecrust when the load on the flyback (i.e., beam current of picture tube) was lowest.

The "fix" turned out to be odd, but simple. The value of the boost capacitor, originally 0.1 μ F, was raised to 0.47 μ F. This raised the boost voltage slightly, but stopped the piecrust completely!

Thanks to Ray Musick, Ballwin, Mo., for this oddball.

HV RECTIFIER HOT
This Electrohome V2-902 Video

Will you
be prepared
to handle his
business
when it comes
your way?



...remember...there's an Amperex replacement tube for any socket in any set you're likely to service. TV, Hi Fi, FM or AM, House Radio, Car Radio, P.A. System or Tape Recorder. Imported or Domestic!

Amperex

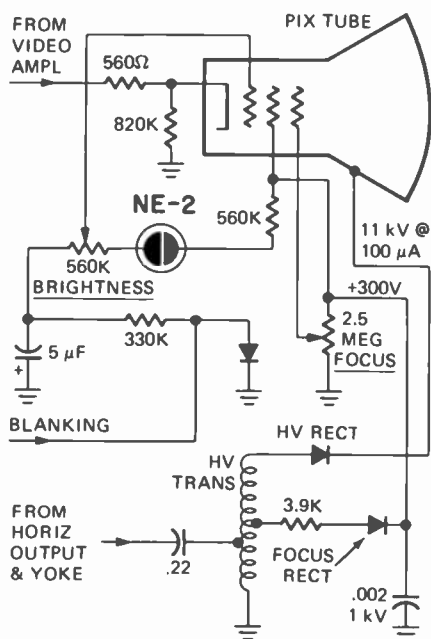
TOMORROW'S THINKING IN TODAY'S PRODUCTS
A NORTH AMERICAN PHILIPS COMPANY



AMPEREX ELECTRONIC CORPORATION, DISTRIBUTOR AND ENTERTAINMENT PRODUCTS DIVISION, HICKSVILLE, N. Y. 11802

Monitor has a solid-state high-voltage rectifier. The thing runs hot, and there is no high voltage. I replaced it with a German TV-65, and this ran for about one minute and broke down; it also got hot. What's going on here?—L.G., Chicago, Ill.

Disconnect the ultor lead, replace the high-voltage rectifier again and see



what you get on a no-load test. As you can see from the schematic, the high-voltage supply should deliver 11 kV at a 100- μ A beam current. The RCA SK-3067 is rated at 11 kV, but I'd rather use an SK-3108, which is rated at 25 kV; 20 kV conservative, same current rating.

Also check all of the dc voltages on the picture tube. You have two possibilities here: first look for excessive positive bias on the grid, causing heavy beam current; second you could have a *shorted* picture tube. I used to say there was no such thing as a high-voltage short, but I ran into one.

QUICK LIE DETECTOR

Someone told me that there is a very simple circuit for a lie detector. Do you know what he meant?—J.H. Sandusky, Husky, Ohio.

There is. Just set the ohmmeter of your vtvm or vom to about the Rx1 Meg range, and hold the prods. You can make up "electrodes" with a larger surface area if you want to. When the person under test tells a lie, he'll either grip the prods tighter or start to perspire just a little. In either case, the ohms reading will go down. The lower his resistance, the bigger the lie, I guess. Sounds odd, but it works.

LOW BRIGHTNESS

This Magnavox T924 has a very low brightness. The picture tube checks out OK, and the high voltage is good. I changed the video amplifier tubes; no help. Contrast control works. What is this?—F.I., Brooklyn, N.Y.

The most likely cause is picture tube bias. Check the voltages between grids and cathodes; this is actually what determines beam current. If the grids are too far negative or cathodes too far positive (same thing), you won't be able to get enough beam current. Check the screens of the picture tube, too, just for luck.

BLOBS OF COLOR

I'm working over a G-E KD chassis. It has a peculiar problem. The screen of the picture tube is covered with odd blobs of color, fixed. I've degaussed it with an external coil, run the purity adjustments several times, and tried everything else I can think of. I ran the grey-scale setup two or three times.

Nothing that I do has any effect on the blobs! I can see colors, when I put a picture on it, but I can't get the screen pure. What in the world is this?—I.I., Philadelphia, Pa.

I hate to say this, but if you can not make any difference in the blobs with a degaussing coil and the purity

EIGHT INSTRUMENTS IN ONE

- Out-of-Circuit Transistor Analyzer
- Dynamic In-Circuit Transistor & Radio Tester
- Signal Generator
- Signal Tracer • Voltmeter
- Milliammeter
- Battery Tester
- Diode Checker

Transistor Analyzer Model 212
 Factory Wired & Tested—\$23.50
 Easy-to-Assemble Kit—\$15.50

YOU DON'T NEED A BENCH FULL OF EQUIPMENT TO TEST TRANSISTOR RADIOS! All the facilities you need to check the transistors themselves — and the radios or other circuits in which they are used — have been ingeniously engineered into the compact, 6-inch high case of the Model 212. It's the transistor radio troubleshooter with all the features found only in more expensive units. Find defective transistors and circuit troubles speedily with a single, streamlined instrument instead of an elaborate hook-up.

Features:

Checks all transistor types — high or low power. Checks DC current gain (beta) to 200 in 3 ranges. Checks leakage. Universal test socket accepts different base configurations. Identifies unknown transistors as NPN or PNP.

Dynamic test for all transistors as signal amplifiers (oscillator check), in or out of circuit. Develops test signal for AF, IF, or RF circuits. Signal traces all circuits. Checks condition of diodes. Measures battery or other transistor-circuit power-supply voltages on 12-volt scale. No external power source needed. Measures circuit drain or other DC currents to 80 milliamperes. Supplied with three external leads for in-circuit testing and a pair of test leads for measuring voltage and current. Comes complete with instruction manual and transistor listing.

EMC, 625 Broadway, New York 12, N. Y.

Send me FREE catalog of the complete value-packed EMC line, and name of local distributor.

NAME _____ RE-8

ADDRESS _____

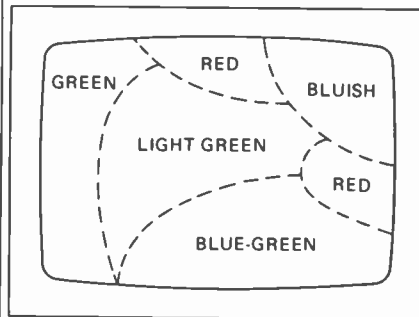
CITY _____ ZONE _____ STATE _____

EMC
 ELECTRONIC MEASUREMENTS CORP.
 625 Broadway, New York, N. Y. 10012

For faster service

USE ZIP CODE

on all mail



adjustments won't change them either, this is very apt to be something wrong in the picture tube; a distorted mask, etc.

For a definite check, try the chassis on a test-jig. If this effect disappears, that's it. New tube.

NO FILAMENT VOLTAGE

After replacing flyback on this Zenith 21J20, (with Zenith part) I can't get the 1B3 tube to light up. I don't get it; this is such a simple circuit.—M.S., Ashburnham, Ma.

It's probably too simple! You could have a couple of things causing this. Disconnect one side of the filament loop winding, and check for continuity across the filament pins, 2 and 7. Check that little 2.2-ohm resistor.

Also make sure that the filament

is not *shorted* by one of the connections inside the tube. This can happen if other socket terminals are used to hold wires, etc.! For a check, tack wires to a No. 222 penlight bulb, and tack this across 2 and 7. It should light, dimly.

INTERMITTENT ROLL

I'm working over an old Zenith 14N28 chassis. Got everything except an intermittent vertical roll. Checked all capacitors and resistors in the vertical oscillator, changed tubes. Any ideas?—W.M., Lagrangeville, N.Y.

Check the two integrators in this circuit; these are the little "three-legged" types, looking like dual ceramic capacitors. I doubt if they'll be shorted, but you may find the one in the feedback loop has increased in resistance, or is intermittently opening up. Normal resistance should be about 87,000 ohms for the one in the sync, and 90,000 ohms for the feedback-loop integrator. If you can't get the Zenith parts, a Centralab PC-407 or PC-408 will replace them.

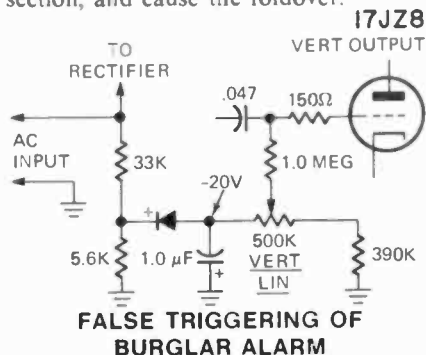
BIAS DIODE REVERSED

I cleared up some other problems in this Westinghouse V-2486-2 chassis, and I've got one left. This is a bad fold-over from the bottom, in the vertical sweep. The bias on the output stage isn't

right. Should be -15V and the best I can get is about -5V. I've checked the parts in the bias network, and I get +15V on the electrolytic capacitor.—G.M., Greensboro, NC.

You shouldn't. This voltage should be 15 volts *negative*; see diagram. All of the other parts seem to be of the right value, but recheck that bias rectifier diode; it must be reversed. Some of these little diodes are very hard to identify, but if you're getting a positive voltage out of it, it has to be in backward.

This would cut down the negative bias on the grid of the 17JZ8 output section, and cause the foldover.

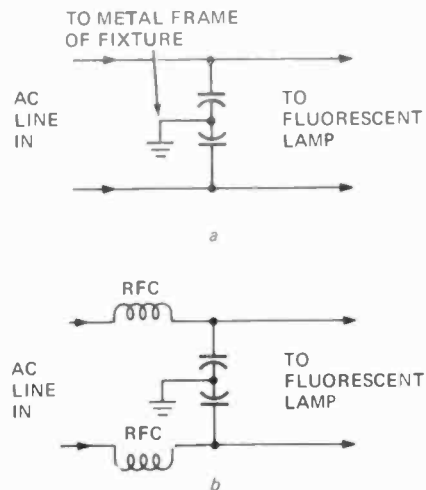


I've built one of the burglar alarm circuits you published in the June 1971 issue. Works fine, but it will "false-trigger". Finally found that turning on the fluorescent lamp in the kitchen caused

this. What can I do to stop this?—W.S., Buffalo, N.Y.

It sounds as if your alarm wiring is picking up some of the "rfi" or radio-frequency hash generated by some older fluorescent lamps. They can cause quite a lot, if unfiltered.

Two "possibles": One, shield the alarm wiring where it runs near the lamp wiring. Two, add rfi filters to the lamp circuit. Start with a couple of small bypass capacitors across the line, as in *a* in the illustration. If this



doesn't get rid of it, add a couple of small rf chokes as in diagram *b*. This ought to do it. **R-E**

Trophy Year

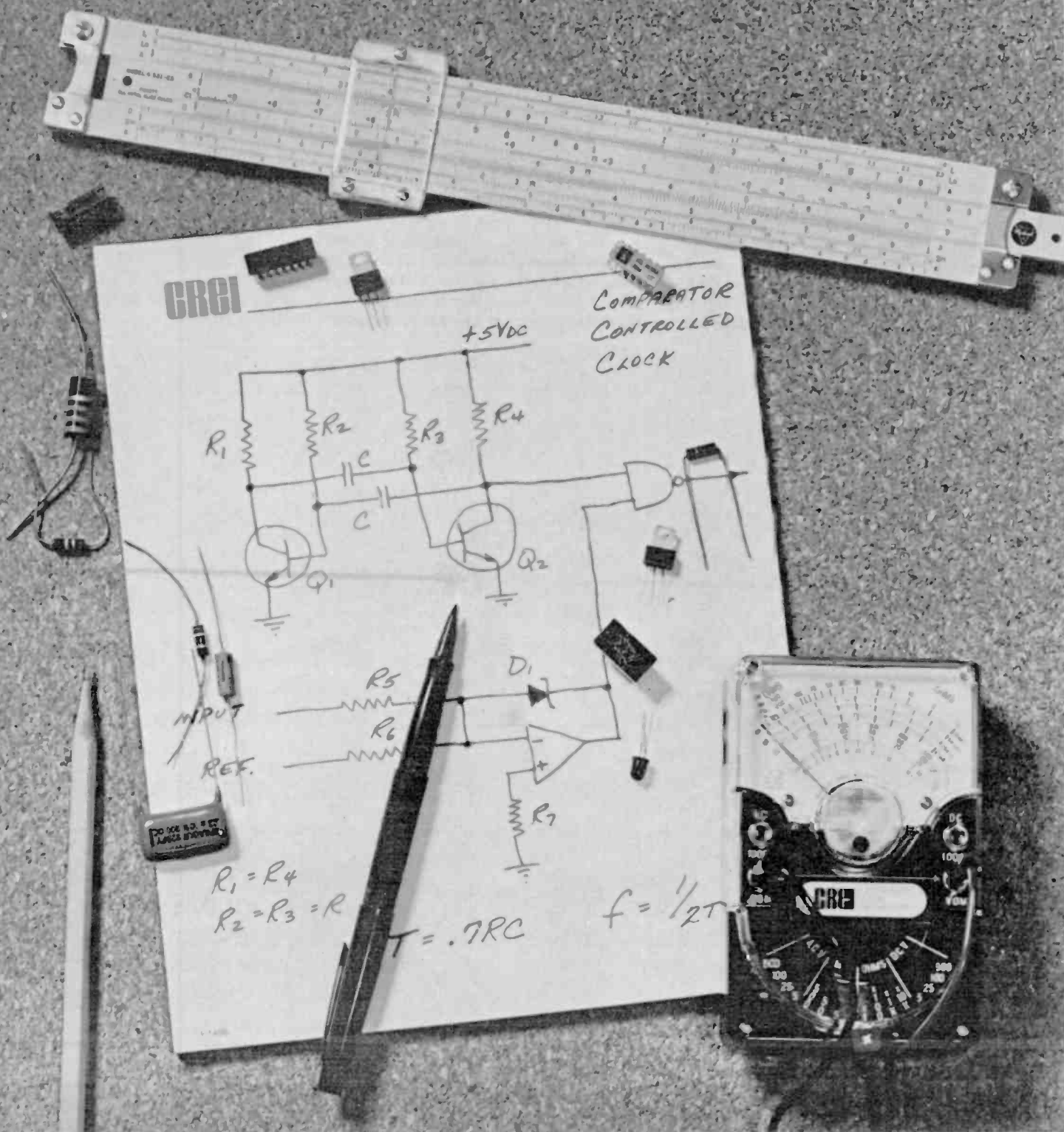
Thanks. Every year that goes by proves we have the best competitive team going. You, the independent serviceman, and Raytheon, the largest independent tube supplier. In 1972, we put together the best tube year in a lot



of years. It didn't just happen. Raytheon worked hard to give you more dependability. You worked hard to stay ahead of the competition. Teamwork like that makes trophy years, every year. For both of us.

CREI—the only home-study college-level training

and now



program which gives you in electronic circuit design

only CREI offers you a complete college-level Electronic Design Laboratory to speed your learning

Electronic circuit design—source of all new development in the application of electronics to new products and services. Without this skill, we would be unable to monitor the heartbeat of men in space. Without it, the computer revolution would never have occurred. And we would have yet to see our first TV show. *Yet, only CREI teaches electronic circuit design at home.*

ELECTRONIC CIRCUIT DESIGN

A key skill which paces our nation's progress in countless fields—from pollution control to satellite tracking to modern medicine to exploring the ocean's depths. And beyond. A skill which you must have to move to the top in advanced electronics.

CREI programs open up new worlds of opportunity for you.

In addition to electronic circuit design, CREI provides you with a full advanced electronics education in any of thirteen fields of specialization you choose. Communications, computers, space operations, television, nuclear power, industrial electronics—to mention just a few of the career fields for which CREI training is qualifying. With such preparation, you will have the background for a career which can take you to the frontiers of the nation's most exciting new developments. And around the world.

This free book can change your life. Send for it.

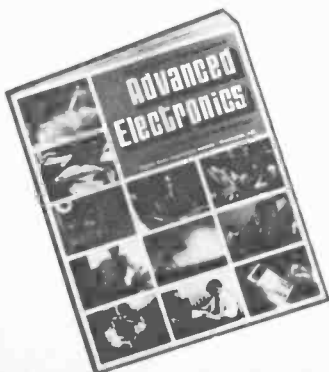
If you are a high-school graduate (or equivalent) and have previous training or experience in electronics, then you are qualified to enroll in a CREI program to move you ahead in advanced electronics.



Send now for our full-color, eighty page book on careers in advanced electronics. In it, you will find full facts on the exciting kinds of work which CREI programs open up to you. And full facts on the comprehensive courses of instruction, the strong *personal* help, and the professional laboratory equipment which CREI makes available to you. All at a surprisingly low tuition cost.

And when you have it, talk with your employer about it. Tell him you're considering enrolling with CREI. He'll undoubtedly be happy to know you are planning to increase your value to him. *And he may offer to pay all or part of your tuition cost.* Hundreds of employers and government agencies do. Large and small. Including some of the giants in electronics. *If they are willing to pay for CREI training for their employees, you know it must be good.*

Send for Advanced Electronics today. You'll be glad you did.



CREI Dept. E-1408D
3939 Wisconsin Avenue
Washington, D.C. 20016

Rush me your FREE book describing my opportunities in advanced electronics. I am a high school graduate.

Name _____ Age _____

Address _____

City _____ State _____ ZIP _____

If you have previous training in electronics, check here

Employed by _____

Type of Present Work _____

Veterans and servicemen, check here for G. I. Bill Information

CREI

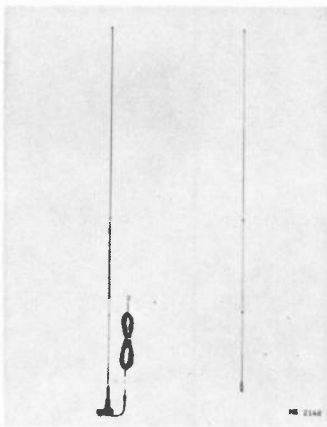
**CAPITOL
RADIO
ENGINEERING
INSTITUTE**

WASHINGTON, D.C. 20016

new products

More information on new products is available from the manufacturers of items identified by a Reader Service number. Use the Reader Service Card inside the back cover.

TWO-METER MOBILE ANTENNA, model CGT-144 has low radiation angle and 5.2 dB gain over a $\frac{1}{4}$ -wave ground plane. Complete system includes collinear antenna with stainless steel radiating sections, 180° swivel ball, heavy-duty trunk lip mount for "no holes" installation on



side or edge of trunk lip and 17' Mil Spec RG-58-U coax with factory attached connectors.

Power rated at 200 watts FM, it has a SWR of 1:1:1 (typical) at resonance and within 1:5:1 over its 6MHz bandwidth of 143-149 MHz. Overall length is 86". 84" collinear antenna with $\frac{3}{8}$ " -24 threaded base fits standard mobile ball mounts.—**New-Tronics Corp.**, 15800 Commerce Park Drive, Brook Park, Ohio 44142.

Circle 31 on reader service card

TRIGGERED OSCILLOSCOPE, model 511 includes active sync separators for viewing TV vertical and horizontal and

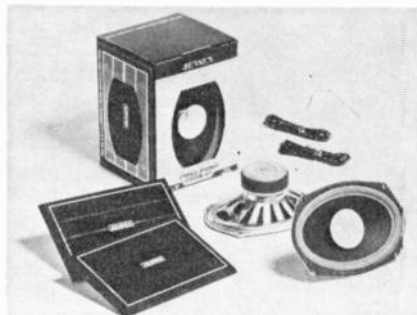


field 1 and field 2 VITS. Has horizontal input on the front panel with front panel switch selectable ac/dc coupling for vectorscope operation. No external coupling capacitors are needed. Three snap-in overlays are provided. 10 MHz triggered bandwidth is available with high-frequency sync adjustments. Simplified controls, bright trace, large 8 x 10 cm display area. There is a trace invert switch so signals can be observed even though they go through an inverting amplifier. Regulated power supply for high line/low line operation—105V to 125V, 60 Hz.

8½" x 10" x 17"; single channel \$395.00, dual channel \$495.00.—**Hickok Electrical Instrument Company**, 10514 Dupont Avenue, Cleveland, Ohio 44108.

Circle 32 on reader service card

STEREO SPEAKER SYSTEM KIT, model SK96RRFX has two 6" x 9" dual-cone speakers with 20 oz. Syntox-6 ceramic magnets. Flexair suspension for improved bass response. Power rating is 25 watts. Extended frequency response is 40-16,000 Hz with resonance of 50 Hz.



Impedance is 8 ohms. Weather resistant. Kit includes custom fit grills, 15' heavy duty stereo wire, mounting hardware and complete instructions.—**Jensen Sound Laboratories**, 4310 Trans World Road, Schiller Park, Ill. 60176.

Circle 33 on reader service card

POCKET-SIZE OHM TRACER, model 4371 has a 0 to 5000-ohm resistance test range with 2% accuracy. Two built-in standards are 20 ohms and 200 ohms. Uses low 0.08 Vdc test voltage for in-circuit testing of solid-state circuitry. There is no danger of creating false signals or damaging components tested. Can also be used as a continuity tester.

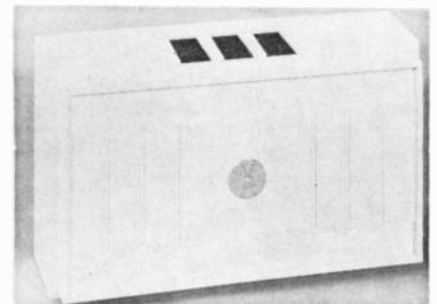
No meters to watch as volume con-



trolled audible alarm signals less than calibrated resistance. Circuit is self adjusting to insure accuracy as battery power diminishes. Battery life is 200 hours; fused probe protects tester from misuse and leads are 4 feet long. 3½"H x 2½"W x 1¼"D; 8.5 oz.; \$56.00.—**Ecos Electronics Corporation**, 205 West Harrison Street, Oak Park, Ill. 60304.

Circle 34 on reader service card

DISASTER ALARM KIT detects gas or smoke to activate an alarm buzzer. The unit detects natural gas, methane gas,



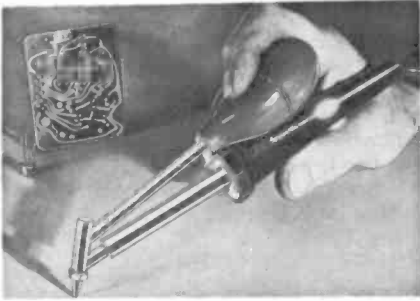
carbon monoxide, iso-butane or any of the ionized gases and smoke in homes, work-shops, garages or any other area where there is a possibility of a dangerous gas leak.

The unit is complete with assembly instructions and a white plastic case. Unit runs on 120 Vac. \$19.95.—**Radio Shack**, 2617 West 7th Street, Fort Worth, Tex. 76107.

Circle 35 on reader service card

DESOLDERING IRON PENCIL, model 510 has safety power indicating light, 3-way on-idle-off switch and supporting bracket to insure proper alignment.

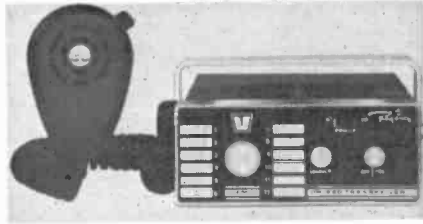
Operates at 40 W and idles at 20 W. Built-in light indicates operation at both heats with a different intensity for each. Unbreakable polycarbonate handle, flexible, burn-resistant neoprene cord and eight tip sizes. 8½" long; 3½ oz.; \$15.95. Converts to dual heat soldering iron with



1/4" shank plug type tip.—Enterprise Development Corp., 5127 East 65th Street, Indianapolis, Ind. 46220.

Circle 36 on reader service card

FM TRANSCEIVER, model HR-220 for amateur communications in the 220 to

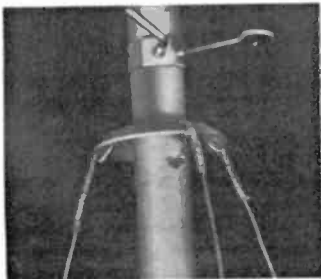


225-MHz range. 12-channel transmitter puts out ten watts minimum from 13.8-V dc power supply with phase modulation and automatic deviation limiting. Each crystal-controlled channel is equipped with individual trimmer capacitor for frequency netting. Built-in VSWR bridge limiting circuit protects the rf power amplifier.

Audio output is five watts. Noise operated squelch system provides clear reception. Sensitivity rated at 0.4- μ V (nominal), 20 dB quieting. 2 1/4" x 5 1/2" x 7 1/2"; \$239.00 complete with factory installed transmit and receive crystals for 223.50 MHz. Hand-held, plug-in ceramic mike is included as is dash mounting bracket.—Regency Electronics Inc., 7900 Pendleton Pike, Indianapolis, Ind. 46226.

Circle 37 on reader service card

TELESCOPING ANTENNA MAST is constructed of extra-strength Golden Dura-tube special process steel and is available in 20, 30, 40 and 50-foot telescoping lengths. Features contoured guy rings that eliminate sharp, wire-fraying edges. This steel is bonded inside



and out with oxide primer and is then overcoated with a tough, golden acrylic finish that resists corrosion. Guy rings are made of aluminum and rest on swaged shoulder of the mast which allows the mast to be firmly guyed before the antenna is oriented.—Channel Master, Ellenville, New York.

Circle 38 on reader service card



Call-backs are just what you and your customers' don't want. Once you install the B-T Horizon VHF two-set amplifier, you can forget it, because it's quality built to be reliable. It's the mast-mounted amplifier that thousands and thousands of TV installers have found "stays on the roof."

What makes Horizon so reliable? Solid-state, trouble-free circuitry. Four-way lightning and surge protection. Temperature compensation for all-weather reliability, and two individual amplifier circuits—one for Ch. 2-6 and the other for Ch. 7-13.

But the Horizon would not stay on the roof long if it didn't perform. And perform it does. It's back-matched for clearer color pictures. The patented ICEF circuit delivers wide dynamic range so that strong signals won't overload weak ones. It delivers more than ample gain for weak to medium signal areas for up to two TV sets.

And these are the reasons that made the Horizon one of the fastest and best sellers ever, and once it's sold, forget it. B-T has the industry's broadest line of home and MATV TV signal amplifiers—indoors and outdoors. Available from Blonder-Tongue distributors.

For solutions to your reception problems write: Blonder-Tongue Systems Engineering Dept. One Jake Brown Rd., Old Bridge, N.J. 08857.



BLONDER TONGUE

Circle 15 on reader service card

SUMMER SALE

FAMOUS BRANDS

25—2.5 Amp. 1000 Piv Rect.	\$3.95
10—DD-04 Dual Diodes	\$2.98
10—DD-05-Dual Diodes	\$2.98
1 Amp. 1000 PIB Top Hats	20 for \$3.49
3 Amp. 1000 PIV	20 for \$3.95
1N34A Diodes	25 for \$2.00
6500 PPIV Focus Rectifiers	4 for \$2.00
13.5 KV Focus Rectifiers	5 for \$3.00
18.5KV Focus Rect.	3 for \$2.49
RCA Color Crystals 3.58 MC	2 for \$2.49
2—Damper Diodes RCA 135320	\$2.98
Zenith Voltage Tripler	\$4.95
Zenith Color Chip 212-45	\$3.95 Ea.

COLOR YOKES—COLOR YOKES

SILVERTONE—80-56-4G	\$5.95 Ea.
MOTOROLA QUASAR-24D68592BO1	\$5.95 Ea.
Equiv. DY95AC-Y109-Universal ...	\$6.95 Ea.
MAGNAVOX 361340-Equiv. Y-133 ..	\$5.95 Ea.
MAGNAVOX X361380-Equiv.-Y-134	\$5.95 Ea.
MAGNAVOX 361395-Equiv. Y-135 .	\$5.95 Ea.
Circuit Breakers-1.25 Amp	10 for \$1.00
10 AC Interlock Polarized	\$1.00
AC Cube Taps—3 Outlets	5 for \$1.00
HV Anode Leads B/W	10 for \$1.00
CRT Harnes Short Leads Color ...	5 for \$1.00
100 Mica Cond. Assorted	\$1.00
100 By-Pass Cond. Assorted	\$4.95
.01 Mfd.—1KV Spark Gap	20 for \$2.00
25 Assorted Disc Cond.	\$1.39
100 Mfd.—150 Volts Axial	12 for \$1.98
50 Assorted Fuses (5 Box)	\$1.98
10 Align. Tools Asst'd.	\$1.98
20 Asst'd Mallory Controls	\$2.00
5—1 Meg. On/Off Sw.	\$1.00
Wire Wound Resistors Asst'd	20 for \$1.39

TUNERS—NEW—WITH TUBES

Standard Coil Parallel 6GJ7-6HA5	\$6.95
Sarkes—Tarzian Parallel 6GJ7-6HA5 ..	\$6.50
Sylvania Transistor—54-29331-3	\$6.95
Silvertone Combo-UHF-VHF-Par.	\$7.95
Silvertone Combo-UHF-VHF-Series	\$7.95
Silvertone Series	\$4.95
Philco Series 76-13983-5GJ7-3HA5	\$4.50
Philco Series 7613579-6—5GJ7-3HAS ..	\$4.50
Gen. Elect. Series 5GJ7-3HA5	\$5.95
Sylvania Series-54-27887-1—5GJ7-3HQ5 .	\$5.95
Sylvania Series-54-15967-35GJ7-3GK5 ...	\$5.95

RAYTHEON TUBES

6BA11	5 for \$4.50
12GE5	5 for \$4.50

MINIMUM ORDER \$15.00
SEND FOR FREE CATALOG
TUBES UP TO 80% OFF

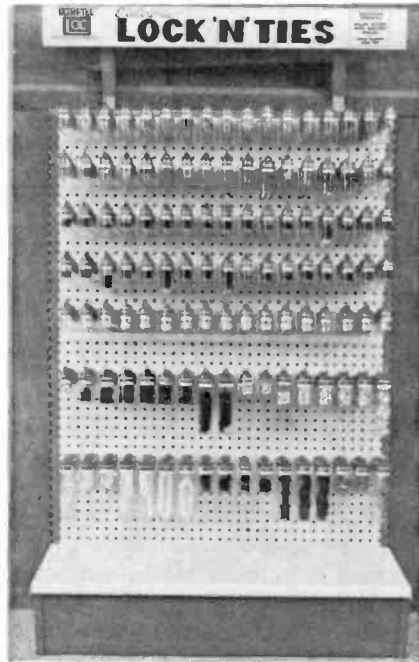
SEND CHECK OR
MONEY ORDER

TV TECH SPECIALS

P.O. BOX 603

Kings Park, L.I., New York 11754

LOCK'N'TIES consist of cable clamps, ties and solderless terminals. Brand new are the nylon screws, washers and



spacers. 91 different products are packaged in hang-up plastic tubes and have same list price.—**Workman Electronic Products, Inc.**, Box 3828, Sarasota, Fla. 33578.

Circle 39 on reader service card

HARD-TO-FIND TOOLS

FOR ELECTRONICS AND FINE MECHANICS



Free Catalog →

Includes 72 pages of hard-to-find tools used by electronic technicians, instrument mechanics, engineers, scientists. Over 1700 items listed. Write today.

JENSEN TOOLS and ALLOYS
417-N-44TH STREET, PHOENIX, ARIZONA 85018

Circle 17 on reader service card

SMALL ENGINE TUNE-UP METER, CM-1045 is a solid-state tune-up tool for all one to four cylinder, 2- and 4-cycle engines. Tests volts, ohms, dwell, continuity. In many cases permits checking the entire ignition system on a small engine without tearing it down to get at the ignition points behind the flywheel.

Built-in tachometer with snap-on inductive pickup and 0 to 3,000 plus 0 to

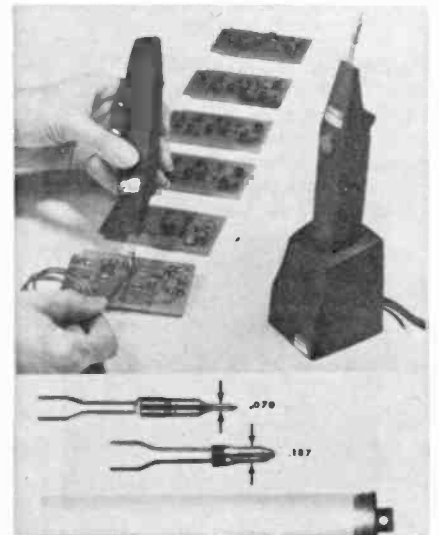


15,000 rpm ranges. By connecting the leads, rpm can be read on any engine from one to 4 cylinders without switching for the number of cylinders. Completely portable, powered by three 1.5-V C batteries; self-contained in snap-lock oil-gas-water-resistant case; \$39.95.—**Heath Company**, Benton Harbor, Mich. 49022.

Circle 40 on reader service card

CORDLESS SOLDERING IRON, Iso-Tip.

For use in all types of field repairs, for soldering on water, in air, for repairs to X-Ray and electronic lab equipment and for previously inaccessible areas such as



tower and antenna work and test flights in aircraft where ac power is not available. Quick heating isolated tip design prevents burning of wires near tip. 8"; 6 oz; 5-second heat.—**Wahl Clipper Corp.**, 2902 Locust St., Sterling, Ill. 61081. R-E

Circle 41 on reader service card

new literature

All booklets, catalogs, charts, data sheets and other literature listed here with a Reader Service number are free. Use the Reader Service Card inside the back cover.

ELECTRONIC PARTS catalog No. 8 is a 55-page book that contains various components and devices such as: computer keyboard, semiconductor coolers, heat sinks, transistors, Zener diodes, power transistors, IC's, diode rectifiers, SCR's, semiconductors, transformers, AM/FM stereo multiplex receiver, radio-sonde equipment, relays, printed circuit boards, computer-grade capacitors, potentiometers, power resistors, precision resistors, power supplies, switches, computer boards, speakers and damaged merchandise.—Delta Electronics Company, P.O. Box 1, Lynn, Mass. 01903.

Circle 42 on reader service card

QUIK-WRAP, catalog No. 350 presents hand-operated wire-wrapping tools, bare ground strapping tools, hand unwrapping tools, wrapping tool kit, unwrapping tool kit, manual wire unwrap gun & accessories and manual wire wrap gun & accessories. Includes descriptions and pictures of each device.—Jonard Industries Corp., 3047 Tibbett Avenue, Bronx, N.Y.

Circle 43 on reader service card

CB RADIO REPAIR COURSE. 8-page booklet tells about 70 information-packed programmed lessons—25 on basic principles, 25 on actual CB circuits and 20 about CB servicing.—CB Radio Repair Course Inc., 15 South Overmyer Drive, Oklahoma City, Okla. 73127.

Circle 44 on reader service card

ALARMS CATALOG includes ultrasonic-sentry and electro-sentry burglar alarms and magnasentry burglar and fire alarm descriptions as well as alarm accessories and a variety of sensors and other hardware.—Audiotex, GC Electronics, 400 South Wyman Street, Rockford, Ill. 61101.

Circle 45 on reader service card

Write direct to the manufacturers for information on items listed below:

1973 MASTER INDEX is a 1957-73 listing for service data of about 40 manufacturers of TV receivers by chassis number. Radio listings are also presented in same fashion. Contains component stereo equipment too.—RCC Publications, 461 King Street West, Toronto, Canada M5V 1K8.

1973 SEMICONDUCTOR CROSS-REFERENCE GUIDE HMA-07. Approximately 43,000 semiconductor devices are cross-referenced to HEP replacements. Included are 1N, 2N, 3N, JEDEC, manufacturers' regular and special house numbers and many international devices with emphasis on Japanese types. 472 HEP items are listed. All Motorola HEP devices are listed by type numbers and case style with a packaging index, device dimension drawings and selection guide information.—

Motorola HEP Semiconductors, P.O. Box 2953, Phoenix, Ariz. 85036.

SOUND SYSTEMS. 15-page booklet outlines sound reinforcement concept and functions of system components. Path of signal is traced from the source through components in systems that range from elementary to complex.

System organization is depicted by flow diagrams with line drawings of actual components. Two tables assist in selecting appropriate volume controls and determining correct power requirements; check list aids in assembling data necessary for construction of sound system.—Dukane Corp., 2900 Dukane Drive, St. Charles, Ill. 60174. R-E

TV TUNER SERVICE



PTS ELECTRONICS, INC.

**NEW YORK CITY
CLEVELAND
SAN DIEGO
OKLAHOMA CITY
PHILADELPHIA
PORTLAND, OR.
HOUSTON
PITTSBURGH
PATERSON, N. J.
SILVER SPRING, Md.**

*now you too...
...get Fast 8 hr. Service!*

\$9.95
1 YEAR GUARANTEE

ALL PTS BRANCHES are wholly owned subsidiaries of PTS ELECTRONICS, INC. (NO FRANCHISES!) and report directly to the Home Office in Bloomington, Indiana. Only this way can we guarantee the same quality—PRECISION TUNER SERVICE—that made PTS the leader in this field.

PTS is proud to be the only tuner service to publish a TUNER REPLACEMENT PARTS CATALOG (80 pages of tuner blow-ups, tuner antenna coil-and shaft replacement guides available for \$1.00).

WE OFFER MORE SERVICE IS EVERYTHING WITH US.
WE ARE DYNAMIC AND FAST. TRUSTWORTHY

YOU AND US — A TRUE PARTNERSHIP

Color • Black & White • Transistor
Tubes • Varactor • Detent UHF

All Makes

VHF, UHF or FM	\$ 9.95
UV-COMBO	16.95
IF-SUBCHASSIS	12.50

Major parts and shipping charged at cost.
(Dealer net!)

over 4000 exact tuner replacements available for \$19.95 up (new or rebuilt)

for finer, faster,
... Precision Tuner Service

send faulty unit with tubes, shields and all broken parts to.

Circle 18 on reader service card

INDIANA HOME OFFICE:
PTS ELECTRONICS INC
P O BOX 272
BLOOMINGTON, IND 47401
TEL 812 824 9331

NEW YORK CITY:
PTS ELECTRONICS, INC.
150 MARKET ST.
E. PATERSON, N.J. 07407
TEL 201 791-6380

PENNSYLVANIA:
PTS ELECTRONICS INC
P O BOX 16856
PHILADELPHIA, PA 19142
TEL 215 724 0999

PITTSBURGH, PA 15202
TEL 412 761 7648

MASSACHUSETTS:
PTS ELECTRONICS INC
P O BOX 3189
SPRINGFIELD, MASS. 01103
TEL 413 734 2737

FLORIDA:
PTS ELECTRONICS INC
P O BOX 6681
JACKSONVILLE, FLA 32205
TEL 904 389 9952

TEXAS:
PTS ELECTRONICS INC
P O BOX 7332
LONGVIEW, TEX 75601
TEL 214 753 4334

PITTSBURGH, PA 15202
TEL 412 761 7648

OKLAHOMA:
PTS ELECTRONICS INC
P O BOX 60566
OKLAHOMA CITY, OKLA 73106
TEL 405 947 2013

SOUTHERN CALIFORNIA:
PTS ELECTRONICS INC
P O BOX 5794
SAN DIEGO, CALIF 92105
TEL 714 280 7070

NORTHERN CALIFORNIA:
PTS ELECTRONICS INC
P O BOX 41354
SACRAMENTO, CALIF 95841
TEL 916 482 6270

COLORADO:
PTS ELECTRONICS INC
P O BOX 4245
DENVER, COLO 80204
TEL 303 244 2818

NEW JERSEY:
PTS ELECTRONICS, INC.
150 MARKET ST.
E. PATERSON, N.J. 07407
TEL 201 791-6380

OHIO:
PTS ELECTRONICS INC
5682 STATE RD
CLEVELAND, OHIO 44134
TEL 216 845 4480

OREGON:
PTS ELECTRONICS, INC.
P O BOX 13096
PORTLAND, OREGON 97213
TEL 503 282 9636

WASHINGTON, DC:
PTS ELECTRONICS, INC.
1105G SPRING ST
SILVER SPRING, MD. 20910
TEL 301-565-0025

ELECTRONIC TECHNICIANS!

Raise your professional standing and prepare for promotion! Win your diploma in

ENGINEERING MATHEMATICS

from the Indiana Home Study Institute

We are proud to announce two great new courses in Engineering Mathematics for the electronic industry.

These unusual courses are the result of many years of study and thought by the President of Indiana Home Study, who has personally lectured in the classroom to thousands of men, from all walks of life, on mathematics, and electrical and electronic engineering.

You will have to see the lessons to appreciate them!

NOW you can master engineering mathematics and actually enjoy doing it!

WE ARE THIS SURE: you sign no contracts—you order your lessons on a money-back guarantee.

In plain language, if you aren't satisfied you don't pay, and there are no strings attached.

Write today for more information and your outline of courses.

You have nothing to lose, and everything to gain!

The INDIANA HOME STUDY INSTITUTE

Dept. RE-8 P.O. Box 1189, Panama City, Fla. 32401

Circle 19 on reader service card

FREE catalog over **1000** unique tools, handy kits, precision instruments, technical supplies.



Our 21st year of service to the World's finest craftsmen and technicians.

National Camera
2000 West Union Ave. Dept. G88
Englewood, Colorado, 80110

Send a FREE copy of the nc Flasher

name

address

city

state

zip

National Camera
2000 West Union Ave. Dept. G88
Englewood, Colorado, 80110

Circle 20 on reader service card

REPAIRING CALCULATORS

(continued from page 36)

unit is located, a messy procedure if the readouts are soldered in place. If a segment fails to light in only one readout, by the way, either the device or the solder joints at one or more of its pins are defective.

Automatic clear

When initially turned on, most calculators automatically reset to zero without the need for a command from the CLEAR key. A typical automatic clear circuit is shown in Fig. 8. In operation, the circuit grounds the clear line momentarily after power is applied to the machine. If the capacitor or resistor shorts, the indication is no display and no entries are possible. A shorted diode won't affect the circuit each time the power is activated, but occasionally the machine will not automatically clear. An open capacitor or diode will disable the circuit, but the machine can be manually reset via the CLEAR key.

Sign and error

The first readout on a display is generally used as a status indicator and receives only a few commands. The minus sign indication and overflow signal come directly from an LSI chip through buffer stages. As shown in Fig. 9, there are four active components involved with these functions

TO "CLEAR" SWITCH (KEYBOARD)

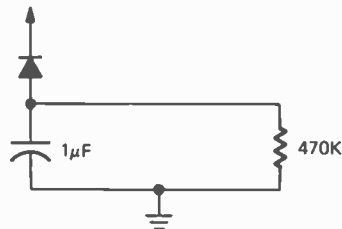


FIG. 8—TYPICAL AUTOMATIC CLEAR CIRCUIT. Clear line is grounded momentarily when power is first applied to the calculator.

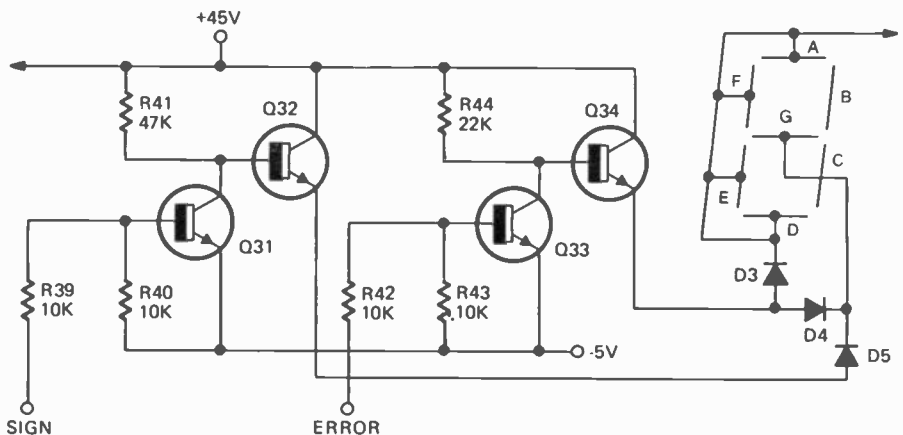


FIG. 9—THE MINUS SIGN is made by forward-biasing D5, lighting indicator segment G. When an error occurs, diodes D3 and D4 are turned on, forming an "E" by lighting segments A, D, E, F and G.

in a typical circuit. Troubleshooting procedures previously described also apply here.

Circuit boards and soldering

Super small calculators frequently require double-sided printed circuit boards with plated-through holes. When a component is being removed from a plated-through hole careful desoldering procedures must be followed. Too much heat can cause the metal land to become detached while insufficient heat can result in the plating coming out with the component's lead. Experience is the only way to determine the amount of heat required for the component and the size of the land around the lead hole.

When removing a component, always cut the component leads and then remove one lead at a time. Once the leads are removed it's a simple task to remove any remaining solder with a solder puller. Component replacement is a simple matter, but be sure the replacement part is at least equivalent in value and tolerance.

On tightly packed boards be careful to avoid solder bridges. To reduce this possibility use a small wattage soldering pencil iron and 24-gage or smaller solder. Heat sinks are usually not necessary if solder time is limited to a few seconds and if you apply solder just after heat is applied. Metal lands that run very close together are particularly susceptible to shorts caused by small slivers of metal.

MOS LSI handling precautions

So long as they are in the circuit, MOS (Metal Oxide Silicon) LSI (Large Scale Intergration) IC's are practically trouble-free. When the chips are improperly handled, however, they become susceptible to damage from static electricity and mechanical pressure.

When removing a chip from a socket ground the fingers on the calculator ground line (making sure the

machine is not on) and pry up each side of the IC package with a screwdriver using a gentle rocking motion until it comes loose. When the IC comes free of the socket, pick it up without touching the pins and place the unit on a piece of Styrofoam covered with aluminum foil.

When installing a chip in a socket, ground yourself and then carefully line up all the pins with the socket receptacles. Apply gentle pressure at first one end and then the other until the IC is secure in the socket. **CAUTION:** *If the MOS LSI IC's are soldered in place DO NOT attempt removal unless the proper equipment and experience is available.*

Troubleshooting the LSI portion of a calculator is extremely difficult if a block diagram showing inputs and outputs for each chip is not available. If the diagram is available, it can be used to work from the output chip or section of a chip backward to the input of the preceding chip. The procedure is more difficult in multi-chip calculators since some chips invariably receive feedback input information from other chips.

Case history

The MITS 1440 is a multi-function desk calculator with a square and square root capability. The machine

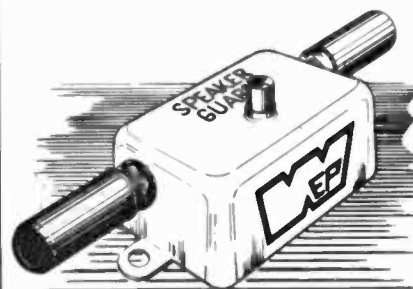
can also store a 14 digit word in memory. The unit uses fourteen read-outs in its display and six LSI chips. A machine came in for service in which the overflow indicator worked but the display failed to operate. The power supply voltages and the pulses on the digit lines and BCD lines from the output chip to the display buffer were all good. From here on let's quote from the servicing technician's report:

"Having no other place to go I began looking at the input and output signals around the output chip. I started at the outputs of the circuit (pins 4 and 10 of IC11), found they were not present, and began working backwards until finding correct input pulses at pins 8 and 9 of gate 3-a. There was no output at pin 10 of the IC socket. I then checked pin 10 at the IC lead and determined that it was operating properly. A continuity check showed an open between pin 10 of the socket and the IC. Resoldering the pin failed to correct the problem. I removed the socket and found that pin 10 had been broken internally. The socket was replaced and when the chip was reinstalled the machine operated properly."

There are numerous examples of this kind of troubleshooting procedure. The best way to learn the technique is to service some actual calculators **R-E**

SPEAKER GUARD

PROTECTS SPEAKER AND AMPLIFIER



An overload in wattage of amplifier output activates circuit breaker and prevents damage. Reset circuit breaker and make sure you use correct values of Speaker Guard.

18 DIFFERENT VALUES

ASK FOR CAT. # 145C

WORKMAN
Subsidiary of IPM TECHNOLOGY, INC.
BOX 3828 SARASOTA FLA 33578

Electronic
PRODUCTS, INC.

Circle 21 on reader service card

INTERNATIONAL Frequency meter FM-2400CH



The FM-2400CH provides an accurate frequency standard for testing and adjustment of mobile transmitters and receivers at predetermined frequencies.

The FM-2400CH with its extended range covers 25 to 1000 MHz. The frequencies can be those of the radio frequency channels of operation and/or the intermediate frequencies of the receiver between 5 MHz and 40 MHz.

Frequency Stability: $\pm .0005\%$ from $+50^\circ$ to $+104^\circ\text{F}$.

Frequency stability with built-in thermometer and temperature corrected charts: $\pm .00025\%$ from $+25^\circ$ to $+125^\circ$ (.000125% special 450 MHz crystals available).

Self-contained in small portable case. Complete solid state circuitry. Rechargeable batteries.

WRITE FOR CATALOG!



- Tests Predetermined Frequencies 25 to 1000 MHz
- Extended Range Covers 950 MHz Band
- Pin Diode Attenuator for Full Range Coverage as Signal Generator
- Measures FM Deviation

FM-2400CH (meter only).....	\$595.00
RF crystals (with temperature correction)	24.00 ea.
RF crystals (less temperature correction)	18.00 ea.
IF crystals.....	catalog price



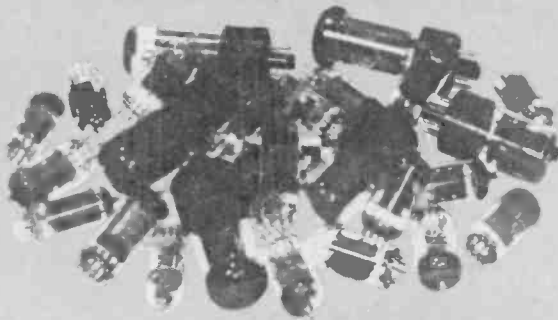
CRYSTAL MFG. CO., INC.
10 NO. LEE • OKLA. CITY, OKLA. 73102

Circle 22 on reader service card

UPDATE WITH SOLID-STATE!



5
SOLID-TUBES[®]
 replace **25**
 vacuum tubes



Pull out those troublesome vacuum tubes. Plug in the new SOLID-TUBES from EDI, pioneers in high voltage, solid-state devices for the TV industry.

PART NO. EDI	REPLACE VACUUM TUBE TYPES
SOLID-TUBE [®] R-3A3	3A3, 3AW3, 3B2, 3CA3, 3CN3, 3CU3, 3CZ3, 2CN3, 1B3, 1G3, 1K3, 1J3
SOLID-TUBE [®] R-3AT2	3AT2, 3AW2, 3BL2, 3BM2, 3BN2
SOLID-TUBE [®] R-3DB3	3DB3, 3DJ3
SOLID-TUBE [®] R-2AV2	2AV2, 1V2
SOLID-TUBE [®] R-DW4	6DW4, 6CK3, 6CL3, 6BA3

CONSIDER THESE BENEFITS . . .

- consistent output
- more reliable — longer life
- no filament winding repairs
- reduces inventories
- real cool
- instant starting
- saves call backs
- no x-radiation

Order EDI SOLID-TUBES from your parts distributor. Or call us collect. Write today for FREE new solid-state replacement parts guide.



ELECTRONIC DEVICES, INC.
 21 GRAY OAKS AVE • YONKERS, N.Y. 10710
 TELEPHONE 914-965-4400 • TELETYPE 710 560 0021
 IN CANADA: LEN FINKLER, LTD.
 designers and manufacturers of
 solid state devices since 1952

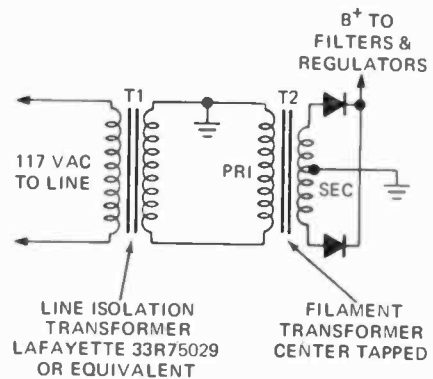
Circle 23 on reader service card

technote

HUM REDUCING METHOD

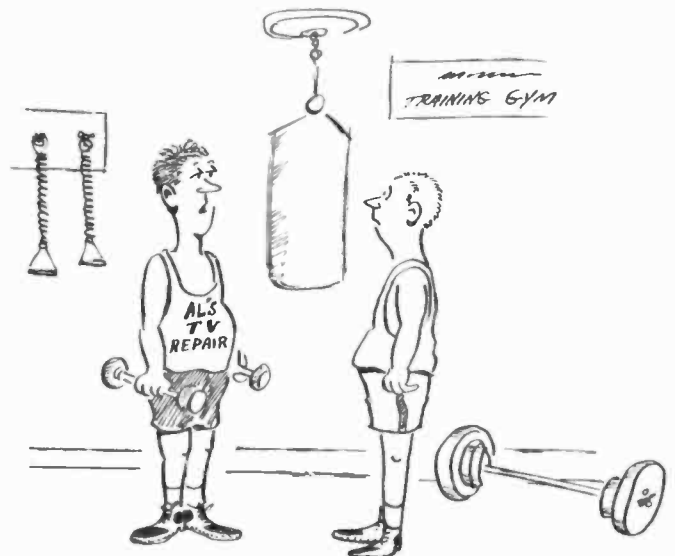
Often, when one builds a high-sensitivity line-operated piece of equipment 60-Hz hum can be a problem. Large filter capacitors and shielded cable help but to reduce 60-Hz hum and line noise to a minimum the special shielding technique described here can be used.

A major source of hum in ac equipment comes from the step-down transformer used to supply the dc voltage. Even if the transformer is mounted away from sensitive circuits it still generates enough of a magnetic field to in-



duce hum. One technique is to use a shielded transformer. However these are not always available, or are too expensive. A better method is to use two transformers, grounding (as shown) one of the common connections, or if available the center tap of one unit. In effect the secondary winding acts as an electrostatic shield grounding out all hum.

Transformer T1 is a 117-to-117 volt isolation transformer. T2 is an ordinary filament transformer whose secondary matches the dc voltage required. With the circuit shown and the unit used hum and line noise in a high-sensitivity audio amplifier was reduced by a factor of 5 over the usual single transformer method.—Robert Liebman R-E



"There's so much new test equipment, I'm getting in shape to carry my tool kit."

books

INTRINSIC SAFETY by R. J. Redding. McGraw-Hill Book Co., 1221 Avenue of the Americas, New York, N.Y. 10020. 180 pp. \$12.50.

Accidents are the invasion of the unprepared by the unexpected. But if intrinsic safety is considered in the basic design of electronic equipment, you will not be unprepared and no sacrifice of performance or convenience or any significant cost penalty need arise. In this book, the author sets out to present background information, past experience and present-day practice in making electronic equipment safe in explosive atmospheres and where flammable fluids are used.

BASIC ELECTRONIC TEST PROCEDURES by Irving Gottlieb. Tab Books, Monterey & Pinola Sts., Blue Ridge Summit, Pa. 416 pp. \$6.95.

A step-by-step guide to all types of basic electronic measurements using simple, inexpensive test equipment. In this book, the mysteries usually associated with many electronics tests are unveiled. The author shows how to get accurate, meaningful measurements with ordinary vom's, oscilloscopes, etc. by taking into consideration the errors inherent in most test equipment. The important thing is knowing and understanding the true nature of what is to be measured.

EASI-GUIDE TO BOAT RADIO by Forest H. Bell. Howard W. Sams & Co., Inc., 4300 W. 62 St., Indianapolis, Ind. 160 pp. \$3.50.

Here is an introduction to boating radio. Photographs show what you can do with a radio in your own boat, how to find it, select one, the steps in installing it and how to use it. One chapter covers FCC rules that apply to the pleasure boater. The reader sees how to take care of his boat radio and learns what to do if it breaks down.

TESTS-ANSWERS FOR FCC FIRST AND SECOND CLASS COMMERCIAL LICENSE by Warren G. Weagant. Command Productions, P.O. Box 26348, San Francisco, Calif. 94126. 69 pp. \$9.95.

Consists of a set of tests and study material based on those suggested by the FCC in their study guide and intended to provide an additional means of preparing for the federal tests.

The test assumes that the reader already holds a third class radio/telephone license. The first section of the book is a self-study ability test which enables the student to determine which areas he requires the most practice in. Then each additional section presents a series of questions and answers similar to those in the actual FCC test and should enable the candidate to get an actual picture of what to expect when he does take his license examination.

COLOR TELEVISION THEORY AND SERVICING by Clyde N. Herrick. Reston Publishing Co., Inc., Box 547, Reston, Va. 22090. 372 pp.

A completely up-to-date approach that provides sound coverage of solid-state color television receivers, circuitry, operation and troubleshooting. Fully illustrated with line drawings and photographs, some in full color, this book accents system operation and color television transmission. Analyzing basic color fundamentals, the author surveys color television technology today. He covers all types of operations from systems, color picture tube principles to rf and i.f. circuitry. The author explains troubleshooting based on picture analysis and instrument troubleshooting.

TRANSISTOR CIRCUIT DESIGN by Laurence G. Cowles. Prentice-Hall, Inc., Englewood Cliffs, N.J. 344 pp. \$16.00.

A manual of practical transistor circuit design, this book gives technicians, junior designers and engineers an understanding of meaningful design relations requiring a minimum of mathematical analysis. The text covers vital subjects such as single-stage and multi-stage amplifiers, class A and class B power amplifiers, audio, video, uhf and microwave circuits, FET and MOSFET amplifiers and linear integrated circuits.

HOW TO BUILD SIMPLE ELECTRICAL METERS & INDICATORS by Charles Green. Howard W. Sams & Co., Inc., 4300 W. 62 St., Indianapolis, Ind. 128 pp. \$3.95.

For students who wish to learn the fundamentals of electrical instrumentation and who understand basic electrical theory. Each chapter covers a particular milestone in the history of electricity, discussing the scientists and inventors involved. The basic theory and construction details of meter and indicator projects that are related to a particular part of electrical history are included in each chapter. The projects start simple and become increasingly more complex. Dry theory is kept to a minimum. Standard electrical components are used. Projects include an electroscope, a saltwater voltaic cell, an electrolytic conductivity tester, an electrically heated thermostat, a polarized vane meter, a galvanometer, a repulsion moving iron meter, a moving coil meter and experiments with a moving coil meter.

R-E

If You Work In Electronics: Earn Your Electronics DEGREE by studying at home.

Your technical experience can be a valuable asset in advancing your electronics career to the engineering level. By adding college-level home training and a college degree to your experience, you can move up to greater opportunities.

GRANTHAM School of Engineering

1505 N. Western Avenue
Hollywood, CA 90027

is a college-level institution, specializing in teaching electronics and supporting subjects, mainly by correspondence. Grantham can prepare you to take advantage of advancement opportunities.

Grantham offers a correspondence program leading to the A.S.E.T. degree. After earning this degree, you may continue with additional correspondence plus a one-week residential seminar and certain transfer credits, to earn the B.S.E.T. degree. Then, the B.S.E.E. degree is available through further residential attendance.

Established in 1951 — G.I. Bill approved.
Mail the coupon below for free bulletin.

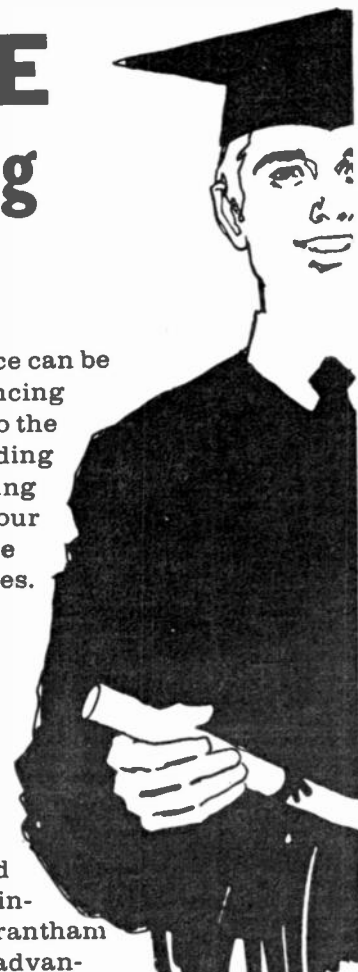
Grantham School of Engineering RE-8-73
1505 N. Western Ave., Hollywood, CA 90027

I have been in electronics for _____ years. Please mail me your free bulletin which gives details concerning your electronics degree programs.

Name _____ Age _____

Address _____

City _____ State _____ Zip _____



AT LAST! PROFESSIONAL HOME PROTECTION EVERYONE CAN INSTALL AND AFFORD.

Model FC-100
WIRED \$69.95



- Start your custom Burglar/Hold-up/Fire Alarm System with the FC-100. Add on Sensors, Alarms and Accessories to suit your own needs.
- "Do-it-Yourself" Installers Handbook included. No technical knowledge needed — No soldering.
- 100% Professional in Design, Reliability, Performance.



'Fail Safe'-SYSTEM BY EICO
A New Concept in "Do-it-Yourself" Home Protection

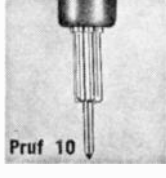
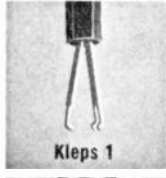
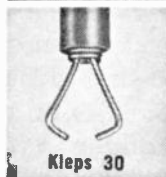
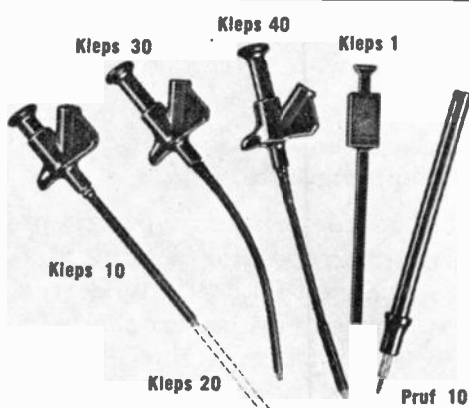
FREE 32 PAGE EICO CATALOG

For latest catalog on EICO Test Instruments, Stereo, EICOCRAFT Projects, Environmental Lighting, Burglar/Fire Alarm Systems, and name of nearest EICO Distributor, check Reader Service Card or send 25¢ for First Class mail service.

EICO, 283 Malta Street, Brooklyn, N.Y. 11207



Circle 24 on reader service card



Clever Kleps

Test probes designed by your needs — Push to seize, push to release (all Kleps spring loaded).

- Kleps 10. Boathook clamp grips wires, lugs, terminals. Accepts banana plug or bare wire lead. 4¾" long. \$1.39
- Kleps 20. Same, but 7" long. \$1.49
- Kleps 30. Completely flexible. Forked-tongue gripper. Accepts banana plug or bare lead. 6" long. \$1.79
- Kleps 40. Completely flexible. 3-segment automatic collet firmly grips wire ends, PC-board terminals, connector pins. Accepts banana plug or plain wire. 6¼" long. \$2.59
- Kleps 1. Economy Kleps for light line work (not lab quality). Meshing claws. 4½" long. \$.99
- Prof 10. Versatile test prod. Solder connection. Molded phenolic. Doubles as scribing tool. "Bunch" pin fits banana jack. Phone tip. 5½" long. \$.89



Available through your local distributor, or write to:
RYE INDUSTRIES INC.
129 Spencer Place, Mamaroneck, N.Y. 10543
In Canada: Rye Industries (Canada) Ltd.

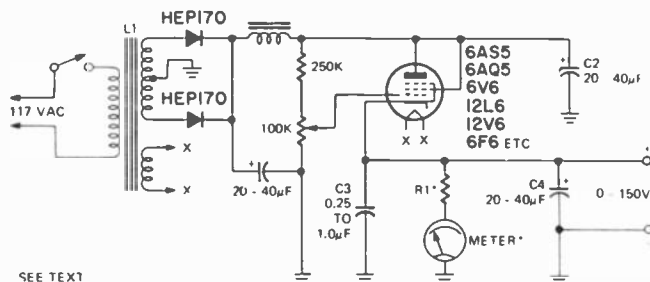
Circle 25 on reader service card

circuits

VARIABLE BATTERY ELIMINATOR

We do industrial work, including metal locators and pipe finders. Occasionally an older type using 1½-volt tubes crops up. You will find a Geiger counter, timer, photo cell and other old devices still in operation. But enough of this work does not come in to keep several batteries in stock, so we designed a variable "B" supply. In our case, we found some old preamplifiers using a 6X4 rectifier and 6AU6 and 6C4 amplifiers. We used these for basic units. The power out is 0 - 150 volts at 40 mA (it depends on power transformer you use). We used silicon rectifiers.

The choke can be any 200-500 ohm. 40-mA unit or even a 6V6 (or similar) audio output transformer with voice coil leads clipped off. The tube can be almost any audio output type, 6V6, 6F6, 6L6, 12L6 etc.



SEE TEXT

The meter can be any voltmeter reading up to 150 volts or more or any instrument from 1.0 to 10 mA with R1 serving as a multiplier resistor. The value of R1 is determined by dividing 1.0 volt by the meter's full-scale current in amperes and then multiplying the resultant (sensitivity in ohms per volt) by the maximum voltage you want to read. For example, suppose you come up with an old 0 - 5 mA meter and want it to indicate 150 volts full-scale. The value of R1 is then

$150 \times 1 \text{ (volt)}/.005 \text{ (amps)} = 150/.005$ or 30,000 ohms. Similarly, R1 would be 150,000 ohms with a 1-mA meter movement. (We have disregarded meter resistance in this case, but if you want to get an exact value for R1, subtract the meter resistance from the calculated value.)

To use: Connect the A (flashlight or other battery) to the filament circuits and connect this B supply in place of the 22½-, 45- or 67½-volt B battery and turn the control for zero voltage. Turn on unit under repair and turn on B supply. Then slowly turn pot until meter reads wanted voltage.—W. G. Eslick

R-E

MORE ON THE FUNCTION GENERATOR

The function generator on the cover and top of page 41 of the July issue includes a digital frequency counter readout to indicate its output frequency. Technical details and construction data on this feature were not included in the article but will be the subject of an article in an early issue.

We regret that this fact was not mentioned in the July article.

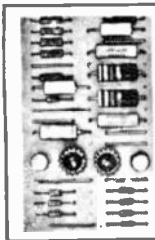
AUGUST SPECIALS

FREE \$1 BUY WITH EVERY 10 YOU ORDER Only applies to "S1" Buys FREE GIFT WITH EVERY ORDER

SHANNON MYLAR RECORDING TAPE

3" - 225'.....	.19	CASSETTE C-60.....	.59
3 1/4" - 600'.....	.58	CASSETTE C-90.....	1.19
5" - 600'.....	.82	CASSETTE C-120(TDK).....	1.97
5" - 900'.....	.80	8-Track - 64 Min.....	1.29
5" - 1200'.....	.97	8-Track - 80 Min.....	1.59
5" - 1800'.....	1.49	8-Track - Cleaner.....	1.49
7" - 1200'.....	.77	3" TAPE REEL.....	.06
7" - 1800'.....	1.12	3 1/4" TAPE REEL.....	.07
7" - 2400'.....	1.79	5" TAPE REEL.....	.14
7" - 3600'.....	2.95	7" TAPE REEL.....	.15

Canadians: Ordering is easy - we do the paperwork - try a small order



IBM COMPUTER SECTIONS

8 assorted Units we sell for \$1 are loaded with over 150 valuable parts.
Incl. - Transistors, Condensers, Resistors, Heat Sinks, Diodes, Etc.

8 for \$1
100 for \$10

WESTINGHOUSE ALL TRANSISTOR HOME/OFFICE MESSAGE CENTER

Leaves messages for other for replay... Built in speaker/microphone for talk-into convenience... Records up to 8 minutes of messages... Illuminated signal shows when a message is waiting. Control adjusts playback volume without affecting recording volume... Capstan Drive;
BRAND NEW SOLD AS IS \$7.95

RCA 110° FLYBACK TRANSFORMER



We scooped the Market Latest type - standard for all 110° TV's
RCA's design of Large Coil produces 18KV - assuring adequate width Incl Schematic Diagram application for any TV
List price \$13.90

Your price... \$3
10% off in lots of 3

110° TV DEFLECTION YOKE for all types TV's incl schematic... \$3.95

"COMBINATION SPECIAL" RCA 110° FLYBACK plus 110° DEFLECTION YOKE... \$5.95

90 FLYBACK TRANSFORMER for all type TV's incl schematic... \$2.95

90° TV DEFLECTION YOKE for all type TV's incl schematic... \$2.95

70° FLYBACK TRANSFORMER for all type TV's incl schematic... \$2.95

70° TV DEFLECTION YOKE for all type TV's incl schematic... \$2.95

SHARP 110° FLYBACK & YOKE COMBINATION w/PT-592 Good for most portable TV... \$5.00

90° COLOR YOKE For all Rectangular lar 19 to 25" Color CRT's... \$10.95

1 - GARRARD RECORD CHANGER Special buy... \$21.50

UTAH "CELESTA" 3-WAY CO-AX SPEAKERS 8"-10" or Mag. 30 Watts... \$16.95

UTAH "CELESTA" 3-WAY CO-AX SPEAKERS 12"-20" or Mag. 45 Watts... \$24.95

UHF TUNER-TRANSISTOR TYPE Used in all TV sets... \$3.95

STANDARD TUNER-TRANSISTOR (GUIDED GRID) 4 Channel closed circuit... \$1.95

PHILCO TV TUNERS Model-76-10983-3 (5GJ7-3H26)... \$4.95

MAGNAVOK TV TUNER 340137-3 (6CC8-6GK5 tubes)... \$7.95

GE-STANDARD COIL TV TUNER Model EU-S6X1 (6HQ5-6GJ7) Model-ET 86X304-(6LJ8-6HA5)... \$7.95

TV TUNERS VHF/UHF all new standard makes, including Tubes... \$7.95

SARKES TARZIAN TUNER 41mc



Latest Compact Model good for all 41 mc TV's.
BRAND NEW-

Best TUNER "SARKES TARZIAN" ever made - last word for stability, definition & smoothness of operation. An opportunity to improve and bring your TV Receiver up-to-date.
COMPLETE with Tubes \$7.95

- ALL NEW TV TUNER Standard makes-less tubes... \$1.95
- WESTINGHOUSE FM TUNER (12DT8 Tube)... \$2.99
- WESTINGHOUSE FM TUNER = 476-V... \$3.99
- 015D01... Transistor... \$1.95
- 300 - ASSORTED HEX NUTS 2/56, 4/40, 5/40, 6/32, 8/32... \$1.95
- 250 - ASST. SOLDERING LUGS best types and sizes... \$1.95
- 250 - ASST. WOOD SCREWS finest popular selection... \$1.95
- 250 - ASST. SELF TAPPING SCREWS #6, #8, etc... \$1.95
- 150 - ASST. 6/32 SCREWS and 150 6/32 HEX NUTS... \$1.95

- 150 - ASST. 8/32 SCREWS and 150 8/32 HEX NUTS... \$1.95
- 150 - ASST. 2/56 SCREWS and 150 2/56 HEX NUTS... \$1.95
- 150 - ASST. 4/40 SCREWS and 150 4/40 HEX NUTS... \$1.95
- 150 - ASST. 5/40 SCREWS and 150 5/40 HEX NUTS... \$1.95
- 500 - ASSORTED RIVETS most useful selected sizes... \$1.95
- 300 ASSORTED WASHERS most useful selected sizes... \$1.95
- 100 - ASST. RUBBER BUMPERS for cabinet bottoms - other uses... \$1.95
- 100-ASSORTED RUBBER GROMMETS best sizes... \$1.95
- SIMPSON 2 1/2" ROUND PANEL METERS Model 125 (0-10 DC Milliameters)... \$3.95
- 12" UNIVERSAL SPEAKER Top Quality Large Magnet... \$4.89
- 10" PHILCO SPEAKER Top Quality Large Magnet... \$2.99
- 8" UNIVERSAL SPEAKER - Large Magnet-Special Buy... \$2.99
- 5" UNIVERSAL TWEETER 1 Oz. Magnet... \$1.29
- UNIVERSAL 4" PM SPEAKER Top Quality 2 1/2" x 4" SPEAKER Special Buy 10 For \$5... \$6.95
- 4" x 8" "QUAM" 16 OHM SPEAKER Large magnet... Special BUY (10 for \$17.95)
- RONETTE STEREO CARTRIDGE latest dual sapphire flipover type... \$2.95
- STEREO HEADPHONES HI-FI Quality Complete with Stereo plug... \$5.95
- COLOR PULLER TRANSFORMER - Good for most sets \$6R150 List Price-\$36.75... \$6.95
- 4-50" HANKS HOOK-UP WIRE assorted colors... \$1.95
- 100'-SPOOL SPEAKER WIRE 2 cond. 1/2 mini zip, clear, 101 uses... \$1.50
- 10 - ASST. RADIO & TV TUBES Every Tube a good number... \$1.95
- 5 - AUDIO OUTPUT TRANSFORM Sub-min for Trans Radios... \$1.95
- 5 - I.F. COIL TRANSFORMERS 456-kc for Transistor Radios... \$1.95
- 6" UNIVERSAL SPEAKER Top quality Special buy Ea... \$1.29
- ALL AMERICAN TV KIT (12AV6-12B26-12BA6-35W4-60C5)... \$2.99
- 70" COLOR TUBE BRIGHTNER... \$3.95
- 90" COLOR TUBE BRIGHTNER... \$4.95
- 10-ASSORTED DIODE CRYSTALS 1N34, 1N48, 1N60, 1N64, etc... \$1.95
- 6 - TOP BRAND SILICON RECTIFIERS 1 amp. 1000 PIV... \$1.95
- 4 - PNP TRANSISTORS general purpose, TO-5 case... \$1.95
- 5 - NPN TRANSISTORS general purpose, TO-5 case... \$1.95
- 50 - ASSORTED TRANSISTORS big factory scoop-sold as-is... \$1.95
- TV TWIN LEAD-IN 300 ohm 500' - \$7.12... \$1.95
- 100' - \$1.50, 50'... \$1.95
- 12 - MINIATURE ELECTROLYTIC CONDENSERS For Transistor & miniature work... \$1.95
- CLARICON AM FM TUNER Solid state, walnut cabinet... \$59.95
- WEN SOLDER GUNS Model 225K... \$8.50 Model 288... \$7.50 Model 250... \$9.95 Model 100K... \$5.95
- ELEMENT COLOR OUTDOOR AN-TENNA Big shot Jr. List \$11.95... \$7.95
- 12" JVC BLACK & WHITE TV Special Buy... \$79.95
- ARISTO WIRELESS INTERCOM Walnut Cabinet, with buzzer call, AC operation... \$22.50

MARKET SCOOP COLUMN

- KLEPS "CLEVER" TEST PRODS "Third-hand" test prods, reach into out of way places - Insulated - cannot slip - accommodates bare wire or banana plug-no soldering... \$1.95
- PROF 10 - VERSATILE TEST PROBE... \$1.95
- KLEPS 10 - BOATHOOK CLAMP 4 1/4" long... \$1.39
- KLEPS 20 - BOATHOOK CLAMP 7" long... \$1.47
- KLEPS 30 - FLEXIBLE-FORKED TONGUE 8" long... \$2.39
- KLEPS 40 - FLEXIBLE-PC BOARD TERMINALS 8 1/4" long... \$1.99
- KLEPS 1-ECONOMY KLEPS-FOR LIGHT WORK... \$1.95
- ASTATIC PICKUP MODEL 700-89T Contains 89T ceramic cartridge LIST PRICE \$17.00... \$2.95
- 20 - DIPPED MYLAR CAPACITORS .01-600V... \$1.95
- 20 - DIPPED MYLAR CAPACITORS .088-600V... \$1.95
- 20 - DIPPED MYLAR CAPACITORS .0088-1000V... \$1.95
- 28 DIPPED MYLAR CAPACITORS .047-400 V... \$1.95
- 15 - MOLDED TUBULAR CAPACITORS .058-400 V... \$1.95
- 20 - DIPPED MYLAR CONDENSERS .0088-400 V... \$1.95
- 10 - SPRAGUE "ORANGE DROP" CAPACITORS .0056-2000 Volt... \$1.95
- 1 - 20 FT. COILED GUITAR CABLE With plug... \$2.95
- 1 - CASSETTE TYPE DYNAMIC MICROPHONE with universal plugs-200 Ohms... \$2.49
- 2 - COLORBURST QUARTZ-CRYSTAL For Most Color TV sets 3579.545 KC... \$1.89
- 4 - ELECTROLYTIC CONDENSERS 75/30mfd-150V... \$1.95
- 6" PHILIPS "INVERTED CONE" SPEAKER Top quality... Thuline... \$2.29
- 1 - 2" x 9" HEAVY DUTY 10 OZ. SPEAKER Ceramic Type - 8 Ohm... \$3.95
- 5 ASST. GLOBAL VARISTOR Popular replacements for most COLOR TV... \$1.95
- 10 - SETS PHONO PLUGS & PIW JACKS RCA type... \$1.95
- 8-PRINTED CIRCUIT IF TRANSFORMERS 4-Lug, 456 KC... \$1.95
- STEREO TONE ARMS Most popular type-turn over cartridge... \$2.95
- CO-AX CABLE RG59 grey or black 250'-50'... \$2.95
- 4 - TV ALIGNMENT TOOLS most useful assortment #1... \$1.95
- 4 - TV ALIGNMENT TOOLS For Color TV #2... \$1.49
- 6 - TV COLOR ALIGNMENT TOOLS Most popular type... \$2.79
- 5 - 9 VOLT MOTORS Excellent for bobbinist... \$1.95
- BLUE LATERAL MAGNET 6" ASST. Replacement for most color TV's... \$1.89
- UNIVERSAL TV ANTENNA Back of set mounting, .5 section rods... \$1.99
- 2 - ELECTROLYTIC CONDENSERS 200/30/4 mfd - 350V... \$1.95
- 8-TRACK TAPE PLAYBACK DECK Compact design fits anywhere... \$27.50
- 3-ELECTROLYTIC CONDENSERS 100 mfd. 100 V. 50 mfd-75 V... \$1.95
- 2-ELECTROLYTIC CONDENSERS C.D. 500 mfd-200 volts... \$1.95
- 2-ELECTROLYTIC CONDENSERS U.N.C. 500 mfd-1000/1000 Mfd. .90 Volt... \$1.95
- 2 - SPRAGUE ELEC. CONDENSERS 80/30/4 mfd. 475 V... \$1.95
- COLOR CONVERGENCE ASSEMBLY Universal type-good for most sets... \$2.49
- COLOR-TV RECTIFIER - Used in most color sets-6500 kv 3 for... \$1.95
- 10 - STANDARD TRANSISTORS NPN PNP 2N404, 2N414, etc... \$1.95
- UTAH 8" HEAVY DUTY 10 OZ. SPEAKER Ceramic Type - 8 Ohm... \$3.95
- ENCLOSURE WITH 8" SPEAKER Excellent value, regularly \$14.95... \$5.95

- 8 - MINIATURE ELECTROLYTIC CAPACITORS 5MPD-150 V... \$1.95
- SHURE M44 Series DIAMOND NEEDLE exact Replacement... \$4.69
- \$20 - SHURE M7D DIAMOND NEEDLE exact replacement... \$3.95
- MATCHED PAIRS TRANSISTORS NPN & PNP (2N4262-2N2904) (2N2222-2N2907) Each set... \$1.95

- ### KNOB SPECIAL
- 100 - ASSORTED RADIO KNOBS All standard type \$20 value... \$1.95
 - 50 - TV KNOBS - POPULAR TYPES Mostly Standard & Fine Tuning... \$1.95
 - 20 - VERTICAL LINEARITY KNOBS Long shank... From mount... assortment... \$1.95
 - 20 - VERTICAL LINEARITY KNOBS Side mount... Standard sizes... \$1.95
 - 25-KNURLED SHAFT KNOBS Hard to get... Best selection... \$1.95
 - 25 - CLOCK & RADIO KNOBS most popular types... \$1.95
 - ANY 6 KITS FOR \$5

- TRANSISTOR RADIO *asst type good*, bad, broken, as-is, potluck... \$1.50
- TAPE RECORDER-assorted types good, bad, broken, as-is, potluck... \$1.49
- 300 - ASST. 1/2 W RESISTORS Top Brand, Short Leads, Excellent Selection... \$1.95
- 100 - ASST 1/2 WATT RESISTORS stand, choice ohms, some in 5%... \$1.95
- 100-ASST 1/2 WATT RESISTORS stand, choice ohms, some in 5%... \$1.95
- 70 - ASST 1 WATT RESISTORS stand, choice ohms, some in 5%... \$1.95
- 35 - ASST 2 WATT RESISTORS stand, choice ohms, some in 5%... \$1.95
- 50 - PRECISION RESISTORS asst. list-price 850 less 96%... \$1.95
- 20 - ASSORTED WIREWOUND RESISTORS, 5, 10, 20 watt... \$1.95
- 18-ASSORTED SLIDE SWITCHES SPST, SPDT, DPST... \$1.95
- 2 COLOR-TV CRT SOCKETS Wired leads, for all color TV's... \$1.95
- 3 - RCA 110° CRT SOCKETS Wired leads, for all TV's... \$1.95
- 26 - SYLVANIA HEAT SINKS For Transistors... \$1.95
- 20 - ASSORTED TV COILS I.F., VIDEO, sound, ratio, etc... \$1.95
- 1 - ELECTROLYTIC CONDENSERS 200/300/100/100 MFD - 25 V... \$1.95
- 1 - ELECTROLYTIC CONDENSERS 100 MFD-400V... \$1.95
- 3 - ELECTROLYTIC CONDENSERS 200/20/20 MFD-450 V... \$1.95
- 1 - RCA COLOR YOKEPART #206214... \$5.95
- SONOTONE CARTRIDGE NO 3T-S... \$1.95
- 32 - TEST PROD WIRE DELUXE QUALITY, red & black... \$1.95
- SOLID STATE UHF CONVER-TOR Channels 14-88, easy to install... \$17.95
- VARCOT STEREO CARTRIDGE-CN-72 With mounting bracket, flipover needle... \$2.95
- 20 - PILOT LIGHT SOCKETS bayonet type, wired... \$1.95
- 100' - FINEST NYLON DIAL CORD best size, (28 gauge)... \$1.95
- ELECTROSTATIC TWEETER SPEAKER for FM, HI-FI, etc... \$1.95
- 15 - MINIATURE 456KC IF TRANSFORMERS PC 1/4" X 1/4"-good value... \$1.95
- 1 - 12BH7 RCA TUBES... \$1.95
- 1 - ELECTROLYTIC CONDENSERS 200 mfd - 200V... \$1.95
- 2 - ELECTROLYTIC CONDENSERS 1500 mfd - 35V... \$1.95
- 1 - 5" SPEAKER with output transformer... \$1.39
- WELLS GEMER TV TUNER 25A1298 (6LJ8 & HA 5 tubes)... \$7.95
- MERCURY TUBE TESTER MODEL 990 Compact, latest model... \$39.95
- MIDLAND STEREO AMPLIFIER Model 26-002, 12 Watt, solid state... \$36.50
- MIDLAND STEREO AMPLIFIER Model 26-003, 25 Watt, Solid State... \$55.00
- STEREO CAR SPEAKER SET Deluxe Series Mount... \$6.50
- RCA 2 SPEAKER AM-FM CHASSIS Deluxe front panel, good for wall mount... \$20.00

TEST EQUIPMENT SPECIAL DISCOUNT PRICES

Leader SENCORE

IMMEDIATE DELIVERY... Scientific light packing for safe delivery at minimum cost.
HANDY WAY TO ORDER... Send check or money order, add extra for shipping. Lists of new offers will be returned in your order.

Please specify refund on shipping overpayment desired: CHECK POSTAGE STAMPS MERCHANDISE (our choice) with advantage to customer

BROOKS RADIO & TV CORP., 487 Columbus Ave., New York, N. Y. 10024 212-874 5600 TELEPHONE

South River's New Improved EAVE MOUNTS

FOR SUPPORTED MAST INSTALLATION

SLOTTED WASHER HEAD LAG SCREW SIMPLIFIES INSTALLATION

FOR GROUND-UP TELESCOPING MAST INSTALLATIONS UP TO AND INCLUDING 50 FT. MASTS

Available in Hot-Dip Galvanized Steel or Aluminum

TEARDROP SCREW HOLES FOR MOUNTING EASE

RIVETED CONSTRUCTION

SERRATED TEETH HOLD MAST

EXCLUSIVE SWIVEL MAST SUPPORT (Back View)

WRITE FOR FULL DETAILS.

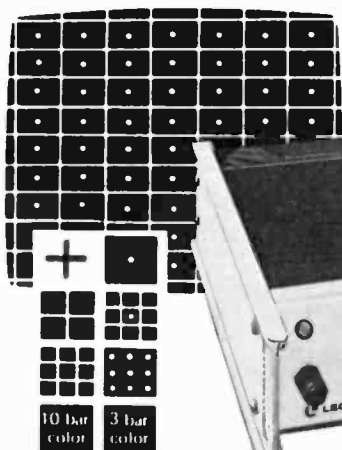
Choice of: 30", 48" or 60" models (size indicates spread of lower bracket).

SOUTH RIVER METAL PRODUCTS CO., INC.
SOUTH RIVER, NEW JERSEY 08882

Circle 27 on reader service card

DOTHATCH®

an exclusive Lectrotech development



one new pattern for all coverage adjustments



BG-20 DOTHATCH
COLOR GENERATOR

The ultimate in pattern stability, at all temperatures, provided by Digital IC Counters. No internal adjustments. RF output channel 3 or 4. Video output 3v. P-P. 4.5 MHz crystal sound carrier. With shoulder strap and self-contained cable compartment. Net 129.50



See your distributor or write Dept. RE-4

LECTROTECH, INC.

5810 N. Western Ave., Chicago, Illinois 60659 · (312) 769-6262

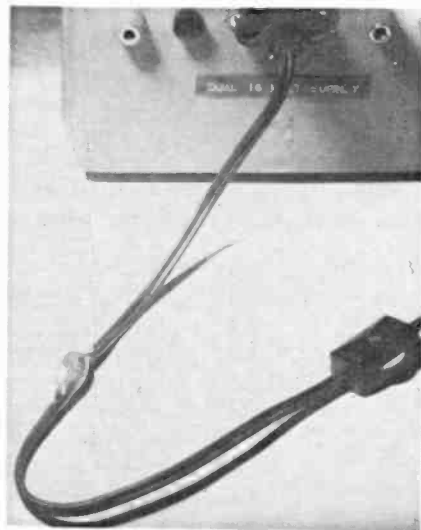
Circle 28 on reader service card

try this

SEPARABLE POWER CORDS

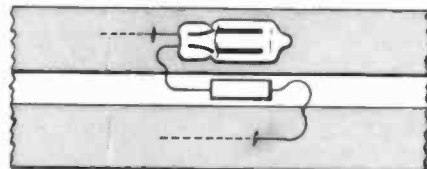
Equipment designed to operate from the power line naturally needs a line cord. Any time its not in actual use, however, the trailing cord can be just a plain nuisance. By modifying a few TV cheater cords you can eliminate the line cord, an indicator light, and on-off switch in each of your future projects. The interlock receptacle which replaces them serves as a solid tie point—something which would have to be provided in any case.

The blob on the cord (see photo) is actually an NE-2 neon lamp in series with a 100,000-ohm resistor across the



power line. No break is made in the cord, the leads are forced between the insulation and wire through punctures made with an awl.

With the bulb and resistor snug against the cord, coat the whole section with a generous blob of "Devcon Five Minute Epoxy." You'll have to keep rotating the cord until



the epoxy sets, since it tends to drip off. If you object to the "free form" appearance of the indicator, form a modeling clay mould around the line to retain the epoxy.

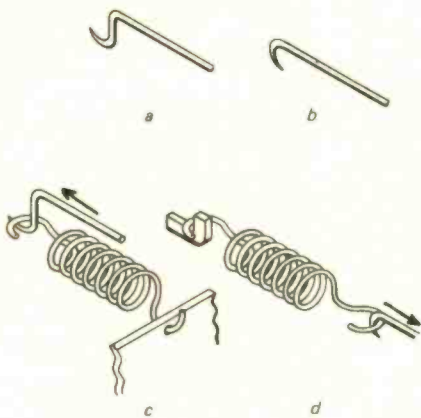
While you're making up the cords you might want to add a line fuse and avoid repeatedly duplicating another item.—R. G. Cooper

USEFUL SPRING HOOK

A spring hook—an almost indispensable tool when repairing record players or tape recorders—can be made in a short time from a bicycle spoke. Cut a piece of spoke about eight inches long. Carefully file or grind about one inch on each end of the spoke to a fine point.

Heat each filed end with a propane torch or other gas flame and allow to cool. This facilitates bending to shape.

Bend a "S" shaped hook in one end and a "C" shaped hook in the other. Note that the first hook has a reverse bend in it (*a* in the drawing), which allows the tool to be used to push on a spring end where it is out of reach of other tools. After careful bending, again heat each end, in turn, to cherry red, and plunge into cold water to harden it.

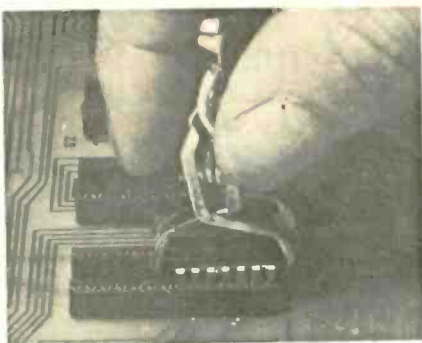


Use the tool as shown in sketches. To push a spring into place, use the reverse-bent hook as in *c*. Push carefully, and let the loop of the spring drop into place. Then, remove the spring hook. A similar procedure is used for pulling a spring into place, as shown at *d*.—Hugh Gordon

DIP HANDLE

Handling IC packages with their delicate leads can present problems. Fingers obstruct the view when aligning the leads for insertion, and when the units are closely spaced removal frequently results in mangled leads.

Professional tools are available, but for occasional use the battery clip shown serves very well. The clips are avail-



able in various sizes from automotive stores and are used for battery charging. The "5 amp." size needs only a little work with a file to clip neatly under the ends of the DIP package.—R. G. Cooper

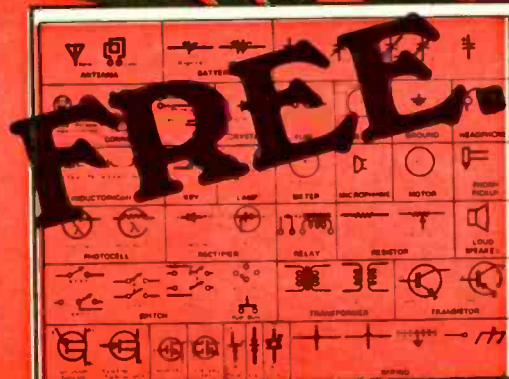
USING DULL WIRE STRIPPERS

If your automatic strippers get dull and won't strip properly, simply squeeze the end of the wire being stripped with a pair of long-nose pliers. The wire will strip cleanly.—A.E. Plavcan

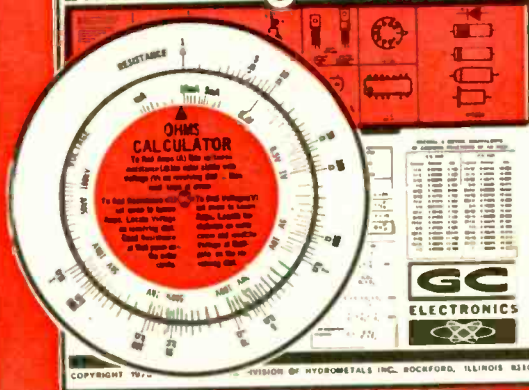
R-E

GIANT Wall Chart of

Electronic Symbols



ELECTRONIC SYMBOLS — DATA CHART — CALECTRO HANDBOOK



with every CALECTRO
HANDBOOK! Available
from your CALECTRO
distributor!



GC ELECTRONICS
DIVISION OF HYDROMETALS, INC.
ROCKFORD, ILLINOIS 61101 U.S.A.

DISCOUNT PRICES TEST EQUIPMENT



I.C.C./Mullard Tube Specials
Telematic Test Jigs & Accessories

Catalog & Prices on Request

FORDHAM Radio Supply Company, Inc.
558 Morris Ave. Bronx, N.Y. Tel: (212) 585-0330
RCA

DISTRIBUTORS OF ELECTRONIC SUPPLIES

Circle 30 on reader service card



THOUSANDS OF BARGAINS — TOP VALUES IN Electronic Parts

Transistors, Modules, Speakers, Stereo, HI-FI, Photo Cells and thousands of other Electronic Parts. Send for **FREE** Catalog



ELECTRONIC DISTRIBUTORS INC.
Dept. TA-2, 4900 Elston
Chicago, Ill. 60630

RUSH CATALOG

Name _____

Address _____

City _____ State _____ Zip Code _____

Circle 61 on reader service card

FM STEREO DECODER

(continued from page 62)

another 19-kHz signal which is in phase with the pilot tone. This in-phase signal is compared with the incoming 19-kHz signal in the stereo switch demodulator and yields a dc component proportional to the pilot tone amplitude. This dc component is filtered and applied to the trigger circuit which activates both the stereo switch and an indicator lamp.

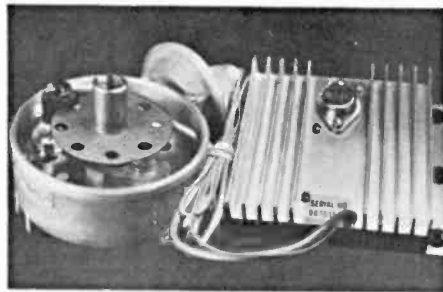
One of the advantages of a phase-locked loop arrangement is the fact that a fairly substantial variation in free-running frequency can be tolerated without degrading the performance in terms of stereo separation or distortion. Once "locked", frequency is absolutely constant (19 kHz) and, more important, phase lag or lead (compared with the incoming pilot tone) is also constant over a wide range of free-running frequencies. Motorola indicates that satisfactory performance will be maintained over a range of 2.5% detuning of free-tuning oscillator frequency. This corresponds to end frequencies of 19,475 Hz and 18,525 Hz—a far cry from the 30-Hz departure from 19-kHz associated with conventional transformer and coil-tuned multiplex decoder circuits. If no regard is given to temperature compensation, free-running frequency will vary with temperature in accordance with the chart of Fig. 10. Under these circumstances, the 2.5% departure from 19 kHz will occur over a wider range of temperatures than is ever likely to be encountered in consumer use of the tuner or receiver product.

Although the phase-locked loop principle has been known and understood for more than 40 years, its practical use in consumer electronics had to await the development of large-scale integration of circuits into single IC chips which we now take for granted. The Motorola MC1310P contains not less than 58 active transistor elements and three diodes plus a Zener diode, not to mention scores of built-in resistors.

The RCA CA-3090 contains 128 transistor elements, 14 conventional diodes, 1 Zener diode and some 114 resistive elements. Both devices are contained in a chip measuring approximately 3/4 inch by 1/4 inch x 3/16 inch!

Other applications for phase-locked loop circuitry in high fidelity equipment are being devised in laboratories around the world. As more information becomes available, we shall perhaps devote a future article to other hi-fi applications of the phase-locked loop circuit. **R-E**

The ultimate in ignition systems—The Infrared Breakerless Electronic Ignition System by Allison Engineering.



Eliminates Breaker Points. Eliminates Tune-ups. Never wears out or needs any maintenance. Timing and Dwell never change.

The Allison Breakerless Ignition system eliminates the points and condenser, replacing them with an optical trigger, using a light emitting diode and phototransistor. Only a system which eliminates breaker points can eliminate tune-up causing wiper arm (contact point rubbing block) wear and give the performance, economy and reliability of true electronic ignition. This is why GM and Chrysler use only breakerless electronic ignition in their new car models.

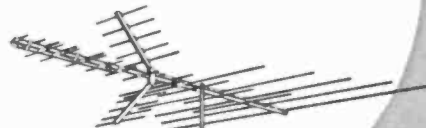
This is the only true electronic ignition that you can install on your car for under \$100.00. The system gives ignition timing 40 times more accurate than systems using breaker points. Actually increase engine efficiency and gas mileage up to 30%. Will not misfire under any conditions. Installs in 20 minutes using existing distributor & coil, no rewiring. Ten times as much energy available for plug firing. Spark plugs last 3 to 10 times longer. Unlimited R.P.M. capability. Tests prove dramatic increase in power and performance. Precision timing means instant starts in any weather and noticeably smoother running. An average 30% reduction in emissions.

Installing the Allison Breakerless Ignition in your car converts the present inefficient trouble prone system to the most advanced electronic ignition system available. Remember if it is not breakerless then it is not true Electronic Ignition.

Units are available for all vehicles, each designed for a specific make, State make, year and number of cylinders. To order: Send \$49.95 PPD, COD orders send \$15.00 pay balance COD to Allison Automotive Co., P.O. Box 973, Temple City, Ca. 91780, or send for free literature.

Circle 62 on reader service card

The Most Advanced Design in Color Combo Antennas



THE ALL-CHANNEL C.V.U.

In these antennas the best features of the log periodic and magnetically driven arrays with an exclusive corner reflector magnetic wave UHF section to make it a top performer. The unique feature of this system is the ability to discriminate between desired signal and unwanted noise. Sharp, vibrant life-like color plus FM stereo listening at its finest.

Investigate now!

S & A ELECTRONICS

Phone 419-693-0528

202 W. Florence St. Toledo, Ohio 43605

Circle 63 on reader service card

next month

SEPTEMBER 1973



■ Build A TV Typewriter

Alphanumeric character generator connects to the antenna terminals of any TV set and produces a message of your choice on the screen. What will you do with it? To name just a few: it's a teaching machine, a computer terminal, a cable system announcement generator. It's written by Don Lancaster

■ What Hi-Fi Speaker Ratings Mean

R-E's Contributing High-Fidelity Editor Len Feldman explodes the myths of speaker-system spec sheets and winds up with a sample of what a speaker spec sheet should look like.

■ How To Wire A House For TV

All about master antenna systems for the one-family home. What equipment to use, how to install it, what it does for you.

■ How To Select TV & FM Antennas

Forest Belt tells how to make that final decision and buy the antenna that's best for you.

**SOLDERING +
DESOLDERING +
RESOLDERING =**

SOLDERABILITY
ELEMENTARY TO ELITE

WORLD'S MOST PRACTICAL SOLDER HANDLING TOOLS

meets industries demands....

with a COMPLETELY PORTABLE SOLDERING/DESOLDERING/RESOLDERING SYSTEM

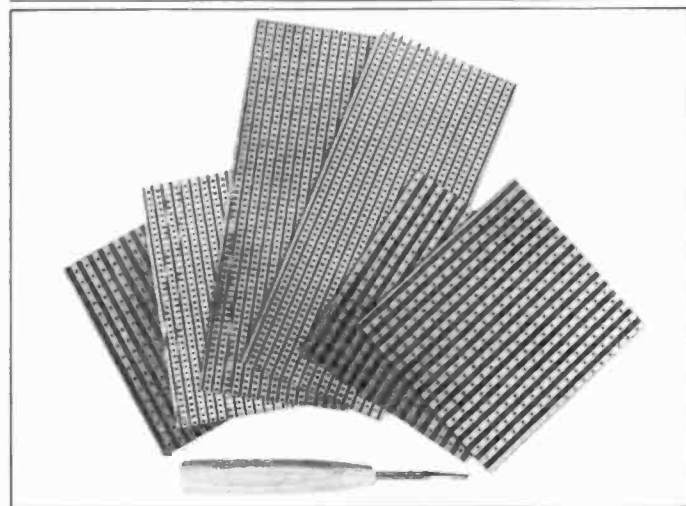


EDSYN

15954 ARMINTA STREET
VAN NUYS, CALIFORNIA 91406
PHONE (213) 989-2324
TELEX NO. 65-1469 EDSYMX VAN

Ads in EEM, MAS, EBG,
AE, TR, and EPAC Catalogs

Circle 64 on reader service card



THE VERO BK-6 KIT LETS YOU BUILD ANY CIRCUIT IN 3 STEPS

Here, in kit form is the fastest, simplest method of circuit building. Veroboard eliminates the need for etching, wires or terminals — you can now build any circuit in 3 easy steps. The BK-6 Veroboard kit contains six assorted veroboards, a spot face cutter and instruction sheet. Try it and you'll never want to go back to the old method again.

\$5⁹⁵

SEND CHECK OR MONEY ORDER
N.Y. RESIDENTS ADD SALES TAX

vero

VERO ELECTRONICS, INC.

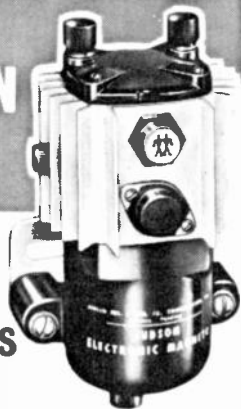
171 BRIDGE ROAD, HAUPPAUGE, N.Y. 11787

Circle 65 on reader service card

AUGUST 1973 • RADIO-ELECTRONICS 89

**THE ONE WORD
FOR PERFORMANCE
AND RELIABILITY IN
ELECTRONIC IGNITION**

JUDSON



**YOU
CAN HAVE
TOMORROW'S
IGNITION ON
YOUR CAR TODAY**

Proven by over 100,000 in operation
for over five years.

Don't accept "as good as" there are
none.

Write Today for Literature



Circle 66 on reader service card

**Everything you wanted to
know about CD Ignition
Systems but didn't know
whom to ask.**

Send for **FREE Tiger booklet**
(20 pages) which answers all
your questions.

Name _____

Address _____

City _____

State _____ Zip _____

CLIP OUT THIS AD AND SEND TO—

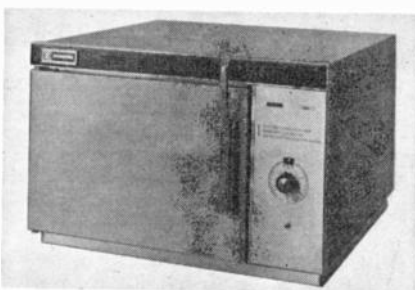
TRI-STAR CORP.
P. O. Box 1727 Dept. H
Grand Junction, Colo. 81501

Circle 67 on reader service card

RADAR OVEN REPAIRS
(continued from page 47)

two readings is the leakage level of
the oven at that particular point.

Leakage measurements should be
taken along all edges of the door, and
at the grille in the door, if the oven has
a viewing window. In addition, leak-
age tests should be performed at all
points on the oven case where leakage
could possibly occur—at the slot be-
tween the timer panel and the oven,
along the top and sides of the oven,
and at the rear of the oven. Excessive
leakage at the rear or top and sides of
the oven may indicate that the mag-
netron and rf gaskets are not seated
properly.



INTERNATIONAL CRYSTAL makes this elec-
tronic oven. Two views show both the exterior
and interior of the quick-cooking machine.

Also check the oven door with
shims placed between the door and
the oven. The thickness of the shims
should be such that the oven door in-
terlock switch is just *barely* defeated.
If leakage on this test is excessive, the
interlock switch should be adjusted so
the oven will not turn on unless the
door is adequately sealed.

If you find excessive leakage
around the door, clean all surfaces
and seals with a damp rag and a mild
detergent. If microwave leakage is still
excessive, the Teflon or metal seals
may have to be changed.

Because he has the test equip-
ment and electronic skills needed to
repair microwave ovens, this venture
can be a profitable undertaking for
the electronic service technician. But
he must be aware of the potential
hazards to himself when working on
this type of equipment, and also of his
responsibility to his customer to limit
radiation leakage.

R-E

**AUTO 8-TRACK TAPE
PLAYER & SPEAKERS**



- *MAXI STEREO IN A MINI SPACE
- *ANY MAKE, ANY YEAR CAR
- *DO-IT-YOURSELF INSTALLATION

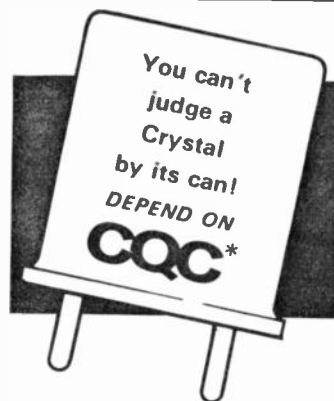
Weltron's Model 717-K 8-track stereo tape
player has 16 watts of output...slide con-
trols for right/left speaker definition & pin-
point tone control...push button channel
selector...lighted digital channel indicator.
Yet it's small enough to fit in the glove com-
partment or the smallest sports car!
8-ohm heavy duty speakers go right into car
door, floor or rear deck...anywhere!

DETAILS FROM YOUR WELTRON
DISTRIBUTOR OR:

Weltron[®]
COMPANY, INC.

DURHAM, NORTH CAROLINA 27702

Circle 68 on reader service card



*Controlled Quality Crystals
for "ON CHANNEL"
Communications

CITIZEN BAND
23 Channels and "Mars"
HAM OPERATORS
Commercial 2-Way

Marine-Monitor
See your Distributor for Speedy
"Zip Certificates"



formerly Texas Crystals
Div. of Whitehall Electronics Corp.
1000 Crystal Drive 4117 W Jefferson Blvd.
Fort Myers, Florida 33901 Los Angeles, California 90016
Circle 69 on reader service card

market center

MANEM
 0.127" HIGH LED 7-SEGMENT
 DISPLAYS ALL NUMBERS AND NINE LETTERS
 COMPACT SPACING - 5 PER INCH
 BRIGHT RED 400FT-L AT 10 MA PER SEGMENT
 EACH.....\$3.00
 TEN OR MORE FOR .. 2.50

LED's
 MV-50 RED EMITTING 10-40MA @2V 0.39
 MV-5020 RED LED 0.45
 MV-100 VISIBLE RED 5-70MA @2V 0.45

RCA 2010
 NUMITRON DIGITAL DISPLAY TUBE, INCANDESCENT FIVE VOLT SEVEN SEGMENT
 .6" HIGH NUMERAL VISIBLE FROM 30 FEET
 STANDARD NINE PIN BASE (SOLDERABLE)
 LEFT HAND DECIMAL POINT
 EACH \$ 5.00
 5 FOR \$20.00

CT5005
 A SINGLE MOS CHIP WITH ALL THE LOGIC NECESSARY FOR A - TWELVE DIGIT - FOUR FUNCTION CALCULATOR WITH AN EXTRA STORAGE REGISTER FOR CONSTANT OR MEMORY APPLICATION
 .28 LEAD DIL PACKAGE..
 CAPABILITIES(+,-,x,÷)
 CHAIN CALCULATIONS
 TRUE CREDIT BALANCE SIGN DISPLAY
 AUTOMATIC KEYBOARD DEBOUNCE
 SINGLE VOLTAGE SUPPLY IS POSSIBLE

COMPLETE WITH DATA\$14.95
 DATA ONLY..... 1.00
 (REFUNDABLE WITH PURCHASE OF CHIP)

SINGLE CHIP 40 PIN
 ADD, SUBTRACT, MULTIPLY, AND DIVIDE
 12 DIGIT DISPLAY AND CALCULATE
 CHAIN CALCULATIONS
 TRUE CREDIT BALANCE SIGN OUTPUT
 AUTOMATIC OVERFLOW INDICATION
 FIXED DECIMAL POINT AT 0, 2, 3, OR 4
 LEADING ZERO SUPPRESSION
 DATA ONLY.....1.00
 (REFUNDABLE WITH PURCHASE OF CHIP)
 COMPLETE WITH DATA\$ 7.95

General Telephone
 KEYBOARD TOUCH-TONE-ENCODING, PROGRAMMING DEVICES. 10 PUSH BUTTONS 0-9.
 SIZE: 3x2x1"
 ONLY \$5.95

NATIONAL/MOS
 DYNAMIC SHIFT REGISTERS TO-5
 MMS02 DUAL 50 BIT 1-25
 MMS06 DUAL 100 BIT 1-75
 MMS06B DUAL 100 BIT 1-50
 MMS03 DUAL 1024 BIT 2-25
 MMS01b 512 DIL 1-50
 STATIC SHIFT REGISTERS
 MMS04 DUAL 16 BIT 1-50
 MMS05 DUAL 32 BIT 1-75
 MMS60 DUAL DIFFERENTIAL ANALOG SWITCH 2-50

ALL IC'S-NEW AND FULLY TESTED-LEADS PLATED WITH GOLD OR SOLDER. ORDERS FOR \$5.00 OR MORE ARE SHIPPED PREPAID. SMALLER ORDERS--ADD 35¢. CALIFORNIA RESIDENTS ADD SALES TAX...IC'S SHIPPED WITHIN 24 HOURS

BABYLON ELECTRONICS
 P.O. BOX J
 CARRICHAEL, CA.
 (916) 966-2111

7400	.35
74000 TTL	.50
7401	.35
74011	.50
7403	.35
7404	.35
74040	.50
7405	.35
74055	.50
74121	1.60
7413	1.15
7410	.35
7420	.35
74L20	.50
74H20	.50
74H22	.50
7430	.35
74L30	.50
7440	.35
74H40	.50
7441	1.60
7442	1.30
7446	1.75
7447	1.75
7448	1.15
7450	.35
7451	.35
74H51	.50
7453	.35
74H53	.50
7454	.35
74L54	.50
7460	.35
74L71	.30
7472	.50
74L72	.60
7473	.65
74L73	.90
7474	.65
74L74	.90
74L54	2.50
7476	.70
7480	.65
7483	1.30
7486	.60
74L92	2.50
7490	1.50
7491	1.15
7492	1.15
7493	1.15
7495	1.25
74L95	2.00
74L07	.70
74H30	.50
74L23	2.00
74L73	1.50
74L75	1.20

CMOS
 C84001 .75
 C84002 .75
 74C00 .75
 C84012 .75
 C84023 .75

LINEARS
 LR100 \$ 1.00
 LR307H 1.00
 LR307K 2.00
 NE555B 1.00
 723(TO-5) .75
 747 1.00
 709 .45
 710 .50
 711 .40
 723 1.00
 748(TO-5) 1.00

LINEAR SPECIAL
 TEN 741 FULLY COMPENSATED OP AMPS WITH DATA SHEETS
 8-PIN DIP ONLY
 TEN FOR \$3.75
 EACH .45

TRIAC
 2N6344 6J0V 8A TO-220 \$1.00

ZENER DIODES 1W
 1N4651 3.9V
 1N4735 6.2V
 1N4740 10.0V
 EACH 0.50

SEND FOR FREE FLYER!!

WANTED

QUICK cash . . . for electronic equipment, components, unused tubes. Send list now! **BARRY**, 512 Broadway, New York, N.Y. 10012, 212 Walker 5-7000

ELECTRONICS ENGINEERING & INSTRUCTION

EVALUATE complex functions on any four-function arithmetic calculator. Details 25¢ (refundable). **ADTECH**, pob 1068, Englewood Co. 80110

SHORTCUTS to success! Highly effective, profitable short courses. (75 choices). Study at home. Diploma awarded. Our 27th year. Free literature. **CIEE-E**, Box 10634, Jackson, Miss. 39209

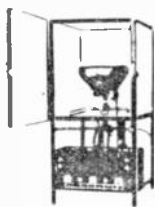
TV TUNER repairs-Complete course details, 12 repair tricks. Many plans. Two lessons, all for \$1. Refundable, **FRANK BOCEK**, Box 3236 (Enterprise), Redding, Calif. 96001

LOGIC newsletter, design and construction. sample copy \$1.00. **LOGIC NEWSLETTER**, Box 252, Waldwick, N.J. 07463

FREE brochure. FCC license. Key Tests-Answers. **ACADEMY OF COMMUNICATIONS TECHNOLOGY**, RE-873, Box 389, Roswell, New Mexico 88201

REBUILD YOUR OWN PICTURE TUBES?

With Lakeside Industries precision equipment, you can rebuild any picture tube!
 For complete details, send name, address, zip code to:
LAKESIDE INDUSTRIES
 3520 W. Fullerton Ave.
 Chicago, Ill. 60647
 Phone: 312-342-3399



YEATS dollies

YEATS PLATFORM DOLLY
 MOST VERSATILE Color Television TRUCK DEVELOPED!
 FREE illustrated brochure
YEATS dollies
 1324 W. FOND DU LAC AVE.
 MILWAUKEE, WIS. 53205
 YEATS Model No. 5 \$76.50

TAPE & RECORDERS

OLD Serials, Movies, & radio shows on tape. Cassettes or reels. Catalog 50¢. **NOSTALGIA**, 9875 SW 212 St., Miami, Fla. 33157

FOR SALE

JAPANESE new products monthly! \$1.00. Refundable **DEERE**, 10639 Riverside, North Hollywood, CA

FREE CATALOG-TREMENDOUS ELECTRONICS BARGAINS. **COMPUKITS**, BOX 4188 G, MOUNTAIN VIEW, CALIFORNIA, 94040.

SALE calculator chips CT 5005. CLOCK CHIPS, TTL, LINEAR IC'S Digital clock kits, photographic timers L.E.D.'s **ASTRO LABS** BOX 524, MESA, ARIZONA 85201

EXPERIMENTER supplies, PC chemicals. solder adhesives, accessories-Free catalog. **TECHNICAL SERVICES**, Box 687, Arlington, MN 55307

FREE catalog Electronic Parts Bargains. **JK PRODUCTS**, P.O. Box 527-R, Norris, Tennessee 37828

MANUALS for Govt. surplus radios, test sets, scopes, teletype. List 50¢. **BOOKS**, 7218 Roanne Drive, Washington, D.C. 20021

BUILD A "SPACE-AGE" TV CAMERA!
 ONLY KNOWN SOLID-STATE CAMERA KIT! FORM ALSO AVAILABLE! factory assembled. Ideal for experimenters, industry, education, etc. High quality performance backed by over seven years of job and field testing. Fully Guaranteed. Completely self-contained. Connects to any TV set without modification. Complete follow-up manual. Model XT-1A, Series D complete with vidicon \$149.00 PP anywhere in USA & Canada (less vidicon \$115.50 pp). Many other kits, parts and plans also available.
 PHONE or WRITE for CATALOG...DIAL 402-987-3771
ATV Research DAKOTA CITY, NEBR. 68731

HIGHLY PROFITABLE ONE-MAN ELECTRONIC FACTORY
 Investment unnecessary, knowledge not required, sales handled by professionals. Ideal home business. Write today for facts! Postcard will do. **Barta-DRF**, Box 248, Walnut Creek, CA 94597.

F.C.C. EXAM MANUAL
 PASS FCC EXAMS! Memorize, study--"1973 Test-Answers" for FCC First and Second class Radiotelephone Licenses. Newly revised multiple-choice questions and diagrams cover all areas tested in FCC exams--plus--"Self-Study Ability Test." \$9.95 postpaid.
COMMAND PRODUCTIONS P.O. BOX 26348 - E
RADIO ENGINEERING DIVISION • SAN FRANCISCO, CALIF. 94126

MULTIPLE VOLTAGE REGULATED TRANSFORMER

7 voltages, 15V @ 10A.
36 V. @ 5A, 10 V. @
5 A., 20V @ 2A. ct., 36
V @ 5 A., 42 V. @ 5A.,
36 V. @ 4A. Resonant
primary regulated. (no
change in output voltage
for up to 20% change in
primary.) 5 1/4" x 4 1/4" x 6".
Complete with regulating
capacitor and data for many more voltage
combinations. Wt. 20 lbs.



STOCK NO. F9584 12.50 ea. 2/22.00

5 VOLT, 1 AMP. REGULATED POWER SUPPLY KIT

Consists of line cord, pilot light, on-off switch, bridge rectifier, filter, fuse holder transformer, LM309 5 volt regulator, and complete instructions. Transformer has additional winding for NIXIE type read-out tubes. Ideal for all TTL circuits.

STOCK NO. J5097 9.50 ea. 3 kits, 25.00

G.E. FLUORESCENT READOUT TUBE
G.E. Y4075 7 segment fluorescent vacuum tube. Operates with 1.2 volts AC or DC on filament, 25 to 55 volts on anodes. Flying leads, mounts on PC board, or TO-5 IC socket. All digits and right hand decimal point. .375" dia. x 1 1/4". 10 pages of applications & data. Stock No. F5026 1.95 ea. 6/11.00



Include sufficient postage, excess refunded. Send for new 56 page catalog, loaded with bargains. MINIMUM ORDER \$3.00

DELTA ELECTRONICS CO.
BOX 1, LYNN, MASSACHUSETTS 01903
Phone (617)388-4705

Circle 78 on reader service card

FREE Bargain Catalog. Transistors, Computer Boards, LEDs, Thermocouples, Parts. **CHANEY'S**, Box 15431, Lakewood, Colorado 80215

CAUTION. Any criticism of this complex device would only exhibit your complete miscomprehension of the profound scientific principles mechanized herein. Order this handsome, humorous, metal plaque for your equipment, projects! Self adhesive. \$2. Two for \$3. Airmailed **AUTEK**, Box 1494R, Canoga Park, Calif. 91304

DIGITAL electronics! Complete schematics, parts lists, theories—Discrete Component Digital Clock, \$3.00—Sound Sensitive Switch, \$1.50. Increase technical competence, hobby skills—Complete course in Digital Electronics is highly effective, \$10.00. Free literature. **DY-NASIGN**, Box 60R2, Wayland, Mass. 01778

EXPERIMENTERS only use my used parts. Save money. Capacitors, resistors, transistors IC's. List 25¢. **TED HOLDER**, 502 Pacific Drive, Belton, Mo. 64012

B & K, Sencore test equipment, discount prices. Free catalog and price sheet. **FORD-HAM RADIO**, 558 Morris Avenue, Bronx, N.Y. 10451

FREE catalog lists resistors, tubes, transistors, rectifiers, condensers, tools, tuners, etc. etc. **HYTRON HUDSON**, Dept. RE 2201 Bergenline Ave., Union City, N.J. 07087

SEMICONDUCTOR and parts catalog. **J. & J. ELECTRONICS**, Box 1437, Winnipeg, Manitoba, Canada

BEAUTIFUL CATALOG. Free! Professional Line of Guaranteed Metal Detectors. Find Coins, Jewelry, Relics. **FISHER**, Room 827-Q, Box 490, Belmont, Ca. 94002

TTL IC Semiconductor, Parts Discount Price List. 10¢. **TOTELEK**, Box 222, Goodyear, Ariz. 85338

CANADIAN'S free catalog LED's, I.C.'s, transistors, SCR's, diodes, parts. **CORONET ELECTRONICS**, 720 Notre Dame St. W., Montreal, Canada

GUARANTEED metal detectors. Catalog. **DETECTOR**, Room 278-T, 102 W. Arrellaga, Santa Barbara, Ca. 93101

1973 hobby electronics directory. Parts, plans, kits surplus, and much more. \$1.50. **NEWCAL**, Box 323-C, El Segundo, Calif. 90245

TUBES

SAVE money on parts and transmitting-receiving tubes, foreign-domestic. Send 25¢ for Giant Catalog. Refunded first order. **UNITED RADIO COMPANY**, 56-R Ferry Street, Newark, N.J. 07105

RADIO & TV tubes 36¢ each. One year guaranteed. Plus many unusual electronic bargains. Free catalog. **CORNELL**, 4217-E University, San Diego, Calif. 92105

RECEIVING & industrial tubes, transistors. All brands—biggest discounts. Technicians, hobbyists, experimenters—request free giant catalog and save! **ZALYTHRON**, 469 Jericho Turnpike, Mineola, N.Y. 11501

PLANS & KITS

ELECTRONIC combination lock solid state. Plans \$2.00 kit \$29.95 **RICHARD MEUSE**, 9 Appleton Terr., Everett, Mass. 02149

BUILD warble tone audio alarm, 1 IC, fully adjustable. Detailed Plans \$1.50 **MULTITRON-ICS**, Box 6, Madison Heights, Michigan 48071

15 AMP CHARGER KIT

Brand new GE transformer with solid state rectifier. Assembled in minutes and ready to charge any 12 volt battery up to 15 amps. — #PK-4 \$7.50

POWER AMP TRANSFORMER

115 VAC input. Output 70 VCT at 3 amps. Makes a magnificent power amp. #73S-43 \$7.50



7 Segment LED display, similar to MAN-1 \$3.50
7 Segment LED display, similar to MAN-3 2.00
7 Segment LED display, similar to MAN-4 3.50
LED (red) 3 for \$1.00 **
LM 309K \$2.00

PA234 1 watt audio amp \$1.25
PA264 5 watt up to 25 volt regulator 1.25
PA265 5 watt up to 37 volt regulator 1.50
GE THYRECTOR 20 amp peak, 30 volt surge protector 5/\$1.00
709 OP AMP TO-5 3/\$1.00
DUAL 709 OP AMP .75

HOW'S YOUR MEMORY

RCA MEMORY STACK
ultra compact 32x32x9 \$50.00
MEMORY STACK 32x32x16x9 frames 100.00
SINGLE PLANE 64x64 10.00
SINGLE PLANE 32x32x16 15.00

AM-FM RADIO \$5.50

Fully built, with AC supply, no cabinet, no speaker. Send for free catalog. Postage extra on above items.

MESHNA PO Bx 62,
E. Lynn, Mass. 01904

Circle 75 on reader service card

IC PRICES SLASHED

FACTORY FIRSTS

NATIONALLY KNOWN BRANDS SATISFACTION GUARANTEED



DIGITAL TTL

ITEM 1-99 100-999*	ITEM 1-99 100-999*
7400N ...32¢... 28¢	7472N ...40¢... 35¢
7401N ...32¢... 28¢	7473N ...52¢... 45¢
7402N ...32¢... 28¢	7474N ...52¢... 45¢
7403N ...32¢... 28¢	7475N \$1.00... 85¢
7404N ...35¢... 31¢	7476N ...60¢... 55¢
7410N ...32¢... 28¢	7487N ...60¢... 55¢
7420N ...32¢... 28¢	7490N \$1.00... 85¢
7430N ...32¢... 28¢	7492N \$1.00... 85¢
7440N ...32¢... 28¢	7493N \$1.00... 85¢
7441N \$1.75 \$1.45	7495N \$1.30 \$1.15
7442N \$1.35 \$1.15	74107N .55¢... 50¢
7447N \$1.30 \$1.10	74121N .70¢... 60¢

*MIXED TTL PRICES

LINEAR INTEGRATED CIRCUITS

709C MINIDIP .60¢	10/\$ 5.50	100/\$ 51
723C DIP\$1.15	10/\$11.50	100/\$100
741C MINIDIP .75¢	10/\$ 7.00	100/\$ 66
748C MINIDIP .80¢	10/\$ 7.50	100/\$ 70
558C MINIDIP \$1.25	10/\$12.00	100/\$110
NE565A DIP\$3.57	10/\$30.00	
LM309K TO-3 ..\$2.50	5/\$11.25	

GENERAL PURPOSE SILICON TRANSISTORS

2N3638 PNP20¢	10/\$1.65	100/\$15.00
2N3638A PNP22¢	10/\$1.80	100/\$16.50
2N3641 NPN23¢	10/\$2.00	100/\$17.50
2N3643 NPN23¢	10/\$2.00	100/\$17.50
2N5133 NPN15¢	10/\$1.25	100/\$10.00
2N5134 NPN15¢	10/\$1.25	100/\$10.00
2N5137 NPN18¢	10/\$1.50	100/\$13.65
2N5138 PNP15¢	10/\$1.25	100/\$10.00
2N5139 PNP15¢	10/\$1.25	100/\$10.00
2N3055 NPN15¢	10/\$9.50	100/\$86.25

1 AMP SILICON RECTIFIERS

1N4001 50PIV12/\$1	100/\$6 1M/\$49
1N4002 100PIV11/\$1	100/\$6 1M/\$51
1N4003 200PIV10/\$1	100/\$7 1M/\$53
1N4004 400PIV10/\$1	100/\$8 1M/\$55
1N4005 600PIV9/\$1	100/\$8 1M/\$61
1N4006 800PIV7/\$1	100/\$9 1M/\$75
1N4006 1000PIV6/\$1	100/\$10 1M/\$83

SILICON SIGNAL DIODES

1N4148 (1N914 equiv.) 20/\$1 100/\$4.50 1M/\$35

INTEGRATED CIRCUIT SOCKETS

14 PIN DIP SOLDER TYPE	45¢
16 PIN DIP SOLDER TYPE	50¢
14 PIN WIRE WRAP TYPE	55¢
16 PIN WIRE WRAP TYPE	60¢

MOLEX IC SOCKET PINS

100/\$1.00 200/\$1.80 300/\$2.60 500/\$4.20
700/\$5.80 1000/\$8.20 ea addn 1000/\$7.50

DISPLAY DEVICES

5 VOLT 7 SEGMENT TUBE	\$3.75
DISPLAY KIT (TUBE+7447+7475+7490)	\$6.15
	3/\$17.50
7 SEGMENT LED (MAN-1 TYPE)	\$4.00
DISPLAY KIT (LED+7447+7475+7490+RESISTORS)	\$6.40 3/\$18.25

1/4 & 1/2 WATT 10% RESISTORS

1/4W 5¢ 30/\$1.20, 100/\$3.00, 500/\$13.75 as low as 1.7¢ ea in quantity-see catalog
1/2W 4¢ 30/90¢, 100/\$2.50, 500/\$11.25 as low as 1¢ ea in quantity-see catalog

COD orders accepted for same day shipment. Call 218 681 6674.

Free Catalog—Large Quantity Discounts—Orders Less Than \$10.00 Add 25¢—Others Postpaid

DIGI-KEY PRICE PAGESetter FOR QUALITY IC'S

BOX 126H THIEF RIVER FALLS, MN56701

Circle 76 on reader service card

ELECTRONIC garage door opener, Complete building plan, installation details. \$2. **AUTOMATIC DOOR CONTROL**, Box 114 Roslyn Heights, New York 11577

UNIQUE devices: PLANS, KITS—SECURITY, AUDIO, HOBBY—CATALOG 50¢ (REFUNDABLE). **METRO-ELCO**, Box 409; Toledo, Ohio 43692

DIGITAL alarm clock kit, consisting of **MOSTEK MK 5017AA MOS/LSI DIP**, four 1/2 inch readouts, PC Board, and instructions. Send \$29.95. **DIGI-TEL ELECTRONICS**, Box 6585, Toledo, Ohio 43612

"**DIGITAL SPEEDOMETER** with numeric readout plans \$7.50 **KIMTRON**, Box 80134, Chamblee, Ga. 30341"

FREE Catalog
OF THE WORLD'S FINEST
GOVERNMENT SURPLUS
ELECTRONIC EQUIPMENT
And **BETTER Than Ever**

Name _____
Address _____
City _____ State _____ Zip _____

Mail Coupon for Your **FREE** Copy, Dept. RE
FAIR RADIO SALES
1016 E. EUREKA • Box 1105 • LIMA, OHIO • 45802

FREE catalog. Most unusual electronic kits available. Music accessories, Surf, Wind Synthesizers, Wind Chimes, many others. **PAIA ELECTRONICS**, Box B14359, Oklahoma City, Okla. 73114.

ELECTRONIC organ kits, keyboards and many components. Independent and divider tone generators. All diode keying. I.C. circuitry. With our kits you can build any type or size organ desired. 25¢ for catalog. **DEVTRONIX ORGAN PRODUCTS**, Dept. B, 5872 Ampola Dr., San Jose, Calif. 95129

DIGITAL IC manual—1973 edition—1500 types. Double listing by type and wiring diagram number. Many cross-referenced. \$3.95. **ELECTRONETICS**, Box 278, Cranbury, N.J. 08512.

FOUR trace scope adapter plans TITUS, Box 242, Blacksburg, Va. 24060

Technical Excellence in Electronics.

On our small, friendly campus the emphasis is on Living as well as Learning. Extra-curricular social activities, student clubs, a student operated radio station, student government, new dormitory and a full sports program help provide a world of your own in which to prepare for tomorrow. Associate Degree in Engineering Electronics. B.S. obtainable. G.I. approved.



VALPARAISO TECHNICAL INSTITUTE
Dept. C, Yellowstone Trail, Valparaiso, Indiana 46383

BUILD 32-function digital computer 24-pin IC, 12 transistors, complete instructions. \$15.25. **ELECTRONETICS**, Box 278, Cranbury, N.J. 08512

BUSINESS OPPORTUNITIES

START small, highly profitable electronic production in your basement. Investment, knowledge unnecessary. Postcard brings facts. **BARTA-REI**, Box 248, Walnut Creek, Calif. 94597

Only you can prevent forest fires.

Independent News Company, Inc. is pleased to announce a Retail Display Plan which includes Radio-Electronics as part of a group of magazines available for the earning of a Display Allowance.

To obtain details and a copy of the formal contract please write to Marketing Department, Independent News Co., Inc., 909 Third Avenue, New York 10022 (Attention Mr. Ken Sprong). Under the Retail Display Plan in consideration of your acceptance and fulfillment of the terms of formal contract to be sent to you upon request you will receive a Display Allowance of 10% of the cover price per copy of each magazine in the group sold by you. This plan will become effective with all issues of the magazine group delivered to you subsequent to the date your written acceptance is received and accepted by our Company.

CLASSIFIED COMMERCIAL RATE (for firms or individuals offering commercial products or services). \$1.00 per word . . . minimum 10 words.

NONCOMMERCIAL RATE (for individuals who want to buy or sell personal items) 70¢ per word . . . no minimum.

FIRST WORD and NAME set in bold caps at no extra charge. Additional bold face at 10¢ per word. Payment must accompany all ads except those placed by accredited advertising agencies. 10% discount on 12 consecutive insertions, if paid in advance. Misleading or objectionable ads not accepted. Copy for October issue must reach us before August 1.

CLASSIFIED ADVERTISING ORDER FORM

1	2	3	4	5
6	7	8	9	10
11	12	13	14	15
16	17	18	19	20
21	22	23	24	25
26	27	28	29	30
31	32	33	34	35

No. of Words { @ .70 Non-Commercial Rates } = \$ _____
 { @ \$1.00 Commercial Rate } = \$ _____
 No. of Words in bold face @ .10 = \$ _____

Total Enclosed \$ \$ _____

Insert _____ time(s)

Starting with _____ issue

Payment must accompany order unless placed through accredited advertising agency 28

NAME _____

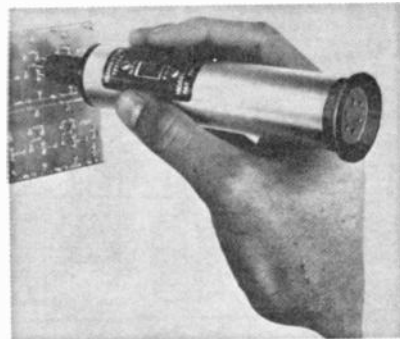
ADDRESS _____

CITY _____ STATE _____ ZIP _____

SIGNATURE _____

MAIL TO: RADIO-ELECTRONICS, CLASSIFIED AD DEPT., 200 PARK AVE. SOUTH, NEW YORK, N.Y. 10003

"IN CIRCUIT" TRANSISTOR TESTER model 85



\$19.95 PREPAID MONEY BACK GUARANTEE

Places transistor into actual operation • Operates upon contact • Clear speaker tone—no visual observations to make • Tests Transistors in or out of the circuit.

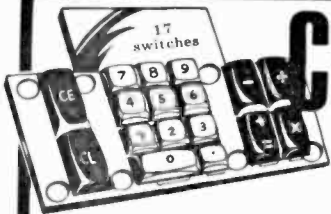
A complete electronic Tester. No additional equipment required. Designed to reach into small areas. Maximum voltage applied to the base-emitter junction by Tester is 0.8 volts.

Simple to operate.

United Sales, Dept. 8690
Brightwood, Washington, D.C. 20011

Calculator Keyboard Sale - \$12.50

3 for \$30



Etched calculator board with holes, as above, less switches... \$2.50 Board

Properly etched, drilled, "MULTIPLXED," with proper diodes. Ready to go! Used with our own CAL TECH's 5001 chip advertised at \$12.95 or equal to Cal Tech or Mostek chip. Keyboard uses the new manufactured by OAK, printed-circuit low-profile FEATHER TOUCH switches, 0-to-9 in white with black letters. Decimal white with black dot. CE, CL and the 4 function switches are in blue with white characters. Designed by top maker. Size: 6 1/2 x 4 1/2 x 1/2". All etched connections link to take a 12-pin edge connector.

OAK FEATHER-TOUCH CALCULATOR KEYBOARD SWITCHES

*For RTTY

*Printed Circuits

*For Unique Panel Switches



Mfd. by OAK (Ham's note, RTTY, too) data systems, same as used in Keyboard Calculator, SPST. Normally Open, 24V 1 amp contacts. Characters and letters easily changed. 3/8" high. Printed circuit.

No.	0*	1*	2*	3*	4*	5*	6*	7*	8*	9*	CE†	CL†	+ = †	÷ †	x †	.
	\$0.69	.49	.49	.49	.49	.49	.49	.49	.49	.49	.49	.49	.49	.49	.49	.49

Kit of 17 above switches for keyboard... \$9.00

*White top, black numbers.
†Blue top, white characters.

OPCOA'S MAN-1

\$3.50
3 for \$9

7-SEGMENT ALPHA-NUMERIC LED READOUT

- Same size, and characteristics as MAN-1. 5V 20 mils, 7-segment, 0-to-9 etc. Except character size 0.33... \$3.50
- Same as above, but with decimal missing... \$2.98
- Same as above, but with decimal and 1-segment missing... \$1.00
- Same as above, but cosmetically off, otherwise perfect... \$2.95

'PIK-A-PAK' FACTORY IC KITS

- Factory To You!
- With Diagram
- No Test!
- 24-709, 710, 711, 723, 741 asst. cases \$2.98
- 24-7400 Series, Dual in line, asst. 1.98
- 24-Linear & 7400 Series, asst. cases 1.98

BURROUGHS 8-DIGIT "UNIVERSAL" NEON READOUTS



PC Board Included!

Only \$19.95
WORTH \$50.00

Designed for use with LSI, digital clocks, calculators, frequency counters, DVM's, & precision chronometers, tool

Eight individual Burroughs B5750's Nixie tubes mounted on a universal 4 1/2 x 1 1/2" MUX board with pin outs for digit drivers & segment.

Use all 8 readouts or any number of readouts from 1 to 8 SIMPLY, EASILY. Electrical characteristics: 170 VDC, 2 decimal points, 2 anode pins. We include schematics & instructions. • Characters 9/16" high

POWER TRANSFORMER FOR ABOVE 110 to 170 VAC with 6.3V tap on secondary for TTL's... **Only \$1.95**

1ST
Time
Advertised Anywhere!

NIXIE

\$5.50
3 for \$15.00

COUNTING SYSTEM

Includes SN7490, decade counter, SN7475 latch, SN7441 BCD decoder driver, 0-to-9 Nixie tube, instructions.

RCA NUMITRON 7-SEGMENT TUBES

DR2000. Character height 0.6" x .235". 5V @ 24 mils per seg. Fit standard 9-pin tube socket. 0-to-9 numerals. **\$2.99**

RCA DR2110 NUMITRON TUBES

7-Segment, 10-pins, fits TO6 socket. Character size: 0.40" x .230". 5V @ 24 mils per seg. With left decimal. 0-to-9 **\$2.99**

0-9 plus letters

Snaps in 14-pin DIP socket. 1/4" x 3/8" characters: 1/8" x 3/16", 5V, 20-mils per seg. characters: 1/8" x 3/16". Famous MAN-1 type. Sockets .50 ea.

MAN-1* LED READOUTS
\$4.50
3 for \$12.

MAN-2* ALPHA-NUMERIC

\$8.88

5x7 dot matrix (35 LEDs). 0 to 9 and A to Z. Displays 64 characters ASCII code. Requires 2513 character generator. Each diode 3V @ 20 mils. Snaps in 14-pin dip socket.

MAN-5* GREEN

\$8.88

0-9 Numerals, 9 letters, left decimal. Snaps in 14-pin dip socket. Size equal to MAN-1. Compatible with ICs. 3V @ 40 mils per seg., 7-segment.

MAN-8* YELLOW

\$8.88

0-9 Numerals, 0 letters, left dec. pt. Snaps in 14-pin dip socket. Size equal to MAN-1. Compatible with TTL ICs. 5V @ 40 mils. 7-Seg.

ALPHA-NUMERIC 7-SEG. READOUTS

\$3.50 3 for \$9

MINI-7 — Fluorescent Blue-Green Socket — 50c
SLIM-7 — Fluorescent Blue-Green Socket — 50c

Mini-7: 1.75 x 1.75 x .17" 360 x 370" 1.5V AC/DC 42 mils
SLIM-7: 1.6 x 0.375" .40 x .20" 1.5V AC/DC 42 mils

*Compatible to 7-segment driver IC's.

MINI-7 All 3 have 0-9 numerals, decimals and letters. SLIM-7

Unique Scientific Device, "hand claps", sensitizes crystal mike amplifier, triggers SCR. Needs only 3 to 6vdc. Use as burglar alarm, intrusion device. Use with photo cell, triggers SCR's, relays, LED's. Even fiber optic light pipe may be used. With hand booklet.

MAGIC "SOUND TRIGGER"

\$1.98

TEXAS 4-WATT AUDIO AMPLIFIER

Type SN76024. Good up to 70 Hz. 4 W. Into an 8-ohm load, high input impedance, VCC 9V to 24. DIP pak with heat sink. 15 transistors, 5 diodes. **\$3.95** 3 for \$9



RADIATION SURVEY INSTRUMENT

\$9.95

Wt. 3 lbs; size 5x4x8 1/2".

Victoreen 710B, measures Gamma radiation from 0.1-50 roentgens/hr. This surplus C-D meter is new, guaranteed and comes with a complete manual of instructions, theory of operation, circuitry, detailed parts list. The 20 µa meter is calibrated in roentgens per hour, indicating the presence of gamma radiation. Three multiplier scales (Victoreen 100,000 meg; 10,000 meg; 1,000 meg decade) matched within ±2%

VU PANEL METERS

For measuring sound noise levels. Essentially low range rectifier type component. Internal imp. 3900 ohms. Steady state reference 1 mw. For 600V line. **\$1.49**



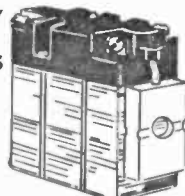
PHILCO-FORD DYNAMIC MIKE

\$1.49

Replacement for tape recorders, PA systems, audio amps. 200 ohms, 8-ft. cord and mini mike plug. 200-6000 Hz. Wt. 8 oz. Fits in "palm of hand." 2 1/4" x 1 1/4" x 1/8". Impact plastic

6VDC 6AMP/HR MOTORCYCLE BATTERY

• Compact
• Needs only Electrolyte **\$5.95**
• Worth \$10-\$15



Use as power pak for mobile rigs & many "Ham" components, other electronic projects. Size: 5 1/2" tall x 4 1/2" wide overall x 2 1/4" Shipped dry, must be filled before use.

NEW FOR 1973!

Never before offered at this price! You've seen them at \$175, \$149 — but now at a price calculator users can afford. EIGHT-DIGIT fluorescent display has 16-digit capacity. Adds! Subtracts! Multiplies! and Divides! in chain or mixed calculations. Includes MINUS sign showing negative credit balance. OVERFLOW INDICATOR 10 to the eight power. CONSTANT (K) MEMORY switch. Floating decimal or 2, 3, 4, 5 decimal points as required. (CE) key clears calculator of last entry error. Automatic loading and trailing zero suppression. LSI (Large Scale Integration) equivalent to more than 8,000 transistors. Calculation speed adds and subtracts 10,000th of a second. Keyboard is REEL SWITCH assembly for extensive trouble-free operation. Separate power switch. Removable 115 VAC line cord. Power 110-120 VAC 50-60 cycles. Wt. 3 lbs. Handsome black molded cabinet with silver trim, size: 9 1/2" x 5 7/8" x 3 1/4". Complete with easy-to-understand booklet. THE ONLY FACTORY GUARANTEED CALCULATOR BY A MAIL ORDER ADVERTISER. GIVE PACKED!

Uses single Texas Instrument "Chip" Features found in more expensive units For Home, Office, Shop, Student, School

ELECTRONIC CALCULATOR COMPLETELY WIRED

Only **7995**

NOT A KIT

Buy 3 — Take 10% Discount



15¢ CATALOG on Fiber Optics, 'IC's, Semi's, Parts

Terms: add postage
Phone Orders: Wakefield, Mass. (617) 245-3420
Retail: 18-18 Del Carmine St., Wakefield, Mass. (off Water Street) C.O.D.'S MAY BE PHONED
P.O. BOX 942R, LYNNFIELD, MASS. 01940

POLY PAKS

3 "FANS ON A RACK"

Tri "prop" fans on a silver-gray relay rack panel (19"). Excellent for your "rig", darkroom or any type of electronic work. Even ideal for hobby projects. 200 CFM per 4" fan. Each fan has 6" close mesh guard on each side of fan. Easily reversible. 3000 rpm motor, has hp of 1/80. Operates on 115/1/60 cycles. Wt. 7 lbs. By Howard Industries.

Only **\$12.00**
2 for \$20

NATIONAL EQUALS ON "DIGITAL CLOCK on a CHIP"

Any "Chip" **\$12.88**

Mfrs	Description	Sale
5311	28-pin, ceramic, any readout, 6-digital A-B-D	\$12.88
5312	24-pin, ceramic, any readout, 4-digital C-	\$12.88
5313	28-pin, ceramic, any readout, 6-digital A-C	\$12.88
5314	24-pin, plastic, LED and incandescent readouts, 6-digital A-B	\$12.88

Code: A—Hoid Count, C—PPS Output, B—Output Strobe, D—BCD

Compare and Save! Money Back Guarantee! With Spec Sheet!

12-DIGIT "CALCULATOR CHIP" SALE

Similar to Mostek 6001. Outperforms Texas 8-digit TMS1802. A 40-pin DIP. Adds, multiplies, subtracts, and divides. Use with segment readouts, Nixies, and LEDs. We include schematics, instructions to build calculator.

CT5005 — Same as above with MEMORY — \$14.95

Only **\$12.88** 3 for \$38

GENERAL TELEPHONE DATA ENTRY KEYBOARD

Used in calculators, touch-tone, encoding, programming devices. 10 PUSH BUTTONS (0 to 9) & 2 uncommitted. All switches have 2 separate poles & 6 separate buses — totalling 6 buses & 24 poles. Any combination of which can be used! Size: 3.2x2.1x1.7"

Only **\$8.88**

WORLD FAMOUS SEMI-KON Dollar Stretchers

- 5-MOS REGISTERS, 8018-17, mini dips, no-test \$1.10
 - 5-MOS REGISTERS, 601-6, etc., TO-6, no-test \$1.10
 - 1-2N3055 npr, 100W, 15A, TO-3, transistor \$1.10
 - 8-ER900 TRIGGER DIODES for SCKs & Tracs \$1.10
 - 2-FET'S 2N5457 N channel 6000 umhos, TO-22 plastic \$1.10
 - 10-1N914 test diodes, silicon, 4 nanoseconds \$1.10
 - 6-AMP TRIC 200 PRV, TO-5 \$1.10
 - 40-ITT MICRO MINI RECTIFIERS silicon porcelain to 1KV \$1.10
 - 30-WORLD'S SMALLEST RECT. & zeners, 100V, assorted volts \$1.10
 - 4-2N4289 Nixie tube driver transistors, 100V, 800 pnp \$1.10
 - 2-PUTS, prog. mini-transistors to GE-D18T \$1.10
 - 2-2N3638 PNP, N channel, 6000 umho TO-18 \$1.10
 - 3-2N2646 UNIJUNCTIONS, plastic transistors, Texas \$1.10
 - 5-2N107, GE, most commonly used pnp, germanium \$1.10
 - 50-SILICON, glass rectifiers, comput, axial leads \$1.10
 - 50-GERMANIUM, glass rectifiers, sign, axial leads \$1.10
 - 2-2N171 GE, Rf, germanium, amp, transistors, TO-22 \$1.10
 - 6-1-AMP 1000 PIV, epoxy, submini, silicon rectifiers \$1.10
 - 30-800Mhz ZENERS, axial 4, 6, 9, 10, 12V rectifiers \$1.10
 - 4-2N3055, HOBBY, 40W pnp silicon transistors, TO-3 \$1.10
 - 30-3-AMP RECTIFIERS, silicon, epoxy, assorted V. axial \$1.10
 - 7-5N7441N, hobby, BCD-to-Nixie driver IC, DIP \$1.10
 - 10-LINEAR AMPS, 709, 710, 711, 741, TO-5 \$1.10
 - 10-709 LINEAR AMPS, 741's too, DIP'S \$1.10
 - 5-HOBBY MEMORY CELLS, SN7481, TO-18 cell, DIP \$1.10
 - 2-2N5206 3E-WATT PNP PLASTIC TRANSISTORS, for NE-540 \$1.10
 - 2-2N6109 40-WATT PNP PLASTIC TRANSISTORS, for NE-540 \$1.10
 - 10-RCA CA-3000 OP AMPS, TO-5 case \$1.10
 - 5-723 VOLTAGE REGULATORS, TO-5 \$1.10
 - 4-1000 HFE DARLINGTON Transistors, TO-18 case \$1.10
 - 2-2N5036 3E-WATT PNP PLASTIC TRANS, 100 vce, 7 amp 85 watts \$1.10
 - 4-2N5296 HOBBY, 85 watts, plastic powers, PNP \$1.10
 - 4-2N6109 HOBBY, 40 watts, plastic powers, PNP \$1.10
 - 5-PLASTIC 35W powers, npr, silicon, hobby 2N6121 \$1.10
 - 5-PLASTIC 35W powers, pnp, silicon, hobby 2N6124 \$1.10
 - 5-MOS FET'S, N channel 10K umos 3N128, TO-18, RCA \$1.10
 - 2-MOS FET'S, DUAL GATE, N chan. 3N187, TO-18, RCA \$1.10
 - 2-MOS FET'S, DUAL GATE, N chan. 3N140, TO-18, RCA \$1.10
 - 4-PHASE LOCK LOOPS, hobby, 565, 560, 561 \$1.10
 - 10-MINI 3165 phase lock loops, 709, 741, 301, 307, hobby \$1.10
 - 4-VOLTAGE REGULATORS, 1M309K, hobby, TO-3 \$1.10
 - 1-300V PLASTIC POWER TAB transistors, 6W \$1.10
 - 10-TO-5 Case 536, 540, 565, 567, 741 \$1.10
- *Untested, guaranteed satisfaction

HOT EXPERIMENTER SPECIALS BY POLY PAKS

- 1-5311-14 CLOCK ON A CHIP, 4-or-6 digit, 24-or-28-pin \$1.10
 - 1-CALCULATOR ON A CHIP, hobby, exp. 40-pin, specs \$1.10
 - 1-DECADE COUNTER, hobby special, SN7490, DIP pak \$1.10
 - 1-2516 CHARACTER GENERATORS, hobby, for MAN 2 \$1.10
 - 1-2513 CHARACTER GENERATOR, hobby for MAN-2 \$1.10
 - 5-555 HOBBY TIMER special, in the mini DIP paks \$1.10
 - 10-NATIONAL 301 and 307 HOBBY OP AMP SPECIAL TO-5 \$1.10
 - 15-NATIONAL & SIGMETIC TTL dip special, all marked \$1.10
 - 10-SIGNETIC OP AMP, 531, 538, 536, 560, 555, DIPs, TO-5 \$1.10
- 1- PHOTO TRANSISTOR, with darlington amp filter, lens \$1.10
2- PHOTO TRANSISTORS, with darlington amp, 2N5777, GE \$1.10
4- PHOTO CELLS, Cialrex, nancake, 30K-70 ohms \$1.10

SUPER ECONOMY \$1 PARTS "DOLLAR STRETCHERS"

- 30-MICRO RESISTORS, 3-to-25m, square, vitreous, asst. vals. \$1.10
- 10-MICRO REED SWITCHES, 1" long, transistor work \$1.10
- 1-\$25. SURPRISE PAK, resistors, caps, transistors, etc. \$1.10
- 50-TERMINAL STRIPS, 1-to-8 screw & tie lugs \$1.10
- 30-SQUARE DISCS, 85mmf, to 0.1mf, space-savers \$1.10
- 75-PRE-FORMED DISCS, condensers, printed circuit \$1.10
- 80-TUBE SOCKETS, receptacles, plugs, audio, etc. \$1.10
- 100-PRE-FORMED RESISTORS, 1/2 watt, printed circuit \$1.10
- 50-COILS, IF, CHOKES, IF, 1 to 8 screw, otc, pnnaisic \$1.10
- 60-PRECISION RESISTORS, 1/8, 1/2, 1 & 2w, 1% asst. vals. \$1.10
- 60-TUBULAR CONDENSERS, to .5mf, to 1kv, molded too \$1.10
- 30-POLYSTYRENE CONDS, finest caps made, asst. values \$1.10
- 10-PANEL SWITCHES, 110VAC, micro, rotary, thermal, slide \$1.10
- 10-VOLUME CONTROLS, to 1 meg, dual, some w/switch \$1.10
- 40-MICRO MINI RESISTORS, 1/8w, 100 ohm to 1 meg, 5% \$1.10
- 40-MICRO-MICRO-MINI CONDENSERS, to .05mf ceramf \$1.10
- 5-IBM COMPUTER BOARDS, trans, caps, res, coils, etc. \$1.10
- 1D-ELECTROLYTIC COND'S, FP's, & tubular, 2 & 3 sect, 100 \$1.10
- 6-TRIMMER POTS, 100, 500, 2K, 5K, 10K, 25K, 50K, 100K, 1 meg \$1.10
- 6-MICROB snap-in, 1/8w, 25k, 50k, 100k, 1 meg \$1.10
- 30-YELLOW PACKET MYLARS, assorted values & sizes \$1.10
- 1D-POWER TRANSISTOR SOCKETS, for TO-3, asst. types \$1.10
- 64-PLASTIC TRANSISTORS TO-18, printed circuit \$1.10

Lowest Prices Largest Selection TTL IC's

Brand New "DIP" Packages Order by type number! Spec sheets on request "ONLY" Buy 3 or more, 10% discount

Type	Sale	SN7438	.60	SN7481	1.50	SN74148	1.40
SN7401	\$0.30	SN7440	.30	SN7482	.98	SN74151	1.25
SN7402	.30	SN7441	1.40	SN7483	1.50	SN74153	1.60
SN7403	.30	SN7442	1.25	SN7484	1.41	SN74154	2.10
SN7404	.38	SN7443	1.35	SN7486	.55	SN74155	1.55
SN7405	.32	SN7444	1.35	SN7489	3.75	SN74156	1.55
SN7406	.35	SN7445	1.35	SN7490	1.50	SN74157	1.55
SN7407	.55	SN7446	1.68	SN7491	1.50	SN74158	1.55
SN7408	.35	SN7447	1.65	SN7492	1.10	SN74160	1.95
SN7409	.35	SN7448	1.50	SN7493	1.10	SN74161	1.95
SN7410	.30	SN7449	.35	SN7494	1.10	SN74162	1.95
SN7411	.35	SN7451	.35	SN7495	1.10	SN74163	1.95
SN7413	.95	SN7453	.35	SN7496	1.10	SN74164	3.50
SN7415	.55	SN7454	.50	SN74100	1.49	SN74165	3.80
SN7416	.58	SN7455	.35	SN74104	.55	SN74180	1.20
SN7417	.55	SN7456	.35	SN74105	.55	SN74181	4.50
SN7420	.30	SN7457	.50	SN74106	1.28	SN74182	2.50
SN7421	.35	SN7458	.50	SN74107	.60	SN74184	2.50
SN7422	.35	SN7459	.50	SN74108	1.25	SN74185	2.50
SN7426	.37	SN7473	.65	SN74112	1.25	SN74192	1.95
SN7430	.30	SN7474	.68	SN74113	1.25	SN74193	1.95
SN7432	.30	SN7475	1.30	SN74114	1.25	SN74194	1.95
SN7437	.60	SN7476	.75	SN74121	.70	SN74195	1.35
		SN7478	.98	SN74122	.75	SN74198	2.65
		SN7480	.75	SN74123	1.20	SN74199	2.65
				SN74160	.50	SN74200	9.99

Designed by our Scientific Device engineers as the most advanced digital timing device in the consumer "time" field. One radio-and-TV station engineer tells us, "It's a change of a second in 3 months." It is so accurate we use it as our standard. KRONOS KR100 Series in the new sleek all-purpose walnut-and-black modern design cabinet, enhances any office, home, den, etc. It becomes a "visible-action conversation piece" wherever it is placed. Has modern LSI National Clock Chip, and 8-page brochure choc-full with pictorials and easy-to-understand, step-by-step instructions. This kit is COMPLETELY SIMPLIFIED making do-it-yourself easy! Other features include 3 setting controls, 1 hour per second, 1 minute per second, and hold button. Easy-to-change from 12 to 24 hours, 4 to 6 digits, 50 to 60 Hz operation. Your choice of 3 different type readout systems: MAN-3 Type LED, MAN-1 Type LED (the larger character size), MAN-4 Type LED, 7-Segment Nixie Type Tubes. Kit includes POLAROID filter.

Wired add \$19.95 Size of cabinet: 6" x 5 1/2" x 6" deep

KRONOS \$47.

With Cabinet

'TIME STANDARD' CHROMOMETER

- KR101 7-Segment MAN-3 Type LED, 6 Digits \$47.00
- KR102 7-Segment MAN-1 Type LED, 6 Digits \$69.95
- KR103 7-Segment MAN-4 Type LED, 6 Digits \$57.00
- KR104 7-Segment Nixie Type Tubes Buy 3 — Take 10% \$47.00

PHILCO 11 TRANSISTOR AM RADIO CHASSIS

Use as: Mike amplifier Tone amplifier Phase amplifier Taps amplifier

Only **\$5.95**

One of the most versatile AM Radio and multi-purpose amplifiers we have seen at Poly Paks famous "Economy" price. Measures only 4 1/2" x 3" x 2" high. With tuning capacitor, IF circuitry, loopstick, ant., volume control with switch, AC and phono-mike jacks. Separate switch for changing from AM radio to amplifier. Uses either 110V plug-in adapter (not with unit) and a 9-volt battery power. Exceptional sensitivity and power. Feeds into 16 ohm speaker. Complete with spec sheets, diagrams, and hookup ideas. AC or DC

Shpg. wt. 1-lb.

AC-DC CHARGER-CONVERTER

Only **\$1.98**

Converts 11-and-8-transistor chassis from 9VDC to 110VAC. Easy to hook in. Use as "NICAD" battery charger too (with instructions). Size: 2"x1 1/4"x1 1/4" 1-lb.

5-ounce ceramic, cylindrical magnet. Twin voice coil, 4 and 8 ohms. 50-16,000 cycles. Shpg. wt. 3 lbs. Only \$1.98

5-IN. "HI-FI" PM SPEAKER

8 TRANSISTOR AMPLIFIER CHASSIS

Same as above, except no AM radio section. Completely wired. With built-in preamp, mike, phono and tape inputs. Color-coded wires with diagram and hookups. Works off 9VDC transistor battery. Excellent fidelity.

Only **\$3.95**

LINEAR Op Amps

- FACTORY GUARANTEED FACTORY TESTED Buy Any 3 PAKS Take 10% Discount
- 531 HI slow rate op-amp (TD-5) \$2.50
 - 532 Micro power 741 (TD-5) 2.50
 - 533 Micro power 709 (TD-5) 3.95
 - 536 FET input op amp (TO-5) 2.50
 - 537 Precision 741 (TO-5) 2.50
 - 540 70W pwr driver amp (TD-5) 2.50
 - 550 Precision 723 voltage reg. (DIP) 1.17
 - 555 Timer 2 to 5 seconds to 1-hr (A) 2.10
 - 556 8 Times faster 741C (A) .88
 - 559 Dual 741 (mini DIP) 1.19
 - 560 Phase lock loops (DIP) 3.25
 - 561 Phase lock loops (DIP) 3.25
 - 562 Phase lock loops (DIP) 3.25
 - 565 Phase lock loops (A) 3.25
 - 566 Function generator (A) 3.25
 - 567 Tone generator (A) 3.10
 - 595 Four quadrant multiplier 4.4
 - 702C HI-grain, DC amp (TO-5) 1.00
 - 703C Rf-IF, amp, 14 ckt (TO-5) .44
 - 708C Operational amp (A) .44
 - 709CV Op amp (mini DIP) .49
 - 710C Differential amp (A) .44
 - 711C Dual diff. comp (A) .95
 - 723C Voltage regulator (A) .49
 - 709-709 Dual 709C (A) .49
 - 741CV Freq. comp 709 (Mini DIP) .49
 - 747C Dual 741C (A) 1.25
 - 748C Freq. adj. 741C (A) .44
 - 748CV Freq. adj. 741C (mini DIP) .49
 - 709-709 Dual 709C (DIP) 1.00
 - 739-739 Dual stereo preamp 1.98
 - 741-741 Dual 741C (A) 1.00
- (A) TO-5 or DIP dual in line pak

NATIONAL 'OP' AMPS

- BUY ANY 3 — TAKE 10%
- | Type | Description | Sale |
|---------|------------------------|--------|
| LM-300 | Super 723 V. reg. | \$1.49 |
| LM-301 | Hi-performance amp | .49 |
| LM-302 | Voltage follower | 1.49 |
| LM-304 | Neg. V. reg. | 1.49 |
| LM-305 | Pos. V. reg. | 1.49 |
| LM-307 | Super 741 | .59 |
| LM-308 | Super gain op amp | 1.50 |
| LM-309H | SV 200 mV. reg. | 1.50 |
| LM-309K | SV 1-amp V. reg. | 2.25 |
| LM-311 | Comparator | 1.50 |
| LM-320 | Minus SV 1-amp V.R. | 2.95 |
| LM-320 | Minus 12V 1-amp V.R. | 2.95 |
| LM-350 | Dual peripheral driver | .59 |
| LM-370 | AOC speech op amp | 1.49 |
| LM-371 | R-F, I-F, op amp | .69 |
| LM-380 | AM, FM, SSB, I-F strip | 3.75 |
| LM-380 | 2-watt audio amplifier | 1.95 |
- *TO-3 case, — others TO-8

GENERAL ELECTRIC 3-WATT AUDIO AMP \$2.95

Delivers 3 watts continuous, 10 watts peak. With heat sink; micro-mini size: 1 1/4" x 1/2" x 1/2". 9 90V supply. High sensitivity to 18 ohms. For mono and stereo phonos, tape, FM, AM, TV, servo.

"How's Your MEMORIES For 1973?"

- 1101 256 Bit RAM MDS \$3.90
- 1103 1024 Bit RAM MDS 8.50
- 2513 Character Gen. ROM 12.50
- 2516 Character Gen. ROM 12.50
- 7489 64 Bit RAM TTL 3.50
- 8223 Programmable ROM 7.95

35 WATT AUDIO AMPLIFIER BASIC 2 FOR STEREO \$3.33

For Class AB use. Basic includes: Signetic 540 30 transistor high power driver TO-5 IC, with a pair of complementary 35-watt audio transistors, 2N5296 npr and 2N6109 pnp. With schematics, printed circuit and parts board layouts.

INTEGRATED CIRCUIT SOCKETS

Buy Any 3 — Take 10% Discount!

- 14-Pin, dual in line \$5.40
- TO-5, 8 or 10 pins .29

WIRE-WRAP 59c INTEGRATED CIRCUIT SOCKETS 14-Pin, 2 for \$1.

POLY PAKS

Terms: add postage. Phone Orders: Wakefield, Mass. (617) 245-8829 Retail: 16-18 Del Carmine St. Wakefield, Mass. (on Water Street) C.O.D.'S MAY BE PHONED

15c CATALOG on FIBER OPTICS, IC's, Semi's, Parts

P.O. BOX 942R, LYNNFIELD, MASS. 01940

INTEGRATED CIRCUIT BREADBOARD SYSTEM



Included is one 4 1/2" x 7 1/2" etched glass epoxy board which will mount up to 81 C's in sockets or soldered from either side. Also over 600 cardstock lay-overs are included, each 3/8" x 1 1/4", showing pin connections for most of the 7400 series, top or bottom mounted. Each solder pad will accept 3-5 wires or discrete components. Board undrilled. Send \$4.95 plus postage for 7.00. (1982) Calif. res. add sales tax

Sollee Enterprises, Box 41283
Los Angeles, California 90041

1	2	3	4	5	6	7	8	9	10	11	12	13	14	15	16	17	18	19	20	21	22	23	24	25	26	27	28	29	30	31	32	33	34	35	36	37	38	39	40	41	42	43	44	45	46	47	48	49	50	51	52	53	54	55	56	57	58	59	60	61	62	63	64	65	66	67	68	69	70	71	72	73	74	75	76	77	78	79	80	81
---	---	---	---	---	---	---	---	---	----	----	----	----	----	----	----	----	----	----	----	----	----	----	----	----	----	----	----	----	----	----	----	----	----	----	----	----	----	----	----	----	----	----	----	----	----	----	----	----	----	----	----	----	----	----	----	----	----	----	----	----	----	----	----	----	----	----	----	----	----	----	----	----	----	----	----	----	----	----	----	----

Help us help. So no one's left out in the cold.



The American Red Cross

DIGITAL:THEORY,DESIGN,
CONSTRUCTION

LOGIC NEWSLETTER

SAMPLE COPY \$ 1.00
LOGIC NEWSLETTER
POB 252
WALDWICK,N.J. 07463

ADVERTISING INDEX

RADIO ELECTRONICS does not assume responsibility for any errors which may appear in the index below.

READER SERVICE CARD NO.	PAGE
62 Allison Automotive.....	88
Amperex.....	69
Bell & Howell Schools.....	28-31
12 B & K, Division of Dynascan Corp.....	32
15 Blonder-Tongue.....	77
26 Brooks Radio & TV Corp.....	85
71 Castle TV Tuner Service, Inc.....	Cover IV
8 Cleveland Institute of Electronics.....	18-21
CREI, Division of the McGraw-Hill Continuing Education Co.....	72-75
69 Crystek.....	90
10 Delta Electronics.....	26
70 Edmund Scientific Co.....	98
64 Edsyn, Inc.....	89
23 Electronic Devices, Inc.....	82
61 Electronic Distributors, Inc.....	88
24 EICO, Electronic Instrument Co.....	84
9 Electro-Voice.....	22
EMC, Electronic Measurements Corp.....	70
13 E.S. Enterprises.....	68
30 Fordham Radio Supply Co.....	88
29 GC Electronics.....	87
77 Grantham School of Engineering.....	83
GTE Sylvania Electronic Components... ..	23
GTE Sylvania Electronic Components.....	Cover II
100 Heath Co.....	27
1 ICS School of Electronics.....	1
19 Indiana Home Study Institute.....	80
22 International Crystal Mfg. Co.....	81
17 Jensen Tool & Alloys.....	78
66 Judson Research & Mfg. Co.....	90
28 Lectrotech, Inc.....	86
3 Mallory Distributor Products Co.....	4
6 Micro-Instrumentation Telemetry Systems, Inc.....	15
20 National Camera Co.....	80
National Radio Institute.....	8-11
National Technical Schools.....	38-41
Panasonic.....	24-25
18 PTS Electronics, Inc.....	79
14 Raytheon Co.....	71
80 RCA Electronic Components Picture Tubes.....	13
Semiconductors.....	66-67
25 Rye Industries, Inc.....	84
63 S & A Electronics.....	88
2 Sansui.....	2
5 Schober Organ.....	14
27 South River Metal Products Co., Inc.....	86
72 Southwest Technical Products.....	Cover III
Sprague.....	7
7 Telematic.....	16
67 Tri-Star Corp.....	90
16 TV Tech Aids.....	78
65 Vero Electronics, Inc.....	89
68 Weltron Co., Inc.....	90
11 Winegard.....	17
21 Workman Electronic Products, Inc.....	81
MARKET CENTER	
ATV Research Corp.....	91
73 Babylon Electronics.....	91
Barta.....	91
Command Productions.....	91
78 Delta Electronics Co.....	92
76 Digi-Key.....	92
Fair Radio Sales.....	93
Lakeside Industries.....	91
Lesco Electronics.....	97
Logic Newsletters.....	96
75 Meshna Electronics, John Jr.....	92
74 Polypaks.....	97
74 Polypaks.....	94-95
Solid State Sales.....	96
Sollee Enterprises.....	96
79 United Sales.....	93
Yeats Appliance Dolly Sales Co.....	91
SCHOOL DIRECTORY	
Valparaiso Technical Institute.....	93

SLA-3 7 segment LED readouts
.77" numbers. 45 ma/seg. \$9.95

1N4886 40W POWER VARACTOR
\$4.95

MULTI-TURN TRIM POTS
Similar to Bourns 3010 style
3/16" x 3/8" x 1 1/4"
50, 100, 500, 2000, 5000,
10,000 and 20,000 ohms.
\$2.00 3/\$5.50

PRINTED CIRCUIT BOARD
4 1/2"x6 1/2" double sided fiber-
glass board, 1/16" thick, un-
etched \$1.60 ea. 5/\$2.50

NIXIE TUBES
Similar to Raytheon 8754
tubes, with socket & data
sheet \$2.25 3/\$6.00

TIS 73 N FET \$.75
2N4891 UJT \$.50

VERIPAX PC BOARD
This board is a 1/16" single sided paper epoxy board, 4 1/2"x6 1/2" (standard veripax), DRILLED and ETCHED which will hold up to 21 single 14 pin IC's or 8, 16 or LSI DIP IC's with busses for power supply connections. It is also etched for a 22 pin connector \$5.25

ER900 TRIGGER DIODES.
bidirectional trigger diodes are one of the best and cheapest methods to trigger SCR's and triacs .4/\$1.00
FLY 100 Visible LED \$.59
ME-4 IR LED \$.59
MRD 14B photo darlington \$.75
MV5026 Vis. LED \$.59
MT-2 PHOTO TRAS. \$.90
MCT-2 OPTO-ISOL. \$1.49
MCD-2 OPTO-ISOL. \$1.49
MV 5222 green LED \$1.49
MV 5322 G_AA_P LED \$.99
MCA 2-30 photo darlington relog \$1.95

TRIACS

PRV	1A	10A	15A	20A*
100	.40	.70	1.00	1.20
200	.70	1.10	1.50	1.60
300	.90	1.35	1.90	2.00
400	1.10	1.60	2.30	2.40
500	1.50	2.00	2.70	2.80

*Press fit
Terms: FOB Cambridge, Mass.
Send check or Money Order. Include Postage. Average Wt. per package 1/4 lb. No. C.O.D.'s. Minimum Order \$3.00

Send 20¢ for our latest catalog featuring Transistors and Rectifiers; 325 Elm St., Cambridge, Mass.

TRANSISTOR SPECIALS

2N965	PNP	6E	TO-18	.15W	7V	.1A	300MHZ	40Hts	5/\$1.00
2N1605	NPN	6E	TO-5	.15W	24V	.1A	14MHZ	125	5/\$1.00
2N2360	PNP	6E	TO-33	.06W	20V	.05A	980	32	\$5.50
2N5324	PNP	6E	TO-3	.60W	250V	10A	20	35	\$1.50
2N1015D	NPN	SI	TO-82	150W	200V	7.5A	.025	10	\$1.45
2N2015	NPN	SI	TO-36	150W	50V	10A	.012	26	\$9.00
2N3584	NPN	SI	TO-66	35W	250V	2A	10	100	\$1.50
2N3055	NPN	SI	TO-3	115W	100V	15A	.01	50	\$1.00
2N3772	NPN	SI	TO-3	150W	60V	30A	.2	30	\$1.25
2N5296	NPN	SI	TO-220	36W	40V	4A	.8	60	\$5.00
2N6109	PNP	SI	TO-220	36W	40V	4A	.8	60	\$5.50
2N4898	PNP	SI	TO-66	25W	40V	4A	4	46	\$6.00
MJ2251	NPN	SI	TO-66	10W	225V	.5A	10	40	\$7.00
2N3638	PNP	SI	TO-5	.3W	25V	.5A	10	67	5/\$1.00

DATA-LIT 707 Direct replacement for MAN-1 LED readouts \$3.75

MAN-3 LED READOUTS \$2.50

MAN-4 LED READOUTS \$3.25

Full Wave Bridges

PRV	2A	6A
200	.95	1.25
400	1.15	1.50
600	1.35	1.75

8223 field prog. ROM \$8.00
1101 256 bit RAM \$4.00
8225 64 bit read-write RAM \$4.95

DECADE COUNTER KIT
CONSISTING OF:
1-NIXIE TUBE and SOCKET
1-7490 1-7475 1-7441
Special priced at \$5.95

TTL IC SERIES

7400	.30	7473	1.00
7401	.30	7474	.60
7402	.30	7475	1.00
7403	.30	7480	.65
7404	.35	7481	1.25
7405	.35	7483	1.25
7406	.50	7486	.60
7408	.35	7490	1.30
7410	.30	7492	1.30
7411	.35	7493	1.50
7412	.40	7494	1.20
7413	1.20	7495	.90
7416	.50	74121	1.20
7420	.30	74123	1.30
7422	.35	74141	1.35
7430	.30	74161	1.79
7440	.30	74192	1.75
7441	1.50	74193	1.75
7442	1.50	74194	2.35
7448	1.50	74196	2.50
7450	.30	9309	1.95
7460	.30	9312	1.95
7472	.40	9322	1.95

14 Pin DIP wire wrap sockets .50
16 Pin DIP wire wrap sockets .60

PRECISION TRIM POTS
500ohm, 10K, 20K, 25K
50K \$.75 3/\$2.00

Silicon Power Rectifiers

PRV	1A	3A	12A	50A
100	.06	.11	.24	.90
200	.07	.14	.35	1.25
400	.09	.20	.50	1.50
600	.11	.25	.70	1.80
800	.15	.30	.90	2.30
1000	.20	.35	1.10	2.75

LINEAR CIRCUITS

PA234 1W audio ampl. \$1.25
PA264-5 Watt regulator \$1.25
LM309K 5V 1A regulator \$2.25
531 High slew oper amp \$2.50
536 FET input oper amp \$3.25
537 Precision 741 \$2.50
540 70W Power driver \$2.04
560 phase lock loop \$3.25
561 phase lock loop \$3.25
565 phase lock loop \$3.35
567 Tone decoder \$3.25
703 RF-IF amplifier \$.80
Dual 709 \$.95
709C operational Amp \$.50
723 Regulator \$.75
741 operational Amp \$.50
747 Dual 741 \$1.25
TVR 2002 high power 723 \$1.00
CA3065 FM/TV amp \$1.35
5558 dual 741 \$.88
LM 308 oper amp \$2.95
5556 oper amp \$.75
101 oper amp \$.75
741A oper amp \$.60
320 -5V reg. \$2.25
320 -15V reg. \$2.25
424 Zero volt switch \$1.25
748 oper amp \$.95
LM3900 Quad. oper. amp. \$1.49

Silicon Control Rectifiers

PRV	6A	10A	20A	70A
100	.30	.45	1.00	3.50
200	.50	.75	1.25	6.50
300	.80	.90	1.50	
400	.70	1.10	1.75	9.50
500	.80	1.25	2.00	
600	.90	1.40	2.25	11.00

SOLID TATE SALES
Post Office Box 74D Somerville, Mass. 02143 Tel. (617) 547-4005

side down. The obstruction can be pushed out with a thin rod.

The pipes leading to the brush compartment can be clogged by anything that gets in. These can be cleaned out by running a wire through them.

Electrical troubles are standard. The most common one is probably breakage of the line cord, from continued pulling and flexing. Since these machines are used on damp floors, make a careful inspection of the line cord at regular intervals. If you see any cracks or breaks in the jacketing or insulation, replace the whole cord. Don't take chances.

The on-off switch is usually a slide or toggle type, mounted on the top of the handle. They do wear out from continual use. Replace with identical types, since they usually fit into slots in the handle. Most of them are mounted on a small plate, held to the handle by screws.

Mechanical troubles are "stock". If the machine has a gear box, it will be filled with a fairly heavy cream lubricant. If you find traces of grease on the floor or on the brushes, take it apart. You'll probably find that some of the screws holding the cover plates on the gearboxes have loosened from the vibration, and dropped out, allowing the grease to leak. In some cases, you'll have to take the cover plate off, clean the edges and replace the gaskets. If you happen to have a tube of Soft Permatex in your garage, it will often make very good gaskets for these little boxes. **R-E**

SEND YOUR MONEY TO COLLEGE.

It's needed.
Give to the college of your choice.
Now.

Advertising contributed for the public good.

CFE Council for Financial Aid to Education, Inc.
6 East 45th St., New York, N.Y. 10017

A NEW INSTRUMENT TO USE WITH YOUR SCOPE
MULTITRACER

Use with your present Oscilloscope to trace Resistors, Capacitors, Transformers, Diodes, Transistors, Zeners, Triacs, most Semiconductors, IC's, etc. Also shows continuity, in-circuit and go/no-go checks. Complete with diagrams and instructions. No internal scope connections. For medium or small production runs or for hobbyists, experimenter, engineer, or ham.

ONLY \$19.95—CHECK OR MONEY ORDER WHY PAY MORE!

BOX 14, LESCO ELECTRONICS, SKOKIE, ILL. 60076

Opto Electronics Sale

LIGHT EMITTING DIODE GaAs INDICATORS



- 1-MV2*, TO-18, Dome, green, visible \$1.19
 - 1-MV4*, stud, high power, red, 2-watts 3.95
 - 1-MV4H*, stud, high power, hi-dome, red, 2-watts 1.00
 - 2-MV10*, TO-18, clear, diffused dome, red 1.00
 - 2-MV80*, axial leads, micro-mini, dome, clear, red 1.19
 - 2-MV802*, jumbo red dome, TO-18, visible 1.19
 - 2-MV8020*, jumbo clear dome, TO-18, visible, red 1.19
 - 1-MV8040*, 4-LED red array, with 5-lead pak 1.49
 - 2-MV5080*, TO-18, micro-mini, clear, dome, red 1.60
 - 1-MV5222*, jumbo dome, green, panel snap-in 1.98
 - 1-MV9000*, cartridge panel lamp, sealed, red, clear lens 1.58
 - 2-MY-2*, Photo Transistor, light sensor, TO-18 1.60
 - 1-ME-1*, infra-red, parabolic lens, pin type 1.19
 - 2-ME-4*, infra-red, "invisible", TO-18, diff. dome 1.19
 - 2-ME60*, infra-red, "invisible", axial, micro-mini 1.00
 - 1-LED MAN-4*, hobby special, readout, 14-pin 1.49
 - 1-LED MAN-3*, hobby special, readout, "the claw" 1.19
 - 1-MAN-1 Opco, hobby special readout, 14-pin, 7-seg 1.49
- * Monsanto LED equivalents.

LED MITY DIGITS "DCM'S"

Buy 3 — Take 10%

Will outperform any other DCM on the market today, not gaseous, not incandescent, but a device that will READ almost for life. MAN-4, Monsanto equal.

9.99 Digital Counting Modules

INCLUDES P.C. EDGE CONNECTOR — FREE!

Kit includes: 3 x 2" printed ckt board, with fingers tool Side-mounting socket, MAN-4 resistors, 7448, 7475, 7490, booklet.

Only Poly Paks can do it!

OPTO-COUPLERS

MC2-30* 1500V Photo Darlington Relay \$1.49

MCD1* 4000V Isolation Photo Transistor 4.95

MCD2* 1500V Isolation Photo Diode 1.29

MCT1* 4000V Isolation Photo Transistor 4.95

MCT2* 1500V Isolation Photo Transistor 1.49

MCT2-D* 1500V Isolation Twin Photo Transistor 4.98

MCT5-10* 15,000V Isolation Photo Transistor 4.95

MCT5-25* 25,000V Isolation Photo Transistor 5.95

* Monsanto Equivalent

LITRONIX FDL-7 LED 7-SEG READOUT

Buy 3 — Take 10%

Pin-for-pin substitute for famous MAN-1. Electrically the same. Same in 14-pin DIP socket. Requires same drivers, i.e., SN7446 or SN7447. Requires 5V @ 20 ma per segment. 0.27 size character with left decimal. Size: 3/4 x 7/16 x 3/16".

\$4.50

3 for \$12

LED 7-SEGMENT READOUTS

Only **\$3.95** 3 for \$10.

0-9 plus letters, for SN 7448. Snaps in 14-pin DIP socket. 3/4" x 1/2" x 3/16". 5V 10ma, with decimal point. Like MAN-1

Socket for above, 50c

MAN-4 EQUAL

LED READOUTS

Buy 3 — Take 10%

This display is excellent for small portable electronics, such as DVM's, calculators, etc. Equivalent to Monsanto MAN-3A. Operates from 5V, 20 milliamperes with 47 ohm dropping resistor.

\$2.95

6-DIGIT MAN-3A MUX'D PC BOARD

Clock DCMs, VTVM, DVM, calculator, multiplexed.

6-MAN-3A's for above board, \$9.50.

\$2.95

EPOXY FULL WAVE SILICON BRIDGE RECTIFIERS

50	0.78	\$0.85
100	.95	1.25
200	1.19	1.50
400	1.35	1.75
800	1.59	1.98
1000	1.79	2.25

Code: 2 amp 10-6 case
6 Amp 1/2 x 1/2 x 1/16 sq

ALLEN BRADLEY 'TRANSISTOR' POTS

Type F, Any 4 for \$1

Screwdriver adjust.

Ohms	7.5K
75	10.0K
100	20.0K
200	25.K
250	50.K
500	75.K
750	100K
1.0K	250K
2.5K	2 Meg
5.0K	5 Meg

ALLEN BRADLEY 'MICRO-POTS'

Type G, 1/2" dia., 1/2" high, Mounts 1/16" hole, with shaft, linear, immersion-proof high frost.

2 for \$1

Ohms: 2.5K, 5.0K, 25.K, 50.K, 75.K, 100.K, 200.K, 500.K, 1 Meg, 2.5 Meg

We stock Locknut Bushing & Screwdriver types at same low prices.

Potter & Brumfield KAP RELAYS

Your choice 3 for \$7.50 **\$2.98**

118 VAC 3PDT \$2.99
12 VDC 3PDT 2.98

Excellent for "HAM" use as antenna switching, latching transmit, receive, etc., and 100's of commercial or industrial uses. Includes plastic dust-cover with diagram and hookup info, 11-pin plug-in base. Contacts movable gold flashed silver, stationary overlay, with silver cadmium oxide movable. All contacts 10 amp 3PDT. Coil data: 115VAC 2250 ohms, 17.5 ma, 12 VDC 21 ma, 168 ohms. Size: 2 1/4" x 1 5/16". Wt. 4 ozs. Center pin missing. Comar Mfg. type equal too.

Replaces 16-1R Del Carmine St., Wakefield, Mass.

Terms: add postage. Rated: net 30

Phone Order: Wakefield, Mass. (617) 245-3829
C.O.D.'S MAY BE PHONED IN

P.O. BOX 942R
Lynnfield, Mass. 01940

POLY PAKS 15c

AM-FM-Stereo-Mux SOUND CONTROL CENTER

ALL 3 PIECES

Only **29.95**

HYBRID

Slide rule tuning!

AM, FM Tuner

FM freq: 88 to 108 mc!

AM: 550 to 1600 kc!

LOOK!

FM-Multiplex

FEATURES

- AM, FM, FM-Multiplex stereo phono inputs!
- Separate Tuner! Amplifier! and Multiplex!
- FM Tuner has automatic frequency control
- Hybrid tube, transistor printed circuitry!
- Separate volume and power controls!
- Separate bass and treble controls!
- Remote speaker controls!
- Connects easily to record changer!
- Mike, tape, phono inputs!
- Push-pull power output solid state!

Shpg. wt. for 3-pc. Sound Control Center — 10 lbs.

This is a Poly Pak exclusive. Bought for the economy-minded hi-filer. This unique audio system was designed for \$300 consoles. 15 watts of stereo music power. 3 separate units, each unit professionally designed by U.S.A. engineers. AM-FM tuner, Multiplex, push-pull TO-66 power transistors mounted on chassis. Outputs connect to any good speaker system. Voice coils of 8 to 16 ohms. Unique switch on panel connects external stereo speakers to other parts of room, home or office. Concentric volume controls for perfect stereo balance. Has built-in preamplifier, built-in AM antenna. 13"x6"x8".

TUNER — 13" x 6" x 8"

Tuner uses 12A7 for FM i-f amplifier and converter, 12BA6 for 1st FM i-f amp and AM i-f amp, 12BA6 for 2nd FM i-f amp and AM detector, 12BE6 AM converter, 12AX7 multiple preamp. Separate speaker arrangements for hi-fi and TV. Built-in AFC. Comes complete with 8-pg. 8 1/2"x11" factory booklet, check-full of diagrams, printed circuit layouts of all parts, etc. All parts are easily identified. Power consumption 115 VAC 60 cy. Complete with all inter-connecting cables. Wide frequency response. Includes printed front panel template. WHERE CAN YOU GET SO MUCH AM! FM! STEREO! FOR SO LITTLE MONEY?

MULTIPLEX — 4" x 6" x 3"

Multiplex uses 12AT7 amp-doubler, 12AX7 3R kc output amp, with availability of "STEREO STATION INDICATING" lamp.

POWER AMPLIFIER CHASSIS — 12" x 8" x 2"

All solid state devices, using a pair of driver transistors to push-pull TO-66 "Sound Control Center" power.

LOWEST PRICES EPOXY SILICON RECTIFIERS

microminature

PV	2Amp	2Amp	3Amp
50	\$1.05	\$1.05	\$1.08
100	.06	.06	.12
200	.07	.07	.15
400	.09	.09	.22
600	.12	.12	.26
800	.15	.15	.35
1000	.18	.18	.45

STUD 'TRIACS'

PRV	18 amp	25 amp
50	\$1.55	\$1.85
100	.85	1.08
200	1.25	1.45
300	1.45	1.65
400	1.85	1.95
500	2.58	2.25
600	—	2.85

LIVE IN THE WORLD OF TOMORROW...TODAY!

A BETTER LIFE STARTS HERE

3-CHANNEL COLOR ORGAN KIT

Easy to build low-cost kit needs no technical knowledge. Completed unit has 3 bands of audio frequencies to modulate 3 independent strings of colored lamps (i.e. "lows"-reds, "middles"-greens, "highs"-blues. Just connect hi-fi, radio, power lamp etc. & plug ea. lamp string into own channel (max. 300w ea.). Kit features 3 neon indicators, color intensity controls, controlled individ SCR circuits; isolation transformer; custom plastic housing; instr.

Stock No. 41,831EH\$15.75 Ppd.



TERRIFIC BUY IN HE-NE LASERS

Low price on 0.5mW Laser (random mode); 0.9mm beam dia. (at 10M, 16mm) belies its quality. New cold aluminum cathode tube for more life stability (hi beam: 9000-hr tube life under normal cond.) Ready to plug in, turn on. Starts instantly. Safe, easy for holography, interferometry, alignment. Metal case, 2.8 x 3.8 x 10", 110v AC, 633nm wavelength.

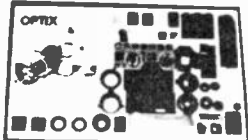
small beam divergence.

Stock No. 79,020EH\$88.50 Ppd.

0.7mW (SINGLE TEMoMODE), 0.8mm BEAM DIA.
Stock No. 79,024EH\$99.50 Ppd.



130 EXPERIMENTS IN OPTICS . . .



and photography! Optix® Experiments Kit is a complete optical & photography lab for 130 exciting experiments. Lets you recreate the periscope, telescope, microscope, kaleidoscope! . . . Build a 35mm reflex camera with interchangeable lens system! Make, develop photographic film! Enjoy the fun and fascination of having your own optics lab. Fully illustrated 112-pg. manual, 8½"x11", clearly explains usage of this stimulating kit's 114 precision engineered components.

Stock No. 71,646EH \$21.00 Ppd.

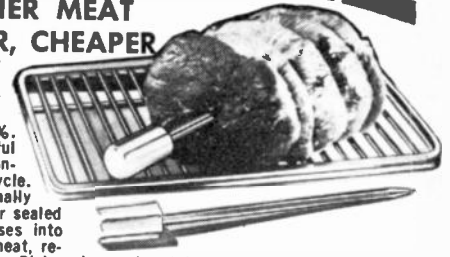


(And our FREE CATALOG is packed with exciting and unusual ecological & physical science items—plus 4,000 finds for fun, study or profit . . . for every member of the family.)

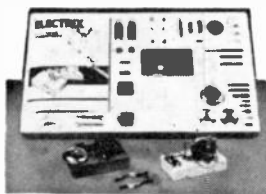
JUICIER MEAT FASTER, CHEAPER

Insert amazing "heat pipe" in roast or ham—let science do the work. Cooks faster (cuts time, fuel 35-50%) reduces shrinkage 35-50%. Enjoy juicier, more flavorful meat—save 10% cost. Continuous heat transfer cycle. Cooks from inside out. Normally wasted oven heat turns water sealed in handle to vapor, condenses into tube length wick releasing heat, returns liquid back to handle. Dishwasher safe stainless steel for all conventional ranges. Instrs.

Stock No. 80,987EH (11" length)\$9.95 Ppd.



140 ELECTRICAL EXPERIMENTS! SEE FEATURE ARTICLE IN JUNE ISSUE!



Explore the fun world of electricity, magnetism, telecommunications. Exciting new Electrix® Experiment Kit enables you to build a Morse code sender, receiving buzzer & printer; produce electricity with a real generator; assemble a working phone system; build an electric motor; 135 other projects. Illus. 112-pg. 8½ x 11" manual explains easy use of kit's 135 precision parts. Safety approved. Everything you need except 4 "C" cells.

Stock No. 71,647EH \$17.95 Ppd.

3" ASTRONOMICAL TELESCOPE



See moon shots, orbits, stars, phases of Venus, plants close up. 60 to 180 power. New Improved, aluminized and overcoated 3" diameter f/10 primary mirror, ventilated cell. Equatorial mount with locks on both axes. Equipped with 60x eyepiece and mounted Barlow lens. 3x finder telescope, hardwood tripod. Included FREE: "STAR CHART", "HOW TO USE YOUR TELESCOPE" book.

Stock No. 85,050EH\$34.95 Ppd.

DELUXE 3" REFLECTOR TELESCOPE

Stock No. 80,162EH\$62.50 Ppd.

4½" REFLECTOR TELESCOPE (45x to 270x)

Stock No. 85,105EH\$110.00 FOB

4¼" REFLECTOR TELESCOPE WITH CLOCK DRIVE Stock No. 85,107EH \$145.00 FOB

6" REFLECTOR TELESCOPE Stock No. 85,187EH\$215.00 FOB

6" REFLECTOR W/(ELECTRIC) CLOCK DRIVE No. 85,086EH\$249.50 FOB

MAIL COUPON FOR GIANT FREE CATALOG!

164 PAGES • MORE THAN 4000 UNUSUAL BARGAINS!

Completely new Catalog. Packed with huge selection of telescopes, microscopes, binoculars, magnets, magnifiers, prisms, photo components, ecology and Unique Lighting items, parts, kits, accessories — many hard-to-get surplus bargains. 100's of charts, illustrations. For hobbyists, experimenters, schools, industry

EDMUND SCIENTIFIC CO.
300 Edscorp Building, Barrington, N. J. 08007

Please rush Free Giant Catalog "EH"

Name _____
Address _____
City _____
State _____ Zip _____



COMPLETE & MAIL WITH CHECK OR M.O.

EDMUND SCIENTIFIC CO.

300 Edscorp Building, Barrington, N.J. 08007

How Many	Stock No.	Description	Price Each	Total

PLEASE SEND GIANT FREE CATALOG "EH" MERCHANDISE TOTAL \$

HANDLING CHARGE \$1.00*

TOTAL \$

*50¢ ON ORDERS OVER \$5.00



I enclose check
 money order for \$ _____

NAME _____
ADDRESS _____
CITY _____ STATE _____ ZIP _____

SOUTHWEST TECHNICAL PRODUCTS CORPORATION

219 W. RHAPSODY
SAN ANTONIO, TEXAS 78216
PHONE: 512 DI 4-3140

August, 1973

Dear Radio-Electronics Readers,

The first thing I would like to do this month is to thank those of you who have taken the time to write and comment on this series of ads. I am glad to hear that you are enjoying them and I will do all I can to keep them as interesting and informative as possible.

This month I want to tell you about a new "now it can be told" kit that we are offering. This is our new FG-2 function generator. It is a considerably improved version of the instrument described in last September's Radio-Electronics. Since the original instrument was designed, even better waveform generators have become available; so it was "back to the drawing board". The original instrument was quite good and a real bargain at our price, but we don't like selling kits that we know can be considerably improved upon. Anyway, all of you who placed orders for the kit after the first of the year had to wait while we got the new FG-2 ready. Now that we have enough stock to ship these without a long delay we want all of you to know about it.

In the FG-2 the basic waveform is a triangular wave, just as in the original circuit, but in the new instrument this waveform is generated by two current sources, and a pair of comparators that are connected to an external capacitor. The current source produces a very linear ramp whose amplitude is controlled by the trip point of the first comparator. The second current source works in the opposite direction and gives us a downward ramp that is terminated by the second comparator, and the process is then repeated for the next cycle of the waveform. This system gives the waveform a very constant amplitude which cannot change with frequency. The triangular waveform is then fed into a sixteen breakpoint shaping network (yes I said 16). This, in combination with the stable amplitude, produces a sine wave with less than 1.0% distortion at any frequency. The comparators are also used to trigger a flip-flop that produces a square wave. To get pulse and ramp waveforms, all you have to do is make the charge and discharge currents unequal. The output of the generator is fed into a high speed op-amp used as a buffer. This gives us a low output impedance and isolates the generator from any loading effects. The circuit is DC coupled throughout and a switch allows you to select the waveform offset. You can put the center, the top, or the bottom of the waveform on DC ground and it stays right there no matter what the level setting. This makes the FG-2 super handy for checking logic circuit toggle levels and stuff like this. There is also an AC position for use when the circuit point has voltage present on it.

So for only \$39.95 you can get this elegant little instrument. This is less than you would normally pay for a Sine-Squarewave generator with the same frequency range. Think about it—five different waveforms from 0.1 Hz to 100 KHz. Now isn't that enough reason to try a kit from the "other" kit company.

If you are looking for an interesting hobby and don't read schematics, or color codes please look elsewhere. If you are really serious about electronics, or work in the field, we would like very much to have you try one of our kits. We know you will be able to appreciate the quality of our parts, our engineering and the bargain our price represents. For instant shipment, call us and use your Mastercharge, or BankAmericard. For more details on our kits circle on the reader service "bingo" card and I will get a copy of our latest catalog to you as quickly as possible.

Sincerely,



Daniel Meyer



SOUTHWEST TECHNICAL PRODUCTS CORPORATION
DEPT. RE-L
219 W. RHAPSODY, SAN ANTONIO, TEXAS 78216

The Timesaver!



Latest, all solid state version of the sensational signal circuit analyzing timesaver originated by Castle.

Invaluable for locating the break in the tuner and i.f. signal chain or analyzing agc system defects in tube TV receivers . . . essential for speedy location of signal circuit defects in modular IC, solid state and hybrid TV receivers.

A NEW APPROACH to agc system analyzing!

Permits signal injection after the agc controlled stages to simplify testing for agc defects.

- Works with any 40MHz receiver . . . color or black and white . . . solid state, tube or hybrid.
- High level, low impedance output furnishes signal usable at input of final i.f. stage.
- Special output circuit works equally well into first i.f. input of late model, link coupled systems and older, low "C" bandpass coupled systems.
- Antenna input and i.f. output electrically isolated; no "hot" chassis hazards.
- No need to disconnect supply leads from suspected tuner being tested. Substitutes the VHF tuner and tests the UHF tuner.
- Tunes all 12 VHF channels, has preset (memory) fine tuning on all channels.
- Higher overall gain than previous models with wide range gain reduction control of 60db.
- Completely self contained and battery operated, uses popular batteries available everywhere. Simple battery replacement; battery compartment in rear of custom molded case.
- Reduced current consumption extends battery life to as much as double that of previous models. Bright LED indicator warns when unit is ON.
- Use on the bench or in the home . . . anywhere.
- Comes complete with extension cables, batteries and instructions.

TV TUNER SUBBERTM Mark IV net \$45.95

Contact your distributor

Specifications

Inputs:	300 ohms balanced VHF antenna terminals, electrically isolated. 75 ohms 40 MHz amplifier (Ch.#1) RCA phono jack.
Sensitivity:	30 microvolts. Input signal handling capability: over 100,000 microvolts.
Output:	40 MHz TV i.f.; bandwidth 6 MHz. "Mastermatchcoupler" output circuit with matched cable to furnish usable signal for all input circuits. Termination is RCA phono jack, electrically isolated.
Tuning Range:	All 12 VHF TV channels, plus Ch.#1 40 MHz amplifier position for testing UHF tuners. High stability of 40 MHz amplifier permits two Mk.IV Subbers to be cascaded for high level 40 MHz output signal from any VHF channel.
Tuning:	Preset (memory) fine tuning.
Gain Control:	Gain reduction 60 dB.
Power supply:	18 volts. Uses two 9v transistor batteries.
Size & Weight:	6.5" x 6.5" x 3.25" exclusive of control knobs and handle. 1.5 lbs complete with batteries.
Accessories:	"Mastermatchcoupler" output cable with RCA phono jack termination. "Mastermatchcoupler" output cable with alligator clip terminations. UHF tuner test cable.



CASTLE TV TUNER SERVICE, INC.

5715 N. Western Ave., Chicago, Illinois 60645 • Phone: (312) - 561-6354

In Canada: Len Finkler Co., Ontario

Circle 71 on reader service card