

THE MAGAZINE FOR CONSUMER ELECTRONICS SERVICING PROFESSIONALS

ELECTRONic^{T.M.}

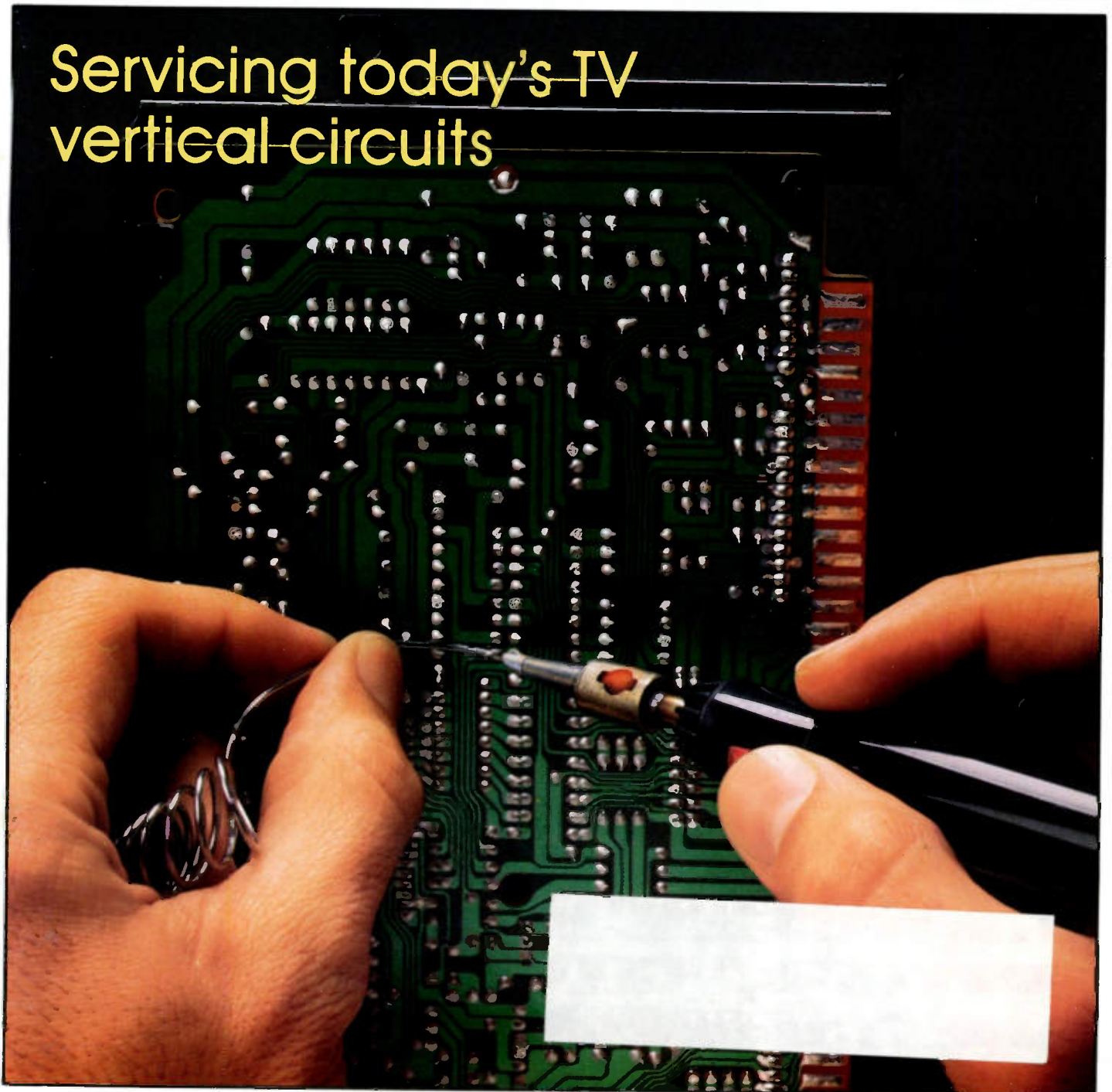
Servicing & Technology

JANUARY 1992/\$3.00

Understanding and servicing computer monitors

Cellular telephone systems—Part III

Servicing today's TV
vertical circuits



The Rising Star In VCR Servicing— A New Dimension!

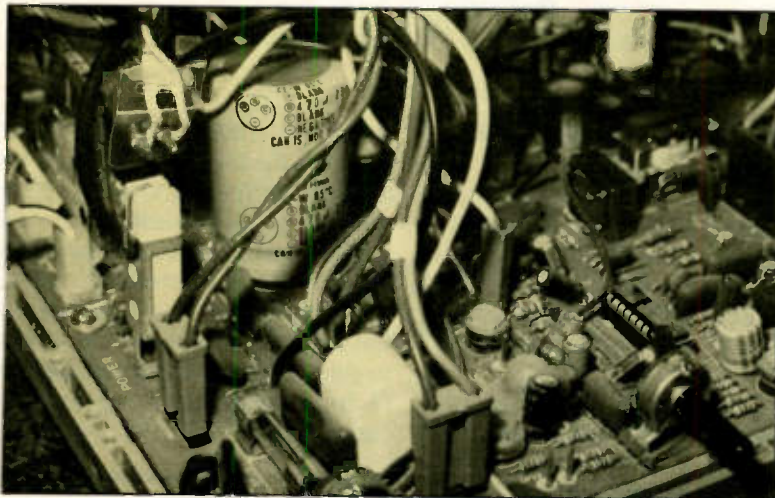
Introducing The Service Industry's Only
Dedicated VCR Analyzer!

- Isolate video from servo defects!
- Pinpoint capstan and cylinder servo defects!
- Eliminate the guesswork associated with replacing video or audio Hi-Fi heads; before you order the new heads!
- Troubleshoot all VCR formats with the same procedures and confidence every time!

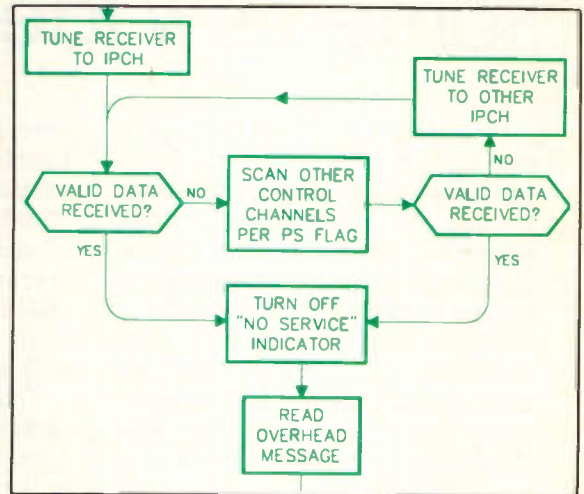


For More Information On The Patented
VC93 All Format VCR Analyzer
Call 1-800-SENCORE ext. 502

Circle (17) on Reply Card



page 6



page 16

FEATURES

- 6 Servicing Goldstar's CMT and CMZ vertical circuits**
By Homer L. Davidson
The symptoms of problems in the vertical circuits in a TV may be anything from reduced (or no) vertical deflection to complete shutdown. Symptoms of vertical circuit problems may be caused by the vertical circuitry, or the circuits that supply power to the vertical circuits. Careful observation of waveforms and voltage measurements locate most vertical problems. Using external voltage sources can also help to diagnose problems in vertical circuits.
- 13 Practical applications of filtering circuits**
By Dale C. Shackelford
Even well-designed consumer electronics products sometimes suffer from radio frequency interference. Addition of the proper degree of additional filtering at the right point in the circuit can eliminate the problem, and where to put them.
- 16 Cellular mobile telephone systems - Part III**
By William H. Bowen
One relatively obscure and prohibitively expensive, cellular

- telephones have skyrocketed in popularity. They could be a good source of business for the right service center. This article describes the cellular mobile subscriber unit, examining how it operates and how it interacts with the system to place and receive telephone call.
- 20 Understanding and servicing computer monitors - Part II**
By Stan Warner
When you encounter a personal computer monitor that needs servicing, it might be monochrome, RGB, CGA, VGA, or multisync. While there are similarities in the construction and servicing of these various types of monitors, there are, obviously, differences as well. This article, part two of two parts, describes some actual servicing procedures you can use in restoring these products to normal.

EDITORIAL INDEX

Here's our annual update on the articles, departments and Profax published in 1991.

- 46 Article Index**
- 48 Department Index**
- 50 Profax Index**

DEPARTMENTS

- 2 Editorial**
Some new ideas on training

- 4 Literature**
- 5 News**
- 27 Profax**
- 37 Books**
- 38 Computer Corner**
PC diagnostic: One technicians view
- 40 Audio Corner**
DAT: Digital audio tape
- 41 Test Your Electronics Knowledge**
- 42 What Do You Know About Electronics**
- 44 Products**
- 56 Business Corner**
Customer satisfaction is key to service success
- 57 Readers' Exchange**
- 60 Advertisers' Index**

ON THE COVER

Servicing increasingly sophisticated, complex and tightly packed consumer electronics products like today's color TV sets, as discussed in the article "Servicing Goldstar's CMT and CMZ TV vertical circuits" in this issue, requires advanced soldering skills and the appropriate small profile soldering/desoldering tools. (Photo courtesy Cooper Tools a division of Cooper Industries).

Some new ideas on training

How does a servicing technician who has spent two years or more at a technical school learning the fundamentals of electronics circuitry become proficient at servicing consumer electronics products? Training, of course. And how does a technician who has spent five, ten or twenty years servicing TV sets all of a sudden acquire the skills to tackle a VCR, a personal computer or a facsimile machine? Again the answer is pretty obvious, training.

In fact, if you take a look at the profession of product servicing today, you'll see that it's about as training intensive as a profession gets. Just in the past decade the number of types of products that a consumer electronics technician is expected to be able to service has increased many times over, and the technology used to manufacture the products has changed dramatically.

It should come as no surprise then that consumer electronics service training, already a healthy industry has thrived in recent years. Also, not surprisingly, most service centers of any size have some kind of training system in place; for such purposes as to provide practical servicing techniques to raw recruits just hired from tech school, or to indoctrinate them in the importance of proper customer contact techniques.

For those of you who have some kind of training program, the latest news of interest is that even ideas on training are now changing. A report written by a committee appointed by the National Research Council suggests that whether providing instruction in how to hit a serve in tennis or repair a nuclear power plant, trainers should abandon certain popular techniques that enhance performance during training at the expense of later performance in the real world. Many of the following remarks are reproduced verbatim from a press release describing the study.

At the request of the U.S. Army Research institute, the committee examined a wide variety of techniques for enhancing human performance, including training and altered mental states. The committee's report, a hard

cover book, "In the Mind's Eye: Enhancing Human Performance," is available for \$29.95 (prepaid) plus \$3.00 shipping from the National Academy Press at 2101 Constitution Avenue, N. W., Washington, DC 20418. Many of the reports conclusions apply to the general public, as well as to soldiers.

One of the important findings is that the effectiveness of a training program can't be evaluated by the speed with which the learner acquires new skills during training or by the level of performance reached at the end of training. The only way to determine the effectiveness of the training is to evaluate the learner's performance in real-world settings after training is completed.

The committee also said that trainers should adopt techniques that enhance long-term retention of learning, as well as the learner's ability to adapt his or her new skills to real situations.

For example, training programs often involve several practice sessions held over a short period of time. Such concentrated practice may seem effective because it generally yields high levels of performance during training. But in some cases it yields long-term performance less than one-half the level that results from spaced practice. Two grouped practice sessions are often not appreciably better than a single session.

The real world is messy, rarely presenting people with repetitions of identical problems in similar situations. Training should reflect this variability, the committee said.

Feedback, an essential part of learning a new skill, occurs naturally when a learner practices. Many training programs attempt to enhance learning by augmenting this feedback. For example, instructors often explain how to correct errors while watching a trainee practice a task. Although augmented feedback is valuable, the committee said that it is often used to excess. Reducing augmented feedback, say to once in every five trials, can improve long-term performance.

The committee also noted that training programs should foster the trainee's understanding of the tasks to

be learned. And learners should be involved in the training process by such methods as finding answers to their own questions and teaching each other.

The committee stressed the importance of regular refresher courses. Ideally, the same trainers should teach both initial and refresher courses to gain an understanding of how their techniques affect long-term performance.

A new source of information

As we've written over and over, as if you didn't already know, correspondence we've received from readers in the last several years overwhelmingly says that the two biggest problems faced by consumer electronics service centers are locating replacement parts and locating service literature. We've addressed that problem many times and in many ways; from our annual March Buyer's guide to our annual Parts and Literature special in December and the Showcases we present on distributors in April and replacement parts in August.

We'd like to call your attention to a new source of information that you'll now find every month in **ES&T**: the Manufacturers Parts and Literature Directory. It's a special form of paid advertising that gives the companies who manufacture the TVs, VCRs, CDs, personal computers, and all the other consumer electronics products that our readers service, the opportunity to tell those readers how to contact them either to obtain parts directly, or to learn what distributors in their local area can supply them with parts for that manufacturer's products.

This directory will be in the back of the magazine each month, and the information contained there will be just the name, address and telephone number (800 number where available) of the company. We hope that this important information resource will grow.

When you're stuck for a source of parts and literature for a product that's sitting on your bench waiting to be completed, turn to the "Manufacturers Parts and Literature Directory."

Nile Conrad Perum

DO IT ALL!

NTSC COMPOSITE, SUBCARRIER,
ALL CHANNELS/VHF/UHF/CATV,
INT/EXT VIDEO & AUDIO MOD,
CIRCLE, DEMOD ALIGNMENT,
BURST FLAG, BLACK BURST,
RGB, Y/B-Y/R-Y, Y/C, REMO
REMOTE CONTROL, ON
ON SCREEN PROGRAM,
15 MHz MULTIBURST,
15 MHz VIDEO SWEEP,
DOT/CROSSHATCH
MOD STAIRCASE,
CHECKER, SYNC
CHROMINANCE
LUMINANCE, S
SMPTE BARS,
GENLOCK, 1
100 PRESET
WINDOW
RASTER,
Y/C, BL
BLAC
SUB
SY
B



The world of technology has become much less simple than in times past. Equipment once run from a single composite feed may now be driven by S-VHS, Hi-8, or component signals, not to mention VHF, UHF, and CATV. To meet all these expanding signal source needs —and more — Leader introduces the Model 408 general-purpose video test generator.

The GENLOCKable 408 also produces multiburst and video sweep to 15 MHz, as well as many more precision test signals. And on-screen programming provides for easy signal creation for wide-ranging test situations. For routine testing, create up to 100 preset test setups. And there's much more to this uniquely feature-rich generator. There's even a PAL version available.

To get the whole long story of Leader's amazingly versatile Model 408, call toll free: 1 800 645-5104. In NY, call 516 231-6900. See what our new do-it-all can do for you!

1 800 645-5104
LEADER
FOR PROFESSIONALS WHO KNOW
THE DIFFERENCE

Leader Instruments Corporation, 380 Oser Avenue, Hauppauge, New York 11788
Regional Offices: Chicago, Dallas, Los Angeles, Atlanta. In Canada call Omnitronix Ltd., 416 828-6221.
Circle (75) on Reply Card

1991 full-line catalog

Sencore Electronics announces the release of the new 1991 color Full Line Catalog. This 68 page catalog includes the latest in VCR, computer monitor, television and cable system analyzing. Specifications are given for all products, along with application information. Sencore has been in the business of manufacturing an All-American Made line of test equipment for over 40 years.

Circle (35) on Reply Card

DataScope Version 2.0

Paladin Software Inc., is now shipping an upgraded version of DataScope, the powerful communications debugging and data capture tool with applications in the computer programming, manufacturing, industrial automation, and multimedia industries. Version 2.0 saves time and money, eliminated guess work by allowing the user to apply powerful display and search tools to ordinarily invisible transmissions, and provides a cost effective alternative to expensive hardware line monitors. DataScope is the only serial line monitor that includes context sensitive Hypertext, Hypersetup, and user-alterable multitasking window displays. Version 2.0 offers a user friendly, "windows-like" pull-down menu interface.

Circle (29) on Reply Card

CRT monitor restorer

The Beltron System 200 microprocessor-controlled CRT Monitor Restorer is introduced in a full color product data sheet. Features described include the systems 10-minute, single button automatic and manual test/clean/restore sequences. The system is specifically designed for both monochrome and color and can be used with equal effect on computer and instrumentation CRT's as well as TV tubes. A listing of System and safety features is also included.

Circle (30) on Reply Card

Catalog tools and test equipment

New from HMC is a detailed, fully illustrated buying guide of electronic tools, test equipment and supplies for the manufacture, assembly and repair of electronics. The catalog contains a larger-than-ever selection of brand-

name, competitively priced products including test instruments, tool kits, soldering/desoldering systems, lamps and magnifiers, anti-static products, and precision hand tools.

Circle (31) on Reply Card

New issue of Tek Direct Catalog

Tektronix announces the availability of its new fall issue of the Tek Direct Catalog. The catalog, allows buyers to order affordable test and measurement equipment directly from the company. A wide variety of Tektronix equipment suitable for depot and field service organizations is available including meters, hand-held and low-end portable oscilloscopes, probes, plotters, accessories, and training aids.

Circle (32) on Reply Card

Personal computing tools catalog

Personal Computing Tools Inc. announced this week the release of the 56-page October-December 1991 edition of The Catalog of Personal Computing Tools for Scientists, Engineers and Technical Professionals. New products in this edition include solid state IC memory cards, test vector generator software utility for timing diagram editor, turn-key multi-line voice messaging system for your PC, analog and digital I/O products that interface with your printer port.

Circle (33) on Reply Card

Instrument catalog

Extech's Instruments 1992 catalog includes detailed specifications and descriptions of portable and benchtop instruments in the test and measurement, plant maintenance, water quality and engineering fields. New products featured include a vane thermoanemometer with remote vane wheel, RH temp meter which measures humidity and temperature using remote probe, a fold-up thermometer useful in sample testing, and an LCR meter which measures inductance, capacitance and resistance in a safety yellow drop-proof case. Existing products include a full line of multifunction multimeters, sound and light meters, time controllers, and more. A handheld personal computer and organizer computer and peripherals are also featured.

Circle (34) on Reply Card

Electronic Servicing & Technology is edited for servicing professionals who service consumer electronics equipment. This includes service technicians, field service personnel and avid servicing enthusiasts who repair and maintain audio, video, computer and other consumer electronics equipment.

EDITORIAL

Nils Conrad Persson, *Editor*
Jeffrey Uschok, *Assistant Editor*

CONSULTING EDITORS

Homer L. Davidson, *TV Servicing Consultant*
William J. Lynott, *Business Consultant*
Victor Meeldijk, *Components Consultant*
John E. Shepler, *Audio Consultant*
Sam Wilson, *Electronics Theory Consultant*

PRODUCTION

Elizabeth Ryan, *Art Director*
Barbara Terzo, *Assistant Art Director*
Susan Reale, *Artist*
Dorothy Kehrwieler, *Production Manager*
Emily Kreutz, *Production*
Pat Le Blanc, *Phototypographer*
Florence V. Martin, *Phototypographer*

BUSINESS

Richard A. Ross, *Publisher*
Dorothy Kehrwieler, *General Manager*
Frank V. Fuzia, *Controller*
Catherine Ross, *Circulation Director*
Melissa Kehrwieler, *Data Processor*
Denise Pyne, *Customer Service*

SALES OFFICE

Electronic Servicing & Technology
76 N. Broadway, Hicksville, NY 11801
516-681-2922; Fax, 516-681-2926

Jonathan Kummer, *Advertising Manager*
Emily Kreutz, *Sales Assistant*



Member, Electronic
Servicing Dealers
Association

EDITORIAL CORRESPONDENCE

P.O. Box 12487
Overland Park, KS 66212
913-492-4857

Electronic Servicing & Technology (ISSN 0278-9922) is published monthly by CQ Communications, Inc., 76 N. Broadway, Hicksville, NY 11801. Telephone (516) 681-2922. Second class postage paid at Hicksville, NY and additional offices. Subscription prices (payable in US dollars only): Domestic—one year \$24, two years \$40. Foreign countries—one year \$30, two years \$52. Entire contents copyright 1992 by CQ Communications, Inc. Electronic Servicing & Technology or CQ Communications, Inc. assumes no responsibility for unsolicited manuscripts. Allow six weeks for delivery of first issue and for change of address. Printed in the United States of America.

Postmaster: Please send change of address notice to Electronic Servicing & Technology, 76 N. Broadway, Hicksville, NY 11801.

CQ Communications, Inc. is publisher of CQ The Radio Amateur's Journal, Popular Communications, ComputerCraft, CQ Radio Amateur (Spanish CO), CQ Amateur Radio Equipment Buyer's Guide, CQ Amateur Radio Antenna Buyer's Guide, Popular Communications Communications Guides, and Electronic Servicing & Technology.

Updated standard for safety for transformers and motor transformers

Underwriters Laboratories Inc. (ULI) is proposing the updated for Standard for Safety for Transformers and Motor Transformers for use in audio, radio and television-type appliances, UL 1411, for recognition as an American National Standard.

UL 1411 covers transformers, auto-transformers, and motor-transformers intended to be used in audio, radio and television-type appliances in which the primary winding is connected across the supply circuit. Transformers intended for use in high frequency switching type power supplies in which the transformer provides isolation from the supply circuit are also covered.

UL1411 does not cover transformers that are intended to transform only audio, video and other signal waveforms.

The proposed standard is a revised version of ANSI/UL 1411-1986, which is presently recognized as an American National Standard. UL is seeking review and comment from interested individuals and organizations to help develop a consensus upon which continued recognition of UL 1411 by the American National Standards Institute (ANSI) can be based. ANSI is a clearinghouse for information on standards and coordinated development of national consensus standards through voluntary action.

Dictionary defines features and terms

Consumer confusion and "technophobia" have been identified as two problems facing the consumer electronics industry today.

The Electronic Industries Association's Consumer Electronics Group (EIA/CEG) has taken an important step to combat this trend by issuing a new Consumer Electronics Product Terminology Dictionary designed as a retail sales aid for personnel to use consistent terms when describing and selling electronics to consumers.

"To explain product features, capability levels, etc. to consumers in such a way that they really understand the products they are purchasing, retail

sales personnel need to know the generic terms used to describe these features. By using the same terms for the same features in different products, they can help consumer satisfaction and benefit from their use," says Gary J. Shapiro, EIA/CEG group vice president. According to Shapiro, all definitions were written by EIA members under the direction of the group's Product Education Committee, chaired by Bruce Schoenegge [Hitachi Home Electronics (America), Inc.].

"Our goal in producing this dictionary was to provide a tool to help floor-level sales people understand terms, such as aspect ratio and resolution so that they, in turn, can explain these terms to consumers," says Schoenegge. "It's absolutely crucial that the people who have the most contact with consumers have the most accurate information we can give them to use when describing our products. As technology advances and new features are introduced, we will continue to update the retail sales force on the technologies they are selling. We feel that this new dictionary which will be updated annually, is an excellent tool for doing just that."

The new product terminology dictionary contains terms for product features and technologies in nine categories: accessories, camcorders, computers, home audio, home office, mobile electronics, television and video cassette recorders and home video.

Technicians association redefines occupation titles

ETA-I, the Electronics Technicians Assn., Int'l Inc., of Greencastle, Indiana has published a new set of job titles for eight categories of electronics technicians. It has also assigned a job category number and description to satellite installers and household appliance technicians.

According to Dick Glass, CET, President of ETA, "In the early days of electronics, (1930's thru 1950's) electronics technicians were thought of mainly as radio and TV technicians,

As electronics products proliferated, few of these technicians found it possible to be expert on each type of product. To simply understand the type of work any single tech was doing often wasn't always clear. Definitions within the profession have changed. For instance, VTR (Video Tape Recorder) became a product now known by the public as a VCR. In computers the term CPU (central processing unit) frequently was displaced by MPU (microprocessor unit). In the same manner radio techs today can be found servicing consumer AM/FM radios; or communications broadcasting and reception equipment; or data communications hardware. To know what type of products some technicians work on is not always clear."

EIA/CEG forms subcommittee to foster development of digital audio radio technical systems

A new subcommittee designed to direct development of a unified digital audio radio (DAR) technical system in the United States is being formed by the Electronic Industries Association's Consumer Electronics Group (EIA/CEG).

According to Gary J. Shapiro, EIA/CEG group vice president, the DAR Subcommittee, being formed by EIA's R-3 (audio systems) Committee, "will organize and initiate a fair and impartial analysis, testing and standards-setting program to determine which DAR technical system will best serve the consumer electronics industry and consumer."

Shapiro noted that EIA's work in the area of standards development demonstrates the association's commitment to format standardization that benefits both the industry and the consumer. "The coming of digital audio radio represents a major leap forward in radio sound quality for consumers," he said. "The quality of broadcast sound continues to improve, thanks to new technologies developed in the consumer's interest. Digital audio radio promises to be the pinnacle of radio sound in the Nineties."

Servicing Goldstar's CMT and CMZ TV vertical circuits

By Homer L. Davidson

Vertical circuits in today's TV sets are relatively easy to service compared to the older transistor and tube circuits. In most sets of recent manufacture, vertical oscillator or countdown deflection circuits are located in a large IC with other circuits. The output stages of these sets may be transistorized or contain one large IC output component. The low voltage supply for the vertical circuits may come from the regulated low voltage power supply, scan derived secondary circuits or both.

In early CMT and CMZ Goldstar vertical circuits, the vertical oscillator

and drive circuits were found in one deflection or count down IC. A time constant circuit consists of R322, R321, R351 and R323, which are connected to terminal 6 of IC401 (Figure 1). Vertical size control function (R352) causes the negative feedback to change.

Q321 and Q322 are shunt regulated push pull (SRPP) transistors of the vertical output circuit. The 42V supply is furnished through D324, D325 and D327. R338, C331, and D323 are a pump up circuit which supplies current for driving the first half of the vertical scan system. The two NPN vertical output transistors are coupled to the vertical deflection yoke via an electrolytic capacitor (C334).

Later vertical circuits

In today's CMT and CMZ TVs the vertical oscillator circuit consists of a deflection count down and driver circuit found in a large IC with other circuits. Vertical hold and horizontal hold adjustments are not required in the count down circuit. The 503.75 kHz ceramic resonance element is crystal controlled in a VCO circuit. The internal vertical drive stage supplies a 1Vpp waveform at pin 23 (Figure 2).

The vertical output pulse at pin 23 of IC501 passes through the current limit resistor R310 and is fed to pin 4 of IC301. The time constant components are C311 and R312. R351 is the vertical height control. The supply

Davidson is a TV servicing consultant for ES&T.

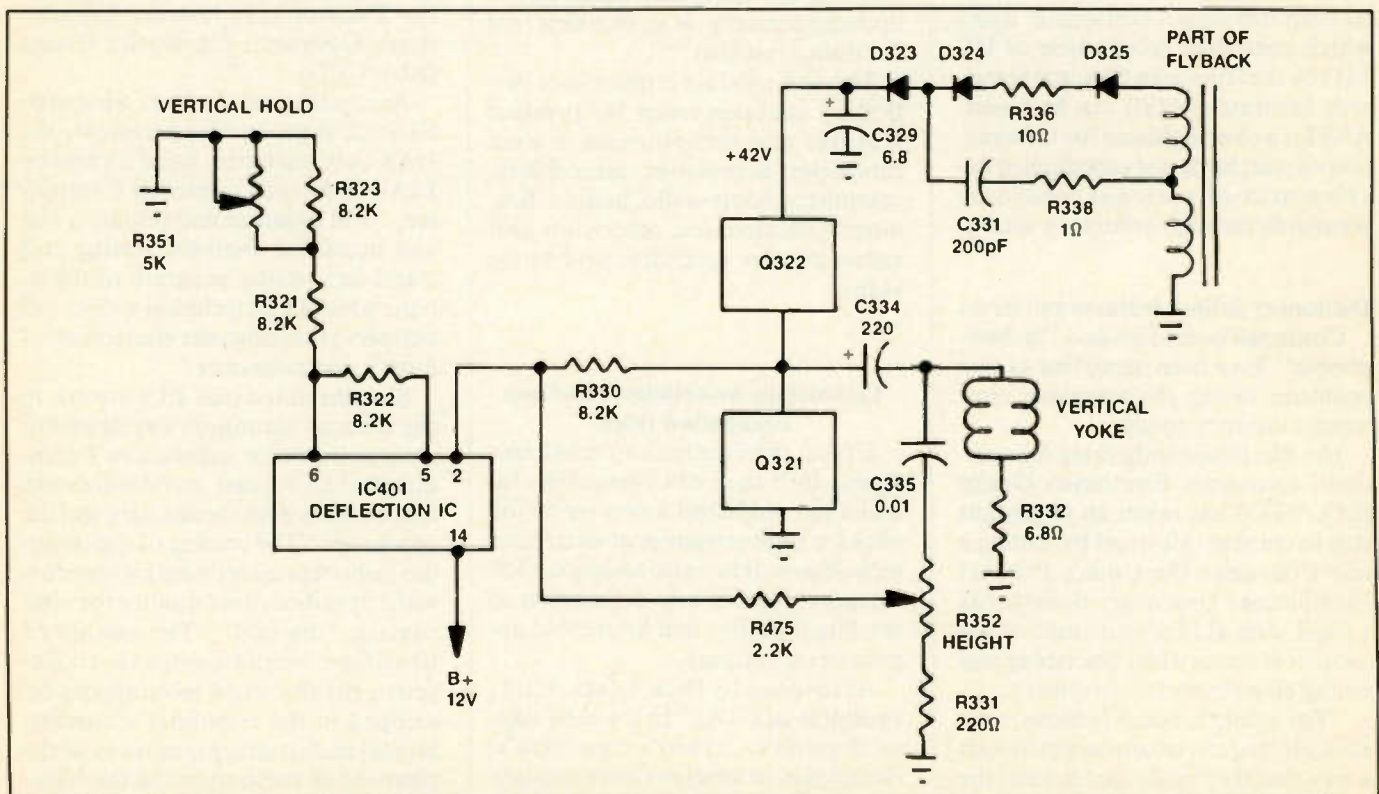


Figure 1. Block diagram of the early CMT and CMZ Goldstar vertical circuits.

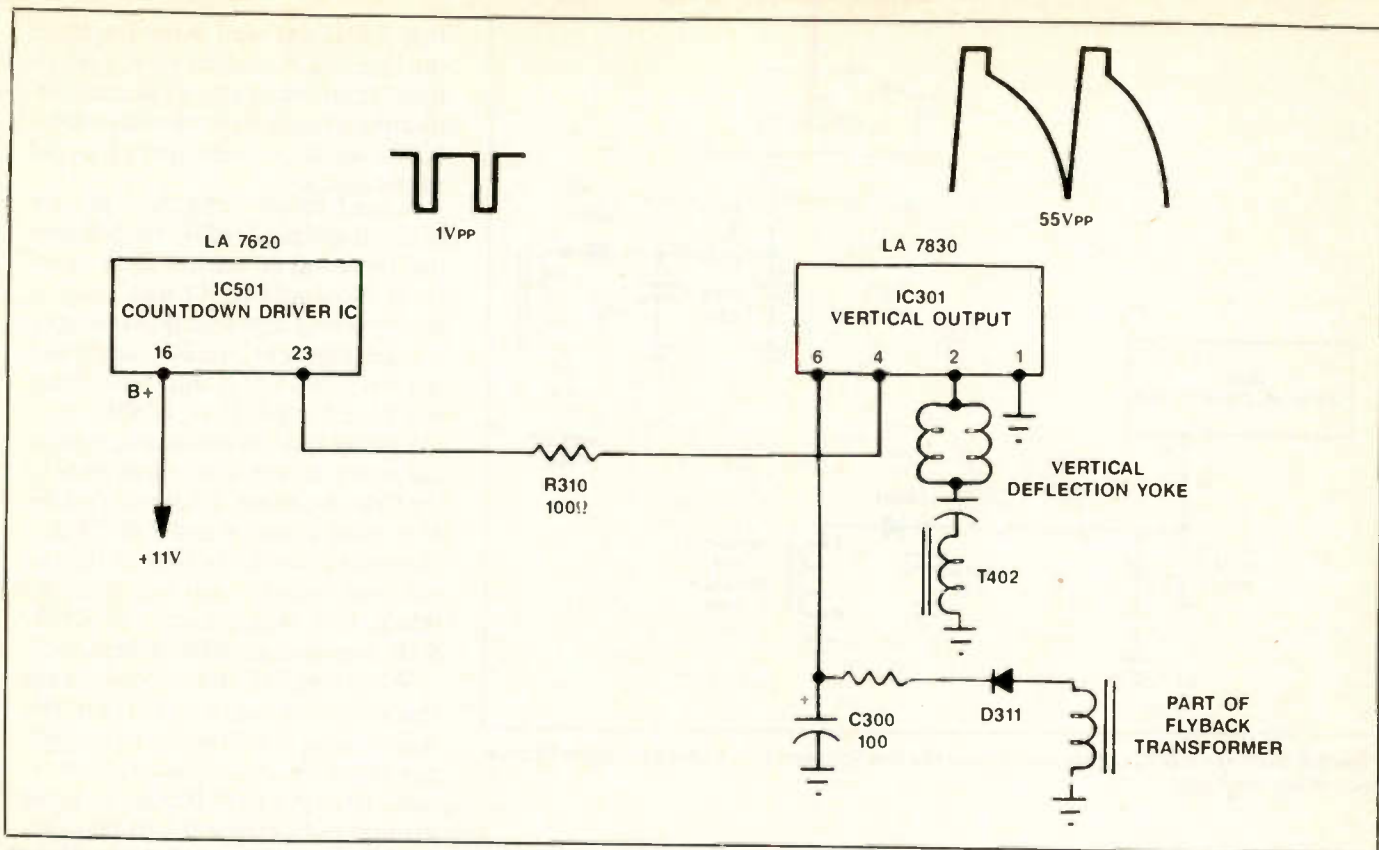


Figure 2. Block diagram of the recent CMT and CMZ vertical circuits with IC components.

voltage at pin 6 (25.3V) is developed in the flyback secondary scan circuits. The 55Vpp waveform at pin 2 of IC301 is tied directly to the vertical yoke assembly. The yoke ground return is coupled through C316 to the primary winding of pincushion transformer T402.

IC replacements

Although universal IC and transistor replacements can be used successfully in the vertical circuits, very few are available. Try to obtain IC components from the manufacturer or area depot. The HA and LA IC parts can be purchased from mail order firms such as MCM Electronics, Consolidated Electronics, and Diversified Parts. Some of the low voltage regulator ICs are available locally, either universal or exact replacements, or can be ordered from mail order firms.

Vertical voltage sources

Very few vertical supply voltages for the oscillator or countdown and output IC components are taken from the low voltage circuits (Figure 3). Most vertical operating voltages are from the secondary windings of the flyback transformer. This means that

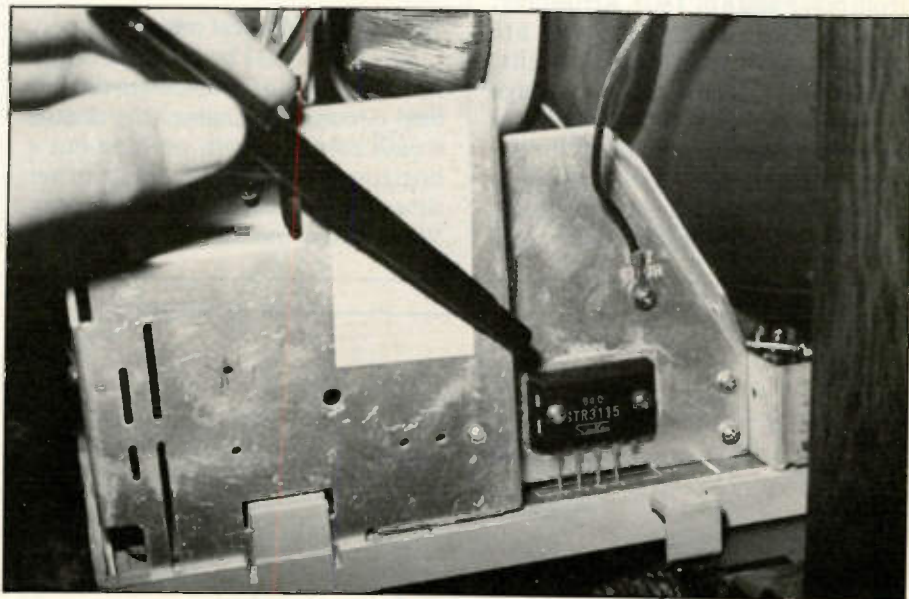


Figure 3. In the early chassis, vertical supply voltage was taken from the low voltage regulator (Goldstar CMZ 4122).

the horizontal circuits must be operating before any voltage is available to the vertical circuits. For the same reason, a shorted component in the vertical circuits may overload the flyback circuits resulting in chassis shutdown.

In the Goldstar CMT-9428 portable, the vertical countdown IC

receives operating voltage from R509 and R505. The 11V source is filtered by C514 and C519 (1000μF). D501 rectifies the ac voltage taken from pins 6 and 8 of the flyback transformer, T403. D504 regulates the 11V source (Figure 4).

The supply voltage for the vertical output (IC301) is taken through R313

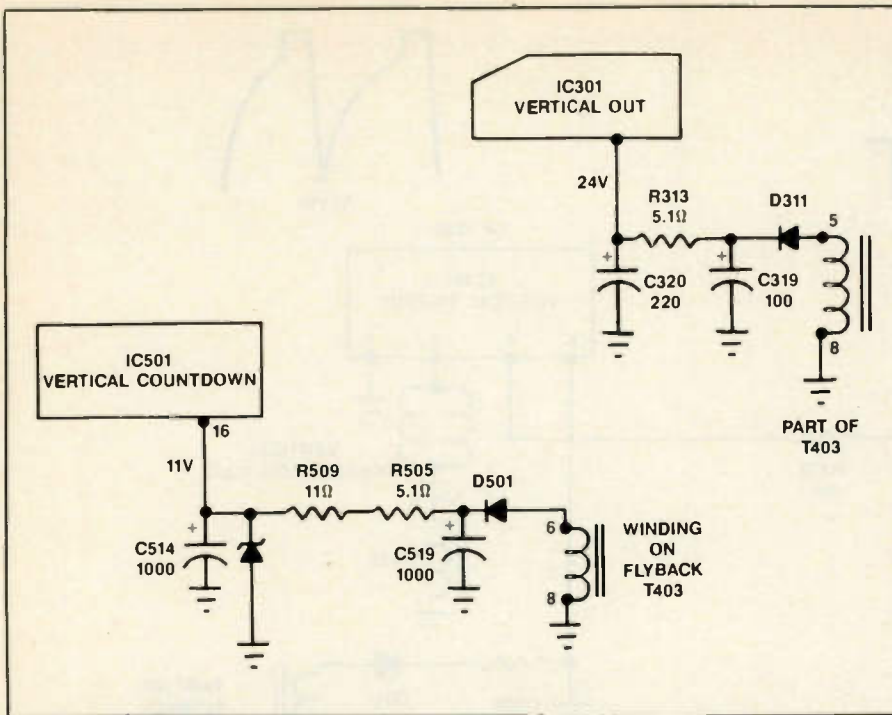


Figure 4. Both vertical IC components have the low voltage source taken from the flyback secondary windings.

fuse (F801) was open. After I replaced the fuse and turned the set on, only a horizontal white line appeared, indicating trouble in the vertical circuits. IC301 and IC501 were operating cool to the touch.

A quick oscilloscope check at pin 4 of IC301 and pin 23 of IC501 indicated that there was no vertical drive waveform. No doubt IC501 was leaky or was receiving improper power supply voltage (Figure 5). The 24V supply was normal at pin 8 of IC301. No voltage was found at pin 16 of IC501.

I rechecked the schematic, tracing the power source from pin 16 back to the flyback circuits. D501 rectified the ac voltage at pins 6 and 8 of T403. I checked silicon diode D501 in the circuit and found that it was shorted. R505, 12Ω, was burned and R509, 5.1Ω, was open. I replaced them both.

When I applied power to the chassis the symptom remained. D501 felt quite warm, and I measured no voltage at pin 16. A resistance measurement from pin 16 of IC501 to chassis ground indicated a 0.18Ω leakage. After I blew the dust away from D504 and examined it closely, this zener diode showed burned marks. Even the pc board connections were loose. I removed D504 from the board and tested it. It was leaky. With D504 out of the circuit, the resistance from pin 16 of IC501 was above 2K indicating no leakage. Replacement of D504 with an 11V, 5W zener diode restored the set to service.

and filtered by C320 and C319. Silicon diode D311 rectifies the ac voltage from pins 5 and 8 of T403. Remember, because the vertical circuits are powered from the flyback circuits, horizontal sweep and low voltage power supply must be functioning in order for the set to operate. If the circuits in the set that provide power to the vertical circuits are not operating, you may supply power to the vertical

circuits using an external power supply for diagnosis and servicing.

No vertical sweep

One CMT-2132I worked on exhibited symptoms of problems in the vertical circuits. Sometimes the chassis would come on with nothing but a horizontal white line and at other times the chassis would shut down. When I first checked the set, the 3A

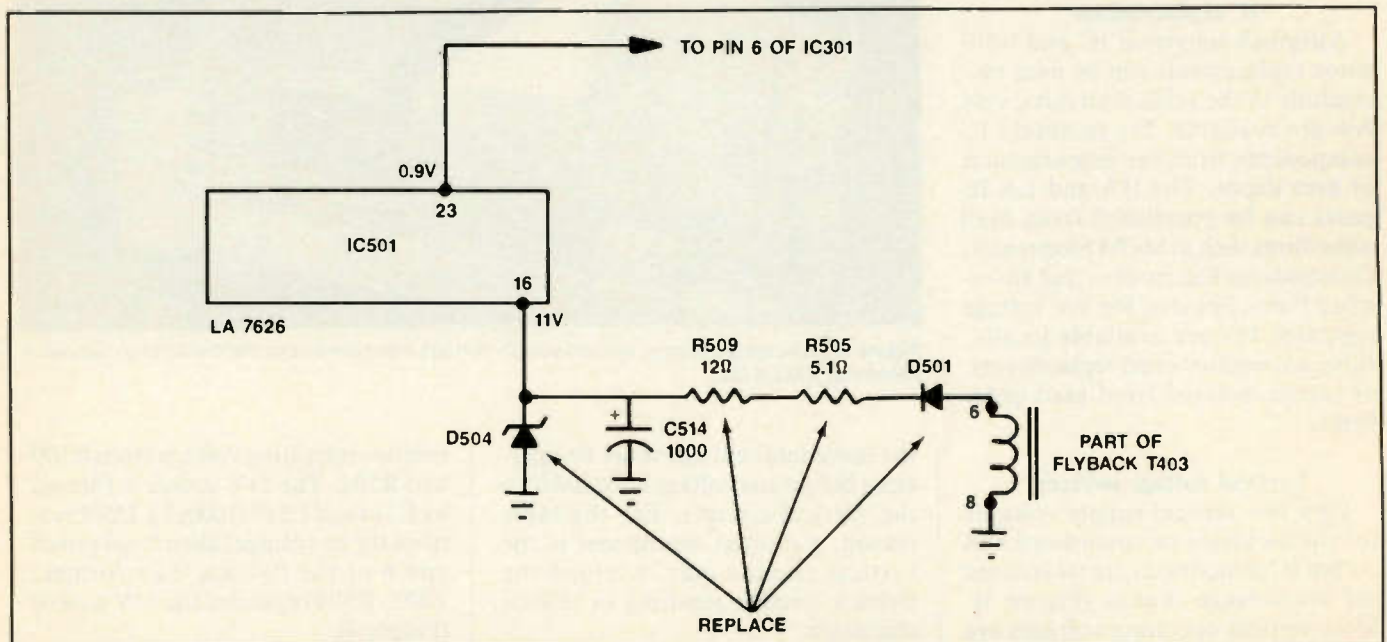


Figure 5. Defective components in the power supply source for IC 501 indicated no drive waveform.

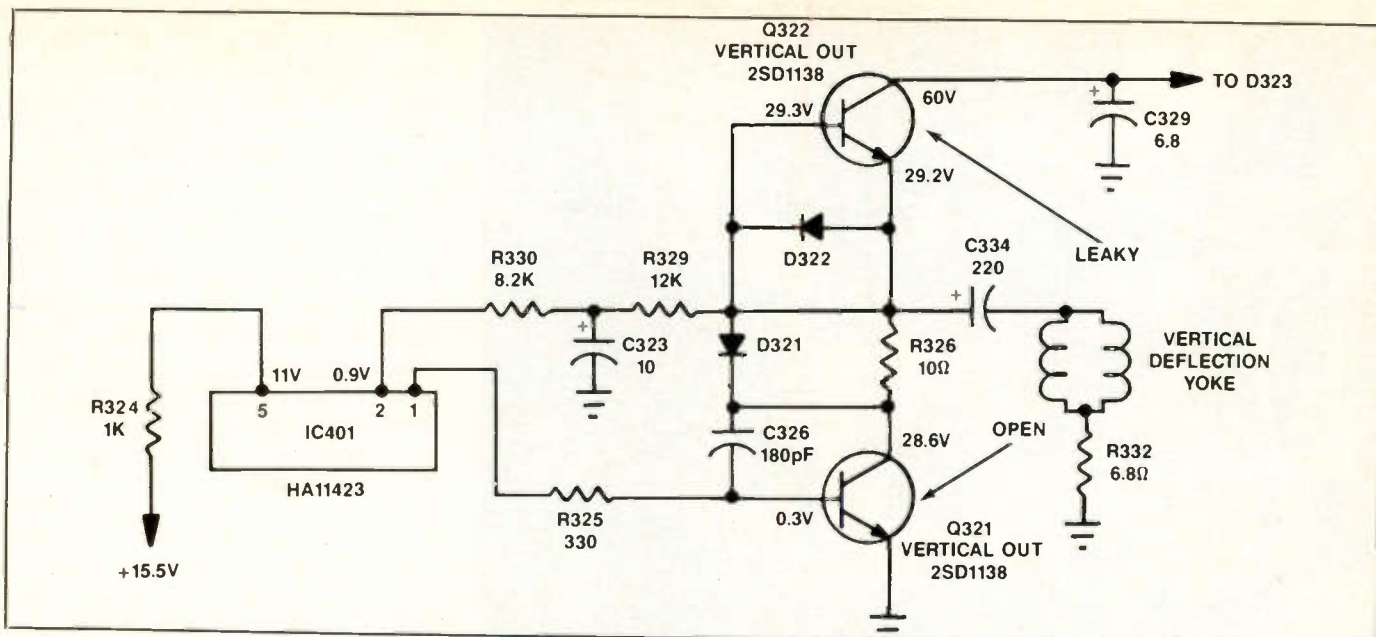


Figure 6. Open Q321 and leaky Q322 produced a horizontal white line in a Goldstar CMT-4442 portable.

Horizontal white line

A Goldstar CMT-4442 that was brought in for service had no vertical sweep. The screen showed only a horizontal white line. Examination of the schematic revealed that a deflection IC provided drive voltage to both vertical output transistors (Q332 and Q331). A quick waveform check at pin 2 of IC501 indicated a fairly normal vertical drive sawtooth waveform. There was no waveform at the output capacitor C334 (Figure 6).

A quick voltage check at the collector of Q322 indicated 63.5V. The emitter measured 61.2V and the same was applied to the collector of Q321. No doubt Q321 was open. When tested in the circuit, Q302 showed leakage and Q321 was open. Both tested the same out of the circuit. When one vertical output transistor is leaky, automatically replace both vertical output transistors.

While the two output transistors were out of the circuit, I checked all bias resistors and diodes. D322 showed leakage in the circuit, but tested normal when removed. I replaced D322 along with the vertical output transistors. Both output transistors, the same NPN type, (25D1138), were replaced with universal replacements (SK9118).

In this case, quick waveform tests and critical voltage measurements revealed the defective output transistors. Higher than normal voltages at the collector and emitter terminals of

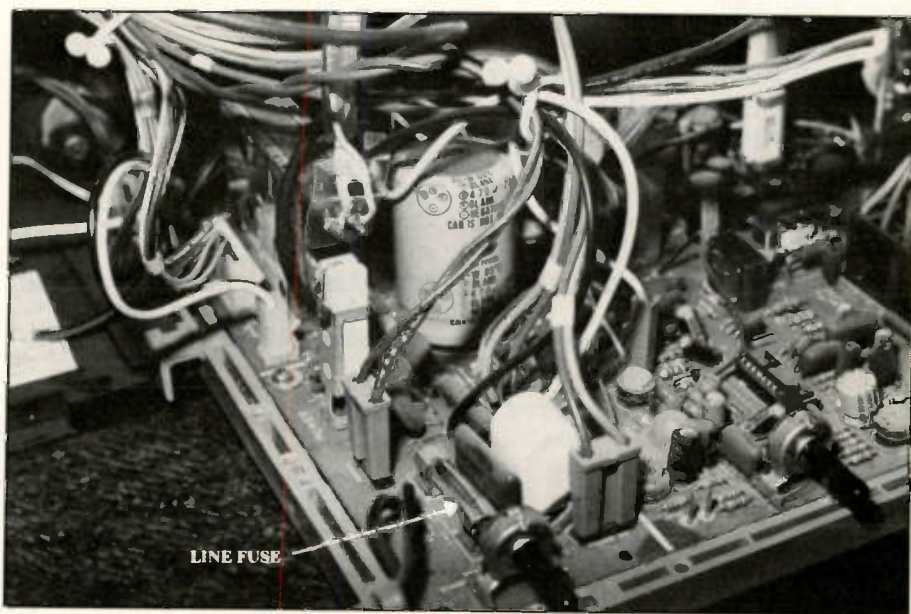


Figure 7. Suspect overloaded conditions in the horizontal, vertical or regulator circuits when the power line fuse keeps opening.

Q322 indicated that Q321 was open. When the symptom is a horizontal white line, do not overlook the possibility that the cause of the problem is the yoke coupling capacitor, in this set the yoke coupling capacitor is C334.

Too many troubles

The customer described the symptom of a problem with a Goldstar CMZ-4122 as a picture that reduced to a thin white line before the set quit altogether. The line and B+ fuses were replaced with a 3A and a 1A fuse, re-

spectively, which blew again when the chassis was turned on (Figure 7). Since I did not have the correct schematic for the CMZ-4122 model, I checked the schematics of some other Goldstar sets. The low voltage IC, IC 801, Q404 and T402 of the CMT-4442 portable schematic looked the same as in the set I was dealing with (Figure 8).

Although fuse F802 blew this time, I made the assumption that D803 and R801 were normal. They checked good in the circuit. The horizontal output transistor, Q404, showed leakage between collector and chassis

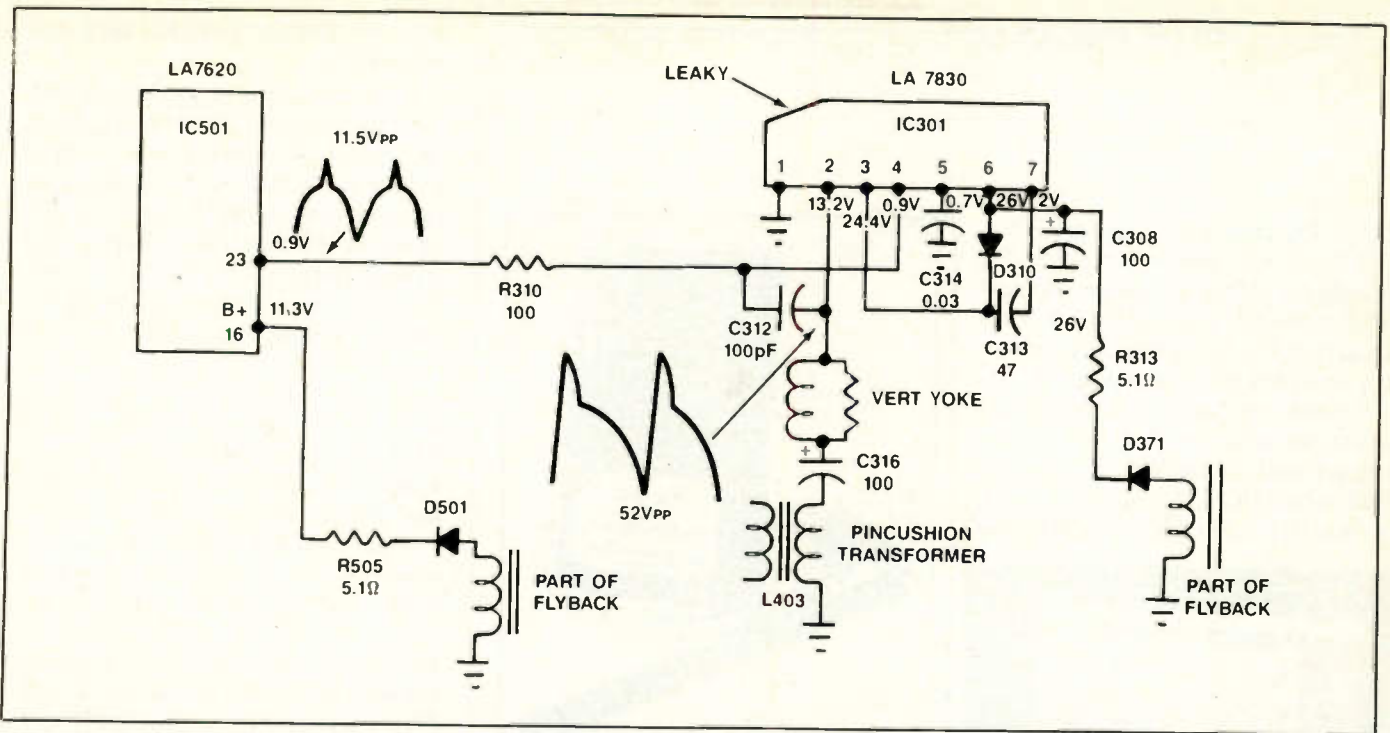


Figure 10. A leaky vertical IC301 (LA 7830) output prevented vertical sweep in the Goldstar CMZ-4442 portable.

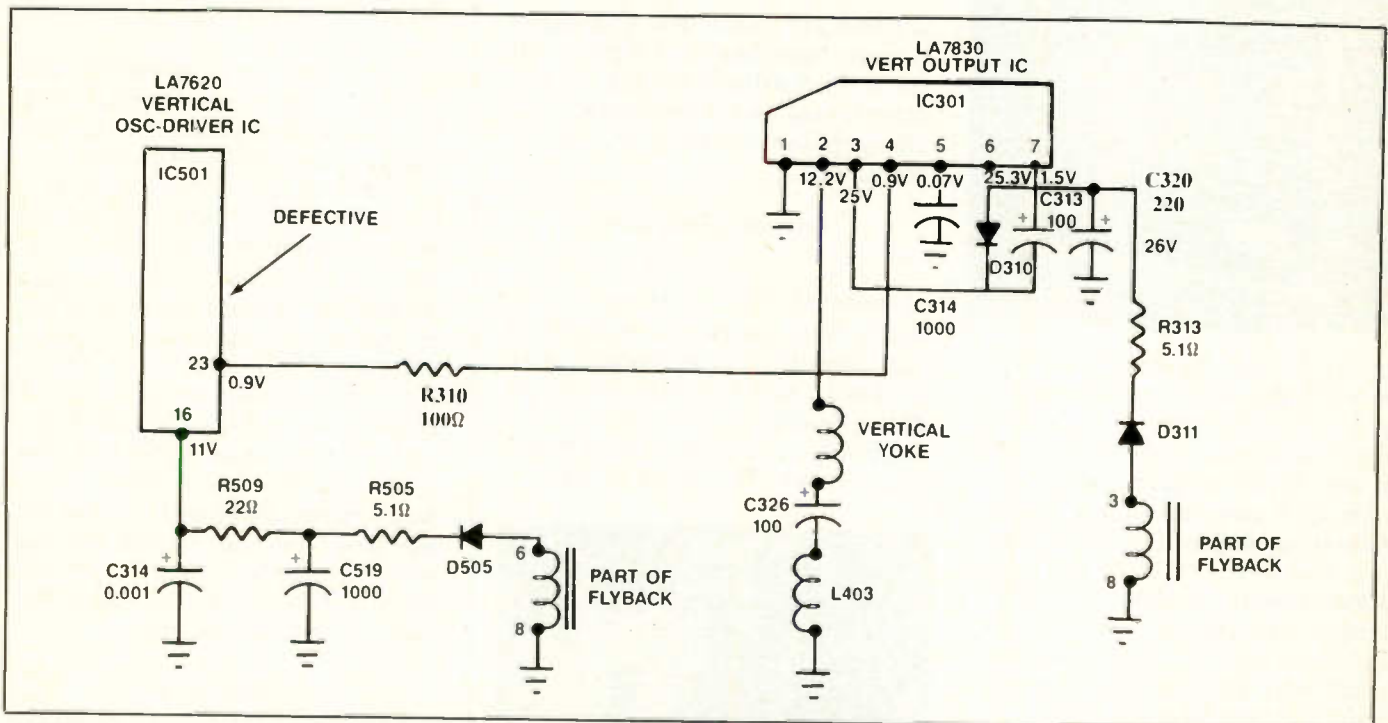


Figure 11. Defective IC501 resulted in insufficient drive voltage to the vertical output IC301 in a Goldstar CMT-9428 TV.

IC301 were quite low, 10.7V and 9.9V respectively.

The 26V power source came from the flyback windings, pins 5 and 8. Although R313 was a little warm, D371 tested normal. A resistance measurement from pin 6 to ground was 57.2Ω. When I desoldered pin 6 from the circuit, the supply voltage to that circuit trace increased to normal, indicating that IC 301 was leaky. No

doubt the leaky output of the IC was responsible for pulling down the vertical drive waveform. IC301 was replaced with exact replacement (LA 7830), which restored the set to normal operation.

No vertical drive waveform

While servicing a CMT-9428 with no vertical drive, I checked for output waveforms on pins 2 and 4 of IC301.

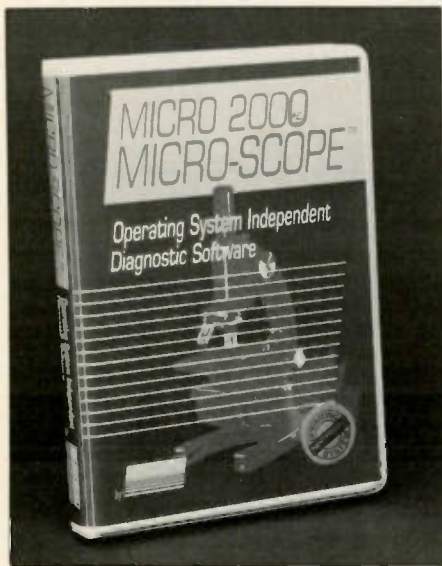
Seeing no waveforms to speak of at those pins, I moved on to pin 23. I found no drive waveform at driver pin of IC501 (Figure 11).

Next, voltage measurements revealed that the voltage at pin 16 of IC501 was within specification at 11.5V. A quick resistance measurement on pin 23 to chassis ground showed a high reading. No doubt LA 7620 IC was defective. When LA 7620

PC diagnostic software

Micro Inc. announces a new PC diagnostic software package with seven features not available in any other Intel chip PC diagnostic software according to the manufacturer.

Microscope has its own proprietary operating system so it is truly operating system independent. It functions underneath DOS, Novell, OS/2, Unix, Xenix, PICK, PC MOS, C.DOs, and



others. It reads the whole disk. DOS based diagnostics, for example, limit you to the DOS portion of the disk, which is only 1024 cylinders, or less. It talks directly to the hardware and as a result, it can perform many functions other diagnostic programs cannot. Microscope performs more than 100 diagnostic functions. Some of the types of tests it includes are CPU tests, expanded memory tests, winchester tests, video tests, floppy disks, and serial and parallel tests.

Circle (46) on Reply Card

Infra-red detector

OTI International announces a product that tests for infra-red transmission in TV/VCR remote and control units. The device produces an audible signal and alerts the technician to the function of each of the control keys that are actuated. The strength or loudness of the audible signal produced can also give an indication of the battery power of the nit being tested. Two auxiliary jacks expand the

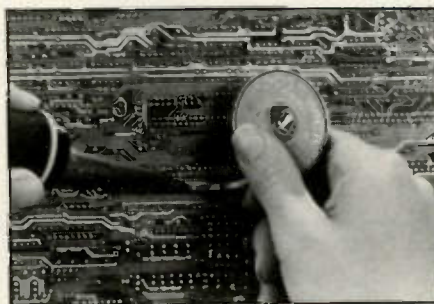


capability of the test unit. One allows the use of a probe (which is provided) for use in hard-to-reach places. The other is used for connection to an oscilloscope for visual display of the received data.

Circle (47) on Reply Card

Fine-braid in ESD-safe packaging

Soder Wick announces Fine-Braid and Ultra-Braid static dissipative stet packaging that provides protection during desoldering operations involving ESD-sensitive circuit boards and components. The SD qualifies as a



non-ESD generator per DOD Standard 1686 and DOD Handbook 263. The braid is a line of desoldering products that are engineered of oxygen-free copper wires, braided into geometric patterns, and cleaned in proprietary processes. SD braids are available in

(Continued on page 24)

was replaced the vertical sweep was restored.

If the chassis is in shut down and you don't know if the vertical circuits are causing the problem, inject supply voltages at IC501 and IC301 using an external supply. Both of these ICs operate off of rectified voltage of the flyback circuits. This means the horizontal circuits must be operating before any voltage is applied to the vertical circuits.

Because two different voltages (11V and 25V) are applied to each IC, you'll have to use a dual low voltage power supply. Inject 11V at pin 16 of IC 501 and 25V at pin 6 of IC301.

Sometimes the pins of the IC are so close together that there isn't room to connect the supply directly to the IC pin or circuit trace. If that is a problem, you can solder a bare piece of hookup wire to the pc wiring coming from the pin that you want to connect to. One way to do that is to scrape the coating off the pc wiring and solder in the piece of wire. A one-inch piece will do.

Do this to both voltage supply pins of each IC component. With this method, the leads from the external supply will not fall off and short out some other circuits. After connections are made, increase the voltage of the external supply to the correct operating voltage on each pin. If the voltage does not increase as the control of the external supply is advanced, suspect a leaky IC.

Observe waveforms at pin 23 of IC501 and pins 4 and 3 of IC301. Do this with the ac cord pulled from the receptacle. If vertical circuit waveforms are normal when the circuits are powered from the external supply, move on to the horizontal circuits and begin a diagnosis to determine the cause of chassis shutdown.

Conclusion

Careful observation of waveforms and voltage measurements locate most vertical problems. Universal transistors and IC components can be used for replacements, if available. Use the line isolation transformer and external voltage sources to locate defective vertical parts in high voltage or shut down chassis. Remember, most of the vertical circuits in the CMT and CMZ Goldstar portables operate from the scan derived flyback windings. Try to compare various CMT and CMZ circuit diagrams if you do not have the exact one. ■

Practical applications of filtering circuits

By Dale C. Shackelford

Electronic service technicians are often called upon by prospective customers to cure the ills of various devices which suffer the adverse effects of radio frequency interference (RFI). Whether this interference contributed by an outside influence, or is self-generated, there are some basic steps which may be taken to attenuate these problem signals. In addition to a clear understanding of basic filtering theory however, the technician must learn the practical applications of filtering circuits in order to apply this knowledge to the modification of existing circuitry in an effort to reduce the adverse effects of RFI and HFI (high frequency interference).

Line filtering

One of the first lines of defense in combatting HF/RFI is the proper filtration of the ac input line. Often, ac power cords will act as antennas for a broad range of HF and RF signals, allowing "noise" to enter the sensitive circuitry of the device if proper measures were not taken by the design engineers to prevent such an occurrence. Several devices (regardless of cost) rely primarily upon the power transformer to filter out unwanted signals which find their way into the power supply circuit. Standard power transformers however, provide little or no attenuation of these signals as they move into the more sensitive circuitry.

Figure 1 depicts a common line filter configuration which may be applied to a number of ac powered devices with simple modifications to existing circuitry. While the relative value of the individual components may be varied according to need, the values noted within the drawing will provide adequate attenuation of signals up to 100MHz. As added protec-

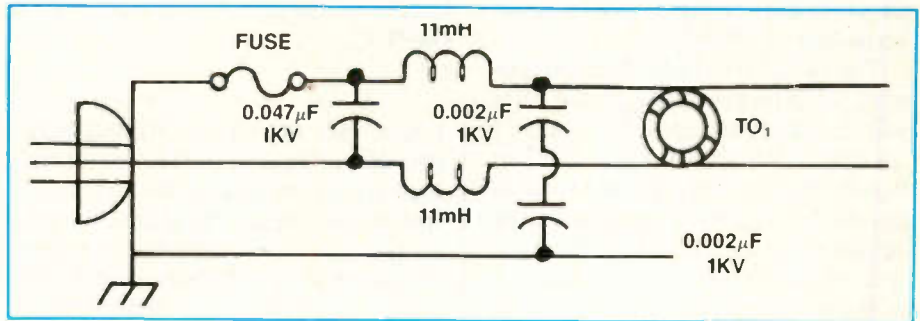


Figure 1.

tion, a toroid (ferrite loop) has been placed into the circuit, around which the ac transmission line has been wrapped to reduce eddy currents.

Because ferrite is a high resistance magnetic material that exhibits low eddy current loss at very high frequencies, it is often formed into small beads which are slipped over current carrying leads, contacts or wires to minimize RFI reception or transmission. The toroid in Figure 1 (TO1) exhibits the same characteristics as the smaller beads, which are commonly found around the leads of transistors and other components used in circuits containing radio frequency signals in an effort to prevent RFI (including unintentional feedback) from adversely affecting circuit/component performance. Any circuit modifications by a service technician should not include

the removal of any ferrite bead, loop or shield.

Ripple filtering

While the line filter as described above will provide adequate protection from unwanted frequency invasion through the power cord, power rectification/communication circuits within the device will generate ac ripples that are simply unavoidable by-products of the rectification process.

The graded filter illustrated in Figure 2 is a dc power supply filtering network designed to provide increasing filtration of the dc as it moves along the sequence. The network provides "taps" along the sequence so that circuits within the device may obtain their B+ at any stage.

Circuits within the device containing the graded filtering network which

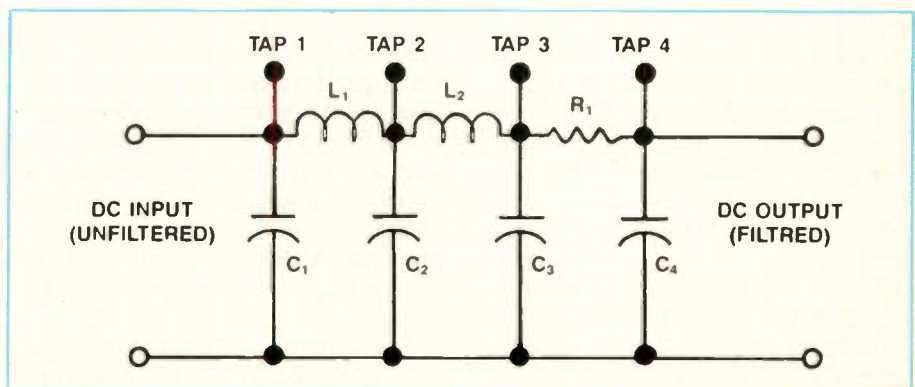


Figure 2.

Shackelford is an independent electronics servicing technician.

are relatively unaffected by ac ripples (not to be confused with pulsating dc) will generally derive their b+ from a point near the input of the filter, while those circuits which require relatively ripple-free B+ will be tapped off near the end of the network. For added protection, circuits which are considered extremely susceptible to ac ripples are often tapped off near the center of the filter, usually between two chokes. Because of the modular construction of this filter, the number of output branches (taps) may be varied according to need.

The value of the individual components which make up the graded filter will be dependent upon the needs of the circuits within the device. Devices that do not contain a graded filter as part of the original design may well be enhanced with the addition of this circuit, while those devices which do not contain this type of network may be modified through the addition of branches, or an exchange of individual component values if such a need were to exist.

Peripheral inputs

The peripheral input ports (jacks) on many modern electronic devices often become points of entry for HF/RFI signals into sensitive amplification circuitry. Unless design engineers have taken the precautions necessary to prevent the unwanted signals from entering a device in this fashion, the responsibility for making the proper modifications to the device in order to enhance the overall operation of the appliance may well rest with the service technician.

Figure 3 is a simplified representation of a typical RF amplification circuit which receives its input from the output of a peripheral source (cd player, turntable, etc.) through the input jack (J_1). Although "shielded" patch cords are commonly used to physically connect the devices, these cords often allow HF/RF signals to ride along the shielding until they enter the circuit through J_1 . Additionally, these signals may enter the device through any exposed metal contacts, especially if the amplification circuit is in operation near other signal generating devices.

Within the illustration, a $0.001 \mu\text{f}$ capacitor has been installed in parallel with the factory mounted chassis ground wire extended from J_1 . While the factory installed grounding system

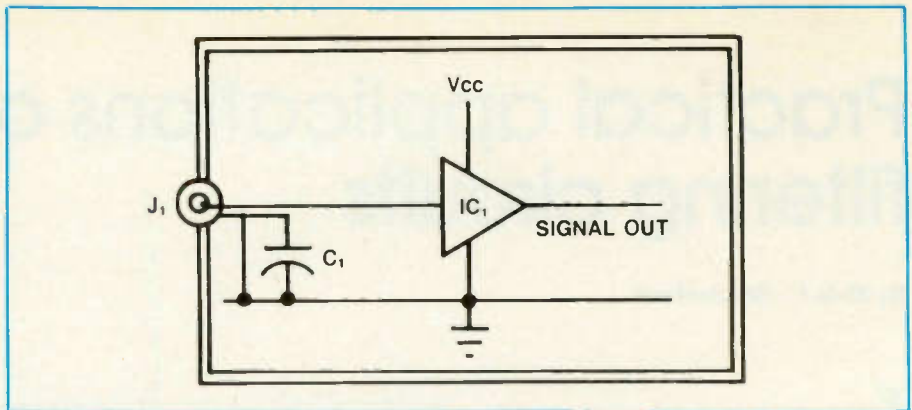


Figure 3.

(input jack to chassis ground) may provide adequate protection from high frequency interference at lower frequencies, these same ground wires/straps will often exhibit the same characteristics normally associated with inductors when exposed to higher frequencies (radio frequency), thereby impeding the path of the interference to the chassis ground.

With the addition of the $0.1 \mu\text{f}$ capacitor to this circuit (C_1), a low impedance path to the chassis ground is maintained at virtually all frequencies. When making this type of modification however, the service technician should take care to keep the leads of all components (capacitors) as short as possible to prevent increasing impedance or the radiation of HF/RFI inside the cabinet of the device. In the event the leads of the capacitor(s) must be longer than one-quarter of an inch, ferrite beads may be placed over the leads to prevent RF radiation. Obviously, all such input jacks, ports or other exposed metal surfaces should receive the same modification considerations.

Amplification circuits

The source-follower circuit shown in Figure 4 is a common unity-gain amplifier stage used in many devices because of its signal conditioning, buffering and impedance matching qualities. The N-channel field effect transistor (FET) used in this circuit will provide adequate amplification of a variety of signals over a broad range of frequencies, including those frequencies which may be considered undesirable in following stages or circuits.

Capacitors C_1 and C_2 are used in this instance as signal coupling devices, which also act as dc decou-

plers, preventing any dc from entering the signal path where it could destroy the amplifying component ($Q1$). While these capacitors will exhibit some frequency attenuation characteristics, their value, if factory installed, should not attenuate any of the desired passband frequencies. These components may however, have to be replaced with those of a different value to meet the needs of the filtering circuit to be added.

In a hypothetical situation, a service technician has decided that a resonant bandpass filter should be added to the source-follower circuit in Figure 4 to increase the overall performance of the device in which it is installed. As a starting point, the technician must determine which type of resonant bandpass filter should be used.

In this instance, either a series or a parallel resonant bandpass filter would provide the proper attenuation of the stopband frequencies. The technician would look next to the configuration which would require the least amount of time and effort to install, the fewest modifications to the existing circuitry and finally, the fewest component additions required to provide the amount of filtering necessary, all of which may be combined under the heading "Overall Efficiency."

With the simple addition of an inductor (coil) to the existing circuit components, a series resonant bandpass filter is constructed (Figure 4A). Because the parallel resonant filter would have required the addition of at least two components (in its most basic configuration), the series filter is more efficient in this instance, and should therefore be used.

Figure 4A shows how the inductor (L_1 was installed, which, coupled with C_1 forms the series resonant

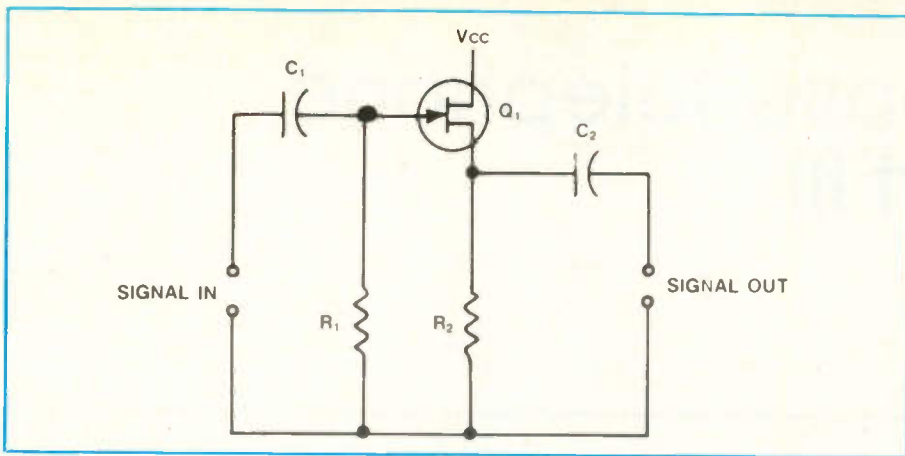


Figure 4.

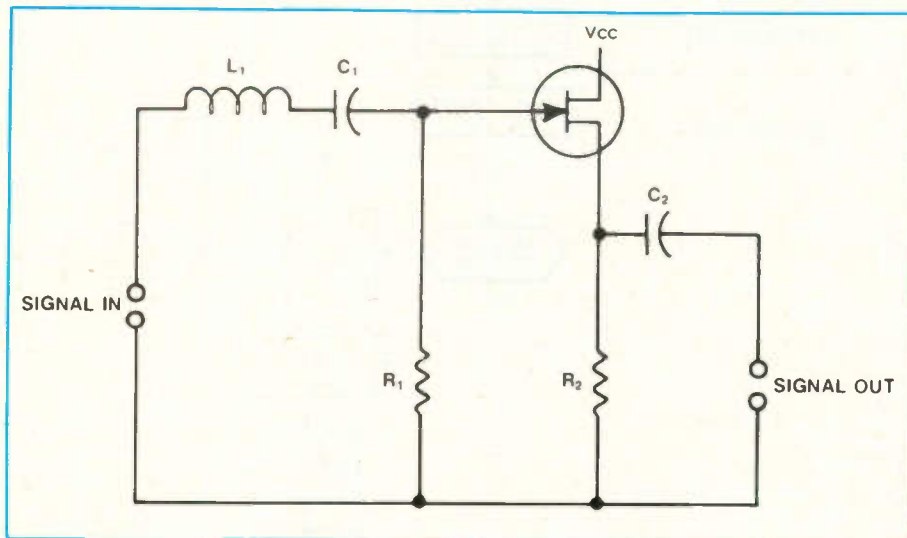


Figure 4A.

bandpass filter for the signal input. As the relative positioning of C_1 has not been changed, it will still perform its function as a dc decoupling device in addition to being a vital component in the filtering circuit. As mentioned previously, the value of C_1 may have to be altered from its original specifications to fit the needs of the filter, (see Filtering Theory, in the December 1991 issue for value calculation information) as would the value of C_2 if the service technician decided to add another inductor (filter) to the output stage of the source-follower amplifier.

Other considerations

Because FET's rely upon a very small gate voltage to control a large drain current for their amplification characteristics, these components are often fitted with shields (usually Faraday shields) to prevent stray electrostatic fields or charges from ad-

versely affecting their operation. If the service technician decides that a ferrite bead should be used around the signal input lead(s) (gate) of the FET to provide protection from, or to contain RF signals, all factory installed shielding devices should be kept intact.

In the event a bipolar transistor is used, a ferrite bead should be placed over the signal input lead (base, collector or emitter), depending upon the circuit configuration) for the same protection against RFI transmission or reception.

As may be observed by the preceding examples of circuit modifications, virtually all stages of an electronic device may be enhanced with the addition of filtering or attenuation circuits, as long as common sense and basic electronic principles are maintained in their development and application. ■

Parts Express
International Inc.

FREE CATALOG



CALL TOLL FREE 1-800-338-0531

**CALL TOLL FREE
1-800-338-0531**

Free catalog is sent via bulk mail. For express delivery, please send \$2.50 to cover 1st class postage costs. Foreign customers send \$5.00 to cover postage.

340 East First St. Dayton, Ohio 45402

Circle (11) on Reply Card



Your Ticket To

SUCCESS

Over 28,000 technicians have gained admittance worldwide as certified professionals. Let your ticket start opening doors for you.

ISCET offers Journeyman certification in Consumer Electronics, Industrial, Medical, Communications, Radar, Computer and Video. For more information, contact the International Society of Certified Electronics Technicians, 2708 West Berry Street, Fort Worth, TX 76109; (817) 921-9101.

Name _____

Address _____

City _____

State _____ Zip _____

Send material about ISCET and becoming certified.

Send one "Study Guide for the Associate Level CET Test." Enclosed is \$10 (inc. postage).

Cellular mobile telephone systems - Part III

By William H. Bowen

This article originally appeared in the July 1991 issue of The Expander, a monthly publication published by Mitsubishi to provide technical information on the company's products for their authorized service centers.

This article is Part III in a series of articles that describes the operation of the cellular mobile telephone system. The focus of previous installments has been on the organization and operation of the cellular system. Beginning with this installment, the focus will shift to the cellular mobile subscriber unit itself, examining how the subscriber unit operates and how it interacts with the system to place and receive telephone calls.

Operational differences

The operational differences between a cellular subscriber unit and a land telephone subscriber unit reflect two fundamental physical differences between the land and cellular phone systems.

The land subscriber unit is operated in a fixed location, the customer's home or business, for instance, and is connected to the land telephone system by a direct physical connection, usually a pair of copper wires called the "local loop".

In contrast, the cellular subscriber unit uses a flexible rf link to connect it to the cellular system, so its use is not restricted to a specific physical location. The cellular subscriber unit can be operated anywhere within the coverage area of a cellular system, such as in a moving vehicle.

These two differences give rise to a third and most important fundamental difference: the land telephone system assigns the network identifica-

Bowen is a Technical Writer in the Technical Services Division, Product Support Group of Mitsubishi Electronics America, Inc.

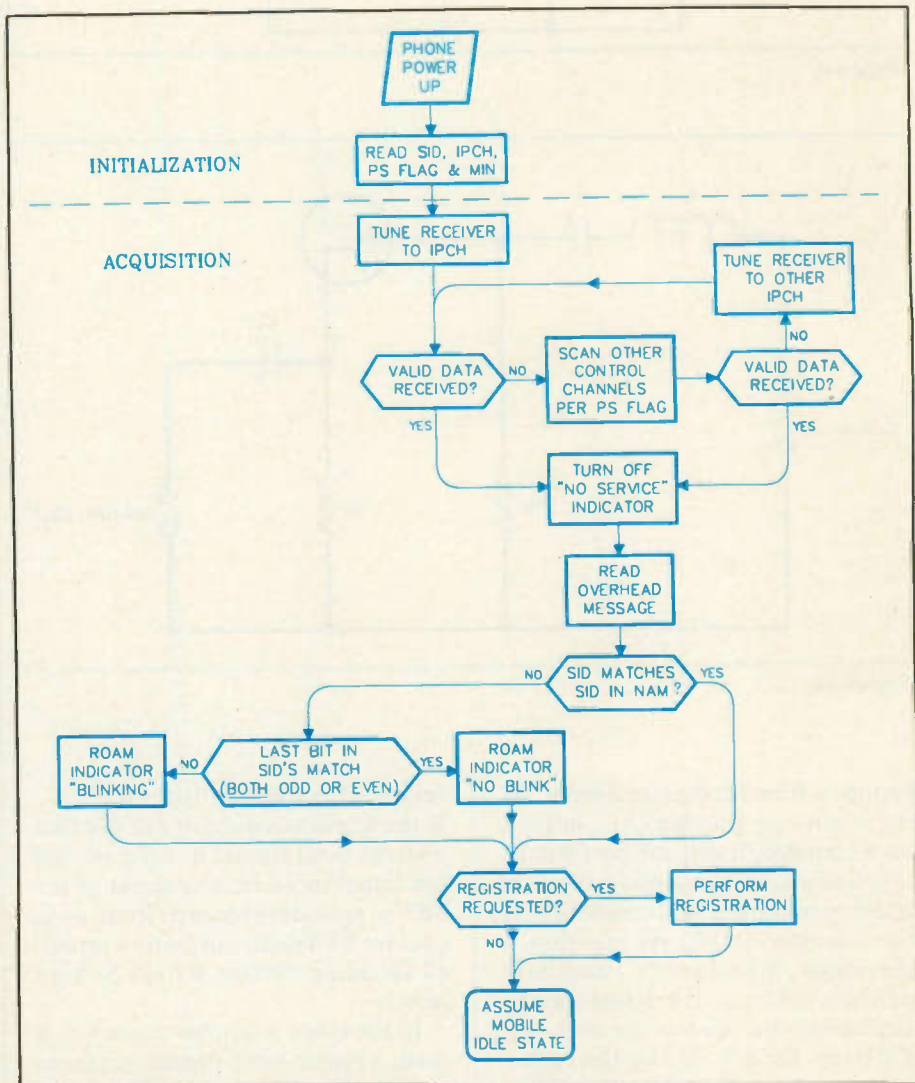


Figure 1. Subscriber unit initialization and system acquisition.

tion or telephone number to a specific telephone line which terminates at a specific physical location, whereas in the cellular system the network identification is assigned to the subscriber unit, which is not tied to a specific physical location.

Nowhere is the effect of these fundamental differences more profound than in the operations performed by

a cellular subscriber unit when power is first applied to it.

Subscriber unit initialization and system acquisition

When the cellular subscriber unit is first switched on or "powered-up", a two-step process must be completed before a call can either be placed or received. The cellular subscriber unit,

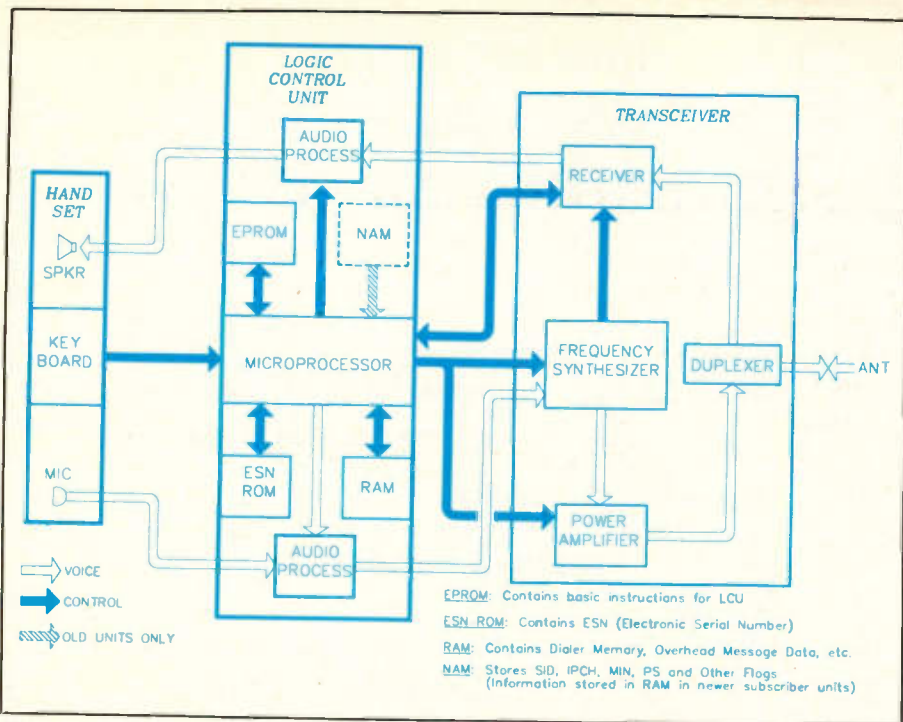


Figure 2. Subscriber unit basic block diagram.

since it is an active device, must first configure itself internally for proper operation: this process is called initialization. Second, the cellular subscriber unit must establish a connection to the cellular system in whose service area it is physically located; a process known as system acquisition.

Both of these processes are diagrammed in Figure 1. The standard land telephone subscriber unit does not need to perform either of these procedures: initialization is not required since the land telephone subscriber unit is a passive device, and system acquisition is accomplished by the fact that the land phone is in a fixed location connected by a specific wire pair to a specific local central office.

Subscriber unit initialization

When the mobile subscriber presses the "ON" button on the phone, the logic control unit or LCU begins its operation by performing the Initialization routine. The LCU's microcomputer is configured for proper operation by reading the necessary information from the program EPROM (electrically programmable read-only memory), the operation of certain subscriber unit circuits is verified, and the data that resides in the number address module (NAM) is read.

The NAM, which is part of the Logic Control Unit, shown in the subscrib-

er unit block diagram in Figure 2, contains information programmed into the subscriber unit when it was activated: in most current subscriber units the NAM data are stored in a special part of the unit's main internal RAM (random access memory).

The data in the NAM includes the SID (system identification) of the home cellular system, the PS or preferred system flag, set to match the band of the subscriber unit's home system (wireline or non-wireline), the subscriber unit's Mobile Identification Number, or MIN, (its telephone number), and other data and control flags that will be discussed later.

Also included in the NAM is the correct initial paging channel (IPCH). If the user subscribes to service with the Band A or non-wireline cellular carrier, this channel is usually Channel 333; if the user subscribes to service with the Band B or wireline cellular carrier, this channel is usually Channel 334. We'll see why the IPCH is important in a moment.

Once the Initialization routines are completed, the subscriber unit will proceed with system acquisition. While subscriber unit initialization is a self-contained operation, system acquisition requires the gathering of certain information from the local cellular system. Before we examine the mechanics of system acquisition, let's

take a moment to see how the exchange of information takes place in the cellular system.

Cellular system data transmission

The cellular system will have at least one control channel per cell that is designated specifically as a paging channel, and this channel's forward (land to mobile) path will be transmitting a continuous digital data stream. The data transmission scheme used by the AMPS cellular system uses a special error detection and correction code called an NRZ Manchester code; this technique is very similar to the data encoding scheme used in the audio compact disc system. The encoded digital data stream directly FM-modulates the rf carrier at a 10 kilobit per second rate. The construction of the forward control channel's digital data stream is shown in Figure 3.

The digital data stream is comprised of synchronization information, required to permit the subscriber unit's control section to properly decode the information transmitted, and the data message itself. Each data message is repeated 5 times to give adequate error protection against signal fading. The data message is contained in two 40-bit words, and can be any one of three types:

- Overhead Messages
- Mobile Station Control Messages

Control filler messages

Overhead messages contain general data regarding the local system that are "broadcast" to all subscriber units. Mobile station control messages contain data for a specific subscriber unit, such as paging for a land to mobile call. Control filler messages are sent to ensure that the stream of data transmitted is indeed continuous: they may also contain additional data fields.

The mobile station control message will be described during the explanation of call handling procedures, but for now let's concentrate on the overhead message: this is the information that the cellular subscriber unit uses during system acquisition.

Overhead messages

Overhead messages are two-word messages that contain general data regarding the local system directed to all subscriber units. The first 2 bits of an

overhead message (T1, T2) will always be a "1": this is how an overhead message is identified. The next 2 bits are the digital color code (DCC), a code used to distinguish a particular cell from another nearby cell that uses the same rf frequency: this technique is used to reduce the possible effects of co-channel interference.

The remainder of the overhead message includes the channel number(s) of that cell's active control channels (paging and access), system configuration information (including whether the cell uses common control channels or independent paging and access channels), system option messages (determines whether certain system options can be used) and the cellular system's SID.

The SID or system identification is a 5 decimal digit (14 binary bit) number assigned to the system, that permits subscriber units to identify whether or not they have accessed the system to which they are a subscriber: their "home" system. The last digit of the SID also carries significance: the SIDs of all non-wireline carriers have an odd last digit, whereas wireline carrier system SIDs all have an even last digit.

A more complete description of all the particular data fields in the overhead message is beyond the scope of this article: if further detail is desired, please refer to the AMPS Basic Specification, which is available from the Electronic Industries Association (EIA) as EIA Specification IS-3-E.

System acquisition

As mentioned earlier, once the subscriber unit has been initialized, the system acquisition routine commences. The receiver in the subscriber unit is commanded to tune to the IPCH stored in the NAM. The IPCH is used as the starting point for system acquisition since this will shorten the acquisition process.

If no signal is found on that channel, the subscriber unit's receiver will scan the other 20 control channels assigned to the PS or preferred system searching for paging channels, capturing the strongest one it receives.

If the receiver is unable to capture a paging channel on the preferred system, and the subscriber unit is programmed for A/B scan (another NAM flag), the receiver will then scan the 21 control channels of the non-preferred system searching for paging

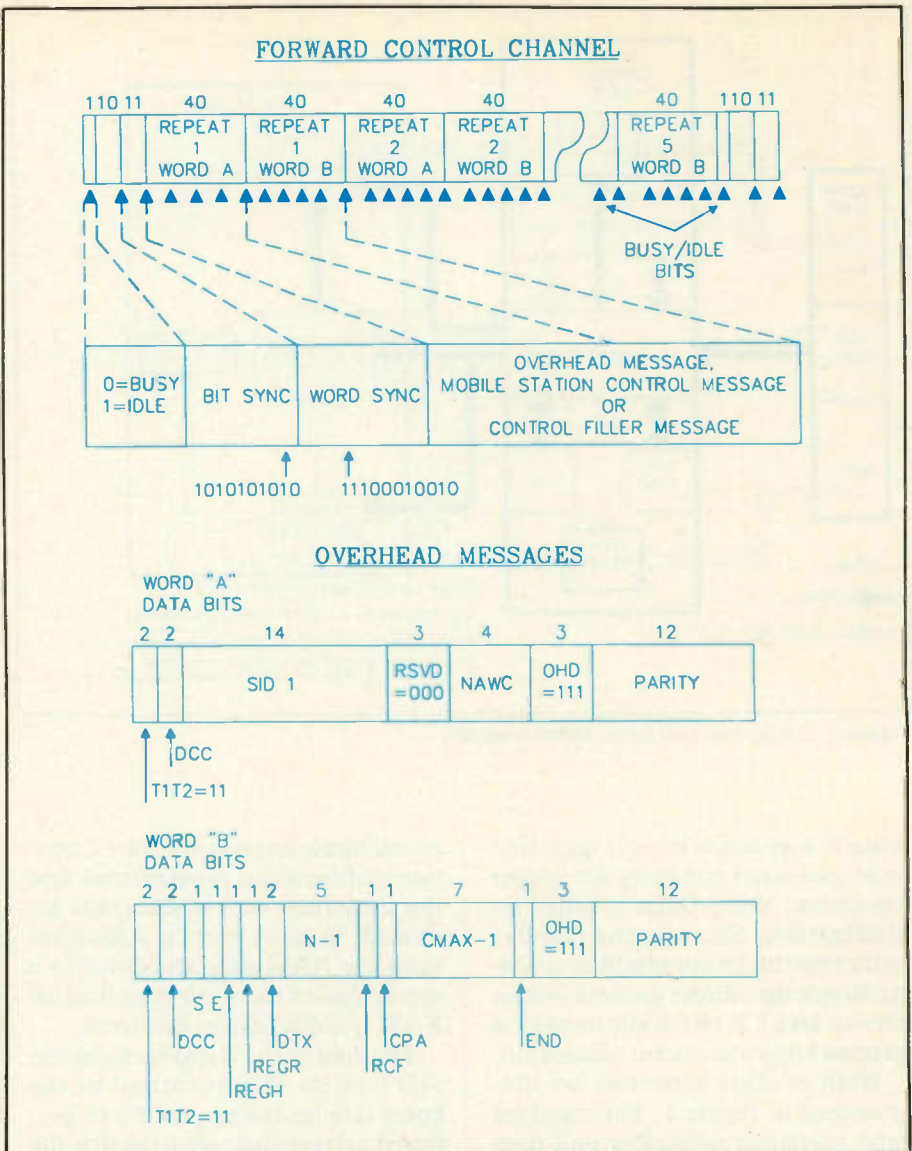


Figure 3. Control (paging) channel digital data stream.

channels, again capturing the strongest one received.

Once a valid paging channel is received (signifying that the subscriber is within the coverage area of a cellular system) the "No Service" indicator on the subscriber unit's display will be extinguished. The subscriber unit then decodes and stores the information from the overhead message that was described earlier into its RAM memory.

Where am I?

The first task for which the information from the overhead message is used is the determination of whether or not the subscriber unit has acquired its home system: in other words "Where am I"? The procedure used

for this determination is also shown in Figure 1.

If the SID recovered from the overhead message and the SID in the subscriber unit's NAM match, then the subscriber unit has acquired the home system, and the procedure is complete. However, if the SIDs do not match and the roam inhibit flag is not activated, the ROAM indicator is illuminated, indicating another system has been captured.

The final digit of the NAM's SID and the overhead message SID are then compared. If both final digits are odd, or if both are even, the system acquired is of the same band as the home system, and no further action is required. However, if this is not the case, the system acquired is not on the same

band as the home system, and the ROAM indicator is made to blink, indicating to the user that they are on the non-preferred system.

Mobile idle

Once the system identification procedure is completed, the subscriber unit enters the mobile idle state. In this condition, which is similar to that of a land phone which is connected to an active line but is on-hook, the cellular subscriber unit is ready to place and receive calls. It will continue to monitor the paging channel for additional overhead messages.

If the signal strength weakens below a specific level, the system acquisition procedure is repeated, and the subscriber unit scans again to acquire another suitable paging channel. This is a totally transparent process that will continue as long as the subscriber unit is receiving power.

The user will only be aware of this process if their phone has a provision for an "alert on change of status". If such is the case, the phone will alert the user if it acquires a different cellular system or enters an area where no cellular service is available.

Call handling

Call handling procedures require that several digital data messages be exchanged using the control or voice channels. The various call handling procedures include:

- Registration
- Call initiation
- Call reception
- Call hand-off

Since there is not the sharp demarcation between the call processing and call supervision portions of call handling in the cellular system as there is in the land telephone system, the examination of the call handling, which will be discussed in the next installment, will be done on a procedure-related basis.

Vocabulary

AMPS: Advanced mobile phone system.

Control filler messages: Data sent to ensure that the stream of data transmitted is continuous.

DCC: Digital color code. A code used to distinguish a particular cell from another nearby cell that uses the same frequency.

FCC: Forward control channel.

Initialization: The procedure that a cellular telephone system goes through to configure itself internally for proper operation.

IPCH: Initial paging channel.

LCU: Logic control unit.

MIN: Mobile identification number. The subscriber's telephone number; stored in the NAM.

Mobile idle: A state in which a mobile unit has been connected to the local cellular system, but is not in the process of making a call.

Mobile station control messages: Data that the local system sends for a spe-

cific subscriber unit, such as paging for a land mobile call.

NAM: Number address module.

Overhead messages: General data regarding the local system that are broadcast to all subscriber units.

PS: Preferred system. Data in the subscriber's telephone unit that identifies the band of its home system.

Roam: A feature of the cellular system that allows a subscriber to make a telephone call while connected to a cellular system other than his home system.

SID: System identification. Data in the NAM that identifies the subscriber's home system.

System Acquisition: The action of establishing a connection between a subscriber unit and the cellular system in which the unit is located at the time.

Start Making Waves.



Switch to B+K PRECISION for the right function generator at the right price.

Don't let tight budgets keep you from the function generator performance you need. B+K PRECISION has the industry's most complete line of cost-effective generators...from 150 kHz to 13 MHz. All are rugged lab-grade instruments that will perform as promised, every time. Here are just two examples.

13 MHz Universal Function Generator with Frequency Counter

- 0.1 Hz to 13 MHz output
- Sine, square, triangle, ramp, pulse, triggered, gated burst, TTL outputs
- Two built-in generators can be used independently or together for AM or FM
- 1000:1 sweep range
- Variable symmetry for unlimited waveforms
- Built-in 30 MHz frequency counter

Model 3040 \$1,195⁰⁰

2 MHz Function Generator

- 0.2 Hz to 2 MHz
- Sine, square, triangle, ramp and TTL or CMOS output
- Four-digit frequency display
- Variable DC offset
- Variable symmetry

Model 3011B \$259⁰⁰

For more information on the complete line of B+K PRECISION function generators or for immediate delivery, contact your local distributor or B+K PRECISION.

 **BK PRECISION**[®]
MAXTEC INTERNATIONAL CORP.

Domestic and International Sales
6470 W. Cortland St., Chicago, IL 60635
312-889-1448 • FAX: 312-794-9740

Circle (1) on Reply Card

Computer monitor servicing

By Stan Warner

Just look around you; there are computers everywhere. In the schools, offices, airports, factories, hospitals, stores, homes. According to the Electronics Industries Association (EIA) the computer and computer peripheral market in 1990 was \$56.2 billion. The personal computer has become a standard piece of equipment in the work place and is making deep penetration into the home market. According to the EIA, thirty percent of the 93.1 million homes in the United States have a personal computer.

Computers have monitors

Computers all have one thing in common: a monitor (mainframe and minicomputer systems may have hundreds). And these monitors have something in common as well; they are all prone to fail, just like any other electronic device. Because of this, the opportunities in computer monitor servicing are good.

Monitor testing is made easier if you have a tester that can generate the same signals the monitor receives

when it is hooked up to the computer. With these signals fed to the computer monitor, you can recreate the symptom reported by the user. You can also do a final alignment and performance test after you've completed the repair.

Separate horizontal and vertical sync outputs and a composite sync output are desirable. Other desirable test signals are separate red, green, blue and "intensity" video outputs (some digital computer monitors have four inputs: red, green, blue and intensity). Some computer monitors receive composite sync on one of the video lines (most generally green video) so you need the capability to add composite sync to video when you are servicing these types of monitors.

Most computer monitors on the market today don't operate on the NTSC television standard horizontal scan frequency of 15.734 kHz and vertical scan frequency of 59.94 Hz. Most monitors don't have 525 horizontal scan lines as on a TV either. Because of this fact, you need to be able to generate the horizontal and vertical scanning frequencies and horizontal and vertical pixel rates to match the input requirements of the monitor you're servicing. (See Figure 1).

Rapid evolution marks the computer market

There is a tremendous evolution in the computer monitor market. New computer monitor standards are introduced every couple of years. With each new standard the scanning frequencies are faster than the previous standard so that the monitor can produce crisper, higher resolution images. Your test equipment and procedures should be able to keep pace.

The bandwidth of a computer monitor increases with the increase in horizontal scan frequency and the increase in the number of displayed pixels. Increased bandwidth increases the computer monitor's ability to show fine detail. While televisions have a maximum video bandwidth of 4.2MHz, the popular video graphics array (VGA) monitors have a bandwidth of over 25MHz. Computer monitors with even higher bandwidths are starting to appear in the mainstream computer monitor market and will probably replace the VGA standard in three or four years.

In order to determine if a computer monitor has the ability to produce clear, high resolution images, you need to be able to generate video sig-

Warner is the application engineer in charge of new product marketing for Sencore.

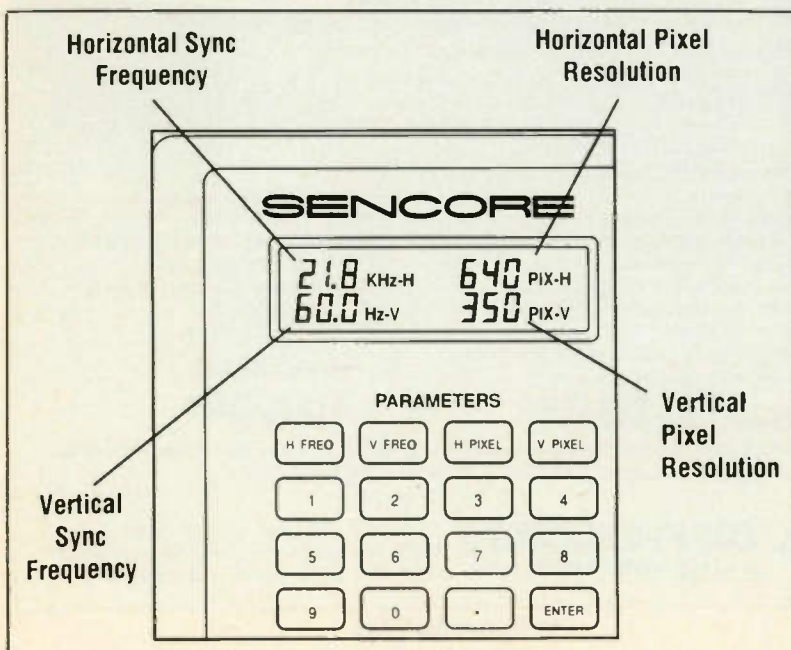
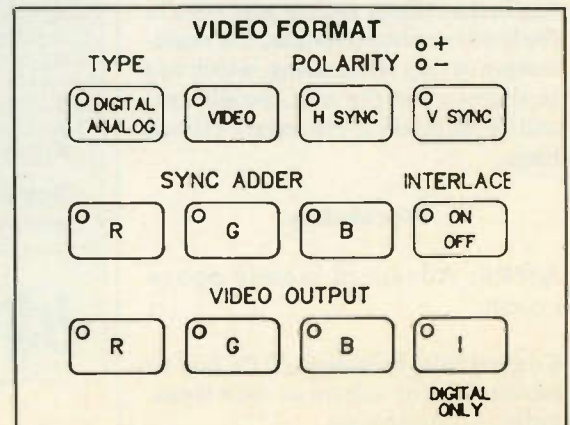
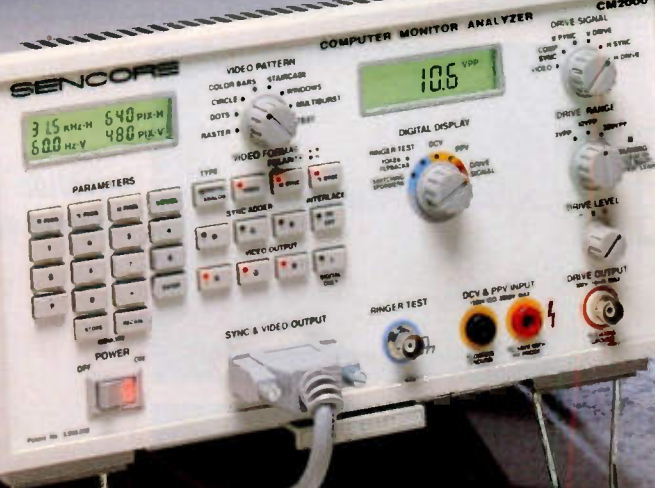


Figure 1. Programmable sync and pixels lets you service the computer monitors on the market today as well as new formats introduced in the future.

Figure 2. A computer monitor tester needs to generate signals for color and monochrome, digital and analog, and interlace and non-interlaced monitors.



Introducing The Only Complete Solution For All Your Monitor Servicing Needs!



New!

CM2000 Computer Monitor Analyzer
Patented - A Sencore Exclusive!

**Completely Test And Troubleshoot
All High Resolution And Multi-Scan
Computer Monitors From The
Input Connector To The CRT...
Guaranteed!**

*The Only Analyzer
That Helps You
Pinpoint Defects In
All Computer
Monitors!*



Here's What The CM2000 Offers You:

- Complete High Resolution Computer Monitor Analyzing
- Fully Programmable Scan Rate And Pixel Resolution
- Innovative Performance Testing Patterns
- Special Sync-Locked Substitution Signals
- Patented "Ringer" Test To Dynamically Analyze All:
 - Yokes
 - IHVTs/Flybacks
 - Switching Transformers
- Integrated 2,000 DCV And P-P Meter
- Exclusive "Hook-up" Adapters Available For All Popular Monitors
- Portable Troubleshooting For All Your Field Service Needs

Call 1-800-SENCORE ext. 709
(736-2673)

Circle (66) on Reply Card

SENCORE

3200 Sencore Drive, Sioux Falls, South Dakota 57107



Figure 3. The raster pattern tests color purity.



Figure 4. The dots pattern tests convergence.

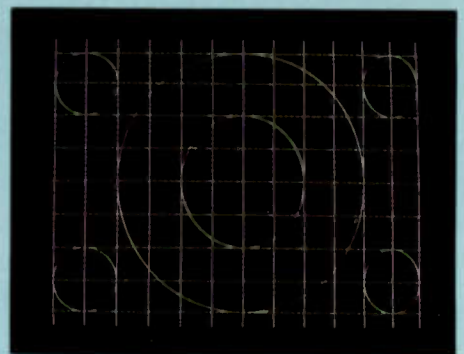


Figure 5. The circle/cross hatch pattern tests linearity and convergence.

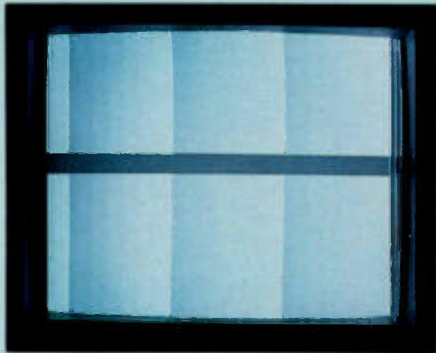


Figure 7. The staircase pattern tests contrast linearity.

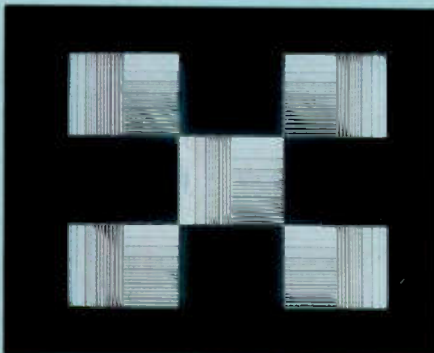


Figure 8. The multiburst pattern tests resolution and bandwidth.

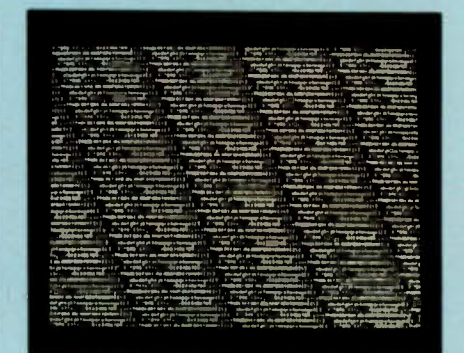


Figure 9. The text pattern makes a final performance test on the computer monitor.

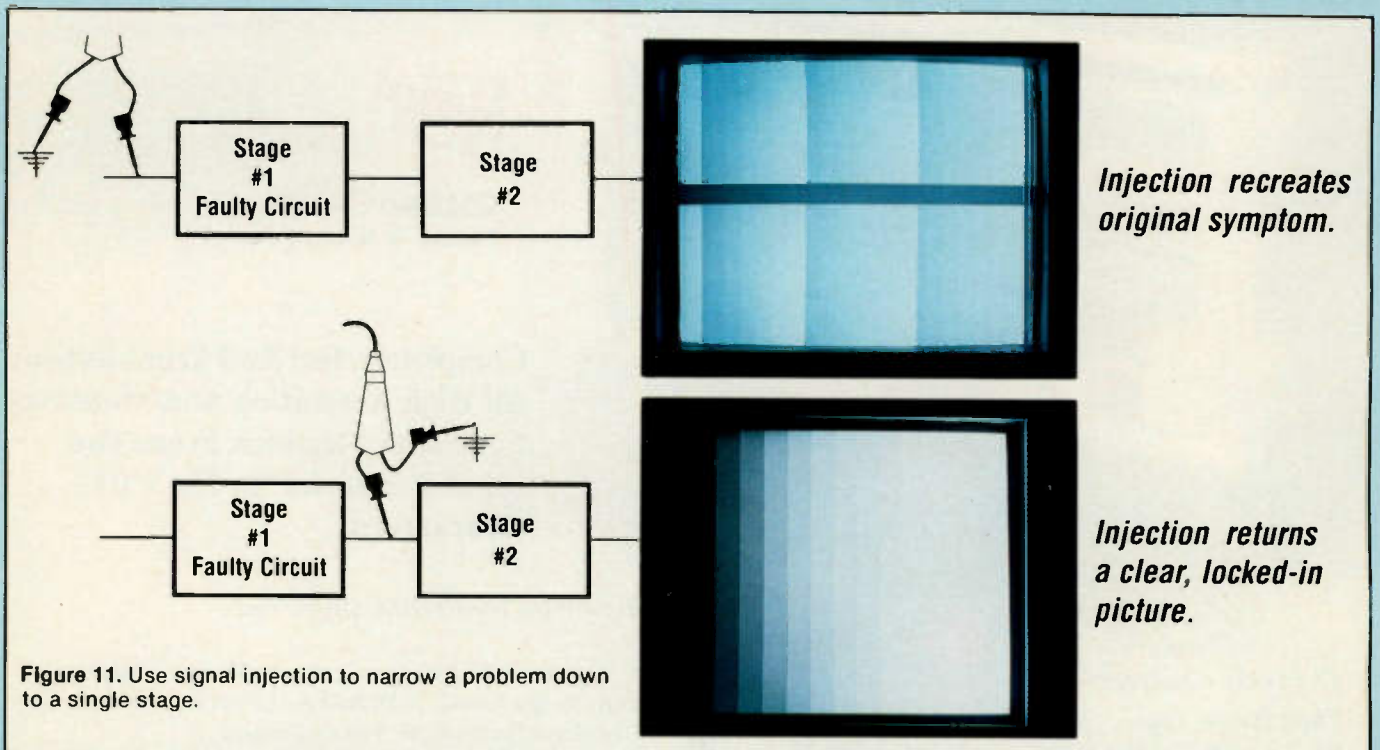


Figure 11. Use signal injection to narrow a problem down to a single stage.

nals that equal or exceed its bandwidth specification. When you are performance testing and making final alignments, you'll have the full assurance the monitor you've repaired is capable of producing clear, crisp images for all

of the user's word processing and graphics applications.

Digital and analog monitors

There are two common types of computer monitors: digital and ana-

log. Monochrome digital computer monitors display one or two shades of green or amber. Color digital computer monitors have red, green, blue and intensity input lines. They can display 8, 16, or 64 colors through combina-

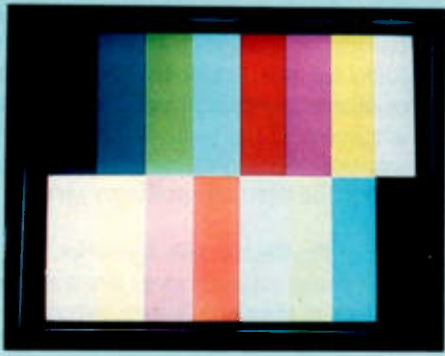


Figure 6. The color bars pattern tests for proper color and uniform color intensity.

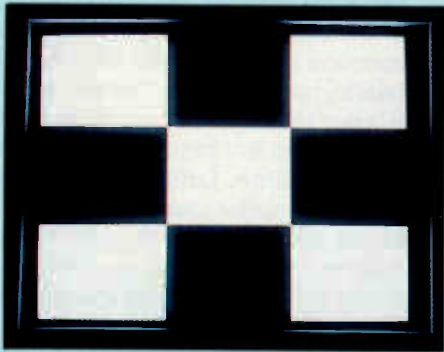


Figure 10. The windows pattern tests power supply regulation and brightness levels.

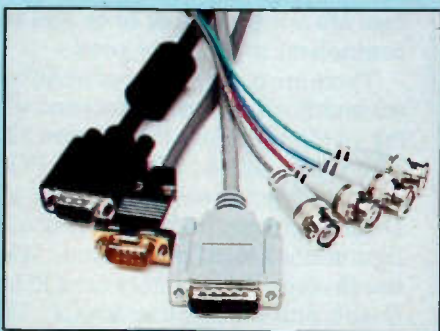


Figure 12. Computer monitors use a variety of different hook-up adapters.

tions of logic "1"'s and "0"'s.

Analog computer monitors can display an infinite number of colors and shades of gray. The video signal fed to an analog computer monitor is 0.7V to 1V. Typically the horizontal and

vertical sync pulses sent to an analog computer monitor are at digital levels. Most analog computer monitors require a non-interlaced signal but recently a few models have come onto the market that require an interlaced signal.

For successful computer monitor servicing you should be able to generate the signals for monochrome and color, digital and analog and non-interlaced and interlaced computer monitors. (See Figure 2.)

The patterns displayed on the CRT can provide a wealth of information about what's going on inside the monitor you're servicing. For complete computer monitor servicing and performance testing you should be able to generate patterns for testing purity, convergence, linearity, color, gray scale tracking, resolution and high voltage regulation.

Video Patterns

These problems can be tested with the following video patterns:

Raster - Use the raster pattern to check color purity. The raster should be pure white with no color hue when the red, green and blue guns are turned on. (See Figure 3.)

Dots - Use the dots pattern for checking static and dynamic convergence. Check for white dots with no visible color. A misconverged CRT will show colored dots, instead of white dots. (See Figure 4.)

Circle/Cross Hatch - Use the circle and cross hatch pattern for checking a monitor's linearity, and dynamic convergence. Check that each line is straight and that each box is square and the same size throughout the raster. Also check that each circle is round with no visible distortion. If the CRT is converged properly, the lines will each be a single, white line instead of two or three colored lines. (See Figure 5.)

Color Bars - Use the color bars pattern to test the monitor's ability to produce proper color. Check that each color bar is present. A missing bar, or wrong color sequence, may indicate that a video channel is connected incorrectly or is defective. Also check that the colors are uniform in intensity from top to bottom and left to right. Non-uniform bars may indicate problems in the video amplifiers. (See Figure 6.)

Staircase - Use the staircase pattern for testing the brightness and contrast linearity of analog computer monitors. A properly working and adjusted analog monitor will display 16 evenly spaced bars ranging from black to 100% white. Each step should have a sharp and distinct transition. The bars should be pure shades of gray with no hint of color. If there is a hint of color one of the video guns may be driven on too hard. (See Figure 7.)

Multiburst - Use the multiburst pattern to test a monitor's resolution and bandwidth. The sets of vertical lines test horizontal pixel resolution and the sets of horizontal lines test vertical pixel resolution. The highest resolution lines (1 pixel wide) should be individually discernible on a properly operating monitor. (See Figure 8.)

Text - Use the text pattern to make a final performance test on the monitor. This pattern fills the screen with upper and lower case text characters that create user conditions. All the characters on the screen should be focused and easy to read. (See Figure 9.)

Windows - Use the windows pattern to test the monitor's power supply regulation. Check for clear, distinct transitions between the black (minimum beam current) and white (maximum beam current) portions. All the white boxes should be the same brightness level and the entire screen should be free of ripple. (See Figure 10.)

Computer monitor problem symptoms

Generally computer monitors will come into your service center with the same problems as TVs: poor video response, collapsed vertical raster, failed power supplies, blown outputs, loss of vertical or horizontal sync, or no high voltage.

Signal substitution can help you quickly isolate the faulty circuit stage. Signal injection helps you narrow the problem down to a signal stage by injecting a known good signal into the input of a functional block and monitoring the output. If the output is OK (a clear, locked-in picture on the display), you can be confident all the circuits between the injection point and the output are good. (See Figure 11.)

For example, you're servicing a computer monitor that has vertical roll. If you inject a vertical sync pulse

nine widths ranging from 0.022" to 0.210" with unfluxed or rosin fluxed arrangements, and are engineered to meet Mil-F-14256 E type "R" requirements.

Circle (48) on Reply Card

Optical power meter

Fotec's M247 is a special optical power meter designed to test the laser diode source used in erasable optical disk drives or laser printers. The tester was specifically designed for factory testing or field service of such



equipment. The unit uses a separate 5mm diameter silicon photodiode calibrated to measure optical power at wavelengths in the range of 780-850 nm with a power range of up to 20.00mW. Its large area photodiode can be customized for correct placement directly over the optical source to minimize measurement errors. Measurements are shown on a large 0.7 inch (18mm) LCD display.

Circle (49) on Reply Card

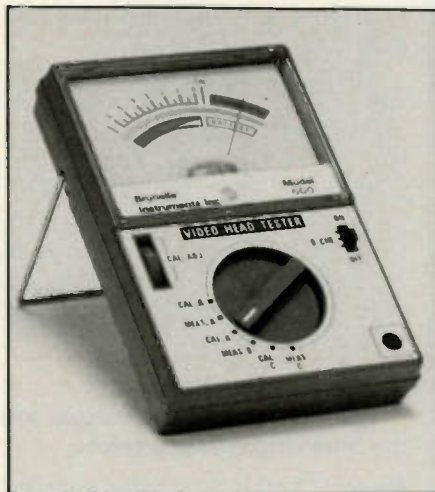
DMM test lead kit

ITT Pomona announces a DMM test lead kit that provides all of the test tips, clips, handles and leads to meet most professional testing requirements. Model 5677 "Maxi-Kit" includes two 48-inch silicone-insulated DMM lead sets, one with permanently fixed extendible "Slip-Tip" probes, the other terminated at "Pop-Jack" connectors.

Circle (50) on Reply Card

Video head tester

The newest addition to the *Brunelle Instruments* line of test instruments is the model 600 video head tester. The model 600 video tester is an analog tester used for determining the amount of wear and condition of



a video head. The model 600 is available for testing either Beta or VHS type of heads. The model 600 is lightweight, portable, battery operated, and has three ranges of measurement to cover all types of VCR heads.

Circle (51) on Reply Card

Integrated circuits library now available

D.A.T.A. Business Publishing has released its 1991 edition of *D.A.T.A. Digests Integrated Circuit Library*. *D.A.T.A.* provides information for component engineers, repair and maintenance technicians, and pur-



(Continued on page 44)

into the input of the vertical oscillator (at the same scan frequency as the computer monitor) and the picture locks up, you know that the vertical oscillator, vertical drivers and outputs are good. If the picture doesn't lock up, you know you need to troubleshoot the vertical oscillator circuit.

Problems with flybacks

Flyback transformers are a major source of monitor failure. According to Don Doerr of the National Advancement Corporation, "Lately, there seems to be an increasing number of failing VGA monitors. In fact, in the case of the IBM 8513, larger users are reporting more than a 50% fatality rate within the first two years. It's not just IBM having these problems. There has been an epidemic of VGA monitors failing nation-wide. One of the major sources of these problems has been bad flyback transformers." (see *ES&T*, June 1991, Servicing problems in IBM PS/2 monitors).

High voltage, horizontal output and power supply problems are probably the most time consuming and difficult to troubleshoot because in many cases the computer monitor is in shutdown. A quick way to test yokes and flybacks is to ring them. If the yoke or flyback rings (or resonates) the windings are not shorted or open and the component is probably good.

There are quite a number of different monitor input connectors and wiring configurations. (See Figure 12.) The CGA, EGA, MDA and PGC monitor types generally have a 9 pin D-subminiature. But their wiring configurations are different. Some Macintosh computer monitors use a 15 pin D-sub and others use BNCs. The VGA, SVGA, PS/2 and XGA computer monitors use the 15 pin high-density D-Sub. As a servicer you will either need to research the pinouts and wire up special connectors or the firm that supplies your computer monitor tester will also supply connectors for the most popular computer monitor types.

Other test equipment

Other test equipment you will need for monitor servicing are a dual trace oscilloscope, frequency counter, digital voltmeter, dc power supply, ac leakage tester, variable ac isolation transformer, high voltage probe, transistor tester and capacitor/coil tester. ■

SIGNAL CIRCUIT SCHEMATIC (ANALOG COMB)

Product safety should be considered when component replacement is made in any area of an electronics product. A star next to a component symbol number designates components in which safety is of special significance. It is recommended that only exact cataloged parts be used for replacement of these components.

Use of substitute replacement parts that do not have the same safety characteristics as recommended in factory service information may create shock, fire, excessive x-radiation or other hazards.

This schematic is for the use of qualified technicians only. This instrument contains no user-serviceable parts.

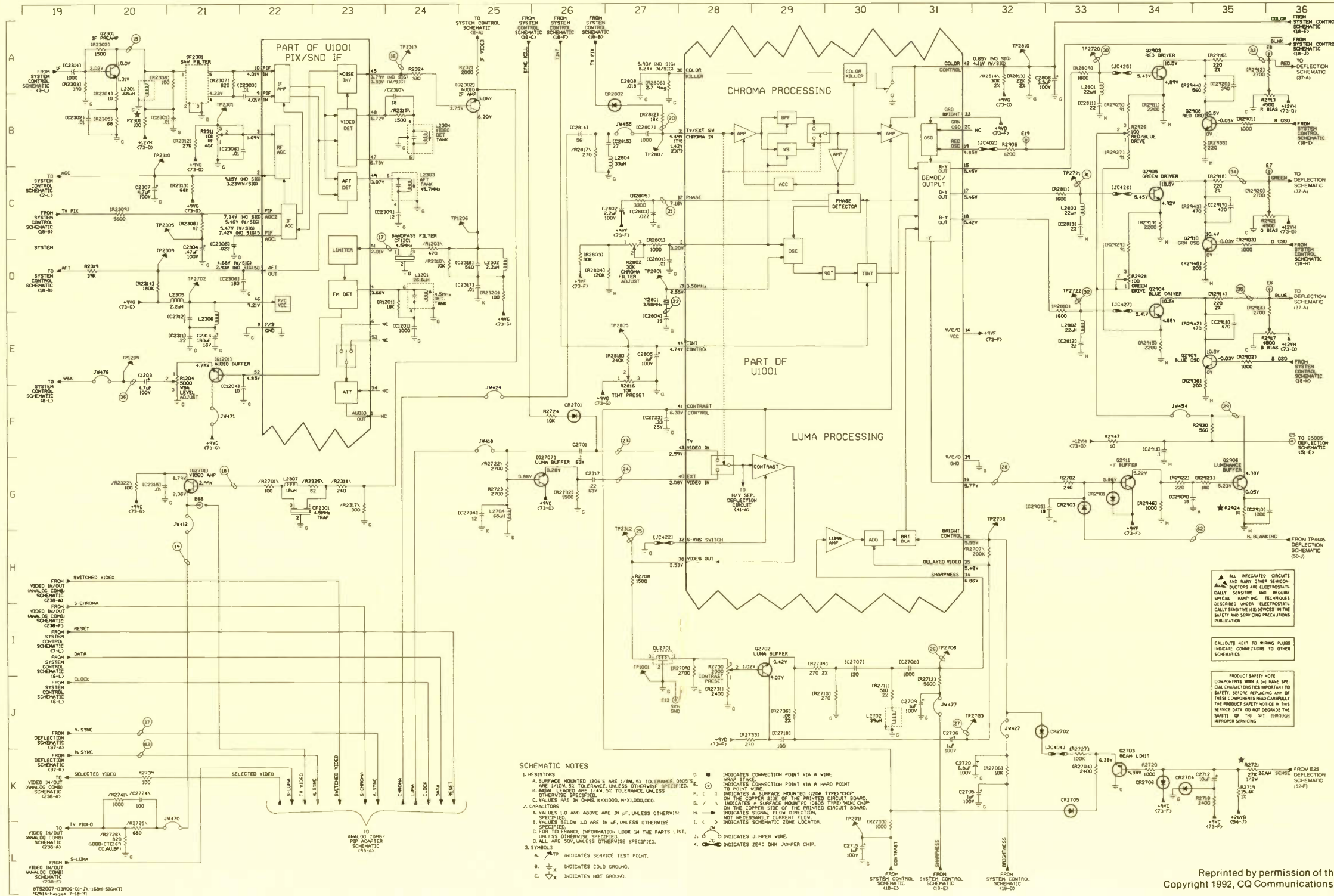
SIGNAL CIRCUIT SCHEMATIC (ANALOG COMB)

This schematic is for the use of qualified technicians only. This instrument contains no user-serviceable parts.

The other portions of this schematic may be found on other Profax pages.

All integrated circuits and many other semiconductors are electrostatically sensitive and require special handling techniques.

RCA
CTC 168 Color TV 3084



SIGNAL CIRCUIT SCHEMATIC (DIGITAL COMB)

Product safety should be considered when component replacement is made in any area of an electronics product. A star next to a component symbol number designates components in which safety is of special significance. It is recommended that only exact cataloged parts be used for replacement of these components.

Use of substitute replacement parts that do not have the same safety characteristics as recommended in factory service information may create shock, fire, excessive x-radiation or other hazards.

This schematic is for the use of qualified technicians only. This instrument contains no user-serviceable parts.

The other portions of this schematic may be found on other Profax pages.

All integrated circuits and many other semiconductors are electrostatically sensitive and require special handling techniques.

Product safety should be considered when component replacement is made in any area of an electronics product. A star next to a component symbol number designates components in which safety is of special significance. It is recommended that only exact cataloged parts be used for replacement of these components.

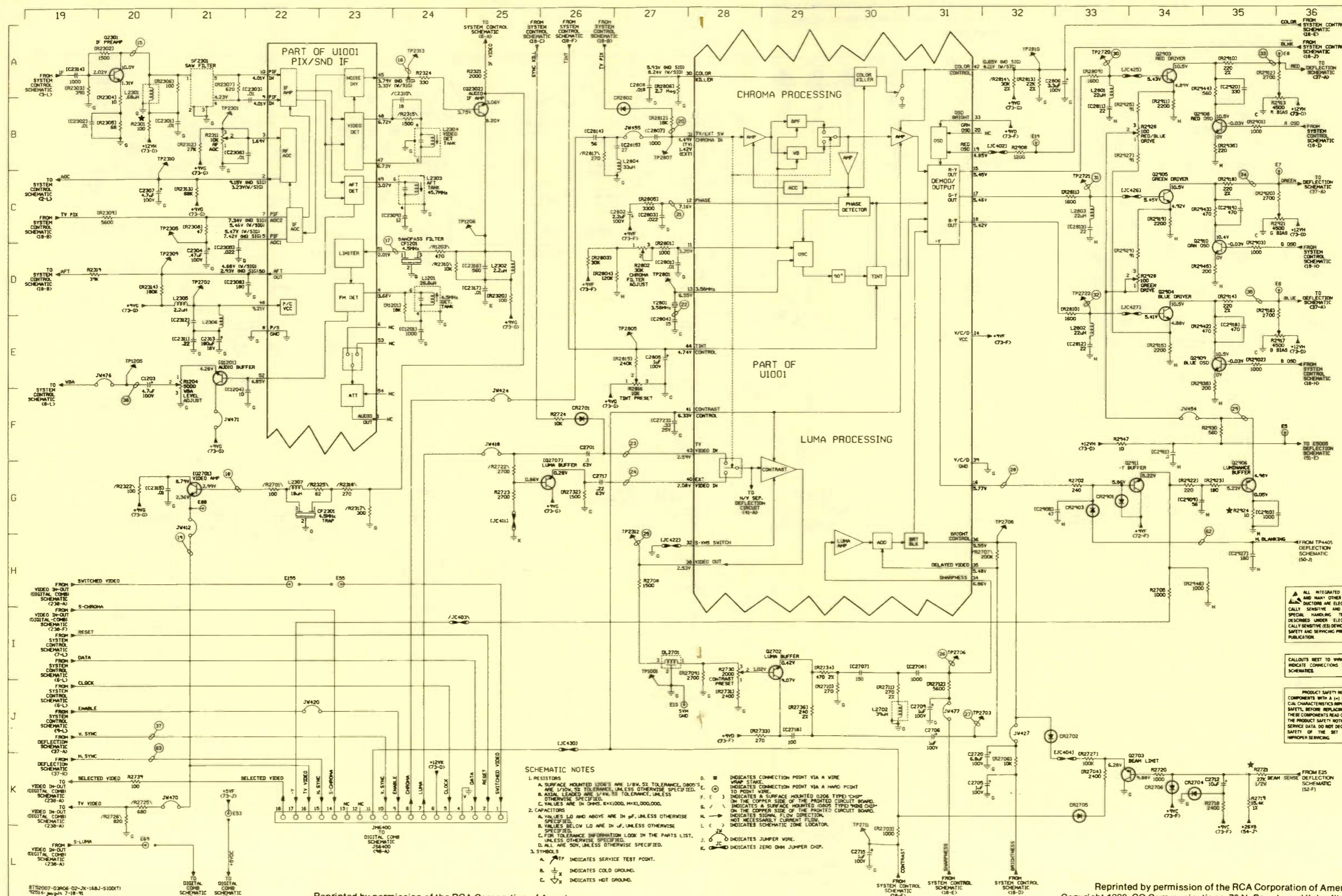
Use of substitute replacement parts that do not have the same safety characteristics as recommended in factory service information may create shock, fire, excessive x-radiation or other hazards.

SIGNAL CIRCUIT SCHEMATIC (DIGITAL COMB)

This schematic is for the use of qualified technicians only. This instrument contains no user-serviceable parts.

The other portions of this schematic may be found on other Profax pages.

All integrated circuits and many other semiconductors are electrostatically sensitive and require special handling techniques.



SCHEMATIC NOTES

1. RESISTORS
 A. SURFACE MOUNTED (SMD) ARE 1/8W, 5% TOLERANCE UNLESS OTHERWISE SPECIFIED.
 B. VALUES BELOW 10 ARE IN $\mu\Omega$, UNLESS OTHERWISE SPECIFIED.
 C. VALUES ARE IN OHMS, K=1000, M=1,000,000.
 D. FOR TOLERANCE INFORMATION LOOK IN THE PARTS LIST, UNLESS OTHERWISE SPECIFIED.
 E. ALL ARE 50V, UNLESS OTHERWISE SPECIFIED.

2. CAPACITORS
 A. VALUES 10 AND ABOVE ARE IN μF , UNLESS OTHERWISE SPECIFIED.
 B. VALUES BELOW 10 ARE IN nF , UNLESS OTHERWISE SPECIFIED.
 C. FOR TOLERANCE INFORMATION LOOK IN THE PARTS LIST, UNLESS OTHERWISE SPECIFIED.
 D. ALL ARE 50V, UNLESS OTHERWISE SPECIFIED.

3. SYMBOLS
 A. ∇ INDICATES SERVICE TEST POINT.
 B. \perp INDICATES COLD GROUND.
 C. \times INDICATES HOT GROUND.

4. \square INDICATES CONNECTION POINT VIA A WIRE.
 5. \circ INDICATES CONNECTION POINT VIA A HANG POINT TO FRONT VIEW.
 6. \square INDICATES A SURFACE MOUNTED (SMD) TYPED CHIP ON THE COPPER SIDE OF THE PRINTED CIRCUIT BOARD.
 7. \square INDICATES A SURFACE MOUNTED (SMD) TYPED WIRE BOND ON THE COPPER SIDE OF THE PRINTED CIRCUIT BOARD.
 8. \rightarrow INDICATES SIGNAL FLOW DIRECTION.
 9. \rightarrow INDICATES SCHEMATIC ZONE LOCATOR.
 10. $\text{---} \text{---} \text{---}$ INDICATES JUMPER WIRE.
 11. $\text{---} \text{---} \text{---}$ INDICATES ZERO OHM JUMPER CHIP.

ALL INTEGRATED CIRCUITS AND MANY OTHER SEMICONDUCTORS ARE ELECTROSTATICALLY SENSITIVE AND REQUIRE SPECIAL HANDLING TECHNIQUES DESCRIBED UNDER "ELECTROSTATICALLY SENSITIVE DEVICES" IN THE SAFETY AND SERVICING PRECAUTIONS PUBLICATION.

CALLOUTS NEXT TO WIRING PLUGS INDICATE CONNECTIONS TO OTHER SCHEMATICS.

PRODUCT SAFETY NOTE
 COMPONENTS WITH A (*) HAVE SPECIAL CHARACTERISTICS IMPORTANT TO SAFETY. BEFORE REPLACING ANY OF THESE COMPONENTS READ CAREFULLY THE PRODUCT SAFETY NOTICE IN THIS SERVICE DATA. DO NOT DISREGARD THE SAFETY OF THE SET THROUGH IMPROPER SERVICING.

DEFLECTION CIRCUIT SCHEMATIC

Product safety should be considered when component replacement is made in any area of an electronics product. A star next to a component symbol number designates components in which safety is of special significance. It is recommended that only exact cataloged parts be used for replacement of these components.

Use of substitute replacement parts that do not have the same safety characteristics as recommended in factory service information may create shock, fire, excessive x-radiation or other hazards.

This schematic is for the use of qualified technicians only. This instrument contains no user-serviceable parts.

The other portions of this schematic may be found on other Profax pages.

All integrated circuits and many other semiconductors are electrostatically sensitive and require special handling techniques.

Product safety should be considered when component replacement is made in any area of an electronics product. A star next to a component symbol number designates components in which safety is of special significance. It is recommended that only exact cataloged parts be used for replacement of these components.

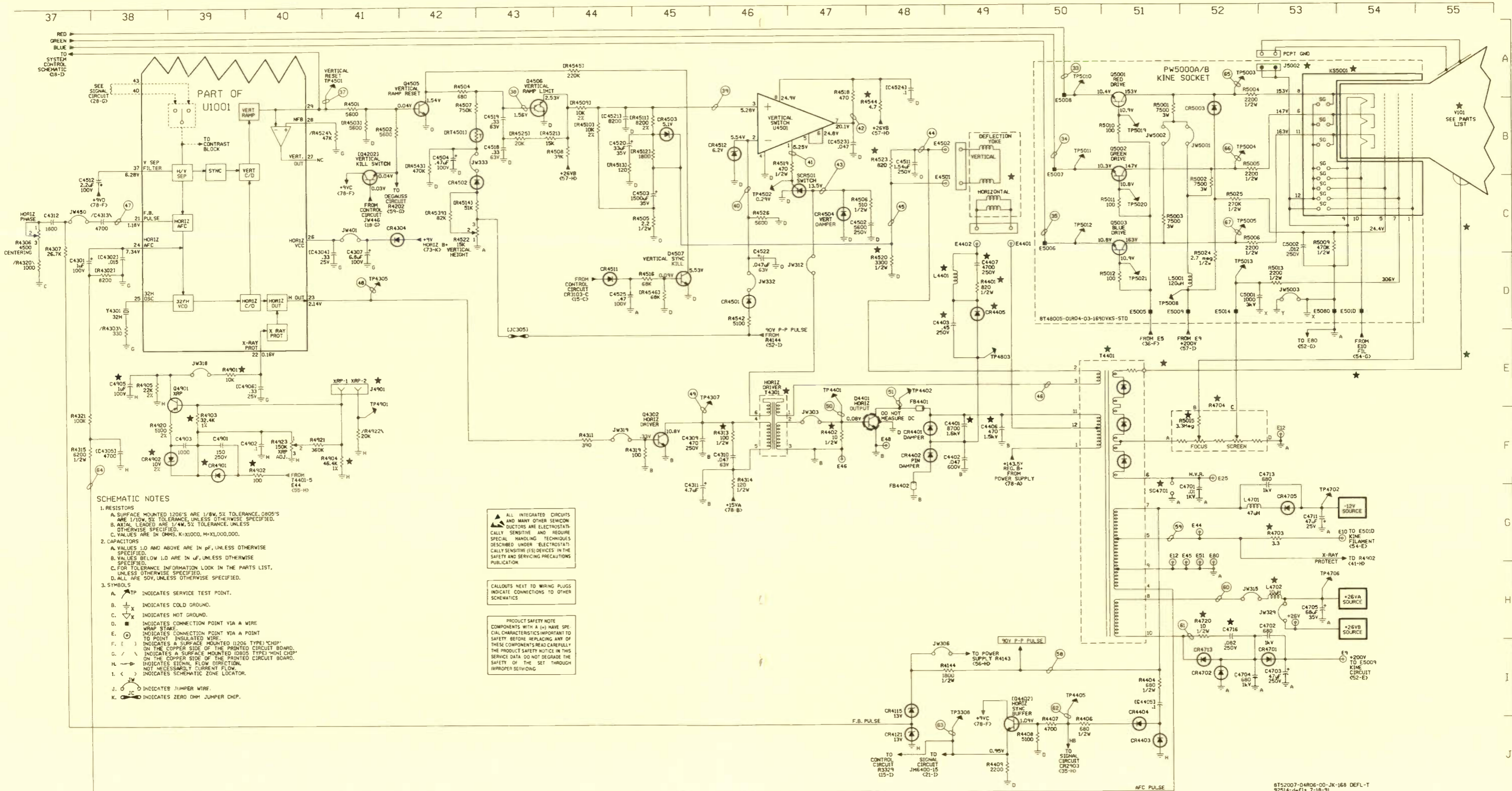
Use of substitute replacement parts that do not have the same safety characteristics as recommended in factory service information may create shock, fire, excessive x-radiation or other hazards.

DEFLECTION CIRCUIT SCHEMATIC

This schematic is for the use of qualified technicians only. This instrument contains no user-serviceable parts.

The other portions of this schematic may be found on other Profax pages.

All integrated circuits and many other semiconductors are electrostatically sensitive and require special handling techniques.



SCHEMATIC NOTES

- 1. RESISTORS
 - A. SURFACE MOUNTED 1206'S ARE 1/8W, 5% TOLERANCE, 0805'S ARE 1/10W, 5% TOLERANCE, UNLESS OTHERWISE SPECIFIED.
 - B. AXIAL LEADED ARE 1/4W, 5% TOLERANCE, UNLESS OTHERWISE SPECIFIED.
 - C. VALUES ARE IN OHMS, K=X1000, M=X1,000,000.
- 2. CAPACITORS
 - A. VALUES 1.0 AND ABOVE ARE IN pF, UNLESS OTHERWISE SPECIFIED.
 - B. VALUES BELOW 1.0 ARE IN uF, UNLESS OTHERWISE SPECIFIED.
 - C. FOR TOLERANCE INFORMATION LOOK IN THE PARTS LIST, UNLESS OTHERWISE SPECIFIED.
 - D. ALL ARE 50V, UNLESS OTHERWISE SPECIFIED.
- 3. SYMBOLS
 - A. TP INDICATES SERVICE TEST POINT.
 - B. \perp INDICATES COLD GROUND.
 - C. ∇ INDICATES HOT GROUND.
 - D. \blacksquare INDICATES CONNECTION POINT VIA A WIRE WRAP STAKE.
 - E. \bullet INDICATES CONNECTION POINT VIA A POINT TO POINT INSULATED WIRE.
 - F. \square INDICATES A SURFACE MOUNTED (1206 TYPE) 'CHIP' ON THE COPPER SIDE OF THE PRINTED CIRCUIT BOARD.
 - G. \square INDICATES A SURFACE MOUNTED (0805 TYPE) 'CHIP' ON THE COPPER SIDE OF THE PRINTED CIRCUIT BOARD.
 - H. \rightarrow INDICATES SIGNAL FLOW DIRECTION, NOT NECESSARILY CURRENT FLOW.
 - I. \langle INDICATES SCHEMATIC ZONE LOCATOR.
 - J. $\text{---} \text{---}$ INDICATES JUMPER WIRE.
 - K. $\text{---} \text{---}$ INDICATES ZERO OHM JUMPER CHIP.

ALL INTEGRATED CIRCUITS AND MANY OTHER SEMICONDUCTORS ARE ELECTROSTATICALLY SENSITIVE AND REQUIRE SPECIAL HANDLING TECHNIQUES DESCRIBED UNDER "ELECTROSTATICALLY SENSITIVE (ES) DEVICES" IN THE SAFETY AND SERVICING PRECAUTIONS PUBLICATION.

CALLOUTS NEXT TO WIRING PLUGS INDICATE CONNECTIONS TO OTHER SCHEMATICS

PRODUCT SAFETY NOTE COMPONENTS WITH A (*) HAVE SPECIAL CHARACTERISTICS IMPORTANT TO SAFETY. BEFORE REPLACING ANY OF THESE COMPONENTS, READ CAREFULLY THE PRODUCT SAFETY NOTICE IN THIS SERVICE DATA. DO NOT DEGRADE THE SAFETY OF THE SET THROUGH IMPROPER SERVICING.

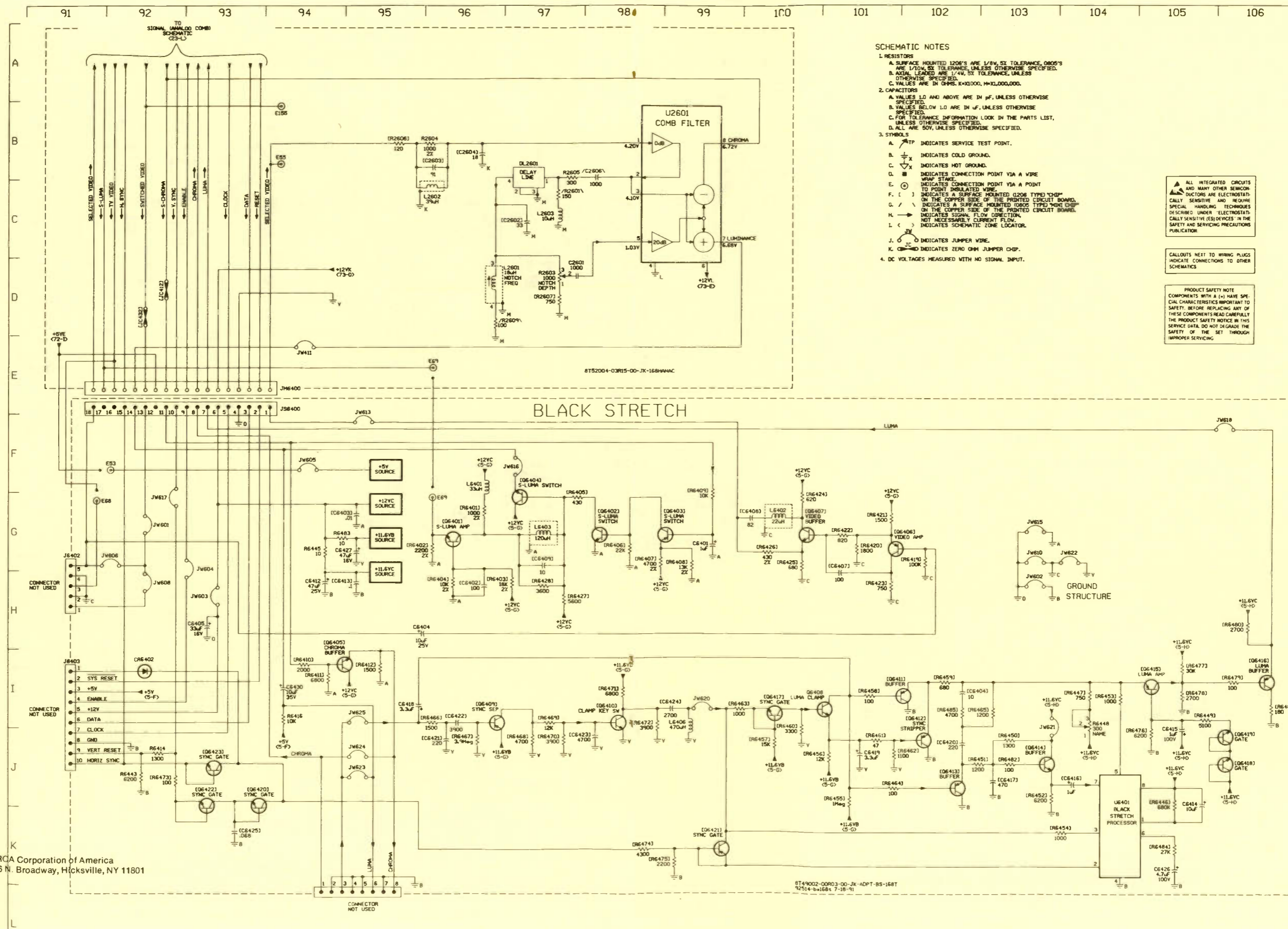
Product safety should be considered when component replacement is made in any area of an electronics product. A star next to a component symbol number designates components in which safety is of special significance. It is recommended that only exact cataloged parts be used for replacement of these components.

Use of substitute replacement parts that do not have the same safety characteristics as recommended in factory service information may create shock, fire, excessive x-radiation or other hazards.

This schematic is for the use of qualified technicians only. This instrument contains no user-serviceable parts.

The other portions of this schematic may be found on other Profax pages.

All integrated circuits and many other semiconductors are electrostatically sensitive and require special handling techniques.



- SCHEMATIC NOTES**
- RESISTORS**
 - A. SURFACE MOUNTED 1206'S ARE 1/8W, 5% TOLERANCE, 0805'S ARE 1/10W, 5% TOLERANCE, UNLESS OTHERWISE SPECIFIED.
 - B. AXIAL LEADED ARE 1/4W, 5% TOLERANCE, UNLESS OTHERWISE SPECIFIED.
 - C. VALUES ARE IN OHMS, K=1000, M=1000000.
 - CAPACITORS**
 - A. VALUES 1.0 AND ABOVE ARE IN μ F, UNLESS OTHERWISE SPECIFIED.
 - B. VALUES BELOW 1.0 ARE IN nF, UNLESS OTHERWISE SPECIFIED.
 - C. FOR TOLERANCE INFORMATION LOOK IN THE PARTS LIST, UNLESS OTHERWISE SPECIFIED.
 - D. ALL ARE 50V, UNLESS OTHERWISE SPECIFIED.
 - SYMBOLS**
 - A. ∇ TP INDICATES SERVICE TEST POINT.
 - B. \square INDICATES COLD GROUND.
 - C. ∇ X INDICATES HOT GROUND.
 - D. \square INDICATES CONNECTION POINT VIA A WIRE WRAP STRAP.
 - E. \square INDICATES CONNECTION POINT VIA A POINT TO POINT INSULATED WIRE.
 - F. \square INDICATES A SURFACE MOUNTED (208 TYPE) CHIP ON THE COPPER SIDE OF THE PRINTED CIRCUIT BOARD.
 - G. \square INDICATES A SURFACE MOUNTED (2080 TYPE) CHIP ON THE COPPER SIDE OF THE PRINTED CIRCUIT BOARD.
 - H. \square INDICATES SIGNAL FLOW DIRECTION, NOT NECESSARILY CURRENT FLOW.
 - I. \square INDICATES SCHEMATIC ZONE LOCATOR.
 - J. \square INDICATES JUMPER WIRE.
 - K. \square INDICATES ZERO OHM JUMPER CHIP.
 - DC VOLTAGES MEASURED WITH NO SIGNAL INPUT.

ALL INTEGRATED CIRCUITS AND MANY OTHER SEMICONDUCTORS ARE ELECTROSTATICALLY SENSITIVE AND REQUIRE SPECIAL HANDLING TECHNIQUES DESCRIBED UNDER "ELECTROSTATICALLY SENSITIVE (ES) DEVICES IN THE SAFETY AND SERVICE PRECAUTIONS PUBLICATION."

CALLOUTS NEXT TO WIRING PLUGS INDICATE CONNECTIONS TO OTHER SCHEMATICS

PRODUCT SAFETY NOTE
COMPONENTS WITH A (+) HAVE SPECIAL CHARACTERISTICS IMPORTANT TO SAFETY. BEFORE REPLACING ANY OF THESE COMPONENTS READ CAREFULLY THE PRODUCT SAFETY NOTICE IN THIS SERVICE DATA. DO NOT DEGRADE THE SAFETY OF THE SET THROUGH IMPROPER SERVICING.

Que's Guide to Data Recovery, By Scott Mueller, Macmillan Computer Publishing, 498 pages. \$29.95.

This do-it-yourself manual teaches PC users of all experience levels how to gain complete control of their personal computer. Que's Guide to Data Recovery teaches them to create vital backups, manage files, and avoid data disasters.

This book offers hundreds of performance tips to protect PC systems. Each chapter of the book provides full explanations and examples of the computer's internal components, its advantages, and its problems. The book is designed so that users can eventually rely on their "feel" for what's going on in their system.

Also covering more advanced areas of DOS this guide helps users look at a disk just as DOS does. In a short time, users can identify and iron out disk problems and implement the solution. It covers all IBM PCs and compatibles and teaches users how to avoid disastrous viral infections, prevent software breakdowns, and solve complicated hardware crashes. Users also learn how to designate hard disk parameter tables for efficient use, respond quickly and correctly to DOS error messages, assemble a protective utility library, scan and map software disks for defects and bugs, and handle damaged directories and FATs.

Macmillan Computer Publishing 11711 N. College Ave., Suite 140 Carmel, IN 46032.

Waite Group's MS-DOS Bible, By Steven Simrin, 718 pages, Macmillan Computer Publishing, \$29.95.

Intermediate and advanced PC users find expert support from this fourth edition, published by Sams. Complete with DOS 5 coverage, this book is packed with easy tutorials, hands-on examples, and loads of valuable reference pages. The book starts with a quick introduction to DOS 5, where information jump tables quickly take users to commands, procedures, or topics of choice, moves on to familiarizing users with terminology and providing them with hands-on advice. They learn to implement expert file management techniques, to create batch files, and how to modify the MS-DOS system. The book also

gives users guidance about automating software and systems with batch files and macros, as well as completing advanced text editing with the DOS Editor.

Macmillan Computer Publishing 11711 N. College Ave., Suite 140, Carmel IN 46032.

Home VCR Repair Illustrated, By Richard C. Wilkins, and Cheryl A. Hubbard, TAB Books, \$19.95.

About 80% of all VCR problems are caused by one component that is worn out, loose, bent or dirty - and easily found and repaired. This book provides photos that help illustrate how to find and correct many of the most common VCR malfunctions, such as jammed videocassettes, clogged video heads, blown fuses, and water damage. Readers will also learn trade secrets for repairing problems with: picture and sound quality, fast forward and rewind, dc motors, tension and roller guides, undercarriages, take-up spindles, audio heads and much more. Included is a glossary that defines specialized VCR terminology.

TAB Books, Blue Ridge Summit, PA 17294.

The Electronics Workbench by Delton T. Horn; TAB Books; 264 pages, \$18.95.

With such a wide variety of electronic test devices available, deciding which instruments to buy is often the most difficult part of setting up an efficient, well-stocked workbench. Many technicians and hobbyists end up overspending or burdening themselves with a lot of unnecessary equipment, simply because they didn't understand the specifications and features of the products they purchased. Horn provides a complete overview of things to know to design a permanent or portable workbench that best suits their specific needs. Horn examines each major category of test equipment: multimeters, frequency counters, signal injectors and tracers, digital test equipment, oscilloscopes, LCR bridges and capacitance meters, signal generators, semiconductor testers and more. Throughout, Horn includes detailed explanations of the characteristics and capabilities of the various models.

TAB Books, Blue Ridge Summit, PA 17294

Digital Systems Reference Book, By B. Holdsworth and G.R. Martin; Butterworth Heinemann Books, 1,224 pages, \$250.00.

Butterworth-Heinemann announces the publication of a comprehensive new reference book offering complete coverage of modern digital electronics. The basic orientation is toward hardware, but coverage includes everything from basic theory to applications. This reference, a companion to the successful Electronic Engineer's Reference Book, currently in its 6th edition, promises to become the bible for the digital field. Over 50 contributors from around the world have lent their expertise to provide authoritative yet concise coverage of the field.

Presented in five sections, the book provides a thorough treatment of fundamentals, devices for digital systems and techniques (software and hardware), system development, and applications.

Butterworth Heinemann Books, 80 Montvale Avenue, Stoneham, MA 02180.

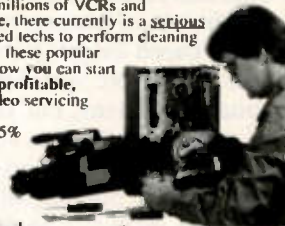
BIG PROFITS IN VIDEO REPAIR!

**WORK FROM HOME-EARN \$85 HR!
-NO EXPERIENCE NECESSARY-**

Only requirement: That you possess average mechanical ability and a desire to learn

With the tens of millions of VCRs and Camcorders in use, there currently is a **serious shortage** of trained techs to perform cleaning and repair jobs on these popular devices... Learn how you can start your own highly profitable, **Home-Based** video servicing business...

And since up to 95% of all VCR and Camcorder malfunctions are due to a simple **mechanical or electro-mechanical** failure, you need not spend months or even years of complicated study before starting paid, professional service work!



Train at Home in your Spare Time!

Let Viejo's Training Program show you how!

CALL TOLL-FREE

1-800-537-0589

24 HRS-7days a week or mail coupon today!

VIEJO PUBLICATIONS, INC.

4470-107 Sunset Blvd., Suite 600
Los Angeles, CA 90027-6304

Yes! Rush me your **FREE OPPORTUNITY KIT** today!
(Check appropriate box)

- VCR Repair
- Camcorder Repair
- Advanced VCR Repair
- Fax Machine Repair
- Complete Training in Electronics

Name _____
Address _____
City/State _____ Zip _____

Dept. UEST

Circle (15) on Reply Card

PC diagnostics: One technician's view

By Eric Nay

A bewildering assortment of diagnostics have appeared on the market, and there are a few things you'll need to know to decide what is valuable and what is a paperweight.

The PC sales market is about a \$50 billion a year market, with 13.5 million new 386 and 486 machines being sold each year. This adds to the existing base of 43 million PCs. Service and maintenance on those machines is roughly equal to 1/4th of the total market.

The diagnostics on the market fall into roughly three categories, with several subdivisions among them. The major categories are disk-based diagnostics, passive hardware testers, and active hardware testers.

Disk-based diagnostics

These are the most popular form of diagnostic, with the broadest range of capabilities and prices. Price is usually not an indicator of features or abilities. A disk-based diagnostic's primary job is not to help you identify a system board problem, but to help diagnose peripheral devices such as memory, serial, ports, or hard disks.

Some of the most popular sellers of these products include Check-It by Touchstone, PC-Technician by Windsor, QA Plus by Diagsoft, QuickTech by Ultra-X, and AMI-Diag by AMI. They range in price from Check-It's low of about \$69 to PC-Technician's \$599.

As far as usability, all these diagnostic programs require 80 to 90% of the system to be functional. The system's CPU must be good, there must be a clock signal on the bus, the first 128k

of base RAM must be good (or more; one of these products needs 384k of RAM), the floppy drive and controller must be good, and the video card and monitor must be good. If all these parts are functional then troubleshooting is already more than half over.

The strongest point for most of these disk-based diagnostics is in hard and floppy drive testing, and in RAM testing above 256k. The low-end products use DOS to perform their writes to disk. This means you can use DOS to copy a file to a hard disk and get just as useful a test without buying one of these products. The best products such as PC-Technician and QuickTech use their own routines for accessing the hard and floppy drives, and so are much more accurate.

When the system is dead, where it cannot give you an error code on the screen or run one of these diagnostics, then you need to look at one of the hardware-based diagnostic products.

Passive hardware testers

Passive hardware testers, more often referred to as POST cards, rely upon the power on self test (POST) routines built into the basic input output system read-only memory chip (BIOS ROM) on the main logic board. Since they only monitor tests performed by another device they are at the mercy of the author of the BIOS.

Popular sellers of POST cards include the Award POSTcard, the Landmark KickStart, and the Ultra-X QuickPOST. All range in price from about \$49 to \$549.

The BIOS was written with the goal of making sure the system is in working order before allowing the operating system to take over. If a failure is detected, the BIOS doesn't really care about what went wrong, just that something did fail and the machine should not operate. That is why so of-

ten when something simple is wrong the machine will lock up.

The authors of the most popular BIOS (IBM, Compaq, AMI, Phoenix, Award, QuadTel) made one important concession to technicians, however. They all wrote their tests so that you can monitor the test status on an I/O port (usually port number 80). If you monitor this port with a POST card you'll get a 2 digit hex number telling you which test was running when an error was detected. IBM went one step further and made these codes available on the parallel port connector on all PS/2 machines.

As an example, if you had a code OA on an otherwise dead PS/2 system model 70, it would indicate that the POST routines had a problem refreshing RAM in lower memory. Now you would have to figure out whether you had a bad RAM chip on the SIMM card, a bent pin on the SIMM socket, or a bad DMA controller (which provides the refresh signal). An extra note: DTK BIOS doesn't support this feature, so these cards won't work with DTK BIOS.

As you can imagine, this is better than no information but still requires a lot of work to actually fix the problem. To pinpoint what is failing in an otherwise dead system, you need to roll out the big guns: the active hardware testers.

Recently, the BIOS ROM manufacturers have included a much more sophisticated testing sequence than in the past. If, as an example, you lost one of your DMA chips you used to have a dead machine. Quite often now you'll get a series of beeps (3, then 1, then 2 beeps on a Phoenix BIOS) that, when decoded, will tell you the same kind of information as the POST cards.

One note about the KickStart II board: It tries to straddle the low-end disk based diagnostic and passive

Nay is a Senior Instructor with National Advancement Corporation. He has worked on PC systems as a bench technician, a field service engineer, an application programmer, and a network consultant since 1978.

hardware diagnostic worlds by combining features. You normally monitor POST, but if you want a low-end disk based diagnostic it is available in a ROM on the Kickstart II card. It still requires everything that a low-end disk-based diagnostic needs to be working except the floppy drive and controller.

Active hardware testers

These are the most powerful tools a technician would use when working on a motherboard in the field. They range from a low of \$300 for Windsor's XT ROM (plus \$400 for 286/AT ROM) through \$579 for Ultra-X's R.A.C.E.R. board (XT to 486s) to several thousand dollars for a Vista V-ATE or Fluke 9010.

Active hardware testers override the built-in POST tests to run their own tests on the system. Windsor and Ultra-X do this by replacing the BIOS ROM with their own ROMS, and Ultra-X adds their own card to the bus to monitor the test routines and display voltage levels. Ultra-X's R.A.C.E.R. card also allows them to support 386 and 486 machines. By hijacking the CPU to run their own tests, these products can test a DMA chip, for example, and report to the screen that a DMA chip failed. These testers need relatively little of the system to be operational: they need a good CPU chip, a +5V supply, a clock signal, and the buffer chips on the bus to be good. If these cards don't run then your troubleshooting list is fairly short.

More often, the Windsor or Ultra-X product work, and they'll tell you exactly what's wrong. For example, if your problem has to do with memory, these devices will tell you which chip has failed. This is true even if the problem is a RAM chip in Bank 0.

If you want to know more specifically about why something is failing in a dead system, the Vista Microsystems V-ATE and Fluke 9010 could be worthwhile. They each have their own processor to observe the status of the unit under test (UUT). The Fluke plugs into the CPU socket in the motherboard, while the V-ATE monitors the system from a standard AT bus connector. Both units however, require a fairly well-educated (EE bachelors degree) technician to use them fully. The Fluke should cost \$1000 to \$20,000 depending on optional CPU pods (one for each kind of

CPU chip), while the V-ATE should cost \$1000 to \$2000 (plus another PC to monitor the results).

Caveat emptor

With budgets being slashed right and left you've got to be more careful than ever with you diagnostic dollars. What's more, check with the company trying to sell you these products; what their return policy is and whether demo or loaner products are available. At least one of the companies men-

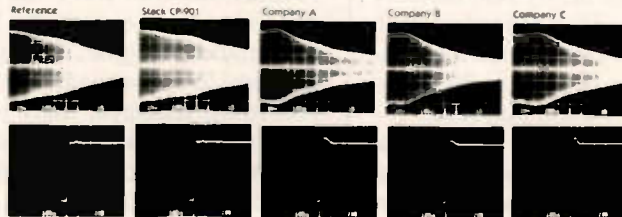
tioned in this article will not return money once they've made the sale.

Source Listing of Mentioned Companies:

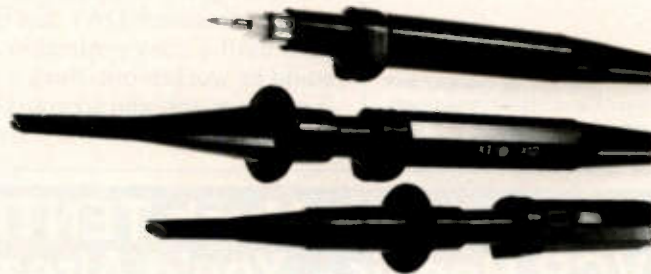
Fluke Nationwide sales offices, call directory assistance in you area
Diagsoft (408) 438-8247
Touchstone/Landmark (813) 443-1331
Ultra-X (408) 988-4721
Vista Microsystems (508) 695-8459
Windsor Technologies (415) 456-2200

For A Little You Get A Lot

STACK PROBES OUTSTANDING TEST RESULTS



There is a significant difference in frequency response and rise-time/overshoot between a Stack probe and competing probes. A Stack probe gives you more of what you need to know.



- No body induction and low noise for signal clarity.
- Very low dB loss at high end of bandwidth
- Glass filled tip for heat resistance
- High accuracy ($\pm 3\%$ at $\times 10$)
- Compatible with most Tektronix and other oscilloscopes

For a little, you get a lot
THE RIGHT ANSWERS
and that will save you time, energy and money.
Stack probes a quality product.

STACK

OSCILLOSCOPE PROBES & ACCESSORIES

FAX (503) 643-6129 PHONE (503) 643-4899
CUI Stack, Inc., 9640 S.W. Sunshine Ct. 700#, Beaverton, OR 97005 USA

Circle (16) on Reply Card

DAT: Digital audio tape is near

By John Shepler

DAT stands for digital audio tape, a new technology that complements the compact disk.

DAT is a cartridge that is recorded and played in a machine that looks a lot like a conventional audio cassette recorder. However, looks are deceiving. DAT is really more like video recording; The head rotates. It is this rotating head that provides the bandwidth for digital recordings.

In fact, an earlier system actually used standard video recorders with outboard PCM (pulse code modulation) converters to digitize the audio and reconvert it upon playback.

What does DAT do for the consumer? It provides a record/playback system that rivals the frequency response, low distortion, wide stereo separation, and low noise floor of CD players.

Where are all the DAT recorders? They are currently found in the pro-

fessional sound recording and broadcast markets. The technology is well proven. What prevents them from flooding the consumer market is the relatively high cost of around \$1,200 and fierce opposition from the recording artists.

The opposition comes because DAT is capable of copying digitally. A DAT system can copy a compact disk directly from the digital coded information. One DAT tape can be dubbed to another digitally. Since the information is digital, the copy will be identical to the original. With analog recording schemes, there is always some noise and distortion added every time a tape is recorded. The artists see the perfect digital copies as a potential loss of royalty income from sales of CD, cassette, or DAT original recordings.

With artists and producers threatening to sue the equipment manufacturers, consumer DAT has been on hold until a copy protection scheme could be worked out. Such a scheme is now available and accepted by both artists and manufacturers. It is called

SCMS or Serial Copy Management System. A digital code on the master recording tells the recorder that it can make one recording. The consumer DAT deck will not re-create this code while recording, so copies of copies cannot be generated.

In addition to SCMS, the music publishers, writers and artists have managed to get a royalty fee established for the sale of DAT recorders and blank tapes.

As soon as the legal work is completed, you can expect to see DAT recorders on sale and eventually in the service shop. If you understand compact disk and video and analog recorder technology, it shouldn't take too long to come up to speed on this product.

There is competition already brewing for DAT. Philips, originator of the analog cassette nearly 30 years ago, has developed a tape deck that can record and play digital tapes with a non-rotating head. In addition, the digital compact cassette (DCC) system can play today's standard format analog cassettes.

Shepler is an electronics engineering manager and broadcast consultant and has more than twenty years experience in all phases of electronics.

If You Knew How Much TENTEL Gauges Improve VCR Repair - You'd Already Have Them!

More confidence in repairs being done right the first time. Peter Kosovlch

Peko TV- Milwaukee, WI

Bench time has been cut in half! Fred Jolley

Beverly, N.J.

Don't know how we managed as long as we did without the gauges. Peggy Miller

Miller's Elect's-Butler, PA

Stop guessing about sources of video streaking, tracking problems, flagging video, tape edge damage, video head wear, tape "eating" problems, and other VCR problems. 9 out of 10 VCR malfunctions are due to mechanical problems that can easily be diagnosed with TENTEL gauges. Electronic methods just don't work for guide height, tape tension, torques, video head wear, spindle height, tape edge damage, and other critical measurements.

TENTEL's 4 universal, powerful test instruments allow YOU to do 28 different mechanical measurements; including a method to determine video head wear in microns, to help decide if older VCR'S are even worth repairing.

Call today for information on the lease to own program that puts the power of these tools in your shop for about \$67 a month. Less than one VCR per month, yet you'll use this equipment on every VCR you do, and know it's been done right! Isn't it time to Stop guessing, and do VCR repair better and faster. Trial and error wastes time and doesn't find pending problems. Often there are 2 or 3 other problems along with each major problem. Can you find them now?? We can! Your satisfaction is 100% guaranteed!

CALL TOLL FREE: 1-800-538-6894 / 916-939-4005

TENTEL 4475 Golden Foothill Pkwy. El Dorado Hills, CA 95630

Circle (14) on Reply Card



DCC recorders will have a dynamic range of 108dB with a frequency response of 5Hz to 22kHz. The sampling frequency can be set at the CD standard of 44.1kHz. DAT also samples at 44.1kHz to make direct digital copies of compact disks. Alternate sampling frequencies are 32kHz and 48kHz and 48kHz, which are used in professional audio equipment and proposed for digital audio broadcasting.

How can DCC get by without a rotating head? The answer is digital compression. Digital compression eliminates sounds that won't be missed by the listener. This can reduce the data rate to the recorder by 4 or even 8 times, making simpler systems possible.

Keep watching for these new developments in audio tape technology. This field is developing rapidly. In fact, it may not be too much longer before someone develops an inexpensive CD recorder/player that will throw yet another wrinkle into the home audio recording market. We'll keep you posted on the technology behind all these developments in future editions of the Audio Corner.

Test your electronics knowledge

The alpha and the omega

By Sam Wilson, CET

In my opinion, it isn't necessary to use the Greek alphabet to identify various parameters in electronics. It is just another way to complicate a subject that already has too many unnecessary complications.

There aren't enough Greek letters for all the stuff that need to be identified, so they have to use the same letters for different parameters. More unnecessary confusion.

O.K. so maybe you don't agree. See how many Greek letters you can come up with in the following quiz.

Example:

$2\pi f \omega$ _____ (omega)

1. resistivity _____
2. h_{fe} _____
3. phase angle _____
4. magnetic flux _____
5. 2.718281828 _____
6. 3.14159265 _____
7. intrinsic standoff ratio _____
8. wavelength _____
9. magnetic permeability _____
10. common collector parameter _____

(Answers on page 58)

Wilson is the electronics theory consultant for ES&T.

THE MAGAZINE FOR CONSUMER ELECTRONICS SERVICING PROFESSIONALS
ELECTRONIC
 Servicing & Technology

Yes!

Please enter my subscription to *Electronic Servicing & Technology*

Qualified Rates

- Two years, \$40 (24 issues) One year, \$24 (12 issues)
 Two years Foreign, \$52 One year Foreign, \$30

Non-Qualified Rates

- Two years, \$50 (24 issues) One year, \$29 (12 issues)
 Two years Foreign, \$62 One year Foreign, \$35

Payment enclosed

Please charge my Visa MasterCard Amex

Acct. #

Card expires MO YR

Signature _____

- New Subscription Renewal Address Change

AFFIX LABEL HERE

Name _____
 Title _____
 Company _____
 Address _____
 City _____ State _____ Zip _____

Phone () _____

Simply answer the 5 following questions and you've earned the qualified rate!

1 Do you wish to receive/continue to receive *Electronic Servicing & Technology*? Yes No

Signature _____

Title _____ Date _____

2 Type of business

- 21 Consumer Electronics Equip. Independent or Franchised Service Business
 22 Retailer with Consumer Electronics Equipment Service Department
 23 Electronics Equipment Field Service Organization
 24 Service, Installation or Operation of Electronics Equipment in Industrial or Commercial Facility
 33 Engineering of Electronics Equipment in Industrial or Commercial Facility
 35 Wholesaler, Jobber, Distributor
 37 Electronics Equipment or Components Manufacturer
 38 Government and Military; Federal, State, Municipal
 09 Education: (a) College, Library, School, including Instructors (b) Student
 30 Other _____
 (please specify)

3 Position

- EE Company Management Such as General Manager, Owner, Partner, President Vice President, Director and other Corporate Personnel
 FF Operations Management Such as Service Manager, Operations Manager, Production Manager, Customer Service Manager, Marketing/Sales Manager, Purchasing Manager, Credit/Accounts Manager and other Operations/Administrative Personnel
 GG Engineering/Technical & other Personnel Such as Engineer, Technician, Field Service Engineer, Specialist, Engineering Associate and other Engineering and Technical Support Personnel
 KK Other _____
 (please specify)

4 Check the statement that best describes your role in the purchase of major electronics servicing equipment and servicing components, accessories and services.

- 1 Make final decision to buy a specific make or model.
 2 Recommend make or model to be purchased.
 3 Have no part in specifying or buying.

5 Check the number of Service Technicians employed at your facility.

- A 1-5 D 26-50
 B 6-10 E Over 50
 C 11-25 F Not applicable

Resistors continued

By Sam Wilson, CET

The subject of resistors was started in the previous issue. In this issue the subject of resistor noise will be emphasized.

It has been pointed out that a resistor not connected to anything has a noise voltage across it. As a matter of fact *all conductors* of electricity have a noise voltage across them at all temperatures above absolute zero (-273F).

This is an important thing to know. It means that when an antenna is connected to antenna terminals it injects noise into the receiver.

It is important to understand that the only significant noise in a receiver is generated in the first few stages (that includes the antenna). Noise generated in the receiver beyond the tuner is not considered to be significant.

Of interest here is the *Johnson* (or, thermal) noise generated in conductors and semiconductors. It is also called thermal agitation noise. Figure 1 shows how the noise signal is often represented. It consists of a noise voltage generator and a noiseless resistor.

As this illustration suggests, there is a way of matching the input circuit resistance of an amplifier to the noise resistor to get maximum noise power injected into an amplifier. More important, it is possible to avoid getting maximum noise power into an amplifier by properly designing the amplifier input circuit.

The noise generated by a conductor (or semiconductor) is usually given in two forms:

voltage equation

$$(\text{Noise voltage})^2 = V_n^2 = 4RkTB$$

Power equation

$$\text{Available noise power} = p^n = kTB$$

Equations like these are not used by

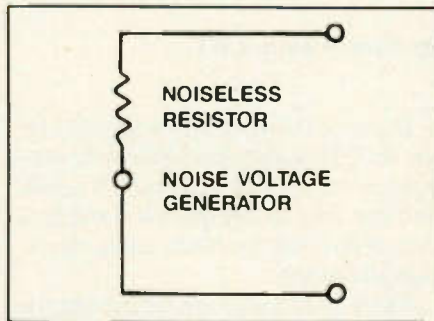


Figure 1.

technicians to use for calculating noise voltage or power. Their importance is in the fact they show what factors determine the noise.

The factor k is Boltzmann's constant. It will be disregarded in this discussion of resistor noise.

R is the resistance of the resistor or conductor generating the noise. As indicated in the equations, the lower the resistance the lower the noise problem.

The equations show that a system with a wider bandwidth (B) has more noise than one with a narrow bandwidth. Also, the noise increases with an increase in temperature (T).

In many cases nothing can be done

about B and T . They are fixed by the requirements of the system and its environment. The input resistance (R) can often be reduced to a minimum by proper design.

One thing that will not work is to add an amplifier in an attempt to increase the signal-to-noise ratio. Refer to Figure 2. Assume the incoming signal is from an antenna. The input signal voltage is set by such factors as the transmitter power and distance from the transmitter. As mentioned before, the noise also depends upon the resistance at the input terminals. Those factors set the input signal-to-noise ratio.

The amplifier *adds* noise to the signal. The noise due to the presence of conductors and semiconductors in the amplifier is one of several types of noise added by the amplifier. So, the only method available for reducing the noise is by proper design of the amplifier. However, the output noise will always be greater than the input noise.

The amount of noise generated by a resistor depends upon the type of resistive material. As a general rule, metal-type resistors generate less noise

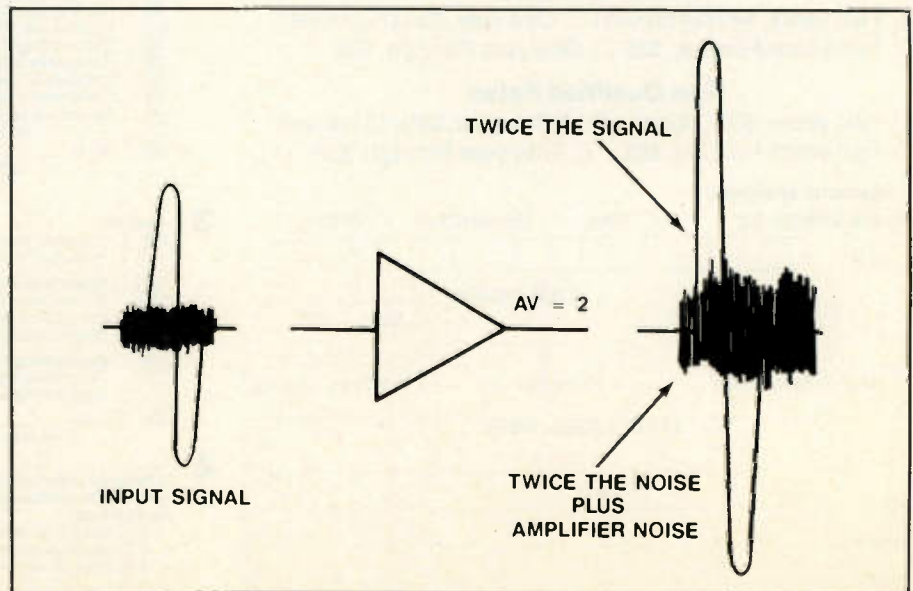


Figure 2.

Wilson is the electronics theory consultant for ES&T.

than carbon composition. Also, film resistors generate less noise than bulk types.

The message here is very plain: If you need to replace a resistor in the front end stages of a receiver, always replace it with the same type.

Wilson's school rules

Occasionally, I get a letter asking what I think about a certain school. That takes a special skill. I have, however, made three important rules for choosing a school. Pass them along to anyone you know who is getting ready for (more) training.

- Never enroll in a school that gives you everything you want.
- Never enroll in a school that has a lot of rules for parking and no rules for passing.
- Never enroll in a school that has a student lounge but no library.

Memories

In every state organization there are special people who make great contributions but get little or no recognition.

Mass storage of data on magnetic tape

A good place to start a discussion of mass storage is with magnetic tape systems. Those systems are used for storing (writing) data and retrieving (reading) data.

Occasionally, magnetic tape systems are used for data storage in small computer systems. However, they find their most extensive use as backup systems for mass storage.

When information is stored in a computer memory it is also stored in these permanent tape backup systems. So, if anything happens to the original stored data the backup system can be used to retrieve the data.

Tape systems range in size from the audio microcassette format to large tape drums that can store 2.3 gigabytes [2,300,000,000 bytes] of information.

One manufacturer makes a tape cassette so small that three of them can fit into a shirt pocket. One of these cassettes holds 1.3 gigabytes of data with 61,000 bits stored per inch of magnetic tape.

So, magnetic tape is definitely one important medium for mass storage.

Bad advice (not taken)

Maybe some well-meaning person has tried to help your troubleshooting

technique by giving you some of these items of very bad advice. How many have you heard?

- You can repair most sets by lightly tapping each tube or transistor
- Memorize the picture-tube patterns and you can go directly to the cause of any TV trouble.
- If the trouble is not immediately apparent, replace the power supply with a bench supply. Double the input voltage to the system. That will smoke the

defective trouble and make it easy to find.

- Always touch your finger to the transistor electrodes in order to inject a signal and determine the trouble. You can't get hurt if it is a transistor circuit because they all operate at a low voltage.
- Start troubleshooting by replacing components especially capacitors.
- When troubleshooting, disregard the integrated circuits. They never go bad. ■

SAVE TIME

For fast, accurate service, please remove the peel off label used to address your magazine, and attach it to the Reader Service Card, the Address Change Card or to any correspondence you send us regarding your subscription.

PS/2 SCHEMATICS AVAILABLE

\$1250

Schematics included with:
Parts Sources
NAC PS/2 Reference Manual

MODELS:

30, 50 60, 80

FOR MORE INFO:

800/832-4787

800/443-3384 (in ca.)

714/754-7110

 National
Advancement
Corporation
2730-J South Harbor Blvd.
Santa Ana, CA 92704

The
microcomputer
training
specialists

Circle (9) on Reply Card

chasing agents. Specifications, electrical parameters, sources, and substitutes are provided for virtually every standard IC currently produced—over 165,000. Cross reference sections direct a user with limited information to the necessary data for making component selection and replacement choices.

Circle (36) on Reply Card

Digital testers

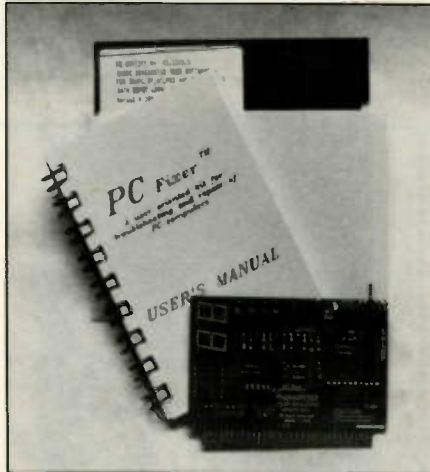
Protek now stresses a combination of high accuracy performance and significant cost advantages, in its new digital readout 10MHz sweep function generator as well as compact, 0.3% - 0.1% accuracy, digital LCR bridge meter to meet a variety of long-term test needs. The model B-810 sweep generator features a frequency scan of 0.01Hz to 10MHz in 9



ranges. It can generate and trigger functions, and has an overall frequency counter range of 0.1Hz to 10MHz internal, and includes a built-in oscillator that can produce burst waves from 1m Sec. to 10 Sec. The model B-800 digital LCR bridge measures inductance, capacitance, resistance and dissipation factors with a high accuracy 3-1/2 digit display for all parameters, to 1999 (Max).

Circle (37) on Reply Card

Personal computer diagnostic tool
Sibex Inc announces the release of a new product in its line of PC computer equipment, known as the PC Fixer. The PC Fixer is a combination hardware and software tool for diagnosing and repairing PC computers and it is

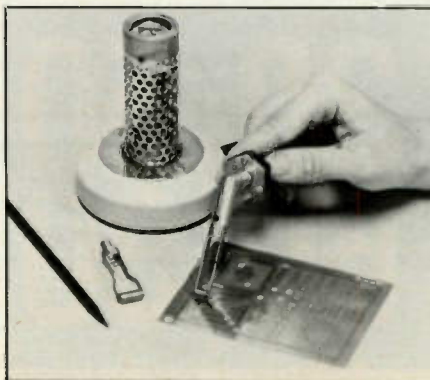


designed for use by computer users as well as service technicians, and provides a fast economical means of diagnosing from simple problems to dead computers. The tool includes a circuit card for testing mother board problems, a diagnostic software program and a detailed, user-friendly manual.

Circle (38) on Reply Card

SMD solder applicator

HMC introduces an ideal, cost effective tool for low volume SMD production and rework where solder paste application using stencils, screen printers, or syringes is impractical. SoldeRoll applies a uniform and controlled layer of solder to fine pitch SMD boards and multileaded components. It can be used for solder leveling or to coat any solder surface

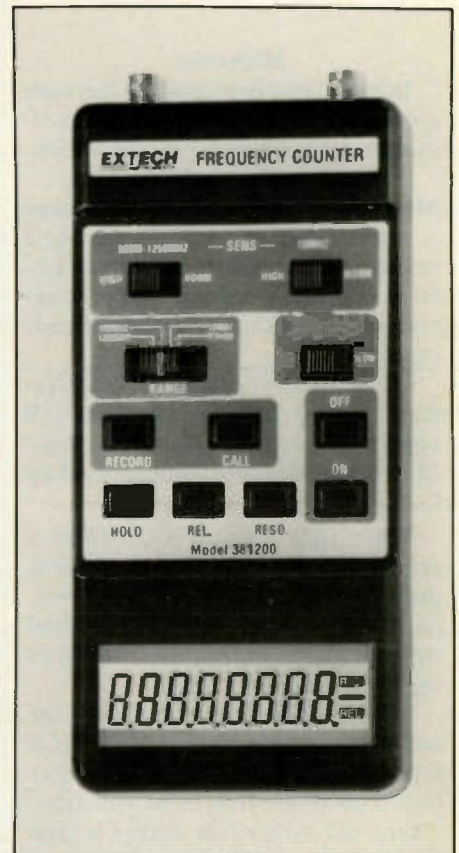


from a single device to an entire prototype board. Solder adheres only to metallic areas on boards or component leads. There is no solder bridging between leads, even at 15 mil spacing. And the tool's small roller head won't disturb adjacent components.

Circle (39) on Reply Card

Handheld frequency counter

Extech now introduces a handheld frequency counter with a built-in microprocessor which measures a wide frequency range from 10Hz to 1.25 GHz with 0.1% resolution plus measures period from 10Hz to 10 MHz. Rugged design with two female BNC input connectors can be used for



field service or benchtop applications. The unit features large 0.5" 8-digit LCD display data hold, fast or slow gate time selector, overload indication, auto power off and built-in stand for benchtop use. Low ppm crystal time base provides accurate measurement to ± ppm ± 1 count. Operates from a standard 9V battery.

Circle (40) on Reply Card

Fluorescent magnifier

HMC now has the 8MG Series magnifiers which reduce eyestrain and fatigue by combining the two key factors in aiding vision - optically correct magnification and cool, fluorescent lighting. The standard 5" diameter, 3-diopter lens provides 3/4x enlargement of the item being viewed. The

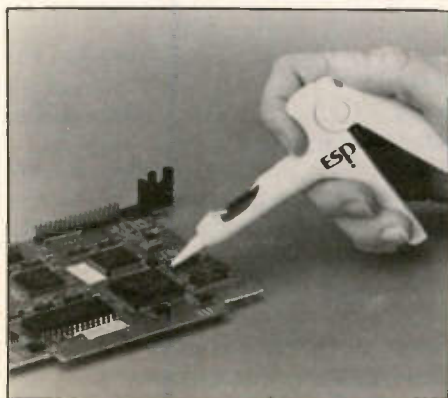


8MG Series magnifier is also available with a 5-diopter (1-1/4x) or 11-diopter (2-3/4x) primary lens. A 13W energy-efficient, compact fluorescent tube, located behind the magnifying lens, casts light at an angle ideal for highlighting object details. This shadow highlighting makes details of uneven surfaces "pop-out" to the viewer.

Circle (41) on Reply Card

Solder kit for surface mount and electronic repair

ESP introduces a compact new Dot Maker kit which contains the tools and materials needed for SMT and electronic solder joint repair. The kit suited for rework stations, repairs or for use by mobile in-plant inspectors, contains a precision hand



dispensing tool, assorted solder creams and paste flux in prefilled caplettes which can be snapped quickly in and out of the unit. Dots of solder cream are placed exactly where they are needed, even within fine pitch geometries.

Circle (42) on Reply Card

Hand held power-line monitor

Eastern Time Products has a new handheld power-line monitor which detects power disturbances including spikes, sags, surges, common mode noise, dropouts, power failure, high frequency noise, wiring problems,



and open ground. The unit uses a sine wave tracking design to capture all + or impulses which are measured from their location on the sine wave. Impulses on the hot line of up to 500V and neutral line to 50V (common mode noise) are indicated by LEDs that stay lit until reset by the operator.

Circle (43) on Reply Card

Expanded tool kit line

CooperTools has expanded its line of Xcelite tool kits which offer a choice of spacious and attractive attache style cases to meet virtually every need. Each contains an assortment of Xcelite professional hand tools, mounted in pockets. There's



also space for test instruments, parts boxes, soldering iron, measuring tapes and other tools. And there's a file pocket in the lid for service manuals, circuitry diagrams and literature.

Circle (44) on Reply Card

Format VCR analyzer

Sencore's new VC93 all format VCR analyzer is designed to isolate all video, audio and servo problems in the playback and record circuits of VCRs and camcorders. The VC93 is a companion to Sencore's popular VA62A "Universal Video Analyzer." Togeth-



er they completely analyze VCRs from antenna to line output. The VC93's exclusive, patent-pending servo tests automatically checkout a VCR without removing the VCR's cover. Exclusive VC93 head substitution signals positively isolate video head defects from other circuit problems. The VC93 is the only unit available to servicers for troubleshooting defects in stereo Hi-Fi audio circuits.

Circle (45) on Reply Card

1991 Article Index

BASICS

- A game of logic from A to Z
by Lambert C. Huneault May ... 44
- A servicing technicians glossary
by Conrad Persson Apr ... 16
- Cellular telephone systems
by the ES&T Staff Jul ... 20
- dB or not dB that is the question
by Jud Williams Feb ... 42
- DC motor servicing
by John Shepler Jan ... 24
- Hall effect sensors in VCRs and other applications
by Victor Meeldijk Sep ... 16
- Thyristors from A to Z
by Lambert C. Huneault Jan ... 14
- Understanding bipolar transistors Part II
by Carl C. Babcoke Nov ... 5

CAMCORDER SERVICING

- Servicing camcorder motor circuits
by Homer L. Davidson May ... 8

COMPACT DISK SERVICING

- CD player servicing Part II
by Victor Meeldijk Nov ... 17

COMPUTER MONITOR SERVICING

- Understanding and servicing computer monitors Sep ... 8

CONTINUING EDUCATION

- Continuing education in servicing
by Conrad Persson Aug ... 10

ELECTROSTATIC DISCHARGE

- Controlling electrostatic discharge
by the ES&T Staff Sep ... 14

PARTS AND EQUIPMENT PURCHASING

- Replacement parts/servicing information sourcebook by the ES&T Staff Dec ... 6
- 1991 Buyers Guide Mar ... 6
- Choosing a new scope
by Brad Harris Apr ... 6
- Choosing your replacements parts supplier
by Conrad Persson Aug ... 30
- Distributors Showcase
by ES&T Staff Apr ... 20

PERSONAL COMPUTER SERVICING

- Exploring the 80286 and 80386 based microcomputers: Combining theory and practical servicing techniques by John A. Ross May ... 38

Exploring the 80286 and 80386 Part II

- by John A. Ross Jun ... 22
- Servicing problems in IBM PS/2 monitors by Don D. Doerr Jun ... 54
- Servicing personal computer timing problems
by Eric Nay Jan ... 6

POWER PROTECTION

- Protecting circuits firm line voltage transients by the ES&T staff Nov ... 44

SERVICING/TROUBLESHOOTING TECHNIQUES

- Cleaning without CFC's
by Bruce Riffel Sep ... 11
- Electronic servicing precautions
by Homer L. Davidson Sep ... 37
- Printed circuit board repairs
by Thomas Vlazny May ... 16
- Troubleshooting horizontal circuits in imported TVs
by Homer L. Davidson Oct ... 19
- Troubleshooting RCA CTC120 sweep circuits by Homer L. Davidson Jul ... 12
- Troubleshooting RCA CTC 109 chassis
by Homer L. Davidson Apr ... 43
- Understanding and troubleshooting bipolar transistors Part I
by Carl Babcoke Aug ... 23

SOFTWARE

- Service center management software
by Conrad Persson Feb ... 39

TEST EQUIPMENT

- All about DMM test leads
by Bill Hanson Oct ... 16
- A simple test for transformers
by Jud Williams, CET Oct ... 40
- Equipping a TV/VCR test bench on a tight budget
by Bob Kral Aug ... 16
- Inexpensive oscilloscopes
by David C. Rights Dec ... 14
- Rethinking the technicians toolkit
by Conrad Persson May ... 14
- Test equipment update: Wading through new multimeters by Conrad Persson Jun ... 12
- X-Y components patterns and absolute analysis by R.L. Heyman Dec ... 20

TOOLS

- A multiple tool approach to replace surface mount components by Louis Abbagnaro Nov ... 38

TV SERVICING

- Installing satellite TV
by Joseph Pandolfo Jul ... 8
- Servicing IF video circuits
by Homer L. Davidson Feb ... 8
- Servicing directly coupled vertical circuits
by Homer L. Davidson Jun ... 46
- Servicing TV width and linearity problems
by Homer L. Davidson Nov ... 20
- TV servicing using an external power supply
by Homer L. Davidson Jan ... 8
- Understanding AGC Part I
by Lambert C. Huneault Feb ... 22
- Understanding AGC Part II
by Lambert C. Huneault Apr ... 7
- Understanding AGC Part III
by Lambert C. Huneault Jun ... 22

VCR SERVICING

- Diagnosing video head problems
by Victor Meeldijk Jul ... 40
- Servicing VCR servo problems
by Brian Phelps Jun ... 14
- VCR theory, troubleshooting
by Frank Thomas Feb ... 13

THE TEN MINUTE TREATMENT!

**TEST / CLEAN / RESTORE
CUSTOMER CRT'S ON THE SPOT**



**BELTRON
SYSTEM™
2000**

The Smart One

- Fully Automatic.
- Microprocessor-Controlled Test/Clean/Restore and Auto Sequences.
- Simple and Safe for use with Today's CRT Voltage Ratings.
- Portable. Fits in own Attache Case.
- AC-Powered.
- Profitable. Enhances any Service Offering.
- Simplifies CRT Replacement Scheduling.

To Order Call
800/626-6929

FAX: 415/568-1397
TEL: 415/568-5282

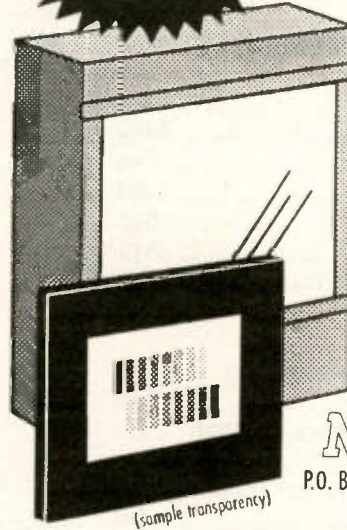


Circle (4) on Reply Card

ATTENTION CAMERA TECHS!

NOW MORE AFFORDABLE THAN EVER!

\$499



**Model TR100 CB
Camera Light Box
with Transparencies**

- (2) 3200° Kelvin Lamps (meets mfr. specs.)
- 7-Bar color transparency
- 11-step gray scale transparency
- Transparencies mounted in acrylic with optical scratch-resistant surface
- 1 year conditional guarantee
- Optional Transparencies Are Also Available

The method most
manufacturers recommend

NUTRONIX Inc.

P.O. Box 7103, Sterling Hts., MI 48078
(313)726-1278

Circle (10) on Reply Card

Come Out of the Dark.

Highlight
your opportunity
to enrich your skills
at the 1992 National Professional
Electronics Convention, August 3-8,
Ft. Worth, TX. Programs will include:
*Technical training and certification.
*Management seminars and trade show.
*Register by January 31 to
SAVE UP TO \$115 PER PERSON.
For a registration form and information,
rush the following to NESDA:

Name _____

Business _____

Address _____

City _____ State _____

Zip _____

Phone _____

National Electronics Sales &
NESDA
Service Dealers Association

2708 W. Berry St.
Ft. Worth, TX 76109
(817) 921-9061

1991 Department Index

	Month	Page
AUDIO CORNER		
Audio distortion.....	Aug	74
DAB: The future of radio.....	Dec	56
Digital signal processing.....	Nov	57
Frequency response and tonal balance.....	Mar	54
HI-Z lines.....	Jan	53
How to boost Am reception.....	Jun	27
The importance of tape head azimuth.....	May	37
The many flavors of dB.....	Oct	49
The story behind biamp.....	Jul	26
What's midi.....	Sep	52
When switches go bad.....	Apr	56
Why we need loudness buttons.....	Feb	38
BOOKS		
Beginners guide to reading schematics by Rob J. Traister.....	Jun	64
Benchtop Electronics Reference Manual by F.C. Veley.....	Jan	50
Design and build electrical power supplies by Irving M Gottlieb.....	Jul	54
Easy electronic projects for the 556 dual timer by Delton T. Horn.....	Feb	51
Electrostatic discharge for electronics by Neil Sclater.....	Jun	64
Encyclopedia of electronic circuits volume 3 by Rudolph F. Graf.....	Feb	51
Fiber optic communications handbook by CSELT.....	Jan	50
Introduction to electronic devices and circuits by Robert T. Paytner.....	Jun	64
Lenk's audio handbook for operation and troubleshooting by John D. Lenk.....	May	53
Lenk's video handbook: Operation and troubleshooting by John D. Lenk.....	Jan	50
Mastering electronics by John Watson.....	Aug	63
Microcomputer LANS 2nd edition by Mike Hordeski.....	Jan	50
Microwave oven repair by Homer L. Davidson.....	Aug	63
Modern spectrum analyzer theory and applications by Morris Engelson.....	May	53
Neural networks and fuzzy systems by Dr. Bart Kosko.....	Oct	53
Op-amp circuits and principles by H.M. Berlin.....	Aug	63
RS-232 made easy: 2nd edition single source to connecting computer equipment by Martin D. Seyer.....	Jul	54
Surface mount devices troubleshooting and repair by David L. Helserman.....	May	53
The illustrated dictionary of electronics by Rufus P. Turner.....	April	58

	Month	Page
The master IC cookbook 2nd edition by Calvin Hallmark.....	April	58
Tips and techniques for the electronics hobbyist by Gordon McComb.....	April	58
Troubleshooting and repairing VCRs 2nd edition by Gordon McComb.....	Jul	54
Understanding digital troubleshooting 3rd edition by Don L. Cannon.....	Aug	63
Using solid state electronics 5th edition by Don L. Cannon.....	Oct	53

BUSINESS CORNER

Base pricing on your cost of doing business.....	Feb	6
Have an advertising audit, have an advertising plan.....	Mar	55
Honing your business skills.....	Jun	11
Keeping your business healthy in a sick economy.....	Nov	11
Making the most of your yellow pages ad.....	Oct	44
Manage your personal finances carefully.....	Sep	48
Plan now for a successful 91.....	Jan	5
Surviving hard times.....	Apr	50
Turn customer complaints into profits.....	May	21
Understanding turnover and service level.....	Dec	5

COMPUTER CORNER

A little extra.....	May	58
A couple of servicing tips.....	Nov	50
Beware when adding new equipment.....	Mar	50
DOS path command.....	Jan	49
DOS problems.....	Jun	45
Hard disk space.....	Apr	18
Learn about popular software.....	Jul	48
Repairing microcomputer keyboards.....	Oct	41
RS-232 communications chip tester.....	Sep	56
Special slots in the PC.....	Feb	57
Understanding turner and service level.....	Dec	5

TECHNOLOGY/TROUBLESHOOTING TIPS

Set ID: Sylvania RA J147 chassis 13A304, SAMS 2760.....	Jun	58
Tension mask high-resolution color display provides bright, high-contrast, high-color fidelity picture.....	Jul	50
Tiny semiconductors can be massed produced.....	Apr	49
World's fastest high-capacity memory chip.....	May	51

VIDEO CORNER

A little about computer monitors.....	Jul	52
A glossary of television terms.....	Sep	41

	Month	Page
Causing a VCR to operate without a cassette in it.....	Jan	51
Is the all-digital simulcast HDTV system the television of the future?.....	Feb	52
Movable video heads provide noiseless speech search.....	Aug	70
Solving problems with close captions on a VCR.....	Dec	52
Tape trouble sensors.....	May	51
The LCD projection system.....	Mar	56
WHAT DO YOU KNOW ABOUT ELECTRONICS?		
Don't be misled by dB voltage gain.....	Jun	46
What errors in Test Your Electronics Knowledge?.....	Jul	56
Fine tuning resistor theory.....	Dec	50
Full moon syndrome.....	Sep	50
Graphical analysis of capacitor characteristics.....	Jan	46
More about magnetic flux.....	Feb	48
The final corrections.....	Apr	52
Talking to microprocessors and computers.....	May	48

WATCH FOR

BUSINESS CORNER

ELECTRONIC
Servicing & Technology

This *exclusive* monthly column will show you how to run your service operation more efficiently and profitably.

You'll learn about

- building customer satisfaction
- writing service contracts
- marketing your services
- hiring technicians.

SCHEMATICS

HP LASERJET PRINTERS

LASERJET-1 \$250 LASERJET-2 \$250

PS/2 SYSTEM BOARDS

8530	\$125	8560	\$175
8530-286	\$175	8570-16M	\$225
8550	\$175	8580-20M	\$225
8550-Z	\$200		

PS/2 DISPLAYS

8503	\$65	8513-23	\$75
8512-23	\$75	8513-72	\$75
8512-72	\$75		

TERMINAL DISPLAYS

3179 \$95 3191 \$125

EAGAN TECHNICAL SERVICES, INC.

1380 Corporate Center Curve • Eagan, MN 55121
PH. (612) 688-0098



Call for a free sample of our work . . .

PS/2 is a registered trademark of International Business Machines Corporation
HP and Laserjet are registered trademarks of Hewlett Packard Corporation

Circle (5) on Reply Card

Improve Your Form.

3-Part

A continuous feed form used for customer c.o.d. service or parts/accessory sales receipts (N3CN). Not for warranty billing. Computer generated software to be available soon.

5-Part

Available in snapout (N5SN) or continuous feed (N5CN). Matching fields with N3SN, except for customer estimate and receipts. For warranty billing.

7-Part

A universal snapout form (N7SN) designed for both customer service c.o.d. and manufacturer warranty billing. Complies fully with the requirements of state and local ordinances, including California.

Discounts

Carbonless NESDA Forms are available to NESDA members at additional savings. For pricing information and samples, or information regarding other NESDA membership benefits, write to NESDA, 2708 W. Berry St., Ft. Worth, TX 76109; or call (817) 921-9061.

The NESDA Form

NESDA, 2708 W. Berry St.
Fort Worth TX 76109
Phone: (817) 921-9061

1991 Profax directory

Monthly index - 1982-1991

	Profax Number		Profax Number
October 1982			
NEC color video monitor, chassis Z7A	2000	NAP color TV, 19C3 series	2031
RCA B&W TV, chassis KCS207B	2001	GE color TV, PC-B chassis	2032
NAP color TV, chassis 09C201 CQ4X	2002		
November 1982			
Hitachi color TV, chassis NP80SX	2003	January 1984	
RCA color TV, chassis CTC115	2004	RCA KCS206 B&W	2033
NEC video projector, chassis W2A-1	2005	NAP E34 chassis	2034
December 1982			
NAP B&W TV model MQA014GY (w/radio)	2006	February 1984	
RCA color TV, chassis CTC108	2007	NAP 19C2 chassis	2035
January 1983			
Hitachi color TV GTX, chassis No. 615	2008	RCA KCS213 B&W	2036
RCA projection TV model PGR200/300	2009	March 1984	
Magnavox B&W TV, chassis 09M101	2010	GE AF/C chassis	2037
February 1983			
Hitachi color TV, NP9X chassis	2011	April 1984	
RCA color TV, CTC118 series	2012	GE GL/X chassis	2038
March 1983			
RCA B&W TV, chassis KCS206C (ac/dc/battery)	2013	GE XK B&W chassis	2039
Hitachi projection color TV, CT 5011	2014	NAP E32 chassis	2040
April			
GE color TV, AC-D AC-E	2015	May 1984	
NAP B&W TV, AM/FM radio UVG-12016		RCA CTC111 series	2041
May 1983			
NAP color TV, chassis E34-18, -19, -32, -33	2017	June 1984	
GE B&W TV, XE chassis	2018	GE XJ B&W chassis	2042
June 1983			
RCA color TV, CTC117 series	2019	NAP E32-58, -59 chassis	2043
NAP B&W TV, model B386QWA01	2020	July 1984	
July 1983			
Magnavox color TV, chassis E31-38	2021	GE EC/K chassis	2044
Philco color TV, chassis K-20	2022	NAP K10 chassis	2045
August 1983			
GE color TV, EM chassis	2023	August 1984	
NAP B&W TV, chassis 12M101	2024	RCA CTC123 series	2046
September 1983			
RCA color TV, chassis CTC120	2025	NAP RD425SI & RXC192SL chassis	2047
NAP B&W TV, chassis 12M101	2026	September 1984	
October 1983			
RCA B&W TV, KCS205 series	2027	NAP E53-45, -46, -47, -48 chassis	2048
GE color TV, PM-A chassis	2028	GE XE B&W chassis	2049
November 1983			
RCA B&W TV, KCS204 series	2029	October 1984	
NAP color TV, 13C3 series	2030	RCA CTC132/132 series	2050
December			
		November 1984	
		GE AB/AC chassis	2051
		NAP BD 3911 SL01 B&W chassis	2052
		December 1984	
		RCA KCS B&W AM/FM/clock	2053
		Hitachi NP81X chassis	2054
		January 1985	
		GE CM chassis	2055
		NEC C13-304A chassis	2056
		GE XM-E chassis	2057
		February 1985	
		GE PC-A chassis	2058
		Hitachi CT2516 chassis	2059

1991 Profax Directory

	Profax Number
March 1985	
GE GK chassis	2060
Hitachi CQ4X chassis	2061
April 1985	
RCA CTC117 chassis	2062
NAP UXC chassis	2063
May 1985	
GE EC-A chassis	2064
NEC DJ-60EN(R) chassis	2065
June 1985	
GE EP-B chassis	2066
July 1985	
GE 19PC-F/H chassis	2067
August 1985	
GE PM-B chassis	2068
September 1985	
NAP EC-31-52, -56 & -58 chassis	2069
RCA CTC118 chassis	2070
October 1985	
NAP E-34-18, -32 & -33 chassis	2071
RCA CTC121 chassis	2072
November 1985	
GE BC-N chassis	2073
GE EP chassis	2074
December 1985	
GE PC-J chassis	2075
RCA CTC126 chassis	2076
January 1986	
RCA MMC 100, video monitor	2077
GE PM-A chassis	2078
February 1986	
GE BC-A chassis	2079
RCA 117 chassis	2080
March 1986	
RCA CTC133 chassis	2081
April 1986	
GE 25 PC(J) chassis	2082
RCA CTC120 chassis	2083
May 1986	
GE HP chassis, tuning & control systems	2084A
GE HP chassis, chroma	2084B
June 1986	
RCA CTC125 chassis	2085
RCA 207 series weather clock	2086
July 1986	
GE NF chassis	2087
GE PM-C chassis	2088
August 1986	
RCA CTC136 chassis	2089
September 1986	
RCA CTC130-S1 chassis	2090

	Profax Number	
October 1986		
GE X110 chassis, B&W TV	2091	
GE TV/AM/FM clock radio	2092	
November 1986		
RCA B&W TV basic service data, UVM chassis	2093	
GE 14-inch portable color TV, RS-A chassis	2094	
December 1986		
GE X110 chassis (cont.)	2095	
RCA UWJ chassis	2096	
January 1987		
GE color TV, MK-2 chassis	2097	
February 1987		
RCA color TV supplement, CTC117-S2	2098	
GE color TV, MK-1 chassis	2099	
April 1987		
Hitachi color TV, CT2250B, CT2250W chassis	3000	
May 1987		
RCA color TV, VDM140 chassis	3002	
GE color TV, NF chassis update	3003	
GE 5-inch B&W TV, 7-7130A chassis	3004	
June 1987		
Hitachi color TV, CT1358 chassis	3005	
RCA color TV, CTC135 chassis	3006	
July 1987 Zenith color TV, D13085/D1910B chassis ..		3007
GE color TV, MK-1 chassis, model 8-1938	3008	
August 1987		
Zenith color TV, D2500W chassis	3009	
Hitachi color TV, CT2020W, CT2020B chassis	3010	
September 1987		
Zenith color TV, SD2501W chassis	3011	
Hitachi color TV, CT2250B, CT2250W chassis	3012	
October 1987		
RCA color TV, CTC134 chassis	3013	
November 1987		
GE color TV, CTC140 chassis	3014	
December 1987		
Hitachi color TV, chassis CT0911	3015	
Zenith color TV, chassis SD2097S	3016	
January 1988		
Zenith PV800 color monitor	3017	
Hitachi color TV, CT1358 chassis	3018	
February 1988		
GE VCR, 1VCR2018W model	3019	
March 1988		
GE 8-4500 projection TV	3020	
April 1988		
NAP projection TV, E54-10 chassis	3021	
Zenith color TV, C2020H chassis	3022	
May 1988		
RCA PVM050 color TV	3023	
Hitachi CT2652, CT2653 color TVs	3024	

1991 Profax Directory

	Profax Number
June 1988	
Hitachi color TVs, CT2647/CT2648/CT2649 chassis . . .	3025
NAP projection TV, E54-15 chassis	3026
July 1988	
GE model 1VCR2006W VCR	3027
Zenith color TV, CM-139/B-0 (B) chassis	3028
August 1988	
Hitachi color TV, CT1344 chassis	3029
NAP color TV, E51-56 chassis	3030
September 1988	
RCA color TV, PVM035 chassis	3031
GE color TV, NC-05X3/06X1 chassis	3032
October 1988	
Hitachi CT3020W/CT3020B color TV	3033
Zenith CM-139/B-3 (I) SD2511G/SD2581H color TV	3034
November 1988	
Hitachi VHS VCR, model VT-63A	3035
NAP RD4502SL/RLC312SL color TV monitors	3036
December 1988	
GE projection TV, PW chassis, model 40PW3000KA013037	
January 1989	
Hitachi color TV, CT1955, NP85XA chassis	3038
NAP color TV, series 19C2 chassis (Magnavox)	3039
February 1989	
RCA/GE color TV, CTC145/146 chassis	3040
Zenith color TV, CM-140/b-2(G) chassis	3041
(models SE2503G/SE2505P, SE2507N/SE2509H)	
March 1989	
NAP color TV, chassis E34-11	3042
Hitachi color TV, chassis CT1941/CT19A2, NP83X chassis	3043
April 1989	
GE VHS VCR, model 1VCR2002X	3044
Hitachi CT1955 color TV	3045
May 1989	
Zenith CM-14-0/B-3(1) color TV	3046
(models SE2721H/SE2725R/SE2727H)	
GE color TV, 1987 CTC136	3047
June 1989	
RCA P42000-S1 projection TV	3048
(additional models: RVM46700, 46GW700, P46000)	
NAP color TV, chassis E54-15	3049
(Magnavox RD8518 and RD8520; Philco model P8190S; Sylvania PSC410 and PSC420)	
July 1989	
Hitachi CT2066 color TV	3050
RCA CTC135 color TV	3051
August 1989	
GE CTC135-S1 color TV	3052
Zenith CM-140/B-2(1) color TV	3053
September 1989	
RCA CSM055 color TV/AM/FM/clock radio	3054

	Profax Number
October 1989	
Hitachi CT2086 B/W chassis G7NU3 color TV	3055
Zenith PV4661H rear-projector color TV	3056
November 1989	
GE 1987 8-4500 projection color TV	3057
RCA/GE CTC145/146 color TV	3058
December 1989	
ZENITH CM-140/DIGITAL(C) chassis color TV	3059
(Models SE3135P/SE3191H/SE3535H/ZB2771H/ ZB2771H2/ZB2777H/ZB2777H2/ZB2797P/ ZB2797P2/ZB2797Y/ZB2797Y2/ZB3193H/ ZB3193Y/ZB3539T/ZB3539Y)	
January 1990	
Hitachi CT1395W G7NSU2 color TV	3060
February 1990	
Zenith CM-139/B1 (Y) and (K) Color TV Receivers	3061
Models SD2097S (Y) and SD1327W3, SD1327Y, SD1327Y3(K)	
March 1990	
RCA/GE CTC148/149-S2 chassis color TV	3062
April 1990	
Hitachi G7XU2/3 chassis color TV	3063
G7XU2 - models CT2087B/W, A087 (MT2870 through MT2878) G7XU3 - models CT2088B/W, A088 (MT2880, MT2886, MT2887)	
May 1990	
Zenith PV-140/Digital (G) Rear Proj. digital TV	3064
receiver, Zenith surround stereo system	
June 1990	
Hitachi CT4580K, VP7X2 chassis projection TV	3065
July 1990	
Zenith PV454-1P chassis color TV	3066
August 1990	
RCA/GE TX81 chassis color TV	3067
September 1990	
RCA/GE CTC156 chassis color TV	3068
October 1990	
Hitachi VP9X1 chassis color TV	3069
November 1990	
RCA/GE CTC169 (PV) chassis Color TV	3070
December 1990	
RCA CTC91 chassis color TV	3071
January 1991	
RCA CTC99 chassis color TV	3072
February 1991	
RCA CTC107 chassis color TV	3073
March 1991	
RCA/GE CTC168 chassis color TV	3074
April 1991	
RCA/GE CTC86 chassis color TV	3075

1991 Profax Directory

May 1991	Profax Number
RCA/GE KCS203 chassis B&W TV	3076
June 1991	
RCA CTC96 chassis color TV	3077
July 1991	
RCA CTC107 chassis color TV	3078
August 1991	
Hitachi CT1947/CT19A7 chassis color TV	3079

September 1991	Profax Number
Hitachi CT2541/2542 chassis color TV	3080
October 1991	
RCA/GE CTC167 chassis color TV	3081
November 1991	
RCA/GE CTC166 chassis color TV	3082
December 1991	
RCA/GE CTC169 chassis color TV	3083

Profax number index — 1982-1991

Profax Number	Month	Year
2000-2002	Oct	82
2003-2005	Nov	82
2006-2007	Dec	82
008-2010	Jan	83
2011-2012	Feb	83
2013-2014	Mar	83
2015-2016	Apr	83
2017-2018	May	83
2019-2020	Jun	83
2021-2022	Jul	83
2023-2024	Aug	83
2025-2026	Sep	83
2027-2028	Oct	83
2029-2030	Nov	83
2031-2032	Dec	83
2033-2034	Jan	84
2035-2036	Feb	84
2037	Mar	84
2038-2040	Apr	84
2041	May	84
2042-2043	Jun	84
2044-2045	Jul	84
2046-2047	Aug	84
2048-2049	Sep	84
2050	Oct	84
2051-2052	Nov	84
2053-2054	Dec	84
2055-2057	Jan	85
2058-2059	Feb	85
2060-2061	Mar	85
2062-2063	Apr	85
2064-2065	May	85
2066	Jun	85
2067	Jul	85
2068	Aug	85
2069-2070	Sep	85
2071-2072	Oct	85
2073-2074	Nov	85
2075-2076	Dec	85
2077-2078	Jan	86
2079-2080	Feb	86
2081	Mar	86
2082-2083	Apr	86
2084A-2084B	May	86
2085-2086	Jun	86
2087-2088	Jul	86
2089	Aug	86
2090	Sep	86
2091-2092	Oct	86
2093-2094	Nov	86
2095-2096	Dec	86

Profax Number	Month	Year
2097	Jan	87
2098-2099	Feb	87
(Note: numbers 2100-2999 were skipped)		
3007	Apr	87
3002-3003	May	87
3005-3006	Jun	87
3007-3008	Jul	87
3009-3010	Aug	87
3011-3012	Sep	87
3013	Oct	87
3014	Nov	87
3015-3016	Dec	87
3017-3018	Jan	88
3019	Feb	88
3020	Mar	88
3021-3022	Apr	88
3023-3024	May	88
3025-3026	Jun	88
3027-3028	Jul	88
3029-3030	Aug	88
3031-3032	Sep	88
3033-3034	Oct	88
3035-3036	Nov	88
3037	Dec	88
3038-3039	Jan	89
3040-3041	Feb	89
3042-3043	Mar	89
3044-3045	Apr	89
3046-3047	May	89
3048-3049	Jun	89
3050-3051	Jul	89
3052-3053	Aug	89
3054	Sep	89
3055-3056	Oct	89
3057-3058	Nov	89
3059	Dec	89
3060	Jan	90
3061	Feb	90
3062	Mar	90
3063	Apr	90
3064	May	90
3065	Jun	90
3066	Jul	90
3067	Aug	90
3068	Sep	90
3069	Oct	90
3070	Nov	90
3071	Dec	90
3072	Jan	91
3073	Feb	91
3074	Mar	91

1991 Profax Directory

Profax Number	Month	Year
3075	Apr	91
3076	May	91
3077	Jun	91
3078	Jul	91
3079	Aug	91

Profax Number	Month	Year
3080	Sep	91
3081	Oct	91
3082	Nov	91
3083	Dec	91

Company Index - 1982 - 1991

	Profax Number	Month and year
GENERAL ELECTRIC		
Color TV, AC-D AC-E	2015	Apr 83
B&W TV, XE chassis	2018	May 83
Color TV, EM chassis	2023	Aug 83
Color TV, PM-A chassis	2028	Oct 83
Color TV, PC-B chassis	2832	Dec 83
AF/C chassis	2037	Mar 84
GL/X chassis	2038	Apr 84
XK B&W chassis	2039	Apr 84
XJ B&W chassis	2042	Jun 84
EC/K chassis	2044	Jul 84
XE B&W chassis	2049	Sep 84
AB/AC chassis	2051	Nov 84
CM chassis	2055	Jan 85
XM-E chassis	2057	Jan 85
PC-A chassis	2058	Feb 85
GK chassis	2060	Mar 85
EC-A chassis	2064	May 85
EP-B chassis	2066	Jun 85
19PC-F/H chassis	2067	Jul 85
PM-B chassis	2068	Aug 85
BC-N chassis	2073	Nov 85
EP chassis	2074	Nov 85
PC-J chassis	2075	Dec 85
PM-A chassis	2078	Jan 86
BC-A chassis	2079	Feb 86
25 PC(J) chassis	2082	Apr 86
HP chassis, tuning and control systems	2084A	May 86
HP chassis, chroma	2084B	May 86
NF chassis	2087	Jul 86
PM-C chassis	2088	Jul 86
X110 chassis, B&W TV	2091	Oct 86
TV/AM/FM clock radio	2092	Oct 86
14-inch portable color TV	2094	Nov 86
X110 chassis (cont.)	2095	Dec 86
CTC140 chassis, color TV	3014	Nov 87
MK-1 chassis, model 8-1938	3008	Jul 87
MK-1 chassis	2099	Feb 87
MK-2 chassis	2097	Jan 87
NF chassis update, color TV	3003	May 87
7-7130A chassis, 5-inch B&W	3004	May 87
1VCR2006W model, VCR	3027	Jul 88
1VCR2018W model, VCR	3019	Feb 88
NC-05X3/06X1 chassis, color TV	3032	Sep 88
Projection TV 8-4500	3020	Mar 88
PW chassis, model 40PW3000KA01 projection TV	3037	Dec 88
VHS VCR, model 1VCR2002X	3044	Apr 89
Color TV, 1987 CTC136	3047	May 89
CTC135-S1 color TV	3052	Aug 89
1987 8-4500 projection color TV	3057	Nov 89
HITACHI		
Color TV, chassis NP80SX	2003	Nov 82
Color TV, GTX chassis No. 615	2008	Jan 83
Color TV, NP9X chassis	2011	Feb 83
Projection color TV, CT5011	2014	Mar 83

	Profax Number	Month and year
NP81X chassis	2054	Dec 84
CT2516 chassis	2059	Feb 85
CQ4X chassis	2061	Mar 85
CT1358 chassis, color TV	3005	Jun 87
CT2020W, CT2020B chassis	3010	Aug 87
CT2250B, CT2250W chassis	3000	Apr 87
CT2250B, CT2250W chassis	3012	Sep 87
CT1344 chassis color TV	3029	Aug 88
CT1358 chassis color TV	3018	Jan 88
CT2647/CT2648/CT2649 chassis color TVs	3025	Jun 88
CT2652, CT2653 color TVs	3024	May 88
CT3020W/CT3020B	3033	Oct 88
VHS VCR, model VT-63A	3035	Nov 88
CT1955 color TV, NP85XA chassis	3038	Jan 89
Color TV, chassis CT1941/CT19A2, NP83X chassis	3043	Mar 89
CT1955 color TV	3045	Apr 89
CT2066 color TV	3050	Jul 89
CT2086 B/W chassis G7NU3 color TV	3055	Oct 89
CT1395W G7NSU2 color TV	3060	Jan 90
G7XU2/3 chassis color TV	3063	Apr 90
G7XU2 - models CT2087B/W, A087(MT2870 through MT2878)		
G7XU3 - models CT2088B/W, A088(MT2880, MT2886, MT2887)		
CT4580K, VP7X2 chassis proj. TV	3065	Jun 90
VP9X1 chassis color TV	3069	Oct 90
CT1947/CT19A7 chassis color TV	3079	Aug 91
CT2541/2542 chassis color TV	3080	Sep 91
MAGNAVOX		
B&W TV chassis 09M101	2010	Jan 83
Color TV, chassis E31-38	2021	Jul 83
NAP		
Color TV, chassis 09C201 CQ4X	2002	Oct 82
B&W TV, model MQA014GY (w/radio)	2006	Dec 82
B&W TV, AM/FM radio UVG-1	2016	Apr 83
Color TV, chassis E34-18, -19, -32, -33	2017	May 83
B&W TV, model B386QWA01	2020	Jun 83
B&W TV, chassis 12M101	2024	Aug 83
B&W TV, chassis 12M101 (duplicate)	2026	Sep 83
Color TV, 13C3 series	2030	Nov 83
Color TV, 19C3 series	2031	Dec 83
E34 chassis	2034	Jan 84
19C2 chassis	2035	Feb 84
E32 chassis	2040	Apr 84
E32-58, -59 chassis	2043	Jun 84
K10 chassis	2045	Jul 84
RD 425S1 & RXC 192SL chassis	2047	Aug 84
E53-45, -46, -47, -48 chassis	2048	Sep 84
BD3911 SL01 B&W chassis	2051	Nov 84
UXC chassis	2063	Apr 85
EC-31-52, -56 & -58 chassis	2069	Sep 85
E-34-18, -32 & -33 chassis	2071	Oct 85
E51-56 chassis, color TV	3030	Aug 88

1991 Profax Directory

	Profax Number	Month and year
E54-10 chassis, projection TV	3021	Apr 88
E54-15 chassis, projection TV	3026	Jun 88
RD4502SL/RLC312SL color TV monitors	3036	Nov 88
Color TV, series 19C2 chassis (Magnavox)	3039	Jan 89
Color TV, chassis E34-11	3042	Mar 89
Color TV, chassis E54-15	3049	Jun 89
(Magnavox RD8518 and RD8520; Philco model P8190S; Sylvania PSC410 and PSC420)		
NEC		
Color video monitor, chassis Z7A	2000	Oct 82
Video projector, chassis W2A-1	2005	Nov 82
C13-304A chassis	2056	Jan 85
J-60EN(R) chassis	2065	May 85
PHILCO		
Color TV, chassis K-20	2022	Jul 83
RCA		
B&W TV, chassis KCS207B	2001	Oct 82
Color TV, chassis CTC115	2004	Nov 82
Color TV, chassis CTC108	2007	Dec 82
Projection TV, model PGR200/300	2009	Jan 83
Color TV, CTC118 series	2012	Feb 83
B&W TV, chassis KCS 206C	2013	Mar 83
Color TV, CTC117 series	2019	Jun 83
Color TV, chassis CTC120	2025	Sep 83
B&W TV KCS205 series	2027	Oct 83
B&W TV KCS204 series	2029	Nov 83
KCS206 B&W	2033	Jan 84
KCS213 B&W	2036	Feb 84
CTC111 series	2041	Mar 84
CTC123 series	2046	Apr 84
CTC131/132 series	2050	Oct 84
KCS B&W AM/FM clock	2053	Dec 84
CTC117 chassis	2062	Apr 85
CTC118 chassis	2070	Sep 85
CTC121 chassis	2072	Oct 85
CTC126 chassis	2076	Dec 85
MMC100, video monitor	2077	Jan 86
CTC117 chassis	2080	Feb 86
CTC133 chassis	2081	Mar 86
CTC120 chassis	2083	Apr 86
CTC125 chassis	2085	Jun 86
207 series weather clock	2086	Jun 86
CTC136 chassis	2089	Aug 86
CTC130-S1 chassis	2090	Sep 86
B&W TV basic service data	2093	Nov 86
UWJ chassis	2096	Dec 86
CTC117-S2 color TV supplement	2098	Feb 87
CTC134 chassis, color TV	3013	Oct 87
CTC135 chassis, color TV	3006	Jun 87
VDM140 chassis, color TV	3002	May 87
PVM035 chassis color TV	3031	Sep 88
PVM050 color TV	3023	May 88
P42000-S1 projection TV	3048	Jun 89
(additional models: RVM46700, 46GW700, P46000) CTC135 color TV	3051	Jul 89
CSM055 color TV/AM/FM/clock radio	3054	Sep 89
CTC91 chassis color TV	3071	Dec 90
CTC99 chassis color TV	3072	Jan 91
CTC107 chassis color TV	3073	Feb 91
CTC96 chassis color TV	3077	Jun 91
CTC107 chassis color TV	3078	Jul 91
RCA/GE		
Color TV, CTC145/146 chassis	3040	Feb 89
CTC145/146 color TV	3058	Nov 89

	Profax Number	Month and year
CTC148/149-S2 chassis color TV	3062	Mar 90
TX81 chassis color TV	3067	Aug 90
CTC156 chassis color TV	3068	Sep 90
CTC169 (PV) chassis Color TV	3070	Nov 90
CTC168 chassis color TV	3074	Mar 91
CTC86 chassis color TV	3075	Apr 91
KCS203 chassis B&W TV	3076	May 91
CTC167 chassis color TV3081		Oct 91
CTC166 chassis color TV	3082	Nov 91
CTC169 chassis color TV	3083	Dec 91

ZENITH

D2500W chassis, color TV	3009	Aug 87
D13085/D1910B chassis, color TV	3007	Jul 87
SD2501W chassis, color TV	3011	Sep 87
CM-139/B-0 (B) chassis color TV	3028	Jul 88
CM-139/B-3 (I) SD2511G/SD2581H	3034	Oct 88
C2020H chassis color TV	3022	Apr 88
PV800 color monitor	3017	Jan 88
Color TV, CM-140/b-2(G) chassis	3041	Feb 89
CM-14-0/B-3(I) color TV	3046	May 89
(models SE2721H/SE2725R/SE2727H)		
CM-140/B-2(I) color TV	3053	Aug 89
PV4661H rear-projector color TV	3056	Oct 89
CM-140/DIGITAL(C) chassis color TV	3059	Dec 89
(Models SE3135P/SE3191H/SE3535H/ ZB2771H/ZB2771H2/ZB2777H/ZB2777H2/ ZB2797P/ZB2797P2/ZB2797Y/ZB2797Y2/ ZB3193H/ZB3193Y/ ZB3539T/ZB3539Y)		
CM-139/B1 (Y) and (K) Color TV Receivers	3061	Feb 90
Models SD2097S (Y) and SD1327W3, SD1327Y, SD1327Y3(K) PV-140/Digital (G) Rear Proj. digital TV	3064	May 90
receiver, Zenith surround stereo system		
PV454-1P chassis color TV	3066	Jul 90

WATCH FOR

BUSINESS CORNER

ELECTRONIC
Servicing & Technology

This exclusive monthly column will show you how to run your service operation more efficiently and profitably.

You'll learn about

- building customer satisfaction
- writing service contracts
- marketing your services
- hiring technicians.

Customer satisfaction is key to service business

By William J. Lynott

Even those of us who have not been directly affected by it cannot hide from the human devastation it is wreaking. For those of us who have been singled out, the recession has been a true calamity.

On my visits to such cities as Detroit, Pittsburgh, Boston and others, I see a frightening panorama of seemingly abandoned factories, empty parking lots, boarded-up store fronts, and the unsmiling faces of workers who fear they may be next.

More than eight million people out of work, stripped of a fundamental necessity in our society: a source of steady income and the security and dignity that it provides. Like giving birth, it probably isn't possible for someone who hasn't experienced it to understand the pain of a breadwinner unable to find a job—any job.

Given these things it would appear that those of us lucky enough to still have jobs or businesses would be at least a little bit frightened. It seems to me that this is a good time for us to be asking how we might make ourselves more valuable to our employers, or how we might protect our businesses by serving our customers better. But, alas, critical self-examination is not a popular pastime, even in difficult times.

Recently, I was shopping for carpeting for my new office and I wanted to see some samples on-site. The salesman told me, "You don't seem to me to be quite ready to sign on the dotted line yet. Give me a call when you're ready to buy and I'll stop by."

My wife went to the customer service department of a national depart-

ment store chain to correct an error on our bill. She stood at the counter for nearly 10 minutes while the lone clerk talked on the telephone, presumably to a customer. Several attempts to flag down passing employees produced nothing more than gestures toward the clerk on the phone. When the clerk finally came to help her, there was no apology for the delay.

My neighbor recently bought a washer and dryer and had to take a day off from work to accept delivery because the company does not deliver in our neighborhood on Saturday.

Another neighbor recently paid a local television servicer over \$900 for a repair that did not correct the problem. That was more than a week ago; she is still waiting for the technician to return.

A friend went to a bookstore looking for a book that wasn't in stock. The clerk suggested that my friend order it himself directly from the publisher.

For the eight million people out of work, the recession is real. For the rest of us, it seems, it's business as usual.

Much of the media has been busy in recent years reporting what is described as our transition from a manufacturing and distribution-oriented society to a new service-oriented economy. The balance of the gross national product has shifted sharply in favor of "services" at the expense of manufacturing. Whatever growth in jobs that has been taking place has been in service type industries, while manufacturing jobs continue in steady decline.

What an opportunity! Only once in many generations will such a massive shift in economic and industrial patterns take place. That shift is taking place right now and those service dealers who recognize the significance of what is happening will realize that the

ability to render *service* will be the hallmark of success in our new business environment.

Decades of almost unbridled prosperity have all but erased the standards of service that were formed during times when the customer was king. Now we have an entire generation of workers many of whom have no true understanding of the value of a customer to a business. In the past, as long as a quality product was delivered, the obligation was fulfilled. Now that the product is service, we have to learn all over again how to deliver it.

Those of use who are already involved in the business of rendering services have an unprecedented opportunity to benefit from our prior experience and knowledge, but not before we do a great deal of self-examination.

The definition of service that we have come to accept in recent years will be totally unsatisfactory as we have become further and further immersed in our service economy. The sullen, arrogant employee who is unwilling or unable to accommodate himself to the concept of total customer satisfaction will prove to be an impossible burden for his employer. The business owner who fails to sense and act on the subtle changes in standards of customer service that are already underway will find himself left hopelessly behind.

On the other hand, the servicer who is fully committed to the simple philosophy that customer satisfaction is the basic product of his business will prosper regardless of the general state of the economy.

The current economic climate, like all those that have preceded it, will eventually dissolve into a new phase. In the meantime, your determination to absolutely excel in customer satisfaction will ensure your success in good times or bad. ■

Lynott is president of William J. Lynott Associates, a management consulting firm specializing in profitable service management and customer satisfaction research.

Readers' Exchange

Reader's Exchange has been reinstated as a free service.

The following restrictions apply to Reader's Exchange:

- Only individual readers may use Reader's Exchange, and items must be restricted to those that are ordinarily associated with consumer electronics as a business or hobby. If you're in business to sell the item(s) you want to offer for sale, the appropriate place for your message is in a paid advertisement, not Reader's Exchange.

- Readers Exchange items must be restricted to no more than three items each for wanted and for sale, and may be no more than approximately four magazine column lines in length (about 20 words).

Send your Reader's Exchange submissions to:

**Reader's Exchange
Electronic Servicing & Technology
76 N. Broadway
Hicksville, NY 11801**

FOR SALE

Tektronix 453 dual delayed 50MHz \$275.00 and a 465 dual delayed 100MHz \$550.00. *Gene 260 Westview Hoffman Estates, ILL 60194 (708) 885-9105.*

Sencore VA48 \$450.00 with cables and manuals, B&K 520 B transistor checker \$190.00, B&K oscilloscope -1461 \$200.00 send a large SASE for list. *Maurer Radio 29 South 4th Street Lebanon, PA 17042.*

24 electronic manuals, 3858 pages, hundreds of schematics/diagrams. \$55.00 postpaid. Send a LSASE for list. *J. Horsley 67 Theodore Street Buffalo, 14211*

SC61, VA48 stand a ns complete documentation \$1850.00 or B/O; also boxes of assorted unused boards and semiconductors, approx. value \$3000, sellout \$4000 call 802-247-8010. *Jack Lenfest, PO Box 6593, Rutland VT 05702.*

Sencore test equip, EX231 accessory jack expander INT64 pattern generator 1-VC63 VCR test accessory all brand new. 402-494-2455 Roger Fahernhold.

Sams photofacts 1676-2725 complete plus 275 more before 1676 mostly above 1000. Also Sams Modular Hi-Fi series MHF 84-230 complete. Will include 4-4 drawer steel file cabinets for \$7995 and shipping. *Ken Goetsch 1298 Shorewood Dr. S.W. Seattle WA 98146 (206) 241-0507.*

Multimeter-tests up to 6 megaohms - new \$10.00 digital capacitor tester new \$45.00 stereo power booster for auto radio new \$15.00. *Joseph Oracki 3502 E Northern Parkway 21206 Balto, MD 1-410-254-0284.*

Sencore CG25 -\$75; TF46-\$250.00; LC75 -\$600.00; CR70 restorer -\$750 SC61 Scope \$1800; SG15 -\$500; total package \$5775 save \$500.00 plus accessories. *Loretta Pozzani (215) 286-9203.*

Deflection yoke 51-3017195-1 used in popular E34-5 Philco chassis. NAP says no longer available. Will pay for new or functional used part. *614-899-9049.*

755 new electronic tubes in their original boxes \$375.00 plus 60 lbs. UPS shipping. Send a LSASE (2 stamps) for lists of tubes, transistors, TV parts, test equipment, electronic books, and electronic courses. *J. Horsley 67 Theodore, Buff, NY 14211.*

Eico 460 scope wide brand factory built -\$35.00. B&K 1076 analyst like new no slides - \$75.00. Eico signal generator model 324 -\$35. *Gary Meyers Liberty Service 231 Churchill Hubbard Rd., Youngstown OH 4450.*

FM generator, 415 sweep/marker, B&K 1077B analyst all with manuals. *John Waskowitz 580 83rd Street Brooklyn, NY 11209.*

TF46 transistor checker with PA 208 power supply \$375.00 selling entire shop of Sencore SASE (legal size) to *Fred Ingersoll 6845 Lathers Garden City, MI 48135 (313) 427-0499.*

Tektronix Oscilloscope model 475 portable. Dual trace, 200 MHz, delayed sweep. X10 magnifier. 1 nanosecond/division capability. Many other features. Excellent condition with operators manual. \$875.00. *Don Mayhak (602) 941-5131.*

Sencore VCR test equipment VA-62, VC-63, NT-69, EX-231 and CR-70, like new, with manuals and cables. Make offer. *Ray's Electronics (912) 862-3033.*

One LC Auto Z meter updated, SC61 WFA 60 MHz, VA62 AVA, VC63 VCR Test Accessory, NT64 NTSC Pattern Generator, EX 231 Expander. *Call Jack all for \$6500.00 After 6:00pm (918) 455-7113.*

Multitester ohmmeter tests resistance up to 6 megs. Brand new \$10.00, digital capacitor tester new \$45.00 auto radio power (stereo) booster \$15.00. *Joe Oracki 3502 Northern Parkway Balt, MD 21206 (301) 254-0284.*

Sencore SC61 scope like new VA 48 48 and a CATV field strength meter. Asking \$1,650 for scope, \$400.00 for VA 48 and \$100.00 for meter. *John De Luco, 435 Ocean Blvd., Keyport, NJ 07735 (908) 583-6153.*

755 New electronic tubes in their original boxes \$375 plus UPS shipping. Send a LSASE (2 stamps) for lists of tubes and other electronic items. Retiring, make your best offer. *J. Horsley 67 Theodore St. Buffalo, NY 14211.*

Sencore VA62, VC63 and a HP200 50KV HV probe. New condition. \$2000.00 Call Dave at (518) 843-3766.

WANTED

Need schematic or service manual for Zenith VCR model VR4000. *John Bourzakis (412) 483-3072.*

H.H. Scott 222C power transformer. Also pre 1950 radios and TVs. *Jon Kummer, 23-35 Bell Blvd., Bayside, NY 11360 (718) 428-9070.*

Need copy of schematic and service manual for a Conar Model #255 oscilloscope. *Taylor Wilson 13123 Serves St. NO, LA (504) 254-0890.*

Horizontal driver transistor BUW84 for Magnavox chassis 13C201. Magnavox chassis 13C-201. Magnavox part number 610417-1. Looking for exact replacement or cross reference part number. *Bruce Dorson RR2 Box 1675 New Ipswich, NH 03071 (603) 878-4270.*

Sams -689 thru 1988. Some ships. *Leonard Smith TV Service, 2000 10th Wichita Falls, TX 76301. (817) 723-2442.*

Switch for Sencore CR168 CRT tester. Part number 125A183. No longer available from Sencore. Will consider boxing used tester. *Call Jim or Andy (216) 289-1299.*

Schematic and wiring diagram for Hammand organ model M2. Will pay for copies. *Arthur Viekry PO Box 742, Torrington, CT. 06790-0742.*

Need service manual/data for Bearcat 20/20 scanner. *Tom Kepner, 9515 Juliette Dr. Clinton, MD 20735.*

New or used IC 40 PIN M490 SGS. For multi-tech TV model MCL1316R for tuning board. Not available from parts dept. *C. McDonald 595 Huntmere Dr., Bay Village 44140 OH (216) 871-6523.*

Zenith stratosphere - A 1936, 25 tube floor model radio with two chassis, 3 speakers and a large round black dial will pay up to \$3,000.00 or a \$300.00 Finder's fee. *Doug (612) 571-1387.*

Luminance/sync module MCL002A- chroma module MCC001A -R/G/B module MCD-001A, RCA CTC81E model GA750S. *J. Powell 4237C FCN, McGuire AFB, NJ 08641 609-723-1103.*

Need schematics for the following stereo amplifiers Sansui Model A10, ICC-800A. *Lew Thebeau (902) 895-7995.*

Instruction manual and programmable disc for Sirius computer Mod No. 766 also info on manufacturer for above. *James McCabe (201) 916-0329 or 0529.*

Diagram for a Fisher 550. Will pay also have hard to get obsolete radio parts. *Surplus Sales 226 S. M66 Marion, MI 49665 (616) 743-6158.*

Sencore VA48 good condition \$395.00 B&K transistor checker 520B \$195.00. *Don South 4th Street Lebanon, PA 17042.*

Schematics and motor schematic or rebuilt motor for a 1967 3M Wollensak 5280 7" reel-to-reel tape recorder. *Steve Harris (814) 459-0591.*

Knight KG-688 audio generator KG-689 RF generator and B&K 801 capacitor analyst, all with manuals. *Charles Huth (419) 448-0007.*

Schematic parts, info for rebuilding antique Zenith console radio, model 5808, Ch S576-357. *Bob Newberg 937 NW 6th Ave., Homestead, FL 33030. (305) 247-6877.*

C.B. Manual on how to add channel on CB radio's or conversions. *Johnny Wyatt (501) 268-6151.*

Sams Manual 2578-2788. Also have Sams 381 1400 for trade or sale. *Mack's TV 1022 N 22nd Street Billings, MT (406) 245-0799.*

Schematic for a Fidella 33 tape player/recorder serial #30227. *D.J. Ajjala 50 Fir Circle, Babbitt, MN 55706.*

Heathkit analog circuit design course (2 Binder Set) will agree on any reasonable price and pay for any realted charges. *Ron Grega (717) 347-6842.*

Information schematuc and manual for a Jackson model 112 condenser tester. Will pay reasonable fee. Copy OK. *Marcus Couch, 7519 Continental, Warren, MI 48091.*

Schematics and motor schematic or rebuilt motor for 1967 3M Wollensak 5280 7" reel-to-reel tape recorder. *Steve Harris 2166 South Shore Dr. Erie, PA 16505.*

Admiral #56C49-1, IF Amp, Sync & AGC, used in TV chassis 7M45. Equivaleny ECG 854. Both number discontinued. *Gilberto Hernandez Calle 10, Bloque 18 #18 Santa Rosa, Bayamon PR 00619.*

Microfiche service literature current year to ten years old for TV, VCR, and audio equipment for most popular brands. *Call Eddie Lefiles at (904) 455-4785.*

1 - Sylvania IC No 15-37700-1, 1-Admiral IC. No 56C49-2 Both I.C. are discontinued. *Browns TV P.O. Box 146 Peterstown, WV 24963, (304) 753-9549.*

GE EP 77X22, XFMR For GE "YA" chassis; new or used. *O'Fallon TV and Radio 209 East 4th Street. O'Fallon IL 62269.*

Need service manual Kenwood Stereo KS-4000 R, chip #MAB8021P for Capehart TV, manual SONY stereo #STR-V45, will buy or pay for copies. *Main TV, (303) 776-6955.*

Service literature for Panasonic PV-5000 or PV-5200. Original or partial copy. *Randy's audio and video service 201 W. Mayne Bluegrass, IA (319) 381-3156.*

New business needs test equipment and service literature required to service home and auto stereo systems, VCR's camcorders and TV's. Send list of available equipment along with condition and asking price to *Gary's TV, 141 Lydia Rd., Camden AR 71701.*

V/U tuner #ENV-76602G2 MGA-TV #CS2193. PWR XFRMR #1-442-480-11 Sony STR 7015 RCV, MPX Block #0910210 Sansui QRX5500 RCV. *Transistor Clinic 23419 Gratiot Ave E. Det MI 48021, (313) 774-1230.*

Service manual or schemtaic diagram Sony tapedeck model No - TC-K-51. Sanyo Components system model No- C-60. *Call Jemini Joseph (516) 968-4348.*

A rotary tuner for a RCA CTC 118A 19" portable TV. *DJ Ajjala 507 FIR CIR Babbitt, MN 55706.*

Yoke, part no. RCILH1125CEZZ for a Sharp TV model #9B12A; brightness control part no. 18D73497A02 for Quasar TV model #WT5921PW, chasis #TS959. *Helwig Electronics Box 293 Melrose NM 88124.*

Supremes TV-1, TV-2, TV-11, and R-17 manuals. *Charles Huth (419) 448-0007.*

PREMIUM DELIVERY . . .



Get Your Parts in 48 Hours for Just \$5!*

PREMIUM PARTS+ guarantees that your order will be delivered within 48 hours via UPS 2nd Day Air Service to anywhere in the 48 States for just \$5*, regardless of its weight with our **PREMIUM DELIVERY**. Overnight Air for just \$13*, regardless of its weight.

"We'll get your parts to you as fast as you need them!"

*Plus handling. Excluded from this offer are: Shipments to Alaska and Hawaii; Chemicals; Eveready and Camcorder Batteries; All Back Orders; and literature including Tech Library.

Call toll free for your **FREE** copy of our catalog . . . **1-800-558-9572** or for 24 hour ordering call . . . **FAX: 1-414-473-4727**

We accept **Master Card and Visa**

"First In Quality, Service and Delivery"

PREMIUM PARTS+
ELECTRONICS COMPANY

P.O. Box 28 • Whitewater, WI 53190-0028

To Order Back Issues

Send \$3.50 Per Issue (Check, Money Order, Mastercard, VISA, And AMEX).

Send All Correspondence To:

CQ Communications
76 North Broadway
Hicksville, NY 11801

Or Call
516-681-2922
FAX 516-681-2926

**ORDER YOUR
BACK ISSUES
TODAY**

Test your electronics knowledge

Answers to the quiz
(from page 41)

- resistivity ρ (rho)
- h_{fe} β (beta)
- phase angle θ, ϕ (theta or phi)
- magnetic flux Φ
- 2.718281828 ϵ (epsilon)
- 3.14159265 π (pi)
- intrinsic standoff η (eta)
- wavelength λ (lambda)
- magnetic permeability μ (mu)
- common collector parameter γ (gamma)

Circle (12) on Reply Card

Manufacturers Parts and Literature Directory

This monthly section is sponsored by manufacturers to help you find the parts and technical literature needed to service their equipment. Call them for replacement parts or for the name of their nearest distributor.

<p>Hitachi Home Electronics 401 W. Artesia Blvd. Compton, CA 90220 800-HITACHI</p>	<p>Mitsubishi Electronics America 5757 Plaza Drive Cypress, CA 90630 800-553-7278 fax 800-825-6655</p>	<p>Panasonic 50 Meadowlands Parkway Secaucus, NJ 07094 800-447-4700</p>
<p>Philips ECG 1025 Westminister Drive Williamsport, PA 17701 800-526-9354 fax 800-346-6621</p>	<p>Quasar 50 Meadowlands Parkway Secaucus, NJ 07094 800-447-4700</p>	<p>Technics 50 Meadowlands Parkway Secaucus, NJ 07094 800-447-4700</p>
<p>Thomson Consumer Electronics 2000 Clements Bridge Road Deptford, NJ 08096 800-257-7946 fax 800-524-1498</p>	<p>Zenith Electronics Corp. 1900 N. Austin Avenue Chicago, IL 60634 312-745-2000</p>	<p>Call Jonathan Kummer at 516-681-2922 to reserve space in this special section.</p>

Classified

Classified advertising is available by the word or per column inch.

By-the-word: \$1.65 per word, per insertion, pre-paid. Minimum charge is \$35 per insertion. Initials and abbreviations count as full words. Indicate free category heading (For Sale, Business Opportunities, Miscellaneous, Wanted). Blind ads (replies sent to ES&T for forwarding) are \$40 additional. No agency discounts are allowed for classified advertising by the word. Contact Emily Kreutz at 516-681-2922 to place your classified ad (by-the-word). Or send your order, materials and payment to Emily Kreutz, Electronic Servicing & Technology, 76 North Broadway, Hicksville, NY 11801.

Per Column Inch (Classified Display): \$235 per column inch, per insertion, with frequency discounts available. 1" minimum, billed at 1/4" increments after that 10" maximum per ad. Blind ads are \$40 additional. Reader Service Number \$25 additional to cover processing and handling costs. (Free to 4-inch or larger ads.) For more information regarding classified display advertising please contact Jonathan C. Kummer at 516-681-2922. Optional color (determined by magazine) \$150 additional per insertion.

FOR SALE

FOR SALE: Sencore SC61 \$1,000. Mint Condition. Odems Electronics, Monroe, WA 98272. 206-794-4461 1-92-11

SENCORE SC61 Oscilloscope 6 months old, \$2,000. Sencore VA48, \$350. Call Gary at Beloit Entertainment Center 913-738-3332 1-92-11

SOUND Technology 1700B Distortion Analyzer, 1200A Test Panel, 1000A FM Alignment Generator, Nakamichi T100 Audio Analyzer, Kikusui Oscilloscope, Microfiche Viewer. All for \$4,000. Call 203-443-6729.

PHOTOFACTS: Folders under #1400, \$5.00. Above #1400, \$7.00, sent same day first class postpaid. Allen Loeb, 414 Chestnut Lane, East Meadow, NY 11554. 516-481-4380. 11-91-51

COMPUTER AIDED TV/VCR REPAIR SOLUTIONS: 5 1/4" IBM Compatible disks. 1,000 VCR, Printout \$83, Disks \$72. 5,400 TV, Printout \$135, Disks \$113 (Hardrive). Add to or quick scan by model, chassis or stage. Two solutions pays for it. Electronic Solutions, 407 W. Ave. "N", San Angelo, TX 76903. 1-92-71

VHS-VCR REPAIR SOLUTIONS SETS I, II, III, IV, V, VI. Each contains 150 symptoms and cures, updated cross reference chart, free assistance, \$11.95 each all six \$59.95. Eagle Electronics, 52053 Locks Lane, Granger, IN 46530. 1-92-21

TV TOUGH DOGS 300 symptoms and cures. Send \$10.95 to Davis TV, 11772 Old Fashion Way, Garden Grove, CA 92640. 1-92-21

ATTENTION VCR SERVICE CENTERS: 1000 VCR symptoms/cures from experience and manufacturers publications. Computer printout \$90. Guaranteed satisfaction. VCR Tuneup Center, 43 James Avenue, Redwood City, CA 94063 or call 1-800-777-7883. Mastercard and Visa accepted. 1-92-11

YOU'VE TRIED THE REST NOW GET THE BEST! Don't waste money on inferior tech tips. Get the best tips money can buy! Sent \$99 for printout containing over 650 TV tips covering over 300 model numbers and 20 manufacturers. Get the most complete, up to date tech tips over your phone line by using the best on-line service available. Over 2500 tips covering TVs, VCRs, Camcorders, listing over 800 model -s and 50 mfgs. New tips entered daily. Send a SASE for sample printout and more information. T.I.P.S., PO Box 1681, Forest Park, GA 30051-1681. 11-91-11

FOR SALE: 8 TECHNICIANS AND THEIR TRAINING. 5000: ACTUAL CURRENT "TECHNICIAN" TECH-TIP REPORTS: Symptoms, Cures & Part Numbers. 1987 Through 1991. TV-VCR-CD-LD-CAMERA-CAMCORDER-PROJECTION-STEREO-AMPLIFIERS-SATELLITE-MICRO-WAVE-CASSETTES-PHONO-ETC. We service All Consumer Electronics and Factory Authorized for 36 Major Manufacturers. If it came through our doors, it's on it's way to "YOURS"! **FOR OUR BOTTOM PRICE SEND \$15.00 FOR DEMO DISK OR \$10.00 PRINTED FORM.** \$70.00 per 1000 data-base disk price or \$350.00 for 5000, Printed form add \$5.00 Per 1000 Tips. Annual updating available. AMEX/M/C-VISA & CHECKS, 2-Wks Delivery 305-474-2677 Factory Service 8614 SR-84, Ft. Lauderdale, FL 33324. 8-91-121

REDUCED 85% Diehl Mark 111 scanner \$79. Diehl Mark V scanner \$199. New. Restore remote control keypads with our conductive coating \$8.99 ppd. WEEC, 2805 University Ave., Madison, WI 53705. 608-238-4629, 608-233-9741. 12-91-11fb

REPAIR MANAGEMENT SOFTWARE: for IBM PC's. Repair tracking, inventory, reports, billing, maillist, more. Demo disk \$15. CAHILL ELECTRONICS, PO Box 568, Kingston, NH 03848. 603-642-4292 10-91-31

MISCELLANEOUS

CAMCORDER REPAIR: Don't turn away good profits let our experienced technicians provide your shop with complete camcorder repair service. Also, VCR, "Tough Dogs." Call 1-800-846-4648. Edington VCR/TV, 204 North Kimble Drive, Bloomington, IN 47404. 10-91-61

BEST BUY NEW Series II
FLUKE 79 w/ Capacitance ... \$169
FLUKE 87 True RMS \$269

NEW! SCOPEMETER™ 80 SERIES
HAND HELD, 50 MHz, DUAL CHANNEL
FLUKE 93 ScopeMeter \$1095
FLUKE 95 ScopeMeter \$1395
FLUKE 97 FULLY LOADED ... \$1695

KELVIN Electronics
 10 Hub Drive, Melville, NY 11747
 (516) 756-1750 1 (800) 645-9212
 (516) 756-1763 FAX



FLUKE 97
AUTHORIZED DEALER

Circle (8) on Reply Card

ANTIQUE RADIO CLASSIFIED
Free Sample!



Antique Radio's
 Largest Circulation Monthly.
 Articles, Ads & Classifieds.
 Also: 40's & 50's Radios, Ham Equip., Early TV,
 Books & more. *Free 20-word ad each month.*
 6-Month Trial: \$15. 1-Yr: \$27 (\$40-1st Class).
 A.R.C., P.O. Box 802-C12, Carlisle, MA 01741

Tech's Guide To Pricing
NEW

"Sperry Tech's Pricing Guide"
 Updated new 6th edition... a framework for setting rates that apply to Hi-Tech products... a formula that guarantees SUCCESS!
 Call Toll Free for details 1-800-228-4338

Circle (13) on Reply Card

TUBES • TUBES • TUBES
World's Largest Range
 Over 2,000 Types, Domestic & Foreign
UP TO 85% OFF Ask for price list
International Components Corporation
 Toll Free 800-645-9154 • N.Y. State 516-293-1500
 105 Maxess Road, Melville, New York 11747

Circle (7) on Reply Card

TEST EQUIPMENT
 Oscilloscopes • Multimeters
 Function Generators • Frequency Counters
 Power Supplies • Video Head Testers • Etc.

Since 1972 **CALL OR WRITE FOR OUR FREE CATALOG**

BRUNELLE INSTRUMENTS INC.
 P.O. Box 1223 • Newport Vermont 05855
 Tel.: 1-800-567-3506 Fax: 1-819-569-1408

Circle (2) on Reply Card

SAVE TIME

For fast, accurate service, please remove the peel off label used to address your magazine, and attach it to the Reader Service Card, the Address Change Card or to any correspondence you send us regarding your subscription.

Advertisers' Index

Company	Page Number	Reader Service Number	Advertiser Hotline
Antique Radio Classified	60		508/371-0512
B & K Precision	19	1	312/889-1448
Brunelle Instruments	60	2	800/567-3506
C & S Sales	IBC	3	800/292-7711
CUI Stack, Inc.	39	16	503/643-4899
Conway Manufacturing	47	4	415/568-5282
Eagan Technical Services	49	5	612/688-0098
Fluke Manufacturing, John	BC	6	800/227-3800
Hitachi Home Electronics	59		800/HITACHI
Iscet	15		817/921-9101
International Components Corporation	60	7	800/645-9154
Kelvin Electronics	60	8	516/349-7620
Leader Instruments	3	75	800/645-5104
Mitsubishi Elec. America	59		800/553-7278
NESDA	47,49		817/921-9061
National Advancement Corporation	43	9	800/832-4787
Nutronix	47	10	313/939-4710
Panasonic	59		800/447-4700
Parts Express	15	11	513/222-0173
Philips ECG	59		800/526-9354
Premium Parts +	58	12	800/558-9572
Quasar	59		800/447-4700
Sencore	IFC,21	17,66	800/SENCORE
Sperry Tech	60	13	800/228-4338
Technics	59		800/447/4700
Tentel	40	14	800/538-6894
Thomson Consumer Elec.	59		800/254-7946
Viejo Publications	37	15	800/537-0589
Zenith	59		312/745-2000

We'd like to see your company listed here too. Contact Jonathan C. Kummer to work out an advertising program tailored to suit your needs.

SALES OFFICE

THE MAGAZINE FOR CONSUMER ELECTRONICS SERVICING PROFESSIONALS
ELECTRONIC
 Servicing & Technology

76 North Broadway
 Hicksville, NY 11801
 (516) 681-2922
 FAX: (516)681-2926

Jonathan Kummer
 Advertising Manager

Emily Kreutz
 Sales Assistant

48 HOUR
SHIPPING

ELENCO & HITACHI PRODUCTS AT DISCOUNT PRICES

TO ORDER
CALL TOLL FREE
1-800-292-7711

Hitachi RSO Series

(Portable Real-time Digital Storage Oscilloscopes)

VC-6023 - 20MHz, 20MS/s _____	\$1,695
VC-6024 - 50MHz, 20MS/s _____	\$1,995
VC-6025 - 50MHz, 20MS/s _____	\$2,195
VC-6045 - 100MHz, 40MS/s _____	\$2,995
VC-6145 - 100MHz, 100MS/s _____	\$4,495

RSO's from Hitachi feature roll mode, averaging, save memory, smoothing, interpolation, pretriggering, cursor measurements. These scopes enable more accurate, simpler observation of complex waveforms. In addition to such functions as hardcopy via a plotter interface and waveform transfer via the RS-232C interface. Enjoy the comfort of analog and the power to digital.

25MHz Elenco Oscilloscope



\$349
S-1325

- Dual Trace
- 1mV Sensitivity
- 6" CRT
- X-Y Operation
- TV Sync
- (2) 1x, 10x Probes included

SPECIAL BUY

V-212 - 20MHz Scope **\$425**

Hitachi Portable Scopes

DC to 50MHz, 2-Channel, DC offset function, Alternate magnifier function

V-525 - CRT Readout, Cursor Meas. _____	\$995
V-523 - Delayed Sweep _____	\$975
V-522 - Basic Model _____	\$875
V-422 - 40MHz _____	\$775
V-223 - 20MHz delayed sweep _____	\$695
V-222 - 20MHz deluxe _____	\$625

PRICE BREAKTHRU

20MHz Digital Storage Oscilloscope

• Analog/Digital Scope	
• 2K word per channel memory	DS203
• 10MS/s sampling rate	\$795
• State-of-art technology	
• Includes probes	

HITACHI COMPACT SERIES SCOPES

This series provides many new functions such as CRT Readout, Cursor measurements (V-1085/1065A/665A), Frequency Ctr. (V-1085), Sweeptime Autorangeing, Delayed sweep and Trigger Lock using a 6-inch CRT. You don't feel the compactness in terms of performance and operation.

V-660 - 60MHz, Dual Trace _____	\$1,149
V-665A - 60MHz, DT, w/cursor _____	\$1,345
V-1060 - 100MHz, Dual Trace _____	\$1,395
V-1065A - 100MHz, DT, w/cursor _____	\$1,649
V-1085 - 100MHz, QT, w/cursor _____	\$1,995
V-1100A - 100MHz, Quad Trace _____	\$2,195
V-1150 - 150MHz, Quad Trace _____	\$2,695

Elenco 40MHz Dual Trace



Good to **\$495**
50MHz **S-1340**

- High luminance 6" CRT
- 1mV Sensitivity
- 10KV Acceleration Voltage
- 17ns Rise Time
- X-Y Operation
- Includes (2) 1x, 10x Probes

All scopes include probes, schematics, operators manual and 3 year (2 yrs for Elenco scopes) world wide warranty on parts & labor. Many accessories available for all Hitachi scopes. Call or write for complete specifications on these and many other fine oscilloscopes. **1x, 10x Scope Probes: P-1 65MHz \$19.95, P-2 100MHz \$26.95**

B + K TEST EQUIPMENT

All Models Available

Call for special price

Digital Capacitance Meter



CM-1550B

\$58.95

- 9 Ranges
- .1pf-20,000uId
- .5% basic accy.
- Zero control w/ Case
- Big 1" Display

Digital LCR Meter



LC-1801

\$125

- Measures:
- Coils 1uH-200H
- Caps .1pf-200uF
- Res .01-20M



Multimeter with Capacitance & Transistor Tester

\$55 CM-1500B

- Reads Volts, Ohms
- Current, Capacitors,
- Transistors and
- Diodes / with case

Big 1" Display

FLUKE MULTIMETERS

All Models Available

Fluke 70-II _____	\$65
Fluke 77-II _____	\$145
Fluke 79-II _____	\$169
Fluke 87 _____	\$269

Call for special price

Soldering Station

Temperature Controlled



SL-30 \$99
Digital Display
Temp Range:
300F-900F
Grounded Tip
Overheat Protect

Video Head Tester



HT-200

\$55.95

Tells you if
VHS head
is defective
or worn
A must for
VCR work

Four-Function Frequency Counters



F-100 120MH

\$179

F-1000 1.2GH

\$259

Frequency, Period, Totalize,
Self Check with High Stabilized Crystal Oven
Oscillator, 8 digit LED display

10MHz Oscilloscope



S-3000

\$275

Triggered Sweep
Calibrated Voltage Input
Single Channel
Ideal for audio work

CELLULAR TELEPHONE ACCESSORIES

Available for most phones
Call or write for details

Quad Power Supply XP-580



\$59.95

2-20V @ 2A
12V @ 1A
5V @ 3A
-5V @ .5A

Fully regulated and short circuit protected

Triple Power Supply XP-620



Assembled **\$69**
Kit **\$45**

2 to 15V @ 1A,
-2 to -15V @ 1A
(or 4 to 30V @ 1A)
and 5V @ 3A

All the desired features for doing experiments.
Features short circuit protection, all supplies

AM/FM Transistor Radio Kit with Training Course

Model AM/FM 108

\$26.95

14 Transistors • 5 Diodes
Makes a great school project



True RMS 4 1/2
Digit Multimeter

M-7000

\$135

.05% DC Accuracy
.1% Resistance
with Freq. Counter
and Deluxe Case

GF-8016 Function Generator

with Freq. Counter



\$249

Sine, Square, Triangle
Pulse, Ramp, 2 to 2MHz
Freq Counter .1 - 10MHz
Int/Ext operation

GF-8015 without Freq. Meter **\$179**

Function Generator

Block



\$9600

\$28.95

Provides sine, triangle, square
wave from 1Hz to 1MHz
AM or FM capability

XK-500 Digital / Analog Trainer

A complete mini-lab for building, testing, prototyping analog and digital circuits. Elenco's Digital / Analog Trainer is specially designed for school projects, with 5 built in power supplies. Includes a function generator with continuously variable, sine, triangular, square wave forms. All power supplies are regulated and protected against shorts.

- Power Supplies**
- Variable Power Supply
- +1.25 to 20VDC @ .5 Amp
- (+1.25 to 15VDC @ 1 Amp)
- -1.25 to -20VDC @ .5 Amp
- (-1.25 to -15VDC @ 1 Amp)
- +12VDC @ 1 Amp
- -12VDC @ 1 Amp
- +5VDC @ 1 Amp
- 30VAC Center tapped @ 15VAC @ 1 Amp
- Analogue - Section**
- Function Generator Sine, Triangular, Square wave forms
- Frequency adjustable in five ranges from 1 to 100KHz
- Fine frequency adjust
- Amplitude adjust
- DC offset
- Modulation FM-AM
- Digital - Section**
- Eight data switches
- Two no bounce logic switches
- Eight LED readouts TTL buffered
- Clock frequency 1 to 100KHz
- Clock amplitude 5VPP square wave
- Breadboards**
- 2 breadboards, each contain: 840 tie points (total 1,680)

149.95 Assembled
119.95 Kit



Learn to Build and Program Computers with this Kit

Includes: All Parts, Assembly and Lesson Manual



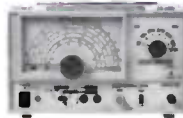
Model

MM-8000

\$129.00

Starting from scratch you build a complete system. Our Micro-Master trainer teaches you to write into RAMs, ROMs and run a 8085 microprocessor, which uses similar machine language as IBM PC.

Wide Band Signal Generators



SG-9000 **\$129**

RF Freq 100K-450MHz AM Modulation of 1KHz Variable RF output
SG-9500 w/ Digital Display & 150 MHz built-in Counter **\$249**

WE WILL NOT BE UNDERSOLD!

UPS Shipping: 48 States 5%
(\$3 Min \$10 Max) Shipping
IL Res., 7.5% Tax FAX: 708-520-0085

C & S SALES INC.
1245 Rosewood, Deerfield, IL 60015
(800) 292-7711 (708) 541-0710



15 Day Money Back Guarantee
2 Year Warranty Prices Subject to Change
WRITE FOR FREE CATALOG

Circle (3) on Reply Card

We Only Skimped On The Price.

Introducing The Fluke Series 10—From \$69.⁹⁵



Actual size: Easy to carry, easy to use.

New! V Chek™: For fast accurate checks on power sources and supplies, set your meter on V Chek—and let it do the rest. V Chek will determine continuity/ohms; if voltage is present, it will automatically change modes to measure AC or DC volts, whichever is detected. For most initial troubleshooting checks, here's the only setting you need to make.

Autoranging with manual option: Your choice, depending on your situation.

Sleep Mode: Shuts itself off if you forget, extending long battery life even further.

New! Slide switch and a few pushbuttons control all functions: Designed for true one-hand operation.

Fast, accurate tests and measurements: AC and DC voltage measurements to 600 volts, ohms to 40 MΩ; audible continuity test; and diode test.

Fluke quality: Made in the USA by Fluke, with the same rugged reliability that's made us the world leader in digital multimeters. Count on hard-working high performance—and a two-year warranty to back it up.

Large, easy-to-read display: 4000 count digital readout.

New! Min/Max record with relative time stamp and Continuity Capture™: Makes intermittent problems easier to find. Records highs and lows—and "time stamps" when they occurred. In continuity mode, opens or shorts as brief as 250 μs are captured and displayed.

Capacitance: Autoranging from .001 μF to 9999 μF. No need to carry a dedicated capacitance meter.

For high performance at Fluke's lowest price, get your hands on the new Series 10. Stop by your local Fluke distributor and feel what a powerful difference the right multimeter makes—at the right price. For a free product brochure or the name of your nearest distributor, call 1-800-87-FLUKE.

Fluke 10	Fluke 11	Fluke 12
\$69.95*	\$79.95*	\$89.95*
4000 count digital display	V Chek™	V Chek™
1.5% basic dc volts accuracy	Capacitance, .001 to 9999 μF	Min/Max recording with relative time stamp
2.9% basic ac volts accuracy	4000 count digital display	Continuity Capture™
1.5% basic ohms accuracy	0.9% basic dc volts accuracy	Capacitance, .001 to 9999 μF
Fast continuity beeper	1.9% basic ac volts accuracy	4000 count digital display
Diode Test	0.9% basic ohms accuracy	0.9% basic dc volts accuracy
Sleep Mode	Fast continuity beeper	1.9% basic ac volts accuracy
Two-year warranty	Diode Test	0.9% basic ohms accuracy
	Sleep Mode	Fast continuity beeper
	Two-year warranty	Diode Test
		Sleep Mode
		Two-year warranty

* Suggested U.S. list price.

Optional holster with tilt-stand available.



The New Series 10.
A Small Price For A Fluke.

FLUKE AND PHILIPS
THE T & M ALLIANCE

©1991 John Fluke Mfg. Co., Inc. Prices and specifications subject to change. Ad no. 00130.

FLUKE®

Safety—a Fluke standard: Designed to meet UL1244, IEC 1010, CSA and VDE safety requirements; extensive overload protection built in.

Audible Continuity: To perform fast continuity checks, just listen for the beep; no need to watch the display.

New! TL75 Hard Point™ Test Leads: Comfort grip with extra strong tips for extended service life.

Circle (6) on Reply Card