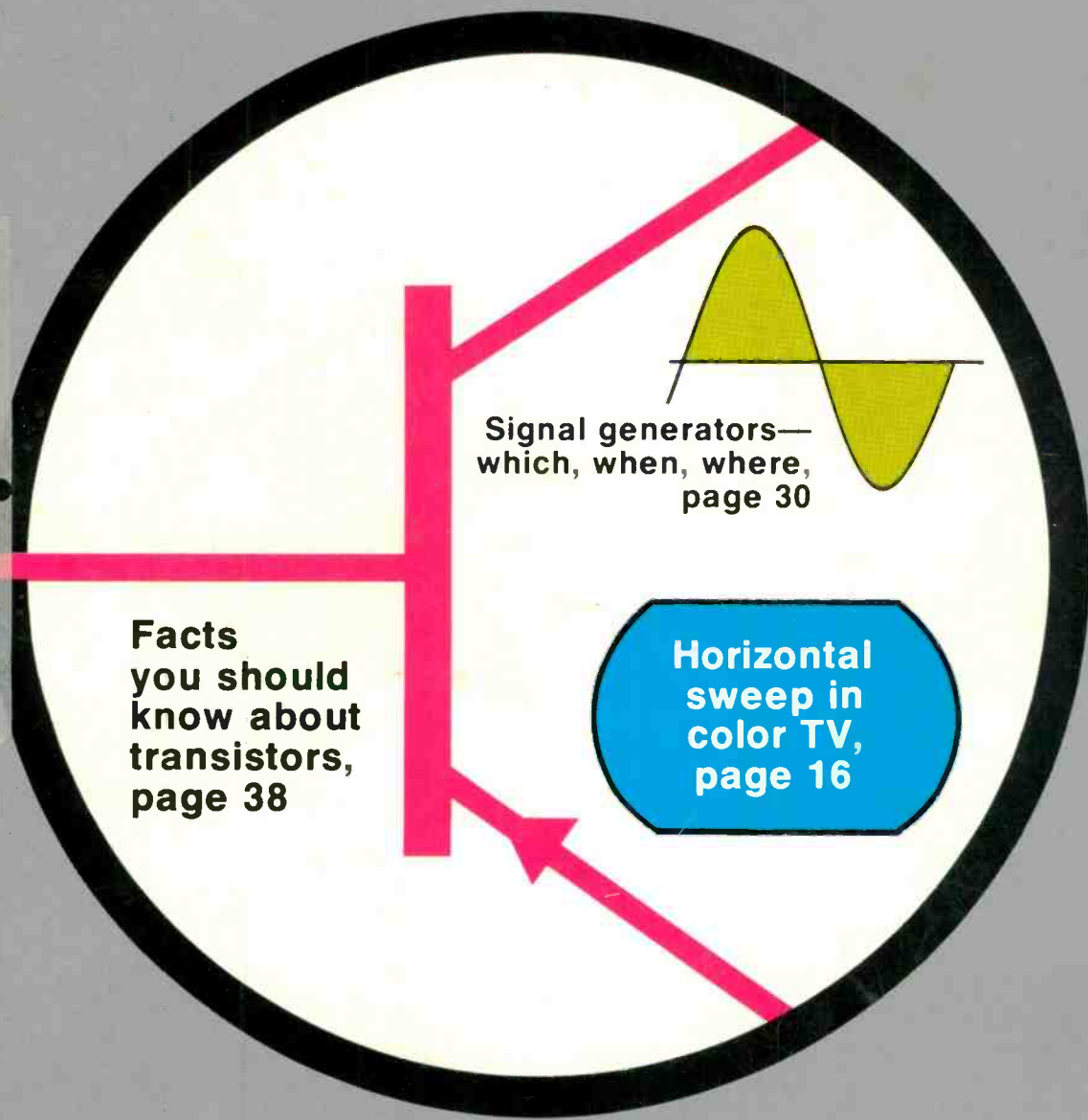




# Electronic Servicing

EB1-3070 N IC  
NORMAN C RIEDEL  
9117 SHEA AVE  
GREEN BAY WISC 54303



Signal generators—  
which, when, where,  
page 30

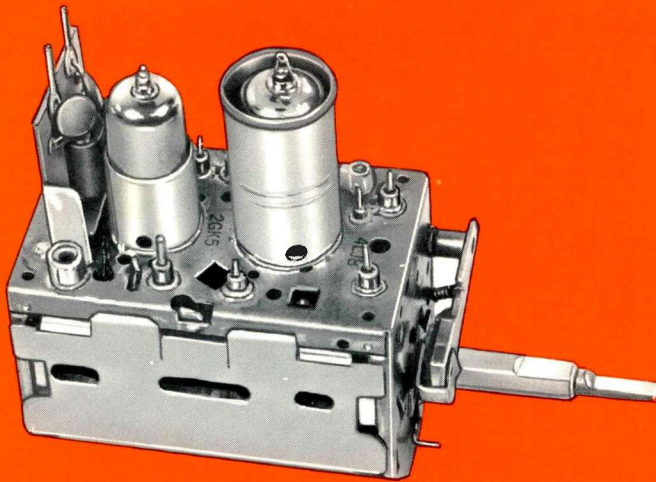
Horizontal  
sweep in  
color TV,  
page 16

Facts  
you should  
know about  
transistors,  
page 38

Weak color, page 22

Staar system equips cassettes  
for autos, page 56

New in auto radio audio, page 50



# \$975

## TUNER SERVICE CORPORATION

**PROVIDES YOU WITH A COMPLETE SERVICE FOR ALL YOUR TELEVISION TUNER REQUIREMENTS AT ONE PRICE.**

### TUNER REPAIR

VHF Or UHF Any Type \$9.75.  
UHF/VHF Combo \$15.00.

In this price all parts are included. Tubes, transistors, diodes, and nuvistors are charged at cost.

Fast efficient service at our 4 conveniently located service centers.

1 year guarantee backed up by the largest tuner manufacturer in the U.S.—SARKES TARZIAN INC.

All tuners are cleaned inside and out, repaired, realigned and air tested.

### TUNER REPLACEMENT

Replacement Tuner \$9.75.

This price buys you a complete new tuner built specifically by SARKES TARZIAN INC. for this purpose.

The price is the same for every type of universal replacement tuner.

#### Specify heater type

Parallel 6.3V  
Series 450 mA  
Series 600 mA

All shafts have the same length of 12".

Characteristics are:

Memory Fine Tuning  
UHF Plug In  
Universal Mounting  
Hi-Gain Lo-Noise

If you prefer we'll customize this tuner for you. The price will be \$18.25. Send in original tuner for comparison purposes to our office in INDIANAPOLIS, INDIANA.



## TUNER SERVICE CORPORATION

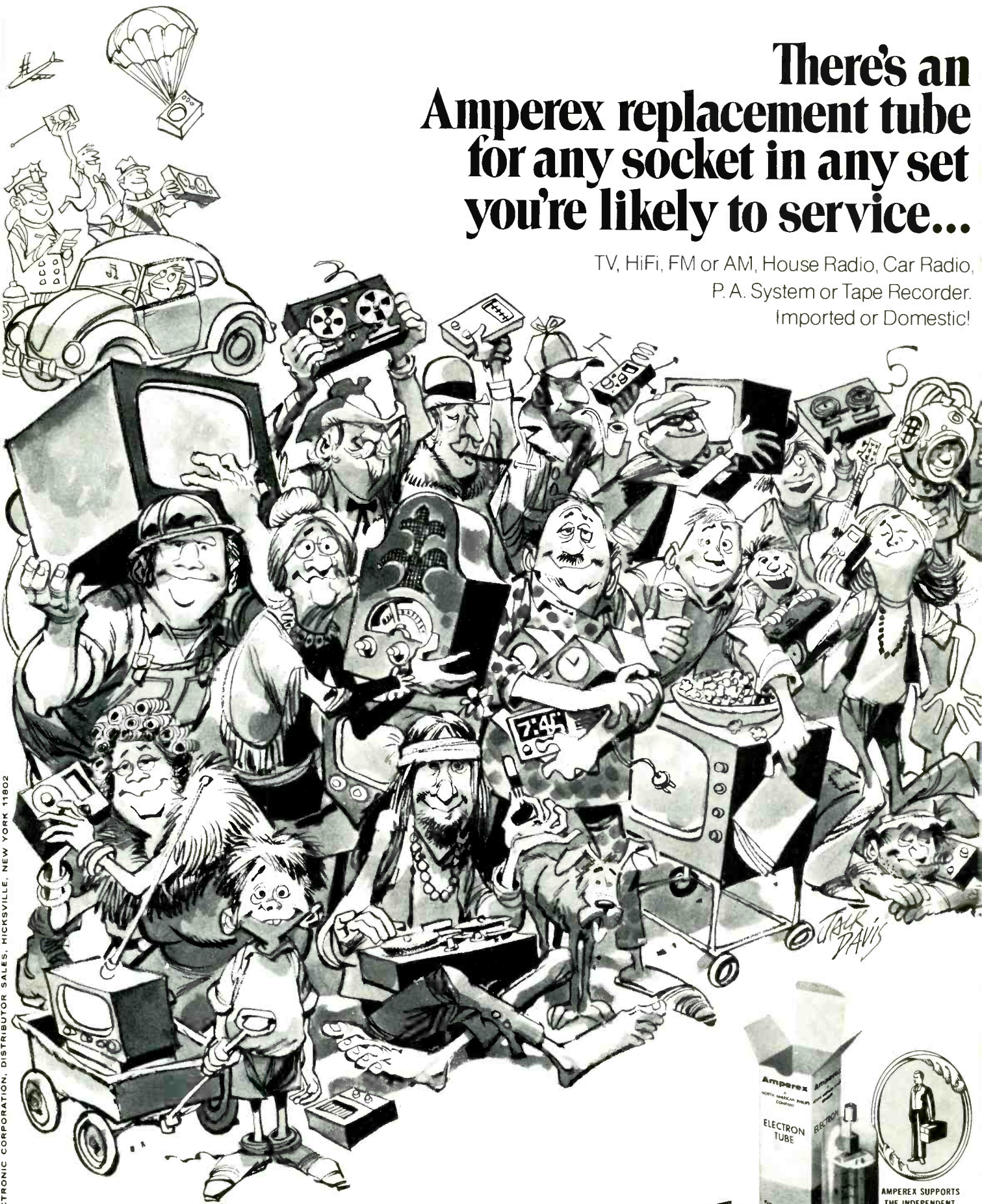
**FACTORY-SUPERVISED TUNER SERVICE**

<b>MIDWEST</b> . . . . .	817 N. PENNSYLVANIA ST., Indianapolis, Indiana . . . . .	TEL: 317-632-3493
<b>EAST</b> . . . . .	547-49 TONNELE AVE., Jersey City, New Jersey . . . . .	TEL: 201-792-3730
<b>SOUTH</b> . . . . .	938 GORDON ST., S. W., Atlanta, Georgia . . . . .	TEL: 404-758-2232
<b>SOUTH-EAST</b> . . . . .	1505 CYPRESS ST., TAMPA, FLA. 33606 . . . . .	TEL: 813-253-0324
<b>WEST</b> . . . . .	SARKES TARZIAN, Inc. TUNER SERVICE DIVISION 10654 MAGNOLIA BLVD., North Hollywood, California . . . . .	TEL: 213-769-2720

Circle 1 on literature card

# There's an Amperex replacement tube for any socket in any set you're likely to service...

TV, HiFi, FM or AM, House Radio, Car Radio,  
P. A. System or Tape Recorder.  
Imported or Domestic!



AMPEREX ELECTRONIC CORPORATION, DISTRIBUTOR SALES, HICKSVILLE, NEW YORK 11802



AMPEREX SUPPORTS  
THE INDEPENDENT  
SERVICE DEALER

**Amperex®**  
TOMORROW'S THINKING, IN TODAY'S PRODUCTS  
A NORTH AMERICAN PHILIPS COMPANY

Circle 4 on literature card

# Electronic Servicing

**EDITORIAL**  
GEO. H. SEFEROVICH, Director  
J. W. PHIPPS, Managing Editor  
CARL BABCOKE, Technical Editor  
BARBARA L. BORDERS, Editorial Assistant  
DUDLEY ROSE, Art Director

**CONTRIBUTING AUTHORS**  
Bruce Anderson  
Joseph J. Carr

**TECHNICAL CONSULTANT**  
JOE A. GROVES

**EDITORIAL ADVISORY BOARD**  
LES NELSON, Chairman  
Howard W. Sams & Co., Indianapolis

**CIRCULATION**  
EVELYN ROGERS, Manager

**ADVERTISING SALES**  
Kansas City, Missouri 64105  
Tele: 913/888-4664  
E. P. LANGAN, Director  
R. JACK HANCOCK, Manager  
JAKE STOCKWELL  
MIKE KREITER  
JOAN HIRE, Production

**REGIONAL ADVERTISING SALES OFFICES**  
Indianapolis, Indiana 46280  
ROY HENRY  
2469 E. 98th St.  
Tele: 317/846-7026

**New York, New York 10019**  
CHARLES C. HORNER  
3 W. 57th St.  
Tele: 212/688-6350

**Los Angeles, California 90005**  
JOHN D. GILLIES  
3600 Wilshire Blvd., Suite 1510  
Tele: 213/383-1552

**London W. C. 2, England**  
JOHN ASHCRAFT & CO.  
12 Bear Street  
Leicester Square  
Tele: 930-0525

**Amsterdam C. Holland**  
JOHN ASHCRAFT & CO.  
W.J.M. Sanders, Mgr.  
for Benelux & Germany  
Herengracht 365  
Tele: 020-240908

**Tokyo, Japan**  
INTERNATIONAL MEDIA  
REPRESENTATIVES LTD.  
1, Shiba-Kotohiracho, Minatoku  
Tele: 502-0656

## COLOR TV

**16 Horizontal Sweep And High Voltage In Color TV, Part 1**—First of a three-part series in which the circuit and individual component functions and common defects and their causes are analyzed and related troubleshooting procedures are outlined (**Shop Talk/Carl Babcoke**).

**22 Weak Color—Typical Causes And How To Find Them**—ES's technical editor discusses the most frequently encountered causes of weak color and details proven techniques for isolating them (**Troubleshooter/Carl Babcoke**).

## TEST EQUIPMENT

**30 Signal Generators And Tracers: Which, When And Where**—A look at the types of generators and tracers presently available, what each can and cannot do, and how each should be used (**Joseph J. Carr**).

## TV (GENERAL)

**38 Practical Information About Transistors**—A review of biasing, over-voltage and overcurrent, and substitution (**Bruce Anderson/ES Contributing Author**).

## AUTO ELECTRONICS

**50 New In Auto Radio Audio**—ES's auto electronics editor examines the latest designs and the changes in troubleshooting procedures each requires, if any (**Carr Electronics/Joseph J. Carr**).

**56 The Staar System: Cassettes For Autos**—A look at a new design which reportedly makes the use of cassettes in autos more convenient—how it operates and tips about servicing it (**Dale's Service Bench/Allan Dale**).

## DEPARTMENTS

Electronic Scanner . . . . .	4	Test Equipment Report . . . . .	48
Symcure . . . . .	8	Product Report . . . . .	62
Service Bulletin . . . . .	10	Advertisers' Index . . . . .	63
Book Review . . . . .	14	The Marketplace . . . . .	63
Servicing Training . . . . .		Catalog & Literature . . . . .	64
Schedule . . . . .	46		

Second class postage paid at Kansas City, Mo. and additional mailing offices. Published monthly by INTERTEC PUBLISHING CORP., 1014 Wyandotte St., Kansas City, Mo. 64105. Vol., 22, No. 3 Subscription rate \$6 per year in U.S., its possessions and Canada; other countries \$7 per year.

Copyright, 1972, Howard W. Sams & Co., Inc. All rights Reserved: Material may not be reproduced or photocopied in any form without written permission of publisher.



**ELECTRONIC SERVICING** (with which is combined PF Reporter) is published monthly by Intertec Publishing Corp., 1014 Wyandotte Street, Kansas City, Missouri 64105.

**Subscription Prices:** 1 year—\$6.00, 2 years—\$10.00, 3 years—\$13.00, in the U.S.A., its possessions and Canada.

All other foreign countries: 1 year—\$7.00, 2 years—\$12.00, 3 years—\$16.00. Single copy 75c; back copies \$1.

Adjustment necessitated by subscription termination at single copy rate.



Robert E. Hertel, Publisher

Intertec Publishing Corp.  
Subsidiary of Howard W. Sams & Co., Inc.

# General Electric introduces a new idea in tv communications.

When we set out to make GE tv the sets you like to service, we recognized the importance of establishing good communications with independent service technicians.

One of the ways we're doing this is with our quarterly newsletter, Television Service News. Right

on the front of each issue of TSN is a list of local telephone numbers of GE people to call for information you need in a hurry. Things like:

parts information; placing parts orders; technical help; service manuals; and credit information. Inside of every issue

of TSN, we're putting the kind of advance news you need to more easily service GE b & w and color models. If your tv service company is not receiving GE's Television Service News, send us this coupon and we'll see that you get it.

"Dutch" Meyer  
General Electric Company • TRPD  
1 College Blvd. • Portsmouth, Va. 23705  
Please send me GE's Television Service News.

Name \_\_\_\_\_

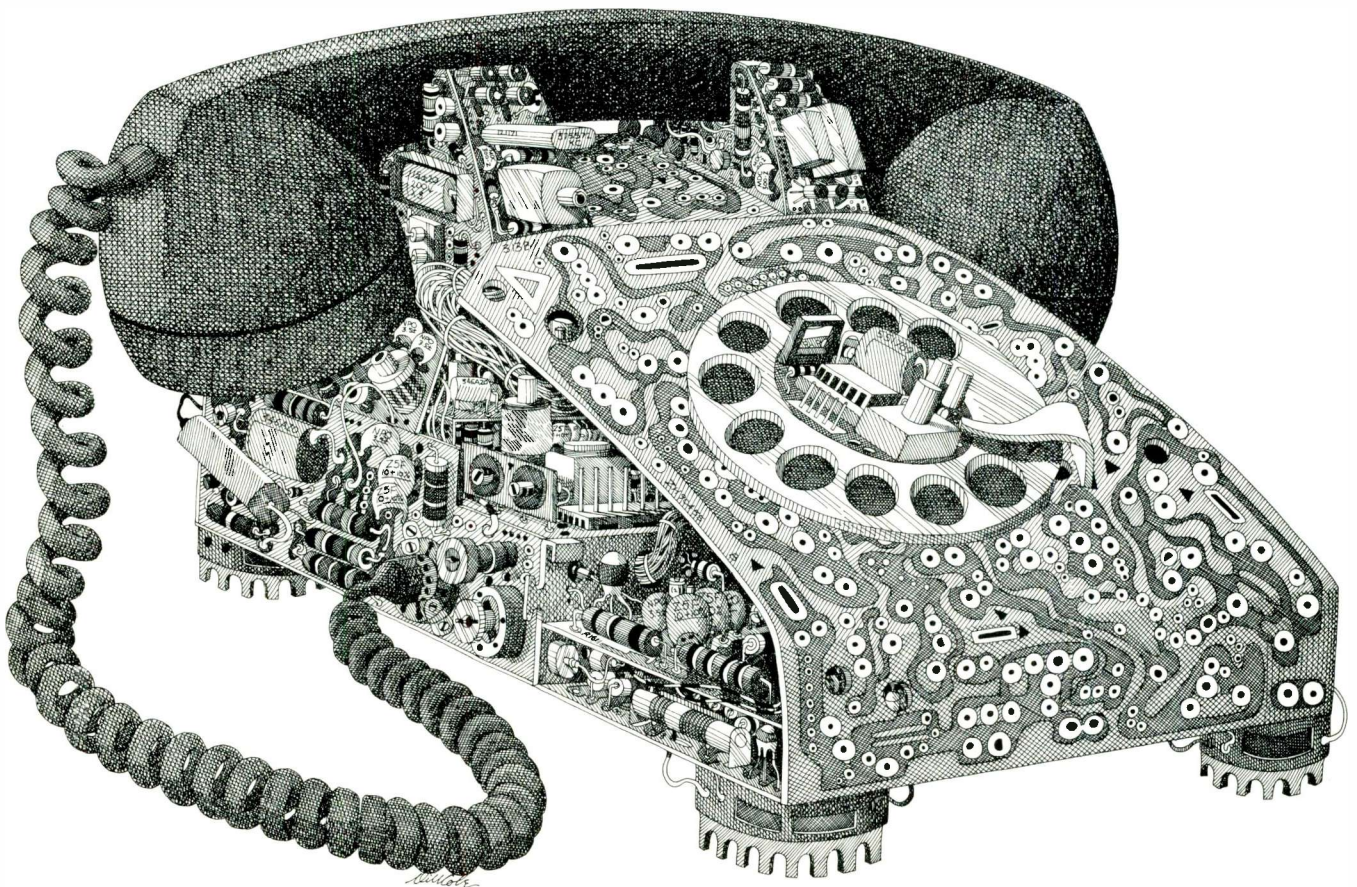
Service Company \_\_\_\_\_

Address \_\_\_\_\_

City \_\_\_\_\_ State \_\_\_\_\_ Zip \_\_\_\_\_

We build every television as if we were going to use it ourselves.

GENERAL  ELECTRIC



# electronic scanner

news of the industry

---

**Ampex Corp. is discontinuing operation of its consumer electronic equipment division**, including the production of all tape recorders and related equipment, except for prerecorded and blank audio tapes. The reason given for the closeout is "inadequate profitability."

**The warranty on all RCA Silverama black-and-white television picture tubes sold for replacement use has been increased** from 12 months to 3 years, effective "with initial replacement installation made in home entertainment equipment on or after December 15, 1971, and at no additional charge to the customers."

**Zenith's national parts and service department** has been moved to 1500 N. Kostner Ave., Chicago, Ill.

**Sony has begun construction of their color TV assembly plant in a suburb of San Diego, California.** Initial production, which is expected to begin this summer, reportedly will be 5,000 Trinitron color TV sets per month, and is expected to be increased gradually to about 20,000 sets per month.

**A national program to test and certify the competency of auto mechanics** tentatively has been scheduled to begin this fall, according to a recent report in the **Wall Street Journal**. Automotive service groups reportedly have retained the Educational Testing Service (ETS) to develop an exam for the program. A certification agency will encourage mechanics to take the test on a voluntary basis. According to the report, an ETS researcher stated, "If certification can work in this field (auto repair) it can work in others, such as radio and TV repair." The Princeton, N.J.—based testing service reportedly in 1971 began administering standardized exams to prospective real estate salesmen in four states, and is now preparing to administer exams in six others.

**Teledyne Service Company reportedly is now establishing target dates for opening servicing centers in major areas of its newly organized East-Central marketing zone**, which is comprised of all of Ohio and West Virginia, the Western half of Pennsylvania, the Southwestern corner of New York state and the extreme Southeastern corner of Michigan. Major population areas in the zone include Detroit, Pittsburgh, Cleveland, Toledo, Akron, Buffalo and Rochester. Teledyne Service Company is the servicing arm of Teledyne Packard Bell, which is based in California. The company recently opened a new warehouse and distribution center in Akron, Ohio.

**The Television Service Association of Ohio (TSA)** will sponsor a "spring convention" in Toledo, May 18-21. Site of the convention will be the Hospitality Inn, Route 75 and Miami Street. The program reportedly includes technical and business management sessions and a trade show.

*(Continued on page 6)*

---

For all types of  $1/4 \times 1 1/4$ " fuses and fuseholders:

# BUSS YOUR ONE SOURCE

## Normal Blowing Fuses

**AGC GLH MTH**  
From  $1/500$  to 30  
amps, for 32V, 125V,  
or 250V

## Time Delay Fuses

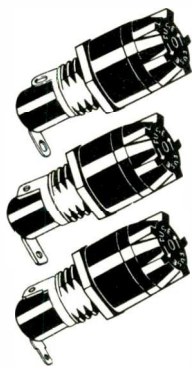
**MDL MDX**  
From  $1/100$  to 30 amps,  
for 32V, 125V, or 250V

## Visual Indicating Fuse

**GBA** (Red Indicating  
Pin)  
From  $3/4$  to 5 amps,  
125V



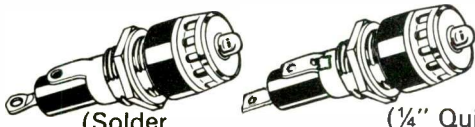
**Space-Saver**  
—projects only one  
inch behind panel



**HTA** (Solder  
Terminals)  
**HTA-HH** ( $1/4$ "  
Quick-Connect  
Terminals)  
**HTA-DD** ( $3/16$ "  
Quick-Connect  
Terminals)



**HKP** (Solder Terminals) **HKP-HH** ( $1/4$ " Quick-Connect Terminals)  
*The Fuseholder for All-Purpose Applications*



**HLD** (Solder Terminals) **HLD-HH** ( $1/4$ " Quick-Connect Terminals)  
*Visual Indicating Fuseholder*



**HKL** (Octagon Knob) **HKL-X** (Flat-Sided Knob)  
*Lamp Indicating Fuseholder*

## FUSEHOLDERS

All Have These Features in Common • Rated for 15 amps at 250 volts • Dielectrically capable of withstanding 1500 amps a.c. between terminals and between terminals and panel • Bayonet-type knob grips fuse so that fuse is withdrawn when knob is removed; strong compression spring assures good contact • Made for installation in D-hole to prevent turning in panel • Terminals are mechanically secured as well as soldered in holder

This is only a sampling — use the coupon below to get a full description of the complete BUSS line of fuses and mounting hardware.

**BUSSMANN MFG. DIVISION, McGraw-Edison Co.**  
St. Louis, Missouri 63107 ES-372

Please send me a copy of BUSS Bulletin SFB

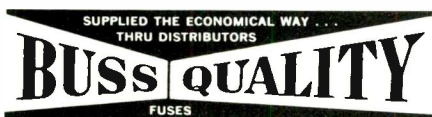
Name \_\_\_\_\_

Title \_\_\_\_\_

Company \_\_\_\_\_

Address \_\_\_\_\_

City \_\_\_\_\_ State \_\_\_\_\_ Zip \_\_\_\_\_



**Philco-Ford will market** this spring a line of all-solid-state modular portable TV's, according to a recent report in **Home Furnishings Daily**.

**Rules covering comparable tuning of VHF and UHF channels** have been issued by the Federal Communications Commission (FCC). Included in the rules are requirements that: 1) The tuner be capable of receiving each channel at the correct detent position, with a deviation from the carrier frequency of not more than 3 MHz; and 2) a numerical readout be provided for each of the 70 UHF channels if all VHF and UHF channel numbers displayed are visible all of the time on the front panel of the receiver, and a readout is provided for at least every other UHF channel, with the channels not displayed indicated by some appropriate mark. The FCC ruling reportedly is based on a new TV tuner developed by Sarkias Tarzian, an Indiana-based manufacturer of TV tuners. The new tuner reportedly is a 70-position, non-memory detent tuning type.

**A complaint that Sears is trying to keep independent electronic service technicians from servicing private-label brown goods marketed by it** has been filed with the Federal Trade Commission (FTC) by the Louisville Electronics Technicians' Association, according to a recent report in **Merchandising Week**. The complaint, reportedly being investigated by the FTC, was prompted by a reduction by Sears in 1970 of the trade discount on parts, from 20 per cent to 10 per cent, and a lingering fear by the technicians that Sears would eventually completely eliminate the parts discount. The independent servicers also complained that Sears stalls on parts deliveries to them, to improve its own in-home repair image by comparison. Sears reportedly responded with a statement that it has no plans to drop the 10-per cent discount to independent servicers but that it legally could, if it so desired. A spokesman for Sears also reportedly admitted that deliveries of parts to independents can take a long time but that its own servicing operation has to wait just as long, often up to a month.

**A price hike of 6 per cent on receiving tubes for the replacement market** has been awarded RCA by the Price Commission. This decision reinstates a comparable price increase announced by RCA last July but canceled in August because of the price freeze. The 6 per cent increase has been made already, according to an RCA spokesman. Two other electronics manufacturers, General Electric and Sylvania, also have been awarded price increases by the Price Commission. General Electric is allowed to increase prices on its domestic products and services an average of 2 per cent during 1972, the increase applied for by the company. Sylvania applied for and has been granted an increase of 2.57 per cent on its television picture tubes and receiving tubes.

**An additional 20,000 TV and radio technicians will be needed by 1980**, according to statistics and a forecast issued recently by the Bureau of Labor Statistics, an agency of the U.S. Department of Labor. The Bureau bases this required increase on the contention that at least 145,000 TV/radio technicians will be needed in 1980 to meet the demand for servicing of home entertainment electronic products. If correct, it means that an additional 3,000 TV/radio technicians must be trained yearly between now and 1980, to fill newly created vacated positions. □



# CUT YOUR INVENTORY, BOOST PROFITS

## Just 3 Zenith Chromacolor picture tubes replace 72 others



### C-25BAP22, 23VATP22 replace 39 types

23VAHP22	23VBGP22	25BCP22	25CP22A
23VAJP22	23VBHP22	25BGP22	25GP22
23VALP22	25ABP22	25BJP22	25GP22A
23VANP22	25AFP22	25BMP22	25SP22
23VARP22	25ANP22	25BRP22	25VP22
23VASP22	25AP22	25BVP22	25WP22
23VATP22	25AP22A	25BXP22	25XP22
23VAUP22	25AP22A/25XP22	25BZP22	25XP22/25AP22A
23VAXP22	25AQP22	25CBP22	25ZP22
23VBEP22	25BAP22	25CP22	



### 23VAZP22 replaces 10 types

23VAZP22	25RP22
25AEP22	25YP22
25BP22	25YP22/25BP22A
25BP22A	
25BP22A/25YP22	
25FP22	
25FP22A	



### C-25BKP22, 23VBAP22 replace 23 types

23VACP22	23VBDP22	25AXP22
23VADP22	23VBJP22	25AZP22
23VAMP22	23VBRP22	25BDP22
23VAQP22	25ADP22	25BFP22
23VAWP22	25AGP22	25BHP22
23VAYP22	25AJP22	25BSP22
23VBAP22	25ASP22	25BKP22
23VBCP22	25AWP22	

#### 2-YEAR WARRANTY

Zenith CHROMACOLOR picture tubes sold for renewal use in standard television receivers are warranted against defects in workmanship, material and construction for 24 months after date of purchase by the consumer or user. OR if tube is supplied no charge to fulfill a warranty obligation in a Zenith color television receiver, then the warranty shall be limited to the unexpired portion of said Zenith color television receiver warranty. No other warranty is expressed or implied.

"The obligation of Zenith Radio Corporation under this warranty is limited to replacing, or at its option repairing, such defective color picture tube and does not include the cost of any labor in connection with installation of such replacement tube or repaired tube nor does it include responsibility for any transportation expense."

Available new or re-built. Zenith Cinebeam (C type) picture tubes contain used materials which, prior to reuse, are carefully inspected and selected to meet Zenith's high standards of quality.

**SIMPLE INVENTORY.** Stock Chromacolor and you can immediately replace almost any 23" diagonal tube.

**FASTER SERVICE.** No time lost waiting for replacement tubes to arrive. Less downtime means satisfied customers.

**AMPLE PROFIT MARGIN.** Chromacolor tubes are realistically priced. Zenith's suggested retail price is competitive, yet gives you an attractive profit margin.

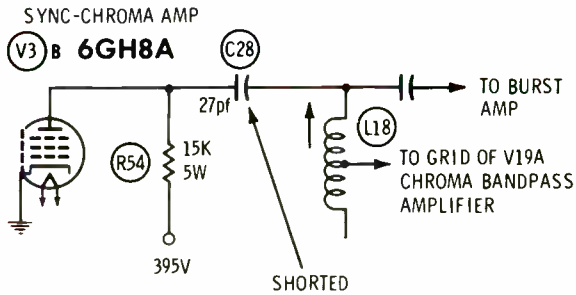
**BRILLIANT CHROMACOLOR PICTURE.** Chromacolor . . . Zenith's patented picture tube that revolutionized color TV. First tube to fully illuminate every color dot on a jet-black background.

**POWERFULLY PRE-SOLD.** Special magazine ads all year long are telling your customers about the bright, sharp picture they'll see with a Chromacolor replacement tube.

**ZENITH** *The quality goes in before the name goes on*  
**CHROMACOLOR**

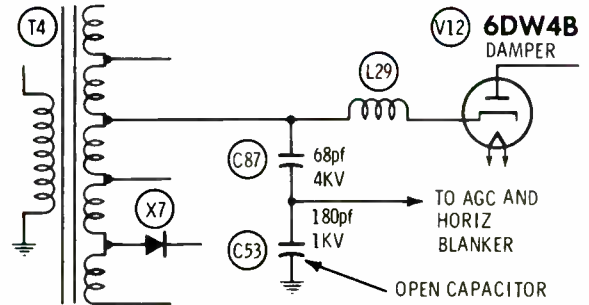
Circle 7 on literature card

Chassis—RCA CTC24  
PHOTOFACT—912-3



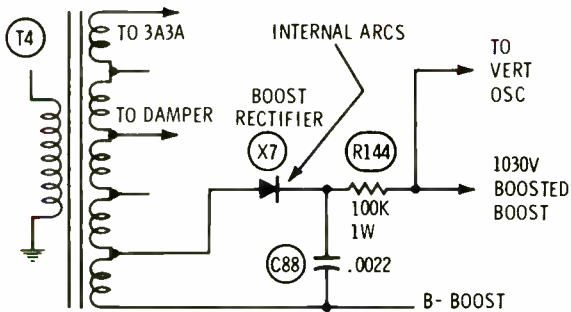
**Symptom**—Overload and smeared picture with weak color  
**Cure**—Test C28 and replace, if shorted

Chassis—RCA CTC24  
PHOTOFACT—912-3



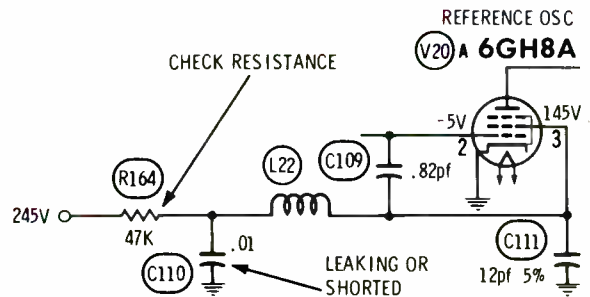
**Symptom**—Dark picture which exhibits a white vertical bar that moves when the horizontal-hold control is adjusted  
**Cure**—Check C53 and replace, if open

Chassis—RCA CTC24  
PHOTOFACT—912-3



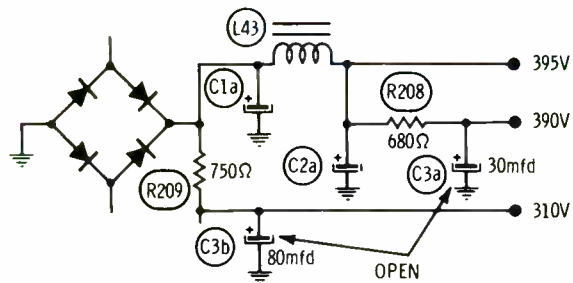
**Symptom**—Action of height control is erratic and extremely sensitive  
**Cure**—Replace boost rectifier X7

Chassis—RCA CTC24  
PHOTOFACT—912-3



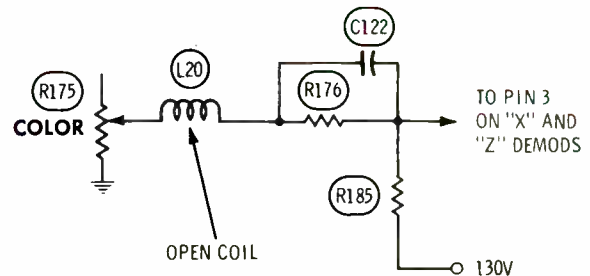
**Symptom**—Missing or weak color  
**Cure**—Check for leakage in C110. Also check R164 for damage

Chassis—RCA CTC24  
PHOTOFACT—912-3



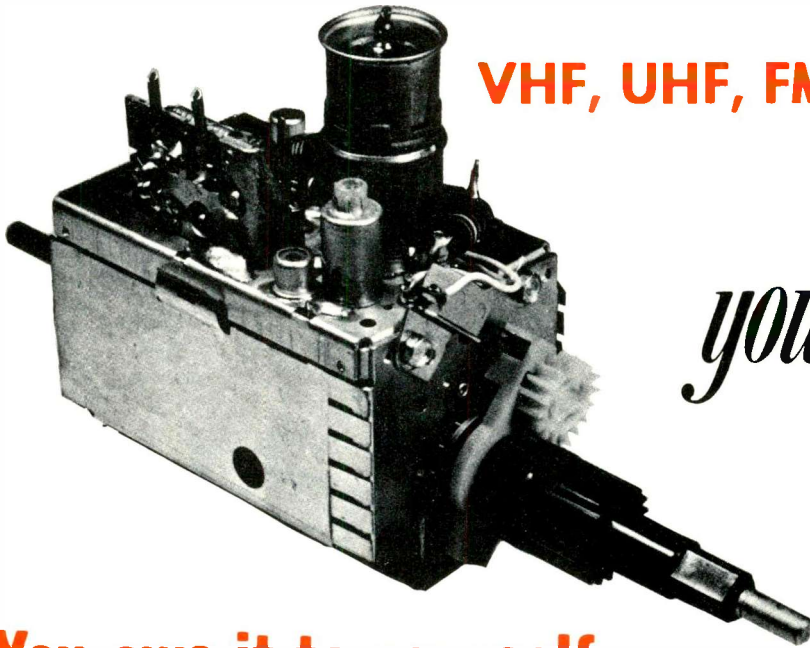
**Symptom**—Horizontal off frequency and left side of picture dark  
**Cure**—Check for an open filter capacitor C3

Chassis—RCA CTC24  
PHOTOFACT—912-3



**Symptom**—Missing or intermittent color  
**Cure**—Check for an open circuit in L20

# TV TUNER SERVICE



VHF, UHF, FM or IF-Subchassis. . .  
 . . . All Makes

*you get...*

**Fast 8 hr. Service!**

**You owe it to yourself**

to try P.T.S. We are the fastest growing, oldest and now the largest tuner service company in the world. Here is what you get:

1. Fastest Service — 8 hr. — in and out the same day. Overnight transit to one of our six plants, for parts, tuners or IF-modules.
2. All tuners cleaned inside and out, repaired, realigned and air tested.
3. On IF-modules all stages checked, all traps set with high calibre test equipment.
4. Fine Quality! Your customers are satisfied and you are not bothered with returning your units for rework!
5. Lower Cost! Up to \$5.50 less than other tuner companies!
6. Friendly, helpful personalized service!

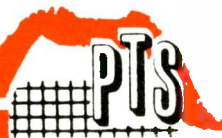


**1 YEAR GUARANTEE**

**We offer you finer, faster...**

**Precision**

**Tuner Service**



FIRST TO OFFER 365-DAY GUARANTEE!  
 COLOR—BLACK & WHITE—TRANSISTOR TUNERS—ALL MAKES  
 GUARANTEED COLOR ALIGNMENT—NO ADDITIONAL CHARGE

VHF-UHF-FM	<b>\$ 9.95</b>
UV-COMBO	<b>\$16.95</b>
IF-MODULE	<b>\$12.50</b>

Major Parts charged at Net Price

CUSTOMIZED REPLACEMENTS AVAILABLE  
 FOR \$12.95 UP (NEW OR REBUILT)

For fastest service, send faulty unit with tubes, shields and all broken parts to:

**PTS ELECTRONICS, INC.**

HOME OFFICE—	P. O. Box 272—Bloomington, Ind. 47401	Tel. 812/824-9331
EAST—	P. O. Box 3189—Springfield, Mass. 01103	Tel. 413/734-2737
WEST COAST—	P. O. Box 41354—Sacramento, Calif. 95841	Tel. 916/482-6220
MOUNTAIN—	P. O. Box 4145—Denver, Colo. 80204	Tel. 303/244-2819
SOUTHWEST—	P. O. Box 7332—Longview, Tex. 75601	Tel. 214/753-4334
SOUTHEAST—	P. O. Box 6771—Jacksonville, Fla. 32205	Tel. 904/389-9952

LIKE TO DO IT YOURSELF?

PTS makes all tuner parts available to you.

Send one dollar (redeemable) for our  
**TUNER REPLACEMENT GUIDE AND PARTS CATALOG**

- 60 pages of top information
- Blow-up of all tuners
- Largest exact tuner replacement guide
- Antenna Coil Replacement Guide
- Multi-fit Replacement Tuner Shaft Guide

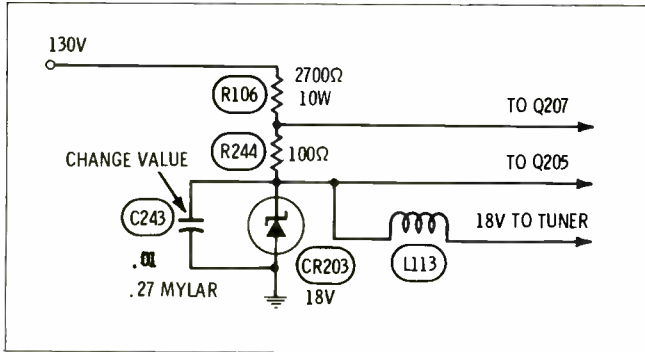
Circle 8 on literature card

# service bulletin

a digest of info from manufacturers

## Horizontal pulling caused by low line voltage RCA CTC55 color TV chassis

Cure horizontal pulling in early-production RCA CTC55 chassis by changing C243 from the original



.01-mfd 500-volt disc ceramic capacitor to a .27-mfd, 75-volt Mylar dielectric capacitor. The RCA stock number of this new capacitor is 120057.

## New tube types used in Zenith chassis Zenith chassis, as listed

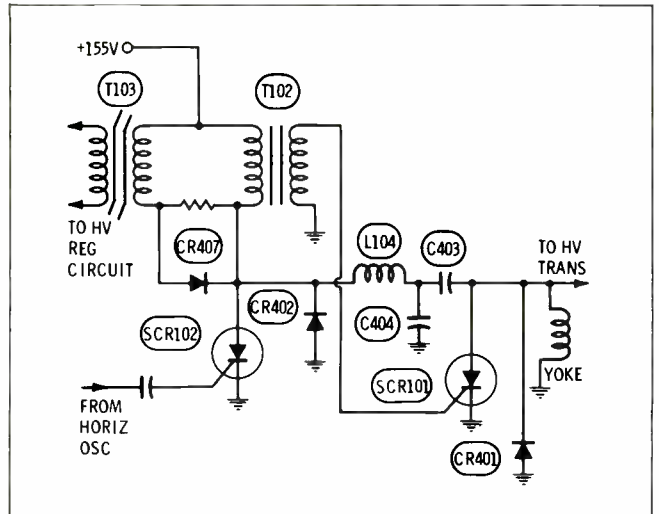
Zenith has changed several damper, high-voltage rectifier and high-voltage regulator tubes in later production chassis. The color TV chassis numbers and tube changes are:

Chassis	Change
14A10C27Z	The 3DJ3 HV rectifier replaces the 3DB3. 6DN3 damper replaces the 6CJ3, and the 6JD5 high-voltage regulator replaces the 6HV5A. The 6DN3 and 6JD5 should always be used in pairs, as should the 6CJ3 and 6HV5A.
14A10C29Z	
14B9C50	
12B14C52	
20BC50	
19CC19	The 19BQ3 damper tube replaces the 19CG3.

## Don't defeat the circuit breaker RCA CTC40, CTC44, and CTC47 color TV chassis

In any RCA color TV chassis which uses SCR's in the horizontal sweep circuit, it is very important that the circuit breaker should **not** be defeated.

For example, suppose SCR102 or CR402 in the simplified schematic shown here, shorted and the circuit breaker operated to open the B+ circuit. The symptom would be: No high voltage, breaker opens. If the breaker is defeated and the chassis operated in an effort to find the defect, a large current would flow through the 2.65-ohm primary winding of T102. The heat of such current flowing

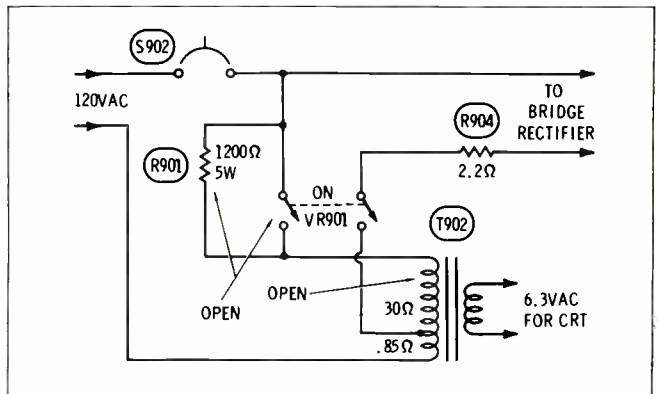


for only 4 to 8 seconds might burn some of the insulation from the wires in the winding and cause shorted turns. Then after the original short in SCR102 or CR402 was repaired, the new symptom would be: No high voltage, breaker holds. A minor defect could be changed into a larger one because of an improper servicing technique.

Also, damage to the filter choke or the power transformer is possible, if the chassis is operated with a short circuit for an extended period during which the circuit breaker has been defeated.

## Excessive CRT heater voltage Sony Models KV-1200U, KV-1210U and KV-1220U

A defect in the power supply can cause exces-



(Continued on page 12)

It's strange, but while tubes are on the way out—tube-testers are needed more than ever. That's because the home electronic sets today use sophisticated tubes in sophisticated circuits—and simple Shorts and Emission tests don't take into account the actual operation of the tube. Now B & K offers the Model 747 Dyna-Jet Solid State 100% *Dynamic Mutual Conductance* Tester—the last tube-tester you'll ever have to buy.

Triodes, nuvistors, tetrodes, pentodes and all other multi-element tubes can now be tested under AC operating conditions for 100% *dynamic mutual conductance*. Intermittents, low gain and other tube problems that would be obscured in an emission test, show up in this tester's dynamic mutual conductance tests.

A special Dynamic test has been designed into the B & K Model 747 to test high-voltage regulators. This test puts one signal on the regulator grid and another on the plate—actually operating the tube with the correct plate current. Too much or too little current can either destroy the tube or produce an unreliable reading.

Diodes, low- and high-voltage rectifiers are tested with proper voltages and loads to determine their emission capability.

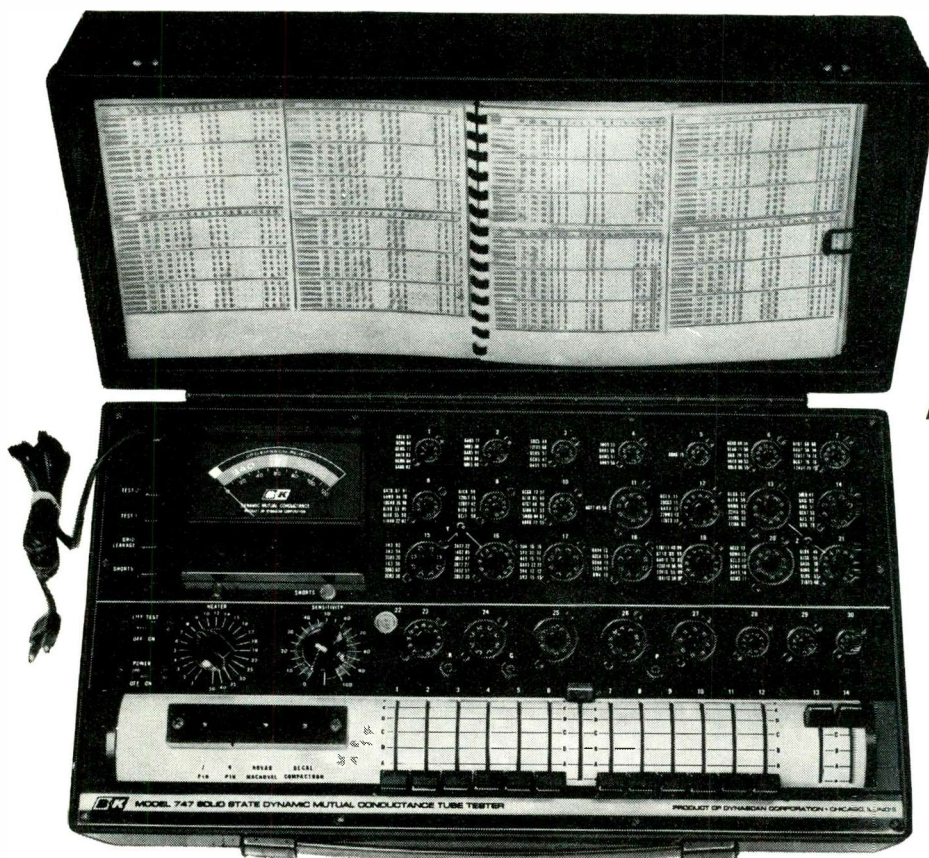
And, of course, you'll still want to test for shorts, leakage and gassy tubes. The B & K Model 747 makes this easy with a one-button "Shorts" test and a one-button grid-leakage and gas test. And it "quick tests" 82% of the tubes you'll test. And gives you functional pin-straighteners to fit any tubes you'll ever run into. And to help you predict a tube's reserve, the 747 has a built-in "Life" test. Filament voltage is reduced 10% when the "Life" test switch is set on.

# The last tube-tester you'll ever have to buy!

All-in-all, the B & K Model 747 Dyna-Jet Tube-Tester has all the features you've wanted—all the features you'll ever need in a tube-tester. And it's small, lightweight and very good-looking.

See it at your B & K distributor, and you'll see why it's the last tube-tester you'll ever have to buy!

**Model 747**  
**100% Dynamic Mutual Conductance**  
**Dyna-Jet Tube-Tester . . . . . Price \$249.95**



Product of  
**DYNASCAN**  
**CORPORATION**  
 1801 W. Belle Plaine  
 Chicago, Illinois 60613

*There is a  
 difference in test  
 equipment —  
 ours works!*

Circle 9 on literature card

# AT LAST! PROFESSIONAL HOME PROTECTION EVERYONE CAN INSTALL AND AFFORD.

Model FC-100  
WIRED \$59<sup>95</sup>



- Start your custom Burglar/Hold-up/Fire Alarm System with the FC-100. Add on Sensors, Alarms and Accessories to suit your own needs.
- "Do-it-Yourself" Installers Handbook included. No technical knowledge needed — No soldering.
- 100% Professional in Design, Reliability, Performance.



## 'Fail Safe'-SYSTEM BY EICO

A New Concept in "Do-it-Yourself" Home Protection

### FREE 32 PAGE EICO CATALOG

For latest catalog on EICO Test Instruments, Stereo, EICOCRAFT Projects, Environmental Lighting, Burglar/Fire Alarm Systems, and name of nearest EICO Distributor, check Reader Service Card or send 25¢ for First Class mail service.

EICO, 283 Malta Street, Brooklyn, N.Y. 11207



Circle 10 on literature card

(Continued from page 10)

sive heater voltage to be applied to the color picture tube; this might reduce the lifespan of the picture tube.

An open section of the power switch which parallels R901, and open R901, or an open circuit in the primary winding of T902 can cause the heater voltage of the picture tube to increase to 9 volts from the normal 6.5 volts. Whenever the color picture tube is replaced in these models, check and replace any of these parts which might be defective.

### Elimination of static from knobs and trim Magnavox Models 7322, 7324 and 7326

In early-production Magnavox color receivers,



SPRING CLIP

Models 7322, 7324 and 7326, the implosion-protective metal band around the picture tube was not grounded. Consequently, static charges can build up on knobs and the decorative trim.

Magnavox has made available a spring clip (Magnavox part number 171192-1) which can be installed easily (without removing the purity shield) between the metal support rail and the band around the rim of the picture tube.

### New high-voltage rectifier tube

#### General Electric KE-11 C2/L2 and N2 chassis

Tube type 3DS3 is a new high-voltage rectifier tube which has integral X-radiation shielding. The 3DS3 is used in the current production of GE KE-II, C2/L2 and N2 chassis.

This new tube is not interchangeable with any previously-used rectifier tube. Replace a defective rectifier tube **only** with the original type which is listed on the tube-placement chart. The use of an incorrect type will cause incorrect high voltage.

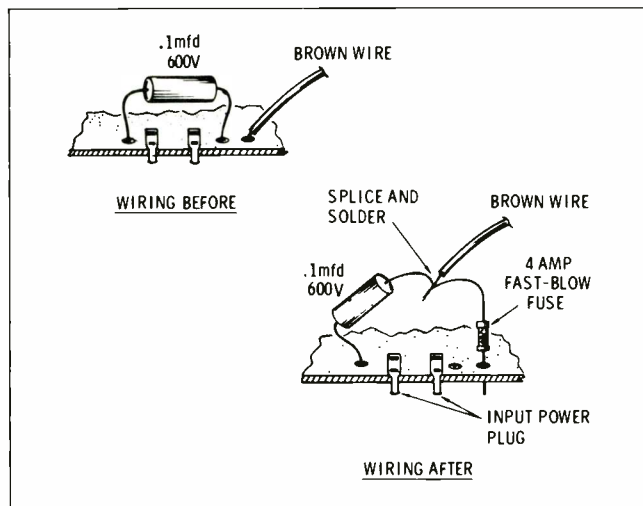
Because the 3DS3 tube is heavy, a white-plastic strap is employed to hold it in the socket during shipment. Cut off the strap and discard it, if the original tube is replaced.

The manufacturer cautions against any test that causes an arc between the plate cap of the 3DS3 and the chassis. Such an arc might damage the X-radiation shield and create a fire hazard.

### Addition of a fuse for lightning protection

#### General Electric SB and SC chassis

Additional lightning protection, which includes a .1m-fd line bypass capacitor, should be installed in each GE SB and SC chassis you service.



Add a 4-amp slow-blow fuse, as shown in the schematic. This modification requires the removal of only the cabinet back.

**If its about servicing consumer electronic products, you'll find it in ELECTRONIC SERVICING**

With Sylvania's 3 lines of color tubes, you can meet it. Customers' wallets come in different sizes. Thick, thin and in-between.

With Sylvania's 3 complete families of replacement color picture tubes, you can be sure of having the right-priced tube for each one.

At the top end of the line, you've got the *color bright 85®XR*, the tube with our brightest phosphors and X-ray inhibiting glass.

And in the middle, you have the *color bright 85®RE*. This is the tube that brought color TV out of the dark ages. Its bright rare-earth phosphors still

make it *the* tube to watch.

For economy, there is the *color screen 85* family of replacement tubes. But, economy doesn't mean cheap construction. You can still give your customer features like Sylvania's Sharp-Spot electron gun and a rare-earth phosphor screen without breaking his budget.

When you sell Sylvania, you're selling from the broadest line in the industry. You'll have the tube to match the set.

And a price to match the wallet.

**SYLVANIA**  
GENERAL TELEPHONE & ELECTRONICS

## Every man has his price.



Sharper, brilliant  
Jitter-Free intensity or  
pulse markers!



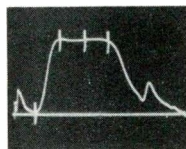
## SMG-39 LECTROTECH sweeper marker generator

A precision sweeper with quality and features found only in high priced laboratory instruments. The SMG-39 utilizes post injection markers for fast, accurate alignment of any television receiver when used with any standard oscilloscope. The SMG-39 provides all needed bias' and linear sweeping signals for accurate alignment. Unique marker display enables accurate marker positioning for superior receiver alignment. VFO facility provides any additional marker from 39 MHz to 49 MHz for protection from future obsolescence, may also be used for spot alignment.

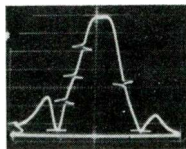
### Exclusives

- Jitter-Free Intensity or Pulse Markers. • VFO Variable Marker
- 4 Bias Supplies including — 67 Volts

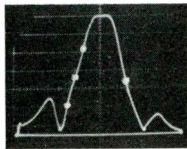
### Marker Options



Pulse Vertical  
(Overall Chroma).



Pulse Horizontal  
(Typical I.F.  
response).



Intensity  
(Typical I.F.  
response).

### Benefits

- Clean, bright Jitter-Free pulse markers
- All markers of equal amplitude regardless of position on response curve.
- Adjustable marker amplitude
- Marker location accurately determined with brilliant pulse or intensity markers (a must in AFT alignment)
- All signals have blanking included for zero base line
- All markers of equal amplitude regardless of position on response curve.

### FULL TWO YEAR PARTS WARRANTY

**SMG-39** Solid state, glass epoxy circuit boards.  
Complete with all cables. NET **33950**



See your distributor or write Dept. ES-3  
**LECTROTECH, INC.**

5810 N. Western Ave., Chicago, Illinois 60659  
(312) 769-6262

Circle 12 on literature card

## bookreview

**ABC's Of Electronic Power** (Catalog No. 20884)

Author: Rufus P. Turner

Publisher: Howard W. Sams & Co., Inc., Indianapolis

Size: 5½ x 8½ inches, 96 pages

Price: Softcover, \$3.50.

A thorough explanation of both the theoretical and the practical aspects of a subject which has gone begging for too long. Any electronics technician who reads this well-organized, comprehensive text should come away with at least a good working knowledge of what DC and AC power is and how to accurately measure it—knowledge which most professional electronic technicians will agree is essential to proficient servicing of audio and most other consumer electronic products.

**Contents:** Fundamentals; DC Power Measurement; AC Power Measurement; Audio Frequency Power Measurement; Radio Frequency Power Measurement.

### Repairing Transistor Radios

Author: Sol Libes

Publisher: Hayden Book Company, Inc., New York

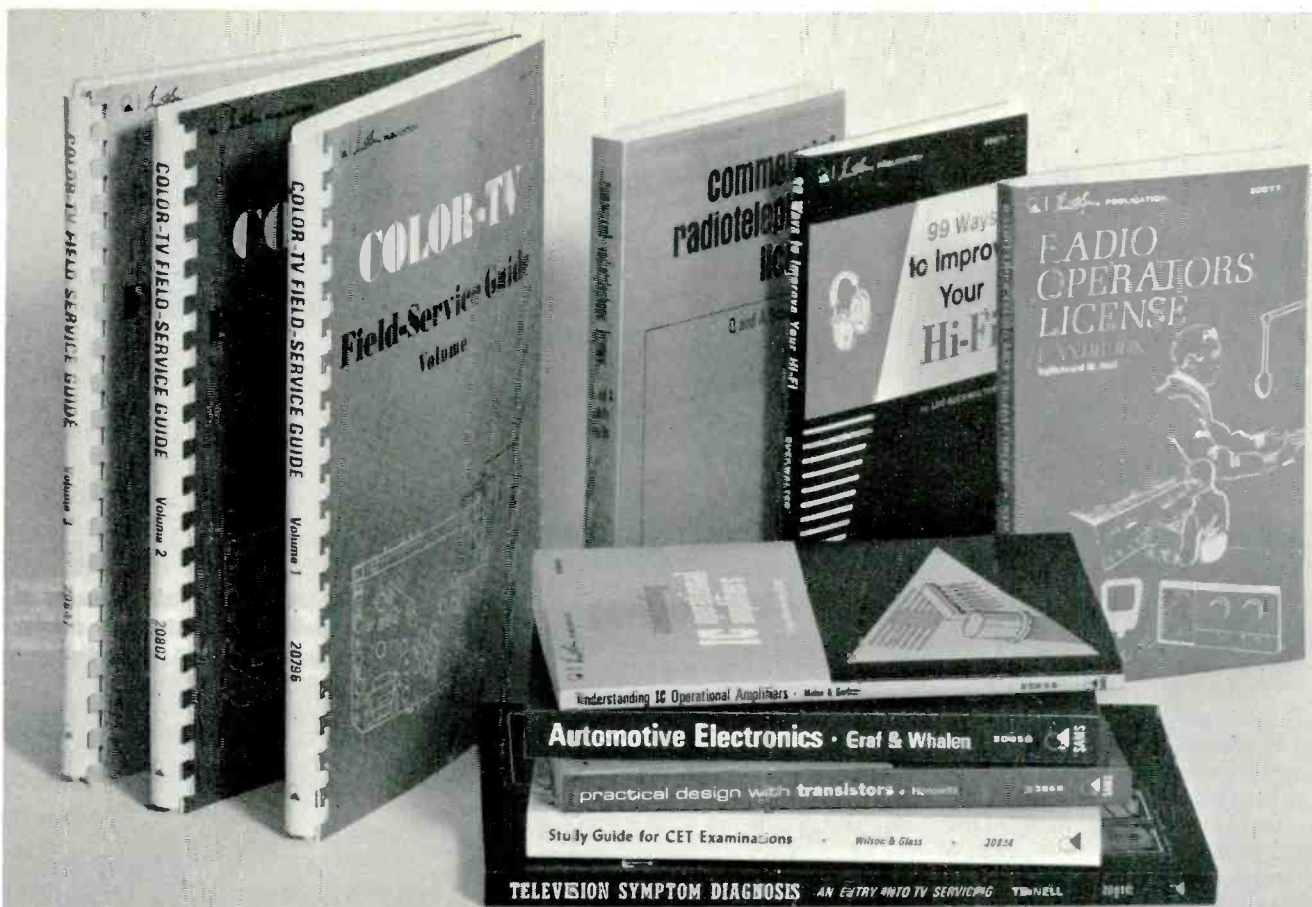
Size: 5¾ x 8¼ inches, 176 pages

Price: Softcover, \$4.65.

Updated to include recent advances of technology, and the changes in and additions to servicing procedures required by such advances, the second edition of this practical radio-servicing guide should be as useful to electronic technicians as was the first. Although many "more-practical-minded" technicians will want to skip the first chapter, which discusses the fundamentals of transistor & IC construction, theory of operation and characteristics, most should find the other chapters of this book useful both as a procedures and trouble-symptom guide and as a "review" text, to refresh their knowledge of and sharpen their techniques for servicing home and auto AM and FM radios.

**Contents:** The Transistor; The Superheterodyne Receiver; Audio Amplifiers; Power Amplifiers; IF and RF Amplifiers; Oscillators, Converters And Mixers; AM And FM Detector And AGC Circuits; Portable Radio Receivers; Auto Transistor Radios; Troubleshooting Techniques; Tools And Test Equipment. □





# "Best Seller" Electronics Guides

## Color-TV Field-Service Guides

Invaluable for servicing color-tv in the customer's home. Each volume contains 80 diagrams covering over 3,000 chassis... sensibly organized with detailed chassis layout charts on one page and specific adjustment procedures on opposite page. Indexed for instant reference.

No. 20864 (3 Vol. set) .....\$14.95  
 No. 20796 (Vol. 1) .....\$4.95  
 No. 20807 (Vol. 2) .....\$4.95  
 No. 20847 (Vol. 3) .....\$4.95

## Study Guide for CET Examinations

By J. A. Wilson, CET, and Dick Glass, CET  
 A comprehensive review of the material covered by the CET (Certified Electronics Technician) examination. It's almost a "must" for gaining a CET designation, for passing a state or local licensing exam, or for a "brushing-up" when applying for a position in the electronics field. Includes question-and-answer sections and a 50-question test in each chapter.  
 No. 20834 .....\$5.95

## 99 Ways to Improve Your Hi-Fi

By Len Buckwalter  
 This book covers many methods—many of them simple, little- or no-cost adjustments—for improving your hi-fi and stereo sound systems. All-inclusive coverage from the antenna to the speaker is divided into ten sections and supplemented, wherever necessary, by photos and illustrations. Basic or elementary knowledge, simple tools and equipment are all that is needed to make the most of the suggested innovations.  
 No. 20876 .....\$3.50

## Understanding IC Operational Amplifiers

By Roger Melen and Harry Garland  
 This book explains how IC op amps work and how they can be used in many practical cir-

cuits. Discusses in detail basic semiconductor electronics, integrated op amp circuitry, practical design considerations in circuits using IC op amps, bias current, offset voltage, frequency compensation, slew rate, and more.  
 No. 20855 .....\$3.95

## Commercial Radiotelephone License Q and A Study Guide

By Woodrow Smith and Robert Welborn  
 This comprehensive study guide contains questions taken from the first four elements of past and present Government publications of "Study Guide and Reference Material for Commercial Radio Operator Examinations," and thus presents questions used in FCC examinations.  
 No. 24027 .....\$5.95

## Practical Design with Transistors—2nd Edition

By Mannie Horowitz  
 This new and updated edition provides engineers and technicians with enough factual material to complete independent circuit designs. With the aid of this book, anyone with a working knowledge of algebra and radio electronics should have no difficulty in designing a transistor circuit.  
 No. 20868 .....\$6.95

## Radio Operators License Handbook—2nd Edition

By Edward M. Noll  
 Covers the laws, rules, regulations, and ac-

cepted operating procedures for the non-licensed operator, as well as the licensed operator. Questions and answers based on the FCC exams for Elements I, II, and IX enable the reader to prepare for any FCC license up to, but not including, the Second-Class license. It is an invaluable study guide for obtaining Third-Class license with Broadcast Endorsement. This book is a complete and indispensable reference for the marine radio telephone, aviation radio, citizens band or broadcast operator.  
 No. 20877 .....\$3.95

## Automotive Electronics

By Rudolf F. Graf and George J. Whalen  
 This book presents a complete picture of all the applications of electronics in a modern automobile. The electronic system of the automobile is divided into several smaller systems and each is explained in detail. A chapter on test equipment and its use will be very helpful to those who like to do their own troubleshooting and repair.  
 No. 20856 .....\$6.95

## Television System Diagnosis

By Richard W. Tinnell  
 A complete training program providing the necessary job-entry skills for students without previous knowledge of electronics circuitry. Upon completion of the course, the student is qualified to efficiently repair an inoperative black-and-white or color receiver.  
 No. 20810 .....\$6.95



**HOWARD W. SAMs & CO., INC**  
 4300 West 62nd Street, Indianapolis, Indiana 46268

Order from your Electronics Parts Distributor, or mail to Howard W. Sams & Co., Inc.

Send books checked at right, \$\_\_\_\_\_ enclosed.  
 Please include sales tax where applicable.

Send FREE 1972 Sams Book Catalog

Name \_\_\_\_\_ (Please Print)

Address \_\_\_\_\_

City \_\_\_\_\_ State \_\_\_\_\_ Zip \_\_\_\_\_

20796  20855

20807  24027

20847  20368

20864  20877

20834  20856

20876  20810

ES—032

When it comes to electronics, let a book in the modern Sams Technical Library be your guide. Send for our free catalog.



## Horizontal sweep and high voltage in color TV, Part 1

A three-part analysis of circuit and individual component functions, typical defects and their causes, and proven techniques for quickly isolating them. The generation of and the important characteristics of the drive signal required at the grid of the horizontal-output tube are the topics of this first part.

■ Troubleshooting the horizontal sweep and high-voltage circuits in a color TV receiver is similar to troubleshooting those in a b-w receiver, except that many of the components have higher ratings, and additional functions, such as high-voltage regulation and pin-cushion correction, have been added.

The theory of horizontal sweep was covered in the November, 1971, issue of ELECTRONIC SERVICING, and will not be repeated because the *fundamental* principles are the same for both b-w and color receivers.

An older color chassis, (RCA CTC7AA) was selected for analysis because it is representative of many built before the introduction of rectangular picture tubes. In a future issue, a newer (and more complex) color TV chassis will be analyzed in similar fashion.

### Important Characteristics Of The Horizontal Drive Signal And How Oscillator Defects Affect Them

Horizontal sweep begins with the horizontal oscillator. The oscillator and automatic frequency

control (AFC) circuits are required to supply to the grid circuit of the horizontal-output tube a drive signal which has a specified amplitude, waveshape, frequency and phase. (Another important function in many re-

ceivers is that the drive signal prevents rapid destruction of the horizontal-output tube.)

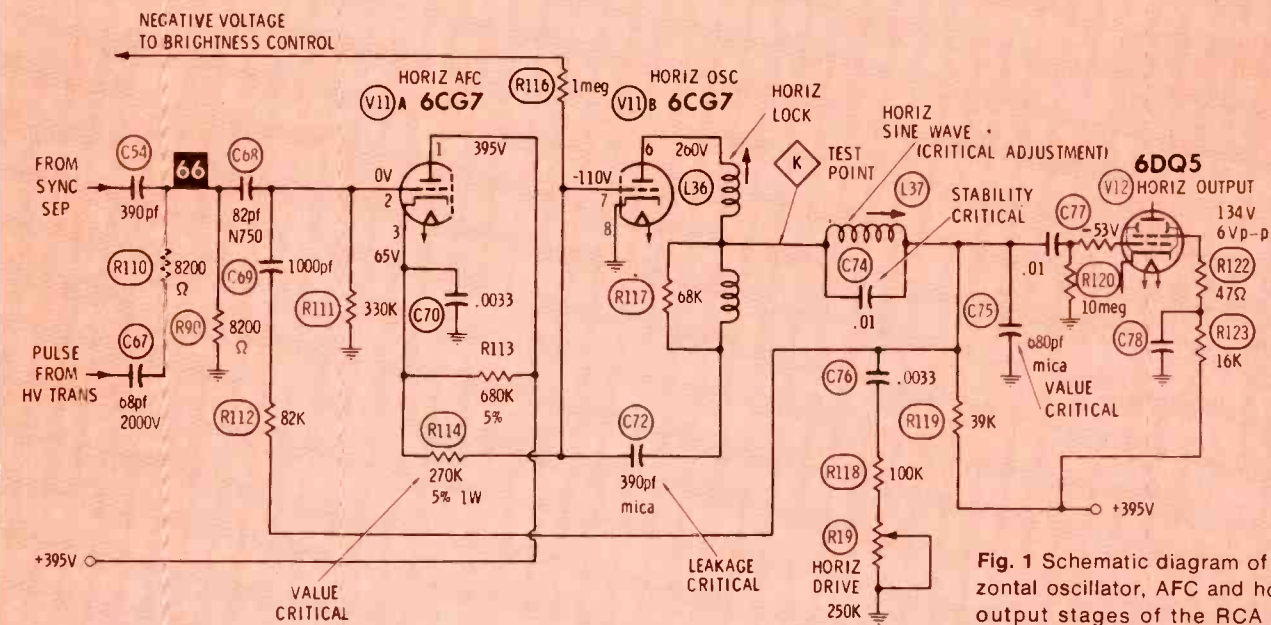
#### Frequency

If the oscillator operates at the wrong frequency, the horizontal

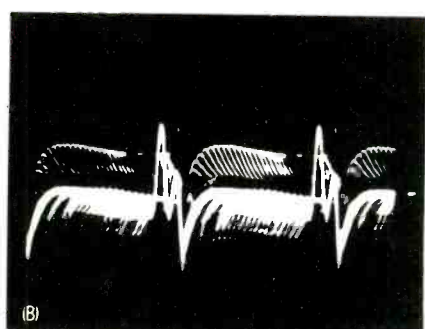
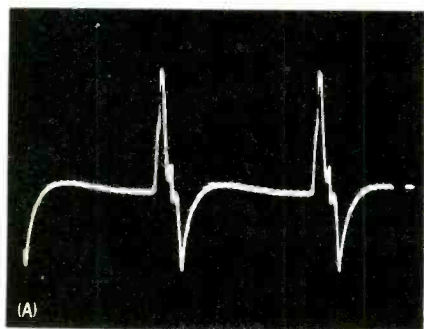
Table 1

How Operating Conditions Or Component Defects Affect The Voltages And Current On Or Through The Elements Of The Horizontal-Output Tube Of The RCA CTC7AA Color TV Chassis

Condition or Defect	Element		
	DC Grid Voltage	Cathode Current (milliamps)	Screen Voltage
(A) normal operation	-53	200	134
(B) normal brightness minimum	-53	200	134
(C) normal brightness maximum	-53	200	134
(D) 560K-ohm leakage in C77	-35	220	86
(E) R119 open, excessive drive	-72	165	155
(F) insufficient drive	-44	210	145
(G) R120 open	-56	175	140
(H) osc. dead	0	600+	110
(I) horiz. out of lock	-48	210	140



**Fig. 1** Schematic diagram of the horizontal oscillator, AFC and horizontal-output stages of the RCA CTC7AA color television chassis.



**Fig. 2** Frequency of the horizontal oscillator can be checked with an oscilloscope, which will reveal when the oscillator is locked. In the CTC7AA, Circuitrace 66 is the point at which both sync and sweep signals should be compared. **(A)** The waveshape produced when the oscillator is locked. The sync and the sweep signals have the same frequency and phase. **(B)** When the oscillator is out-of-lock, the scope remains locked to the sweep waveform, and the sync port on moves rapidly across the screen of the scope.

drive signal is of little value beyond preventing failure of the output tube. (See Line "H" in Chart 1.) Correct amplitude and waveshape alone are not enough.

A large change of the frequency often eliminates the high voltage, which, in turn, eliminates the raster. Without a raster, there is no visual symptom to reveal that the frequency of the oscillator is incorrect.

Normal AC and DC voltages measured at the grid of the horizontal-output tube are not proof

of correct frequency. The frequency should be measured. Several methods, including the use of a cycle counter, can be used to measure the frequency with excellent accuracy. However, such a high degree of accuracy is not essential. Any oscillator frequency between approximately 15 KHz and 19 KHz should be sufficient to produce horizontal sweep and high voltage.

My favorite method of measuring the oscillator frequency is to compare the frequency of the horizontal sync with the sweep

frequency. Perhaps this sounds difficult, but it is not. The horizontal oscillator is brought into lock. A scope (instead of the picture on the CRT) is used to determine the locking.

Every AFC circuit has a point at which both the sync pulse and the pulse (or sawtooth) from the sweep can be viewed simultaneously on a scope. In many late-model receivers, this point is one of the three connections to the AFC duo-diode. However, the CTC7AA chassis does not use a duo-diode (see Fig. 1). The best viewing point in the CTC7AA is at Circuitrace 66 (Photofact 433-2), which is the junction of C54, C68, R110 and R90.

The waveforms at Circuitrace 66, both for locked and free-running operation, are shown in Fig. 2. To prove that both sync and sweep signals are present, first force the oscillator out of lock. Then, lock the scope to the stronger of the two signals (usually the sweep waveform) and the sync pulses will move rapidly across the other waveform. Next, adjust the horizontal locking so

that the two waveforms merge into one. Set the sweep vernier on the scope to produce three or four waveforms, and examine them. The waveshapes should be identical.

If one waveshape is a composite of sync and sweep, but the next is a sync pulse, and the third is another composite, the oscillator is operating at half the normal horizontal sweep frequency. At the other extreme, composite waveforms with a sweep waveform centered between them prove that the oscillator is operating at double the

normal frequency. Other out-of-lock frequencies between these two extremes cause the sync to move in a blur across the sweep waveshape.

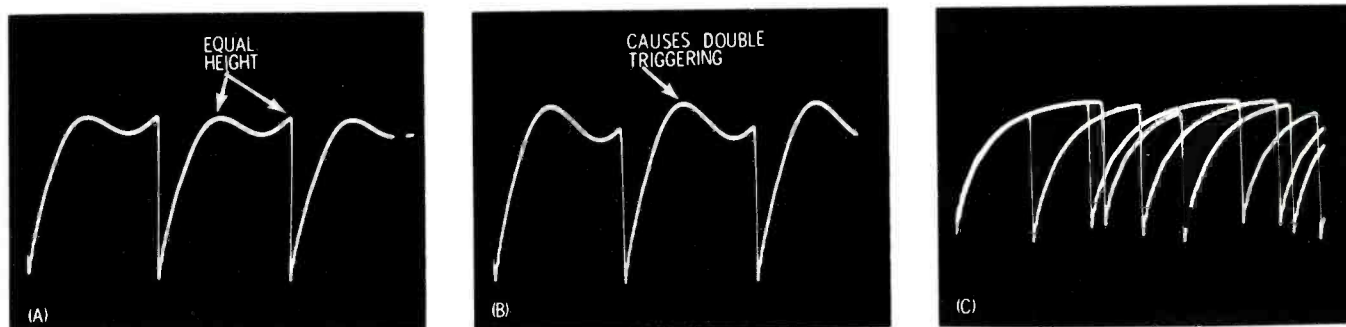
Often, one inherent problem must be solved when using the preceding method. If the horizontal-output stage is not operating, normal AGC action will be disrupted, and the sync pulses will be lost because of signal overload in the video IF's. If this is the case, clamp the AGC voltages with a bias box, or decrease the received signal by loose-coupling the antenna lead-in.

The overload should be reduced by one of these methods, and the sync restored for the test.

**Tips about the CTC7AA horizontal oscillator frequency**

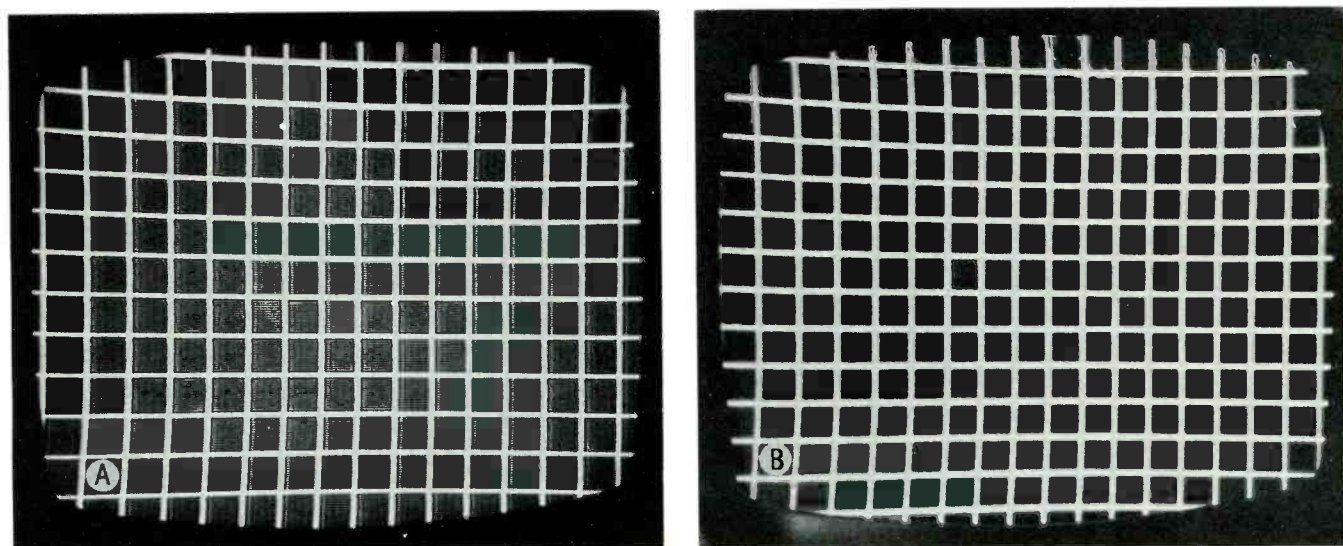
The components which mainly determine the horizontal sweep frequency in the CTC7AA are: R114, C72, L36 (the oscillator coil), L37, C74 and C75.

All locking can be lost if the value of R113 or R114 is out of tolerance. For example, if the resistance of R114 increases, and it often has, the cathode voltage of the AFC tube becomes a few volts too positive, which biases



**Fig. 3** Best stability of the oscillator is obtained when the sine-wave stabilizing circuit (C74 and L37) is adjusted correctly. **(A)** Equal height of the rounded and sharp tips of the waveform (when the oscillator is locked) are desired. If the sharp tip is higher, some immunity against horizontal line displacement caused by impulse

noise will be lost. **(B)** When the rounded tip is higher, double triggering (Christmas Tree) is possible, especially after the chassis becomes warmer. **(C)** Unstable drive signal produced at the grid of the output tube during double-triggering.



**Fig. 4** Comparison of a normal crosshatch pattern to one produced with insufficient drive at the grid of the output tube. **(A)** Normal crosshatch pattern on the screen of a test tube. Some pincushion distortion is evident because the chassis was de-

signed to operate with a round, 90-degree-deflection CRT. **(B)** Insufficient drive narrowed the picture by about 1 inch on each side, reduced the brightness and blurred the focus.

the tube into cutoff, and it cannot respond to changes in the phasing of the two signals that are applied to the grid. Because the change of value of R114 appears to be caused by heat cycling over a period of years (and thus there is no danger of it changing again soon), a permanent repair for the loss of locking can be made by paralleling R114 with a ½-watt resistor. Try 1.8M-ohm, 2.2M-ohm and 2.7M-ohm resistors, and solder in the largest value resistor which sufficiently improves the locking.

Because even a slight leakage or a gradual change of the value of C72 or C75 will cause the frequency of the horizontal oscillator to drift, silver-mica capacitors should be used for replacement of these components, when replacement is required.

If C75 opens, the frequency of the oscillator increases drastically, perhaps to about 30 KHz,

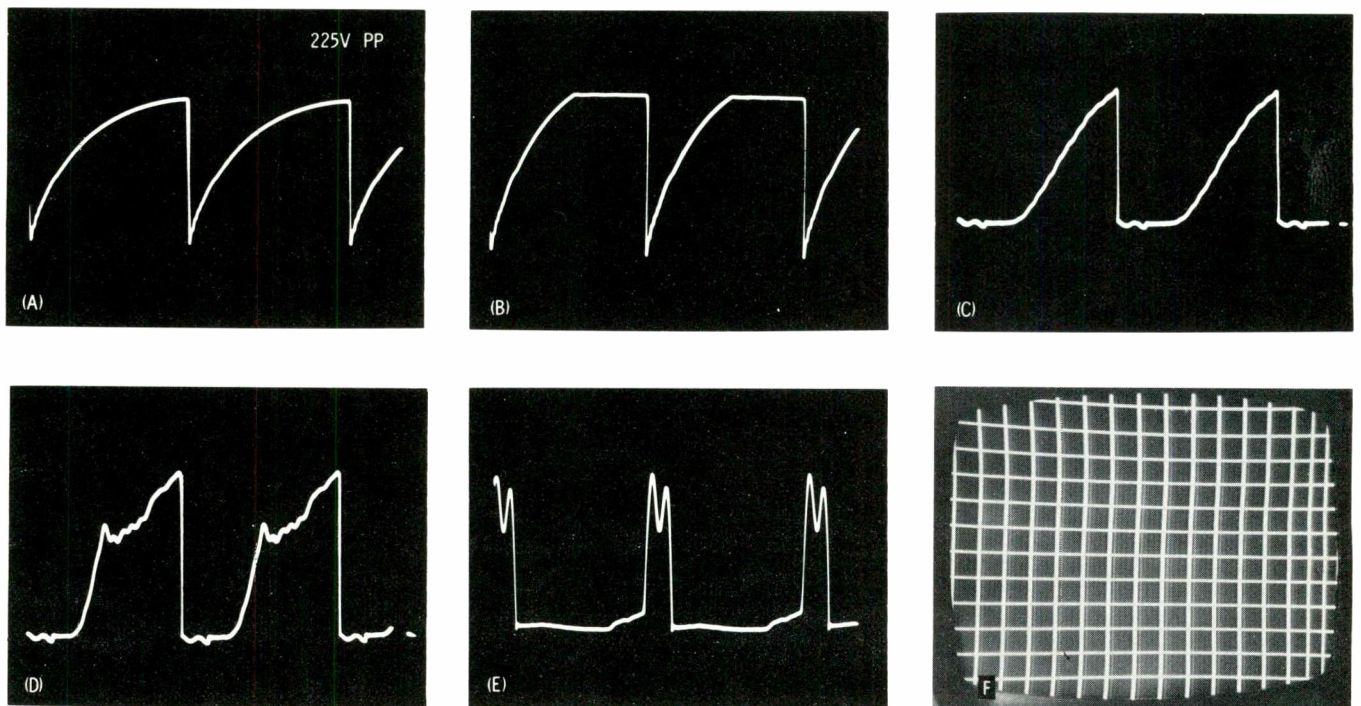
and the raster fades out because the high voltage is lost. However, the AC and DC drive voltages at the grid of the output tube remain nearly normal. These symptoms could mislead you into believing the defect is in the sweep circuit.

Any large increase in the sweep frequency caused by a defect in components other than C75 will significantly reduce the amplitude of the drive signal at the grid of the output tube. (In such a case, C75 reduces the amplitude and straightens the rounded sawtooth of the drive signal.)

The sine-wave stabilizing circuit, consisting of L37 and C74, can cause gradual drifting of the frequency, or, worse yet, double-triggering (Christmas Tree-ing). C74 should be replaced with a high stability type, and sine-wave coil L37 reset.

To adjust the stabilizing circuit:

- Lock the oscillator and keep it locked during the adjustment. If the oscillator will not lock because it double-triggers, short across L37 with a short test lead, lock the oscillator, remove the test lead, and adjust L37 for locking. (This can serve as a "quick and dirty" field adjustment in emergencies.)
- Connect a low-capacitance scope probe to testpoint "K" (junction of L36 and L37).
- Adjust L37 to produce equal heights of the rounded and sharp tips of the waveform, as shown in Fig. 3A. Keep the oscillator locked; if it falls out of lock, the two tips will be of equal height but the adjustment of the circuit will be more incorrect than when you began.



**Fig. 5** Leakage of 560K-ohm across C77, the coupling capacitor between the oscillator and the grid of the output tube, produced many distorted waveforms and trouble symptoms. **(A)** Normal drive signal at the grid of the output tube. **(B)** Clipped-sawtooth drive signal that resulted from the leakage of C77. **(C)** Waveform produced by normal current through the cathode of the output tube. **(D)** Waveform of the cathode current through the output

tube when C77 was leaky. It reveals that conduction occurs too soon and the maximum current is reduced. **(E)** Distortion of the yoke voltage waveform occurs just prior to the pulse. Compare this to the normal waveshape shown in Fig. 13B. **(F)** Compression of the linearity on the right edge of the CRT screen when C77 was leaky.

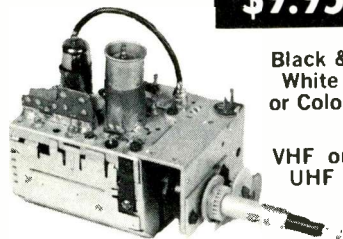
# FAST

## COMPLETE SERVICE ON ALL MAKES OF TV TUNERS

Maximum Time In Shop 24 Hrs.

(Warranty: One Full Year)

(WE SHIP C.O.D.)  
YOU PAY SHIPPING  
**\$9.95**



Black &  
White  
or Color

VHF or  
UHF

UV Combo's \$16.50

Price includes all labor and parts except Tubes, Diodes & Transistors. If combo tuner needs only one unit repaired, disassemble and ship only defective unit. Otherwise there will be a charge for a combo tuner. When sending tuners for repair, remove mounting brackets, knobs, indicator dials, remote fine tuning arrangements and remote control drive units.

## WE UNCONDITIONALLY GUARANTEE All Tuners FOR ONE FULL YEAR



All tuners are serviced by EXPERTLY TRAINED TECHNICIANS with years of experience in this specialized field. All tuners are ALIGNED TO MANUFACTURER'S SPECIFICATION on crystal controlled equipment and air checked on monitor before shipping to assure that tuner is operating properly.

## GEM CITY TUNER SERVICE

Box 6G Dabel Station  
1621 Mardon Drive  
Dayton, Ohio 45420

- If the rounded tip is too high, compared to the pointed tip, as shown in Fig. 3B, the oscillator might double-trigger after the temperature of the receiver reaches the operating level. Double-triggering produced the erratic and unstable output-tube drive signal shown in Fig. 3C.

### Waveshape

A rounded sawtooth, or a rounded sawtooth with a pulse at the bottom, is the approximate waveshape required at the grid of the horizontal-output tube. This important waveshape is included in each Photofact and in some other service literature.

Although high voltage and sweep can be obtained even when the drive waveform is badly distorted, the raster will be narrow or nonlinear and the high voltage reduced. The curvature and the amplitude of the right half of the sawtooth are the critical factors of the drive waveform.

The values and conditions of C75, R119 and C77 mostly affect the waveshape of the drive signal. (C75 and C77 will be discussed later.) A reduction of the value of R119 produces an increase of the amplitude of the sawtooth drive signal but it will be more rounded on the top. This can compress the linearity on the extreme right edge. An increase of the value of R119 causes just the opposite effects: The sawtooth drive signal becomes more linear and the amplitude is reduced. This can reduce the width and spread the linearity on the right edge.

The waveshaping circuits in other models sometimes add a resistor between the capacitor (C75 in this circuit) and ground. If used, the resistor adds a negative-going pulse to the bottom of the sawtooth. The larger the resistance, the larger the pulse; because of this the value of the resistance is critical.

### Amplitude

Drive signals that have either

excessive or insufficient amplitude reduce the width of the raster and the high voltage. (See Table 1, lines "E" and "F," and Fig. 4.) It is not true that increased drive always produces more high voltage. In each design of chassis a certain optimum amplitude of drive signal is required for maximum width and high voltage.

The amplitude of the horizontal drive signal (at the grid of the horizontal output tube) is determined mainly by C75, R119 and the oscillator tube. Other components—such as C77, C76, R118, R119 and the output tube—have less effect on the amplitude.

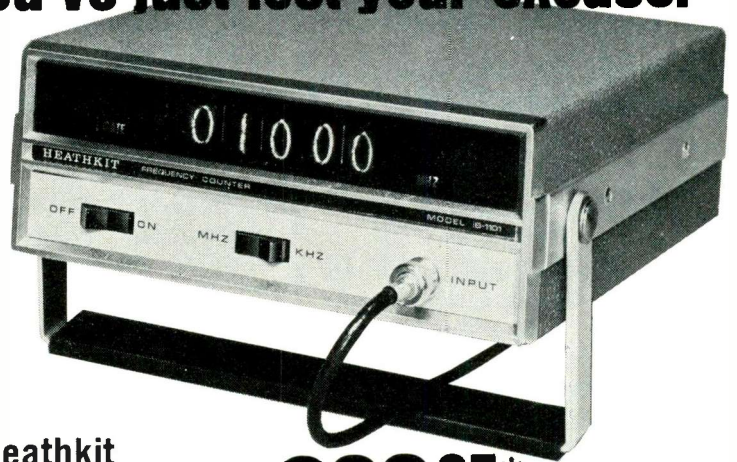
The actions of C75, the waveshaping capacitor, are unique, because the value and condition of this capacitor can affect all three of the important horizontal drive signal characteristics—frequency, amplitude and waveshape.

### Functions Of The Individual Components Used To Couple The Drive Signal To The Grid Of The Output Tube And The Effects Produced When They Are Defective

In the ELECTRONIC SERVICING laboratory, we have investigated the functions and effects of many components and we have simulated typical parts failures and have changed the values of many components to determine the actual effects of such defects. The most significant results and findings of these tests are presented here and in subsequent parts of this series.

(During these tests, the chassis was operated on a test jig which used a 19-inch rectangular picture tube. Because the CTC7AA chassis normally is used with a round CRT which has a smaller angle of deflection, pincushioning will be noticed in pictures taken from the screen of the test-jig CRT. Also, some of the voltages will differ slightly from the ones typically measured when the chassis is operated with its own yoke and CRT.)

# If you've put off owning a high frequency counter because you "can't afford it" ...you've just lost your excuse.



New... Heathkit  
solid-state  
100 MHz counter... only **269<sup>95</sup>\***

With the IB-1101, Heath closes the price gap in high frequency counters. Till now, "low cost" counters were confined pretty much to the 15 MHz range. Instruments above that range were complex, costly, and often more counter than you could ever use. Now, with the IB-1101, you have a truly low-cost counter in kit form with 1 Hz to 100 MHz capability and a list of features to rival counters costing much more. Compare for yourself. Exclusive Heath-designed input circuit accepts input levels from less than 50 mV to over 200V, depending on frequency, without damaging the instrument; full 5-digit readout can be expanded to 8-digit capability with range selector and over-range circuitry; decimal point automatically positioned with range selection; MHz, kHz, overrange and gating conditions indicated by illuminated legends on front panel; one megohm input impedance and low input capacitance minimize possibility of circuit loading; all solid-state circuitry with cold cathode readout tubes for instant operation; count storage circuitry gives non-blinking or count-up readout, changing only with count; stable time-base crystal has better than  $\pm 3$  ppm from 17° to 32° C; dual primary, 3-wire line cord and regulated supply for stable operation over long periods. About 10 hrs. assembly time puts the IB-1101 together. The 26 digital IC packages and readout tubes plug into sockets. All other components, including shielded MOSFET, 10 silicon transistors, 9 diodes and 2 zener diodes mount neatly on one double-sided fiberglass board. If you've been putting off buying that better counter for price considerations... consider the unprecedented low price of the new Heathkit IB-1101. Then order one today.

Kit IB-1101, 8 lbs. .... **269.95\***

### New Heathkit digital multimeter... 229.95\*

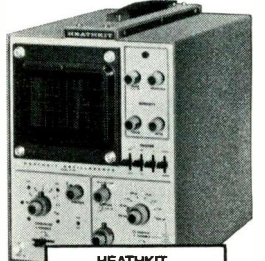
Now, a digital multimeter that meets lab specs at a low, low kit price! 3½ digits for 100  $\mu$ V resolution on 200 mV range; 1V on 1000V; 5 DC ranges (100  $\mu$ V—1000V, either polarity); 5 AC ranges (100  $\mu$ V—500V); 10 current ranges (100 nA—2A AC or DC); 6 resistance ranges (0.1 ohm—20 megohms). DC calibrator supplied for 0.2% accuracy without external equipment. Can be lab calibrated to 0.1%. Don't miss this outstanding instrument value.

Kit IM-102, 9 lbs. .... **229.95\***

### New Heathkit 10 MHz triggered scope... 229.95\*

A 5" triggered sweep scope at a low kit price you can't afford to pass up. AC—10 MHz response, calibrated attenuator, 50 ns sweep rate with magnification, AC-DC coupling, 50 mV sensitivity. One of the outstanding scope values on the market. Order one for your ham shack, shop, lab or classroom today.

Kit IO-103, 37 lbs. .... **229.95\***



HEATHKIT  
Schlumberger

- **C77** (.01m-fd paper or Mylar capacitor) couples the oscillator signal to the grid of the horizontal-output tube. The value is not critical, although capacitances of less than .001 reduced the width and high voltage. Leakage of 560K ohms across the capacitor produced the voltage changes indicated on Line "D" in Table 1, and also clipped the top of the drive sawtooth and compressed the linearity at the right side of the raster, as shown in Fig. 5. A gassy horizontal-output tube might cause the same effects.
- **R120** (10M-ohm resistor) is the grid return for the output tube. The resistance is not critical. Values from 2.2M ohm to an open circuit caused only slight changes in the crosshatch pattern. Line "G" in Table 1 shows the voltages that were produced when the resistor was removed from the circuit.

Insufficient amplitude of the drive signal applied to the grid of the output tube changed the voltages as shown on line "F" in Table 1. The reduced drive also narrowed the width about 1 inch on each side of the screen and blurred the focus, as shown in Fig. 4.

Excessive drive caused by an open circuit in the HORIZ DRIVE control (R119 in Fig. 1) compressed the center of the raster. More compression would have caused a white drive line. The voltages produced by this defect are shown on Line "E" in Table 1.

### In Part 2

The specific functions of the individual components which make up the horizontal-output yoke and high-voltage circuitry of the CTC7AA and the effects produced when they are defective will be analyzed in Part 2 of this series, along with related troubleshooting techniques. □



Send for your FREE 1972 Heathkit catalog describing these and other kit-form instruments designed to meet your servicing and lab needs at significant savings... plus over 350 other exciting kits for every hobby and professional interest.

HEATH COMPANY, Dept. 25-3  
Benton Harbor, Michigan 49022

- Please send FREE Heathkit Catalog.
- Enclosed is \$ \_\_\_\_\_, plus shipping.

Please send model(s) \_\_\_\_\_

Name \_\_\_\_\_

Address \_\_\_\_\_

City \_\_\_\_\_ State \_\_\_\_\_ Zip \_\_\_\_\_

Prices & specifications subject to change without notice.

\*Mail order prices; F.O.B. factory.

TE-257

Circle 14 on literature card

## Weak color—Typical causes and how to find them

### The Tuner Seldom Is The Cause

Don't blame the tuner for weak color. At least, not without some proof. It is a natural mistake to assume that the tuner is at fault when the fine tuning must be adjusted carefully to obtain any color.

However, color saturation is *always* stronger when the fine tuning is near the point where sound bars are produced. The action of the fine tuning control "slides" the chroma signal up or down the sound-carrier side of the video-IF response curve.

This change of color intensity which normally accompanies adjustment of the fine tuning control often is obscured by automatic chroma gain control (ACC) action, which "levels off" most of the increase or decrease. Weak color can make the ACC ineffective, and thus reveal what is a normal change of color intensity.

Severe misalignment of the antenna and RF stages in the tuner *can* cause the fine tuning to abnormally affect the quality and quantity of color. An open antenna transformer (balun) or dirty, corroded switch contacts in the antenna or RF stages might cause weak or smeared color on one channel. There is little chance such defects would affect all channels.

Despite these few exceptions, in most cases we can safely say: If the fine tuning control will produce sound bars, the defect causing weak color will not be in the tuner but in the video IF's or the chroma circuitry.

### Antennas

A comparison of the color pic-

tures produced by each of several antenna systems can reveal startling differences in the intensity and sharpness of the color signal. Even the poorest antenna, however, usually will produce a good color picture on at least one channel. Most receiver defects produce the same symptoms on all channels. We recommend that you use a color-bar pattern to test the receiver without the antenna connected.

Your own shop antenna system is not immune to defects. It is better to periodically check it than to waste time trying to find a receiver defect which does not exist.

Incidentally, a poor antenna system can cause symptoms that seemingly are caused by incorrect Automatic Fine Tuning (AFT) action. An AFT defect causes poor fine tuning on all channels. A defective or incorrect antenna can cause poor AFT action on just a few channels and good AFT on the others. For more details, refer to the article starting on page 32 in the September, 1969 issue of ELECTRONIC SERVICING.

### Color Killers

All color killers should perform two functions: 1) They should permit the color signal to pass, with full gain, through the chroma circuit when burst is received. 2) They should kill completely the gain of the chroma channel when a b-w program (without burst) is received. No in-between action is desired.

A defective color-killer circuit can eliminate the color at the wrong time, simulating a dead

chroma-bandpass stage, or it might reduce the gain and cause weak color.

A shunt-type color-killer circuit typical of many used in tube-type receivers is shown in Fig. 1. Tube V1 functions as a rectifier, the conduction of which can be stopped by a grid-cathode bias of -3 volts or more. The AC input voltage, which consists only of positive-going horizontal pulses, is coupled to the plate through the peak-reading capacitor, C3.

Grid bias voltage for the color-killer tube is obtained from two different sources. One is a "fixed" positive voltage the value of which is dependent on the setting of R3, the color-killer control, and which is fed through a large-value resistor, R2. The second is a control voltage obtained through a small-value resistor from either a phase detector or the grid circuit of the 3.58M-Hz oscillator. Regardless of the source, the control voltage varies from slightly negative during b-w reception to more negative when burst (and color) is received.

The small, positive voltage from the color-killer control is needed to cancel the small, negative voltage produced during b-w reception, so that the color-killer grid voltage is nearly zero. With such a small bias applied to the grid, the tube conducts heavily, the plate circuit rectifies, and the negative voltage thus produced biases off the chroma-bandpass-amplifier tube. This kills the color.

Test for color-killer plate rectification by grounding the grid of the color-killer tube. All color should disappear and a negative voltage of more than -12 volts



should be produced at the plate of the color killer.

The ratio of R1 to R2 is usually about 1-to-10 (or more) so that most of the *change* of the controlling voltage actually reaches the grid. This enables the color-killer function to respond more quickly. If the value of R1 should increase or if the change of controlling voltage between b-w and color should be decreased, undesired color-killer operation between the regular on-and-off states is possible. Weak color could be the result.

#### Defeat the killer

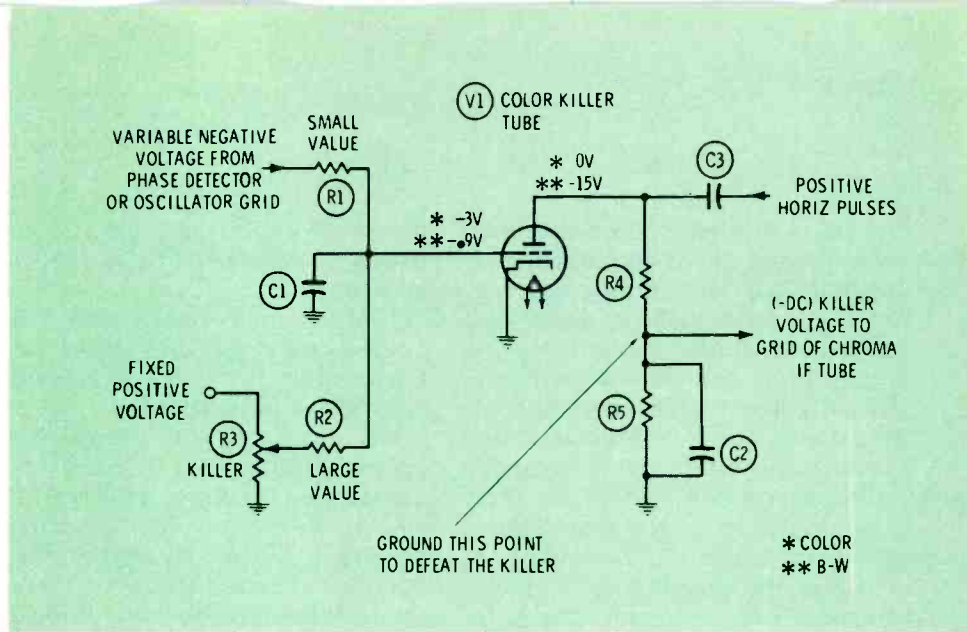
In this discussion, we are not concerned so much with specific parts failures in the color-killer circuit as we are with methods that prove whether or not the color-killer circuit is defective.

All color-killer circuits have two points which can be connected together to defeat the color-killer action and thus restore the color which was eliminated by a defective color-killer circuit. In the circuit in Fig. 1, these two points are ground and the junction of R4 and R5. Connect a test lead from this junction to the chassis; if the intensity of color increases, it is certain that a color-killer defect exists.

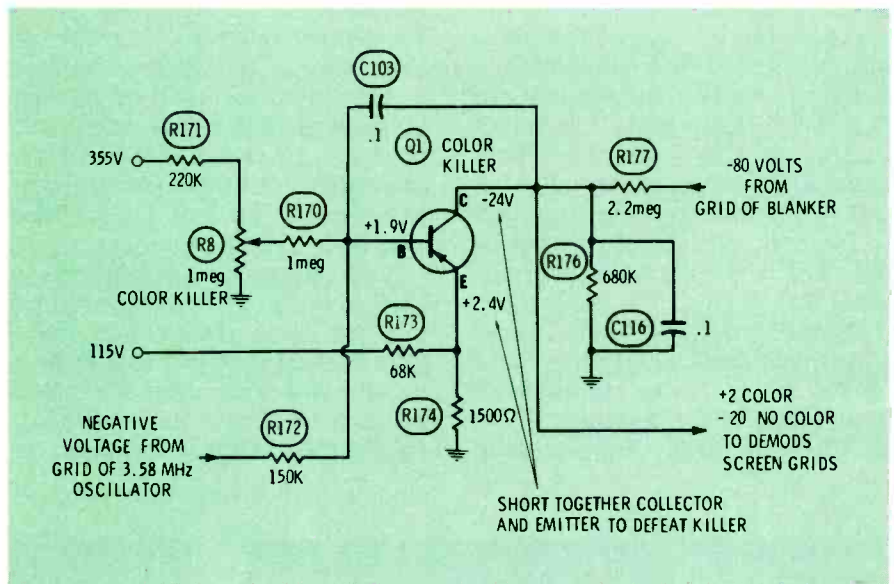
In many color-killer circuits, neither of the two points are at ground potential. For example, many late-model Zenith color chassis have terminals that are plainly labelled "K" and "KK". Connect them together to defeat the color-killer action.

#### One type of RCA color killer

Fig. 2 shows a partial schematic of the color-killer circuit in the RCA CTC31 color chassis



**Fig. 1** Schematic of a typical color-killer circuit in a tube-equipped chassis. During b-w reception, V1 has minimum bias, which permits rectification of the horizontal pulses at the plate. Negative voltage produced by the rectification is filtered and applied as cutoff bias to the grid of the chroma-bandpass tube.



**Fig. 2** Schematic of the color-killer circuit in a RCA CTC31 chassis. The killer transistor, which acts as an on/off switch, applies to the screen grids of the demodulators either a negative voltage (to kill the color) or a positive voltage (to permit color).

(Photofact 928-3). The color-killer transistor, Q1, is operated as an on/off switch, to change the polarity of the DC voltage applied to the screen grids of the two demodulators. This is accomplished by connecting together, or by not connecting together, a positive voltage and a negative voltage. These voltages are supplied by separate voltage dividers.

During b-w reception, when

the transistor is an open circuit because of insufficient forward bias, the collector is supplied with about -25 volts by a high-resistance voltage divider (R177 and R176) which is supplied from the -80 volts at the grid of the horizontal blanker tube.

The emitter is supplied at all times with about +2.4 volts by a low-resistance voltage divider, R173 and R174.

DC voltage from the collector

of Q1 is filtered, routed through the secondary of the bandpass transformer, and finally applied to the screen grids of both demodulator tubes. When the program is in b-w (Q1 is an open circuit), the negative voltage at the collector of the color killer reverse biases the screen grids of both demodulators, so that demodulation is prevented and the color signal is eliminated.

When the program is in color, the base of Q1 becomes less positive (more negative relative to the emitter). Because this is a strong forward bias, the collector and emitter virtually become shorted together. The voltage that is produced at the collector by this "connection" of collector and emitter is nearly the same as the voltage at the emitter, because the low-resistance supply at the emitter swamps out the high-resistance negative supply at the collector. This collector voltage of about +2.2 volts is sufficient, when applied to the screen grids of the demodulators, to permit normal demodulation.

To defeat this color killer, short together the collector and emitter leads. If you are not sure which lead of Q1 is which, short all three together. Any increase

in the intensity of the color is proof of a defect in the color-killer circuit.

Test the ability to eliminate the color by connecting together the base and emitter leads of Q1. The color should disappear.

We suggest you study the color-killer circuit in each receiver you service, determine which two points must be connected together to defeat the color-killer action, and then mark this information on your Photo-fact, or other service data, for time-saving use in the future.

### Weak Color Can Originate In The Video IF's

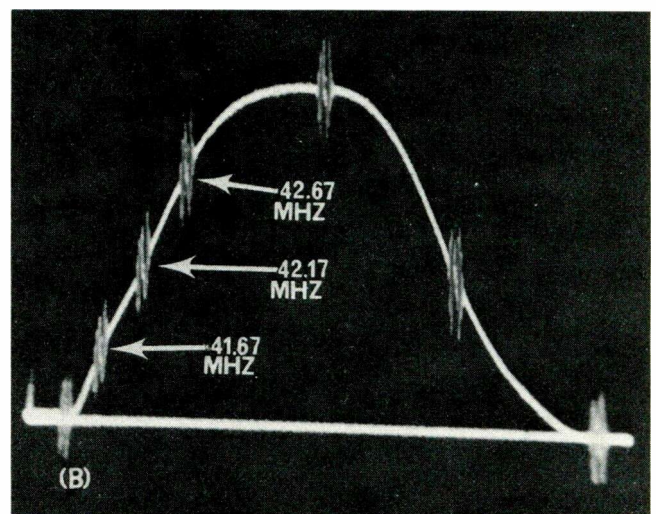
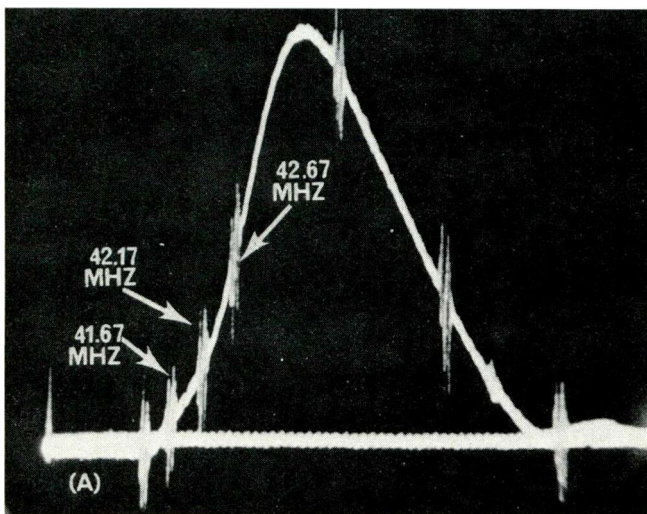
Incorrect alignment of the video IF stages definitely can cause weak or smeared color. This much is well known. However, serious temporary changes in alignment also can be caused by such defects as corroded tube sockets, gassy or out-of-tolerance tubes, burned resistors, or poor grounds on coils, tube shields or circuit boards.

It can be a serious mistake to realign the video IF stages before making some preliminary tests. One recommended procedure is to tune in a color-bar pattern and physically move tube shields, rock tubes in their sockets, re-

place tubes, or check board grounds while watching the screen of the color CRT for any changes in the color intensity or color sharpness. Often, some kind of erratic behavior will result and point directly to the source of the trouble.

Or, if you have good sweep alignment equipment, connect it to the chassis as though you were going to align the IF's. Be sure to use fixed bias voltages as substitutes for the AGC voltages. Do *not* touch the alignment adjustments until after you have first tested the resistance of the B+ and cathode resistors and also have made the physical checks listed previously while monitoring the alignment curve for intermittent changes.

Generally, weak color is produced by any video IF which has an alignment curve like that in Fig. 3A, in which the center of the curve has been elevated by an incorrect adjustment, gassy tube, poor ground, burned resistor or corroded tube sockets. The higher on the side of the curve the three color frequencies are placed, the stronger the color intensity. However, the 42.67-MHz marker must not reach the corner of the curve (42.75 MHz)



**Fig. 3** Alignment curves can reveal the approximate amount of color passed by the video IF stages. **(A)** Curve that produces weak color. The color markers are too low on the curve. Curva-

ture between the three color markers indicates poor-quality color. **(B)** Normal semi-haystack curve produces good color gain.

or the quality of the color will be degraded. Whether the curve is a normal "haystack", as shown in Fig. 3B, or a "flat-top" is not so important as the straightness of the color side of the curve and the height of the color markers above the base line.

### The Chroma-Bandpass Amplifier Stages

#### Typical defects

Defects in the chroma-bandpass amplifier which are the most likely causes of weak color are weak tubes, leaky capacitors and burned resistors.

Cathode bias resistors are particularly susceptible to damage by overload from shorted tubes. The schematic in Fig. 4 shows that some cathode resistors are common to two separate stages and functions. This doubles the

chances of a cathode resistor failure.

#### Physical condition of small resistors can be clue

Moderate overload of a carbon-composition resistor most often causes an *increase* in the resistance and sometimes swelling near the center of the resistor body. Heavy overloads often *decrease* the resistance and cause swelling and cracking of the resistor body. Extreme overloads might cause the resistor to disintegrate and become an open circuit. Any resistor that shows signs of heating should be suspected, and either replaced or checked carefully.

V1 and V2 in Fig. 4 have about the same probability of shorting and burning-up R3. However, the blanking amplifier, V2, is less likely to have current variations

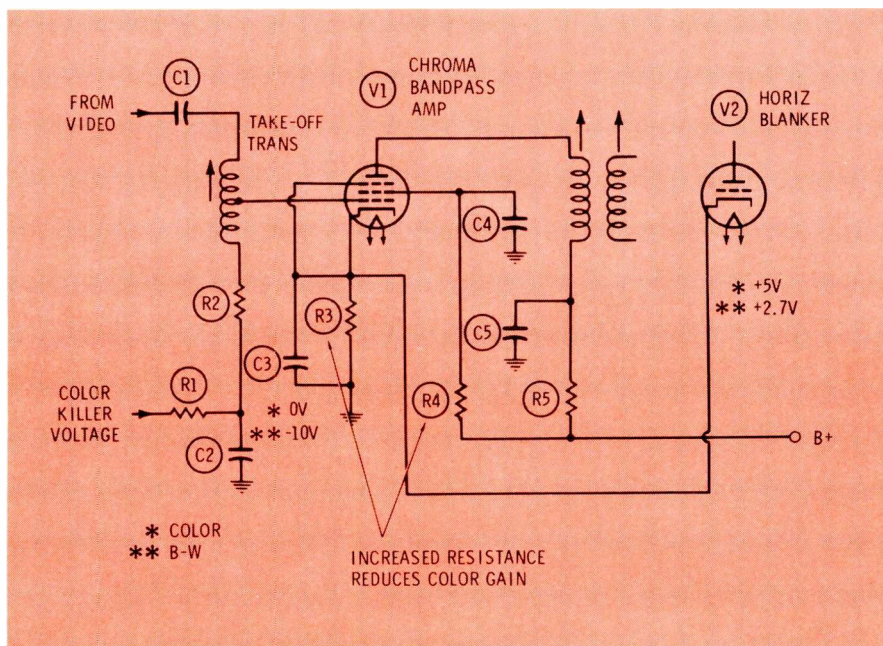
which would upset the cathode voltage. A loss of blanking would affect the brightness of the raster, and it would be the predominant symptom instead of the color saturation. Also, V1 has color-killer voltages applied to the grid return, and this causes the cathode voltage to vary from a low of about +2.7 volts when V1 is cutoff to a high of about +5 volts when the color-killer voltage is zero. Operation off channel or with a b-w program or with the color oscillator out of lock produce voltage readings between these two extremes.

#### Analyze the bias voltage

Tube bias is always measured between grid and cathode, not between grid and ground. This basic point should always be kept in mind. The bandpass amplifier, V1, has grid-to-ground voltage and cathode-to-ground voltage in addition to the complication of the blanker tube cathode current.

But, first, the cathode-to-ground voltage produced by an open cathode resistor needs clarification. Contrary to some things said in print, the cathode voltage in this circuit will *never* increase enough to equal the screen voltage or the plate voltage. This is because the grids return to ground, not to the cathode. The cathode voltage will increase to the value which barely cuts off the cathode current. This value is dependent on the type of tube, and the screen and plate voltage. If the current tries to increase, the voltage increases to bias off the tube. Because two tubes share the same cathode circuit, an open resistor would cause the cathode-to-ground voltage to increase to the value of voltage needed to cutoff the tube which requires the highest bias.

During typical operation, when V1 is conducting sufficiently to produce maximum gain, the grid voltage is zero and the cathode



**Fig. 4** Schematic of the chroma-bandpass stage in the RCA CTC31. Resistors which can change the gain after their resistance is changed by overload include R3, R4 and R5. Notice that R3 is common to both the chroma-bandpass tube and the horizontal-blanker tube. Shorts in either tube can cause R3 to burn, change value and reduce the chroma gain.

voltage is +5 volts, or a total bias of 5 volts. When V1 is cutoff by the color-killer voltage, the grid voltage is -10 volts and the cathode voltage (to ground) is +2.7 volts, or a total bias of 12.7 volts.

To test the performance of the bandpass amplifier, ground the color-killer voltage at C2 and measure the cathode voltage. A voltage of +5 should give maximum color gain (saturation) and a voltage of +12.7 should give zero gain (no color). Voltages near, but less than, +12.7 produce weak color.

A resistor-substitution box could be used by connecting it from cathode to ground and trying the various resistances, to reduce a cathode voltage that is too high. This is a good auxiliary test, but remember that most pentode tubes have maximum gain with about 3 volts of bias applied. Consequently, do not reduce the cathode voltage below 3 volts.

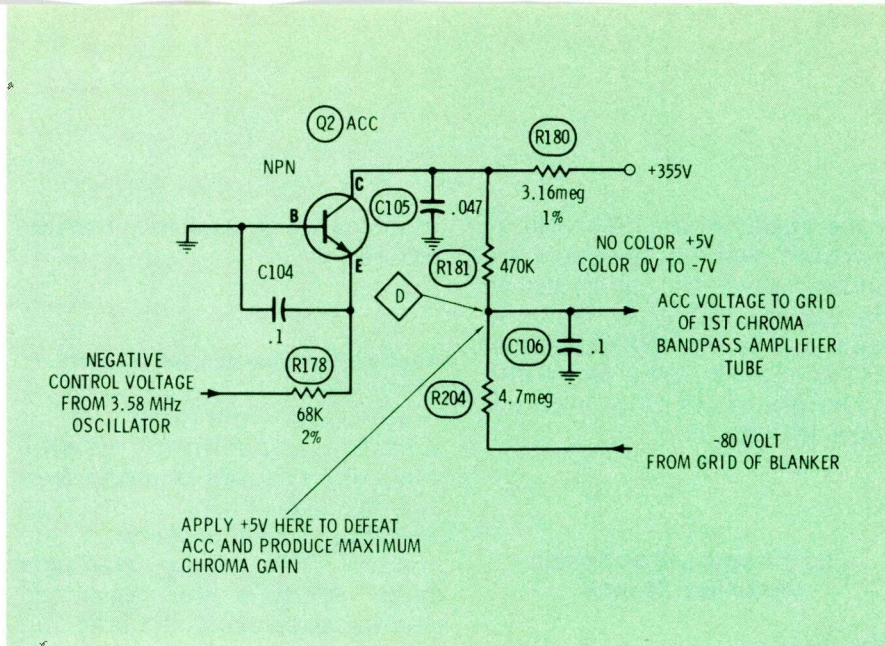
#### Other voltages

Plate and screen voltages, especially screen grid voltages, have a large effect on the gain of tubes. These DC voltages should be checked early in the chroma tests.

A leaky screen-grid bypass capacitor, C4 in Fig. 4, reduces the screen grid voltage and the gain; a shorted one produces no color or very weak color. Although an open capacitor does not change the DC voltages, it still reduces the gain, because of degeneration. These effects are true if the value of the screen-grid dropping resistor, R4 is large, (several thousand ohms). In those circuits where the resistor is only 1000 ohms and connects to a low-voltage supply, the condition of C4 has much less effect on the performance.

#### Incorrect ACC Action

The normal function of the automatic color gain control



**Fig. 5** Schematic of the ACC stage in the RCA CTC31. The ACC transistor, which functions as a variable resistor, changes the amount of positive voltage that appears at the collector. This positive voltage cancels out part of the -8 volts obtained from R181 and R204, to provide a grid voltage for the chroma bandpass which becomes less positive (or more negative) when the amplitude of burst increases. In this way the gain of the chroma-bandpass tube is regulated according to the level of the received color signal.

(ACC) is to reduce the gain of a chroma bandpass amplifier when the color signal (usually, judged by the burst level) exceeds a certain minimum. However, a faulty ACC circuit can reduce the gain too much, which, in turn, produces weak color.

ACC circuits which change the bias of a tube are easy to defeat. If the normal range of ACC control voltage is always negative and never becomes positive, even with no signal, ground the point where the ACC voltage is injected into the grid circuit.

Some ACC circuits, like that used in the RCA CTC31 chassis, shown in Fig. 5, supply the bandpass-amplifier tube with a positive voltage during no-signal operation and a negative voltage which increases according to the level of the burst when color is received.

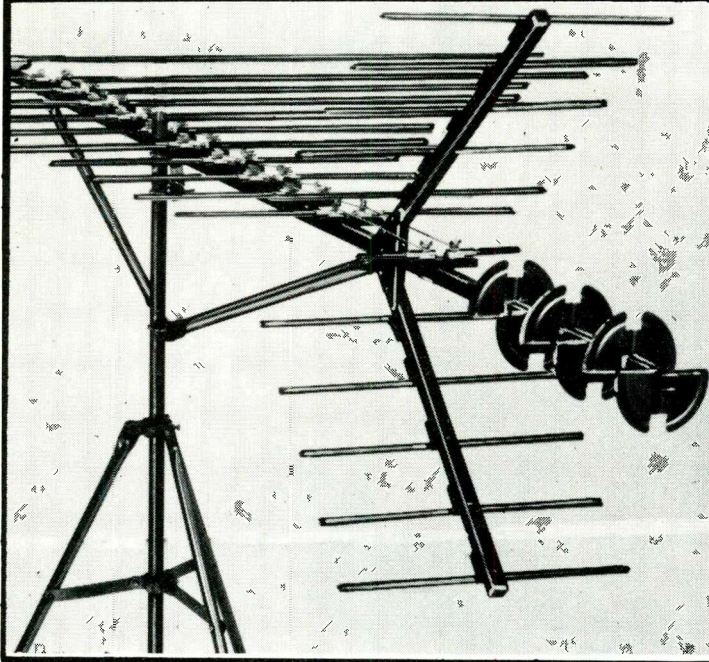
The CTC31 ACC circuit functions in the following manner: Two voltage dividers supply the control voltage; one supplies negative voltage, the other positive. Resistor R180 and the collector-emitter path of Q2, the ACC transistor, supply the variable positive voltage. An increase in the amplitude of burst at the grid of the 3.58M-Hz oscillator causes the grid voltage

there to become more negative. Part of this voltage, through R178, is applied to the emitter of Q2. Because Q2 is an NPN transistor, the forward bias is increased. More forward bias decreases the resistance of the collector-emitter path, increases collector current, which, in turn, reduces the positive voltage at the collector. This is the variable positive voltage, which becomes less positive when the burst signal increases.

Resistors R181 and R204 are the fixed voltage divider for the negative voltage supply. Because the source of the negative voltage is about -80 volts, the maximum negative voltage possible at point "D" is -8 volts (with Q2 a virtual short circuit).

Addition of the variable positive voltage from Q2 and R180 and the fixed negative voltage from R181 and R204 produces the ACC control voltage, which is applied to the grid return of the 1st chroma bandpass amplifier tube. In practice, the ACC voltage at point "D" varies from about +5 volts (a b-w picture) to about -7 volts (strong burst, perhaps with a color-bar generator supplying the color). The typical voltage produced by a colorcast is between zero and -4 volts.

## RMS "STAR-TRACK"™ Antennas are breaking all sales records!



### The most Advanced Space-Age VHF/UHF/FM Color Antennas ever introduced!...

- Similar design to Antennas used in Space Program.
- "Corner Reflector Driven Disc Director Array" for total UHF coverage!
- "Multiple Tuned, Cut-to-Channel VHF Elements" for total VHF-FM coverage!
- Maximum construction features for long dependable life!
- Exclusively features Reynolds Aluminum "COLORWELD" durable baked enamel Gold finish!
- Each Antenna includes famous RMS model SP-332 VHF/UHF Splitter for Single Down-Lead economical installation!
- "STAR-TRACK's" are licensed under U.S. Patent No. 3,440,658.

Write for FREE "Star-Track" Catalog -

**RMS ELECTRONICS, INC.**

50 Antin Place, Bronx, N.Y. 10462 • Tel. (212) 892-6700

Circle 16 on literature card

Because cutoff of the band-pass amplifier tube occurs at about -12 volts, it is easy to understand how a component failure could increase the ACC to a higher-than-normal negative voltage and cause weak color.

Full chroma gain can be obtained if an external bias box is connected to point "D" and adjusted for +5 volts. However, a more typical simulation of the voltage necessary for normal gain can be obtained by merely grounding point "D".

#### Insufficient 3.58M-Hz Carrier

Obviously, to produce vivid colors a strong chroma signal must be applied to the demodulators. Not so well known is the requirement for a definite minimum amplitude of the 3.58M-Hz carrier applied to each demodulator.

The exact amount of the carrier which is needed varies with the type of demodulator. Many schematics show a carrier waveform with a specified p-p level. If the level is not shown on the schematic, it can be determined in other ways, such as by measuring the DC cathode voltage in the older triode demodulators or by measuring the DC voltages in diode-type demodulators.

If the amplitude of the 3.58M-Hz carrier at the demodulators is decreased more than approximately 20 per cent from the normal amount, the color saturation also will be decreased a like amount. Check the amplitude of this signal whenever the color is weak.

#### Defects In -Y Amplifiers Can Weaken Individual Colors

The typical gain of a -Y amplifier stage is not always known. If the p-p signal voltages at the input and output are listed on the schematic, the input reading divided into the output reading gives the gain. To measure the actual gain, tune in a color-bar pattern and measure the amplitude of both the input and output signals. (The output signals from many -Y amplifiers also contain blanking pulses, which must be ignored when p-p readings are being made.)

Excessive input signal at the grid of a -Y amplifier tube, combined with insufficient bias, causes a decrease of gain, because of the negative grid voltage produced by grid rectification. Check for this possibility by connecting a DC meter between the plate of the -Y amplifier tube and ground, and then

varying the color control from no color to maximum usable color. Any voltage change indicates grid current overload and subsequent loss of gain in the stage. □

**Happiness is  
a regular  
paycheck.**


Hire a Disabled Veteran



# We have a boy



# for every girl.



We have a tremendous line of receiving tubes—over 1000 at last count.

We have 205 different black-and-white picture tubes.

We have the industry's most complete line of color picture tubes.

We have semiconductors of all kinds: transistors, FETs, diodes, rectifiers, SCRs, Zener diodes, linear ICs.

These are our boys.

They're easy to work with.

We've organized replacement pro-

grams (like our ECG semiconductor program), so that you can keep the least amount of stock on hand to replace the most number of parts.

We publish the Sylvania Technical Manual, which is practically a replacement encyclopedia (32,000 components!).

We have loads of specialized replacement literature. And we help you with any replacement problem.

See your Sylvania distributor and get to know the family.

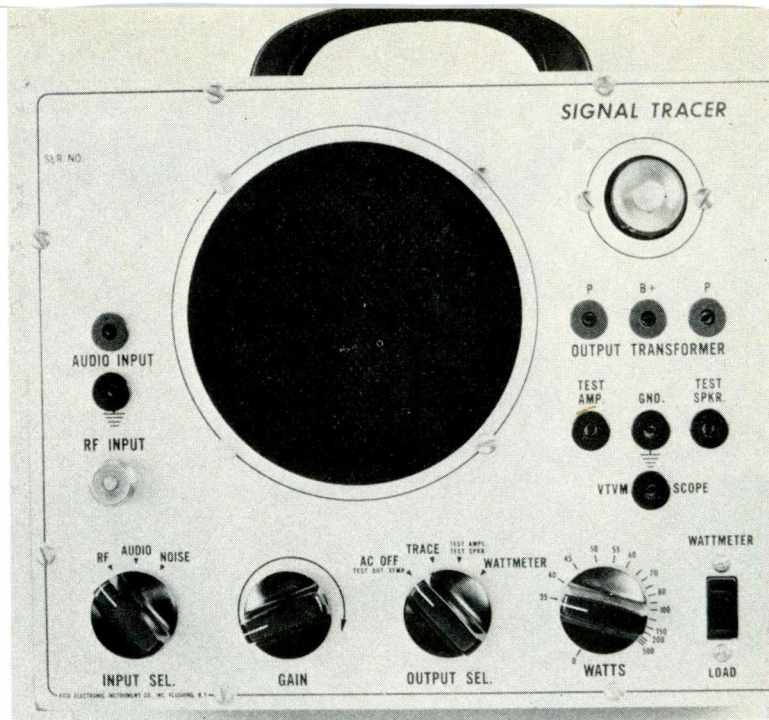
**GTE SYLVANIA**

Electronic Components Group, 100 First Ave., Waltham, Mass. 02154.

Circle 18 on literature card

# Signal Generators And Tracers: Which, When and Where

by Joseph J. Carr



In the following paragraphs, we are going to consider two primary troubleshooting techniques, signal tracing and signal injection, and determine which is the most suitable for various situations.

## Basic Designs

The first step in this process is to become familiar with the various instruments presently available.

### Signal tracers

There are a number of different types of signal tracers. About the simplest and cheapest, of these is probably a pair of old-fashioned, high-impedance earphones. Although not so common in radio/TV shops, they are used in many shops that service communications, amateur radio, public-address systems, etc.

While certainly the simplest, and probably the cheapest, type of signal tracer, a set of "cans" does have certain limitations that make their application somewhat less than universal. For example, the drive requirements are enormous compared to other types of signal tracers. Certain low-level signals—the output of a phono cartridge, for example—might not be audible in a set of earphones.

Another difficulty is that the usual range of impedances for earphones is one to five thousand ohms. This is high impedance to a speaker circuit but it could be a low impedance for a tube or transistor circuit.

One way to eliminate some of the limitations of the headphone signal tracer is to drive it (or a loudspeaker) with a high-gain audio amplifier which has a very high input impedance. If the amplifier is also a wide-band type it can be used as a general-purpose oscilloscope preamplifier. Most commercially available signal tracers, whether ready made or in kit form, are little more than an audio amplifier with certain mechanical adaptations. Many units offer additional features such as external access (via banana jacks) to the speaker voice coil and the output transformer primary winding.

Fig. 1 shows a block diagram of a highly satisfactory "homebrew" tracer/generator made by Frank Weisel and Don Newlon of the Auto Radio Center in Norfolk, Va. It is made from a "surplus" Philco-Ford car radio. The unit is cheap, simple, and, I can add from personal experience, highly effective.

Frank and Don's idea, however, wasn't original and unique. True, they thought of it independently, but the same basic

set up was used in signal tracers made before and immediately after World War II. A similar set, which by the time I purchased it was old enough to have voted in several presidential elections, was known as the "Autolyzer." Although at least one manufacturer in the early sixties offered a similar unit for transistor radio servicing, this design has been largely forgotten by contemporary test-gear manufacturers. Basically all this system consists of is an AM radio with a probe that can be switched to or from any stage in the radio. It can be used as either a signal generator or a signal tracer, according to the technician's preference.

### Signal generators

Signal generators also come in many designs. One of the simplest to use and least expensive to buy is the so-called noise generator. These devices are nothing more than a solid-state square-wave generator operating in the 1K-Hz region. Such square waves are extremely rich in higher harmonics, which will pass through any stage in an AM radio. However, their amplitude, and therefore usefulness, falls off drastically as they approach the common FM IF frequency of 10.7 MHz.

Another simple type of signal generator consists of a transis-



tor, battery-powered oscillator using resonant quartz crystals to set the frequency. It can be designed so that the technician either plugs in the needed crystal or he can select with a switch permanently installed crystals. One such unit built by the author has crystals at 100 KHz, 262.5 KHz (common auto radio IF), 455 KHz, 460 KHz, 500 KHz, 1 MHz, 9 MHz, 10 MHz, 10.625 MHz, 10.675 MHz, 10.7 MHz, 10.725 MHz, and 10.775 MHz. The 100 KHz crystal is used as an alignment marker, while the other low-frequency crystals are for common IF frequencies. The 500K-Hz frequency also can be used to mark the 1000K and 1500K-Hz points on an AM radio dial. The 1M- and 10M-Hz crystals are zeroed against WWV, for calibration purposes. Harmonics of 9 MHz provide convenient markers in the FM band at 90, 99, and 108 MHz. The 10.7M-Hz crystal is, of course, for the most frequently found FM IF. The other four frequencies are plus and minus 25 and 75 KHz from the FM IF center frequency of 10.7 MHz. These are used to check discriminator and ratio-detector linearity.

Variable-frequency signal generators can be classified into one or both of two overlapping categories: audio and RF.

Audio generators are generally those which produce an output between 20 Hz and 20,000 Hz. Some types, notably the ones whose frequency is controlled by a set of switched decades, go down to 1 Hz. On the other hand, however, some lab-grade audio oscillators go up to 10 MHz. A little higher and they could be used for such "RF" purposes as FM IF alignment. This is what we mean by "over-lapping categories." Most of the better audio generators have an output meter calibrated in both volts (rms) and dBm. If such an instrument has both a square-wave output and a good attenuator, it also can be used in place of the noise generator mentioned earlier.

Many types and qualities of RF generators are available. In many instances, the technician can get away with using one of the lesser-quality types. Simple signal-injection troubleshooting is one of those times. For alignment purposes, however, these types have too much leakage (RF

coming out somewhere besides the coax jack on the front), instability, and inaccuracy. For alignment, a lab or communications shop-grade instrument generally is preferred.

The quality of RF generators can be divided into several additional categories. First, on the

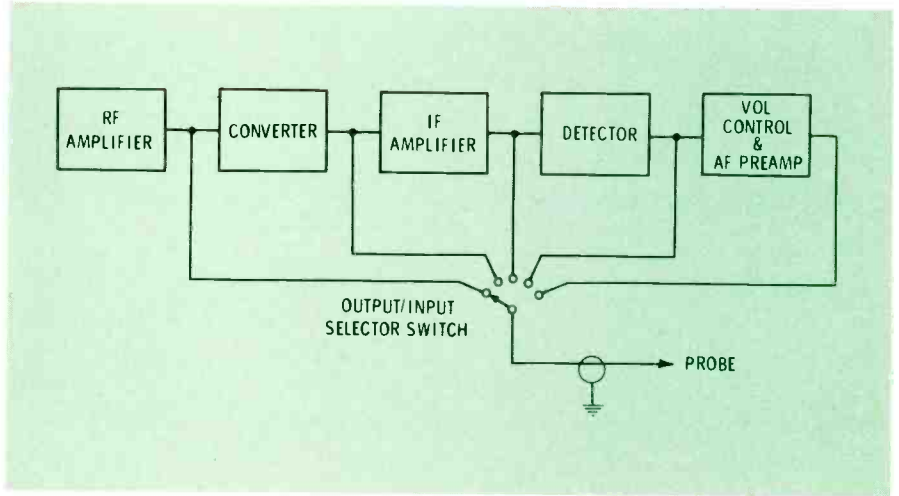


Fig. 1 Block diagram of a tracer/generator built from a discarded AM radio receiver.

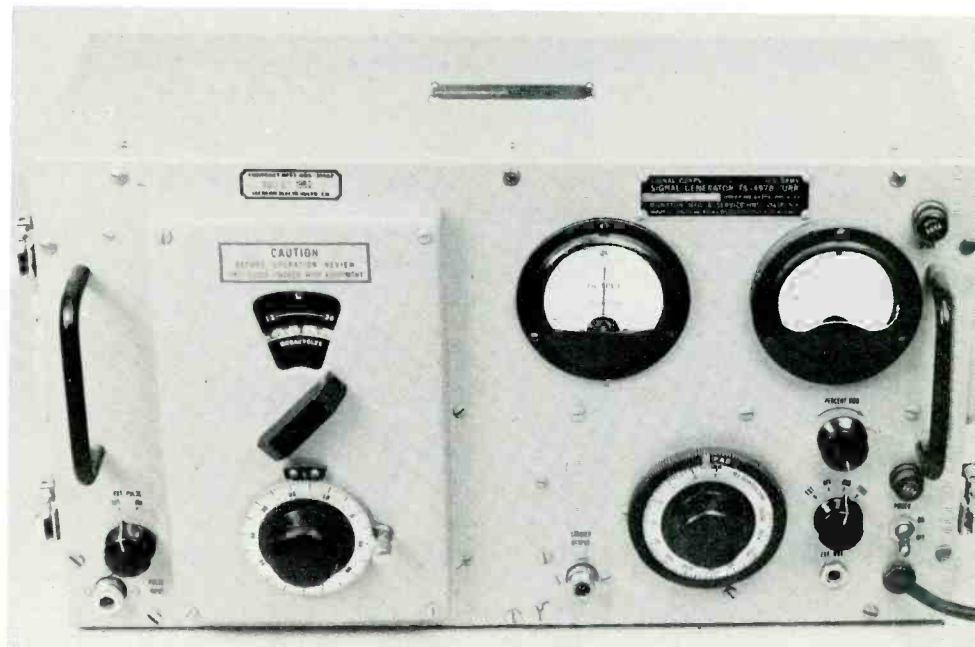


Fig. 2 A typical lab-grade signal generator. This unit offers outputs from 2-400 MHz, with 400- and 1000-Hz modulation up to 30 per cent. It also has a provision for external pulse modulation and is equipped with an attenuator (dial at lower center) accurately calibrated from .1 to 100,000 microvolt. Such generators are popular in communications shops.

low end of the price/quality spectrum are the so-called hobbist signal generators. These usually sell for less than \$100 and often less than \$50.

Next are the service-grade generators. These offer better accuracy, shielding, and stability in a price range of \$80 to \$300 or so. These are the instruments

most often found in repair shops.

No matter how you cut it, though, the parameters of even the best service-grade generator usually do not even come close to equalling those offered by the lab-grade type of RF signal generators. Such generators offer almost no leakage and are much more accurate than their lower-

priced cousins. The prices of lab-type RF signal generators range for \$400 up. Fig. 2 shows one such signal generator. It can be found in two-way radio shops, on production lines, and in R&D labs.

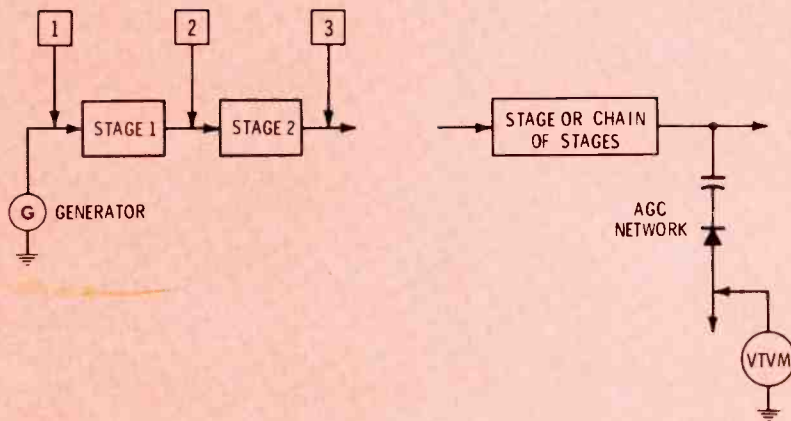
## Other Types Of Signal Tracers

### Scope

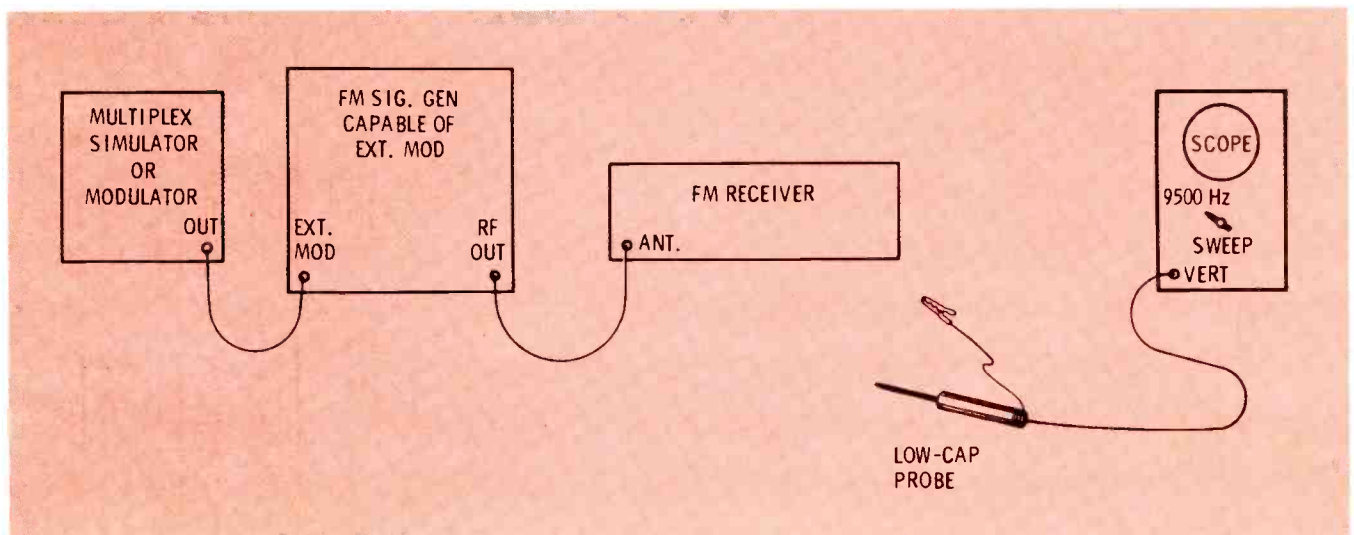
Before moving on to our discussion of troubleshooting methods, we must consider at least two additional types of signal tracers. One of these is the scope. Although its read-out is visual instead of aural, the scope often will present much more information than can an audio amplifier type of tracer.

### VTVM

Another signal tracer is the standard bench VTVM. Although normally thought of in other contexts, this instrument can frequently take the place of the conventional tracer. Technicians who work on VHF FM communications equipment have long used metered test sets for receiver troubleshooting. Any stage that uses grid leak bias, for example, can be checked by measuring the grid current or its related voltage. If all of the stages



**Fig. 3** Combination setup of a signal tracer at the output of a stage or section and a signal generator at the input can be used to measure both stage gain and frequency response. Stage gain is measured by comparing the signal levels at points 1, 2, and 3. Another method is to monitor point 3 while applying a signal to points 1 and 2, in succession. If the input to the AGC network is from a point like 3, it can be monitored.



**Fig. 4** Typical setup of a signal generator and tracer (scope) used to align stereo FM multiplex section.

(Continued on page 35)

(Continued from page 32)

in, say, an IF strip use grid leak bias, the entire section can be checked with a VTVM.

#### VTVM with demodulator probe

The signal tracing effectiveness of the VTVM can be expanded by using an RF demodulator probe in place of the normal DC/AC/Ohms probe. Using this attachment, we can measure RF voltages and trace them from one stage to another. As a matter of fact, some service manuals for Citizens'-Band transceivers specify such a probe for both alignment and troubleshooting operations. One manual, for example, calls for 2.8 volts p-p at point X with 1 microvolt of unmodulated signal applied to antenna input. Such specs immeasurably aid troubleshooting because most of our test equipment will not be so effective at higher frequencies.

## Troubleshooting

### Signal tracing

A signal tracer is used to sample the signal at various points in the set. Start at one end of the radio and work in logical sequence to the other end. Most texts state that signal tracing should start at the RF amplifier. Isolation of the dead stage is accomplished by noting at which point the signal no longer gets through a stage. DC analysis, or perhaps another method, is then used for pin pointing the specific defect.

### Signal injection

When using the signal injection method, start at or near the output stage and substitute a signal from an external generator for the signal normally found in the set. Again, as in signal tracing, the point where the signal fails to go through indicates where, if not what, the difficulty is.

### Combination

A combination method involves the use of a signal tracer at the output of a stage or a chain

of stages and a signal generator at the input. Such a setup can be used, as shown in Fig. 3, to measure both stage gain and frequency response.

#### Which?

At first glance, these procedures appear deceptively simple and universal. An inexperienced person might ask whether or not either might be used, depending only upon the instrument at hand or the technicians preference. In many cases this could be true. Just as often, however, there can be good reason to prefer one over the other.

In some circuits, for example,

the normal signal voltage levels may be too low to use a signal tracer. The input of an RF amplifier or the tap leading to the base connection on the secondary of an IF transformer are two such points. I suppose that this situation has caused a lot of 1st IF transformers to be needlessly replaced.

Another effect of low signal levels is that residual hum and noise pick-up might be sufficient to drown out even some relatively healthy signals. The high gain needed to amplify the signals to a usable level will also amplify all the hum and noise. The unshielded probe found on

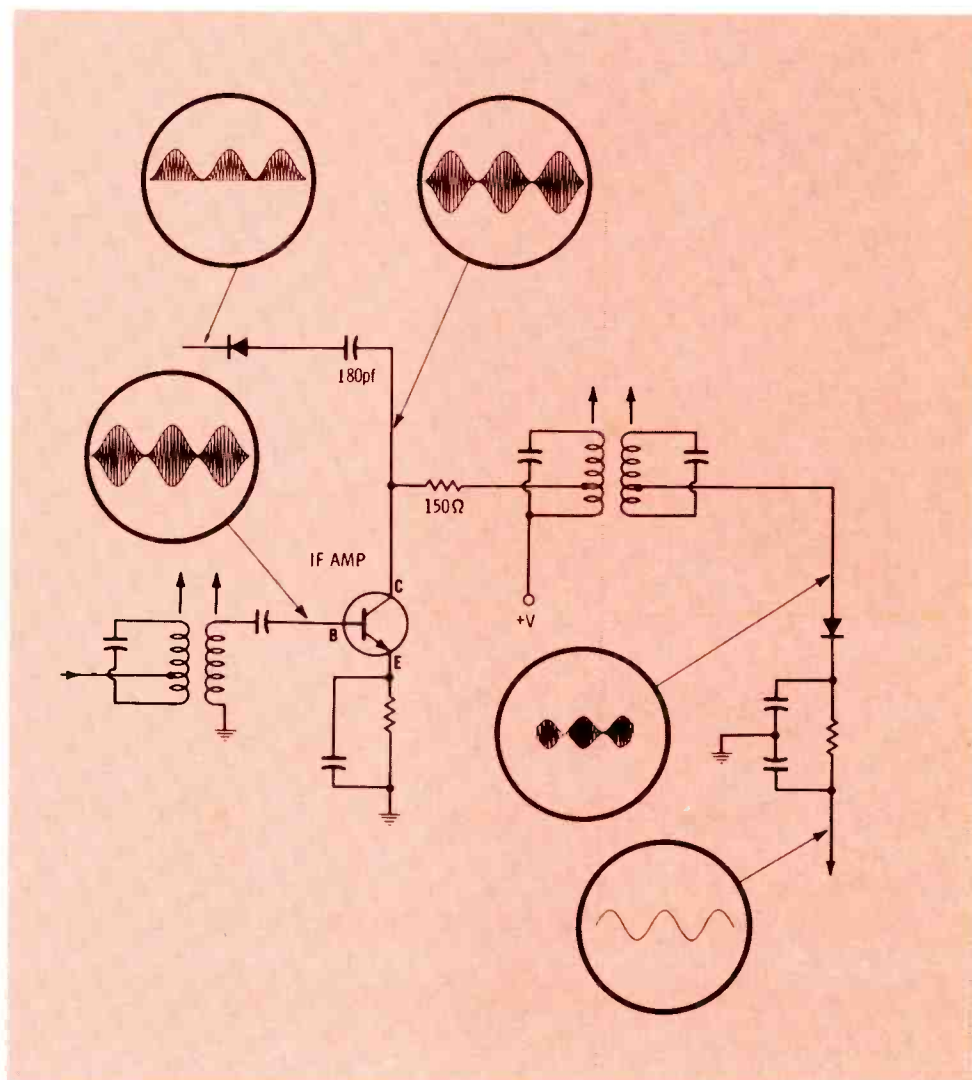
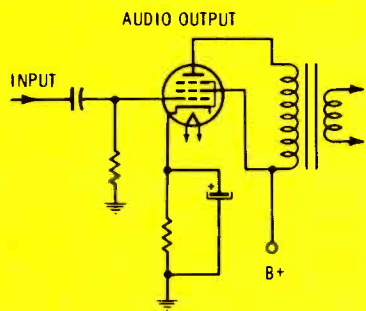


Fig. 5 Schematic diagram of IF amplifier stage of an AM radio showing typical waveforms at key test points.



**Fig. 6** An open cathode bypass capacitor can cause significant reduction of stage amplification without significantly affecting the DC voltages.

many tracers does little to alleviate the situation.

At this point one might ask whether or not it would be wise to just go ahead and use the signal generator at all points in a receiver. It would certainly make a technician's life easier if he only had one test procedure to consider. Unfortunately, though, all signal generators have a low-

impedance output. They range from around 50 ohms in most RF generators to 500 or 600 ohms in audio generators. There are some circuits that simply cannot be tested with a low-impedance instrument. In certain others the test results are less valid because of the low-impedance loading of the generator. The 1 meg-ohm (or higher) input impedance of the signal tracer, on the other hand, produces significantly less circuit loading.

The main criteria, therefore, seems to involve impedance levels and signal strengths. In most cases these two parameters can be used to determine which to use.

### Specific Applications

#### Tape units

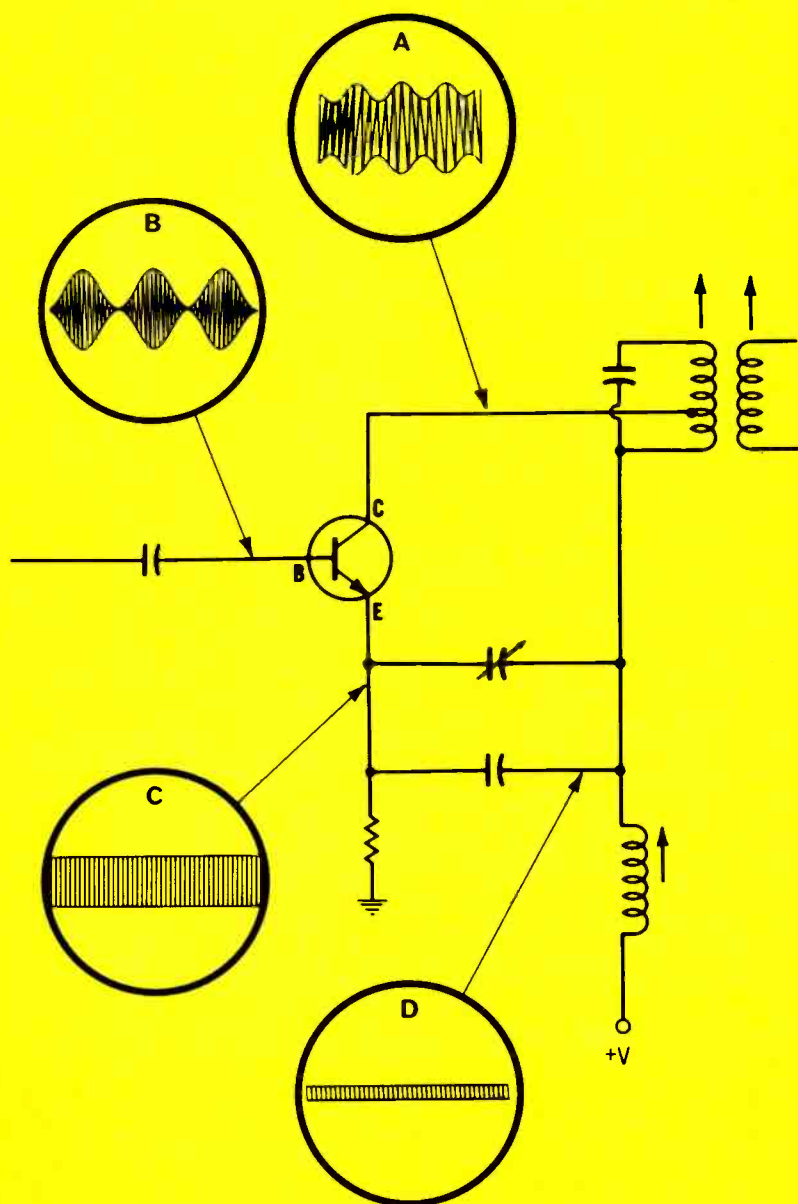
Many four- and eight-track tape systems are designed to be operated in conjunction with an external audio amplifier. Several Ford automotive tape players and numerous imported and domestic home models use this method. The signal tracer will be of great use when working on one of these sets. The usual bench practice is to connect the tape player outputs to the inputs of a low-powered stereo amplifier system installed at the bench just for such servicing. Not all shops, however, do enough audio work to justify keeping an amplifier around. In these cases, a good signal tracer is a must.

#### Stereo alignment

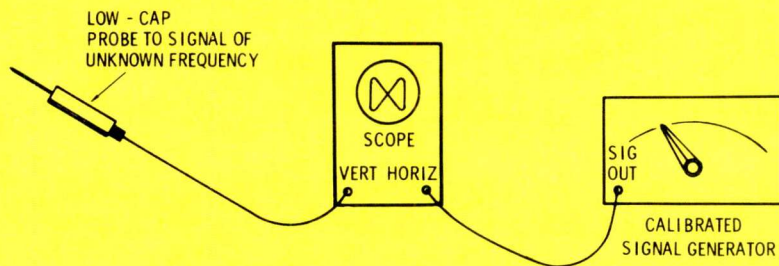
Alignment of stereo FM multiplex stages is another place where both a signal generator and a signal tracer is needed. Fig. 4 shows the setup generally used for FM multiplex alignment.

#### Audio amplifiers in radios

The audio amplifier stage of most radios isn't particularly bothersome to most technicians. A good understanding of test equipment and procedures, however, can make the job speedier and, therefore, more



**Fig. 7** Schematic diagram of the converter stage of an AM radio showing typical waveforms at key test points.



**Fig. 8** Test setup here can be used to determine the approximate frequency at which the oscillator of a radio receiver is operating. Exact measurements at RF frequencies are almost impossible using such a setup.

profitable. A signal tracer, even an inexpensive instrument usually can pick up any signal that might be present at the input of the final audio amplifier. These signals, fortunately, are almost all of a high level. At the plate or collector of this stage, however, it is possible for the signal tracer to produce a false indication. Because this stage provides power amplification instead of voltage amplification, it is possible for the signal to sound strong from the tracer but weak from the loudspeaker.

If the output stage is equipped with an emitter or cathode-bypass capacitor (Fig. 5), you can use the tracer to determine whether or not it is open. An open bypass capacitor can reduce the gain of the stage without significantly upsetting any of the DC voltages. The symptoms of an open bypass are reduced signal at the plate but relatively strong signal at the cathode. This can be a little misleading. In at least one case, the same symptoms occurred with zero plate voltage. It seems that the screen grid acted as the plate and the cathode bypass was too small. As a result, there was a sufficiently strong signal voltage developed across the capacitor to sound very loud in the tracer.

Be careful when interpreting the results of signal injection in the output stage. If you depend on the audio jack of a standard RF-type generator, it might be insufficient. Many audio stages require several volts of drive be-

fore they produce a strong signal from the speaker. Because of this requirement, it might be wise to have on hand one of the audio generators which can produce upwards of 10 volts rms.

Either signal tracer or oscilloscope are a good choice for audio driver or preamplifier stages. A signal generator also can produce good results. On the output side of a preamplifier, however, it will, in effect, be driving the final amplifier. A low-level generator will, at this point, suffer from the insufficient output problems discussed previously.

#### IF amplifiers

There is often good reason to prefer the oscilloscope over other instruments when troubleshooting an IF amplifier stage. In many solid-state sets, for example, the voltage at the tap (base connection) of the secondary of the first IF transformer is too low to drive the standard audio amplifier/demodulator probe type of signal tracer. At the plate or collector of most IF amplifiers there is usually plenty of signal available to a tracer.

To provide plenty of sensitivity (height), a scope should have a bandwidth (3 dB point) of at least twice the IF frequency being viewed. This means 600 KHz in auto radios, 900 KHz in regular radios, and 21 MHz for FM sets. The lower IF frequencies will be displayed easily by the average service-type oscilloscope.

Another good reason to use the scope is that the AGC detector, as well as the capacitor feeding it, can be checked for proper operation. The pattern will be similar to that in Fig. 5.

A signal generator used in the IF stage must either be of the noise generator variety or it must be dialed to a specific frequency. While the accuracy of the test isn't affected by having to "dial up" the frequency, it does take a little more time than does the noise generator.

#### Oscillator/mixer (converter)

The oscillator/mixer stage causes more than its share of headscratching at troubleshooting time. An audio amplifier type of tracer will show whether or not a modulated signal is passing through the stage, but that's about all it can show. A scope, on the other hand, will show a lot more. It can, for example, show whether the oscillator is running. If modulation shows up on the waveform at the output, we also know that proper mixer action is taking place. If it is properly calibrated, the scope also will tell the precise amplitude of the input, output, and oscillator signals (Fig. 7). With a signal generator connected to the scope, as shown in Fig. 8, you can determine the approximate frequency of the oscillator. Again, if the scope is properly calibrated, you can make frequency measurements without the signal generator by comparing the number of squares per cycle and the sweep frequency of the scope.

#### RF amplifier

The weak signal levels in the RF amplifier often will cause a standard signal tracer to be useless. For this reason, it is often necessary to resort to either a signal generator or a scope. Do not be too surprised if your signal generator actually shows a slight loss when switched from the output to the input of the RF amplifier. □

# Practical Information About Transistors

by Bruce Anderson/ES Contributing Author

*Facts you should know about biasing, overvoltage and overcurrent, and substitution.*

## Biasing

Unlike a tube, which usually will function if there is some plate voltage applied to it, a transistor requires that its base be forward biased with respect to the emitter—in addition to requiring that the collector have a supply voltage. It sometimes is convenient to think of a tube as a "normally conducting" device, and a transistor as a device which is "normally cut off." We won't insist on this concept, or even attempt to prove it; it just is a handy way to keep things straight.

Fig. 1 shows the two basic types of transistors: NPN and PNP. Two ways of connecting supply voltage to each basic type is shown. In the case of an NPN device, either positive or negative supply voltage may be used, provided the collector is positive with respect to the emitter. If the device is a PNP type, the exact opposite is true: The emitter must be positive with respect to the collector.

A transistor must be forward biased to conduct. For NPN transistors, the base must be positive with respect to the emitter; for PNP's, the base must be negative. This is important, but what is more important, the bias

voltage of a *conducting* transistor is determined by the transistor itself and not by the external circuit.

Fig. 2 helps illustrate this point. It would appear that the voltage on the transistor base would be determined by the supply voltage and the resistance ratio of R1 and R2. If we were dealing with a tube, this probably would be true. However, in a transistor circuit, the relative values of R1 and R2 will determine base voltage only so long as the transistor is cut off. Once the transistor begins conduction, the base-emitter voltage will remain at whatever the characteristic voltage for the particular transistor happens to be.

Transistors today come in two basic "breeds": germanium and silicon, each of which has a characteristic base voltage. For germanium devices, the voltage drop across the emitter-base junction is about .3 volt. For silicon devices, the drop is about .7 volt. This voltage is the drop across the junction itself, and not necessarily from the base to any other point except the emitter.

The *polarity* of the emitter-base voltage drop depends on the type of transistor. For PNP transistors, the base will be neg-

ative with respect to the emitter; the polarity is opposite for the NPN type. This can be remembered easily, because the middle letter of the basic type tells the polarity of base bias required for conduction—positive for NPN; negative for PNP.

This characteristic of a transistor which causes the emitter-to-base voltage to remain relatively constant once the transistor conducts can be used, in many cases, to check transistors in the circuit. For example, in Fig. 2 the voltage from emitter to base can never exceed .7 volt (with the base positive relative to the emitter). If it is greater than this, the transistor is open. If the transistor were a germanium type, this voltage could not exceed .3 volt. By the same reasoning, the base voltage of a conducting germanium transistor should not be significantly less than .3 volt, if the transistor is conducting in its correct manner. If it is conducting appreciably and the base is significantly less than .3 volt positive with respect to the emitter, the transistor is abnormally leaky or shorted.

The "hooker" in the last statement was the word *appreciably*. In the case of low-power transistors, especially the silicon type,

there will be practically no collector current if the base is cut off. There might be a small amount of normal leakage current through the collector of a power-type transistor, especially if the transistor is made of germanium. In any case, it is likely that there is trouble if the collector voltage is less than 90 percent of the supply voltage when the base/emitter junction is cut off. As a general rule, if a power transistor runs hot with no signal, the leakage is excessive.

The junctions can be checked out of the circuit with reasonable accuracy with an ohmmeter. Because neither the emitter-base junction nor the collector-base junction can conduct in the reverse direction, a simple diode check will tell if either one is open or shorted. Fig. 3 shows the equivalent diode circuit of an NPN transistor; the diodes would be reversed if a PNP device were shown. To check the device, first connect the positive ohmmeter lead to the base terminal. The resistance between the base and either the collector or the

emitter should be relatively low. Then, reverse the leads; the resistance between base and either emitter or collector should be significantly higher.

To find out which is the base and also to determine whether the device is NPN or PNP, check resistances between transistor terminals until you identify the pair which always has high resistance, regardless of ohmmeter polarity. These two terminals are the collector and emitter. If no such pair can be found, the transistor is probably defective.

Having found the base by the previously described method, the device is NPN if the positive ohmmeter lead must be hooked to the base to obtain an indication of low resistance.

There are some transistors which have very low reverse-voltage ratings for the emitter-base junction. If you encounter one of these, the indication will be the same as a shorted emitter-base junction. These transistors are most often found in high-frequency applications, such as IF or chroma-bandpass amplifiers. They can be checked with an ohmmeter if the battery

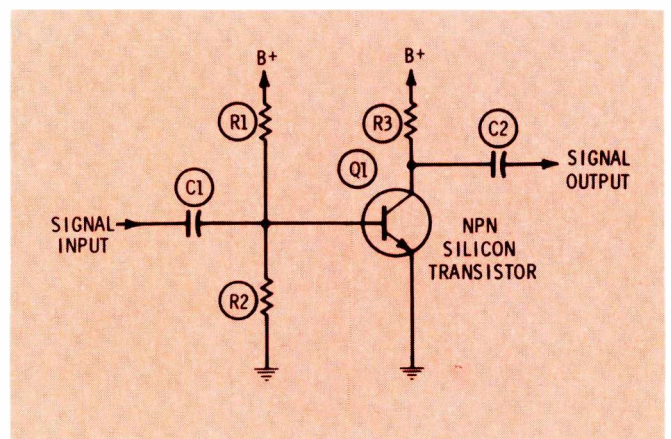
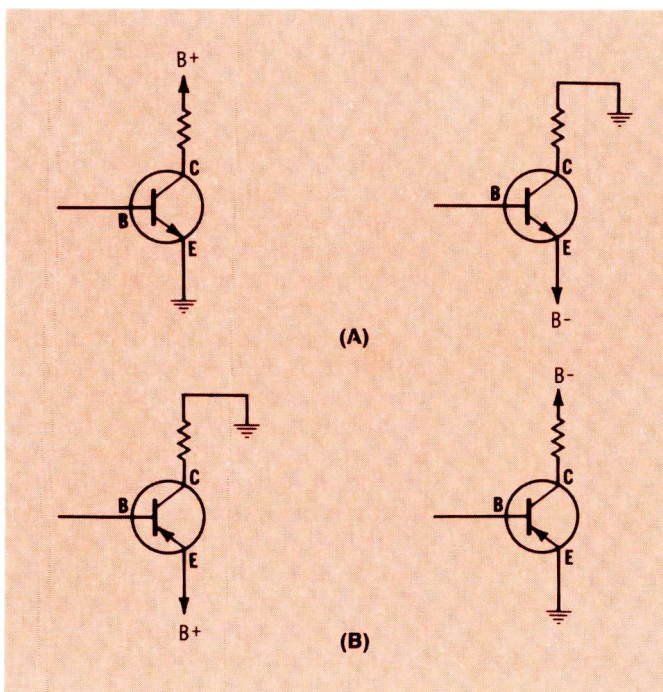
voltage is reduced to less than a volt, or a transistor checker with the lowest scale selected can be used.

Because the transistor checker has been mentioned, a comment or two about them is in order. These testers are convenient in many cases—more so than an ohmmeter—and often they may be used for in-circuit testing with either more convenience or more accuracy.

On the other hand, don't put too much faith in the Alpha or Beta measurements which you obtain from them. Because transistors do not "wear out," there is no transistor equivalent to a weak tube. With transistors, a "go/no-go" test usually tells all that is required. A transistor tester is useful to match transistors, or to select a transistor for an application where the required Beta is known; but Beta checking as a troubleshooting technique seldom is necessary.

### Overvoltage and Overcurrent

It is probably safe to say that anyone who hasn't momentarily shorted the grid or cathode of a tube to B+ just hasn't done



**Fig. 2** Typical NPN common-emitter amplifier. Resistors R1 & R2 determine base voltage only when the transistor is cutoff. When it conducts, the base voltage will revert to the value characteristic of the particular type of transistor used—about .3 volt for germanium types, and .7 volt for silicons.

**Fig. 1** Two methods of properly connecting the two basic types of transistors to sources of voltage. (A) NPN transistors. (B) PNP transistors.

# NEW from TAB

**NOW—CHOOSE FROM 23 ALL-IN-ONE COLOR TV & B & W TV SCHEMATIC/SERVICING MANUALS**



Each Manual contains **EVERYTHING** you need to service all models of the brands covered. Now, in each convenient manual, you can have immediate access to all the pertinent information you need to service brand-name Color & B & W TV sets. Each manual contains complete foldout schematic diagrams, field-service data, alignment instructions, setup and convergence procedures, and other servicing data. All 8 1/2"x11".

### JUST PUBLISHED!

- MAGNAVOX COLOR TV SERVICE MANUAL—VOL. 2**  
Covers T929, T950, T951, T952, T956, T957, T958, T962 chassis.  
No. 589 Leatherette cover \$7.95; paper \$4.95
- MOTOROLA COLOR TV SERVICE MANUAL—VOL. 2**  
Covers New Quasars, Quasar II and additional trouble-shooting data for the original Quasar.  
No. 584 Leatherette cover \$7.95; paper \$4.95
- RCA COLOR TV SERVICE MANUAL—VOL. 2**  
Covers CTC39X, CTC46, CTC49, CTC41, CTC41X, CTC42X, CTC43, CTC43X, CTC50, CTC51, CTC52, CTC53, CTC55 Chassis & Remote-Contr. CTC54.  
No. 578 Leatherette cover \$7.95; paper \$4.95

### RECENTLY PUBLISHED MANUALS

- ADMIRAL COLOR TV SERVICE MANUAL**  
Covers all chassis designations from D11 (1965) through the 1971 K10 hybrid series.  
No. 545 Leatherette cover \$7.95; paper \$4.95
- G.E. COLOR TV SERVICE MANUAL**  
Covers all chassis designations from CA through KE, including HB and HC Porta-Color models.  
No. 536 Leatherette cover \$7.95; paper \$4.95
- JAPANESE COLOR TV SERVICE MANUAL—VOL. 1**  
Covers SONY chassis KV7010UA, KV9000U, KV1200U, KV1220U; Midland chassis 15-214; and Sharp chassis CU-50P, CN-32T, CT-51P, CY-61P, CN-62P, C2010-2030, C6010-8010-9310.  
No. 560 Leatherette cover \$7.95; paper \$4.95
- JAPANESE COLOR TV SERVICE MANUAL—VOL. 2**  
Covers Panasonic chassis CT25, 65, 95, 97, 98, 99; Hitachi chassis CFA450, 460, CNU870, 880, 890, CSU690; JVC America Delmonico chassis 7208, 7300, 7408, 7438, 7500.  
No. 576 Leatherette cover \$7.95; paper \$4.95
- MAGNAVOX COLOR TV SERVICE MANUAL**  
Covers all chassis designations from series 37 through T490, including hybrid chassis T936.  
No. 526 Leatherette cover \$7.95; paper \$4.95
- MOTOROLA COLOR TV SERVICE MANUAL**  
Covers all models using chassis designation TS-907 through TC-924, including TS-915/919.  
No. 509 Leatherette cover \$7.95; paper \$4.95
- PHILCO COLOR TV SERVICE MANUAL**  
Covers all chassis designations from 15M90-91 through the hybrid 20QT88, including T5062WA.  
No. 522 Leatherette cover \$7.95; paper \$4.95
- RCA COLOR TV SERVICE MANUAL—VOL. 1**  
Covers 23 different chassis designations, from CTC-12 to all solid-state TC40.  
No. 496 Leatherette cover \$7.95; paper \$4.95
- SYLVANIA COLOR TV SERVICE MANUAL**  
Covers all chassis designations from 576 through E01, the newest solid-state model.  
No. 539 Leatherette cover \$7.95; paper \$4.95
- ZENITH COLOR TV SERVICE MANUAL—VOL. 1**  
Covers all chassis designations from 27KC20 through hybrid models, including 14Z8C50.  
No. 502 Leatherette Cov. \$7.95; paper \$4.95
- ZENITH COLOR TV SERVICE MANUAL—VOL. 2**  
Covers all chassis not included in Vol. 1—from 12ABC14 thru all-transistor 4B25C19 and 40-BC50.  
No. 562 Leatherette cover \$7.95; paper \$4.95

**ALSO AVAILABLE—MANUALS FOR B & W SETS**  
Admiral, G.E., Magnavox, Motorola, Philco, RCA, Sylvania and Zenith—same price as color manuals.

**HOW TO REPAIR SOLID-STATE IMPORTS**  
A large, diversified collection of schematics and service data for nearly 100 popular foreign-made radios, tape recorders, and B & W sets. 160 pps., 8 1/2"x11" plus schematic foldout section.  
No. 532 Leatherette cover \$7.95; paper \$4.95

**Use Handy Coupon Below to Order Manuals on 10-DAY FREE TRIAL!**

**TAB BOOKS, Blue Ridge Summit, Pa. 17214**

Please send me the Book Nos. Checked:

- 496  502  509  522  526  532  
 536  539  545  560  562  576  
 578  584  589  B & W (specify).....  
 I have enclosed \$..... Send postpaid.  
 Please invoice me on 10-day free trial.

Name .....

Address .....

City ..... State..... Zip.....

If paying in foreign currency, add 10% exchange fee. Pennsylvania residents must add 6% sales tax. ES-32

much service work. Also, it is not uncommon for some circuit component to malfunction, placing an abnormal voltage on a tube element. In many cases no damage is done; the tube continues to operate just as soon as the external trouble is corrected. Transistors are much less forgiving in this respect, one shot of over-current and the device is ruined.

A look into the characteristics of a transistor will help to explain why. As we have already pointed out, the voltage drop across the base-emitter junction of a transistor is practically constant, regardless of current. Because of this, there always must be some external means of limiting the current. In Fig. 2, for example, the value of R1 always must be large enough to limit the base current to less than the maximum rating of the device.

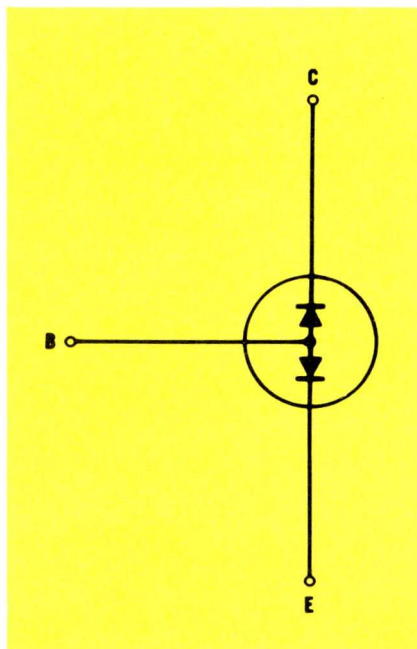
If the base of an NPN transistor is shorted to B+, the current through the device is limited almost entirely by the impedance of the power supply. Accordingly, the base current might increase to several am-

peres, causing an immediate and drastic increase of junction temperature, and almost certain failure.

In addition to the obvious method of accidentally shorting the base to a low-impedance source of voltage, there are a couple of other good ways to destroy a transistor. One of these is to use test equipment or soldering irons which have AC line leakage. Even though only a volt or two is available, if the leakage resistance is low enough, it can cause very high junction current in the transistor.

Another good way to destroy a transistor is to use a large coupling capacitor to inject or observe a signal on the base of a transistor. Suppose you inject a signal at the collector of Q1 in Fig. 4, but nothing comes out of the amplifier. Your next step would be to inject a signal at the base of Q2. However, the blocking capacitor connected to the oscillator now has a big, fat 15 volts stuffed into it, with absolutely no place to go—yet. If you connect the test lead to the base of Q2, this capacitor will discharge right through the base-emitter junction, and, even though the capacitance is only .1 mfd, it can produce an instantaneous current of several amps, which will destroy Q2.

The same results can occur when the output-meter function of an ordinary VOM is used. Fig. 5 shows the essentials of a VOM when the meter is set for the output function. Many VOM's have a sensitivity of 1000 ohms per volt on the AC scales, and, because we are looking for a small signal, we have selected the 1-volt scale. This means that the combined resistance of the meter movement and the multiplier resistor is 1000 ohms. So we check for signal at the collector of Q1 and, sure enough, we have some. We decide to check at the base of Q2 ... That's right, 15 volts on the



**Fig. 3** Equivalent diode circuit of an NPN transistor.



capacitor, discharging through the 1000 ohms of meter resistance, dumps about 15 ma through the transistor. Although some transistors will withstand such current, smart technicians use the smallest blocking capacitor that will pass the signal they are working with, and carefully discharge it after it is disconnected from any circuit.

Some technicians favor less exotic methods of getting their quotas of destroyed transistors. One type believes that a big soldering gun heats faster and so saves a lot of time. Of course, he has to work fast, before the excessive heat flows up the transistor lead to the junction. He can do it, too, maybe nine times out of ten.

Then there is the fellow who likes to make connections to transistors while the set is turned on. This saves a lot of time—excluding the time spent in changing transistors.

The same technician has a buddy down the street (they trade a lot of parts back and forth, particularly transistors) who doesn't believe in always connecting the ground lead of the test equipment first.

Other fraternity members are the fellows who collect heat sinks (to augment their tube-shield collection), and those who won't dirty their fingers by applying heat-conducting compound to power transistors before installing them.

#### **Tolerances and Substitutions**

Most everyone knows by now that the characteristics of transistors of a given type might vary over a wide range. We've heard that nobody designs transistors; the manufacturer simply makes a batch and then sorts them. We can't quite agree, in spite of some of the evidence.

Manufacturers cannot recommend a substitute device unless all units of the proposed substitute type will meet specifications of the original transistor. Nor

can they be expected to recommend a substitute which will degrade performance, even if only slightly. Further, it is practically impossible to evaluate all new transistor types to determine if they will function satisfactorily in equipment manufactured at some earlier date.

On the other hand, manufacturers of replacement transistors cannot know all of the design criteria of all the circuits in which it seems that a certain transistor will function satisfactorily. Therefore, they might claim, quite innocently, that a replacement type will perform satisfactorily as a substitute for some other type, even though it actually might not in every circuit.

The transistor substitution situation is not quite as bad as it might seem. While the loose tolerances of transistors might give designers a lot of sleepless nights, it can be made to work for the service technician. Because most well-designed circuits will accept a wide range of transistor characteristics, it quite often is possible to make substitutions with transistors which might seem to be closely related to the original.

If a transistor fails and there is no recommended replacement at hand, try a transistor which performs a similar function in some other instrument and/or which has characteristics similar to those of the original. Of course, the proposed substitute must be of the same basic type (PNP or NPN).

It is usual to design a circuit using a transistor which can withstand approximately twice as much collector voltage as is available from the power supply. Therefore, a transistor used in a circuit having 30 volts B+ can be used without fear of excessive collector voltage in some circuit having an equal or lower supply voltage. There is no guarantee that the transistor will work, but at least you will be on

## STAY TUNED

To *Big Red*... the spray foam that cleans, polishes and lubricates TV tuners to save you time and effort. Use on all color and black & white tuners to help eliminate noise and improve picture quality, without drift or detuning. It's non-flammable, non-toxic and safe for plastics. *Big Red's* just one of a full line of electronic spray chemicals available from your RCA Parts and Accessories Distributor.

Stay tuned with *Big Red*. And your customers will stay switched-on.

RCA Parts and Accessories,  
Deptford, N.J. 08096



Circle 20 on literature card

# AUDIO SWEEP GENERATOR

## \$108.09

Available as Kit \$84.85



Continuously sweeps the entire audio range ELECTRONICALLY!

Or use it as a function generator.

### SPECIFICATIONS & FEATURES

Functions: sine, square, triangle, positive and negative sawtooth with variable slope control

Controls: range, frequency, functions, attenuator, sweep speed (VCO frequency), VCO amplitude

Frequency Range: 0.02 Hz. to 20 KHz — all functions

Dial Accuracy: better than 2% linear

Power: 115 vac, 50/60 Hz

Output Impedance: 50 OHMS

Output Voltage: 0-10 volts, peak-peak

Sweep Speed: variable 1/25 sec.-10 sec.

Sweep Width: continuously variable  
maximum; 20Hz-20KHz  
minimum; zero!

Waveform Distortion: less than 1% (sine, square, triangle)

Frequency Response: 20Hz.-20KHz  $\pm 1$  db

Frequency Stability: 0.1% per  $^{\circ}$ C (0-50 $^{\circ}$ C)

Square Wave Rise Time: less than 80 ns.

Triangle Linearity Error: less than 0.5%

VCO Access: use the ASG-200 to trigger other equipment, or use other outputs to trigger the ASG-200!

Added Features: smooth continuous sweep, no external inputs needed, short-circuit proof!

Dimensions: 4 $\frac{3}{4}$  in. high, 8 $\frac{1}{4}$  in. wide, 6 $\frac{1}{2}$  in. deep

Weight: 48 ounces

**Purchase price includes factory assembly and testing, two year warranty and a ten day money-back guarantee if not satisfied for any reason!**



### PHASE CORPORATION

315A Boston Ave., Medford, Mass 02155  
617-395-4401 DEPT A

SHIP ORDER TO \_\_\_\_\_

Check Enclosed For \$ \_\_\_\_\_

Charge My Master Charge # \_\_\_\_\_

Charge My BankAmericard # \_\_\_\_\_

Ship C.O.D. \_\_\_\_\_

Mass. Residents Add 3% Sales Tax

Pre-paid shipping on all cash orders.

3/72

Circle 21 on literature card

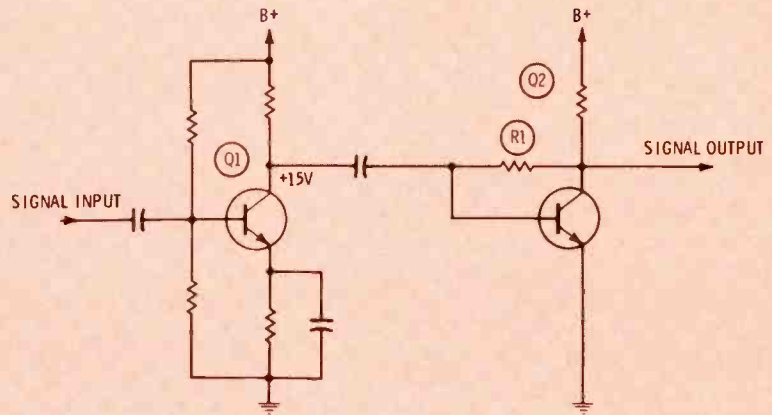


Fig. 4 Typical two-stage audio amplifier.

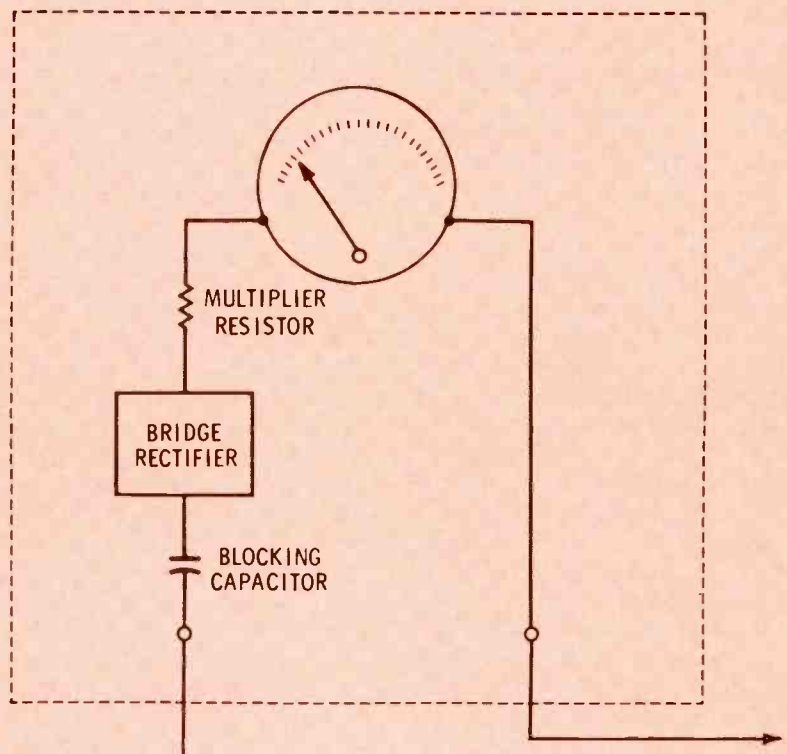


Fig. 5 Simplified diagram of the circuitry which exists when the output function of a VOM is selected.

the right track.

After the proposed substitute is installed, measure the collector voltage. Normally, this should be about one-half the supply voltage in a common-emitter or common-base circuit. In a common-collector or emitter-follower circuit, the emitter voltage probably should be about one-half of the supply voltage. If the voltage at the collector (or emitter) is indicated on the schematic, it should be

considered as the normal, or reference, value.

It requires only a little careful thought to decide whether the collector current is excessive or insufficient if the voltage is abnormal, and this may be corrected by a bit of circuit modification. For example, to decrease the collector voltage of a common-emitter amplifier, it is necessary to increase the collector current. This is accomplished by slightly increasing the

forward bias. Locate the resistor which provides the forward bias to the base of the transistor (R1 of either Fig. 2 or Fig. 4) and try tacking across it another resistor which is five times larger. This will give you an idea of what is required. As a precaution, if more than a 25 per cent change in biasing resistance is required, you should look for another substitute.

In direct-coupled circuits, such as Fig. 6, increasing the value of R1 is an easy way to reduce the collector current of Q2 after either Q1 or Q2 has been substituted. Many direct-coupled circuits have feedback loops which tend to stabilize the operating potentials, effectively increasing the tolerance of the devices.

When substituting a power transistor, make sure that the new device does not overheat. Check the operating temperature with your finger several times during the first few minutes of operation. If the new device gets uncomfortably warm, you have a problem; if you allow it to continue to operate, you probably will have another dead transistor.

So far, we have ignored the problem of Beta (gain). If you have enough data available to determine the characteristics of both the defective and the replacement transistors, a replacement should be chosen with approximately the same Beta, and it may be assumed that the gain will be near enough to the original gain to be satisfactory. If data is not available, about the only approach is to install the prospective substitute and see what happens.

If the gain is excessive, it is no big problem to reduce it. Removing a bypass capacitor from across the emitter resistor of a common-emitter amplifier will reduce its gain. The gain might be reduced too much; if so, divide the total emitter resistance between two resistors and

## Quick-Servicing Info About COLOR TV, B-W TV, and STEREO



**COLOR TV . . .** Now in one easy-reference book, all of the practical color TV troubleshooting information published in TV TECH AID in 1970 . . . A valuable, single source which lists the symptoms, probable causes and proven cures of over 400 recurring troubles in major-brand color TV, plus tried-and-proven troubleshooting tips . . . Indexed by brand and chassis or model number for fast reference . . . **ONLY 5.95**

**BLACK-AND-WHITE TV and stereo . . .** By popular request, the publishers of TV TECH AID have compiled in one book over 400 symptoms, causes and cures of troubles that have recurred in leading brands of b-w TV and stereo . . . Indexed by brand and chassis or model number, for quick reference . . . **ONLY 5.95**

## TV TECH AID

answers technicians' requests . . . the causes and cures of recurring troubles in major-brands of color and b-w TV are now available in separate books . . . each of which provides exclusive coverage of either color or b-w TV (Stereo coverage is included in the B-W Volume)

## TV TECH AID

P.O. Box 603  
Kings Park, N.Y. 11754

ENCLOSED IS A CHECK OR  
MONEY ORDER FOR \$.....

**PLEASE SEND:**

- B-W TV BOOK (\$5.95)     COLOR TV BOOK \$5.95  
 1972 TV TECH AID-12 issues-\$7.95

TO:

Name .....

Address .....

City .....

State ..... Zip.....

Circle 22 on literature card

AVAILABLE NOW!

Johnson's new  
**Duo-Scan™**  
puts it all  
together.



- Low band and high band channels in any combination
- Auto-scan with push-button "lock-out" plus manual
- Base and mobile operation with built-in power supply

**\$169<sup>95</sup>** suggested price

You're going to hear  
more from...  
**JOHNSON**



1212

® Waseca, Minnesota 56093

Circle 23 on literature card

**WORKMAN** *Electronic*  
Subsidiary of IPM TECHNOLOGY INC. PRODUCTS, INC.  
BOX 3828 SARASOTA, FLA. 33578

**OEM and REPLACEMENT  
MANUFACTURERS OF**

**FAIL SAFE**

**CIRCUIT  
BREAKERS**

IN MOLDED BLACK PHENOLIC CASE

**WEP FA7**

14 Models  
FA1 to FA7  
& FAD Dual  
BREAKER

**FREE** BUTTON EXTENSION  
IN PACKAGE

**FREE** VEST POCKET  
CROSS REFERENCE

ASK FOR BOOKLET # X53

RECOGNIZED UNDER THE  
COMPONENT PROGRAM OF  
**UNDERWRITERS' LABORATORIES, INC.**

Circle 24 on literature card

bypass only one of them, as shown in Fig. 7. The unbypassed emitter resistor will provide degenerative feedback, which reduces gain but also increases the input impedance of the transistor; however, this increased impedance probably will not cause any problems.

If the amplifier does not have enough gain after the transistor has been changed, it sometimes is possible to get a moderate increase by increasing the value of the collector resistor. Or, if there is unbypassed resistance in the emitter circuit, bypassing a portion of this resistance will

increase the gain.

Many amplifiers are biased in the manner shown in Fig. 8. R2 provides the bias current for the base. (R3 often is not used.) Because degenerative feedback also is provided by R2, increasing the value of it will increase gain, and vice versa. Changing the value of R2 also will change the bias current, and consequently, the collector voltage. An easy way to change the amount of feedback, and therefore the gain, without affecting the bias current is to "split" R2 and then bypass the feedback signal to ground, or around part of the biasing resistance, as required. This is shown in Fig. 8.

When attempting to substitute a transistor which operates in the video or intermediate-frequency spectrum, the internal capacitances of the device often are important. Consequently, a proposed replacement transistor which has similar ratings in other respects might not function satisfactorily. This sometimes can be improved by alignment, but the effort is seldom justified.

Another problem stems from the fact that some television IF amplifiers use forward AGC biasing; for example, more collector current reduces the gain. The gain-versus-bias characteristic of transistors used in these circuits usually is critical. However, a substitute from a similar circuit in another receiver might work.

### Summary

Three of the inherent characteristics of the transistor are: 1) Its requirement for forward bias to turn it on; 2) its susceptibility to damage from over-current; and 3) the wide range of tolerances encountered within a type. While these characteristics generally are considered sources of problems, it is possible, in some cases, to turn them to advantage, or, at least, to

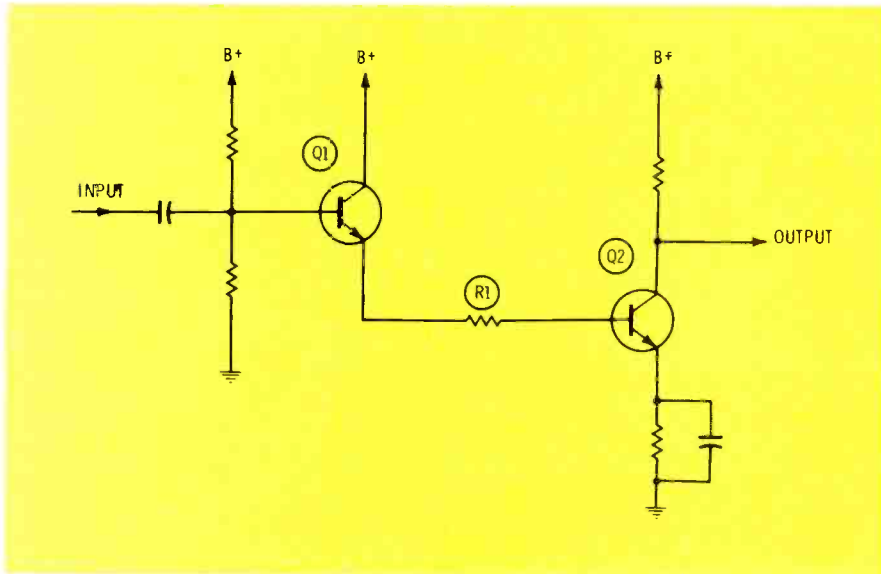


Fig. 6 Direct-coupled solid-state amplifier. Increasing the value of R1 reduces the collector current of Q2.

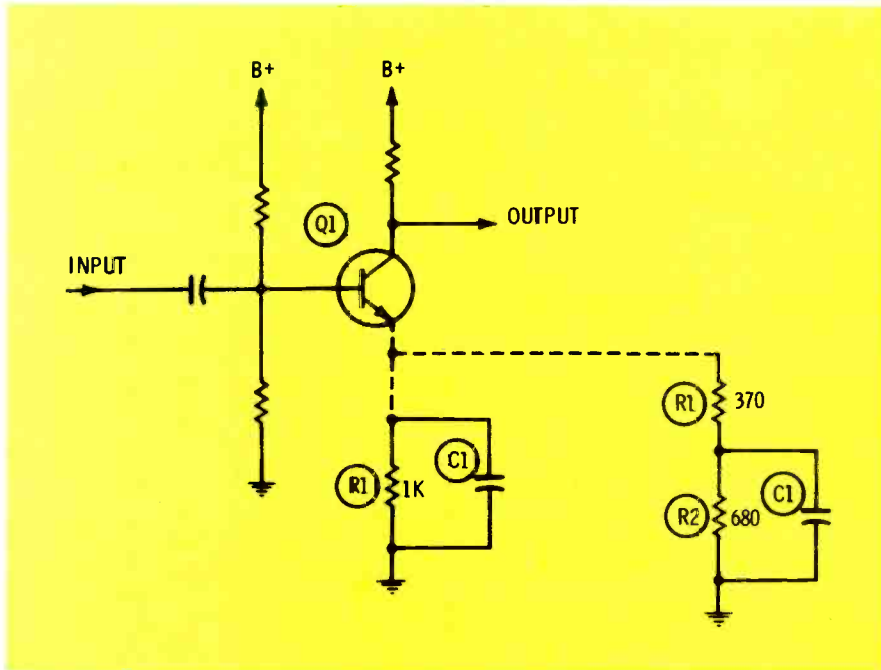


Fig. 7 Bypassing only a portion of the total emitter resistance instead of all is one method of reducing the Beta, or gain, of the amplifier.

develop techniques which eliminate or reduce the problems.

By making use of the voltage drop across the base-emitter junction, it is possible to test most transistors with nothing more complex than a VOM. By removing the forward bias while a transistor is in its circuit, it is possible to check most devices for shorts and leakage. If the transistor is out of the circuit, its base and basic type can be identified and it can be determined whether it is good or defective by measuring junction resistances.

Some of the better methods of damaging good transistors were discussed in this article. These ranged from test-equipment hookups to simple tricks like using a 200-watt soldering iron and connecting the "high" sides of test equipment before attaching ground connections.

Finally, some of the ins and outs of transistor substituting were mentioned. Substitution guides are always a help, as are the data supplied by vendors of all-purpose transistors; but to a large degree, "it's every man for himself." Some of the tricks of making a similar transistor work in place of the original were discussed; there are many more. Admittedly, the time spent in cooking up a substitution job might better be spent doing something else—unless the "something else" is explaining to an irate customer why her instrument isn't fixed after two weeks. And, while the tricks may look good on paper, there are some sad surprises in store for those who expect the best every time. But, pulling a substitution trick out of the hat can make a fellow look awfully good on occasions. □

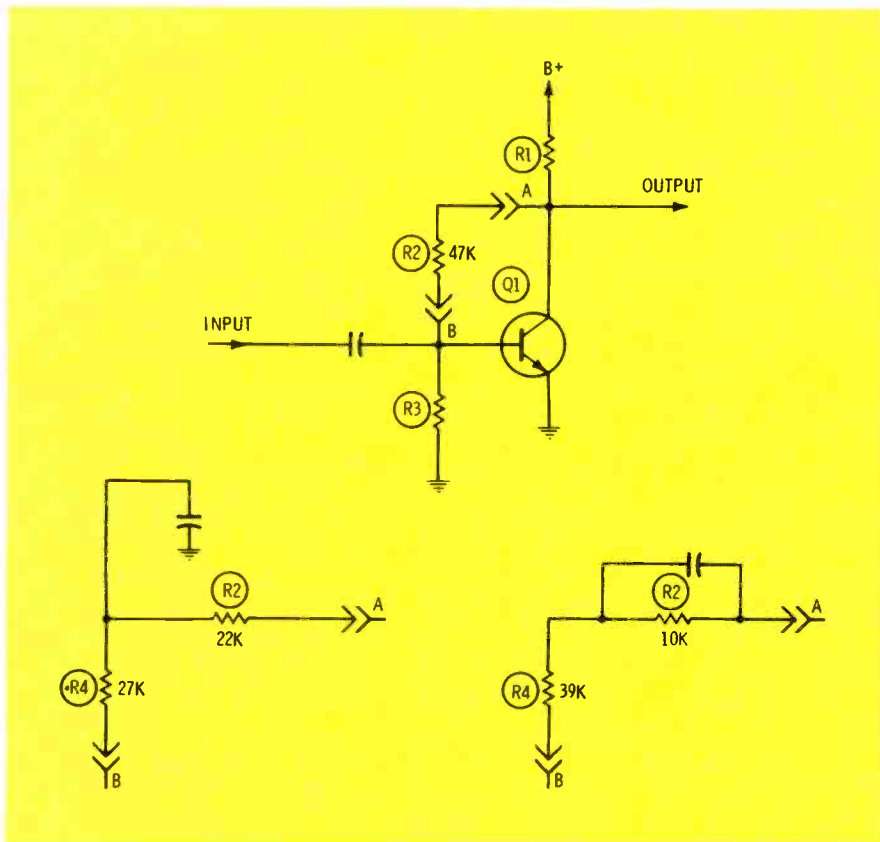


Fig. 8 Shown here is a method of changing the collector-base feedback to vary the gain. See text for details.

# TeleMatic

PROFESSIONAL COLOR TV SERVICE EQUIPMENT

## ECONO JIG

Co or Test Jig



\$49.95 Net  
1 test tube

- Complete with all components and cables.
- Durable metal cabinet.
- Professional equipment for rapid servicing.

## ADAPT-ALLS

Yoke Convergence Adaptors



- To service *all* sets with any test jig.
- FREE: Write for cross-reference listing thousands of sets.

## TRANSVERTERS

Service Solid State TV



- On any make test jig with simple plug-in Transverter.

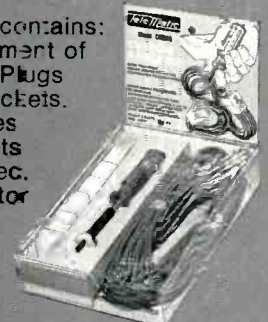
## MOLEX CUSTOM

CABLE KIT

Make all combinations of Molex Cables

CR-596 contains:

- Assortment of Molex Plugs and sockets.
- 18 wires contacts attached.
- Extractor tool.



TELEMATIC DIV., UXL CORP.  
2245 PIFKIN AVE., BKLYN., N. Y. 11207

Circle 25 on literature card

# Service Training

## SCHEDULE

Manufacturers, distributors, electronic technical schools and service associations are invited to use this column to announce their electronic training activities which are open to all electronic technicians. Information about the training session(s) or seminar(s) should be mailed to the following address at least 60 days in advance of the first scheduled date: Service Training Schedule, ELECTRONIC SERVICING, 1014 Wyandotte St., Kansas City, Mo. 64105. Include: a brief description of the course; the duration of each session; the location, time and date; the cost, if any; and any other pertinent information.

### Wollensak

**Course content:** Wollensak technical service experts will cover the servicing of Wollensak open reel and cassette recorders and the cassette duplicating system in 21 U.S. cities in 1972.

**Sponsor:** Wollensak/3M Audiovisual Products

**Duration:** 1-day sessions

**Fee:** Registration fee is \$37.50.

### Dates and Locations:

Albany, N.Y., March 7; Pittsburgh, Pa., March 9; Raleigh, N.C., March 21; New Orleans, La., March 23.

Kansas City, Mo., April 4; Des Moines, Iowa, April 6; Buffalo, N.Y., April 25; Philadelphia, Pa., April 27.

San Antonio, Texas, May 9; Denver, Colo., May 11; Cincinnati, Ohio, May 23; Cleveland, Ohio, May 25.

Boston, Oct. 3; New York City, Oct. 5; Atlanta, Ga., Oct. 17; Chicago, Oct. 19.

Seattle, Wash., Nov. 6; San Francisco, Nov. 8; Los Angeles, Nov. 10; Washington, D.C., Nov. 28; and Orlando, Fla., Nov. 30.

For further information contact:

Clyde Donaldson  
Public Relations Department  
3M Company  
St. Paul, Minnesota 55101

### Magnavox

**Course content:** No. 102, Colorimetry and Color TV Setup, 1-day; Course No. 203, Deluxe Color TV Chassis Circuit Analysis and Troubleshooting, 2-days; Course No. 204, Solid-State Color TV Circuit Analysis and Troubleshooting, 2-days; Course No. 511, Magnavox Color Remote-Control Systems, 2-days; Course No. 202, Color Television Alignment, 1-day; Course No. 130, Solid-State Components—Their Operation and Application in Solid-State Radios, 2-days; Course No. 302, Solid-State Television Circuitry and Service Techniques, 2-days; Course 140, Magnavox Tape Recorders, 2-days; Course No.

160, Magnavox Record Changers, 2-days.

**Sponsor:** Magnavox Service Training Center

**Duration:** Weekly and 2-day sessions

**Dates and Locations:** See schedule below.

Courses 130, 140, 160, 203, 204, 302 and 511 are 2-day programs. Only registrations for both will be accepted.

For further information contact:

Magnavox Service Training Center  
2131 Bueter Rd.  
Fort Wayne, Ind. 46803

	New York	Atlanta	Cleveland	Chicago	Dallas	Los Angeles	San Francisco
Mar. 1	511	511	511	511	511	511	511
Mar. 2	120	120	120	120	120	120	120
Mar. 6	203	203	203	203	203	203	203
Mar. 7	202	202	202	202	202	202	202
Mar. 8	202	202	202	202	202	202	202
Mar. 9	130	130	130	----	130	130	130
Mar. 13	302	302	302	----	302	302	302
Mar. 14	302	302	302	----	302	302	302
Mar. 15	140	140	140	140	140	140	140
Mar. 16	140	140	140	140	140	140	140
Mar. 20	160	160	160	160	160	160	160
Mar. 21	160	160	160	160	160	160	160
Mar. 22	204	204	204	204	204	204	204
Mar. 23	204	204	204	204	204	204	204
Mar. 27	204	204	204	204	204	204	204
Mar. 28	204	204	204	204	204	204	204
Mar. 29	203	203	203	203	203	203	203
Mar. 30	203	203	203	203	203	203	203
Apr. 3	----	----	----	----	----	----	----
Apr. 4	511	511	511	511	511	511	511
Apr. 5	511	511	511	511	511	511	511

**NOW** you can measure resistors accurately

**IN CIRCUIT!**

in solid state devices



**FE20 HI-LO**  
with hi-voltage probe and large  
six-inch meter **\$129.50**



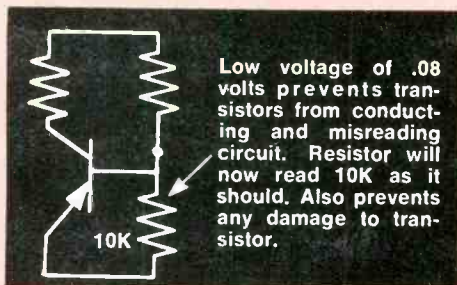
**FE21 HI-LO**  
with 4 1/2-inch  
meter **\$99.50**

**WITH THE NEW HI-LO FIELD EFFECT MULTIMETERS**

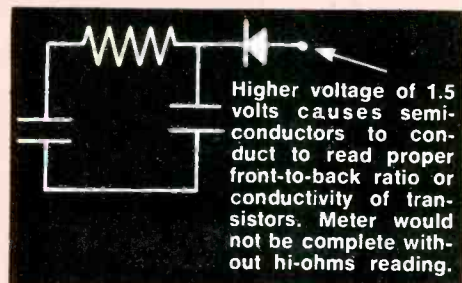
**USES ONLY .08 VOLTS TO POWER OHMMETER TO PREVENT TRANSISTORS FROM CONDUCTING AND UPSETTING READINGS**

Look at these extra features to see why the Hi-Lo meter belongs on your want list:

- Unbelievable specifications of 15 megohm input impedance on DC and 12 megohms on AC
- Laboratory accuracy of 1.5 percent on DC and 3 percent on AC
- 9 DC voltage ranges from as low as .1 volts full scale to 1000 volts
- 3 hi-voltage ranges of 3 KV, 10 KV and 30 KV
- 9 DC zero center ranges from .05 volts to 500 volts . . . a must for delicate transistor bias measurements
- 7 resistance ranges from 1000 ohms full scale to 1000 megohms
- 9 DC current ranges from 100 microamps to 1 amp
- Automatic built-in battery test . . . never a worry about rundown batteries, just push the switches under the meter and read.
- Standard .5 amp fuse to protect the ohms and milliamps scales if voltage or overload is accidentally applied. No more need to return the meter to factory for repair . . . just replace the fuse.
- Special probe with 100K isolation resistor in probe to prevent AC pickup or to prevent loading oscillator circuits. Leave in normal position for most tests.



**Here is why you should have both Hi and Lo battery voltages for correct in-circuit resistance measurements in solid state circuits:**



**SENCORE** INC. 3200 Sencore Drive • Sioux Falls, South Dakota 57107

Circle 26 on literature card



# ONE FOR THE MONEY

- Discounted to provide you with a higher profit margin.
- Proven quality for better customer satisfaction.
- A complete range of service types for radio, TV, hi-fi, foreign and industrial electronics.

In every important way, International Servicemaster is number one. For complete details, contact your International representative today, or International Electronics Sales Corporation, 10 Daniel Street, Farmingdale, New York 11735, (516) 293-1500.

**International**  
International Electronics Sales Corp.  
div. of International Components Corp.

Circle 27 on literature card

48 ELECTRONIC SERVICING/March, 1972

## test equipment report

Features and/or specifications listed are obtained from manufacturers' reports. For more information about any product listed, circle the associated number on the reader service card in this issue.

### Digital Multimeter

**Product:** Model 3301 digital multimeter

**Manufacturer:** Hickok

**Function and/or Application:** Measures AC and DC voltages, resistances, and current

**Features:** An optional internal rechargeable battery pack provides 20 hours of continuous battery operation.

**Specifications:** **5 AC voltage ranges**—from 100 millivolts to 1 kilovolt; maximum resolution is 100 microvolts; accuracy is 0.5 per cent of reading  $\pm 1$  digit. **5 DC voltage ranges**—from 100 millivolts to 1 kilovolt; maximum resolution is 100 microvolts; accuracy is 0.1 per cent of reading  $\pm 1$  digit. **5 AC current ranges**—from 100 microamperes to 1 ampere; maximum resolution is 100 nanoamperes; accuracy is 0.2 per cent of reading  $\pm 1$  digit. **5 DC current ranges**—from 100 microamperes to 1 ampere; maximum resolution is 100 nanoamperes; accuracy is 0.2 per cent of reading  $\pm 1$  digit. **7 resistance ranges**—from 100 ohms to 100



megohms; maximum resolution is 100 milliohms; accuracy is 0.3 per cent of range  $\pm 1$  digit. Overload is: 100 volts rms for AC voltage; 1500 volts peak for DC voltage; 10 times range for current; 250 volts rms for resistance ranges. Common mode rejection is 120 dB at 60 Hz; normal mode rejection is 60 dB at 60 Hz. DC input impedance is 11 megohms;

AC, 1000 megohms shunted by 75 pf. The 3301 measures 3 1/2 inches X 8 3/8 inches X 13 inches and weighs 8 3/4 pounds.

**Price:** Model 3301 sells for \$385.00; battery option is \$75.00 additional.

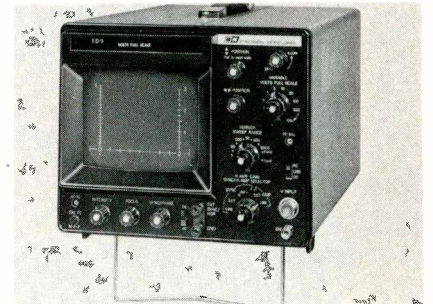
Circle 50 on literature card

### Cali-Brain Oscilloscope

**Product:** 5-inch DC to 10 MHz recurrent sweep oscilloscope

**Manufacturer:** B&K

**Function and/or Application:** Peak-to-peak voltage readings on complex waveforms



**Features:** Eight vertical scales ranging from .1 V to 300 V give accurate readings. Sync-separator circuits in TV-H and TV-V positions and a DC amplifier for AC and DC component measurements are included, plus a combination 10-to-1 and direct probe.

**Specifications:** The 1440 operates on 117 VAC, 50 or 60 H, also for 117-234 VAC, or 50 or 60 H. The "low profile" case design measures 9 inches X 10 inches X 17 inches and weighs 27 lbs.

**Price:** Model 1440 sells for \$299.95.

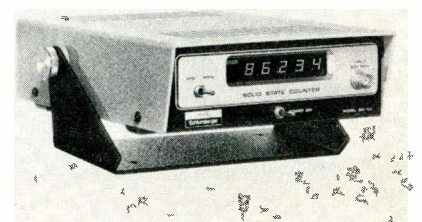
Circle 51 on literature card

### 80M-Hz Frequency Counter

**Product:** Model SM-105A and SM-104A frequency counters

**Manufacturer:**

Heath/Schlumberger Scientific Instruments





**Function:** Solid-state counter for measuring frequency

**Features:** The KHz/MHz time-base switch and overrange indicator enables 8-digit measurements down to the last Hz in seconds. Light-emitting diodes are used for 5-digit readouts and overrange indications. 100-year-use life; elimination of 170-volt power supply; low mechanical shock; elimination of parallax and reading error; G-10 glass



epoxy double-sided; plated-thru board; gimbal mounting bracket; two-switch operation; 120 to 240 VAC operation are among the features.

**Specifications:** The SM-104A has built-in TCXO which provides 1M-Hz  $\pm 0.1$  Hz time base and +1 ppm/year stability. The SM-105A uses a 1M-Hz crystal accurate to  $\pm 2$  Hz, with overall time base accuracy of  $\pm 10$  ppm. Both counters trigger up to 50M-Hz with input levels at 100 millivolts; up to 80M-Hz with 250 mV input. **Price:** The SM-105A sells for \$350.00, the SM-104A sells for \$500.00.

Circle 52 on literature card

### Tube Tester

**Product:** Solid-state Mighty Mite VII tube tester

**Manufacturer:** Sencore, Inc.

**Function and/or Application:** The TC162 permits testing of a large variety of tubes.

**Features:** The 10-pin elimination switches facilitate new, as well as previous tube types which have internal connections between elements or have the same element connected to several base pins. With the switches, up to 10 pins can be isolated from test. The tester is housed in a brushed steel and vinyl-clad case with setup book.

**Specifications:** The TC162 re-



tains full load cathode emission tests, 100 megohm grid leakage tests and stethoscope shorts tests.

**Price:** The Mighty Mite VII TC162 tube tester sells for \$99.50.

Circle 53 on literature card

### Digital Multimeter

**Product:** TR-6354 mini-auto digital multimeter

**Manufacturer:** Marubeni-lida (America), Inc.

**Function and/or Application:** Measures voltages resistances and current

**Features:** Non-blinking 3 1/2 digit numerical display, all solid-state design, 1 second response time is included. The TR-6354 is of lightweight die cast aluminum construction with a dual-purpose handle.



**Specifications:** Automatic ranging: 27 ranges including DC voltages, AC voltages, resistance and current; automatic polarity indicators; range hold/display hold control; and is accurate to .1 per cent on DC and .5 per cent on AC.

**Price:** The TR-6354 sells for \$350.00. □

Circle 54 on literature card

**For more information about above products use reader service card**

## ARROW AUTOMATIC STAPLE GUNS

### CUT WIRE & CABLE INSTALLATION COSTS

... without cutting into insulation!

**SAFE!** Grooved Guide positions wire for proper staple envelopment! Grooved Driving Blade stops staple at right depth of penetration to prevent cutting into wire or cable insulation!

**No. T-18—Fits wires up to 3/16" in diameter.**

**BELL, TELEPHONE, THERMOSTAT, INTERCOM, BURGLAR ALARM and other low voltage wiring.**

Uses T-18 staples with 3/16" round crown in 3/8" leg length only.

**No. T-25—Fits wires up to 1/4" in diameter.**

Same basic construction and fastens same wires as No. T-18.

**Also used for RADIANT HEAT WIRE**

Uses T-25 staples with 1/4" round crown in 9/32", 3/8", 7/16" and 9/16" leg lengths.

T-18 and T-25 staples also available in Monel and with beige, brown and ivory finish at extra cost.

**No. T-75—Fits wires and cables up to 1/2" in diameter.**

**RADIANT HEAT CABLE, UF CABLE, WIRE CONDUIT COPPER TUBING or any non-metallic sheathed cable.**

**Also used as DRIVE RINGS in stringing wires.**

Uses T-75 staples with 1/2" flat crown in 9/16", 5/8" and 7/8" leg lengths.

Arrow Automatic Staple Guns save 70% in time and effort on every type of wire or cable fastening job. Arrow staples are specially designed with divergent-pointed legs for easier driving and rosin-coated for greater holding power! All-steel construction and high-carbon hardened steel working parts are your assurance of maximum long-life service and trouble-free performance.

Ask your Electrical Supply Dealer or write for further details.

**ARROW FASTENER COMPANY INC**  
Saddle Brook, New Jersey 07663  
"Pioneers and Pacesetters  
For Almost A Half Century"

Circle 28 on literature card

# New in auto radio audio

This month we are going to take a look at some of the more recent designs of car radio audio stages. The more conventional designs were covered in an article in ES some time ago.

The more recent types are: integrated circuits (IC), packaged electronic components (P.E.C.) and later versions of the all-silicon direct-coupled complementary symmetry output stages.

## There Is A Difference Between IC And P.E.C.

Of these three types, there is some confusion regarding the first two, IC and P.E.C. Some of this confusion is perpetuated by at least one car radio manufacturer who prefers to call his P.E.C. audio amplifier an "IC" design.

An IC is basically a group or series of circuit functions (i.e.: resistors, transistors) constructed on a continuous silicon substrate. A P.E.C., however, is a ceramic or epoxy-fiberglass module made up from discrete components. In most cases, the P.E.C. will be substantially larger in physical size than any IC. In the future, look for hybrid modules that have some characteristics of both P.E.C. and IC construction. At least one major semiconductor manufacturer already markets such an audio stage.

The audio circuits of immediate interest are the P.E.C. networks by Philco and Delco and the integrated circuit used by Motorola.

## Motorola's IC

Fig. 1 shows the Motorola circuit using the MFC4050 IC, which is described in the data sheets as a "class A audio driver." In some versions this IC will have six leads. In most, however, the IC will be one of the four-lead versions shown in the inset in Fig. 1.

The MFC4050 is about as simple as an IC can be; it has only four terminals: input, output, power (positive voltage) and common.

The output transistor used in the circuit in Fig. 1 is the standard PNP germanium-type 2N176, which has been in continuous use almost since the inception of Motorola's solid-state car radio designs.

## Functions of the MFC4050

The schematic of the internal circuitry of the MFC4050 is shown in Fig. 2. Pin No. 1 serves as common for both DC and signal currents. Power is supplied to the IC via pin No. 3. In series with this pin is an internal resistor voltage divider network and three Zener diodes (D1, D2, & D3), used for voltage regulation. Two other diodes, D4 and D5, are used to stabilize the bias on the preamplifier transistor, Q1. These diodes are connected in series between the emitter of Q1 and common. Transistor Q2

serves as another preamplifier stage.

The driver transistors are Q3 and Q4. These last two transistors are Darlington connected, for increased gain and a higher impedance. The output signal is fed to pin No. 4 while the input signal comes into the system via pin No. 2.

Because there are only four basic functions performed by the MFC4050, it seems logical for Motorola to design this "chip" with only four leads. Some IC amplifiers have "roll-off" and other frequency response shaping circuitry which require other pins. Although such chips are versatile, they are also somewhat more complex. Motorola prefers to accomplish tone shaping with the reliable, although perhaps old-fashioned, negative feedback method. The audio stage shown in Fig. 1 uses a bridged-Tee type of network in the negative feedback loop.

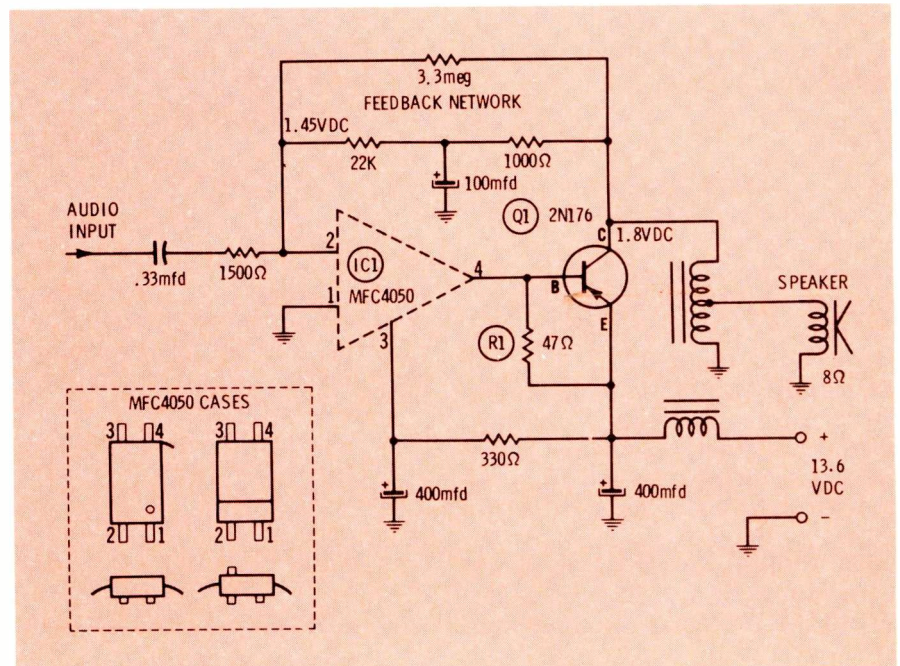


Fig. 1 Motorola audio circuit equipped with the MFC4050 IC.

### Radios employing the MFC4050

The radios which first used the MFC4050 or one of its closely related cousins was the O.E.M. Volkswagen models sold by VW dealers under the "Sapphire" trade name. Later production sets using this IC are used in many different types of automobiles, both foreign and domestic. This widespread use indicates that you can expect to be seeing these ICs more often as warranties begin to expire.

### Troubleshooting

The general operation of the MFC4050 is not unlike the operation of conventional audio stages made from discrete components. It seems, however, that troubleshooting is somewhat simpler than in conventional designs.

There seems to be only two types of symptoms generally associated with the MFC4050 audio stage: the output transistor will either be cut off or it will be

saturated. Although this might seem like a generalization applicable to any solid-state audio stage, we so far have not seen any weird distortion problems like those which were common when the PNP germanium-NPN silicon preamplifiers were king.

Fig. 3 illustrates two common approaches to troubleshooting this type of stage. In either case, the idea is to determine whether the base of the output transistor is capable of controlling the flow of collector current. In cases

where the output transistor is cut off (assuming there is voltage present at both the base and emitter and zero voltage at the collector), connect a resistor or resistor-substitution box between the base of the output transistor and ground. A value of less than 500 ohms will be needed. Monitor either the collector voltage (preferred) or the power-supply drain current so that you can tell what effect, if any, the test has on the operation of the circuit. If shunting a resistor between the output transistor base and ground causes collector current to flow, it is relatively safe to assume that the IC is open and requires replacement. If, on the other hand, the transistor still fails to draw collector current, there is only a slight chance that the IC is defective. Look for either a bad output transistor or an open circuit in either the emitter or collector loops. A high voltage on the collector with zero collector current, for example, means that the collector circuit is open.

In many cases where the output transistor is saturated, there will be several volts between the collector and ground and a high collector current (approximately 2 amperes). A good test in this situation is to short together the output transistor base and emitter terminals. This will cut off an operating

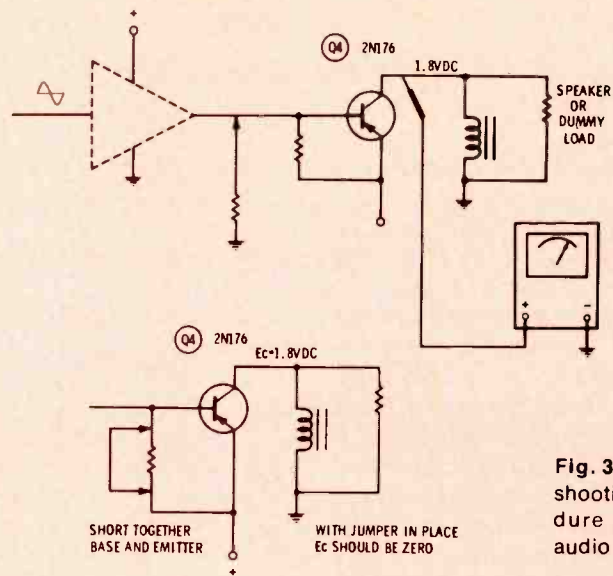


Fig. 3 Troubleshooting procedure for IC audio stage.

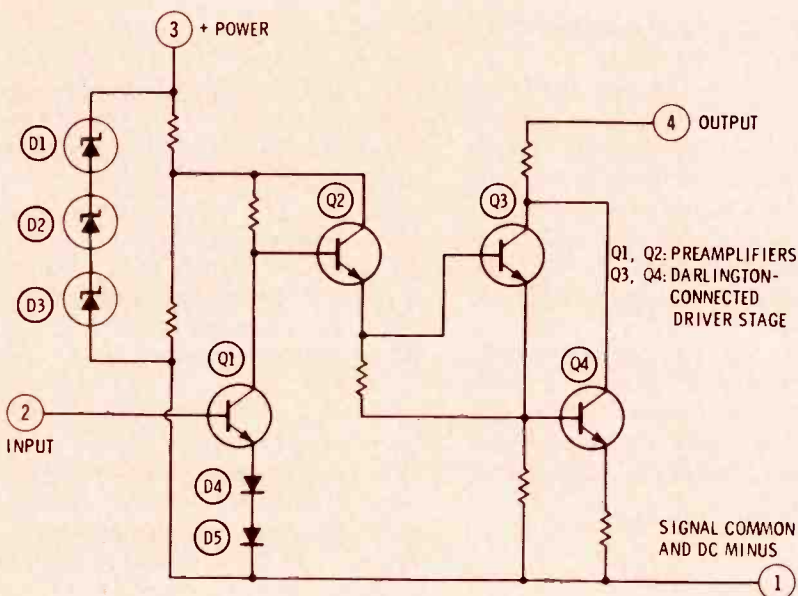


Fig. 2 Internal circuitry of the Motorola MFC4050 IC.

transistor. If the circuit continues to draw a high current when the base and emitter are tied together, the output transistor probably is shorted. Do not overlook, however, the possibility that there might be a shorted filter capacitor or other such component. Try turning the radio on with the output transistor removed. The "A" line ammeter will tell you immediately whether anything else is shorted. (In most Motorola receivers the transistor mounting screws complete the collector circuit; removing them is all that is required.)

In all cases where the output transistor is shorted, especially on radios that use the IC driver stage, be sure to check the output choke and the speaker for shorted turns before reapplying power. The radio will sound weak and distorted, even after it is presumably repaired, should either of these parts be defective. This is a case where so-called secondary damage can cause the original symptoms to reappear. The time element for such reappearance is relatively short. These conditions generally last only a short period of time before the newly installed parts also are damaged.

If there is no readily apparent damage, try monitoring the output transistor collector voltage. If it is either abnormally high or abnormally low, immediately remove power until the defect can be found. The most likely cause of low collector voltage is a shorted output choke. In Motorola sets, these chokes are both accessible and are of a color which readily reveals burning.

### P.E.C. Designs

Several car radio manufacturers have chosen the P.E.C. for their audio stages. A P.E.C. is simply a small package of discrete electronic components designed to perform either a specific job or a narrow range of jobs.

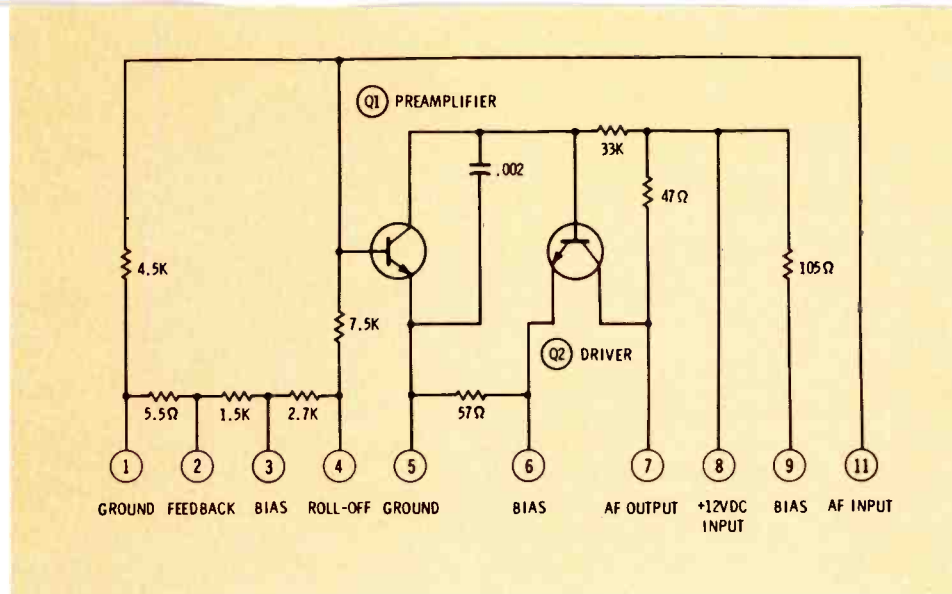


Fig. 4 Internal circuit of the Delco DM-8 P.E.C. audio stage.

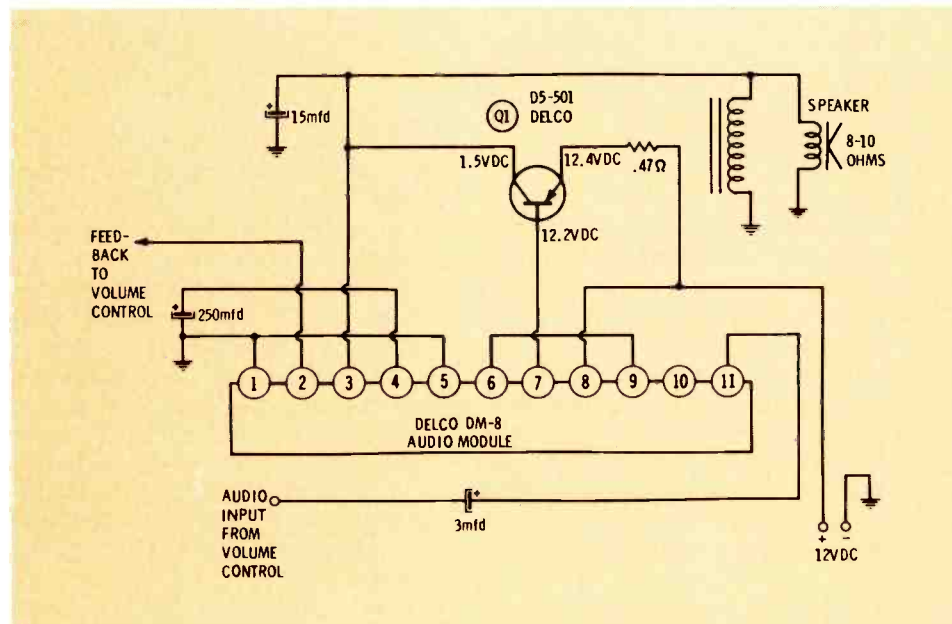


Fig. 5 Delco audio stage equipped with the DM-8 P.E.C.

In some receivers, such as Philco's, these P.E.C. modules are constructed similar to the couplers often used in television sets. (These were ceramic modules that housed RC coupling networks, AM "tweet" filters, various waveshaping networks, etc.)

Delco, on the other hand, prefers to use their own rectangular package made from plastic and potted with an epoxy-like material. These are types DM-8 and DM-28.

#### The Delco DM-8

The schematic of the internal circuitry of the Delco DM-8 is shown in Fig. 4. This is not an

integrated circuit, although the schematic of the complete stage, shown in Fig. 5, might lead you to believe that it is. With a few modifications, the circuit inside the DM-8 could easily become the early Delco audio stage made from discrete components. However, as revealed by Fig. 5, the stage design is simpler.

As with the Motorola IC, the troubleshooting procedure for the DM-8 appears easier than it was when all of the audio components had to be considered separately. The DM-8 stage shown in Fig. 5 can be serviced in a manner similar to the Motorola MFC4050 stage. Again, the idea is to determine whether or not

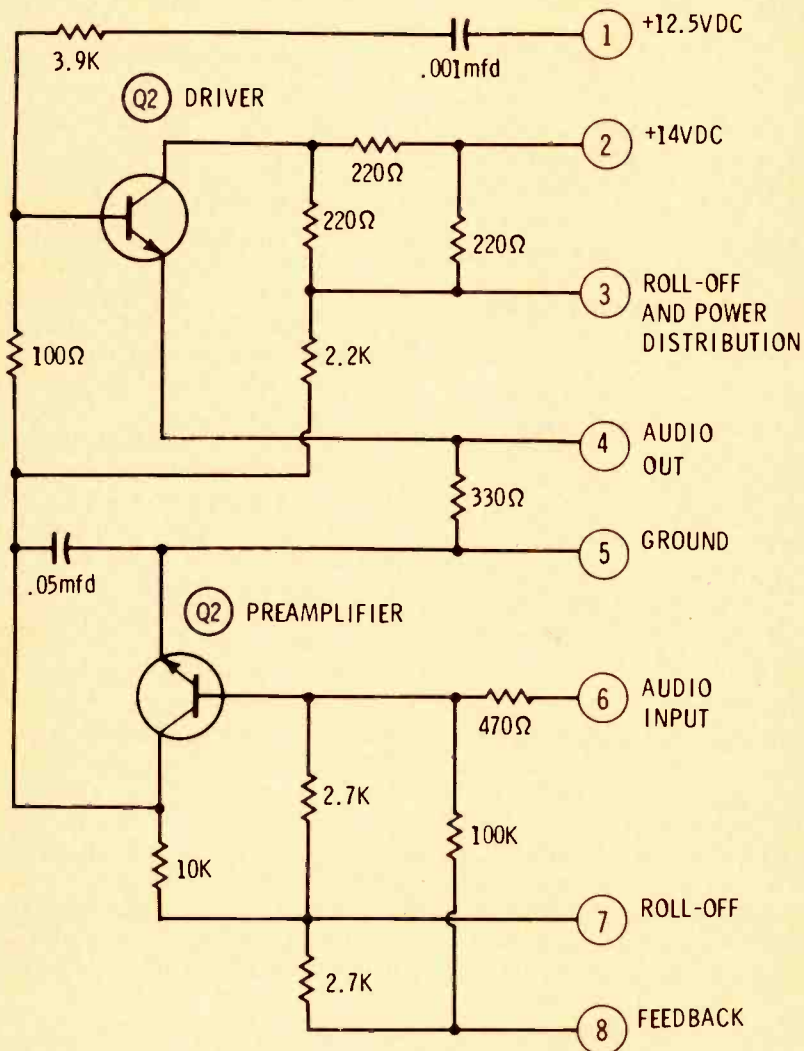


Fig. 6 Internal circuit of the Philco audio P.E.C.

the output transistor will pass current from collector to emitter in response to commands from the base. In cases where the output transistor, Q1, is saturated, short together the base and emitter terminals. If the output transistor is in good condition, the collector current will drop almost to zero.

#### The Philco P.E.C.

The Philco P.E.C. audio stage, shown in Fig. 6, is designed to drive an NPN output transistor. These P.E.C. modules are used with one of several different types of transistors. In older radios, Philco used an NPN transistor in a TO-3 diamond case.

More recent Philco models, however, use one of the plastic-epoxy transistors in the P-66 package. In still others, you will find a small diamond (TO-66) transistor. Most of the radios which use the P-66 epoxy transistor are also drilled to accept the TO-66 case. The proper holes are found on the front escutcheon, immediately to the right of the dial scale and bezel. It might be wise, from a reliability point of view, to replace the P-66 transistors with TO-66 types. Suitable moderate power, silicon NPN transistors in the TO-66 configuration are available in the various universal replacement lines. Another alternative is to use the TO-66 offered by Bendix under part

No. 4080838-0001. These are used in later model O.E.M. Chrysler radios.

The external audio circuitry used with the Philco P.E.C. stage is shown in Fig. 7. As with all NPN negative-ground stages, in this circuit it is necessary to avoid accidentally grounding the collector, the point where the positive voltage is applied.

To be forward biased, an NPN transistor requires a base voltage more positive than the emitter. This bias voltage is supplied from pin No. 4 of the P.E.C. Fig. 6 shows how this voltage is generated. Transistor Q2 is the driver stage. Pin No. 4 of the P.E.C. supplies the emitter voltage, developed by conduction of this transistor, to the base of the output transistor. As the audio signal causes the conduction of the two P.E.C. transistors to vary, the voltage on pin No. 4 also varies. This voltage, fluctuating in step with the applied signal, is passed on to be amplified further by the output transistor.

The power amplifier transistor (Fig. 7) is transformer-coupled to the loudspeaker. These NPN stages use a transformer instead of the simple choke or auto-former common in PNP power amplifiers because it is necessary to isolate the high DC collector voltage from both ground and the speaker circuit.

#### Complementary Symmetry Output

Fig. 8 shows the complementary symmetry output stage used by Motorola in the AM/FM/stereo FM radios they recently made for Volkswagon. This is something of a departure for them; they have used the same type 2N176 PNP germanium transistor as the output stage in most of their radios for the past several years.

The new complementary output transistors, types A6C and P2T, are packaged in Motorola semiconductor's version of the plastic case. The Motorola style case is the one which has the mounting hole in the middle of

# To Troubleshoot FAST & EASY

use: Serviset

Model EC  
PATENTED



Intro-Price  
**\$34.95**  
Postpaid

FREE  
INFORMATION


A precision engineered professional quality electronic test instrument. Ideal for field or bench servicing of all types of Communications gear.

CHECKS: sync, sweep, video, audio circuits, high voltage supplies (DC, RF or Pulse), low voltage supplies, coils, capacitors, resistors, tubes, transistors, diodes, transformers, speakers, etc. Will locate trouble to a particular stage, determine defective component and can actually be clamped in circuit to restore circuit operation temporarily in 80% of component or tube defects. Ideal for locating and confirming intermittents.

### SPECIFICATIONS:

RF & AF Signal Tracer, RF & AF Signal Injector, AC & DC Voltage Indicator 0/60/550/20,000 DC Polarity Indicator 60/550/20,000 volts, Lo ohms 0-5. Hi ohms 0-500k-20 megohms. Tests Condensers, .00025-12 mfd., Tests Resistors 2 ohms-20 megohms, 2 Capacitance Sub ranges .01-1 & 4-40 mfd., 3 Resistance Sub ranges 50-500 ohms, 5k-25k, 100k-1 meg.

## NEW CT-1

From   
Will allow you  
to Dynamically test all  
types of capacitors.




The Model CT-1 features a built-in electronic power supply providing BOTH AC and DC Test Voltages in a special circuit with highly sensitive NEON type leakage indicator. The CT-1 permits quick, accurate testing of condensers for leakage or shorts with actual DC voltage applied and readily indicates intermittent OPEN condensers with AC applied. Self-regulating power supply circuit provides tapered forming current to suit particular requirements of capacitor under test. Special circuit re-forms and polarizes electrolytic and tantalum capacitors under test. High sensitivity permits determination of condenser dielectric breakdown before leakage causes major shut-down.

Only **\$16.95** postpaid

Capacitance Range: .00025 — 1000 mfd.  
Sensitivity: Over 200 MEGOHMS

30 DAY MONEY-BACK GUARANTEE

**LEE ELECTRONIC LABS., INC.**

 88 Evans Street  
Watertown, Massachusetts 02172

Circle 29 on literature card

the transistor's plastic body.

As with all plastic power transistors, care must be exercised when they are handled. This is especially true when forming the leads or inserting them into the proper holes in the printed-circuit board. If you bend the leads the wrong way or handle the transistor too roughly, you might destroy the replacement even before it is installed in the set.

Also, be extra careful when tightening the mounting screw. If too much torque is applied during this operation, the plastic case will crumble or crack. Some radios are equipped with nylon mounting screws for these transistors. These screws can shear off easily when an attempt is made to tighten or loosen them.

On the other hand, if the mounting screw is not tight enough, the transistor will fail to properly dissipate heat. To transfer enough heat to keep the transistor operating within the maker's limits, it is necessary to use a generous dab of silicone grease and to tighten the screw sufficiently. As you can see, it is

possible to be too careful as well as too sloppy.

The circuitry shown in Fig. 8 is not too unusual as complementary stages go. The two output transistors are connected in the usual emitter-follower configuration. The bases of these transistors are fed in parallel. Because the polarities of the two transistors are opposite (but otherwise they are electrically equal), the phase inversion needed for push-pull is accomplished automatically.

A diode is used in the base circuit to provide a stable decrease of the forward bias applied to the base of one output transistor. This is needed to reduce the "crossover distortion" so common in early solid-state, push-pull amplifiers. (crossover distortion, by the way, was the major factor which caused the so-called "transistor sound" associated with solid-state high-fidelity equipment.) The forward biased diode helps reduce that distortion. The next obvious question is, of course, why doesn't that diode cause its own distortion (harmonic) by clipping the input signal? The answer is

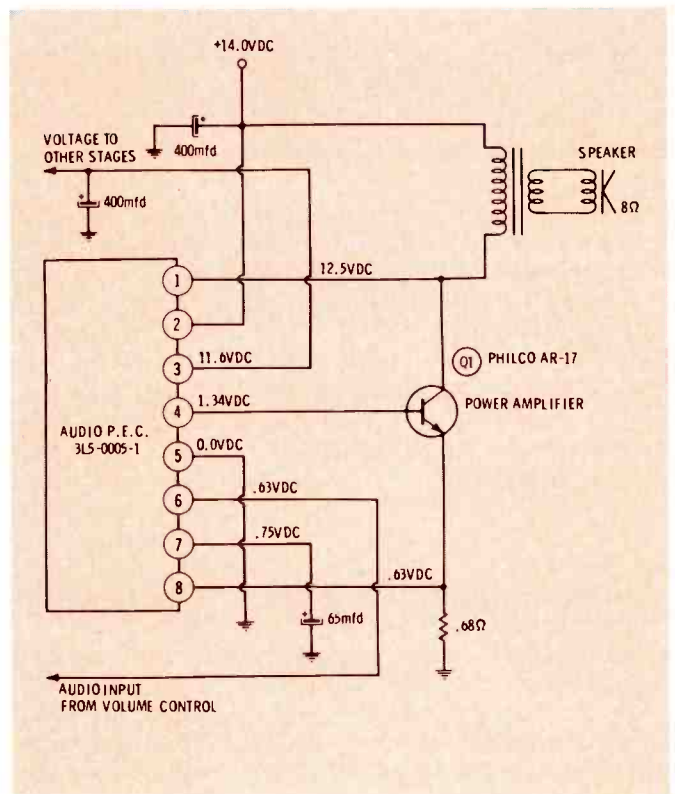


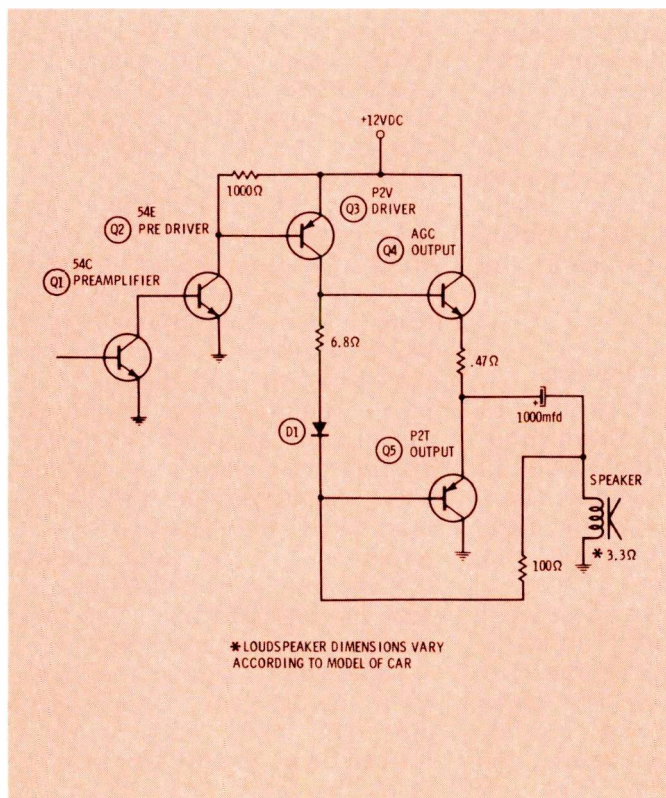
Fig. 7 Philco audio circuit equipped with the P.E.C.

simple. When a diode is heavily forward biased a small AC signal can pass, in both directions, riding on the DC component. This phenomena is the basis for diode switching used in some tuners and in "relayless" Citizen's-Band equipment.

Transistor Q3 in Fig. 8 is the driver. It is a tab-mounted PNP silicon type. However, it is not similar to the tab-mounted transistors used by Bendix and Philco or the body-mounted plastic transistors used as the outputs in the same set. When replacing any of these plastic-epoxy types with any of the universal types, be sure to "eyeball" the proposed replacement before ordering. Several manufacturers list replacement types which fit electrically but are different enough mechanically to cause mounting problems. Some of these optimistic replacements will cost an arm and a leg in labor time if an attempt is made to mount them where they simply can't fit. Added to that is the possible callback that might be created. When in doubt, order the original manufacturer's replacement.

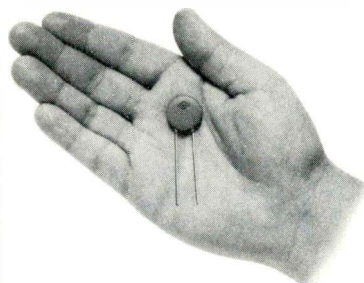
The predriver stages in the circuit in Fig. 8 are typical NPN small-signal silicon units. These "54-series" transistors have been used by Motorola for some time. For simplification, the bias networks have been eliminated.

One thing that makes this Motorola audio stage interesting, if somewhat difficult to troubleshoot, is the small size. When you first encounter one of the stereo FM VW radios in which they are used you probably will be amazed. Later VWs (post-1968) have precious little room for the radio. Into that narrow space Motorola has managed to package a complete AM/FM/stereo FM car radio. It's a full-blown radio too ... not a skimmed design. The audio printed-circuit board houses all of the circuitry for both channels, including the power transistors, in an area less than 2 x 3 inches. The entire assembly is less than one inch thick. This radio is one where trouble-shooting savvy pays off ... you know, the kind that can't be taught, but learned only by actually doing. □

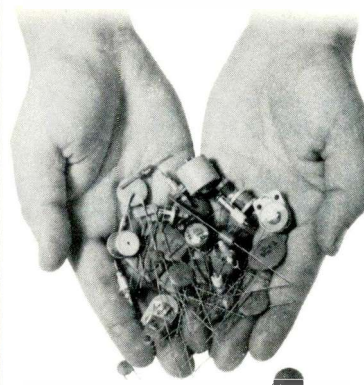


**Fig. 8** Complementary output stage used in the AM/FM stereo FM Volkswagen radio designed and manufactured by Motorola.

Your  
Centralab  
distributor has  
just the right one,



or all of them



Your Centralab distributor has the most complete line of ceramic capacitors available. He's your best supplier of just the right capacitor for fast, reliable replacement service.

Choose from low voltage, transistor circuit, general purpose, high voltage and Gap-Kap™ Ceramic disc capacitors. Available with voltage ratings from 3 V to 6000 V, in values from .75 pF to 2.2 mF.

Your Centralab distributor stocks other highly reliable, special purpose ceramic capacitors including feed-thru, variable trimmer and transmitting types. He's also your source for a wide range of polystyrene capacitors and miniature electrolytics in both axial and PC lead styles. Check your parts stock, then call your Centralab distributor. He has just the capacitors you need.

DISTRIBUTOR PRODUCTS



**CENTRALAB**  
Electronics Division  
GLOBE-UNION INC.

Circle 30 on literature card

# The Staar System: Cassettes For Autos

## Theory of operation plus tips about servicing.

This spring a number of companies will begin marketing cassette players and player/recorders for automobiles. Previously, the configuration of cassettes kept them out of cars because loading the cartridge was too awkward while driving a car.

The two sprocketed tape reels inside a cassette must fit down over the spindles of two hubs. The capstan (tape-drive) shaft has to fit up through an access hole in the cassette. You load a cassette into most machines only from the top (Fig. 1A). To remove it, you punch a lever that raises the cassette up off the hubs and capstan.

But that drawback was eliminated more than a year ago. Theo Staar, an audio expert in Brussels, Belgium, patented a mechanism that permits cassettes to be slot-loaded, as shown in Fig. 1B. It's called the Staar system.

The cassette is inserted into a slot. Teflon tracks guide it in straight. As it nears the back, each corner of the cassette case encounters a post. As you press

harder, you push the two posts backward, and that motion lifts the hubs and capstan up into position. They are on a movable platform.

A pressure roller pinches the tape against the drive capstan, and together they drive the tape. In that respect, operation is like any other tape system. The supply and takeup hubs of the machine engage the sprocketed centers of the tape reels inside the cassette. The tape moves smoothly from one reel to the other.

### Inserting the Cassette

You can get some notion of how the Staar mechanism functions from the photo closeups in Fig. 2. Fig. 2A shows the operating components on the movable platform. Reel hubs and capstan drive shaft (from a motor/flywheel drive assembly beneath the platform) normally rest below the level of the two Teflon guide tracks. The pressure roller and the record/playback and erase heads are

stationary, on the upper deck. Other parts are labeled in the photo.

Fig. 2B shows a cassette inserted halfway into the slot. The two posts temporarily obstruct further movement of the cartridge case. Notice where the posts are in their little slots. At this juncture, the platform still has not left its resting (down) position.

In Fig. 2C, the cassette has been pushed on back. The backward movement of the two slide posts lifts the mechanism platform into operating position. A latch (not shown here) catches the platform and holds it in place. The hubs have been lifted up into the sprocket holes and engage the reels. The capstan shaft fits into its hole behind the tape, and the fixed pressure roller pushes the tape against the capstan. A pressure pad inside the cassette holds the tape against the playback head.

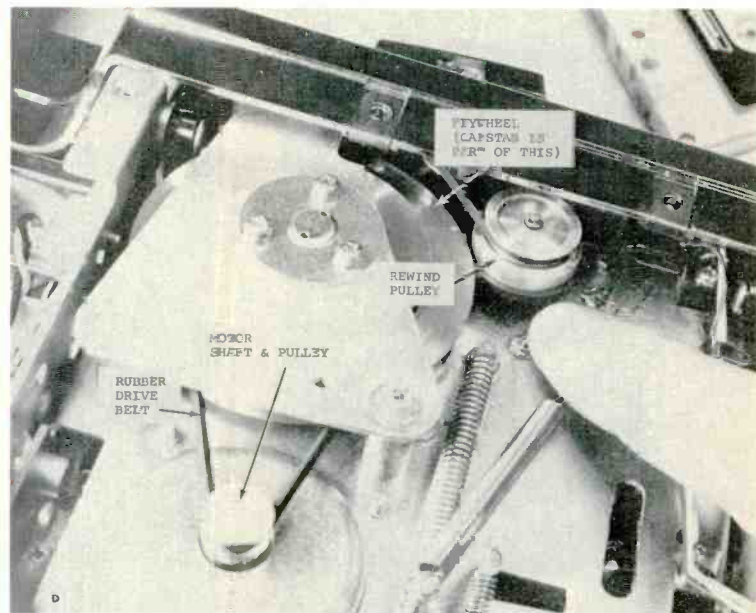
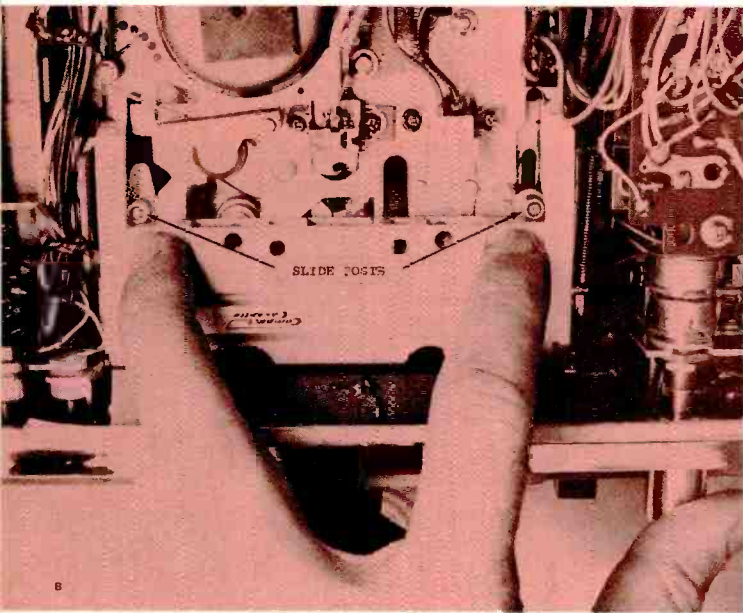
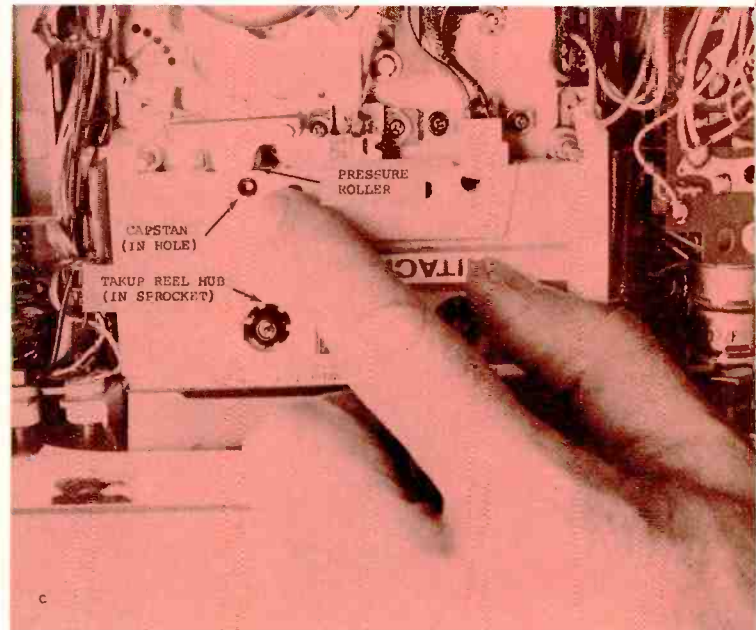
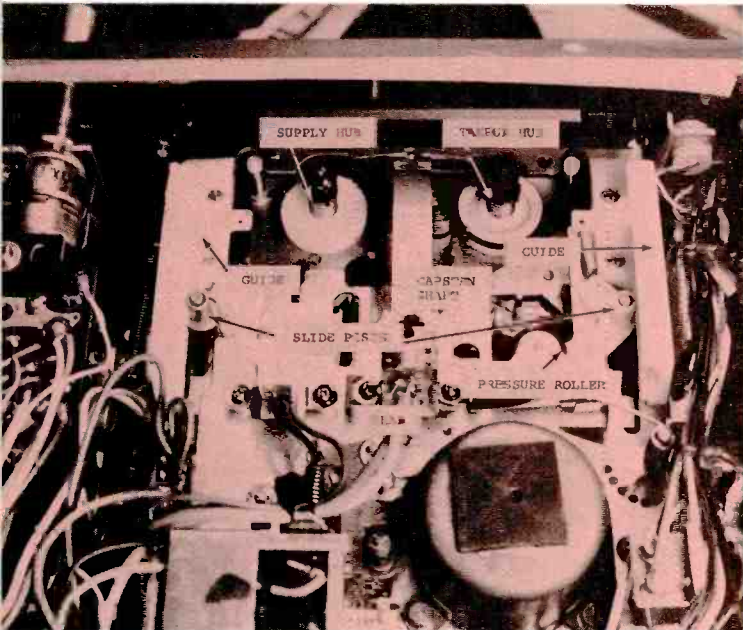
Meanwhile, below the platform, the drive mechanism operates. The motor pulley turns a rubber drive belt which, in turn, spins the large, heavy flywheel.



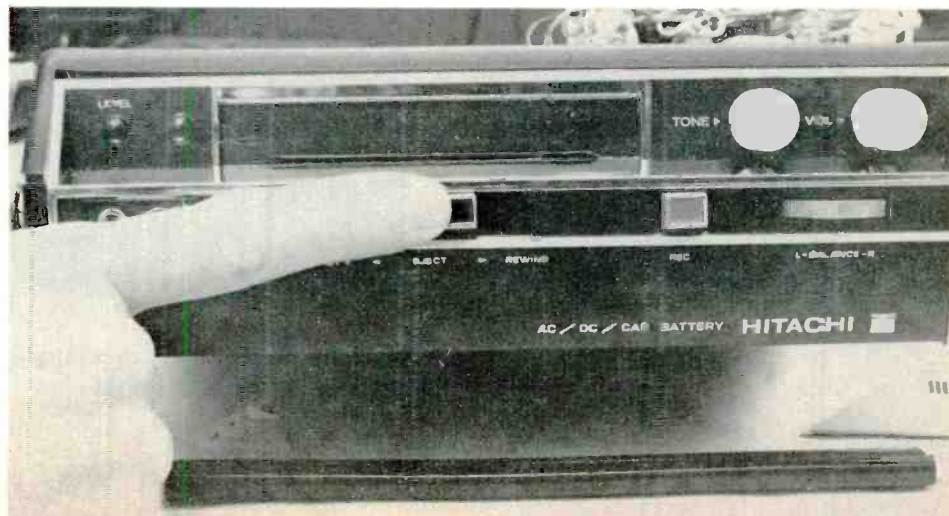


Fig. 1 Ordinarily, cassette loads (A) from top. Star system (B) permits slot loading; makes auto cassette machine feasible.

**Fig. 2** Staar-licensed cassette mechanism (A) has platform that can be raised and lowered; contains reel hubs and drive capstan. Cassette being pushed in (B) encounters slide posts. Pushed further in (C), posts raise reel hubs and capstan to engage cassette; tape is caught between pressure roller and capstan. Rubber belt below deck (D) drives flywheel, which also turns rewind pulley.



**Fig. 3** Pressure on EJECT button, in center of front panel, ejects cassette. Pulling to right engages rewind pulley; to left, the fast-forward drive is engaged.



(All this is shown in Fig. 2D.) The large flywheel contains the capstan, which is part of its center-shaft. As the motor and drive turn the flywheel, the spinning capstan above deck pulls the tape.

The fast-rewind pulley is also visible in Fig. 2D. A rubber rim around its bottom contacts the flywheel whenever the rewind button is punched. The speed stepup comes of course from the difference in diameters. The motion of the rewind pulley is transferred through the reel hubs to the tape reels, and the tape is pulled backward at high speed.

For fast-forward, a small pulley, almost out of sight in the center of Fig. 2D, is pulled down against the flywheel. The flywheel spins the pulley at high speed, and its rotation is transferred to the rewind pulley. But the motion turns the rewind pulley in the direction opposite that required for rewind, so the tape is pulled forward at high speed instead of backward.

### The Manual Eject Function

Theo Staar's slot-loading mechanism lets you start cassettes playing with one hand and minimum distraction. That's why it's suitable for automobile cassette players. Kicking the cas-

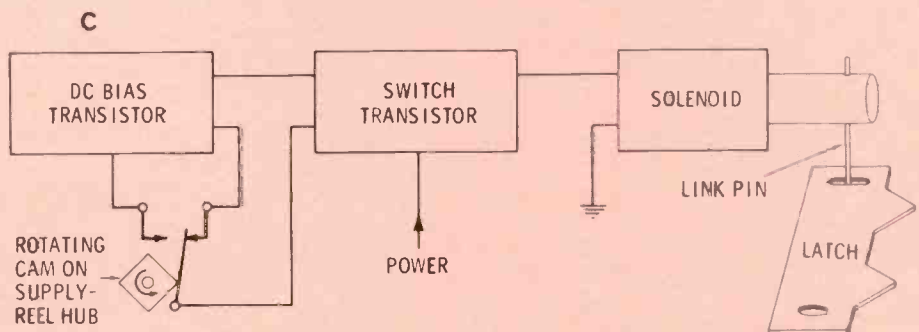
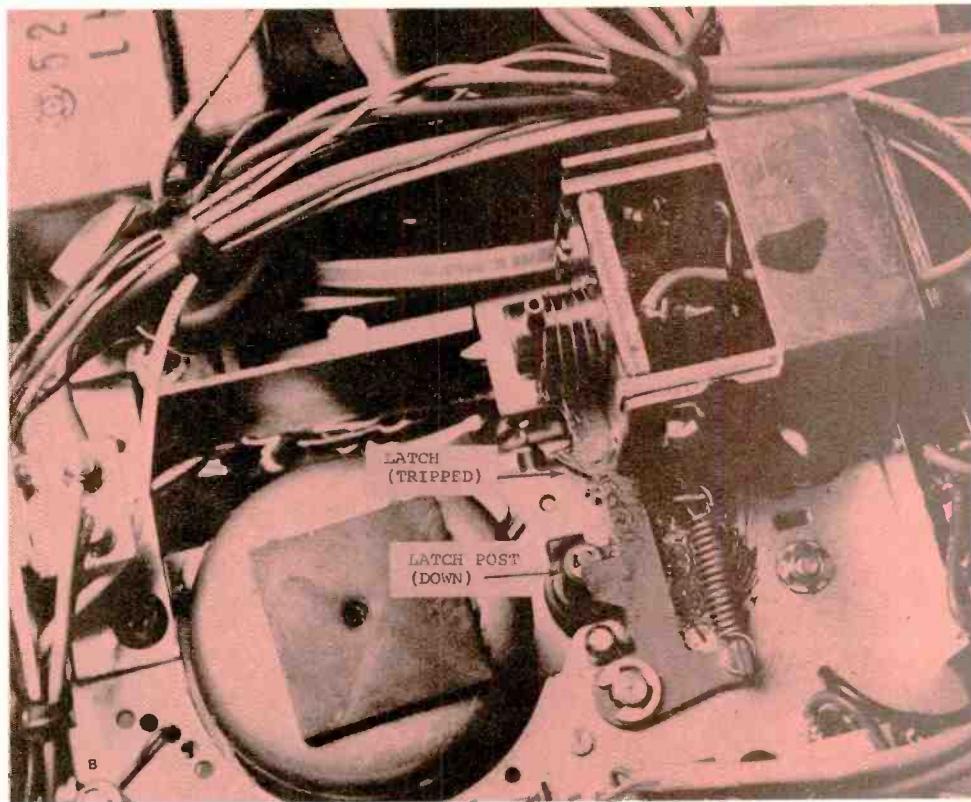
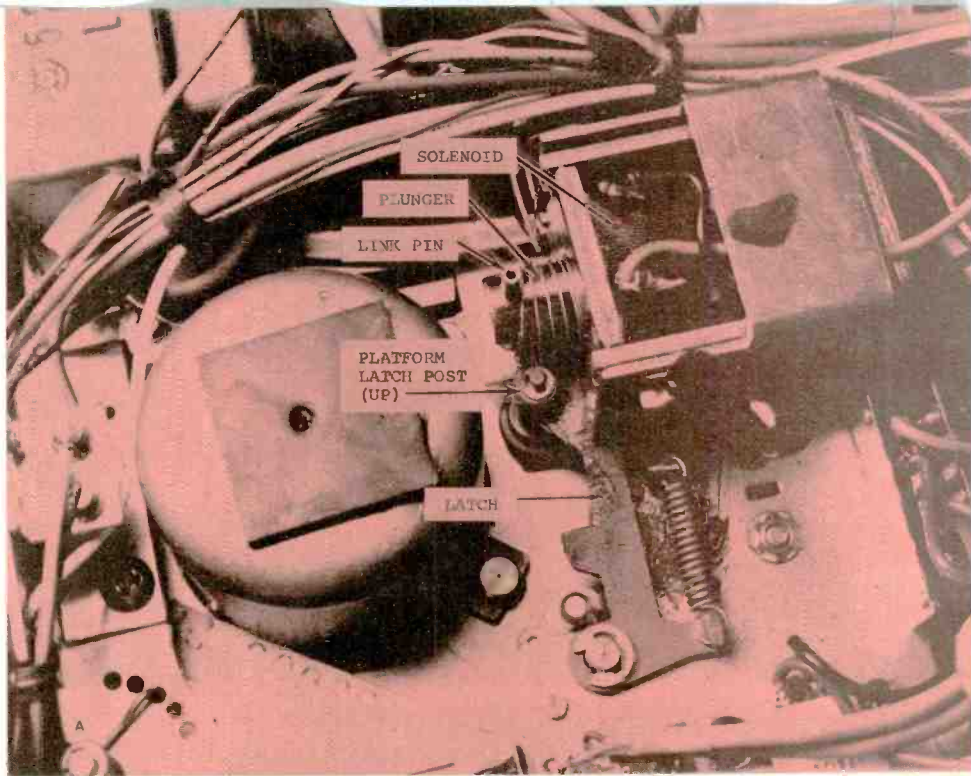
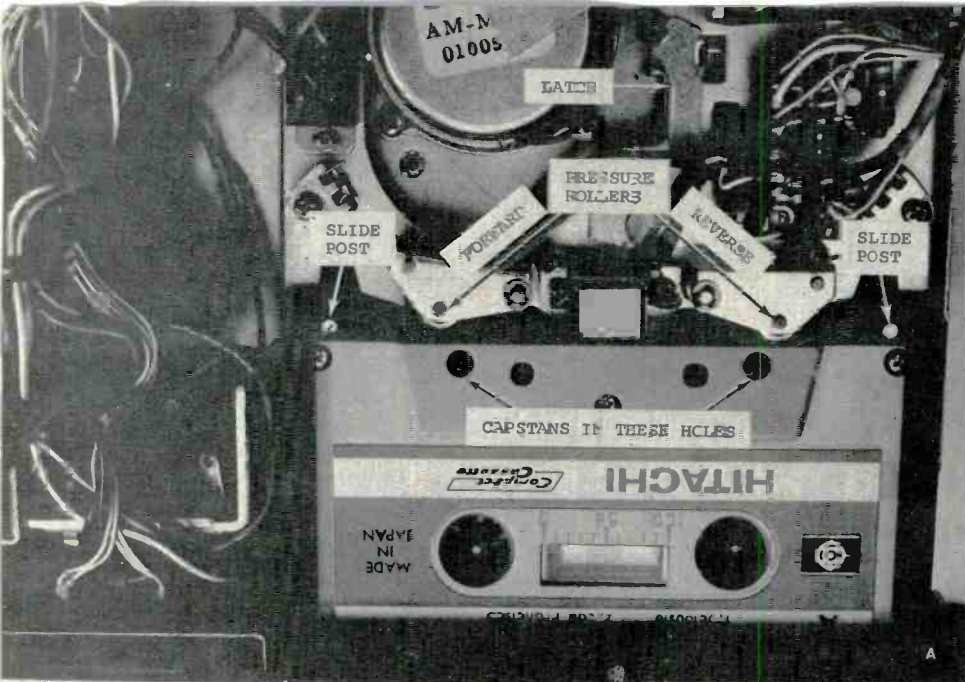


Fig. 4 Electronic/electromechanical system ejects cassette when end of tape is reached. Latch (A) holds platform up in playing position. Solenoid plunger and link pin trips latch (B) when the tape hubs stop turning. Cam and switch (C) sense the motion.



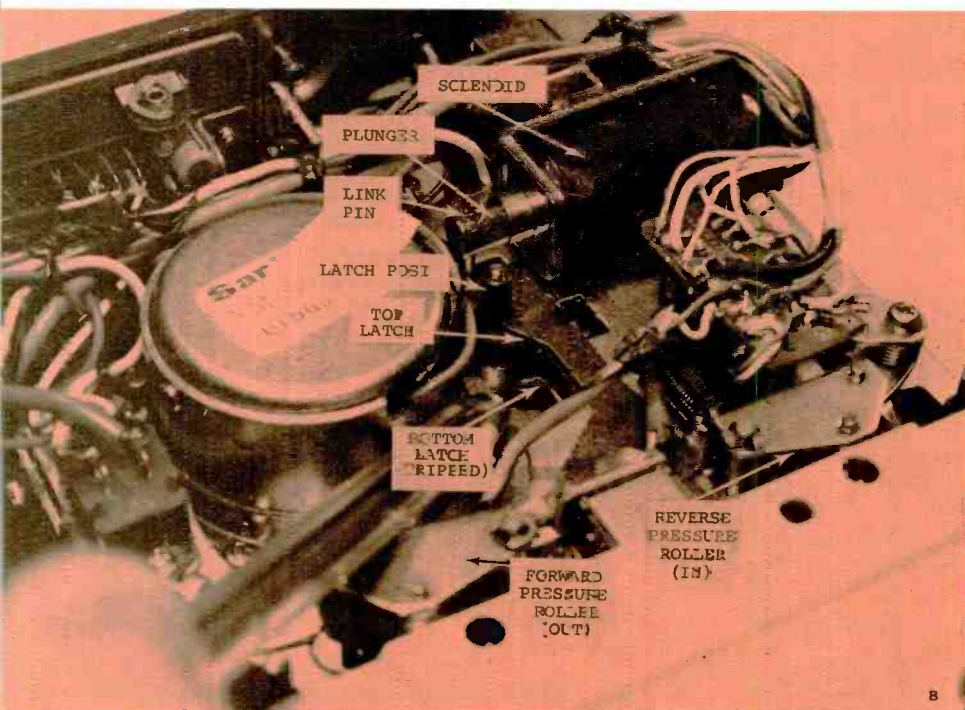
sette back out should take just as little effort.

Pressing a button on the front panel (Fig. 3) ejects the cassette. The EJECT button releases the spring-loaded latch which holds the mechanism platform, and the platform drops down to its "off" position. This action disengages the reel hubs and capstan from the cassette, and the slide posts move back toward the front, flipping out the cassette about halfway.

### Automatic Eject

When a cassette comes to the end of its tape, the Star system unit automatically ejects it.

The latch that holds the platform in playing position can be tripped by two means. One is by mechanical linkage to the EJECT button on the front panel, as illustrated in Fig. 3 and described previously. The other is by a solenoid. Fig. 4A shows the arrangement, with the latch holding the platform in playing (or recording) position. The small, pressed link pin which extends through the end of the solenoid plunger engages a slot in the latch bar. When pushed sideways by this linkage, or by the linkage from the EJECT button, the latch no longer holds the platform latchpost, and the platform falls to its "off" position (Fig. 4B).



An electromechanical sensing circuit operates the solenoid. The circuit contains two transistors, some small parts, and a leaf-type switch. Fig. 4C illustrates the setup in simplified form.

A square cam on the supply-

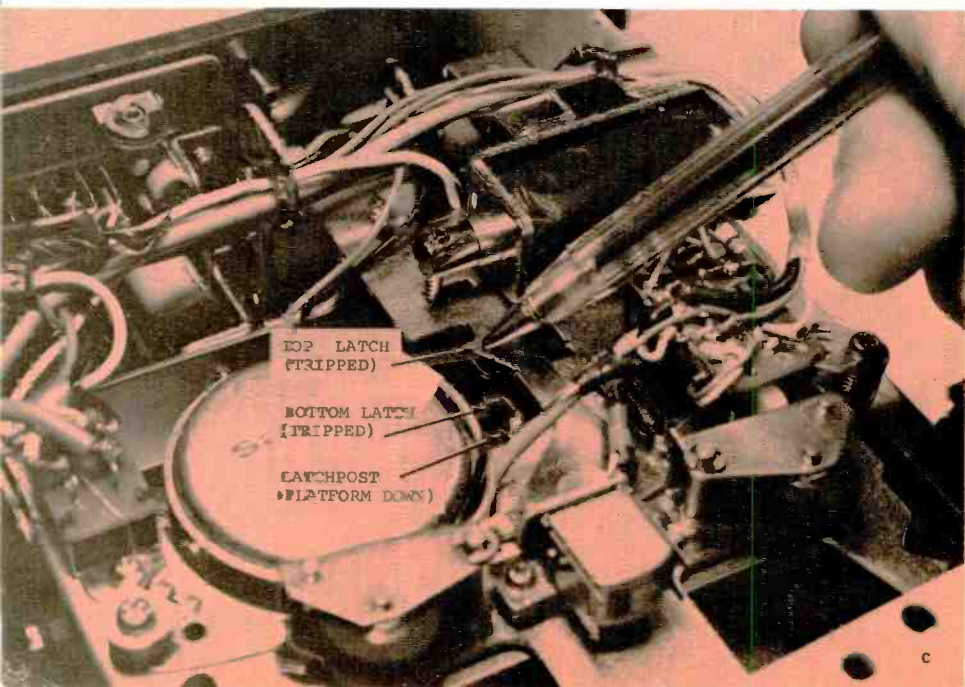


Fig. 5 Cassette in automatic-reversing machine (A) is driven by one of two capstans; which one depends on which pressure roller contacts tape. Two latches (B) catch platform latchpost; one for reversing, one for shutoff/eject. When both latches have tripped (C), platform drops into its "at-rest" position.

reel hub clicks the switch leaf back and forth. As long as the cam turns, the DC bias transistor and its associated time-constant circuits keep the switch transistor biased completely off. While the tape runs, the solenoid remains inactive.

When the tape in the cassette reaches the end, the reels can't turn any more. The DC transistor stage begins building a forward bias voltage for the switch transistor. After 1 or 2 seconds, the bias is sufficient to turn on the switch transistor. The sudden current through the solenoid pulls in the plunger, and the link pin trips the latch. The platform drops, the cassette ejects, and the machine shuts off.

### Keeping the Music On

An eight-track cartridge contains a continuous loop of tape. Prerecorded music programs keep playing over and over till you eject the cartridge.

A music program on cassette stops when all of the tape has wound up on the takeup reel. To play the second program, you ordinarily have to flip the cassette over. The takeup reel for side A becomes the supply reel for side B.

Theo Staar also devised a system to keep you from having to pull the cassette out and turn it over. This version of his mechanism reverses the direction of tape travel at the end of side A and reconnects the playback head to play side B. At the end of side B, the machine ejects the cassette and shuts off, as described previously.

The makers of this year's car cassette machines generally have confined automatic reverse to play-only models. The reversing-type mechanism differs from single-play machines only in certain respects, which are illustrated in Fig. 5. The motor drives two flywheels instead of one; this provides two capstan shafts. They fit into their respective capstan holes in the cas-

sette, as Fig. 5A shows. Each capstan has its own pressure roller, on a sort of rocker-type bar.

As you insert the cassette, it slides along Teflon guides and comes up against the slide posts, as usual. Pushing the cassette on in lifts the platform into position. In the automatic-reverse player, two latches (instead of one) catch the platform latchpost. They are highlighted in Fig. 5B.

The top latch holds the platform in playing position, just as in automatic-shutoff recorders. The bottom one is held by the latchpost, rather than it holding the latchpost. (The bottom latch is already tripped in Fig. 5B, so you can see it.) This bottom latch puts the forward-drive (side A) pressure roller against the forward capstan, with the tape pinched between. The machine thus plays side A as the turning capstan pulls the cassette tape forward.

A square-cam-and-leaf-switch senses the end of the tape, when the reels stop turning, as described previously. The transistor switch, after a second or two, operates the solenoid plunger. The movement of the plunger is short, and it trips only the bottom latch—the one being held by the post. Forward movement of this latch shifts the rocker bar holding the two pressure rollers. The forward-drive pressure roller rocks back, freeing the tape at that end of the cassette. The reverse-drive (side B) pressure roller moves in to hold the tape against the capstan at that end. The machine plays side B as the reverse capstan pulls the tape backward (also slowly rewinding it).

When side B is completed, the lack of motion at the sensor cam again activates the solenoid. This time, the remaining latch, the top one, trips. The platform, released, drops down and ejects the cassette. The machine stops. Fig. 5C shows the position of the

latches and latchpost after shutoff.

### Servicing The Staar System

Repairs and troubleshooting in the Staar-type cassette machines are little different from those in other cassette players, once you understand the Staar workings. There are only a couple of special things you should remember:

A "sticky" cassette reel, all too common in today's cassettes, can cause the machine to reverse or to shut off before it should. When you encounter that kind of complaint—repeated premature reversing or shutting off—suspect the cassette instead of the machine. Try a cartridge you know is good. If you are playing back, you should be able to tell, by listening, whether the trouble is caused by the cassette or the machine; if the cassette is the source of the trouble, the music (or voice) usually will grind to a halt a couple of seconds before ejection.

In the recording mode, however, this kind of complaint can be baffling because the "audio" clues will not be present.

Premature ejecting also can sometimes be traced to a power difficulty in the set. The bias and switch transistors are arranged so that, if power is removed (even from the set), a charged capacitor pulls the solenoid in and the cassette cartridge pops out. Consequently, a supply-line interruption of any duration, whether inside the machine or outside, can cause ejection and shutoff. The cause of an intermittent like this can be difficult to track down unless you remember that the cause can be either inside or out, and even if inside it might not be in the automatic-ejection system.

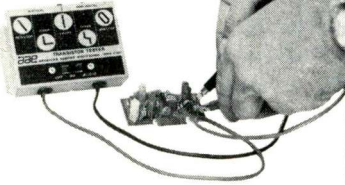
### Next In Service Bench

Next month, I'll be getting back to television. The subject is high-voltage regulation in color TV sets. □

## NOW SOLVED...

A tough problem\* that has been with us since long before the transistor was invented!

\*a way to check transistors, capacitors and resistors without unsoldering them from the circuit.



Saves time and tells you more than the old hazardous way of unsoldering components from the circuit. Connect the transistor tester to your scope and get rapid readings on transistors, diodes, capacitors, and resistors. Symbol on face of tester shows scope pattern for each good component.

**\$29.95** Postage Paid

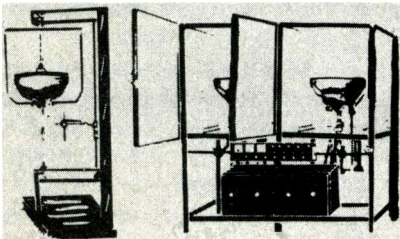
Send check or money order (no C.O.D.) to:

**aae**

advanced applied electronics  
1000 South Main Street  
Council Bluffs, Iowa 51501  
712/328-8625

Circle 31 on literature card

## REBUILD YOUR OWN PICTURE TUBES?



With Lakeside Industries precision equipment, you can rebuild any picture tube!

### EASY TO OPERATE

Requires only 4 x 8 ft. of space.

Rebuilds either black and white or color, regardless of tube size.

Amazing low operational costs.

Offers excellent additional income to your present business.

For complete details on how you can become part of this increasing industry, write direct or mail this coupon.

LAKESIDE INDUSTRIES  
5234 N. Clark St.  
Chicago, Ill. 60640  
Phone: 312-271-3399

Free demonstration appointment  
 Send me more information

Name .....  
Address .....  
City ..... State .....

Circle 32 on literature card

## productreport

Features and/or specifications listed are obtained from manufacturers' reports. For more information about any product listed, circle the associated number on the reader service card in this issue.

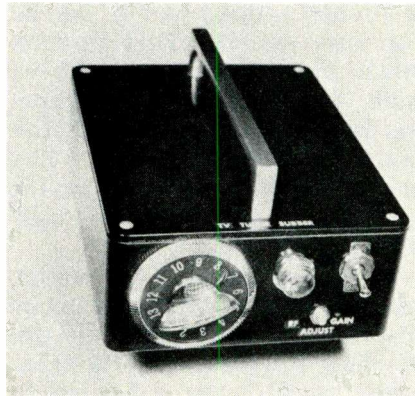
### TV Tuner Subber

**Product:** Transistor TV VHF tuner

**Manufacturer:** Castle TV Tuner

**Function and/or Application:** Substitutes VHF tuner in a defective TV receiver to prove if the original tuner is good or bad.

**Features:** Analyzes IF and AGC system defects and tests the UHF tuner in the receiver. Two connections, antenna and IF cables, can be made in most cases without removing the tuner or chassis from the cabinet. Extension cables for IF connection is



furnished. The tuner is solid-state and operates from self-contained batteries; two 9-volt transistor batteries are used and allow battery life of 4 to 5 hours or a total of more than 6 hours when used intermittently. A transistor VHF tuner with external gain control affords a gain reduction of 40 dB independent of receiver AGC. The tuner subber is portable.

**Specifications:** N/A

**Price:** Kit form sells for \$22.95; assembled form is \$29.95.

Circle 60 on literature card

### TV Tuner Cleaner/Lubricant

**Product:** Silicon spray for TV tuners.

**Manufacturer:** General Electric

**Function and/or Application:** Accessibility to tuner contacts of silicon spray

**Features:** General Electric devel-



oped this new spray for professional technicians. It is a compound of methyl alkyl silicons for polishing and lubricating tuner contacts that provide cleaning for both color and black and white TV tuners. Available in 8 oz. aerosol can with an extension spray nozzle for easy accessibility.

**Specifications:** The silicon spray is safe for plastics, is driftless, nonflammable, will not evaporate or run, resists temperature extremes and is paintable and solderable after normal clean up.

**Price:** The GE silicon spray sells for \$2.39.

Circle 61 on literature card

### Dual-Heat Soldering Iron

**Product:** Duo-Heat pencil soldering iron

**Manufacturer:** Wall Mfg.

**Function and/or Application:** Soldering contacts

**Features:** A button switch on the handle permits operation at low heat for light-duty soldering or during standby time, or at maximum heat when required. The low-heat operation permits rapid return to readiness, and prolongs the life of the tip and element.

**Specifications:** Model DH-1 has a 15-watt and a 47-watt element which develops a 520-degree low temperature, or a 920-degree high temperature. Model DH-2 has 20- and 53-watt elements for 630-degree and 975-degree operation.


**Price:** The DH series sells for \$8.95.

Circle 62 on literature card

# advertisers' index

Advance Applied Electronics Co. ....	62
Amperex Electronic Corp. ....	1
Arrow Fastener Co., Inc. ....	49
B & K Division Dynascan Corporation	11
Bussmann Mfg. Div. McGraw Edison Co. ....	5
Castle Television Tuner Service, Inc. ....	Cover 4
Centralab Globe Union Inc. ....	55
Eico Electronic Instrument Co., Inc. . .	12
Gem City Tuner ....	20
General Electric Tube Division ..	Cover 3
General Electric Television Business Div. ....	3
Heath Company ....	21
International Electronic Sales Corp. . .	48
E. F. Johnson Co. ....	43
Lakeside Industries ....	62
Laran Electronics Inc. ....	63
Lee Electronics Laboratories ....	54
Lectrotech, Inc. ....	14
Mark Electronics, Inc. ....	63
Phase Corp. ....	42
Precision Tuner Corp. ....	9
RCA Parts & Accessories ....	41
RMS Electronics, Inc. ....	27
Howard W. Sams & Co., Inc. ....	15
Score Inc. ....	47
GTE Sylvania Electronic Components ....	13, 28-29
TV Tech Aid ....	43
Tab Books ....	40
Telematic Div. UXL Corp ....	45
Tuner Service Corporation ....	Cover 2
Workman Electronic Products, Inc. . . .	43
Yeats Appliance Dolly Sales Co. ....	63
Zenith Radio Corporation ....	7

**YEATS appliance dollies**  
**MOST VERSATILE color TV TRUCK DEVELOPED!**



NO LIFTING  
 ROLLS UP & DOWN STAIRS

DeLuxe Model No. 14  
 \$89.50  
**ORDER YOURS TODAY!**

ROLLER BEARING WHEELS

FREE illustrated brochure

Yeats Appliance Dolly Sales Co.  
 1307 W. FOND DU LAC AVE.  
 MILWAUKEE, WIS. 53205

Circle 35 on literature card

**12FR8 TUBES**  
 Now Available in Solid State. Fully Guaranteed Replacement. Just Plug In Socket.  
 \$4.00 ea. net.

**MARK ELECTRONICS, INC.**  
 2315½ Artesia Blvd.  
 Redondo Beach, CA. 90278

Circle 33 on literature card

## The MARKETPLACE

This classified section is available to electronic technicians and owners or managers of service shops who have for sale surplus supplies and equipment or who are seeking employment or recruiting employees.

**Advertising Rates** in the Classified Section are:

- 25 cents per word (minimum \$3.00)
- "Blind" ads \$2.00 additional
- All letters capitalized—35 cents per word

**Each ad insertion** must be accompanied by a check for the full cost of the ad.

**Deadline for acceptance** is 30 days prior to the date of the issue in which the ad is to be published.

This classified section is not open to the regular paid product advertising of manufacturers.

### FOR SALE

Gernsbach Library and TAB Books for sale at half the original price. Write for complete list and prices. Duncan Eadie, 3884 Ewings Rd., Lockport, N.Y., 14094.

### LABELS

Mr. Serviceman—put your custom printed label on the items you repair. You get repeat business. Send for samples & prices. Carlton Tape & Label, P.O. Box 12005 Dept. ES1, Houston, Texas, 77017.

### WANTED

Wanted—Experienced TV Serviceman or will sell entire shop—send for listing. M.E. Novak, Tyndall, So. Dak.

**NOW A ONE STOP SHOPPING CENTER FOR YOUR AUTO RADIO AND 8 TRACK STEREO PARTS: AT FACTORY DISCOUNTS**

**WE ARE AUTHORIZED PARTS DISTRIBUTORS FOR:**

- |             |                 |
|-------------|-----------------|
| DELCO       | PANASONIC       |
| BENDIX      | KRACO           |
| MOTOROLA    | PHILIPS         |
| LEAR JET    | BELLE WOOD      |
| TENNA       | WARD            |
| METRA       | QUICKMOUNT      |
| AUTOMATIC   | AC SPEEDO       |
| ONGUARD     | CRAIG           |
| MEMOREX     | VERITAS         |
| INLAND      | CHAPMAN CARLOCK |
| DYNATRONICS | EV GAME         |
- STEREO LOCK MOUNTS**

AND MANY OTHERS

Send Your Order With Part Number and Description of The Part To

**Laran Electronics, Inc.**

Dept. ES, 3768 Boston Road  
 Bronx, N. Y. 10469

Circle 34 on literature card

## Two ways to join the future.

The future is being shaped in college today. The future of your business. But tuitions pay only one third the cost of an education in college. Costs of facilities and faculties average two thirds more.

1. You can help through individual giving.
2. Your business can help. Through aid-to-education programs. So that your business can keep growing by continuing to get the kind of trained people it needs.

Get started on the good business of higher education today. Write for "HOW TO AID EDUCATION." Council for Financial Aid to Education, 6 East 45th St., New York, N.Y. 10017.

Join the future. Give to the college of your choice.



advertising contributed for the public good

## ANTENNAS

100. *Jerrold Electronics Corp.*—Catalog S, titled "Systems and Products for TV Distribution," lists specifications of this manufacturer's complete line of antenna distribution products, including antennas and accessories, head-end equipment, distribution equipment and components, and installation aids.

## AUDIO

101. *Arista Enterprises, Inc.*—announces their 58-page needle and cartridge catalog. The needle cross reference reportedly has up-to-date cross references of all major needle marketers, in addition to cross reference sections of phonograph manufacturers' needle and cartridge numbers.
102. *GC Electronics*—announces catalog No. FR-135-W, containing an updated line of rubber drives and belts, phono and recorder drive wheels and pulleys, pinch rollers, round rubber belts, etc. The catalog also contains a cross-reference section, with replacement part numbers for equipment made by 194 manufacturers.
103. *Jensen Manufacturing Div.*—has issued an 8-page catalog, No. 1090-E, which describes applications of 167 individual speaker models. Special automotive, communications, intercom and weathermaster speakers, plus a complete line of electronic musical instrument loudspeakers are featured.
104. *Shure Brothers*—has published a new catalog describing their line of microphone and circuitry products for broadcasting,

recording, motion pictures, and professional sound reinforcement. Included are illustrations and technical specifications.

## AUTO ELECTRONICS

105. *Littelfuse, Inc.*—has released a new 32-page, 1971 automotive replacement fuse guide for passenger autos, sports cars, trucks, and taxi cabs. Fuse descriptions and circuits they protect are included.
106. *Nortronics Co., Inc.*—announces a revised brochure describing the Model 5800 replacement head for a reported 90 per cent of all 8-track auto and home stereo players. A listing of players is offered by more than 70 different manufacturers in terms of model number or head part number.

## CABLE

107. *Columbia Electronic Cables*—has published a 92-page wire, cable, and cord-set catalog No. CEC-MC-571 which includes technical data concerning comparison charts of different types of insulating materials, copper wire specifications, estimating charts, and ampere ratings.

## CAPACITORS

108. *Cornell-Dubilier Electronics*—has issued an 80-page cross-reference, 1972 catalog for location of single, dual, triple, and quadruple section replacement electrolytics.
109. *Loral Distributor Products*—has made available a 24-page electrolytic capacitor replacement guide. The catalog features replacement products by the original manufacturers part number.
110. *Sprague Products Co.*—has announced a 40-page manual which lists original part numbers for each manufacturer, followed by ratings,

recommended Sprague capacitor replacements, and list prices. More than 2,500 electrolytic capacitors are included.

## COMPONENTS

111. *Bulow International*—announces a new parts list for spare-parts and replacement parts for several major European radio and electronics manufacturers. Components, transistors, diodes and mechanical parts are included.
112. *P. R. Mallory & Co., Inc.*—introduces a 64-page general catalog containing approximately 10,000 items. Included in the catalog are batteries, capacitors, controls, resistors, semiconductors, switchers, and timers plus security systems, cassette recorders and cassette recording tapes.
113. *Precision Tuner Service*—announces a new tuner parts catalog, including a cross reference list of antenna coils and shafts for all makes of tuners.
114. *Workman Electronic Products, Inc.*—has released a 68-page 1972 catalog of replacement components for radio and television. Included are resistors, fusing devices, circuit breakers, sockets, convergence controls, electronic chemicals, audio cables, adapters for hi-fi and cassette type recorders battery holders and prototype kit components.

## KITS

115. *Heath Co.*—announces their 1972 Heathkit catalog, reportedly featuring over 350 kit projects. Projects for the home, the car, and workshop are included.

## SEMICONDUCTORS

116. *GTE Sylvania, Inc.*—announces a revised semiconductor guide which reportedly gives replacement information for more than



41,000 solid-state devices. The 73-page catalog, ECG 212D, provides characteristics and outline drawings of the 124 components in the Sylvania ECG semiconductor line.

117. *Motorola*—announces release of the HEP HMA-07 semiconductor cross-reference guide and catalog. Replacements are reportedly listed for over 30,000 semiconductor device numbers. A product catalog plus 168 new hobby, dealer and industrial M.R.O. devices are also included.
118. *RCA Distributor Products*—introduces a 72-page "SK Series Top-Of-The-Line Replacement Guide" (SPG-202L) which cross-references over 20,000 semiconductor device numbers. In addition a Solid State Quick Selection Replacement Chart (1L1367) listing 79 entertainment SK-Series devices is included.
119. *Semitronics Corp.*—has a new, revised "Transistor Rectifier, and Diode Interchangeability Guide" containing a list of over 100 basic types of semiconductors that can be used as substitutes for over 12,000 types.
120. *Sylvania Electric Products, Inc.*—a 73-page guide which provides replacement considerations, specifications and drawings of Sylvania semiconductor devices plus a listing of over 35,000 JEDEC types and manufacturers' part numbers.

#### SERVICE AIDS

121. *Chemtronics*—announces a new 12-page, 1971-1972 catalog of products, including: tuner sprays, circuit coolers, insulating sprays, contact and control sprays, lubricants, tape head and record cleaners/accessories, cartridge tape head cleaners and conditioners, electronic glues and cements, solder, and spray paints.

122. *Kester Solder*—has released an 8-page brochure presenting the company's full line of soldering products. Presented are: "44" resin core solder, acid-core solder, solid-wire, bar solder, TV-radio solder, and Metal Mender.

#### SOLID STATE

123. *International Rectifier*—64-page volume, JD-451, has been revised and lists information on diodes, zeners, capacitors, rectifiers and SCR's. There are a reported 4000 new transistor listings. Specifications, characteristics, tables and wall charts are also included.

#### TECHNICAL PUBLICATIONS

124. *Howard W. Sams & Co., Inc.*—announces publication of a new 96-page 1972 Technical and Scientific Book Catalog. Described are over 800 hardbound and softbound books which cover "do-it-yourself" titles from the Audel Division, amateur radio publications, audio visual materials, instructor's guides and student workbooks. Titles range from "ABC's of Air Conditioning" to "Writer's and Editor's Technical Stylebook".
125. *Sencore, Inc.* — Speed Aligner Workshop Manual, Form No. 576P, provides 20 pages of detailed, step-by-step procedures for operation and application of Sencore Model SM158 Speed Aligner sweep-marker generator.
126. *Sylvania Electric Products, Inc., Sylvania Electronic Components Div.* — has published the 14th edition of their technical manual, which includes mechanical and electrical ratings for receiving tubes, television picture tubes and solid-state devices.
127. *Tab Books*—has released their Spring 1972 catalog describing over 170 current and forthcoming books. The

20-page catalog covers: schematic/servicing manuals, broadcasting; basic technology; CATV; electric motors; electronic engineering; computer technology; reference; television, radio and electronics servicing; audio and hi-fi stereo; hobby and experiment; amateur radio; test instruments; appliance repair, and transistor technology.

#### TEST EQUIPMENT

128. *Dynascan Corp.* — announces a new 24-page 2-color catalog of B&K Precision Test Equipment. A total of 21 instruments are reportedly presented; from a Mutual Conductance Tube Tester to a new DC to 10 MHz Triggered Sweep Oscilloscope.
129. *Eico*—has released a 32-page, 1972 catalog which features 12 new products in their test equipment line, plus a 7-page listing of authorized Eico dealers.
130. *Hickok*—has published a 4-page brochure, "Hickok Oscilloscopes," which contains descriptions, specifications and prices for Models 5000A and 5002A oscilloscopes.
131. *Information Terminals*—has introduced a new brochure featuring the M-100 Tension Monitor, the M-200 Torque Tester and the M-300 Head and Guide Gage.
132. *Leader Instruments Corp.*—announces the 1972 Catalog of Leader Test Equipment. Test equipment included is the LBO-301 portable triggered-sweep oscilloscope, LSW-300 new solid-state post injection sweep/marker generator, and the LCG-384 mini-portable, solid-state battery operated color-bar generator.
133. *Lectrotech, Inc.* — announces the 1972 catalog, "Precision Test Instruments for the Professional Technician". It contains



advertising contributed  
for the public good



## Employee Saving Program

You save dollars.  
You save time.  
And you save lives.

Set up a Defensive Driving Program for your employees. The National Safety Council will help you do it.

We've helped businesses like General Telephone, National Cash Register, and the Hartford Insurance Group reduce lives lost and dollars lost each year in employee traffic accidents.

Send for the survival course and keep all your present employees. Alive.

Special Projects—Public Information  
National Safety Council  
425 North Michigan Avenue  
Chicago, Illinois 60611

Please send me full details on the Defensive Driving Program.

I am interested for: Myself \_\_\_\_\_  
A civic organization or club \_\_\_\_\_  
My company \_\_\_\_\_ Number of employees \_\_\_\_\_

Name \_\_\_\_\_

Title \_\_\_\_\_

Organization \_\_\_\_\_

State \_\_\_\_\_ Zip \_\_\_\_\_

specifications and prices on sweep marker generators, oscilloscopes, vectorscopes, color bar generators and other test equipment.

134. *Mercury Electronics Corp.*—14-page catalog provides technical specifications and prices of this manufacturers' line of Mercury and Jackson test equipment, self-service tube testers, testers, test equipment kits and indoor TV antennas.
135. *Tektronix, Inc.*—has announced a 4-page brochure describing the 54 Series oscilloscope manufactured by Tektronix English subsidiary, Telequipment.
136. *Triplett Corp.*—announces a 6-page, two-color brochure featuring four new portable, battery-operated, FET Volt-Ohm-Milliameters and accessories.
137. *Triplett Corp.*—announces a 2-page, 2-color data sheet for Model 6028, a 2¾ digit VOM. Data sheet gives DC volts, AC volts, ohms AC and DC current ranges plus construction information, price and accessories.

### TOOLS

138. *Chapman Manufacturing Co.*—offers a pamphlet containing their line of tools and tool kits. Kit No. 6320, the Midget Ratchet is featured along with other available tool kits.
139. *Ideal Industries*—introduces a 2-page, 4-color brochure announcing their new Heat Gun. Performance characteristics applications, operating features, specifications and ordering information reportedly are included.
140. *Janel, Inc.*—announces a three-color catalog on precision hand tools used primarily in miniature and micro-miniature electronic assembly and production applications.
141. *Jensen Tools and Alloys*—has announced a new catalog No. 470, "Tools for Electronic Assembly and

Precision Mechanics." The 72-page handbook-size catalog contains over 1,700 individually available items.

142. *Xcelite, Inc.*—Bulletin N770 describes this company's three new socket wrench and ratchet screwdriver sets.

### TRANSFORMERS/COILS

143. *J. W. Miller Co.*—announces a new 92-page radio and TV replacement coil cross reference guide for known domestic and foreign color and black and white TV sets, home and car radios. Over 22,000 replacement coils for 327 manufacturers names reportedly are listed.
144. *Stancor Products*—pocket-size, 108-page "Stancor Color and Monochrome Television Parts Replacement Guide" provides the TV technician with transformer and deflection component part-to-part cross reference replacement data for over 14,000 original parts.

### TV ACCESSORIES

145. *Telematic*—introduces a 14-page catalog featuring CRT brighteners and reference charts, a complete line of test jig accessories and a cross reference of color set manufacturers to Telematic Adapters and convergence loads.

### TV PICTURE TUBES

146. *GTE Sylvania*—50-page brochure which describes characteristics of over 900 television picture tubes, plus data on interchangeability information and tips on installation and handling of TV picture tubes.
147. *GTE Sylvania, Inc.*—has published an interchangeability guide listing 191 commonly used color TV picture tubes which can be replaced with 19 GTE Sylvania Color Bright 85® types. □



OUR NO. 1 GOAL:  
TO MAKE  
GENERAL ELECTRIC  
YOUR BEST BUY

**We're in  
this business  
together.**

**Tubes you can depend on  
for customers  
who depend on you.**

Tube Products Department, Owensboro, Kentucky 42301

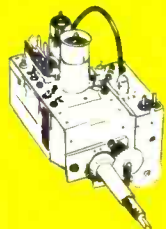
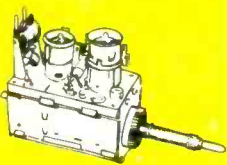
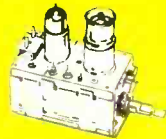
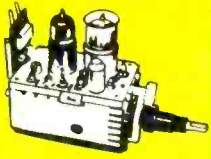
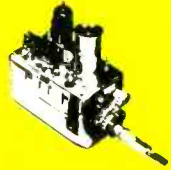
**GENERAL  ELECTRIC**

# WHY REPAIR TV TUNERS?

## CASTLE REPLACEMENTS start at . . . . .

Select by part number below. Write, phone or wire order. No mailing ... no waiting ... no nonsense!

# 895



### UNIVERSAL REPLACEMENTS Prefer to do it yourself?

These Castle replacement tuners are all equipped with memory fine tuning and UHF position with plug input for UHF tuner. They come complete with hardware and component kit to adapt for use in thousands of popular TV receivers.

\*Supplied with max. length selector shaft (measured from tuner front apron to tip) ... you cut to suit.

### EXACT REPLACEMENTS

Purchase outright ... no exchange needed. \$15.95 ea.

Castle replacements made to fit exactly in place of original tuner. Available in the following popular numbers.

ADMirAL	EMERSON	340042-1	LOPTT399Y	76-13955-1	KKR133BC	470V030H01	175-424	175-721	175-1133	MISC INCLUDING
94E210-1	471351	340052-1	LOPTT359YA	76-13955-2	KKR133D	470V049H01	175-426	175-722	175-1134	PRIVATE LABELS
94E210-3	471512	340060-1	OPTT402	76-13955-5	KKR133U	470V151H01	175-431	175-731	175-1135	
94E227-2	471515	340067-1	LOPTT402			470V158D03	175-454	175-732	175-1136	TA82
94E228-1	471678	340069-1	CPTT403			470V161D03	175-601	175-733	175-1137	TA124
94E229-1	471682	340078-1	OPTT404	RCA	SEARS	470V188D02	175-602	175-734	175-1138	TA129
94E229-8	471700	340079-2	OPTT404A			470V191DG2	175-604	175-735	175-1139	TA131
94D257-1		340079-2	OPTT404A			470V188D02	175-621	175-736	175-1140	TA133
94D257-7		340095-2	CPTT405			470V190DC1	175-622	175-737	175-1141	TA136
94D257-49			OPTT414A			470V191D01	175-640	175-738	175-1142	TA138
94E260-NH		340130-1				470V191DG2	175-641	175-739	175-1143	TA147
94E260-11	ET86X188		MUNTZ			470V191D03	175-642	175-740	175-1144	TA150
94E261-1B	ET86X208						175-643	175-741	175-1145	TA157
94E261-1C	ET86X212	MOTOROLA	PRG352-1				175-644	175-742	175-1146	25A1241-002B
94E261-1D	ET86X213		PRG464			ZENITH	175-645	175-743	175-1147	25A1241-004B
94D261-4	ET86X214		PRG376				175-646	175-744	175-1148	25A1241-005B
94C273-2	ET86X215		PR9021				175-647	175-745	175-1150	25A1241-006B
94C273-4	ET86X221		PR9044				175-648	175-746	175-1151	25A1245-005D
94C273-7	ET86X224		PR9045				175-649	175-747	175-1152	25A1245-006D
94C273-8	ET86X227		PR9050				175-650	175-748	175-1153	25A1245-009
94C273-9	ET86X230		PR9058			SYLVANIA	175-651	175-749	175-1154	25A1245-011
94C273-10	ET86X231						175-652	175-750	175-1155	25A1245-019
94C273-11	ET86X232		CL4092-1				175-653	175-751	175-1156	25A1246-001
94C273-15	ET86X236		CL28874-1				175-654	175-752	175-1157	25A1246-003
94C281-1K	ET86X242		CL29554				175-655	175-753	175-1157	25A1246-004
94C281-1D	ET86X244		CL29566				175-656	175-754	175-1160	25A1246-005A
94C281-1J	ET86X255		CL29566				175-657	175-755	175-1161	25A1247-002
94C281-1L	ET86X265		CL33579				175-658	175-756	175-1162	25A1249-001A
94C281-4J	ET86X277		CL33858				175-659	175-757	175-1163	25A1249-001E
94C281-5	ET86X281		CL34190				175-660	175-758	175-1164	25A1253-001
94C281-12			CL34385				175-661	175-759	175-1165	25A1253-001B
94C281-16			CL34490				175-662	175-760		25A1253-001D
94C281-1	HEATHKIT		CL34635				175-663	175-761		25A1256-001C
	110-17		CPTT366YD				175-664	175-762	175-1168	25A1258-001A
	110-24		CPTT366YD				175-665	175-763		25A1258-001B
	110-25		NCPTT378YA				175-666	175-764		25A1263-001
	110-33		CPTT378YA				175-667	175-765		25A1263-001
	110-38		NCPTT378YA				175-668	175-766		25A1263-001
	7A11		OPTT385YA				175-669	175-767		25A1263-001
	7A17	MAGNAVOX	OPPT388YA				175-670	175-768		25A1263-001
	7A3K		OPPT388YA				175-671	175-769		25A1263-001
	7A4R	340009-1	CPTT396YA				175-672	175-770		25A1263-001
	7A050	340010-1	OPPT390YB				175-673	175-771		25A1263-001
	7A55-001	340017-1	OPPT394				175-674	175-772		25A1263-001
	7A050-001	340038-1	SCPTT394				175-675	175-773		25A1263-001
	7A59-001	340040-1	AOPTT399				175-676	175-774		25A1263-001
							175-677	175-775		25A1263-001
							175-678	175-776		25A1263-001
							175-679	175-777		25A1263-001
							175-680	175-778		25A1263-001
							175-681	175-779		25A1263-001
							175-682	175-780		25A1263-001
							175-683	175-781		25A1263-001
							175-684	175-782		25A1263-001
							175-685	175-783		25A1263-001
							175-686	175-784		25A1263-001
							175-687	175-785		25A1263-001
							175-688	175-786		25A1263-001
							175-689	175-787		25A1263-001
							175-690	175-788		25A1263-001
							175-691	175-789		25A1263-001
							175-692	175-790		25A1263-001
							175-693	175-791		25A1263-001
							175-694	175-792		25A1263-001
							175-695	175-793		25A1263-001
							175-696	175-794		25A1263-001
							175-697	175-795		25A1263-001
							175-698	175-796		25A1263-001
							175-699	175-797		25A1263-001
							175-700	175-798		25A1263-001
							175-701	175-799		25A1263-001
							175-702	175-800		25A1263-001
							175-703	175-801		25A1263-001
							175-704	175-802		25A1263-001
							175-705	175-803		25A1263-001
							175-706	175-804		25A1263-001
							175-707	175-805		25A1263-001
							175-708	175-806		25A1263-001
							175-709	175-807		25A1263-001
							175-710	175-808		25A1263-001
							175-711	175-809		25A1263-001
							175-712	175-810		25A1263-001
							175-713	175-811		25A1263-001
							175-714	175-812		25A1263-001
							175-715	175-813		25A1263-001
							175-716	175-814		25A1263-001
							175-717	175-815		25A1263-001
							175-718	175-816		25A1263-001
							175-719	175-817		25A1263-001
							175-720	175-818		25A1263-001
							175-721	175-819		25A1263-001
							175-722	175-820		25A1263-001
							175-723	175-821		25A1263-001
							175-724	175-822		25A1263-001
							175-725	175-823		25A1263-001
							175-726	175-824		25A1263-001
							175-727	175-825		25A1263-001
							175-728	175-826		25A1263-001
							175-729	175-827		25A1263-001
							175-730	175-828		25A1263-001
							175-731	175-829		25A1263-001
							175-732	175-830		25A1263-001
							175-733	175-831		25A1263-001
							175-734	175-832		25A1263-001
							175-735	175-833		25A1263-001
							175-736	175-834		25A1263-001
							175-737	175-835		25A1263-001
							175-738	175-836		25A1263-001
							175-739	175-837		25A1263-001
							175-740	175-838		25A1263-001
							175-741	175-839		25A1263-001
							175-7			