

The
**Call
Letter**

December 2015
Vol 41, #12



Bill Meloy and Granddaughter

December Meeting begins at 9:30, Party at 10:00

The Northwest Vintage Radio Society

Post Office Box 82379
Portland, Oregon 97282-0379

The Northwest Vintage Radio Society is a non-profit historical society incorporated in the State of Oregon. Since 1974 the Society has been dedicated to the preservation and enjoyment of "Vintage Radio" and wireless equipment.

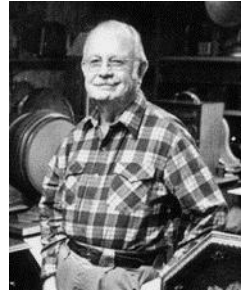
Membership in the Society is open to all who are actively interested in historic preservation. The dues are \$25.00 for domestic membership, due on January 1st of each year (prorated quarterly).

The Call Letter has been a monthly publication since 1974. It was originated with the founder, Bob Bilbie, and our first president, Harley Perkins. Through several editors and with the assistance of numerous society members, the Call Letter has continued to be a publication that informs members of the society's business and that supports the hobby of collecting, preserving, and restoring vintage radios.

Society meetings are held the second Saturday of each month at the Abernethy Grange Hall at 15745 S. Harley Ave. in Oregon City, Oregon. They convene at or about 9:30 AM for the purpose of displaying radios, conducting Society business, and exchanging information. Guests are welcome at all Society meetings and functions (except board meetings).

Other Society functions include guest speakers, auctions, radio shows, and radio sales which are advertised in the Call Letter and are held in and around Portland.

With each issue of the Call Letter, we remember Jim Mason, a charter member of the society who remained active until his death in 1999. A generous bequest from Jim's estate ensures the vitality of the Northwest Vintage Radio Society, and continued publication of the Call Letter.



Society Officers for 2015:

President	Mike McCrow (503)730-4639	tranny53@frontier.com
Vice-president	Bryon Toon (503) 266-5527	
Treasurer	Ed Tompkins (503) 573-3895	edtomp@Q.com
Recording Sec'y	Liles Garcia (503) 649-9288	landn2@frontier.com
Corresponding Sec'y	Pat Kagi (503) 694-6149	kagi.pat@con-way.com
Board member at large	Mark Moore (503) 286-5224	mark@pdxhistory.com
Librarian	Damon Vandehey (503) 459-1777	
Editor	Don Hanson	vanguard4@lycos.com

December Table of Contents

Announcements	1
A Letter from the President	2
Minutes	3
Calendar of Events	4
Monthly Feature - Accessories and Add-On Gadgets	5
Voila – Recent Acquisitions – Art Redman’s Remler	7
The Aspiring Radiotrician by Sid Saul	8
Tech Tips by Sonny Clutter	10
Swap Shop	11

December Feature

No Program Topic for our December 2015 meeting.

Announcements

December Meeting and Christmas Party

The December meeting is the annual Christmas Party.

January Meeting

Program Topic for our January 2016 meeting will be a radio-related item that you got from Bob Lee at R5-D3.

Spring Swap Meet

Our Spring Swap Meet will be on April 9, 2016.

Visit our web site at:

www.nwvrs.com

Find us on Facebook:

www.facebook.com/nwvrs

From the President

By President Mike McCrow

Hi Everyone,

Our annual Christmas party is this month. I will be helping Brian Toon get ready for the party, along with many of our volunteers. As usual along with the great food and fun, we will have a very brief meeting and election of officers. I'm looking forward to a good time, and hope to see you all.

Mike

On the Cover

Member Bob Meloy celebrated his 99th birthday November 15.
(With him is his granddaughter.)

Editor's Note

Please have Call Letter Articles in by December 26.

Need a volunteer to take notes on the Monthly Feature entries. Don't be shy!!
And a Big Thanks for everyone who contributed to another great Call Letter!!

Sad News



From Brian Snawder - I wanted to pass onto the club that unfortunately Alan Douglas has died suddenly. You might know Alan as a well-respected author of many books like *Radio Manufacturers of the 1920's* and *Tube Testers and Classic electronic Gear*, as well as an active member on www.antiqueradios.com. He has helped many of us in the club over the years and he will be sorely missed. (Alan also posted regularly to usenet groups rec.audio.tubes and rec.antiques.radio+phono— Ed)
Thanks to Sid Saul for the pic.
If you would like to read the posts on the ARF forums, the link is below.

<http://antiqueradios.com/forums/viewtopic.php?f=2&t=288153&start=40>

Minutes

NWVRS Meeting Minutes November 14, 2015

President Mike McCrow called the November 2015 meeting of the NorthWest Vintage Radio Society to order at 9:30 AM. Members pledged allegiance to our nation's flag. Rob Silver and Craig Miller attended our meeting today as guests. Members welcomed them with a round of applause. Mike asked all veterans in attendance to please stand; members gave our veterans a round of applause. Bill Weigel said that all of R5-D3's inventory is being sold. The current group of officers agreed to be nominated for their respective positions for next year. The group was nominated for election at our December meeting. There were 56 people at our meeting today.

The October meeting minutes were approved as printed in the November Call Letter. A member described Web SDR which is software-defined radio. It can be used for listening to radio stations world-wide. Damon is working on finding more space for our library. Mike has information on some reproduction Crosley radios; if you are interested see Mike. Our December meeting will be our Society's Christmas Party. We will have a short business meeting and then we will have a potluck lunch.

The Program Topic for our January 2016 meeting will be a radio-related item that you got from Bob Lee at R5-D3. Our Spring Swap Meet will be on April 9, 2016; contact Charlie Kent or Rick Ryan for table reservations.

The Program Topic for today was "Tube Radio Accessories and Add-On Gadgets for Tube Radios". Members showed and discussed the radio items that they brought. Fellow member Bill Meloy will be 99 years old on November 15. Members sang "Happy Birthday" to Bill and gave him a standing ovation and round of applause. Bill and his granddaughter brought a birthday cake for everyone to enjoy. Many, many thanks for sharing Bill's birthday cake with everyone!!

The meeting was adjourned. -- Liles Garcia, Recording Secretary

Calendar of Events

December 12, 2015. NWVRS Monthly Meeting and Christmas Party. Abernethy Grange, Oregon City, OR

January 9, 2015. NWVRS Monthly Meeting. Abernethy Grange, Oregon City, OR

February 20, 2016. Salem Hamfair & Computer/Electronics Swapmeet. Rickreall, OR at the Polk County Fairgrounds. *This is an ARRL sanctioned event.* <http://www.w7sra.com> .

March 5, 2016. Mike & Key Swap Meet. Puyallup fairgrounds exhibition hall, Puyallup, WA. *This is an ARRL sanctioned event.* <http://www.mikeandkey.org/flea.htm>

March 19, 2016. MicroHams Digital Conference. Redmond, WA. <http://www.microhams.com> .

April 2016. Yakima Hamfest. Yakima, Washington. Selah Civic Center, 216 South 1st Street, Selah, WA. <http://yakimaamateurradioclub.com/yakima-hamfest/>

April 9, 2016. NWVRS Spring Swap Meet. Portland, OR

April 9 & 10, 2016. Communications Academy. South Seattle Community College, Seattle, WA <http://comacademy.org/>

April 22, 2016. Idaho State Convention. Boise, ID. This is an ARRL sanctioned event. <http://voiceofidaho.org/> Contact: Larry Bickham , WA7ZZS. (208)453-1666, wa7zss@arrl.net

May 2016. Stanwood Camano Amateur Radio Club Hamfest, Stanwood Middle School, Stanwood, WA. Contact: Fred Laun, n7krn@arrl.net <http://www.scarcwa.org/>

May 20-22, 2016. Pateros 16th Annual Ham Radio, Campout/Potluck. Pateros WA. Free "dry" camping along the Methow River at Pateros. Always the weekend prior to Memorial Day Weekend. Contact Roger W7CH w7ch@arrl.net (509)687-3919. <http://lakechelanradioclub.webs.com/>

June 2016. 48th Annual Apple City ARC Hamfest. Apple City ARC. Dryden Gun Club. Dryden, WA. <http://www.qsl.net/w7td/> .

Monthly Feature

Tube Radio Accessories and Add-On Gadgets for Tube Radios

Photography by Chris Butler



Bill Meloy



Dan Howard



Dan Olson



John Livingston



Ray Holland



Sonny
Clutter



George Kirkwood



Voila

Art Redman

Mike Parker - owned Remler bought by me at auction.



The Aspiring Radiotrician

By Sid Saul

Globe Patrol Radios Revisited

Or: How I learned to stop worrying and love the transistor

Opening my GP's genuine pressboard back panel has revealed to me the complexities that only a three transistor radio could afford. Hopefully we can decipher the secret code and carry out our mission without the mutual assured destruction, or "MAD," so often plaguing yours truly. So let's start out with testing transistors Q2-Q3 shown in fig 1. We can do this with our analog volt-ohm-meters (VOM) set to measure resistance.

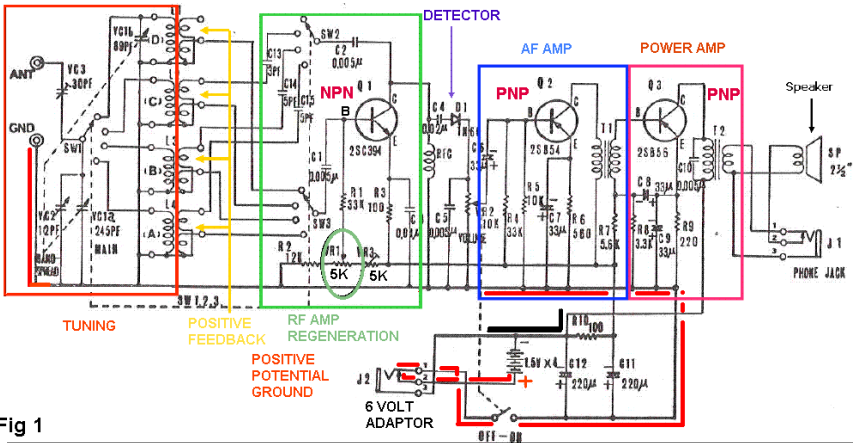
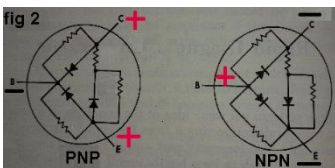


Fig 1

Transistors are not back-to-back diodes, but can be tested as if they were. We can forward-bias these equivalent diodes as depicted in fig 2. Positive voltage is placed on the anodes shown as triangles, and negative voltage placed on the cathodes shown as a bar on the anode tips. Before going further we are reminded that when our analog meters are set to measure resistance, they are actually measuring current from their internal batteries. In order to move the meter in the correct direction, negative battery current travels the meter's red lead, and positive voltage the black. This to confuse and dissuade the aspiring radiotrician. When testing DC voltages, the red reverts to positive as we are accustomed.

We can see this for ourselves with a second meter set to measure DC. The analog VOM is set to measure resistance, its black lead into the second meter's positive or red input terminal, and its red probe into the second meter's common or black. You will see a positive voltage on your second meter confirming your VOM polarity. When doing this you will also notice the lower



ohm settings of your VOM as reading 1.5 VDC on the second meter. The higher ohm settings may read higher. If so your VOM uses a second battery, usually 9 volts. **Don't use the resistance settings with battery voltages over 1.5 as this could damage the junctions. I would also refrain from using the Rx1 scale, as the higher current on this scale could do damage.**

With the power turned off let's forward bias Q1. VOM set to appropriate resistance, the black lead to the base B. Remember this is actually positive. Then touching the red negative lead to the emitter E, and then the collector C. This NPN transistor with its schematic arrow pointing away from B should move the meter in a forward direction. Reversing the leads with the red negative probe to the base B and the black positive lead to C and E should show no deflections. The entire procedure is reversed for PNP, but still looking for similar meter deflections.

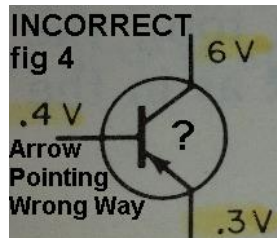
What we are looking for is a rough go-no-go. Lower resistance in one direction, and much higher resistance when reversed. Low readings in both directions indicate a short. No deflection when forward-biasing would indicate an open junction. There's the possibility of circuit components giving false readings. Removing any two of the three transistor leads from the circuit and retesting will confirm the in-circuit tests. There should never be resistance from C to E, due to very high series resistance shown in the equivalent transistor of fig 2. This would indicate a shorted collector-emitter junction.

False resistances may show up from shunted components, but we are still miles ahead of the game doing the basic checks in-circuit. A digital multimeter (DMM) usually includes a diode test. In this case the red lead is positive connecting to anodes, black to cathodes. We are looking for the appropriate bias voltage on the digital readout. A good silicon transistor reads about .7 volts such as Q1, and about .2 for the germanium transistors Q2 and Q3 biased in the forward direction, showing zero when reversed.

I have found that sometimes it's easier and less destructive removing transistor leads for out-of-circuit testing by cutting the circuit traces with a razor blade. Later it is easy to clean, tin, and repair with solder. Service literature becomes invaluable when testing. Transistor circuits can use either positive or negative grounds, the Globe Patrol being positive. Voltage was tested from positive ground to each transistor lead. A DMM was necessary not only for its higher impedance, less prone to circuit loading, but also being able to discern the very slight differences in voltages fig 3, so critical to proper operation and troubleshooting. Fig 4 is a transistor with incorrect voltages found with such a meter.

Q1	2SC394 (NPN)	C	-0.01V	E-C	5.8V
		B	-5.0V	E-B	0.6V
		E	-5.8V		
Q2	2SB54 (PNP)	C	-5.2V	E-C	4.1V
		B	-1.2V	E-B	0.2V
		E	-1.0V		
Q3	2SB56 (PNP)	C	-5.4V	E-C	3.7V
		B	-1.9V	E-B	0.2V
		E	-1.7V		

fig 3



Often a transistor is mis-drawn on schematics. The base should read slightly less positive than the emitter on PNP transistors, the opposite of the NPN with its slightly higher base voltage. Somewhere around the shop is an in-circuit transistor tester that actually nulls surrounding circuit components. Now if I can only find it amongst the growing bench clutter. I hope this most basic form of transistor testing, deciphering the GO-NO-GO "Plan R", R for Resistance, has been an inspiration to all.

Any similarities to the movie Dr. Strangelove 1964 is purely intentional.

Until next time from your Aspiring Radiotrician. Sid

Tech Tips

Cleaning noisy controls, poor or open switch contacts

by Sonny Clutter

These problems can usually be corrected with "Craig DeoxIT D5" if applied properly. DeoxIT D5 is very effective but a bit expensive, so don't waste it by bathing your switch or control in it, it is not meant to be used a washing agent. Using too much can be detrimental as the residue will attach contaminants and can create a short or have a semiconductor effect. It works best with a tiny amount placed in the proper place. Many controls and switches have internal access if you know where to look. Many are sealed and in order to clean them you must either take 'em apart or carefully drill a tiny hole so you can squirt a whiff of "DeoxIT" inside. One must be very careful when drilling the hole because if you don't, you'll ruin the control or switch.

Here's how I do it:

Start by using the tip of a hypodermic needle (.027" OD). Break it off of the syringe fitting and file the sharp end blunt so you don't stick yourself. Then force one end into the plastic tube that comes with the "DeoxIT".

Now you have tip that will fit into tiny areas. View the image (www.radiolaguy.com/images/misc/ControlCleaning.jpg) I've created so you can see the areas where the "DeoxIT" can be squirted (remember use a very small quick squirt). Once you're sure you've got the stuff inside the control or switch, work the control throughout its rotation a few times and work the switch on & off 10 - 12 times. I've found that unless the contacts are broken, burnt or damaged, this method will restore proper operation. A good switch should measure "0" ohms (in the on position) if working properly.

With toggle switches, place the switch so the toggle is straight up and give it a squirt downward so it gets into the bottom of the switch (where the electrical contacts are). Then toggle it 12 - 15 times. After you have successfully restored the switch to proper operation, I suggest you then blow I out with a few squirts of canned air to remove any excess "DeoxIT".

C.E. Clutter AKA: Sonny the RadiolaGuy

Email: radiolaguy@outlook.com

Web Site: www.radiolaguy.com

Swap Shop

Temporary Ads: Run for 3 months unless reset requested (each month adds one asterisk *)

Permanent / Semi- Permanent Ads: Marked with a hash mark #

Wanted: A Dial Glass, with three bands and dial pointer for Philco 41-260 Console or any other Philco. Also in the June 2010 Call Letter I had an article on my Minerva Tropic Master Model W117 that I sold and I would like to buy it back. I will be at the April swap meet so anybody can bring the dial glasses or the Minerva.
Homer "Jim" Myers 1-509-525-6264

** I need a knob for the 1933 World Globe radio.

Raymond Holland, 6015 NW Perthshire Rd, Vancouver, WA 98663-1175, 360 695-6349,
(C) 360 989-5981 Chev33radio@comcast.net

** Wanted: Knobs for the Admiral Model 24A12 (10" TV, brown bake-lite cabinet).
Contact Terry Collie at (503) 632-7895 or email tscollie@hotmail

** Wanted: Escutcheon for a 1936 Zenith 5-S-29 Tombstone radio. Contact Dick at (503) 246-1062

For Sale: to purchase NWVRS hats, jackets, name badges, or T-shirts, please contact Wendy Kent at (503) 281-9335

Special Sale: Large collection of high-end quality radios that range from mid-1920s to late 1950s and into the 1960s for sale. Only NWVRS, PSARA club members and personal guests are invited! For appointment call Steve Berglund 206-244-6428

Amplitrex tube testing service. Highly accurate tube testing with computer printout. Can test 211, 845 and other rare and hard to test tubes. Will trade testing for tubes, parts, etc. robertwstephens@frontier.com



Reliving Radio entertains those who remember the **Way Radio Was** with audio and video clips of radio shows, commentary, news, music and memories of 40 years of radio history.

Reliving Radio has been part of the fun at car shows, banquets, museums, picnics, “sock hops,” wedding receptions, “senior proms” or any special event for the over 65 set.

Reliving Radio provides entertainment and memories year round in more than 40 retirement communities in the Pacific Northwest.

www.relivingradio.com

Call to book **Reliving Radio** 503-784-4398

**...it's always
a Sunny Day at...**

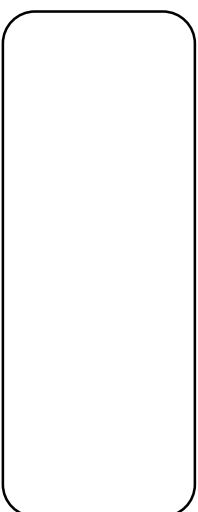
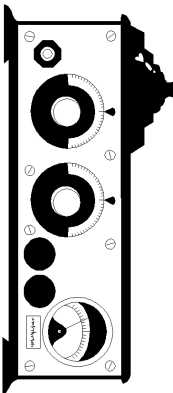


**In the Portland Metro area tune your
vintage sets to some of the
great music of the last 50 years.**

KKOV 1550 AM



NW Vintage Radio Society
P.O. Box 82379
Portland, Oregon 97282-0379



FIRST CLASS MAIL