

The

Call Letter

April, 2014
Vol. 40 – No. 4

*Vintage Radio
Show & Sale*
Amos & Andy
Fibber McGee
The Lone Ranger
GunSmoke
The Shadow
The Whistler

Presented by the
Northwest Vintage Radio Society

Saturday April 12

9 AM 'til 3 PM

American Legion Hall
21510 Main St.
IN HISTORIC
AURORA, OR

You'll see & can purchase; vintage wood, Bakelite, plastic, transistor & short-wave radios. Buy 'em all restored or in as-found condition. Hard to find tubes parts, vintage TV's, phono's and other related items will also be available.



**FREE PARKING
FREE ADMISSION**

for more information, see our
website www.NWVRS.org

NEXT MEETING: MAY 10TH @10AM

The Northwest Vintage Radio Society

Post Office Box 82379

Portland, Oregon 97282-0379

The Northwest Vintage Radio Society is a non-profit historical society incorporated in the State of Oregon. Since 1974 the Society has been dedicated to the preservation and enjoyment of "Vintage radio" and wireless equipment.

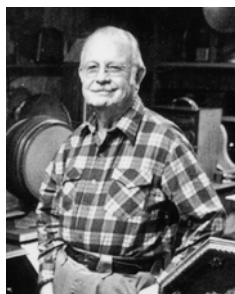
Membership in the Society is open to all who are actively interested in historic preservation. The dues are \$25.00 for domestic membership, due on January 1st of each year (prorated quarterly).

The Call Letter has been a monthly publication since 1974. It was originated with the founder, Bob Bilbie, and our first president, Harley Perkins. Through several editors and with the assistance of numerous society members, the Call Letter has continued to be a publication that informs members of the society's business and that supports the hobby of collecting, preserving, and restoring vintage radios.

Society meetings are held the second Saturday of each month at the Abernethy Grange Hall at 15745 S. Harley Ave. in Oregon City, Oregon. They convene at or about 10 AM for the purpose of displaying radios, conducting Society business, and exchanging information. Guests are welcome at all Society meetings and functions (except board meetings).

Other Society functions include guest speakers, auctions, radio shows, and radio sales which are advertised in the Call Letter and are held in and around Portland.

With each issue of the Call Letter, we remember Jim Mason, a charter member of the society who remained active until his death in 1999. A generous bequest from Jim's estate ensures the vitality of the Northwest Vintage Radio Society, and continued publication of the Call Letter.



Society Officers for 2014:

President	Sid Saul (503)869-5280	saulsidney@gmail.com
Vice-President	Mike McCrow (503)730-4639	tranny53@frontier.com
Treasurer	Ed Tompkins	edtomp@Q.com
Recording Secy	Charlie Kent (503)281-9335	radiogallerykent@qwestoffice.net
Corresponding Secretary	Wendy Johnson-Kent (503)281-9335	
Board member at large	Mark Moore (503)286-5224	mark@pdxhistory.com
Call Letter Editor	Tony Hauser (503)438-0297	abhauser@aol.com
Librarian	Robert Robinson (503) 255-3585	srrobins@comcast.net

April 2014

Table of Contents

Sunny 1550 Advertisement.....2
 The Aspiring Radiotrician.....3
 NWVRS March Meeting Minutes.....5
 March Meeting Display.....9
 Letter to the Editor.....11
 The Story of our Logo.....12
 Tuned Into...Don Hunker.....14
 Swap Shop.....16

On the cover: Another fantastic NWVRS show and sale poster courtesy of Sonny Clutter.

**Visit our web site at www.nwvrs.com
 and on Facebook: www.facebook.com/NWVRS**

**Remember! No monthly meeting this month
 because of the sale in Aurora**

Next Call Letter deadline: April 28, 2014

The *Call Letter* is the official publication of the Northwest Vintage Radio Society. Circulation is limited to the membership and guests of the Society. The Society is not responsible for the material contributed for publication, nor the quality, timeliness, or accuracy of the items or services offered for sale in the SWAP SHOP. By common agreement of the board of directors, the buyer assumes all responsibility for the satisfaction of any transaction.

Sunny 1550 Ad

**...it's always
a Sunny Day at...**

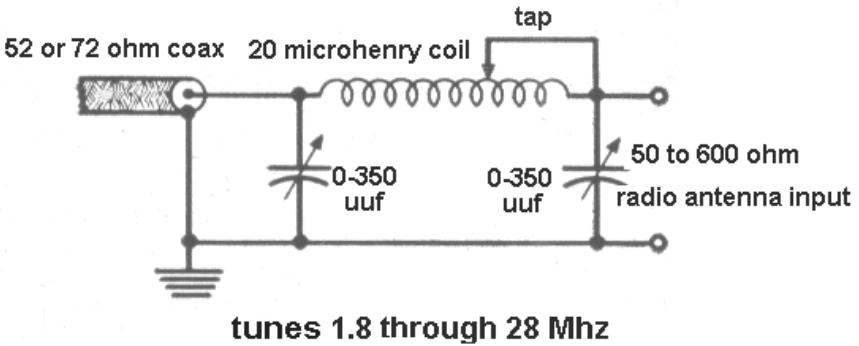


The Aspiring Radiotrician

By President Sid Saul

Receiver Input Impedance Matching

Don't "Miss" The Match



The discussion of how to improve shortwave reception is always a common thread. Indoor high impedance long-wire aerials are the easiest to try, and longer may at first seem better at capturing weaker signals, they may also just capture more electrical noise. The shielded lead-in or coax may be the solution. Those with ham tickets are comfortable with standing-wave-ratios (SWR), and antenna bridges. Very interesting topics in themselves, but no reason to otherwise slow us down.

A 'tens' rule of thumb before beginning. And yes to be sure, another 'tens' rule will surface in our discussions of electronics soon. So, if the length of coax is less than a *tenth* the wavelength of interest, we can just ignore the mismatch. For example if we are listening to Radio Havana Cuba on 6000 KHz on the 49-meter shortwave band, we can ignore the impedance of the cable, if the length of coax is under 4.9 meters long. I find this very useful when grabbing for signal generator cables on the bench. For example, if the 50 ohm output impedance of our signal generator is set at 30 MHz or a 10 meter wavelength, we can use a short 1 meter mismatched test cable. Antique shortwave radios on the other hand may have antenna input impedances of from 300-600 ohms, and sometimes more. If we are using a long run of standard 52-ohm coax into our 600-ohm input, we have a mismatch of 12 to 1, severely reducing signal strength. This could be why some of our sets perform so doggy, especially on the higher bands.

I have included a simple pi-network tuner that is easy to build and use. The name comes from the resemblance to the Greek letter pi. The two variable capacitors are both common 350 pF. The 20 uH coil was wound using an on-line calculator. I used 16 feet of number 12 solid core wire to wind 20 turns on a 3-inch diameter form. The total length of the coil is also 3 inches. The coil should be space-wound to allow for the alligator tap. Your SWR meter will surprise you with its needle diving toward the sought-after 1:1 as you adjust the tuner. A chart can be very useful for rough positioning the caps and coil, depending on frequency.

So until next time we meet, from your Aspiring Radiotrician.
Sid

NWVRS March Meeting Minutes

By Recording Secretary Charlie Kent

President Sid Saul called the March 8, 2014 meeting of the Northwest Vintage Radio Society to order at 10:00 a.m. and welcomed approximately 36 members and guests in attendance. Many club members were attending the 'Mike and Key Swap meet' in Puyallup, WA. The Pledge of Allegiance was recited.

Guests

New member Jeremy Veelee shared he likes to do repairs. Guests Nelson Hiraoka stated he's had a lifelong interest in radio since starting as a teenager; and Bob Wyson has been in ham radio and is thinking of joining the club.

Don Iverson Restoration Award Contest

Vice President Mike McCrow reminded all about the upcoming contest in May. Judges are Bruce Baur, Liles Garcia, Brian Toon, Tom Hoskins and Dick Bixler, with Sid Saul as the tiebreaker.

NWVRS Education Outreach

Mike relayed that at a recent Board of Directors meeting a presentation was made that got the Board thinking about community outreach education. George Kirkwood was kind enough to host a meeting of the Education Committee to discuss various venues, such as car clubs and middle schools, at which displays and/or presentations could be made. George suggested we take this venture slowly making sure this would be good for the community and NWVRS. This was thought to be a good way to spread the word of our swaps too. Mike asked anyone interested to volunteer to help the Education Committee find venues, man displays and/or answer questions, to get in touch with him.

Postings to NWVRS Facebook/Website

Mike asked the membership about posting monthly feature items and presentations. Charlie Kent has taken still photos, such as today, without presenters' names for our Facebook; and video footage is placed in our library only. He asks all Tech Talk presenters if they mind the library uploads.

Grange Event

Sid Saul asked for a show of hands of those willing to volunteer for an April 27 Grange open house where Grange renters such as ourselves will be present. We'd be putting on a display and manning it. Charlie Kent, Liles Garcia,

Blake Dietze, Mike McCrow and Sid Saul volunteered to be in attendance with their radios.

Health and Welfare

Good news! No report!

Recording Secretary

Charlie Kent asked for a motion to approve the January 11, 2014 meeting minutes as they appeared in *The Call Letter*. A motion was made to accept, seconded and approved. He announced several extra copies of the January, February and March *Call Letters* were available to anyone who would like to come forward and pick up. Charlie has been filming Tech Talks, which can be checked out from our library for viewing. More will be downloaded and added if members are using them.

Leads and Needs

Jerry Kroken from Salem could not stay for the meeting, but asked to list his Magnavox radio-phonograph that contains two 212 speakers. The turntable is not working, but the radio is functioning. He is asking only \$20, and is willing to deliver! Ed Tompkins requested a lead for a Eugene, OR gentleman with an old radio in need of repair. Several members offered Gary Marvin as a contact.

Merchandising

Charlie Kent reminded members we have NWVRS hats, some photo shirts, and can have pre-paid \$13.50 nametags made. Contact him for purchase.

Corresponding Secretary

Wendy Johnson-Kent received a publication from James Harper, which prompted the determination that ongoing a better way to connect materials with the current member chair is through our post office box mail and website. Pat Kagi will forward incoming club emails to the proper individual.

Due to the large majority of male members, the two female NWVRS members would like to share the Ladies restroom by making it a single-use 'unisex' facility on our meeting days. Beginning with our next meeting in May, multiple signs will reflect the addition of a single private restroom for anyone to use. The sign instructions are simple: On the outside of the door (that can only be read when the door is closed) will be "**Restroom in Use when Door is Closed**". On the inside of the door the sign will read, "**Please Leave Door Open when Restroom Not in Use**". A unisex restroom symbol will be placed over the existing Ladies sign. Please Note: Members who have spouses who wait for them in their cars and may come in to use the restroom, please alert your wives of our change during the meetings so the signage is not overlooked when they may be in a hurry.

Historical Archives

The NWVRS historical archives have moved from Mark Moore's to the Kent basement. Mark spent an evening going through what he has collected over the past 5-6 years on behalf of the club. We have our *Call Letters*, and other clubs' newsletters, along with miscellaneous club items of all description. Wendy will bring something each month so members can hear about and see a piece of the collection. Before the Monthly Feature, Wendy told of a couple 1944 Radio Quiz Master games she had brought with their punch-out to make microphone fully intact. Wonderful examples of past family fun. Robbie Robinson asked if the *Calls Letters* and other club newsletters taking up space in the library could be combined and housed with the archives. Two more boxes freed up needed library space, and were taken home by the Kents.

Treasurer's Report

Ed Tompkins gave his Treasurer's Report on club finances. An annual audit was performed by Dan Howard and Chris Butler, with their report scheduled to follow. Membership numbers are down for this time of year, but the cancellation of February's meeting due to inclement weather is probably a contributing factor. **Several renewals were received, but next month is the last opportunity to make payment before Call Letter discontinuation.**

Later in the meeting Mike McCrow requested permission to purchase two pop-up tents for use at the Speed Feldshau Memorial Swap and Picnic in July. They'll also be used at other club events. A motion was made, seconded and approved for the purchase.

Library

Robbie Robinson reported we have three new books to come look at and check out from our library.

Call Letter

Editor Tony Hauser presented our current crayon ink printer is expensive with the cost of ink alone being about 10 cents each sheet side. An anonymous benefactor is giving us a free printer which utilizes less costly laser jet ink, with the only proviso being it be returned if we decide to use something else in the future. A motion was made, seconded, and approved to transfer to the new printer.

Search Update on return of the Japanese Family Console

Pat Kagi reported we're still looking for the family to return their Zenith console. His last lead did not pan out. Blake Dietze relayed a fellow co-worker would like to help, and Pat will be seeking out this new lead.

Aurora Swap/Sale

Blake Dietze gave Brian Toon's report for next month's Swap/Sale in Aurora. All the upstairs tables have been sold. Blake read the names of all the table renters. There are still a couple tables left on the lower level at \$15/table. A discussion of the event's quitting time resulted with a show of hands to have the meet end at 3:00 pm and the auction begin at 1:30 pm.

Selection of June Monthly Feature

Suggestions for June's Monthly Feature included: (1) Large dial table top radios; (2) Philco radios; (3) Small table radios with push button tuning; and (4) Short wave radios (last carry-over). After a tie and run-off vote, **Philco Radios** won, with *Small table radios with push button tuning* coming in at a close second and will be the carry-over for next time.

Monthly Feature

The March theme of **Your Best Radio and Why** had George Kirkwood, Charlie Kent, Jerry Hertel and Sonny Clutter displaying and telling about their radios.

Tech Talk

Sid Saul gave a presentation titled 'Below One Ohm'. It was interesting as well as informative. The business meeting adjourned at 12:15 pm, with an auction of donated items that followed. Auctioneer Charlie Kent noted the auction did very well contributing \$240.00 to the club's finances.

March Meeting Display

By Charlie Kent and Chris Butler



Charlie Kent's Forest Service radio



George Kirkwood's Kennedy

March Meeting Display



Jerry Hertel's Zenith radio-phonograph



Sonny Clutter's Coke bottle novelty set

Letter to the Editor

An Unexpected Surprise
President Sid Saul

It was thirty minutes before the start of our March meeting. I was finishing setting up the projector for our tech-talk. Bob Walters had just entered the grange. We exchanged our ‘good mornings’ as he walked up to the front of the room. I noticed he had dropped a large paper bag (contents unknown to me) on the front table. I thought this was a little strange, as it was placed right on top of my *carefully* stacked papers. Soon afterwards, I picked up the bag and followed Bob to the other end of the table asking, “Is this yours?”

Bob wasting no time turning around and saying, “No, it is yours.”

Looking inside the bag I instantly understood what had just happened. Bob and I both bid at January’s meeting on a pair of two Bell and Howell Design Consoles (combination variable power supply, signal generator, and variable speaker impedance) donated by Charlie Kent for auction. I ‘fought the good fight’, but it was Bob who eventually prevailed. Later he found that only one of the two was working. After an exhausting and unsuccessful internet search for a schematic, he reverse-engineered the circuit. Bob made an AutoCAD drawing along with a detailed report of the repairs made. The transistors all had to be cross-referenced, as original part numbers are no longer commercially available (I discovered all this after I had returned home). You can imagine my complete surprise at such efforts to restore and present this to me!

Thank you, Bob, for your invaluable gift.

Sid

The Story of our Logo

Edited by Dick Karman

"Old-Time Radio Enthusiasts Tune to Pre-Plastic Days" headlines a story in the Oregon Journal, November 18, 1974. Less than a month later Bob Bilbie, surrounded by friends who were interested in Vintage Radio formed the Northwest Vintage Radio Society. To qualify as a charter member you had be to on the membership list before February 1975. Pete Young was not only a charter member, but the first vice president, according to a story in the Journal in February 1975.

Pete was busy at the time working for the company that was building "code-a-phones. [telephone answering machines]" Working next to him was a fellow who designed printed circuit boards, named Don Hunker. As the story goes, Pete persuaded Don to join the newly formed society early in 1975.

By March, 1975, the Newsletter editor credited Don Hunker as being one of the hardest working members in the club. Some of Don's and Pete's work in the ensuing months was to design and screen-print a logo for the new society. If you were there it wouldn't seem odd that the first copy was printed on a circuit board.

The more familiar logo, which we have all come to know, first appeared in the newsletter in June of 1975 with a " byline" of " Club logo" by Don Hunker and 8 anonymous people who helped move the horn to the far end of the radio. " Pete Young recently explained that the lettering around the horn did not reproduce as well as they wanted and moving the horn allowed the Society name to be printed to the right of the horn. Even though Don let his membership lapse sometime around 1978, we've had a "club logo" on most of our printed material ever since that first newsletter.

Six years later, June 1981, society members suggested that the club logo should be a radio and not just a picture. Experienced radio builder, Tom James, volunteered to take on the project but suggested that members contribute the parts. A list was made up and nearly all parts were donated by members of the society. Tom finished the radio chassis in 1982. The quality craftsmanship featured square bus-bar wiring,

original tube sockets, and the very best construction. When the chassis was unveiled Tom was asked to name it. With the humility that Tom always displayed, he felt that the credit should be given to the man who drew the picture. Tom said that it should be called a "Hunker."

The project took a downturn in 1983. Due to builder's error the cabinet built by Dick Karman did not fit the chassis. Although good intentions flourished the cabinet did not get rebuilt before Tom's unexpected death in 1984. The project fell out of sight for a few years.

In 1992 Gordon Phillips took the initiative to secure the chassis from caretaker Jim Mason; get the ill-fated cabinet from Dick Karman; to restore a horn; and to manufacture a base that matched the logo print. The Logo came to life. From thence it was called the Hunker-dyne.

This is the contributor's list:

- Bill Devey: 4" dials, wire, glue, spaghetti
- Joe Tompkins: 2 tuning capacitors, 5 tubes (4 201-As and a 112-A), 5 tube sockets
- Don Iverson: Horn speaker base (original*), battery cable, bus wire, green wire.
- Bob Campbell: Tuning Condenser, Bakelite panel, 6 ohm rheostat
- Dick Karman: Original cabinet materials & construction
- Ed Charman: meter alteration
- Art Redman: Terminals and parts
- Bob Teague: Chassis Assembly assistance
- Tom James: 2" dials, meter, jack, 4 dial indicators, 3 tuning coils - hand wound and mounted, green spaghetti, Bakelite for mounting parts and terminals, RF choke, 2 mica condensers, 1 grid leak, 3 resistors & mounts, a 25 ohm rheostat, 3 General Radio audio transformers, battery terminal, hardware, and screws
- Gordon Phillips: Reassemble cabinet, rubber feet, felt pads, lid support, horn speaker, diagram wiring, *replacement horn speaker base.
- Richard Dielschneider: horn speaker driver.

Tuned Into... Don Hunker

As interviewed by Charlie Kent



Don Hunker was in the Navy serving on an aircraft carrier, the USS Princeton CVS-37 (Essex class) for 38-1/2 months from January 1956 to December 1959. In 1961 he was hired on at Code A Phone Electronics where he met an Englishman named Peter Young. Peter was into radios and insisted Don should be involved. He twisted his arm so they went to a special meeting at Harley Perkins' house where

Joey Tompkins, Art Redmond, Don Iverson, Tom James and more were present.

Don worked on articles for The Call Letter, and has donated to the club archives a 3-ring notebook called The Hunker Files. He was the second Vice President (replaced Peter Young) of NWVRS, which met at Buena Vista Clubhouse. NWVRS had several contests and one was to create a logo for the club. With a ruler and a Sharpie, Don created the club logo. It was of a make believe radio that he did up on Velum. Tom James later built a working radio. Don Iverson fabricated the horn. He's known by two names, "Putz" from the movie Grumpy Old Men (with his good friend Leo being called "Moron"). Some call Don "Hunkerdyne" from the club radio.

Don's aunt willed him a Long radio by the Long Brothers. His children played it too long and it burned up. Don rebuilt it without a schematic (Long Brothers is a local maker that doesn't make schematics), used a Majestic schematic of the same time period, and it

worked! He discovered box springs from a bed made the best antennae. It now works really good and he has it in his house.

Don worked for over 20 years in the electronics manufacturing business of telephone answering equipment with the Bell System. He quit in 1974 and was the Manufacturing Manager at Rogers Organ Company until 1978 when his wife became ill. Then a buddy (his good friend the “Moron”) and he decided to start up a gun shop. It was located between 1st and 2nd on Main Street in Hillsboro across from the Courthouse called the Powder Horn Gun Shop. Don sold 70 radios to finance the venture.

Don says the secret to his success is his friends. He’s thankful for them and the life he has.



Swap Shop

FOR SALE: I need to finally sell my radio collection. I am using a walker now and have some difficulty getting around and I cannot lift anything of very much weight. I have about 100 radios from the 20's through plastics in the 50's. I have one Catalin in perfect condition, several cathedrals, battery sets, consoles, and chassis of different years including several containing globe tubes. I have a supply of radio knobs including some for Catalin and Zenith radios, some very nice speakers, and other miscellaneous items such as Abbotwares radios and tube checkers. Be sure to call before you come down to see me. Glen Bricker, 1425 Daugherty Ave, Apt. #4, Cottage Grove, OR. 541-942-3717.

FOR SALE: Thousands of tubes, hundreds of radio parts, panels, meters, surplus, etc. R5-D3 electronic surplus, Bob Lee, 9770 S.E. Stanley Ave., Milwaukie, OR 97222, (503) 513-0410

FOR SALE: Many Tubes New and Used – 30-day money back Warranty. For list visit www.antiquetubesupply.webs.com. I can ship OR bring to club meetings. Damon Vandehey, (503) 459-1777.

FOR SALE: Amplitrex professional tube testing at reasonable rates. Curve tracing, plate current matching, noise testing and highly accurate Gm readings. Adds value to high-value tubes!
robertwstephens@frontier.com.

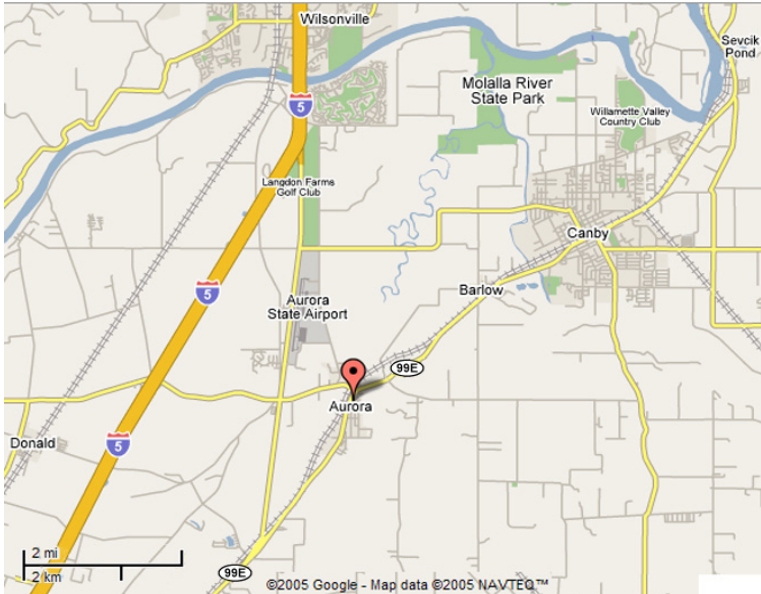
FOR SALE: Questions about restoration of vintage radio? Visit Radiolaguy's web site often for this information plus lots of other interesting displays, photos, virtual museum plus lots of other information on vintage radio and television. Oh, yes, there are items for sale as well and NVRS members get a substantial discount on most of these items. Thank You, Sonny the Radiola Guy
Visit my vintage radio web site: <http://www.radiolaguy.com>

The Northwest Vintage Radio Society is not responsible in any disputes arising from services provided by members listed here. By common agreement of the board of directors, the buyer assumes all responsibility for the satisfaction of any transaction.

Fall Swap/Sale Location

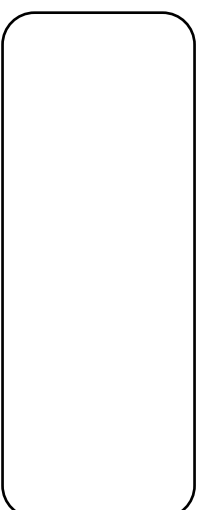
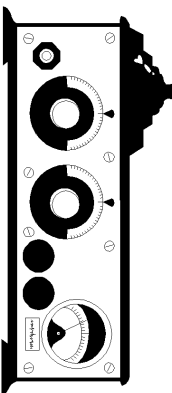
Map by Google

Here is a map to Aurora. The American Legion hall is just off of Highway 99E at the corner of 3rd and Main Street NE. Exits off I-5 to Aurora are clearly marked from either direction. Really, you can't miss it.





NW Vintage Radio Society
P.O. Box 82379
Portland, Oregon 97282-0379



FIRST CLASS MAIL