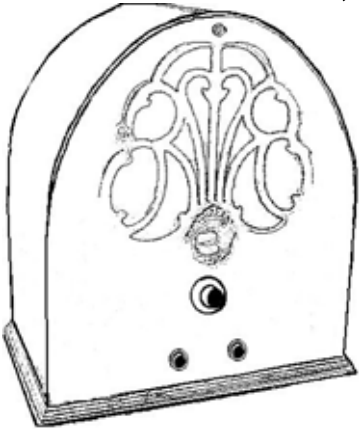


The

Call Letter

May, 2007
Vol. 33 — No. 5

ANTIQUÉ



RADIO

SALE

10 AM - 4 PM

Saturday, May 12

**American Legion Hall
Corner 3rd & Main
Aurora, Oregon**

**For information contact:
Brian Toon (503)266-5527**

Presented by



Over **30** years in print!

The Northwest Vintage Radio Society

Post Office Box 82379
Portland, Oregon 97282-0379

The Northwest Vintage Radio Society is a non-profit historical society incorporated in the State of Oregon. Since 1974 the Society has been dedicated to the preservation and enjoyment of "Vintage radio" and wireless equipment.

Membership in the Society is open to all who are actively interested in historic preservation. The dues are \$25.00 for domestic membership, due on January 1st of each year (prorated quarterly).

The *Call Letter* has been a monthly publication since 1974. It was originated with the founder, Bob Bilbie, and our first president, Harley Perkins. Through several editors and with the assistance of numerous society members, the *Call Letter* has continued to be a publication that informs members of the society's business and that supports the hobby of collecting, preserving, and restoring vintage radios.

Society meetings are held the second Saturday of each month at the Abernethy Grange Hall at 15745 S. Harley Ave. in Oregon City, Oregon. They convene at or about 10 AM for the purpose of displaying radios, conducting Society business, and exchanging information. Guests are welcome at all Society meetings and functions (except board meetings).

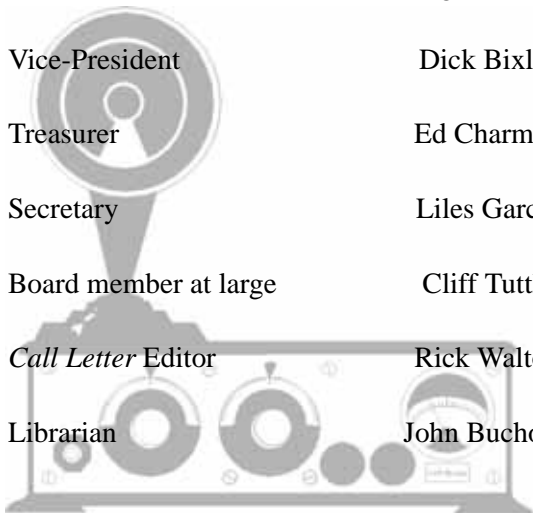
Other Society functions include guest speakers, auctions, radio show, and radio sales which are advertised in the *Call Letter* and are held in and around Portland.

With each issue of the *Call Letter*, we remember Jim Mason, a charter member of the society who remained active until his death in 1999. A generous bequest from Jim's estate ensures the vitality of the Northwest Vintage Radio Society, and continued publication of the *Call Letter*.



Society Officers for 2007:

President	George Kirkwood	(503) 648-4809 radiogeo@hevanet.com
Vice-President	Dick Bixler	(503) 690-2557 RF2AF@comcast.net
Treasurer	Ed Charman	(503) 654-7387 enamrahc@peoplepc.com
Secretary	Liles Garcia	(503) 649-9288 landn2@verizon.net
Board member at large	Cliff Tuttle	(503) 666-7005 kiptuttle@aol.com
<i>Call Letter</i> Editor	Rick Walton	(503) 656-4104 rwalton@easystreet.com
Librarian	John Bucholtz	(360) 693-7135 BonJonBuck@webtv.net



May 2007

Table of Contents

From the Editor2

NWVRS Meeting Minutes.....3

NWVRS 2007 Calendar of Events4

Fade-Outs.....6

Spring Trash Bash Photos7

Photo Display.....8

In The Shack10

MARC in April, 200712

Swap Shop15

The Back Page16

On the cover: The announcement for our Spring Swap Meet in Aurora.

The Swap Meet is on May 12, 2007.

June Feature: Home Brew radios, including kits.

Visit our web site at <http://nwvrs.org>.

Next Call Letter Deadline: May 31, 2007.

The *Call Letter* is the official publication of the Northwest Vintage Radio Society. Circulation is limited to the membership and guests of the Society. The Society is not responsible for the material contributed for publication, nor the quality, timeliness, or accuracy of the items or services offered for sale in the SWAP SHOP. By common agreement of the board of directors, the buyer assumes all responsibility for the satisfaction of any transaction.

From the Editor

by Call Letter Editor, Rick Walton

Every once in a while you hear something that sorta gives you goose bumps, and I heard one of those somethings on NPR just recently. It was the recording of the WLS reporter who was live on the air for the landing of the Hindenberg and who broke into sobs as he recounted the disaster that unfolded in front of him. The immediacy of that report is just as powerful now as it must have been to those who heard it in May of 1937. How marvelous it is that we have such a record of that historical event.

This month we have quite a collection of stuff. One thing missing, though, is *Voilà*. Jay informs me that he received not one submission. I guess I'll have to save up my special acquisition for next month. Cliff Tuttle has provided us with a pictorial account of his visit to the Michigan Antique Radio Club Spring swap meet. Then there are photos of the Trash Bash, and the usual photo display of the monthly feature at the meeting. And of course, there is *In the Shack*, this month being reprinted from the November, 1997 *Call Letter*. I think I've run it before, but it is a good one.

The roster is now up to date, so you will be receiving a printed roster shortly. It seems mistakes are inevitable, so watch for corrections!

Sinatra, Bennett, Norah.

Portland's only station for classic American standards
of yesterday and today. Sunny 1550 KKAD.

Listen online at: www.sunny1550kkad.com



NWVRS Meeting Minutes

Liles Garcia, NWVRS Secretary

President George Kirkwood called the April 14, 2007 meeting of the NorthWest Vintage Radio Society to order at 10:00 AM. George wished Treasurer Ed Charman a Happy Birthday today — Ed is 80 years young. Members gave Ed a round of applause. Liles Garcia read the minutes of the March meeting, and they were approved as published in the April Call Letter. Ed Charman gave the Treasurer's report, and it was approved as provided by Ed. John Bucholtz reported that the library is doing fine. There were 47 people at our meeting today.

Old Business

Swap Meet — Our Society's May Swap Meet will be on Saturday May 12 at the American Legion Hall in Aurora. The hours will be from 10:00 AM to 4:00 PM; we are keeping these hours so that our Swap Meet will be open during the hours that the local antique shops are open. Setup time Friday afternoon is from 4:00 PM to 7:00 PM. Brian Toon will be setting up and arranging tables starting at 3:00 PM Friday afternoon; please do not bring radios before 4:00 PM. If anyone would like to come early Friday afternoon, Brian could use some help setting up and arranging tables. Brian will be at the American Legion Hall at about 7:00 AM on Saturday morning for set up.

NWVRS Networking And Outreach — Our Society is working with Radio Station KKAD (1550 KHz) on advertising. KKAD will advertise our Swap Meet; and there will be an ad for KKAD in our Call Letter each month. Vice-President Dick Bixler has arranged for this advertising-- many thanks to Dick!

New Business

Trash Bash — Cliff Tuttle thanked everyone for participating in our Spring Trash Bash today.

Leads and Needs

Blake Dietze needs a plastic dial lens for a Zenith G500 or a 8G005YZT TransOceanic.

Sonny Clutter told the group about a new book, "Radiola--The Golden Years" that will soon be available. Contact Sonny if you are interested.

Cliff Tuttle asked everyone to look out for his Atwater-Kent "Treasure Chest" radio.

Doug Sattergren said that a Mr. Euff has two Zenith TransOceanics for sale. Mr. Euff's phone number is (503) 667-1282.

Program

The program topic for our meeting today is "Vintage Non-Radio Electronic Entertainment Items". Members showed and discussed the radios and other items that they brought.

The program topic for our June meeting will be "Homebrew Radios and Kit Radios".

The meeting was adjourned.

NWVRS 2007 Calendar of Events

Most of the hamfest and ham swap meet information comes from: PNW Hamfair web page at www.n7cfo.com/amradio/hf/hf.htm

- May 12** NWVRS Spring Swap/Sale at Aurora American Legion Hall, Aurora, Oregon.
- May 12** Stanwood Camano Amateur Radio Club (SCARC) Hamfest, Stanwood Middle School, Stanwood, WA. Contact Vic, N7KRE (360-387-7705). huppert@whidbey.net.
- May 13** Maple Ridge, ARC Swap Meet. 12460 Harris Road Pitt Meadows, Maple Ridge B.C. Canada. www.qsl.net/ve7rmr/
- May 2007** NARA's Spring Swap and Shop. Nanaimo Amateur Radio Association. Departure Bay Activity centre, 1415 Wingrove St. Departure Bay, Nanaimo BC. Info: call Dick 250-390-0181 or email ve7rlh@shaw.ca. www.nara.nisa.com.
- June 1-3** Sea-Pac Hamfest. (Note that the dates for this event have changed from early announcements.) ARRL Northwest Division Convention, Seaside Convention Center, Seaside, Oregon. www.seapac.org.
- June 8-10** Wenatchee Hamfest, Apple City ARC. Dryden Gun Club. Dryden, WA. ARRL sanctioned event. www.qsl.net/w7td/
- June 9** NWVRS monthly meeting 10 am; tailgate swap 8:30.

- June 10** Hamfest 2007. Kootenai Amateur Radio Society. Lions Club, Hiway 53, Rathdrum, ID. Info: contact Jim, N7ESU at (208)667-4915 or email n7esu@arrl.net
- July 14** NWVRS monthly meeting 10 am; tailgate swap 8:30.
- June 16-17** Northeast Montana Father's Day Hamfest. Down Stream Campground at Fort Peck Lake. Info or details: contact Bob Parker, K7TNJ, at k7tnj@yahoo.com
- July 20-22** Glacier Waterton International Peace Park Hamfest. Glacier Meadows Campground, 13 miles west of East Glacier on MT Hwy 2. www.gwhamfest.org
- July 21** Bandon Hamfest. Bandon, Oregon. ARRL sanctioned event. Follow the signs to “The Barn”, aka “Bandon Community Building.” Contact Ron W7VU at (541) 572-5546, w7vu@arrl.net
- July 28** Chehalis Valley Amateur Radio Society Hamfest. Lewis County Fair Grounds, Chehalis, WA. Contact John Ellingson, K7OSK, k7osk@boatanchor.com
- August 11** NWVRS monthly meeting 10 am; tailgate swap 8:30.
- August 12** The 10th Annual Greater Portland Insulator Swap — Location TBA. Always the second Sunday in August. Contact Dan Howard (503)659-3520 e-mail: strains@msn.com.
- August 11** Hamfest and Electronics Flea Market, Radio Club of Tacoma; Bethel Junior High School, 22001 38th Avenue East, Spanaway, WA www.w7dk.org
- August 19** Puget Sound Antique Radio Association Swap Meet. 9 AM to 1 PM. Shoreline museum parking lot. N. 175th & Linden, Avenue, North Seattle. www.eskimo.com/~hhagen/psara/swap.html
- September 8** NWVRS monthly meeting 10 am; tailgate swap 8:30.
- September 22** Spokane Hamfest. (ARRL Washington State Convention). University High School, Spokane, WA 99206. Contact Betsy Ashleman, N7WRQ, n7wrq@aol.com. (509)448-5821. www.kbara.org.

- October 13** NWVRS Fall Swap/Sale at Aurora American Legion Hall, Aurora, Oregon.
- October 14** North Kitsap Amateur Radio Club Hamfair. Bremerton, WA. ARRL sanctioned event. Kitsap Fairgrounds. Info: contact Ron Sefton, N7EM, (360)779-5418, ron-sefton@hotmail.com or Horace Ory, (360)779-2215, ory001@comcast.net. www.nkarc.org/hamfest/index.html
- October 21** Swap-Toberfest, Polk County Fairgrounds, Rickreall, Oregon. (Ten miles west of Salem). Info: contact Fred Rodley at n7lqd@aol.com. www.swaptoberfest.net/
- October 27** Mount Baker Amateur Radio Club Flea Market, Lynden, WA. ARRL sanctioned event. Always last Saturday in October. Info: contact k7iey@netscape.net. www.qsl.net/k7skw/.
- November 10** NWVRS monthly meeting 10 am; tailgate swap 8:30. Nomination of officers for 2007.
- November ?** Maple Ridge, ARC Swap Meet. 12460 Harris Road Pitt Meadows, Maple Ridge B.C. Canada. www.qsl.net/ve7rnr/
- December 8** NWVRS monthly meeting and annual Holiday Party 10 am. Election of officers for 2007.

Fade-Outs

from *What's on the Air?* for October, 1930

Ella (aged six)—Auntie, were you ever in a predicament?
Maiden Aunt—No, dear, but heaven knows I've tried!



Spring Trash Bash Photos

Photos by Rick Walton



Photo Display

Photos by Rick Walton

For April, the feature was Vintage Non-Radio Electronic Entertainment Items. These are the items displayed by members.



Blinking Frog,
Magnavox "Escort"
Portable TV,
RCA Record Player — George Kirkwood



Monarch
"Space Transmitter" —
Blake Dietze

Decca transmitter phono
(made by GE) —
Sony Clutter



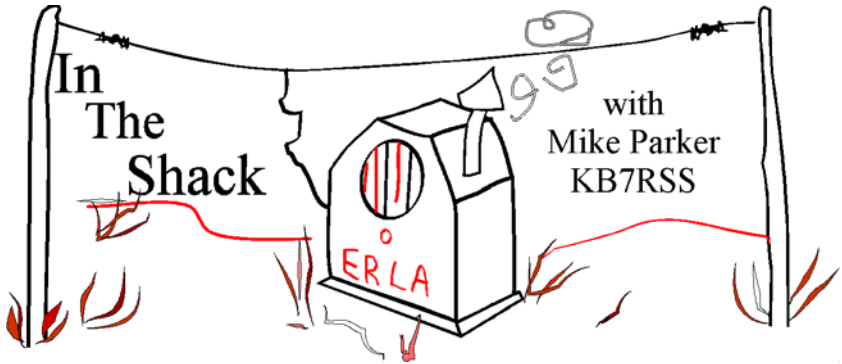
Heathkit A-7 Amplifier,
"Surprise" radio —
Mike Parker



See the "surprise" on p. 15.



Artwork from a 1920's FADA advertisement.



Editor's note: This "In The Shack" article is from the November, 1997 Call Letter.!

More On Halowat

In a previous issue of the CALL LETTER, I mentioned that I was going to pursue further information on the Hallock & Watson Radio Corp., a local Portland radio manufacturer during the 1920's. The following is a reprint of an article published in the December, 1990 CALL LETTER, written by NWVRS member F.W. Sloat, W7AHK. From a historical perspective, we are very fortunate that Mr. Sloat is old enough to have discussed the activities of Hallock & Watson first hand with Joe Hallock. This article is reprinted with the permission of Mr. F.W. Sloat. I have inserted some updated information in [brackets].



The Hallock and Watson Story

By F.W. Sloat, W7AHK

Joseph Hallock and Cliff Watson were very well known radio engineers, not only in the Pacific Northwest, but in other parts of the world also. Both grew up in Portland where Joe startled the natives by playing on the Willamette River on his water shoes. Cliff, with a red moustache, was called, by his friends, the cat's whisker. His family owned the Watson Iron Works, in Portland.

Both started in wireless early, Joe with a Murdock crystal set. He attended Oregon Agricultural College, now OSU, then went to work for Northwestern Electric Company. Both he and Cliff built and operated a spark station at the Condit generating plant near Underwood, Washington; [this plant is still in operation by Pacific Power & Light

Co.] starting in 1916 with a stationary gap and later a rotary. It was used for load dispatching, with the other terminal being at the company offices in the Pittock block in Portland. The station's call letters were KGO (does this sound familiar?). The company claimed this was the first time a utility had used wireless for this purpose anywhere in the nation.

Here they separated, Cliff going into the Navy where he became a Commander in charge of ground construction at Mare Island, California. Joe went to France as an engineer at the powerful Navy arc station in Bordeaux. He was not through traveling yet, going to China where he supervised the installation of two arcs for the South China Republic.

Cliff left the Navy and Joe quit Federal Telegraph, to get back together again in Portland where they formed the Hallock and Watson Radio Service, 192 Park St., [now S.W. Park, near Taylor St.] Joe gave the writer a run-down on their operation: "We ordered an Esco motor-generator, applied for a broadcast license, built a 5 watt transmitter and put up a flat top antenna above the building. The license, KGG was issued March 11, 1922, and was the first to be issued in Portland. It beat the Oregonian's KGW by just 6 days." (the writer has confirmed this by checking the official files in Washington DC). There were several stations in Portland at this time using "X" licenses. These were issued for a short term. "King George George" was soon on the air. "We constructed a studio in the Journal Building and ran two wires over the roofs and across Broadway to the little transmitter in our store's window. From here we broadcast Madame Schuman Heineck, Ray Berganson's Orchestra, The Journal Juniors and many others. With a 50 watt linear amplifier we were heard in every state, Hawaii and Midway."

KGG ceased operation in November, 1924. Joe explained, "We were too busy". The manufacturing plant, Halowat Radio Corporation, was located at 406 East Alder Street in Portland. The company built transmitters and other electronic equipment including the somewhat famous Halowat radio. Kay O'Leary, a very fine mechanic, was in charge of the shops. The Halowat was of very neat workmanship and a good performer. It is much sought after by collectors. We have no account of the number produced but they were sold over a wide area. After Halowat quit business, [believed to be in the late 1920's], Joe became the inspector in charge of the Portland office of the Federal Communications Commission. Both Cliff and Joe are Silent Keys and I am sure they are together in that big station in The Sky.

I would like to thank Mr. Sloat for permission to reprint this very fine and accurate account of Hallock and Watson's endeavors. There is just no substitute for having "been there"!

Since we are having a display of Battery and Crystal sets at the November NWVRS meeting, I am planning on displaying my two Halowat 3-dial sets. Both are model TR-5's, one is a 1925 model, serial number 41 and the other is a 1926 model, serial number 456. I would like to urge other members to bring their Halowat radios for display. This would be a chance for all to see the products of Hallock and Watson's fine workmanship, built here in Portland in the beginning decade of broadcast radio production. Or, you could bring a Northwestern or Norco set....Halowat's competition!....but more about that in another article.

QSO you next time.....IN THE SHACK

MARC in April, 2007

by Cliff Tuttle

In April 2007, JoBeth and I traveled to Ft. Wayne, Indiana (via Nashville, but that is another story) to visit our kids. While there, my daughter Megan and I stopped by to visit John and Jean Goller, and admire their collection. John restores the electronics while Jean does the cabinet refinishing. They handle a lot of radios (100 per year or so). Take a look at their web site. <http://www.JohnJeanAntiqueRadio.com>

We made a side trip up to Midland, Michigan to attend the spring swap meet for the Michigan Antique Radio Club (MARC) (ok, Megan and Joey went to the Christmas shop in Frankenmuth while I went on to Midland). While I got there too late to acquire any special treasures, I did get to visit a lot (good folks), and watch their wrap up processes. This included the collection and distributions of money from the silent auction items, a 50/50 drawing and the end of show donation auction.

This club is a bit different than ours. First, it exists to put on swap meets. Because this club covers the entire state, they put on 4 of them, in 4 different cities. Their board tries to meet at each of these 4 events, but because turnout was low in Midland this year, they did not have enough officers available. They have no membership meetings outside of these swap meets.



However, their summer swap meet in Lansing is an event! They will have over 300 folks selling and over 1000 buyers, and has been named “Extravaganza ‘07”. I suspect many of you are familiar with this 3 day event. In fact, our Ludwell Sibley is a featured speaker, scheduled to present a talk entitled “Tubes: Stuff RCA didn’t tell you”. The event runs from Thursday July 12 thru Saturday, July 14. They have a phone contact for the event (Bryan Wilemon – phone (313) 382 0977), and more info can be found at their web site -

www.michiganantiqueradio.org



Their silent auction concept is interesting. Members set up a few items for sale in a central area. The form they use has a place for a minimum bid, and the club administers the process of collecting and distributing the money. The club gets 10%, up to a max of \$75 per item. It turns out to be a good way to help fray the costs of putting on the swap meets. The bidding process goes for 2 hours or so. If the minimum bid is not met, the item is returned to the seller without penalty.

If anyone is interested in bringing items for a silent auction at our May 12 swap meet, give me a call or email and we can try to organize it. My current thinking is that as a trial event, we could have the silent auction run from say 10:30 AM to 1:00 pm. If the item did not sell during that time, you would still have time to sell it in the traditional manor prior to the end of the meet.

Swap Shop

FOR SALE: Thousands of tubes, hundreds of radio parts, panels, meters, surplus, etc. R5-D3 electronic surplus, Bob Lee, 9770 S.E. Stanley Ave., Milwaukie, OR 97222, (503) 513-0410

WANTED: Simpson Capohmeter Model 383-A Please Call Gordon Phillips, (503) 234-3517 E-mail: gdnphi@comcast.net

WANTED: **Pre-1920 meters. Contact Len Cartwright, 503-690-0472, email: lencartwright@msn.com

Radio Service

These members have indicated they are willing to perform radio repairs:

Roger Brown – (503) 693-6089

Blake Dietze – (360) 944-7172, wb6jhj@ix.netcom.com

Tony Ranft – (360) 944-8489 or ranft@saw.net – General repairs.

Dave Wise – (503) 293-7835, david_wise@phoenix.com

Repair or replacement of pre-1930 meters. Over 200 in stock! Contact Len Cartwright, 503-690-0472, email: lencartwright@msn.com

If you are willing to repair radios, give your name, phone and/or e-mail, and any comments to the *Call Letter* editor.

The Northwest Vintage Radio Society is not responsible in any disputes arising from services provided by members listed here. By common agreement of the board of directors, the buyer assumes all responsibility for the satisfaction of any transaction.

Leads and Needs

Questions about restoration of vintage radio? Visit radiolaguy's web site often for this information plus lots of other interesting displays, photo's, virtual museum plus lots of other information on vintage radio and television. Oh, yes, there are items for sale as well and NVRS members get a substantial discount on most of these items. Thank You, Sonny the Radiola Guy
Visit my vintage radio web site: <http://www.radiolaguy.com>

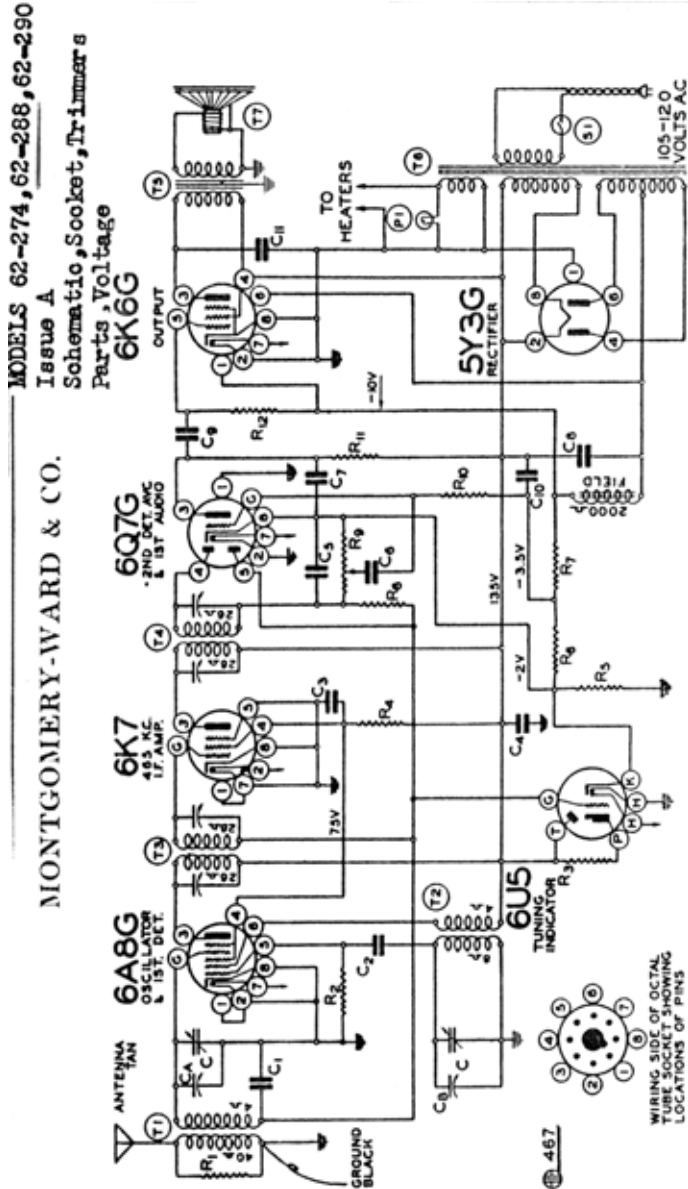
Photo Surprise - April Fools!



The Back Page

A Puzzle by Don Iverson

There's an error in this schematic that carried through into production. Can you find the error? The answer will appear next month.



Swap Meet Location

Map by Google

Here is a map to Aurora. The American Legion hall is just off of Highway 99E at the corner of 3rd and Main Street NE. Exits off I-5 to Aurora are clearly marked from either direction. Really, you can't miss it.

