

DX News

Serving DX'ers since 1933

Volume 72, No. 17 - January 31, 2005 (ISSN 0737-1659)



Inside . . .

- 2 .. AM Switch
- 5 .. Boston LP/Unlicensed AM'ers
- 6 .. DDxD
- 13 .. IDxD

- 14 .. Formats
- 15 .. Dummy's Guide to Wall Warts
- 20 .. Confirmed DX'er
- 21 .. WRAG
- 23 .. Musings of the Members

CPC Test Calendar

WRIB	RI	1220	daily	0255-0305
WB3XNN	PA	1620	daily	0915-1445

From the Publisher ... A recent DXN sent to NRC member George W. Smith, Tullahoma, TN was returned with the notation that he had passed away December 10. Our sincerest condolences to his family.

Wow, a 24-pager! Thanks to all who contributed, especially those of you who sent in loggings and Musings. And thanks to G. Harley DeLeurere, Hendricks, WV, who sent in his renewal check for the fiftieth year of membership in the NRC.

Welcome to these new members ... David

DXN Publishing Schedule, Volume 72

Iss.	Deadline	Pub. Date	Iss.	Deadline	Pub. Date
18.	Jan. 28	Feb. 7	25.	April 8	April 18
19.	Feb. 4	Feb. 14	26.	May 6	May 16
20.	Feb. 11	Feb. 21	27.	June 3	June 13
21.	Feb. 18	Feb. 28	28.	July 1	July 11
22.	Feb. 25	Mar. 4	29.	Aug. 5	Aug. 15
23.	Mar. 11	Mar. 21	30.	Sept. 9	Sept. 19
24.	Mar. 25	April 4			

Allaway, Neshanic, Station, NJ (rejoins and wastes no time in sending in a Musing); Robert Cullen, Houston, TX; Mark Daniell, Raleigh, NC; Dennis J. Elya, Jefferson, City, MO (rejoins); and William Usher, Wilmington, NC.

DX Time Machine

From the pages of DX News:

50 years ago ... from the January 29, 1955 DXN: Ernie Cooper, Brooklyn, NY logged WIND-1582, the AFRS station at Nouasseur Air Depot, French Morocco, before and after midnight of 1/25. Steve Johnson, Havre de Grace, MD, reported a verie from WIND listing the power as 100 watts.

25 years ago ... from the January 28, 1980 DXN: Mort Meehan, Twentynine Palms, CA recalled verifying KWYO-1370 Sheridan, WY, from NJ, when it was 100w and one of two stations in WY in 1935.

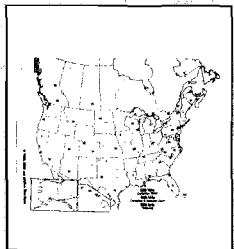
10 years ago ... from the January 30, 1995 DXN: Bill Swiger, Bridgeport, WV, joined the crew of NRC volunteers, helping out with NRC Publications ... ADXR, the Association of DX Reporters, based in Baltimore, announced that it would send out its last bulletin in February.

Promote the NRC and DX News and help us grow!

Planning to attend a DX or hobby gathering? Why not include *DX News* in your plans? Upon request, we'll send you a packet of up to 50 recent DXN's to be given free to attendees. Just send a postcard to NRC - P. O. Box 5711 - Topeka, KS 66605, or e-mail <plsBCBDXER@aol.com>. Packets are sent by Media Mail rate, so please allow 10-15 days for delivery. Help keep the NRC on the grow!

AM Station Location Maps

7th edition - \$13.00 to members (\$18.95 non-members), ppd. Compiled by Bill Hale, this must-have companion to the *AM Radio Log and Nighttime Pattern Book* shows the location of all U. S. and Canadian broadcast stations (except TIS/LPRT) as well as latitude/longitude coordinates, plus instructions by Dave Sundius enabling users to calculate distance and bearing to any station. This book is three-hole punched for a letter-size ring binder. Order from NRC Publications - Box 164 - Mannsville, NY 13661. NY residents, please add sales tax.



AM Switch

Bill Hale w_r_hale@sbcglobal.net
6124 Roaring Springs Drive
North Richland Hills, TX 76180-5552

Status changes in AM stations, supplied by the FCC and listeners

CALL LETTER CHANGES

Old Call	New Call
650 KHNR HI Honolulu	KRTR
940 KJPN HI Waipahu	KKNE
950 WBKH MS Hattiesburg	WHSY
1280 KTFM TX Pearsall	KILM
1340 KBKY TX Burnet	KRHC
1360 WCKY OH Cincinnati	WSAI
1420 KXOW AR Hot Springs	KBHS
1530 WSAI OH Cincinnati	WCKY



CPs ON THE AIR

730 WJYM OH Bowling Green - CP for U4 1000/359 is on the air.

GRANTS TO EXISTING FACILITIES

610 WFNZ NC Charlotte - Coordinate correction to N35-18-03 W80-53-18.
830 KMUL TX Farwell - CP amendment granted for U1 1100/10 from a new transmitter site at N34-29-37 W103-23-38 along with a change in city-of-license (CoL) from Muleshoe, Texas on this frequency (now on 1380 kHz). Station had originally requested U1 50000/9 CH 14000.
1040 WCHR NJ Flemington - CP granted to increase day and night power levels and add CH operation to become U7 15000/2500 CH 7500.
1210 WILY IL Centralia - CP granted to increase their daytime power to be D4 10000/0 CH 1100. They still have an application pending to add 3 Watts nights.
1360 KHNC CO Johnstown - CP granted to add a tower to their current two in order to increase their nighttime power to be U2 10000/1000.
1400 KIGO ID St. Anthony - CP amendment granted for U1 32000/12 from a new transmitter site at N43-40-03 W111-52-07 on 1420 kHz. Station had originally requested U1 50000/16.

APPLICATIONS FROM EXISTING FACILITIES

1350 WKCU MS Corinth - Applies to increase day power and decrease night power to become U1 1000/44.

AMENDMENTS TO CONSTRUCTION PERMITS SUBMITTED

1260 KIMB NE Kimball - Licensed for U1 1000/112, KIMB has a CP for U5 50000/112 from a new transmitter site at N41-15-08 W103-39-49, along with an amendment to that application to change the city-of-license to Ogallala, Nebraska. This second amendment requests U5 50000/110 from two slightly taller towers at another site, again from Ogallala.

AMENDMENTS TO APPLICATIONS SUBMITTED

710 WREM ME Monticello - Licensed for D1 5000/0, WREM applied to move to 780 kHz with U1 5000/60 CH 5000. The application was rejected as it seems that the applicant, a Mr. Allan Weiner of Kennebunk, Maine who some of you may remember held a license (still may) for a short wave station in Maine, was cited for some kind of broadcast misconduct. This latest amendment certifies that there has been no recurrence of misconduct on the part of Mr. Weiner.
860 WFMO NC Fairmont - Licensed for U1 1000/12, WFMO has a pending application for U4 50000/750 from four new 286' towers at a new site. This amendment moves the site about 7 miles to the west.
1080 KGVY AZ Green Valley - Licensed for D1 1000/0, KGVY applied to move to Tucson, Arizona with D1 2000/0. This amendment now asks for D1 1700/0 from Tucson.

1120 WXJO GA Gordon - Licensed for D1 10000/0 CH 2500, WXJO had applied for D1 10000/0 from a new 6-tower site, plus a city-of-license change to Smyrna, Georgia. This amendment requests D1 10000/0 from another site, this one with 4 new towers.
1150 KCKY AZ Coolidge - Licensed for U4 5000/1000, KCKY has a pending application to change their city-of-license to Apache Junction, Arizona and lower their nighttime power to become U4 5000/190. This amendment requests U4 5000/185 from Apache Junction.
1230 KLIC LA Monroe - Licensed for U1 1000/1000, KLIC has a pending application for U1 500/500 with a city-of-licensed change to Richwood, Louisiana. This amendment requests U1 1000/1000 from Richwood.
1250 WPEL PA Montrose - Licensed for D1 1000/0, WPEL has a pending application for U1 1000/137 CH 1000 on 800 kHz. This amendment lowers the nighttime power by two Watts.
1250 KZDC TX San Antonio - Licensed for U2 1000/1000, KZDC has a pending application for U4 50000/2000 with a city-of-license change to Bandera, Texas. This amendment changes the application to U4 35000/2000.
1270 WXGO IN Madison - Licensed for U4 1000/58, WXGO has a pending application to move the city-of-license to Aurora, Indiana, build six new 194' towers for D3 600/0 operation. This amendment requests D3 330/0 from six similar towers at a different location.
1280 WWPG AL Tuscaloosa - Licensed for U2 5000/500, WWPG has a pending application to change the city-of-license to Eutaw, Alabama while relocating to a new 3-tower site and increase their power levels to become U2 7000/500. This amendment requests U1 7000/25 from that new site and CoL using only one tower.
1310 WJUS AL Marion - Licensed for U1 5000/34, WJUS has a pending application for U1 1100/17 with a CoL change to Selma, Alabama. This amendment lowers the night power to 16 Watts from Selma.
1400 KHCB TX Galveston - Licensed for U1 1000/1000, KHCB applied to move to League City with U4 1000/1000. This amendment alters the directional patterns.
1560 WSQR IL Sycamore - Licensed for U1 198/18, WSQR has a pending application for D1 800/0 with a frequency switch to 1180 kHz. This amendment requests D1 900/0 on 1180.

AMENDMENTS TO CPs FOR PENDING FACILITIES

720 WQTH NH Hanover - This new station, not yet on the air, has a CP for U4 50000/500 and an amendment requesting U7 50000/1700 CH 50000 from a new site as well as a city-of-license change to Claremont, New Hampshire. This latest amendment asks for U7 50000/2500 CH 50000 from Claremont. All three proposed patterns shoot due north.
1470 KNFL UT Tremonton - This new station, not yet on the air, had a CP for U4 10000/1000, but was later amended to U2 1000/940. This amendment now requests U2 1000/880.

AMENDMENTS TO APPLICATIONS FOR PENDING FACILITIES

750 NEW MN Duluth - Original application was for U2 1000/1000. This amendment requests U7 7000/500 CH 5000.
830 NEW FL Hilliard - Original application was for U4 10000/2500 from a 4-tower site. This amendment requests U4 50000/4000 from six towers at a new site.
890 NEW TX Mabank - Original application was for U4 400/250. This amendment requests U4 600/250. This application is very precarious as Mabank is only 40 miles from the new KTXV in Frankston, Texas.
940 NEW NC Beaver Creek - Original application was for U4 3500/750 from 6 towers. This amendment requests U4 250/250 from 4 towers at a new site.
1050 NEW MT Missoula - Original application was for U2 1000/1000. This amendment requests U4 50000/450.
1060 NEW CA Arroyo Grande - Original application was for U4 10000/1500. This amendment requests U4 10000/5000.
1140 NEW TX Shallowater - Original application was for U4 3000/250. This amendment requests U4 5000/300. Shallowater is just northwest of Lubbock.

- 1140 NEW WA **Aberdeen** - Original application was for U2 1000/1000. This amendment requests U2 5000/2500.
- 1230 NEW TX **McNary** - Original application was for U1 250/250. This amendment requests U1 1000/1000. McNary is about 50 miles southeast of El Paso, on the Rio Grande.
- 1230 NEW TX **Presidio** - Original application was for U1 250/250. This amendment requests U1 1000/1000. Presidio is about 200 miles southeast of El Paso, on the Rio Grande.
- 1250 NEW MD **Salisbury** - Original application was for U4 483/483. This amendment requests U4 500/300.
- 1290 NEW MN **Saint Paul Church** - Original application was for U4 3626/250. This amendment requests U4 5000/300. Saint Paul Church is near Duluth.
- 1300 NEW FL **Key West** - Original application was for U4 2000/250. This amendment requests U4 260/260.
- 1300 NEW MN **Bemidji** - Original application was for U2 2500/500. This amendment requests U2 2500/600.
- 1400 NEW CA **Ridgecrest** - Original application was for U1 250/250. This amendment requests U1 1000/1000.
- 1400 NEW MN **Bemidji** - Original application was for U1 250/250. This amendment requests U1 1000/1000.
- 1400 NEW TX **Langtry** - Original application was for U1 250/250. This amendment requests U1 1000/1000. Langtry is northwest of Del Rio on U.S. 90.
- 1450 NEW AK **Unalaska** - Original application was for U1 1000/1000. This amendment requests U1 5000/5000. This may be the first U.S. 'superpower' on a channel, but who are they going to interfere with? Unalaska is wa-a-ay out in the Aleutian chain about 1000 miles west of Anchorage.
- 1450 NEW AZ **Cameron** - Original application was for U1 250/250. This amendment requests U1 1000/1000. Cameron is about 50 miles north of Flagstaff.
- 1450 NEW CO **Eads** - Original application was for U1 250/250. This amendment requests U1 1000/1000. Eads is in southeast Colorado north of Lamar.
- 1450 NEW TX **Comstock** - Original application was for U1 250/250. This application requests U1 1000/1000. Comstock is north of Del Rio on U.S. 90.
- 1490 NEW CA **Del Norte** - Original application was for U1 250/250. This application requests U1 1000/1000. Del Norte is on the California coast near the Oregon border.
- 1490 NEW CT **Uncasville** - Original application was for U1 250/250. This amendment requests U1 1000/250.
- 1490 NEW UT **Richfield** - Original application was for U1 250/250. This application requests U1 1000/1000.
- 1490 NEW WY **Jackson** - Original application was for U1 250/250. This application requests U1 1000/420.
- 1600 NEW HI **Hilo** - Original application was for U1 5000/5000. This application requests U4 10000/10000 on 1590 kHz.

APPLICATIONS FOR NEW STATIONS

- 1380 NEW LA **Bossier City** - Applies for U4 715/715.
- 1400 NEW VA **South Boston** - Applies for U1 1000/1000.
- 1410 NEW VA **Midlothian** - Applies for U4 360/360.
- 1590 NEW AL **Opp** - Applies for U4 500/250.



APPLICATIONS REINSTATED

- 960 WZRH NC **Dallas** - Application is to increase daytime power to 2400 Watts.

APPLICATIONS FROM EXISTING FACILITIES DISMISSED

- 1050 KCAA CA **Loma Linda** - Application was to increase power to 1800 Watts from a new transmitter site. Station remains D3 1400/0.
- 1190 WSDE NY **Cobleskill** - Application to add a CH designation has been dropped from the application which requested CH and night operation. The application for U1 1000/20 remains in pending status.
- 1490 KRSN NM **Los Alamos** - Application was to relocate their transmitter in order to share the tower of KSWV-810 Santa Fe, New Mexico and change city-of-license to Santa Fe.

PETITIONS FOR RECONSIDERATION FOR APPLICATIONS

- 1380 KRCM TX **Beaumont** - Station applied to move to Shenandoah, Texas with D1 600/0 as part of the Auction 84 window but the application was rejected. This amendment requests U1 480/65 from a new tower site.

LICENSE RENEWALS GRANTED

- | | | | | | |
|------|------|-------------|------|------|---------------|
| 720 | WGN | IL Chicago | 1450 | WKLA | MI Ludington |
| 1220 | WKRS | IL Waukegan | 1540 | WSMI | IL Litchfield |
| 1420 | WJUB | WI Plymouth | 1570 | WFRL | IL Freeport |

NORTH OF THE 49TH PARALLEL

- CHUC-1450 **Cobourg, Ontario** has applied to move from AM to 107.9 MHz on the FM band with 1030 Watts of ERP at 203 metres.

HEAR AND THAR

- Let's talk Graveyard DX Achievements for a minute. Don't wait 'til you see a GY column to send in updates. So now that the Totals column has hit print, scan your 1230 logs for any updates and send them in. Visit the web page (see below), which has all the details, to see who holds the record and determine if you can best that distance.
- It has been reported that WKCUCU-1350 **Corinth, Mississippi** and KBYO-1360 **Tallulah, Louisiana** have gone silent, along with KCLR-1530 **Ralls, Texas**. But returning to the airwaves is KPZA-1590 **Hot Springs, Arkansas** with a Spanish format and IDing as "Que Pasa".
- Thanks to **Shawn Axelrod, Gerry Conkling, Perry Crabill, Wayne Heinen, and Jerry Starr**.

GRAVEYARD DX UPDATE

GY TOTALS

<u>Dxer and Location(s)</u>	<u>1230</u>	<u>1240</u>	<u>1340</u>	<u>1400</u>	<u>1450</u>	<u>1490</u>	<u>Total</u>
John Wilkins Wheat Ridge, CO	29	26	23	34	33	36	181
John Vervoort Brooklyn, NY	6	4	2	5	5	2	24

Remember, all Graveyard records are on-line at: <http://www.angelfire.com/tx2/phantom2/index.html>

Boston Area Low Power / Unlicensed AM/FM Radio Stations by Bruce Conti

Here are the results of monitoring and a follow-up Internet search for low power and unlicensed AM/FM broadcasts on the air in the greater Boston area. Note the dominance of radio stations serving the Haitian community. Many of these stations are running full-scale professional commercial operations and maintain an equally impressive presence on the web. (Updated Jan 20, 2005)

- 530 *Radio Planet Compas*, Randolph - French Caribbean. <www.planetcompas.com>
- 540 *R.Log*, Dorchester - R&B/urban contemporary.
- 870 unID - Classical music days, French Caribbean zouk nights.
- 1580 WRCB *R.Concorde*, Mattapan - French Caribbean. <www.radioconcorde.com>
- 1620 *R.Energy*, Boston - French Caribbean. <www.radioenergyboston.com>
- 1620 *R.Soleil International*, Brockton - French Caribbean.
- 1640 WRNM *R.Nouveauté*, Boston - Off the air? Moving to 1710 kHz? <www.radiounouveaute.com>
- 1650 Logan Airport Info, East Boston - Airline terminal assignments.
- 1670 WRDI *R.Diffusion International*, Boston - French news/talk.
- 1670 *R.Communaire de Brockton*, Brockton - French Caribbean.
- 1680 WRUI *R.Union International*, Boston - Continuous French Caribbean zouk. <www.radiounioninter.com>
- 1690 WRCI *R.Creole International*, Lynn - French news/talk, AM Stereo. <www.radiocreoleinter.com>
- 1700 *R.Bel Ayiti*, Boston - French Caribbean. <www.belayiti.com>
- 1700 unID, Lawrence - Spanish contemporary Christian music and preaching.
- 1710 Swamped by WRKO and WBZ (680 + 1030 = 1710 kHz).
- 89.3 *R.Planet Compas*, Boston - French news/talk, IDs as "Compas FM." <www.planetcompas.com>
- 91.3 *R.Superstars*, Everett - French news/talk, IDs as "W Radio" and "La radio d'information."

A list of Haitian radio stations in the Boston area can be found online at the *Haitian Americans United* web site <www.hauinc.org/html/community/Media/Radio/RadioStations.asp>. A more comprehensive site with links to Haitian radio in Boston is at <www.anselme.homestead.com/radioboston.html>. This list with hyperlinks is available online at <http://members.aol.com/baconti/bamlog.htm>.

Domestic DX Digest

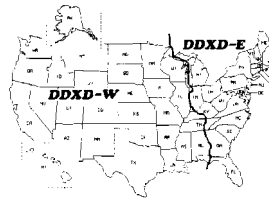
West: Bill Dvorak westlogs@aol.com

501 Algoma St. - Madison, WI 53704-4812

East: Ginnie Lupi DDXD-E@nycap.rr.com

PO Box 4404 - Clifton Park, New York 12065-0853

(Division line is
between East and
Central time zones)



DX Catches in the U. S. and Canada, with 24-br. ELT

DDXD-West

From the Vast Westland

- Welcome again to the Vast Westland, that huge geographic span where a widely scattered, highly motivated group of DXers face a single common obstacle: converting their loggings to ELT!
- Dale Park sends along information on recent switches in Honolulu. See Station News below. Thanks, Dale!
- January is history, but the season is not over yet! Share what you are hearing by sending your loggings to the DDXD-W addresses listed above. Deadlines are Thursday at 1300 ELT for e-mail, Thursday's delivery for USPS mail. 73 Bill

Reporters

- DP-HI Dale Park, Honolulu. Sangean ATS-818CS, Terk AM1000 loop.
 DS-TN Doug Smith, Pleasant View. Yaesu FT-1000MP ham rig & 160m dipole at 60 feet.
 JJR-WI John J. Rieger, South Milwaukee. Icom IC-R75, Kiwa loop, MFJ-959B tuner-preamp.
 JT-MO John Tudenham, Joplin. C C Radio plus.
 JW-CO John Wilkins, Wheat Ridge. Drake R8, 4-foot box loop.
 PG-CO Patrick Griffith, Westminister. Drake R-8 and Kiwa loop.
 RA-NV René Auvray, Henderson. Grundig Yacht Boy 400 PE.
 RT-MN Rick Turner, Bemidji. Radio Shack TRF 12-655.
 SA-MB Shawn Axelrod, Winnipeg. Icom ICR-70, Drake R8, 4 foot unamplified box loop, Quantum loop, 155 foot outdoor wire, 100 foot indoor wire, MFJ 1026 phasing unit.
 Ed.-WI Your editor, Madison. Drake R8B, Quantum QX Pro loop.

Station News

- 620 WTMJ WI Milwaukee. Last summer this station installed IBOC equipment, ran it for about a month, and then turned it off. Now it is back. An item in the 1/13 Milwaukee *Journal Sentinel* reveals that WTMJ and sister station WITI 94.5 FM are the only two stations in Wisconsin to be broadcasting in IBOC. (Ed.-WI)
- 650 KRTR HI Honolulu. 1/3 2202. Automated MOR oldies from 60s to now (Carly Simon, Sheena Easton, Billy Joel, Stevie Wonder, John Denver, Enya, Brasil 66), using liner "This Is Hawaii's Place For Great Music, The All New 6-50 AM." Finally ID at 2304 "Continuous Relaxing Favorites On The All New 6-50, KRTR AM." Ex-KHNR, which migrated to FM. Callsign last used on 1460 before it went Korean. Station was sold by Salem Media to Cox Radio. First day with new format. (DP-HI)
- 870 KAIM HI Honolulu. 1/3 2217. Randy Travis tune, drop-in ID "AM 8-70 KAIM, Hawaii's Classic Country," back to satellite DJ who mentioned "Your Brand of Country," Match.com ad; drop-in ID "AM 8-70, Hawaii's Classic Country Station," dead air for SIX minutes, then Kenny Rogers' "Coward of The County." Traffic and surf reports at 2239. Apparently the format's syndicated by Waitt Radio Networks. Also using slogan "Bringing Classic Country to Paradise." New format, ex Protestant teaching and praise music. (DP-HI)
- 940 KJPN HI Waipahu. 1/3 2342. Automated Hawaiian AC oldies music, using slogan "All Traditional Hawaiian All The Time, AM 9-40." ID at 2402 "KHCM Waipahu, Hawaii's All Traditional Hawaiian Music Station." Actually, the KHCM callsign moved to 1170 along with the satellite country format; not using the callsign listed with the FCC. Second time KJPN calls on 940. Format change, previously was a Japanese station. Station was sold by Salem Media to Cox.

KAIM
95.5 FM AM 870

- (DP-HI)
- 940 KKNE HI Waipahu. 1/14 1800. Noted with new calls KKNE, replacing KJPN, and announcing the time in Hawaiian, using the old KCCN-1420 time checks. (DP-HI)
- 1170 KHCM HI Honolulu 1/4 0258. Country music off satellite; ID at 0301 "KHCM Honolulu, A Service of Salem Communications." Also uses slogans "KHCM AM 11-70, Hawaii's Country Music," and "The New AM 11-70." Format and callsign moved from 940. Ex-KJPN, which simulcast KAIM-FM's contemporary Christian format. Per Honolulu Star-Bulletin, morning drive show is simulcast over similarly-formatted KAIM-870. (DP-HI)
- DX Tests
- 560 WFIL+ PA Philadelphia. 1/8 0200. Heard one set of Morse code IDs in a mess with WEBC and WIND. NEW. (SA-MB)
- Presumed, Tentative, UnID
- 1090 UNID 1/13 0814. Somebody here under KVOP in KMXA null (looped NE-SW) with C&W music, gal announcer. WAQE and KTGO are listed as C&W, but they are scheduled from LSR-LSS, so would be too early for them. (JW-CO)
- 1510 UNID 1/17 0600. Someone fair with traditional country music under WLAC. Of course, when the music stops, the DX fades <grin>. Format matches in Log are KCUV-CO, WLGN-OH, WWSM-PA; any of the three is possible. (DS-TN) (See also 1510 in Regular DX Loggings section for one possibility. Ed.-WI)
- Regular DX Loggings (times in ELT)
- 550 WSAU WI Wausau. 1/14 0640. Poor. ID "55 WSAU." Sports. Rare! (JJR-WI)
- 580 CKPR ON Thunder Bay. 1/14 0639. Poor. Clear calls, AC/oldies. Not common. (JJR-WI)
- 610 KFRC CA San Francisco. 1/3 0144-0146. "Inside the '60s" with Gary Bryan. Conclusion of "He's So Fine" by the Shirelles, followed by "Groovy Kind of Love" by the Mind Benders. Fair, with QRM. (Note: I have heard Gary Brian in Los Angeles on KRTH 101.1 FM.) (RA-NV)
- 620 KTAR AZ Phoenix. 1/3 0958. Business news followed by call ID. Extremely weak. First time logged here in 2-1/2 years. (RA-NV)
- 620 WDAE FL St. Petersburg. 1/17 0628. ID as "The Sports Animal;" news w/Tampa, St. Petersburg, and Tallahassee items (Gov. Bush going to the inauguration); traffic report for Courtney Campbell Parkway. Poor in mess. (DS-TN)
- 620 WJDX MS Jackson. 1/18 1810. Newscast ending, mention of Jackson and call ID. Heavy QRM from KMKI. (JT-MO)
- 640 KTIB LA Thibodaux. 1/18 2159. Fair with multiple station QRM. "Savage Nation" just ending, legal ID into national news in progress. Auroral conditions. NEW! (Ed.-WI)
- 650 WSM TN Nashville. 1/13 0310. Heard briefly with ID, "America's Country Station, WSM." (RT-MN)
- 650 KMTI UT Manti. 1/3 1000. Fair. Utah regional news, weather 60% chance of snow, call ID followed by ABC news. (RA-NV)
- 650 WNMT MN Nashwauk. 1/13 1100. In strong with ID at TOH, "Newstalk 650, WNMT Nashwauk-Hibbing" into news. I checked the frequency 12 hours later, and they were every bit as strong despite the NRC Log saying they drop power from 10 kw to 1 kw at night. (RT-MN)
- 660 WBHR MN Sauk Rapids. 1/14 1200. ESPN programming, ID "All Sports Radio 24/7, WBHR" into The Jim Rome Show. (RT-MN)
- 660 WFAN NY New York. 1/14 2255. Up briefly with SID "Sports Radio 66, WFAN, New York," local call-in talk show with telephone # 937-6666, then lso to horrible splatter from WNMT-650 and WSCR-670. (RT-MN)
- 670 WSCR IL Chicago. 1/15 0200. "In The Huddle" show, mentions of Westwood 1, and ID at TOH "Chicago's Sports Radio 670 The Score, WSCR Chicago." Very strong, local-like signal. (RT-MN)
- 680 KFEQ MO Saint Joseph. 1/16 0100. ID at TOH, "The Talk of Saint Joe, 680 KFEQ," into news. (RT-MN)
- 680 CJOB MB Winnipeg. 1/16 1130. "You're listening to Crime and Punishment on CJOB"

- into news. Strong signal, disappeared after 1800. (RT-MN)
- 700 WLW OH Cincinnati. 1/18 2200. TC, followed by callsign ID then into news. Numerous mentions of "Newsradio 700 WLW." Fair signal, conditions poor with lots of noise. (RT-MN)
- 710 KCMO MO Kansas City. 1/19 0640. Local talk show, "576-7710, star KC here on 710, KCMO." In and out with unidentified station underneath. (RT-MN)
- 710 WDSM WI Superior. 1/19 0900. ID at TOH, "You're listening to 710, WDSM Superior-Duluth" into news. (RT-MN)
- 710 KNUS CO Denver. 1/19 2200. ID at TOH, "This is newstalk 710, KNUS Denver" into news. (RT-MN)
- 720 WVCC GA Hogansville. 1/18 1800. Sign-off, no trace of WGN. (JT-MO)
- 750 CKJH SK Melfort. 1/14 0840. Gal with balmy weather forecast (high minus 30, low minus 47); mention of "ck750.com." Generally fair. (JW-CO)
- 810 WJJQ WI Tomahawk. 1/14 0725. Poor. ESPN sports, local ads, calls, weather: -40F wind chills! Not heard in 3+ years. (JJR-WI)
- 830 KFLT AZ Tucson. 1/3 1005-1008. Arizona sports news, traffic, weather including snow levels. Reception strong. No KXNT 840 splatter present at that moment. (RA-NV)
- 930 WEOL OH Elyria. 1/15 2158. Fair with moderate QRM from multiple sources. Cleveland Cavaliers basketball vs. Utah Jazz. Legal ID: "The Cleveland Cavaliers play here. The News Station AM 930 WEOL Elyria-Lorain." NEW! Normally dominant WAUR off at the time. Thanks to Tom Jasinski for the tip. (Ed.-WI)
- 960 WHYL PA Carlisle. 1/17 0616. Surprisingly good though occasionally fading under KZIM. "AM 960 WHYL," ad for Chapel Point Retirement Center (249-1363) in Carlisle. (DS-TN)
- 1000 WNSI AL Robertsdale. 1/19 2005. AM and FM ID, basketball game. Note this station is supposed to be a daytimer, simulcast with 105.9 FM. Auroral conditions observed, good signals from south. (JT-MO)
- 1130 CKWX BC Vancouver. 1/3 1012-1014. Ads for Radio Shack and Honda. Station website mentioned (www.news1130.com Ed.-WI), weather in Celsius. Splatter from KSFN 1140. Note: first time CKWX monitored at this hour. (RA-NV)
- 1150 KXTA CA Los Angeles. 1/3 0158. Mention of a show carried on both KXTA and sister station XETRA 690. Minimum QRM. No splatter from KSFN 1140. (RA-NV)
- 1180 KERI CA Greenacres. 1/17 2300. TOH ID as "KERI Greenacres-Wasco-Bakersfield". Strong signal as noted by others. (this station is being widely reported on various internet lists, fuelling speculation that it is cheating. Ed.-WI) (PG-CO)
- 1210 WQLS AL Ozark. 1/15 0702. Very poor. Legal ID into REL show. No WPHT. NEW! (JJR-WI)
- 1250 WSSP WI Milwaukee. 1/16 0700. Poor signals in partial CHSM null with full ID on the hour. Sounded like a sports talk program after. New calls. NEW. (SA-MB)
- 1270 WLIK TN Newport. 1/14 0705. Poor. CNN news, weather, SID. Oldies. (JJR-WI)
- 1450 KATE MN Albert Lea. 1/15 0359. Man with legal ID at 0359:52 "You're in tune to 1450 Radio KATE Albert Lea, Minnesota. It's the top of the hour...from ABC." Did not hear ABC news at 0400, only someone else with CNN covering KATE. Semi-rare here. (JW-CO)
- 1450 KBBS WY Buffalo. 1/16 0459. Legal ID at 0459:53 "You're listening to the Good Time Oldies station, 1450 AM KBBS Buffalo," and into ABC news at 0500. Fair in the jumble. (JW-CO)
- 1510 KGA WA Spokane. 1/3 0125. Very weak with call ID slogan. (RA-NV)
- 1510 KCUV CO Littleton. 1/14 0155. Fair to good, rivaling WLAC and overpowering it at times, with Americana music, slogan "AM 1510 the V," and legal ID "KCUV Littleton-Denver." Best ever heard here, raising questions as to if it was on 1300 watt night power and pattern (see Patrick Griffin's logging below). Thanks to Paul LaFreniere for the tip! (Ed.-WI)
- 1510 KCUV CO Littleton. 1/17 2315. Difficult to tell at this close distance but sounded like day power as reported by others. S+30 on my meter with typical Americana programming. Checked again after sunrise on 1/18 and found the signal at the same level - S+30. (PG-CO)
- 1560 KKAA SD Aberdeen. 1/14 0924. Last few minutes of a Family Radio program; ID at 0929 "Your South Dakota station for Christ-centered programming and mu-

sic 24 hours a day, and always commercial-free, this is KKAA Aberdeen," then into another program from Family Radio in Oakland. Have heard nothing but FR programs from KKAA, so must run this format all the time. (JW-CO)

DDXD-East

REPORTERS

- JLB-NY Jerry Bond, Rochester - Hammarlund HQ-140-XA and 3 foot loop antenna.
- MKB-ON Mike Brooker, Toronto - Grundig YB-400PE; Panasonic RF-2200.
- SC-ON Saul Chernos, Burnt River - Sangean ATS909, Radio Shack loop, three 1000-foot longwires.
- PC-VA Perry Crabill, Winchester - Drake R8, Kiwa Loop, 100' wire.
- RJ-NC Russ Johnson, Lexington - Sony 2010, Icom R75, longwires.
- BDM-ON Barry McLarnon, Ottawa - Icom R75, 1m air-core loop, 40 m inverted-vee, MFJ-1026.
- GL-NY Ginnie Lupi, Clifton Park - DX-398 and Select-A-Tenna.
- IEN-GA Ira Elbert New, III, Watkinsville - Sangean AT5 909.
- IEN*GA Ira Elbert New, III, Watkinsville - 2003 Isuzu Rodeo Stock Radio.
- BT-IN Blaine Thompson, Fort Wayne - Toyota Camry factory car radio.

UNID AND PRESUMED

- 540 KWMT IA Fort Dodge - 1/14 1812 - Calls, weather, QTH, country music. Weak but clear under CBEF. Not heard in many years. (SC-ON)
- 760 KMTLp AR Sherwood - 1/15 0317 - Presumed with country and bluegrass gospel music, under WJR and looped southwest. Would be a relog. (SC-ON)
- 850 WREFp CT Ridgefield - 1/16 0759 - Presumed with "Rock and Roll radio, the all new true oldies station" which checks. (SC-ON)
- 880 UNID - 1/16 1814 - "Southern gospel music, AM 880" ID. Either KGHT-AR or WCBW-IL. Mention of a town that sounded like Kelly. Either would be a relog. (SC-ON)
- 900 WCERp OH Canton - 1/15 0525 - Presumed with God's Great Outdoors program ending. WCER carries this at another time, but they carry a block of unspecified programming at this time. This station severely off-frequency, and WCER has been reported by an area DXer as such. Not heard in several years. (SC-ON)
- 910 KCJB ND Minot - 1/16 0740 - Dakota Square ad, calls, country music, weather. New. (SC-ON)
- 930 WTAD IL Quincy - 1/16 0717 - Calls, QTH, News. Six degrees above zero. Mixing with WAUR Sandwich IL relog. New. (SC-ON)
- 940 WCPC MS Houston - 1/15 1855 - Auburn Tigers versus Ole Miss Rebels basketball. Local ad. Relog. (SC-ON)
- 950 CFAMP MB Altona - 1/15 0400 and again 1/16 0130 (weaker) - Strongly presumed with non-stop classical music. No ID heard at TOH and BOH when I checked. This is a relog, but never heard on night pattern. CX very good. (SC-ON)
- 1000 UNID - 1/17 1706 - very faint gospel music in WMVP fades. Male DJ said "... give you a chance to win a couple of CDs in just a moment", then more gospel music. WMVP faded back in strongly at 1712. (GL-NY)
- 1030 WUFLp MI Stirling Heights - 1/8 1623 - Heard with Family Life Radio network programming. (JLB-NY)
- 1070 UNID - 1/9 0237 - Heard with the WOR Joey Reynolds Show. (JLB-NY)
- 1180 UNID - 1/15 0320 and 1/16 0126 (weaker) - Strongly presumed as KERI with Christian talk. On 1/15 mentioned 888-275-4265, which checks to the Christian Research Institute, which produces Bible Answer Man, which lists its only affiliate as KERI, and is on KERI's web site as running a couple hours after I heard this. I presume I heard a promo. On 1/16 mentioned "I'm Brad Daikin (sp)" with a mix of Christian/possibly political talk and gentle piano music (hymns?). KERI has been reported as likely running day pattern and getting out well. New, if it's KERI. (SC-ON)
- 1560 UNID - 1/15 0150 - WQEW NYC off for a couple hours. Hard to get much of anything, but did note oldies (Carole King, Chicago, etc...). WMRO apparently not on, maybe WBOL Bolivar TN? (SC-ON)
- 1580 UNID - 1/15 1859 - Tech versus (Bryant sp?) Devils basketball. Oliver and Palmer are two player surnames noted. (SC-ON)

STATION LOGGINGS

860 **WLBG SC Laurens** - 1/13 2242 - Woman with local ad for "Communications Unlimited", WLBG ID (spoken very slowly by man), then talk about tornadoes in the area, poor to fair with CJBC and Reloj. Thanks to Bill Harms for the tip! New. **(BDM-ON)**

870 **WLVP ME Gorham** - 1/3 1743 - Poor under WHCU with "Portland's (?) talk station, the new 870, The Voice, WLVP Gorham(?)". **(BDM-ON)**

900 **WURD PA Philadelphia** - 1/14 1600 - Popped up with "WURD 900 AM" ID, briefly over CHML and others. **(BDM-ON)**

910 **WJCW TN Johnson City** - 1/5 0206 - Woman with program promo for Health Matters show: "every Saturday morning at 8 am, here, and exclusively here, on AM 910 WJCW", then another "AM 910 WJCW" ID by man, on top of jumble. New. **(BDM-ON)**

WABI ME Bangor - 1/13 1612 - over nulled WAVL with slogan "great songs you remember...now more unforgettable favorites on the way on 910 WABI" into *Cherish* by the Association. **(MKB-ON)**

920 **CJCH NS Halifax** - 1/17 1643 - "this is AM nine-twenty, CJCH", into "Mona Lisa" by Nat King Cole. Poor reception; new at this location. **(GL-NY)**

930 **WLLL VA Lynchburg** - 1/1 0600 - Black gospel, with musical ID "AM 930 WLLL", fair in mix with several others. New. **(BDM-ON)**

WHLM PA Bloomsburg - 1/1 0605 - Good, with numerous "Newsradio 930 WHLM" IDs. **(BDM-ON)**

940 **WADV PA Lebanon** - 1/17 1708 - wiping out CINW with Bible reading and sign off announcement by woman: "WADV 940 Lebanon is now signing off...tune in tomorrow morning for more great gospel music", no SSB. **(MKB-ON)**

950 **WCLB WI Sheboygan** - 1/70700 - ID "Sheboygan's ESPN Radio 950, WCLB Sheboygan", good, over all. **(BDM-ON)**

WIBX NY Utica - 1/12 1708 - creaming usually-dominant WWJ with highlights of Gov. George Pataki's State of the State message, "WIBX news time coming up on 5:09", into "WIBX Weather Center" forecast for the Mohawk Valley. **(MKB-ON)**

WVTS WV Charleston - 1/17 1904 - over WWJ/WIBX/WROC mix with ABC news, Cialis ad, slogan "Super talk 950 WVTS, Charleston's place for talk". **(MKB-ON)**

970 **WGEE WI Superior** - 1/13 0730 - Local weather with wind chill advisory, then "I'm Paul Saunders(?) on ESPN 970 WGEE" and back to ESPN, good, nearly alone. Last heard as KXTP. **(BDM-ON)**

990 **WEIS AL Center** - 1/15 1920 - Basketball. Two ads for Baker Insurance Agency at 927-3687, which checks to Center. Atop another live sporting event, which may have also been basketball. New. **(SC-ON)**

WNTW PA Somerset - 1/17 1458 - Dave Ramsey Show with business advice to callers. ID and CNN Radio news at TOH, followed by ad for Forbes.com. First logged as WVSC in 1990. **(PC-VA)**

1010 **WIOI OH New Boston** - 1/17 0208 - After sitting on 1010 for weeks, trying to null CFRB and WINS to get at a nostalgia station to my southwest, CFRB helped, pulling the plug Monday morning. Heard several IDs as "1010 AM WIOI" and songs like Days of Wine and Roses and Crazy. At times stronger than WINS despite being listed as 21 watts night power. New. **(SC-ON)**

1040 **WJTB OH North Ridgeville** - 1/17 1716 - lots of gospel music, preacher with southern accent. "The Light" slogan, "you're listening to The Light, America's favorite inspiration station." Sign off at 1732 included "... we are WJTB, North Ridgeville-Cleveland." Lots of fading. **(GL-NY)**

1050 **WFED MD Silver Spring** - 1/17 1530 - News about preparations in DC for George Bush's second inauguration. "Federal News Radio, AM 10-50, WFED, and on the Web at FederalNews.com". Logged as WNTR in 1990, and as WPLC in 2003. **(PC-VA)**

1060 **WKGQ GA Milledgeville** - 1/8 1800 - Woman with ID and apparent sign-off announcement, very poor with KYW nulled. New. **(BDM-ON)**

1090 **WILD MA Boston** - 1/14 1537 - ID and proclaiming they play classic soul all day. **(JLB-NY)**

1140 **KNEI IA Waukon** - 1/15 0459 - Endless ESPN. Tuned in just in time to catch last part

of a legal ID at 0459: "...1140 Waukon Iowa." This one can be confused with KSOO-SD. Watch out! Should not be on at night. Mixing with WRVA and stronger-ever CHRFB AB in excellent western conditions. New. **(SC-ON)**

1210 **WILY IL Centraile** - 1/3 1655 - Clear ID for WILY. Music "Dancin' in the Streets" into CNN Radio news. **(RJ-NC)**

1230 **WNEB MA Worcester** - 1/14 1600 - "WNEB Worcester" and Christian program. New. **(SC-ON)**

WLFH NY Little Falls - 1/14 1622 - "Sports Stars Bar & Grill" (Sports Stars is a small sports radio net in central NY). I've had the others but this is new. **(SC-ON)**

1250 **WARE MA Ware** - 1/10 1438 - ID, local spots and a request for sales people looking for a job to send their resumes to the station. **(JLB-NY)**

1260 **WPNW MI Zeeland** - 1/11 1533 - ID and slogan "Your Christian Voice". **(JLB-NY)**

1280 **WODT LA New Orleans** - 1/12 1900 - New Orleans Hornets pregame show... The Hornets Warmup. Good signal. "Sportsradio 1280, The Sports Monster". **(IEN*GA)**

WJST PA New Castle - 1/15 0206 - Oldies, "Just Oldies" slogan, ID. Previously logged as WBZY and WKST. **(BDM-ON)**

WONW OH Defiance - 1/15 0500 - "WONW Defiance... and now, the latest news and information...", poor in mess. **(BDM-ON)**

1320 **WILS MI Lansing** - 1/1 1647 - Jazz, quick "WILS" ID, then into "Take Five" (Brubeck), fair in mix, with local 1310 slop. New. **(BDM-ON)**

1330 **WNTA IL Rockford** - 1/17 0724 - Calls, IL Lottery (Little Lotto) ad. **(SC-ON)**

WRAA VA Luray - 1/17 1817 - Country music, ad for Midas on University Blvd. in Harrisonburg, which checks per web search. New. **(SC-ON)**

1340 **WBRK MA Pittsfield** - 1/14 1530 - "This is WBRK" and mention of Berkshire County. New. **(SC-ON)**

1350 **WPDR WI Portage** - 12/26 0704 - On top, with local ads (920 area code), many references to Portage and "your hometown radio station" slogans. New. **(BDM-ON)**

1360 **WKAT FL North Miami** - 1/13 1800 - Classical music and local traffic and weather. Decent signal mixed with the Phil Hendrie Show and WCKY in Cincinnati, OH. "Classical 1360". **(IEN-GA)**

1380 **WCBG PA Waynesboro** - 1/17 1604 - Commercial for ESPN Weekend at the Walt Disney World Resort. "ESPN Radio, 13-80, WCBG". Was WAYZ when first heard in 1990; switched later to WHGT, but always ID'd with their associated FM call. **(PC-VA)**

1420 **WVJS KY Owensboro** - 1/13 2120 - Classic Hits from days of old. Good signal with fades. "Memories 1420". **(IEN-GA)**

1430 **WXKS MA Everett** - 1/10 1503 - Heard with Boston traffic, ID's as "AM 1200 and 1430" and Air America format. **(JLB-NY)**

1440 **KDIZ MN Golden Valley** - 1/3 1659 - Disney slogans, ID by kid: "AM1440 KDIZ, Golden Valley - Minneapolis - St Paul". **(BDM-ON)**

1450 **WLAY AL Muscle Shoals** - 1/11 0658 - ID - "WLAY" in mush. **(RJ-NC)**

WREL VA Lexington - 1/11 0658 - "NewsTalk Radio 1450 - WREL Lexington" into ABC news. **(RJ-NC)**

WBHF GA Cartersville - 1/12 0659 - "This is WBHF..." **(RJ-NC)**

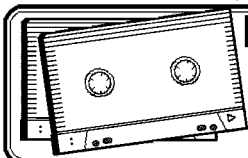
1500 **WFIF CT Milford** - 1/10 1432 - In well with ID and "life changing radio" slogan during good daytime conditions. **(JLB-NY)**

1510 **WPGR PA Monroeville** - 1/10 2140 - Noted with strong signal and slogan "Pittsburgh's gospel station," probably still on day power. **(JLB-NY)**
+ 1/11 0201 - Heard with gospel music all night, clearly on day power, IDs at 1:40 after TOH: "the best in gospel music and programming, 1510 AM WPGR, Monroeville-Pittsburgh." Another good tip from Bill Harms! New. **(BDM-ON)**

1520 **WKWH IN Shelbyville** - 1/13 2110 - Classic Rock & Roll. Decent signal mixed with WWKB in Buffalo, NY. "Classic Hits 1520". **(IEN-GA)**

1530 **WSAI OH Cincinnati** - 1/16 2226 - International Gospel Hour, followed by Baptist Bible Hour. Heard what sounded like separate signal underneath with some exact programming, but with a 5-7 second delay. Perhaps an IBOC hiccup or a crappy tape. Ironically, this is the eve of WSAI's change from oldies to WCKY and Air America. That change noted taking effect at 1/17 at 0900 with the

- new Jerry Springer talk show. (SC-ON)
- 1560 KLNG IA Council Bluffs - 1/19 1958 - "KLNG Council Bluffs Omaha" into signoff for the day. Sign off mentioned Wilkins owning KLNG. First time heard here. (BT-IN)
- 1570 WANR OH Warren - 1/16 1810 - High-school basketball game began at 1800, and between the Warren Harding Raiders and possibly the Saints. It's the Raiders' station - they get the most mentions as in "The Raiders are leading..." or "The Raiders are trailing..." Two players mentioned, Steve Williams and Bruce Allen, are on the team, helping me solve this via Google. (SC-ON)
- 1580 WDQN IL DuQuoin - 1/14 2113 - Calls clearly heard and possible live sports beneath KCHA-IA Charles City, which was running basketball and local ads. WDQN should be 6.6 watts and KCHA 10 watts at night. KCHA is a relog, WDQN is new. (SC-ON)
- 1590 WPVL WI Platteville - 12/31 2100 - ESPN, dual ID for WGLR-1280 Lancaster and WPVL. (BDM-ON)
- WPSN PA Honesdale - 1/10 1012 - Heard weather and community bulletin board and then they proclaimed they were "Wayne County's first radio station." (JLBNY)
- 1600 WKEN DE Dover - 1/7 1910 - Good, with dual ID "the leader in gospel music, 1260 [sounded more like 1240] WAMS Newark-Bloomington and 1600 WKEN Dover-Milford, a division of East Coast Broadcasting". Last logged as WQVL. (BDM-ON)



DXAS back issues on audio

cassettes: \$3.00 each; specify month and year.
Order from NRC Publications - Box 164 - Mannsville, NY 13661. NY residents, please add sales tax.

The NRC AM Radio Log, 25th Edition, including cross-referenced listings from 530-1700 khz., is compiled from both listeners' reports and official sources, making it the most accurate listing of U. S. and Canadian AM stations available. Unbound, three-hole punched for standard binders. \$19.95 to U. S. members; \$25.95 to U. S. non-NRC members; to Canadian members, \$23.00 (\$29.00 to non-NRC members). Airmail to members in western Europe (except Italy) and Australia, New Zealand, and Japan: \$29.00. All others contact us for exact prices. Order from: NRC Publications - Box 164 - Mannsville, NY 13661 (NY residents, please add sales tax).



\$19.95 to U. S. members; \$25.95 to U. S. non-NRC members; to Canadian members, \$23.00 (\$29.00 to non-NRC members). Airmail to members in western Europe (except Italy) and Australia, New Zealand, and Japan: \$29.00. All others contact us for exact prices. Order from: NRC Publications - Box 164 - Mannsville, NY 13661 (NY residents, please add sales tax).

ALL RADIO

National Radio Club, Inc. www.nrcpubs.org

ALL RADIO Vol 2 is now available from NRC's Publication Center. This two-cassette tape set features the following: George Gimarc and Pat Reeder talk about their book, "Hollywood Hi-Fi!". (March 6, 1997) and play examples of songs that just don't cut it. How many of you

remember KLIF-1190 in Dallas, Texas? Steve Eberhardt, owner of <historyofklif.com> tells us why this station was an icon of radio, due in part to Gordon McLendon, radio programming innovator and sportscaster. Following Steve is NRC member Ben Dangerfield talking about what it was like to DX during World War II. Bob Savage, owner of WYSL, worked at stations like WIBG, WKBW, and CLKW; Bob talks about his career and radio. Finally, the business meetings from the 2003 convention in Dallas and 2004 convention in Rochester NY are featured. This two-cassette package comes in a dual cassette case, @ \$6.00 post paid US (1st class mail). Other areas of the world, and persons requiring special delivery, contact the Pub Center at 315-387-3583, krazyken@tconet.net, or P.O. Box 164 - Mannsville NY 13661 USA. Order Item ART-2. U.S.A Price \$5.00; Canada \$7.00; Overseas \$9.00. Order from NRC Publications - Box 164 - Mannsville, NY 13661. NY residents, please add sales tax.

International DX Digest

Bruce Conti nrcidx@aol.com
46 Ridgefield Drive
Nashua, NH 03062-1174

Foreign DX Catches. Times are UTC; for ELT, subtract 5 hrs.

Congratulations to NRC DX News "Musings of the Members" editor Dave Schmidt, the new broadcast DX columnist for *Popular Communications* magazine, premiering in the February edition.

- Transatlantic DX
- 162 FRANCE *France Inter*, Allouis JAN 15 0405 - Man in French with English and French pop and folk tunes. Good, best in AM mode! [Frodge-MI]
- 183 GERMANY *Europe 1*, Felsberg JAN 15 0411 - Man and woman in French with chatty talk - doesn't sound like news, and music bumpers. Poor, best in USB. [Frodge-MI]
- 189 ICELAND *Ríkisútvarpið*, Gufuskálar JAN 15 0410 - Presumed; pop music. Poor, nothing detectable on 207 to check if parallel. [Frodge-MI]
- 198 ENGLAND *BBC Radio Four* synchros JAN 17 0521-0524 - Fair; sports report over beacon DIW Dixon, NC. [DeLorenzo-MA]
- 252 IRELAND *RTE Radio One*, Clarkestown JAN 17 0530-0547 - Good with ID: "On AM and FM, on longwave two five two... this is RTE Radio One. It's five thirty..." followed by old song "I'll be with you at Apple Blossom Time." Local weather at 0533 then Irish folk music and US Country & Western tune. No trace of the usual Algerian at this time. [DeLorenzo-MA]

- Pan-American DX
- 690 ANGUILLA *Caribbean Beacon*, The Valley JAN 15 2243 - Good; minister (presumably Dr. Gene Scott) parallel to 6090 kHz. No trace of CINF in auroral conditions. [DeLorenzo-MA]
- 760 COLOMBIA HJAJ RCN Barranquilla JAN 12 1051 - Good over WJR with ID following national anthem: "RCN, la radio de Colombia. Radio Suceso de Atlantico." [DeLorenzo-MA]
- 770 COLOMBIA HJIX RCN Bogotá JAN 8 2253-2256 - Fair battling WABC and a second Latin American signal; RCN jingle, ID, ads and network promos parallel to 760 kHz. Played the national anthem at 2256. [DeLorenzo-MA]

- Transpacific DX
- 1537 unID - I was in Hawaii between the January 2nd through the 7th and from both Kauai and Oahu I received a strong signal on 1537 kHz with some type of Pacific Rim language. This was in the evening between 10 p.m. and midnight local time. If you have heard of anything let me know. [Tankersley-HI] *R.Rossii* was once reported at 1535.6 kHz, haven't seen anything reported off-frequency recently though.

Contributors

- Marc DeLorenzo, South Dennis MA; JRC NRD-525, noise-reduced vertical, broadband loop and longwire.
Harold Frodge, Michigan Area Radio Enthusiasts DXpedition, Waterloo Recreation Area, near Chelsea MI; R8B, 65-ft TTFD, 500-ft southwest unterminated Bev. <yukon@tm.net>
Fred Tankersley, Glendale AZ, DXing in Hawaii. <ftank@qwest.net>

Radio Angulo

International News

MEXICO: Per QSL letter, signed Ing. José Gabriel Avedillo F., Gerente de Ingeniería, "XENU AM, La Rancherita, 1550 kHz, 5000 watts... Es la estación más representativa de música norteña regional y campirana con todo el sabor de México." Other stations listed as part of the Radiorama Nuevo Laredo cadena were: "XEWL-AM en 1090 kHz con 1 kW, XEGNK-AM en 1370 kHz con 5 kW, XEAS-AM en 1410 kHz con 1 kW, XHNK-FM en 99.3 MHz con 30 kW, XHAS-FM en 101.5 MHz con 10 kW, y XHMW-FM en 102.3 MHz con 30 kW." XENU station technical information listed was: "La estación emite mediante un Transmisor marca NAUTEL tipo AMPFET ND5 de 5 kW, en la frecuencia de 1550 kHz en AM, usando un acoplador en Duplex (con la estación XEGNK en 1370 kHz con 5 kW) y radiando con una antena de torre convencional de AM de 55 m. de altura." [Steve Ponder N5WBI, *Corazón DX*]

TRINIDAD & TOBAGO: Per several reports, all NBN radio stations are off the air and the entire staff has been laid off. This includes **610 kHz**. Stations may return to the airwaves in about six months under new ownership. [Caribbean Media Corporation, ARC LA News Desk, *DX Listening Digest*]

Formats

Wayne Heinen amradiolog@nrcdxas.org
4131 S. Andes Way
Aurora, CO 80013-3831

Changes in programming status; reported by listeners

Freq	Call	Location	New Format	1260	1280	1300	1310	1310	1310	1310	1330	1350	1360	1400	1400	1400	1420	1420	1440	1480	1490	1490	1490	1520	1530	1530	1540	1560	1600	1650																																																																																																																																																																																													
560	C#1	Dawson, YT	Var	WWRC	Washington, DC	TLK	590	KPZA	Hot Springs, AR	SS:MEX	1280	KPTQ	Spokane, WA	TLK	1300	WTLS	Tallahassee, AL	SPT	650	KHNR	Honolulu, HI	AC/EZL	1310	KKNS	Corrales, NM	SPT	680	WCAW	Charleston, WV	GOS	1310	WXDX	Dearborn, MI	TLK	700	KALL	North Salt Lake City, UT	SPT/TLK	1310	WDOC	Prestonsburg, KY	GOS	710	KSPN	Los Angeles, CA	SPT/TLK	1310	KFLA	Scott City, KS	TLK/SPT	730	KDAZ	Albuquerque, NM	REL/C&W	1350	WEZS	Laconia, NH	EZL/JAZZ	790	WBLO	Thomasville, NC	SPT	1360	WKAT	North Miami, FL	NWS/TLK	800	KAGH	Crossett, AR	GOS	1400	WHMP	Northampton, MA	TLK	840	WCEO	Columbia, SC	SS:MEX	1400	WRON	Ronceverte, WV	TLK	870	KAIM	Honolulu, HI	C&W	1400	WSPG	Spartanburg, SC	TLK	910	WJCW	Johnson City, TN	NWS/TLK/SPT	1420	WRCG	Columbus, GA	NWS/TLK/SPT	940	KJPN	Waipahu, HI	Hawaiian	1420	WCED	Du Bois, PA	TLK/SPT	950	KSWD	Seward, AK	C&W	1440	WCDL	Carbondale, PA	C&W	1040	WHO	Des Moines, IA	NWS/TLK	1480	WSAR	Fall River, MA	TLK/ETH	1050	WTSJ	Cincinnati, OH	REL:TLK	1490	WNDA	Deland, FL	NWS/TLK/SPT	1050	WLYC	Williamsport, PA	SPT	1490	KOTN	Pine Bluff, AR	SPT	1060	WXNC	Monroe, NC	NWS/TLK	1490	WSYL	Sylvania, GA	C&W	1120	WXJO	Gordon, GA	UC:AC	1520	WLGC	Greenup, KY	C&W	1150	KDEF	Albuquerque, NM	OLD	1530	WCKY	Cincinnati, OH	TLK/RELan	1150	WNDB	Daytona Beach, FL	NWS/TLK/SPT	1530	WYMM	Jacksonville, FL	REL	1150	WXKO	Fort Valley, GA	UC:AC	1540	WRSM	Sumiton, AL	UC:AC	1170	KHCM	Honolulu, HI	C&W	1560	WTOG	Toledo, OH	NWS/TLK	1230	WNIK	Arecibo, PR	SS:NWS/TLK	1600	WHNP	East Longmeadow, MA	TLK	1240	WKIQ	Eustis, FL	UC:GOS	1650	KCNZ	Cedar Falls, IA	TLK/SPT	1240	WHMQ	Greenfield, MA	TLK	Contributors												
1240	WMFG	Hibbing, MN	NOS	Dickerman, <i>DX News</i> , Heinen, Kennedy, <i>M Street Journal</i> , Nittler, nrcdxas.org , Park, and Vobbe																																																																																																																																																																																																																							
1250	KDNZ	Cedar Falls, IA	TLK/SPT																																																																																																																																																																																																																								

Expiring? Time to renew? Not sure when? Need to call or e-mail someone or join the listserv? Check the back page - it's all right there!

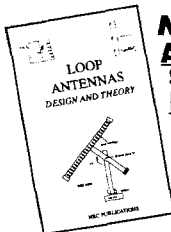
Flash Alert Postcard System

Can't access the Internet to find out about last-minute DX tests? Join Les Rayburn's Flash Alert System to receive notice about late-notice tests and special events. Just send Les 10 or more self-addressed postcards, and he'll be sure to keep you up-to-date and even notify you when you're down to five cards. Send your cards to Les Rayburn - 100 Centerview Drive, Suite 11 - Birmingham, AL 35216-3748. It's almost as good as being wired!

NRC's Antenna Manuals

Now completely revised and up-to-date!
Antenna Reference Manuals, Vol. 1 and 2,
\$8.95 each (\$11.95 to non-members)
Loop Antenna Design & Theory,
\$8.50 (\$12.95 to non-members)

For overseas surface mail, add \$4.00 for first copy, \$.64 for each additional copy; for airmail, add \$8.00 for each 3 or fraction of 3. Order from NRC Publications - P. O. Box 164 - Mannsville, NY 13661. NY residents, please add sales tax.

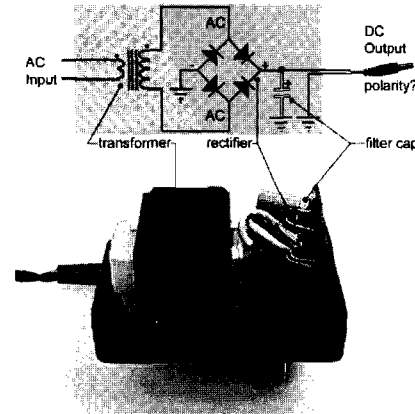


A Dummies' Guide to Working with Wall Warts

John H. Bryant, with Bill Bowers

I've often been frustrated by my lack of understanding of the simplest electronic device that any of us possess: the ubiquitous "wall wart" plug-in power supply. I must confess that when I have co-authored technical articles in the past, the emphasis is very much on the "co." In such projects, I generally perform as scribe, editor, graphic artist and all-around cheerleader, while relying on my partner to supply the essential technical expertise and applied creativity. Thus, when faced with a continuing need for small external power supplies of specific voltage or RF cleanliness, I have been at the mercy of the rather insanely high prices charged for such things at Radio Shack or other electronic parts outlets; all the while, I was accumulating a whole drawer full of spare wall warts, orphaned from various long-forgotten consumer and hobby devices.

Typical "Wall Wart"



In case you aren't familiar with the slang term "wall wart," that refers to the seemingly solid block brick that plugs into the AC mains electrical wall outlet and provides DC power to various consumer devices from cell phones through medium-sized radios to many computer peripherals. Typically, a good consumer-grade wall wart contains a transformer to reduce normal mains voltage to the range needed by the device to be powered. Once the mains AC power is lowered in voltage, it is run through a solid-state "bridge" (four diodes) or "full-wave" (two diodes) rectifier to be converted to DC. This is usually followed by a single filter capacitor. The power is then piped out through twin wires of appropriate size to carry the current at the designed power level. It is my understanding that some very inexpensive wall warts do not contain even rudimentary

filter capacitors. Avoid these, if possible.

Being rather desperate for some small power supplies about a year ago, I finally worked up the courage to admit my ignorance about such things to long-time friend Bill Bowers. I asked him to develop some notes for me, so that I could create both adjustable and fixed voltage DC power supplies from my drawer of wall warts. This was about like asking a NASCAR driver to give you tips on parallel parking, but Bill kindly complied. In the last few months, I've loaned copies of these notes to several hobbyist friends, some of whom are technically astute and others, dummies like me. Both sets of folks have found Bill's notes very useful, so I am encouraged to share them more widely. What follows are Bill's notes, data and circuit diagrams (redrawn by me) along with my running commentary.

Cautions

At its simplest, there are three possible outcomes to a project like this and two of them are BAD. When energized, there is some 120 volt AC (or more) electricity wandering around in what you are working on... Be careful, or you might fry yourself... or at least knock your heart out of rhythm. I hate it when that happens. BE CAREFUL!

A second bad outcome is the possibility of frying the device that you are hoping to power with your newly modified wall wart. DC current has a positive and a negative leg and it is very easy to get them reversed (reversed polarity.) Often, this will literally fry the device that you hope to power. I take a very direct approach to checking for proper polarity at the end of one of these wall wart projects: I keep an unmodified wall wart around and I check its polarity first, using a small cheap analog volt meter. I pay close attention to which meter probe, red or black, that I use on the inner and outer parts of the DC connector and I note which direction the meter pointer swings. I then repeat the same test on my newly modified wall wart. That approach may seem both simple-minded and paranoid, but I've made too many sad mistakes to do otherwise. BE CAREFUL!

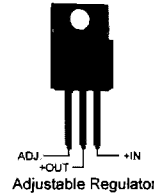
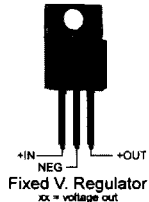
The third possible outcome of one of these simple projects is VERY GOOD: you create a voltage-regulated, RF-clean, fixed or adjustable voltage DC power supply for about \$5.00 worth of parts and

less than an hour of easy work. BE JOYOUS!

Discussion

Most wall warts are manufactured to power a single small solid-state electronic device and are usually designed to supply DC power. This article focuses entirely on wall warts that supply DC.

Unless the wall wart happens to be one of those few that also provides voltage regulation, the DC voltage measured at the DC tip of the device can be between 15 and 20 VDC, when there is no load on the wall wart. As load is applied to the circuit, the voltage drops proportionally. Thus, if a wall wart is rated at 12 VDC and 500 ma., the voltage will be significantly above 12 VDC when the supply is powering a device that only uses 200 or 300 milliamps of current. Similarly, the voltage will drop well below the specified 12 volts if more than 500 milliamps of current is needed by the device to be powered.



Cheap wall warts have a second weakness of concern to us: although they usually have a single filter capacitor inside the case, they are still somewhat dirty devices from an RF point of view and can produce all sorts of buzzing and other artifacts at the frequencies on which we normally DX. Most often, this is caused by "ripple" in the DC current created by the rectifier... Ripple is a less than smooth, steady value for the voltage and or current produced when plotted over time. It may be thought of and measured as vestigial AC current downstream from the rectifier and is often a cause of serious noise in RF-related circuits. Unless you are interested in DXing your new power supply and QSLing yourself, adding filter capacitors to your Wall Wart project is very worthwhile.

So, since we usually want to power an auxiliary device at a steady specified voltage and since we usually need a very clean power supply, what I wanted Bill's help on was in creating a filtered, regulated power DC supply. We accomplished this by adding a module between the wall wart and its DC output plug that contained a fixed or adjustable voltage regulator and a network of filter capacitors.

Voltage Regulators

Bill recommended using two families of small integrated circuit voltage regulators for our more common applications: the 78xx family of fixed voltage regulators and the LM3xx family of adjustable regulators. Both of these families are popular in commercial and hobby applications and are manufactured in great numbers; hence, they are all quite commonly available and very low cost. A grid of reference information for each family which follows:

		Fixed Regulators			
Type	I_{max} amps	V_{out} Volts	Package	All Electronics P/N cost	Mouser P/N cost
7805T	1.0A	+5*	TO-220	7805T @ \$0.50	511-L7805CV @ \$0.40
7808T	1.0A	+8*	TO-220	7808T @ \$0.50	511-L7808CV @ \$0.40
7809T	1.0A	+9*	TO-220	Not Available	511-L7809CV @ \$0.40
7812T	1.0A	+12*	TO-220	7812T @ \$0.50	511-L7812CV @ \$0.40
7815T	1.0A	+15*	TO-220	7815T @ \$0.50	511-L7815CV @ \$0.40

*Voltage IN must exceed voltage OUT by at least 3 volts under design load

		Adjustable Regulators					
Type	I_{max} Amps	DC_{out} V_{range}	Package	Mouser P/N cost	Jameco P/N cost	All Electronics P/N cost	
LM317LZ	0.1A	1.2 37*	TO-92	511-LM317LZ @ \$0.28	23552CA @ \$0.23	LM317LZ @ \$0.40	
LM317T	1.5A	1.2 37*	TO-220	511-LM317T @ \$0.56	23579CA @ \$0.45	LM317T @ \$0.50	
LM338T	5.0A	1.2 32*	TO-220		192284CA @ \$1.99		
LM350T	3.0A	1.2 32*	TO-220		23940CA @ \$1.09	LM350T @ \$3.50	

*Voltage IN must exceed voltage OUT by at least 3 volts under design load

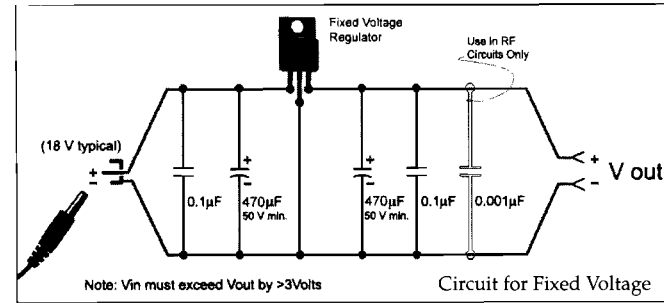
Filtering

Most electronic devices have some kind of filtering, usually accomplished with multiple capacitors, to remove 60 and 120 cycle ripples from the DC electrical current powering them. Most wall warts do contain filtering, but it is usually far less than adequate for our purposes, either because the device that the wall wart was designed to power did not require filtered power or because the majority of the filtering for the original device was done inside the device itself.

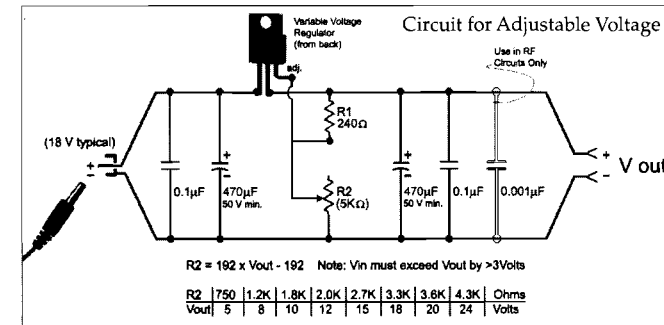
In these kinds of circuits, it is good practice to place filter capacitors both before and after the

regulator. Bill suggests using 470µf electrolytic caps that are rated at 50 volts for this application. These are commonly used in computers and many other low voltage circuits and are often "almost free" when bought in bulk. In Bill's two suggested circuits, these are twinned (paralleled) with .1µf caps and, in critical RF circuits, they are followed by a .001µf cap, as well. If possible, Bill also recommends placing a small (.1µ or .01µ) capacitor between the positive bus and ground, just inside the box of the device to be powered. This will ground any stray RF that might be picked up by the DC lead running from the regulator circuit to the circuit to be powered.

When I was building the first of my circuits, I found that the only small 50 volt electrolytics in my junk box were 100 µf units, far smaller than the suggested 470 µf caps. I talked to Bill and he felt that the 100µf units would likely suffice. They did, in that particular application. However, I now routinely



use the suggested 470µf caps for general applications. As I understand it, there is almost no such thing as too much filtering.



use the suggested 470µf caps for general applications. As I understand it, there is almost no such thing as too much filtering. For R2, I prefer to use a small screw-adjustable trimmer resistor by Bourne. This particular design is screw-adjustable from the top and, as with all Bourne pots, is veerrry smooth. From Mouser, the part number is 652-3296Y-1-502 and the price in December 2004 was \$2.00.

Some hobbyists may feel that the filtering network suggested in both of the above circuits is a bit excessive. For some applications, that is undoubtedly true. However, given the critical nature of some of our circuits and the disastrous affects that 60/120 cycle buzz can have on weak signal DXing, I tend to err on the conservative side. After all, the component costs of this design are literally pennies apiece, so more filtering is generally better.

Selecting an Appropriate Wall Wart

Using wall warts as a basis for power supplies should, for all sorts of reasons including fire safety, be limited to supplying devices that need no more than .100 to .150 amperes of current at the specified voltage. If your device requires more current than that, we strongly recommend either buying or building a complete regulated power supply. Thanks to modern components, these are relatively simple devices, with designs, components and complete supplies being readily available.

Within the range of regulated supplies requiring 100 to 150 milliamperes or less, the primary concern in selecting a wall wart is to make sure that it will supply power at least 3 volts DC in excess of the desired final controlled voltage, when the circuit is running at the designed load. This "3 volts in excess" comes from the basic needs of the voltage regulator itself. The most straight-forward approach to selecting a wall wart for your project would be to select one with an amperage rating that matches your needs and a voltage rating that is 3 or 4 volts higher. Thus, if you need a 5 VDC, 100 ma. regulated supply, you might select a used "9 VDC" wall wart rated at 100 or 150 ma. If you need a 9 volt regulated supply at 70 ma., you might select a small "12 VDC" wall wart rated at 100 ma.

The selection becomes a bit more complex, if you desire a 12 volt regulated supply. One way to go is, as discussed above, to use a 14,15 or 16 VDC wall wart rated at least as large as your design load in milliamperes. However, these wall warts though less common are readily available from JAMECO

and other supply houses for from 3 to 8 dollars. The other design strategy for building a small, filtered and regulated 12 VDC supply is to take advantage of the unregulated nature of wall warts. Remember that a wall wart rated at 12 VDC and 300 ma. will actually supply *significantly more than 12 VDC* at loads smaller than its rated load in milliamperes. So, if you need a regulated 12 VDC at 150 ma., a wall wart that is rated 12 VDC at 300 ma. would likely supply *at least* the requisite 15 volts to your new regulator at the 150 ma. load level. *The only way to be sure is to measure the voltage output under the load you expect to use.*

Some published diagrams of wall warts show a fuse in the circuit. None of the units that we cut open had fuses. If your application requires a fuse, you'd better incorporate it in the same box with the regulator and capacitors. It was also noted in all the wall warts that were opened they all did contain a filter capacitor but it varied from 50 to 1000 uf, with most containing a 100 uf capacitor. Unless you plan to cut open your wall wart, then adding the suggested capacitors looks like a good idea.

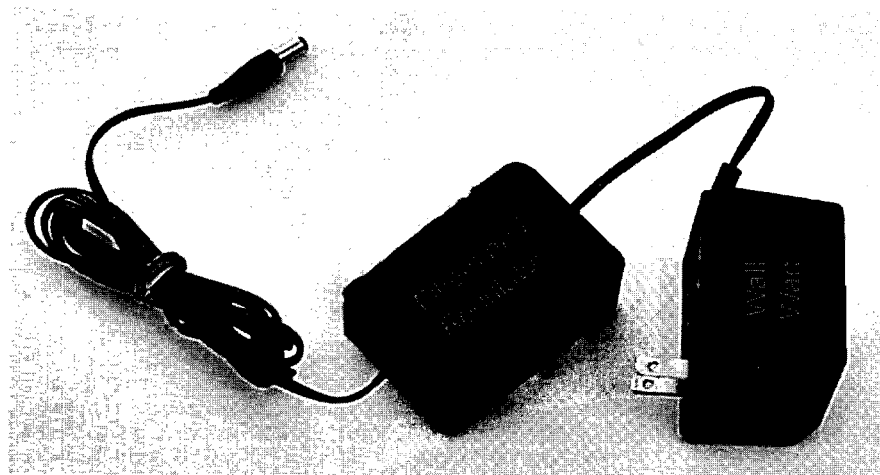
Heat Dissipation

Like most devices dealing with power, voltage regulation tends to create heat. In our case, the more reduction in voltage accomplished by our regulator and the higher the current, the warmer the regulator gets. At loads around 100 ma. and dropping the voltage only 3 volts, the heat generated is only .3 watts. However, the amount of heat generated builds up rather quickly as one moves to higher currents or deeper voltage drops. Happily, all general electronics houses stock small heat sinks designed specifically to snap on the body of our "TO-220" shaped regulator. Since they only cost between \$0.15 and \$0.30 USD each, we strongly suggest snapping one of these devices on the regulator, no matter what the projected current draw. Further, knowing that heat generation/dissipation is a concern with power supplies, common sense would dictate normally using a metal box and making sure to provide cross-ventilation by drilling a few holes in the case.

John, being a "hands-on" type, does not put his regulation/filtering modules into a case until *after* he hooks the entire circuit up to the device needing power and lets it run for a while. If the regulator and its little heat sink get warm, it is relatively easy to use common sense to determine what kind of enclosure and ventilation strategy, if any, is needed. *This kind of careful in-use testing of your newly modified wall warts is strongly recommended.*

Testing and Use

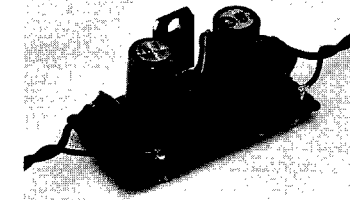
Bill ran a series of measurements on two wall warts to demonstrate the effects of the new regulation/filtering module. Both sets of measurements used a variable voltage module that I assembled from Bill's second schematic. That particular module is also the one used in the photo illustrations at the end of this article. Two wall warts were tested. Each wall wart was tested from 0 ma. to its rated current capacity. The output voltage, VDC, and ripple voltage, VAC, were measured with a Fluke-45 Dual Display Voltmeter. The "Regulated" values were obtained using the new filter/regulator circuit.



WW #1

12 VDC / 300 ma / Bridge rectifier circuit / 2000 uf filter condenser

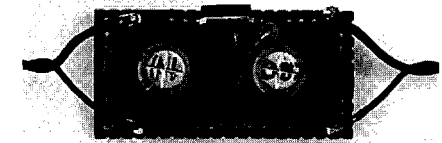
I ma.	Unregulated		Regulated	
	VDC	VAC	VDC	VAC
0	17.3	0.5	9.1	0.5
50	15.4	45	9.0	0.5
100		14.6	84	9.0 0.5
150		13.9	121	9.0 0.5
200		13.4	151	9.0 0.5
250		13.2	191	9.0 0.5
300		12.6	229	9.0 0.5



WW#2

18 VDC / 200 ma / Full wave rectifier circuit / 220 uf filter condenser

I ma.	Unregulated		Regulated	
	VDC	VAC	VDC	VAC
0	28.8	1.1	12.1	0.5
50	24.8	430	12.0	0.5
100		23.1	680	12.0 0.5
150		21.4	950	12.0 0.5
200		19.8	1260	12.1 0.6



In looking at the Unregulated VDC column in both grids, you can see the very unregulated nature of most wall warts, with the maximum voltage (minimum load) on each over 75% above the rated voltage. Comparing the Unregulated Voltage to the Regulated Voltage of each unit certainly illustrates the effectiveness of our voltage regulator. The Unregulated VAC (the "ripple voltage") columns of each are quite interesting. When comparing the two, you can see the effects of the more efficient bridge rectifier in WW#1 and its much larger than usual single filter capacitor. It is likely, though, that the remaining 200 or so millivolts of AC would induce a 60/120 cycle storm in our more critical uses. The 1260 millivolt ripple

In WW#2 is probably more typical (and scary!) As you can see, the new filter circuit only allows one-half of one-thousandth of a volt of AC ripple to pass through our circuit. Finest kind!

Recently, I've used Bill's first circuit to made up several *fixed* voltage supplies for various uses. However, as a normal procedure, I plan to prefabricate generic *adjustable* units rather than fixed voltage, single-use units. My approach is to order parts for five of the adjustable modules at once and build them all, as a group, on small pieces of 1" x 2" perf board. Then, when I need one, I'll drop it in the box, attach the wall wart and set the voltage with a digital multimeter. Fifteen minutes work and I'll be ready to roll.

Other Uses

If you have managed to read this far, you have almost certainly realized that these two circuits have uses far beyond harnessing the power of wall warts. For most of my own career as a MW and SWBC DXer, I've DXed almost as much from a vehicle ("12 volt DXing") as I have from a formal radio shack. These circuits are just the thing, of course, to convert the power from one or two deep-cycle batteries to the various lower voltages required by some pieces of peripheral DXing equipment.

Suppliers

Mouser Electronics
www.mouser.com

All Electronics
www.allelectronics.com

Jameco
www.jameco.com

(Footnotes)

¹ It is possible to create a *current*-regulated power supply, as well. However, since these are only rarely needed in hobby applications, they will be ignored here. Bill and I used a current regulator to drive an opto-resistor for a remote controlled termination (RCT) for an antenna, recently. That regulated power supply will be covered in a forthcoming article related to RCT antennas.

Confirmed DX'er

Greg Myers gregmyers1@juno.com

P. O. Box 20112

St. Petersburg, FL 33742-0112

Your successes in obtaining QSL's and other station items

530	RVC	South Caicos TURKS&CAICOS IS. , f/d form letter in 37 days from New York address. V/s Peter Lolanco, CE. (Wilkins—CO)
580	WILL	Urbana IL, n/d card in 26 days. V/s Jay H. Pearce, Mgr. (Jones—TN)
790	WAYY	Eau Claire WI, f/d letter in 7 days. V/s Cathy Schindler, Office Mgr. (Wilkins—CO)
820	WSCN	Chicago IL, n/d letter in 20 days. V/s M.P. (Jones—TN)
860	KKOW	Pittsburg KS, f/d letter in 19 days. V/s Bob Burk, OM. (Jones—TN)
880	KRVN	Lexington NE, f/d card, business card, stickers, coverage map, station info in 2 yrs. 2 months. V/s Vern Killion, DoE. (Myers—FL)
990	KSMR	Farmersville TX, f/d letter in 10 days. V/s Jerry E. Overton, GM (Wilkins—CO)
1020	KKSC	Plattsmouth NE, (now KOIL) prepared card in 51 days after 2 nd follow-up. V/s Darwin Stinton, CE. (Wilkins—CO)
1060	KTNS	Oakhurst CA, p/d e-mail in 9 hours 36 min. for an e-mail report of DX test. V/s Larry W. Gamble, GM/Owner. (Griffith—CO)
	WLNO	New Orleans LA, n/d letter in 10 days. V/s Gayril Gibson, GM. (Jones—TN)
1180	KYDZ	Bellevue NE, prepared card in 82 days after a follow-up. V/s Darwin Stinton, CE. (Wilkins—CO)
1215	VIRGIN R.	United Kingdom, f/d card in 4 weeks for taped report. Returned enclosed IRC's. No v/s. (Galerstein—NJ)
1230	KSIX	Corpus Christi TX, f/d letter in 61 days. V/s Bill Doerner, OM. (Wilkins—CO)
1250	KDEI	Port Arthur TX, f/d letter in 7 days. V/s Kelly Hatcher, Asst. PD. (Wilkins—CO)
1330	KLBS	Los Banos CA, f/d letter, sticker, business card in 14 days. V/s Jose Joao Encarnacao, Station Mgr. (Wilkins—CO)
1314	NRK	Kvitsoy NORWAY, f/d card in 4 weeks for taped report. V/s Jon-Annar Fordal. (Galerstein—NJ)
1410	KTNX	Bowie TX, f/d letter, business card in 14 days. V/s Dee Blanton, PD. (Wilkins—CO)
	CFUN	Vancouver BC, p/d letter in 2 weeks after a hand delivered follow-up. V/s Jon Kurpais, Engr. Dept. (Griffith—CO)
1420	KTOE	Mankato MN, p/d letter, business card in 92 days. Returned enclosed \$1.00. V/s Michael J. Perry, GM. (Griffith—CO)
	KGNB	New Braunfel TX, n/d letter, stickers in 9 days. V/s Debbie Faulk, Traffic Mgr. (Wilkins—CO)
1470	KYYW	Abilene TX, p/d letter in 9 days for tentative report. V/s Gary Smith CE/IT Mgr. (Wilkins—CO)
1490	KOSR	Omaha NE, p/d letter in 35 days. V/s Kurt Owen, PD. (Wilkins—CO)
1500	KMXO	Merkel TX, f/d letter in 13 days. V/s Zacarais Serrato, GM. (Wilkins—CO)
1550	XENU	Nuevo Laredo TAM MEXICO, letter, business card. V/s Ing. Jose Gabriel Avedillo F., Gerente de Ingenieria. (Ponder—TX)
1560	KOCY	Del City OK, f/d letter, 8x11 "Radio Disney AM 1560" sheet in 6 days. V/s Sheila Brophy. (Wilkins—CO)
1570	KVTK	Vermillion SD, prepared card in 50 days for 4 th report over 3 years. V/s GM. (Wilkins—CO)
1620	KOZN	Bellevue NE, prepared card in 50 days on 3 rd report. V/s Darwin Stinton, CE. (Wilkins—CO)
1630	KKGM	Ft. Worth TX, letter. V/s Lon Sosh, GM. (Ponder—TX)
1640	WTNI	Gulfport MS, f/d letter in 19 days. V/s April Williams, Traffic One, Mississippi Media. (Ponder—TX)
1650	KCNZ	Cedar Falls IA, p/d letter in 37 days. V/s Janelle Rench, Office Mgr. (Wilkins—CO)
	KBIV	El Paso TX, f/d letter, sticker, map printout of Denver area, showing location of KBJD my local on 1650 as well. V/s Jim Lotspeich (N5FKW), CE. (Wilkins—CO)

Contributors: Bob Galerstein, Morris Plains, NJ; Patrick Griffith, Westminster, CO; David Jones, Springfield, TN; Greg Myers, Largo, FL; Stephen H. Ponder, Houston, TX; John Wilkins, Wheat Ridge, CO

DJ, donations keep station alive One-man operation a work of love

By Matt Ehlers, The Tuscaloosa News (via Chris Cuomo)

CARROLLTON — (reprinted from *The Birmingham News*, April 16, 2001) For \$5, radio disc jockey Willie Washington will have a conversation with himself about your business and then play it on the air.

It's the kind of commercial you make when you're the only person working at a rural radio

years. On today, church and community leaders begin a weeklong celebration in his honor, with guest speakers and choirs performing at the Aliceville Religious Center each night.

Washington worked at the station for more than 35 years while it was still commercially viable. Lo-

cated along state Route 17 between Carrollton and Aliceville, the station has over the years, played a variety of formats, including southern gospel and country. Old Conway Twitty 45s' still litter an old closet.

But several years ago Willis Broadcasting Corporation decided not to fix the damage after a bolt of lightning struck the transmitter. The company told Washington, the station's most loyal employee, that he could control the station if he wanted to.

He's been broadcasting black gospel music about 11 hours a day ever since.

When he's not around, he

leaves the 25-disc CD changer on continuous play.

"I just run it as a community station," he said.

Soon after he took control, Washington and some family members tried to patch the roof.

Buckets are still needed when it rains, and the studio smells like a moldy basement. In the winter, he brings a space heater from home, and in the summer, he works in the sweltering heat.

But operating from a rundown building is better than not having a station at all, Washington said. WRAG was closed for several months before Washington took it over in March 1997.

"I just hated it, seeing it go down."

Washington doesn't even have a tape recorder at the station. When he wants to record a commercial, he has to ask his wife to tape it at work. He'll bring the tape in later for future broadcasts.

Despite the limp and creaky bones that remain from a childhood bout with polio, Washington spends all his extra time and money to keep the station going.

"I guess it's just like religion," he said of the radio business. "It soaks into you."

Washington said it costs him a little more than \$1,000 per month to run the station. The bulk of that goes to the electric company, which charges



Willie Washington talks on the telephone at his catfish restaurant in Aliceville. The restaurant helps keep his gospel radio Station, WRAG, on the air.

station.

When a local grocery store and barbecue restaurant wanted to air an ad on WRAG-AM, Washington acted out both sides of a conversation between two men. One was trying to convince a toothless friend to try the barbecue.

"Man I ain't got no teeth. I ain't got nothin' but gums, and I can't chew no meat," said the first man.

But at Sipsey Grocery and Package Store, the meat just falls off the bone, his friend replied.

"Look, brother," the friend said. "To dine at Sipsey's, You don't need no teeth."

Welcome to "The Mighty 590," Washington's lone-wolf radio circus.

Four Years

Washington, 60, has been running the station nearly single-handedly for a little more than four years. Gags such as the barbecue commercial are commonplace.

"Running a one-man radio station, you've got to be able to change your voice," Washington said.

WRAG is a place where Washington will charge you \$5 for a 60-second commercial, "but I might talk about you for three or four minutes."

Washington, with his goldrimmed bifocals and porkpie hat, has been a fixture at WRAG for 40

him about \$750 a month for power.

Donations help

Donations help, as do portions of his disability checks. But the main funding comes from the Aliceville Religious Center catfish restaurant.

Washington and his wife, Bernice, opened the center about nine years ago when they were first married.

One-half of the building contains a sanctuary that is available for use by area church groups. The other half features a restaurant where customers can purchase a catfish sandwich for \$4.32 and a side of okra for an additional \$1.08.

Bernice said the catfish allows her husband to keep his dream job alive.

"I believe if he wasn't there he'd be seriously sick or something," she said. "He just loves being

there."

Washington has never worked anywhere but WRAG.

"If you took it from him, he'd just as well pass away," said friend and longtime listener Mary Cousette.

People in the area depend on him for community news updates, she said. Washington regularly plugs church socials and announces weddings and engagements, as well as funerals.

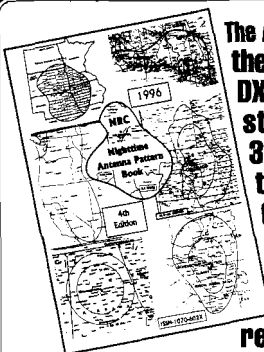
On a good day, Washington said, the signal stretches from Bessemer to Philadelphia, Miss.

Washington was a little harder-pressed to explain his relationship with the station.

"I've questioned myself about that a lot of times," he said. "Maybe the Lord's got me here for a reason."

County Cross Reference

What a time saver! It's a complete list of counties, parishes, and similar political divisions in the U. S. and Canada. Two lists are included: alpha by county, and by state. Compiled by Bill Hale and designed and produced by Wayne and Joan Heinen. \$7.50 for members, \$10.95, non-member; overseas surface mail, add \$4.00 for first copy, \$.64 for each additional copy; for airmail, add \$8.00 for each 3 or fraction of 3. Order "CCR" from the NRC Publications center; NY residents, please add sales tax.



The NRC Nighttime Antenna Pattern Book, 5th Edition is the perfect mate to the NRC AM Log, as the NPB provides DX'ers with up-to-date maps of all (except Class IV) stations with nighttime operations. Convenient to use: 3-hole punched for standard binders. Still only \$16.95 to U. S. and Canadian members; \$22.95 to U. S. and Canadian non-NRC members. Airmail to members in Europe (except Italy): \$29.00. All others, please contact us for exact pricing. Order from: NRC Publications - Box 164 - Mannsville, NY 13661 (NY residents, please add sales tax)

Want news of DX and discussion online?

Join the NRC AM e-mail list! The list is a service of the National Radio Club and is free. This list is not a part of your DX News or DX Audio Service subscription. Discussions should be of technical nature, observations, and information on DX and Radio listening. Logs and discussion about receptions are welcomed. Announcements of DX tests and results are encouraged. How-to articles, FCC/CRTC actions, product reviews, and self-authored articles will also be welcomed.

There are two flavors of the AM List: Regular and Digest:

To subscribe to the Regular list (e-mails sent to you "live"), send a message to am-subscribe@nrcdxas.org. In the subject field put the word "subscribe" (without quotes). In the body of the message put your real name. To subscribe to the Digest list (a larger e-mail typically sent once a day, with every posting), Send a message to am-digest-subscribe@nrcdxas.org. In the subject field put the word "subscribe" (without quotes). In the body of the message put your real name. It's that easy!

Musings of the Members

Thoughts from NRC members ... the opinions expressed in this column are those of the individual writer and do not necessarily reflect those of the editors, publishers, or the National Radio Club, Inc.

Dave Schmidt NRCMusings@aol.com
P. O. Box 3111
Scranton, PA 18505-0111

Times are local per Muse; submit double-spaced only.

Here is the NRC column which is as much fun as an "I Like Ike" bumper sticker! When sending your items along, please keep them radio- and DX-related; what you're hearing is also appreciated! So here we go:

Richard Evans - 7416 Hearthstone Way - Indianapolis, IN 46227-7923 <REvans5435@aol.com>

I would have been willing to bet my job that ROGER WINSOR had been a member of NRC past 1971. When I lived up in Gary, we used to get together, either in person or on the phone, on Monday mornings and DX for a few hours. We had some great sessions and heard some stuff I can only dream of these days. Last time I reported was when I moved to Milwaukee back in the summer of 1988. Time flies so quickly. Since then, I moved to South Carolina in 1996, then to Indy in 1999. Where is the next stop? I've been out of work, except for a parttime job since the end of last Feb. In mid-April, I really started to do some serious listening here and kicked my heard total from 171 up to 520 as of 1/18. I don't think that is too shabby for these days. I've been hearing stuff here that I had never heard before in about 45 years of DXing from 8 different locations. Back in 1992, I started a log at my mother-in-law's house near Dothan, Ala. and that is up to 238 heard. We are there for about 5 days a year, but the last trip down was in 2002. My best location was in Gary, not far from where Roger is, from 1966 to 1974 (followed by four years in Michigan, just at the point where Ind., Mich and Lake Michigan come together—I kept the same log going for those years) where I heard 1337 stations in 49 states (just couldn't pull Alaska) and verified 48. Around 28 countries are in that log. Those were the days of frequency checks, equipment tests, proof of performances, and half the stations going off at local sunset. Ah, those were the days. AL OGRUZOWICH, I lost your e-mail address last year when my computer crashed. 73. (Great to hear from you Rick, check in with us often!-DWS)

Dave Allaway - Neshanic Station, NJ <n2xb@arrl.net>

I may appear to be a new member, but I just rejoined this month after a considerable lapse. I sent the last of my infrequent musings to ERC, so it's been a couple of cycles and then some! My most avid MWDX period was 1968-74. Other interests and obligations intervened, but my fondness for the NRC was never forgotten. Much has changed since then, more local interference, less local programming, few AM sign-offs; but much more remains the same. Testing a new (to me) radio last month, I was surprised by the number of MW split carriers, and on 12/26 zeroed-in on 1134 (Zadar) with distinct audio //7285. That's when I decided to get back in touch with the NRC before another sunspot minimum passed me by. Since then I've mostly been working on building my domestic log from scratch. Recent days, especially 1/15, have also yielded some auroral conditions favoring the Caribbean. At the moment I'm well-supplied with receivers but poorly-equipped with MW antennas. My original alt-az loop and logs have been lost to various moves, but not my QSL's; and I still have my beloved HQ-180. I started recently with an attic-mounted DA-270 active dipole, but it picks up a lot of local noise along with the DX. By comparison, a makeshift 18" box (take that literally!) loop seems to be working very well indeed. I still remember how to concoct one, without resorting to formulas, and for some reason my 40-year-old vernier capacitor has survived to see service again. You'll have to put up with some mundane loggings from me for a while, but I'm having fun. 73. (Any loggings are good loggings, Dave; we appreciate your checking in and hope you will do often!-DWS)

Dave Schmidt - P O Box 3111 - Scranton, PA 18505

Tests with WB3XNN pretty much concluded Monday 1/17; results of the measurements have now gone to our consulting engineer for conductivity studies. It was interesting to note the skywave conditions at about 40 miles away, especially worse on the colder days. We received a great report from KERMIT GEARY who had another experimental station testing at the same time. Yes, that was my voice on the ID. BILL ALISAUSKAS also sent us a tape with the ID's recorded at various spots in the area of the station. And our sports guy BOB GALERSTEIN reported picking up 1620 in Morris County, NJ. Custom-produced verifications will be going out by the time this is printed. Locally, WCDL-1440 returned at noon on 1/3 with a "Classic Country" format: wish them luck! I was very sad to hear of the demise of WSAI-1530, dropping the oldies for talk. It's really thrilling to think that, down the road, we'll be able to listen to talk in digital audio! I've heard what's available on XM and Sirius Satellite Radio (a lot of the diners I go into have it on now) and the public wants digital radio; that's how it is going to happen, sad to say. Don't forget the column; it's YOUR column, and your reports are appreciated! 73

DAVE