



# DX NEWS

The magazine of the  
National Radio Club

— SINCE 1933 —

Volume 58, No. 20 - February 25, 1991 (ISSN 0737-1659)

## Inside ...

2 .. AM Switch

3 .. In the Beginning  
Monitor Radio

4 .. DDXD-E

11 .. DDXD-W

22 .. Musings

John Bardeen

12 .. MWT- 2 Tuner (Part One)

## CPC Calendar ...

Date	Station	From/To (EST)
Feb. 25	KUAI-720	5:30/6:00 AM
Mar. 11	KTIB-640	2:00/4:00 AM
Mar. 16	KBBW-1010	1:00/7:00 AM
Mar. 23	KTGG-1540	4:30/5:00 AM

**KUAI-720**, BOX 720, Eleele, Kauai, HI 96705 will conduct a special DX TEST on Monday morning, February 25, 1991 from 0530-0600 EST. This test will include Morse code ID's. Our thanks to Mr. Roger D. Rogelstad, Chief Operator for this test. Arranged by the Colorado CPC Machine for the National Radio Club.

**KTIB-640**, Box 682, Thibodaux, LA 70301 will conduct a special DX TEST on Monday morning, March 11, 1991 between 0200-0400 EST. This test will include Morse code ID's. Our thanks to Mr. Ray Saadi, General Manager for this test. Arranged by the Colorado CPC Machine for the National Radio Club.

**KBBW-1010**, 1019 Washington, Waco, TX 76701 will conduct a special DX TEST on Saturday morning, March 16, 1991 from 0100-0700 EST. This test will feature music, voice and Morse code ID's. Our thanks to Mr. Bernarr Howell, Chief Engineer for this test. Arranged by the Colorado CPC Machine for the National Radio Club.

**KTGG-1540**, Spring Arbor College, Spring Arbor, MI 49283 will conduct a special DX TEST on Saturday morning, March 23, 1991 from 0430-0500 EST. Details to follow. Our thanks to Mr. Edmond R. Trombley, Chief Engineer for this test. Arranged by the Colorado CPC Machine for the National Radio Club.

**From the publisher ...** We've received news of several noteworthy publications this week. Steve Whitt - 21 Cauldwell Avenue Ipswich IP4 4EB - England is offering "Get the Best from Your Sony ICF-2001D" and the sequel, "Get Even More

..." etc. for \$12.00/\$6.00 respectively, or \$15.00 for both. The 2001D, of course, is the ICF-2010 in the USA. Payment must be in US dollar bills, or in Sterling made payable to "S Whitt" (e. g., Bank drafts, Eurocheques, Int. Postal Money Orders), or other negotiable currencies (no coins, please). IRC's? 19 IRC's will get you both books, 15 the first, 8 the second. All prices postpaid.

*Proceedings*, from *Fine Tuning*, is available now; check page 23 for details. Although aimed at SW DX'ers, the publication contains much material of use to MW DX'ers.

*1991 Shortwave Directory*, by Bob Grove, is categorized by services and cross-referenced by frequency. For MW DX'ers who want to check parallels to CCB stations, or just to check out SW frequencies, this volume is a must. Order from Grove Enterprises - P. O. Box 98 - Brassstown, NC 28902 for \$21.95 plus \$3.50 UPS, or VISA/MC by calling 1-800-438-8155.

DX'ing must be slowing down ... as you can tell by perusing the contents of DXN. For those who have promised articles, now is the time to get them in to Topeka!

## DX Time Machine

### From the Pages of DX NEWS

**50 years ago ...** from the Feb. 22, 1941 *DXN*: Eldon Addy, Marcus, IA, reported receiving "a swell verie" from HJCK-1290, Bogota, Colombia ... George Cryder, Delaware, OH logged YVSRB behind ZNS on 970 kcs. and 1YA on 540 ... *DXN* included six CCB and three SW pages.

**25 years ago ...** from the Feb. 26, 1966 *DXN*: Jim Neff - Springville, NY tested the "new" Hallicrafters SX-130 and called it "one of the worst CCB RXes I have ever seen ... NO selectivity or ability to separate on CCB."

**10 years ago ...** from the Mar. 2, 1981 *DXN*: Mark Connelly's loggings dominated IDXD, with one of his best loggings being HCRH2-830 Guayaquil, Ecuador on Feb. 7.

*Thanks to Skip Dabelstein, Kermit Geary, and Ron Musco for continuing to provide the above info!*

# AM Switch

**Jerry Starr**

 c/o WHOT Radio  
 4040 Simon Road  
 Youngstown, OH 44512-1320

*Status changes in AM stations, supplied by the FCC and NRC members*
**CALL LETTER CHANGES**
**Old call:**

880 KIKR TX Conroe  
 1050 WMDK NH Peterborough  
 1100 \*New CA Bakersfield  
 1190 KYII TX Dallas  
 1260 WCRT AL Birmingham  
 1380 KWIC TX Beaumont  
 1400 KTUS TX Galveston  
 1470 WOJY PA Farrell  
 1490 WKQS PA Johnstown  
 1540 WSNL PA Philadelphia  
 1550 WCTW IN New Castle  
 KMXI WA Vancouver

**New call:**

KJOJ  
 WRPT  
 KZPM  
 KUUI  
 WCEO  
 KKFH  
 KHCB  
 WAXF  
 WNTJ  
 WPGR\*  
 WMDH  
 KMJK\*



\*Call changes that were set aside and never used, stations remain WPGR and KMJK.

**APPLICATIONS/GRANTS FOR NEW STATIONS**

None

**APPLICATIONS/GRANTS FOR EXISTING FACILITIES**

None

**OTHERNESS**

- 560 WYOR TN Brentwood: silent station has new owners, may be returning to the air
- 870 WKZN ME Gorham: get ready for more mass confusion, seems WKZN will swap calls with WLAM-1470 Lewiston, ME, and will simulcast, calling BOTH stations "WLAM" except for legal IDs. WKZN moves to 1470 while WLAM goes to 870. Why?
- 910 WLAS NC Jacksonville: station went SILENT 1-31 after 37 years on the air. The station, which serves the Camp Lejeune area, sights the war in the Persian Gulf as the reason. manager Paul Parker claims the deployment of more than 30,000 troops from their listening area was "the straw that broke the camel's back, that finished it off."
- 1120 WHOG AL Hobson City: new station is ON THE AIR
- 1230 KRMH CO Leadville: station is SILENT, we understand that the economy of Leadville is in dire straits
- 1240 CKBS PQ St. Hyacinthe: station went SILENT 1-16 (along with co-owned CKDO-FM!) claiming a pre-tax loss of \$500,000 for the AM alone last year. Looks like the U.S. isn't alone as far as struggling AMs bowing to financial problems.
- 1320 KAVI CO Rocky Ford: station is SILENT
- 1400 KTFS TX Texarkana: silent station has been sold, new owners will be returning it to the air

1470 WLAM ME Lewiston: see the 870 WKZN mess above  
 1510 KDKO CO Littleton: another broadcaster receives a hefty fine of \$10,000 for, among other things, failing to switch to their nighttime power/pattern after sunset.

THANKS: ANDY RUGG, MIKE HARDESTER, PERRY CRABILL (W3HQX), DALE HAMM (Audio Service member) and M STREET JOURNAL

73 and Good DX, *Jerry & BK F* Jerry Starr & Buffalo K> Foorman

## IN THE BEGINNING

BY JOHN D. BOWKER

THIS IS THE COMPLETE LIST OF U. S. BROADCAST STATIONS ON THE INDICATED FREQUENCY AS PUBLISHED BY THE FEDERAL RADIO COMMISSION IN 1934. "S" MEANS SHARED; "SH" MEANS SPECIFIED HOURS; "T" INDICATES TRANSMITTER LOCATION; "D" MEANS DAYTIME OPERATION ONLY; "U" MEANS UNLIMITED TIME.

Frequency (kc)	Call letters	Main studio and transmitter location	Power	Time designation
930, regional (Canadian shared).	WDBJ	Roanoke, Va.-----	{250 w----- 500 w LS-----}	}U.
	WBRC	Birmingham, Ala.-----	{500 w----- 1 kw LS-----}	}U.
	KMA	Shenandoah, Iowa.-----	{500 w----- 1 kw LS-----}	}S-KGBZ.
	KGBZ	York, Nebr.-----	{500 w----- 1 kw LS-----}	}S-KMA.
	KROW	Oakland, Calif.-----	{500 w----- 1 kw LS-----}	}½ time.

AM Stations carrying "Monitor Radio", via Mrs. Leslie Edwards.

(Note: Distributed by American Public Radio Network, "Monitor Radio" is also widely available on educational FM stations.)

State	City	Call	Freq	Early	Daily	Weekend
IL	Urbana	WILL	580			Sat. 5 am/Sun. 6:30 am
AK	Dillingham	KDLG	670		1:30 pm	Sat. 5 pm
AK	Barrow	KBRW	680	6 am	12:30 pm	Sun. 1 pm
SD	Vermillion	KUSD	690			Sun. 3 pm
NY	New York	WNYC	820		4 pm	
OH	Columbus	WOSU	820	5 am		Sat. 2 pm
AK	Sand Point	KSDP	840		1:30 pm	Sat. 6 am
AK	McGrath	KSKO	870		12:30 pm	
MI	East Lansing	WKAR	870	10 am	5:30 pm	Sat. 2 pm/Sun. 8 pm
IA	Iowa City	WSUI	910		6:30 pm	Sat 6/11 am
IN	West Lafayette	WBAA	920			Sun. 10 am
WI	Auburndale	WLBL	930		5:30 pm	Sat. 6 am/3 pm
NY	Buffalo	WEBR	970		7 pm	Sun. 2 pm
WI	Madison	WHA	970		5:30 pm	Sat. 6 am/3 pm

- o NRC
- o AM RADIO
- o LOG
- o 1991 Edition

The 1991 NRC Log contains two cross-reference sections and more station information than ever before. Only \$16.95; Canada \$17.95 to U. S./Canadian NRC Subscribers ONLY. \$19.95 to U.S., Non-NRC Subscriber; \$20.95 Canadian Non-NRC Subscriber. Others - please write.

Mail or Call your order in. Specify your mailing address and number of Logs ordered. Make out check or money order to: NRC. Mail to: NRC Publications - Box 164 - Mannsville, NY 13661 or use your credit card (VISA/MC) and call (608) 423-4159.

# Domestic DX Digest - East

DX Catches in the Eastern U. S. and Canada, with 24-hr. ELT

**William Hale**

734 Burleson  
San Marcos, TX 78666-4335

## MEDIUM WAVE RAMBLINGS

- **Mike Brooker** needs the REAL address for WEND-760 Brandon, FL. He sent a report to the St. Petersburg address as in the 1991 Log, and got it back stamped "Forwarding Order Expired". And remember, it costs Canadians even more for postage, and extra expenses like this are big headaches. If anybody knows the address for WEND, send it in and it'll get published pronto. And don't forget to send it to **Jerry Starr** for the address change column.
- **Mike Hardester** relates an item from his local paper, *The Daily News* of Jacksonville, NC... (the "Thursday" quoted is 31 January 91)... *On Thursday night, country music radio station WLAS signed off the air for the final time after 37 years of service... Jacksonville is suffering from the double problems of the national economic decline and the deployment of more than 30,000 troops from the area, said WLAS business manager Paul Parker... "The deployment was the straw that broke this camel's back", Parker said the day the station closed. "That finished it off". WLAS was on 910.*
- Welcome to DDXD-E, **Edward Soule** of Huntsville, AL who checks in with help on an unID.
- Remember the deadline we have for loggings... no older than one month by the date I mail the column into Topeka. That is usually two weeks before the Masthead Date. Please don't be offended if your 7 or 8 week old DX does not appear. Unless it's of slogan or schedule change value, out it goes. Example: this column is being printed here on Feb 10th, so any DX dated 1/9 and before is really too old. But being the benevolent guy that I am, everything in 1991 is included (this week). But watch it!! HI! Yes, special consideration will be given to postal delays, etc. And there are some of those again this week.
- And we don't publicize Pirates... except if they're playing baseball in Pittsburgh.

## SPECIAL

## WKKD 1580

- 530 CJFT ON FORT ERIE - per **Bruce Elving's** column in the January *VHF-UHF Digest*, this station received a CP to move to 101.1; catch this rarity while you can! (DS-TN) ...Yes, and also mentioned in *Jan Monitoring Times* [Ed.]
- CJFT ON FORT ERIE - phone # is 416-871-6301; somewhere in a past *DX News* it said their Postal Code was "L2A 5V1", not "5Y1" but their envelope says "5V1" and the letterhead says "5Y1"; will move to FM in a few months as of 1/21 verie (MH-NE)
- 710 CHYR ON LEAMINGTON - CHYR has had 730 XR problems, thus their fulltime operation on 710; they hope to be back on 730 soon (REH-ON)
- 790 WPIC PA SHARON - carries the WFMJ Channel 21 6:00 Action News (J★-OH)
- 830 KFLT AZ TUCSON - is Family Life Radio Net; is no relation to Family Radio Net (MH-NE)
- 910 WLAS NC JACKSONVILLE - is now silent (See RAMblings)
- 980 WSIX TN NASHVILLE - this station's audio gets really distorted when they go to satellite talk around midnight; might help someone ID it... although WSIX has been sold to *Bible Broadcasting* & will probably be going REL soon (DS-TN)
- 990 CBW MB WINNIPEG - 1/29 0414 XLNT; on the air 24 hrs during Gulf crisis/war as are all CBC AM stations with a national news on the hour & other (often repeat) pgms to fill in (SA-MB)
- 1030 WUFL MI STERLING HEIGHTS - is also FLR Net, not FRN (MH-NE)
- 1050 WWIC AL SCOTTSBORO - 1/25 0759 fair with end of *Channel 31 News on WWIC Scottsboro* (Channel 31 is WWAY-TV Huntsville); anyone keeping track of these? (DS-TN) [I guess we are until someone steps up - hi -Ed.]
- 1090.5 WRBK AL CANTONMENT - 1/30 & 31 2145-0100+ overboard with satellite NOS; 2300 *This is FM 105, WKG Century - Pensacola - SNN Nx*; very good at peaks, but creating furious bet against KAAV (SF-TN)
- 1110 WUNN MI MASON - is FLR net (MH-NE)
- 1170 WRJL AL HANCEVILLE - 1/19 0800 fair, over/under WHNE/WWVA with sign-on; power ann'cd as 460 watts; BYB '90 and SRDS concur, so it's probably permanent (SF-TN)
- 1250 WKBR NH MANCHESTER - is now silent; WARE now a daytime regular (SM-MA)
- 1300 WNQM TN NASHVILLE - 1/21 -0200 off; I think they have a regular SP on MM (DS-TN)
- 1310 WDPN OH ALLIANCE - 1/28 1906 over/under WMTG with wx 4cast by lady and call ID: *WDPN AM-1310 - EZL instrumentals*; called stn and lady sed she wasn't positive but thinks that their CP for 480w nites is now on; sed they had been doing a lot of work on towers and xmtr and as far as she knew, work was complete; also sed sked is 24hr NSP; phone is 216-821-1111 (REH-ON)

- 1330 WYWR OH CAMPBELL - carries the WFMJ Channel 21 6:00 Action News (J★-OH)
- 1390 KJY IA DES MOINES - as of 2/3 is still KJY, not KKSO as past AMS said (MH-NE)
- 1420 KGNB TX NEW BRAUNFELS - add to *America In The Morning* and Tom Snyder lists [Ed.-TX]
- 1440 WRRO OH WARREN - carries the WFMJ Channel 21 6:00 Action News (J★-OH)
- 1470 WVOL TN BERRY HILL - 1/21 -0315 on (schedule in Log says 0600-0100) but kinda weak; they may have been testing (DS-TN)
- 1510 KIDZ MO INDEPENDENCE - haven't hrd in over a week... maybe silent? (MH-NE)
- WVAC OH NORWALK - 1/28 1650 semi-local noted with new CL (ex:WLKR with bird-fed NOS; 1700 ID: *Serving Huron, Lorain and Erie Counties, this is WVAC, Norwalk - ABC Nx*; per annct on WLKR(FM), AM's format will switch to Unistar AC on or about 2/18 and slogan will be *The Voice of the Vacationland* and on 5/1 would add info pgms for Vacationland tourists (another commercial TIS?); also sed they are adding CNN Nx; sked is LSR to LSS and phone #s are 419-668-8151/2 (REH-ON)
- 1580 KFDF AR FT. SMITH - 2/3 sign-on said studios and transmitters in Ft. Smith, not Van Buren, as Log says (MH-NE)

**K.M.A.M.**

## UNIDS AND UNID HELP

- 770 WYNN AL ATHENS - probably **Jim Renfrew's** unID of 12/31 (Issue 16) (REH-ON) ...is JR-NY's unID with *Newsradio* slogan and stock reports; they are BRN/FNN/AL Nets (MH-NE) ...is probably WYNN, as they use 770 *Newsradio* call often; they're also on the *Auburn University* FB & BKB nets, so this would also match **Jim Renfrew's** other tentative; by the way, they are among the growing ranks which simulcast TV news feeds, carrying the 5 O'Clock evening news from WHNT Channel 19 (ES-AL)
- 1020 UNID ?? - 2/3 0130-0145 C&W in null of KDKA; NOT KCKN; any ideas? (MH-NE)
- 1370 UNID ?? - 2/7 0350-0407 most strange... somebody carrying WCBS-FM with *CBS-FM* IDs, wx for NYC, other NYC mentions, legal ID at :00; maybe somebody getting the wrong feed off the satellite?? is WCBS-FM on a bird? not KFON or KFRO [Ed.-TX]
- 1600 WWRL NY NEW YORK - is most certainly **Dave Hascall's** unID in Issue 15; station covers general New York City Metro area, which would explain mentions of New Jersey towns; format is black REL/GOS (GU-NY) ...most probably DLH-IN's unID od Issue 15; they have many GOS pgms. both national and local (LMc-NY)

## DX AND EQUIPMENT TESTS

- 700 KBYR AK ANCHORAGE - 2/4 0400-0430 WLW nulled, nothing heard; who knows? Maybe I'll log Alaska yet, hi! (JB-TX) ...not heard (SF-TN)
- 720 WGN IL CHICAGO - 2/3 0211-0600 running OC and variable TTs; annct said they would return to normal prgmng @ 0600; later had NOS mx (MH-NE)
- 970 KPEL CO PUEBLO - 1/14 not heard (SF-TN)
- 1280 KSOK KS ARKANSAS CITY - 2/3 0500-0600 heard Morse at 0500, 0519 & 0525, but no audio, report sent; WQUE dominating & partially nulled, XEAW secondary (JB-TX)
- KSOK KS ARKANSAS CITY - 2/3 0500-0600 nothing noted 'til 0538, when weak CIDs heard clearly for about 15-20 seconds under WWOK/unID Talknet in null of WADO; more CIDs at 0541. (SF-TN)
- KSOK KS ARKANSAS CITY - 2/3 0500 checked briefly to see if they were there, but no sign of them; KOIL splash was terrible (MH-NE)

## TIS AND NDB STUFF

- 517 GQ ?? - 1/25 0550 unlisted NDB, very weak; no DF possible as had to use loop to null out local noise source (REH-ON)
- 526 UOC IA IOWA CITY - 1/28 2234 fair with CIDs (MH-NE)

## MIDNIGHT TO 0800 HOURS ELT

- 530 CJFT ON FORT ERIE - 1/21 0150 good with NOS (DS-TN)
- 580 KALB LA LAFAYETTE - 1/8 0045 fair with satellite OLD, call ID *The Great 58 KALB* (DS-TN)
- WEL0 MS TUPELO - 1/14 0100 poor with OLD, *58 Gold WEL0 Tupelo* (DS-TN)
- 600 WCVP NC MURPHY - 1/25 0704 poor with tri-state news, ad for *Bank of Hiwassee*, school closings in Murphy and Hayesville (DS-TN)
- 670 WYLS AL YORK - 2/3 0741 poor w/WMAQ with Sunday REL pgm; AL #20 (MH-NE)
- 680 WCTT KY CORBIN - 1/25 0711 poor but fading up with wx (21° in downtown Corbin) and ad for *Jeep-Eagle* dealer in Corbin (DS-TN)
- 710 WROM GA ROME - 1/25 0715 weak with SSB, full-data sign-on including street address, then birthday anncts (DS-TN)

- WEKC KY WILLIAMSBURG** - 1/21 0718-0800 atop channel for a couple of minutes with Kentucky nx and - a deep fade u/WOR & copied once in awhile 'til 0800 (HH-MD1)
- 720 KDWN NV LAS VEGAS** - 2/3 0300 ID after WGN left the air for a few minutes; R. Jamaica also heard (MH-NE)
- W S L M**
- 730 WJMT WI MERRILL** - 1/2 0708 local newscast, ad, WJMT news sponsored by a local credit union and mentioning their branch in Minocqua; call ID again after wx; fair, not heard in a few years (MC-ON)
- 760 WCHU NY CHAMPLAIN** - 1/20 0757-1025 rough to copy with much<sup>2</sup> WJR QRM; if I nulled WJR with loop, WCHP too weak to copy and with the LW WJR usually way atop WCHP; but got some IDs and pgm content at times; REL pgms (HH-MD1&2)
- 770 WYRV VA CEDAR BLUFF** - 1/?? 0803-0824 very rough under WABC but finally enough for a report; seldom heard here; C&W and ads; lost around 0824 (HH-MD1)
- WYRV VA CEDAR BLUFF** - 2/3 0725 fair with many IDs; temp given, then C&W; VA #7 (MH-NE)
- 800 WMGY AL MONTGOMERY** - 1/27 0003 PSAs and promos; REL; fair - good (DLH-IN)
- 830 WCCO MN MINNEAPOLIS** - 2/4 0325 with sports - TC - wx; female with station promo *From 1 to 3 on WCCO Radio*; KBUC silent (JB-TX)
- 900 WSSR DE GEORGETOWN** - 1/19 0803-0845 with mx from past 50 years; *WSSR Stardust 900*, mx, ads, special Persian Gulf nx bulletin; very little QRM WILC MD nulled with loop (HH-MD1)
- 930 WSLI MS JACKSON** - 1/21 0158 BRN Nx, *We're 930 WSLI Jackson, Mississippi*, fair - good (DS-TN)
- 940 KIOA IA DES MOINES** - 1/21 0121 *Oldies KIOA* call ID, slogan with 93.3 FM (DS-TN)
- 950 KPRC TX HOUSTON** - 1/7 0130 *This is Talk Radio AM 950 KPRC Houston* ID; fair over unID signing *97.5 FM* (DS-TN)
- 960 KZIM MO CAPE GIRARDEAU** - 1/21 0118 fair but fadey, call ID & ad for auto dealer in Jackson, MO (DS-TN)
- WEAV NY PLATTSBURGH** - 1/26 0600 good with sign-on, with WELI (LMc-NY)
- 990 WEIS AL CENTRE** - 1/25 0726 poor over unID C&W with ad for *Centre Tire & Appliance West*, talk with several mentions of Centre (DS-TN)
- 1000 WTAK AL HUNTSVILLE** - 2/2 0734 very poor with AC (or ACR) and ID; KTOK QRM, no WLUP (MH-NE)
- 1210 KOKK SD HURON** - 1/25 0738 good with ads for *SDSU Family Days* with 605- phone number, *Home & Health Fair* at Pierre Convention Center, SD wx (DS-TN)
- 1250 WTMA SC CHARLESTON** - 1/21 0053 poor in mess with *robot* reading promo, *...otherwise known as WTMA* (DS-TN)
- WKBL TN COVINGTON** - 1/12 0700 atop with SSB, long AM-FM sign-on by owner *Royce Wilson* - two rooster crows as intro to *The Early Bird Weather Forecast brought to you by Ripley Farm Center, your John Deere dealer in this area*, long sought (SF-TN)
- 1310 WDOD TN CHATTANOOGA** - 1/21 0336 poor *WDOD proudly salutes our area people...*, list of locals in Gulf War (DS-TN)
- 1330 WFTO MS FULTON** - 1/25 0742 poor with wx from Tupelo, MS NWS office, directly into C&W mx without ID (DS-TN)
- 1350 WGAD AL GADSDEN** - 1/25 0753 good with school delays after winter storm, ment. Gadsden City Schools 1 hour late (DS-TN)
- 1360 KNRB TX FORT WORTH** - 1/15 0300 fair under WSAI with *Praise 1360* slogan and *KNRB Fort Worth-Dallas wx* by youthful annr; first Fort Worth newie here since the *Three Easies* (820/1270/1540) in my 1st few weeks of Dxing in 1970 (SF-TN)
- 1410 WS?N AL PRATTVILLE** - 1/9 0120-0205+ fair in/out with UC; 0203 Montgomery-Area Red Cross PSA, *WS?N Radio 1410 Prattville-Montgomery* ID; not sure whether it's WSJN or WSKN, a few of my DXN's didn't make the trip from Wisconsin & I can't find the CL change in AMS; ex:WRNB (DS-TN) [I still have them as WRNB...no CL change for them has appeared in AMS this Volume year. Maybe it's one of those changes that fell through the bureaucratic crack, or has yet to come down the AMS pike -Ed.]
- 1420 WRCG GA COLUMBUS** - 1/9 0105-0200+ fair in/out with MoYL; *WRCG Columbus* SID crudely cut in over MoYL satellite feed at 0200 (DS-TN)
- 1480 WABB AL MOBILE** - 1/7 0105 good with in-state AL tourism spot, *Mobile's new information station is WABB-AM* (DS-TN)
- 1490 WKBV IN RICHMOND** - 1/4 0400 readable with legal ID for IN #65 (SF-TN)

- 1530 KXTD OK WAGONER** - 2/6 0550 fair with "local" sounding Oklahoma City anncts, making me think KOMA was off-frequency, but WCKY was behind them, and KOMA was cranking out the OLD; female annr, then ID at 0600; 1st-timer heard [Ed.-TX]
- KCLR TX RALLS** - 2/2 0758 fair with SS ID and mx (MH-NE)
- 1560 WQXY KY HAZARD** - 1/11 0615 very good in WQXR null with sign-on (SF-TN)
- KKID OK SALLISAW** - 1/14 0230-0244 weak (sounded like 50 watts or so) but alone, in WSLA null with satellite C&W and ID at 0244: *Kickin' Country, KKID-FM, Sallisaw-Fort Smith*; probably overboard as PSSA on this channel is supposed to be good for only an hour or two after LSS; 1560 #50; no CL changes (SF-TN)
- 1580 WPGC MD MORNINGSIDE** - 1/21 0324 fair with BRN biznews, *WPGC Morningside-Washington DC, business Radio 1580 Time: 3:30* (DS-TN)
- 1600 WTZQ NC HENDERSONVILLE** - 1/25 0745 fair but faded very quickly; *WTZQ Hendersonville - ?? County Schools* (DS-TN)
- WKGK VA SALTVILLE** - 1/25 0745 fair after WTZQ faded with HS BKB scores from Gate City, Richlands and Abingdon; ad for *Smith Co. Mutual Insurance* on Main Street off Marion (DS-TN)
- 0800 TO 1600 HOURS ELT**
- 580 WILL IL URBANA** - 1/9 1157 very poor (but faded up) with sports, ID *WILL Radio Urbana, a broadcasting service of the University of Illinois*, Illinois wx; XLNT conditions to north this month (DS-TN)
- 720 WGN IL CHICAGO** - 1/9 1208 good with ad for WYVV (TV Channel 20) (DS-TN)
- 780 WBBM IL CHICAGO** - 1/9 1209 fair - good with *Bob Larsen* and Chicago wx (DS-TN)
- 1020 WJEP GA OCHLOCKNEE** - 1/16 0855 fair with contemp REL, *You're listening to the Voice of Love, WJEP Ochlocknee, Georgia* (DS-TN)
- 1210 KRSV WY AFTON** - 1/31 0831 ID and temp given, then *Paul Harvey* (MH-NE)
- 1380 WPHM MI PORT HURON** - 1/27 1440 poor with *Celtics vs Lakers* NBA BKB; *John* with ad for *Open Line* on Mondays; *The very best in local news, sports...1380 WPHM Port Huron* (HF-MI)
- 1430 WFXF IN INDIANAPOLIS** - 1/25 0904 fair with *More classic rock with less talk on 103 point 3, The Fox* [FM; IN #18 (SA-MB)]
- WION MI IONIA** - 1/27 1353 good with *Bob Guernsey* for *MacPherson Broadcasting...* with *Return of the Big Bands*; *Paul Harvey* ad; local nx at 1400; *West Central Michigan's weather outlook...at WION the weather station...WION the Voice of the Heartland*, community calendar at 1413 (HF-MI)
- WRTH MO ST. LOUIS** - 1/26 0915 good with NOS or MoR mx, *WRTH & 1430 Worth* IDs; MO #50 (SA-MB)
- 1470 WKMF MI FLINT** - 1/27 1313 good with ad for *WIRT-TV Channel 12 & ABC News: Country Countdown*, female with *WKMF Flint's weather station*, C&W mx (HF-MI)
- 1600 TO 2400 HOURS ELT**
- 530 CJFT ON FORT ERIE** - 1/21 2227 fair with *You're listening to the great music...AM 530 CJFT*; MoYL (HF-MI)
- 540 KDFT TX DE SOTO** - 1/19 2040 poor with *KDFT* ID, GOS mx in CBK null; TX #33; thanks to *Wayne McRae* for the call! (SA-MB)
- KDFT TX DE SOTO** - 1/23 2048 ID and programming notes; 220 watt night CP must be on (DLH-IN)
- 550 CFNB NB FREDERICTON** - 1/2 2127 thru WGR with POP mx, female annr with *550 CFNB* call ID, rundown of mx to be heard, another call ID - song *Daddy-O*; good, no sign of usual WKRC (MC-ON)
- 560 WFRB MD FROSTBURG** - 1/5 1734 dual AM/FM ID, ad for *Blue Ball Supply Co. & Hooked on Phonics: WFRB Tri-State Wx* at 1736, *...37° at the country leader, 105.3 & AM 560 - C&W song by female*; very good (MC-ON)
- CFOS ON OWEN SOUND** - 1/29 1930 fair - good with OLD, IDs and contest details (DLH-IN)
- 580 CHLC PQ BAIE COMEAU** - 1/10 2325 good in FF & EE with Jesus rock mx; nx by *Claude @ 2400*; took over from another POP/OLD Canuck IDing as *The Nation's Super Station* (HF-MI)
- 610 WTVN OH COLUMBUS** - 1/21 2255 fair with *On the full service giant in Columbus, 610 WTVN; Tom Snyder* pgm (HF-MI)
- 670 KBOI ID BOISE** - 1/30 1918 best signal ever from them with *Stevie Wonder* mx, ad for *1st Interstate Bank of Idaho*, then *Paul Harvey* (MH-NE)

8  
680 **WNZK** MI WESTLAND - 1/10 2225 fair with AA vocal mx pgm; EE *WNZK Westland* broadcasting on 680 kc's bringing you new excitement in radio (HF-MI)

720 **WMXY** GA HOGANSVILLE - 1/6 1749-1800 good with UC; *WMXY X720 Hogansville-LaGrange* sign-off at 1800 (DS-TN)

820 **WOSU** OH COLUMBUS - 1/28 1730 NPR Nx and ID, then faded; #3 from the *Buckeye's* home (MH-NE)

840 **WBHY** AL MOBILE - 1/6 1808 good with contChr countdown, promo with *WBHY* welcoming *Colin* to the *Mobile Civic Center Arena* (DS-TN)

850 **KOA** CO DENVER - 1/15 1958 good with *News Radio 85 KOA Denver... & Colorado's 24-hour news room*; *Karen Trinidad* with news with *Roz Brown*, Boulder Bureau; *Marty Matthews* with wx; ads for *Office Club & Snow Mass* skiing (HF-MI)

880 **KIKR** TX CONROE - 1/13 1833 fair with C&W, *AM 880 KIKR* call ID (DS-TN)

**KIXI** WA SEATTLE - 1/30 1945 very weak with mx and beginning of ID: *KI.* then pattern change; good conditions to the west (MH-NE)

890 **KDXU** UT ST. GEORGE - 2/2 2001 weak under WLS with AC mx and ID; #1200 ever (MH-NE)

900 **CHML** ON HAMILTON - 1/21 2338 good with *Ted Michaels* with OLD; *AM 900 CHML*; ad for *Pet Talk*; *XEW QRM* (HF-MI)

910 **KGLC** OK MIAMI - 1/11 2307 in CKLY null with CHML splatter, C&W mx, *Take It easy* by *The Eagles* at 2313, ID at 2316 possibly (*Solid Gold*) *Country*, *KGLC* (not sure of the 1st two words); first I've hrd this in a few years, QSL'd in early '80s (MC-ON)

920 **WTCW** KY WHITESBURG - 1/5 1718 in with ad for *Hoover's Home Furnishings* in downtown Whitesburg, dual ID *We'll keep your favorite music coming, all day long, on K104FM and WTCW* - song by *Billy Vera*, followed by *Everly Brothers' All I Have To Do Is Dream*, dual ID again at 1725 of *WTCW* and *K104FM* (which is 103.9 WKKQ), ad for *Cardinal Chevrolet-Cadillac-Geo*; only 2nd time ever heard, in 12 years! (MC-ON)

**WBBB** NC BURLINGTON - 1/5 1856-1905 in with end of *Dr. Jim's Animal Clinic* (pet medical advice), ID at 1859 *News Talk 920*, *WBBB Burlington-Graham, North Carolina* and - MBS Nx; in & out 'til nx ended at 1905, then ad for *Bob? Crabill* pgm ...*five days a week, on News Talk 920*, *WBBB*, new for #1276 & NC #46 (MC-ON)

930 **WSLI** MS JACKSON - 1/25 2000 with Superbowl report, fair with ID (DLH-IN)

960 **WHYL** PA CARLISLE - 1/30 1643 good with anncet warning us all of impending switch to low power at 1645, bidding some listeners goodbye, like me! (LMc-NY)

980 **KMZZ** MN RICHFIELD - 1/18 2150 fair with Z-Rock format, dual AM-FM ID on the hour; MN #103 (SA-MB)

1020 **WPEO** IL PEORIA - 1/7 in at 1757 with piano mx filler, ID and sign-off anncet at 1759; fair - good in *KDKA* null (MC-ON)

1040 **CHRS** PQ MONTREAL - 1/24 1735 fair - good with FF talk (WPT-DC)

1050 **WEYD** NY NEW YORK - 1/9 2210 poor with ad for *Bob's Auto* in *Queen's Village*; *Islander* HKY (HF-MI)

1080 **WEPP** PA PITTSBURGH - 1/20 1713 good with BRN, local ID *1080 WEPP, Pittsburgh's station for business news, with a daytime power of 50,000 watts*, cut power at 1715 and vanished under KRLD; note format change from OLD in Log (DS-TN)

1130 **WCXI** MI DETROIT - 1/6 2112 poor in mess w/C&W, *AM 1130 WCXI* call ID (DS-TN)

1140 **WQBA** FL MIAMI - 1/6 1725 fair with Cuban mx, ID in EE at 1730 and in SS at 1737 (DS-TN)

1150 **WCEN** MI MT. PLEASANT - 1/24 1735 good, mixing with an unusually submissive WCNX with MoYL-type mx, jx with slogan *The great songs, the great artists and Central Michigan's most accurate forecasts*; new!! (LMc-NY)

1200 **WBZY** PA NEW CASTLE - 1/22 2348 poor with ad for *WBZY Bridal Fair*; ads for *Perleman's (?) Jewelry* in downtown New Castle, *Central Heating & Plumbing*; *QRM/WCHB?* + (HF-MI)

**WOAI** TX SAN ANTONIO - 1/11 1928 just ending *Coastal Fishing Report* - *WOAI Skywatch*, wx 4cast, CST TC as 6:30 and - sports talk pgm; very good signal, little QRM from usual pests *WBZY/WAGE*/etc (MC-ON)

1220 **WKMT** NC KINGS MOUNTAIN - 1/6 1829 poor in mess with black GOS, *Sunday afternoon here on WKMT* (DS-TN)

1250 **WTAE** PA PITTSBURGH - 1/22 2315 fair with ad for *Newsline, News-Talk 1250 WTAE*, *Larry King* show; over *WXOX* (HF-MI)

1260 **WMUU** SC GREENVILLE - 1/11 1704-1732 a lot of QRM from jumble but on top much of the time; nx, wx, state nx, commentary, ads for a pretty good report (HH-MDI)

**WEKZ** WI MONROE - 1/24 1740 with *On and On* by *Anne Murray* followed by female DJ with temp, TC, CL and mention of state nx at 4:55 - ad for heating and cooling biz in Monroe (REH-ON)

WIDE  
WIDE  
WIDE

9

1280 **WANS** SC ANDERSON - 1/6 1832 fair with OLD, *AM 1280 WANS* slogan; not ! FM (DS-TN)

1290 **WIRL** IL PEORIA - 1/4 1733 nx by male & female; fair - good over *WFBG*, #20 on 1290 (WPT-DC)

**KOIL** NE OMAHA - 1/5 2255 fair with *Rock & Roll Oldies Show* mixing with same on *WIRL*-who's who?; *1290 KOIL* (HF-MI)

1300 **WZZZ** NY FULTON - 1/2A 1635 fair over *WERE* with PSA ...to show support for our military...sponsored by *???* *Keepsakes* at *202 Frost Street* in *Fulton* and *WZZZ* - wx 4cast and *EZL/AC* mx (REH-ON)

1310 **WDOC** KY PRESTONBURG - 2/2 1813 briefly with ID, oldies jx, song *Da Do Ron Ron*, *KY #4* from this QTH (LMc-NY)

**KNOX** ND GRAND FORKS - 1/7 2218 at good level w/BKB game, mention of *Gopher's Net*, promo for a sportstalk pgm ...*an 1310 KNOX* & back - game (MC-ON)

1320 **WQIK** FL JACKSONVILLE - 1/6 1835 poor with C&W, several call mentions, promo for something at *Jacksonville Coliseum* (DS-TN)

1330 **KFH** KS WICHITA - 1/13 1823 fair with OLD, *The Boxtops on KFH* (DS-TN)

**KFH** KS WICHITA - 2/5 1914-1920 with OLD; fair at 1920 with *Real oldies on KFH* (JB-TX)

**WFBC** SC GREENVILLE - 1/6 1840-1900 o/u unID talk (probably *WVHT*) with GOS; 1900 ID *Carolina NewsTalk WFBC Greenville* - NBC Nx (DS-TN)

1350 **CKAR** ON OSHAWA - 1/5 2250 fair with *Maple Leaf HKY* and ads for *Melody Homes* in the *Flying Dutchman Hotel, Dagmar's Skiing and Village Pump* (HF-MI)

1360 **WNNJ** NJ NEWTON - 1/6 1655 fair under *WDRG* with ID, song *Girls...* by *Cyndi Lauper* (LMc-NY)

**WHBG** VA HARRISONBURG - 1/27 1700 legal ID *Your favorite country music in stereo, 1360 WHBG Harrisonburg*, C&W mx (LMc-NY)

1370 **WLOP** GA JESUP - 1/14 1745 station employment ad; good (WPT-DC)

**KFRO** TX LONGVIEW - 1/31 1907 ID then wx for TX and LA; new (MH-NE) [This is my #1 pest on 1370 -Ed.]

**KFON** TX ROLLINGWOOD - 1/6 1853-1900 with *Chicago-New Orleans* FB on *WWL* network; 1900 ID *KFON Sportsline 5 days a week on KFON Rollingwood/Austin* (DS-TN)

**KFON** TX ROLLINGWOOD - 1/25 1850 clobbering *WSPD* with sports *TLK* with call-in #s of 390-5566 and 832-1370 - promo asking businesses to call *Marjie* at 327-9595 for ad info [That's the business number for both *KFON* and *KKMJ* 95.5 -Ed.] - ad for *Second Wave* (computers) followed by traffic report on *The Talk of Austin, KFON*; also had lots of *K-Phone* non-IDs (REH-ON)

**WYMR** WV FROST - 1/23 1640 fair under *WELY*/much noise with long list of ...*supporters of WYMR* (LMc-NY)

**KAGE** MN WINONA - 1/24 1755 with wx for SE MN and western WI followed by contest promo (jackpot of \$32.23) - C&W mx; call itself *Cagey Country*; per call to stn, day power is still 1kw (DJ had no knowledge of CP for 4kw)[What do DJ's know??? -Hi Ed.]; add format and slogan to *Log* (REH-ON)

1420 **WOC** IA DAVENPORT - 1/5 2158 good with *Newstalk AM 1420 WOC Davenport, Iowa, Iowa Hawkeyes* BKB (HF-MI)

**WVSJ** KY OWENSBORO - 1/13 1930 out of the mess just long enough for *WVSJ* call ID and a syllable or two of *Owensboro* wx forecast (DS-TN)

**WHK** OH CLEVELAND - 1/6 1916 promo for some kind of salute sponsored by *WHK* and the *East Ohio Gas Company*, with address as in *Log* (DS-TN)

1430 **WFXF** IN INDIANAPOLIS - 1/21 2219 fair with ad for *Charlie & Benney's Bar & Grill*; *Classic Rock--The Fox*; *Indiana University* BKB; over/under *CJCL* (HF-MI)

1440 **WLPZ** ME WESTBROOK - 1/4 2158 poor with *Z-Rock WLPZ Westbrook, Maine*, up briefly and gone (HF-MI)

**WRRO** OH WARREN - 1/22 2334 poor with *Solid Gold 1440 WRRO*, ABC Nx @ 2340 (HF-MI)

**KDNT** TX DENTON - 1/6 1904 fair with Texas nx, *Denton County* forecast, *Newstalk 1440 KDNT* call ID (DS-TN)

1450 **WWSC** NY GLENS FALLS - 2/1 1730 fair, mixing with *WKIP/GY* din with local nx, *Grand Union* ad; not far, but rare here (LMc-NY)

1460 **WBRN** MI BIG RAPIDS - 1/15 2035 fair with *WBRN AM Stereo 1460, your favorite place in the country*; over *KGGG* (HF-MI)

1480 **WHBC** OH CANTON - 1/25 1615 good with son *One More Night* by *Phil Collins*, wx 4cast 15° at *WHBC*, ads for *Jerry London's(?) Candy Store & Burger King* (LMc-NY)

NO  
NO

- 10  
1490 **KBIX** OK MUSKOGEE - 2/6 2120-2200 very weak with C&W mx, fading in/out of jumble; at 2159 good about 45 seconds with ID *KBIX Muskogee AM 1490*, new for OK #18 (JB-TX)
- 1520 **WMLM** MI ST. LOUIS - 1/10 2305 good with sign-off anncet; sung SSB by *Statler Brothers* off at 2310 leaving KOMA and WWKB (HF-MI)
- WWKB** NY BUFFALO - 1/3 2320 poor with *WKB, Buffalo's oldies leader*, oldies and call-in requests (HF-MI)
- 1540 **CHIN** ON TORONTO - 1/6 1914 XLNT with Newfoundland talk, call-ins with 416 area code, *Yorktown Country Palace* (in Weston, ON) ad (DS-TN)
- 1550 **WBSC** SC BENNETTSVILLE - 1/7 2245 in CBE null with *House of the Rising Sun* by *The Animals*, 2247 anncr w/*Hey Bennettsville, McColl, (Unid location), we've got you here on WBSC, Magic 1550* - C&W tune; could also hear weak EE talk, NOT CBE! (MC-ON)
- 1580 **WDQN** IL DU QUOIN - 2/2 2359 call ID in a mess; new (MH-NE)
- WAMJ** IN SOUTH BEND - 1/11 2307-2340+ poor with *Larry King* o/u *WVKO & WEAM*; 2320 *Talk Radio 1580 WAMJ* call ID (DS-TN)
- WAMJ** IN SOUTH BEND - 1/11 2355 with *Tom Snyder's The Radio Show* just wrapping up, guest had been *Lucie Arnaz* - rockabilly ad for *Goldwin* (or *Goldwin*) *Tires* on East McKinley in Mishawaka, ID by female at 2359 *TalkRadio for Indiana WAMJ, AM 1550, South Bend-Mishawaka-Elkhart* - MBS Nx, then full sign-off at 0005, no SSB hrd; fair - good (MC-ON)
- WAMJ** IN SOUTH BEND - 1/28 2300 ID *Talkradio for Michiana, WAMJ* then MBS Nx; unnc (MH-NE)
- WVKO** OH COLUMBUS - 1/11 2307-2340+ poor o/u *WAMJ & WEAM* with UC; *Power 1580 VKO* slogan (DS-TN)
- KWED** TX SEGUIN - 1/28 2000 ID in the usual 1580 mess, then MBS Nx; new (MH-NE)
- WPUV** VA PULASKI - 1/5 1728 female anncr with wx forecast, *Family 1580 WPUV* ID and full legal sign-off with address, phone #980-1580, etc; off at 1729 with no SSB; fair - good signal (MC-ON)
- 1590 **KCNN** MN EAST GRAND FORKS - 2/1 1817 ID *Newstalk, AM 1590 KCNN*; 2nd time ever heard (MH-NE)
- WHPY** NC CLAYTON - 1/20 1625 *1590 WHPY* ID, NC Nx Network mentions (LMc-NY)
- WKTP** TN JONESBORO - 1/30 1942 fair with wx; hrd while looking for KZOK (MH-NE)
- 1600 **WCGO** IL CHICAGO HEIGHTS - 1/3 2300 poor w/ *We are WCGO Chicago, IL #34 & - 1/4 2214* poor with *Les Grabstein* (ex-WLS) with *Univ of Illinois-Chicago Flames* HKY, producer is *Diane Grabstein*; ROK mx after post-game; promos for FM-102.3 WTAS with mentions of Arlington; got QSL (HF-MI)

## REPORTERS

- REH-ON CHARLES REH//Leamington, ON//R-390A + Sanserino Loop + TR-3000 open reel tape recorder
- HH-MDx HANK HOLBROOK//Dunkirk, MD//SP-600 + Colegrove Loop (1) or 50' LW (2)
- GU-NY GUIDO URZI//Mastic Beach, NY//UNID Help
- SA-MB SHAWN AXELROD//Winterpeg, MB//R-70 + 3' Box Loop or 100' LW
- DS-TN DOUG SMITH, W9WI4//Nashville, TN//
- MC-ON MIKE CSORBAY//Canfield, ON//ICF-2010, Palomar Loop, 150' LW
- HF-MI HAROLD FRODGE//Midland, MI//R71A + Arcom AP-4 antenna tuner + 100'185 wires
- MH-NE MIKE HAWK//Omaha, NE//R-1000, HQ-180A + 2' loop and CT-3000 tape deck
- WPT-DC WILLIAM TOWNSHEND//Washington, DC//ICF-2010
- SM-MA STAN MORSS//Boxford, MA//HQ180A
- JB-TX JIM BOEHM//San Antonio, TX//Superadio II + MFJ Dual Tunable Audio Filter
- SF-TN STEVE FRANCIS//Alcoa, TN//TRF
- ES-AL EDWARD SOULE//Huntsville, AL//unID help
- DLH-IN DAVID HASCALL//Fortville, IN//DX400 + Sanserino; Superadio
- LMc-NY LAURA McCUSKER//Ravenna, NY//
- ED-TX BILL HALE//San Marcos, TX//ICF-2010 barefoot

## ABBREVIATIONS AND SPECIAL SYMBOLS USED IN DDXD-E

||: parallel with or to - .to or into :00: on the hour AC:Adult contemporary AP:Associated Press BBD:big band BRN:Business Radio Net C&W:country & western CHR:contemporary hit radio CID:code ID ContCh:contemporary Christian EZZ:easy listening EE:English FF:French GOS:gospel IRN:Interstate Radio Net ja:jingle LSR:local sunrise LSS:local sunset mx:music nx:news NPR:National Public Radio OC:open carrier PSRA:pre-sunrise authority PSSA:post-sunset authority QRM:man-made interference QRN:natural interference QTH:location REL:religious ROK:rock 'n' roll RS:regular schedule S:stereo SID:singing ID SRS:sunrise skip SS:Spanish SSB:Star Spangled Banner SSS:sunset skip TC:time check TT:test tones UC:urban contemporary UPI:United Press International wx:weather

# Domestic DX Digest - West

DX Catches in the Western U. S. and Canada, with 24-hr. ELT

Wayne Heinen

4131 S. Andes Way  
Aurora, CO 80013  
FIDO NET 104/108  
(303) 699-6335 (prepaid only)

- DX TESTS!
- 700 KBYR AK Anchorage  
2/4 0400-0430 Not Hrd Only KFAM & poss CKRD. (JW-OR) Only CKRD w/WLW nulled (WH-CO) Not heard in Topeka, either (pls-KS)
- Midnight to Midday!
- 700 KFAM UT North Salt Lake City  
2/2 0700 Poor w/ fades ID, Nx, EZL Mx (JW-OR)
- 850 KHLO HI Hilo  
2/3 0514 Poor w/ Call ID and pop Mx u/KOA. (JW-OR)
- 1190 CFSL SK Weyburn  
2/6 0320 Star Country C&W Net, 0324 lcl Nx/ Wx/Sx. Fair w/KRDS nulled. (0W-CO)
- 1230 KLAV NV Lost Wages  
2/6 0210 Prgm of AA Mx; OM/YL in AA; 0259 EE ann prgm was from A & G Productions to EE ID "Broadcasting live from ... Landmark Hotel & Casino, this is KLAV Las Vegas" (0W-CO)
- 1230 KAAA AZ Kingman  
2/6 0219 Promo lcl Nx & ABC Gulf updates, "Stay tuned to K triple A, your local information station" AZ # 54 (0W-CO)
- 1230 KFJB IA Marshalltown  
2/6 0255 Radar Wx, lcl spot, OLD format "Turning back the hands of time, Super Gold Classics ... KFJB, Marshalltown" (0W-CO)
- Midday to Midnight
- 680 KWKA NM Clovis  
1/31 1950 OLD format (was C&W) "Classic 680" slogans; 1959 "KWKA Clovis-Portales"; MBS Nx @ 2000. (0W-CO)
- Contributors!
- (0W-CO) John Wilkins Wheatfarms, CO - R-1000, 4.238' Anguilla Loop
- (JW-OR) Jack Woods Waldport, OR - ICF-2010, SP-600, Martens Loop
- (WH-CO) Wayne Heinen Aurora, CO - R-390A, 4' NRC loop

Wayne

## Bardeen, developer of transistor, dies

Madison native received 2 Nobel prizes for innovations

Boston, Mass. — AP — John Bardeen, a two-time Nobel Prize winner and a co-inventor of the transistor, the building block of modern electronic equipment, has died of cardiac arrest at the age of 82.

Bardeen, a native of Madison, Wis., who was educated at the University of Wisconsin there, died Wednesday at Brigham and Women's Hospital a day after exploratory surgery revealed he had lung cancer.

Bardeen came through the surgery well and "was laughing and joking with nurses and orderlies this morning," when he was suddenly stricken, said Catherine Foster, a spokeswoman for the University of Illinois in Champaign. Bardeen had been a professor of electrical engineering and physics at the university from 1951 to 1975.

Bardeen won the Nobel Prize in 1956 as co-inventor of the transistor, and again in 1972 as co-developer of the theory of superconductivity at low temperatures.

Electronics relied on the bulky and inefficient vacuum tube until Bardeen and two colleagues — Walter Brattain and William Shockley — developed the transistor in the late 1940s while working at Bell Laboratories.

In a secret demonstration on Dec. 23, 1947, at the Bell Labs in Murray Hill, N.J., Bardeen and his colleagues amplified a human voice using a transistor, establishing the foundation of modern electronics.

Transistors amplify or switch electrical signals. Their importance grew as their size decreased. Today they are the core element of everything from missiles to televisions, telephones to computers.

In 1953, Sony Corp. obtained a transistor license from Western Electric Co. that led to its development of the world's first commercially successful transistor radio.

Sony profited hugely from Bardeen's work. In 1989, the company presented \$3 million to support a University of Illinois fellowship in Bardeen's name, its largest gift ever to an American university.

Bardeen received bachelor's and master's degrees in electrical engineering from UW-Madison, where his father, Charles, was dean of the medical school.

In 1960, Bardeen was one of five people who received honorary degrees from UW. The group included Milwaukee native Golda Meir, who went on to become prime minister of Israel.

In 1983, Bardeen was awarded a gold medal from the Soviet Academy of Sciences, and just last September Life magazine named him one of the 100 most influential Americans of the 20th century.

The Milwaukee Journal  
- via Mike Knitter

## NRC FM Radio Log, 1991 Edition

Includes listings by frequency, call letters, city/state - with locations, antenna height (in feet), horizontal/vertical power, address, stereo information, formats, networks, and construction permit info.

Now over 300 pages, with large, easy-to-read type, and in the popular 3-hole-punched 8.5x11" size. Order from NRC Publications.

U\$16.95;  
to Canada,  
U\$17.95

# The MWT-2 Regenerative Tuner ... by Mark Connelly, WA1ION

The MWT-2 tuner is an updated version of the MWT-1 described in a 1985 article. The following prior works should be consulted in conjunction with this article:

Articles of direct relevance

(\* = WRC / IRCA reprint)

- \* The MWT-1: A Medium-Wave Tuner / Pre-selector with Regeneration Capability - Mark Connelly - 18 DEC 1985 (the predecessor of MWT-2)
- The Dynamic Duo - Ken Cornell - Monitoring Times - FEB 1989 (important regenerative tuner background material)
- \* Micro-MWDX-4A Loop-vs.-Wire Phaser - Mark Connelly - 15 MAR 1989 (Fig. 2 shows how to mount a transformer card similar to MWT-2 Option 4's card. Fig. 3 of that article shows how to mount the variable capacitor and vernier knob. The drawing after the hole list shows grounding hardware such as that used for MWT-2 G1, G2, G3, & G4.)

A list at the end of this article lists supplementary articles and publications of value to the DXer / builder.

Like the MWT-1, the MWT-2 can provide passive or active preselection as well as broadband variable attenuation. Passive tuning is used when local station strengths are very high (as in an urban area). More often, though, active tuning will be the mode of choice: it can offer improvements to both sensitivity and selectivity.

The baseline MWT-2 design offers performance similar to that of the MWT-1. Unlike MWT-1, it offers the ability to supply power to active whips such as the MFJ 1024. Indeed, the MWT-2 / MFJ 1024 combination is a potent antenna set-up for situations where use of a loop or longwire is not feasible (such as from a motel room when travelling). Additionally, the MWT-2 has been configured to allow the user to implement options for the following improvements over previous active tuners:

1. extended frequency coverage (approx. 130-8750 kHz) with internal coils and a jack to allow coils for other frequency ranges
2. regeneration vernier (fine-adjust) control with the addition of another potentiometer
3. higher gain option (extra amplification stage) for low-signal level work such as groundwave from rural locales, auroral DX, TA DX pre-sunset, TP DX post-sunrise, and DX using short antennae (or the output of a phasing system)
4. broadband amplification function (using a modified function switch and an impedance transformer)

Documentation has been organized to track that of MWT-1 when possible. This allows the builder / DXer to make quick comparisons between the two units.

\*\*\*\*\*

Organization of article

(Main article: standard MWT-2)

- Table 1: MWT-2 Controls and Input / Output Connectors
- Table 2: S1 Bandswitch Settings Chart
  - text: Building the MWT-2 Tuner
  - text: Operating the MWT-2
  - Mode (1): direct feed of antenna to receiver
  - Mode (2): passive tuning

- Mode (3): simple (non-regen.) active tuning
- Mode (4): regenerative active tuning
- Figure 1A: MWT-2 system schematic
- Figure 1B: S1 bandswitch schematic
- Figure 2: (M1) RFE-C regenerative front-end card schematic
- Figure 3: (M1) RFE-C regenerative front-end card assembly
- Table 3: MWT-2 hole-drilling list
- Table 4: "upper level" parts list
- Table 5: (M1) RFE-C regenerative front-end card parts list
- Table 6: small hardware parts list
- Table 7: wiring / component connections
- Table 8: control orientation conventions

(Appendix: options for the MWT-2)

- text: Option 1 = frequency range extension
- Table 9: S1 frequency ranges (Option 1)
- text: Option 2 = regeneration vernier pot.
- text: Option 3 = higher gain
- Table 10: (A1) BBA-C broadband amplifier card parts list
- text: Option 4 = broadband amplification function
- Table 11: holes added to implement options
- text: supplementary articles and publications
- Figure 4: 12-position S1 bandswitch with added J7 external-coil jack
- Figure 5: (A1) BBA-C broadband amplifier card schematic
- Figure 6: (A1) BBA-C broadband amplifier card assembly
- Figure 7: Option 4 transformer card assembly
- Figure 8: MWT-2 system schematic with Options 1, 2, 3, & 4 installed

\*\*\*\*\*

Table 1: MWT-2 Controls and Input / Output Connectors

Controls		
location	designation	operational description
left side	R1	input attenuator pot
top	C1	main tuning capacitor
top	R2	regeneration control pot
top	S1	bandswitch
top	S2	function switch
top	S3	antenna length (coupling) switch
top	S4	input mode switch

Input / Output Connectors

location	designation	operational description / connector type
left side	J1	RF source input: BNC Jack
left side	J2	wire antenna input: banana jack
left side	J3	earth ground input: banana jack
right side	J4	RF output: DVC Jack
right side	J5	B+ in: mono jack
right side	J6	9V battery holder: Keystone 1290

Table 2: S1 Bandswitch Settings Chart  
(Ranges are usually a bit greater than those shown.)

S1 Position	S1 Knob Pointer "o'clock"	Min. Freq.		Max. Freq.		Tank Inductor Values	
		kHz	kHz	kHz	kHz	"Main" L # uH	"Tap" L # uH
=	=====	====	====	====	====	====	====
1	9:30	130	187	L1	4700	L7	1000
2	10:30	187	280	L2	2200	L8	470
3	11:30	405	590	L3	470	L9	100
4	12:30	590	870	L4	220	L10	47
5	1:30	870	1260	L5	100	L11	22
6	2:30	1260	1900	L6	47	L12	10

Building the MWT-2 Tuner:

The documentation (schematics, assembly drawings, parts lists, hole lists, etc.) serves as the starting point. The following procedure should serve as an outline for the builder.

1. Gather all necessary parts (see Tables 4, 5, 6). Prepare work area with appropriate tools.

2. Drill out chassis box, in accordance with Table 3.

3. Assemble RFE-C front-end card per Figures 2 & 3 and Table 5. 0.5 inch spacers are mounted at each of the 4 corner holes. Set the completed RFE-C aside temporarily.

4. Mount 0.5" spacers for vernier knob, tap two 6-32 mounting holes in C1, mount C1, then install vernier knob. See Micro-MWDX-4A article to see how this is done. Consult hole list. Holes 5 through 9 of Micro-MWDX-4A serve the same purpose as Holes 1 through 5 of MWT-2.

5. Install jacks, pots, and switches. Solder inductors onto S1 per Figure 1B and Table 2.

6. Mount RFE-C card inside chassis right side, per hole list (Table 3).

7. Install wiring and other components per Figure 1A and Tables 4, 6, & 7.

8. Install knobs per Table 4.

9. Connect phono plug P1 to jack J5 to permit power to go to the unit. Install 9V battery in J6.

10. Place labels near controls and jacks. Test the unit (use the "Operating the MWT-2" section of this article as a guide).

#### Operating the MWT-2

Before operating any of the four modes, connections to/from the MWT-2 must be made. The antenna or other signal source may be connected to J1 or J2. Earth ground should be connected to J3 if the cable to the receiver will be longer than 10'/3 m. or if the receiver is not grounded. Earth ground may be an actual ground connection or a "dummy" ground provided by a spare long-wire antenna. A 9V battery or AC adapter should be connected to J6. The RF-output coaxial cable (to the receiver input) should be connected to J4.

#### Mode (1): direct feed of antenna to receiver

Set-up: The following controls are not used in Mode (1): C1, R2, S1, S3. Their positions are irrelevant. Set R1 initially to fully CCW (the switch on R1 takes the R1 // R4 attenuator out of the line). Set S2 to Bypass. Set S4 to "Float" unless an active antenna is being used - in that case, set S4 to "Power to Active Antenna".

Operate: With receiver on desired frequency, check that the wanted signal is of sufficient strength and has no spurious mixing signals or images from strong local stations. If spurs / images are present, adjust R1 until they go away. If the wanted station is now too weak, a different operating mode (2, 3, or 4) is suggested.

#### Mode (2): passive tuning

Set-up: R2 is not used in Mode (2). Its position is irrelevant. Set R1 initially to fully CCW. Set S1 for operating frequency range desired, in accordance with Table 2. Set S2 fully CCW = passive tuning position. Set S3 to up = "normal" length position. Set S4 to "Float" unless an active antenna is being used - in that case, set S4 to "Power to Active Antenna".

Operate: Adjust C1 for maximum strength of the desired-frequency station. If overloading-caused spurious responses QRM the desired signal when C1 is properly peaked, set S3 to middle = "long" and re-peak C1. If, after having done that, spurs still exist; adjust R1 to make the spurs go away. Setting S4 to left = "Terminate" position may also help (if it had been on "Float"). Slight re-peaking of C1 may then be necessary.

#### Mode (3): simple (non-regen.) active tuning

Set-up: Set R1 initially to fully CCW. Set R2 to fully CW. Set S1 for operating frequency range desired, in accordance with Table 2. Set S2 fully CW = active tuning position. Set S3 to up = "normal" length position (wire length greater than 16'/3 m.) or to down = "short" length position (antenna shorter than 10'). Set S4 to "Float" unless an active antenna is being used - in that case, set S4 to "Power to Active Antenna".

Operate: Adjust C1 for maximum strength of the desired-frequency station. If overloading-caused spurious responses QRM the desired signal when C1 is properly peaked, set S3 to the next longest position (e. g. to "long" if it had been on "normal") and re-peak C1. If, after having done that, spurs still exist; adjust R1 to make the spurs go away. Setting S4 to left = "Terminate" position may also help (if it had been on "Float"). Slight re-peaking of C1 may then be necessary.

FIGURE 1A  
SYSTEM SCHEMATIC

MWT-2 (WITHOUT OPTIONS)

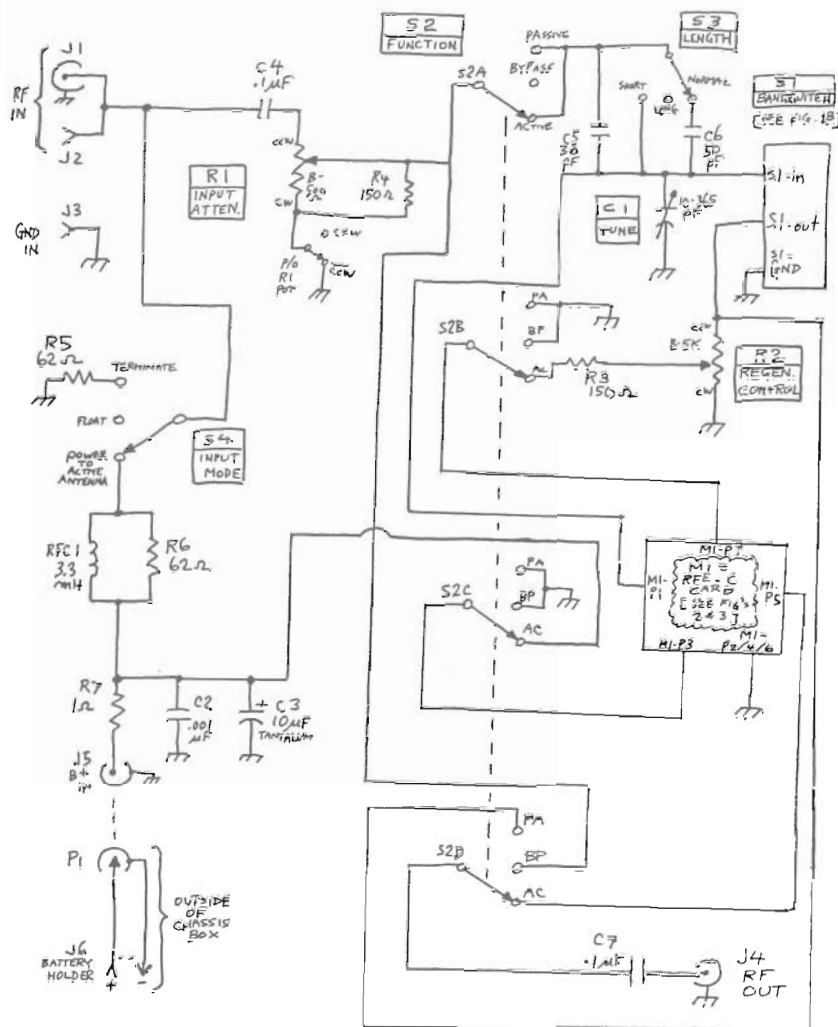
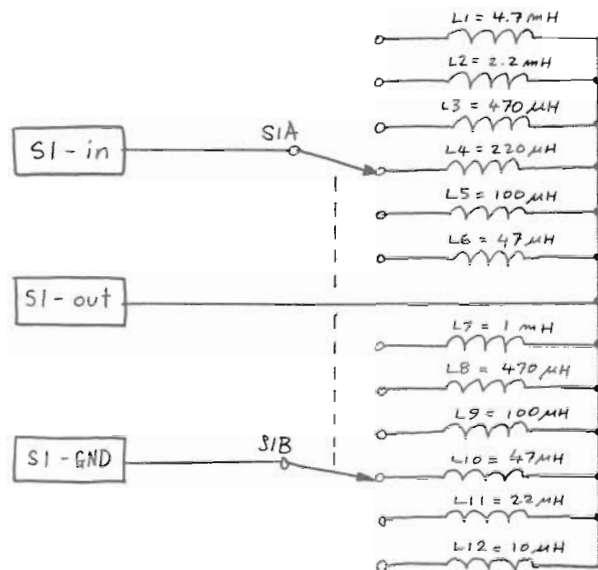




FIGURE 1B

## STANDARD MWT-2 SI BANDSWITCH



FOR CONNECTIONS, SEE FIG. 1A & TABLE 7.

FOR PARTS LIST, SEE TABLE 4.

FOR FREQUENCY RANGES, SEE TABLE 2.

#### Mode (4): regenerative active tuning

Perform all Mode (3) steps above. Bring R2 gradually CCW in small steps; after each step re-peak C1. An increase in signal level and tuning sharpness should be readily apparent. At the "regeneration threshold" the received audio gets muddy; beyond that threshold, oscillation occurs.

### NRC Coffee Mug

Nine-ounce size ... white glass ... with NRC emblem printed in black on both sides. It's oven-proof and microwavable. Makes a great gift for a fellow DX'er or for yourself. \$6 to U. S. addresses. \$6.75 Canadian. Order from NRC Publications.



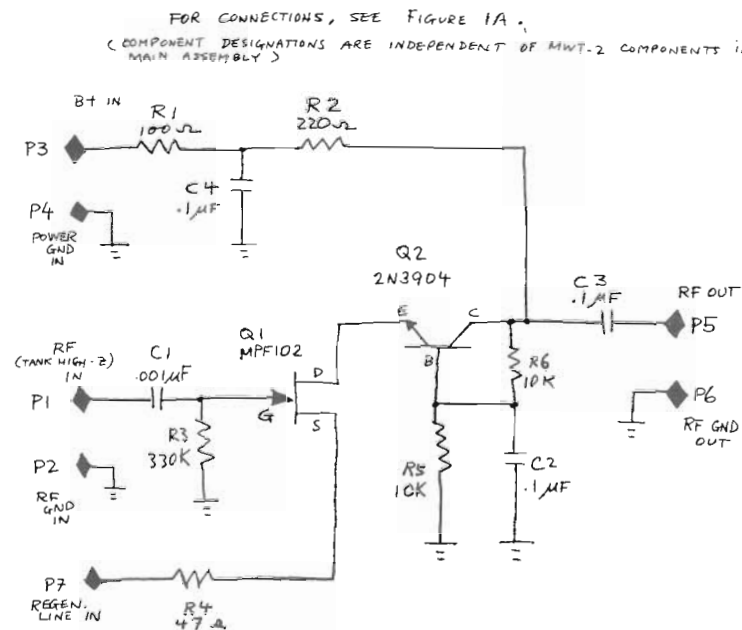
### The NRC is growing - and you can help.

More members in the NRC means a larger *DX News* ... and more features and services for all members. You can help your club grow: just send the names and addresses of potential club members to the NRC - P. O. Box 5711 - Topeka, KS 66605 and we'll send them a current copy of *DX News*. Spread the word - the National Radio Club is on the grow!

## MWT-2 REGENERATIVE TUNER

FIGURE 2

RFE - C REGEN. FRONT-  
END CARD (MODIFIED KEN CORNELL DESIGN)



#### NOTES

= CIRCUIT-BOARD GROUND

FOR ASSEMBLY DRAWING ("ROADMAP"), SEE FIGURE 3

FOR PARTS LIST, SEE TABLE 5

THIS IS "M1" OF MWT-2.

#### Table 3: MWT-2 hole-drilling list

X = Horizontal distance, in inches, from the vertical centerline (VCL) on the side observed. Negative values of X are left of VCL, positive values of X are right of VCL.

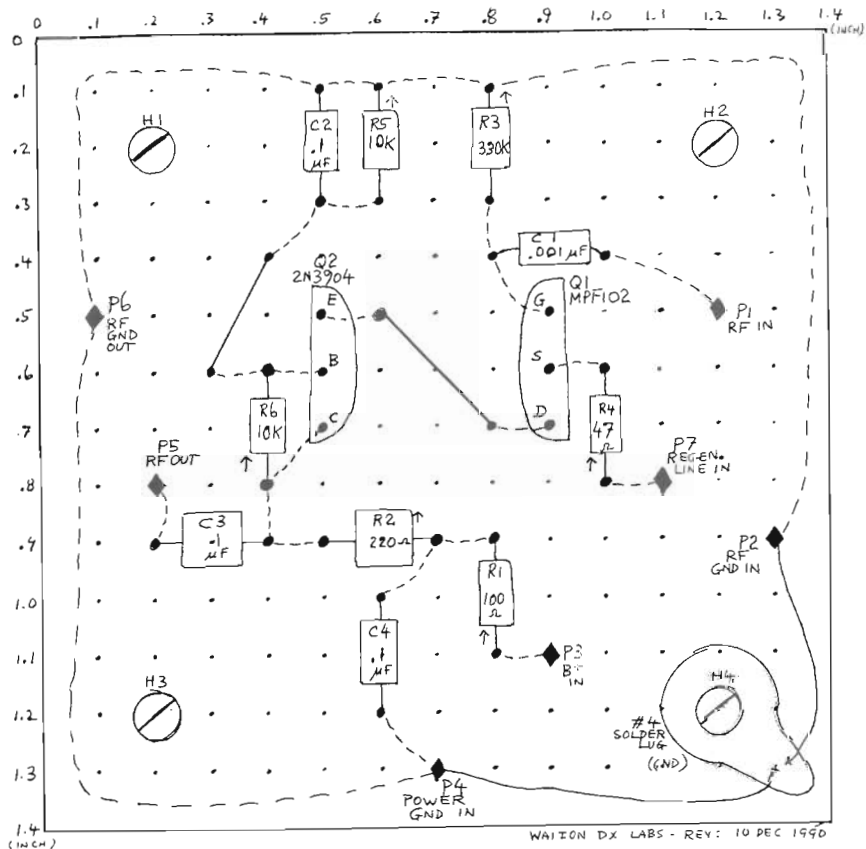
Y = Vertical distance, in inches, from the bottom horizontal edge of the side observed.

D = Hole diameter in inches.

Hole loci are first marked on the box with a scribe and are then drilled with a .125" bit. Subsequently, as required, the holes are enlarged to the proper size by using progressively larger bits up to that corresponding to the final desired diameter

### The Answer Man

Got a question about radio? Send it to Russ Edmunds - 753 Valley Rd. - Blue Bell, PA 19422-2052. No question is a dumb question, and Russ will answer all, from basic to highly technical. Watch for the answer in *DX News*!



NOTES

FOR SCHEMATIC: SEE FIGURE 2  
FOR PARTS LIST: SEE TABLE 5.

- ↑ = LONG-LEAD SIDE OF VERTICALLY-MOUNTED COMPONENT.
- = BUSS WIRE ON COMPONENT SIDE OF BOARD.
- = BUSS WIRE ON SOLDER SIDE OF BOARD.

LEFT SIDE

Hole #	Comp. Desig.	Description	X	Y	D
1	J3	GND In - black banana jack	-0.75	1.25	0.3125
2	J2	Wire Ant. In - red banana jack	-0.75	0.5	0.3125
3	G1	GND H/W - internal lug	0.0	1.125	0.125
4	J1	RF source in - BNC jack	0.0	0.5	0.375
5	R1	Input Atten Pot - shaft	1.25	0.625	0.3125
6	R1	Input Atten Pot - tab	1.5625	0.625	0.144

TOP SIDE

Hole #	Comp. Desig.	Description	X	Y	D
1	C1	Tuning cap. - mounting H/W 1	-1.963	3.0	0.144
2	C1	Tuning cap. - shaft	-1.5	2.75	0.5
3	C1	Tuning cap. - mounting H/W 2	-1.037	3.0	0.144
4	-	C1's vernier knob - H/W 1	-2.14	2.125	0.125
5	-	C1's vernier knob - H/W 2	-0.86	2.125	0.125
6	R2	Regen. Control pot. - shaft	-1.875	0.625	0.3125
7	R2	Regen. Control pot. - tab	-1.5625	0.625	0.144
8	G2	GND H/W - internal lug	-1.25	1.125	0.125
9	S4	Input mode switch - shaft	-1.0	0.4375	0.25
10	S4	Input mode switch - tab	-0.75	0.4375	0.144
11	S3	Length switch - shaft	-0.25	2.25	0.25
12	S3	Length switch - tab	-0.25	2.0	0.125
13	S2	Function switch - shaft	0.0	0.875	0.375
14	S2	Function switch - tab	0.0	0.375	0.144
15	S1	Bandswitch - shaft	1.0	2.25	0.375
16	S1	Bandswitch - tab	1.5	2.25	0.144
17	G3	GND H/W - internal lug	1.625	3.25	0.125

RIGHT SIDE

Hole #	Comp. Desig.	Description	X	Y	D
1	J6	battery holder - H/W 1	-1.625	2.625	0.125
2	J6	battery holder - H/W 2	-1.625	1.75	0.125
3	G4	GND H/W - internal lug	0.0	1.125	0.125
4	J4	RF out - BNC jack	0.0	0.5	0.375
5	M1	Regen. Front End Card - H/W 3	0.625	1.375	0.125
6	M1	Regen. Front End Card - H/W 1	0.625	0.375	0.125
7	M1	Regen. Front End Card - H/W 4	1.625	1.375	0.125
8	M1	Regen. Front End Card - H/W 2	1.625	0.375	0.125
9	J5	B+ input - phono jack	1.125	2.125	0.25

Table 4: "upper level" parts list

Vendor codes:

- RS = Radio Shack / Many locations worldwide
- MOU = Mouser Electronics / 11433 Woodside Ave. / Santee, CA 92071
- RK = Radiokit / P. O. Box 973 / Pellam, NY 03076

Item #	Designator	Description/Value	Vendor	Vendor Stock #	QTY
1	-	chassis box	MOU	537-TE-779	1
2	M1	RFE-C regenerative front-end card (see Table 5)			1
3	(for C1)	vernier knob	MOU	45KN100	1
4	(for R1, R2)	knob	MOU	45KN013	2
5	(for S1, S2)	knob	RS	274-416	2
6	B1	9V alkaline battery	RS	223-553	1
7	C1	variable cap., 10-365pF	RK	BC-01	1
8	C2	capacitor, 0.001 uF	RS	272-126	1
9	C3	capacitor, 10uF tant.	MOU	581-10M35	1
10	C4, C7	capacitor, 0.1 uF	RS	272-109	2
11	C5	capacitor, 30 pF	MOU	ME-232-1000-030	1
12	C6	capacitor, 50 pF	MOU	ME-232-1500-050	1
13	J1, J4	BNC jack	RS	278-105	2
14	J2	red banana jack	RS	274-662	1
15	J3	black banana jack	RS	274-662	1
16	J5	phono jack	RS	274-346	1
17	J6	battery holder (Keystone 1290)	MOU	534-1290	1
18	L1	inductor, 4700 uH	MOU	ME434-1120-473K	1
19	L2	inductor, 2200 uH	MOU	ME434-1120-223K	1
20	L3, L8	inductor, 470 uH	MOU	43LR474	2
21	L4	inductor, 220 uH	MOU	43LR224	1
22	L5, L9	inductor, 100 uH	MOU	43LR104	2

Table 4 (continued)

23	L6, L10	inductor, 47 uH	MOU	43LR475	2
24	L7	inductor, 1000 uH	MOU	43LR103	1
25	L11	inductor, 22 uH	MOU	43LR225	1
26	L12	inductor, 10 uH	MOU	43LR105	1
27	P1	phono plug	RS	274-339	1
28	R1	pot., 500 ohm, linear	MOU	31CT205	1
29	R2	pot., 5K, linear	MOU	31CT305	1
30	R3, R4	resistor, 150 ohm	RS	271-013	2
31	R5, R6	resistor, 62 ohm	MOU	29SJ500-62	2
32	R7	resistor, 1 ohm	MOU	29SJ500-1.0	1
33	RFC1	inductor, 3300 uH	MOU	43LR233	1
34	S1	switch/2pole/3pos. rotary	MOU	10WVO26	1
35	S2	switch/4pole/3pos. rotary	MOU	10YX043	1
36	S3, S4	switch, SPDT, on-off-on	RS	275-325	2

Table 5: (M1) RFE-C regenerative front-end card parts list

See Table 4 for vendor codes.

Item	Designator	Description/Value	Vendor	Stock #	QTY
1	BD	perfboard (1.4" X 1.4")	RS	276-1396 (cut)	1
2	C1	capacitor, 0.001 uF	RS	272-126	1
3	C2, C3, C4	capacitor, 0.1 uF	RS	272-109	3
4	H1, H2, H3, H4	screw, 4-40 X .25"	MOU	572-01880	4
5	H1, H2, H3, H4	spacer, 4-40 X .5"	MOU	534-1450C	4
6	H1, H2, H3	split lockwasher, #4	MOU	572-00649	3
7	H4	solder lug, #4	MOU	534-7311	1
8	P1, P2, P3, P4, P5, P6, P7	flea-clip for .042 hole	MOU	574-T42-1/100	7
9	Q1	FET, MPF102	RS	276-2062	1
10	Q2	transistor, 2N3904	MOU	570-2N3904	1
11	R1	resistor, 100 ohm	RS	274-1311	1
12	R2	resistor, 220 ohm	RS	274-1313	1
13	R3	resistor, 330K	MOU	29SJ250-330K	1
14	R4	resistor, 47 ohm	RS	271-009	1
15	R5, R6	resistor, 10K	RS	271-1335	2
16	W	buss wire	RS	278-1341 approx. 1'	1

Table 6: small hardware parts list

See Table 4 for vendor codes.

Note: Mounting hardware is supplied with the following components: J1, J2, J3, J4, J5, R1, R2, S1, S2, S3, S4.

Hardware is required by the following component designators C1, the vernier knob for C1, G1, G2, G3, G4, and M1. All required hardware is listed below:

## The Challenging Crystal Set

For hobbyists demanding the ultimate DX challenge, Ray Cole's publication detailing step-by-step procedures in building a crystal set is for you! Only \$3.00 ... order from the Publications Center.

## Problems, problems?

We can't solve all your woes, but we can solve your *DX News* problems. Torn, soiled, partially-printed, MIA, or worst of all, delivered in a USPS plastic baggie? No need to return the copy - just end a postcard to NRC - 2840 SE Illinois Ave. - Topeka, KS 66605, and a replacement copy will be mailed free. Missing back issue? Replacement copies from Vol. 56 on, to NRC members only, are sent for the cost of first-class postage (25¢ for a 24-pager, 45¢ for a 48-pager). Quantities of 25 may be sent book rate for \$1.25.

See? No problem!

Table 6 (continued)

Used on	Description/Value	Vendor	Vendor Stock #	QTY
G1-G4(4), J6(2), M1(4), C1 knob(4)	screw, 4-40 X .25"	MOU	572-01880	14
C1(2)	screw, 6-32 X .25"	MOU	572-01888	2
M1(4), C1 knob(2)	split lockwasher, #4	MOU	572-00649	6
C1(4)	split lockwasher, #6	MOU	572-00650	4
G1-G4(4)	solder lug, #4	MOU	534-7311	4
G1-G4(4)	hex nut, 4-40	MOU	572-00486	4
C1 knob(2)	spacer, 4-40 X .5"	MOU	534-1450C	2

Table 7: wiring / component connections

Notes: I = insulated wire, approx. #22 AWG  
B = bare solid (buss) wire

Lengths are maximum typical required amount; in actual practice, use the shortest length possible to minimize stray coupling.

### OUTSIDE BOX

wire #	From	To	Description
1	J6 + terminal pin	P1 plug - center pin	2" I
2	J6 - terminal pin	P1 plug - shield pin [P1 connects to J5]	2" I

### INSIDE BOX

wire #	From	To	Description
3	J1	J2	1" B
4	J3	G1 internal GND lug	1" B
5	M1 switch (left)	G1 internal GND lug	2" I
6	R1 switch (right)	R1 CW	0.5" B
	[R1 CW	R1 arm	R4]
7	R1 arm	S2A arm	3" I
8	S2A arm	S2D-Bypass	1" I
	[R1 CW =	C4 side 1]	
9	C4 side 2	J1	2" I
10	C4 side 2	S4 arm	2" I
	[S4-Power to Active Ant. = (R6 & RFC1) side 1]		
11	(R6 & RFC1) side 2	S2C-Active	2" I
	[S4-Terminate	G2 internal GND lug	R5]
12	S2B-Bypass	G2 internal GND lug	2" I
13	S2B-Bypass	S2B-Passive	0.5" B
14	S2C-Bypass	G2 internal GND lug	2" I
15	S2C-Bypass	S2C-Passive	0.5" B
	[R2 arm =	R3 side 1]	
16	R3 side 2	S2B-Active	3" I
	[R7 side 1 =	J5]	
	[R7 side 2	G3 internal GND lug	C2 & C3]
17	R7 side 2	S2C-Active	5" I
18	S2C arm	M1-P3	3" I
19	S2B arm	M1-P7	3" I
20	S3 arm	S2A-Active	2" I
21	S2A-Active	S2A-Passive	1" I
22	M1-P5	S2D-Active	3" I
	[J4 =	C7 side 1]	
23	C7 side 2	S2D arm	2" I
24	R2 CW	S2D-Passive	3" I
25	S2D-Passive	S1-out	1" I
26	S1-GND	G4 internal GND lug	2" I
27	S1-in	S3-short	1" I
28	S3-short	C1-stator	1" I
	[S3-short	S3 arm	C5]
	[S3-short	S3-normal	C6]

Wire S1-in, out, GND and coil connections per Figure 1B.

(Continued in next issue)

# Musings

of the Members

Thoughts from NRC members ... the opinions expressed in this column are those of the individual writer and do not necessarily reflect those of the editors, publishers, or the National Radio Club, Inc.

**Dave Schmidt**

P. O. Box 11502

Wilmington, DE 19850-3516

Times are local per Muse.

**MIKE CSORBAY - RR #1 - CANFIELD, ON NOA 1C0**

Greetings to everyone and belated Happy New Year wishes to all. I'm back for my annual report (hi) so I guess I should re-introduce myself as well. I'm 27, single and have been DX'ing the MW & SW bands since 1979. I've been able to log 21 new stations since October which brings the total heard to 1270, call changes not counted here. In the DX derby this season, I've logged 3 from WI, 2 each from KY, NC & QC and singles from MN, SD, PA, AR, IL, IN, VT (WSYB-1380-Test), NY, NM, CT, NFLD (for prov. #9, still need BC) and Venezuela. I enjoyed the Musings section of Vol. 55, #13 very much which prompted me to get to the computer and type this preamble as well as some logs to our fearless DDXD-E editor. Rick Dau's Top 10 DX CATCHES caught my imagination, while I don't think I could come up with that many on such sort notice, I would rank #1) KPIK-1580-CO 2/3/81 on SSS, #2) KLVI-560-TX 12/23/80 in extremely auroral ex, #3) KAGY-1510-LA 11/81, #4) WCCZ-1550-FL 9/86 & #5) CHCM-740 NFLD in 10/90 as tops so far, as I have the first 4 verified and still have my fingers crossed on #5 (they're getting sore, it's been 3 months!). I also enjoyed reading Jim Renfrew's mention of the ODXA DX Camp in Letchworth State Park, NY in Nov., as I attended that as well and enjoyed meeting out IDXD editor. I'm still trying for some good Int'l DX but not much luck with ID's so far this year although the Venezuelan on 760 popped through on 1/8 at 0330 UTC with mention of Puerto la Cruz but couldn't catch the slogan so not sure if its still 'R. Doble Q' or not. Locally, the Buffalo Bills/Sabres/Bisons are back on WGR-550 this season, after about 7-8 years on WBEN-930. CHNR-1600 is now on the Telemedia Sports Network with Toronto Maple Leafs hockey as they joined the net. late in the fall as the Blue Jays threatened to win the AL East. Well, folks, I think that's about all for now, can't wait for the baseball season again! 73's!

**ED MITKUS - RT2, BOX A-108 - ZIONVILLE, NC 28698**

A few items here, 1/16 10P WAPE-690 L&C w/warning, running 50 kw day pattern, even Kerry knows they'll go to 50 kw for anything special. Also heard 880-GA 1/17 w/s/on at 5A, well before sunrise, w/news o/WCBS. Received a copy of the new AM log, excellent with the larger type and cross references. I've researched and typed up a list of phone numbers of NC stations, those are sent to Mike! Have also heard WTYN-1160 relaying Hendersonville-1450. Otherness... WNL-910 in w/FM simulcast 12/29 3:30A. With a tad bit of luck, KLL-1100 1/12 6:17P o/3WE w/Gospel tune and MO Highway Patrol PSA. And finally bagged WQXI-790 1/28 10:15P for #607 total heard here since '85. See ya!

**MIKE HAWK (KB@GXE) - 10212 P St. - OMAHA, NE 68127-2130**

Hello again! I recently attended a meeting of the Ralston Radio Club and passed out samples of DX NEWS to them. 2 seemed interested & hopefully will join! Latest news at home is the purchase of a Hammerlund HQ180A. It's in good shape, with only a few scratches. The band selector doesn't work all the time, sometimes you have to jiggle it to get it to work. Compared to my R1000, it's about even, it has good selectivity and works a little better on the low BCB frequencies but it has a little more noise over the whole band than the R1000 has. For only \$125, it was a great bargain. It was purchased from former NRCer David Margritz. In other news, I am co-editing a column with Jack Woods for beginners. I like the joint editor concept, as does Jack, because you do not run out of ideas for columns as easy, you have someone to re-edit what you wrote and he is more knowledgeable on the technical aspect of the hobby. Our first column should be out by late Feb./March, if not already! (Good luck, Mike!-DWS) It seems to be getting harder to get verifications anymore, since the season began, I am getting about a 60% return rate, and only around 40% (!) since late Nov. Hopefully, follow-ups will do a little better. When I started, I used to get about an 80% return and my reports were much worse! Total heard now is 1227 including call changes, 1189 excluding them. Recent veries: KSTL, KVOK, WRFB, WELQ, KMBZ, KIKC, KOAQ, KRDS, KOKK, KVOO, KCKN, KFLT & KFEL. Some of my better logs recently are KUJR-880, WBIV-1060, KBEN-1450, WBBB-1580, WRX-1020, CFYM-1210, & WELQ-540. WELQ was nice enough to verify and send my return postage back! 73's

**JIM ROLLINS - 5582 ASCOT CT., APT 121 - ALEXANDRIA, VA 22311**

Having read recent articles in this and other publications concerning digital audio broadcasting including Paul's comment about its inevitability, I have this to say: The only technical aspect of DAB that interests me is the sound quality and not that much. I would rather listen to AC on AM or FM than AS (I'm a big band fan) on DAB. The thing that excites me about radio is the ability to hear Chicago or Detroit at night, to go to the ocean (or Chesapeake Bay) and be able to listen to NYC or Hartford, or to the top of a mountain in WV and hear OH or

MI on FM. The sight of a radio tower or a directional array reaching toward the sky is a thrill for me. Maybe that's why I'm hoping the evolution to the new system will happen more the way Harry Hayes suggested in a recent Musing. In any event, I'll probably be the last AM/FM listener on earth!

**NEIL ZANK - 623 LYNCREST DRIVE - LINCOLN, NE 68510**

One bit of activity which I forgot to comment on in my last Musing was that we enjoyed a nice STG a few days before Christmas hosted by ERnie 'the W' Wesolowski in Omaha. Had an opportunity to meet newer NRCer Mike Hawk for the first time, and visit with older friends Wesolowski, McCoy, Dau, Chadwick and sometime NRCer Mann. Carl Mann treated us to a mid evening tour of KKVA 105.9, studios located in the office building next door to the restaurant where we had dinner. A nice Christmas-New Years holiday was enjoyed here in Lincoln, even though it was the first one with neither of my folks living, my Dad passed away in late Aug. '90. A few more items of radio nature have been noted with my Walkman DX machine, on 1/24 WDUX-800 4:40-4:45P w/CW music, ID fighting it out w/CKLW/CHAB at the time. Same date, CHAM-820 5:01-5:15P w/news-sports-weather "Cham Country" slogans and CW music. 1/28 noted a little oddity on 1980 between 4:45-5P w/KNIM noted broadcasting Bingo games w/prizes of \$25 gift certificates from local businesses. Is that serving public convenience and necessity or what? (No, it's called making a buck-hi!-DWS) With this fare available, I might just have to fire up this old lonesome HQ180A sitting behind me as I write. 73's!

**DAVE SCHMIDT - P O BOX 11502 - WILMINGTON, DE 19850**

Busy schedule puts this in the mail on Monday PM 2/11, still lots of work going on at this end with the addition of some additional work at WASA-1330. Even though they're a fulltimer, they've been running from 0600 till sunset or 2000 with a religious format. Works out nice as it's co-located with WXCX-103.7 so I can hit both in the same day if needed. With Rick Dau's previous report and Mike's (this issue), how about a Musing from you letting us know of your best all time catches, 5 or so would be fine. We'll make it for the 3/18 issue. That's it till next week!!

## Not sure about renewing?

Consider these benefits of a membership in the National Radio Club: 720+ pages per year of printed, easy-to-read, comprehensive DX and radio information ... reduced prices for publications ... responsive editors ... and the friendliest bunch of DX'ers in the world! Why not send that renewal check to Ron today!

## Proceedings

1988

1989

1990

Fine Tuning is pleased to announce that a few volumes remain in stock of each of the first three years of *Proceedings*, the shortwave broadcast DXer's #1 book of features, technical articles, and reviews.

If your bookshelf is lacking any edition of *Proceedings*, you are encouraged to order now, as quantities are limited. Any future reprints of *Proceedings* are expected to result in prices of about \$25.00 each due to shorter print runs. Consider ordering now to save significant printing costs and an anticipated increase in postal costs!

The cost for any edition is \$19.50 each, plus \$2.00 postage (US funds, please). Outside of North America, postal costs are \$3.00 surface book rate (3-4 months typical delivery time for surface book rate) or \$15.00 airmail. Make checks or money orders payable to Fine Tuning Special Publications, and mail c/o John Bryant, Rt. 5, Box 14, Stillwater, OK 74074 USA.

To receive a flyer describing the contents of each year's *Proceedings*, send a self-addressed stamped envelope (SASE) to the address shown above.

Founded in 1977, Fine Tuning is a nonprofit group dedicated to supporting the hobby of shortwave broadcast DXing. FT's *Proceedings* has established itself as a leading resource for the DXing community and fills the need for in-depth articles that neither the hobby bulletins nor the commercial press can meet.