



DX NEWS

*the magazine of the
National Radio Club*

— SINCE 1933 —

VOLUME 52 ISSUE 14 January 14, 1985

CORRECTIONS: In Issue 12 we forgot to include Radio West's address in the 2nd item on the front page. So...here it is: Radio West, 3417 Purer Road, Escondido, CA 92025 or call them at 619-741-2891. (Sorry Jim - HQ) Another correction is for Issue 12 item 3, pertaining to the price of the World Wide Weather Broadcasts, published by Grove Enterprises. The correct price is US\$4.95 not US\$14.95 as we stated in that issue. (Sorry Bob - HQ) One more correction. We reported in Issue 8 that *The Shortwave Guide*, published by Miller Publishing was priced at US\$19.95 for 12 Issues, well...just after that was published Larry dropped the price to US\$9.95. That's 83 cents a month!! Not bad...the address: 424 Jefferson St., Media, PA, 19063.

Logbook Updater is now available for 3-20 cent stamps or 60 cents to NRC Members Only or US\$1.00 to Non-Members. Order your Updater from NRC Publications Center Address on the back of this issue. And please allow 4 to 6 weeks before you start calling or writing, hi.

Those that missed the DDXD column will be happy to know that we pulled Dave out of his computer and have a huge column inside this issue. As far as Musings go, you'll just have to wait till next issue. With us having a change of work hours, the Sunday pub session date will now be enforced, (we've been doing the paper on Mondays), what this all means is that columns that get here on Monday will be put into the next issue....thats life.

Michigan Area Radio Enthusiasts, a new regional club for all-wave radio listeners, in the surrounding states around Michigan. Dues are set at US\$3.00 per year. For a sample send an SASE to: Michigan Area Radio Enthusiasts, c/o Don Hosmer, 24500 Union, Dearborn, MI 48124. (Good Luck Don, and we'll be seeing you at the ANARCON '85 Convention here in Milwaukee, July 19-22 - HQ)

Martens Loop Those of you looking for a source for this antenna, we have been informed that Paul Swearingen will be handling the orders for the loop. His address is: 7310 Ensign Ave., Sun Valley, CA, 91352. The antenna will sell for \$95, which includes shipping.

NRC Night Pattern Book Updater 34 Maps, each contain new stns not shown on the current maps, can be inserted as a change page or you can redraw them onto your original book pages. Maps are same scale as set presently used. Patterns are drawn sharp and are as accurate as can be found anywhere!! US\$3.50 this price includes shipping !!! Order from the Publication Center. And please allow 4 to 6 weeks for delivery.

***** RETURN ADDRESS LABELS ***** When writing to stns, you have been asked to send an SASE or a Stamp or Both! and still end up with marginal results. We have tested and have gotten a 80% return by using a stamp and a self-adhesive label with our return address on them. How can you get better results? Why not purchase 100 labels for a mere \$1.75, price includes shipping! What do they look like, just look on the back of this DXN, same size only difference is that the due dates will be replaced with your country (USA, CANADA, ENGLAND) below the last line. Order from: NRC PUBLICATION CENTER, P.O.Box 164, Mannsville, NY 13661.

CPC TESTIS: Times are Eastern Local Time

Jan 21 WQPM-1300 Princeton, MN 0100-0130, ND 1Kw pattern, w/ TT, music & frequent ID's. Reports to: Todd Rust, CE, WQPM, Box 188, Princeton, MN 55371. Thanks to Todd Rust for reporting this to us. (along w/a dozen NRCers!)

LOOK INSIDE:

2....AM Switch
3....DDXD
15....Summary of Unreported Stns

16....Top End
17....Conclusion of "The Mini-MDX-3"
23....HAP Page

THE WORLD'S OLDEST AND LARGEST ALL MEDIUM-WAVE DX CLUB

Jerry Starr, c/o WHOT Radio, 401 N. Blaine Ave., Youngstown, OH 44505

CALL LETTER CHANGES

660	*New	MS	Ridgeland	WTUJ
1000	WWSI	FL	Jupiter	WIXI
1230	WIGL	AL	Tuscaloosa	WRLX
1520	WKOE	TN	Dayton	WREA

APPLICATIONS FOR NEW STATIONS

None

GRANTS FOR NEW STATIONS

None

APPLICATIONS FROM EXISTING FACILITIES

1210 KOTL AZ Sahuarita: 10000/500 U2
 1410 KCOL CO Fort Collins: day power to 5000, U4

GRANTS TO EXISTING FACILITIES

1250 KLLK CA Willits: 5000/2500 power increase
 1340 WLEW MI Bad Axe: night power to 1000, U1
 WSTA VI Charlotte Amalie: night power to 1000, U1
 1500 KTOL WA Lacey: to 1280 kHz 1000 D1, has app for 500 night+
 1560 WKIQ FL Inverness: add 1000 watts night DA

*KTOL made the move to 1280 kHz on 11/16/84 per station

OTHERNESS

860 KLTO UT Salt Lake City: Despite what you may have read or seen reported elsewhere, this station is NOT and never has been fulltime. According to the manager via phone they are in the process of preparing an application for 1000 nights which will be tendered as soon as the agreement with Canada officially takes effect. Since 860 is a Canadian Clear, not even an application for new fulltime operation can yet be accepted. Their present sked is 0600 to 1800 MST. Again, they are NOT fulltime and have no idea how this rumor got started. All this directly from the station.

1340 KSKI ID Haley: Their recent grant for a move of XR site is for their 1330 kHz CP although the FCC listed it as 1340, their present frequency. According to the station manager it will be 5000/1000 U2 with a basic NE/SW pattern, expected on in summer 1985.

1540 WARD PA Pittston: We strongly suspect that the "grant" for this station's switch to fulltime on 1550 kHz is an error by one of our usually reliable sources. In the same issue of releases they reported several other "grants" that have turned out to be only reapplications. This same issue reported the grant for Falcon, CO-820 and we suspect that one also. We believe that they may have misheaded a group of applications as "grants" since no other source has reported these "grants" yet and we know that at least two of those in this group were definitely applications incorrectly reported as "grants". More on this later as we attempt to locate the people at the stations with the correct info.

73 and Good DX,

Jerry Starr

Jerry Starr & Buffalo K. Foonman

COMMUNICATIONS CENTER
DALLAS, TEXAS 75202

LOGSHEETS By Frequency

25 entries possible
per sheet!Space available to
add your own
columns!FULL SIZE# 110 sheets for US\$4.80
8 1/2" x 11"Order From: NATIONAL RADIO CLUB
PUBLICATIONS CENTER
Post Office Box 164
Hannsville, NY 13661

Dave Schmidt, 42 Chelwynne Road, Castle Hills, New Castle, DE 19720

Here is the official NRC column which is the first to advise it's not being done by computer....yet! We are now the proud owner of a Radio Shack Color Computer 2 system with disk drive and daisy wheel printer BUT we haven't figured out a program for this mess! Any members out there offering any advice? At this point, I'd even listen to Chuck Hutton! And away we go:

FREQ. CHECKS:

1st Mon....KSKR-1450 0322 12/3 good w/ID, TT, o/CKSP/others. (BH-NH-WA)
 2nd Mon....KEDD-1550 0645-0655 just loud TT noted u/CBE. (JM-PA)
 1st Tue....WBDX-1030 tentative, fair u/WBZ, will check again next month on this one. (JM-PA)
 WBCN-1340 tentative, weak w/TT. (JM-PA)
 WKCB-1340 tentative, weak w/TT. (JM-PA)
 WNVA-1350 xint per sked w/TT, 0545-0600. (JM-PA)
 WHLN-1410 good u/KQV w/TT, 2 ID's 0501-0503. (JM-PA)
 WEZJ-1440 tentative, weak w/TT. (JM-PA)
 2nd Tue....WRAR-1000 very good, even w/WCFB w/TT, 0020-0027. (JM-PA)
 4th Mon....KCJB-910 0110-0130 11/26 w/TT, on early/off later than time listed on new list, almost even w/KNEW/one other. (REW-HI)

SPECIAL:

730 CKGB ON TIMMINS - Now noted on new freq., ex-680, heard nightly w/XEX null. (EB-MO)
 920 WHHT SC ORANGEBURG - 12/13 1706 fair w/NBC news, state/local news, weather, ID into B/Sol music, ex-WKSD. (DB-VA)
 980 WAAV NC WILMINGTON - 12/11 1646-1700 all alone w/old favorite music and station promos, ID's as "98 Wave" and "The New Wave", lost at pattern change, ex-WKLM. (KG-PA)
 1140 *WKZF TN PAYETTEVILLE - 11/21 1725 good w/many mentions of Huntsville and TN, CW music, ex-WIXC. (JP-MI, via GA)
 *WKZF AL HAZEL GREEN - 12/14 1707-1711 noted w/CW music o/others, first time from new location. (WF-IN)
 1250 KHOT CA MADERA - 11/24 2252 promo into rock music, "K-HOT", ID on hour o/KBBI-AK, fulltime CP now on. (REW-HI)
 1280 KTOL WA LACEY-OLYMPIA - 12/11 2100 ending CW song, quick ID, very fast s/off to return 0600 then gone, fair in KIT null, ex-1500, sure moved fast! (BH-NH-WA)
 1310 WBEL VA PAIRFAX - 12/11 0001 per s/off, sked now 0600-0001, w/slogan "The Beautiful One", BPL music. (DB-VA)
 KPVI CA OAKLAND - 12/13 0205-0222 fair w/some fades, 'All News 1310', new calls/format, ex-KDIA. (LHC-CA).....12/11 0950 noted w/new calls w/news, sports format, new owner is Adam Clayton Powell, Jr, sked now back to NSP, covers 1300-1320 here. (DKK-CA).....12/11 2129 good atop KNPT/KLIX w/business news, traffic report, weather, news, many "KPVI Newstime" time checks, some splash from KXRO-1320. (BH-NH-WA)
 1340 CFOM PQ QUEBEC CITY - 11/27 2300 definitely off the air and replaced w/an FM, couldn't hear a trace of it in the west end of QCity, where I used to tune it regularly in the 70's. (RUGG-PQ)
 1380 *WLRO OH LORAIN - 12/12 2107-2115 w/music and ID's into full s/off w/SSB, sort of late! (JK-MD) They made their own PSSA time! (DS)
 1450 KACY ID PAYETTE - 12/16 0759 faded up w/apparent s/on w/ID then instr. SSB, MST time check then faded, ex-KYET. (BH-NH-WA)
 1470 KPQX TX ABILENE - 12/9 2308 on top w/CW music and ads, slogan 'K-POX for Big Country' then full ID, ex-KRBC. (BW-OK)
 1510 KNTS AZ TEMPE - 12/4 0934 rose up thru KGA w/AZ news w/KGA in news, KHTA-1500 splash null. again 0936 w/female anc'r w/local ad, have been looking for this for a while, may have been silent til call change! (DKK-CA)
 1540 KSKC CA LOS ANGELES - 12/7 0121 w/ID, now all Spanish w/slogan 'Super Ka-Coo', not to be mistaken w/KTRQ's 'Super Coo' of course, music rather mellow, ex-KZLA. (JKX-CA) Wonder if it splashes like WSK-620! (DS)



1570 WBGZ IL ALTON - 11/14 1900 xlnt w/s/off o/ XERP, ex-WOKZ.(EB)
 1590 KSRN NV SUN VALLEY - 12/4, 12/5 noted 1000-1030+ w/KLIV, per
 call to station, power is 1000 D1, 500 PSA, no PSSA,
 format is CW, have original KSRN-FM 101.4. In case
 you want to call, phone is 702-826-7200. (DKK-CA) No,
 my phone bill is high enuf! (DS)

MIDDAY - MIDNIGHT:

540 KWMT IA PORT DODGE - 12/12 1720-1723 noted w/CW music, ID,
 right after WYLO s/off. (WF-IN)
 WDXN TN CLARKSVILLE - 12/18 1719-1721 o/WYLO w/ads for down-
 town Christmas shopping. (WF-IN)
 WDMV MD POCOMOKE CITY - 12/9 1742 good, atop on PSSA power w/
 jingle/ID and CW music. (MD-MA)
 560 WFRB MD PROSTBURG - 12/11 1734 good on PSSA w/clustered ads,
 w/WIS. (JM-PA).....12/1 1620 all alone on channel w/
 local ad. (JB-NY)
 WPIL PA PHILADELPHIA - 12/1 1622 faded in strong o/WFRB w/ID,
 local ad. (JB-NY) Nice catch, DA doesn't favor to
 well in your direction! (DS)
 KLVI TX BEAUMONT - 12/5 2100 heard while listening to Black-
 hawks hockey on WIND, noted w/ABC news, ID, CW music.(CR
 KWTO MO SPRINGFIELD - 12/16 1716-1720 CW music, ads, u/WIND.(WF)
 580 WCHS WV CHARLESTON - 12/12 1540-1546 w/MoR music u/WILL.(WF-IN)
 KALB LA ALEXANDRIA - 12/6 1717-1800 fair/poor w/KSKU w/CW
 music, ads, ID "All American Country-Politan".(JFH-OK)
 600 WVAR WV RICHWOOD - 12/1 1700 very good w/full data s/off
 w/SSB. (JB-NY)
 WSJS NC WINSTON-SALEM - 12/11 1721 loud ending sports into ad,
 ID and rock music. (HJH-PA)
 610 WTVN OH COLUMBUS - 12/11 1656 good o/WVAI w/ads, jingle/ID,
 rock music, ID as 'Full Service Giant in Columbus'
 into local news. (DB-VA)
 CHNC PQ NEW CARLISLE - 11/27 2013-2023 blasting in around the
 Montmagny area w/mix of French/English music (mostly
 French) and dual EST/AST time checks. (RUGG-PQ)
 WSGN AL BIRMINGHAM - 12/7 2337 fair/good w/others, ID, PSA,
 Radar weather, EZL music, change from MoR/Rok? (JM-PA)
 Last year they were running MYL type stuff! (DS)
 WIOD FL MIAMI - 12/7 1928 fair w/local ads, sports talk show,
 'Your info. and sports authority'. (JM-PA)
 620 WHJB PA GREENSBURG - 12/1 1700 good w/"Your Country Connection
 slogan, ID into Mutual news. (JB-NY)
 WSUN FL ST PETERSBURG - 12/3 1704 fair w/local news, stocks,
 sports, u/WMAL-630 splash. (DB-VA)
 CFRP PQ FORESTVILLE - 11/27 1550-1610 good in waterfront
 Rimouski relaying CHLC-580 in French, pop music (some
 English), PSA's, ads, Radio Mutuel slogan. (RUGG-PQ)
 WWLX AL LEXINGTON - 12/10 1744 good w/CW after semilocal WTRP
 gone, 1st time here. (KVJ-GA)....11/23 1643 fair/poor
 w/CW music, ads, KMOX-630 splash, no WTMJ. (EB-MO)
 630 WKBY GA SAVANNAH - 12/11 1730+ good w/local news, weather "KB
 63 weather for the Coastal Empire", jingle/ID, CW
 music, evidently forgot to change pattern. (JM-PA)
 KVMA AR MAGNOLIA - 11/29 1655-1713 fair w/ARN news, ads, ID
 w/KXOK. (JPH-OK)
 WLAP KY LEXINGTON - 12/11 1711 '63 WLAP' ID, weather into
 rock music. (HJH-PA) You expected 77 WABC?
 640 WMSO TN COLLIERVILLE - 12/11 1659-1700 end of religious prog-
 ram, ID for 'Collierville/Memphis', "Christian Radio
 for SW TN." (WF-IN)
 KGEW MT BOZEMAN - 12/14 1814 fair w/ID, local ad and weather,
 new station. (JW-OR)
 650 WKKQ MN HIBBING - 12/1 1550 very good in WSM null w/ID,
 cluttered ads. (JB-NY)
 660 WESC SC GREENVILLE - 12/1 1223-1434+ in w/monster signal during
 phenomenal daytime opening to south on low end of band,
 'The new 660 in Dixie', said now 50000 watts. (JB-NY)
 11/25 1604 fair o/TVI w/CW music, ID. (EB-MO)
 670 KWXI AR GLENWOOD - 12/14 1726-1730 w/'Skool Motor Sports Report'
 u/WMAQ. (WF-IN)
 680 WXLF FL ST PETERSBURG - 12/3 1714 good w/BFL music, Bay Area
 traffic report, ads w/mention of Tampa Bay. (DB-VA)
 WPTF NC RALIEGH - 12/1 1229 good in CFTR null w/ID after NBC
 sports report. (JB-NY)
 690 WVOK AL BIRMINGHAM - 12/11 1647-1653 ID, CW music. (WF-IN)

690 WAPE FL JACKSONVILLE - 11/23 1633-1641 loud & clear w/'Joy 690'
 ID, contemporary Christian music, way atop, 45 minutes
 before JAX sunset! Again 12/4 1708-1728 fair mostly o/
 CBF w/modern Christian music. (MD-MA) (5)
 710 CJRN ON NIAGARA FALLS - 11/30 2033 fair-good o/WOR w/many ads
 mentioning Niagara Falls and the Peninsula during break
 in Toronto hockey game. (DB-VA)
 730 WFMC NC GOLDSBORO - 12/2 1657 fair u/WPIT news w/end of count-
 down show into CW music. (DB-VA)
 WPAL SC CHARLESTON - 12/16 1712-1738 great signal w/many ads,
 w/anc'r wanting more air time. (TF-CT)
 WPIT PA PITTSBURGH - 12/1 1329 ID, fair o/pesty CKAC. (JB-NY)
 740 WVCH PA CHESTER - 11/23 1645 loud & clear atop w/s/off.(MD)
 WMBL NC MOREHEAD - 12/9 1655 good w/big band music, ad then
 into s/off. (DB-VA)
 WBAM AL MONTGOMERY - 12/2 1735-1745 way o/CBL w/CW music,
 clustered ads, weather, AM 740 IDs, female anc'r
 w/mention of 1900 s/off then said 'Bye-Bye to listen-
 ers in outlying areas' at switch to PSSA power. (NO
 call change on this yet as noted in AM SWITCH. (KG
 750 WPDV WV CLARKSBURG - 12/15 1700 good o/WHEB w/s/off. (MD-MA)
 WHEB NH PORTSMOUTH - 12/1 1552 good w/jingle/ID then MoR
 selection, no sign of WSB which was in earlier(JB)
 760 KMTL AR SHERWOOD - 12/7 1751-1800 o/WJR w/sermon and full data
 s/off, anc'd power as 10000 watts. (WF-IN)
 770 WJMW AL ATHENS - 12/1 1303-1328+ good w/Auburn football net.,
 break w/local ad. (JB-NY)...11/25 1737 good w/CW
 music, ID, weather, sports report. (KF-IL)..12/18
 1723-1727 great w/CW music, no WBBM-780 splash or
 WABC. (WF-IN)
 WLWL NC ROCKINGHAM - 12/2 1705-1715 fair in WABCs partial
 null w/pop oldies, sports, s/off w/ 'Pink Panther'
 theme. (KG-PA)...12/1 1627 good in WABC null w/
 state high school football scores from NC news net.
 (JB-NY) See what hapopens when you get a new toy,
 things like this you miss! (DS)
 790 KFYD TX LUBBOCK - 12/17 1831 w/rock music, ID, news u/local
 WMC. (TM-TN)
 WTAR VA NORFOLK - 12/14 1813-1818 w/ads, weather, ID. (WF-IN)
 800 WLAD CT DANBURY - 12/4 1635 w/local news, weather, ID,
 poor thru hash. (PO-NH)
 WCCM MA LAWRENCE - 12/3 1548 w/local ads, news update,
 poor thru others. (PO-NH)
 KREI MO FARMINGTON - 12/1 1739-1741 w/ads, jingle/ID,
 Christmas music, soon faded. (BW-OK)
 KXIC IA IOWA CITY - 12/7 1734 brief w/ID only. (WF-IN)
 CHAB SK MOOSE JAW - 11/25 w/promo 'join the best club in town,
 the CHAB club', good, clear signal.(REW-HI)
 810 WSJC MS MAGEE - 12/14 1732-1735 o/WGY w/rock music.(WF-IN)
 KCMO MO KANSAS CITY - 12/14 1730-1732 ad, mention of 'Greater
 Metro Area' u/WSJC.(WF-IN)
 WQIZ SC ST GEORGE - 12/6 1625 good w/Gospel music, ads w/
 mention of Charleston, ID, 5 minutes straight
 worth! (DB-VA) Known as 'Big Bucks'. (DS) 12/1
 1232-1432+ assumed they in WGY null w/religion
 and mention of tabernacle in SC. (JB-NY)
 CHQB AB CALGARY - 11/25 2305 almost level w/KGO w/live
 hoceky game and ID. (REW-HI)
 820 WAIT IL CHICAGO - 12/1 1746 on top w/Big Band music, soon
 lost to WBAP but back w/ID and promo for NW
 basketball games. (BW-OK)
 830 KBOA MO KENNETT - 12/18 1743-1745 rock music into full
 data s/off w/no WCCO. (WF-IN)



Radio-TV NEWS
 CBS for Eastern Iowa

840 WMAX AL MOBILE - 12/5 1750-1801 fair in WHAS null w/music, ABC Direction news, weather, s/off w/no SSB. (JPH-OK)

6 WRYM CT NEW BRITAIN - 12/1 1600 good w/ID in English between two foreign language programs. (JB-NY)

850 WYDE AL BIRMINGHAM - 12/14 1734-1736 alone on freq. w/religious music and ID. (WP-IN)

WJW OH CLEVELAND - 11/30 2037 good w/indoor soccer game which was also on WSLR-1350, rare o/WKIX. (DB-VA)

*WVFR CT RIDGEFIELD - 12/16 1440-1510 ET w/Christmas music. (TF-CT)

860 WFMO NC FAIRMONT - 12/16 1703 fair o/all w/jingle/ID, rock music.(DB-VA)

UNID 12/16 1750-1805 poor/fair w/Top 40 music, GA Net news, w/HILR, did WDMG forget to change pattern? (DB-VA)

WAEC GA ATLANTA - 12/16 1730 good ending Pat Boone show into s/off w/female anc'r. (HJH-PA).....12/9 1729-1730 w/end of Pat Boone s into simple s/off, 'the best contemporary Christian music. (JM-PA) Hutton in drag. (DS)

370 WGTL NC KANNAPOLIS - 12/1 1713 good o/WHCU w/full data s/off w/Lords Prayer. (JB-NY)....12/9 1709 good w/little WWL w/ad, Christmas music, full data s/off w/address & Lords Prayer. (JM-PA)

WPLO VA FARMVILLE - 11/25 1802 good in WWL null w/weather, ID, and s/off 1st time noted at sunset. (KDF-IL)

880 WBEG GA JEFFERSON - 11/25 1730 local ad, CW music, into s/off read live, w/WCBS/KRVN/WMDB. (JP-MI)

KIKR TX CONROE - 12/17 1818 ery strong w/CW music, 'thanks Conroe for listening to KIKR'. (TM-TN)

WMDB TN NASHVILLE - 12/12 1729-1730 w/s/off after sermon thru severe WLS-890 splash. (WP-IN)....12/8 1701 up well w/what sounded to be 'the station w/the big mouth' in ID, again 12/9 1711 w/B/So music then into REL, soon faded. (JM-PA)

890 WHNC NC HENDERSON - 12/2 1633 good w/football scores, weather. (MD-MA)

900 WWJD GA SAVANNAH - 12/8 xint w/full data s/off after sermon by woman, on PSSA power. (JM-PA) Time helps..(DS)

WKJK NC GRANITE FALLS - 12/9 1705 faded up w/Gospel Radio ID into s/off. (JM-PA) Oughta be a 'rock' station. (DS)

WKDW VA STAUNTON - 12/8 1737 noted on PSSA power w/ID, CW music.(JM-PA)

CKTS PQ SHERBROOKE - 11/23 1601-1621 w/'Countdown Sherbrooke' w/English pop music/talk, can be confusing as some ads are in both French and English or total French, but calls are given in English in those ads! (RUGG-PQ)

CJBR PQ RIMOUSKI - 11/27 1758-1815 w/commentary and phone in show on PQ political crisis, 'Ici Radio Canada' ID then local ID in break as 'Radio Canada'. (RUGG-PQ)

910 WFDL MI FLINT - 12/17 1605-1609 CBS, local news, MoR music. (WF-IN)

KGLC OK MIAMI - 12/18 1747-1749 weather, CW music. (WF-IN)

WAVL PA APOLLO - 12/17 1658-1700 weather for Pittsburgh into full data s/off w/no SSB, tremendous signal. (WF-IN)

WRNL VA RICHMOND - 12/15 1648-1700 atop semi local WRCQ/WRKL w/ads, CW music. (TP-CT)

KLCN AR BLYTHEVILLE - 12/5 1732 fair w/road condition report, cancellations, weather. (TC-TN)

WKCN SC N CHARLESTON - 12/5 1753-1801 good w/market summary, ads, CNN news, mention of 24 hours, any idea of nite power on this guy? (TC-TN) 500/500, I believe. (DS)

WGBI PA SCRANTON - 12/6 2108 fair w/ID, CW music. (CR-IL)

920 KOLO NV RENO - 11/24 2237 jingle/ID, CW music, phone # '323 KOLO', looki for my closest unheard, KMTH. (REW-HI)

KARN AR LITTLE ROCK - 12/5 1745 fair w/traffic & weather report, ad (TC)

CKNX ON WINGHAM - 12/1 1809 fair w/CW music, ID. (CR-IL)

930 WGNT WV HUNTINGTON - 12/9 2110 fair u/WSLI w/CW music, PSA, ads. (TM-TN)

WSLI MS JACKSON - 12/9 1800 noted in passing good w/Talkradio ID. (JM-PA)

WPAT NJ PATERSON - 12/4 1641 w/NYC ads, Easy 93 ID w/EZL music, very good signal, long sought. (PO-NH)

940 WCPC MS HOUSTON - 12/14 1736-1740 o/CBM w/ads and MoR music. (WF-IN)

WFNC NC FAYETTEVILLE - 12/2 1646 good, atop w/local ID during American Top Country. (MD-MA)

940 WESA PA CHARLEROI- 12/6 1830+ w/98 ESA PM, forgot to pull the plug on the AM again. (JM-PA)

WMAZ GA MACON - 12/5 1720 booming in w/pop music, ads, no sign of usual pest WCPC. (TC-TN)

950 WSPA SC SPARTANBURG - 12/16 1709 good w/Falcons Football, network and local ads, ID. (DB-VA)

KXJK AR FORREST CITY - 12/8 1745 totally atop freq. w/ads, E AR weather, ID in 'Bulletin Board' show. (BW-OK)

WGOV GA VALDOSTA - 12/9 1754 good o/background noise w/Christmas greeting, B/Sol music, soon faded. (JM-PA)

960 KMA IA SHENANDOAH - 12/14 1746 very strong w/ad, weather, ID as 'Total Radio' mentioned alot. (TM-TN)

CKWS ON KINGSTON - 11/30 2040 poor u/UNID Spanishw/Minor League hockey, ad w/ID noted. (DB-VA)

970 KCFO OK TULSA - 12/1 1844 fair w/ID & gospel music. (CR-IL)

WATH OH ATHENS - 12/18 1712 very poor thru noise w/weather for SE Ohio, ID. (TM-TN)

WKHM MI 11/29 1729 weak w/local ad, ID, rare here as beams signal north. (JP-MI)

980 WCUB WI TWO RIVERS - 11/22 1745 poor w/ads for Manitowoc businesses ID's as 'Cub Radio'. (KDF-IL) My closest unheard. (SP-WI)

WHOO FL ORLANDO - 12/3 1719 good w/Christmas music, jingle/ID, traffic report. (DB-VA)....12/6 1735-1743 way o/all w/tremendous signal, overboard on day patern, CW music, traffic report, gone abruptly at 1743. (KG-PA)

1000 WKBQ NC GARNER - 12/9 1700 poor w/s/off. (DB-VA)

WKYB SC HEMINGWAY - 12/13 1700 fair w/MoR, ID, news. (DB-VA)

1010 KBBW TX WACO - 12/14 1810 w Cowboys football report o/u KLRA, ID then into religious music. (BW-OK)

1020 KDKA PA PITTSBURGH - 11/28 2330 fair thru KTNQ w/teletalk.. (REW-HI)

WCIL IL CARBONDALE - 12/7 1654-1702 w/Beatles music, ads, faded to WPEO, no sign of KDKA. (WF-IN)

WJEP GA OCHLOCKNEE - 12/17 1653 fair w/KDKA w/Christmas music, said PD just told him he could play a songhe earlier anc'd he couldn't. (DB-VA) Play now, pay later! (DS)

1040 WJTB OH N RIDGEFIELD - 12/11 1653 B/Sol music, casual s/off w/back-ground music, fair signal. (HJH-PA)....12/17 1624-1630 o/WHO w/Christmas & B/Sol music. (WF-IN)

WBZW TN POWELL - 12/12 1730 ss/off w/no WHO. (WF-IN)....12/7 1643 good w/ ads and ID. (TM-TN)

WHBO FL PINELLAS PARK - 12/17 1703-1731 w/MoR music, ID dual w/ Clearwater, was looking for WBZW/WJTB. (WF-IN)

WSKE PA EVERETT - 12/1 1339 weak in WHO null w/local newsbrief. (JB) 11/29 1700 statement for power reduction til 1800, s/off for people 15-20 miles out of range. (JM-PA)

1050 WSMT TN SPARTA - 11/22 1817 ad, ID, strong then faded. (TM-TN)

WDZ IL DECATUR - 11/23 1873 rock music, ad, 'Central IL best music' and AM 1050 ID. (TM-TN)

WMSG MD OAKLAND - 12/6 1653 fair w/Christmas music, promo, local news, community notes. (DB-VA)

WJXY SC CONWAY - 11/29 1735 poor but o/WNN/CHUMP w/ad block and many ID's. (DB-VA)

1060 WAMT FL TITUSVILLE - 12/3 1721 fair w/weather, temp. at Kennedy Space Center into CW music, no KYW. (DB-VA)

KLSM MO SPRINGFIELD - 11/22 1824 good w/news, jingle/ID. (TM-TN)

WTPP MA NATICK - 11/26 1618 w/psyco call in show, fair signal w/ solid ID's o/KYW. (KG-PA)

Listen to the
GOLDEN HITS
1955-79

Solid
Gold
Radio 550
-WNTN-



- 1070 WJKK WV BECKLEY - 12/17 1712-1715 CW music, full data s/off w/SSB o/WIBC/WTSO/others, ID's as K Country 11. (WF-IN)
- WIBC IN INDIANAPOLIS - 12/16 1605 Colts football, seems to be a regular lately. (TF-CT) No comment! (DS)
- 1080 WUFO NY AMHERST - 12/10 1630-1640 o/all w/rock music, ads, program promo, no call change yet per AM SWITCH. (KG-PA)
- WBCP MS CARTHAGE - 1758-1800 full data s/off w/SSB u/WMI but o/WTIC/KRLD. (WF-IN)
- 1090 WBAL MD BALTIMORE - 12/12 1608-1612 local weather, talk show.(WF)
- KEXS MO EXCELSIOR SPRINGS - 12/18 1800-1802 w/late s/off, no SSB, noted in KAAV null. (WF-IN)
- 1100 KKLK MO WEBB CITY - 12/7 1728-1733 w/ad for Joplin, religious music w/no WWNE. (WF-IN)
- 1110 WMBI IL CHICAGO - 12/18 1652 fair w/ads, address, ID and religious music. (DB-VA)
- WSPW NY SENECA FALLS - 12/1 1800 xint w/s/off and SSB w/ID at very tail end.(DB-VA)
- 1120 WYNO OH NELSONVILLE - 12/10 1646 noted w/CW music, ID, ads. (HJH-PA)
- KMOX MO ST LOUIS - 11/282329 w/time check, ID, thru KPNW. (REM-HI)
- 1130 KAAB AR BATESVILLE - 12/11 1723-1725 o/KWGH/WISN w/Top 40 music, request line #, must be on D3 1000. (WF-IN)
- KLEY KS WELLINGTON - 11/30 1527-1601 very weak but alone w/Christmas music, local news, ID. (JPH-OK)
- WCBX NC EDEN - 12/9 1700 CW music til s/off, weak. (HJH-PA)
- 1140 KCXL MO LIBERTY - 11/23 1759 poor u/WSAO w/s/off. (EB-MO)
- 1150 KSAL MS SALINA - 12/18 1806 good w/ads, local news and weather which I was glad was there and not here! (TM-TN)
- KIIS CA LOS ANGELES - 12/12 2258-2340 fair w/news then Talknet, (LHC-CA)
- 1160 WAMB TN DONELSON - 12/14 1644-1653 Big Band music, business report, in clear w/WJJD nulled. (WF-IN)...12/2 1708-1721 loud & clear & alone w/MYL and few ads, again 12/15 1708-1730 fair, alone w/MYL. Per call to station, will go to 50 kw soon. (MD-MA) You shoulda asked about this freq. change!
- 1170 WHNE GA CUMMING - 12/3 1730 clear in WWVA's null w/full data s/off but no power given, no SSB. (KG-PA)
- WACV AL MONTGOMERY - 12/3 1740-1745 fairly good in WWVA's null w/Big Band music then talk about call change to WACV, and c't on official change at 1744 1/2 then gone at pattern/power change. (KG-PA)...12/5 1732-1745 good in KVOO null w/traffic and weather, MoR music. (TC-TN)
- 1180 WLDS IL JACKSONVILLE - 12/7 1629 strong w/ads, ID and lots of farm news, atop til 1700. (TM-TN)
- 1190 WSVL TN DUNLAP - 12/7 1627 poor w/ads, ID, soon faded. (TM-TN)
- KHAD MO DESOTO - 12/8 1800 s/off poor u/WOWO/Spanish. (JK-MD)
- 1200 KFNW ND W FARGO - 12/8 1655 very good w/religious music and requests. (JM-PA)
- 1210 WDGR GA DAHLONGA - 12/12 1707-1713 local news and death notices, strong in WCAU null. (WF-IN)
- WILY IL CENTRALIA - 12/14 1643-1645 w/MoR music, ID. (WF-IN)
- 1220 WAXO TN LEWISBURG - 12/14 1638-1641 ads, rock music, ID. (WF-IN)
- 1230 WFAI NC PAYETTEVILLE - 11/23 1749 fair/poor w/ads, ID. (TM-TN) Guess they haven't changed to 1200 yet. (DS)
- WSJR ME MADAWASKA - 11/26 2053-2103 w/oldies/Top 40 music, frequent 'Star Stations' ID w/dual WLVC Fort Kent, SMN news on hour, slogan 'St John River Valleys' Star Station.' (RUGG-PQ)
- WMPR NC HIGH POINT - 12/11 1635-1640 alone in WEEZ's null w/ad for Greensboro, weather into Christmas song. (KG-PA)
- WCRO PA JOHNSTOWN - 12/4 1649 fair w/promo for upcoming phone in contest, rock music. (DB-VA)
- 1240 WSYY ME MILLINOCKET - 11/26 1601-1625 w/ID, news, pop music, local ads, ID's often as 'New Sunny 98 FM' w/WSYY AM-FM on hour, serving 'Millinocket-Lincoln'. (RUGG-PQ)
- 1270 KSCB KS LIBERAL - 11/27 1942-2000 afir/good in KSSA null w/CB brand of CW music, SMN news, ID. (JPH-OK)

- 1270 CJTN ON TRENTON - 11/28 1730-1736 on top w/ads, news,, sports, and weather. (KG-PA)
- 1280 WGBF IN EVANSVILLE - 12/2 1750-1803 very strong w/AdCon music, ABC news on hour. (KG-PA)...12/16 1740 fair w/rock music, phone contest, ads, many ID's. (DB-VA)
- KDKD MO CLINTON - 11/23 1800 poor w/short s/off w/SSB w/WGBF/WJUE. (JPH-OK)
- WMCP TN COLUMBIA - 11/19 1650-1655 tentative w/mny local ads mentioning Columbia w/slop from semi-local KUOA/KOKN.(JPH)
- 1290 CHRM PQ MATANE - 11/27 1459-1509 fair signal west of Rimouski all in French, ID, Radio Mutual news, promo, ads, weather, and French pop music. (RUGG-PQ)
- WCBL KY BENTON - 12/11 1633-1639 w/local basketball scores w/KOIL/WNHL/WIRL/WHIO nulled. (WF-IN)
- KOIL NE OMAHA - 12/11 1628-1635 pop music and news headlines o/WNHL/WIRL. (WF-IN)
- CJBK ON LONDON - 12/3 1727 fair w/music, promo for caroling being sponsored by station. (DB-VA)
- KTRN TX WHITCHITA FALLS - 12/7 1835 weak in mess w/ID. (CR-IL)
- 1310 WDOO TN CHATTANOOGA - 12/9 1655 CW music, ID for 'Country WDOO', AP networks news, o/WVIP/others. (TF-CT)
- CHGB PQ LA POCATIERE - 11/27 1934-2007 w/very strong signal east of town w/PQ hockey, locals ads, ID, funny sounding whistles noted on both sidebands. (RUGG-PQ) Bad audio lines supplied by the phone co. do things like that! (DS)
- 1330 WDLW MA WALTHAM - 12/5 1634 poor thru WNYM w/ID, CW music. (PO-NH)
- WFBC SC GREENVILLE - 12/14 1749-1754 MoR music, ID, weather. (WF-IN)
- WMLT GA DUBLIN - 12/18 1830 fair w/ID and 'thanks for listening to middle GA's information station.' (TM-TN)
- 1340 WSTJ VT ST JOHNSBURY - 11/23 1649-1809 w/pop music, clustered ads, ID as 'NE Kingdoms B'casting News' then SNN news. (RUGG-PQ)
- WPAU ME AUGUSTA - 11/25 2015 noted on ME 195 w/good signal w/Bruins hockey. (RUGG-PQ)
- WSME ME DOVER-FOXCROFT - 11/26 1448-1503 w/good signal on ME 195 w/vocal music, IDs, promos and clustered ads, AM-FM ID on hour then AI news. (RUGG-PQ)
- WHOU ME HOULTON - 11/26 1829-1850 on ME 195 w/oldies/pop music and frequent 'Your friends at 'HOU', 'Stereo 'HOU' ID's. (RUGG-PQ)
- KSZN TX PAMPA - 11/27 1933 atop briefly w/promo/ID, fade. (JPH)
- WMRK AL SELMA - 11/23 1807 fair w/jingle/ID, faded. (TM-TN)
- 1350 CHAL PQ ST PAMPHILE - 11/27 1934-2007 relaying CHGB-1310 w/PQ hockey poor signal on Route 20. (RUGG-PQ)
- KBOT AR CABOT - 11/11 1859 good on PSSA w/s/off read o/SSB, o/WJBD which s/off 1 minute later. (KDF-IL)
- 1360 WCHL NC CHAPEL HILL - 12/9 1628-1640 o/WDRG w/ads, Sinatra music, ID, hope they verify! (TF-CT) Used to be, friendly, etc. (DS)
- KRKB IA FT MADISON - 11/22 1209 poor/fair barely o/KLRS/others w/pop music, ads, jingle/ID. (EB-MO)
- WKKY TN MILAN - 11/17 1903 way on top w/CW music, triple ID as Milan-Trenton-Humboldt. (KDF-IL)
- KZZM LA TULLULAH - 11/23 1801 fair w/ID, possible gospel music. (KDF-IL) In the world of Ripley, anything is possible! (DS)
- 1370 WJWS VA S HILL - 12/2 1645-1655 way o/all w/CW music, clustered ads. (KG-PA)...12/15 1620-1640 Christmas music, ads w/mention of gifts for railroad workers. (TF-PA) Dear Santa..(DS)
- WGTC IN BLOOMINGTON - 12/11 1719-1730 way o/all w/CW music, clustered ads, promo for Big Black Box contest, lost at power drop. (KG-PA)...12/17 1705 loud at times w/sports report, ad for Salem IN then terminal fade just barely noting ID so not good enuf to count. (HJH-PA)
- WLTC NC GASTONIA - 12/15 1640 ID, ad, lost to WPEA/WALK. (TF-CT)
- KGNO KS DODGE CITY - 12/18 2353 poor w/MoR music, ads, ID. (TM-TN)
- 1380 KAUL AR N LITTLE ROCK - 12/11 2145 w/MYL, log shows CP D3 1000/5000 Explain please. (NNNA) Since you fogot to sign your letter, I can't explain it. (DS)
- WYNK LA BATON ROUGE - 12/11 1758-1800 o/WQHK w/CW music til s/off w/mention to tune FM 101.5. (WF-IN)
- 1390 WFBL NY SYRACUSE - 12/11 1821-1829 in clear w/MYL o/WGCI/others, possibly still on day pattern. (WF-IN)
- KPPL CO DENVER - 11/23 1856-1901 fair w/B/Sol music, AM 139 K-People ID's w/KMRY, ex-KJJZ. (JPH-OK)

THE AM STAR STATION

560 610 900 950 1060 1210 1390

W T I W F L W P E N K Y W C A U W Q I Q

WGLC AM-1090 KC FM-100.1 MC

- 1400 KBCH OR LINCOLN CITY - 11/18 2300 ad for Dory Cove, verie said my report was not the furthest, herad in Australia. (REW-HI)
- 1410 WMML AL MOBILE - 12/17 1737-1740 CW music, movie trivia contest o/WING, severe splash from WIMS-1420. (WF-IN)
- 1420 WIGG MS WIGGINS - 11/24 1758 fair & steady thru s/off w/SSB. (TM-TN) 12/9 1758 full data s/off w/SSB, giving PSA power. (KWJ-GA) 11/21 1743 w/several ID's, PSA. (KDF-IL)
- WDBF FL DELRAY BEACH - 12/3 1657 fair w/MXL type music, ads w/local mentions. (DB-VA)
- KTJS OK HOBART - 11/19 1900 on PSSA w/s/off w/OK theme. (KDF-IL)
- WBSM MA NEW BEDFORD - 12/3 1612 w/ad, 'Open Line' tele-talk show, fair w/some fading. (PO-NH)
- 1430 WRXO NC ROXBORO - 12/6 1705 xint w/AdCon music, ads, weather. (DB-VA)
- 1440 WRBE MS LUCEDALE - 11/18 1759 poor w/ID into possible s/off. (CR-IL)
- 1450 WLKN ME LINCOLN - 11/26 1434-1446 on ME 195 w/good signal, CW music w/Mutual sports, AM-FM ID's. (RUGG-PO)
- 1460 WBRN MI BIG RAPIDS - 11/19 0000 good w/dual AM-FM full data s/off one minute after local WWG s/off. (JB-NY)
- 1470 WBTX VA BROADWAY-TIMBERVILLE - 11/25 1700 very good w/full data s/off w/no SSB. (JB-NY)
- WJDY MD SALISBURY - 11/30 1609 very poor signal w/ad, solid ID then faded out completely. (PO-NH) That's life..one big fade out!
- 1480 WCIN OH CINCINNATI - 12/9 2300 fair w/ID, MYL. (TM-TN)
- KRED CA EUREKA - 12/12 2033 fair w/RKO news, ads, CW music, ID. (JM-OR)
- WISL PA SHAMOKIN - 12/8 1632 good w/ads, ID, music. (TP-CT)
- WAME NC CHARLOTTE - 12/12 1740 briefly o/all w/ad, female anc'r w/ID(KG)
- WY2E GA ATLANTA - 12/12 1734 overboard w/full data s/off, no SSB. (KG-PA)
- 1490 WNDU IN S BEND - 12/11 1603-1610 news, sports, weather, tough copy w/WBWX/WAKE-1500 splash. (WF-IN)
- 1500 WTOP DC WASHINGTON - 12/3 2200-2212 in din w/two otehrs w/Monday nite Football from CBS, positive ID on hour, other 2 not ID'ed, suspect WLQV w/religion, KSTP w/Talknet. (TC-TN)
- WBRI IN INDIANAPOLIS - 12/6 1500 ID and news o/WTOP, must be in their null as can't be more than 45 miles from here and signal is very bad, WLQV almost equal nightly. (JK-MD) Directions? (WPT-DC)
- WQMF NY WATKINS GLEN - 12/61630 noted w/ID o/WTOP. (JK-MD)
- KTXO TX SHERMAN - 12/10 1814 nice u/KSTP w/s/off, no SSB. (BW-OK)
- 1520 UNID 12/6 1615 some here w/ads for Purcellville, VA, no ID. (JK-MD) It wasn't WCHE, we have ads for VICMELISVILLE! (DS)
- 1530 WBCW PA JEANETTE - 12/17 1659 noted w/weatherd, faded to WCKY before their s/off. (HJH-PA)...12/1 1656 very good w/ID at end of their 'Polka Showcase' show. (JB-NY) My favorite program! (JM-PA)
- 1540 KSKQ CA LOS ANGELES - 12/12 2220-2228 fairly good w/hyper Spansish anc'r, ID's as 'Super KQ' often, ex-KZLA. (LHC-CA)
- WRSM AL SUMITON - 12/12 1743-1745 w/Christmas song, s/off. (WF-IN)
- WSMI IL LITCHFIELD - 12/7 1724-1726 u/KXEL/WLOI long enuf for ID. (WF-IN)
- WNRE OH CIRCLEVILLE - 12/2 1712 fair w/ads into song which was cut short for s/off. (DB-VA)
- WZAL GA MCDONOUGH - 12/9 1719-1724 atop w/ads, pop music, ID. (KG-PA)
- WBIN TN BENTON - 12/9 1728 o/all w/full data s/off on critical hours power of 250 watts. (KG-PA)
- 1550 WRHC FL CORAL GABLES - 11/18 1726-1731 loud/clear w/Spanish ballads and English ID before power/pattern change. (MD-MA)
- WYNX GA SMYRNA - 12/8 1717-1730 xint w/REL music, Christian Stereo Radio ID's, anc'd power cut at 1730, said would return 0730 for those who loose signal, GA network news. (JM-PA);
- KOKA LA SHREVEPORT - 12/7 1808 up briefly after WOKJ w/B/Sol music, ad, is he still a non verifier? (JM-PA) Really couldn't tell you, John....I've never got 'em here! (DS)
- WOKJ MS JACKSON - 12/7 1800-1808 good w/jingle, news, ad, sports, weather, evidently forgot to drop power. (JM-PA)
- 1560 WINS OH COSHOCTON - 12/2 1702 good o/WQXR w/rock music, ads, promo. (DB)
- WAGL SC LANCASTER - 12/2 1633 poor w/promo for countdown show, 'Waggle Country' ID, mentioned being 50kw 3 times in 5 minutes! (DB-VA)
- WYZD NC DOBSON - 12/11 1745 xint in WQXR null w/ad, gospel music, ID & s/off mentioning 10000 watts, very muffled audio. When did they get a power increase? (JM-PA) In a dream, yesterday....I've noted their poor audio on my NC trips so it's not your ears!
- 1570 WHLP TN CENTERVILLE - 12/18 1711-1714 news, weather, TN sports report, just above the mess. (WF-IN)
- WKYR KY BURKESVILLE - (no date) 1801-1813 w/mention of high school basketball game cancellation, weather for S KY & N TN, CW music, o/WBEE/CHLO. (WF-IN)
- WGLX OH GALION - 12/2 1703 fair w/s/off w/mention of FM stereo. (DB-VA)
- WPEP MA TAUNTON - 12/9 1709-1720 end of sports, weather, promo for next news into EEL music, soon lost to WDM. (TF-CT)
- WKYR KY BURKESVILLE - 12/7 1859 in/out then up w/ID in s/off w/SSB. (JM)
- WLBQ KY MORGANTOWN - 12/8 1859 w/CW music til s/off on PSSA power, address given, tower 'atop hill' and SSB. (JM-PA)
- 1580 WILA VA DANVILLE - 12/11 1800 very weak on extended hours, took a couple of tape replays to ID this one, rare here. (HJH-PA)
- WLIJ TN SHELBYVILLE - 12/17 1729-1730 noted w/s/off, no SSB. (WF-IN)
- WJTX IL URBANA - 12/7 1749-1753 promo for Christmas contest, Champaign add. given, o/WAMJ/others. (WF-IN)
- CBJ PQ CHICOUTIMI - 11/26 French talk on fishermen, almost topping KDAY on beverage w/no KNIX, province #5, still need ON. (REW-HI)
- 1570 WYTI VA ROCKY MOUNT - 12/8 1730 very good w/Mutual news, ads, CW music, on PSSA power. (JM-PA) Why'd you list them as 1580? My computer is good but not THAT good...yet! (DS)
- 1580 KTGR MO COLUMBIA - 12/8 1841 good w/CW music, 'KT Country' ID's, good for a PSSA!(JM-PA) Better yet...on the correct freq.!(DS)
- WJIK NC CAMP LAJUENE - 12/6 1715 good w/ad and full s/off 'to enrich your life' w/ their programming. (JM-PA)
- 1590 WVNA AL TUSCUMBIA - 12/18 1709-1710 w/ID as 'News, Talk, Sports & Information leader'. (WF-IN)
- WQIQ PA CHESTER - 12/10 1855 fair w/oldies, ID, ads, 1st time noted. (DB-VA) It won't be the last either! (DS)
- WQOW CT WATERBURY - 12/2 1845 fair o/U UNID Spanish w/MYL, ID. (DB-VA)
- WKRS GA SWAINSBORO - 12/7 1728 s/off w/invite to tune 103.9 FM. (HJH-PA)
- WFTW VA RICHMOND - 12/9 1605 atop WQOW w/fire & brimstone preaching!(TF)
- 1600 WCPK VA CHESAPEAKE - 12/9 1555 atop w/BFL music, ID, UPI news. (TF-CT)
- WNST WV MILTON - 11/25 1723 still in well w/CW music, apprently on PSSA.(JB)

MIDNITE - MIDDAY:

- 550 WHLM PA BLOOMSBURG - 12/8 0740 ID noted during xint AM conditions. (JM-PA)
- KPYR ND BISMARCK - 11/29 0830 ID, rock music, trivia contest. (FV-ND)
- CKPG BC PRINCE GEORGE - 12/1 0837 fair w/ID, female anc'r, 60's music.(JM)
- KBCW MT BUTTE - 12/3 0833 strong w/ID, MT news, local weather. (JM-OR)
- 560 WMIK KY MIDDLEBORO - 12/8 0621-0628 good w/ad, weather, CW music, mistaken for WJLS. (JM-PA)
- WHBQ TN MEMPHIS - 12/8 0632 fair w/ad, anniversary anc't, fair in WMIK fade. (JM-PA)
- KLVI TX BEAUMONT - 12/10 0632 good w/editorial, ads, NFL scores, CST time time check, last heard and veried in '71. (JM-PA) Yeah, last heard and NOT veried in 81! (DS)
- 570 KLUJ UT SALT LAKE CITY - 12/2 0500 ads, ID into NBC news, weather for SLIC/Provo, MYL type music. (JF-CA)
- 580 CPRA ON OTTAWA - 12/5 0126 xint w/AdCon music, giveaway w/phone # given, weather. (JM-PA)
- 600 WFRM PA COUDERSPORT - 11/23 0700 w/Mutual News headlines, local news, ID and weather, Top 40 music. (FPO-NY)
- WMT IA CEDAR RAPIDS - 12/9 0206 fair w/CBS news, full data s/off. (JM)
- 620 WRJZ TN KNOXVILLE - 12/5 0141 good w/religious/Christmas music, weather, and ID's as 'Joy 62'. (JM-PA)
- 630 KDWB MN ST PAUL - 11/29 0852 ID, rock music, simulcast w/FM 100 per anc'r. (FV-ND)
- WKBX GA SAVANNAH - 12/4 0624-0647 good w/ads, Univ of GA basketball promo, CW music, KB 63 weather. Same weatherman as on local WTAE, big deal! (JM-PA) You said that magic words! (DS)
- WEJL PA SCRANTON - 12/8 0615 good w/ad, MYL and 'clear, consise, to the point, we don't mess' around w/news' thingie. (JM-PA)

990/WNYR

WJPS
EVANSVILLE, INDIANA
No. 1 REACH STATION
IN THE TRI-STATE
8-COUNTY
EVANSVILLE MARKET



THE NEW
KRVN
880 kc
50,000 Watts

650 WKKQ MN HIBBING - 12/1 0707 o/u WSM w/CW music, Super Q ID's. (CR-IL)
 660 WESC SC GREENVILLE - 12/5 0820 strong w/ID giving WNBC a hard time. (HJH-PA)
 670 WMAQ IL CALGARY - 12/2 0413 Top 40 music, '66 CFR' ID's. (JF-CA)
 CHICAGO - 11/29 0240-0255 faded up weakly u/KBOI OC w/CW music, ID, until KBOI return, no sign of KWNK, KBOI also off 12/1 0645-0700 w/same results. (DKK-CA) Falls in the 'Big Deal' department. (DS)
 680 WPTF NC RALIEGH - 12/5 0824 noted atop w/ID, comment on rain. (HJH-PA)
 690 KGGF KS COFFEYVILLE - 12/9 0720 noted w/PSA, ID, CST time check into fishing program, was looking for WYIS. (JM-PA) You weren't looking for such, small game perhaps? (DS)
 WYIS PA PHOENIXVILLE - 12/8 0829 fair briefly w/end of religious program, ID, again 12/9 0729 w/Christian Connection. (JM-PA) OK, Vic, you can come down now! (DS)
 WELD WV FISHER - 12/8 0815-0832 very good w/Mountainer Sports, CW music, ads, w/WZAP. (JM-PA)
 700 KFAM UT N SALT LAKE CITY - 12/3 0740-0803 fair w/ID, ad, EZL music. (JW-OR)
 710 KGNC TX AMARILLO - 12/5 0100 ID, CBS news, Larry King show. (NRNA)
 WOR NY NEW YORK - 12/17 0526-0556 poor in WHB partial null w/ID, news, weather, 1st time noted here! (JFH-OK) Lucky! (DS)
 *WOR NY NEW YORK - 12/10 0150-0205+ ET w/TT/OC leaving strong signal from CKVM w/CJBC's insipid music/CJRN under. (KG-PA)
 720 KDWN NV LAS VEGAS - 11/26 0537, 12/10 0617 noted off these AM's, leaving WGN good both AM's. (LHC-CA)
 730 KDAZ NM ALBUQUERQUE - 12/2 0901-0905 w/full data s/on into religious music, fair thru KCBS-740 splash, soon faded. (DKK-CA)
 770 KOB NM ALBUQUERQUE - 12/3 0352 noted off this AM. (LHC-CA)
 780 KAZM AZ SEDONA - 12/4 0016 very poor/sever fades w/local weather, u/KROW most of the time, ID'ed after several nites of trying. (LHC-CA)
 800 WCCM MA LAWRENCE - 12/5 0836 fair o/WCHA/WIMR w/local news, weather. (HJH-PA)
 840 KSWB OR SEASIDE - 12/15 0914 weak w/ID, female anc't, ads, weather, evidently on PSA of 250 watts. (JW-OR)
 850 WCGY FL W PALM BEACH - 12/17 0111 fair o/CKVL u/WHDH OC w/oldie, ID. Per call to station, calls mean 'Curt Gowdy Y'All', same calls as 93.7 Lawrence, MA, also owned by Curt Gowdy, a FCC dereg loophole(MD)
 880 *WCBS NY NEW YORK - 12/10 0140-0218 totally off leaving strong Cuban, returned 0218 w/ID, OC, occasional modulation. (KG-PA)
 KWIP OR DALLAS - 12/17 0305 poor u/KRVN w/end of weather, ID. (LHC-CA)
 890 *UNID 12/17 0300 weak, garbled, w/WLS off, couldn't ID it. (LHC-CA)
 900 WKDW VA STAUNTON - 12/10 0731 very good w/news, ad, weather, sports. (JM-PA)
 *KJSK NE COLUMBUS - 12/17 0010-0025 tentative, very poor w/TT, slowly faded to XEM, no ID heard. (LHC-CA) This was a test listed in, among others, the ACE magazine. (DS)
 910 *UNID 12/17 0414-0457 very strong OC/TT, suspected local KGLC. Call to station later in day said was they. (JFH-OK)
 KGLC OK MIAMI - 12/9 0059 good w/s/off after CW music. (JM-PA)
 KCJB ND MINOT - 11/29 ID, sports, ads. (FV-ND)
 920 WGST GA ATLANTA - 12/1 0005 fair ending Mutual news, Newstalk 92 ID into Larry King, o/Cuban. (JM-PA)
 WPTX MD LEXINGTON PARK - 12/8 0850-0853 in well w/church anc't, promo for Redskins football, ads, again 12/10 0725 w/School Lunch menus, 'Name That Tune' game. (JM-PA)
 CKCY ON SAULT STE MARIE - 12/9 0100+ good atop others w/ID w/CJWA-1240 dual, AdCon music, ads, weather, sports. (JM-PA)
 930 WSEV TN SEVIERVILLE - 12/4 0750-0800 in well w/ads, anc't, weather, CW music ID for 'Sevier Countys Radio Station', local news. (JM-PA)
 WQNT WV HUNTINGTON - 12/4 xInt w/local/national news, ads, promo for basketball game, traffic report, weather, likely on day aptern 45 min. early. (JM-PA)
 970 WRCS NC AHOESKIE - 12/15 0655 fair w/WTKN w/AdCon music, NC net. news, but very little talk. (DB-VA) Not much to say! (DS)
 990 CBW MB WINNIPEG - 11/29 0058 classical chorus equal w/CBR-1010, thru KRVH, MB #2 here. (REW-HI)
 1020 WJEP GA OCHLOCKNEE - 11/28 0747 poor w/gospel music, weather for NW FL. (JPH)
 1050 KTBA AZ TUBA CITY - 11/28 0919-0932 very good o/u XEG w/religious music, ID and local news. (LHC-CA)
 KSOH AR LITTLE ROCK - 12/15 0818-0830 fair/poor in XEG/KGTO null w/Central AR weather, gospel music, ads, K-SA ID's. (JFH-OK)

1060 *KYW PA PHILADELPHIA - 12/2 0000-0344 ET w/odd sweep tones and noises, o/UNID w/jazz-jam session music (possibly Cuban). Returned 0344 w/SSB, s/on then into news. (KG-PA)
 1090 *WBAL MD BALTIMORE - 12/3 0100-0145+ noted off this AM. (DB-VA)
 1140 WMMG KY BRANDENBURG - 12/7 afir at s/on w/mention of FM problems, school cancellations, 'Values for Better Living' program. (KVJ-GA) Time?
 1150 KGNW WA SEATTLE - 0005 mostly u/KBAI w/ID into religion. (REW-HI)
 1180 WFKB KY FLORENCE - 12/4 0900 ID, local news for N KY, well o/WHAM. (JK-MD)
 1190 WSVC KY DUNLOP - 11/18 0715 poor w/s/on. (CR-IL)
 1210 WILY IL CENTRALIA - 12/7 0722 good w/high school football game replay, FM 95.3 promos, ads. (KVJ-GA)
 KREW WA SUNNYSIDE - 12/16 1034 fair/good o/u KCLG w/weekend report. (LHC-PA)
 1220 KDPC CA PALO ALTO - 12/16 1041-1133 xInt but faded w/church choir singing what sounded to be a cantata. (LHC-CA)
 1230 KIBS CA BISHOP - 12/5 0132 good briefly atop mess w/weather, ID. (BH+NH-WA)
 1240 CJAP PQ CABANO - 11/27 1138-1228 very strong in Degelis-Trois Pistoles area relaying CJFP-1400 w/French/English pop music, ads, triple ID w/CJFP/CJAP/CHRT. (RUGG-PQ)
 1250 KTMS CA BARBARA - 12/12 0030-0430 good w/ABC network talk, again 12/15 0300 poor w/talk. (LHC-CA)
 KKFV WA SEATTLE - 11/29 0257 extra strong w/rock music, ID, best ever heard w/KOIT-1260 on. (DKK-CA)
 WREN KS TOPEKA - 11/26 0106 promo for AM Business report into rock music, good but not enuf for report. (REW-HI)
 1260 CFRN AB EDMONTON - 11/26 0106-0204 fair/good w/religious talk show, ID, news and sports, KGBX nulled. (JPH-OK)
 KGIL CA SAN FERNANDO - 12/12 0429 w/ID thru XEMW, KOIT off again. (DKK-CA)
 1270 WXYT MI DETROIT - 12/17 0130 good o/WJZ w/Larry King, ads, ID.. (DB-VA)
 1280 WYVE VA WYTHEVILLE - 12/5 0602-0607 way o/all w/UPI news, ads, sports. (KG)
 1290 WKLB KY MANCHESTER - 12/6 0703 fair w/ABC news, ID. (CR-IL)
 1300 WNOX TN NASHVILLE - 12/11 0758-0800 surfaced w/Christian Calander, ID, soo faded. (JPH-OK)
 WSSG NC GOLDSBORO - 12/11 0722-0730 alone w/WFBR/WXPX nulled, weather, school menus, Birthday Time, MYL, sports. (KG-PA)
 WSYD NC MT AIRY - 12/11 0740 on top w/Sports Review, ads, Radio 13 ID's into CW music. (KG-PA)
 1320 WJAS PA PITTSBURGH - 12/6 0035 in like a local w/MYL, UNID PoP under. (TC)
 KSIV MO CLAYTON - 12/11 0819-0834 fair w/ID, religious program, church items, faed to KWEN. (JFH-OK)
 KGNR CA SACRAMENTO - 12/12 0300-0430 fair w/ABC talk, again 12/15 0300-0800 xInt w/talk. (LHC-CA)
 CBAM NB EDMUNSTON - 11/27 0901-0915 w/English CBC news, weather, interview program, usual CBC ID's. (RUGG-PQ)
 1340 WLVC ME FT KENT - 11/27 0840-0900 w/Top 40 music, Star Station slogan, dual ID w/WSJR on hour. (RUGG-PQ)
 1350 WHMI MI HOWELL - 11/23 0659 poor w/ID, weather. (CR-IL)
 WPDR WI PORTAGE - 11/23 0707 fair w/ID, ads. (CR-IL)
 1360 WIXZ PA MCKEESPORT - 11/24 0715 w/CW music, local ads, ID. (FFO-NY)
 WGEZ WI GREEN BAY - 12/13 0026 good w/weather, calls on Elvis tune. (TM-TN)
 KSCJ IA SIOUX CITY - 12/13 0045 good w/sports line-up, MYL. (TM-TN)
 *WEBB MD BALTIMORE - 12/3 0130-0230+ Pop ET w/various TT, ID, music. (KG-PA)
 1370 *WGTC IN BLOOMINGTON - 12/9 0001 atop on ET w/religious and Christmas music, thought was something new until noted it was ex-WTTS. (KVJ-GA)... 12/10 0040 fair w/ID u/WSPD possibly using FM w/AdCon music. (JM-PA)
 DEGELIS - 11/27 1110-1215 French talk, mix of French/English music, AM-FM ID, was not relaying CHGB-1310 at this time. (RUGG-PQ)
 1390 WNZQ VA ARLINGTON - 12/17 0041 good w/ID, ex-NEAM. (MD-MA)
 WOCI IL CHICAGO - 12/9 0000 1/ID betwixt religious programs. (KVJ-GA)
 1400 KUKI CA UKIAH - 12/13 0259 very poor w/ID above pack, ABC news, fade. (LHC)
 1410 KERN CA BAKERSFIELD - 12/13 0145-0202 fair w/'Best of the 70's' music. (LHC)
 KVEG NV LAS VEGAS - 12/13 0140-0202 fair o/u KERN w/ads, ID. (LHC-CA)
 1420 KITI WA CHEHALIS - 12/7 0930-0932 o/KSTN briefly w/Seattle sports news, ads, promo for Seahawks ballgames, ID. (DKK-CA)



1450 WEYZ PA ERIE - 12/3 0053 good w/ID, MYL mention, well atop freq. (JB-NY)
 WPIX AL HUNTSVILLE - 12/10 0041 weak w/ads, rock/MoR music, ID. (TM-TN)
 (14) KQDI MT GREAT FALLS - 12/12 0620 AdCon music atop mess, female anc'r, contest promo, several ID's. (BH+NH=WA)
 KGRZ MT MISSOULA - 12/12 0612-0622 atop w/promos, again 0705 ending NBC news into rock oldies music, 'The Grizz' slogan. (BH+NH=WA)
 CHRT PQ ST ELEUTHRE - 11/27 0932-0942 in French dual w/CJFP-1400 w/ad cluster, French music, joint ID for CJFP/CJAF/CHRT. (RUGG-NB)
 1460 KDON CA SALINAS - 12/13 0222-0248 fair w/MYL, 'Voice of Monterey Bay' ID. (LHC)
 KEND NV LAS VEGAS - 12/13 0230 very poor u/KDON w/ID, barely noted. (LHC-CA)
 WBNS OH COLUMBUS - 12/12 0205 fair w/local news, weather o/WCMB. (DB-VA)
 CJOY ON GUELPH - 12/11 0000 unique ID for '3,271st day of continuous service' in ID. (JM-PA)
 WWCN NY ALBANY - 12/3 0108 w/news, 'Newsradio' ID, ad, weather, very poor signal. (PO-NH)
 1470 KHND ND HARVEY - 11/29 0815 ID, CNN News, local promo. (FV-ND)
 CKO PQ POINTRE CLAIRE - 12/3 0002 w/news, sports, weather, good ID but poor signal w/others. (PO-NH)
 1480 WNKY KY NEON - 12/9, 12/10 0640+ w/Gospel music, local ads, weather, xlt w/WSAY. (JM-PA)
 KWIZ CA SANTA ANA - 11/23 0910-0949 noted off the air briefly. (LHC-CA)
 KYOS CA MERCED - 11/23 0910 poor w/moderate fading w/ID while KWIZ was off. (LHC-CA) Tube change. (DS)
 KSBQ CA SANTA MARIA - 11/23 0935 fair/good w/KWIZ off w/'Radio Pantera' ID given in Spanish. (LHC-CA)...12/4 1000 popped thru w/ID by female anc'r, time/temp. check. (DKK-CA)
 *UNID 12/9 0010-0036 someone w/varying TT, later w/B/Gospel music, suspect local WYZE from signal but only a guess. (KVJ-GA)
 1490 KEYG WA GRAND COULEE - 12/7 0857 atop w/s/on but quickly faded. (BH+NH=WA)
 CKMV NB GRAND SAULT - 11/27 0917-0932 in French relaying CJEM-570 w/news, sports, weather, clustered ads, French music. (RUGG-NB)
 1540 KXEL IA WATERLOO - 12/3 0056 w/Rev Ike, ID, noted u/strong WPTP. (PO-NH)
 1550 WNTN MA NEWTON - 12/10 0700 fair u/CBE w/full data s/on, SSB. (JM-PA)
 *WBSC SC BENNETTSVILLE - 12/12 0236 fair w/ID into CW music then off. (JM-PA)
 *UNID 12/12 0135 strong TT looping E/W u/WCVL. (JM-PA)
 KKHI CA SAN FRANCISCO - 12/1 0908 fair/good w/ID, talk of concert, classical music. (JW-OR)
 1580 *WZKY NC ALBEMARLE - 12/1 0234+ good on ET w/new power of 1000 watts w/new xmt., must have been a tape loop as ID/EZL music kept repeating. Your friend, Dave, never answered any reports! (JM-PA) Not mine! (DS)
 1600 KXEW AZ TUCSON - 11/23 0830 barely heard u/KWOW w/ID. (LHC-CA)
 KUBA CA YUBA CITY - 12/1 0950 weak w/KASH partly nulled, ID, local weather, ads, 1st time heard. (JW-OR)
 WHOL PA ALLENTOWN - 12/12 0610-0620 still about 700 hz high putting strong het on channel, contemporary gospel songs, promos, sports. (KG-PA)
 WNST WV MILTON - 12/2 00810 w/CW music, ID, ads for Huntington, seems to run music in apirs. (PFO-NY)
 WUNR MA BROOKLINE - 12/3 0044 w/local ads, ID, phone-in show. (PO-NH)
 WANR WV WHEELING - 12/7 0711 fair w/EZL music, ID, ads. (CR-IL)

RANDUMBS:

WF-IN reports KBYE-890 was on 12/17 0412-0415 weak on ET w/WLS off, MoR oldies w/ requests for reports and phone calls. To bad this wasn't listed, they're still needed here. Maybe next year.

Still some spacing bugs to work out w/the Radio Shack TRS 64K Color Computer 2, using the disk drive and DWP 210 Daisy Wheel printer. I'd be interested in hearing from others having these as I'd like to get this thing to sort things out, put it to work so I don't have a \$1100 typewriter!

Lots of addresses on hand for the next column from 'The Address King', Bill Prater.

This ad was found in the 'Pottstown Mercury' in the 'Help Wanted/Unskilled' portion of the want ads, contributors name misplaced (for protection!)....

WPAZ radio is looking for exp. radio air personalities & news director. Contact Jeffrey Scott, 328-4000.

CORNTIBUTORS:

NNNA/No Name, No Address/Postmarked Pasadena, TX
 TM-TN/Tim McVey, Bolivar, TN
 WF-IN/Wendall Ford, Westville, IN
 JW-OR/Jack Woods, Corvallis, OR/ XCR 30, Hot Rod Loop

WDJZ
 AM RADIO 1530

DB-VA/Dave Braun, Falls Church, VA/R2000, LW
 JFH-OK/John Herman, Vinita, OK/R388, Radio West Loop
 LHC-CA/Les Carpenter, El Toro, CA/FRG 7700, R2000, Dipole
 MD-MA/Mark DeLorenzo, Holliston, MA/HQ100, Phased LW's
 BH+NH=WA/Bill & Nancy Hardy, Aberdeen, WA/FRG7, SM1
 HJH-PA/Harry Hayes, Wilkes Barre, PA/HQ180, SM2
 HJH-PA/Harry Hayes, Wilkes Barre, PA/HQ180, SM2
 TF-CT/Tony Fitzherbert, Fairfield, CT/ICFS5W
 JK-MD/Joe Kureth, Uniontown, MD/SX43, LW
 RUGG-NB/ME/PQ/Andy Rugg, on the road (vacation!)/Delco Car Radio
 REM-HI/Richard Wood, Hilo, HI/R1000, R71A, Beverage
 FV-ND/Fred Vobbe (on vacation!), Anamoose, ND/SRF A100
 BW-OK/Bruc e Winkelman, Tulsa, OK?R390, LW
 KVJ- GA/Karl Jeter, Stone Mountain, GA/HQ150, Loop, Beverages
 KG-PA/Kermit Geary, Walnutport, PA/HQ180, R389, LWS, SM2
 DKK-CA/Don Kaskey, San Francisco, CA/HQ140X, SM2
 JM-PA/John Malicky, Pittsburgh, PA/Aiwa AR158
 PFO-NY/Frank F. Orcutt, Buffalo, NY/ICR70, SM2
 JP-CA/Jim Fedor, Escondido, CA/ICR70, Radio West Loop
 JP-MI/Jim Paige, East Detroit, MI/Channel Master
 KDF-IL/Karl Porth, Chicago, IL/HQ160, ICR70, Loops, LW
 TC-TN/Tom Connatser, Sevierville, TN/Superadio
 PO-NH/Patrick O'Connor, Hinsdale, NH/DX302, LW
 EB-MO/Eric Bueneman, Hazelwood, MO/Superadio II, DX200, Radio West Loop
 JB-NY/Jerry Bond, Rochester, NY/HQ140XA, Loop
 CR-IL/Christos Rigas, Chicago, IL/R2000, ICF2002, Kowalski Loop
 DS-DE/Nothing! To busy to listen this week!

That's it for this week! 73's - Good DX!

SUMMARY OF UNREPORTED STATIONS

Don Kaskey, Hotel Raphael, 386 Geary Street, San Francisco, CA 94102

Through Volume 52 #11, dated December 17, 1984

The following chart lists the total number of stations in the USA and CANADA and the volume they were last reported as being heard in DX NEWS.

COUNTRY	V52	V51	V50	V49	V48	V47	V46	V45	V44	V43	V42	Prior	Total
CANADA	151	113	69	26	11	9	7	4	1	2	0	24	417
U.S.A.	1412	1682	649	318	196	112	63	48	23	26	17	182	4728
TOTAL	1563	1795	718	344	207	121	70	52	24	28	17	206	5145

New stations reported as having taken the air during the period between V52 #8 through V52 #11:

850-WVPR-OF (ETs) 1940-KCWL-WA (x-1270)
 870-KUUY-WY (x-1530) 1280-KTOL-WA (x-1500)
 890-KQLX-ND 1490-KOAW-NM
 1160-WAMB-TN (x-1170) 1590-KSRN-NV

Previously unreported stations noted by NRC Reporters in DX NEWS since the last update (V52 #11)....Covers V52 #9 through #11:

GT---0---WVPR--850 (Geary-PA)
 FL---8---TBC-1040 (Francis-TN)
 IN---0---NDI-1550 (Tusale-ND)
 ND---0---KQLX--890 (Moser-ND)
 OH---0---WFB-1040 (Starr-OH & Braun-VA)
 OR---3---KDOV-1230 (Kaskey-GA)
 TN---4---KSS-1030 (Tallman-OK & Jeter-GA); WAMB-1160 (by many)

My thanks to Philip Andrews & Charles Taylor for information regarding WDI in Sullivan Indiana. Paul Mount did list it in the 1/23/83 DXI but it was intererated here as an information listing rather than a DX lossing. Thanks for the cards, somebody reads this....dkk.

Craig Healy, 66 Cove Street, Pawtucket, RI 02861

1600-1800 KHz Range

Times are GMT

Deadline: Last Sat. of Month

● JANUARY 1985... So begins the third year of the column. Not much happening, mid season doldrums I guess.

Lots of noise over the KPF-941 station in New York. It is a legally licensed remote pickup station, therefore not a pirate. It isn't operating under the terms of the RPU assignment, though. The FCC Rules & Regulations state that the intended purpose of a RPU station is for getting program material from an outside location back to the studio for broadcast. It does not specifically prohibit "broadcasting" use, but the FCC operates on the opinions of its leaders and is not quite as cut-and-dried as other government agencies. It usually takes the approach that "We know what we mean, therefore you should too." Most decisions are reasonable logical. There are some glaring exceptions but I won't get into that here. Many thanks to the half dozen people that sent clipping from different sources on this.

On a similar note, the WATD station in Marshfield was put on long term hold due to tower construction problems. We may, or may not see this built. Sorry if I raised expectations on this. I should have taken a more conservative approach in publicizing it. I did offer to go and build it for them, hi.

Just a few loggings this time around, all mine:

1646 NORWAY?? 0506 12/18 LGB TLX noted here, ex-1644. New home or drift?
1655 ??? 0440-0444 12/3 Unid RTTY, poor.
1655 ??? 0448, 0452 12/3 K8B1190, fair.

Some BCB harmonics heard by Dave Beauvais in Amherst, MA:

1800 (from 900) WKXA Brunswick, ME	1860 (from 930) WREB Holyoke, MA
1900 (from 950) WYWY Barbourville, KY	1940 (from 970) WXQK Spring City, TN
2020 (from 1010) WTGC Lewisburg, PA	2260 (from 1130) WCBX Eden, NC
2300 (from 1150) WYNS Lehighton, PA	2380 (from 1190) WKOX Framingham, MA
2480 (from 1240) WCOU Lewiston, ME	2480 (from 1240) WGBB Freeport, NY
2500 (from 1250) CHWO Hamilton, ON	2500 (from 1250) WARE Ware, MA
2520 (from 1260) WPHB Philipsburg, PA	2560 (from 1280) WBRX Berwick, PA
2580 (from 1290) WQIN Lykins, PA	2620 (from 1310) WVIP Mount Kisco, NY
2640 (from 1320) WCVR Randolph, VT	2660 (from 1330) WASA Havre de Grace, MD
2680 (from 1340) WGAW Gardner, MA	2700 (from 900) WOTW Nashua, NH
2760 (from 1380) WNRI Woonsocket, RI	2800 (from 1400) WXAM Charlottesville, VA
2860 (from 1430) WTTT Amherst, MA	2860 (from 1430) WNAV Annapolis, MD
2920 (from 1460) WBUC Buckhannon, WV	2980 (from 1490) WGCH Greenwich, CT
2980 (from 1490) WCDO Sidney, NY	2980 (from 1490) WXIT Charleston, WV
2980 (from 1490) WSTP Salisbury, NC	2980 (from 1490) WLOE Eden, NC (tent.)
3100 (from 1550) WXVA Charles Town, WV	3140 (from 1570) WYTI Rocky Mount, VA
3200 (from 1600) WLNG Sag Harbor, NY	3200 (from 1600) WJSA Jersey Shore, PA
4920 (from 1230) WBME Belfast, ME	

Dave also had unids on 2460, 2540, 2640 2780 and 2900. He also had an odd spur from WVFC-1540 on 1870. Seemed to be FM modulating, he said.

Top End Yearbook will be available towards the end of January. Send a 20 cent stamp (not SASE) and a logging or two, and I'll send it out as soon as they're ready. Foreign readers send a few loggings, and I'll pay postage. Pretty tough when I have to BUY loggings. How about it folks, anyone listening?

7th Editon NRC LOG

contains all US and Canada AM Stns!
US\$9.00 to US & Canada members,
others please write to Pub Center.

Order TODAY from:

NRC PUBLICATION CENTER, P.O. BOX 164
Mannsville, NY 13661 USA

This front portion of this article may be found in DX NEWS Issue 13.

- 5.3 If you had used R1 (step 4.2), tweak C2 to get a dip. Leave C2 at dip point & fine-tune dip further by successive adjustments of R1 & C2. Then tweak C1 for any additional further nulling.

6.0 Finalise Nulling

- 6.1 Use Null Vernier controls C3 & R3 to obtain as complete a pest-null as possible.

7.0 Amplification

- 7.1 Adjust R4 to fully CW (minimum output).
- 7.2 Set S5 to Amplifier On.
- 7.3 Turn R4 gradually CCW to obtain maximum signal at operating frequency, consistent with no spurious signal products from strong off-channel stations. In most areas, R4 may be set to fully CCW (maximum output).
- 7.4 If null is partially lost when amplification is applied (an unlikely occurrence with a shielded receiver), re-iteration of steps 5.2, 5.3, and 6.1 should re-establish the null.

Case 2: Wire vs. Loop Phasing

1.0 Initialise Controls

- 1.1 Set C1, C3, & R3 to midrange (pointers at 12 o'clock).
- 1.2 Set R1, R2, R4 to fully CCW (pointers at approx. 8 o'clock).
- 1.3 S1 & S4 will be set in subsequent sections.
- 1.4 Set S3 to Loop and set S5 to Amplifier Off.
- 1.5 C2 and S2 are not used; their positions are irrelevant.
- 1.6 Connect wire antenna (50 ft. / 15 m. minimum length) to J1, earth ground to J2, loop amp. output (coax. cable) to J4, receiver to J5, and a 9-volt battery to J6. (No connection to J3)
- 1.7 NOTE: Loop to be used should have a "Q-spoiling" resistor (suggested value = 15K) across its main L-C tank. This resistor should be in series with a toggle switch so that the loop may be used in its normal high-Q state during non-phasing applications.



EIGHTH & LAFAYETTE IN SOULARD MARKET
ST. LOUIS, MISSOURI 63104 / 314-436-7777

It's not too late!! You can still get

1985 NRC CALENDAR
US\$4.00 to everyone and anyone!!!

7th Editon NRC LOG

contains all US and Canada AM Stns!
US\$9.00 to US & Canada members,
others please write to Pub Center.

2.0 Line 1 Tune

- 2.1 Set S4 to 1.
- 2.2 Set S1 to position with strongest wanted-frequency signal, or set S1 according to "look-up table".
- 2.3 Adjust C1 for maximum signal at operating frequency. If the peak is near the CW (fully meshed) position of the C1 knob, set S1 to the next CW position; then repeak C1. If the peak is near the CW (fully open) position of the C1 knob, set S1 to the next CW position; then repeak C1.

3.0 Line 2 Tune

- 3.1 Set S4 to 2.
- 3.2 Turn loop power on; position loop for direction of desired DX stations. Switch Loop "Q-switch" (see section 1.7) to High Q (e. g. open).
- 3.3 Adjust the loop tuning capacitor for maximum signal at the frequency of operation.
- 3.4 Set loop Q-switch to Low-Q (15K loop tank shunt).

4.0 Equalise Levels

- 4.1 Switch S4 between 1 and 2; note (on S-meter or audibly) which S4 position yields the stronger signal from the STATION TO BE NULLED ("pest" station).
- 4.2 If S4 position 1 yielded a stronger pest level, adjust R1 until the S4 position 1 & position 2 pest station strengths are approximately equal.
- 4.3 If S4 position 2 yielded a stronger pest level, adjust R2 until the S4 position 1 & position 2 pest station strengths are approximately equal.

5.0 Initiate Nulling

- 5.1 Switch S4 between Null-a & Null-b positions. Leave S4 on the position which offers the lower level of pest signal / greater evidence of subdominant stations.
- 5.2 If you had used R2 (step 4.3) or had used neither R1 or R2 in section 4.0, tweak C1 to get a "dip" (null of pest). Leave C1 at dip point & fine-tune dip further by successive adjustments of R2 & C1. Then tweak the loop tuning capacitor for any additional further nulling.
- 5.3 If you had used R1 (step 4.2), tweak the loop tuning capacitor to get a dip. Leave the loop cap. at dip point & fine-tune dip further by successive adjustments of R1 & the loop tuning cap. Then tweak C1 for any additional further nulling.

WMOB Gospel 1360

3943 Airport Blvd., Suite 206
Mobile, AL 36609

6.0 Finalise Nulling

- 6.1 Use Null Vernier controls C3 & R3 to obtain as complete a pest-null as possible.
- 6.2 Slight physical re-positioning of the loop may assist in establishing the final null.

7.0 Amplification

- 7.1 Adjust R4 to fully CW (minimum output).
- 7.2 Set S5 to Amplifier On.
- 7.3 Turn R4 gradually CW to obtain maximum signal at operating frequency, consistent with no spurious signal products from strong off-channel stations. In most areas, R4 may be set to fully CW (maximum output).
- 7.4 If null is partially lost when amplification is applied (an unlikely occurrence with a shielded receiver), re-iteration of steps 5.2, 5.3, 6.1, and 6.2 should re-establish the null.

Model "Mini-MWDX-3P" Passive Phaser

=====

This is a simplified version of the Mini-MWDX-3 having no amplifier. It is intended to be used with an external tunable or broadband amplifier, or (with no external amplification) directly to the input of a sensitive receiver.

The following Mini-MWDX-3 components are deleted:
A1, C9, J6, R4, S5, and associated hardware.

C8 is then routed from the T2 balun output to RF-out jack J5.

Top side holes 14 through 19, 28, & 29 need not be drilled; similarly, delete right side holes 5, 6, & 7. Adjust all other documentation in similar fashion.

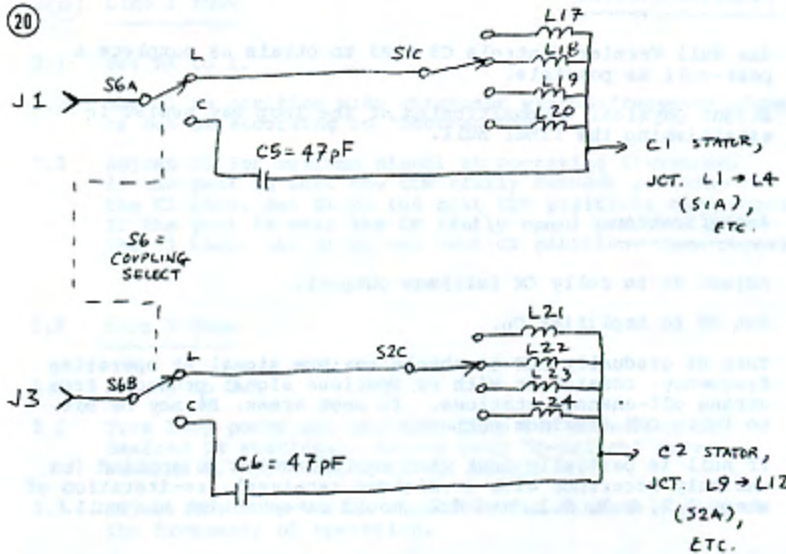
Options for Mini-MWDX-3 Phasing Unit

1. Inductive Coupling

This option is intended to improve tuner operation with longer aeriials whose reactance may be inductive. It entails the addition of a switch S6 (DPDT on/on toggle) at left side loc1 (-1.5, 1.8, 0.25 = shaft; -1.5, 1.25, 0.113 = tab); the addition of 4 inductors to S1 (designated L17 through L20) and 4 inductors to S2 (designated L21 through L24); and increasing C5 & C6 to 47 pF. Coil values are as follows:

	Longwave (Opt. 2)	Medium Wave (Standard)	Tropical Bands (Opt. 3)
L17, L21	18000	1800	120
L18, L22	8200	820	56
L19, L23	3900	390	27
L20, L24	1800	180	12
	(I N D U C T A N C E i n u H)		

Option 1 schematic:



2. Longwave coverage instead of MW

A phasing unit capable of 140-600 kHz operation is the result of this modification. J. W. Miller P-87-1 cores are used instead of the Amidon PT-82-77 cores on T1 & T2. Coils on S1 & S2 are changed to the following values (uH):

L1, L9	4700	L5, L13	820
L2, L10	2200	L6, L14	390
L3, L11	1800	L7, L15	180
L4, L12	470	L8, L16	82

3. Tropical-Band coverage instead of MW

A phasing unit capable of 1600-6400 kHz operation is the result of this modification. Coils on S1 & S2 are changed to the following values (uH):

L1, L9	33	L5, L13	5.6
L2, L10	15	L6, L14	2.7
L3, L11	6.8	L7, L15	1.2
L4, L12	3.3	L8, L16	0.68

4. Extended Range coverage (6-position S1 & S2)

S1 & S2 are changed to 6-position 2-pole rotary switches. This cannot be combined with options 1, 2, or 3. Coils are changed in accordance with the following tables:

Option 4A: 140-300; 400-1700 kHz

S1	S2	uH	S1	S2	uH
L1	L13	4700	L7	L19	820
L2	L14	2200	L8	L20	390
L3	L15	470	L9	L21	82
L4	L16	220	L10	L22	39
L5	L17	180	L11	L23	18
L6	L18	47	L12	L24	8.2

Option 4B: 140-1800 kHz

S1	S2	uH	S1	S2	uH
L1	L13	4700	L7	L19	820
L2	L14	1800	L8	L20	330
L3	L15	680	L9	L21	120
L4	L16	270	L10	L22	47
L5	L17	180	L11	L23	18
L6	L18	39	L12	L24	6.8

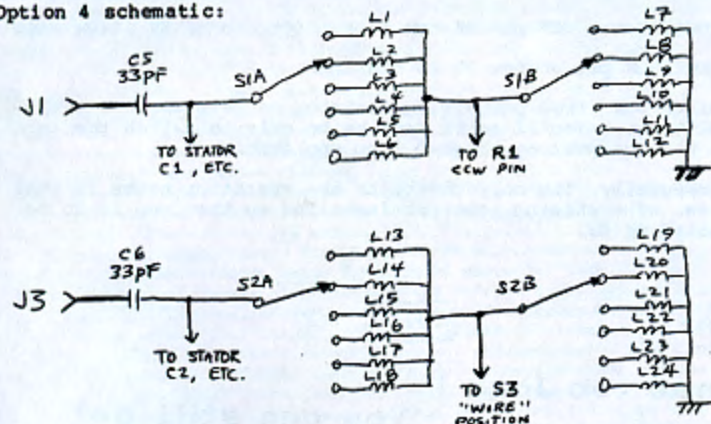
There is a slightly greater chance that ranges may not meet when long aerials are used if option 4B is used instead of option 4A.

Option 4C: 500-6400 kHz

(Use external 33 pF capacitor in series with each antenna wire if frequency ranges do not meet.)

S1	S2	uH	S1	S2	uH
L1	L13	390	L7	L19	68
L2	L14	150	L8	L20	27
L3	L15	56	L9	L21	10
L4	L16	22	L10	L22	3.9
L5	L17	8.2	L11	L23	1.5
L6	L18	3.3	L12	L24	0.56

Option 4 schematic:



5. Alternative Potentiometer Configuration

In this option, the main pots R1 & R2 "skew the Q" as well as the level. Smoother null adjustments, in some circumstances, may result. This option is included here for the experimentally-inclined. In reading the following description, refer to the standard Mini-MWDX-3 schematic. The term "B25K" will be used hereinafter to mean "8 to 25 kilohm linear taper potentiometer".

- (a) Change R6 to 270 ohm.
- (b) Remove existing R1 pot.
- (c) Connect side of R6 (that had gone to former R1 arm) to S1B arm.
- (d) Remove connection between other side of R6 and S4A arm.
- (e) Remove existing R2 pot.
- (f) Connect side of R8 (that had gone to former R2 arm) to S3 arm.
- (g) Remove R3 pot and R5 (2.7K).
- (h) Remove R7 (15K).
- (i) Install B25K (to be designated R1) in former R1 mechanical chassis location.
- (j) Install B25K (to be designated R2) in former R2 mechanical chassis location.
- (k) Install 100 ohm linear pot (to be designated R3) in former R3 mechanical chassis location.
- (l) Connect arm & CCW pin of new R1 to S1A arm.
- (m) Connect CW pin of new R1 to chassis ground (e. g. C3 rotor lug).
- (n) Connect arm & CCW pin of new R2 to S2A arm.
- (o) Connect CW pin of new R2 to chassis ground (e. g. C3 rotor lug).
- (p) Connect arm & CCW pin of new R3 to free end of R6 (from step d).
- (q) Connect CW pin of new R3 to S4A arm.
- (r) Replace 15K fixed Q-spoiling resistor on loop antenna with a B25K pot. You'll still want to be able to switch the pot for non-phasing, high-Q loop applications.

Procedurally, the only change to the operation notes is that in loop vs. wire phasing, the pot installed on the loop is to be used instead of R2.

END

It's not too late !!

You can still get:

1985 NRC CALENDAR
US\$4.00 to everyone and anyone !!!

Order TODAY from:

NRC PUBLICATION CENTER, P.O. BOX 164
Manhasset, NY 13661 USA

HAP PAGE (Handicapped Aid Program)

Sam Barto, 47 Prospect Place, Bristol, CT 06010

Your bids and Orders for Direct Sale items go directly to the Address above, not to any of the NRC Addresses. Make your Checks and Money Orders out to "HAP". Do not send CASH thru the mail. This page brought to you as a Public Service of the NRC.

HAP BID ITEMS: ITEM #378:KDKA cloth hat, red, white. #379:CBC Halifax QSL card (3.5x5.5")m/c. #380:RNZ QSL card (4x5")m/c. #381:WLUP new sticker (4x9")m/c. #382:BBC Radio Hallum (UK)43pg. magazine, m/c. #383:Radio Clyde (Scotland)30pg. magazine, m/c. #384:Radio 210 (UK)2pg. large newspaper, red, B&W. #385:BBC Radio Derby (UK)40pg. color magazine. #386:Radio Canada 1977 "Nic et Pic"collectors edition color magazine. #387:WLUP large B&W whoopie cushion! #388:CFRW "Sizzlin Sounds"C60 cassette tape w/ pop music-great! #389:KDKJ plastic coffee mug, m/c. #390:WLUP...2 regular sized chopsticks w/ red and gold ribbon for the "Vapors" going Japanese - sort of a pennant-great!! #391:RTE Radio 2 (Ireland)T-Shirt (M)white, yellow, blue. #392:CKSW large paper folder (8.5x11")m/c. #393:Viking Radio (UK)paper spiral hat, m/c-nice! #394:Radio TV Cultura (Brasil)decal (2.5x3")m/c. #395:Radio TV Cultura stick pin, green, gold! #396:KORA "Armadillo"sticker (3x7")m/c. #397:KPXE "Cowboys"sticker (4x5")blue, white. #398:BBC Radio London large 16pg. magazine, m/c. #399:NBC (Papua)1976"Second Annual Report"over 75 pgs. collectors item! #400:BBC Radio Cymru (Wales)20pg. B&W magazine w/ photos. #401:BBC Radio Sheffield (UK)24pg. color magazine. #402:International Listener Vol. 1 No. 1 1976 collectors edition (!)40pg. magazine! #403:Radio Korea QSL card (4x6")m/c. #404:Radio Tashkent (Uzbek)QSL card (4x6")m/c. #405:Radio Sweden International new QSL card (4x8")m/c. #406:KZEU sticker (4x8.5")m/c. #407:KLUL "Rock"sticker (3.5x12")m/c. #408:Radio Monte Carlo sticker (3x6")red, white. #409:CFSL sticker (4x13.5")red, blue. #410:WTAW sticker (3x12")m/c-nice! #411:KWDX/KKAS sticker (3x12")m/c-nice! #412:WDOM sticker (3x6")ID watt station-rare!! #413:HCJB-FM Emeraldas sticker (3.5x8")B&W. #414:Radio Norway flag-pennant (2x3")red, white; blue. #415:CKY "Winnipeg Jets"sticker (3x10")m/c. #416:Radio Northland (NZ) sticker (5x6.5")m/c. #417:WTOS plastic ID card (2x3")m/c. #418:BBC Radio Leicester (UK)50pg. color magazine. #419:BBC Radio Birmingham 24pg. color magazine. #420:BBC Radio Brighton (UK)34pg. color magazine. #421:BBC Radio Solent (UK)34pg. color magazine. #422:BBC Radio Medway (UK)large 12pg. color newspaper. #423:Radio Sweden cloth pennant (4x9.5")blue, yellow. #424:Radio Peking "Mountain Village" paper pennant (5.5x11")m/c. #425:Deutsche Welle (FRG)cloth pennant w/ address (6x13.5")white, blue-nice! #426:Radio Ogg1 (Italy)odd shaped sticker, m/c-beauty! #427:Radio Ogdri triangular sticker, m/c. #428:Radio Evangile (Monaco)decal (3x3")red, white. #429:TV3-Catalunya (Spain)sticker (2x2")m/c. #430:RTE Radio 2 large paper folder, m/c. #431:BBC Radio Clwyd (Wales)decal (5"cir)m/c. #432:RTE Radio 2 large plastic litter bag, m/c-beauty! #433:RNE (Spain)large 1982 m/c soccer poster-nice! #434:Radio TV Cultura color studio photo (3.5x7")m/c. #435:BBC Radio Times 100 pg. 1979 magazine-collectors item! #436:WLIZ metal badge (1"cir)m/c. #437:WJGS plastic key chain, blue, white. #438:Radio Quito cloth pennant (3x7")red, white, blue. #439:Radio Polonia pin, red, white, silver. #440:Radio Italia sticker (3.5"cir)m/c. #441:Radio Earth QSL card (3x5")B&W. #442:Northsound Radio (UK)decal (3x13")m/c. #443:ANARC-82Montreal large blue plastic carrying bag-collectors item! #444:CKRD pen, blue, white. #445:CKSW pen, blue, white. #446:Radio Earth pen, red, gold. #447:KLVL pencil, B&W. #448:WBSB T-Shirt (XL)blue, white, yellow. #449:KLOS T-Shirt (S)m/c-beauty! #450:WRIF T-Shirt (M)B&W-sharp! #451:DC-101 T-Shirt (M)m/c. #452:KIFM T-Shirt (S-M)m/c. #453:KDKJ T-Shirt (M)purple. #454:KDKJ T-Shirt (L)gray. #455:Radio Earth sticker (3x12")B&W. #456:WMSM very large 1984 "Rock"calendar-12pgs! - super!! #457:BBC Radio Manchester (UK)100pg. diary/calendar, m/c-nice! #458:CKUA metal badge (2"cir)m/c. #459:DX Club Quebecois sticker (3"cir)blue, white. #460:KVLV "Cowboys"sticker (4x5")m/c. #461:CFGR sticker (4x5")m/c-beauty! #462:CKUA metal badge (1.5"cir)m/c. #463:Radio Veritas (Phil) paper pennant (3x6")red, black, blue. #464:RNE Radio 4 (Spain)sticker (3x4.5")m/c. #465:Radio Genova (Italy)sticker (2x5")B&W, yellow. #466:BBC Radio Bristol (UK)sticker (5"cir)red, white. #467:Radio RSA sticker (3.5x5.5")yellow, black. #468:SBC QSL card (4x6")red, B&W. #469:Radio Bucharest cloth pennant (4.5x7")red, white, orange. #470:Viking Radio large m/c newspaper. #471:KNAL sticker (3x11.5")m/c. #472:CJWW sticker (3x7.5")blue, white. #473:BBC Radio Hallum (UK)sticker (1x12")m/c. #474:WQBS (Puerto Rico)Salsa-63 decal, red, white. #475:Radio Forth (Scotland)DJ photo (4x6")B&W. #476:BBC Radio Trent (UK)DJ photo (5x7")B&W. #477:KPDJ sticker (3x9")m/c-nice! #478:Voice of Turkey cloth pennant (4x8")m/c. #479:BBC Radio 1 match book. #480:KRYI metal badge (1.5"cir)m/c. #481:WHGR metal badge (1"cir)green, white. #482:Radio Popolare (Italy)reflective sticker (3.5"cir)m/c. #483:KSAM sticker (6"cir)m/c-nice! #484:Radio Nacional do Brasil sticker (3.5"cir)m/c. #485:RTE Radio 2 sticker (over 4 feet long!)red, white. #486:WQOQ cloth hat, B&W. #487:WRCK T-Shirt (M)blue, yellow. #488:KLOK station balloon, brown, B&W. #489:KIKR sticker (3x12")green, red. #490:Radio Clyde 20pg. color magazine. #491:Radio Forth coaster (4x4")m/c. #492:ORP sticker in Spanish, red, B&W. #493:KYUU very large 1984 calendar poster. #494:Radio Bucharest 1976 pocker calendar (3x4")m/c. #495:Radio Bucharest 1977 pocker calendar (3x4")m/c. #496:Radio Bucharest 1979 pocker calendar (3x4")m/c. #497:Merzia Sound (UK)decal (3x14")m/c...Hope you like this selection...Sam.

HAP DIRECT SALE ITEMS: The following stickers/decals are \$.25 each or any 5 for \$1.00. If your order is for \$5.00 or more you may select seven (7) for each dollar. The selection is as follows: CFLS, KLOS (Party), CJCD, RTE, WLUP (large) (cir), BBC Radio 2, Radio Highlands, WCCG, NNRC, CKKR, KKN, KLP, KPSO, KEAN, KCMC, KRIO, KNIN (large) (small), KRBE, KIKY, KSFA, KIKY, NABD, KKQV, BBC-WS, Radio Budapest (red) (blue) (small), WBEW, IZB, Radio Break, CJOB, KTAN, Radio Kuwait, NCAL, WNSH, KETX, RTE Radio 2, CJMM, CHAB, KHUN (large) (small), KTTX, KJCH, KOGT, KOTI, KGNB, CDMB, CKOM (large) (small), RMI-FM, Telecom-83, Sea Gull Radio, KGB, RNE, Polskie Radio (large) (small), Radio 270, WQFM, WNVN, KDKD, Telecom-Geneve, DC-101, BBC Radio 1, KWK, Radio Newcastle, KBOI, WDAE, WMR, KPNW, Radio Forth, CFRA (red) (orange), WDR (rock) (TV), Radio Shetlands, KROY, WMS, NEMP, KPLU.