



DX NEWS

*the magazine of the
National Radio Club*

— SINCE 1933 —

VOLUME 51 ISSUE 4 OCTOBER 31, 1983

So, you've been wondering just what the heck has been going on here at HQ with different type set every week! Well, we've been busy moving things around and installing new equipment and establishing a "data center" of sorts. We've got a few bugs to work out but soon things will be back to normal and yes, there will be one more type change but that will be a while, at least not before December as we switch over to the computer. We here have installed an APPLE IIe system. Were not happy with the equipment delays that the Commodore people keep putting on us. So, why stick with someone who could only promise us words and not equipment. Now, we are not saying that the C-64 system we had was bad we are only saying that you could not get any help out of the Commodore people, so onto Apple. As we switch over alot of our data to the Apple system, which will take, according to the boys working on it here, we should have our stuff all switched by December or early-January. Now, onto other news.....

We shall mention this one more time, JOE FELA is updating the FREQUENCY CHECK LIST, AND WANTS TO MAKE SURE THAT THE INFO IS CURRENT AND ACCURATE, SO IF YOU HAVE INFO FOR JOE THEN GET THAT INFO TO HIM, ADDR= 150 ROBERT PLACE, S. PLAINFIELD, NJ 07080.

FROM ROBERT KRAHER, THE 14TH ANNUAL CHICAGO AREA DXERS HOLIDAY GET-TOGETHER WILL BE HELD 12/30 THRU 1/2/84. LOCATION IS 6416 N. RICHMOND CHICAGO, IL 60645 FOR MORE INFO, CALL OR WRITE ROBERT, 312-262-6299 THERE WILL BE PLENTY OF DX DISCUSSED AS WELL AS AN AN SESSION ON 1/2. IN ADDITION, THE 2ND ANNUAL SILENT FILM FESTIVAL WILL BE HELD ON 1/1 BEGINNING AT 12:05 AM CST. FOR THE LIST OF MOVIES AND OTHER INFO WRITE OR CALL ROBERT. THERE IS PLENTY OF FLOOR SPACE, SO BRING YOUR SLEEPING BAG AND RADIO EQUIPMENT, AND LOGS!!

HERE'S A FELLOW DXER IN NORWAY LOOKING FOR A PEN-PAL, "I AM A NORWEGIAN DXER AND I WISH A PEN-FRIEND WHO WILL HELP ME WITH CASSETTE RECORDS FROM AM AND FM STNS IN USA BACK YOU CAN HAVE RECORDS FROM ENGLISH PROGRAMS ON RADIO STATIONS IN EUROPE. BUT OF COURSE YOU CAN WRITE TO ME WITHOUT CASSETTE RECORDS. IF YOU WILL WRITE TO ME YOU CAN CONTACT ME AT: TOMAS PINAAS, SOERBY, 3118 VAAL, VESTFOLD, NORWAY"

RECEIVED IN THE MAIL A YELLOW COVERED BOOKLET TITLED INTERNATIONAL LISTENING GUIDE, THE COMPLETE DIRECTORY OF EXTERNAL SERVICES IN ENGLISH PUBLISHED BY DX LISTENERS SERVICE OF HOMBURG W. GERMANY. WE'VE BEEN TRYING IT OUT HERE AND THE FREQ'S SEEM QUITE ACCURATE AND CURRENT. NOT A BAD JOB IF YOUR INTO SHORTWAVE STUFF. THEY ALSO HAVE, ON THE INSIDE BACK COVER, A SCHEDULE OF DX PROGRAMMES. A FREE COPY OF THE LATEST ISSUE CAN BE OBTAINED BY SENDING AN IRC TO SUBSCRIBE IT COSTS \$6 US \$7 CAN, \$5 AUSTRALIAN, 8 NZ, ZEALAND, AND 40 SWEDISH CROWNS. ADDR= DX LISTENERS SERVICE, C/O BERND FRIEDENWALD, MERIANSTR.2 D-3588 HOMBURG W. GERMANY OR YOU CAN ORDER FROM ROB HARRINGTON P.O. BOX 3434, LITTLETON, CO 80161

FROM UNIVERSAL AMATEUR RADIO INC, THEY HAVE INFORMED US THAT THEY HAVE, FOR US COMPUTER BUFFS, A BULLETIN BOARD & INFO EXCHANGE SYSTEM. FOR MORE ON HOW TO USE IT AND THE PHONE NUMBER SEND AN SASE TO "UBIX", UNIVERSAL AMATEUR RADIO INC, 1280 AIDA DRIVE, REYNOLDSBURG, OH 43068

CPC TESTS (TIMES ARE E.L.T.)

MtheSue

DEC 19 WLS 890 CHICAGO IL SILENT PERIOD FROM 0100-0600 THIS PER AL RESNICK.
MONDAY NO OTHER TEST FOR THIS DATE AND TIME SO FAR. MAYBE WE CAN ALL LISTEN FOR 891- ALGERIA ??

NOV 21 WLNT-1140 LOUDON, TN 0000-0100 EST USING 1KW ND. TEST WILL CONSIST OF
MONDAY C/M MUSIC W/FREQUENT VOICE 10'S. PERIODS OF TEST TONE WILL BE BROADCAST.
REPORTS TO: HOWARD OBERHOLTZER, JR., CE, WLNT RADIO, P.O. BOX 465, LOUDON, TN 37774. PREPAID CALLS ONLY TO: 615-458-4621. ARRANGED FOR NRC BY TOM COMBATSER. (THANKS A MILLION TOM, HQ)

2-AM SWITCH 4-DX/D 7-10X/D 10-BANDSCAN 12-VOL.50 INDEX 15-SPORTS NETWORK
16-FINANCIAL STATEMENT 17-MODULAR PHASING SYSTEM 19-MUSICING 24-NRC FACTS

THE WORLD'S OLDEST AND LARGEST ALL MEDIUM-WAVE DX CLUB

②

AM SWITCH

JERRY STARR
C/O WSRD RADIO
401 N. BLAINE AVENUE
YOUNGSTOWN, OHIO 44505

CALL LETTER APPLICATIONS

| Present call: | Seeks: |
|----------------------------|--------|
| 900 WEAS GA Savannah | WVJD |
| 910 KIKM TX Sherman | KZXL |
| 930 WFXI FL Haines City | WVRY |
| 950 WKAZ WX Charleston | WQBE |
| 960 *New AL Pritchard | WGRR |
| 990 KNIN TX Wichita Falls | KGTM |
| 1020 *New GA Ochlocknee | WJEP |
| 1060 KCLT TX Lockhart | KHJK |
| 1120 *New PA Oil City | WKQW |
| 1140 KYXS TX Mineral Wells | KJSA |
| 1170 WKZE MA Orleans | WVLC |
| 1240 KFLL ID Mountain Home | KJCY |
| WVFG MN Hibbing | WGGR |
| 1250 WVOX MI Bay City | WTCX |
| 1260 KYA CA San Francisco | KOIT |
| WVGR NC Ashboro | WKXR |
| 1270 *New AK Nenana | KIAM |
| 1280 WPXN NY Rochester | WPXY |
| 1290 WIRK FL W. Palm Beach | WPCK |
| 1300 WAKC PA West Hazleton | WXPX |
| 1340 KKKR KS Kansas City | KFKF |
| KKAM TX Lubbock | KBBL |
| 1360 KCNN CA San Diego | KPOP |
| WZNG FL Cypress Gardens | WYXY |
| 1380 WEAH PR Barranquitas | WOLA |
| 1410 KKYR TX Marshall | KCUL |
| 1450 WFBS NC Spring Lake | WRZK |
| 1580 KLUV LA Haynesville | KLVU |
| 1590 *New NV Sun Valley | KYOR |

CALL LETTER GRANTS

| Old call: | New call: |
|-------------------------------|-----------|
| 550 WGGG GA Gainesville | WOUN |
| 570 WFAA TX Dallas | KROX |
| 730 WVGO MI East Lansing | WVIC |
| KBOY OR Medford | KRVC |
| 740 WAOZ WI Hudson | WRPX |
| 760 *New AL Moody | WURL |
| 840 *New TX Pharr | KJTA |
| 990 KALO TX Beaumont | KTRM |
| 1040 *New LA Vidalia | KAIN |
| 1060 WAMG GA Milledgeville | WKGQ |
| 1100 *New TN Thompson Station | WAAS |
| 1180 *New TX Humble | KTUN |
| 1230 WBLA GA Augusta | WCKJ |
| WQOA IL Moline | WHRZ |
| KSPD WA Spokane | KKER |
| 1240 WOUN GA Gainesville | WGGG |
| 1270 WUPR OK Claremore | KOKN |
| 1280 WGSO LA New Orleans | WQUE |
| 1310 WGH VA Newport | WNSY |
| 1320 KUDE CA Oceanside | KEZL |
| 1340 KOCY OK Oklahoma City | KXXY |
| 1380 KTLK TX Beaumont | KIEZ |
| 1390 KCBC IA Des Moines | KMRY |
| 1410 KLLB CA Lompoc | KLVV |
| 1440 WGTG GA Brunswick | WBGV |
| 1450 WMPT PA S. Williamsport | WFXX |
| WMOG TN Chattanooga | WZRA |
| WPAR WV Parkersburg | WIKS |
| 1490 KRIS CO Manitou Springs | KIIQ |
| WQXQ MA W. Springfield | WACH |
| WLCX WI La Crosse | WLXR |
| 1500 *New WA Lacey | KTOL |
| 1580 WCNB IN Connersville | WIFE |
| 1600 WACX GA Austell | WCKZ |

CORRECTION !! Last issue we passed along some information from a member that KKNX-1400 calls were changed to KNNX, and that these calls were being heard on the air. After checking (calling the station and talking to the manager) we find that we were right in the first place, the calls for Huntsville, TX are KKNX. Interesting to note that the new Broadcasting Yearbook lists these calls as KNNX, perhaps that's where the member got his info. Anyway, the call is KKNX. Onward.....

APPLICATIONS FOR NEW STATIONS

| |
|------------------------------|
| 750 TX El Paso 10000/1000 U4 |
| 830 KY Franklin 250 D1 |
| 1040 TN St. Joseph 5000 D1 |
| 1120 TN Maryville 5000 D1 |
| 1220 TX Madisonville 500 D1 |
| 1440 TX Helotes 500 D3 |
| 1520 KY Greenup 5000 D1 |

GRANTS FOR NEW STATIONS

| |
|-------------------------------|
| 700 WA Newport 1000 D1 |
| 960 AL Prichard 2500 D1 |
| 1130 AL Parrish 1000 D1 |
| CO Dillon 5000 D1 |
| 1560 CO Colorado City 2500 D1 |

APPLICATIONS FROM EXISTING FACILITIES

| |
|---|
| 580 KYUK AK Bethel to 640 kHz 10000/10000 |
| 770 KCJB LA Lafayette day power to 10000, antenna to U4 |
| 810 WPED VA Crozet power to 1000 |
| 1140 KGEM ID Boise day power to 50000 |
| 1150 KFHM TX San Antonio to 1160 kHz 10000/1000 U4 |
| KQQQ WA Pullman add 500 watts night DA |
| 1360 WABT AL Madison to 730 kHz 1000 D1 |
| 1440 WHDM TN McKenzie to 1040 kHz |
| 1500 WIXR SC Mt. Pleasant power to 5000 (500 CH) |
| 1510 WHIB FL Marco Island to 1480 kHz with 2500/2500 U4 |
| 1590 WPLW PA Carnegie resubmits for 660 kHz 250 D1 |



KUDA
1540

"Speak Voice of the San Antonio Area" • Radio 1540 kHz
Office and Studio: 510 S. Flores St. • San Antonio, Texas 78204

GRANTS TO EXISTING FACILITIES

| |
|--|
| 680 KFAM UT Bountiful to North Salt Lake, power to 50000 D3 |
| 770 WKZY FL North Fort Myers move XR |
| 930 KYSS MT Missoula to East Missoula, add 1000 nights |
| 1050 WNES KY Central City power to 1000 |
| WLIP WI Kenosha move XR |
| 1210 WCMQ FL Miami Springs change XR location for CP (still on 1220 kHz) |
| WAVI OH Dayton power to 1000 |
| 1240 WSDT TN Soddy-Daisy move XR |
| 1250 KUUK AZ Wickenburg power to 1000 |
| 1270 KAJQ OR Grants Pass taller tower |
| 1300 KBBJ OK Tulsa changes in antenna system |
| 1390 WRSC PA State College changes in antenna system |
| 1420 WQBC MS Vicksburg night power to 500, day power to 5000 |
| 1440 WJLJ NY Niagara Falls new antenna |
| 1450 WDLK AL Dadeville day power to 1000 |
| 1480 WKND CT Windsor to 620 kHz 500/1000 U4 |
| WPWC VA Quantico changes in antenna system |
| 1530 KNBO TX New Boston power to 2500/1000 |
| 1550 WRHC FL Coral Gables increase night power to 5000 |
| WXVA WV Charleston changes in antenna system |

OTHERNESS

Applications returned by FCC:

| |
|--|
| 830 NC Enka-Candler for new station |
| 840 TX Canton application for new station |
| TX Jacksonville new station |
| 1010 CA Rancho Mirage new station |
| KIQI CA San Francisco for fulltime operation |
| OR Beaverton for new station |
| 1160 LA Leesville new station |
| 1170 CA Sahuarita new station |
| 1540 WBJA PR Guayama fulltime operation |

Applications DENIED by FCC:

| |
|--------------------------------|
| 860 FL Cooper City new station |
| 960 AL Daphne new station |
| 1070 MI Big Rapids new station |

We just returned from our annual trip to Albuquerque to fly our balloon in the International Fiesta, thus the annual two-week skip in AM SWITCH is over for another year and we return to the weekly schedule. Nothing new noted in the Albuquerque radio scene. KLTN-1240 IS on and has been on for a year, all SS programming. No sign of the Corralles 1310 or the KRZY switch in frequency. From their applications I plotted the intended XR sites for these stations and found nothing but bare, untouched ground, so it will be a while for these. On several flights we flew directly over the XRs of KOB, KDEF and KLTN, thus adding a new dimension to XR spotting, hi. Good to see many of you at the Convention, hope everybody survived the weekend in DXing's twilight zone, perhaps even getting lucky enough to log some new ID and MT stations on the SWAT beverage. My burned fingers from the fireworks shooting are healing nicely. Any reception reports for WSWT-1620 can be sent to me and I will see that they get into the proper hands as soon as the CE of that fine station is finished with his shock treatments. More if it happens.

Jerry & BKF

Jerry Starr & Buffalo K. Foonman

probably the only people who have seen Wayne Heinen FOUR times this year.

SECTION III

NM 39/83

518 kHz TRIAL NAVIGATIONAL WARNING BROADCASTS

IMO (International Maritime Organization; previously IMCO) is recommending a standard worldwide system of broadcasts of automated urgent Navigational Warnings to Mariners on 518 kHz, which will include Notice to Mariners. Such a system is currently in operation in Northern Europe. Presently some ships carry a receiver printer unit on their bridge capable of automatically receiving Navigational Warning Broadcasts.

The U.S. Coast Guard is interested in participating in such a system in support of IMO and navigation safety. To reach this goal, the process of evaluating, ordering and installing equipment in COMSTTA Borton for operation on a test basis has commenced. Navigational Warning Broadcasts on 518 kHz on a test basis is expected to start during the last quarter of 1983. More information concerning the test period will be promulgated at a later date.

(NY56813/83)

From "Weekly Notice to Mariners" 10-26-83

DOMESTIC DX DIGEST

DAVE SCHMIDT
42 CHELWYNNE RD.
CASTLE HILLS
NEW CASTLE, DE 19720

Here is the NRC column which is almost as exciting as a tour of Oxford, PA. When sending your items in, type or neatly write, skip a line between items, EST (yes, it's that time now!), deadlines are Saturday. That's easy enough to remember, usual conditions permitting:

FREQ. CHECKS:

2nd Tue - WSNJ-1240 w/TT 0005-0020 w/no ID's. (DS-DE)
2nd Thu - WHBG-1360 w/TT per list. (DS-DE)
WRFA-1240 w/TT per list. (DS-DE)
WSHP-1480 not noted on. (DS-DE)
4th Mon - WBCB-1490 w/TT, ID per list. (RK-IL)

SPECIAL:

620 WSKQ NJ NEWARK - 10/2 noted w/new all Spanish format, ID's as "Super KO" (kah-coo), jingles, etc. Add.: 1500 Broadway, New York, NY 10036 per announcements. (BH-NJ)
790 WEAN RI PROVIDENCE - Add.: 290 Westminster Mall, 02903 per v/l. (BH)
1220 WVLE MN STILLWATER - 9/30 2030 good w/s/off, ex-WAVN. (RK-IL)
1230 WMRZ IL MOLINE - 9/25 2006 good w/weather, ID, ex-WQUA. (RK-IL)
1300 WAFI PA WEST HAZELTON - 10/7 1700 noted w/new rock oldies format, calls given frequently, evidently 1st day on these calls, ex-WWKC, CW music dropped. (HJH-PA) A new trend? (DS)
1420 WIMS IN MICHIGAN CITY - 10/6 0000 noted w/daily devotion then s/off w/SSB, new earlier s/off time. (DB-IN)

MIDDAY - MIDNITE:

550 WKRC OH CINCINNATI - 9/20 2332 noted weak w/KRC-55 ID's and I believe tele-talk, was looking for KSD. (HJH-PA) Try sunset!
560 WFRB MD FROSTBURG - 10/7 1839 xlt w/local ad, mention of Cumberland, Maryland. (JB-NY)
690 WYIS PA PHOENIXVILLE - 10/1 1825-1830 gospel music, s/off by woman who I could hardly understand. (TF-CT) Sounds like a normal, regular day there-hi! (DS) My closest unheard! (VIC)
700 WYOK AL BIRMINGHAM - 9/28 1949-2000 weak w/CW music, news, s/off. (BR)
700 WQAT MA ORANGE - 10/1 1802 fair w/ID during news. (JB-NY)
730 WNAK PA HANTICOCKE - 9/18 1912 good w/brief s/off. (JB-NY)
WACE MA CHICOPEE - 9/24 1850-1900 fair w/religious music, PSA, program guide offer, s/off. (BH-NJ)
WEIT PA PITTSBURG - 9/25 1918-1928 weak w/religious music then s/off w/mention of 101.5 PM. (BH-NJ)
WEKX VA ALEXANDRIA - 9/29 1914-1916 briefly atop w/CW music, s/off w/mention of "Kicks AM and FM 106." (BH-NJ)
770 KJCB LA LAFAYETTE - 8/18 2237-2253 child care co-op PSA, ads, phone numbers given, weather and ID, good signal. (CJ-TN)
790 WETS TN JOHNSON CITY - 9/30 1936-1945 fair w/Top 40 music, Tri-City weather, and full data s/off. (BH-NJ)
800 CHRC EQ QUEBEC - 9/21 1944-1957 u/GKDW w/traditional CW music in English, French anc'r, tentative ID confirmed by v/l. (BH)
WCCM MA LAWRENCE - 9/30 1806-1813 o/WTRM w/female anc'r w/local news, ID, Mutual news and sports. (BH-NJ)
810 WQIZ SC ST. GEORGE - 10/7 1847 s/off fair w/no sign of WGY. (JB-NY)
820 WDSU OH COLUMBUS - 9/30 1947-2001 fair w/NPR's "All Things Considered", weather, news 820 ID. (BH-NJ)
850 KOA CO DENVER - 9/20 2200 w/ID, good signal into CBS news. (HJH-PA)
920 WGMN WY FAIRMOUNT - 10/4 2359 alone w/s/off w/SSB. (JB-NY)
950 WIBX NY UTICA - 10/1 1815 noted about even w/local WBBF null. (JB)
960 WATS PA SAYRE - 9/17 1804 good o/GKWS w/ID, some splash from local WBBF-950. (JB-NY) Wats that? (DS)
970 KAKC OK TULSA - 9/22 2030 local ad, weather and ID mentioning "Tulsa's Gospel Radio", fair signal. (CJ-TN)
1000 CKSW NS BRIDGEWATER - 10/1 1832-1900 way atop w/CW music, ID. (TF-CT)
1010 WIOI OH NEW BOSTON - 9/25 1943 fair w/s/off, no SSB. (RK-IL)
1040 WSXB PA EVERETT - 9/30 1906-1930 CW music, promos, ads and ID's as "SK Country", no data s/off. (TF-CT)
1110 WUHN MA PITTSFIELD - 10/1 1809 in briefly w/ID w/strong CJKD. (JB-NY)
1140 WSAO MS SENATOBIA - 9/23 2014 fair w/s/off, no SSB. (RK-IL)
1170 WBRW NJ SOMERVILLE - 9/18 1906 strong w/local ad, weather, calls self "preferred radio." (JB-NY) Over there, anything is! (DS)
1230 WMNB MA NORTH ADAMS - 10/2 1855-1906 MoR music, AF news, Berkshire weather, varie back in 4 days! (TF-CT)

1270 WLKX TN NEWPORT - 9/28 1933 noted weak w/others w/ID. (HJH-PA)
1280 WCBF IN EVANSVILLE - 8/31 2017 loud to poor w/pop music, female anc'r, ID then faded out abruptly. (CJ-TN)
1330 WVHI IN EVANSVILLE - 9/22 2001 fair w/ID, ex-WKKR. (RK-IL) 9/28 2005-2015 good w/religious music, ID, ex-WKKR. (CJ-TN)
1360 WKXY TN MILAN - 10/8 1910 good w/ads, 2H Football. (RK-IL)
WDRC CT HARTFORD - 8/20 2348 poor in mess w/ID by announcer and mentions of Hartford. (CJ-TN) Could have been Hartford, England or Mississippi-hi! (DS)
WGEE WI GREENBAY - 9/22 2054-2100 fair w/ID by female anc'r, CW music, news and weather. (CJ-TN) Goooo....(DS)
UNID 9/22 2115 poor w/softball promo, ad with mention of address of 309 Court Street. (CJ-TN)
UNID 9/22 2057 fair w/break in Royals baseball game for bank in Iowa, which one is this? (CJ-TN) K-Grunt...K-Star!(DS)
1420 WHEZ WV KENDVA - 10/1 1933 in w/many ID's and MYL type format(HJH-PA) "Unforgettable", good w/long deep fades, never heard as WTCR.
1430 WDIC VA CLINCHCO - 9/24 1945 fair w/CW music then s/off w/female anc'r. (HJH-PA)
WDBX NC MONROE - 10/6 1918-1931 this booming in like nobodys business w/Top 40 and oldies, many ads and promo for Miller 500 as well as Miller beer giveaways (6 packs!). I think that practice is forbidden in PA. (HJH-PA) Who cares, they're in NC! Sounds like a convention station! (DS)
WGBR
1150RADIO
1460 WBRN MI BIG RAPIDS - 9/28 2033-2045+ noted w/rock music, PH 100 ID's, new night CP is a regular here at nite. (DB-IN)
1490 WDLG NY PORT JERVIS - 10/7 1908 ID into CW music then faded. (TF-CT)
1540 WMIO OH NILES - 10/1 1834 on top w/ID, promo for Country Roundup program. (JB-NY) The wilds of the East Mall! (DS)
1550 WYNY GA SMYRNA - 10/2 1845 noted w/A Commercial Free Sunday Festival of Praise", mention of drop in power to 500 watts and a good evening to distant listeners. (TF-CT)
1560 WEKC OH CHARDON - 9/20 1906 alone w/CW music, ID, weather. (JB-NY)
WAGL SC LANCASTER - 10/7 1901 noted u/WQXR w/s/off w/America. (JB)
1570 WOKG OH WARREN - 10/1 1836 very strong w/CW music, using slogan of "OK-1570." (JB-NY) OK? OK!
1580 WEYY AL TALLADEGA - 10/7 1915 s/off noted that when they s/off, even the sun goes down, hope they varie! (TF-CT) Didn't 5 years ago when I tried....(DS)
1600 WJSA PA JERSEY SHORE - 9/20 1909 good w/religion and urging listeners to pray and become part of the WJSA ministries. (JB-NY)

MIDNITE - MIDDAY:

590 UNID 9/12 0255 someone w/WFL football and baseball scores, then news on hour, poor signal, possible WK20. (CJ-TN)
740 WSVQ TN HARRISBURG - 10/1 0634 fair in CBL null w/ad, evidently forgot about month change, shouldn't have been on til 0730. (RK-IL) I won't tell if you won't! (DS)
790 WSIG VA MT. JACKSON - 10/1 0631 good w/weather, jingle and slogan "79 Country". (JB-NY)
1060 WCFB MS TUPELO - 10/1 0700 fair w/s/on 15 minutes early, noted several other BTV stations s/on early also. (RK-IL)
*KYW PA PHILADELPHIA - 10/15 noted off this Saturday AM, leaving Cuban/weak CJRP. Noted w/full s/off w/SSB 10/16 0100 leaving Cuban only. (DS-DE)
1210 KCLG UT WASHINGTON - 10/7 0945 fair/poor w/ID, news and CW music, noted in Prineville, OR. (JW-OR)
KGYN OK GUYMAN - 10/10 0815 fair w/farm product report, ID. (JW-OR)
1230 WBHP AL HUNTSVILLE - 8/30 0110 poor w/Huntsville High School Player of the Week promo, CW music. (CJ-TN)
WJBB AL HALEYVILLE - 8/30 0109 noted w/s/off w/full data and mention of 92.7 FM, poor signal. (CJ-TN)
1250 WKBR NH MANCHESTER - 10/8 0540-0550 rock music and promo for up-coming "News Watch", taken o/by WTAE. (TF-CT) No comment-hi! (DS)
1270 WXYZ MI DETROIT - 10/1 0620 CNN News, ID, atop frequency. (TF-CT)
1310 WVIP NY MT. KISCO - 10/5 0614 good w/VIP News, political ad then "Weather Center" weather. (TF-CT) And you missed the results of the cow-chip throwing contest? (DS)
1330 WKFA AL SCOTTSBORO - 9/12 0156 surfaced for one CW song, weather, ID then news and faded. (CJ-TN)
WFBC SC GREENVILLE - 9/12 0204 poor w/Talknet, ID, PSA then fade out. (CJ-TN) Gee, that should happen here more often! (DS)
1350 KCOR TX SAN ANTONIO - 8/20 0026 poor w/rock music, ID. (CJ-TN)
WSMB LA NEW ORLEANS - 8/20 0019-0030 local ads, talk show w/female anc'r, weather, ID. (CJ-TN)
1360 WCHE NC CHAPEL HILL - 10/10 0158 atop WDRC w/ID into MoR/Rock music. (DS-DE)

6

- 1370 WFEA NH MANCHESTER - 10/1 0325 fair w/weather, ID. (RK-IL)
- CPOK AB WESTLOCK - 10/1 0446 this unkn. w/CW music, items for local fire department. (RK-IL) Notice how he said "unneeded?" (DS)
- 1400 CKLB OH COLLINGWOOD - 10/6 0530 atop pack w/ID, rock music then faded down. (TF-CT)
- KADR IA ELKADER - 9/24 0000 fair w/ID and NBC news on hour, CP is on. (RK-IL) Guess this could have gone w/SPECIAL? (DS)
- 1430 WDEX NC MONROE - 10/14 0005 fair w/WNJR w/rock music, ID. (DS-DE)
- 1440 WNFV PA LANSDALE - 10/1 0606 ad for auto dealer, ID, three records then gone, looking for this one here. (TF-CT) Yeah, isn't it nice to move, loose ONE local and gain THREE-hi! (DS)
- 1470 KECL LA LAKE CHARLES - 8/21 0109 poor w/salute to local civic organizations, jingle/ID. (CJ-TN)
- 1480 WITM NC FRANKLIN - 9/22 0600 fair w/s/on. (RK-IL)
- 1550 WRHO FL CORAL GABLES - 10/10 0145-0210+ w/Spanish talk, news w/time ticks, mentions of Miami often, either an ET or new 500 watt night pattern is on. (DS-DE)
- 1580 WSRP FL FORT LAUDERDALE - 10/8 0615-0630 oldies, many ads, ID, way o/CBJ. (TF-CT)

SPECIAL (Add on-hi!):

- 1500 WKFX PA WEST HAZELTON - Add.: P O Box 370, Church Hill Mall, Hazelton, PA 18201. Promo info mentions 5000 watts now on. (DS-DE per info from Dave Shayer, Phila., PA - he isn't a member YET!)

HELLO? MR. RIPLEY?

Can this area be the first to claim it has two radio stations within 15 miles of each other who have 2 NRC members employed on the staff? Yes, CHARLIE SLEZAK (Oxford, PA) and JOE JONES (Wilmington, DE) at WDEL, and Charlie and myself at WNRK. A real bit of useless information, indeed!

CANDIDATES:

- BH-NJ/Sob Harrison, Union, NJ/Superadio
- HJR-PA/Harry Hayes, Milkes-Barre, PA/HQ180, Superadio, SM2
- JW-OR/Jack Woods, Corvallis, OR/Superadio
- DB-IN/Dave Braun, Valparaiso, IN/Airline 1479
- TF-CT/Tony Fitzherbert, Fairfield, CT/ICFS5W
- JB-NY/Jerry Bond, Rochester, NY/HQ140XA, Loop
- CJ-TN/Chris Johnson, Memphis, TN/KR80, Loop
- RK-IL/Robert Krammer, Chicago, IL/R1000, HQ129X, HQ140X, Radio West Loop, Kowalski Loop, Spiral Loop, Audio Notch Filter, and a few sports here and there!
- ES-DE/You expected Chuck Hutton?/HQ180A, Superadio, SM2

RANDUMS:

Locally, the new GE SUPERADIO II is back on the shelves of local discount houses for under \$50 regular price. RADIO SHACK is having an unloading sale on the TRF again, they're going for under \$15.....fellow engineers note, the RADIO SHACK TRF is a great EBS receiver!

ROBERT KRAMMER pens that he has officially applied for a call letter change, since we've added an extra "M" to his name for the last 2 years, not only has he gotten mail with his name spelled that way, he is beginning to believe it was spelled that way all along! What power....hi!

Next week we will offer a special report on a recent experiment by RON SCRATZ on how to bribe Cuban officials with auto parts and \$ and \$ Green Stamps on getting up-date information for radio data at their Coral Gables field office.

See you all next week with some more simply marvelous information!

73's - Good DX!

W A L A

W T S L / 14

RADIANT RADIO

WEAT

**INTERNATIONAL
DX DIGEST**

CHUCK HUTTON
1035 LATHAM ROAD
DECATUR, GA 30033
(404) 633-1198
BEFORE 2300 ELT

7

Times are GMT. For ELT subtract 5 hours. Deadlines are usually Monday.

- 10/17 PM: going to New York again and will mail 3 pages to Mike. Rest next time. Good thing I started early this time or no IDXD at all...
- 550 CUBA R. Rebelde heard on 550, 570, 580, 590, 600, 610, 620 and 630 (whew!) with news commentary 0230 10/6. 590, 600 and 630 loud and clear: 550, 570 even with domestics and the rest well underneath. 610 is new here but latest list shows two parallel outlets. (Renfrew) Down in these parts 610 is the only one that does not own the channel routinely but they sometimes achieve that status. Sympathy for all southern DX'ers please....CH
- 630 HONDURAS R. America with World Series game, frequent ID's (no references to Honduras or any cities) and many ads 0240-0310 10/6. (Renfrew)
- 640 GUATEMALA TGW LV de Guatemala with ids, TG's and extensive coverage of Central American news on "Noticias de la Hora" 0505-0550 10/5. The signal overwhelmed 5, Progreso but was very shallow and splattery, almost bubbly in audio quality. (Renfrew)
- 730 MEXICO XEX with R. Principal (I think) ID's prior to s/off with NA at 0201 10/5. Very good signal and free of interference, music and ads very listenable but 5 times faster than my ability to translate! I had thought the XEX was on 24 hours? (Renfrew) Well they are but it just takes more than one day for them to do it, hi....CH)
- 747 UPPER VOLTA 0537 10/1 Ougadougou tentative FF sounding talk by women also some AA possible: signal poor. (Connelly)
- 760 COLOMBIA LV de Barranquilla with ID and music way over WJR 0415 10/6 but quickly faded. (Renfrew)
- 770 PANAMA R. Nacional de Panama with many ID's, including all of the cities in its network, and news. Quite a bit of competition from WABC, but it rose to the occasion right on the half hour prior to an ID 0429 10/6. (Renfrew)
- 810 BAHAMAS I assume that this was ZNS with a gospel music program, easily looped from WGY 0445 10/6. (Renfrew)
- 870 DOMINICAN REPUBLIC/UNID the Dominican which I reported last week comes in regularly (still no idea of its location), but one night I was able to hear the alleged IRA time pips at 0730 10/5 through it and WVL. (Renfrew) Got a bit of helpful type info here on this. I guess I ought to try for this myself; I sure could use a good new catch-CH
- 830 MEXICO XE?? heard at 1250 w/fair signal, ID, but missed the last letters of the call. SS music followed, 9/16. (Next time get the two call letters that matter! CH) (Vroom)
- 846 KIRIBATI TJK1 Tarawa heard at 0955 w/man talking in native lang. Fair signal with much interference from ROA 10/3. (Vroom)
- 890 HONDURAS R. Honduras on Tegucigalpa came in very well for a few minutes over WLS 0500 10/6 with many references to Tegucigalpa. News program seemed to mention radio stations in other Central American countries such as El Salvador and Guatemala. There even seemed to be an ad for Radio Salvador! A little too muddled on the tape to be sure though. WRTWH has sketchy and conflicting information about this stn and no address. (Renfrew)
- 1017 TONGA A3E Nuku'alofa in from 0807-0822 with woman talking. Weak signal, looped 213 degrees 9/13. (Vroom)
- 1035 SOLOMON ISLANDS HLB1 Honiara heard from 0935-0950 w/fair to weak signal. Local language talk by woman and man, then music by woman. // to 5020 10/3. (Vroom)
- 1044 CHINA heard at 1002 w/violin mx then talk by woman. Weak signal on 10/3. (Vroom)
- 1062 PORTUGAL 0529 10/1 Norte/Azurara with light pop mx, good. (Con)
- 1206 AUSTRALIA 2UF Grafton, believe to be the stn heard at 1048 with the song "Summer in the City". Most consistent Australian stn at this location. 10/3. (Vroom)
- 1206 CHINA in early at 0923 w/fair signal and female singing. Heard later at 1356 w/good signal and JJ talk 10/3. (Vroom)
- 1206 FRANCE 0527 10/1 Bordenaux w/multilingual pgm (AA/FF/others) loud //1377. (Connelly)
- 1223 SPAIN 0526 10/1 Madrid with woman in SS just o/mess. (Connelly)
- 1305 UNID 0522 10/1 growl, bits of pop music, maybe France. (Connelly)
- 1314 NORWAY 0519 10/1 Kvitsoy with cl mx then female vocal in Nordic lang (think it might be Norwegian?? CH); signal just atop a growl from slightly off-channel Spanish locals. (Connelly)
- 1359 SPAIN 0514 10/1 Figueras with bits of SS talk, evidence of a second station under: both dogged by WDRC alop. (Connelly)

- 1377 FRANCE 0513 10/1 Lille w/FF talk, then AA mx @ 2.7 Hz S&H. (Con)
- 1395 ALBANIA 0511 10/1 Lushnje w/FF sounding Comite propaganda, fair through slop. (Connolly) You probably liked that stuff you bearded Northeastern pinko...
- 1422 ALGERIA 0507 10/1 Algiers w/AA mx poor to fair @ S&H. (Connolly)
- 1425 UNID 0500 10/1 heavy GG looping S/N: is Greenland back on this channel? (Connolly) Well...they are supposed to be off the air totally. That was correct as of a few months ago. Can Mr. Bruin verify on the Yukon Terror. verify this????? CH
- 1458 ALBANIA 0419 10/1 Durres w/East European mx then good "Goveri Rirane" ID, loud. (Connolly) And I can't even hear them this year-CH
- 1467 MONACO 0448 10/1 Monte Carlo w/GG hymns, GG talk by man at local-like strength. (Connolly)
- 1476 UNID 0446 10/1 US pop mx, poor-Spain or Austria the probable source. (Connolly)
- 1485 SPAIN 0444 10/1 SS talk briefly atop a strong pile of carriers. (Connolly)
- 1494 FRANCE 0442 10/1 Bastie (et al) fair with men in FF. (Connolly)
- 1512 SAUDI ARABIA 0256 9/29 Riyadh w/man in AA very good! S&H Fed through regenerative tuner; S&H positioned to null WRR-1510; regen tuner used to sharpen selectivity and add gain. (Connolly)
- 1521 SAUDI ARABIA 0259 9/20 Daba w/man in AA //1512: good despite WREN slop. (Connolly)
- 1524 SPAIN/UNID 0446 10/3 Spain with man in SS @/u station with soft music (maybe the Czech). (Connolly)
- 1533 VATICAN CITY 0400 10/9 R. Vatican theme mx, annot "Laudetur Jesus Christus" followed by Slavic ps: loud, annihilating WCKY! (Con) And I'd be so grateful to just hear them at all! CH
- 1530 VATICAN 0402 10/1 Vatican IS through WCKY. This one is becoming a pest and proves then non-split TA's can interfere with US clear channel stations. (Connolly) Yeah, in the very northeast corner of the country with a powerful TA on some night-CH
- 1539 WEST GERMANY 0358 10/9 Hsinflingen DLF with GG talk by woman, xint despite WPHR slop. (Connolly)
- 1557 FRANCE 0439 10/1 Nice with FF talk by men, very good: slow S&H, bits of talk and mx under, probably Malta. (Connolly)
- 1562 PORTUGAL 0436 10/1 tentative Covilha probably the one here still on this old-plan channel: too much WQXH slop to allow meaningful audio extraction. (Connolly)
- 1566 SOUTH KOREA Jeju in at 1347 w/EE and KK religious program. Fair signal on 10/3. (Vroom)
- 1575 UNID 0244 9/20 bits of rick mx atop a second stn w/talk; there was too much CKLM slop to tell what languages were being used on 1575. (Connolly)
- 1584 SPAIN 0241 9/20 with SS talk by man then folk mx, very good. (Con) Disco and dance music hits then SS talk: good. (Connolly)
- 1593 WEST GERMANY 0433 10/1 Langenberg female vocal version of c/w oldie "Games People Play" then talk in GG. (Connolly) 0253 9/20 GG talk and mx to very good peaks but with fluttery fading. (Connolly) Would you believe that this guy has not even put in a carrier here this season in spite of the fact that a couple of dozen other frogs have????? CH
- 1602 SPAIN 0240 9/20 tentative possible female SS vocal in severe WUNR slop. (Connolly)

Fooled you! You thought IDXD was over for this week, right? Well folks, there's more, yes MORE! Like the TA extravaganza (what is a vaganza anyhow???) from Neil Kuzeross which appears below.

- 164 FRANCE very good-xint w/PP song 0435 9/11. RI
- 105 WEST GERMANY in FF, noted good 0435 9/11 with deep voiced FF men in QRN. RI
- 218t MONACO barely audible in QRN w/mx 0436 9/11. RI
- 531 ALGERIA poor w/AA mx and chants 0431 9/11. fair-good 2305 w/AA talk 9/14. MA
- 549 ALGERIA garbaging 550 w/strong het-AA talk //531, 2306 9/11. MA
- 576 ALGERIA Bechar poor w/AA mx and chanting //531 0214 9/11. I think I had some GG here w/two signals mixed; weak around 0330 9/15. MA
- 585 SPAIN Madrid noted almost consistently during the TA opening 9/6 to 9/15. Often to xint peaks w/little trouble from WEST. RI
- 594 WEST GERMANY/MOROCCO a mixture of Frankfurt w/typical soft Muzak and Oudje with AA mx 0440 9/15. MA
- 603 FRANCE Lyon clearly audible w/TT //037 at 0330 9/15. MA
- 612 MOROCCO noted as big loud het on WREN 2300 9/14. (MA) in with AA mx, fair 2351 9/11. RI

- 621 CANARY ISLANDS het was often noted but not up to the potent strength of many of the European TA's 9/6 to 9/15. RI
- 639 SPAIN was noted a few times 9/6 to 9/15 w/SS //505, 730, 774. RI
- 648 GAMBIA Bonto noted poor and looping same as local-like Dakar-764 w/African mx 2324-2326 9/6 when faded into QRN and WREN slop. MA Fair and clearly heard w/African lang, man and some weird tribal mx with natives beating on a wooden drum-like instrument w/drumsticks (a music expert I sin't, hi) 2233-2234 9/14 looping slightly south of east like Dakar. MA
- 648 SAUDI ARABIA Jeddah fair-good 0247-0249 9/9 when faded. Definite and clear talk by man. Stayed in but weak until 0320 fadeout. I couldn't hear a trace of pipe BBC at 0300. MA (so do we have on unid AA stn or Saudi Arabia???) CH
- 657t MOROCCO Layouane-regeneration helped to pull bits of audio thru WREN slop 0006 9/10. Sounded like AA talk. MA
- 666 PORTUGAL Poor w/man in PP 2332 9/9. Heard other days and times too but WREN slop makes this rough. MA
- 675 UNID with mx then men and women in European lang briefly fair-good but too much WREN slop makes this rough. MA
- 684 SPAIN Seville often easily getting by local WKKO 9/6-9/15. MA
- 691 ENGLAND Droitwich BBC very good in passing //909 w/rock 0505 9/15 but carries nighttime program of muzak at earlier times in the night. MA
- 702 MOROCCO Sabaa Aoun very good clobbering WLN w/AA man scouted like mx 2302 9/14. MA
- 711t MOROCCO Tarfaya noted fair w/AA talk 2340 9/11, France not listed on at this hour. Noted again 2332 9/12 during opening which favored Iberia and NW Africa (Libya 827 was quite poor and barely audible). I think this was //819 w/AA mx and chants but too much T/I near B19 to be sure. The above considerations plus the het I've noted looping east from Ogunquit Beach during good NW Afro cx make me think this stn is Tarfaya and not Libya. MA and RI
- 711 FRANCE Rennes good w/FF man and women bearing up WOR during super and best ever noted low end TA opening 0435 9/15. MA
- 720 PORTUGAL Very good in Y/OE null w/PP man 2331, almost xint 2335 @ WGN 9/11. RI
- 720 TUNISIA Sfax I noted a TT looping TA here w/WGN 0350. Then from 0354-0359 tune out AA chanting and mx was noted poor-fair. No Portugal noted at the time. Station causing a 1/7 Hz S&H with somebody 9/15. MA
- 720 UNID very interesting TA noted w/WGN at 2314. Primitive tribal mx then chanting which sounded more African than AA. Then male snore in African sounding lang, not PP or SS (Y/OE was nulled). Then time now 2320 9/11. Tropical and island type mx with birds chirping in background lested up to very good till 2327 fade. Portugal surfaced briefly thru WGN 2329. The unid came back 2332 and lested until 2345 with the same tropical mx, birds often chirping, etc., Afro sounding male appeared briefly. Two possibilities are listed here. Canary Islands listed on till 2400 and Nigeria listed on till 2300 w/EE 2100-2300 and Ibo at some other times. Pging would seem to make one think this was Nigeria but cx at the time (great cx to NW Africa, 837 Canary in however 747 Upper Volta from inland Africa a weak bet) Perhaps Canary Islands carries local programming dir island natives instead of SS at this time-I don't feel cx were right to allow a 50 kw Nigerian to come in this well. Bill Bailey has noted similar stuff here, also unid. I'll write the stns. MA
- 738 SPAIN Barcelona xint and // even stronger 774 w/SS cx by man and woman. MA
- 729 SPAIN synchro very good w/SS //738, 774 @/another w/SAH and soft instrumental music at this time, 0517 9/15, the unid should be Portugal as LSR should have eliminated Greece. MA
- 747 UPPER VOLTA Ougadougou noted poor looping east w/pop hiy "Blue Bayou" //4815 SW (SW suffers greatly from ute QRN) 2348 9/8. MA + peaking fair-good w/African rhythms than FF man, then slow FF song w/guitar //4815 2354-2357 9/11. Dakar 765 is usually very strong when Ougadougou is heard. RI
- 747 HOLLAND Flevoland noted 0320 9/9 w/bits of a male talking, probably Bulgarian noted under, xint 0348-0355 w/DD woman, mention of Netherlands. On early for summer time. Also 0243 9/15 s&pb and local-like 10 dB over 750 stns; usual 2 note doorbell type IS into DD with s/on; far atop Bulgaria. MA
- 747 BULGARIA Petric noted w/Slavic man under Holland OC 0326 9/13, I noted cl mx most likely from them as they are the only AN'er with any power 0106 9/14. Also 0343 9/15 w/Slavic man way under Holland IS w/possibly a terribly weak third stn (no idea who) also in. MA

BANDSCAN

ERIC BUENENHA
836 LAMPLIGHT LANE
HAZELWOOD, MO 63042
(314)-895-1436
(1700 TO 2400 ELT)

Welcome to the NRC's Most Interesting Column. Our scanner is CHARLES GEORGE of Dallas, TX, using a Panasonic RF-2600, 30 feet of wire and an SM-2. This is a nighttime scan, and since it is so big, I will fit this into one column.

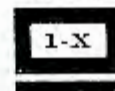
| | | | |
|-----|----------------------------|------|------------------------------------|
| 530 | TIS DFW Airport, TX | 780 | WBBM, Chicago, IL |
| 540 | KNOE, Monroe, LA | 790 | KKBJ, Houston, TX |
| | XEMA, San Luis Potosi, MX | | WMO, Memphis, TN |
| | GRK, Regina, Saskatchewan | | XERFC, Chihuahua, MX |
| 550 | KTSA, San Antonio, TX | 800 | XEROK, Juarez, MX |
| | KOY, Phoenix, AZ | | PJB, Honaire, Netherlands Antilles |
| | KFYR, Bismarck, ND | | CLLW, Windsor, ON |
| 560 | KLVI, Beaumont, TX | 810 | KOMO, Kansas City, MO |
| | KWTO, Springfield, MO | | XEZG, Mexico (unknown location) |
| 570 | KROX, Dallas, TX (ex-WFAA) | 820 | WBAF, Fort Worth, TX |
| 580 | WIBW, Topeka, KS | 830 | WCCO, Minneapolis, MN |
| | KEFI, Chihuahua, MX | 834 | R. Belize, Belize City |
| 590 | KLEJ, Austin, TX | 840 | WHAS, Louisville, KY |
| | WON, Omaha, NE | | R. Progreso, Cuba |
| | WFLO, Atlanta, GA | 850 | KOA, Denver, CO |
| | KEPH, Mexico City, MX | | XEZH, Zaragoza, MX |
| | XEPD, Rio Bravo, MX | 860 | KKOW, Pittsburg, KS |
| 600 | KTBS, Tyler, TX | | WEMG, Douglas, GA |
| | WREO, Memphis, TN | | XEUN, Mexico City, MX |
| 610 | WDAF, Kansas City, MO | | R. Progreso, Cuba |
| | KILT, Houston, TX | 870 | WNL, New Orleans, LA |
| 620 | KWFT, Wichita Falls, TX | | Cuban station (unknown) |
| | YNGR, Managua, Nicaragua | 880 | KRVN, Lexington, NE |
| | XENK, Mexico City, MX | | R. Progreso, Cuba |
| | R. Rebelda, Cuba | 890 | WLS, Chicago, IL |
| 630 | KHOW, Denver, CO | | Radio Honduras |
| | KXOX, St. Louis, MO | | HJCE, Bogota, Colombia |
| 640 | R. Progreso, Cuba | 900 | XEW, Mexico City, MX |
| | TGM, Guatemala City | | R. Progreso, Cuba |
| | KFI, Los Angeles, CA | 910 | KIKM, Sherman, TX |
| 650 | WGM, Nashville, TN | 920 | KARN, Little Rock, AR |
| | R. Liberacion, Cuba | | KYST, Texas City, TX |
| 655 | YSS, San Salvador, E.S. | 940 | XEQ, Mexico City, MX |
| 660 | XERFM, Mexico City, MX. | | WYLD, New Orleans, LA |
| | HRN, Tegucigalpa, Hond. | | KICA, Des Moines, IA |
| | R. Progreso, Cuba | 950 | KIMN, Denver, CO |
| 670 | WMAQ, Chicago, IL | | XEYJ, Nueva Rosita, MX |
| | R. Liberacion, Cuba | | KDSX, Donison, TX |
| | XETOR, Torreon, MX | 960 | WERC, Birmingham, AL |
| 680 | KFEQ, St. Joseph, MO | | KEK, Nuevo Laredo, MX |
| | ENER, San Francisco, CA | 970 | WAVG, Louisville, KY |
| | XELG, Leon, MX | | XEJ, Juarez, MX |
| 690 | KGGF, Coffeyville, KS | | XED, Matamoros, MX |
| | XEN, Mexico City, MX | 980 | KMBZ, Kansas City, MO |
| | R. Liberacion, Cuba | | WBLX, Nashville, TN |
| 700 | WLW, Cincinnati, OH | | XEMN, Nueva Rosita, MX |
| | HJOX, Cali, Colombia | 990 | KNIN, Wichita Falls, TX |
| 710 | WHS, Kansas City, MO | | OBW, Winnipeg, MB |
| | KGNO, Amarillo, TX | | XET, Monterrey, MX |
| 720 | WGN, Chicago, IL | 1000 | XEOE, Mexico City, MX |
| | R. Liberacion, Cuba | 1010 | KLRA, Little Rock, AR |
| 730 | XEX, Mexico City, MX | | XETX, Nuevo Casas Grandes, MX |
| 740 | KTRH, Houston, TX | 1020 | KDKA, Pittsburgh, PA |
| | KRMG, Tulsa, OK | | KBOJ, Roswell, NM |
| | GBL, Toronto, ON | | R. Guama, Cuba |
| | R. Liberacion, Cuba | 1030 | KTWO, Casper, WY |
| | KCMC, Texarkana, TX | | XEQW, Mexico City, MX |
| 750 | WSS, Atlanta, GA | 1040 | WHO, Des Moines, IA |
| | YNX, Managua, Nicaragua | 1050 | XEG, Monterrey, MX |
| 760 | WJR, Detroit, MI | 1060 | WNOE, New Orleans, LA |
| | XEASO, Mexico City, MX | | XEEP, Mexico City, MX |
| | R. Reloj, Cuba | 1070 | KRBE, Houston, TX |
| 770 | KOB, Albuquerque, NM | | KOPX, Alice, TX |
| | HOL47, Chitro, Panama | | KFDE, Wichita, KS |
| | HJEH, Bogota, Colombia | 1080 | KLTL, Dallas, TX |

| | | | |
|------|------------------------------|------|--------------------------|
| 1090 | KAAY, Little Rock, AR | 1360 | KAOL, Fort Worth, TX |
| 1100 | WWEW, Cleveland, OH | | KRYS, Corpus Christi, TX |
| | HJAT, Barranquilla, Col. | 1370 | KFRD, Longview, TX |
| 1110 | KFAB, Omaha, NE | | KGAD, Dodge City, KS |
| | XERED, Mexico City, MX | | WSPD, Toledo, OH |
| 1120 | KMOX, St. Louis, MO | 1380 | KSWO, Lawton, OK |
| 1125 | TISRHB, San Jose, Costa Rica | 1390 | KOCG, mid, OK |
| 1130 | KWKH, Shreveport, LA | | WROA, Gulfport, MS |
| | XEEL, Jalape, MX | | XLOK, Reynosa, MX |
| 1140 | XEMR, Monterrey, MX | 1400 | KGVL, Greenville, TX |
| | WRVA, Richmond, VA | 1410 | WUNI, Mobile, AL |
| 1150 | WJBO, Baton Rouge, LA | | KAM, Wichita, KS |
| | KDAL, Salina, KS | 1420 | KLNK, Lufkin, TX |
| | KBOX, N. Little Rock, AR | 1430 | KELI, Tulsa, OK |
| 1160 | KSL, Salt Lake City, UT | | WFW4, Panama City, FL |
| | LV de Cuba/WO Cuba | 1460 | KBO, Des Moines, IA |
| 1170 | KVOD, Tulsa, OK | 1470 | KRHS, Abilene, TX |
| 1180 | V.O.A., Marathon, FL | | KLGL, Lako Charlen, LA |
| | R. Reloj, Cuba | 1480 | KMEZ, Dallas, TX |
| | WHAM, Rochester, NY | 1490 | KPLT, Paris, TX |
| 1190 | KLIF, Dallas, TX | 1500 | KSTP, St. Paul, MN |
| 1200 | WOAI, San Antonio, TX | | XERH, Mexico City, MX |
| 1205 | R. Cayman, Grand Cayman, BWI | 1510 | WLAC, Nashville, TN |
| 1210 | KGYM, Guyman, OK | 1520 | KOMA, Oklahoma City, OK |
| | TGMX, Guatemala City | 1530 | WKY, Cincinnati, OH |
| 1220 | XEB, Mexico City, MX | | KFAR, Sacramento, CA |
| 1230 | KWTX, Waco, TX | | KGBT, Harlingen, TX |
| | KUST, Sulphur Springs, TX | 1540 | XEDR, Mexico City, MX |
| 1250 | KTXC, Fort Arthur, TX | | KU44, Fort Worth, TX |
| | WREN, Topeka, KS | | KXL, Waterloo, IA |
| 1260 | KGBX, Springfield, MO | | KLDA, San Antonio, TX |
| 1270 | KSSA, Fort Worth, TX | 1550 | KOKA, Shreveport, LA |
| 1280 | WQSO, New Orleans, LA | | WOKJ, Jackson, MS |
| | KBRQ, Denver, CO | 1560 | KWCO, Chickasha, OK |
| 1290 | KTRN, Wichita Falls, TX | 1570 | XERF, Ciudad Acuña, MX |
| | KOIL, Omaha, NE | 1580 | KLOU, Lake Charles, LA |
| 1300 | KEBJ, Tulsa, OK | | XCOM, Hermosillo, MX |
| | KVET, Austin, TX | 1590 | KVGB, Great Sand, KS |
| | WKXI, Jackson, MS | | XEVOZ, Mexico City, MX |
| 1310 | KAAM, Dallas, TX | | XEAGH, Monterrey, MX |
| 1320 | KMYZ, Houston, TX | | KYOK, Houston, TX |
| | KMHN, Fort Smith, AR | 1600 | KXVI, McKinney, TX |
| 1330 | KFH, Wichita, KS | | KATZ, St. Louis, MO |
| | KVOL, Lafayette, LA | | |
| 1340 | KAND, Corsicana, TX | | |
| 1350 | WSMB, New Orleans, LA | | |

Next Scan: JIM ROLLINS, on Expedition to Cape Cod, MA (GE Superadio) (day)

| | | | | | | | | | |
|-----|---------|-----|---------|------|---------|------|---------|------|---------|
| 540 | WLIX-NY | 770 | WABC-NY | 990 | WLKN-RI | 1280 | WADO-NY | 1430 | WAKS-MA |
| 550 | WNGN-RI | 790 | WEAR-RI | 1010 | WINS-NY | 1290 | WAGP-RI | 1450 | WLIJ-NJ |
| 560 | WGAN-ME | | WTAR-VA | 1030 | WJDA-MA | 1300 | WJDA-MA | 1460 | WSET-MA |
| 570 | WGOA-NY | 800 | WCCM-MA | 1050 | WHN-NY | 1310 | WICH-CT | 1470 | WCLA-MA |
| 580 | WTAG-MA | 810 | WGY-NY | 1060 | WTFP-MA | 1320 | WARA-MA | 1480 | WGAN-MA |
| 590 | WEEI-MA | 830 | WNYC-NY | 1080 | WTIC-CT | 1330 | WDLN-MA | 1490 | WUSS-NJ |
| 600 | WICR-CT | 850 | WHCH-MA | 1090 | WLLD-MA | 1340 | WNEH-MA | | WFOB-MA |
| 610 | WGBR-NH | 880 | WCBS-NY | 1100 | WHLI-NY | 1350 | WJIS-VA | 1500 | WPIF-CT |
| 620 | WYNY-NJ | 900 | WKXA-ME | 1110 | WHM-RI | 1360 | WLYN-MA | 1510 | WNTS-MA |
| | WACZ-ME | 910 | WABI-ME | 1130 | WNEH-NY | 1370 | WNYD-RI | 1520 | WIBG-NJ |
| 630 | WPRO-RI | | WRCQ-CT | 1150 | WHUE-MA | 1380 | WBBX-NH | 1530 | WDLZ-CT |
| 640 | WNBC-NY | 920 | WHJJ-RI | 1170 | WKZE-MA | | WBSX-NY | 1540 | WADR-RI |
| 650 | WXRQ-MA | 930 | WNNH-NH | 1190 | WLIE-NY | 1390 | WPLM-MA | | WMYF-NH |
| 710 | WOR-NY | | WPAT-NJ | 1210 | WCAU-PA | | WHIV-NY | 1550 | WNTN-MA |
| 730 | WJTO-ME | 950 | WRFB-MA | 1220 | WRIB-RI | 1400 | WHD-NY | 1560 | WJAN-NY |
| 740 | WGSN-NY | 960 | WSSY-MD | 1240 | WOOB-MA | | WIDE-MA | 1570 | WHHF-NY |
| | WCAS-MA | 970 | WYXZ-ME | 1260 | WEEZ-MA | 1410 | WAMA-MA | | WSPD-MA |
| 750 | WHEB-NH | 980 | WCAP-MA | 1270 | WTSN-NH | 1420 | WSSM-MA | 1580 | WLIJ-NY |
| | | | | 1590 | WAKV-RI | | | | |
| | | | | 1600 | WLSG-NY | | | | |
| | | | | | WUNH-MA | | | | |

This is the largest scan I've ever seen. Well, Terry Klassok and Rich Eddie, your record has been broken. Until next time....



WON-X RADIO 1500 A.M.
A PUBLIC SERVICE OF NORTHERN COMMUNICATIONS, INC.
2100 LEE ST., WASHINGTON, D.C. 20002

Best of DA and 73's
Eric Buenenma
Eric.buenenma@KJAB.TL/WLS 500

KTHS/KSCC
1480 A.M. 107.1 F.M.

KFUO/LUTHERAN RADIO
850 AM 99.1 F.M. 211 Delin Avenue St. Louis (Clayton) Missouri 63105

VOLUME 50 INDEX

Compiled by Paul Swearingen

(Dave Schmidt's DDXD and Chuck Hutton's IDXD, both regular, weekly columns, are not indexed. Selected items are taken from Musings. Numbers refer to issues-pages. Any errors or omissions are unintentional; please call them to my attention.)

Station Lists

Sports Nets - Dave Yocis - 1-15, 15-15, 26-15
Music Country Net - Tom Connatser - 1-26

Satellite Music Network - 1-26
American Country Countdown - Tom Connatser - 1-32

LA Splits - Chuck Hutton - 5-12
Australia BCB - Sam Dellit - 7-10
Cuban BCB - Ron Schatz - 10-10; 30-30
American Top 40 - 12-25

Sound Track of the 60's - Tom Connatser - 12-28

AM Stereo - 28-14
ABC Talkradio - Tom Connatser - 21-11
Legislative Review - Bill Coleman, Jr. - 21-15

Satellite Music Network - Wally Wawro - 26-19

NBC Talknet - Tom Connatser, Stan Morris - 26-21

Pittsburgh Pirates - 26-29
Harris Stereo - Tom Connatser - 29-18
MOYL - Jim West, Wally Wawro - 29-19

AM Switch

Jerry Starr - 1-2, 4-2, 5-2, 6-3, 7-2, 8-2, 9-2, 10-2, 11-2, 12-2, 13-2, 14-2, 15-2, 17-2, 18-2, 20-2, 21-2, 22-2, 23-2, 24-22, 25-2, 26-2, 27-2, 28-2, 29-4

Verification Game, Signers

Wayne Heinen - 9-22, 12-31, -33, 26-23, 24-47, 29-43

Antennas

Hot Rod - Gerry Thomas - 26-33
Kowalski Loop - Neal A. Perdue - 27-20
C & S HF Loop, Type BLA - 29-10

Products

Icom IC-R70 - John Rieger - 7-12
Drake R-7A - Craig Healy - 12-27
Icom IC-R70 - Vincent J. Pinto - 13-9
Sony ICF-6500W - Garry Thomas - 13-17
Radio Realty - 14-6
Kahn Stereo Rx - Bill Hardy - 28-14
Sony ICF-2001 - Mark Connelly - 21-16
GE 3-5288B - Michael A. Sapp - 23-14
Sansui TU-S77AMX Tuner - 26-14; 29-28
Sony SRP A100 - 26-18; 29-28
AM Stereo Receivers - 26-21; 28-4
Blaupunkt-ARI - 28-13
Eska RX12PL - Rafael Calabuig - 30-18

DXChange

Russ Edmunds - 8-18, 9-12, 20-15, 27-3, 28-15

Publications

NRC Receiver Manual, Vol. II - 2-14
NRC Antenna Manual, Vol. II - 2-14

1983 NRC DX Calendar - 3-1
NRC Reprints List - 3-7; (order form) 12-29; Booklets 27-23+
Frederickton List - Brent Taylor - 8-22
NRC Domestic Log State-City Index - 19-2

IRCA Almanac, V-3 - 20-8
Hobbyscope Information Package - 23-17
1983 IDXCSD Supplement - 27-7
NRC 50th Anniversary Book - 28-1, 47
Tune In the World - 28-8
Sunrise/Sunset Maps - 29-11
Monitoring Times - 29-42
R. West Garage Sale - 29-42
78 Years of Radio Tubes - 30-25

Technical

R-390A PTO, Alignment - Dallas Lankford - 1-18; 28-29
R-390 Newsletter - Skip Arcey - 16-7
Sony ICF-6500W Selectivity Modification - Gerry Thomas - 16-9
Multi-Rod Ferrite Loop Antennas - Dallas Lankford - 18-14
Synthesizer Noise - Dallas Lankford - 22-28
R-390A on Longwave - Craig Healy - 27-19
Icom IC-R70 PBT and Preamp Modifications - Don Moman - 27-38

Bandscan

Terry A. Klasek - 13-16, 19-9, 22-18; Eric Bueneman - 27-22, 28-12, 29-12, 30-15

Propagation

Hole in the Sky - 5-16
Sunset Skip DX - Karl Forth - 6-15
DU's - Gene Martin - 11-22
Afr Index - R. J. Edmunds - 22-12
Solar Indices Bulletin - 28-8

Domestic

Larry King Rio - 1-2
Multi-City ID - 1-14
Cordless Phone DX - Craig Healy - 1-28
CBS Radio-radio - Bob Foxworth - 1-35
Radio Roundup - Pete Kemp - 1-36, 2-17, 4-18, 17-22, 21-18, 24-35, 25-20, 26-41, 26-45, 27-36

AM Utility - 2-10
CKLW - 2-10
WDGS off - 4-3
WNAX - 4-3
WEMJ - 5-16
WFOK - 5-16; 16-14; 19-12
Unreported Stations - Don Kaskey - 6-3, 7-13, 10-23, 22-7, 26-20, 30-24

Herb Jepko - 7-11
HBVD - Tony Fitzherbert - 7-15
KMAH - 7-14
Alaskan Clears - 8-7
KSAA - 10-2
WQBA - 10-9
WDIA and Mound Bayou - 10-14
WSEX - 10-2, 18-2
Larry Eckonrode - 10-2
WBDW - 10-11
WGEV - 12-18
KOY - 12-32
WIKE - 12-33
WBZA - 12-34
Radio Future - Paul Swearingen - 12-44
Three-Year Ownership - 12-45
WGR - 13-16

Hostage - 13-19
WRXV - Tony Fitzherbert - 14-7
WOTW - 14-9
Elkader, IA-1400 - 15-2
KMOX - 15-7
Reporting DX Tests - Bill Croghan - 15-17
Tunnel Radio - 16-5, 21-2, 29-44
WSJR - Peter Hann - 16-7
WESX - Tony Fitzherbert - 16-8
750 - John D. Bowker - 16-12
Chicago Ethnicus - Eric Zorn - 16-12
WRQL - Tony Fitzherbert - 17-9
Denver BCB - 17-10
1983 Frequency Check List - Joe Fela - 17-11

TIS Guide - Terry L. Krueger - 17-15
WHRE - 17-23
WOTW - 18-10
WRZR - 18-12
Providence BCB - 18-16
WSM - 18-23
WBZY - 18-9
WNPU - Tony Fitzherbert - 19-11
WCFL - 19-12
TIS: San Antonio - 19-13
Canadian Korner - John Oldfield - 20-12, 28-12

WDME - 21-13
Philadelphia BCB - 21-15
WWMN - 21-23
WEBL - 21-33
WZZC-FM - 21-33
WDBO - 22-2
B40-Georgia - 22-9
Daytimers' Protest - 23-16, 23-23, 25-15, 26-37, 28-4

KJ103 Pirate - 23-16
KBRQ - 24-13
WEAV - 24-26
Canadian Daytimers - 25-9
WSES - 25-9
VLP - 25-14
WHAM - 25-15
KZZP - 25-15
WAWZ - 25-22
KROO - 25-22
WIRY - 26-22
WODI - 26-22
KOHI - 26-22

Baltimore BCB - 26-23
CRWX - 26-28
Clear channels - 26-28
Call letters - 26-38
R. Marti - 26-30; 28-2
WDJY - Tony Fitzherbert - 26-31
WGR - 26-37
Writing Veries - John R. Malicky - 26-38

EBS - 27-8
WUMU-FM - 27-14
CBC and CRIC - 27-15
Advisory Radios - 27-15
WLSJ - 27-16
WIFE/WMLF - 27-16
Hack Sanders - 27-16
WBUX - Tony Fitzherbert - 27-17
WROK - 27-18
Microwave - 27-18
CKEY - 27-21
KQV - 27-21
Jackson, MS BCB - 27-21
CFPR - 27-27
Deregulation - 27-27, 28-42
CFPR - 27-31
WITY - 27-31
Canadian Broadcasters - 27-32
KOBY - 28-4
WSAR - 28-12
WSM Tower - Lou Meux - 28-22

WFAA - 28-40
KYST - 28-42, 30-19
Daytime Power - 29-5
KPOI - 29-14
KIAK - 29-18
KCNS - 29-18
WHAS - 29-31
Daytime Hours - 30-2
Selectastation - 30-2
Harris off - 30-3, -13
Alaskan protection - 30-3
CP's - Don Kaskey - 30-28+
WCCR - Tony Fitzherbert - 30-25
WACZ - 30-25
Garrison Keillor - Donald D. Breed - 30-26

Foreign

South Caicos R. - 1-5
French Language - Andy Rugg - 1-21; 28-23
All India Verie - 1-26
DX'ing from Jan Mayen - Geir Stokkeland - 1-27
Cuban Jamming - Artie Sigley - 1-43
St. George Bandacan - Karl Jeter - 2-8
XERF - 2-10, 25-9

First 30 Countries in English - Mark Connelly - 8-14
Cuban Interference - 10-12, 16-5, 26-30, 27-32, 30-3
The Odds on Evon TA's - Mark Connelly - 12-12

Radio Free Europe - 12-19
Report from the Virgin Islands - Glenn Hauser - 14-11
XERF - Marc Lifsher - 19-14
R. Marti - Ronald F. Schatz - 21-19; 24-22

R. El Salvador verie - 22-11
Station Identification-GC - 24-38
Coolum Beach DX - 26-29
3LO Verie - 27-14
VOA and Cuba - 27-15
Jamaican DX'ing Holiday - Gerry Thomas - 28-17
ANARC on Jamming - 29-3
Thai Broadcasting - 29-44

IDXA - Paul Swearingen - 1-12, 7-11, 12-46; Malcolm Maxwell - 21-11

HAP Page - Sam Barto - 12-47, 16-23, 19-23, 22-23, 25-23, 27-45, 28-41, 29-45

Graveyard DX - Rick Carr - 1-13

History

First Radio Program - Lowell Ames Norris - 2-15
Ernie Cooper and Musings - 11-23
Mothball Memories - Steve Bezilla - 17-21
KWKH - Gene Martin - 20-19
Howard Kemp - Mike Mortensen - 21-7
WJKS - Steve Bezilla - 21-20
WCAZ/WTAD - Raymond J. Nemeo - 22-19
KOW/KCBS - Howie Immekas - 24-4
Bangkok - 24-5
"Radio Broadcast" - Cary Simpson - 24-31

Guy Kudlemyer - 28-36
One Year - Mike Knitter - 28-45
Golden Age of DX'ing - John Clements - 29-15, - Mark Connelly - 30-39
WFAA - Gene Martin - 30-34

④
 Top End - Craig Hoaly - 16-6, 18-13,
 (Vincent J. Pinto) 21-12, 22-15, 25-
 12, 26-17, 27-28, 28-14, 30-11

NRC

1982 Convention Report - Ted
 Fleishaker - 1-24
 Membership by State - Mike Knitter - 2-
 11
 Membership - Alphabetical - Mike
 Knitter - 4-11, 5-9
 Volume 49 Index - Paul Swearingon - 4-
 13
 1982 Financial Statement - Dick Truax
 - 4-15
 Flash Alert Service - Ken Chatterton -
 8-1
 Ham Operators - Russ Edmunds - 8-10
 Log Book - John J. Rieger - 8-11
 Contests - Rich Levin - 15-13, 28-32;
 Robert Kramer - 29-10, 30-13
 Tip Traders - 16-13, 24-46, 30-19
 April Fools' Issue - 24-14
 ANARC Resolution - 29-2
 V. 51 Publishing Schedule - 29-4
 Log Updater - Ken Chatterton - 29-20
 50th Anniversary Convention - 30-27
 Musings Guidelines - 30-45

Miscellaneous

USPS - 1-5, 1-25, 4-23, 15-2
 HAP-USA - John Kapinos - 6-19, 30-46
 Computers and DX'ing - Skip Arcey - 10-
 13, 19-12
 Suintimes (BASIS) - Ronald F. Schatz -
 14-8
 China Visit - Paul Hale - 14-9; 14-16
 Promo Raiding - Terry A. Klasek - 14-
 18
 DX Stamp Service - Brian Pitman - 15-1
 DJ Names - George Zucker - 19-10
 Jim Ameche - 21-2
 KMP5 and Computers - 21-2
 Proqsearch - Mike Knitter - 21-14
 Great Circle Bearing Program - Mark
 Connelly - 23-9; 24-32
 DST - 24-4
 Decalomania - 25-9
 Bill Rea - 26-18
 Log Book Program - Mike Knitter - 28-
 27, 29-6

Some titles have been condensed to reflect the subject idea in an effort to conserve space; names after titles are authors, not contributors. Like to see your name in this list next year? Write an article for DX News. If you're not technically-minded, write a historical article or a station profile. If you don't feel that you can handle a full-blown article but have pertinent information of use to DX'ers, send your ideas to Musings. We'll be happy to shape up your writing! You need not be an expert to appear in these pages ... just committed to the task at hand.

MORGAN COUNTY BROADCASTERS, INC.
 POST OFFICE BOX 1577
 MARTINSVILLE, INDIANA 40161

1540 AM 102.3 FM

Havana says it will wait and hear before acting against Radio Marti

The Miami Herald
 Sunday, Oct. 16, 1983
 via WABC
 EGGENS

By ALFONSO CHARDY
 Herald Staff Writer

HAVANA — Havana may delay its formal response to Radio Marti until it evaluates initial broadcasts to the Cuban public by the U.S. government's newly created station, a senior Cuban official says.

Deputy Foreign Minister Ricardo Alarcon also said, however, that changes in the legislation creating Radio Marti did not change Cuba's attitude toward the project, even though it withheld commentary about the recent approval of the bill.

"Radio Marti is still unacceptable," Alarcon said in an interview. "It is still a hostile measure."

The changes in the bill put Radio Marti under the Voice of America. The original plan, supported by Cuban exiles, would have given the new station greater autonomy in its format and programming.

Suit, Alarcon did signal a slight shift in the initial Cuban position, saying the Cuban government now plans to wait for Radio Marti to go on the air before deciding on a response. A date hasn't been set for Radio Marti's broadcasts to begin.

"We must respond to Radio Marti and I believe that we will respond," said Alarcon, "but we will have to wait and see what Radio Marti is all about first to evaluate our response."

Before the Radio Marti bill was changed, Cuban officials — including President Fidel Castro — had said that the minute Radio Marti went on the air Havana would respond, possibly with jamming or massive disruption of American broadcast stations.

Alarcon did not spell out Cuba's possible response, but he ruled out jamming the broadcasts.

One possible reaction cited by Alarcon is the creation of a counter-broadcast service to bring news and commentary about the United States to American listeners via powerful transmitters capable of

overriding the signals of scores or hundreds of U.S. stations.

Last year, in a warning, Havana beamed an English-language radio program that was heard as far north as Iowa.

Alarcon also indicated that in the end, Cuba may do little against Radio Marti if its content is objective and neutral as its proponents claim it will be.

Before the Radio Marti bill was changed, the project called for a separate station that would broadcast news, commentary and entertainment to Cuba under the Board for International Broadcasting, which beams Radio Liberty and Radio Free Europe into the Soviet Bloc.

Radio Marti opponents in the United States succeeded in taking the planned station away from the board in a bid to avert Cuban government disruption of U.S. airwaves and to prevent Cuban exiles from gaining control of the post-poned broadcast service.

"If it's going to be on the Voice of America, then it will be heard in Cuba, because a lot of people listen to the Voice of America broadcasts here every morning and evening," said Alarcon.

WFVR
 1580

WONDERFUL FOX VALLEY RADIO
 1820 PLAIN AVE., AURORA, ILL. 60506

KLEE AM FM

212 1/2 EAST MAIN
 OTTUMWA, IOWA 52501

NEW HAVEN RADIO ROUNDUP

WAVZ — "WAVES AM/FM" — 37 Cheshire Ave., North Haven, 79-4012, 1100 KHz., 1.000-watts, 24 hrs. Most of your life — A Need of all time favorites from the 1940s to the present. ABC news top of every hour.

WELI — New Haven, 1281-9600, 960 KHz., 1.000-watts, 24 hours. Format: Adult Contemporary — Strong emphasis on news and information. Telephone Talk (audience participation).

WKCI — "KC 101-FM" — 39 Quantic Ave., North Haven, 776-4012, 101.3 MHz., 50.000-watts effective radiated power, 24 hrs. All the hits of today and yesterday. Entertainment, news and information.

WNHC — 131 College St., New Haven, 776-1481, 8740 KHz., 1.000-watts, 24 hrs. All the air San. music, all rhythms and blues tunes, intermingled with Jazz, Soul, some middle-of-the-road music. National Black Network news on the hour, same sports, religious programming on Sat. eve.

WSCV — 1123 AMI, Hamden, 233-3361. Western and Country music.

via Connecticut

SPORTS NETWORKS

Barry S. Finkel
 10314 S. Oakley Ave
 Chicago, IL 60643

Here are some more professional sports networks that I received since the last column went to press.

| Miami Dolphins (1983) | | | |
|-----------------------|--------------|--------------|--------------|
| 570 WFLP-FL | 1230 WCNH-FL | 1330 WFTP-FL | 1460 WBAR-FL |
| 610 WIOD-FL | 1240 WINK-FL | 1340 WFTL-FL | 1490 WTTU-FL |
| 740 WKIS-FL | 1270 WNOG-FL | 1350 WDCF-FL | 1500 WKIZ-FL |
| 850 WQAT-FL | 1280 WJPC-FL | 1350 WEZY-FL | (+5 PM) |
| 1010 WCNM-FL | 1280 WEXI-FL | 1420 WWRD-FL | |
| 1150 WNDU-FL | 1290 WTRC-FL | 1450 WSTU-FL | |

| Seattle SuperSonics NBA | | | |
|-------------------------|--------------|--------------|--------------|
| 560 KFQ-WA | 920 KQLY-WA | 1340 KQTY-WA | 1490 KTEL-WA |
| 600 KOM-WA | 1240 KXLE-WA | 1450 KBNW-WA | |
| 710 KIRO-WA | 1280 KIT-WA | 1450 KOMP-WA | |

| Chicago Blackhawks NHL (1983-4) | |
|---------------------------------|--|
| 560 WIND-IL | |

Again, please send me any flagship/network information that you might have, NFL, NBA, and NHL.

Cuban radio stations incited '82 disturbance, officials say

Miami Herald 10-16-83 via WABC

By JIM MCGEE
 Herald Staff Writer

The power of the Cuban radio stations to influence public events in Miami — from the (Marti) bust to a city election — is substantial.

Miami Police Chief Kenneth Harris, in fact, blamed the Cuban radio stations for inciting their listeners to riot during a January 1982 disturbance.

Miami Mayor Maurice Ferré says he agrees.

"In my opinion, there were a whole bunch of laws that were violated," Ferré said. "By all the radio stations. Incitement to riot."

Radio station officials vehemently dispute that claim.

"That's not true," said WRHC Station manager Salvador Lew. "We believe the police ... created the disturbance."

As the riot unfolded the afternoon of Jan. 15, the Miami Police Department taped four segments of the radio broadcasts.

The Herald obtained the police department translated transcripts. To non-Spanish speaking readers, they offer an unusual opportunity to witness what happened on the public airwaves.

The stations made occasional pleas for calm, but they also broadcast frequent interviews with excited crowd leaders on the streets.

"That's news," said WQBA News Director Tomas Garcia Panto.

As the tension mounted, more

and more exiles poured into the downtown area — more than 5,000 by police estimate. There was no advance notice, no parade permit, no plans for security.

Police responded with an aggressive show of force. Riots erupted. Thirty-four arrests were made. Though things got out of control, there were no serious injuries.

According to the transcripts, WQBA put exile leader Tony Coستا on the air.

In the background were shouts of "War, War, War" from the crowd.

"We should tell our local politicians ... remember the Cubans," Coستا said. "That if they want to continue to maintain our support, they should be with us when we need them in our time of crisis."

The chant of "War, War, War" continued, the transcripts show.

"We, the Cubans, don't need any permit (to demonstrate). And I am going to ask with one voice ... I only want to hear our yell on this Eighth Street — which is War!"

Later, WQBA broadcast this update:

"They are arresting innocent people now at Flagler and 12," said commentator Agustin Tamargo. "Minutes later, Tamargo added: 'They [police] attacked the defenseless multitude with tear gas.'"

Next he interviewed an exile arrested earlier in the day.

"Enough being lame," said the exile. "... Not only do we have to fight against Communist Castro, but also we have to fight against the authorities of this great nation."

On WQBA, Ferré interviewed Conrado Rodríguez, an exile who was convicted in 1973 of crashing a truck into the Torch of Friendship to protest detente.

"The [exiles] that the Cubans received [at the hands of police] have been a blessing, Ferré," Rodríguez said. "Because now everybody is united against our enemy, the Castro communism."

WQBA microphones picked up a new chant from the crowd.

"Deport Ferré. Deport Ferré. Deport Ferré," the crowd shouted.

Exile leader Antonio de Varona also attacked Miami police.

"We have to protest ... a wicked and abusive act by the Miami Police, that abuse, abuse the authority!" Varona said. "... Police ... beat the demonstrators."

After the disturbance, city officials appointed a special commission to investigate the causes. The commission asked the radio stations for master tapes from the day of the riot. They said none were made.

Commissioner Thomas Griffin Sullivan said the culpability of the radio stations in provoking the disturbance, if any, was never assessed by the commission.

Herald Staff Writer Jay Ducaas also contributed to this report.

Radio 1260
WYBY
 ELLEVILLE, ILLINOIS 62222-0309
 P. O. Box A
 Phone: 618-233-5000



RKO RADIO
 GOVERNMENT CENTER
 BOSTON, MASSACHUSETTS 02114

KGIR

324 Broadway
 Cape Girardeau, Mo. 63701

P. O. BOX 428 • CHRISTIANSTEDT • ST. CROIX • U.S.V.I. 00820

WSTX



FINANCIAL STATEMENT

The following statement is for the year Oct. 1, 1982 through Sept. 30, 1983.

INCOME STATEMENT

| | |
|---------------------------------|--------------------|
| Membership Dues..... | \$13,924.55 |
| Domestic Log..... | 1,736.50 |
| Night Pattern Book..... | 837.50 |
| Reprints..... | 2,492.21 |
| Antenna Manuals I & II..... | 612.50 |
| Receiver Manuals I & II..... | 510.00 |
| New Member Booklet..... | 206.00 |
| Samples..... | 40.55 |
| Anniversary Book..... | 2,151.35 |
| Callenders..... | 473.00 |
| Convention Income (Note 1)..... | 2,761.20 |
| Miscellaneous Income..... | 149.70 |
| Interest on Savings..... | 168.00 |
| Total Income | \$26,063.86 |

STATEMENT OF INCOME (LOSS OR GAIN)

| | |
|----------------------------|--------------------|
| Income (All sources)..... | \$26,063.86 |
| Bulletin/Publication Costs | |
| Beginning Inventory..\$ | 2,941.61 |
| Printing..... | 15,111.90 |
| Postage..... | 7,729.73 |
| Less Ending Inventory | 4,715.86 |
| Net Costs | \$21,067.38 |
| Gross Profit | \$ 4,996.48 |
| Administrative Expense.. | -1,837.09 |
| Net Gain | \$ 1,154.39 |

EXPENSE STATEMENT

| | |
|---|--------------------|
| Printing | |
| Bulletin..... | \$ 8,631.54 |
| Information Booklets..... | 248.04 |
| Antenna Manuals I & II..... | 423.40 |
| Receiver Manuals I & II..... | 597.29 |
| Reprints, Anniversary Books, Callenders | 4,400.33 |
| Administrative..... | 811.30 |
| | \$15,111.90 |

| | |
|---------------------|--------------------|
| Postage | |
| Bulletin..... | \$ 5,848.93 |
| Sales..... | 1,103.00 |
| Administrative..... | 777.80 |
| | \$ 7,729.73 |

| | |
|-----------------------------|--------------------|
| Administrative | |
| Sales Tax..... | \$ 710.69 |
| Supplies..... | 264.64 |
| Telephones..... | 132.06 |
| Miscellaneous (Note 2)..... | 2,729.70 |
| | \$ 3,837.09 |
| Total Expenses | \$26,678.72 |

BALANCE SHEET

| | |
|---------------------|--------------------|
| Assets | |
| Inventory..... | \$ 4,715.86 |
| Cash..... | 6,015.63 |
| Total Assets | \$10,731.49 |
| Liabilities | |
| Deferred Dues..... | \$ 7,497.08 |
| Net Worth | \$ 3,234.41 |

NOTES

- (1) Includes \$699.40 auction funds, \$2,061.80 registration fees.
- (2) Includes \$1,694.00 to Harley Hotel for banquet & rooms, \$290.00 other convention expenses, \$595.81 for mugs, ANARC dues \$32.00, Rubber stamps \$86.35.

NOTES FROM YOUR TREASURER - Dick Truax

The National Radio Club operates under an accounting system whereby, if the club ceased to exist, we would refund the deferred dues to each member. The inventory, which is reported at cost, would then be prorated to each member. Under this type of system, we usually operate with an on-paper "loss" each year, although this year is the third year we have finished with an actual positive net worth. This gain was due largely to the sale and continued expansion of available publications. Although we faced a price increase in publishing the bulletin in 1983, we were able to absorb a portion of this increase through the continued sales of our other publications. We continue to strive for maximum cost efficiencies to keep annual membership costs to a minimum.

If you have any questions regarding your club's financial condition, please direct them to my attention c/o Box 32125, Louisville, KY 40232.

Dick Truax
Dick Truax
Treasurer-NRC

MODULAR PHASING SYSTEMS • THIS ARTICLE PRESENTED HERE IN THIS ISSUE IS AN ONGOING CONTINUATION THAT WAS STARTED LAST WEEK, AND WILL CONTINUE FOR ANOTHER ISSUE OR TWO. WE FORGOT TO MENTION THIS IN THE LAST ISSUE, SORRY FOLKS. NOW, ONTO THIS.....

in this case, means using the PST as a straight antenna tuner in situations where phasing is not necessary.]

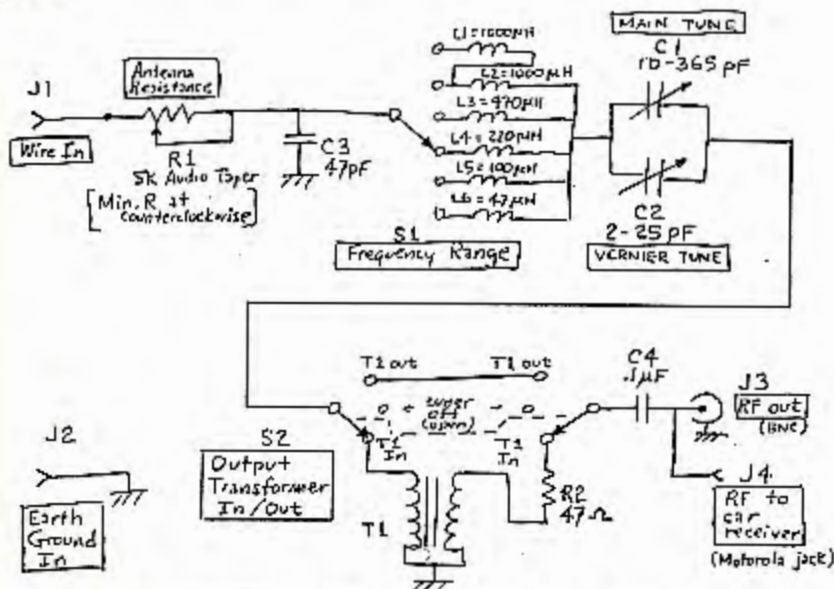
There is some loss at lower frequencies (below 1100 KHz) with this internal transformer, but this shouldn't be a problem with wires of 30m/100ft or greater length.

A small output resistor (in the 22 to 100 ohm range) is included at the internal transformer's output to (a) decrease loading effects on tuning, and (b) to reduce the chance of spurs caused by capacitive loads resonating with the secondary.

The tuning capacitor is often very touchy when tuning for nulls, so it's advisable to add a lower value "vernier" variable capacitor in parallel with the main 10 - 365 pF capacitor.

The revamped PST, designated as "PST-1" is shown in Figure 6. A jack for "stand-alone tuner" output to a car radio has been added.

Figure 6.



The output transformer of the PST consists of a 15-turn bifilar winding with evenly-spaced turns, occupying 1/2 of a Miller F-87-1 or Amidon FT82-61 core.

A further refinement to the PST (beyond those embodied in the Figure 6 schematic) is the inclusion of a small-value pot (0 to 20 ohms or 0 to 50 ohms) in series with R1 to make fine nulling adjustments easier. Such pots are, unfortunately, difficult to purchase in desirable (non-inductive) non-wirewound versions.

At this juncture, it should be mentioned that one of the great benefits of a modular phasing system is that different-design tuners & PCM's can be swapped around as system building blocks.

Working along this school of thought, three other types of tuner have been developed. These are:

- AST (Active Series Tuner)
- PPT (Passive Parallel Tuner)
- APT (Active Parallel Tuner)

This introductory article does not attempt to go into the details of CONSTRUCTION of any of the tuners or PCM's: these will be dealt with in subsequent works. These subsequent articles will also delve into the finer details of PHASING STRATEGIES.

The Active Series Tuner "AST-1" is an amplified version of the PST-1. Figure 7 gives the overall AST-1 schematic. Figure 8 is the Schematic of the Broadband Amplifier subassembly, designated as A1 in Figure 7.

If overloading occurs with R1 set for maximum signal transfer, adjust it so a peaked signal can be obtained without spurious responses. Unlike the PST, the level pot on the AST does not cause any significant degradation of Q or any shifting of the peak settings of the tuning capacitors.

18 The resonant frequency of this tuner is $f = 159155 / \sqrt{L_e C_e}$
 where C_e = equivalent capacitance (in pF) = $1 / ((1/C_{ant}) + (1/C_{tune}))$
 and L_e = equivalent inductance (in uH) = $L_{tune} + L_{load}$

It should be noted that any RESISTANCE in the tuned line will degrade the Q (sharpness, selectivity) of the peak; this is why initial peaking must be done with the PST's pot set to zero ohms. In the ideal case, C ant is sufficiently higher than 365 pF that the 1/C ant term approaches zero in the C_e equation, causing C_e to equal C tune. Also, if Lload is small, L_e approximately equals L_{tune} , in this case 270uH.

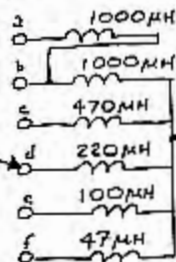
Applying the resonance equation,
 f_{max} = resonant frequency at minimum C_{tune} (10pF) = $159155 / \sqrt{(10)(270)}$ = 3063 KHz
 f_{min} = resonant frequency at maximum C_{tune} (365pF) = $159155 / \sqrt{(365)(270)}$ = 507 KHz

If a shorter than ideal antenna is being used, the C ant term can no longer be ignored: typically it might only be 100pF, perhaps less.
 If C ant = 100pF, $C_e = 1 / ((1/C_{tune}) + (1/100))$

For C tune = 365 pF, C_e is now only 78 pF. For C tune = 10pF, $C_e = 9pF$.
 f_{max} is now $159155 / \sqrt{(9)(270)}$ = 3228 KHz
 f_{min} is now $159155 / \sqrt{(78)(270)}$ = 1097 KHz

It is obvious that the PST of Figure 3 will not tune the shorter antenna on a substantial segment of the MW BC. This problem can be alleviated, to an extent, by changing the tuner's inductance. This is best accomplished with an inductance switch, as in Figure 5, below.

FIGURE 5.



With the aforementioned shortwire (C ant = 100 pF; $C_e = 9$ pF min.; $C_e = 78$ pF max.), frequency ranges with the switch of Figure 5 are as follows: (Assume load inductance = 25 uH)

| Switch Position | L_{tune} | L_e | f_{min} | f_{max} |
|-----------------|------------|-------|-----------|-----------|
| a | 2000 | 2025 | 400 | 1179 |
| b | 1000 | 1025 | 563 | 1657 |
| c | 470 | 495 | 810 | 2384 |
| d | 220 | 245 | 1151 | 3389 |
| e | 100 | 125 | 1612 | 4745 |
| f | 47 | 72 | 2124 | 6252 |

In reality, few variable capacitors get down to 10pF, especially when stray shunt capacitances are added in; therefore, the f_{max} figures above are overly optimistic. Realistically, you could expect to use position (a) to cover 400-700 KHz, (b) to cover 570-1000 KHz, (c) 820-1300 KHz, (d) 1150-1700 KHz, (e) 1620-2500 KHz, and (f) to cover 2130-3500 KHz.

The PST's performance can also be improved by adding a small (e.g. 47pF) shunt capacitor near the input to add capacitance to short aeriels. A slight, but negligible, amount of loss is introduced, but with improvement in peak-tuning capability. The capacitor is best installed after the pot so that the resistance added by the pot will have a lesser effect on Q-spilling.

Another modification to the PST is the inclusion of an output transformer with lower primary inductance than those in the POM (Phaser Output Module). This internal transformer accomplishes two goals:

- (1) It permits operation at higher frequencies than the POM's RF transformers would allow if directly connected to the PST's output.
- (2) It allows "stand-alone" operation of the PST with a great variety of receivers with widely-varying input-impedance characteristics. (Stand-alone operation,

CONTINUE NEXT ISSUE ...

MUSINGS

PAUL SWEARINGEN
 7310 ENSIGN AVENUE
 SUN VALLEY, CA 91352

19

The opinions expressed in this column are those of the individual members, and do not necessarily reflect those of the editors, publishers or NRC.

Experienced NRC and IRCA DX'ers are hearing some spectacular DX already in this season and are calling this the best DX season in years. I hope the scarcity of Muses this issue are due to heavy DX activity, and that reports will follow! Remember to use local time in your Muses (although the majority of opinions leans to using ELT) whether you use 12- or 24-hour listings, and specify which zone you're in. I'll wimp out for now on making a decision as to which time should become our standard; there's no easy answer to that problem, and I'm still waiting for more input. Let's get on with it...

August and September '83 DX Highlights

John R. Malicky - 995 Shadycrest Rd. - Pittsburgh, PA 15216

Just got my pictures from the Labor Day weekend with a new Disc 3800 camera. Now, how do I explain to my relatives why I took pictures of radio antennas? -hi! (Hint - Jerry Bond got me hooked on it.) (Toll them it's a compulsive habit ... and maybe they'll try it too! -pls) Year-ending 1982-83 DX starts with a booming signal on the 18th, Thursday, 6:30 am, and subsequent verie from WFMD-930 MD, country mx and many local ads. On Tuesday 8-23 at 1:30 am, the first (that I heard) of tests from a strong WVAB-1550 Virginia Beach playing r&r mx, timechecks, and full ID's including phone number, address, and new ownership - Atlantic Broadcasting - that came back on the air on 3-22-82, this from a verie, also (name sent to Wayne Heinen) (427 E. Caramillo St., Colorado Springs, CO 80907 -pls). Holy Toledo, on August 29, WVOI-1520, a new one, was heard with BLK/SOL mx at 1:30 am at times over WKBN, but no ads, full ID's, or anything to verify. /// Back home after Enfield, starting the '83-'84 season on September 9, was a logging of WDOC-1310 KY, a new one, with c&w mx, local ads, and ID's as "13 All-Hit Country" at 6:30 am, followed at 7 by another new one, WSLW-1310 WV with a short ID into ABC mx. On 9-10, I quickly noted another new logging of WIBG-1520 NJ, TT and c&w mx with one ID before fading to KBW. Somehow I managed to zzzz right past WEED (or is it WEDE, hi!) test, lying down on the couch for a few minutes at 2:40 am. The next thing I know it's 4:20 am! On 9-11, WSAY-1480 was testing with "Station of the Stars" mx at 1:30 am. Even though my first report went unanswered because the secretary forgot to mail it, I called and the CE sent me a v/f on 9-26, writing that they are in stereo, using a new Gates Continental transmitter. On 9-14, at 6:30 am, new WPHB-1260, Philipsburg, PA, a close unheard, was logged just off the slop of WTAE-1250 with local mx and ads, wx, and c&w mx, a real solid signal. On Saturday the 17th, 2 new catches from Richmond, WXGI-950 and WANT-990. WXGI came in at 6:30 am with mx and c&w mx followed at 6:44 by the s/on (as I heard 1/2) of WANT asking for comments on their programming and what sounded like BLK/SOL mx, but they faded. Before I go further, thank to phone calls from Jerry Bond and Dave Schmidt. Jerry alerted me that he was hearing the s/off of WHEB-750 at Atlanta ss, and what might have been a great catch for me, I could not get them. Dave told me about WSKE-Everett, PA's switch from 1050 to 1040 2 weeks ago. So now I have another semi-local with a rather fair or good signal depending upon the wx and what location I'm at (WSKE comes in good at a shopping mall 6 miles south of here). It also helps if the volume is all the way up and KDKA isn't slopping with mx as WSKE has c&w mx and "K-country" ID's. On 9-22, the first xint SSS DX with new WFLR-1570 NY, a partial s/off at 7:18 pm; new WDBR-1580 SC in with a faint s/off at 7:44 pm; and WAWR-1590 WI with a strong s/off "The Amazing AM" at 7:59 pm. That night at 1:30 am, rare loggings on 680 of WCBM and WINR-NY were noted. Finally, on 9-24, new and no. 977 WTAB-1370 NC with a simulcast of their WKSM-FM and s/off at 7:33 pm, owned by Sunbelt Brod., followed by WSAT-1290 NC with a classified ad show and c&w mx program at 7:49 pm, and WTVR-1300 VA with CBS mx and a c&w mx program at 8. Totals: 977 heard/484 verified. Remember, please send your v/s to Wayne Heinen. 73's.

Irritating the Listener on Purpose

Gene Martin - 3383 East Evans Ave. - Denver, CO 80210 (pm 10-7; rec'd 10-11)

One of the first things I learned in writing newscasts for radio years ago is that if you want to get a rise out of the listeners, then let them hear the name of their little town mispronounced. I was never a newscaster, always a writer for radio news, and over the years acquired a special knowledge about pronunciations of many places. And every state has strange but correct pronunciations for certain towns. Texans pronounce Mexia "Muhaya" and Montague

is "Mon-taig" and Bexar is "Bayer". In Ohio, Bucyrus is "Byou-SI-rus" with a long "I". And Gallipolis is "Galli-police" with the accent on the last syllable. // Having learned what happens when a name is mispronounced, I once arranged to have one mispronounced on purpose on the 10:00 pm news at WFAA in Dallas. A very fine announcer, Orval Anderson, came in that night in 1940 to pick up the newscast I had prepared and found there was one story in it from Minot, North Dakota. I had a sudden inspiration and gave him what Texans call a "bum steer". I said it's pronounced with a short "I" and the accent goes on the last syllable. I knew that advice was wrong, for Minot has a long "I" and takes a first syllable accent. So Orval went on the air and grievously offended everybody who knew how to pronounce Minot. Within the next week, WFAA received nine letters and cards in the mail, seven from North Dakota, one from Minnesota, and even one from Texas, all of them properly scornful of how we had treated Minot. I finally admitted I had arranged the mistake just to see what would happen. I thought the results were quite good and eventually the Boss didn't hold it against me. Perhaps he was also satisfied with this little demonstration of coverage. He probably bragged about it in his conversations with prospective sponsors. In my years in radio broadcasting, there was always a considerable amount of "monkey business" that went on behind the scenes. You can be sure that nobody knows the first time one announcer set fire to the script that another one was reading while on the air ...

Ronald F. Schatz - 250 West Sample Road - Pompano Beach, FL 33064 (pm 10-10; rec'd 10-13) Lots to report: On the local scene: WSBW-740 now f/t with news and big band; ID as "Real Radio". WNW5-790 dropped the 700 CP months ago; they want to go to 50 kW, but I told them to stand pat at 25 rather than risk pushing things too far with the MMB. ZNS3-810 only 1 kW ND; serves the NW Bahamas in lieu of #1's null in that direction. ZNS3 wants 10 kW on 780 with a 4-tower array, but no \$\$\$.

WEAT-850 with new STA; no more null to the south. WVCG-1080 gone gospel; in SS with news 1730-1830 ET; catch than on 555. WAV5-1190 has been off the air for many months now. WCMQ-1220 still there; has yet to move to 1210 as of this date (9-30). WSWA-1260's QTH: 825 41st Street; Miami Beach, FL 33140; mention me to Pres. Herb Levin - at your own risk, hi. WFFG-1300 applying for STA due to Cubans on 1290 and 1310. WRHC-1550 also f/t; lousy nighttime signal. Attended FAB Convention last July; WQBA ante'd \$3000 to continue fight against Cuban QRM, promising that much more later. Other stations couldn't afford to give a thing, especially poor WPLP, who was almost wiped out by CHEA. As of July I have ceased cooperating with the SPBBA re Cuban QRM rather than waste my time. Last April I single-handedly knocked the NAB flat on its arse in front of the FCC, creating quite a stir in Washington: The NAB published a document back in March 1982 that grossly overexaggerated the Cuban-QRM problem; I debunked it thoroughly in official comments to an FCC Docket. Radio Marti - or equivalent - will become a reality as part of the VOR rather than the BIF; the original plan was a loser anyway. Trip to the Keys on 7-10 with Cesar Objio; introduced him to Pat Albert as we DX'd the Cubans while tornadoes danced about us. Attended ANARC Convention in DC before joining Glenn Hauser on our now infamous trip to "Newfie-land" and daytime reception of Greenland on 700 and 570. NRC Enfield quite enjoyable; weird "Brazilian" station heard Sun. night at the beverage site on 642 kHz was only RFS impersonating R. Cabugi in Recife; I understand it fooled everybody who wasn't "in" on it (I hope the victims are good sports, hi). (We need a scorecard to keep track of all the bogus DX at Enfield, hi -pls) Welcome to NRC Tim Hendel, blind DX'er from Miami who speaks \$5 better than I do. He was in Enfield, tho left out of the credits. Phone calls welcome if they deal with DX, not to ask me if I wear jewelry (I don't). 73.

Greg Ledbetter - Box 953 - Purvis, MS 39475 (pm 10-11; rec'd 10-14) Greetings, DX'ers!! A brief FM note: WHSY-FM, "Y-104", is now 24 hours NSP. They had put in an application to double their power and triple their antenna height. I have not seen anything on this, however. Two newies received: WKKY-1360, TN; and KTBB-600, TX. Totals received are 1035. Up and coming: WQUE-AM. An article in Sunday's Times-Picayune reveals that WGSO's owners, the Insilco Broadcast Group, announced via press conference that the news/talk station will go Top 40 in November. Tentative nickname: "13-Q". (They are on 1280 kHz). They claim they will not copy their FM counterpart even though the morning drive time will be simulcast. They even have tentative plans to go stereo either with Kahn or Sony systems. (Is the Sony system a fifth system, in addition to Kahn, Harris, Motorola, and Magnavox? -pls) The demise, according to the new general manager, was money-related - the shortness of it. He also commented on the competition with other stations (WVU was heavily mentioned), defections of sports teams (the Saints and Tulane University had

originated over WGSO), and loss of staff to other stations. Okay, does anyone out there know where I might could hear the Houston Astros baseball, if they are dropped from WGSO? I receive them (but not very well) on WJBO-1150, Baton Rouge, I may have to defect to Atlanta Braves or Texas Rangers or somebody!! WNOE-1060 carried the Astros up to two format changes ago, while the Astros flag was still KPRC-950. Some format changes have surprised me, some have caused no reaction, and some ... well? I was listening to Talknet usually over WGSO, but I can switch that to WSLI-930. I was reading Gary Mitchell's Muse two issues ago (V. 50, #38), and some of his remarks made me think on some things. On the music tastes: I used to be a heavy rock fanatic myself, even for awhile trying to imitate Elton John. My musical interests broadened to country and some easy listening. And I get ribbed, too. I take my new radio with me when I go into town, mainly for sports-related reasons. But I, with my many musical interests (now), cannot compete with these high school kids who might be termed "dial-lockers". Oh, I listen to one particular station that they are locked into, but I also have close to a dozen other FM favorites, as well as AM favorites. My dad is a "dial-locker", but he locks on an easy-listening station I cannot stand. It has no vocals like some of the other EZL/AC (as I call it) stations in the area. But in both cases, I say it makes no difference to me if I'm not a "dial-locker"; I like all these different formats for my own reasons. Simple enough?? 73. (I like your approach, Gary. Too often we try to jam station formats into restricted classifications instead of allowing them to claim eclectic tastes. I listen to what I like; right now I am listening to K3LA-PM and its c/w; tomorrow ... who knows? I like the variety; I even let the counter person at Baskin & Robbins choose the flavors for my three scoops so I'll be able to try something new -pls)

Guy Kudlemyer - 1314 City View #1 - Eugene, OR 97402 - (pm 10-12; rec'd 10-14) Well ... I've got new antifreeze in both of my cars and new Goodyear All-Season Radials on my work truck; my pantry is stocked with canned goods, apple cider and hot chocolate mix, and my freezer is full of corn on the cob and Corn Chowder (there was no drought here - locally-grown corn is selling for 12 or more ears for a buck.) My favorite newspaper, USA TODAY, says we call all look forward to a colder, wetter winter than usual (isn't that the norm?) so I'm doing my best to get ready. Let the cold wind blow - I'm prepared! Over the past couple of seasons, I have become almost exclusively a daytime and LSS DX'er with only about 15% of my DX'ing done during hours of total darkness. Daytime and LSS DX'ing are interesting because c/w vary so widely from day to day. KSL, KDWN, and KOFI have all been heard from here at high noon during Nov., Dec., and Jan. Last season, during Dec. at a LSS DX session, I was able to log a 500-watt from central MT in the face of a 50 kW station from Vancouver, BC only minutes before their sign-off. So far this season, though, only 3 notables have been logged: KYXE on 10-9 still on their 10,000-watt daytime signal at about 8 min. before pattern change; KTOB, Petaluma (both new here); and a relog of KTIM, which I had in for 45 min. one afternoon coming in over usually un-nullable KGA. KGA is a daytime pest at this location in the wintertime, but I managed to get KTIM's full signoff on tape. The NRC T-shirt and 50th Anniversary Book are Awesomely Totome, er, I mean, Totally Awesome. Excellent work, fellas! I wonder how many DX'ers have "Monitoring Station Call Letters" that some of the electronics magazines used to push several years ago, such as the WPE calls issued by Popular Electronics? I have 2 - I was originally issued KH6DX50 to my Honolulu address and now I use WDX7DAJ here in Eugene. I was issued these call signs by Hank Bennett who took over after Popular Electronics dropped the program. Of course, they're not legal, but it's fun to say that you operate an "Officially Registered Monitoring Station" with your own set of call letters. Anybody else have 'em? More next time. Good DX.

Tom Connator - Route 9, Box 78 - Sevierville, TN 37862 (pm 10-12; rec'd 10-15) Hello again. Still not that much going on around here, but I expect things to pick up in a week or so as SS DX should be improving. A few DX notes: had 2 countries at 12:45 am 10-6 as XEG-Mexico and CHUM-Canada were fighting it out on 1050. Later that afternoon I caught the sign-off of WRQM-710-GA, just a station ID then carrier off. Tentative on the new WMDN-800-TN, but before I could get a positive ID on this guy WRFD took over. WCB5 was also audible in the morn. WRFC-GA in fairly good on the 960 spot with male and female anncrs, pop music. Friday morning 10-7 found talk on 970 to be WTKN-PA, not the expected WAVG. Another Pittsburgh station doing its thing as WJAS-1320 was putting in a better signal than WJJD-1160, my usual MYL station. WHK, the top dog on 1420 at 10:00 am with c/w mx. A fast check of the band just before this is typed (1:30 am 10-12 - Yeechi) shows nothing really out of the ordinary. Did get an ID on WIM2-1240 at 1:00 am; Knoxville graveyards usually aren't

audible here in Sevierville on night power. WTKC-1300 in good with long commercials and promos for talk shows; looks like a possible format change here. WSUN-PL, WTMJ-WI, and someone with Latin mx playing tag on 620 after WJZ sign-off. Got a reply back from WLPB-GA concerning DX test - no way!! I notice in AMS that WNPC-1060 is trying for 10 kW again. If memory serves me right, this is the third time he's tried for the power increase. Steve Francis, I believe WWGR-960 runs a non-directional antenna; that change is listed in this week's AMS. It appears that these stations are granted a license with a DA, and then when field intensity measurements show they can run non-DA without causing harmful interference, the license is change to non-DA. Thanks to Al Resnick for letting us know when WLS has another silent period from other stations. Finally, Paul, I think Steve Francis was referring to the Georgia Network with his reference to Gn news in his last Muse. I'll certainly echo Steve's comments on WDCR-1210's signal here in Sevierville - this guy is going to be a pest. And Jerry Starr, in reference to your comment about WSAJ having the only longwire transmitting antenna still in use; I'd like to ask: just what kind of antenna is used at the famous KPPC-1240??? More as it happens. 73's and good DX to all.

Sidney E. Marshall - 7224 Pam Dr. - Millington, TN 38053 (pm 10-12; rec'd 10-15)

Even though it has been 5 months since my last Muse, there isn't much to report as time at the dials has been rather limited. I normally continue to DX during the summer months but my work schedule wiped that out this year. During this period I did manage to add 6 new ones to my log book which brings my station total up to 1,187 heard. "Newies" are as follows: On 5-26 at 5:00 am, I caught the s/on of WCLA-1470, GA thru static of an early-morning T-storm! Evening of 6-14 I heard the s/off of WKBA-1330, AL at 8:00 pm under WNIX. Morning of 7-20 WNPC-1060, TN was in strong with s/on at 5:00 am before being covered by WKMG. Next on 9-18 I caught the s/off of WHIN-1010, TN under KLRA at 7:00 pm. On 9-21 WGVU-1440, SC was in real strong several times between 7:15 and 7:30 pm. Then on 10-8 WCTA-810, TN was heard at 6:29 pm with promo to listen to Alamo and Crockett county's newest station, then followed by s/off announcement. This station just recently went on the air. All times are my local time even though I wish we would go back to reporting in Eastern local time, regardless of what time zone one lives in. I received the 50th Anniversary NRC Book a couple of weeks ago and must say it is outstanding! A big thanks to all who had a part in putting it together! That's it fair now. Will Muse again when I have more DX to report, so till then good DX'ing to all.

Bill Townshend - 4500 Conn. Ave. NW #901 - Washington, DC 20008 (pm 10-7; forwarded 10-13, rec'd 10-17) (202) 966-8046 Greetings once again from "Oldies Fans' Paradise". Eighty-three attended the Golden Jubilee Convention four blocks inside CT. I got suspicious of KMCL-1240 McCall ID and KGWV-1200 Belgrad, MT allegedly heard on the beverage hook-up (pointing south) at the Trolley Museum, six miles south of the Harley Hotel (convention HQ) as the "SWAT Team" was playing tricks on us. The voice of the "Wizard" sounded familiar on both "catches." However, I did get some genuine nifty catches such as Paramaribo, Surinam on 725 and the Portuguese stations on 1035 and 1062 (both heard the following night on Neil Kazarsky's rig with E-W beverage hookup). The Surinam station was heard on the Wizard's Hammarlund HQ-145 with N-S hookup. On Saturday and Monday afternoons I was "chasing bikini" at poolside with the temp 93 degrees F/34 degrees C. On Saturday 9-24 Mike Levintow hosted a WADXA gtg at his NW DC pad near the zoo with twelve attending including Greg Monti and yours truly. Greg will host the next gtg in early December. As usual, I went ape with the oldies being played on several out-of-town AM stations as mentioned several Musings back, plus WXTR-104.1 and WDCU-90.1. Now that the wx is cooler after 57 days of 90 degrees or more, including an afternoon at 101 degrees F (38 degrees C), I'm back to pounding the streets again for my 30- to 40-mile walks thru previously unfamiliar turf instead of "bikini-chasing" at poolside. I'm going south to the AL-FL area, maybe seeing Gerry Thomas and/or Jeff Lockwood, probably in early November. I'll take in the Cape Cod-Nantucket region next summer after the ANARC convention in Toronto, ON. Time for SP. CUN 28. 73's de WPT.

Paul Swearingen - 7310 Ensign Ave. - Sun Valley, CA 91352

Some good TP DX is beginning to roll into the east end of the San Fernando valley in the wee hours of the morning, but I tend to find it hard to roll out at 4:45 am to intercept it! Some active splits: 595, 747, 756, 783, 819, 828, 837, 846, 855, 864, 873, 882 (?), 891, 909 (?), 1035, 1200 (?), and 1610, which probably 'tis a TIS. Has WLS-890 switched from Kahn to Motorola stereo? I thought that I heard separation a few nights ago when I used

the famous two-radio method (tuning each slightly off frequency), and I believe that the Motorola system is the only one that can be detected by using this method. KFI-640 and KHJ-930 sound good using this method, but for some reason KZLA-1540 sounds really great. Gene Martin's mentions of radio shenanigans reminds me of a character I knew at the time I had just started in radio, in 1966 at KALN-1370, now KIKS. We called him "Dead-Air Ed." He was possessed of a very raspy voice, and although he pulled an airshift like the rest of us, he had been hired because he had a first-class ticket (required in those days by the FCC for directional stations) and could do some engineering work, not for his on-air qualities. Unfortunately, like many radio people, he had a first-class case of ulcers. At times during the half-hour rip-and-read noon hour newscast that he had to do while the regular announcer went out for dinner, those of us listening would note a long silence between stories, sentences, or even words. One noon hour, while finishing the typing of the log for the next day in the outer offices, I ascertained the need for the dead air. Ed came to a stop in his newscast, keyed the mike off, and emitted a tremendous belch that rattled the double-paned windows. His ulcers had struck again! But the corker came a few days later when we received the latest shipment of rock and roll records, including the Young Rascals' "Good Lovin'", which, as Bill Townshend and the rest of you oldies fans will recall, has a pause towards the end of the record, after which the group finishes the song. Well, Ed had to dj our two-hour r&r show one afternoon when the regular announcer didn't show up for his shift, and of course "Good Lovin'" was one of the songs he played. As I typed, I hummed along with the tune to the break, paused, and mouthed "Good Lovin'" - but suddenly the Young Rascals' harmony was replaced with Ed's rasp as he back-announced the record. As soon as the red light above the control room door went off, I rushed into the room and asked, "Why didn't you finish the song?" He fixed his beady glare on me and proclaimed, "I don't program dead air!" It took me an hour to recover before I could type coherently again. Actually, he was a nice guy, with a large family of mouths to feed on the minimum-wage salary commonly offered small-town radio engineers, and he always let me ride back into town with him before I got a car. His was, I think, a British four-banger, one size larger than a Snapper riding lawn mower. The only catch was that I had to push it out of the gravelled parking lot and down the hill on the highway so that he could pop the clutch to get it started! 73.

1984 NRC DX CALENDAR ORDER FORM

NAME _____

ADDRESS _____

CITY _____ STATE _____

ZIP CODE (POSTAL CODE) _____

US\$4.00 FOR EACH ORDER, INCLUDES SHIPPING

NUMBER OF CALENDERS ORDERED _____

TOTAL COST \$ _____

MAIL ORDER FORM TO:

NRC PUBLICATION CENTER
POST OFFICE BOX 164
MANNSVILLE, NY 13661

PLEASE ALLOW 4 TO 6 WEEKS FOR DELIVERY

THANKS.