



DX NEWS

*the magazine of the
National Radio Club*

— SINCE 1933 —

Volume 49, Number 3 Monday, October 26, 1981

STATIC FROM HQ

Once again we are continuing with the annual administrative details of the club. This week the annual financial report is presented—we believe it is one of the most healthy reports we have witnessed in some time. As we continue with all the annual doings, next week we hopefully will present the revised Reprint List. If we can finish retyping the lengthy list by that time. After that, we feel that opening several brown bottles would be in order as we settle into the routine of the weekly issues and the new season upon us.

From Robert Kramer we have received word of the upcoming CADX holiday thing from December 26 to 29th, 1981 and the DXathon weekend (including the 'World Famous' New Year's Eve party) December 31st to January 3rd. The DXathon gets started 6:00PM CST Dec. 31— for more information call Robert Kramer at (312) 262-6299 or write him at: 6416 N. Richmond, Chicago, IL 60645. In the past Robert says as many as 20 people have attended, so it may be a significant mid-season event.

From Peter Taylor we learn of some good news—the arrival of a new son, John Coard Taylor III on October 5, 1981. Our congratulations go out to Peter and his wife Kristine on this happy event.

Dan Bartek Jr. writes informing us of a recent article in local paper outlining "The U.S. government will construct a radio station to broadcast to Cuba, with an operating budget of 10 million dollars for the first year. It is to be called Radio Martián after the hero of the revolution and will have same format as Radio Liberty and Radio Free Europe." Anyone know where or when this station (assuming it is on MW) will take to the air? It evidently will NOT be the VOA outlet on 1580.

THEY JOINED

Welcome to the following new members. Muse soon and introduce yourselves.

Graig Garrett, 5194 Daering Trail N.E., Marietta, GA 30067

Dan Jakubowski, 7092 Greenleaf, Parma Heights, OH 44130 (Rejoins)

The following members have recently renewed membership in the BEST MW DX Club: Karl Farth, R. Daniel Arvin, David Peters, Sr., Dave Whatmough, Daniel Lester, George R. Kosch, Dennis Vroom, Stephen Ponder, Hank Holbrook, Brian Vernon, G.A. Nitshe, Jr., Ira Green, Don Moran, Glenn Cooper, Richard Eckman, Cesar Objsia, Howard Young, Jim Jennings, Marc De Lorenzo, David Thomas, Gerald Barkow, Larry Fox, John Jancko, Wolfgang Schneider and Thomas Steele. Thanks gents!!!

CPC TESTS

We have one piece of information that should qualify as a CPC listing this week from Wheeler Conover:

11/3 WKLB-1290 Manchester, KY 0530-0545 EST for a frequency check
Tues. using 2500 watts non-directional with 1000 ht. tones. They will also be testing on the first Tuesday of every month thereafter.
Reports to Larry Barker, WKLB Radio, Manchester, KY 40962.
Arranged by Wheeler Conover/NRC.

LOOK INSIDE

Domestic DX Digest.....	2
International DX Digest.....	5
1981 Financial Statement.....	16
Making the Most of a Bad Situation.....	7
Larry King Network List.....	8
Phasing Unit Design Modifications.....	10
Mudings of the Members.....	15

On hold for next week is a Canadian Updater and Listing from John Oldfield.

THE WORLD'S OLDEST AND LARGEST ALL MEDIUM-WAVE DX CLUB

See page 23 bottom for information on new "Contests" column editor!!

DOMESTIC DX DIGEST

DAVE SCHMIDT
42 CHELWYNNE RD.
CASTLE HILLS
NEW CASTLE, DE 19720

Looks like many still aren't in first gear yet for this season. I was hoping for more reports but I guess it just wasn't meant to be. Anyway, when sending your items in, please keep them on one side of the paper, ELT, skip a line between items, type or neatly write, etc. Here goes!

SPECIAL:

- 620 WRJX TN KNOXVILLE - Format: CWM, dropping Top 40, as of 10/6. Net.: A1. (TC-TN)
- 1100 WWSG OH CLEVELAND - 10/8 0015-0100 noted w/Pop music, CBS net. promo's and Radio 11 ID's, no mention of "3 W-K", network change? (TC-TN)
- 1740 WBBY OH YOUNGSOON - I didn't hear it and I have no changes to report about it. I just wanted to report it and see the call letters in the column again! (HK-IL) 815
- 1840 WKON TN KNOXVILLE - 10/7 1900-1915 noted w/CWM, mention of talk show and AP Radio news on top of hour. Per newspapers, station is running news/talk during drive time hours, CWM from 1900 till 0600. Plans are to extend the News/Talk format to the rest of the day. (TC-TN)



FREQ. CHECKS:

- 1st Mon. . WNCN-1240 w/TT, frequent ID's, off 0027. (DS-DE)
- 2nd Fri. . WRWA-1340 w/TT, 0046-0049. New day/time! (DS-DE)

MIDDAY - MIDNIGHT:

- 550 WDRV VT WATERBURY - 9/29 1800-1831 enough copy in WONG null for report w/WPI news, weather, plug for Red Sox baseball, ID and Pop music. (RA-MA)
- 570 WWSO NO ASHBYVILLE - 9/24 2045-2100 w/goat music, A1 news, is this a format change? Several checks over the next few hours showed the gospel continuing. (TC-TN) In radio, anything can happen...you oughta know that! (DS)
- 610 WTVR OH COLUMBUS - 10/6 2312-2322 weak u/WSON/WNJE splash w/oldies. (TC-TN)
- 790 WAKB PA ALLENTON - 10/4 2254 surfaced w/ID, contest promo. (JN-NY)
- 940 WKYK NO BURNSVILLE - 10/6 1912-1922 u/peet WCPQ/UNID (WMAZ) w/KYK ID's, contest promo, CW music. (TC-TN)
- 970 WWSW PA PITTSBURGH - 10/4 2320 "3 W-3" ID's, 50's oldies. (JN-NY)
- 980 WBC DC WASHINGTON - 10/1 2220-2222 u/WSEX/WONK w/talk about housing problems. (TC-TN)
- 1000 VTAZ AL HUNTSVILLE - 9/29 1900-1915 fair in WNOJ null w/Take 10 ID's, commentary from A network. (TC-TN)
- 1050 WHN NY NEW YORK - 9/22 2025-2045 fair w/CW music, female DJ, faded up for one clear ID. (TC-TN) Never happens, never!
- 1250 WTMA SC CHARLESTON - 10/4 1950 ID then into Four Tops record, faded in/out, etc. This was my favorite station in my younger days in the Navy when I was there. (NAP-AL) Sure I edited that, Neal.....I wouldn't want anyone to get any bad ideas on you.....and I don't want anyone (DS) nasty letters. Send an SASE for the full/unedited version!
- 1260 WNYT OH PORTSMOUTH - 9/24 2350-0000 fair in crowd w/MYL type format, s/off w/SSB for AM & FM. (TC-TN)
- WRDS TN INDIANAPOLIS - 9/24 0000 caught an ID right after WNYT s/off. (TC-TN)
- 1200 WRPT AL TUSCALOOSA - 9/28 1935 weather, ID, EEL vocals. (NAP-AL)
- 1300 WOOD MI GRAND RAPIDS - 10/1 2144-2154 fair w/ads, MOR music. (TC)
- 1310 WYTP NY MT. KISCO - 9/26 1900 popped right up for an ID then gone, first time heard for this tough one. (HJH-PA)
- 1520 WJAS PA PITTSBURGH - 9/24 2305-2311 good w/MYL. (TC-TN)
- WRJW MS PICAYUNE - 9/29 1950 male w/ID between CW music, looped but plenty of others noted. Yes, Virginia, there really is a Picayune, Miss. (NAP-AL) Then go tell her....not me! (DS)
- 1570 UNID 10/4 1930 s/off noted w/calls but no location, closed w/prayer, not on my lists so will pursue this for the next couple of nights, any ideas? (NAP-AL) Yeah, w/PRT... (DS)
- 1590 WJAM SD MADISON - 9/23 2044 fair w/s/off in WYON null. (HK-IL)
- 1400 KAOE LA LAKE CHARLES - 9/27 2358 popped in w/ID then gone. (HK-IL)
- WJDE MS BIDDLEFORD - 9/29 1656-1715 good in WALK null w/Paul Harvey news, ABC news, local news and weather, ID's. (RA-MA)

CRUMP ON
1250 WTMA SC
RADIO STATION
KVAN

1880 kc

Wjmt RADIO
WWSA 1260 AM
K-WAM
GOSPEL MUSIC RADIO

- 1410 WROP CT HARTFORD - 10/2 2030 Harry Reasoner report, into news after ID, good signal. (JN-NY)
- WRDO MS CLEVELAND - 10/3 1930 Male anno'r w/closing anno't, ID which seemed as above, mentioned "erving the Delta" so suspect the MS station rather than Cleveland TX, sure of Cleveland location but no listing, ex-WDSK? (NAP-AL)
- 1420 WCOJ PA COATESVILLE - 10/3 1823-1833 fair in WBSM null w/rock music, Cabled TV spot, ID, local news. (RA-MA)
- 1440 WBSZ CT BRISTOL - 10/1 1815 s/off noted in WFTQ null just before WNYG s/off, both w/no SSB. (RA-MA)
- WNPV PA LANSDALE - 10/3 1800-1808 weak u/WFTQ/WCDL w/local news, sports, weather, Quakertown Free Press ad. (RA-MA) As AKF sez:"and they were on the air then!" (DS)
- WMER ME FORTLAND - 10/5 1751-1800 atop w/all news format, Greater Portland News. Address given as 269 Commercial St., Portland, 04102. (RA-MA)
- 1450 WMAZ MA SPRINGFIELD - 10/1 1756-1806 poor u/WKHI/WTSA w/MYL, ID's, promos, Mutual news. (RA-MA)
- 1460 WRAD VA RADFORD - 9/30 1930 topped channel w/slogan "Make No Mistake This is WRAD, Radford", fair signal, 1st time heard. (HJH-PA) Sure it wasn't WOMB? (DS)
- 1480 WKND CT WINDSOR - 9/29 1630 in sharp WBAR null, weak w/ID & Soul music. (RA-MA) Musco's favorite station! (DS)
- WOPR VT SPRINGFIELD - 10/4 1753-1815 poor u/WBAR/WKND w/Top 40 music, ID, weather to s/off w/FM mention. (RA-MA)
- 1490 WMBF PA LEWISTOWN - 10/2, 10/4, this previously closely unheard in well 10/2 1936 and again 10/4 same time, rock mx. (HJH-PA)
- 1550 KHAT AZ TUCSON - 9/25 2200 fair w/s/off. (PZ-NV)
- UNID 9/25 2234 somebody here ID'ing as "Lucky 15-50" w/no call noted, who? (PZ-NV)
- UNID 9/26 2310 rec'd classical music, mention of London Symphony, didn't catch ID, to much KRGO. (PZ-NV) EXHI (DS)
- 1580 WAMI IN SOUTH BEND - 9/23 1959 weak w/s/off, this sounds like the call as recorded on the tape many times, also UNID w/SSB in background. (HJH-PA) Your right on the call, Harry. (DS)
- WAMV IN WASHINGTON - 9/23 2001 weak w/s/off after WAMJ, gives full ID before going into s/off anno't, w/no SSB, CBJ strong. (HJH-PA)
- WCLS GA COLUMBUS - 9/29 2011 popping up to good level for a couple of minutes w/CW mx, ID then gone to the VOA. (HJH-PA)
- WMPF MS PASCAGOULA - 9/29 1958 fair w/s/off, another UNID u/with mention of 1 kilowatt. (HJH-PA)
- WAMY MS AMORY - 9/29 2000 s/off very strong w/no SSB on a good evening to MS. Didn't have the tape going, though. (HJH-PA)

MIDNIGHT - MIDDAY:

- 550 WGGG GA GAINESVILLE - 9/25 0001 fair w/s/off. (TC-TN)
- 590 WARM PA SCRANTON - 9/30 0239-0248 weak in WESI null w/Pop music, ID, PSA's, Football Contest promo, not heard in years. (RA)
- 600 KOGO CA SAN DIEGO - 9/29 0001 ID, NBC news, rock music. (RM-CC)
- 620 WAOZ ME BANGOR - 10/5 0201-0232 mixing w/WHEN w/2-62 ID's, Pop music on Priscilla Thomas show. (RA-MA)
- WHEN NY SYRACUSE - 10/5 0226 briefly surfaced atop WAOZ w/ID on the Peter King show. (RA-MA)
- WHUN FL ST. PETERSBURG - 10/4 0259 "FL most listened to country music station" ID, CW music, a real boomer here. (NAP-AL) Better watch them boomers.... (DS)
- 640 KPI CA LOS ANGELES - 10/4 0145-0150+ In/out w/Cubs mullied, T-shirt mention, Pop music, "Ray-F1" ID's, thanks to Hutton on tip for logging first CA here. (NAP-AL) Yeah, turn the radio on and WAIT! Write when you get work! (DS)
- 790 KOEE AZ TUCSON - 9/20 0539-0542 fair on ST w/TT, ID. (HK-IL)
- 990 WNYN NY ROCHESTER - 10/5 0333-0402 atop w/CW music, Jim Kelly show, "Winner" ID's, o/WNOX. (RA-MA)
- 1020 KBCI NM ROSWELL - 9/21 0200 fair w/ID, news & s/off. (HK-IL)
- 1140 WQBA FL MIAMI - 9/20 0411 good o/u Columbia w/SS ID, music. (RK)
- 1190 CHTN TN CHARLOTTESTOWN - 9/21 0300 o/KLIF w/ID and news, buried by WHAM splash after news, last heard in 1976! (HK-IL)
- 1230 KLIC LA MONROE - 10/4 0353 momentarily atop w/ID, CW music. (NAP)
- 1260 WZZM MI BOSTON - 10/5 0110 good on ET w/ID, local WWDG off. (WPT)
- WORM KY YERCH - 9/31 0000 in good w/ad for unisex clothing for insects and fishing report. (HK-IL)
- WLIB NY FIBVILLE - 9/31 0000 last heard on 1310 w/item on return of Swan Island, reception of stations on broken radio, the purchase of WSDM-1150, and other unbelievable items. (CMS)

- 1280 GJJD ON HAMILTON - 10/5 0135 fair to good w/ID on Ted Leeman show, CW music, mention of local library system. (WPT-DC)
- WGPF IN EVANSVILLE - 10/8 0012 good signal w/rock music, ID'ed as "the Tri State #1 music station." (TC-TN)
- 1330 WNYM NY STARR ISLAND - 9/30 0147-0203 loud o/WDLW w/Gospel. (RA)
- 1370 KQMG KS DODGE CITY - 9/23 0100 rock music, ID then CBS news. (RH)
- 1380 CPDA P3 VICTORVILLE - 10/5 0020-0036 weak u/WBWX w/FF music and talk. (RA-MA) My closest unheard. (JS-OH)
- 1400 XXIV AZ PHOENIX - 9/30 0010 ID. (RH-CO) That's ALL? (DS)
- 1420 WVJS KY OWENSBORO - 10/8 0006 noted w/weather, rock music. (TC-TN) UNID 10/5 0038-0110. someone in WBSM null w/TT/OC, but no ID, looped west, anyone grab an ID? (RA-MA)
- 1430 OJOL ON TORONTO - 10/5 0115-0125 u/WENE w/news, female anno'r, many "Metro 1430" ID's, pop music. (RA-MA)
- 1440 WFTQ MA WORCESTER - 9/30 noted off this Wed. AM, also noted off 10/6 and other random mornings. (RA-MA) Yeah, and they were back on MM 10/12! (DS)
- WRRO OH WARREN - 9/30 0130-0215 w/CFGO, noted w/Larry King, ID's at 0129, 0159, WFTQ was off. (RA-MA)
- 1460 KENO NY LAS VEGAS - 9/27 0001 ID. (RH-CO) Then what? Did you fall asleep? (DS)
- 1490 KBUR IA BURLINGTON - 9/18 0219 good w/PGA. (RK-IL)
- WITA TN KNOXVILLE - 10/3 0324 fair w/ET w/TT/OC, ID, noted on most of that morning. (RK-IL) I wasn't. (DS)
- 1500 KSTP MN ST. PAUL - 10/4 0230 weather by female then into recorded talk show, w/WLAC splash. (NAP-AL)

And that's where the fun stops this week! I trust that a few more will be sending in reports in the next few weeks, this is everything up till 10/12. Seems like the column belongs to NAP and RK anymore! When you hear a few stations, sending your loggings in helps! Thanks!

HERE'S OUR VERSION OF THE 'BLUES BROTHERS':

- | | |
|---------------------------------------------------------|------------------------------|
| TC-TN Tom Connatser, Sevierville, TN | RF888 |
| RA-MA Ray Arruda, Acushnet, MA | HQ180, Looped |
| NAP-AL Neal Perdue, Flakeville, AL | RF2800, SM2, Lazy Susan |
| JS-NY Jay Novello, Endwell, NY | RT, RP2900, R. West Loop TRP |
| WPT-DC William P. Townsend, Wash., DC | TRP Superadio, Zenith T-0 |
| HJH-PA Harry Hayes, Wilkes-Barre, PA | R1000, HQ129, Penguin |
| RK-IL Robert Kramer, Chicago, Ill | TRP, R1000 |
| RH-CO Bob Harrington, Englewood, CO | DX160, Loop |
| PZ-NY Paul Zehr, Ely, NY | |
| DS-DE Who'd you expect, Dick "I'm Still Funny" Gregory? | |

SUPPORT YOUR LOCAL POST OFFICE! Next time we'll offer the official STARR and BOYD fun sheet on how to really mess up stamp cancelling machines.



75's and Good XD!



Veteran may be walking receiver

MIAMI (AP) — Third-year medical student Stephen Liggett was surprised when a psychiatric patient reported hearing music in his head. Liggett was more surprised to determine that the music apparently was coming from a Miami radio station.

The patient, a Vietnam war veteran who had about 14 fragments of shrapnel embedded in his skull, may be a walking radio receiver, Liggett said.

But he hasn't seen the man since that examination, and Liggett, who also has a Ph.D. in physics, is getting rubbing from colleagues at the Veterans Administration hospital here.

"It's incredible, but I think it is true," said Liggett, who contends the ultrasound could be acting as a radio re-

ceiver for signals from WQAM. "I can't explain it. I'm tired of trying to figure it out."

The 35-year-old patient said he heard radio commercials and country music blaring inside his head. The man, who complained of depression and headaches, underwent a complete neurological workup after being admitted to the psychiatric ward.

When asked whether he heard music, he said yes.

"Both ears?" Liggett asked. "No, just the one," the patient responded. Liggett said it is medically unusual for any source of hallucination to be unilateral.

The patient said the music he heard were muffled, but he said he could differentiate between music, news and commercials.

Using a borrowed radio, Liggett asked the man to identify the station. The man flipped the dial for a few minutes and then cried, "That's it." He was tuned to 98 — WQAM.

To test the tentative diagnosis, Liggett said he plugged in a radio earpiece so only he could hear the radio and asked the man to tell him when the music stopped and started.

"He knew exactly when the station stopped playing one song and switched to another. It was incredible," said Liggett.

Liggett said he would have liked to have tested the patient further, but the man left on his own and hasn't returned.

Madison Capital Times
via Norm Melnholz

INTERNATIONAL DX DIGEST

CHUCK HUTTON
P.O. BOX 2087
DECATUR, GA 30030
(404) 633-1198
BEFORE 2300 ELT

Times are GMT. For ELT subtract 5 hours. Deadlines are usually Monday.

Greetings everyone. I hereby make a complaint about the small number of submissions for the column this time and will say no more about the matter.....

- 720 CUBA Las Tunas QMDD 9/27 0905 strong in WGN null w/Reloj format, no sign of other Cuban. (Falconer)
- 725 SURINAM SRS Paramaribo slow ballads and talk, easy ID // 4850 at 0250. (Novello)
- 825 ST. KITTS R. Paradise--caught s/on annet 8/22 0905, into "Morning Devotions", good. (Kemp)
- 860 BRAZIL R. Mundial, Rio de Janeiro good w/FF rock and folk ex, man in PP 0530-0545 9/28. Alone on channel except for unk OC, probably CJBC. (DeLorenzo)
- 881.1 UNID 9/28 0210 strong carrier here putting bet on another unit on 905. Both looped LA; one is probably El Salvador, (Falconer) And the other probably Ecuador-CH
- 915 UNID 9/28 0215-0300 this strong LA is in almost every night but no ID's yet. Man talked over an hour and no hint of location. (I will assure you he was in the studio, RI-CH) All indications are that this is Ecuador but I won't count it until I'm positive. (Falconer)
- 930 CUBA Matanzas QMDD very weak in mess w/bits of SS talk and the familiar Reloj tunes at the top of the minute. (Falc)
- 940 CUBA QMDD R. Reloj, Colon lac w/all news format 0612 9/26. Alone on channel. (DeLorenzo) Missed the wandering Bolivian?
- 1100 COLOMBIA HJAT R. Reloj, Barranquilla, nighttime regular on car radio with Latin mx, TC's after every song, ID's, ads. (Kemp)
- 1140 MEXICO Monterrey AEMR 9/27 0800-0820 fair signal at times during WRVA SP. Had lively dance mx and many ID's as "AEMR la nueva Mr en Monterrey, Mexico". (Falconer)
- 1180 DOMINICAN REPUBLIC HIBE Radio Mil noted 8/28 riding in on VOA Marathon OC 2355 w/live phone calls, SS vocals, Radio Mil ID's. (Kemp)
- 1200 VENEZUELA Radio Tiempo, Caracas 0304 w/"Rappers Delight" and many ID's 9/28. (Novello)
- 1220 COLOMBIA La Voz de Colombia noted d/2L 0509, in ex-H. Vision in Barranquilla. Good w/many slogan ID's, TC's; 0559 full ID. (Kemp)
- 1240 BARBADOS ZNS-2 R. New Providence good 8/21 1509 w/soul music format. Daytime regular. (Kemp) Why can't I hear these guys?
- 1175 BENIN Cotonou to 2300 s/off 10/3, peaking 2255 w/balafon and vocal music and FF anner. Not in as well as Bill Bailey was getting it but stronger and clearer than 4870 SW //. Cameroon 1107 only carrier here at 2315, Bill was getting audio. (Farmerie)
- 1500 MEXICO CITY XERH Mexico City fair w/WTOP OC w/ID in SS 0504 9/28. (DeLorenzo)
- 1550 COLOMBIA Barranquilla HJCB 10/1 0630-0720 strong at times w/US domestics. ID's on hour and half hour as "Radio La Voz Portena de Barranquilla, Emisora RCN la radio de Colombia". (Falconer)
- 1584 SPAIN SER commonplace most likely the source of a man in SS here 0508-0513 9/28;DF Europe. (DeLorenzo)
- 1593 WEST GERMANY WDR Langenberg lac w/OG pop vocal, man in GG, Distieland jazz 0425-0432 9/28. (DeLorenzo)

Going to heaven:

- | | |
|-----------------------------|-------------------------------------|
| Marc DeLorenzo-Sudbury, Ma. | HQ100, LW, SM2 |
| Jeff Falconer-Clinton, Ont. | NRD515, SM2 |
| Tom Farmerie-Grafton, Ma. | R390A, 4' PET AA loop, audio filter |
| Steve Kemp-Hollywood, P.a. | ICF5900W, IOP2001 |
| Jay Novello-Endwell, N.Y. | RT, RP2900, R. West loop |

6

1981 FINANCIAL STATEMENT

The following statement is for the year Oct. 1, 1980 to Sept. 30, 1981.

INCOME STATEMENT

Membership Dues.....	\$ 11781.00
Domestic Log.....	1361.00
Night Pattern Book.....	2169.00
Reprints.....	1819.33
Antenna Reference Manual....	307.50
Receiver Reference Manual....	240.00
New Member Kit.....	152.75
Samples.....	58.20
Convention Income(Rockaway)....	361.72
Miscellaneous (Note 1).....	889.53
Total Income	\$ 19140.03

Notes

- (1) Includes \$232. advance from Artic Radio Club on account, \$505. from Chuck Hutton on sale of modified TRF's.
- (2) Includes \$100. advance to NJ for 1981 Convention, \$55. for used typewriter and \$73. for used file cabinet to store reprints by Karl Jeter.

EXPENSE STATEMENT

<u>Printing</u>	
Bulletin.....	\$ 6167.55
Night Pattern Book.....	1866.36
Reprints.....	814.94
Administrative.....	142.00
	<u>\$ 8990.85</u>

<u>Postage</u>	
Bulletin.....	\$ 5555.52
Sales.....	1045.67
Administrative.....	525.27
	<u>\$ 7126.46</u>

<u>Administrative</u>	
Sales Tax.....	\$ 350.06
Supplies.....	181.31
Telephone.....	127.97
Refunds.....	59.14
Miscellaneous (Note 2)....	402.58
	<u>\$ 1121.06</u>

Total Expenses \$ 17238.37

NOTES FROM THE TREASURER - Dick Truax

The National Radio Club operates under an accounting system whereby, if the club ceased to exist, we would refund the deferred dues to each member. The inventory, which is recorded at cost, would then be prorated to each member. Under this type of system, we usually operate with an on paper "loss" each year, although this year we have built to an actual positive net worth for the first time in many years. This "gain" was anticipated to compensate for a postal rate increase 11/1/81, printing expense hikes around 11/1/81 and the anticipated printing of the 6th edition of the NRC Domestic Log sometime around the first month of 1982.

If you have any questions regarding your club's financial health, please direct them to my attention at the HQ address.

STATEMENT OF INCOME (LOSS OR GAIN)

Income(All sources)....\$ 19140.03

Bulletin/Publications Costs	
Beginning Inventory..\$	2156.87
Printing.....	8990.85
Postage.....	7126.46
	<u>\$ 18274.18</u>

Less Ending Inventory -3047.70

Net Costs.....\$ 15226.48

Gross Profit.....\$ 3913.55

Administrative Expense..\$ -1121.06

Net Gain.....\$ 2792.49

BALANCE SHEET

<u>Assets</u>	
Inventory.....	\$ 3047.70
Cash.....	4680.16
	<u>\$ 7727.86</u>

Equipment.....	\$ 238.00
Less depreciation	-119.00
Total assets.....	<u>\$ 7846.86</u>

Liabilities

Deferred dues.....\$ 5765.58

Net worth.....\$ 2081.28

\$ 7846.86

Dick Truax

MAKING THE MOST OF A BAD SITUATION

NOTE FROM HQ: The following article was received from an anonymous donor who got his inspiration from a bona fide advertisement for a Racal Antenna. Some people may consider this a bit tasteless, so unless you have a morbid sense of humor you may be better off not reading this. We cannot be responsible for any fits of depression, paranoia or suicides resulting from the reading of this article. I might also add that Dick had serious reservations about running this, so Ted and I will take all the blame. Retyped without permission. Comments regarding this are not solicited. Gary

Receipt recently of a catalog of antenna products by Racal (of receiver fame) was instrumental in development of some new thinking regarding the future of DXing. My thoughts follow:

Recently it was announced that Great Britain has stepped up its heretofore meager efforts in the area of civilian defense. In this country there are no less than a dozen "survivalist" newsletters, geared to the ever growing horde (myself among them) who believe that a nuclear war, even a limited nuclear confrontation is inevitable in the next decade.

Planning for such an event, or its after-effects, is difficult. After the primary effort to be away from the center of any likely target, (the Soviets reportedly have a list of 7,000 U.S. targets in mind), and the secondary concern of stocking food, the tertiary concern is, of course, DXing.

The primary function of having a functioning DXing set would be to pick up news from areas which might have survived the blasts. Gone will be the super-power pests. Probably all that will be audible will be stations in smaller towns with independent power companies not tied into any power grid. With most TV stations off the air, TVI will be non-existent. So probably will be AC power. A smart DXer will have a supply of candles, food, and batteries to operate a DX machine. I recently acquired a Yaesu FRG-7 because it operates on "D" cells or on 12 volts. A backup unit also purchased was an Allied SX-190, which tunes in the SWBC bands (possibly our only news source), as well as the 80, 40 and 20 meter ham bands. After a nuclear attack the ham will be the primary communications network; you can be sure of that!

But back to more pleasant thoughts. If you're lucky enough to survive, you'll have plenty of time at the dials. The major Canadian cities will also probably be bombed, so for the first several months after the war's onset, the dials will be filled with TAs, TPs and LAs at night, as well as surviving Canadian LPRTs, and low powered US stations which you could never log before. Since mail service will be limited or non-existent, you might want to consider getting a battery operated portable tape recorder to capture those IDs for posterity.

Racal Antennas has a most desirable antenna for the DXer who can afford to prepare for WW-III; they call it the CA-3099-A. It can withstand a 10 Megaton blast at two miles distance, and then be erected using hand or hydraulic power to its vertical operating position within minutes after the blast, before the fallout forces you indoors. If you can't afford the 3099-A, you might consider hooking your antenna lead to the finger stop on your telephone (which will be non functional otherwise), providing you with a 1W antenna, of a length determined by where the phone poles fell down. You could even salvage enough telephone wire for a beverage.

So don't despair. Think of WW-III as a whole new DXing opportunity!

CA 3099A Hardened Transmitting

frequency range:	1-30 MHz
power:	1.5W AC/PEP
SWR:	1.5:1 maximum
SWR:	2.0:1 maximum
impedance:	50 ohms
wind loading:	155 mph, 120 mph (no ice)

remote control via underground cables. Deployment is hydraulic and can be from the antenna bunker by a local manual override in the event of power failure. The antenna housed in withstand 100 tons at 1.8 km and 100 tons at 3.7 km. The antenna is equipped complete except for further concrete and reinforcing.

steel, 36 x 36m underground vaults and control and coaxial cables. Total shipping weight 1532 kg. Total volume 7.18m³

The CA 3099A is a 10.6 metre aluminum deployable monopole antenna for use after a nearby nuclear blast. The antenna is housed in a concrete bunker with a steel cover. The cover is opened and the antenna deployed by raising it to the vertical through an arc of 90° where it is locked in the operating position and held via an A.T.U. An operation of the antenna is via



LARRY KING NETWORK

(as of October 3, 1981; compiled originally by RICH LEVIN, and updated by ERC)

540	W D A K	Columbus, GA	960	W E L I	New Haven, CT
	W S V A	St. Louis, MO		W S B T	South Bend, IN
550	K S D	Harrisonburg, VA		W R P C	Athens, GA
	K C R S	Midland, TX		W F I R	Rosnoke, VA
560	K S F O	San Francisco, CA	970	K I A K	Fairbanks, AK
	W I S	Columbia, SC		W A V E	Louisville, KY
	W G A N	Portland, ME		K B E E	Modesto, CA
570	W P L P	Pinellas Park, FL	980	W C A P	Lowell, MA
	W S Y R	Syracuse, NY		W I T Y	Denville, IL
	W P A A	Dallas, TX		W I L K	Wilkes-Barre, PA
	K V I	Seattle, WA		W T B Y	Troy, NY
580	E S J	Fresno, CA	990	K K I S	Pittsburg, CA
	W D B O	Orlando, FL	1000	W C F L	Chicago, IL
	W G A C	Augusta, GA	1010	K L R A	Little Rock, AR
	W I B V	Topeka, KS		K C H J	Palm Springs, CA
	W T A G	Worcester, MA	1120	K P N W	Eugene, OR
590	K T H O	South Lake Tahoe, CA	1130	K S D O	San Diego, CA
	W O W	Omaha, NE	1150	E C K Y	Coolidge, AZ
	K L B J	Austin, TX		K P U G	Bellingham, WA
600	W M T	Cedar Rapids, IA		W N D B	Daytona Beach, FL
	W R E C	Memphis, TN		W J B O	Baton Rouge, LA
610	W I O D	Miami, FL	1170	K P U G	Bellingham, WA
620	K T A R	Phoenix, AZ	1180	K O P I	Kellsport, MT
	E M N S	Sioux City, IA	1190	K E X	Portland, OR
	W H J B	Greensburg, PA	1200	W O A I	San Antonio, TX
630	W M F D	Wilmington, NC	1210	W C A U	Philadelphia, PA
	K O H	Reno, NV	1230	W I T H	Baltimore, MD
650	K Y A K	Anchorage, AK		W P A I	Payetteville, NC
680	W P T F	Raleigh, NC		W C V A	Toledo, OH
690	K E O S	Flagstaff, AZ		W E R I	Westerly, RI
710	W K R G	Mobile, AL		W P V A	Fredericksburg, VA
	K M P C	Los Angeles, CA		K S F O	Spokane, WA
	W D S M	Superior, MN	1240	W L A G	La Grange, GA
	W O R	New York, NY		W E B Q	Harrisburg, IL
	K G N C	Amarillo, TX		W T A X	Springfield, IL
720	K D W N	Las Vegas, NV		K A K Z	Wichita, KS
790	K C E E	Tucson, AZ		W J O N	St. Cloud, MN
	W S G V	Saginaw, MI		K P O R	Lincoln, NE
	W E A N	Providence, RI		W A T N	Watertown, NY
	K G M I	Bellingham, WA		W B B W	Youngstown, OH
850	K O A	Denver, CO		W W O N	Woonsocket, RI
	K G O E	Thousand Oaks, CA		W H E L	Knoxville, TN
910	W P F B	Middletown, OH		W E D A	Nashville, TN
	W S B A	York, PA		K E V A	Evanston, WI
	W P D F	Flint, MI		W T W A	Thomason, GA
920	K I T H	Olympia, WA		W D U N	Gainesville, GA
	W G S T	Atlanta, GA		W I N K	Port Myers, FL
930	E I U P	Durango, CO	1250	W T M A	Charleston, SC
	W J A X	Jacksonville, FL		K T M S	Santa Barbara, CA
	W B C K	Battle Creek, MI		K C F I	Cedar Falls, IA
	W S O C	Charlotte, NC		K B B F	Fergus Falls, MN
	W G N T	Huntington, WV		W K B R	Manchester, NH
	W F M D	Frederick, MD	1260	K G B X	Springfield, MO
940	W M I X	Mount Vernon, IL		K R O X	Crookston, MN
950	W S P A	Spartanburg, SC	1270	W N O G	Naples, FL
				W T N T	Tallahassee, FL
				K C O K	Tulare, CA
				W C B C	Cumberland, MD
				W X Y Z	Detroit, MI

LARRY KING NETWORK continued

1280	W N P T	Tuscaloosa, AL	1410	W P O P	Hartford, CT
	K K A L	Arroyo Grande, CA		K Q V	Pittsburgh, PA
	W M R O	Aurora, IL		W L B J	Bowling Green, KY
	K W M S	Salt Lake City, UT	1420	W O C	Davenport, IA
1290	W T M C	Ocala, FL	1430	W E N E	Endicott, NY
	W W S A	Savannah, GA		K E L I	Tulsa, OK
	W H I O	Dayton, OH		W N A V	Annapolis, MD
	W F B G	Altoona, PA	1440	K V O N	Napa, CA
	W F I G	Sunter, SC		W A Y K	Lehigh Acres, FL
1300	K V O R	Colorado Springs, CO		W A J R	Morgantown, WV
	W E H E	Cleveland, OH		W B H Y	Montgomery, AL
	K P T L	Carson City, NV		W R R O	Warren, OH
1310	W I F E	Indianapolis, IN	1450	W N A B	Bridgeport, CT
	W N I C	Dearborn, MI		W P A M	Pottsville, PA
	W T L B	Utica, NY		W M A J	State College, PA
	W D X I	Jackson, TN		W J P A	Washington, PA
	W I B A	Madison, WI		W I L M	Wilmington, DE
1320	W F H R	Wisconsin Rapids, WI		W S P B	Sarasota, FL
1330	K C A K	Gellup, NM		W B H F	Cartersville, GA
	K P H	Wichita, KS		W W I W	New Orleans, LA
1340	W P B R	West Palm Beach, FL		W C L I	Corning, NY
	W G A W	Gardner, MA		W K R I	West Warwick, RI
	K A I N	Nampa, ID	1460	K M V X	Yakima, WA
	W T W N	Grand Rapids, MI		W B N S	Columbus, OH
	K V B R	Brainerd, MN	1480	K G C X	Sidney, MT
	W M K E	Milwaukee, WI		W L E E	Richmond, VA
	W I R Y	Pittsburg, NY	1490	K O T N	Pine Bluff, AR
	W C B G	Oxford, NC		K G U D	Banning, CA
1350	W I O U	Kokomo, IN		W T T B	Vero Beach, FL
	K R M T	Des Moines, IA		W U S S	Atlantic City, NJ
	W H W B	Princeton, NJ		W R N B	New Bern, NC
	W N I S	Portsmouth, VA		K L O C	Kelso, WA
1360	W W B Z	Vineland, NJ		W A R K	Hagerstown, MD
	W S A I	Cincinnati, OH		W V G B	Beaufort, SC
1370	W C O A	Pensacola, FL		W P L B	Fayetteville, NC
	W S A Y	Rochester, NY		W M R B	Greenville, SC
1380	W T O B	Winston-Salem, NC		W M R N	Marion, OH
	K T S M	El Paso, TX	1500	K X R X	San Jose, CA
	W T V H	Richmond, VA		W T O P	Warrington, DC
1390	K K O A	Minot, ND		K S T P	St. Paul, MN
	K S L M	Salem, OR	1510	W I T S	Boston, MA
	K B L Q	Logan, UT	1520	K A C Y	Fort Huachuca, CA
	W L A N	Lancaster, PA	1530	K F B K	Sacramento, CA
1400	W I L I	Williamantic, CT	1590	W T V B	Coldwater, MI
	W T S L	Hanover, NH		W V N A	Tusculum, AL
	K N O R	Norman, OK		W S M N	Nashua, NH
	W E S T	Easton, PA	1600	W A A N	Ann Arbor, MI
	W P E C	Harrisburg, PA			
	W X A M	Charlottesville, VA			
	W J J K	Eau Claire, WI			
	W D U Z	Green Bay, WI			
	W K P T	Kingsport, TN			

Larry King announces the week's new stations on each program, Tues-Sat, at 6 1/2 minutes past the hour - we suggest you check it out once a week and make additions as he gives them to you.

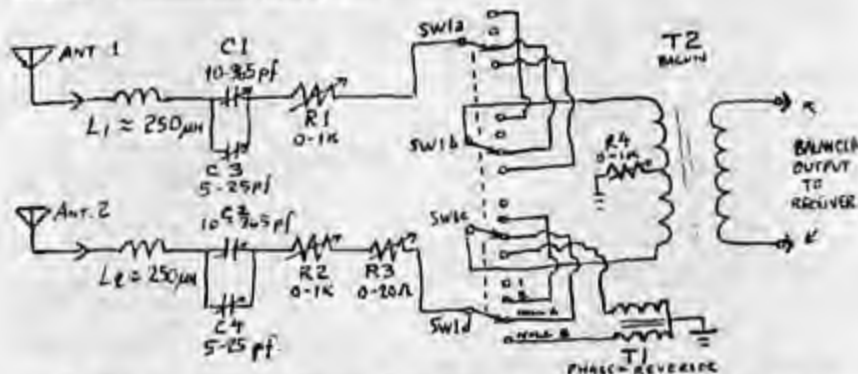
PHASING UNIT DESIGN MODIFICATION

by Mark Connelly, W4IION

This article is presented for two purposes: (1) to improve upon existing designs of phasing units presently in use by several active international DXers. (2) to serve as a prelude to an upcoming phasing-unit construction article. The construction article to be released soon will also deal with a new concept, Amplified Phased Shortwires.

DXers who have used phasing units in recent years include Chuck Hutton, Rick Hall-Patch, Bill Bailey, Neil Kasaross, Gordon Nelson, and Mark Connelly. Most of the units in use have a schematic similar to that of Figure 1.

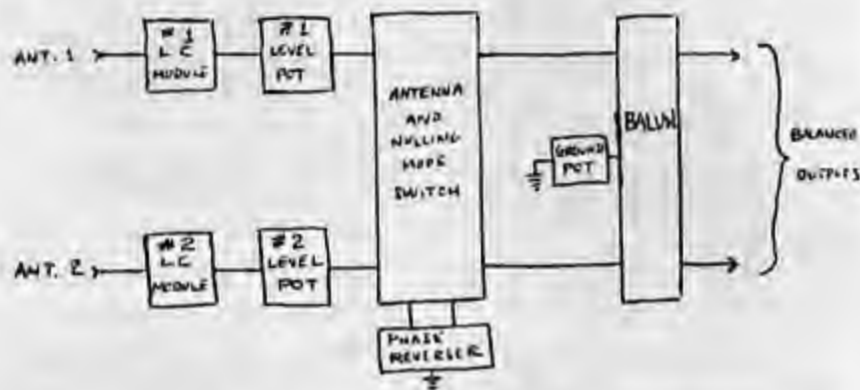
Figure 1 a conventional phasing unit



The phase-reversing transformer and the balun are wound on toroidal cores such as J. V. Miller #P-125-1, P-87-1, or T-106-2.

Coil winding details will be supplied in a subsequent construction article.

Figure 2 block diagram of conventional phasing unit



Mulling (using the unit of Figures 1 & 2) is accomplished by the following procedure: (1) initialize by setting all pots to zero ohms. (2) with antenna 1 switched in, peak the antenna 1 main tuning capacitor, C1, for maximum composite signal on the frequency of interest. (3) with antenna 2 switched in, peak the antenna 2 main tuning capacitor, C2, for maximum composite (i. e. interfering signal to be nulled with desired station signal) signal. (4) switch between antenna 1 & antenna 2; note which switch position produces the strongest level of the undesired (interfering) station. (5) switch to "null a" mode. (6) adjust the series potentiometer on the line which had produced the stronger "pest station" signal. (7) if a dip, or point on the pot where a distinct drop in signal occurs with a rise in level on either side of that point, is

attainable, set the pot at that dip point and finely tune the main & vernier capacitors (C1, C2, C3, C4) and the ground resistor R1 for further dipping until the best null is achieved. (8) if satisfactory mulling could not be obtained in steps 6 & 7, re-iterate steps 1 through 4 and then switch to "null b" (9) re-do steps 6 & 7 (in the "null b" mode).

Some shortcomings of conventional phasing unit design

(a) The series L-C "modules" each consisting of a 250 uH inductor in series with the parallel main (10-30 pf.) and trim (5-25 pf.) capacitors seem inadequate to peak-tune wires with lengths less than 30 metres. This problem is most acute on the lower frequencies, 520 - 900 kHz.

A two-pronged approach to this problem turned out to be most advantageous. The first step is to make a switchable 3-value inductance unit for each antenna line. Three inductors and a SPDT (centre-open position) switch are used in each of the two L-units.

Figure 3: three-value inductance unit

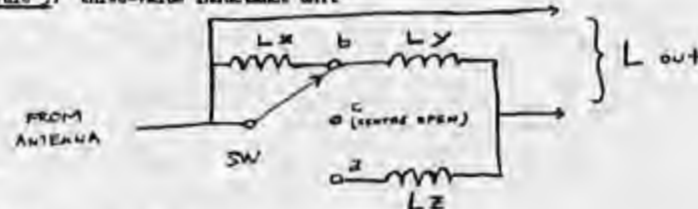


Table 1 L out values

Hytronics "Vee" inductors used

L values, uH			L out, uH			
Lx	Ly	Lz	switch pos.:	a	b	c
				$Lx / (Lx + Ly)$	Ly	$Lx * Ly$
390	220	100		86	220	610
470	270	120		103	270	740
560	270	120		105	270	830

J.V. Miller video-peaking type inductors used

L values, uH			L out, uH			J. V. Miller part #'s	
Lx	Ly	Lz	switch pos.:	a	b	c	#
				$Lx / (Lx + Ly)$	Ly	$Lx * Ly$	
420	200	100		86	200	620	6112
470	250	120		103	250	720	6153
550	275	120		105	275	825	6154
							200
							250
							275
							420
							470
							550

The Q of the coils listed in Table 1 is somewhat below that of the shielded can-type antenna coils used by Gordon Nelson and Chuck Hutton, but only a very slight decrease in tuning sharpness & signal transfer occurs. The small size of the coils used makes them ideal to be connected in a switched multiple L-value arrangement. The phasing unit's tuning range is extended considerably by this scheme.

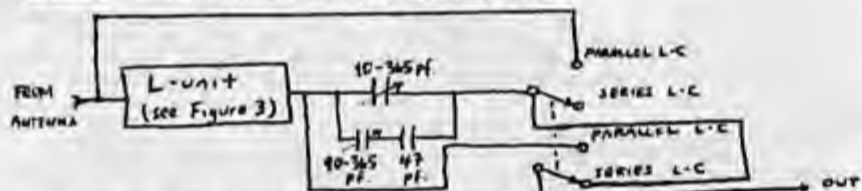
The author recommends that two separate SPDT switches for each antenna line L-unit should be utilized. If a DPDT switch were used to switch the inductance in the Antenna 1 leg & that in the Antenna 2 leg simultaneously, stray coupling from the Antenna 1 coils to those for Antenna 2 (and vice versa) could occur. The Antenna 1 L-unit should be located at least 10 cm. from the Antenna 2 L-unit.

The switchable inductance scheme has indeed extended the usefulness of the phasing unit in working with wires shorter than those commonly phased.

The second concept applied to extend the tuning capabilities further is the ability to switch between series L-C (as in the conventional phasing unit of Figure 1) and parallel L-C. Parallel L-C tuning seems to work well with shortwires, especially in the lower half of the band.

We shall incorporate the inductance-unit and switchable series/parallel L-C concepts in a subsection of the phasing unit to be referred to hereafter as the "LC module". Each antenna line has an LC module; the Antenna 1 LC module should be isolated from the Antenna 2 LC module by at least 10 cm. to prevent stray coupling or 'crosstalk'.

Figure 4 schematic of LC moduls (2 per phasing unit)



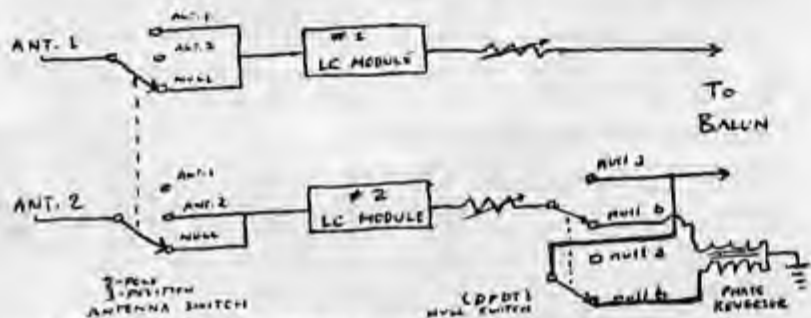
The 10-365 pf. capacitors used are the cheap miniature variety (e. g. Calcestro/CC Electronics # AL-232, priced at about \$ 2.70 each). The tria capacitor section, 10-365 pf. in series with 47 pf., is effectively a 8-42 pf. trimmer. The expensive air variable capacitors used in previous phasing units can be dispensed with.

(b) Even before switching to null, it is noticed that tweaking the controls for Antenna 2 effect the Antenna 1 control settings (and vice versa).

This indicates inadequate isolation within the phasing unit. Stray capacitance between the LC modules, between wires on the mode switch, and directly from the antennas to the output of the phasing unit may be the contributing factor.

Re-configuring the antenna-line (mode) switch such that antennas are connected or disconnected directly at their inputs is the logical way to attack this problem. As a side benefit, this eliminates the need for the clumsy, expensive 4-pole 4-position switch used in previous phasers. That "kluge" is replaced by a 2-pole 3-position switch and a DPDT toggle switch (see Figure 5). The Antenna 2 line can be peaked with the phase-reverser in line if desired (null mode b); any peak-skewing effects of the phase-reverser can thereby be compensated out prior to the initiation of the actual nulling sequence.

Figure 5 antenna mode/null mode switching to improve isolation/reduce crosstalk



If you wanted to keep in one-switch operation while improving isolation, the 4-pole 4-position switch could be wired-in as in Figure 6.

FORT WORTH, Texas AP) — Bob Lashbrook says a slipped disc — of sorts — cost him his job at the radio station where he worked part-time a \$10,000 contest prize.

The 40-year-old full-time carpenter and weekend disc jockey at KSCS-FM in Fort Worth says his problems began Monday while he was filling in for another announcer.

Lashbrook, who has worked as a disc jockey since 1942, says he played two songs Monday afternoon, then keyed his microphone to do a commercial. But he realized his mistake and gave only the station's call letters, then played the third song in the "three in a row" package.

It was too late. A sharp-eyed listener heard the goof and wrote the station.

demanding prize money.

"Every station has promotions and giveaways," Lashbrook said Friday after he had been fired, "but when they give something away here, they get mad about it."

"They (station officials) threatened the announcers that we'd lose our jobs if we did anything to make them pay, but no one really expected them to carry out the threat."

He said station management verified the mistake

by listening to tapes, then asked an attorney's advice to see if they had to pay.

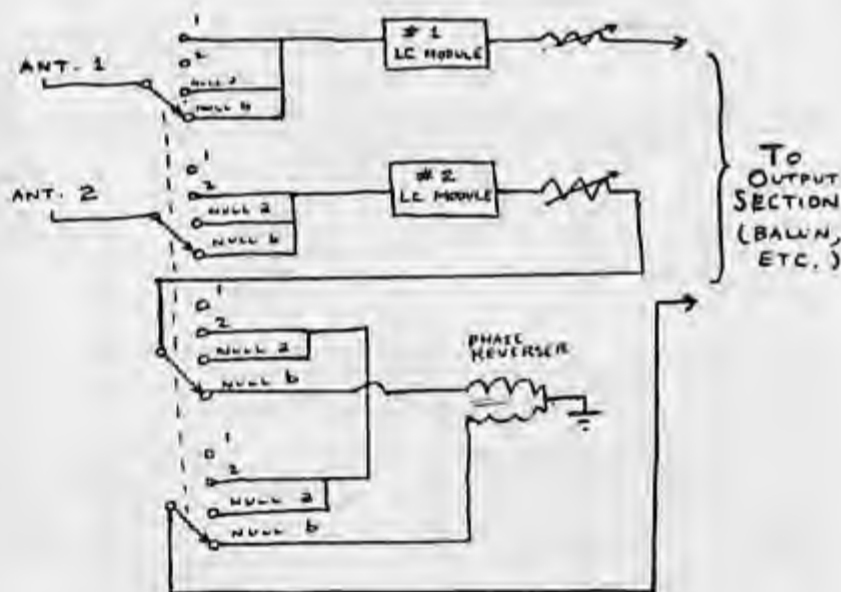
While station officials would not comment on the incident, a source at the station said the attorney told them they had to pay the money.

That's when R.T. Simpson, the network program director, paid Lashbrook a visit at his carpentry shop.

Station general manager Warren Polash said he would not comment.

vin Mark Schlesinger

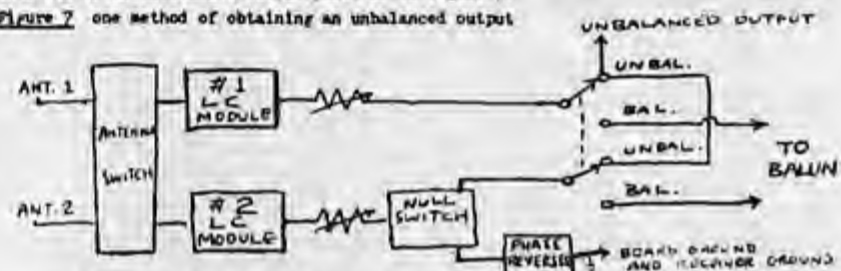
Figure 6 single antenna/null mode switch configured to reduce crosstalk



(c) Conventional phasing unit has no provision for unbalanced output.

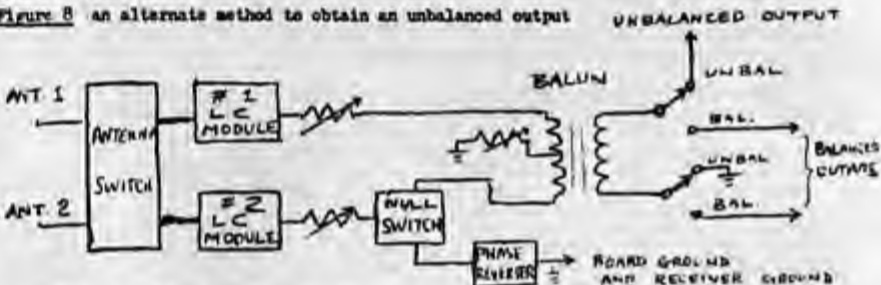
There are two philosophies regarding the provision of an unbalanced output. One is to disconnect the two tuned output lines from the balun primary, short these together, and feed them out to an unbalanced output jack, as in Figure 7.

Figure 7 one method of obtaining an unbalanced output



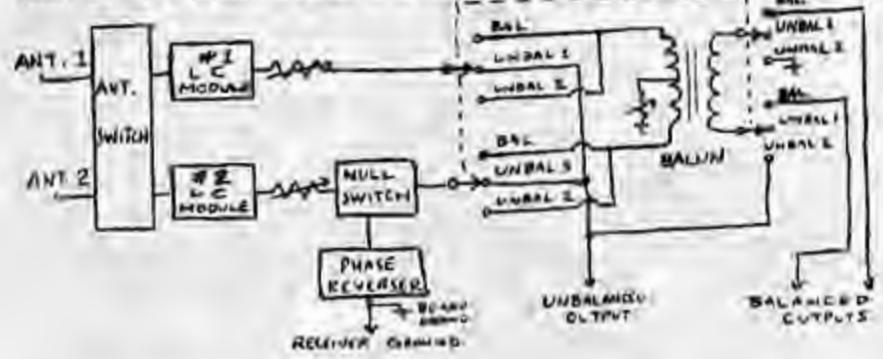
An alternate method is to leave the balun in the operating system and to connect one side of the balun output to ground/the other balun output to the unbalanced output jack, as in Figure 8.

Figure 8 an alternate method to obtain an unbalanced output



Perhaps the best solution to obtain unbalanced output is to build both approaches into the output section of the phasing unit, as in Figure 9.

Figure 9 versatile approach to unbalanced output
(Note: the 4-pole 3-position switch is CC Electronics # J5-380, retailing for \$ 2.15)



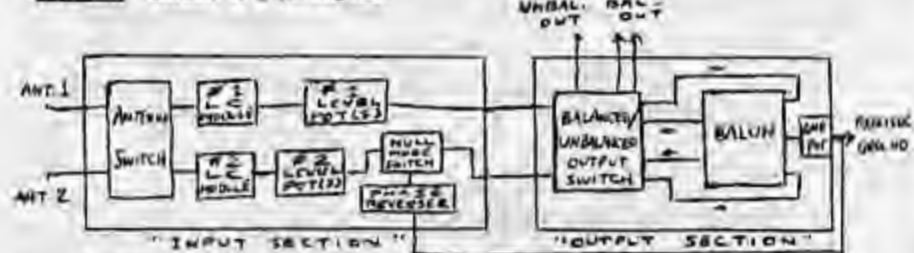
(d) Metal case is expensive; isolating the tuning capacitors and other components from case ground requires such mechanical layout work.
Worry not ... you can build the phasing unit on a standard epoxy-glass vectorboard; this will be discussed in a soon-to-be-released construction article.

(e) The 1K series pots don't always effect the signal levels on their respective antenna lines. Two reasons are postulated for this: (1) in some cases 1K may be too low a maximum resistance value to have any meaningful attenuating effect. One remedy may be the use of higher resistance pots in series with the 1K pots. The 1K pots would then become fine-tune pots. (2) leakage capacitance across pots negates the effect of their resistances. Several schemes may be initiated to remedy this: (a) pots could be placed right at the antenna inputs (between input jacks and antenna switch, ahead of LC modules) (b) try a different brand of pot (c) keep all leads short to minimize stray pickup.

SUMMARY - The modular approach to phasing unit design

In this article several operator conveniences and tuning aids were discussed. A phasing unit need not have all of these "bells & whistles". The block diagram below (Figure 10) points out the modular concept of phasing unit development; actual contents of modules will be determined by the user's particular needs.

Figure 10 modules of a phasing unit



If only true lowvires or Beverage's are to be used, the LC modules can be reduced to the simple single-L-value (e. g. 250 uH) in series with 10-365 pF. The balun might be omissible if only an unbalanced output is desired, although this might decrease some null capability. Others may retain the balun, but they'll eliminate the phase-reversing toroid - again, nulling flexibility may be decreased slightly. In my experience, you have to have either the phase-reverser or the balun to have even minimal nulling power; having both, obviously, is the optimal situation.

The author believes that as phasing units come into more general use, they will take their place alongside loops as worthy weapons in the DXer's arsenal to combat both interference from "pest stations" and that from non-broadcast sources such as light-dimmers, TV sync, oscillators, power lines and the like.

The serious DXer should evenly blend the use of a good amplified loop with the use of a phased-wire system. Each setup may offer unique DX possibilities; the experienced DXer will soon learn which setup to use to "milk" a specific type of opening or to hunt for specific target stations. The ability of the phased-wire system to produce unidirectional nulls may open up new DX possibilities for many. Similarly, a loop might catch some DX not possible with a particular phased-wire setup. With ever-increasing levels of interference plaguing the DX efforts of us all, it seems wise to have as much antenna (and receiver) diversity as possible at our disposal.

MUSINGS

ERNIE COOPER
5 ANTHONY STREET
PROVINCETOWN, MA 02657

The opinions expressed in this column are those of the individual members, and do not necessarily reflect those of the editors, publishers or WRO.

THESE TWO REPORTS SHOULD HAVE APPEARED IN LAST WEEK'S ISSUE - THEY WERE MISPLACED HERE IN PROVINCETOWN BY YOUR EDITOR, WHO HERE APOLOGIZES FOR THE BOO'HOO
GENE AND HIS TRAVELLING RADIO

GENE MARTIN - 3303 East Evans Avenue - Denver, CO - 80210 Sep. 22, 1981
Relatives of mine in the Dallas and Minneapolis areas have to be visited now and then, and in recent years I always take the General Electric Superadio with me to check out reception CX away from home. Both places offer substantially less local trouble for a DXer than Denver with its long list of stations, but I noted a few things of interest about the Superadio. At Shoreview MN, a St. Paul suburb, that radio delivers a quite clear signal from WBAF -820 while WCCO is operating ten kHz away. I noted this in June '79, again in June '80. That same radio in Richardson, TX, about 12 miles from WBAF's XR, delivers WCCO with no trouble with WBAF on the air. I noted this on Texas visits in December '80, also in February & June, 1981. The WCCO XR used to be in Anoka, MN, but I am not sure it's still there. Now that same radio in Denver suffers severe cross-talk from KOA while trying to hear WCCO although the separation there is 20 kHz rather than ten. Of course it has no trouble hearing WBAF's fine signal 30 kHz away. It is my guess that the main reason for the difference is that KOA modulates at 125% while WBAF & WCCO are still using 100% modulation. In the early 70's, KOA, owned by General Electric, used a GE XR 100% modulation and during that time, with the HQ-180, I could null it well enough to find Tarwe's carrier, sometimes with audio making it through, on 804 kHz, six kHz from KOA. The KOA transmitter is about 12 miles from my diggings. But four or five years ago, KOA acquired a new Continental XR with modulation 125%, and that monster emits stray emissions on 822, 835, 865, and 878. And a fanfare KOA uses in introducing their newscasts, is heard on weak signals from 900 to 750. It would be interesting to know which of the major stations around the nation are still using 100% modulation. I would guess that the list would include WOAI, KEL, WNL, WJR, WSB, WGN, WLV, WCAU, WGN, WZZ, KDKA, KRFD, and the CBS 0 & 0 stations.

BILL & NANCY'S VACATION - PART II

BILL WARDY - 2301 Pacific Avenue - Aberdeen, WA - 98520 Sept. 14, 1981
Last time, I reported on our vacation through B.C. and Alberta. We returned via Montana-Idaho-Eastern Washington. Three nights at Appar Glecier Park, MT, brought these semi-local notes: KTXK-1450 IDs as "Whitefish-Columbia Falls" and uses both "K-T-Double-X" and "Mellow Mountain Sound" slogans. VJ has then listed as KTXK, so you might wish to correct that. Format is a hodge-podge of some pop, some hard rock, some country, some winpy MoR, small-market sound. News is 60(5) 30(5), A1 net. By contrast, KJJR-1400 has a slick T-40 format, news 55(5), no net that I could discern, IDs just as "Whitefish", slogans include "14-KJJR" and "The Music Station". KOEX-600 is still CAW and CBS, 60(6) 30(5). KOPI-1180 now gets Mutual via satellite, net & local news mixed 60(5)30(5), pop wx, Larry King AM, & has added "Keeping Our Friends Informed" to its slogans along with "Coffee". Aside from KOPI, which is AN-6, none of these was audible at Appar after sunset so schedules are unknown, sorry. In Idaho: KBPI-1450 had A1 NX although not on A1's official list, the feed might be via INN which KBPI also has, as the ads were NOT //KGA-1510 although both KBPI & KGA are in the Pacific Time zone and thus should have paralleled ads. KSPT-1400 has Mutual NX 60(5), normal format is pop, although they were running a jazz show Thurs. night 8/6 @ 11:30p ELT. They had a promo for Dick Clark's new "National Music Survey" from Mutual which KSPT airs Sundays @ 5:05pm ELT. KWAL-620 does something interesting. They run the 15-minute "noontime" edition of Paul Harvey at 7pm ELT - that's 4pm local time! KVNI-1080 (ex-1240) is now more pop in format. An afternoon bandscan from Sandpoint, Idaho: KRQ-590, two weak signals on 610, probably KONA/CHEAT, KWAL-620 poor, KZUN-630, KJBR-790, KKLY-920, KREB-970, KVNI-1080, KVSU-1250 almost inaudible, KUDY-1280, KNBI-1330, KKCO-1380, KSPT-1400 local, EOKR-1440 poor, KBPI-1450, KGA-1510 good. All not specified were average-to-fair signals, KSPO-1230 being the only Spokane station not audible there. I hope your vacation was happy. 7) and good DX!

WE'RE NOW ON OUR WEEKLY SCHEDULE, AS YOU KNOW. WE DON'T WANT TO SEE THESE FIRST SEVERAL WEEKLIES COME OUT SKIMPY. PLEASE, YOU OF THE SILENT MAJORITY, TAKE THIS OPPORTUNITY TO STEP OUT OF YOUR CLOSET AND MUSH! WE URGE ALL WRC MEMBERS TO TELL THE REST OF U! WHAT YOU ARE HEARING, DASH MY DAY, IN A MUSING. PLEASE DOUBLE SPACE, USE UPPER AND LOWER CASE IF YOU TYPE, AND STICK TO 30 LINES OF DX NEWS TYPE. USE A.M. & P.M., ELT. WE NEED YOUR MUSINGS SUPPORT!

FROM LAKE TAHOE TO HEARST CASTLE

ALBERT S. LOBEL - Box 26762 - San Diego, CA - 92126 714-404-0604, -366-0092, (picking up from last week). AM stations: -271-6557 were heard as far as San Francisco & Fresno during the day as after 10/25 well as the locals and nearby Reno, NV. It was strange to hear a strong signal on 780 during the day. FM was heard from as far as Sacramento during the day and San Francisco at night. SCA was heard on very few stations & only those listed as having SCA. (Figures! -ERC) No new SCA discoveries were made. KBBF could be heard on FM during the day w/83 programming. As in Bakerfield the hotel had cable TV so no TV DX could be done. The cable supplied channels from Reno, Sacramento and San Francisco. By the way, there was also a cable at the hotel in to suite and stations from San Francisco were supplied. A few notes on some stations in & around the Lake Tahoe area: KBLT at 100.1 IDs as "N. Lake Tahoe" - note the letters R-L-T, they stand for Radio Lake Tahoe. After Lake Tahoe it was off to Sacramento. Our plans were to take Highway 50; however, due to a propane truck turning over, it was closed from just W of South Lake Tahoe to just E of Sacramento. We had to take I-80. KCHL was heard from 760 to 800 at the junction of 89 & I-80, perhaps the DX was right near. No time for such DX in Sacramento as we were only there for a few hours. On the car RX most San Francisco area AM & FM stations were heard. As for SCA the car RX does not have SCA & the Superadio was behind a bunch of suitcases in the trunk so no SCA DX was done here. Our next stop was Fremont CA on the West Bay of San Francisco & about 22 miles N of San Jose. Helene has a cousin who lives there & we stayed with her. Daytime DX was possible from as much as 250 miles with good quality. I got a brief reception of one of my own locals, KPMB around 5:15pm on 9/24. FM could be heard from Sacramento as well as of course San Francisco & San Jose areas. From San Francisco it was on to Monterey. Only a few hours was spent here & it was on to Hearst Castle. In Monterey, DX was possible during the day from San Francisco & the Monterey area. I saw the lone tower of KKBV at Cannery Row; it may have wound up in one of the slides I took although I wasn't trying to get it in. I'll see when I get the roll of film back. Along Highway 1 to Hearst Castle no reception was possible from about 25 miles S of Carmel to just before Hearst Castle on either AM or FM, our only entertainment was the cassette player in the car. (We'll wind this up next week -ERC)

DALLAS IN THE EVENING - PART II

CHARLES GEORGE - 6407 Howard - Dallas, TX - 75227
I will try to complete the evening bandscan in my last issue. 1090, when KRLD permits, KAAV, 1100-WVWE/R. Reloj, Colombia; 1110-KPAB; 1120-KNOX; 1130-KVXK/KEXL; 1140-XEMN; 1150-WJBO/KSAL/KXLR; 1160-KSL; 1170-KVVO/KZES; 1180-VOA/R. Reloj; Waba; 1190-KLIP; 1200-WOAI; 1210-KOYN; 1220-KEB; 1250-KPAC; 1260-KGBX; 1270-KFVZ; 1280-WGSO; 1290-KTRN; 1300-KVET; 1310-KAAM; 1320-KRZT; 1330-KYR/KVOL; 1340-KOLB; 1350-WMBB/KOON; 1360-KXOL/KRYS; 1370-KPBO/KGNO/WSPD; 1390-XEOR; 1400-KOVL; 1410-KQAM; 1420-KLUF; 1430-KELI; 1440-KDNT/KEYS; 1460-KBO/WACO; 1470-KRBC; 1480-KBOB; 1500-KERB/KSFL; 1510-WLAC; 1520-KOMA/KRVUC; 1530-WCKY; 1540-KXEL; 1550-KOKA/WOKJ; 1560-KWCO/KVIF/KKAA; 1570-XERP; 1580-KLOU/KEDM; 1590-KVGB/KYOK/Unid Mexican; 1600-KXVI/KATZ/KOOL. I have not had very much luck at logging stations on the GY frequencies so I am wondering what are the best methods of logging GY stations? I am happy to see that the CBC strikes are over & that DX Digest is back on RCI. (??-ERC), 73's.

RAY'S HAPPY WITH HIS NEW RADIO WEST LOOP

RAY ARRUDA - 47 Surf Street - Acushnet, MA - 02743
The HQ-180A & Radio West Loop are working very well with an abundance of SSS DX noted as we break into October. I would highly recommend the Radio West Loop, especially if you have space limitations. I can complete nulls on 34 four locals with this antenna, something I couldn't achieve with other antenna systems of this size. That 1450 OC that ERC mentioned in a recent Musing has been noted here also. KRNIX, CHRIS HANSEN, CRAIG HEALY & RON MUSCO have all indicated they'll be at The LowerDeck on Saturday 11/28 at noon for our Thanksgiving OTG, will you? Several reports are just out with three w/1's back from WHOT-1330 (Thanks, JERRY STARR), WUTQ-1550 & WLIM-1580. DX: 9/23 - WPHO-630 noted leaving the air @ 12:07 leaving OPCI-PRI hopping the channel most of the AM. KM 9/28 was a blowout. SSS on 9/29; WKND-1400 noted behind WBAH at 4:30 w/ID & soul ex. WIDE-1400 was atop Jubilee in WALE null 4:56-5:15 w/ID, ABC WX, local MX. WDEV-550 noted in WORG null 6-6:31pm w/GPI WC, WX, IDs end ex. An unusually good weekday Wednesday AM started w/a call from ERC on our NE Network at 1pm advising me to check for WAJL-1440 FL. WFTQ was off, WAJL was not heard, but a report was taken on WRRO-OS, w/Larry King. IDs, local spots, which was never varied as WHDR. Reports were also taken on WARM-590 2:39-2:40 & WNYM-1330, then back to the peak @ J. Many stations were noted for the first time behind locals on SSS sessions from 10/1 to 10/5 with most of the details in DDMD... New ones noted were WCOJ-1070, WKRN-1440, WBS-1840, WNYG-1440, WKPV-1440, WHAS-1450 & WOPH-1480. KM 10/5 was good with reports taken on WACC-620, WNYR-790 & OJCL-1430. Has anyone heard from GEORGE WALTON or JOHN BUBBLER lately? Support DX NEWS and the all-important varie signers column - thumbs down on PP's! 73. (Ray is coming along nicely from his leg injury -ERC)

KENNY'S LOOKING DOWN THE LONG LONG ROAD

KENNY GEARY - R.D. 4 - Box 321 - Walnutport, PA - 18088 October 6, 1981
Not much DX to report as yet as we enter the new season. There does not appear to be a noticeable improvement over last year's conditions, so we'll probably have to wait a few more years to reap the results of decreased activity in the current solar cycle. Optimum CX should be experienced in 1987. CFBR-630 was relogged on 9/23, 8:17-9:12pm and a report sent to BILL DULMAGE per the note in DX NEWS of 9/28. On 9/26, WTRC-1110 was logged from 6:00am s/on until the s/on of nearby WMAE at 6:45am, an another report was sent to this notorious non-verifier. A surprise logging was made on 10/4 when WJHO-1590 overrode WETT/WQOM/WAER from 7:30 to 8:40pm. TA's have been noted several times between 1500 & 1600 kHz, but nothing new was logged. Local WSAN-1470 held an open house on the weekend of 9/26, handing out bumper stickers, station histories, iron-on patches and other goodies, including free lunch. (Send us a copy of their history, Kenalt, please? -ERC) While touring the station it was noted that the modulation was set for 100% on negative peaks and 125% on positive peaks, with limiters set at 95% and 120% respectively. WSAN's signal is the cleanest of the Allentown Big-3, causing less splash on adjacent channels as compared to WKAP & WAER. A note on their bulletin board carried the story that the Enterprise Radio Network has folded, while another letter invited participation in the 50th anniversary of WTRC-1340 in November. The only recent varie is a letter w/CM and business card from WYHD-1540. Good DX to all!

STEVE HAD A "VENIE GOOD" SUMMER

STEVE PONDER - Box 1712 - Matthews, NC - 28105
Greetings again from sunny North Carolina! There has really been a flu bug going 'round here - I've just recently recovered from a small bout with it myself. I didn't get a chance to twiddle the dials, though, 'cause I didn't feel much like even getting out of bed! Anyway, I'm much better now & really itching for some good DX! Latest varie includes: WAPE-690, WERA-1090, WWSA-1290, WBDY-1190, WKAZ-950, WYFA-1580, WPUB-1130, WJBO-1590, WKSH-1470, WPHX-1460, WTON-1240, ERHP-950, WGLS-1580, WETS-740, WBOU-1460, WUVV-1580, WJHV-1520, WAKY-790 & WTOP-900. All of these arrived over the Summer months when I was doing other stuff besides DXing. A note of interest for the Club--the latest RRC Log (Fifth Edition) does not have the correct address for WRBX-1530 in Chapel Hill, NC, nor does it have the Postal Code for CPOR-1570 in Orillia, ON! Here they are, in the same order: WRBX, Barry Hayes, CE, 5529 Chapel Hill Blvd., Durham, NC 27707; and CPOR, 241 West Street N., Orillia, ON L3V 3C9. Adjust your logs accordingly. This info came from a personal phone call to said stations, hi. Another note of interest is of a personal nature--I have resigned my present church position as of Oct. 31st to seek a position in another church (still yet unknown, hi) in Education or Music and Education, so my mailing address just might be changing. Needless to say, I am patiently waiting for the Lord to open such a position. It looks like my DXing might be put on hold until all this blows over. Anyway, everything will work out - it always does, hi. Good DX and enjoy the Fall!

CHARLES NOW HAS A GOOD CARIBBEAN LOCATION

CHARLES HAYFO - Box 636 - Surf City, NC - 28445 919-328-0812
I should probably start with a re-introduction since the last time I fused (two years ago) I was living in France. I am 31, married, & have recently moved to Surf City where I am the Town Manager. Our house is right on the coast and is an excellent location for DX - particularly the Caribbean variety. Almost all the regulars - R. Belize, Cayman Islands, Cubans, St. Kitts - come in at armchair level and even the harder stations are often in. My best catches so far are St. Lucia-1565 250w (according to the WHTH), Jamaica on both 580 & 770 and numerous low-power Cubans which can be IDed thanks to RON SCHATZ's work. I enjoy listening to the local reggae music on ZDR-1100 which is heard easily in the WVWE null. It was also interesting to listen to Belize's Independence celebrations on 9/21, although the Mexico-Belize women's volleyball match was a little much! So far I haven't heard any TA's with my Hammarlund HQ-160 & SN-2, but CX are really dead on those routes anyway. This new location has renewed my DX interest and I'm looking forward to Winter. Living on the water produces weird effects - WJOD Miami is in all day at a distance of over 1,000 miles! That's all. I hope to MUSE before another two years pass. (Welcome to the U.S.A., Charles, and - please double space?? -ERW)

THE FARMER IN THE DIRT WORKS LIKE HUCK!

STEVE MORSE - Route 3 - Bradford, MA - 01830
Varie from WNER-1440 says AN about 1/1 - good news - still only a daytime. WXIV-1450 is now WOXO - fourth call there! I hope I get 'em before they change again. Broadacasting says WPAI is granted 1200, 5,000/500, & WXIV West Hagleton, PA granted 1300 kHz, 5,000D. I'm digging plants 12 hours a day so no DX, sunset or otherwise.

EVERY MONDAY IS DEADLINE DAY FOR MUSINGS IN PROVINCETOWN! ARE WE GOING TO HAVE A MUSING FROM YOU IN THE NEXT ISSUE? WHY NOT? FIND OUT HOW MUCH MORE FUN IT IS WHEN YOU ARE A PART OF DX NEWS! PLEASE BE KIND ENOUGH TO DOUBLE SPACE!

A 'CONVENTIONAL' MUSING

PAUL MOUNT - 471 Emerson Avenue - Teaneck, NJ - 07666 201-836-1137 0110.06
 It's a good thing I brought the latest DX NEWS (and an old unread DX Monitor) to the Grass Roots concert, there was a lot of waiting through Pin and the Sharks, and travel time. Bulletin reading comes at odd times, like waiting on line, for concerts to start, maybe in the sauna again, plus during meals. I haven't really been DXing: me, just a young old-time NRCer who likes to sit around drinking and playing Hearts. I have had the phone ready for AM calls per my own list. MM 10/5 I had WLMs-1420, the mysterious TTR @ 1440-2:15 ID on ET. I think off after that, per ERC 77-ing. They were u/WXK & VBM second, tone loud at times. I've always been one to write things down and take notes - it's a good thing, else the pre-teen DX would be unrecorded. So I took notes at the NRC Business Meeting; here are some. CPCer of the year was MIKE KNITZER. Other awards kind of forgotten in recent years. JOHN BOWMAN & DAVE WHATNOUGE mentioned for some kind of Canadian info list. Geographic center of active membership is said to be near PA/OH border (JERRY STARR's house hit). JOHN CLENNER's Quad Cities bid mentioned \$34/40+4 guaranteed rates, w/banquet/guest speaker/auktion/meeting/VOC & WHPF tours, DX Quiz and DXpedition planned. RON MUSCO asked for support for a 1983 CT Convention featuring a 50th anniversary souvenir program. Fifteen to 20 NRC inquiries were received via Ham Trader. Box 127 Boonton, and NRC Membership Center have received reception reports of our station! About future Domestic Log work: CHRIS HANSEN spoke of the possibilities of using the Wang Word Processor, putting the information on diskettes. JERRY STARR mentioned Data World's continually updated AM info list; someone said TOM WHITE, VA, works there. About the high cost of sending out bulletins as samples, CHRIS HANSEN mentioned that in SW clubs the inquirer is asked to send \$1 or so for costs, to get that sample; I think we should ask for that also, at least in some publications where NRC is mentioned, such as Ham Trader where one would like to assume that a dollar won't financially hurt the interested person who is looking at expensive DX ads in the MT. Send info on your MX/AM/SSS availability for phone calls now. I should also mention I had a nice call from ex-member Shel Swartz, now running an audio store in West Palm Beach FL. More on the Convention next time.

ALL DUSTED OFF AND READY TO GO

10/5

MIKE KNITZER - 2159 Circle Drive - Cambridge, WI - 53523 608-423-4159 anytime
 Well, gang, I'm all caught up on everything, now it's time to settle down to DX! But first, I need some help in locating a manual for a Scott Marine Radio. Model SLMM, not sure of the year, 1945-50, looks like it came out of a Navy ship. The faceplate says it was manufactured by Scott Radio Laboratories of Chicago. Anyone know if the company is still around? Any help would be appreciated! (E.H.Scott died some years ago, Mike, & he took it with him -ERC) Also looking through the 1982 Radio Shack catalog. I noticed on Page 140 a radio that looks like the GE Superadio! I wonder if it performs like the GE model? Anyone out there tested one yet? What's been going on around here? Well, we are having sewers put in. Boy, talk about a mess! Looks like a battlefield! Aside from getting ulcers over the sewers I've strung up a couple new longwires, but haven't had much chance on testing them out yet, but I suppose I will this winter. Also I took on the attic & garage, cleaning them up that is, also my filing cabinet. I've got this feeling I owe someone a letter or two, if I do, let me know again! I've also been busy writing CPC letters, and now stamps will be 20%. I hope more stations test at that price! I've been putting some serious thinking into going to the 1982 Convention in LOUISVILLE. I'll have to see how the vacation scheduling goes at work before I plan too far ahead. I've been listening on 1610 lately but so far no ID heard out of that station yet, only a bunch of screaming preachers! I've got an idea the station is in Anguilla. (I've got an idea you're right! -ERC) For PAUL MOUNT's tele-list & for others my number above will be answered if I'm home any time of the night or day! That's about it. The dust is off the radio and recorders so now it's time to hit the dials. For those who are tired of hitting the dials why not hit the typewriter and punch out a couple of CPC letters? I'm sure NEIL ZANK has plenty of stations for you to write to. CUL - support CPC!

MIEL'S SEPTEMBER SONG

10/2/81

MIEL WOLFISH - 15 Donwoods Grove - Toronto, ON - M4N 2X4
 Running down the dial for the last 24 weeks: 9/15 853- WIOU. 1330 @ 7:58pm u/CEAR, & WKN1-1360 @ 8:10 w/MIIX. 9/21- VOA-Antigua finally heard. 9/23- Anguilla-1610 heard @ 1am w/off. (I think I heard them a few days earlier signing off at midnight on the oar radio in Ottawa. It was a Saturday night). 9/24- WAMJ-1580 @ 7:57pm w/off w/real noises; this one is new calls for WJVA. 10/1- WAKW-1510 @ 6:48pm w/pop mx, K-15 IDs, UPI NX and local MX. Not a bad month after a four month dry period. In answer to EMO, CJCL told me that w/a's will be printed up by mid-October, and reports go to "Reception". (I received a w/1 from Connie Sinclair, KxD, Miel! -ERC) That's all for now. 73's.

REMEMBER TO SEND 20¢ FOB RETURN POSTAGE IF THE REPLY WILL BE MAILED BY THE STATION AFTER OCTOBER 31st! WE DON'T LIKE IT, BUT THAT'S THE WAY THE PICKLE SQUIRTS!

STEVE KNOCKS OUT NOX AND REAPS REWARDS

STEVE FRANCIS - 1620 Lodge Street - Alcoa, TN - 37701

I had a fine time at the Jersey Convention - thanks to all involved, and especially to ERNIE WRSOLOWSKI for driving me into NYC. Night-time Hackaway DX observations: The GY channels were remarkably uncluttered compared to down here; there seemed to be readable audio on them whenever I tuned by. WRAN-1510's towers are nearly within sight of the hotel, but I had to pull WITS to hear 'em! CBC Maritimes like CBH-860, CBI-1140 & CBA-1070 could be picked up easily on their AM show. NYC stations weren't all that bad, except for WABC. A good, quiet location - thanks again, guys. The big news here in August was the discovery of a hairline partial null on local WNOX, greatly increasing the DX potential of 980, 990, & 1000. I have to live with my head at the foot of the bed and the TRP balanced on my chest to find it, but it's well worth it. The slopover onto 980 @ 1000 is eliminated, resulting so far in a pile of long-taps-no-hears (WKLY/MPGA/WAKS-980, CW/WHRV/KVAM-990, WSFF/WOOG/WKYS-1000), & three newies. MM 8/24- Long-sought WHIP-980 CA fair o/u WFMG/WOIX @ 6:01 a/on for AM/PH, letter's call sounded like WOVE. MM 8/31- In moderate AU, HIFA-980 mixing w/Blue Guede Radio! WPIP w/SS mx & leadback "La Voz de las Fuerzas Armadas" IDs, 1:10-2am. They w/off @ 2 w/m couple bars of "Taps" folo by NA, D.R. #20 here. MM 9/28- The new WKLB-1290 NY strong @ 6am a/on, o/w format and lotsa "Superstation" hype. This'n has also been heard setting up semi WATO around 355. That same AM, I was tuned to WNOX's "week spot" @ 6:45, and was floored to hear the a/on of WBTE, nearly even with WNOX! It's #150 here from NC, and #20 on 990, never thought I'd see the day. No 33B on WKTE, by the way. CP corner: WCRL-1570 is 2,500w per s/off. WAGI-1320 is fulltime now, HSP, w/o/w and taps the channel here. I sure wish the FCC would start issuing a few of those promised CPs for the 1A clear - it's been nearly three years (12/78) since they made their intentions known. A few more sleepers like KHGO-1350 back in '76 (500w, DXed coast-to-coast!) would suit me fine. I tried for the KNSE-1510 & EJNY-1170 TESTs and didn't hear them. B C N U.

MORE NEWS FROM THE KNOXVILLE AREA

10/7/81

THOMAS CONNATSER - Route 9 - Box 78 - Sevierville, TN - 37862
 Hi! Big news here is that WIVK has competition! On Monday 10/5 WJZZ-620 went c/w dropping T-40. They had been Knoxville's leading AM rocker since they went on the air 11/8/76. Net is 41. WKGN-1340 has also re-formatted. As I type this they too are playing c/w. They currently run KK/TLK during drive time, and are planning to expand the KK/TLK format to middays soon. They have also changed network affiliation from RKO to AP Audio. I have noticed WVNC-NC running G03 mx - have these guys re-formatted? If so, why? If I had a near 40 share of the audience like they did last time, the last thing I would do is change formats! A few new stations have been heard since last time. I'll give DAVE SCHMIDT some work to aid the DX cause. A Knoxville store has the Superadio on sale this month for only \$50. & I say buy one. Parts for my Sony seem to be coming from Japan via the Moon, hi! The set's been in the shop over a month now, with no sign of the needed parts. Hopefully my attempts to collect paper varies will be successful this year. I'm using the NRC report form and enclosing the Broadcaster's Guide to DX with my reports, so hopefully that will attract some attention. Only time will tell. Report #1 this season went to WSPA-50 heard 10/6 from 7:40-8pm w/pop mx, adv. A promo. Here's a suggestion for those arranging DX TESTs. A good thing to run on a TEST might be 23 by Jerry Smith who records as the Magic Organ. This is the same as all of the carnivals use on the merry-go-round and I can tell you from experience that it can really cut through the interference. Some stations actually play this stuff on RS, & on at least one occasion, I was able to pick a station out of the mess and log him because he was playing a Magic Organ album. Still no word from the FCC on W800's application for 3,000w. It seems hard to believe, but I've spent nearly four years at the station. One final word to the membership: another DX season is HERE. Get with it. Let's keep EMC, DAVE SCHMIDT, CHUCK H'TON, & the other column editors busy. Contribute to YOUR radio club! Until later, best DX and 73!

NOW, FROM THE OTHER END OF THE STATE

SIDNEY E. MARSHALL - 7224 Pax Drive - Millington, TN - 38053 Oct. 3, 1981

Beautiful cool weather and excellent DX have prevailed here for the past week. Only one complaint and that is, I've only had very limited time at the dials to take advantage of it. During the past week I've logged six new ones to bring my station total up to 972 heard. My "newies" are as follows: On the evening of 9/28 @ 7:14pm such wanted KXKW-1520, LA, was in w/a weak but clear signal w/ID & part of a spot with mention of Lafayette heard before being covered by KOMA. During a brief period of SHS DXing on 9/29 WYXI-1390, TN, surfaced over some local electrical interference w/a/on heard @ 6am. On 10/1 with better QX I caught the a/on of WISX-1390, GA at 6:02am folo by WX & reaperature for America. On 10/2 I returned to 1390 & WKGR, FL, (ex-WAKA) was in like a local from 6-6:06am w/a/on & MX heard. I called the station & the announcer I talked to was an ex-ERC member. He told me he was planning on getting back in the club & would be trying to set up a TEST later in

Midway Marshall, con'd.) the year. More SRS DXing on 10/7 reaped as WZZZ-1310 GA & WNUO-1310 GA, with their s/one heard between 6 & 6:01am before covered by WQOD. That's it for now and if my work shed permits any DXing time I'll see you next week.

NEAL SEEKS TO LOG MORE STATES THIS SEASON

WEAL A. PERDUE - Route 1 - Box 154 - Falkville, AL - 35622 10/4/81
It's been a while since I jacked my Jews in Musings, & I just thought I'd check in with a few run-dumb comments after my first six months or so in the BCB end of the radio hobby. I've been pretty active at the dial since coming over from the SW hobby. Stations in the logbook total 391, with 30 states heard. Most of the states heard have been at sunset or in the evening and are geographically located in the middle one-third of the U.S. I'm needing many of the NE U.S. states, & virtually everything in the Western third of the country. So, where the emphasis during the first few months was on logging new stations at random from any location, it will shift now to a more systematic hunt for new states. Hopefully, Winter CX & the SM-2 will aid in this quest. Weekend AM sessions should also help. One thing that is no different from the old SW hobby is that I'll still have to crawl out of a warm bed in the middle of the Winter at some atrocious hours to hear the good stuff. Does it get cold in Alabama in the Winter? You betcha, Red Ryder! Below-zero readings are not all that uncommon here when you guys in the Northern states fall to keep it where it belongs. I'd like to thank a few MRC members who offered help and guidance to me when I first got interested in BCB DXing - SIDNEY MARSHALL, JOHN CLEMMER, TOM CONNATSEN, DAVE SCHMIDT, CHUCK HUTTON have all been very helpful, and notes from BILL BERGADANO, ERNIE COOPER, RON MUSCO & KEN CHATTERTON were also appreciated. I've undoubtedly forgotten someone. As I approach 30, I'd like to make a few comments about loops vs. longwires. I've had a chance to experiment with both here and it is my conclusion that if you can get a loop away from influencing metal objects, it will generally outperform longwires of 600-800' or shorter. Full-sized Beverages, or phasing networks might yield better results, but I'd still want that loop in the shack. I'm 100% satisfied with the SM-2, considering its compact size.

WELB-1290 IS OFF & RUNNING - ON ON & RUNNING, RATHER!

WHEELER CONOVER - RR #8 - Box 344B - Manchester, NY - 40962 10/4/81
How is everybody today? This person seems to be doing all right, and since I see it is appropriate to Muse. Lot of things are going on here, DX, technical, & personal. The DX side of things has around ten new stations since Friday night, with stations coming from every other direction. From what I hear and see, we should have a banner year - seems like CX to the E & W are pretty good. Other DX-related items include the s/on of Manchester's WELB-1290 9/26 @ noon. Format is AdCon w/plenty of c/w, news, ABC coming soon & Kentucky net now. They need a lesson on how to ID, as they hardly ever ID on the top of the hour and have an illegal one at s/off. Address is 109 Richmond Road, zip 40962, & the owner is Larry Berker. Operation time is 6am-135, 7am-155 Sunday. Technical is figuring out why the SM-2 isn't working as well as pictured. Too much signal is being fed to the RF-2500, which is overload-prone, anyway, and trying to use it in a house with aluminum siding and a tin roof is causing the most of my problems. NEAL PERDUE gave me a good idea on how to cure it - now if I just can cure it, hi. (I had similar trouble when using a Duracell Alkaline 9-volt battery -ERC) Folks, this man used to have a column in WAZWA on antennas, so he should be an expert, or will give it a try. The personal side has no job at either radio station yet, but if I tried hard enough, I could get one, but I have begun as afternoon announcer at Clay County High as a project for the Journalism Club, & it is very popular amongst the students, especially the annual staff, which is within earshot of me and applauds every time. We're supposed to have a morning person too, but she rarely has announcements to make. I guess I need to go now and get a head start on the next chapter in chemistry - I took one to pass, & I'm passing so far. Gone for now. CUL later. 73, de EVO. (Does WELB have a r/o??-ERC)

ELECTRONICS, ANYONE?

RAY T. DAVIDSON - Box 255 - Cayuga Falls, NY - 44222 10/7/81
Hello. No activity to speak of since early Summer. A busy time of the year at my job with Fall classes and scheduling to do. I know some DXers have an interest in electronics as a career. My employer is United Electronics Institute. UEI is a very good technical school with excellent job placement for our grads. If anyone would like more information, just drop me a line. It's a pretty good alternative to the traditional liberal arts college. More thoughts on why stations don't seem to verify as much now as in the past: it seems to me that the chief engineers who were working in the 1950's & 60's were of a different breed: in their 40's, 50's & 60's. They grew up in the 30's & 40's & 50's and were more INTO radio and listening to longdistance stations (like KDKA, HI) and thus had more interest and knowledge of distant reports, DXers, DXing. Any comments? Here's a good season. DXers!

W5CH-1220 IS SATELLITE PROGRAMMED

MICHAEL COLLINS - 178 Sylvan Knoll Road - Stamford, CT - 06902
(con'd from last week) While it's a lot simpler to go by city of license, it is true that the listener tuned to WADC is hearing a transmitter in Lodi, NJ and this is something to be considered. Have any other MRCers thought about this? A few other quick notes. WITS-1510 is quite strong but a little unstable here in Fairfield County at night with its 50kw. Since I'm in the same direction as Nashville it makes me wonder if WLCG is suffering any interference. And what about WMLC in greater New London? W5CH-1220 Hadden (ex-WOMN) is back on here in CT & is carrying country-coast-to-coast via satellite, a format with live DJs and even its own newscast at the top of the hour. All the station has to do is plug in and add local ads and top-of-the-hour IDs. With W5CH now country, WJF-1500 Wilford CT has dropped CW & is now contemporary, though not hard rock. I hear Art Fleming of NBC-TV's "Jeopardy" is now doing a nighttime talk show on KNOX though I haven't heard him. I have learned that the AP Radio Network, APR, is starting an AM country show in January, originating as WSN, I'm told. WNLX, Rochester moved from 680 to 990 last year. And at first I wondered how a fulltime station could operate on a Canadian clear, 990, when NARBA says any fulltime station must be at least 650 miles from the border. Now I've gotten the answer. The Canadians approached the U.S. and asked the U.S. to have WNLX moved off of 680 so CFTM-680 Toronto could improve its signal, and in return WNLX, which had been a daytime, would be allowed to move to 990 and go fulltime, even though 990 is a Class I-2 clear (CW). WLNA Peekskill (Westchester County) NY says it will go fulltime 5kw D, 1kw N, in November. As I'm sure everyone knows, the Enterprise Sports radio net went out of business and off the air last Thursday, 9/24/81, at 5pm. (Just in time to miss the World Series! -ERC)

BRIAN HANDS & HALF-SCAM

BRIAN BURSACK - 2704 Hibbert Avenue - Columbus, OH - 43202
First, as promised some time ago, here are the results of a daytime bandscan I did on 9/19 from 1:49 to 2:25pm. The RX used was your basic DX-160, the antenna a 30' LM (inside an attic, though). The WX was excellent, and it had been raining the last few days. Stations underlined are locals. 550-WKRC, 580-WCHS, 610-WTVN, 640-WHLO, 680-WCAM, 700-WLM, 730-WJYN, 760-WJR, 790-WHTN, 800-OKLM, 820-WGBL, 840-WRAS, 880-WRPD, 910-WPFD, 920-WVNI, 940-WCPT, 980-WONE, 1020-KDKA, 1030-WADC, 1060-WQIO, 1070-WIBC, 1080-WWVR, 1090-WKPI. Like I said, it was only half a bandscan. I hope to do a full one as soon as I find the time. This still should give you an idea of what is heard here in the central Ohio area during an average day. There was some good new DX activity for me on the evening of 9/28 just after sunset (I usually work until 9pm, so I don't get to DX sunset very often). Around 7:45pm (I see yet don't have a clock up in the attic) I caught WHVL-1600 s/off; they mentioned returning to the air at 6am the next morning. There were a lot of strong, erratic signals also on the frequency. Around 8pm I heard WELP-1570 s/off; they mentioned the XR location and WHLP-FM in Centerville, TN. There was also another s/off just before theirs, but I couldn't catch the ID. Between 8 & 8:15 pm, I got an ID on WSAO-1550 in very buddy CX, & @ 8:15 they signed off. These were all new stations for me (some day I'll have to again add up my totals); they were also all from the South; MO, TN, & MS. So I only regret that I don't have more evenings off to DX Southern 553! Right now that is going to be the main way I will be able to add new stations to my log. Brian said. 73's.

BOB NEEDS TWO STATES EAST OF THE ROCKIES

BOB MIELCAREK - 2317 East Ohio - Milwaukee, WI - 53207 414-481-6755
The new season has gotten off to a flying start. I caught WDEL, Wilmington, DE signing off on 10/5 for state #42. I only need Maine & New Jersey to have everything East of the Rockies, having covered Florida, Wyoming, Montana, New Hampshire & Washington D.C. last season. If anyone in my area has any hot tips on either of these last two states, please give me a call. My other recent catches include: CJOY, GPCN, CKNA, CHEA, WCIN, WRFD, WCLS, and the Caribbean Beacon on 1610. The total now stands at 590. The only recent one is from KWIO; it only took nine months. (It took me that long to get born! -ERC)

THREE MORE NEWSIES

TIM KERFOOT - 189 Cedarvale Avenue - Apt. 505 - Toronto, ON - M4C 4K1 9/30/81
It was an uneventful Summer here. I took my full three weeks vacation in July, but did not get farther than Montreal. DX has been good so far this season, & I logged three new ones in September. 7/8: WATN-1240 @ 9:18pm, heard again for a report 9/17 from 9:30 to 9:37pm. 9/13: WENZ-1290, 7:29-7:51pm, only competition was WBNF. Prompt varie received, 9/25: WDLG-1493, mention of call letters and local ad 7:37pm, then gone. That's all. 73.

IT IS MOST IMPORTANT THAT WE DXERS LET THE TESTING STATIONS KNOW WE APPRECIATED THEIR EFFORTS ON OUR BEHALF! WHETHER OR NOT YOU COLLECT VERIFICATIONS, PLEASE UNDERSTAND THE CLUB'S AND STATIONS' POINTS OF VIEW. IF STATIONS GET ONLY A SCATTERING OF REPORTS AND/OR THANK-YOUs, THEY ARE NOT ANFULLY LIKELY TO AGAIN TEST FOR DXERS! AND CHIEF ENGINEERS MOVE ABOUT QUITE RAPIDLY IN THE MARKET!

HOW LET'S WELCOME A NEW MEMBER FROM THE CITY OF CHAMPIONS

JOHN R. MALICKY - 995 Shaircrest Road - Pittsburgh, PA - 15216 10/8/81

Hello! I am a new member and have been DXing over 11 years with 726 total BCN stations logged. I am 24 years old and have lived in Pittsburgh most of my life. I believe in logging stations, but to receive any type of QSL is the most exciting and important concept in DXing. (You ring my chimes, John!! -ERC) My first ever QSL was from WWL in 1969. My greatest catches w/QSL were KNBR in 1971 and KNIX this past June. I've logged 29 stations on 1550 & 138 on the last six kHz. My RX is a 1968 AWA AR-158, as I do not have any technical background, but much patience, some DX knowledge, and luck! By the way, if there are any members in Pittsburgh or nearby, I would like very much like to make "contacts" and talk DX, etc. Many thanks to EEN CHAT-TERTON for his valuable assistance in giving me station addresses and his time. Also to DAVE SCHMIDT for his correspondence from his ET in Feb. '81, & info about the NRC. This all started when I accidentally stumbled onto the ERC while randomly tuning the dial on a AM when Dave was doing the ET. I was able to make a phone call to him, send a letter off, & receive Ken's and RON MUSCO's addresses. I decided to join (and I'm glad I did), because I'm convinced this is a fascinating hobby & with the help of the NRC family, will make my listening better & upgrade it. However, I do have problems of which all of us experience. Up until August, I never sent RP (which I guess is a DX sin) & received about 60% return. It was clear that I should start sending it, so I did & have had some returns, but from 8/4 to 8/25/81, these stations w/RP haven't answered - WZAN, WLAK, WLRO, WPMO, WYAG, WHRD, WONT, WRSC, & WKPO, although three veries came since 9/30: WOLF, WTCL & WMAJ. I'm confused and slightly frustrated, as also the post office has again increased postage to 20%. I was disappointed too, in hearing the NRC Domestic Log won't be ready until Jan. '82. Adding some Pittsburgh-area changes - yes, KDKA has NBC KK on the hour, KQV picks up Penguin Hoopsy (from WWSW) & Spirit Indoor Soccer, and WTAE which broadcasts Steeler games is the flagship station for the Steeler Mutual Network with over 120 affiliates. I enjoyed GENE MARTIN's Chicago radio history & TONY FITZGERBERT's call meanings also in Vol. 48 #30, & would like to see more of this written. I have a few (of which most of these you know): WGN - World's Greatest Newspaper; WCPL - Chicago Federation of Labor; WIOD - Wonderful Isle Of Dreams; WGWY - Where God Wants You, (KGAN)-KNOX, Kansas, Oklahoma, Arkansas, Missouri; WMSI - Moody Bible Institute; WNRG - Ring Radio; WOSC - Charleston, SC; WOSU - Ohio State University, (WYPA)WLIN: Where Your Friends Are, and from an ET on Feb. '81, WHPB: Milehey Hotel Frank Bravo. Thank you very much and 73's to all! I look forward to corresponding with any of the NRC members. (We hope you'll Muse frequently, John! -ERC)

SOME NOTHBALL MEMORIES

BEN DANGERFIELD - 202 Governor's Drive - Wallingford, PA - 19086

Listening to the radio, and DXing, is a form of recreation that does not appeal to all of us. For some reason, these things have been turning me on for parts of six decades. Yes, I have been a DXer of some degree during the 30's, 40's, 50's, 60's, 70's, & 80's. Now! (Is he really THAT old? No, of course I am not!) Take the Thirties. What could I tell you about them? What was DXing like then? Well, to begin with, there were less than 1,000 AM stations in the U.S. and Canada, plus a few hundred in the rest of the Western Hemisphere. (And NO FM stations! -ERC) And many of these were daytime & time sharing stations. And there were only a dozen or so all-nighters. The regular fulltimers usually operated from 7am to 12 or less. Imagine the possibilities! And as far as I can recall, there weren't any directional antennas, so the signals went out in all directions. There was only a handful of graveyards (less than 50 on 1310, now 1340, and less than 30 on 1500, now 1490) so you could actually get order out of chaos. I remember how WB04-1310 Terre Haute dominated every night - at 100 watts! (In the East). The regionals had two or three on each frequency, and the clears - well they were clear. One dominant on each frequency. I did my DXing in Pittsburgh. At night, under WJAS-1290 (now 1320) you could get a beautiful signal from WEBC, Duluth, and U/QV-1380 (now 1410) WALA Mobile was unbelievably clear. After 10 at night you began to hear stations from the West, and after midnight, you could get quite a few Californians. If you stayed up to wait for the repeat broadcasts of big network programs you could hear them LIVE after 11pm. And (I am told) if you hit the dials around 9am, you would hear Aussies and Zedders many times during the year. I wasn't that skilled. I didn't get any from Down Under until the mid 1960's. But bear in mind that in the Thirties, I was just a novice DXer. I was using, first, a five tube Detroit, and later a five tube, and a six tube Philco, with about a 50' longwire. I recall that the receivers of the 30's were not nearly as selective as those of today. They were good for distance, but the local stations spread all over the place. You couldn't get the splits. I was so happy during the 1936 Flood in Pittsburgh because most of the locals shut down (no power), and I was able to pick up such as WHX-1390 (next to KQV-1380) and WJAC-1310 (next to WJAS-1320). (More coming -ERC)

CONFUSIOUS SAY, HE WHO DETESTS BEING ALONE WITH HIMSELF UNDOUBTERLY SHOW GOOD TASTE!(

ANTHONY GETS AROUND ISLAND IN THE DAYTIME

ANTHONY LAGATTUTA - Box 8291 - Portsmouth, VA - 23703-0291

Greetings. 9/16- VMOX-1380 @ 5105am. 9/17- WFOR-1370 mentioned a sign of 15, or could I have mistaken them? (That's 15 Celsius. Anthony! It's used as "paise" in Canada -ERC) Anyway, Winter is on its way and you can smell the DX in the air. nil (You logged WIP777 -ERC)9/17- WOL3-1380 ID only @ 512am. This one was heard later on and format is REL programs and GOD music. I enjoy hearing WADK-1540 when possible in the sunny daytime as I feel closer to Provincetown. Many small transistor receivers are sensitive but the small ferrite rod which they have leaves much to be desired, especially for one interested in daytime reception of any distance. WPRO-630 can be heard fairly well in daytime here on the small Pennacook HP-1090 using the Worcester 9" ferrite rod wound with wire so it will tune to 630 kHz (number of turns depending on value of capacitor) without any added amplifiers. About three turns of about 24 gauge wire are wound on the nine-inch ferrite rod and three turns on one end of the small "loopstick" antenna inside the HP-1090. The two three-turn windings can be connected with about six to 12 inches of twisted wire. 9/18- WIVE-1430 at 5:40pm with Mutual RX, should be daytime here with WNAV-1430 nulled. 9/19- WCKY-1530 in as late as 8:11am with WBRX, a favorite CAW. WTRQ-1360 very strong at 9:30am, sort of unusual. 9/20- WYBC-1330 at 9:53pm. During daytime, WTVR-1380, WRAK-1390 and WEND-1460 tend to often play the music of yesterday, Tommy Dorsey, etc. But not announce the "Muscle of Your Life" format. WEND-1460 carries talks sometimes about the area around Easton which can be educational and interesting, often saying a station not just "another one logged" but a welcomed voice on the dial. Formats seem to change often. This seems true of WEXN-1520, mentioning "something for everyone" or thereabouts. I have both the nine-inch and 12-inch ferrite rods & have wound them with different numbers of turns for the BCN and have found no real difference in performance between the two sizes. These are the finest in quality I have ever worked with and they were purchased from J. A. Worcester. Locally purchased ones about seven, eight or possibly nine inches long (but less than 5/8 inch in diameter) simply do not compare in performance. Does anyone have any info to share on the subject of DXing with phased wires?

WHAT'S NEW? NOTHING!

ERNEST H. COOPER - 5 Anthony Street - Provincetown, MA - 02657 617-487-9337

Veries are at 4,205 AM and 192 PM. Nothing added this week. This is to acknowledge phone calls this week from RAY ARRUDA, PAUL MOUNT, and GEORGE GREENK, and I await the visit of the latter "someday"! 10/3- Talk about splatter - almost 1,000 miles away, WLS nevertheless splashes over onto WCB5-860 and the 900 group. Another WYTH! Unn CNOX-1070 riding atop @ 1:23. At 1:27, an ID from WVIP-1310 on test, also unn. A Tfer was haunting WBBM-1420 1:21-1:24, likely unn WLMs, per PAUL MOUNT's Musings. Unn "Lucky 13" - WLQY-1320 atop @ 2:23. An unID Tfer on 1290 2:30 on, and unn WRIB-990 doing well @ 2:36. Oops, these last two were AM 10/5. 10/6- Unn W85J-1710 atop at 1:25. Regular ANK WOME-1290 & WPTG-1440 seemed off today. 10/7- Rainy and noisy this morning. CIGO-1410 ANing w/ WPOD, 1:11. Unn CGKM-980 noted @ 1:20. TT on 1420 again, 1:28-1:45, and sweep Tts on 1400 1:47-2:37, no announcements noted. 10/8- WTOP-1500 off again, WTT on the frequency @ 1:09. WLQY-1320 was in again w/AYL @ 1:39. A unn WGLS-1500 with papers @ 2:09. Then unn but interesting nice catch of WROD-1360 with their new MIL format @ 2:22, & several AMs since! Now I think the off-frequency 1220-am is the Cuban Minute Man. I noted WQAL-1200 not carrying El Kingo today, seems they've bolted the net. Sat. 10/10- 1320 today was dominated by WVOJ-FM instead of WLQY-FL. XERP-1570 was tearing up OZLN & XERR doing likewise to WTOP-1500. On 1450, the usual combo of WCTC/WOL/WKRI blooming out all others. 2M 10/11- On 1600, TT 1:21-1:27 a/u WVRJ/WUSM, no IDs noted. WYVA-1170 was silent, and an unID SS was there with rather calm music for an LA - ID sounded like "Felites" or maybe "R. Fedad". 53as were in evidence on 1060-1070-1100-1110-1160-1170. And another long-time tenite-rocker has succumbed - WKID-1340 is now KILL. Apparently AM rockers aren't making money, in spite of the rebins. MM 10/12- No sign of KUAD; WQVO too strong. Unn WKAF was on top of 1320 today @ 12:55am. And WTH-1230, MYL, in @ 1. On 980, acting on a tip from WZVB FRANCIS, I looked for, & indeed, WIPA-980 to their sea w/off-NA, sung by male chorus, w/ WTR; WCap off. WVOJ-1320 solid @ 2:10. & Tfer on 1560 held my attention most of the time next 45 minutes or so - turned out to be WTHG who I'ded when they got finished @ 3:09. There was another Tfer on 760 @ 2:45 but I chose to stay with the 1560, a bad guess as I didn't need WNS. I was hoping for WVGW or the new WBDV. The FM's been dead for three weeks. C U N 7.

We are pleased to announce that Rich Levin has volunteered to take the Contest column recently vacated by John Kneaks. Rich will have introductory info next week, but any suggestions for future contests are welcomed by Rich at 731 Cross Creek Blvd., Louisville, KY 40228. Thanks also to the other two volunteers who stepped forward-we are certain there will be need for your services as the season progresses and new vacancies occur.

We still do NOT have a replacement editor for "AM Switch", and now that Dave Yocis is handling Sports Netwe-ke, we need a new -intent to serve as a backup editor for Ernie's column in the event Ernie needs a week off once in awhile. Write in HQ if interested.-JMI.