



DX NEWS

*the magazine of the
National Radio Club*

— SINCE 1933 —

Volume 48, Number 22 Monday, March 23, 1981

STATIC FROM HQ

This issue is the last of the weekly issues for this season- your next DX News will be dated April 6. So don't become alarmed when your bulletin fails to arrive on March 30th!! As everyone knows by now, First Class postage rates are increasing from 15¢ to 18¢ on March 23. So this bulletin will be the last issue mailed at the old rates. The good news is that we have determined that NO dues increase will be necessary as we had earlier feared. With the last overall increase in dues January 1980, we have hopefully covered increased printing costs as well as this postal increase for the time being. Any future postal rate hikes or printing cost increases will surely necessitate a dues increase. With the recent foreign postal rate hike and our raising foreign member rates, we at least have the foreign issues on a break-even basis and will strive to maintain current dues schedules for the foreseeable future.

Updating the current status of the LPD (Louisville Publishing Duo) as promised last Fall, effective April Dick has changed employers and will be based in Louisville permanently, eliminating a transient status which has existed for the past 9 years! However, Gary's status is still uncertain as a slow shut-down by his employer is still underway forcing Gary to eventually to transfer to Georgia or seek employment elsewhere locally. Further updates will be published as available--we thought it necessary to keep the membership informed of the changing scene here in Louisville against the time when a new publishing committee will have to step forward as they have so many times in the past as the need arose.

Although no advance publicity has arrived recently concerning the 1981 Convention in New Jersey, we expect plenty of details soon and wish just to remind all at this time to plan the Labor Day weekend NOW to attend this annual gathering of the DX clan.

A short note from a DXer in Japan advises of a planned visit to the USA from July 19 through August 30 of this year. Masaaki Arai is a 20 year old college student planning to visit San Francisco, Los Angeles and San Diego as well as traveling across the continent by bus to New York. He is interested in writing to any DXer who he might visit on his visit and exchange information on Japanese and Asian stations. Anyone who can help this young DXer feel at home while in our country should write: Masaaki Arai, 3-3-4. Minami-cho, Tanashi-city, Tokyo, 188, JAPAN.

CPC TESTS

See page 23 for More Static....

Two tests wind down this season- still a chance to log two new stations.

3/23 WJCM-960 Sebring, FL 0230-0330 ELT using voice ID's, tones and march Mon. music. Reports to: Jim Kowalski-Engineer, WJCM-AM 96, P.O. Box 1766, Sebring, FL 33870. Arranged by Paul Kowalski/NRC.

3/23 WJAM-1310 Marion, AL 0100-0130 ELT using station s/on and ID followed Mon. by music and 960 hz. tone and more music. Will be repeated throughout test. Reports to: Bill Williams, SM/GE WJAM, P.O. Drawer 930, Marion, AL 36756. Will use 5,000 watts. Arranged by Mike Knitter/NRC.

LOOK INSIDE

Domestic DX Digest.....	2
Concerning the Spanish Language.....	6
International DX Digest.....	7
Baja California Band Scan.....	11
Preparing for the Worst- a 9 khz. modification for TRF's.....	14
Two Speaker/Headphone Switching- Another Idea.....	15
Another S-Meter Circuit-TRF Modification.....	16
WSAN-Station History.....	17
The Sony ICFSSW- The First Hands-on Comparison.....	18
The Fisher-Price TRF, Another <u>First</u> Review.....	24
Musings of the Members.....	25

Next issue will include the annual April Fools segment-stand-by for a smile.

DOMESTIC DX DIGEST

DAVE SCHMIDT
42 CHELWYNNE RD.
CASTLE HILLS
NEW CASTLE, DE 19720

Heavy work load here at the house this past week really put the skids on our DX, those who I owe letters should have something by the end of the week. And to those who I don't owe letters.....write me next September! Remember, when sending your items in, type of neatly print, ELT, one side of the paper, skip a line or three between tips. And now on to our exciting show this week:

SPECIAL:

- 760 WJR MI DETROIT - Letter in reference to SP, reply states no off the air time, all ET's are done between 2 transmitters and Pop's are once a year, no date given. (IH-MI)
- 910 WSBA PA YORK - Joining Larry King net on 3/9. (DS-DE)
- 980 WPHG VA BRISTOL - 2/22 1748-1800 noted w/Country format, promo for Bristol Crisis Center. Format change! Formerly Top 40. (TF-PA)
- 1320 WKAP PA ALLENTOWN - 3/1 noted 0600 s/on w/mention of 24 hours except 0200-0600 every Sunday. (TF-PA) Many thought they were NSP, so they're AN-6, off SM! (DS)
- 1460 WCMB PA HARRISBURG - featuring "Greatest Country in the World." first noted 3/3 on AN show. (ERC-MA)
- 1500 WLQV MI DETROIT - Runs AN some MM's, noted 3/2 w/REL. (ERC-MA)
- 1540 WPTR NY ALBANY - Noted 3/9 on new Country format, modern type, still sounds just about like a rock station! (DS-DE)
- 1590 KDJS MN WILLMAR - 3/2 noted this new station on the air testing w/Bluegrass mx, CW mx, and 1 ID, 0130-0205. (NZ-NE)

DX TESTS:

- 1090 KNWS Heard: TB-DC. Not heard: DS-DE, RA-MA.
- 1230 WCWA Heard: TB-DC. Not heard: DS-DE, ERC-MA, EC-NJ, RA-MA, MK-WI
- 1440 WGIG Heard: JS-OH, TW-ON, GM-MD, EC-NJ.
- 1450 WFRM Heard: DS-DE, IH-MI, JS-OH, TB-DC, RA-MA.
Not heard: WPT-DC, EC-NJ, MK-WI.
- 1080 KPRX Heard: IH-MI, NZ-NE.

FREQ. CHECKS:

- 1st Wed. . . WMTL-1450 tentative. (IH-MI)
- 2nd Tue. . . KSIB-1520 generally done on this AM, time not given, per verie. (TB-DC)
- 2nd Wed. . . KDAP-1450 w/TT, ID's, per list. (NZ-NE)
- 4th Fri. . . KTLQ-1350 w/TT, 0108-0116. (JS-OH) (JS-OH)
- KSIV-1450 tentative w/TT, breaks every 2 min., 0145-0158.

MIDDAY-MIDNIGHT:

- 540 WGTO FL CYPRESS GARDENS - 2/18 1730-1805 good w/lots of ads, nx, phone # given 324-5400. (ER-NY)
- 570 KLUB UT SALT LAKE CITY - 2/21 fair w/EZL mx, local ads. (DM-AB)
- 590 UNID Someone here running college hockey, B.U. vs. Terriers, or something close to that, B.U. won 5-3, WEEI? (TB-DC) Dates & times help alot, Tom, your wristwatch battery due for a recharge? (DS)
- 600 KGEZ MT KALISPELL - 2/21 2042 local wx, ID, good signal. (DM-AB)
- 610 WIOD FL MIAMI - 2/24 2310 carrying Lakers-Bulls dribble ball, mention made of Major League Net. (TB-DC)
- 620 WJDX MS JACKSON - 3/3 1910 w/ID as "JDX News." (IH-MI)
- 730 WPKY VA ALEXANDRIA - 3/3 1816 noted doing their thing til s/off then OC til 1856! (TB-DC) Ahhh....forgot to turn the transmitter off.....dat's a NO-NO! (DS)
- 880 KRVN NE LEXINGTON - 3/1 1900 noted w/wx, temp check w/ID, then local nx, fair o/WCBS. (MK-WI)
- 900 WODY VA BASSETT - 3/3 1800 fair in WLM null w/Top 40 mx, ID. (WPT)
- 940 WMAZ GA MACON - 2/26 1815 good w/nx, ID, mixing w/more regular WGPC. (TW-ON)
- 990 WANT VA RICHMOND - 2/26 1800 fair w/wx, ID, no sign of WNOX. (TW)

WISE

A WORD FROM THE WISE
THE HOME OF SOUND IDEAS

RADIO

5KW
1310 KC

- 1000 WIOO PA CARLISLE - 2/24 1745 briefly in jumble w/s/off, mention of FM, no SSB. (TB-DC)
- WKYB SC HEMINGWAY - 2/24 1801 like a local at s/off, gave freq. as 1 MHz., no SSB. (TB-DC) AM being cool! (DS)
- 1050 WJSB FL CRESTVIEW - 3/3 1850-1855 fair w/AM/FM ID, nx, then faded to CHUMP! (IH-MI)
- 1090 WEHA TN ENGLEWOOD - 2/28 1814 noted w/s/off. (IH-MI)
- 1110 WKRA MS HOLLY SPRINGS - 2/28 1830+ w/local ad, ID's as "KRA". (IH)
- 1170 CPIX ON CORNWALL - 2/28 1731 into s/off w/Oh Canada, noted at same time on 12/7/80, don't Canadians change their s/off times? (TB-DC) 2/15 1620-1730 almost in the clear for another report, my 3rd. (ERC-MA) Tom, I don't know how they work their s/off's, CKOT-1510 and CHIN-1540 change on a monthly basis, but I don't know what/how they base their average monthly s/off times in regards to sundown times. (DM-AB)
- 1220 CJRB MB BOISSEVAIN - 2/21 1855 fair w/wx for Pembina Triangle, ID.
- 1230 KBMN MT BOZEMAN - 2/21 fair w/ID, Paul Harvey nx. (DM-AB)
- KORT ID GRANGEVILLE - 2/21 1903 tentative w/possible ID. (DM-AB)
- 1260 CIHI NB FREDERICTON - 2/22 2030-2035 Top 40 mx, delays at airport (sounds like Conrail report for West Chester county-hi!), from "Your friends at CIHI". (TF-PA) I got a nice v/l from them 2 years back, noting in my report that it was strange they had a local like signal here all week! Verie said "our pattern drifted just a bit." (DS)
- 1250 KSWU WA PULLMAN - 2/21 2230 fair w/Cougar's BkK. (DM-AB)
- 1290 WHIO OH DAYTON - 3/1 1724-1731 noted w/Leukemia Telethon. (TF-PA)
- CFRW MB WINNIPEG - 2/21 1924 poor w/ID noted. (DM-AB)
- KGVO MT MISSOULA - 2/21 1925 fair w/"13 Country" ID, CW mx. (DM-AB)
- 1340 CKDK ON WOODSTOCK - 2/25 1900 blanking channel w/ID, mx, very late for them, usually gone at this time. (TW-ON)
- 1350 WSLR OH AKRON - 2/22 2028 ID poor w/WHHW. (ER-NY)
- UNID 2/28 1830 s/off noted, mentioned to tune to WBBC-FM 100, call sounded like WBBY, can't find anything in my book, help? (MK-WI) Nothin' here, Mike. (DS)
- 1390 WFBL NY SYRACUSE - 2/22 1845 good o/u WEAM w/ad, "The All New WFBL." (ER-NY) I liked the "old" WFBL! (DS)
- WEAM VA ARLINGTON - 2/22 1845 good o/u WFBL w/BBD mx, ID. (ER-NY)
- WTJS TN JACKSON - 2/27 2200 w/ID then into ABC nx, good signal w/nobody else on freq. (MK-WI) Xmtr broke... (DS)
- WGSC SC CHARLESTON - 2/28 2119 PSA, temp. given for C'town Int'l Airport, CSC mention, then lost to WVON. (MK-WI)
- 1450 WIIN NJ ATLANTIC CITY - 3/1 1830-1920 poor w/gospel mx show, CBS nx on hour. (ER-NY)
- 1470 WINH SC GEORGETOWN - 2/23 1800 fair at s/off, no SSB. (TB-DC)
- 1480 WHBC OH CANTON - 2/22 1720-1735 Top 40 mx, ads, Ae nx. (TF-PA)
- WBEZ VA SALEM - 2/22 1738-1740 Salem wx, ID then mx. (TF-PA)
- 1500 WBRI IN INDIANAPOLIS - 2/2 1844 w/s/off, right after WGIC. (IH)
- 1520 WARR NC WARRENTON - 2/25 1705 nx and slow spoken ID, the kind that wud be good on a test-hi! (TB-DC) How about the WCHE ID's w/the laugh? They're good test ID's-hi! (DS)
- 1530 WCTR MD CHESTERTOWN - 2/28 1745 detailed s/off w/instr. SSB, o/WCKY. (TF-PA) Daytime reg. here, Tony. (DS)
- WBCW PA JEANETTE - 3/1 1823-1830 rock mx, ads, detailed s/off w/no SSB. (TF-PA)
- WVFC PA McCONNELLSBURG - 3/1 1801-1815 local ad, mx, detailed s/off. (TF-PA) Detail is on dedog, etc., etc. (DS)
- WRBX NC CHAPEL HILL - 3/1 1822-1830 mixing w/WBCW, CW mx, "Sound of Country at the Top of the Dial," detailed s/off w/WCKY not showing at all for above 3! (TF-PA) 2/22 1750-1800 o/u WCKY w/NC Nx Network. (ER-NY)
- WTTI GA DALTON - 2/27 1829 fair at s/off w/female, no SSB. (TB-DC)
- 1540 UNID 2/28 1807 very strong OC noted, suspect WDON (local), gone by 1816 recheck. (TB-DC)
- 1550 WKBA VA VINTON - 2/25 1801 long sermon followed by brief s/off, no SSB. (TB-DC)
- 1560 WAGL SC LANCASTER - 2/25 briefly surfaced w/ID. (TB-DC) Oh yeah? Your watch broken, too? (DS) (WPT-DC)
- 1570 WCRL AL ONEONTA - 2/25 1830 fair at s/off w/mention of 1000 watts.
- WTFB FL AUBURNDALE - 2/27 1815 weak at s/off, no SSB. (TB-DC)
- UNID 2/27 1830 s/off noted w/mention of studio-offices at Hwy. 75 north, brief mx followed, suspect WTQX, no SSB. (TB)
- CHLO ON ST. THOMAS - 3/1 female w/nx, wx, good signal. (TB-DC) What? No time again? (DS)
- WTLK NC TAYLORSVILLE - 3/2 1829 lengthy s/off, mention of 1000 watts, 500 watt CH power, no SSB. (TB-DC)
- WOWL SC OWLVILLE - 2/30 1800 noted w/s/on, owned by the Who Gives A Hoot Co., Hoot Gibson president. (UPURS2)

W
X
V
I

1580 UNID 2/28 2003 w/Country Countdown show, Top 20 program, in EE, WSRF? (IH-MI) More than likely, Ian. (DS)

1590 WGGO NY SALAMANCA - 2/25 1745 very strong w/s/off after mx. (TW)
WVOE NC CHADBOURN - 2/27 1800 weak at s/off, no SSB. (TB-DC)

MIDNITE - MIDDAY:

620 WRJZ TN KNOXVILLE - 2/15 0322 fadey in WIP splash w/NBA scores, road construction update, wx, Top 40 mx. (MB-DE)

630 WMAL DC WASHINGTON - 3/3 0058 Pop in progress, lots of TT, ID by female. (WPT-DC)

690 UNID 3/2 0300 w/Top 40 mx, ID'ed as "The Mighty 6-90", looped NE/SW, o/u WPIX/SS. WAPE or by chance KEOS? (IH-MI) How 'bout XETRA? (DS)

710 WUFF GA EASTMAN - 3/4 0605 good w/local counties mentioned, thought it was WROM at first, tuned back then ID'ed. (IH)

740 WKIS FL ORLANDO - 3/2 0230 w/Tele-talk, then gone to SS, noted on/off thru AM but didn't hold, weak. (IH-MI)

770 WABC NY NEW YORK - 2/22 0410 u/strong KOB w/ID. (DM-AB)

790 WTAR VA NORFOLK - 2/22 0018 xint w/nx, wx, pop mx. (MB-DE) Try for 'em during the day, Mike. (DS)

810 KGO CA SAN FRANCISCO - 2/22 0536 wx, local temps., ID, very poor u/local CHQR. (DM-AB)

860 UNID 2/23 0137-0206 somebody here again w/loud TT, off w/ no ID noted. (JS-OH) They knew you were listening! (DS)

980 WPIP FL POMPANO BEACH - 3/7 0212-0225 on top of WRC w/edited rr, ran 8 30 seconds spots in a row at 0212! (DS-DE)

1190 KLIF TX DALLAS - 3/2 0332 w/ID from Enterprise net. (IH-MI)

1230 WJNO FL WEST PALM BEACH - 3/2 0320-0330 noted w/tele-talk while looking for WCWA test, mention of Vero Beach, et al. (ERC)

UNID 3/2 0201 two FFC's noted here during WCWA test time, one w/s/off noted w/female singing Brahms' Lullaby in FF. (ERC-MA)

WKYG WV PARKERSBURG - 2/28 0140 w/promo and prize of 1230 bux. (TB)

1240 WBBW OH YOUNGSTOWN - 2/27 0600 loud relaying WBBW audio. (JS-OH)

1280 WBRX PA BERWICK - 3/1 0620-0630 w/local ad, o/WADO. (TF-PA)

1320 WHHO NY HORNEILL - 2/22 0059 noted on ET w/countdowns, etc., then announcing they were finished. (ERC-MA)

1340 WPBR FL PALM BEACH - 3/7 0129-0203 in/out w/Larry King, caught 2 quick promo's w/ID's before Mutual nx, mostly o/WHAT on auroral AM, WROD also showing up. (DS-DE)

WWPA PA WILLIAMSPORT - 3/2 0101 ID noted then into TT til past 0200 tuneout. (TB-DC)

1370 WSAY NY ROCHESTER - 3/2 0218 w/WSPD looped, no ID noted but mention of Rochester heard. (IH-MI) How do you know it was WSAY? It may of been a harmonic of Jack Benny! (DS)

KSOP UT SALT LAKE CITY - 2/20 on new night operation w/CW mx, ID's, concert promo, fair w/WSPD/KSUM. (NZ-NE)

WFEA NH MANCHESTER - 2/25 0030 loud at times w/many "13-PEA" ID's, Top 40 mx. (MB-DE)

1390 WFMJ OH YOUNGSTOWN - 2/26 0251-0301 noted on ET w/TT, ID. (NZ-NE) 2/27 0118-0210+ noted on ET w/TT/OC this AM, usually does this only on MM's. (JS-OH)

1440 WFTQ MA WORCESTER - 2/23 0000 while looking for the WGIG DX TEST, ran into this one w/WHHH, American Top 40. (MB-DE)

1450 WMPJ FL DAYTONA BEACH - 2/11 nicely on top and almost alone on an auroral AM, "Where the Sun Always Shines," ID's, bumper sticker promo's, unfamiliar hymns, et al. (ERC-MA)

UNID 2/28 0110 ad noted for two locations, one being on Hwy. 312 and the Highland Point Shopping Center in Portemouth. Any ideas? (IH-MI) WFOG? (DS)

WTBO MD CUMBERLAND - 2/28 0110 w/AM/FM ID by female. (IH-MI)

UNID 3/2 0205 w/s/off by male, noted during WFRG DX time. (IH)

WIIN NJ ATLANTIC CITY - 3/2 0200-0212 mixing w/WCTC/WWSC, WFRMA DX w/CBS nx, Budwiser Beach Party program. (RA-MA) (MB-DE)

1460 WPDQ FL JACKSONVILLE - 2/21 0300 briefly o/WGMB w/ID then soul mx.

1480 WHBC OH CANTON - 2/21 0234 good w/Ae nx, ID "The Best Mx", soul mx on the John Wilson show. (MB-DE) (MB-DE)

WLEE VA RICHMOND - 2/21 0237 way u/WHBC w/temp. check, Top 40 mx.

1520 WCHE PA WEST CHESTER - 2/21 0340-0440+ atop clear channel w/ET, TT & ID's by strange sounding annc'r, WKBW/WGOR off, does this guy verify? (JS-OH) Hell, no! And the annc'r wasn't me, bimbo....(DS) 2/23 0200 back again w/ID, WKBW off, becoming a pest. Two other weak TT's noted u/WCHE but not ID'ed, Any ideas? (JS-OH) 2/23 0218 on ET w/WKBW off, mx, ID's (many), asking for calls. (GM-MD)

1530 UNID 2/27 0056-0113 fairly loud TT o/u WCKY, off w/no ID. (JS)

1550 WUTQ NY UTICA - 3/2 0225-0229 ending ET w/CW mx, ID. (RA-MA)

WYNX GA SMYRNA - 3/2 0334 w/REL, ID, mention of 24 hours, fair/good signal. (IH-MI) 2/4 0208-0249 ditto. (ERC-MA)

1560 KBER TX ABILINE - 2/25 0142-0203 ET w/TT, OC, mx from Star Wars, few ID's given. (NZ-NE)

1570 WHLP TN CENTERVILLE - 3/1 0230-0346 ET noted w/Air Force Country Music Time program, complete w/recruiting promo's, TT, several ID's, CB type whistling. (TB-DC) I have an album of CB whistling...next nicest thing to a bird! (DS)

1580 WCLS GA COLUMBUS - 3/3 0247, 3/4 0121 w/used car dealer promo located in Phoenix City, not to confuse w/KNIX. (TB-DC) Good point, Tom. Your as sharp as a tack! (DS)

KLOU LA LAKE CHARLES - 3/2 0222 w/ad, ID, then AT40. (IH-MI)

1600 WLVG NY SAG HARBOR - 2/22 0638-0641 local nx, tide calendar for Long Island, wx, start of Public Service program w/lament that guest didn't show up yet! (TF-PA) Big City Radio!

RANDUMBS:

JERRY STARR notes the WFRM DX TEST was also run on their sister FM station, WVEN 99.3. BILL CROGHAN of KCEY mentions that he'll be doing work on their antenna system, between now and 3/19, which means possible operation on day pattern at night (early AM). Freq. is 1390, CW mx.

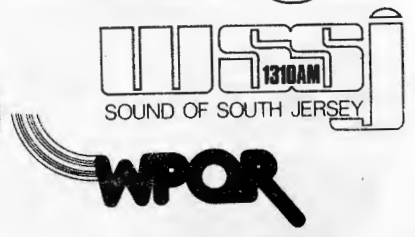
Remember, there is still lots of DX to be heard before the summer static sets in, SRS starts to hit a peak before the time change. Keep that in the back of your head, and when you hear something, send it in!

KONE-TRIB-BEW-TERS:

- | | | |
|--------|------------------------------------|------------------------|
| IH-MI | Ian Harris, Milan, MI | RF2200 |
| WPT-DC | William P. Townshend, Wash., DC | TRF |
| DM-AB | Don Moman, Edmonton, AB | Drake R7, Beverages |
| NZ-NE | Neil Zank, Lincoln, NE | HQ180, RF2600, Loop |
| TW-ON | Tom Williamson, Guelph, ON | HQ-180, SM2 |
| JS-OH | Jerry Starr, Crystal Beach, OH | HQ180, Looped |
| ER-NY | Evan Rudowski, Rosedale, NY | TRF |
| TB-DC | Thomas Bull, Wash., DC | HQ180, SM2 |
| ERC-MA | Ernest R. Cooper, Provincetown, MA | HQ180, R390A, TRF, SM2 |
| GM-MD | Greg Monti, Silver Spring, MD | TRF |
| EC-NJ | Eric Crusser, Lakehurst, NJ | SX42, TRF, LW |
| RA-MA | Ray Arruda, Acushnet, MA | RF2600 |
| MB-DE | Mike Battagline, Newark, DE | DX300, LW |
| MK-WI | Mike Knitter, Cambridge, WI | DX60, LW |
| TF-PA | Tony Chalfont, Fitcherbert, PA | HQ180, SM2, Superadio |
| DS-DE | Who'd you expect? Dick Truax? | |

As they say at the railroad, don't distract me....you'll derail my train of thought!

73's, Good DX!



Spanish Language...continued from page 6

No one bothers to try to understand London's cockney. Also, the chap from Liverpool hardly understands one from Birmingham, and he who commands an Oxford accent is extremely proud; in this case even where a word is accented varies. Even in the U.S. ask someone to pronounce the word Strawberry, and you can tell whether he comes from Boston or Atlanta.

We suggest that in your trip - or next trip - you take a tape recorder and in your walks on the streets of Miami you record the language of the people and later try to pinpoint their places of origin.

-0-

(This article by Thomas Cole appeared in the Ecuatoriana Airlines inflight magazine and is reprinted here in view of its obvious interest to the DXer and Spanish student)

CONCERNING THE SPANISH LANGUAGE

by Thomas J. Cole (Via Bob Foxworth)

Miami is not only an eminently bilingual city (English/Spanish), but we find in it different nuances in the usage, or abuse, of the Spanish language. First, we find that buttressed by half a million individuals in Dade County, there is the language of the Cubans. And among these, there is a difference between those who came from the eastern part of the island and those from the western part, or the HABANERO.

It is an ideal accent for matters of commerce - the HABANERO, of rapid speech; which goes straightway to the nitty-gritty, to brass-tacks. He does not possess the gentility or the courtesy of the Colombian from the Sierras (Bogota or Medellin) in his speech, but his writing is something else; and we do not refer only to Martf, Guillén, or Carpentier. It is a Spanish which is compared to the Andalusian, with Galician or Afrocaribbean elements.

The Spanish of the eastern Cuban is comparable to the Spanish of the Dominican Republic, to the Venezuelan, or the Colombian from the Coast (especially Barranquilla, Cartagena and Santa Marta); it is also comparable to the Panamanian, and a bit, but not too much, to one from Guayaquil. The Habanero says it is a sing-song Spanish - rightly so, it is not the staccato of the commercial Habanero, the one who cuts through the fat. And it differs in its use of certain nouns. The Habanero calls a banana, plátano; but the one from the east calls it guineo, as it is also known in Central America. And if for an Habanero the word papaya constitutes profanity, this is not so for a Cuban from the Oriente; nor for other Latin Americans (in Puerto Rico, lechosa). In Havana (or Miami) the nispero is known as zapote (our sapodilla) but not so in Oriente, Cuba where the word nispero is used (as in Central America).

Notwithstanding, everyone agrees that the prettiest Spanish is employed by the Colombian from the Sierras (Bogota, Medellin, and to a point, Cali). It is Spanish which comes close to Old Castile, without the use of the "th" sounds (z or o before weak vowels) or the guttural "j" or "g" (also before weak vowels). Others might argue that this excellent Spanish is spoken in Loja, Ecuador.

And in Miami the Argentine variety of Spanish is now heard. It employs the "vos" and enjoys certain modisms which disconcert many. This is also used in Nicaragua and Honduras. Since this changes the verbal form it is quite unsettling to English-speaking Americans who learned Spanish with Usted or even perhaps tu ("tutoyer").

These slight differences are interpreted by some in the United States as denoting that Castilian is not spoken in Latin America, but is rather a series of dialects.

Some people maintain that the Spanish of the Americas is even better than the one spoken in Spain. The differences of some words flow from the spate of recent inventions. An example is the word known as goma among the Cubans. We know that it exists after 1900, when the automobile was invented. In Spain and Chile, it is known as neumático. ("Pneumatique" in French, "tire" in the United States and "tyre" in England). And in Ecuador and Colombia, as llanta, although properly speaking this is specifically the metal rim. (This occurs also in English; let's mention only the "hood" and "bonnet" of automobiles). No one would say that in the United States English is a dialect in view of these differences.

Despite the territorial extension covered by the Spanish speaker today, there is less difference among those who speak that language than among those who speak English. In this case we do not refer to the differences among certain nouns (i.e., zapayo-catalaba; batata-boniato; papaya-fruta bombalechosa; goma-neumatico-llanta; carro-automovil-coche-maquina), but to the understanding in general.

It is not difficult to know why. The Spanish language is based on the fixed pronunciation of the five vowels. Cama, for example, is always cama, vete is always vete, loco is always loco etc. In English, the vowels change somewhat from one region to the other. Besides, in certain sectors the r is not pronounced before a consonant (that is to say, in certain parts of England, the USA's Northeast or the South); but in other places it is pronounced, as in the rest of the USA and in certain English areas, Scotland and Ireland. The A vowel undergoes changes. Bath, half, calf - are pronounced differently depending on one's origin (London, Boston, New York, Miami, Los Angeles, Atlanta).

Continued bottom page 5...

INTERNATIONAL DX DIGEST

CHUCK HUTTON
P.O. BOX 2087
DECATUR, GA 30030
(404) 633-1198
BEFORE 2300 ELT

Times are GMT. For ELT subtract 5 hours. Deadlines are usually Monday.

- 555 NICARAGUA R.Sandino 0340 fair signal, man w/long speech followed by military mx, ID 3/6. (George)
- 593 WEST GERMANY HR Frankfurt 2/17 0436 vocal GG mx, fair sig, rare here. (Vernon)
- 620 ALASKA HGTL Homer 2/22 noted 2300 w/ID for AM and FM then APR nx, format seems auto BFL mx, one ID says they are Alaska's most powerful stn. Thought CP was for only 5 kw? (Vernon) Which is what I thought too-they must be stretching the truth by a factor of only 10-CH
- 620 NICARAGUA YNGR 0819 2/9 good w/ID's, slogan, QRM from WSUN. (Schlesinger)
- 630 NORWAY Vigra 2/17 0459 piano mx, 0500 no pips, man anncr briefly then female with nx, noted //675, 1313 all xlnr. 702 was poor and no sign of 1485. (Vernon)
- 639 CZECHOSLOVAKIA Liblice 2/17 0425 instrumental mx, 0427 vocal, 0430 6 pips then female w/nx, local-like signal. (Vernon)
- 640 GUATEMALA 11100 2/19 good w/IS, ID, instrumental mx. This literally comes in like a local, burying KFI until Guatemala sunrise. (Schlesinger)
- 650 HAWAII KORL 1027 2/22 just caught "Music of Your Life" and usual "K-65" ID, very poor signal. (Moman)
- 655 EL SALVADOR presumed 0318 2/22 with SS talk, EZL mx poor. (Moman) presumed, SS ID's or slogans as LV de la Presidente and something a few times about la revolucion and la ciudad. Talk by man (presidents?) in calm, reasoning tone until 0057 then march mx. Into pops. Tough copy by then in local static and WSM splatter. (Perdue)
- 657 USSR Murmansk 2/17 0512 man w/RR talk not //666, 0514 silence then strange tones repeated, 0815 female anncr. (Vernon)
- 666 LITHUANIA SSR Vilnius 2/17 0510 female then male w/RR talk, 0516 male w/balled type mx. (Vernon)
- 711 FRANCE Strashourg 2/18 0531 man and woman //Culture net. (Vernon)
- 720 PORTUGAL Azurara 2/14 latin type mx, 0436 female w/Latin type talk, believe PP, fair sig. (Vernon)
- 729 AUSTRALIA 5CL Adelaide 2/20 1356 cl mx, 1357 man talking about tomorrow's pgms then s/off 1358 AAF. (Vernon)
- 747 HOLLAND Flevoland 2/14 0440 very strong OC w/2 note gong every so often. (Vernon)
- 747 JAPAN Sapporo with JJ pgm noted rechecking for the DU, unless JOIB had EE earlier the EE should be 4QS I hope. JOIB good and readable from 1135 to past 1220. (Moman)
- 747 UNID 1030 2/22 had definite EE here with DU accent but too weak for ID's, did not last long-see log above. (Moman)
- 760 CUBA R. Reloj-2men w/nx, ID's, time pips and CW also hrd. Same stn or something underneath 0050 3/5. (Perdue)
- 765 SENEGAL Dakar 0600 3/3 IS then man in AA with Koran readings. Interference from YSKL and R. Reloj. SW 4980 has not been on so could not compare. (George)
- 770 PANAMA 0954 2/19 LA mx, ID's heard at 0955 and 1006. It had to compete, of course, with WABC and KOB. (Schlesinger)
- 774 JAPAN Akita JOUB in w/fair signal at 1120 w/NHK ID and JJ talk 2/24. (Vroom)
- 774 SPAIN Valehcia et al 2/17 0526 instrumental mx, 0529 man w/talk o/pips at 0530. (Vernon)
- 783 EAST GERMANY Burg 2/14 0409 female anncr in GG then EE rr mx. (Vernon)
- 800 NETHERLANDS ANTILLES PJB heard at 0426 w/*Grand Old Gospel Hour", good signal over XEROK on 2/26. (Vroom)
- 801 WEST GERMANY BR Munchen 2/18 0532 man w/nx in GG, city name then nx, 0533 EXL, first time on this freq. (Vernon)

- 825 ST. KITTS R. Paradise with EE religious pgm 1022 2/22. (Moman)
- 828 JAPAN JOBB Osaka in at 1200 w/3pips and tone, JJ talk followed. Fair signal on 2/23. (Vroom)
- 828 UNID 2/18 0536 beer garden type mx, 0537 male talking to another man via phone in E. Euro lang. (Vernon)
- 830 DOMINICAN REPUBLIC HIJB presumed 0105-0115 f/out w/man anncr, bouncy LA mx, many mentions of Dominican Republic and Caribe. (Perdue) ID's almost exclusively by calls-CH
- 834 BELIZE 0020 3/5 R. Belize w/EE/SS in nicely w/march mx, commentary "long live the new and progressive revolution- we love Belize". Also, ID in SS. (Perdue) Listen to their s/off some time, when they pray for sobriety in the hard-working republic, etc., etc.-CH
- 834 BELIZE R. Belize with EE anncr and pop/soul mx, some Top 40 song/pgm as they had #8 at 0206 2/22, good. (Moman)
- 846 KIRIBATI T3KI Bairiki in w/fair signal on 2/28. Native talk w/rooster hrd in background. Time was 0824. (Vroom)
- 873 USSR Kaliningrad etc. 2/17 1455 opera mx, 1500 pips, female anncr w/probable nx. (Vernon)
- 873 WEST GERMANY AFN Frankfurt 2/18 0539 man in EE w/wx, was +10 C. (Vernon)
- 882 ENGLAND Washford 2/18 0538 man w/request //Radio Two net. (Vernon)
- ****890 ALASKA AFRN Elmendorf AFB per stn they test this 1000 wat emergency xmtr between 1030-1200 GMT Monday morning. (Vernon)
- 891 ALGERIA Algiers 2/14 0406 man w/AA waling mx, 2/18 0540 female singing AA style. (Vernon)
- 891 FIJI Lautoka 1102 2/19 man in native lingo w/s/off anncs, 1103 s/off tunes. (Vernon)
- 900 ITALY Milano 2/18 0541 man w/II ballad completely wiping out KFRB. (Vernon)
- 918 USSR Mezen 2/17 1516 man singer, 1517 female anncr in RR then same singer again. (Vernon)
- 925 COSTA RICA R. Juvenil w/pop mx and many ads. Heard tonight with almost local-like quality, only passable signals before. (George)
- 963 UNID 2/17 1532 man in E. Euro lang. (Vernon)
- 972 WEST GERMANY NR Hamburg 2/17 0153 male singers in SS (??-CH) 0155 male anncr in GG. (Vernon)
- 1005 COLOMBIA R. Colossal w/Colombian mx and MoR SS songs, ID as Radio Colossal and slogan "Somos profesionales, somos... somos Colossal de Neiva", frequent TC's, 0400 3/6. (George)
- 1008 HOLLAND Flevoland 2/17 0150 man in DD then John Lennon record, xlnst sig. (Vernon)
- 1017 TONGA A3Z hrd at 0813 w/women singing native song and woman anncr. Good signal on 2/28. (Vroom)
- 1017 TURKEY Istanbul 2/18 0241 female singing in an AA style but slightly Western sounding, 0244 female anncr then flute mx, 0258 female anncr, 0300 6 pips, female anncr, 0303+ big band mx Western style. First time hrd here, heard several years ago in Manitoaba, sounded like an AA wailer back then. (Vernon)
- 1026 USSR unknown 2/17 1523 man anncr then male singer, 1529 1/2 Mayak IS, 1530 man anncr w/probable nx. (Vernon)
- 1035 NEW ZEALAND 2ZB Wellington 2/17 rr mx w/male anncr //1044 Com. net. (Vernon)
- 1035 UNID 2/17 1440 choir type mx w/female anncr, seemed to be RR, 1459 1/2 female anncr, silence, no tone or pips, 1500 male anncr, fair sig. (Vernon)
- 1040 UNID SS mx at 0540 o/WHO w/fair signal. Very deep fades and no ID's hrd. This on 2/28. (Vroom)
- 1044 CHINA Changzhou hrd w/fair signal at 1109 on 2/24. Female anncr in JJ. (Vroom)
- 1053 ROMANIA Iasi 2/17 0359 choir mx, 0400 male anncr. (Vernon)
- 1062 PORTUGAL Azurara 2/17 0140 EE type MoR vocal mx, 0142 male anncr, Labin type talk probably PP, amazingly was //1035. (Vernon)
- 1071 UNID probably India, 1550 male anncr just barely making it, if they had been playing mx I feel this could have been bagged. (Vernon) Just old India here, huh? HI. CH
- 1125 BELGIUM La Louviere 2/18 0557 female anncr in FF, band mx and 0600 6 pips, nx sounder, man with nx in FF. Strong sig for a short time. (Vernon)
- 1125 COSTA RICA TISRHB in w/good signal and SS mx. Time was 0316 on 2/27. (Vroom)
- 1125 USSR Leningrad 2/17 1510 choir mx, very similar to 1035 30 minutes earlier, 1512 female anncr between choir mx. (Vernon)
- 1134 YUGOSLAVIA Tovarnik 2/18 0458 rr mx, 0500 3 pips very long, last one was about 3 seconds long, female followed w/nx in Croatian lingo. (Vernon)
- 1143 USSR Kaliningrad 2/17 -259 appeared to be 2 stna here, one w/FS IS, other w/Mayak IS, 0300 pips then Kremlin bells and chimes. (Vernon)
- 1161 FRANCE Strasbourg/Toulouse Inter net 2/14 instrumental mx, 0353 male anncr in FF. (Vernon)
- 1170 HAITI?? 0235-0240 fade-out FF, choral vocals, male anncr w/seemingly religious talk. Wiped out by KV00 f/in. (Perdue)
- 1179 SWEDEN Horby 2/17 0525 man anncr then instrumental mx, could find no //. (Vernon)
- 1188 HUNGARY Szolnok 2/17 0441 slow rr type mx, 0443 man w/E. Euro type lingo, vocals almost SS-sounding followed. (Vernon)
- 1196 WEST GERMANY Munich 2/17 0259 man in EE o/Yankee Doodle, "This is the Voice of America in Washington DC signing on". (Vernon)
- 1206 AUSTRALIA 2GF Grafton hrd at 1201 w/rock mx and weak signal 2/26. (Vroom)
- 1206 CHINA Yanji hrd from 1058-1100 w/good signal and pips, then talk by man and woman 2/24. (Vroom)
- 1210 GUATEMALA TGMX R. Rumbo 0920 2/19 w/LA mx, ID at 0930. Buried for most part by WCAU. (Schlesinger)
- 1215 ALBANIA Lushnje 2/17 0258 trumpet IS, 0300 pips, band mx, man and woman w/talk, listed as Turkish. (Vernon)
- 12233 CZECHOSLOVAKIA Praha 2/16 0517 mx, female w/brief anncs, believe TC's at 0520, 0525, 0530 6 pips. (Vernon)
- 1251 LIBYA Tripoli 2/14 0247 man w/AA wailing singimg 0256 Western type mx, seemed to go off 0258. 2/15 0259 same tune as on 2/14, off at 0301, seems an odd time to s/off. (Vernon) So why not s/off just before everybody else signs on? Prevents you from getting a lot of interference from other people, hi. (Polish QRM reduction)-CH
- 1260 SPAIN SER 2/17 0546 female w/rapid SS. (Vernon)
- 1269 WEST GERMANY DLF Neumunster 2/14 0301 man in GG w/nx. (BV)
- 1278 FRANCE Strasbourg 2/18 0503 AA wailing mx //Culture net. (BV)
- 1296 NEW ZEALAND 1ZH Hamilton 2/19 1114 rr mx //Com. net //1044, 1034. (Vernon)
- 1314 NORTH IRELAND Lisnagarvey R. Ulster 2/17 0223 noted on w/R. Two pgm. (Vernon)
- 1332 USSR Parnu/Voru 2/17 0231 noted w/vocal USSR anthem s/on, then 0233 probable Estonian anthem //1215, 1034 all on 30 minutes before WRTH-81 listing. (Vernon)
- 1332 UNID 2/16 0515 cl mx very good sig for a while then gone. (Vernon)
- 1350 FRANCE Nancy/Nice 2/17 man and woman anncrs mixing, one FF, other //France-Inter. (Vernon)
- 1359 EAST GERMANY Berlin 2/14 0224 man in GG then band mx, very good level; 2/17 0449 again very good level. (Vernon)
- 1377 FRANCE Lille Culture net 2/14 0540 w/beginning of SS pgm; 2/19 0516 AA singing, one of the easiest TA's here. (Vernon)
- 1395 ALBANIA Durres 2/16 0501 man and woman w/GG. (Vernon)
- 1440t SAUDI ARABIA Damman 2/17 2 males w/AA talk, had to be this at 1548, faded before 1600. (Vernon)
- 1458 ENGLAND R. Carlisle 2/16 0659 wx, 0700 short tune for pips then ID for "AM Cumbria, BBC Radio Carlisle news at 7 o'clock". Date given then nx, 2/17 same pgm at 0700, poor sig, new here, listed w/500 watts! (Vernon)
- 1458 ENGLAND R. London 2/17 0644 topping the freq briefly w/promo for R. London nx weekdays at 6:30. (Vernon)
- 1458 ENGLAND R. Manchester 2/16 0629 familiar piano mx, 0630 man w/"Up and About" and BBC Radio Manchester nx. Was in this city a month ago! (Vernon)
- 1476 AUSTRIA Wien-Bisamburg 2/17 0402 woman anncr w/nx in GG way o/USSR. (Vernon)
- 1481 UNITED ARAB EMIRATES Dubai 2/17 man w/AA wailing type singing 1547. (Vernon)
- 1485 SPAIN SER 2/17 0530 man w/SS talk, net sounding audio. (Vernon)

- 1490 GUATEMALA LV del Tropicoo poor 2/18 1121 w/LA mx, ID's.. Actually I was hoping for an American. (Schlesinger) So try for a Guatemalan then-CH
- 1494 FRANCE Bastia Culture net 2/14 0600 R. France ID then man w/FF nx. (Vernon)
- 1503 ENGLAND unid 2/17 fair sig 0215-0217 noted w/R. Two AN pgm //1458, 1485, 1548, poor also on 1584, if only they had had local pgms at this time!! (Vernon) Murphy is laughing at you right this very second-CH
- 1503 POLAND Stargard FS 2/16 0431 man w/Latin type talk, believe PP. (Vernon)
- 1512 USSR Sochi/Tallinn 2/17 0303-0315 man w/talk, 0315+ woman w/piano, probably exercise pgm, fair sig. (Vernon)
- 1521 CZECHOSLOVAKIA Kosice 2/16 0430 6 pips then man w/nx. (BV)
- 1530 VATICAN 2/16 0431 man w/talk, believe Slovak, was E. Euro sounding, 0444 IS, 0445 mx then man and woman w/similar (to me) talk, Hungarian listed. (Vernon)
- 1555 CAYMAN ISLANDS 1112 2/9 good w/Jimmy Swaggart to ID at 1115 followed by Oklahoma preacher, ID, intro to "Musical Faith" pgm at 1132. (Schlesinger)
- 1557 MALTA Cyclops 2/17 0357-0400 IS twice then man w/brief talk, this repeated many times, 0400 man appeared to give freqs in think AA then faded. (Vernon)
- 1575 EAST GERMANY Dresden etc. 2/16 0532 woman shncr in GG noted in passing, fair sig. (Vernon)
- 1584 FRANCE Toulon 2/17 man w/FF talk //1161 Inter net. (Vernon)
- 1593 WEST GERMANY Langenberg 2/17 0335 Mamas and Papas mx, man in GG //1421, both xlnt. (Vernon)

A nice column this time around. Welcome to Neal Perdue, a long-time NASWA DX'er with some nice SW credentials. Also, another nice DX report from Dan Moman and his Beverages and a welcome to another SPEEDX'er-Mark Schlesinger. And of course who is back in the saddle but Brian Vermin, Archduke of the Arctic.....Little DX here and little time for it either. See you in two weeks.

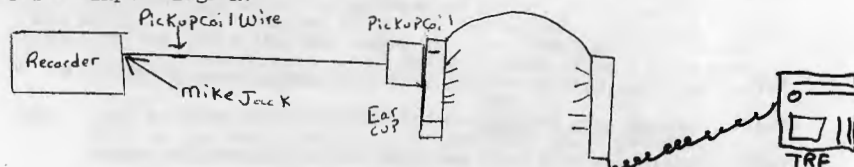
Charles George-Dallas, Texas RF2600, SM2
 Dan Moman-Wetaskawin, Alta. RT, 900'SE and 2500' SW Beverages
 Neal Perdue-Flakville, Ala. SX100, LW
 Mark Schlesinger-Clute, Texas FRG7, what's antenna Mark ???
 Brian Vernon-Elsa, Yookon frogs, beverages
 Dennis Vroom-Albany, Ca. HQ180C, 4' loop

A SIMPLE TRF RECORDING JACK

By
 Bill Bergadano

First off, I'm not trying to undo the fine articles about TRF recording jacks, by Mark Connelly, or Dave Arbogast. Not at all. But, if you too had to work quite a few hours at a \$2.90 hour job stocking shelves at a local department store, such as I did in 1978, even a \$29.95 radio is an expensive item. And if you have the discontinued Radio Shack TRF, it's more so that way. If your'e like me, some one who doesn't like to drill holes in a radio you can't buy anymore, then this article on TRF recording jacks is for you-and you won't have to drill a hole, anywhere! All it will cost is \$1.59 or so.

Am I nuts?-hardly. But, if you use headphones on your TRF, your halfway home. Get to your local Radio Shack, or Gem Electronics store, or wherever, and buy a telephone pick-up coil, with a suction cup on it. (I recently saw one you wire into the earpiece, that's not for a TRF). When you get home, simply put a drop of water on the suction cup, attach it to one side of your headphones, plug the jack in your recorder, and-voila! You get fine audio on the tape, for almost nothing. And with inflation, gas prices, you won't have to fill the car up looking for parts. And if LPC doesn't deem it obscene looking, heres a simple diagram:



That's all there is to it. Like I said, I'm not trying to steal any credit for inventing something like this, as all who have done TRF articles know their stuff. 73's and Good DX.

BAJA CALIFORNIA BAND SCAN

© 1981 Peter V. Taylor

This time, the trusty ICF 6700W, SM-2, CTR-48 cassette, ICF-2001 (for LW), somewhat expectant wife Kristine and I headed for Cabo San Lucas on the tip of Baja California Sur. There was no TV or FM, and the closest AM stations were in La Paz, 96 miles, and these were barely audible. Instead, the natives tune in Mazatlan (223 mi.) or Culiacan (209 mi.) which thanks to a straight seawater path, were fine semilocals. On our arrival day, March 1, Culiacan and Mazatlan FM signals on 99.5 and 100.1 were audible, but that was the only day anything was noted on FM.

Baja California Sur. XENT-790 and XEHZ-990 were the only La Paz stations noted; even BFOing provided no clue as to other signals. XESR-1320 was noted at sign-on one morning, but not during the day. Nayarit-1489 blocked a possible XEIB-1490 Todos Santos but there was an all day het. There was no distinguishable type of BCS music.

Sonora. I didn't spend much time on XEDM-1580. XEOX-1430 was slick top 40ish. There appeared to be a predominance of rancho type music.

Sinaloa. I have not studied this state ethnically, but XEOR-680 in Guasave in particular seemed to play quite a bit of something between German beer garden oompah-pah and early Spike Jones. XETK-630 was the most potent signal (Mazatlan.)

Nayarit. Most of the stations sounded fairly commercial (musically) but non-commercial XETNC-550 Tepic mixed everything - EZL, classical, pops, you name it. Some of the native music sounded like "El Condor Pasa."

Jalisco. There seemd to be more melodic and easy listening type music from many of the stations in this state.

OVERALL. Mexican stations seem to ID (with calls) about as frequently as U.S. stations, and if you don't know the slogan, you just have to wait. On one, I heard 14 straight minutes of commercials with no ID of any kind. When you do get a call letter ID, you are likely to get the whole works -- calls, frequency, power, studio location, and something about the ownership being one of the finest organizations in Mexico. The most frequent words on the more local stations are cerveza, farmacia, muebleria (furniture), zapateria (shoes) and also, you'll hear "deportiva" once in awhile (sports.) Many stations use the phrase "La x x" (as in "La T K" for XETK) with which to identify. The most frequently heard song was "Amigo" by Roberto Carlos. Now let's take a look at what was heard.

MEXICAN STATIONS (* - readable during the daytime)(GMT)

- 540 *XEWA SLP San Luis Potosi - fair to weak days, potent nights
 550 *XETNC NAY Tepic, Radio Atlan, excellent days
 570 *XENZ SIN Culiacan, some telephone requests
 580 *XEAV JAL Guadalajara, professional sounding (call ltrs not confirmed)
 unid "Musica Mexicana" 3/5 0950 probably XEHI Chihuahua
 610 *XEGS SIN Guasave, "La G-5"
 620 *XEOO NAY Tepic - very weak. "XE doble O"
 630 *XETK SIN Mazatlan "La T-K" - good signal
 650 *XEEJ JAL Puerto Vallarta "R.Paraiso" - dominant
 *XETNT SIN Los Mochis - Woody Woodpecker ID signal (calls not confirmed;
 needed loop to pull this out of XEEJ)
 660 XEACB CHI Cd. Delicias 3/4 0036
 XERPM DF Mexico City - fair to good, nights
 680 *XEORO SIN Guasave, Radio Bonita; frequent use of "Oro" jingle; also used
 slogan "musica ranchera popular"
 690 XETRA BC Tijuana - OK nights, nothing spectacular
 700 XEDKR JAL Guadalajara, 3/7 0035, near s/off
 unid "La Super Fabulosa" 3/4 1315
 710 *XEBL SIN Culiacan, Radio Bol (as in "BL")
 730 *XEX DF Mexico City - weak days, good nights
 760 XEDGO DUR Durango, mixed w/others at s/off 3/4 0045
 *XEZZ JAL Guadalajara, Onda 76
 XEABC MEX Los Reyes. on with "Hora Alegria Sovietica" 0250 3/7 re travel to
 the USSR, and a new Soviet exhibition in Mexico City
 790 *XENT BCS La Paz, Radio La Paz, weaker than 990
 800 XEROK CHIH Juarez, potent nights
 810 *XEUX NAY Tuxpan "most powerful commercial station in the state"
 XEFW TAMS Tampico good 2/3 1218
 830 *XEYQ SIN Culiacan "La frecuencia de oro"
 840 XEFG GTO Celayo "R.Juventud" (calls not confirmed) 3/4 1130
 850 XE.. JAL Guadalajara, R. Felicidad (XEJJ ? Listed as XEMIA) 3/6 2340
 860 *XENW SIN Culiacan, "La N-W" "la mejor estacion del cuadrante"

- 880 *XEAAA JAL Zapopan, R.Bonita, "Musica mas bonita de Mexico"(calls not cfmd.)
- *XEPNK SIN Los Mochis, Canal 8-80 (dominant but loopable for XEAAA)
- 900 *XEWF DF Mexico City, weak days, potent nights
- 910 XEHO SON Cd. Obregon, R. Centro, 3/4 1423
- 920 *XEQC SIN Culiacan, La CQ
- 930 XEU VER Veracruz, "La U" AM6SW IDs, 3/4 1230
- 940 XEQ DF Mexico, fair nights w/QRM
- 950 unid 3/5 1103
- *XEORF SIN, R. Centro. City in ID doesn't sound like El Fuerte
- 960 XEHK JAL Guadalajara, LV de Guad.
- *XEIQ SON Cd. Obregon "I-Q - R.Felicidad"
- 970 XEDF DF Mexico "D-F"
- *XEVOX SIN Masatlan (ex-XEOW) R.Voz - la voz de nuestra musica
- 980 *XEXT NAY Tepic "XT internacional" (dominant)
- *XEKE SON Navojoa "La KE" (heard by looping out XEXT)
- 990 *XEHZ BCS La Paz
- XET NL Monterrey "La T Grande - 50kw" 3/5 1045
- 1010 XEHL JAL Guadalajara (Texas station under) 3/5 1040
- *XEWS SIN Culiacan, R. Capital
- 1040 XEBBB JAL Zapopan, s/off 3/5 1245 "triple B"
- 1050 XEG NL Monterrey OK eves but occasionally something else under
- 1060 XEEP DF Mexico City, good nights, "R.Educacion" French mx 3/5 0047
- 1070 XESP JAL San Pedro Tlaquepaque ID 3/7 0135
- 1090 XEPRS BC Rosario OK nights but not overwhelming
- 1120 unid 3/4 1240, "R.Parolatica?"
- 1130 *XEFE NAY Compostueia, R. Exitos, "La E-F"
- 1140 XEMR NL Monterrey 3/7 0140, La nueva MR
- 1150 XEJP DF Mexico, R. Variedades (calls not cfmd.)
- 1190 *XEWK JAL Guadalajara, "La W" noted w/old T.Dorsey records 3/4 1252
- 1220 XEB DF Mexico never too great at night, always some QRM & hets
- 1240 *XESI NAY Santiago Ixcuintla "S I"
- 1250 XEDK JAL Guadalajara "D-K" 3/5 0845, melodic piano cuts between selections with brief spiel. Very romantic music
- 1260 XEL DF Mexico R.Capital, "Xanadu" with O N-J 3/5 0810. Possible s/off 0900
- 1270 *XENX SIN Mazatlan "Supersonido"
- 1300 *XEJL SIN Guamuchil, "La JL," "La nueva JL"
- 1310 XE.. JAL Guadalajara 3/5 1031. Call seemed to be XEIA rather than XETIA
- 1320 XESR BCS Santa Rosalia s/on 3/4 1303
- XECMQ DF Mexico City, R. Sensacion
- *XERJ SIN Mazatlan "R-J"
- 1330 *XEUAS SIN Culiacan, educational pgmg
- 1340 *XEZE NAY Santiago Ixcuintla, "La ZE," Exitos
- 1350 *XEVU SIN Mazatlan, R.Alegria (here, not 1360)
- 1360 *XESA SIN Culiacan "La S-A," R.Accion
- 1370 XEHF SON Nogales "H-F" 3/5 1029
- unid Radio Oro, 3/2 0510
- 1380 XECO DF Mexico City, R.Eco; nucleo radio ; R. Musica Bonita
- 1390 XERW GTO Leon "RW" 3/4 1356; 3/5 0915; 3/7 0015
- 1400 *XELH NAY Acaponeta "La LH" (very dominant; had to loop it for XEEX)
- *XEEX SIN Culiacan "R.Felicidad - la reina del Pacifico"
- 1410 XEKB JAL Guadalajara, Canal 14-10 3/4 1355
- *unid(s) two, mixed, days
- 1430 XEOX SON Cd. Obregon, canal 14-30 S/on 1300
- 1440 XEA1 DF Mexico, R. A-1
- *XEHW SIN Rosario, "HW"
- 1450 *XETD NAY Tecuala, "T-D"
- unid R.Sensacion, 3/5 0753
- 1460 XEYC CHIH Juarez, R.Sensacion 3/5 0920
- 1470 *XEACE SIN Mazatlan, R.Exitos, sonido disco
- 1489 *XESK NAY Ruiz (calls not confirmed) ("Cd" not used, just Ruiz)
- 1490 XEMS TAMPS Matamoros, R. Mexicana, La Nueva MS (sounded like "NF" to me !)
- 1500 XERH DF Mexico, usually good nights
- 1510 XEYQ ZAC Fresnillo, R.Fresnillo, Canal 15-10 3/4 0115, 3/5 0755
- 1520 XEVUC COAH Cilla Union, "VUC" jingle 3/4 0105
- 1540 XENC XCO Celaya 3/7 0046
- 1550 XEBG BC Tijuana weak 3/5 1015
- XENU TAMPS Nuevo Laredo s/off 0100 3/4
- 1560 XEMAS GTO Salamanca "Mas musica" 3/7 0145
- *XERIO NAY Ixtlan del Rio "Radio Rio" (location may be Tepic; am ckg. tape)
- unid R-15-60, Musica Mexicana, 3 way mix w/KPMC, another SS nx 3/7 0200
- 1570 XERF COAH Acuna OK nights but something else was in there
- 1580 XEDM SON Hermosillo strong nights
- 1600 XEAK GTO Acambaro 3/4 0100, possible s/off
- *XEZA SIN Los Mochis "La Zeta"

OTHER SPANISH LANGUAGE STATIONS HEARD IN CABO SAN LUCAS(GMT):

- 575 TIRN COSTA RICA San Jose s/on music, studio musicians 3/5 0957, good
- 590 CM.. LV de Cuba, stronger than 600//, w/news 3/5 0830
- 600 CM.. LV de Cuba (as above)
- 655 unid, loud & clear, assume El Salvador, 3/5 1120
- 720 CM.. R.Habana Cuba strong 3/2 0528
- 750 R.Sandinista 3/5 1115, with jingle and discussion,"The Rev. is working !!!"
- 825 Fair 3/2 0446 (Nicaragua?) (C.R.?)
- 834 Belize, fair to good 3/4 1219
- 975 unid 3/2 0535
- 1100 Radio Reloj (on EST) heard several times, dominant on 1100
- 1125 unid, BeeGees 3/5 0815
- 1158 unid, 3/4 1250
- 1175 unid 3/5 1035, good level
- 1180 CB118 CHILE Santiago "Buenas dias Chile" 3/5 1030
- 1205 OC 3/5 0816
- 1385 unid 3/2 0540
- 1510 KNSE CA Ontario, R. 15
- 1530 KGBT TX Harlingen, dominant but subject to KFBK QRM
- unid, R. Onda 15-30, --- nucleo, 3/2 0516
- 1540 KGBC7 TX Galveston. Thought this was black programmed, but did hear Galveston mentioned 3 times in 5 minutes 3/6 0132
- 1555 OC 3/5 0817
- SS 3/2 0547
- 1613 "RAB" Guatemala, Rabinal, fair 3/2 0550

U.S. ENGLISH LANGUAGE STATIONS HEARD & TIME(not date) HEARD, EST:

550	KTSA-TX 11:31p	740	KCBS-CA 11:41p	930	KCCW-TX 3:20a	1200	WOAI-TX 12:04a
560	KLVE-TX 8:35p	750	WSB-GA 11:42p	990	KTKT-AZ 5:42a	1210	KGYN-OK 12:05as/off
570	KLAC-CA 3:32a	760	KFMB-CA 9:20a	1020	KTNQ-CA 11:53p	1290	KRGV-TX 8p
600	KROD-TX 11:32p	770	KOB-NM 11:43p		KBCQ-NM 7:53p	1360	KRYS-TX 3:06a
610	KRKE-NM 11:34p	780	KCRL-NV 11:43p	1030	KCTA-TX 9:37a	1380	KTSM-TX 9:05a
620	KTAR-AZ 11:35p	810	KGO-CA 11:44p		KTWO WY 11:53p	1390	KGER-CA 12:10a
640	KFI-CA 11:37p	820	WBAP-TX 11:44p	1040	WHO-IA 11:53p	1420	KTAN-AZ 9:09a
670	KB01-ID 8:12a	850	KOA-CO 11:47p	1070	KNX-CA 11:54p	1520	KOMA-OK 8:10p
690	KHEY-TX 8:40a	870	WWL-LA 7:45p	1080	KRLD-TX 11:54p	1530	KFBK-CA 2:48a
700	WLW-OH 11:40p	880	KRVN-NE 12:38a	1120	KPNW-OR 11:55p	1540	KZLA-CA 9:13a
710	KMPC-CA 11:40p	910	KJZZ-AZ 11:51p	1160	KSL-UT 11:55p	1550	KUAT-AZ 8:30a s/on
720	KDWN-NV 11:41p	930	KR10-TX 8:20a	1170	KCBO-CA 9:42a	1560	KPMC-CA 9p
740	KTRH-TX 11:41p		KHJ-CA 11:52p		KV00-OK 12:03a	1590	KBBQ-CA 2:45a

This covers most of it. Thanks to Bruce Portzer for some valuable pre-trip preparatory work which made things much simpler.

(This article may be copied in whole or in part with due credit by all non-profit DX organizations.)

Here is an actual copy of a page from the 1923 RADEX in which 553 stations were listed. Note that all frequencies are in meters as the kilocycle standard was not adopted until two years later. Via Richard Clark.

Broadcasting Stations

Call Signal	Location of Station	Wave Length	Power (Watts)	Notes
WBBA	Newark, Ohio, Newark Radio Laboratories	240	10	
WBBD	Reading, Pa., Barby Battery Service	234	50	
WBBG	Mattapoisett, Mass., Irving Vermilya	248	500	
WBBI	Port Huron, Mich., J. Irving Bell	246	50	
WBBL	Richmond, Va., Grace Covenant Church	226	5	
WBBM	Lincoln, Ill., Frank A. Blass Produce Co.	275	10	
WBBN	Wilmington, N. C., A. B. Blake	246	100	
WBBP	Potoskey, Mich., Potoskey High School	273	500	
WBBS	Rossville, N. Y., Peoples Pulpit Associations	234	5	
WBBT	Philadelphia, Pa., Lloyd Bros.	224	10	
WBBU	Monmouth, Ill., Jenks Motor Sales Co.	248	5	
WBVB	Johnstown, Pa., Johnstown Radio Co.	227	50	
WBVC	Norfolk, Va., Ruffner Junior High School	222	5	
WBVD	Charleston, S. C., Washington Light Infantry	268	20	
WBVE	Indianapolis, Ind., Noble S. Watson	227	50	
WBVF	Anthony, Kans., T. & H. Radio Co.	260	100	
WBVG	Newark, N. J., D. W. May (Inc.)	234	50	
WBVH	Charlottesville, Va., Southern Radio Corporation	260	250	
WBVI	Springfield, Mass., Westinghouse Electric & Mfg. Co.	337	1,000	
WBVJ	Canton, N. Y., St. Lawrence University	280	250	
WBVK	Pittsburgh, Pa., Kaufmann & Beer Co.	462	500	
WBVL	New Orleans, La., Clyde B. Randall	268	100	
WBVM	Columbus, Ohio, Entekrin Electric Co.	286	100	
WBVN	University Place, Neb., Nebraska Wesleyan University	288	500	
WCAE	Houston, Tex., Alford P. Daniel	263	30	
WCAF	Norfolk, Va., St. Olaf College	360	500	
WCAH	Washington, D. C., Chesapeake & Potomac Telephone Co.	370	50	
WCAI	San Antonio, Tex., Southern Radio Corporation of Texas	469	500	
WCAJ	Minneapolis, Minn., William Hood Dunwoody Industries, Institute	360	100	
WCAK	Rapid City, S. Dak., South Dakota State School of Mines	280	100	
WCAL	Philadelphia, Pa., Durham & Co.	240	50	
WCAM	Little Rock, Ark., J. C. Dice Electric Co.	286	250	
WCAN	Burlington, Vt., University of Vermont	360	10	
WCAP	Milwaukee, Wis., Milwaukee Civic Broadcasting Station	360	50	
WCAR	Carthage, Ill., Carthage College	266	250	
WCAS	Allentown, Pa., Charles W. Heimbach	246	50	
WCAT	Ann Arbor, Mich., University of Michigan	280	110	
WCBU	Zion, Ill., Wilbur G. Voliva	280	200	
WCBV	New Orleans, La., Unalt Radio Co.	245	500	
WCBW	Pittsburgh, Pa., Paul J. Miller	263	5	
WCBX	Pascagoula, Miss. (portable), Howard S. Williams	288	50	
WCBY	Oxford, Miss. (near), Univ. of Mississippi	268	10	
WCBZ	Bemis, Tenn., Nicoll, Duncan & Rush	242	10	

PREPARING FOR THE WORST!

Re-tooling for 9 Khz

by Skip Arey

This is a construction artical on how to transmogrify a previous TRF transmogrification. While many have lamented that 9 Khz spacing will be the death of BCB DXing and while others prepare to use their HQ-180s, R-390s and DX-160 on all those other bands instead of MW, I plan to hang tough and continue to listen to the BCB. But this decision requires planning. The 12-655 TRF is gone forever and eventually parts might become scarce so for those who plan to continue our hobby after the FCC swings its axe and who use the TRF I share this idea:

- 1) If you do not already have a copy of NRC Publication R4 MODIFYING THE TRF, obtain a copy of same from the Publications center. Read with care Charles Barkfield and Gerry Thomas plan to modify your TRF for 10 Khz readout. If you have not already made this modification you might want to wait till the new spacing takes effect.
- 2) HOWEVER: If you have made this modification as I have follow along.
- 3) Place an order at your local Radio Shack for the following parts:
Dial Window G-0211
Pointer D-1138
The cost of these parts is under the \$2.00 deposit your usually asked to make when ordering special parts. Waiting time is about two weeks.
- 4) When your parts come in, squirrel them away in a safe place along with Publication R4 and this article until the eventful demise of 10 Khz.
- 5) Try and remember what kind of glue you used when you glued the dial window on after the first modification. Try to find a stratagey for removing the dial window without using solvents that might effect the other plastic parts. This is why you must order the new dial window because you will probably find that you will need to muscle the old dial window of in such a way that it will be destroyed in the process.
- 6) The new pointer is used to provide the straight-edge for drawing the lines for the new spacing. This is needed because the modified pointer flexes too much when drawing the lines. You will replace the modified pointer only for drawing the lines. It will be reused with 9 Khz spacing.
- 7) Follow the directions for the modification in Publication R4. Be sure to take note of Charles and Gerry's additional tips. The only change you will make is to space your lines 9Khz apart up to 702 Khz and 18 Khz apart up the rest of the band. You can facilitate this process by making use of an accurate RF Generator.
- 8) Replace the modified pointer; put on the new dial window, and your ready to continue to enjoy the challenge of broadcast band DXing in the new environment of 9Khz spacing.

The changes that the FCC propose will bring about changes in our hobby, but it does not signal the end. Its better then a sharp stick in the eye, and the NRC and our hobby will be around long after the complaints about the changes have gone.

A P.S. FOR 12-656 TRFers,
This modifications and many others that were origionally planned for the 12-655 TRF can be adapted to your TRF too! But before you try any 655 mods, order copies of the service manuals for both rigs from your local Radio Shack.

Take a radio apart today,

Skip

Michael G. Worst
6250 Ivanhoe Lane, #215
Beaumont, Texas 77706

Over the past few years some tips have appeared in the various club bulletins for switching two speakers and headphone outputs. The diagram is one I have worked out in steps during this time for use with a stereo headphone.

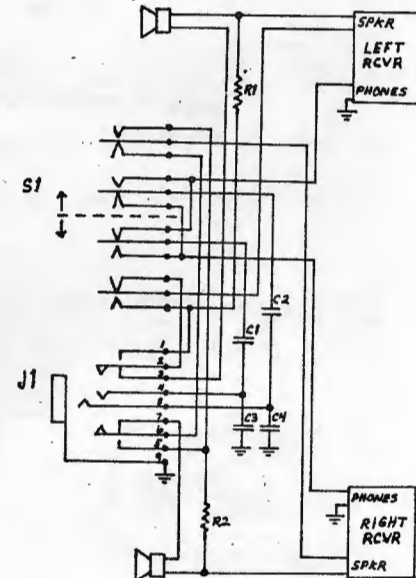
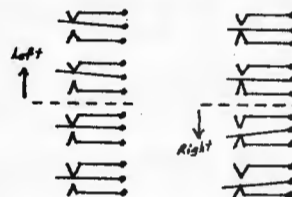
The jack is a stereo type with contacts for cutting off speakers. The one illustrated is available from Radio Shack for around \$1.50. It is listed as Cat. No. 274-277 Stereo Phone Jack - 3 Conductor Double Closed Circuit.

The switch is a four pull double throw (4PDT) with on-on-on contacts. The one made by C&K Components, Inc., appears to be the most easily available. Their catalog number is 7411-SYZQ, and costs around \$8.

With the switch in the center "normal" position both speakers are on. When switched to the left the right speaker is turned off, and when switched to the right the left speaker is turned off. When using headphones, in the normal position the right receiver is on the right headphone, and the left receiver is on the left headphone. With the switch thrown to the left, the left receiver is on both headphones, and when thrown to the right, the right receiver is on both headphones.

The resistors are to terminate the receiver output when the speaker is cut off. They should be the same value as the output impedance of the receiver. In my case, R1 is 600 ohms and R2 is 4 ohms. The capacitors C1 and C2 are to reduce the low frequency response of the headphones so rumbles and such are reduced. They should be around 10 uf or so. C3 and C4 are to compensate for the inductance of the headphones, and should be about 16 uf.

Following is a drawing of the switch when thrown to the left or right.

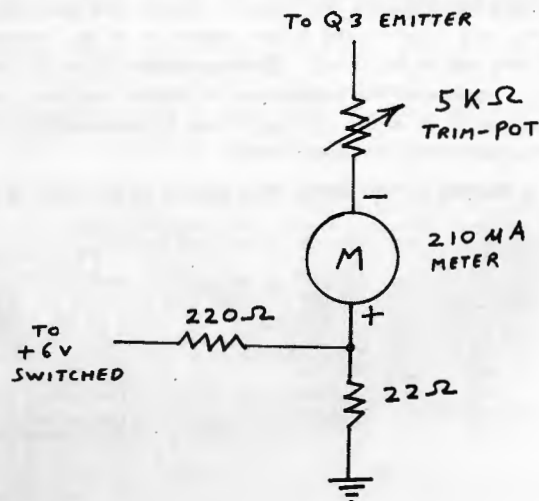


YET ANOTHER TRF MODIFICATION
and another s-meter circuit
By Skip Arey

I pondered MARK CONNELLY'S artical in Vol.47 #24 entitled S-METER FOR THE TRF for longer than usual. Normally I have the soldering iron warmed up before the artical is completely read. The only thing that held me back was that I did not have a +100--100 meter in my trusty junk box. During the summer, while visiting friends in Pittsburg, I wandered into and Olson electronics outlet and marveled at the many rows of surplus parts racks, quite a sight after the blister-packed world of most "electronics" stores. Within those racks I found 210MA meter movements selling for something like \$1.00 per fist full. Remembering Marks artical I snatched up a batch and spent the rest of our visit to Pittsburg concocting a workable circuit based upon Marks inaital attempt. This same meter movement is available at retail price (\$1.29) in Olson's latest catalog #281 Olson Electronics 2850 Gilchrist Rd. Akron Ohio 44305. All other parts can be found in your junk box or at Radio Shack. I suggest you read Marks artical because his description of mechanical assembly and electrical circuit includes a Battery Check circuit that I did not choose to use. As always experimentation is the key to success.

The meter drive signal is taken from transistor Q3's emitter lead. This is the transistor to the right of the dual trimmer capacitor (C1B,C1F) and immediatly above the transformer with the yellow slug (T1). The emitter lead is the one closest to the top of the circuit board. You might want to refer to Marks drawing (Fig.1) in his or artical or obtain a copy of the Service Manual for the 12-655 TRF.

The switched +6 volts can be found on the lower center lead of the on-off switch. Ground can come from the black speaker lead.



Do not be afraid to experiment with other meter movements, just be sure you have a quantity of resistors of various values and some patience (a little knowledge of Ohms Law would go a long way too).

Experimentally yours,

Skip

VIA ROBERT DIMMICK

On May 24, 1923, a radio broadcast station with the call letters WCBA was licensed to operate in Allentown. A few weeks later, June 30, 1923, a second station, WSAN, was licensed to the Allentown Radio Club. These stations were operated with a power of 5 and 10 watts respectively. Studios were located in the 2nd floor of a South 8th Street home of a Mr. Heimbach. Programming was conducted around a microphone attached to the banister in the living room.

In early 1925 WSAN was purchased by the Allentown Call Publishing Company. At this time the power of the station was increased to 100 watts. Studios were located at 101 N. 6th St. in Allentown.

In 1932 WSAN's studio facilities were moved to 41 N. 10th St. The latter address also housed WCBA's studio. Programming was alternated day by day from WSAN one day to WCBA the second day.

On April 14, 1933, WSAN was granted voluntary assignment of its license from the Allentown Call Publishing Co. to WSAN Inc. headed by B. Bryan Musselman, a minister in a local church. Programming was religious.

WSAN-WCBA joined the National Broadcasting Co on May 1, 1937. In late 1937 Major J. Calvin Shumberger, Sr. acquired an interest in WSAN Inc., and became the station's President. B. Bryan Musselman thereupon became the station and commercial manager.

WSAN-WCBA's licensee name was changed from WSAN Inc. to the Lehigh Valley Broadcasting Co. in 1939. Programming was then Country & Religious. WSAN was granted a modification of it's license on February 29, 1944 to change from specified hours (with WCBA) to unlimited hours--call letters WCBA to be deleted.

After receiving a construction permit in 1946 to raise power to 5,000 watts, WSAN increased its power from 500 to 5,000 watts in 1947.

On June 6, 1950, J. Calvin Schumberger, Sr. relinquished ownership and the presidency of the L.V. Broadcasting Co. to B. Bryan Musselman.

In the mid-fifties, WSAN dropped its NMC affiliation and began programming the CBS Radio Network. Musical programming was still Country and Religious.

WSAN re-affiliated with NBC in December 1958. Death had come to owner Rev. B. Bryan Musselman on July 27, 1957, at age 66.

In the early sixties, studios were moved from the station's former headquarters at N. 10th St. to the new facilities at 1183 Mickley Rd. Ownership by now was a partnership of Olivia M. Barnes and Reuel H. Musselman. Programming was switched from Country to a Middle-of-the-Road format.

In June 1971, WSAN switched from Middle-of-the-Road format to Album Rock. Rick Musselman became General Manager of WSAN.

In June 1978, WSAN softened programming to a soft rock format with heavy emphasis on news programming.

On December 12, 1980, Reuel M. Musselman and Olivia M. Barnes relinquished ownership and the presidency of WSAN to Harold G. Fulmer III. Rick Musselman was retained as General Manager. WSAN's licensee name was changed from Lehigh Valley Broadcasting Co. to WSAN Inc. Programming in July of 1980 was changed from soft rock to the present Modern Country. In addition to the music change, the station made a commitment to broadcasting substantially upgraded new, weather, sports, and community oriented programming.

Today, WSAN, Pennsylvania's 17th oldest continuously licensed broadcast station operates on 1470 Khz with 500 watts, and is located at 1183 Mickley Rd., Allentown, PA and continues as an NBC affiliate.



THE SONY ICFS5W

A Side by Side Comparison with the Realistic TRF & the GE Superadio

by Mark Connelly - 30 William Road - Billerica, MA 01821

As part of a recent marketing effort, Sony Corporation made ICFS5W portable AM/FM radios available to selected DXers for a one-month trial evaluation. I was lucky enough to be chosen as one of the DXers involved in this project.

Before I plunge into the main body of this article, a thorough comparative study of performance of the ICFS5W versus that of the Realistic TRF (#12-655) and that of the GE Superadio (#7-2880B), I would advise the reader to refer to the article "Coming Soon - the Sony ICFS5W" by Gerry Thomas and Armand DiFilippo. This article appears in *DX News*, 5 JAN 1981, page 24 and in *DX Monitor*, 27 DEC 1980, page 16. The Thomas/DiFilippo article gives a rather complete physical description of Sony's latest offering, so there is no reason to repeat it all here. We shall immediately proceed to the results of "hands-on" testing which addresses the following: I - Sensitivity II - Selectivity III - Spurious Response (Strong Signal Handling) IV - Audio Quality V - Operation with External Aerials VI - Ability to Null (using internal rod antenna) VII - Frequency-readout Accuracy VIII - Special Features IX - Suggested Modifications or Engineering Change Orders ("Proposed ECO's") X - FM Performance Evaluation XI - Conclusions/Overview.

I - STRAIGHT SENSITIVITY: The daytime groundwave signals of stations judged to be weak here in Billerica, MA (about 20mi./32km. NW of Boston) were checked: these stations take in 18 channels throughout the AM band. In addition to the ICFS5W, a stock TRF, a TRF modified for improved selectivity & improved external aerial performance, and the GE Superadio; the main DX receiver, a Hammarlund HQ180A, fed by an SM2 loop was used as an additional sensitivity reference. All stations used are over land routes.

	ICFS5W	Stock TRF	Modified TRF	Superadio	HQ180A/SM2
WICC-600, 1kW. Bridgeport, CT	fair/good	poor	poor	fair	S-7 1/2 good
WLBZ-620, 5kW. Bangor, ME	poor	poor	poor	poor	S-7/fair-good (o/S5 WYMT VT)
WJR-760, 50kW. Detroit, MI	nil	carrier/in noise	nil	nil	S-5 /poor, noisy
WABC-770, 50kW. New York, NY	good	good	fair	fair	S-9/good
WNYC-830, 1kW. New York, NY	in noise/ poor	in noise	nil	high hiss/ nil	S-7/fair
WRCQ-910, 5 kW. New Britain, CT (o/WABI ME SAH)	fair faint 2X455 spur	no good: bad IF Spur	poor/fair slight IF Spur	poor	S-9/good
WINS-1010, 50kW. New York, NY	fair/good	good	fair/good	fair	S-9/good (o/S5 WCNL NH)
WKDR-1070, 1kW. Flattsburgh, NY	in noise/ poor	in noise	nil	nil	S-6 1/2/poor, noisy
WHLI-1100, 10kW. Hempstead, LI, NY	in noise/ poor	in noise	nil	in WILD sloop	S-8 1/2/fair
WNEW-1130, 50kW. New York, NY	poor/fair	fair	fair	poor	S9+10/xInt.
WHAM-1180, 50kW. Rochester, NY	nil	nil	nil	nil	carrier in WJMQ/WKX sloop
WCAU-1210, 50kW. Philadelphia, PA	nil	in noise	in noise	nil	S-5 to S-6 poor-fair, noisy
WICE-1290, 5 kW. Providence, RI	good	good	good	fair	S9+ 5 very good
WFLM-1390, 5kW. Plymouth, MA	fair/good some WLLH sloop	fair audible WLLH	fair slight WLLH sloop	fair but bad WLLH	S9+10/xInt. o/WCAT

I - SENSITIVITY TESTING (continued)

Station	ICFS5W	Stock TRF	Modified TRF	Superadio	HQ180A/SM2
WFIP-1500, 10kW. Milford, CT	nil	nil	nil	too much WHAV/WITS sloop	S-7/poor some WITS sloop
WDJZ-1530, 10kW., CT over/under WRKV-1530, 1 kW., ME	nil	nil	nil	nil	S-6 to S-7 fair/even mix
WQXR-1560, 50kW. New York, NY	poor	too much WNTN	nil	too much WNTN	S-8 1/2/fair
WYFA-1580, 10kW. Patchogue, LI, NY	in noise	nil	nil	nil	S-8/poor, noisy

The ICFS5W had a slight sensitivity edge over the stock TRF on the bottom and top ends of the band (520-650 kHz., 1450-1620kHz.). The stock TRF had a very slight edge over the ICFS5W in mid-band (950-1200 kHz.). The (transfilter) modified TRF exhibited a consistent 5 dB lower gain than the stock TRF. The Superadio had a fairly high noise floor that covered really weak signals with hiss: its performance was inferior to the three other portables, although only by a slight margin.

II - SELECTIVITY

Section a: Domestic stations

The ICFS5W, stock TRF, TRF w/transfilter mod., & the Superadio were tested on one separation of 20 kHz. and six separations of 10 kHz. The sloop produced by a given strong local against a desired weaker adjacent signal was gauged on each receiver. Steady daytime groundwave signals were used for all tests. Each receiver was physically oriented such that its loopstick antenna produced the maximum pickup in the direction of the weak (desired) station.

Desired Station	VS. Adjacent Slop-Causing Local	ASSESSMENT OF INTERFERENCE			
		ICFS5W	Stock TRF	Modified TRF	Superadio
WNYC-830 NY	WHDH-850 MA	moderate ticks	no QRM	no QRM	slight ticks
WTAG-580 MA	WEEI-590 MA	no QRM	some audible WEEI	very slight ticks	very slight ticks
WGFP-940 MA	WROL-950 MA	no QRM	no QRM	no QRM	audible WROL killing 940!
WYNZ-970 ME	WCAP-980 MA	slight QRM	moderate to heavy ticks	very slight ticks	970 impossible: heavy WCAP QRM w/clear " audio
WARA-1320 MA	WDLW-1330 MA	moderate to heavy ticks	moderate to heavy ticks, but 1320 still clear	slight to moderate ticks	clear WDLW audio totally killing 1320.
WOKW-1410 MA	WLLH-1400 MA	slight ticks	moderate ticks	no QRM	moderate to heavy ticks
WFOE-1520 MA	WITS-1510 MA	slight to moderate ticks	audible WITS equal to 1520 audio level	moderate ticks	bad WITS ticks

The ICFS5W seems to have a selectivity on 10-kHz. domestic separations slightly better than that of an unmodified Realistic TRF (12-655). ICFS5W domestic selectivity, however, is not as tight as that of a TRF modified with the addition of the Vernitron transfilter. The GE Superadio is a hair less selective than the ICFS5W or either of the TRF's.

Section b: Foreign stations / splits of 5 kHz. or less

Of course, the modified TRF (with transfilter) performed the best. The stock TRF had a slight edge over the ICFS5W. The Superadio ran a poor fourth, unable to satisfactorily slice Langenberg-1593 away from WQQW-1590 even though 1593 was only 10 dB weaker than 1590. On a 5-kHz. split situations with the split equal in strength to the adjacent 10-kHz.-channel stations (e. g. sunset receptions of Dakar-765, Surinam-725, St. Kitts-825, Antigua-1165), all portables deliver acceptable reception. In the case of Cayman Islands-1555, normally heard mid-evenings about 10 dB weaker than CBE-1550 & 20 dB or more weaker than WQXR-1560, the Superadio drops by the wayside in terms of selectivity adequacy. The stock TRF shows a selectivity decline on the top & bottom ends of the band; this is analogous to its comparable sensitivity degradation on the extremes of the dial - - both seem to result from compromises in factory alignment needed to get relatively flat sensitivity across the greater spread of the dial.

III - SPURIOUS SIGNAL RESPONSE CHARACTERISTICS

Each radio was carefully checked for any signals appearing in the "wrong places" on the dial. The writer has one extremely strong local, WRKO-680 50kW, 3mi./5km. distant; and numerous other locals of considerably lower strength but still of urban quality level. Results of the spur-test, receiver by receiver, follow:

Realistic TRF (Stock) Strong 2X455 = 910 & 3X455 = 1360/1370 IF Harmonics
(Modified) Slight " " " " " " " " " " " "

NO OTHER SPURIOUS SIGNALS NOTED ON TRF

ICFS5W (WXKS-1430) - (2X455) = 520 image at fair strength
(WITS-1510) - (2X455) = 600 slight image noted as variable-pitch squeal against WICC-600
(WNTN-1550) - (2X455) = 640 only audible in low-sensitivity position

USING LOW-SENSITIVITY POSITION CAUSES SIGNIFICANTLY STRONGER IMAGES.

(WRKO-680) X2 = 1360 internally-generated harmonic strong in low-sensitivity position, not audible in normal (high) sensitivity position
(WRKO-680) + (WHDH-850) = 1530 internally-generated mix spur noted at fair level only in low-sensitivity position.

MISC. - occasional traces of shortwave-frequency leakthrough included RTTY & SSB signals which appeared as weak variable-pitch squeals against AM-MW-BCB stations. This problem was judged to be minor, though.

GE SUPERADIO NO SPURS NOTED

IV - AUDIO QUALITY

The GE Superadio was best both in terms of fidelity and output level achievable. The big speaker and the separate bass & treble controls make the difference. The audio from the ICFS5W is very good for the size of the receiver: fidelity is far superior to that of the Realistic TRF which is of comparable physical dimensions. The ICFS5W's single high/low tone control slide-pot is adequate, although separate controls would have been preferable. The Realistic TRF has the poorest audio quality of the portables discussed here. The tone & volume slide-pots get noisy very quickly; the ICFS5W also is equipped with slide-pots. It would take a year or so of constant use to determine if the slide-pots in the ICFS5W developed the same noise problems as those in the TRF.

V - PERFORMANCE WITH EXTERNAL AERIALS

The ICFS5W, the TRF, and the GE Superadio all have provisions for external antenna connections for improving AM reception in "weak signal areas". The aforementioned "modified TRF" was modified for an improved external antenna operation as well as for better selectivity. Briefly, this modification entailed removing the low-side lead (of the coupling coil on the ferrite rod adjacent to the main antenna coil on the rod) from the tuning capacitor where it was joined to the lead going to the high side of the coupling coil. This low side lead was then routed to real circuit ground through a DC-blocking capacitor of approximately .01 μ f. To improve performance further, a few more turns were wound onto the coupling coil. The modified TRF totally outdid the other receivers when a single wire aerial was connected with no ground. This is the normal "in the field" mode of operation when the receiver is being used outdoors away from a convenient grounding point. On a typical beach or mountain DXpedition, a longwire is haphazardly stretched out and the DXer sits in his car or under a tree. The chassis of the car or a simple ground spike is ineffective at best, so it is advisable to have an external antenna input that provides real signal enhancement, even with a 20m/65ft. shortwire antenna & no ground connection. All portables except the modified TRF fell down flat on the job when no ground was available.

Providing both a 37m/122ft. longwire and a good water-pipe/mains ground gave readily perceptible improvements on weak stations on all portables tested; however, each receiver had idiosyncracies of performance outlined below:

Changes noted between performance with internal rod only and performance with 37m external longwire & a ground connected.

ICFS5W: Fair improvement, but receiver could not handle the overloading by WRKO-680, WHDH-850, WCAR-980, WBZ-1030, and WDLW-1330. Spurs and squeals popped up across the dial.

GE Superadio: Good improvement on the lower frequencies, but very little improvement on the higher frequencies. No spurs were introduced, fortunately.

Stock TRF: Good improvement, but some shortwave spurs were introduced. These included RTTY, SSB, CW, and international SWBC signals. (When either the ICFS5W or the stock TRF was used with a longwire & no ground, shortwave images/spurs were very objectionable.)

Modified TRF: Excellent improvement; spurs & overload problems negligible at this QTH. Performance with the longwire connected and the ground disconnected was only slightly less than when both aerial & ground were provided.

When a Worcester SM-2 active ferrite loop was connected to any of the four radios, nearly identical improvements in reception occurred (over no-external-antenna levels of performance). In every case, this brought a signal rated "poor" up to a "good" rating and a signal which had been rated "fair" using internal rod only up to "excellent" when the SM-2 was connected, turned on, tuned, and properly positioned for peak signal pickup. This was the only condition for which the external-antenna inputs of all four radios acted identically.

VI - ABILITY TO NULL

The Sony ICFS5W and the Realistic TRF could be turned while standing up normally on a non-metallic surface in such a direction that an undesired groundwave or low-angle skip station could be nulled down quite successfully. The GE Superadio had to be tilted more frequently to produce nulls: this is especially inconvenient when you consider the Superadio's bulkiness. If you DX with a Superadio, using an SM-2 loop (fed into the external antenna input ports) is highly recommended for easier nulling of "pests".

VII - FREQUENCY-SET ACCURACY/DIAL CALIBRATION

a. Frequency markings on dial face

ICFS5W	530	600	700	800	900	1000	1100	1200	1300	1400	1500	1600
TRF	54(0)	60(0)	70(0)	80(0)	100(0)	120(0)	140(0)	160(0)				
Superadio	55(0)	60(0)	70(0)	80(0)	90(0)	100(0)	120(0)	140(0)	160(0)			

b. Dial length:	bottom to 800k.	800-1200kHz.	1200kHz. to top	total
ICFS5W	2.7cm (1-1/16in)	3.4cm (1-5/16in)	3.8cm (1 1/2 in)	9.9cm (3-7/8in)
TRF	4.4cm (1-3/4in)	2.8cm (1-1/8in)	2.8cm (1-1/8in)	10cm (3-7/8in)
Superadio	7.4cm (2-7/8in)	4.2cm (1-5/8in)	4.5cm (1-3/4in)	16.1cm (6 1/4in)

c. Accuracy & total tuning range

The dial was set as closely as possible by sight to the indicated frequency. An RF generator nearby was used to couple a signal (through the air) to the receiver under test. The generator drove a digital counter; when the generator signal was adjusted to be in the centre of the receiver passband, the counter reading was recorded.

Dial setting, "eyeballed"	Actual frequency to which receiver under test was tuned			
	ICFS5W	Stock TRF	Modified TRF	Superadio
(bottom)	519	514	517	515
600	595	605	603	607
800	797	816	803	808
1000	994	1009	988	1000
1200	1204	1210	1192	1194
1400	1408	1403	1389	1394
1600	1610	1600	1583	1592
(top)	1650	1633	1635	1626

VIII - SPECIAL FEATURES

The ICFS5W has a drum-dial mechanism which can display frequency (AM), or one of ten "zone dials" indicating some frequencies and numerous clear-channel stations within that zone. Radio amateurs will recognise the zones as the same as those used for US ham radio call prefixes. Zones only cover the 48 contiguous United States (no Alaska, Hawaii, Canada, or European-oriented listings). The zone charts are useful for the novice DXer and the average AM listener who occasionally tunes out-of-town stations for sports, etc. The charts may help draw users of the radio into a greater involvement with real DXing. For more experienced DXers, it would have been better if Sony had taken the money spent on the zone dial and used it for an LCD digital display accurate to 1 kHz. & continuously-tunable (in other words, Bordeaux-1206 would show as 1205, not as 1210 baubling to 1200).

An LED indicator shows band selected on the ICFS5W; this doesn't offer anything a mechanical indication couldn't supply; it just looks snazzier. A tuning light scheme (again using LED's) surmounts the dial cursor; 2 green lights indicate weak signal or no signal and 1 red light indicates a signal of fair to excellent strength. It should not be construed as an accurate centre-tune meter; it works solely on strength. You can be tuned to the unreadable slop of a potent local and get a nice steady red LED indication. This tuning light scheme is less accurate as a tuning aid than is the ear. An LED string (5 or more LEDs) S-meter would be vastly preferable.

IX. SUGGESTED MODIFICATIONS

The following is a "wish list" that is applicable to ALL RECEIVERS TESTED.

- MOD-1: LCD digital readout. A read-out accurate to 1 kHz, or better resolution on AM and to 0.1 MHz, on FM is the ultimate tuning aid. When such a frequency display is combined with an accurate signal strength meter, perfect tuning and accurate frequency measurement are both possible, even with stations on "oddball" channels not conforming to any 9 kHz, multiple, 10 kHz, multiple, or 5-kHz, multiple channelisation plan. (Examples of such oddball freq, stations: RANI Surinam- 914, Belize - 834.) LCD's are preferable to LED's for the digital frequency display because their drain on the batteries is much less.
- MOD -2: Record output "RCA phono jack". Such an output would send audio to tape recording equipment, regardless of whether listening was being done with the speaker or with earphone/headphones. A switch could select "High Impedance Out" for home recording equipment or "Low Impedance Out" for the inputs of some portable cassette recorders.
- MOD- 3: A well-designed two-position selectivity switch offering a supertight 2.8 kHz, "serious DXing" filter and a 6 to 8 kHz, normal-listening IF bandpass filter.
- MOD -4: An adaptor plug to allow the use of stereo headphones should be included with any top-grade portable radio. The earphones supplied with portable radios are so uncomfortable and have such wretched fidelity that anyone who has been exposed to good audio soon searches for a better method of private radio listening. Radio Shack makes an adapter which has a mini-phone plug on the end to go to the radio's earphone-out jack and a jack on the other end into which stereo headphones may be plugged for hi-fi mono from your portable. The adapter is Radio Shack cat. # 274-361 and should be included with better portables; cost is less than \$2.
- MOD- 5: Adequate circuitry documentation. The ICFS5W instruction pamphlet wasted a whole page on "how to attach the carrying strap", but nowhere was a schematic of the circuit to be found! A radio intended for the hobbyist market should include (1) a schematic (2) a "roadmap" or PC board components-layout drawing and (3) a parts list as minium documentation. An alignment procedure would also be valuable. The receiver should be considered a component which the user may want to build into a larger operating system.
- MOD -6: Data pins for remote control & outputting of bits which activate frequency readout. It is my belief that a consumer-equipment control buss scheme similar to the "CPIB" or IEEE-488 system used in controlling of instruments in industry will soon be common in first-class portable radios, amateur radio gear, SWL/HWDX communications receivers, and home audio equipment (e. g. cassette decks). Such a data-buss would allow a timer unit to turn a radio & linked tape deck on & off to record music while you are work or DX while you're asleep. Furthermore, if a home computer could be data-linked to a receiver's "frequency bits in" control pins, complicated scanning, automated DX hunting, and parallel frequency routines could be set into motion. A stereo cassette deck could then be fed audio on one channel and frequency/time/date data pulses on the other channel, the contents of which could be flashed onto the screen of a CRT terminal as the tape was being played back.
- MOD -7: Signal strength meter, either mechanical or solid state.
- MOD -8: IF-out coax jack for oscilloscope-observation of subaudible heterodynes, analysis of the spectral content of stations received, etc.

X -FM PERFORMANCE Superadio VS. ICFS5W

The differences between the ICFS5W and the GE Superadio with regards to FM reception were slight. The ICFS5W received stations on 46 FM channels with its whip fully extended; the Superadio received stations on 50 channels with a fully-extended antenna. The ICFS5W had an image at the bottom of the dial from WXXS-107.9 MHz. This was probably on 86.5 MHz. (107.9 - (2 X 10.7 MHz, IF)). It was not noted on the Superadio; this may have been outside its low-end tuning range. Several stations received poorly on the ICFS5W were given a "fair" rating on the Superadio. So in the FM sweepstakes, the nod goes to the Superadio, although not by a tremendous margin.

XI - CONCLUSIONS

a. A "Report Card" on the Four Receivers Tested

	ICFS5W	Stock TRF	Modified TRF	Superadio
Sensitivity	B	B	B-	C
Selectivity/domestics	B	B-	A-	C
" /foreign splits	C	B	A-	D
Spurious response rejection	C	B	B	A
Audio Quality	B	D	D	A
Performance w/External Aerials	C	B	A	B
Ease of Nulling	B	B	B	C
Dial Accuracy	B	C	C	B
Extra Features	B	D	D	C
FM Performance	B	N/A	N/A	A
Appearance	A	C	C	B
Portability	A	A	A	C

b. Comments

It is up to the reader to weigh the relative importance of each of the above criteria, also taking into account price. The Sony ICFS5W is clearly a wise choice for those looking for an AM/FM receiver of similar size and having AM DXing capabilities like the Realistic TRF #12-655, no longer marketed. It can be inferred from recent reviews of the current #12-656 TRF that the ICFS5W's AM performance would easily surpass that of the TMpresently-marketed. The ICFS5W's audio is vastly superior to that of any of the Realistic TRF's of recent vintage. The Sony surpasses the GE Superadio in most considerations of immediate interest to MW DXers. The only foreseeable problem that could be serious to some ICFS5W users, is the mediocre strong-signal handling characteristic. This problem would most obviously manifest itself in terms of spurious responses appearing when the receiver is used in an urban area with many strong locals. The "transmitter alley" area in the N.J. Meadowlands area west of New York City would provide the site for a real acid test of all of the receivers tested above. Until other DXers come forth with the results of such strong-signal "stress-testing", using different ICFS5W's; we cannot say with assurance that the ICFS5W would have more spurious responses than the other radios tested. Overall, the ICFS5W is a hot little receiver in an attractive package at a fair price; it may be the TRF replacement many of us have been looking for, with FM capability to boot in a such more convenient size than the GE Superadio. Now, if they'd only include the schematic for the thing, we could get our hands inside & modify this radio into a real DXin' Machine.

MORE STATIC.....

Per a note from Jerry Starr, the WFRM-1450 DX test on 3/2 encountered some problems with the power-change relay at the transmitter and only the first seven minutes (0200-0207) were run at 1000 watts. Most stations would have dropped the rest of the test to make repairs but WFRM kept it on for the full test schedule, but only on 250 watts. When the damage was finally repaired, they had missed the first 45 minutes of their regular schedule next morning. Had they not completed the Test, they probably would have had time to make the repairs. We should all thank them for this effort on our behalf. Hopefully another Test with full power can be scheduled in the Fall. A note to FM DXers, their test was also carried on their FM, WVEN at 99.3 mhz. Any future Tests for NRC will also be simulcast on WVEN.

Going back to the recent foreign dues increase a moment, to simplify the increase, Ron Musco at the Membership Center has moved every foreign member's renewal date back four issues rather than try to collect the increase at once. So for foreign members ONLY, your annual renewal date will occur about one month earlier than originally established THIS YEAR ONLY.

THEY JOINED

Welcome to the following new members!! Muse soon and introduce yourselves.

Neal A. Perdue, Route 1, Box 154, Falkville, AL 35622
 Howard Huddleston, 3305 Aberdeen Way, Houston, TX 77025
 David S. Brodsky, 2760 Grand Concourse #3K, Bronx, NY 10458
 Tom Bowling, 6424 Heitzler Ave., Cincinnati, OH 45224
 David L. Baughman, 511 North 35th Street, Camden, NJ 08105

RADIO REVIEW
THE FISHER-PRICE TRF
(Toy Radio Fixture)
by Skip Arey

Since the recent birth of my son Brendan, I have been searching for an appropriate first radio for him. Of course if I had my way I would have run out and purchased a Drake R-7 straight away, but my wife thought this was unrealistic. I continued the search and finally came across the Fisher-Price Model 792 in the local toy store.

I must say I was impressed at the many technical breakthroughs that appear on this excellent radio. I am confident that we will soon see these new features on future models of more traditional receivers so I will list them within this review.

Firstly you will be amazed at the compact size and the clean lines of this rig of the future. The complete lack of any common electrical components signals the rest of the communications world as to Fisher-Prices many engineering breakthroughs. Clearly we have seen a trend as radios have become less and less complicated (eg. Radio Shacks move from the 12-655 TRF to the 12-656 TRF). The Fisher-Price TRF has only two operator controls. The tuning control is mounted vertically on the right side. It has ratchet stops every 9Khz along the standard broadcast band (a clear sign that Fisher-Prices hand is on the pulse of the future of radio). The ratchet allows for virtually backlash free operation. The other control is a ratchet operated volume control/on-off switch that requires 2½ turns in clockwise direction for proper operation. Again we discover Fisher-Prices unique ratchet control operation.

But the best is yet to come...

In these days of energy conservation, Fisher-Price has made a very important breakthrough. This receiver operates with no external power source or batteries at all. Surely this new power source will begin to appear in other areas of use in the near future.

But of course, every rig has its flaws.

The Fisher-Price TRF, as least as it comes from the factory has serious tuning and selectivity problems. This receiver that I purchased only receives one station that keeps playing "The Teddy Bears Picnic" over and over again without any ID. (If any of you have any information on this apparent pirate broadcast please let me know. It must be an NSP station because I can hear it no matter what time of day or night I turn on this rig). I investigated this problem further by returning to the store of purchase and examining the other F-P TRFs. Sure enough they all had a similar problem of receiving only one station. Some picked up a station playing "London Bridges Falling Down" so clearly the problem is one of selectivity and not sensitivity because the design is capable of trans-atlantic reception. Other F-P TRFs were receiving a station playing "Row Row Row Your Boat" so on these radios the tuning problem must have been so bad as to de-tune the radio into the maritime bands.

But I must admit that Brendan does enjoy this radio even if it only receives one station so it does make an excellent first radio.

Maby I can get him the R-7 for his first birthday.

Whats so foolish about April anyway???

Skip



MUSINGS

ERNE COOPER
5 ANTHONY STREET
PROVINCETOWN, MA 02657

The opinions expressed in this column are those of the individual members, and do not necessarily reflect those of the editors, publishers or NRC.

A HAM'S-EYE VIEW OF BCB DX

EVAN RUDOWSKI - 257-43 149th Road - Rosedale, NY - 11422 2/25/81
***** How's DX, all? DX here is nil with my job being from 6-11pm and then off to sleep for a 6:30am alarm. However, I had an interesting experience with a ham operator that's pretty good. I have the utmost respect for hams, but if there are any in the NRC, you are rare in your acceptance of BCB DX. My uncle is a ham and he was over at my house recently. He's been a ham for 35 years and in that time he had never seen a BCB DXer. His first comment when he saw my stuff was "You'll outgrow it when you get into REAL radio." Aaargh! He was impressed at some of my QSLs, but of course "Why would you want to listen to other places when you can talk to them too?" Double Aargh! And even if I just want to listen, why not try something legit like Shortwave? Some people will never understand, sigh. So much for that, besides which nothing is new. Again I remind you to carpool to the Convention, or more directly, I will pay through the nose for a lift. Until next time, 73's, good DXm and C U N 7.

WHAT'S IN YOUR BLOOD?

PAUL MOUNT - 471 Emerson Avenue - Teaneck, NJ - 07666
***** Once I stopped going to company dinners I went to almost every Teaneck HS BKB game in 1980-81 despite having graduated a couple years ago; it's in my blood I guess. Radio contests must be in some people's blood as I called ROB KRAMER's GTG during the second part, & the two phones were answered "KTIL's gonna make me rich" & "HCJB's gonna make ME rich." U. of Kansas BKB is on KCKN-1340 + FM & U. of NC on WCHL-1360 per seeing banners draped over broadcast table on the TV game. MM 1/12 I was rather surprised to hear WCSM CIDs coming thru WSLR/WZIX around 12:50am. One of them, WZIX or other QRM said "that's all, folks" @ 1:03 & cut carrier, leaving a battle of two Ohioans. Several VIDs plus tones were heard & I think I heard them on the low power also per time listed in DX NEWS. Thanks, BRAD LOVETT & nice to talk to you, too. Someone w/WGY-810 turned out to be WWDJ-970, yuck. Thanks to HARRISON REED-3 for his nice letter explaining some of the spurs I had, be they images, cross-modulation or whatever. He also has the finest script handwriting I've ever seen - those of you who get a letter from him get a treat on the envelope. WHN off, but KYW-1060 on, so no WHFB TEST heard here. Whenever WHN would put their carrier on, a talk show would be heard. Back to 1350 1:45 for the TEST, repeated "Never Be the Same" & Woman played. TTers on 1460, 1280, 1180, & 570 w/WABC THERE ALSO THANKS TO WWDJ. WQAM-560 Miami ending Mormon Country Crossroads talk 1:55 w/WFLI QRM. WCTC-1450 the tester between 2:04 & 2:20 ID announcing "Engineering Tests." Sat. 1/24, driving home from Englewood I noted WJIK-1580 in fairly well @ 4:35, that's 25 minutes before their sunset. Usually only the nearest station on a good SSS channel is dead or muddly for five minutes following a batch of s/off's at the 15 minute interval. I got home in time to get an ID on tape, & WPGC came in also. MM 1/26, looking for WAVU-630-AL TEST I had Cuba & KE r talking about AM-FM-Cassette machine 1:12. A second SS had lively mx & announcer, seemed strong even in Cuba null, this 1:12-1:22. No luck on WENN-1320 AL TEST either, thanks to F talker (13Q?) & sloop from local on 1330. Out of room, I will continue this in a later Muse. Come to NJ over Labor Day.

"INTERESTING" PART OF BANDSCAN

EARL T. HIGGINS - 286 Lawton Road - Riverside, IL - 60546
***** Here is that last half of a Riverside IL bandscan. "Vital statistics" about RX, location, etc. appear in last issue. 1230: WJOBb, WJBCd, 1240: WEDCa, WSBCa, WCRWb, WSDRd. 1250: WEMFc, WIZZd. 1260: WNDEc, WEKZd, WJBLE. 1270: WWCAB, WHBFD. 1280: WMROe, 1290: WZUUE WIRLT WILTL. 1300: WTAQa 1310: WIBAC, WIFED. 1320: WKANb, WJJD-spur. 1330: WPRZc (now silent) WRRRd, WKKRs (at 263 miles). 1340: WJOLb, WMKE (Milwaukee), WTRCt. 1350: WIOUc, WXCLd. 1360: WLBKc, WKMIe. 1370: WLTHb. 1380: WBELe. 1390: WVONa. 1400: WSJMd WRJNe. 1410: WRMnc. 1420: WIMSc. 1430: WEEFb, WCMYd. 1440: WROKd, WDOWt. 1450: WXOLa WCEVa WASKe (with locals off). 1460: WNEGd, WIXNe, WRTLe. 1470: WMPPc, WMBDD. 1480: WFXW (Geneva). 1490: WOPAA. 1500: WAKED. 1510: WJRCc, WVONspur. 1520: WLOWd, WLUVe. 1530: WCKYs WLTDc. 1540: KXELs WCBKs WLOIc. 1550: WCSJc, WMIRe. 1560: WRIND. 1570: WBEAe. 1580: WFRVd, WJVAs. 1590: WONXb, WNTSs. 1600: WMCWd, WCGOe. 1610: KMB428e. Forgot's: 620-WMAQ-spur, e; 660-WBRM-spur, d, 1380 WGHKs, 1480 WISM. Totals (excluding spurs & tentatives: 137 stations. This is with 18 locals up & down the dial. Note there are a total of 36 stations with an a or a b after the calls. These are all of entertainment quality. If anyone wants any of local or excellent quality stations taped, just send a cassette & it will be filled with your requested stations. I'll do this for all on the list, but a few stations you'll have to take pot luck, hi. No skywave day reception or tentatives - too unpredictable. 73

A CANFIELD BAND FEEB

MIKE CSORBA - R.R. #1 - Canfield, ON - NOA 100
 ***** Hello again all. Here is a bandscan from the great Metropolis of Canfield, best known (or infamous) for its proximity to the KCOC tower site at Nelles Corners, Ont. Here goes; the dominant station is underlined. 540-
 CBEB-ON, 550 WGR-NY, 560 CFOS-ON, 570 WKBN-OH/CHYM-ON equal, 580 CKWV-ON, 590
 CKEY-ON, 600 WSOH-OH, WFRM-PA, WTAC-MI. 610-CKTB-ON, WTVN-OH. 620 WHEN-NY,
 630 CFCO-ON, CFBK-ON. 640-WHLO-OH, 680 CFTR-ON, 710 CJRN-ON, CHYR-ON, 730 WPIT
 -PA, 740 CBL-ON, 760 WJR-MI, 790 CKMW-ON, 800 CKLW-ON, 810 WEDO-PA, 820 WOSU-OH
 850 WJW-OH, WJAC-PA, 860 CJBC-ON, 870 WHCU-NY, 900 CHEML-ON, 910 CKLY-ON, 920
 CKNX-ON, 930 WBEI-NY, 940 WGRB-PA, 950 CKBB-ON, WWJ-MI. 960-CFFJ-OH, CKWS-ON,
 970 WEBR-NY, WFUN-OH. 980 CFFL-ON, CHEX-ON. 990-WNXX-NY, 1000 WSMU-OH, 1010
 CFRB-ON, 1020 KDKA-PA, 1050 CHUM-ON, 1070 CHOK-ON, 1080 WUFO-NY, WEEF-PA, 1090
 CKKN-ON, 1100 WWWE-OH, 1110 CKJD-ON, 1120 WWOL-NY, 1130 WCXI-MI, 1150 CKOC-ON,
 1180 WHAM-NY, 1190 CJMR-ON, 1220 CHSC-ON, WGAR-OH, 1230 WECK-NY, 1240 CJCS-ON,
 WJTN-NY. 1250 CHMO-ON, 1260 WLKK-PA, 1270 WHLD-NY, 1280 CJJD-ON, 1290 CJBA-ON.
 1300 WXLN-NY, WERE-OH. 1310 WNAE-PA, 1320 CFCG-ON, 1330 WRIE-PA, 1340 CKDK-ON/
 WLVN-NY equal, 1350 CKAR-ON, 1360 WWOH-WMNS-NY equal, 1370 WVCB-PA/WSPD-OH/
 WSAV-NY equal, 1380 CKPC-ON, 1390 CHOO-ON, 1400 WYSL-NY/WJET-PA equal, 1410
 WDOE-NY, 1420 CKPT-ON/WTK-OH equal, 1430 CKFE-ON, 1440 WJLJ-NY, WHEH-OH. 1450
 WEYZ-PA, WHDL-NY. 1460 CJOY-ON/WWG-NY equal, 1470 CHOW-ON, 1480 CKAN-ON, WHEC
 -OH, 1490 WBFA-NY, WMGW-PA, 1510 CKOY-ON, 1520 WKBW-NY, 1530 WHYP-PA, 1540
 CHIN-ON, 1550 CEE-ON, 1560 WBKC-OH, 1570 WBCZ-NY, CFOR-ON, 1590 WGGG-NY, WJBT-
 NY, 1600 CHNR-ON. Whew! That bandscan was made from 10:45am till 12:49pm on
 1/17. Interesting note: Winter CX brought in CKY-MD in CKWV null on 580 from
 11:04 till 11:25am, & a verie back from them in 21 days, w/a v/l & BS. Really
 caught me by surprise, but CBW-990 was in, as was WBBM-780. Oh well, so long
 for now...good DX and better verifying, hi! 73, or 8² + 3⁺.

GREEN GRASS IN QUEBEC IN FEBRUARY

Feb. 23, '81
 ANDREW F. RUGG - 668 De Gaspé - Apt. 408 - Ile des Soeurs, P.Q. H3E 1H9 VE2AQP
 ***** On 2/2 I took a day's vacation and had a successful MM DXQ session. There were two new loggings and a likely tentative. From 1:59-2:26 I reported WLQV-1500, a call-change. My old WJBK verie is dated 1962 & my WDEE one is 1977. I missed out on WCZY. From 1:31-1:41 there was a TT u/WCKY, which terminated with a s/off announcement at 1:41 (mentioning a 7am s/on). I couldn't ID it, but a tentative sent to WVFC. From 2:53-3:03, WYNZ-970 up-surg'd through the CKGM-980 slopover, another call change. My WGSB verie is dated 1960. Other items of note were CHOW-1470 atop the channel at 1:20 and a WCHB-1520 ID on ET/TT @ 1:57. I tried the WMBT-1530 r/c but couldn't hear anything through the WCKY QRM and the image from CJMS-1280, despite using three different radios. By the time of WVFC's scheduled r/c, the CJMS image had vanished from 1530, to be replaced by the more common CFCF one. (CFCF-600 combines with CKAC-730 to give me nearby CFCF on 1530). FRANK MERRILL pin-points my 900 SSS mystery as WNYN, Canton, Ohio, so tentative sent to them. I can't confirm whether CJEN-900 is off the air because I am close to CBM-950's XR (as well as CKVL-850) and during the daytime the two together blot out everything in between. For PAUL SWEARINGEN, I believe that FANK WILKINSON handled the foreign DX stats prior to NORM MAGUIRE. As I type this, Montreal is basking in a week-long 50⁰ "chinook" spell, more like April than February. By the time I read it in print we'll be back to ice & snow. 73.

THE GEESE FLY HIGH

HARRY HAYES - 9 Henry Street - Wilkes-Barre, PA - 18702
 ***** The Citizen's Voice, which is a local paper, carries much news on broadcasting lately. In one article they mentioned that Penn State College at State College, PA was interested in acquiring 820 for a broadcast station. Carried would be NPR features along with some Penn State sporting events. They are planning on 50kw daytime and 5kw directional at night. The article does say they expect some flak from WBAP but all in all expect to be on the air in two years or so. Dreamers! In other news, WPCN-960 Mt. Pocono PA is not on the air yet even though they have had their three tower array up at the intersection of I-80 & I-380 for a long time. WARD-1540 Pittston PA, 1kw, may conduct a TEST sometime in April on a MM. Nothing definite yet. I have contacted the owner by letter this week so I am waiting for the word. GLENN JACOBS knows the owner & says he sounds interested in DXing. I have not DXed at all through most of February due to other hobbies & activities but did have the radio on on the last day 2/28 at SSS. At 5:38pm WCMS-1050 Norfolk VA came in w/c/w thru WHN's c/w. Four IDs were heard, & a new station on this tough, tough channel. I do plan to put a better foot forward as far as DXing goes in March. All this warm WX at the end of February is weird. There must have been about 20 flocks of geese flying North on 2/28, really strange. This WX has produced TV tropes into Maine on 2/22 so doings on this band have taken me away from the AM a little also. I got a hold of some 1969 DX NEWSes and the first offsets. I'm getting a kick out of reading the old Musings and seeing how better CX were then, just 11 short years ago. I joined NRC in 1971 and there seems to be a vast difference even between two years! It is also interesting to note how many names back then are still reporting their DX, quite a few. That's all from WARMland, PA.

KEEP AN EYE (AND AN EAR) ON 650

PETER A. NOLAN - Box 1524 - Eugene, OR - 97440 503-485-8049
 ***** More loggings from a productive February--2/19, 8:08am XEEI-1520 u/KYXI/KACY w/SS talk & San Luis, Sonora, AZ mentions & 8:12 ID, first Mexican daytime logged from here (or anywhere else for that matter). Also that morning, KVRE-1460, another relatively near and hard one, 9:00 s/on at 500w PSA while I was waiting for (and still needing) KNIP's s/on (not heard), mentions of the usual s/on announcements dropped in and then gone to KEED splash & KMWX NX. 10:07, KIQS-1560 noted mixing it w/KGHO & KPMC. 2/20 was the banner morning, with long-unheard KFAR-660 strong all night & tentatively IDed KYAK-650 confirmed 6:15am, running Larry King with a feed that didn't match CLT, MLT, or PLT stations. I called Anchorage to confirm while they went into Spots, as the signal was poor u/KORL & wasn't going to last until a 4am ID. (It didn't.) Guy I talked to says one of KYAK's towers was lost in a windstorm last year, and they are operating on a temporary 25day/10night non-directional pattern rather than their licensed 50/25 w/a tight null to the S - this might be a good opportunity for those needing Alaska and not living in Nashville. 1560 found the newly AN WQXR tentatively w/cl mx 6:35-7am, KKAA on top w/ads mentioning Aberdeen and Highway 12, & a WX forecast that eliminated a casual KGHO ET as the culprit, hi. WQXR was positively IDed 2/24 w/6:01 ID into MX and mentions of WQXR, WX forecasts, ads, & short pieces through the next hour over a plethora of other unID stations signing on - great Eastern opening! Back to 2/20 - a 7:00 tune across found KPWW-1120 off the air, & the rare SP by this local 50kwer yielded KREX-1100 u/KFAX, XERED-1110 & KRLA-1110; XERED was new & #715. KIOA-940 noted @ 7:35 w/T-40 u/KFRE & friends. Back to the dials 2/24 w/the above-mentioned WQXR logging, also KFYZ-550, not heard in a couple years I think, u/KMVI w/KOY/CKPG nulled 7:32am and mentions of Bismarck and "KY-93" (their FM is KYXX-92.9). Finally, an unID I need help with - a strange language noted 7:45-8:30 w/long fades on 870, sounded Filipino, which says KAIM-870, but: antenna was pointed to null Hawaii; there were no Hawaii mentions or 8:00 ID, & fades were uncharacteristic of Hawaiian signals that night - more like Far North. 870 is not a 9 kHz frequency - was this KAIM? Any WC members w/opinions? (Also NRC Log says they're not on at this time, but that could have been changed). With WQXR newest, totals stand at 716 logged in 38 states & assorted other countries over nearly four years (excluding 1979) in Eugene.

HAPPY HALF A CENTURY, SIDNEY!

SIDNEY E. MARSHALL - 7224 Pam Drive - Millington, TN - 38053 March 1, '81
 ***** Nothing like writing a Musing on your birthday as today marks my 50th milestone! Another notable date will be coming up next month which will mark two years back into DXing as well as with the NRC. I've already sent my membership renewal in for another year in this fine Club! I have eight new catches to report as follows: On 2/13, only a few hours after mailing my last MUSE, three new ones were logged within a 17 minute span, i.e. at 6:15pm WLVN-1080, Ala. was in with TC, ID, comment that we'll be on the air for 15 more minutes, then into mx before dropping out. Then at 6:31pm, full s/off of WKAC-1080, Ala. was heard. This was folo by WECF-1080, Miss., in at 6:32pm for several minutes, with spot for Massey-Ferguson farm implement dealer in Carthage, mx, ID, & spots for car dealer and food store. It is rare that I'm able to DX this frequency as the splatter from semi-local WDIA-1070 covers everything on 1080 at this time of day! It's one time that I beat Murphy's Law! Then on 2/16 @ 1:06am the TEST of WMUU-1260, SC, was in w/an excellent signal until I turned the dial at 1:30am. The TEST format was REL mx, TT of about a minute duration, and announcement: "This is WMUU Greenville SC, conducting ET." This sequence was repeated over & over. I have already received a v/l, CM, & rate card from them. On 2/18 at 4:55pm WJ30-1590 Tenn. was in for five minutes with mx, station promo for evening programs, "WJ30 - Rock 16" ID, more mx, and top of hour ID. On the same evening WPCY-1360, Ala. ex-WLIQ) was in at 6:32pm with Farm Bureau Insurance spot, state NX, area WX & temperatures & ID heard before it faded out. On the evening of 2/22 at 6:15pm the s/off of WFGW-1010, NC, was heard u/KLRA. Also on evening of 2/22 I caught the top of hour ID of CBM-940, PQ, @ 7pm, and WX for Montreal @ 7:05pm, folo by announcement of up-coming musical program before WMAZ completely covered everything. This is station #20 from Canada. With these newies my station total now stands at 893 heard. Looking ahead at my work sked it'll probably be two or three weeks before another MUSE so till then good DXing to all.

ANOTHER NEW ONE FOR VERMONT ON 1340

STAN MORSS - Route 3 - Bradford, MA - 01830
 ***** "Vermont complete" is down the tubes - 1340, Poulthney, VT, granted 250w. I couldn't wake up to try for WCWA TEST but if no more luck this time w/a verie than last TEST time wasted. Listening to WRC-1310 Monday on packing shed radio, said now a member of Enterprise Sports Network.

WHAT IS YOUR MOST INTERESTING OR UNUSUAL EVENT DX-WISE OR CLUB-WISE DURING THE REIGN OF THE LOUISVILLE PUBLISHING COMMITTEE? WHY NOT ADDRESS THIS SUBJECT IN YOUR SUMMER MUSINGS? SEE OUR DEADLINE SKED IN LAST WEEK'S DX NEWS.

RUSSELL RUSTLES UP SOME GOOD DX

RUSS EDMUNDS - Box 127 - Boonton, NJ - 07005 2/25/81
 ***** Hi again! Some DX since last time, so right to it! 1/7-1590, @ 6:24am, an unID jx "W-S-L-A, 1-5-9-0" of the type often heard on C&W stations. Maybe it was WSMA, as I heard them at 6am s/on 2/19, but maybe a call change? Sounded pretty clear on my tape. 1/26 TESTS a washout, but I did catch newie WMYB-1450 w/s/off. WMTL-1580 r/c heard 2/4; WSVL & WHIC, both 1520, checks heard 2/6. 2/7 brought s/ons at 5:59 & 6:00 respectively of WPLW and much-wanted WARV, which completes RI for me. I still need one CT (WSNG-610) and one NJ (WDVL-1270) and several NY, PA, MA. I think I only need three MD, and one DE (WNRK-1260). Anyone with info on regular s/on times (PSA-6:00) or actual SR, or later for weekdays or Sundays please advise! 2/12 brought WBBH-1240 r/c, & 2/15 the s/on of WEER-1250 @ 5:59. WNUU-1260-TEST was in well o/unn WEZE w/TEST & WNRD/WNDC 2/16 1-1:20am. A number of r/c's were tried but not heard or only tentatively heard (T) to wit: WNBZ-1240 (T) third Wed. AM 1/21; WATA-1450 (T) fourth MM 1/26; WBGW-1340 first Tues. 2/3; WLBQ-1570 first Thrus. 2/5; WHCC-1400 second Tues. 2/10; WAMI-860 first Wed. 2/4; WFJT-1590 first Sat. 2/7; WLKX-1250 2/15 third Sun.; WXIV-1450 second Sat. 2/14. Oh well, can't have everything, hi. KRPX-1080 TEST 2/9 a maybe, w/an unID MoR w/segues & CBS NX u/ATIC, but I doubt it. If not KRPX, who? (Sounds like KRLD to me -ERC) Finally, 2/7 an unID NBN or MBM station 6:02am w/WARV s/on w/IX-caster Ed Castleberry, who? Only thing listed it might be is WVOE, which I doubt, help? Anyway, be sure to make plans for the NJ Convention! More info on that soon, as well as more Afr graphs and a DDXD within the next seek or so.

LET'S NOT DISCOURAGE YOUTHFUL ENTHUSIASM!

JERRY STARR a c/o WSRD RADIO - 401 North Blaine Avenue - Youngstown, OH - 44505
 ***** Greetings again. Little DX to report, a few veries in, both v/1 from WXVW-1450 AND WNUU-TEST. Listening time has been pinched by work at the race car shop; racing season starts for us in a month. However, I felt I should write to comment on some remarks made recently here in DX NEWS and several letters to me (all polite I might add) from members. On the subject of several questionable loggings by a certain young member, let's have a little understanding for him and all other new DXers. After all, EACH of us has probably made mistakes due to our youthful enthusiasm for the hobby. Like any other endeavour, it takes time to gain knowledge, and lashing out serves no constructive purpose. Let's hope we haven't alienated somebody who has the potential to become a good, solid DXer. Remember the saying "Let him who is without sin cast the first stone." As to the question of whether an editor should allow "questionable" loggings to appear in his column, I can speak from some experience, having been a DDXD editor. Contributions that have passed a certain "time" deadline should be dropped (old loggings, etc.) since a precise rule can be made concerning this (i.e.: no loggings over a month old) but when it comes to making a subjective decision (Do I really believe he actually heard this?) it's not easy to do. An editor should not be expected to have the responsibility, or the right, to reject a logging simply because he personally doesn't believe it. Each contribution should be given equal treatment. It is really up to each of us as individual DXers to evaluate what is printed. If you personally choose not to believe a logging, than that's your choice. If it's arbitrarily edited out before you read it, then your right to make that choice is taken away. Your own sensibility and knowledge should be the final editor. And, lastly, I can't believe that ANYBODY could take the "WEBW Loggings" seriously. This has been a "running joke" in DDXD for years now. Bits of humor have been a hallmark of DDXD for many years and is, in fact, the reason why many readers read the column carefully instead of skimming over it. Life without a little humor would be dull indeed! I'll close with one bit of DX: 2/30-KBEL-1240 heard loud at 6am relaying WEBW audio. If you buy that, I'd like to talk to you about some swamp land in Florida...or maybe the Brooklyn Bridge. 73.

LET'S WELCOME JIM TO THE MUSINGS GANG!

JIM ROLLINS - 5582 Ascot Court, Apt. 121 - Alexandria, VA - 22311
 ***** This is my first Muse, although I've been a member for a while. Although I'm not doing much real DXing at present, I've been a DXer almost as long as I've had a radio. In fact, my parents claim that the first word I spoke was "radio". I'm 41 years old, work for Uncle Sam, am a bachelor, and my hobbies, besides DXing, are collecting big band records & reading about streetcars. I was a member of the NNRC (I do some FM DXing) but switched to NRC after buying your Night-time Pattern Book. I learned more about radio than that than from anything NNRC had sent me. My principal radio is a Sanyo RP-8880, but I have several others. My biggest complaint about radio today is the too-frequent changes in stations' call letters (my life list is kept by call letters). I was going to complain about all the "digs" at "The Music of Your Life," but you redeemed yourself by publishing their station list. I've heard it on several stations & I like it (as you can imagine).

BACK TO UNUSUAL OR MEMORABLE EVENTS SINCE THE L.P.C. HAS BEEN IN THE VAN. WE MEAN, FOR A COUPLE OF EXAMPLES, MIKE TUGGLES SUCCESS WITH A CRYSTAL SET, THE T.R.F. MODIFICATIONS, OR THE KITE ANTENNA OF CHARLIE BARFIELD & GERRY THOMAS, OR STEVE PONDER'S GREAT DISCOVERY WHILE COOKING & DXING. WHAT COMES TO MIND? WHY NOT LET US KNOW ABOUT IT IN A SUMMER MUSING? NEXT DEADLINE IS APRIL 6th.

CHARLES ALSO DXES THE SW BANDS

CHARLES GEORGE - 6407 Howard - Dallas, TX - 75227
 ***** Feb. 22 I received a nice phone call from LARRY VAN HORN. Since then I have had the pleasure of several chats with him on MW DXing and various techniques. I enjoy listening to both MW & SW; I also like DXing FM but do not have the best setup for that type of DXing. I like MW DXing in that when I hear a foreign station from a country I get the same programming the locals are receiving instead of specially designed programs of propaganda. Of course the Cuban stations have the same material as on RHC, but I find they do not seem to have the audio distortion heard from RHC's XRs. I also have heard stations on the MW from countries without any SW except for unsked utility and/or amateur stations. In the past I have received veries from two of the countries in the above category: R. Barbados, 900 kHz, & R. Jumbo-545, Rouseau, Dominica. I have had several good catches, at least to me, & I have sent them on to IDXD. Since I do not care that much for sports I was glad to see the Enterprise Network list so I can know what stations to tune past. Of course talk is easier to null so the list will help to uncover some new stations for my logs. I am always glad to see that someone can use the Dallas stations as DX, especially KPBC & KSKY. I live about ten blocks from KPBC & about five miles from the sight of KSKY; therefore I forget that anyone would appreciate getting those stations as DX in their logs. I used to go after veries more than I do now. I have been disappointed by the very poor rate of return; as well as, I believe most of my foreign veries have come more as a favor rather than proving reception. I still like collecting veries in that they are good souvenirs of the fun I have had in the past when the noise is too great; veries also help attract the non-DXer. I try and collect a verie from a station when it is from a state I do not have verified or a country not already verified. I like MW DXing since more persons know about MW than SW. 73s

GEORGE DXES WHEN "HIGH"

GEORGE A. SANTULLI - 689 McCloud Avenue - Thousand Oaks, CA - 91360/805-495-
 ***** Hi all. A really busy work sked has all / 7833 but obliterated my DX season. To add to the work my old trusty receiver has hit the skids. I am now on the lookout for a good HQ-180 or 180-A. Any help out there? Over the years it seems to have proved itself beyond a doubt. I would like to hear from some users on its performance. A recent trip to the Grand Canyon in Arizona proved to be quite interesting. While waiting for my wife to come out of one of the ubiquitous "Babbitt's" stores on the South rim, I started to fiddle with the car radio and was surprised at the results. It was a Saturday, 2/21, @ 6pm ELT. A clear but cold day at elevation about 7,000 feet. I was trying to pick up an L.A. station when the announcer said "This is KMOX, St. Louis." I almost fell out of the car. The following was what else I heard that day: KV00-1170 OK; KBOI-670 ID; KGYN-1210 OK; KOFI-1180 MT; WOAI-1200 TX; KMJJ-1140 NV; KRDS-1190 AZ; KNBR-680 CA; KPAB-1110 NE; KFI-640 CA; KFBE-1530 CA; KRAK-1140 CA; KSL-1160 UT; KRLD-1080 TX; KTW0-1030 WY; WHO-1040 IA; KBCQ-1020 NM; KRVN-880 NE; WLS-890 IL (This one blew me out, it was in like a rock); KOA-850 CO; WBAP-820 TX; WCCO-830 MN. I had just recovered from WLS when this one bombed in, the sun still out! Wife still in store! KIEV-870 CA; WHAS-840 KY. I am on the floor of the car now, Kentucky in the middle of the day! No sign of WIFE! KAFE-810, NM; KCRL-780 NV; KOB-770 NM; KSVN-730 UT; WREN-1250 KS; KSEI-930 ID; KXLS-1230 CA; KVOR-1300 CO. By this time it was 7pm ELT and the fantastic voyage was over. What a DX location that was, the parking lot of Babbitt's general store in Grand Canyon, AZ! I guess the cold air and the elevation had a lot to do with it. Has anyone else ever experienced this daytime DX from similar elevations? It was great fun. Good DX to all. If you know of a good HQ-180 out there for sale, please contact me.

CARL'S HEARD SEVERAL NRC TESTS

CARL W. LABELSTEIN - 8209 West 78th Street - Overland Park, KS - 66204
 ***** Things have kind of slowed down here as far as DX goes. Only five new loggings since first Muse of the year last month. The TEST from WHIC-1520 in Hardinsburg, KY. The 2/9 TEST from KRPX-1080 came in surprisingly well. I was in Stamford, CT at the time, but had set my RX & tape recorder up with a timer before leaving home Sun. afternoon. I was very surprised to see how it sent when I got back in town late in the week. By the way, I heard BOB FOXWORTH's name given in the program-ending credits for a WCBS NX program as I was pulling into LaGuardia Sat. afternoon. The TEST from WNUU-1260 2/16 came in much better than had been expected. The REL mx really penetrated WNDE. Later that AM, I heard KGFL-1110 in Clinton, AR s/on u/KFAB @ 8. A few veries have trickled in during the last few weeks: v/1's from KAKZ-1240, KNMX-540, KIEL-1500, WKKR-1330, WHIC-1520, WNUU-1260 & KRTN-1490. V/PP/c from KLNK-1560. Total is now 2,077. The KRTN was my #50 from New Mexico, the 17th state with at least that many. The KNMX verie I originally received had NEIL ZANK's name on it, & he received mine. We have since made the switch. It was nice to have fellow NRCers ERNIE WESOLOWSKI, NEIL ZANK & BOB MCCOY over last Saturday. Former NRCer Bruce Reynolds came along too. He plans to return to Bangkok around 4/1. Not too much else this time, so 73's.

NEIL LOGGED WBT-1110 IN KFAB COUNTRY

NEIL G. ZANK - 623 Lyncrest Drive - Lincoln, NE - 68510 March 6, 1981
 ***** Things have been going along pretty well here since I got my DX toothbrush. And every so often a new station or verie goes into my files. In going over a few of my statistics I notice that I have heard 94 Canadian stations & 116 Texas stations to date. Those were just a few spot checks I made on my own records in the files. Most of my DXing this season has been done with my RF2600 Panasonic portable and my HQ-180A. The best thing about the RF2600 is the digital readout, it will tune down to about 518 kHz. A couple of nights this past week there was a weak signal audible from Costa Rica on 535 kHz using only the built-in ferrite antenna. I don't remember for sure where I cut off on reporting DX in my last Musing contribution, but I will report my latest DX. 2/16 TEST from WUUU-1260 made it here 1:01-1:25am o/u KGBX & WNDE. KTFP-1400 Texarkana, TX heard on ET of pop mx & one ID, 2:06-2:15am. 2/18- KKIT-1340 Taos, NM was caught on r/c per list 2:36-2:45am w/TT & one ID. 2/19- I finally got a sure log on WBT-1110 Charlotte, NC due to sporadic KFAB SPs, logged 2:30-3:10am w/c/w mx & truckers' WX - CHQT & WKJD heard too, plus I believe that KRLA was under there but no sure ID. 2/19 SSS, KROE-930 Sheridan, WY w/c/w mx into s/off 7:28-7:33pm on a BOB MCCOY tip. 2/20 & 2/24 I heard new nighttimer KSOP-1370 South Salt Lake City, on with C&W mx & IDs, a tough mix with WSPD & KSUN C&W mx also. 2/25- KBER-1560 Abilene, TX on ET 1:42-2:03am w/TTs, OC, IDs & mx from Star Wars. CKLC-1380 Kingston, ON in on rare appearance @ 2:10am w/MX & ID. 2/26- Unn WFMJ-1390 Youngstown, OH in on ET of TT & ID 2:51-3:01am. MM 3/2 w new KDJS-1590 Willmar, MN on ET of Bluegrass & C&W mx with one good ID, 1:30-2am for a nice surprise. 3/3- KDAP-1450 Douglas, AZ on r/c per list 2:16-2:30am w/TT & one good ID heard, a pleasing GYer here. 3/4- KOPY-1070 Alice, TX on r/c-TT per list heard 1:26-1:40am with one good ID. The past week or so I have had a mystery Mexican semi-dominating on 1590, but no sure IDs - I suspect XEACH Monterrey but I have yet to prove it. As of 2/26, KRPX-1080 received 16 reports for their TEST of 2/9, I suspect more people than that heard them. They were fine people to work with on a TEST.

RURAL ROUTE MAIL DELIVERIES MAY BE CUT

WHEELER CONOVER - RR #8 - Box 344B - Manchester, KY - 40962 March 7, 1981
 ***** Hi to everyone. I hope this gets to ERC on Monday--it will be mailed on Saturday. (It did - obviously, hi -ERC) I should be shot for mailing this on Saturday, but I think it can get there. I know I'll never do it again, that's for sure. Anyway, enough of that. I have v/q's from WSWA-550 & WSB-750 plus a v/l from WQOK-1440. I read JOHN FOSTER's Muse on 2/13, picked them up at about 7:20am on 2/14, & got the verie back on 2/21. I hope to drop in on him if I go to Charleston to see my sister this Summer. While we're on the matter of Charleston, I also got a v/q from WCSC-1390 plus some stationery for a taped report; which I let them keep. They sent back the return postage. I sent if they didn't want to keep the tape, and they also sent my rp. back!! (?? -ERC) Now to the unreported station list. WWXL-1450 was taken off the list - could it be that my mention of it in one of my earlier Muses did it? I dunno. My research paper came along OK. We got three days in the library, whereas the other classes get five, but we did something the other classes can't do - we cut the length of our papers' minimum from 1200 to 600 words. We asked her how long our papers should be, and my teacher said that no longer than 800 words--too much to grade over that length. What makes this interesting is the fact she gave us a week to write it up in and turn it in. That was three weeks ago, & I'm still hanging onto mine, with no intentions of turning it in until she asks for it. Now, the USPS gets 18% for First Class. If Reagan does what he says about cutting back on RR service, I'll move my mail back to PO Box 78, which is my mom's mailbox. 344B is my mailbox, & I usually keep the rural carrier busy. I don't care much about Saturday cut-offs, but not my RR service. Good thing I have some place to turn to. 73s de Wheels.

WARM WINTER, AND THE DX IS HOT TOO

MORRIS SORENSEN - General Delivery - Amaranth, MB - ROH OBO Feb. 27, 1981
 ***** Although this has been the mildest Winter in years in Manitoba with warm temperatures and hardly any snow, DX continues to be good. Loggings since my last Muse include: 2/16- KUUY-1530 Cheyenne, WY @ 7:26pm (the way they gave the call it sounded like "KWY"), CJCA-930 @ 10:11pm; CJOC-1220 @ 10:20; KTOE-1420 @ 10:25; KERE-710 @ 10:35pm; KMLL-1270 @ 11:42. 2/17: C&W-1130 @ 1:11am. 2/19: KOLL-1290 topping CFRW @ 11:35pm; WOW-590 @ 11:45. 2/20- KFI-640 @ 12:11am; KSJN-1330 @ 9:30pm; KOVC-1490 @ 9:50pm. 2/21: KNDC-1490 @ 8:15am. 2/23: CJNB-1050 topping KCSB @ 10:59pm. 2/25: CHSC-1220 a real toughie here 1/CJRB etc. @ 12:08am; WVON-1390 @ 11:50pm. QSLs received: KGBX-1260, CJVR-1420 & KOZE-1300. The last two mentioned were from CE's who indicated a genuine interest in my hobby. KOZE once received a report from a DXer in Finland. 73.

ERNIE WESOLOWSKI telephoned in the information that his local 50kw on 1110, KFAB, Omaha, has been off the air frequently of late after midnight CST while they are installing a new transmitter. He suggests Mid-Americans keep tuned to 1110 for some interesting DX while this continues!

COME ON NOW, GANG - THIS IS A TERRIBLY SKIMPY MUSINGS SECTION! WHAT D'YA SAY? LET'S GET ON THE BALL, EE? GET A MUSING INTO PROVINCETOWN FOR THE 4/6 DEADLINE!

WE'RE CLOSING IN ON THAT 1610 TIZZIE

ERNIE COOPER - 5 Anthony Street - Provincetown, MA - 02657 617-487-9337
 ***** Three veries in, but all FMeers, two on f/ups from that great 7/17/80 E-Opening. My thanks this week to RAY ARRUDA, BILL COLEMAN, KEN ROMSTADT, ROLLAND LINDBLADE, & ERNIE WESOLOWSKI for their appreciated phone calls. I wish I could reciprocate some of these calls, but on a retiree's check, it wouldn't be financially wise. I did squeeze out enough dough to order a new 1981 Yearbook, though - it's quite a squeeze, too. DALLAS LANKFORD is experimenting with "anti-TV" filters, and will let me know his results as soon as he does his testing - thanks again! DX Down the Week: 3/3- WCMB-1460 was noted today carrying c/w; nothing else on this dull day. 3/4- A third report today was gleaned on CIRB-1240, dominating that spot after WOCE's lam s/off. 1230 also had an FFC on top, 'twas CHVD, Dolbeau, on the network headed by CKLD-1330, unn. I, passing I heard KYW-1060 say they will carry the Phillies' games again this year. Ah, on 1610, I heard call letters sounding like "KID-757" @ 3:01am - the Tizzie on the Outer Banks is KID-707, so maybe this is my mystery weakling on this exotic channel! 3/7- WABK-1280 & one other in EE @ 12:55am; this is unusual, for I usually get two FFCs & WADO-SS. CKOY-1310 was tearing up the peapatch this morning; they're generally not very strong here. In/out on 1320 was an SS w/an announcer with "mucho gusto", 1:08-1:32; he mentioned Costa Rica several times. There were unID TTers today on 1440 1:38-1:44 end, with an announcement, I believe - perhaps somebody's unlisted r/c? WFTQ/CFGO with their T-80 (two T-40's??) killed any chance for IDING him. On 1600, a weak TTer @ 1:51, soon disappeared. I was struck by some rr & disco almost even with WOR-710, & held on to find it was R. Capital, Caracas! This, 2:45-3am ID. MM 3/9- There were two SSees on 1560 all morning - one was WRJS, and the other went unID. There was an unID TT on 1460 1:06, and an SS in on 1350 @ 1:10-1:38, but I couldn't pull an ID. On 1300, WAVZ-MYL & WFBR-rr were both ANING, they must both be NSP, therefore. Rarely-heard WWDC-1260 was in strong this AM o/CIHI @ 1:47-2:33, much talk on sexuality by man & woman. (talking, that is, hi). A very loud tester occupied 1500 from 2:54 tune-in till beddie-bye @ 3:20, with rock mx, then TT, & nary a word was uttered. It almost HAD to be WTOP - surely they must know the FCC rules about non-IDING! Locally, try for WKZE-1170 now - they have removed their short tower and are now non-D, & they have an infinitely better signal here than ever before. Their protection was to a New Hampshire town which had applied for 1170 at the same time they did, but it was never built. OK, leds & lasses - C U N 14!

BOB'S GOT SOME GOOD GRAVEYARD DX

ROBERT RUSH - Pequot Road - Southampton, MA - 01073 March 5, 1981
 ***** Greetings fellow NRC members! The W. Mass. DXer has some loggings to report. 2/15: WEGP-1390 @ 11:46pm; WBCB-1490 @ 11:26pm; 2/16: WENT-1340 @ 5:30pm; WASR-1420 @ 5:13pm; WKVT-1490 @ 8:27am. 2/17: WGCH-1490 @ 7:07am & WKNY-1490 @ 7:30am. 2/22: WEME-1230 @ 11pm. 2/23: WTVL-1490 @ 12:15am. 2/26: WMAL-630 @ 12:17am; CKLY-910 @ 12:11am, & WGAL-1490 @ 12:25. I'm still using the TRF w/no external antenna. This portable has brought me many hours of listening enjoyment. AU CX have provided much SA DX but I don't understand Spanish! Maybe I should take SS at college? (By all means, Bob! -ERC) Till next time, 73's and good DX de Bob.

DX CONDITIONS DIFFER 40 MILES AWAY - BY THE WATER

JACK WOODS - 4073 N.E. Morning Street - Corvallis, OR - 97330 3/3/81
 ***** Greetings to all from the home of the Oregon State University Beavers - #1 in the nation in BKB! Well now! These are the words used to start my last Musing, dated 1/14/81, which appeared in #16, 2/9. These words still apply! Last Night I was at Beverly Beach, on the Oregon Coast, near Newport, & about 40 miles WNW of home. I was able to DX a couple of hours with my GE multi-band portable. It seemed that So. Cal. stations were more dominant there. The only tangible evidence of this impression was reception for the first time of KFNB-980 @ 10:25pm w/ID, Los Angeles area WX, & local NX. Here in Corvallis, 980 is covered by CKNW or CKRM. Doesn't seem likely the signals from L.A. would be noticeably different at locations nearly 900 miles away but 40 miles apart, but that was my impression. Reference to the Musing of STIVEN PAPADIES dated 2/10/81 in #19, I agree with him that some complaints are voiced and phrases used in our bulletin do not reflect the views of the majority of our members, and may needlessly antagonize people in the industry who should be our friends. I believe that we should accept the reality of the BCB as it now is, and enjoy DXING. Best wishes to all & so long for now.

HERE'S THE GUY WHO DID SUCH A GREAT JOB LAST WEEK!

DAVE YOCIS - 190 McDonel - East Lansing, MI - 48825 3/5/81
 ***** Another quick Musing - WJJD-1510, Jackson, MI has been off the air since about 2/24. SSS hasn't been productive there, though - WLAC is a pest! They're still off as of 3/5. 73. (Nice going, Dave, last ish! -ERC)

AS WE GO INTO THE OFF SEASON, PLEASE BEAR IN MIND THE RULE OF ONLY ONE MUSING PER MEMBER PER ISSUE OF DX NEWS! WE NOW HAVE FOR NEXT TIME, MUSINGS FROM: PETE NOLAN, EVAN RUDOWSKI, AND ANDY RUGG. BUT LET'S HEAR FROM EVERYBODY! DX CONDITIONS ARE STILL VERY GOOD- LET'S HEAR WHAT YOU HEAR! DEADLINE, APRIL 6.