



DX NEWS

*the magazine of the
National Radio Club*

— SINCE 1933 —

Volume 46, Number 14 Monday, January 29, 1979

STATIC FROM HQ

We regret we have to pass on some sad news this week. We received a letter from Bill and Nancy Hardy telling us that their baby was born prematurely and was stillborn. This is a difficult time for them and we ask you to keep them in mind in your thoughts and prayers.

Your crew this time, on a snowy Sunday, is Pat Hartlage, Dick Truax and Gary Atkins. Now, on with the show.....

CPC TESTS

Times are Eastern Local Time.

- February 5 WDBQ-1490 Dubuque, Iowa. RESCHEDULED - See February 19.
- February 5 WILI-1400 Willimantic, Conn. 0100-0200 with 1 Kw. Will use tones
Monday music and lots of IDs. Reports to Paul F. Moraghan, CE, Prepaid calls accepted at (203) 423-1621. WILI Radio, 948 Main Street, Willimantic, Conn. 06226. Arranged: Bryan Lee.
- February 5 WJWL-900 Georgetown, Del. 0100-0200, maybe as late as 0230. This
Monday is a Proof of performance and will include IDs, tones and recorded music. Reports to: Stephen Wallace, CE, WJWL, Box 111, Georgetown, Del. 19947. Return postage required! Only reports with correct, accurate data will be verified. Arr: Dabelstein.
- February 5 KKIO-1290 Santa Barbara, Calif. 0300-0400. Rescheduled from 1/8,
Monday this will include many IDs, tones and Herb Alpert music. Reports to Guy Erway, KKIO Radio, 1919 State St., Santa Barbara, Calif. 93101. Arranged: Santulli.
- February 12 WJTH-900 Calhoun, Ga. 0200-0300, but check for possible switch
Monday to 0100-0200. No details. Reports to John Cunningham, WJTH, Box 381, Calhoun, Ga. 30701. Arranged: Skip Dabelstein.
- February 19 WDBQ-1490 Dubuque, Iowa. 0300-0400 with 1 Kw non-directional.
Monday Will include tones, IDs and DX chatter. Special DXers Hotline is (319) 583-3322, prepaid calls only. Reports to Lloyd Berg, CE, WDBQ Radio, 1170 Iowa St., Dubuque 52001. Arr: Bruce Renaud, GWDXA, who will be at the station during test.
- February 26 KUKU-1330 Willow Springs, Mo. 0230-0300. Will include music,
Monday tones and voice IDs. Prepaid calls to (417) 469-2500. Reports to Lou Wehmer, Engineer, WDFOC, KUKU Radio, Box 250, Willow Springs, Mo. 65793. Arranged: Skip Dabelstein.
- February 26 KRZD-1470 Wray, Col. 0300-0330. We expect they'll use music and
Monday tones with frequent voice IDs. Reports to Maynard Meyer, CE, WAØKNP, KRZD Radio, Wray, Colorado 80758. Arr: Dabelstein.

Also remember WBIO-1310 will have an extended frequency check on 2/27 from 0000-?????. Details were in the last DX News under the CPC Test listing.

LOOK INSIDE

AM Switch.....	2
Domestic DX Digest.....	4
International DX Digest.....	12
NRC Domestic Log Updater.....	21
The Canadian Audio Networks.....	25
N.H.L. Hockey 1978-79.....	27
N.B.A. Basketball 1978-79.....	28
Common Sense Trans-Atlantic DX Strategy.....	29
Simple, Cheap, Effective Preselector-Longwire Tuner-Amp.....	30
State of the CPC.....	32
Musings of the Members.....	34

FLASH * FLASH * FLASH: Dick Truax reports Amateur Radio Electronics, in Milwaukee, WI has a super clean, late model HQ-180A. He visited the store last week and they're asking \$349 for it.

AM SWITCH

JOHN D. BOWKER
14 CANOE BROOK DRIVE
PRINCETON JCT., NJ 08550
(609) 799 - 0725

There is so much to report this month that I can only take a few lines to report my delight in hearing from NRCers JOHN OLDFIELD, DON DAVIS, DOUG BEARD and PAUL MOUNT this month. I'll also be looking into the quandry about why some stations seem to stay on the air after their assigned sign-off times -- I'll restrain myself from pre-guessing the real answer.

Don Davis came through with the answer I raised a month or two ago about WQCK in my first AM SWITCH column; indeed WQCK will be staying on at night although the FCC report suggested they would be daytime only. That's the problem with an omission in their night-time power listing. Thanks, Don.

I. CHANGE YOUR LOG TO REFLECT THE FOLLOWING:

Changes in Call Sign for Existing Stations:

580 - KDAV - now KRLB, Lubbock, TX	1300 - WRBC - now WKXI, Jackson, Miss.
600 - KINC - now KNYO, Independence, CA	1440 - KOKY - now KITA, Little Rock, Ark.
1090 - KAAT - now KLDK, Denver, Colo.	1450 - KUPY - now KRPM, Puyallup, WA
1140 - WSIV - now WVFL, Pekin, IL	1500 - KWRG - now KQXL, New Roads, LA
1150 - WACQ - now WHUE, Boston, MA	1510 - WJCO - now WDJJ, Jackson, Mich.
1190 - KAYQ - now KJLA, Kansas City, MO	

II. STATIONS AUTHORIZED TO CHANGE FACILITIES (and probably will do so within weeks):

590 - WRTH - Wood River, IL will increase night power to 1000 w. (DA-2)*
590 - KSUB - Cedar City, UT changing from 1000/1000 w. to 5000/1000 w. (DA nights)
600 - KIIX - Fort Collins, Colo remains daytimer but increases to 5000 w. (DA)
610 - KARV - Russellville, Ark switches from 1490 with 1000 (DA)/500 w.
920 - WGNU - Granite City, IL changes from daytimer to 500/500 w. (DA-2)
980 - KFWJ - Lake Havasu City, AZ remains daytimer but increases to 1000 w.
990 - KRKS - Denver, Colo remains daytimer but increases to 5000 w.
1010 - KKIK - Waco-Marlin, TX will start nights using 10,000 (DA-2)/2500 w.
1060 - WKNG - Tallapoosa, GA remains daytimer but increases to 5000 w.
1090 - WJKM - Hartsville, TN remains daytimer but increases to 1000 w.
1150 - KIIS - Los Angeles, CA changes from 5000/1000 to 5000/5000 w. (DA-N)
1150 - KBAI - Morro Bay, CA changes from daytimer to fulltime 5000 w. (DA-N)
1170 - WJMQ - Norfolk, MA remains daytimer but increases to 1000 w.
1250 - KBRF - Fergus falls, MN changes from 1000/1000 to 5000/1000 w. (DA-2)
1260 - WNRK - Newark, DE remains daytimer but increases to 1000 w. (DA)
1280 - WYVE - Wytheville, VA remains daytimer but increases to 2500 w.
1300 - WEZQ - Winfield, Ala. remains daytimer but increases to 5000 w.
1330 - KHYT - Tucson, AZ starts fulltime with 5000/5000 w. (DA-N)
1370 - WELV - Ellenville, NY remains daytimer but increases to 5000 w.
1370 - KSOP - Salt Lake City, UT goes fulltime with 5000/500 w. (DA-N)
1380 - KCNW - Fairway, KN changing from 5000/500 w. to 5000/1000 w. (DA-2)
1420 - KBTN - Neosho, MO starts fulltime with 500/500 w. (DA-N)
1430 - WQDI - Homestead, FL starts fulltime with 500/500 w. (DA-N)
1490 - KARV - see listing above for 610 kHz.
1510 - WVAP - Burnettsville, SC goes from 500/250 CH to 1000/250 CH w.
1570 - KSRB - Hardy, Ark. remains daytimer but increases to 1000 w.
1590 - KGAS - Carthage, TX remains daytimer but increases to 2500 w.
1600 - KBBX - Centerville, UT remains daytimer but increases to 5000 w.

III. STATIONS REQUESTING A CHANGE IN CALL SIGN (may be in effect by publication date):

1230 - WNOK - Columbia, SC wants WXAP	1450 - WPAD - Paducah, KY wants WDXR
1240 - KPLY - Crescent City, CA wants KCRE	1490 - WDDL - Lancaster, PA wants WLPX
1380 - KFCC - Redfield, SD wants KQKD	1560 - WDXR - Paducah, KY wants WPAD

(What are you chaps in Paducah, Kentucky up to? Think you're in Honolulu??)

IV. CONSTRUCTION PERMITS GRANTED FOR NEW STATIONS (Watch for On-The-Air dates):

1090 - New - Rice Lake, WI - 1000 w. Days	1250 - New - Homer, Alaska - 5000/5000 w.
1110 - New - Kihei, HI - 5000/5000 w.	1290 - New - Anamosa, IA - 500 w. Days
1140 - New - Salyersville, KY 1000w. Days	1370 - New - Albia, IA - 500 w. (DA) Days
1240 - New - Leemoore, CA - 250/250 w.	1370 - New - Pewaukee, WI - 500 w. Days

* See the fifth item under "A FEW NOTES" at the end of this column on next page.

AM SWITCH (Con't.)

V. CALL LETTERS ASSIGNED TO NEW STATIONS:

1490 - KNCW - Grand Coulee, WA	1540 - WLIC - Adamsville, TN
1520 - WPOE - Greenfield, MA	1590 - WDCI - Gorham, ME

VI. FCC HAS ACCEPTED THE FOLLOWING APPLICATIONS (Usually takes months to approve):

1060 - New - Hyden, KY - 1000 w. Daytimer
1450 - New - Meeker, Colo. - 1000/250 w.
1450 - New - Alvin, TX - 5000 w. Daytimer

A few notes:

At the end of 1978, there were 4526 MW broadcasting stations operating in the United States; there were 102 Construction Permits granted for new stations and 234 applications received for new stations that had not yet been granted.

I printed an erroneous correction to an earlier item last time AM SWITCH appeared. KMAV - 1520 should be shown as in North Dakota.

In spite of the FCC Final Report and Order in preparation for the 1979 World Administrative Radio Conference calling for the U.S. to remain with 10 kHz channel spacing, this column along with others should recognize that the Department of Commerce National Telecommunications Information Agency and Rep. L. vanDeerlin who is preparing a new draft of the Communications Act are pushing for a 9 kHz channel spacing. Maybe the issue isn't dead yet!

There will be a meeting later this year of Western Hemisphere nations to discuss the matter of narrowing the MW a.m. channel spacing to 9 kHz. Yes, it all comes together...unless you presently own a MW a.m. station in the Western Hemisphere with a directional antenna pattern.

This month I have introduced some new symbols; DA, DA-N, etc. These refer to the use of Directional Antennas by some stations. DA=Fixed Directional Antenna, DA-N means the station only uses a directional pattern at night, DA-2 means they have different directional patterns day/night...some stations use DA-3 which means two different patterns during the day and a third pattern at night!

The FCC took a few assorted actions this month; they "set aside" the application by 1300-WNCH-Clarion, PA to make some changes, they cancelled the application by 1600-WPOM-Riviera Beach, FL to increase daytime power to 5000 w. and they granted a modification to the construction permit of 1250-WARE-Ware, MA to increase from 5000/1000 w. to 5000/2500 w. (DA-2). Sorry I missed this above.

THE MEXICAN GOVERNMENT HAS ANNOUNCED THE FOLLOWING CHANGES EFFECTIVE ON OR BY MARCH 1:

550 - XEGUZ - Cd Guzman, Jal - 200 w. Daytimer
630 - (new) - Cananea, Son. - 5000 w. Daytimer
680 - XELV - Hermosillo, Son. - 250 w. Daytimer
790 - XEGZ - Cd Lerdo, Dgo. - 1000/250 w.
810 - XEIN - Cintalpa, Chis. - from 1450 kHz, remains 1000 w.
1190 - (new) - Cd Saucillo, Chih. - 250 w. Daytimer
1200 - XEPLA - Pabellon, Ags. - 1000 w. Daytimer
1260 - XEUAS - Culiacan, Sin. - from 1330 kHz using 5000/500 w.
1280 - (new) - Tizimin, Yuc. - Starts with 500/250 w.
1380 - XEAPM - Apazingan, Mich. - Starts with 1000/100 w.
1400 - XELR - Linares, NL - Starts with 250/100 w.
1420 - (new) - Tizimin, Yuc. - Starts with 500/250 w.
1430 - XETT - Tlaxcala, Tlax. - Increasing to 800 w. (Odd??)
1440 - (new) - Buctzotz, Yuc. - Starts with 500/250 w.
1450 - XEBP - Torreón, Coah. - Starts with 1000/250 w.
1470 - XEQF - Loma Bonita, Oax. - going to 5000/5000 w.
1470 - (new) - Becal, Camp. - 1000 w. Daytimer
1510 - XERB - Cozumel, QR - 5000 w. Daytimer
1510 - XEKI - relocating to Villa de Seris, Son. with 500 w.
1530 - XEZYB - Oaxaca, Oax - Starts 500 w. Daytimer
1540 - (new) - Cabo San Lucas, Bcs. - 5000 w. Daytimer
1550 - XEUUV - Changing its Call Sign from XEXB
1560 - XEZW - Starts 500 w. Daytimer
1580 - XEFP - Increases from 1000/250 to 2000/250 w.
1590 - XECIS - Culican, Sin. - 250 w. Daytimer
1590 - XECP - Valladolid, Yuc. changing call sign from XENMB.

John

DOMESTIC DX DIGEST

RAY ARRUDA
47 BURT STREET
ACUSHNET, MASS. 02743
(617) 998-3958

Our deadlines remain at Saturdays. Please use one side of the paper when reporting. A big section this time so let's roll.....

DX TESTS

WXAP - Not heard by ERS, RA.
WWDJ - Heard by LMP.
WJOB - Not heard by ERS, RA.
KKIO - Not heard by ERS, RA.

CJBC860



FREQUENCY CHECKS

1st Mon. KGHL-790 w/TT 0245 (GAS)
1st Fri. KFVS-960 w/TT per list (DS)
WPMH-1010 w/TT/IDs per list (DS)
WFOY-1240 w/TT 0012 (DS)
WRTA-1240 w/TT per list (DS)
WRAW-1340 w/TT per list (DS)
WNBZ-1360 w/TT per list (DS)
WHBG-1360 w/TT per list (DS)
WBTX-1470 w/TT per list (DS)
WQCK-1600 w/dialtone per list (DS)

SPECIAL

530 UNID ----- 1/4 1652 Beacon w/Morse 0 S (--- ...) at far low end of TRF, who? (PRM)
Could be the aviation Beacon Bill Townshend reported hearing a few issues back. (RA)
NB ON NORTH BAY - 12/10 0001 aviation beacon, every 15 secs. heard the following: 1000 cycle TT for 7 secs. then CID, good signal heard on DX-160. (WPT)
800 CKLW ON WINDSOR - S/off 0000-0530 since about Thanksgiving, now back fulltime. Reason given at s/off was to work on AM Stereo. Seems to splatter more here since AM Stereo installed. (LMP)
830 WNYC NY NEW YORK - Is not now 50KW & may never be until NYO gets out of its financial crisis. (GM)
880 KRVN NE LEXINGTON - Unusually strong for pattern here last 2-3 months, aimed away from WOBX. Could they be testing ND like WNOE-1060 has been most of this year? (LMP)
1620 WFAT NY NEW YORK - 1/1 0438-0455, this pirate may actually be on the high seas, thought it looped a little too far south to be Manhattan proper. (BA) 1/6 0238, fadey w/low modulation, tele-talk at 212-868-9979, callers stumping host w/trivia questions. (GM)

DAYTIME, SUNSET & EVENING

540 WGTO FL CYPRESS GARDENS - 1/4 1753 good w/local wx, promos, C&W format, ments. of temp. in 70's in Winter Haven. (PRM)
550 WGR NY BUFFALO - 1/5 1135 daytime catch fair/weak in WKRO null w/T40 mx, Ontario wx, "GR-55" promo. (PRM)
620 KWFT TX WICHITA FALLS - 1/5 1800 MoR mx, ID, into CBS Nx followed 1815 by farm rpt. (KVJ)
660 WESC SC GREENVILLE - 1/4 1655 fair w/no WNBC telling motorists to turn on headlights. (PRM)
710 KGNC TX AMARILLO - 1/3 1812-1822 good w/nx, female annor, Earl Nightingale, xlint after WKRG power drop at 1815. (KVJ)
740 WCAS MA CAMBRIDGE - 1/5 1253 250 watts xlint w/EZL Folk mx. (SM)
750 WHBB NH PORTSMOUTH - 1/5 1126 fair w/T40 mx. (SM)
860 CBH NS HALIFAX - 12/21 1721 noted w/CBC nx in progress, atop w/CJBC nulled. (DS)
WDM3 GA DOUGLAS - 1/5 xlint @ 1720 in au cx. (ROW)

900 WIAM NC WILLIAMSTON - 12/21 1653-1700 noted w/many local spots, NC News Net. Nx, then s/off w/many mentions of WSEC-FM. (DS)
WKXA ME BRUNSWICK - 1/5 1120 very good signal, new. (SM)
910 WABI ME BANGOR - 1/5 1135 new, but poor signal due to WKXA-900, WJAR-920 splatter. (SM)
920 KTLW TX TEXAS CITY - 1/4 good @ 1812 w/wx & ID. (JC)
930 KWOC MO POPLAR BLUFF - 1/5 good 1729 w/full ID, MO Net. Nx to 1734, spots. "Big Country Radio." (KVJ)
UNID -- ----- 1/4 1837-1847, weak u/WTAD w/C&W mx, nx @ 1837, thought I heard a KCCW ID, any ideas? KCOO or KWOC? (JC)
KDET TX CENTRE - 1/6 1830 s/off, weak u/WTAD w/FM promo. (JC)
970 WVOP GA VIDALIA - 1/1 good at 1745 s/off. (ROW)
990 WAKN SC AIKEN - 1/1 fair @ 1735 w/ID. (ROW)
1010 WMOX MS MERIDIAN - 1/3 good 1803-1808 o/KLRA w/C&W mx, promo for Elvis Special, "Total Country MOX" IDs, local ads. (JC)
KOH1 MO CHILLICOTHE - 1/3 s/off @ 1815 fair u/KLRA. (JC)
1030 KCTA TX CORPUS CHRISTI - 12/31 strong 1750-1800 w/GOS show, detailed ID @ 1800, not a trace of WBZ. (JC)
1050 UNID -- ----- 12/31 s/off @ 1745, to return @ 0700, ments. of owned by "Broadcast Associates." (JC)
CHUM ON TORONTO - 1/2 weak thru WHN, others w/Rock, ID @ 1800. (JC)
KSI5 MO SEDALIA - 1/2 fair 1807 w/wx report. (JC)
KFMJ OK TULSA - 1/2 good w/C&W mx, ments. would be on til 1830 because of later sunset @ 1822. (JC)
1090 WBAF GA BARNESVILLE - 1/6 1742 fair o/WGLO w/s/off. (KDF)
1120 WWOL NY BUFFALO - 1/4 poor u/KMOX 1659 w/s/off, was looking for WUST, but heard C&W mx instead, glad I stayed w/it! (KVJ)
1150 WNDB FL DAYTONA BEACH - 1/8 atop w/Traffic Watch, TC/ID @ 1654. (SW) 1/8 1735 noted w/nx & wx. (ERS)
1180 KOFI MT KALISPELL - 12/8 2335 in early w/local spots, wx. (GAS)
1220 WLBI LA DENHAM SPRINGS - 1/5 1829 $\frac{1}{2}$ weak but alone w/s/off. (KDF)
1270 WDLA NY WALTON - 12/26 1230 QRM from WADO/WSPR, in w/"Delaware County Farmer" Show, AM-FM ID. (GM)
1280 WTTX VA APPOMATTOX - 1/2 poor @ 1715 s/off. (ROW)
1290 WPVA VA COLONIAL HEIGHTS - 1/2 good @ 1716 s/off. (ROW)
WTOC GA SAVANNAH - 1/8 1742 ID, YL DJ briefly noted. (ERS)
1350 WFLS VA FREDERICKSBURG - 1/7 1715 caught tail end of s/off w/FM ments. but no SSB. (DS)
1360 WGGL FL JACKSONVILLE - 1/8 1726, ID as "1360 WGGL" rising thru mess briefly. (ERS)
1370 WLOV GA WASHINGTON - 1/8 1721 local sports, 1725 Cosell "Speaking Of Sports," ads, IDs. (ERS)
WJWS VA SOUTH HILL - 1/9 1715 very weak w/s/off. (ERS)
1380 WAOK GA ATLANTA - 1/8 1806 in & out in WAWZ null. (ERS)
KBWD TX BROWNWOOD - 1/5 1900 thru WVON slop for rpt. w/"Six o'clock news" & local spots. (KDF)
1390 WEED NC ROCKY MOUNT - 1/7 good w/ment. of "Golden WEED" 1714. (ROW)
1410 WLAQ GA ROME - 1/5 1906 echo CBS Nx w/WPOP, ID followed. (ROW)
WGGM VA CHESTER - 1/9 Religious mx 1710 then 1714 s/off. (ROW)
1420 WGAS NC SOUTH GASTONIA - 1/8 1730 fair @ s/off by OM. (WPT)
WCRE SC CHERAW - 1/7 fair @ 1730 s/off. (ROW)
WAOC FL ST. AUGUSTINE - 1/8 good at 1729 w/ID, then mx. (ROW)
1430 WBRL SC BATESBURG - 1/7 xlint @ 1747 s/off. (ROW)
WDJS NC MT. OLIVE - 1/9 religious mx, ID @ 1720. (ROW)
1440 WGIG GA BRUNSWICK - 1/8 xlint @ 1718 w/"Super Country Wx." (ROW)
1470 CKO PQ POINTE CLAIRE - 1/9 2315-2330 all nx, sports @ 2316 then wx & ID, EX-CFOX. (ERS)
1510 WWBC FL COCOA-MERRITT ISLAND - 1/5 1743 end of "700 Club" into s/off, fair in WLAC null. (KVJ)
WKA0 FL BOYNTON BEACH - 1/5 a clear "This is WKA0....." heard @ ending s/off of WWBC @ 1743, both new & needed! (KVJ)
1520 WDGL GA DOUGLASVILLE - 1/8 1800 s/off fair by OM. (WPT) 1/5 1750 ads, wx, ID in WKBW null. (ERS)
WKMG SC NEWBERRY - 1/8 1745 fair at s/off w/slow version of Dixie. (WPT)

AWOCB
RADIO CAPE COD

1530 WJPJ TN HUNTINGDON - 1/5 1758 weakly in WCKY null w/s/off. (ERS)
1/8 1745 good signal w/local nx. (KDF)
KNBO TX NEW BOSTON - 1/6 fair/weak @ 1829 s/off u/WCKY. (JC)
WRBX NC CHAPEL HILL - 1/3 calling itself "The New WRBX" 1638
w/contest promo giving away \$50 worth of albums. (KVJ)
1540 KMZK TX FT. WORTH - 1/5 1812 1st time w/new calls. BFL mx (KVJ)
format, promo: "We're your friends, so don't forget us."
WRSM AL SUMITON - 1/6 1802 fair/good w/s/off, little QRM. (KDF)
1550 WYNA NC RALEIGH - 1/9 1729 s/off fair/good w/location of studios
& XR. (WPT)
WYNX GA SMYRNA - 12/21 1727 noted w/metro Atlanta wx, prayer,
then s/off way atop. (DS)
WORI TN OAK RIDGE - 1/8 just did catch end of s/off 1759. (ERS)
WRHC FL CORAL GABLES - 1/9 1744 w/EE s/off. (ERS)
1570 WKTR KY BURKESVILLE - 1/8 1744 s/off fair amid QRM, w/KY ments.
& WKTR, Inc. (WPT)
WCRL AL ONEONTA - 1/8 1759 surprise w/wx, s/off w/what sounded
like end of hymn. (KDF)
WMES GA ASHBURN - 1/8 1758 w/long s/off talking about industry,
agriculture, & opportunity in the great southland. (ERS)
WHII MS BAY SPRINGS - 1/3 fair @ s/off w/promo for WXYI FM 1816. (JC)
KBJT AR FORDYCE - 1/3 1829 s/off ments. of power of 250W. (JC)
1580 WONA MS WINONA - 1/8 1816 fair w/s/off by OM w/FM ments. (WPT)
KLTR OK BLACKWELL - 1/5 1826, rr mx, promo, ad for Ponca City
business. (KVJ)
1590 KYDE AR PINE BLUFF - 12/29 good @ 1800 s/off w/ments. of 1000W. (JC)
WATM AL ATMORE - 1/6 1815 weak w/FM promo & ments. of O&O by
Southland Broadcasting Co. thru mess. Much wanted,
Alabama in strong this eve. (JC)
UNID -- ----- 12/29 s/off @ 1744 w/FM promo....100.3, No IDs
given, info doesn't correspond, ideas? Calls sounded (JC)
like WVOA. I see now the advantages of a tape recorder!!
1600 UNID -- ----- 12/28 stay tuned for Paul Harvey News on
WTDL(?) Unreadable @ 1800. (JC)
KOGS AR MARSHALL - 12/29 1746-1752 good w/IDs, ads, wx. (JC)
KMDO KS FORT SCOTT - 1/2 fair @ 1805 w/ID, ads o/mess. (JC)
KPNV LA FERRIDAY - 1/3 1830 fair w/ID & area ments. (JC)

MIDNIGHT TO DAWN

560 WQAM FL MIAMI - 12/25 s/off noted 0100 o/u WFIL, to return
@ 0500, then vocal of Battle Hymn Of Republic. (DS)
580 WHP PA HARRISBURG - 1/8 fair 0128-0133 w/ID, BFL mx promo
AM-FM ID o/nullified WCHS. (PRM)
610 WGIR NH MANCHESTER - 1/1 0923 fair w/wx rpt. (SM)
UNID -- ----- 1/1 0131-0145 w/WIP nulled out, someone else
u/WIOD w/rr, little talk. (DS)
620 KTAR AZ PHOENIX - 12/18 0500 w/nx, local wx. (GAS)
KGV OR PORTLAND - 12/4 0217 mx, mixing w/UNID station. (GAS)
630 KOH NV RENO - 12/4 0213 good signal w/KFI slop. (GAS)
WMAL DC WASHINGTON - 1/8 fair o/u Cuban w/"AT 17" (? RA) 0117 to
ID @ 0120. (PRM)
640 KFI CA LOS ANGELES - 11/20 0200-0300 poor/fair on TRF w/rr mx
to 0230, then talk show, ID, nx & wx @ 0300, then more
talk. (LMP)
650 WSM TN NASHVILLE - 12/11 noted off @ 0400 w/TT/OG. (LMP)
700 WLW OH CINCINNATI - 12/11 noted off most of morning. (LMP)
710 WOR NY NEW YORK - 12/11 also off MM & ETing w/TT/OG. (LMP)
UNID -- ----- 12/9 0030 FF singing over WOR, who? (LMP)
KIRO WA SEATTLE - 12/18 0600 mx, nx, wx w/no KMPC. (GAS)
730 WJTO ME BATH - 1/1 0916 good w/ID, "WJTO Rocking 730." (SM)
810 CJVA NB CARAQUET - 1/1 0042 rock solid w/WGY off, w/FF phone
calls, talk, etc. (DS)
850 WEAT FL WEST PALM BEACH - 1/8 MM ANing w/C&W on top for awhile
@ 0230. (BA) Looks like they've been AN quite regularly
the past few months, on MM anyway. (RA)
KOA CO DENVER - 12/11 good w/Sports Talk @ 0225. (LMP)
870 WWL LA NEW ORLEANS - 1/2 0038 noted w/mx, splatter from WHDH.
New. (SM)
880 WCBS NY NEW YORK - 12/11 off and ETing w/TT/OG. (LMP)

920 WTTM NJ TRENTON - 1/6 noted 0130 ending rr, then Mutual Nx,
"Get Us Into Your Life." Yeech! (DS)
950 WROL MA BOSTON - 12/6 0557 o/u/WPEN w/end of religious show
reminding listeners they heard it on WROL. (GM)
KJR WA SEATTLE - 12/18 0530 atop, one of three Seattle stations
heard same nite. (GAS)
970 KOHV CA COACHELLA - 12/8 0010 w/citrus frost warnings. (GAS)
990 KKIS CA PITTSBURG - 12/16 0430 in the mud w/Larry King Show. (GAS)
CBW MB WINNIPEG - 11/19 good 0558 s/on w/NA & list of CBC
stations. (LMP)
1030 KOTA TX CORPUS CHRISTI - 1/8 0112-0117 on ET w/C&W mx, many IDs,
fair but all alone. (PRM) 12/3 0130 C&W mx poor u/WBZ
w/SAH, possibly KTWO. (LMP)
1060 WQIO OH CANTON - 11/30 0025-0230 on ET/OG/TT, also DJ chatter (LMP)
and bits of T40 mx. Loud, seemed to be off around 0230.
1080 KWJJ OR PORTLAND - 12/18 0617 Sports & wx for OR, some problem
w/XEPRS o/modulated pest. (GAS)
1100 WWWE OH CLEVELAND - 12/6 0025 off and ETing w/OC on weekday. (LMP)
1110 WTBQ NY WARWICK - 1/1 0715 s/on following SSB, o/WBT, louder
s/on than last year at this time. (BA)
WZAM VA NORFOLK - 1/1 0718-0729, IDs as "ZAM 11, Q-94" plays Aor
mx. Ended nx @ 0723 following detailed wx. (BA)
1130 KRDU CA DINUBA - 12/8 0030 local HS Sports. (GAS)
1150 WDEL DE WILMINGTON - 1/5 0406 fair w/local nx, rare here. (KDF)
WGER NC GOLDSBORO - 1/9 fair w/ID u/WNDB @ 0000. (RCW)
1170 WWVA WV WHEELING - 12/3 noted off & ETing 0335 w/OC. (LMP)
WJMQ MA NORFOLK - 1/1 0830 good w/local & national wx. (SM)
1190 KLIF TX DALLAS - 1/8 maybe this w/talk show about BKB, male &
female speakers, show named UPA Today 0200-0230 then
into Open Door Program 0230-0300 ID, but tape ran out.
Rock 0300, not CHTN/KEZY per calls, KEX/KATQ/KLIF didn't
answer. Then definitely 0430 w/Rock, ID. WOWO off
except 0400 TT. (PRM) Glad you IDed this one after all
those phone calls & time spent sitting on 1190. (RA)
1210 KGYN OK GUYMON - 12/16 0800 alone w/OK Nx. (GAS)
1220 WGAR OH CLEVELAND - 12/11 off @ 0100 but back before 0200. In
Sept. started using new XR, eventually plan to go
AM Stereo. (LMP)
1230 WKYG WV PARKERSBURG - 1/5 noted 0047 w/C&W mx, about 1/2 way atop. (DS)
KWG CA STOCKTON - 12/16 0251 briefly w/just an ID & Stockton
temp. (GAS)
KCBN NV RENO - 12/18 0615 surprised me coming out of the mud
for ID, good copy. (GAS)
KRDG CA REDDING - 12/18 0617 mixing w/KCBN/KWG for frequency. (GAS)
1240 WBIR TN KNOXVILLE - only third GY station heard on this
frequency, 250W noted w/Mor mx. (SM) Nice catch Steven,
but what day & time? (RA)
WGBB NY FREEPORT - 12/13 off from 0100-0400, then ET w/Beatles
LP's 0400-0430, back on RS 0430. 1/7 0115-0520 PoP Test.
TT @ both hi & lo power, IDs every 15 mins. @ beginning,
then once an hr. near end. 1/8 0010-0058 still PoP
testing on hi power w/ID 0058. (GM)
1250 KYAC WA SEATTLE - 12/18 0551 3rd new Seattle station of night,
w/ments. of Pullman, WA. (GAS)
WTAE PA PITTSBURGH - 1/8 0255 on ET w/ID by YL. (ERS)
UNID -- ----- 1/8 Station w/CBS Nx @ 0300, no ID, just
straight out of UNID mx into network, very weak. Is
WDAE CBS? (BA)
1270 KTLC ID TWIN FALLS - 12/16 0210 good w/wx for so. Idaho. (GAS)
WCBC MD CUMBERLAND - 1/1 EX-WKYR/WUOK ANing w/syndicated 1978
top hits show, thousands of local spots. Can be a
fooler, as right across the river from WV & 30 ft. from
PA. (BA)
WCGC NC BELMONT - 1/1 0520 ID, nice only briefly, one I started
to doubt I ever logged. (BA)
WOKT VA NEWPORT NEWS - 1/1 0600 s/on, no SSB. EX-WTID, billed
as "The most beautiful music in Tidewater." (BA)

Radio-Canada

1280 WJAY SC MULLINS - 1/8 0600 weak w/s/on annmt, then gone. (KDF)
 WONW OH DEFIANCE - 1/3 & 1/4 2355-0020 fair/good w/Mutual prog.
 then nx, wx, national nx @ 0030. Per call to station,
 on till 0000 normally except when there's local BKB game,
 then recorded programs played & s/off 0037. (PRM)

1290 WICE RI PROVIDENCE - 12/15 0151 occasionally atop w/tele-talk. (GM)
 WBNF NY BINGHAMTON - 12/15 0154 o/u/mess w/ments of "Ohenango"
 "Endwell" then wx. (GM) (KDF)

1300 WLOW SC AIKEN - 1/6 0601 barely audible w/s/on by excited anncr.
 Must have scored the night before. (RA)

1310 WCAM NJ CAMDEN - 12/29 noted off @ 0115, left WGH/UNID Larry King,
 back by 0118. They're still off MM, 0300-0500. (DS)
 WGSA PA EPHRATA - 1/5 0601 poor w/SSB & s/on. (KDF)
 WBNT TN ONEIDA - 1/5 0610 good w/what appeared to be late s/on,
 then local nx. (KDF)

1320 WGET PA GETTYSBURG - 1/5 0559 1/2 fair w/SSB & s/on. (KDF)
 WHHO NY HORNEILL - 1/7 0600 fair w/s/on, FM plug. (KDF)
 CKEC NS NEW GLASGOW - 12/20 0113 after WATR s/off w/rr mx, local
 spot, ID. (GM)
 WVOJ FL JACKSONVILLE - 12/20 0121 surfaced w/Pop, C&W, Xmas mx,
 wx, & IDs. (GM)

1330 UNID -- ----- 1/8 good o/u WRIE/WFBC 0335-0355 w/Jazz, ment.
 back to T40 @ 0400, missed ID while going to check 1190,
 mentioned Al Candy in Nx room 0359. (PRM)

1350 WZIX PA YORK - 1/9 0358 noted w/rr & ID, and noted late a few
 other nights, maybe AN? (DS)
 WHWH NJ PRINCETON - 12/31 0201 poor but audible w/ID as (SM)
 Princeton's Country Music station. New. You sure that
 wasn't WSLR in Akron? (RA) (DS)

1390 WLAN PA LANCASTER - 1/5 0140-0155 TT noted then full s/off w/SSB.
 1400 KVEG NV HENDERSON - 12/18 0600 sat on 1400 until ID came up &
 this was noted. (GAS)

WLLH MA LOWELL - 1/1 poor/fair 0753 w/nx of Lowell - Lawrence.. (SM)
 WSGA GA SAVANNAH - 1/8 probably one of the Rockers 0017-0103,
 AT40 on one, XL DJ on other UNID, "WSGA Savannah ID" into
 T40 o/WKWK, station 300 in 3 1/2 mos. (PRM)

WKWK WV WHEELING - 1/8 among the Rock 0017-0100 report 0057
 about Hotel for dogs in CA, Nx, jingle ID, #299. (PRM)

1450 WTBO MD CUMBERLAND - 1/8 0500 s/on weak thru mess. (ERS)
 1460 WOKO NY ALBANY - 1/3 0147 good but lost to UNID QRM. (SM)
 1470 WQXL SC COLUMBIA - 12/30 0142-0148 noted o/u WSAN/WOHO, et al
 w/OC, long ID, then mx. (DS)
 WOHO OH TOLEDO - 12/30 briefly noted 0159 ending ABC Nx, ID, then
 rr, very rare in this area. (DS)

1520 KOMA OK OKLAHOMA CITY - 12/18 0640 good copy w/mx, IDs. (GAS)
 1530 UNID -- ----- 1/5 0000-0004 steady TT noted u/WCKY, is the
 WTHO i/c still valid? (DS) I think so, was heard up in
 CT middle of last year. (RA)

WTHM MI LAPEER - 1/5 0120-0145 plus, ET w/instrumental mx, o/u
 WCKY-ID @ 0145. (DS)

1550 WMOO AL MOBILE - 1/8 0234-0245 finally heard weakly on ET/GOS/w/ID
 @ 0236 1/2. (RA)

1560 UNID -- ----- 1/1 automated sounding EE station 0416-0432,
 familiar Pop mx. Jx sounded like WOKIT, same melody as
 WABC, or "Radio KIT." (BA)

1570 WTLK NC TAYLORSVILLE - 1/4 0600 fair @ s/on w/NA. (WPT)
 WOBL OH OBERLIN - 1/8 0722 heard ID, sure hope they're not on
 1320 yet, or I don't know what I've taped. (BA) Check
 your tape, to the best of my knowledge, they've been on
 1320 for some time, Bill. (RA)

1590 WBHN NC BRYSON CITY - 1/6 atop 0618 w/local spots, area ments.
 C&W format o/u WOKX/WAKR. (PRM)
 WOKX NC HIGH POINT - 1/6 best of all stations this morn, 0633
 w/C&W mx, promos, IDs, local spots & wx 0710, DJ named
 Steve, mixing w/WAKR/WBHN/WCSL/WDBL. (PRM)
 WCSL NC CHERRYVILLE - 1/6 0617 good w/ments. of Cherryville
 Shopping Ctr, nx 0629, ID 0714. (PRM)
 WDBL TN SPRINGFIELD - 1/6 atop 0641 w/spot for Savings Bank,
 road cx, wx. Called station to confirm as WLBK-KY also
 has a nearby Springfield. (PRM)
 WLBK KY LEBANON - 1/6 heard anyway o/WAKR w/wx 0729, IDs, local
 spots & C&W mx...gave phone # of 692-7248. (PRM)

Have you ever wondered what it would be like to DX the stations in
 The USA from the other side of the world? Well, the following
 observations were sent along to us from John Allchin, an NRU member
 for about 18 months, from New Zealand. All stations were logged on a
 SONY ICF 6800W with a selection of longwires, main one being a 1900 foot
 beverage running to the N/NE. Location was Te Araroa, a remote
 holiday resort on the east coast of New Zealand's North Island some
 350 miles SE of Auckland. All stations were heard between 11/20 & 11/28.

550 KTSA TX SAN ANTONIO - noted in KMVI's absence 1147 w/T40 mx.
 570 KLAC CA LOS ANGELES - good level w/local spots 0814, ID, jx IDs.
 mixing w/possibly KLUB, some 2YA-567 splatter.

580 KMJ CA FRESNO - NBC Nx, KMJ jx ID, good 11/22 0805 o/WIBW
 carrying Herb Jepko.
 KFXD ID NAMPAL-BOISE - dominating 1046 past 1130, UNID QRM,
 wx @ 1113, jx ID 1118.

600 KOGO CA SAN DIEGO - always here, tho often mixing w/CJOR, good
 w/MOR mx 0825.

610 WDAF MO KANSAS CITY - surfaced above potent KPRC & 4QR-612 het
 w/ID "WDAF 61 Country Mx" 1001 then faded out.

620 KTAR AZ PHOENIX - dominating w/talk show 0846, KGW noted earlier
 @ 0809.

640 KFI CA LOS ANGELES - very strong 0810 w/T40 mx, hetting 4YW-639.
 650 WSM TN NASHVILLE - fair 0800 w/ID, NBC Nx, C&W mx, no sign of
 660 WNBC NY NEW YORK - briefly surfaced for ID 1057 KORL.
 after 2YC-657 s/off, but quickly gone.

670 WMAQ IL CHICAGO - noted fair/good level 0705 w/Trucker's Wx
 Update, ID 0708, Fred Sanders DJ, mx, noted past 0800
 w/KBOI dominating channel later.

690 CBU BC VANCOUVER - 0746 w/EZL mx & ments. of Vancouver while
 listening to KKUA.

720 WGN IL CHICAGO - surfaced 0605 w/KUAI/4YZ but soon faded,
 no sign of KDWN.

740 KTRH TX HOUSTON - talk program, ID @ 1100 w/KRMG s/on in
 background, "At the tone the time will be 5 o'clock
 on KTRH in Houston." Good level, Tahiti already off.
 760 KFMB CA SAN DIEGO - fair peeking good thru minimal 1YA-756
 splatter w/talk show, local spots, area mentions. This
 u/KGU, no sign of WJR.

780 WBBM IL CHICAGO - now completely in the clear now that 4YA is on
 810. All Nx format heard 0600 past 1230, no sign of KORL.

830 WCCO MN MINNEAPOLIS - briefly atop Rocker KIKI 0603-0608 w/CBS
 Nx, local spot, ID @ 0607, then wx.

840 WHAS KY LOUISVILLE - sandwiched between 2ZD-846 & 1YX/1YK 837
 but generally cleared the splatter w/T40 mx, 0756 Sports
 promo, ID "84-WHAS" & 0800 CBS Nx.

860 XEMO MX TIJUANA - strong @ 0915 s/off w/C1 mx & EZL mx w/releg.
 KOAM KS PITTSBURG - clear after XEMO s/off & OG, poor audio level,
 noted 0928 w/program note, ID, C&W mx.

880 WGBS NY NEW YORK - cleared the 1YC-882 splatter 0738 w/national
 nx, clear ID 0739.

920 KARN AR LITTLE ROCK - EZL mx, followed by weak ID, wx @ 0621,
 het & s/lop from 3YZ-918.

930 KHJ CA LOS ANGELES - cutting thru 2ZA-927 splatter w/ID @ 0804
 local spots, IDs.

950 KJR WA SEATTLE - briefly atop w/Seattle ments. in XEGM fade.
 970 KYTE OR PORTLAND - dominating o/KPWA w/Contest promos, PSA's,
 jx IDs, then into Andy Gibb song.

980 CKNW BC NEW WESTMINSTER - despite 1YE-981 managed to clear severe
 het w/wx & spots 0814.

1020 KDKA PA PITTSBURGH - noted before KTNQ faded in w/sports 0557,
 but gone by 0600.

1040 WHO IA DES MOINES - clear w/sports, program notes, fair 0628
 but KPOI dominant by 0700.

1070 KNX CA LOS ANGELES - would have to be the strongest signal of
 any US station, strong by 0600 past 1500 w/all Nx format.

1130 KWKH LA SHREVEPORT - w/C&W mx, very strong 0830 w/Mutual Nx
 0830, local nx 0831 & "ARKLATEX" Wx 0833 o/OKWX.

1180 WHAM NY ROCHESTER - in the clear now that 2YW has left freq.
 0654 1/2 w/ID/TO, & mainly C&W mx.

1210 KGYN OK GUYMON - fair, peeking very good w/C&W mx, Farm Nx
 frequent IDs 1205 past 1230.

1280 KFRN CA LONG BEACH - o/others w/EZL light mx at fair level, long detailed ID @ 1230.
 KFYV CA ARROYO GRANDE - sports, ID @ 1158, local spots, peaking up o/KFRN, others at times.
 1290 KMEN CA SAN BERNARDINO - 1121 good w/spot, Riverside, Colton ments. & ID @ 1122, non-stop mx, "More mx KMEN."
 1300 KMPS WA SEATTLE - Jx IDs noted 1112 w/PSA's and Employment Hotline on 623-1339, good w/T40 station under, maybe KYNO.
 1360 KGB CA SAN DIEGO - reportable level at last w/many spots, ID @ 0640, gone by 0649 leaving KRYS in clear, also logged.
 1370 KEEN CA SAN JOSE - C&W format atop 0740 w/many IDs, full ID 0800.
 1380 WAOK GA ATLANTA - many spots, area ments, Black format, gone by 1122. KTOM off w/MM SP leaving WAOK & UNID CL/EZL clear, who could this be?
 1390 KSLM OR SALEM - noted on ET/IDs/phonetic IDs 1029-1100 giving address of CE requesting reports.
 1400 KVEG NV HENDERSON - Tentative & possibly the one w/spot for car dealership & promo for "Vegas" stickers, anyone confirm? Time? (RA)
 UNID -- ----- heard tail end of annmt, then SSB. TG & ID that sounded like KPMO or KTMO. Pretty sure about the K & O, heard s/on 1152 GMT, quickly faded into GY mud and didn't reappear. Any ideas? A PST station s/on for 5:00 local time or maybe MST 6:00 AM s/on? Help! Heard 1152 but announced 5:30 for sure!
 1410 WUNI AL MOBILE - clearing the 120 slop by tuning 1408.5, C&W mx, 0610 spot for tax preparation, jx ID, @ good peaks.
 UNID -- ----- carrying Larry King Show 0617 99% sure, not WUNI & CFUN in here too. Also a Larry King or similar 0615 on 1150 khz...who could these be? WPOP-1410 Hartford, CT carries Larry King. (RA)
 WING OH DAYTON - 0627 ID popped up w/WUNI, but quickly gone.
 1420 WOC IA DAVENPORT - poor w/het from 3XY-1422 & SS QRM, wx, ID, local spots, ments. of Quad Cities, taped report sent.
 1430 KARM CA FRESNO - tentatively the one here 0912 w/partial ID in static bursts. The SS KALI doesn't give EE slogan like this do they? KELI in there too.
 1440 KPRO CA RIVERSIDE - atop w/contest promo 0816 mixing w/KUHL/KEYS, the latter often dominating here.
 1450 KVEN CA VENTURA - w/Mutual Talk Show 0813, poor mixing w/others.
 1460 KSO IA DES MOINES - better than 3YW-1458 & het w/C&W & IDs 0625, in w/T40 station, maybe KMWX.
 1500 KSTP MN ST. PAUL - now in the clear w/1ZA on 1494. Noted 11/23 0607 w/contest promo, Twin City Skywatch Wx & Pop mx, good o/KUMU & SS, presumably XERH.
 1520 KYXI OR OREGON CITY - on changeover night w/12U off, ID @ 1430 & into Mutual Nx o/KACY.
 KACY CA PORT HUENEME - good signal gradually fading in o/KYXI, brief nx 1457 then full ID, jx.
 1550 KQWB ND FARGO - pleased w/this one, 1st heard 0625 w/ID, annrc giving name as David Grose, 0632 w/area wx mixing w/KKHI/KRGO & mostly KGAR.
 1580 KLOU LA LAKE CHARLES - thru KDAY OC during MM SP w/AT 40 Show w/ID/PSA approx. every 1/2 hr, jx ID 0859.
 1600 KATZ MO ST. LOUIS - like a ton of bricks w/automated Soul, National Black Nx @ 0700 then back to Bonus Hour Mx w/Bruce Nichols.
 KORG IA CEDAR RAPIDS - not as regular as KATZ, but heard ID @ 0853, nx, then T40 mx to 0900.
 WOKB FL WINTER GARDEN - noted s/on after MM SP 1000 w/full ID, O&O by Everbach B'casting Co. then into Disco.
 KUBA CA YUBA CITY - w/full ID 1500 w/FM plug, nx, then C&W mx.
 KASH OR EUGENE - ID heard u/KUBA 1500, no nx, into T40 mx.
 KWOW CA POMONA - ID popped out of nowhere 0957 11/27 so maybe a test, mx and periods of OC, but no annmcs.
 KBBX UT CENTERVILLE - mixing w/others w/GOS programs 1310-1330 then into ID & Nx. Generally atop past 1350, listed daytimer.

All times in REPORT FROM NEW ZEALAND are GMT, but please be reminded that regular contributions should be in ELT.....Thanks!

Other Stations:

KNBR-680	WWL-870	KFAX-1100	CKDA-1220
WLW-700	KRVN-880	KFAB-1110	KGIL-1260
KMPC/KIRO-710	KNEW/KJJJ-910	KRLA-1110	KFJZ-1270
CKLG-730	KFRE-940	KMOX-1120	KDIA/KNUI-1310
KFQD-750	KABL/KOOL-960	KPNW-1120	KXYZ-1320
KXL-750	KOMC-1000	KRAK-1140	KCEY-1390
KOB-770	WBZ-1030	KSL-1160	KDB-1490
KABC-790	CFON-1060	KV00-1170	WLAC/KGA-1510
XEROK-800	KPAY-1060	KEX-1190	KOMA-1520
WBAP-820	KRLD-1080	WOAI-1200	KPOL-1540
KOA-850	KING/XEPRS-1090	WCAU-1210	KPMC-1560
			KLIV/KBBQ-1590

All heard with varying degrees of signal strength.

REPORT FROM NEW ZEALAND: Sent to us from John Allchin
 18 Burwood Crescent
 Remuera, Auckland 5.
 New Zealand

OTHER GENEROUS CONTRIBUTORS:

BA	Bill Andres, Richmond Hill, NY	HA-600A, Zenith 6 tube, Loop
JC	John Clemmer, Peoria, IL	TRF, SM2
KDF	Karl Forth, Villa Park, IL	HQ-160, SML
KVJ	Karl Jeter, Atlanta, GA	HQ-150, TRF, SM2
SM	Steven Miller, Boston, MA	TRF
GM	Greg Monti, Bayville, NY	TRF
PRM	Paul Mount, Nelsonville, OH	TRF, no external antenna
LMP	Louis M. Poda, Akron, OH	CA Guardian 7700, LW, mucho equip.
GAS	George A. Santulli, Santa Barbara, CA	Heath GR-91, LW
DS	Dave Schmidt, New Castle, DE	HQ-180A, Looped
ERS	Elliot R. Straus, West Orange, NJ	R-390A, 500' LW ("The Sunset Kid")
WPT	William P. Townshend, Washington, DC	TRF, DX-160
RCW	Richard Waterman, Southwick, MA	HA-600A, LW
SW	Sharon Waterman, Southwick, MA	HA-600A, LW
RA	Ray Arruda, Acushnet, MA	SX-122, SML (GM, "BIG WOOFIE")

See you all next week. 73.....

THEY JOINED

AB Kevin J. Moro, 533-74-1437, 602 TCS, APO New York 09035 (re-joins)
 Markarian Brothers & Associates, P.O. Box 11787, Fresno, CA 93775
 Mike Stonebridge, P.O. Box 511, Fox Creek, Alberta T0H 1P0
 Welcome! Let's hear from you soon.

WRTH UPDATE

WRTH 1979 HAF benefit pre-publication orders - Billboard Publications has advised me that the air freight pre-publication order was delayed in the mails and that by the time it arrived, the book had been published and all shipments had left the London printers prior to Jan 11.

Therefore, copies will have to be obtained from surface (sea) shipments when they arrive in Cincinnati, OH; they will be re-shipped UPS from Riverside, CA upon arrival, presumably early March. All orders received prior to the Dec. 31 deadline and following directions explicitly will be eligible for a suitable refund of the air freight costs.

All inquiries should be sent or phoned directly to me, not to your club which bears no fault or responsibility for the delays. Donald Erickson, 6759 Essex St., Riverside, CA 92504. 714-687-5910, all hours.

INTERNATIONAL DX DIGEST

CHUCK HUTTON
P.O. BOX 2087
DECATUR, GA 30030
(404) 633-1198
BEFORE 2300 ELT

Times are GMT. For ELT subtract 5 hours. Deadlines are usually Monday.

Greetings and welcome to another large issue of IDXD. The support has been very good of late. NRC'ers must really like IDXD, hi!

Those who requested copies of the National Anthems should have received a recording from me by now. I'm finally caught up-maybe 25 or 30 requests were received. What are the rest of you waiting for? Here's a chance to get some very useful information at a price that can't be beat. Just send me a cassette or reel-to-reel and I'll take care of the rest.

Arctic Radio Club changes.... 1034 EAK2 R. Popular de Sevilla noted here with an announcement of "nueva potencia" (new power-CH) guessed to be 25 kw. Portugal RDP Horta hrd on 1258. 1409 Spain ECS8 LV de Guadalquivir here. 1008 Canary Islands EAJ50 here ex 953. 1493 unid African here on 11/29. Albania Korca has been hrd varying from 951 to 967. Canary Islands on the new freq plan: 720 ECS4 R. Atlantico ex 1097, 882 EAK64 R. Popular de Tenerife ex 1133, 1008 EAJ50 R. Las Palmas ex 953, 1215 EAK92 R. ECCA ex 1286, 1341 EAJ43 R. Clube Tenerife ex 1142, 1494 ECS16 LV de la Isla de la Palma ex 1385. Czechoslovakia Hvezda is now being broadcast on 1071 from 0000-0730 and 1400-2400. France R. Sorbonne 962 was hrd on a Wednesday (11/22) so is not active on the weekends only as previously circulated. West Germany is using 20 kw from Munich on 209, with power sometime going to 500/250 kw. East Germany 1359 Berlin will soon be 1000 kw (250 now). They relay R. Berlin International from 1830-2400. East Germany as it appears after the freq change:
SDD: 182 Oranienburg 750 kw
783 Burg 1000 kw
1359 Berlin 250 kw

- RDD: 531 Leipzig 100 kw
- 658 Greifswald 5 kw
- 558 Rostock 20 kw
- Neubrandenburg 10 kw likely
- 576 Schwerin 250 kw directional
- 603 Potsdam 20 kw
- 729 Putbus 5 kw
- 882 Berlin 100 kw
- 1044 Burg 250 kw (soon 1000 kw)
- Dresden 250 kw
- Suhl-Wachenbrunn 250 kw
- 1485 several LP's of 1 kw
- 1584 several LP's of 1 kw
- 1602 several LP's of 1 kw

- BRF: 657 Neubrandenburg (probably 2000/20)
- Burg 250 kw daytimer operates from 0345 until early evening
- 693 Berlin 250 kw
- 999 Cottbus 20 kw
- Schwerin 20 kw
- Weimar 20 kw likely
- 1170 Plauen 5 kw
- Reichenbach 4 kw
- 1431 Bernburg 20 kw
- Karl Marx-Stadt 4 kw
- Seelow 5 kw
- Suhl-Wachenbrunn 5-20 kw likely
- 1575 Dresden 20 kw
- Beeskow 5 kw
- Keula 5 kw
- Weida 5 kw

(I do not know what the original source of this information was. If the listings are observed outlets rather than just an official list from the government, the listings on 1575 become interesting. A superpower is

LONDON MUSIC RADIO

19 Newport Court
London
WC2H 7JS

supposed to be here. Assuming this info is correct, perhaps the Italian is responsible for the light music programs being heard on 1575 instead of the German. CH)

- Great Britain: schedules for the IBA stns are-
- 990 Beacon Radio 0700-0200
 - 999 R. Trent Mon-Sat 0630-0200, Sun 0800-0200
 - 1026 Downtown Radio Mon-Th 0700-0200, Fri 0700-0300, Sat 0800-0300 (0200 Su)
 - 1152 LBC 24 hrs.
 - 1152 BRMB 24 hrs.
 - 1152 Piccadilly Radio 24 hrs.
 - 1152 Metro Radio 24 hrs.
 - 1152 Plymouth Sound 0700-0100
 - 1170 Swansea Sound Mon-Sat 0700-0200, Sun 0900-0100
 - 1170 R. Tees 24 hrs.
 - 1170 R. Victory Mon-Sat 0700-0200 and Sun 0800-0100
 - 1170 R. Orwell Mon-Sat 0700-0100, Sun 0900-0100
 - 1278 Pennine Radio Mon-Fri 0700-0200, Sat 0700-0300, Sun 0800-0200
 - 1431 Thames Valley 0700-0200
 - 1548 Capital Radio 24 hrs.
 - 1548 R. Hallam 24 hrs.
 - 1548 R. City 24 hrs.
 - 1548 R. Forth Mon-Fri 0600-0200 and Sat-Sun 0800-0200

Indonesia 1287 Palembang with 50 kw hrd by the EBU stn in Helsinki.
Italy 999 Rimini 2 plus one other reported here by EBU. 1188 San Remo 2 here with 6 kw as of 10/19. Nigeria FBC Yola has changed its name to R. Gongola.

Portugal-the frequency plan after 11/23:

- RDP1 594 Chaves, 1 kw
- M. do duoro, 1 kw
- Coimbra, 1 kw
- Portalegre, 1 kw
- 666 Lisboa 135 kw
- Covilha 10 kw
- Porto 10 kw
- V. Real 10 kw
- Valenca 10 kw
- Viseu 10 kw
- 720 Azurara 100 kw
- C. Branco 10 kw
- Elvas 10 kw
- Faro 10 kw
- Guarda 10 kw
- Mirandela 10 kw
- RDP2 756 Lisboa 135 kw
- Norte 100 kw
- RDP3 558 Faro 10 kw
- 693 Coimbra 10 kw
- Viseu 1 kw
- 783 Miramar 100 kw
- 1035 Porto Alto 120 kw
- 1170 Valenca 10 kw
- 1287 Canidelo 10 kw
- 1593 Lisboa 10 kw



70 Walton Rd, East Molesey, Surrey

(well now... if this is totally correct, Portugal has pulled some surprises on us. No 1578 to 1575 switch, plus the 1593 tx that isn't supposed to be there according to the ITU. Maybe this is the TA that has put that very low het on WDR ever since the change?-CH)

United Arab Emirates Abu Dhabi is still using this freq after 11/23.
China: this from 11/27 Newsweek "The Voice of America reports a surprising breakthrough-China is not only listening but sending in fan mail". The article goes on, mentioning that reader response was over 400 times greater than it had been up until recently. (I pass this on because of the possibility that due to the recent political developments and an attitude change towards broadcasting as evidenced by the above, Chinese MW stns could begin to verify reports-CH)
Haiti 1145 4VBD R. Citadelle, Cap Haitien is now carrying R. Nationale.
1195 4VAF R. Grande Anse, Jeremie ex 1190. 1410 4V.. R. Familial, Port de Paix is new, 1432 4VGM Radio MBC Port-au-Prince ex 1430, 1456 4VCF La Voix du Nord, Cap Haitien ex 1465. 1475 4VEA R. Val aux Peuple, Port-au-Prince ex La Voix du Peuple.
Belgium 1233 is RTBF2 with Aye Marche and 1305 RTBF2 with Liege, not the

other way around as listed in the ITU lists.

Czechoslovakia 1071 Praha seems to be silent Thursdays 0205-0430.

West Germany 684 RIAS 1 here with 50 kw 0800-1600. 855 RIAS 1 and 2 here with 100 kw 24 hrs. 990 RIAS1 Berlin here with 300 kw.

Ireland 531 RTE Tullamore is now 500 kw day and night. (Ex 567???-CH)

Norway 1466 Svalbard noted here by EBU. (Assumedly this was after the freq changes. If so, it may be the very weak het noted on Monaco by me right after the switch-CH)

Poland Polskie Foreign Radio Service is using the following stns from 0003-0100: 738, 1206, 1260 (1n CG), and 720, 819, 1080, and 1305 (Polish).

South Africa SABC's Radio Five has moved to 575 (not 576). Tx is located at Maraisburg.

Taiwan has not and will not switch to the new freq plan.

Rhodesia will be known as "Zimbabwe-Rhodesia" after the April elections.

end of Arctic information.....

Via Mike Hardester: "The military command on Taiwan has issued word that all US forces and supporting activities will be removed from Taiwan within the next several months. As such, this will probably be the last opportunity to log and QSL the AFNT outlets on Taiwan: 1550 and 1570 kHz (both 10 kw). And, as I believe you know, Taiwan did not and will not switch to the 9 kHz plan-this per AFNT Taiwan who received their info from the ROC government."

Umea DX Club news: Iceland noted on 737 and 665 on 12/2. Portugal 1562 still here as of 12/11. Ecuador (via ARC) HCGB7 R. Nacional Espejo has nothing to do with the stn of the same name in Quito. The stn is on 855 from 1700-0500. HGCJX6 LV del Santuario is on the air local mornings and evenings except Mondays on 955. 990 HCA05 R. America ex 985. 1045 HCEP5 sked 1100-1500 and 1800-0400. HCCV3 has left 4850 and is now on new MW freq of 1430 1200-0700 with 1 kw. Spain the R. Peninsular chain has been drastically reduced. It is guessed that the entire chain will be assimilated into RTVE. Great Britain the following stns have directional antennas (cleverly spotted by CH in a newspaper clipping reprinted in Distance, the club bulletin): 1053 Droitwich and Start Point, 1089 Brookmans, Moorside Edge, and Westerglen, 693 Postwick only, 909 Clevedon, 1215 Brookmans Park, Droitwich, Moorside Edge, and Westerglen. (Note that this leaves powerful stations like Washford 1089 50 kw, Burghead, Droitwich, and Stagshaw 693, Brookmans Park, Moorside Edge, and Westerglen 909, and Washford 1215 non-directional-CH)

Veries de Vernon... Australia 2GB 870 sent 2 v/q's and a v/l for a tape report and 2 IRC's. 100% return now from Australia after a few follow-ups using tapes. Greenland Gronlands Radio 850 says in part that they are doubtful that I heard them, because 850 kHz does not tally. (If you mean they are saying that they are not on 850, something is wrong. I have seen many lists of the new Gronlands xmtrs and 850 is on all of them. I think it has been heard in Europe also-CH) New Zealand 1XA R. Hauraki 1480 sent a v/l, v/q, and book "Radio Hauraki-the Shoe-String Pirates" with accompanying cassette "The Saga of the Tiri" for report, cassette, and 2 IRC's. Story is a complete contrast to the European pirates and is tremendous.

Medium Wave Club info: Iran jumped the gun on the new freq plan by at least 2 months on some frequencies like 576, 612, 639, 711, 837, 882, 918, 990, 1080, 1098, 1215, 1290, 1314, 1449, and 1566. Radio Berlin International jumped to 1359 early (no date given-CH). West Germany 1017 SWF Wolfsheim is off the air daily from 2310-0330. Power is 600/300 kw. Bremerhaven 936 is still 1 kw. Rohrdorf 666 is off the air Thursdays 2310 to 0000. They are 300 kw nights with a DA to protect Athens and Vilnius..WDR 1593 is using only 400 kw day and night except for local dusk to 2305 when the full 800 kw is used. Spain COPE stns-all those with EAK prefixes-were to leave MW 11/23 and be on VHF only. R. Peninsular, Barcelona 1178 and R. Juventud, Barcelona were due to merge into one R. Cadena Espanol stn on either 828 or 1476 with 25 kw. R. Miramar 954 power to 15 kw. Malta DW is using 1557 full time, maybe protecting Nice as tests for interference have been carried out. Singapore EE on 630, CC on 675, and Malay on 990 all are 50 kw plus a multilingual service with 750 kw on 792. Algeria Arabic net is 531 Ain Beida with 600 kw 0500-1700 and 300 kw 1700-0500. 549 no change, ditto 576 and 891. On the FF net: 251 is 1500 kw 0500-1700 and 750 kw 1700-0500, Algiers 981 no change. AA pgm on 891 is ex 980. Libya the Mebo II is now owned entirely by the Libyan gov't. It is used for the Koran pgm on 1611 or 1612, possibly with 100 kw.

USSR EBU lists Kaliningrad on 1143 with 150 kw but Bernd Thuteneau and Ken Brownless feel that the FS stn is located in Byelorussia. Algeria: 981 and 1422 are here on their new freqs. The rest of the Algerians reported are on the old channels, per loggings.

New Zealand Radio DX League news: New Caledonia although Noumea 670 moved to 666, the 1260 stn has not moved. Australia 2GZ Orange still on 990 as of end of November. Samoa logged on 1404. New Hebrides Vila still on 1420 at end of November.

- 552.4 UNID fairly strong LA here 0408 1/3 w/romantica mx. Good audio but no ID before 0445 fade. Costa Rica possible. (Thomas) TISBJ per logging here-CH
- 574 EL SALVADOR audio in and out almost nightly around 0600. Noted s/off at 0630 1/6 w/El Salvador NA, but on past 0700 1/7 with R. Nacional and R. Cadena Central slogans. No calls or city yet. (Thomas)
- 575 COSTA RICA San Jose TIRN better than usual 0510 1/3 w/cl mx. (Thomas)
- 580 MEXICO unid 0500 w/s/off, good signal, mentioned "Canal 58" and had jingles that sounded like "La Cucharita", also hrd 1/4 2350-2359 w/same jingles, spots for clothing stores, food market, and auto parts store, but nothing identifiable. XEFI? (Thomas) XEFI is the most commonly hrd Mexican-CH
- 580 PUERTO RICO WKAQ San Juan good w/jingle and mx (all SS) u/unk domestic 0510 1/8. (DeLorenzo)
- 600 COLOMBIA HJHJ R. Libertad, Barranquilla very good o/u 2nd LA w/RCN and local call letter ID followed by SS MoR vocal 0530 1/8. (DeLorenzo)
- 605 UNID SS in and out here 0930 1/1 and w/rhythmic LA mx 0240 1/4. Looped Ecuador roughly but no ID. (Thomas) R. Huancavilca is here-CH
- 610 COLOMBIA Bogota HJKL according to SPEEDX, R. Suceso is the name of a Nueva Granada newscast (or an RCN newscast) which does not explain why I heard it between records at night... but more listening may be in order before changing this guy's name. Newscast names are very common in LA-"Radio Reporter" on WKVM from 0930-1200 daily as an example. (Gleason) I've heard the R. Suceso things on 610 and they seem to be the regular old RCN R. Suceso ID's. I bet somebody heard the net ID and reported it as a local ID, not knowing any better-CH
- 615 UNID very weak LA here 0518 1/3. Checked for SW // on 4910.5 but nothing there. Don't know. (Thomas) For what it's worth Em. Gran Colombia is the only stn on the channel-CH
- 620 NICARAGUA YNM R. Difusora Nacional, Managua good, atop w/ID between 2 SS vocals 0541 1/6. (DeLorenzo)
- 625 COSTA RICA TLJC P. Cucu San Jose fair w/slow SS vocal, ID, cuckoos 0559 1/6. (DeLorenzo) Good 0530 1/3 w/operatic SS vocal. (Thomas)
- 630 AUSTRALIA 4QN Townsville 12/24 1127+ talk by male and female, 1130+ instrumental mx classical style, very good sig. (Vernon)
- 650 COLOMBIA HJXJ Em. Monserrate, Bogota good o/u 2nd LA w/RCN and local call letter ID followed by SS MoR vocal 0530 1/8. (DeL'zo)
- 690 COLOMBIA HJJC LV de Colombia, Bogota fair u/Cuban w/CARACOL jingle and local ID followed by light SS vocals 0544-0549 1/8. (DeLorenzo) Briefly atop the Cuban in WTIX null w/LV de Colombia ID's. This 0604 1/1. (Thomas) ID at 0633 on 1/1, pop mx. R. Guarachita was already off. (Objio)
- 700 COSTA RICA San Jose TIHB briefly good 0815 1/7 w/SS MoR vocals, then faded. (Tomer)
- 700 DOMINICAN REPUBLIC R. Mao, Valverde, many of the DR stns were on the air past their usual time because of the New Year celebrations, ID at 0635 1/1. (Objio) Actual frequency 699.0-CH
- 700 UNID a R. Festival ID (marked by bells) here 0550 1/1. Weak u/WLW and nothing else discernable. (Thomas)
- 705 UNID just hrd "La Onda Musical y Informativa", very weak, but no other ID, then continuous records. 0644 1/1. (Objio) HRAM LV de Olancho seems to run very late or possibly be AN-CH
- 738 SOCIETY ISLANDS Papeete R. Tahite good sig o/KCBS slop 0416 12/26, had talk in Polynesian lang. WRTH says Tahitian at this time: FF after 0600. Again 0845 1/7, their late Saturday night sked. (Tomer)
- 756 UNID DU w/EE vocals 0750 1/6, probably 1YA. Very weak. (Tomer)
- 765 SENEGAL Dakar good on TRF w/AA preaching 2343 1/5. Fair to good w/male chants 2244 1/6 during semi-AU cx. (Connelly)

- 775 COSTA RICA TIW R. Uno fair w/disco mx, ID 0520-0530 1/6. (deL'zo)
792 AUSTRALIA 4QG Brisbane probably 12/24 1211 male w/nx, then Queens-
land weather. (Vernon)
- 800 PANAMA La Gran Cadena Exitosa de las Provincias Centrales, with
this long ID this stn was hrd, some other times they just said
"La Exitosa", but they did not mention location. Heard when PJB
was off, at 0615 on 1/1, mx. Was hrd by Ron Schatz during his
visit here but always under PJB and could not ID it. (Objio)
- 819 MOROCCO Rabat w/male AA vocal to fair peaks o/bad 818 TVQRM
0005 1/3. (Connelly)
- 819 UNID w/chanting sounding a lot like what Morocco 935 programmed
when a regular in early 70's. Presume Egypt or Morocco from 818.
1/6 at 0730. (Gleason) Morocco about a hundred times more likely
than Egypt, plus it's awfyl late for Egypt at 0730-CH
- 825 COSTA RICA San Jose TIOS weak signal 0545 1/3 w/slow SS vocal,
"Titania" ID. (Tomer)
- 840 VENEZUELA YVMY R. Juventud s/off 0354 w/NA 1/7, choral version
of anthem "Gloria al Bravo Pueblo". (Gleason)
- 846 GILBERT ISLANDS Tarawa VS21 xlnst sig 0620 1/6 w/comedy. (Tomer)
860 CUBA R. Relej weakish w/all news, TC's every minute 0615-0620
1/8. Calls and location unk. (DeLorenzo) Nobody knows them yet-CH
- 860 BRAZIL R. Mundial, Rio de Janeiro fair, alone w/PP rock and folk
mx, man in PP 0724-0734 1/8. (DeLorenzo)
- 880 GUATEMALA TGJ R. Sistema Nuevo Mundo with greetings for the New
Year at 0627 on 1/1. New York was not hrd at this time. (Objio)
Fair 0401 1/6 w/SS talk and Nuevo Mundo ID. (Tomer)
- 882 AUSTRALIA Brisbane 4BH fair w/EZL, "4BH" ID 0942 1/5. (Tomer)
882 NEW ZEALAND Auckland LYC fair 0847 1/5 w/quiet piano mx // to
much weaker 2YC 657/(Tomer)
- 882 WALES Washford 12/25 0550+ carrying Radio Two pgms, 0630+ R.
Wales, mx w/female annr. (Vernon)
- 885 UNID definite carrier, looped S by SE (Brazil, Paraguay, Argen-
tina, Falkland Islands, or a steel bar in the wall) 0500 1/5.
No modulation hrd; right on 885 apparently. The Montserrat thing
is much stronger when on. (Gleason) Unid 1/6 0600-0800 in long
in and out fades. Loop as before, right for Paraguay. Mx was SS
rock, much of which was local Argentine stuff not hrd normally
or in such quantity out of that zone. (I can identify it as WQII
gets all the hits from Argwntina). Very rough to understand
speech, but style also fits southern SA: Uruguay, Paraguay, Chile
or Argentina. (Gleason) Apparently the language style eliminated
Falklands and the steel bar. Very good linguistics! R. Presidente
Strossner is on 885, plus a Haitian on 885.4-CH
- 890 COLOMBIA Bogota HJCE loud signal 0725 1/7 w/chimes and ID, then
into a SS vocal. No sign of WLS. (Tomer)
- 891 FIJI Lautoka good w/Hindi talk 0810 1/5. Phenominal ultraloud
signal 0904 1/6 w/Hindi pop mx and Hindi YL DJ. (Tomer) Good w/
Hindi talk 0810 1/5. (Tomer)
- 895 HAITI (tentative) presumed by DF to Hispaniola and FF audio 0640
1/1. 4VRNM s/off (listed) at 0500 so 4VB? (Thomas) 4VRNM is back
on 910, so 4VB is most likely-CH
- 895 UNID LA 0520 12/31 w/SS tropical mx and romantic (trios, etc.) mx.
Loop same as other HC's noted same AM. Presume Ecuador; no low power
HJ's near here. Could be northern Pwru, also. Music did not fit
Panama. (Gleason)
- 905 ECUADOR HCBO2 R. Espectaculo, Guayaquil suspected the unid 12/31
0515 with SS ballads and light rock. This never was on it's li-
censed 910 channel, and often hrd here in early 70's. (Gleason)
- 925 GUATEMALA San Pedro Carcha R. Imperial fair w/SS male, LA mx,
frequent ID's 0420 1/1. (Thomas)
- 960 VENEZUELA R. San Sebastian, San Cristobal 1/6 0810 w/tropical and
romantic mx. Fast spoken ID between each record. Appears to be
AN. (Gleason) And indeed is AN-CH
- 970 VENEZUELA YVLR R. Central, Maracay 1/7 0330 w/pgm "Variedades In-
ternacionales" all talk over Barry White's "Love's Theme" PSA's
and local ads. (Gleason)
- 985 UNIDS 2 carriers 1/5 0515 with low frequency (100 cps approximately)
het between them. Looped SA in general direction of Ecuador on
both. Galapagos and Christmas Islands, no doubt? (Gleason) I
personally had it pegged as McMurdo Sound and Pago Pago but I
will defer to you and your lousy setup-CH
- 985 UNIDS 0325 1/16, one right on 985 and the other on 985.4. US
soul mx up on the 985.0 stn, some talk but no ID gathered. Later
more US type soul/Top 40 mx. Hard to figure out who this could
be as this isn't anything like Ecuador's format. (Hutton)
- 1000 COLOMBIA HJAJ Cartagena 1/8 1001 loud w/long RCN promo, into
vocal mx. (Forth)
- 1005 COLOMBIA HJJR R. Colosal, Neiva good w/SS vocal 0840 1/5. (Tomer)
- 1008 NEW ZEALAND Tauranga 1ZD fair w/Olivia Newton-John song 0825
1/5. // to 2ZB 1035. (Tomer)
- 1017 TONGA Nuku Alofa A3Z, xlnst signal 0840 1/5 w/EZL; good 0727 1/6
w/native YL talking. (Tomer) Try as hard as I might, not even
a trace of a carrier here from him. With WSB ruining 738 and
756, this would seem to be one of my better bets-CH
- 1020 VENEZUELA YVRS R. Margarita noted AN 1/6 so maybe AN permanently,
not just for Xmas season. (Gleason) I hate to be the bearer of
bad news but they are AN and have been for yeays-CH
- 1026 SOLOMON ISLANDS Homiara VQO loud at 1--2 1/5 w/native mx // to 5020
SW. (Tomer)
- 1026 UNID DU, weak EE pop songs and DU accented annr 0928-0933 1/5.
Not the Solomons, as they had native pgm at the time. (Tomer)
- 1030 COLOMBIA R. Pacifico, Cali RCN net ID and local ID at 0800 on
1/6 in pgm of tropical mx and New Year's greetings. (Gleason)
- 1035 NEW ZEALAND Wellington 2ZB xlnst sig 0831 1/5 w/pop mx. Weak
w/nx 0805 1/6. (Tomer)
- 1037.2 COLOMBIA HJBN, Pasto 1/5 0450-0510. TODELAR news at 0500. Pgm
spent most of the time promoting the carnival celebrations
starting the next day in Pasto. ID is La Voz del Galeras, hence
confusion with "Primavera". Pasto is near Ecuadorian border,
hence bad signal. "Drift" from 1010. Rough with WOSO 1030 on
the air. (Gleason) Well, well, well... "La Voz de Galeras" ID
hrd a couple of times 1/16 between 0340 and 0400, plus local
spots for Pasto including phone numbers. Dave swore over the
phone that the local stuff he heard was of the variety that
makes him sure this was honest to God HJBN, not TODELAR using
HJBN as a feed. But then again, last week Joe Krueger and I
heard clear HJCS ID's, plus I heard local spots for Bogota.
HJBN seems like the best guess based on the extensive local
stuff heard plus it would seem unlikely that HJCS would be on
1037 with a station in the same city on 1040. Lastly, in re-
listening to the first ID's I taped in November (reported as
"similar to Primavera" and phonetically like "Fortaleya") if
you pronounce quickly and slur a bit "Radio Voz de Galeras"
it comes out very much like what I thought I heard. I am
assuming the HJCS ID's were TODELAR ID's with HJCS as a feed. CH
- 1040 COLOMBIA HJJC R. Super, Bogota, AN show 1/6 0750 w/greetings
to truck drivers, tropical mx. (Gleason)
- 1040.4 COLOMBIA HJAI R. Trppical, Barranquilla 1/5 2340 start of local
newscast, following CARACOL Christmas jingle which has been in
use since at least 1962 when I first heard it and taped it.
Xmas season in LA goes thru Three Kings Day-1/6. Bad het on
YVLB 1040. (Gleason)
- 1044 MOROCCO Sebaa-Aiou in w/potent OC; audio from second stn, prob-
ably the German, evident under, 0124 1/3. (Connelly)
- 1044 NEW ZEALAND 4ZB Dunedin weak w/racehorse results 0842 1/5; was
// to 1008 and 1035. First time hrd in almost three years,
thanks to freq change. (Tomer)
- 1059.2 CUBA low mod SS female w/moderate LA mx (not cl) hetting WNOE
1060 0430 12/31. DF and "revolucionario" mentions suggest Cuba
but don't know if Enciclopedia has drifted down or this is the
never heard R. Revolucion (QMKB 1059). (Thomas) It's QMBQ.
QMKB returned to 1060 about a year ago. As of 1/11 QMBQ is
back on 1060-CH
- 1080 HAITI R. Nationale, Port-au-Prince, mx and mentions of Jean
Claude Duvalier at 0653 1/1. (Objio)
- 1090 UNID 1/2 0932 fair/good w/KAAY off w/slow moving Latin mx and
ID's as "Radio Romantica", loop says Colombia or Venezuela.
(Forth) No help here-CH
- 1100h NICARAGUA La Lider, Managua hrd with ads and mx at 0544 1/1,
very good but really hrd on 2200. (Objio)
- 1130 COLOMBIA HJAC probably the Colombian here briefly atop WNEW w/
many Bogota mentions 2353 1/3. Midband LA's were aggressively
bulldozing the domestics but I didn't have time to stay around
and "milk" the opening for all it was worth. (Connelly)
- 1150 VENEZUELA YVMM Punto Fijo dominating the freq on 1/8 0800-0810
with nice Ondas del Caribe ID's and very lively SS vocals.
(Zank) If you saw his name in the credits and were searching
for whatever he sent in, here it is, hi-CH
- 1160 COLOMBIA Barranquilla R. Aeropuerto up to good peaks w/LA mx,
chimes, then R. Aeropuerto ID by woman; WHUE nulled 2345 1/5.
(Connelly)

- 1160 VENEZUELA YVRR R. Industrial, Guarenas. Regular here evenings w/ pop mx of all kinds. Also carries baseball. 1/5 0345 giving "La Hora Industrial" and time check before each record. My friend WQII next door does not make this my favorite freq. (Gleason)
- 1165 ANTIGUA St. John's CRL fair w/radio drama (talk w/occasional interspersed "soap opera" type organ mx, o/u TVI birdy and WHUE splash 2339 1/5. (Connelly)
- 1190 CUBA possible Cuban IS (if interval signal is correct term for chimes we hear on QM etc.) 0701, equally weak as KLIF w/WOWO off, is there a Cuban here? (Mount) Yes-CMJF and the unid new stn that is //to 1180 and 1200-CH
- 1206 AUSTRALIA 2GF 12/25 1142-1148 rr mx, SID at 1144, spot for World Wide Travel at 1148. (Vernon)
- 1206 UNID nice carrier 0702 1/6 but couldn't get any audio. Fiji? (Tomer) I don't think the Fiji stn has been reported anywhere. How about 2GF?-CH
- 1210 HAWAII Honolulu KZOO loud 0700 1/6 w/JJ WL, then "K-Zool" fanfare and legal ID. (Tomer)
- 1210 VENEZUELA Coro YVMN to xint peaks, rolling o/WCAU w/numerous ads for Coro businesses, 2335 1/5. LA cx very good. (Connelly)
- 1220 VENEZUELA YVZO R. Aeropuerto, Maracaibo 1/2 0230 with instrumental mx of the "beautiful music" type and light SS vocals of international MoR style. Faded after ID and time by female at 0234. (Gleason)
- 1223.8 UNID LA here 12/31, just below R. Victoria. On past 0500 with romantic and tropical LA mx. R. Nuevo Mundo, Guayaquil, if still in existence, was noted in early 70's near here. (Gleason) It's Nuevo Mundo all right-CH
- 1224.5 COSTA RICA R. Victoria TIPJ 1/1 0430 w/dance mx, R. Victoria over start of each record. Presume the Costa Rican listed as R. Nueva Victoria. The "Nueva" is definitely gone. (Gleason) Yes, it's TIPJ. They went from "Radio Nueva Victoria" to "Nueva Victoria" to "Radio Victoria"-CH
- 1225 UNID suspect R. Maranon, Quito if it still exists. (Gleason)
- 1230.8 VENEZUELA YVNT R. Barlovento, Caucagua 1/2 0240-0305 w/"salsa" mx (the tropical mx of Puerto Rico now invading Venezuela) and ID at 0302 as "Radio Barlovento en Fonocolor", whatever that is. (Gleason) Sounds like the Venezuelans are raiding their next door neighbors Colombia for some of their most famous illegal export-CH
- 1240.5 VENEZUELA YVSF R. Dimension, Caripito 1/5 2350 w/mx pgm. "Radio Dimension" said with much emphasis after each song. Mostly salsa and SS ballads. Also 1/4 0200-0300 w/pgm of US rock oldies. Big het on semi-local WALO 1240. (Gleason)
- 1260 VENEZUELA R. Impacto, Caracas YVRM starting baseball game 2400 with anthem, said key stn for a 19 stn net for ball games. Alone on channel. WISO-Ponce inaudible. (Gleason)
- 1287 AUSTRALIA 2M Tamworth (tentative) 12/25 1155 male talk, seemed religious, to 1200, faded but a net type mx noted to 1203, then local wx and GSTQ s/off at 1205. (Vernon)
- 1310 COLOMBIA LV de la Patria, Barranquilla, ID at 0659 1/1. (Objio)
- 1315 DOMINICAN REPUBLIC R. Bani w/pop mx at 0658, unusually late to hear them, 1/1. (Objio)
- 1314 AUSTRALIA 2WL Woollongong 12/25 1211-1222 r&r mx, male annr, many ID's and TC's, unid QRM noted at 1219. (Vernon)
- 1323 UNID weak carrier, DU loop, maybe Fiji 0907 1/6. (Tomer)
- 1345 UNID LA 0400-0415 1/16 with me struggling vainly to catch an ID. Maybe this is old friend Paz Y Bien which has not been heard here in many years. (Hutton)
- 1349 UNID carrier hetting 1350 1/6 0730. Looped Europe or CA. Other unid carriers at same time: 1251, 1061. (Gleason) Mauritania is still on 1349. 1251 is likely Libya and 1061 is Portugal-CH
- 1375 ST. PIERRE ET MIQUELON loud w/cl mx 0100 1/3. (Connelly)
- 1385 HAITI (tentative) Port-au-Prince fair 0720-0830 w/island style merengues. Looped Hispaniola but female's language unreadable. 4VS only thing that is close. (Thomas)
- 1400.5 COLOMBIA HJBK LV de la Gran Colombia, Cucuta 1/5 0300-0330 w/SS soft rock mx and ballads. Never got a clear ID of slogan, but many ads mentioning Cucuta. This fellow used to drift like mad in the early 60's. Logged with local WVOZ 1400 on the air, using the USB filter on the DR33. Could never have done this with the R390A1 (I live in a concrete and steel house.. no way to loop out a local. it was all selectivity!) (Gleason)

- 1404 GUINEA Conakry poor w/female vocal, heavily slopped 2252 1/6. (Connelly)
- 1420 COLOMBIA HJBH R. Magdalena, Santa Marta just ridiculous 0200-0212 tune-out 1/16. On top of the channel and not giving the domestics a chance. R. Magdalena ID at 0206; not a trace of this stn before. (Hutton)
- 1422 WEST GERMANY Saarbrücken poor in slop w/bits of mx, mostly just a loud het on WBSM 0140 1/3. (Connelly)
- 1428.5 UNID looped towards DR or Cuba 1/7 0230 w/newscast, 2 male voices alternating, much news of Russia, China, etc. Slop from WNEL 1430 made this rough, plus long fades. Music started out at 0253 w/talk-overs, lots of talk between songs. Lost at 0320. (Gleason) 4VGM is on 1432 per Dick Clark-since you said this was drifting over the phone, maybe this is it-CH
- 1429 UNID strong het 0330 on semi-local WNEL 1430. Fairly strong carrier, no audio could be brought out to even ID lang. (Gleason)
- 1430 CUBA 1/8 Cuban vocal NA 0501 equal to CKFH's news, nothing hrd after that. (Mount) It is R. Surcos, calls and location unknown-CH
- 1430 UNID SS mx and talk o/domestics, taped 2256-2300 1/6. (Connelly) Very likely to be the above-CH
- 1440 LUXEMBOURG Marnach 12/26 still ID'ing sometimes at this date as 1439 and 208 meters, still playing a SID "14-39 Big L, the funk frequency". (Vernon)
- 1441.6 DOMINICAN REPUBLIC HIAK Mi Radio, Sto Domingo 1/5 at 2330 w/romantic music (trios, etc.) and lots of local spots read live by annr. (Gleason)
- 1450 COLOMBIA HJPM R. Galeon, Santa Marta 1/6 0720 w/cumbias and vallenato (accordion folk mx) mx and mentions of carnival in Santa Marta and Cienega. (Gleason)
- 1450 ST. VINCENT R. Antilles 1/5 2345 with old standards "Singing in the Rain" in EE and FF, announcing all FF. Good signal, but never checked out before. 740 has local WIAC so could not tell if //to the Minterrat FF operation. (Gleason)
- 1450.9 ECUADOR HCHW2 R. Rey, Quevedo, finally ID'ed on 12/31 0450 to past 0500 with variety of mx, including SS ballads and tropical mx. ID and correct time 0502, followed by "mensajes musicales", paid dedications. (Gleason) Very poor 1/16 evening in Atlanta, had no idea who this was until getting Dave's report. It will take a tremendous LA night to pull this one out-CH
- 1470 COLOMBIA Medellin 1/7 0541 w/ID as "desde la capital industrial de Colombia, Medellin, esta es (and I believe he said) Radio Musical" ex R. Ya. Also mentioned Todelar. (Gleason) Ya, this is now R. Musical-CH
- 1470 VENEZUELA R. Latina, Valencia w/pop mx at 0440 1/1. (Objio)
- 1505.3 ECUADOR HCVC3 R. Centinela del Sur, Loja 1/7 0420-0510. Finally got clear ID at 0510 w/local ads following. Music of variety type, including cumbias and ballads. Not your all-time great signal. (Gleason)
- 1510.5 DOMINICAN REPUBLIC HIBL, name not hrd, 1/5 0400 starting a pgm of romantic mx in EE. Said pgm to conclude at 0500. TC's after each song. DJ in 1/2 hour did not give any ID. A single spot localized this one. (Gleason)
- 1520 PUERTO RICO San Juan "Musica 15-20" now s/off 0400 daily. (G'son)
- 1530 DOMINICAN REPUBLIC R. Accion, Santo Domingo fair 0800 1/16 with ID and location. Absolutely the only Latin on the air at this time with their new 24 hour sked. (Hutton)
- 1540 BAHAMAS Nassau ZNS under a somewhat weakened WPTR; soul/reggae mx then man in Caribbean EE 2307 1/6. (Connelly)
- 1548 AUSTRALIA 4QD Emerald 12/24 1127+ //630, not noted w/the same strength as on 1550 here yet. (Vernon)
- 1555 CAYMAN ISLANDS Georgetown fair w/man in EE 2308 1/6. (Connelly)
- 1557 FRANCE Nice 1/3 0538 fair signal w/FF talk by man and woman, what sounded like comedy records. (Forth)
- 1560 PUERTO RICO WRSJ Bayamon s/off now 0400 daily, cut back day after New Year's. (Gleason)
- 1560.8 COLOMBIA HJEL R. Espacial, Tulua 0410 1/5 with pgm of SS ballads and light rock. ID by name and EST TC's after each song, 3 minutes fast. Noted also 1/4, but audio in the mud. At times 100% readable. Easily split from 1560 after 0400 s/off of WRSJ. (Gleason)
- 1565 UNID carrier looping NE South America 1/6 0700. No audio could be pulled out. (Gleason) Loops HC from here-CH

- 1575 EAST GERMANY (tentative) pop mx, then GG talk by man and woman 0045 1/3. (Connelly)
- 1478.7 CUBA, location unknown, 1/7 0510 w/instrumental selections segued to 0517, several minutes of talk followed. S/off at 0525 w/usual "premier pais socialista" stuff and brief martial-type choral thing. Carrier cut about 2 minutes later. (Gleason) It's a Radio Cadena Agramonte outlet, calls/location unknown-CH
- 1590 MEXICO XEVOZ presumed to be the stn w/pgm of Spanish flamenco mx 1/7 0430-0500. Ads for a bakery in Col. Navarte, a DF section. (Gleason)
- 1590 PUERTO RICO WXRJ Guayama, ID at 0705 1/1, ads and pop mx. (Objio)
- 1590.6 COLOMBIA HJJQ R. Zarzal, Zarzal 1/7 0430-0500, mx mostly cumbias, one or two ballads. At 0445 over a record seemed to give a stn promo line. Also believe I heard a mention of RCN. ID on hour at 0459. S/off w/NA at 0501. (Gleason)
- 1593 WEST GERMANY WDR Langenberg 1/3 0600 good carrier level but fadey audio w/deep voiced GG anncr. (Forth) Very good w/Muzak-jazz rendition of "A Whiter Shade of Pale" 0033 1/3. (Connelly) Clear w/man in GG 0707 1/8. (DeLorenzo)
- 1600 VENEZUELA R. Melodia Barquisimieto very good at 0450 on 1/1. (Objio)

If any of you are pondering over unid stns hrd the morning of 12/4 when many YV's were carrying election returns, be advised that RCN was carrying live returns from their reporters in Venezuela which sounded exactly like a YV unless you happened to tune in during an ID.

Receiver Performance Notes: re Dave Gleason's 1400.5 logging that he used USB reception on, and wouldn't have been possible with the R390A, this is because the Collins USB (or any sideband filter made by Collins) is unsymmetrical; the side closest to the carrier is made to be extremely sharp as it is intended to be used in transmitting equipment where it is necessary to achieve as much carrier suppression and opposite sideband suppression as is possible in order to eliminate heterodynes and provide proper single sideband operation. Therefore Dave had a great advantage with these asymmetrical filters over regular symmetrical AM filters that most of us use. A second or third filter in the 390A and loggings like this are possible-I can tell you that from personal experience. The best results I've had so far are from a 2 filter 390A with a modified Q-multiplier (continuously variable decoupling) used for carrier exalting. The Q-multiplier also has a very slow tuning varactor to allow precise tuning on top of a carrier. An appealing alternative is a sideband, dual filter radio with the BFO phase locked to the original carrier. Shouldn't be that hard to do these days.

Mark Connelly	Arlington, Mass.	R390A, TRF, SM2
Marc DeLorenzo	Centerville, Mass.	HQ100, SM1
Karl Forth	Villa Park, Ill.	HQ160, 3' loop
Dave Gleason	San Juan, PR	DR33, DA5, Sanserino loop
Chuck Hutton	Decatur, Ga.	R390A, 1900' Beverage
Paul Mount	GPNville, Ohio	TRF
Cesar Objio	Santo Domingo, Dom. Rep.	HE30, 4' loop
Gerry Thomas	Pensacola, Fla.	FRG7 modified, loop, digi-dial
Randy Tomer	McKinleyville, Ca.	HQ180A, 670' mini-Beverage, FRG7
Brian Vernon	Elsa, Yukon Terr.	FRG7000, DX150&160, miles of wire
Neil Zank	Lincoln, Neb.	HQ180A, 2' loop

Now if you had contributed something Pat wouldn't have to be scrounging up something to put in here.

Thanks Chuck. In order to maintain the uplifting nature of this page, we decided to offer to our members another freebie (like the "TUIT"). At an outstandingly low cost, FREE, we give you an OHMMETER. Donated by Bill Hale.



NRC

540 +WGTQ-FL CP + U4 50000/1000

540 GBFF-PQ E:0500-0100 Cf rCBJ-1580

550 +KARI-WA CP + U4 5000/2500

550 CKPG-BC NET:BNV/Ce

560 CHTK-BC NET:NR Fmt:MOR

560 CKCN-PQ PC:G#3 3L7

570 WPLP-FL ADR:06, Napoleon St.

570 CJEM-NB ADR:G.P. 188

570 CFCB-NF ADR:Box 2000

570 CKSW-SA ADR:Box 370

570 CFWH-YT ADR:3101 3rd Av.

580 CKXR-BC Fmt:MOR-CW M

580 C:IFX-NS LOC:Antigonish-Port Hawkesbury ADR:Box 1450

590 CFKA-ON NET:CGN

590 CHLC-PQ ADR:399, de Puyjalon

590 CJCW-NB ADR:Box 5900

590 CKRS-PQ ADR:C.P. 59

610 CHNL-BC NET:NL/BNV

610 CHTM-MB SCH:G:24h NSP

610 CKTB-ON NET:NR

610 CKML-PQ PWR:1000/250

630 KINO-AK Fmt:MORa

630 +KHOW-CO CP + U4 5000/5000

630 +KGDN-WA CP + U2 5000/1000

630 WQBS-PR CP + is on

630 KQOV-BC Fmt:MOR

630 CJET-ON Fmt:POP/C&W

640 CBN-NF PC:AlB 3 T8 ADR: Box 12010, Str. "A"

650 KYAK-AK NET:M

680 KBRW-AK NET:AFRN

690 WYIS-PA CP is on

690 CBDO-NW T SCH: M:0600-0400(0500 Summer)

LOG UPDATER

CEWB-B-MB rCBW-990 xl835-1855M-F

1010-1110 Sa 60%EE:40%

Cree

CBDI-ON xCBW-990 & CBQ-800

x0745-0800, 0845-0900,

0945-1000, 1800-1830 TuWTh

& 0100-0300 Sa

710 +WQEX-WA CP + D1 10000/

710 WDSM-VI CP + is on

710 CKVO-NF ADR:as VOGM-590

730 CJRN-ON Fmt:MOR r VOGM-590

740 WACE-MA PC:LZE 6X7

740 +WSBR-FL (C&W/GOS Sa;Su)

790 *KHUM-CA ADR:Beach Rd.

790 WYNR-GA ex-WPIQ

790 WETB-TN CP + is on

800 GKSO-ON NET:BNV

800 KINY-AK Fmt:8 1/2 MOR(21ROK

+VOWR-NF CP + SH1 5000/2500

810 * CJAD-PQ ADR:Box 7430

810 PC:H3G IZ4

810 Johnston City IL 62951

810 D3 250/ C:

850 KBSN-TX CP # is on

850 CKJS-MB Fmt:ETH

850 KICY-AK REL/GOS (Es:k;Rus)

850 KHLO-HI ADR:Box 3136, C Stn #1

860 CKRD-AB PC: T4N 5H6

860 CFVR-BC NET:SBN/Ce/ BCRN/FV

860 CKVL-PQ NET:Delete BNV

860 WAEC-GA ex-WXAP

860 CBDU-MB Delete ... is on 1170

860 CHAK-NW T SCH: M:0600-0400(0500 Summer) r CFWH-570 3-4 (5 Summer)

John A. Callarman

1122 Maple Mount Vernon IL 62864

870 +KATM-HI CP + U3 50000/50000

900 KFRB-AK Fmt:MOR

900 WBML-GA ex WDDO

+KTIS-MN NET:Sel/BNV

CJVI-BC NET:Delete Cf/SBN Fmt:C&W

CFBR-PQ PC:J7Z 5V9 ADR:C.P. 900

CJEN-PQ PC:J1H IN4 ADR:25 King St. W.

CKTS-PQ ADR:il47 - 3e Av.

CKVD-PQ LaFayette AL 36862

* D1 1000/ C: C&W

+WPLA-FL CP + U3 1000/1000

920 KSRM-AK Fmt:REL/MOR

920 KKLS-SD CP + is on

920 CBQE-NW T SCH: M:0600-0400(0500 Summer) rCHAK x 1440-1800 & 1905-1930 M-F EE & Hareskin

930 CBQI-NW T SCH: M:0600-0400(0500 Summer) NET:CGN

930 CJCH-NS CP # is on FMT:T40/MOR

930 CFLLS-PQ CP + U2 1000/500

930 WCNR-PA ex-KITE

940 KCCW-TX ADR + D3 10000/

940 +WEOO-VA CP + D3 32nd Av.

940 CJIB-BC ADR: 3313 - 32nd Av.

940 CJGX-SA PC:53N IG2 ADR:Box 9400 Tower Bldg.

950 WRLO-MA (Sa:10 Irish/17BBD)

950 CFAM-MB NET:RSM

960 KWKY-NM CP + is on

960 WAAK-NC LOC:Dallas-Gastonia

960 CHNS-NS NET:NR/BNV

970 KIAK-AK NET:NR/Ce/BNV

970 +WCHN-NY Fmt:C&W a 60(7)lx

970 WFUN-OH CP + D1 1000/

970 KBSN-TX ex WREO Delete, moved to 810

STANDARD BROADCAST NEWS

Standard Broadcast News (SBN) is an outgrowth of the original Broadcast News Voice; the split came when Broadcast News wanted to make the service available to all stations. CFRB-Standard Broadcast Corporation wanted an exclusive audio news service, hence, the creation of SBN in the summer of 1966.

SBN has a staff of eleven in Canada, plus reporters in Washington, London and at the United Nations. It also has exclusive rights in Canada for NBC radio. Standard delivers both an audio and print service; however, the print is only complimentary to the audio.

SBN has 47 AM and 10 FM subscribers, who bear no obligation to carry its material. However, the service is reportedly a good one because of the exclusive service and averages 500 news reports a month from its subscriber stations across the country.

SELKIRK NEWS SERVICE

While Broadcast News was forming Broadcast News Voice, "Ottawa Radio News Service" was sending audio reports to radio stations from Parliament Hill in Ottawa. Now called Selkirk News Service, it still concentrates on parliamentary coverage and news stories relating to Federal politics and agencies. The service is distributed only to Selkirk owned stations: CKWX, CJIB, CJVI in British Columbia, and CFAM-AM/FM, CJCA-AM/FM, CFBP in Alberta and as such specializes in reports concerning these two provinces.

WESTERN INFORMATION NETWORK

Called British Columbia Radio News (BCRN) in the new NRC Log, it has since changed its name to the Western Information Network (WIN), as its service now fringes the borders of Alberta, Alaska and the Yukon.

In 1973, CKNW acquired the British Columbia rights to Standard Broadcast News and called a meeting in Vancouver where other radio stations in the province were invited to join the network. Besides receiving SBN, the stations would also receive reports from the British Columbia Provincial Legislature in Victoria from station CFAV, whose reports were already being broadcast by a number of stations in the province. The stations would report news stories of their own to the network concerning their communities.

By 1976, besides news, WIN was also carrying B.C. Lions football and Vancouver Canucks hockey to its stations. In 1978, the network operation, according to network co-ordinator John Ashbridge, was still losing money.

The stations and relays of these on the WIN include:

CHTK-560	CJCI-620	CFAX-1070
CHEK-570	CKOK-800	CKIQ-1150
CKXR-580	CFVR-850	CFBV-1230
CFTK-590	CFJC-910	CHWK-1270
CJAT-610	CKNW-980	CHUB-1570

Details of the relays can be found in Big John Oldfields excellent article "Canadian Family Life", available through the NRC reprint service (reprint D12 - 3 pages).

COMMENT: Other news services, both audio and print, exist in Canada, designed for the broadcast industry. In tele-print, these include Canada News-Wire Ltd., and UPI, whose service needs no explanation here.

Any additional information regarding Canada's audio nets would be welcome, and will be passed on to NRC Subscribers via the news print service DX NEWS.

CREDITS/REFERENCES

- "Hazel now works for CKEY", Avril D. Roberts, Broadcaster, March 1978
- "All the news that's fit to Air", Avril D. Roberts, Broadcaster, Apr. 1978 This article was based on this feature.
- "WIN with a large regional information service", Alyn Edwards, Broadcaster, Sept. 1978
- National Radio Club Domestic Log, 1978-1980, by John Callarman.
- "Canadian Family Life" by John Oldfield, DX News, Vol. 46, #5.
- Fall Directory, Broadcaster, Nov. 1978.

Typed by Pat Hartlage.

N.H.L. HOCKEY 1978-79

Compiled by Tim Cronin (of IRCA) and prepared and typed for NRC 1/14/79 by Bill Hardy. Additional info from IRCA members Mike Endza and Greg Monti. Symbols are the same as used on the 1978-79 NBA basketball list.

Atlanta Flames	WITA(FM-99.7)	Jiggs McDonald (pbp), Bernie Geoffrion (color)	(no known network)	
Boston Bruins	WITS-1510	Bob Wilson (pbp)		
NET:	610 WGIR-NH	1240 WFTN-NH	1370 WDEA-ME+	1460 WBET-MA+
	790 WEAN-RI	WWON-RI	1380 WNRV-CT	1480 WSAR-MA
	930 WWHN-NH	1270 WSPR-MA	WBBX-NH	1490 WTVL-ME+
	1230 WINF-CT	1280 WEIM-MA	WSYB-VT	WHAV-MA++
	WQDY-ME	1290 WKNE-NH	1390 WPLM-MA++	WMRC-MA
	WNEB-MA	1310 WLOB-ME	1400 WTSI-NH	WFAD-VT
	WMOU-NH	1340 WFAU-ME+	WLTN-NH	WIKE-VT
	WTSV-NH	WHOU-ME	1450 WLKN-ME	1510 WITS-MA
	WERI-RI+	WBRK-MA+	WRKD-ME+	(plus one FM)
	WJOY-VT	WTVN-VT	WTSV-VT	

These three stations carry night games only.

Buffalo Sabres	WGR--550	Rick Jennerett (pbp), Sam Anson (color); sometimes Rick Azar and TV announcer Ted Darling are also heard on radio		
Chicago Black Hawks	WCFL-1000	Andy McWilliams (pbp), Bud Kelly (color for home games), Lou Angotti (color for televised away games)		
Colorado Rockies	KDEN-1340	(announcer unknown)		
Detroit Red Wings	WJR--760	Bruce Martyn (pbp), Sid Abel (color) (traditionally, WJR has not broadcast televised games)		
Los Angeles Kings	KRLA-1110	Bob Miller (pbp), Pete Weber (color)		
NET:	1110 KRLA-CA	1440 KPRO-CA 1450 KVEN-CA (plus one FM)		
		(many of the games played in the East will be tape-delayed)		
Minnesota North Stars	KSTP-1500	Al Shaver (pbp), Steve Cannon		
Montreal Canadiens	English CFCF-600	Danny Gallivan		
	French CBF-690	Rene Lecavalier		
		(neither station will carry televised games)		
		(plus: many Montreal games are fed to the <u>full CBC French AM network</u>)		
New York Islanders	WMCA-570/WGBB-1240	(announcers unknown)		
NET:		Those two flagships, plus WIOD-610-FL, WALK-1370-NY*, maybe others		
New York Rangers	WNEW-1130	Marv Albert (pbp), Sal Messina (color)		
Philadelphia Flyers	WIP--610	Gene Hart (pbp), Bob Taylor (color)		
Pittsburgh Penguins	KDKA-1020	Mike Lange (pbp)		
St. Louis Blues	KMOX-1120	Dan Kelly (pbp)		
Toronto Maple Leafs	CKO-FM Newsradio Network (99.1-FM Toronto; plus other Canadian cities, all FM except CKO-1470-QU)(announcers unknown)			
Vancouver Canucks	CKNW--980	Jim Robson (pbp)		
NET:		"Canucks Game of the Week" on the following extensive network:		
	550 CFJC-BC	630 CKOV-BC	1240 CKGO-BC	1400 CFID-BC
	560 CKNL-BC	800 CKOK-BC	CKBX-BC	CKGR-BC
	CHTK-BC	850 CFVR-BC	CKOO-BC	1440 CFCP-BC
	570 CKWL-BC	900 CJVI-BC	1270 CHWK-BC	1450 CIFL-BC
	580 CKXR-BC	920 CKCQ-BC	1280 CHQB-BC	CHVB-BC
	590 CFNL-BC	940 CJIB-BC	1340 CKGF-BC	CKSP-BC
	CFTK-BC	980 CKNW-BC	CKCR-BC	1480 CIFJ-BC
	610 CJAT-BC	1230 CKQR-BC	CIYH-BC	CHLD-BC
	620 CJCI-BC	CKTK-BC	1350 CJDC-BC	1490 CFWB-BC
		CFBV-BC	1370 CHPQ-BC	CKBV-BC
				1570 CHUB-BC
				(no FM's)
				(Out of all these stations, <u>only CKNW-980</u> carries <u>all</u> Canucks games.)
Washington Capitals	WTOP-1500	Ron Weber (pbp)		

Any changes, additions, corrections, etc. please send to Bill Hardy or to: Tim Cronin, 7500 W. 111th St., Worth, IL, 60482

I hope the format I tried this time for the NBA/NHL lists is easy to use; any comments on the format to Bill Hardy. Tim had this info to me in October and the delay in typing it was strictly mine; apologies all around.

If anyone wants to know the sponsors of NBA basketball, a one-page listing is available free for an SASE to Bill. This will save space in DXN.

Anybody having advance info on 1979 major-league baseball broadcasts is asked to please send station lineups, announcers, and sponsors if known, as soon as possible to Bill Hardy, 2301 Pacific Ave., Aberdeen, WA, 98520.

Special thanks to the National Basketball Association for sending their Official NBA Guide with most of this information. Additional info from NRC and IRCA members Steve Apel, Mike Endza, Greg Monti, Pete Nolan, and Eddie Ryan; plus numerous NBA teams and flagship stations. Compiled and typed 1/14/79 by Bill Hardy.

Symbols: (pbp) = play-by-play
 * Daytime-only station
 + AM-FM simulcast for games
 # Specified-hours station (may stay on late for game)
 Flagship stations are underlined. Where only one station is listed, it is the flagship.
 Other symbols are explained as they occur.

POST-SEASON PLAYOFFS (April thru June, 1979): On Mutual Network.

Atlanta Hawks	WSB--750	Skip Caray, Pete Van Wieren
Boston Celtics	WBE--1030	Johnny Most, Bob Label
Chicago Bulls	WIND--560	Jim Durham (pbp)
Cleveland Cavaliers	WWWE-1100	Joe Tait (<u>plus net, not completed</u>)
Denver Nuggets	KOA--850	Al Albert (regular pbp), Bob Martin (color; except, Bob Martin does pbp when Denver game is televised and Al Albert moves to TV)
Detroit Pistons	WJR--760	Tom Hemingway (<u>Except: WDEE-1500 will carry at least 9 games because of conflicts on WJR: 10/27, 11/8, 12/2, 12/9, 12/27, 1/13, 1/17, 2/14, and 2/18; plus, some 14 games will not be broadcast on any Detroit radio station because they will be carried on Detroit TV</u>)
Golden State Warriors	KNBR--680	Bill King NET: KMJ-580-CA, plus others
Houston Rockets	KTRH--740	Gene Peterson (<u>net?</u>)
Indiana Pacers	WIBC-1070	Bob Lamey (<u>net?</u>)
Kansas City Kings	KCKN-1340	Neil Funk (<u>net?</u>)
Los Angeles Lakers	KLAC--570	Chick Hearn (pbp), Pat Riley (color) (networks, if any, unknown for the above four teams)
Milwaukee Bucks	WTMJ--620	Eddie Doucette (pbp), Jon McGlocklin (color at home), Jim Irwin (pbp if game televised)
NET:	580 WKTY-WI	1240 WONT-WI
	620 WTMJ-WI	1260 WEKZ-WI**
	980 WPRE-WI**	1290 WCOW-WI**
	1230 WCLO-WI	1340 WAGN-WI
	WXCO-WI	1350 WPDR-WI**
		1380 WBEL-WI
		1400 WBIZ-WI
		1450 WRDB-WI
		1490 WIGM-WI
		1550 WMAD-WI**
		1590 WSWW-WI+
		(plus 5 FM's)
		WDLB-WI
		WRCO-WI+
New Jersey Nets	WVNJ--620	John Sterling, Mike DiTomasso (network not completed; WVNJ might not carry all road games)
New Orleans Jazz	WGSO-1280	Rod Hundley (pbp), Dom Valentino
NET:	710 WKRG-AL	1400 KAOK-LA
	1280 WGSO-LA	1420 KPEL-LA
		1430 KMRC-LA*
		1490 WIKC-LA
		WLOX-MS
		(plus 2 FM's)
New York Knickerbockers	WNEW-1130	Marv Albert, Richie Guerin
Philadelphia 76ers	WPEN--950	Bill Campbell, Matt Guokas, Jr.
NET:	850 WEEU-PA	1230 WCMC-NJ
	950 WPEN-PA	1260 WBUD-NJ
		1270 WLBR-PA
		1420 WCOJ-PA
		1440 WMVB-NJ*
		1450 WILM-DE
		(plus one FM)
Phoenix Suns	KTAR-620	Al McCoy (pbp), Dick Van Arsdale (color)
NET:	600 KCLS-AZ	1230 KAAA-AZ
	620 KTAR-AZ	1340 KIKO-AZ
		1400 KTUC-AZ
		KFBR-AZ
		1450 KNOT-AZ
		(no FM's)
Portland Trail Blazers	KUPL-1330	Bill Schonely
NET:	580 KCMX-OR	1230 KVAS-OR
	930 KAGI-OR	1330 KUPL-OR+
	1110 KBND-OR	1340 KTHR-OR+
	1150 KAGO-OR	1390 KSLM-OR
		1400 KEDO-WA
		1440 KODL-OR
		(plus 5 FM's)
San Antonio Spurs	WOAI-1200	Terry Stembidge, Greg Haber
San Diego Clippers	KSDO-1130	(<u>net?</u> announcers unknown)
Seattle Supersonics	KIRO--710	Bob Blackburn
NET:	560 KPQ--WA	920 KXLY-WA
	710 KIRO-WA	1280 KIT--WA
		1450 KBKW-WA
		1490 KTEL-WA
		(no other FM's)
Washington Bullets	WTOP-1500	Mel Proctor (<u>net?</u>) (some games live; some games tape-delayed)

Anyone having additions, deletions, corrections, etc. please send them to:
 Bill Hardy, 2301 Pacific Ave., Aberdeen, WA, 98520.

MARK CONNELLY - WAIIION

I have recently received numerous letters from newer DXer's on the question "How can I hear TA's?". Some are confused by the new frequency allocations. With this in mind, I present a logical plan of attack, based upon monitoring done since the implementation of the new frequencies.

Preface: The following factors will enhance your chances to hear TA's:

1. Listening primarily during the autumn and the winter
2. Several days of low A-indices (monitor WWV for reports)
3. A coastal receiving site, or, lacking this, a low, distant horizon towards Europe and Africa
4. A receiver with a 4-kHz. (or tighter) selectivity position. Don't think that this is a necessity, though: TA's can be heard on a car radio or Realistic TRF, particularly at local sunset when adjacent channel domestic skip is at a minimum.
5. Antenna diversity: ideally, beverages and a good loop

If your receiver is not accurately calibrated, a calibrator such as the 5-10-25-50-100 kHz. switchable model by Palomar Engineers will be helpful. You could zero-beat the station with an RF oscillator feeding a digital counter. Digital counters are getting quite cheap and they should become increasingly popular among DXers. No matter where you are in eastern North America, you should try to get some of the more common TA's. Now, on to the mechanics of how to do it - this is an updating & simplification of the TA hunting scheme I outlined in IRCA Foreign Log #6.

We can block off 3 listening time periods for consideration: Local Sunset Period (from 1 hour before local sunset until 0100 GMT), Late Evening Period (0100 - 0400 GMT), and European Sunrise Period (0400 to about 0800 GMT). During each period certain key stations should be checked to establish the frequency and latitude characteristics of TA openings. The key-station reception pattern will tip us off to other potential receptions.

Local Sunset Period

This time period is characterized by a normal pattern of low-band, lower latitude reception. A coastal receiving site is of considerable advantage during period from before local sunset to an hour after sunset.

Low-latitudes (Africa only): Dakar on 765 is the low-end beacon to check, nothing much in the middle frequencies, Conakry- 1404 high band. During auroral conditions, these are often the only TA's heard.

Middle latitudes (western Mediterranean area)

Low-band: check Portugal - 756, Spain - 585/738, Morocco - 612/774/819. Mid-band: Morocco - 1044 is a powerhouse. Also look for Portugal - 1035/1062. High-band: Monaco on 1467 & Albania - 1395 are good guides.

High-latitudes (northern and central Europe)

Low-band: Great Britain on 648, also Holland - 747. Mid-band: Great Britain - 1053, W. Germany - 1017. Check 1044 to see how the East German is doing against the normally-dominant Moroccan. High-band: West Germany - 1422/1539/1593.

On my car radio & on the TRF, I often do a "WABC test": the 765 Senegal net is compared to the 774 Spain/Morocco net. When the 774 net is stronger, the TA opening will generally offer more potential catches.

Late Evening Period

This period is seldom as productive as local sunset or European sunrise. Many European stations are off the air; furthermore, domestic interference is at its worst. You may want to check the German on 1593 as high-band openings are most common during this period. To check possible low-band openings, tune in any of the Spanish all-nighters, such as Barcelona on 738.

European Sunrise Period

The higher frequency stations are generally those heard most consistently. Higher latitudes are often more likely than they are at local sunset. Use the World Radio/TV Handbook to establish the sign-on times of specific TA stations of interest.

Low-latitudes (Africa-only): As at sunset, Dakar - 765 tests low-band propagation to this area & Conakry - 1404 is your high-frequency guide.

SIMPLE CHEAP & EFFECTIVE PRESELECTOR-LONGWIRE TUNER-AMP

BRIAN P. SHERWOOD

Here we go again folks....seriously, this time we've got a small project which not only will tune your longwire, but will amplify the signal as well. Here's all you do:

- 1) Assemble the unit as shown. L₁ is a standard 240 uH BCB "loopstick", J.W. Miller #6300 or equivalent (this is the type that was formerly sold by Radio Shack); C₁ is a standard 365 pF tuning capacitor, swipecap out of any old, unused BCB receiver (such as that \$6,000 non-communications-quality stereo, hi!). L₁B is about 6-12 turns of #20 wire around the outside of the loopstick (you may have to add this yourself). Of course, if you've already built the longwire tuner in my last article, use that.
- 2) Tuning it up: Set the RF gain (R₁) all the way up, open S₂, close S₁, set C₁ fully closed, tune to a station on 540 kHz, and adjust the slug in L₁ for a peak. For further information, see the "longwire tuner" article which appeared in DX News #3, Vol. 46 on Nov. 6, 1978.
- 3) How it works: C₁ and L₁ form a "parallel tuned tank circuit"; RF at the peaked frequency circulates through C₁ and L₁, creating a magnetic field. All other frequencies are (theoretically) shunted to ground. L₁B picks up the current at the tuned frequency (magnetic coupling---remember transformers?) and feeds it to the amplifier section. S₁ turns the power on and off, and S₂ can bypass the preselector to give you a tuned, but unamplified longwire. The "input" terminal of S₂ could also be wired to the longwire itself, allowing you to bypass the tuner, also, like for shortwave.

Errata: I found that if you have a common, unamplified, inductively coupled spiral or box loop antenna, you can use that in place of L₁/C₁. By "loop" I mean an old-fashioned, indirectly-coupled air core loop, i.e. with a "link" turn. The IRCA 2 foot loop is a good example, as is the "Harley" loop antenna. If you use one of those, just hook the longwire to one terminal of the capacitor, ground the other, and take your output off the loop's link coil. Thus, the "link" coil becomes L₁B. The good part of this is that by disconnecting the longwire, and ungrounding the other capacitor terminal, you get an amplified loop! This last was discovered by chance. The alternate connection for use with a loop is shown. Of course, using the loop that way destroys its nulling, but you save the cost of a loopstick and capacitor, as well as gaining a loop amp!

Well, that's about it. The output cable from the preselector can be any coax you care to use: RG-58/U, -59/U, -174/U, anything as long as it bends (this a purely mechanical consideration). I'd recommend RG-58/U, as anyone with a Cber friend can usually beg a few feet of that. Be sure to build the preselector in a well-shielded cabinet. Those with Hammarlunds with lots of inside space might even consider on-board mounting. You don't want RF leaking out to cause regeneration with the longwire.

If you have any questions, address them to me at 221 Larch, Elmhurst, IL 60126. 73.

Middle-latitudes (western Mediterranean area):

Low-band: watch for Morocco/Andorra - 819, Portugal - 783, Italy - 846, and Spain - 585/639/684/738/774.

Mid-band: Morocco - 1044, Portugal - 1035, 1062

High-band: Monaco - 1467. Albania - 1395, Portugal - 1575

High-latitudes (northern and central Europe):

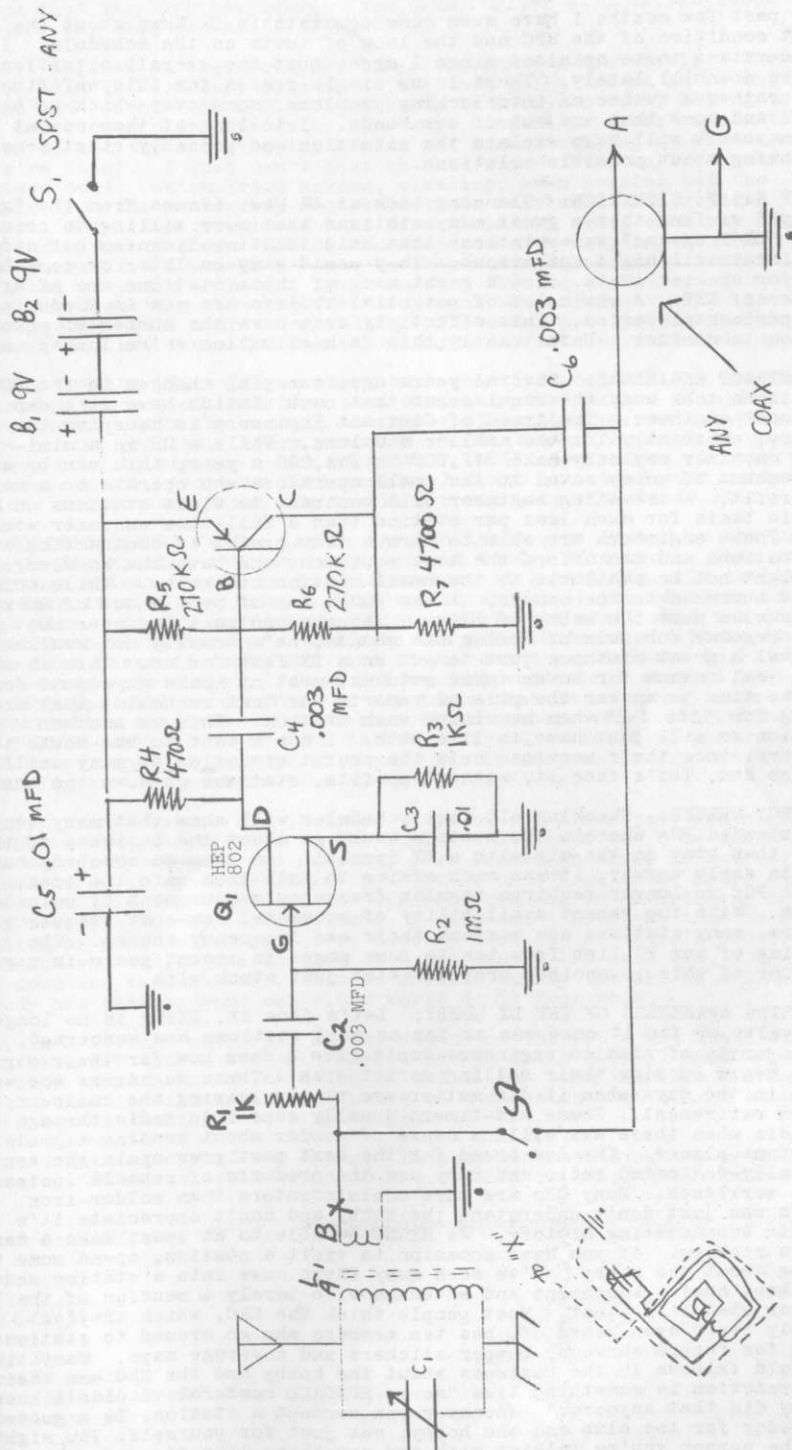
Low-band: England - 648/882

Mid-band: England - 1053/1089, France - 827/854/945, West Germany - 1017

High-band: England - 1215, West Germany - 1422/1539/1593, France - 1206/1377

I check het strength on the car radio or TRF periodically to see if a DX session with the R-390A is in order. Perhaps some day it may be feasible to computer-control a receiver to automatically scan key channels and to alert a DXer by means of a VHF pocket pager.

IRCA Foreign Log vol. 7 gives the new frequency allocation assignments plus pages of actual old-plan loggings which will aid in your selection of listening times & potential TA target stations. Watch the international DX columns for recent loggings, and don't forget to report to these columns. Any TA reports, even of routine stations, are useful as they help to put more pieces into the propagation-analysis puzzle. Good DX/73, Mark



STATE OF THE CPC

In the past few months I have seen some comments in DX News about the present condition of the CPC and the lack of tests on the schedule. I can understand these opinions since I agree that the overall situation has been downhill lately. There is no single reason for this unfortunate trend, rather a number of interlocking problems, some over which we have control and some that are out of our hands. Lets look at them one at a time, maybe it will help explain the situation and possibly start some of us thinking about possible solutions.

1) THE N.S.P. SITUATION: Glancing back at DX News issues from the "good old days" we find that a great many stations that were willing to conduct actual "DX Programs" were stations that held fulltime licenses but did not maintain all-night operations. They would stay on later or come back early for special tests. Now a great many of these stations are AN or, even worse, NSP. A whole lot of potential testers are now in RS during the experimental period. This effectively cuts down the number of possible stations to contact. Unfortunately this is a situation we're locked into.

2) CONTRACT ENGINEERS: Several years ago, sweeping changes in the FCC regulations took away the requirement that each station have it's own "in-house" engineer. The trend of Contract Engineers is sweeping the industry, especially for the smaller stations. While a CE in a mini-market daytimer may only make \$12,000 to \$14,000 a year, this can be a major amount of money saved to the small operators who operate on a very slim profit. A traveling engineer will contract to visit stations on a periodic basis for much less per station than a full-time engineer would cost. These engineers are able to turn a tidy profit by contracting with many stations and can afford the test equipment and have the knowledge that might not be available to the small station otherwise. While this is good business to the owners, it has put a lot of people out of work and has also hurt the hobby of DXing. Since a contract engineer must keep a regular schedule of making his rounds, he's usually not available to travel a great distance just to put on a DX Test for us. This is also a very real reason for lower verie returns, most of these guys just don't have the time to answer the pile of reports (or test requests) that are waiting for "The C E" when he visits each station. This is another situation we will just have to live with. I don't want to bad-mouth these engineers since their services help the profit situation at many small stations and, let's face it, without profits, stations go down the chute.

FREQUENCY CHECKS: Checking old test schedules will show that many tests were extended FCs wherein the station would go about the business of the check, then stay on the air with a DX Special. As long as somebody had to go in early anyway, it was much easier to talk them into the idea. Now the FCC no longer requires regular frequency measurement by outside sources. With the recent availability of accurate, low-cost frequency counters, many stations now perform their own frequency checks. The shrinking of our FC List from ten to four pages in recent years is a good indicator of this....another problem we're just stuck with.

DECREASING AWARENESS OF THE DX HOBBY: Let's face it, DXing is no longer the novelty or fad it once was as far as most stations are concerned. The vast majority of station engineers don't give a damn how far their signal can be heard outside their selling market area. Those engineers who were around in the days when it did matter are slowly leaving the business through retirement. These old-timers usually came into radio through ham radio when there was still a sense of wonder about sending signals to distant places. The new breed for the most part grew up in the era of locally-dominated radio and many are the products of schools instead of the workbench. Many CEs are more administrators than solder-iron jockeys who just don't understand the hobby and don't appreciate it's place in broadcasting history. We MIGHT be able to at least make a dent in this problem. If you have occasion to visit a station, spend some time talking about the hobby. I've seen many DXers come into a station and talk about music, equipment and antennas with barely a mention of the DX hobby or what it's about. Most people think the NRC, which they've possibly never even heard of, has ten members who go around to stations asking for record surveys, bumper stickers and coverage maps. Many times I've told friends in the business about the hobby and the NRC and their usual reaction is something like "seven HUNDRED members? I didn't know anybody did that anymore." Whenever you contact a station, be a goodwill ambassador for the club and the hobby, not just for yourself. You might find the person you're talking with say something like "I wonder how far

this station can get out?" At that point, it's time to make your CPC pitch...."Well, if you'd like to find out, we can arrange...."etc etc. Carry a copy of a fat edition of DX News with you. It's a good tool in showing that the DX hobby is far from dead. After all, as ERC keeps reminding us, this is the LIVING NRC!

APATHY: No, not at the stations, but among our own membership. There's a disturbing let-somebody-else-do-it attitude going around in recent years and not just within the NRC. It seems to be everywhere. I belong to a stock car racing club that's the same way, a small hard core of faithful members do all the work and the others sit around telling us what a nice job we're doing. I just don't have an answer for this, maybe somebody out there does. We've tried asking, pleading, even begging but the response from the membership continues to be very small and getting smaller. This is a problem we have direct control over, each one of us as an individual member. Nobody can stop you from helping the CPC except yourself. I wonder if some healthy competition would help stir people out of their lethargy, maybe a free NRC Log or Pattern Book or even a free year's membership for the person who arranges the most tests in the season would spur things along. If we can give prizes for the contests, why not for a CPC Contest? Maybe the LPC can mull this over.

THE HARD WORKING FEW: If you check back you'll find that even our very successful seasons of late have been basically the results of a few superworkers. It's the same in the other clubs too, we don't have any patent on the problem. Every year I hear "What ever happened to so-and-so, they used to arrange a lot of tests." Well, let's face it, they've done their share, isn't it YOUR turn now? Make a list of your most wanted stations and contact them, don't wait for somebody else to do it.

LATE NOTIFICATIONS: A few issues ago two tests were listed in the DXN for a Monday morning and the issue arrived Monday afternoon. When you DO arrange a test notify headquarters about it immediately. If the timing looks like it will be close, a call to LPC will tell you if there is enough time. If not and you cannot reschedule the test, send the info to the Flash Alert Service. Chairman dAN mYERS address and phone are on the back cover of each DXN. And if you don't participate in Flash, it is recommended highly. Send dAN ten self-addressed stamped post cards and you will be notified of any tests that do not come in under the publishing deadline. Last season Flash members were notified of over TWENTY tests that were run before their dates could be published in DX News. Most of you missed them. For as easy as it is, it's really surprising how few members take advantage of Flash.

MYSELF: When I became CPC Chairman 11 years ago I was just the night jock for WHOT. Now, in addition to the administrative duties I've assumed while advancing through the company, I've become involved in several businesses of my own which take up a lot of what used to be spare time. Between building racing cars and engines, running an advertising agency and a recording/production business, I just don't have the time to devote to DXing as much as before. I've done my best but if there's somebody out there who would like to give it a try and if LPC sees fit, I'd gladly step down and turn it over. I'm as anxious to see the CPC do well as anybody and perhaps some new blood would do it some good.

That, in a 2 1/2 page nutshell, is the status of the CPC. The ideal situation would be a CPC with a lot of members, each sharing a small amount of the work load rather than a few doing it all as has been the case for many years. What it will be in the future is a decision that ALL of us will have a hand in making. It's up to you.

If you'd like a copy of our 4-page CPC pamphlet outlining the methods of arranging CPC tests, just write to me. A SASE is helpful but not necessary.

73 and Good DX,

Jerry
 Jerry Starr
 c/o WSRD Radio
 401 N. Blaine Avenue
 Youngstown, OH 44505

MUSINGS

The opinions expressed in this column are those of the individual members, and do not necessarily reflect those of the editors, publishers or NRC.

ERNEST R. COOPER
5 ANTHONY STREET
PROVINCETOWN, MASS. 02657

SALUDOS A DOS NUEVO DX CLUBES DOMINICANOS!

RONALD F. SCHATZ - 5651 S.W. 2nd Court, (106) - Margate, Florida - 33068
Saludos! Hace muchísimo que aparece en estas páginas un "Musing" en español, pero ahora tenemos suficiente motivo para componer uno, puesto que esta revista DX NEWS ya está al alcance de muchos miembros/DX'istas de habla hispana. Primero, quiero dar las gracias a CESAR OBJIO, TED VERAS, también a José, Juan y Joselino (socios de los dos DX clubes dominicanos), y a Carmen Objio y Rosina (mi "sobrina"), a todos por su amable hospitalidad que me brindaron durante mi paseo reciente en su país; lo disfruté mucho; gracias a Uds. A propósito, ERNIE COOPER me informa que él está dispuesto a imprimir tu "Musing" directamente en español, o te brindo la alternativa de enviarlo a mi primero para que yo pueda traducirlo al buen inglés. Debo mencionar a mis amigos dominicanos que mi "Musing" en inglés no constituye mi reporte al club de mis aventuras allí: estoy preparando un ensayo largo, con fotos y más, que espero que aparecera pronto dentro de estas paginas. Esperamos la próxima inauguración del "show" de TED VERAS a través de RTVD onda corta, que promete inclinir mi cuña nueva "El Mundo del DX-ista", a partir de unas semanas. Mi programacito, que va a salir mensualmente, está al servicio de este "hobby" creciente en la América Latina, que ya comprende cientos de DX-istas de este hemisferio. "Manténganse en sintonía" por más informes. Hasta entonces, amigos, chao, 73 y DX de RFS.

KARL'S ENGAGED!

KARL JETER - 2816 Frontier Trail N.E. - Atlanta, Georgia - 30341
Greetings in the New Year! I decided to get 1979 off to a good start by sending in a Musing & hopefully many more will follow later in the year (famous last words, hi). Very little DXing was attempted during the holidays due to such diversions as family re-unions, out-of-town company, work, and most of all, getting engaged. So, I have been busy since catching up on DX, with some really nice stuff hitting the wires around here. Going back to 1/3, WRBX-1530 w/"The new WRBX" promos & contest @ 4:38pm. Later, KONG-710 nicely w/NX 6:19pm after WKRG's power drop @ 6:15. CBC-900 Barbados (my fiancée's homeland) coming in @ 7:46pm same eve w/ bingo game. SSS on 1/3 netted a goodie: I was on 1120 looking for WUST u/KMDX but instead of B/SOL I heard c/w. Staying with it, I was rewarded w/WVOL's s/off @ 4:59pm! SSS on 1/5 brought KWOC-930 5:29pm w/rr & Mo. net NX. This fellow was reported about six years ago w/no response - I hope my luck is better, hi! Then, up to 1510 & a double-barralled log u/WLAC super-pest: WWBC heard with end of "700 Clun" 5:43pm into s/off. Then, as WWBC's s/off was about over, in chimed "This is WKAO, Boynton Bwach, Fla." KMZK (ex-KRXV, KBUY et al.)-1540 heard w/BFL mx & Direct Factory Outlet ad, 6:12pm. To top off a good session, unnn (except for a verie) KLTR-1580 nicely @ 6:26pm w/rr, ads. Oh yes, unnn KMFT-620 making it through the WRJZ QRM @ 7pm w/CBS NX folo by farm report. Seeing other DXers' v/PP/C's was interesting (in "The Verie Game") even though my v/PP/c has a "We cannot verify" space, it has only been used once. Now, I mark through it to remove the temptation, hi. I am also experimenting w/v/PP/C's similar to some that were displayed, i.e. making each one individualized per station, and I am two-for-two so far. MM 1/8 was good, w/excellent copy (finally) on KGBT-1530 w/SS & EE s/off @ 1:03am. Strange - SS on 1470 @ 12:16am u/KLCL - is this critter a Cuban? Log taken 1/8 on WTRL-1490 @ midnight w/NX & end of religious program. Local WAOK was ETing on off around 1:20am. (whoops, on 1380). That be all from here. 73's. (Hey Karl - was WXAP-860-TEST on 1/8??? -ERC) (& CONGRATULATIONS!)

SUNRISE & SUNSET ARE NON-PRODUCTIVE

MIKE TUGGLE - 909 Moores Mill Road - Bel Air, Maryland - 21014
Once again, I've slipped behind in my Musings, not from lack of interest - I have been at the dials pretty regularly. But since the end of October the season here has been an absolute disaster - there was better SRS/SSS action in mid-Summer. It's been like one big, continuous Aurora - locals and Cubans smeared out all over the dial. Yes, I've checked my antenna, and it's still up; & no loose connections in the set. About the only solace from this mess is that WBZ ain't there either. Oh, where are those cold, crisp evenings where the band is alive with DX - will I get one nice Northern opening this season? I had all sorts of wonderful goals set at the beginning of the season: new states to log: Me., Vt., Ws. & Neb. & try to run station total to near 400. I did luck out and catch Neb. in October, but with stations now at 344, 350 is probably a more realistic goal. Another project is to get at least one verie from each of the 32 states logged thus far. I have 14, but let's see - I still need Maryland - maybe I can get some copy on WBAL. STEVE KENNEDY: Good luck on your crystal set - but I'd suggest that you forget the Schottky's and go with some el cheapo 1N34's until you find some 1N295's or 1N64's. 73's, all.

FOR PAGE FILLERS, WE HAVE DWELT MOSTLY WITH TRYING TO GET YOU GUYS OUT THERE TO MUSE MORE OFTEN. MORE THAN LIKELY MOST OF YOU ARE TIRED OF READING OUR PLEAS FOR MORE SUPPORT, AND WOULD LIKE TO SEE YOUR EDITOR FIND ANOTHER SUBJECT OR TWO TO PUT AT THE BOTTOM OF THESE SHEETS. SWELL - WE'D LOVE TO - BUT ONLY IF AND WHEN YOU ALL COME THROUGH WITH MORE MUSINGS!

WHAT DO YOU EAT WHILST DX'ING?

BILL ANDRES - 101-25 225th Street - Richmond Hill, New York - 11419
----- MM of 1/8 turned out to be just as rewarding as MM 1/1 here in the Hill, three newies and the usual assortment of dozens of unIDs, and the usual plethora of dumb questions (at the end of the Muse) that usually get caused by hours of staring at a dial in total darkness. A c/w station on RS on 850 @ 2:25 turns out to be unnn WEAT, not the desired WRAP. (WRAP is NN, Bill -ERC) UnID R. Porto-910 turned up again @ 2:49. New Cuban timepiece R. Reloj Nacional on 940, // to 1270. 1250 provided some purposeful vigils, w/a CBS NX (w/no ID, straight out of a song into the network) @ 3. The old NRC Log lists WGL & the new VJ Log lists WEMP (either of which would be welcome), plus the one I suspect it is, unnn WDAE. R. Capital, HJCA, Bogota, IDed @ 4:24, many mentions of "Capital" and Colombia, & one "Radio Capital" ID. WDAE s/on @ 4:30, very weak, unusual for this nuisance. Local WGBB could not be nulled tonight, and with their signal at least minimized, 1250 was okay. But trying to null WQVA removed WGBB's null, and like that. Speaking of WGBB, I was there last 1/1 evening, saw fellow NRC'er/announcer Greg Monti, and Ric Morgan (who, along with myself and some other troublemakers tried to get 50 stations to play the same song at the same time MM 2/7/76) WGBB evidently has installed some new fidelity-enhancing equipment, doubtless for the express purpose of making them harder to null. The third new one of 1/8 was an unexpected 250-watt-er called WOEL on 1570 from Wobble, Ohio, @ 7:22am. Actually, this last one needs to be checked out, as the Jones Log has them moving to 1320 soon. Looks like I'll have to send a report. Total veries now stands at 8, from seven states and 0 provinces. A question or two. Since I hate spending \$2 in quarters to phone a station, pose a five paragraph question and get either a "yes" or "no", let me invoke New Year's Resolution #30 (being even more frugal) and ask: Since the Eastern New York State daytimers can s/on w/their PSA @ 6:00, does this mean that the next SRS/SSS zone to our West s/on @ 6:15 w/PSA? Or is it a 6:00 s/on time for the entire EST zone? (6am for all EST's -ERC) And is a station that reduces power at night (but doesn't change the direction or shape of the pattern) a U-3 or U-4? I mean, it's the same pattern, but it's smaller when this happens. (I'd say U-3 -ERC) Thirdly, much has been made of the theory that inflation has caused not only a change in the average American diet but a correspondingly backward step in nutrition as well. I feel the NRC is partly to blame, as its membership has increased to include formerly well-nourished, mature adults who now don't have time to get all the iron & cheese they need when jogging through 1400 chasing TTs. How about a line or two in some Musings about what we consume AN? 73&burp.

GETTING RADIO-ACCLIMATED IN HIS NEW LOCATION

JEFF KOSNETT - 9623 Basket Ring Road - Columbia, Maryland - 21045 1/8/79
----- As I said last Muse, I've begun to twist the dials a little to test the DX waters of Maryland. I have mixed reviews so far. Too many NSPers & pests, & little or no success at s/on times, but good SSS potential, and, perhaps surprisingly, good variety on the regionals. So, in four weeks, I've logged a total of 141 stations, including three TAs, first I've ever recorded. But none of these have been recently seen in IDX: R. Nacional de Espana, on about 1380, R. Nederland at 1580, and the BEC also near 1580. I know some U.S. stations play BBC programs but I had this for about a half hour very early one morning, listening to a game show called "Take It or Leave It." I know all of these are supposed to be split frequencies, but I've no foreign log and you IDXers make this stuff seem like kindergarten, anyway. I'm far more interested in domestic DX, & as I write this (9:30 on 1/8), WQAM-560 is somehow killing everything. They just promo-ed a 56-minute Steve Martin special they run Sundays @ 5pm. It might rank as the best catch here yet. Anyway, a brief review of some highlights. 12/9, WEUP-1600 heard ID weakly through a typical huge mess at 5:20pm. On 1/2, I heard WJAB-1550 s/on at unusual hour of 7:15am, way over semi-regular WXVA. That same morning I heard WJJD-1160 @ 9:45am in my car radio on the way into Baltimore. Two decent regionals on the evening of 1/5: WSAT-1280 @ 10:35pm, braying loudly about the "all new WSAT" that started on 1/8, & then WLJK-1270, @ 11:30 a newscast that called for an ID as the "nighttime voice of Cocke County". On 1/6, one decent SSS logging, WLFA-1590, local-like signal way way w/WJRO @ 5:25pm. WJRO could be a wicked pest, but it dies whenever anything else surfaces on 1590. Some other half-decent loggings to date include WTRM-800, WMMN-920, WKAZ-950 (nostalgia!), KLRA-1010, WEET-1320, WEXZ-1360 (WSAI is usually atop), WAJR-1440, and WQIQ-1590. It will take time before I can properly regard most of that DX as mundane. Right now, I'm just building up the logs. Anyone know who's the National Black Net who s/on 1590 @ 6am ELT? 73's. (NRC Log shows WVOE-1590 -ERC)

BACK IN RHODE ISLAND AGAIN

BRUCE A. COVIT - 39 Bayberry Drive - West Warwick, Rhode Island - 02893 1/9/79
----- I've finally got a round tuit, and fixed my SN-717 so I can do some DXing and Muse! The new year began with reception of the new sound in Boston, WHUE-1150, BFL mx. At sunset on 1/3, I caught WGSY-740 in & out with WCAS nulled. At 5:35pm, I heard WRHG-1550 w/SSS programming folo by s/off @ 5:45pm. A report was sent out to them. 1/8 unnn WFNC-940 was heard w/c/w mx, but they didn't come in clearly enough to be able to send a reception report. An unID SS station was coming in strong over WVIC-1080 @ 5:20pm. SS was also storming in strong w/WBT-1110 nulled. I listened to 1110 from 5:30 to 6:30pm, but I was not able to catch the ID. I heard continuous NX with two anchor-men and a distinctive four chimes between each story. Any ideas on what it was? An unID SS station was also noted @ 1120, but it wasn't coming in clearly enough to decipher. 1/9- At 1:20am, I heard music fading in and out at 1620, but no IDs. Was it WFAT-1620, or was it a new pirate conducting tests? I'm back at home in West Warwick, to DX for the next three months. 73's.

AS WE SAY IN HANOVER, N.H., "WTSL-1400". "WE'RE THINKING SAINT LOUIS"! Aug. 31; Sept. 1-3. FORMULATE YOUR PLANS EARLY TO ATTEND. RESOLVE NOT TO MISS THE FUN THIS YEAR! BE THERE!

(Arruda, con'd.) KKIO-1290 was not tried. The search for WMOO-1550 is over. They were finally positively IDed on ET @ 2:36 $\frac{1}{2}$ on 1/8 2:34-2:44 w/GOS mx for only bright spot of this noise-filled MM. Just a week ago, a non-verie letter from WMOO came for a tentative tape & written report at LSS said to try again, so I did! 73.

COMPARES PANASONIC PORTABLES

JERRY H. NEVES - 3951 Colby Way - San Bruno, California - 94066 1/5/79
 ----- Hi! Just a couple of weeks ago I decided to try a couple of Panasonic portable radios. Being the owner of the RF-1080, this being an older model that came out about three or four years ago. This model has the PSB band, FM & off course, the AM bands. This portable is very well built, in my opinion. It has a meter, & light button. The PSB band is covered from 148 to 174 MHz. I have always liked this portable. It has good sensitivity on AM. The selectivity is not so hot, but not bad. Well, I decided to try its newer version, the RF-1090. Basically the same size, but the PSB band coverage is from 136 to 174 MHz. When compared to the RF-1080 the FM sound on the RF-1090 is much superior. The PSB coverage on the RF-1090 is also extended as compared to the RF-1080, but here is the bad news. The AM is bad, selectivity-wise. The RF-1090 has barn door selectivity. In other words, the RF-1080 (older version) is much, much superior to the RF-1090. I took the RF-1090 back for a refund & decided to try a much smaller & compact model, the RF-1102 also by Panasonic. This is a new model. It sells from a low \$44.95 to \$60. This little compact & thin model surprised me. It is very equal in performance to the RF-1080, but much smaller. It covers the AM, FM, & the PSB bands in a very attractive package. When I compare the above three models to my ICF5900W or the TRF by Radio Shack, I find the Sony & TRF much better selectivity-wise. By the way, I have not found any spurs or cross modulation on my ICF5900W & I am smack in the middle of the Bay Area! I just love it. So, my advice is, if you have an RF-1080, keep it. Don't buy the RF-1090. If you want a smaller package, get the tiny RF-1102. Coming up next, I'll try to get my hands on the Panasonic Super Sensitive RF-1042 AM model only. It sells for \$19.95. This is also a new model. 73s.

NRC AN EAST COAST CLUB - AND VICE VERSA!

BILL HARDY - 2301 Pacific Avenue - Aberdeen, Washington - 98520 12/28/78
 I reported my DX in the last Musing & thought I'd mention some leftover info this time. Anyone hearing ranchera mx & SS on 1560 kHz after 7:30am ET might be getting KPMC's new daily SS program. Hours are 7:30-9am Mon-Fri, 7:30-9:30am Sat., 8-11am Sunday. Nancy first noticed this in October some time. It was strange - instrumental SSB @ 7:30am, then right into a song, "Llegamos de Mexico", & then the SS announcer. He listed the daily SS times, & often says, "KPMC, Bakersfield." slowly in accented EE. Does anyone remember the New Year's "Westport Beverage DXpedition" of a year ago? And how Nancy & I planned on hosting another one in Oct. 1978 & again Nov. '78 (when the new 9kHz plan began over Thanksgiving)? And how the latter two were postponed because of my dad's beach cabin being rented out to someone for a few months? Well, I hate to say it, but 1979 looks bad for a "Westport Beverage." Seems threnerter nowplans to trim the short evergreen trees on the property, in hopes of selling them next December as Christmas trees! Somehow that doesn't sound like they have immediate plans to move out of the house, unless I can cleverly manage to get them hooked on BCB DXing so that they'll be willing to host such a gathering, hi. ERC, was there any significance to the dotted lines under some Muser's names in the 12/28 DX NEWS? Not everyone's name was underlined like that - just wondering. (No, Bill - just a "new style" being born - ERC) I looked for an explanation but didn't see one. If I may, I'd like to comment on something that bothers me a little bit. I'm in both major BCB Clubs, NRC & IRCA. Don't ask me why, but it seems like very few of the West Coast NRC members (those who are in both clubs) contribute to the various DX NEWS columns. Likewise, support from certain parts of the East Coast is very weak for the various DX Monitor columns. Since both clubs are supposed to be national (and even international) in scope, I don't think it's healthy for NRC to become an "East Coast" club and IRCA to become a "West Coast" club. The solution to this is really simple: Whatever clubs you belong to, please contribute! How else can we get the total picture? I'm sure not everyone agrees with me so at least I hope I've provided some food for thought. 73 everyone!

WUNI-1410 IS VERY FRIENDLY TO DXERS

JOHN CLEMMER - 2937 West Gilbert - Peoria, Illinois - 61604 1/8/79
 ----- A very nice v/l from WUNI arrived here last week. The CE said that WUNI has been using the same transmitter (RCA 5-DX), the same pattern, power, and towers since 1941! The CE also extended a personal invitation to visit the station next time I am down that way. He also sent along a "Wuni Bird" (the station's symbol) tie tack. Too bad all stations weren't so friendly and courteous in their veries. I suppose it did help that I mentioned I have vacationed frequently in the Mobile area and listened to WUNI and also saw their towers last time I was down there alongside I-10. WSIV-1140 Pekin, Ill. 5kw days has changed its calls to WVEL. "W-Velvet" continues the BFL mx format WSIV had. DX has been very good here with over 15 new stations heard in the last week. Best catches were WMOX-1110 Miss. & KCTA-1030 Texas & KN30-1530 Texas. Details can be found in DDXD. DX at SSS has been excellent with very good CX to Texas, Arkansas, & Mississippi. I hope to see all of you in Peoria in August for the IRCA Convention. Good DX & 73.

BILL ANDRES has raised an interesting question - what do YOU EAT/DRINK while sitting through an AN DX session? It should be interesting to hear your answers - why not mention this when next you Muse - outside of your Musing - and we'll run the comments as page foot-fillers! What do you eat - drink - munch - smoke - chew - or whatever, while twisting those dials?

MORE ON THE CADX NEW YEAR'S EVE GET-TOGETHER

BRIAN P. SHERWOOD - 221 Larch Avenue - Elmhurst, Illinois - 60126
 ----- Greetings. ROB KRAMER's New Year's Eve CADX get-together was quite a success, for me at least, with 50 new stations logged between 12/30 and 1/3. Probably the highlight of the GTG was out logging of KUAT-1550 sunset; in pretty good with practically no sign of CBE. Other stuff includes: KNUJ-860 ET, CKWS-960, KAGA-1600 ET, WORI-1550 s/on, WIOD-610, WYSE-1560 ET, WSOY-1340, CKVM-710, WFXV-1560, WYNY-1550, WTAW-1150 in surprisingly well, WJCO-1510, WBYS-1560, WLBH-1170, WPEO-1020 (I get too much WOLF right in Elmhurst), WRGA-1470, WITG-1590, WMOO-1370, WAPT-1070, WMOA-570 (ah, to null WINDI), WDKG-860, WNDR-1260, KGBX-1260, WALM-1260, KMAV-1520 in good, KHXI-1580 w/almost no CBJ, & the FCC on 1060 on Rob's six transistor portable! (He was holding it near his loop, though). 1/1 seemed especially good for SRS & for SSS, the latter all the way into Western Arizona before it died out! 1/4 (back at home) brought WHIX-940 @ LSS; I needed a tape. 1/5 SSS netted KFSE-1310, KAAM-1310, & WLUX-1550, the former two with no sign of slop from WTAQ-1300 (pest). 1/3 SSS netted WQBC-1420 & WELI-930. Also, KXEL-1540 was off until 5am at least (OC @ 4:52) on 1/3, too bad there aren't more fulltimers on 1540. I tried for ZNS1, zilch. Overall, I'd say it was a very successful GTG; thanks Rob. Too bad KARL FORTH couldn't make it, but WX conditions were just horrible; I don't blame him for not wanting to drive out. I just got through re-doing all my lead-ins with coax cable, no appreciable change in vertical pickup. 12/27, while visiting relatives, I got to see DAN LESTER, complete with FRG-7 and SM-2; I must say I enjoyed DXing from his igloo...er...icebox...er...freezer...er...shack, hi! Real nice place he's got there, but that unheated garage with attached shack (serves as a radio shack only) gets sort of chilly. Then again, when the DX is coming in, you don't notice the cold, that and "Oide Frothingslosh" Early American Rotgut, hi! Seriously, I very much enjoyed meeting Dan. I would've stopped to see HOWARD SCHAFFER, but with 22 Christmas trees to see, time ran out. Next time I promise. Well, I'll close with a hearty "73" and a wish for peace on Earth in '79, free beer, and a re-impeachment of Nixon, hi! 73.

A VISIT TO KXEG-1010

PETER A. NOLAN - Box 1524 - Eugene, Oregon - 97440
 ----- I had a nice holiday session in Arizona, visiting relatives and girlfriend(s) For all the times I've been in the Phoenix area, I finally got a chance to visit some of the area stations. I was impressed and surprised; the market is big business, classy, and presents itself well in every respect but their air sound, which is pretty poor. With all the money that pours into sales efforts and equipment, one would think they'd invest the time to put out a quality product. Highlight by far was the visit with KXEG/XEB's CE John Stuart. It's little wonder that 250 watts is booming out all over the West. They've used every trick in the book, and bent the rules (but not broken) in every way imaginable to get a good skywave coverage at night. They're using a quarter-wave antenna & a very strange, but effective, ground system that a non-technical mind like mine couldn't begin to describe. Also, a new-fangled limiting system that automatically cuts the peaks out of the modulation, low & high, & feeds it back into the system, so that they're always running near 125% positive but never over. Plus a few other tricks of the trade that I won't go into here. Result, a clean and LOUD signal. They've also got a large map in their lobby of places they've received reports from, & they're always interested in more. Mr. Stuart's next big project is a new antenna farm to replace the decrepid old antennas and ground system of XEG-1050, a few miles outside Monterrey. If he makes the same kind of modifications, successfully, to XEB's superpower, goodbye 1050! A most interesting visit. Incidentally, if interfest doesn't appeal to you to stop by, greed might - they give out small portable radios to any out-of-state listeners who stop in. Also a first, I got a chance to do some real live DX from various Arizona locations, especially Mesa & Duncan; some very interesting results, outside my total confusion over the number of SS & Mexicans. Highlights at sunrise(s): 920 - KLMR/KQED; KFTL/KENN-1390; KEND/KWEY/KXEM/KLIV-1590 (no KBEQ) & a mystery on 1460, in El Reno, Okla., says they changed calls in 8/78, but to what? (NRC Log says KBLR's the call - ERC) I can't find it anywhere, sounds like KDAM, they call themselves exclusively "K-7-AM", phonetically, c/w format. Once again I've proved myself wordy (not to be confused with worthy) and over the line limit. 73s.

DON'T FIGHT!

BILL HARANG - 811 Nevada Avenue - San Jose, California - 95125
 ----- Us DXers should realize that everyone doesn't share our interests in the hobby. Many people have their own interests and their own hobbies. Just as oil & water do not mix, there are personalities that do not mix. Not everyone whom you come in contact with is going to like you, or agree with your ideas - and the same holds true from your point of view. In my own personal life, I come into contact with people who irritate me. "o I keep out of their way. I avoid them. Don't argue with them. Don't try to convert them to your ideas or philosophy. It only means burning up precious energy. Non-DXers shouldn't force their ideas on us just as we shouldn't force our ideas on them. Thousands of murders have been committed & endless hatred, bitterness & emity have resulted from heated arguments that had their beginning in a friendly discussion of a trivial subject. An argument is a form of mental combat. I fully realize that discussions & arguments can sharpen one's wits & are often highly instructive. There are few people, however, who can indulge in a friendly argument without becoming unduly excited. When a person with sensitive nerves, who is likely to become unduly excited, realizes a discussion has reached a combative stage, it should be discontinued at once. And for heaven's sake, stop looking for perfection in people! Remember we are all weak creatures, & there are no perfect humans. Try to see the good in people with whom you are thrown in contact. (I'll drink to that! - ERC)

LISTEN FOR THOSE CPC TEST SPECIALS & SEND A REPORT OR A THANK YOU NOTE - PLEASE! BE SURE ALWAYS TO SEND RETURN POSTAGE WHEN REQUESTING A VERIE - A LONG-TIME N.R.C. POLICY.

COTTON GETS 'EM BY THE PILE

EDWARD R. COTTON - 4106 2nd Street - Chesapeake, Virginia - 23324
 ----- Well, here goes another Muse, this one for December. 12/1- W3GA-1400 Ga. @ 8:12pm w/local WPCF null'd. 12/3- KCTA TEST PoP in good here o/u WBZ; 2:20am WQAM-560 Fla., good and alone, 6:42pm, WFIA-900 Ky. fair, 5:01pm, WKES-1110 Pa. s/off good, 5:43 WREZ-1540 Ala. s/off poor. 12/4- KADE-TEST in fair-good from about 2:35-2:40 w/GIDs & VIDs. 12/5 - 5:30pm, WHP-900 Fla. s/off fair, 5:58 WHB-710 Mo. fair, WOR null'd; 7:37pm, WRCL-1420 Ga. 12/6- WRHI-1340 S.C. @ 6:41pm w/VID, 5:50 WDBF-1420 Fla. VID. 12/7- 5:15pm, WYZD-1560 N.C. s/off weak/clear. 12/8- 5:14, W3OC-1090 Tenn. s/off poor. 12/9- 7:10am WEMA-1400 N.C., WPCF null'd, 5:15pm WIRC-630 N.C. VID. 12/11- 1:22am KQNK-1530 Kan. f/c fair, 2:39 KXOK-630 Mo. VIDs; 3:42 WTIK-1310 N.C. VID, 5:47 WEAC-1500 S.C. fair. 12/12- 5:45, WGH-740 Pa. ending its 11,210th day of broadcasting. 5:27pm, a big surprise - WTSN-1270 N.H. #3 & WSPR-1270 Mass. both fair w/VIDs. 12/13- 4:48, WPAQ-740 N.C. fair. 12/14- 5:20pm, WTAI-1560 Fla. o/u WQXR. 12/16- 5:27, WUIS-1110 Fla. fair s/off, no WBT. 12/21- 9:15pm, WBCU-1460 S.C. SID good. 12/23- 5:01pm, WOHs-730 N.C. SID, NX, fair; 5:06, WBAW-740 S.C. fair. 12/25 Christmas, 4:51pm, WQIO-1060 Ohio VID "Q-10"; 5:56 WGVW-1250 Miss. "Newsbreak" fair; 6:15pm GLOW-1470 Ont. o/u WSAN. 12/26- 2am, WJBO-1150 La. w/Larry King Show; 5:30pm WJTA-950 Ga. s/off very good, 5:30 WJBY-930 Ala. s/off very good. 12/28- 4:34, WAMS-1380 Del. VID poor; 5, WMOU-1260 VID poor; 5:45 WJMW-730 Ala. fair, s/off. 12/29- WNAK-730Pa. @ 3:43pm, N.E. area was wide open this evening from about 2:30pm until about 4. WNTN-1550 Mass. overtook local WVAW Virginia Beach for a short time. WNEH-1430 Mass. @ 3:57pm VID, good. 5:07, WKMG-1060 Ga. VID, c/w mx; 5:47 WNP-1280 Ala. fair VID; 6. WSLI-930 Miss. VID poor, 6:17 WDOV-1410 Del. VID good to poor. 12/30- 5:30pm, WDVH-980 Fla. s/off poor; 5:45, WORT-1160 Ala. s/off fair; 5:55 WEAM-1390 Va. stronger than local WPCF-1400. I hope this is less than 30 lines. Well, more next time, for January. 73s.

MORE SOUTHERN DX

DAVE SCHMIDT - 42 Chelwynne Road - Castle Hills - New Castle, Delaware - 19720 1/10/79
 ----- I guess it's about time for a check-in now that I've got a few things to report. One new addition to the den this Christmas was a new Silver-Reed Electric Typewriter, with the large type. I guess my wife kept in mind Ernie's eyeballs, hi! Only thing, it still spells as bad as the last. To DX: 12/21- WJAM-900 4:53-5pm s/off, many mentions of WSEC-FM. 12/30- WQXL-1470 1:42-1:50am w/ET; + caught two long IDs with count-downs, etc., mostly o/WSAN. 1/5- WPMH-1010 r/c-TT & IDs, 1-1:15am, o/u WINS/GFRB, & the r/c-DT from WQCK-1600 also reported, and many IDs, 1:33-1:44am, then gone. I also sent a f/up with the WQCK report for an unanswered report for their old calls, WRBN, from the 10/26/74 f/c which went by the wayside, evidently. 1/9, one I thought I'd never hear again, WAMB-1170 1:57-2:06am w/ET, big band mx, way atop WVA. They were last heard, reported, & verified on 1190 a few years back. Also a f/up went to WEMD-1460 after I spoke with the announcer on duty one Saturday evening. F/ups also went out to WNYR-680, WWSR-1420, WJAP-860, & WFOR-1490. Two v/l's have shown up, WKDR-1070 for their 2/14 DX TEST after a f/up, & a shortie v/l from WJAM-900. Total: 967. And now the first famous question of 1979 - would you drink Dr. Pepper if the name was originally Dr. Fedorkowicz? And is it true that a famous Louisville Beer & a fig bar mixture was once used as paint remover on radio towers? We'll save them for Hefty Flooper to answer on April 1st! 73s you all.

RON IS BACK FROM THE DOMINICAN REPUBLIC

RONALD F. SCHATZ - 5651 S.W. 2nd Court - (106)-Margate, Florida - 33068 305-971-3605
 ----- Greetings! WIOD-980 is now WPIP as of 1/1, still IDing "AM-98" though. The change was prompted by confusion with Miami's WIOD-610. The Santo Domingo "convention" went off well, though we're still wondering whatever happened to RICHARD CLARK; he never showed up. CESAR OBJIO now has my Heath IB-101 frequency counter for use with his HE-30 & NRC Loop. First order of business with it was to note local "RPQ"-1080 on 1068 instead, also La Voix du Nord on 1456, ex-1465. We spent precious little time with R. Universal DJ (5-8pm EST) TED VERAS, a "cool guy" in our parlance & extremely hospitable. He gave me a tour of HIJB, R. Comercial, & a complete going-over of RTVD's AM, FM, TV & future SW studio/office complex, also the city's new TV-11, also HILX & HIWP, both FM's. Teo, by the way, looks like U.S. comedian Avery Schreiber (who does the "cheese" TV commercials) & has a great personality! Besides his Universal (650) show, he also does the Constanza spots, & will beddo a show on RTVD's new SW service starting (hopefully) this February. The Santo Domingo DX Club has now joined NRC as a unit, thanks to a grant from Teo. Die to the holidays, however, I only met two of their young members, José Cabrera, also Juan (I can't recall his "apellido"), who had just bought an RF-2200, upon which I demonstrated reception of Conakry-1404. José & I later took the "guagua" (bus) to Santiago, where I met Joselino Betances, president of the city's Internacional Dominicana DX Club, who also had an RF-2200. Joselino led us on a tour of R. Ritmos-560, R. Quisqueyana-660, R. Ectos-1130 (bad news for ERC), Radiolandia-1160, & R. Nacional-1380 which briefly interviewed me on the air without warning. On a transit stop in Port-au-Prince, I noted the local dial as expected, except for a new one on 640, weak & too distorted to ID. R. Select-1500 was on the air as usual on SM - the only time they operate - w/a "gringo" evangelist being translated phrase-by-phrase into Creole, for the tentative future, I've been delegated to participate in TED VERAS' new RTVD Show w/a monthly DX programme in SS & EE, & I may wind up heading a proposed "ANARC" ("ARLAT") to coordinate the many new DX clubs that are springing up all over Latin America. More on this later. I'm way over 30, but I hope Ernie doesn't mind, since I had plenty to say this time. 73 de RFS.

NEW MEMBERS: WE INVITE YOU TO APPEAR IN THIS SECTION (AND OF COURSE IN THE OTHERS, TOO). OUR DEADLINE IS EVERY MONDAY, THERE'S A 30-LINE LIMIT, & WE ASK YOU PLEASE TO DOUBLE SPACE.

GETS TEN VERIES IN ONE DAY!

JOHN HOOGERHEIDE - 105 Bayside Lane - Brandenburg, Kentucky - 40108
 ----- The first new log in '79 was WMRO-1280 w/Mutual ID o/u WJSO on 1/2 @ 1:30. Also WOPA-1490 w/SS programs @ 1:45. KLWW-1450 atop w/ID @ 2. Nice log @ 8pm on KOPY-1070 in Alice Tex. atop WIBC. Also KRYS-1360 at the same time. WADO-1280 in briefly w/SS programs @ 11pm. 1/4- I had WSOC-930 Charlotte @ 5:45pm for a report. Second report out to WFTM-1240 Maysville @ 6pm who never answered report #1. Only two QSLs this week - WKY-1450 & WAVU-630 on 1/18. Up @ 1am. Horrible static this AM. YNN-620 ruling @ 1:15 w/male lecturing in SS; KQNK-1530 w/TT & mx on f/c, thanks to tip in bulletin; no sign of WJOB-1230 on TEST on Northerly Beverage, just a big jumble on the frequency. Not a complete loss, however, as WBOV, Terre Haute, surfaced @ 1:40 for ID. WJAP-860 also apparently not on, as on-ly static & very weak signals noted there. A QSL bonanza today - w/ent: WCTW, WJPC, GHIN, WIFE, WJW, WTRF, WAPT, CJKB, WYWY, & WDTA. 1/8 PM- Barranquilla-1130 @ 10pm, then a funny "R. Rumbos" outlet with much talk on Venezuela @ 10:15pm, this on 1110. Who would that one be, probably R. Carupano relaying Rumbos. Also at long last, WTR-960 w/mx @ 10:30 - I thought I'd never log that station. (Needed here, too, John - ERC)

THOUGHTS ON 1-A CLEAR CHANNELS

GREG HARDISON - 6850 Landmark Way - #7-A - Austell, Georgia - 30001
 ----- My, how time flies when we're having fun reading these weekly DX NEWSes! So here's my December Muse, hi. Special thanks to MARC KILBACK for the Christmas card - I'm sure he appreciated the recent CKLW SP's more than most, hi. Good ol' WSB has recently been pitching for letters from "regular listeners from outside Metro Atlanta" in order to justify continued 1-A operations to the FCC. Personally, I feel that the best utilization - if there is to be any; in addition to Class 1-A service - on these frequencies would be in the form of very low power, i.e., 75 watts maximum, local nighttime operation - "sub-graveyards", hi. The ultimate goal of all this is expanded fulltime operations on a local basis - Here in the South, righttime use of 1615-1860 kHz would be impractical due to the comparably local-like strength of various range stations whose monotonous and compound hets would really play games with 500 to 5,000 watt locals, much less eliminating DX for these new would-be stations, at least here in Atlanta. (Those stations would be moved out if the BCB extends to 1860, Greg! - ERC) So much for the soap-box on this end - we really should have more on this subject. DXers above all should know how the various MW changes affected in 1979 will either help or hurt band conditions in general. So, good DX to one & all, while things are still fairly normal. 73's.

HI HO, HI HOES - IT'S OFF TO SCHOOL HE GOES

KARL FORTH - 630 South Ardmore - Villa Park, Illinois - 60181
 ----- The HQ-160 got a new companion last month when I finally got around to building a 3x3 spiral loop. The new loop seems to perform better than the SM on most frequencies, but really gets created by the powerful locals. Frequencies adjacent to WCFL in particular (like 930, hi) suffer from heavy CFL slop. Quite a bit of time has been spent DXing due to the severe cold and heavy snow here which have made travel and even just going outside difficult. Sunset has been quite good so far in January, and EST PSA's on at 6am EST have been in well, but "clear channel" SRS on 1580, 1190, 1530, etc. @ 7:15 & 7:30am EST has been poor. 1979 DX: Sunrise 1/5 found WDET-1320 in @ 5:59 1/2 w/SSB & s/on, then unnn WQSA-1310 w/SSB & s/on @ 6:01. WBNT-1310 heard w/late s/on @ 6:10, then into local NX. At sunset, WJBI-1220 was heard @ s/off @ 6:29 1/2, & I got a report for KEWD-1380 @ 7pm w/"The 6 o'clock News." 1/6- WLOW-1300 very poor w/s/on @ 6:01am; WBAF-1090 heard at s/off @ 5:42pm, then new WRSW-1540 Sumiton, Ala. w/s/off @ 6:02pm. 1/7- WWHO-1320 in poorly at s/on @ 6am. 1/8- WJAX-1280 weak w/s/on @ 6am, WMRO was still off at this time. SSS on 1/8 brought two stations I've been looking for for a while; WJPJ-1530 easy w/local NX @ 5:45pm, then WCRB-1570 w/WX, s/off, & what sounded like the end of a hymn at 5:59pm. A few veries, all w/1: WNVL-1250, WOHN-1440 MINU-1510, KSTV-1510 & KGSB-1600. This will probably be my last Muse from Villa Park; I'll be in school in Carbondale until May, and after that - who knows? Best wishes to all in '79.

KFAK-1100 LOSES ITS SPURS

PETE TAYLOR - 2614 Jackson Street - San Francisco, California - 94115
 ----- On 12/23 while visiting in-laws in Tacoma, KWAC-1250 was noted arcing on/off the air @ 8:45am ELT. On 1/3, KSEI-930 noted @ 10pm while using the new rooftop antenna, a/k/a the "Montana/Manitoba Magnet." (Yes, it has directional properties.) At 9:15pm, Bill Ballance was noted on KFMB-760, in case you wondered where he ended up; five hour shift, 6-11 pm, LT. 1/4- Log on KFLS-1150 2:00-2:25pm. KFAK-1100 spurs on 1075 & 1125; I called CE Roger Roberts. 1/8- KTHO-590 logged 1:36-2:15pm & KPFC-710 7:37-7:58pm before KFTA starts RS. 1/10- KFMB-760 logged 8:42-9:06pm. On 1/11, I logged KFAK-1100 whose spurs had been cleaned up presumably during maintenance 1/9. KFSO-560 noted with RKB, reducing clank and clatter enough to log KOAC-550 w/opera 11:42pm-12:43am 1/12, and KBOW-550 at the same time 12:01-12:42am, poor, with KOAC/KOY around and about. KFTA-710 Carmichael, Cal. started RS 1/11/79. Veries: KRAL CXTA KKH-1040 (1962) KTHO JCR-740 (1975) KFLS and KTHO (PP/c). Does anyone have a list of 1962 NKC outlets on 1040? I have been doing a lot of follow-ups, and they verified this one, but didn't specify a city (synchros). I don't know how the rest of you count synchro veries, but the idea is to count the closest city with the most power, and the accumulated power of all the stations. 73s.

IT IS STILL TIME FOR US TO HAVE SOME MORE SPECIAL TEST PROGRAMS, BUT IT WILL TAKE SOME WORK FROM SOME MORE OF US. ONE OF THE BEST WAYS TO ARRANGE A TEST PROGRAM IS TO VISIT YOUR LOCAL STATION(S) AND/OR ON YOUR TRIPS, TO STOP IN AND SPEND A LITTLE TIME AT STATIONS ALONG THE WAY, AND ACQUAINT THEM WITH THE NATIONAL RADIO CLUB AND THE DX HOBBY. YOU CAN BE AN AMBASSADOR OF GOOD WILL FOR YOUR CHOSEN HOBBY AND YOUR CHOSEN RADIO CLUB, YOU KNOW - TRY IT!

N O T H B A L L M E M O R I E S
 CHAPTER VI - "DICK BIONDI, SCREAMING PERSONIFIED!" - by PETE KEEP.

In the early sixties Dick Biondi was the king of the evening hours on "KB Radio," WKWV, Buffalo, 50,000 watts, whose voice stretches all through the East. His "close association" with Elvis mania made him an individual with PR in his blood. He once had his shirt autographed by the King and then jumped into a crowd of screaming girls. The results were obvious. (So was HE, I reckon, hi -ERC) On another occasion he visited Graceland, Elvis' home and picked some leaves off the trees, returning to Buffalo to give them away as prizes. Some of Biondi's cohorts at WKWV during this period included Joey Reynolds (real name, Joey Pinto), Tommy Shannon, and Danny Nevirth. The swell headed Joey Reynolds left KB one day in a novel way. He tacked his shoes up on the Program Director's door with a note that said, simply, "Fill 'em." Dick Biondi eventually moved out of Buffalo and went East to the Wandy City. At WLS the Wild-Eyed Italian continued his rating-grabbing ways in markets as far away as Wheeling and Pittsburgh, putting the ABC-owned station back on the map.

NEXT WEEK: STEVE KENNEDY!

NEW YEAR'S DAY TWILIGHT GOOD, BUT NO GOOD

ERIC FADER - 23-35 Bell Boulevard - Bayside, New York - 11360 1/11/79
 Hi gang. No DX since 1/1, when this SSS session occurred: Unn WFLR-1570 loud w/s/off, 4:59pm. (All of these, in fact, are unn). WMBT-1530 clear @ s/off, 5pm. One second of electronic noises immediately followed by s/off announcement. WLAN-1390 on top, 5:07. WAPE-690 already good by 5:13. WYDE-850 also in early, 5:21. WINH-1470 S.C., very strong w/s/off, 5:30, also unn. CX were very good, but I just couldn't find any newies. My semester just ended, so maybe some "finals period" DX from now to 2/5 when the new term starts.

HAS AN AURORAL BONANZA

ELLIOT R. STRAUS - 27 Devon Drive - West Orange, New Jersey - 07052 201-736-1681
 On Monday afternoon Jan. 8, the following was heard: 5:21pm, WLOV-1370 Washington, Ga.; 5:25, WQGL-1360, Jacksonville, Fla.; 5:35 WNDG-1150 Daytona Beach, Fla.; 5:42pm, WTOG-1190 Savannah, Ga.; 5:38, WMES-1570 Ashburn, Ga.; 5:59 WORL-1550 Oak Ridge, Tenn.; and 6:07pm, WAOK-1380, Atlanta, all new stations for me in the space of 46 minutes, and all reported but WNDG & WAOK; you might say it was an Auroral afternoon. Recent veries include: WJWL-900, WENE-1350, WGVV-1260, WENG-1220, CFGM-1320, CKLY-910, WJUN-1220, Mexico, Pa., whose CE said mine was the first report of their station outside of their coverage area during RS. He also sent a copy of their program log of that day but it is too poor a copy to reproduce so if you've never seen a program log this is what they had listed: For a one hour period 3:55 to 5:00 p.m. all they had was Mutual NX twice, WX twice, sports, and two advertisers' names, at 5 o'clock s/off. I'm still burning up the dials here with 98 newies and 109 reports out since 10/1. Totals to: 1,445/624. Gotta run now, C ya.

ANOTHER TWILIGHT TWINKLER

JERRY BOND - 143 Burwell Road - Rochester, New York - 14617 1/12/79
 Greetings everyone. It's been a few weeks since my last Muse, & with the DX continuing to be very good, especially SSS DX, I thought I'd better get another Musing in. This season so far has been my best in many many years. I've been able to take a few Mondays off from work which has allowed some MM DX and the results have been very rewarding. SSS DX has usually been very good or very poor with few "normal" days & I've been lucky enough to hear tons of new stations on the good days. Here's what the DX looks like since my last Muse: 12/16- HILR-860 made it in @ 1:13am w/a R. Clarin ID. Later in the day, WABQ-1540 was heard @ 4:59pm, WILK-1570 came in @ 5:13pm s/off & WJZA-1600 made it through @ 5:27 s/off. 12/17- WKAQ-580 came in for a surprise @ 1:46am w/a R. Relej ID. MM 12/18- This was my third MM of DXing this season, and six newies were heard. They were GINS-960 in quite loud @ 12:39am with local WBBF-950 nulled on my Sankyo portable, WLI-1290 with an ID @ 12:45 during an ET, WGIN-1480 @ 1:18am, WLEE-1480 @ 2:12am, CMJG-1270 @ 2:49, and HJCY-810 w/a R. Sutatenza ID @ 4:45am. I noticed something rather strange that morning - seconds before local WWG-1460 signed on @ 5:30am, I heard WFLJ on 1460. The only thing I can figure is that it must have been a network feed of some sort that came through for a few seconds when WWG turned their carrier on. More DX- later in the day on 12/18 I heard two more newies- WELW-1310 @ 4:46pm and WTIQ-1050 @ 5:05pm as West Virginia opened up pretty well. Unn WCLR-1070 was noted as well. 12/19- XEX-730 in loud with clear ID 11:44pm. 12/22- WXRS-1590 noted @ 5:16pm. 12/28- WDXI-1310 came in real well w/c/w @ 5:42pm and unn WAXY-1580 came in @ 5:44pm s/off. 12/31- WTAR-790 noted with local and state NX @ 1:59am, prior to CBS NX. MM 1/1- WIXY-1600 was noted @ 4:01am and from 2:46am until I retired @ 5:15am, I heard WFAT on or about 1620 with at times quite a good signal. I believe the DJ on the air said his name was Larry McRae and all morning long he took calls over the air from listeners. The number he said to call was 212-330-9906. A few callers asked how they could get QSL cards and he said he'd tell them off the air. I tried to call several times but never got through. I wonder if any NRCers got through as I'm sure he was widely heard that morning. I guess that's about it for this time. I've got some good early January SSS DX, but I will save it for the next time. 73.

There's a Convention coming soon in Missouri
 About which in St. Loo there's a fury.
 Everyone's been invited
 To come "Fly United"

Will it be great? You're judge and jury!
 YES, IT'S N.R.C.'S ANNUAL LABOR DAY WEEKEND FESTIVITY. BE SURE TO MAKE THOSE PLANS EARLY!

H E Y !
 HOW ABOUT A MUSING THIS WEEK, BUNKIE?

-Stoutfellow.

HAITI IN LIKE HADES AT SUNSET

HERNIE COOPER - 5 Anthony Street - Provincetown, Massachusetts - 02657 617-487-9337 1/16/79
 Verie #4,106 arrived from a tentative report; WPEH-1010, Va. #136. Yes, Virginia, there is a Virginia, hi. We had a lot of friendly NRCers on the phone this week, and here they are, alphabetically, by first names this time: BRYAN LEE, ELLIOT STRAUS, JEFF KLEFFINGER, KURT BROWN, RAY ARRUDA, RON SCHATZ, STAN MORSS, BILL COLEMAN, BILL WURTZEL. My thanks to all of you for calling - my pleasure! DX: 1/9- UNID TT-1240 1:11-1:21 & on, looping 1/5. Unn WYFA-1580 testing on 1580, 1:39-2:02+. Unn WOKO-1460 like ten tons @ 2:05, I never heard it so good! Another AN Colombian caught on 1130, o/u WVEN, in Euisora Rio-Mar, report sent, 2:18-3:11. 1/10- WSOX-1230 nicely atop @ 2:06-2:25 with hymns. UNID SS in/out on 1450, and also that SSS, still unID. 1/11- UNID SS peeking out from under the 1400 mob at time, around 2:18, unID - I heard Venezuela mentioned, though. 1/13- Unn CIHI-1260 way o/ WEZE, Boston - WEZE's taking quite a beating from this NSPER as soon as it gets dark. UNID TT u/WPOP-1410 1:36-2:05, no IDs heard. Some nut calling himself "PRN" on 1625a, announcing "clear channel 1620" & playing mx and saying he's in central New England. FM, unn WAVS-1190 in nicely w/LIB off, 5:35pm. Unn Anguilla-1505 good @ 5:31, & new R. Soleil-1170, Port-au-Prince, strong, hardly any sign of WAVA, 6:17-7:01pm, but what's his address? SM 1/14, hard @ 2:07. DAVE GLEASON's WQII-1140 strong @ 2:15, unn. MM 1/15, noisy, and for the fifth consecutive MX, galeforce winds. UNID SS-1578a s/off @ 12:29 w/Colombian anthem - it is not R. Principe, for they were doing fine on 1580. WBSL-1420 was off today, right, RAY ARRUDA? Also, WTIC. Unn CHML noted today @ 2:02, much weaker on 50kw than they were on 5, or was it 10kw? Another off-frequency Colombian logged on about 1036 kc/s, he gives call letters every half hour, & mentions Bogota; this one is mystifying CHUCK HUTTON, too. Unn CKSO-790 AMing w/c/w-ish mx today, good signal, alas. And, a log & report to my 1160 Colombian, which was strong this morn, & IDed as "La Voz de Sinu", not "Euisora Sinu" as listed in WRTH-78, which has almost completely fallen apart. WHET-1330 off today, & also 1/16, three cheers, but unn WFER-1300 was discoing AN. Unn WDRG-1310 w/CBS NX @ 3am, WLCB on OC. 1/16- R. Popular-950 Santo Domingo s/off @ 1:01 with their anthem by band, not enough for my (3rd) report, hi. And soon-to-DX but unn WLLI-1400 selling Toyotas (or toy autos?) @ 1:31. UNID TT-1590 2:11-2:17, way u/WQQW, unID. And that will do us, kiddies, until next week at this same time. C U N 7.

KDLG

BOX 670 / DILLINGHAM, ALASKA 99576 / (907) 842-5281

January 12, 1979

Eddie Ryan
 Golden West DX Association
 P.O. Box 9579
 Seattle, Washington 98109

Dear Eddie:

Thought I would write and bring you up to date on response to our test. We have one verifiable report from DXer Brian Vernon of Elsa, Yukon Territory, about 1,000 miles East of here. He reported that he usually hears us much better than on the night of the test. We have had several reports from the Midwest saying tone bursts were heard, and one DXer in Reistertown, Maryland said he picked us up loud and clear with no interference. His report was based on published information, and in no way matched what we broadcast.

Your efforts at publicising the test worked very well. We have received about 20 letters of thanks, from as far away as Holland where one man reports he heard about the test on Radio Austria. Radio Canada also broadcast information about the test, and other clubs have sent their bulletins to us.

We definitely picked a bum night. But thanks to everyone who gave it a try. Since we do have one verification, I have decided to release a tape of the broadcast. You may distribute it anyway you want to, as long as only the cost of the tape and postage is charged.

73 and DX.

Les Robinson
 General Manager-KDLG