

# dx news

*the magazine of the National Radio Club*



VOLUME 41

22 APRIL 1974

NUMBER 23

"...I am enclosing my check for \$14 for another year's membership in the NRC...Keep up the fine work you all are doing at NRC HQ..."  
(Chris Lucas, Ft. Gordon, GA)



## ON THE INSIDE.....

- Graveyard DX ....Bob Foxworth
- Supremacy Ratings ....Bob Karchevski
- DX'ing Baseball Networks ..... Henry W. Fanork
- Baseball Network Information ..... Ed Krejny (Caribou?)
- What Is A Frequency Check -- Part II --- Tom Sundstrom
- The Heath SB-620 Spectrum Analyser and the DX-150A --- Tom Sundstrom

## NEW MEMBERS

- \*Arthur E. Child, 1118 de la Vina St., #6, Santa Barbara, CA 93101
- \*Pierce White, Jr., 617 Bonham Road, Saluda, SC 29138
- \*Marvin J. Ervine, 1090 Edgehill Road, Roslyn, PA 19001
- \*Paul R. Mount, 471 Emerson Ave., Teaneck, NJ 07666
- \*Daye, Kreinberg, 517 Latshmere Dr., Harrisburg, PA 17109
- Tom McCormack, 275 Littleton St., West Lafayette, IN 47906 (Re-joins)
- \*Damian B. Bassett, 241-512 Canonberry Ct., Oshawa, ON L1G 2Y2
- \*James T. Poëgue, 11 University St., Apt. 3, West Lafayette, IN 47906

A hearty welcome to the NRC, Gentlemen! Why not drop Ernie Cooper a line soon and introduce yourselves in a double-spaced Musing?

## RENEWALS

Messenger, Moore, Craig, Lucas.

## NOTES &c FROM NJPC

Several of our members have sent enquiries to HQ as to the paucity of articles of a technical nature appearing here in the pages of DX NEWS this year. To paraphrase a bit, the fault, gentlemen, is not in our stars, but in ourselves... To whitt, in order to produce copy of a technical nature, we need articles. Admittedly, several articles are in the holding pattern right now, due to minor logistical problems at HQ, several others are being held pending re-typing as the originals were not suitable for offset reproduction. And still several more are being held due to page requirements for DX NEWS (in other words, they wouldn't allow for an even page count if they were to be included in their entirety). So, if you are one of the authors whose submissions have not yet appeared in DXN, please be patient, as they eventually will be printed. For others in the contemplative stage of authorship, we strongly recommend that you contact HQ for special instructions regarding proper format, layout and preparation of copy for photo-offset work.

All orders for Reprints, Report Forms and Pattern Books are processed within a week of receipt by HQ Crew. We have recently received several communications indicating that a few of our mailings never got through the labyrinth of the USPOD; if you do not receive your order within three (3) weeks of mailing, please inform us promptly, so that a replacement may be sent.

SB/PT for NJPC

This Week's holding pattern includes an article by TRS on the Autek Q-Box, one by Foxy on Maritime Canadian Graveyarders, and one by Fish on DX Math. We also have some relevant clippings on hand for next issue, which, we hope, will also be a 48-page.

Technical Briefs

DXers interested in propagation and sunspots are especially advised of an interesting article on this topic appearing in the March 1974 issue of CQ Magazine on page 24. Written by Cohen and Lintz, it is titled, "The Sunspot Cycle: Analysis and Prediction".

While the main thrust of the article concerns when the sunspot activity will increase again, providing good high-frequency communication there is a lot of interest here for the Medium-Wave DXer. who is interested in low sunspot counts

The authors describe an analysis of solar activity they call Maximum Entropy Spectral Analysis. Without getting into what that means exactly, we'll just note here that they believe they have found a recurring periodicity of 179 years in solar activity that modifies the basic 11-year periodicity that is so familiar to radio enthusiasts. The 5-page article describes in some detail how they have arrived at this.

The thing that makes this so interesting to the Medium Wave DXer is the feeling of the authors that the length of the cycle in progress is (or will be) 13 years, rather than the 11 normally experienced. The minimum of the cycle (during which we would expect to see a repeat of the exceptionally good long distance propagation conditions last seen in 1964-65) is predicted to come in the summer of 1977, at the latest, or after 1975 at any rate. At the minima smoothed sunspot numbers are expected to be 3. This compares with ca. 200 at the maxima. The authors also feel that "the next 40 years may be characterized by relatively low sunspot activity as compared to the activity of the last 40 years".

The only reference made by the authors to low-frequency conditions is the opinion that "openings on 40 and 80 meters should improve (during the coming sunspot minimum)".

\* \* \* \* \*

Several months ago, IRCA printed a flyer from an outfit called McKay Dymek who market an AM tuner and a transistorized ferrite rod type shielded antenna which appears to be very similar in size, concept and operation to the popular Space Magnet antenna marketed by Worcester Electronic Labs. McKay Dymek's price for the antenna was in the 3-figure range. A blurb in the latest issue of Billboard seemed to pitch the antenna for radio station executives who wanted to monitor distant signals at night (to glean promotional ideas, hunt for new air talent etc) but had little technical knowhow. Billboard says that anyone wanting information about these products from McKay Dymek can call a Larry England at the toll free number 800-854-7769. NRC has not tried their products and cannot comment on them.

-BF

**Editors Note:** We have received data on the Dymek antenna from the manufacturer, but have not run same pending receipt of final results of a review being undertaken by Pete Taylor of KFOG-FM in San Francisco. Pete has notified us that he had some difficulties with the first unit shipped to him, and was awaiting a replacement unit. We hope to have this information for publication in next issue of the one after..... -RJE

editor.. Alan Merriman  
P. O. Box 6  
Fairfax, Va. 22030

international dx digest

Phone 703 - 354 - 2135 before 2200 EDT \* All Times GMT \* Deadlines Are Saturday

New stations, changes, schedules, etc.....

ALASKA - Mt. Susitina Broadcasting Corp. has been granted a CP for a new station at Anchorage on 1080 khz, 10000 U1. Address on CP is 360 K Street, Anchorage 99501. \* \* KFRB Fairbanks has again been denied permission to change frequency from 900 to 820 khz.(Broadcasting)

AUSTRALIA - The following are projected changes/new stations. (NZDXRA)

600 4GY Gympie, ex 1350	1160 7FG Fingal, 1 kw.
720 3MT Omeoo, 2 kw.	1190 6XI Exmouth, 2 kw.
760 6KW Kununurra, 2 kw	1210 ... Canberra
990 8GO Gove, 500 watts	1570 2WA Wilcannia, 100 watts
1040 4WP Weipa, 500 watts	7SH St. Helens, 100 watts

BANGLADESH - The new 1000 kw. transmitter is due to be on the air by the end of April. (NZDXRA) Frequency is 690 khz, I think. (ED)

CYPRUS - An agreement has been reached to modernize the BBC MW installation. At present 2 100 kw and 1 50 kw transmitters are used. (MWC)

GUAM - Trans World Radio Pacific has applied for a new station at Agana to operate on 770 khz with 10000 U1. (Broadcasting)

HAWAII - KFOI-1380, Honolulu has applied for a CP to move to 990 khz and increase power to 50000/10000 U1. (Broadcasting)

HOLLAND - There is a "rumour" in Holland that Hilversum III is going to move to 674 khz and increase power to 300 kw (later to 500 kw). Permission has supposedly been granted by the ORTF for use of the frequency by Holland. (BDXC) \* \* During the week of 1/6/74 the Dutch Parliament decided to defer their anti-pirate legislation. (MWC)

JORDAN - Two 1200 kw transmitters are under construction to cover the Arab World. (MWC)

MALTA - The Deutsche Welle 600 kw MW transmitter is due to be on the air by mid 1974. (MWC) Frequency is 1570 khz, I think. (ED)

MONACO - Trans World Radio will have a 1000 kw transmitter operating on 1466 khz by mid 1974. (Sunspot)

NIGERIA - The East Central Broadcasting Service at Enugu is scheduled on 953 khz from 0600 to 2305 Z. (Sunspot)

OMAN - The BBC station on Masirah Island is going to change frequency from 1410/1412 khz to 1320 khz. (Sunspot)

SUDAN - A 1500 kw transmitter is currently under construction to cover East and Central Africa. (MWC)

UNITED ARAB EMIRATES - The Abu Dhabi Broadcasting Service plans to change from 809 khz to 728 khz. (Sunspot) According to WRTH a power increase to 750 kw is also planned. (ED)

URUGUAY - A new station is Radio Sarandi del Yi in Durazno on 1550 khz. (NZDXRA)

And now, what our members are actually hearing . . .

- 540 -COLOMBIA Horizonte, Bogota, as usual, on the frequency on 3/25 at 0343.  
 VENEZUELA Radio Amazonas, Puerto Ayacucho, heard on 1/21 at 0030 with pop music. (Objio, first two)
- 570 -VENEZUELA Radio Rumbos, Caracas, w/mx at 0350 on 3/25 o/R. Bebelde. (Objio)
- 610 -TRINIDAD & TOBAGO The Voice of Trinidad and Tobago, Port of Spain, Six-Ten Radio s/off at 0404 on 3/25 w/prayer and NA. (Objio)
- 647 -ENGLAND BBC Daventry, 3/16, 0445 tune in, ID, standard BBC chimes, ID for World Service (in EE), into EE programming. Signal apparently peaked as I tuned in, momentarily a good to excellent signal, but quickly (within 5 minutes) dropped into WSM sideband splash, and not hrd in later checks. Stronger than usual carriers (for this season, anyway) on 1602, 1457, a few others 0400+ but all seemed to lack audio. This outlet not heard in several years. (Sundstrom)
- 650 -HAWAII KORL Honolulu weak, but all alone 4/1 MM w/telephone talk show 0830-0904. IDed as "The Radio Station for the People, KORL, Honolulu". (Horie)
- VENEZUELA Radio Girardot, Maracay, s/off w/NA, announcing to be back on the air at 1000, on 3/25. S/off 0357. (Objio)
- 780 -BRITISH VIRGIN ISLANDS ZBVI Roadtown, 3/27 w/EE news audible thru Cuban 0205+ s/off 0209, national anthem 0210-11, and carrier off. Peaking at good level thru s/off o/Cuban, no sign of WBEM. A counts o/20. New, never was able to hear something o/the Cuban before w/auroral openings. (Sundstrom)
- 820 -COLOMBIA HJED La Voz del Rio Cauca, Cali 4/8, first heard w/SS 0335, taped slow male SS song 0357, woman spoke 0359, then march to 0400 when disappeared. First South American, trnx PT. (Mount)
- 830 -COLOMBIA Radio Vision, Medellin w/one hour drama ending at 0415 on 3/25, heard after HIJB s/off. (Objio)
- DOMINICAN REPUBLIC R. HIJB, Santo Domingo no longer in operation on the weekend as usual, now s/off at 0400. (Objio)
- 834 -BELIZE Radio Belize, Belize City very good with a woman reciting poetry at 0335 on 3/25. (Objio)
- 840 -PANAMA HOLSO, Radio Libertad well atop the channel 3/25 0510-0600 w/quiet mx program. IDs at 0600 as Radio Libertad, Cadena Nacional. Gave address as Apartado Postal 4950, Panama 5. Best ever hrd here, so reported. (Freeman)
- ST LUCIA Radio Caribbean, Castries 3/20, noted in FF w/ID 0000, then into mx in Special English. Good signal o/4VEF w/no WHAS only lasted 5 minutes, then 4VEF took over w/a super signal for balance of early evening. (Sundstrom)
- 860 -PANAMA Radio Reforma. Chitre, w/local mx at 0420 on 3/25, very good w/Radio Clarin off. (Objio)
- 950 -VENEZUELA Ondas Populares, Caracas, at 0317 on 3/25 w/pop songs. (Objio)
- 965 -PANAMA Onda Popular, Panama, w/local mx at 0325 on 3/25. (Objio)
- 970 -COLOMBIA La Voz de la Victor, Bogota, IDing at 0320 on 3/25, rarely heard here, WSTX St. Croix and YVLR R. Maracay always on the frequency. (Objio)
- 1050 -MEXICO XED Mexicali, BC logged 3/30 0300-0330. Nk 0300, mx show 0315, ID as "YED, potente y dinamica" mx mostly ballads in SS. Very rough w/KUPD. (Gleason)
- 1110 -MEXICO XERED, Radio Red, Mexico DF new call, slogan for old XERCN. Note this and 1470 as evidence that Mexican RCN is almost totally gone, (XERED owned by XEVIP owners, Radio Programas de Mexico). (Gleason) Is this, by chance in EE now, or still SS? (ED)
- 1150 -MEXICO Vernon's unid is probably "La R M, Radiorama", i.e. XERM, Mexicali, BC, 24 hours. New slogan confirmed by info from Gleason. As soon as I can get it all integrated, a newer edition of the Mexiglen list will be published by NRC. (Hauser)
- 1200 -VENEZUELA YVOZ Caracas, good sig on auroral nite w/SS song, announcer said "Venezuela" 0335, then into song w/heavy beat. 4/8 trnx to PT. (Mount)
- 1320 -VENEZUELA Radio Continental, El Tocuyo, heard IDing at 0230 on 2/3, pop songs.
- 1322 -VENEZUELA Radio Apolo, Turmero, heard off frequency, IDing at 0228 on 2/3 w/ads, easily seperable from 1320. (Objio, last two)
- 1325 -COSTA RICA Cadena Misorra Columbia, Liberia, w/mx at 0206, very good IDing at 0207 on 3/9. (Objio)
- 1370 -MEXICO XEHG Mexicali, BC has new format of Ranchera and Nortena music, and now ID as "Radio Ranchito" w/typical R. Ranchito jingle. Heard up 1411 0200 on 3/30. Few ads, only mention of Mexicali was on dedications. Severe XEHF on also. S/off 0202. (Gleason)

- 1460 -COLOMBIA Radio Nuevo Continente, Bogota with religious music at 0435 on 3/25. (Objio)
- 1470 -MEXICO XEBBC Tijuana, BC heard 3/30 0300 w/soul mx, w/US disc jockeys and promos for 7 day a week programming. Very messy signal, apparently a link problem such as XEQM often has from relaying programming from US to Mexico. Asked for mail to P.O. Box 18830, Los Angeles 90018. (Gleason)
- 1475 -MALAYSIA Kota Kinabalu presumed the one heard MM 4/1 1102-1135; mostly woman announcer, w/Western-style mx; occasional male announcer also. Strong steady signal. Tuned in too late for IS at 1100; no chimes or other IDing characteristics at 1130; language sounded like the Tagalog heard here back in the fall. (Pejza)
- \* \* VERIFICATIONS \* \*
- 990 -MEXICO XET Monterrey, NL v/1 on f/up for 12/73 report w/pennant from Ing. Jesus Orozco A., Gerente, Apartado 203. (Gleason)
- 1010 -MEXICO XEVK Torreon, Coah. "Radio Felicidad" v/1 for f/up on November 73 report from Juan Bosco Lopez Torres, Gerente, at Apartado 505. (Gleason)
- 1140 -MEXICO XEXF Leon, Gto. "Radio Bajio" v/1 for f/up on 12/73 report from Gabino Quiroga de la Hoz, Gerente at Apartado 562. Enclosed 3 post cards.
- MEXICO XEMR Monterrey, NL v/1 on f/up of 11/73 report from Alberto Estrada Torres, Gerente at Ave. Madero Ote. 1110, Apartado 2747. Returned my stamp, sent special delivery and registered. Says night power still 350 watts, and 10000 watts days. (Gleason, last two)
- 1265 -ST KITTS Radio Paradise QSL in as others. Correct address is P.O. Box 423 (not 428 as has been sometimes listed). (Freeman)
- 1385 -PHOENIX ISLANDS WXLE Canton Is. Report from early December was sent to Kentron address and went unanswered. Follow up was sent to Robert G. Gray, Captain USAF, Pacific Air Forces, Frequency Manager, CINPACAF (DCOSA), APO San Francisco 96553. This brought immediate QSL. The address came from IRCA via Jim Critchett. Thanks to both! Since this freq was formerly used by an Eniwetok (Marshall Is) AFRTS station, I seized an opportunity to talk w/a GI who returned in the spring of 73 from one year of service on the island. He reported that the only radio at that time came from a one watt FM relay there on Eniwetok Atoll. The radio building was still there, but had been stripped of equipment. Many other buildings had been sent to Canton Island, apparently about 1971. At present there are approximately 35 persons on Eniwetok who are cleaning up the island so that it can eventually be returned to the Marshallese who were evacuated before the bomb tests. (Freeman)
- 1390 -MEXICO XEOR Reynosa, Tamps. fast special delivery v/1 from Felix Garza Pena, Gerente, at Apartado 134 for my report covering very random details of 3/15 reception during 6 hours. (Gleason)
- 1560 -PUERTO RICO WRSJ Bayamon, "Radio San Juan" the announcer Reinaldo Santiago sent a post card thanking me for report, said manager would be writing v/1. Card came in 10 days. (Gleason)

The reporters for this issue . . .

- Clarence FREEMAN - Yreka, California  
 Dave GLEASON - Scottsdale, Arizona R390A/URR, Sanserino loop  
 Glenn HAUSER - Stillwater, Oklahoma HQ-160, SM2, 100' longwire  
 Roger S HORIE - Missoula, Montana HQ-180AC, 75' longwire  
 Paul MOUNT - Teaneck, New Jersey  
 Cesar OBJIO - Santo Domingo, Dominican Republic HE-30, 4' loop, 60' longwire  
 Father Jack PEJZA - San Diego, California SPR-4, Sanserino loop  
 Tom SUNDBROM - Willingboro, New Jersey HQ-150 w/SB-620 & SM2, HQ-140X, DX150A, BDXC - Benelux DX Club /longwire  
 MNC - Medium Wave Circle  
 NZDXRA - New Zealand DX Radio Association  
 Sunspot - Bulletin of Finnish DX Club

# DOMESTIC X DIGEST



editor.. Wes Boyd  
980 W. Liberty  
Girard, Ohio 44420  
Wes Boyd 216-546-4543  
Jerry Starr 216 534-1394

OK Gang,

It's time to watch BOYD make a fool of himself again. This issue will save quite a bit of time as I'm sticking the mistakes in first.

changes

Before the changes, my first mistakes. I have two changes for stations but my legs are not as up to date as I thought. Thusly I've lost these two stations; which didn't make the owners very happy.

Tpilaniti, Mich.--WNTZ here seeks change to WYPC  
Pegosa Springs, Co.--This station seeks call KPAG

New on to the other changes::

Canadian Postal Codes...by GGB  
790 CFAN NB Box 338  
CFDR NS Box 1007--BZY 3Z7  
1110 CFTJ ON N1R 1V4  
1220 CJSS ON K6H 5V1  
1360 CEBC NB Box "G"--E2A 3Z2  
1450 CHUC ON Box 520-Cobourg--E9A 4L3

Call Changes::

1070 WANM FL Tallahassee..ID here for 1,000 Days NEWBERRY, MICHIGAN  
\*1010 KSAY CA call here is now KIQI.. (outta order)  
1090 WUSD FL seeks change to WYBJ  
\*970 KTAP TX seeks change to KIKL (outta order again..)  
1380 WLHV VA Lebanon..call for CP here..  
1440 KHLX OR seeks change back to KIDL

New grants from the FCC...

1080 -CP- AK Anchorage 10,000 10,000 nondirectional  
add: 360 K St.--99501 (same people that own WETT 1590 Md.)  
1530 -CP- FL Jacksonville 30,000 DA-D (D3) granted & similar application  
for Brunswick, Ga, turned down, add: 113 W. Farayth St.-32202  
1600 -CP- PA Bedford Grant for 1,000 days (D1)--Box 256--15322

Other FCC grants::

1100 KRKX CO Remote control xtr. from 345 Milcrest Manor, Grand Junction  
\*970 WFLA FL Move antenna/xtr. & change to DA-2 (U4) (outta order again)  
1240 WSEB IL Tech. changes..  
1270 WYMC FL Install new xtr. & use old unit as auxillary.  
1490 WCLD ME tech. changes..  
1500 WDEE MI add: 21700 Northwestern Hwy., Southfield, Mich.  
\*1480 KPFA MO move here & power to 5,000 days (D1). Move studios/xtr. to  
Sheppard Mtn. Lake Rd., Pilot Knob, Mo. (outta order as usual)  
1550 KQXI CO Move studios/xtr. to 2700 S. Platte River Rd., Englewood, Co.

Have an ID for 1430 in Buffalo, Ky. w/ 500 wt. days. Got a real mess in  
Monroe, Ga. with WDEE 1490. One group requests intern operation & 3 other  
applications for facilities. Add in broadcasting sex WEAL 1510 NC is off  
the air..BANKRUPT..

Applications for::

990 KPOI HA requests move here from 1360 & power of 10,000 10,000  
1220 ---- KY Whitley..seeks 500 watta days  
1530 ---- TN Huntington..seeks 1,000 days..250 watta CH...

Think KRLA 1110 CA was granted call KIGI for new owners. Extend the CP  
of WCTM 1150 Oh to 8/1/74..

These stations now on the air..per FCC

1140 WHEM KY Havesville 1530 WBBX NC Chapel Hill  
And another grant:: 950 WYNY Ky to move transmitter..

# WNBV

Still more changes.. These from the membership  
660 WNBC NY Is now mx all night w/ Dick Summer (ex: WBZ) (PK)  
970 WWDJ NJ went religion 4/1, no foolin' (PK)  
1000 WCFL IL MM SP now 0130-0600 (MK)  
1020 KSWB NM is to soon go M&R & drop the C (HWB)  
1070 WNCI NC MM SP is 0125-0530 (MK)  
1250 WQVA VA noted giving w/en time as 0430 in 3/18 s/off 0000 (TRS)  
1420 WHK OH is now C&W & NSP again..went this about 4/7 r so (HWB-GF-WDF)  
1460 WCMB PA Tom confirms this now off 0000 7 days a week (TRS)  
CJOY ON MM sp is now 0210 (w/ 0110 EST)..log sez 0106 EST (GF)  
1480 WTHI IN this to soon drop HR for modern C&W stuff (HWB) Went 24hr 4/1  
1490 CPND MB Sked is 0700-1600 AND 2000-2200 EST weekdays. This per verie  
from Allen E. Kiesler--M..add: Box 5, Thompson, MB (BV)  
1500 WTSP DC Wierd..Noted this on till close to 0200 on MM 4/8 w/ mx. Had  
(poor) DJ & all..something new, or a fancy ET ?? (HWB)  
1550 KDMO MO Add: Box 552 per recent verie (WDF)  
\*1100 WWHV OH add: Park Center--1701 E. 12th. St. (WDF) (outta order, natch)

And info here as of 4/10 regarding stations and areas effected by the  
tornadoes of April 3rd. in much of the midwest & south.

Don Eggert sez WAGG 950 & WRUS 610 lost towers. Geoff Fox sez WAAY 1530  
lost a tower in same manner. (WAAY noted on MM 4/8 much louder than usual,  
suspect is 500wt. nondirectional for a time..HWB)

The following were noted operating for emergency....(full info in DDXD)

1000 WYOV AL Noted on evening of 4/4 w/ WCFL (HWB)  
1110 WCBR KY Noted in WBT null & in KPAB fades evening of 4/4 (HWB)  
1500 WEXO KY Noted w/ regulars eve. of 4/4 till about 2205 (HWB)(JS)  
WGIC OH Just sat new record for AN operation by a daytimer. Went AN  
after the storm 4/3 & still AN MM 4/8 (HWB-JS-GF-etc.)  
1580 WIRV KY Noted w/ RR u/ CSE eve. of 4/4 (HWB)  
1560 WRIN IN Noted AN 4/4 w/ emergency info (JS)

r o's

Finally we've gotten this far, now to make more mistakes.....

MARCH:

1st. WED: KARV 1490 (PKH)  
2nd. Fri: KOKX 1310 (PKH)  
3rd. SUN: KDKI 1360 (PKH)  
3rd. MM: WSSC 1340 This not hrd. Jan.-Feb., maybe Q-3 (TRS)  
3rd. Tue: WHOL 1600 w/ 400hz. TT & ID every 4-5 min. (DS)  
3rd. Thu: WNH 1520 w/ 1K TT (DS)  
4th. MM: WJDY 1470 w/ 1K TT (DS) KLEO 1460 w/ 1K TT (GF-HWB) KAMA 1060 w/  
400 Hz. TT (GF-TRS-HWB) WGB-1590 per list (ELK)  
4th. SAT: WABD 1570 w/ 1K TT (DS)

APRIL:

1st. MM: WEED 1390 Hrd. 0015-0030 March & April but mnncd. as ET. Uses 1K  
TT (TRS) Sked for f/c is 0015-0030 (PKH)  
WBRN 1460 1K TT 0015-0030 (TRS) (Time change--HWB)  
1st. Fri: WHBG 1560 w/ 1K TT (HWB) WWS 1430 w/ DT & many IDs (HWB)  
2nd. MM: KKIM 1000 This is here now, ex: 4th. MM & 3rd. MM-1K TT (JS)  
2nd. Tue: KCHR 1350 w/ 1K TT & breaks every 10 sec. (HWB)

NO SHOWS:::MARCH-KIXY 1260 (PKH) 4th MM test

APRIL-WOTX 1280 & WINT 1310 (HWB) 1st. Fri. tests.

FREQUENCY CHECK CHANGES::

690 KIBY TX Verie sez I hrd. a f/c w/ 1K TT 4th. MM in March. Doesn't say  
if monthly or what. Was 5 min. & after KAMA 1060 f/c so should  
be watched. (HWB)  
940 WINE CT Verie sez. f/c is at 0100 every 3rd. Fri. (DS)  
1240 WMPA ME This is not 1st. MM as reported. expect what others heard back  
in Feb. was a make-up. Should still be 1st. Thurs. (PKH)  
1440 WNPV PA Delete the f/c..now done during R3. (TRS)  
1490 KFTN TX F/c is 4th. MM 0240-0255 (PKH)  
\*960 KFLN ME F/c per CD is 4th. or LAST SAT. 0230-0245 (PKH)

WNBV  
1110 WFLA

## sunset &amp; evening

- 1000 WQTY AL 3/19 Clear in WCFL null 1952 to 1959 s/off. No sign of WVOV as in the past. (DS)  
 WVOV AL 4/4 On emerg. broadcast due to tornados. Poor in WCFL null 2235-2315+. Usually better than this at SSS (HWB)
- 1110 WCBR KY 4/4 Emerg. broadcast due to tornados, Audiable during KFAB fades in WBT null, some SSers. Best copy 2250-2310 (HWB)
- 1170 WWLE NY 3/24 S/off hrd. 1901 in the clear (MK)
- 1190 WANN MD 3/17 O/u WOWO 1800-1830+ w/ R&B stuff. (JF)
- 1220 WLSD VA 3/22 Floated atop WGAR/CKCW mess 1944 for s/off-No SSB. Long wanted here (JMP) Does BGK own part of this station??--HWB
- 1230 WCWA OH 3/16 In good w/ CKMP 1803-1821 (JF)
- 1250 WFAG NC 3/23 Faded in u/ WDVA-WTAE w/ weak s/off-no SSB. Fair for a 500wt. station. (JMP) A very queer reception (JS)
- 1440 WGCB PA 3/22 w/reli 1340-1405 w/WILM splash (DS)
- 1490 WOPA IL 3/13 w/sports scores 1925, fair u/CHYM (JF)
- 1500 WGIC OH 4/4 w/emergency operations following tornado, noted 2100+ and seemed to be 24-hours to at least 4/8, personal messages and pleas for food, clothing, etc, lists of those known dead and still missing. Grim. (JS & HWB)
- WKXO KY 4/4 also w/emergency broadcasts mixing w/WGIC, noted 2035-2205 s/off, similiar items as WGIC, not on 4/5 (JS & HWB)
- 1530 WRBX NC 3/24 L&C 1930 w/ s/off (MK)
- WBCW PA 3/24 s/off just after WRBX, includes names of GM and company name as Central Westmoreland Beating Co, addr 111 S. 4th St(MK)
- 1550 WIRV KY 4/4 w/emergency broadcasts after tornados. mostly RR and few announcements, fair/poor u/CBE/WBSC 2215-2235 (HWB)
- 1560 WTAI FL 3/23 s/off u/WQXR 1931, no SSB (MK)
- 1570 WSSA GA 3/23 on top 1940 w/ s/off (JWB)

**WMNS**

168 1/2 NORTH UNION STREET  
 OLEAN, NEW YORK 14760

## midnight to sunrise

- 560 WIS SC 3/22 0535 w/motorcycle spot (CGB)
- 630 CFCC ON 3/17 noted 0705 ending nx and wx (CGB) 4/8 on top 0257-0301 w/MoR and nx (HWB)
- CJET ON 4/8 in RS w/MoR 0328, ID 0331, gone 0333 (HWB)
- KDWB MN 4/8 u/mess CFCC/CJET w/WMAL on ET, RR 0228-0231 ID & nx (HWB)
- 680 WCBM MD 4/1 w/no WPTF & CFTR off 0513-0519 w/RR, Psa and local wx (GF)
- 730 WACE MA 3/24 w/ s/on 0600, no SSB then nx w/female (TRS)
- WLLI TN 3/24 bits of s/on thru WACE, not sure if has SSB (TRS)
- WMNA VA 3/15 0821 w/local spot, female anner (CGB)
- 790 WFUN FL 4/1 0247 w/RR, then Psa, more RR, faded back 0300 ID (GF)
- Unid ?? 3/25 most of AM w/various pitched TT on as early as 0040 still on 0400+ no IDs (DS)
- 800 CHAB SA 3/18 copied in clear 0258 for ID (PKH)
- 850 CKVL PQ 3/17 o/u WJW 0536 w/FF mx (CGB)
- WWJC MN 3/25 strong on ET w/MX/TT 0240-0305 (ELK)
- 860 Unid ?? 3/25 TT noted 0215, mx 0301, off 0302, possible ID 0300 but missed it (DS) 01' super ears strikes again (JS)
- 920 Unid ?? 3/25 strong TT 0110-0135+ o/WOKY/WMEL/CKCY, still going 0200+ w/ no IDs (DS)
- WOKY WI 3/25 ID 0346 o/CKCY w/oldies while on ET (TRS)
- WJAR RI 4/8 on top 0110 w/NBC program (ELK)
- +960 WSBT IN 4/6 noted 0207-0215 w/local nx, sports, wx, s/off/SSB (HWB)
- WFIR VA not noted AN last few weeks, are they off AN or is it just conditions, usually good here (HWB)
- + KNEB NE 3/23 copied s/off 0200 for much wanted station, sked in log is OK but s/off gave 0900-0000 Sunday sked (PKH)
- +970 WWSW PA 4/6 noted w/CBS NX nights, may have CBS nighttime only as WEDO-810 has been Pittsburg's CBS for years but is daytime (HWB)
- WANV VA 3/25 TT/OC 0215+, ID 0223 w/ "test" anner, had CW ID 0218 (TRS)
- 980 CHEX ON 3/21 finally w/CBC Nx ending 0005 u/CFPL (JF)
- CKGM PQ 3/21 0025-0045 w/RR, weak u/CFPL (JF)

- 1070 WINA VA 3/25 w/CBS Nx 0400, KNX QRM, first time here (ELK)
- 1080 WJOE FL 3/25 DX in surprisingly well thru WTIC 0337-0350 w/TT and march mx, some LA QRM (ELK) 3/25 DX not heard, only weak DT 0331, only SSer and WTIC otherwise (JWB) 3/25 DX weak u/WTIC w/TT/mx, poor 0338-0350 w/ID e/minute (DS) 3/25 DX if on not heard here in WTIC semi-null, only Unid SSer (TRS) 3/25 DX copied completly, very strong at times (PKH)
- WEEP PA 3/25 ID's copied 0430 & 0500 on OC/ET (PKH)
- 1090 CBLK ON 4/8 w/CBC wx 0206, sports 0207-0208, then CBC out cue and OC remaining on to 0213 fadeout, LPRT (HWB) This one unusually regular here several years ago (JS)
- 1100 WHLI NY 3/18 DX heard L&C, ID 0131 (MK)
- 1120 KMOX MO 4/1 s/off noted 0112, s/on given as 0530 CDT, add MM SP to log (TRS) This is 1st MM SP which has been for years (JS)
- KPNW OR 4/1 in KMOX SP, religious drama 0410-0430 then nx/wx to 0434, then uttempo MoR to 0500 nx, then lost, just above HNL e/4-5 min, DF of 95/275 (HWB)
- 1130 WCAR MI 3/24 atop freq w/Cuban nulled 0025, no sign of WNEW evidently on OC. 0030 anncet of "WNEW temporarily operating under emergency conditions" no further explanation (TRS) 3/24 thru WNEW OC, announced WNEW emergency conditions, didn't stick around to see what the "emergency" was (MK) Seems you would never have found out, per TRS above (JS)
- 1140 CJTR PQ 3/25 0045 w/FF, FF & EE RR (WDF) 3/23 dominating freq all AM (JWB)
- 1150 CKOC ON 3/25 0234-0245+ w/RR/wx/many IDs (WDF) 3/18 on top 0200-0220 while looking for WNDP test which was not heard (TRS)
- KXLR AR 3/25 tuned by to catch ID for ET 0447 w/OC (GF)
- 1190 KAYQ MO 3/25 ID 0230 into U of Detroit program, while trying to ID TTer here (GF)
- KRDS AZ 3/25 noted w/ID/TC/headlines 0430, KAYQ QRM & unid TTer (ELK)
- 1240 WCNC NC 4/1 heard on ET 0016 (MK)
- KWOS MO 3/14 ET/TT 0100-0230, ID 0130, called station, was PoP (PKH)
- 1250 KPAC TX 4/1 w/TT 0210 o/u CHWO, ET ID 0217, then OC (GF)
- CHWO ON 3/18 0206 w/Hockey game & spots (MK)
- 1260 KTUE TX 3/23 w/PoP 0100-0230, TT/mx, ID e/10 min (PKH)
- + WVVW WV 3/31 s/on 0600 w/SSB just ahead of the mess, was fairly clear evidently has PSA, Log change (TRS) **1220/WGAR**
- 1320 WKIN TN 3/26 ET/TT/MX 0102 o/13Q/WVOJ (DS)
- 1340 WRIT WI 3/20 just above mess 0418 w/contest promo (CGB)
- 1360 WSAI OH 3/18 DX w/ID 0215 (MK) 3/18 DX TT/OC, ID 0209 (TRS) 3/18 DX very good 0208-0245+ w/RR, many IDs (WDF)
- WBAY WI 3/18 w/Psa, ID, CBS Nx 0158-0205 (WDF) 3/23 w/ s/off 0307 weak u/WDRG (JWB)
- WDRG CT 3/23 o/WBAY 0305 S-9+ signal, many mentions of CT (JWB)
- 1370 WSPD OH 3/23 OFF w/OC/TT 0115, back to RS 0200 (DS) Hey ELK, where were you when this earth-shaker took place (JS)
- + WTTS IN 3/23 w/WSPD off, this w/RR 0131-0200 s/off, gave s/on 0500 log sez off 0100 (DS) Come to think of it, where was I? (JS)
- WOTR PA 3/22 0722-0726 w/C&W, TCs, etc (CGB)
- 1380 Unid ?? 3/22 weak TT noted 0110-0129 u/jumble, short break 0125, possible ID (DS) Or possible short break (JS)
- KFCB SD 3/22 DX copied weak TT during sked period but no IDs, was this the DX? (PKH) No report of any receptions here at DDxD yet
- CKLC ON 4/1 w/nx to 0010 (MK)
- 1390 WPMJ OH 3/25 w/TT 0230+ o/several RSers, ID 0238 (TRS)
- WEED NC 3/4 logging-per DDxD question asking "ET" or "FC", station announced as "ET" in 0025 ID heard here (TRS) Of course, a FC is an ET, some RCs are announced as "ET"s. This could go on forever. 815 to you also (JS) Insipid times two
- 1400 Unid ?? 3/20 u/WYSL w/TT 0348-0354, various freaks, gone 0400, also 3/22 noted TT 0250, gone 0305, again u/WYSL (CGB)
- + WMAN OH 4/8 noted in local nx 0502, suspect s/on now 0500 (HWB)

10  
 1410 KERN CA 3/25 in well at times, ID 0135 & 0152 (PKH) Does this one ever verify? (JS)  
 + KCOL CO 3/25 heard s/off 0200 u/big OC, called station, sked is 0800-0200 daily (PKH) Log sez NSP. Log lie!! (JS)  
 KWBB KS 3/25 sure this is the one w/OC most of MM, they do this all the time and never ID (PKH) Shame, thrice shame (JS)  
 KAHL NE 3/25 on ET w/ID 0132 (PKH)  
 CKSL ON 3/25 in o/u KQV most of AM noted several spots promising delivery anywhere in western Ontario (JMP) Delievery of what? 826 (JS)  
 1420 Unid ?? 3/23 strong OC 0100+ (JWB) Probably WHK (JS) And speaking of WHK, they are now C&W of all things in case anyone cares (JS)  
 Unid GA 3/22 weak & buried in slop (echh-JS) w/0643 promo for Atlanta Braves home opener (CGB) Wesley sez it's WRBL. I don't care (JS)  
 Unid ?? 3/20 TT noted 0114 -0121, KPTEL RC listed but WHK/WBSM made ID tough (DS)  
 WBSM MA 3/23 u/OC w/tele-talk 0200-0400+ (JWB)  
 Unid ?? 3/23 w/FF programming, little talk, no ID on hour (JWB) Must be CKTL PQ (HWB)  
 1440 WBUY NC 3/24 short ET/OC o/WAJR 0030-0034, two IDs (DS)  
 1450 WILM DE 3/25 ET/TT 0031-0100, off air 0100-0300, then R&B (DS)  
 KWPM MO 3/4 DX copied best 0115-0118 (PKH) 838  
 WIBM MI 4/8 on top 0340-0344 w/RR and contest promo (HWB)  
 WHLS MI 3/25 rare here, topping freq all MM w/RR (JMP) 4/8 on top 0346-0355 w/sports and Psa (HWB)  
 1440 WOHN VA 4/8 ET 0222-0236 off, had RR w/DJ, wx, etc, very RS like, only one mention of "testing", very strange in that they were using "WFIL" jingles. (JS)  
 1460 Unid ?? 4/1 strong Ik TT, DF e/w 0010 tune in to 0012 end of TT, was stronger than WBRN FC which started 0014:30 (TRS)  
 WOKO NY 3/25 w/another MM ET/TT 0045 (JMP)  
 CJOY ON 3/23 all alone w/nx 0200-0210 (JWB)  
 1490 WDXB TN 3/22 on top w/RR 0147-0200+ (JF)  
 WHSL NC 4/1 strong w/spot 0420, into birthday promo, wiped out by WDEE-1500 TT, later heard NC nx, assume them again (GF)  
 1500 Unid ?? 4/1 weak u/WDEE/WTOP ET and KSTP TT 0405-0410 w/nx & sports, no clear ID but programming indicated could be CKAY (GF) Yes, it wuz them (HWB)  
 1510 WMEX MA 3/18 w/ID 0210 during ET/TT/OC (TRS)  
 +1530 WCKY OH 4/1 slight modification in SP, gave s/off for SP 0100-0445, Log sez 0430 (TRS)  
 KNIW WY 3/18 copied s/off 0213, 3/25 had good sig at s/off 0209, then lost to WCKY ET (PKH)  
 1540 Unid ?? 4/1 ET/TT/OC, DF WSW/ENE using variable TT and sweeps, tearing up KXEL thru 0200 s/off, noted 0115-0210+, no IDs (TRS)  
 1550 Unid ?? 3/17 weak but alone 0350 w/UPI Nx, lost copy 0355 from 1540 and 1560 ET splash (CGB)  
 1560 WDXR KY 3/20 noted s/off and SSB 0102, off AN again? (DS) They ain't been AN for many moons (JS) 3/26 noted s/off 0104, left station w/CBS Nx, KPNC or XEVIP (ELK) Has to be VIP (JS)  
 WMIC MI 3/16 w/SSB & s/on 0602 u/WQXR, mention of FM 97.7 (CGB)  
 WSMD MD 3/17 s/on 0615, mention of FM 104.1 (CGB)  
 WGLB WI 3/25 DX if on, not heard (TRS) 3/25 DX not heard here (MK) 3/25 DX not noted (DS) 3/25 DX no sign (JWB) Guess what? It wasn't on (JS)  
 1570 WTCL OH 3/18 DX 0124 w/voice & CW IDs (MK) 3/18 DX 0115-0129 weak w/much QRM, ran jazz, TT, slow CW ID and voice IDs (YDF)  
 + WKOL NY 3/17 heard call, power and PSA power mentioned in 0600 s/on  
 WBUZ NY 3/22 heard 0700 and 0730 w/MBS net (CGB) (CGB)  
 1580 KLOU LA 3/17 weak 0439 w/RR, ID and TC (CGB) 4/1 0336 ET/ID then into RR, followed by OC (GF)  
 WFRV IL 4/1 garbled ID 0341, couldn't find in my Log, not updated from old call, said RS resumed 0615 (GF) Noted TT/OC 0325 4/1, off w/ID 0341 o/u KLOU ET (JS)  
 1590 WGOE VA 3/25 noted 0235 w/talk program on drugs giving Richmond fone number. (DS) Did you call? (JS)

1590 WVOE NC 3/17 poor 0605, heard call in announcement (CGB)  
 WNOS NC 3/22 w/ s/on 0600, only call letters heard (CGB)  
 WACA SC 3/22 o/WNOS 0600 w/ s/on, mentioned "at the HIGH point of the dial" (CGB) I've been there (JS)  
 1600 WNST WV 3/15 atop 0605 w/ s/on (CGB)  
 + WKWF FL 3/22 just made it u/fading KATZ for 0530 s/on (PKH) Log sez 24 hours (JS) Change

And so, with the end of this DDXD we ask the musical question "Will we have more Unids than IDs next issue?" We have seriously considered renaming this section DGWD for Domestic Guess Who Digest. Now, the names of those who are guessing along with the rest of you. (JS)

## CONTRIBUTORS:

PK: Peter Kemp, Bethel, CT; equipment unknown  
 JWB: Jow Brauner, Punxsutawney, PA; SX99, longwire  
 DE: Don Eggert, Bowling Green, KY; equipment Unid  
 JF: Jeff Falconer, Clinton, ON; Kenwood 9R59DS, SMI  
 GF: Geoff Ffox, N. Olmsted, OH; SX62A, SMI  
 WDF: Bill Fait, Cleveland, OH; Allied 2660, 15-foot longwire (shortwire?)  
 PKH: Paul Hart, Ft Worth, TX, SX28A, homebrew altaz, Fisher 90T, SMI  
 MK: Mark Kats, Brookline, MA; HQ180, 4-foot altaz  
 JMP: Jim Poterba, Yardley, PA; HQ200, SMI  
 DS: Dave Smut, New Castle, DE; HQ180, SM2  
 TRS: Tom Sandstorm, Willingboro, NJ; HQ150, SM2, DX150, HQ140, LW, 831  
 BV: Brian Vernon, Leaf Rapids, MB; DX150, longwired  
 ELK: Edward Krejny, Middleburg Projects, OH; HQ180, loop, HQ-815  
 EAT: Emil A. Tishman, Fanork Falls, NH; SX913, EAT-1  
 BGK: Big George Kowolski, Media, PA, SDS834  
 HWB: Wes Boy, Girardville, OH, HQ180, 2-foot altaz longwire  
 JS: Jerry Starr, Hubbartown, OH, HQ180, 4-foot loop, vertical beverage  
 AF: Alfonso Bedoya, Gringo, MT, MD20-20, Coors beverage

Since it's 0430 we'll wrap it up for now. Remember: Happiness is a warm worm. Send in all your stuff, we'll be streaking back in three weeks. Fare thee well good friends. 816 to all-See you all middle of MAY..

**W-FIV RADIO**

"THE MIGHTY FIVE"  
 POST OFFICE DRAWER "B"  
 KISSIMMEE, FLORIDA 32741

73 and all that,

FRICK FFRACK  
 Wes & Jerry

UPDATER TO THE CP LIST DATED 4/5/74--All from the great ELK..

600 KINC CA Is call for Independence CP  
 850 KEYX TX Is call for Houston CP--ex: KGGH  
 1560 KKAAs SD Is call for Aberdeen CP  
 And he questions if the 900 Penticton & 1380 Moncton CPs have been scrapped?? I think they were, but can't find definate CRTC info here to confirm. Further help appreciated.. HWB

WILK

88 N. FRANKLIN STREET • WILKES-BARRE, PA. 18711



12 DX'ing Baseball Networks for fun and profit,  
H.W.Boyd

Baseball networks offer DXers a chance to hear stations that normally wouldn't be heard with regular programming. The biggest advantage in such DXing is to DXers in the east and midwest. When teams from these areas play night games on the west coast the network often operates beyond IAM.

These networks are very similar and operate in the same basic manner. The feed station is usually a 50Kw 1-A station as WJR 760-KDKA 1020-KMOX 1120-WCAU 1210-etc. Sometimes the feed station is a secondary 50Kw clear channel station as WBAL 1090-WHDH 850-WHN 1050-etc. In a few cases a 5KW regional station with good coverage is used--KMBZ 980-KABC 790-etc.

Most stations on the network operate on regional or local channels. Quite often there will be several stations on the same class IV channel with the same baseball game. Stations along the network are usually in an area not served by the main feed station.

Major sponsors of these games are beer companies and regional auto outlets. These sponsors will often buy out 2-3 innings of each game, and the commercial runs on the entire network. During the game there will be several "cut-aways" to allow local stations to run a local commercial. The commercials always run at the end of each half inning of play unless play is delayed for some reason. Normally only enough commercials are sold for a 9 inning game. When the games go to extra innings the network may not run any other commercials. But will still give "cut-aways" so the local station can run commercials or PSAs.

The FCC requires that station IDs be given as close as possible to the top of the hour. For sports broadcast this is changed to + or - 5 minutes of the top of the hour. IDs follow the cue "...we pause 10 seconds for station identification on the ???????? baseball network" The actual ID may be before or after a commercial, and sometimes in the middle of an inning.

A similar cue is given near the half hour but this is not a legal ID. This is actually a 60 second cut-away to allow the local station to run a local commercial. There is often an ID following the commercial, but it's really more of a promo than anything else.

Features from the network include the pre-game and wrap-up shows aired before and after the game. The wrap-up often includes interviews with one or members of the team. Not all stations along the network carry will air these features.

It is suggested that you listen to several different innings of several different games from several different stations. This will provide a much better understanding of how these networks operate. After a while you will be able to identify the networks by the announcer's voices, or names of members of the teams.

An excellent source of information on baseball games is in your local newspaper. Here you'll find schedules, starting times, and the starting pitchers. Checking the write up of the games of the previous day you can find the batting order of most teams. This will also provide the names of pinch hitters, designated batters, and relief pitchers of the different teams.

The actual DXing can be done in several different ways. You can listen totally to the network station you want to identify. Or you can use your regular table radio to monitor the feed station. In this fashion you can cross check the network with the unidentified station to see if they are running the same commercial, etc. It won't take long until you develop a system of your own for baseball network DXing.

During the summer DX News will carry lists of such networks. Often a list a year or so old can be used as the stations on these networks seldom change. Thusly the lists in last years DX News will be about 85% correct.

The following list should also be an additional aid in your baseball network DXing.

TEAM	Feed Station	Stations on Net	Announcers
<b>AMERICAN LEAGUE:</b>			
Balt. Orioles	WBAL 1090	40	Chuck Thompson Bill O'Donnell
Boston Red Sox	WHDH 850	52	Ned Martin-Jim Woods
Cleve. Indians	WWWE 1100	20	Joe Tate-Herb Score
Detroit Tigers	WJR 760	39	Ernie Harwell-Paul Carey
N.Y. Yankees	WNCA 570	30	Phil Rizzuto-Frank Messer- Bill White
Texas Rangers	WBAP 820	18	?????????
Calif. Angles	KMPC 710	18	Dick Enberg-Don Drysdale- Dave Niehaus
Chicago White Sox	WHAQ 670	2	Harry Caray-Bill Mercer
Kansas City Royals	KMBZ 980	50	Dennie Matthews Buddy Blattner
Milwaukee Brewers	WTMJ 620	50	Merle Harmon-Bob Uecker
Minnesota Twins	WCCO 830	45	Herb Carneal-Larry Calton
Oakland Athletics	???? ???? *****	??	?????
<b>NATIONAL LEAGUE:</b>			
Chicago Cubs	WGN 720	24	Lou Boudreau-Vince Lloyd
Montreal Expos (EE)	CFCF 600	11	Dave Van Horne-Russ Taylor
(FF)	CKAC 1570	24	Jacques Doucet Claude Raymond
N.Y. Mets	WHN 1050	25	Linsey Nelson-Ralph Kiner Bob Murphy
Philadelphia Phillies	WCAU 1210	19	Byrum Saam-Harry Kalas Rich Ashburn
Pittsburgh Pirates	KDKA 1020	??	Bob Prince-Nellie King
St. Louis Cardinals	KNOX 1120	115	Jack Buck-Mike Shannon
Atlanta Braves	WSB 750	55	Milo Hamilton-Ernie Johnson
Cincinnati Reds	WLW 700	112	Marty Brennaman-Joe Nuxhall
Houston Astros	KPRC 950	33	Gene Elston-Loel Passe
Los Angeles Dodgers	KABC 790	10	Vince Scukly-Jerry Doggett
San Diego Padres	KOGO 600	7	Jerry Coleman-Bob Chandler
San Francisco Giants	KSFO 560		Al Michaels-Art Eckman

In this portion of northeastern Ohio several of these networks can be heard. The most common ones are St. Louis-Cincinnati-and Philadelphia. Next would be Cleveland-Detroit-Pittsburgh-Milwaukee-Atlanta-and both of the New York City networks, Montreal-Baltimore-Kansas City-and Boston are not uncommon.

So far I haven't heard anything from the Texas Rangers network but such reception should be possible. I also have hopes of catching someone from a west coast station. Perhaps in the early fall when the skip starts to come back.

Many of the techniques used in DXing baseball networks will be useful to you in DXing similar forms of broadcasts. Every year about March each state has a high school basketball playoff to find the state champ. Or try DXing the college basketball tournaments around Christmas each year. You can use similar techniques DXing the many telethons each year, or for elections.

It's up to you to use these tips to develop your own baseball network DXing skill. With a little preparation you can add many new stations to your logs during the summer months. Good luck gang...



Above is D's verie of Prague-Cz. rec. 12.28.64 0330Z

	P.O. BOX 1740 SUDBURY, ONTARIO COMMERCIAL BROADCASTING COMPANY
	kghl 190 DATE: Sept. 9 1966
TO Page Taylor	This will verify your reception of sign on _____ very truly yours, <i>Fred L. Bartlett</i> Fred L. Bartlett CHIEF ENGINEER

### AMERICAN LEAGUE-EAST

#### BALTIMORE ORIOLES

Chuck Thompson  
Bill O'Donnell

#### National Brewing

710	WGBS	FL	Miami
930	WTHD	DE	Milford
	WFMD	MD	Frederick
960	WBOC	MD	Salisbury
970	WAMD	MD	Aberdeen
990	WNRV	VA	Narrows
1050	WSKE	PA	Everett
	WGAT	VA	Gate City
1090	*WEAL	MD	Baltimore
1150	WDIX	SC	Orangeburg
1220	WLSG	VA	Big Stone Gap
1230	WCUM	MD	Cumberland
1240	WCEN	MD	Cambridge
1260	WJOT	SC	Lake City
1280	WHVR	PA	Hanover
1330	WASA	MD	Havre de Grace
1340	WJMA	VA	Orange
1350	WZIX	PA	York
	WDAR	SC	Darlington
1360	WBOB	VA	Galax
1390	WWOD	VA	Lynchburg
	WKLP	WV	Keyser
1400	WWOC	VA	Portsmouth
1420	WDDY	VA	Gloucester
1440	WHIS	WV	Bluefield
1450	WSTU	FL	Stuart
	WTHU	MD	Thurmont
	WENZ	VA	Highland Springs
	WFTR	VA	Front Royal
1460	WPRW	VA	Manassas
1470	WTTR	MD	Westminster
1490	WLOE	NC	Eden
	WOPI	TN	Bristol
	WCVA	VA	Culpeper
1520	WVOB	MD	Bel Air
1550	WXVA	WV	Charles Town
1560	WSMD	MD	La Plata
1590	WETT	MD	Ocean City
	WCBC	PA	Chambersburg
	WACA	SC	Camden
1600	WKEN	DE	Dover

#### BOSTON RED SOX

Ned Martin  
Jim Woods

New England Chrysler-Plymouth  
Coca-Cola

Delta Airlines  
Falstaff/Narragansett Beer  
New England Tel. & Tel.  
"The Boston Globe"

850 \*WHDH MA Boston

(No further information available)

#### CLEVELAND INDIANS

Joe Tait  
Herb Score

#### Stroh's Beer

900	WFRO	OH	Fremont
960	WWST	OH	Wooster
1100	*WWWE	OH	Cleveland
1240	WBBW	OH	Youngstown
1280	WONW	OH	Defiance
1400	WMAN	OH	Mansfield
1430	WCLT	OH	Newark
	WFOB	OH	Fostoria
1450	WLEC	OH	Sandusky
1460	WPVL	OH	Painesville
1540	WBCC	OH	Bucyrus
1590	WAKR	OH	Akron
1600	WAQI	OH	Ashtabula

#### DETROIT TIGERS

(Wolverine Broadcast Network)

Ernie Harwell  
Paul Carey

#### Stroh Brewery

Marathon Oil  
B. F. Goodrich  
Greater Detroit Area Buick Dealers  
Peet Packing Company  
Indep. Insur. Agents of Michigan  
Ziebart Rustproofing Company

590	WKZO	MI	Kalamazoo
760	*WJR	MI	Detroit
790	WSGW	MI	Saginaw
900	WATC	MI	Gaylord
920	WMPL	MI	Hancock
930	WBCK	MI	Battle Creek
960	WHAK	MI	Rogers City
1060	WHFB	MI	Benton Harbor
1150	WCEN	MI	Mount Pleasant
1220	WBCH	MI	Hastings
1230	WCUZ	MI	Grand Rapids
	WIKB	MI	Iron River
	WSOO	MI	Sault Ste. Marie
	WSTR	MI	Sturgis



1240 WCBY MI Cheboygan  
 1280 WFYC MI Alma  
 1290 WHGR MI Houghton Lake  
 WNIL MI Niles  
 1300 WHLT IN Huntington  
 1320 WDMJ MI Marquette  
 1340 WAGN WI Menominee  
 WMBN MI Petoskey  
 WMTE MI Manistee  
 1370 WWAM MI Greenville  
 1380 WPLB MI Greenville  
 1400 WSJM MI St. Joseph  
 WTCM MI Traverse City  
 WATZ MI Alpena  
 WHTC MI Holland  
 WKLA MI Ludington  
 WMIQ MI Iron Mountain  
 WNBV MI Newberry  
 1460 WBRN MI Big Rapids  
 1480 WIOS MI Tawas City  
 1490 WLRQ MI Whitehall  
 WTIQ MI Manistique  
 1580 WSHN MI Fremont  
 1590 WTVB MI Coldwater

## NEW YORK YANKEES

Phil Rizzuto  
 Frank Messer  
 Bill White

570 \*WMCA NY New York

(No further information available)

## TEXAS RANGERS

Dick Rosenhoover  
 Bill Merrill

Schlitz  
 7-11 Stores

820 \*WBAP TX Fort Worth

(No further information available)

AMERICAN LEAGUE-WEST

## CALIFORNIA ANGELS

Dick Enberg  
 Don Drysdale  
 Dave Niehaus

Standard Oil of California  
 Anheuser-Busch  
 Continental Airlines

## Chevrolet

610 KAVL CA Lancaster  
 620 KNGS CA Hanford  
 710 \*KMPC CA Los Angeles  
 970 KCHV CA Coachella  
 1230 KPRL CA Paso Robles  
 KWTC CA Baretow  
 KXO CA El Centro  
 KLAU NV Las Vegas  
 1240 KSMA CA Santa Maria  
 1340 KFBR AZ Nogales  
 KSFE CA Needles  
 1400 KTUC AZ Tucson  
 KVOY AZ Yuma  
 1440 KPRD CA Riverside  
 1450 KTIP CA Porterville  
 1560 KPMC CA Bakersfield  
 1590 KBBQ CA Ventura

## CHICAGO WHITE SOX

Harry Caray  
 Bill Mercer

## General Finance Loans

Chevrolet  
 Zenith Radio Distributors

670 \*WMAQ IL Chicago

(There is no network)

## KANSAS CITY ROYALS

Buddy Blattner  
 Denny Matthews

Dodge  
 Amoco  
 Falstaff Beer  
 Guy's Foods

580 WIBW KS Topeka  
 660 KOWH NE Omaha  
 690 KGGF KS Coffeyville  
 960 KMA IA Shenandoah  
 980 \*KMBZ MO Kansas City  
 1010 KIND KS Independence  
 1130 KBLR MO Bolivar  
 1230 KTNC NE Falls City  
 1240 KIUL KS Garden City  
 KNEM MO Nevada  
 1260 KWHK KS Hutchinson  
 1280 KDOK MO Clinton  
 1290 KWNS KS Pratt  
 1300 KMMO MO Marshall  
 1340 KSEK KS Pittsburg

1340 KGFV NE Keerney  
 1370 KGNO KS Dodge City  
 1390 KAMD AR Rogers  
 KNCK KS Concordia  
 1400 KAYS KS Hays  
 KVOE KS Emporia  
 1420 KULY KS Ulysses  
 1450 KOKO MO Warrensburg  
 1460 KKOY KS Chanute  
 1470 KARE KS Atchison  
 1490 KDMD MO Carthage  
 KDRD MO Sedalia  
 1530 KDSN IA Denison  
 KECK NE Lincoln  
 1560 KABI KS Abilene  
 1570 KLEX MO Lexington  
 1580 KNIM MO Maryville  
 1590 KVGB KS Great Bend

## MILWAUKEE BREWERS

Merle Harmon  
 Bob Uecker

Schlitz Brewing Company  
 M & M/Mars

American Dairy Association  
 First Federal Savings & Loan  
 Mc Donalds  
 Oscar Mayer  
 American Motors

580 WKTY WI La Crosse  
 620 \*WTMJ WI Milwaukee  
 710 WDSM WI Superior  
 810 WYYS WI Tomahawk  
 910 WDOR WI Sturgeon Bay  
 WHSM WI Hayward  
 960 WTCM WI Shawano  
 980 WPRE WI Prairie du Chien  
 990 WNNO WI Wisconsin Dells  
 1220 KOUR IA Independence  
 1230 WCLO WI Janesville  
 WXCO WI Wausau  
 1240 WIBU WI Poynette  
 WDMT WI Manitowoc  
 1260 WWIS WI Black River Falls  
 1290 WCDW WI Sparta  
 1310 WIBA WI Madison  
 1320 KMAQ IA Maquoketa  
 1350 WPOR WI Portage  
 1380 WBEL IL South Beloit  
 1400 WBIZ WI Eau Claire  
 1430 WBEV WI Beaver Dam  
 1450 KFIZ WI Fond du Lac  
 WRCO WI Richland Center  
 1470 WBKV WI West Bend  
 1490 WIGM WI Medford

1570 WAPL WI Appleton  
 1590 WIXK WI New Richmond  
 WSWW WI Platteville

## MINNESOTA TWINS

Herb Carneal  
 Larry Calton

Midwest Federal Savings & Loan  
 Foreman & Clark Clothing  
 Northwestern Bell Telephone  
 Cloverleaf Dairies  
 Western Airlines

570 WNAX SD Yankeon  
 600 KSJB MO Jamestown  
 610 KDAL MN Duluth  
 830 \*WCCO MN Minneapolis  
 920 KWAD MN Wadena  
 1040 WHO IA Des Moines  
 1070 KILR IA Esterville  
 1140 KSOO SD Sioux Falls  
 1230 KGHS MN International Falls  
 KMRS MN Morris  
 KTRF MN Thief River Falls  
 KWNO MN Winona  
 1240 KPRM MN Park Rapids  
 WMFG MN Hibbing  
 KDLR MO Devils Lake  
 1250 KBRF MN Fergus Falls  
 1260 KROX MN Crookston  
 1280 KVOX MN Moorehead  
 1300 KGLD IA Mason City  
 1340 KDLM MN Detroit Lakes  
 KVBR MN Brainerd  
 KGPC MO Grafton  
 1350 KBRX NE O'Neill  
 1390 KLPM MO Minot  
 1400 KEYL MN Long Prairie  
 WHLB MN Virginia  
 WBIZ WI Eau Claire  
 1410 KRWB MN Roseau  
 1450 KBMW MN Breckenridge  
 WELY MN Ely  
 KVCK MT Wolf Point  
 KGCA MO Rugby  
 1480 KEHG MN Fosston  
 KGCC MT Sidney  
 1490 KOZY MN Grand Rapids  
 KXRA MN Alexandria  
 1520 KMAV MO Mayville  
 1590 KRAD MN East Grand Forks  
 1600 KLGA IA Algona

## OAKLAND ATHLETICS

Monte Moore

18

Jon Miller  
1370 \*KEEN CA San Jose

900 CKTS Que Sherbrooke  
1350 CHOV Ont Pembroke  
CKLB Ont Oshawa

(No further information available)

MONTREAL EXPOS  
(French)

NATIONAL LEAGUE-EAST

Jacques Doucet  
Claude Raymond

CHICAGO CUBS

(Sponsors same as English network)

Vince Lloyd  
Lou Boudreau

550 CHLN Que Three Rivers  
630 CHLT Que Sherbrooke  
CJLA Que Lachute  
730 \*CKAC Que Montreal  
900 CJBR Que Rimouski  
CKJL Que St. Jerome  
970 CKCH Que Hull  
1240 CJAF Que Cabano  
1280 CKCV Que Quebec  
1320 CJSO Que Sorel  
1350 CJLM Que Joliette  
1370 CFLV Que Valleyfield  
1400 CJFP Que Riviere du Loup  
1420 CJMT Que Chicoutimi  
1450 CHEF Que Granby  
CHRT Que St. Eleuthere

Oak Park Federal Savings  
G. Heileman Brewing Company  
Metropolitan Buick Dealers  
Karoll's Me's Wear  
The Walgreen Company

720 \*WGN IL Chicago  
930 WTAD IL Quincy  
980 WITY IL Danville  
1050 WJZ IL Decatur  
1110 WHYT IN Noblesville  
1230 WSAL IN Logansport  
1240 WTAX IL Springfield  
1250 WGL IN Fort Wayne  
1300 WAAC IN Terre Haute  
WBLG KY Lexington  
1350 WIOU IN Kokomo  
1400 WGIL IL Galesburg  
WBAT IN Marion  
WROZ IN Evansville  
1460 WKAM IN Goshen  
1490 WFKY KY Frankfort  
WOMI KY Owensboro  
1580 WCCR IL Urbana  
1590 WNTS IN Indianapolis

NEW YORK METS

Lindsey Nelson  
Bob Murphy  
Ralph Kiner  
Household Finance Corporation  
Ballantine Beer  
Chrysler-Plymouth Dealers of New York  
Dairylea  
Long Island Lighting Company

MONTREAL EXPOS  
(English)

1050 \*WHN NY New York

Dave Van Horn  
Russ Taylor

(No further information available)

O'Keefe Breweries  
American Motors  
Electro-Holme Stereo & TV  
Swift Meat Products  
Loto Quebec  
Steiberg's Supermarket Chain  
Pepsi-Cola  
Texaco

PHILADELPHIA PHILLIES

Byrum Seam  
Harry Kalas  
Richie Ashburn  
Schmidt's Beer  
Tasty Baking Company  
MAB Paints  
Gino's Hamburgers  
Chrysler-Plymouth Dealers  
Girard Bank of Philadelphia

600 \*CFCF Que Montreal  
620 WVMT VT Burlington  
800 CJBQ Ont Belleville

Coca-Cola  
Sun Oil  
Sears, Roebuck and Company

800 WCHA PA Chambersburg  
850 WEEU PA Reading  
1150 WDEL DE Wilmington  
1210 \*WCAU PA Philadelphia  
1220 WJUN PA Mexico  
1230 WBPZ PA Lock Haven  
1270 WLBR PA Lebanon  
1340 WBRE PA Wilkes-Barre  
1360 WPPA PA Pottsville  
1400 WEST PA Easton  
WICK PA Scranton  
WRAK PA Williamsport  
1420 WCOJ PA Coatesville  
1450 WFFG NJ Atlantic City  
1480 WISL PA Shamokin  
1490 WGAL PA Lancaster  
WMRF PA Lewistown

PITTSBURGH PIRATES

Bob Prince  
Nellie King

Pittsburgh Brewing

1020 \*KDKA PA Pittsburgh

(No further information available)

ST. LOUIS CARDINALS

Jack Buck  
Mike Shannon  
Bob Starr

Anheuser-Busch  
Chevrolet  
Sun Oil Company  
Laclede Gas Company  
Steak n' Shake  
Cotter Hardware  
General Finance Corporation

580 WELD ME Tupelo  
600 WREC TN Memphis  
630 KVMA AR Magnolia  
740 KCMC TX Texarkana  
910 WAKO IL Lawrenceville  
930 WTAD IL Quincy  
KWDC MO Poplar Bluff  
960 KFVS MO Cape Girardeau  
970 WMAY IL Springfield  
990 KAYL IA Storm Lake

1010 KLRA AR Little Rock  
1050 KMIS MO Portageville  
1090 WCRA IL Effingham  
1120 \*KMOX MO St. Louis  
1130 WWCN IN Brazil  
1230 WHCO IL Sparta  
WJBC IL Bloomington  
WHOP KY Hopkinsville  
KLTW MO Lebanon  
KODE MO Joplin  
WBBZ OK Ponca City  
1240 KWAK AR Stuttgart  
WBBQ IL Harrisburg  
KBIZ IA Ottumwa  
KFMO MO Flat River  
KWOS MO Jefferson City  
1250 WRAY IN Princeton  
1260 KGBX MO Springfield  
1270 WEIC IL Charleston  
KFBD MD Waynesville  
1280 KSDK KS Arkansas City  
KLCO KY Poteau  
1290 WCBL OK Benton  
1310 KOKX IA Keokuk  
1320 KWHN AR Fort Smith  
1340 KBTA AR Batesville  
WJPF IL Herrin  
WBIV IN Bedford  
KSMO MO Salem  
1360 KFFA AR Helena  
1370 KAWW AR Heber Springs  
1390 KCRC OK Enid  
1400 WDWS IL Champaign  
KVFD IA Fort Dodge  
KFRU MO Columbia  
KSIM MO Sikeston  
1420 KPOC AR Pocahontas  
1450 WKEI IL Kewanee  
WAOV IN Vincennes  
WPAD KY Paducah  
WROX MS Clarksdale  
KIRX MO Kirksville  
KGFF OK Shawnee  
1460 WROY IL Carmi  
1470 WMBD IL Peoria  
WNAU MS New Albany  
1490 KORS AR Paragould  
WDAN IL Danville  
WKRO IL Cairo  
1500 WGEN IL Geneseo  
1550 WJIL IL Jacksonville  
1560 WBYS IL Canton  
WBOL TN Bolivar  
1570 KBRI AR Brinkley  
WTAY IL Robinson  
1580 KPCA AR Marked Tree  
WDQN IL Duquoin

## Successful Long-Distance Reception on the Class-IV Channels

- by Bob Foxworth

There are six channels on the medium-wave Broadcast Band that represent some of the most challenging and demanding DX opportunities available to the MW DX enthusiast. These frequencies are known as the Local Service, or Class IV assignment channels (Class IV stations being exclusively assigned to these frequencies). They are as follows: 1230, 1240, 1340, 1400, 1450 and 1490 kilohertz. These are set aside in the U.S.A, Canada, Mexico and a few Caribbean locations (e.g. Puerto Rico) and Bermuda etc. for fulltime stations (operating day and night) with low power, typically 1000 watts day and 250 watts night, with nondirectional antenna. A few exceptions to the power rule exist, the reader is advised to consult the "NRC Domestic Log" of the National Radio Club, or "Broadcasting Yearbook" for more specific data. Canada, typically, has begun placing stations with up to 10,000 watts and directional antennas beaming Northward on some of these frequencies. CHYM in Kitchener, Ont. (on 1490 khz) is one such, using 10 kw power, and has been in operation for several years now. But these are the great exception to the rule.

Other countries, such as Brazil and Japan, and Western Europe's 1484 and 1594 khz assignments, for example, provide for low power local service, with many stations on the same channel. However, North America with its much greater number of private radio stations has a need for six such channels, and each one has more stations on it. There are, then, more stations audible at night from any given location, at any one time and on any one Class-IV frequency. This results in such interference that it is often very difficult to pick out a readable signal from the interference. This congestion is so acute that there have been instances of DXers in other parts of the world writing U.S.-based DXers and asking to have sent to them, tapes of how these frequencies sound at night! Such is the curiosity that surrounds these strange frequencies.

DXing the graveyard frequencies, as these channels are popularly known in the DX community, is at once predictable, and full of surprises. The slang name, "graveyard" is generally thought to refer to the close geographical spacing of stations assigned to any one frequency. Looking at a map showing station assignments is akin to looking at rows of headstones, the stations are jammed in so close together. We will not touch on daytime DX in this article, since daytime and DXing are generally mutually exclusive. About the only thing that would recommend daytime DX on these channels is (1) if one of your locals breaks down and is off the air, or (2) if unusual weather conditions cause enhanced reception from an area 100-125 or so miles distant. Either condition would allow the DXer to log, by groundwave, a semi-local station that ordinarily would be just too weak to hear normally. Weather conditions to watch for include high winds (blowing down power lines that feed your local station) and sustained heavy rainfall, causing a marked increase in ground conductivity for a day or so.

The consistent listener will discover that certain stations, usually in the 150 to 300 mile range from the receiver site or, a single-hop E or F layer skip at moderately high angle, will be heard most often at night on these frequencies. Most Class IV stations use towers of about 160 to 200 foot height, or greater. These provide a reasonable amount of radiation at high angles. The tower height will depend on the frequency, and whether it is series or shunt fed, generally. One-half or 5/8 wavelength are seen often. There is no difference between a guyed or self-supporting tower. The fact that these assignments are at the high-frequency end of the broadcast band helps, too. There are approximately 175 stations assigned to each one of the six frequencies in the continental 48 states, and these assignments are virtually all occupied, at least in the East. Mileage separation to adjacent co-channel assignments, mostly, determines how closely stations can be fitted in together. There are stations on the same frequency as little as 70 miles apart, although more like 90 or 100 is the norm.

Obviously in Western states with sparse populations, there will be geographical gaps in the siting of these stations, but not so much as one might expect.

About 14 years ago, Class IV's were starting the process of increasing their daytime power. They had been operating with 250 watts both day and night, and in virtually all cases with non-directional antennas. In 1959, thanks to a ruling by the FCC, Class IV stations were allowed to increase their daytime power to 1000 watts. Assuming that all stations took advantage of the new higher power, the interference each caused the other would remain constant. In other words, the distance from the desired station at which interference reached a certain level would remain the same as it was formerly. In practice things did not quite work out that way, and a few stations found it necessary to install large resistors in their antenna leads to reduce the rms field (the signal strength) to a certain value, or in some cases, stations had to go to the unheard-of step of operating with directional antennas during the daytime, and returning to non-directional operation with 250 watts at local sunset. Stations listed as "U-5" in the NRC Domestic Log are examples of this type operation. Incidentally there are still a few stations on Class IV frequencies still using 250 watts day and night. The FCC has not required these stations to increase to 1000 watts but the great majority of them did so because of competitive economic pressures and the need to get their daytime signal out farther. Some of the stations in the West, in little towns of 4000 people, and with no radio competition for 60 miles in all directions, simply have no reason to spend all that money to increase power. Most of these stations are little 4-man operations, anyway and don't even have the money to spend!

The 100 watters are just about gone, though. The FCC has urged them to go to 250 watts, at least, and stopped issuing new licenses for 100 watters several years ago. I believe that KDOL, Mojave, Calif. on 1340 was the last station to have come on the air with 100 watts (they are now 500/250 watts). When I began DXing in the late 1950's there were as I recall between 15 and 20 100-watt stations still active. WCMC-1230 in Wildwood, N.J. was the closest to me then, and they were heard by me several times, of course with nowhere near enough detail to send a good report on. The old-timers who were actively DXing in the 1930's can tell you some REALLY interesting stories about 100 watters on graveyard frequencies!! \*

A political lobby group has tried and failed twice in the past three years to get the Commission to allow Class IVs to use 1000 watts at night. It is predictable that they will try again, especially now (early 1974) that the makeup of the Commission leadership is turning over so fast. It is speculative what kind of impact, technically, such a step would have on late-night DXing. Obviously, the years-long changeover period that took place when the initial 1000 watts was granted would not again occur, as all stations already have the needed 1 kw transmitter. Since the companies such as Gates, RCA, Collins etc. would not again expect to be able to sell thousands of new transmitters, like they did the last power boost, it then seems doubtful that they would lobby for a night time power boost. But time will tell.

As we said, there are some 175 stations on each frequency. However, perhaps only 25 or 30 or so are all-night operations; most stations signing off at midnight or 1 AM or so. So it follows that after midnight is the time when the DXer would find the clearest reception conditions. At the same time, there are a lot less stations to try for, so a balance is reached.

The experienced DXer will find that reception opportunities can, to a first approximation, be broken down into five times of day. We'll look at them here.

1. Daytime. See comments in the 3rd paragraph about unusual weather, or wait for the next solar eclipse. (It may be a long wait).
2. Sunset Skip/Early evening. LSS to 7 or 8 pm, depending on season. In summertime, extend this time through the evening hours.
3. Midnight to about 0115. Signoff hour for stations in your timezone.
4. Deep Night. 1 to 5 AM. The fewest stations are on the air.
5. Early morning. Catch 6 AM sign-ons with high power; Sunrise Skip.

Of course, these criteria are equally valid for DXing on the Regional channels. Timeperiods 3 and 5 can produce the most remarkable freak receptions, depending on localized intense skip conditions. However such skips are quite rare, and must be diligently and systematically sought out. Timeperiod 4 provides the most consistent reception from the single-hop All Nighters, while these same stations are lost in the jumble in Timeperiod 2 (before midnight).

Some examples of single-hop regular stations heard at the author's monitoring point on suburban Long Island (20 miles east of N.Y.C.) during Timeperiod 4 are:

1230 khz: WERI, WITH, WNOR, sometimes CHVD. All under semilocal WFAS.  
 1240 khz: Blocked by WGGB (tower 7.1 miles distant). With WGGB looped out generally WBAX is heard most often. No consistent results here.  
 1340 khz: WOOK, sometimes WAIR, under semilocal WNHC.  
 1400 khz: WWOC, WLLH.  
 1450 khz: WOL, CFJR, WWSC.  
 1490 khz: WPOR, WTXL.

It is interesting to note that stations slightly closer to the receiving point than these examples, e.g. WILM on 1450, WFPG on 1450, WBCB on 1490, which are reported as nuisances by DXers in the Central New Jersey area are impossible to hear at this location. The cause is undoubtedly the distance being too far for groundwave reception, but close enough so that the tower would have to radiate at a very high angle relative to the horizon, probably in the area of 60° or maybe greater. This high angle radiation obviously is not occurring in these cases. The stations in the list above generally constitute the most dependable loggings made in the (4) Timeperiod, 1 to 5 AM. By dependable we mean, the station may fade up long enough to be identified (either by call letter, advertisement of a place-name, distinctive format etc.) once a night, or perhaps a couple of times in a 2-hour listening session. These stations can usually be heard at some time each night that DXing is done. They are not heard for long periods of time, generally. On rare occasions the DXer might experience reception for 20 or 30 minutes of a single station hundreds of miles away, dominating the channel. Such experiences are the stuff that the DXing hobby is made of.

A note about identifying stations by their distinctive format. One of the most challenging situations I have been faced with is trying to tape-record a complete, or detailed ID from CFJR, Brockville, Ontario (1450 khz). I can usually ID this station in the jumble just about any night I try DXing. They do a phone-in talk format and their announcer sounds remarkably like Howard Nelson of WEEI in Boston in accent, speaking inflection, pacing etc. Taping a call-letter ID is hard to do, as they don't ID very often. I have managed to tape a couple of jingles (without mention of the city or frequency) and some Public Service announcements for local events, and one weak-signal tape sounding like their call letters. But, of all the times I have heard them clearly and strongly, it's just been jabber, jabber, isn't the price of (eggs, meat, beer) awful, and how's your uncle... persistence, just like in a SAH oscilloscope, is a useful thing for a DXer to have. More on this later.

At the top of the page, we gave some examples of generally-heard stations, in the New York City area, on the Graveyards. An example of how much more "open" the band conditions are in the West is provided by a comparable list of stations that dominate in the San Francisco Bay area, in early 1974: 1230-KRIZ, Phoenix, Az. 1240-KMBY Monterey. 1340-KMAK and KIST. 1400-KBMI "metro Las Vegas" at 550 miles, along with KXIV at 750+ miles. On 1450 it's KONE, Reno and KOWL Tahoe on 1490; these on a Monday morning. Needless to say, any reception of 500 to 750 miles in the East on a Monday Morning is a notable event. Another example of this is provided by the reception of the DX Test from KOKO, Warrensburg, Mo on 1450 this past season. This Test went clearly to such locations as Texas, Manitoba, Colorado but faced extremely rough going in the East. Particularly upsetting to the author was the fact that he recorded the code IDs on a broadcast cartridge and mailed it to the station. Even knowing exactly what to listen for wasn't enough to pull them in!! (Hopefully we'll have another shot at this station in early 1975 OK Bruce?)

If you have a local station (and this applies to any station up to 5 kw or so) it is better to be only 5 miles or so away, than farther, so that it is heard by groundwave only. The skip angle would be just too high for any meaningful sky-wave return, and with a good tilttable Altazimuthally-mounted loop you can null that pesky local right into the hash. WGGB-1240, at 7 miles, can be knocked into oblivion with my NRC loop. I was able to get excellent copy of the WOCB DX test in May 1972, and good copy of the WFTN DX test that same year, both with WGGB on the air. During the daytime I can hear WWCO, Waterbury, Conn, and maybe a trace of WOCB, with WGGB nulled). However, WFAS-1230 is far enough away so that I get a mix of GW and skywave, and they are a lot harder to deal with by looping. Do not misunderstand these comments and move next door to that pesky local, all bets are off.

DXing the Class IV channels has, in an operational sense, a remarkable similarity to Television DXing. Members of the WFTDA have read Bob Cooper's graphic descriptions of sitting in front of a blank TV screen at 6 AM while doing meteor-scatter DXing and waiting for a 5 or 10 second burst of video once every 3 minutes or so. Or, the reader may consider descriptive accounts of sporadic-E reception with strong signals suddenly snapping in and out, going from s-9 to zero literally in the blink of an eye. There is a remarkable analogy to Graveyard DXing here, except that the desired signal is in a jumble of background noise instead of being in a signal/no-signal condition as in TV. But the similarities are there, as far as the DXers' behavior is concerned. A similarly large devotion of time is required to make Graveyard DXing successful. When I have tried it, I've found it necessary to sit in front of the receiver for long stretches of time listening to a jumble of signals, none of which is strong enough to produce a clearly readable signal (although it would be perfectly copiable if on a clear channel by itself). The object is to wait for that sudden fade-in of a signal that produces readable audio, and hopefully with an identification added at that time. I have monitored frequencies that are not blocked here by semilocals on groundwave, such as 1450 and 1490 khz for periods of 15 or 20 minutes at a time, listening to a hash of audio, only to have a strong readable signal surge atop and be clearly understood for a few seconds, or a minute, and then drop into the mud again. Probably the most effective way of dealing with this is to have a tape recorder running continuously on the frequency you are working at the moment, waiting for something to bubble to the surface. If your machine has a footage index counter, you log the elapsed footage, time of day, and a brief description of what you heard that is worth saving or analyzing later. If the frequency is just a jumble of unreadable audios, and a long stretch of tape has passed, you can hit rewind and go back to a point maybe 30 feet past the last thing you heard worth saving. In other words, if you heard someone give call letters at 250 feet elapsed, and nothing further, and you've been taping continuously and you're now up in the 400 or 500 feet range, rewind back to 270 or 280 on the footage dial and begin recording again. Keep doing that until you get some more salvageable audio on tape. Maybe this time, it's at 310 feet. Make 340 replace 280 as your new point to rewind back to, when you start recording...of course there is always the risk of missing something desirable while rewinding, but you WILL be recording about 95% of the time, so your risk there is minimal. With some practice doing this, you can get an entire night's DXing telescoped onto a single 7'inch reel of tape, comprising  $\frac{1}{2}$ -hour's recording time at  $7\frac{1}{2}$  ips (which is used exclusively here).

It is easy to fall into the habit of tying yourself down to monitoring any one frequency, excluding the others. I do not know if it is more productive to pick 2 or 3 Graveyard frequencies and keep switching back and forth between them, or just to pick one that seems the clearest, or even to just spot-check them from time to time while looking for other things on Clears, Splits or Regionals. This is a technique that each DXer will have to experiment with and develop on his or her own. Concerning the question of monitoring several Graveyard frequencies at the same time, the obvious answer is to have several receivers in operation, each set to one of the channels of interest. This is not as simple as it seems, though, for the DXer soon finds that the momentary and sporadic nature of reception of clear signals makes it necessary to have a tape recorder running simultaneously on the

output of EACH receiver in order to catch anything that might come along. Certainly none of us is mentally agile enough to aurally listen to 3 receivers, each tuned to a different Graveyard frequency, and sort out the signals in the mind! It follows, therefore that the tapes so obtained would have to be played back, one after the other, at some future time, to see what (if anything) usable is recorded on them. Worse yet, you cannot even use a high-speed fast forward to screen them... the scanning must be done at normal speed. So it would seem that there is no real way to thoroughly monitor several receivers in this fashion. The limiting factor is not money needed to buy a multi-receiver/tape setup, but TIME...just plain, simple time to process the information so obtained. Of course we could suppose that any DXer with money enough to buy all the paraphernalia needed for a multi-frequency monitoring setup could afford to quit his job, thereby generating the time needed to utilize it, but that's just conjecture. One way around this might be for the well-heeled DXer to buy a bunch of receivers and a 8-track Scully or Ampex or 3M recording studio machine from somebody who has upgraded to 16-track. Roll a tape on Monday morning from 0100 to 0500. Put the tape in storage and then carefully scan the DX bulletins to see if anyone reported anything unusual on the frequencies you taped that morning. If so, get the tape out and check it over to see if you got the station recorded. If so...do you log it? Did you "hear" it? Interesting questions that I am not prepared to give answers to. However, these ideas are merely the logical successor to the common practice of rolling a tape "blind" on a single frequency (using a two-track machine, with WWV on the second track) and checking the tape hours or even days later to see what came through on it. I don't know that this is so different than taping the output of eight receivers at once, but I am not endorsing it as a viable technique for boosting one's totals even though the systems aspects, the mechanical aspects of it interest me. Then of course there is always the possibility of using instrumentation recorders that have bandwidths greater than a megahertz, to record, directly from RF, the entire Broadcast Band in one pass. (See the "Monday Morning Tape Recorder" in an April Fool's DX News several years ago...it just might be made to work, if the user can figure out how to circumvent the eye-popping cost of such a machine, and get a broadband, high-gain preamp to drive it. Maybe Joe Worcester will design such a get-up for us).

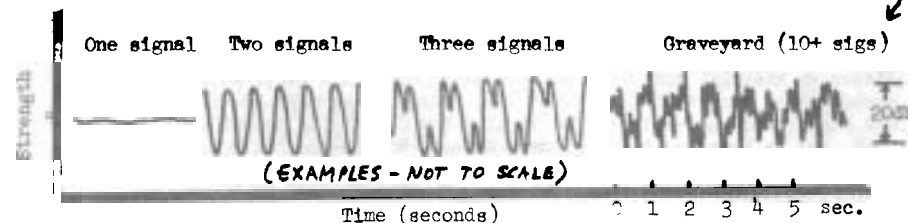
Sometimes it seems that summertime evenings are very good for this kind of DXing, more so than in the winter. This is evidently due to more selective skips taking place, allowing a single station to dominate for a while. Apparently in the winter, with its better propagation, many stations are heard at the same time, and none of them clearly due to the mutual interference they cause. To me this is just a subjective feeling, but it still goes without saying that some summer evenings and nights can provide remarkable receptions of stations a few hundred miles away. I recall several times in the summer when, walking home from the train station at night, with a hand-held Sony portable, I would hear upstate N.Y., Mass. or New Hampshire stations atop the channel. 1230 khz always seemed to be a good bet for me while "operating portable" this way.

A fair indication of just what kind of propagation the listener is experiencing on a given night can be had by tuning to one of the Class IV frequencies. There are nights when the channel sounds clear and snappy, and other nights when the impression of sound is a dull, bland mix of noise. Sometimes the impression is that of "white noise" (best described as the sound of a FM tuner tuned to a blank spot on the dial, or perhaps, something like the roar of a waterfall). On nights like this I find it very hard to pull any recognizable sound out from all that noise, and usually don't pursue it further. Other nights - the "clear and snappy" ones - also provide many signals on each frequency but the impression is of a mix of discrete, separate signals and the listener almost has the feeling that he can reach out in his mind and pick out one signal and follow it. Sort of like being in the middle of a crowded room with many people speaking at once, and maybe a couple of phonographs playing, and if you concentrate hard enough you can acquire just one voice and stay with it, and mentally block out all the other voices. I do not know why this effect should show up one night and not the next. Most of the time, the impression is of "dull and bland". Who knows more about this?

Use of a good receiver is an important aid to successful long-distance reception on the Class IV frequencies. Since the listener is trying to extract one audio signal from a mix of other audio signals, a moderately wide bandwidth and a good AF or, output stage on the receiver are probably the best attributes one would look for in a receiver. Mechanical filters, a crystal filter, or a Q-Multiplier operated in the "peak" mode are all not desirable. All they will do is to make the audio sound muddy unnecessarily, and will not be needed for RF selectivity purposes. (There is an exception to this of course, if one is DXing from Europe and trying to copy the North American frequencies, he will likely have a local European just a few khz away that will have to be notched out, or blocked out by use of a MF or an Xtal filter. Similarly, a DXer here in the States may be trying to listen to, say 1240 khz, and there may be a het from a Caribbean station on 1241 khz. A Q-Multiplier in the "null" mode is by far the most effective way of dealing with this. Careful adjustment of the "null" pot, and the tuning adjustment will notch the loudest hets into inaudibility, while still leaving the rest of the channel unaffected, with full audio fidelity.

RF sensitivity is not important for DXing the Class IV frequencies; in fact, reduced sensitivity frequently proves to be more desirable. One of the most helpful things the DXer can do is to turn the Automatic Volume Control switch OFF, and turn the RF Gain (or Sensitivity) control down just to the point where signal is being heard comfortably, with the Audio gain control left where it usually is set. The reason for this is that the mixture of numerous carriers, each of them at very slightly different frequencies (all of them typically with 10 hz of each other and often much closer than that) and at random phase to each other creates a composite signal strength that is varying in random fashion. The signal strength may change in milliseconds over 20 db back and forth. If the AVC system attempts to follow this rapid changing in signal strength, it generates distortion in the audio output, which is the last thing we need. Switching the AVC off and reducing the RF gain makes the signal sound much cleaner, and when a single station fades in atop the channel it will be instantly noticeable in the audio output.

If one were to graph the instantaneous signal strength present on a Class IV channel at night as a function of time, it would look much like the graph below:



There is a mathematical technique known as Fourier Analysis by which such a waveform can be broken down into its component sine waves. Such a procedure could tell you how many signals were present on the channel. As there would be no way to identify who those signals belonged to, that is, what stations they were, there is no practical benefit of such analysis for the average DXer, although there may be some interest in statistical studies of how many signals are received on a given night, and relating such totals to geomagnetic phenomena. Any such work that is already done or in progress is not known to this author.

An interesting question is that of whether the Graveyard DXer should use a loop or a wire antenna. In my experience, loops, including both the Altazimuthally mounted NRC Loop, and the Space Magnet-type of ferrite shielded loop, are of only fair value in nulling stations on Class IV frequencies (with the exception of nearby locals, described at the top of the fourth page in this article). They do help a lot in reducing splash from an adjacent-channel local, of course. There are times when a loop will prove to be of value, of course. At the same time, do not dismiss

the potential that a good longwire antenna has. The author put up an outdoor wire between 40 and 50 feet long, running roughly East-West, and found that it is quite sensitive to signals from the Northeast. Fortunately, New England lies in that direction and that is one of my favorite DX target areas. My wire antenna has brought me quite a few clear receptions of low-power stations in New England that were not identifiable, with the loop in any setting, on a parallel operated receiver. The equipment in use is a Technical Materiel Corp GPR 90-RXD receiver with the longwire fed through the antenna coupler described in DX News in 1966 (Reprint A-5). At the same time, a Hammarlund HQ-150 is driven by the Altazimuth loop. There have been numerous occasions when signals have been copied on the longwire setup that could not be picked out of the jumble while simultaneously monitoring the same frequency with the loop setup. One of the most consistent examples of this effect is reception of WPOR, Portland, Maine on 1490 who are always heard much better and more easily with the longwire setup than anything the loop can produce. Incidentally, the loop is still working! While many DXers have permanently given up using outdoor wire antennas, now that the loop and ferrite rod antenna is established, they may do well to consider reinstalling one, just to have available for comparison purposes. They may be as surprised as I was. Probably the most acceptable trade-off between maximum flexibility and coverage, and the ability to handle it, is to use two receivers, one with a loop and one with a wire antenna. A 2-input switch box can be made up to feed either receiver output to the tape recorder input. The setup can be made as flexible as your imagination and ingenuity permit.

The selectivity in points that signals are received from on the Class IV frequencies is amazing. There is a much more even competitive aspect to this type of DXing, as all the stations are operating with the same power and the same kind of antenna - there are no big monster stations beaming down your throat every night, such as WFEA-1370 is heard here. DXing a frequency such as 1370 here in the evening is no fun because you know you will hear WFEA, WSAY and WSPD in that order. Night after night after night. If WFEA is heard exceptionally well then you know something from up that way might materialize on one of the Class IV frequencies. Such receptions provide a good marker. **This selectivity is even more remarkable for people DXing the Class IV's from outside the U.S.** Richard Wood, when he was DXing from the Hawaiian islands, noted most of the time that the frequencies were often dominated by stations like KGFJ-1230, KMBY-1240, KIST-1340, KPAT-1400 (now KRE) and KDB-1490. However at other times, stations in the Central Plains states would be heard strongly by him. Richard heard quite far into the East, including such states as Michigan and Tennessee and as I recall his farthest reception was a frequency check from WAZL-1490, Hazleton, Penna. --heard in Hawaii! Richard felt that his most likely possibility for logging New Jersey, in Hawaii would be WOND on 1400. Had he remained there another season, I think he could have heard them. Incidentally, WOND was heard by one "Brother Al" (whose last name escapes me, an IRCA member) in California a few years ago. The New Zealand DXers report occasionally equally fascinating reception of W-call Graveyarders.

In the old days, when the author began DXing in the late 1950's, reception conditions were much different than today. There were many fewer all-nighters. I recall one time in March of 1959 when WJXN in Jackson, Miss. was the only station on the air for about an hour and a half on Monday morning on 1450 khz. During that time, on 16 March 1959 KYOR in Blythe, Calif was heard by the author in New Jersey. They were testing during the sked time for a DX from KXXL Montana that never showed up. Several Eastern DXers heard KYOR. That was quite a feat even then. Of course it would be even more so today!!

Despite the discouraging number of all-night stations in operation nowadays, occasionally some really good DX can be heard on the Class IV's. It can be either Regular Schedule sign-offs, or DX Tests or Equipment Tests, In nearly all cases, it can come as a real surprise. The key to success, as in all aspects of DXing, is putting time and patience into it, you'll get back what you devote to it. You don't even need a fancy receiver or antenna - Graveyard DXing is one of the most forgiving aspects of DX, and even a bedroom clock radio can give good results, so don't let lack of a giant communications rx stop you. Report your results to DX News!\_30



Summary of things to remember when DXing the Class IV Channels.

- 1. Be Patient. Remember that you will generally have readable audio from any one station a relatively small percentage of the time. These incidents of usable signal can appear suddenly, last anywhere from a few seconds to several minutes and drop out suddenly, with the signal fading into the jumble again. Be prepared to pick up the maximum information available during these openings.
- 2. Use a tape recorder. Keep it running as much of the time as possible and perfect the technique of periodic rewinding so as to get the maximum information on the tape. The DXer will find numerous instances of having a station slowly become readable on a crowded frequency. Later playback of the tape frequently provides additional reception that occurred before the point the signal was first perceived on the original reception. This happens when there are several voices being heard on the channel, and the DXer was listening to the "wrong" one. Another important use of the tape recorder is for later rechecking and analyzing of marginal reception. Call letters with consonants that sound similar, county names, street names (was the studio located on Main Street, or on Wayne Street??) can go by very quickly on the original reception. Repeated playbacks of the tape of the reception can often clear up the mystery. While purists argue about the merits of taping as an aid to DX, it remains that taping has become a nearly universally accepted aid to hearing and identifying stations. (This article does not address itself to the validity of tapes as verifications, however). A third major advantage of the tape recorder: as an aid to sending reception reports. A brief sign-off announcement will be much more effective, for verification claim purposes, if it is taped and a tape sent to the station as part of the report. This brings up a couple of points: Now that the DXer is using a tape recorder, he will need another one. Why? Well, when you send off that taped report, remember that you will likely not get the tape back. So, help your chances a lot here by TELLING the station to KEEP the tape. This implies a second recorder so that you can duplicate the tape, keep the original for your tape file (you DO keep a tape library, don't you?) and mail off the duplicate with your report, never to be seen again. The prepayment of return (EXTRA) postage is just about too much to bother with anyway. Use the 3-inch reels that fit in a business envelope. Always make the tape 7½ ips (19 cm/sec) and in one direction only. Use clean, blank tape. If stereo, record on both channels.

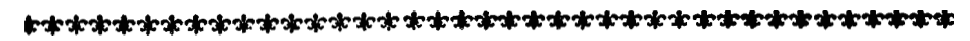
- 3. Keep an up-to-date file of library aids. This includes the NRC Domestic Log, with all updaters. (Xerox them and keep with your log, if copying in the data is too much). Have a recent Broadcasting Yearbook, as an aid for identifying telephone exchanges and area codes quickly, and a recent copy of Standard Rates and Data Services' "Spot Rates". The individual state maps with the counties and county seats is extremely useful, when you hear stations say "In zilch county today...". Have an up-to-date copy of Bruce Elving's FM Atlas for picking out calls and frequencies of those FM stations that are all switching to new sets of call letters.

- 4. Learn the habits and programming of the most often heard stations in your locality. For instance, WPOR dominates 1490 here. They are C&W and on the half hour, through the morning, have a telephoned report on tides etc. in Portland Harbor. This sticks out like a sore thumb, through the jumble. Get to know the distinctive jingles of stations like WLLH-1400. Learn the patterns of the major news services (from the World Desk of UPI..) and such as A1 news, off at :05 and CBS News, off at :06. These are good minute times of the hour to look for IDs. If you hear a station signing off at a certain time, but tune in too late for the ID, sit there at a few minutes earlier time every night after that, until you learn who it is. Know the difference between the U.S. National Anthem, America the Beautiful, God Save the Queen and O Canada - and the Lord's Prayer. You will hear them all, from time to time.

- 5. Experiment with different antennas. Short antennas will often give very good results on these frequencies as the average signal level is high and not much gain is needed. Directivity will be a lot more important. Aim for putting up a wire that is very receptive to only a certain area, if possible. This is just a matter of cut-and-try, however. Sometimes just running an indoor wire along the molding on your shack ceiling will give good pickup. At the same time, short antennas like this probably will not be good for serious foreign DXing due to their higher noise pickup.
- 6. Remember to leave the AVC switched off, and operate the RF gain control as a volume control.
- 7. If you have 2 tape recorders and 2 receivers, try recording blind on one frequency while listening to another, and analyzing the tape later. Sometimes stations will be gotten this way that would have been missed otherwise.
- 8. Learn about seasonal variations in conditions and propagation conditions. Use strong clear channel stations as an indication as to what areas are coming in on a particular night. Watch for unusual conditions such as auroras. In a really severe aurora, a DXer in, say, New Jersey might find WJNO-1230 Palm Beach and WMMB-1240 Melbourne, both in Fla. alone and atop their respective channels, with good signals, in the early evening; all the other stations closer having been screened out. Such conditions may typically occur once every other year, and last only 1 or 2 nights, so the key here is to at least check band conditions every evening to see what is happening.

Remember, like everything else, the more that is put into this, the more that will be gotten out of it. There is probably a lot that I left out of this article. I hope comments and suggestions will be sent to DX News. Good Luck.

ED. NOTE: The last graveyarder to be licensed at 100 watts was WWC-1240 in Wilkesboro, NC in 1970. It has since upped power to 500/250. -RJE



Verie from Gregg Calkin, Islamabad, Pakistan

1580 WAMW IN Washington  
 WPMP MS Pascagoula  
 1590 KCLU MO Rolla

NATIONAL LEAGUE-WEST

ATLANTA BRAVES

Milo Hamilton  
 Ernie Johnson

Coca-Cola  
 Chevrolet  
 Goody's Headache Powder  
 Sterling Beer  
 Cotton State Insurance  
 Delta Airlines  
 General Finance Corporation  
 Sunbeam Bread  
 Orkin  
 Hormel  
 Trust Company Bank  
 Atlanta Beverage  
 Walton Clothier  
 Six Flags Over Georgia

750 \*WSB GA Atlanta

(No further information available)

CINCINNATI REDS

Marty Brennaman  
 Joe Nuxhall

Stroh Brewery  
 Marathon Oil  
 Frisch's Big Boy Restaurants  
 First National Bank of Cincinnati  
 Pepsi-Cola

560 WJLS WV Beckley  
 580 WCHS WV Charleston  
 620 WETE TN Knoxville  
 680 WCTT KY Corbin  
 700 \*WLW OH Cincinnati  
 730 WFMW KY Madisonville  
 910 WPFB OH Middletown  
 920 WLIV TN Livingston  
 930 WGNV WV Huntington  
 970 WATH OH Athens  
 WWYO WV Pineville  
 990 WITZ IN Jasper  
 WJEH OH Gallipolis  
 1000 WREM KY Jenkins  
 WHTH OH Heath  
 1050 WNES KY Central City

1150 WIMA OH Lima  
 1190 WAMB TN Doneleon  
 1230 WAND KY Pineville  
 WHIR KY Danville  
 WIRO OH Ironton  
 1240 WHBU IN Anderson  
 WFTM KY Maysville  
 WHIZ OH Zanesville  
 1290 WHIO OH Dayton  
 WOMP OH Bellaire  
 WVOW WV Logan  
 1330 WKOV OH Wellston  
 1340 WLBC IN Muncie  
 WEKY KY Richmond  
 WNCO OH Ashland  
 WMON WV Montgomery  
 1370 WGOH KY Grayson  
 1390 WTDQ OH Bellefontaine  
 1400 WPAY OH Portsmouth  
 WBTH WV Williamson  
 1440 WPGW IN Portland  
 1450 WKZZ IN Fort Wayne  
 WXVW IN Jeffersonville  
 WLAF TN La Follette  
 1490 WKBV IN Richmond  
 WKAY KY Glasgow  
 WBEX OH Chillicothe  
 WMOA OH Marietta  
 1520 WSVL IN Shelbyville  
 1550 WCVL IN Crawfordsville  
 WPDF IN Corydon  
 1560 WVAK IN Paoli  
 1570 WKKS KY Vanceburg  
 WGLX OH Galion  
 WPTW OH Piqua  
 1600 WSTL KY Eminence

HOUSTON ASTROS

Gene Elston  
 Loel Pesse

Texaco  
 Lone Star Beer  
 Chevrolet  
 L. A. Frey & Sons Meat Company  
 Siegfriedt

950 \*KPRC TX Houston

(No further information available)

LOS ANGELES DODGERS

Vince Scully  
 Jerry Doggett  
 Jaime Jarrin (Spanish)

Rudy Hoyos, Jr. (Spanish)

Union Oil  
 Farmer John Meat Products  
 Olympia Beer  
 Union Bank

790 \*KABC CA Los Angeles  
 950 XEGM BCN Tijuana (Spanish)

(No further information available)

SAN DIEGO PADRES

Jerry Coleman  
 Bob Chandler

600 \*KOGO CA San Diego

(No further information available)

SAN FRANCISCO GIANTS  
 (Golden West Radio Network)

Al Michaels  
 Art Eckman

Standard Oil of California  
 Chevrolet  
 Budweiser Beer  
 United Air Lines  
 California Blue Shield  
 U. S. Steel  
 Commercial Credit Corporation

560 \*KSFO CA San Francisco  
 570 KCNO CA Alturas  
 580 KMJ CA Fresno  
 600 KVCV CA Redding  
 620 KWSD CA Mount Shasta  
 630 KIDD CA Monterey  
 KDH NV Reno  
 970 KBEE CA Modesto  
 980 KINS CA Eureka  
 1230 KDAC CA Fort Bragg  
 1240 KPLY CA Crescent City  
 1290 KHSL CA Chico  
 1400 KUKI CA Ukiah  
 1490 KSYC CA Yreka  
 1530 KFBK CA Sacramento

NOTES:

\* Indicates key station in network

The names listed under each team are the "play-by-play" announcers and the

firms that are expected to be sponsors for the broadcasts.

Sources used for this list were "The Sporting News" (6 April 1974), "Broadcasting" (25 February 1974) and personal letters from stations.

It should be realized that in many cases the networks listed were preliminary ones, and stations may have been added or deleted already, or may be added or deleted during the season.

Information on the networks not herein listed will be published when they are available. Anyone having such information should send same to:

Ed Krajny  
 6538 Belmeadow Drive  
 Middleburg Heights  
 OH 44130



THE HEATH SB-620 "SPECTRUM ANALYZER"  
VERSUS  
THE REALISTIC DX-150A RECEIVER

Thomas R. Sundstrom

A wrestling match? A shootout? Nope... just wanted to attract your attention. This writer's listening post consists of two Hammarlunds, an HQ-150 and an HQ-140X, and a Realistic DX-150A. The SB-620 was purchased with the intent of using it on the HQ-150. As it turned out, all receivers here have a 455 khz IF.

We opted for extra RG-62 coaxial cable, and installed a jack on the HQ-140X as circuitry was the same. Then, what the heck, we decided to do the same on the Realistic DX-150A.

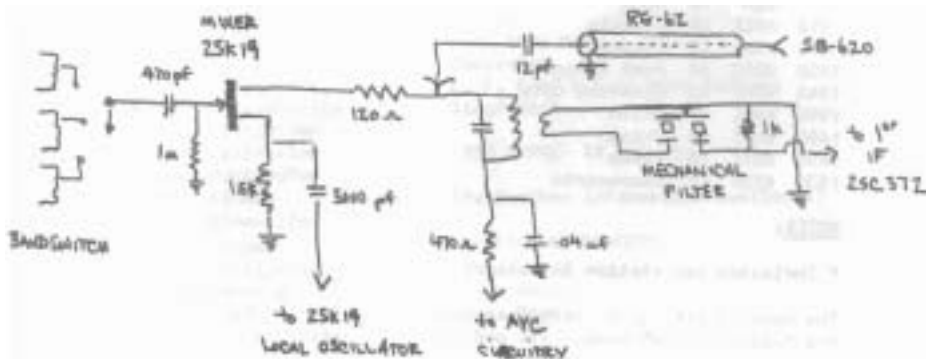
An inquiry to Heath, Benton Harbor, brought the response that the hookup can be done. The schematic drawn below indicates a 7.5-to-12 pf capacitor tied to the output of the mixer just ahead of the mechanical filter. See below.

Results... interesting. The bandpass response does not seem to have the gain to respond to much more than a 50 khz (+/- 25 khz) sweep, but rare is the desire to wish to do so. Most of the time the sweep range is set to 10 or 20 khz total.

The hookup of the RG-62 cable through the 12 pf capacitor (value used here) does not affect receiver performance, and having the flexibility of the choice of three receivers is "nice." Frankly, the DX-150A performs better on the higher SW bands as might be expected with age and technology advances, with the main difference in sensitivity; the SB-620 is equally useful in SWBC DX.

By the way, if you have the receiver bottom plate off for the SB-620 hookup, you ought to install a tape recorder jack ahead of the volume control. There's plenty of room on the rear apron panel for both jacks.

-30-



WHAT IS A FREQUENCY CHECK?

Part 2

Thomas R. Sundstrom

As a followup to Page Taylor's article in the March 25, 1974, DXN, on the subject of frequency checks, I can only say "Amen" to the difficulties of determining the difference between a "legit" FC and a split frequency station causing a hetrodyne.

Admittedly beyond the means of some NRCers, for those fortunate enough to have the extra dollars to acquire a Heath SB-620 "Spectrum Analyzer" panadaptor, the SB-620 is a blessing.

As Bob Foxworth is preparing a major article on the SB-620 for the DXN, I will not usurp his "rights" to describing the SB-620 to the membership. I offer, briefly, the following...

The SB-620 was installed on my Hammarlund HQ-150, and since then output jacks have been installed on the HQ-140X and the Realistic DX-150A, from September 1973. All receivers have a 455 khz IF.

The SB-620 has the capability of sweeping as little as 7 to 8 khz, i.e., plus-and-minus 4 khz. When DXing domestics, I set up the baseline calibration to sweep 10 khz, +/- 5 khz, which means that each baseline mark equals 1 khz. As the spacing between each baseline marker is 3/16", a 1 khz TT stands out like a sore thumb with the sidebands, being symmetrical, are 3/8" apart.

A station running a variety of tones, either fixed or via a variable oscillator, is quite interesting to watch. Sideband pips move in or out away from the central pip of the carrier. Frequently, high frequency tones are used which are beyond the frequency response of the bandpass or the headphones and what will sound like an open carrier may, in fact, be someone running high pitched tones. Through "calibration" of the base line, it is possible to estimate the frequency of the tone or tones being used.

The advantage of the SB-620 is that TTs cause a symmetrical, double-side, pip trace, whereas the off-frequency Cuban or split frequency Latin American or trans-Atlantic cause a lop-sided trace. It's possible for me to distinguish carriers of as little as 400 hz separation, and it becomes exceptionally easy to do so with 800 hz or more separation. Even on the graveyard frequency of 1240 khz, the low-powered Dominican Republic station on 1241 khz (which is not normally readable) that causes a low hetrodyne (here in NJ) most evenings is quite evident on the scope, distorting the trace with a "bump" on the high side. Adjustment of the SM-2 to maximize signals of TTers is easy too, as one has to maximize the sidebands' height.

I shall leave further discussion to Foxy. I would be happy to answer questions via DXN after Foxy's article is run by NJPC, as I'm sure that writing will answer most of the questions this piece might raise.

(30)

## musings of the members

Gone from the air is that sprightly sting  
It goes each year when we usher in Spring!

April has come from out of the sky  
And the bathing beauties soon'll be streaking by  
And on the BCB - downward does the curtain ring.

But most of our members are a great lot of boys  
They'll DX all Summer and to heck with the noise!

- Stoutfellow.

DICK THUAX - 3003 Gleason Lane - Jeffersonstown, Kentucky - 40299  
DX since last Muse has been improving- beginning w/MM 2/25. WKBK-1220 N.H. w/CW ID @ 1:10am u/WGAR OC. Three CW IDs heard in all. KIXY-1260 Tex. w/ID on f/c @ 1:18; KOFO-1220 Kans. w/ID 1:42am in nicely. WERT heard tentatively @ 12:08am but not logged. MM 3/4- WPUV-1580 Va. w/ID on f/c @ 1:16am. KHAD-1190 Mo. w/ID \* WX @ 8:10pm, w/WOVO nulled, KMCW-1190 Ark. s/off @ 8:14pm. KFDT-1070 Kans. @ 8:21 w/ID & c/w - a bit tough w/local WKLO-1080 & pest WIBC-1070. 3/7- WFIC-1530 Va. s/off @ 7:30pm, WRCM-710 Ga. s/off 7:45, WAVU-630 Ala. s/off @ 7:47pm, WHMT-1190 Tenn. s/off @ 7:58 KEYE-890 Okla. w/ID & NX @ 8:15pm. MM 3/11- WELI-960 Conn. w/ID on f/c @ 12:12am, WCAZ-990 Ill. on f/c @ 1:29am. I also noted WHOO-990 Fla. s/on for ET @ 1:30. 3/14- WMGA-1130 Ga. w/mx & ID @ 7:06pm killing WNEW, WPUP-1190 Miss. had nice ID & into mx @ 7:20pm, WKRG-710 Ala. and of ID & ID @ 7:30pm, WZOB-1200 Ala. s/off @ 7:47 leaving KPAC-1250 Tex. w/mx & ID @ 7:51pm, WDSK-1410 Miss. s/off @ 8:13pm, KBUY-1540 Tex. w/mx & SID @ 8:21, WSWG-1450 Miss. @ 8:35pm w/ID & mx - still noted on @ 8:55pm so must've left day XR on accidentally. Nice ID on KGYN-1240 Okla. before pattern change @ 9pm finished this good night to the SW. MM 3/18- KREX-1100 Colo. @ 1am w/CBS NX while looking for WHLI TEST. KREX s/off @ 1:09am. WHLI-1100 N.Y. IDs @ 1:07 & 1:31 u/WWWE OC, WTCL-1570 O. w/ID @ 1:19 & 1:23am. WNDB-1150 Fla. w/rr & ID @ 1:18am in very well. Totals now 610 logged & 40 states heard. If CX continue as they have I hope to pass 700 before Summer slump sets in.

KARL JEDER - 109 West White Street - Carrollton, Georgia - 30117  
Greetings from the "rocking chair capital" of the world. Washington has its Watergate, while we here in Carrollton and West Ga. College have the "rocking chair case." Even made Walter Cronkite the other day, hi. Looks like I'll be back ay W.G.C. by 3/20 There won't be any address change or anything - & I'm not sure how DX will be affected - probably adversely. I have a fair amount of DX to report, first of all, MM 3/18, not a total loss: WNDB-1150 TEST made it here great - no QRM - a clear signal w/IDs a plenty, good mx, from 2:07-2:45. Earlier on 1100k, I heard a TT from 1:10-2, I assume this to be WHLI TEST, although no ID heard. WWWE ET began @ 12:15 complicating matters. Only other DX on 3/13, w/much-wanted semi-local WELR-1360 coming through w/rr, NX, WX, 5:45-6:09pm. Also on 1360, WNAH w/gospel mx & s/off @ 7:55-8. At 8:25pm I heard what I believe is KLYR-1360, with mentions of "Clarksville". However, I kept on listening until 9:11, and turns out it was KFFA-1360 I had from 8:30 on, so KLYR must have s/off @ 8:30. KFFA had c/w & Mutual NX. Veries in: CJBC w/regular CBC v/q, for taped report, in 11 days, my first taped report - a milestone, hi. Also a nice v/l from KAGY-1510 - CE said I listen better than the local folks. I wonder why? Finally, a v/l for WERT-1220 TEST 2/25 and v/c from WBRJ-910 after f/up. Looks like warm WX is about here for good. That's all, folks. 73s.

SCOTT BROCKWAY - 112 North Crescent Drive - Rome, New York - 13440  
I seem to have come out of my slumber long enough to check 2/18 for some TESTs - two were in & fairly well too - the WTCL-1570 was noted in w/severe CQDM QRM at times, but an audible signal could be made out. WHLI-1100 in like a ton of bricks the whole test time, but since I've already verified 'em, no report sent out. I really tried for the KHDN-1230 one & TT was heard, but it didn't conform to what was sked as per DX NEWS & I ignored it as I was pooped at 2:15am. It's a shame I don't contribute as much as I used to to these hallowed pages, but I've just been too danged busy. Well, I'm busy now & I've got to run, so I guess this writing will be just a note that I'm still alive. C U all later.

CARL W. LABELSTEIN - 3300 North 56th Street - Lincoln, Nebraska - 68507

I apologize to anyone inconvenienced by WGLB's not being on for either of their DX TESTS. I always call every station testing for me on the Friday before the TEST to remind the CE. At WGLB, however, the CE slept through both of them. In addition, KTUE-1260 only gave me three days' notice, so the Flash Alert was the only chance I had. On to DX: 2/22- KABR-1420 f/c-TT @ 3:10. KPBC-1040 (ex-KLXL) Dallas s/on heard 2/24 @ 8:10, then into religious mx. 2/25 brought the WERT & KOFO (unn) TESTs plus CHSC w/NX/WX @ 3. WPIK-730 s/on @ 6 briefly & KSUD-730 s/on @ 7. The r/c from WHMT-1190 heard on 2/26 @ 1:30. 3/4- KWPM-1450 DX TEST good through heavy static. 3/18 brought KFIZ-1450 s/off @ 1:04 & the WTCL-1570 TEST. The KTUE-1260 TEST on 3/23 heard fair @ 1. KBRS -1340 r/c w/female announcer @ 1-1:30. WZAP-690 heard ETing @ 1:45. KFLN-960 Baker, Mont. f/c-TT @ 2:30. This is r/c per call to station. Also KMCW-1190 Augusta, announcing Pop @ 2:55. The WJOE-1080 TEST heard very well @ 3 @ 3/25. On 3/28, log taken on KNIE-1530 (ex-KCHY) w/UIPI NX @ 9pm. 3/31 brought s/on of WENT-1270 @ 7. Latest veries have been: v/l- KAMX, KYAL, WDEE, WKYO, KWIA, WPDx, WLSI, WPIK, WJOB, KOJO, WHMT, KPBC, KWPM, KOTN, KAVI, KFTZ, KFLN, WION, WBEZ, KTUE. v/q- WGOV, KRKE, CHSC. V/f from WERT & WTCL & v/r, WMIS. v/PP- KUPI. Total verified is now 1,567. Latest addition to the DX Den is an HQ-180AC. Sure beats the SX-71 I've used since starting DXing in '59. Now that we approach the end of the DX Season, how about some of you typing up some CPC letters this Summer, too? Congrats to all of the Editors & NJPC for all their fine work this past season. I'd take my hat off to you, but I haven't got a hat. 73.

JAMES E. CRITCHETT - 1103 North Street - Yreka, California - 96097

Between 2/19 & 3/27 reception reports have been sent to: CFPR-860, Prince Rupert, B.C. for RS 2/20 3:27 to 3:59 s/off; to KOWB-1290, Laramie, Wyo. on an ET from 5:39 to 6:30am 2/26; to KBCH-1380 for morning program, 10 to 10:30 Sat 3/9 from Lincoln City, Ore.; to CHPQ-1370 Parksville-Qualicum, B.C., satellite of CHUB, Nanaimo for AN program, 3:35-4:18 MM 3/18, and to WJOE-1080 Port St. Joe, Fla. on TEST u/KWJJ MM 3/25. Verifications have been received from CFPR-860, CBC v/q; CFAX-1070 v/l, and KOWB-1290 "King of Wyoming Broadcasting", v/l. Other items of possible interest: WWOK-1260 Miami, Fla. w/sports NX & c/w mx Mon. 2/25 5:09-5:18am. KTHS-1480 on r/c fourth MM 5:30, 2/25. KWYR-1260 r/c 2/25. KIQL-1010 heard @ 10pm Mon. 3/11 for a call change from KSAY; mentions K-101 more than KIQL. KHDN-1230 has r/c third MM 1:45-2 per the 12/3 f/c list; the 3/11 CPC list said the DX Special was from 2 to 2:20 3/18, on r/c; the IRCA DX Monitor gave the time as 3-3:20. They were not heard from 2 to 2:08; but @ 3:23 there was a TT & possible ID by code, then it stopped. Accuracy and co-operation needed in CPCs. KBPX-1450, Portland's education station ID @ 10:26am SM 3/24, solo by KEED, Eugene. Two up on Freman, there. Running out of lines, so I will close. Happy Easter to all.

ALAN IMPRESCIA - 201 East 17th Street - New York City, N. Y. - 10003

To Ernie, and all my fellow members, my apologies for not reporting to these pages for quite some time, but DXing has had to take a back seat to a personal tragedy which has torn me to pieces, and I am now feebly attempting to put myself back together. I lost my wife, and two pet German Shapherds in an auto accident a few weeks ago, & I have not been myself since. If anyone could offer any suggestions on how to put one's self back together at a time like this, I would appreciate ANY kind words one can say. I hope to be back at DXing and Musing some day soon. 73s. (Our profound sympathy, Alan - if only there WERE such words! Take courage, and try some DXing - ERC)

DOUGLAS JONES - 11779 North Evelyn Circle - Houston, Texas - 77071

Hi everybody! This is my first Musing, so let me introduce myself. I am 12 years old & started DXing on 8/25/73. My totals are 189 stations in 24 states w/55 verified in 21 states. My two best catches are WEZ Boston and KCBS San Francisco. Some of my best veries are: WEZ KFI WNDE WUNI WWWE KDRY WJR KDKA WQMO WCFL WBAM KSL. Well, that's about all from down here in Houston. 73 & good DXing to all. (Welcome to NRC, Douglas, and many years of enjoyable DXing to you! I was 12 on my first DX session, and 14 when I got my first verie! -ERC) (Yes, the rest of you - there WAS radio then! -ERC)

**BILL FAIT** - 346 Walworth Drive - Cleveland, Ohio - 44132  
 For my 25th birthday my brother gave me a "junk" RX, Magnavox CR718 BB) which has 15 tubes including a Magic tuning eye. I call it The Monster. When I got it, it was missing a speaker & two 5Y3 high voltage rectifiers. Let this be a warning to anyone fixing old RXes: If you ever see two 5Y3s wired in parallel, don't try to get by with just using one, unless you enjoy watching lightning. Now on to my DX: 3/16- Auroral evening, w/WSM-650 barely audible & WIAC-1510 very strong; the band was full of Cubans, but nothing new was heard. MM 3/18, the WTCL-1570 TEST was heard only after 1:15am, fair to poor, w/jazz, 2001 theme, and IDs. WSAI-1360 TEST was heard very well from 2:08 until I fell asleep w/old rr, & IDs. That evening about 10:30pm, I heard WFRG-1600 u/WWRL until the 5Y3 tube in the Monster blew up. RX wasn't damaged and now works better than any RX I've ever seen. Veries: CHSC-1220 & KGMO-1550. 73.

**DON EGGERT** - 15-D Greenhaven Apt. - Bowling Green, Kentucky - 42101  
 3/19. Greetings. Not much to report this time, as I was in Calif. on business this past week. I did take a shot at DX this past MM 3/18 here in Bowling Green with this result: KFT-640 @ 12:04am w/Lakers Rkb, WDDC-630 @ 12:19 on RS o/u KXOK. KATZ-1600 & WAOK-1380 both making it pretty good @ 12:30, WIEV-1260 s/off @ 1, & CPOR-1570 @ 1:05 s/off while looking for WTCL when I heard 1:10 w/135w PSA (I didn't check later for comparison), KNX-1070 @ 1:25 all NX, WNDB-1150 w/real good signal @ 2:06 w/TEST, & WOHO-1470 in clear @ 2:09 after somebody s/off-SSB. I've pretty much decided that I'm not going to fool with veries unless it's an unusual catch. The hassle is just too much. One thing I do want to do, and I may live to regret it, is ID all my catches w/a star on a map, to see just for the heck of it what it'd look like. RX here is HQ-180 & 2' loop & two cases of Coor's from California. 73.

**RALPH WALKER** - 4824 South First Street - Arlington, Virginia - 22204  
 I am a new member, formerly an SW DXer. I use an SPR-4 and San-serino Loop. I also have an Allied SX-190 and I must admit that on the SW bands it is almost as good as the Drake, though it cost less than half as much. There was no way to convert it to MW, so I bought the Drake. Question: Are there any members interested in what call letters mean? Some, of course, are obvious but others escape me. WIAC, for instance, stands for Life and Casualty (Building I think). Did you see where WOLD, Marion, Va. is asking \$25,000 damages for using their call letters in the popular song? Here's a hint for you people who send return postage - get commemoratives and use the ones with the big margins attached. Lick the margin and stick it to your letter. (Welcome to the NRC, Ralph, and let's hear about what's sliding down your antenna! -ERC)

**BILL ANDRES** - 101-25 115th Street - Richmond Hill, New York - 11419  
 Back to stay in NYC, after having been part of a mass housecleaning of long-haired DJs at WHVY/WMAS. They changed WHVY to MoR, and didn't even inquire of any of the staff if we had any MoR experience. Anyway, DX was OK for the brief stay, totals of 200/1. I'm back at WBAB now, AN-6, MM SP, hi. So that allows me to DX MMs & SSS. Richmond Hill DX, 3/18, MM: Literally "took a page" from my Mass. Log, where a week earlier, I heard WDEA Me. s/off a minute after WFPA's 1 s/off. One week later, there they were again, s/off @ 1:01, a minute after WFPA. SS noted on 1160, R. Libre (?) 1:30-2. I sat on 1250 a while hoping CHWO's hockey game would be low-scoring w/fewer cheers, as I was chasing WDAE, way under. The final score was something like 10-7, but I nabbed WDAE's ID @ 3:04 for a long elusive one. WDAE & WSUN have almost identical AN patterns, & WSUN is a regular here. I even heard them in Mass. but no WDAE since I started in 1961. Thank you, ERC, tip in #19. Tuesday AM 3/19 - who is Beautiful mx u/ WDRG & o/WKAT? I chased them for 45 minutes, but nothing IDable 3:30-4:15. Also, newie CKLC noted w/WENX off this Tues. Later on SSS, WGHY Bath N.Y. s/off @ 7:15, even w/WAWZ. They mentioned 106w PSA. Umm WRAC on top on 1400, & WDAE very loud. I was probably lucky to get WGHY w/reception good in that direction this SSS. I am still chasing WJZZ-1460. Perhaps someone should print an article on "How to hear WJZZ" as well as "How to hear WHRF more than 30 feet W of Riverhead." (Best way to hear WJZZ-1460 is to take a drive on N.J. Route 130 -ERC)

IT IS GETTING CLOSE - THE MID-AUGUST N.R.C. CONVENTION IN TOLEDO. WE ARE LOOKING FOR A GREAT TURNOUT, SO MAKE THOSE PLANS AND ARRANGEMENTS NOW BEFORE YOU FORGET.

**ALAN D. DAVENPORT** - 31 Madison Drive - Ogdensburg, New Jersey - 07439  
 Hi, DX Fans! A.D.D. will now ADD some of his DX to Muse.  
 2/16- WIBC Indianapolis @ 3:50am w/rr. WCLS Columbus Ga. @ 4:10 w/rr. 2/18- R. Paradise, St. Kitts-1265, 6-6:15pm very poor, 8-11:05pm s/off poor to very good. CKCY Ont. o/WJAR @ 11:15pm. 2/19- R. Belize--834 w/fantastic signal 12-1:10 s/off w/BBC NX & oldies mx; rr & c/w. 9:50-10pm s/off, 4VEF w/good signal promising QSLs for correct reports. This MM 3/25 I got up @ 2:45 to try for WGLB w/CPC TEST half asleep and I hit 1550 instead of 1560 & got shocked for it. KGH was coming in I&C! That woke me up. Just in time too - it was three minutes before the CPC TEST. After working so hard at getting KFI & then getting it I get Cal. #2 by accident & they have only 10kw! Negative on WGLB TEST. The channel had only weak signal in the noise. Was the TEST there? After Cal. #2 I had visions of glory & even triex for Alaska & Hawaii - nothing though. Pats! Recent QSLs: KFI & Belize, the latter back twice as fast as KFI. They were both OK though. Both were v/g. I would like to meet some of the local DXers. If anyone lives close by, why not drop me a line? Maybe we can have a DXGT (DX Get-Together), ERC - I notice you didn't understand DXGT in a past Muse!) 73s all & 88 to the pretty ones!

**CHARLES CLAYTON** - Main Street - Adelphia, New Jersey - 07710  
 My fellow Americans - now let me say this - I just want to make everything perfectly clear - with a nice new SM-2 that is! Hi! That is quite a nice gizmo. Due to school hassles and female hassles, I haven't used it as much as I should have, but it has already made its presence felt by giving back many presents in DX. In the limited time that I have DXed since last Muse, CX during much of Jan. & Feb. quite horrible. Besides some feeble attempts at domestic daytime and SRS/SSS hunting and some ordinary TAs, just a very few IAs. These to be mentioned only because I didn't have them on tape before. My best TA was ORP-1475 Vienna 4:45-4:48am 2/26. My best IA catches were HIMR-1196.5 R. Monte Rio 12:28-12:31am 1/20 w/fast IA mx & ID, HRGF-1163 R. Paraiso 2:22-2:25am 2/27 w/fast mx & ID, a logging of HIMR on their nes frequency of 1204 @ 1:37-1:40 3/8. YSC-1015 R. Internacional 1:15-1:20am 3/8 w/sports broadcast, and YVNU-1180 R. Petrolera 10:22-10:26am 3/10 w/TX check, ID, & upbeat IA mx. That's about it but - who is the SS I heard on 3/8 @ 11:11-11:14pm on 935 & beaming mid-East? Could it be a new Spanish Sahara outlet? Everything after or on 3/4 was done with the SM-2. Everyone here is fine and the SM-2 keeps everybody well fed, too. Stay tuned for my next regularly-sked Musing.

**LINDA BRODSKY** - 245-16 149th Avenue - Rosedale, New York - 11422  
 Some DX at last! Going back to 3/12 I had WAEB Va. on 1150 w/ promo for Hank Williams record, IDs, & s/off @ 7pm w/SSB. 3/16- ZNS1-1540 ads for Kellogg Frosted Flakes & Heineken Beer (great combo!), also World & Bahamas NX. I sent report - this is a new country for me. Time was 8pm. Also WCCS-1390 in S.C. w/WX, ads, IDs, etc. @ 0:46pm & R. Paradise very poor @ 9:30. On 3/18 YVOZ Venezuela very good w/LA mx, TCs, on 1200 @ 7:38pm, 4VEH-1035 Haiti @ 7:45 came in like a local & WCPC-940 Miss. w/s/off @ 8pm, then YVNN R. Punto Fijo poor for a few minutes. 3/19- WYDE Ala. @ 7:50pm, then dropped out suddenly at 7:58 - is that a pattern change or reduced power? 3/20- WBMD Md. @ 10:30am with Gospel Hour - first time here, was very good. Later, HILR D.R. excellent @ 8pm. On 3/26 YVOW-540 Venezuela @ 8:40pm w/NX & "Nueva Venezuela Noche". 3/27- WCAW-680 excellent w/Dandy Randy Show & finally on 3/28 WVAW Va. w/promo for Cleanup Week - "Make Virginia Beach the Land of the Living"! A great idea for Ld1 OI! N.Y. to try too! No new QSLs have come in. I enjoyed some of the fine reprints NRC offered, especially the one Mechanical Filters. I checked the Lafayette Catalog and they don't have the one that was listed in the article any more. In fact, they don't have any, unless I missed something. Does anyone know where I can get one? I can't really afford to shell out for the Collins, since I just talked my way into a Q-Multiplier for the old SX-110.

**TIM KERFOOT** - 34 Cross Street - Weston, Ontario - M9N 2B9  
 Due to lack of time for DX and deteriorating CX, there are no new catches to report. One new confirmation received: WFLI-1070. There is still no sign of CFTJ-1110 moving to 1320 or of CFRS-1560 moving to 1600. 73.

THOSE DOING SUMMER DXING, PLEASE LET DX NEWS KNOW ABOUT IT FOR THOSE OF US WHO ARE VERY MUCH INTERESTED. THE DX SEASON NEVER STOPS, YOU KNOW - STAY WITH IT & MUSE!

PAUL MOUNT - 471 Emerson Avenue - Teaneck, New Jersey - 07666 201-836-1137

I have just joined NRC but intro will be next letter, for some other things to say here. 3/18 I got WSAI on TEST w/little WDRC QRM 2:25-2:55. I looked at f/c list and tuned to open frequency & heard organ mx, then weak ID. List says WORV, was right time, 3:08. Later I heard WKIG w/a better signal, better-to-copy IDs. I already have PP/cs back from both. WORV was a new state. 3/24- I turned to WNEW to wake up with, and they were off. I got CKOC better than ever (3x2) 12:15. Then I heard a religious program w/address in Newark N.J. u/WNEW OC, frequency unknown. CBS Radio Mystery Theatre 12:17, KMOX? I heard phone # 889-6995 @ 12:15. What was this? 1:25-1:30 there was someone on 1130 w/EE, WCAR? And WBEA for sure. At least two new. Then from Bronxville N.Y. I got WAEB which I can't get here. Also CBF & WPRO @ 2:30pm! 3/30- CKCY w/c/w 10:45. 4/2- CHNS w/rr 12:14. 4/7, both WINS & WWDJ off. I got CFRB & KDKA new, also logged WBEZ. That night I called Page Taylor. He told me of a 500w Costa Rican he had on. I asked how is KSL, WQAI. He got some one on 1163, & a bunch of IAs on 1160 I said I'd like any of 'em, hi. Then I asked re HILR. He had them I&C, so I got my Panasonic %1551 & heard 'em. So what? So he tuned to HJED-820, told me where to tune, & yup! I got 'em for sure by comparing what I had to what Page had. He'd know, I had my first SA. Then by same method, dial & listen to phone, I got KVOZ on my little old radio. Lotsa thanks to him. See you next time w/intro. (Welcome to "The Big One," Paul! We'll be waiting to hear lots more! -ERC) (Incidentally, it was Page Taylors tips and friendliness which won Paul over to the NRC -ERC)

GEORGE G. KASS - 30 Ivy Circle - West Haven, Connecticut - 06516

Greetings all you out there without gas. One benefit of the gas shortage more time at the dials, as no gas to go any place on weekends. February brought a number of new loggings. 2/1- R. Paradise @ 8:16pm w/religious program. 2/4- WFLI-1070 Tenn. testing @ 12:15am. 2/14- WAMY Miss. w/s/off by female announcer & SSB @ 7:30. 2/15- WHEX s/off 6:43pm folo by the record "Harmony", also on 1580, WBBR s/off 7:10pm. MM 2/18- Several new additions including WPDK-750 W. Va. TESTING w/TTs @ 1:58, WPUJ-1550 Tenn. w/instrumental mx @ 2:53, WERS-1480 Ala. r/c 3:16-3:30 (State #35). 2/24- WCSC-1390 S.C. @ 5:41am. 2/25- WKBK N.H. @ 1:09 during TEST w/Beattles record & Morse Code IDs. 3/2- Frank Dailey paid a visit and Langenburg, West Germany 1586 was logged @ 1:36am w/records and woman announcer. Veries received since 2/1- v/q R. Paradise-1265, WGN-720, WABC-770, WJDM-1530 N.J., WPTR-1540, WIP-610, WACE-730 Mass., WIS-890, WBAB-1440 N.Y., WOR-710, WPUV-1580 Va., WRCH-910 Conn., KXEL-1540, WMAQ-670, WCSC-1390, R. Senegal-764, & Langenburg-1586. v/1- WSAI-1370 N.Y., WPUJ-1550, WKBK-1220 N.H. v/f- WENG-550 R.I., & WPDK-750. After 2 1/2 years of trying a phone call to WVMT Vermont produced a QSL on the back of a CM. WVMT is State #32 confirmed and WKBK #33. Totals now 155/112, states 35/33, provinces 6/6, countries 15/12. Well, it looks like I too have run out of gas. If only I could log Maine - on well, there is always next year. 73s & good DXing.

DAVE SCHMIDT - 42 Chelwynne Road - Castle Hills - New Castle, Delaware - 19720

Another double-spaced Musing for ERC! 3/25- WJOB-1089-TEST w/TT/ mx 3:38-3:55am u/WTIC. 3/26- WKIN-1320 noted on another 13-Q killer EP w/TT & Jim Croce records 1:10am, still no reply from 1/28 EP. 3/27- WCFR-1480 f/c-TT 12:01-12:05am o/mostly WLEE/WHOM. 4/1 - Line noise back again, no foolin', and taking care of the whole works from 540k to 10m k, & WILM was off till 3 again, double arrgh! Hrrr r if I put the ax? Anyway, WBRN-1460 f/c-TT taken for report 12:14-12:30am, TT way o/WAXC - I hope it was they. 4/5 was next attempt, which brought WSLP-1520 f/c-TT 12:29-12:37am in WKBW null, never verified from past reports & even NRC TEST a few years back, & KFVS-960 1-1:15 r/c-TT, quite good w/a couple of good IDs on tape, only WELL there, no WFIIR/CHNS/CKWS and non-verifier WERC! Veries: On back of a business card, WQTY-1000. v/1- WGLB-1560, WVMT-1520 & WHOL-1600, v/x rrom WTCL-1570 w/135 PSA reception confirmed, & v/m from WINE-940. Also v/q (home-made job) from WCFR-1480, a good one for those needing Vt. I nearly fell over backwards when I heard WWDJ's format change on 4/1. It has been an old radio trick in the past to pull off April Fool's gags with such promotions as what they didm but being that they did it, I can see their management isn't much! Sounds like a stunt WEEZ would pull - hi! (What did they do, Dave? -ERC) I took the power company's problems up with the Philadelphia Enquirer's "Action Line" complaint column, maybe that will work. As D P & L just got a 20% rate increase, I feel they can justify the expense to get it fixed. Next move to the Div. of Consumer Affairs, run by the state. I'll keep you posted.

TIM KERFOOT - 34 Cross Street - Weston, Ontario - M9N 2B9

Only two new catches to report. 3/10- WBUZ-1570, my second most-wanted station, logged 1:17-1:38pm w/CFOR off the air for some reason. Despite the fact that WBUZ is only 95 miles away & its signal crosses two lakes, it was weak. That was the first time I have ever heard CFOR off the air during its regular hours. 3/16- WEEB-560, poor 6:28-6:30am. Veries: WYLO-540 w/personal letter for IRCA TEST, & WFRB-560. ERC, to answer your question in 3/18 Musings, WFAA-570 was MoR with some rr tunes when I heard them, w/TTs and IDs after each record. Copy was difficult because the DJ tended to just casually mention the call letters each time, slurring over them rather quickly. 73. (Thanks, Tim!)

RANDY PENNER - Box 2705 - The Pas, Manitoba - R9A 1M5

I thought I'd take this opportunity to write my first Muse on the occasion of my having heard all the Manitoba radio stations (except IPRIs). The last one was CHFC-1230 Churchill, Man. which I heard the evening of 3/22. A brief intro: I am 16, in Grade 12, and started DXing in 9/72. My totals are 545/60 38/20 & 7/5 (including NWT). My new SM-2 functions very well, but the price for it is outrageously high - especially for Canadians who have to pay almost \$13 customs duty on \$48 item that should hardly be worth more than \$35-40 total. It looks home-made, not like something from an electronics lab. However, since I got my SM-2 three weeks ago I have been getting better stations than I generally did before. My first station with the aid of SM-2 and equipment was KAIM-870 Honolulu on 3/3. Out of 12 new stations after that, about half were fair catches, all on RS: KENN-1390 N.M. @ SSS; KWIK-1260 (1,000w @ SSS); KILDO-630 IDed while xemi-local CKRC was on); TICJ-1425 Costa Rica. XEPRS-1090 Tijuana, "Big Country Express"; & possibly KORK-920 Nev. (500w). My most recent is from KNIE-1530 Wyo. for reception of their station the very first day they were on the air - 12/15/73. I hope you all get a better Spring than we've been getting. It's 20 below, or something like that, outside right now. (Welcome to the NRC, Randy, but it sounds to me like you're STILL getting your money's worth from that SM-2! We hope to hear from you often! -ERC) \*\*\*SEE COMMENT FOLLO ERC MUSING..HQ

Morris Sorensen - c/o Wassagamach School - via St. Theresa Pt. P.O., Manitoba

Quite a bit of DXing recently so I will get ROB LJO right down to it. 1/2- CJIC-1050 @ 9:30pm. 1/7- WKAR-870 @ 4:54pm. WKNX-1210 @ 4:57; WFDW-910 @ 5:05; WAUK-1510 @ 5:34; WJCO-1510 @ 5:34; WDEB-1500 @ 5:30. KSTL-690 @ 6:14, WRBJ-1580 @ 6:28-6:30 s/off; WMAD-1550 @ 6:37; CJTR-1140 @ 8:03. 1/8- CKPT-1420 @ 2:08am; WWA-1170 finally for a new state @ 10:58pm. 1/9- VOA-1196 Munich, W. Germany @ 12:05am. 1/10- R. Tirana, Albania, @ 6:27pm. 1/13- WAIT-820 @ 2:47pm. MM 1/14- KOMO-1000 @ 2:05am; KKIM-1000 r/c @ 2:10. KMNS-620 @ 10:35pm. 1/20- YVOZ-1200 R. Tiemp @ 9:50pm - country 16. MM 1/21- WITY-989 @ 1:02am; CJRC-1150 @ 1:04; XEVIP-1560 1:15; WMEX-1510 @ 1:20am. 1/22- CBU-690 @ 10:25am, probably my top catch. Leningrad II-1493 USSR w/R. Moscow relay @ 6pm, country #17. Loggings in February & early March included CKLY-910, CKWS-960, CKLC-1380, CKPR-580, WDMJ-1320, HJCY-810, & KOFO-1220 TEST but I seem to have misplaced my logsheet for these. 3/8- XEJ-970 @ 3:05am; XEJ-990 @ 3:16. 3/9- CHOV-1350 w/Pembroke Lumber Kings hockey @ 10:56pm; CFOX-1470 @ 11:14pm. 3/21- WAAM-1600 @ 2:33am. Veries received from these: WRBJ-1580 KSTL-690 VOA-1196 Tirana WDR-1596 Luxembourg-1439, R. Nordsee International-1367, XEUN-860, KRWB-1410, CKLS-1240 CJOK-1230, KSAL-1150, KBRB-1400, KCHA-1580. 73.

PAUL R. DAFLYN - Box 1348 - Brockville, Ontario - K6V 5X6

Not too much to report except NRC Log corrections/additions. CBEF-540 267 Pelissier St., WQAI-1200 Zip 78299. Postal Codes for the following: CJRP-1060 G1S 1I8, CJTR-1140 - G9A 4J4, CJRC-1150 K1G 0Z4, CJMS-1280 - H2L 4B8, CJRS-1510 - J1L 1C1. 73.

BILL RACZKO - Route 2 - Box 70 - Swanton, Ohio - 43558

Hi. Since this is my first Musing since re-joining, I'll give a brief re-intro. I'm 24, married w/two children, working as Appliance Dpt. Mgr. at K-Mart in Toledo. I've been DXing since 1965, w/heard totals of 1280 stations 49 states, ten provinces, 56 countries. Best catch is R. Nanduti-1020 in Paraguay, 5kw. I stopped writing for veries about four years ago due to the low % of returns. RX is a Lafayette KT-340, w/three Q-multipliers & an IW. Standy RX is a Realistic TRE. In case anyone is wondering, Swanton is about 15 miles W of Toledo, & I'm five miles NE of Swanton. C U N TOLEDO FOR CONVENTION '74!

HARRY J. HAYES - 1418 West Mount Royal Avenue - Apt. 2 - Baltimore, Maryland -  
My Zenith Trans-Oceanic is back in working order, 21217  
after four months, and since getting my FX back coincided with the college  
Spring break my first DX on it was done in Thornhurst Pa. in the Poconos. 3/22-  
6:55pm, I was just tuning around to see how my "restored" RX was working and "ac-  
cidentally" logged a new one, WCED-1420, Pa. in clear. 3/23- 6:34pm, WHUN-1150  
Pa. really hitting local WYNS. 6:45, WWIN-1550 Mass. s/off. 3/24- 7:16pm,  
WEBB-1360 Md. heard finally on s/off after trying all last Christmas vacation for  
them. 7:18, WESR-1330 s/s/off & NAB plug. Tentative WLKZ-1360 @ 7:20 w/MoR  
which was way o/WDRG for a time. 7:55, a check of 1400 revealed WOND N.J. as  
usual. 10:36, CHUM-1050 noted way o/WHN w/"Canadian Graffiti"; an Oldies show  
of 50's & 60's tunes. Also CFRB dominated 1010. 11:04, CJTR-1140 about even  
w/WRVA. 11:49 WWJ-950 in poorly. 11:53, CKWS-960 on, in poorly w/SID. CX  
seemed to favor N tonight. 3/25- 12:13am, WJW-850 O. testing, first time I ever  
heard them. 3/26- 11:45pm, CKAC-730 in poor. 11:58, CHOK-1070 on, in poorly  
also. 3/28- Poor CX. 8:24pm, WELM-1410 N.Y. in good fighting a weak WPOP.  
3/29- A check of 1230 @ 12:09am showed WERI R.I. as usual, also WEEEX Pa. was in  
at times. They are as strong as local WBAX-1240 in the daytime. 4:45pm, WKER-  
1500 N.J. in early. 6:05, WJDM-1500 N.J. in o/WMBT. 7:15 WPAM-1450 in very  
well. 7:30, WCFC-1450 N.J. 3/30 7pm. WFIF-1500 Conn. - since when did they go  
from c/w to Soul? 4/1- Mow back in Baltimore & the folo heard from here so far:  
WYTI-1570 Va. in well at times. 8:15pm, WYNY-1550 Ga. on s/off u/much 1550 slop.  
4/2- CX tonight favored N w/both WBEW-930 & WFEA-1370 N.H. noted in L&C. Well,  
by the time you other members read this, you will already know what the annual  
April Fool NRC farce will be. God help you, hi. Thornhurst Pa. log total, 534  
heard; Baltimore: 116 heard & waiting on a QSL from WWIN-1550 3/15 test.

BOB MENN - 430 West 39th Place - Hialeah, Florida - 33012

I really haven't had too much time to DX so I haven't even tried to  
get my Hammarlund out of the graveyard (shed out back), even though I do have a  
new co-ax antenna set up. So until later I'll have to use my Penncrest AM/FM  
which does just fine. Within the past couple of weeks I've received just two  
veries. I think I've sent out at least 20 reports. One verie, about three  
months old was from R. Capitol, Caracas. I picked him up about 3:10am when he  
was having a bunch of election tapes on. Came in pretty clear, too, w/only 50kw.  
The other was WDW-1440, early one SM. Lots of "hash" here! I got a nice v/1  
& data from "Cowpasture Radio" KPCR-1530 - I think I read where someone else was  
trying for this one. Will one of our Electronic engineers please tell me what  
causes the sound of drums or a very audible beating signal when you have two station  
signals close together? (Maybe I'm the only one?) Good DXing, all.

RON B. SCHILLER - 1951 N.E. 28th Court - Lighthouse Point, Florida - 33064

Veries in from the following: v/1- WPBR-1340, WSOL-1300, WAOK-  
1380, WHYZ-1070, WFSO-570, WKVM-810 (P.R. #25), WKIZ-1500 (Fla. #118) & a v/q  
from WAVE-970. Combined total, 1,687, of which 101 have been received back here  
since rejoining NRC in October! Recent heard: 3/16 WSAV-630 all by himself  
w/the Cuban off, 5:15-5:27pm. 3/17- WAVE-970 topping WFLA et al 6:40-6:52am.  
WEJP-1500 s/on 7:01. YNP-1115 strong 7:24-7:29 fade. 3/18-22, travelling to  
Denver & Houston. 3/23, another try to WMAK-1300, atop 4:22-4:30. I tracked  
the Sutatenza stations and found 960 // -1010 & 810 but no sign of either 590 or  
700. WKVM-810 "R. Reporter" well o/HJCY 5:31-5:40 & nice verie back in a week  
including program sked & Top Ten (in SS). Unn KKEL giving ZNS1 a run on 1540 cir-  
ca 7. 3/24- WQAM-960 was off, leaving JBC in the clear, 6:25! 3/25, YVNR-1080  
"R. Universal" o/KRLD 5:13-5:31. Unn WDEL & WGBR-1150 s/on 5. 4VAB-1146 s/on  
5:35. 3/27- WOKB-1340 briefly atop @ 5:05. CX this AM were perhaps the best  
all season! 1345, strongest signal yet, still not positive if it's Ecuador or  
now. HIFA-1330 s/on, 6. Unn R. Olimpica-1340 Colombia, ID @ 5:59! HJAK-1310  
"La Voz de la Patria" o/WGH et al 6:16-6:26. UnID s/on-1335 @ 6:32. HRIC-1250  
El Paraiso 6:51-7:28 blasting WDAE with light in the sky. Unn PJA6 still in at  
7:35am, 45 minutes after sun-up! 3/28- RJR-770 // -580 6:45, no sign of WABC-770.  
Then a surprise, HOL83-770 "R. Libertad" virtually alone @ 7am! UnID SS s/on un-  
derneath. That evening an unID SS @ 6:30pm on 1070, either the HI or WMAI.  
3/19- KPAC-1250 s/on @ 6 briefly o/WDAE. SS on 1280 advertising Schaefer Cer-  
veza, either un WADO or needed WCMN? Another report to WTMA-1250.

NEXT ISSUE WILL ISSUE FORTH IN THREE WEEKS, WITH YOUR MUSING IN IT, WE TRUST!

NEIL G. ZANK - 2445 "E" Street - Apt. 6 - Lincoln, Nebraska - 68510

Before the season is over I will send in another Muse. Beginning  
with 2/24- KLTR-1580 w/ABC NX, c/w & s/off @ 7:15pm. 2/25- With WGAR SP came  
CHSC-1220 w/nice signal @ 12:30am folo by KOFO TEST fair till lam. On 1550 I  
found WAAY w/rr & ads @ 1:08am IDing as "Big Way"; WPMO on w/ET/TT & ID @ 1:13am.  
2/28- WIMA-1150 w/NX mixing w/CKOC @ lam. Earlier @ 12:46 on 1080 was WKLO w/ID.  
At SSS, 7:15pm I heard KBBB-1600 w/s/off. 3/1- WQUA-1230 @ 1:30am w/NX for Quad  
Cities; WCSJ-1550 @ 1:55 w/ET, ID for XR adjustment. 3/2- KFIN-960, @ 1:30-1:40  
am w/r/c & ID @ 1:40; WBKC-1560 w/ET from 1:19-1:33am, TT & ID. 3/3- WEMP-1250  
w/WX 2:30-2:45am. 3/5- WSLR-1350 w/WX @ 1:40am. 3/7- KAJN-1560 1:30-2:05am,  
ET w/OC & mx on/off & ID; WCVS-1450, w/ID @ 1:05am. 3/8- WKMF-1470 @ 12:25am w/  
religion; KLCL-1470 on @ 12:30am w/ET; WGEM-1440 @ 12:50am w/rr & NBC NX. 3/12-  
WNBF-1290 w/ID @ 1:20am during KOIL XR failure. 3/13- CJOC-1220 o/WGAR w/ID @  
1:20am; KAVQ-1190 w/mx & ID @ 1:30am. 3/17- WLCY-1380 w/ID @ 1:35am, then WAOK  
also 1380 w/R&B & talk over mx from 1:40-2:05am; WSMB-1350 w/ER & MoR 2:10-2:25.  
WBOK-1230 w/contest @ 2:40am. 3/18- CJRS-1510 in FF w/rr & ads 2:03-2:20am; KBYE  
-890 @ SSS 7:30pm w/ID & religious programming. 3/20- KBWP-1380 on ET/TT, SIDs  
@ 1-1:15am. 3/22- CHLO-1570 doing a job on XERF @ 12:45-1 s/off. 3/23- KTUE-  
1260 ET/TT & IDs, poor in hash. 3/25- With KPMC-1560 @ 2-2:08am CBS NX & s/off,  
nO WGNL to be found, and finally came WJOE TEST on 1080 w/TT & IDs, inviting re-  
ports, good level. 73s. (Are these times not CST, Neil? -ERC)

KARL FORTH - 630 South Ardmore - Villa Park, Illinois - 60181

Greetings. The second annual Feb-March DX get-together was held  
here 3/16, and on to sunrise 3/17. Attending were: Dave Peterson, George Berton,  
& Don Wenzler of IRCA, and Mike Nikolich, Eric Draut, Bruce Gladstone, Bob Alvord  
and Mark Lathrop of CADX, Chicago area DXers. Sorry Ken Onyschuk couldn't make  
it up here. The DXGT has sustained my interest in DXing & I'm hoping to hit SRS  
as often as possible in the coming "off" months. I've had trouble getting up in  
the past, or getting up and then going right back to bed. I've had two alarm  
clocks situated at strategic points at the other end of the room but I need some-  
thing to keep me awake between the time I get up and get the first cup of coffee  
down my throat. Overall it has been a successful season for me; SRS/SSS & MMs in  
October through December were fantastic, but since early January I've only had a  
couple of good DX sessions. Seems like a lot of people got really good catches  
Out West, etc. & I can't help feeling left out, hi. Goals for the Summer: Log  
about 100 stations on mostly SRS, and send PPs & f/ups to most of the stations  
that haven't veried for me in the past three seasons. 73 & best DX.

ROSS E. HANSCH - 5013 Risser Road - Madison, Wisconsin - 53705

The subject of keeping a competitive score is very complicated,  
but to maintain integrity every organization must have some guidelines. ARRL  
rates best of the DXlistings I'm familiar with, and lots of complaining goes on  
about them, there's no way to please everybody. For DXCC ARRL uses within the  
district (which can be a thousand miles) or 150 miles from original point. WAS  
is 25 miles. There is a great difference between amateur WAS & BCB HAS, WAS can  
be made on a good weekend. I did it during a 40 hour sweepstakes in 1940 w/100w  
on phone. BCB HAS is practically a lifetime operation for the average NRC mem-  
ber, Alaska is especially tough from the Eastern half and Me. N.H. Vt. R.I. N.J.  
& Del. are hard from the WC. The Maritimes are difficult for the West, P.E.I. is  
next to impossible, the EC has no problem with Canada. If you open up listings  
to "move anywhere" the leading one location DXers like Kruse, Stone, Allen, Drake,  
Cooper, Holbrook, Wheeler, Morss, etc. would probably drop out of the listings in  
time, not considering it fair competition. I wonder what Tynall or Johans  
would say about it? At the same time, it is unfair to require a listener to  
start over because he moved 100 miles or so, probably something between the two  
extremes should be set up, & it should be decided by those who maintain listings,  
not by the general membership. Within a state or a radius of 200 miles might be  
a good place to start discussion, in Fla., Tex. & Cal. that could be a great dis-  
tance, but not that big a deal and would seldom happen, not very often on pur-  
pose. 73, Bob, from an in-and-out (but always interested) BCB DXer of 53 years.  
(Above addressed to "Bob" - I hope it was meant for a Musing -ERC)

WE HOPE TO HAVE A REAL BANNER ISSUE NEXT TIME, IN THREE WEEKS. IT DEPENDS ON  
YOU (PLURAL) SO HOW ABOUT SENDING THOSE MUSINGS IN RIGHT THIS MINUTE? (-ERC)

MIKE BECKETT - 1001 University 624B College Inn - Lubbock, Texas - 79401  
 Here's a little DX. On MM 3/25, KGBS-1020 @ 3-3:30am. On 3/27  
 KGBX-1260, Springfield, Mo. @ 9:15pm. Then Thurs. AM 3/28, YSS-655, San Salvador  
 E.S. @ 1:15-12:55am. The only SS I could understand was "R. Nacional". They  
 were playing concert piano mx, then had a long-drawn-out pompous national anthem  
 prior to s/off @ 12:55. This was only my second split. KCLV-1240, Clovis,  
 N.M. @ 3am & KIKN-1590, Sinton, Tex. @ 3:17am. On 3/31 - KCSJ -590, Pueblo,  
 Col. @ 1:04am & WOW-590, Omaha, @ 1:05. I did try Mike Levintow's method of using  
 my 4' box loop and SM-1 to try to create nulls and it worked pretty well.  
 On 3/28 I was able to null out XERPM-660, Mexico City well enough to receive WNBC  
 N.Y.C. They were very weak but readable. For some reason, the signals from  
 stations farther away than Cincinnati are very weak down here. WJW-700 has a  
 good signal here but N.Y. stations are always very weak. Also I have received  
 only four Canadian stations down here - very difficult. That's all the DX for now.

BRIAN VERNON - c/o Box 1000 - Leaf Rapids, Manitoba

Lots of noise here across the band in February. However DX seems  
 to be picking up. 2/10- WNFL-1440 @ 6:06am w/WX, never enough info on this for  
 a report! 2/18- KATI-1400 s/off @ 2:07am, KRDS-1190 w/sportd, then Phoenix WX  
 @ 5:33 u/EX. Also KROX-1260 w/NX @ 7:30am. 2/20- KMO-1360 w/Dinner Club Com-  
 mittee @ 4:36am, KFKA-1310 w/commercial @ 8:15am. 2/21- KRJM-1370 w/s/on @ 8:15  
 am, Mark Hanson w/old dance mx, polkas, etc. 2/22- CKSW-1400 s/on @ 8, mention-  
 ing // -CJSN-1490. 3/3- CKKC-1390 w/Fairview Esso in Nelson @ 3:31am w/WX. 3/7-  
 KLGK-1600 @ 10:49am w/commercial & KLGK promo. 3/8, UnID SS-900 s/off @ 2:39am  
 w/what sounded like a door-bell after s/off, another unID-SS-960 s/off @ 3, w/SS  
 femme SS singers, then s/off mentioning "Un sol de Alegria" but power must rule  
 out XBOZ, way o/CFAC. KHOW-630 w/rr @ 3:16. KCTA-1030 complete surprise at  
 7:08am w/SS religious programme. Ided in EE @ 7:15am - Freedom of Religion - gos-  
 pel of the S.W. - KCTA, Corpus Christi, Texas." SS programme followed. 3/9-  
 KERE-710 w/c/w @ 5:08am, w/WX promo & many IDs. DJ called himself "The Midnight  
 Cowboy". KERE is ex-KETR. 3/10- UnID SS w/R. Mexicana ID @ 6:11am o/KOOK-970,  
 KMSR-960 w/ID @ 5:32am, u/CKFM. KDHL-920 w/Hour of Awakening promo @ 6:55am, KKLS  
 -920 w/Jeff Davis show, rr, @ 8:10am, IDs as "The Rock of Ages." 3/13- KBOI-  
 670 IAC w/CR Mystery Xtreme promo @ 10:53pm o/WMAQ, finally. B.C. LPRT-540 u/  
 CK @ 11:40pm w/"As It Happens." KNIE-1530 went RS 12/15-73, if anyone keeps  
 track. I am having a hard time IDing SS stations here. I'm amazed that I can  
 hear them. Well, that's my 20 - good DX to all! KSO-1460 seems c/w now.

RICK EVANS - Box 2048 - Gary, Indiana - 46409

Now that I've finally received my traveling orders back to my native  
 Michigan, it's time for one final Muse from Gary, I suppose. Not much DX done  
 here over the past year, and most of that has been for Specials. Seven reports  
 went out in 1973, and six so far in 1974. This year - 1/7- KPCA-1580 Ark. 3:24  
 am on TEST, noticed that 400 cycle hum as everyone else did. 1/21- KOKO-1450 Mo,  
 2:08am on TEST w/g od c/w & CW IDs. Good TEST, Bruce. 2/11- KMMJ-750 Neb. on  
 TEST 2:55am. 3/18- WTCL-1570 O. on TEST w/TT & mx 1:19am; WNDB-1190 Fla. on  
 TEST 2:17am running mx, in fairly well; WOHN-1440 Va. bombing in w/ET using PSAs,  
 NX & WX. I called them up and it didn't faze them any - they said they had re-  
 ceived reports before from Toronto. In fact, they sounded like a couple of kids  
 running a pirate, but I got the number from directory assistance. WKIG-1580 on  
 r/c 3:38am w/mx. Also a TT mixing w/WKIG but I never found out who that was.  
 WSAI noted on special EP. Why arrange a MM TEST from a station that's already  
 AN-67? I realize many could perhaps hear the station as a new one because of the  
 different pattern or non-directional pattern, but it also might convince the sta-  
 tion to go NSP if they see their coverage is good. Was WHLL-1100 on during the  
 TEST? I caught a TT there for about 6-7 minutes but WWVE popped an OC before the  
 tester would ID. To recap Gary totals, from 5/1/66 to 3/18/74, 1,300/703 - 49/48  
 8/6 29/9. Best foreign was 4QD while best domestic was KHLL-1250 for a five min-  
 ute EP. Veries so far this season: CKLY-910 WBVP-1230 KMAV-1520 KPCA-1580  
 KOKO-1450. Thanks for the kind words in the KOKO verie, Bruce. 73.

BOB FOXWORTH - G.P.O. - Box 2,111 - New York, N. Y. - 10001

DX here continues to be pretty good at times. Most of the last  
 part of March was wiped out by a "minor geomagnetic disturbance" which just kept  
 going on and on. This, and the imposition of DST made any possible reception of  
 Australia on 1550 here on the EC just about out of the question. A real disap-

pointment. (On that's why I can't hear 4QD! -ERC) The fact that WAAY appar-  
 antly can't get their signal suppression high enough in this direction hurts a  
 lot, too. Unfortunately, SSS in eastern Queensland does not occur until about 4  
 am EDT. By the time 4QD would build to a usable level, WKFE or someone else  
 would block the channel. I sure hope our legislatures realize the folly of Win-  
 tertime Daylight time & repeal it for next year. It did not measurably help TA  
 reception, I feel, and just kept Canadians on later than they should have been.  
 Of course, CBC Network will likely be AN by this time next year, so what's the  
 difference, hi. Welcome to the NRC, Jim Hagen, whom it turns out knew a friend  
 of mine in N.J. about 15 years ago. I hope Jim can make some contributions to  
 the technical advancement of the NRC. I went to the IEEE Exposition in the  
 Coliseum in N.Y.C. again to collect my annual fistfuls of free samples of parts  
 from the display booths. Despite the tightness of the economy, I still managed  
 to recoup three times the ticket price in value of components, hi. While there,  
 I saw, at the Raytheon booth, the new 1230 general purpose RX, costing some \$4400  
 and what has to be the most expensive RX ever made, a Raytheon lab-grade unit  
 tuning 100 hertz to 1000 mhz - all for a cool \$63,500. That's right - twice  
 what my house cost! They are literally hand-made, accounting for much of the  
 high cost. (Whose hands make them, Bob - Heifitz? -ERC) Finally I should men-  
 tion that, while I knew there would be another WCBS SP in March, I did not seem to  
 get very far with trying to line up another KRWN TEST then. This is answer to  
 ERC's question. I was disappointed I never got an answer to my report-with-tape  
 of KRWN's TEST last Dec. They are my only non-answer this season - in fact. I  
 don't care about the verie all that much, since I have the tape, but I am sur-  
 prised nonetheless. Such is life, hi. My outdoor LW continues to provide good  
 NE reception & I have recently heard WEMJ-1490 @ 8pm, WTVL-1490 @ s/off 12:11am  
 & CFAB-1450 & CKEN-1490 to s/off @ 1:14am, all times EDT. 73.

JIM POTEREA - 949 Queens Drive - Yardley, Pennsylvania - 19067

Greetings! DX is slowing down of late, but I'm still doing fairly  
 well. 3/22- Nice report for WLSB-1220 7:45pm. MM 3/25 saw CKSL-1410 well atop  
 there, for good report. That night, WFAG-1250 7:15pm w/excellent s/off for a 500  
 watter, and new WHBO-1270 Stuart, Va. s/off 7:28pm. 4/1 brought a rather pleas-  
 ant April Fool's present: WEEP-1080 doing a nice job u/STIC, first time in almost  
 three years of trying. This completes Pittsburgh for me. Veries still contin-  
 ue to trickle in: v/q- CKSL-1410, WSJC-810, WPCW-1330 (finally!) WNRI-1380, CJTR  
 -1140. v/1 from R. Anguilla-1505, KOFO-1220-TEST, WMAJ-1450 WGOE-1590, WHAP-  
 1340, WLSB-1220, WTCL-1570-TEST, & WFAC-1250. And with that, 73s!

HENRY KAUF Jr. - 486 Brock Street - Kingston, Ontario - K7L 1T7

Greetings all! It looks like good reception for this season  
 has ended. I didn't do too bad this year w/ten new countries heard and over 300  
 new stations logged. I have finally hit and surpassed the 1,300 mark and now I  
 have 1,323 stations heard. Well, enough of that and here is what I have heard  
 since the last time I Mused: 2/11- WLWL-1330 @ 10:13pm. 2/26- WAMB-1480 @ 5:57  
 pm, WKSJ-1420 11:02pm, WJAR-1450 11:32, WELG-1440 11:47pm; WCHL-1360 at midnight.  
 3/6- WOND-1400 5:32pm, WWSR-1400 5:34, WLLH-1400 5:45, WBCW-1530 5:55, WFRL-1570  
 6:05pm, WAIR-1350 9pm, CJLS-1350 9:13, WKV-1350 9:10, WIGO-1350 9:13, WBBQ-1350  
 9:12, WCKB-1350 9:11, WBAO-1340 9:20, KFH-1330 9:25pm. 3/5- WDXR-1560 5:35pm,  
 WFSP-1560 5:32, WAKC-1440 6:08, WICC-600 6:15, WPAD-1450 6pm, WHIT-1450 6pm, WIAY-  
 1450 6pm. Finally I heard England on 647, Daventry, w/a British announcer from  
 6:15-6:20pm, quite clear & audible. I also caught Crowborough-1088 at around  
 6:23 with not so good reception, making it country #32. 3/8- WASC-1530 5:33pm,  
 WPBX-1530 5:36, WMBT-1530 5:37, WJDM-1530 5:51, WBKC-1560 5:58, WGLY-1570 6:03,  
 WPTN-1550 6:12, WPJD-1550 6:13, WTYN-1550 6:18, WGOK-1440 6:30, WAGO-690 6:49pm.  
 3/11- WCIN-1480 5:52pm. 3/15- WSOB 5:49pm. 3/18- WFLN-900 6:28pm. I am  
 finally sending out reception reports because I have only ten v/qs and that is a  
 very small percentage of my heard stations. Of the ten, three are from Spain,  
 ME. Any of you Convention-goers going through Kingston got any room for Brian  
 Pitman and myself? We're willing to pay for gas. If so, please contact me or  
 Brian. Also my NMK finally arrived about two weeks ago. If only I had gotten  
 it earlier in the season I really could have raked in a large amount of countries.  
 Well, that's all for now & I hope to see a few of you DXers if in the vicinity.

W. RITAYIK - 1408 Valencia Avenue - Holly Hill, Florida - 32017

Hi! No snoozers! Still doing something wrong - nothing ear-shattering. 2/5- 1:10am, uncn CBM-940 ear blasting. 2/01, WTHHB o/WLW. Thanks for the tip, ERC! 2:26am, WYLD-940 in/out w/WINZ. 2/6- 12:40am, XET-940 Mexico, beautiful mx. 1am, WXOK-1460 & unID SS through WMPJ splash. 2:31am, KTRM-990 Tex. 3am, CBW-990. 2/11- 3:25am, unID-1600 Mexican, noted "Del Rio, Tex." 3:56am, Bogota-650, Colombia, R. Centro Monserrate HJXJ (once HJKH?) 2/12- 12:22am, KJWI-560 Tex. 2/25- 12:25am, XEB-1220 Mexico. 2/26- 5:37am, WXYZ-1079 a blast! 3/4- 3:01am, WDOI-1470. 3/10- 4:07am, Mexico-1110, XERCN? Where was WBT? (They're silent Sundays -ERC) 4:55am, XEPR-1180. I visited WNDB, thanked them for nice letter to Kerfoot. Their TEST was on 3/18 as listed. I just found two issues of International SW Club bulletins, 9/38 & 3/39 - also log of "Denne" 990, Graf Zeppelin & 50 telephone stations I had misplaced. About the SM-2: I have a battery charger and no load tester and keep two extra 9-V's handy. I know from experience what has happened to others. When first used, I realized turning it in one direction had kinked the wire terribly. I use no lights for sake of family's sleep. Also bolt & nut on shaft to keep assembly from lifting off was inserted bolt end & nut to the inside and was fraying wire. I switched to outside and placed a rubber grommet over the somewhat sharp copper shaft edge. A-OK now. Adios.

DAVE SCHMIDT - 42 Chelwynne Road - Castle Hills - New Castle, Delaware - 19720

A bit of DX done recently. 3/13 found WERC-960 very loud 1:12-1:30am, so another report sent (never verified for DX TEST, how about it, Dave?) 3/15- Pest WPTT-1590 taken for report 12:03-12:20pm w/WEEZ nullled. 3/16, off from work, & officially put on a diet. WRBX-1530 7:18-7:30pm s/off w/two other unIDs. 3/18- WTCL-1570-TEST 1:08-1:25am, only fair w/XERF/CYLM, WQXR on OC @ on 1560 1:45am, but WGLB noted on ET 1:55-2:10am w/KCAD also there on PoP 2:03-2:15am. 3/19- WQTY-1000 in clear of WVOC, plugging WFMI-FM, 7:52-7:59:43pm. 3/22- WGCB-1440 1:40-2:03pm w/religion w/WILM splash, and a weak WMB, never verified from many moons ago. 3/23, a shocker, w/WSPD-1370 noted running OC & TT, reports going to WTTT 1:31-2 s/prf, & WABD for f/c 1:39-1:55am, WSPD back @ 2. WAMS-1380 should be going back to 24 hours again, soon. Veries: v/ls, WMMT-1520 after f/up w/SASE, WHOL-1600 (four days for f/c on 3/19), WRHC-1550, WQBA-1140 (air mail) and v/m from WINE-940. Returns running about 50%, very bad, but a few that you really work on are coming through. Anyone hear from WMEA yet? I can't understand what happened there, two very friendly answers were received for ETs on last Summer. That should do it for this time.

BILL ANDRES - 101-25 115th Street - Richmond Hill, New York - 11419

I DXed on two different rigs these past weeks. MM 3/25 it was the Zenith, & R. Tiempo-1200 @ 1:52. WINA AN w/talk show, CBS NX @ 2. CFPL-980, for a surprise, u/WRC. I wasn't even trying for anything, just attempting to figure out who was the loud one, when CFPL IDed w/NC end @ 2:05. CFTR-680 w/c1 mx @ 2:55. I tried nulling WDRC again, TT there 3:17-3:21, off unID. I tried for WJOE TEST, but they didn't quite make it up here from tge Gulf. Back in '69 when I was in Clearwater, we used to hear WJOE all day w/a pretty decent signal, sailing right across the Gulf. Fellow DXer Art Marino out in Seaford, L.I. got his HalliCraFers working 3/30, and we hit the dials. Art: "The first time in two years I decide to DX, we get a thunderstorm!" So I borrowed it for 3/31 & MM 4/1 back here. Needed KJOU-1580 w/WCLS @ 5:55am. On 1570 @ 6 about 30 stations s/on, all w/PSAs - just one big jumble of SSBs, "H's", "Good Mornings," etc. The only one I caught was WYTI N.C. On 1560, it was WIAI c/w & WSMO NX before WQXR s/on 6:30. Then I got lucky, a WKND-1480 ID, for a tough Conn. directional. When I brought the HalliCraFers back out to Seaford, we decided that if there was ever a World DX League franchise in N.Y.C., it would have to be called the New York Hets! 34s. (What are 34s, Billy? -ERC)

WILL WE SEE A MUSING FROM YOU IN THE NEXT ISSUE, THREE WEEKS HENCE? WELL, THAT IS STRICTLY UP TO YOU! PLEASE DOUBLE SPACE, AND PLEASE USE A.M. & P.M. AND NOT THE 24-HOUR CLOCK WHICH SOME OF YOU KEEP ON USING. I HOPE I TRANSLATED ALL OF THEM CORRECTLY INTO "ENGLISH" OR "AMERICAN" I GUESS I SHOULD SAY. STICK TO 20 LINES, AND PLEASE DO NOT MENTION VERIE SIGNERS' NAMES IN MUSINGS - RATHER, LIST THEM ON A SEPERATE SHEET BY FREQUENCY, ALSO DOUBLE-SPACED, FOR INCLUSION IN THAT COLUMN WHICH APPEARS HERE EVERY TIME WE HAVE A PAGEFUL. NEXT DEADLINE DATE IS THURSDAY, MAY 2. AND, WE'LL ALSO BE LOOKING FOR YOU "IN PERSON" IN TOLEDO!

ERNEST R. COOPER - 438 East 21 Street - Carrier Route 56 - Brooklyn, N.Y. 11226

Two veries in, from CJTR-1140 and WROC-1280. I had to take six remaining vacation days from 1973 and did so from 3/29 to 4/8, and went to Provincetown, Mass. where DX is fantastic in the daytime - unrried as yet at night. For example, on 1600, in broad daylight at noontime, WJNG-1600 was booming in o/WUNR, Boston/Brookline - and Sag Harbor (WJNG) is only 500w and has a less-than-100' tower to boot! Best NYC station is WHN-1050, and you can get most of the Portland, Me. stations all day too. Now, to Brooklyn DX: 3/22-SSS brought report for WQTY-1570, Latrobe, Pa., s/off @ 7:30pm. MM 3/25- CJTR-1140 doing fairly well u/slop of local WNEW-1130, but good enough to re-report, 1:01-1:32am. At 1:30, WDEE-1500 ending "Church in the Wildwood" (quaint, no?) & WDEH testing there. An unID anthem @ 1:45am as somebody s/off, most likely PJB. Unn WJOY-1230 heard atop 1230 testing @ 2:10. TTer on 1060 much of the early mornin, unID. Music on 1196 @ 2:36am, AFPS, Germany? Then a lucky one as I hit 1280 & heard TT, held about 30 seconds and got the welcome ID of much-needed WROC, Rochester, N.Y. Unn WWAY-1360 heard s/off @ 3:06am. Again no WGLB TEST, nor no WJOE-1080 heard, either, but I have them veried from their 1570 days. Eve of 3/26, SSS with it still semi-light here, Garupano-1110 all alone & towering signal @ 7:24-8pm & another report sent- Stan Morss, one of us'll get a verie here yet, hi. Very Auroral, as you can surmise, and @ 10:18pm I came back and bagged Ron Schiller's tip-top-tip of R. Monte Rio, HMR, on about 1205 and loggable till their 11pm s/off. MM 4/1 I was away, but back for MM 4/8. Even with WHN-1050 on, ZNS3-1050 was A-OK @ 1:41am for report #2 to them - they must've increased power or gone non-directional! Unn WPOR-1490 atop @ 1:22 w/c/w, CJOY-1460 same @ 1:23. OC on 1325 until after 2am. WJNS-1010 gas off, but the 1005 Colombian was too tough to fight for with CFRB booming in, ditto R. M11 Mexico on 1000. FFC atop 1410 @ 2:54am. On 1560 @ 3:10, about S-2, c1 mx much like WQXR would play - mostly flute concerto or some-such - who is this - somebody exotic? The Cuban yak-yak made it doubly difficult. Well, C U N 21.

HQ NOTES RE: SUPREMACY RATINGS. All of us here at HQ have always maintained that DX is, after all is said and done, an individual hobby; a certain flexibility must be allowed in the "counting" of "catches". Certain DX'ers feel that a change of log is not necessary if the number of daytime locals remain the same or no different than five changes of regularly received daytime catches; the logic here is that if no more than five stations received in one location change to five others in a different location, and that all the others remain the same, then a significantly small enough change has taken place to consider both locations as the same. Other DX'ers adhere strictly to the 25-mile radius rule of the ARRL, and count nothing heard beyond that radius of the original log without starting anew. We must sincerely challenge the concept of counting stations for DX purposes heard whilst vacationing; HQ crew, by virtue of scheduling, spare time, and fortuitous circumstances, all happen to be very widely travelled; among us, we can claim 40-watt Yukon LPRT's, Montana graveyarders, impossible Czech regionals, and 50-watt Austrian LPRT's. But we don't. And we won't. 'Cuz, in our hardened, conservative eyes, it just ain't according to Hoyle, or Glotz, or whatever. However, if enough of the membership decides that Hawaiian Easters, summer Med cruises, and 2 years active duty in Taiwan belong right in there with their loggings from home in Greater Fanorkville, who are we to dispute?? Another of us counts receptions from home only, noting that even a six-mile difference from his DX den is significant enough to cause a major change in his conditions. By this logic, then, we suppose it is safe to assume that a six-thousand mile difference in location would be sufficient to cause an even greater change in conditions?!

\*\*\*COMMENT ON SM2 per RANDY PENNER MUSING, page

Although we can appreciate the high cost of the SM2 antenna to our Canadian or other foreign members, we can only agree with ERC in stating unequivocally that it beats anything else around for twice the price, and it appears that already, Randy's getting his money's worth, hi. PT has one here at HQ; he wouldn't trade his for 3 times the price of any other commercially available loop antenna; per serial number, 136 others can't be all that wrong, hi. NJPC

# GENE ALLEN

## WILL DROP TO SECOND PLACE

..... sooner or later; but congratulations to Gene now, and to Paul Hart for 1000 tapes and over 1000 stations heard. This column is listed by Total Stations Heard; see column #14 in DX News for 29 Oct. 1973, for a comparison. The next deadline is May 4th, so send in your totals to the DX Supremacy Ratings, c/o Bob Karchevski, PO Box 1171, San Carlos, CA 94070

### DOMESTIC DX SUPREMACY RATINGS for 15 Mar. 1974 (# 17)

YR STD	NAME AND GENERAL AREA	HEARD			TAPE			VERIES		
		TDH	SH	PH	TDT	ST	PT	TDV	SV	PV
23	ALLEN, Near San Francisco	2859	49	8	0	0	0	2259	49	8
30	WHEELER, NW Penna.	2616	50	9	156	28	3	1585	50	9
39	PIMPER, Salt Lake and Nebr	1769	47	7	540	40	5	391	45	6
58	PHILLIPS, Ky. and Ala.	1606	48	4	4	4	0	564	44	3
64	DUNNING, NYC	1320	43	10	721	42	8	720	43	8
60	RUGG, Montreal	1271	47	10	38	17	3	1246	47	10
58	MERRIMAN, Washington, DC	1250	49	10	0	0	0	1250	49	10
63	BOYD, Near Cleveland	1193	49	9	845	48	9	790	49	9
68	KAUF, Eastern Ontario	1123	49	10	0	0	0	4	1	0
62	EDMUNDS, NYC	1161	46	8	514	41	7	240	41	6
62	ATKINS, Louisville, Ky	1103	47	7	35	19	0	243	40	4
?	COLEMAN, NE North Carolina	1091	46	5	0	0	0	203	46	3
59	OLDFIELD, Edmonton, Alta.	1084	49	10	477	42	9	630	44	10
21	HANSCH, Southern Wisc.	1078	50	10	60	50	10	-	-	-
71	POTERBA, Near Phila.	1043	47	9	0	0	0	512	45	8
70	BREGER, Cent. Texas & NYC	1014	50	9	0	0	0	0	0	0
68	HART, Dallas/Ft. Worth	1002	42	6	1000	42	6	13	6	0
64	PORTZER, Seattle	972	44	7	150	34	7	467	38	7
61	ERICKSON, Los Angeles	900	42	6	0	0	0	442	38	6
62	BURKET, Central Pa.	719	50	8	8	5	3	428	48	7
69	FALCONER, Near Toronto	705	42	6	0	0	0	416	40	6
62	MUSCO, Near NYC (Conn)	635	41	8	0	0	0	520	39	8
62	KERFOOT, Toronto	625	42	10	0	0	0	278	41	10
67	NEAL, Northern Calif.	550	42	5	341	39	5	101	42	5
64	FRCHO, Cleveland	448	37	6	0	0	0	43	34	2
69	CRONIN, Near Seattle	384	33	5	0	0	0	3	3	0
68	HARDESTER, Central Calif.	377	40	5	0	0	0	335	40	5
72	STEPHENS, Norfolk, Va.	319	36	4	15	13	1	130	29	4
71	SORENSEN, North Manitoba	259	31	6	0	0	0	61	15	5
69	KARCHEVSKI, Near San Fran.	249	36	5	197	35	5	198	36	5
72	McLURE, Winnipeg, Man.	182	30	6	22	12	2	44	19	5
?	KASS, Near NYC (Conn)	90	34	6	0	0	0	61	31	6

# OFFICIAL WARNING:

## Play it safe when necking

.... and be also warned that we are going to make a decision with regard to combining totals. Some DXers have combined their heard, taped and verified totals from several DX locations. Others have only DXed from one location. How comparable are these totals? The National Radio Clubs Domestic DX Supremacy Ratings is intended to be for comparing your totals with your friends, those DXing in your area, or with your previous totals to see your progress. But if you DX in New York City and someone else gives their totals as New York City and British Columbia, they aren't very comparable.

If totals should be separated, where do we draw the line? Suggestions made so far vary from 60 miles to 10 miles. But isn't it true that moving from the basement to the attic will let you hear new stations while some others are no longer heard? Certainly moving from coast to coast lets you hear many new stations. My personal experience has shown me that DXing from the east slope of a hill meant I only heard three Hawaiians and not one station from Down Under. But a quarter-mile move to the west slope of that same hill exposed me to many Trans-Pacific stations, but many 50 KW stations from back East could no longer be heard.

The important point is that a move of less than a mile or even from basement to attic means all the local stations still block their channels so few other stations can be heard on those or adjacent channels. Whereas moving 60 miles from an urban area places you far away from many 5 KW regional stations and out of the influence of several 50 KW stations if they're directional away from you.

So where do you draw the line? The National Radio Club has no rule in this regard so a decision will probably be precedent setting. That's why I'd like to hear your opinions. The ARRL (a radio amateur association), has made a limit of 25 miles for their members. While any move results in a few new stations, up to 25 miles keeps things in perspective, so to speak. Beyond that, the window to really different conditions starts opening wide. While it is easy to see why a DXer who moves from coast to coast might want to start new totals, should we start new totals if we move 10 miles? 25 miles? 60 miles?

Please send me your opinion on a card or letter.

*Bob Karchevski*  
 Bob Karchevski  
 NRC Domestic DX Supremacy Ratings  
 PO Box 1171  
 San Carlos, Calif. 94070

P.S. Why not send in your current domestic totals, too? See how to qualify in the 29 Oct. 1973 (pg. 15) issue of DX News.

**VOTE YES**