

**NASA**

the  
**JOURNAL**

**NORTH AMERICAN SHORTWAVE ASSOCIATION**

Volume XXXIII, Number 8

August, 1993



# Quality Monitoring Equipment from Universal Radio



Japan Radio Co., Ltd.

NRD-535



## SPECIFICATIONS

Dimensions	13" x 5.2" x 11.25"
Weight	20 Lbs. (24 Lbs. ship)
Frequency Range	90 - 30000 kHz
Power	100/120/220/240 VAC 50/60 Hz 35VA max.
Antenna Impedance	12 VDC 25W max. 50 or 800 ohm
Selectivity (-6dB)	AUX (12 kHz) WIDE >6 kHz INTER >2 kHz NARR [FM] >12 kHz
Sensitivity	5 µV 1.8-30 MHz SSB/CW S+N/N=10dB
Image Rejection	>70 dB (1.8 - 30 MHz)
Dynamic Range	106 dB (@300Hz BW)
IF Rejection	>70 dB (1.8 - 30 MHz)
Frequency Accuracy	± 10 x 10 <sup>-8</sup> or better.
Frequency Stability	± 10 PPM 5-60 mins. ± 2 after 1 hour.
Intermediate Freqs.	1st IF = 70.45399 MHz 2nd IF = 455 kHz 3rd IF = 97 kHz
BFO Variation Range	455 kHz ± 2 kHz
PBS Variation Range	± 1 kHz or more
Notch Attenuation	-40 dB or more
Audio Output	1 W at 4 Ohms
Line-Record Output	>1mV at 600 Ohms
Digital Interface	4800 baud (8,N,1)

Japan Radio Company once again "re-writes" the standard by which other advanced receivers are measured. General coverage reception from 90 to 30000 kHz in AM, USB, LSB, CW, RTTY, FAX and narrow FM modes. A new triple conversion superheterodyne circuit is employed to provide superb sensitivity and image rejection. J.R.C. has designed a special high-speed 1 Hz step PLL synthesizer to provide you with 1 Hz tuning resolution never before available (display resolution is 10 Hz). A sophisticated 200 channel non-volatile scanning memory stores frequency, mode, AGC, ATT and IF filter select. Channels can be scanned at a user-defined rate (.5 to 5 seconds/channel). Sweep reception can be adjusted from .05 to .5 seconds/step. Japan Radio's reputation for extreme stability continues with only ±2 PPM drift (after 1 hour) making the NRD-535 the inevitable choice for the demanding non-voice modes such as Morse code, RTTY and FAX. Four independent filter positions are available. The WIDE position features a 6 kHz (±6dB) filter. The INTERmediate position features a 2 kHz (±6dB) filter. The NARROW and AUXiliary positions are not filled. (An empty AUX provides a +12 kHz bandwidth). The AUXiliary position can be used to mount optional filters. Any filter may be used with any mode (except FM). The ergonomic keypad features both MHz and kHz input. The dual-width noise blanker can be used to reduce or eliminate impulsive noise (like auto ignition or the "woodpecker"). Other front panel controls include: SQUELCH, AF and RF GAIN and TONE. An AGC button permits the selection of AGC FAST, SLOW or OFF. The DIMMER button offers four brightness levels. A built-in 24 hour clock timer is provided. The TIMER permits unattended listening/recording. The receiver can be programmed to be turned on at a particular time (on a set frequency, mode, bandwidth, etc.) and then turn off at a programmed time. A timer-out terminal connection is provided on the back of the set to activate a tape recorder. The NRD-535 contains a built-in RS-232C computer interface (4800 baud, 8, N, 1). Cable and software are not supplied.

The NRD-535 offers Pass Band Shift (PBS). This effective control varies the apparent intermediate frequency for the IF filter by ±1 kHz without changing the receiving frequency. This is a powerful means of eliminating or reducing troublesome adjacent channel interference. Because of the overcrowded nature of today's HF spectrum, annoying heterodynes can be found with increasing regularity. The Notch Control permits the listener to go into the signal and sharply "slice-out" the offending tone with very little loss in fidelity to the desired station. Notch attenuation is -40 dB or more.

Japan Radio Company NRD-535 List \$1429.00 Order #3169 \$1199.00 (+\$17)

## NRD-535D

Those desiring still more sophistication and performance should consider the "D" or deluxe version. The D version includes the: CFL-243 BWC, CMF-78 ECSS and CFL-233 Filter installed.

Japan Radio Company NRD-535D List \$2029.00 Order #1535 \$1699.00 (+\$16)

## NRD-535V

We have a very limited number of Japan Radio NRD-535Vs. This version is the basic NRD-535 with the CMF-78 Exalted Carrier Selectable Sideband (ECSS) option factory installed. This option is normally an additional \$239.95.

Japan Radio Company NRD-535V List \$1668.00 Order #1313 \$1299.00 (+\$17)

## USED SHORTWAVE EQUIPMENT

Universal offers a wide selection of used shortwave receivers and radioteletype receiving equipment. All items have been tested by our service center and are protected by a thirty day limited warranty. Our computerized used list is published twice a month. Please send one or more self-addressed stamped envelopes to receive this free list. Universal also buys used radio equipment.



Universal Radio, Inc.  
6830 Americana Pkwy.  
Reynoldsburg, Ohio  
43068 U.S.A.

> 800 431-3939 Orders  
> 614 866-4267 Info.  
> 614 866-2339 FAX

> HUGE 100 Page catalog available on request

# NASWA Notes

**Bob Brown KW3F**  
238 Cricklewood Circle  
Lansdale, PA 19446  
CompuServe 74756,1557  
Genie R.BROWN106  
Packet KW3F @ WB3JOE



## Welcome to the following new NASWA members -

Robert Alich, Natick, MA  
Ken Anderson, Ames, IA  
Gerald Boyt, Shreveport, LA  
John Buss, San Carlos, CA  
Bill Carney, East Lansing, MI  
Mr Scott Cheatham, Farmington, MO  
John M. Cohen, Athens, GA  
James V. Dell'Aquila, Orange City, FL  
Paul M. Hoderlein, Rochester, NY  
George Jacobs & Assoc. Inc.,  
Silver Spring, MD  
Robert McGehee, Downey, CA

Moshe Moskowitz, Guttenberg, NJ  
Rafael Navarro, Sante Fe, ARGENTINA  
Matthew J. Pomilio, Jamaica Estates, NY  
Daniel A. Robinson, APO, AP  
Betsy Kay Robinson, Clinton, TN  
Thomas N. Seay, Georgetown, KY  
Andrew Shelton, Knoxville, TN  
Mark G. Smith, Winston-Salem, NC  
Boyd R. Smith, Castle Rock, CO  
Joe Wilcox, College Park, MD  
David Wilson, Half Moon Bay, CA  
Bill J. Wilson, Anniston, AL

## Calendar Of Events

- Aug 17** - Meeting, N.E. Ohio SWLs. Cuyahoga County Library, 9089 Brecksville Rd., Brecksville, OH (Rt. 21, just South of Rt. 82). 7:00 PM. For info send SASE to: NE Ohio SWLs, c/o Donald J. Weber, P.O. Box 652, Westlake, OH 44145-0652
- Aug 20** - (Tentative, contact Dan Cashin before the 20th) Meeting, Philadelphia Area NASWA Chapter. Kulpsville Holiday Inn, Kulpsville, PA. 7:30 PM Contact Dan Cashin (215)446-7831
- Aug 20** - Meeting, Boston Area NASWA Chapter, Bull Cafeteria, Billerica, Mass. 7:30 PM For additional information please contact Paul Graveline (508) 470-1971, or via modem on Tom's BBS, (617) 698-8649 (300/1200/2400 baud), (617) 698-8734 (9600).
- Aug 21** - The Miami Valley DX Club (All band orientation) meets on the third Saturday of each month at 1 PM. Locations vary but are announced in advance. For info, call the MVDXC (614) 471-9973 Or, send a SASE to MVDXC, Box 292132, Columbus, OH 43229-8132
- Sep 5** - The Tidewater SWLs meet on the first Sunday of each month at 6:30 PM. Location is the Steak & Ale Restaurant, 5764 Virginia Beach Blvd. (corner of Va. Beach Blvd. and Military Hwy.), Virginia Beach, VA. For info, call Joe Buch, (804) 721-2782.
- Oct 2-3** - Popular Communication Worldwide Shortwave Listeners Conference, VA Beach Pavilion, Virginia Beach, VA. Info: Harold Ort, Popular Communications, 76 Broadway, Hicksville, NY 11801 (516)681-2922
- Oct 15-17** 1993 Monitoring Times Convention, Atlanta Airport Hilton, Atlanta, GA. Info: Monitoring Times, 140 Dog Branch Rd., Box 98, Brasstown, NC 28902

Members are invited to submit items to be included in this calendar to Bob Brown.

Our Motto is - "Unity and Friendship"

## Musings

*This column provides a forum whereas members can express comments, ideas, and thoughts about NASWA or the SW radio hobby. Please feel free to comment on anything presented this month (or previous months). Opinions expressed here are solely those of the submitters.*

**Henry J. Michalenka, 300 Front Street, Lincoln, Rhode Island 02865**

While vacationing in Bermuda, I dropped into the Cable & Wireless office in Hamilton with the concept of arranging a special shortwave broadcast such as Radio St. Helena did (utilizing the C&W transmitter there). Remember, I'm the guy who thought the US Gov't - No Trespassing sign on Maui was an invitation (see my earlier article).

Anyway, I had a very pleasant conversation with David Escott (General Manager) and John Fuge (Senior Manager-Operations) about the facilities and history of Cable & Wireless Bermuda. While admittedly Mr. Escott was not a radio person, Mr. Fuge was a ham operator and was hopping up and down about the idea of putting on a special shortwave broadcast for us! One problem...there is not one HF transmitter on Bermuda! Everything now is satellite and microwave! There are broad-band transmitting antennas still up at St. Georges where military/marine radio operations took place. John Fuge told me the last HF transmitter he knew of was perhaps fifty years old, and was dismantled about seven years ago. We both tried persuading the GM, Mr. Escott, to include a brand new HF transmitter in next year's budget; I mean, after all...

Don't give up all hope, though. Mr. Fuge gave me the name of another active ham who happens to be the person who approves the licensing of all radio activity on the island for the government! Stay tuned...not to Bermuda just yet, but stay tuned!

**Diane Mauer, Rt.2 Box 32A, Pulaski WI 54162**

Just a response to Tom Mooningha's Musings in the July NASWA Journal.

The American Heritage Dictionary defines 'political' as "1. Of, pertaining to, or dealing with the study, structure or affairs of government, politics or the state; 2. Having a definite or organized policy or structure of government; 3. Characteristic of or resembling politics, political parties or politicians." None of the columns Mooningha questions fits these definitions as contended.

Apparently Mooningha is not acquainted with Glenn Hauser's style both in print and on air. If he was, he would realize that the comment quoted in Tom Sundstrom's English schedule is just the way GH is. He has a tendency to speak his mind about things he doesn't agree with. I wouldn't call it 'political', it's more editorializing. GH's comments were simply the reactions of someone who suddenly had an 11 year broadcasting relationship abruptly end without warning. I personally cannot blame him for his reaction to the way his situation was handled by the management at WRNO. If anyone spouts 'political statements' it's Rush Limbaugh

As far as the VOA is concerned, it is a part of a government agency whose purpose is to inform the rest of the world about the US. So of course it's going to be politically motivated as the USIA (US Information Agency) would like to present the US in the best light possible. Regarding the comment about the VOA's views being narrow, mainstreamed, and Americanized. Yes they are for the reason that the US would like the rest of the world to share the same thoughts, viewpoints, and attitudes of the oldest surviving democracy in the world.

Nearly everything that is broadcast via 'international or external services' is in some shape or form politically motivated. It's pretty hard to avoid politics when talking about

international broadcasting. To some degree, all broadcasters are guilty of presenting a narrow mainstreamed view of their country and the events occurring within its borders as a means of helping itself as the governments have some control over the finances needed to operate with. In order to keep going the broadcasters present a more favorable picture of events to keep the powers that be happy and the purse strings open. Fortunately, in the US the Constitution doesn't permit the direct control of what is said but there are still subtle means of controlling the messages broadcast throughout the world. As with many organizations it's all a matter of how you play the game...

As NASWAnS, we need to continue our efforts of cooperation among members and also to develop a more tolerant view toward others in this organization whose interests and approaches to the listening hobby and all its satellite branches are different from our own. There's always room to pursue individual approaches to the individual aspects of the hobby and cooperation in working with others where there are mutual interests and ideas.

Congratulations on putting out a great publication complete with its tiny editorial stripes and spots. I'd like to see a printed editorial policy concerning what can and can't be included in columns so that controversies such as this can be avoided in the future as I'd hate to have a chasm form over something so petty as editorial content similar to the problems faced by NASWA some two decades ago. Let's enjoy our freedom of expression and uphold the motto of NASWA UNITY AND FRIENDSHIP as well as passing along our reports, experiences, tips, etc. to help a neophyte along on his/her travels around the world via the shortwave bands.

*Thanks for your thoughts Diane. Although I wasn't a NASWA member 2 decades ago, I have some knowledge of the controversies you are referring to. I like to think that my attitude concerning editorial policy for NASWA is quite simple.*

*1. NASWA is a club dedicated to shortwave broadcast listening and DXing. Editors and reporters should use this as their primary guideline. However, I'm not going to get all up in arms if something slips in from time to time that comments on or makes reference to non SWBC material. I don't think I need to elaborate more on this, we seem to be doing fine with this guideline.*

*2. If you are an active SW program listener, you quickly learn that the primary reasons for international broadcasts are either political and/or religious with some cultural topics thrown in to round out the edges. I think that discussion of all the activities of SW broadcasters can be discussed as long as we aren't going out of the way to promote our own personal agenda. If an individual or editor wants to say that he or she agrees or disagrees about a topic or with a person, that's fine, as long as we don't get heavy duty in preaching to the choir. Also, SW broadcasters aren't immune to criticism. They elect to broadcast their position, I believe it's ok to discuss our opinion of that position.*

*3. All reporting must be as accurate as possible. Fabricated stories, loggings etc. will not be tolerated. With that said, it should be noted that NASWA editors and staff can only do the best they can with the time available for club duties to ensure accurate reporting. If a member notices a discrepancy they should bring it to the attention of myself or the editor in a constructive manner and we'll do our best to correct any problems.*

*4. The NASWA Journal is not the place for derogatory or belittling comments against fellow members, hobbyists, or editors. If you have a problem with someone, please address it personally with them. I will edit out "flames" that should be discussed in private. Our motto of Unity and Friendship will be upheld to the best of my ability.*

*We all are involved in this hobby for different reasons. I think that high on the list is that we get enjoyment from listening to the radio. Let's all lighten up a little. If we start to take it all*

*too seriously we begin to stop having fun.*

*Diane, I hope that what I've said clears up some of the issues you wanted clarified. If I've missed anything let me know. Myself and the other editors only do the best we can and as you probably realize sometimes it ain't easy. You can't please all the people all the time.*

*Thanks again for writing.*

**Kevin R Larkin, WX3Y, RR4 Box 528, Montoursville, PA 17754**

RE: Tom Mooningha's comment in July's "Musings"....calm down, Tom. I can only speak for myself, but my blood pressure doesn't jump to extraordinary heights if I detect a little "political" comment from time to time in any NASWA column. I don't remember reading anywhere that the column writers had to check their opinions at the door when they take up the pen to do their columns.

Tom, you seemed particularly upset by one reporter's quote of Glenn Hauser concerning Rush Limbaugh. That was REPORTING, Tom. The writer REPORTED on what Hauser had said, nothing more, nothing less! Isn't that what we expect from the fine people who volunteer a heluva lot of time and energy on their columns?

Editors, keep them vibes coming, you all do a fine job....Kevin

*Thanks Kevin - our editors need to hear that from time to time!*

**John Bryant Rt 5, Box 14, Stillwater, OK 74074**

I was doing a bit of semi-private bragging on Compuserve about something called 'The BFL Antenna Project' and Bob Brown suggested that I send in an interim report to NASWA as a Musing. My partner in this project, Bill Bowers, insists that BFL is an acronym for 'Big Ferrite Loop'. Bill is a recently retired electrical engineer who has always dreamed of owning a very large ferrite loop; his career as a designer of very sophisticated coaxial cable gave him an excellent background in magnetic effects and weak AC current. He needed my strong back and structural engineering and drafting ability, so we have made a good team.

We have been researching, designing and prototyping for about 6 months now. We first did a literature search and we were only able to find one other large ferrite loop. A mediumwave DXer named Kowalski did a 4'-0" long loop out of bundled 1/4" rods some years ago. It seemed to have been successful. After a lot of calculation/thought and one partial prototype, we decided that the largest loop that we could feasibly construct which would rotate through 360° and which would tilt up to about 80° vertically would be 16 feet long! Bill's electrical design showed that we would get optimum results with an effective diameter of about 2.75 inches. In fact, it is constructed of about 129 ferrite bars which are each 3/4" by 12" long. In cross section, it is 6 bars surrounding a seventh one in the center, sort of like a daisy. To put this design in perspective, the very highly regarded McKay-Dymek MW ferrite bar antenna uses a single 3/4" by 12" bar!

The basic configuration of the loop is like most ferrite loops: the antenna itself is a bundle of bars inside a plastic pipe. The pipe is supported by a 16 foot boom made from a combination of 4 x 4 redwood, large aluminum angles and plywood. The boom with its tilting mechanism is supported on a 4" diameter heavy plastic pipe which can rotate rather freely. The boom (horizontal) and its vertical pipe must make a large capitol 'T' in side elevation. Right now, the antenna is mounted on a 5 foot high pipe so that we can easily get to the pick-up coil at the center of the Tee. Eventually, we will mount the boom on an 8 or 9 foot high pipe so that it can tilt to nearly vertical and so that we won't whack each other in the head as we rotate the antenna!

The mechanical/structural design of this monster certainly has cut new ground. It has been kind of fun to put professional structural engineering to use to design for deflection (sagging) of a set of bars that weighs over 250 pounds and is only supported in the middle. We have also had to worry about 'angular momentum'. Once we start this thing swinging around, it can be hard to stop.

We worried for a long time about where to put the radio. It needed to be near the antenna so that one person could control both the antenna and the radio. Finally, we hit on the perfect solution. We built a shelf right on the pipe mast! The radio rides around as we rotate the antenna. Just recently we hit on the perfect solution for enabling one person to control the antenna and the radio at the same time: we are going to mount a seat (a tractor seat) at the 2'-0" level cantilevered out horizontally from the pipe mast, with a counterweight sticking out the other side. That way, we can put on our cowboy boots, straddle the seat of the BFL and spin ourselves, the radio and the antenna like a merry-go-round! When we have a station nulled, we can dig our heels into the prairie and shout 'Whoa!'. Heck, if no DX is coming in, we can just spin ourselves around and get dizzy!

By the time this is printed, if Bob and Bill Oliver dare, we will have the bars loaded aboard for the last time and be taking the BFL out for a, er, ah, SPIN!

Right now, the BFL will only resonate on medium wave. After some testing there, we will also incorporate long wave. Even through this particular formulation ferrite is not too good at shortwave frequencies, I hope to do some testing on 120, 90 and 60 meters, at least. Our goal is an antenna with VERY sharp nulls and with Beverage-like gain.

If we do any good at all on SW, I'll be reporting to NASWA. In either case, Bill will be writing a more formal article on the design and performance of the BFL in Fine Tuning's Proceedings 1994-1995.

*Do your neighbors watch you do this stuff John? Pictures, we want pictures!*

**Mike Fern, KJ6DK, Box 1105, Covina, CA 91722**

Stories that High Adventure Ministries is involved with a ship-based radio station in international waters are untrue and even ridiculous, a spokesman said today.

The most recent such story appeared in a nationwide U.S. amateur radio packet ( bulk handling ) message and Bulletin Board system at the end of June. It claimed that High Adventure was fitting out a ship to carry four 10-kw shortwave transmitters to the U.S., Europe and Africa.

Such a scheme is ridiculous given the current world-wide recession, said John Tayloe, vice-president of High Adventure. General giving to most international religious broadcasters, for administration and some programming, has been in decline since 1991, he pointed out. A ship is far more costly to fit out and operate than a land-based station because of the vessel's crew and its maintenance and supply problems, he added.

A rolling vessel provides an unstable platform for directional shortwave transmissions, Tayloe said. We have expandable land-based sites in the U.S. and in Lebanon, he added. The Lebanon site serves Europe and Africa now. If High Adventure needs more facilities, it would cost less to lease time on idle high-powered transmitters in Europe or Africa than to start from scratch with a ship. High-powered transmitters inside Europe would provide stronger signals there than low-powered transmitters in the Caribbean, he pointed out.

High Adventure headquarters staff in Simi Valley will be asked to "pray for the souls of our tormentors" during August, Tayloe stated.

# Easy Listening

Richard D. Cuff  
213 Parkview Avenue  
Allentown, PA 18104-5323  
GENie R.CUFF  
MCI Mail 375-4854  
CompuServe 71207,1604  
Prodigy NCHT70A

## Radio Prague

One of the easiest catches from the former Eastern Bloc countries is Radio Prague—"The External Service of the Czech Republic." Nowadays, Radio Prague focuses mainly on the Czech republic, but much of the news coverage focuses on the Czech Republic's relations with Slovakia.

This month, I'll report on the 0100 UTC 30-minute English broadcast. It's an easy catch, at least in Eastern North America. I've found 5930 and 7345 to be reliable frequencies here in eastern Pennsylvania.

The broadcast opens with Czech domestic news or the Czech perspective on significant international news. Cultural event highlights and sports results normally round out the news. A current affairs program follows on Tuesdays through Saturdays. This program generally provides background and analysis on news stories first aired the previous day.

Following news and current affairs, here is a day-by-day summary of the 0100 program:

**UTC Sundays: Week In Review**, a review of the previous week's events in the Czech Republic, followed by **Calling All Listeners** including **DX Special**. **Calling All Listeners** is Radio Prague's mailbag program. The program carries the usual mix of mail, music, and chatter. **DX Special**, at least recently, has consisted of a short feature on radio listening techniques and basic radio theory.

**UTC Mondays: Musical Feature** starts in right after the news. This program features Czech performers and composers. Music styles vary from classical to contemporary to avant garde. Artist interviews and profiles are also included. There is no current affairs program on Monday.

**UTC Tuesdays: Sports Roundup** focuses on both Czech and Slovak performances in international sporting events, as well as worldwide performances on events based in Czechoslovakia. The detail level matches that of most sportscasts you'd expect on your local mediumwave outlet. The **Arts** reports on a cultural event or tourist destination of specific cultural or historical interest.

**UTC Wednesdays: Magazine '93** is a general-interest feature on Czech culture and history.

**UTC Thursdays: Probe** discusses an issue of current Czech interest and controversy. A recent program discussed the Soviet legacy of nuclear power plant construction and how the Soviets left unfinished a generating station the Czechs have decided to complete, to the dismay of their Austrian neighbors. **Lifestyle** explores everyday Czech life; a recent edition looked at taxi drivers in general, considered changes since the "Velvet Revolution" and profiled a Prague taxi driver.

**UTC Fridays: Midweek Sport**, a review of international sporting events held in the Czech Republic, and a look at Czech nationals' performances in sporting events elsewhere. Then, **Talking Point**, an interview program on some aspect of Czech life and culture. One recent edition had an interview with the director of the Czech national health service regarding efforts to reduce smoking while Western tobacco companies have entered the Czech Republic with heavy advertising often focused on youth. The government seems torn between the hard currency brought in by the advertising dollars and the social costs brought on by higher smoking rates.

**UTC Saturdays: A repeat of Magazine '93** has aired recently.

Music of varying styles closes out each broadcast.



Listener comments and suggestions are welcome, and letters are often answered on **Calling All Listeners**. Radio Prague's mailing address: Radio Prague External Service, Czech Radio, 12099 Prague, Czech Republic.

## BBC World Service Highlights

### News and Feature Programs

**Saturdays, 0230**, beginning August 7th: **Inside Westminster** is a new 5-part 30-minute series that takes the lid off of one of the world's oldest parliamentary systems. Political parties and policy formulation, the relationships between ministers and civil servants, and the role of the House of Lords versus the House of Commons are among the topics discussed. Also airs Fridays 2230 and Saturdays 0730.

**Sundays, beginning August 8th, 0230**: **Images Of Wales** is a 4-part 30-minute series on some of the stereotypes of Welsh culture and the history behind them. Picture male-voice choirs, druids in archaic robes speaking an obscure and ancient language, harp-playing women in shawls and tall black hats. All these are images nostalgically distilled with the longing for home the Welsh call *hirueth*. Also airs Sundays 1615 and Mondays 0730. Also see the listings for **My Language Right Or Wrong** and **Network UK** below for more on Wales.

**Mondays, beginning August 9th, 0415**: **Parallel Lives** is a 6-part 15-minute series of interviews with individuals with varying disabilities and how they've learned to cope, survive, and even thrive in a world that still finds handicaps difficult to deal with. The interviewer, Peter White—himself blind—talks with deaf percussionist Evelyn Glennie and writer Firdaus Kanga, beset with brittle-bone disease, among others.

**Thursdays, beginning August 19th, 0330**: **Frankfurt An Der Oder** is a 3-part 30-minute series on the *other* Frankfurt in Germany. This Frankfurt is a smaller community on the banks of the Oder river in East Germany. The series looks at eastern Germany more than three years after the

Berlin Wall fell. Political unification has occurred, but, socially, the East still lags behind the West. It'll be interesting to compare the views expressed here with what one normally hears on Deutsche Welle. Also airs Wednesdays 2030 and Thursdays 1001.

**NOTE:** There's an inconsistency with the program listing for **Frankfurt An Der Oder**: In one place, it's listed as August 4th, 11th, and 18th; another, it's August 18th, 25th, September 1st. Check the GENie Radio Bulletin Board for an update if you're so equipped.

**Thursday, August 19th, 2215**: **Network UK** is a regularly scheduled 30-minute program on issues and topics affecting the lives of people in the UK. This edition focuses specifically on Wales. Also airs Thursday at 0730 and 1615.

**Friday, August 20th, 1215**: **My Language Right Or Wrong** is a 30-minute feature looking at the "dying" languages of the world—including Welsh, Irish, Cornish, and Breton—and the debate concerning whether or not special efforts to preserve these languages are worthwhile or culturally divisive. Also airs Friday at 0730 and 1930.

**Sundays, beginning August 22nd, 1401**: **The Fight Against AIDS** is a 3-part 30-minute surveying the situation 10 years after the HIV virus was first discovered. While the situation in North America is serious enough, it's positively grave elsewhere. Some examples: In Uganda's rural southwest, fourteen percent of the adult population is infected, with one woman in three HIV-positive in some areas. Southeast Asia could see one million sufferers by the end of the century. Also airs Mondays 0630 and 1001.

### Science And Technology

**Wednesdays 0330**: Especially for young people, don't forget **Pop Science**, a weekly 30-minute program mixing listeners' questions on science, technology, the environment, and medicine with the same listeners' popular music requests. Send your questions to the usual Bush house address. Also airs Tuesdays 1001 and 1830.

Friday, August 27th, 1215: **Dolphin Therapy** is a 30-minute feature marshalling five world experts and pooling their knowledge and experience regarding the many claims that dolphins have special healing powers for humans suffering from stress, nervous disorders, and depression. Dr. Horace Dobbs, of the Oxford Underwater Research Group, has set up project "Operation Sunflower" in the Bahamas to examine the phenomenon in more detail. Also airs 0730 and 1930.

#### Music

Sundays, beginning August 15th, 0415: **Looney Tunes** is a 6-part 15-minute program for music lovers with a sense of the ridiculous. Digby Fairweather and Bob Sinfield compete with each other in a bid to dig up the strangest sounds available on a given theme. Sample themes: horror, the media, history, medicine, and the premise of good musicians posing as bad musicians. Artists include Fats Waller, Flanders & Swann, Dinah Washington, and the Bonzo Dog Doodah Band. No, this isn't April! Also airs Mondays 1930 and Tuesdays 0915.

On a more serious note, **Proms '93** is in full swing in August. Concerts air at 1830 on the following days: all August Saturdays, Tuesday the 10th and 31st, Thursday the 26th, and Friday the 20th. These concerts are sponsored by the BBC and are aired live from Royal Albert Hall. Typical length is 1:20 or so. No repeats are shown, so crank up your cassette recorders.

Sundays beginning August 22nd, 0030: **The John Dunn Show** is a new 30-minute weekly show with a melodic mix of songs old and new. That's all the detail I have. Also airs Sundays 1130 and 1830.

Mondays beginning August 23rd, 2215: **One Blood—The History Of Jamaican Music** is a 5-part 30-minute series tracing the extraordinary and wide-ranging musical development of Jamaica. Jon Preston visits Jamaica and speaks to many of Jamaica's best-known artists who explain the music's roots and define its future. Also airs Tuesdays 0630, Wednesday 1615, and Fridays 1030.

#### Light Entertainment

Sundays, beginning August 8th, 0445: **The Miles Kington Interview** is a 4-part, 15-minute twist on the old CBS-TV series *You Are There*: Kington has created fictional interviews with celebrities including Oscar Wilde, Mona Lisa, Robin Crusoe, and Empress Josephine, Napoleon Bonaparte's consort. Also Mondays at 1445 and Wednesdays 0815.

Tuesdays beginning August 10th, 0030: **Game Set And Match** is a 6-part 30-minute quiz on sports. Paddy Feeny challenges two teams of sports personalities to display their knowledge of the sports world, identify unusual events in sound archive recordings, and identify the authors of famous and infamous quotes. The sports include rugby, boxing, cricket, basketball, and horse racing. Also airs Mondays 1715 and Wednesdays 0830.

#### Drama

Sunday, August 15th, 0030: **That Summer** is the third of three plays on **Play Of The Week** that have a Welsh theme. The play is set during the 1984 British miners' strike and develops the clash between classes and cultures when two miner's daughters spend their summer holidays with a white-collar two-income family. **That Summer**, running 90 minutes, was written by David Edgar and directed by Hillary Norrish. Also airs 1130 and 1830.

Wednesday beginning August 16th, 1235: **Tales From Wales** is a 4-part 10-minute series dramatizing some of the best Welsh myths and legends. These tales reflect the diversity of the Welsh culture and countryside, from the windswept north to the seawashed West coast bays to the industrial Southeast. Also airs Mondays 1635 and Tuesdays 0750.

That's all I have time and space for this month. Take your portable receiver to the shore or the mountains and stimulate your mind this summer!

Until September,

73 DE Richard

# Latin Destinations

Don Moore  
11434 140th St.  
Davenport, IA 52804-9538



Hola amigos! Thank you to those who have expressed concern over the flood. I'm fortunate that both my home and my workplace are on the bluffs high and dry above the flood plain. Well, maybe I shouldn't say dry with all the rain we've had, but at least we are away from the flood. On another note, don't forget the hoped-for Radio Guatapurí, 4818v, broadcast at the end of the month as mentioned in my May column. I haven't heard anything so don't know if it will happen again this time, but maybe. Anyway, on to this month's topic.

Compared to other regions of the world such as Africa and Asia, Latin America doesn't offer that many target countries for DXers to hear. On the other hand, Latin America is home to more shortwave stations than other areas. In fact, it's probably because of my Latin American bias that I find station-counting more interesting than country-counting. If we look back in history, there could have been a lot fewer countries in Latin America. Central America was briefly part of Mexico and then one united country for nearly two decades before breaking up. Colombia, Venezuela, and Ecuador were united for several years, as were Bolivia and Peru. Paraguay could very easily have become an Argentine province and Uruguay came very close to either being part of Argentina or a Brazilian state. With a slightly different roll of the historical dice, there might have been as few as five Spanish-speaking countries on the mainland of Latin America instead of sixteen.

But, that didn't happen. And, if certain events had gone in a totally different direction there could be ten or more additional countries in Latin America. These historical "almost countries" have always intrigued me, so let's take a look at them with a DX perspective this month and see how many "almost countries" you have logged. I just hope the NASWA country list committee doesn't mind my edging in on their territory a little, hi. After reading this column, country-counters might want to suggest that the committee change that September 1, 1945 cutoff date to, say, January 1, 1800!

North to south seems a good way to do this, so we start out in the deserts of Sonora state and Baja California in northern Mexico. In the prelude to the U.S. Civil War, many radical pro-slavery advocates looked south of the border for possible new slave states to add to the U.S. In 1853 a group under the leadership of William Walker invaded this region and captured several cities, declaring a new slave-holding republic. Their aim was eventual annexation by the U.S., as happened with Texas. But, with so many troubles at home, the U.S. government wasn't ready for another war with Mexico, and aided the Mexican government in expelling Walker's band. (Walker later took over Nicaragua for a few months and was executed in Honduras in 1860 in an attempt to conquer that country.) The SW voice of this "almost country" is Radio

Universidad de Sonora on 6115 kHz. This is most often logged in the southwestern U.S., but was heard frequently in the east and Midwest a few years ago.

A genuinely home-grown "almost country" is the Yucatan peninsula in southern Mexico. The Yucatan has its own unique heritage and even today Yucatecan cuisine is totally different from the standard Mexican food we are familiar with. Historically, the Yucatan was never very close to the rest of Mexico, so after disagreements with the central government in the mid 1840s, it declared its independence. A local army was raised, mostly of Mayan Indian peasants, and Mexican government troops were quickly pushed out of the new nation. History might well have left us with an independent Yucatan at that point but for a strange twist of fate.

Aroused by their victories over Mexican government troops, the Mayan Indians who formed most of the Yucatan army, rose up against their local white rulers. In a few short weeks the Indians savagely paid the colonial elite back for centuries of abusive misrule. The Mayans overran the peninsula, killing and raping any white that fell into their hands. The Yucatecos appealed to Great Britain, Spain, and the United States, offering their territory in return for help. The onslaught continued until the whites were pushed back to the cities of Merida and Campeche and the neighboring coastline. As the Mayans surged forward they captured huge quantities of arms and munitions, which encouraged more peasants to join their cause. By now the whites were vastly outmatched both in terms of manpower and equipment. The inevitable fall of Merida and Campeche and the final push of the Europeans into the sea was just a few days away. Then, as every year, the winged ants reappeared. Even Mayan peasant knew that the reappearance of the winged ants was the sign from their gods that it was now time to plant corn. The Mayan army dissolved as each man returned to his village to plant his fields.

As unreal as the situation was, the Yucatecos realized that it was only a brief reprieve; the Mayans would return unless the Yucatecos counterattacked first. However, none of the three foreign powers had offered to help and the Yucatecos were not strong enough themselves to go after the Mayans. There was only one course of action left; the humiliated Yucatecos turned to the Mexican government, promising their subservience once again. Thousands of troops were dispatched to fight the Mayans, who were soon pushed back to the jungles of Quintana Roo in the eastern Yucatan, where a stalemate developed. The government troops couldn't defeat the Indians in the jungle, and the Indians weren't strong enough to face the army on open land. Combining elements of Catholicism with their traditional religion, the Mayans established a military-religious state with social organization based on military companies and supported themselves through farming and trade with

British merchants in Belize. This small quasi-nation survived until 1901 when Mexican dictator Porfirio Diaz, furious that a small group of Indians wouldn't acknowledge his rule, sent in a large modern army equipped with repeater rifles, machine-guns, and artillery. (For more on this fascinating story see *The Caste War of Yucatan* by Nelson Reed, Stanford University Press, 1964.)

Today, the short-lived Yucatan Republic is home to one shortwave station, La Pantera on 6105 kHz. This station is very irregular, but when active is a not-too-difficult catch in the morning in North America. I don't believe there has ever been any SW activity from Quintana Roo (although there is a maritime utility station in Cictumal).

Another country that might have been is the present day state of Chiapas on Mexico's Guatemalan border. Chiapas has a strong Mayan heritage and under Spanish colonial rule was part of Central America. Mexico's first rulers promptly annexed Central America after kicking out the Spanish in 1821, but a new Mexican government allowed Central America to go its own way two years later. Chiapas, however, decided to remain a part of Mexico. Had it stayed in Central America, Chiapas would likely have become a separate country. Of course there are no SW stations in Chiapas, but who knows. If it had taken the road to independence, it might be as saturated with shortwave as Guatemala is.

The years 1823-1838 were turbulent ones in Central America, and when the Central American Union finally broke up into the countries we know today, there was almost one more. In the highlands of western Guatemala conservative priests and the creole elite tried to form a strict church-state called Los Altos until the movement was quashed by the government in Guatemala City. Present-day Guatemalan stations on 2360/3325, 4800, 4825, 3360, and 2390 kHz are all within what could have been Los Altos.

Another interesting "almost country" is the Mosquitia region which includes all Nicaragua's Caribbean coast and Honduras's eastern tip. This densely-forested area was ignored by the Spanish and, like Belize, became a haven for pirates, smugglers, escaped slaves, and British loggers who all intermingled with the local Miskito Indians. The Miskito Kingdom, as it was called, was actually a British protectorate with its own Indian king from 1780 - 1885 until the British government handed the territory over to Nicaragua. The easiest way to hear the Mosquitia is to tune in either of two stations in the small Honduran portion, Evangelist La Voz de Mosquitia on 4910 or Sani Radio on 4755. In Nicaragua, the former contra station Radio Miskit has been reported on several frequencies in the past year. Some years ago there was a Sandinista station, Radio Zinica, in the Mosquitia.

Our next "almost country" is a sort of South American version of the Texas story. For decades the Bolivian government ignored its nonhermest department of Acre and during the Amazon rubber boom of the late 1800s allowed the territory to fill up with Brazilian traders and settlers. Tired of Bolivian rule, the Acre Brazilians declared their independence in 1899. A 1903 treaty allowed Brazil to annex the small republic in return for paying ten million U.S. dollars to Bolivia.

Frequencies on which Acre stations have been heard include 3401, 3568, 4118, 4765, 4865, and 4885 kHz.

One of the first cries in Latin America for independence from Spain was raised in 1807 in the southern Bolivia department of Tarija which declared itself an independent country. However, once the Spanish were gone and the dust settled, Tarija was part of the new nation of Bolivia. As Tarija is very small, it's hard to imagine how it could have survived as a country, but who knows? Tarija is one of the most difficult of Bolivia's departments to log, but stations on 4599 and 6140 have been heard in North America in the past few years.

Continuing south, we reach Chile. When the Spanish conquered and settled Chile in the mid and late 1500s, they found the warlike Araucanian (or Mapuche) Indians in the Temuco region impossible to subdue. For several centuries Araucania remained a sort of hole in Chile, free of Spanish, and later Chilean, control. In late 1800s a French adventurer was adopted by the Indians and worked his way into their ruling councils. Soon there were rumors, never proven, that France was going to declare the area a French protectorate. In the early 1880s, the Chilean government raised an army and marched in to finally place Araucania under their control. To hear Araucania, try for Radio Esperanza from Temuco on 6088 kHz. The station is easiest to hear in the wee hours of the morning on weekends when it is on 24 hours.

Our final "almost country" is also the easiest to hear. Bizarre as it may seem, Argentina's capital city and the surrounding province once seceded from the rest of the country! There has always been a lot of rivalry between Argentina's interior provinces and Buenos Aires province, which dominates the country from the metropolis of Buenos Aires city. Early in Argentine history, in 1859, the interior provinces defeated B.A. in one of the frequent civil wars of the period and moved the country's capital up river to Parana. Incensed, Buenos Aires province seceded from Argentina. Two years later, however, B.A. defeated the interior provinces in yet another war, reuniting the country and moving the capital back to Buenos Aires city. That was the last war, but feelings didn't really calm down until 1880 when the capital city was split off politically from the rest of its province, diluting the power of both.

To hear Buenos Aires, one simply needs to log external service, RAE, on 11710 kHz, or the domestic SW channel of Radio Nacional on 6060. It's the rest of Argentina, outside Buenos Aires, that's hard to hear. Radio Nacional Malargue has been reported around 1000 UTC on 6160 kHz over the past several months and some years ago, Radio Nacional Mendoza was on 6180 kHz, but they have been inactive for some time. Overall, the Argentine interior is tough-going for SW DXing.

Well, that's the end of our DX tour through these obscure nooks and crannies of Latin American history. I'm sure a little more sleuthing could turn up details of still more "almost countries." Hasta luego!

## The Turnstile Antenna Part Two

Last month we discussed the reasons why a circularly polarized antenna could reduce fading and possibly provide some discrimination between interfering signals. This month we will show how to build such an antenna for 5.0 MHz. Information will also be provided to allow you to scale the dimensions to other frequencies. If you haven't read last month's column, look it up to understand why the design works.

The antenna described here is actually a drooping turnstile fashioned by taking two halfwave inverted V dipoles and mounting them at right angles to each other. The drooping design has been used in navigation satellite experiments at VHF and low

microwave frequencies and has been measured to provide good polarization circularly from directly overhead down to near the horizon.

The feed detail and dimensions are shown in Figure 1. Any commercial balun with a 50 ohm to 50 ohm impedance match will work as long as it is rated for the frequency range of the antenna. Both baluns should be of the same model to ensure that the phase shift or time delay is the same for both dipoles.

The feedlines must also be identical. This means they must not only be the same length but should be cut from the same reel of cable. Phase shift in coax is a function of

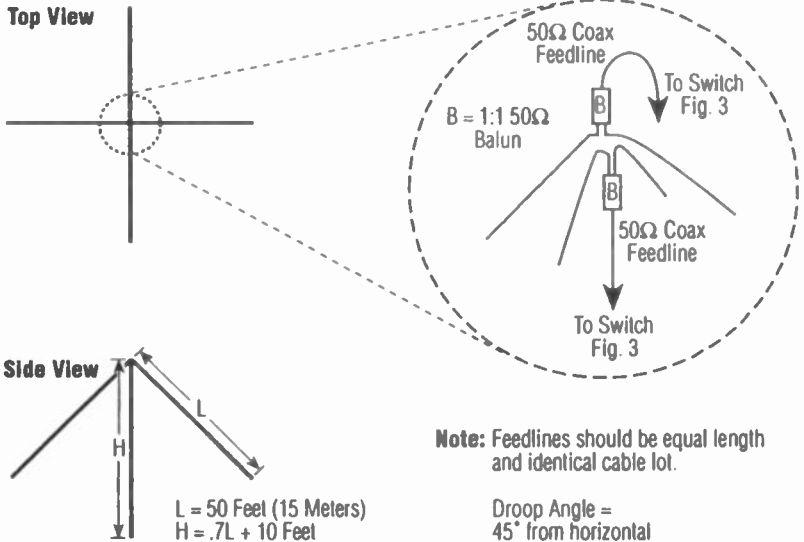
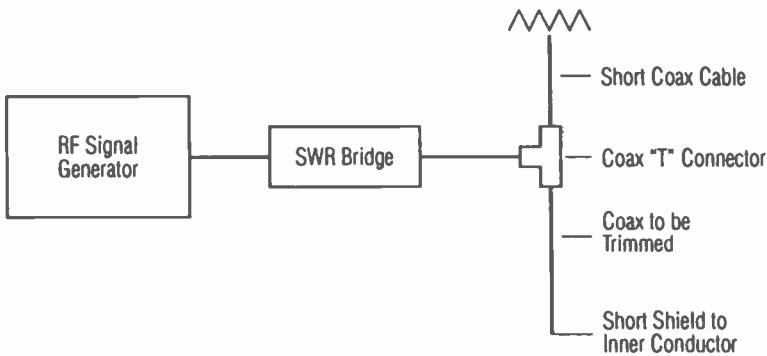


Figure 1. Drooping Turnstile Dimensions for 5 MHz (See Text for Other Frequencies)



**Figure 2.** Test Set-up for Trimming Delay Line to Precise  $\frac{1}{4}$  Wavelength

temperature. The delay at any given temperature also varies from one production lot to another. In order to ensure that the delay is the same for both antennas and the delay varies identically with temperature, the cables must be from the same reel to guarantee success.

Be sure to use good quality coax. The braid should provide at least 95% shielding. If you can afford it, use double braided coax. In order to preserve the phase relationships necessary for circular polarization, it is important to make sure that any signal that comes out of the feedline has been received by the dipoles and not the feedline itself. The cable loss is not critical at HF frequencies. Use the smallest available coax as long as it is well shielded.

The 90° phase shift necessary to achieve circular polarization is obtained from a length of the same coax as used for the feedline. The length is precisely trimmed to be a quarter wavelength at the desired frequency. The physical length will be shorter than a free space quarter wavelength. Solid dielectric polyethylene cable will be about 66% of the free space length. Foam dielectric cable is about 79%. These length reduction factors are only approximate. Because the actual dielectric characteristics can vary from lot to lot, it is best to measure the electrical length and cut the cable for a precise quarter wavelength.

A test setup which can be used to cut the delay line is shown in Figure 2. It depends upon the ability of a quarter wave line to act as an impedance transformer. If one end of a quarter wave length is shorted, the impedance seen looking into the other end of the quarter wave line is infinite. In the test circuit of Figure 2 this line appears in parallel with the 50 ohm dummy load. As the impedance of the line approaches infinity, the impedance of the parallel combination of the line and the load approaches 50 ohms. It is a simple matter, therefore, to cut the line until the SWR meter reads 1:1 at the design frequency.

Another technique I have used is to short a halfwave line connected to a receiver like the Collins R-388 which has a crystal calibrator across the input terminal. The impedance seen looking into a half wave shorted line is zero ohms or a short. A short across the receiver antenna terminals causes the signal from the calibrator to null at the frequency where the line is a half wave long. The line is then trimmed for the design frequency, folded in half, and cut to provide two precise quarter wave delay lines.

At the operating position the feedlines and the delay line are connected to a low capacity knife switch as shown in Figure 3. The switch permits the receiver operator to reverse the sense from left-hand to right-hand allowing experimental observation of the circularity of the received waves. A Radio Shack switch,

P/N 275-1537, should work fine. Be careful to keep center conductor and shield connections short to avoid undesired pickup of the received signal.

Only the element lengths and the coax delay line length need to be changed to scale the antenna to other frequencies. The design can easily be scaled using the following equation:

$$M = 5/F$$

Where F = the New frequency and M = a length multiplier for the new frequency.

For example, if the antenna was being scaled to 3 MHz, the dimensions shown in Figure 1 would be multiplied by  $\frac{1}{3}$  or 1.67. At 9.8 MHz the dimensions would be multiplied by  $\frac{1}{9.8}$  or .51. For best results a new quarter wave delay line should be cut using the same measurement technique described above for the new design frequency.

That's all there is to it. Unfortunately, antenna restrictions at my home location do not permit me to construct such an antenna at HF frequencies. I know the design works at higher frequencies and there is no reason it should not work at HF if attention is paid to the cautions described above.

I am interested in sharing your results using this antenna with other NASWA members via this column. How much difference is seen between polarization senses on SW signals? Does the difference depend on the location of the transmitter? Is fading reduced compared to a single dipole? Is atmospheric noise circularly polarized and if so, how much difference is noted when the sense is reversed? This is your opportunity to contribute to the art of HF propagation. Let me know what you find out.

Until next time, stay tuned.

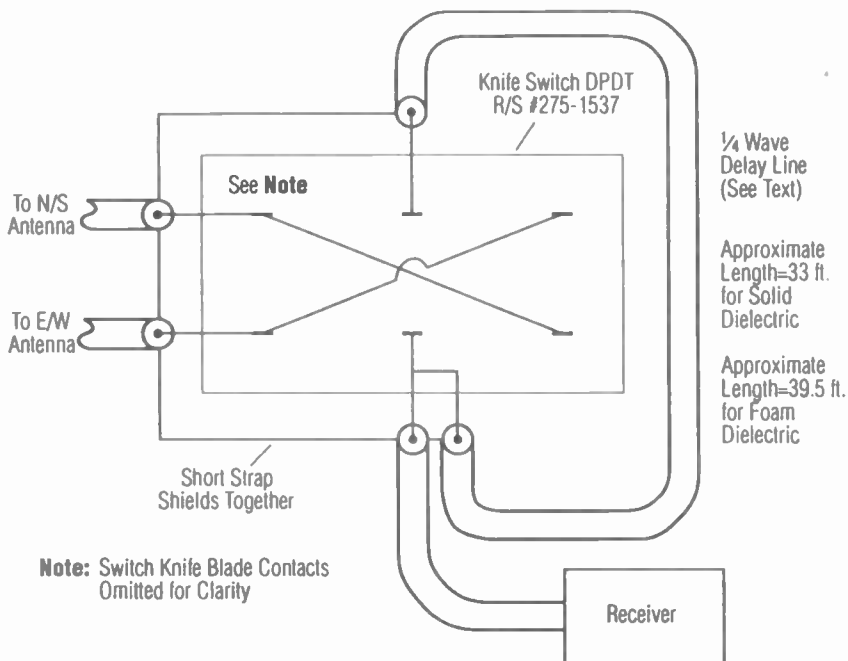


Figure 3. Polarization Selection Switch Located Near Receiver

# Equipment Review

Alan Johnson N4LUS  
6001 Goldsboro Road  
Bethesda, MD 20817  
CompuServe 76665,1756  
GENIE A.JOHNSON64

## THE SANGEAN ATS-606 PORTABLE RECEIVER

"Summer's here and the time is right" ... for a review of a travel portable. Having loaned my Sony ICF-SW7600 to some British expatriate friends, I was in the market for something new, small and self-contained. I've had good results traveling with my Lowe HF-150 and a whip antenna, but I wanted to see what was happening with the new, smaller travel portables.

I went to my local radio emporium and asked to see the new Sony ICF-SW33. The salesman directed me to the Sangean ATS-606, which he felt represented a better value, based on features and performance. It looked promising, so I requested an evaluation unit from Universal Radio and after three weeks of use I had to agree with the salesman that this is one great little radio.

### THE BASICS

The ATS-606 is a small general coverage radio measuring just 5 3/4 x 3 1/2 x 1 1/8 inches (WxHxD) and weighing just 11 ounces without batteries. Its dual conversion circuitry provides coverage from 153 kHz to 30 MHz and also covers the FM broadcast band (in stereo, if headphones are used). It has keypad frequency entry, scan tuning and step tuning (5 kHz on SW, 10 or 9 kHz on MW, 9 kHz on LW and 50 kHz on FM) via up-down pushbuttons. There are 18 memory presets on SW and 9 for each of the other bands. For the LW, MW and FM bands, there is the Auto Tuning System which, when activated, scans the particular band and stores the frequencies of the nine strongest signals in memory (overwriting any frequencies already in memory) — this is a great feature for finding the local broadcasters when travelling. There is also a dual-time clock with two on-off timers which will either activate the radio or a buzzer. The time display can be called up while the radio is in operation and is displayed when the radio is off. There is also a self-extinguishing backlight for the LCD display. One nice feature

is a tilt stand that pulls out from the back of the radio.

Based on what I read in Larry Magne's review in the June, 1993 issue of "MonitoringTimes", the Sony ICF-SW33 differs from the Sangean in not having continuous SW coverage, no keypad frequency entry and only seven presets for shortwave.

### GUSHING PRAISE?

Before this review gets too positive, let me point out the limitations of the STS-606 that may make it unsuitable for some potential purchasers. For starters, there is no BFO, so the radio is incapable of receiving SSB/CW signals. Even if there were a BFO, the smallest tuning step of the ATS-606 is 5 kHz, so most ham or utility broadcasts couldn't be precisely tuned in anyway. This lack of fine tuning can also be a problem for DX'ing off-frequency SW broadcast stations, as well. Selectivity is only fair — there is "slop" from strong signals which are 5 kHz away from the tuned frequency. Finally, some people may not like the logic of the keypad frequency entry system which involves pressing the "Frequency" key, then entering the frequency on the keypad, followed by pressing the "Enter" key to tune the radio to the keyed-in frequency. Thankfully, trailing zeroes do not have to be entered if the decimal point key is used to enter frequencies in Megahertz format. Pressing one of the numeric keys without first hitting the "Frequency" key results in calling up one of the memory presets.

The set is very sensitive with just the built-in whip. Surprisingly, it is very well-behaved when connected to a full-size outdoor antenna, meaning that the front-end does not overload with images occurring at odd frequencies. There is an RF attenuator switch, which can be useful when using an outdoor antenna under strong signal conditions. The audio quality is



very good and output power is more than enough for indoors listening, although it is a bit low for filling up the great outdoors. The set requires 3 "AA" batteries or a 4.5 V DC power supply. Battery life is very good - after three weeks of daily use, the review unit is still going strong. There is a battery reserve indicator which is displayed for about 10 seconds when the radio is switched off.

The ATS-606 is available in two versions: the standard version includes a leatherette carrying case and a set of "bud" stereo headphones at a street price of about \$170. The "P" version adds an AC adaptor which automatically switches for 120/240 V AC mains and a reel type external antenna for about \$20 more. The AC adaptor has a European style plug (round pins) but includes an adapter for U.S. style outlets. Quality control may be an issue as my unit had a minor fault: when the "SW" button is depressed for approximately two seconds, a flashing "m" appears in the display and then pressing one of

the numeric keys will tune the radio to the bottom end of one of the international broadcasting (meter) bands. On my unit, the 25 or 11 meter bands could not be selected, although any of the others (120-13 meters) could be. I'll let you know how good Sangean warranty service is!

## THE BOTTOM LINE

From the above sentence, it is obvious I liked the radio enough to buy it. It met all of my needs for something small and light that will allow me to listen to the BBC, Canada, etc. and keep up with the DX programs while travelling. If I'm going somewhere I expect good DX'ing conditions, I'll take the Lowe and some wire, but for less critical situations the Sangean is just right. It may be just right for you as well, as long as you don't need SSB/CW capability and can live with the 5 kHz tuning steps and the relatively broad selectivity.

## RADIO SHACK ACTIVE ANTENNA

I thought that I would never be recommending a Radio Shack product (other than when their Sangean-built SW radios go on sale), but here it is. While paying for my usual bi-weekly purchase of an audio connector or some other small part recently, I noticed a box marked "Amplified Shortwave Antenna" on the shelf behind the counter. I asked the salesman about it and he said that it was a new item. Its catalog number is 20-280.

What it is is a 5 7/8 x 4 x 1 15/16 inch plastic box with an attached 28 inch telescoping whip antenna. It tunes the range of 3 - 30 megahertz in two bands, has variable gain up to 20 dB and runs off a 9 volt battery. It also has an RCA jack so it can be used with an outdoor antenna as a tunable pre-selector. A 24 inch cable with 1/8" plugs on each end is included to connect the antenna to a radio. The best feature of the unit is its price: \$29.95, without battery.

### WHAT THE HECK?

I went ahead and purchased one since I needed a gadget "fix", figuring that even if it was the piece of junk that I expected, I'd only be out

\$30. I took it home and took it apart, expecting a simple one transistor RF amplifier. I was quite surprised to find a three transistor circuit on a well-made printed circuit board. The whip antenna was loose, so I tightened it while the case was open.

I was even more surprised when I tried the unit with my Sangean ATS-606. The tuning was reasonably sharp, which answered my argument about most active antennas - that is that a wide-band amplifier boosts all of the signals in the SW spectrum and dumps them into the receiver's front-end, which can cause overloading and all kinds of spurious mixing products. The RS antenna actually adds a degree of front-end selectivity. The unit's gain control is a blessing as well, as it allows selection of just enough gain, again to minimize overload. This antenna will overload, especially on 49 meters at night. The other parameter of pre-amplifier performance is the noise figure, or how much noise the pre-amp adds to the received signal. The RS antenna is not very good in this respect, with very noticeable broad-band noise present on empty SW channels. If a signal is present, the noise is detectable but not too objectionable.

## FLIMSY CONSTRUCTION

The RS Amplified Antenna is housed in a plastic case and the antenna swivels to allow the case to be stood on its bottom (unstable) or on its back. The "On-Off" and "Band" switches are flimsy slide switches. The band switch selects between the ranges of 3-10 and 10-30 megahertz. The tuning and gain controls are small rotary plastic knobs. There is a LED power "on" indicator. Besides the external antenna in and amplifier out jacks, there is a coaxial connector for an external DC supply.

## A DAK IN RADIO SHACK CLOTHING?

I have seen some comments on the computer bulletin boards that the RS antenna is the same as the "Signal Stalker" sold by DAK. I cannot directly confirm this, since DAK is the only company that has ever dropped me from their mailing list for not buying something.

## HEY, IT'S ONLY THIRTY BUCKS

Overall, I was impressed with the RS antenna. It would light the Sangean's tuning indicator on signals that could barely be copied with just the Sangean's whip. It does require re-tuning when switching between SW meter bands, but that's the price one pays for selectivity. It will overload and create interference at full gain (especially with an external antenna), but this can be countered by keeping the gain control towards its minimum setting. Also, it does add a small amount of noise to the signal and if used near a computer will pick up radio frequency interference. But, if you are wondering if a preselector might help your short random wire antenna or want a little more "oomph" with your portable radio when you travel, the Radio Shack Amplified Antenna is worth considering. There's no way to lose, since the salesman at my local Radio Shack assured me that if a RS product isn't satisfactory, you may return it within 30 days for a full refund, as long as it's in new condition, with all accessories and packing materials.

### *Available now from The NASWA Company Store -*

*Joe Carr's Receiving Antenna Handbook* by Joseph J. Carr, K4IPV - A complete guide to high performance antennas for longwave all the way to the upper end of the shortwave spectrum. This isn't some warmed-over collection of slightly modified ham radio transmitting antenna designs; instead, it is a comprehensive examination of antennas intended specifically for receiving purposes. (\$19.95 + \$2 s/h NAM, \$5 elsewhere)

*QSL Signers* by Al Quagliari - Compiled from QSL columns in DX Listening Digest, FIDO Shortwave Echo, Fine Tuning, NASWA Journal, and SPEEDX Shortwave Radio Today. This is the most comprehensive and up to date list of verification signers names, addresses, and titles that is available anywhere! (\$3 Postpaid NAM, \$5 elsewhere)

Both publications are available now from The NASWA Company Store, 45 Wildflower Rd., Levittown, PA 19057. All checks payable to NASWA.

## Hardware Bits

by Alan Johnson

**MANUAL SOURCES** - There are a couple of new sources for copies of owner's and service manuals for vintage equipment. They are primarily geared towards amateur radio, but have some SW stuff as well. Their catalogs are available for a SASE. These sources are: W7FG Vintage Manuals, 330 Wayside Drive, Bartlesville, OK 74006 (918-333-7893) and Mike Horvat, KA7ASF, P.O. Box 73, Stayton, OR 97393 (503-769-6088).

If you are looking for manuals for European equipment, you might want to try the following British sources: Mauritron Technical Services, 8 Cherry Tree Road, Chinnor, Oxfordshire, OX9 4QY, Telephone (0844) 351694 and Technical Information Services, 76 Church Street, Larkhall, Lanarkshire ML9 1HE Telephone (0698) 883334.

**AEA ANTENNA ANALYST** - Advanced Electronic Applications, Inc. has announced the availability of their new SWR-121 antenna performance analyzer. It is a portable handheld instrument that gives a graphic display of antenna performance (SWR curve) on a LCD display. It can cover any segment of the frequency range of 1 to 32 Megahertz. Unfortunately, only the well-heeled antenna experimenter will be interested in the unit, as the suggested list price is \$400. Call the AEA literature request line (800-432-8873) for a complete catalog of their products. The mail address is: P.O. Box C2160, 2006 196th Street SW, Lynnwood, WA 98036.

---

### PLEASE NOTE

According to information I've received, some copies of the July issue took the long way around in getting to members. I checked with the post office and they have no explanation for this other than the holiday on the Forth of July. The July mailing was made on the regularly scheduled date of Friday, July 2. I know of a copy that got to Canada in four days, but it took seven days for one to travel twenty miles!

**FOR SALE:** One Honeywell Chart Recorder, one Morrison Coil Winder, one Hammarlund SP-100 speaker, and one Kenwood SP-430 speaker. Bill Swiger, Route 1, Box 142A, Bridgeport, WV 26330. (304) 842-4635.

**FOR SALE:** MFJ-751 single SSB/CW "signal enhancer" with poser pack. In very good condition. \$50.00 plus shipping. MFJ-752C dual SSB/CW "signal enhancer" with power pack and manual. Mint condition. \$75.00. Sangean 802 AM/FW/SW portable radio (FM stereo to headphones). New in box. \$50.00 plus shipping. J. Arthur, RD #1, Belfast, NY 14711. Phone (716) 365-8870 before 9 p.m. weekdays, anytime weekends.

**WANTED:** Heath SB-310 receiver for my collection of classic SW receivers. Clean, unmodified unit only, please. Harry Helms, 7445 Andasol Street, San Diego, CA 92126.

**FOR SALE:** Collins R390A in excellent condition inside and out. Clean, re-tubed, aligned, and with all mods, ready to go! \$450.00 includes shipping. SONY ICF-2010 complete with owners manual, batteries, and plastic stand. In excellent condition, used one season. \$250.00 includes UPS shipping. Jerry Klinck, 43 Lein Road, West Seneca, NY 14224. Phone (716) 675-7509 evenings after 9:30 p.m.

# Listener's Library

T. J. "Skip" Arey WB2GHA  
P.O. Box 644  
Waterford Works, NJ 08089  
Genie T. AREY1

**A**s I write this, I have just completed my annual warm weather restoration and replacement of my antenna farm. This process always gets me "hitting the books", examining theory and practice to make the best use of the meager real estate here at CASA DEL STUCCO. This process was made more exciting this year by the appearance of a new book in my mailbox. From a new publishing operation no less!

## JOE CARR'S RECEIVING ANTENNA HANDBOOK

By Joe Carr K4IPV  
189 pages  
\$19.95 + \$2.00 Shipping  
HighText Publications Inc.  
P.O. Box 1489  
Solana Beach, CA 92075  
1-800-888-4741

Available Now From The NASWA  
Company Store!

Joe Carr is well known for his 42 previous books and countless articles that show him to be one of the world's leading authorities on practical antenna systems. His latest book teams him with HighText Publications, a new operation started up by Harry Helms, another well known radio hobby author. The collaboration has produced one of the most useful antenna design and construction books published since Ed Noll's *Easy Up Antennas*.

Unlike some antenna books that simply show you fifty ways to configure a dipole, Joe starts with a clean sheet of paper and an open mind. He takes classic designs for dipoles, doublets, Zepps, wire beams, windoms, verticals, slopers, even rhombics and curtain arrays and brings them into the twenty first century. With each design, Joe provides a firm foundation in antenna theory and construction that includes the tradeoffs and compromises that "real-world" antenna building throw at us all.

I knew I was going to like Joe's style when I opened the book and the first page was devoted to safety. Joe obviously wants his readership to

live long enough to read his next 42 books. This is also followed up by an in depth chapter on Antenna and Lightning Protection Grounds. This man's mind is right!!!

Joe's book goes well beyond "basic" antenna construction that might be found in any beginners text or my Monitoring Times articles. This does not mean that the book is beyond the scope of most beginners, however. The explanations of antenna theory and practice are written in clear, easy to understand terms well within the scope of most first time antenna builders. This is quite simply a book for anyone who wants to get serious about antenna construction. It is also one of the few antenna books that is written with the "listener" in mind. All too many antenna books are collections of Ham Radio antennas done over in hopes that SWLs won't mind all the extra chapters that worry about SWR and feedlines.

Still, Joe does not totally reject great ham antenna design when it is appropriate. I took one of Joe's ideas and ran with it for my home station, giving me an antenna that met both my receiving and transmitting needs. I have long admired the doublet antenna design known as the G5RV. Hams use this design because it can be operated more or less harmonically over the entire HF spectrum. Joe shows the theory behind the voo doo associated with this design and points out how it can also be effective for shortwave listening. The gimmick that makes it work is a "feedline" made up of a measured length of open wire and coax. While my yard gave me room for the elements, I never felt I could properly run the feedline effectively. Joe's explanation of the theory showed that I could practically substitute 300 ohm television twinlead, making the feedline run short enough to work well at my home. I strung this puppy up and I'm happier than a pig in slop with its performance on both ham and SWBC bands. Another satisfied customer!!!

If you have the real estate, Joe's chapter on Longwire Antennas includes many wonderful applications of Vee Beam, Rhombic and Beverage designs. Other chapters cover serious gain antennas such as the Collinear Franklin Array and the Lazy-H design. I also appreciated his treatment of half and full wave loops, designs often left unconsidered by listeners.

Chapter 10, Directional Antennas will make you feel like you are setting up a listening post for the NSA. Bobtail curtain and Thorne arrays always seemed a little too much like work to me. Joe's treatment of these designs just might get me to give them a try, perhaps on a DXpedition.

Joe does not forget dedicated tropical band listeners and their special antenna needs. His chapter on Small Loop Receiving Antennas breaks some new ground by promoting designs that utilize computer ribbon cable and embroidery hoops. It's one of those "Gee, why didn't I think of that" ideas that makes assembling a loop so easy that the laziest listener will be willing to give it a try. I plan to apply this notion to my next Medium Wave loop project. (Hey, I've been in the NRC almost as long as I've been in NASWA folks)

Not too long ago, I overheard some folks on the ANARC SWL Net saying that some signals hang in on their vertical antennas long after they have faded on their horizontal dipoles. I'm sure the theory behind this could fill a few books, but it makes me think that Joe's chapter on practical Vertical Antennas is just the thing for a second backyard project. Joe's notes on construction of vertical designs are innovative and well within the ability of most hobbyists. He also demystifies the idea of ground radials in receiving applications.

Well, that was the main course, are you ready for dessert??? The multi-talented Mr. Carr makes available a disk of helpful antenna design programs that do all that nasty math for us. These programs are designed to run on an MS-DOS IBM compatible computer and are available for \$20 directly from:

**Joe Carr  
P.O. Box 1099  
Falls Church, VA 22041**

Joe's program "Antlers" now has a permanent space on my hard disk for future antenna projects. His disk is NOT copy protected and Joe authorizes unlimited noncommercial copying (It can be given away but not sold) What a guy!!!

Needless to say, I am sold on Joe Carr's Receiving Antenna Handbook. Get yourself this book and get cracking on some new skywires before the weather turns cold and the DX gets hot!!!

---

On to other matters. To help us with some light summer reading about the countries we monitor, our own LATIN DESTINATION'S editor Don Moore is back again with another fine review.

## **THE FEVER COAST LOG**

**By Gordon Chaplin**

**1992 New York: Simon & Schuster  
229 pages**

I am always on the lookout for new Latin American travelogues, so I quickly grabbed this one when I saw it in the new book section in the Davenport (IA) library. THE FEVER COAST LOG is the tale of a small yacht voyage along the Central American Caribbean coast from Belize to the Panama Canal in 1990. For the first part of the journey, the author follows in the footsteps of his ancestor, artist Frederick Catherwood, who in 1837-40 accompanied John Stephens, one of the first American diplomats assigned to Central America. Catherwood and Stephens didn't have much success on the diplomatic front, but they did rediscover numerous Mayan ruins, including the magnificent Copan ruins in Honduras. Stephen's writings about their travels and Catherwood's highly detailed pen and ink drawings awakened interest in the ancient Mayans among American and European scholars. Chaplin visits the same coastal cities and inland ruins as Catherwood and Stephens did, comparing his observations with those of Catherwood and Stephens 150 years previous.

Although THE FEVER COAST LOG is only average as travelogues go, it is an entertaining enough journey through some very out-of-the-way corners of Central America. As a DXer, I enjoyed Chaplin's occasional references to SWLing on the yacht, e.g., tuning in Radio Australia one morning or listening to the nautical weather report from the US Coast Guard station in Portsmouth, VA.

While looking for THE FEVER COAST LOG, you might also want to look up John Lloyd Stephen's account of his and Catherwood's journeys, INCIDENTS OF TRAVEL IN CENTRAL AMERICA, CHIAPAS, AND YUCATAN. Originally published in 1841, I believe it was reprinted during the 1980s. I haven't seen Stephen's book myself, but did read an abridged account of their trip several years ago in TRAVELS IN CENTRAL AMERICA, 1821-1840 by Franklin Parker (ed.), University of Florida Press, 1970. Parker's book tells the stories of several adventurous Americans who visited Central America in those first two turbulent decades of independence from Spain. Parker's book ranks as one of my all time favorite Latin American Books and is well worth the wait of using Inter-library Loan if your local library doesn't have it in the stacks.

# Feature Article

Please submit all contributions to:

**Bob Brown KW3F**

238 Cricklewood Circle

Lansdale, PA 19446

CompuServe 74756,1557

Genie R.BROWN106

Packet KW3F @ WB3JOE

## Report of the Conference of the European DX Council, 1993

by *Gerald F. Kercher\**

I attended the 1993 Conference of the European DX Council, the umbrella organization for the DX Clubs in Europe. Two other North American DXers were there, Maryanne Kehoe and Lewis Coulborn. The Conference was held 29-31 May in the city of Las Palmas in the Canary Islands. I had never visited this little part of Spain before and it was highly enjoyable. The volcanic islands lie about 60 miles west of the coast of Morocco in about the same latitude as Jacksonville, Florida. The climate seems to be almost perfect—dry, with a lot of sunshine but a cooling breeze. The temperature range when I was there was from the low 60s to the mid 70s.

Lacking even a beginning knowledge of Spanish, I was mildly concerned about finding my way from the airport to the hotel in the city so I was greatly relieved to see a smiling señorita holding a sign with the name of another conference attendee and the legend, "EDXC '93." I explained to her that I was not the person she was seeking, but I was going to the conference. Speaking perfect English, she introduced me to a member of the sponsoring radio club in Las Palmas who took another visitor and me, in his car, to our hotels. This was typical of the friendly hospitality evident throughout my visit.

The convention activities took place in a spacious lecture hall at the University of Las Palmas. This school is located on a modern campus a few miles out of the city. Each morning we would walk a few blocks to a small park where we boarded a comfortable tour bus which took us to the University.

These transfers were accomplished under the efficient guidance of three beautiful young women wearing smartly tailored, mini-skirted uniforms. I learned that they were students at the University hired for the conference. Each spoke several languages and they were always available during conference hours to answer questions and keep things moving smoothly. In the lecture hall, the proceedings were conducted in either Spanish or English. Interpreters, working in a sound-proof booth, provided simultaneous translations receivable on small FM units with earphone attachments. The equipment worked well and the translators were so adept that the language barrier was hardly noticeable. The opening ceremony included greetings from the president of the sponsoring club, comments by Mr. Michael Murray, the EDXC Secretary General, and remarks by officials of the University. About mid-morning, we reboarded the bus and were taken to the Maspalomas Space Station about ten miles away. This installation monitors satellites as part of INTA, the Spanish National Technical Aerospace Institute, part of the European Space Agency. We were conducted through the installation by some of the engineers in charge of the various sections, all of whom spoke fluent English. We were each given a beautiful poster showing a satellite view of the island which had been prepared at this station.

When we returned to the University, it was lunch time, but first the Bacardi rum people provided generous outpourings of different juice drinks enhanced by their special product. The lunches at the University were enjoyable affairs, served buffet-style under the benevolent eyes of the aforementioned "tour guides." On the second day, the University

\* *Quaker Hill, CT 06375-0168*

sessions included a lecture about Propagation of Radio Waves by a member of the engineering staff, and a talk by the technical chief of Sony Corporation in Spain.

A member of an Italian club, Asociacion Italiana de Radioascolo, spoke about the number of European broadcasters that have recently curtailed foreign language broadcasting. He circulated a petition which was signed by the hobbyists in attendance, asking that such reductions cease. The completed documents will be sent to the broadcasters concerned.

At the end of the day, a forum was held with the station representatives at the conference. These included George Wood from Radio Sweden, Jeff White of Radio Miami International, Waldemar Kramer from Deutsche Welle, Frans Vossen of Radio Vlaanderen and Henry Ying Li Lee from the Voice of Free China. George Wood said that the petitions we had signed would be a little late for Radio Sweden since they are cutting broadcasts in Spanish and French as of 1 July. Jeff White told about his new transmitter. I asked Mr. Lee about the popularity of our hobby in Taiwan. He said he doubted if there were more than 10,000 shortwave listeners in the country. For one thing, until about 10 years ago, such activity was illegal. It is now permitted but he did not know of any DX clubs on the island.

I attended a meeting of representatives of the different European clubs at the conference. Much of the session was taken up by a discussion of ways to standardize rules for DX contests by the member clubs.

At the end of the day we returned to our hotels to get ready for the banquet scheduled for later that evening. Much later. It started right on time at the appointed hour of 2200L! Your Old Dad was a little weary since I generally turn in about an hour before that time, but it was easy to get into the spirit of the affair since social engagements are among the things the Canarians do superbly well. We again boarded our familiar bus and were taken to a beautiful restaurant, Casona del Pagador, about 15 minutes out of town in the

hills overlooking the city. We were outside in an intimate garden setting. There were about eight different courses of various dainties accompanied by appropriate beverages. Food and drink were among the highlights of this conference.

There is no rest for the wicked, however, and the following morning we were up bright and early for a scheduled "excursion to the center of Gran Canaria Island." This was Whit Monday, a holiday in Spain, and our first stop was the town of Valleseco where a carnival-like atmosphere prevailed. They were having a celebration of the 150th anniversary of the separation of the place from a neighboring political entity. We were shown some of the historical places of interest and then taken to the city hall for a greeting by the mayor and a gift consisting of an inscribed book telling the story of the separation struggle plus a beautiful cloisonne pendant keyring bearing the community logo. In connection with the celebration, a small FM radio station had been set up and we were escorted to this where we were greeted by the station manager and invited to look around.

Next we journeyed further inland to Cruz de Tejada, a scenic village overlooking some rugged terrain not unlike parts of the American west. An excellent luncheon was laid out here, a heavier meal, really, than the banquet the night before. Again, this was exactly right. Following the meal, we were each presented with a three-color certificate from the University of Las Palmas attesting to our having completed the approved course for the EDXC Conference '93. This elegant document is duly signed and sealed and my name is preceded by the letter "D" which I suppose stands for Don. I am telling everyone, however, that it means "Doctor". Harold Cones has nothing on me.

We returned to the city late in the afternoon where we said goodbye to our cheerful guides. It is hard to describe how efficiently they handled so many aspects of the conference. One was from Germany, one from Peru and the others Canarians. As I said, all were graduate students at "my Alma Mater."

I really enjoyed seeing this corner of the Atlantic and I hope to return someday. Except for the visit to the space station, the radio parts of the conference really did not present much that was new. The social and tourist aspects could hardly have been better. The numbers in attendance were a little disappointing. Last year in Finland we had over 200. This year around 50 showed up with no one from the mainland of Spain which I thought was surprising.

Next year the conference will be in Paris, France. I talked with a representative of one of the sponsoring French clubs and he said they will be lining up some reasonable accommodations in college dormitories or similar places. This might be a good opportunity to visit the City of Light without

spending a fortune. Plan to attend. The following year, 1995, the conference will be in Denmark. This is hard to believe, but Anker Petersen handed out printed tentative schedules in Las Palmas for the '95 conference in Denmark. Nordic efficiency. Don't miss this one!

An afterthought—I will anticipate a question and tell you that I did not see any canaries while on the island of Gran Canaria. At least, I did not see any yellow birds that looked like the ones old ladies used to keep in cages when I was a child. I did see some sparrow-like birds that were excellent singers. In case you never heard, the islands got their name from the Latin word for dog, *canis*. Back when the first Romans arrived they found a lot of dogs on the islands.

## **NOW AVAILABLE!**

### ***THE NEW SHORTWAVE RADIOGUIDE***

### ***1993 EDITION***

It's here! It's been nearly a year since the last edition of *The New Shortwave Radioguide* was published. In that time, contrary to appearances, your editor has been hard at work. In response to both user suggestions and increased competition from imitating publications, John Figliozzi has revamped his popular *Shortwave Radioguide* in a continuing attempt to make it the most complete, accurate, and useful publication about shortwave radio programming anywhere. The increased scope of the 1993 edition of *The Shortwave Radioguide* makes it a *must* for Easy Listening fans wherever they live in the world, even if their primary language is one other than English.

*The New Shortwave Radioguide*, like its predecessor, carries thousands of listings of English language programs broadcast to or generally audible in North America. But *The New Shortwave Radioguide* goes a few steps further!

First, there are now references and listings for English language programs broadcast to other regions of the world. Second, program listings are carried for the other "world" services offered in the primary languages of stations like Radio France International and Deutsche Welle. Finally, there are even listings offered according to some popular program types!

The cost of *The New Shortwave Radioguide*?

**'16 PER COPY POSTPAID TO NAM**  
**'20 PER COPY ELSEWHERE**

Now available from:  
The NASWA Company Store  
45 Wildflower Road  
Levittown, PA 19057

Thanks to Harold Sellers of  
the Ontario DX Association  
for his desktop publishing  
help with this publication

## ***AS REVIEWED ON MEDIA NETWORK!***



# DX Target



## Perú

### A Look At Six Peruvian Broadcasters

By Richard A. D'Angelo

Many DXers consider Peruvian stations some of the most elusive and rewarding shortwave broadcasting targets in Latin America. The country offers numerous opportunities to log new, low-powered outlets. Shortwave broadcast stations seem to come and go in this exotic country. Perú's popularity among radio hobbyists over the last decade can be traced to its many stations that have operated on shortwave. During much of the early 1980's, shortwave broadcast stations from Perú were reasonably good verifiers of listener reception reports. But as economic conditions deteriorated, so did the reply rates from this country's shortwave broadcast stations. However, recently I have noted a slight upturn in replies from this part of Latin America. Perhaps, it was just a series of reports to the right stations. However, a DXer is always hopeful that a few good replies is indicative of a trend.

Radio is the chief means of mass communication in Perú. The country has hundreds of broadcast radio stations, some of which transmit in both Quechua and Spanish. Of particular interest to the shortwave broadcast DXer are over 150 stations in the 1993 edition of the *World Radio Television Handbook* listed as broadcasting on shortwave from Perú. Many of these stations are low-powered and rarely heard. Others transmit on very erratic schedules. Just about all radio stations in Perú suffer from power shortages which can curtail the broadcast day in this country. Because of the lack of reliable electricity, many of these stations only operate during their local mornings. Consequently, the best time in North America to log shortwave broadcasters from Perú is during their morning around 1000 UTC sign-on. European listeners find good openings around midnight UTC and even earlier during the winter as darkness approaches in Latin America.

This DX Target will focus on six specific shortwave broadcasters that have been known to verify listener reception reports during the last twelve months. These aren't the only stations verifying but they are the only ones that sent me

some information about their operations. However, before we proceed with specific station details, a little background information about Perú is in order.

### The Country

Perú is the third largest country in South America and home to numerous, and often exotic, shortwave broadcast station DX Targets. Only Brazil and Argentina cover a greater area. The country lies in western South America along the Pacific Ocean. The long, narrow coast consists of a desert drier than the Sahara. Most of Perú's large cities lie in this region. The Andes Mountains rise to the east of the coast and extend north and south down the entire length of the country. This region is famous for its grass-covered plateaus, crystal-clear air and sparkling sunshine. Thick rain forests and jungles cover most of the hot, humid region east of the Andes.

Perú is one of the world's leading producers of copper, lead, silver and zinc. It also ranks among the world's leading fishing countries. However, most of the country's people are poor. Many of them make a bare living farming. Other Peruvians work for low wages in the cities or are unemployed.

### The People

Perú has a population of about 21 million people. It is estimated that as many as 8 million Peruvians are Indians. The rest of the country's population consists mainly of people of mixed Indian and white ancestry. Whites make up only a small part of Perú's total population.

About two-thirds of the people live in cities or towns. The rest live in rural areas. The largest city is the capital, Lima, with about 4 million people. It is the largest, busiest and most modern city in Perú. Calleao and Arequipa, each with about 300 thousand people, rank next in size. Three other Peruvian cities have a population of more than 150 thousand. They are Chiclayo, Chimbote, and Trujillo.

## The Language

Spanish became Perú's official language soon after Spain conquered the Incas in the 1530's. It remained the only official language of the country until 1975 when the government made the Indian language of Quechua an official language along with Spanish.

About three-quarters of all Peruvians speak Spanish. The rest speak various Indian languages with the most common being Quechua. About 2 million Indians, who live in the highest parts of the Andes, speak only Quechua. However, many Peruvians speak both Spanish and an Indian Language.



OFICINA Y ESTUDIOS: Federico Sánchez 720 — Telef. 2701  
PLANTA TRANSMISORA: Alto Coporolta  
TARAPOTO-PERU DPTO. SAN MARTIN

ONDA MEDIA 1250 KHZ.  
ONDA CORTA 5015 KHZ.  
F.M. LA ESTACION

## Estación Tarapoto

Radio Estación Tarapoto is located in the city of Tarapoto in the Department of San Martin. The region has a tropical climate with 40 degree centigrade temperatures quite common and frequent, unforeseeable torrential rain storms. Tarapoto is a dynamic commercial city and is the capital for commercial activities in San Martin.

The station, "La Primera Opcion en Radio", is a relatively young enterprise. For eight years, Estación Tarapoto has broadcast a variety of programs for the region simultaneously on three frequencies. On shortwave, the station can be heard on 5,015 kHz with 700 watts. The call letters are OAZ9B. The medium wave outlet on 1,250 kHz also uses only 700 watts. The call letters are OAX9K. A third channel on FM broadcasts on 101.3 MHz.

The broadcast day commences at 1000 UTC and ends at 0500 UTC. The station is proud of its news and public affairs programs. *La Mañana en la Noticia* is broadcast from 1100-1300 UTC each day. Another program, *El Mundo en Accion*, features a variety of music styles heard throughout the country.

The station's Gerente, Luis Hidalgo Sanchez, is a good verifier of listener reception reports. Spanish language reports with return postage can be sent to the station at:

Estación Tarapoto  
Jiron Federico Sánchez 720  
Tarapoto, Dpto. San Martin  
Perú

## Ondas Del Mayo

This Peruvian broadcaster is very new to the international shortwave broadcast scene. It commenced broadcasting from Nueva Cajamarca in January 1992 on 6,803 kHz with a transmitter capable of only 250 watts. The station operates from 1000-1200 UTC and 2100-0100 UTC with a variety of music programs. Evenings include a lively musical request program that is very popular with the local listeners.

Radio Difusora Comercial  
"ONDAS DEL MAYO"  
Jr. Huallaga 348 — Nva. Cajamarca  
SAN MARTIN — RIOJA — PERU

Nueva Cajamarca, with a population of approximately 5 thousand, is located in the province of Rioja in the Department of San Martin. Agriculture is the most important element of the local economy. The primary crops are rice and corn. The local market places are abundant and active. They form a beehive of commerce and serve as an integral part of the regions economy.

Edilberto Lucio Peralta Lozada is the station's Gerente. He replies to listener reports with a personal letter. Spanish language reception reports with return postage can be sent to the station at:

Ondas del Mayo  
Jiron Huallaga 348  
Nueva Cajamarca, San Martin  
Perú

## Radio Nuevo Cajamarca

The last of our San Martin broadcasters is Radio Nuevo Cajamarca. Operating on 5,800 kHz with 1,000 watts, this station puts in a fairly reliable signal most mornings during the DX season. The station is scheduled to operate from 1145 UTC to 1500 UTC and from 1800 UTC to 0200 UTC Monday through Saturday with an 0100 UTC sign-off on Sunday. I have heard nothing but lively music programs on this stations which has made for some enjoyable listening.

I was fortune to receive a long personal letter from Aladino Gavidia Huaman, a station announcer and administrator prior to his departure from Radio Nuevo Cajamarca. Unfortunately his departure may mean QSL's from this station could be few and far between. However, the good news is he is now working for Radio Chota which transmits on 4,890 kHz so QSL's may be coming from this Department of Cajamarca broadcaster in the near future. However if you hear Radio Nuevo Cajamarca, I would suggest sending a Spanish language reception report with return postage direct to the station at:

Radio Nuevo Cajamarca  
Avenida Cajamarca 126  
Nueva Cajamarca, San Martin  
Perú



# RADIO CUSCO

OAX-7A 6195 KH - ONDA CORTA    OAX-7G 1460 KH - ONDA LARGA  
ECO MUSICAL 90.1 MHZ F.M.

## Radio Cusco

Finally a station not located in San Martin! Radio Cusco, of the city and department of the same name, has recently moved from its traditional 6,191.7 kHz to 6,203.7 kHz due to interference from the new Bolivian station, Radio Metropolitana, on 6,194.5 kHz. The station operates from 1000 UTC to 0300 UTC with 1,000 watts of power. The 49 meter band outlet is designed to serve a national and international audience. The medium wave channel on 1,470 kHz serves a local and regional audience.

Radio Cusco is the second oldest radio station in the country. Established on 11 April 1936, the station was founded shortly after Radio Nacional. In Perú, the station's slogan is "La Voz de la Capital

Arqueologica de America." It's shortwave operations broadcast programs about Peruvian culture from the time of the Inca Empire to the present.

Over the years, the station has received correspondence from five continents. A Spanish language reception report with return postage should result in a reply from the station's Gerente, Raul Siu Almonte. Try the following simple address:

Radio Cusco  
Casilla 251  
Cusco, Cusco  
Perú

**RT**

**Radio TARMA** E. I. R. Ltda

OCX4J 1 510 KHZ ONDA MEDIO  
OCX4E 4 775 KHZ ONDA CORTA  
OCW4A 99.3 MHZ FM STEREO

## Radio Tarma

Located high in the Andes Mountains, Radio Tarma broadcasts from a location over 3,000 meters above sea level. The city of Tarma is approximately 250 kilometers east of Lima. The city's population of 150 thousand enjoy temperatures that range from 6° to 23° centigrade with an average temperature during the year of 15° centigrade. The principle economic activities of the region are agriculture, livestock, and commerce. There are numerous archeological monuments recognizing the achievements of the Incas.

Radio Tarma was founded on 17 April 1958. On medium wave it operates on 1,510 kHz using the call sign OCX4J. The AMSA transmitter has a potential output of 3,000 watts. A Koley transmitter with a power of 500 watts is kept on hand for emergencies. On shortwave the station operates a 1,000 watt Koley transmitter on 4,775 kHz with a call sign of OCX4E. The 500 watt FM transmitter utilizes 99.3 mhz and a call sign of OCW4A. The station broadcasts simultaneous programs on medium wave and shortwave. The stereo FM outlet transmits separate programs. The studios are located at Molino del Amo 167 in Tarma. The transmitters are located about 4 kilometers outside of the town. The medium wave antenna is a polarized vertical 48 meters high. The shortwave antenna is a (TIPO) dipole 29 meters long and 15 meters above the ground. The four element FM antenna is located on top of the studio and office building in Tarma.

Radio Tarma is a fairly good verifier of listener reception reports. The station replies with a full data form letter from Mario Monteverde Pumareda, Gerente-General. Spanish language reception reports and return postage can be sent to the station at the following address:

Radio Tarma  
Molino Del Amo 167  
Apartado 167  
Tarma  
Perú

## Radio Naylamp

Broadcasting from "la Provincia de Lambayque" is Radio Naylamp. Located in the city of Lambayque, the station broadcasts to the surrounding region on medium wave and shortwave. The station's message is broadcast in parts of the Andes and the 11 districts that make up the province. Radio Naylamp's programs address the customs and music of the region. During my first reception of this station, I heard a program about the people and the music of Perú. Most of the music consisted of Huaynos which is a staple of this station's program line up.



# RADIO "NAYLAMP" E.I.R.L.

OBX - 1M - OM 1500 KHZ

"LA DIFERENTE"

AV. HUAMACHUCO 1080 - TELF. 3353 2do. PISO - LAMBAYEQUE

"Año de la Modernización de la Educación".

Radio Naylamp broadcasts simultaneously on two frequencies. On medium wave the station can be heard on 1,580 kHz with the call sign OBX. On shortwave Radio Naylamp can be heard on 4,300 kHz with a power of 500 watts. The operating hours are from 1000 UTC to 1500 UTC in the local morning and from 2200 UTC to 0300 UTC in the evening.

The station's Director-Gerente Juan José Grandez Vargas verifies correct listener reception reports with a personal letter and a station card. A Spanish language report with return postage can be sent to the station at:

Radio Naylamp  
Avenida Huamachuco 1080  
Lambayque, Lambayque  
Perú

## Awards Program

As mentioned in December's DX Target about broadcasting in Nigeria, NASWA has the most extensive shortwave broadcast awards program in the hobby under the able leadership of its chairman, Dr. Harold Cones. Similar to the DX Target feature about DXing in Nigeria, in this section I plan to review the awards that your Peruvian DXing exploits can contribute to.

First, the *Peruvian DXer* award requires verification of at least 25 shortwave broadcast stations. With a wealth of currently active shortwave broadcast stations in Perú and a possible renewal of reasonable reply rates to listener reception reports, this award can be earned by the serious DXer. However, it is not an easy award to add to your collection. Harold Cones informs me that this award has been earned by only five DXers since its inception in 1988. Gerry Dexter (100 station endorsement) earned the first award. He was followed by John Wilkins (25 stations), Chris Lobdell (25 stations), Don Moore (40 stations) and Dave Valko (25 stations).

Second, Perú counts as a separate country on the NASWA Country List. By verifying Peru, you are adding a country to your QSL totals. If Perú

is your first verified country in South America, you only have 9 countries to go to earn the *South American Continental DXer* award. This award requires verification of one shortwave broadcast station in at least 10 different South American broadcast countries. Earning this award is not too difficult for the dedicated Latin DXer. According to Dr. Cones, 122 DXers have earned this award since its inception in June 1976. Some guy named Dexter was first again! However, its more difficult sibling, the *South American Continental DXpert* award, requires verification of one shortwave broadcast station in at least 13 different Latin American broadcast countries. Again, according to Harold Cones, only 58 such awards have been issued since it was introduced in June 1976. You will be happy to note that Alan Mayer, not Gerry Dexter, was the first to receive this award.

Third, verification of Perú can help the DXer get closer to earning a coveted *DX Century* award. These awards require verification of at least one shortwave broadcast station in each of 50, 100, 150, or 200 different broadcast countries. The *World Wide DXer* award is for verifying 50 different radio countries. The *DX Centurion* is issued to those DXers that have verified 100 different broadcast countries. The *Senior DX*

*Centurion* recognizes the accomplishments of those hobbyists that have verified 150 different radio countries. Finally, the *Master DX Centurion* award is issued to those few DXers that have verified 200 different broadcast countries.

Fourth, the Awards Program offers two awards based upon QSL's received from tropical band stations. The first is the *Tropical Band DXer* which requires verification of at least one shortwave broadcast station in 50 broadcast countries between the Tropics of Cancer and Capricorn, operating on shortwave below 6,000 kHz. The second is the *Senior Tropical Band DXer* which requires verification of 75 broadcast countries as previously described. Since Perú lies within this region, a verification from this country will count toward this award.

Fifth, in 1991 NASWA introduced the *International DX Listener* award for having heard at least one shortwave broadcast station in each of 50, 100, 150 or 200 different broadcast countries and the *Round The Clock Continental DXer* which requires verification of at least one shortwave broadcast station in each continent, excluding Antarctica, within a 24 hour period. The former is the only NASWA award that does not require verifications from shortwave broadcast radio stations.

Finally, many Peruvian broadcasters are low-powered operations. You may want to count one of these flea powered stations in your QRP totals. The *All Continent "QRP" DXer* award requires verification of one shortwave broadcast station from each radio continent, with the power from the lowest powered station verified in each continent totaled together for the lowest possible wattage combination. The award is issued in 50,

25, 10, 5 and 2 KW increments. A low-powered catch from Perú can significantly reduce your QRP totals.

DXing Perú's shortwave broadcast DX Targets can contribute to 12 different NASWA awards utilizing the club's Country List. For US\$2.00 you can obtain the latest version of the club's Country List and Awards Program booklet which describes the cost and requirements for awards in great detail. The booklet is available through the Company Store (45 Wildflower Road, Levittown, PA 19057 USA) or direct from:

Dr. Harold Cones, Awards Chairman  
2 Whits Court  
Newport News, VA 23606 U.S.A.

## Conclusion

Exploring Perú through its broadcast stations on shortwave is a very rewarding experience. The wide array of domestic broadcast targets provide many challenges and opportunities to the serious DXer. However, DXing Perú is not just for the seasoned veteran. A careful watch of the Log Report, Listeners' Notebook and QSL Report sections of the JOURNAL will keep the devoted listener up to date on new stations, frequency changes, verifications signers and other relevant news from this region. Armed with this knowledge, Perú becomes fair game for any listener with a passion to explore its broadcasting treasures.

Good luck with these Peruvian DX Targets. Remember to send your logs to Sheryl Paszkiewicz or Wallace Treibel for inclusion in the log report columns and those elusive Peruvian QSL's to Sam Barto for his QSL Reports column.

---

**FOR SALE:** Drake SPR-4 with manual, \$195.00. Realistic PRO-2004 scanner with cellular and manual, \$175.00. Eavesdropper trap dipole, package never opened, \$60.00. Xantec DX EDGE, new in sealed package, \$13.00. Directory of North American Military Aviation Communications, Central Edition, sealed in original wrapper, \$9.00. Steven R. Lare, 824 West 25th Street, Holland, MI 49423. Phone (616) 335-2270 from 12 to 3 p.m. on Saturdays only until September.

**WANTED:** 1987-91 back issues of WRTH. 1988 and 1990 back issues of "Passport to World Band Radio". Also need an ICF-6800 parts radio. Tony Bonanno, P.O. Box 6415, Santa Fe, NM 87502. (505) 820-0342.

# NASWA Portraits

**Jerry Klinck**

43 Lein Road  
West Seneca, NY 14224



Welcome once again, to another Portraits column. A reminder . . . if you have sent in your profile and it has not yet appeared here, it will. I take them chronologically, so it may take a few months to get to yours. Also, thanks to the two members who, upon seeing no Portraits column in May hurriedly sent theirs in, thinking I had run out of material. It's nice to know they want us to be in here for a while. Now off we go to Toms River, New Jersey, the home of fellow NASWAn Elliot Straus . . .

"I began my DXing 'career' in June of 1962 at age 14, when for my birthday my grandmother bought me a small portable radio with a shortwave band. I remember turning it on and hearing Radio Moscow and the BBC. I was hooked! Later on that year I wrote to R. Budapest in response to their request for listeners comments and they replied with a QSL card. Being a collector at heart (as I imagine that many of us are) I was really thrilled because now I was writing to everyone I could hear. Also about this time, I wrote to WHAM in Rochester inquiring about their sports schedule. They also responded with a QSL card. That opened the door to BCB DX and I spent the year glued to the dials."

"I started a campaign with my parents, to get a 'real' shortwave receiver and for my 15th birthday I got a Hallicrafters S-38E. That was a great little radio and I remember staring at the faceplate with all those exotic locales printed on it. After working and saving for the summer, I amassed \$90 (quite a sum for a kid back then) and I took a train to NYC. There I bought myself a used Hallicrafters S-85 receiver which was a nice step up from the S-38E."

"I joined the Navy after graduating from high school and that put a crimp in DXing for 4 years. After that was college and I kind of lost interest, due to 'coming of age' in the early '70s. One day in 1972 I just happened to stop in a Ham surplus store and saw a Collins R-390A on the shelf for \$300. WOW! Digital readout! I had to have it and that renewed my interest in DXing. I was a Tropical Band Editor for NASWA in 1973-74 when Dan Ferguson was running the club, and from that experience I can tell you that I appreciate what Sheryl and Wallace do - it ain't easy, folks!"

"I picked up a Drake SPR-4 and a Hammarlund HQ-180A in the late '70s but eventually sold them both, preferring the R-390A. I've been



inactive over the last ten years, due to basement apartment living and other concerns, but now I've got my shack refurbished and am very glad to be back in the DXing game." (You can run but can't hide. Sooner or later we all come back, eh?! . . . ed.) "I currently use the R-390A with an MFJ-959B preselector and 2 70' LWs. In the fall I hope to get a Drake R-8 (good choice . . . d.) and a sloper antenna to augment the R-390A."

"I had a great time in Kulpville at the SWL Fest and it was good to meet some NASWA members there. I hope to be a very active member in the club from now on."

Great to have you back active, Elliot, and thanks for the story.

Just ran across a brief but interesting piece of a "profile" in a 1964 issue of CADEX. John Reasoner wrote: This is to point out how this [DX] station has been utilized to promote international goodwill. Being a University student, I came into contact with foreign students and when SW radio is mentioned the question is asked, "Can you receive stations in my country?" Students are always interested in what is going on at home. To date I have had students from England and Switzerland come over to my shack. I can report 100% success in pulling in the BBC and Swiss Int. Svce. for these students. This is one way in which this [SW] station has been used to promote goodwill and create interest in our hobby."

Even with CNN, etc., this could be timely even today. Any of you NASWAns ever try this??"

73zzzzz

# NASWA Awards

**Dr. Harold Cones**

2 Whits Court  
Newport News, VA 23606  
Compuserve 71570,411



Howdy for August. The operative word here is HOT--like over a hundred degrees hot for days on end with no rain--stinkin' hot--stick-to-the-chair kinda hot. Using Dr. DX's rule of DXing--you DX where you are--reception from all the tropical countries should be fantastic now. But not only is it not fittin' weather for humans, it is not fittin' for radio either. Bazillions of electrical storms worldwide have focused their static on my little radio room and the humidity is so high the sweat keeps making my hands slip off the radio controls. Beverage antennas are far from my mind right now but beverages certainly are not. At least with things like they are, the only way we can go is up so I will just have to be thinking ahead to fall DX and the 7th Winter SWL Fest.

And speaking of fests, are you going to be in Virginia Beach on October 2 for the Popular Communications worldwide shortwave convention? It is being held in conjunction with one of the largest ham fests and computer shows in the east so there should be plenty of vendors and plenty of chances for you to spend your money. There will be quite a few of the NASWA staff there and several will be featured speakers.

The award business has been a little slow this time--I expect many of the applications either melted in the mail or else were thrown away when they moved the mailman's body off the street after he passed out from the heat. But some did get through and these are the latest folks to be insulating their walls from the summer heat with NASWA greens (and please note, we have added three!! new Master DX Centurions to our ranks):

Mark Anderson .....	European Senior DXer
James Clar .....	DX Centurion
	Arab World DXer
	European Senior DXer
Jill Dybka .....	'Round the Clock DXer
Michael Fanderys .....	Australian DXer
Kris Field .....	African Continental DXpert
	Master Pacific DXer
	160 endorsement-Senior DX Centurion
	5 kw endorsement-QRP
Richard Hankison .....	All Continental QRP-25 kW
Anthony Scott Helm .....	All VOA
	Maple Leaf DXer
Jerry Klinck .....	African Continental DXpert
Fred Kohlbrenner .....	Senior Indonesian DXer
	Asian Continental DXpert
	180 endorsement-Senior DX Centurion
Rick Krzemien .....	Master DX Centurion
Steven Lare .....	Master DX Centurion
	200 endorsement-International DX Listener
	35 endorsement-European Senior DXpert
Frank Orcutt .....	South American DXer
Lowell Pankake .....	World Wide DXer
David Ringold .....	Ecclesiastic DXer
	International DX Listener
Andreas Scheurell .....	World Wide DXer
Andrew Steinberg .....	25 endorsement-Pirate DXer
Rui Trindade .....	South American DXer
John Wilkins .....	Master DX Centurion



## FEATURED AWARD OF THE MONTH

Rather than feature a single award this month I would like to use this space to answer some questions and clarify a few points about the awards program. I really enjoy the notes and letters that come with your applications and although I pen a reply to each one, I often do not get everything answered.

**Fees:** The awards cost \$2 each in North America, \$3 US to the rest of the world. IRCs are accepted at the rate of \$0.50 each. Either checks or cash are fine, but if you send a check, please make it out to me, not NASWA Awards or the like, (One way of keeping the price of awards low is to not maintain a checking account. Therefore, if a check is not made out to me, I have to save up a bunch and send them to Bill, who can get them in the NASWA account most of the time, but then has to send a check to me). US stamps, postal money orders and regular money orders are fine. Endorsement stickers used to be \$0.50, but now cost \$1.

**Timing:** If you are working on a number of awards, it is a good idea to save them up until you can send several applications at the same time. This helps me with my time and saves the club a considerable amount of postage money (it take me an average of 15 minutes each to log in, check, determine serial number, enter in the computer database for the column, pull the award, type it, address the envelope, attach seals and write a note--but two or more awards to the same person takes only a tiny bit longer). I try to do awards at least every two weeks, but just like you, I get behind from time to time.

**Country list:** NASWA is very careful about the entries on its country list and it may appear at times that the Country List Committee is moving very slowly in adding countries. The NASWA list is the most respected list in the world for a reason--it is this careful attitude that has made it the standard. The Country List Committee works independently from the Awards Committee, so I have no idea what status a particular potential country may have at any given moment; questions of that sort should go to the Chairman of the Country List Committee (address is on the back cover). I am often asked when a new addition of the country list will be coming out. Headquarters is working on an updated list but it is a major job to get it set up and printed and we are unsure at this time when the new list will be ready. Until then, the 1991 list is the one to follow. Also, requests for copies of the list should go directly to The Company Store.

**Crummy awards:** Three of our awards, the time station awards and the Antarctica award, are printed on thin paper and look pretty washed out. I frequently get notes (or sometimes the entire award back) from folks who do not like them--in fact, I sent just such a note to Kap when I received mine years ago. We have a pile of these suckers and the pile has to get lower before we can get new ones printed, so apply for them and let's get rid of 'em! An award can be replaced at any time (sorta like Savings Bonds) by sending the money and a copy of your old award (or the award number) to me, so watch The Journal and when new ones get printed, you can replace your old ones. Sorry, these crummy awards have been passed down for a number of years. But, on the up side, this could be a new award category for you--try to collect all the crummy NASWA awards!

I hope this answers your questions and makes the award program a bit more understandable. It all operates pretty much logically but please do not hesitate to ask any questions you might have. Let me hear from you. It is fun to collect NASWA awards and if you have not started yet, now is the time. Oh yes, the most frequently asked question: Do I check your applications for accuracy? Yes, I do! Have a nice summer and I will see you in the fall.

# Listener's Notebook

Hans Johnson  
7529 Red Cravat Court  
Columbia, MD 21046  
CompuServe 73042,3644

**COPYRIGHT NOTICE** - Items credited to WBI (World Broadcasting Information) are copyright by the BBC Monitoring Service and may not be reproduced without BBCMS permission.

All times, dates, and days of the week are GMT (UTC), dates are MM/DD or MM/DD/YY.

Listener's Notebook is now receiving *Onda Corta* directly. This is an excellent source of Dx news published in Argentina by Gabriel Ivan Barrera. If there is a publication whose material you think should be appearing in LN, please let me know.

Nikolai Rudnev, a very active Russian Dxer, has agreed to provide LN with news of shortwave happenings in the former Soviet Union. While I have used Nikolai's information in the past, I received it indirectly, resulting in a delay of a month or two in getting it to you. That is now over.

Close cooperation has been the hallmark of the relationship between NASWA and the Ontario Dx Association. David Clark, editor of World Radio Report of the ODXA, and I exchange columns via e-mail with both clubs benefitting greatly in the process.

Technique tip-I am a firm believer in the 27 day solar cycle. That is, all things being equal, reception conditions often repeat 27 days later. If I have a good opening, I make sure to try again 27 days later. I also study every bulletin I receive and if someone else in my area has a good opening, I am listening for that opening 27 days later. Here are some days and targets to try for:

August 6th-*Radio Patagonia Chile*, Chile 6080.1 khz 0956 UTC sign on. Good deep South America opening.

August 8th-*Radio Imagen*, Peru 4970.3 khz at 1000 UTC sign on. Good Peruvian morning. (11)

August 11th 6115 khz *Radio Union* 1000 UTC go in LSB to avoid Colombian. Good Peruvian morning.

August 12th UTC 6135 khz *Radio Santa Cruz* 0030 UTC yes, this can overpower Switzerland at times. Excellent Bolivian conditions right before and after local sunset.

Keep in mind that this only reflects conditions here on the East Coast. Feel free, however, to send in news of your good openings.

**ABKHAZIA** - see CLANDESTINE

**ALGERIA** - *Radio Algeria* uses the following schedule for its Arabic service: 0100-0500 UTC 15215 khz, 0500-0700 UTC 7245 khz, 0600-0900, 1500-1900, and 2000-2100 UTC on 11715 khz, 1600-0000 UTC on 15205 khz, 1700-2200 UTC on 6145 khz and 1900-0000 UTC on 7145 khz. English is from 1800-1900 UTC on 9535 and 17745 khz and from 2100-2200 UTC on 11715 khz. (WWII via ONDA CORTA)

**ANGOLA** - *Radio Nacional* 3392.6 khz a new frequency heard at 1811 UTC in Portuguese. (FST SWN)

**ARGENTINA** - *Radio Nacional* 9690 khz is the new frequency for Spanish at 2300 UTC, ex 11710 khz. Parallel 15345 khz. (RADIO WORLD)

**ARMENIA** - following up on the July LN, on July 10th I received a letter from Levon Ananikian, Chief Director of the "Arax" Radioagency. No explanation of what "Arax" means was given, but it was referred to in quotes. An enclosed scheduled included English at 1845-1900 UTC on 4810, 4990 and 6065 khz; 2145-2200 UTC on 9450, 11920 and 11945 khz; 2245-2300 UTC on 11920, 11945, and 15335 khz; 0245-0300 UTC on 11675, 13765, and 15330 khz, and Sundays only

0845-0900 UTC on 15170, 15510 and 17770 kHz. (Chris Sweitzer)

**AUSTRALIA** - AAFR the latest schedule direct from the station is: To Somalia-0300 UTC on 19037.6 kHz, 0900 UTC on 25322.5 kHz and 1400 UTC on 13508.5 kHz. To Cambodia-0300 UTC on 23678.5 kHz, 0900 UTC on 20418.5 kHz and 1200 UTC on 12070.5 kHz. Transmissions to Somalia are on Fridays only via the North West Cape site in Western Australia. Transmissions to Cambodia are daily from Belconnen in the ACT. (Dave Valko)

**AUSTRIA** - Ian MacFarland interviewed Edgar Sterbentz, deputy director of *Radio Austria International*, on Radio Japan Media Roundup 7/11.

IM: When did R. Austria start its shortwave service?

ES: Experimental programs were aired in 1929 with a 20 or 50-kw. xmtr. Only after the Austrian state treaty in 1955 was it possible to get better equipment. Two 100-kw. xmters were installed. In 1982 there were 4 x 100 kw. and in 1993 we have 2 x 100 kw. and 2 x 500 xmters.

IM: Where are your broadcast sites?

ES: The studios are in Vienna. The xmtr site is a little village called Moosbrunn. We have had for more than three years relay agreements with *Radio Canada International*. The RCI agreement is the only one we have.

IM: How did the station evolve?

ES: Of the early days we don't know very much. [possibly because the Nazis or the Russians destroyed the records?] After WW2 in 1955 when the SW service became a real one it was also used to communicate between the different parts of the country. Austria at that time was occupied by four allied powers and it was not easy to cross frontiers, and by the means of shortwave it was also possible to communicate between the Russian zone and the French zone and so on.

IM: So, really, a domestic service.

ES: At that time, yes.

IM: When did it evolve into a full blown international service, targeting foreign audiences.

ES: It was in the early 60's. In the mid-80s we tried to take the shape we have right now. We rebuilt our transmitting sites. We got the two 500-kw xmters. Unfortunately we are not allowed to use both of them because local environmentalists have objections against it. We also have a legal case before the highest court in Austria which will deal with this matter, looking forward if we can continue with the whole service from our site in Moosbrunn.

IM: If you happen to lose that court challenge, will it mean actually changing the location of your transmitters?

ES: This might be a possibility. What we are actually looking for is to use all the other new media, satellites, relays, and rebroadcasting facilities. Unfortunately at the moment the only new media used is the RCI relay.

IM: Were there any highlights of the service?

ES: Well, this coincides with the domestic service's history: reporting on the Austrian state treaty, reporting on the Kennedy-Khrushchev meeting in the early 60's. We had of course the SALT treaty agreement in 1979, when U.S. President Jimmy Carter kissed Leonid Brezhnev in the Vienna Hofburg. We had year for year the Vienna Opera Ball, which is always a big event covered for the whole world, and we had of course the New Year's Eve concert by the Vienna Philharmonic Orchestra, which is always transmitted over the world.

IM: How many broadcast languages do you use at the moment?

ES: We have six languages, German, English, French, Spanish, and once a week each in Arabic and Esperanto.

IM: Do you have any definite plans for expansion or new languages?

ES: At the moment, no. What we are looking for is to get on satellite as soon as possible, within Europe, or even to get an international satellite so that we can bridge the Atlantic.

IM: Do you have any plans for digital audio broadcasting?

ES: DAB is far out of reach at the moment. We are adding new studio equipment in Vienna. We tried to get digital equipment for this place but we are far away from digital broadcasting.

IM: What kind of studio equipment do you have?

ES: Most of the equipment is outmoded, between 15 and 20 years old. They crumble a little bit already. Most of the equipment is Swiss made by Studer. [The Swiss engineer who is supposed to know more about tape motion over tape heads than anybody.]

IM: How big is the staff at Radio Austria?

ES: Altogether we have about 60 employees, including program staff, studio technicians, and transmitter engineers. We have between 50 and 60 free-lance and part-timers. This staff puts out about 89 hours a day; the entire operation costs about C\$ 11-12 million a year.

IM: Is R. Austria having budget problems like other stations?

ES: Well, we fight, year for year, for our budget. When we start negotiations we

always hear from our Ministry of Finance that we have to cut at least 5. At the end we try, it's less than that, but we can say we were able in the last two or three years to keep the standard. We didn't get more, but we could keep the standard we had two years ago.

IM: You're probably doing better than a lot of stations if you're at least keeping stable.

ES: Sometimes it seems that way, anyway. (RJMR 7/11 via Mike Fern)

**AZERBAIJAN** - *Radio Baku* is now using a former jamming complex located in the heart of Baku for some AM and shortwave transmissions. (WBI) The station announced on May 30th that they would be adding German and French services. (Southwell SWN)

**BALI** -see INDONESIA

**BANGLADESH** - *Radio Bangladesh* has English from 1230-1300 UTC on 13615 khz, a slight change from 13610 khz. (Dave Valko)

**BELGIUM** - *Radio Vlaanderen International* will have an open house on August 21st. Everyone is invited but you must have an invitation, which can be obtained from the station. (RADIO WORLD)

**BOLIVIA** - *Radiodifusoras Tropico* 4552.5 khz heard at 1050 UTC with program *La Hora del Navegante*, for listeners who navigate in Rio Mamore and other river basins in Departamento de Beni. (RP 012)

*Radio La Plata* 9717.5 khz canned id is *Estas Ecuchando Radio La Plata, Sonido Mundial*. (Gonzalez SWN)

**BOSNIA** - *Radio Bosnia Hercegovina* 6220 khz is a program directed to Serbia and Montenegro every Wednesday and Sunday at 2100 UTC. (Suss PLAY DX)

**BRAZIL** - *Radio Super Alvarada* 2460 khz is a new station located in Rio Branco, Acre. Heard around 2300 UTC. (Sahill WOR)

*Radio Clube Marillia* 3235 khz has a Japanese language program at 0000 UTC. (SWB via FK/AWR via CONTACT)

*Radio Clube de Varginha* 3245 khz has reactivated and is often heard around 2300 UTC. (JPP SWN)

*Radio Difusora do Maranhao* 4753.8 khz has reactivated and was heard from 2325 UTC until past 0300 UTC. (Hanninen DX-CLUSIVE via PLAY DX)

*Radio Rio Mur* 9695 khz has reactivated. (SSG SWN)

*Radio Educadora de Guaraja* 3375 khz reported in a verification letter that they are using 5 kW. (Perolo NU)

*Radio Clube de Dourados* 3375.2 khz was heard at 0344 UTC announcing a new address: Caixa Posta 12118 (Dourados) 702128-970 (Margenet PLAY DX)

*Radio Relogio* 4905 khz is off the air in order to modernize their facilities. (Perolo NU)

**BULGARIA** - See PIRATES-EURO

**CAMBODIA** - The domestic service has changed its name from *Voice of the People of Cambodia* to *National Voice of Cambodia-Vithu Samleng Cheat Kampuchea*. There are 3 daily transmissions at 2230, 0400 and 1100 UTC on 4907 and 6090 khz. (WBI)

**CAMEROON** - The best route of getting QSLs out of this country's stations is via James Achanyi Fontem, who has a new address. It's - Cameroon Link Bilingual Magazine/Catcha Fund Publications, B.P. 1460 Douala, Republic of Cameroon. Enclose 2 IRCs. (Goldfinch OZDX)

**CENTRAL AFRICAN REPUBLIC** - Soldiers of the presidential guard took over the radio station in Bangui on July 10th, but returned to their barracks after the government paid them two months pay. The soldiers had not been paid in eight months. (Charlotte Observer via Vernon Hyson)

**CHILE** - *Radio Patagonia Chile* 6080 khz was heard signing on at 0956 UTC on a Saturday instead of the listed 1100 UTC. (Dave Valko) The station's morning program is *Antenna de Aysen* and the canned id is: *todo el acontecer regional desarrollado port el Departamento de Prensa de Radio Patagonia Chile*. (ONDA CORTA) (HJ)

*Radio Esperanza* 6088.5 khz blew a tube on their 1kW transmitter and is off the air. The new 10 kW transmitter is still in Santiago (DXPL via David Clark) What I believe to be their new 10kw transmitter was first heard here on July 10th on their nominal frequency of 6090 khz at 1030 UTC. Nice signal with religious songs sung in Spanish. (HJ). *Radio Esperanza* is still operating with a small backup transmitter. The 4CX3000 final of the main transmitter blew and the chief engineer's wife died. (DXPL July 10 via Mike Fern) *Rudio Esperanza* 6090 khz per recent QSL, this station's schedule is: 1300-0200 UTC daily and 0400-1200 UTC on weekends. (Cedric Marshall WRR)

**CHINA** - *Voice of Pujiang* is a service for listeners in Taiwan that was inaugurated on January 1, 1988. The station has stated that its aims include promoting patriotism and reunification of the motherland. The schedule is 0955-1545 UTC on 3280, 4950 and 7115 khz, all in Chinese. (WBI)

Effective May 1st, Xinjiang PBS, Urumqi, effected seasonal changes, shifting use of 3960 khz to 7385 khz and 3990 khz to 7195 khz. Then on May 15th, transmissions ceased on 5060, 5440, 5800 and 6100 khz. Thus, for the summer season, Chinese is heard on 4500 and 7385 khz; Uighur is heard on 4735 and 7195 khz; Korean is heard on 4330 and 4970 khz; and finally, Mongolian is heard on 4220 and 4980 khz. (RJMR via WRR)

**CLANDESTINE - Radio Patria Libre** 5840v khz was first heard on October 27, 1988 via a mobile transmitter. This is the station of the *National Army for Liberation*, a group fighting the present Colombian government. Heavily jammed at times, it has operated off and on over the last 5 years. Transmissions begin with a folk music interval signal and programs vary from day to day. Monday through Thursdays are devoted to news, while Saturdays feature an open mike. 4 digit cipher groups are also passed. The best time to try is at 0030 UTC. (Matias CONEXION via PLAY DX)

Glenn Hauser mentioned that the various Cuban clandestines have been jammed since at least last February rather than having started just last May as I reported. While the jamming is audible in Ohio, it is ineffective in Florida and by extension, probably ineffective in Cuba too. (Zeller NU) Ground wave should be effective in Cuba. (WOR)

*ex-Federacion Mundial de Ex-presos Politicos Cubanos* 7081.1 khz The FCC has upheld an \$ 8000 fine of a non-ham for operating on the amateur 40-meter band. Last year, Roberto Pizano of Tampa, Florida admitted to being responsible for "conducting unauthorized transmissions on the 40-meter amateur band as part of political propaganda efforts against the Castro government in Cuba, by a group of Cuban former prisoners. Pizano argued that "the public interest in supporting a Cuban 'freedom fighter' dedicated to liberating his country should out-weigh the Comission's regulatory interests," the FCC said as it rejected his argument. (QST via Potter DXSF) Station operated in the late summer of 1991 around 0030 UTC and did verify, albeit via a unique route. (HJ)

*Voice of the Great National Front* 5408 khz started broadcasting on October 27, 1991 as a result of the merger of the Khmer Rouge's *Voice of Democratic Kampuchea* and the opposition coalition government's *Voice of the National Army of Democratic Kampuchea*. It uses 5408 khz at the following times:

0100-0145, 1300-1330 UTC in English  
0145-0200, 1200-1300, 1330-1400, and  
2330-0100 UTC in Cambodian. (WBI)

*Voice of the Iranian Revolution, Seda-ye Enqelab-e Iran (Farsi), Aira Dangi*

*Shurashi Irana (Kurdish)* started transmitting on January 16, 1993 and is hostile to the government of Iran. It is believed to be associated with the *Voice of the Communist Party of Iran*. Transmission times and frequencies vary widely to avoid interference and are on 6400v khz and 3888v khz from 0900-1045 UTC and 1400-1500 UTC in Farsi and Kurdish. (WBI)

*Voice of the Communist Party of Iran, Seda-ye Hezb-Komonist-e Iran (Farsi)* was first observed on August 26, 1984 and gives this address: BM Box 2123, London, WC1N 3XX. There are some frequency announcements in English and the station sometimes broadcasts coded messages for up to 45 minutes after the end of regular transmissions. All transmissions are in Farsi. Try: 0415-0545 UTC (except Friday) 6400v khz with 4445 khz alternate and 4190v khz with 3888v khz as the alternate. On Fridays there is a transmission from 0530-0700 UTC and from 1700-1800 UTC everyday on the above frequencies. (WBI)

*Al-Quds Radio* 5910 khz heard at 1639 UTC. This station has a 10 kw transmitter located in Syria and can be reached at the following address: P.O. Box 5092, Damascus, Syria. (Fransson SWN)

*National Radio of the Arab Saharan Democratic Republic* (See May, June 1.N) 11520 khz has not been heard here in Maryland in a few months. Perhaps they have left the air since I have not seen any logs for it. Hope you got it while it was on. (HJ)

Abkhazia was an autonomous region in the former Soviet Union. Since the independence of Georgia, the Georgians have attempted to incorporate Abkhazia into Georgia. (RADIO NETHERLANDS) Except for the capital, Sokhumi, separatists forces control the entire region. In the middle of July, a battle for this city was taking place. Below are perhaps two different stations. I believe that the first is the station of the separatists, but the second one I am not sure about. I have listed them in the clandestine section as Abkhazia is attempting to break away from an internationally recognized government. Perhaps we have another Eritrea in the making. (HJ)

*Voice of Abkhazia* 7125.4 khz is located in Gudauta and was heard at 1204 UTC with programs in Russian. The station ided as *Vefire radiostansiya Golos Abkhazia* and signed off at 1225 UTC. (MPT SWN)

*Voice of Abkhazia* 7305 khz is located in Russia and was heard with Abkhazian programming at 1704 UTC and a Moscow Russian id at 1750 UTC. (Baldwin SWN)

Both stations of the PKK, that is, the Kurdish Workers' Party that is fighting the government of Turkey-*Dicle* and *Independent*

*Kurdistan* were untraced during a visit to Turkey. (Krone SWN)

*Radio Kurdistan Iraque* 7080 khz is a new station to me that was heard in Kurdish until 0329 UTC sign off. Any information would be appreciated (ibid)

*Radio Bayruk* was not found in the 49 meter band was probably off. (ibid) This is the station of the Turkish Republic of Northern Cyprus, a state only recognized by Turkey. (HJ)

*Radio Irina* broadcasting from Russia to Vietnam on 17890 khz from 1400-1500 UTC was pulled off the air by the Russian Ministry of Communications on June 30. (WBI)

*Voice of Renamo A Voz da Renamo* resumed broadcasts at the beginning of October 1991, broadcasting from Gorongosa in Central Mozambique. Renamo is the acronym for the Mozambique National Resistance, which is hostile to the government of Mozambique. A Renamo station operated as *Voice of the Mozambique National Resistance* from a transmitter possibly in the Mozambique/South Africa area until March 1984. Between 1980 and 1983, the station used the name *Voice of Free Africa* and had its origins in an identically named station that transmitted from Gwelo, Rhodesia (now Gweru, Zimbabwe) from 1976-1980. It operates in Portuguese from 0500-0515 and 1600-1615 UTC on 10100 khz. (WBI) See SOMALIA

*Voice of the Assyrians* 7305 khz is on Wednesdays and Saturdays only from 1500 until 1530 UTC via a transmitter site in Russia. (Nikolai Rudnev via Bob Padula) This needs alot more work and I am not even sure it's a clandestine. The Assyrians are a Christian minority group that now inhabits parts of several Middle Eastern countries, including Syria and Iraq and Iran. Once in control of an empire in southern Iraq, they suffered at the hands of the Ottomans early in this century and went into diaspora. I can only speculate that this station is set up similarly to the many ethnic group stations that are operating from American stations. If their aspirations are similar to other overseas Assyrians they would be demanding a state of their own roughly corresponding to the modern borders of Iraq. (HJ)

*The Voice of the Free Men of the Peninsula Radio from Riyadh, Itha'at Sowl Hari Al-Jazirah min Al-Riyadh* (Arabic) was first observed on January 18, 1993. Although it claims to broadcast from Riyadh, the material it broadcasts is hostile to the Saudi Government and in support of the Iraqi government. Its transmitter is believed to be in Iraq. The schedule is: 2000-2200 and 2200-0000 UTC on 11860 khz with 9740 khz as an alternate. All programming is in Arabic. (WBI)

*The Voice of Independent Kurdistan* 7330 khz was heard on July 18th at 1400 UTC with programs in Kurdish and Turkish. The radio, which broadcasts in support of the Kurdish Workers' Party (PKK), hostile to Turkish government, was last heard in March on 7030 khz. (WBI)

**COLOMBIA** - The Colombian senate approved a bill giving the president the power to prohibit the disclosure of a news item if its jeopardizes lives or order during emergencies. During times of war and internal unrest the government may: 1-Use radio to broadcast information related to maintaining order, 2-Penalize anyone using the media to abet a crime, and 3-Restrict information that may jeopardize a military operation. The government denies that this is a gag order on the local media. (WBI)

*Radio Melodia* 6045.3 khz this station is irregular but puts in a nice signal when on. (HJ) Canned id is: *Melodia Bogata AM, emisora fundamental de la Cadena Lider de Colombia.*

(Klemetz WRTII-LA via SWN)

*Radio Colombia Nacional* 6160 khz is to reactivate this frequency with a 50 kw transmitter to be on the air 24 hours a day. (White RADIO ENLACE via SWN) The Chief Engineer says that this is "a necessary prestige operation" and will be on before the end of the year. (Klemetz WRTII-LA via SWN) If you think *Radio Malargue*, Argentina on 6160.7v khz is hard to hear now, wait till this pops on. (HJ)

*Radio Nueva Vida* 5567 khz The station's slogan is: *Anunciando las Buenas Nuevas de Salvacion.* Power is 100 watts and the verification signer is Christian Caicedo Aguiar, Locutor who can be reached at; P.O. Box 4023 Cucuta. (Hardester FT)

**COMOROS** - *Radio Comoros* 3330 khz per a letter from Mr. Molle Hissani 'Ali Hamdi at the station, *Radio Comoros* has been off the air on both short and mediumwave since November 1992. (Gornati PLAY DX)

**CONGO** - *Radio Nationale* 4765 khz as of June 24 will only broadcast information issued by state organs. The broadcast of information and statements by political parties and associations is strictly suspended. (WBI) I have heard them with some pretty interesting English news at times. Try from 2200 UTC on. (HJ)

On July 1st, the Congolese head of Radio and TV was dismissed and the Congolese media remains in a state of turmoil. (WBI)

**COSTA RICA** - *AWR-Costa Rica* 9722.6 khz has reactivated this channel with Spanish

programs before 1000 UTC and English ones after. (RP 012)

*Radio Exterior Espana's* schedule of transmissions via Costa Rica directed to North America is: 0100-0400 UTC Tuesdays to Saturdays on 9630 khz, 1100-1400 UTC Mondays to Fridays on 11880 khz, 1800-2400 UTC Mondays to Fridays and 1300-0100 UTC Saturdays and Sundays on 17890 khz. Reports can be telephoned or faxed in to-506 25 29 38. (Martinez SWN)

*Radio for Peace International* 6199.8 khz started using this frequency on July 15th // 7385 khz at 2355 UTC. (HJ) The weather has been uncooperative, lightning and antenna work do not mix. They hoped to have the 30kW transmitter on by the end of July. (RFPI MAILBAG via Hauser DXLD)

**CZECH REPUBLIC** - *Radioropa Info* 5980 khz could not get a license for a transmitter in Germany so they decided to transmit from here instead. (Volk Internet via Burnell FT)

*Radio Prague* is on new 17535 khz in English from 0400-0430 UTC. (Bob Padula)

**DOMINICAN REPUBLIC** - *Radio Dominicana* rather than a new station, this is actually a reactivated RTV Dominicana. The shortwave was destroyed in a hurricane, perhaps David in 1979. (Krueger DXSF)

*Radio Cima 100* 4962 khz still considers itself to be testing. They are using no more than 1 kW. Transmissions are often interrupted due to breakdowns or lack of electricity, a common occurrence here. (Petersen SWN)

*Radio Mil* 4940 khz off for business reasons, will not be reactivated anytime soon. (Helmbold SWN)

*Radio Commercial* 4880 khz off for business reasons and technical problems and will not be coming back on the air any time soon. (ibid)

*Radio Amanecer Internacional* 6025 khz is the new station identification here. (Dave Valko)

**ECUADOR** - *Radio Popular de Cuenca* 4800 khz has reactivated. (Krone SWN)

*Escuelas Radiofonicas Populares* 5015 khz usually ids as *Radio Fonicas* This station is located in Riobamba and was founded on March 19, 1962. Its transmitter is located 15 kilometers north of Riobamba in Chiborazo. There a French-made TRT transmitter is fed into a dipole antenna. The majority of programs are in Quechua on the following schedule: 0900-1400 and 2100-0230 UTC. The verification signer is Juan Perez Sarmiento, Director Ejecutivo (Fred Kohlbrenner) This station is now on 5015 khz,

a move from 5011 khz. (McHarg DXPL) Still untraced in Maryland. (HJ)

*HCJB* received nearly 70,000 letters last year. English letters made up the largest percentage at over 14,000. (ATW) *HCJB* will soon start transmissions in Chuvash, a language spoken in the Ukraine. The programs were recorded in the Ukraine and will each be 15 minutes long. (ibid)

*Radio Cumanda* said that they had not received my previous letters and that they are using 500 watts. (Perolo NU)

**EQUATORIAL GUINEA** - *Radio Nacional* 5003.8 khz has reactivated this channel. Heard at 0530 UTC. (Tony Orr)

**ETHIOPIA** - *Voice of Peace* in Somali to Somalia with a short id and announcement in English. Heard from 1100-1200 UTC on 9560 and 11800 khz. (WBI via Buschel SWN)

**GABON** - *Africa Number One* 15475 khz was heard with an unlisted English segment from 1845-1850 on a Sunday. This may have been a UN program. (Guy Atkins)

**GERMANY** - An agreement has been signed establishing *Deutschlandradio*, which will replace *Deutschlandfunk* and *RIAS* starting in 1994. (WBI)

As of July 1st, Germany introduced new postal codes with five digits. Here are the new addresses of German broadcasters using shortwave:

Bayerischer Rundfunk, Rundfunkplatz 1,  
D-80335 Muenchen  
Deutsche Welle, D-50588 Koeln  
RIAS, Hans-Rosenthal-Platz, D-10825 Berlin  
Radio Bremen, Buergermeister-Spitta-Allee  
45, D-28329 Bremen  
Radioropa Info, Postfach, D-54550 Daun  
Sender Freies Berlin, Masurenallee 8-14,  
D-14057 Berlin  
Sueddeutscher Rundfunk, Neckarstr. 230,  
D-70190 Stuttgart  
Suedwestfunk, Hans-Bredow-Strasse,  
D-76530 Baden-Baden  
(Andreas Volk INTERNET via Jean Burnell)

**GHANA** - *GBC* 4915 and 3366 khz are signing off at 0100 UTC instead of 2305 UTC since July 7th. (Stephen Price)

**GUATEMALA** - *AWR Guatemala* studios' are co-located with the commercial station *Radio Union*. The transmitter site is on top of a mountain near Guatemala City. (Petersen ADXN via SWN)

*Radio Buena Nuevas* 4800 khz is *La voz de la Iglesia Evangelica Nacional Mam C.A.*, which carries religious, educational and cultural programming with 1 kW of power. Initial tests in 1987 were done with 250 watts.

A total of 5 people now work at the station. (Petersen SWN)

**TGPC** 4895 khz a new station that might be on this frequency. Id unknown, but located in Soronda. (Viloria WOR)

**GUINEA - Radio Nationale** 7125 khz heard signing on at 0558 UTC with IS. National Anthem at 0600 UTC, id and then brief Koran. A variety of African folk music was then heard. **IRRS** from Italy is here, so do not get confused. (Brian Alexander)

**HONDURAS - Radio Copan International** 15675 khz ran rather unsuccessful tests several months back using only 100 watts or so into a simple dipole antenna. Hopefully, the new beam antenna cut for 15675 khz that we have sent will provide better reception in North America and Europe. Although there is not a definite program format for this station just yet, it will be entirely different than **Radio Miami International**. Tests will start as soon as the antenna gets to Honduras. (Jeff White on MEDIA SCAN via WBI) The station started tests in early July, look for them around 2000 UTC. (Jeff White WOR)

Thanks to a Media Network tip via Tom Sumstrom, this station was heard in Maryland on July 15th with fair signals at 2100 UTC. (HJ)

**INDIA - AIR Shillong** 4790 khz is now operating here on the schedule of 1130 until 1630 UTC. This is a move from 3255 khz. (RJMR via Dave Clark NU)

**INDONESIA - RRI Denpasar** 3945 khz is inactive. (Foster NU)

**RRI Medan** 4766.1 khz has reactivated. Heard at 1255 UTC parallel to 3376 khz. (Foster NU) **RRI Medan** 4766 khz reactivated on June 26, closing down at 1525 UTC. Local news is at 1430 UTC and the parallel frequency of 3375.5 khz is heard after 1525 UTC. (Juichi Yamada)

**RPDT2 Sumba Timur** 3541.7 khz at 1315 UTC. Lagu Hiburan until 1323 UTC then ids. Berita daerah followed. Still on at 1345 UTC. First time heard since 1987. Nominal frequency is 3500 khz and power is believed to be 75 watts. (Foster OZDX via DXLd)

**RRI Palembang** 4855.8 khz is a 1952 Gates Model. (ibid) I had some questions, so (HJ) Transmitters didn't change every year back in the '50s. Once they developed a stable design they kept it in the catalog for eons -- don't mess with success. Gates rigs had a reputation for being cheap but solid performers. There were different models for each power level (250, 500w, 1, 5, 10, 50kW) and the tube complement was dependent on the power level. Anything up to a kilowatt used

type 833 triodes: a 1kW rig used four of them in push-pull/parallel in the output stage and two in the modulator. Bigger rigs used the real expensive Amperex and Eimac (Eitel-McCullough, now Varian) tetrodes (4-10000A, etc.) Ceramic tubes didn't come around until later, say about 1960 (the ceramics have types like 4CX10000A.) (Elton Byington)

**RRI Wamena** 4866v khz now signs off at 1600 UTC. Local news is at 1530 UTC. (Juichi Yamada)

**RRI Jakarta** 9525 khz has the news program **Berita Berita ABRI** at 1130 UTC. The parallel frequency of 9680 khz has been heard irregularly since the middle of June. (ibid)

**RRI Samarinda** 9615 khz **KGEI** has returned to this frequency, blocking our reception from this station during the morning. (Clark WRR)

**RRI Pontianak** (Kalimantan) is observed off the nominal channel on 9708 kHz at 0100-0800 UTC. (Thalpie in IRLC via Foster in OZDX via WRR)...suggesting a slight chance that it could be heard on a fade-up just before s/off with the approach of their sunset (dmc)

**RRI Denpasar** (Bali) was missing from 3945 khz when checked at 1305 UTC [after s/off of **NSB**] on June 13th and hasn't been positively heard in some while. (David Foster in Numero Uno via WRR)...Gordon Darling has previously advised us that the erstwhile 10 kW transmitter was in terrible shape and not expected to be replaced when it ultimately died. That now possibly being the situation, you can kiss the radio country of Bali good-bye! (dmc)

**IRAN - Unid** 9743 khz a possible new regional outlet was heard here until 2050 sign off with anthem. (Padula SWN)

**IRAQ - Republic of Iraq Radio** 6550 khz is now used for the Kurdish service ex 6560 khz. Heard at 0230 UTC. (Tony Orr). IRAQ has stopped jamming foreign broadcasts as of June 1st. Stations no longer interfered with include the **BBC**, **VOA**, and **Radio Monte Carlo's** Arabic service from Cyprus. A spokesman said it makes little difference because Iraqis listen to their own stations anyway. (Orange County Register via Mike Fern)

**R. Iraq** is being heard from 0330-0353 on 15205 kHz. with closing announcements mentioning India and Pakistan. The station is on the air from 0100-0400 with programs different from 17940 kHz. (John Mainland, NZ, on RNMN 7/22 via Mike Fern)

15205 is very strong in Shri Lanka from 1400-1600. Sign-on occurs any time between 1400-1445. Although the VOA also uses this freq, it is not being jammed. VOA,



which broadcasts to South Asia, is dominant one day and Iraq the next. (VG on RNMN7/22 via Mike Fern)

**ITALY** - *Radio Idea* 7379.8 khz has reduced its schedule from 24 hours a day to presumed 2200-1700 UTC using a 500 watts Collins into a 5/8 wavelength dipole 30 meters above the ground. There are plans to upgrade to a 5kW Rhodes. (Edwards DXLD)

**JORDAN** - *Radio Jordan* was heard on the strange frequencies of 7000 and 6255 khz, the former until 1630 UTC sign off. (Krone SWN) That brings to mind when they were on 10000 khz a few years ago. (HJ)

**KAZAKHSTAN** - *Radio Alma Ata* Heard with English news at 2300 UTC on 5915 and 7255 khz. (Padula SWN)

**LAOS** - *Radio Laos* 7116 khz has English from: 0100-0130, 0600-0630 and 1330-1400 UTC. (SDXG via ONDA CORTA)

**LEBANON** - *Voice of Lebanon* 6549.7 khz is off the air. (Krone SWN)

**LIBERIA** - *Radio ELBC* 7275 khz has been heard once again, at 0900 UTC. It was reportedly pulled out of Liberia last May in order to educate Nigerians in Kaduna State prior to the election there this summer. (WBI)

**MADAGASCAR** - *Radio Madagascar* 3358.9 khz on this new frequency until 1900 UTC shutdown, parallel 5008.9 khz. It appears that this replaces 3232 khz, which used to carry the Malagasy service but is no longer heard. (WBI)

**MAURITANIA** - *Radio Mauritania* 4820 khz has been drifting around this frequency instead of being on nominal 4845 khz. (Tony Orr, Dave Valko)

**MEXICO** - *Tus Panteras* 6105 khz uses only 250 watts of power. The latest address is C.P. 97006, Merida, Yucatan with QSL letters signed by Ylmar Pacheco Gomez, Locutor (Fred Kohlbrenner) *Tus Panteras* 6115 khz heard here rather than 6105 khz at 1105 UTC on July 22. (Lytle WOR)

*Radio Educacion* 6185 khz published this schedule: Sundays 1047-0500 UTC, Mondays and Thursdays 0745-0700 UTC, Tuesdays 0645-0430 UTC, Wednesdays 1047-0700 UTC, Fridays 0745-0400 UTC, Saturdays 1047-0400 UTC. Power is 5 kW. (Hardest FT) *Radio Educacion* 6185 khz heard with an English commentary at 0645 UTC. (Rousch WOR)

**MONGOLIA** - *Radio Ulan Bator* has the following Home Service schedule: 3960, 4081.1, 4850, 4866.4, 4896.7 and 4995 khz from around 1100 UTC until 1400 UTC sign off. (Kito TROPICAL BAND DX REVIEW via Herkimer NU)

**MOROCCO** - The new VOA site is seven miles south of the Tangier site. The Tangier site, I am told, is about a mile inside the boundary of the old international zone, while the new site is a few miles outside the zone. (Ferguson NU)

**MOZAMBIQUE** - *Radio Mozambique* 15295v khz is still active here shortly after 0300 UTC, according to African monitors. (Sharp DXSF)

**MULTINATIONAL** - Both shortwave gospel broadcasters on Guam are to get new xmtrs soon. *KTWR*, operated by Trans-World Radio, has a fifth 100-kw. unit nearing completion at the Crown-HCJB factory in Elkhart, IN. This xmtr had been scheduled to go to Swaziland, then (minds changed) to Shri Lanka and (minds changed again) to Guam.

*KSDA* expects a new 100-kw xmtr to be shipped within a few months. The project is still under advisement. Two of the Thomson-Houston xmtrs already on Guam will be shipped to a new Adventist World Radio broadcast base in Africa. Two replacements, perhaps also Thomson-Houston, are in the cards for Guam.

AWR's Costa Rica facility is still being upgraded. AWR also plans new stations in Africa and somewhere in Europe. The countries have not been decided on. The present AWR xmtr at Forli, Italy, is licensed for 10 kw. but is actually running about 3 kw. (Adrian Petersen, AWR, on or just back from Guam, on RNMN 7/22 via Mike Fern)

**NICARAGUA** - *Radio Miskut* 5770 khz now has English programming for about an hour prior to its 0030 UTC sign off. The program consists of American country music along with plenty of PSA's for this coastal region of Nicaragua. (HJ)

**NORTH KOREA** - *KCBS* 3920 khz heard on this new frequency with a Korean program. (HvB SWN) No time given. (HJ)

*Broadcasting from Young Soldiers on Sentry Duty's* new schedule is: 3000.5 khz from 1300 UTC (ex 1400 UTC) and 3025.4 khz from 1400 UTC (Kito TROPICAL BAND DX REVIEW via Herkimer NU)

**PALAU** - *KHBN* will soon have their second transmitter on the air. (Cushen DX'ERS CALLING)

**PERU** - Certain Peruvians relay news from Radio Programas del Peru. For instance, shortly after 1100 UTC there is a segment called: *Ronda nacional informativa de la Rotativa del Aire* (Klemetz Play DX)

*Radio Cajamarca* 4238.1 khz this station, the oldest in Cajamarca, has now returned to the air probably using the 1.3 kW transmitter of the former *La Voz de Inca*. This is an unauthorized station which uses the slogan: *La pionera senal en la comunicacion departamental*. The station's address is Jr. Lamar 675, Cajamarca. (RP)

*Estacion X* 4593.5 khz has been off the air for several months. (Klemetz Play DX)

*Difusora Radio Huanta* 4888.8 khz reactivated again, heard at 1056 UTC iding as *Difusora Huanta*, with programming mainly in Quechua. Don't confuse with *Radio Sararenda*, which does not broadcast in Quechua. (RP 013)

*Radio Madre de Dios* 4953 khz new frequency, up slightly from 4950 khz when heard at 1045 UTC. (RP 012)

*Radio Nuevo Cajamarca* 5800 khz has reactivated. (ibid)

Strong here mornings and evenings. (HJ)  
*Radio Estacion "C"* 6499 khz ex 6323.9 since June 11th. (Klemetz PLAY DX)

*Radio La Voz de la Alta Mayo* 6137.4 khz following up on last month's item, this is the correct name of this station. It's located in the town of Nueva Cajamarca, which was founded by people from Cajamarca Departamento. This new outlet, plus *Radio Nuevo Cajamarca* and *Ondas del Mayo* are usually playing Cajamarcan Folklore (Folklore Cajamarquino). The station's address is: Av. Cajamarca, Carretera km 456, Nueva Cajamarca. To my knowledge, Av. Cajamarca is the main street in town and as they announce that the station is located at km 456, the station building is north outside of Nueva Cajamarca. The program on Sunday mornings is *El Despertar Dominical*. On other days of the week, the morning program is *Junto A Los Andes del Peru*, which is a program of various Andean folk music. (Takayuki Inoue Nozaki) This is a new station located in Nueva Cajamarca, provincia Rioja, departamento San Martin. The word Mayo in the id probable refers to the Rio Mayo, which flows through this area. Beginning at the end of June, this new station is heard almost every day signing on around 1000 UTC and is the strongest Peruvian signal I am receiving at the moment. The morning program consists of Peruvian music with a male announcer who ids quite frequently. (HJ) Hans, the station that you discovered on 6137.4 khz is very interesting. This frequency was occupied by *Radio Colonial* in Nueva Cajamarca, which had been heard until 1984. When I visited the village of

Nueva Cajamarca in September 1985, *Radio Colonial* was closed down because the transmitter was broken down and the owner had moved to Rioja by that time. So I think that someone in Nueva Cajamarca decided to operate a new outlet, having bought the old transmitter which was used by *Radio Colonial*. This case is very common in Selva del Peru. (Takayuki Inoue Nozaki) Logged in 1984, so transmitter put a good signal out back then too. (Dave Valko) *Radio La Voz de Alto Mayo* 6137.42 khz Alto rather than Alta is the id I am hearing. They are announcing 6130 khz. (Gaviria PLAY DX)

*Radio Cuzco* 6190 khz announced that programs might be interrupted from time to time due to interruptions in the electrical supply. (SSG SWN). *Radio Cuzco* 6203.7 khz things may have changed a bit, but already in the early 1960s, this station was a "blackie", a term used by European Dxers for stations that refuse to QSL. (Klemetz DXLD)

*Radio Internacional del Peru* 3397.4 khz still goes to some length in order to hide its coordinates. During one broadcast, they repeatedly said that they were on from Lima. (Klemetz DXLD)

**PHILLIPINES** - *Radio Veritas Asia* 15530 khz is now used for Vietnamese from 0130-0155 UTC ex 15510 khz (Bob Padula)

*FEBC* 9475 khz is being used for Chinese at 2200 UTC instead of 9420 khz. (ibid)

*Radio Pilipinas* was heard via VOA transmitters on 15190 and 17840 khz from 1730-1930 UTC. (Buschel SWN)

**PIRATES, EURO** - *Green Music Radio International* 3020 khz is a new station broadcasting from Moscow at around 2200 UTC on Saturdays. The address is: P.O. Box 65, Moscow 125581. (Nikolai Rudnev)

*Radio without Borders International* is also located in Moscow, operating around 3905-3920 khz at around 2200 UTC on Saturdays. They can be reached at: P.O. Box 29, Moscow, 109444. (ibid)

*Radio A.U.R.A.* 6258 khz (See July LN) in Sofia, Bulgaria. This is actually an FM station that was relayed one time by a Dutch pirate. (MEDIA NETWORK)

European Pirates are feeling the combined effects of the summer holidays and a general lack of enthusiasm for new operations. According to operators, one strong reason for this is that the number of listeners who write is continuing to decrease, and some broadcasts lead to no letters at all, or only 1 or 2. (Campbell NU)

**ROMANIA - Radio Moldova International** with studios in Kishinev, operates on the following schedule:

Spanish 0900-0925 UTC 9510 khz, 1100-1125 UTC 15105 khz, 2030-2055 UTC on 15220 khz, 0030-0055 UTC on 15135 khz. French from 1235-1300 UTC 17800 khz, 1800-1835 UTC on 11950 khz. Romanian from 2230-2255 UTC on 15220 khz and 1200-1225 UTC on 15335 khz. (WBI)

**RUSSIA - Radio Sakhalin** located in Yuzhno Sakhalinsk operates on the following schedule: 1800-1600 UTC on 4050 and 11840 khz. Local programs are from 0200-0300 UTC on 11840 khz, 0800-0815 UTC and 1120-1210 UTC on 4050 and 11820 khz and from 2000-2100 UTC on 4050 khz. (WWH via ONDA CORTA)

**Radio 7** located in Samara, this station uses a 5 kW transmitter on 6115 khz into an experimental *Zenith* radiation antenna and on 9550 khz into a 125 meter high tower. The schedule is: 6115 khz at 0400 and 1200 UTC Tuesday to Friday, at 1000 UTC on Saturday and at 1200 UTC on Sunday.

9550 khz at 0100, 0700 and 1130 UTC Tuesday to Friday, and 0500 UTC on Saturday and Sunday. The verification signer is Mr. A.P. Nenashev, who can be reached at: ul. Gagarina 6A, Samara, 443079, Russia. (Nikolai Rudnev)

**Radio Novaya Volna-2 New Wave-2** 5450 khz is a new independent station in Chelyabinsk broadcasting from 0700-1100 UTC. Their address is: ul. Vorovskogo 6, Chelyabinsk-91, 454091, Russia. (ibid)

**Radio Shark** 6185 khz has English on Mondays and Fridays from 1600-1700 UTC. (ibid)

**U-Radio** 5900 khz is reported to broadcast from 1600-1900 UTC using 20 kW. (ibid)

**Rukhi Miras** is the correct name for the station previously reported as %Rukhi Meroc% according to their verification letter. Their schedule is: 1500-1545 UTC on 4055, 7160, 11630, 12075 and 17890 khz, Fridays only. The verification signer is Sheikh Ravil Gainutdin, who can be reached at: Islamic Center of Moscow Region, Moscow Jami Mosque, Vipolzov by-str 7, Moscow, 129090. (ibid)

**Radio Vostok (East)** operates on 4610 and 7210 khz from 0800-0930 UTC Mondays to Saturdays and from 0800-0900 UTC on Sundays. The station's address is: ul. Lenina 4, 680000 Khabarovsk, Russia. (Ostroverk SWN)

**Radio Blagoveshensk** 9500 khz has been heard here with local programs from 0200-0300, 0800-1000 and 2000-2100 UTC. (Nikolai Rudnev)

Numerous transmitter shutdowns have occurred over the last 2 months due to non-payment, mostly in the Russian Far East. Some of the shutdowns were caused by the electrical company turning off the power and due to untimely financing of the company for expenditure on leasing of radio technical facilities, the Ministry of Communications had been switched off transmitters of the Far East radio centers. As a result of this, listeners in the East Siberia were deprived of *Mayak*, *Radio Russia*, and *Radio Yunost* programs. Radio workers staged warning strikes in the middle of July in European Russia. (WBI)

**RWANDA - Radio Rwanda** employees went on strike July 12th for better pay, housing and training, limiting programming to mainly music. (WBI)

**SAUDI ARABIA - BSKSA** The latest schedule for the Holy Koran service is: 0600-0800 UTC on 21495 and 15240 khz, 0800-1000 UTC on 21665 and 21495 khz, 1800-2100 UTC on 7250 khz and 1900-2100 UTC on 11935 khz. Call of Islam service is scheduled for 1500-1700 UTC on 21505 and 11950 khz. Network Two program in Arabic is scheduled on 9580 khz from 0300-1700 UTC and 6020 khz from 1700-2100 UTC. (Bob Padula)

**SENEGAL - ORTS 7168.7** Heard here at 2200 UTC with French news, ex 4890 khz. (RS APC SWN)

**SEYCHELLES - FEBA 11980** is a new frequency, replacing 11685 for a Farsi transmission from 0300-0330 UTC. (Bob Padula)

**SOUTH AFRICA - Channel Africa's** English schedule until September 4th is: 0200-0400 UTC 7230 khz, 0300-0500 UTC 3995 khz, 0400-0500 UTC 7230, 0500-0600 UTC 9695 khz, 0600-0700 UTC 15220 khz, 1000-1100 UTC 117805 khz, 1100-1200 UTC 9730 khz, 1600-1800 UTC 4945 khz, 1600-1700 UTC 15220 khz and 1700-1800 UTC on 11750 khz. (Placanica SWN)

**Africaans Stereo's** schedule is 0300-0530 and 1730-2300 UTC on 3320 khz; 0500-0630 and 1500-1730 UTC on 4875 khz; 0600-0730 UTC on 5955 khz and 0735-1455 UTC on 9630 khz. (ibid) I believe that this is the service replacing *Radio Orion*. See the July LN. (HJ)

**SOMALIA - 9540 khz** The United Nations radio station here, *Radio Manta*, continues to be jammed. General Aydid, whose former station, *Radio Mogadishu*, was destroyed by

American aircraft on June 12th is reportedly now using a mobile shortwave transmitter. His United Somali Congress had earlier used this transmitter for clandestine broadcasts before the overthrow of the former president, Mohammad Siad Barre. (WBI) *Radio Manta* operates with a power of 600 watts on the following schedule. All programs are in Somali: 0415-0500 1000-1045, 1100-1145, 1300-1345 UTC on 9540 khz. 1600-1645, 1700-1745, 1900-1945 UTC on 6170 khz. (WBI)

Plus ça change, plus c'est confusé: A new SW station supporting General Mohammed Farah Aidid (who lost his MW and FM stations about 6/12) has appeared. It calls itself "Radio Mogadishu" and *The Voice of the Great Somali People*. It was first heard 6/19 on 6870 kHz, USB with carrier. It is hostile to the U.S. presence and the U.N. presence in Somalia. It operates from 1500-1800. It's only 8 kHz removed from the *Radio Mogadishu* run by another warlord, Ali Mahdi Muhammad, on 6862 kHz, also USB with carrier. All broadcasts are in Somali. The UN station, *Radio Manta* (*Radio Today*) signs on at 0400, 1000, 1100, and 1300 on 9540 kHz and at 1600, 1700 and 1900 on 6170 kHz. It is troubled by co-channel interference consisting of obscenities directed against the station and the U.N. presence. Similar short courses in advanced Somali have been heard QRMing BBC WS freqs carrying BBC Somali programs. (Richard Measham, BBCM, on RNMN 7/22 via Mike Fern)

**SRI LANKA** - The *SLBC* tests for Eastern North America are still running at 2330-2400 Mondays on 15425 kHz from the 300 kw. xmtr at Ekala. However, response from the U.S. and Canada has been light. (VG on RNMN 7/22 via Mike Fern)

**SURINAM** - *Radio Apintie* 4990 khz per the station, this was deliberate move in order to avoid interference on 5005 khz. (Wallace FIDONET via MEDIA NETWORK)

**SWEDEN** - *Radio Sweden* due to transformer problems at the Karlsborg site, English transmissions at 1500 UTC on 21500 khz and at 1730 UTC on 9645 khz are off the air. (MEDIA SCAN via Dan Ferguson) George Wood will be in California from mid-August until November so do not send in contributions by mail or fax. Compuserve (70247,3516) contributions are still welcome. (ibid)

**TADZHIKISTAN** - *Radio Dushanbe* English from the external service is scheduled from 0345-0400, 1645-1700 UTC on 7245 khz. (SWB via Lobdell NU)

*Radio Tadzik* 7245 khz heard signing on in English at 1645 UTC. Announced sign on as 1625 UTC and frequency as 7235 khz. (Schulze FT)

**THAILAND** - The *Voice of America* station at Udon has been heard very well from 1530-1800 on 7215 kHz. with EE from 1530-1600 and 1700-1800, and Hindi from 1600-1700. (VG on RNMN 7/22 via Mike Fern)

**TIBET** - *Lhasa* 4820 khz reactivated this channel in late June after a short absence. Parallel 5021.2, 5950 khz at 1303 UTC. (Foster NU)

**TONGA** - *Radio Tonga* 5030 khz still has not returned to the air as of the end of May. (Weatherley DX'ERS CALLING)

**TURKEY** - *Radio Izmir* 7103.5 khz is a reactivated provincial station transmitting on the schedule of 0800-1000 UTC and 1100-1300 UTC and last listed in the 1972 WRTH (DX EPISEL via WOR) *Radio Izmir* per the 1972 WRTH, there is a station called *Cianrli Sanat Enstitusu Deneme Radyosu* in Izmir. For the id, Simply put Izmir in front of the above. For the address, leave it at the end and put Turkey. Power is 250 watts. (Dave Valko and Jerry Berg)

**UNITED ARAB EMIRATES** - *Radio of the UAE* Continues to be heard in Arabic at 21630 khz at 0705 UTC as well as new 15380 khz. (Bob Padula)

**UNITED KINGDOM** - *Radio Korea* 9510 khz is a new frequency being used for Korean at 0630 UTC. (Bob Padula)

*BBC* 15420 khz a mystery voice has been heard at the end of the 0915 UTC Somali broadcast transmitting in USB and mocking the BBC announcer. (WBI)

**UNITED STATES** - In the wake of the Clinton plan for restructuring US broadcasting, there is a proposal to end *Radio Free Europe* transmissions to Poland, Hungary, the Baltic States and the Czech and Slovak Republics. (Washington Post via Chet Copeland) Some *VOA* broadcasts to the successor states of the former Soviet Union will be terminated, while those of *Radio Liberty* will continue. Altogether about 600 employees at *Radio Free Europe* and 600 at *VOA* will be affected. (N.Y. TIMES via Scott Edwards) The Clinton administration has approved the launch of *Radio Free Serbia*, a US-funded radio service aimed at weakening Serbian strongman Slobodan Milosevic by breaking his near-monopoly on Yugoslavia's media. The service is expected to start by the end of the summer,

initially transmitting only on shortwave in two languages: Serbo-Croatian and Albanian. The administration is also planning a new *Democracy Radio* network for China and other authoritarian-ruled Asian countries, but that project will take longer to get under way. (L.A. TIMES via Scott Edwards) China has urged the United States to drop its plans for a proposed *Asia Democracy Radio*, describing it as interference in China's internal affairs. (WBI) The Clinton administration has decided not to merge *Radio Free Europe* and *Radio Liberty* into the *Voice of America*. Instead, all three are to be included under a new board of governors, according to a VOA insider. (WBI)

VOA German language operations will cease on October 1, 1993 for financial reasons. Part of the French service for Africa and the Iberian service (Spanish and Portuguese for Europe) will be cut. (WBI)

VOA has dropped 9575 khz and is now using 9665 khz for transmissions to Africa from 0630-0700 UTC. (Bob Padula)

WCSN 9455 khz is now used for English from 0159 UTC sign on. Ex 9530 khz. (Brian Alexander)

*Radio Marti* In June the House Appropriations Committee cut *Radio Marti*'s funding in half to 8 million dollars for the next fiscal year. The Senate is expected to only restore some of the funds. Questions continue to be raised concerning the Cuban-American National Foundation's influence over the station, leading some employees to send a petition to the head of USIA, urging that the station "be maintained above any competing political factions existing within the Cuban exile community". (N Y Times via Scott Edwards)

KJES equals King Jesus Eternal Savior (Washtburn FT)

*Die Deutsche Stimme der Freiheit* this station is via WWCR Sundays at 1630-1700 UTC on 15685 khz with German programming. I could not understand why anyone would want to burn down this station but I do now, having heard this station. It's now clear that people were aware of plans to rent a transmitter to Neo-Nazis. Der Spiegel magazine has suggested that the various German Lander (states) might want to jam this station if it does not go off the air due to lack of funds. (RADIO WORLD)

*High Adventure Ministries* According to Vice-President, John Tayloe, a rumor that High Adventure was to outfit a ship to broadcast shortwave to the Caribbean is ridiculous. He added that general giving to most religious broadcasters was in decline. A ship would be more expensive than a land-based site and would not provide a stable platform for directional transmissions. We have expandable sites in the USA and Lebanon, he said. If High Adventure needs

more facilities, it would cost less to lease time on idle high-powered transmitters in Europe or Africa than to start from scratch with a ship. High-powered transmitters inside Europe would provide stronger signals there than low-powered transmitters in the Caribbean, he pointed out. (Mike Fern)

WWCR3 is expected to begin broadcasting about Aug. 5. The xmtr is ok [so far] but the extension to the transmitter hall must comply with local building codes before the city will allow installation. Assigned freqs are 5810, 15610 and possibly 12160 kHz. [George McClintock has told me the xmtr numbers will remain the same as before 4/3.--mf]

All of the program logs at WWCR were destroyed in the fire, so if you had a report outstanding on April 3 and haven't heard, try anew. Program skeds of WWCR are available for the asking. Send a postcard to: Adam Lock Sr., Program Director, PERSONAL, WWCR, 1300 WWCR Ave., Nashville, TN 37218. If you omit the 'PERSONAL' the card will be sent thru channels.

WWCR1 has begun a short feature (time and freq not given) which carries news about DX club meetings and activities. There is no charge.

Send your news items by letter to Adam Lock at the address above. (Adam Lock, WWCR, via Mike Fern--CA)

URUGUAY - SODRE 6124.9 khz is the exact frequency, heard at 1100 UTC. (LATINOAMERICA DX via DXLD)

*Radio Monte Carlo* 6140 khz is here, heard at 1100 UTC. (ibid)

VENEZUELA - YVTO 5000 khz heard once again at the end of June. (HJ)

*Radio Continental* 4939.6 khz is very irregular. (Klemetz WRTII-LA via SWN)

*Radio Los Andes* 6010 khz sometimes operates 24 hours a day and has ids as *Radio 1040* or just *1040*. (Gonzalez SWN)

VIETNAM - *Radio TV Kon Tum* 5066v khz heard here at 1100 UTC, drifting up from 5060 khz. (RP 013)

YEMEN - rarely verifies but (HJ) Full data English letter received for *Republic of Yemen Radio, Aden*. Verification signer is Ahmed Abdulla Fadaq, Director of Oriented and Foreign Programmes, Programme 2, Aden. The address is: Republic of Yemen Radio, Programme 2, PO Box 1222, Tawahi, Aden, Republic of Yemen. (Goldfinch OZDX)

ZAIRE - Believer's Express Service, Inc. will start shortwave broadcasts from Bakuvu. HCJB Engineering has already provided one

FM transmitter and the station's studio and will provide the shortwave transmitter and antenna. (DECISION via Marlin Field)

On July 9th, I spoke with David Pasechnik at *HCJB* Engineering in Indiana. He said that the FM transmitter is 10 watts with an ERP of 100 watts. The shortwave transmitter will broadcast on a tropical band frequency with a power of between 10 and 20 kW. There are plans to add a 49 meter band transmitter later. Due to the poor state of relations between the United States and Zaire (neither country will grant visas to the other's citizens), the station will probably not be on the air until next spring or summer. (HJ)

**PUBLICATIONS** - Julian Anderson is resuming publication of *PAMPAS DXING*, specializing in Latin American Dx. Contributions are welcome at: Casilla 57, Suc 40, 1440 Buenos Aires. (Scott Edwards)

The 1993 WRTH listing for *TIMES OF INDIA RADIO CLUB* is actually a fortnightly column published by the *Times of India* newspaper in Patna. Writing to this "club" may bring you bagfuls of mail from India. (ibid)

**DAVE VALKO'S TIPS** - Here are this month's tips for pro-active Dxers.

Colombia *Ondas del Meta* 4885 khz 1015 UTC

Equatorial Guinea 6250 khz 2200 UTC  
Kenya *Kenya Broadcasting Corporation* 4934 khz 0300 UTC sign on.

Sri Lanka *SLBC* 9720 khz 1230 UTC sign on.

Sources-Publications ADXN=Australia DX News-Australia, ATW=Around the World *HCJB HQ Magazine*-USA, CONEXION-Argentina, CONTACT-Great Britain,

DECISION-USA, DX'ERS CALLING-Australia, DX-CLUSIVE-Finland, DX EPISTLE-Bulgaria, DXLD=DX Listening Digest-USA, DX-NEWS-Norway, DXSF=DX South Florida-Republica de Florida, FK/AWR=Finn Krone Adventist World Radio-Europe, FIDONET-International, FT=Fine Tuning-USA, INTERNET-International, LATINOAMERICA DX-Argentina, NU=Numero Uno-USA, ONDA CORTA-Argentina, PLAY-DX-Italy, QST-USA, RP=Relampago Dx by Takayuki Inoue Nozaki-Japan, SDXG-Japan, SWB=Shortwave Bulletin-Sweden, SWN=Shortwave News of Danish Shortwave Club International-Denmark, TROPICAL BAND DX REVIEW-Japan, WBI=World Broadcast Information BBC Monitoring Service-Great Britain, WRR=World Radio Report-Ontario DX Association, WRTH-LA=World Radio and TV Handbook Latin America Newsletter, WWH=Welweit Horen-Germany

DX Shows-DXPL=DX Party Line HJCB-Ecuador, MEDIA NETWORK Radio Netherlands-Netherlands, MEDIA SCAN-Radio Sweden Sweden, RADIO ENLACE Radio Netherlands-Netherlands, RADIO WORLD, Radio Vlaanderen International-Belgium, RFP1 MAILBAG=Radio for Peace International Mailbag-Costa Rica, RJMR=Radio Japan's Media Roundup, WOR=Glenn Hauser's World of Radio-USA

Much thanks to the 19 direct contributors to this month's LN.

Deep gratitude this month to Bill Oliver who for so long has contributed to this club in so many ways. Thanks, Bill.

73 and Peace  
Hans

---

**WANTED:** 1940-50's ham QSL card for callsign: W6QUT. Card must be verifying contact with this callsign. For a card in very fine or better condition, I will pay \$5.00 plus postage. I need two cards. Tom Mooningham, P.O. Box 487, Maugansville, MD 21767-0487.

**FOR SALE:** JRC NRD-525 receiver. No modifications. In excellent condition with original carton and manual. \$650.00 includes shipping. Andrew Herrschaft, 28 Leonard Street, Portland, ME 04103. Phone (207) 773-1562 evenings.

**FOR SALE:** Drake R8 with Drake VHF internal converter, Drake MS-8 matching speaker, and Drake R8PC control software. Mint condition. \$850.00, you pay shipping. ALSO: Sony ICF-SW77 AM/FM/SW receiver with all accessories. Mint condition. \$320.00, I'll pay shipping. Dave Hannon, 28 Belmont Avenue, Clifton, NJ 07012. Phone (201) 470-0430.

**WANTED:** Kenwood R600 and Sony 6500W, both in mint condition. I'll pay shipping and reasonable price. Roger Giannini, 121 North Park, Springfield, IL 62702. Phone (217) 793-8275 11 p.m. to 1 a.m. Sunday to Friday.

# QSL Reports



**Sam Barlo**  
47 Prospect Place  
Bristol, CT 06010

## VOICE OF AMERICA BROADCASTING TO THE WORLD

**ABU DHABI:** UAE Radio 11710 f/d brochure in 21 ds. for 1 IRC. (Pankake-MN).

**ANDAMAN ISLANDS:** AIR Port Blair \* 4760 f/d "Archaeological Site" cd. in 98 ds. via New Delhi. (Flynn-OR).

**ASIATIC RUSSIA:** Radio Nederlands 9860 via Irkutsk f/d "CIS" cd. in 56 ds. (D'Angelo-PA). 9860 via above site and 7260 via Petrovlovsk-Kamchatsky f/d cd. w/ postcard and sticker in 1 mo. (Barto-CT). same in 139 ds. (Hardester-NC). f/d cd. in 1 mo. for \$1.00. (Wallace-MA).

Radio Moscow 11950 via Novosibirsk f/d cd. after 2 f/up rpts. in 14 mo. (Boulden-CA). era. (Galgano).

**ARGENTINA:** RAE 11710 f/d cd. in 5 mo. for \$1.00. v/s Gabriel Ivan Barrascension Island: BBC Atlantic Relay Station 15400 f/d ltr. w/ station info. in 2½ mo. for \$1.00. v/s Dinah Fowler. (Pankake-MN).

**AUSTRALIA:** Radio Australia 17715 p/d ltr. in 58 ds. (Welsh-MO). 9580 via Shepparton f/d ltr. w/ schedule and "Wilderness Society" cd. in 17 ds. for 3 IRCs. (Pankake-MN).

**AUSTRIA:** Radio Austria International 9880 f/d cd. w/ schedule, stickers and a pin in 2 wks. for \$1.00. (Kohlbrenner-PA). 9870 f/d "Castle on the Mountain - Salzburg" in 41 ds. w/ report form. (Humenyk-ONT).

**BAHRAIN:** Radio Bahrain 9746 p/d cd. in 4 nervous mo. for \$1.00. (Wallace-MA).

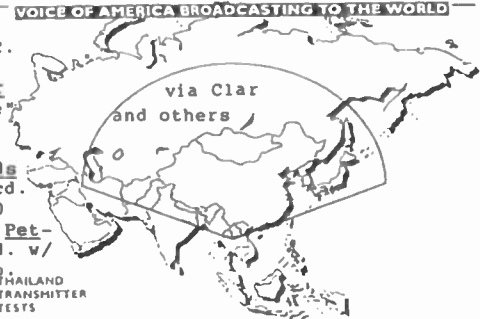
**BELGIUM:** BRT 15540 f/d "Le Jugement Dernier" cd. for a bcst to troops in Somalia. (Hardester-NC).

**BHUTAN:** BBS 5025 f/d cd. w/ prepared \* cd. after a f/up rpt. in 90 ds. for SASE and \$1.00. Very nice personal ltr. in Narda Gautam. (Murray-OR).

**BOLIVIA:** Radio Tropico 4552 f/d prepared cd. in 7 mo. after a f/up rpt. in SP w/ ms. (Kohlbrenner-PA). Radio Centenario CP66 4855.8 f/d cd. w/ station seal in 3 mo. for a SP rpt. Personal ltr. and a calendar were rcvd. v/s Napoleon Arday Borja, Director. (Barto-CT).

**BONAIRE:** Trans World Radio 11815 f/d "PJB" cd. in 3 wks. for ms. v/s Kirsten Shaw. (Pappas-SD).

**BORNEO:** RRI Samarinda 9614.4 f/d prepared cd. w/ ltr. in 3 mo. for an IN rpt. and SASE. v/s Siti Thomah. (Kohlbrenner-PA). RRI Pontianak 3995 f/d cd. w/ personal ltr. in 3½ mo. for an IN/EG rpt. v/s Daud



**NOTES:** Jerry Klinck says that during the past month he received his 10th German QSL, his 10th PNG QSL and his 50th African. Jerry notes that he'll know when NASWA decides to recognize Eritrea because the telltale plumes of white smoke will begin to billow out of the Countries List Chairmans' chimney. Hi!....I never quite thought about it in quite that way! Kevin Murray got only 2 QSLs last month but they were Jakarta and Bhutan. Not too shabby. Adie Durden stays cool in the hot summer months by listening to tapes of Radio Tahiti. Good idea...Sam. Marina Pappas likes the set up of the QSL Column. If I can make it better, please let me know how...Sam.

Hamzah, Kepala Seksi Siaran.(Lare-MI). f/d "Equator Monument" cd. w/ EG/IN form ltr. w/ schedule in 79 ds. for 1 IRC.(Yamada-JPN).

**BOTSWANA:** VOA 7415 f/d cd. w/ ltr. in 1 wk. v/s John Vodenik.(Kohlbre-

**BRASIL:** Radio Inconfidencia 2YE521 6010 f/d "Aerial View of ner-PA).

Belo Horizonte" cd. w/ personal ltr. and sticker in 3 wks. for a PT

\* rpt. and \$1.00. v/s Eugenio Silva.(Loudell-DE). Radio Difusora de Ror-

aima 4875 p/d ltr. in 592 ds. after 5 f/up rpts in PT. v/s Angelo F.

Sant'Anna, Director, says that they have been off of SWBC over a yr.

due to lack of spare parts - but will be back on soon! (Durdan-GA).

Radiodifusora Amazonas 4805 p/d 3D "Manaus Opera House" cd. in 118 ds.

for a PT rpt. w/ tape and \$1.00.(Klinck-NY)....Send your rpts. to Joa-

quim Marinho, P.O. Box 311, 69011-970, Manaus-AM, Brasil. Reports can

be in EG. The v/s is a stamp collector and especially interested in

Duck Hunting Permit Stamps...Klinck...Txn for the tip...Sam. Radio

Nacional de Sao Gabriel da Cachoeira 3375 f/d personal ltr. in 104 ds.

for a f/up rpt. in PT and \$1.00. v/s Valdir de Souza Marques.(Durdan-

GA). f/d personal ltr. in 28 ds. for a PT rpt. and \$1.00. v/s Luiz dos

Santos Franca, Gerente.(D'Angelo-PA).

**CANADA:** CFRX 6070 f/d cd. in 12 ds.(Welsh-MO). China Radio International

11840 f/d cd. in 1 mo. w/ paper cut and pennant.(Wallace-MA). CFXC

6005 p/d cd. in 4 mo. for \$1.00. v/s John Stubbs, VP Operations.(Pan-

**CANADA (Pirate):** CRSM Radio Scottish Montreal 7413 f/d cd. kake-MN).

in 58 ds.(Kusalik-ALB). Union City Radio 15050 f/d yellow cd. in 6 wk.

for ms.(Wallace-MA). CSIC 7413 f/d "Torture Chamber" ltr. w/ info.

sheet in 1 mo. for ms.(Wallace-MA). CFBN 7413 f/d "Duck" cd. in 2 wks.

for ms. via the Wellsville address.(Wallace-MA).

**CHILE:** Radio Esperanza 6088.5 sent a SP rpt. and \$1.00 to Temuco. In 45

ds. I rcv'd. a package from Toccoa Falls, GA w/ gospel cassettes, news-

ltr. from Ray Woerner mentioning that he had rcv'd. my rpt. Also rcv'd.

\* a copy of Fred Kohlbrener's reception rpt. but no QSL!!! Did you do

better Fred? (Durdan-GA).

**CHINA, PEOPLES REP. OF:** Radio Canada Inter-

national 11795 via Xian f/d cd. w/

schedule and sticker in 2 wks.(Humenyk-

ONT). China Radio International 11600

and 9715 f/d cds. in 3 mo. w/ schedule

(Barto-CT). Guizhou PBS 3260 via Guiy-

ang f/d cd. via Beijing in 57 ds. after

a f/up rpt. Several stickers and sked.

rcvd.(Flynn-OR). Guangxi PBS 4915 via

Nanning cd. in 58 ds. after a f/up rpt.

w/ \$1.00 and schedule. v/s daughter of

Li Hai Li.(Flynn-OR).

**CLANDESTINE:** Democratic Voice of Burma

15180 via RNI f/d "Logo" cd. w/ form

ltr. in 54 ds. v/s Maung Maung Myint.

\* (Yamada-JPN). Radio Neg Mawon 7385 via

RPPI pink cd. w/ ltr. in 26 ds. after

a f/up rpt. Schedule rcvd. v/s Molly

\* Graver, Intern.(Kusalik-ALB). Voice of

Mojahed 5085 p/d personal ltr. in 2 mo.

Rcv'd. 128 page "NLA Quaterly" booklet.

v/s Zohreh Amini, Public Relations

Department. Use London addr.(Barto-CT)

**COLOMBIA:** Radio Buenaventura 4836 f/d pre-

pared cd. w/ p/d personal ltr. in 44

ds. for SASE (not used). Sticker was

rcvd. v/s Mauricio Castano Angulo, Dir-

ector.(Palmerheim-WA).

**RADIO SAN CRISTOBAL**

Estaciones Y.V.O.E. 1060Kc/s  
Onda Larga Y.V.O.M. 9570 Kc/s  
La Emisora que está en el  
corazón de su pueblo

San Cristobal Edo Tachira Via

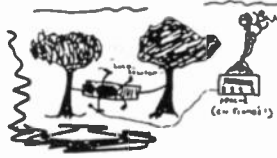
14300  
12405



DESDE KULPEVILLE, PENCILVANIA... ESTA ES...

COLOMBIA: **Radio Nueva Vida** 5570

# RADIO PONCHO-VILLA !!



TRANSMISOR: Almex  
 POTENCIA: 200 WATTS  
 FRECUENCIA: 7345 kHz  
 FECHA: 13 Febrero 20-1970  
 HORA: 21:30-22:30 hrs  
 LISTA: Distancia

GRINGO OYENTE Angelo C. M. Valle  
Lima, P. U. (68 US)

QSL CERTIFICADO # Test 12  
CORRECTAMENTE!

\* f/d prepared cd. w/ ltr. in 6 mo. for a SASE and SP rpt. v/s Marco Antonio Caicedo, Director. (Kohlbrener-PA). 5567 f/d prepared cd. w/ post-card and a personal ltr. in 633 ds. for a SP rpt. and ms. 100 watts! Addr: Calle 7 No. 9-25, Tibu N.S., Colombia. (Hardester-NC). **Radio Super** 6065 f/d prepared cd. w/ personal ltr., stickers, pennant and key chain in 1 mo. v/s Juan Carlos Pava Camelo, Gerente. (D'Angelo-PA).

COSTA RICA: **Radio Exterior de Espana** 5970 f/d cd. in 213 ds. (D'Angelo). **TIPC** 5055.8 f/d blue cd. w/ personal ltr. in 45 ds. v/s Juan

Jacinto Ochoa F., Administrador. (Yamada-JPN). **Adventist World Radio** 11870 f/d cd. w/ schedule and stickers in 40 ds. for \$1.00. (Pankake-MN). **Radio Neg Mawon** 21465 via **RPI** f/d cd. in 6 wks. for 3 IRCs. (Clary-NY)...I also listed this under **Clandestine**. Take your pick...Sam.

CZECH REP: **Radio Prague** 5960, 6055 and 7345 via **Litomysl** f/d cd. in 3 mo. (Barto-CT). 7345 f/d cd. w/ schedule in 31 ds. (Levison-PA).

ECUADOR: **HCJB** 15155 f/d "Special Mt. Antisana" cd. in 2 mo. (Kusalik-ALB). same "Special HCJB Call-in" QSL cd. in 2 wks. (MacHarg). f/d cd. in 22 ds. (Welsh-MO). f/d cd. in 1 day. (MacHarg). 21455 "Saludos Amigos Railroad Special" cd. in 30 seconds! v/s Ken MacHarg. Probably the fastest response on record! (MacHarg). 9745 f/d "Peguiche Falls" cd. w/ schedule in 3 1/2 wks. for ms. (Loudell-DE).

EGYPT: **Radio Cairo** 11600 via **Abu Zaabal** f/d "King Tut" cd. w/ decal and schedule in 62 ds. v/s Mrs. Sahar Kalil, Editor. (Kusalik). 9475 via **Abis** cd. w/ sticker in 60 ds. (Kusalik-ALB).

ENGLAND: **Radio Japan** 6025 via **Skelton** f/d cd. w/ site in 4 mo. w/ schedule (Wallace-MA). **Radio Canada International** 15325 via **Skelton** f/d "Tele Com 873" cd. w/ ANARC brochure in 15 ds. (Humenyk-ONT).

ERITREA: **Voice of the Broad Masses of Eritrea** 7380 f/d blue cd. in 87 ds. for a taped rpt. and \$1.00. (Klinck-NY).

## FINAL XMSN!

1970-1971  
 1972-1973  
 1974-1975  
 1976-1977  
 1978-1979  
 1980-1981  
 1982-1983  
 1984-1985  
 1986-1987  
 1988-1989  
 1990-1991  
 1992-1993  
 1994-1995  
 1996-1997  
 1998-1999  
 2000-2001  
 2002-2003  
 2004-2005  
 2006-2007  
 2008-2009  
 2010-2011  
 2012-2013  
 2014-2015  
 2016-2017  
 2018-2019  
 2020-2021  
 2022-2023  
 2024-2025

QSL International

EUROPIRATE: **Radio Marabu** 6239 via  
 \* **NIRS** f/d cd. w/ brochures in 1 mo.  
 \* for \$1.00. (Kohlbrener-PA). **Jolly Roger Radio** 6234 f/d cd. w/ ltr. in 1 mo. for \$1.00. v/s Joe Vincent. (Kohlbrener). **Radio Piranha International** 21525 f/d cd. w/ ltr. and station brochure in 6 mo. for \$1.00 (Wallace-MA).

EUROPEAN RUSSIA: **Radio Moscow** 9890 via **St. Petersburg** in 14 mo. (Boulden).

FINLAND: **Radio Finland** 15185 schedule w/ sticker in 12 ds. (Levison-PA).

FRANCE: **RPI** 17620 f/d cd. w/ schedule in 2 mo. (Anderson-MI).

FRENCH GUIANA: **China Radio International** 11680 f/d cd. in 59 ds. w/ schedule and rpt. forms. (Bergadano-NJ).

GABON: **Swiss Radio International** 12035 f/d "Two Bobs" cd. in 66 ds. for 2 IRCs. (Newhall-CT).

GEORGIA REP: **Radio Tbilisi** 5040 p/d cd. w/ schedule in 636 ds. v/s Delena Apkhadze, Editor. (Yamada-JPN).

Presented by Shortwave  
**The VOICE of SYNCOM**  
**SYNCOM 48** **syncom radio**  
 Send me 50¢ to 6329 E 63rd St.  
 Send me 50¢ to 6329 E 63rd St.



**SLOVAK RADIO**  
BRATISLAVA  
P.O. BOX 812 90  
SLOVAKIA

**DEAF RADIO FRIENDS**

I need you for your comments on my reporting  
arrangement of our transmissions

on **APRIL 21, 1993**  
at **01:00 - 01:27** GMT

We have checked your date with our log and  
take pleasure in verifying our programming here on

**5910; 9840 kHz**

GOOD LISTENING AND 73!

VIEW SLIDESHOW OF RADIO BRATISLAVA  
Audio Info: John Vink

CHRISTOPHER R. LOBDELL  
1017 SPANNE LANE  
STONEHAM  
MASSACHUSETTS 01460  
USA

**GEORGIA REP: Radio TV Tbilisi**  
11760 p/d cd. w/ photo of  
tower in 21 mo. for 2 IRCs.  
(Lobdell-MA).

**GERMANY: Sudvestfunk** 7265 p/d cd.  
in 119 ds. v/s Prof. Dr. Krank,  
Technical Director. (Schwartz-  
NY). **Radio Free Europe** 5955 via  
**Biblis** f/d cd. w/ sticker and  
pennant in 3 mo. (Barto-CT).  
**Deutsche Welle** 7275 via **Konig-  
swusterhausen** p/d cd. w/ sched-  
ule and stickers in 33 ds. (Klin-  
nck-NY).

**GREECE: Voice of Greece** 9420 f/d  
"Acropolis" cd. in 4 mo.  
for 1 IRC. (Pankake)

f/d "Fishing Boat" cd. in 7 wks. for 1 IRC. (Anderson).  
**VOA Wertachtal** 5995 f/d cd. in 20 ds. (Pankake-MN)

**HAWAII: WNVH** 10000 f/d ltr. w/ p/d cd. in 2 wks.  
for ms. v/s Dean T. Okayama. (Pankake-MN)

**HOLLAND: Radio Nederland** 6135 f/d cd. in 34  
ds. (Welsh-MO).

**HUNGARY: Radio Budapest** 11910 via **Jaszbereny**  
f/d cd. in 26 ds. (Humenyk-ONT). 9835 f/d cd.  
in 23 ds. w/ schedule. (Levison-PA).

**IRELAND: Radio Caroline** 6295 p/d "Ross Revenge"  
cd. in 6 wks. for \$1.00. (Wallace-MA). same in  
37 ds. w/ personal ltr. for 2 IRCs. v/s John  
Knight. (D'Angelo-PA). **DLR-106** 6226.2 p/d new white  
cd. in 1 mo. for \$1.00. Info sheet rcvd. (Wallace).

**ITALY: Idea Radio** 7380 p/d form ltr. in 5 wks. for  
\* \$1.00. (Wallace-MA).

**JAVA: RRI Surakarta** 4931.6 f/d "Kusuma Sahid Prince Hotel"  
cd. w/ personal ltr. in 67 ds. for an IN rpt. and 1 IRC.  
v/s Ton Martono, Head of Broadcasting Section. (Yamada).

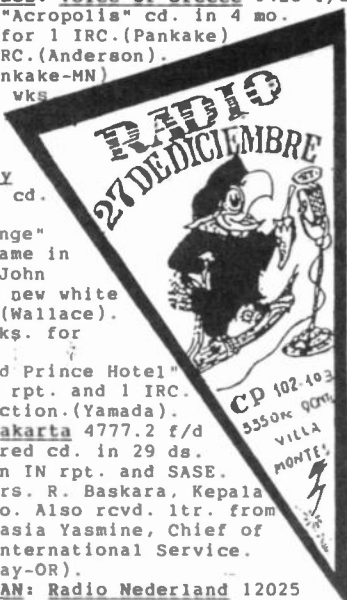
**RRI Jakarta** 4777.2 f/d  
prepared cd. in 29 ds.  
for an IN rpt. and SASE.  
v/s Drs. R. Baskara, Kepala  
Studio. Also rcvd. ltr. from  
Anastasia Yasmine, Chief of  
the International Service.  
(Murray-OR).

**KAZAKHSTAN: Radio Nederland** 12025  
via **Alma Ata** f/d cd. w/ site in  
97 ds. (Buer-FL). same in 1 mo. w/  
stickers (Humenyk). 9860 f/d cd.  
in 81 ds. (Yamada-JPN). 7305 f/d  
"RN VIA CIS QSL" cd. in 89 ds.  
(Washburn-ME). 7305 and 12025 f/d  
cd. in 1 mo. (Kusalik-ALB).

**KENYA: KBC** 4935 f/d ltr. in 1 mo. for  
\$1.00. (Kohlbrener-PA).

**KOREA, DEMOCRATIC REP OF: Radio Pyong-  
yang** 6576 f/d "Flowers" cd. in 5  
mo. for a rpt. via Beijing. Also  
rcvd. pin, pennant and several  
books. (Lare).

**LITHUANIA: Radio Vilnius** 9710  
\* **Sitkunai** f/d cd. w/ ltr. in 44 ds.  
after a f/up rpt. for 2 IRCs. v/s  
Ms. Rasa Lukaite, Letter Editor.  
\* (Kusalik). 9675 via **Balashika** f/d  
cd. w/ ltr. in 44 ds. for 2 IRCs.  
(Kusalik-ALB). 7150 f/d cd. in 49  
ds. w/ schedule. (Levison-PA).





# internacional internacional

A RÁDIO NO MUNDO

**MALI: China Radio International** 9770 f/d cd. w/ schedule in 30 ds. v/s Miss Fuguang. (Gaigano-NY).

**MEXICO: Radio Educacion** 6185 p/d personal ltr. in 5 mo. for a SP rpt. and ms. (Wallace-MA). p/d "Fountain on

Reforma Avenue" cd. w/ schedule in 135 ds. for \$1.00. v/s Lic. Luis Ernesto Pi Orozco, Director General. (Hardester-NC).

**NAMIBIA: NBC** 3270 f/d "Desert" cd. in 3 mo. for \$1.00. v/s Schachtschneider, Manager, Transmitter Maintenance. (Wallace-MA).

**NEPAL: Radio Nepal** 5005 f/d cd. in 3 wks. after a f/up rpt. for SASE. v/s R.S. Karki. (Kohlbrener-PA).

**NEW BRITAIN: Radio East New Britain** 3385 p/d ltr. in 1 mo. for SASE. v/s Otto Malatana, Program Manager. (Kohlbrener-PA). f/d form ltr. in 245 ds. (Bergadano-NJ).

**NEW ZEALAND: Radio New Zealand International** 9700 p/d "Mt. Egmont" cd. in 39 ds. for 2 IRCs. (Pappas-SD). 17770 f/d "Lake Matheson" cd. in 3 mo. for ms. Tourist brochures were rcvd. (Wallace-MA).

**NICARAGUA: Radio Miskit** 5770 f/d prepared cd. w/ station stamp and a personal ltr. in 2 mo. for a SP rpt. and ms. v/s Evaristo Mercado Perez, Director of Radio Miskit. (Rausch-NJ).

**NORTHERN IRELAND: Riverside 101** 6238.6 f/d ltr. w/ decal, key chain and pen in 2 1/2 mo. for ms. (Wallace-MA).

**PAKISTAN: PBC** 17802 and 15295 f/d ltr. in 2 mo. w/ schedule. (Barto).

**PAPUA NEW GUINEA: Radio Southern Highlands** 3275 p/d ltr. in 26 ds. for a taped rpt. and ms. (Klinck-NY).

**PERU: Radio La Hora** 4855.9 f/d cd. w/ prepared cd. in 9 wks. for a SP rpt.

- and SASE. v/s Edmundo Montesinos S., Gerente. (Kohlbrener-PA).
- Radio Cusco** 6204 p/d ltr. in 44 ds. for a SP rpt. and \$1.00. Sticker was rcvd. v/s Raul Siu Almonte, Gerente General. (Durden-GA).
- Radio Naylamp** 4299.8 ltr. w/ f/d prepared cd. in 7 wks. for a SP rpt. and ms. v/s Juan Jose Grandez Vargas, Director. (Kohlbrener-PA). 4300 cd. w/ a long personal ltr. in 3 wks. for a SP rpt., cassette tape and \$1.00. (Lobdell-MA).
- Radio Nuevo Cajamarca** 5800 p/d long personal ltr. from a former employee who now works at Radio Chota in 114 ds. for a SP rpt. and \$1.00. (D'Angelo-PA).

**Estacion Tarapoto** 5015 p/d ltr. in 39 ds. for a SP rpt. and \$1.00. v/s Luis Humberto Hidalgo Sanchez, Gerente General. A few days later I rcvd. a ltr. from Jose Luna Palma, Announcer regarding his son's illness. (Durden-GA). f/d cd. w/ personal ltr. in 23 ds. for a SP rpt. and \$1.00. (D'Angelo-PA).

**Radio Oriente** 6190 ltr. w/ prepared cd. in 5 wk for a SP rpt. and \$1.00. v/s Pedro C. Moragues, Gerente Tecnico. (Kohlbrener-PA).

\* **Radio Ondas del Mayo** 6803 f/d cd. w/ prepared cd. and ltr. in 7 mo. for a SP rpt. and ms. Pennant was rcvd. v/s Edilberto Peralta Lozada, Gerente. (Kohlbrener-PA).

**PHILIPPINES: Radio Veritas Asia** 15570 f/d "Palauig Transmitters" cd. in 22 ds. (D'Angelo). **VOA** 11760 and 11870 f/d cds. in 3 mo. v/s John Vodenik. (Schwartz-NY).

## FONTANABUONA s.n.c. RADIO IDEA NETWORK

O.C. 7380 KHZ. - F.M. 81700/85.400 MHz. STEREO  
VIA RADIO INDIRIZZI SEGNALI - TEL/FAX 010 882 08 28

via Chris Lobdell

GENOVA 1993.

GENITALE RADIOCOLTATORE.

INIZIATO TUTTO CI SCUSIAMO PER IL TEMPO IMPETRATO NEL RISPONDERE ALLA SUA INTERROGA E DELL'IMPERFEZZA DI QUESTA CONFERMA DI RECEZIONE.

IL MOTIVO DI TUTTO CIO' RIFERISCE DALL'ENIGMA QUANTITA' DI CONFERME RICEVUTE IN TUTTO IL MONDO, COSA QUESTA, DIMOSTRA GRADITA DAL NOSTRO STAFF SINTELLI.

IN TUTTI I NOSTRI CONFERMIAMO PER INTERO IL SUO RAPPORTO DI RECEZIONE.

PERCHIO DI FACILE COSA GRADITA RIPORTIAMO QUALCOSA DETTAGLIO DELLA NOSTRA ENIGMA.

"RADIO IDEA" PRESENTE NEL PANGRAMMA LIBRO DELLA RADIO DIFFUSIONE SIN DAL 1983 SI E' RECENTERTE TRASPORTATA NEL "PRIMO NETWORK A COPERTURA EUROPEA" GRAZIE ALL'ADOZIONE DI UN RIPETITORE OPERANTE IN UNA CURVA SU 7.380 KHZ. LA SUA PROGRAMMAZIONE, CURATA IN STUDIO DA 11 PERSONE NELL'ARCO DELLA GIORNATA E' PRESTANTE ORIENTATA SUL "MARKET" "MUSICA ED INFORMAZIONI", IL COMPITO TECNICO DELLA REGIA IN ONDA E' TOTALMENTE COMPUTERIZZATO, ED IL CONTENUTO MUSICALE, AD ANDAMENTO CASUALE, VIENE REALIZZATO PER LO PIU' TRAMITE COMPACT DISC. LA PARTE TRANSMITTENTE, IL CUORE DELL'ENIGMA, E' COMPOSTA DA QUATTRO RIPETITORI BILANCATI IN LINEA CHE GARANTISCONO LA SUA COPERTURA IN TUTTI I CONTINENTI. FR. 91.70012.4.731 - 105.40011.0.731 - 99.75011.0.731.

RIPETIAMO CHE IL RIPETITORE IN ONDA ECCO ALCUNI DATI:

FREQUENZA D'EMISIONE 7.379.0142 COMPOSTO DA TRANSMITTENTE COLLIMATA SOLAMENTE CONE GENERATORE DI FREQUENZA ALCUN USCITA MODULATA 50W - FINALE COLLIMATO 500W OUT, MODULATO IN ALTA TENSIONE MODULAZIONE DI BRILLO TRANSMITTE APPLICAZIONE SENSIBILE FREQUENZA VOLVOLARE DA ISOL. PER ALIMENTARE E REGOLARE LA MODULAZIONE ED IL BRILLO ED E' CREATO PER UNA CONFIGURAZIONE CAPOLO A PUNTA ED ALIMENTAZIONE DI BRILLO TRANSMITTE APPLICAZIONE SENSIBILE FREQUENZA TRANSMITTENTE IN QUESTE SARA' SOSTITUITO DA UN TRANSMITTITORE IN ONDA DA 10.0 KW POTENZA D'USCITA. ANTENNA DIPLOLO IL NOME S/O LAMBDA DEL LUNGHEZZA W UNIVERSITA' POSTO A CINGIA SU METRI DA TERZA, TRAMITE SUE TORRI IN ITALIA CIO' PORTANTI.

CONDIZIONI CHE A STORIA L'ENIGMA CAMBIA: NOME, IL TUTTO GRADITA RIPORTATO SUI NOSTRI BOLLETTINI DEI GRUPPI DI RADIOCOLTATORI, GLI ORARI D'EMISIONE IN ONDA FIN'ORA DI 24 ORE BARRANDO PROBABILMENTE RITROVATI DALE ORE 00 FIN'ORA ALLE 19 DI TUTTI I GIORNI, QUESTO NOVATO A GRADITE INTERFERENZE CON ALTRE ENIGME, LA CABELLA POSTALE E NUMERO 38 BATTORNA GENOVA ALIPRANA (SARFENI).

**PHILIPPINES: FEBC 11995**  
 "Jeepney" cd. in 4 mo. w/ schedule. (MachHarg).  
 9420 same cd. w/ sked. and a personal ltr. in 11 wks. for a taped rpt. and 3 IRCs. v/s Martin Lind, QSL Secretary. (Lamb-NY).

**POLAND: Polskie Radio**  
 7145 and 5995 f/d "Poznan" cd. w/ schedule & personal ltr. and 3 stickers in 3 mo. (Barto).

**PORTUGAL: Radio Liberty 15380** via Maxoqueira f/d cd. in 4 mo. (Barto-CT).

**ROMANIA: Radio Romania 6155 f/d cd.** in 73 ds. w/ schedule. (Humenyk-ONT).  
 9690 f/d "Olimp Hotel" cd. w/ personal ltr. in 103 ds. (Humenyk). 9570 f/d "Romanian Costumes" cd. in 62 ds. (Bergadano-NJ).

**RUSSIA: Radio Moscow 11805 f/d cd.** in 59 ds. w/ schedule. (Bergadano-NJ).  
**Radio Aum Shinrikyo 9880, 11675 and 15355** via Radio Moscow via Moscow and Vladivostok in 46 ds. w/ newsletter. (Humenyk-ONT).

**SAINT HELENA: ZHH Radio Saint Helena 11092.5 f/d** "25th Anniversary" cd. in 8 mo. w/ fact sheet for ms. v/s Tony Leo, Station Manager. (Eckert-PA). same in 5 mo. for \$1.00 and 2 IRCs. (Wallace-MA). in 8 mo. (Barto-CT)...Yea, I got mine! I actually enclosed some photocopies of "QSLed ham stations from St. Helena from over the years". It worked...Sam.

**SAIPAN: KHBI 9530 f/d** "Antenna" cd. in 3 mo. (Humenyk)

**SEYCHELLES: BBC 11730 f/d ltr.** in 20 ds. for 2 IRCs and \$1.00. v/s Peter Lee, Resident Engineer.

**SLOVAKIA: Radio Slovakia Inter-** (Newhall-CT).

**national 5930 f/d** "Radio Bratislava Building" cd. w/ personal ltr. and schedule w/ sticker in 3½ wks. for \$1.00. (Loudell). f/d cd. in 59 ds. for \$1.00. (Washburn-ME). 9605 f/d cd. in 3 mo. (Barto).

**SOUTH AFRICA: ZSC Cape Town Radio 22455 f/d** "Krugers National Park" cd. w/ personal ltr. in 58 ds. for a f/up rpt. and \$1.00. (D'Angelo-PA). 17018 same w/ personal ltr. and schedule in 1 yr. (Boulden-CA).

**SPAIN: China Radio International 9690** via Noblejas f/d cd. in 14 ds. (Welsh-MO)

**SRI LANKA: VOA 11705 and 9645 f/d cds.** in 6 mo. (Schwartz-NY). sh-MO)

**SUDAN: Radio Omdurman 9170 f/d** form ltr. in 149 ds. for a taped rpt. v/s Mohd. Elmahdi Khalil. (Durdan-GA).

**SUMATRA: RRI Padang 4003.2 f/d** prepared cd. w/ long personal ltr. after a f/up rpt. in IN w/ SASE. v/s Amir Hasan. (Kohlbrenner-PA).

**SURINAME: Radio Apintie 4990 f/d ltr.** in 1 mo. for \$1.00. (Wallace-MA).

**SWEDEN: Radio Sveden International 15240 f/d** "Lysekil" cd. in 14 ds. for ms. Schedule was rcvd. (Pappas-SD).

**SWITZERLAND: Swiss Radio International 9885 f/d cd.** in 10 ds. (Welsh-MO). 21820 f/d cd. in 35 ds. (Levison-PA).

**THAILAND: VOA 11785** via udorn f/d "Tests" cd. in 23 ds. (Switzer-FL). f/d "Map of Asia" cd. in 90 ds. (Washburn-ME). f/d cd. in 70 ds. (Kusalik). same in 2 mo. (Lobdell). 11820 f/d cd. in 36 ds. (Millard-TX).

**TURKEY: Turkish State Meteorological Service 6900 p/d** ltr. w/ schedule and tourist info. in 6 wks. for \$1.00. (Loudell-DE).

**UKRAINE: Radio Moscow 15290** via Ivano-Frankovsk f/d "Kosmos Hotel" cd. in 9 wks. (Loudell) 11860 via Vinnitsa f/d cd. in 14 mo. after a f/up rpt. (Boulden-CA). 11950 via Khar-kov cd. in 14 mo. (Boulden).



W. 21/22, 771/11  
 DIRECTOR GENERAL  
 ALL INDIA RADIO  
 ARASHVINI BHAWAN,  
 PARLIAMENT STREET,  
 NEW DELHI-110001 INDIA

Dated the 5.5.82

Dear Sir/Madam,  
 We gratefully acknowledge your Reception Report and confirm your listening to our transmission on 4760... 1171 on 2.5.82... 1128... JYC

The transmission originated from our Station at D. S. 5181

Your faithfully,  
 Director General  
 All India Radio  
 Parliament Street  
 New Delhi

Form 10 (1-8-80)  
 Please return to: New Delhi (720-C)

MR. STEVEN J. LITTA  
 824 West 25th Street  
 Holland, Michigan 49423  
 U.S.A.

La VOIX du SAIRE  
p. 7296  
Libanais. Vérification de Reception

QSL

La Station Radio Lubumbashi

At Steven R. Lara

Nous avons le plaisir de confirmer votre rapport d'écoute du 20 Mai ..

1920 de 0421-0510 heures (UTC) (Local) 7203 kHz.

41 mètres avec 30 g watts



JACQUES MEYERHOFFER

Official

**UKRAINE: Radio Moscow** 17745 via Kiev f/d cd. in 14 mo. after 2 f/up rpt.s. (Bouiden-GA). 7165 f/d cd. in 56 ds. (Galgano-NY).

**USA: WSHB** 17555 f/d "Antenna Array" cd. in 33 ds. for \$1.00. v/s Judy P. Cooke. (Newhall-CT). 5850 and 13760 f/d "Control Room" cd. in 33 ds. (Humenyk-ONT). **WCSN** 9850 f/d cd. in 31 ds. v/s Ed Cocklin, Staff. (Humenyk-ONT). **KJES** 11715 f/d "USPO Postal" cd. w/ verie statement stamped on the back in 20 ds. for ms. (Wash-

burn-ME). f/d cd. w/ schedule in 12 ds. for \$1.00. v/s Michael Renter. (Newhall-CT). f/d cd. in 16 ds. for ms. (Pappas-SD). **WENN** 7425 f/d cd. w/ schedule in 2 wks. (name?) 7465 f/d "Logo" cd. in 46 ds. v/s William Steltmeir. (Galgano-NY). 15695 f/d "Trumpeter" cd. in 32 ds. for \$1.00 Also rcvd. personal ltr. and schedule. (Newhall-CT). **KVOH** 17775 f/d cd. w/ form ltr. in 183 ds. w/ ms. (Washburn-ME). **KCBI** 9815 and 15725 f/d "Caribbean Beacon" cd. in 3 mo. (Field-MI). 9815 f/d cd. in 50 ds. for ms. (Newhall-CT). **WWCR** 5935 f/d cd. in 3 mo. (Field-MI). **WHRI** 13760 f/d cd. w/ schedule in 4 ds. after a f/up rpt. for \$1.00. v/s J. Loren Holycross. (Newhall-CT). **WJCR** 7490 f/d cd. in 6 wks. for 2 ms. v/s Gerri Powell. (Wallace-MA). **VOA Bethany** 10869 "Stereo AM" f/d "Special Broadcast" cd. in 17 ds. w/ Serial No. 004. (Sweetzer-FL). f/d "Riverboat Natchez" cd. in 19 ds. I had # 003. v/s John Vodenik. (Washburn-ME).

**USA PIRATES: MOSL** 7416 f/d cd. in 20 ds. for ms. v/s Ken Hill. (Kohlbrener-er-PA). **Romantic Space Radio** (Russian Pirate) via **Radio USA** f/d multi-colored sheet in 47 ds. after a f/up rpt. for 2 IRCs. My rpt. was sent double registered! (Kusalik-ALB).



**He Man Radio** 7415 f/d green sunspot cycle cd. w/ info. sheet in 6 wks. from the BRS mail drop. (Lobdell-MA). f/d ltr. in 9 wks. for ms. (Kohlbrener-PA). 7417 f/d small ltr. in 3 mo. for ms.

(Wallace-MA). **North Jersey Coast Radio** 7412 f/d ltr. in 2 wks. for ms. (Wallace-MA). **WREC** 7416 f/d "They've Fallen!" ltr. in 6 wks. for ms. (Wallace-MA). 7417.5 f/d ltr. in 1 mo. (Pappas-SD). **KHRZ** 7415 f/d ltr. in 3 wks. for ms. (Wallace-MA). **MSKY** 7415 f/d "Orange" cd. in 3 1/2 mo. for ms. (Wallace-MA). **Voice of OZ** 7417.5 f/d "Cartoon" cd. w/ pennant in 25 ds. v/s Howard E. Lyon. (Pappas-SD). 7418 f/d green cd. w/ pennant in 6 wks. for ms. (Wallace-CT). **Secret Mountain Laboratory** 7418 f/d ltr. in 5 wks. for ms. (Wallace-MA). **XEROX Radio Duplicado** 7415.8 f/d "Purple photo of a very handsome dude" in 2 wks. (Wallace-MA). **KNBS** 7415 f/d green cd. w/ pennant, pen and ltr. (Wallace-MA). **WYNN** 7413 f/d "Radio Sans Pantihose" ltr. in 7 wks. for ms. (Wallace-MA). **WMAJ** 7418 f/d ltr. in 5 wks. for a log in the Pirate Pages. (Lobdell). **WRAR** 7416 f/d cd. in 6 wks. for 3 ms. (Lobdell-MA).

**UZBEKISTAN: Radio Nederlands** 9855 via **Tashkent** f/d cd. in 1 mo. (Kusalik).

Radio Broadcasting Service  
**RADIO NEPAL**  
P. O. Box 834, KATHMANDU / NEPAL  
QSL-VERIFICATION-CARD  
June 4, 1992

Dear Fred S. Kohlbrener

We are very pleased to confirm your reception report of our transmission, which is in accordance with our schedule

Date: Feb 8, 1992

Frequency 5005

Time (UTC): 1213:1246

We thank you for your report, we will be pleased to hear from you again. With best wishes from Nepal

Broadcast Hours 00 to 17:15 (UTC)

FREQUENCIES 5005 7165/3230 1143 610 752 860 846 516 (kHz)



Fred S. Kohlbrener

2641 So. Shields Street

Philadelphia, PA 19142

U. S. A

**VENEZUELA: Ecos del Torbes** 4980 p/d ltr. in 3 mo. for a SP rpt. v/s Ivan Escobar S., (Wallace-MA).

**VIETNAM: Son La Radio** 6343.5 f/d cd. w/ postcard in 4 mo. (Barto-CT).

**WEST IRIAN: RRI Sorong** 4874 f/d prepared cd. w/ ltr. in 6 mo. for an IN rpt. and ms. (Kohlbrener-PA). **RRI Fak-Fak** 4790 f/d prepared cd. in 78 ds. for an IN rpt. and ms. v/s Siarchat Tan, Kepala Sub Sekel Siaran Kata. (D'Angelo-PA).

# Contributors' Page

Vernon Hyson  
5410 Camp Stewart Road  
Charlotte, NC 28215  
CompuServe 76516,1531



## LOGGINGS CONTRIBUTORS - August 1993 - DEADLINE 10th of MONTH

The following members contributed loggings:

Mark ANDERSON, Prescott, MI	DX440 60' Random
William BROWN, Independence, MO	
Jim CLAR, Rochester, NY	R8 ATS803A Eavesdropper 110' LW
David CLARK, Newmarket, ONT	R8 2-R7 HQ180C Antenna Ranch
Richard D'ANGELO, Wyomissing, PA	R8 AD Sloper Farley Loop
James GALGANO, Seneca Falls, NY	Grundig Satellite
Hans JOHNSON, Columbia, MD	R8 AD Sloper 50' Longwire
Rufus JORDAN, Pittsburgh, PA	DX302 Transoceanic 33' LW
Jim KILGALLEN, N. Cadiz, SPAIN	NRD525 R7 MFJ959 Random Wire
Marie LAMB, Brewerton, NY	R600 MFJ16010 20m/90m LW
Harold LEVISON, Philadelphia, PA	R8 R70 D2999
Ed NEWBURY, Bridgeport, NE	R8 R5000 70' Windom 66' Dipole
Tony ORR, Reston, VA	R70 Sony 2010 MFJ16010 75' LW
Bob PADULA, Melbourne, AUST	
Marina PAPPAS, Huron, SD	DX400 Indoor Random
Doug ROBERTSON, Oxnard, CA	DX302 FRG8800 FRA7700 Longwire
Giovanni SERRA, Rome, ITALY	NRD525 AD Sloper
Mary TASSONE, N. Cadiz, SPAIN	NRD525 MFJ959 R7 Random Wire
Dan UNRUH, Ellensburg, WA	R71A S107 Random Wire
Juichi YAMADA, Nara, JAPAN	NRD525 10m long Dipole

With the peak of summer amongst us, it is a good time to fine tune our equipment for the coming season. It is also a good time for you to double check your listings in the Contributors Page to make sure my data base is up-to-date on the equipment you will be using to give us your great logs and hear all those exotic stations and get your even more exotic verifications. Let me know of any corrections.

THANK YOU ALL FOR SHARING YOUR LOGS!!

Enjoyable listening & good DX -

### 1993 North American DX Championships Winners Announced

Log scoring of entries in the ANARC (Association of North American Radio Clubs) sponsored 1993 North American DX Championships have been completed. The NADXC this year was designed as a DX contest with scoring based on the number of countries and stations heard in a 48-hour period. During the same time period that the NADXC was taking place, the European DX Council and the South Pacific Association of Radio Clubs were holding similar contests so that this year's contest, timed to coincide within Shortwave Radio Week, was the first truly world-wide shortwave listening contest.

ANARC is pleased to announce that the winner of the 1993 North American DX Championships is Ed Wlodarski of Andover, NJ. Wlodarski's winning entry totaled 1293 points, computed of 400 stations in 135 countries (based on the country list of the North American Shortwave Association).

Second place, with 1138 points, went to Anthony Scott Helm of Kansas City, KS. The third place finisher (614 points) was Joe DiLeo of Waterbury, CT. The first place winner will receive a pair of JRC headphones from Paul Lannuier of Japan Radio Corporation and the top three winners will receive plaques from ANARC. R. Charlea Rippel of Virginia Beach, VA won the Hollow State category with 459 points representing 104 countries and 187 stations. Rippel used a Collins R-390A and a Hammarlund HQ-180. All participants will receive certificates indicating their place of finish in the 1993 North American DX Championships.

ANARC congratulates the winners and encourages everyone to take part in next year's world-wide shortwave listening contest.

Dr. Harold Cones, for the NADXC Administrative Committee.

# Tropical Band Loggings

Sheryl Paszkiewicz  
1015 Green Street  
Manitowoc, WI 54220



- 3204.4p JAVA RRI Bandung 6/20 1550 pops, SCI, Jak nx, wayan kulit pgm, SIO=232 (Yamada-JAPAN)
- 3235 NEW BRITAIN RWNB 7/5 1130 EG OM, mx, vy weak. Also 7/6 1211 sev tribal songs, nx in lang (Boulden-CA)
- 3259.7p SUNDAS RRI Kupang 6/19 1620 nonstop pops, 1659 SCI, Jak nx, SIO=242 (Yamada-JAPAN)
- 3315 ADMIRALTY R Manus 7/6 0859 W anncr, TPs, EG natl nx // 3335, 3345, lcl pop mx, fair (Orr-VA)
- 3316 SIERRA LEONE SLBS 6/3 0615 long tlk in lang, EG IDs, TCs ad & pgm note, fair (Clar-NY)
- 3366 GHANA GBC 7/4 0438 EG M anncr, lcl mx, 0445 full ID, tlk, mx, fair (Orr-VA)
- 3905 IRIAN JAYA RRI Merauke 7/4 1030 YL tlk or nx, fair, at times on top of New Ireland, fanfare 1039, tlk (Clark-ON)
- 3935p NEW ZEALAND ZLXA 7/4 0705 vy weak w/EG tlk by accented YL, weaker than Vanuatu 3945 (Clark-ON)
- 3980 WEST GERMANY VOA 6/19 2022 poss Polish, tlk on American-Polish Congress (Kilgallen-SPAIN)
- 4000 CAMEROON R Bafoussam 7/4 0447 FR rel, ment Cameroon, 0500 EG natl nx, ID, mx (Orr-VA)
- 4040 ARMENIA Yerevan 6/12 1026 class mx, fair (Brown-MO)
- 4753.8 BRAZIL unid 6/25 0142 live soccer, ads, fair (Serra-ITALY)  
R Educacao Rural 7/1 2327 rel, canned IDs, sertaneja mx after 0000 (Orr-VA) 7/2 0227 lively pops, reverb IDs, anmts, accordion, QTH refs, comedy ad (Jordan-PA)
- 4765 CONGO RTV Congolaise 6/7 2055 FR soap opera, QRM from merchant CW call tape, TP 2100 (Kilgallen-SPAIN)
- 4766 SUMATRA RRI Medan 6/29 to 1525° pops, 1428 ID, IS, lcl nx, IDs, SCI, 1500 Jak nx, tlk, SIO=343 (Yamada-JAPAN)  
poss Medan 7/4 1045 weak carrier noted (Clark-ON)
- 4770 ECUADOR Centinela del Sur 7/21 0155 OM sports w/cmtry, ID 0215, brief mx, poss ad (Jordan-PA)
- 4775nf NIGERIA R Nigeria 6/19 2105 ID, rap mx (Kilgallen-SPAIN)
- 4784.9 AZERBAIJAN 6/22 1901 nx abt Azerbaijan, Azeri mx & vcls, fair (Serra-ITALY)
- 4795 BRAZIL Nova Difusora 6/6 0021 tlk, ads w/phone numbers, IDs, slogans, folk mx, fair w/QRN (Clar-NY)
- 4800 UNID poss Lesotho 6/19 0051 cmtry, EG mx, p-f (Serra-ITALY)
- 4805t BRAZIL Rdf Amazonas 6/19 0101 live soccer, jingles, TC, many ment of R Nac do Brasil, un servicio special (Serra-ITALY)
- 4810 ARMENIA Yerevan 6/1 1741 tlk, EZL, IDs, IS, AR mx, ment Medina Arabiyah, fair (Serra-ITALY)
- 4820 MAURITANIA ORTM 7/2 to 0101° AR tlk show, lcl string mx, IDs, Koran, NA, tnx Valko/Johnson (Orr-VA)
- 4820 RUSSIA R Khanty-Mansiysk 6/19 2103 RS nx on Mideast peace tlks, good (Kilgallen-SPAIN)
- 4820 UNID poss pirate 6/17 2115 EG pop mx (Police, etc.), off 2129, good (Kilgallen-SPAIN)
- 4825 UKRAINE RU 6/17 2117 EG tlk on social security, nx (Kilgallen-SPAIN) Tnx for writing in!--sp.
- 4830 VENEZUELA R Tachira 7/5 \*1003 NA, s/on anmts, ID, fqys, promos, LA pops, later than listed \*0900 (Lamb-NY)
- 4834.7y MAURITANIA ORTM 7/4 \*0618 IS, FR ID, Koran, 0645 long tlk, IDs, wildly varying freq (Orr-VA)
- 4835 AUSTRALIA VLBA 7/2 to 0829° pop mx, ment ABC, ABC nx, cmtry, off mid-song (Orr-VA)
- 4835 GUATEMALA R Tezulutlan 6/25 1100 anmts, marimbas (Newbury)

- 4845 BOLIVIA R Fides 6/12 0148 pres. political discuss, IDs slogans, TCs, FC, poor-fair (Clar-NY)
- 4845 MAURITANIA ORTM 6/22 0658 AR singing, no ID 0700, 0701 tlk, strong w/heavy static (Boulden-CA) 6/8 2017 AR nx, mx, ID 2025 (Kilgallen)
- 4849.9 ECUADOR R Luz y Vida 6/12 1029 keyboard & OM, vy good (Brown-MO) ID?--sp
- 4850 UZBEKISTAN Tashkent 6/16 2002 cmtry, nx, song, ID in lang, fair (Serra-ITALY)
- 4865 COLOMBIA LV del Cinaruco 7/2 0450 LA mx pgm, anmts, M DJ ID 0458, fair (Robertson-CA)
- 4870 ECUADOR LV del Upano 7/2 0110 serious tlk, ballads, IDs, strong sig (Orr-VA)
- 4875 BRAZIL Rdf Roraima 7/9 0502 variety pop mx, PT, EG, GM IDs, ads, lite conversation, f-g (Robertson-CA)
- 4880p ECUADOR RN Espejo 6/23 0140 futbol, TCs, sfx, poss ads & jingles, seemed netwk feed, same game seemed to be on R Quito (Clar-NY) 7/3 0215 drama, mx interludes, full canned ID w/echo (Orr-VA)
- 4890 GABON RFI relay 7/3 0440 FR nx, mx, QRM CH ute (Robertson)
- 4890t ECUADOR R Gentinela del Sur 6/20 0245 Andean flute mx, SIO=342 (Newbury-NE)
- 4917.6 UNID SEAS, 6/13 1229-1420 in lang like Cambodian, 1229 mx, 1300 tlk, 1352 mx, QRM Guangxi 4915 (Yamada-JAPAN)
- 4920 AUSTRALIA ABC Brisbane 6/16 0955 mx, nx, ABC ID, discuss world events, pop mx (Mauer-WI) Tnx Diane--sp.
- 4920 ECUADOR R Quito 6/12 1106 OM anncr mix w/Australia (Brown-MO)
- 4935 KENYA KBC 6/28 0249 EG pop mx, 0300 ID, nx, fair-good w/increasing QRM (D'Angelo-PA) 6/16 1954 EG OM w/EZL songs, fair (Serra-ITALY)
- 4953 PERU R Amauta 7/3 0125 musica romantica, ads, PSAs, IDs 0143 TC w/clock bells (Orr-VA)
- 4960 DOM REP R Cima Ciento 6/20 0708 merengues, Peter Allen, ID, jingles, tlks (Lamb-NY)
- 4965 NAMIBIA NBC 7/6 \*0600 EG/AK, nx, ment Namibia, soft pops, Cima Ciento QRM (Orr-VA)
- 4976 UGANDA RU 6/19 0438 EG/lang nx, IDs, Afr. pops (Orr-VA)
- 4980 VENEZUELA Ecos del Torbes 7/2 0256 ID, folk mx, vy poor w/terrible audio (Jordan-PA)
- 4990 NIGERIA R Nigeria 6/11 1832 disco mx, OM tlk, ID (Serra)
- 5003.8 RIO MUNI RN Bata 7/4 0517 Afr. pops, "buenos dias," TCs, IDs, ute QRM (Orr-VA)
- 5005 UNID poss R Libertad, Bolivia 7/3 0044 soft acoustic guitar mx, ballads, anmts, W/VV QRM (Orr-VA)
- 5009.4 MADAGASCAR RM 6/19 0425 organ instl, anthem, nx, IDs, 0435 mx (Orr-VA)
- 5020 SOLOMON ISLANDS SIBC 7/4 0735 EG //9545 rel mx, sermon, ID, tlk, good (Orr-VA)
- 5025p AUSTRALIA VL8K to 0829\* 7/13, EG pop mx, W anncr, off in mid-song (Orr-VA)
- 5050 ECUADOR R Jesus del Gran Poder 6/24 1045 rosary, anmts, nx, ID, good (Newbury-NE)
- 5075 COLOMBIA Caracol 6/5 0509 TC, ID, jingles, ads, IT voice QRM, seems police or similar (Serra-ITALY)
- 5800 PERU R Nueva Cajamarca 6/21 0954 mx, ID (Johnson-MD)

And that's it. Thanks to those who continued to listen to the radio during the summer months and report what they heard. Reporters from 8 states, 1 province and 3 countries. Take a look at Harold's list of tropical band countries a couple issues ago. I'm stuck at around 65 countries. Next deadline August 20.





# International Band Loggings

Wallace C. Treibel  
357 N.E. 149th Street  
Seattle, WA 98155

- 5915 KAZAKHSTAN R Alma Ata in EG \*2300, ID, nx, //7255 (Padula AUSTRALIA 6/18)  
 5955 COLOMBIA R Caracol in SP 0552\*, festival pgm, IDs, s/off ancmts, NA (Orr VA 7/5)  
 5955 BRAZIL R Gazeta in PT 0835, IDs, pop mx, relig tlk, QRM 0855 Caracol\* (Orr 7/13)  
 5960 CANADA R Monte Carlo relay in AR 0255, ID, nx, //9755 (Padula AUSTRALIA 7/3)  
 5970 BRAZIL R Itataia in PT 0845, ancmts, ads/promos, IDs, turkey gobbler (Clar NY)  
 5975 COLOMBIA R Macarena in SP 0826, campo vocals/ballads, IDs, TCs (Orr VA 7/6)  
 5975 ANTIGUA BBC relay in EG 0416, Mideast mx, "Arabian Sounds", ID (Robertson CA 7/9)  
 59813 GUATEMALA AWR Union in SP 0205, ID, slogans, addr, marimbas, p (Clar NY)  
 5995 MALI RTVM Bamako in FR 0556, IS (strings), NA, ID, TC, fgy, nx, f-g (Clar NY)  
 6000 BRAZIL R Guaiba in PT 0808, "Brazil" & other pop mx, tlks, ID, f (Lamb NY 6/13)  
 6025 MALAYSIA RTVM Kajang in Malay \*2200, ID, nx, into CH 2205 (Padula AUST 6/25)  
 6025 DOMINICAN REP R Amanecer in SP 0133, relig tlk/mx, slogans, ID, QTH (Clar 6/25)  
 6035nf? UNITED KINGDOM R Korea relay in EG \*2030, FR 2100-2145\*, vp (Padula AUST 6/19)  
 60352 COLOMBIA LV del Guaviare in SP 0932, campo mx, IDs, DJ mx pgm (Orr VA 7/13)  
 6050 CYPRUS BBC relay in GK \*2130-2200, spec weekend xmsn, QRM Ibadan (Padula 6/26)  
 6055 SPAIN REE in SP 0430, intl nx briefs, ID, mx bridge, g (Robertson CA 7/9)  
 6060nf? UNITED KINGDOM R Japan relay in EG 2354, world nx, ID, sked, pgm note, into JP 0000 (Clar NY 6/18, Padula AUSTRALIA 6/20)  
 6070v THAILAND R Thailand in Thai \*2200, NA, ID, pgm review (Padula AUSTRALIA 6/18)  
 6070 CANADA CFRM Toronto in EG 1100, IDs, "Canada Day Festivities" (Robinson TN 7/1)  
 6100 PORTUGAL R Renascenca in PT 0428, ballads, ID, nx, cmntry, ads (Orr VA 7/5)  
 6110 PERU R Union in SP 0820, relig tlk, flutes, ID, promos, slogans, ads (Clar 6/29)  
 6150 BRAZIL R Record in PT 0220, futbol coverage, jingle, ID, ads (Orr VA 7/2)  
 6160nf CYPRUS BBC relay Limassol in EG \*2300, world svce to W Asia, ID (Padula AUS 7/3)  
 6170 COLOMBIA LV de la Selva in SP 0908, campesino mx, promos, IDs, f (Lamb NY 6/30)  
 6183v BRAZIL RN Amazonia in PT 2300, Brazilian pops, ballads, g (Padula AUST 7/3)  
 6250 EQUATORIAL GUINEA RN Malabo in SP 0505, Afro pops, TC, tlks, ID (Orr VA 6/19)  
 6550 IRAQ Rep of Iraq R in lang? 0232, piano mx, AR mx, chimes, p (Orr VA 7/3)  
 6933 CHINA R Beijing in Romanian? 1935, xmsn to Eur/N Africa, ID (Tassone SPAIN 6/26)  
 71101 ALBANIA R Tirana in IT 1344, classic mx, tlk, //5985 (Serra ITALY 6/20)  
 7125 ITALY IRRS Milan in EG 0502, relig pgm, oldies, ID, QTH (Orr VA 7/6)  
 7225 ROMANIA R Romania Actualitati HS in RM 0124, vocals, instrmls, lite pops, tone at 0154, IS 0157 (5 times), ID, marching band, nx (D'Angelo PA 6/25)  
 7230 SO AFRICA Channel Africa in EG 0449, Kenny G mx, ID, chart show (Lamb NY 6/19)  
 7230 UNITED KINGDOM R Japan relay in EG \*0459, site ID in JP, ID, nx (Lamb NY 6/19)  
 72599 VANUATU RV in FR 0655, pops, ID, TC, island vocal, //3945 (Clark ONT 7/4)  
 7275 NIGERIA R Nigeria Kaduna in EG 0637, Afro pops, ads, ID, nx (Orr VA 7/5)  
 72886nf? VIETNAM V of Vietnam(p) in lang? \*1056, NA, VT mx, ments of Vietnam (Orr 7/13)  
 9080 CHINA CPBS-1 Beijing in CH 2202, tlks, usual pgming, //7504, 7935 (Orr VA 7/1)  
 9425 GREECE VOG in AR 0443, nx, ID "Huna Athina", //11645, 15630 (Serra ITALY 6/6)  
 9450 ARMENIA R Yerevan in EG 2159\*, ID, nx, req rpts, sports, folk mx (Lamb NY 7/6)  
 9475nf SEYCHELLES FEBA in CH 1559\*, ID in EG after pgm in CH, f-g (Treibel WA 7/10)  
 9475nf? PHILIPPINES FEBC Manila in CH \*2200, adjusted from planned 9420 (Padula 7/3)  
 9480 MONACO TWR Monte Carlo in EG \*0637, IS, ID, fgy, relig pgm, g (Lamb 6/22)  
 9490 RUSSIA R Nadezhkda in RS 1610, classic mx, tlk, //17675 (Serra ITALY 6/20)  
 9510 PHILIPPINES VOA relay in VT 2238, VT nx, instrmls, VOA theme (Orr VA 7/1)  
 9525 INDONESIA RRI Jakarta in IN 0950, Indo pops til SCI 0958 (Johnson MD 6/23)  
 9525 POLAND Polish R Warsaw in EG 1943, rock mx, IDs, feature, f (Lamb NY 6/2)  
 9560 JORDAN R Jordan in EG 1520, mx pgm, YL tlks, ID, g (Serra ITALY 6/20)  
 9565nf UNITED ARAB EMIRATES UAE R in AR 0743, ID, list all fgy's (Kilgallen SPAIN 6/17)  
 9565 BRAZIL R Universo in PT 0755, revival, ID (Lamb 6/13) 2145 speeches (Padula 7/3)  
 9665 BRAZIL R Marumbi in PT 2336, IDs, slogans/promos, pops, ballads (Clar NY 6/1)  
 9690 ARGENTINA RAE in SP 2344, IS, ID, promo/pgm note, nx, f (Clar NY 6/1)  
 9700 NEW ZEALAND RNZI in EG 0708, organo mx, tlk, IDs, songs (Serra ITALY 6/19)  
 9710 AUSTRALIA RA in EG 1130, ID, "Melba from Melbourne", exc (Robinson TN 7/4)  
 9735 PARAGUAY RN Asuncion in SP 2300, lcl ballads, guitar mx (Padula AUSTRALIA 7/3)  
 9810 SLOVAKIA R Slovakia Int in EG 0100, feature, mx postcard, ID (Anderson MI 6/7)  
 9830 PALAU KHBN in CH 0945, long tlk, ancmts, EG IDs, inspir mx, f-p (Clar NY 6/25)

9840 KUWAIT R Kuwait in AR 2023, ME mx, discn, ID, nx, NA, Islam rel, f-g (Lamb 6/26)

9880 AUSTRIA RAI in EG 0154, fgys/skcd, into DT, waltz mx, ID in GM (Levison PA 6/25)

9890 MADAGASCAR R Nederland relay in EG 1338, nx, wx, "Newline", f-p (Clar NY 6/24)

9925 BELGIUM RVI in EG 0629, ID, "Brussels Calling", nx, sports, f (Lamb NY 6/22)

9990nf EGYPT R Cairo in IT 1857\*, AR pop mx, IDs, tlks (Orr VA 7/2, Kilgallen SPAIN)

11630 CHINA CPBS-2 Beijing in CH 2306, nx, ID, 2315, tlks, //11610 (Orr VA 7/1)

11655 MADAGASCAR R Nederland relay in FR 1917, pop mx, tlks, ID, QTH, f (Lamb NY 6/22)

11705 GERMANY Deut Welle in EG 0507, nx, "European Journal", ID, f (Robertson CA 7/3)

11715 USA KJES New Mex in EG \*1300, children singing/litany, ID, QTH (Jordan PA 7/4)

11725nf JAPAN RJ Tokyo in EG 0535, variety show, mx, ID, "Skydive" (Robertson CA 7/3)

11740 GERMANY Deut Welle in EG 1900, IS, ID, relig pgm, jazz guitar (Robinson TN 7/4)

11745 ALBANIA R Tirana in AL 0130, mx sels incl vocals, ID 0200, g (Levison PA 6/17)

11840 SEYCHELLES FEBA in AR 1950-2004\*, relig tlk, ID, IS, AR pop mx (Orr VA 7/2)

11865 JAPAN RJ Tokyo in EG 1910, nx on sumo wrestlg, ID, fgys (Clar NY, Robertson CA)

11900 FINLAND RF in EG 1331, pgm note, ID, nx, "Northern Report", g (Clar NY 6/24)

11930 NETHERLAND ANTILLES TWR Bonaire in EG \*0301-0401\*, relig pgm, special last SWBC w/staff messages, coming satellite svce, ID (Pappas SD 7/1, Lamb NY, Newbury NE)

11990 SLOVAKIA R Prague via Rimavska Sobota in SP 0227\*, IDs, mail, QTH, Czech mx, IS (Lamb 6/22) in EG 0842, interview, ID, mx, tlk re econ school (Serra ITALY 6/10)

13620 KUWAIT R Kuwait in EG 1810-1945, nonstop rock/pops, nx(Jordan PA 6/12, Unruh WA)

13660 HUNGARY R France Int relay in FR 0655, pops in EG, //15405 (Padula AUST 7/3)

13720 GUAM KSDA in EG/CH \*0800, ID, Hong Kong mailing addr, CH relig pgm (Lamb 6/27)

13750v ISRAEL Rashuth Hashidur in HB 2035, nx, varied from 13753 (Tassone SPAIN 6/17)

15105 MALTA Deut Welle relay in EG 0149\*, nx, "European Journal", site ID (Lamb 6/16)

15130nf NO KOREA R Pyongyang in KR 2210, nx, 15115 not hrd, QRM WYFR (Treibel WA 7/5)

15180 IRAQ R Iraq Int in EG 2346, polit cmtry, IDs, ME mx, f w/poor mod (Clar 6/22)

15190 CONGO RIV Congolaise in FR 1254, hilife mx, tlk, TC, ID, f-p (Clar NY 6/16)

15215 ALGERIA VO Free Sahara in AR 2057-2355\*, AR mx, pipe, ID, nx, interviews, Network One svce (Padula AUSTRALIA 7/3, Kilgallen SPAIN 6/8)

15225 GUAM KSDA AMR in CH 2220, relig tlk, mx, children's chorus (Orr VA 7/1)

15240nf? AZERBAIJAN R Azer Baku in EG 1701, ID, local mx, prayer, nx (Serra ITALY 6/6)

15355 GABON R Japan relay in GM 0606, nx, ID, wx, cmtry, feature, g (Lamb NY 6/22)

15375 BOTSWANA VOA relay in FR 0555, mx pgm, IDs, QTH, African nx, f-g (Lamb 6/22)

15385nf TURKEY V of Turkey in TK 0701, comes svce, ID, //15405, QRM Kiev (Padula 7/3)

15395 UNITED ARAB EMIRATES Dubai in EG \*1600-1639\*, ID, pops, nx, wx, g (Lamb 6/29)

15410nf MOROCCO VOA relay in EG 1650-2100, "Newline", IDs, "Now Music USA", sports, new relay to Africa (Jordan PA 7/3, Padula AUST 6/24, Lamb NY 6/29, Orr VA 7/1)

15415 LIBYA V of the Great Homeland in AR 0305, recitations, dramatic dialog, AR mx, IDs, prayers, wild patriotic chorus, g (Jordan PA 7/2)

15430 SAUDI ARABIA BSKA in Somali 0424, AR mx, ID, nx re Somalia, NA, g (Lamb 6/22)

15445 BRAZIL Radiobras in EG 1200, ID, "Brazilian Panorama" (Clar NY, Robinson TN 7/4)

15475 GABON R Africa #1 in FR 1632, Afro/Cuban pops, sports nx, ads, ID (Serra ITALY)

15530 HUNGARY R France Int relay in FR 0658\*, world svce, //13660, 17690 (Padula 7/3)

15555 PAKISTAN RP in EG 1615, cmtry re govt pgms, slo speed nx, p (Unruh WA 6/21)

15675nf? HONDURAS R Copan in SP \*2100-2230\*, NA, ID, QTH, LA mx (Rausch NJ 7/15) Ed rpts strn power at 100 watts. Nice catch! PWBR lists 9950 as alternate fgy.

17545 ISRAEL Kol Israel in EG 1030\*, "Israel Mosaic", pops, nx, wx, ID, f (Lamb 7/5)

17725 PAKISTAN RP Karachi in EG 0245\*, slo speed nx, ID, //17705, f (D'Angelo PA 6/28)

17745nf? AUSTRIA R Canada relay in AR 0445, nx review, //15215, g (Padula AUST 6/20)

17750 SEYCHELLES FEBA in EG \*0500, Pri only to Mideast, IS, ID, f-g (Rausch NJ 7/2)

17780 NO MARIANAS KHI Saipan in EG 0416, tlk, ID, cmtry, p (Serra ITALY 6/11)

17785nf MOROCCO VOA relay in EG 1600-2000+, pops, mail, ID, QTH, jazz pgm, billboard, VOA nx, field rpts, into Hausa 2030 (Jordan PA 7/3, Lamb NY 6/28)

17830 BULGARIA RB in EG 1055, review of polit affairs, IDs, //13670 (Serra ITALY 6/11)

17940 IRAQ R Iraq Int in AR/EG 2320, nx, cmtry, propaganda, ID, fgy, p (Jordan 7/6)

21560 ITALY RAI in IT 1410, nx, Italian songs, //17800 (Serra ITALY 6/8)

\*\*\*\*\*  
MISCELLANY  
 \*\*\*\*\*

Two items out of sequence due to my paper shuffling difficulties:

9350 CLANDESTINE V of Human Rights Freedom for Iran in Parsi \*0225, ID (D'Angelo PA)

9475 EGYPT R Cairo in EG 0207, Koran readings w/EG trans, nx, ID (Galgano NY 6/21)

Also tnx to Ed Rausch for info on two of last month's "Unidentifieds". He rpts that VOA relay on 7415 is via Botswana, not Greenville. Logging on 6190 w/rooster crowing is Radio Oriente in Yurimaguas, Peru w/power of 3 kw.

# English Schedules

Tom Sundstrom

P.O. Box 2275

Vincetown, NJ 08088-2275

MCI Mail 244-6376

Fax 609-859-3226

PICS Online RBBS 609-753-1549

Genie T.SUNDSTROM



Prepared 7/28/93 at 8:52 PM.

This month, thanks to Adam Lock (WWCR), Hans Johnson (MD), Jon Klinedinst (PA), Marie Lamb (NY), Jonathan Marks (R Netherlands), and Andy Sennitt (WRTH).

## Notes

Two hours after I dropped off last month's column at NASWA HQ, this column was out of date. I heard Glenn Hauser announce *World of Radio's* new times on WIIRI and WWCR never made it to reality. The most consistent airings, in my opinion, seem to be on WWCR UT Fri 2215 and UT Sun 0305. On WWCR, the show *Radio Techniques* did not return as expected. It was canceled when the producer failed to reply to inquiries.

The SW transmitters of TWR Bouaire went off the air at 0401:20 UT on July 1. The 800 kHz MW outlet remains on the air.

Talk about a scheduling mess I offer as testimony 11810 from 1900 to 1955 UT. R Romania Int'l and Deutsche Welle battle it out with R Iraq Int'l. What attracted my attention was that on a Monday at 1945 and 1955 I heard *CQ DX* played out in morse code. I thought a jammer was playing around until I realized it was Romania's DX program!

I'd also like to acknowledge a fax from Giovanni Serra, Rome, Italy, with info on the Voice of Greece. We had the data in last month's column, but we definitely appreciate the interest.

R Iraq Int'l has apparently made changes. Since mid-June I haven't heard 15180 in parallel to 17940 at 01-04 to NAM. In mid-July I started hearing 15205 at 01-04; VOA and Iraq battle it out to 0230 UT.

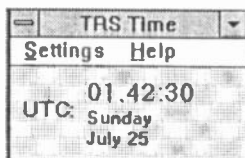
Marie Lamb picked through the Yerevan item in last month's LN. At her request I went

through the LN and Marie's items plus a few more frequencies in my notes. The only consistent frequencies: at 2143 11920 and 9450, at 2243 11945 and 11920. There may be some punch-up errors going on here. The May listings are correct per Yerevan's announcements.

Marie asks about the unlisted RCI release at 05 on 15430 (I think it may be via Austria to the ME) and the BBC at 06-07 on 6065 (not in my early May BBC schedule via the VOA BBS). At deadline Jon Klinedinst points out that most of the higher frequencies used by Deutsche Welle at 01, 02 and 03 UT have been dropped. This is a significant change to the DW's current *tune in*; we'll have to chase some of this down next month. One stupid move by DW at 03 was to 11715 where China via Mali and DW now compete to NAM. Neither signal is readable here.

## New Software Released...

For Microsoft® Windows™ here is a unobtrusive clock that provides in Coordinated Universal Time the 24-hour



time, day of the week and date. It reads the PC clock set to local time and applies an offset in hours. No forgetting to change the day of the week or date after 00 UT. No looking around the desk or shelf for the that clock that was buried weeks ago. I run this in my Startup Group. Price: \$7.50. S&H \$2.50 in USA, Canada and Mexico, \$5.00 elsewhere, delivered on a 3½-inch 1.44 MB HD diskette.

Authorized Dealer

**JRC**

& Skywaves Antennas

**PC Software by W2XQ**

English Language SWBC Schedules  
JRC/Kenwood Receiver Control  
TRS Time for Windows™

Send #10 SASE (2 IRCs) for catalog or download off the Pics OnLine! BBS at 609-753-2540.

TRS CONSULTANTS, PO Box 2275-NA, VINCETOWN, NJ 08088-2275

SCHEDULES BY SUBSTATION

START END	COUNTRY	STATION	FREQUENCIES							TARGET AREA	NOTES	LAST UPDATE
0000												
0030	Australia	R Australia	17750	15510	15365	15320	13605			As/Pac/Pap/NG		06/28/93
2400	Costa Rica	R for Peace Int'l	21465U	15030U	13630U	7385	7375U			LA/NA/AM		07/16/93
0030	Sweden	R Sweden	9695							SA/AM		07/27/93
0100	Ukraine	R Ukraine Int'l	15195	15180	11720	9860	9685	9640	9600	9550	>9 MHz   as hrd, not	07/10/93
0100	Ukraine	R Ukraine Int'l	7240	7195	7150	6090				NA/AM/EU	<9 MHz   as hrd, not	07/10/93
0100												
0150	Germany	R Deutsche Welle	15105	11865	9765	9700	6145	6085	6040			07/28/93
0400	Iraq	R Iraq Int'l	17940								News/EE 0230   irreg	07/25/93
0400	Iraq	R Iraq Int'l	15205							India/Pakistan		07/22/93
0200												
0330	Egypt	R Cairo	11600	9475								07/25/93
0300	Hungary	R Budapest	15220	11910	9835	5970						07/27/93
0300												
0350	Germany	R Deutsche Welle	13790	11715	9700	9640	6145	6085				07/27/93
0330												
0400	United Arab Emir	R Dubai	21485	15400	13675	11945						07/27/93
0400												
0450	Germany	R Deutsche Welle	13770	11755	9765	9565	7225	7150	6145	6015		07/28/93
0415												
0440	Italy	RAI	9575	7275							Mediterranean	07/23/93
0430												
0500	Italy	AWR Europe	15125								Eur/AM/ME	07/28/93
0500												
0550	Germany	R Deutsche Welle	11705	9605	9515	5960						07/27/93
0600												
0650	Germany	R Deutsche Welle	17875	15205	15185	13790	13610	11820	11780			07/15/93
0630												
0700	Italy	AWR Europe	7210								Eur/AM/ME	07/28/93
0930												
1000	Italy	AWR Europe	7230								Eur/AM/ME	07/28/93
1000												
1100	Nigeria	V of Nigeria	7255									07/27/93
1100												
1150	Germany	R Deutsche Welle	21600	17860	17800	17765	17715	15410	15370			07/28/93
1330												
1355	United Arab Emir	R Dubai	21605	15395	15320	13675					Eur/AM	07/28/93
1400												
1600	Iraq	R Iraq Int'l	15205								India/Pakistan	07/22/93
1500												
1700	Nigeria	V of Nigeria	7255									07/27/93
1530	Sweden	R Sweden	21500	15240	15190						NA/ME/AM	07/27/93
1600												
1630	Italy	AWR Europe	15125								Eur/AM/ME	07/28/93
1640	United Arab Emir	R Dubai	21605	15395	13675	11795					Eur/AM	07/11/93

## SCHEDULES BY SUBSTRON

START END	COUNTRY	STATION	FREQUENCIES								TARGET AREA	NOTES	LAST Update
1615 1645	Sweden	R Sweden	9695								Eu/AF		07/27/93
1730 1900	Bulgaria	R Bulgaria	13670	11720							NAm/Eu		07/04/93
1800 2000	USA	WHRI	13760	9590							eNAm/Eu/Carib		07/13/93
1900 1950	Germany	R Deutsche Welle	17765	15350	13790	13690	11810	11785	11740	9640	wAf		07/28/93
2100	Nigeria	V of Nigeria	7255								wAf		07/24/93
1930	Portugal	R Portugal	15515								AF	M-F	07/24/93
2000 2300	USA	WHRI	17830	13760							CaribieNAm/Eu		07/13/93
2030 2100	Sweden	R Sweden	9695	6065							Eu/AF		07/27/93
2200	Hungary	R Budapest	11910	9835	7220	6110					Eu		07/27/93
2200	Ukraine	R Ukraine Int'l	17725	15195	9685	7240	7150	6090			Eu	RUI annis incorrect	07/11/93
2130 2200	Sweden	R Sweden	6065								Eu/AF		07/27/93
2200 2225	Italy	RAI	15330	11800	9710						Japan		07/23/93
2300 2330	Lithuania	R Vilnius	12040								NA/Eu	M-F	06/26/93
0300	South Africa	Radio 2000	3320										07/18/93
2330 2400	Sri Lanka	SLBC	15425								eNAm	Mo	07/22/93



# Popular Communications Worldwide SWL Conference! October 2-3, 1993

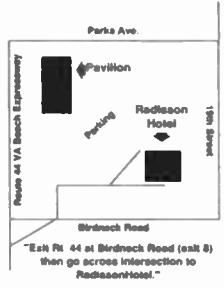
- \* Meet major SW broadcasters
- \* EXPERT Speakers on Current topics include:

- ★ Antenna Construction Tips and Techniques with Bill Price
- ★ Buying a Receiver by Dick Robinson of Electronic Equipment Bank
- ★ PopComm "Listening Post" get-together with PopComm columnist and SW authority Gerry Dexter
- ★ The Future of SW Broadcasting, with world-renowned shortwave and propagation authority George Jacobs
- ★ How to QSL What You Hear by columnist Gerry Dexter
- ★ Pirate Radio - Hearing the Action with Pat Murphy of WNIS Radio
- ★ SWLing - What You Need To Know with shortwave expert, Dr. Harold Cones
- ★ Worldwide NASA and Satellite Comms with PopComm columnist and NASA authority Don Dickerson
- ★ SW Broadcasting - It's Two-Way Communication with noted international broadcaster Ian McFarland

RAFFLES

FLA MARKET

DEMOS



FREE ON-SITE PARKING

### PLUS - Speakers from the VOA, BBC and more!!!

KEYNOTE SPEAKER, Roy Neal, K6DUE, will talk about SAREX (Shuttle Amateur Radio Experiment) and Tuning the Space Shuttle Comms. He's the Chairman of SAREX, for ARRL-AMSAT and former NBC News Correspondent.

Dozens of manufacturers and dealers of SWL and amateur radio equipment will be on hand demonstrating their equipment and ready to answer your questions on the spot -- including -- Kenwood, ICOM, Yaesu, Alinco and more!

The SWL Conference will be held in conjunction with the 18th Annual Virginia Beach Hamfest and Computer Fair (the areas LARGEST hamfest and computer exhibit). The first Popular Communications Worldwide SWL Conference held at the Radisson Hotel, Virginia Beach, Virginia has something for everyone! Make plans NOW to be there. As part of the one-time \$25 admission charge, on October 3 you also get a tour of nearby Norfolk Naval Base that includes a visit to a ship and Naval Base waterfront.

**Make Plans Now to attend both days - October 2 - 3, 1993 at the Virginia Beach Pavilion; minutes from the beach, Navy bases and historic sites!**

Radisson Hotel is across parking lot from Pavilion. You can walk between both!

"Talk-in frequency 146.970 MHz."

To acquire room reservations at the Radisson Hotel Virginia Beach call 1-800-333-3333 and ask for Virginia Beach Hamfest rates. Registration in the Radisson Hotel, Friday, October 1 from 2 to 8 p.m.

Yes, please reserve \_\_\_\_\_ tickets at \$25 each.

Pick up tickets and info. pack at the Radisson Hotel on October 1 between 2 and 8 p.m.

\$25 INCLUDES ALL

Name \_\_\_\_\_ Call \_\_\_\_\_

Address \_\_\_\_\_

City \_\_\_\_\_ State \_\_\_\_\_ Zip \_\_\_\_\_

Check     Money Order     MasterCard     VISA     AMEX     Discover

exp. date \_\_\_\_\_

--	--	--	--

Mail your order to: **Popular Communications**  
76 North Broadway, Hicksville, NY 11801 Telephone 516 681-2922; FAX 516 681-2925

the



page

COMMITTEE TO PRESERVE RADIO VERIFICATIONS

JERRY BERG, Chairperson • 38 Eastern Ave. • Lexington, MA 02173 • (617) 861-8481

S. P. 59.852.1a      2 Août 1955      195

COMMISSARIAT GÉNÉRAL DE FRANCE  
ET COMMANDEMENT EN CHEF  
EN INDOCHINE

SECRETARIAT GÉNÉRAL

SERVICE PRESSE INFORMATION MILITAIRE

14 Rue Clugnot  
Tél. Ombage 100

N° 14/54

Dear Sir

Radio Hironnelle was the French forces station in Hanoi until the fall of Dienbienphu in 1954, whereupon it was removed to the south. On 7411 kc. in July 1955, it soon moved to 6105. ++ Many DXers received this colorful card from Radio Vietnam during the late 1950's.

I am very sorry to have been so late in answering your letter dated 12. July 1955.

Thank you very much for the information you gave us, about the reception of Radio Hironnelle. After checking the program of the 3. July 55, I am in a position to say that your monitoring was quite accurate.

Radio-Hironnelle is the Radio-station of the french military forces in Vietnam; previously stationed in Northern-Vietnam, it is now in Saigon.


At the time of your monitoring, Radio Hironnelle was emitting on 7411 Kcs.

Equipment used was the following:

- Transmitter ( type AFZ 311
- ( Power 1 kW 5

REPUBLIC OF VIETNAM

QSL de 3WT



**Radio**  
**VIETNAM**

N° 3 Phan dinh Phung St.  
SAIGON.

We confirm your reception of our station broadcasting from Saigon

on 15th April 1959 at 22.13 local time (GMT + 7)

on 30.76 m or 9,754 kc/s — Radiated power 25,000 w.  
on 49.05 m or 6,106 kc/s — Radiated power 20,000 w.

Many thanks for your report.

RADIO VIETNAM

been  
was  
ily

North American Shortwave Association  
45 Wildflower Road  
Levittown, Pennsylvania 19057

First Class Mail  
U.S. Postage  
PAID  
Levittown, PA  
Permit No 319

## FIRST CLASS MAIL

*Expiration Date 11*  
**Fred McCormack**  
Box 65666  
St. Paul, MN 55165-0666



ISSN 0160-1989

The Journal of the  
North American Shortwave Association

**Executive Director:** Bob Brown, KW3F  
238 Cricklewood Circle, Lansdale, PA 19446

**Publisher:** Bill Oliver, 45 Wildflower Road,  
Levittown, PA 19057

**Executive Council:** Jerry Berg, Bob Brown,  
Dr. Harold Cones, Gerry Dexter, Glenn Hauser,  
Don Jensen, Bill Oliver

### EDITORIAL STAFF

**Managing Editor:** Bob Brown, KW3F  
238 Cricklewood Circle, Lansdale, PA 19446

**DXer's Forum:** Send All Inputs to - 238 Cricklewood  
Circle, Lansdale, PA 19446

**Easy Listening:** Richard Cuff, 213 Parkview Ave.,  
Allentown, PA 18104-5323

**NASWA Portraits:** Jerry Klinck, 43 Lein Road,  
West Seneca, NY 14224

**Listener's Notebook:** Hans Johnson, 7529 Red  
Craval Court, Columbia, MD 21046

**Technical Topics:** Joe Buch, N2JB, 2008 Mozart  
Circle, Virginia Beach, VA 23454

**QSL Report:** Sam Barto, 47 Prospect Place, Bristol,  
CT 06010

**Distributing Editor:** Vernon Hyson, 5410 Camp  
Stewart Rd., Charlotte, NC 28215

**Tropical Band Loggings:** Sheryl Paszkiewicz, 1015  
Green Street, Manitowoc, WI 54220

**International Band Loggings:** Wallace C. Treibel,  
357 N.E. 149th St., Seattle, WA 98155

**Scoreboard:** Jerry Lineback, 6943 Parkway Dr.,  
Douglasville, GA 30135

**NASWA Awards:** Dr. Harold Cones, 2 Whits Court,  
Newport News, VA 23606

**English Schedules:** Tom Sundstrom, W2XQ  
P.O. Box 2275, Vincentown, NJ 08088-2275

**Listener's Library:** Skip Arcy, WB2GHA  
P.O. Box 644, Waterford Works, NJ 08089

**Destinations:** Mitch Sams, 779 Galilea Court, Blue  
Springs, MO 64014; Don Moore, 11434 140th St.,  
Davenport, IA 52804-9538; Bill Kurrasch, 5607  
Lincoln Rd., Ontario, NY 14519

**Equipment Reviews:** Alan Johnson, N4LUS  
6001 Goldsboro Rd., Bethesda, MD 20817

**Radio Stamps:** Neil Carleton, P.O. Box 1644,  
Almonte, Ontario K0A 1A0, Canada

**The Company Store:** NASWA, 45 Wildflower Rd.,  
Levittown, PA 19057

### MEMBERSHIP FEES:

North America (First Class Mail) ..... \$25 00  
Overseas (Air Mail):

*Central America, Caribbean, Venezuela*  
*& Columbia* ..... \$29.00

*South America and Europe* ..... \$29.00

*Asia, Africa and Pacific* ..... \$32.00

All remittances must be in U.S. funds and mailed to:

**NASWA**  
45 Wildflower Road  
Levittown, PA 19057  
U.S.A.

