

HAM

AN ARGUS SPECIALIST PUBLICATION

Morgan

JUNE '84

ARRADIO

95p

TODAY



The Civilised Art of Contest Operation

By Al Slater, G3FXB

**FT101 Converted
to New Bands**

**SWL Project – Build
an Active Antenna**

**FDK M-750XX
Budget 2m
Multimode
Reviewed**

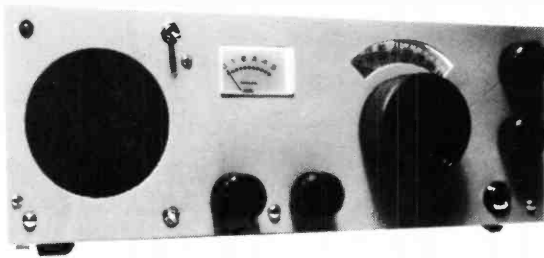
**More E-M-E
Simply**



GENERAL COVERAGE RECEIVER KIT FCR 130

This is a complete kit which allows you to build and learn as you go. Suitable for anyone who has an interest in radio and can manage a soldering iron. It really is within the scope of most beginners. You don't have to be a 'semi-professional amateur' to understand how it works as we supply very comprehensive and complete instructions, written in plain language. Well spaced components so its OK for fat fingers! The receiver tunes, in 3 bands from 1 to 30 Mhz. Solid aluminium tuning and control knobs and base panel. Black anodised front panel. Nice to build . . . nice to look at . . . nice to own.

Model FCR 130 Receiver kit **ONLY £75.30 inc VAT. Post & Packing £2.40**

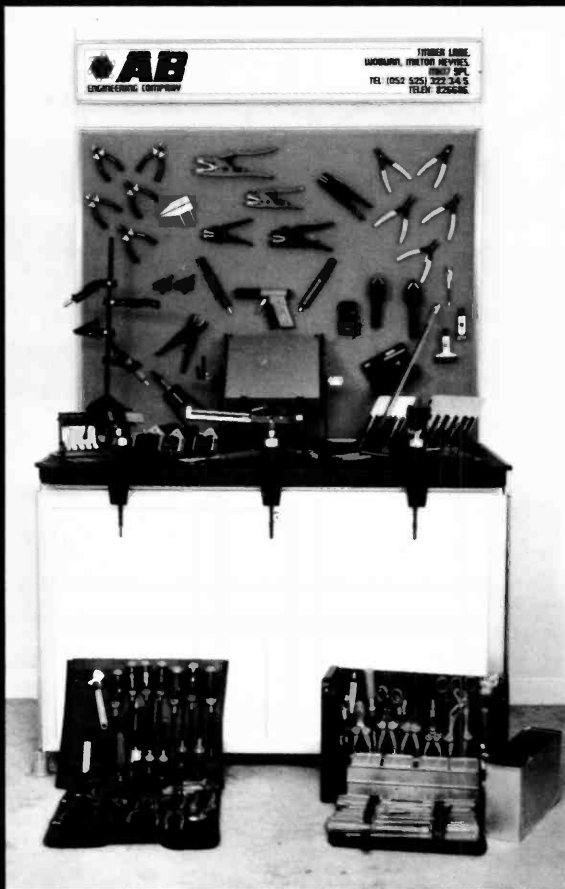


- ★ 30:1 Geared analogue tuning
- ★ 3 Band switch with spare position
- ★ Tape record socket
- ★ Headphone socket
- ★ Signal Meter
- ★ Internal speaker + On/Off sw.
- ★ A.F. Gain and Tone Control



COMMUTECH (Devon) LTD Chapel Street, Holsworthy,
Devon EX22 6AR Tel: (0409) 253504

Europe's leading manufacturer
of cable and wire strippers and
PCB assembly aids.



Fed up of wishing you had the right tools for the job?

You haven't heard of A.B. Engineering?

We have been serving the electrical and electronics industries for over 20 years and have built-up a world-wide reputation for service, quality and design.

Take advantage of our wide range of competitively priced tools and equipment, by contacting us now and asking for our FREE brochures.

◀ Tools demonstrated and PCB assembly aids displayed at a recent Newport Pagnell Club Meeting.



A.B. Engineering Company, Timber Lane,
Woburn, Milton Keynes, MK17 9PL.
Tel: (052525) 322/3/4/5. Telex: 826686.

HAM RADIO TODAY CONTENTS

VOLUME TWO NO. 6 JUNE 1984

Acting Editor
Steve Ireland, G3ZZD
Consultant Editor
Dave Bradshaw

Advertisement Manager
David Gadsden, G4NXV
Classified Sales Executive
Debbie Miller

Managing Editor
Ron Harris
Chief Executive
T. J. Connell

Published by:
Argus Specialist Publications Ltd.,
1, Golden Square,
London W1R 3AB.
Telephone: 01-437 0626

Distributed by:
SM Distribution Ltd.

Printed by:
The Garden City Press Ltd.

Subscription Rate:
UK £14.00
O/Seas Sur: £14.45
O/Seas Air: £27.00
Ham Radio Today,
Subscriptions Dept,
Infonet Ltd,
Times House,
179 The Marlowes,
Hemel Hempstead,
Herts HP1 1BB
Tel: (0442) 48432

ABC

Ham Radio Today is normally published on the first Friday in the month preceding cover date. The contents of this publication including all articles, designs, plans, drawings and programs and all copyright and other intellectual property rights therein belong to Argus Specialist Publications Limited. All rights conferred by the Law of Copyright and other intellectual property rights and by virtue of international copyright conventions are specifically reserved to Argus Specialist Publications Limited and any reproduction requires the prior written consent of the Company. © 1983 Argus Specialist Publications Ltd. All reasonable care is taken in the preparation of the magazine contents, but the publishers cannot be held legally responsible for errors. Where mistakes do occur, a correction will normally be published as soon as possible afterwards. All prices and data contained in advertisements are accepted by us in good faith as correct at time of going to press. Neither the advertisers nor the publishers can be held responsible, however, for any variation affecting price or availability which may occur after the publication has closed for press.

REGULAR COLUMNS

LETTERS	4
RADIO TODAY	6
RADIO TOMORROW	7
NEWCOMERS' FORUM	35

CONSTRUCTION

AN ACTIVE AERIAL FOR RECEIVERS	22
<i>No room for antennas? Try this for size!</i>	
MODIFICATIONS TO THE TOTSUKO TR2100M	40
<i>Two simple improvements from Robert Parry, G4VCL</i>	
CONVERTING THE FT101 TO 'NEW BANDS'	41
<i>Harry Leeming, G3LLL, shows how</i>	
A SIMPLE IAMBIC KEYS	59
<i>A cheap, practical design by David Sylvester, G4TJG</i>	

FEATURES

EARTH-MOON-EARTH WORKING SIMPLY!	12
<i>Dr Charles Suckling, G3WDG, gives some guidance on EME equipment</i>	
CONTEST OPERATION	43
<i>An A-Z guide by Al Slater, G3FXB</i>	
RADIO BUILDING BLOCKS	64
<i>Frank Ogden gets stuck into SSB IF strips</i>	

REVIEWS

GET THE DX EDGE!	26
<i>Steve Ireland, G3ZZD, has been waiting for this</i>	
YAESU FT708R 70cm HANDHELD	30
<i>Trevor Butler, G6LPZ, goes walkabout</i>	
FDK MULTI-750XX 2m MULTIMODE	51
<i>Pete Metcalfe, G8DCZ, does some investigation</i>	
THE ALPHA KEY	63
<i>Tony Bailey, G3WPO, exercises his fingers</i>	
AD INDEX	67
NEXT MONTH IN HRT	27
Free Readers' Ads	68
Emporium	71
Classified	73

LETTERS

SHORT AND SHARP

Sir, to all those misguided people who support the introduction of a novice license — I don't
R J Howes, G4OWY

FINAL FINAL PHONETICS

Sir, With reference to my 1922 Copy of 'Boy Scout Tests', the following additions to the Phonetic Alphabet are shown under the signallers badge, together with those printed in the 1914 list, re. April 1984 HRT.

C is called CORK
E is called EDDY
I is called INK
J is called JUG
Q is called QUAD

These Phonetics were originally used by flag signallers, and would be called out by the 'reader' for the 'writer' so that there was no confusion of letters that sounded alike.

**B. Smith, GSL,
30th Ormskirk Scout Group**

TIME, TIME. . .

Sir, I was greatly amused by the exchange between yourself and G2ABC concerning spelling, grammar, etc, and particularly over the UTC question, since you both seem to have got it wrong.

It is actually Co-ordinated Universal Time, but is labelled UTC because there is a string of other "times" known as UTO, UT1, UT2; and UT(C) follows the pattern.

The enclosed chart shows them all — it might even be worth reproducing for the general edification of your readers! But I think it is wise to stick to accepted abbreviations such as UTC and not go out on a limb with your own variation — what would happen if you decided one day that MTG was more sensible than GMT? Would anyone know what you meant?

Wally Blanchard, G3JKV

RSGB SPEAKS OUT!

Sir, I refer to the April 1984 issue of Ham Radio Today. This issue seems low on factual accuracy and high on

misunderstanding; as such I would like to correct the record on a number of points.

Firstly, in your "Radio Today" news item, headed "RSGB Clarifies Transceiver Usage", it is incorrect to say that the RSGB "... has entered into the controversy over the legality of the use of transceivers by SWLs for receive only and has stated that this is perfectly legal provided that the transmit facility is not used". The fact of the matter is that the Society was aware that there was some confusion in this area and formally took the matter up with the Department of Trade and Industry on behalf of its members. The reply from the DTI was reported in the February 1984 issue of Radio Communication. In other words, the Society has *reported* the legal position as stated by the DTI, which is not the same as entering into a controversy. Any shortwave listener seeking clarification on this issue may write to our membership services department for further information.

Secondly, referring to your news item entitled "G5CCI on Page 3"! You say that "... the RSGB say that they need the whole block of 17,000 to meet their projected (call-sign) needs" and "... what will happen when the RSGB eventually issues (or rather re-issues) the call-sign G5CCI"? Flattering though it is to be reported as though the RSGB is the licensing authority in the UK, you are incorrect in your assumption that the RSGB has anything to do with the issuing of call-signs. The only call-signs issued by the Society, on behalf of the DTI, are those used for special events, in the GB series, of which your recent use of GB4HRT is an example.

Finally, I would like to refer to the article "Space Shuttle Post-Mortem" in which we note that its author Mr. Jones, G6GOS, damns us with faint praise when he states that in his opinion, the RSGB "... came out of this exercise fairly well" — in fact, "the hugely successful national press campaign" to which he refers in the next sentence was unique in Europe and apart from the efforts of the American Society, was second to none. Our efforts, of course, were designed to enhance the status of amateur radio by bringing our activities to the attention of the general public. In practice, the publicity for amateur radio that was generated was substantially greater than that achieved with any other single amateur radio event in recent years.

Also in his Space Shuttle article, Mr. Jones infers that had the RSGB

been able to bring up-to-date information on the STS-9 mission to amateurs through its regular Sunday morning broadcasts, then this would have reduced "frustration". Mr. Jones overlooks the fact that these broadcasts are scripted on the preceding Wednesday and that in order to bring this latest news to the amateur community, a series of special news broadcasts were transmitted from RSGB Headquarters on three bands simultaneously. In all, some eight staff were involved in the collection, presentation and dissemination of information, and had the small minority of amateurs, who caused reception problems to W5LFL, bothered to take advantage of the information which was available, then less problems would have occurred. While Mr. Jones' article seems well balanced in the main, his final insult is to NASA. Not the "North American Space Agency", Mr. Jones, but the National Aeronautics and Space Administration.

I believe Sir that we spotted most of your April funnies.

**David A. Evans, G3OUF, General
Manager/Secretary, RSGB.**

Due to an all-embracing illness among the HRT Editorial staff, much of "Radio Today" was kindly, voluntarily compiled by someone who is comparatively unfamiliar with the world of Amateur Radio. This accounts for the first two points that you raise, for which I apologise.

I certainly would not have said that Mike Jones damns the RSGB with "faint praise". In fact, his only "damning" (much too strong a word, I think) statement in any sense, as regards the RSGB, is in connection with the News Bulletin. Amateurs do habitually look to the News Bulletin for the latest information on the Amateur Radio scene and have done so for many years. Mr. Jones was probably unaware, as I was, that the bulletin has to be completed four days in advance. In this particular case it would have been nice if a "Stop Press" item had been possible. That being said, I well know the problems with deadlines. . .

Well done NASA and well done RSGB. I believe Sir that you are being a little sensitive.

Please address correspondence to:
Ham Radio Today,
1, Golden Square,
LONDON W1R 3AB.

THE C.Q. CENTRE

10 Merton Park, Parade, Kingston Road, (Near Nelson Hospital) London SW19

Mon-Friday 9.30-6.00

Sat. 9.30-4.30

PARKING CLOSE BY

Telephone: 01-543 5150/4212

THE SHIRKERS
PAUL
G4HXZ
BOB
G6DSS
AND
PAUL
(Who hasn't
got one yet!)



**SOLID AS A
BRICK WALL**

**CONFIDENTIAL
FREQUENCY LIST.
LATEST EDITION
COMING SOON
RING NOW FOR
DETAILS**

SPECIALS

G5.RV

Fulland half size.
Only **£10.50** inc p&p

Credit available for
Amateurs A and B
licensees through
SHEPHERDFINANCE
Ask for written details

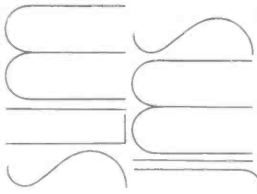
Just
getting
started?
We've
always got
a good
selection
of used
equipment

C.W. THE EASY WAY
Get a G4HXZ morse tape
plus 2 simulated GPO tests.
£6.50 inc p&p
Also oscillators for only
£12.95



ANTENNAS

London's
only
stockist.



2 mts and
70cms
Mail order.
£8.50
inc p&p.

HB9CV's
2mtr and 70cms
Mail order
£10.50 inc p&p.

IN STOCK NOW FOR ONLY £29.95
23cms CONVERTERS

Just plug in your ariel and T.V.
Tune to channel 36 approx and your away.
(everyone's got a telly except for TOM G4VBL,
he's only got 405 lines)

NEW LINES

7 mhz traps **£18.50** inc p&p.
1.1 and 4.1 Baluus
Only **£11.50** inc p&p.



Part ex.
welcome.
Anything
considered.

**BARGAIN OF
THE MONTH**
COMMODORE VIC 20
Boxed **£70.00** new.

If your thinking about
amateur radio or short wave
listening or in fact any
aspect of radio communica-
tion then pop in and have a
chat and a cup of tea. It's a
near certainty we'll be able
to help.

SHORTWAVE LISTENERS CORNER

The ultimate receiver.

Collins R390/A.

£350. no offer

Global A.T.U.

A.T. 1000

0.2-30mhz only **£38.00**

LIGHTWEIGHT YAESU HEADPHONES

YH77 **£11.50**

RADIO TODAY

Solder Into Spring With Ambit?

Ambit International's long awaited Spring 1984 Components Catalogue is now available from newsagents, or direct from the company, at the cover price of 80p. That's fifteen pence cheaper than your fun packed HRT!

The new catalogue covers a comprehensive range of electronics components and offers the useful attraction of three £1 discount vouchers. Among the many features of the publication are a new range of kits, data sheets, batteries, crystals, semiconductors, resistors and a carefully selected list of books on electronics subjects.

All the products illustrated are available by mail-order using order forms in the catalogue or, from any of the three Ambit shops at 200 North Service Road, Brentwood; 53 Burrfields Road, Portsmouth and Park Lane, Bournemouth.

73s Best

If you are thinking of visiting America in the Spring (?), you might care to visit one of the traditionally more interesting of the American amateur radio 'conventions', that promoted by the 73 magazine, published by the redoubtable and oft controversial Wayne Green, W2NSD/1.

To be held April 27-29, 1984 in Dayton, Ohio, this annual event is one of the world's largest amateur radio conventions, and attracts over 20,000 radio enthusiasts from all parts of the globe. Activities range from forums, lectures, and seminars to the buying, selling, and swapping of equipment.

This year's convention promises to be particularly eventful, as, according to a press release received from 73 magazine, amateur radio is "experiencing a resurgence in importance in the American scientific community." "In late 1983, Dr. Owen Garriott, while on-

board the Space Shuttle *Columbia* during its ninth mission. . . confirmed to NASA and other official agencies the effectiveness of amateur radio as the ultimate in emergency communications systems."

'73 go on to say that the importance of amateur radio was also reflected in the incidents surrounding last year's US invasion of Grenada. Due, reportedly, to a Reagan Administration decision to bar the press from accompanying the Marines at the time of the invasion, amateur radio transmissions from an American medical student on the island were apparently the only reports available to the media.

In this important year, some topics slated to be addressed at the convention include communications with spacecraft, the bouncing of signals from the moon's surface, the intricacies of ionospheric propagation and solar activity, and DX (long-distance) communication.

The RAC Amateur Radio Radio Group Scheme

Membership of this scheme is open to all amateur radio enthusiasts, and provides membership of the Royal Automobile Club at a discount of £2 below the normal RAC membership subscription rate. Since 1 June 1983 the annual subscription for members of the group scheme has been £16.50.

The group scheme's subscription renewal date is 17 May (World Telecommunication Day) each year, and all members renew on the same date. Anyone joining the scheme will pay at the pro-rata rate of £1.37 per month until the next group renewal date. In addition, the RAC one-only joining fee of £3 is also payable, regardless of the period remaining in the membership year. Radio amateurs who are already members of the RAC and who wish to transfer to the group scheme will not

pay the joining fee.

Desirable options are the RAC Recovery Service and the "At Home" Service, the annual subscriptions for which are £13.50 and £5.50 respectively, annually from date of taking up the option.

No additional subscriptions are payable for member's spouse.

The scheme is administered by the Royal Automobile Club's Scottish Western Counties Office, 200 Finnieston Street, Glasgow G3 8NZ. The co-ordinator of the scheme is Mr A.W. Hutchinson, 88 Broomfield Road, Chelmsford, Essex CM1 1SS, from whom application forms may be obtained.

Tread Carefully on Topband

A few weeks ago, it was reported on the RSGB news bulletin that Radio Amateurs had been allegedly causing interference to one of the Coastal Radio Stations operating within the 160m band.

Listed below are the frequencies used by such stations, which should be avoided. Note that North Foreland Radio is on 1848 kHz.

Coastal Station Frequencies

	(kHz)
	1869
	1876
	1879
1811	1883
1813	1888
1817	1890
1820	1901
1824	1904
1827	1905
1834	1906
1838	1908
1841	1911
1848 North Foreland	1921
1850	1925
1855	1929
1856	1930
1862	1939
1866	

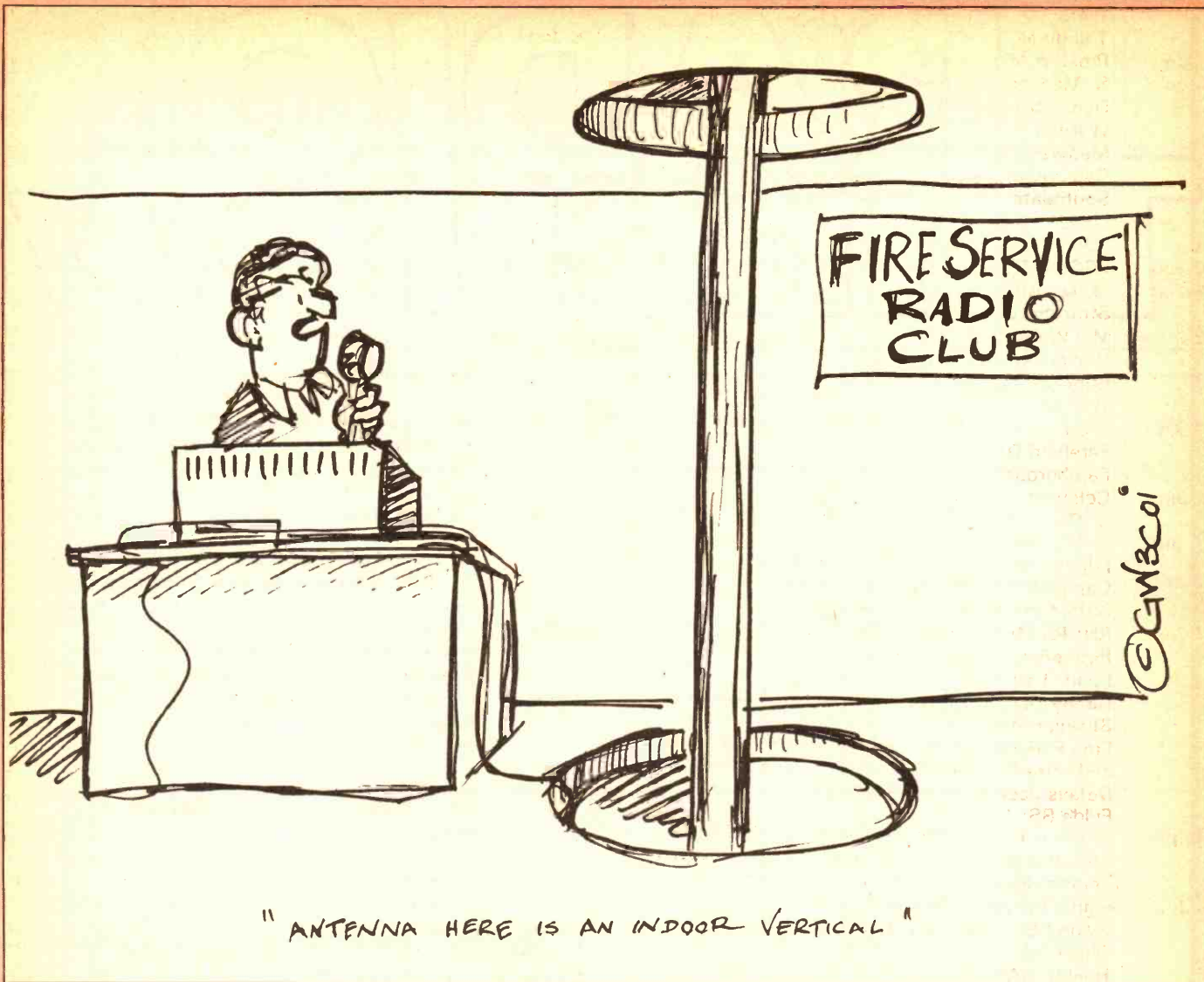
Amateur SSB working generally occurs between 1911 and 1921 kHz.

Wanted Urgently

HRT urgently require the loan of Drake TR5 in good working order for a period of two weeks. We are offering TWO YEARS SUBSCRIPTION to HRT in return and will pay for Securicor delivery to, and from, these offices. We will also, of course, acknowledge the generosity of the person who assists us in the pages of HRT.

RADIO Tomorrow

- 4 May Sutton and Cheam DRS: AGM at Scola
West Kent ARS: AGM
S. Manchester RC: Discussion Evening
Axe Vale ARC: *Aerials by G3GC*
Cambridge DARC: *Very Low Frequencies by G4FFO*
- 4/5 May RSGB 432MHz-24GHz Contest
- 7 May Braintree DARS: Receivers, old and new
Horndean DRC: *The RSGB by G8FG*
Thornton Cleveleys ARS: *Aeroplanes by Jerry Vallely*
Stourbridge ARS: Informal + plus On Air Night
Todmorden ARS: Demonstration Station and Natter Nite
Dudley ARC have changed their venue to the Allied Centre., Castle Street, Dudley and will meet on the 1st, 2nd and 4th Mondays of the month.
- 8 May Mid-Warwickshire ARS: *The Electron Microscope by G300Q*
Goole RES: *Computer Logic by G8VHL*
Wirral DARC: Inter Club Quiz at Chester ARS
Bury RS: *Confessions of a TV Repair Man by G8XUR*
Chichester DARC: ring PRO for details
Wolverhampton ARS: Informal
- 9 May Lincoln SWC: *DXpedition to St Pierre Et Miquelon by W1PFA/FP8BH*
Three Counties ARC: Natter Nite
Fareham DARC: Planning for Arts and Crafts Exhibition
Wirral DARC: *Build A Repeater by G8UZZ*
Nene Valley RC: Natter Nite
Dover ARC: Visit to North Foreland Radio Station
- 10 May Farnborough (Hants) DRS: *Talk by AMSAT UK*
Edgeware DRC: *Ferrite Materials by Neosid*
Southgate ARC: Talk by Marconi Electronics (t.b.c.)
Preston ARS: *Application of Computers to Amateur Radio by G3NKL*
- 11 May S. Manchester RC: *Japanese Morse by G3CSG*
Dunstable Downs RC: TV Show Repeat
Medway ARTS: *The RSGB by John Nelson, G4FRX*
Cambridge DARC: Informal and Morse Class
Haverhill DARS: Designing Simple Test Equipment
- 12 May **AMSAT UK AGM at London House, Doughty Street, LONDON WC1.**
- 13 May WAB LF Phone Contest 1400-2100GMT
Wirral DARC: DF Contest
British Amateur Television Get Together at Post House, Crick (a few hundred yards from Exit 18 on the M1). Lectures, Trade Stands, Bar and
- 14 May **ATV in action. G8CJS 0532 670115**
Dover ARC Spring Cleaning Rally at Dover YMCA.
Talk-in on GB3KS and S22. Flea Market and Refreshments. 1030-1600
Exeter ARS: Surplus Sale
Stratford-Upon-Avon DRC: *Aerials by G3PGQ*
Thornton Cleveleys ARS: Club on-air Night
Milton Keynes ARS: Video of G6CJ's Aerial Circus
Southdown ARS: Homebrew Evening and Microwave Demo with Frank Ogden, G4JST
- 15 May Fylde ARS: Equipment Sale
Biggin Hill ARS: On-Air Night
Wakefield DRS: Junk Sale
Goole RES: Bill Richards DF Contest
S Bristol ARC: Fox Hunt Briefing
- 16 May Wirral DARC: D&W at The Saughall Massie Hotel
Cheshunt DARC: *AMTOR and Packet Radio by G3NRW*
Nene Valley RC: *The HW8 QRP Tx/Rx by G3DOT*
- 17 May Colchester RA: Preparations for NFD
Chichester DARC: ring PRO for details
Crawley ARC Antenna Lecture and Demonstration at Crawley Technical College by HV Sims (BBC). All Welcome 8 p.m.
- 18 May West Kent ARS: Construction Contest
S. Manchester RC: AGM
Sutton and Cheam DRS: *Amateur Satellites by G3AAJ*
Kent Repeater Group AGM at Electronics Building, University of Kent, Canterbury at 1930.
- 19/20 May RSGB 144MHz and SWL Contest
- 20 May Glenrothes DARC: Informal
Mid-Ulster ARC Rally at Parkanaur House and Forest Park, Co Armagh. Trade Stands, video's for the children and all proceeds to charity. Details DF Campbell 0762 42620
- 21 May Braintree DARS: AGM
Leighton Linlade RC: Talk on Model Engineering
Thornton Cleveleys ARS: NFD Preparation
Stourbridge ARS: ring PRO for details
- 22 May May-Warwickshire ARS: *The Electron Microscope by G300Q*
Goole RES: Instructional Evening!
Halifax DARS: Demonstration by Lowe Electronics
Verulam ARC: *Amateur Radio on a Shoestring by G3RJV*
Wolverhampton ARS: Informal
- 23 May Three Counties ARC: VHF Repeater Groups
S. Bristol ARC: 2m SSB Night with



" ANTENNA HERE IS AN INDOOR VERTICAL "

- | | | | |
|--------|---|-------------------|---|
| | G6ZTY/G6ZTX
Fareham DARC: Show at Portchester Arts Exhibition
Wirral DARC: <i>Equipment Demonstration by G3LEQ</i>
Cheshunt DARC: Natter Nite
Nene Valley RC: Natter Nite
Farnborough (Hants) DARC: HF NFD Preview | | Fareham DARC: On-Air Night
Wirral DARC: DF Practice
Cheshunt DARC: 2m Portable Operation from Baas Hill |
| 24 May | G. Peterborough ARC: VHF NFD Preparations
Edgeware DRS: Constructor's Contest
Preston ARS: <i>Effective Use of the FT101 by G3SYA</i> | 1 Jun | West Kent ARS: Junk Sale
Axe Vale ARC: The Entertaining Electron
S. Manchester RC: <i>Mods to the FT221R by G4MYB</i>
Cambridge DARC: Junk Sale at Comberton
Sutton and Cheam DRS: Receiver Measurements (t.b.c.) |
| 25 May | S. Manchester RC: Talk by Winners of Construction Contest
Dunstable Downs RC: <i>Oscar 10 by G3VZV</i>
Haverhill DARS: Construction of a GDO | 2-3 Jun
3 June | HF NATIONAL FIELD DAY
Welsh Amateur Radio Rally at the Barry Leisure Centre, Greenwood Street, Barry, South Glam. Trade Stands, Bring and Buy, Refreshments, Bar and a Swimming Pool! Free Parking. Talk-in S22. Open 1100-1700. |
| 27 May | Ipswich RA East Suffolk Wireless Revival at The Hollies, Ipswich
Plymouth Rally at the Devonport Secondary School, Park Avenue, Devonport, Plymouth. Trade Stands. Talk-in.
Wolverhampton ARS: 2m DF Hunt | 4 Jun | RSGB 70MHz and SWL Contest
Horndean DRC: <i>Matching Units by G3GVC</i>
Leighton Linlade RC: Quiz with Aylesbury RS and Milton Keynes DRS
Stourbridge ARS: ring PRO for details |
| 28 May | Stratford Upon Avon DRC: Construction
Thornton Cleveleys ARS: Natter Night | 5 Jun | Fylde ARS: Top band Fox Hunting Arrangements
Chichester DARC: ring PRO for details
Wolverhampton ARS: Junk Sale |
| 29 May | Wakefield DRS: <i>Yugoslavia by G4KLN</i>
Goole RES: Evening of Videos
Wolverhampton ARS: <i>Amateur Radio and the BBC Micro by G3UBX</i> | 6 Jun | Three Counties ARC: Gold and Silversmiths
S. Bristol ARC: <i>Radio Interference Service</i>
Fareham DARC: Discussion on PSUs |
| 30 May | S. Bristol ARC: ATV Night with G8WAX | | |

	Wirral DARC: D&W at The Bassett House, Thingwall		<i>R. Jeavons</i>
7 Jun	Preston ARS: Annual Quiz with G4DBU	20 Jun	Three Counties ARC: How a Broadcast Station Works
8 Jun	S. Manchester RC: Club Quiz		S. Bristol ARC: Final Preparation for Longleat Rally
	Dunstable Downs RC: Summer Barbecue at Old Warden		Fareham DARC: <i>2m DXing by G3VXM</i>
	Medway ARTS: Junk Sale	21 Jun	Wirral DARC: D&W at The Lighthouse, Wallasey
	Cambridge DARC: Informal and Morse Class		Chichester DARC: Summer Social
	Southgate ARC: <i>Receiver Techniques by G4AEZ</i>	22 Jun	Preston ARS: Natter Nite
	Haverhill DARS: Talk on Radio 'Fox Hunts'		S. Manchester RC: DF Hunt and Barbeque
9 Jun	RSGB 1296MHz Trophy		Dunstable Downs RC: VHF NFD Planning
10 Jun	RSGB 432MHZ Trophy and SWL		Medway ARTS: The WAB Awards by A. Keele
11 Jun	Exeter ARS: Inter-Club Quiz		Cambridge DARC: Informal and Morse Class
	Stratford Upon-Avon DRC: On-Air Night		Haverhill DARS: Construction of 2m DF Aerials
12 Jun	Mid Warwickshire ARS: Fox Hunt and Barbecue	23/24 Jun	RSGB 1.8MHz Contest
	Wakefield DRS: On-Air Night	24 Jun	Worked All Britain 2m/70cm Phone Contest 1400-2000GMT
	Bury RS: ring PRO for details		Dunstable Downs RC: Car Boot Sale
	Wolverhampton ARS: Informal		Longleat Mobile Rally at Longleat Park, Nr Warminster, Wilts. Trade Stands plus all the usual goodies including Camping Facilities. Enquiries G4FRG 0272 848140
13 Jun	S Bristol ARC: Preparations for Longleat Rally	25 Jun	Stratford-Upon-Avon DRC: <i>Travels in Paradise by G8KGJ</i>
	Fareham DARC: On-Air Night	26 Jun	Mid Warwickshire ARS: <i>QRP Working</i>
	Farnborough DRS: <i>Radio Equipment by G3VCX</i>		Wakefield DRS: ring PRO for details
14 Jun	Colchester RA: <i>How Banks Communicate by R. De La Rue</i>		Wolverhampton ARS: Informal
15 Jun	S. Manchester RC: <i>160m DFing by G3WFT</i>	27 Jun	S. Bristol ARC: VHF NFD Final Preparation
	Edgeware DARS: <i>Electronic Music by G4BZY</i>		Fareham DARC: On-Air Night
	Cambridge DARC: ring PRO for details	28 Jun	Wirral DARC: The Eileen Medley DF Hunt
	Sutton and Cheam RS: <i>Maritime Radio</i>		Colchester RA: <i>What Next In Space? by F. Howe</i>
17 Jun	RNARS Mobile Rally at HMS Mercury, near Petersfield, Hants. Events for the whole family! Food. Talk-in on 2m and 70cm.	29 Jun	G. Peterborough ARC: <i>QRP by G3RJV</i>
	Denby Dale Mobile Rally at Shelley School, Skelmanthorpe, Near Huddersfield from 1100. Free Parking and Admission Trade Stands. Bar and refreshments. Talk-in S22 and SU8 Details Jack Clegg 0484 862390		S. Manchester RC: <i>Op Amps by G4HON</i>
	Fylde RS: 160m DF Hunt	2 Jul	Edgeware DARS: Informal + VHF NFD Briefing
18 Jun	Leighton Linlade RC: <i>Packet Radio by G8ELA</i>		Horndean DRC: <i>On the Air Cheaply by G2DZT</i>
	Stourbridge ARS: ring PRO for details		Leighton Linlade RC: ring PRO
	Todmorden DARS: <i>Amateur Satellites by G8UVE</i>		Stourbridge ARS: ring PRO
19 Jun	Biggin Hill ARS: Junk Sale	3 Jul	Todmorden DARS: Radio Treasure Hunt
	Fylde RS: 160m Fox Hunt Post Mortem		Bury RS: Surplus Equipment Sale
	Biggin Hill ARC: Junk Sale		
	Halifax DARS: Surplus Sale		
	Wolverhampton ARS: <i>Electronic Music by</i>		

Will Club Secretaries please note that the deadline for the August segment of Radio Tomorrow (covering radio activities from 6th July - 7 Sept '84) is 3rd June.

Contacts

Axe Vale ARC	Alan Moore	0304 822738
Braintree RS	Roger Jones	Upottery 468
Bury RS	Bryan Tydesley	0282 24254
Chichester DARC	C. Bryan	0243 789587
Cambridge DARC	David Wilcock	0954 50597
Edgeware DARS	John Cobley	30 64342
Fylde RS	PRO	Lytham 737680
Halifax DARS	DL Moss	0422 202306
Haverhill DARS	Rob Proctor	0787 281359
Kent Repeater Grp	MW Stoneham	02273 69828
Leighton Linlade RC	Pete Brazier	052 523 270
Medway ARTS	Andy Wallis	0634 363960
Mid Ulster ARC	DF Campbell	0762 42620
Preston ARS	George Earnshaw	0772 718175
S. Bristol ARS	Len Baker	0272 834282
S. Lakeland ARS	Dave Warburton	Ulverston 54982
Stourbridge ARS	Malcolm Davies	038482 4019
Southdown ARS	P Henly	0323 763123
Vale of White Horse ARS	Ian White	Abingdon 31559
Verulam ARC	H. Clayton Smith	St Albans 59318
West Kent ARS	Peter Reeve	0892 24689
Wirral DARC	Gerry Scott	051 630 1393
Worthing DARC	Jim Hicks	0903 690415
308 ARC (Surbiton)	Dave Davis	01 399 5487

Cirkit. A new name

This year Ambit will stop being Ambit. And become Cirkit.

Cirkit is more than just a change of name. It means a better service for you. Faster delivery.

A bigger range of the best and latest products with well over 10,000 different items available.

Everything for the home and industrial user.

A whole new Cirkit range of constructional kits, graded for the student, expert and enthusiast.

Modules to build for everyone.

Cirkit is a go ahead company that believes in giving service to its customers.

There's a technically skilled staff to help you.

We keep in touch with the manufacturers and we know what's going on.

As soon as new products are available, Cirkit has them.

Cirkit means a bigger catalogue. A better company to deal with.

And a wider than ever range of products that's growing all the time.

For you, Cirkit means a bigger stock and better service.

For further information send for our latest catalogue or visit one of our three outlets at:
200 North Service Road, Brentwood, Essex, CM14 4SG; 53 Burrfields Road, Portsmouth, Hampshire, PO3 5EB; Park Lane, Broxbourne, Hertfordshire, EN10 7NQ.

To: Cirkit Holdings PLC, Park Lane, Broxbourne, Hertfordshire.

I enclose 80p. Please send me your latest catalogue and 3 x £1 discount vouchers!

Name _____

Address _____

Telephone _____

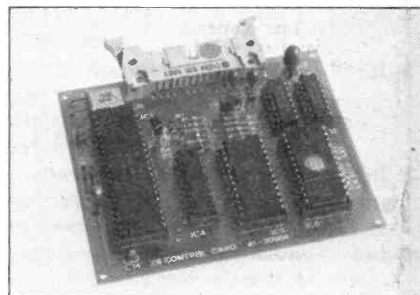
Area of Special Interest _____

Cirkit
Bigger Stock. Better Service.

HR76

Computer Products

A complete range from Connectors to Board Level product



C12 Computer Cassette	21-00012	0.55
BBC to Centronics Printer	03-10019	7.25
BBC to 25 way D Male	03-10021	4.50
25 way D Socket	10-25200	1.90
25 way D Plug	10-25100	1.30
Cover for 25 way D	10-25322	0.93
20 up Eprom Eraser	40-82100	31.25
Z80 A Industrial Controller	40-82000	49.95
6802 Industrial Controller	40-68020	49.95
6502 Industrial Controller	40-65020	49.95
Z8 Basic / Debug Controller	41-00904	50.00

Nicad Batteries & Chargers

Minimum life 600 (300 PP3 size) full charge/discharge cycles. Batteries must be charged from a constant current source only. All batteries are supplied only with a residual charge and should be charged before used.

				1-9	10-49
AA	1.2V	500mAH	01-12004	0.80	0.74
'C'	1.2V	2.2AH	01-12024	2.35	1.99
'D'	1.2V	4.0AH	01-12044	3.05	2.85
PP3	8.4V	110mAH	01-84054	3.70	3.50
CH1/22 PP3 Charger 11mA for 16 hours			01-00159		4.30
CH8/RX Multi-purpose Charger			01-02204		9.40

Will recharge AA, C, D and PP3 size cells with automatic voltage selection. Will recharge following combination: 6 x D, 6 x AA, 6 x C, 2 x PP3, 2 x D + 2 x C, 2 x D + 2 x AA, 2 x D + 1 x PP3, 2 x C + 2 x AA, 2 x C + 1 x PP3, 2 x AA + 1 x PP3.

Battery Adaptor 01-12001 0.96
Sold in pairs: one to convert AA size to C size and one to convert C to D size. Both may be used together to convert an AA to D size.

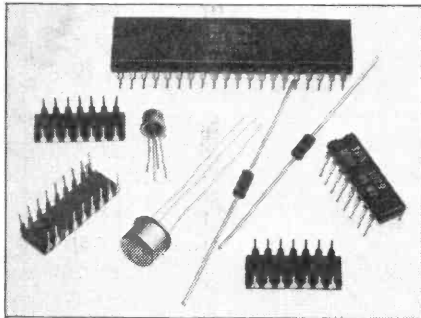
Semiconductors

Linear IC's

LM301AN	DIL version	61-03011	0.44
LM308CN	DIL version	61-03081	0.65
LM311CN	Popular comparator	61-00311	0.46
LM324	Low power quad op amp	61-03240	0.67
LM339N	Low power quad comparator	61-03390	0.68
LM346	Programmable quad op amp	61-00346	3.72
LF347	Quad Bi-FET op amp	61-00347	1.82
LM348	Quad 741 type op amp	61-03480	1.26
LF351	Bi-FET op amp	61-03510	0.49
LF353	Dual version of LF351	61-03530	0.76
LM380N	IW AF power amp	61-00380	1.00
NE555N	Multi-purpose low cost timer	61-05550	0.45

for a better service.

NE556N	Dual version of the 555	61-05560	0.50
uA741CN	DIL low cost op amp	61-07411	0.22
uA747CN	Dual 741 op amp	61-07470	0.70
uA748CN	741 with external frequency comp	61-04780	0.40
HA1388	18W PA from 14V	61-01388	2.75
TDA2002	8W into 2 ohms power amp	61-02002	1.25
ULN2283	1W max. 3-12V power amp	61-02283	1.00
MC3357	Low power NBFM IF system and detector	61-03357	2.85
ULN3859	Low current dual conversion NBFM IF and detector	61-03859	2.95
LM3900	Quad norton amp	61-39000	0.60
LM3909N	8-pin DIL LED flasher	61-39090	0.68
KB4445	Radio control 4 channel encoder and RF	61-04445	1.29
KB4446	Radio control 4 channel receiver and decoder	61-04446	2.75
ICM7555	Low power CMOS version of timer	61-75550	0.98
ICL8038CC	Versatile AF signal generator with sine/square/triangle OPs	61-08038	4.50
TK10170	5 channel version of KB4445	61-10170	1.87
HA12002	Protection monitor system for amps, PSUs, TXs etc	61-12002	1.22
HA12017	83dB S/N phono preamp 0.001% THD	61-12017	0.80
MC14412	300 baud MODEM controller (Eduro/US specs)	61-14412	6.85



Microprocessor & Memories

Z80A	Popular and powerful 8-bit CPU	26-18400	3.40
Z80AP10	2 port parallel input/output	26-18420	2.95
Z80A CTC	4 channel counter/timer	26-18430	2.90
Z8671	Z8 Micro comp. and Basic	26-08671	17.50
6116-3	16K (2kx8) CMOS RAM 200nS	26-36116	6.68
Z6132-6	32K (4kx8) quasi RAM 350nS	26-06132	15.00
4116-2	16K (16kx1) 150nS	26-24116	1.59
2764	64K (8kx8) 450nS	26-02764	9.50
2732	32K (4kx8) 450nS	26-02732	5.70

Voltage Regulators

7805	5V 1A positive	27-78052	0.40
7812	12V 1A positive	27-78122	0.40
7815	15V 1A positive	27-78152	0.40
7905	5V 1A negative	27-79052	0.49
7912	12V 1A negative	27-79122	0.49
7915	15V 1A negative	27-79152	0.49

Transistors

BC182	General purpose	58-00182	0.10
BC212	General purpose	58-00212	0.10
BC237	Plastic BC107	58-00237	0.08
BC238	Plastic BC108	58-00238	0.08
BC239	Plastic BC109	58-00239	0.08
BC307	Complement to BC237	58-00307	0.08
BC308	Complement to BC238	58-00308	0.08

BC309	Complement to BC239	58-00309	0.08
BC327	Driver/power stage	58-00327	0.13
BC337	Driver/power stage	58-00337	0.13
MPSA13	NPN Darlington	58-04013	0.30
MPSA63	PNP Complement to MPSA13	58-04063	0.30
J310	JFET for HF-VHF	59-02310	0.69
J176	JFET analogue switch	59-02176	0.65
3SK51	Dual gate MOSFET-VHF amp	60-04051	0.60
3SK88	Dual gate MOSFET-Ultra lo noise	60-04088	0.99
TIP31A	Output stage	58-15031	0.35
TIP32A	Complement to TIP31A	58-15032	0.35
VN66AF	VMOS Power FET	60-02066	0.95
ZTX3866	E-line version 2N3866	58-03866	0.45
IN4001	Rectifier diode	12-40016	0.06
IN4002	Rectifier diode	12-40026	0.07
IN4148	General purpose silicon	12-41486	0.05

Silicon Controlled Rectifiers

BRY55-100	100V .8A	52-55100	0.50
C106DI	400V 4.0A	52-00106	0.70
C122DI	400V 8.0A	52-00122	1.45

3mm Diameter LEDs

V178P	Red	15-01780	0.15
V179P	Green	15-01790	0.16
V180P	Yellow	15-01800	0.18

5mm Diameter LEDs

CQY40L	Red	15-10400	0.12
CQY72L	Green	15-10720	0.15
CQY74L	Yellow	15-10740	0.15

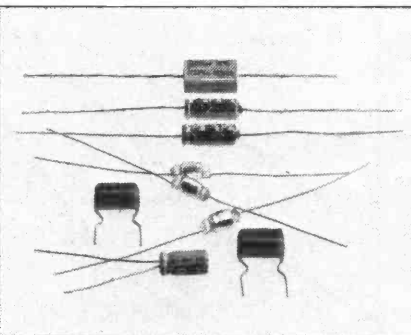
Infra-Red LEDs

CQY99	Emitter	15-10990	0.56
BPW41	Detector	15-30410	1.51

Tri Colour LED

V518	Orange-Green-Yellow	15-05180	0.60
------	---------------------	----------	------

Capacitors



Aluminium Electrolytics Radial PCB Mounting

10u	16V	05-10606	Pack of 4
47u	16V	05-47606	0.28
47u	25V	05-47607	0.28
470u	6.3V	05-47705	0.36
470u	16V	05-47706	0.48

Tantalum Beads

1uF	35V	05-10501	Each
10uF	16V	05-10601	0.18
47uF	6.3V	05-47601	0.45
47uF	16V	05-47602	0.92

Monolithic Capacitors

In	04-10204	Pack of 3	0.39
10n	04-10304		0.42
100n	04-10404		0.45

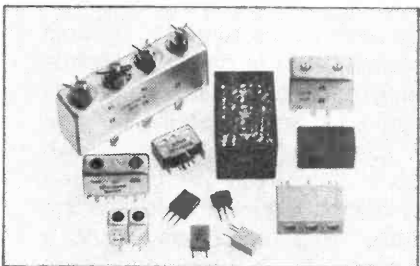
Low Voltage Disc Cermaic

In	04-10203	Pack of 5	0.20
10n	04-10303		0.20

Polyester (C280)

10n	04-10305	Pack of 3	0.18
47n	04-47305		0.24
100n	04-10405		0.24
470n	04-47405		0.51
1uF	04-10505		0.66

R F Components



Filters

CFU/LFB CFW/LFH SERIES

Miniature 455kHz filters. I/P and O/P impedance 2K.

		-6dBW	-40dBW		
LFB6/CFU455H	6kHz	18kHz	16-45512	1.95	
LFB12/CFU455F	12kHz	26kHz	16-45515	1.95	
LFH6S/CFW455HT	6kHz	14kHz	16-45525	2.45	
LFG12S/CFW455FT	12kHz	22kHz	16-45528	2.45	
CFM2455A	Mechanical IF Filters for 455kHz		19-45530	0.77	

Crystal Filters 2 Pole Types

10M15A	10.7 Centre Freq.	20-10152	2.10
10M08AA	10.695 Centre Freq.	20-11152	3.49

Inductors

We offer the complete Toko range of fixed and variable inductors. Over 500 coils from audio to V.H.F. See catalogue for details.

Soldering Irons (Antex)

CS240	Iron 240VAC 17 Watts	54-22300	5.20
XS240	Iron 25W 240V High heat capacity	54-22500	5.40
SK6	Presentation pack of one XS-240 with ST4 stand	54-22510	7.20
MLXS	Handy 12V 15W soldering iron complete with crocodile clips and solder	54-20004	5.60

Please add 15% VAT to all advertised prices and 60p post and packing. Minimum order value £2 please. We reserve the right to vary prices in accordance with market fluctuation.

EARTH-MOON-EARTH

with simple equipment

The second part of this short series of articles on moonbounce will concentrate on three topics:

1. Putting together an EME station
2. How to check that the equipment is working properly

In Part 2 Charles Suckling, G3WDG, tells how to assemble and operate a practical EME station

1. Putting Together An EME Station

The first thing to decide on before starting to assemble your EME station, is which band to go for. I would recommend starting on 70cm, mainly because a relatively small antenna can be used successfully on this band. It is usually the antenna which poses most difficulties family/neighbour wise, and starting out with a big antenna is usually not a good plan. A 4 yagi array for 70cm measures approximately 6ft by 6ft and is capable of working most stations active on the band, as well as being able to achieve echoes (see Part 1). Typical yagis which could be used are the Tonna 19 or 21el, the DL6WU long yagi (Ref. 2) or the NBS long yagi (Ref. 3).

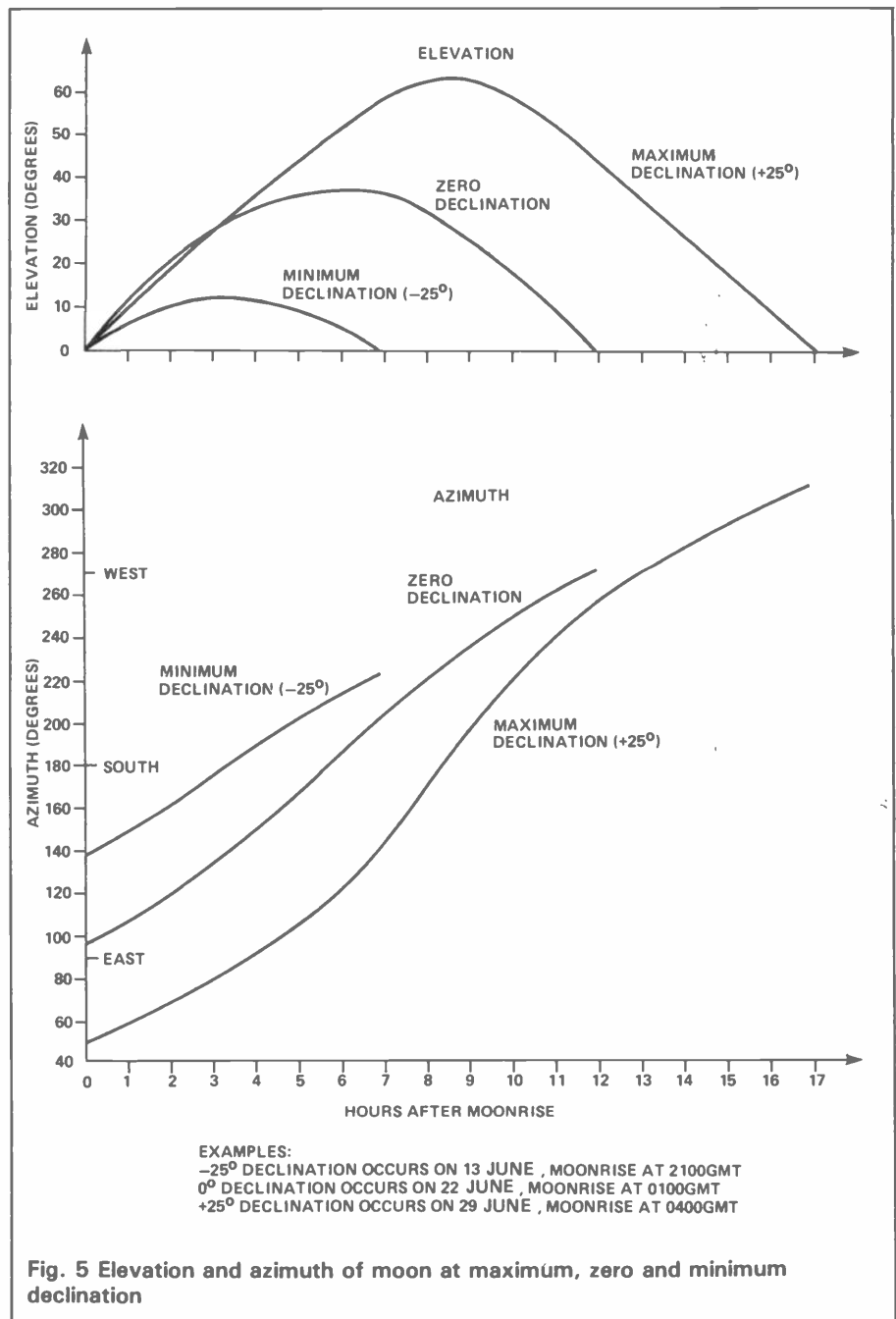
Siting The Antenna

Before doing anything else in preparation for becoming active on EME, it is essential to survey your garden to make sure that you can find a site for the antenna, which will allow the antenna to be pointed at the moon with no obstructions between the two. Trees, bushes or houses in front of the antenna will cause too much attenuation of the already very weak signals. If possible, look for a site where the antenna can be mounted relatively close to the ground, as this simplifies the construction of the mount and makes it easier to carry out adjustments etc. Ideally the chosen site should be as close as possible to the operating position to keep cable losses to a minimum.

One way to ensure that a clear

shot at the moon is available from the intended antenna site, is to observe the position of the moon throughout the month. Alternatively the information given in Fig. 5 can be used, which gives the elevation and azimuth of the

moon at three reference points in the moon's orbit. This enables the moon's position to be 'plotted' in the sky, without having to follow the moon in real time (which can be rather tedious!) A 360deg. protractor can be used to indicate the azimuth. This can be set approximately by pointing the 0deg. mark towards the north (using a compass), or the 180deg. mark



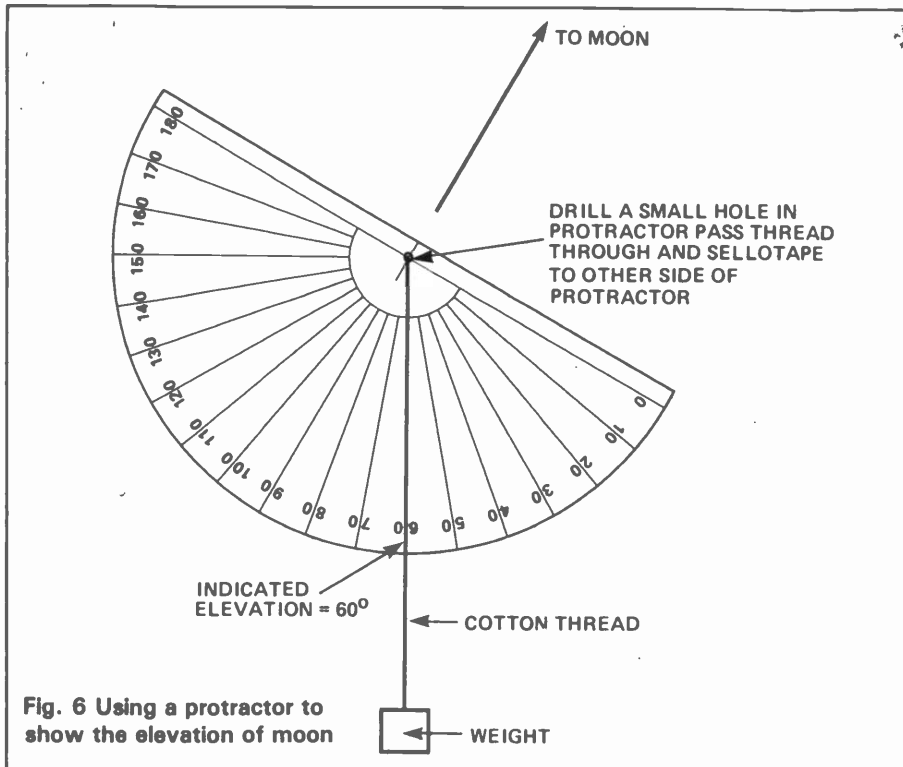


Fig. 6 Using a protractor to show the elevation of moon

towards the direction of the sun at 1200gmt. The elevation can be indicated using a plumb line and a protractor, as shown in Fig. 6.

Do not worry too much if you cannot "see" the moon when it is in the southern part of its orbit (negative declination) since it is not very common for tests to be organised at this time in the month. It is not necessary to have horizon-to-horizon coverage; quite a few stations have only a few hours of moon time each day and are still quite successful on EME. Of course, it may happen that you cannot find anywhere in the garden which has a useable moon window, and in this case it will be necessary to mount the antenna high up on a mast, or find a site somewhere else (or move house!).

Antenna Installation

Assuming that a suitable site has been found, the next thing to consider is how to mount the antenna. There are basically two alternatives, the elevation-over-azimuth (el-az) mount or the polar mount. The former has the advantage of enabling the antenna to be readily pointed at any part of the sky, which can be very useful if one wants to use the antenna for other purposes in addition to EME (eg. Oscar). The polar mount has the advantage that only one continuous adjustment is needed to track the moon, but is more difficult to set-up initially. I

personally prefer the 'el-az' mount, and would recommend this type to anyone intending to be active on EME.

The next decision to make is whether to use hand-pointing or remote pointing using rotators of some sort. The latter approach is obviously more expensive, but has the advantage of convenience. If the antenna has to be mounted high up in order to be able to see the moon, then remote pointing is obviously essential from the outset. If the antenna can be

mounted fairly close to the ground then hand pointing is worth considering to start with for reasons of simplicity. You can always upgrade to remote pointing later on.

Outline details of a simple el-az mount suitable for hand-pointing are given in Fig. 7. The dimensions given are only intended to be a guide: the exact dimensions will depend on the recommended stacking distances for the particular yagis used. The horizontal and vertical scaffold tubes may be clamped together using a standard 90deg. scaffold clamp. The vertical tube must be supported in some way, by guying for example. The bottom of the tube should rest on something which will stop it slipping sideways and sinking into the ground. The two vertical members of the 'H' frame can be fixed to the horizontal member using antenna clamps, although it is probably better to use triangular "gusset" plates and bolts. Whichever method is used, make sure that the 'H' frame is properly aligned, with the two vertical members in the same plane and parallel. Some means must be provided for adjusting and locking the elevation. One possibility is to clamp a tube to the horizontal member of the 'H' frame, with a rope going from its end to another piece of tubing clamped to the vertical scaffold pole.

The elevation and azimuth readouts for antenna positioning should be made next. These are required because one of Murphy's EME

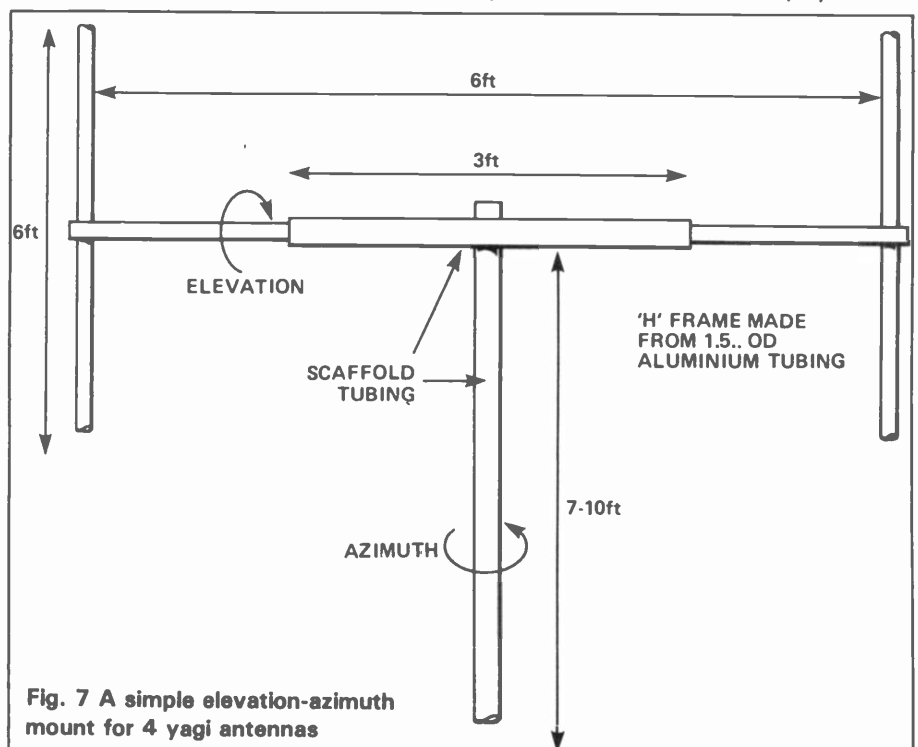


Fig. 7 A simple elevation-azimuth mount for 4 yagi antennas

laws states that EME activity always occurs when it is cloudy! The readouts are used in conjunction with tables of the moon's position (more on this later) in order to be able to point the antenna at the moon, without having to actually see it. The readouts need not be particularly sophisticated. Examples of suitable readouts are shown in Fig. 8. The elevation readout is designed to be fixed to one of the 'vertical' members of the 'H' frame. The azimuth readout is placed on the ground with the vertical mast passing through its centre. It is a good idea to peg the azimuth readout to the ground to stop it rotating.

The antennas may then be mounted on the 'H' frame. Make sure that they are all pointing in the same direction! The easiest way to do this is to line them up individually to point at some distant object, such as the sun. The antennas should be mounted with their elements horizontal, so there is no interaction between the supporting structure and the antennas, which could degrade performance. Next, the feedlines and power divider should be installed. Two points are important here: the feeder cables must *all* be the same length,

and they must be connected *the same way round* to each antenna. For example, the inner of the cables should go to, say, the left hand side of each driven element. The power divider should be fixed at some convenient point so as to keep the cable lengths to a minimum. One possibility is to fix it to the horizontal member of the 'H' frame. Good quality cable should be used for the feedlines. Heliax cable is ideal, or H100, but UR67 would do. N-connectors should be used wherever RF connections have to be made. The so-called "UHF" connectors (SQ239/PL259) are unsuitable for use at 70cm in this type of application. Make sure that the connectors are done up tightly.

At this point, you are probably itching to try out the antenna! Unfortunately there is still quite a lot of work to do before you are ready to listen for EME signals. However there is one test which can be done to indicate that things are progressing along the right lines. The sun is a fairly powerful source of radio noise, and can be used to check the performance of the equipment. Connect the antenna to the 70cm receiver via as short a length of cable as possible (it is best to take the receiver outside for this test),

and point the antenna at the sun. A noticeable increase in noise should be heard if all is well. If nothing is heard, make sure that all the connections are properly made, and that the above points concerning equal cable lengths and polarity of connections have been observed.

Engineering The Receiver

A good receiver is essential if you are going to be successful on EME, as discussed in Part 1 of this series. There are a few golden rules which must be observed if optimum performance is to be obtained. Firstly a top quality preamp should be used as the first stage of the receiver. This means using a GaAs FET device. A number of good quality preamps are available commercially, and it is probably more sensible to buy rather than build if you are not too experienced in this area. If you feel do feel confident about building one, then there are a number of good designs around (see Ref. 4, for example). This preamp *must* be mounted at the antenna as even a few tenths of a decibel of extra loss between the preamp and the antenna will degrade the overall noise figure significantly. Depending on the loss of the cable which will be used to connect the preamp to the rest of the receiver, and the noise figure of the main receiver, a second preamp may be needed (also mounted at the antenna). There is no hard and fast rule to help you decide whether a second preamp is necessary. It is safest to err on the side of caution and assume it is necessary. The noise figure of this second preamp need not be especially low, and a bipolar preamp will suffice (Ref. 4).

For those readers who are interested in a somewhat more analytical approach to EME receiver design, I have written a BASIC program which allows the overall noise figure of the receiving system to be determined. The resulting number can be used in the link budget program, published last month, to see what effect different receiver configurations have on the overall system performance. An important use of the program is to highlight any weak spots in the receiver, such as excessive cable losses, which need to be improved.

The receiving system is assumed to consist of two preamplifiers and a main receiver, with associated 'lossy' interconnecting cables, as shown in

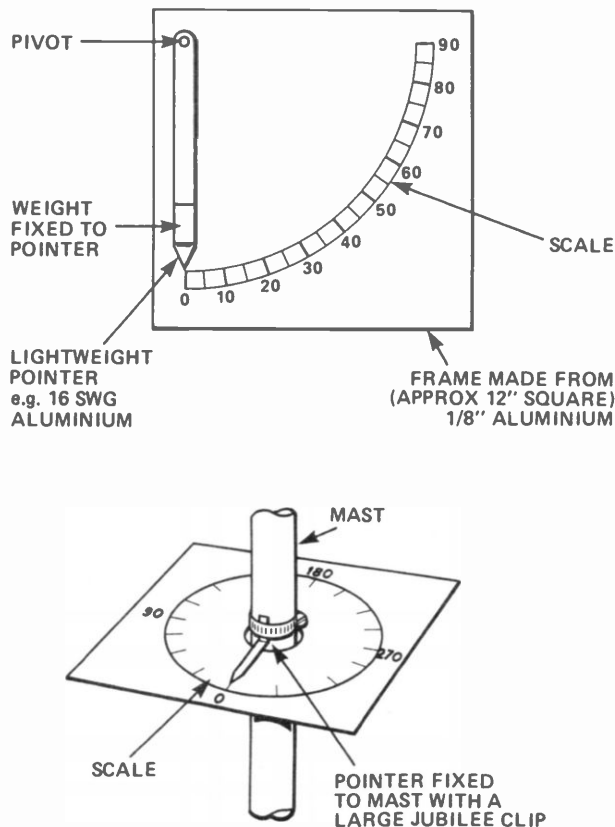


Fig. 8 Simple readouts for antenna positioning

Fig. 9 EME receiving system for overall noise figure analysis

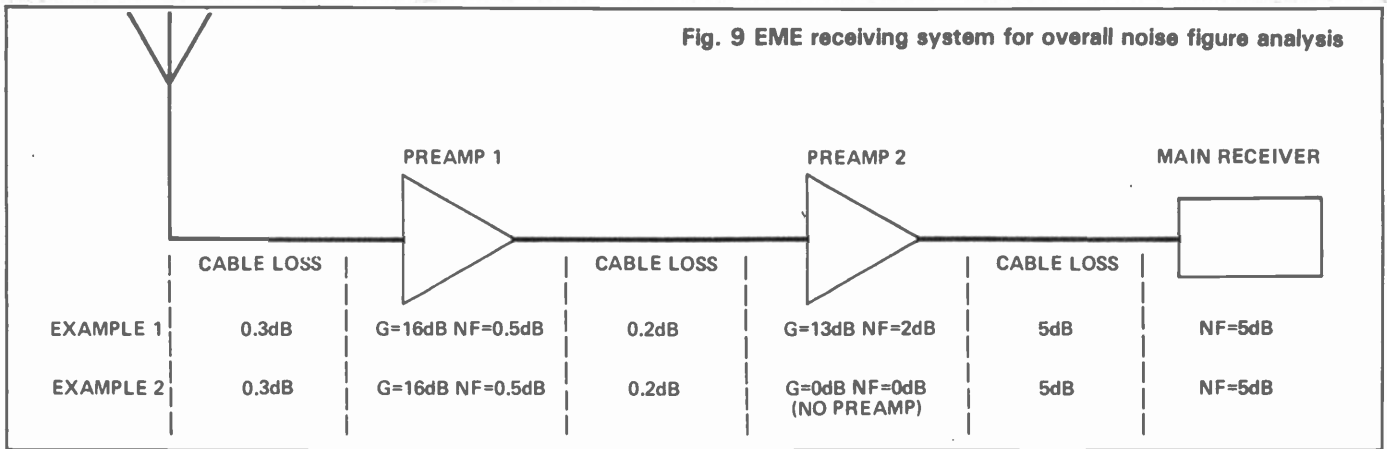


Fig. 9. Two examples will be given to illustrate the use of the program: the parameters which will be used are given in Fig. 9. The program's points and the appropriate input parameters for example 1 are as follows:

```

MAIN RX NOISE FIGURE? 4
CABLE LOSS, PREAMP2 TO MAIN RX? 5
PREAMP2 GAIN? 13
PREAMP2 NOISE FIGURE? 2
CABLE LOSS, PREAMP1 TO PREAMP2? 0.2
PREAMP1 GAIN? 16
PREAMP1 NOISE FIGURE? 0.5
CABLE LOSS, ANTENNA TO PREAMP1? 0.3
    
```

The program then outputs the following:

```

CODE      PARAMETER      VALUE
1  MAIN RX NF=          4DB
2  LOSS, PREAMP2-MAIN RX= 5DB
3  PREAMP2 GAIN=       13DB
4  PREAMP2 NF=         2DB
5  LOSS, PREAMP1 TO PREAMP2= .2DB
6  PREAMP1 GAIN=       16DB
7  PREAMP1 NF=         .5DB
8  LOSS, ANTENNA TO PREAMP1= .3DB

OVERALL RECEIVER NOISE FIGURE= .89DB
    
```

It can be seen that the overall noise figure of the receiver is 0.39dB higher than that of the first preamp, 0.3dB of which is due to the cable loss between the antenna and the first preamp. The remaining 0.09dB is due to the noise contribution from the rest of the system. This figure is quite acceptable and is typical of a well-engineered system.

After the program has produced the above results there is another prompt, and one has the option of changing the parameters, re-running or quitting. These options are used in exactly the same way as in the link budget program described last month. The second example shows what would happen if the second preamp was not present. The inputs to the program are as above, except that a figure of 0 is entered for the gain and noise figure of preamp 2. The program output is then:

```

CODE      PARAMETER      VALUE
1  MAIN RX NF=          5DB
    
```

```

95 REM RECEIVER OVERALL RECEIVER:
NOISE FIGURE CALCULATION PROGRAM
96 REM DATA INPUT DRIVER
100 GOSUB 190
110 GOSUB 210
120 GOSUB 230
130 GOSUB 250
140 GOSUB 270
150 GOSUB 290
160 GOSUB 310
170 GOSUB 330
180 GOTO 350
185 REM DATA INPUT SECTION
190 INPUT "MAIN RX NOISE FIGURE?
";N3
200 RETURN
210 INPUT "CABLE LOSS, PREAMP2 TO
MAIN RX? ";L3
220 RETURN
230 INPUT "PREAMP2 GAIN? ";G2
240 RETURN
250 INPUT "PREAMP2 NOISE FIGURE?
";N2
260 RETURN
270 INPUT "CABLE LOSS, PREAMP1 TO
PREAMP2? ";L2
280 RETURN
290 INPUT "PREAMP1 GAIN? ";G1
300 RETURN
310 INPUT "PREAMP1 NOISE FIGURE?
";N1
320 RETURN
330 INPUT "CABLE LOSS, ANTENNA TO
PREAMP1? ";L1
340 RETURN
345 REM CHAIN NOISE FIGURE
CALCULATIONS BEGIN
350 N = N3 + L3
360 GOSUB 810
370 T3 = T
380 DG = G2
390 GOSUB 830
400 N = N2
410 GOSUB 810
420 T = T + (T3 / NG)
430 GOSUB 850
440 N = N + L2
450 GOSUB 810
460 T2 = T
470 DG = G1
480 GOSUB 830
490 N = N1
500 GOSUB 810
510 T = T + T2 / NG
520 GOSUB 850
530 N = N + L1
540 N = INT (N * 100) / 100
    
```

```

2  LOSS, PREAMP2-MAIN RX=    5DB
3  PREAMP2 GAIN=            0DB
4  PREAMP2 NF=              0DB
5  LOSS, PREAMP1 TO PREAMP2= .2DB
6  PREAMP1 GAIN=            16DB
7  PREAMP1 NF=              .5DB
8  LOSS, ANTENNA TO PREAMP1= .3DB

OVERALL RECEIVER NOISE FIGURE= 1.63DB
    
```

The overall noise figure is now much higher, due to an increased noise contribution from the rest of the receiver

```

545 REM PRINT CURRENT PARAMETER
VALUES AND RESULTS
550 PRINT
560 PRINT "CODE      PARAMETER
VALUE"
570 PRINT
580 PRINT "1  MAIN RX NF="
";N3;"DB"
590 PRINT "2  LOSS,
PREAMP2-MAIN RX="
";L3;"DB"
600 PRINT "3  PREAMP2 GAIN="
";G2;"DB"
610 PRINT "4  PREAMP2 NF="
";N2;"DB"
620 PRINT "5  LOSS, PREAMP1 TO
PREAMP2="
";L2;"DB"
630 PRINT "6  PREAMP1 GAIN="
";G1;"DB"
640 PRINT "7  PREAMP1 NF="
";N1;"DB"
650 PRINT "8  LOSS, ANTENNA TO
PREAMP1="
";L1;"DB"
660 PRINT
670 PRINT "OVERALL RECEIVER NOISE
FIGURE="
";N;"DB"
680 PRINT
685 REM RE-RUN MENU
690 INPUT "NEW PARAM CODE,
RERUN(R) OR QUIT(Q)? ";A#
700 IF A# = "Q" THEN GOTO 870
710 IF A# = "R" THEN GOTO 100
720 IF A# = "1" THEN GOSUB 190
730 IF A# = "2" THEN GOSUB 210
740 IF A# = "3" THEN GOSUB 230
750 IF A# = "4" THEN GOSUB 250
760 IF A# = "5" THEN GOSUB 270
770 IF A# = "6" THEN GOSUB 290
780 IF A# = "7" THEN GOSUB 310
790 IF A# = "8" THEN GOSUB 330
800 GOTO 350
805 REM CONVERSION OF NOISE
FIGURE TO NOISE TEMPERATURE
810 T = 290 * ( EXP (0.2303 * N) -
1)
820 RETURN
825 REM CONVERSION OF DB'S TO
ABSOLUTE NUMBER
830 NG = EXP (0.2303 * DG)
840 RETURN
845 REM CONVERSION OF NOISE
TEMPERATURE TO NOISE FIGURE
850 N = 4.343 * LOG ((T / 290) +
1)
860 RETURN
870 END
    
```

BASIC program for determining overall noise figure of receiving system

caused by the lack of a second stage preamp. The link budget program can be used to see how much degradation in signal-to-noise ratio would be caused by not using a second stage preamp (it works out as 1.96dB in this case — a significant amount).

One more thing needs to be considered before the receiver is ready for

EME use, and that is the provision of an audio filter. Many operators find that a narrow audio filter helps them to copy the weak signals, but this is a matter of personal preference. There are many types of audio filter available, but I prefer types which are tunable and have variable bandwidth eg. Datong FL1. The one I use was designed by DJ6HP and uses 4 741 ICs and a few extra components, and is very easy to build (Ref. 5).

Transmitters

In order to be successful with a 4 yagi array on 70cm, a transmitter power of 700W or more is necessary. The K2RIW amplifier which uses a pair of 4CX250B type tubes in parallel is very popular with EME stations and is to be recommended (Ref. 6). When running this amplifier at high power levels, problems are often experienced with surplus 'tested' tubes, and it is worth considering buying new ones. With this in mind, there are other tubes available which are slightly more expensive than the 4CX250B, but which will last a lot longer. These are the 4CX250R, and the 8930. Both tubes are ruggedised versions of the 4CX250B and work extremely well in the K2RIW amplifier. The 8930 has a larger external anode structure, which makes it a lot easier to cool.

Whichever tubes are used, the amplifier should be run in true class-C on CW (ie no standing current). This of course means that more drive power will be needed than for linear operation, but the efficiency is much higher. The blower should be large enough so that the exit air is cool enough to leave your hand in. Running the amplifier too hot will cause the tuning to drift, as well as shortening the life of the tubes.

Large blowers tend to be rather noisy. Listening to weak signals in the presence of blower noise tends to be rather tiring and headphones are a good idea. Alternatively, it is possible to reduce the voltage to the blower during receive periods, as only a small air flow is needed to keep the tubes cool when not transmitting.

Transmit/Receive Switching

The use of high power levels for EME work makes the design of the

transmit/receive control system quite critical if blown-up relays and preamps are to be avoided! The main transmit/receive changeover relay must be capable of handling the power and must also possess sufficient isolation so that excessive power does not leak into the preamp when transmitting. GaAs FET preamps should not be allowed to receive more than about 10mW RF input power, meaning that the changeover relay should have at least 50dB isolation. There is no need to remove the DC power to the preamp on transmit.

If the changeover relay has less than 50dB isolation, a second relay is necessary to protect the preamp, as shown in Fig. 10. If you are unsure about the isolation of your main, relay and do not have the test equipment to measure the leakage power, I think it is best to play on the safe side and design in a protection relay from the beginning. The protection relay does not have to be able to handle much power, but should have low loss to avoid degrading the receiver noise figure.

The sequencing of the relays is very important. Disastrous things will happen if the transmitter power is allowed to reach the changeover relay before the relay has operated, even for an instant. The transmit/receive control system should ensure that there is a small delay between the main changeover relay going over and the transmitter actually coming on. If a protection relay is used, the sequence should be to activate the protection relay first, then the main changeover relay and finally the transmitter. This will ensure a long life for the relays and the preamp!

Some stations even go a stage further, and build in a 'belt and braces' feature, which prevents the transmitter from coming on if the changeover

relay(s) have not gone over. Some changeover relays have extra contacts provided which can be used in a 'handshaking' system to achieve this desirable goal. Relays without such contacts can often be modified by taping a reed relay switching element to the coil (thanks to G3SEK for this idea).

Finer Points

We have now covered most aspects of putting an EME station together. This section deals with a few last technical points.

Some means of accurate frequency calibration should be available to ensure that transmit and receive frequencies can be set to better than 1kHz accuracy. This is especially important for skeds, since many stations do not search more than 1 or 2kHz around the sked frequency. Most modern transceivers have an accurate frequency readout, but frequency errors can often creep in due to crystal offsets in transverters. At a pinch, one can use beacons for checking calibration, but a crystal calibrator is best. This need not be very complicated — a 1MHz crystal oscillator and TTL dividers will produce harmonics up to 432MHz, and can itself be calibrated by beating it's output with the 200kHz Droitwich Radio 4 transmission (which is a very accurate frequency standard). One word of warning though: owing to the fact that the calibrator puts out powerful signals at lower frequencies, it is possible that a number of carriers will be received due to images, intermodulation products, LF feedthrough etc. You must be certain that the signal you are calibrating to is the right one! One reasonably foolproof way of doing this is to pre-calibrate using a beacon, and use the calibrator more for final checking. If

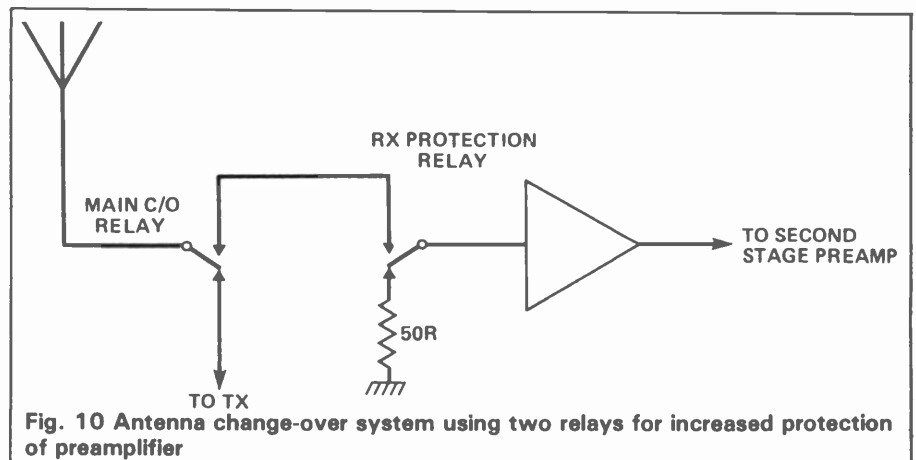
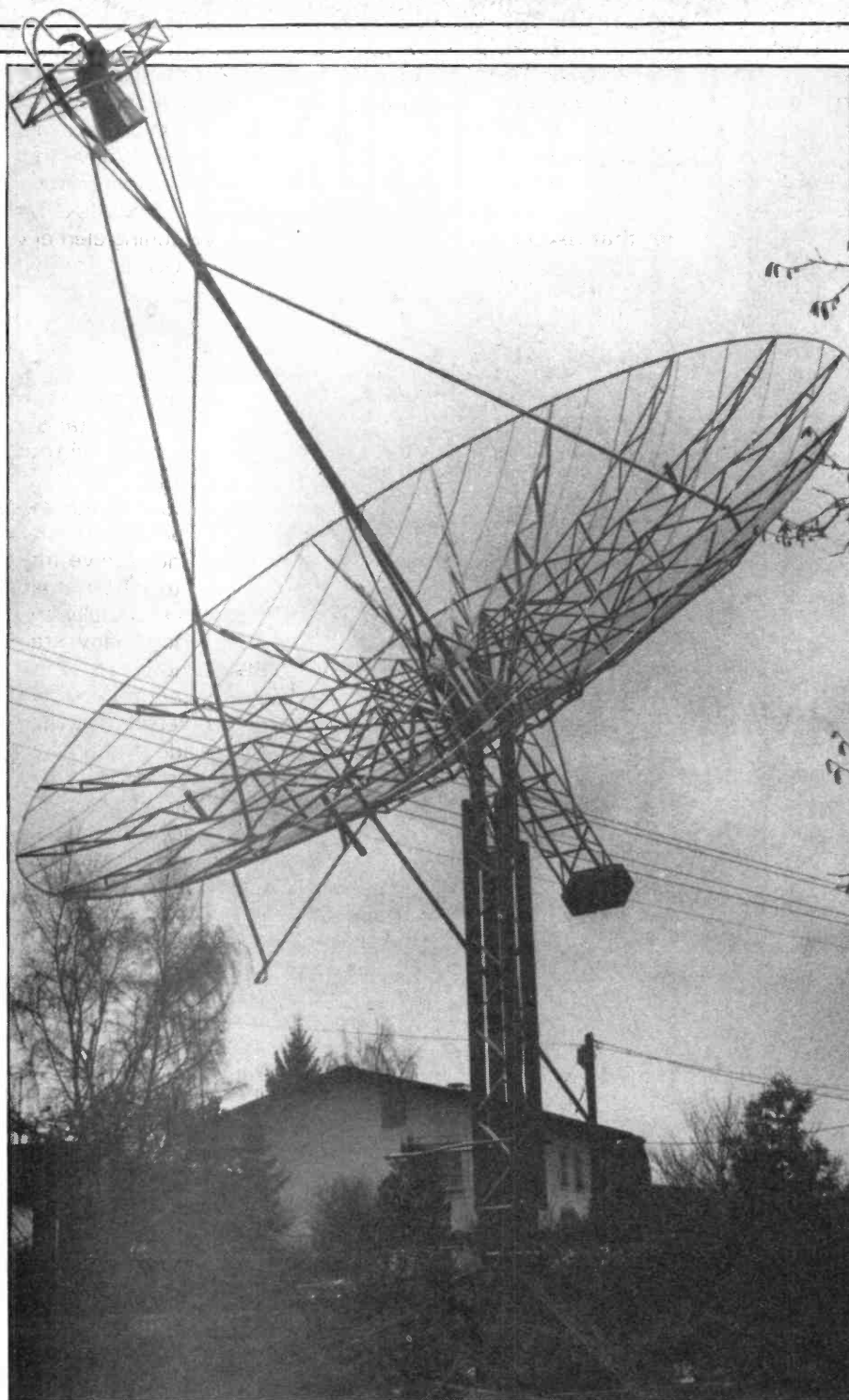


Fig. 10 Antenna change-over system using two relays for increased protection of preamplifier



The 20ft dish used by the OE9XXI group on 70, 23 and 13cm EME. The 23cm feed was in place when the photograph was taken.

there is a serious discrepancy, then you are probably listening to the wrong signal!

A lot of EME operating occurs at night, and it is useful to have some sort of lighting installed at the antenna site, if only to enable the antenna position indicators to be read. From the safety point of view, it is best to use a low-voltage lamp, eg a car headlamp bulb, with the mains transformer inside the house out of harm's way. It is also very useful to have the shack audio available at the antenna, so that

you can continue to listen to signals whilst re-pointing the antenna, for example.

2. Equipment Checking

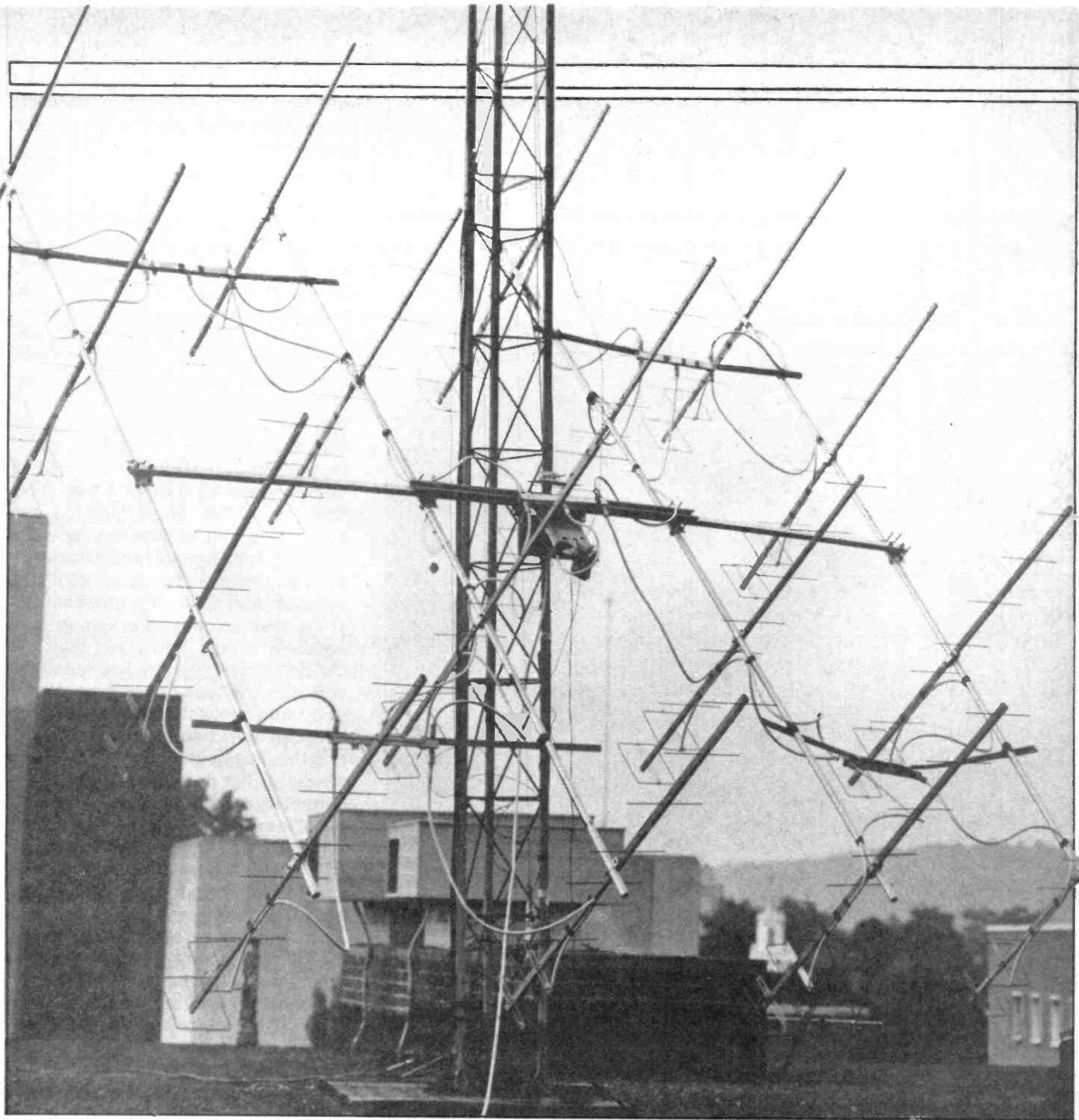
An EME station is a fairly complex assembly of equipment, all of which must be working at peak performance if you are going to be successful. A certain amount of test equipment is very useful, but much can be done without any. In this section I will

outline a number of procedures which will enable the system to be given a good check-out.

Using The Sun

Nature has provided us with an excellent extra-terrestrial beacon, the sun. The sun can be used as the basis for two checks on the performance of an EME system. Firstly, we can make use of the fact that the sun emits noise in the radio spectrum, the strength of which is reasonably constant with time. A 4 yagi array on 70cm, with a good receiver, should receive about 8-10dB of sun noise. If your system registers less than this, then you have good grounds for suspecting that all may not be well. Unfortunately low sun noise does not tell you whether the antenna or the receiver is at fault, but at least you know that something is wrong and needs attention. You could start by checking that no water has found its way into the coax connectors. Next, you might check that the changeover relays are not unduly lossy by connecting the preamp directly to the power divider. Other possibilities include incorrect phasing of the antennas, faulty cables etc. Any improvements you can make will show up as increased sun noise. One warning though: the sun's noise output does sometimes increase if the sun is active, and it is worth making a number of measurements on different days to see whether any apparent improvements are genuine. Another way of getting round this uncertainty is to compare notes with someone else whose system has not been changed.

The procedure for measuring sun noise is as follows. Choose a time when the sun is visible to your antenna, with no obstructions in the way. Point the antenna to a part of the sky well away from the sun, and which is also unobstructed. Then bring the antenna on to the sun, and measure the amount by which the noise level increases. This is then your sun noise figure. There are several ways of measuring the amount by which the noise level increases with reasonable accuracy. The most accurate way is to use a switched attenuator, which can be home made (Ref. 7). Connect the attenuator between the converter/transverter and the main receiver, with a fixed attenuator between the switched attenuator and the receiver. Do not omit the fixed attenuator, as its function is



The 16 x 8el quagi array used by KAIGT on 70cms

to define the impedance which the switched attenuator sees. Without it, the fixed attenuator may not read correctly. This fixed attenuator can also be home made (Ref. 8). The value of the fixed attenuator should be chosen so that the S-meter reads a small value (say S1-2), with the antenna pointing skywards and the fixed attenuator set to 0dB. The antenna is then pointed at the sun, and the switched attenuator set to bring the S-meter back to the same level as it was when the antenna was pointing skywards. When this has been done, try moving the antenna to see whether any more sun noise can be obtained. If an increase is

obtained, switch in extra attenuation to bring the S-meter back to the reference level. The sun noise figure for your system is then equal to the total amount of switched attenuation introduced. For this method to work properly, the S-meter has to be capable of resolving small changes in noise level, eg 0.5dB. If yours does not, then some other way of displaying the receiver noise level must be used, for example by connecting an AC voltmeter to the audio output. It is possible to measure sun noise without the complexity of an attenuator, by measuring the change in audio noise from the receiver directly with a meter. This method

is notoriously inaccurate and I do not recommend it.

The second useful function that the sun has in helping to check out an EME system is for calibrating antenna readouts and checking their accuracy. The elevation and azimuth of the sun can be calculated, and by peaking your antenna up on sun noise you can calibrate your antenna readouts with very high accuracy. Then, by following the sun as it moves in the sky you can ensure that the readouts remain correct at different positions. The presence of any accumulating errors means that your antenna mount is not set-up correctly (eg the main mast may not be exactly vertical). I have written a BASIC pro-

```

95 REM SUN LOCATION PROGRAM
100 E = - 1
110 DEF FN A(X) = INT (X * 10 +
.5) / 10
120 INPUT "DAY, MONTH, YEAR
";D,M,Y
125 REM CALCULATION OF JULIAN
DATE
130 Y1 = Y - ( INT (Y / 100) *
100)
140 I1 = 2
150 IF M > = 3 THEN 230
160 IF INT ((Y - 1853) / 4) < 11
THEN 190
170 C1 = - 1
180 GOTO 200
190 C1 = 0
200 J1 = 365 * (Y - 1853) + D + 30
* (M + 9) + INT ((M + 10) / 2)
210 J2 = INT ((Y - 1853) / 4) + 1
+ C1
220 GOTO 340
230 IF INT ((Y - 1852) / 4) < 11
THEN GOTO 260
240 C1 = - 1
250 GOTO 270
260 C1 = 0
270 IF M = 9 THEN 310
280 IF M = 11 THEN 310
290 C2 = 0
300 GOTO 320
310 C2 = 1
320 J1 = 365 * (Y - 1852) + D + 30
* (M - 3) + INT ((M + 2) / 2)
330 J2 = INT ((Y - 1852) / 4) +
C1 + C2
340 J = J1 + J2
345 REM END OF JULIAN DATE
CALCULATION
350 DY = J - 44865
360 PI = 3.1415926
370 C = PI / 180
380 INPUT "LATITUDE= (DD,MM)
";L1,L2
390 INPUT "LONGITUDE= (DD,MM)
";L3,L4
400 INPUT "START TIME (GMT) ";T
410 INPUT "INTERVAL (MINS) ";XX
420 PRINT
430 PRINT
440 LA = L1 + L2 / 60
450 LB = L3 + L4 / 60
460 NS$ = "N"
470 IF LA < 0 THEN NS$ = "S"
480 EW$ = "W"
490 IF LO < 0 THEN EW$ = "E"
500 PRINT "SUN ";D;"/";M;"/";Y;";
FROM LAT="; INT (LA * 100 + .5) /
100 * SGN (LA);NS$;" LONG="; INT
(LO * 100 + .5) / 100 * SGN
(LO);EW$
510 PRINT
520 PRINT " GMT AZ EL
GHA DEC"
530 PRINT " --- -- --
--- ----"
540 TH = INT (T / 100) + ((T /
100) - INT (T / 100)) * 1.666666
550 E1 = E
555 REM CALCULATION OF NUMBER OF
DAYS SINCE EPOCH 1975.0
560 DZ = DY + (TH / 24)
565 REM CALCULATION OF SUN'S
ECLIPTIC LONGITUDE
570 N = 360 * DZ / 365.25
580 N = N - INT (N / 360) * 360
590 M1 = N - 3.438926
600 IF M1 < 0 THEN M1 = M1 + 360
610 EC = (2 / C) * .01672 * SIN
(M1 * C)
620 L = EC + N + 279.04147
630 IF L > 360 THEN L = L - 360
635 REM CONVERSION OF ECLIPTIC
LONGITUDE TO DEC AND RA
640 SD = .397628 * SIN (L * C)
650 DE = ( ATN (SD / SQR (1 - SD
* SD))) / C
660 TA = TAN (L * C) * .917547
670 A = ATN (TA) / C
680 Q = INT (L / 90)
690 IF Q = 1 THEN A = A + 180
700 IF Q = 2 THEN A = A + 180
710 IF Q = 3 THEN A = A + 360
715 REM CONVERSION OF RA TO GHA
720 DD = ((DY - INT ( INT (DY /
365.25) * 365.25)) * .065709) -
17.393506
730 DD = DD + (TH * 1.002743)
740 IF DD > 24 THEN DD = DD - 24
750 IF DD < 0 THEN DD = DD + 24
760 GH = (DD * 15) - A
770 IF GH < 0 THEN GH = GH + 360
775 REM CONVERSION OF GHA TO LHA
780 LH = GH - LO
785 REM CALCULATION OF ELEVATION
790 SE = SIN (DE * C) * SIN (LA
* C) + COS (DE * C) * COS (LA *
C) * COS (LH * C)
800 E = ( ATN (SE / SQR (1 - SE *
SE))) / C
805 REM JUMP TO TIME INCREMENT
ROUTINE OR RE-RUN ROUTINE IF SUN
IS BELOW HORIZON
810 IF E < 0 THEN GOTO 830
820 GOTO 850
830 IF E1 < 0 THEN GOTO 1110
840 GOTO 1130
845 REM CALCULATION OF AZIMUTH
850 CA = ( SIN (DE * C) - SIN (LA
* C) * SIN (E * C)) / ( COS (LA *
C) * COS (E * C))
860 A = (1.5708 - ( ATN (CA / SQR
(1 - CA * CA)))) / C
870 IF SIN (LH * C) > 0 THEN A =
360 - A
880 GH = FN A(GH)
890 DE = FN A(DE)
900 E = FN A(E)
910 A = FN A(A)
915 REM CONVERSION OF TIME TO
24H CLOCK
920 HR = INT (TH)
930 MN = INT (((TH - HR) * 60) +
.5)
940 T = 100 * HR + MN
950 IF MN = 60 THEN T = T + 40
955 REM ROUTINE FOR PUTTING
LEADING ZEROS IN FRONT OF TIME
960 T$ = STR$ (T)
970 I = LEN (T$)
980 IF I = 4 THEN GOTO 1020
990 FOR X = 1 TO 4 - I
1000 PRINT "0";
1010 NEXT X
1015 REM PRINTING OF FINAL
RESULTS
1020 PRINT T;
1030 HTAB 7
1040 PRINT A;
1050 HTAB 14
1060 PRINT E;
1070 HTAB 21
1080 PRINT GH;
1090 HTAB 28
1100 PRINT DE
1105 REM INCREMENT TIME
1110 TH = TH + XX / 60
1120 GOTO 550
1130 PRINT
1140 INPUT "RE-RUN PROGRAM? (Y/N)
";A$
1150 IF A$ = "Y" THEN GOTO 100

```

BASIC program for determining the position of the sun to enable calibration of antenna readouts

gram, reproduced here, which calculates the position of the sun at any location given the date, time, latitude and longitude. For example, if the sun's position is required on 25 May 1984 starting at 0700gmt from a location with a latitude of 52 deg 20min North, and a longitude of 1deg 15min West at time intervals of 60minutes, the following parameters would be entered:

```

DAY, MONTH, YEAR 25,5,1984
LATITUDE= (DD,MM) 52,20
LONGITUDE= (DD,MM) 1,15
START TIME (GMT) 0700
INTERVAL (MINS) 60

```

The output from the program is as follows:

SUN 25/5/1984 FROM LAT= 52.33N LONG=1.25W

GMT	AZ	EL	GHA	DEC
0700	88.1	25.4	286.1	21
0800	100.4	34.6	301.1	21
0900	114.5	43.3	316.1	21
1000	131.8	51	331.1	21
1100	153.7	56.5	346.1	21
1200	179.7	58.7	1.1	21
1300	205.7	56.7	16.1	21
1400	227.7	51.2	31.1	21
1500	245.1	43.5	46.1	21

1600	259.3	34.8	61.1	21
1700	271.6	25.7	76.1	21.1
1800	283.1	16.6	91.1	21.1
1900	294.4	B	106.1	21.1
2000	305.9	.1	121.1	21.1

The first three columns contain the required information. The columns GHA and DEC give the astronomical co-ordinates of the sun (Greenwich Hour Angle and Declination) which allow the program to be checked against almanac data (for those who are interested). *Note: if your site is south of the equator, or east of Greenwich, then the latitude and longitude have to be entered as negative numbers (both the degrees and the minutes).* There is one final point concerning the use of the sun for antenna checking. When you have the antenna peaked up for maximum sun noise, check that it is visually lined up also. Any significant 'squint' should be noted, as it indicates the presence of a fault, such as incorrect phasing, or a poor connection somewhere.

VSWR And Power Measurement

Provided that good sun noise can be obtained from the system, one can be fairly sure that the antenna and receiver are working well. It is, however, worth checking that the antenna has a good VSWR, otherwise the transmitter may not load properly and the preamp may not give its best performance. If commercial antennas are being used, the VSWR should be quite low. A high VSWR in this case is most likely to be caused by a cable or connector fault. An SWR bridge rated for use at 70cm should be used for measuring the VSWR, or alternatively a Bird Throughline. The latter instrument is also useful for checking the power output of the PA. Make sure that you have the correct element though (1000W 200-500MHz type), or the readings may be inaccurate.

References

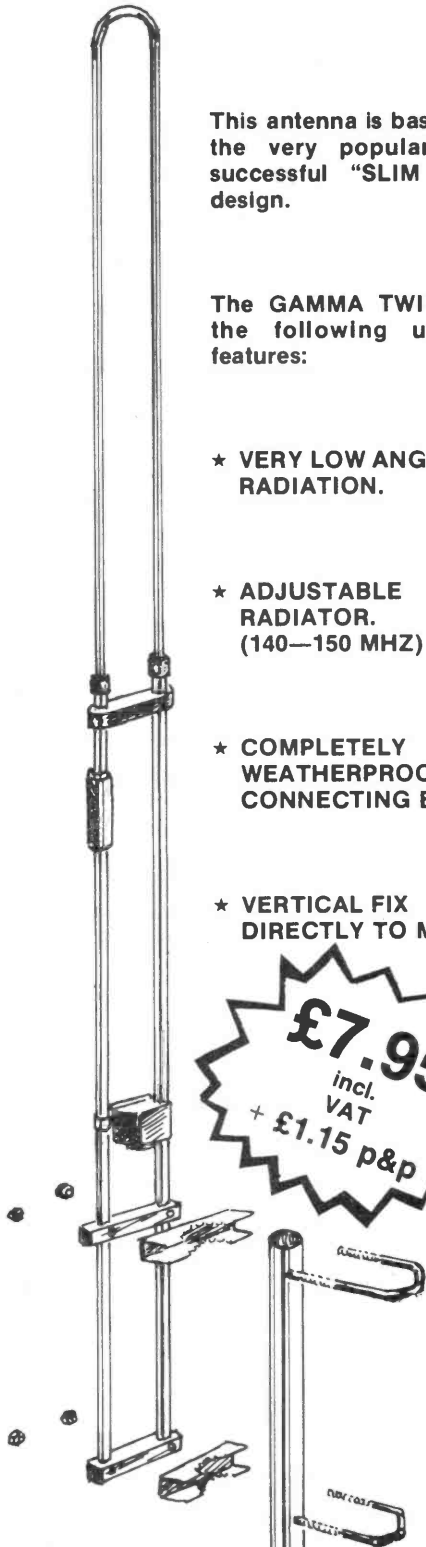
1. RSGB VHF/UHF Manual, by G.R. Jessop, pp. 10.16—10.20.
2. G. Hoch DL6WU, "Yagi Antennas", VHF Communications, 3/77 and "More gain from Yagi Antennas", VHF Communications, 4/77.
3. J. Reisert W1JR, "How to design Yagi Antennas", Ham Radio, August 1977.
4. J. Gannaway G3YGF, and C. Suckling G3WDG, "A GaAs FET Pre-amplifier with a Noise Figure of 0.5dB", Radio Communication, December 1980, p.1270.
5. P. Hawker G3VA, "Technical Topics", Radio Communication, April 1974, p.234.
6. R. Knadle K2RIW, "A Stripline Kilowatt for 432MHz", QST April 1972, p.49, and May 1972, p.59.
7. C. Suckling G3WDG, "Microwaves", Radio Communication, December 1982, p.1067.
8. C. Suckling G2WDG, "Microwaves", Radio Communication, March 1979, p.239.

Due to a lack of space in this month's HRT, there will be a further instalment next month in which Charles will describe EME operational procedure and give a BASIC program for predicting the position of the moon.

Array of 4 NBS yagis used by G4FRE on 70cms — an increasing number of stations are enjoying great success with small arrays of this type on EME.



THE
GAMMA TWIN
2 METRE FOLDED 1/2 WAVE ANTENNA
Copyright Gamma Aerial Products 1982



This antenna is based on the very popular and successful "SLIM JIM" design.

The GAMMA TWIN has the following unique features:

★ VERY LOW ANGLE OF RADIATION.

★ ADJUSTABLE RADIATOR. (140—150 MHZ)

★ COMPLETELY WEATHERPROOF CONNECTING BOX

★ VERTICAL FIX DIRECTLY TO MAST

£7.95
incl. VAT
+ £1.15 p&p

Available from your usual stockist or direct from the manufacturers

Gamma Aerial Products
MANUFACTURERS OF AMATEUR RADIO & CB ANTENNA
BALDS LANE, LYE, STOURBRIDGE
WEST MIDLANDS LYE 891132/891474
TRADE ENQUIRIES WELCOME

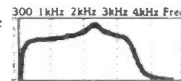


The Key Element
SSB clarity starts at the microphone...

Hell Sound, the company that pioneered proper audio equalization techniques for major performing groups and communicators, invites you to be part of one of the biggest advancements in Single Sideband transmission since the "Donald Duck" vs. AM days.

If you are not satisfied with the "sound of your station" — It's no wonder — most "communications" microphones used today were designed for "public address" use, not for sophisticated SSB techniques.

No one microphone can be all things to Hams, so this new



HC-3 element and HM-5 mic were developed *only* for maximum clarity on SSB transmissions. The response of this tiny ceramic element rolls off sharply under 350 Hz and above 3100 Hz with a peak at 2400 Hz for *high articulation* in the speech range.

Hams who care about maximum results in getting over, around and through DX pile-ups now have another weapon in their arsenal... The Key Element! You can easily install this small, advanced HC-3 element, with its broad-range impedance-matching characteristics, into virtually any microphone case you own, or purchase the custom HM-5 with HC-3 installed.

... Have not yet heard an FT-101 sound any better than when used with The Key Element... — Paul, G3AWP

... I now have a comfortable feeling that my audio is better than the rig was originally capable of... — Ken, M9KBS

... Thank you for the fine report; all reports to date have been excellent... — Lee, W3CE

For those who desire the ultimate audio into and out of your transmitter/transceiver, consider the ideal combination of the Hell EQ-200 audio equalizer and HM-5 microphone.



All prices include VAT and Carriage, E. + OE.

For further information, or to order the HC-3 cartridge element at £17.99, the HM-5 SSB microphone at £49.95 or the EQ-200 at £45.95 contact our Sole European Distributor, Amcomm Services Ltd., 194 Northolt Road, South Harrow, Middlesex or Telephone 01-422 9585.



Hearing Is Believing...

AH ELECTRONICS (G8AQN)
20 Barby Lane, Hillmorton, Rugby, Warwickshire CV22 5QJ
Tel: Rugby (0788) 76473

Terms of business cash/cheque with order. Education orders accepted on 30 days basis. Full money back guarantee, prices include VAT. Please add 60p for postage. Callers by appointment only.

30 WATT 2 METRE LINEAR AMPLIFIER KIT—Designed for the TF290R or any transceiver up to 3½ watts output. 2½ watts in will give 25 watts output. Suitable for FM or SSB. Rx pre-amp is switched in when required; this gives up to 20db gain or can be made variable by adding a potentiometer. Kit consists of ready drilled PCB and all components but less case and heat sink. All assembly instructions included. ONLY £29.50, suitable die cast box and heat sink £6.00 (if ordered with kit, £5.50).

80 WATT 2 METRE LINEAR AMPLIFIER ready built, requires 2½-3½ watts drive for full output. Designed for the FT290R, size 112 x 80 x 210mm. Power required 13.8V DC @ 14 amps (no receive pre-amp) £98.00.

HF BAND DIPOLES made by famous radiotelephone manufacturer, consists of 1-1 balun in waterproofed die cast box, 230ft 7/029 aerial wire, 15 metres 50ohm UR67 down lead, 60ft halyard and pulley and insulators. As new and unused. Can be cut for any frequency from 2 to 30MHz. BARGAIN AT ONLY £26.00.

432MHz POWER AMPLIFIER UNITS as used in Pye UHF Westminster radiotelephones. This is believed to be the latest designed PA for this radio which uses a BLX68 in the output stage giving a minimum of 7 watts out. Requires 250 m/w drive @ 145MHz for full output. Ready tuned for 432MHz band. With circuit as new and unused ONLY £16.00.

VHF FM RADIO TUNERS 88-108MHz (could be modified for 2 metres) dual gate mosfet RF stage plus mixer and separate oscillator, 7 gang tuning capacitor, 4 tuned circuits @ VHF plus 3 gangs of 365pf for an AM tuner section. As new and unused BARGAIN ONLY £4.00.

JOHNSON VALVE BASES Cat No 124-0110-001 for the 4CX250B type valves. Bases only (sorry no chimneys). New and boxed ONLY £15.00.

AERIAL CHANGE-OVER RELAYS as used in VHF Pye Westminsters etc, made by Magnetic Devices type 354. OK up to 50 watts @ 200MHz. 12 volt coil, new, unused ONLY £1.00 each or box of two for £1.75p.

CRYSTAL FILTERS

10-7 MHz Cathodeon type BP4113 ±15KHz @ 3db, imp 2k ohm unused £5.00
10-7MHz Cathodeon type BP4133 SSB LSB only imp 200ohm, unused £5.00
10-7MHz ITT type 024BC ±7½kHz @ 3db imp. 910ohm OK FM 32 metres £6.00
10-7MHz HY-Q type QF10728 for SSB u/lsb no carrier xtals £12.00
23-455MHz Cathodeon type BP4143 ±14kHz imp 1k ohm min type £4.00
many more, send for list.

PTFE feedthrough insulators 25 for £1.00

Solder-in feedthrough capacitors 1000pf 500vw 50 per 10

Bolt-in feedthrough capacitors 1000pf 500vw 40p each

Glass feedthrough insulators 4mm dia 60p per 10

Leadless disc ceramic capacitors 1000pf 500vw 50p per 10

RF POWER TRANSISTORS—

2N3866 1 watt @ 400MHz 10db 28v 75p

PT4236A 1 watt @ 175MHz 9db gain 12v 75p

BLY55 4 watt @ 175MHz 7db 12v £4.00

BLY87A 10 watt @ 175MHz 9db gain 12v £6.00

PT4236B 11 watt @ 88MHz 10db 12v £4.00

PT4236C 35 watt @ 88MHz 6db gain 12v £5.50

PT4555 25 watt @ 145MHz 7db gain 12v £6.00

PT8711 40 watt @ 145MHz 7db gain 12v £10.00

PT4577 no info except FT1200MHz, 15v, collector current ½amp £1.50

FETS/MOSFETS—3SK88 90p, 3SK87 £1.00, 3SK60 75p, 3SK51 70p, 3SK45 65p, BFR84 50p, TIS88A 40p, BF256 35p, 2N4381 (P chan) 45p.

An ACTIVE AERIAL for Receivers

This article describes the development of an active aerial for use where a general coverage receiver is to be used portable or where the more usual ATU and long-wire or tuned aerials might not be desired or are not possible. This aerial was

cast transmitter and should be satisfactory for most locations.

Development

In principle the active aerial is very simple. When my receiver arrived I ef-

noticed because the broadcast transmissions are so strong. As the frequency increases a short length of wire shows a steady fall in impedance and the match improves until the length is around one-quarter wavelength. The short-comings of just a length of wire show themselves most when low level signals on 'top-band' or in the marine band are required to be received. The quality of reception of Radio 4 on 200KHz is a good guide to the aerial performance since the mismatch at this frequency is so considerable that despite the strong transmission the signal can sound weak enough to provide a poor signal-to-noise ratio. Matching to the receiver is very desirable for another reason beside signal attenuation; modern general-coverage receivers mostly adopt the technique of up-conversion to a frequency in excess of 40MHz to eliminate the need for track-tuned 'front-ends', but most designers insert sub-octave filters prior to the first stage to raise front-end performance to an acceptable level. These same filters should be correctly source matched to return their designed frequency characteristics and the responsibility for this rests with the connection made to the aerial socket.

I wished to develop an aerial unit that would turn any short length of wire or telescopic aerial into a *matched signal source* for my receiver to allow me to investigate the whole HF spectrum without the need for any tuning adjustment and which would be a useful accessory for the receiver when used portable or taken travelling.

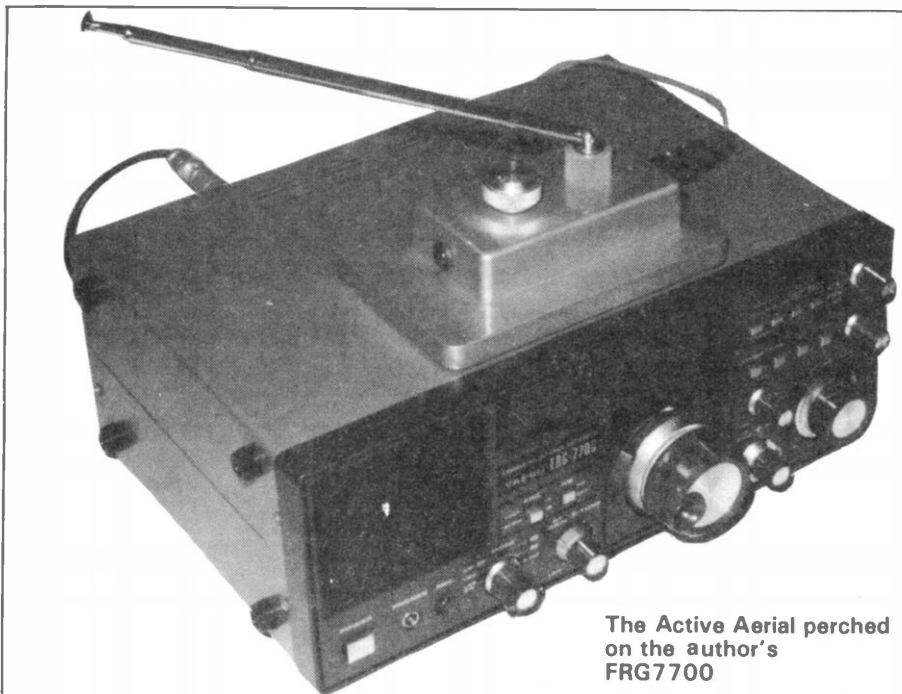
Principles

In principle an active aerial is very simple and is shown in Fig. 1. The 'active' ingredient being a buffer stage designed to accommodate the wide variation of impedance with frequen-

No room for outside antennas? Does your partner hate wires around the curtain rail too? Brian Frost, G6UTN, has the answer,

developed as a speedy solution for an aerial when the author acquired an FRG7700 and wished to listen on the amateur bands but also to the rest of the spectrum. It may be used to provide a remotely mountable broadband aerial with co-ax feed to the receiver, or it may be used adjacent to the receiver. However, it is not a comparable substitute for a properly matched wire aerial, particularly an external one, and is, of course, receive only. This design is in day-to-day use in the shadow of a strong MF broad-

fectively made one in two minutes by merely inserting a 2m length of wire into the rear socket. The first stage of the receiver is a dual-gate MOSFET preceded by band-switched filters and the length of wire showed its shortcomings only by its *varying impedance with frequency* and thus the degree of mismatch to the 50 ohms input to the filters. One of the reasons the length of wire apparently works well is because at the lower frequencies, where the aerial impedance is quite high and hence the mismatch is most severe, the loss of signal is *least*



The Active Aerial perched on the author's FRG7700

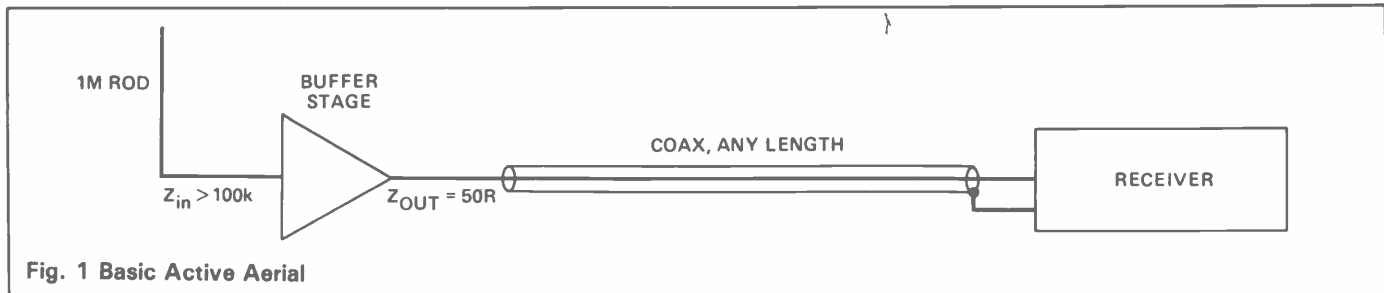


Fig. 1 Basic Active Aerial

cy exhibited by (say) a telescopic aerial and transform it into a low output impedance for transmission via co-ax to the receiver. Simply, if the circuit can provide an input impedance that is much higher than that which the aerial provides, the voltage produced from the aerial is not attenuated and variation of aerial impedance has no effect. Exact impedance matching to the aerial by the circuit is not required since at HF frequencies *aerial noise* is the factor which determines S/N ratio and not front-end noise figure. However, in practice this still places fairly stringent performance requirements on the circuitry. It must have a wide frequency response of some 100kHz to in excess of 30MHz, exhibit low harmonic distortion, and be capable of handling strong signals without intermodulation affecting the weak signals. For some time now, the front-ends of receivers have been dominated by FET devices and they are attractive for an active aerial for the same reasons of low noise and good cross-modulation performance. One of the first circuits I tried used a new FET as is shown in Fig. 2. This is unbeatable for simplicity and is a tribute to the characteristics of the new generation of power-MOSFETs. The device used is the VN10 manufactured by Siliconix in a simple source follower configuration. It may best be described as a small power-MOSFET, but presented in a plastic package and providing a linearity at low impedances unattainable with a single small signal device. Although the MOSFET returns higher gate capacitances than small signal FETs the 10pF capacitance seen by the aerial is still acceptable at the upper frequencies of use. The low channel resistance and the insulated gate make the device almost a perfect 'source-follower' buffer amplifier where the 10pF input capacitance can be tolerated.

The strong signal performance of the circuit is very good since the low impedance nature of the source can

drive the source resistance to hundreds of millivolts without loss of the required linearity. This kind of performance is not easily measurable, even with sophisticated equipment, since we may require to listen to a weak signal at, say, 14.5 MHz and may hear instead the second harmonic of strong broadcast signals in the 7MHz band at 7.25 MHz. This would mean hearing a second harmonic that is as low as 80dB down on the fundamental. This is commonly accepted as a very good figure and techniques for even measuring this sort of level are difficult. In practice, I have found that as long as signals anywhere in the receiver coverage are not allowed to exceed some S9+40dB (around the low tens of millivolts for the FRG7700) then the harmonics of these strong signals are only just audible. This characteristic is a good measure of the performance of an active aerial and has obviously caused some designers to opt for a tuned design. However, I considered an untuned design to be essential for users who desire to use this aerial mounted remotely from the receiver, perhaps to gain freedom from TV timebase harmonics, where the circuit would be untuned. Intermodulation is rather more difficult to measure than harmonic distortion; the circuit in use does not appear to audibly degrade

a 'crowded' band as compared with a wire aerial, the receiver front-end performance still seeming to be the dominant factor.

Extra Capability

After using this circuit for a while it became evident that a useful additional capability would be to have a small amount of extra gain available at the upper frequencies above 20MHz; I found that about 10dB proved useful in improving the S/N ratio of weak signals. This gain was added to the previous single stage by taking the output from the drain and switching various source resistances as shown in Fig.3. This, however, did degrade the linearity of the device and the harmonics of strong out-of-band signals seemed more noticeable. In my application I wished for an aerial unit that could be used alongside the receiver so I decided to continue and develop a circuit that would possess this gain — but also provide attenuation — altogether on one 6-position switch. Armed with this switchable gain I was able to select the setting that gave optimum front-end performance.

To achieve the best linearity I realised that the feedback configuration of Fig.4 would provide the best results when encountering strong signals. This is the classic 'virtual earth' inverting configuration with the gain directly varied by the feedback

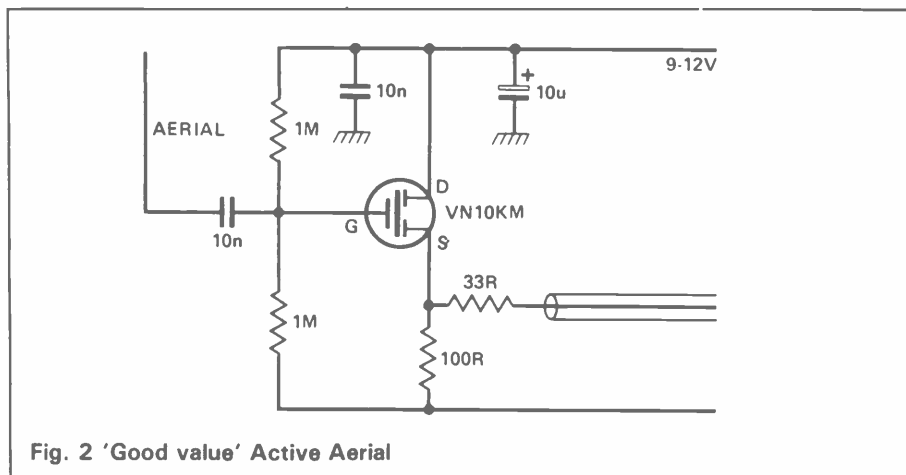


Fig. 2 'Good value' Active Aerial

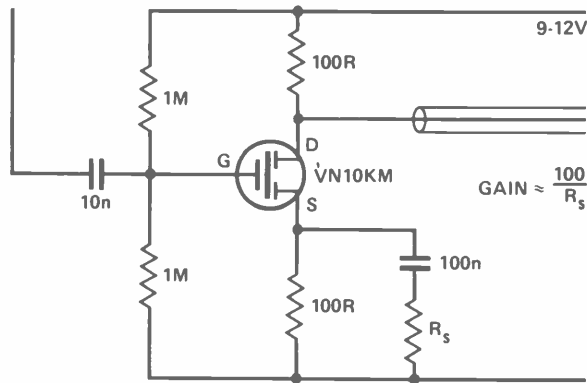


Fig. 3 Extra gain for upper frequencies

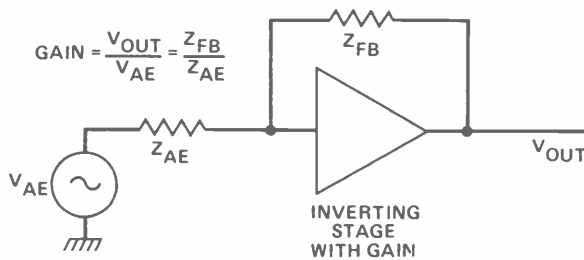


Fig. 4 Concept of variable gain Buffer

impedance Z_{fb} . The performance of this configuration is better than the circuit in Fig. 3 (where the feedback is effectively provided by the source resistor) because under strong signal conditions the feedback acts in Fig. 4 *directly* to negate the incoming signal — rather as in Fig. 3 where it acts always via the gate-source junction. The feedback situation of Fig. 4 shows the gain adjusted by the variation of the feedback impedance Z_{fb} . When the aerial is connected to the amplifier we must understand the nature of its impedance before we can select that which is to be used for Z_{fb} . We know that as long as our aerial is

less than $\frac{1}{4}$ wavelength long at the highest frequency of interest, then, as the frequency falls from this point, the aerial impedance will *increase*. An increase in impedance with a falling off in frequency is the characteristic of a capacitor. In fact, an electrically short (with regard to a $\frac{1}{4}$ wavelength) rod has an equivalent capacitance of around 25pF per meter, and thus our impedance Z_{AE} is around 20pF. Z_{fb} must therefore be of this order to provide unity gain, lower than this to provide some gain, and higher in value to provide attenuation. In practice the gain equation shown in Fig. 4

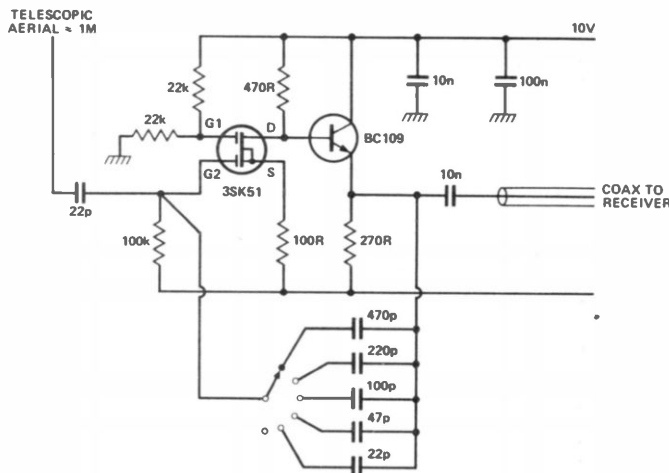
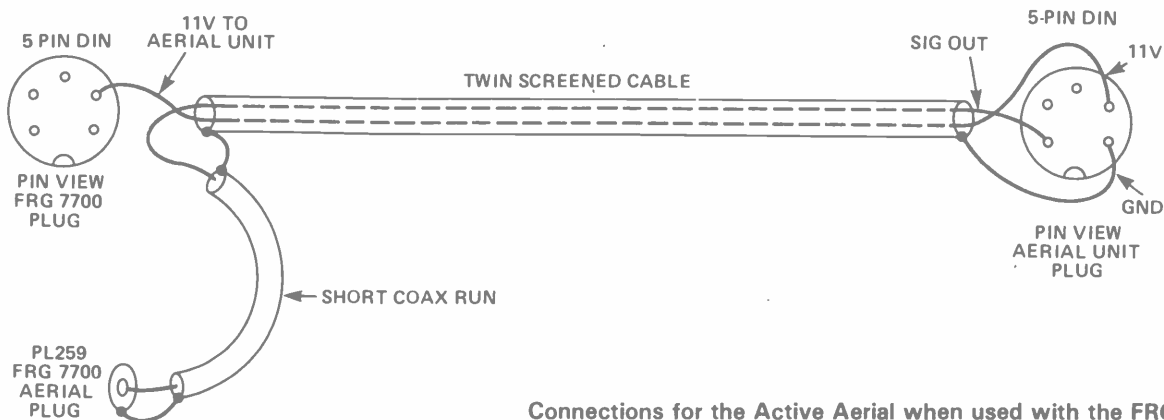


Fig. 5 Final Active Aerial circuit

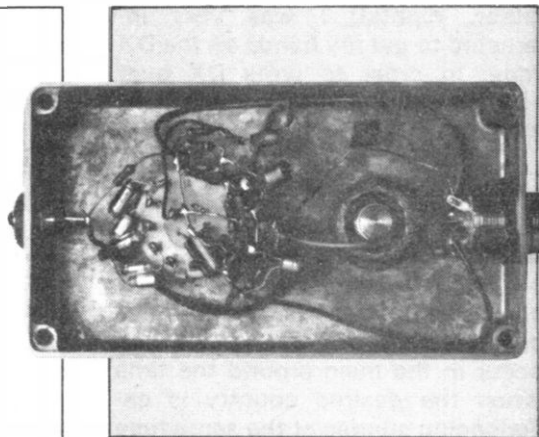
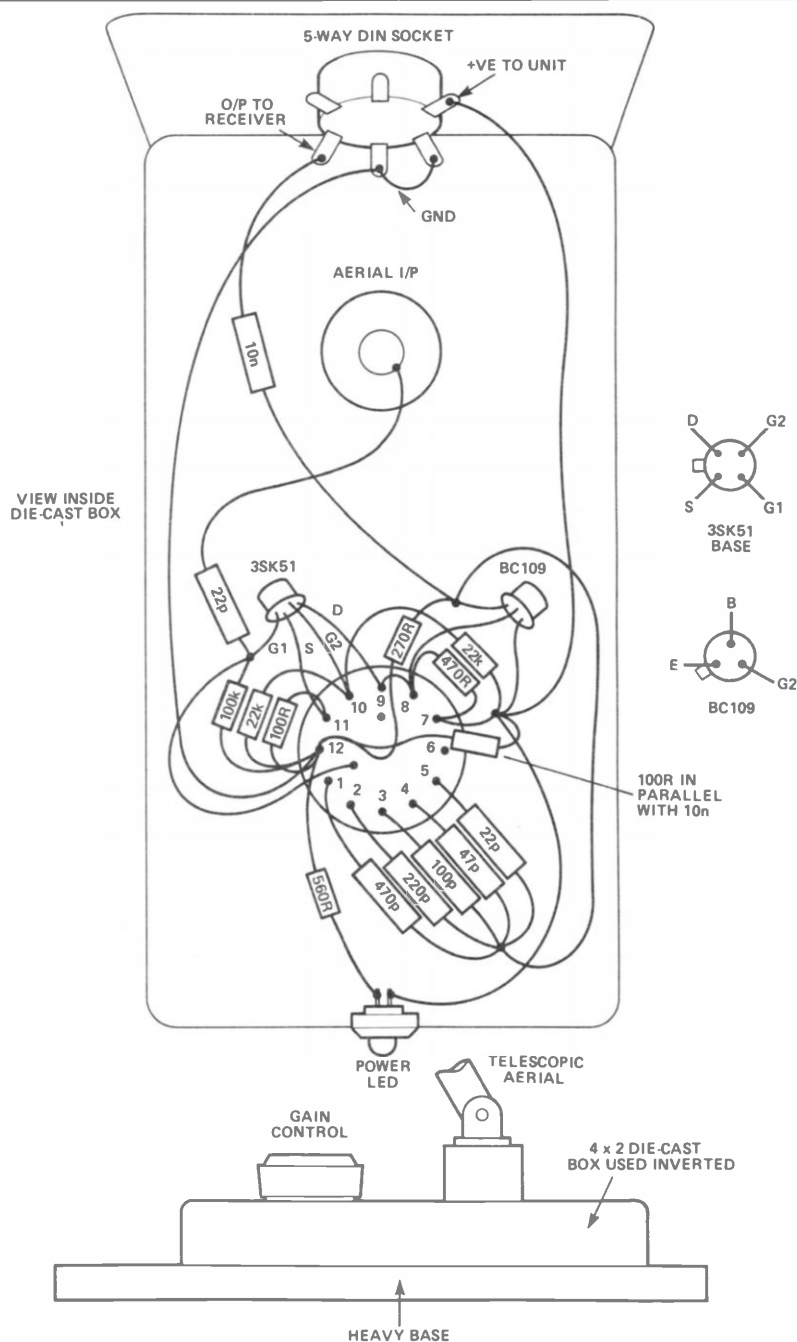
only holds true for an amplifier with infinite stage gain. It is more practical to design our gain stage to provide the required gain of 10dB and to vary the feedback upwards from zero in order to achieve progressive attenuation. To maintain a low output impedance, and yet provide some gain and the inversion required for the feedback, two devices are necessary. Both are somewhat more readily available than the VN10 and the final circuit is shown in Fig. 5. The feedback must be capacitive; a 6-position switch was used with 5 fixed capacitors up to a maximum of 500pF. Use of a variable capacitor is possible here but generally inconvenient due to its size. Also, a 500pF variable is unable to be set below about 10pF.

Construction

Construction should take the form most appropriate to the positioning of the unit. My unit was required for use adjacent to the receiver, but other users may wish to take advantage of a broadband aerial mounted remotely from an interfering source — in which case the circuit can be mounted in a simple, perhaps weatherproofed, case. For this kind of use, use the circuit in Fig. 2 since this is ideal for this purpose: the simple unit gives a fixed gain of unity. For my unit the construction was kept as simple as possible. A telescopic aerial of about 1m was used mounted onto what is usually the base of a 4 x 2 die-cast box (see photo). This was in turn mounted upside down onto a scrap piece of $\frac{1}{2}$ " aluminium plate about 6 x 4, which provided the base and replaced and enlarged upon the original lid of the box (see photo). The 6-position switch was also let into the die-cast box together with an end-mounted 5-way socket which carried 10V into the unit and the signal out to the receiver. A test was done to check that the use of twin screened cable, with one core used for power into the unit and the other for signal out, did not cause problems with a 50ohm mismatch at 30MHz; in fact the mismatch results in about 1dB signal loss at 30MHz. This lead was then split at the rear of the receiver to provide power and connect with the aerial socket. (Pin connections of this lead are shown for users with the FRG7700 but any receiver can be used, especially those that provide a



Connections for the Active Aerial when used with the FRG7700



power output of 9-12V. Cosmetics as such are an LED for power indication and some felt on the underside of the base.

In Use

Once the unit is connected to the receiver the only thing to adjust is the 6-position switch. This may be left at the 22pF position (2nd from right, position 5) which gives around unity gain. If a signal above about 20MHz is weak, try the 0pF (6th) position for extra gain. If this results in increase of signal but reduction in clarity, increase the capacitance by switching back down the positions until the best compromise is found. Generally the gain (6th position) is most often used at high frequencies or on 1.5 to 2MHz where the signals can also be weak. The use of the other, attenuating, positions is restricted to the very strong broadcast signals which may cause front-end problems and be more listenable at, say, S9 rather than S9 + 60dB because of receiver overloading. Some 2 miles away, I have a strong MF transmitter and this has been a good test of the performance of the aerial unit. It should therefore, be satisfactory in most other locations except perhaps Droitwich village!

Fig. 6 Construction of Active Aerial by the author (Many of the multi-pole switch contacts are used as a 'tag strip' by the author — as only one pole of the switch is utilised)

Get the DX EDGE!

As a radio enthusiast who has been interested in LF DX operation since shortwave listening days (or, rather, nights!) I was very interested to get my hands on the DX Edge. In order to work DX over 15,000 miles distant — real DX —

through, often, many years of SWLing, of the timing of Grey Line openings, and long periods of listening. Consequently, quite a lot of time was wasted and openings missed, in particular when attempting communications with coun-

unshaded areas within the curve — and the areas in **darkness** — the shaded areas of the slide. The curve that separates the shaded from the unshaded is the Grey Line, sometimes called the 'terminator'.

Improve your timing — on HF DX operation. *Steve Ireland, G3ZZD, examines Xantek's DX Edge.*

on the LF bands the *timing* of your operating periods is crucial. The best openings for this kind of DX occur in the main around the time when the desired country is experiencing sunrise at the same time your country is going through sunset, or vice versa. This kind of propagation is often referred to as 'Grey Line' propagation, because at both ends of the DX path a situation of *near* darkness persists.

In the past, operators had to rely on sunset and sunrise tables in order to consistently work 'Grey Line' DX, searching the tables to identify corresponding sunset and sunrise times. This, needless to say, was a somewhat tedious process. Many LF enthusiasts tended to give this up quite quickly, relying on their experience, built up

tries which were isolated and/or seldom activated.

All this was before the DX Edge (Fig. 1) Consisting of a plastic 'double image' of the world and 12 perspex sliding overlays, one for each month, the DX Edge makes LF DX operation a snip, as well being a generally useful aid for HF operation. Forgive my raving, but I'm pretty impressed. Let me explain how the device works and perhaps my enthusiasm will become clearer. First, a slide is chosen for the desired month of operation and slid onto the map. We now find our current UTC (Universal Co-ordinated Time — the GMT that was) on the scale on the top of the slide. The DX Edge now indicates, for the current time of day, the areas of the world in **daylight** — the

Operation

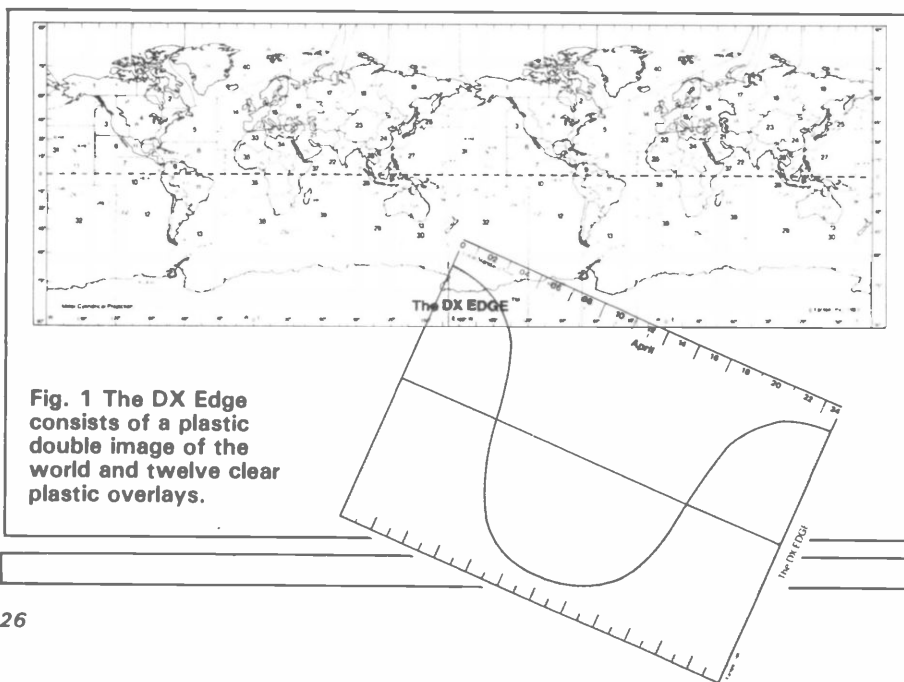
If we move the slide toward the left ie Westward, we simulate the rotation of the Earth under the Sun. The appearance of the day and night portions of the Earth for any time of day during the current month may be seen. In order to see when the sun rises at any QTH anywhere in the world, we move the slide until the LHS of the Grey Line crosses the desired QTH. The sunset time is then read off the scale at the top of the slide — the local time in that particular QTH appears directly above that QTH and *our* local time at *his* sunset appears above our QTH.

To determine the time of sunset for any QTH in the world, we simply move the slide until the eastern (RHS) side of the Grey Line crosses that QTH. The sunset time is then read off the scale at the top of the slide, just as in the case of the sunrise time.

If we examine Fig. 2 below, which shows the DX Edge set up to indicate UK sunrise conditions for April (ie the western (RHS) of Grey Line crossing the UK) we can see that sunrise occurs around 0430, about which time a Grey Line QSO with Alaska (KL7) is possible on 80, 40 — and perhaps even 160m. As it is dark in North and South America and most of West Africa at this time, contact is theoretically possible with this medium distance DX, ionispheric conditions permitting.

Daylight Propagation

Where as on the LF bands, propagation usually occurs when the



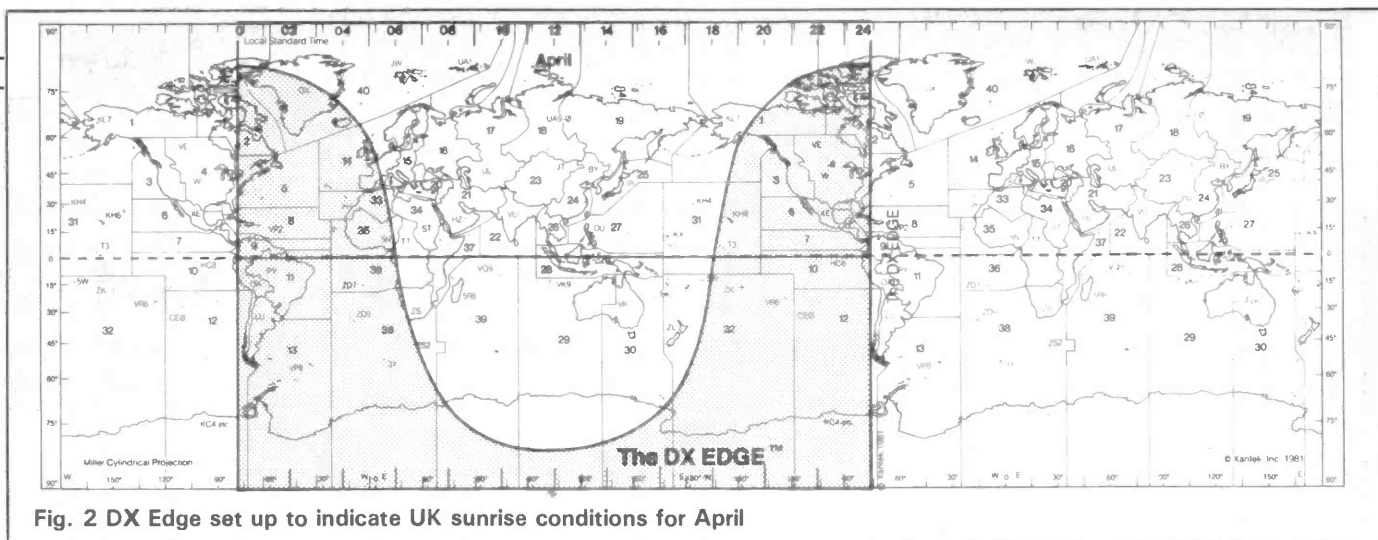


Fig. 2 DX Edge set up to indicate UK sunrise conditions for April

desired path is either very close to darkness (sunrise and sunset) or in darkness, on the higher bands, particularly 10 and 15m, the reverse is true, propagation generally occurring over a path that is in daylight, except in years of very high sunspot activity (ie very high ionisation of the ionosphere). Thus, the DX Edge can also prove useful in predicting possible daylight propagation paths on these bands.

Sunrise and sunset times change by a minute or two daily and maximum deviation from the

DX Edge curves will occur at the beginning and end of the month. However, if we take the example, given in the instruction sheet, of the variations occurring over the month of December occurring at a latitude of 40 degrees (we are about 50 degrees lat. in the UK — not substantially different) sunrise on Dec. 1 occurs at around 0703 and on Dec. 31 around 0722, the differences are not too substantial. . .

Available from the RSGB at Alma House, Cranbourne Road,

Potters Bar, Herts, priced £11.10 for non-members and £9.99 for members, the price may seem somewhat steep for what is at face value "a few bits of plastic". As an operating tool, one that will not date and can be used anywhere you may go in the world, the DX Edge is cheap at the price! Next to a good Great Circle map, I reckon the DX Edge is *the* essential aid for the serious HF enthusiast, and can provide an awful lot of interest, education and DX. I wish I had had one years ago.

HAM RADIO TODAY

NEXT MONTH

THIS IS PY1ZFX/M....

Ham Radio Today takes you on a South American safari with Roger Crofts, G3UPK

SPECIAL REVIEW
The Trio TS530SP — a good rig for the Common Man (or Woman!)

PLUS

A GUIDE TO AMTOR

A SINGLE-CHANNEL TRANSVERTER FOR 70cms

WRITE FOR HAM RADIO TODAY!

We are always looking for new contributors to the magazine and we pay a competitive page rate. If you have built a project or you have some experience that you would like to pass on, or if you have a particular point of view that you would like to get across to others, drop us a line and describe what it is you'd like to write about. We'll get back to you to tell you if we're interested and to tell you all the boring details. Don't forget to tell us your address and telephone number (preferably a day-time telephone number too).

Note that as of the 20th December 1983, we shall be moving the magazine QTH to No.1 Golden Square, London W1R 3AB, telephone 01-437 0626.



AMATEUR ELECTRONICS UK

SERVING YOU SINCE 1962!



Your number one source for **YAESU MUSEN**

THE SYMBOL OF TECHNICAL EXCELLENCE

Mail Order - All stock items same day service

When you buy from Amateur Electronics UK you are dealing with the **FACTORY APPOINTED IMPORTER** with the largest stocks of equipment and spares in the country. Our delivery and after-sales-service is second to none and for your convenience we offer the following facilities ● On-the-spot credit sales (against recognised bank or credit cards) ● Free Securicor delivery on all major items ● **FACTORY BACKED EQUIPMENT** ● Extensive showroom demonstration facilities ● Private large car park ● Your choice just has to be **YAESU** - write or phone for all the details.

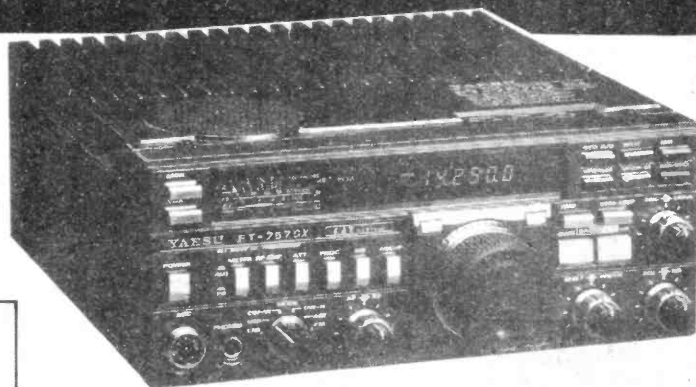
Large stocks of: TET ANTENNAS • JAYBEAM • HI-MOUND • TOKYO HY-POWER • DATONG • MICROWAVE MODULES • BNOS • DAVTREND • WELTZ • MUTEK • RSGB PUBLICATIONS

FT-757GX

How do they do it? - To get so much in so small a package - Just look at the features.

- All-mode operation SSB, CW, AM and FM are included as standard features. ● Full CW break-in. ● Dual VFO plus eight memories. ● Programmable memory scanning.
- 600Hz CW filter fitted. ● Iambic keyer with dot-dash memory.
- IF shift and width filters. ● TX coverage 160 thru 10 metres.
- High performance general coverage RX 500KHz - 29.999 MHz.

Optional P.S.U.'s FP-757 (plinth type) FP-700.



FT-77 HF transceiver



Not just a mobile rig - with matching PSU and ATU this makes a first class budget station. FT-77s - (10W version)

FT-102 HF transceiver



The superb 102 - Still the buy of a lifetime

FRG-7700 General coverage receiver



Attention FRG-7700 owners!

See us for your special requirements in converters and active antennas - complete range ex stock - Post free.

FT-980 All-mode HF transceiver



The ultimate HF rig - Superb all-mode operation plus full general coverage receiver. Rolls Royce performance

Great News From YAESU!

Thanks to the massive upsurge in 70cm activity in Japan, YAESU have now increased production on these popular and well proven models with the result that we can now offer the following most attractive prices. Now is your opportunity to get on this superb band at less outlay than for 2 metres operation.



FT-730R
10W/1W
FM mobile

Now only

£229

Dual VFO's 10 memories

FT-790R 1W/200mw multimode

All the features of the FT-290R

on 70cms

Incredible value

at

£249



FT-708R

1W/200mw
FM portable

10 memories
Keyboard entry
A must at only

£179

NOW IN STOCK!

The world famous SHURE 444D dual impedance magnetic desk microphone. Features tailored frequency response for optimum speech intelligibility. This is the mike with the pedigree.

£49.50 Carriage paid



**FT-708R
SEE REVIEW
IN THIS
ISSUE**

AGENTS

WALES & WEST

Ross Clare, GW3NWS (0633) 880 146

EAST ANGLIA

Amateur Electronics UK, East Anglia, Dr. T. Thirst (TIM) G4CTT
Norwich (0603) 667189

NORTH STAFFS

Bob Ainge W5MJQ (0538) 754553

SHROPSHIRE

Syd Poole G3IMP, Newport, SALOP (0952) 814275

BRANCHES

For your convenience we now have fully stocked branches at the following locations where you will be assured of prompt and personal service.

NORTHERN

Amateur Electronics UK/
Holdings,
45 Johnston St., Blackburn.

Tel: 0254 59595

Contact Harry G3LLL
for all your requirements
and specialised advice.

Open: 9.15 am - 5.15 pm
closed Thurs.

SOUTH-WEST

Amateur Electronics UK/
Uppington,
12-14 Pennywell Rd.,

Bristol. Tel: 0272 557732

Call Peter or Bert G2BAR
for prompt and
friendly service.

Open: 9 am - 6 pm.
Sat: 9 am - 1 pm

YORKSHIRE

Amateur Electronics UK/
Hooker, 42 Nether Hall Rd.,
Doncaster.

Tel: 0302 25690

Alan G4OEM has a large
stock of our product range -
why not give him a ring and
save yourself some petrol?

Open: 9 am - 6 pm Mon. - Sat.

STOP PRESS

Opening soon! - Our New Norwich Branch

Contact Tim Thirst G4CTT for full details

For full details of these exciting models, send today for the latest BROCHURES. All you need do to obtain the latest information about these exciting developments from the World's No. 1 manufacturer of amateur radio equipment is to send 36p in stamps and as an added bonus you will get our credit voucher value £3.60 - a 10 to 1 winner!

As factory appointed importers we offer you -
widest choice, largest stocks, quickest deal and
fast sure service right through -

**504-516 Alum Rock Road - Birmingham 8 Telephone: 021-327 1497 or 021-327 6313
Telex: 334312 PERLEC G Open: 9.30 to 5.30 Tues. to Sat. CLOSED all day Monday.**

REVIEW:

Yaesu FT708R

70cm Handheld

Having reviewed the Alinco 70cm linear Amplifier for an earlier edition of this magazine I have recently been looking again at suitable drive sources. One which stands out as being available at a reasonable (bargain?) price is the Yaesu FT708R hand-held transceiver. This rig is now considerably cheaper than it was

The Yaesu FT708R is currently the cheapest available 70cm 'handheld'. Trevor Butler, G6LPZ, tried one out.

when it started its life in the amateur radio market — importers SMC, who supplied the review sample, are currently selling it at £179. In fact, this makes 70cm equipment cheaper than some basic 2m hand-helds, a very encouraging sign indeed to see 70cm equipment falling in price, which should help to increase further the band's popularity.

First impressions of the FT708R are that it is an extremely compact unit, rather heavy yet with many sophisticated functions for a handheld. Weighing in at 730g and measuring some 168(h) x 61(w) and 49mm(d) it has a generally squarish appearance, which is accentuated by the corner stitching on the black leatherette case. Hosting an impressive range of facilities including excellent scanning functions, with the majority of the controls easily accessible on the front and top panels, operating the rig was fairly straightforward. Fully synthesized and covering 430.000 to 439.975MHz in either 25 or 50Hz steps, this equipment is designed to produce either 1 watt or 200mW of output in mode F3E. The unit includes a key-pad for entering frequencies and operation of the memories and scanning facilities — operation of these keys is displayed on the LCD panel which

has a back-light for night-time operation.

The FT708R is supplied complete with a ¼ wave whip antenna, ear-phone for personal listening and a shoulder-strap. There is an impressive range of charging adaptor and base-station charging accessory units, together with the usual range

of speaker-microphones etc. A 10.8V, 450mAh capacity NiCad battery pack is supplied (ref FNB-2) and is normally stored and charged in-situ, inside the equipment. Although first impression were that the pack was unusually large, in operation it's capacity was sufficient for even the heaviest user — like myself — which is just as well, as replacement of the pack is not something which should be undertaken whilst operating portable.

Controls

The central feature of the controls is the nineteen button key-pad on the front panel: controlling frequency input, operation of the ten memories, scanning facilities and the optional two-tone DTMF function. Below this key-pad are three switches, the first to lock the key-pad to prevent accidental re-writing, the second to select the mode of the scanner, either busy, clear of manual (ie scans continuously until stopped manually) operation and a third to select either 25 or 50 kHz stepping. Both the 'Busy' and 'Clear' modes are dependent on squelch setting; if the squelch is reduced so that the quiescent noise of a clear channel is audible (ie the noise breaks squelch) the

channel is classed as 'Busy' by the scanner.

The top panel contains the majority of the remaining controls — a BNC socket for either the quarter-wave whip supplied or any other 50 ohm antenna system; a 3.5 mm socket providing audio output (on insertion of a plug the internal speaker is muted) and, next to this, an interesting six-pin microphone socket with mic, PTT, speaker and 10.8V DC lines fed to it.

The Volume and Squelch controls are on independent rotary potentiometers with smart, spun-aluminium knobs. The on-off switch is incorporated with the volume control. The function selection switch is a rotary six-position switch, again with a stylish spun aluminium knob. The hi-lo power output switch, to select either one watt or two hundred mW or RF output, is located next to the antenna socket. The PTT switch is mounted on the LHS of the rig and has a second, smaller, inset switch which will, when pressed in conjunction with the PTT switch produce a 1750Hz tone burst on the signal.

Power

Power to the FT 708R can be supplied via a socket in the base, which will automatically switch the internal NiCad battery pack out of circuit when a plug is inserted. A supply of no more than 10.8V DC is quoted, so beware if trying to use a 12V power supply or operating directly from a car battery. Yaesu do produce an adaptor to regulate the voltage from a 13.8V supply, although this is at an additional cost. Charging of the internal battery pack is achieved through a 3.5mm socket adjacent to the external DC supply socket. In addition,



there are two metal studs on the base which are for use with one of the optional base-charging units. These studs are well shrouded and there is little likelihood of them shorting against a metallic surface, even though some circuit protection has been built-in; it is *never* wise practice to short circuit NiCads! I found it a little inconvenient to have the DC supply and charging sockets in the base. Although obviously designed with the mobile operator in mind or for someone who can afford the extra base charger, standard upright use of the unit from an external supply or whilst charging is not easy — as the unit cannot stand on its base.

There is one control actually *inside* the equipment: the memory back-up switch. The internal lithium cell, supplied, is in fact switchable out of circuit, although it is quoted in the unit handbook that it should last for more than five years with the memory current consumption of around 1uA. Why provide a switch at all then, for a further passage in the instruction manual reads: "the life of the battery is not exceeded significantly by keeping the back-up switched off"?

Functions In Detail

Repeater-shift controls do not normally warrant an in-depth investigation, except, that is, on the FT708R. The unit has obviously not been primarily designed for UK usage, since the repeater shift as standard is $\pm 7.6\text{MHz}$. To overcome this difficulty and to provide the needed $\pm 1.6\text{MHz}$ shift in the UK, Yaesu have cleverly incorporated a second, user-selective repeater shift which must be initially programmed in through the main key pad. Once in, the back-up battery will ensure the retention of the repeater shift.

There is, a little surprisingly, no provision made for any means of listen-on-input. Perhaps Yaesu felt that this facility would not be useful on a hand-held, for which simplex contacts are essentially limited to short distances. However, if the unit were to be used as a base station, say, driving a small linear. . .

The LCD read-out will display the last four digits of the operational frequency, whether transmit or receive. In addition, two LED-type indicators show that the key-



the memory frequencies stored can be scanned — for either squelch-breaking or clear frequencies. After stopping on a frequency for some five seconds, the scanner will automatically continue — unless manually stopped by either pressing the up/down control keys or by a press to the PTT switch. Initially rather complicated, the instruction book should be read several times to fully master the scanning operations. I came across an FT708R owner who admitted that he did not use the scanner because he could not remember the *correct order* in which to operate the controls, vital in this operation to prevent an error condition occurring. The clear button will allow any error to be erased and the entry re-punched correctly — a very useful function since at first I found the 'E' status was appearing quite a lot!

An optional tone-squelch unit is available, although selective access is of more use elsewhere, since under the terms of our licence it is necessary for each transmission to be accompanied by the user's call-sign, and this rather defeats the object of, or more aptly, makes illegal, any tone-calling system.

Circuitry

Whilst it is not possible here due to lack of space to include a detailed explanation of the operation of the circuitry, a glance at the FT708R Block Diagram will indicate the various receive and transmit paths as well as elucidate some of the intricate control systems of this equipment.

The receiver is of the conventional double conversion super hetrodyne type with a first IF at 46.225 MHz and the second IF on 455kHz. The quoted sensitivity of the unit is said to be better than 0.4uV for 12dB SINAD and better than 1uV for S/N at 30dB. Selectivity is measured at ± 6 kHz at -6 dB and ± 15 kHz at -60 dB. Transmitter deviation is specified at ± 5 kHz and spurious radiations are said to be -50 dB or better which is all relatively standard. It can be seen from the block diagram that the RF circuitry is of a good, straightforward and basic design, with more circuitry employed for the PLL and control unit than for the purposes of receiving and transmitting RF — obviously a sign of the times. The first RF (receive) Amplifier transistor is of the bi-polar type which seems to be favoured over other types, currently for this

lock memory operation, scanning or 'priority' functions are in operation. The frequency input, via the keys, must be divisible by 25kHz, otherwise an 'E' will appear indicating the error status. The operation of the key-pad is rather similar to that of an electronic calculator, except that the *layout* of the key-pad is that of a standard push-button telephone. One must remember to press the 'Dial' key to actually put the dialled frequency into the unit's operational memory, and this is indicated by a full-stop which appears on the LCD display. Failure to do this, simply puts the unit back onto the previous working frequency.

A useful feature on this piece of equipment, something common to the range of Yaesu UHF and VHF equipment, is the priority channel operation. The rig can be set to monitor the frequency recorded on

the main dial and every five seconds a memory frequency, also which has been selected, will be checked. Depending upon the setting of the scanning control switch, the unit will search for either a busy or clear memory frequency. 'Split' operation, other than the standard or selected repeater shifts, is possible — by transmitting on the dial frequency and receiving on a pre-chosen memory. This may be accomplished by operation of the mode switch and suitable key-pad programming.

The scanning operations available are versatile but rather complex, and I am not sure that I have mastered them to their fullest possible extent (*my fault for setting impossible deadlines!* — Editor). It should be possible to scan the whole 70cm band, or a selected part of it in either 50 or 25 kHz steps — the scan can be *programmed* to miss out a selected part of the band. In addition to this,

purpose at UHF.

It was encouraging to see that Yaesu have employed a change-over relay in place of the now, more popular, diode switching. Whilst the relay may not do good things to the current consumption figures, it is a good feature as far as the RF circuitry is concerned. There is a strip-line on the output (very good!) after a three-staged power amplifier which follows a multiplier and band-pass filter. The phase-lock-loop control unit employs a four-bit microprocessor chip — a HD 44820A07, which provides information for the display, transmit disable DTMF encoder etc.

In Operation

Thorough field trials were made using the equipment, primarily with regard to its intended use as a hand-held transceiver, although some operation was managed both 'mobile' and as a base station (without either the mobile or base accessory units though).

Audio reports obtained from other stations, through repeaters and from extensive simplex contacts, were excellent: "clear and crisp"; "very pleasant to the ear"; "good armchair copy" and "well-balanced" were just some of them. The audio produced, however, through the internal speaker was not so favourable. This tended to be rather coarse, raspy and generally lacking in audio bandwidth, particularly at the top end of the spectrum. Full volume did not seem to produce any distortion on the received signals, but was insufficient to overcome high background noise such as road traffic. There was, nevertheless, a great improvement in quality and audibility when using either headphones or the earpiece supplied.

The sensitivity of the unit was as good as other 70cm hand portables I've used and certainly sufficient for use with the transmitter power. There were no adverse reports of either under or over deviation, even through the more critical repeaters.

It is a pity that there is no plastic cover combined with the black leatherette pouch to protect the key panel from dirt and moisture — otherwise the case added to the overall appearance of the rig as well as providing basic protection of the equipment from grime*. For the left-handed operator holding the rig in the right hand, the positioning of the PTT switch is not at a convenient

pressure-point although it affords little difficulty for the right-hand operator. A simple but effective improvement would be the replacement of the tone burst switch with a DPST type to allow it to activate the transmit rail at the same time as producing tone. The metal belt-clip to the rear of the FT708R was effective and gave a tight grip. The shoulder strap was less successful and in the end a wrist-strap was preferred by yours truly.

Whilst portable, I found it difficult under night-time conditions to press the correct keys in the right order. There is a raised 'dimple' on the '5' key which is intended to aid the night-time or blind operator — although this 'dimple' was not felt to be pronounced enough and was on a non-central key. Under these conditions a number of the functions became rather superfluous for the operator — it simply was not possible to utilise the "frills" whilst on-the-move.

Little time was available for testing as a FM base station. Certainly the 708 was as sensitive as my present base station set-up and worked very well with the current linear amplifier.

Inside

A look inside any piece of equipment is always interesting, and it is good to know what you get for your money. By removing the NiCad battery pack and a further four screws the whole rig literally falls apart in the hand revealing the interior. Based around a central metal framework with moulded vacuum-coated plastic front and back panels in Yaesu's house-grey, the metalwork seems to provide a sufficient ground-plane for the $\frac{1}{4}$ wave antenna.

The layout of the rig consists of the main RF, the PLL unit in a screen-

ed box, the keyboard assembly and the control unit. The screened PLL unit and the main RF unit are housed in the body with the control and keyboard assemblies under the front panel. The AF unit is located under the top panel and houses the Tx/Rx change-over relay. Construction is to the usual Yaesu standard; generally well made with good soldering joints. Hot wax has been poured over some of the components to prevent accidental dislodgement and to provide extra stability.

Recommended cleaning procedure should be periodic and, according to the manual, "a vacuum cleaner (should be used to ?!) to remove loose dirt while a small brush will help in dislodging caked dirt". This is not a practice I would recommend — not that the rig should be allowed to get into this state anyway!

Conclusion

Definitely a value-for-money piece of equipment at current prices (which is good to see these days) hosting an impressive range of features normally associated with more expensive equipment, although tending to be a little complicated in use, particularly initially. Key-pad entry is a good feature over thumb-wheel switches, but does increase the size of the rig which is all important in the portable application, as, too, is weight, and for my liking the FT708R is just a fraction too heavy. An ideal companion for the FT208R, the accessories for the two being conveniently interchangeable. To be considered primarily for portable and occasional mobile operation it does of course lack any SSB facilities. The rig is solidly constructed and has my overall seal of approval.

*A leather case with key-pad flap is available from SMC for £25.

Specification

RF OUTPUT (FT708R driven with a 10.8V DC supply)

Hi (Specification 1W): 1.45W
10 (Specification 200mW): 340mW

CURRENT DRAIN (driven with a 10.8V DC supply)

RX (Specification 150mA): 45mA
RX Squelched (Specification 20mA): 19.5mA
TX Hi Power (Specification 500mA): 496mA
TX Lo Power (Specification 300mA): 325mA

RF measurements made with a Hewlett Packard 435A UHF I overmeter with 20dB pad.

NEWCOMERS FORUM

By Tony Bailey, G3WPO

Our subject this month is the art of operating CW, and what I hope are some helpful notes on this (sometimes controversial) aspect of our hobby. I expect quite a few of you out there have just obtained your class A licence and will be venturing on the air for the first

The first problem likely to be facing you when you initially try to use CW on-the-air is what to do first. You have the choice of either calling another station or putting out a CQ call. Which you do is debatable – I personally would favour calling another station. This

than you can really *easily* copy – it will help you to get your speed up more quickly. One thing you will soon find is that operating in contests gives you a false sense of security about your receiving speed – because you virtually know what is coming each transmission and can almost guess it accurately 9 times out of 10. Also, don't forget that the number 9 tends to get abbreviated to 'dash-dot', and zero to just a dash in contests. (5NN is much quicker to send than 599!). This is also the reason why everyone gets 599 in contests!!

If you want the other station to speed up then the code is QRQ. Don't worry if you forget these codes at first – no-one will worry too much if you have to send the full message, although it does slow things down a bit. When you get familiar with all the 'Q codes' you will be surprised at the speed at which you can send a lot of information within a fairly short time using the key.

Pse snd wid ur crd

The other way in which QSOs are speeded up is by the use of abbreviations for everyday expressions or words. Even if you have had little experience of CW you will probably have come across 'tks' or 'tnx' in place of 'thanks' – *where the vowels are left out*. This latter trick is possible with almost any word and still leaves it recognisable. Other common ab-

Be a CW hotshot! Well, even if you think you don't want to be, you may change your mind after Tony Bailey, G3WPO, gives you the lowdown...

time using the key soon. CW isn't merely a boring subject that you have to pass to get on the HF bands, and then forget. It is simply another language, just as you would learn French or German (or Latin if you were going to converse with Romans). However, it is a universal language – you can have a QSO with another station who doesn't know a word of English and yet understand each other perfectly and in a concise manner. CW may be your only means of making contact under such conditions with a prize DX station, whether it be on HF, VHF or UHF.

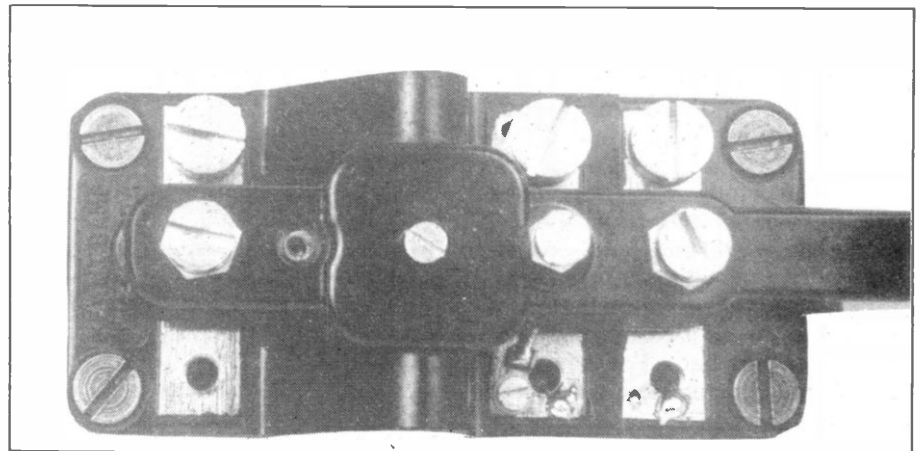
CW Is Best . . .

I don't think that anyone who has tried operating under difficult conditions will dispute that CW has by far the best chance of getting through, and often is the *only* means of getting a contact when the signal is weak and QRM bad. There was quite a good article in QST many years ago which set out to determine the dB advantage of CW over SSB under such conditions. The answer was equivalent to 20dB of power gain! Not bad for just plugging a key in and using it. There are now other modes which may compete with CW for DX-effectiveness; AMTOR is probably the best known, and probably some of the computer-enhanced straight RTTY systems have a good chance, but 'the key' is much cheaper!

way you can pick someone who appears to be sending at a speed *which will suit you*, and also you may be lucky and find a station who is a little DX'y rather than go for a rubber stamp QSO.

In theory, another station should respond to you at the same speed at which you are sending (if he is good operator), but in practice, this is hardly ever the case. There are two cures for this – a) forget the QSO and look for someone else or b) tell him to **QRS**. This is another of the many 'Q Codes' used in CW operating which save an awful lot of time. They replace a particular sentence or question (when a question is desired to be *asked* the three letter code is followed by a question mark). QRS means 'Please send more slowly' – if you added a ? it would mean 'Shall I send more slowly'.

It isn't a bad idea to try to work a station who is sending a little faster



abbreviations are 'stn' for 'station', 'gd' for 'good', 'hrd' for 'heard', and 'condx' for 'conditions'. You do get variations on the above, but there are a set of International recognised abbreviations, the aforementioned 'Q codes', which do not have ambiguous meanings (providing you use them correctly) – although they don't always have strictly the same meaning in Amateur radio use as in Commercial radio.

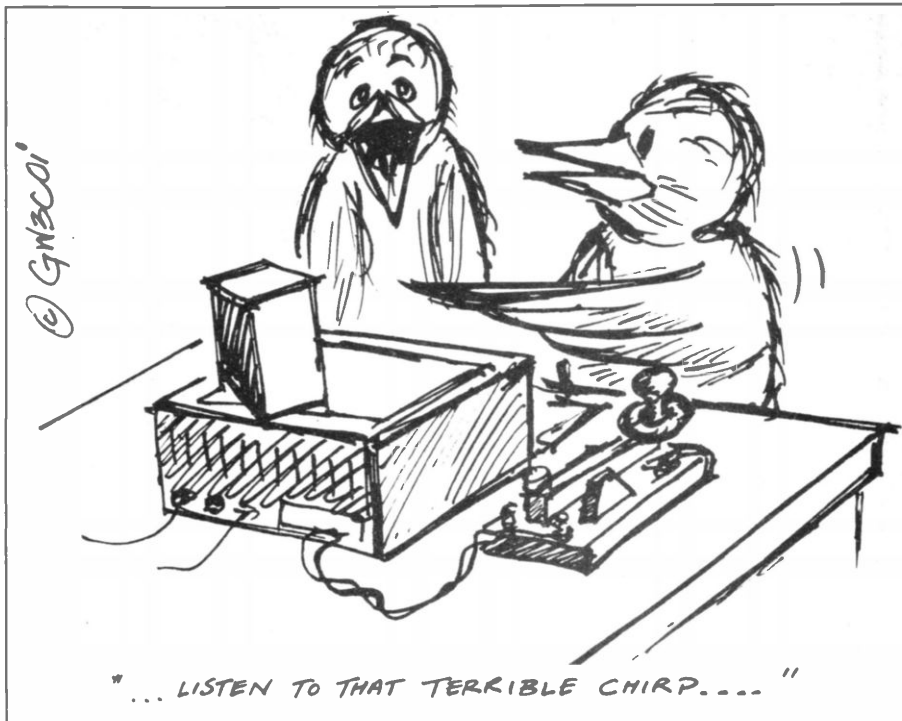
Diddity-dah-de-dah

A lot of first-timers don't understand the 'ending' codes used for QSOs. When sending 'CQ', the end code is 'K' – this tells anyone listening that you are happy to get a reply from anyone (even if they missed the actual CQ part). Ending with 'KN' is an indication that you were calling a specific station (or area) and that you only want replies from the specified station. It is normal to use this ending during a QSO so that people just catching your call only realise that you are in QSO, and don't try to break in. *(People often forget to use this one, particularly in contests, and the result can be havoc! - Ed.)* When the QSO is actually finished, the end code is 'SK' or 'VA' but sent without a space between the two characters (thus both codes sound the same in practice). If you are actually closing the station down, then send 'C L' to show that there is no point in anyone calling you now.

Another code used near the end of a transmission is 'AR' (again sent without a space), which means 'end of message'. 'AR' was usually sent before the 'K' by many stations, but over the past few years seems to have come into use as a replacement for the 'K'. I don't think it matters much – out of habit, I still use both like many people. You may also find some European stations ending with TU – another way of signing off meaning 'to you'.

Calling CQ

Call for a short time and often. So many times you can hear a station calling CQ for what seems hours on end, and after the 20th repeat of his call sign, you give up and listen for something else. Does he wonder why no-one comes back to him half the time? You probably know the standardised format for CQ – three CQs followed by three call signs (and,



when on VHF, add your QRA locator as well), and then maybe a repeat. Not a repeat of the 3 x 3 ten times as in the case above. If nobody comes back then try again – you are far more likely to get replies this way than by boring everyone to death with long CQs.

The most common procedural abuse on CW is the use of QRZ instead of CQ, not so much on CW but more on phone. 'QRZ?' means 'Who is calling me', and therefore implies that someone has actually called you but you couldn't tell who this was. It is not a substitute for CQ – unless you have just called CQ!

Sending CW

'The Maryland Stroll', 'The Swinger', 'The Twitch' and others are not dances but names coined up to describe the sound of some people's CW sending (or 'fist'). During the last War, many of the monitor stations could tell which operator they were listening to purely by the characteristics of the transmission, and if you do a lot of CW work, you will probably be able to do the same. This 'fingerprint' isn't quite as noticeable these days due to the increasing use of electronic keys, all of which send perfect CW – or should I say, send perfect CW when the operator uses them properly. In the hands of an idiot, they will send total rubbish! The usual problem is that people try to send too quickly, possibly to impress. The classic demonstration is the 40 wpm QSO

where one station says 'Ur sigs 599 – pse rpt QTH, name and rpt'.

How to send CW is outside the scope of this piece, and we are assuming that you have got up a fair old lick of speed or perhaps have passed your test by now, anyway. Some advice on electronic keys (el-bugs) may be useful. I suppose the first keyer was the 'Vibroplex' type, still made and in everyday use. These are not electronic, but mechanical, using a rigid but slightly flexible bar and a system of sliding weights to generate a string of dots automatically, but leaving the dashes to be made manually. This tends to make transmissions using these devices fairly recognisable, as the majority of stations seem to accent the dashes heavily, possibly without realising it. *(Oops! - Ed.)*

There are two types of paddle-controlled electronic keys available. The first is the single paddle type where one side contact sends dots (the right) and the other, the dashes. These are fairly easy to get used to, and if you use them carefully at first you can get to send very good CW. The other is the twin paddle or 'IAMBIC' type, sometimes called 'squeeze keys'. *Iambic* comes from the Greek 'Iambikos', and indicates a 'short followed by a long' (as in Iambic Verse). When both paddles of such a keyer are squeezed together, the keyer will send an alternating series of dots and dashes – hence the derivation. Now you know.

Only a personal feeling, but if you

are going to use a keyer, then start with an lambic type. They are very easy to use after a bit of practice, and send accurate CW *with less paddle movements* than the single paddle type. What I don't recommend is to start with a single paddle type, and then change to lambic – because of the different movements your hand has to make, your brain gets very confused for a long time. 'Weighting' controls are often seen on some keyers – these adjust the dot-to-dash ratio from the ideal 3:1. At high speeds changing the ratio can improve the 'copyability' of a signal. For another look at electronic keyers, see Ian Poole's review of the Samson ETM5C.

Break-in Keying

This is the CW equivalent of VOX on phone, and means that your rig allows you to actually listen to signals between the elements of your CW sending. By elements is meant the dots and dashes! With a good system you should be able to hear whether anything has come onto the frequency in the spaces you're sending, or whether the station you are working wants to 'break-in' and say something. This does prevent you carrying on sending while an S9 UA station calls CQ on top of you. 'Semi-break-in' is more often found on modern transceivers however, but is purely an operating convenience, and bears no comparison with true 'break-in' (or QSK).

With this, the rig goes to transmit as soon as you touch the key, and returns to receive after a short gap. This allows you to continue sending fluently without a lot of relay chattering, and also gives you the opportunity to listen on the frequency occasionally. If you set the gap too short, you can listen more frequently, but will almost certainly clip the first dash or dot you send each time. To changeover at the speeds required for break-in, in a silent fashion, with no clicks, needs special circuits, not needed for SSB VOX, hence the reason why this feature is only seen on the higher priced rigs such as the FT-ONE.

A full list of the 'Q codes' and commonly used abbreviations may be found in the 'Amateur Radio Operating Manual' available from the RSGB Publications, Alma House, Cranborne Road, Potters Bar, Herts EN6 3JW.

'Q' Codes – all in their Question form (followed by ?). Leaving out the ? gives the direct statement version. These are as commonly used by Amateurs – the meanings are often slightly different to the original Commercial codes.

QRA What is the name of your station
QRB How far are you from my station
QRG What is my frequency (exact)
QRH Does my frequency vary
QRI What is the tone of my transmission (1-9)
QRK What is the readability of my signals (or 'how much does it cost')
QRL Are you busy
QRM Is there interference at your end (manmade)
QRN Is there static at your end
QRO Shall I run more power
QRP Shall I run less power (opp: I am running low power)
QRQ Shall I send faster
QRS Shall I send more slowly
QRT Shall I stop sending
QRU Have you any traffic for me (opp: I have no more traffic)
QRV Are you ready (or Are you equipped for...)
QRW Shall I tell... you are calling him on... kHz
QRX Shall I call you again (opp: I will call you again – or 'stand-by')
QRY When is my turn
QRZ Who is calling me
QSA What is the strength of my signals
QSB Are my signals fading
QSD Is something wrong with my keying
QSK Can you hear me between your signals
QSL Can you acknowledge receipt (or send a QSL card)
QSN Did you hear me on... kHz
QSO Can you contact...
QSP Will you pass a message
QSS What working frequency will you use
QSU Shall I send on this frequency
QSV Please send a series of V's (for tuning)
QSX Will you listen to... on... kHz
QSY Shall I change frequency to... kHz
QSZ Shall I repeat everything
QTH What is your position
QTR What is the time
QTX Please keep your station open for me (until...)
QUA and **QLF** Have you any news of...
QLF Are you sending with your left-foot... (or sometimes QAH – you can work that out!).

COMMON ABBREVIATIONS

AA repeat all after...
ABT about
ADR address
AGN again
ANT antenna
ANI any
BCNU be seeing you
BD bad

BLV believe
CFM confirm
CK check
CLD called
CNT can't
CONDX conditions
CUD could
CUL see you later
CUAGN see you again
DE from
DR dear
DX long-distance
ES and
FB fine business
FER for
FONE speech
FREQ frequency
GA good afternoon
GB goodbye
GD good day
GE good evening
GLD glad
GM good morning
GN good night
GND ground
GUD good
HI laugh
HPE hope
HR here
HRD heard
HV have
HVY heavy
HW how
INP input
LID lousy operator
LSN listen
MNI many
MSG message
ND nothing doing
NR number
OM old man
OP operator
OT old timer
PA power amplifier
PSE please (or PSED pleased)
PWR power
RX receiver
SA say
SED said
SIGS signals
SKED pre-arranged contact
SLD solid
SN soon
SRI sorry
STN station
SUM some
SWL short wave listener
TKS thanks
TMW tomorrow
TNX thanks
TRX transceiver
TU to you
TX transmitter
U you
UR your
VY very
WID with
WKD worked
WKG working
WL will
WUD would
WX weather
XYL wife
YL young lady/girl friend
73 best wishes
88 love and kisses

G3WPO
G4KEI

HASSOCKS (07918) 6149

20 FARNHAM AVENUE HASSOCKS
WEST SUSSEX BN6 8NS

WPO COMMUNICATIONS

Home construction is on the increase! Or so it appears judging by the demand for our products. It really isn't that difficult once you have attempted that first project — as long as you can solder reasonably well, you are 99% of the way towards completing one of our projects. With comprehensive instructions (we believe the best on the market), clear layouts and high quality pcb's, WPO Communications aims at taking out all the uncertainties in building your own gear. All components needed to complete the project are normally supplied, including pcb's, pots and wire. Our speciality is HF equipment, but we are broadening our range to cover other aspects of the hobby, including some pretty unique projects which have never been offered before. Why don't you have a go at building something — QSO's are more interesting when you say "running a home brew rig here..." Design expertise from Tony G3WPO, Chris G4KEI and Frank G4JST. For HF, our most popular kits are the **DSB80/160 QRP Transceivers**, running 2 watts or more on either 80 or 160M, double sideband or CW and VFO controlled. The basic kit (£37.45) only needs an antenna, PSU (12v) and speaker/mic/key to get on the air, or we have a case (£23.35 inc hardware) and even a digital readout option (£24.10) if you want to go the whole hog! There are now over 500 of these scattered around the world with excellent results. Or, try the **UPGRADED DSB2** — with enhanced features such as semi-break in keying, active filter, and the ability to run on any single band from 160 through to 15M (£68 inc VFO — state band when ordering) — at the moment the most popular versions are for 80 and 20 metres, and for cw on 10MHz. This MKII version is driven by the **MINISYNTH PLL single band VFO**, itself available separately at £29.70. It covers any one band from 160 through 10M, with options for i.f.'s of 9 or 10.7MHz (state which), direct conversion, or a 5-5.5MHz version, useful for second VFO etc. **Get that G4CLF/3ZVC board up and running at last.** Both the DSB2 and the MINISYNTH come with a polyvaricon capacitor to keep the cost down — for ultimate stability use an air spaced either from your own junk-box or add £7 to the prices for a top grade Jackson version. Other options are digital displays and a case — write for more details.

Still on HF, another very popular line is our **G4DHF TRANSVERTER** — unique kits which will put your 2 metre multimode rig on to 20/15/10 or 160/80/40 metres, both transmit and receive. You just operate the 2M rig as normal but you have HF transceiver operation instead of 2 metres! 2 watts min output will give you plenty of contacts on these bands, and only a 12v supply is needed. The kits have everything else included (except metalwork and the multimode). Either version priced at £81 including the three conversion crystals needed. Cheaper than an HF Rig! Hear these working at the Rallies this year.

PROJECT OMEGA is now nearing completion. This is our top-of-the-line Kit for a 9 BAND HF SSB/CW Transceiver, engineered by G4JST for best performance without the frills. It isn't cheap but does work as many people can now testify. Professional appearance case available with anodised, screened and

New — HFSSB Transceiver 160 or 20m — phone for details.

punched panel plus hardware kit options. See our previous ads for more details, or ask to be included on our unique **OMEGA Mailing List** (£1 in stamps). Our newsletter will be sent at intervals (5 issued to date) and keeps you fully informed on the project, with all known mods, hints and corrections to the published articles. Some of the modules are suitable for use with other designs, in particular the **OMEGA PLL VFO** will suit 3ZVC/CLF i.f. designs. It is low noise, highly stable and covers all Amateur bands in 1MHz segments and is priced at £108 inc all crystals (10.7MHz version). The **ACTIVE FILTER** can be used for any rig needing more selectivity and fits in the audio line at low level — 7 switched selectivity position (£16.65). **QRP PA (3W)** suits 3ZVC/CLF i.f. strips also (£21.80). The **BROADBAND RF PREAMP** is very popular on its own and will live up any HF receiver, or can again be used with G4CLF type bidirectional signal designs as it uses pin diode Tx/Rx switching (£13.50).

Moving to VHF, our 2 **METRE TALKBOX FM TRANSCEIVER** is proving another best seller kit. A cheap way to get on 2 metres, with our 6 channel receiver and transmitter designs. Both will work independently of the other, or mate them for Transceiver. Rx £39.50, and Tx £32.90, or both together for £68. Crystals not supplied but available from any of the usual suppliers — or go VFO with the new VHF Minisynth. Interested in **6 METRES?** — then try our 6M to 28MHz i.f. converter design — complete pcb kit is only £14. Or, if your 2 metre rig is deaf, try our **2M PREAMP** (very small) at only £5, or the **70CM VERSION** for £6.50.

Have you a **FREQUENCY COUNTER** — then convert it to a **DIGITAL CAPACITANCE METER**! Another unique kit — if you can get at the gate pulse in your counter then try this design priced at £18.20, inc case. 1pF — 1000's uFs.

2 NEW ITEMS THIS MONTH! SPEECH PROCESSOR — simple but very efficient design by G4JST using VOGAD, variable clipping + filtering all the right places. Complete kit only £13.90. +12v operation, suitable for FM/AM/SSB, amateur/CB.

VHF MINISYNTH — by request, our 2 **METRE PLL VFO KIT — 2 MHz BAND COVERAGE** with options for 144, 133.3 or 135MHz or other outputs (up to 4 selectable 2MHz ranges on the pcb to allow for a repeater shift on Tx and Rx). **Works with our Talkbox for continuous 2M coverage**, and should go with almost any other rig that needs direct 2M injection on Tx, and either 9 or 10.7MHz i.f. offset on receive (or Tx). Very stable and easily buildable. Complete pcb kit with air spaced VFO capacitor **ONLY £38.50**. Crystals are not supplied — 1 needed for each 2MHz range, full details on ordering rapidly are with instructions. Suitable SSB/CW/FM and can be modulated for latter. More details on request.

All prices include VAT and post. We are MAIL ORDER, or collection by arrangement (phone Chris between 10am-11am on Brighton 834478 before coming). Most items ex-stock or allow up to 28 days if not. Post Office COD over £30. Phone Mon-Fri 10-4pm. See you at the NEC (Stand E27), Woburn, Longleat and other Rallies. Access-24hour Answering phone 07918 6149.

TALK TO THE WHOLE WORLD

Study now for the
**RADIO AMATEUR'S
EXAMINATION**

We have had 40 years successful experience
in training men and women for the
G.P.O. Transmitting licence.



FREE R.A.E. brochure without obligation from:—

British National Radio & Electronics School
READING, BERKS. RG1 1BR

Name

Address

HRT/6/846

BLOCK CAPS PLEASE

FARNBOROUGH COMMUNICATIONS

FOR ALL YOUR AMATEUR REQUIREMENTS



Call and bargain with MICK G4MPW

DRAE ● MICROWAVE MODULES ● J.BEAM
SHURE MICS ● ADONIS MICS ● WELZ ●
OSKERBLOCK ● BENCHER ● RSGB BOOKS
TVI FILTERS ● CABLES ● MIRAGE AMPS

INSTANT HP QUOTES

97 Osbourne Road
North Camp, Farnborough
Tel: 0252 518009
Mon-Sat 10-6



Greotech LTD
Electronics
DISPLAY & COMMUNICATION PRODUCTS

Hay Lane, Braintree, Essex CM7 6ST

Telephone:
(0376) 27117 (24-Hr Ansaphone Service)
(0376) 42494
Telex: 987911



R. F. POWER TRANSISTORS

VALVES
National, G.E., RCA, ...

2N2857	£ 2.06	2N6082	£ 9.00	MRF421	£31.57	SD1136	£11.50	6AH6	£ 3.50
2N3137	£ 2.70	2N6083	£12.00	MRF422	£13.35	SD1143	£10.41	6AK5	£ 1.00
2N3375	£ 9.20	2N6094	£ 8.00	MRF493	£16.21	SD1219	£17.50	6AK6	£ 2.00
2N3553	£ 2.00	2N6095	£30.00	MRF450A	£15.00	SD1229FL	£ 8.80	6AN5	£ 4.50
2N3632	£10.00	2N6096	£20.20	MRF450B	£11.40	SD1272FL	£11.20	6AN8A	£ 3.20
2N3733	£13.20	2N6097	£13.30	MRF453	£20.00	SD1285	£12.75	GAC25A	£ 1.50
2N3866	£ 0.85	2N6098	£12.05	MRF454	£18.80	25C 495	£ 0.70	6AT6	£ 1.00
2N3926	£11.26	2N6099	£12.05	MRF455	£16.00	25C 496	£ 0.70	6AU6A	£ 2.30
2N3927	£11.82	2N6255	£ 3.45	MRF458	£15.00	25C 730	£ 4.50	6AV8A	£ 2.40
2N4416	£ 0.75	MRF221	£11.35	MRF460	£18.75	25C1096	£ 0.75	6B8A	£ 2.90
2N4427	£ 0.75	MRF223	£13.83	MRF464	£35.00	25C1165	£ 6.88	6BH6	£ 1.90
2N4440	£ 8.50	MRF224	£12.50	MRF472	£ 3.50	25C1172	£ 7.80	6BR8A	£ 1.50
2N5016	£3.00	MRF225	£16.35	MRF475	£ 2.50	25C1173	£ 0.90	6CB6A	£ 2.30
2N5090	£13.90	MRF227	£ 3.76	MRF476	£ 2.20	25C1177	£18.14	6CL6	£ 3.00
2N5109	£ 2.00	MRF231	£12.38	MRF477	£18.75	25C1306	£ 0.90	6CW4	£ 6.50
2N5160	£ 4.80	MRF232	£11.35	MRF485	£ 3.13	25C1307	£ 1.00	6DK6	£ 1.00
2N5179	£ 0.86	MRF233	£10.00	MRF515	£ 2.50	25C1449L	£ 0.70	6D05	£ 4.20
2N5190	£ 1.50	MRF234	£ 6.50	MRF604	£ 3.30	25C1678	£ 1.05	6D06B	£ 4.00
2N5485	£ 0.82	MRF237	£ 2.70	MRF607	£ 3.20	25C1908	£ 2.50	6EAB	£ 2.00
2N5486	£ 0.88	MRF238	£12.60	MRF626	£ 4.50	25C1946A	£18.54	6GK6	£ 2.50
2N5589	£ 5.70	MRF239	£16.00	MRF646	£28.24	25C1953	£ 0.90	6J4	£ 4.90
2N5590	£ 8.50	MRF240	£18.55	MRF901	£ 3.00	25C1969	£ 1.70	6J5	£ 1.45
2N5591	£ 8.90	MRF243	£28.08	SD1005	£ 8.20	25C1970	£ 2.50	6J6A	£ 6.75
2N5635	£ 6.20	MRF245	£30.10	SD1006	£ 2.00	25C1978	£ 8.00	6J8BA	£ 5.00
2N5636	£12.50	MRF247	£30.10	SD1012FL	£ 8.30	25C2026	£ 0.90	6J56C	£ 2.50
2N5637	£14.25	MRF250	£ 5.00	SD1013	£ 8.25	25C2029	£ 1.40	6K6GT	£ 5.00
2N5641	£ 7.35	MRF261	£ 9.00	SD1019	£20.80	25C2078	£ 1.40	6KD6	£ 5.50
2N5642	£ 9.90	MRF262	£11.00	SD1049	£ 1.95	25C1945	£ 2.10	12BY7	£ 3.00
2N5643	£13.00	MRF264	£11.00	SD1088	£26.00	25C2166	£ 1.50	12BY7A	£2.50
2N5913	£ 2.50	MRF313A	£15.09	SD1089	£28.50	25C2327	£15.00	60R0	£10.00
2N5944	£ 8.20	MRF314	£25.00	SD1098	£40.10	25C2314	£ 0.70	6146A	£10.00
2N6945	£ 8.95	MRF317	£73.00	SD1127	£ 2.60	25C2538	£ 1.82	6146B	£10.00
2N5946	£15.63	MRF327	£70.00	SD1135	£ 8.42	25C3020	£12.72	6159B	£15.00
2N6080	£ 6.00	MRF401	£11.84					628A	£ 6.00
2N6081	£ 8.75	MRF406	£12.83					6360	£ 5.00

A replacement guide to dozens of Motorola Transistor part numbers. Stocks of original RF Devices from such manufacturers as: MOTOROLA, RCA, GE, TRW, VSC, ACRIAN, TOSHIBA, FUJITSU, NEC, MITSUBISHI, PHILIPS, AMPEREX and others. Normally Stock items are Shipped by return post.

OTHER PRODUCTS

High Voltage Vacuum Capacitors

Diodes Display Devices Vidicons

Power Tube Accessories

Connectors Finger Stock Chimneys Sockets

TERMS: Cash/Postal Order/Cheque/Access
CREDIT: Accounts available subject to approved references
POSTAGE: Add £1.00 to order
VAT: All prices are excluding VAT, please add 15% to order and postage
GUARANTEE: All goods brand new and to specification

6360	£ 5.00
6550A	£ 8.00
6686	£12.00
6689	£ 1.00
6973	£ 3.00
7360	£14.00
7551	£ 4.00
7558	£ 7.00
7591A	£ 4.40
7868	£ 5.00
811A	£15.00
812A	£28.00
813A	£40.00
8298	£ 8.00
8417	£ 5.50
866A	£15.00
872A	£20.00



South Midlands C

★FREE FINANCE ● 2 YEAR GUARANTI

Branches at SOUTHAMPTON, LEEDS, CHESTERFI

FACILITIES + UNEQUALLED PERFORMANCE BY YAESU

FT203R YAESU'S NEW COMPACT 2M HANDIE



The ultra compactness of the FT203R is due mainly to Yaesu's chip component circuit board assembly, the chip components being installed automatically by robots. The 203's features include thumbwheel frequency selection, built in S/PO meter, 2.5W RF O/P at 10.8V, (3.5W O/P with FNB4). Vox activated switching is possible when used in conjunction with YH-2. Accessories supplied include FNB3, FTE-2 tone unit, CSC6 case and YHA-14A antenna.

FT203R	2.5W transceiver.....	£169.00 inc
FBA5	Case for 6AA cells	£6.50 inc
FNB4	12V Nicad pack	£36.40 inc
CSC7	Soft case (when FNB4 is used)	£6.50 inc
YH-2	Headset/Mic.....	£13.80 inc
MH-12A2b	Speaker Mic.....	£16.85 inc
SMC8.9AA	Charger (13A style).....	£8.05 inc
MMB21	Mobile Mounting bracket	£7.65 inc

Multimodes for 6m, 2m & 70cm



FT690R Multimode Transceiver 6m	£249.00 inc
FT290R Multimode Transceiver 2m	£269.00 inc
FT790R Multimode Transceiver 70cm	£249.00 inc
SMC 2.2C 2.2Ah Nicads 'C' size, per set.....	£21.60 inc
SMC 8C 220mA Charger (13A Style)	£8.80 inc
MMB11 Mobile mount	£26.85 inc
CSC1A Carrying case	£4.20 inc
FL6010 6M10w Amplifier	£49.00 inc
FL2010 2M 10w Amplifier	£63.25

THE BUY OF THE YEAR FT707 8 BAND HF TRANSCEIVER



**£499.00
now only
£425 inc**

FP707	Matching AC PSU	£125.00 inc
FP707DM	Digital VFO	£149.00 inc

FM Transceivers



FT730R



FT708R

FT203R New 2m Handy	£169.00 inc
FT230R 2m Transceiver 25w	£259.00 inc
FT730R 70cm Transceiver 10w	£229.00 inc
FT208R 2m Handheld 2.5w	£199.00 inc
FT708R 70cm Handheld 1w	£179.00 inc
SMC8.9AA Compact charger (13A Style).....	£8.05 inc
NC7 Base charger.....	£32.95 inc
NC8 Base quick charger & psu	£54.05 inc
PA3 DC Adaptor and charger	£15.35 inc

Looking for a Satellite Transceiver System?

Those clever men at Yaesu have put together your total satellite transceiver requirements in one package. If you are interested in the RS satellite with 2M to 10M transponders, the answer is FT726R + HF module and satellite unit, or if you want to use Oscar 10 with 70cms to 2M transponder, the answer is FT726R + 70cms module and satellite unit. You can even use the FT726R with the mode L transponder on Oscar 10. *However in this case the FT726R does require a little help from Microwave Modules and their MMX1268/144.* For mode L the answer is FT726R + 70cms module, satellite unit and MMX1268/144 on all the above combinations, full duplex is possible when the satellite unit is fitted to the FT726R. *So look no further, Yaesu have the answer, the FT726R!!*



FT726R (2)	Transceiver c/w 2M	£739.00 inc
FT726R	Transceiver Main frame	£589.00 inc
21/24/28	HF Module.....	£200.00 inc
50/726	6M Module	£185.00 inc
144/726	2M Module	£155.00 inc
430/726	70cms module.....	£250.00 inc
SAT726	Full duplex module.....	£95.00 inc
XF455MC	600 Hz CW filter	£39.85 inc

MMX1268/144 Satellite transmit transverter..... **£149.00 inc**

SMC SERVICE

Free Securicor delivery on major equipment.
Access or Barclaycard over the phone.
Biggest branch agent and dealer network.
Securicor 'B' Service contract at
Biggest stockists of amateur equipment.
Same day despatch whenever possible.

FREE FINANCE

*On many regular priced items SMC offers.
Free Finance (on invoice balance over £120).
20% down and the balance over 6 months or
50% down and the balance over a year.
You pay no more than the cash price!!
Details of eligible items available on request

GUARANTEE

Importer warranty on Yaesu Musen products.
Ablly staffed and equipped Service Department.
Daily contact with the Yaesu Musen factory.
Tens of thousands of spares and test equipment.
Twenty-five years of professional experience.
● 2 year warranty on regular priced Yaesu products.

SMC STOCK CARRYING AGENTS WITH DEMONSTRATION FACILITIES

Neath John GW4FO1 (0639) 52374 Day
(0639) 2942 Eve

Bangor John G13 KDR (0247) 55162
Tandragee Mervyn G13 WWY (0762) 840656

Stourbridge Andrew G4BJY (03843) 72632

Communications Ltd.

EE – MAIN DISTRIBUTOR FACTORY BACKED

ELD, BUCKLEY, STOKE, GRIMSBY, JERSEY, EDINBURGH



TIRED OF THE QRM AND LACK OPERATING SPACE ON 2M?

Then QSX to 70cm and begin to enjoy your hobby again after all 70cm is 10MHz wide in most of the UK, that's plenty of room for all to enjoy their favourite mode.

In order to help promote further activity on 70cm we have been able to reduce prices of many of Yaesu's UHF transceivers. This has been possible due to SMC's bulk purchasing from Yaesu together with reduced production costs at the factory due to increasing demand on the Japanese home market since the introduction of UHF repeaters in Japan.

Check out the prices of Yaesu's UHF Transceivers against other manufacturers models and you will probably agree Yaesu leads the way to 70cm.

Just consider with lower equipment costs than equivalent 2M transceivers, a larger number of UHF repeaters in the UK per amateur population than anywhere else worldwide and remember 70cm antennas because of their smaller size and similarity to TV antennas make them far more environmentally acceptable than 2M long Yagis.

*Need we say more except see you on 70cm's!!!



FT708R
Now only
£179 inc



shown with FL7010
optional amplifier

FT790R
Now only
£249 inc



FT730R
Now only
£229 inc

70cm ANTENNAS

D8/70	8 over 8 Yagi	£25.87
PBM18/70	18 ele Parabeam	£32.20
PBM24/70	24 ele Parabeam	£44.55
LW24/70	24 ele Yagi	£27.02
MBM28/70	28 ele Multibeam	£21.27
MDB48/70	48 ele Multibeam	£35.65
MBM88/70	88 ele Multibeam	£48.87
8XY/70	8 ele crossed Yagi	£42.55
12XY/70	12 ele crossed Yagi	£52.90
SMCGP432X	3x½ wave colinear	£32.20
SMCGP714	14 step coaxial colinear 10DBI	£78.60
SMC70N2V	2/70cm Colinear	£32.20

Carriage on antennas..... £2.65

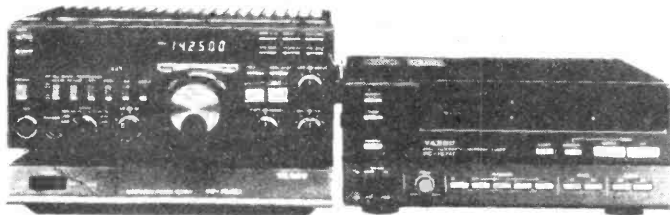
COAXIAL FEEDERS

Don't throw away those valuable watts by using a poor quality feeder. Remember approximately 20M of UR67 will have an approximate attenuator of 3dB at 432MHz. This means if you invest around £250 for a 100W PA you will only end up with about 50W at the antenna.

UR67	att 3.9dB per 25M approx.....	£0.69 p/m
Pope H100	att 2.25dB per 25M approx.....	£0.79 p/m
*Eupen 5121	att 1.4dB per 25M approx.....	£2.93 p/m NEW
*Andrews LDF2.50	att 1.9dB per 25M approx.....	£3.00 p/m
*Andrews LDF4.50	att 1.3dB per 25M approx.....	£3.58 p/m

*Helical Foam-Dielectric cables
Carriage on cables £2.40 up to 20M over 20M..... £3.20

YAESU'S LINE UP FOR '84 THE FT757 SYSTEM



FT757GX	All Modes and Filters Fitted.....	£685.00 inc
FP757GX	Switched Mode PSU 50% Duty	£149.00 inc
FP757HD	Heavy Duty PSU 100% Duty	£162.50 inc
FC757AT	Automatic Antenna Tuner	£231.50 inc

Frequency range 160-10m Tx general coverage Rx. 10Hz VFO steps and 500kHz band steps.
Modes, USB, LSB, CW, AM, FM all as standard
Power output 100W SSB, CW, AM, FM 25W carrier AM, 3rd order products – 40dB at 100W on 14MHz.
Dynamic range better than 100dB CW(N) at 14MHz.
Frequency stability better than ± 10ppm after warm up.
Dual VFO's and 8 memories with VFO/memory transfer feature allowing more flexible split frequency operation.
Programmable memory scanning with scanstop threshold adjustable with the RF Gain control.
All accessories installed including AM, FM, Marker, Speech processor, shift filters, 600Hz CW filter and keyer.
New heatsink design and ducted cooling system allow 100W o/p at 100% transmitter duty cycle *.
Selectable semi break-in or full break-in and built in inambic keyer with dot-dash memory.
Three microprocessors control most of the switching and adjusting functions normally done by hand and optional CAT interface unit allow further operating flexibility with an external computer.

* 100% duty cycle only with the FP757HD.

SOUTHAMPTON SMC Ltd 36/38 Rumbridge Street Totton, Southampton. Southampton (0703) 867333 9-5.30 Mon-Sat	GRIMSBY SMC (Humber-side) 247A Freeman St Grimsby, Lincolnshire. Grimsby (0742) 59388 9.30-5.30 Mon-Sat	STOKE SMC (Stoke) 76 High Street Tolke Pits, Stoke. Kidsgrove (07816) 72644 9-5.30 Tue-Sat	LEEDS SMC (Leeds) 257 Otley Road Leeds 16, Yorkshire. Leeds (0532) 782326 9-5.30 Mon-Sat	CHESTERFIELD SMC (Jack Tweedy) Ltd 102 High Street New Whittington, Chesterfield. Chesterfield (0246) 453340 9-5.30 Tue-Sat	BUCKLEY SMC (T.M.P) Unit 27 Pinfold Workshops Pinfold Lane, Buckley. Buckley (0244) 549563 9.30-5.00 (Lunch 11.45) Tue-Sat	JERSEY SMC (Jersey) 1 Balmont Gardens St Helier, Jersey. Jersey (0534) 77067 9-6pm Mon-Sat	EDINBURGH SMC (Scotscomm) 23 Morton Street EH15 2HN. 031-457 2430 10-5.00 Tue-Fri (9-4 Sat)
--	---	--	--	---	--	--	--

Head office
Mail orders
Service & Spares

S.M. HOUSE, RUMBRIDGE STREET, TOTTON, SOUTHAMPTON SO4 4DP, ENGLAND
Tel: Totton (0703) 867333, Telex: 477351 SMCOMM G, Telegrams: "Aerial" Southampton
See preceding page for telephone numbers of Agents and above for Branches.

MOD SHEET: Totsuku TR2100M

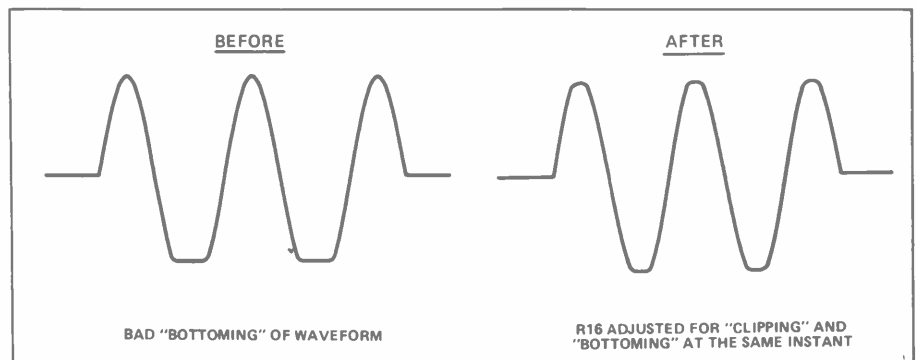
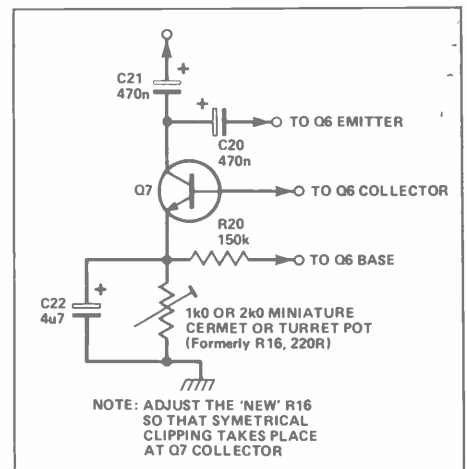
Priced at around £115 and giving some 10W PEP of SSB output, the Totsuku TR2100M 2m transceiver has become quite popular with both newly licensed and experienced radio amateurs. Robert Parry, G4VCL, suggests two simple but effective modifications.

Modification To Stop Assymetrical Clipping By Microphone Amplifier

Change R16, 220 ohm resistor, for a 1k or 2k miniature cermet or turret potentiometer (see Fig. 1). With an oscilloscope connected between Q7 collector and earth and with audio input to the transmitter from an audio oscillator, adjust the audio oscillator level until the waveform displayed begins to clip at the bottom (or top) — see Fig. 2. R16 is then adjusted so that the output of Q7 clips at both the top and bottom — of the waveform — at the same time (see also Fig. 2). This modification should considerably improve the quality of the transmitted audio.

Fig. 1 Simple component change to mic. amp.

Fig. 2 Waveform at Q7 before and after mod.



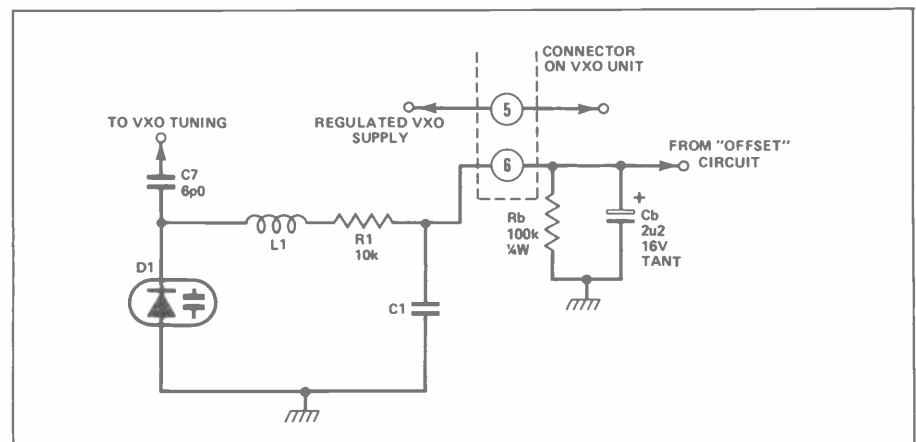
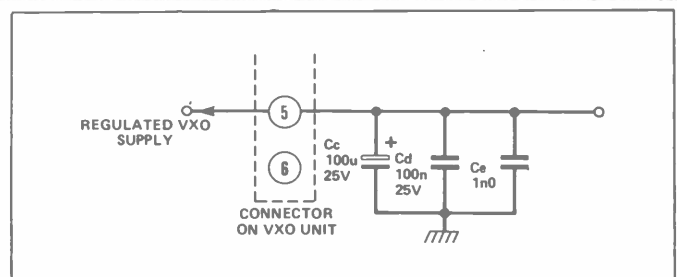
Modification To Prevent 'Jitter' Or Frequency Modulation Of The Transceiver VXO

Extra stability is added to the VXO supply voltage, and thus to the frequency of the VXO, by the addition of capacitors Cc, Cd, and Ce (Fig. 3). These are connected to pin 5 of the VXO unit connector.

The addition of resistor Rb (see Fig. 4) provides a DC bleed to earth for diodes D14 and D15. These diodes are situated on the Main Unit Board and are part of the "OFFSET" voltage feed circuitry to the varicap diode D1 on the VXO Unit. The additional capacitor Cb, also shown in Fig. 4, is provided to remove any ripple or 'jitter' on this voltage. Cb and Rb should be connected to pin 6 of the VXO unit connector. In tests I found that on transmit there was a small voltage jitter of quite a few millivolts on the supply to the varicap diode D1. This was reduced to almost nothing by the addition of Rb and Cb.

Fig. 3 (on RHS)

Fig. 4



FT101 + New Bands

The FT101 can be put on most frequencies between 1.8 and 30 MHz and fairly comprehensive instructions are included in the Yaesu workshop manual which is available for this series. The disadvantages of the official modifications is that they involve a fair amount of work, and entail removing some of the existing bands. The modification which follows is admittedly a compromise, but works well provided you do not try and run too much power, is quite simple and cheap to do and only loses

yourself; if it really works the Editor will, no doubt, pay you to spill the beans (*I'll second that — Ed*). The following instructions are part of the G3LLL Kit and whilst we have no objection to anyone 'rolling their own' they are copyright and must not be used commercially.

Parts Required

You will need 2 Crystals, 1 SPST Switch, and 1 low capacity SPDT relay. (A miniature soldering iron and some insulated wire will also be required. *No work must be*

screwdriver will cause note to change when tuned to calibrator on relevant range.) 4. Fit 24.02 MHz crystal temporarily in place of 15m crystal and fit 30.52 MHz crystal in 11m position. 5. First, check rig on receive. 18.1 MHz should come in at '100' on black dial and peak at around '7' on preselector. 24.9 MHz comes in at '900' on red dial and peaks at about '8' on preselector. This part of the modification usually works without alignment, but, if rig is dead on either band, turn 15m or 11m oscillator trimmer, as required, the minimum amount needed for rig to burst into life. See your manual — section headed "Hetrodyne Crystal Oscillator" — and align correctly *after* complete modification is finished or just peak for maximum drive if you have not got a VTVM (Valve or Transistor high impedance voltmeter). Compromise 15m trimmer for best results on 21MHz — the setting of this is not very critical on 18 MHz.

Play Safe!

6. Remove PA cage top and locate loading capacitor — *being sure to discharge 600V rail before putting your hands in!* 7. Strap two sections of loading capacitor in parallel by soldering short lead between the two top live terminals. After this, refit PA cage top. 8. Remove driver/range switch screening cover and strap switch as shown in drawing — use a long thin soldering iron. Refit screening. 9. Ensure that 30.52 MHz crystal is in 11m position, fit 24.02 MHz crystal in spare 'X' position and refit 15m crystal in its original position: 10. Remove two screws from crystal panel and withdraw it a little. Place FT101 on its side (watch you don't lose the spacers) and unsolder lead from 'hot end' of 15m crystal socket. ('Hot end' is

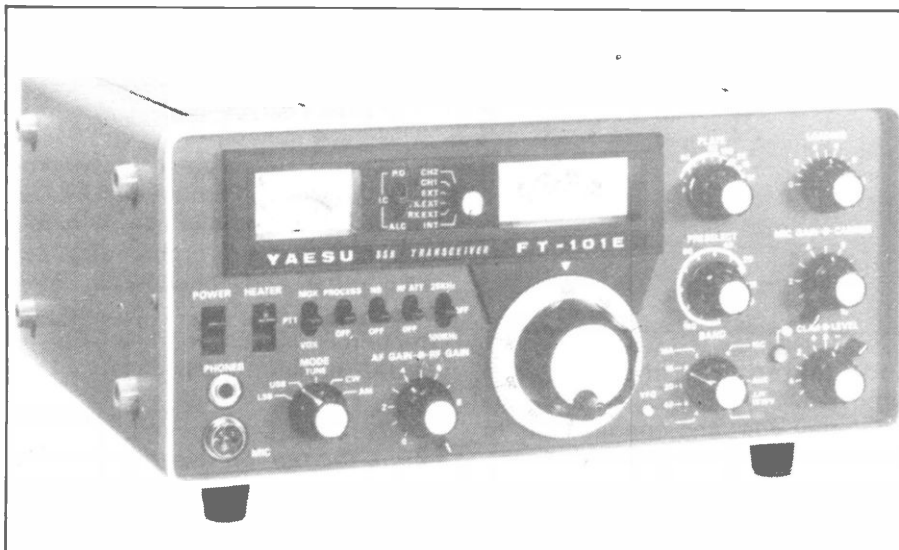
Want to work 10, 18 and 24MHz? If you have an FT101E or earlier marque, put that cheque book away and listen to Harry Leeming, G3LLL.

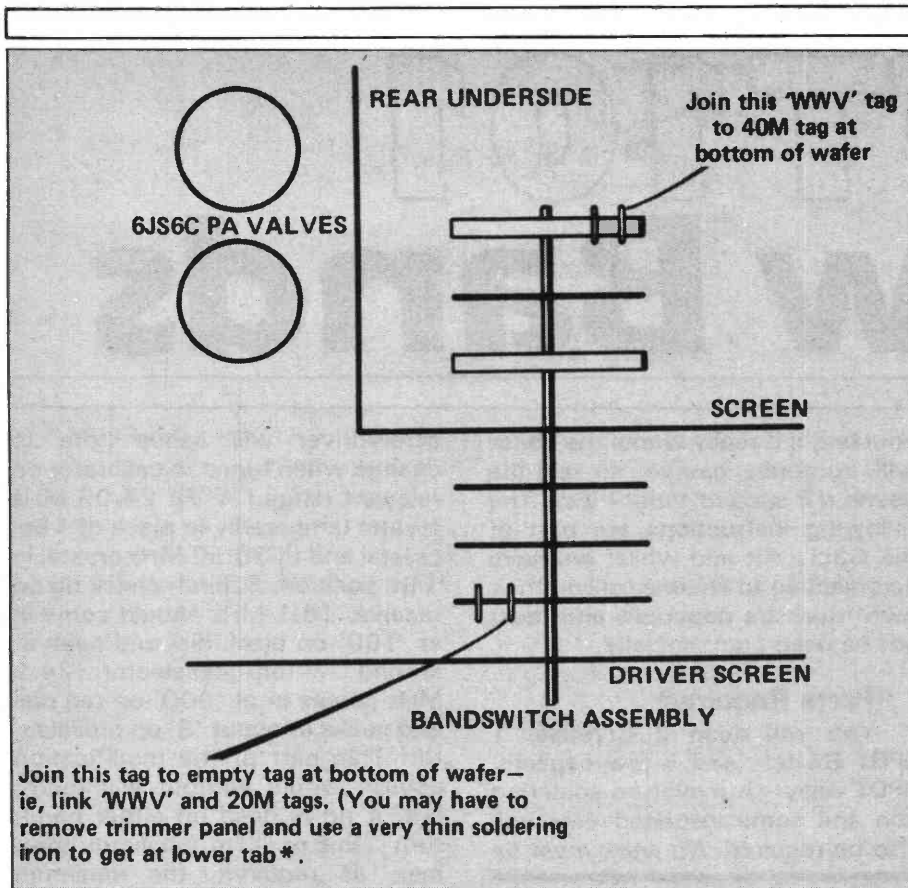
you the CB band!!

The FT101 MK1-E series is quite exceptional in its ease of new band convertability so please don't write asking if you can do the same to your FT101ZD or TS520 because I am afraid as far as the writer is concerned the answer is 'no'. If, however, *you* have a magic mod which puts the new bands on an existing popular rig for a few quid please don't keep it to

carried out with AC mains supply connected, and your soldering iron must be earthed to chassis or you may 'blow' an FET (or yourself). If you are not familiar with normal safety procedures, get someone else who is to do the work.

1. Check rig is in perfect working order. 2. Remove cabinet and base. 3. Identify 15m and 11m crystals and oscillator trimmers. (Touching 'hot end' with insulated





Top diag. View of bottom of FT101 chassis showing modifications to bandswitch.

Bottom diag. Modifications to crystal bank.

the wire which originally went to 15m crystal socket, keeping this and all crystal/relay wiring *as short as possible*. 14. Wire the contact of the relay which is 'made' when the relay is energized, to the hot end of 'X' socket. 15. Wire the contact of the relay which is made when the relay is *not* energized, to the hot end of 15m crystal socket. 16. Wire the free end of relay coil to length of insulated wire going to the back of FTk101. 17. Fit 21/18 MHz switch by filing out hole that holds cabinet screw above 'IF' and 'AF' phone sockets at rear of FT101. 18. Wire one side of switch to 13.5V HT rail and other side to wire going to relay coil.

Modifications Complete

Check crystal oscillator trimming, see instruction 5.

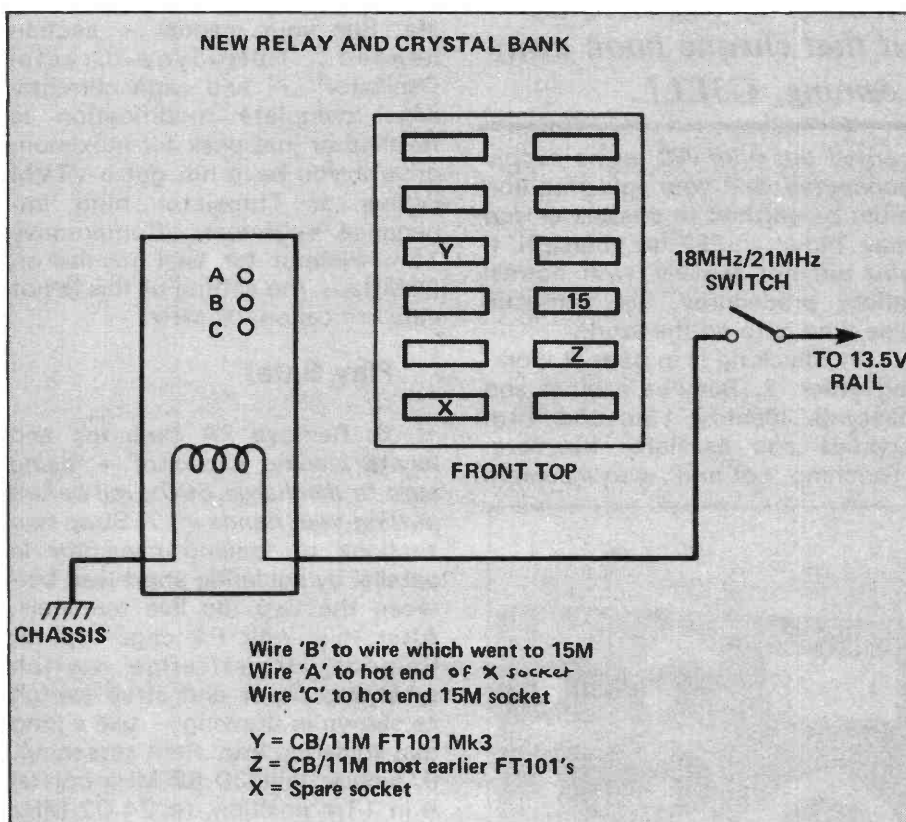
Now 15m position of the bandswitch 'tunes' 21-21.5 or 18-18.5 (18/21 MHz switch), 11m 'tunes' 24.5-25MHz and WWV 'tunes' 10-10.5 MHz.

10 and 15m bands operate as before except PA loading is moved approx. 2 points clockwise. PA on new bands 'tunes' at around 15-20m point. We advise keeping power to a maximum of 50 watts and using an antenna tuner to ensure a clean signal. (Note, 10 watts is equivalent to about 100ma PA current and 200 ma gives around 50 watts CW, 130 ma peak approx. 50 watts PEP SSB).

Final Notes

The 11m crystal is marked 33.02 and the 15m crystal 27.02. If the 'X' socket is in use, wire in a crystal holder, one end to relay (see 14.) other end to common point "cold end" of 'X' crystal. Late production FT101Es label the CB band 'AUX', earlier models call it '11m'.

**When the bandswitch is set to 20m, the tag the wiper makes contact with will be the 20m tag. The WWV tag can be similarly identified.*



the end not common with the crystals.) 11. Wire two short insulated leads to hot ends of 'X' position and 15m crystal sockets and refit crystal panel. 12 Mount the relay in inverted position adjacent to 'X' position crystal socket

and fasten to chassis with adhesive. Solder thick wire to one side relay coil, and connect this to chassis under crystal board screw, to earth the relay coil (and help hold relay in place). 13. Wire the centre contact of the relay (ie the pole) to

The Art of CONTEST OPERATION

"Not another contest again" is often the reaction of the average radio amateur when switching the receiver on during almost any

in contest work and not aware of the pleasure and satisfaction that this activity can bring. Fortunately for the disinterested, contests are

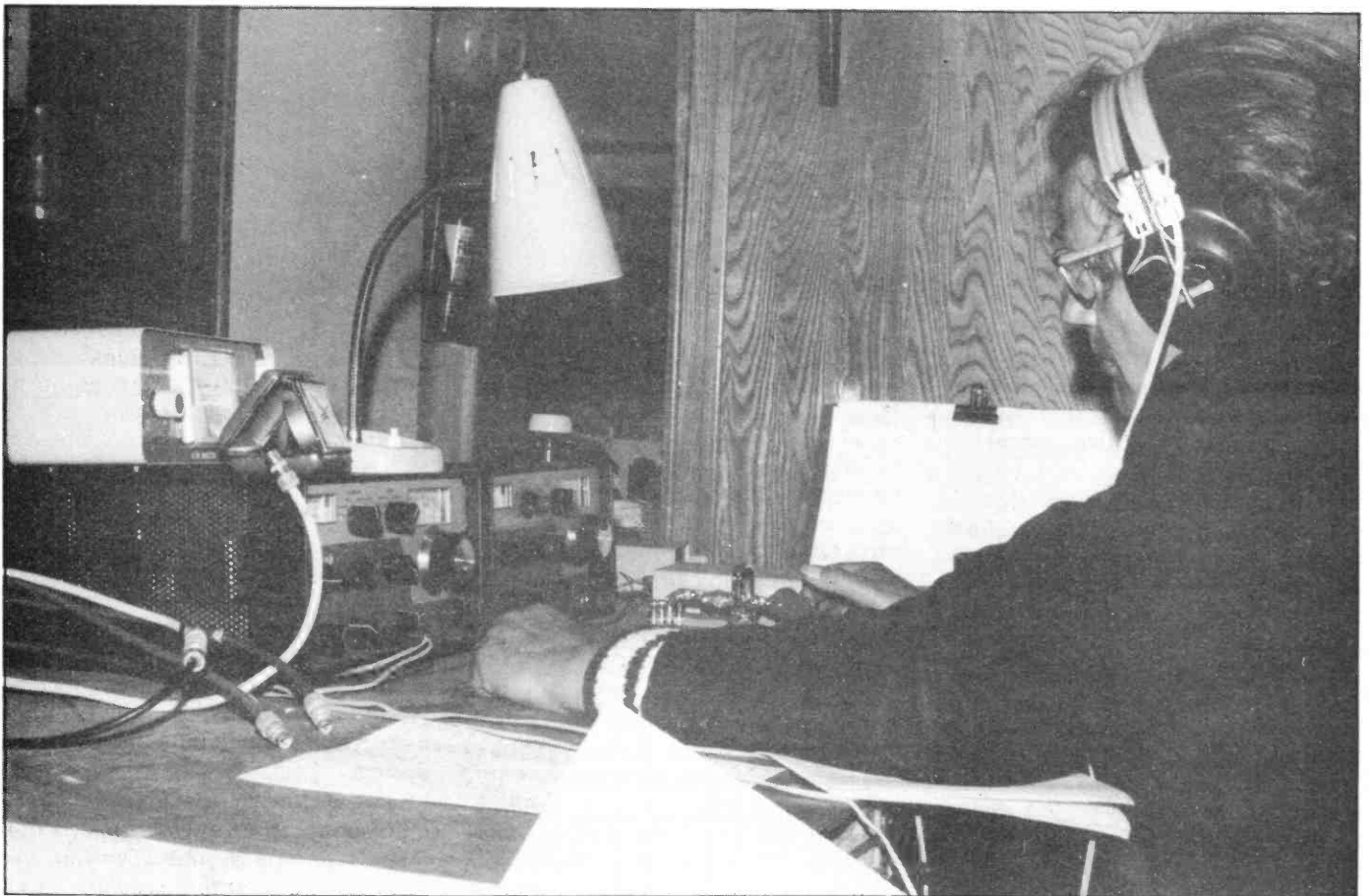
the present high level of amateur radio operation, contest activity tends to be concentrated in certain parts of the bands and hopefully the International Amateur Radio Union (IARU) will eventually recommend specific contest segments.

Al Slater, G3FXB, is arguably the most successful HF contest operator in Great Britain — on both SSB and CW. Here he introduces the noble but much maligned art of contest operation.

weekend for a spot of casual operating. This state of affairs attracts plenty of comment from many others who are not interested

invariably either 'phone or CW only events and it is at least possible to escape them with a bit of flexibility in your mode of operating. Even at

This apart, in view of the high levels of contest activity on the bands today some introduction to the world of contesting seems indicated not only for the newer licensee but for those who have always divorced themselves from this activity. Certainly, contesting



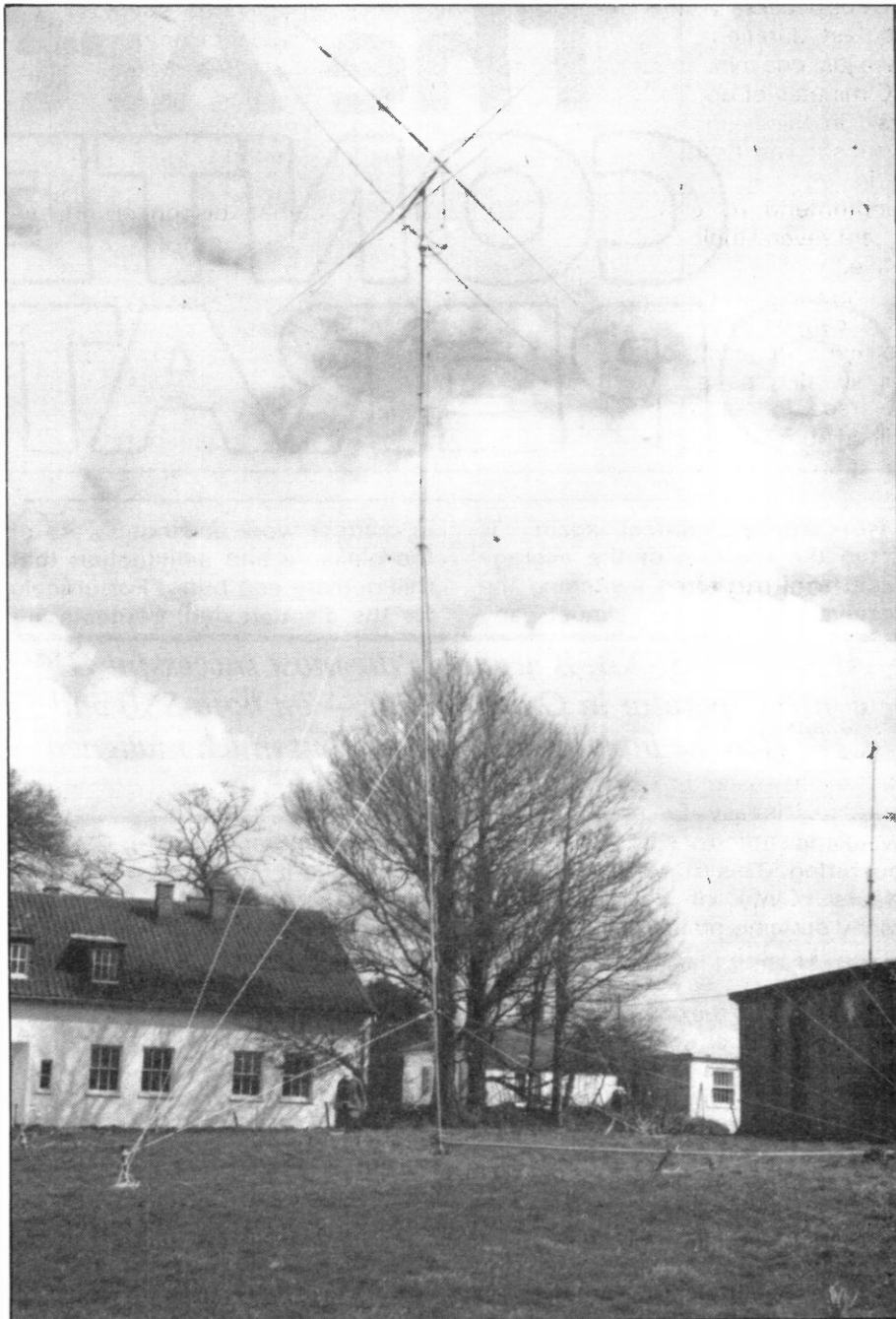
The writer operating in National Field Day with G4DAA, the Channel Contest Group

brings out the best in us as far as perfecting station performance is concerned, although the cynics would point out that it also brings the worst out at times, with broad signals and marginal operating practices.

Receiver Requirements

One of the keys to the winning of contests is undoubtedly station performance and in particular the performance of the antenna system. In this connection only the competitive element could be the driving force behind the erection of no less than 24 towers at N5AU or the more modest 9 towers at N4AR. Much can be achieved by good operating practices but there really is no substitute for an effective antenna system. The competitive spirit often leads to the purchase or construction of good equipment which is properly maintained and coupled to a selection of antennas. Obviously such a station is equally effective for contesting and day-to-day routine operating activities, resulting in a performance considerably in excess of that of a more modestly equipped station. Serious contesting is not really for the 'piece-of-wire-out-of-the-window' type of installation.

If station performance is one of the keys to successful contesting, what should the UK operator be considering in the way of equipment?. As far as the actual gear is concerned I think it is fair to say that there is not too much to choose between what is available today. A prime factor is of course reliability, for, after all, contests are not won by being off the air with equipment failure for part of the event. This dictates the use of reliable equipment properly maintained. Good sensitivity and selectivity on the receiver are of course vital — remember the old adage "If you can't hear them you can't work them". Reasonable sensitivity is a common feature of all modern equipment, but selectivity in the 'front end' does sometimes leave something to be desired. For the CW operator there is often a fairly wide choice of IF filters available and these should be utilised fully. 500Hz is probably a reasonable compromise in CW bandwidth, providing as it does fair selectivity coupled with the ability to hear signals calling that are incorrectly 'netted' and thus slightly removed from your transmit frequency. There can be times when



The 2 element Quad antenna used by the Channel Contest Group as GU4DAA - the rare prefix and the antenna made a good contest combination!

sharper bandwidths such as 250Hz seem very desirable but anything sharper than 500Hz is generally not suited to contest work and really only applicable to routine QSOs under conditions of extreme QRM. A 'notch' filter is a useful feature and some "back-up" by an efficient tunable audio filter should also not be ruled out. Though all the modern "bells and whistles" are very nice, the prime receiver requirements, particularly for the CW contest operator, are versatile and effective IF selectivity free from filter leakage, coupled with good dynamic range in the front end.

Transmitter Tactics

It is fair comment that 100 watts of RF is the same regardless of how it is generated, but, in the selection and use of transmitting equipment, the contest operator should give consideration to a number of points. Whilst contest activity is at times restricted to one band or single band entries permitted, a lot of events are multi-band, a class of entry that often involves rapid band changes. In the RSGB Commonwealth Contest for example where activity is fairly thin, as many as thirty or so band changes

may be necessary during the 24 hours contest duration. If these changes take just one minute, obviously some 30 minutes of operating time will be lost. In this respect modern equipment such as the TRIO TS 930s with its instant band change has much to recommend it. Other equipment where several tuning functions are involved can at least be simplified by drawing up a tuning chart so that controls can be set to pre-determined positions on each band. Attention should also be paid to frequency coverage, for, as an example, there is still equipment around that does not cover 160 metres and there are a number of interesting contests on that band during the year.

Checking Up

Some form of in-line power meter/SWR indication is desirable so that there is a visual check at all times of transmitter and antenna performance — and that the correct antenna for the band in use has been selected. It is easy after many hours of contest operation and lack of sleep to inadvertently select the wrong antenna! The CW contest operator will almost certainly make use of an electronic keyer, preferably of the memory type — so that paper work associated with the contest can be attended to between contacts when the keyer is calling CQ. SSB operators will also give consideration to speech processing, but a word of caution is indicated here. The writer still believes that under normal conditions a strong voice with good diction, employed in conjunction with a good quality microphone suitable to that voice, is superior to processed speech. It is mainly under marginal band conditions that the processor will show an advantage. In fact at other times the distortion introduced by processing, often giving the effect of alteration in the natural characteristics of the voice, can degrade readability. From the writer's own experience in "pile-ups" there have been many times when a station would have been copied much easier without processing. Another factor is that a processor incorrectly adjusted or abused can be a positive menace to those operating on adjacent frequencies, as witness the transmissions of some European stations.

The writer is a strong believer in VOX operation on SSB or semi-

break-in on CW, as such techniques save valuable time and contribute to 'snappy' operating as well as permitting one to monitor the frequency during transmissions. However he does find the use of QSK or full break-in operation somewhat disconcerting on CW when trying to monitor one's own sending, often to the accompaniment of other signals on or near the frequency. Nevertheless for those accustomed to it, full QSK is the ultimate in efficient operating technique.

The prime transmitting requirements then are for a clean but well modulated signal on SSB, with a clean note and freedom from 'clicks' on CW, coupled with the ability to monitor output and also to make rapid band changes. The capability for split frequency operation, as provided by twin VFOs, is a necessity for pile-ups and working US stations on 80 and 40 metre 'phone.

Antenna and Site Requirements

As pointed out previously one of the keys to station performance is the antenna system and coupled to this are site considerations. As far as the latter are concerned, we are mostly not in a position where we can live in the ideal QTH, but we *can* make the most of what we have available. Almost anywhere we live we will be faced with the hazards of obtaining planning permission for our tower or of dealing with TVI/RFI problems. In this connection a rural location will almost certainly be best (!) and the more open terrain will assist antenna performance. Another advantage will be the relative freedom from RFI-inverse from neighbouring domestic equipment.

Ground conductivity is a very important factor in any location and apart from salt water (!) the best 'ground' is provided by clay soil. In any event a reasonable water table is indicated. The majority of locations will exhibit some enhancement in certain directions as a result of sloping ground. There is a fairly popular misconception that the best site for HF communication is on top of a hill and up to a point this may be true. But a location on sloping ground will give considerable enhancement of low angle radiation in the direction of the slope,

with the rising ground in the reverse direction acting as a reflector and as a result giving an inferior performance in this direction. The bulk of contest activity comes from a westerly direction (W, VE, VK/ZL long path etc.) and from a NE direction (JA), and anyone with sloping ground in these directions is indeed fortunate. Picking contests that enable one to exploit site enhancement is to be advocated and to some extent will make up for inadequacies in the antenna system, although this effect will be less pronounced on the lower frequencies. A site with sloping ground to the west and rising ground to the east would be a good choice for the ARRL DX contest where the object is to contact only US and Canadian stations, whilst sloping ground to the NE would suggest participation in the All Asian contest where the bulk of the QSOs will be with Japan.

Many Variables

The question of antenna choice is of course not easy and dictated by so many considerations. Readers are referred to a number of excellent publications on the subject, in particular the ARRL Antenna Book, HF Antennas for All Locations by Les Moxon, G6XN, All About Cubical Quad Antennas by W6SAI and the Beam Antenna Handbook by the same author. If space is at a premium and your interest centres on a particular band, specialising in an antenna system for that band could well be the best approach. As far as HF is concerned it is probably true that the mono-band full sized yagi is the best performer, excluding such specialised arrays as the rhombic. There are diminishing returns when the array is extended beyond 3 elements, after due allowance for the mechanical, structural and indeed ecological problems involved with large installations. Nevertheless, optimum performance is of course obtained with the larger arrays. Next in line after the 3 element mono-band yagi comes the basic 2 element cubical quad, which has the big advantage of a no-compromise performance with the possibility of simple multi-band construction matched only by the bigger tri-band yagis such as the TH6 DXX. If interest is limited to certain directions

or a rotary array precluded, some form of fixed beam such as the rhombic, vee beam or wire yagi should not be ruled out. However, unless one is fortunate to have a selection of such antennas contest activity will be restricted to certain specialized events, as mentioned previously when discussing site considerations.

Next down the performance table come the smaller trap yagis that do undoubtedly compromise

DX work is more pronounced on 3.5 and 1.8 MHz, particularly if two or more can be phased to achieve directivity and gain. Another effective antenna on these frequencies is the sloping dipole or "sloper", particularly if several can be suspended from a central point and switched so as to give directivity, modest gain and low angle of radiation. As on the HF bands the multi-band single wire antenna with open wire feeders will perform

results. All the various contests are different in character but the majority have one thing in common in that there will be a *multiplier* or bonus system in the scoring, making it necessary not only to achieve a good QSO total but to ensure that in the total there are a reasonable number of contacts with rarer stations. In some events such as the IARU Radiosport contest there is less emphasis on this aspect, but, in our own RSGB Commonwealth Contest, for example, a good amount of bonus contacts is imperative. If one has a commanding signal on the bands there will be more emphasis on calling CQ and 'running' QSOs — as the QSO total resulting will largely compensate for the failure to contact some of the rarer stations. In any event I think it is also fair comment that a reasonable number of rarer stations will respond to CQ calls from a well equipped station.

Tactics to be employed then are dictated by the type of contest and the emphasis on those rarer QSOs, as well as by the class of signal that one can radiate on the bands. A rule of thumb that the writer employs is to call CQ at least during the initial stages of the event and spend more time towards the end searching for multipliers or bonus contacts, and also for stations not previously worked.

Contest Calendar

This might be an opportune time to run through some of the major contests in the calendar and explain some of the objects as well as some of the tactics that might be employed. Propagation conditions tend to be rather depressed during the winter months, at least in the northern hemisphere, and the HF bands are closed for long periods. Most of the major European and American events therefore occur during the spring and autumn when conditions are optimum.

The first one of the year is the **CQ WW 160 metre** contest sponsored by CQ Magazine in the USA. The CW section is on the last full weekend of January and the 'phone the last full weekend of February. To some extent this is a contest for the 160 metre specialist but there is fun in it for all. Extra points are given for DX QSOs and the total of points is multiplied by the total of different countries, US states and Canadian provinces contacted. Obviously activity is minimal



Contest Station N4AR, Kentucky USA

performance, followed by the multi-band single wire antenna which if fed with open wire line through an aerial tuning unit is still a surprisingly effective antenna, exhibiting useful gain on some bands. Finally come the compromise antennas such as the trap dipole and trap vertical which can best be described as convenience antennas, and certainly inadequate for serious contest work.

The position on the LF bands is somewhat different, for fortunate indeed are those that can accommodate rotary beams on 7 MHz. On these bands the vertical comes more into its own because of the lower angle of radiation over horizontal antennas at these frequencies, at least when the latter are used at conventional heights. The effectiveness of the vertical for

reasonably well, as will the inverted V dipole with the apex as high as possible. As with the HF bands, coverage in specific directions can be obtained very effectively with wire arrays such as the rhombic but particularly on 7 MHz the use of a fixed, wire yagi beam should not be ruled out.

To sum up then, the requirements are for a reasonable site coupled with effective antennas which will give gain, directivity and low angle radiation on the bands and in the directions required.

Contest Strategy

Having hopefully equipped ourselves with reasonable facilities it is now necessary to consider the various contests on the calendar and the strategy to be employed to achieve a reasonable placing in the

during the daylight hours, apart from the periods following sunrise and preceding sunset. The sunrise period indeed will often give the best openings for DX on 160. A reasonable balance must be struck between calling CQ and searching. Other points to remember are that although DX stations will reply to CQ calls on one's own frequency, that in the main, use should be made of the "DX Window" listening from 1800 to 1810 KHz and transmitting around 1825 to 1835 KHz. Remember also that certain countries have only limited allocations on 160. The bulk of the USSR activity for example is above 1850 and the JAs are at the high end of the band.

RSGB 1.8 MHz. Three short duration CW contests are held each year on 160 metres in February, June and November. Bonus points are scored for contacting different countries and also UK countries. Special awards are issued to new entrants and senior citizens. These events are not demanding in the amount of time involved and provide an excellent opportunity for aspiring contesters to "cut their teeth". UK stations are sought after and providing reasonable antenna facilities are available, the bulk of contacts will come from CQ calls with searching indicated when the scoring rate drops.

RSGB 7MHz Contest. This is held in February and has separate 'phone and CW weekends. It is a "G -- versus the rest" type of event so UK stations tend to be sought after. Extra points are given for DX QSOs so a reasonable ratio of DX to European contacts is required. The multiplier is based on the DXCC country list but in addition VE, VK, W and ZL call areas are also valid. CQ calls are the usual procedure for UK stations for much of the time but an occasional search for multipliers and stations not worked should be made, particularly when replies to CQ calls tend to fall off. Only a small percentage of UK amateurs possess rotary arrays for 7MHz and this is certainly a contest where the more modestly equipped station operated efficiently can do well.

ARRL DX Contest. In this event QSOs are only valid with the USA and Canada and the multiplier consists of the US states (excluding

Hawaii and Alaska) and the Canadian provinces. There are single and multi-band classes of entry and in the case of the latter, multipliers count on each band — for example MASS (Massachusetts) would count six times if contacted on the six older bands from 1.8 to 28 MHz. The CW section is held in February and the 'phone in March. Handsome plaques are awarded to continental winners in each mode and class of entry. The fun of this contest is the fact that it is very well supported by W and VE stations and CQ calls from Europe will invariably produce long "runs" of North American QSOs. It is also interesting to contact those rarer western states and provinces on the different bands. In the main, searching for QSOs is restricted to the morning hours when propagation and activity is marginal. Log sheets and entry forms with a multiplier check list can be obtained from the ARRL, Newington, CT 06111, USA but, as in all such cases, return postage should be enclosed.

RSGB Commonwealth Contest.

This is one of my favourites. Originally known as the BERU (British Empire Radio Union) it originated in the early 30s. It has only been won outright from the UK on three occasions and as such present a major challenge. It is a CW only event although there is a companion event run on 'phone by the Canadian CARF which does not attract much support. The duration is 24 hours and it is held in early March. There is no multiplier but the first three contacts on each band with each Commonwealth call area score bonus points. A good knowledge of propagation together with precision timing is necessary if a reasonable number of VK and ZL bonus contacts are to be obtained on the LF bands. Being restricted to 24 hours one has but one "shot" on the various paths. CQ calls do pay dividends when directed at high density areas such as VE and VK/ZL but to a large extent this is a contest that primarily involves searching for contacts. It is a contest not marked by some of the unsavoury practices found at times in some of the more major events and tends to take on the atmosphere of a QSO party to some extent, with the opportunity to

contact a goodly number of old friends in the Commonwealth. Operation is restricted to the lower 30 kHz of each band but in practice tends to be concentrated in the lower 10 or 20 kHz.

CQ Magazine WPX Contest.

The multiplier in this event takes the form of the prefix of the call sign. Unlike other major multi-band contests each prefix only counts once — however there is such a wide selection of prefixes available, particularly from the USA, that there is no shortage of multipliers. An incentive is provided for LF band operation as each QSO on those bands earns double points. Single operators are only permitted 30 hours of operation out of the 48 and the balance can be taken in up to five rest periods. This provides the additional challenge of knowing when to take time off without losing too many QSOs. In addition to multi-band entries, single band operation is also permitted. The SSB section is held at the end of March and the CW in May. These dates dictate that rest periods at least in the CW event be taken during the midday period when conditions are at their worst for DX working. Rules, log sheets and entry forms can be obtained from CQ Magazine, 76 North Broadway, Hicksville, NY 11801, USA.

Radiosport. This activity is sponsored by the IARU through the auspices of the ARRL. It is scheduled in July and entries can be SSB only, CW only or mixed mode. There is no single band class of entry and single operators are restricted to 36 hours of operation. The multiplier is based on the ITU zone system which possibly does not provide as much fun as chasing countries. For further information contact IARU Hq, Box AAA, Newington, CT 06111, USA.

WAE Contest. This is another summertime event with the CW section in August and the 'phone in September. The object is for European stations to contact only those in other continents whilst the DX stations only work Europe. This contest is quite complex insofar that points are not only obtained from QSOs but also for QTCs, which consist of reporting back on-

the-air details of previous contacts in the contest. These QTCs are transmitted by DX stations to European entrants and are worth points for both the originating and the receiving station. Multipliers are DXCC countries as well as US states, along with certain call areas, with additional bonuses for those on the LF bands. Paper work is vital in the WAE, each competing station producing accurate check lists of stations contacted. Also QTCs received as there is a maximum 10 allowed from each station. The writer has always tried to strike a balance in securing roughly the same number of QSOs as QTCs and, of course, the multiplier aspect should not be overlooked. In view of the rather complex nature of the WAE it is strongly suggested that rules, log sheets and entry forms be obtained from the WAEDC Committee, Postbox 1328, D-895, Kaufbeuren, Germany.

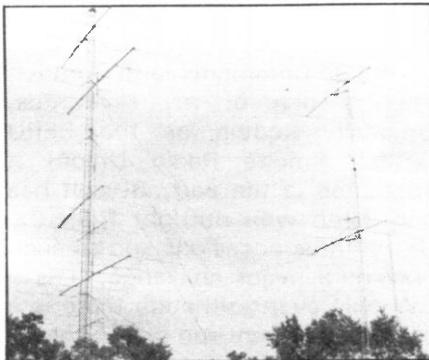
RSGB 21/28 MHz Telephony and 21 MHz CW Contests. These events are both held in October, are in the "G versus the rest" category and are restricted to 12 hours on a Sunday. The multiplier consists of DXCC countries plus certain call areas and the comments made concerning the use of CQ calls in the RSGB 7MHz Contest information are applicable here also.

CQ Contest. This is probably the major event of the year in the contest calendar. The phone section is in October and the CW in November. All contacts count for points with the exception of those within your own country and the scoring system of 1 point for Europe, 3 points for DX, makes a high percentage of DX QSOs imperative. The multiplier consists of zones as in the WAZ award, plus countries. The DXCC listing is the basis for these but in the case of Europe the basis is the WAE list. This means that countries such as Orkney/Shetland, Sicily and the Karelo-Finnish Republic (UN1) are valid. There are single band and multi-band entries and world records are published in CQ Magazine, for each continent on each band, as well as the US records. Both weekends attract considerable DX-expedition activity as well as very high levels of 'normal' activity. In the phone event in

1979 the writer made almost 4000 QSOs from the UK which serves to illustrate the point. As with the WPX Contest log forms etc. are obtainable from CQ Magazine.

Multi Operator Contests

These events could really warrant an article all of their own. The major contests that I have mentioned all have sections for this type of operation where a team is employed to spread the operating and the search for multipliers. Where operation is limited to one transmitter apart from the contacting of multipliers, such activity is known as "Multi Single". In some cases however, several transmitters will be run on *simultaneously* on several bands. Such an activity is known as "Multi Multi" (!) Some of the more popular contests that involve a team are the RSGB National Field Days which have a character all of their own. A CW event is held in June with SSB in



N4AR

September and those developing an interest in contest work would be well advised to gain some experience by involving themselves with a local Club in these activities.

Paperwork

Inevitably any contest entry should be of a high standard as far as accuracy is concerned and many an entrant has lost the coveted first place because of being lax with the paperwork. Most adjudicators penalize entrants who fail to remove duplicate contacts from their log and all entries should always be thoroughly and systematically "duped". Depending on the contest and the speed of operation, some form of "dupe list" should be maintained during the contest so that when searching for contacts one is aware of stations that have already

been worked. This is not always possible in contests where scoring rates are very high as in the CQ Contests, but some form of check list for multipliers is absolutely essential in almost *any* event. At least on CW the use of a memory keyer will enable some of the paperwork to be kept under control.

It is a good idea in any contest to target a QSO total based on the previous years results. This target should be broken down to a projection of so many QSOs per hour and once the rate from CQ calls fall substantially below this projection, then is the time to change bands or go searching for elusive multipliers as the case maybe.

Accuracy is vitally important. The majority of adjudicators deduct points for incorrect call signs and serial number exchanges. One of the prime objects in contest operation is the maximum exchange of information with the highest level of accuracy achieved in the minimum of time. The use of such pleasantries as 73, TU, CUL and GOOD LUCK IN THE CONTEST are entirely superfluous and only waste valuable time. They should be reserved only for close friends.

In Conclusion

The subject of contest operating as you have seen is a complex one. Indeed it is a hobby in itself and 'dyed-in-the-wood' contesters have a language all of their own. It is a pity that there seems less competitive spirit here in the UK as opposed to the USA or Eastern Europe. If this article has kindled a little enthusiasm or taught a few tricks then it has not been in vain. Inevitably with a subject so complex there is much more that could be said and I trust that any of my omissions have not been serious ones.

As a follow up to this article, HRT will be shortly running an article on VHF contest operation by John Ridd, G8BQX, of G6HH and the Hastings Electronics and Radio Society. If you have worked in a 2m contest, you may have heard the G6HH signal from their four 16 element yagis --- mounted on a 90 foot jib crane! John Ridd is a man who speaks his mind and he has been successfully competing in VHF contests for well over a decade. Pungent and highly informative are the adjectives that spring most easily to the Editor's mind as he reads the article through. . .



YOUR ONLY INDEPENDENT IMPORTER OF



AND



- * 15 years experience
- * After sales service
- * Factory spares
- * Full warranty

Symbols of independence and excellence!

YAESU PRICE LIST (INC VAT FREE DELIVERY)
HF EQUIPMENT

Cat No	Type	Description	Price £
1195FT-102	Transceiver	Transceiver	684
1196SP-102	Speaker	Speaker	49
1197SP-102P	External speaker & phone patch	External speaker & phone patch	69
1198FV-102DM	VFO Scanner	VFO Scanner	219
1199FC-102	ATU	ATU	170
1206FAS-1-4R	Antenna Switch	Antenna Switch	39
1204FT-1	Transceiver All Mode/General Coverage	Transceiver All Mode/General Coverage	1399
1224FT-101Z/AM	Transceiver with AM unit	Transceiver with AM unit	515
1225FT-101ZD/AM	Transceiver (digital) with AM unit	Transceiver (digital) with AM unit	599
1228DIG101	Digital Unit	Digital Unit	99
1274Fan B	Fan	Fan	13
1229FT-77	Compact Transceiver	Compact Transceiver	439
1230Marker Unit	for FT-77	for FT-77	10
FM Unit	for FT-77	for FT-77	25.90
FP-700	PSU	PSU	119
FC-700	ATU for FT/707	ATU for FT/707	94
FV-700DM	Digital VFO	Digital VFO	190
1247FT-980	Transceiver (CAT)/General Coverage	Transceiver (CAT)/General Coverage	1149
1249SP-980	Speaker	Speaker	56
1244FT-757GX	All Mode Transceiver/General Coverage	All Mode Transceiver/General Coverage	650
1245FP-757GX	AC PSU	AC PSU	139
FC-757AT	ATU	ATU	219
1248FRG-7700	General Coverage Receiver	General Coverage Receiver	349
1249FRG-7700M	General Coverage Receiver with Memory	General Coverage Receiver with Memory	399
1254FRT-7700	ATU	ATU	44
1255FRA-7700	Active Antenna	Active Antenna	36
1257FRV-7700	Converter 118/130, 140/150, 70/80MHz	Converter 118/130, 140/150, 70/80MHz	83
1273MEM7700	Memory unit	Memory unit	59
1246FL-2100Z	HF 1200W Linear Amplifier	HF 1200W Linear Amplifier	499
1251 Cabinet	for SP-101	for SP-101	17
1276AM Unit	for FT-101Z	for FT-101Z	20

KENWOOD PRICE LIST. 2 Yr warranty. Free delivery.

Cat No	Type	Description	Price £
1331TS-9030S	Transceiver, HF, W, gen. cov. receiver	Transceiver, HF, W, gen. cov. receiver	1099
1330TS-930S +ATUs	above, with automatic ATU	above, with automatic ATU	1199
1329SP-930	Speaker and filters	Speaker and filters	57
1313MC-60A	Desk Top Microphone, scanning	Desk Top Microphone, scanning	54
1357YK-88A1	6kHz AM filter	6kHz AM filter	32
1356YK-88C1	500Hz CW filter	500Hz CW filter	32
1348YG-455C-1	500Hz CW filter	500Hz CW filter	75
1349YG-455CN-1	270Hz CW filter	270Hz CW filter	75
1324TS-430S	Transceiver, HF, w. gen. cov. receiver	Transceiver, HF, w. gen. cov. receiver	719
1310PS-430S	DC power supply, de luxe cooled	DC power supply, de luxe cooled	113
1319SP-430	External speaker	External speaker	30.50
1334FM-430	FM Unit	FM Unit	33.75
1321MB-430	Mobile Mount	Mobile Mount	12.50
1322AT-250	Automatic ATU	Automatic ATU	280
1313MC-60A	Desk Top Microphone	Desk Top Microphone	54
1320AT-130	Antenna Tuning Unit	Antenna Tuning Unit	500
1354YK-880	500Hz CW filter	500Hz CW filter	36
1315YK-88CN	250Hz CW filter	250Hz CW filter	36
1352YK-88SN	1.8kHz SSB filter	1.8kHz SSB filter	36
1353YK-88A	6kHz AM filter	6kHz AM filter	36
1314PS-30	DC PSU	DC PSU	14
1326TS-530S	Transceiver, HF	Transceiver, HF	609
1327SP-230	External Speaker	External Speaker	45
1325AT-230	Antenna Tuning Unit	Antenna Tuning Unit	149
1313MC-60A	Desk Top Microphone	Desk Top Microphone	54
1312MC-50	Desk Top Microphone	Desk Top Microphone	32
1302KB-1	De luxe VFO knob	De luxe VFO knob	11.50
1354YK-88C	500Hz CW filter	500Hz CW filter	36
1315YK-88CN	270Hz CW filter	270Hz CW filter	36
1352YK-88SN	1.8kHz SSB filter	1.8kHz SSB filter	36
1328R-600	Receiver	Receiver	259
1333DCK-1	DC Operation Cable Kit	DC Operation Cable Kit	8.26
1332R-1000	Receiver	Receiver	299
1318SP-100	External Speaker	External Speaker	33
1333DCK-1	DC Operation Cable Kit	DC Operation Cable Kit	8.26
1335R-2000	Receiver	Receiver	399
1355YG-455C	500Hz CW filter	500Hz CW filter	75
1337TR-2400	Transceiver, 1.5W FM, 10CH Mem.	Transceiver, 1.5W FM, 10CH Mem.	195
1301ST-1	Base Stand	Base Stand	219
1309MC-30S	Hand Microphone	Hand Microphone	14
1338TR-2500	2m FM Transceiver	2m FM Transceiver	219
1304ST-2	Base Stand	Base Stand	52
1360MS-1	Mobile Stand	Mobile Stand	32
1342VB-2530	25W Amplifier	25W Amplifier	75
1306SMC-25	Speaker microphone	Speaker microphone	17
1361BT-1	Manganese Battery Case	Manganese Battery Case	6.50
1311PB-25	Nicad Battery	Nicad Battery	14
1305SC-4	Soft case	Soft case	14
1362LH-2	De luxe leather case	De luxe leather case	14
1363TU-35A	Variable Tone Encoder	Variable Tone Encoder	14
1364TU-35B	Programmable Tone Encoder	Programmable Tone Encoder	14
1365DC-25	DC Adaptor for 12VDC	DC Adaptor for 12VDC	14
1366RA-4	Rubber Antenna	Rubber Antenna	14
1367RA-3	Telescoping Antenna	Telescoping Antenna	14
1343TR-8400	70cm Transceiver	70cm Transceiver	279
1368PS-10	DC PSU	DC PSU	52.50
1369	SP-40 Compact Mobile Speaker	SP-40 Compact Mobile Speaker	15.75
1371MC-46	Auto-patch Up/Down microphone	Auto-patch Up/Down microphone	42.50
1313MC-60A	Desk Top Microphone, built-in pre-amp	Desk Top Microphone, built-in pre-amp	50
1339TR-9130	2m All Mode Transceiver, 25W	2m All Mode Transceiver, 25W	419
1372BP-9A	System Base	System Base	33
1373SP-120	External Speaker	External Speaker	33
1374PS-30	DC Power Supply	DC Power Supply	114
1370BC-1	AC Adaptor for memory back-up	AC Adaptor for memory back-up	6.43
1371MC-46	Touch-tone microphone	Touch-tone microphone	41.50
1313MC-60A	De luxe Desk Top Mic. + pre-amp	De luxe Desk Top Mic. + pre-amp	52
1369SP-40	Compact Mobile Speaker	Compact Mobile Speaker	32
1341TR-9500	70cm All Mode Transceiver	70cm All Mode Transceiver	429
1372BO-99A	System Base	System Base	48.50
1373SP-120	External Speaker	External Speaker	34
1307PS-20	DC Power Supply	DC Power Supply	59
1370BC-1	AC Adaptor for memory back-up	AC Adaptor for memory back-up	8
1313MC-60A	De luxe Desk Top Mic. + pre-amp	De luxe Desk Top Mic. + pre-amp	50
1369SP-40	Compact Mobile Speaker	Compact Mobile Speaker	15.75
1316TL-922	2KW HF Linear Amplifier	2KW HF Linear Amplifier	799
1376SM-220	1.8-150MHz Station Monitor	1.8-150MHz Station Monitor	250
1351HC-10	Digital World Clock	Digital World Clock	50
1350PC-1A	Phone Patch	Phone Patch	50
1303RA-1	Antenna	Antenna	8
1379MC-42S	Spare - Up/Down Microphone	Spare - Up/Down Microphone	16

Prices include VAT and Carriage.

Penetrate the four corners of the earth with the DX "PENETRATOR"

HERE'S THE SPECIFICATION...

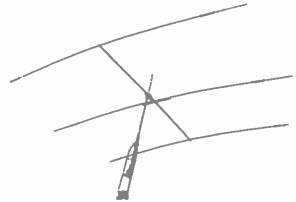
- ★ 3 elements on each band
- ★ heavy duty 2kW rated
- ★ Gain up to 8dB
- ★ Broadband operation
- ★ Stainless steel hardware
- ★ SWR less than 1.3:1

HERE'S WHAT THE CUSTOMERS SAY!

1. VK7NOW "I have recently installed a DX-33 beam and I would like to advise you that I am extremely satisfied with it. It certainly outperforms the TH3JNR which I previously used and also the VSWR is lower"

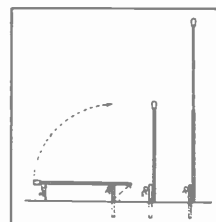
2. G3AAE "This letter is to tell you how pleased I am with the DX-33 antenna. On unpacking the DX-33 I was immediately impressed with the quality of the hardware and in operation it is just as impressive. I have used it on all three bands and have been obtaining excellent reports from DX stations all over the world. I have conducted tests with other stations and these show that the electrical figures included in the DX 33 specification are fully met in practice. Congratulations on a very fine product!"

NOW IN USE FROM VK7 to VE7!
PRICES (INC CARR AND VAT)



DX 33
3 Element
3 Bands

At 100mph windspeed the ultimate mast takes 115% more head load than the SM.30. Ultimate mast takes 3.87 sq.ft.



PRICES (inc carr & Vat)
Ultimast UM-1 £263.35
Reducer head, UHD £8.05
Rotor head, UHD-2 £35.65

SERVICES:
BARCLAYCARD ACCESS
Orders can be left on our answering machine

ANOTHER Western WINNER!

Remember... the ultimate mast was so called because it is the

ULTIMATE IN DESIGN

Our structural engineering department came up with the maximum strength for the minimum of cost. It's impossible to get

MORE strength for LESS cost

... so beware of cheap copies

... they may not have the correct materials.

Slim, unobtrusive
For VHF and HF antennas
Simple ground fixing

One-winch operation
Telescopic and Tilt-over
Self-supporting

Western Electronics (UK) Ltd FAIRFIELD ESTATE, LOUTH, Lincs LN11 0JH
Tel: Louth (0507) 604955, Telex: 56121 WEST G

OPEN HOURS: 09.00-12.00: 13.00-17.00 Mon/Fri. SATURDAYS By appointment.

Goods supplied by return of post.

Agent—
Northern Ireland
Tom Greer G14TGR
Norma Greer G14TBP
Tel: Drumbo (023 126) 645

HAM RADIO TODAY MORSE COURSE

The most effective route yet to your Class A amateur licence!

Professionally produced for HAM RADIO TODAY by Shirley Hesketh G4HES and Ron Ray G3NCL, this advanced interactive learning system makes use of the stereo cassette format to provide tuition to the 12wpm test standard.

With its carefully designed structure, we think that the HRT MORSE COURSE is more effective than either morse classes or electronic morse generators.

Based on TWO C-60 cassettes, it offers the controlled prompting so necessary for the initial stages of morse tuition, followed by carefully paced test material to bring the student up to speed. Full tuition notes are provided with the cassettes.

To receive your MORSE COURSE simply fill in the coupon below and return it to: 'HRT MORSE COURSE', Argus Specialist Publications Ltd, No1 Golden Square London W1R 3AB



Please send me the 'HRT Morse Course' at £11.45 all inclusive of P & P and VAT. I enclose cheque/ PO for £..... (payable to ASP Ltd) OR Debit my Access/ Barclaycard (delete as necessary)

Please use BLOCK CAPITALS

Name (Mr/ Mrs/ Miss)

Address

Postcode

Signature

Date

Please allow 21 days for delivery

Reviewing the FDK M-750XX— Budget 2m multimode

FDK's Multi 700 series of 2m rigs have been around for quite a while now. Introduced around 1980, the Multi 700 (FM) and 750E (multi-mode) soon carved a place for themselves in the market. The FM

that I set about this review of the 750XX multi-mode version, which was kindly provided by Waters and Stanton of Hockley, Essex who are the UK importers for FDK equipment. The 750XX was introduced

750E was the announcement, in 1980, of a companion unit to expand the basic model to 70cm multi-mode. Funnily enough this unit did not make its appearance in this country until Spring 1981. However, the 'Expander' 430 is now readily available and FDK are still committed to their multi-mode/multi-band idea. When you think about it, the 750XX at £315 and its expander at £249 make a very favourable price comparison with, say, the TS780 at £795 or the FT726 at around £900. OK, so perhaps that's an unfair comparison considering the extra facilities offered by the other models, but if money is tight (when isn't it?) what better way is there of getting on 2m and 70cm (excluding homebrewing of course!).

On unpacking, the 750XX's ancestry is instantly obvious since it is housed in exactly the same case as the FM only version. The control layout is also similar to the 700EX with one or two additions and a few relocations. (Being used to the 700EX, this caused a couple of initial operating problems!) The manual describes the 750XX as having a "compact size compared to an ordinary FM transceiver". In fact, it is one of the larger multi-modes, being similar to the Trio 9130 but much bigger than the C5800 and many other presently available rigs. It's true that compared to the 700EX, FDK have packed multi-mode operation into

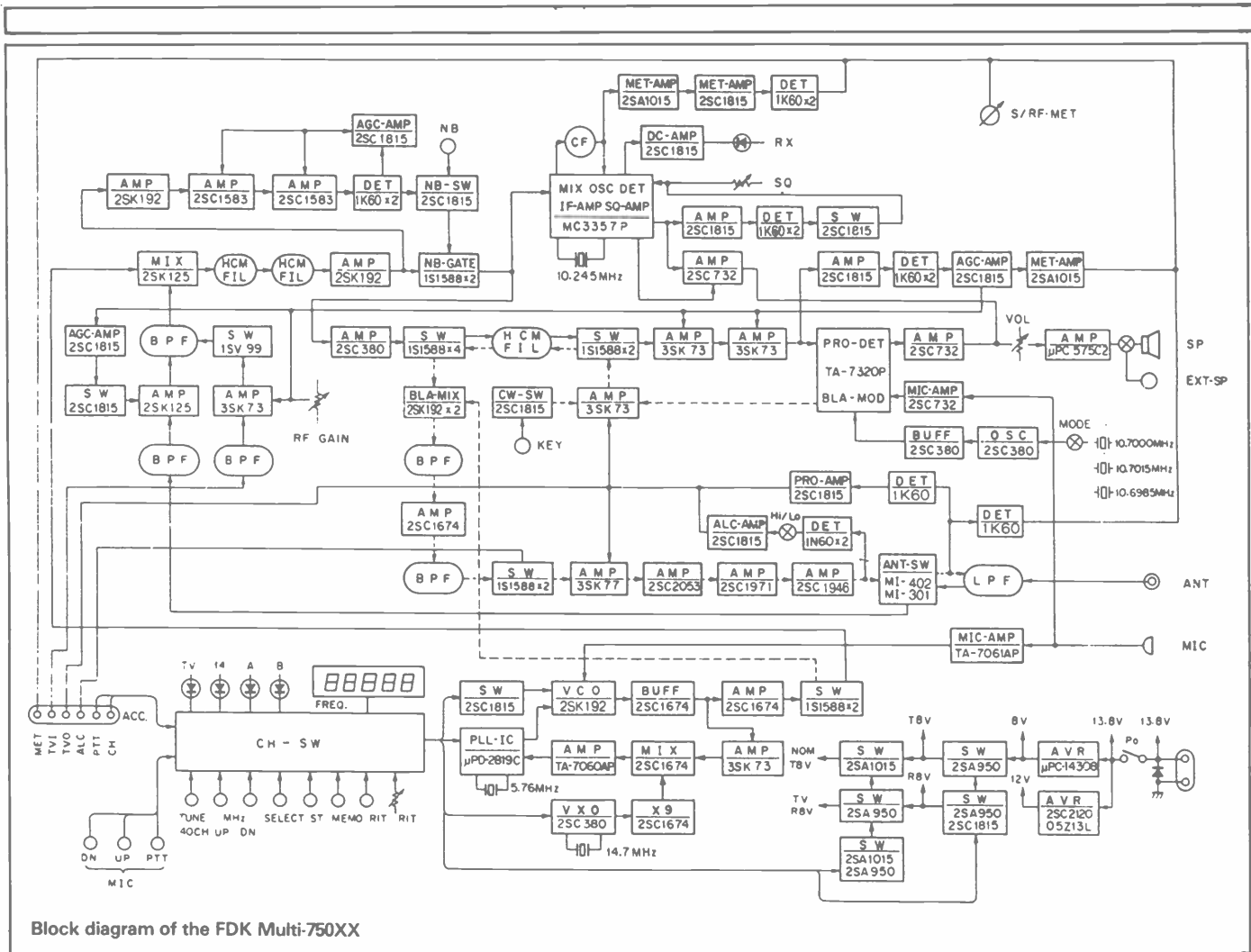
The word on the streets said the FDK Multi 750XX was the cheapest 2m multimode around and pretty hot stuff. HRT thought this needed further investigation and Peter Metcalfe, BSc, G8DCZ, was put on the case.

version seems to have become a very popular rig for mobile use and, as an owner of a 700EX for the past three years, I can see why. It's basic, unpretentious facilities make for simple and safe mobile operation while the signal handling properties and general ruggedness of the 700EX are as good as any of the more flashy models on sale. It was therefore with great interest

at the end of 1983 and the only outward difference from its predecessor is the blue display, whereas previously it was green. Looking a little closer at old and new adverts shows that the 10W output has now been raised to 20W. Little else appears to have changed but, if you're onto a winner, why change it!

The most novel feature of the





Block diagram of the FDK Multi-750XX

the same box as FM alone, but of course the latest FM rigs are much smaller (e.g. the Trio TM201A). I have found over the years that the very large front-to-back length makes the 700EX rather awkward to fit into many cars and, also, that a lot of vibration seems to occur when the rig is in the mobile mount. The mount supplied with the 750XX is unfortunately the same awful design as the 700EX. One needs about four hands, good lighting and a lot of luck to fix the rig into the mount and it cannot by any stretch of the imagination be called 'quick-fit'. The power connector is also the same as on the 700EX and I have found that, unless the rig is a permanent fixture, the plug gradually wears and can cause intermittent connection problems. A few pence more on a screw-type connector here would have been well spent I feel.

Manual Error

Now onto my old hobby horse — the manual. Until recently Trio have

had my prize for the least informative manual but now FDK take the wooden spoon! True, the booklet explains basic operation for the newcomer (just about) albeit with one or two errors/misleading areas (see later) but that is all. The review copy seemed incomplete with no diagram of the microprocessor section and an almost unreadable photocopy for the main circuit. FDK use the now 'standard' technique of labelling wires with incomprehensible codes (which seem to change along their length!) and have the inevitable single line representation of multi-wire cable-forms with little indication as to what goes where. Because of this, one of the most attractive features of the 750XX, the accessory socket on the rear panel, is rendered almost useless. Concerning this socket, the manual issues a warning that it should only be used with the 430 Expander; however it would appear that some very useful features could be tapped into via this outlet. For example, PTT, some form of RF output, metering, display drive, RF input and a way to convert the normal 600kHz repeater

shift to the UHF standard 1.6MHz. I know that FDK want you to buy their add-on unit but there must be someone out there dying to step into the homebrew linear/transverter field. Isn't that what amateur radio is all about? So please wake up manufacturers!

One area in which the manual is misleading is where it states that the PTT switch must be depressed when operating CW. This is not the case as merely pressing the Morse key will put the rig onto transmit when in the CW mode. It is unfortunate that, though there is a sidetone facility, there is no means by which one can practice CW 'off air' as, unlike many other rigs, the sidetone is only operative whilst transmitting. I also found that the tone is rather loud and could find no immediately obvious control to turn the level down.

Classic quote from the manual is: "It is good operating practice to use the minimum RF output power to secure good communication, according to the distance and band conditions. Output level, is controlled by the rear panel 'high/low' switch."

This is all very true, so why put the switch on the rear panel? If the rig is mounted on a shelf or in a car, this switch is practically inaccessible and would tend to discourage this laudable operating practice.

It's a shame that sticking to the same panel layout as the FM version has meant that the 700EX's variable power control (a unique and admirable feature to my mind) has had to be replaced by the RIT in the 750XX. One point in favour of the 750XX is that the high/low power (20W/1W) does operate on SSB, unlike many of its contemporaries. Another potentially useful feature is that the mic. socket appears to have a +5V line along with the usual PTT, audio and up/down lines. This could be very useful for supplying power to a speech processor or boom mic preamp without having to use extra power leads (pity it's not +12V though!).

Opening Up

So what goes on inside? (You know it's surprising the large number of people who will go for months without peeking inside the box! I'm afraid that it's one of my first thoughts.) After the clean uncluttered lines of the 700EX, my first impression of the 750XX is that there are lots of add on boards. However, the whole interior is still quite well laid out with lots of room to wield a soldering iron!

The lower section reveals the main RF board containing, surprisingly, a bipolar (2SK125) grounded-based input stage. If one is using the 70cm add on unit then the input is routed to 3SK73 MOSFET. Also on this board is the now 'standard' integrated circuit for a dual conversion FM transceiver i.e. a MC3357 (FM detector, squelch, second IF etc.). This has proved it's worth in such rigs as the Icom IC290E. What is rather intriguing is a rather large, nay massive, diecast block which I can only assume is the helical bandpass filter. (Yes, the manual is terribly explicit here!) Practically all of the board connections are socketed which is rather nice, unlike for example the Standard C5800.

The upper portion of the rig houses the main microprocessor and the switching side of things. These are constructed on three circuit boards. The first of these houses the

microprocessor channel switching using a UPD650, as in the IC290 and TR9130. The second has the PLL, VXO and VCO while the third has the usual mic amplifier integrated circuit, crystal filter, balanced modulator and product detector circuitry. Also in the top section are two 'add-on' boards which cater for the tone burst and scan functions. The main impression of these areas is of good quality, no-nonsense design and construction. My only gripe here is that in the logic section only three of the ICs are socketed (the expensive ones!) and I think it a shame that there is the chance of ruining an entire circuit board when replacing a 20p IC, when, for the sake of a few pence more, this danger could have been easily alleviated.

The final section of the rig is a most pleasant surprise. The rear section is devoted to the voltage regulator and RF power section. The surprise comes in finding that the final PA is discrete. Having blown two PA modules in the 700EX in three years, I am rather pleased to see a discrete output stage at last. (Never did trust those module things!) Considering the abundance of 10W multi-mode rigs using modules in the output stage, it would be interesting to see if the 750E (10W) version used one too. Perhaps this is the major difference between the two versions. Having said this however, there is one rather odd point in that the 750XX has a large heatsink bolted to the back of the case but the final transistor is attached to a relatively small extension of this. There is nothing bolted to the main heatsink at all! With this in mind I kept a careful eye on it's operating temperature and sure enough after about five minutes of transmitting on FM the rear panel was too hot to touch! However, the rig seemed to cope adequately with this but I do advise caution when mounting the rig in a car (not too near the hot air vents!).

Physical Problems

In operation the 750XX presents one or two physical problems to the operator. For example, the squelch control is difficult to use without simultaneously and unintentionally adjusting the audio output level. Similarly, the mode switch is very

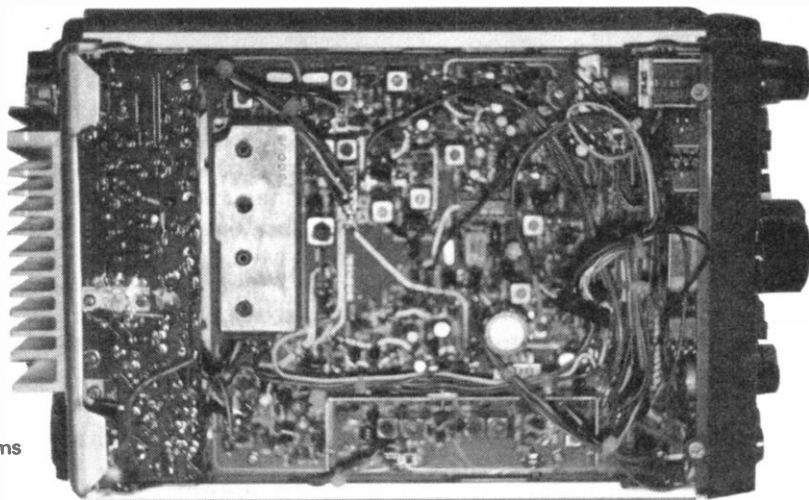
awkward to operate without turning the RF gain control. One of the main advantages of the 700EX was the simplicity of the control layout, making the rig ideally suited for mobile use. I fear that FDK have tried to cram many features into too few control knobs/buttons with the 750XX and they have failed to produce a 'safe' mobile rig in some respects. (I'm afraid that my vote must go to the TR9130 for being the 'safe' mobile multi-mode rig.).

Readout Roundup

FDK seem determined to perpetuate the age-old controversy about 'S' meter readings — as are many other manufacturers for that matter. Local contacts on both FM and SSB, which I would have considered to be 5/9+, barely registered on the LED display. On the positive side the frequency readout is provided by a blue five-digit display, the brightness and size of which should be adequate for even the sunniest day. There is also a rather nice touch in that when used as a 2m rig, a green '14' legend is illuminated, while when the 70cm Expander unit is connected this changes to '43', the ordinary display thus giving true 70cm frequencies.

The audio output is quoted as 1.2W with the inevitable 10% distortion. This seems rather low for all but the quietest of cars and I found this a bit of a problem! However, in the rig's favour, the speaker fitted is a reasonably large 3" type and gives very nice audio quality. It is particularly pleasant on SSB and makes DX chasing not too strenuous on the ears at least.

In operation the 750XX seems to have a very sensitive 'front end' and compared favourably with my main rig, which is fitted with a preamp. I have long been a fan of FDK's front end design and they seem to have got it right again with this model. Unfortunately, the operation of the review model was marred by a couple of 'dry joints'. One of these was in the squelch circuitry and occasionally caused the squelch to open when the rig was scanning, thus stopping the scanning. The other rather more serious dry joint was in the mic preamp section and resulted in practically zero modulation on FM (no wonder I couldn't raise the local repeater or get any reports initially!). I do hope



Bottoms up!

that this is not an indication that FDK are cutting costs at the expense of production control. Reports on SSB were of a "nice clean signal and audio", "perhaps a little flat but not bad audio" etc. One slightly worrying feature is that there appears to be no 'out of band' preventative switching and on a set which covers 144-148MHz this could cause embarrassment (to say the least!). A couple more criticisms were that the noise blanker seemed rather ineffectual, (it didn't pass the 'sewing machine in the next room' test as well as other rigs I've tried) and that the tone burst, like that on many current rigs, was far too long. On this point however, the tone burst section is readily accessible (a bolt-on board to the rear of the upper section) and should present little difficulty in changing a capacitor to alter the length of burst.

Taking Steps

The processor and PLL unit allows frequency steps of only 5KHz and 100Hz on all modes. The absence of a 25KHz step on FM made quick QSY-ing rather awkward. For SSB I found 5KHz steps a little coarse, especially under lift conditions with a crowded band, but, as the alternative is to tune in 100Hz steps, one has to get used to this I'm afraid. RIT is enabled by latching a push switch and covers +2.5KHz on SSB. While this shift seemed rather large at first and took a little time to get used to, it does mean that it covers the frequency range of the 'Step' control. Since the RIT range is so large it would have been nice if there was some form of LED indication when RIT was enabled. There is a

further 'step' of 1MHz provided by a front panel push switch and, while this is very useful, I found it all too easy to knock under mobile conditions and found myself tuning to the 146-148MHz region!

A very nice feature of the 750XX is the totally independent A/B dual VFO. When used as a 2m only rig this gives great versatility in setting up QSY frequencies and for monitoring both SSB and FM calling channels etc. But FDK don't stop there — also available is the 'cross' facility which means that the currently selected VFO gives the receive frequency and the other VFO gives the transmit one. This facility means that if the Expander is fitted, cross band operation is possible. This offers many useful features to the 2m/70cm operator, for example, reverse repeater, listen on input, continental repeater shifts, satellite working, silly splits etc. Back up for the two VFOs is only provided while power is connected and then the current drain is around 1.5mA, perhaps a little too high for battery back-up and anyway, as there are no memories provided, perhaps this is not a bad omission. On the subject of memories, it does seem strange that FDK do not offer them on the 750XX. After all, Trio and Icom use the same processor and yet do have memories. I can only think that FDK couldn't find room for a switch to control this function!

Up/down tuning is accomplished by two buttons on the microphone; continuous pressing of either of these also sets off the up/down autoscan. This scanning can only be described as rudimentary, for it is only of the 'stop on a busy channel' variety and, once the

rig has stopped there, scanning does not resume when the signal disappears. It is possible to scan when in SSB mode but the scanning will not stop until told to do so. Another annoying feature is that once the scanning facility is initiated, the rig scans the full 144-148MHz and there is no facility to scan, say, between VFO A and B frequencies. Consequently, on 2m this function is effectively useless for half the time. Selection of the step frequency of 5KHz provides a problem here and causes the scanning on FM to stop, as soon as it detects any signal, well away from the correct frequency!

My biggest gripe in the synthesiser department is with the repeater shift design. While the 750XX has the usual +600KHz shift (1.6MHz on 70cm) controlled by the offset switch, there is no indicator to tell you when this function has been selected. What is more, the display does *not* alter to show the Tx frequency! This seems rather odd considering that the display does change when using the A/B cross facility. (Perhaps a modification will be forthcoming to rectify this problem.) Also there is no immediately available 'listen on input' facility unless one goes through the procedure of setting up the A/B VFOs to give this. Finally since the repeater shift is not deactivated on SSB, and owing to the 144.000/147.995 wrap-around, one can easily find oneself transmitting on 147.700MHz instead of 144.300MHz!

Final Thoughts

Now I may have seemed to be running down FDK, *but far from it*. Most of my gripes are about minor details which should be relatively easy to modify. The main attraction of the 750XX is that it is a very well designed rig from the RF point of view with simple controls, few gimmicks and, from my point of view, there is plenty of space to get the soldering iron into! An excellent RF enthusiasts rig, but a shame about the manual. Probably of greater importance is that it's one of the cheapest units on the market. Couple this with FDK's commitment to 70cm transverter facilities and I feel that you have an excellent nucleus for a base/mobile set up. I wonder if FDK will swap it for my faithful old 700EX?

A Plain Man's Guide to 6m Reception

In the past, there was traditionally an amateur frequency allocation in the UK around the five-metre area of the radio spectrum. Back in the 'Thirties', pioneer VHF men keen to try 'Five' would subject the valves of the day to a process known as debasing, which simply entailed removing them from the large bakelite bases, then com-

Upon the resumption of amateur activity after World War Two, the S/E transmitters and 'super-regen' receivers of the 'Thirties' proved obsolete in the face of the vastly improved VHF techniques of the 'Forties'. There was only one place for them when they were returned from their impounding by Government agency,

Sadly, theirs was to be but a brief flirtation with the new 5m band. The writing was on the wall and it was spelled 405-line television. The BBC's one existing television transmitter in North London was soon to be complemented by another, to serve Birmingham, just as soon as resources allowed – this would demand a takeover of the amateur 5m band. Only three years after the resumption of amateur radio transmission came the closedown of 5m on March 31, 1949.

Not many years later, 4m became available to the British amateur; initially little more than a spot frequency around 70.2MHz, later to be extended to today's generous width.

'Four' soon proved to be essentially a 'VHF' band in terms of radio propagation, with the limitations in range imposed by Nature that might be expected of it. Much more exciting was the prospect of a frequency allocation at 6m. Here, for many years, British amateurs had listened (through the 405-line TV interference!) for signals from those regions of the world, such as the USA, where, unlike Europe, 50MHz is an official amateur allocation. Of course, we were not allowed to transmit in it because of the presence of those 405-line television services.

Very early on it became evident

There is considerable and growing interest in the 6m band. With the accelerated closedown of VHF 405-line TV, from January 1984, licences may be widely granted to the UK amateur fraternity. In Part 1, Jack Hum, G5UM, sets the scene and describes the techniques for successful 6m reception. A simple, effective design for a 6m converter will follow.

mon, and attaching signal frequency inductors to the actual valve lead-out pins in the interest of (it was fondly hoped), reducing losses.

All this was in the cause of building transmitters – self-excited modulated oscillators – and companion 'super-regenerative' receivers for the virtually uncharted territory of 56Mc/s – and please, Mr Editor, do not change that term "Mc/s" to "MHz": the word megahertz was unknown all those decades ago, and it was megacycles that ruled the waves.

and that was straight into the garbage bin!

The post-war allocation in the five-metre area was, in the event, slightly higher in frequency than the pre-war one. It was 58.5 to 60MHz, and at once it attracted the attention of many operators whose interest in the "very highs" had been whetted during the war years. But it also had among its adherents many exploratory-minded amateurs ready to tackle anything that looked new and challenging, as 'Five' was then and 'Ten Gigs' is today.

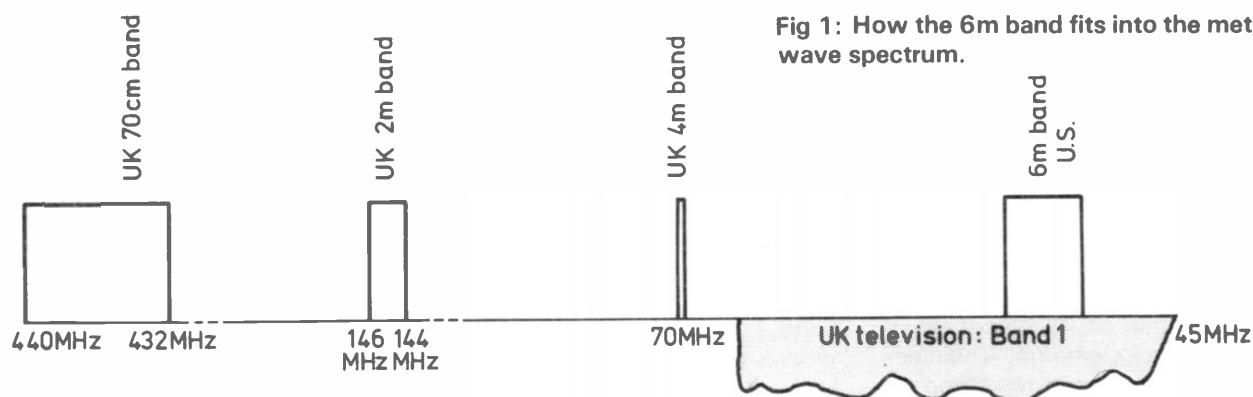


Fig 1: How the 6m band fits into the metre-wave spectrum.

The position in the spectrum of the three lower-frequency vhf amateur bands is shown in this diagram. A UK allocation at 50MHz would be within the 4MHz area enjoyed by North American amateurs but at present--in Europe--occupied by Band 1 television.

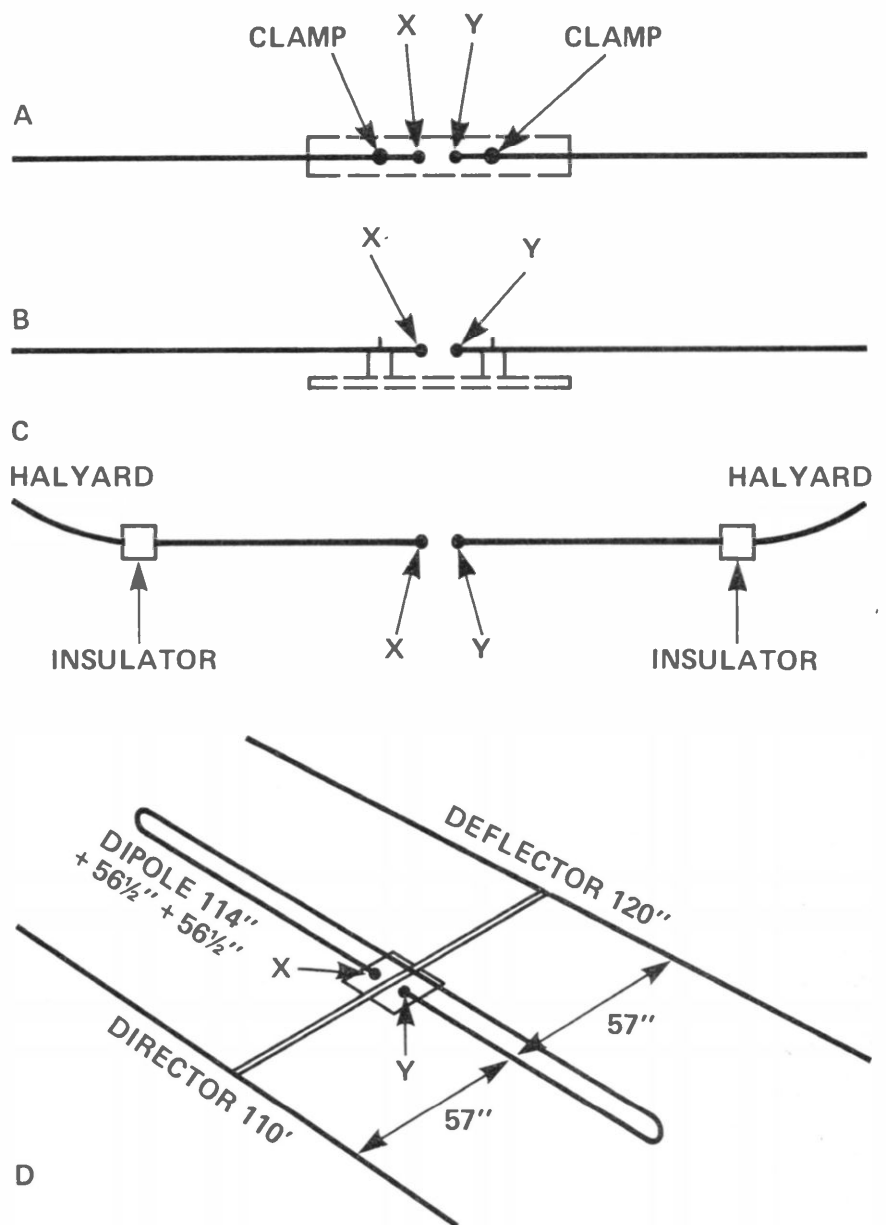
Fig 2:
ANTENNAS FOR "SIX":

A: Simple dipole construction. Each arm is 57 inches long and may consist of 1/4 in or 3/8 in aluminium tubing (or even Woolworth's curtain rail!). Each inner end is secured to a polythene or perspex mounting block. Feeder connections are at "X" and "Y". The feeder should be firmly secured to a nearby bracket or similar substantial object to avoid flexing and possible rupture of the connections.

B: Alternative construction for a 6m dipole on a timber batten with stand-off insulators to support the metal elements.

C: A perfectly adequate 6m dipole may be constructed of wire as shown here, each arm once again 57 inches long. The feeder, connected to Points X and Y, should be securely dressed away from the line of the dipole because wind movement will be more evident on a flexible arrangement such as this one by comparison with the more rigid construction possible when metal elements are used.

D: Layout for a 3-element Yagi at 50MHz. The folded dipole section consists of an unbroken section of tube 114 inches long bolted at its remote ends to the ends of each 56 1/2 inch dipole arm. The inner ends of the dipole arms accept the feeder connections, at X and Y. A centrally positioned polythene or perspex block is the anchor point for both arms of the dipole section. This aerial will match into a variety of coaxial cable impedances: the impedance may be varied by varying the distance between the two dipole elements.



that 6m had intercontinental potential, a fact demonstrated by such pioneers as the late G5BY and the still-with-us and very active G5KW when, for a brief period, a clutch of special licences was issued for 50MHz – before the heavy hand of television was laid, seemingly finally, upon it.

Now in the 'Eighties the British amateur is at last favoured by the reallocation of the 50MHz band, albeit to a limited number of operators in geographically selected areas from whom evidence of its potentialities will undoubtedly emerge. Their activities are necessarily restricted to outside-television-hours until the last vestige of 405-line video disappears – and as that is likely to be shortly after the end of 1984, the oppor-

tunities for much more extensive use of 'Six' seem an intriguing possibility.

How many students of 6m are there at present? Probably a few hundred, made up of the few dozen who actually have permits to transmit, plus the considerable number who do not, but listen to see what might turn up. These at present modest numbers could – and should – swell from hundreds to thousands if a large number of readers of *Ham Radio Today* decided to take an interest in the band. For it is a part of the spectrum where, rather like 70cm, you never know what's going to happen next. Its potential for surprise is likely to attract the curiosity of SWL, Class B and Class A people alike.

Initially, I think it might be no bad

thing if 'Six watchers' restricted their investment in the band to facilities that would allow them to monitor it at a minimal cost. More sophisticated facilities can be developed if and when the opportunity to transmit is granted. In the meantime, the facilities necessary to sample 6m need be no more than a basic aerial and a simple converter. Let us take a closer look at each of these requirements.

Skyhook For Six

When the phrase 'basic aerial' is used the speaker often has in mind the common or garden 1/2 wave dipole – and the garden is indeed the best place in which to erect it rather than somewhere within the roof space,

always a temptation when the erection of a simple, compact type of antenna is contemplated. Let us have no illusions: the dipole is an inferior antenna by comparison with a beam, and possesses no inherent gain of its own. Yet, when it is made resonant at a chosen operating frequency, it can give encouraging results.

The dipole should be given the best possible chance to produce results on 'Six' by being erected in as high and clear a position outdoors as the site allows. There will be time enough to invest in a beam antenna if the experimenter's initial explorations of the band persuade him to stay with it.

Another reason for suggesting that a dipole should be used initially is that a beam array for 50MHz is a structure of considerable size. A dipole for 6m is nine-and-a-quarter feet in length, or three times the dimensions of its 2m equivalent. Applying the G5UM maxim for beam dimensions, so often deployed in print and over the air these last thirty years, that familiar "36, 38 and 40 inches spaced 19 inches" for the 2m band translates to 110 by 114 by 120 inches spaced 57 inches" for a three element 6m beam. In other words, you are faced with the problem of building or buying and then installing an antenna of virtually 10ft boom length.

Despite this, many of the small number of experimenters licensed to transmit on the band today have invested in antennas considerably more complex than the 3-element design described above – in their determination that 50MHz shall yield the maximum possible results.

Our nascent dipole need be no more than two lengths of aluminium tubing cut to the dimensions shown in Fig. 2 and fed in the centre with 75ohm coaxial cable. The antenna could be constructed of thick wire, say 10SWG, rather than metal rod. Clearly, a wire antenna has greater propensities for movement in the wind than does one of rigid rod construction, which is a condition likely to induce fading of a distant signal, caused by the movement of the antenna in relation to solid objects within a quarter-wavelength's distance from it.

Another drawback to the use of a wire dipole at 50MHz is that you can't rotate it! Yet, this difficulty need not be an insuperable one so long as the

aerial is positioned to favour reception of a signal source, such as the GB3SIX beacon in north Wales at XN49F (there is a 6m beacon proposed for RSGB Headquarters north of London), or an area of high population density where there is likely to be at least one amateur active on 6m.

On any band where the amateur population is not high beacons are invaluable as signal sources for the alignment of receiving equipment. On 70MHz newcomers to the band look to GB3BUX in north Derbyshire to provide them with a signal (audible nationwide) to permit the evaluation of their receiving equipment. On 50MHz constructors will undoubtedly look to GB3SIX to do the same, not forgetting that because its radiation pattern is directed westwards the signal level in much of the UK is low.

What To Hear?

The UK activity is presently a mixture of CW/SSB with many 'cross-mode' contacts taking place, as on 4m. Listeners will soon become aware that there is a considerable amount of cross-band working by the lucky 50MHz permit holders with other stations less fortunate than themselves, using 2m, 4m, 10m and sometimes 80 and 40m, depending upon the prevailing propagation conditions.

All of this could be said to presuppose that HRT readers are already in possession of equipment to enable them to listen on the band! Anyway, what follows should help readers to build something appropriate and understand the principles involved.

What To Build?

What I am proposing that we construct is a device referred to rather loosely in our hobby as a 'converter'. This is a device for receiving a signal on one frequency band and converting it to another frequency – where it is 'received' by a separate receiver. Why do we do this? Principally to avoid handling the signal directly at VHF which can prove difficult. We thus convert our VHF signal down to HF where we can receive it on our main station receiver.

I realise that a large number of new licencees do not possess a HF communications receiver. Of the ten thousand Class B licencees who have come into Amateur Radio in the last

twelve months, probably a majority enjoy the hobby via the medium of a factory built VHF-only transceiver. Understandably, a 'black box' to get on-air directly is often the first priority but, close behind, at the least, should be an investment in a general coverage HF receiver – to provide a window on the world below 2m and to furnish the station with an 'intermediate frequency' or IF strip, into which various kinds of converters (for, say, 23cm, 70cm, 4m – and 6m of course!) may be fed.

The inter-relationship of converter with main station receiver is shown in Fig. 3. Operationally, this is what happens:

From one of the aerial systems described earlier the incoming 50MHz signal passes to the RF amplifier which is the first stage of the converter. After amplification the signal passes to the mixer stage. Here it meets the local oscillator signal presented to it – say at 45MHz for the sake of argument. The difference frequency – clearly 5MHz – appears at the output of the mixer, to be resonated by an inductor at 5MHz and passed along a short length of coaxial cable to the input of the station communications receiver.

By this technique the 6m band is tuned on the 60m band! The 50MHz band edge occurs at 5MHz on the receiver scale, the GB3SIX beacon on 50.02MHz is tuned in at 5.02MHz, the EI4RF beacon on 70.13MHz comes up at 5.13MHz and so on.

What IF?

The significance of that phrase a few lines earlier "... at 45MHz for the sake of argument" will not have been lost on the careful reader. Simply, the local oscillator does not need to be at 45MHz if you don't want it to be: a tenet of VHF converter design is that you can make the IF whatever you like, and you choose your I/O frequency accordingly.

However, in practical terms, the IF decided upon by the constructor will be dictated by the amount of space 'Six' is likely to take up on the tuning scale of his main station receiver. He will wish to be able to scan the full 2MHz area of the band from 50 to 52MHz. This will occur at 5 to 7MHz on his receiver when the converter oscillator is at 45MHz.

Certain communications receivers which are amateur-bands-

only offer no facility for tuning a 2MHz span except at 28MHz: all other HF amateur bands are much less than 2MHz wide. The converter-builder possessing such a receiver will need to select his converter local oscillator frequency accordingly. The following table shows what local oscillator frequencies are required for which bandspreads:

Main Receiver	Converter LO
5 to 7MHz	45MHz
10 to 12MHz	40MHz
14 to 16MHz	36MHz
28 to 30MHz	22MHz

The practical convenience of the 5 to 7MHz area as a tunable IF is at once evident when the above figures are studied. It is very nice to have 5MHz representing 50MHz. It is less convenient, but not by much, if 50MHz is represented on the receiver dial by 10MHz, because 51MHz then becomes 11MHz, and 52MHz becomes 12MHz.

A modicum of mental arithmetic is called for on the listener's part if he goes for a 28MHz intermediate frequency out of his converter, for he is

Fig 3: The converter principle. An incoming 50MHz signal is amplified and passed to the mixer stage. Also injected into the mixer is a local oscillator signal at 45MHz. The difference between the two, which is 5MHz, represents the intermediate frequency. It is fed to the aerial input socket of the main station receiver. Set the receiver scale to "5MHz" and you are receiving on 50MHz. Set it to 5.5 and you are receiving on 50.5MHz.

compelled to remind himself that "28MHz on my receiver dial means 50MHz on the 6m band". If the available bandspread compels the use of this IF the listener will find before many weeks of operation have passed that he recognises almost by instinct that "28 equals 50" and "30 equals 52".

Right, then: you can make the IF whatever you like. Watch out, though, for that bugbear of converter construction known as 'IF breakthrough'.

What Breakthrough?

In order to detect radio signals a HF communications receiver needs an aerial. Our converter output is going to be connected to the aerial input terminal of the receiver – and unfortunately, under the circumstances to be described, a converter can act as quite a good aerial!

Many constructors have reported to the writer how disappointed they were at "... the amount of morse and unwanted broadcast stations and lots else" that rode into the system when they attempted to commission a metre-wave converter for the first time. The answer to this lament is threefold:

"First, have you removed that metal input terminal from the receiver and replaced it with a coaxial socket?" And – "Have you kept the IF coaxial lead from your converter to the HF receiver input as short as possible? Then – "Thirdly, have you connected the converter case to the receiver earth terminal by means of a separate bonding lead?"

The constructor who completes

these three essential jobs should be able to sit back and say with complete conviction: "What's IF breakthrough?" – as there should be none.

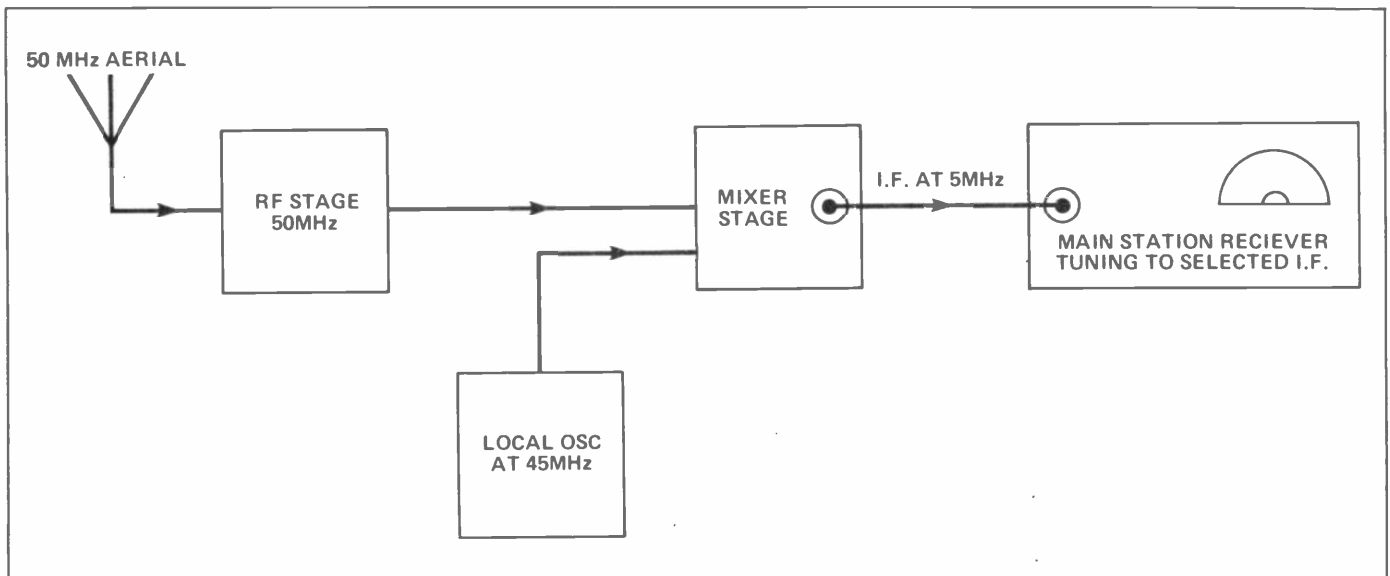
Proud owners of sleek communications receivers may harbour misgivings about 'butchering' them in order to substitute a coaxial input socket for the existing antenna terminal. They may be assured that no butchery is called for: most antenna terminals are easily removable, and in many cases the space left behind will exactly accommodate a standard TV coaxial socket into which the output of the converter is to be fed. Be sure to resolder the antenna terminal lead to the central spigot of the coaxial socket when you fit it! Apologies for stating the obvious: but it *has* happened!

The first-time purchaser of a communications receiver should ask his supplier to fit an appropriate coaxial socket before delivery. If, as sometimes happens, there are dual aerial input sockets be sure to 'coaxify' them both – to inhibit IF breakthrough from either of them.

What Converter?

By now the intending 'seeker after Six' having decided what aerials he will erect and what intermediate frequency range he will select is in a position to ask the question: "What converter?"

The answer to it must wait until next time, when it is planned to offer HRT readers a simple but practical design of converter that will allow that first foray on 6m to be taken with confidence.



A Simple Iambic Keyer

"Thirty eight pounds; you must be joking", I said. Unfortunately, he wasn't, adding that the price had gone up again. The local radio emporium was selling an iambic keyer

commercial paddle, case and power supply, and have change from £38.

Like most people who have recently passed the morse test, I was interested in improving the morse I

David Sylvester, G4TJG, shows how to build an iambic morse keyer which works well and looks good.

PCB, with some eight ICs on the board, and this was the price. . . I had decided to build a keyer for myself, rather than pay £100 for a commercial unit. Buying a ready completed Keyer PCB had seemed a nice compromise between homebrewing and commercial equipment. Leaving the emporium, I determined to build a keyer to my own design, starting from scratch. After some thought I reckoned I could build one, including a nice

was sending by letting electronics take over the timing work. The readability of a CW signal relies on the sender being able to keep to a constant pace. Listing logic circuitry, a multivibrator, with it's constant output pulse time, can be utilised to maintain rhythm; also, the dit-dah time ratio could be made exactly 1:3 rather than the variable ratio that hand keying can give, also substantially aiding the readability of the morse sent.

Design Considerations

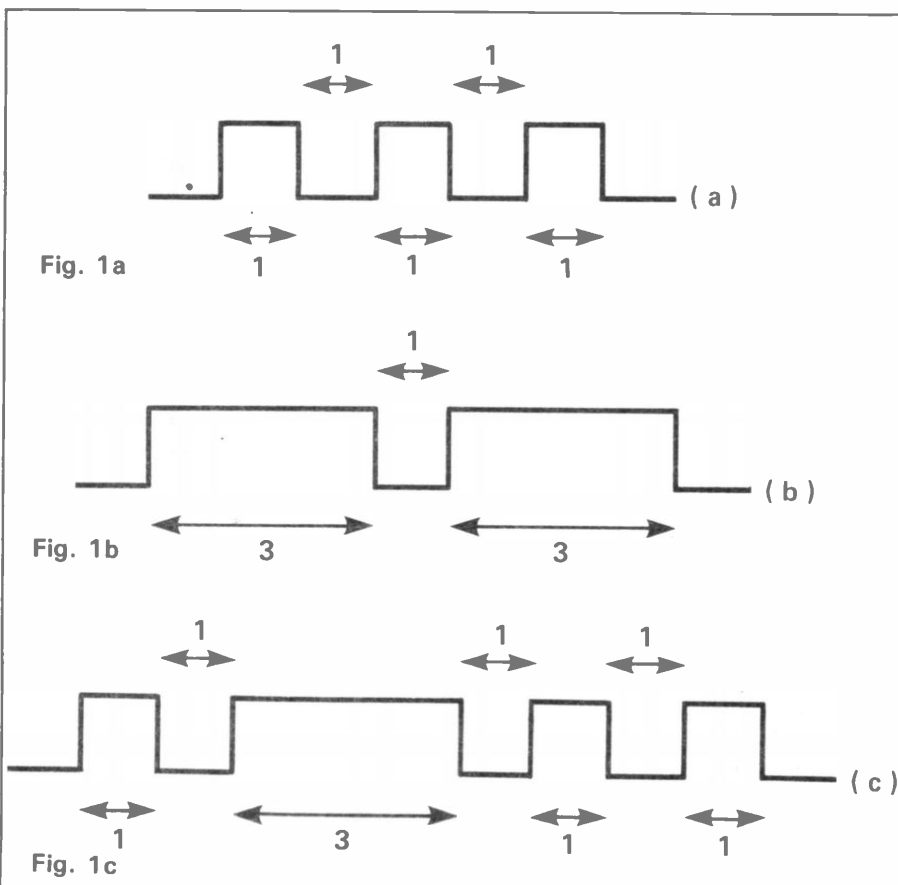
The difficult decision was what to include and what to leave out of the design. The keyer must have twin paddles, go dit-dit-dit when one paddle is pressed, dah-dah-dah with the other pressed and dit-dah-dit-dah when squeezed together, that is to say fully iambic. It also had to look good as well; a dirty box next to the rig ruins the station appearance and your pleasure in it, even if everything works perfectly. As to other options; power supply, well, both mains or DC options should be available, a rate control for sending speed, and, having seen other amateurs blow up the transistors used to switch the output of their keyers, a relay switched output was decided upon so that the unit could be used safely with a variety of rigs. No tone generator was included as I already had a practice oscillator for training and most transceivers seem to contain their own tone generators when used on CW. Memory facility was not felt to be a necessity and, anyway, the idea was to produce a cheap keyer and memory would add considerably to the complexity and cost.

Getting The Timing

We should finally consider what CW actually is and how we can generate the necessary 'timing'. Fig. 1a shows the timing arrangement of a string of dits where the 'sound' is on for one time unit and off for one time unit before starting the next sequence. The string of dahs, Fig. 1b, has a sound-on time of three units and off for one unit. The letter L (-.-.), Fig. 1c, only has one time unit gap between the dits and dahs so the keyer must be able to cope with this.

How It Works

Fig. 2 shows the complete circuit including the 240V mains and 12V DC power supply options. The heart of the system is the four D-type flip-



flops in IC1 and IC2, the output of IC2a (Q) operating the relay whilst the output of IC2b (Q) controls the timing unit. These flip-flops are connected as shift register and each time the register is 'clocked', the information at the D input to each section will be transferred to the Q output. The set lines S are connected as two pairs and are asynchronous in that when the S input becomes high the corresponding Q output immediately becomes

the constructor. These pulses are used to clock the shift register, the Q of IC4b and IC3a are needed as feedback to keep the timer producing pulses while the output Q of IC2b is high.

The two set lines of the register are connected to the paddles via the logic circuitry consisting of IC5a, IC5b, and IC6 so that, from the rest condition, when the dit paddle is pressed, the set lines to IC2 only

holds them low irrespective of the position of the paddles, until the system returns to the rest state. In addition a signal at the output of IC3b is used to clock IC7a but we shall return to this later. After the clock pulse from IC4b, IC2a output becomes low and the relay opens, but the previous 'high' on the output of IC2a is transferred to the output of IC2b and this initiates a second clock sequence. After the second clock pulse all of the shift register Q outputs have become low and the keyer has returned to the rest state. The Q of IC2b becomes high and allows the set lines to take up more data from the paddles. We have now generated a dit by turning the relay on for one clock pulse and off for one clock pulse before returning to the rest state. Similarly for a dah where all the Q outputs of IC1 and IC2 become high. Four clock cycles will be needed to move the low input to D of IC1a to the output of IC2b and of these, three will turn on the relay and one will be with the relay off.

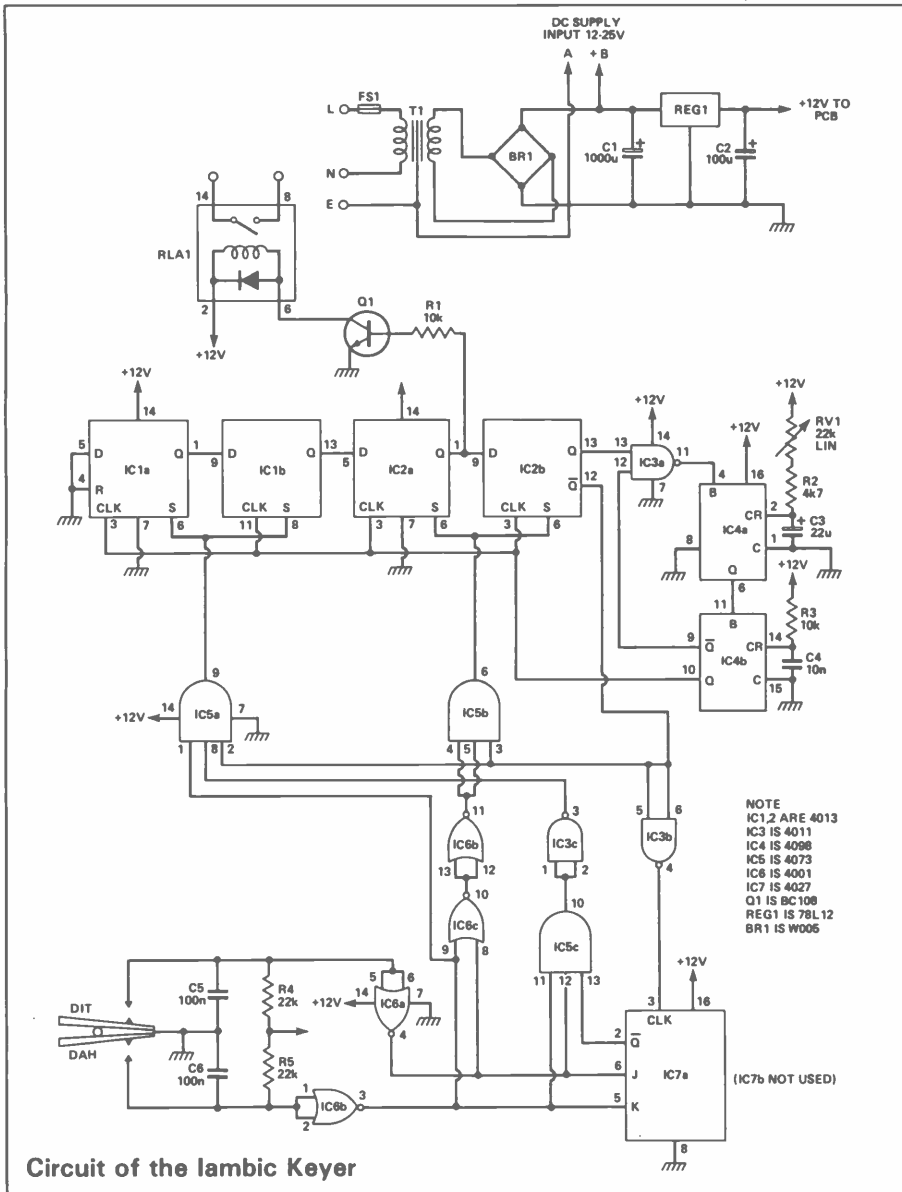
Dits And Dahs

We now have electronic generation of dit and dah and by holding one or other paddle on, we can generate a string of dits or dahs.

The difficult part is the generation of alternate dits and dahs with both paddles pressed, the iambic bit! Without IC7a, the JK flip-flop, the keyer would only produce dahs with the paddles squeezed together. IC7a receives positive clocking edges from IC3b at the same time as the rise in output Q of IC2b, caused by the acquisition of data from the position of the paddles. The output Q of IC7a is controlled by information derived from the paddles at the instant that the register receives data is recorded in the ZJK flip-flop. Table 1 gives the truth table for a JK flip-flop. It can be seen that when the paddles are held together, the inputs to J and K are both 1 (high) and the output of IC7a will become high and low

Table 1

CLOCK	J	K	Q	\bar{Q}
↑	0	0	NO CHANGE FROM PREVIOUS STATE	
↑	1	0	1	0
↑	0	1	0	1
↑	1	1	\bar{Q}	TOGGLES
↓	ANY INPUT		NO CHANGE	



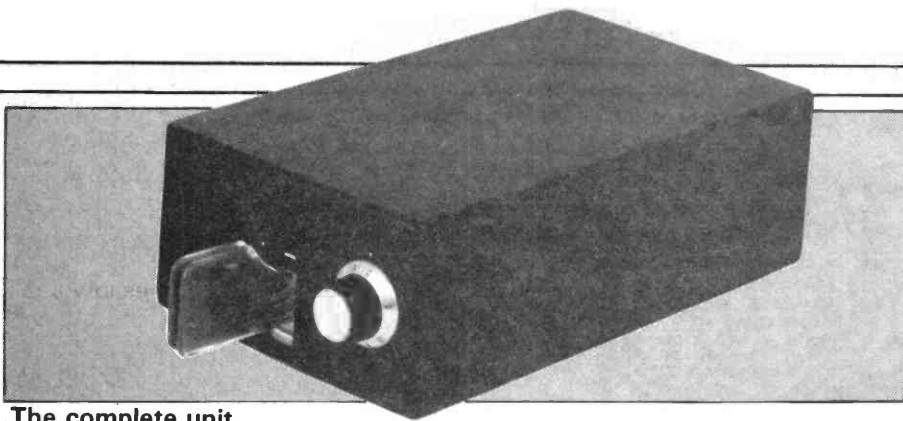
Circuit of the Iambic Keyer

high, no clock pulse being needed.

The timer consists of two monostable multivibrators, IC4a and IC4b, and a NAND gate, IC3a, arranged so that whilst output Q of IC2b is high the timer will produce 100 micro-second positive-going pulses at a time interval controlled by the resistance of RV1 and R2 in series. The time between pulses can be varied with RV1 — allowing the selection of the morse speed most suited to

become high and when the dah paddle is pressed, the set lines to both IC1 and IC2 become high.

Let us consider what happens after the set line of, say, dit (IC2) becomes high. The output Q of IC2a will go high switching on the relay, and Q of IC2b will go high, initiating the pulse of 100 micro-seconds after a period of, say, 0.1 seconds. The Q of IC2b becomes low and forces the set lines low, via IC5a and IC5b, and



The complete unit

alternately as each morse digit is locked into the register. In this condition, the output of IC3c will be the opposite of IC7a's Q output as the other inputs to IC5c are high. This toggle action allows the dit-dah-dit sequence to take place by alternately turning the output of IC5a high and low. The state of the paddles is latched into IC7a every time a new timing sequence begins, but, to prevent the dah-dah-dah sequence being lost, IC5c disables the output from IC7a until such time as both paddles are pressed. In addition careful arrangement of the J and K inputs to IC7a allows the dit-dit-dah sequence of letter U to be achieved

by pressing the dit paddle for two cycles and then both paddles together. The low on Q of IC7a produced when only dit is pressed (J input high, K input low) allows the last dah to be incorporated into the shift register with either both paddles, or only the dah paddle pressed.

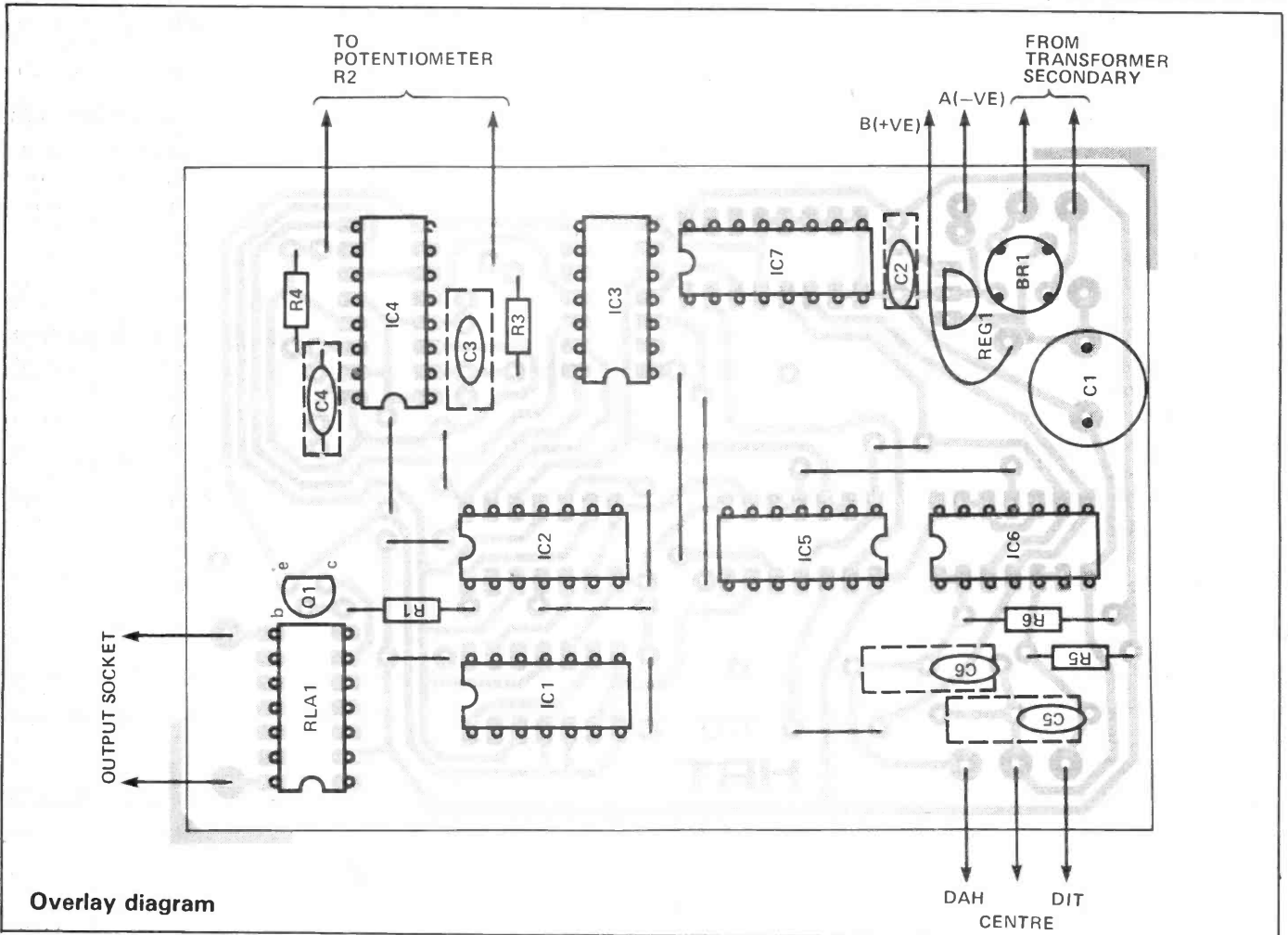
IC6a and IC6b act as buffers/inverters for the signal from the paddles and although they are not Schmitt devices the inherent characteristic of CMOS devices is to provide a Schmitt action for the input. Along with IC6c and IC6d these gates are arranged so that when dit only is pressed, the input to IC5b becomes high, whilst when

dah is pressed, the inputs to both IC5a and IC5b become high, whilst when both paddles are pressed, the inputs to both IC5a and IC5b will also be high and the data will be transferred to the register.

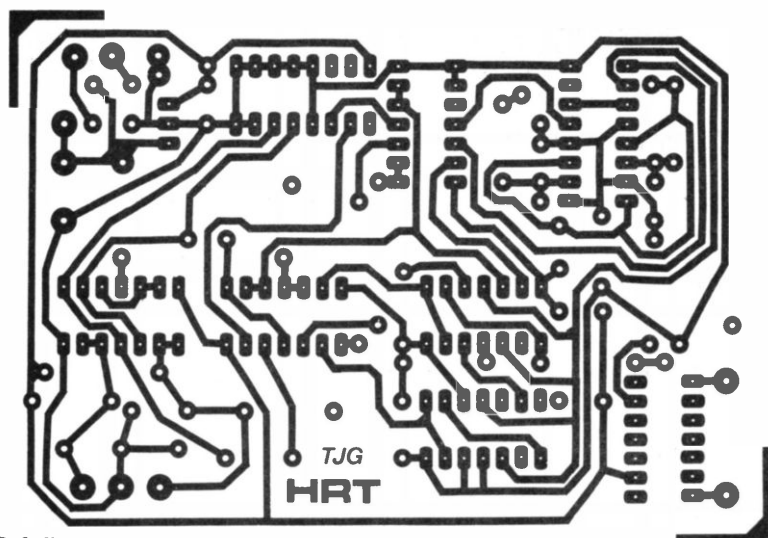
Construction

Firstly consideration must be given to the method of supplying power to the unit. The prototype used mains input via the low voltage AC input lines C and D (see Fig. 2 and Fig. 3). As only low power is needed, a 12 volt 100 mA miniature transformer is suitable, the 16V DC that results after rectification and smoothing being satisfactory for driving the rest of the circuit via the 12V regulator. Alternatively if the constructor has a low voltage power supply or wants to use battery power, a supply of 13.6V to 26V can be connected using the A and B input lines.

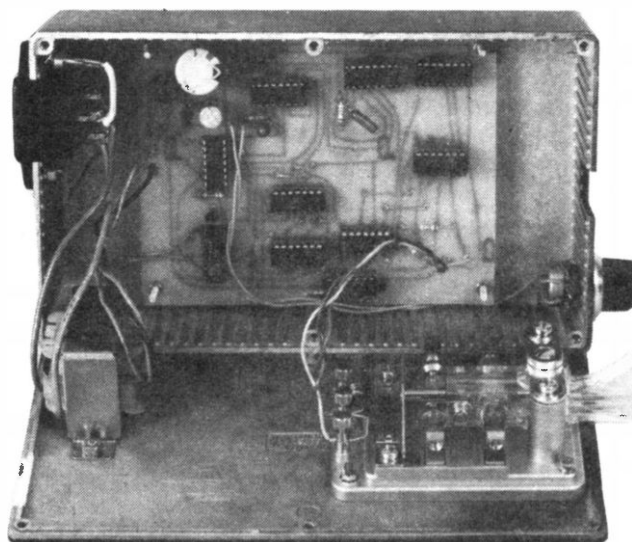
The PCB carries all of the components except the paddles, potentiometer RV1 and the transformer. To aid construction it is best to locate and solder the IC sockets into position ensuring that they are orientated in the



Overlay diagram



PCB foil pattern



Inside the box

correct directions, but do NOT insert the ICs. The relay also plugs into one of the IC sockets. Using these sockets as position locators it should now be easy to fix the wire links, resistors and capacitors. Ensure the C1 and C2 are connected with the correct polarity as they are electrolytic capacitors. Attach flying leads for the other connections, and having decided on whether mains or DC supply is to be used, connect leads to C and D or A and B respectively. Finally solder the bridge, transistor and voltage regulator to the PCB.

The die-cast box will now need to be cut. The prototype has the twin paddles projecting through the side of one end of the box with the box inverted, ie, the lid becomes the bottom and has the stick on feet. This means that a square piece can be simply cut out of the main box near the edge to accommodate the paddles.

Cut and drill the holes for the paddles and potentiometer in one end of

the box and the holes for the 1/4 inch output jack socket and power input (mains = euro socket/DC = 2.1mm power socket) in the other. Drill the holes to mount the paddles and the transformer, if used, in the inverted lid. To save having to screw the PCB into the top of the box and ruin the appearance of the finished keyer, the PCB is mounted in the box by flat head screws projecting from the PCB on short pillars, whose heads are then araldited into the box.

To match with the rest of the station the box can be thoroughly cleaned and de-greased and then spray painted. The author chose matt black to match some other commercial equipment in his station and used white 'letraset' lettering to identify the external connections.

Final assembly can then be carried out and all connections made. The ICs can be plugged into their respective sockets — *after first checking the 12V supply.*

Testing

On switch-on, check by touch that none of the components become hot as this will indicate a serious fault. On pressing one or other key, a string of dits or dahs should be produced and you should be able to hear the relay operating. Holding the two paddles together will achieve the dit-dah-dit action. The potentiometer RV1 should vary the rate of the morse digit chain.

If all is satisfactory, a number of practice sessions will be needed before going on the air(!) as it takes a little time to get used to the keyer and not to send *too* many incorrect letters!

Component Listing

Resistors

(all 1/4 W 5%)

R1, 3	10K
R2	4k7
R4, 5	22k
RV1	22k lin potentiometer

Capacitors

C1	1000 uF 25V electrolytic
C2	100uF 25V electrolytic
C3	22uF 16V tantalum bead
C4	10nF polyester C280
C5,6	100nF ceramic

Semiconductors

IC1, 2	4013
IC3	4011
IC4	4098
IC5	4073
IC6	4001
IC7	4027
Q1	BC108 or equivalent
REG1	uA78L12AWC (12V regulator)
BR1	w005 bridge rectifier (50 PIV min)

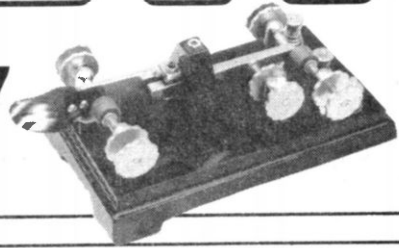
Miscellaneous

RLA1	DIL reed relay
T1	12V 100mA mains transformer

Die-cast aluminium box 184 x 106 x 56mm; Euro plug and socket; 1/4" jack socket and plug; 2.1mm power plug and socket; knob for potentiometer; stick-on feet for box; DIL sockets (6 off 14-pin, 2 off 16-pin) if preferred; twin paddle key Hi-Mound' Mk 704 (plastic base); mains fuse and holder; PCB, wire, etc.

REVIEW:

Alpha Key



Attention all CW addicts! Especially those who use electronic keyers and are fed up with the paddle wandering round the bench, or who have to find 12 copies of HRT to put on top of it to

finished in chrome, or with a cast aluminium base in either black or chrome are also available. Five adjustments are provided for setting the paddle up, each using a pair of 20mm

up properly without mis-keying. The Alpha Key wins hands down here and proved to be no problem. At slow speeds with the Alpha again there was no problem once adjusted to suit my operating style.

Here is something special for the person who requires high-speed CW capability (meteor scatter enthusiasts please note!) without the key becoming airborne. Tony Bailey plugs in.

stabilise it. Seriously, if you have a straight keyer module which requires a separate paddle, then you should look closely at this design from a UK source against those from the Far East and elsewhere.

There are a number of paddles on the market, but the majority seem to have paid attention to the appearance, more than the essential functionality. The paddle itself is often so light that you have to make a heavy base yourself, or even screw it to the bench to stop the thing wandering. Also, the range of adjustments are limited – especially if you are a high-speed operator at, say, 50wpm+.

The Alpha Key is a UK product from an independent manufacturer, which, although maybe not up to the appearance of the shiny existing commercial paddles, has an engineer with CW experience as its designer. The result is an almost ideal paddle that stays where it is put and which you can adjust to suit any operating requirement. At the time of this review it is only available for non-iambic (squeeze) keyers, but we gather a squeeze version is imminent. Several types of finish are available, depending on what you want to pay.

The review model supplied was the middle of the range, with a cast iron base (the paddle weighs just over 2Kg) finished in black. Other versions

diameter knurled adjusting discs, one acting as the lock. These are easy to adjust and leave you with a very smooth movement with no vertical play apparent – the paddle itself is pivoted on ball bearings. The return power for each side of the paddle is cleverly provided using polymer-bonded rear earth magnets rather than springs – giving a very pleasant feel to the whole unit.

The contacts are silver plated for efficient electrical contact, although the mechanical alignment of one of them on the review model was a little adrift. This did not affect the operation, but marred the appearance if nothing else. Connections to the outside world are via three substantial screw terminals on the rear of the base, two isolated and one earth.

In Use

The reviewer used the paddle for a number of normal 'rag-chew' contacts, and also for some high speed Contest operation over one weekend. It is very difficult to fault the operation of the unit once the adjustments to suit your own style are made. It does have one major advantage – very few of the paddles used in the past performed well at over 40wpm. The usual problem is that the return pull when you let go of the paddle is so weak that a small gap is difficult to set

High Slung

From a personal point of view, the only niggling point was that the actual tortoiseshell style operating lever was located much too high above the bench for easy use. I could have done with it at least an inch lower – reversing the lever helped a lot. I suspect this may apply to many people and, if so, a simple redesign of the lever would overcome this.

A descriptive leaflet is supplied with each key, but no adjustment instructions. The latter is not a major omission, but newcomers could have some difficulty here, and the inclusion of simple adjustment details would be a useful addition.

Conclusion

If you want a paddle unit designed for ease of use then this is the answer. The paddle will especially appeal to the high speed operator due to its excellent performance at high speed, although it is equally well suited to the more casual user. Some thought has gone into the mechanical arrangements with excellent results. The review model is priced at £58 plus p&p. A Chrome version will set you back £68.50, with the cast aluminium versions priced at £50.45 and £56.60 for black and chrome respectively. An aluminium based version is also available with the owner's callsign engraved upon it. Further details from P Sergeant, 6 Gurney Close, Costessey, Norwich NR5 0HB. (Tel 0603 74782).

Radio Building Blocks

The third part in this series — linear IF strips — come at a very appropriate time. For the past six weeks or so I have been developing a new single band HF transceiver for mobile use, the design of which

sensitivity of the overall set should therefore be dictated by front end mixer losses and thermal noise of the first IF stage. The 3kHz bandwidth noise voltage of a 50 ohm resistor at normal room

temperature is about 0.02uV. The preselector and mixer losses will amount to 9dB. The first IF stage will probably have a noise figure of 3dB or slightly better. This produces an effective input noise voltage at the beginning of the IF of around .08uV and a noise figure measured at the aerial socket of some 12dB. This means that the finished set will require about 0.15uV PD of aerial signal for a 12dB SINAD (SSB).

to 25mV at the IF input while hanging on to that 3dB IF noise figure at low level signals. Put like this, the task of designing an effective IF amplifier is not quite so straightforward. Building a 10.7MHz amplifier with all that gain poses substantial problems with stability. There are two things which can be done. The first is to put more gain in the front end — say 20dB from an RF amplifier — but this will be at the expense of equipment dynamic range. A better way is to put more gain into the audio side following the product detector. Here, the only penalty will be slightly more background hiss at all signal strengths because it is difficult to auto-gain these sensitive audio signals as part of the AGC loop.

In part three of this series, Frank Ogden, G4JST, looks at SSB IF strips.

will be appearing in HRT in the not too distant future. Watch this space. The development, although reasonably straightforward, has thrown up a number of interesting problems which would be encountered by most people proposing to build SSB radio gear.

How Much Gain?

Before looking at specific circuits the designer needs to sit back and think about what he is trying to achieve. Obviously the finished radio receiver needs to be sensitive but how much IF amplification does this actually mean? Does it need to have variable bandwidth? What should the AGC characteristics be? How necessary is an effective noise blanker? (This feature adds considerably to complexity if it is to work well) etc.

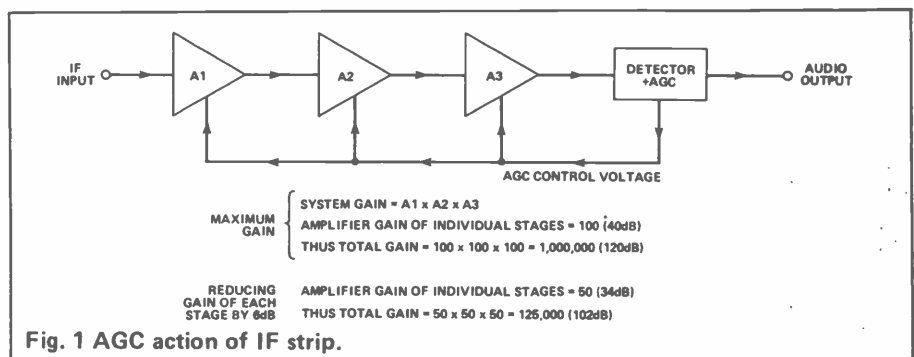
But first, the amount of gain. I have chosen a diode ring mixer circuit without RF amplifier for the following calculation. The finished set, a working example of which I have recently built, is mainly destined for mobile use (initially on 20m although the final version may be constructed for any band 160 through to 20m) thus the signal strengths are likely to be small and the interference high. The limiting

temperature is about 0.02uV. The preselector and mixer losses will amount to 9dB. The first IF stage will probably have a noise figure of 3dB or slightly better. This produces an effective input noise voltage at the beginning of the IF of around .08uV and a noise figure measured at the aerial socket of some 12dB. This means that the finished set will require about 0.15uV PD of aerial signal for a 12dB SINAD (SSB).

It follows from all this that the IF amplifier should boost the signal from 0.1uV to 100mV measured at the output of the product detector, a gain requirement of 120dB. To ensure that this highly sensitive amplifier doesn't overload, it will require an AGC range of some 110dB. To avoid intermod problems it should be able to handle up

AGC Action

The most demanding aspect of any linear SSB IF system concerns the performance of the AGC system, the way in which the receiver can accept wide variations of input signal strengths with a relatively constant output at the detector. AGC stands for Automatic Gain Control which means automatically varying the



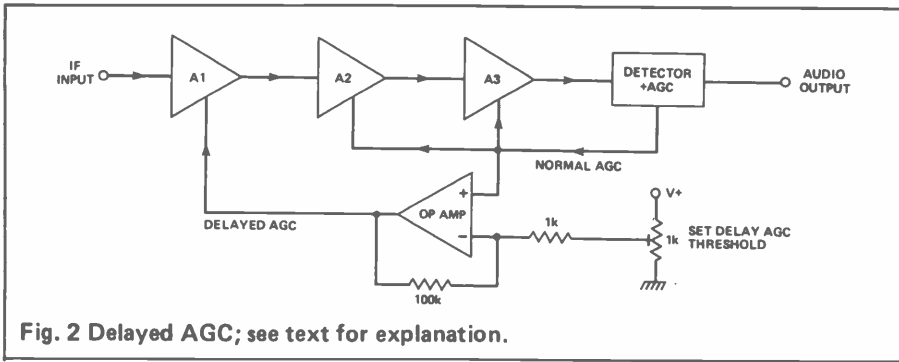


Fig. 2 Delayed AGC; see text for explanation.

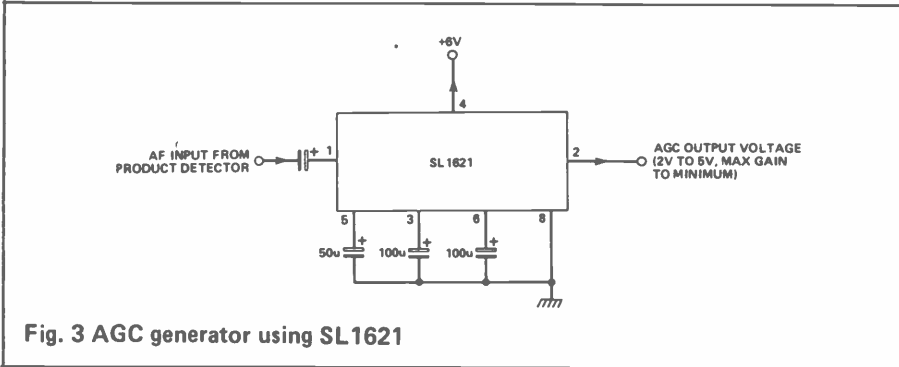


Fig. 3 AGC generator using SL1621

voltage equally to all stages. Most types of amplifier circuitry tend to show a degraded signal-to-noise performance when operated at reduced gain. It is customary therefore to ensure that those stages near the front of a strip — where signal voltages are lowest — do not run with gain reduction until necessary to do so to prevent overload at the detector end of the strip. In an extreme example, if most of the gain reduction occurs at the first stage, then subsequent ones would always run 'flat out' producing audible noise even on strong signals. This is the reason for delaying the onset of AGC action at the RF stage of good VHF gear, and the first IF stages of high performance HF equipment where RF stages are not fitted. Fig. 2 shows how this can be achieved. A2 and A3, the amplifiers nearest to the detector/AGC generator, are fed with the normal AGC control voltage. This voltage is also applied to an 'op amp' comparator circuit which produces no output until a threshold point, set by the potentiometer, is reached. The output then rises very rapidly applying control to the first stage.

AGC Generation

The AGC control voltage essentially derives by rectification of amplified signal passing through

system amplification with signal strength. AGC action must always keep the individual IF stages working within a linear portion of their characteristics. The opposite to this is the limiting FM IF amplifier where everything runs flatout. Fig. 1 shows AGC action on a three stage example IF. Individually, each stage has an individual gain of 40dB. If the gain of each stage is reduced by half (6dB) then the gain of the strip as a whole

will fall by eight times. This is because each stage offers a reduction in amplitude on the signal passed on from the stage before. If the individual stage gain in dB = A, then the total IF strip gain will be $A \times N$ where N = number of identical stages.

Delayed AGC

It is not always a good idea to apply the same level of AGC

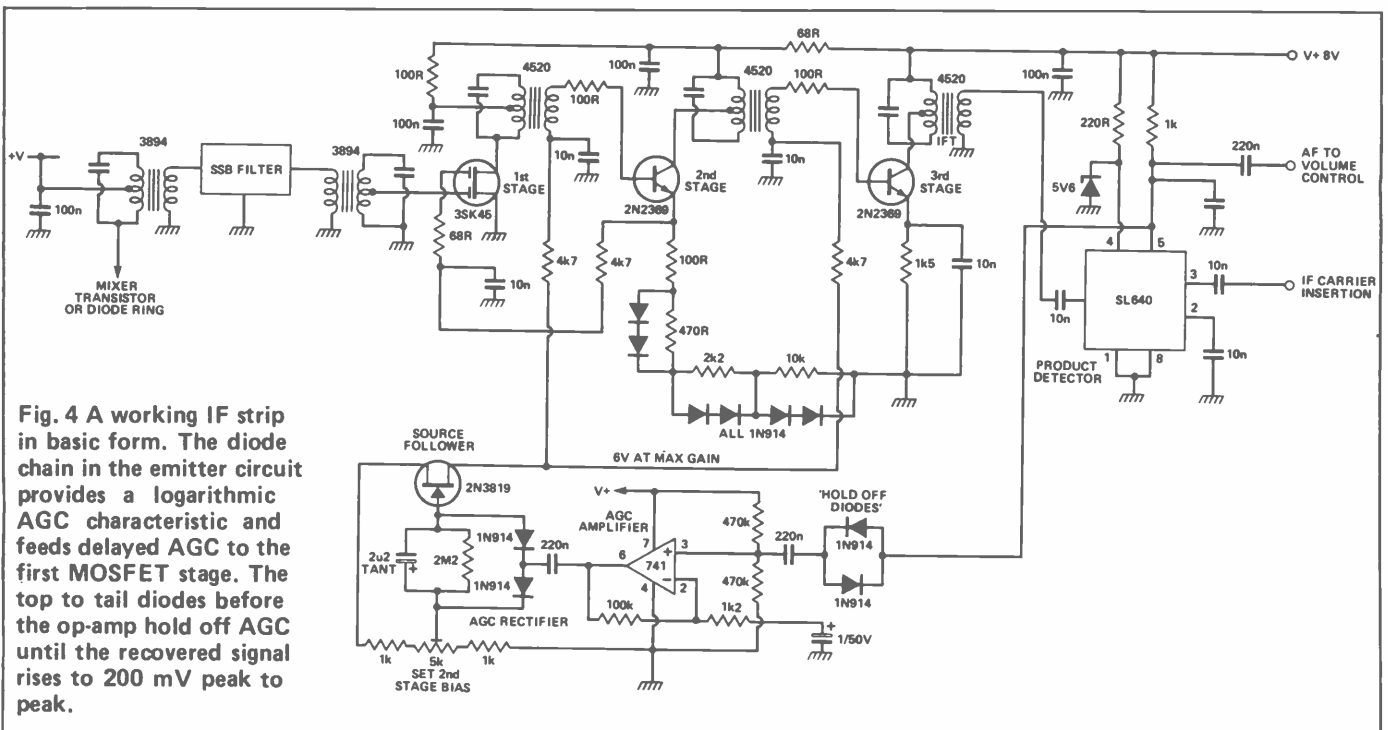


Fig. 4 A working IF strip in basic form. The diode chain in the emitter circuit provides a logarithmic AGC characteristic and feeds delayed AGC to the first MOSFET stage. The top to tail diodes before the op-amp hold off AGC until the recovered signal rises to 200 mV peak to peak.

the IF amplifier. The basic signal used to provide the control voltages can either be produced from the IF signal itself, or from the audio after detection. Unlike AM, SSB RF envelopes fall to zero in the absence of modulation. For satisfactory performance, the AGC system has to take account of this.

It is only proposed to deal with radio derived AGC here; carrier systems are susceptible to co-channel interference and are therefore less satisfactory. The main point about SSB AGC is that it has to remain in action during the normal pauses in speech. This 'overhang' is normally achieved by the use of long time constants in the rectifier circuitry. Sophisticated AGC generators such as the Plessey SL1621 chip incorporate a double time constant so that decay occurs very rapidly after a predetermined time. All circuits though must exhibit a very fast attack so that the first syllable does not distort. Fig. 3 shows the SL1621 in use. Fig. 4, the principle IF strip circuit example incorporates an op amp generator circuit based on the ubiquitous 741.

Injection Leakage

IF strips, particularly those of the SL1612/SL1621 type, tend to suffer from distortion and instability on the AGC attack phase when

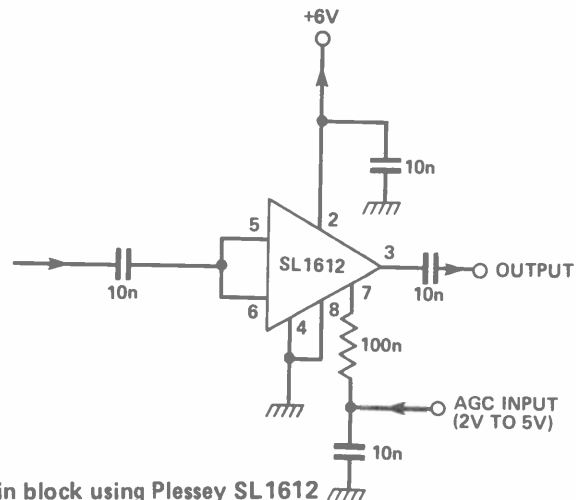


Fig. 5 34dB gain block using Plessey SL1612

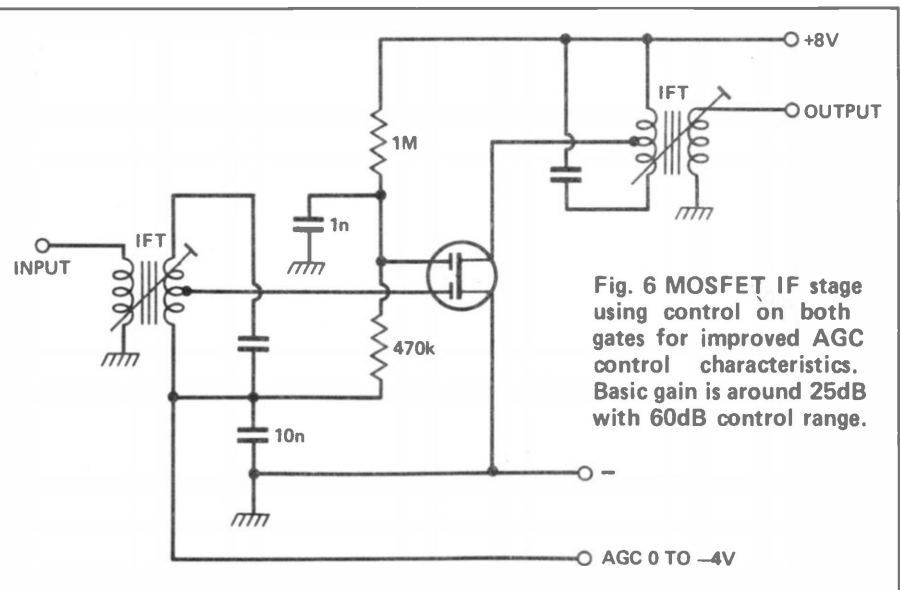
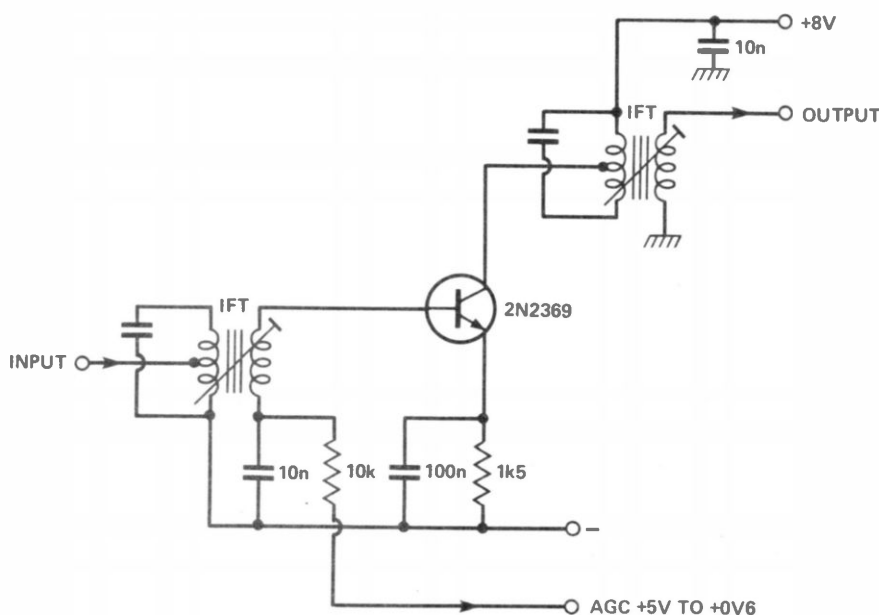


Fig. 6 MOSFET IF stage using control on both gates for improved AGC control characteristics. Basic gain is around 25dB with 60dB control range.

Fig. 7 Bipolar IF stage, 30dB gain.



rising from maximum gain state. This is due to carrier oscillator signal getting into the front end of the strip. This is of the same frequency but different phase, after amplification, to the injection signal present at the product detector. The two interact together to produce a DC offset which is proportional to IF gain. The fast attack AGC generator sees this rapidly changing offset as an envelope signal and thus reacts to it in an unstable way. The result is a series of gain 'hops' rather than a smooth slide from maximum to minimum gain.

The Cure

The cure, of course, is to prevent leakage getting into the front end by extra screening, decoupling and the use of double sided PCBs with groundplanes. *Next month — FM IF strips*

GREAT OFFERS FROM SCARAB SYSTEMS

And now, from U.K.'s leading radio software house, come two professionally produced items which are a *must* for the radio amateur.

Split screen Spectrum RTTY (48K only)

This exciting program and special interface board allows you to compile your answer while still in receive mode. **£37.50** (fully assembled and tested.)

MPTU-1 tone encoder/decoder

This phase lock loop circuit is 100% reliable and extremely sensitive. **£69.70** (all plugs supplied).



SCARAB SYSTEMS

39 Stafford St, Gillingham, Kent. ME7 5EN Tel: (0634) 570441

Please send me:

Spectrum split screen 48K £37.50 MPTU-1 RTTY/AMTOR terminal unit £69.70

Free Details of other equipment and programs

I enclose a cheque/postal order for.....

I wish to use my Access/Visa

Name.....

Address.....

Telephone.....

Signature.....

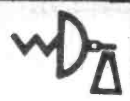
HRT I understand that, if I am not fully satisfied, I can return the equipment with full reimbursement.



WOOD & DOUGLAS

A NEW MODE and a new FREQUENCY?

FMTV has arrived on 24 cms so get on '24' in '84



using some of our new products:-

VIDIF Demodulator Strip

The apparently hard part made easy. First of all convert the signals from the frequency you are receiving to approximately 52MHz. This could be the first of a series, or using doppler Gunn oscillators, at 10GHz. Feed this 52MHz signal into the VIDIF when it will be amplified, limited and then demodulated in an NES64 phase lock loop. The recovered signal is then amplified and processed to give two 1V ptp standard video signals with the ability to select positive or negative modulation sense. A 6MHz signal is filtered off for audio detection and the phase lock loop gives an a.f.c. signal for front end tracking. There is also an a.g.c. signal which can be used for 'S' meter applications. Everything you need on a single board measuring 5" x 3". There is a minimum amount of setting up, four coils to adjust and one trimmer capacitor. The video amplifier is fixed value discrete components and needs no aligning. The use of NE592 integrated video amplifiers has been avoided to ensure no degrading of the potential video bandwidth. Once adjusted it will not need touching again. The demodulator is exceptionally linear over approximately 15MHz. This board simply works and works well.

Price in kit form **£38.95**, **£52.65** assembled and tested.

Having removed the headache on receive systems, what of transmit? There are two approaches that you can pursue — high level varacter multiplication and low level direct output. The following products are to be initially offered.

UFM01 UHF Power Oscillator

This small module (1.6" x 2.5") gives a free running 50mW signal at 400MHz. The dimensioning of the board is such that sufficient deviation is obtained for direct transmission at 400MHz. This can then be reduced by the multiplication factor to final frequency for other bands. There is a minimum video processing circuit to allow direct connection of 1V ptp 75R signals. The board is voltage stabilised to minimise drift. In use the module should be followed by our standard 70LIN3/LT to increase the power to 500mW and then any of our 70FM series amplifiers can be applied to give currently 40W maximum output. For 24cms use, the stability is adequate. For higher orders of multiplication some form of frequency lock will be needed. This could take the form of a skeleton VIDIF without the post detector amplifier.

Price in kit form **£17.95**, **£24.80** assembled and tested.

WDV 400/1200 Varacter Tripler

Due to appear in early 1984, a BXY35a varacter tripler for 400MHz to 1200MHz. This will be a boxed finished unit suitable for 10W input power levels. Provisional pricing indicates the £40 - £50 range.

Our commercial experience in wide band FM links have enabled the amateur market to benefit from these exceptional designs. This is only the beginning of the MDTV product range from W & D.

Kits and modules are offered on our usual 'no external hardware' basis just high standard, well designed electronics with a backup you know you can rely on.

Products for MDTV will not be available through our agents due to the experimental nature of their use. Please send your orders direct to W & D and if possible give some detail of the application. This will help us to assess the demand and usage of these state of the art modules.

Prices include VAT at the current rate. Please include 75p postage and handling. Please check stock position before ordering although delivery will never usually be more than 28 days. Further details on receipt of a large S.A.E.



Unit 13, Youngs Industrial Estate
Aldermaston, Reading RG7 4PQ
Tel: 07356 5324 Telex: 848702

See us at
the NEC
stand
No A2.

Books for radio amateurs

FDK

ELLIOTT ELECTRONICS

for the Radio Enthusiast

MICROWAVE MODULES

QSY OLD MAN TO

AERIAL ACCESSORIES AND MASTS

JAYBEAM AMATEUR ANTENNAS

RIGS, ANTENNAS, SWR BRIDGES, POWER SUPPLIES, TEST GEAR, COMPONENTS, MORSE KEYS, COAXIAL CABLES, ROTATORS, MICS, PLUGS AND SOCKETS, SWITCHES

Call us on (0533) 553293
OR COME AND LOOK AROUND AT
26/28 Braunstone Gate, Leicester

APPOINTED DISTRIBUTOR

ICOM AMATEUR-PMR-MARINE AUTHORISED

YAESU MUSEN STOCKIST

CONSULT THE EXPERTS FOR ALL RADIO REQUIREMENTS.

STAFFED BY G3NXU, G3XOD, G8DPH

£1000.00 INSTANT CREDIT BY LOMBARD TRICITY

TRANSMITTERS RECEIVERS ETC. All frequencies, well known makes, ICOM, FDK, AZDEN, LOWE, STANDARD, DATONG. Power supplies, wave-meters, test meters, frequency counters, Welz SWR and Power meters. Microwave modules, linear amps, RTTY etc. Quality equipment for amateur, PMR and Marine use.

★ Open 9.30am-9pm Tuesday to Sunday inclusive ★

Booth Holdings Bath

6 GOLF CLUB LANE, SALTFOED, BRISTOL

Tel: 02217 2402

RING FOR ADVICE

24-HOUR ANSAPHONE SERVICE

Suppliers of Radios to CAMEL TREK LTD. KENYA

Longleat June 24th

HAM RADIO TODAY ADVERTISERS INDEX

A. B. Engineering	IFC
AJH Electronics	21
Amateur Electronics	28, 29
Ambit	10, 11
Amcomm	21
Arrow Electronics	OBC
Bi-pak	IBC
B. N. R. & E. S.	37
Booth Holdings	67
Commutech	IFC
C. Q. Centre	5
Elliot Electronics	67
Farnborough Communications	37
Gamma Aerial Products	21
Greatch Electronics	37
Scarab Systems	67
S. M. C.	38, 39
Western Electronics	49
Wood & Douglas	57
W. P. O. Communications	37

And don't forget, when calling an advertiser, mention Ham Radio Today, it helps them and us.

73's David Gadsden G4NXV
Advertisement Manager

Free Readers' ADS!

Wanted Manual for UHF Star radiotelephone, 3 channel. Also manual for Pye Cambridge and Pye Vanguard. Also Freq Meter to cover 2M/701MS required. Tel: Allan 0782 612868.

SX-200N Scanner Pioneer TS168 3-way car speakers (unused). Also Pye Westminster W15 FM, low band single channel FM transceiver and Ex-Army BC 45 VHF TX/RX all prices negotiable. Ring Dublin 473115 after 6 p.m. for details.

Wanted 2 metre linear amplifier, 3 watts input 100W + output. Anything considered. H. Barker G6XVV. Rotherham 813042.

Wanted FRG7 receiver in good working condition, no mods, state age. E. Whitehouse, 461 Nottingham Road, Derby DE2 6NA.

Wanted: Old wireless books, magazines, catalogues, QSL cards, manuals, service-sheets, components, valves, morse keys, knobs! AVO valve-tester manual. Car radios. Details pse to Douglas Byrne G3KPO, QTHR, 34 Pellhurst Road, Ryde, IOW. PO333BW. Tel: (0983) 62513.

YAESU FT290R, Mobile mount, NiCads, carrying case, mobile and 5/8 home base antenna £185 York (0904) 761151.

2M RIGS: AR240A FM handheld with case, Spkr/mic and helical, as new, £90. Totsuko TR2100M 10w SSB transceiver, Mint, £90. Moss, Colchester (0206) 572685.

NEW GI. Has for sale FRG7 RX in as new condition with manual £170 o.n.o. Wanted 2 metre multimode. Please phone Stevenage 350310.

YAESU FT-480R. 2M Multimode. Excellent Condition plus manual, mike and

mobile mount. Never used. Mobile. Exams this summer force sale. £300 o.n.o. 94WPR. Abingdon (0235) 20229 After school hours.

LOWE SRX.30. General Coverage Receiver 00.50uHz to 30MHz £100 o.n.o. Telephone 065261/213.

WANTED DRAKE. TR7 noise blander unit NB7 G.F. Walker 01550 8319.

FT 200 YAESU. HF Transceiver FP 200 P.S.U. speaker, mic, manual. Superb condition and results 80-10mtrs. All black finish. Later model seen working £210 o.n.o. Wanted HQ1 mini beam. Telephone Nottingham 0602 812588.

STANDARD C78. 70cms Fm Portable/Mobile rig, £140. **Polaroid** sun 600 camera, £20. G6MEN 0704 74792

SALE over twelve hundred radio and T.V. service sheets. Best offer. Sephton, 16 Bloemfontein Avenue, Shepherds Bush, London W12 7BL.

MMT 432/144R 70cm linear transverter, 1.6 shift, 10 watts output. Standard attenuator suits 10watt 2 metre Rig, also 7dB attenuator to suit 3watt Rigs (FT240R). £120 o.n.o. and get 70cm Wavemeter Free!! with helical fitted. All in mint condition ring 01 247 6097 Daytime only.

FREQUENCY METER BC 221 US Army 124 Kc to 20 Mc PMO. Ambit GDO. Working needs tidying up. Doherty, 68 Shelbourne Road, Dublin 4. EIRE. Would sell or swap for 2m Cambridge or SW RX.

STORNO 55 Channel Radio Telephone with car aerial and all cbles, bought new X-Storno 1981 for £1400, Selling for £390, unit is in excellent condition and easy to install in a Car. Ring N. Garside on 061 736 2268 Weekdays 10 a.m. to 5.30 p.m.

WANTED Frequency Counter, in-line SWR PWR Meter and decent audio generator G3VXS QTHR 0782 625661 Staffordshire.

CBER's — I'll correspond with any CB'er seeking advice. Experience in AM/FM, SSB(L/U), DX, Local. Advice: make a roll-up twig (18 Dipole). No charges. QSL if possible — to andrea chee ("Phantom Fox", "Vidicon", "Telstar", Lima Bravo 81) F.E.E.R. G.P.O. Box 160, Hongkong.

LUNAR 2MT Linear 10W I/P 80W+O/P pre-amp £100 o.n.o. 2x10 sectins alumast lattice tower. Good condition £100 o.n.o. 2KV x lamp power supply for valve linear working £80 o.n.o. Wanted 70cm high power liner and elevation rotator KR500. Offers call 01 864 8261 anytime. Gordon Harrow.

WANTED For 23CMS EME Project 2C39A, 7289, Or 3CX100A5 Valves. Must be in good condition. Also required 4CX250B, 4CX300A and 4CX1000A valves and bases. Telephone 0458 33145 Daytime or 0458 34105 Evenings. John GBKBQ.

AR 88 LF, Working no L/Speaker £50 o.n.o. or exchange morse tutor or HF vertical aerial W.H.Y Tel: Minehead 6283.

YAESU FT 107M HF Transceiver with digital memory scan complete with PSU/Speaker and ATU £525. Tel: 09074 6755 (Evenings).

IC251E Mutek £415 Heathkit SB102 TRX £110 Heathkit SB200 linear £180 YEASU FT227R 2M Mobile £110 M.M. 100W linear £75 All, o.n.o. F.B. plus carriage. Telephone: 0656 860434 (Mid. Glam.)

FT480R as new £300, DRAE VHF wavemeter £20, 5 ele J'Beam £8, 5A 13.8V PSU £8, rotator light/medium duty £35. All o.n.o. phone Farn-

borough (0252) 514127 after 6 p.m.

FT202M six channel, handheld transceiver £70. IMRC ships receiver (about 1964) £65. Three element beam aerial £35. Gillingham 3510 (Dorset).

TRIO TS4305 plus PS 430 power supply comes with 'Mic' FM board. All filters fitted CW SSB narrow plus AM. Both in mint condition £700. Will consider part exchange. Please phone (0475) 706451.

TRIAx RB20 active aerial 26-860MHz own PSU and coax twenty inches across clamps onto up to 2½" mast. Ideal for that scanning receiver £100 o.n.o. Telephone Tim on Brimscombe (near Stroud) 882316 Evenings.

WANTED Valve No. 6MP18. Please state price/carrriage to Goldsmith 23 Conyngham Close, Ramsgate CT12 6PQ.

WANTED, Manual/information on creed 75RPRK4 MK2 teleprinter, also wish to purchase suitable interface unit to drive teleprinter from communications receiver, or circuit diagram for same. Telephone York 0904 20357.

DRAKE MN4-C ATU. SWR power meter rated 250W output. As new, boxed from USA. Full instructions book £90. **WANTED DRAKE DESK** Mic type 7075 7077 also drake LPF type 3300LP detail Pete G3VDU Nuneaton 349461 anytime.

WANTED Waveguide and rectangular flanges of size WG-16 to complete a 10GHz station. I am a poor student so I have limited radio funds. Phone G6ULZ (Mark) on 0632 565688 Afr 5 p.m.

WANTED Any Collins TCS Equipment receiver transmitter cables remote unit ATU power unit. Any condition but prefer as good as possible. Good

prices paid for good units. Phone Mansfield 29473 Evenings or weekends. S.A. Wright, 22 Crown Street, Mansfield, Notts. NG18 3JL.

HAC One valve short wave receiver DX MARK 3 Built or Kit surplus to requirements please. Johnson, 31 Edward Avenue, Jacks Dale, Notts. NG16 5LB.

DX302 Communication receiver 10KHz to 30MHz, SSB, AM, CW, Bttery mains or 12V Digital synthesized, Triple Conversion, Original packaging immaculate condition, Absolute Bargain, cost £289, Save £200 Sell at £90. Tel Keith, Rugby (0788) 70363.

SPY SET MK.123 Complete working £35. Ten-Tec QRP RIG (PM3) 40M, 20M cw working £35. Wanted TS820 Accessories, VFO 820, Digital Freq. unit etc. G4UDG Tel: Kidsgrove 72100.

BLAUPUNKT Bambers quadratic equaliser four speakers. AM/FM Car stereo radio £110 Astronomical telescope £35 Ford Push Button car radio £25, Elac 750 Record Deck with Shure Cartridge £35, Fidelity Mains Tape Recorder £10. Require 70cms transceiver or WHY. Bedford G4NJP QTHR.

KW 2000B TX/RX PSU Mic Spare valves Inc. 4 6146B 180 Watts. KW.1000C 4 Band Linear nees slight attention. Spare valves. KW TEN TEC HF TUNER. Boxed. Suitable Long Wire Coax Twin 200 Watts. G3ZLN Ipswich 49139.

FT1012D, Mike, TVI Filter. Hi Mound Key £550 FTV 901R 2m, 70cm transvrter £350 Ext. Speaker for FT101 £25. Telephone Darlington 54772.

AR-240 Handheld. Absolutely Mint Condition. Case, Helical, charger. £100. G4BKI (Paul), not QTHR. Tel: (Towcester) 0327-51823.

STEREO SYSTEM Comprising Sony Amplifier, Toshiba cassette, Garrard Turntable, speakers and teak effect console offers around £150 or swap for modern communications receiver serious enquiries

only. Cannot deliver. Phone 0306 (Dorking, Surrey) Evenings only not Mondays due to RAE Classes.

EXCHANGE. York JCB 863 F.M. C.B. Rig. Two Base antennas, SWR meter ETC plus realistic DX160 communications receiver (all boxed) for 70cm rig. 2m linear, computer, RTTY gear WHY. TIM (0377) 89283.

YAESU FRG7700 receiver with memory plus ATU plus LF filter all in excellent order. Tel: 01 997 9995 after 6 p.m. Reynolds, 9 Winscombe Crescent, Ealing W5. All for £270, no offers please.

ORIC-1 48K Home computer complete with Progs for morse, locators, RTTY just £90 MML 432/100 70cm 100W linear £140, 13V 17A power supply £65. GEC Hi-band mobile £20. T. Tugwell, 11 The Dell, Stevenage, Herts. Tel: 0438 354689.

HAVE HALLICRAFTERS S20R Sky Champion Receiver 500kHz - 46mHz. Also MM Down transverter 144-10mtrs as well as 200 channel multimode 11meter transceiver will accept offers cash or swap prefer 144-148 multimode portable or mobile/base transceiver GEXVR, 10 Bowness Road, Coniston Park Estate, Timperley, Cheshire.

FT101B includes 10MHz transmit. CW Filter, Fan, spare driver and PA tubes, handbook. Transverter 70MHz homebrew switchable 3/50W, obtains HT from FT101B both for £330 or will split. CR100 £18. G3IOI QTHR. Tel: Wickford (03744) 3035.

MURPHY B40D Receiver very good condition. £50. Buyer collects also Eddystone comm Rec. revalved very good condition £25. Model 659. Tel: 0222 487299.

YAESU FT480R used only few hours as base station, brand new condition £285. DRAE 4 amp. power supply as new £25. Tel: 041 639 2173.

COMPLETE 2 METRE mobile/base station TR7010 TX/RX/SSB/CW 144.2144.4

4 element quad rotator 2M WH.P & Magmount SWR meter 65W linear £220 o.n.o. 10 Metre FM rig mobile antenna £40 o.n.o. G4INV 051 724 3998 buyer inspect and collect.

MAINS TRANSFORMERS, USA Grade 1. 230V (115V) 235-0-235V (470V), 200mA, 6.4V 6.7amps 5V, 4 amps, £5. 240V 3.5-40-0-40-3.5V, 10 amps, £5. "Advance" constant voltage transformer (or isolation) CV series 245V output 150W lamp, could take 200W, circuit, £5. Edwards, Tel: 01 445 4321 (Nth. London)

ZX81 plus 16K RAM pack would exchange for 2 metre linear amplifier or offers also have R107 Mk 1/1 general coverage receiver approx. 1950 £30 or nearest offer. Would exchange both for linear. Phone 061 969 1681 Evenings only.

SX200N Scanning receiver with mains adaptor 26-88 108-180 380-514 MHz. In mint condition £220 cash o.n.o. buyer collects. Telephone Medway (0634) 43953. Evenings after 6.30.

WANTED any information plus MW and SW loops Detector set RF interference CT-6625-99-924-1533, Wtkins & Johnson TWT's, 24 GHz bits. For sale: MM4000 £200, Worldwide VLF frequency list to 160kHz £6. Crispino Messina, Via di Porto 10, 50058 Signa FI, Italy.

LOWE ELECTRONICS SRX-30D HF Receiver 0-30 MHz General coverage AM, USB, LSB. Digital frequency readout. Only six months use. £140. or would consider Swap. GIDQA Not QTHR. Tel: (098 064) 675.

I WANT. A 30/40 FT Three section telescopic tower including winch etc. Fair price paid. Collection No problem within 50 mile radius London. I'm parting with a YAESU FT902DM transceiver with ATU and speaker offers please. Around £675. Phone 01-977 7491 Mike G6GZZ QTHR.

WANTED Any old practical wireless with diagrams of tutor citizen pocket superhet etc. ie 1930s 1960s etc. and any old radio books. Good price paid Savage, 7 Weyhill Close, Swindon, Wilts.

YAESU FT707. 100 Watts with matching power supply. and ATU. All boxed, as new only six months old. Mobile £425 or exchange for HF Home base. Tel. 0262 602971. Mic included

SX 200 N. Scanning receiver. Little used, perfect condition. With discone antenna £220 or exchange for other amateur equipment considered. Carriage by arrangement. Telephone 0294 822848 after 6 p.m. (West Kilbride, Ayrshire).

AOR AR240A 3W FM handheld transceiver 140-150MHz with accessories £99., YAESU FT290R, mint, £185, 26-30MHz linear amplifier AM/FM/SSB 100W PEP £45. Cordless £35. Telephone D. Hawkins, 20 Putteridge Road, Stopsley, Luton, Beds, LU2 8HG.

AR88D. In good working order £50. Buyer must collect from Blackburn Lancashire. Tel. after 4 p.m. 0254 21859.

19 SET Excellent condition with control box, connectors, and variometer, £47 or exchange for receiver, 2 metre Rig or WHY. Tel: 0676 40147 (near Coventry G35CJ).



Free Readers' ADS!

Buy, sell or exchange your gear through our free service to readers

CONDITIONS

1. These advertisements are offered as a free service to readers who are not engaged in buying or selling the same equipment or services on a commercial basis. Readers who are should contact our advertising department who will be pleased to help.

2. Advertisements will be inserted as and when space becomes available.

3. The insertion of advertisements will be on a first-come, first-served basis, subject to condition (2). As a result, it will not be possible to guarantee the insertion of a particular advertisement into any particular issue of the magazine.

4. Readers should either write out their advertisement in BLOCK CAPITALS or type it, underlining any words that are to appear in **bold**.

5. The magazine cannot accept any responsibility for printers' errors in the advertisements; however, we will do our best to ensure that legibly written advertisements are reproduced correctly. In the event of a gross error, at the Editor's discretion, a corrected version of the advertisement will be printed (at the advertiser's request) at the earliest issue in which space is available.

6. The magazine or its publishers will not accept responsibility for the contents of the advertisements, and by acceptance of these conditions,

the advertiser undertakes to indemnify the publisher against any legal action arising out of the contents of the advertisement.

7. The magazine reserves the right to refuse to accept or to delete sections of advertisements where this is judged necessary.

8. Advertisements are accepted in good faith; however, the publisher cannot be held responsible for any untruths or misrepresentations in the advertisement, nor for the activities of advertisers or respondents.

9. Advertisers must fill in their names, addresses and (if available) telephone number in the space provided, and sign the form to indicate acceptance of these conditions (forms returned without a signature will not be used).

10. All that is to be reproduced in the advertisement should be entered into the space provided on the form printed in the magazine – note that a **photocopy is not acceptable**. All advertisements must give either a telephone number and/or address for respondents to contact, and this must be included in the wording of the advertisement.

11. Advertisements must be 40 words or less in length (telephone numbers normally count as two words, exchange or exchange code plus number).

Name

Address

.....
.....

I accept the conditions above.

Signature

Send this form to: Free Readers' Ads, Ham Radio Today, 1 Golden Square, London WC2,

ENTER YOUR ADVERTISEMENT HERE:

EMPORIUM GUIDE

AVON

Booth Holdings Bath

6 GOLF CLUB LANE,
SALTFOURD,
BRISTOL
Tel: 02217 2402
Open: Tues-Sat 9am-9pm
Close Mondays

RING
557732
BRISTOL

Radio Communications
Amateur P.M.R. Marine

UPPINGTON
Tele-Radio Ltd

12-14 PENNYWELL ROAD, BRISTOL, BS5 9TJ

BUCKS

Photo Acoustics Ltd. • OF NEWPORT PAGNELL •

FDK



See the Professionals

ICOM



JAYBEAM, WELZ, DAIWA
58 High St, Newport Pagnell
Milton Keynes, Bucks
Tel: 0908 610625



CHESHIRE

DW ELECTRONICS G3X CF

Amateur Radio Supplies
71 Victoria Rd, Widnes
Tel: 051-420 2559
Open Mon-Sat 9-6 (closed Weds) Sun 9.30-12
We supply Yaesu, Trio, Kenwood, Tonna, Jaybeam,
Microwave Modules, Datongs etc

ESSEX

BARCLAYCARD
VISA

ARROW

Electronics Ltd
5 The Street, Hatfield, Peverel
Nr. Chelmsford, Essex CM8 3YL
Tel: 0245 381673/381626



ICOM

Trio/Kenwood, Tonna, Welz, T.E.T.
K.D.K., Daiwa, Tono, Tasco

HAMPSHIRE

CALBRESO LTD

258 Fratton Road
Portsmouth
Tel. 0705 735003
Open 10.30am-6pm 6 days
Sunday by appointment
COMMUNICATIONS EQUIPMENT
COMPONENTS, BOOKS, ACCESSORIES



KENT

THANET ELECTRONICS

95 Mortimer St, Herne Bay
Tel: (02273) 69464
Open Mon-Sat 9-5.30pm
except Thursday 9-1pm

SCARAB SYSTEMS

AMATEUR RADIO SOFTWARE
ICOM STOCKISTS
29 Stafford Street, Gillingham
0634-570441

AMTRONICS (TONBRIDGE) G4 SYZ THE AMATEUR RADIO SPECIALISTS IN KENT

IT'S AMATEUR RADIO
from AMTRONICS

8 Tollgate Buildings
Hadlow Road, Tonbridge, Kent
Tel: (0732) 361850

FDK, AZDEN, YAESU, JAYBEAM,
FORTOP, DATONG, etc.

FALCON COMMUNICATIONS

33 Falcon Way, Ashford, Kent
Tel: 0233-22506 (24hr Ansaphone)
10am-8pm. Closed Mondays
Stockists of:
Bantex/Ascot Mobile Antenna's

LANCASHIRE

AMATEUR ELECTRONICS U.K./HOLDINGS



Yaesu, Tet, J-Beam, Frequency
Counters, Drae, Datong, FT101
Experts Repairs GJ90C, 12BY7A,
6KD6, RF Clipper, Double Balanced
Mixer, Warc Kit etc. S.A.E. List 15
min. Junc. 31 M6. Free parking.
45 Johnston Street
Blackburn BB2 1EF
(0254) 59595
CLOSED THURSDAYS

ISHERWOODS ELECTRONICS

Hozier Street, Blackburn
Tel. 0254-57616
Open: Mon-Fri 9-5, Sat 10-1
An Aladdin's Cave of Components

ADVERTISE YOUR
BUSINESS HERE
FOR AS LITTLE AS
£14.50

LEICESTERSHIRE

**ELLIOTT
ELECTRONICS**
FOR THE RADIO ENTHUSIAST

26-28 BRAUNSTON GATE,
LEICESTER. TEL: 563293
Open: Mon-Sat 9.00am to 5.30pm



W. MIDLANDS

DEWSBURY ELECTRONICS

176 Lower High St, STOURBRIDGE
Tel: (0384) 390063
Open: 9.30-5.15. Closed Thurs. & Sun.
ACCESS/BARCLAYCARD



HEWARD'S HOME STORES LTD. (Est. 1963)

822/4 Kingstanding Rd., Birmingham
B44 9RT. Tel. 021-354 2083
G4RJM with 38 years in The Radio Trade
Ham Equipment urgently wanted!
Open: Mon-Sat 9-6

Technical
enquiries
G4STG

NEW IDEA LTD

133 Flaxley Road,
Stechford, Birmingham
Stockists of Yaesu, Trio, Kenwood,
Totsuko, Tonna Antennas, Bantex.
Full servicing repairs on all makes of
amateur radio. Open Mon-Sat, 10am-7pm,
Sundays, 10am-1pm.
Tel: 021-784 3129

SALES
G4SOV

R. Withers Communications

584 Hegley Road West,
Oldbury, Warley B68 0BS
Tel: 021-521 8201/2 Tel: 021-550 9324
Opening hours: Mon-Sat 9.30-5.30pm
Late night Thursday 8pm
For all your communication requirements.

AUTRONICS

142 Priory Road, Hall Green
Birmingham B28 0TB Tel: 021-474 4638
10.30am-6pm Tues-Fri. Closed Mon.
Sat 10-5. Closed lunch 2-3
Surplus equipment/components &
P.C.B assembly

GREATER MANCHESTER

BETA COMM

Open 7 days a week
Ham Radio, CB, TV 27, 154 MG combined rig
Computer software • Aerial fitting service
231 Chorley Road, Swinton, Manchester
Tel. 061-793 1010

EMPORIUM GUIDE

NORFOLK

SPANNER CITY CB CENTRE

 Parkside Garage
Thursford
Fakenham
Tel: Thursford
402

Grandstand
LA 83
27 to 934 MHz
TRANSVERTER

Open 6 days
9am-6pm

D.P. HOBBS (Norwich) Ltd

13 St. Benedicts Street, Norwich
Tel: 615786

Open Mon-Sat 9-5.30
Closed Thurs

Stockists of:
YAESU, FDK, ICOM, JAYBEAM
& Electronic Component Specialists

Eastern Communications

  36 Cattle Market Street
NORWICH
(0603) 667189

OPEN: MON - SAT
10.00am - 8.00pm

MAIL ORDER

 ICOM

ACCESS BANGLYCARD

NOTTINGHAM

SP ELECTRONICS

48 Limby Rd
Huckhall, Nottingham
Tel: (0602) 640377
open Monday-Saturday
8.30-5.30

SCOTLAND

JAYCEE ELECTRONICS

JOHN GM30PW

20 Woodside Way, Glenrothes, Fife KY75DF
Tel: 0592 756962
Open: Tues-Sat 9-5.

Quality secondhand equipment in stock. Full range of TRIO goodies. Jaybeam - Microwave Modules - LAR.

SOMERSET

G6HKT **AVCOMM LTD** G8KVG

25 Northload Street,
Glastonbury
Tel: 0458-33145

Open 9.30-5.30. Closed Wed

SUSSEX

SOUTH-DOWN
RADIO
SUPPLIES

40 TERMINUS RD (opp.
EASTBOURNE Railway
Tel: (0323) 638361 Strn.)

Open: Mon-Sat 10-6 (Closed Tues)
Stockists of: Yaesu, Trio, Tonna, FDK etc +
secondhand and ex-Government equipment in
stock

SURREY

GUILDFORD COMMUNICATIONS

34 Aldershot Rd., Guildford

Open Mon-Fri 8am-6.30pm
Sat 8am-5.30pm

Secondhand wanted

FDK ASDEN
TRIO TOTSUKO

TO BOOK THIS
SPACE — PHONE
ASP CLASSIFIED
01-437 0699

TYNE & WEAR

Approved
Dealer

ALYNTRONICS
 ICOM

129 Chillingham Rd, Newcastle-upon-Tyne
Tel: 0632 761002
Open: Tues-Sat 10am-6pm

YORKSHIRE

4 Cross Church St, Huddersfield Tel:
0484 20774

Open: 6 days 9-5.30.
Closed Weds. Thurs 9am-8pm
G4MH Mini Beam



'Always a good selection of new & 2nd hand equipment in stock'

Amateur Radio Shop

DISCOVER THE WORLD WITH AMATEUR RADIO FROM
Sales 27 Cookridge Street Leeds LS2 3AG
LEEDS 452657 OPEN MON-SAT
9am - 5pm
... the PROFESSIONALS!

TRIO ICOM YAESU

LEEDS AMATEUR RADIO MAIL ORDER & SERVICE DEPT. OPEN MON - FRI
60 GREEN ROAD ME ANWOOD LEEDS LS6 4JP TEL 782224 9.30am - 5pm

BRITISH MADE    LAR PRODUCTS

TELECOM

6 New Street, Barnsley
South Yorkshire
Tel (0228) 5031
Specialists in Yaesu, Icom
and So-Kamp

WILTSHIRE

PACE ELECTRONICS

76 Victoria Road, Swindon
Tel: (0793) 46807

Yaesu equipment, BBC Computers + Software for the
Spectrum, Commodore 64 & Amtor.
Open 9-5 6 days a week
We do everything for the BBC

Please include my business details in the
next available issue of Ham Radio Today

Only £17.50 per insertion, call us
for series discounts on 01-437 0699

Business Name:

Address:

.....

Tel. No:

Open Hrs:

Contact (Office Use Only):

Post to: Emporium Guide, Ham Radio Today,
1 Golden Square, London W1.

Lineage:

35p per word (minimum 15 words)

Semi Display: (minimum 2 cms)

£7.00 per single column centimetre

Ring for information on series bookings/discounts

All advertisements in this section must be prepaid.

Advertisements are accepted subject to the terms and

conditions printed on the advertisement rate card (available on request)

01-437 0699

EXT 332

Send your requirements to:

Debbie Miller

ASP Ltd.,

1 Golden Square,
London W1

EQUIPMENT

THOMSON

ELECTRONICS

BASEMENT OFFICE, 5 DAVID PLACE, ST. HELIER, JERSEY, C.I.

"MORSE MODULE"

Ready to use tone practice Osc.

Works with all Keys.

Price £5.50 + P&P 50p.



ALPHA KEYS

Precision engineered keys for the connoisseur. Twin or Single paddle, and now the new "pump handle". One of the lightest and smoothest movement ever.

CAVITY WAVEMETERS

For the UHF/VHF operator, one wave-meter to cover 144 mhz to over 2500 mhz. Can measure rf as low as 50 mill watts with suitable meter.

COAXIAL RELAY KITS

The cavity block is pre machined to take either BNC or N type sockets. Two types of cavity available. Alum. type for HF, Brass for the higher frequency.

Send large SAE for more information to:

Paul Sergeant, G40NF
6 Gurney Close, Costessey
Norwich NR5 0HB
Tel: (0603) 747782

HIGH QUALITY CABLES

POPES H100 Super Low Loss ... 50 ohm ... 80p per M(Post 5p/m) 10% off 50m ... 20% off 100m

POPES RG213U ... Same as UR67 ... Very High quality, 1/2" dia 50 ohm. 60p per M(Post 5p/m)

POPES RG58C/U ... 5m dia High Quality to Mil Spec 50 ohm. Same as UR76 ... 23p per M (post 3p/m)

UR57 ... Low Loss 1/2" dia 75 ohm Coax ... 60p per m (post 5p/m)

RG174U ... Miniature 50 ohm Coax ... 25p/M or UR95 @ same price (Post 2p/M)

UR70 ... 75 ohm 6mm dia Coax ... 23p per M (post 5p/m)

300 Ohm SLOTTED RIBBON ... by BOFA in Sweden ... 20p per M (post 3p/m)

75 OHM TWIN ... 18p per M (post 21p per M)

14 s.wg. HARD DRAWN AERIAL WIRE ... 20p per M (post 3p/m)

STRONG PVC COVERED AERIAL WIRE ... 6p per M (post 21p/m)

N. PLUGS ... GREENPAR 50 ohm Suite UR67/RG213/H100 ... £2.40 ea Chassis Sockets ... £1.80 ea In line Sockets ... £2.20 ea (Post 40p per Order)

Send SAE for Full lists.

W.H. WESTLAKE

Clawton, Holsworthy, Devon

BRITISH TELECOM plug sockets & leads etc. Tel: C.W.A.S (0274) 731532. Or visit our showroom opposite Odsal Stadium, Bradford.

BOOTH HOLDINGS

BATH, 6 GOLF CLUB LANE

SALTFORD, BRISTOL BS18 3AA

Tel: SALTFORD 2402

INCORPORATES HAM HIRE AND RENT-A-RIG

ANY
EQUIPMENT TO
SELL THEN FILL
IN THE COUPON



ALL AMATEUR AND CB NEEDS
ICOM, TRIO and YAESU, CYBERNET
HARBARD and UNIDEN.
TAGRA, G.WHIP, HOXIN, MICRODOT
RTTY, SWR & power meters.
Receivers & linears. Plus all other
accessories.

Aerial Fitting Service

231 Chorley Rd., Swinton,
Greater Manchester.
Tel: 061-793-1010

AERIALS

AERIAL WIRES & ACCESSORIES
Hard drawn copper wire 140ft 14swg
£7.90 50 metres 16swg £6.90 10
metres 12swg soft enamelled copper
wire £3.50. 50 metres 1.4mm soft
enamelled copper wire £5.75. G5RV
Type Aerials. 1/2 size £12.00. Full size
£13.95. 4mm Polypropylene Rope 50
metres £3.95. 4mm Nylon Guy Rope 50
metres £6.90. Ceramic Egg Insulators
Large 50p. Small 40p. All items
postage paid.

S. M. TATHAM, 1, Orchard Way
Fontwell, Arundel, West Sussex

CLUBS

**RADIO CAROLINE SOUVEN-
IRS.** For Isit send S.A.E. For all
offshore radio news. Subscribe
to our magazine. Send £3
Subscription to Caroline Move-
ment, Dept A, BCM-BFRM, Lon-
don WC1N 3XX.

ALARMS

**BURGLAR ALARM EQUIP-
MENT.** Please visit our 2,000
sq ft showrooms or write or
phone for your free catalogue.
C.W.A.S. Ltd, 100 Rooley
Avenue, Bradford BD6 1DB.
Telephone 0274 731532.

RTTY

RTTY TERMINAL BOARDS.
TTL output for computer £35
incl. and for teleprinter £39 incl.
All boards come completely
wired and tested with FSK and
AFSK. S.A.E. for details to
B. Brookes Electronics, 2
Leicester Street, Norwich.
Tel: (0603) 24573.

Radio & RTTY Books

Confidential frequency list. Lists
10,000 CW, aero, Coastal, fax, etc, fre-
quencies £8.25 + 60p P&P.

Guide to RTTY Frequencies. Lists
4,500 commercial aero, UN, Coastal,
etc, frequencies £7.35 + 50p P&P.

World Press Services Frequencies.
News RTTY Services listing GMT, and
country plus more £5.55 + 50p P&P. 2
+ books P&P free.

INTERPRODUCT LTD

HR1, Stanley, Perth PH1 4QQ

Tel: 073882-575

TO BOOK
THIS SPACE
Phone 01-437 0699

SOFTWARE EDUCATIONAL

G4B Mk Radio Software

Dragon & Coco, CBM 64, Acorn,
Atom, VIC20.

RTTY Transceiver. Split screen type
ahead any Baud rate etc.

ALSO for Dragon:

Morse Transceiver. Decodes & sends
morse to 150wpm.

Morse Tutor. Any speed, any spacing.

Includes a send practice facility.

Amtor System. Available soon.

Grosvenor Software (H.R.T.)

22 Grosvenor Road, Seaford

E. Sussex BN25 2BS

Tel: (0323) 893378

The Ultimate MORSE TUTOR

for 48K Sinclair Spectrum

Sends random sentences, words (up to 9
letters) from 1,000 word dictionary, letter,
number and mixed groups. Also your own
typed message from single letter to full
P.O. test. Speeds up to 35 w.p.m. Ideal for
beginner and experienced. Maybe not
the cheapest but surely one of the best.
Only £5.45 inc. p&p. Send SAE for
details of programme & hardware to key
morse to Spectrum.

DOUBLE H SOFTWARE

1 Woodbridge Close, Haywards Heath
W. Sussex RH16 3EP

BOOKS


**AIRCRAFT COMMUNICA-
TIONS HANDBOOK (Europe)**
including UK spot MF, HF, VHF,
UHF frequencies, Military, Civil,
ATC, Airports, Long Range Sta-
tions, Beacons, Callsigns, Co-
Ordinates, Broadcast times etc.
£6.95p. inc P/P. PLH Elec-
tronics, 70 Vallis Road, Frome,
Somerset BA11 3EJ.

KITS


934 MHZ. Make your own
U.H.F. C.B. Complete circuit
diagram £1.20 PC 49, 4 Had-
dington Street, Hove, Sussex.


BI-PAK BARGAINS


MINIATURE TOOLS FOR HOBBYISTS

 Miniature round nose side cutters - insulated handles 4 1/4 inch length. Order No: Y043.

 Miniature long nose pliers - insulated handles 5 1/2 inch length. Order No: Y044.

 Miniature bend nose pliers - insulated handles 5 1/2 inch length. Order No: Y045.

 Miniature end nippers - insulated handles 4 1/4 inch length. Order No: Y046.

 Miniature snipe nose pliers with side cutter and serrated jaws - insulated handles 5 1/2 inch length. Order No: Y042.

FLEXEY DRIVER

A flexible shaft screwdriver for those awkward to get at screws. Overall length 8 1/2 inch. Order No: FS-1 Flat blade 4mm FS-2 Cross point no. 1 £1.75 each.

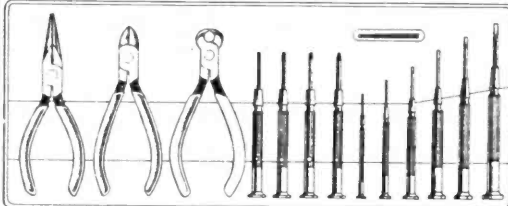


GRIP-DRIVER

8 inch long screwdriver with spring loaded grip on end to hold screws in position while reaching into those difficult places. Order No: SD-1 Flat blade 4mm SD-2 Cross point no.0. £95p each.

ALL AT £1.25 each

13 PIECE TOOL KIT AND CASE



13-piece tool set housed in attractive moulded plastic case with clear sliding cover ● 1 off 5" snipe nose "radio" pliers with side cutters ● 1 off 4 1/2" side cutters ● 1 off 4 1/2" end cutters ● 2 off hex. "Allen" key drivers 2mm and 2.5mm; 2 off cross-point "Phillips" drivers No. 0 and No. 1 (with tommy bar) ● 6 off precision screwdrivers. Sizes from 1mm to 3.5mm ●

ONLY £7.50 ORDER No. VP102

PRECISION JEWELLERS' TOOLS

Rustproof, Tempered Handles and Blades. Chrome Plated Handles. Swivel Heads for use on Precision Work.

5T21 SCREWDRIVER SET
6 precision screwdrivers in hinged plastic case. Sizes - 0.8, 1.4, 2, 2.4, 2.9 and 3.8mm £1.75

5T31 NUT DRIVER SET
5 precision nut drivers in hinged plastic case. With turning rod. Sizes - 3, 3.5, 4, 4.5 and 5mm £1.75

5T41 TOOL SET
5 precision instruments in hinged plastic case. Crosspoint (Phillips) screwdrivers - H0 and H1 Hex key wrenches. Sizes - 1.5, 2 and 2.5mm £1.75

5T51 WRENCH SET
5 precision wrenches in hinged plastic case. Sizes - 4, 4.5, 5, 5.5 and 6mm £1.75

MULTITESTER

1,000 opv including test leads & Battery
AC volts - 0-15-150-500-1,000
DC volts - 0-15-150-500-1,000
DC currents - 0 - 1ma-150ma
Resistance - 0 - 25 K ohms 100 K ohms
Dims - 90 x 61 x 30mm.
O/No. 1322 OUR PRICE £6.50 ONLY

BRAND NEW LCD DISPLAY MULTITESTER

RE 188m
LCD 10 MEGOHM INPUT IMPEDANCE
"3 1/2" digit *16 ranges plus hFE test facility for PNP and NPN transistors *Auto zero, auto polarity *Single-handed, pushbutton operation *Over range indication *12.5mm (1/2 inch) large LCD readout *Diode check *Fast circuit protection *Test leads, battery and instructions included.

Max indication 1999 or -1999
Polarity indication Negative only
Positive readings appear without + sign

Input Impedance 10 Megohms
Zero adjust Automatic
Sampling time 250 milliseconds
Temperature range -5°C to 50°C
Power Supply 1 x PPS or equivalent 9V battery

Consumption 20mW
Size 155x88x31mm


RANGES
DC Voltage 0-200mV
0-2-20-200-1000V. Acc. 0.8%
AC Voltage 0-200-1000V
Acc. 1.2% DC Current 0-200µA
0-2-20-200mA, 0-10A. Acc. 1.2%
Resistance 0-2-20-200K ohms
0-2 Megohms. Acc. 1%
BI-PAK VERY LOWEST PRICE

£45.00 each


Leather Case for 188m £2.50 EACH




SIGNAL INJECTOR

 Simple push button operation. Oscillates at 700 - 1k Hz with harmonics to 30MHz. 14V p/p output. Impedance 10kΩ. Ideal for trouble shooting with audio equipment. One "AA" penlight battery supplied. O/No VP96 £2.50

LOGIC PROBE

 Automatic levelling. White LED indication. Minimum width of measuring pulse 30 milliseconds. Maximum input frequency 10MHz. Input impedance: 100kΩ
Power consumption: 40mA maximum
Power supply: 4.5 - 18 V d.c.
ORDER No. VP97 £10.50

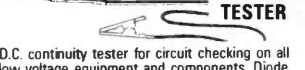
CURRENT/POL CHECKER

 Heavy duty test prods with built-in indicators for testing polarity; indicates whether a.c. or d.c. 3.5V to 400V. O/No. VP98 £2.50

TESTER

 Universal tester with ceramic buzzer. Tests diodes, transistors, resistors, capacitors and continuity. One "AA" penlight battery included.
Test current: Max 2µA
Test voltage: 12V
Response range: 100MΩ
Max voltage: 500V
Internal resistance: 390kΩ
Length: 135mm
O/No. VP99 £5.00

CIRCUIT TESTER

 D.C. continuity tester for circuit checking on all low voltage equipment and components. Diode checking also possible. Takes two AA batteries. 90cm lead has crocodile clip. Body length 145mm. O/No. VP100 75p

ELECTRONIC SIREN 12v DC

Red plastic case with adjustable fixing bracket. Emits high-pitched wailing note of varying pitch - 100 cycles per minute. Dims - 90mm (dia.) 60mm (depth). Power - 12v DC. O/P 90dBa 1m type.
Our Price: £5.50 O/No. VP79

MINIATURE FM TRANSMITTER

Freq: 95-106MHz. Range: 1/2 mile O/No. VP128
Size: 45 x 20mm. Add: 9v batt. ONLY
Not licenced in U.K. £5.50
Ideal for: 007-MIS-FBI-CIA-KGB etc.

POWER SUPPLY OUR PRICE £4.25

Power supply fits directly into 13 amp socket Fused for safety. Polarity reversing socket. Voltage switch. Lead with multi plug
Input - 240V AC 50Hz. Output - 3, 4, 5, 6, 7.5, 9 & 12V DC Rating - 300 ma VP109.

RATCHET SCREWDRIVER KIT

Comprises 2 standard screwdriver blades 5 & 7mm size. 2 cross point size 4 & 6. 1 Ratchet handle. 5-in-1 Kit. £1.45 each. O/No 329B

VALUE PACKS

Pak No.	Qty	Description	Price
VP1	300	Assorted Resistors Mixed Types	£1
VP2	300	Carbon Resistors 1/2 Watt Pre-Formed	£1
VP3	200	150 1/2 Watt Resistors 100 ohm-1M Mixed	£1
VP4	200	Assorted Capacitors All Types	£1
VP5	200	Ceramic Caps Miniature - Mixed	£1
VP6	100	Mixed Ceramic Disc. 1pf - 56pf	£1
VP7	100	Mixed Ceramic Disc. 68pf - 015pf	£1
VP8	100	Assorted Polyester/Polystyrene Caps	£1
VP9	60	C280 Type Caps Metal Foil Mixed	£1
VP10	100	Electrolytics - All Sorts	£1
VP11	60	Bead Type Polystyrene Min Caps	£1
VP12	50	Silver Mica Caps Ass. 5.6pf - 150pf	£1
VP13	50	Silver Mica Caps Ass. 180pf - 4700pf	£1
VP14	50	High Voltage Disc. Ceramic 750v - 8Kv	£1
VP15	50	Wirewound Res. 9W (avg) Ass. 1 ohm - 12K	£1
VP16	50	Metres PVC Covered Single Strand Wire Mixed Colours	£1
VP17	30	Metres PVC Covered Multi Strand Wire Mixed Colours	£1
VP18	40	Metres PVC Single/Multi Strand Hook-Up Wire Mixed	£1
VP19	6	Rocker Switches 5 Amp 240v	£1
VP20	20	Pcs. 1 - 2 & 4 mm Plugs & Sockets Matching Sizes	£1
VP21	200	Sq. Inches Total, Copper Clad Board Mixed Sizes	£1
VP22	20	Assorted Slider Pots. Mixed Values	£1
VP23	10	Slider Pots. 40 mm 22K 5 x Log. 5 x Lin	£1
VP24	10	Slider Pots. 40 mm 47K 5 x Log. 5 x Lin	£1
VP25	20	Small .125" Red LED'S	£1
VP26	20	Large 2" Red LED'S	£1
VP27	10	Rectangular 2" Green LED'S	£1
VP28	30	Ass. Zener Diodes 250mW - 2W Mixed Vits. Coded	£1
VP29	10	Ass. 10W Zener Diodes Mixed Vits. Coded	£1
VP30	10	5 Amp SCR'S To 66 50-400v Coded	£1
VP31	20	3 Amp SCR'S To 66 Up To 400v Uncoded	£1
VP32	200	Sil. Diodes Switching Like IN4148 DO-35	£1
VP33	200	Sil. Diodes Gen. Purpose Like OA200/BAX13/16	£1
VP34	50	1 Amp IN4000 Series Sil. Diodes Uncoded All Good	£1
VP35	8	Bridge Rects. 4 x 1 Amp 4 x 2 Amp Mixed Vits. Coded	£1
VP36	8	Black Instrument Type Knobs With Pointer 1/2" Std	£1
VP37	10	Black Heatsinks To Fit TO-3, TO-220 Ready Drilled	£1
VP38	50	BC107/8 Type NPN Transistors Good Gen. Purpose Uncoded	£1
VP39	50	BC177/8 Type PNP Transistors Good Gen. Purpose Uncoded	£1
VP40	10	Silicon Power Trans. Similar 2N3055 Uncoded	£1.50

TRANSISTOR CLEARANCE

All Sorts Transistors. A mixed Bag NPN-PNP Silicon & Germ. Mainly Uncoded You To Sort Pack includes Instructions for Making Simple Transistor Tester. Super Value. Order No. VP60 100 for £1

REGULATED VARIABLE MODULE

Stabilised POWER SUPPLY + KIT
Variable from 2-30 volts and 0-2 Amps. Kits include -
1 - VPS30 Module. 1 - 25 volt 2 amp transformer.
1 - 0-50v 2" Panel Meter. 1 - 0-2 amp 2" Panel Meter.
1 - 470 ohm potentiometer. 1 - 4K7 ohm potentiometer. Wiring Diagram.
included Order No. VPS30 KIT £20

OUR GREAT NEW 1984 CATALOGUE

Presented with a Professional Approach and Appeal to ALL who require Quality Electronic Components, Semiconductors and other Accessories ALL at realistic prices. There are no wasted pages of useless information so often included in Catalogues published nowadays. Just solid facts i.e. price, description and individual features of what we have available. But remember, BI-PAK's policy has always been to sell quality components at competitive prices and THAT WE STILL DO.

We hold vast stocks "in stock" for fast immediate delivery, all items in our Catalogue are available ex stock. The Catalogue is designed for use with our 24 hours "ansaphone" service and the Visa/Access credit cards, which we accept over the telephone.

To receive your NEW 1984 BI-PAK Catalogue, send 75p PLUS 25p p&P to:

TECASBOTY THE ELECTRONIC COMPONENTS AND SEMICONDUCTOR BARGAIN OF THE YEAR!

This collection of Components & Semiconductors for the hobbyist is probably the most value-packed selection ever offered, it consists of Resistors, carbon and wirewound of various values. Capacitors: All types, sorts and sizes including electrolytics. Potentiometers - single, dual, slider and preset. Switches, Fuses, Heatsinks, Wire, P.C.B. Board, Plugs, Sockets etc., PLUS a selection of Semiconductors for everyday use in popular Hobby Projects. These include: SCR's, Diodes, Rectifiers, Triacs & Bridges as well as a first class mix of Transistors and I.C.'s. In all, we estimate the value of this in current retail catalogues to be over £25! So, help yourself to a great surprise and order a Box TODAY for ONLY at BI-PAK. Remember, stocks are limited so hurry! You can call us on 0920-3182/3412 and order with your Barclaycard or Access Card - 24hr Answerphone Service NOW. Order No. V.P. 85. just £6.50

BI-PAK

Send your orders to Dept HR6 BI-PAK PD BOX 6 WARE, HERTS
SHOP AT 3 BALDOCK ST. WARE, HERTS
TERMS CASH WITH ORDER. SAME DAY DESPATCH. ACCESS.
BARCLAYCARD ALSO ACCEPTED. TEL (0920) 3182. GIRD 388 7006
ADD 15% VAT AND 75p PER ORDER POSTAGE AND PACKING



Use your credit card. Ring us on Ware 3182 NOW and get your order even faster. Goods normally sent 2nd Class Mail. Remember you must add VAT at 19% to your Total order. Postage add 75p per Total order.

ARROW

CHOICE

When you are tempted to a new rig you owe it to yourself to go to a store where you can see the competing models. It doesn't make sense to travel 100 miles or more to see one brand. ARROW STOCK YAESU, TRIO/KENWOOD & ICOM.

COME AND TRY THEM SIDE BY SIDE



FT757GX



TS430S



IC2E

How about a new receiver, does your dealer offer you a choice of current models or only one brand? ARROW YOU CAN TRY:



R71E



FRG 7700



HAVE YOU TRIED & COMPARED 2M HANDHELD IN YOUR LOCAL DEALER?

NOW HAVE: FT208R TR2500 LS20XE C110/IC2E for you to try together with accessories plus the 70cm version. (Some more HOT news: Soon the new IC02E from ICOM the FT108 from Yaesu and the SK202 from SOMMERKAMP which will really be a winner on price and performance.)

DOES YOUR DEALER PUSH HIS CREDIT CARD AT YOU? does he offer you a choice of payment methods? ARROW will accept AMEX, BARCLAYCARD, EUROCARD, INTERCHANGE, VISA, TRUSTCARD, ALL "CREDITCHARGE" IN STORE CASH, and of course we have our own card too. Cheques, Travellers cheques, most major currencies (and we can offer special export schemes saving tax). Or how about the best Free Credit Normal Hire purchase, No Deposit HP? We will be happy to advise you on the most economical method for your purchase.

EXPERTISE No one claims to have it — we just do on our reputation. Not every company can have used and maintained transmitters for commercial use, including some of the very top names in Show business.

SERVICE Not just the ability to mend your gear but a sales system where equipment is tested before despatch, where the sales staff are interested users of the equipment, where we will never refuse to have your equipment "because you didn't buy it from us" or suchlike.

PRICE With 3 store buying power Arrow buy competitively as a dealer — bulk buying is the answer to our terrific price deals. **WE BUY BIG — RING US FOR PRICE.**

ARROW ELECTRONICS (SCOTLAND)

51 Hyndland Street, Glasgow.

Tel: 041 339 6445

Where Bill McJimpie G6NHJ will be happy to serve you with a good selection from our product range and Bill has full stocks of all our discount offers.

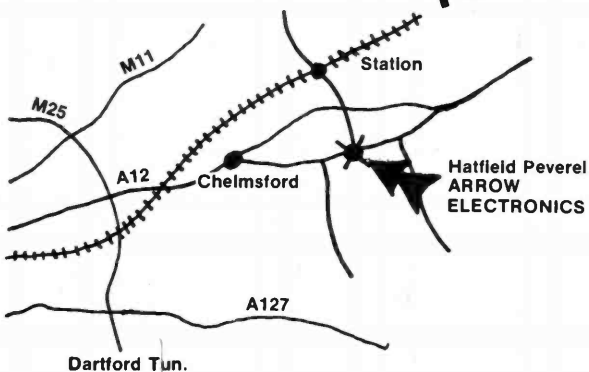
If you speak Welsh or English it's all the same at

ARROW ELECTRONICS

14 Carreg-y-gad, Llanfair-p-g, Anglesey.

Tel: 0248 714657

where John Lewis GW8UZL will be pleased to discuss that new rig.



Dear Mr. M... We are delighted to tell you that after 16 years at our old premises we have now moved to 5 The Street, Hatfield Peverel, Essex. Tel: Chelmsford 381673 and 381626



"PHONE YOUR ORDER FOR TODAY'S DESPATCH ALL WE NEED IS YOUR NUMBER, SMALL SPARES - PLUGS - AERIALS - PHONE FOR A QUOTE FOR THAT NEW RIG!"

OPEN 5 DAYS A WEEK. CLOSED THURSDAYS