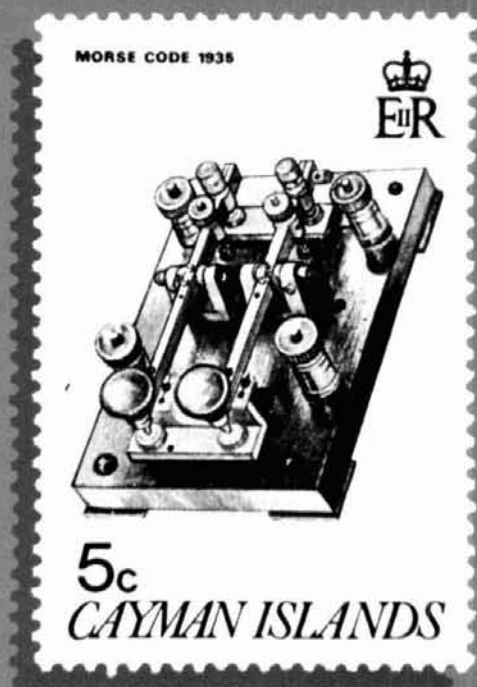


ham radio magazine



*Amateur Radio Stamps
from Around the World*



hr
focus
on
communications
technology



Kim Bottles K7IM

DOUBLE YOUR PLEASURE DOUBLE YOUR BANDS

Dual Band Radios from ICOM!

Double your operating pleasure with Icom's new dual band IC-3210 mobile and IC-32AT handheld FM transceivers. Each unit incorporates a wealth of special features and options designed to move you into the forefront of today's expanded 2-meter and 440MHz activity. Icom dual banders: the FM enthusiasts dream rigs!

Wideband Coverage. Both the IC-3210 and IC-32AT receive 138 to 174MHz including all NOAA weather channels, transmit 140 to 150MHz including MARS/CAP, and operate 440 to 450MHz. Total coverage of today's hottest FM action!

Full Duplex Operation. Simultaneously transmit on one band while receiving on the other for incomparable dual band autopatching!

20 Memories. Store any combination of standard or odd repeater offsets and subaudible tones.

Powerful! The IC-3210 delivers 25 watts output on both bands. The IC-32AT is five watts output on both bands. Selectable low power for local use on both units.

Programmable Band and Memory Scanning. Includes easy lockout and recall of various memories. Exceptional flexibility!

Repeater Input Monitor Button. Opens the squelch and checks Tx offset simultaneously.

Priority Watch. Monitor any channel for calls while continuing operation on another frequency.

Optional Beeper. Monitors for calls with your subaudible tone, then gives alerting beeps.

Double Your Bands with Icom's dual band IC-32AT handheld and IC-3210 mobile, and double your operating pleasure on 2-meters and 440MHz.



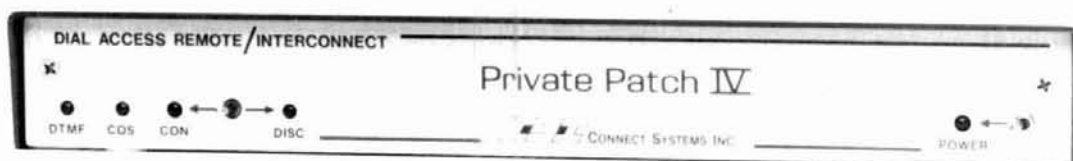

ICOM

First in Communications

ICOM America, Inc. 2380-116th Ave. N.E. Bellevue, WA 98004 Customer Service Hotline (206) 454-7619
3150 Premier Drive, Suite 126, Irving, TX 75063 / 1777 Phoenix Parkway, Suite 201, Atlanta, GA 30349
ICOM CANADA, A Division of ICOM America, Inc., 3071 - #5 Road, Unit 9, Richmond, B.C. V6X 2T4 Canada
All stated specifications are subject to change without notice or obligation. All ICOM radios significantly exceed FCC regulations limiting spurious emissions. 321032AT688

THE ALL NEW PRIVATE PATCH IV BY CSI HAS MORE COMMUNICATIONS POWER THAN EVER BEFORE

- Initiate phone calls from your HT or mobile
- Receive incoming phone calls
- NEW! • Telephone initiated control . . .
 - ✓ Operate your base station with complete control from any telephone
 - ✓ Change frequencies from the controlling telephone
 - ✓ Selectively call mobiles using regenerated DTMF from any telephone
 - ✓ Eavesdrop the channel from any telephone
 - ✓ Use as a wire remote using ordinary dial up lines and a speaker phone as a control head.



The new telephone initiated control capabilities are awesome. Imagine having full use and full control of your base station radio operating straight simplex or through any repeater *from any telephone!* From your desk at the office, from a pay phone, from a hotel room, etc. You can even change the operating channel from the touchpad!

Our digital VOX processor flips your conversation back and forth fully automatically. There are no buttons to press as in phone remote devices. And you are in full control 100% of the time!

The new digital dialtone detector will automatically disconnect Private Patch IV if you forget to send # (to remotely disconnect) before hanging up. This powerful feature will prevent embarrassing lock-ups.

The importance of telephone initiated control for emergency or disaster communications cannot be overstated. Private Patch IV gives you full use of the radio system from any telephone. And of course you have full use of the telephone system from any mobile or HT!

To get the complete story on the powerful new Private Patch IV contact your dealer or CSI to receive your free four page brochure.

Private Patch IV will be your most important investment in communications.

✓ = NEW FEATURE

- ✓ * /# or multi-digit connect/disconnect
- ✓ Fully regenerated tone dialing
- Pulse dialing
- Toll protection
- Secret toll override code
- Busy signal disconnect
- ✓ Dialtone disconnect
- CW identification
- Activity timer
- Timeout timer
- ✓ Telephone initiated control
- ✓ Regenerated DTMF selective calling
- Ringout
- ✓ Ringout or Auto Answer on 1-8 rings
- Busy channel ringout inhibit
- ✓ Status messages
- ✓ Internally squelched audio
- MOV lightning protection
- ✓ Front panel status led's
- ✓ Separate CW ID level control
- ✓ 24 dip switches make all features user programmable/selectable.

- Connects to MIC and ext. speaker jack on *any* radio. Or connect internally if desired.
- Can be connected to any HT. (Even those with a two wire interface.)
- Can be operated simplex, through a repeater from a base station or connected directly to a repeater for semi-duplex operation.
- 20 minutes typical connect time
- Made in U.S.A.

OPTIONS

1. 1/2 second electronic voice delay
2. FCC registered coupler
3. CW ID chip



CONNECT SYSTEMS INC.
23731 Madison St.
Torrance CA 90505
Phone: (213) 373-6803

AMATEUR ELECTRONIC SUPPLY
Milwaukee WI, Wickliffe OH,
Orlando FL, Clearwater FL,
Las Vegas NV
BARRY ELECTRONICS CORP.
New York NY
EGE, Inc.
Woodbridge VA
ERICKSON COMMUNICATIONS
Chicago IL
HAM RADIO OUTLET
Anaheim CA, Burlingame CA,
Oakland CA, Phoenix AZ,
San Diego CA, Van Nuys CA,
Atlanta GA

HENRY RADIO
Los Angeles CA
INTERNATIONAL RADIO SYSTEMS
Miami FL
JUNS ELECTRONICS
Culver City CA
MADISON ELECTRONICS SUPPLY
Houston TX
MIAMI RADIO CENTER CORP.
Miami FL
MIKES ELECTRONICS
Ft. Lauderdale, Miami FL
N&G DISTRIBUTING CORP.
Miami FL

OMNI ELECTRONICS
Laredo TX
PACE ENGINEERING
Tucson AZ
THE HAM STATION
Evansville IN
WESTCOM
San Marcos CA
CANADA:
CARTEL ELECTRONIC
DISTRIBUTORS
Surrey B.C.
COM-WEST RADIO SYSTEMS, LTD.
Vancouver B.C.

KENWOOD

...pacesetter in Amateur Radio

NEW!

Affordable DX-ing!

TS-140S

HF transceiver with general coverage receiver.

Compact, easy-to-use, full of operating enhancements, and feature packed. These words describe the new TS-140S HF transceiver. Setting the pace once again, Kenwood introduces new innovations in the world of "look-alike" transceivers!

- Covers all HF Amateur bands with 100 W output. General coverage receiver tunes from 50 kHz to 35 MHz. (Receiver specifications guaranteed from 500 kHz to 30 MHz.) Modifiable for HF MARS operation. (Permit required)
- All modes built-in. LSB, USB, CW, FM and AM.
- Superior receiver dynamic range Kenwood DynaMix™ high sensitivity direct mixing system ensures true 102 dB receiver dynamic range.



- New Feature! Programmable band marker. Useful for staying within the limits of your ham license. For contesters, program in the suggested frequencies to prevent QRM to non-participants.
- Famous Kenwood interference reducing circuits. IF shift, dual noise blankers, RIT, RF attenuator, selectable AGC, and FM squelch.

- M. CH/VFO CH sub-dial. 10 kHz step tuning for quick QSY at VFO mode, and UP/DOWN memory channel for easy operation.
- Selectable full (QSK) or semi break-in CW.
- 31 memory channels. Store frequency, mode and CW wide/narrow selection. Split frequencies may be stored in 10 channels for repeater operation.
- RF power output control.
- AMTOR/PACKET compatible!
- Built-in VOX circuit.
- MC-43S UP/DOWN mic. included.

Optional Accessories:

- AT-130 compact antenna tuner • AT-250 automatic antenna tuner • HS-5/HS-6/HS-7 head-phones • IF-232C/IF-10C computer interface
- MA-5/VP-1 HF mobile antenna (5 bands)
- MB-430 mobile bracket • MC-43S extra UP/DOWN hand mic • MC-55 (8-pin) goose neck mobile mic • MC-60A/MC-80/MC-85 desk mics
- PG-2S extra DC cable • PS-430 power supply
- SP-40/SP-50B mobile speakers • SP-430 external speaker • SW-100A/SW-200A/SW-2000 SWR/power meters • TL-922A 2 kW PEP linear amplifier (not for CW QSK) • TU-8 CTCSS tone unit
- YG-455C-1 500 Hz deluxe CW filter, YK-455C-1 New 500 Hz CW filter.



TS-680S

All-mode multi-bander

- 6m (50-54 MHz) 10 W output plus all HF Amateur bands (100 W output).
- Extended 6m receiver frequency range 45 MHz to 60 MHz. Specs. guaranteed from 50 to 54 MHz.
- Same functions of the TS-140S except optional VOX (VOX-4 required for VOX operation).
- Preamplifier for 6 and 10 meter band.



Complete service manuals are available for all Kenwood transceivers and most accessories. Specifications, features, and prices are subject to change without notice or obligation.

KENWOOD

KENWOOD U.S.A. CORPORATION
2201 E. Dominguez St., Long Beach, CA 90810
P.O. Box 22745, Long Beach, CA 90801-5745

ham radio

magazine

AUGUST 1988

volume 21, number 8

T. H. Tenney, Jr., W1NLB
publisher
and editor-in-chief

Terry Northup
managing editor

Marty Durham, NB1H
technical editor

Robert D. Wilson, WA1TKH
consulting editor

Tom McMullen, W1SL
Joseph J. Schroeder, W9JUV
Alfred Wilson, W6NIF
associate editors

Susan Shorrock
production editor

Peggy Tenney, KA1QDG
copy editor

Beth McCormack
editorial assistant

editorial review board

Peter Bertini, K1ZJH
Forrest Gehrke, K2BT
Michael Gruchalla, P. E.
Bob Lewis, W2EBS
Mason Logan, K4MT
Vern Riportella, WA2LQQ
Ed Wetherhold, W3NQN

publishing staff

J. Craig Clark, Jr., N1ACH
assistant publisher

Rally Dennis, KA1JWF
director of advertising sales

Henry S. Gallup, KA1RYG
advertising sales manager

Dorothy Sargent, KA1ZK
advertising production manager

Susan Shorrock
circulation manager

Therese Bourgault
circulation

Phil Alix, KA1IDP
traffic manager

Farm Color
cover

ham radio magazine is published monthly by
Communications Technology, Inc.
Greenville, New Hampshire 03048-0498
Telephone: 603-878-1441

subscription rates

United States:
one year, \$22.95; two years, \$39.95; three years, \$49.95
Europe (via KLM air mail), \$40.00
Canada, Japan, South Africa and other countries (via surface mail):
one year, \$31.00; two years, \$55.00; three years, \$74.00

All subscription orders payable in U.S. funds, via international
postal money order or check drawn on U.S. bank

international subscription agents: page 93

Microfilm copies are available from
University Microfilms, International
Ann Arbor, Michigan 48106
Order publication number 3076

Cassette tapes of selected articles from *ham radio*
are available to the blind and physically handicapped
from Recorded Periodicals,
919 Walnut Street, Philadelphia, Pennsylvania 19107

Copyright 1988 by Communications Technology, Inc.
Title registered at U.S. Patent Office

Second class postage paid
at Greenville, New Hampshire 03048-0498
and at additional mailing offices
ISSN 0148-5989

Send change of address to *ham radio*
Greenville, New Hampshire 03048-0498



contents

10 a 4800 baud modem for VHF/UHF packet radio

Glen Leinweber, VE3DNL,
Max Pizzolato, VE3DNM,
Jon Vanden Berg, VE3DVV,
and Jack Botner, VE3LNY

22 one hundred years of electric waves

W. Clem Small, KR6A

27 practically speaking: impedance matching

Joe Carr, K4IPV

34 the Quad antenna, part 3, circular loop and octagonal arrays

R.P. Haviland, W4MB

54 remote base/simplex phone patch controller

Roger Owens, AA4NX and
Jeff Owens, KK4LA

70 ham radio techniques: the joys of TVI or, were you on the air last night?

Bill Orr, W6SAI

75 precision high-voltage dc regulator

R.L. Measures, AG6K

81 Elmer's notebook: propagation basics

Tom McMullen, W1SL

Joe Reisert is on vacation.

on the cover: Amateur Radio stamps from around
the world from the collection of Raymond Schuess-
ler a philatelist from Venice, Florida.

98 advertisers index
9 comments

88 DX forecaster
96 flea market

92 ham mart
48 &

53 new products
98 reader service
4 reflections

REFLECTIONS



Let's dust off that used equipment!

We received some interesting letters following Joe Schroeder's June editorial "Novice enhancement and the future of Amateur Radio." Some lamented the relatively high cost of new equipment and others felt, like Joe, that the best bet would be a market survey asking present and former operators what helped or hindered their developing Amateur Radio interest. One ham, returning to the hobby after 20 years, found the latest equipment to be reasonably priced and of good quality.

Novice enhancement has given beginning Amateurs increased operating privileges, but can they afford the cost for new equipment to get on the air? Someone just starting in the hobby may not want to sink a small fortune into his rig until he knows what he really wants. And how much does a Novice really need: a radio that covers 10 through 80 meters, CW and SSB capabilities — that's about it. This may seem like an oversimplification, but how many Novices need all the bells and whistles? For those who can afford it fine; for those who can't...

Here's a pitch for you. A good majority of us have lurking in our basements a veritable storehouse of used equipment. Stuff that we've outgrown as we've upgraded our shacks. It's my bet that there are numerous Novices out there that would just love to put this equipment to use. Starting immediately, on a space available basis, we'll run free classified ads for our subscribers to sell old, used equipment. Here's a perfect opportunity for you to help a new ham get on the air.

You don't want to sell it? Then why not become an Elmer and help that new ham by lending him your perfectly good, but long forgotten, transceiver along with some assistance in establishing his first station?

How many of you remember your first station? I'm sure most of us can credit a certain special person (our Elmer) for his invaluable time and assistance in helping us to put that first, hesitant CQ on the air. I know I do...thanks Bill, K1BH.

Marty Durham, NB1H
Technical Editor

As you can see by the enclosure, we're hard at work on the new Ham Radio Magazine. We think you'll be excited by it. Your suggestions in informal surveys have resulted in a major effort on our part to make HR the magazine you want. Every month there'll be at least two projects of the weekender type — simple, easy-to-build ideas that will add to your Amateur operation. New layout, fresh graphics and plenty of surprises are in store for Ham Radio readers.

Your input is most important to us. Let us know what you think. Starting next month, there'll be an evaluation card for you to fill out and return. So, after you've been through the September issue, send a note, call, or look us up at a show. We'll be waiting to hear from you.

KENWOOD

...pacesetter in Amateur Radio

3 Choices
70 W/45 W/25 W

Three Choices for 2m!

TM-2570A/2550A/2530A

Feature-packed 2m FM transceivers

The all-new "25-Series" gives you three RF power choices for 2m FM operation: 70 W, 45 W, and 25 W. Here's what you get:

- Telephone number memory and autodialer (up to 15 seven-digit phone numbers). **A Kenwood exclusive!**
- High performance GaAs FET front end receiver
- 23 channel memory stores offset, frequency, and subtone. Two pairs may be used for odd split operation
- 16-key DTMF pad with audible monitor
- Extended frequency coverage for MARS and CAP (142-149 MHz; 141-151 MHz modifiable)
- Center-stop tuning—a **Kenwood exclusive!**



- New 5-way adjustable mounting system
- Automatic repeater offset selection—**another Kenwood exclusive!**
- Direct keyboard frequency entry
- Front panel programmable 38-tone CTCSS encoder **includes** 97.4 Hz (optional)

- Big multi-color LCD and back-lit controls for excellent visibility

- The TM-2530A is a 25 watt version covering 220-225 MHz. The first full featured 220 MHz rig!



Introducing... Digital Channel Link

Compatible with Kenwood's DCS (Digital Code Squelch), the DCL system enables your rig to **automatically** QSY to an open channel. Now you can automatically switch over to a simplex channel after repeater contact! Here's how it works:

The DCL system searches for an open channel, remembers it, returns to the original frequency and transmits control information to another DCL-equipped station that switches **both** radios to the open channel. Micro-processor control assures fast and reliable operation. The whole process happens in an instant!



Optional Accessories

- TU-7 38-tone CTCSS encoder
- MU-1 DCL modem unit
- VS-1 voice synthesizer
- PG-2N extra DC cable
- PG-3B DC line noise filter
- MB-10 extra mobile bracket
- CD-10 call sign display
- PS-430 DC power supply for TM-2550A/2530A/3530A

- PS-50 DC power supply for TM-2570A
- MC-60A/MC-80/MC-85 desk mics.
- MC-48B extra DTMF mic. with UP/DWN switch
- MC-43S UP/DWN mic.
- MC-55 (8-pin) mobile mic. with time-out timer
- SP-40 compact mobile speaker
- SP-50B mobile speaker
- SW-200A/SW-200B SWR/power meters
- SW-100A/SW-100B compact SWR/power meters
- SWT-1 2m antenna tuner

Actual size front panel

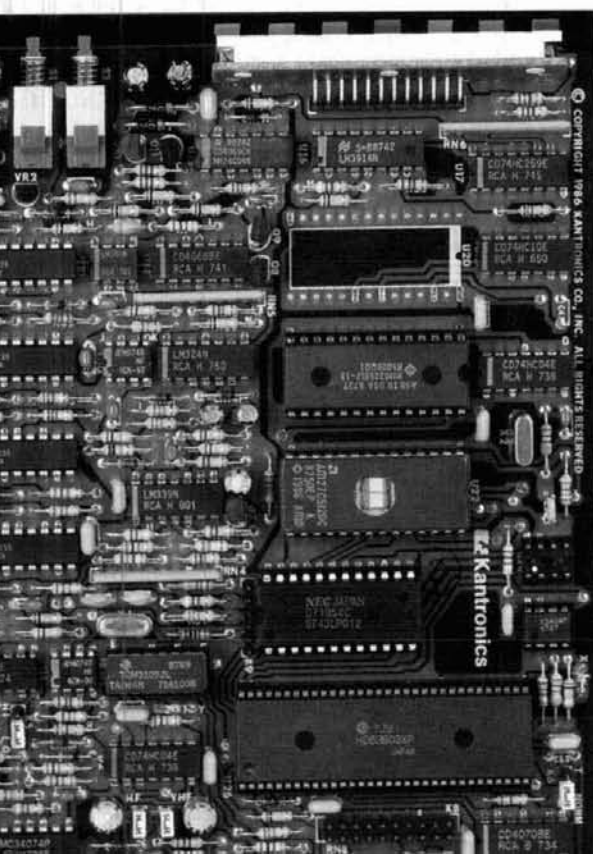
KENWOOD

KENWOOD U.S.A. CORPORATION
2201 E. Dominguez St., Long Beach, CA 90810
P.O. Box 22745, Long Beach, CA 90801-5745

Complete service manuals are available for all Kenwood transceivers and most accessories.
Specifications and prices are subject to change without notice or obligation.
Specifications guaranteed on Amateur bands only.



Join the fun at th



Whatever your interest, you'll find the Kantronics All Mode™ at the top of the pack. CW, Radioteletype, AMTOR, ASCII, WEFAX and Packet, "KAM handles them all." HF and VHF simultaneous operation? You bet! The KAM can operate RTTY or AMTOR on HF while communicating Packet on VHF. Believe it. It's the only true dual-port on the market.

World-Class

Swedish and German hams have noticed KAM's

engineering and are some of our biggest fans. The Japanese scrutinized our features and gave us ideas for extras like a subject field for the Personal Packet Mailbox™, listings of digipeater paths and more CW characters and functions. We are shipping KAM around the world.

Fun for Everyone

You'll be the envy of the airwaves with all the modes and features KAM brings to your fingertips. In addition to Packet, ASCII, AMTOR,



e top of the pack!

WEFAX, CW and Radioteletype, you'll have Dual-Port Operation (the only TNC offering this feature), Personal Packet Mailbox™, KA-NODE™, gateway, and digipeater operation.

You can operate non-packet modes on HF while maintaining a packet station at the same time on VHF. Or run an HF/VHF accessible personal mailbox or pc-based BBS totally dedicated to packet. Configure your KAM as an HF to VHF digipeater (gateway) or

KA-NODE. Or open your LAN to the world. All these modes and more features are waiting to be discovered. Increase your station abilities to the most advanced available.

Today and Tomorrow

KAM is packed with all the latest features of today with Kantronics-written firmware. And since we write and copyright our own firmware, we're in a position to lead you into the exciting modes of tomorrow first. We have a

history of keeping our customers current. Proof is in our firmware updates (2.7 in 1987 and 2.83 in 1988) offered at a fraction of the cost of a new purchase.

So join the fun, join the Top of the Pack.

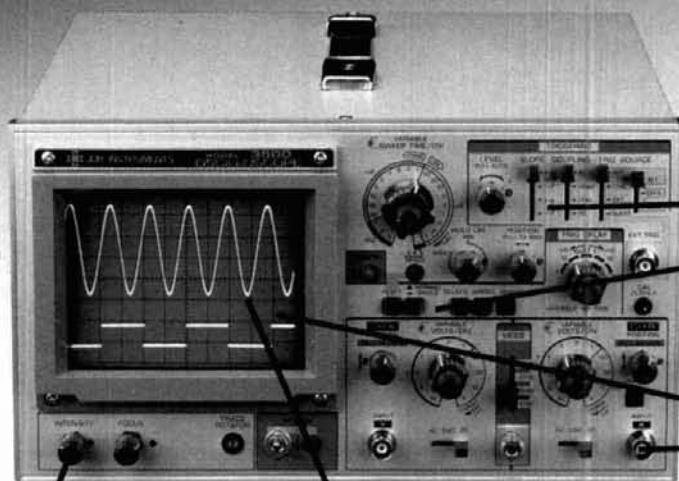
Kantronics
RF Data Communications Specialists
1202 E. 23 St Lawrence, Kansas 66046 (913) 842-7745

✓ 185

Kantronics All-Mode, KAM, Personal Packet Mailbox, and KA-NODE are trademarks of Kantronics Company, Inc.

JDR INSTRUMENTS™

Complete customer satisfaction...superior service...friendly, knowledgeable personnel... quality merchandise...providing the best values in leading edge technology.



35 MHz OSCILLOSCOPE

A remarkable value

\$499⁹⁵

Wide bandwidth and exceptional 1mV/DIV sensitivity make the Model 3500 a powerful diagnostic tool for engineers or technicians at a remarkable price. Delayed triggering allows any portion of a waveform to be isolated and expanded for closer inspection. Variable Holdoff allows stable viewing of complex waveforms.

Z AXIS INTENSITY MODULATION

FAST 10NS RISE TIME

TV SYNC FILTER

DELAYED AND SINGLE SWEEP MODES

EXCEPTIONALLY BRIGHT 5" CRT

X-Y OPERATION

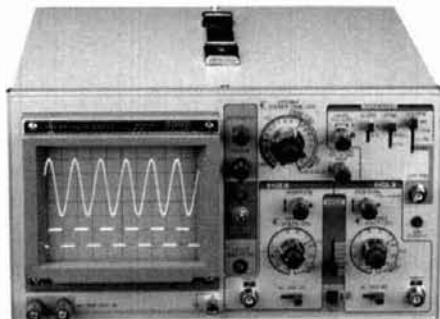
DMM-300

3.5 DIGIT DMM/MULTITESTER

\$79.95

This full function 3.5 digit DMM offers highly accurate performance and a host of added features like audible continuity, capacitance, transistor, temperature, and conductance to help you do the job—fast. Temperature probe, test leads and battery included.

- Basic DC accuracy: plus/minus 0.25%
- DC voltage: 200mv–1000V, 5 ranges
- AC voltage: 200mv–750V, 5 ranges
- Resistance: 200 ohms–20M ohms, 6 ranges
- Capacitance: 2000pf–20 μf, 3 ranges
- Transistor Tester: 0°–2000° F
- Conductance: 200ns
- Fully overload protected
- Input impedance: 10M ohm



MODEL 2000

\$389.95

20 MHz DUAL TRACE OSCILLOSCOPE

Model 2000 makes frequency calculation and phase measurement quick and easy. The component tester aids in fast troubleshooting. Service technicians appreciate the TV Sync circuits for viewing TV-V and TV-H and accurate synchronization of the video signal. Blanking, VITS, and V/H sync pulses.

- Exceptionally bright 5" CRT
- Built-in component tester
- TV Sync filter
- X-Y operation *110/220 volts

DMM-100

3.5 DIGIT POCKET SIZE DMM

\$29.95

Perfect for the field service technician. Shirt pocket size without compromising features or accuracy. Large, easy to read 1/2" LCD display. Fully overload protected for safety. 2000 hour battery life with standard 9v cell. Probes and battery included.

- Basic DC accuracy: plus/minus 0.5%
- DC voltage: 2v–1000v, 4 ranges
- AC voltage: 200v–750v, 2 ranges
- Resistance: 2k ohms–2M ohms, 4 ranges
- DC current: 2mA–2A, 4 ranges
- Input impedance: 10M ohm
- Fully overload protected
- Approx. 5" x 3" x 1". Under 7 ozs.



DMM-200

3.5 DIGIT FULL FUNCTION DMM

\$49.95

Get highly accurate performance at a very affordable price. Rugged construction, 20 amp current capability and 22 ranges make it a perfect choice for serious field or bench work. Low battery indicator and tilt-stand. Probes and 2000 hour battery included.

- Basic DC accuracy: plus or minus 0.25%
- DC voltage: 200mv–1000V, 5 ranges
- AC voltage: 200mv–750V, 5 ranges
- Resistance: 200 ohms–20M ohms, 6 ranges
- AC/DC current: 200μA–20A, 6 ranges
- Input impedance: 10M ohm
- Fully overload protected
- Approx. 7" x 3 1/2" x 1 1/2". Wt. 11 ozs.

DPM-1000

3.5 DIGIT PROBE TYPE DMM

\$54.95

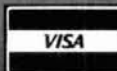
Custom 80 pin LSI chip provides accuracy and reliability in such a compact size. Autoranging, audible continuity and data hold feature help you pinpoint the problem quickly. Case and batteries included.

- Basic DC accuracy: plus/minus 1%
- DC voltage: 2v–500v, autoranging
- AC voltage: 2v–500v, autoranging
- Resistance: 2k ohms–2M ohms, autoranging
- Fully overload protected
- Input impedance: 11M ohm
- Approx 6 1/2" x 1" x 3/8". Under 3 ozs.



- ★ 2 YEAR REPLACEMENT WARRANTY
- ★ 30 DAY MONEY BACK GUARANTEE
- ★ TOLL FREE TECHNICAL SUPPORT
- ★ NEXT DAY AIR SHIP AVAILABLE

COPYRIGHT 1987 JDR MICRODEVICES



JDR INSTRUMENTS, 110 KNOWLES DRIVE, LOS GATOS, CA 95030
RETAIL STORE: 1256 SOUTH BASCOM AVE, SAN JOSE, CA (408) 947-8881

ORDER TOLL FREE 800-538-5000

comments comments

re-discovering ham radio

Dear HR:

I found the "Reflections" editorial in the June 1988 issue to be very interesting. I am one of the very new Amateurs you mention, and have come back after retirement, having let my General ticket expire in the 60s.

I would point out that the "well-established" factor is probably a very important one, because the basic cost of ham gear is quite high, compared to (say) photography. Also, as to why guys drop-out, I can tell you that it was the same very high cost of SSB gear that discouraged me from hanging-on when I was younger and had lots of very important growing-family expenses.

My surprise in finding that SSB gear was so good, and reasonably priced in CB units is one of the main things that got my interest up again! And, sure enough, I found one rig that did a very neat job, at quite reasonable cost! I'll hand that along to my daughter, hopefully, now that I've upgraded my equipment.

I really had no idea just how very good the gear can be today; or how very astute the average hams on-air are! I tend to do a lot of listening, and find that there are so very many guys who are actively involved in evaluating and improving their antennas, feed-lines, tuners, etc. I have also read a lot of the detracting comments by the QRP people and have an old friend who is a CW freak.

It really seems to me to be a pretty healthy mix, except for the few bad-actors. Your comments on putting the situation in the hands of professionals seems reasonable. I suggest that really believable illustrations showing rig

setups and compact beam antennas would help get people to pick up more of the magazines, and commence the day-dreams that lead the way!

Yours was the very first ham magazine that I started buying, again...then subscribed to, for I didn't want to miss any. I give you the highest marks on all accounts.

As a matter of general interest, I'd like very much to see a no-holds-barred comparison review of the hf linear amps available, as many as possible! I've heard lots of comments on amps, and rigs in general on-the-air, and have been very glad that I paid attention!

**Ralph Marler, KC1JG,
Portsmouth, New Hampshire
03801**

legal usefulness of amateur radio

Dear HR:

I disagree strongly with Joe Schroeder, W9JUV, in his "Reflections" in the June issue. Amateur Radio as we know it really does need an overhaul or it simply won't sell, market survey or no.

The problem is not Novice enhancement nor the current licensing structure. It lies in our extremely narrow definition of "Amateur". As it stands, in spite of the marvelous technical capability we have, Amateur Radio is useless as a service to the average person on the streets. Case in point: June 1988, *QST*, page 78 states that ordering a pizza via local autopatch is illegal because it is a "business communication". If I can't do something as trivial as that via Amateur Radio, what good is it?

People buy things because they are useful. Up to a point you can sell people on something that doesn't meet a real need, but not very long and not very many. If we were to broaden the definition of "Amateur" to permit the kind of communications that most people want on domestic frequencies (VHF and up, no international communications) we would find a lot of

response out there. If I could order a pizza, talk to my wife about who has called in while I was out on a sales call, talk about my business (short of advertising on the air), it would be useful, and I could recommend it to my friends and encourage them to get involved. Now I suggest buying a cellular phone.

I have long been involved in Amateur Radio because I enjoy the technical aspects of it. But after the thrill of talking beyond the sound of my voice wears off, I look for usefulness. Perhaps I am spoiled. I returned recently from several years on a large island in the Pacific. Four hf frequencies tied over two hundred families together across several hundred miles of impassable jungle. We arranged transportation, ordered groceries, flight followed aircraft, managed people, all under difficult conditions. I know what radio is like when it is useful.

I am convinced that unless Amateur Radio in the United States is opened up to more legal usefulness, it simply will not be there when the emergencies arise, and our frequencies will be taken away.

**Bill McLagan, WA7AQN,
Corvallis, Oregon 97330**

market survey of Amateurs good idea

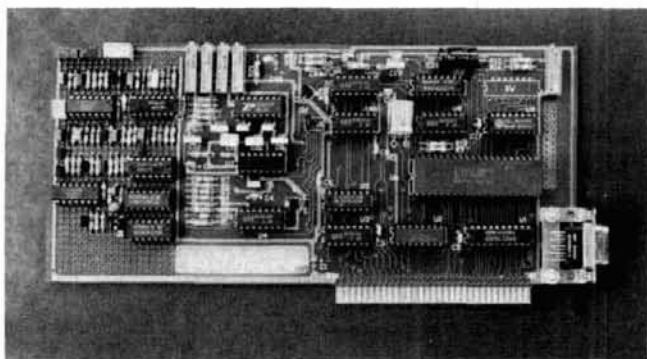
Dear HR:

I strongly support portions of Joe Schroeder's June 1988 Reflections! I am especially in agreement with his comments about marketing and marketing analysis.

New, Amateurs, younger ones in particular, must have a difficult time understanding how to operate today's overly sophisticated transceivers during early entry into operating. Perhaps a worse consideration for a beginner is the price tag associated with even the lowest priced modern rigs. We have entered into an era of \$6,000+ transceivers, and the bottom of the scale is on the order of \$1,000. It is not difficult to visualize the shock coeffi-

(continued on page 94)

Fast, reliable
modem cuts
connect time



a 4800 baud modem for VHF/UHF packet radio

Do you sometimes feel guilty of hogging your local packet network when you have a large file or message to transfer? Here's a modem that can cut down on your connect time.

A wide variety of radios now work with this modem. Reliability is high enough that our local digipeater (VE3PKT) has been switched exclusively to 4800 baud and has been running trouble free for many months. We will show how you can add a 4800 baud modem to the HAPN-1 packet radio adapter. It fits nicely into the card's "prototype area" for experimenters.*

A software switch provided with the HAPN-1 adapter lets you change from the standard (built-in) 1200 baud modem to this one. The interface between the packet card and radio is arranged to accommodate both modems; all it takes to switch from one speed to the other is a keyboard selection.

Although the bandwidth used in VHF and UHF voice operation could support data rates higher than 4800 baud, HAPN chose 4800 baud for the following reasons:

- Most existing VHF or UHF radios can be used.
- No major changes to your radio or TNC (terminal node controller) should be required.
- Alignment and setup should be easy.
- It uses no exotic or difficult to obtain parts.

*The HAPN-1 adapter is a terminal node controller on a board that plugs into a slot on an IBM PC or compatible microcomputer. HAPN is also designing a version to work with the TAPR TNC-2 compatible unit. It will reside on a "daughter board" that plugs into J4, a connector provided by TAPR for an external modem, and work off a single +12 volt supply. The board will contain a multiplexer making it possible to switch between 1200 and 4800 baud easily. This board is currently in the prototyping stage.

- It uses the same bandwidth as normal 2-meter voice operation.
- 4800 baud provides nearly four times the effective data rate of 1200 baud.

The modem contains an on-board squelch circuit that activates in approximately 10 milliseconds, typically 10 to 30 times faster than the squelch in most radios. As a result, clear-to-send delays (Tx-delay) and turnaround times are shorter, reducing "wasted channel" time.

principles of operation

Most packet radio TNCs include a modem; other telecommunication groups treat the modem as a separate entity. Its purpose is to transform the serial, digital data into a form compatible with the transmitting medium — in our case, a VHF 2-meter radio. It also must take a noisy, undulating voltage from the radio receiver and change it into a digital data stream acceptable to the TNC. Our current packet radio system requires the TNC to know when the radio channel is in use; this is the modem's job too.

transmitting duobinary codes

The digital data coming into the modem is a stream of ones and zeroes that modulate the transmitter's rf

By Glen Leinweber, VE3DNL; Max Pizzolato, VE3DNM; John Vanden Berg, VE3DVV; and Jack Botner, VE3LNY; Hamilton and Area Packet Network, Box 4466, Station D, Hamilton, Ontario, Canada L8V4S7.

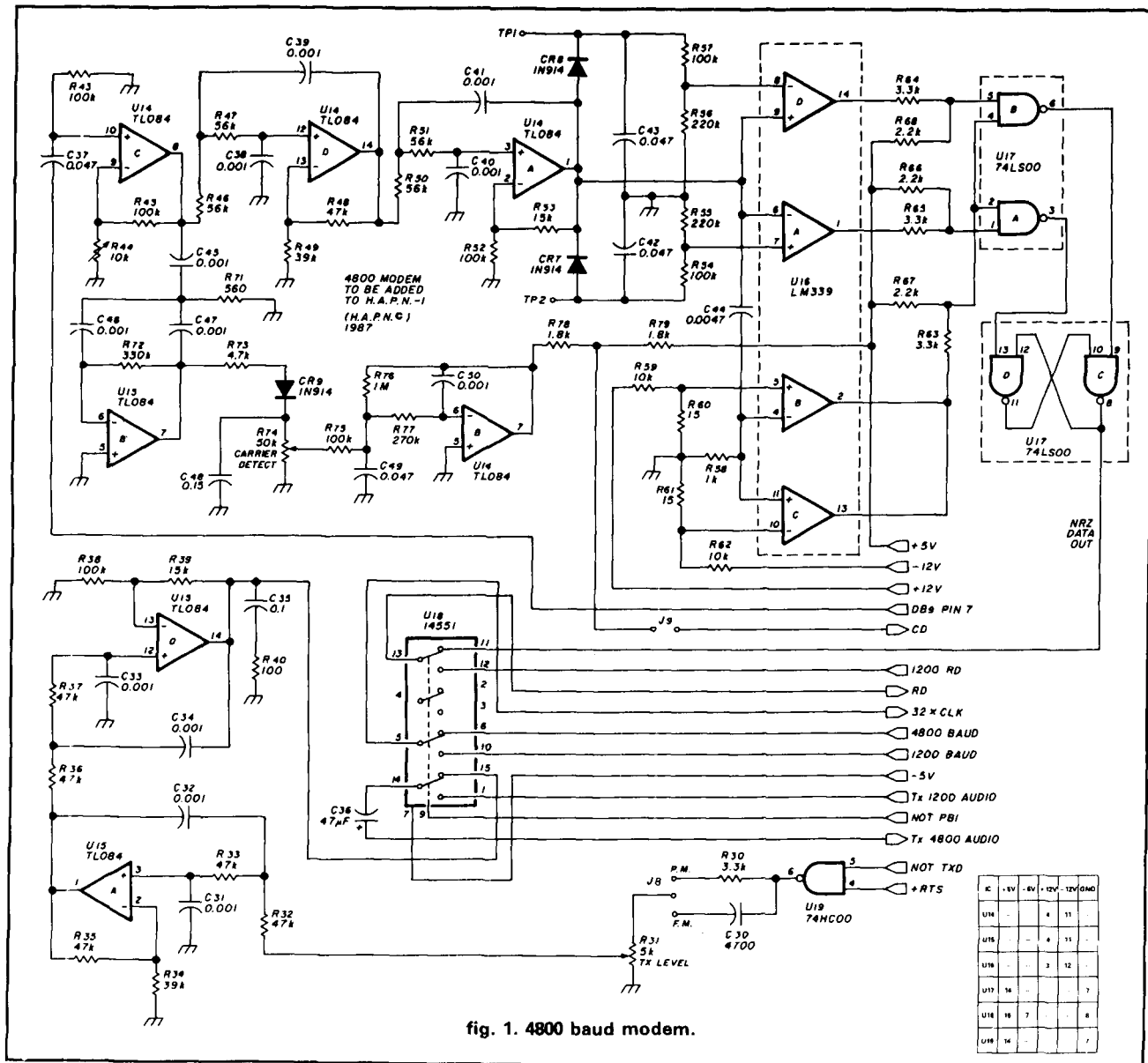


fig. 1. 4800 baud modem.

carrier. This modem uses a duobinary coding system where a 0 to 1 transition momentarily shifts the carrier *up* in frequency, then back to center. The carrier is shifted *down* in frequency and then back to center by a 1 to 0 transition. If two or more consecutive ones come along, the carrier shift occurs only for the first 1, returning back to center for the rest. Similarly, a string of two or more zeroes shifts the carrier down in frequency only for the first 0, returning to center for the rest. Because the frequency of the carrier is changed in frequency only for the first 0, returning does not require a data randomizer to avoid data-sensitivity errors caused by the carrier drifting from the center of the channel.

All these transitions are smoothed out by a four-pole

low-pass filter before they reach the radio's modulator. The filter prevents spurious sidebands from interfering with adjacent channels (see fig. 1). The shape of the waveform going into the rig's modulator must be carefully controlled. Most rigs amplify the microphone signal with rather nonlinear amplifiers that can severely distort these waveshapes. You can get the best results when the signal is tapped into the frequency modulator directly, bypassing the rig's audio stages.

What happens with a rig using a phase modulator? A phase modulator can be accommodated by modifying the shape of the waveform input. A jumper, J8, in the modem chooses one of two waveshapes to be filtered for either frequency (FM) or phase (PM) type

modulators. This modulation scheme works well with frequency synthesized radios. Tap points in both receiver and transmitter that work for this modem also seem to work for 1200 baud modems.

receiving duobinary codes

After getting into the receiver, the frequency-modulated signals pass into the radio's FM detector. Every detector type (ratio detector, quadrature, etc.) yields the same shape waveform. It will be the same shape whether it is generated from a PM or FM modulator (fig. 2). The voltage waveform output is proportional to the frequency excursions of the transmitting signal — positive pulses returning to zero and negative pulses returning to zero. The receiving part of the modem must discriminate between positive-going pulses, no pulses, and negative-going pulses.

After amplification by U14c, the signals are filtered by a four-pole low-pass filter which reduces high-frequency noise (U14d and U14a). Comparators (or slicers) U16d and U16a detect positive and negative going pulses, respectively. U16b and U16c together output a short digital pulse at the center of either positive or negative pulses. These digital signals are combined in U17, which reconstructs the original data.

As with the transmitter, the signal coming out of the receiver's detector must have the correct waveshape. The audio de-emphasis circuit (usually placed immediately after the detector) will distort the pulse shapes enough to cause unreliable operation. This means that tapping the receive signal from the volume control or speaker won't work.

carrier detect

Our packet radio protocol states that if a channel is busy, one shouldn't begin a transmission. Squelch circuits found in every FM radio duplicate this function. The carrier-detect circuit in this modem works much like the squelch, but rather than muting the audio it generates a logic signal for the TNC.

This is a noise-operated circuit. U15b detects high-frequency audio noise (approximately 11 kHz) where neither audio nor modem pulse energy is present. With no carrier present, there's lots of high-frequency noise to raise the voltage at R74. Smoothing this pulsating waveform is U14b, a low-pass filter. It drives a Schmidt trigger (U3 in the HAPN-1 adapter) logic gate that makes a quick, clean, carrier/no carrier decision.

At these higher bit rates, the switching time from transmit to receive and back becomes more important. In some radios much of this time is wasted by slow squelch action. This one reacts in 10 to 15 milliseconds.

modem switch

A four-pole, two-position electronic switch, U18, is

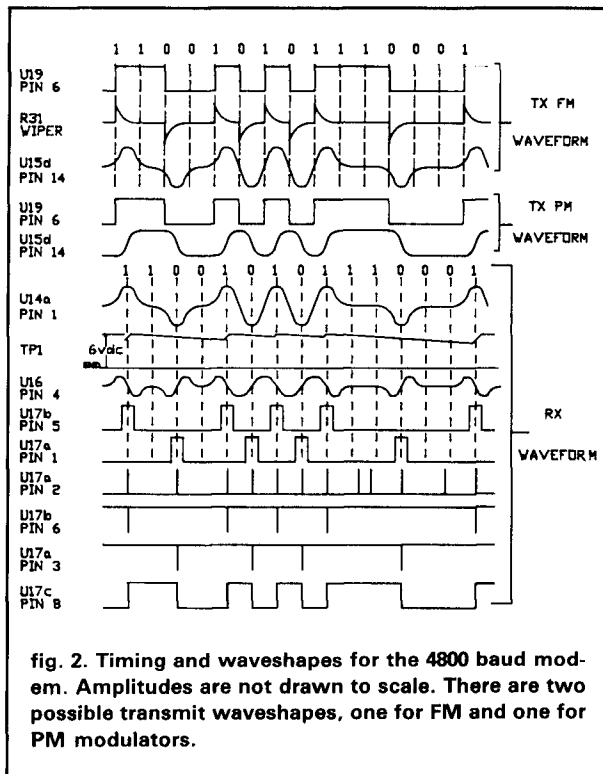


fig. 2. Timing and waveshapes for the 4800 baud modem. Amplitudes are not drawn to scale. There are two possible transmit waveshapes, one for FM and one for PM modulators.

Parts list

Resistors	1/4 watt, 5 percent
R60, R61	= 15
R40	= 100
R71	= 560
R58	= 1k
R78, R79	= 1.8k
R66, R67, R68	= 2.2k
R30, R63, R64, R65	= 3.3k
R73	= 4.7k
R59, R62	= 10k
R39, R53	= 15k
R34, R49	= 39k
R32, R33, R35, R36, R37, R48	= 47k
R46, R47, R50, R51	= 56k
R38, R43, R45, R52, R54, R57, R75	= 100k
R55, R56	= 220k
R77	= 270k
R72	= 330k
R76	= 1 M

Potentiometers = 3386W Type 3/8 square single-turn adjustment
 R31 = 5k
 R44 = 10k
 R74 = 50k

Capacitor voltage rating: at least 16 volts, 10 percent tolerance or better and to have spacing of 0.2".

C31, C32, C33, C34, C38, C39, C40,	= 1000 pF
C47, C50	
C30, C44	= 4700 pF
C37, C42, C43, C49	= 0.047 μF
C35	= 0.1 μF ceramic bypass
C48	= 0.15 μF
C36	= 4.7 μF tantalum

Diode = Switching /signal-silicon
 CR7, CR8, CR9 = 1N914 or 1N4148

Jumpers
 J8 = three post jumper
 J9 = two post jumper

Sockets = 5 x 14 pin
 Sockets = 1 x 16 pin

Integrated circuits
 U14 = 74L084
 U15 = 74L084
 U16 = LM339
 U17 = 74LS00
 U18 = 14551
 U19 = 74HC00

MFJ TUNERS

The world's most popular 3 KW roller inductor tuner with cross-needle meter gives you the widest range matching network available for coax, balanced lines and random wires **plus** you get antenna switch, dummy load and balun - all at a super price . . .

The MFJ-989B is a compact 3 KW PEP roller inductor tuner with lighted Cross-Needle SWR/Wattmeter that handles the highest power of any MFJ tuner! Its roller inductor allows you to get your SWR down to the absolute minimum. And you get other outstanding features like an antenna switch, dummy load, balun and more -- all at an outstanding price.

At only 10 $\frac{3}{4}$ x4 $\frac{1}{2}$ x15, the MFJ-989B matches the new, smaller rigs.

Why can you get your SWR down to minimum every time? Because the MFJ-989B has a roller inductor with 3-digit turns counter plus a spinner



MFJ-989B \$349⁹⁵

knob for precise inductance control. And because it has the widest range matching network available for coax, balanced lines and random wires. And it covers 1.8 to 30 MHz continuously.

The MFJ-989B's 2-color, lighted Cross-Needle Meter not only gives you SWR automatically with no controls to set but also forward and reflected power at a glance!

Plus . . . 6-position antenna switch, 50 ohm dummy load, 4:1 balun for balanced lines, ceramic feed-through, and flip-stand for easy viewing. Meter light requires 12 V.

MFJ's Best VERSA TUNER II



MFJ's all-in-one Deluxe Versa Tuner II gives you a clutter-free shack and all the features you could ever want at a super price. Here's what you get: coax/balanced line/random wire 300 watt tuner for 1.8-30 MHz, Cross-Needle SWR/Wattmeter, 50 ohm dummy load, 4:1 balun and 6-position antenna switch . . . all in a compact 10x3x7 inch cabinet that matches the smaller new rigs.

You can tune out SWR on dipoles, vees, long wires, verticals, whips, beams and quads.

A lighted Cross-Needle meter gives you SWR, forward and reflected power -- all at a glance. A 6-position antenna switch lets you select 2 coax lines, direct or through tuner, random wire/balanced line and dummy load. 1000 volt capacitors, efficient airwound inductor, heavy duty switches.

MFJ's smallest VERSA TUNER

MFJ-901B \$59⁹⁵

The MFJ-901B is our smallest -- 5x2x6 inches -- (and most affordable) 200 watt PEP Versa tuner -- when both your space and your budget is limited. Matches dipoles, vees, random wires, verticals, mobile whips, beams, balanced and coax lines continuously 1.8-30 MHz. Excellent for matching solid state rigs to linears. Efficient airwound inductor. 4:1 balun.



144/220 MHz VHF TUNERS

MFJ-920 \$49⁹⁵

MFJ-921 \$69⁹⁵

MFJ's newest VHF tuners cover both 2 Meters and the new Novice 220 MHz bands. They handle 300 watts PEP and match a wide range of impedances for coax fed antennas. MFJ-921 has SWR/Wattmeter.



MFJ's Fastest Selling TUNER



The MFJ-941D is MFJ's best selling MFJ-941D 300 W PEP antenna tuner! Why?

Because it has more features than tuners costing much more and it matches everything continuously from 1.8-30 MHz. It matches dipoles, vees, verticals, mobile whips, random wires, balanced and coax lines.

SWR/Wattmeter reads forward/reflected power in 30 and 300 watt ranges. Antenna switch selects 2 coax lines, direct or through tuner, random wire/balanced line or tuner bypass. Efficient airwound inductor gives lower losses and more watts out. Has 4:1 balun. 1000 V capacitors. 11x3x7 inches.

MFJ's Mobile TUNER



Don't leave home without this mobile tuner! Have an uninterrupted trip as the MFJ-945C extends your antenna bandwidth and eliminates the need to stop, go outside and readjust your mobile whip.

You can operate anywhere in a band and get low SWR. You'll get maximum power out of your solid state or tube rig and it'll run cooler and last longer.

Small 8x2x6 inches uses little room. SWR/Wattmeter and convenient placement of controls make tuning fast and easy while in motion. 300 watts PEP output, efficient airwound inductor, 1000 volt capacitors. Mobile mount, MFJ-20, \$3.00.

2 KW COAX SWITCHES

MFJ-1702, \$19.95. 2-positions. 60 dB isolation at 450 MHz.

Less than .2 dB loss. \$29⁹⁵ MFJ-1701 SWR below 1:1.2.

MFJ-1701, \$29.95. 6-positions. Unused positions grounded. For desk or wall mount.



MFJ's 1.5 KW VERSA TUNER III



The MFJ-962B lets you use your barefoot rig now and have the capacity to add up to a 1500 watts PEP linear amplifier later. Its small size -- 10 $\frac{3}{4}$ x4 $\frac{1}{2}$ x15 inches -- matches the new compact rigs.

A lighted Cross-Needle SWR/Wattmeter makes tuning a snap and gives you SWR, forward and reflected power -- all at a glance.

6-position antenna switch handles 2 coax lines, direct or through tuner, wire and balanced lines. 4:1 balun, efficient airwound inductor with heavy duty ceramic switch, 6 KV capacitors. Flip-stand tilts tuner for easy viewing.

MFJ's Random Wire TUNER

MFJ-16010 \$39⁹⁵

You can operate all bands anywhere with any transceiver when you let the MFJ-16010 turn any random wire into a transmitting antenna. Great for apartment, motel, camping operation. Tunes 1.8-30 MHz. Handles 200 watts. Ultra compact 2x3x4 in.



MFJ Artificial RF ground

\$79⁹⁵ MFJ-931

You can create an artificial RF ground and eliminate RF "bites", feedback, TVI and RFI when you let the MFJ-931 resonate a random length of wire and turn it into a tuned counterpoise. The MFJ-931 also lets you electrically place a far away RF ground directly at your rig -- no matter how far away it is -- by tuning out the reactance of your ground connection wire



ORDER ANY PRODUCT FROM MFJ AND TRY IT -- NO OBLIGATION. IF NOT SATISFIED RETURN WITHIN 30 DAYS FOR A NO-HASSLE REFUND (less shipping).
• One year unconditional guarantee • Add \$5.00 each shipping/handling • Call or write for free catalog, over 100 products.

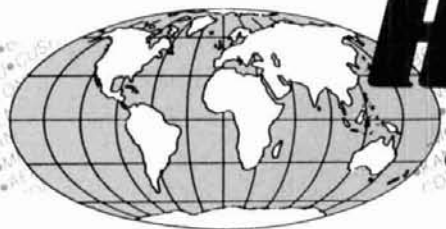
MFJ
MFJ ENTERPRISES, INC.
Box 494, Miss. State, MS 39762

FOR YOUR NEAREST DEALER OR TO ORDER
800-647-1800
Call 601-323-5869 in Miss. and outside continental USA. Telex 53-4590 MFJ STKV.
In Canada Call TEXPRO 416-332-5944.



MFJ . . . making quality affordable

WORLDWIDE DISTRIBUTION



HAM RADIO OUTLET

LARGEST HAM OUTLET IN THE WORLD

GUARANTEED
QUALITY
AT COMPETITIVE PRICES

7 STORE BUYING POWER



GEOSCHRON
GLOBAL
TIME
INDICATOR

- Detailed illuminated map shows time, time zone, sun position and day of the week at a glance for any place in the world.
- Continuously moving - areas of day and night change as you watch.
- Mounts easily on a wall. Size: 34" x 22 1/2".

\$1295 DELIVERED IN U.S.

Gordon West's
21 DAY NOVICE

\$19.95



CODE TAPES • 112 PAGE BOOK • BANDS CHART
ALL FCC FORMS • SAMPLE TESTS • PLUS MORE!

- \$70 in equipment certificates from ICOM, KENWOOD, & YAESU.
 - Ham radio equipment "Wish Books".
 - ARRL membership forms.
 - Hotline for student questions.
 - Course completion certificate.
- PLUS
ADDITIONAL
ITEMS

concept



Contemporary design, quality and a 5 year warranty on parts and labor.

6 months on the RF Final transistors.

All amplifiers have GaAsFET receive pre-amps and high SWR shutdown protection.



MA-40

40' TUBULAR TOWER

~~\$809~~ SALE! **\$629**

MA-550

55' TUBULAR TOWER

~~\$1369~~ SALE! **\$999**

- Handles 10 sq. ft. at 50 mph
- Pleases neighbors with tubular streamlined look

TX-455

55' FREESTANDING
CRANK-UP

- Handles 18 sq. ft. at 50 mph
- No guying required
- Extra-strength Construction
- Can add raising and motor drive accessories



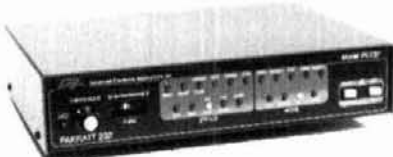
Shown with optional MARB rotor base

TOWERS RATED TO EIA SPECIFICATIONS
OTHER MODELS AT GREAT PRICES
IN STOCK FOR QUICK DELIVERY



Advanced
Electronic
Applications

PK-232 Multi-mode Data Controller



- NEW IBM Fax Screen Display Program Available
- Transmit/Receive on Six Modes
- CW/RTTY/ASCII/AMTOR/Packet/FAX
- IBM and Commodore terminal programs available
- Radio Ports for HF and VHF

In Stock for Quick Delivery

Free Shipment

KENWOOD

TM-721A DUAL BANDER

2 MTR / 70 cm
45 w 35 w

EXTENDED RECEIVING
RANGE (2 m)



TM-621A DUAL BANDER

2 MTR / 220 MHz
45 w 25 w

AUTOMATIC OFFSET

CALL FOR LOW, LOW PRICE

A3

DX THAT
STANDS OUT
FROM THE CROWD

**10, 15, 20
Meters**

Whether busting pileups, rag chewing or hunting rare DX, the A3 stands out from the crowd with the perfect combination of easy assembly, the right size, rugged durability and great performance.

- Boom Length 14 ft., Weight 27 lbs.
- Wind Surface Area 4.36 ft.

Mast
not
included

REG.
319.95

SALE
259.95

Plus Shipping

**FREE
SHIPMENT**
Most items UPS
surface

All Major Brands in Stock Now!

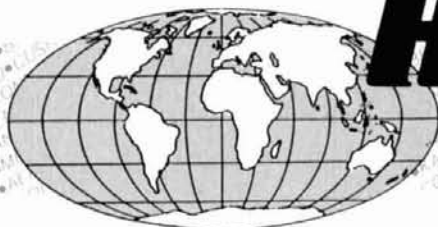
CALL TOLL FREE (800) 854-6046



Toll free including Hawaii. Phone Hrs: 7:00 am to 5:30 p.m. Pacific Time. California, Arizona and Georgia customers call or visit nearest store. California, Arizona and Georgia residents please add sales tax. Prices, specifications, descriptions subject to change without notice.



WORLDWIDE DISTRIBUTION



HAM RADIO OUTLET

LARGEST HAM OUTLET IN THE WORLD

FREE SHIPMENT
MOST ITEMS UPS SURFACE

7 STORE BUYING POWER

ICOM IC-761



HF SUPERIOR GRADE
TRANSCEIVER

SALE! CALL FOR PRICE

ICOM IC-781



THE ULTIMATE
150 W, ALL BAND
HF TRANSCEIVER

GREAT PRICE!

ICOM IC-900
MULTI-BAND
MOBILE



YOU CAN OPERATE SIX BANDS
WITH ONE CONTROLLER!
2 MTR 25/45W, 440 MHz 10 MTR, 6 MTR,
220 MHz & 1.2 GHz 10 MEMORIES
ARE YOU READY FOR
1.2 GHz OPERATION?

ICOM A Models 25W,
H Models 100 W

IC-275A/275H, 138-174 MHz

IC-375A, 220 MHz

IC-475A/475H, 430-450 MHz



LOW PRICE!

NOW! RAPID DELIVERIES



FROM STORE NEAREST YOU

ICOM HAND-HELD
VHF/UHF



IC-02AT IC-2AT 2MTR
IC-03AT IC-3AT 220 MHz
IC-04AT IC-4AT 440 MHz

ICOM IC-735



100 W, 100 KHz-30 MHz
Dual VFO Receiver

CALL FOR LOW, LOW PRICE

ICOM IC-R7000



25 MHz-1300 MHz
SCANNING RECEIVER

GREAT PRICE!

ICOM IC-u4AT/u2AT
440 MHz, 2MTR

Mini
Hand-Held
AT Model
w/ TT Pad
GREAT
PRICE!



All Major Brands in Stock Now!



Bob Ferrero W6RJ
President
Jim Rafferty N6RJ
VP So. Calif Div.
Anaheim Mgr.

ANAHEIM, CA 92801
2620 W. La Palma
(714) 761-3033. (213) 860-2040
Between Disneyland &
Knotts Berry Farm

ATLANTA, GA 30340
6071 Buford Hwy
(404) 263-0700
Larry, Mgr. WD4AGW
Doraville, 1 mi. north of I-285

BURLINGAME, CA 94010
999 Howard Ave.
(415) 342-5757
George, Mgr. WB6DSV
5 miles south on 101 from SFO

OAKLAND, CA 94606
2210 Livingston St.
(415) 534-5757
Al, Mgr. WA6SYK
17N-5th Ave / 17S-16th Ave

PHOENIX, AZ 85015
1702 W. Camelback Rd.
(602) 242-3515
Bob, Mgr. K7RDH
East of Hwy. 17

SAN DIEGO, CA 92123
5375 Kearny Villa Rd.
(619) 560-4900
Tom, Mgr. KMEK
Hwy. 163 & Claremont Mesa Blvd.

VAN NUYS, CA 91411
6265 Sepulveda Blvd.
(818) 988-2212
Al, Mgr. K6YRA
San Diego Fwy
at Victory Blvd.

STORE HOURS
10 AM-5:30 PM
CLOSED SUNDAYS



CALL TOLL FREE (800) 854-6046



Toll free including Hawaii. Phone Hrs: 7:00 am to 5:30 p.m. Pacific Time. California, Arizona and Georgia customers call or visit nearest store. California, Arizona and Georgia residents please add sales tax. Prices, specifications, descriptions subject to change without notice.





Cards and plaque courtesy W6TC

EIMAC's new DX champion! The 3CX800A7.

Varian EIMAC continues to commit its development of reliable tubes for HAM radio.

The new, rugged 3CX800A7 power triode provides 2 kW PEP input for voice service or 1 kW cw rating up to 30 MHz. Two tubes will meet the new, higher power ratings authorized by the FCC.

Designed for today's low profile, compact linear amplifiers, the 3CX800A7 powerhouse is only

2½ inches (6.35 cm) high. Cooling requirements are modest and a matching socket, air chimney and anode clamp are available.

A data sheet and more information is available from Varian EIMAC. Or the nearest Electron Device Group sales office. Call or write today.

Varian EIMAC
301 Industrial Way
San Carlos, California 94270
Telephone: 415-592-1221



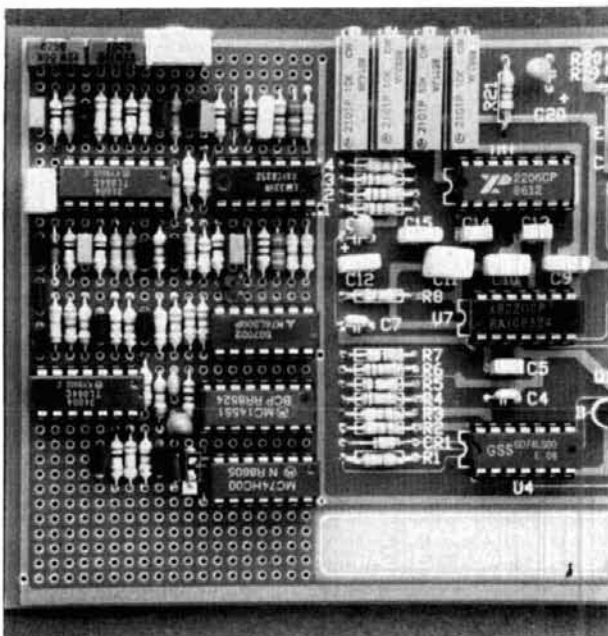


photo A. Close-up of the 4800 baud modem on the HAPN-1 prototype area.

included to allow software switching from one modem to the other. A logic signal from an unused output line of the 8273 (U6, pin 36) controls the switch.

Since each modem operates at a different bit rate, one of the poles switches the 8273's 32X clock (pin 25) input from the standard 1200 baud position to the 4800 baud position. Another switch position selects the digital data output from one modem or the other. The serial data comes from the switch's pole into the 8273 data input (U4, pin 13).

Because this is a MOSFET switch, it can deal with analog and digital signals. The transmit signal going to the rig's modulator can be routed from one modem or the other by the third switch. Turning the 8273 control port (port B) bits on and off puts the switch under software control. The node customization program supplied with the HAPN-1 adapter provides a modem select menu; choose the modem/baud rate by pressing one of the function keys. The modem/baud rate remains in effect until the customization procedure is used to change the selection again.

construction

The prototype area at the end of the HAPN card is the perfect place to build this modem. (See **photo A.**) Power supply lines (+12 volts, -12 volts, +5 volts, -5 volts) are available, as are all the TNC interface points. Interfacing is shown for the HAPN-1 card; later versions of the card have traces to the interface points brought out to the prototype area, making modem construction a little easier.

You must use small components. The parts layout

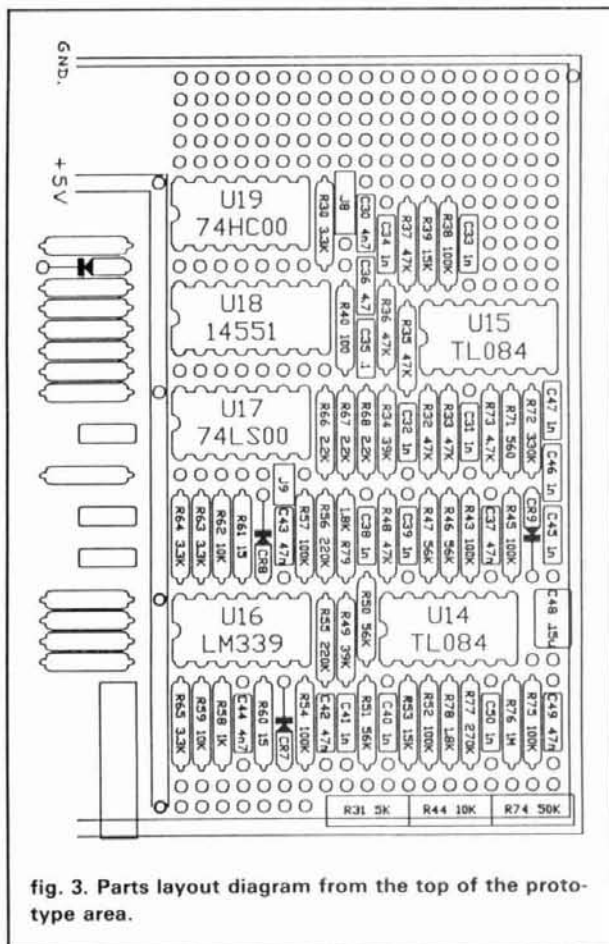


fig. 3. Parts layout diagram from the top of the prototype area.

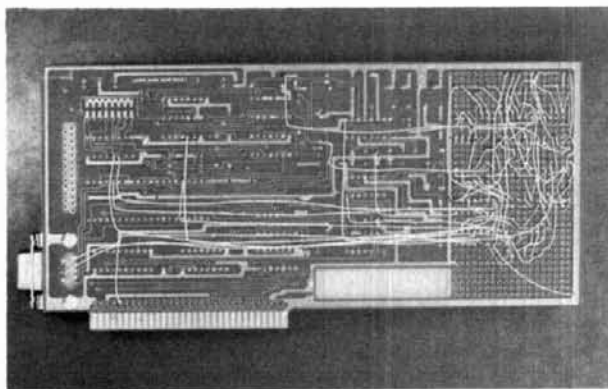


photo B. Bottom of the HAPN-1 adapter showing the wiring added for the 4800 baud modem.

in **fig. 3** assumes all capacitors have a lead spacing of 0.2 inch. Resistors of 1/4 watt have their leads bent to 0.4 inch.

Insert the components according to the layout diagram, and solder them to the board. Then cut the leads off and make the interconnections. A small soldering iron and fine wire (like wire-wrap wire) are a must. Take care with the interconnections; the parts

Table 1. Modem pin designations on HAPN series boards

Signal name	HAPN-1	HAPN-1.1	HAPN-1.2
Rx 4800 audio	DB-9 pin 7	square pad 01	square pad 01
Tx 4800 audio	DB-9 pin 8	square pad 02	square pad 02
- 12 volts	C22/R20	square pad 03	square pad 03
32xCLK	U6 pin 25	square pad 04	square pad 04
1200 baud	U8 pin 4	square pad 05	square pad 05
4800 baud	U8 pin 3	square pad 06	square pad 06
Not TxD	U6 pin 29	square pad 07	square pad 07
+ RTS	U9 pin 12	U9 pin 12	square pad 08
+ 12 volts	U11 pin 4	square pad 08	square pad 09
+ 5 volts	5volt rail	square pad 09	square pad 10
Tx 1200 audio	DB-9 pin 4	square pad 10	square pad 11
1200 RD	U7 pin 7	square pad 11	square pad 12
RD	U4 pin 13	square pad 12	square pad 13
Not PB1	U6 pin 36	square pad 13	square pad 14
CD	U3 pin 9	square pad 14	square pad 15
- 5 volts	edge connector B5	square pad 15	square pad 16

Note: Edge connector pin B5 is the fifth pin from the bracket going to the fifth hole on the top row.

are placed very close together and finding a wiring mistake after the modem has been assembled is no fun. (See **photo B.**)

Cut the following two printed circuit traces so the multiplexer chip (U18) can switch from one modem to the other under program control:

1. Cut the default 1200 BPS trace at "SW" (next to P1).

2. Cut the trace going to U4 pin 13. This will be at different locations, depending on the board revision you have:

- HAPN-1 — fat trace on the component side, going to U4 pin 13.
- HAPN-1.1 — short trace between square pad no. 11 and square pad no. 12.
- HAPN-1.2 — short trace between square pad no. 12 and square pad no. 13.

Table 1 shows how the new modem interfaces with different revision boards. The later boards have been enhanced with pads at the prototype area making it easier to add the modem. Square pads are immediately adjacent to the prototype area, in a vertical row. They are consecutively numbered from the top of the board to the bottom.

voltage hookup

Look up the signal name in **table 1** and locate the appropriate interface point for your board.

GND from any wide ground trace at the side of the prototype area to U17 pin 7, U18 pin 8, and U19 pin 7. Also complete ground side connections to all components needing ground (see schematic, **fig. 1**).

+ 12 volts to U16 pin 3, U14 pin 4, and U15 pin 4. Also connect + 12 volts to R59.

- 12 volts to U16 pin 12, U14 pin 11, and U15 pin 11. Also connect - 12 volts to R62.

+ 5 volts to U17 pin 14, U18 pin 16, and U19 pin 14. Also connect + 5 volts to R66, R67, R68, and R79.

- 5 volts to U18 pin 7.

Finally, make up a cable for the radio with the following:

- "Rx audio" to DB9 pin 7
- "Tx audio" to DB9 pin 8
- "PTT" to DB9 pin 1
- "GND" to DB9 pin 3

modem/radio interface

One project goal was to maintain the functionality of the existing modem while allowing easy switching between the two. It was also desirable to keep the interface between the modem and the radio as simple as possible.

A quick survey of local hams shows that most would have to change the tap points into their radio for the new modem. *Choose the wrong tap points and this modem will not work!* At this time a wide variety of radios have been adapted successfully with little modification.

transmitter interface

The 4800 modem transmit signal must go directly to the FM or PM modulator in your transceiver. Connections to the microphone jack will not work. Tapping at this point also seems to work well with 1200 baud modems, as long as the level is readjusted to match the new tap point. Because this tap point bypasses the limiter stages in the audio chain, take care not to over-deviate. Deviation should be kept to about 3 kHz by adjusting R31 on the modem. Use shielded cable to connect the modem to your radio.

If you choose the correct tap point, your radio will still operate properly when used for voice work but

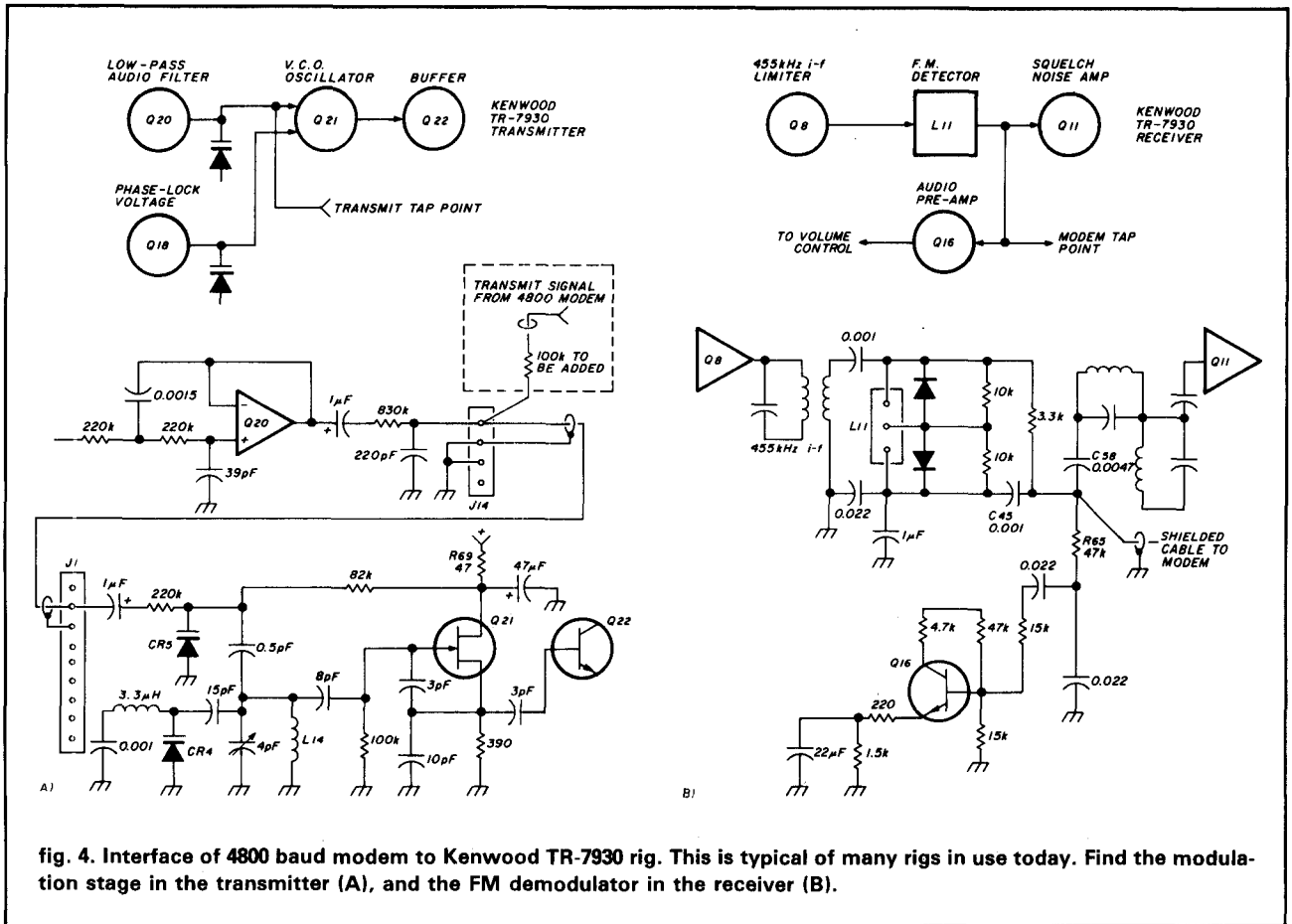


fig. 4. Interface of 4800 baud modem to Kenwood TR-7930 rig. This is typical of many rigs in use today. Find the modulation stage in the transmitter (A), and the FM demodulator in the receiver (B).

you will have to disconnect the modem interface cable to get full voice modulation. When it is used for packet communication, it's a good idea to unplug the microphone to prevent room noise pickup.

You must determine which modulation type your radio uses. If you have a phase modulator, install a jumper between the center pin of J8 and the pin connected to R30. If your rig uses a frequency modulator, install the jumper between the center pin of J8 and C30.

Many radio manuals include a block diagram. This is a useful guide to determine what form of modulation your radio uses. FM is always applied to an oscillator circuit; either a crystal-controlled oscillator or a voltage-controlled oscillator (VCO). If it's FM, your rig's schematic will show a voltage variable capacitance (varactor) diode coupled closely to the frequency determining inductors and capacitors (or crystal) of an oscillator circuit.

Phase modulation is always applied to a stage following an oscillator, never to the oscillator itself. PM could be produced using either a voltage variable capacitance diode or a transistor stage called a "reactance modulator".

The point in your radio where the Tx audio should

be introduced must be very close to the modulator. Your rig's audio processing stages will probably end in a low-pass filter before going into the modulator. The tap point will be between the low-pass filter and the modulator itself. If possible, tap in at a high impedance point; the modem shouldn't have to drive an impedance lower than about 400 ohms.

Figure 4A shows an example of the transmitter interface to a Kenwood TR-7930 transceiver.

receiver interface

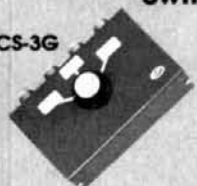
You cannot use a connection into your rig at the speaker or volume control for this modem. Your rig must be tapped directly at the FM detector before the audio is de-emphasized. The de-emphasis circuit (a resistor/capacitor combination) is rarely identified on schematic or block diagrams. It nearly always follows the squelch pickoff point, but is often placed before any audio gain stages.

Most radios use a squelch circuit called a "noise-operated squelch" that gets its operating signal from the FM detector, before de-emphasis. Tap for the modem at *exactly* the point where this squelch circuit joins the FM detector. The input circuit of the modem is ac coupled, and is high impedance (100k). It can

coaxial R. F. antenna switches

Heavy Duty switch for true 1 Kw POWER – 2 Kw P.E.P. Ceramic with Coin Silver Switch Contacts

#CS-3G



Single Pole, 3 Position.
Desk or wall mount
All unused positions grounded

#CS-3G – UHF connectors / \$36.50*
#CS-3G-BNC – BNC connectors / \$43.95*

#CS-6G



Single Pole, 5 Position.
All unused positions grounded

#CS-6G – UHF connectors / \$46.50*
#CS-6G-BNC – BNC connectors / \$59.50*

*Shipping and handling for any
item add \$2 each.

ALL OUR PRODUCTS MADE IN USA



BARKER & WILLIAMSON

Quality Communication Products Since 1932
At your Distributors write or call
10 Canal Street, Bristol PA 19007
(215) 788-5581



COMMANDER II VHF LINEAR POWER AMPLIFIER



SPECIFICATIONS

Frequency Range – 144-148 MHz	Output Impedance – 50 OHMS Nominal
Modes – USB, LSB, RTTY, FM	Antenna Load – 2:1 Maximum
Power Requirements – 117/234VAC with 234VAC recommended	Harmonic Suppression Down 60DB @ Rated Output
RF Drive Power – 10-15 Watts Nominal 25 Watts Maximum	Intermodulation Distortion Down 30 DB Minimum
RF Output – 15+ DB Gain or over 650 Watts	Weight – 56 lbs.
Input Impedance – 50 OHMS	Cabinet Size – 14 3/4" x 14 3/4" x 6"
	Tube – 3CX800A7 Ceramic/Metal Triode
	Pressurized Chassis Forced Air Cooling

FEATURES

Reduced Ratio (6 to 1) on all Tuning Controls for Smooth and Easy Tuneup.
Front Panel Input Tuning Control Allowing a Higher Circuit "Q" for Excellent Linearity
and a Very Low Input VSWR all Across the 2 Meter Band.
A Switched Multimeter for Monitoring Plate Voltage, Plate Current, and Grid Current.
External Coaxial Relay or Sequencer Needed for Transceiver Operation.
UPS Shippable.

MADE IN U.S.A. BY HAMS FOR HAMS
Direct from Manufacturer

✓ 179

\$988.00 (Coaxial Relay Extra)

Ohio Residents Add Sales Tax. VISA and Mastercard accepted. Prices or specifications subject to change without notice.

COMMAND TECHNOLOGIES, INC.

1117 West High Street, Bryan, Ohio 43506 (419) 636-2721

accommodate signal amplitudes from 2 mv to 200 mv rms.

Some integrated-circuit detector chips include an audio preamp that may supply too much signal for the modem. You can accommodate these larger signals by soldering a resistor (10k to 33k) in parallel with R45.

Use shielded wire between the receiver interface point and the modem. Keep the length as short as possible — avoid a run of more than 10 feet. If you must keep your radio at some distance from your TNC, construct a buffer stage at the detector so that it is not loaded by the capacitance of a long run of shielded cable.

The existing interface for the push-to-talk circuit doesn't need to be changed. Route all signals through the nine-pin connector at the back of the board. You may leave the existing 1200 baud lines on this connector (pins 2 and 4) intact, wiring the new transmit and receive lines to pins 7 and 8. Once you get the new modem running successfully, try switching to 1200 baud using the new tap points in your radio. An adjustment of the 1200 TX level control (P3) should be all that's necessary.

The HAPN card allows two sources of carrier detect — one derived from the demodulator chip (XR2211), the other from an external (squelch-derived) source. A jumper at J1 or J2 selects one of these sources. Jumper J9 selects a third option, the 4800 carrier detect. Because this circuit detects 1200 baud packets, 4800 baud packets, and even voice, remove the jumper on J1 or J2 and install it permanently at J9.

Figure 4B shows an example of the receiver interface to a Kenwood TR-7930 transceiver.

test and alignment

Check the four power supply lines for shorts with an ohmmeter before plugging the modified card back into your computer. After installing the adapter, but before connecting your radio, make sure the dc voltages on all the signal pins of U14 and U15 are 0 volts. Connect your radio and go to a clear channel.

Measure the voltage at TP 1 and adjust potentiometer R44 for about 9 Vdc. This voltage gives the peak amplitude of the audio signal, and should drop to about 6 Vdc during a 4800 baud packet. If R44 adjusts out of range, change R45 up in value if the TP 1 voltage is too low, down in value if it's too high.

Now adjust R74 as you would a squelch control. Use the HAPN "T25" test program to look at the "carrier detect" function. You can also set R74 by looking at U14b pin 7. Adjust for -5 Vdc on a clear channel. It should rise to approximately 0 volts when a carrier is present, or when the radio is disconnected from the modem.

The transmit level control R31 is more difficult to set properly, since you probably have no way of meas-

uring deviation. The 4800 baud deviation should be 3 kHz, a little less than voice deviation of 5 kHz. You might have another station compare the level of your 4800 baud packets with a voice transmission, ideally with a scope. Start R31 off at minimum, increasing it slowly. Setting R31 too high may over-deviate your transmitter and the monitoring station will see only that waveform amplitude is not increasing, although you may be causing adjacent channel interference. Remember that by connecting directly to the modulator you have bypassed the audio limiting circuits; the only thing limiting deviation is R31 in the modem.

The existing factory limiter setting in your radio (which should be close to 5 kHz) can also be used as a reference for setting the 3-kHz deviation for 4800 baud. Hook up your scope at the selected 4800 baud modulating point, apply a signal into the microphone input (use a signal generator or whistle into the mike), and increase the amplitude until you can see limiting on the scope. Note the peak amplitude. This will be your 5-kHz deviation reference. Take 60 percent of this value and use it for adjusting the 4800 baud transmit level (R31). You can also use the same level when adjusting your 1200 baud transmit level (P3).

acknowledgments

This modem is an adaptation of the design by Ken Smith, VE3HWB, so a great deal of credit must go to him. Ken's original article, "Packet Radio with the 1802," was published in the *Ipsa Facto* newsletter of the Association of Computer Experimenters (ACE), April 1979. Thanks also to HAPN members VE3IUV, VE3NAV, and VE3MCF for their efforts in building and testing the prototypes, and their contributions to this article.

available from HAPN

The HAPN-1 adapter revision 2 is still available from HAPN as described in the August 1986 article for the same price. Revision 2 contains a number of extra traces in the prototype area to simplify the addition of a second modem there.

We also have a printed circuit board for a stand-alone version of the 4800 baud modem, the HAPN-M, available for \$25 U.S. postage paid. The modem is identical to the one described in this article, except that it has RS-232C drivers in the interface to the TNC. It may be used with any RS-232C compatible TNC, or TTL levels if the RS-232C interface circuits are bypassed.

We would like to remind HAPN-1 users who build this modem that a software update may be required to fully support the modem switch. Software updates are \$5 U.S. each, plus \$5 per diskette. (If you use any of the programs on diskette 2, a diskette 2 update is required along with diskette 1.)

Wiring diagrams of the modem and interfacing diagrams for the Santec ST-144/uP handheld and the ICOM IC-27 transceivers are available from HAPN if you send us a self-addressed envelope and an IRC.

HAPN update

HAPN (Hamilton and Area Packet Network) is a nonprofit association dedicated to furthering the state of packet radio. We are presently working on the TAPR-2 TNC version of the 4800 baud modem and on developing drivers for the VADCG V-3 experimental protocol. We believe that widespread use of 4800 baud will go a long way to improve the efficiency of packet radio local area networks, at minimal cost to the users. The V-3 link level driver is being tested, but the network level is yet to be coded. V-3 is a very interesting networking protocol, an outgrowth of VADCG's V-2 protocol. (For further information on V-3 write VADCG, 9531 Odlin Road, Richmond, BC, V6X 1E1, Canada.)

reference

1. Jack Botner, VE3LNY; Ron Bradshaw, VE3IUV; Max Pizzolato, VE3DNM; John Vanden Berg, VE3DVV; "A Packet Radio TNC for the IBM PC," *ham radio*, August 1986, page 10.

ham radio

KEEP IT INSIDE



DMQ
5588

- Frequency Range - 13 MHz to 30 MHz
- Power Limit - 1500 Watts P.E.P.
- Diameter - 39 inches
- Wind Survival - 70 + MPH
- Surface Area - < 89 Sq. Ft.
- Antenna Finish - Heat Shrink Tubing
- Coax Connector - PL-259
- Antenna Weight - 4 lbs.
- Magnetic Design Maximum Efficiency
- 100% Copper One Piece Construction
- Military Spec Vacuum Variable Capacitor Rated at 35,000 Volts
- HI-Q Harmonic Suppression
- All Locations - Indoors or Outdoors
- Bi-Directional at 0-20 Degrees TOA
- Omni-Directional at 25-90 Degrees TOA
- High Signal to Noise Ratio
- Direction Feed 52 OHM Coax SWR < 1.5:1
- No Matching Unit, Pretuned Coax, Ground Screen or Radial System

WA2VMO A BELIEVER

WHEN YOU'RE TOLD YOU CAN'T — THE DMQ-5588 SAYS YOU CAN

OPERATION: Apply power to DMQ-5588 and adjust vacuum variable for lowest SWR.

INSTALLATION: DMQ-5588 inside ground floor apartment brick building 100W.

DX CONTACTS MADE BETWEEN 3/88 TO 5/88: 5Z4 P43 PA0 TK9 DJ8 GWO CP5 YS9 ZS6 J37 ZD8 HP9 WP4 IK4 HK6 GM4 IS EAS JH1 C6 HK6 IK2 GD4 PJ2 HP4 CE1 S24 5T5 KP4 UT4 SP3 CP3 F9 IK3 N91 UA6, UR2 UP1 YT2 UB5 IV3 EA5 TG9 GJ5 ON7 YU1 VO1 DL6 J73 PY8 T12 L21 PY5 OE4 GI0 G4 WP4 KL7

Become a Believer! For more information about this exciting new antenna, call or write DMQ today! Limited time intro offer: \$349.50 + Shipping.

221 Slater Boulevard
Staten Island, NY 10305
(718) 979-3505

✓ 180



DMQ TECHNOLOGY

one hundred years of electric waves

A tribute to Heinrich Hertz

One hundred years ago, in a technical high school in Germany, a teacher working with hand-me-down apparatus made a discovery that would affect generations to come. His equipment consisted of little more than a few electrical conductors and a Leyden jar, yet he stumbled upon the basic principle which became the foundation of modern radio, television, radar, and electromagnetic wave communication.

The year was 1886; the man was Heinrich Hertz. Hertz's initial discovery was followed by a series of research studies that firmly established the existence of mysterious and remarkable "electric waves" — waves which could travel through walls and empty space. Today we call them "radio waves," or "electromagnetic radiation."

Most people think that Marconi was the man responsible for radio. Marconi was responsible for the practical application of radio, but Hertz laid the groundwork and did all the research work upon which modern radio is based.¹

Now, 100 years after Hertz's discoveries, it may come as a surprise to many that his work is still the foundation of modern radio. We don't use spark-gap transmitters in our communications today, and Hertz never heard of a superheterodyne receiver — he didn't even see his electrical waves as potential media for communication.² But it is amazing to realize the extent to which Hertz's work is represented in hi-tech, high-performance radio communications.

the path to the goal

Hertz's work can be traced to that of such notables as English scientist Michael Faraday and Scottish

physicist James Clerk Maxwell. Of particular importance are Faraday's ideas about electrical and magnetic fields, and Maxwell's theoretical predictions of the existence of electromagnetic waves. In 1887, Hertz was working on a problem concerning the relation between electromagnetic forces and the dielectric polarization of insulators. While working with some spiral coils used for demonstrations during his tenure at the Technical High School at Karlsruhe, he noticed that a discharge of a small Leyden jar through one coil caused a spark across a spark gap of the other. Further investigation revealed that there were very rapid electrical oscillations occurring within the coils.

While still pursuing the problem of the dielectric polarization of insulators, Hertz was, as he says: "...frustrated by the invariable occurrence of strong sparking in the secondary conductor..."³ Now the secondary conductor just happened to be a loop antenna with a spark gap, used as a detector of electromagnetic waves. Of course Hertz had not designed his loop as an antenna; antennas hadn't been invented yet! He designed the loop as the secondary loop of a transformer. At first his results puzzled him. Later in his discussion he says: "It only gradually became clear to me that the law which I had assumed as the basis of my experiment did not apply here..."³

Hertz did not realize at first that his electrical oscillations were producing waves which traveled through space. But he was a dedicated researcher and followed where his findings led. He wrote later: "But when I had established with certainty the existence of actual waves, I...arrived at the phenomena which are described in the paper 'On Electromagnetic Waves in Air, and their Reflection.'"³ Hertz realized that he had discovered the electromagnetic waves Maxwell had predicted with his mathematical equations.

By **W. Clem Small, KR6A**, R 1, Box 64A,
Weybridge, Vermont 05753

Hertz: a pioneer among pioneers

You may be surprised to learn that there were others who predated Hertz in demonstrating electric waves in air.* It seems that he was unaware of their work and made his discoveries independently. Let's take a look at these men.

Lord Kelvin, in the preface to the English edition of Hertz's classic *Electric Waves*³, referred to Joseph Henry who showed that electrical force can diffuse through space in a manner very much like light waves. In 1842, before Hertz's discovery of electric waves, Henry demonstrated such radiation by showing magnetic effects in steel needles caused by lightning bolts miles distant from the needle. The "sparks" of Henry's lightning bolts now seem to be precursors to the sparks of Hertz's spark-coil transmitter.

Then, in 1871, Elihu Thomson and E. A. Houston reported work in which Thomson sent signals between a spark transmitter and a spark-gap receiver (equipment similar to that which Hertz would use) from the basement to the top floor of the school where they taught. In 1876, Sylvanus Thompson used equipment even more similar to Hertz's, to show that another electric wave discoverer, Thomas A. Edison, was wrong in claiming that he had discovered a "new" nonelectric force. Edison had discovered this new force in 1875 while investigating sparking which occurred during work on an electromagnet with a vibrating armature — a device having much in common with the induction coil of Hertz's spark-gap transmitter. Again, the method of detection was the observation of a visible spark at the point of reception. Edison displayed his electric waves only in conductors, not in air. Because of the strange behavior of these waves, he claimed that his new force was not a form of electricity, but of some "etheric" force. Thompson showed that he was wrong, but unfortunately, didn't go on to show just what it was that Edison had discovered. Then in 1880, David Hughes performed studies which demonstrated the effects of Hertz's electric waves. But when Hughes demonstrated his results to eminent scientists of his day, he was discouraged from pursuing the matter. The scientists claimed he was using the well-known principle of induction, rather than displaying something new.

Thomson and Houston, Thompson, Edison, and Hughes all seem to have demonstrated the effects of what were later to become known as radio waves, but none of them pursued the discovery to the same extent as Hertz. Much later, after wireless communica-

tion was a reality, Edison sold the patent on his etheric force to Marconi for \$30,000.

Perhaps even more startling is the work of E. A. Dolbear, who in 1882 gave the first demonstration of transmission and reception of the human voice with his "electrostatic telephone." Although he did use an induction coil in his transmitter, Dolbear's apparatus differed from Hertz's significantly. Another early wireless pioneer, a dentist named Mahlon Loomis, is often considered a precursor to Hertz for his work with the "aerial telegraph." In 1872, using an aerial and a ground at each site, Loomis used his apparatus to signal for 14 miles between two mountain tops. But his apparatus was also quite different from Hertz's, and Loomis's work is generally thought to have been based on atmospheric conduction rather than electric waves. Some historians believe that Dolbear's work also was not with electrical waves, but by induction — a popular means of early "wireless" communication. Others might deny the inclusion of Henry's or Edison's work in the list of Hertz precursors. Yet other historians would include all those I've mentioned above as legitimately predating Hertz in the discovery of wireless waves.

It is obvious that a number of men were experimenting with an intent to develop a wireless system using apparatus remarkably like that which Hertz later used to discover electric waves. Yet none of them was able to convince the scientific world that he had indeed found a worthwhile new means of signaling without wires. Before the scientific world would be willing to accept such a claim, Maxwell had to use his mathematics to justify the reasons for believing in such radiation, and Hertz had to provide solid experimental verification of those predictions. Where many had tried, one succeeded.

Hertz's legacy

In the 100 years since the discovery of electromagnetic radiation, there have been tremendous gains in the science and technology of radio communications. We have advanced from the early spark coils and coherers through crystal detectors, arc transmitters, radio-frequency alternators, vacuum tubes, transistors, and on to solid-state devices. Today's technology shows impressive strides beyond Hertz's crude apparatus. But how far have we really come?

Although he didn't foresee the potential his discovery held as a basis for communications, Hertz pioneered the development of some of the most modern communication technology we have today. For instance, the parabolic dish antenna, important to microwave communications, is a direct descendent of Hertz's parabolic reflector antenna. The dipole antenna was also Hertz's discovery and basic to much of his early work. Today dipole antennas are a component

*W. von Bezold, G. F. Fitzgerald, and Oliver Lodge are three other pioneers in the study of electric waves. None of them actually demonstrated electric waves in space, but did precede Hertz with work which had specific implications that could have led to his findings.

**TE
SYSTEMS****RF POWER AMPLIFIERS**

- Lowest NF GaAs FET Preamp
- Finest Quality Military Construction
- Off-The-Shelf Dealer Delivery



For the past five years, Amateurs worldwide have sought quality amplifier products from TE Systems. Renowned for the incorporation of high quality, low-noise GaAs FET preamplifiers in RF power amplifiers, TE Systems offers our fine line of products through select national distributors.

All amplifiers are linear (all-mode), automatic T/R switching with adjustable delay and usable with drive levels as low as 1/2 Watt. We incorporate thermal shutdown protection and have remote control capability. All units are designed to ICAS ratings and meet FCC part 97 regulations. Approx. size is 2.8 x 5.8 x 10.5" and weight is 5 lbs.

Consult your local dealer or send directly for further product information.

**TE
SYSTEMS****TE SYSTEMS**

P.O. Box 25845
Los Angeles, CA 90025
(213) 478-0591

SPECIFICATIONS

Model	Freq. MHz	Power		Preamp		DC +Vdc	Power A	RF Conn.
		Input	Output	NF-dB	Gain-dB			
0508G	50-54	1	170	.6	15	13.6	28	UHF
0510G	50-54	10	170	.6	15	13.6	25	UHF
NEW 1409G	144-148	2	160	.6	15	13.6	25	UHF
1410G	144-148	10	160	.6	15	13.6	25	UHF
1412G	144-148	30	160	.6	15	13.6	20	UHF
2210G	220-225	10	130	.7	12	13.6	21	UHF
2212G	220-225	30	130	.7	12	13.6	16	UHF
4410G	420-450	10	100	1.1	12	13.6	19	N
4412G	420-450	30	100	1.1	12	13.6	19	N

Models also available without GaAs FET preamp (delete G suffix on model #). All units cover full amateur band - specify 10 MHz bandwidth for 420-450 MHz amplifier.

Amplifier capabilities: 100-200 MHz, 225-400 MHz, 1-2 GHz, Military (28V), Commercial, etc. also available - consult factory.

**WORLD'S SMALLEST
WEATHER STATION**

THE TW-2 MICRO WEATHER STATION INCLUDES A COMPUTER MODULE, THE AN-2 ANEMOMETER, AND 40' OF LEAD IN CABLE. FOR ONLY \$159.95.

WIND SPEED	AUTO SCAN
WIND DIRECTION	METRIC / STANDARD
WIND CHILL	FOUR WAY POWER
WIND GUST RECORD	NICAD READY
TEMPERATURE	MOUNTING OPTIONS
HIGH/LOW TEMP RECORD	ONE YEAR WARRANTY

**** SATISFACTION GUARANTEED ****

MAGNAPHASE INDUSTRIES, INC.

MADE IN U.S.A. 1502 PIKE STREET N.W. AUBURN, WA 98001 M/C & VISA

ORDERS ONLY: 800-322-1502

INFORMATION: 206-735-0374 FAX: 206-735-9044

**COMPUTERIZE
YOUR SHACK**

YAESU 747, 757GX, 757GXII, 767, 9600.
KENWOOD TS 440, TS 940,
ICOM R71A, R7000, 735, 751A.
DRIVERS FOR RADIOS ARE MODULAR.
JRC NRD 525.

COMPLETE PROGRAM ENVIRONMENT
MENU DRIVEN AND DESIGNED FOR EASE
OF USE.
SCAN FUNCTION ADDED TO RADIOS THAT DO
NOT SUPPORT IT.

MENUS FOR THE FOLLOWING:

AMATEUR HF—AMATEUR VHF—
AMATEUR UHF
AM BROADCAST—FM BROADCAST—
TELEVISION BROADCAST
SHORT WAVE BROADCAST
AVIATION HF(SSB)—AVIATION VHF—
AVIATION UHF
HIGH SEAS MARINE—VHF MARINE
MISCELLANEOUS HF, VHF, UHF
MOST POPULAR FREQUENCIES ALREADY
STORED
ADDITIONAL LIBRARIES AVAILABLE
COMPLETE LOGGING FACILITY
ALL FREQUENCY FILES MAY BE ADDED TO,
EDITED OR DELETED

AVAILABLE FOR IBM PC, XT, AT, 80386 256K RAM
1 SERIAL PORT AND 1 FLOPPY MINIMUM

PROGRAM WITH INITIAL LIBRARIES 99.95
RS-232 TO TTL INTERFACE ONLY
NEEDED IF DON'T HAVE MANUFACTURERS
INTERFACE ALLOWS 4 RADIOS 99.95
SPECTRUM ANALYZER MODULE (CALL FOR PRICE)

DATACOM, INT.

8081 W. 21ST. LANE
HIALEAH, FL 33016
AREA CODE (305) 822-6028

✓ 175

**SPECIALIZED
COMMUNICATIONS
FOR TODAY'S RADIO AMATEUR!**

Our
20th
Year!

Since 1967, covering all modes of Amateur Radio "specialty" communications; Fast Scan TV, SSTV, FAX, Packet Radio, Computers, RTTY, AMTOR, Satellites, TVRO, Microwave, Lasers and more! 10 issues per year. Back issues available, SASE brings TRS80C, C64, IBM software catalog. U.S. subscribers \$20/year. Foreign slightly higher. Add \$2.00 for Index Issue.

SPEC-COM Communications & Publishing Group
P.O. Box H
Lowden, Iowa
52255-0408



5% Added

AMATEUR TELEVISION

NOVICES: NOW YOU CAN TRANSMIT VIDEO WITH OUR NEW TX23-1

Did you know that you as well as all classes of licensed amateurs can easily transmit live action color and sound video just like broadcast TV with our TX23-1 transmitter. Use any home TV camera and/or VCR, computer, etc. by plugging the composite video and audio into the front 10 pin or rear phono jacks. Call or write now for our complete ATV catalog including downconverters, transceivers, linear amps, and antennas for the 70, 33, & 23cm bands.

Only
\$299



TX23-1 one watt ATV transmitter crystalized for 1289.25 MHz runs on 12-14 Vdc @ .5A. PTL T/R switching. 7x7x2.5". Transmitters sold only to licensed amateurs for legal purposes verified in the latest Callbook or with copy of license sent with order.

(818) 447-4565 m-f 8am-5:30pm pst.

P.C. ELECTRONICS
2522 Paxson Ln Arcadia CA 91006



Tom (W6ORG)
Maryann (WB6YSS)

of most TV receiving antennas, used extensively in high-frequency work or as the feed antenna in microwave dishes. The world's first loop antenna was the single turn of Hertz's loop with spark-gap receiver. Today, virtually every AM broadcast-band receiver uses a loop antenna. Our contemporary microwave dielectric antenna is a spinoff of his early work on the quasi-optical properties of electric waves as they interact with dielectric materials.

On the other hand, the original Hertzian transmitter, the venerable induction coil with spark gap, has been outlawed since 1938. But I found reference as recently as 1971 to engineering research on the use of electrical spark to generate electromagnetic waves.** The ghost of Henrich Hertz is everywhere!

references

1. Hugo Gernsback, editor, *Jubilee Souvenir Number, Radio Craft*, Radcraft Publications, Inc., Chicago, Illinois, 1938, page 541. Reprinted 1987, New York: Vestal Press.
2. Rollo Appleyard, *Pioneers of Electrical Communication*, MacMillan, London, 1930, page 139-140.
3. Heinrich Hertz, *Electric Waves*, 1893. English language translation by MacMillan and Co., reprinted 1962, Dover Publications, Inc., New York, pages 5 and 11.
4. K. Landecker, L.V. Skatterbol, and D. Growdie, "Single-spark Ring Transmitter," *Proceedings of the IRE*, 1971, volume 59, no. 7, page 1982-1090.

*This happens to be the most recent reference to a spark transmitter I've come across.

ham radio

✓ 178



P.O. Box 6522
220 N. Fulton Ave.
Evansville, IN 47719-0522

Store Hours
MON-FRI: 9AM - 6PM
SAT: 9AM - 3PM
CENTRAL TIME

SEND A SELF ADDRESSED STAMPED ENVELOPE (SASE) FOR NEW AND USED EQUIPMENT SHEETS

WARRANTY SERVICE CENTER FOR:
ICOM, YAESU, TEN-TEC

FOR SERVICE INFORMATION CALL
(812) 422-0252
MONDAY - FRIDAY
9:00 AM - 12:00 NOON

YAESU



FT-747GX

- 100 Watts of Economical Performance
- Dual VFO's, 20 Memories
- Receives from 100 kHz-30 MHz
- Built-in CW Filter + More



FT-212 RH

- 2 Meter Mobile
- Optional, Internal Digital Voice Recorder
- RX 138-174 MHz
- TX 144-148 MHz
- 45 Watts Output
- FT-712 RH Available for 70cm

ICOM

IC-32AT

- New Dual Band HT
- RX-138-174 MHz
440-450 MHz
- TX-140-150 MHz
440-450 MHz
- 5 Watts Output on Both Bands
- Full Duplex & 40 Memories

ALINCO



ALD-24T

- Dual Band Mobile
- 140-149.995 MHz/ 440-450 MHz
- 21 Programmable Memories
- 25 Watts Output on Both Bands
- Loaded with Extra Features

TEN-TEC



PARAGON

- Full Featured Synthesized HF Transceiver
- General Coverage Receiver
- 100w Output
- SSB, CW, FSK, Optional FM
- 62 Programmable Memories
- Made In USA

concept

VHF/UHF AMPS



- High VSWR and Overdrive Protection
- 5 Year Warranty, 6 Months on RF Transistors
- All Units have GaAsFET Receive Pre-amps

TERMS:

Prices Do Not Include Shipping.
Price and Availability Subject to
Change Without Notice
Most Orders Shipped The Same Day

COD's Welcome



AEA PK-232



Data Controller with 6 Modes
Packet ASCII
Morse Code AMTOR
Baudot (RTTY) Weather Fax

List \$319.95 Now Special Priced

SPECIAL

**MFJ 989B
3 KW Tuner
\$295.**

- SWR/Wattmeter
- Antenna Switch
- Built-in Dummy Load



WM.M.NYE

**MB-V-A
ANTENNA
TUNER**



- Push Button Antenna Switching
- 2 Power Meters, 300 and 3,000 Watts
- Tunes 1.8 to 30 MHz

Call Today For Special Price

For Orders and Price Checks Call 800-523-7731

Indiana and Information
Call 1-812-422-0231

KLM

Cushcraft CORPORATION

TELEX hy-gain

KENWOOD



TOKYO HY-POWER

Beckman

Larsen

HUSFLER

Heathkit

ALLIANCE METRON

ASTRON CORPORATION

Concepts

Phillystran

MIRAGE

DAIWA

Amv

Beacon

Mosley

Sun

ico

G

TEL

DA

enter

©

©

©

©

©

©

©

©

©

©

©

©

©

©

©

©

©

©

Our Antenna & Tower Discounts Are Tops

Hy-Gain, Cushcraft, Rohn, Tri-Ex, and Alliance Package Specials Available

Call and Compare Our Prices



KENWOOD



NEW TM-721A
2m/440 MHz dual-band mobile with deluxe features.

YAESU



NEW FT-212
Mini 2m mobile with 45 Watts

ICOM



IC-27A SPECIAL
25-Watt Mobile with UT-16 speech synthesizer already installed.
\$349⁹⁵

Offer good while they last. Limited quantity subject to prior sale.

Orders & Quotes Toll Free 800-444-4799

ege inc

EGE VIRGINIA
14803 Build America Drive, Bldg. B
Woodbridge, Virginia 22191
Information: (703) 643-1063
Service Dept: (703) 494-8750
Fax: (703) 494-3679
Store Hours: M-F 10-6; Sat: 10-4
Order Hours: M-F 9-7; Sat: 10-4

EGE NEW ENGLAND
8 Stiles Road
Salem, New Hampshire 03079
New England (NH included)
Toll Free: 800-444-0047
Info & Service: (603) 898-3750
Store Hours: MTuWF: 10-5
Th: 12-8; Sat: 10-4



Our associate store:
Lacombe Distributors
Davis & Jackson Road
P.O. Box 293
Lacombe, Louisiana 70445
Phone: (504) 882-5355

1988 Buyer's Guide/Catalog Available - Send \$1

TE SYSTEMS

TEN-TEC

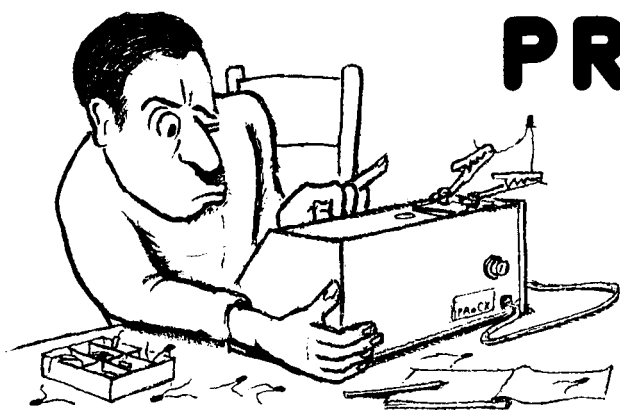
YAESU

SMILEY

CES Cobra

Kantronics

DIAMOND



PRACTICALLY SPEAKING

Joe Carr, K4IPV

impedance matching

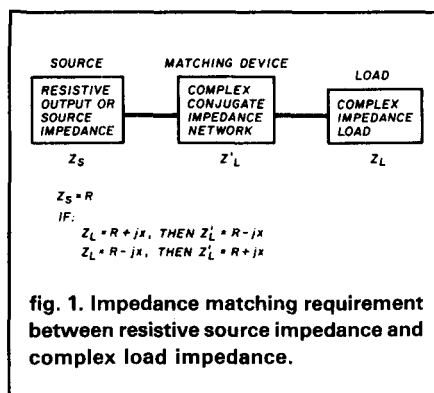
One of the first things an Amateur learns is that the antenna impedance must be matched to the transmission line, and that the transmission line impedance must be matched to the output impedance of the transmitter. This is because maximum power transfer between a source and a load occurs when the system impedances are matched. In other words, more power is transmitted from the system when the load impedance (the antenna), the transmission line impedance, and the transmitter output impedance are all matched with each other.

Of course, the trivial case is where all three sections of our system have the same impedance. For example, you could have an antenna with a simple 75-ohm resistive feedpoint impedance (typical of a half-wave dipole) and a transmitter with an output impedance that will match 75 ohms. In that case, you need only connect a standard impedance 75-ohm piece of coax between the transmitter and the antenna. Job done!

But there are other cases where the job is not so simple. In the case of the standard antenna, for example, the feedpoint impedance is rarely what the books say it should be. That ubiquitous dipole, for example, is nominally rated at 75 ohms but even the simplest antenna book tells us that value is merely the theoretical free-space impedance. At locations closer to the earth's surface that impedance could vary over the approximate range of 30 to 130 ohms and may have a substan-

tial reactive component; so much for standard coaxial cable.

There is a way out of this situation. You can construct a matching system that will marry the source impedance to the load impedance. This month we will examine several matching systems that might prove useful in a number of situations.



impedance-matching approaches

Antenna impedance may contain both reactive and resistive components. In most practical applications you are searching for a purely resistive impedance ($Z = R$), but that ideal is rarely achieved. A dipole antenna, for example, has a theoretical free-space impedance of 73 ohms at resonance. But as the frequency applied to the dipole is varied away from resonance, a reactive component is added. When the frequency is greater than resonance the antenna tends to look like an inductive reactance, so the impedance is $Z = R + jX$. Similarly, when the frequency is less than the reso-

nance frequency the antenna looks like a capacitive reactance, so the impedance is $Z = R - jX$. At distances closer to the earth's surface the resistive component may not be exactly 73 ohms, but may vary from about 30 to 130 ohms. Clearly, whatever impedance coaxial cable is selected to feed the dipole stands a good chance of being wrong.

To match a complex load impedance like an antenna to a resistive source (the most frequently encountered situation in practical radio work), interpose a matching network between the load and the source (fig. 1). The matching network must have an impedance that is the complex conjugate of the complex load impedance. For example, if the load impedance is $R + jX$, the matching network must have an impedance of $R - jX$; similarly, if the load is $R - jX$, the matching network must be $R + jX$. In the sections that follow we'll take a look at some of the more popular networks that accomplish this job.

L-section network

The L-section network is one of the most used, or at least most published, antenna-matching networks in existence. It rivals even the pi-network. A circuit for the L-section network is shown in fig. 2A. The two resistors represent the source ($R1$) and load ($R2$) impedances. The elementary assumption of this network is that $R1 < R2$. The design equations are: $R1 < R2$ and $1 < Q < 5$
 $X_L = 6.28FL = Q \times R1$

800-882-1343

ICOM



HF Equipment	IC-735	List	JUN's
ICOM			
IC-781 New Deluxe HF Rig		\$5995	Call \$
IC-761 Loaded with Extras		2699	Call \$
IC-735 Gen. Cvg Xcvr		1099	Call \$
IC-751A Gen. Cvg Xcvr		1699	Call \$
Receivers			
IC-R7000 25-1300 ⁺ MHz Rcvr		1199	Call \$
IC-R71A 100 kHz-30 MHz Rcvr		999	Call \$
VHF			
IC-28A/H FM Mobile 25w/45w	469/499		Call \$
IC-02AT FM HT	409.95		Call \$
IC-2GAT 2m 7w HT	429.95		Call \$
IC-900 Six Band Mobile	639		Call \$
UHF			
IC-48A FM Mobile 25w	509		Call \$
IC-04AT FM HT	449		Call \$
IC-4GAT 440MHz HT	429.95		Call \$
220 MHz			
IC-38A 25w FM Xcvr	489		Call \$
IC 32AT 2m/70cm HT	629.95		Call \$

KENWOOD

HF Equipment			
KENWOOD			
HF Equipment			
TS-940S/AT Gen. Cvg Xcvr	2449.95		Call \$
TS-440S/AT Gen. Cvg Xcvr	1379.95		Call \$
TS-140S Compact Gen. Cvg Xcvr	929.95		Call \$
VHF			
TS-711A All Mode Base 25w	1029.95		Call \$
TR-751A All Mode Mobile 25w	649.95		Call \$
TM-221A 2m 45w	439.95		Call \$
TM-2550A FM Mobile 45w	499.95		Call \$
TM-2570A FM Mobile 70w	599.95		Call \$
TH-215A 2m HT Has It All	379.95		Call \$
TH-25AT 5w Pocket HT NEW	349.95		Call \$
TM-271A 2m/70cm FM Mobile	649.95		Call \$
UHF			
TM-421A Compact FM 35w	449.95		Call \$
TH-45AT 5w Pocket HT NEW	369.95		Call \$
220 MHz			
TM-3530A FM 220 MHz 25w	499.95		Call \$
TM-321A Compact 25w Mobile	449.95		Call \$
TH-315A Full Featured 2.5w HT	399.95		Call \$

YAESU

HF Equipment			
YAESU			
HF Equipment			
FT-767 GX Gen. Cvg Xcvr	1929.95		Call \$
FT-757 GX II Gen. Cvg Xcvr	1129.95		Call \$
FT-747 GX New Economical Performer	889.95		Call \$
FL-7000 15m-160m AMP	1995.00		Call \$
VHF			
FT-212RH NEW 2m 45w	459.95		Call \$
FT-712RH 70cm 35W	499.95		Call \$
FT-290R All Mode Portable	599.95		Call \$
FT-23 R/TT Mini HT	344.95		Call \$
FT-209RH FM Handheld 5w	389.95		Call \$
VHF/UHF Full Duplex			
FT-736R, New All Mode 2m/70cm	1749.95		Call \$
Dual Band			
FT-727R 2m/70cm HT	439.95		Call \$
FT-109RH New HT	399.95		Call \$



3919 Sepulveda Blvd.
Culver City, CA 90230
213-390-8003

$$X_c = \frac{I}{6.28FC} \quad (1)$$

$$Q = \left[\frac{R2}{R1} - 1 \right]^{1/2} \quad (2)$$

$$\text{or } Q = \sqrt{\left(\frac{R2}{R1} - 1 \right)}$$

also,

$$Q = X_L/R1 = R2/X_c$$

It's probable that you'll see this network published in conjunction with less than quarter-wavelength long-wire antennas. Those books and articles typically call for a "good ground" for the antenna to work properly. But they don't tell you what a "good ground" is or how you can obtain it. Unfortunately, at most locations a good ground means burying a lot of copper conductor — something that most of us can't afford. In addition, the person who is forced to use a long-wire instead of a better antenna often can't construct a good ground under any circumstances because of landlords and/or logistical problems. The very factors that prompt the use of a long-wire antenna in the first place also prohibit any form of practically obtainable good ground. But there is a way out — radials. A good ground can be simulated with a counterpoise ground constructed of quarter-wavelength radials. These radials have a length in feet equal to $246/F_{MHz}$, and as few as two of them will work wonders. I've used just one radial tacked to the baseboard of a student boarding house room at college and achieved superior results over the poor ground that I'd been able to obtain previously in my third floor abode.

Another form of L-section network is shown in fig. 2B. This circuit differs from the previous one in that the roles of the L and C components are reversed. As you might suspect, this switch brings about a reversal of the impedance relationships. In this circuit the assumption is that driving source impedance R1 is larger than load impedance R2 ($R1 > R2$). The equations are shown below:

$$R2 > R1$$

$$X_L = R2 [R1/(R2 - R1)]^{1/2} \text{ or}$$

$$X_L = R2 \cdot \sqrt{\frac{R1}{(R2-R1)}} \quad (3)$$

$$X_c = (R1R2)/X_L$$

A final form of L-section network is shown in fig. 2C. Again, assume that driving source impedance R1 is larger than load impedance R2 ($R1 > R2$).

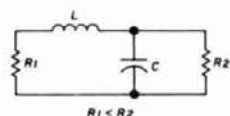


fig. 2A. Classic L-section network.

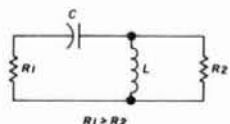


fig. 2B. Reversed L-section network.

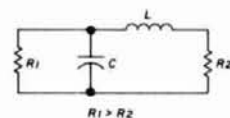


fig. 2C. Inverse L-section network.

In this circuit, the elements are arranged like those in fig. 2A, except that the capacitor is at the input rather than the output of the network. The equations governing this network are: $R1 > R2$ and $1 < Q < 5$

$$X_L = 6.28FL = [(R1R2) - (R3)^2]^{1/2} \quad (4)$$

$$\text{or } = \sqrt{(R1R2) - (R3)^2}$$

$$X_c = \frac{I}{6.28FC} = \frac{R1R2}{X_L} \quad (5)$$

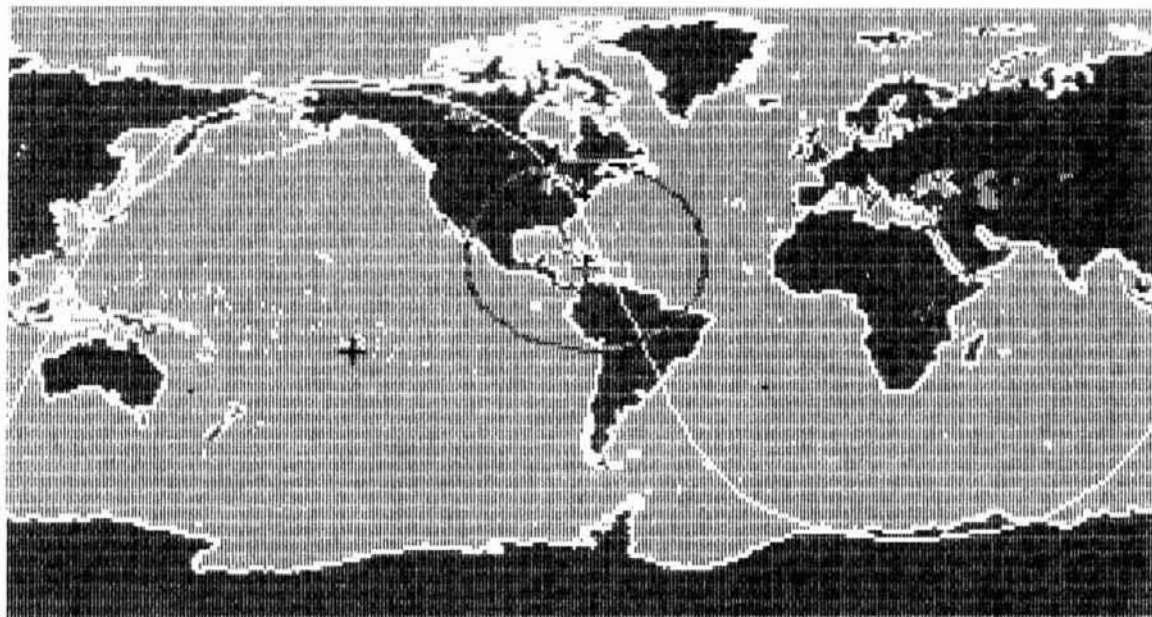
$$C = \frac{I}{6.28FX_c} \quad (6)$$

$$L = \frac{X_L}{6.28F} \quad (7)$$

So far, we have considered only matching networks that are based on inductor and capacitor circuits. But there is also a possibility of using transmission line segments as impedance-matching devices. Two basic forms are available: quarter-wave sections and the series matching section.

Satellite Tracking

with your PC and the **Kansas City Tracker & Tuner**



The **Kansas City Tracker** is a hardware and software package that connects between your rotor controller and an IBM XT, AT, or clone. It controls your antenna array, letting your PC track any satellite or orbital body.

The **Kansas City Tuner** is a companion product that is used in satellite work to provide automatic doppler-shift compensation. It interfaces to your radio through its serial computer control port (RS232) or "mike click" interface to update the receive and/or transmit frequencies once a second. It can be used in digital or analog modes. The **Tuner** is compatible with most rigs including the Yaesu 726 & 736, the ICOM 271/471, 275/475, and R-7000. Call regarding your specific rig.

The **Kansas City Tracker** and **Tuner** have several advantages over other products available today. They do not use your computer's COMM ports or hardware interrupts. The software runs in your computer's "spare time," letting you run other programs at the same time. Several Kansas City products can be installed in one PC, letting you control up to 16 separate antenna arrays at the same time.

The **Kansas City Tracker** consists of an interface card that can be plugged into a PC short-card slot, a Terminate-And-Stay-Resident (TSR) rotor control program, and a TSR status "pop-up" program. The **Kansas City Tracker** can be connected directly to a Yaesu/Kenpro 5400/5600 rotor controller, or to any other rotor on the market today using our Rotor Interface Option.

The rotor driver and status programs are TSR programs that attach themselves to DOS and "disappear." You can run other DOS programs while your antenna tracks its target under computer control at the same time. This unique feature is especially useful for satellite and land digital work, as communications programs like PROCOMM can be run while the PC aims the rotors at the same time. The status "pop-up" allows the user to view and change the current antenna position and upcoming pass information. The **Kansas City Tracker** is compatible with DOS 2.00 or higher, and will run under DESQ-VIEW.

Satellite and EME Work

The **Kansas City Tracker** and **Kansas City Tuner** are fully compatible with AMSAT's QUIKTRAK (3.2) and with Silicon Solution's GRAFTRAK (2.0). These programs can be used to load the **Kansas City Tracker's** tables with more than 50 satellite passes. We also supply assembled & tested TAPR PSK modems with cases and 110v power supplies.

DX, Contests, and Nets

Working DX or contests and need three hands? Use the **Kansas City Tracker** pop-up to work your antenna rotor for you. The **Kansas City Tracker** is compatible with all DX logging programs. A special callsign aiming program is included for working nets.

Packet BBS

The **Kansas City Tracker** comes complete with special control programs that allow the packet BBS user or control-op to perform automated antenna aiming over an hour, a day, a week. Your BBS or packet station can be programmed to automatically solicit mail from remote packet sites.

Vision-Impaired Hams

The **Kansas City Tracker** has a special morse-code sender section that will announce the rotor position and status automatically or on request. The speed and spacing of the code are adjustable.

The **Kansas City Tracker** and **Tuner** packages includes the PC interface card, interface connector, software diskette, and instructions. Each Kansas City unit carries a one year warranty.

- KS Tracker package for the Yaesu/Kenpro 5400/5600 controller \$169
- Interface cable for Yaesu/Kenpro 5400/5600 \$ 19
- KC Tracker with Rotor Interface Option (to connect to ANY rotors) \$199
- KC-Tracker and Tuner combination: Add to the price of the TRACKER version you need Mike-Click version \$ 59
- RS232-Interface version \$ 79
- Assembled & Tested TAPR PSK modem with case & 110v power supply \$199
- AMSAT QUIKTRAK software \$ 75

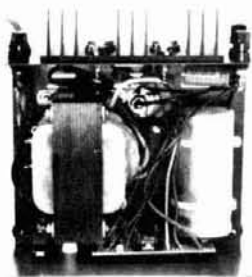
Visa and MasterCard accepted.
Shipping and handling: \$5, \$10 for 2nd day air, \$15 for international shipments. Prices subject to change without notice.

L. L. Grace

Communications Products

41 Acadia Drive • Voorhees, NJ 08043

Call (609) 751-1018 evenings & weekends (EST) for more info.



INSIDE VIEW — RS-12A

ASTRON POWER SUPPLIES

• HEAVY DUTY • HIGH QUALITY • RUGGED • RELIABLE •

SPECIAL FEATURES

- SOLID STATE ELECTRONICALLY REGULATED
- FOLD-BACK CURRENT LIMITING Protects Power Supply from excessive current & continuous shorted output
- CROWBAR OVER VOLTAGE PROTECTION on all Models except RS-3A, RS-4A, RS-5A.
- MAINTAIN REGULATION & LOW RIPPLE at low line input Voltage
- HEAVY DUTY HEAT SINK • CHASSIS MOUNT FUSE
- THREE CONDUCTOR POWER CORD
- ONE YEAR WARRANTY • MADE IN U.S.A.

PERFORMANCE SPECIFICATIONS

- INPUT VOLTAGE: 105-125 VAC
- OUTPUT VOLTAGE: 13.8 VDC ± 0.05 volts (Internally Adjustable: 11-15 VDC)
- RIPPLE Less than 5mv peak to peak (full load & low line)
- Also available with 220 VAC input voltage



MODEL RS-50A



MODEL RS-50M



MODEL VS-50M

RM SERIES



MODEL RM-35M

19" × 5 1/4" RACK MOUNT POWER SUPPLIES

MODEL	Continuous Duty (Amps)	ICS* (Amps)	Size (IN) H × W × D	Shipping Wt. (lbs.)
RM-12A	9	12	5 1/4 × 19 × 8 1/4	16
RM-35A	25	35	5 1/4 × 19 × 12 1/2	38
RM-50A	37	50	5 1/4 × 19 × 12 1/2	50
• Separate Volt and Amp Meters				
RM-12M	9	12	5 1/4 × 19 × 8 1/4	16
RM-35M	25	35	5 1/4 × 19 × 12 1/2	38
RM-50M	37	50	5 1/4 × 19 × 12 1/2	50

RS-A SERIES



MODEL RS-7A

MODEL	Continuous Duty (Amps)	ICS* (Amps)	Size (IN) H × W × D	Shipping Wt. (lbs.)
RS-3A	2.5	3	3 × 4 1/4 × 5 1/4	4
RS-4A	3	4	3 1/4 × 6 1/2 × 9	5
RS-5A	4	5	3 1/2 × 6 1/2 × 7 1/4	7
RS-7A	5	7	3 3/4 × 6 1/2 × 9	9
RS-7B	5	7	4 × 7 1/2 × 10 3/4	10
RS-10A	7.5	10	4 × 7 1/2 × 10 3/4	11
RS-12A	9	12	4 1/2 × 8 × 9	13
RS-12B	9	12	4 × 7 1/2 × 10 3/4	13
RS-20A	16	20	5 × 9 × 10 1/2	18
RS-35A	25	35	5 × 11 × 11	27
RS-50A	37	50	6 × 13 3/4 × 11	46

RS-M SERIES



MODEL RS-35M

MODEL	Continuous Duty (Amps)	ICS* (Amps)	Size (IN) H × W × D	Shipping Wt. (lbs.)
• Switchable volt and Amp meter				
RS-12M	9	12	4 1/2 × 8 × 9	13
• Separate volt and Amp meters				
RS-20M	16	20	5 × 9 × 10 1/2	18
RS-35M	25	35	5 × 11 × 11	27
RS-50M	37	50	6 × 13 3/4 × 11	46

VS-M AND VRM-M SERIES



MODEL VS-35M

- Separate Volt and Amp Meters • Output Voltage adjustable from 2-15 volts • Current limit adjustable from 1.5 amps to Full Load

MODEL	Continuous Duty (Amps)			ICS* (Amps)	Size (IN) H × W × D	Shipping Wt. (lbs.)
	@13.8VDC	@10VDC	@5VDC	@13.8V		
VS-12M	9	5	2	12	4 1/2 × 8 × 9	13
VS-20M	16	9	4	20	5 × 9 × 10 1/2	20
VS-35M	25	15	7	35	5 × 11 × 11	29
VS-50M	37	22	10	50	6 × 13 3/4 × 11	46
• Variable rack mount power supplies						
VRM-35M	25	15	7	35	5 1/4 × 19 × 12 1/2	38
VRM-50M	37	22	10	50	5 1/4 × 19 × 12 1/2	50

RS-S SERIES



MODEL RS-12S

- Built in speaker

MODEL	Continuous Duty (Amps)	ICS* Amps	Size (IN) H × W × D	Shipping Wt. (lbs.)
RS-7S	5	7	4 × 7 1/2 × 10 3/4	10
RS-10S	7.5	10	4 × 7 1/2 × 10 3/4	12
RS-12S	9	12	4 1/2 × 8 × 9	13
RS-20S	16	20	5 × 9 × 10 1/2	18

pi networks

The pi network shown in **fig. 3** is used to match a high source impedance to a low load impedance. These circuits are typically used in vacuum

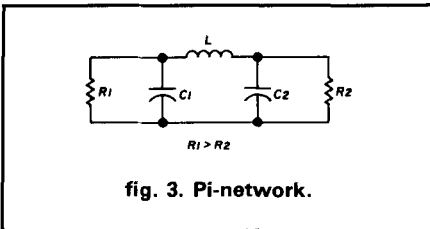


fig. 3. Pi-network.

tube rf power amplifiers that need to match low antenna impedances. The name of the circuit comes from its resemblance to the Greek letter "pi". The equations for the pi network are: $R1 > R2$ and $5 < Q < 15$

$$Q > \left[\frac{R1}{R2} - 1 \right]^{1/2} \quad (8)$$

$$\text{or } Q > \sqrt{\frac{R1}{R2} - 1}$$

$$X_{C2} = \frac{R2}{[R2/(R1(1+Q^2) - 1)]^{1/2}} \quad (9)$$

$$\text{or } X_{C2} = \frac{R2}{\sqrt{\frac{R2}{R1(1+Q^2) - 1}}}$$

$$X_{C1} = R1/Q$$

$$X_L = \frac{(R1(Q + (R2/X_{C2})))}{Q^2 + 1} \quad (10)$$

split-capacitor network

The split-capacitor network shown in **fig. 4** is used to transform a source impedance that is less than the load impedance. In addition to matching

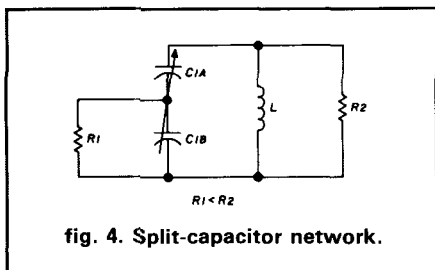


fig. 4. Split-capacitor network.

antennas, this circuit is also used for interstage impedance matching inside communications equipment. The equations for design are: $R1 < R2$

$$Q > \left[\frac{R2}{R1} - 1 \right]^{1/2} \quad (11)$$

$$\text{or } Q > \sqrt{\left(\frac{R2}{R1} - 1 \right)}$$

$$X_L = R2/Q$$

$$X_{C1B} = \left[\frac{R1(Q^2 + 1)}{R2} - 1 \right]^{1/2} \quad (12)$$

$$\text{or } X_{C1B} = \sqrt{\left(\frac{R1(Q^2 + 1)}{R2} - 1 \right)}$$

$$X_{C1A} = \frac{R2 Q}{Q^2 + 1} \quad (13)$$

$$\left[1 - \frac{R1}{Q X_{C1A}} \right]$$

transmatch circuit

One version of the transmatch is shown in **fig. 5**. This circuit is basically a combination of the split-capacitor network and an output tuning capacitor (C2). For the hf bands, the capacitors are on the order of 150 pF per section for C1, and 250 pF for C2. The roller inductor should be 28 μ H. The transmatch is essentially a coax-to-coax impedance matcher, and is used to trim the mismatch from a line before it affects the transmitter.

Perhaps the most common form of transmatch circuit is the T-network shown in **fig. 6**. This network costs less than some of the others, but has a problem. While it does match impedance (and thereby "tune out" VSWR on coaxial lines), it also has a high-pass characteristic so does not reduce the harmonic output of the transmitter. The T-network, therefore, does not serve one of the main purposes of the antenna tuner — harmonic reduction. An alternative network, called the SPC transmatch, is shown in **fig. 7**. This version of the circuit offers harmonic

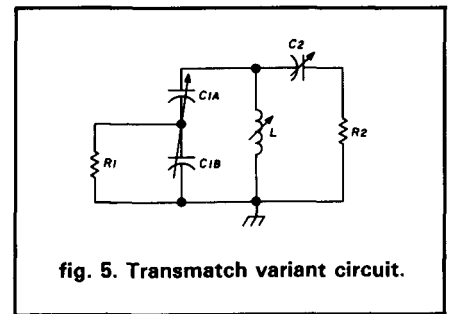


fig. 5. Transmatch variant circuit.

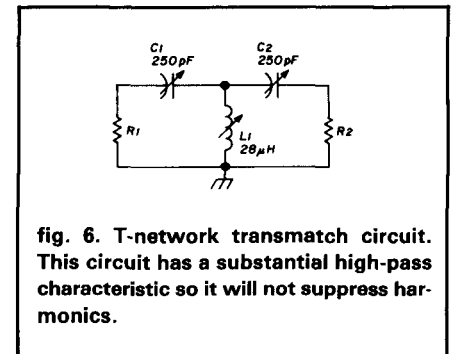


fig. 6. T-network transmatch circuit. This circuit has a substantial high-pass characteristic so it will not suppress harmonics.

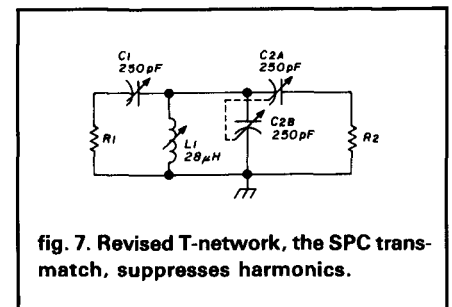


fig. 7. Revised T-network, the SPC transmatch, suppresses harmonics.

attenuation as well as matching impedance.

coaxial cable baluns

A balun is a transformer that matches a BALANCED load (like a dipole antenna) and an UNBALANCED resistive source impedance (like a coaxial cable). With the circuit in **fig. 8** you can make a balun that will transform impedance at a 4:1 ratio, with $R2 = 4 \times R1$. The length of the balun section coaxial cable is:

$$L_{ft} = \frac{492 V}{F_{MHz}} \quad (14)$$

Where:

L_{ft} is the length in feet

V is the velocity factor of the coaxial cable

F_{MHz} is the operating frequency in megahertz

New Scanner by AOR

**100 Channels
800 MHz**



• Includes antenna, rechargeable battery, charger / adaptor & belt clip. Full range of optional accessories available.

• Covers 27-54 MHz, 108-174 MHz, 406-512 MHz, and 800-950 MHz.

• 5 Scan Banks and 5 Search Banks.

• 25 Day Satisfaction Guarantee, Full Refund if not Satisfied.

• No Frequencies cut out.

• Size: 2" x 5 3/4" x 1 1/2" wt: 12 oz.

AR900

Total Price, Freight Prepaid
(Express Shipping Optional)

\$299.00

AOR

COMMUNICATIONS

10707 E. 106th St., Indpls., IN 46256

Toll Free 800-445-7717

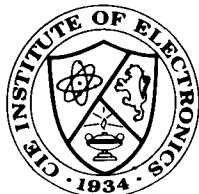
Visa and MasterCard
(COD slightly higher)

In Indiana 317-849-2570 Collect FAX (317) 849-8794

✓ 169

CIE Cleveland Institute of Electronics

1776 East 17th St., Cleveland, Ohio 44114



✓ 170

Accredited Member National Home Study Council

CIE is the world's largest independent study electronics school. We offer ten courses covering basic electronics to advanced digital and microprocessor technology. An Associate in Applied Science in Electronics Engineering Technology is also offered.

Study at home — no classes. Programs accredited and eligible for VA benefits.

CIE Cleveland Institute of Electronics
1776 East 17th St., Cleveland, Ohio 44114

YES! I want to get started. Send me my CIE school catalog including details about the Associate Degree program.

Print Name _____

Address _____ Apt. _____

City _____ State _____ Zip _____

Age _____ Area Code/Phone No. _____

Check box for G.I. Bulletin on Educational Benefits

Veteran Active Duty **MAIL TODAY!**

AHR-04

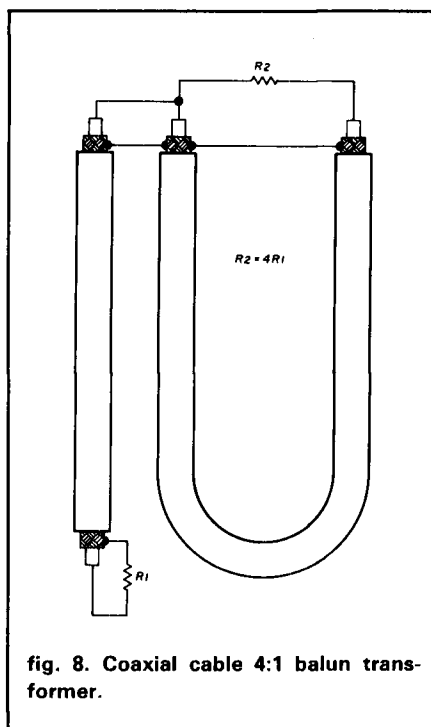


fig. 8. Coaxial cable 4:1 balun transformer.

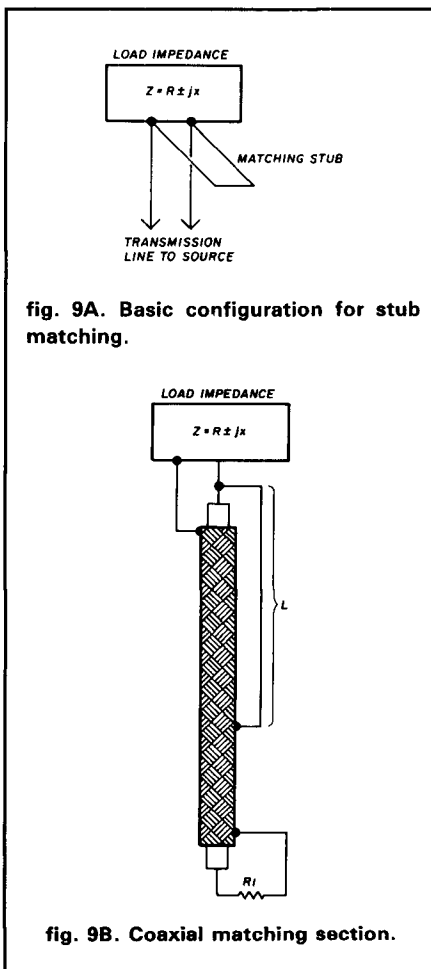


fig. 9B. Coaxial matching section.

matching stubs

You can build a shorted stub to produce almost any value of reactance. Use this information to make an impedance-matching device that cancels the reactive portion of a complex impedance. If you have an impedance of, say, $Z = R + j30$ ohms you need to make a stub with a reactance of $-j30$ ohms to match it. Two forms of matching stub are shown in figs. 9A and 9B. These stubs are connected exactly at the feedpoint of the complex load impedance, although they are sometimes placed further back on the line at a (perhaps) more convenient point. In that case, the reactance required will be transformed by the transmission line between the load and the stub.

quarter-wave matching sections

Figure 10 shows the elementary quarter-wavelength transformer section connected between the transmission line and the antenna load. This transformer is also sometimes called a Q-section. When things are designed correctly, this transmission line transformer is capable of matching the normal feedline impedance (Z_S) to the antenna feedpoint impedance (Z_R). You must have a piece of transmission line available that has an impedance Z_0 of:

$$Z_0 = (Z_S Z_R)^{1/2} \text{ or } Z_0 = \sqrt{(Z_S Z_R)} \quad (15)$$

Most texts show this circuit for use with coaxial cable. While it is certainly possible, and even practical in some cases, for the most part there is a serious flaw in using coax for this project. It seems that the normal range of antenna feedpoint impedances, coupled with the rigidly fixed values of coaxial cable surge impedance available on the market, combine to yield unavailable values of Z_0 . While there are certainly situations that yield to this requirement, many times the quarter-wave section is not usable on coaxial cable antenna systems using standard impedance values.

On parallel transmission line systems, however, it is quite easy to achieve the correct impedance for the matching section. Use the equation above to find a value for Z_0 , and then

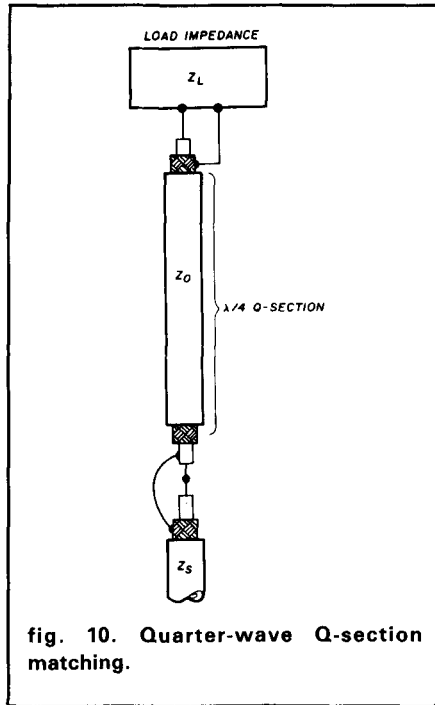


fig. 10. Quarter-wave Q-section matching.

calculate the dimensions of the parallel feeders. Because you know the impedance, and can more often than not select the conductor diameter from available wire supplies, use the equation below to calculate conductor spacing:

$$S = D10(Z/276)$$

Where:

S is the spacing, D is the conductor diameter (D and S in the same units), and Z is the desired surge impedance. From there you can calculate the length of the quarter-wave section from the familiar $246/F_{\text{MHz}}$.

series matching section

The quarter-wavelength section discussed above has several drawbacks: it must be located at the antenna feedpoint, it must be quarter wavelength, and it must use a specified (often non-standard) value of impedance. The series matching section is a generalized case of the same idea, and permits you to build an impedance transformer that

overcomes most of these faults. According to *The ARRL Antenna Book*, this form of transformer is capable of matching any load resistance between about 5 and 1200 ohms. In addition, the transformer section is not located at the antenna feedpoint.

Figure 11 shows the basic form of the series matching section. There are three lengths of coaxial cable: L1, L2,

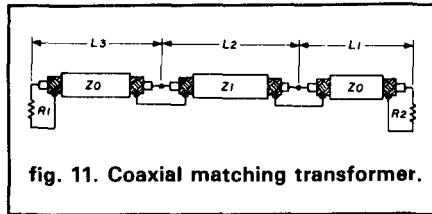


fig. 11. Coaxial matching transformer.

and the line to the transmitter. Length L1 and the line to the transmitter (which is any convenient length) have the same characteristic impedance, usually 75 ohms. Section L2 has a different impedance from L1 and the line to the transmitter, usually 75 ohms. Note that only standard, easily obtainable values of impedance are used here.

The design of this transformer involves finding the correct lengths for L1 and L2. You must know the characteristic impedance of the two lines (50 and 75 ohms given as examples) and the complex antenna impedance. In the case where the antenna is non-resonant, this impedance is of the form $Z = R \pm jX$, where R is the resistive portion, X is the reactive portion (inductive or capacitive) and j is the so-called "imaginary" operator, i.e., square root of -1. If the antenna is resonant, then $X = 0$, and the impedance is simply R.

The first chore in designing the transformer is to normalize the impedances:

$$N = Z_{L1}/Z_0$$

$$R = R_L/Z_0$$

$$X = X_L/Z_0$$

The lengths are determined in electrical degrees, and from that determination you can find length in feet or

meters. If you adopt ARRL notation and define $A = \text{TAN}(L1)$, and $B = \text{TAN}(L2)$, then the following equations can be written:

$$\text{If: } Z_L = R_L \pm jX_L$$

$$\text{TAN } L2 = B = \quad (16)$$

$$\pm \sqrt{\frac{(r-1)^2 + X^2}{r(N - (1/N)^2 - (r-1)^2 - X^2)}}$$

$$\text{TAN } L1 = A = \quad (17)$$

$$\frac{(N - (r/N)) \times B + X}{R + (XNB) - 1}$$

Where:

$$N = Z1/Z_0$$

$$r = R_L/Z_0$$

$$Z = X_L/Z_0$$

Constraints:

$$Z1 > Z_0 [\text{VSWR}]^{1/2}$$

$$\text{or, } Z1 < Z_0/[\text{VSWR}]^{1/2}$$

If $L1 < 0$, then add 180 degrees

If $B < 0$, then $Z1$ is too close to Z_0

$Z1$ not equal to Z_0

$$Z_0[\text{VSWR}]^{1/2} < Z1 < Z_0/[\text{VSWR}]^{1/2}$$

Physical length in feet:

$$L1' = L1 \lambda/360$$

$$L2' = L2 \lambda/360$$

Where:

$$\lambda = \frac{984 \times \text{Velocity Factor}}{\text{Frequency in Megahertz}} \quad (18)$$

The physical length is determined from ARCTAN (A) and ARCTAN (B), divided by 360, and multiplied by the wavelength along the line and the velocity factor.

Although the sign of B may be selected as either + or -, the use of + is preferred because a shorter section is obtained. In the event that the sign of A turns out negative, add 180 degrees to the result.

There are constraints on the design of this transformer. For one thing, the impedances of the two sections L1 and L2 can't be too close together. In general, the following must obtain:

Either,

$$Z_{L1} > Z_0 \times \text{SWR}$$

$$\text{or, } Z_{L1} < Z_0/ \text{SWR}$$

ham radio

Analysis of multi-element arrays; all-driven-element design

the Quad antenna part 3, circular-loop and octagonal arrays

An array of two or more circular loops (like any other antenna) can have all elements driven, or some driven and the others self-excited, or parasitic. The special case of one driven element is sometimes called the Yagi-Uda configuration; this really applies only to the configuration of one parasitic reflector, a driven element, and one or more parasitic directors, all elements being dipoles.

Part 3 addresses circular-loop and octagonal arrays — initially with two elements, then with more. This is followed by a limited discussion of a particular all-driven-element design.

theory of two circular-loop arrays

The relationships between two circular loops, parallel and on a common axis, are shown in fig. 1. Compare this with the single-loop drawing in part 2, fig. 1. The important difference is that two loops contribute to the field, and in turn, to the induced currents. They have the same requirement that the component of the field along the wire be zero.

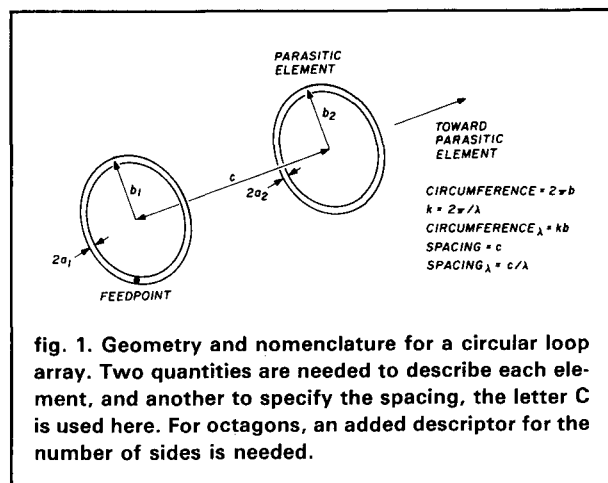
Computational complexity can be reduced if the current on each loop is assumed to be the sum of two currents, of the form:

$$I_1 = I_a + I_b$$

$$I_2 = I_a - I_b$$

Those with power-line engineering training will recognize this as a form of "symmetrical component" analysis used for multiphase power lines.

The assumed currents I_a and I_b are the same on both loops. This allows you to solve for the currents using Hallen's² method. Unfortunately, this simplification does not help much in practical calculation.



There is no easy way to use the ten curves prepared by Storer^{1,3} to derive the currents on the two elements. Theory application is beyond practical small computer use; a large computer is needed. But a number of published results of this theoretical analysis can be applied to practical antennas. These will serve as the basis for some further analyses, for comparison, and also provide some data on the performance of practical designs.

the basic two-loop array

As with the Yagi, the two-loop array with one loop parasitically excited is both a useful antenna and the basis for further array expansion. Practically, these

By R.P. Haviland, W4MB, 1035 Green Acres Circle North, Daytona Beach, Florida 32019



"The amateur world knows us well"

For more than 60 years we've been a world leader in amateur radio. . .selling the finest equipment at a fair price. We manufacture a quality line of high power linear amplifiers and we stand behind what we sell. That's why thousands of amateurs keep coming back.

★ Featuring a large inventory of fine equipment from the world's leading manufacturers ★ A knowledgeable staff dedicated to amateur radio ★ A complete line of accessories ★ A well stocked repair shop staffed by experienced technicians ★ We take trade-ins and sell used equipment ★ Generous discounts on cash purchases ★ We accept Visa, Mastercard and Discover and carry our own term financing

Some of the names we stock include: HENRY • TEMPO • KENWOOD • ICOM • YAESU • ACE • ADVANCED RECEIVER RESEARCH • AEA • ALINCO • AMECO • AOR • AMPHENOL • ANTRONIC • ARRL • ASTRON • B&K • B&W • BEARCAT • BECKMAN • BENCHER • BIRD • BUTTERNUT • CES • CETRON • CENTURIAN • COMM SPEC • CONNECT SYSTEMS • CUSHCRAFT • DAIWA • DIGIMAX • DOWKEY • EIMAC • FANON • GE • GRUNDIG • HAL • HUSTLER • HYGAIN • JABRO • JIL • KENPRO • LANDWEHR • LARSEN • LUNAR • MFJ • MICRO • NYE • PALOMAR • PIPO • SANGEAN • SIMPSON • SWITCHCRAFT • TRIEX • TRIPLITE • TX/RX • UNADILLA • VIBROPLEX • WINEGARD •



Henry Radio

2050 S. Bundy Dr., Los Angeles, CA 90025 (213) 820-1234
Butler, Missouri 64730 (816) 679-3127

TOLL FREE ORDER NUMBER: (800) 421-6631

For all states except California. Calif. residents please call collect on our regular numbers.

here is the next generation Repeater
2 meters - 220 - 440

MARK 4CR

No other repeaters or controllers match Mark 4 in capability and features. That's why Mark 4 is the performance leader at amateur and commercial repeater sites around the world. Only Mark 4 gives you Message Master™ real speech • voice readout of received signal strength, deviation, and frequency error • 4-channel receiver voting • clock time announcements and function control • 7-helical filter receiver • extensive phone patch functions. Unlike others, Mark 4 even includes power supply and a handsome cabinet.

Call or write for specifications on the repeater, controller, and receiver winners.

The **only** repeaters and controllers with REAL SPEECH!

Create messages just by talking. Speak any phrases or words in any languages or dialect and *your own voice* is stored instantly in solid-state memory. Perfect for emergency warnings, club news bulletins, and DX alerts. Create unique ID and tail messages, and the ultimate in a real speech user mailbox — only with a Mark 4.



MICRO CONTROL SPECIALTIES

Division of Kendecom Inc.

23 Elm Park, Groveland, MA 01834 (508) 372-3442

TELEX 4932256 Kendecom

FAX 508-373-7304

Affordable Packet



TINY-2 is our new low-cost high-performance standard for packet controllers. Thousands already in use, worldwide. A perfect beginner's unit.

Complete, wired and tested, only **\$119.95**

BENEFITS and features of both units:

- Conveniently portable size, 5x7" at only 18 oz.!
- Tiny enough for briefcase/portable, yet large enough for easy experimentation or repair.
- 1-year limited warranty, excellent customer support.
- RS-232 and TTL compatible—all connectors supplied.
- Latest AX.25 software, TCP/IP (KISS) module included.



MICROPOWER-2 is our remarkably compact, 18-ounce unit using upgraded TAPR TNC-2 technology that requires less than 40 milliamps! For very portable operation, solar or battery, you need not pay more for a TNC that's about the size of your HT! Was \$179.95, **now at a low \$159.95**

- Fully compatible with ROSE & NET/ROM EPROMs.
- 32K RAM, 32K ROM, 4.9 MHz CPU.
- Xtal controlled modem, compatible with use on 10m HF/VHF/UHF.

TO ORDER, toll-free with major charge card, call: **1-800-223-3511**
Technical support line: 813-874-2980

Pac-Comm

3652 West Cypress St., Tampa FL 33607

Please send: Tiny 2 MicroPower-2 TNC-220 info FREE Packet Catalog.

Name _____ Call _____
Address _____ City _____
State _____ Zip _____ Card Number _____ Exp. Date _____

Money Back Guarantee. Add \$3. shipping/handling per order. FL addresses add 6%. Major Credit Card: give number, expiration and signature. FAX: 813-872-8696

The entire back issue file of **Ham Radio Magazine** and **Ham Radio Horizons** is now available on easy to read, microfiche. The entire set (March 1968 thru December 1987, and March 1977 thru December 1980, respectively), is now available in one, easy to use format! Everything from front to back cover (ads too). Annual updates will be offered for \$10.

Ham Radio - \$150.00
HR Horizons - \$35.00
(\$5 shipping per order, USA)

Your satisfaction guaranteed, or money back.

Send or call order to:

Buckmaster Publishing
Post Office Box Ten
Mineral, Virginia 23117
(800) 282-5628
(703) 894-5777

VISA/MC accepted

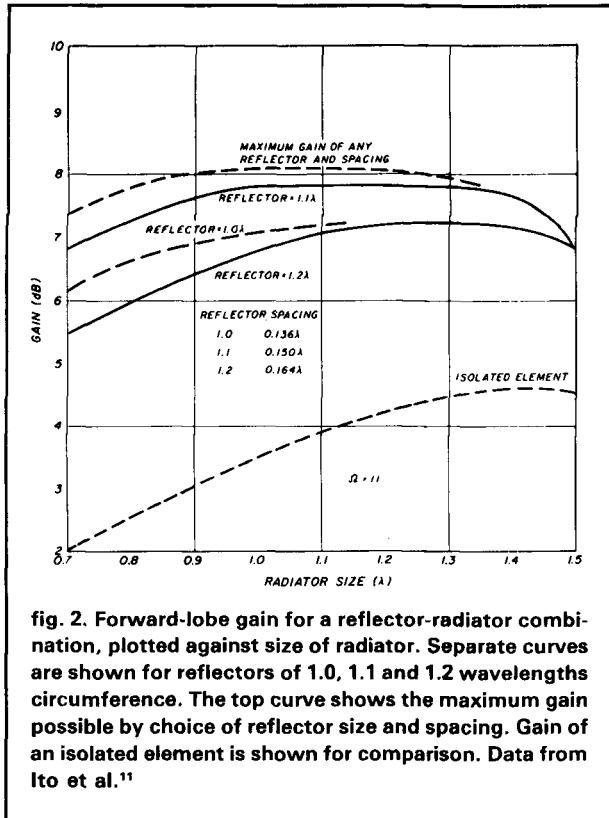


fig. 2. Forward-lobe gain for a reflector-radiator combination, plotted against size of radiator. Separate curves are shown for reflectors of 1.0, 1.1 and 1.2 wavelengths circumference. The top curve shows the maximum gain possible by choice of reflector size and spacing. Gain of an isolated element is shown for comparison. Data from Ito et al.¹¹

two-element arrays give the largest increase in performance for a given investment in size and weight.

All the performance data on the designs described here are derived from Ito, Inagaki, and Sekiguchi¹¹. Gain values are in dB above isotropic, unless otherwise noted.

gain performance

Figure 2 shows the forward gain performance with the parasitic element tuned as a reflector. The top curve shows the maximum gain with retuning; the nearly parallel curves show the gain for a specific parasitic element size.

For the two-element beam with reflector, the maximum gain is 8.1 dB. The gain is <3 to >5 dB higher than the gain of an isolated radiator of the same size. Over the range of radiator size from 1.0 to 1.25 wavelengths, the optimum gain varies only by 0.1 dB or so. Also, the gain does not vary greatly for changes in reflector size, typically by ±0.6 dB for a change from 1.1 to 1.3 wavelengths loop size. This means that the two-element loop with reflector is a good wideband antenna, with nearly constant forward gain over the wide frequency range of ±15 percent.

Forward gain performance with the parasitic element tuned as a director is shown in fig. 3. The top curve shows the maximum gain that can be developed for a given radiating loop size by tuning the director

and choosing the best spacing. The nearly parallel curves give the gain for given sizes of the director. Also shown is the gain of a single isolated element.

The maximum two-element gain is 7.3 dB. This represents almost exactly a 3-dB increase over a single loop of the same size. This 3-dB increase is essentially independent of radiator size but is sensitive to director dimension.

The combination of nearly maximum gain and good gain stability led the developers of this data to recommend that the radiator loop be larger than resonant size. Their specific recommendation is 1.2 wavelengths circumference. Some consequences of this are discussed later.

The curves for a 1.2-wavelengths radiator in figs. 4 and 5 are also useful. The variable for these curves is radiator-parasitic spacing in wavelengths.

As we have seen, maximum gain with the parasitic element as a reflector is 8.1 dB, and for the parasitic element as director it is 7.3 dB. These values show on the curves. Maximum reflector gain occurs at 1.08 wavelengths loop circumference at a spacing of 0.15 wavelength. Maximum director gain occurs at 0.95 loop circumference and a spacing of 0.1 wavelength.

Minimum back radiation with a reflector is -12.1 dB. This nearly occurs over the range of reflector sizes from 1.1 to 1.15 wavelengths circumference, and the range of spacing from 0.1 to 0.25 wavelength. Maximum front-to-back ratio occurs at a circumference of 1.1 wavelengths and a spacing around 0.1 wavelength. It is about 20 dB.

The data in part 1 shows that the optimum director size for minimum back radiation varies markedly with spacing. Minimum back radiation with the parasitic as a director is -3 dB, but this occurs for spacings around 0.6 wavelength, beyond the range of practical use. The forward gain is only 2 dB at this point. The practical minimum backlobe level is essentially 3 dB, occurring over the range 0.8-0.96 wavelength director circumference and a spacing of 0.1 wavelength. The front-to-back ratio is only 4 dB. A director of 0.9 wavelength circumference and 0.15 wavelength spacing will give nearly as good gain and front-to-back ratio.

These data show that the best design values for a two-element circular loop array, and for the radiator-reflector combination for larger arrays, are the same. Maximum performance is obtained from

- Radiator circumference, 1.2 wavelengths.
- Reflector circumference, 1.1 wavelengths.
- Element spacing, 0.15 wavelength.

Radiator circumferences from 1.1 to 1.3 wavelengths give nearly the same performance.

drive impedance

The drive impedance of an isolated loop is a complex

**NATIONAL SATELLITE SHOWS OF AMERICA
PRESENT
SBCA/STTI NASHVILLE SHOW '88!
WORLD'S LARGEST SATELLITE TELEVISION
SEMINAR/TRADE SHOW!**

**OPRYLAND HOTEL
SEPTEMBER 5-6-7, 1988!**



OPRYLAND HOTEL COMPLEX

- Over 450 Exhibit Booths!
- Hundreds of Operating Antennas!
- Major Manufacturers & Programmers!
- Prizes!
- Satellite Seminar Training!
- Exciting Announcements!
- Marketing Sales Opportunities!
- Star Entertainment At Banquet!
- Fun in the Music Capital!

JANIE FRICKE
Banquet Entertainment!
(Courtesy of HBO)



Twice winner of
"Female Vocalist of the Year"



FOR DETAILS: Call National Satellite Shows at 1-800-654-9276 or 702-367-1471 or Write National Satellite Shows, 4970 S. Arvill Suite 108, Las Vegas, Nevada 89118

function of loop and conductor diameter. These factors apply with a parasitic element present plus the added complexity of the changes introduced by the currents on that element. Because of this there is very little data on feed impedances in scientific or engineering literature. It is necessary to use the limited amount available to develop trends and then depend on measurements to design the antenna feed. Fortunately this is not difficult, given the wideband characteristics of loop antennas.

The paper by Ito, et al.¹¹ includes a single set of curves that give useful information about the radiator-reflector combination. Data is for a reflector of 1.1 wavelengths circumference, with an element omega of 11, corresponding to a loop-to-conductor radius of 39. This is typical of a self-supporting UHF antenna.

The following values are developed from the curves; resonance, of course, means that the drive reactance is zero:

- Isolated resonant loop
Radiator circumference = 1.1 wavelengths.
Drive resistance = 153 ohms.
- Resonant radiator with reflector
Radiator circumference = 1.08 wavelengths.
Drive resistance = 139 ohms.
- Resonant radiator with director
Radiator circumference = 0.87 wavelength.
Drive resistance = 250 ohms.
- Isolated 1.2-wavelengths loop
Drive resistance = 215 ohms.
Drive reactance = 84 ohms.
- 1.2-wavelengths radiator with reflector
Drive resistance = 158 ohms.

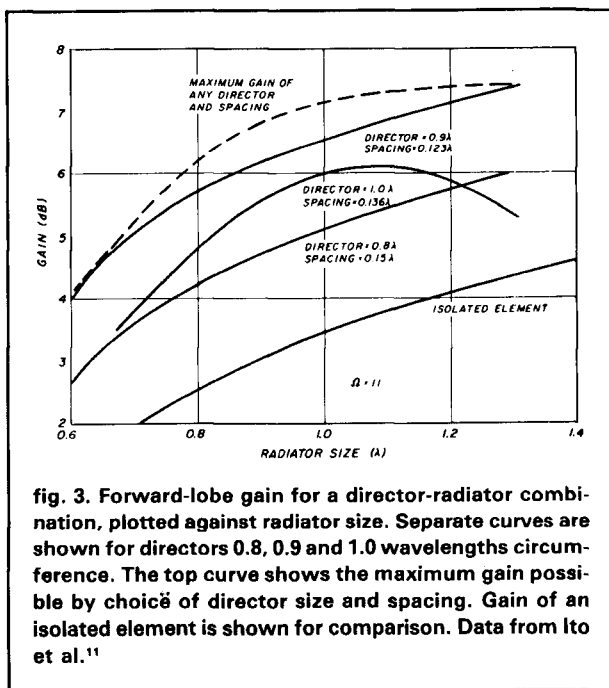


fig. 3. Forward-lobe gain for a director-radiator combination, plotted against radiator size. Separate curves are shown for directors 0.8, 0.9 and 1.0 wavelengths circumference. The top curve shows the maximum gain possible by choice of director size and spacing. Gain of an isolated element is shown for comparison. Data from Ito et al.¹¹

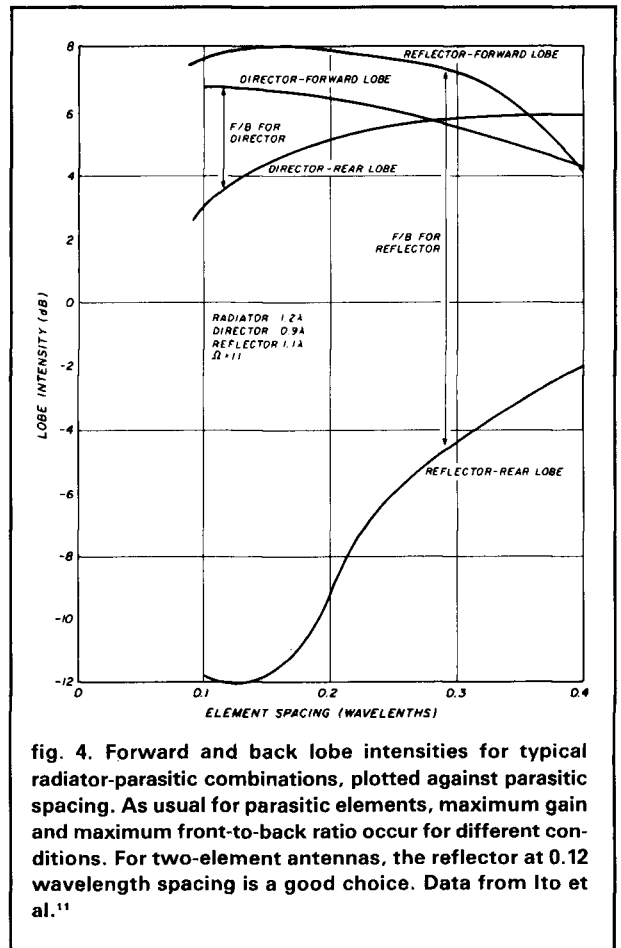


fig. 4. Forward and back lobe intensities for typical radiator-parasitic combinations, plotted against parasitic spacing. As usual for parasitic elements, maximum gain and maximum front-to-back ratio occur for different conditions. For two-element antennas, the reflector at 0.12 wavelength spacing is a good choice. Data from Ito et al.¹¹

- Drive reactance = 365 ohms.
- 1.2-wavelengths radiator with director
Drive resistance = 33.5 ohms.
Drive reactance = -132 ohms.

The change in impedance is greater for the director and this behavior is much the same as for the two-element Yagi. The reason for the increase in drive resistance for the resonant element with director lies partly in the marked change in length needed to cancel the self- and induced reactances.

Remember that a standard method of matching is to change the length of the driven element, then add a stub to cancel the reactance, leaving the resistance at the value that matches the line impedance. You can also do this with loops, but it may require some loss in loop area and therefore loop gain. A gamma match, or stub-transformer sections, would be a better choice.

For most two-element arrays, a good feed is a 4:1 balun at the antenna, used with 50-ohm line. Solid-state transmitters will probably require a better match to obtain rated output, say by use of a transmatch. A possibility is a gamma match, used by at least one commercial design with good results. The simplest alternative is to use low-loss line, say 75-ohm Teflon™

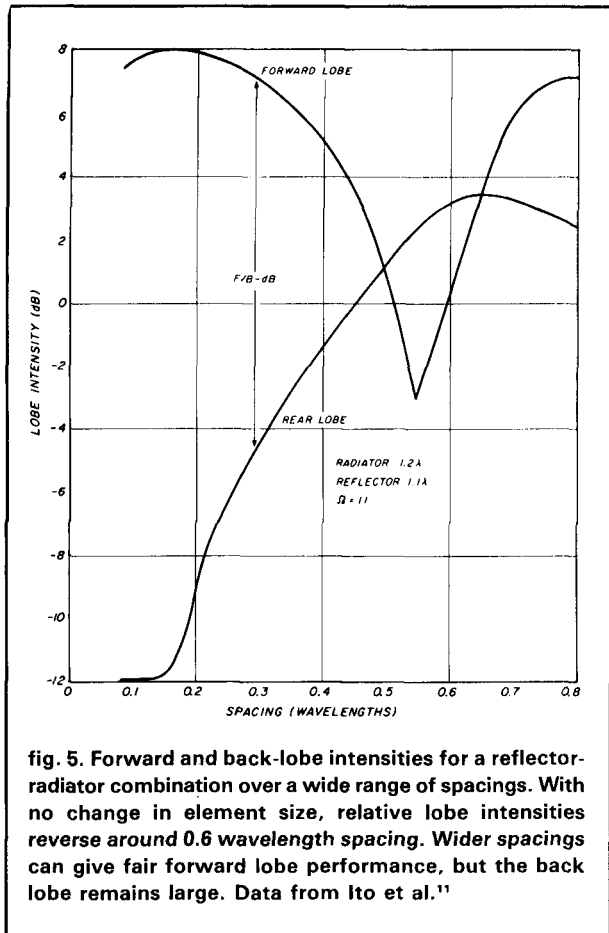


fig. 5. Forward and back-lobe intensities for a reflector-radiator combination over a wide range of spacings. With no change in element size, relative lobe intensities reverse around 0.6 wavelength spacing. Wider spacings can give fair forward lobe performance, but the back lobe remains large. Data from Ito et al.¹¹

or foam, or 300-ohm twin lead, plus an appropriate transmatch. A transmatch is a necessity if you want the full advantage of the wideband loop characteristic.

patterns

There is a limited amount of theoretically derived pattern data in current literature. Figure 6A-C is replotted from the patterns in Ito et al.¹¹ which are similar to the corresponding patterns of two-element Yagi antennas¹⁶. The front-to-back ratio is reasonably good for reflectors in the 1.1-1.2 wavelengths circumference range. Directors of any size give poor front to back, although the forward gain is good, as described above.

None of the theoretical analyses found in the literature show patterns in other planes or for cross-polarization. These will be covered later by approximate analysis.

multi-element arrays

The theory above for two-element antennas has been used to examine the properties of multi-element circular-loop arrays, by Ito et al.¹¹ and by Shoamanesh and Shafai.^{17,18} Experimental work has been reported by Appel-Hansen.¹³ Their work is summarized in

figs. 7 and 8 and shows the gain versus array length. Also shown is the theoretical gain of Yagi antennas derived by Lawson.¹⁹

The gain for the usual Yagi is determined primarily by array length. The first few directors add about 1 dB per director. Thereafter, the gain increases about 3 dB for each doubling of array length.

Information in table 1 is taken from Shoamanesh and Shafai's¹⁷ theoretical table. All of the entries are for a director spacing of 0.3 wavelength. This gives maximum gain for the number of elements used, and reasonable front-to-back performance. Gain, expected drive impedance, and minor lobe characteristics plus front-to-back ratio are tabulated.

Arrays constructed from the table values should be

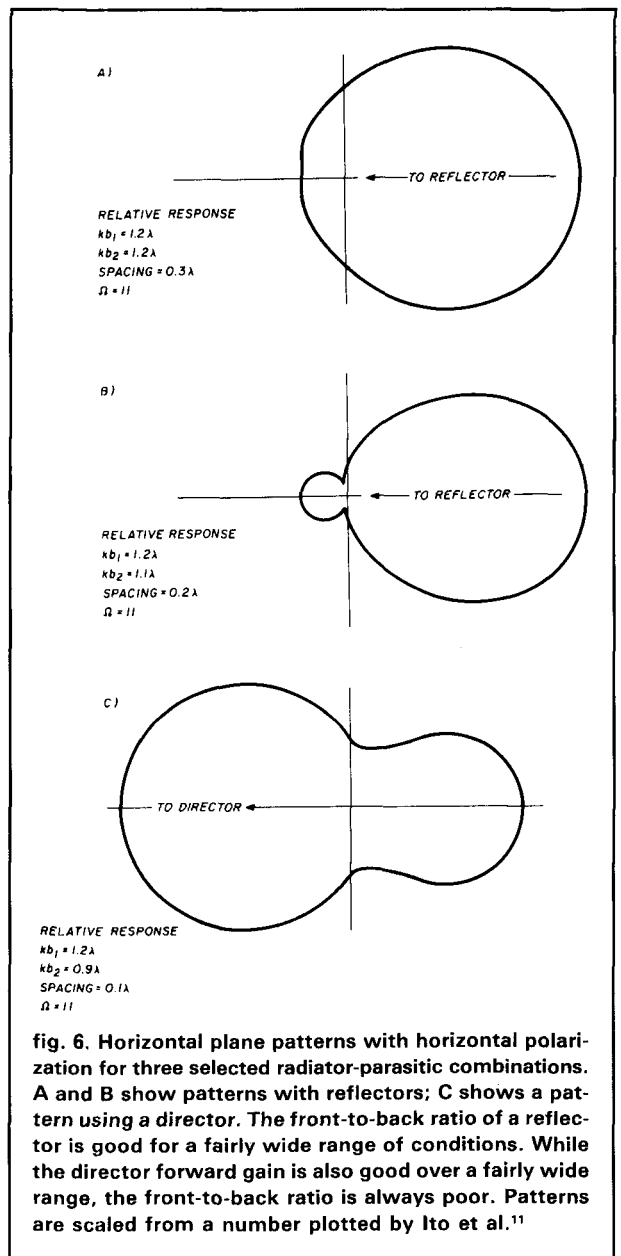


fig. 6. Horizontal plane patterns with horizontal polarization for three selected radiator-parasitic combinations. A and B show patterns with reflectors; C shows a pattern using a director. The front-to-back ratio of a reflector is good for a fairly wide range of conditions. While the director forward gain is also good over a fairly wide range, the front-to-back ratio is always poor. Patterns are scaled from a number plotted by Ito et al.¹¹



ALINCO ELECTRONICS INC.

20705 South Western Ave., Suite 104 Torrance, CA 90501 • (213)618-8616

Tiny, Tough & Terrific



The **NEW** Generation of T.T.& T. Hand Held Transceivers From Alinco Are Just Around the Corner!

Introducing The DJ-100T 2 Meter Hand Held Transceiver

- **Tiny** = 1-3/16" D x 2-3/8" W x 6-5/8" H
- **Tough** = 6.5 Watts (With Optional EBP-8NAZ Nicd Battery Pack)
- **Terrific** = Features and Benefits

- LCD with Switchable Backlighting
- 10 Memories
- BNC Antenna Connection
- 16 Button DTMF Pad
- Easily Accessible Dip Switches For Encoding Sub Audible Tones
- Battery Save Draws 15mA For Extended Battery Life
- .20uV Sensitivity
- 144.00 MHz to 147.995 MHz
- CAP and MARS Modifiable - Simplex only
- Standard Battery, EBP-9NAZ Has DC/DC Converter Built In
- Stores Standard Repeater Offsets In Memory
- Full Range of Accessories
- 220 MHz and 440 MHz To Follow Shortly

Suggested List Price \$299.00



(Optional EBP-2NAZ Ni-Cd battery)

✓ 165

Alinco's products are carried by these fine dealers

A-Tech - Burbank, CA
 Amateur & Advance Comm. - Wilmington, DE
 Amateur Comm. ETC. - San Antonio, TX
 AES - Milwaukee, WI
 AES - Orlando, FL
 AES - Clearwater, FL
 AES - Las Vegas, NV
 Austin Amateur Radio Supply - Austin, TX
 Barry Electronics - New York, NY
 Burghardt Amateur Center - Watertown, SD
 Colorado Comm Center - Denver, CO
 Delaware Amateur Supply - New Castle, DE
 Doc's Communications - Rossville, GA
 El Original Electronics - Brownsville, TX
 EEB - Vienna, VA
 EGE, INC. - Woodbridge, VA

EGE, INC. - Salem, NH
 Erickson Communications - Chicago, IL
 F&M Electronics - Greensboro, NC
 Floyd Electronics - Collinsville, IL
 The Ham Station - Evansville, IN
 The Ham Hut - Amarillo, TX
 Henry Radio - Hartford, CT
 Henry Radio - Los Angeles, CA
 Hirsch Sales Co. - Williamsville, NY
 HR Electronics - Muskegan, MI
 HRO - Anaheim, CA
 HRO - Atlanta, GA
 HRO - Burlingame, CA
 HRO - Oakland, CA
 HRO - Phoenix, AZ
 HRO - San Diego, CA
 HRO - Van Nuys, CA

HSC - Santa Clara, CA
 HSC - Sacramento, CA
 HSC - Sunnyvale, CA
 International Radio Systems - Miami, FL
 Jun's Electronics - Culver City, CA
 Kennedy Associates - San Antonio, TX
 KJI Electronics - Houston, TX
 Madison Electronics - Houston, TX
 Maryland Radio Center - Laurel, MD
 Memphis Amateur Electronics - Memphis, TN
 Michigan Radio - Mt. Clemens, MI
 Mission Consulting - Houston, TX
 Missouri Radio Center - Kansas City, MO
 N&G Electronics - Miami, FL
 Omni Electronics - Laredo, TX
 Quement Electronics - San Jose, CA
 RF Enterprises - Merrillfield, MN

R&L Electronics - Hamilton, OH
 Reno Radio, Reno, NV
 Rivendell Associates - Derry, NH
 Rogus Electronics - Southington, CT
 Rosen's Electronics - Williamson, WV
 Ross Distributing Co. - Preston, ID
 Satellite City - Minneapolis, MN
 Tel-Com Electronic Comm. - Littleton, MA
 Texas Comm. Center - Houston, TX
 Texas Towers - Plano, TX
 VHF Communications - Jamestown, NY
 Williams Radio Sales, Colfax, NC

CANADA:

Canadian Distributor
 Texpro Sales Inc. - Burlington, Ontario
 (416) 332-5944

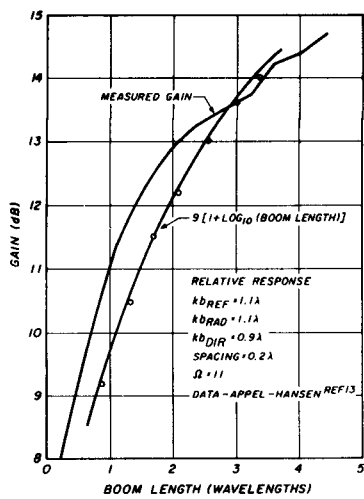


fig. 7. Measured gain of multi-element circular loop arrays, plotted against total boom length. Gain shown is not necessarily the maximum for the boom length given. The arbitrary curve is shown for comparison. Data from Appel-Hansen.¹³ See also Lindsay.¹²

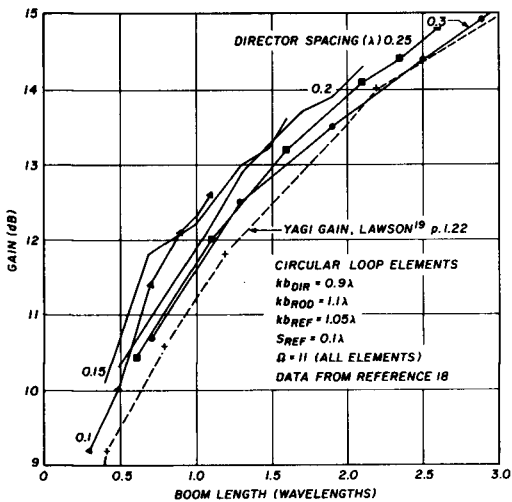


fig. 8. Calculated gain of multi-element circular loop arrays, plotted against boom length. Separate curves are shown for director spacings of 0.1, 0.15, 0.2, 0.25, and 0.3 wavelength spacing. For most boom lengths, a small increase in gain can be attained by using close spacing. There are penalties for this: for example, greater wind load, and usually, smaller bandwidth. Data from Shoamanesh and Shafai.¹⁸

easy to build in self-supporting form for frequencies in the VHF, UHF, and SHF ranges. By adopting the principle of the bicycle wheel, discussed in a later part of this series, you can build hf designs.

The design values in table 1 are known to be near

optimum for maximum performance. A small increase in gain may be obtained by making some changes in element size and spacing. Unfortunately, there may be appreciable change in minor lobe structure if much retuning is attempted.

The only theoretical data relating to the gain of multi-element circular-loop arrays comes from the same source,^{17,18} and is summarized in fig. 8. This again shows gain versus boom length, but with individual curves for director spacing. A small but definite increase in gain is usually possible by adding directors, but the limit of improvement is not known. Retuning must be done carefully. Front-to-back ratios vary from about 10 to over 25 dB from one set of spacings to another, and there are probably changes in bandwidth as spacing changes. Shoamanesh and Shafai¹⁷ give some guidelines for design optimization.

The data in Chapters 2 and 3 of Lawson¹⁹ gives more information on results obtainable by optimization. Conversion of this data to loop design conditions is somewhat tedious. First calculate the self- and mutual reactances for the length and spacing data given by Lawson.¹⁹ Then transform these values to loop size and spacing, using the curves and tables given in this series or the references. The basic computational proc-

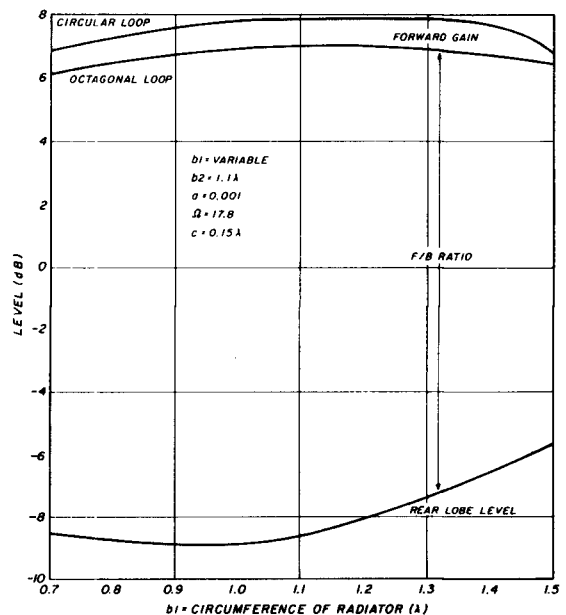


fig. 9. Calculated front and back lobe levels of an octagonal array, plotted against radiator circumference. Radiator circumference is 1.2 and spacing is 0.15 wavelength. The gain of a two-element circular loop is shown for comparison. The variation in gain would be more marked if the size of the reflector were also varied, but this shows again that loop antennas are broadband. The difference in circular and octagonal gain appears to be largely due to calculation technique differences.

From The Creative Minds at HAL Communications Packet Radio Made Easy ...



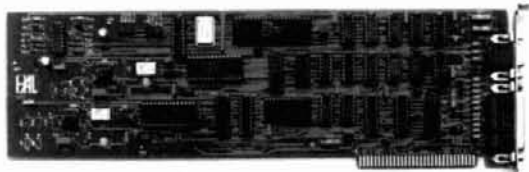
THE RPC-2000

TWO-CHANNEL RADIO PACKET CONTROLLER

- Menu driven – No commands to memorize
- Works on VHF or HF
- Built-in Modem and RS-232C I/O
- Exclusive HAL CALLpath programmable directory
- Software included

The RPC-2000 is a two-channel radio packet controller that adds fast, error-free data communications to radio links. It plugs into an expansion slot of the HAL DS-3200 Radio Data Communications Terminal or any fully compatible PC, PC-XT, or PC-AT computer. The RPC-2000 uses Packet Radio protocol based on AX.25 to provide data communications at rates from 45 to 4800 BPS.

The standard configuration of the RPC-



2000 uses an RS-232C I/O port (Channel A) for an external HF modem (such as the HAL ST-8000) and a 7910 modem for a VHF link (Channel B). The M2-RPC option converts Channel A to a second 7910 modem.

The RPC-2000 is driven entirely from disk-based software that provides on-screen menus to choose all features and modes, eliminating the need to memorize complicated commands and procedures.

DISCOVER HOW EASY PACKET RADIO CAN BE. CALL OR WRITE US FOR MORE SPECIFICATIONS.



HAL COMMUNICATIONS CORP.
P.O. BOX 365
URBANA, IL 61801
Phone 217-367-7373



CALL US
NOW!

YOUR HAM DOLLAR GOES
FURTHER AT...

CALL OR WRITE FOR SPECIAL QUOTE

When it comes to
FAST DELIVERY, HONEST DEALING and
PROMPT DEPENDABLE SERVICE back us
We don't just advertise it — WE GIVE IT!

we'll treat you

SELECTION

SERVICE

and

SATISFACTION!

STORE HOURS:

9-5 P.M. (CST)
MONDAY thru FRIDAY
OPEN SATURDAYS
from 9-1 P.M. (CST)
CLOSED
SUNDAYS/HOLIDAYS



182 N. Maple
P.O. Box 73
Watertown, SD 57201

In 1937, Stan Burghardt (WØIT), because of his intense interest in amateur radio, began selling and servicing amateur radio equipment in conjunction with his radio parts business. We stand proud of this long-lasting tradition of *Honest Dealing, Quality Products and Dependable "S-E-R-V-I-C-E"!*

Above all, we fully intend to carry on this proud tradition with even more new product lines plus the same "fair" treatment you've come to rely on. Our reconditioned equipment is of the finest quality with **30, 60** and even **90-day** parts and labor warranties on selected pieces. *And always remember:*

— WE SERVICE WHAT WE SELL —

AEA	Belden	Icom	Nye
AllInco	Bencher	Jerold/Delhi	Palomar
Ameritron	Bird	Kantronics	Radio Callbook
Amphenol	Butternut	KDK/Encomm	Rohn
Amp Supply	Centurion	KLM	Telex/Hygain
Antenna	CES	Larsen	Ten-Tec
Specialists	Cushcraft	MFJ	Trio-Kenwood
Astron	Daiwa	Mirage	Unadilla/Reycy
B & W	Hustler	Moseley	Yaesu

Write today for our latest Bulletin/Used Equipment List.

Burghardt INC.
AMATEUR CENTER

"AMERICA'S MOST RELIABLE AMATEUR RADIO DEALER"

SELL-TRADE

New & Reconditioned
HAM EQUIPMENT

Call or Write Us Today For a Quote!
You'll Find Us to be Courteous, Knowledgeable
and Honest

PHONE (605) 886-7314

FAX (605) 886-3444



TEN-TEC PARAGON

160-10, HF TRANSCEIVER

NOW IN STOCK!

CALL FOR QUOTE!

✓ 160

SYNTHESIZED
SIGNAL GENERATOR

MADE IN
USA



MODEL
SG-100F
\$429.95
delivered

- Covers 100 MHz to 199.999 MHz in 1 kHz steps with thumbwheel dial
- Accuracy +/- 1 part per 10 million at all frequencies
- Internal FM adjustable from 0 to 100 kHz at a 1 kHz rate
- External FM input accepts tones or voice
- Spurs and noise at least 60 dB below carrier
- Output adjustable from 5-500 mV at 50 Ohms
- Operates on 12 Vdc @ 1/2 Amp
- Available for immediate delivery • \$429.95 delivered
- Add-on accessories available to extend freq range, add infinite resolution, AM, and a precision 120 dB attenuator
- Call or write for details • Phone in your order for fast COD shipment.

VANGUARD LABS

196-23 Jamaica Ave., Hollis, NY 11423
Phone: (718) 468-2720 Mon. thru Thu.

✓ 161

Boost the Range of Hand-Helds

Today's hand-held VHF/UHF scanners and handie-talkies from Bearcat, Regency, Cobra, and Radio Shack, ICOM, Yaesu, and Kenwood have excellent sensitivity and talk power, but their range is reduced by their short flex antennas.

Tip: To increase the range of your hand-held scanner or transceiver, connect a Grove ANT-8 extendable whip antenna, equipped with standard BNC base.



By Bob Grove
WA4PYQ

EQUIP-tips

*Tips from the expert on
boosting the performance
of your radio equipment.*

The Grove ANT-8 is a fully-adjustable, professional whip antenna made of chrome-plated brass and equipped with a standard BNC base to fit most hand-held radios. Length is extendable from 7 to 46 inches. Replace that inefficient "rubber duckie" with the ANT-8 and **STAND BACK!**

Only \$129⁹⁵ plus \$1.50 UPS Shipping (US)

Grove Enterprises

140 Dog Branch Road Brasstown, N.C. 28902
(704) 837-9200 or (MC, Visa & COD only) 1-800-438-8155

✓ 189

Table 1. Calculated performance of multi- and circular-loop arrays.

no. directors	boom wave-lengths	gain (dB)	F/B (dB)	H-B/W (Deg)	E-B/W (Deg)	drive:R (Ohms)	drive:jx (Ohms)
2	.70	10.70	15.20	59.00	54.00	58.50	156.70
4	1.30	12.50	25.80	48.00	44.50	44.20	168.00
6	1.90	13.50	14.20	40.50	38.50	56.00	179.80
8	2.50	14.40	14.20	35.00	32.50	63.60	163.30
9	2.80	14.80	16.40	32.50	30.50	52.00	17.50
10	3.10	15.20	23.00	30.50	30.00	45.60	163.10

Reflector = 1.1, radiator = 1.2, and all directors = 0.9 wavelength circumference. Reflector is spaced 0.15 and directors 0.3 wavelength. The nine-director array needs no matching, the others only a capacitive stub across the feedpoint. A balun is not necessary, but is probably helpful in avoiding feedline and tower radiation.

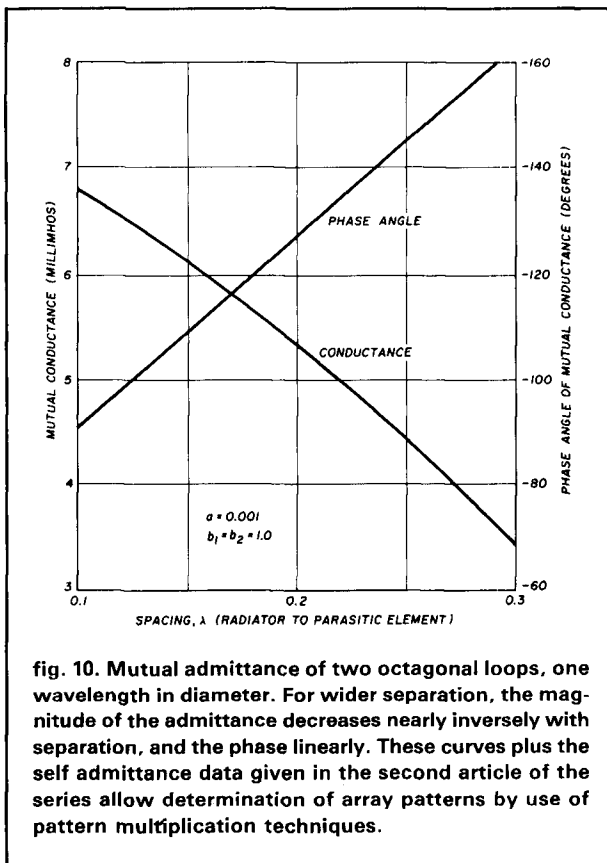


fig. 10. Mutual admittance of two octagonal loops, one wavelength in diameter. For wider separation, the magnitude of the admittance decreases nearly inversely with separation, and the phase linearly. These curves plus the self admittance data given in the second article of the series allow determination of array patterns by use of pattern multiplication techniques.

Figure 9 is for comparison and gives the gain and front-to-back ratio for a two-element octagonal array. It is very nearly the same as for the two-element circular array of fig. 2.

Figure 10 gives the mutual admittances between two 1.0-wavelength elements. Combined with the self-admittance values of table 1, these curves allow calculation of the currents in any multi-element array, and in turn the pattern as described by Kraus²⁰ and used by Lawson.¹⁹ As mentioned above, these curves make the performance data calculated by Lawson¹⁹ useful as an approximation to circular-loop (and other shape) arrays.

patterns of octagonal arrays

Figure 11 shows the MININEC-calculated horizontal-plane pattern of a two-element, bottom-fed array with a parasitic director — an array with nominally horizontal polarization. Radiator and director circumferences are 1.0 and 0.9 wavelengths, and spacing is 0.15 wavelength. The pattern resembles that of an equivalent two-element Yagi, which also shows poor front-to-back ratio. Somewhat more gain could be obtained with a larger radiator and closer spacing.

Figure 12 shows the same calculation for a 1.1-wavelength reflector. Gain is nearly maximum from this element combination, and the back lobe is reasonably small. This appears to be a good choice for a two-element beam or for the exciter section of a large array.

Figure 13 shows the same calculation for a three-element octagonal array, with 0.9, 1.2, and 1.1 director, radiator and reflector circumferences, with the director spaced at 0.2 and the reflector at 0.15 wavelength. The gain is close to but below the maximum attainable with this boom length. The front-to-back ratio is reasonable. Experience with 2, 10, 15 and 20-meter versions of this combination indicates that better front to back, up to about 30 dB, is possible

ess described in Lawson's Chapter 1¹⁹ or in Kraus²⁰ can be modified for loop analysis.

octagonal arrays and loop approximations

Arrays of polygons are not common; circular elements are usually just as easy to build. There is also the matter of added resistance at the joints between segments, if present. The octagonal array data included here is primarily for use in approximating the performance of circular-loop arrays.

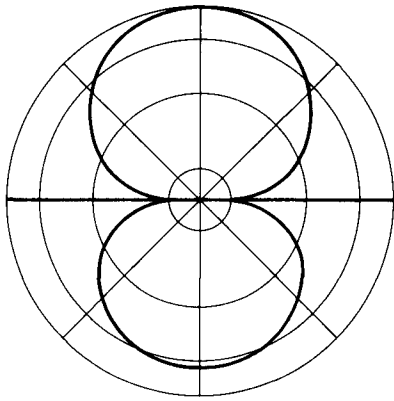


fig. 11. Horizontal plane pattern of the h-polarized component from a bottom-fed director-radiator combination. Circumferences are 0.9 and 1.0 wavelength. Spacing is 0.15 wavelength. Forward gain is reasonable, but the back lobe is large.

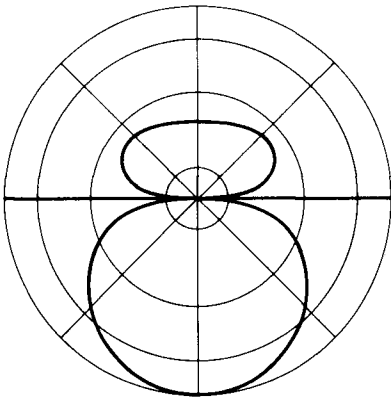


fig. 12. Horizontal plane pattern of a 1.1 wavelength reflector-radiator combination. Other conditions same as in fig. 11. Forward gain is excellent for a two-element antenna. The front-to-back ratio of about 13 dB is good.

with element tuning. **Figure 8** shows that the gain could be increased about 1 dB by a second director at 0.1-wavelength spacing.

Figure 14 shows another pattern for the same beam for the total radiation component. Because of the small cross-polarized component present in loops, the sides of the pattern are filled in, so the front-to-side ratio is poor.

It is my experience that the filled-in pattern is correct for high-angle or E-layer radiation. However, low-angle radiation, typical of F2-layer DX, shows the high front-to-side discrimination of **fig. 13**. Under good conditions, an S9+ signal can be dropped to the noise level if the signal is placed on the 90-degree null. This results in a reduction of 40 dB or more. The same characteristic is noted on 15 meters when E-layer skip is

present. Published theoretical analyses shed no light on this performance difference. It appears to be associated with ground reflection. We will return to this subject later in this series.

all-driven arrays

As with dipole elements, loops can be used in driven arrays. Driven arrays are not common in Amateur use because of space requirements. The few occasionally encountered are typically two-element designs. These are also used in place of a single radiator element in some high-performance arrays, partly for gain and front-to-back improvement, but also to improve the effective bandwidth.

Figure 15 shows the MININEC-calculated gain for two 1.0-wavelength loops spaced 0.12 wavelength,

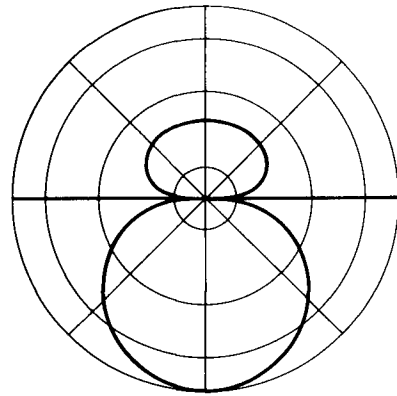


fig. 13. Horizontal plane pattern of a bottom-fed, three-element octagonal array. Circumferences are director = 0.9, radiator = 1.2 and reflector = 1.1 wavelengths. Director spacing is 0.2 and reflector 0.15 wavelength.

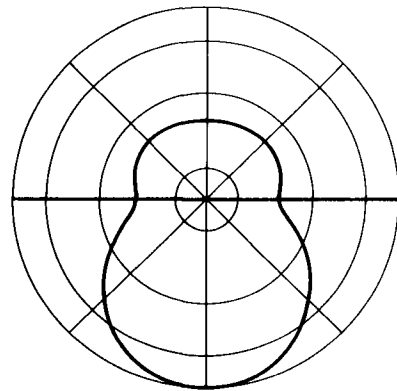


fig. 14. Total component radiation pattern for the array of fig. 13. The vertical component fills in the side-lobe area. See text for practical experience with an antenna of this type.

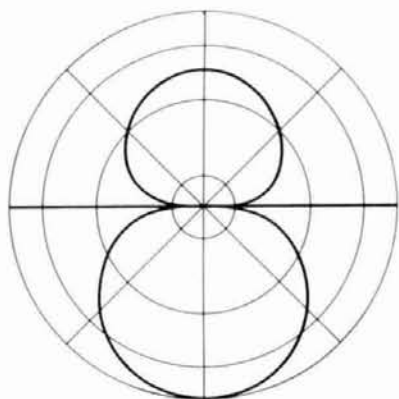


fig. 15. Horizontal component pattern for two one-wavelength loops separated 0.12 wavelength and bottom fed 135 degrees out of phase. The antenna is related to the "ZL-Special", and is useful by itself. The technique is also useful as the feed of large arrays, to give better front-to-back and gain.

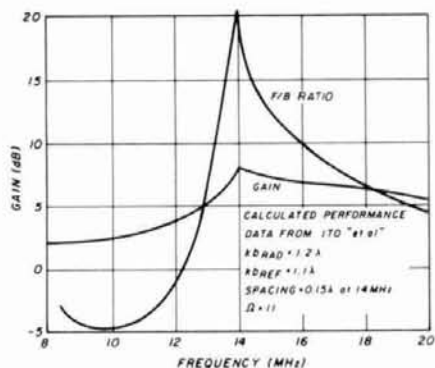


fig. 16. Calculated gain and front-to-back ratio of a two-element array designed for 14 MHz, but operated over the range 8-22 MHz. Forward lobe gain exceeds that of a dipole over the entire range. The back lobe can even be larger than the main lobe, but effective interference reduction is usually possible by rotating the antenna to place the interference in a null. Any antenna of the Quad family is a useful wide-band antenna for occasional operation on other than designated bands. Based on data from Ito et al.¹¹

and fed 135 degrees out of phase, like the "ZL-Special" antenna. The gain performance is good, but the back lobe is rather large. Antennas of this type will be studied further when we discuss rectangular loops.

super-wideband operation

Figure 16 shows the calculated performance of a 20-meter two-element array from 8.5 to 20 MHz. The gain curve shows that this parameter exceeds that of a dipole over the entire range. In fact, the performance

is reasonable over 7 to 30 MHz, although there is lobe splitting on the higher bands, and main-lobe reversal on the lower ones. Front-to-back ratio is high only near the design frequency, however.

The secret of using this wide bandwidth lies in the transmission-line matching technique used. I prefer Teflon-insulated 75-ohm cable. Open-wire line or twin lead is also good. A matchbox is a necessity. (I think that a matchbox should always be used to simplify using the entire band and to reduce harmonic radiation.) One fact seems clear: if you are using a Quad, you can have multiband operation without a lot of real estate for an antenna farm.

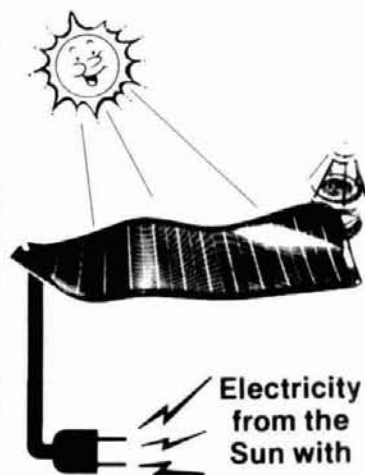
Part 4 deals with the square or Quad loop and some of its close relatives.

references

16. F.E. Terman, *Radio Engineers' Handbook*, McGraw-Hill, New York, 1943 (any edition).
 17. A. Shoamanesh and L. Shafai, "Properties of Coaxial Yagi Loop Arrays," IEEE Transactions Antenna Propagation, July 1978.
 18. A. Shoamanesh and L. Shafai, "Design Data for Coaxial Yagi Array of Circular Loops," IEEE Transactions Antenna Propagation, September 1979.
 19. James L. Lawson, *Yagi Antenna Design*, ARRL, Newington, Connecticut, 1986.
 20. John D. Kraus, *Antennas*, McGraw-Hill, New York, 1950.
- *References 1-15 are found in part 1.

ham radio

LET THE SUN DO THE WORK



SOVONICSTM
Solar Systems

ALSO: OUTSTANDING PRICES ON IBM XT COMPATIBLE SYSTEMS!

SHIPPING INFORMATION: PLEASE INCLUDE 10% OF ORDER FOR SHIPPING AND HANDLING CHARGES (MINIMUM \$2.50, MAXIMUM \$10). CANADIAN ORDERS, ADD \$7.50 IN US FUNDS. MICHIGAN RESIDENTS ADD 4% SALES TAX. FOR FREE FLYER, SEND 22¢ STAMP OR SASE.

HAL-TRONIX, INC. (313) 281-7773
Hours
12:00 - 6:00 EST Mon-Sat
12671 Dix-Toledo Hwy
P.O. Box 1101
Southgate, MI 48195

• Charge batteries on stored machinery
• Light your tent
• Run fans
• Run remote transmitters
• Light signs
• Pump water for your animals
• Power for your motor home
• Run your radio without batteries
• Light your home
• Yard lights
• Charge flashlight batteries
• Light your cabin
• Run electric fences
• Charge your boat battery
• Run appliances in your home
• Charge hand held radio batteries
• Fish shanty lights
• Charge your Camcorder battery pack

"HAL" HAROLD C. NOWLAND
W8ZXH



NEW products

high-speed frequency entry for Kenwood transceivers

Kenwood rigs now feature the KW-QSY frequency-entry keypad. The QSYers provide a means for high speed and simple frequency selection.

The QSYer is a tiny computer terminal with its own internal 8-bit microprocessor and support circuitry. Its full-size telephone-type keypad is inclined at a 10 degree angle. The unit is housed in an all-metal enclosure measuring 3.1" x 3.5" x 2" and has an internal speaker that sounds a different tone for each key.

The KW-QSYer works with the TS-940 series (with the Kenwood IF-10B interface installed), TS-440 series (with IC-10 installed), TS-140 se-



ries (with IF-10C installed), and TS-711/811 series (with IF-10A installed). It requires an 8-16 volt, 100 mA, external dc supply.

The KW-QSYer (and its sister models for the 757GX, 757GX-II, 767GX, and the IC-735) are available from Stone Mountain Engineering Company. All are priced at \$89.50, plus \$2.50 shipping. A companion 12-volt dc wall supply for the KW-QSYer is \$10. For more information write to Stone Mountain Engineering Company, P.O. Box 1573, Stone Mountain, Georgia 30086.

Circle #301 on Reader Service Card.

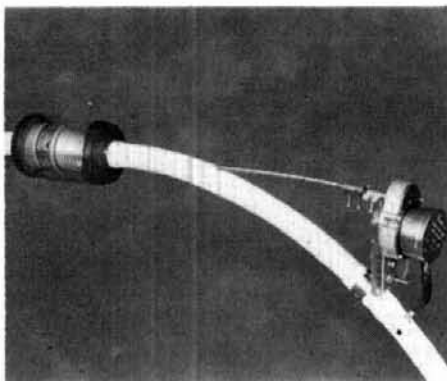
new twist to old antenna concept

DMQ offers an antenna designed to cover all frequencies between 13 MHz and 30 MHz,

while maintaining a better than 2.1 SWR and handling up to 250 watts P.E.P. Targeted at the Amateur with limited space, it is a loop standing on end with an approximate diameter of 36 inches. The antenna is connected through a standard SO 239 fitting directly to your 52-ohm coax transmission line. No external matching unit, pretuned coax line, ground screen, or radial system is needed.

Frequency resonance is obtained by adjusting a special high-voltage vacuum variable capacitor. The antenna is made of high quality copper; the vacuum variable capacitor is a glass-type design. All metal surfaces are chemically cleaned and covered with two coats of exterior enamel paint.

The antenna has a bidirectional radiation pattern. The high-Q design is stable to frequency and provides a high level of harmonic suppression. Pattern gain is developed throughout the antenna's frequency range.



The antenna has a mounting hook, nylon line, and tuning wand supplied. The antenna can be suspended from the ceiling of the Amateur's apartment; outdoor installations are also feasible.

The antenna comes assembled and ready for use. It is factory adjusted for the 15-meter Novice portion of the band. The unit price is \$349.50, plus shipping and handling in the continental U.S. For information contact DMQ Technology, 221 Slater Boulevard, Staten Island, New York 10305.

Circle #302 on Reader Service Card.

SIQ repeater controller

A-Tech Electronics announces the SIQ Repeater controller. Using the power of a microcomputer, the SIQ-2 provides basic repeat-



er functions, voice ID, programmable Morse code ID, autopatch, reverse autopatch, audio mixing, linking, and more.

The SIQ controller comes with an rf-proof rack mount box and all 16 I/O lines have rf beads to prevent rf problems. The manual contains detailed information on connecting your radios, programming the features, and user commands. The software listing is provided for making custom modifications.

An optional phone patch board is available. Up to five area codes can be programmed to help control long distance access.

The features are controlled by touch-tone commands. Courtesy tones, tail squelch length, CW ID, sleep/wake up mode, alarms, and other control commands are all remotely programmable. Sixteen I/O lines are provided.

The SIQ rack mount steel enclosure has D-style connectors. The user manual contains hookup and command instructions, an electronic schematic of the system, and source code listing.

The SIQ repeater controller retails for \$349.95; the SIQ with phone patch is \$449.95. Contact A-Tech Electronics, 1033 Hollywood Way, Burbank, California 91505 for more information.

Circle #303 on Reader Service Card.

new code and theory course audio cassettes

Amateur Radio School announces the addition of "The Video Novice" to their line of code and theory courses on audio cassettes.

The course material contains two VHS video cassettes, each two hours in length, one C90 audio cassette, and a manual study guide. Cassette No. 1 has two hours of theory; cassette No. 2 has one hour of theory and one hour of visual code class.



The course is aimed at the person who has limited understanding of electronics. It covers all the subjects that the person new to amateur radio needs to know with practical demonstrations and explanation. The Video Novice Course is just \$39.95 plus \$5.00 for postage and handling.

For more information, write to Jerry Ziliak, KB6MT, Amateur Radio School, 2350 Rosalia Drive, Fullerton, California 92635.

Circle #304 on Reader Service Card.

Others May Try to Imitate, But...

Only One Can Be The Best



Morse Code - Baudot - ASCII - AMTOR - Packet - Facsimile - Navtex

Amateur Net Price \$319.95

It's a lesson you learn very early in life. Many can be good, some may be better, but only one can be the best. The PK-232 is the best multi-mode data controller you can buy.

1 Versatility

The PK-232 should be listed in the amateur radio dictionary under the word Versatile. One data controller that can transmit and receive in six digital modes, and can be used with almost every computer or data terminal. You can even monitor Navtex, the new marine weather and navigational system. Don't forget two radio ports for both VHF and HF, and a no compromise VHF/HF/CW internal modem with an eight pole bandpass filter followed by a limiter discriminator with automatic threshold control.

The internal decoding program (SIAMtm) feature can even identify different types of signals for you, including some simple types of RTTY encryption. The only software your computer needs is a terminal program.



PC Pakratt Packet TX/RX Display



Facsimile Screen Display

2 Software Support

While you can use most modem or communications programs with the PK-232, AEA has two very special packages available exclusively for the PK-232....PC Pakratt with Fax for IBM PC and compatible computers, and Com Pakratt with Fax for the Commodore 64 and 128.

Each package includes a terminal program with split screen display, QSO buffer, disk storage of received data, and printer operation, and a second program for transmission/reception and screen display of facsimile signals. The IBM programs are on 5-1/4" disk and the Commodore programs are plug-in ROM cartridges.

3 Proven Winner

No matter what computer or terminal you plan to use, the PK-232 is the best choice for a multi-mode data controller. Over 20,000 amateurs around the world have on-air tested the PK-232 for you. They, along with most major U.S. amateur magazines, have reviewed the PK-232 and found it to be a good value and excellent addition to the ham station.

No other multi-mode controller offers the features and performance of the PK-232. Don't be fooled by imitations. Ask your friends, or call the local amateur radio store. We're confident the PK-232 reputation will convince you that it's time to order your very own PK-232.

Call an authorized AEA dealer today. You deserve the best you can buy, you deserve the PK-232.

Advanced Electronic Applications, Inc.

P.O. Box C-2160
Lynnwood, WA 98036
206-775-7373

AEA Brings you the Breakthrough!

Yaesu's FT-736R. Because you never know who's listening.

The sky's no longer the limit.

With Yaesu's new FT-736R VHF/UHF base station, you'll experience some of the best DX happening in ham radio. Via moonbounce. Tropo. Aurora. Meteor scatter. Or satellites.

Join thousands of VHF/UHF pioneers already scanning the cosmos with their FT-736Rs. The most complete, feature-packed rigs ever designed for the serious operator.

Versatile frequency coverage. The FT-736R comes factory equipped for 2 meters and 70 cm (430-450 MHz), with two additional slots for optional 50 MHz, 220 MHz, or 1.2 GHz modules.

Multimode facilities. Every FT-736R is equipped for LSB, USB, CW, and FM operation. Wide/narrow filters for both



FM and CW are factory installed —not expensive options. There's even all-mode squelch, too!

Satellite ready. A truly turn-key satellite rig, the FT-736R includes crossband full duplex capability. Plus VFO tracking for one knob tuning on both normal and inverted transponders. And with the optional 1.2 GHz module installed, you're QRV on Modes B, J, L, and JL. *With one box.*

Exceptional receiver design. The FT-736R was designed with low noise figure and careful gain distribution,

for industry-leading sensitivity for weak signal work. And in addition to the wide/narrow CW and FM filter selection, you get IF shift. An IF notch filter. Noise blanker. Audio tone shaping control. Three-position AGC selector. And a preamp switch for activating your tower-mount RX preamplifier.

Operate Fast-Scan TV!

Install the optional TV-736 and 1.2 GHz modules, and you're ready to operate fast-scan double-sideband TV with FM audio subcarrier. Black-and-white or color!

Contester's dream! Versatility is a must in VHF contests, as openings are brief. For quick activity checks, use the separate "channel" selector for a speedy trip up the band in selectable steps (SSB or FM!). Use the two



Video camera and monitor not available from Yaesu and not supplied with TV-736.

Prices and specifications subject to change without notice. FT-736R shown with 220 MHz option installed.

Seriously.



Write for your free extraterrestrial QSL card at our address below.

VFOs per band to watch different areas of the band. Keep your sked frequencies stored in any of the 100 memories, which retain frequency *and* mode. And let the RF speech processor get you through tough pile ups.

Ready for computer control. The FT-736R is equipped for CAT (Computer Aided Tuning) control via the rear panel 4800 baud serial data port (our command set is included in your owner's manual). Create your own software for Doppler-corrected satellite tuning, elaborate scanning routines, or



complete frequency control *and* satellite/EME antenna tracking using our new G-5400B or G-5600B AZ-EL rotators.

Your total communications package. The FT-736R delivers 25 watts RF output on 2 meters, 220 MHz and 70 cm. And 10 watts on 6 meters and 1.2 GHz. With separate linear amplifier relay control lines for each band.

And to round out your FT-736R

station, choose from these popular accessories: Iambic keyer module. FTS-8 CTCSS unit. FVS-1 voice synthesizer. FMP-1 AQS message display. E-736 DC cable. MD-1B8 desk microphone. And our super YH-55 headphones.

Discover the FT-736R at your Yaesu dealer today.

But first make plenty of room for exotic QSL cards. Because the ultimate DX is out there. And you *never* know who's listening.



YAESU

✓ 157



Measure Up With Coaxial Dynamics Model 85A Termination Wattmeter

A direct-reading instrument for servicing 50 ohm communication systems and maintaining them at peak operation.

The Model 85A features:

- Dry load no coolant required.
- Replaceable connectors, interchangeable without affecting instrument calibration.
- Four power ranges easily switchable — 0-3/15/50 and 150 watts full scale.
- Frequency Range: 20 to 512 MHz
- Accuracy: $\pm 5\%$ OFS
- Temperature Compensated

Contact us for your nearest authorized Coaxial Dynamics representative or distributor in our world-wide sales network.



**COAXIAL
DYNAMICS, INC.**

Service and Dependability... A Part of Every Product

15210 Industrial Parkway
Cleveland, Ohio 44135
216-267-2233 1-800-COAXIAL
Telex: 98-0630

✓ 154

THROW AWAY YOUR FALCON CATALOGS

Falcon Communications, THE source for quality, American made, MOS-FET and bipolar repeater, base station and mobile power amplifiers announces a major re-design of our line.

Send for information on our models 8151, 8152, 8153, 8162, 8163, 8171, 8172, 8181, 8182, 8183, 8184, 8251, 8252, 8253, 8261, 8262, 8271, 8272 and 8282.



**FALCON
COMMUNICATIONS**

P.O. Box 8979 • Newport Beach, CA 92658
(714) 760-3622

Please send all reader inquiries directly.

SPECIALISTS IN FAST TURN P.C. BOARDS

PROTO TYPE P.C. BOARDS
AS LOW AS \$25.00

- SINGLE & DOUBLE SIDED
- PLATE THROUGH HOLES
- TEFLON AVAILABLE
- P.C. DESIGN SERVICES

FOR MORE INFORMATION _____

**Midland
Technologies**

34374 EAST FRONTAGE ROAD
BOZEMAN, MT 59715 (406) 586-1190

✓ 155

BLACK DACRON® POLYESTER ANTENNA ROPE

- UV-PROTECTED
- HIGH ABRASION RESISTANCE
- REQUIRES NO EXPENSIVE POTTING HEADS
- EASY TO TIE & UNTIE KNOTS
- EASY TO CUT WITH OUR HOT KNIFE
- SIZES: 3/32" 3/16" 5/16"
- SATISFIED CUSTOMERS DECLARE EXCELLENCE THROUGHOUT U.S.A.

LET US INTRODUCE OUR DACRON® ROPE TO YOU • SEND YOUR NAME AND ADDRESS AND WE'LL SEND YOU FREE SAMPLES OF EACH SIZE AND COMPLETE ORDERING INFORMATION.

Dealer Inquiries Invited



MANUFACTURED BY
**synthetic
textiles, inc.** 2472 EASTMAN AVE., BUILDING 21
VENTURA, CALIFORNIA 93003
(805) 658-7903

✓ 156

Electronic Repair Center Servicing

Amateur Commercial Radio

The most complete repair facility on the East Coast.

Large parts inventory and factory authorized warranty service for Kenwood, Icom and Yaesu.

SEND US YOUR PROBLEMS

Servicing "Hams" for 30 years, no rig too old or new for us.

HAMTRONICS, INC.

4033 Brownsville Road

Treose, Pa. 19047

215-357-1400





new 2-meter mobiles from ICOM

ICOM has introduced the IC-228A, 25 watt, and IC-228H, 45 watt, 2-meter top-of-the-line mobiles. These compact models (5.5" wide by 2.0" high by 5.4" deep and 6.2" deep, respectively) have 13 front-panel controls for ease of operation. Both feature wideband Rx coverage of 138-174 MHz; Tx coverage is 140-150 MHz. Twenty memory channels with a lock-out function store the frequency. It has offset and subaudible tone for each memory. Both models feature programmable scan and memory scan, priority watch to monitor the call channel, a memory channel, or all memory channels every five seconds while operating on another frequency.



An optional UT-40 squelch unit emits a 30-second alarm when the frequency of a received tone equals the set tone frequency.

The suggested retail price of 25-watt IC-228A is \$509.00; the 45-watt IC-228H is \$539.00.

For more information contact ICOM America, Inc., 2380 116th Avenue, N.E., P.O. Box C-90029, Bellevue, Washington 98009-9029.

Circle #309 on Reader Service Card.

tools for coaxial users

Mouser Electronics offers a Simplex Coaxial Cable Stripper, Crimping Tool, and a Strip'n Crimp Tool Kit for working with coaxial cable.

The cable stripper is 3.5" long and can strip most coaxial cable from 3.6 mm to 7.6 mm. It comes with three-bladed preset cassette providing up to 5000 strips per cassette. Use the stripper for precision cutting through sheath, braid, and dielectric simultaneously or separately. Ask for Part No. ME382-CS1/3CBB.

The crimping tool is made of heavy gauge material. It has a controlled cycle mechanism for complete crimp, dual apertures for greater cable range, and a built-in release catch. This tool, Part No. ME382-DC89, comes with instructions. The Strip'n Crimp Coaxial Tool Kit is a com-

plete tool kit for coaxial users. Each kit contains a dual crimping tool, simplex cable stripper, ten plugs and cable sleeves for the following sizes; RG59, RG62, UR90, URM43, URM90, URM96, or 0.6/3.7 cables. Instructions are included with the kit. Ask for Part No. ME382-SNC5859.

A complete catalog is available free of charge. Contact Mouser Electronics, 2401 Highway 287 North, Mansfield, Texas 76063.

Circle #305 on Reader Service Card.

VR-1 voltage reference

The VR-1 is the latest product in the Sibex line of portable test equipment. The handheld precision voltage source is battery powered, and output is selectable from 10 mV to 10 V, in a 1-2-5 sequence, by the 11-position switch. Both + and - voltages are available at the output terminals. A low battery indicator is provided on the front panel. The unit is housed in a pocket-size plastic case; power is supplied by a standard 9-volt battery inside the case.



Units are available from stock and priced at \$89.95. For information contact Sibex, Inc., 1088 Kapp Drive, Clearwater, Florida 34625.

Circle #306 on Reader Service Card.

AR-80LM logic monitor

American Reliance has added the AR-80LM logic monitor to their logic measurement product line.

The custom-IC design provides autodetection of both power and ground pins, making instrument usage an easy, clip-on-and-view operation. The unit also autodetects both TTL and CMOS logic levels.

The unit provides indications for logic high, low, and pulsing inputs. For pulses with repetition rates over 8 Hz, the unit flashes the LED at an 8 Hz rate. This allows use of the unit at clock rates of up to 40 MHz.

The AR-80LM sells for a suggested user price of \$79 and includes a storage case and opera-



tor's manual. For details contact ARI Media, 9241 E. Valley Boulevard, Suite 201, Rosemead, California 91770.

Circle #307 on Reader Service Card.

new mobile amplifiers and repeater controller

RF Concepts has two new all-mode solid-state rf power amplifiers and a new repeater controller.

UHF amplifiers are: model RFC 4-310, 30 watts in = 100 watts out, maximum input 35 watts; and RFC 4-110, 10 watts in = 100 watts out, maximum input 15 watts. Both use a GaAsFET receive pre-amp with 15-dB gain and a noise figure of 1.75 dB. They require 13.8 VDC, current, 25 ampere. Measurements are 11.5"L x 6"W x 3"H. The RFC 4-310 is priced at \$324 and the RFC 4-110 is \$349.

The repeater controller RFC 8-RC has a control system capable of handling all the requirements for large multiple-site interconnected systems as well as the simple repeater. The list price is \$395.

RF Concepts products can be purchased from Amateur Radio dealers. For details contact RF Concepts, 2000 Humboldt Street, Reno, Nevada 89509.

Circle #308 on Reader Service Card.

Genius at Riverhead

Genius at Riverhead is the story of Harold H. Beverage, developer of the "Beverage Antenna".

This biography tells of Harold's travels and work with many of the leaders in the field of wireless and related sciences.

The 130-page book, with 35 photos, is available through the *ham radio* Bookstore for \$15.95 plus \$3.50 for shipping and handling.

remote base/simplex phone patch controller

Control your station
locally
or from a distance

The terrain in my northern Alabama location is hilly and a large mountain blocks most of the targeted coverage area for 2 meters limiting my QSOs. I explored several solutions to the problem, including placing a repeater on a mountain top, and finally decided to use a box hooked to a simplex radio that can be remotely located and controlled from a standard touchtone telephone.

The box can be connected either to the Public Switched Telephone Network (PSTN) as in **fig. 1**, or at a local level with the circuit shown in **fig. 2**. It requires only the telephone and a few extra components. The station can be located in the garage, with the telephone the only radio "apparatus" in the family room. Add a speaker phone for general monitoring and use the handset for private conversation.

making it secure

After completing the hardware design, I address-

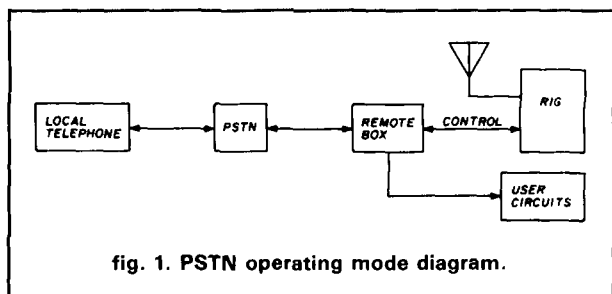


fig. 1. PSTN operating mode diagram.

ed the issue of security. Could I limit transmitter access to ham operators only and maintain a reasonable amount of control during operations involving non-hams?

I solved the first problem by using an access code to activate the transmitter. To control operations involving non-hams, I decided to limit all communications from the telephone line to a 30 second maximum transmission time. If the telephone line carrier keeps the transmitter on past this time, the transmitter drops out and allows no further transmissions from the telephone until the box receives instructions from the control operator.

operation

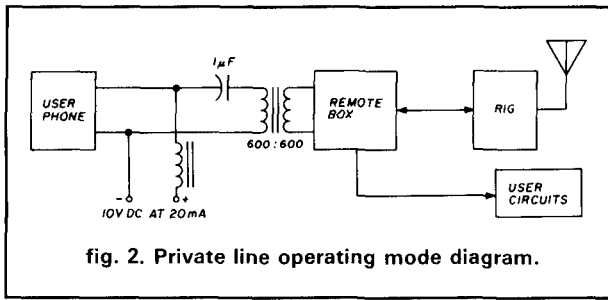
Begin operation by calling the remote unit from a remote telephone. After the selected number of rings you will hear the remote unit activate. You are now in the receive or monitor mode. Always listen for traffic already in progress before transmitting.

To transmit, enter your access code then press the # key and then the 9 key. After transmitting, depress the 9 key and the transmitter will deactivate. To transmit again, you need only hit the 9 key.

Terminate the call by hanging up or hitting the #; the remote unit automatically shuts down. Time-out timers allow transmissions of only 30 seconds or less.

Once the access code is entered, you can go into vox mode at the remote site by entering # and 0. The transmitter keys whenever you speak into the telephone. If the transmitter is keyed for longer than the allowed time, the remote unit will deactivate it and prevent further transmissions until the carrier from the telephone drops out and instructions are received from the control operator. To exit this mode enter # and

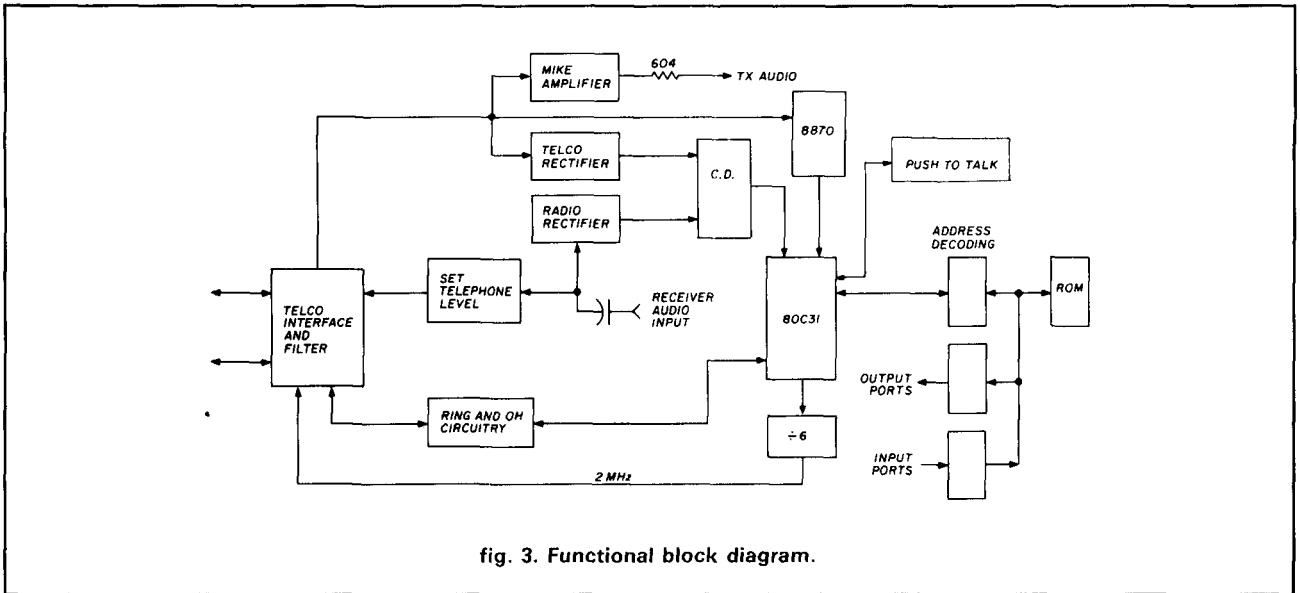
By Roger Owens, AA4NX and Jeff Owens, KK4LA, P.O. Box 277, Owens Cross Roads, Alabama 35763



wait for an answer. The remote unit automatically goes into the vox mode. The operator has control of the remote unit and can terminate the call. Calls are limited to 3 minutes; all long distance calls are prevented.

digital circuitry

A microprocessor reduces the number of components (see the block diagram in fig. 3 and circuit in fig. 4). I used the 80C31 because of its timers, on-board RAM, interrupt structure, and special function



0 from the local site. This returns the remote to monitor mode.

status indicators

Several indicators built into the software routines determine the status of the remote unit:

- CD—Main carrier detect.
- RADCD—Carrier detected is from the radio receiver.
- TELECD—Carrier detected is from the telephone line.
- OH—Remote unit is in the off-hook condition.
- PTT—Remote unit has the transmitter keyed.
- ACCESS—Remote unit has accepted access code.

Table 1 lists commands which activate specific output port pins. They are used to turn on NPN switching transistors that drive external control relays. These relays in turn activate additional functions through touchtones (DTMF) from a telephone or radio.

Mobile operation requires a touchtone generator. To call, enter your access code then send the * and 0 command to the remote unit. This takes the unit off hook and keys the transmitter for 3 seconds to acknowledge the dial tone. When the transmitter drops out, dial your number, listen for ring back and

Table 1. User defined port definitions.

Port A

Output bit-function	Output bit-function
1—TELCAR	5—SPARE
2—RADCAR	6—SPARE
3—PTT	7—SPARE
4—OH	8—SPARE

Port B

Output bit-function	Output bit-function
1—#1	5—#5
2—#2	6—#6
3—#3	7—#7
4—#4	8—#8

(User defined)

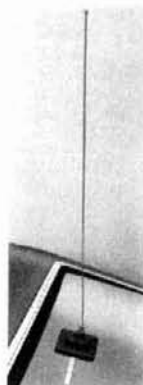
registers. The 80C31 also has various op-code instructions which operate on internal and external bytes and bits for programming ease.

The microprocessor is configured as follows: Port 0 is used as a multiplexed port in conjunction with the 74HCT373 eight-bit latch to separate the lower order address from data. This occurs each time address latch

Look at our MOBILE MARK™ "ON WINDOW" Line PATENTED

VHF (140-175)

- No Hole
- Easy to Mount
- Rugged
- Superior Performance
- Radiator Snaps On and Off
- Competitively Priced



UHF (420-520)

- 3 db gain
- No Hole
- Easy to Mount
- Rugged
- Superior Performance
- Radiator Snaps On and Off
- Competitively Priced

○ 220 MHz NOW Available! ○

MOBILE MARK, INC.
COMMUNICATIONS ANTENNAS

✓ 152

9001 Exchange Ave • Franklin Park, IL 60131 • 312-671-6690

*brings imagination and innovation to
antennas and has been
since 1948 !!*



INTERNATIONAL MONTHLY MAGAZINE BY AND FOR ACTIVE RADIOAMATEURS

RadioSporting

THIS IS IT! - FOR BIG GUNS & LITTLE PISTOLS

A magazine dedicated to quality and sportsmanship in amateur radio operating. Fresh, timely, practical and down to earth reading for little pistols and big guns. Written by the world's best in their fields: ON4UN, SMØAGD, LZ2CJ, VE3BMV, KH6BZF, DJ9ZB, ZS6BRZ, W1WY, N2SS, K7GCO, K4ZN, W4GF, VE3JTO, WB4ZNH, WB9TBU, KQ2M, NS6X, W2XQ, W3FG, KA3B, K1PLR, N3IK, N7CKD, VE3XN, AØØX, JE1CKA and others.

Includes DX News, QSL Info, 160m, 80m, 10m, 6m columns, DXpeditioning, Propagation, Awards, Contest Rules and Results, Traffic - Emergency, FCC News, New Products, Antennas, Technical News and articles, Equipment Reviews and Modifications, Computer Programs, Radio Funnies, Club Life, SWL, RTTY, VHF/UHF, Mail Box, Classified Ads and much more in a magazine format with the speed of a bulletin. RADIOSPORTING sponsors DX Centurion Award, Contest Hall of Fame and World Radio Championship contest.

"Your publication is superb! Keep it up!" Joe Reisert, W1JR

"Your W2PV articles are priceless. Your magazine is super!"
Rush Drake, W7RM

"Let me congratulate you on a very impressive magazine. Just what I've been looking for as a DXer and Contester!" Dick Moen, N7RO
"RADIOSPORTING, once received, cannot be tossed aside until it is read from cover to cover. Then reviewed again and again."
Chas Browning, W4PKA

"I take every ham magazine and can say without reservation that RADIOSPORTING is the first one read each month."
Joe Rudi, NK7U, "Oakland A's"

Subscription rates: 1 year USA \$18, Canada CDN\$28, Overseas US\$25; 2 years \$33, \$50, \$44 respectively. Single issue \$2.
USA First Class Mail add \$10/year, DX Air Mail add \$20/year.

TRY US! SUBSCRIBE OR SEND \$1 FOR YOUR SAMPLE COPY. VISA, MASTERCARD accepted.
RADIOSPORTING Magazine
PO Box 282, Pine Brook, NJ 07058, USA Tel. (201) 227-0712

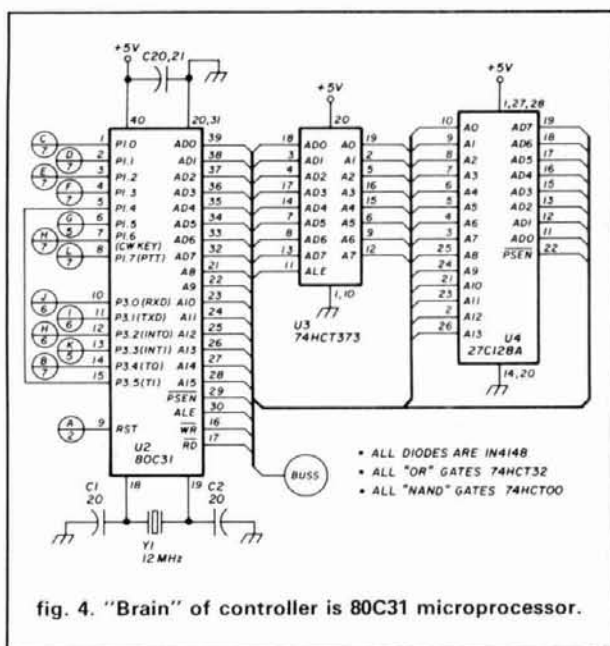


fig. 4. "Brain" of controller is 80C31 microprocessor.

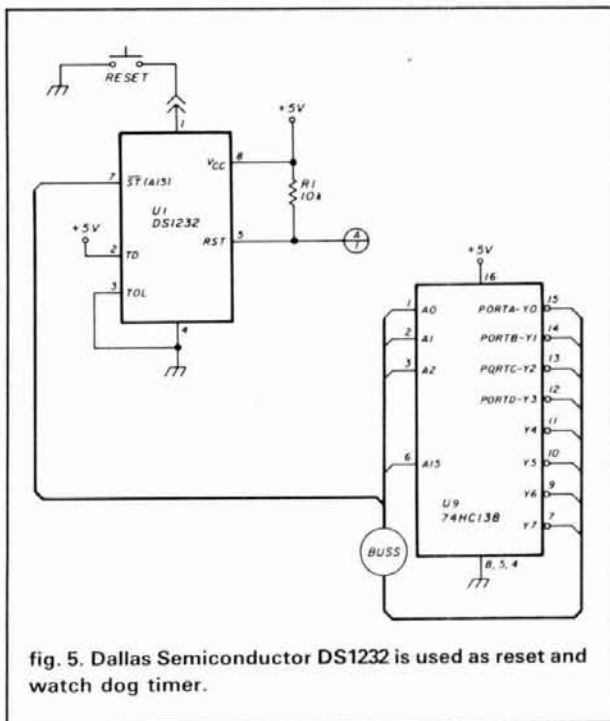


fig. 5. Dallas Semiconductor DS1232 is used as reset and watch dog timer.

enable (ALE) goes high. Port 2 serves as the higher order program address lines.

I selected this microprocessor, driven by a 12-MHz crystal, for its proper timer operation (which I will describe later). Port 1 serves as both the input and output port for the system. Port 1 bits, 0 through 3, are used as input data from the DTMF receiver. Port 1 bit 4 is used for an output pin for the 1-kHz clock, generated by the real-time clock routine in the software.

A Great New ARRL Antenna Book

Twice the size of the previous edition
Over 700 pages

987 figures

Edited by Gerald L. Hall, K1TD

QST Associate
Technical Editor

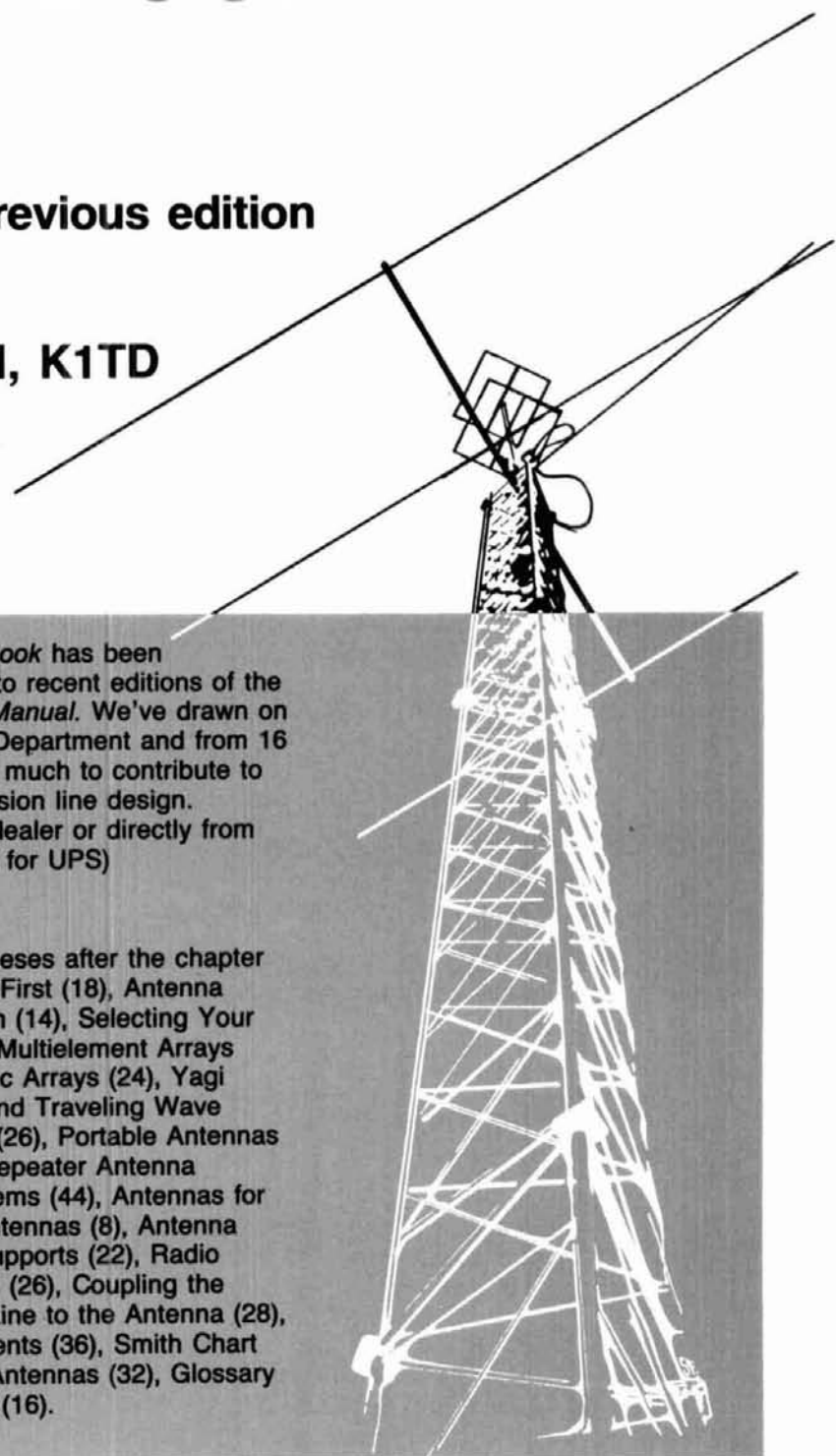
Available in August

The 15th Edition of *The ARRL Antenna Book* has been dramatically expanded in a similar fashion to recent editions of the *ARRL Handbook* and the *ARRL Operating Manual*. We've drawn on material produced by the ARRL Technical Department and from 16 well-known outside authors who have done much to contribute to the state-of-the-art in antenna and transmission line design. Available in softcover only for \$18 at your dealer or directly from ARRL (shipping and handling: \$2.50, \$3.50 for UPS)

CHAPTER LINEUP:

The number of pages appears in parentheses after the chapter title. Page counts may vary slightly. Safety First (18), Antenna Fundamentals (42), The Effects of the Earth (14), Selecting Your Antenna System (30), Loop-Antennas (16), Multielement Arrays (42), Broadband Antennas (12), Log Periodic Arrays (24), Yagi Arrays (26), Quad Arrays (14), Long Wire and Traveling Wave Antennas (18), Direction Finding Antennas (26), Portable Antennas (10), Mobile and Maritime Antennas (30), Repeater Antenna Systems (20), VHF and UHF Antenna Systems (44), Antennas for Space Communications (32), Spacecraft Antennas (8), Antenna Materials and Accessories (20), Antenna Supports (22), Radio Wave Propagation (26), Transmission Lines (26), Coupling the Transmitter to the Line (18), Coupling the Line to the Antenna (28), Antenna and Transmission-Line Measurements (36), Smith Chart Calculations (16), Topical Bibliography on Antennas (32), Glossary and Abbreviations (4), Contents, Index, etc (16).

ARRL 225 MAIN ST., NEWINGTON, CT 06111



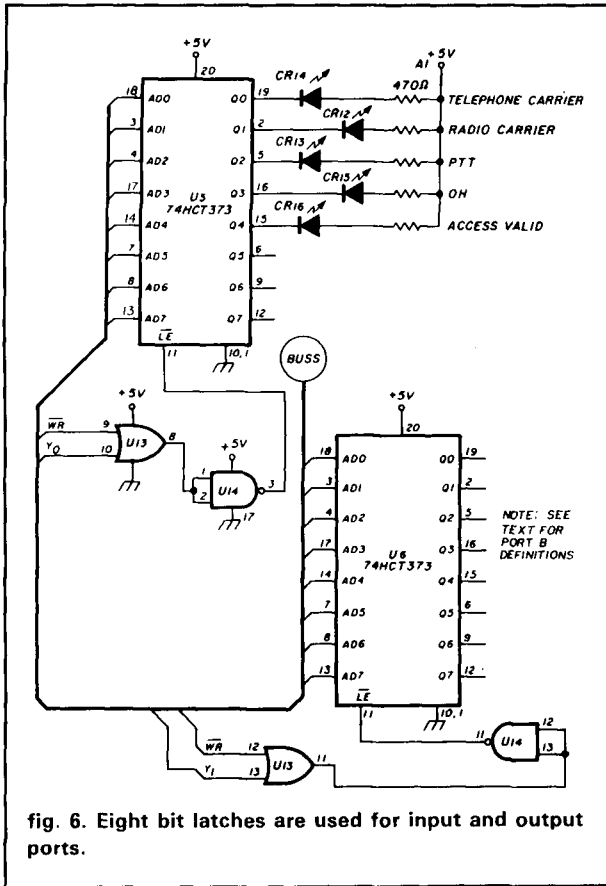


fig. 6. Eight bit latches are used for input and output ports.

Port 1 bit 5 is used as an output control pin to make the off-hook (OH) relay active. This signal is generated when the unit is in private line (no dc), has detected the correct amount of ring cycles, or senses telephone line current. The tone generator is used for warning beeps and CW signal; Port 1 bit 6 is used to turn it on and off. Port 1 bit 7 is used as the push-to-talk (PTT) signal to the radio transmitter whenever a transmission is requested.

Port 3 provides the system's interrupt scheme. Input pin 2 is an edge-triggered interrupt used for main carrier detection. Input pin 0, in conjunction with the main carrier detect bit, tells the microprocessor that the carrier is from the telephone lines. Input pin 1, along with the main carrier detect bit, tells the microprocessor that the carrier is from the radio.

Input Port 1 pin 3 is an edge-triggered interrupt that indicates the presence of a ring signal or telephone off-hook current.

Input Port 1 pin 4 tells the microprocessor that the carrier is a valid DTMF signal.

Input Port 1 pin 5, the input to a timer interrupt, generates a 1-second interrupt to drive the time-out timers and long delays. The remaining bits of Port 3 generate the system read and write signals.

The microprocessor reset is input on pin 9. A Dallas

Semiconductor DS1232 is used as the reset and watchdog timer in this system. To prevent a reset signal from being generated, this reset circuit (fig. 5) must be written to by software at a periodic rate. A reset signal is also generated if the power drops below a predetermined level. This chip can save you trips to your remote site, but is not necessary for this application. A simple RC network can also be used to generate a reset signal on power-up.

The program memory used is a 16K x 8 EPROM (27C128A), as seen in fig. 3, chosen to allow for expansion.

I needed extra input and output ports to provide for the input and output of control signals. The 74HCT138 is used to decode external addresses for these ports. Only four ports are used; four more are held in reserve for expansion. All input and output ports (see fig. 6) use an eight-bit latch (74HCT373). Ports A and B are used for output; Ports C and D are for input.

The write signal for the output ports (see fig. 7) is generated by the selection of an address, NOR'd with the system write signal. This scheme is used for all

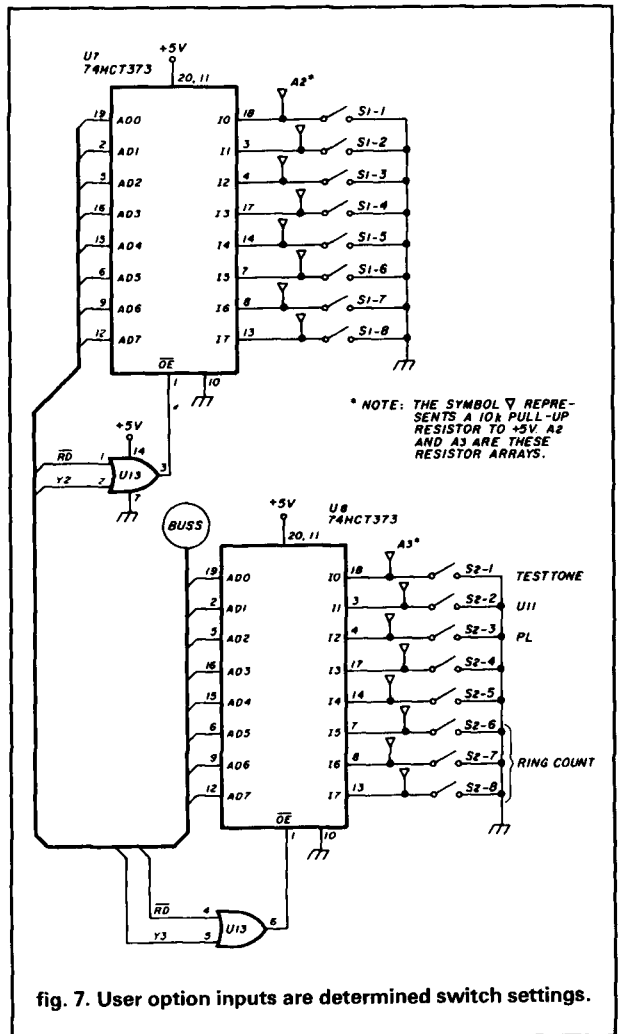
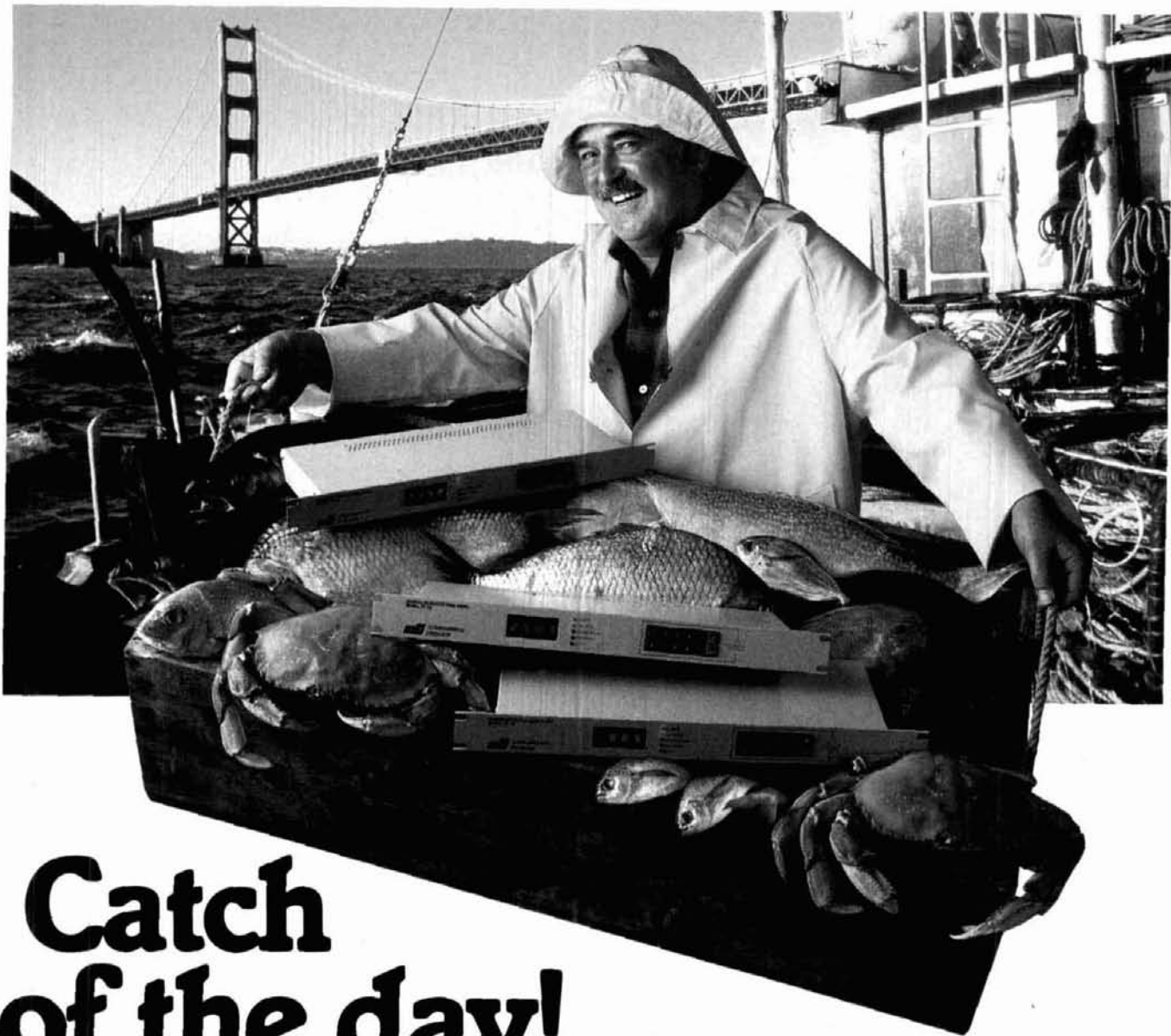
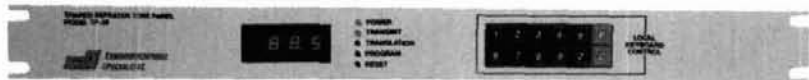


fig. 7. User option inputs are determined switch settings.



Catch of the day!

Have you been trawling the bounding main for a new product? We have just netted it—the TP-38 microprocessor controlled community repeater panel which provides the complete interface between the repeater receiver and transmitter. Scuttle individual tone cards, all 38 EIA standard CTCSS tones are included as well as time and hit accumulators, programmable timers, tone translation, and AC power supply at one low price of \$595.00. The TP-38 is packed like a can of sardines with features, as a matter of fact the only additional option is a DTMF module for \$59.95. This module allows complete offsite remote control of all TP-38 functions, including adding new customers or deleting poor paying ones, over the repeater receiver channel.



\$595.00 each

\$59.95 DTMF module

\$149.95 Digital CTCSS module

Other features include CMOS circuitry for low power consumption, non-volatile memory to retain programming if power loss occurs, immunity to falsing, programmable security code and much more. The TP-38 is backed by our legendary 1 year warranty and is shipped fresh daily. Why not set passage for the abundant waters of Communications Specialists and cast your nets for a TP-38 or other fine catch.

*Now available with
Digital CTCSS*

COMMUNICATIONS SPECIALISTS, INC.
426 West Taft Avenue • Orange, CA 92665-4296
Local (714) 998-3021 • FAX (714) 974-3420
Entire U.S.A. 1-800-854-0547



Hi Pro Repeaters ELCO

MAGGIORE ELECTRONIC LAB.

Manufacturers of Quality Communications Equipment

- Repeaters
- Links
- Remote Base
- VHF, UHF
- Receivers
- Transmitters
- Antennas



- Standard and Computerized Controllers
- Standard and Computerized Auto Patches
- Duplexers

Hi Pro 'E'

EXPANDABLE REPEATER SYSTEM

- A NEW CONCEPT IN REPEATER DESIGN, THE Hi Pro "E" IS AN EXPANDABLE REPEATER WITH THE FOLLOWING FEATURES: A BASIC REPEATER WHICH WOULD INCLUDE A COMPLETE RECEIVER, TRANSMITTER, COR, FRONT PANEL CONTROLS AND INDICATORS, LOCAL SPEAKER AND MIC JACK AND CAPABLE OF FUTURE EXPANSION. ALL HOUSED IN AN EXTREMELY RUGGED, ENCLOSED, 19-INCH RACK MOUNTABLE CABINET.
 - THIS SYSTEM CAN BE EXPANDED AT TIME OF PURCHASE OR CAN BE AN AFTER-PURCHASE ADD ON. THE ADD ONS ARE—HIGHER POWER, 110/220 VAC POWER SUPPLY, IDENTIFIER, AUTO PATCH, OR COMPUTER CONTROLLERS. IN ADDITION TO THESE ADD ONS AN ADDITIONAL RECEIVER AND TRANSMITTER CAN BE MOUNTED INTERNALLY FOR USE AS CONTROL LINKS, REMOTE BASE OR DUAL BAND OPERATION, ETC.
- AN EXTENSION PANEL IS AVAILABLE FOR LOCAL MONITORING OF THE REPEATER AND CONTAINS ALL NECESSARY METERING, STATUS LIGHTS AND INDICATORS. ALL ADD ONS ARE AVAILABLE FROM THE COMPANY AND ARE COMPLETE INCLUDING INSTRUCTIONS.

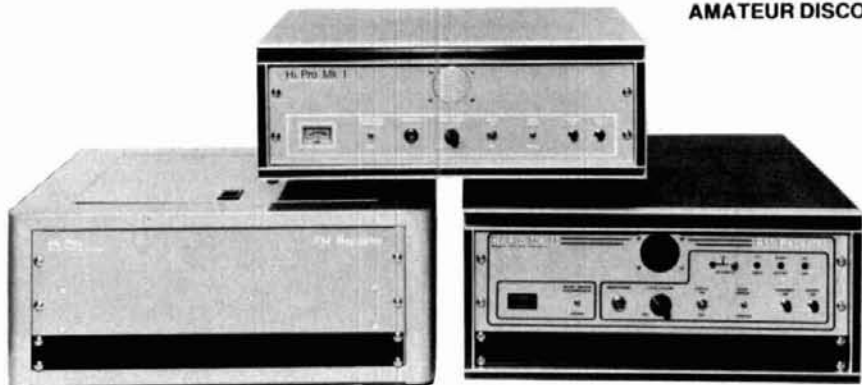
Hi PRO

VHF-UHF REPEATERS

SUPERIOR RECEIVER AND TRANSMITTER SPECIFICALLY DESIGNED FOR REPEATER SERVICE.

ADJUSTABLE TRANSMITTER POWER, FROM 1 TO 25 WATTS MINIMUM OUTPUT WITH EXTREMELY COOL OPERATION.—
 AUTOMATIC BATTERY BACK UP SYSTEM CAPABILITY WITH BATTERY CHARGING AND REVERSE POLARITY PROTECTION.—
 NOW WITH A FULL COMPLIMENT OF INDICATORS AND STATUS LIGHTS.—100% DUTY CYCLE—ADVANCED REPEATER SQUELCH
NO CHOPPING, POPPING, OR ANNOYING REPEATER KEY UPS DURING LIGHTNING STORMS.—DIE CAST ALUMINUM R.F.
 ENCLOSURES —SMALL SIZE 5 1/4 x 19 x 13"—HIGH QUALITY LONG LIFE DESIGN.

AMATEUR DISCOUNTS AVAILABLE



Hi Pro

ASSEMBLED
SMALL SIZE
3 1/2 x 6 1/4"



TRANSMITTER AND RECEIVER

HI PRO TRANSMITTER
DESIGNED FOR REPEATER
SERVICE WITH EXCELLENT
AUDIO, STABILITY,
HARMONIC REJECTION
AND LOW NOISE

ADJUSTABLE
POWER
OUTPUT
UP TO 5 WATTS
FROM THE
EXCITER BOARD
COOL OPERATION

HI PRO RECEIVER
THIS RECEIVER IS THE
HEART OF THE REPEATER
AND BOASTS SUPERIOR
SQUELCH ACTION NEEDED
FOR THIS TYPE OF
SERVICE EXCELLENT
SENSITIVITY, STABILITY
AND SELECTIVITY

USE THIS RECEIVER
TO REPLACE THAT
TROUBLESOME RECEIVER
IN YOUR PRESENT
REPEATER

USED IN ALL HI PRO REPEATERS



ASSEMBLED
SMALL SIZE
3 1/2 x 6 1/4"

ASK ABOUT OUR COMPUTER CONTROL SYSTEM, AND MICROCONTROL AUTO PATCH, AND REPEATER KITS.

Maggiore Electronic Laboratory

600 WESTTOWN RD., WEST CHESTER, PA 19382
 PHONE: 215-436-6051 TELEX: 499-0741-MELCO FAX: 215-436-6268

WRITE OR CALL FOR OUR COMPLETE CATALOG

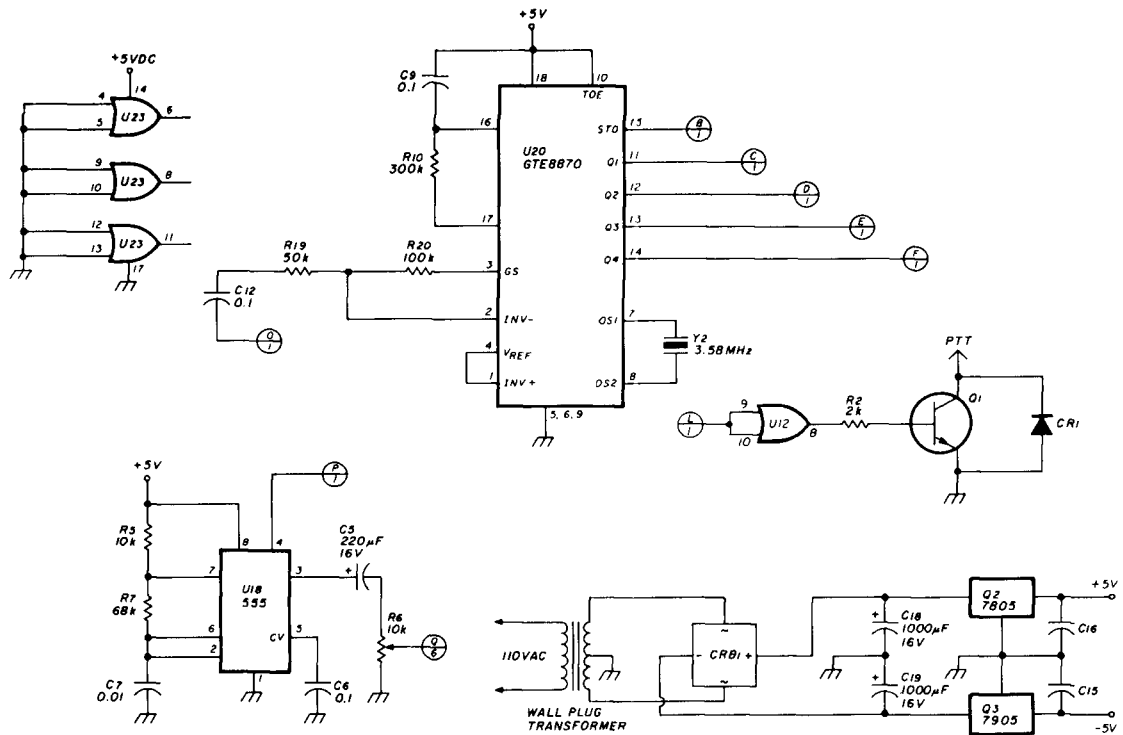


fig. 8. A GTE 8870 is used as a CMOS DTMF chip.

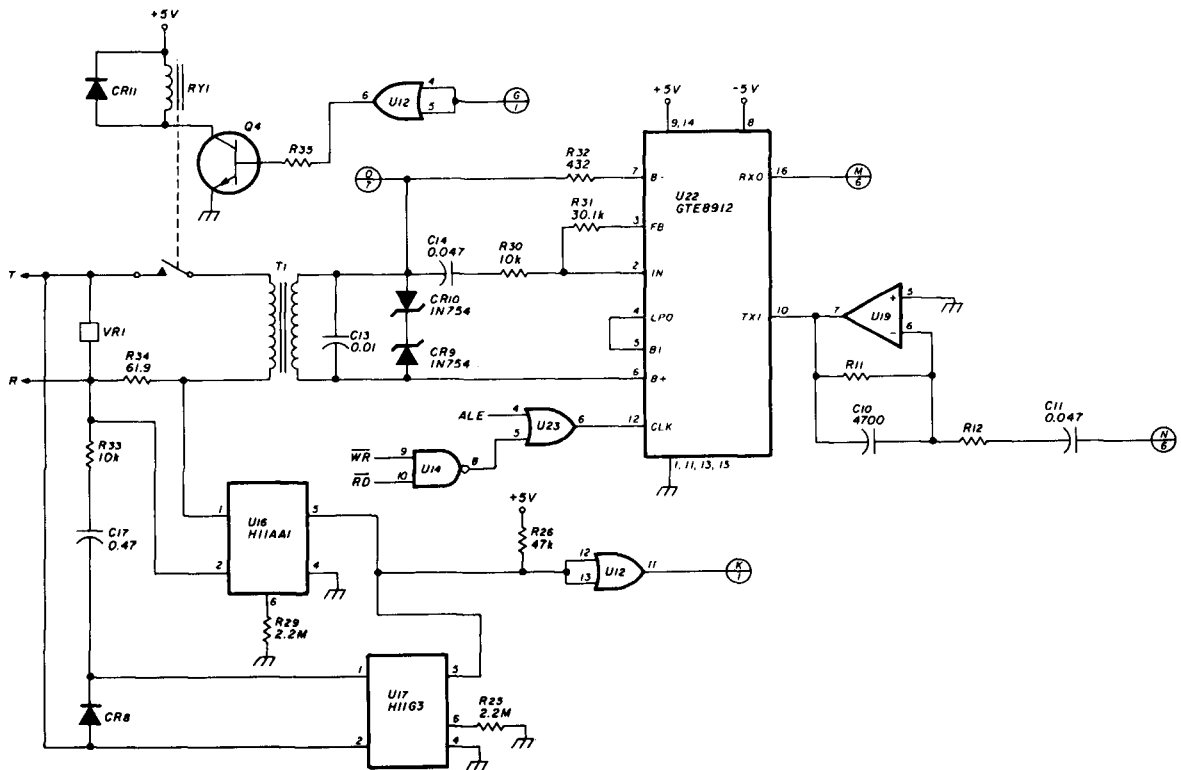


fig. 9. Analog circuitry part of controller.

SEND FOR FREE 1988 CATALOG. 56 PAGES

*** QUALITY PARTS * DISCOUNT PRICES * FAST SHIPPING**

ALL ELECTRONICS CORP.

WE STOCK OVER 4,000 ITEMS. CALL OR WRITE FOR OUR FREE CATALOG OF PARTS!

RESISTORS • CAPACITORS • DIODES • CABLES • BRIDGE RECTIFIERS • CHOKE COILS • CRYSTALS • CRIMP CONNECTORS • LAMPS • HEAT SINKS • MOTORS • SUB MINIATURE D CONN CTORS • TRANSISTORS • IC'S • PHOTO BOARDS • POTENTIOMETERS • POWER SUPPLIES • JACKS • PLUGS • SWITCHES • PCB BOARDS • FANS • FUSES • SHIM/TUBING • TIE WRAPS • TOOLS • KEYPADS • VIDEO ACCESSORIES • RELAYS • B C RES • TRANSFORMERS • TELEPHONE ACCESSORIES • RIBBON CABLE • CIRCUIT BREAKERS • VOLTAGE REGULATORS • AND MANY OTHER ITEMS.

TRANSISTORS

PART	TYPE	PRICE
PN2222	NPN	10 to 50¢
PN2904	PNP	10 to 50¢
PN2906	PNP	10 to 50¢
PN2907	PNP	10 to 50¢
PN2909	NPN	10 to 50¢
PN2910	NPN	10 to 50¢
PN2911	NPN	10 to 50¢
PN2912	NPN	10 to 50¢
PN2913	NPN	10 to 50¢
PN2914	NPN	10 to 50¢
PN2915	NPN	10 to 50¢
PN2916	NPN	10 to 50¢
PN2917	NPN	10 to 50¢
PN2918	NPN	10 to 50¢
PN2919	NPN	10 to 50¢
PN2920	NPN	10 to 50¢
PN2921	NPN	10 to 50¢
PN2922	NPN	10 to 50¢
PN2923	NPN	10 to 50¢
PN2924	NPN	10 to 50¢
PN2925	NPN	10 to 50¢
PN2926	NPN	10 to 50¢
PN2927	NPN	10 to 50¢
PN2928	NPN	10 to 50¢
PN2929	NPN	10 to 50¢
PN2930	NPN	10 to 50¢
PN2931	NPN	10 to 50¢
PN2932	NPN	10 to 50¢
PN2933	NPN	10 to 50¢
PN2934	NPN	10 to 50¢
PN2935	NPN	10 to 50¢
PN2936	NPN	10 to 50¢
PN2937	NPN	10 to 50¢
PN2938	NPN	10 to 50¢
PN2939	NPN	10 to 50¢
PN2940	NPN	10 to 50¢

10 AMP SOLID STATE RELAYS

ELECTROL # 52181 CONTROL
Rated 5.5 to 10 Vdc
will operate on 3-30 Vdc
LOAD
10 Amp @ 240 Vac
2 1/4" X 1 3/4" X 7/8"
CAT# SSR1Y-10B
\$9.50 each
QUANTITY DISCOUNT:
10 for \$85.00
25 for \$175.00
50 for \$300.00
100 for \$500.00

SWITCHES

MINIATURE TOGGLE SWITCHES
all rated 5 Amps

S.P.D.T. (on-on)
Solder lug terminals
CAT# MTS-4
\$1.00 each
10 for \$9.00

S.P.D.T. (on-on)
Nim threaded bushing
P.C. mount
CAT# MTS-40PC
\$1.50 each
10 for \$12.00

D.P.D.T. (on-on)
Solder lug terminals
CAT# MTS-8
\$2.00 each
10 for \$19.00

PIEZO WARNING DEVICE

Musica Eno #
PK88-440
High pitched
audible alarm
Operates on
3 - 20 Vdc @ 20 ma. 1" high
7/8" dia. P.C. board mount
CAT# PBZ-84 \$1.75 each

SOUND ACTIVATED BOARD

Designed to react to high pitched sounds. Each board contains many useful parts including a condenser mike.
Operates on 6 Vdc.
Instructions included
CAT# SAB \$2.50 each

24 VOLT D.C. SOLENOID

Intermittent duty cycle. 240 ohm coil.
Mounting flange is 1 1/8" wide.
Solenoid body 1 1/2" X 1 1/2" X 1 1/2"
CAT# SOL-24 \$1.00 each - 10 for \$8.50
100 for \$75.00. Large Quantity Available

MINI PUSH BUTTON

S.P.S.T. momentary
Push to make. 14" threaded bushing.
Red button.
CAT# MPB-1
.35¢ each - 10 for \$3.25

NEW! STROBE KIT

Variable rate strobe w/ flash is between 60 to 120 times per minute. Will operate on either 6 or 12 Vdc depending upon how you wire the output.
Comes complete with P.C. board and instructions for easy assembly.
CAT# STROBE-1 \$1.50 each

SOUND & VIDEO MODULATOR

Designed for use with T.I. composite video camera. Can be used with video camera, las, games, or other audio video sources.
Built on A/B switch enclosure. user to attach with 1V antenna without disconnection. Operates on channel 3 or 4. Requires 12 Vdc. Hook up diagram included.
CAT# AVMOD \$5.00 each

GRAB BAGS \$1.00 EACH

50 ASSORTED DISC CAPS. Cut leads. Many common values. Some are 500 volts.
CAT# GRABDC ASSORTED 1/4 WATT RESISTORS. Approximately 200 pieces of assorted values. Some cut leads.
CAT# GRES ASSORTED PARTS. Strip of 100 assorted pieces. Each strip contains an assortment of resistors, capacitors, diodes, coils, etc. 100 pieces.
CAT# GRABTR 15 VALUES OF ELECTROLYTICS. Approx. 150 pieces. Many 15 values of 1 mil and up. Some cut leads.
CAT# GRABPC N-CHANNEL MOSFET. 8P 511 10-20 case. CAT# INF 511 \$1.00 each. 10 for \$9.00. LARGE QUANTITY AVAILABLE.

ITT PUSH BUTTON

ITT MDPL series. 3/4" X 1/2". Gray rectangular key cap. 5/16" X 1/8". Push to make.
CATED
D lamp switching.
0.25 amp. carry current. P.C. mount.
CAT# MTS-8 65¢ each. 10 for \$6.00 - 100 for \$50.00

HALL EFFECT SWITCH

MICRO SWITCH #48E3. Slanted keyboard switch with hall effect sensor.
Snap onto 5/8" square chassis hole. Hall effect sensor slides easily from switch and can be used in other applications.
CAT# HESW 4 for \$1.00. 10 for \$2.00. 100 for \$19.00

NICKEL-CAD (RECHARGEABLE) BATTERIES

SPECIAL AAA SIZE Panasonic # TP-18AAA. 2 Vdc @ 180 mA-hr. CAT# NCB-AAA \$1.50 each. 10 for \$13.50. 100 for \$129.00. LARGE QUANTITY DISCOUNT.

WALL TRANSFORMERS

ALL PLUG DIRECTLY INTO 120 VAC OUTLET.
6 Vdc @ 200 ma. \$2.25. CAT# DCTX-620
6 Vdc @ 750 ma. \$3.50. CAT# DCTX-675
9 Vdc @ 250 ma. \$2.50. CAT# DCTX-925
12 Vdc @ 930 ma. \$3.50. CAT# ACTX-1293
18 Vdc @ 1 Amp. \$3.50. CAT# RACTX-1885

PROTO BOARD

Large enough to design most experimental circuits. This proto board measures 6 3/4" X 2 1/2". Contains main board and two power buss strips.
CAT# PB-101 \$9.50 each

FULL WAVE BRIDGE RECTIFIERS

10 AMP 200 P.I.V. 1/2" SQUARE. CAT# FWB-1020 \$1.00 each - 10 for \$9.00

FLASHING L.E.D. KIT

Two L.E.D.'s flash in unison when a 9 volt battery is attached.
Requires easy assembly. You solder the parts to the output board.
CAT# LEDKIT \$1.50 each

AA SIZE \$2.00 each

1.25 Vdc. 500 mA-hr. CAT# NCB-AA

AA SIZE \$2.20 each

WITH SOLDER TABS. CAT# NCB-SAA

C SIZE \$4.25 each

1.2 Vdc. 1200 mA-hr. CAT# NCB-C

D SIZE \$4.50 each

1.2 Vdc. 1200 mA-hr. CAT# NCB-D

WATER TIGHT ENCLOSURE

RESEAL # 620R1605. Molded Merglass enclosure with neoprene gasket.
2" X 3" X 7 1/2". Light blue.
CAT# WP-905 \$7.50 each

25 AMP RATING

1 1/8" SQUARE. metal epoxy filled case.
200 P.I.V. \$2.50 each. CAT# FWB-252
400 P.I.V. \$3.00 each. CAT# FWB-254
600 P.I.V. \$3.50 each. CAT# FWB-256

MAIL ORDERS TO: ALL ELECTRONICS P.O. BOX 567 VAN NUYS, CA 91408

TWX-5101010153 (ALL ELECTRONIC)
OUTSIDE THE U.S.A. SEND \$1.50 POSTAGE FOR A CATALOG!

TOLL FREE 800-826-5432

INFO: (818)904-0524
FAX: (818)781-2653
MINIMUM ORDER \$10.00
QUANTITIES LIMITED
CALIF. ADD SALES TAX
FOREIGN ORDERS INCLUDE SUFFICIENT SHIPPING.
NO C.O.D.

STORES:

LOS ANGELES 905 S. VERMONT AVE. LOS ANGELES, CA 90009 (213)392-8000
VAN NUYS 4229 SEPULVEDA BLVD. VAN NUYS, CA 91411 (818)781-1800

K COMM., INC. THE HAM STORE

Stocking all major lines. San Antonio's Ham Store. Great Prices—Great Service. Factory authorized sales and service. Hours: M-F 10-6, SAT 9-3

KENWOOD

YAESU

ICOM

**5707A Mobud
San Antonio, TX 78238
800-344-3144
Orders Only**

THE RF CONNECTION

"SPECIALIST IN RF CONNECTORS AND COAX"

Part No.	Description	Price
321-11064-3	BNC 2 PST 28 volt coaxial relay, Amphenol Insertion loss: 0 to 0.75GHz, 0.10dB Power rating: 0 to 0.5GHz, 100 watts CW, 2 kw peak Isolation: 0.1 GHz/45db, 0.2 GHz/40db, 0.4 GHz/35db	\$25 used tested
83-822	PL-259 Teflon, Amphenol	1.50
PL-259/ST	UHF Male Silver Teflon, USA	1.50
UG-210/U	N Male RG-8, 213, 214, Amphenol	2.95
UG-21B/U	N Male RG-8, 213, 214, King's	4.00
9913/PIN	N Male Pin for 9913, 9086, 8214 fits UG-21D/U & UG-21B/U's	1.50
UG-21D/9913	N Male for 9913 with 9913 Pin	3.95
UG-21B/9913	N Male for RG-8 with 9913 Pin	4.75
UG-146/U	N Male to SO-239, Teflon USA	5.00
UG-83/U	Female to SO-239, Teflon USA	5.00

"THIS LIST REPRESENTS ONLY A FRACTION OF OUR HUGE INVENTORY"

THE R.F. CONNECTION

213 North Frederick Ave. #11
Gaithersburg, MD 20877
(301) 840-5477
VISA/MASTERCARD: Add 4%
Prices Do Not Include Shipping

DTMF/steel keys! sealed gold contacts!

• COLOR: All keyboards come in BLACK. . .
OPTIONAL: Specify DARK BROWN • Contacts are: WATER PROOF/DUST PROOF • Completely self contained - NO RFI • Simple 3-wire connection • Output level adj. • Wide operating range 4 to 16 VDC • Wide temperature range -22° to +160°F • Supplied with instructions, schematic, template & hardware.

P-7V 12 KEY VERT. \$53*

P-7H 12 KEY HORIZ. \$53*

P-8V 16 KEY VERT. \$57*

CALL OR WRITE FOR FREE CATALOG

*Request quantity pricing

P.O. Box 2020
Pollock Pines, California 95726
916-644-5444
FAX-916-644-PIPO

Mail Order To: **Pipo Communications®**
Emphasis is on Quality & Reliability

Half-Square QRV-DX Monobanders

Work DX with No Tower and No Amplifier. Cut noise, cut near sigs, build DX sigs, kill QRM.

10 Meters	15 Meters	20 Meters	40 Meters
\$29.95	\$39.95	\$49.95	\$69.95

Coax Feed, Broadside Pattern, Low Profile, Ready to Use
Highest DX Gain per Dollar
To order add \$5 Postage & Handling

Infolpack \$1 by 1st class mail. **Antennas West**
Dept H, Provo, UT 84603-1144 (801) 373-8425

external output ports. The read signal for the input ports is generated by OR'ing with the system read signal. Each input port bit is activated by opening the appropriate switch. The port pin is then pulled high by a pull-up resistor, telling the microprocessor it needs servicing.

DTMF signal decoding is done by the GTE 8870 CMOS DTMF chip (see fig. 8). Command signals may be entered into the system via the telephone line or radio receiver. When a valid DTMF signal is received, four bits are sent to the microprocessor input along with a strobe signal (std) telling the processor that the detected carrier is due to a DTMF signal. The processor then decodes this signal and performs the commanded task.

The tone generator consists of a 555 timer chip, set for a frequency of 1 kHz. The generator is turned on by a signal from the processor. The signal is capacitively coupled and the level set by a 10-k pot — one of the inputs to a summing amplifier that supplies audio to the radio transmitter.

analog circuitry

A description of the telephone interface circuitry (see fig. 9) begins with the ring and off-hook current components. The telephone network has a 600-ohm impedance, so transformer T1 is 600 to 600 ohms and meets FCC rules part 68: *this box does not have FCC registration.*

In an on-hook configuration, the dc path is broken by the off-hook relay. When a ring signal is applied across tip and ring, it is coupled through R₃₃ and C₁₇ from the ring side of the telephone line. The signal is then applied to the input of the H11G3 opto-isolator and CR₈, and the ac circuit is completed through these components and tip side of the telephone line. When the ring signal goes positive H11G3 turns on, pulling resistor R₂₆ low, generating an interrupt to the processor during each positive portion of the ring cycle. The processor requires a count of ten cycles out of every cycle for a good ring. Once the accumulated rings reach the count, selected by ring 1 through ring 3 dip switches on Port D, the processor sends a signal to the off-hook relay closing the dc path. This causes current to flow through the 61.9-ohm resistor, generating a voltage drop which turns the H11AA1 opto-coupler on. A signal is then sent to the processor indicating that line current is present. This signal is sampled continuously, and if line current disappears for a certain length of time the processor sends a deactivate signal to the off-hook relay.

The telephone line side of the interface has a device to protect it from the possibility of over-voltage spikes. The secondary side of the telephone circuit has both transmit and receive signal currents. The GTE 8912 PCM filter splits the signal into either a receive or transmit path. Two zener diodes prevent the PCM filter from overloading.

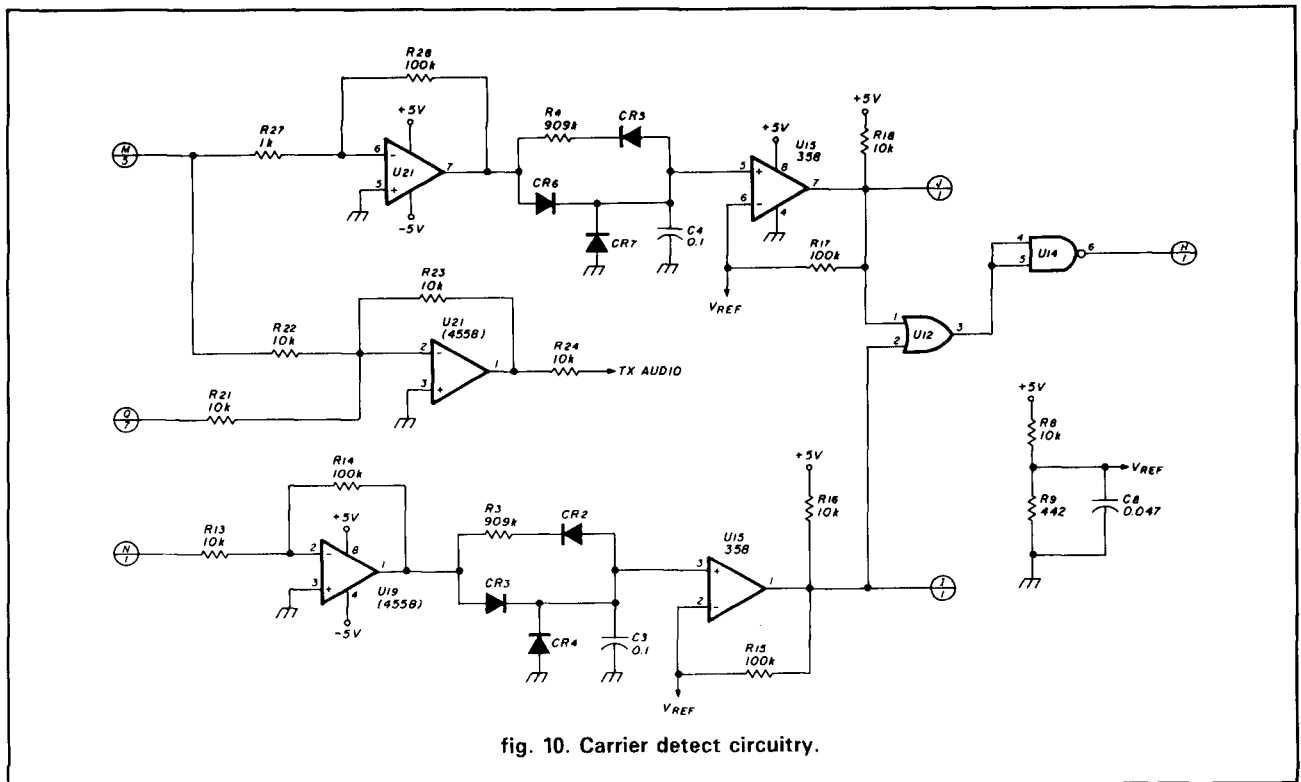


fig. 10. Carrier detect circuitry.

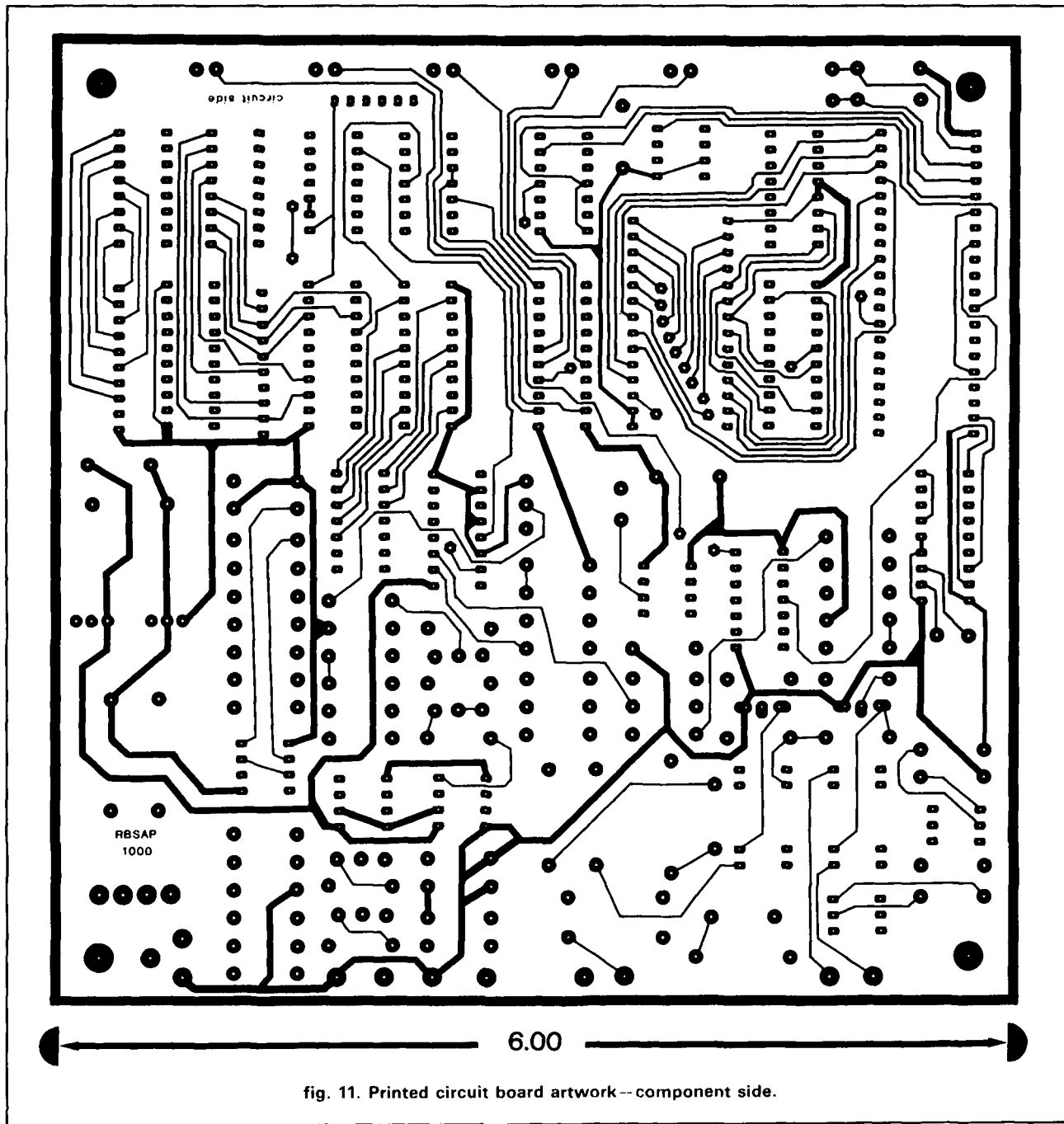


fig. 11. Printed circuit board artwork--component side.

The receive signal enters through C_{14} and R_{30} , with the gain resistor being R_{31} . The telephone output exits on pin 16 of the PCM filter. The radio receive signal enters the PCM filter on pin 10, and drives T1 through a differential amplifier in the PCM filter.

The DTMF receiver input is taken from the secondary side of T1, allowing command signals to be decoded from either the telephone or the radio receiver.

The PCM filter requires a 2-MHz clock signal to provide necessary filter characteristics. This signal is generated by first NAND'ing the system read and write

signals, then OR'ing the result with the system ALE. As a result, the microprocessor clock frequency is divided by 6.

audio and carrier detect

The telephone signal to be transmitted leaves the PCM filter at pin 16 and then enters through R_{22} into a summing amplifier, where the CW tones are also mixed when required (see fig. 10). The amplifier's output goes to the radio microphone input through a 604-ohm resistor serving as an impedance-matching



Wideband Preamp 10-1000 Mhz

Dual GasFet low noise preamplifier for HF, UHF or VHF systems. Just perfect for the R-7000. Excellent for Spec Analyzers, Scanners, etc. Gain 20 Db +/- 1 DB, -3 Db at 2 & 1100 Mhz. 1 Db compression of >10 Dbm. Intercept points >45 Dbm. New shipped price of only \$124.95. Pa. residents please add 6% state tax.

GTI Electronics

RD 1 BOX 272
Leighton, Pa. 18235
717-386-4032

✓ 141

DOWN EAST MICROWAVE



MICROWAVE ANTENNAS AND EQUIPMENT

• Loop Yagis • Power Dividers • Linear Amplifiers • Complete Arrays • Microwave Transverters • GaAs FET Preamps
• TROPO • EME • Weak Signal • OSCAR • 902 • 1269 • 1296 • 2304 • 2400 • 3456 Mhz

2345 LY	45el	loop Yagi	1296 Mhz	20dbi	\$97
1345 LY	45el	loop Yagi	2304 Mhz	20dbi	\$84
3333 LY	33el	loop Yagi	902 Mhz	18.5dbi	\$97

Above antennas assembled and tested. Kits available.

Add \$8 UPS S/H, \$11 West of the Mississippi

MICROWAVE LINEAR AMPLIFIERS SSB, ATV, REPEATER, OSCAR

2316 PA	1w in 18w out	1240-1300 Mhz	13.8V	\$255
2335 PA	10w in 35w out	1240-1300 Mhz	13.8V	\$305
3318 PA	1w in 20w out	900-930 Mhz	13.8V	\$255
3335 PA	10w in 40w out	900-930 Mhz	13.8V	\$305
23LNA preamp	0.7dB N.F.	1296 Mhz		\$ 80
33LNA preamp	0.9dB N.F.	902 Mhz		\$ 80

Add \$5 shipping UPS/48

LHW 1296 & 2304 Mhz transverter kits in stock

Write for free catalog



DOWN EAST MICROWAVE
Bill Olson, W3HQT
Box 2310, RR 1, Troy, ME 04987
(207) 948-3741



✓ 142

HI-PERFORMANCE DIPOLES

ANTENNAS THAT WORK! CUSTOM ASSEMBLED TO YOUR CENTER FREQ. SA. RANG - ADVISE
% OF CENTER AND EACH END - RANG AS INVERTED "V", HORIZONTAL, VERT DIPOLE,
SLOPING DIPOLE - COMMERCIAL QUALITY - STAINLESS HARDWARE - LEGAL POWER
NO TRAP, RES-REFLECTANCE DESIGN - PERSONAL CHECK, MO, OR C.O.D. (IL)

WFD-5*	80-40-20-15-10M	HAI-PERFORMANCE DIPOLE 87' LONG\$105ppd
WFD-2	80-40M	HAI-PERFORMANCE DIPOLE, 85' LONG 802...95'\$65ppd
WFD-3*	160-80-40M	HAI-PERFORMANCE DIPOLE 113' LONG\$79ppd
SSD-6*	160-80-40-20-15-10M	SPACE-SAVING DIPOLE 71' LONG\$125ppd
SSD-5*	80-40-20-15-10M	SPACE-SAVING DIPOLE-SPECIFY L, 42", 8105, 52"\$108ppd
SSD-4*	80-40-20-15M	SPACE-SAVING DIPOLE-SPECIFY L, 46", 8 93, 40", 8 96ppd	

*9-BANDS WITH WIDE-MATCHING-RANGE TUNER.

BASE FOR CATALOGUE OF 30 DIPOLES, SLOVERS, & SPACE-SAVING, UNIQUE ANTENNAS
W9INN ANTENNAS 312-394-3414
BOX 393 MT. PROSPECT, IL 60056

✓ 143

BEVERAGE ANTENNA HANDBOOK

by Vic Mizek, W1WCR New Edition

W1WCR has spent countless hours developing new antenna ideas and optimizing the SWA (Steerable wave antenna.) Mizek delves deep into the secrets of the single wire Beverage with helpful hints and tips on how to maximize performance based upon wire size, height above ground, overall length and impedance matching. Also includes information on center fed Beverages constructed out of several wire types. **SMALL LOT OWNERS** - Beverage for you too! Called the Micro-SWA, it is just 60 ft long. You get excellent directivity and null steering capabilities. Transformer design information for both termination and feedline matching is completely revised. © 1987 80 pages

□VM-BAH

Softbound \$14.95



FULLY REVISED



Please enclose \$3.50 shipping & handling

ham radio BOOKSTORE

GREENVILLE, NH 03048 603-878-1441

"The '850 Found a New Friend"



The industry standard RC-850 Repeater Controller can now talk with your computer.

And there's so much for them to say!

The '850 computer interface improves the management of your voice repeater system. It allows you to command and program interactively from your terminal or personal computer using a MODEM or packet TNC. Even preview and edit repeater messages by typing words from the controller's vocabulary directly into message slots.

Retrieve and catalog data relating to your site measurements, equipment status, and repeater and command activity. Download

and print out the information programmed into your controller. And view your system "front panel" on your computer screen.

You'll find the RC-850 controller on the leading voice repeaters around the world. ACC pioneered remote programming of repeaters - and continues to pioneer with remote computer access. While the rest of the world just talks about catching up, ACC continues to lead the way in advanced repeater technology.

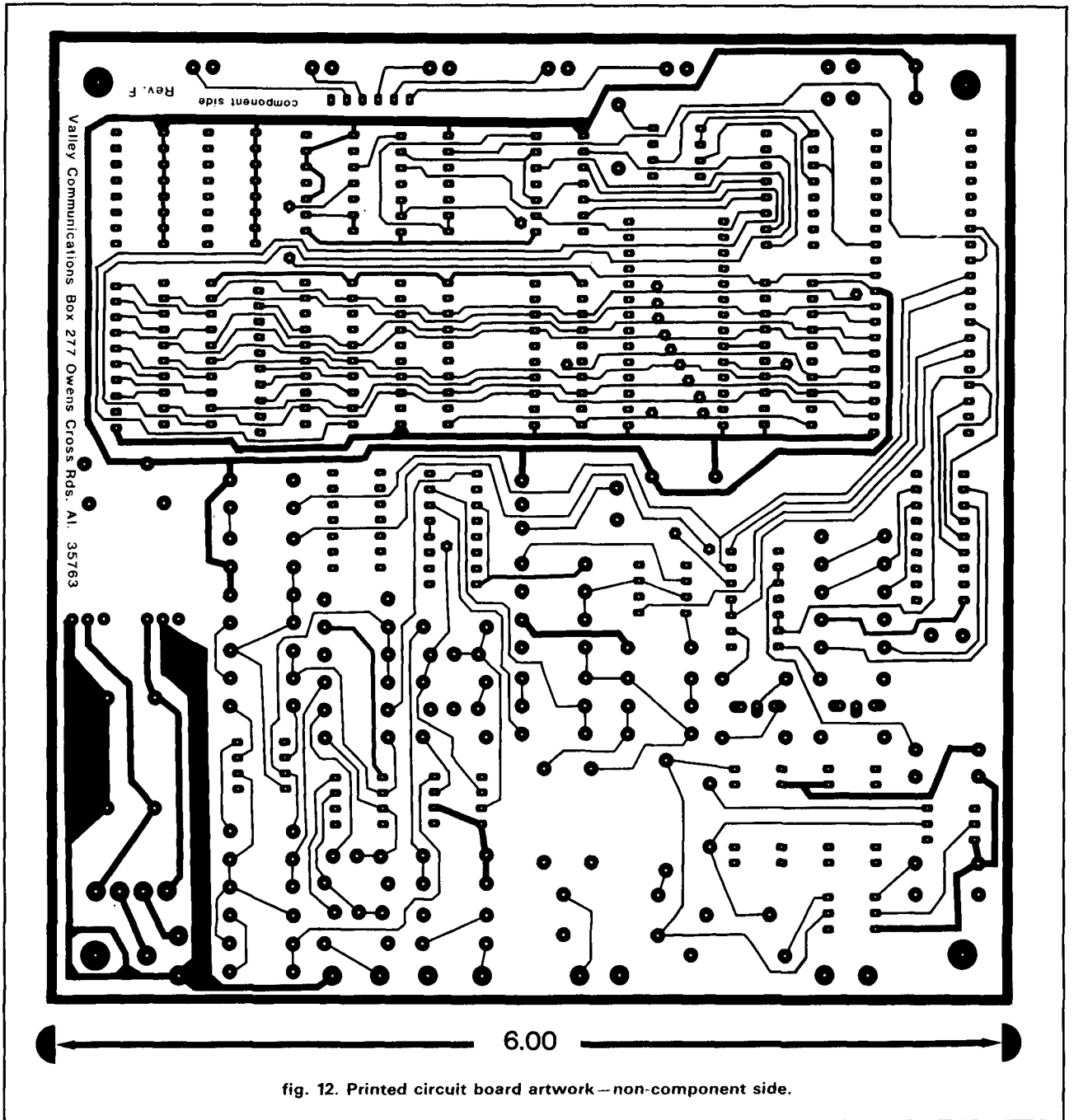
Now, with its computer interface, the '850 can be best friends with your computer.



advanced computer controls, inc.

2356 Walsh Avenue, Santa Clara, CA 95051 (408) 727-3330

✓ 144



device. This op-amp can be either an amplifier, attenuator, or buffer, depending on the ratio of R_{22} and R_{23} . In my application it was a buffer.

The telephone carrier detect circuitry has three parts: signal amplifier, rectifier, and comparator. The amplifier takes the incoming signal and amplifies it to a level sufficient for rectification. The gain is then set by the R_{27} and R_{28} ratio. Diode CR_6 half rectifies the signal allowing a positive voltage to be applied to the filter capacitor C_4 . Voltage is applied to the input on a voltage comparator, U_{15} . When the voltage of the

input signal rises above the voltage reference at pin 6, the output goes to a high state generating an interrupt through an OR gate. A signal is sent to the processor pin (described earlier) indicating the carrier is from the telephone. Resistor R_{17} provides a hysteresis effect in the comparator stage, preventing output chatter if the incoming signal received is close in level to the reference. Diode CR_5 and R_4 are used to forward bias CR_5 . This discharges filter capacitor C_4 which removes the signal from the processor. Carrier detection has a fast attack and a slow decay. CR_7



LET THE FUN BEGIN!

2 BIG DAYS

BOXBORO '88

The New England ARRL Convention at Boxboro, Massachusetts
Take the Mass. Pike to Rte I-495. The convention is at exit 28.

OCTOBER 1 & 2



Make DEALS with the Dealers! Meet the Manufacturers! WIN the Contests!

- FCC Exams • Hidden Transmitter Hunts • AMSAT Satellite & Net Meetings •
- Giant Flea Market • WouffHong Ceremony • YL Programs • DX •

Early Bird Registration \$6

For tickets write: Art Tomkinson, W1THT, 9 Oliver Ter., Revere, MA 02151

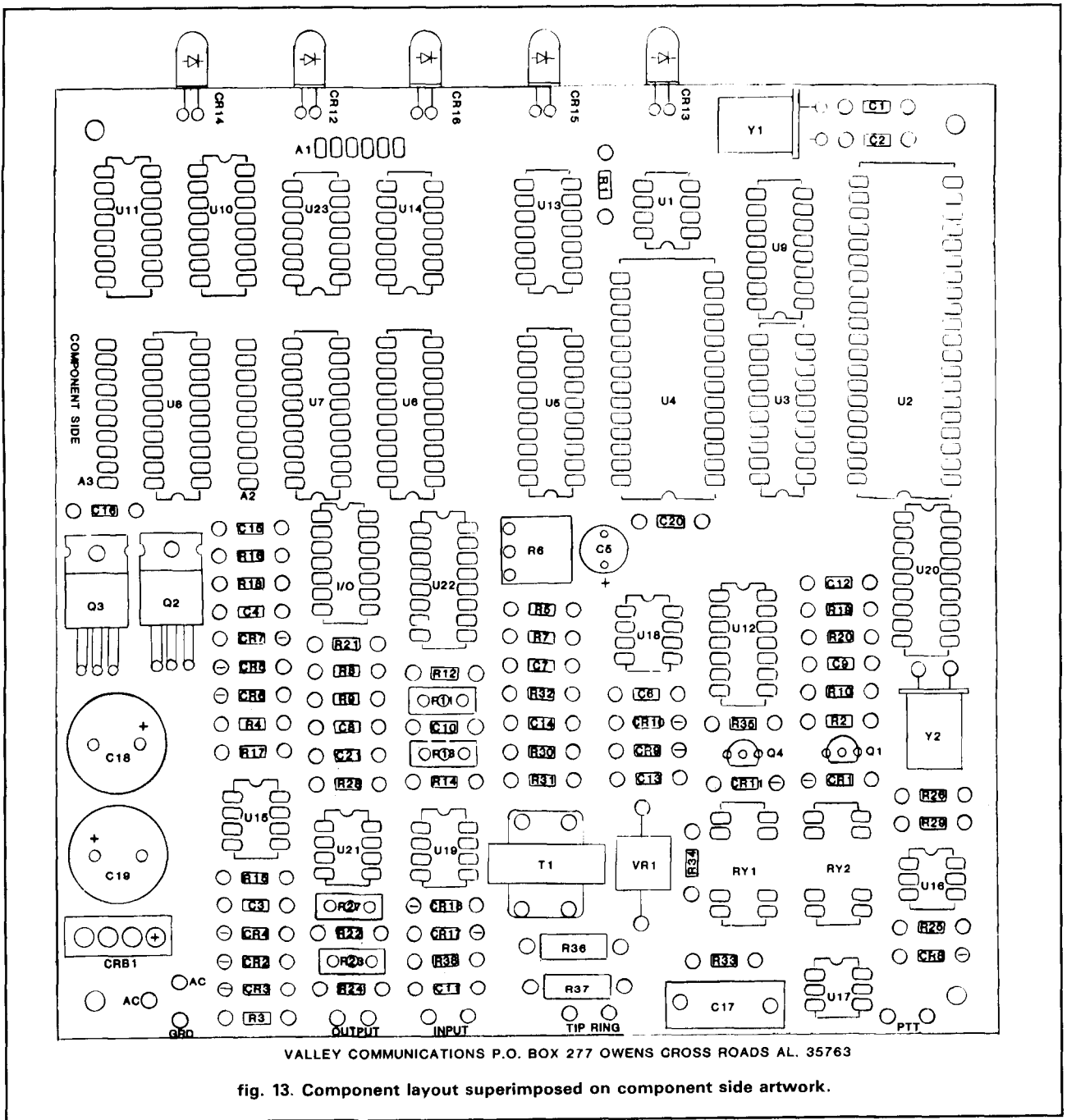


fig. 13. Component layout superimposed on component side artwork.

prevents a negative voltage greater than 0.6 VDC from being applied to the comparator input. This will happen if the carrier stays off long enough — the circuit goes negative.

Radio receive signal path enters the system through C₁₁ into a summing amplifier U₁₉. This amplifier takes the signal from the radio and amplifies it to a -9 dBm output on the telephone line. *Be sure your audio input level doesn't go above this level — it is the highest level permitted on the public switched system.*

Approximately 35 mV is all that is required to

achieve this level. I found the audio input to the volume control was the best method of obtaining audio from the radio receiver. This level should not be varied during normal operation.

The radio carrier detect circuit is identical to the telephone carrier detect circuit.

strap option

Next select the parameters. Look over the functions of the Port C and D dip switches, and choose the ones for your application. (See **Table 2.**)

Table 2. Port C, D dip switch selections.

Port C (SW-1) Switch No./Function	Port D (SW-2) Switch No./Function
1-4 First digit of access code 0-9	1-Test of 1-kHz tone
	2-Expansion
	3-Private line (no dc)
	4-Expansion
5-8 Second digit of access code 0-9	5-Expansion
	6-Ring count 0 (LSB)
	7-Ring count 1 binary coded
	8-Ring count 2 (MSB)

construction

Construction isn't critical; I've included the artwork double-sided pc board (figs. 11 and 12) and the component layout (fig. 13). I used components that were easy to obtain. You can order a printed circuit board or any major parts directly from me. I would be interested in any comments or ideas you may have; for a reply please enclose an SASE. I hope you have as much fun with this project as I've had.

ham radio

*** Super Comshack 64 ***

Programmable Repeater Controller/HF & VHF Remotes/Autopatch
Rotor Control/Voice Meters/ Paging/User Logging/Unlimited Vocabulary/BBS

REMOTE #1
CS64S * HMI * CART * CS6 * BASE TX/RX
FT1757/767/980
TS440/940:IC735
REMOTE #2
FT1727R/767:TS711/811

REPEATER CONTROLLER
*Change all variables remotely
*Synthesized voice adj. pitch/speed
*Program mail box or select ID
*Call mess. with touchtones from HT
*Alarm clock & auto excite mode
*Macro commands/user logging
*Individual user access codes
*Code practice & voice readback
*Multifunction voice alarm clock
H.F. REMOTE #1
*20 Macro mem/auto mode sel.
*Scan up/down sel. rate or step
*Voice ack. all control commands

Set up your own personal repeater with any Dual band radio from your home or club site. Operate cross-band for instant full duplex operation. You can have your own system! We will help you get your system operational! Hundreds of systems now in operation throughout the U.S. Join the fun today!

Super Comshack CS64S \$349.95 + \$4.00 ship USA; incl. computer interface, disk, cables & manual (simplex version inc. on request)

SYSTEM OPTIONS
*External Relay Control 3 DPDT relays + 5 open collector outputs...CS-8579.95
*Beam control; speaks bearing and rotates beam; 1 degree incre...HMI \$49.95
*2 Voice Meter & Alarm inputs/8 Ext. On/off controls/Packet.BBS.PK8 \$149.95
*EPROM Auto boot Cartridge customized with your system...CART \$99.95
*Manual (Refunded)...HMI \$115.00

MINI (BEAR CAT) COMPUTER CONTROL FT-727R
Programs and Scans 100 ch. in Ham/General coverage. Converts HT into a powerful 100 ch. scanner & programs all for field use!
*Digital "S" meter; stops scan from S(1-9); Auto resume
*Loads & programs all FT-727R parameters in less than 15 secs.
*Includes hardware & disk for C64 or IBM PC. MODEL 727S \$39.95

12V C64 SWITCHER
*Draws 1.1A @12v.
*70kHz 75% efficient
*Outputs 5v @2 amps and 9 v @60Hz
*Crystal time base
*Plugs into C64 power
MODEL DCP5.....\$119.95 NEW

Touchtone 4 Digit Decoder & on/off latch with all 16 Digits
Expandable Repeater on/off control

*Low power CMOS +5 to +12 Volts
*User programmable 50,000: 4 digit codes
*Send code once to turn on, again to turn off
*Momentary & Latch output drives relay
*Wrong digit reset; no (false); 2 to 4 digits
*Mute speaker audio until call is received
*LED displays latch state. Optional 4 digit extra custom latch. (7225) IC's \$6.95 ea.
*Model TSD \$59.95

Touchtone to RS-232 (300 baud interface)
Program your computer in basic to decode multidigit "strings"; sound alarms, observe codes. Includes basic program for C64 VIC20/C128, works on all computers!
MODEL DAP \$89.95

"Audio Blaster" IC02/04;2AT;U16;FT209/727;23/73R
Module installs inside the radio in 15 Min. Boost audio to 1 watt! Low standby drain/Corrects low audio/1000's of happy users. Miniature audio amplifier -->
Used by Police, fire, Emergency, when it needs to be HEARD!
Wow! that's loud now!! You can hear everything!
BUY FOR FT76/728 ORDER MODEL AB1-\$119.95
MODEL AB1-\$119.95

ENGINEERING CONSULTING 563 CANDLEWOOD ST.** BREA, CA 92621
MATERCARD - VISA - CHECK - M.O. - CA. RES. ADD 6% TEL: 714-671-2009**

NUTS & VOLTS

MAGAZINE

P.O. Box 1111-H
PLACENTIA, CA 92670
714-632-7721



- Ham Radio
- Computer Hardware
- Computer Software
- Plans-Kits
- Schematics
- Test Equipment
- CB Gear
- Satellite TV
- Video
- Components
- Antique Electronics
- Cable TV
- Publications
- Repairs-Services
- New Products
- Events Calendar

IF YOU ARE INTO ELECTRONICS AND SAVING MONEY IS IMPORTANT TO YOU, THEN YOU OWE IT TO YOURSELF TO TRY NUTS & VOLTS MAGAZINE. DISCOVER WHY THOUSANDS OF SMART PEOPLE NATIONWIDE TURN TO NUTS & VOLTS EACH MONTH TO MEET THEIR ELECTRONIC NEEDS. WHETHER YOU'RE BUYING, SELLING, OR JUST TRYING TO LOCATE THOSE UNIQUE OR HARD-TO-FIND ITEMS, FIND OUT HOW NUTS & VOLTS CAN HELP!

SUBSCRIBE TODAY!

CHECK MONEY ORDER VISA MC

Name _____

Address _____

City _____

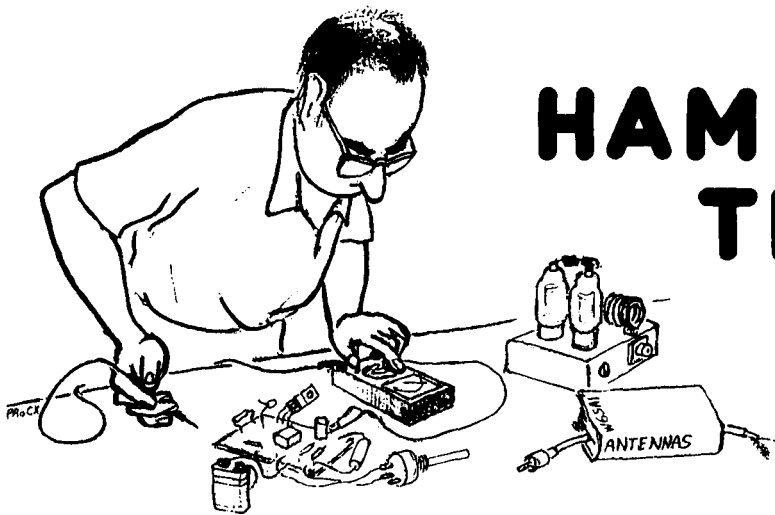
State _____ Zip _____

Card No. _____ Exp. Date _____

CALL FOR ADVERTISING INFORMATION
DISTRIBUTOR INQUIRIES INVITED

Subscription Rates	
U.S. FUNDS REQUIRED	
3rd Class Mail - USA	
One Year	\$12.00
Two Years	\$21.00
Lifetime	\$60.00
1st Class Mail	
One Year - USA . . .	\$20.00
Canada & Mexico . .	\$22.00
Air Mail	
Foreign - 1 Year . . .	\$55.00
Includes one FREE 40-word Classified Ad	

A National Publication For The Buying And Selling Of Electronic Equipment



HAM RADIO TECHNIQUES

Bill Orr, W6SAI

the joys of TVI or, were you on the air last night?

Radio frequency interference (RFI) and television interference (TVI) have been around for years. In the last decade they have been joined by VCR, telephone answering machine, stereo, and cable TV interference along with other irritants that can drive an active Amateur crazy.

More and more household gadgets are susceptible to nearby rf energy. One cause of the proliferation of RFI problems is the deregulation of the telephone companies. Hundreds of new telephone gadgets are on the market, and many of them are poorly designed by manufacturers who know nothing of interference problems. A lot of the gadgets are so small and tightly packaged that there is no room inside them to install filtering.

Most of the VCRs, TV sets, and good AM/FM stereo systems built after 1984 seem to be more rf resistant than their ancestors; this is good news. However, it must be emphasized that the unwanted signal rejection varies between manufacturers and models and it is risky to assume a particular TV set or stereo is TVI resistant! This month's column concerns RFI problems associated with TV/VCR combinations and cable TV hookups.

One of the areas in the TV/VCR/cable field that bears close examination is common mode interference. John Norback, W6KFV, a technical consultant in the field of RFI, provided information on this subject.

common mode interference

The term "common mode current" originated with the computer industry. Before this the power and communication industries called the phenomenon "longitudinal line current" or "parallel line current".

Common mode interference is caused by parallel line current induced in a circuit normally carrying out-of-phase current. The unwanted current can be induced from a nearby Amateur transmitter. The signal is picked up by the TV feedline or cable system. The offending line serves as a good antenna for high-frequency signals.

In a balanced two-wire system (like a 300-ohm TV transmission line) the induced currents in the two wires are in the same phase. The ribbon line responds to the induced current as if the two conductors were tied in parallel to operate as one.

In an unbalanced system, like a coaxial line, the common mode picture is more complex. This is because the induced parallel line currents are not

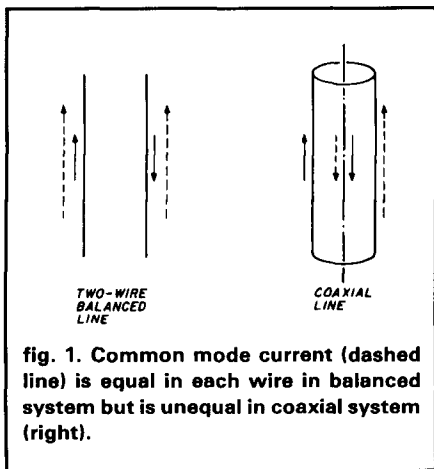
the same in both conductors (the center conductor and the shield). The induced current is much higher on the coax shield than it is on the center conductor (fig. 1).

In either case, the induced line current must go somewhere. Unfortunately, it goes into the TV tuner or VCR circuitry, through the various receiver stages, and then via capacitors to ground through the ac power cord of the receiver. Elimination of common mode interference must involve filtering, or breaking, both conductors of the TV signal lead-in.

Common mode interference is particularly bothersome on TV sets that are connected to cable TV systems. Even though the main cable system may be buried, it surfaces in the homes and acts as a pickup antenna for nearby, strong rf signals. Ground loops or poor joints in the system complicate the problem.

a practical approach to common mode interference

Television interference from receiver fundamental overload and transmitter harmonics has been well covered in the literature. The cures, too, are well known: a low-pass filter for the transmitter, a high-pass filter for the TV receiver, and a good ground for the



nels. Normally, common mode TVI will affect all TV channels, whether harmonically related to the ham signal or not, but the number of disturbed channels depends on the strength of the parallel line currents and how well the manufacturer has designed the TV set. (Note that a vertical transmitting antenna will cause a stronger common mode signal than will a horizontal antenna. Common mode interference can also exist on 40, 80 and 160 meters — bands not usually subject to harmonically related interference.)

Once you've determined which

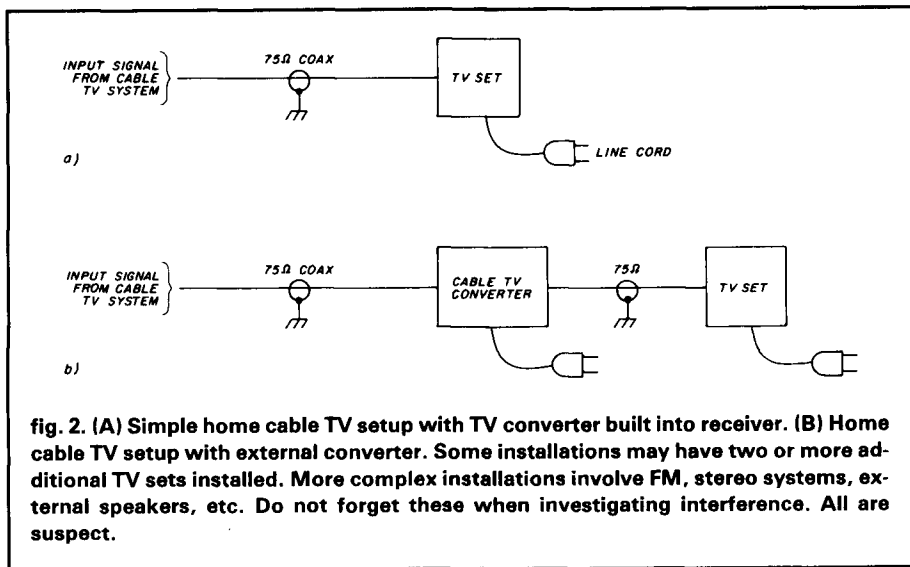
filtered. Solve the interference problem first.*

Once the TV set and/or cable TV converter are free from interference with the TV signal input lead disconnected, place a balun/high-pass filter/balun arrangement in the signal lead (fig. 4). The interconnecting leads should be as short as possible. A parts list is given in the drawing. Radio Shack parts were selected because they are widely available. Parts specifications are listed in case you select components from other manufacturers.

If everything's been done correctly up to this point, there should be no interference on the TV set regardless of transmitter frequency and TV channel selected. If you're still experiencing interference, install a coaxial high-pass filter between the cable TV converter and the TV set, as shown.

when a VCR is involved

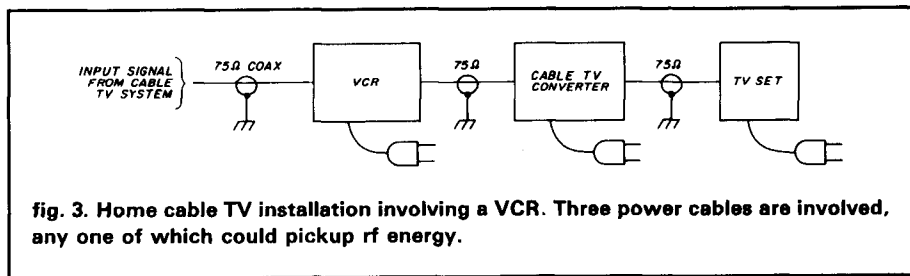
The procedures for eliminating TVI in a cable TV system apply equally well when a VCR is involved, but the final solution may be more complex. There are many makes of VCRs and many different ways of connecting them into the cable TV system. They can be in series with the cable TV converter or TV set, or split off the cable TV input



shield of the coax line from transmitter to antenna. A power line filter may be required for the TV set as well as the transmitter. Unfortunately, these cures do not affect common mode interference to any substantial degree.

Figure 2 shows, in simplified form, the basic home equipment involved in a typical cable TV system. The first drawing shows a simple arrangement where the cable TV converter is built into the TV set; the second shows an arrangement where a cable TV converter is used to offer greater program selection. Figure 3 shows an installation involving a VCR.

The cooperation of the TV owner is essential. First determine what ham band frequencies and TV channels are affected. Do not be fooled by interference on harmonically related TV chan-



radio frequencies are causing the TVI, note the affected channels. It may be all of them, or just one or two. Disconnect the TV receiver from the input signal lead to the antenna or cable system and recheck the channels where there was interference. Normally, the channels will be clear. If interference still exists, a power line filter for the TV receiver may be needed, or external speaker lines of the receiver must be

lead. Figure 5 shows some typical arrangements involving VCRs along with the correct method of eliminating common mode interference.

With the cooperation of the TV owner, first disconnect the cable TV

*For detailed information on all aspects of interference (including interference to Amateur operation) the *Interference Handbook* by William R. Nelson, WA6FQG, an RFI investigator with 33 years experience, is available from *ham radio* Bookstore for \$11.95 plus \$3.50 shipping and handling.



• Dan "KBØXC" • Dave "WBØSNM"
• Denise "YL" • Maline "XYL"
• Dan E "SOON" • Louis "KAØIPN"

YAESU

H.F. EQUIPMENT

FT-736R 2m/430 Full Duplex 1749.95 Call
FT-747GX, 7-10m Xcur 899.95 Call
FM-747 44.95 Call
FT-757 GX I 1129.95 Call
FP-757 GX 239.95 Call
FP-757 HD 299.95 Call
FC-757 299.95 Call



August Feature
5¢ SALE

FRC 15 Call
FP 15 Call
FI 15 Call
FR11-7700 AN 299.95 Call
FRG-9600 60-6 699.95 Call
VU-9600 N.T.S. 25.00 Call
HANJI-TALKIES

FT23R 299.95 Call
FT23R/TT 334.95 Call
FT 33R 2m FM w/touchtr 344.95 Call
FT-33R/TT 220 MHz FT 389.95 Call
FT-73R 309.95 Call
FT-73R/ 349.95 Call
FTT4 15 Call
FTS12 15 Call

1/4 Wave Mag
Mnt Antenna
ONLY 5¢ with
any 2 Mtr Mobile
or Handi-Talkie Order
Offer good thru Aug 31

FNB 15 Call
FNB 15 Call
NC11 89.95 Call
PA3 39.95 Call
FTS-6 CTCSS 49.95 Call

MOBILE/PORTABLE

FT-290R/II 2 MT. All Mode 599.95 Call
FT-690R/II 6 MTR All Mode 589.95 Call
FT-790 R/II 440 MHZ 799.95 Call
FT-4700 R/II Dual Band TBA Call
FT-211 RH 2m 389.95 Call
FT-311 RM 220 MHZ 429.95 Call
FT-711 RH 440 MHZ 449.95 Call
FT-212RH Hi-Tech 2m 45w FM 459.95 Call
FT-712RH Hi-Tech 70cm 35w FM 499.95 Call

ALINCO

ALR-22T 2m 409.95 Call
ALR-22 HT 2m 429.95 Call
ALR-72 HT 400 MHZ 469.95 Call
ALD-24T Dual Band 637.95 Call
ALX-2T 2m 235.95 Call
ELH 230G 2 MTR Amp 30WT 90.00 Call
ELH 230D 2 MTR Amp + PreAmp 108.00 Call
ELH 260D 2 MTR 50 WT Amp 167.00 Call

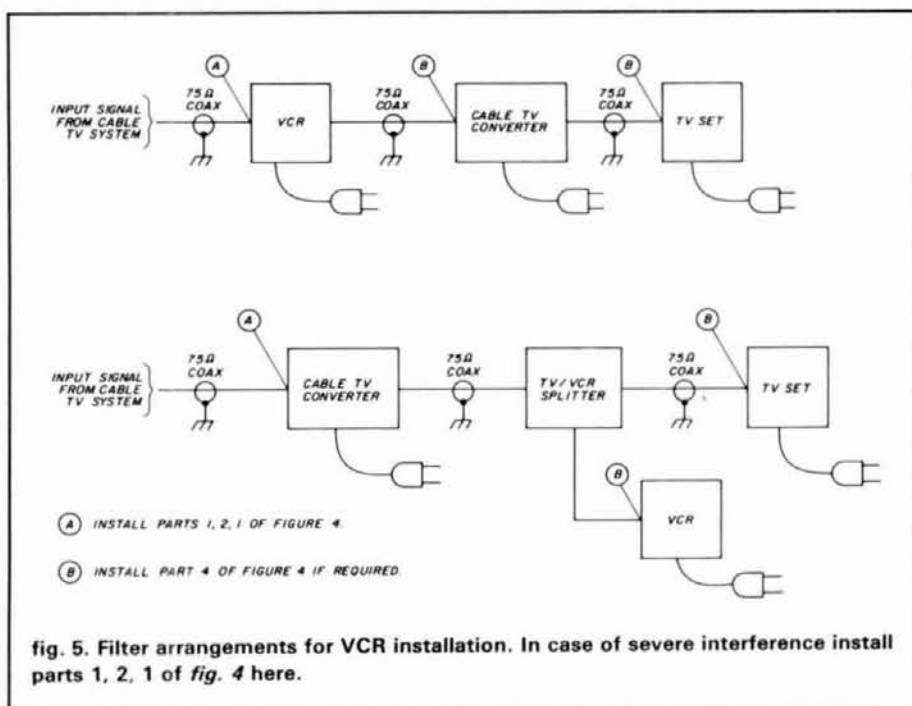
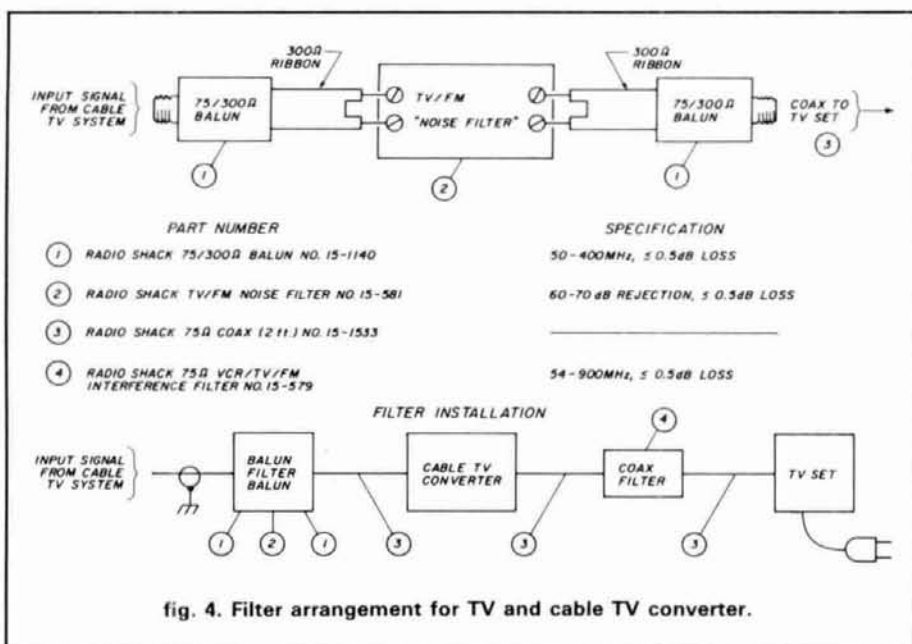
ARRL BOOK LIBRARY

1-800-426-2891

METRO 612-754-1200

HOURS M-F 10-8 Sat 10-5

Prices subject to change and availability.
12581 Central Ave. N.E., Blaine, MN 55434



input signal lead from the circuit. Place a tape in the VCR and let it play, observing the picture on the TV set. Operate your transmitter on all hf bands, one at a time, and note any interference on the VCR picture. Also check all channels with the VCR inoperative but in the circuit. Identify any TV channels experiencing interference. If there is interference with the VCR operative, or unoperative but still in the

circuit, install the balun/high-pass filter/balun arrangement discussed earlier between the cable TV signal input lead of the cable TV converter. If interference continues, disconnect the VCR from the circuit and repeat the tests with the TV converter in the circuit. You may need to insert a coaxial high-pass filter between the cable TV converter and the TV set.

These arrangements should solve

the interference problem with the VCR either on or off. If the problem continues, the interference may be in the VCR circuitry associated with the recording or playback heads, or it may be due to improper grounding or faulty connectons in the cable TV circuit. It's a good idea to contact the cable TV company involved and ask them to inspect their equipment for proper connections. Don't be surprised if the cable TV company inspects your station with a spectrum analyzer. If the cable company finds transmitter harmonics, you need to do more work on your installation, or you must investigate the possibility of external rectification. If the cable TV circuit is "clean", the problem lies in the VCR.

Because sensitive circuits of the VCR operate in the low-frequency portion of the 80-meter band, it is wise to restrict operation to the upper portion of the band until you solve the problem. Check with servicers of the VCR in question to see if any TVI corrective measures are available for that model. The VCR is a complicated electromechanical device and probing its "innards" is not recommended!

the Faraday solution

I received a note from Wayne Cooper, AG4R, outlining a system which "breaks" a TV coaxial line for protection against fundamental overload and

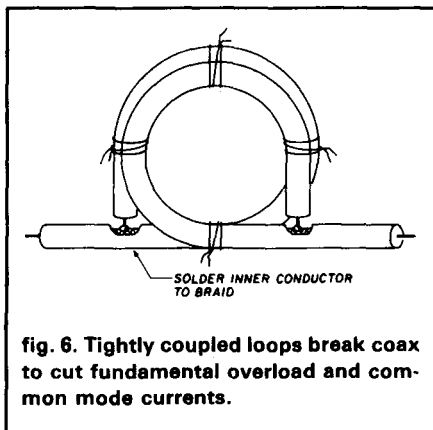


fig. 6. Tightly coupled loops break coax to cut fundamental overload and common mode currents.

common mode interference. The idea was sent to him by ZS6AUB, who got it from G3LLL. It consists of a 1:1 transformer in the antenna lead which

will pass the VHF signal but will reject a lower frequency interfering signal. The idea is simple and inexpensive (fig. 6). The coax is cut about a foot from the TV receiver and two tightly coupled 2-inch diameter loops are formed. Each coax center conductor is soldered to the outer braid and cable ties or vinyl tape hold the loops together. This comprises an electrostatic shield. The coupling scheme has some loss and may make a weak channel more "fuzzy", but works okay when the picture is good to begin with.

another interesting quotation

Last month I intimated that radio hams are well-read, well-rounded individuals. As of this writing, the July column hasn't seen daylight, so I haven't received any response to my request for identification of a well-known quotation. Even so, I'm going to try again to see how alert my readers are. I suspect only the old-timers will identify the following; the book first came out in 1923. It created a sensation and is still a first-rate story (available in paperback). So, here's the quotation, which took the form of a telegram.

STORY TRUE. AWAIT ME ALGIERS. (signed) BURROUGHS

If you know the book and can identify the situation, drop me a note on your QSL to Box 7508, Menlo Park, California 94025 and I'll publish the calls of the erudite "winners" in this column!

ham radio

ALL BAND TRAP "SLOPER" ANTENNAS!

FULL COVERAGE! ALL BANDS! AUTOMATIC SELECTION with PROVEN Weatherproof sealed Traps - 18 Ga. Copper-welded Wire! GROUND MOUNT SLOPERS - No Radials needed! Ground to rad. or house water faucet! Connect Top to Trees, Buildings, Poles, etc at ANY angle from Straightup to 80 degrees for excellent "SLOPER" DX. Antenna Gain or send it anywhere you need to! 2000 Watt PEP input, max. Permanent or portable Use installs in 10 minutes. SMALL - NEAT - ALMOST INVISIBLE - No one will know you have a Hi-Power DX Antenna. Ideal For CONDOs APARTMENTS - RESTRICTED AREAS - Pre-tuned for 2:1 or less SWR over ALL bands (except 80-160-3000). No adjustments needed - EVER. COMPLETELY ASSEMBLED, with 50 ft RG-58U Coax feedline and PL259 connector - Built in lightning arrester - ready to hookup! FULL INSTRUCTIONS!

No. 1080S - 80-40-20-15-10 - 1 trap	49 ft.	\$59.95
No. 1040S - 40-20-16-10 - 1 trap	26 ft.	\$58.95
No. 1020S - 20-15-10 - 1 trap	13 ft.	\$57.95
No. 1016S - 160-80-40-20-15-10 - 2 traps	83 ft.	\$69.95

SEND FULL PRICE FOR P.D. IN USA (Canada \$6.00 AMER EXP. Give Number Ex Date. Ph 1-306-236-6333 weekdays. We ship in 2-3 days (Per Cks 14 days) Guaranteed 1 yr - 10 day money back trial.

WESTERN ELECTRONICS
Keamey, Nebraska 68847
Dept. AH

RF POWER TRANSISTORS

We stock a full line of Motorola & Toshiba parts for amateur, marine, and business radio servicing

Partial Listing of Popular Transistors

P N	Rating	2-30 MHz 12V. (* 28V)	
		Net Ea.	Match Pr.
MRF421	Q 100W	\$24.00	\$53.00
MRF422	Q 150W	36.00	78.00
MRF454. A	Q 80W	14.50	32.00
MRF455. A	Q 60W	11.75	26.50
MRF492	Q 90W	16.00	35.00
SRF2072	Q 65W	12.75	28.50
SRF3662	Q 110W	24.00	53.00
SRF3775	Q 75W	13.00	29.00
SRF3795	Q 90W	15.50	34.00
SRF3800	Q 100W	17.50	38.00
2SC2290	Q 80W	16.75	39.50
2SC2879	Q 100W	22.00	48.00

Q Selected High Gain Matched Quads Available

PARTIAL LISTING OF MISC. TRANSISTORS

BFR96	\$2.75	MRF966	2.75
CD2545	16.00	MGF1402	3.75
MRF134	16.00	NE41137	2.50
MRF136	21.00	PT9847	21.00
MRF137	24.00	SD1278-1	17.75
MRF138	35.00	2N1522	11.95
MRF150	87.50	2N3553	2.25
MRF174	80.00	2N3771	3.50
MRF208	11.50	2N3866	1.25
MRF212	16.00	2N4048	11.95
MRF221	11.00	2N4427	1.25
MRF224	13.50	2N5109	1.75
MRF226	14.50	2N5179	1.00
MRF227	3.00	2N5589	7.25
MRF237	2.70	2N5590	10.00
MRF238	12.50	2N5591	13.50
MRF239	14.00	2N5641	9.50
MRF240	15.00	2N5642	13.75
MRF245	27.50	2N5643	15.00
MRF247	26.00	2N5945	10.00
MRF260	7.00	2N5946	12.00
MRF262	8.75	2N6080	6.25
MRF264	12.50	2N6081	8.00
MRF317	56.00	2N6082	9.50
MRF406	12.00	2N6083	9.75
MRF433	11.00	2N6084	11.50
MRF450	13.50	2SC730	1.25
MRF453	15.00	2SC1307	3.00
MRF458	20.00	2SC1946.A	15.00
MRF475	3.00	2SC1947	9.75
MRF476	2.75	2SC1969	3.00
MRF477	11.75	2SC2075	3.00
MRF479	10.00	2SC2097	28.00
MRF485	6.00	2SC2166	3.50
MRF485 MP-KEN	18.00	2SC2312	4.95
MRF492A	18.75	2SC2509	9.00
MRF497	14.25	2SC2630	28.00
MRF515	2.50	2SC2640	15.00
MRF555	3.00	2SC2641	16.00
MRF607	2.50	3N204	2.00
MRF630	4.25	40582	7.50
MRF641	18.00		
MRF644	21.00	SAU4 450 MHz	55.00
MRF646	25.00	SAU17A 903 MHz	50.00
MRF648	31.00	SAV6 158 MHz	42.50
MRF650	10.75	SAV7 146 MHz	42.50
MRF837	2.25	SAV15 222 MHz	48.00
MRF846	43.50	M57712, M57733	use
MRF901	1.25	M57737, SC1019	use SAV7
MRF911	2.00	SC1027	use SAU4

OUTPUT MODULES

Hi-Gain, Matched, and Selected Parts Available

We stock RF Power transistors for Atlas, KLM, Collins, Yaesu, Kenwood, Cubic, Mirage, Motorola, Heathkit, Regency, Johnson, Icom, Drake, TWC, Wilson, GE, etc. Cross-reference on CD, PT, SD, SRF, JO, and 2SC P Ns.

Quantity Pricing Available Foreign Orders Accepted Shipping Handling USA \$5.00 COD VISA MC Orders received by 1 PM PST shipped UPS same day. Next day UPS delivery available

PARTS ORDERS ONLY - NO TECHNICAL
(800) 854-1927

ORDER LINE and/or TECH HELP
(619) 744-0728

FAX 619-744-1943

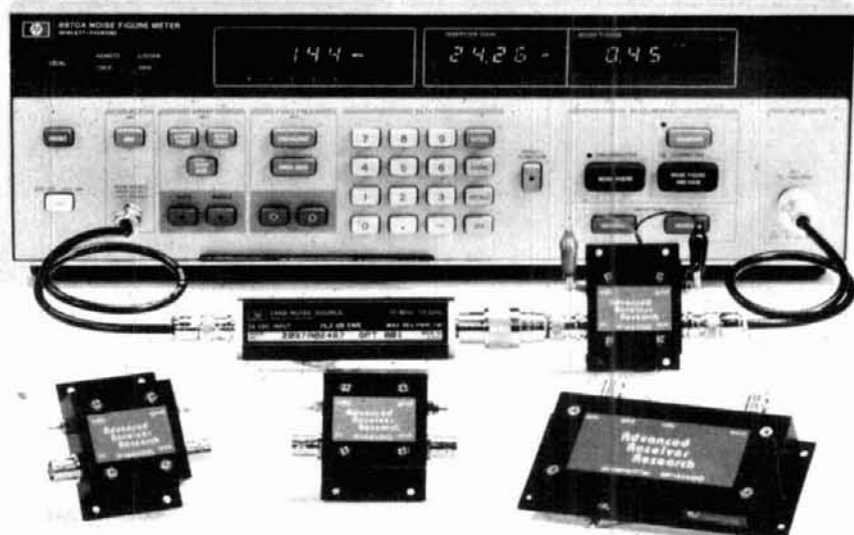


RF PARTS

1320 Grand Avenue
San Marcos, CA 92069

High Performance

vhf/uhf preamps



Receive Only	Freq. Range (MHz)	N.F. (dB)	Gain (dB)	1 dB Comp. (dBm)	Device Type	Price
P28VD	28-30	<1.1	15	0	DGFET	\$29.95
P50VD	50-54	<1.3	15	0	DGFET	\$29.95
P50VDG	50-54	<0.5	24	+12	GaAsFET	\$79.95
P144VD	144-148	<1.5	15	0	DGFET	\$29.95
P144VDA	144-148	<1.0	15	0	DGFET	\$37.95
P144VDG	144-148	<0.5	24	+12	GaAsFET	\$79.95
P220VD	220-225	<1.8	15	0	DGFET	\$29.95
P220VDA	220-225	<1.2	15	0	DGFET	\$37.95
P220VDG	220-225	<0.5	20	+12	GaAsFET	\$79.95
P432VD	420-450	<1.8	15	-20	Bipolar	\$32.95
P432VDA	420-450	<1.1	17	-20	Bipolar	\$49.95
P432VDG	420-450	<0.5	16	+12	GaAsFET	\$79.95
Inline (rf switched)						
SP28VD	28-30	<1.2	15	0	DGFET	\$59.95
SP50VD	50-54	<1.4	15	0	DGFET	\$59.95
SP50VDG	50-54	<0.55	24	+12	GaAsFET	\$109.95
SP144VD	144-148	<1.6	15	0	DGFET	\$59.95
SP144VDA	144-148	<1.1	15	0	DGFET	\$67.95
SP144VDG	144-148	<0.55	24	+12	GaAsFET	\$109.95
SP220VD	220-225	<1.9	15	0	DGFET	\$59.95
SP220VDA	220-225	<1.3	15	0	DGFET	\$67.95
SP220VDG	220-225	<0.55	20	+12	GaAsFET	\$109.95
SP432VD	420-450	<1.9	15	-20	Bipolar	\$62.95
SP432VDA	420-450	<1.2	17	-20	Bipolar	\$79.95
SP432VDG	420-450	<0.55	16	+12	GaAsFET	\$109.95

Every preamplifier is precision aligned on ARR's Hewlett Packard HP8970A/HP346A state-of-the-art noise figure meter. RX only preamplifiers are for receive applications only. Inline preamplifiers are rf switched (for use with transceivers) and handle 25 watts transmitter power. Mount inline preamplifiers between transceiver and power amplifier for high power applications. Other amateur, commercial and special preamplifiers available in the 1-1000 MHz range. Please include \$2 shipping in U.S. and Canada. Connecticut residents add 7-1/2% sales tax. C.O.D. orders add \$2. Air mail to foreign countries add 10%. Order your ARR Rx only or inline preamplifier today and start hearing like never before!

Advanced Receiver Research

Box 1242 • Burlington, CT 06013 • 203 582-9409



134

VHF COMMUNICATIONS

INTRODUCING W2DRZ VHF/UHF MODULES NOW AVAILABLE

ICOM, AEA, LARSEN, VAN GORDEN, VIBROPLEX, NYE-VIKING, FALCON COMM, LEADING EDGE, ARRL PUBLICATIONS, KAGLO, HAMTRONICS, PROWRITER, ELEPHANT DISKS, DEBCO, TRIONYX

Western New York's finest... amateur radio dealer!

PH. (716) 664-6345

915 North Main Street
Jamestown, New York 14701

PH. (716) 664-6345

NEW!

The classic "Antenna Bible"
now in a thoroughly-revised, much-enlarged edition

ANTENNAS

2nd edition
by John Kraus, W8JK
Ohio State University

Covers both theory and its applications to practical systems. Over 1000 illustrations and nearly 600 worked examples and problems. Over 100 new topics. Complete with design formulas, tables and references

917 pages, hardcover. \$51.95

Add \$2.50 per book for shipping and handling U.S., \$5.00 elsewhere.

CYGNUS-QUASAR BOOKS
P.O. Box 85, Powell, Ohio 43065
Tel. 614-548-7895

136

BATTERIES

Nickel-Cadmium, Alkaline, Lithium, Etc.
INDUSTRIAL QUALITY

**YOU NEED BATTERIES?
WE'VE GOT BATTERIES!**

CALL US FOR FREE CATALOG

E.H. YOST & CO.
EVERETT H. YOST KB9X1
7344 TETIVA RD.
SAUK CITY, WI 53583
ASK FOR FREE CATALOG
(608) 643-3194

137

The Finest 432 MHz Yagis
EME - Tropo - Weak Signal
The FO-22

\$88.95

ELECTRICAL SPECIFICATIONS:
Measured gain 15.8 dBd
E Plane beamwidth 2 x 11.5 deg
H Plane beamwidth 2 x 12 deg
Sidelobe attenuation
1st E Plane sidelobe -17.5 dB
1st H Plane sidelobe -15.5 dB
F/B ratio 22 dB

SWR < 1.4:1 422-439 MHz

MECHANICAL SPECIFICATIONS:
Length 14 ft
Wind survival 90+ MPH
Wind Surface Area .78 sq. ft
Coax connector: N-type
Mast up to 1.5" diameter
Element insulators: U.V. resistant black Delrin
Stainless steel hardware (except plated keepers and U bolt)

All stainless option for FO 22 (keepers and U bolt) **\$10.78**

ALSO AVAILABLE
The incomparable FO-25 and FO-33
STACKING FRAMES POWER DIVIDERS

We supply those hard to find parts for the home builder
Diplex insulators \$12/100, Plated keepers \$4/100, Stainless \$10/100
Add \$6 UPS, SH for single or pair of Antennas.
\$8 west of Mississippi.
PA residents add 6% state sales tax

RUTLAND ARRAYS
1703 Warren St. • New Cumberland, PA 17070
(717) 774-5298 7-10 PM EST

138

precision high-voltage dc regulator

Convert an
unregulated high-voltage
power supply into a regulated
adjustable voltage source

I have built a short-circuit proof, RFI resistant, solid-state precision regulator that converts an unregulated, high-voltage power supply into a stable, adjustable voltage source.

There are three prerequisites this unregulated power supply must meet:

- The minimum, full-load, unregulated voltage (including ripple) must exceed the regulated output voltage by ≈ 45 volts*.
- The unregulated supply must be capable of providing the additional 2.2 mA consumed by sampling resistor R_2 (fig. 1).
- The voltage difference between the unregulated supply and the regulated output must not exceed the voltage capability of the pass element.

applications

- Adjustable screen supply for tetrode or pentode class AB-1 grid-driven linear amplifiers (using a suitable (–) screen current bleeder resistor).
- *Klystron and traveling wave tube amplifier power supplies.*
- Backward wave and klystron oscillator power supplies.
- Plate supply for a linear amplifier.
- Any requirement for a regulated voltage up to 6 kV. 1000 amperes or more is possible if enough pass FETs and heat sinks are available.

* May be altered by using different values of $R_1, R_2, C_6,$ and R_{11} .

limitations and design considerations

The output voltage capability of the regulator is indirectly set by the maximum voltage dropping capability of the FET pass element. The voltage difference between the unregulated supply and the regulated output voltage is wasted as heat by the pass element. Since only a small part of the input voltage appears across the pass element, the maximum output voltage capability of the regulator is about five to six times the maximum output voltage rating for the pass element. The Motorola MTM6N60 is rated at 6 amperes, 600 volts, 150 watts maximum. The highest regulated voltage with this pass element is about 3 kV. Similar FETs with ratings up to 1 kV at 150 watts (before thermal derating) per device are available. A 1-kV pass element can be used to regulate 6 kV. Current capability may be increased by paralleling pass elements.

Paralleling FETs is somewhat easier than paralleling bipolar transistors because the FET's control element (gate) consumes no power. Since $0 + 0 = 0$, two or three FETs use the same driving power as one — exclusive of the gate capacitance and charge bleeder resistors from the gates to the sources. Driving the gate capacitances is a problem. Each gate adds about 1800 pF. If more than two MTM6N60s are to be paralleled, use an NPN emitter follower driver to drive the bank of FETs in the pass element. The pass FET source leads should have current equalizing resistors as paralleled, bipolar transistor emitters do.

A common reason for paralleling FETs is to obtain increased power dissipation instead of more current. Although a dissipation rating of 150 watts may look good, it is only true at 25 degrees C case temperature. One way to keep the case ≤ 25 degrees C, while dissipating 150 watts would be to immerse it in circulating distilled ice water. Because this is impractical, the device is derated according to the manufacturer's data sheet. An educated guess would be about 50 percent,

By R.L. Measures, AG6K, phone: 805-482-3034

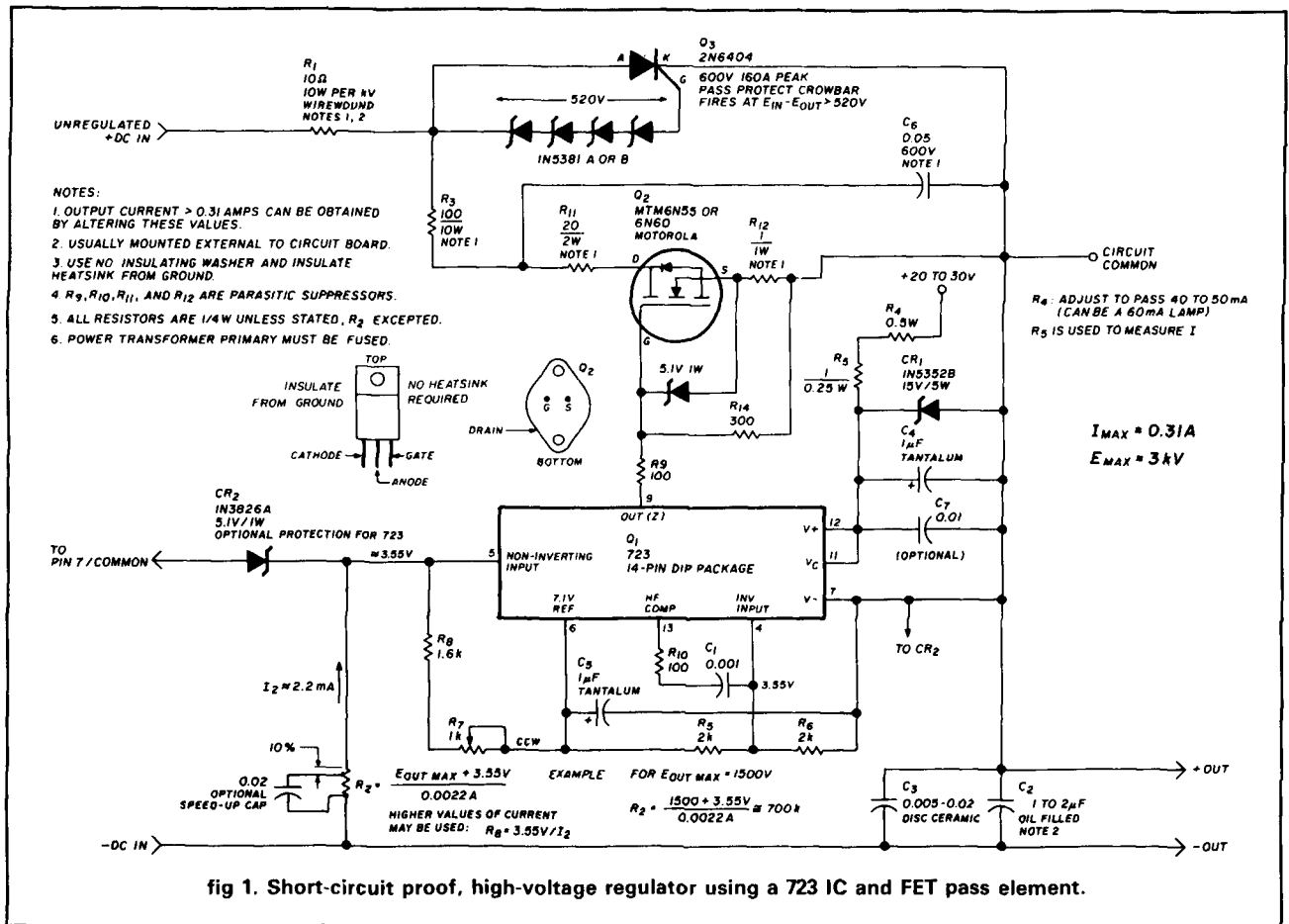


fig 1. Short-circuit proof, high-voltage regulator using a 723 IC and FET pass element.

or 75 watts per device with a heat sink that keeps the FET case below 85 degrees C in a worst-case situation.

The greatest heat dissipation in the pass element usually occurs at about half the maximum current load. At full-load current the unregulated input voltage usually sags, and there is little remaining voltage drop in the pass element. So, even though the current is maximum, the pass voltage drop is minimum, and the heat dissipation is less than maximum.

circuit description

Series-pass regulators work on the principle that regulation will be achieved if they can be made to automatically waste the difference between the varying unregulated input and the desired regulated output voltages. The regulating process is a working example of Kirchoff's Law: The sum of all the voltage drops (the pass voltage plus the output voltage) are equal to the voltage source (the unregulated high-voltage power supply). If more voltage is dropped across the pass element, less voltage is left over for regulated output. If less is dropped across the pass element, the regulated output voltage increases. The missing piece is the brain that tells the pass element's gate what to do.

The circuit's brain is a 723 precision regulator integrated circuit in the upside-down and backward positive floating regulator configuration. In this regulator configuration, the positive output lead is the circuit common, or zero reference. The positive floating regulator uses its own power supply. In this circuit it furnishes about +20 volts at 0.05 A to a 15-volt zener to regulate the voltage that runs the 723 and the negative lead of the 723's supply is connected to (+) circuit common.

If the regulator is operated with the negative output terminal grounded, the 723 regulator, its power supply/transformer, voltage-adjust pot (R_7), and pass FET/heat sink will be elevated to the (+) output voltage. All elements must be properly insulated from ground. If the output is operated with the positive lead grounded, only the heat sink need be insulated. More on this later.

The 723 has a temperature compensated 7.1-volt reference, a differential error amplifier, and its own pass transistor. Access to the non-inverting and the inverting input of the differential error amplifier is provided. This gives the circuit designer freedom to create unconventional circuits like the positive floating regulator. 723s are sensitive amplifiers with a vol-

tage gain of about 1000 and an open-loop current gain of about one million.

High gain is essential if a regulator is to accurately sense small deviations in the desired output voltage, make the necessary correction at the gate of the pass transistor, and maintain precise regulated output voltage. It is a problem to keep the regulator regulating and not deregulating by receiving radio signals at the same time. External rf energy allowed to enter a critical terminal on the 723. C_4 , C_5 , and C_7 are rf bypasses. C_1 and R_{10} reduce the rf gain of the differential amplifier. The input terminals of the differential amplifier are rf-isolated by the resistors that deliver the dc signals. Radio frequency has a hard time passing through high-value resistors.

Several commercial power supplies ignore the RFI problem and let the users figure it out. The 723 gained an undeserved bad reputation from those who did not understand the nature of rf and the amplifying ability of the 723.

current limiting

Most regulated supplies include some form of current limiting. I left it out of this design because the pass FET could not withstand the full, unregulated voltage during a short-circuit/zero voltage output condition. A type of current limiting practical here is a fuse, or circuit breaker, in the *primary* of the HV transformer. Ordinary 3AG fuses should *never* be used in the *secondary* circuit of a high-voltage supply if the fault voltage is above their 250-volt rating. A 3AG fuse acts like an arc lamp instead of a predictable current limiter above 250 volts during a fault, before it eventually explodes.

Fuses are cheap, power FETs are not and are very unforgiving of too much drain-to-source voltage. A crowbar thyristor circuit (Q_2) will automatically fire if the voltage across the FET is close to the breakdown voltage. This protects the FET(s) in this circuit from an unregulated voltage too high for a specific regulated output voltage. It takes about $1.5 \mu\text{s}$ for Q_2 to fire. During this time, the FET is protected by R_3/C_6 , an R/C delay circuit.

If the pass-protect crowbar fires, the output voltage temporarily rises to the same level as that of the unregulated supply. The regulated voltage will return if the load is removed and excessive voltage is lowered. If there is a short across the output, the stored energy from the unregulated supply's filter capacitor is dumped into R_1 for a few milliseconds, until the primary fuse opens. R_1 must be a wire-wound power resistor because the peak dumping current is about 100 amperes. The value of R_1 is increased, as the voltage capability of the supply is increased, to keep the dumping current around 100 amperes. For a 3-kV power supply, R_1 should be a 30-ohm/30-watt unit.

polarity etiquette

Remember that *less positive and more negative* are interchangeable terms, as are *less negative and more positive*. For example: +4 volts is more negative, and also less positive, than +5 volts. While -6 volts is more positive than -7 volts, neither voltage is positive with respect to circuit common. The reference "than" is the key.

N channel, enhancement mode, power FET rules

A more positive (than the source) gate voltage makes the FET conduct more heavily. If the gate voltage of the FET becomes less positive/more negative, the conductance of the FET will decrease (like a triode vacuum tube). The gate (control) of a FET resembles the grid in a triode vacuum tube, the source (of current carriers) is like a cathode, and the drain (of current carriers) is like a plate. The big difference between the vacuum tube and the FET is that the FET's control voltage is always positive (usually in the range of +2 to +4 volts) and the (+) gate draws no current — unlike a (+) grid in a vacuum tube.

the 723

The 723 differential error amplifier has two inputs. For the DIP package, Pin 5 is the noninverting input; pin 4 the inverting input. Pin 6, the internal 7.1-volt reference, is passed through a 2:1 voltage divider (R_5/R_6) and the resulting stable 3.55 volts are connected to pin 4, the inverting input. When the system is in balance, 3.5503 volts are applied to the noninverting input by an opposing-polarity voltage divider: R_7 , R_8 , and the output-voltage sampling resistor R_2 . R_7/R_8 connects to the (+) 7.1 volt reference and R_2 connects to the (-) output terminal. If the output voltage is correct the differential error amplifier is balanced, as there is almost no voltage difference between the two input terminals. Therefore, the 723 output is steady and the regulator system is in a state of equilibrium.

Two situations could unbalance the system: too much or too little output voltage. Either situation will develop if the line voltage or the load current changes. A successful regulator must be able to restore balance.

if there is too much (-) output voltage with respect to the (+) common reference

It is safe to assume that the pass FET is conducting too much. The excessive, more negative/less positive output voltage causes more current to flow in R_2 . This makes the voltage at the noninverting input more negative than the constant +3.55 volts on the other input. The difference voltage is amplified and the more negative output drives the gate of the pass FET more

negative. This reduces the conductance of the FET, increasing the FET's voltage drop, leaving less voltage for the output and the output voltage decreases to the correct level.

if there is too little (–) output voltage with respect to the (+) common reference

It is safe to assume that the pass FET is not conducting as much as it should.

The insufficient, less negative/more positive voltage at the (–) output causes a decrease in current through R_2 . This causes the voltage at the noninverting input to also become less negative/more positive than the constant +3.55 volts on the other input. The more positive signal is amplified by 723, driving the gate of the pass FET more positive. This increases the conductance of the FET and lowers the voltage drop across it. Consequently, more voltage is delivered to the output and the output voltage increases to the correct level.

performance

I built a 615 to 1000 volt, 0.31-ampere adjustable power supply observing the following performance parameters. Voltage regulation: ≤ 1 volt change, no load to full load. Ripple and noise: ≤ 150 peak-to-peak mV at 200 mA load, with a 0.02 μ F speed-up capacitor across 90 percent of R_2 . Without the speed-up capacitor on R_2 peak-to-peak ripple and noise were ≤ 500 mV. Line voltage regulation: ≤ 1 volt change for ± 10 percent line voltage change. These measurements were taken on a Fluke 8022 digital voltmeter and a Hewlet-Packard 1706A oscilloscope.

Changes were made to the regulator circuit and unregulated supply to increase the maximum output voltage to 1900 volts and, with more modifications, to 6100 volts. There was similar performance at the increased voltage levels.

In no case was I able to detect even a one-digit voltage change, from no load to full load, on my Fluke DVM, with its maximum count of 1999.

heat sink caveats

The FET's drain is connected to its case structure. If the case is insulated from the heat sink with a properly installed 1000-volt mica insulating washer, the thermal transfer between the FET and the heat sink will be compromised. It's better to fasten the FET case directly to the heat sink with a thin coating of thermal grease and then insulate it from ground with G10 Fiberglas™, acrylic, or some other nonhygroscopic material. **A high-voltage warning label should be placed on or near it. (We, at ham radio, do not recommend having a heat sink at high voltage. If you choose to use this method, provide an**

obvious label and accord the heat sink the same "respect" you would any other high-voltage component.)

paralleling FETs

FETs are fast. They oscillate at VHF — just like triode vacuum tubes — unless parasitic suppressor resistors are used at the output and input terminals. Each FET in a bank of paralleled pass FETs should have its own gate-to-source, charge bleeder resistor; a drain, parasitic suppressor resistor; a gate, parasitic suppressor resistor; and a source current equalizing resistor. Mount the suppressor resistors close to the FET(s). The resistor values can be juggled considerably to accommodate different current requirements.

FET selection

A wide range of power FETs are available from Motorola and other manufacturers. For Amateur Radio applications, the Motorola MTM3N95 and the MTM3N100 are probably the most versatile; a 6-kV regulator can be built with either. MTM means it has a standard TO-3 case (now called TO-204). The numeral 3 stands for 3 amperes; the N means that it has an N-type channel, and (–) electrons carry the current. The letter P would indicate that it had a P-type channel and that the current carriers were (+) "holes," and all polarities are reversed. The number to the right of the N or P gives the source to drain, maximum voltage rating, less one zero. So, these two devices would handle 950 and 1000 volts, respectively. The rated dissipation on a good heat sink is 125 watts each during a blizzard, or roughly 70 watts indoors.

A good crowbar thyristor (SCR) for protecting a 1000-volt FET is the Motorola MCR225-12 rated at 1000 volts, 300 amperes peak, and $\leq 2\mu$ s turn-on time. The series zener trigger for this crowbar can be made from six 150-volt or 160-volt 5-watt zeners. The crowbar-thyristor does not need a heat sink.

resistor R_2 ratings

Resistors have maximum voltage ratings that take precedence over power ratings. Example: A 2-watt, 5.1-megohm composition resistor requires 3193 volts to reach the 2-watt dissipation level. So, although this may look like the right choice for a high-voltage sampling resistor, there is a 500-volt maximum rating that must be observed at all times. Using Ohm's law: $P = E^2/R$; at maximum rating, the "2-watt" resistor should only be used to dissipate 0.049 watts.

Special resistors are available for high voltages. They have a metal oxide, spiral deposited film, but are expensive and hard to find. The 0.5-watt 1 percent variety metal oxide film resistors are easier to locate and have a maximum voltage rating of 350 volts each. You

can place as many as you need in series on a perf-board. I use 100 k, 0.5 watt, 1 percent resistors in series for R_2 . They will stand 2.2 mA or 220 volts per unit at 0.5-watt dissipation and cost about eight cents apiece in quantities of 100.

modifications

If necessary, the regulator circuit can be modified to use a different sampling current. However, it probably should not be reduced below 1 mA.

construction

I built the circuit on a piece of perfboard, using a wire-wrap IC socket with the pins bent flat. You can also use a pc board if the traces used to carry the ≥ 100 ampere short-circuit current are made of sufficient cross section.

unregulated power supply considerations

Keep in mind that the unregulated voltage needs to be only slightly higher than the full-load, regulated voltage. Extra voltage will be wasted as heat, increasing the burden on the pass element. A wide range high-voltage supply should use a multi tapped power transformer.

ham radio



"America's Weekly Guide to Satellite TV"



The best in satellite programming! Featuring: ★ Over 120 Channels listed ★ Weekly, Updated Listings ★ Magazine Format ★ Complete Alphabetical Movie Listings ★ Sports Specials ★ Prime Time Grids ★ Specials ★ Programming Updates!

- Only \$45.00 per year (52 weekly issues)
- 2 Years \$79.00 (104 weekly issues)
- \$1.00 for sample copy

*NC Residents must add 5% Sales Tax

Subscribe Today!

call toll free 1-800-234-0021
 Visa® and MasterCard® accepted



ONSat PO Box 2347 Shelby, NC 28151-2347

W6SAI BOOKS

published by Bill Orr, W6SAI and Stu Cowan, W2LX

BEAM ANTENNA HANDBOOK

Completely revised and updated with the latest computer generated information on BEAM Antenna design. Covers HF and VHF Yagis and 10, 18 and 24 MHz WARC bands. Everything you need to know. 204 illustrations. 268 pages. ©1985. Revised 1st edition.

□RP-BA Softbound \$11.95

SIMPLE LOW-COST WIRE ANTENNAS

Primer on how-to-build simple low cost wire antennas. Includes invisible designs for apartment dwellers. Full of diagrams and schematics. 192 pages. ©1972 2nd edition

□RP-WA Softbound \$11.95

ALL ABOUT CUBICAL QUAD ANTENNAS

Simple to build, lightweight, and high performance make the Quad at DX'ers delight. Everything from the single element to a multi-element monster. A wealth of information on construction, feeding, tuning and installing the quad antenna. 112 pages. ©1982. 3rd edition.

□RP-CQ Softbound \$9.95

THE RADIO AMATEUR ANTENNA HANDBOOK

A wealth of projects that covers verticals, long wires, beams as well as plenty of other interesting designs. It includes an honest judgement of gain figures, how to site your antenna for the best performance, a look at the Yagi-Quad controversy, baluns, slopers, and delta loops. Practical antenna projects that work! 190 pages. ©1978. 1st edition.

□RP-AH Softbound \$11.95

Please enclose \$3.50 for shipping and handling.



ham radio magazine **BOOKSTORE**
 GREENVILLE, NH 03048 (603) 878-1441

STV GUIDE

The new **STV Guide** contains valuable information on zoning regulations, scrambling, plus technical tips for installing or updating a satellite system—and now a precise monthly guide to satellite TV with the latest program listings for over 90 channels!



All this in each complete issue of **STV Guide!**

- Only \$48.00 per year (12 monthly issues)
- \$2.00 for a sample copy

*NC Residents must add 5% sales tax

Subscribe Today!

Call toll free 1-800-234-0021
 Visa® and MasterCard® accepted



STV Guide PO Box 2384 Shelby, NC 28151-2384

HITACHI SCOPES AT DISCOUNT PRICES!

\$100 Price Reduction



V-212
NOW \$379
was \$475
List \$560

Plus 'Free' 9600 Function Generator

All Hitachi scopes include two 1x, 10x probes and have a 3 year warranty on parts and labor



40MHz **V-425** List 995
CRT readout **\$835**



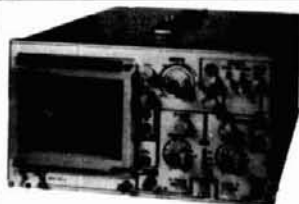
60MHz **V-660** List 1,195
Delayed sweep **\$949**



100MHz **V-1060** List 1,595
Delayed sweep **\$1,285**

	List	Our Price	Save
V-223 20MHz D.T. 2mV Sens. Delayed Sweep	770	695	75
V-422 40MHz D.T. 1mV Sens. DC offset	875	695	180
V-423 40MHz D.T. 1mV Sens. Delayed Sweep DC offset	955	795	160
V-1065 100MHz D.T. 2mV Sens. Delayed Sweep	1,895	1,575	320
V-1100 100MHz Q.T. 1mV Sens. Cursor meas. DVM counter	2,295	1,995	300
V-1150 150MHz Q.T. 1mV Sens. Cursor meas. DVM counter	3,100	2,565	535

ELENCO PRODUCTS AT DISCOUNT PRICES!



\$349
MO-1251

- 6" CRT
- Built in component tester
- TV Sync
- Much More

20MHz Dual Trace Oscilloscope

Scope Probes

- P-1 65MHz, 1x, 10x **\$19.95**
 - P-2 100MHz, 1x, 10x **\$23.95**
- with 5 accessories
10 meg ohms input impedance
Fits most scopes
TL-3 BNC Minigrabber **\$3.49**



\$498
MO-1252

- High Luminance 6" CRT
- 1mV Sensitivity
- 6KV Acceleration Voltage
- 10ns Rise Time
- X-Y Operation • Z Axis
- Delayed Triggering Sweep
- Much More

35MHz Dual Trace Oscilloscope

Top quality scopes at a very reasonable price. Contains all desired features. Two 1x, 10x probes, diagrams and manual.



True RMS 4 1/2 Digit Multimeter
\$135 M-7000

.05% DC Accuracy
.1% Resistance
with Freq. Counter
& Deluxe Case

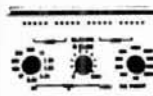
10MHz Oscilloscope



\$-3000
\$239

10MHz DC or AC
Triggered Sweep
Calibrated Vert & Hor
Reads Volts & Freq

Decade Blox



9610 or 9620
\$14.95

#9610 Resistor Blox: 47 to 1M ohm
#9620 Capacitor Blox: 47pf to 10MFD
Both interconnectable w/ #9600 or #9550



Low Cost Multimeter
M-1600
\$25

3 1/2 Digit LCD
1% DC Accuracy
10A Scale
Auto zero/polarity



Digital LCR Meter
LC-1800
\$138

Measures
Coils (1uH-200H)
Caps (.1pf-200uf)
Resistors
(.1 ohm-20M ohms)

Breadboard



9436
Shown

9430 1,100 pins \$15
9434 2,170 pins \$25
9436 2,860 pins \$35

Multimeter with Capacitance and Transistor Tester



\$55 CM-1500A
Reads Volts, Ohms
Current, Capacitors,
Transistors and
Diodes w/case

Digital Capacitance Meter CM-1550



9 Ranges
.1pf-20,000ufd
.5% basic accuracy
Zero control
w/case

Analog Multimeter M-1100



19 ranges
High Accuracy
10A reading
Mirrored scale
KR 17.50



3 1/2 Digit Meter
Auto and
Manual Ranging
28 Functions
Fully Protected

M-1180 .7% Ac \$36.95
M-1181 .1% Ac \$42.95
M-1182 .25% Ac \$39.95

Function Generator Blox



#9600
\$24.95

Provides sine, tri, squ wave
From 1Hz to 1MHz
AM or FM capability

Solderless Breadblox



550 tie pts
including 2 power
bus lines
#9550
\$7.50

IC Test Clips



16 pin \$5.95
20 pin \$8.25
24 pin \$10.75
28 pin \$11.75
40 pin \$18.50

All are gold plated to
assure trouble free contact

Temperature Probe M-110CF



\$29.95
Semiconductor
type
Range
-58F-302F

Fits most digital multimeters

50MHz Logic Probe LP-700



\$23

Logic Pulsar LP-600 \$23

Digital 3 Amp Power Supply

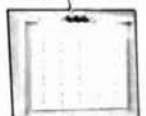


XP-750
\$175

0-40V @ 1.5A
0-2V @ 3A

XP-650 with Analog Meters \$129.50

Regulated P.S. Breadboard



\$99.95 XK-400

- Fully regulated
- Short circuit protection
- 3550 test points
- 3 power supplies

• 5V @ 2A, 12V @ .3A, -12V @ .3A

GF-8016 Function Generator with Freq. Counter



\$239

- Sine, Square, Triangle
- Pulse, Ramp, .2 to 2MHz
- Frequency .1 thru 10MHz

GF-8015 without Freq. Meter \$179

Digital Triple Power Supply



XP-765
\$239

0-20V @ 1A
0-20V @ 1A
5V @ 5A

Fully Regulated, Short Circuit Protected with
2 Limit Cont. 3 Separate Supplies

XP-660 with Analog Meters \$169.50

Quad Power Supply



XP-580

\$59.95

2-20V @ 2A
12V @ 1A
5V @ 3A
-5V @ .4A

Fully regulated and
short circuit protected

XP-575 without meters \$44.95

Four-Function Frequency Counters



F-1000 \$259

1.2GH

F-100 \$179

120MH

Frequency, Period, Totalize, Self Check with High-Stabilized Crystal Oven Oscillator, 8 Digit LED Display

WE WILL NOT BE UNDERSOLD!



C & S SALES INC.
1245 Rosewood, Deerfield, IL 60015
Add 5% for Postage (\$10 Max) IL Res., 7% Tax

(800) 292-7711
(312) 541-0710

15 Day Money Back Guarantee
2 Year Warranty

ASK FOR FREE CATALOG



ELMER'S NOTEBOOK

Tom McMullen, W1SL

propagation basics

One of the great mysteries to most Amateur Radio newcomers is how DX signals get from place to place around the globe. To a casual or uninformed listener, there is no apparent reason for some bands to be "dead" while others are booming with activity. And why does a band full of very strong signals fade out suddenly sometimes, but at other times slowly and incompletely?

There are reasons for this behavior, and an experienced Amateur soon learns to take advantage of the mechanism that provides a path to that distant station.

It all has to do with the ionosphere — that layer of gases that makes up the atmosphere we live, breathe, and fly in. Under the influence of radiation from the sun, this shell that protects life on earth takes on some strange properties that provide life on our Amateur bands.

layer after layer

Fortunately for us, the entire atmosphere does not react in the same way to solar radiation. There are "layers" of reaction at well-defined heights above ground; these layers change their characteristics daily and seasonally. Normal ultraviolet radiation from the sun causes most of the action, with help from periodic outbursts of radiation like Extreme Ultraviolet (EUV) and X-rays, and both high- and low-energy particles.

When ultraviolet and other solar radiation reaches the atmosphere, it reacts with the air molecules in such a way that

they become "ionized". Some electrons are knocked loose from their parent atoms, and some molecules gain an extra electron or two. The result is a layer of particles that have an electrical charge, either positive or negative. Such a layer reacts with radio waves as they travel upward from the surface. Layers of different densities occur at different levels in the atmosphere. The lowest layer, approximately 45 to 55 miles above the surface, is called the "D" layer. There is also an "E" layer at about 65 to 75 miles high. It has a wandering cousin called "sporadic E" that creates some interesting conditions. (More about this one later.)

Things get more active at heights of 90 to 250 miles. There are two layers up there, called "F1" and "F2." These have an unusual property in that they are separate, distinct layers during the daylight hours, but combine after sunset to form just one "F" layer. Figure 1 shows these layers as they might appear during a normal daylight period.

the D layer

This lowest layer is not really of much use to Amateurs. In fact, it usually works against our desire to QSO on the lower frequency bands (1.8, 3.5, and sometimes 7 MHz) by absorbing the waves as they travel outward from the

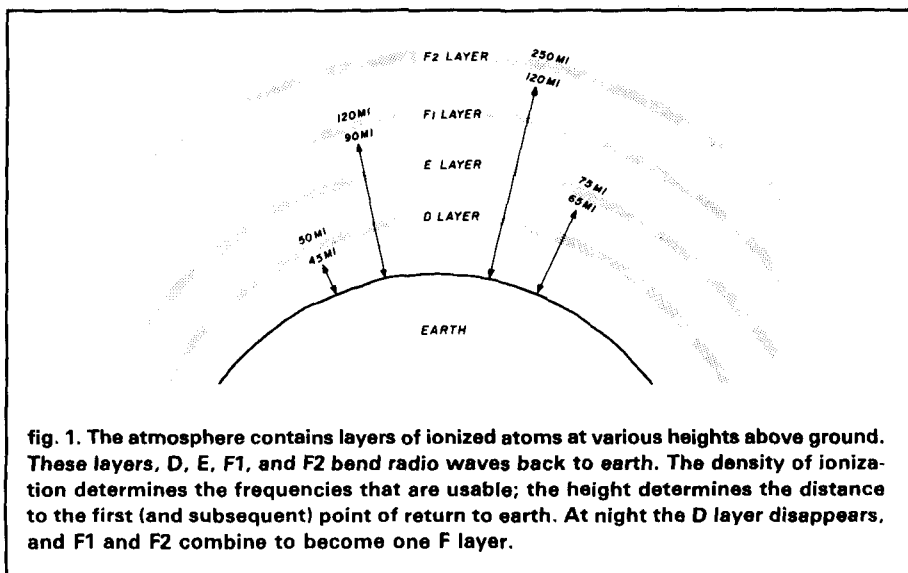


fig. 1. The atmosphere contains layers of ionized atoms at various heights above ground. These layers, D, E, F1, and F2 bend radio waves back to earth. The density of ionization determines the frequencies that are usable; the height determines the distance to the first (and subsequent) point of return to earth. At night the D layer disappears, and F1 and F2 combine to become one F layer.

WE SHIP WORLDWIDE
Barry Electronics Corp.
 WORLD WIDE AMATEUR RADIO SINCE 1950
 Your one source for all Radio Equipment!

For the best buys in town call:
212-925-7000
 Los Precios Mas Bajos en
 Nueva York...

KITTY SAYS: WE ARE NOW OPEN 7 DAYS A WEEK.
Saturday & Sunday 10 to 5 P.M.
 Monday-Friday 9 to 6:30 PM Thurs. to 8 PM
 Come to Barry's for the best buys in town.

MAY We Help You With the Best in
 Commercial and Amateur Radios?
 Kitty WA2BAP



ONV Safety
 belts-in stock



ICOM
 IC-R71A, 751A, 781, 28AH, 38A, 48A, Micro24,
 R-7000, IC-761, IC-375A, 275AH, 3210A, 475A/
 H, 735, IC-900, IC-228H

KENWOOD



TS440S/AT, R-5000, R-2000 TS 940 S/AT
 TM 221A/421A, TM 25 F0A/DA/31A, TR-751A,
 Kenwood Service Repair, TM-721A, TS-711R/11A,
 TR903A, TR905A, TR913A, TM-621A, TM-321A,
 TS-140S, TS-800S

Budwig ANT. Products
 NEL-TECH/DK-10W Digital Voice Keyer
FLUKE 77 Multimeter

VoCom/Mirage/Ailinc
 Tokyo Hy-Power/TE SYSTEMS
 Amplifiers &
 5/8" HT Gain
 Antennas IN STOCK

Antennas

5/8" HT Gain
 1/2" HT Gain
 1/4" HT Gain
 1/8" HT Gain
 1/16" HT Gain
 1/32" HT Gain
 1/64" HT Gain
 1/128" HT Gain
 1/256" HT Gain
 1/512" HT Gain
 1/1024" HT Gain
 1/2048" HT Gain
 1/4096" HT Gain
 1/8192" HT Gain
 1/16384" HT Gain
 1/32768" HT Gain
 1/65536" HT Gain
 1/131072" HT Gain
 1/262144" HT Gain
 1/524288" HT Gain
 1/1048576" HT Gain
 1/2097152" HT Gain
 1/4194304" HT Gain
 1/8388608" HT Gain
 1/16777216" HT Gain
 1/33554432" HT Gain
 1/67108864" HT Gain
 1/134217728" HT Gain
 1/268435456" HT Gain
 1/536870912" HT Gain
 1/1073741824" HT Gain
 1/2147483648" HT Gain
 1/4294967296" HT Gain
 1/8589934592" HT Gain
 1/17179869184" HT Gain
 1/34359738368" HT Gain
 1/68719476736" HT Gain
 1/137438953472" HT Gain
 1/274877906944" HT Gain
 1/549755813888" HT Gain
 1/1099511627776" HT Gain
 1/2199023255552" HT Gain
 1/4398046511104" HT Gain
 1/8796093022208" HT Gain
 1/17592186444416" HT Gain
 1/35184372888832" HT Gain
 1/70368745777664" HT Gain
 1/140737491555328" HT Gain
 1/281474983110656" HT Gain
 1/562949966221312" HT Gain
 1/1125899932422624" HT Gain
 1/2251799864845248" HT Gain
 1/4503599729690496" HT Gain
 1/9007199459380992" HT Gain
 1/18014398918761984" HT Gain
 1/36028797837523968" HT Gain
 1/72057595675047936" HT Gain
 1/144115191350095872" HT Gain
 1/288230382700191744" HT Gain
 1/576460765400383488" HT Gain
 1/1152921530800766976" HT Gain
 1/2305843061601533952" HT Gain
 1/4611686123203067904" HT Gain
 1/9223372246406135808" HT Gain
 1/18446744492812271616" HT Gain
 1/36893488985624543328" HT Gain
 1/73786977971249086656" HT Gain
 1/147573955842498173312" HT Gain
 1/295147911684996346624" HT Gain
 1/590295823369992693248" HT Gain
 1/1180591646739985386496" HT Gain
 1/2361183293479970772992" HT Gain
 1/4722366586959941545984" HT Gain
 1/9444733173919883091968" HT Gain
 1/18889466347839763183936" HT Gain
 1/37778932695679526367872" HT Gain
 1/75557865391359052735744" HT Gain
 1/151115730782718105471488" HT Gain
 1/302231461565436210942816" HT Gain
 1/604462923130872421885632" HT Gain
 1/1208925846617444843711264" HT Gain
 1/2417851693234889687422528" HT Gain
 1/4835703386469779374845056" HT Gain
 1/9671406772939558749690112" HT Gain
 1/19342813545879117493980224" HT Gain
 1/38685627091758354987960448" HT Gain
 1/77371254183516711975936896" HT Gain
 1/154742508367033439519873792" HT Gain
 1/309485016734066879039747584" HT Gain
 1/618970033468133758079495168" HT Gain
 1/1237940067376267176158990336" HT Gain
 1/2475880134752534353179980672" HT Gain
 1/4951760269505068706359961344" HT Gain
 1/9903520539010137412719922688" HT Gain
 1/1980704107802027482543945376" HT Gain
 1/3961408215604054965087890752" HT Gain
 1/7922816431208109930175815104" HT Gain
 1/15845632864162119860351630208" HT Gain
 1/31691265728324239720703260416" HT Gain
 1/6338253145664847944140652122832" HT Gain
 1/1267650629132969588828130444544" HT Gain
 1/2535301258265939177656262888896" HT Gain
 1/5070602516531878355312517177792" HT Gain
 1/10141205033063756710625135355544" HT Gain
 1/2028241006612751342125135355544" HT Gain
 1/405648201322550268425135355544" HT Gain
 1/811296402645100256850268425135355544" HT Gain
 1/1622592052890200513605135355544" HT Gain
 1/324518410578040010270268425135355544" HT Gain
 1/6490368215560800205405135355544" HT Gain
 1/129807364311216004108170268425135355544" HT Gain
 1/2596147286224320081763405135355544" HT Gain
 1/51922945724464001636868170268425135355544" HT Gain
 1/1038458914892800327373763405135355544" HT Gain
 1/20769178297856006547475268425135355544" HT Gain
 1/4153835659571201309489170268425135355544" HT Gain
 1/8307671319142402618978170268425135355544" HT Gain
 1/166153426382848052379563405135355544" HT Gain
 1/3323068527656961047591268425135355544" HT Gain
 1/664613705531392209518370268425135355544" HT Gain
 1/1329227411062784419167405135355544" HT Gain
 1/265845482212556883833405135355544" HT Gain
 1/53169096442511376666868170268425135355544" HT Gain
 1/1063381928850275333373763405135355544" HT Gain
 1/21267638577005506667475268425135355544" HT Gain
 1/4253527715401101333495135355544" HT Gain
 1/850705543080220266689170268425135355544" HT Gain
 1/1701411086160440533378170268425135355544" HT Gain
 1/3402822172308801066763405135355544" HT Gain
 1/680564434461760213335135355544" HT Gain
 1/13611288692323520266689170268425135355544" HT Gain
 1/27222577364647040533378170268425135355544" HT Gain
 1/54445154729294081066763405135355544" HT Gain
 1/1088903094585881613335135355544" HT Gain
 1/21778061891717632266689170268425135355544" HT Gain
 1/43556123783435264533378170268425135355544" HT Gain
 1/87112247566870529066689170268425135355544" HT Gain
 1/1742244513374110573335135355544" HT Gain
 1/34844890267482211466689170268425135355544" HT Gain
 1/69689780534964422933378170268425135355544" HT Gain
 1/139379561099288445766689170268425135355544" HT Gain
 1/27875912219857689153335135355544" HT Gain
 1/557518244397153783066689170268425135355544" HT Gain
 1/111503648795427566133378170268425135355544" HT Gain
 1/223007297590855132266689170268425135355544" HT Gain
 1/44601459518171026453335135355544" HT Gain
 1/892029190363420529066689170268425135355544" HT Gain
 1/178405820726684105733378170268425135355544" HT Gain
 1/356811641453368211466689170268425135355544" HT Gain
 1/71362328290673642293335135355544" HT Gain
 1/142724655781347285766689170268425135355544" HT Gain
 1/28544931156269457153335135355544" HT Gain
 1/57089862312538911466689170268425135355544" HT Gain
 1/114179724625077822933378170268425135355544" HT Gain
 1/228359449250155645766689170268425135355544" HT Gain
 1/4567188985003112913335135355544" HT Gain
 1/91343779700062258266689170268425135355544" HT Gain
 1/182687557400124516533378170268425135355544" HT Gain
 1/365375114800249033066689170268425135355544" HT Gain
 1/73075022960049806613335135355544" HT Gain
 1/1461500459200996132266689170268425135355544" HT Gain
 1/2923000918401992266689170268425135355544" HT Gain
 1/584600183680398453335135355544" HT Gain
 1/11692003673667969066689170268425135355544" HT Gain
 1/2338400734733938133378170268425135355544" HT Gain
 1/4676801469467876266689170268425135355544" HT Gain
 1/935360293893575253335135355544" HT Gain
 1/187072058778715045766689170268425135355544" HT Gain
 1/37414411755743009153335135355544" HT Gain
 1/748288235114860183066689170268425135355544" HT Gain
 1/149657647023720366133378170268425135355544" HT Gain
 1/299315294047440732266689170268425135355544" HT Gain
 1/59863058809488146453335135355544" HT Gain
 1/119726117619776292933378170268425135355544" HT Gain
 1/239452235239552585766689170268425135355544" HT Gain
 1/47890447047910517153335135355544" HT Gain
 1/957808940958210343066689170268425135355544" HT Gain
 1/191561781191640686133378170268425135355544" HT Gain
 1/383123562383281372266689170268425135355544" HT Gain
 1/76624712476656274453335135355544" HT Gain
 1/153249449533312514866689170268425135355544" HT Gain
 1/306498899066625029733378170268425135355544" HT Gain
 1/612997798133250059466689170268425135355544" HT Gain
 1/122599559626500118913335135355544" HT Gain
 1/245199119253000378266689170268425135355544" HT Gain
 1/490398238506000756533378170268425135355544" HT Gain
 1/980796477012001513066689170268425135355544" HT Gain
 1/196159295402400302613335135355544" HT Gain
 1/3923185908048006052266689170268425135355544" HT Gain
 1/7846371816096012104533378170268425135355544" HT Gain
 1/15692743532192024209066689170268425135355544" HT Gain
 1/3138548706438404841813335135355544" HT Gain
 1/62770974128768096836266689170268425135355544" HT Gain
 1/1255419482575361936733378170268425135355544" HT Gain
 1/2510838965150723873466689170268425135355544" HT Gain
 1/5021677930301447754813335135355544" HT Gain
 1/1004335586060289549766689170268425135355544" HT Gain
 1/2008671172120579099533378170268425135355544" HT Gain
 1/4017342344241158199066689170268425135355544" HT Gain
 1/8034684688482316381913335135355544" HT Gain
 1/1606936936974632675836266689170268425135355544" HT Gain
 1/321387387394926535166689170268425135355544" HT Gain
 1/64277477478985307033378170268425135355544" HT Gain
 1/128554954977970614066689170268425135355544" HT Gain
 1/2571099099559412213335135355544" HT Gain
 1/51421981991188244266689170268425135355544" HT Gain
 1/102843959823776484533378170268425135355544" HT Gain
 1/205687919647552969066689170268425135355544" HT Gain
 1/41137583929510593813335135355544" HT Gain
 1/822751678590211876266689170268425135355544" HT Gain
 1/1645503377180423752533378170268425135355544" HT Gain
 1/3291006754360847505066689170268425135355544" HT Gain
 1/658201350872169501013335135355544" HT Gain
 1/13164027017423390020266689170268425135355544" HT Gain
 1/26328054034846780040533378170268425135355544" HT Gain
 1/52656108069693560081066689170268425135355544" HT Gain
 1/1053122161933871201613335135355544" HT Gain
 1/21062443238677424032266689170268425135355544" HT Gain
 1/42124886477354848064533378170268425135355544" HT Gain
 1/84249772954709696129066689170268425135355544" HT Gain
 1/168499545909419392253335135355544" HT Gain
 1/3369990918188387845066689170268425135355544" HT Gain
 1/6739981836376775690133378170268425135355544" HT Gain
 1/13479963672753551380266689170268425135355544" HT Gain
 1/269599273455071036053335135355544" HT Gain
 1/5391985469101420721066689170268425135355544" HT Gain
 1/10783970982022841442133378170268425135355544" HT Gain
 1/2156794196404568288266689170268425135355544" HT Gain
 1/431358839280913657653335135355544" HT Gain
 1/8627176785618273155066689170268425135355544" HT Gain
 1/17254353571235543110133378170268425135355544" HT Gain
 1/34508707142471086220266689170268425135355544" HT Gain
 1/690174142849421724453335135355544" HT Gain
 1/13803482569988434489066689170268425135355544" HT Gain
 1/27606965139976868978133378170268425135355544" HT Gain
 1/552139302799537379566689170268425135355544" HT Gain
 1/110427864599107475913335135355544" HT Gain
 1/2208557291982149518266689170268425135355544" HT Gain
 1/4417114583964299036533378170268425135355544" HT Gain
 1/8834229167928598073066689170268425135355544" HT Gain
 1/1766845835845719614013335135355544" HT Gain
 1/35336916716914392280266689170268425135355544" HT Gain
 1/70673833433828784480533378170268425135355544" HT Gain
 1/1413476668776575697613335135355544" HT Gain
 1/2826953337553151395266689170268425135355544" HT Gain
 1/5653906675106302790533378170268425135355544" HT Gain
 1/11307813350212605581066689170268425135355544" HT Gain
 1/226156267004252111613335135355544" HT Gain
 1/4523125340085042232266689170268425135355544" HT Gain
 1/9046250680170084464533378170268425135355544" HT Gain
 1/1809250136340161729066689170268425135355544" HT Gain
 1/361850027268032345813335135355544" HT Gain
 1/7237000545360646912266689170268425135355544" HT Gain
 1/14474001087212813824533378170268425135355544" HT Gain
 1/28948002174425627649066689170268425135355544" HT Gain
 1/5789600434885125529013335135355544" HT Gain
 1/115792008797702510558266689170268425135355544" HT Gain
 1/231584017595405021116533378170268425135355544" HT Gain
 1/463168035190810004223266689170268425135355544" HT Gain
 1/926336070381620008453335135355544" HT Gain
 1/1852672140642400169066689170268425135355544" HT Gain
 1/3705344281284800338133378170268425135355544" HT Gain
 1/7410688562569600676266689170268425135355544" HT Gain
 1/148213771313920135253335135355544" HT Gain
 1/2964275426278402705066689170268425135355544" HT Gain
 1/5928550852556805410133378170268425135355544" HT Gain
 1/1185710170513610820266689170268425135355544" HT Gain
 1/237142034102722164053335135355544" HT Gain
 1/4742840682054443281066689170268425135355544" HT Gain
 1/9485681364108865612133378170268425135355544" HT Gain
 1/189713627221777132253335135355544" HT Gain
 1/3794272544435542645066689170268425135355544" HT Gain
 1/7588545088871088490133378170268425135355544" HT Gain
 1/1517709077754176980266689170268425135355544" HT Gain
 1/303541815550835396053335135355544" HT Gain
 1/6070836311016707920133378170268425135355544" HT Gain
 1/12141672622033415840266689170268425135355544" HT Gain
 1/242833452440668316805333513

antenna. The density of the D layer is such that wavelengths below a certain frequency (called the LUF, or Lowest Usable Frequency) are simply absorbed on the way through. Talk about a big dummy load! The D layer dissipates after sunset.

You can hear the effects of this dissipation on the AM broadcast band. Throughout the day, only nearby stations can be heard. But not long after sunset, DX starts to come in at ever increasing distances until you can often tune in stations half a continent away. That's why so many AM broadcast stations have to sign off at sunset — they would create unbelievable QRM when the D layer dissipates and allows better propagation. The same change takes place on the 1.8, 3.5, and 7 MHz bands; the distances that can be worked on 3.5 and 7 can span the globe. Of course, our high-flying friend, the F layer, is what provides all this DX on these lower bands at night.

the F layer(s)

No one is exactly sure why there are two F layers, but they definitely exist. Layer height and density are determined by sending a radio-frequency pulse straight up and recording the reflections as they return; the instrument used is called an *ionosonde*. Not only does this locate the height of the layers, but it can determine the point at which nothing is reflected when the radio frequency of the pulse is varied. This is the Maximum Usable Frequency (MUF). Frequencies higher than this will just keep going out into space, and those between the LUF and MUF will be bent (refracted) so that they return to earth.

The F1 layer seems to have very little to do — just a small amount of refracting except in times of very high solar activity. The F2 layer provides the bending that creates most of the DX openings during the day and most of the night. The density of the F2 layer is directly affected by the sun's activity, and can provide DX signals that vary from being just readable to pinning the S-meter. The higher the activity, the higher the MUF will be. This means that during periods of high solar activity the

MUF will often climb up beyond 30 MHz, even reaching above 50 MHz in very good years. We are just starting a period of increasing activity, so get ready now for some spectacular openings on 28 MHz during the next 4 or 5 years. Peaks of activity can't be pinned down precisely, but the peak for this cycle should occur in the early 1990s. After that, there will be a gradual decline to the next minimum. The cycle from high to high (and low to low) runs approximately 11 years.

E and sporadic E

This layer was once called the "Kennelly-Heaviside layer" after some early investigators who theorized about its properties. It provides relatively short-hop propagation by bending signals back to a point 600 to 1200 miles away.

Its cousin, "sporadic E" (E_s), is not consistent enough to provide much excitement on the Amateur bands below 21 MHz. Its effects would be masked by F-layer reflection and by noise levels. The E_s layer begins to be evident above 28 MHz when it is active; at 50 and 144 MHz the activity can provide amazingly strong signal paths. E_s signals have often been heard as high as 220 MHz, but it was not until early 1988 that two-way contact was made via this medium at 220 MHz.

The theory of E_s propagation that seems to fit is that it is a "cloud" or "patch" of ionization that wanders erratically about at heights of 65 to 75 miles. The most common locations for these clouds in the United States seem to be the southeastern part of the country. They often start near the Gulf coast in Louisiana or Mississippi, and travel northward toward Arkansas and Missouri. In some instances, a second cloud appears over the southwest. When this happens, VHF enthusiasts can experience the thrill of "double-hop" DX, with contacts possible out to 2,000 miles or more.

These E_s clouds have appeared farther east and north as well, and there are reports of European E_s propagation on 144 MHz. Signals can be very loud and stay with you for several minutes, or

SAVE TIME and MONEY with THE HAZER



Bring things down for safety and convenience.

Never climb your tower again with this elevator system. Antennas and rotator mount on HAZER, complete system travels tower in vertical upright position. Safety lock system operates while raising or lowering. Never can fall.

Complete kit includes winch, 100 ft. of cable, hardware and instructions. For Rohn 20 and 25 G Towers.

Hazer 2-Heavy duty alum. 12 sq. ft. load	\$297.00 p.p.d.
Hazer 3-Standard alum. 8 sq. ft. load	\$213.00 p.p.d.
Hazer 4-Heavy galv. steel 16 sq. ft. load	\$278.00 p.p.d.

NEW for ROHN 45 and 55 Towers

Hazer 8-Heavy duty galv. steel 16 sq. ft. load	CALL
Ball Thrust Bearing TB-25 for any of above	\$64.50 p.p.d.

Send for free details of aluminum towers specifically engineered for use with the Hazer. Two sizes; M-13 (13" wide) and M-18 (18" wide). All bolted construction, no welds. Easy to install hinge base, walk up erection. Complete tower UPS or air freight shippable. Pre-assembled or kit form.

Satisfaction guaranteed. Call today and charge to Visa, MasterCard or mail check or money order.

GLEN MARTIN ENGINEERING INC.
 Rte 3, Box 322
 Boonville, MO 65233
 (816) 882-2734 FAX 816-882-7200

NEW SUPER LONG PLAY TAPE RECORDERS



12 Hour Model — \$105.00*

Modified Panasonic Slimline, high quality, AC-DC Recorders provide 6 continuous hours of quality recording & playback on each side of cassette for a total of 12 hours.

Built-in features include:

- Voice level control.
- Digital counter, etc.
- TDK DC 120 Cassette Furnished.

PHONE RECORDING ADAPTER

Records calls automatically. All Solid state connects to your telephone jack and tape recorder. Starts recording when phone is lifted. Stops when you hang up. **\$24.50***

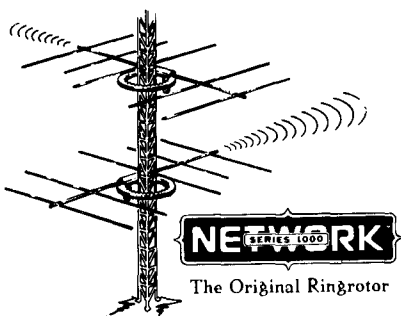
FCC APPROVED

VOX VOICE ACTIVATED CONTROL SWITCH

Solid state. Self contained. Adjustable sensitivity. Voices or other sounds automatically activate and control recorder. Uses either recorder or remote mike. **\$24.95***

*Add for ship & hdlg. Phone Adapter & Vox \$1.50 ea. Recorders \$4.00 ea. Cal. Res. add tax. Mail order, VISA, M/C, COD's OK. Money Back Guarantee. Qty. disc. avail... Dealer Inquiries invited. Free data.

AMC SALES INC. Dept H 9335 Lubec St., Box 928, Downey, CA 90241 Phone (213) 869-8519



Check the advantages to you, the DX'er, by using one or more of our Network Series 1000 Ringrotors:

- ✓ Now possible: 1 tower - Multiple rotating antennae
- ✓ Yet retain - individual rotation
- ✓ I - Beam ring construction for strength
- ✓ 24VDC gearmotor - steel gear drive for power
- ✓ 1 degree position feedback for accuracy
- ✓ Lower rotor position on tower for fewer lightning strikes
- ✓ A serious product for serious users.

YOU MAY ORDER NOW BY CALLING

TIC General

P.O. Box 1, 302 E. 3rd
Thief River Falls, MN 56701
Phone: Toll-free 1-800-423-6417
or 218-681-1291

✓ 126

QuickKit G5RV, Loop, & Dipole Kits

- Fast & Easy to Build
- Everything included
- Fail-safe visual instructions
- No measuring / cutting
- Finish antennas in minutes
- Quality Components
- Presoldered Amphol PL259
- Kinkproof Superflex wire
- Fully insulated, w/x sealed, no-corrode, low noise design

- Full Size G5RV dipole coverage 80-10 \$34.95
- Half Size G5RV dipole coverage 40-10 \$24.95
- Quarter Size G5RV dipole coverage 20-10 \$19.95
- Marconi Adapter kit \$ 4.95
- Antenna Launcher kit \$14.95
- 200' Dacron 250# line \$11.95
- Loops, dipoles, feedlines, etc. Add \$5 Shipping & Handling

Fastest Antennas in the West
AntennasWest
(801) 373-8425 Dept H, Provo, UT 84603-1144

✓ 112

AMATEUR RADIO MAIL LISTS

Self-stick 1x3 labels

- *** NEWLY LICENCED HAMS ***
- *** ALL NEW UPGRADES ***
- *** UPDATED EACH WEEK ***

Total List = 462,728 (ZIP sorted)
Price is 2.5 cents each (4-up Cheshire)

BUCKMASTER PUBLISHING

Mineral, Virginia 23117
703-894-5777
800-282-5628

✓ 127

TELL YOUR FRIENDS
about
ham
radio

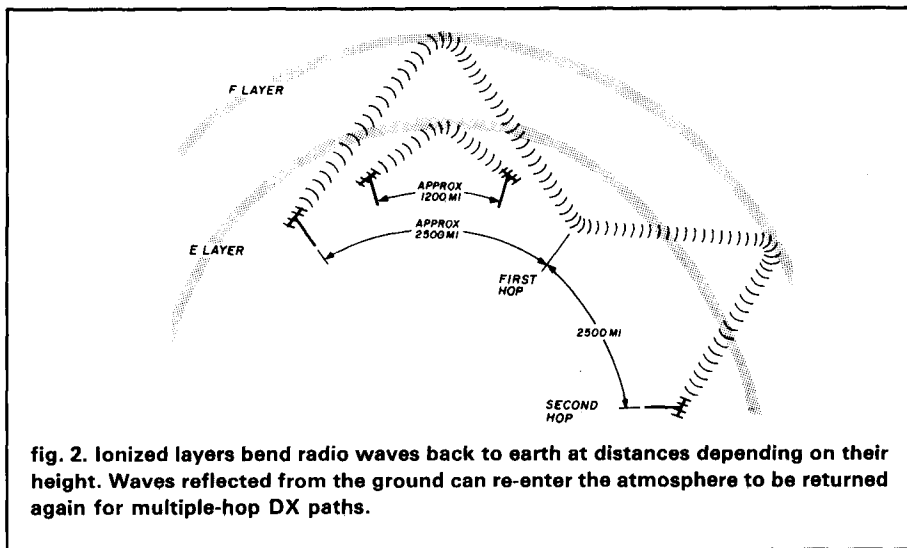


fig. 2. Ionized layers bend radio waves back to earth at distances depending on their height. Waves reflected from the ground can re-enter the atmosphere to be returned again for multiple-hop DX paths.

they can disappear in the middle of a QSO. In E_s QSOs it's wise to trade vital information first (QTH, signal strength, name, etc.), then chat about other things before the signal drops out. The points of reflection seem to move rapidly, and this creates somewhat of a contest atmosphere for the VHF enthusiast. The game is to see how many stations you can work before the cloud dissipates.

short path, long path

Another quirk of the F2 layer is its ability to fool us by not taking the shortest path between two points. Stations that are 6,000 miles apart, for instance, can sometimes work each other by pointing their antennas in the opposite direction for a path length of 18,000 miles. This happens because the amount of ionization can sometimes be greater in that direction than over the shorter path, or the short path may be noisy or have high absorption. Follow this procedure: if you feel that a path should be open but you're not hearing anything in that direction, turn your antenna around 180 degrees and try the other way. It often works surprisingly well.

multihop propagation

It doesn't take a great mathematician to figure out that a layer only 170 to 250 miles high can't reflect a radio wave to a point on the other side of the globe. In order to be line-of-sight at both ends of

the path, the layer would have to be almost as high as the moon. As things work out, the radio energy returned to earth from the F2 (or other) layer strikes the ground and is reflected skyward again, to be bent back to reach the ground a second time or more (see fig. 2). Each time it does this, some signal strength is lost, but there's usually enough left for a solid QSO.

"Backscatter" is another interesting happening. In this mode, a signal strikes the ground at the end of the first hop, and enough of it is scattered back in the same direction to produce a signal near the starting point. On 28 MHz, for example, you might hear a station 100 or so miles away when you are both trying to work stations to the west, but if you turn your beam in his direction, you don't hear the signal. Backscatter signals are usually not very strong, but QSOs have been made this way. Sometimes this is the only way to get nearby contacts for a Worked All States (WAS) certificate.

the "greyline"

A mode that many Amateurs are learning to appreciate is the "greyline DX path." This is a band of good propagation that follows the twilight zone around the world. If you are in the twilight area just after sunset, chances are very good that you can work someone who is in a similar zone just before sunrise at his location. The opposite is also true — as long as both of you are in

THE MOST AFFORDABLE REPEATER

ALSO HAS THE MOST IMPRESSIVE PERFORMANCE FEATURES

(AND GIVES THEM TO YOU AS STANDARD EQUIPMENT!)

KIT, ONLY \$675
WIRED \$975
VHF OR UHF



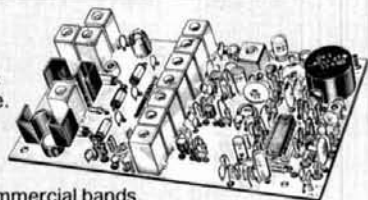
FEATURES:

- **SENSITIVITY SECOND TO NONE!** GaAsFET front end on vhf models gives 12dB SINAD of 0.12uV (vhf), 0.15uV (220). UHF model 0.25uV std, 0.1uV with optional helical resonator preamp.
- **SELECTIVITY THAT CAN'T BE BEAT!** Both 8-pole xtal filter & ceramic filter for > 100dB at only ±12kHz. Helical resonator front end to combat desense & intermod.
- **CLEAN, STABLE TRANSMITTER,** up to 18W output standard; 50W with accessory power amplifier.
- **FCC TYPE ACCEPTED** for commercial high band and uhf.
- **Courtesy beep,** field-programmable CWID, flutter-proof squelch, automatic frequency control to compensate for off-frequency transmitters (all standard features).
- **Full range of options** available, such as autopatch, phone line or radio remote control, sub-audible tones, duplexers.

HIGH PERFORMANCE TRANSMITTERS & RECEIVERS FOR REPEATERS AUDIO & DIGITAL LINKS, TELEMTRY, ETC.

FM EXCITERS:

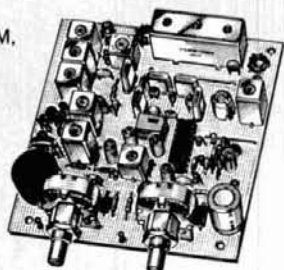
- Kits \$99, W/t \$179. 2W continuous duty. TCXO & xtal oven options available.
- **TA51 for 10M, 6M, 2M, 150-174, 220 MHz.**
- **TA451 for uhf.**



- FCC type accepted for commercial bands.
- Call for latest information on 900 MHz transmitters.
- **VHF & UHF AMPLIFIERS.** For FM, SSB, ATV. Output from 10 to 50 Watts. Several models, kits starting at \$79.

R144/R220 FM RECEIVERS for 2M,

- 150-174, or 220 MHz. GaAs FET front end, 0.12uV sensitivity! Both crystal & ceramic filters plus helical resonator front end for exceptional selectivity: > 100dB at ±12kHz (best available anywhere!) Flutter-proof squelch. AFC tracks drifting transmitters. Kit \$149, w/t \$229.



- **R451 UHF FM RCVR.** Similar to above. Tuned line front end, 0.25uV sens. (0.1uV with optional hel. res. preamp). Kit \$149, w/t \$229.
- **R901 FM RCVR FOR 900 MHz.** Triple-conversion, GaAs FET front end, 0.2uV sens. Kit \$169, w/t \$259.
- **R76 ECONOMY VHF FM RCVR** for 10M, 6M, 2M, 220. Without hel res or afc. Kits only \$129.
- **Weather satellite & AM Aircraft receivers also avail.**

FCC TYPE-ACCEPTED TRANSMITTERS & RECEIVERS AVAILABLE FOR HIGH-BAND AND UHF. CALL FOR DETAILS.

- Send \$1 for 36 page catalog by return mail. (Send \$2.00 or 4 IRC's for overseas mailing)
- Order by phone or mail • Min \$3 S & H per order
- Use Visa, Mastercard, Check, or UPS COD.

GaAs FET PREAMPS
at a fraction of the cost of comparable units!

NEW HIGH-SPEED DIGITAL RF LINKS

LNG-(*)

GaAs FET PREAMP



ONLY \$59!
Wired/tested

FEATURES:

- **Very Low Noise:** 0.7dB VHF, 0.8dB UHF
- **High Gain:** 13-20dB, depending on frequency
- **Wide Dynamic Range:** to resist overload
- **Stable:** new-type dual-gate GaAs FET

* Specify tuning range desired: 26-30, 46-56, 137-150, 150-172, 210-230, 400-470, or 800-960 MHz.



LNW-(*)

MINIATURE GaAs FET PREAMP

ONLY \$24/kit,
\$39 Wired/tested

GaAs FET Preamp similar to LNG, except designed for **low cost & small size.** Only 5/8"W x 1-5/8"L x 3/4"H. Easily mounts in many radios.

* Specify tuning range desired: 25-35, 35-55, 55-90, 90-120, 120-150, 150-200, 200-270, or 400-500 MHz.

LNS-(*)

IN-LINE PREAMP



ONLY \$79/kit,
\$99 Wired/tested

GaAs FET Preamp with features similar to LNG series, except **automatically switches out of line during transmit.** Use with base or mobile transceivers up to 25W.

* Specify tuning range desired: 120-175, 200-240, or 400-500 MHz.

HELICAL RESONATOR PREAMPS

Low-noise preamps with helical resonators **reduce intermod & cross-band** interference in critical applications.

MODEL HRA-(*), \$49 vhf, \$84 uhf.

* Specify tuning range desired: 143-150, 150-158, 158-162, 162-174, 213-233, 420-450, 450-465, or 465-475 MHz.

You've waited a long time for a simple, reliable, **low-cost 9600 baud PACKET NETWORKING system.** Now you've got it! Our new MO-96 MODEM and direct FSK Transmitters and Receivers for 220 or 440 MHz interface directly with most TNC's. Fast diode switched PA's output 15 or 50W. **Call for complete info on the right system for your application.**

ACCESSORIES



- **COR-3 Kit.** Control ckts and audio mixers needed to make a repeater. Tail & time-out timers, local spkr ampl, courtesy beep \$49
- **CWID Kit.** Field programmable, timers, the works \$59
- **TD-2 DTMF DECODER/CONTROLLER Kit.** Full 16 digits, switches 5 functions, toll call restrictor, programmable, much more. Great for selective calling tool! \$79
- **AP-3 AUTOPATCH Kit.** Use with above for repeater autopatch. Reverse patch and phone line remote control std. \$79
- **AP-2 SIMPLEX AUTOPATCH TIMING BOARD Kit.** Use with above for simplex autopatch \$39
- **MO-202 FSK DATA MODULATOR Kit.** Run up to 1200 baud digital signals through any fm transmitter with full handshakes. Radio link computers, telemetry gear, etc. \$39
- **DE-202 FSK DATA DEMODULATOR Kit** for rcvr end of link \$39

RECEIVING CONVERTERS



Antenna Input Range	Receiver Output
28-32	144-148
50-52	28-30
50-54	144-148
VHF	136-138 28-30
144-146	28-30
145-147	28-30
Kit with Case	\$59 146-148 28-30
Kit less Case	\$39 220-222 28-30
Wired w/case	\$89 220-224 50-54
	222-224 28-30
UHF MODELS	432-434 28-30
Kit with Case	\$69 435-437 28-30
Kit less Case	\$49 432-436 144-148
Wired w/case	\$99 432-436 50-54
	439-25 61-25
	902-928 422-448
	902-922 430-450

See catalog for full line of 2w transmitting converters for vhf & uhf. Kits only \$79. Linear Amplifiers avail. up to 50 w.

Our 25th Anniversary


hamtronics, inc.
65-H MOUL ROAD • HILTON NY 14468-9535
Phone: 716-392-9430 Hamtronics® is a registered trademark

NEW OSCAR



BRIDGES HAMISPHERE

- Coming soon to a shack near you.
- Signals from space.
- Catch some free.
- We know how.
- You can too!
- Join AMSAT
- Free brochure for SASE



AMSAT
PO BOX 27
WASHINGTON, DC 20044

119

this "edge-of-night" area, a good path can exist in between. At the spring and fall equinoxes the path will be directly over the poles; at other times the path will be off several degrees from north or south because of the earth's tilt. Propagation is possible because there is still enough F-layer activity to bend the signals, but the D layer has not built up enough to absorb them. There are computer programs that help find locations in the greyline at different times of year.

There are many other modes of propagation that help us make QSOs on various frequencies and at varying distances. Those I've outlined are responsible for 99 percent of all DX QSOs. Many articles and books have been written about the ionosphere and its effects on radio propagation, and some are fascinating reading. A serious DXer will learn all he can about this tool and use it for greater achievements. The rest of us can simply listen and learn to be at the right frequency at the right time by developing our own feel for openings. The column by Garth Stonehocker, KØRYW, in this magazine is a great help. Also, you can learn to eavesdrop on the sun's activity by tuning in WWV and using their sunspot and solar activity information.

However you go about it, DXing is great fun (and often contagious). Enjoy!

ham radio

CADDELL COIL CORP.

35 Main Street
Poultney, VT 05764
802-287-4055

BALUNS

Get POWER to your antenna! Our Baluns are already wound and ready for installation in your transmatch or you may enclose them in a weatherproof box and connect them directly at the antenna. They are designed for 3-30 MHz operation. (See ARRL Handbook pages 19-9 or 6-20 for construction details.)

100 Watt (4:1, 6:1, 9:1, or 1:1 Impedance—select one)	\$10.50
Universal Transmatch 1 KW (4:1 Impedance)	14.50
Universal Transmatch 2 KW (4:1 Impedance)	17.00
Universal Transmatch 1 KW (6:1, 9:1, or 1:1—select one)	16.00
Universal Transmatch 2 KW (6:1, 9:1, or 1:1—select one)	18.50

Please send large SASE for info.

TEXPRO snap-on-choke



ELIMINATES RF INTERFERENCE IN: TV sets, Radios, HI-FI, PA systems, Telephones, VCRs, Test equipment, Burglar and Fire alarms, Modems, Monitors, Computers, Radio and TV stations, etc.

EASY TO USE: fits over and snaps onto small, large and ribbon cables. No need to rewire connectors. Unique, split ferrite core design fits up to RG8U coax cables.

WORKS IN "COMMON MODE", filters current induced in the braid of shielded cables and ground wires!

Special ferrite material effective 0.5 - 200 MHz.

DOES NOT VOID EQUIPMENT WARRANTY

Available from your dealer or order direct from:

computeradio
Box 282, Pine Brook, NJ 07058
Tel: (201) 227-0712

Package of 4 chokes with inst. instructions
\$12.99
+ \$2.00 shipping

Send personal check with order, we ship same day First Class. 30-day money back warranty. Quantity discounts.

120

THE ASOTRON
COMPACT ANTENNAS FROM 160-10 METERS

**NO TUNERS!
NO RADIALS!
NO RESISTORS!
NO COMPROMISE!**

THREE EXCELLENT REVIEWS JUST DON'T HAPPEN BY CHANCE.

CALL US FOR A FREE CATALOGUE.

*See review in Oct 73, 1984
*Sept 73, 1985 *March 73, 1986

**NEW LOCATION!
BILAL COMPANY**
137 Manchester Dr.
Florissant, Colo. 80816
(719) 687-0650

121



LOW BAND DX-ING COMPUTER PROGRAMS

by John Devoldere, ON4UN, for
Apple IIe/c, MS-DOS, Commodore
C-128 Apple Macintosh and Kaypro
CPM Computers

Here's a collection of 30 super programs written by ON4UN. Just about every interest or need is covered—from antenna design and optimization to general operating programs. Antenna programs include: shunt and series input L network design, feedline transformer, shunt network design, SWR calculation, plus 11 more! General Ham programs include: sunrise/sunset, great circle distances, grayline, vertical antenna design program, sunrise calendar plus 9 more! Phew. When you sit down to use these programs you'll be amazed at what you have. The best value in computer software available today. © 1986.

- UN-Apple IIe/Ic \$39.95 ea.
- UN-MS (MS-DOS) \$39.95 ea.
- UN-CPM/Kaypro \$39.95 ea.
- UN-C-128 (COMMODORE) \$39.95 ea.
- UN-MAC (MACINTOSH) \$49.95

LOW BAND DX'ING by John Devoldere ON4UN

Now Available! The new, 2nd edition of the definitive book on Low Band DX'ing. Based upon years of practical on-the-air experience, learn the secrets of how ON4UN has been so successful on the low bands. Extensive coverage is given to transmit and receive antennas with clear concise explanations and plenty of illustrations—dipoles, inverted V's, slopers, phased arrays and Beverages—they're all in this book. Also covered: propagation, transmitters, receivers, operating, software and an extensive Low Band bibliography. Going to be a best seller! Get yours today. © 1987 2nd Edition 200 pages

- AR-UN Softbound \$9.95

BUY'EM BOTH SPECIAL OFFER

Book & Software Reg. \$49.90
(\$59.90 for Mac)

Just \$44.90 (\$54.90 for Mac)

- UN-SO (specify computer) \$44.90
- UN-MSO Macintosh Special \$54.90

SAVE \$5

Please enclose \$3.50 shipping & handling

ham radio BOOKSTORE

GREENVILLE, NH 03048 603-878-1441



R-7000 Widespan Panadaptor

Panadaptor especially designed for the R-7000 receiver. For use with a standard scope. Variable span width from 1 to 10 Mhz. Uncover unknown elusive signals. Complete with all cables, & 90 day warranty. \$349.95 Shipped. Pa. res. add 6%.

GTI Electronics

RD 1 BOX 272
Leighton, Pa. 18235
717-386-4032

✓ 122

VHF-UHF POWER DIVIDERS



RF power dividers provides the best way to feed in-phase 2 and 4 antenna arrays to maximize system gain and at the same time reduce losses to a minimum. Covering 144 thru 1296 MHz, this series of VHF/UHF power dividers are premier RF devices designed for a long service life with low SWR and broad operating bandwidth.

Extruded aluminum body with a durable enamel finish in addition to silicon sealing at connector flanges results in a ruggedized unit for all array installations. Available with N-type connectors only. These units are unconditionally guaranteed for 2 years.

MODEL	CONFIG.	PRICE
144-2P	(2 ports)	\$54.00
144-4P	(4 ports)	\$61.00
220-2P	(2 ports)	\$53.00
220-4P	(4 ports)	\$61.00
430-2P	(2 ports)	\$51.00
430-4P	(4 ports)	\$59.00
902-2P	(2 ports)	\$51.00
902-4P	(4 ports)	\$59.00
1296-2P	(2 ports)	\$52.00
1296-4P	(4 ports)	\$60.00

SHIPPING NOT INCLUDED

STRAIDSBERG ENGINEERING, CO.

P.O. Box 7973 • Shreveport, LA 71107 • USA
Phone: (318) 865-0523

✓ 123

Generate Your Own Electricity



Hundreds of satisfied owners are now using the WINDSTREAM® WIND GENERATOR to provide power for RVs, weekend cottages, boats, workshops, remote locations, emergency back up power and much more. Portable—weighs only 20 lbs—easily installed with our comprehensive installation manual—minimum maintenance—full warranty.

Thermax Corporation H ✓ 124
P.O. Box 3128, Burlington, VT 05401-3128

MADISON SHOPPER

CALL FOR ORDERS
1 (800) 231-3057
1-713-520-7300 OR 1-713-520-0550
TEXAS ORDERS CALL COLLECT
FAX 1-713-771-7759

ALL ITEMS ARE GUARANTEED OR
SALES PRICE REFUNDED

New Icom IC 781 Trades wanted
Kenwood TH215A, TH25AT Trade in your old HT
New Kenwood TM-621A, 144/220 MHz FM Call



Kenwood TS 140S Call for trade



New Kenwood TM-221A, 45W, mobile Call
ICOM 28H/TTM 410.00



- Icom 761 2300.00
- Shure 444D 56.95
- HEIL BM10 Boom Mike, wired 8 pin 69.00
- HEIL HMS Desk Mike 59.00
- Cushcraft 124 WB (146 MHz) 33.00
- Butternut HF6V, 80-10 vertical 125.00
- Hustler G7-144 129.00
- Larsen 2-meter on glass 49.95
- Anteco 2M, 5/8, Mag. Mount, Comp 25.00
- Van Gordon G5RV 44.00
- Valor AB5 mobile 79.00
- Thousands of panel meters 3.95 up CALL
- Aerovox 1000 pf/500 V feedthrough caps 1.95
- Transformer 120 V Pn, 1050 V(1A) (Sec. #18 Wire) 50.00
- 100 mtd/450V Axial Cap 2.20
- 831SP-PL259 Silverplate (Amphenol) 1.25
- 82-61 N Male (Amphenol) 3.00
- Double Female UHF 1.00
- UG176 RG8X each 30
- GE 6146B 14.95
- 3-500Z 140.00
- GE 12BY7A 7.00
- 6MJ6 12.95
- 6KD6 12.95
- Cetron 572B88.00
- 6JB6A 9.95
- 8950 18.00

USED EQUIPMENT

All equipment, used, clean, with 90 day warranty and 30 day trial. Six months full trade against new equipment. Sale price refunded if not satisfied.

Call for latest used gear
(800) 231-3057

GNU PROD
TE Systems 2m Amp 30-160 watts GaAs fet \$229.00

POLICIES

Minimum order \$10.00. Mastercard, VISA, or C.O.D. All prices FOB Houston, except as noted. Prices subject to change without notice. Items subject to prior sale. Call anytime to check the status of your order. Texas residents add sales tax. All items full factory warranty plus Madison warranty.

Bird and Belden products in stock. Call today.

MADISON Electronics Supply

3621 FANNIN
HOUSTON, TEXAS 77004





DX FORECASTER

Garth Stonehocker, KØRYW

summer signal levels

With the summer sunshine and warmer weather comes the annual decrease in signals levels.

Signal strength is lost as its energy travels away from the transmitter. The largest loss is called free space loss, and it decreases all signals with distance. The amount of additional loss depends on the transmission mode and signal origin conditions. Examples of modes are: groundwave, line of sight, and skywave. Two originating conditions are launch angle and polarization of the launch from the antenna. For hf skywave propagation the losses of the ionospheric transit, its reflection, and the ground reflection in between hops must be included.

Most ionospheric loss comes from signal energy colliding with ions on its path through the D region, 60-80 miles (100-120 km) above the earth. The level of energy absorbed per transit of the D region depends on the location of the sun and is a function of cosine X, the zenith angle to the sun. Maximum absorption occurs at the subsolar point, directly under the sun; absorption decreases as the signal path moves away from the subsolar point in any direction. It is the next largest signal loss — 10 to 30 dB between night and day on midlatitude one-hop paths. Seasonal absorption in the D region increases as the sun's subsolar point moves to 23 degrees north for the United States' summer. This seasonal loss can amount to 18 dB more in summer than winter for midlatitude single hops. Absorption in the D region changes about 8 dB for a one-hop midlatitude path between sunspot numbers 20 and 120 during the 11-year sunspot cycle. It is rising fast this year.

The statistics above are given for the

one-hop path as it is the easiest in which to see changes. When the signal travels three or more hops, the changes get blurred between them. There is more absorption with a larger number of hops, but the effect of absorption per hop is not linearly additive. Multiple hops cross into the night for the winter hemisphere, blurring additional losses. Ground reflections between hops are also lossy; loss varies with ground roughness and conductivity. On the average this loss is around 5 dB. All together, the losses amount to 120 dB of signal loss of transmitted power when received on summer days. Absorption is inversely proportional to frequency. However, this frequency dependency is hard to assess because as the frequency changes so does the extent of layer penetration. As a rough estimate, 10-MHz signals tend to incur twice as much signal absorption as 20-MHz signals.

What can DXers do to enhance their effectiveness during summertime operations? Review the chart on the next page for the highest band available to the DX area you wish to contact. Operate during the evening, taking advantage of its lower absorption, but before the maximum usable frequency drops off. Make sure your antenna radiates substantial energy at that low TOA for the best chance of contacting the desired DX station. Keep up on current conditions (in terms of signal absorption and variability, QSB) by listening to radio station WWV on 5, 10, and 15 MHz at 18 minutes after the hour. If the solar flux has just increased, absorption will be above normal. Absorption and fading conditions (QSB) are associated with an A figure of greater than 15 or a K figure greater than 4.

last-minute forecast

Higher frequency DX bands will have the most and longest long-skip openings in the first week or so of August (because of expected higher solar flux) and again the last week. Short-skip sporadic E openings will also be available, but spread out

through the month and emphasizing different times of day between the higher and lower bands. The lower bands should be best the third week due to the expected lower solar flux; lower absorption during the day affects daytime short skip and creates better nighttime signals toward sunrise and sunset. Expect some disturbances 1 to 2 days long, 1 to 2 days after solar flares are announced over WWV. These disturbances will be more likely July 29th-August 1st, August 4-6th, and 24-27th. The VHF/UHF enthusiast will note that the moon's perigee and the full moon appears on the 27th. The Perseids meteor shower will occur from the 10th to the 14th, with a maximum rate of better than 50 meteors per hour expected on the 11th and 12th. This is an excellent shower to work with for meteor burst.

band-by-band summary

Six-meter paths will open for a half hour to a couple of hours some days around local noon. Sporadic E propagation will make this short-skip path possible out to nearly 1200 miles (2000 km) per hop.

Ten and 15 meters will have a few short-skip E_s openings and some long-skip openings to southern areas of the world during daylight. Some transequatorial (TE) openings associated with mildly disturbed geomagnetic-ionospheric conditions may occur in the evening hours toward the end of the month.

Twenty and 30 meters will support DX propagation from most areas of the world during daylight and into the evening, with a lengthened skip out to 2000 miles (3000 km) per hop. The amount of daylight is still near the maximum, providing many hours of good DXing.

Thirty, 40, 80, and 160 meters are the night DXer's bands. On many nights 30 or 40 meters will be the only usable bands because of thunderstorm QRN, but signal strengths via E_s short skip may overcome the static, when E_s is available. Try the predawn hours for less QRN.

ham radio

ANTENNA ANALYSIS

For IBM-PC & Compatibles

The powerful easy-to-use MN program analyzes antennas employing wire or tubing elements:

- Forward Gain
- Element Currents
- F/B
- Angle of Radiation
- Beamwidth
- Sidelobes
- Input Impedance
- SWR
- Near Fields
- Radiation Patterns

MN features a realistic ground model and has enough computing power to solve for the interactions among several antennas on the same mast. Optimize arrays taking element tapering, nearby conductors, height above ground, and local terrain into account.

Basic MN Package: \$25

MNPLT plots and prints radiation patterns in polar and X-Y coordinates for CGA, EGA, and HGC screens.

The MN Antenna Library includes over 50 annotated antenna files for most kinds of amateur antennas.

The MN Plot Library includes plot files for antennas in the Antenna Library, and a plot comparison guide.

Complete MN Package: \$75

MN is an enhanced fully-featured version of MININEC. MN software supplied on 5 1/4" disk with documentation.

Send check or money order to:
K6ST1, 5074 Taylor, Vista CA 92084

113

5-1000 MHZ PREAMPLIFIERS

	NF	G	P(1dB)	\$
WLA21m	3dB	13dB	8dBm	54
WLA22m	4	11	12	58
WLA23m	4	23	12	83
WLA24m	3	20	18	109

430/50MHZ CONVERTER

RCX431	.15µV	20dB	99
--------	-------	------	----



WILAM TECHNOLOGY, Div. of
WI-COMM ELECTRONICS INC.
P.O. Box 5174, MASSENA, N.Y. 13662
(315) 769-8334

114

Discover CAROLINA WINDOW

80-10 M
Use transmatch
132' overall
Matching XFMR
Vert Radiator
Coax fed
Assembled
\$69.95

High performance
Proven results
\$70 Beam?

Your Passport
To a world
Of new ideas
And exceptional
HF wire antennas

Rugged new baluns
Full range of HF, UHF,
mobile antennas, dunks, wire,
coax, parts, line, accessories!

SEE WHAT WE'RE DOING NOW!

Contact Jim, W4THU
- free discount catalog
Send \$1 for catalog by 1st Class mail.
Box 6159, Portsmouth, VA 23703
(Dealer inquiries welcome)

804-484-0140

CAROLINA WINDOW

SEE THE REVIEW IN JUNE '88 WORLD RADIO MAGAZINE. Enthusiastic users say it's the best wire antenna. Outperforms wire antennas previously used. Knock-your-socks-off performance on 80 - 10. A \$70 beam?

If you hear one, you'll want one.

Made with pride by The RADIO WORKS in VA/USA

163

FREE Heathkit CATALOG



108 full-color pages packed with the latest in high quality electronic products

Featuring superior quality electronic products in kit and assembled form. Innovative home products, test instruments, self-study electronics courses. Challenging and educational kits for first-time as well as seasoned builders. Quality ready-to-use electronic products for homeowners, sports enthusiasts and professionals. All from Heath Company, a leader in the changing electronics market.

Send NOW for your FREE Heathkit Catalog.

Send to:

Heath Company, Dept. 122-682
Benton Harbor, Michigan 49022

Name _____

Address _____

City _____

State _____ Zip _____

Heathkit
Heath
Company

CL-792

A subsidiary of Zenith Electronics Corporation

NEMAL ELECTRONICS

*Complete Cable Assembly facilities MIL-STD-45208

*Commercial Accounts welcome- Quantity pricing * Same day shipping most orders

*Factory authorized distributor for Alpha, Amphenol, Belden, Kings, Times Fiber

Call NEMAL for computer cable, CATV cable, Flat cable, semi-rigid cable, telephone cable, crimping tools, D-sub connectors, heat shrink, cable ties, high voltage connectors.

HARDLINE 50 OHM

FXA12 1/2" Aluminum Black Jacket	89/ft
FLC12 1/2" Cablew/ corr. copper blk jkt	1.59/ft
FLC78 7/8" Cablew/ corr. copper blk jkt	3.92/ft
NM12CC N conn 1/2" corr copper m/1	23.00
NM78CC N conn 7/8" corr copper m/1	54.00

COAXIAL CABLES (per ft)

1180 BELDEN 9913 very low loss	
1102 RG8/U 95% shield low loss foam 11ga	
1110 RG8X 95% shield (mini 8)	C
1130 RG213/U 95% shield mil spec MCV jkt	A
1140 RG214/U dbl silver shld mil spec	L
1705 RG142B/U dbl silver shld, teflon ins	L
1310 RG217/U 50 ohm 5000 watt dbl shld	L
1450 RG174/U 50 ohm .100" od mil spec	

ROTOR CABLE-8 CONDUCTOR

8C1822 2-18ga and 6-22ga	
8C1820 2-16ga and 6-20ga	CALL

CONNECTORS-MADE IN USA

NE720 Type N plug for Belden 9913	\$3.95
NE723 Type N jack for Belden 9913	4.95
PL259 standard UHF plug for RG8,213	65
PL259AM Amphenol PL259	89
PL259TS PL259 teflon ins/silver plated	1.59
PL258AM Amphenol female-female (barrel)	1.45
UG175/UG176 reducer for RG58/59 (specify)	22
UG21DS N plug for RG8,213,214 Silver	3.35
UG83B N jack to PL259 adapter, teflon	6.50
UG148A SO239 to N plug adapter, teflon	6.50
UG255 SO239 to BNC plug adapter, Amphenol	3.29
SO239AM UHF chassis mt receptacle, Amphenol	89

GROUND STRAP-GROUND WIRE

GS38 3/8" tinned copper braid	C
GS12 1/2" tinned copper braid	A
GS200 1-1/2" heavy tinned copper braid	L
HW06 6ga insulated stranded wire	L
AW14 14ga stranded Antenna wire CCS	L

*Shipping: Cable \$3/100, Connectors \$3.00, Visa/Mastercard \$30 min, COD add \$2.00

Call or write for complete price list. Nemal's new 36 page CABLE AND CONNECTOR SELECTION GUIDE is available at no charge with orders of \$50 or more, or at a cost of \$4 with credit against next qualifying order.

NEMAL ELECTRONICS, INC. 12240 NE 14th Ave. N. Miami, FL 33161
(305) 893-3924 Telex 6975377 24hr FAX (305)895-8178

AR501 BACK TO BASICS... But far more advanced...



Model AR501 Telegraph Terminal
\$229.00
(California res. add \$13.74 tax.)

Visa and MasterCard orders are welcomed. Price includes shipping & handling. Purchase orders accepted from Government agencies

AR-501 covered by One Year Limited Warranty. Extended warranty service available at the following rates:
\$25.00 - 3 Years \$15.00 - 2 Years

AR501 is a compact triple mode CW terminal in a small package (4.5" x 6.25" x 2.25") but a powerful gear to practice and play with. As a CW decoder, it detects morse code between 5 to 30 WPM. For practice?, it activates and displays the code. More?, it operates as an electronic keyer both standard and iambic. More yet?, How about a print-out function? The AR501 does just that. We offer a stand alone thermal printer as an option.

ACE communications, inc. TOLL FREE 1-800-523-6366
22511 Aspan St., Lake Forest, CA 92630-6321 (714) 581-4900 • Telex 29-7385 • Fax (714) 768-4410

THE MULTIPLE RECEIVER SOLUTION



4 Channel Signal-to-Noise Voter

- Expandable to 32 Channel by Just Adding Cards
- Continuous Voting
- LED Indicators of COR and Voted Signals
- Built-in Calibrator
- Remote Voted Indicators Pinned Out
- 4 1/2 x 6 Double Sided Gold Plated 44 Pin Card
- Remote Disable Inputs
- MORE

Built, tested and calibrated with manual

\$350.00

Telephone interface now available
For more information call or write:

DOUG HALL ELECTRONICS
Voter Department
815 E. Hudson Street
Columbus, Ohio 43211
(614) 261-8871

✓ 116

EASY TO READ SOFTWARE

QUADRUPLE-SIZED CHARACTERS
FAST, REAL-TIME DISPLAY

KIDSVIEW... Write and run your own programs in large clear characters. (Apple II, C-64, \$39.95)

KIDSWORD... A full-function large character word processor with double-size print. Very easy to use. (Apple II, 349.95; C-64, \$39.95)

MOUNT MURDOCH... An exciting large character text adventure and authoring system. (Apple II (128K), MS/DOS \$49.95 and C-64, \$39.95)

SPECIAL INTRODUCTORY PRICE
\$34.95 EACH or TWO for \$59.95

KIDSVIEW SOFTWARE, Inc., P.O. Box 98-H
Warner, NH 03278, USA. (603)927-4428

As **PREVIEWED** in the **MAY 1988 ISSUE**

✓ 117

1988 CALL DIRECTORY

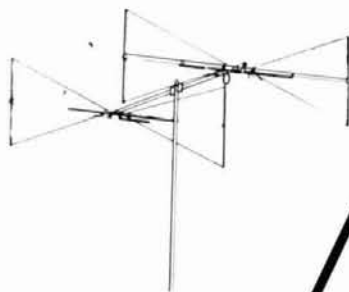
(on microfiche)

Call Directory	\$8
Name Index	\$8
Geographic Index	\$8
All three — \$20	Shipping per order \$3

BUCKMASTER PUBLISHING
Mineral, Virginia 23117
703-894-5777
800-282-5628

✓ 118

The HF4B "Butterfly"™ A Compact Beam for 20-15-12-10 Meters



- Unique design reduces size but **not** performance.
- No lossy traps, full element radiates on all bands.
- Retrofit kit for 17 meters coming soon.
- Turns with TV rotor
- Only 17 lbs.

BUTTERNUT

Butternut Verticals

Butternut's HF verticals use highest-Q tuning circuits (not lossy traps!) to outperform all multiband designs of comparable size!

Model HF6V

- 80, 40, 30, 20, 15 and 10 meters automatic bandswitching
- Add-on kit for 17 and 12 meters available now
- 26 ft. tall

Model HF2V

- Designed for the low-band DXer
- Automatic bandswitching on 80 and 40 meters
- Add-on units for 160 and 30 or 20 meters
- 32 feet tall - may be top loaded for additional bandwidth

For more information see your dealer or write for a free brochure



BUTTERNUT ELECTRONICS CO
405 East Market Lockhart, Texas 78648



WESTERN USA

GMT	PDT	Directional Indicators							
		N	NE	E	SE	S	SW	W	NW
0000	5:00	20	20	20	12	15	12	10	15
0100	6:00	20	30	20	12	20	10	10	15
0200	7:00	15	30	20	15	20	10	10	15
0300	8:00	15	30	20	15	20	10	10	12
0400	9:00	20	30	20	20*	20	12	12	15
0500	10:00	20	20	20	20	30	12	12	15
0600	11:00	20	20	15	20	30	12	12	15
0700	12:00	20	20	15	20	30	15	15	15
0800	1:00	20	30	15	20	30	15	15	20
0900	2:00	20	30	20	20	30	15	15	20
1000	3:00	30	20	20	20	30	20	20	20
1100	4:00	30	20	20	20	30	20	20	20
1200	5:00	20	20	15	20	30	20	20	20
1300	6:00	20	20	15	20	30	20	20	20
1400	7:00	20	20	12	15	30	20	30	20
1500	8:00	20	15	12	15	30	20	30	30
1600	9:00	20	15	10	12	30	20	30	30
1700	10:00	20	15	10	12	20	20	30	30
1800	11:00	20	15	12	12	20	15	15	30
1900	12:00	30	15	15	10	20	15	15	20
2000	1:00	30	15	15	10	20	12	12	20
2100	2:00	20	20	15	10	15	12	12	20
2200	3:00	20	20	20	10	15	12	12	20
2300	4:00	20	20	20	10	15	12	10	15

MID USA

MDT	CDT	Directional Indicators							
		N	NE	E	SE	S	SW	W	NW
6:00	7:00	20	20	20	12	15	10	10	15
7:00	8:00	20	20	20	12	20	10	10	15
8:00	9:00	20*	30	20	15	20	10	10	15
9:00	10:00	20*	30	20	15	20	12	12	15
10:00	11:00	20*	30	20	15	20	12	12	20
11:00	12:00	20	30	20	20	30	15	15	20
12:00	1:00	20	30	20	20	30	15	15	20
1:00	2:00	20	30	20	20	30	15	15	20
2:00	3:00	20	20	20	20	30	15	15	20
3:00	4:00	30	20	20	15	20	20	20	20
4:00	5:00	30	20	15	10	15	20	20	20
5:00	6:00	20	20	15	10	15	20	20	20
6:00	7:00	20*	20	12	12	20	20	20	20
7:00	8:00	20*	15	12	12	20	20	20	20
8:00	9:00	20*	15	12	15	30	20	20	20
9:00	10:00	20	15	10	15	30	20	30	20
10:00	11:00	20	15	10	15	30	20	30	20
11:00	12:00	20	15	10	12	20	20	20	20
12:00	1:00	20	15	12	12	20	15	15	20
1:00	2:00	30	20	12	12	20	15	15	20
2:00	3:00	30	20	12	10	20	12	12	20
3:00	4:00	30	20	15	10	20	12	12	20
4:00	5:00	20	20	15	10	20	12	12	15
5:00	6:00	20	20	20	10	15	12	10	15
6:00	7:00	20	20	20	10	15	12	10	15

EASTERN USA

EDT	CDT	PDT	Directional Indicators							
			N	NE	E	SE	S	SW	W	NW
8:00	7:00	20	20	20	12	15	10	10	15	
9:00	8:00	20	20	20	12	15	10	10	15	
10:00	9:00	20	20	20	15	20	12	10	15	
11:00	10:00	20	30	20	15	20	12	12	15	
12:00	11:00	20	30	20	15	20	12	12	20	
1:00	12:00	20	30	20	20	30	15	15	20	
2:00	1:00	20	30	20	20	30	15	15	20	
3:00	2:00	30	30	20	20	30	15	15	20	
4:00	3:00	30	20	20	20	30	20	15	20	
5:00	4:00	20	20	20	20	30	20	20	20	
6:00	5:00	20	20	15	10	15	20	20	20	
7:00	6:00	20	20	15	10	15	20	20	20	
8:00	7:00	20*	20	12	12	20	20	20	20	
9:00	8:00	20*	20	12	12	20	20	20	20	
10:00	9:00	20*	20	12	15	30	20	20	20	
11:00	10:00	20	15	10	15	30	20	20	20	
12:00	11:00	20	15	10	12	30	20	20	20	
1:00	12:00	20	15	10	12	20	15	15	20	
2:00	1:00	20	15	12	10	20	15	15	20	
3:00	2:00	30	20*	12	10	20	12	12	20	
4:00	3:00	30	20	12	10	20	12	12	20	
5:00	4:00	30	20	15	10	20	12	12	20	
6:00	5:00	20	20	15	10	20	12	12	15	
7:00	6:00	20	20	20	10	20	12	12	15	
8:00	7:00	20	20	20	10	15	12	10	15	

The italicized numbers signify the bands to try during the transition and early morning hours, while the standard type provides MUF during "normal" hours.
 *Look at next higher band for possible openings.



Ham Radio's guide to help you find your local

California

A-TECH ELECTRONICS

1033 HOLLYWOOD WAY
BURBANK, CA 91505
(818) 845-9203

New Ham Store and Ready to Make a Deal!

JUN'S ELECTRONICS

3919 SEPULVEDA BLVD.
CULVER CITY, CA 90230
213-390-8003

800-882-1343 Trades
Habla Espanol

Colorado

COLORADO COMM CENTER

525 EAST 70th AVE.
SUITE ONE WEST
DENVER, CO 80229

(303) 288-7373

(800) 227-7373

Stocking all major lines

Kenwood Yaesu, Encomm, ICOM

Connecticut

HATRY ELECTRONICS

500 LEDYARD ST. (SOUTH)
HARTFORD, CT 06114
203-527-1881

Call today. Friendly one-stop shopping
at prices you can afford.

Delaware

AMATEUR & ADVANCED COMMUNICATIONS

3208 CONCORD PIKE
WILMINGTON, DE 19803
(302) 478-2757

Delaware's Friendliest Ham Store.

DELAWARE AMATEUR SUPPLY

71 MEADOW ROAD
NEW CASTLE, DE 19720
302-328-7728

800-441-7008

Icom, Ten-Tec, Microlog, Yaesu,
Kenwood, Santec, KDK, and more.
One mile off I-95, no sales tax.

Florida

AMATEUR ELECTRONIC SUPPLY

1898 DREW STREET
CLEARWATER, FL 33575
813-461-4267

Clearwater Branch

West Coast's only full service
Amateur Radio Store.

Hours M-F 9-5:30, Sat. 9-3

AMATEUR ELECTRONIC SUPPLY

621 COMMONWEALTH AVE.
ORLANDO, FL 32803
305-894-3238

Fla. Wats: 1 (800) 432-9424

Outside Fla: 1 (800) 327-1917

Hours M-F 9-5:30, Sat. 9-3

Georgia

DOC'S COMMUNICATIONS

702 CHICKAMAUGA AVENUE
ROSSVILLE, GA 30741
(404) 866-2302 / 861-5610

ICOM, Yaesu, Kenwood, Bird...

9AM-5:30PM

We service what we sell.

Hawaii

HONOLULU ELECTRONICS

819 KEEAUMOKU STREET
HONOLULU, HI 96814
(808) 949-5564

Kenwood, ICOM, Yaesu, Hy-Gain,
Cushcraft, AEA, KLM, Tri-Ex Towers,
Fluke, Belden, Astron, etc.

Idaho

ROSS DISTRIBUTING COMPANY

78 SOUTH STATE STREET
P.O. BOX 234
PRESTON, ID 83263

(208) 852-0830

M 9-2; T-F 9-6; S 9-2

Stock All Major Brands

Over 7000 Ham Related Items on
Hand

Illinois

ERICKSON COMMUNICATIONS, INC.

5456 N. MILWAUKEE AVE.
CHICAGO, IL 60630
312-631-5181

Hours: 9:30-5:30 Mon, Tu, Wed & Fri;

9:30-8:00 Thurs; 9:00-3:00 Sat.

Indiana

THE HAM STATION

220 N. FULTON AVE.
EVANSVILLE, IN 47710
(800) 523-7731

(812) 422-0231

ICOM, Yaesu, Ten-Tec, Cushcraft, Hy-Gain, AEA & others.

Maryland

MARYLAND RADIO CENTER

8576 LAURELDALE DRIVE
LAUREL, MD 20707
301-725-1212

Kenwood, Ten-Tec, Kantronics. Full
service dealer.

M-F 10-7

SAT 9-5

Massachusetts

TEL-COM, INC.

675 GREAT ROAD, RTE. 119
LITTLETON, MA 01460
617-486-3400

617-486-3040

The Ham Store of New England
You Can Rely On.

Missouri

MISSOURI RADIO CENTER

102 NW BUSINESS PARK LANE
KANSAS CITY, MO 64150
(800) 821-7323

Missouri: (816) 741-8118

ICOM, Kenwood, Yaesu

Same day service, low prices.

Nevada

AMATEUR ELECTRONIC SUPPLY

1072 N. RANCHO DRIVE
LAS VEGAS, NV 89106
702-647-3114

Dale Porray "Squeak," AD7K

Outside Nev: 1 (800) 634-6227

Hours M-F 9-5:30, Sat. 9-3

New Hampshire

RIVENDELL ELECTRONICS

8 LONDONDERRY ROAD
DERRY, N. H. 03038
603-434-5371

Hours M-S 10-5; THURS 10-7

Closed Sun/Holidays

Dealers: *YOU SHOULD BE HERE TOO!*
Contact Ham Radio now for complete details.

Amateur Radio Dealer

New Jersey

ABARIS SYSTEMS

276 ORIENTAL PLACE
LYNDHURST, NJ 07071
201-939-0015
Don WB2GPU
ARRL, Astatic, Astron, B&W, Belden,
Bencher, Hustler, Kenwood, Larsen, RF
Concepts, Tonna and much, much more!
Tues-Fri 10 am-7:30 pm
Thurs 10 am-9:00 pm
Sat 10 am-4:00 pm
VISA/MC

KJI ELECTRONICS

66 SKYTOP ROAD
CEDAR GROVE, NJ 07009
(201) 239-4389
Gene K2KJI
Maryann K2RVH
Distributor of: KLM, Mirage, ICOM, Lar-
sen, Lunar, Astron. Wholesale - retail.

New York

BARRY ELECTRONICS

512 BROADWAY
NEW YORK, NY 10012
212-925-7000
New York City's Largest Full Service
Ham and Commercial Radio Store.

VHF COMMUNICATIONS

915 NORTH MAIN STREET
JAMESTOWN, NY 14701
716-664-6345
Call after 7 PM and save! Supplying all
of your Amateur needs. Featuring ICOM
"The World System." Western New
York's finest Amateur dealer.

Ohio

AMATEUR ELECTRONIC SUPPLY

28940 EUCLID AVE.
WICKLIFFE, OH 44092 (Cleveland Area)
216-585-7388
Ohio Wats: 1 (800) 362-0290
Outside Ohio: 1 (800) 321-3594
Hours M-F 9-5:30, Sat. 9-3

DEBCO ELECTRONICS, INC.

3931 EDWARDS RD.
CINCINNATI, OHIO 45209
(513) 531-4499
Mon-Sat 10AM-9PM
Sun 12-6PM
We buy and sell all types of electronic
parts.

UNIVERSAL AMATEUR RADIO, INC.
1280 AIDA DRIVE
REYNOLDSBURG (COLUMBUS), OH
43068

614-866-4267
Featuring Kenwood, Yaesu, Icom,
and other fine gear. Factory author-
ized sales and service. Shortwave
specialists. Near I-270 and airport.

Pennsylvania

HAMTRONICS,
DIV. OF TREVOSE ELECTRONICS
4033 BROWNSVILLE ROAD
TREVOSE, PA 19047
215-357-1400
Same Location for over 30 Years

Texas

MADISON ELECTRONICS SUPPLY
3621 FANNIN
HOUSTON, TX 77004
713-520-7300
Christmas?? Now??

K COMM dba THE HAM STORE

5707A MOBUD
SAN ANTONIO, TX 78238
512-680-6110
Stocking all major lines. San Antonio's
Ham Store. Great Prices — Great
Service. Factory authorized sales and
service.
Hours: M-F 10-6; SAT 9-3


MISSION COMMUNICATIONS
11903 ALEIF CLODINE
SUITE 500 (CORNER HARWIN &
KIRKWOOD)
HOUSTON, TEXAS 77082
(713) 879-7764

Now in Southwest Houston—full line
of equipment. All the essentials and
extras for the "ham."

Wisconsin

AMATEUR ELECTRONIC SUPPLY
4828 W. FOND DU LAC AVE.
MILWAUKEE, WI 53216
414-442-4200
Wisc. Wats: 1 (800) 242-5195
Outside Wisc: 1 (800) 558-0411
M-F 9-5:30 Sat 9-3

Folded Broadbander Bi-Band Dipoles & Slopers



Unique folded design shortens
and creates broad resonance
in two bands. Leg is 70' for
FB 160/80 and 35' for
FB 80/40. Infopack \$1
by 1st class mail.

Half Sloper Dipole	Dipole
FB 80/40 \$59.95	\$79.95
FB 160/80 \$69.95	\$99.95

Specify CW or SSB & Add \$5 P&H
Dept H, Provo, UT 84603-1144

•Full Legal Power
•No Caps or Coils
•Never Corrodes
•Fully Insulated
•Ready to Use
•Fast Mount
•Coax Fed
•Tough

Antennas West
(801) 373-8425

112

Think you've seen it all?
TAKE A LOOK AT THIS!



Send check or money order to:
(US Funds only. Incl. \$2 S/H)

MORLAN SOFTWARE
P.O. Box 2400
EAST LIVERPOOL, OH 43920-0400
THANK DAYTON

111

Foreign Subscription Agents for Ham Radio Magazine

<p>Ham Radio Austria Karin Ueber Postfach 2454 D-7850 Loerrach West Germany</p>	<p>Canada Send orders to Ham Radio Magazine Greenville, NH 03048 USA Prices in Canadian funds 1 yr. \$41.85, 2 yrs. \$74.25 3 yrs. \$99.90</p>
<p>Ham Radio Belgium Stereohouse Brusselssteenweg 416 B-9218 Gent Belgium</p>	<p>Ham Radio Italy Via Maniago 15 I-20134 Milano Italy</p>
<p>Ham Radio Holland Postbus 413 NL-7800 Ar Emmen Holland</p>	<p>Ham Radio Japan Katsumi Electronic Co., Ltd. 27-5 Ikegami 4 Chome, Ota-Ku Tokyo 146, Japan Telephone (03) 753-2405</p>
<p>Ham Radio Europe Box 2084 S-194 02 Upplands Vasby Sweden</p>	<p>Ham Radio Switzerland Karin Ueber Postfach 2454 D-7850 Loerrach West Germany</p>
<p>Ham Radio France SM Electronic 20 bis, Ave des Clarianes F-89000 Auxerre France</p>	<p>Ham Radio England c/o R.S.G.B. Lambda House Crabborne Road Potters Bar Herts EN6 3JW England</p>
<p>Ham Radio Germany Karin Ueber Postfach 2454 D-7850 Loerrach West Germany</p>	<p>Holland Radio 143 Greenway Greenside, Johannesburg Republic of South Africa</p>

2x4Z BASE REPEATER ANTENNA

THE HIGHEST GAIN
DUAL BAND
BASE/REPEATER ANTENNA

HIGH POWER 200 WATTS

CENTER FREQUENCY

146.500 MHz

446.500 MHz

GAIN:

VHF - 8.2dB

UHF - 11.5dB

VSWR - 1.-1.2 or less

CONNECTOR:

N TYPE FEMALE

LIGHTNING PROTECTION
GROUNDED DIRECT

LENGTH: 16 FT.

WEIGHT: 5 LBS. 3 OZ.

WIND LOAD: 90 MPH

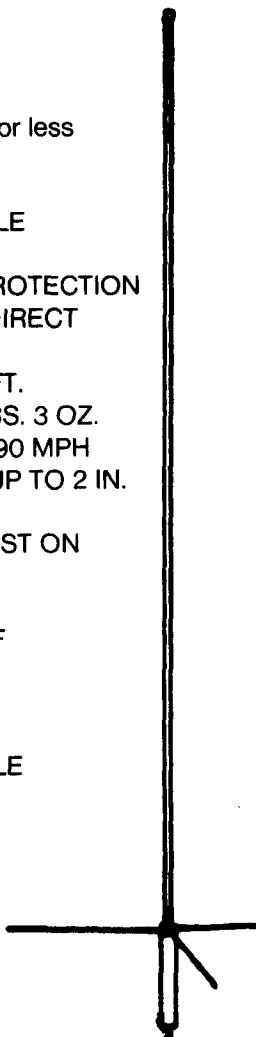
MOUNTING: UP TO 2 IN.

MAST

CAN SIMULCAST ON
BOTH BANDS

WATERPROOF
CONNECTING
JOINTS

UPS SHIPPABLE



AMATEUR SPECIAL



1275 NORTH GROVE ST.
ANAHEIM, CALIF. 92806
(714) 630-4541

CABLE: NATCOLGLZ
FAX (714) 630-7024

(continued from page 9)

cient associated with a teenager asking his parents to finance a new transceiver!

A comprehensive market survey would reveal that not all hams are affluent enough to afford such luxuries as \$6,000 transceivers. The active-Amateur statistics clearly indicate that a large portion of the fraternity consists of retirees who must exist on fixed incomes. A properly equipped, modern Amateur station is frequently beyond their means. Although I am semi-retired, and am not by any means destitute, I rebel against the cost of the new Amateur equipment. I have countless associates who share this sentiment. This represents an untapped market. An astute manufacturer would recognize this vast potential.

What has been needed in the United States for a long time is a no-frills transceiver. It should have a quality design for CW and SSB operation. A maximum output power of 100 watts is adequate. It would not contain a speech processor, i-f shift or width circuit, nor would it need to have computer interface capability. A noise blanker is by no means a necessity, since most blankers are ineffective for the more common types of QRN, and they degrade the receiver dynamic range when activated. I also question whether or not a basic rig needs memory channels and two internal VFOs. Getting rid of the frills can bring the price of a good transceiver within the reach of those who can't, or don't, wish to invest several thousands of dollars in a hobby they use one or two days a week.

Joe nibbled at the edges of the problem in his HR editorial. I admire his tact and understand his limitations. But, someone needs to take the initiative toward encouraging the United States and foreign manufacturers to develop a *practical* transceiver that can serve our basic operating needs — especially those of the Novice and other new Amateurs. If a fancier rig is desired later on, rest assured they will buy it. But for now we need to get them started with the minimum of eco-

nomie stress. What ever happened to the concept of high volume and reduced per-unit-profit (shades of Henry Ford)? Small volume and high markup is not in the best interests of Amateur Radio.

Doug DeMaw, W1FB, Luther,
Michigan 49656

generation gap in Amateur Radio

Dear HR:

Your editorial in the June issue reminded me of a similar request by Rich Rosen, regarding how to make Amateur Radio more accomodating and attractive. I remember some of the replies, both appropriate and absurd. At that time, the respondents felt that 1) it was up to the FCC to make it easier to obtain licenses, 2) the equipment manufacturers were not supplying sophisticated or inexpensive enough gear, 3) the technical challenges for Amateur Radio were diminishing, 4) there was an insufficient number of contests and prizes. The list went on.

I believe that Amateur Radio is experiencing the same phenomena that affects the entire country: a generation gap. Yes, I know that term is outdated but the application is here. The country has two (or more) generations of "wannabes" and "gimmies". Working couples spend more and more time away from home to provide more and more for their families. Their offspring are accustomed to essentially getting everything that they want.

Amateur Radio has and always will provide the kinds of challenges that people desire. I can't really fault anyone or anything for the decreasing number of ham operators. Society is changing rapidly. Societal expectations are changing just as quickly. Ham radio presents a kind of stable environment. I believe we are all caught up in changes, whether or not we like it or know it.

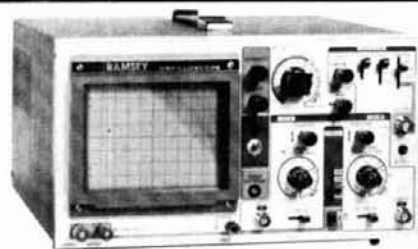
I would appreciate your printing this letter, and I encourage responses from the readers.

Larry Caracciolo, N3CCW

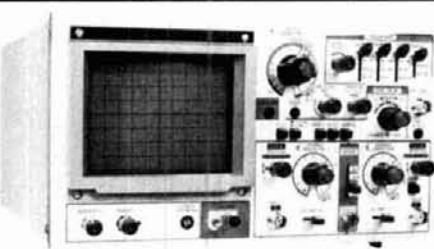
RAMSEY

RAMSEY ELECTRONICS

QUALITY TEST GEAR YOU CAN COUNT ON



INCLUDES 2 HOOK-ON PROBES
\$369.95*
20 MHz DUAL TRACE
 Features component testing circuit for resistors, capacitors, digital circuits and diodes—TV sync filter—high sensitivity—Z axis—XY mode—built-in calibrator—5X horizontal magnifier



INCLUDES 2 HOOK-ON PROBES
\$499.95 *
35 MHz DUAL TRACE
 wide frequency bandwidth—optimal sensitivity—delayed triggering sweep—hold off—ALT trigger—single sweep TV sync 5X magnification—XY or XYZ operation—HF/LF noise reduction



\$2495.00* **THE COMMUNICATIONS SERVICE MONITOR THAT WORKS HARDER FOR LESS.**
 Introducing COM-3... the new service monitor designed by service technicians for service technicians. It works harder for less... giving you advanced testing capabilities at a very affordable price.
FEATURES • Direct entry keyboard with programmable memory • Audio & transmitter frequency counter • LED bar graph frequency/error deviation display • 0.1-10,000 μ V output levels • High receive sensitivity, less than 5 μ V • 100 KHz to 999.9995 MHz Continuous frequency coverage • Transmit protection, up to 100 watts • CTS tone encoder, 1 KHz and external modulation

UNSURPASSED QUALITY • SUITABLE FOR HOBBY, SERVICE & PRODUCTION

MODEL	BAND WIDTH	# TRACES	CRT SIZE	VERTICAL SENSITIVITY	MAXIMUM TRIG FREQ	USEABLE MAXIMUM BANDWIDTH
2200	20 MHz	[2]	8x10CM	5 mV per div	35 MHz	30 MHz
3500	35 MHz	[2]	8x10CM	1 mV per div	50 MHz	60 MHz

All include high quality 1:1, 10:1 hook on probes, instruction/service manual with schematic and component layout, 1 year warranty.

*Add an additional \$10.00 for each unit for shipping.

MINI-100 COUNTER



\$119.95 CHARGER, NICA0 BATTERIES, AC ADAPTER INCLUDED

CT-70 7 DIGIT 525 MHz



\$139.95 WIRED INCLUDES AC ADAPTER

CT-90 9 DIGIT 600 MHz



\$169.95 WIRED INCLUDES AC ADAPTER

CT-50 8 DIGIT 600 MHz



\$189.95 WIRED INCLUDES AC ADAPTER

CT-125 9 DIGIT 1.2 GHz



\$189.95 WIRED INCLUDES AC ADAPTER

MODEL	FREQ RANGE	SENSITIVITY	ACCURACY	DIGITS	RESOLUTION	PRICE
MINI-100	1-500 MHz	Less than 250mv	1 PPM	7	100 Hz, 1 KHz	119.95
CT-70	20 Hz-550 MHz	< 50mv To 150 MHz	1 PPM	7	1Hz, 10Hz, 100Hz	139.95
CT-90	10 Hz-600 MHz	< 10mv To 150 MHz < 150mv To 600 MHz	1 PPM	9	0.1Hz, 1Hz, 10Hz	169.95
CT-50	5 Hz-600 MHz	LESS THAN 25 mv	1 PPM	8	1Hz, 10Hz	189.95
CT-125	10 Hz-1.25 GHz	< 25mv @ 50 MHz < 15mv @ 500 MHz < 100 mv @ 800 MHz	1 PPM	9	0.1 Hz, 1Hz, 10Hz	189.95
CT-90 WITH DV-1 OPTION	10 Hz-600 MHz	< 10mv To 150 MHz < 150mv To 600 MHz	0.1 PPM	9	0.1Hz, 1Hz, 10Hz	229.90

RAMSEY FREQUENCY COUNTERS

Ramsey Electronics has been manufacturing electronic test gear for over 10 years and is recognized for lab quality products at breakthrough prices. Our frequency counters have features and capabilities of counters costing twice as much.



RAMSEY D-4100 COMPACT DIGITAL MULTITESTER
\$2495
 test leads and battery included

Compact sized reliability and accuracy This LCD digital multimeter easily fits in your pocket, you can take it anywhere. It features full overload protection • 3 1/2 digit LCD readout • recessed input jacks • safety probes • diode check function • 2000 hours battery life



RAMSEY D-5100 HANDHELD DIGITAL AUTORANGING METER
\$49.95
 Includes Probes 1 Year Warranty

Provides distinctive audible chirp after contact has been made and meter reading has stabilized. Has TOUCH-HOLD feature to allow readings to be logged or referred to before making the next reading. Up to 10 AMP current capability and a continuity function which beeps on zero Ohms.



\$49.95
 wired includes AC adapter
 PR-2 kit \$39.95

PR-2 COUNTER PREAMP
 The PR-2 is ideal for measuring weak signals from 10 to 1,000 MHz • flat 25 db gain • BNC connectors • great for sniffing RF • ideal receiver/TV preamp



\$69.95
 wired
 PS-2 kit \$49.95

PS-2 AUDIO MULTIPLIER
 The PS-2 is handy for high resolution audio resolution measurements, multiplies up in frequency • great for PL tone measurements • multiplies by 10 or 100 • 0.01 Hz resolution & built-in signal preamp/conditioner



\$89.95
 wired includes AC adapter

PS-10B 1 GHz PRESCALER
 Extends the range of your present counter to 1 GHz • 2 stage preamp • divide by 1000 circuitry • super sensitive (50 mV typical) • BNC connectors • 1 GHz in, 1 MHz out • drives any counter

MINI KITS—EASY TO ASSEMBLE—FUN TO USE—FOR BEGINNERS, STUDENTS AND PROS

<p>TONE DECODER A complete tone decoder on a single PC board. Features: 400-5000 Hz adjustable range via 20 turn pot. voltage regulation, 567 IC. Useful for touch-tone burst detection, FSK, etc. Can also be used as a stable tone encoder. Runs on 5 to 12 volts. Complete kit: TD-1 \$5.95</p>	<p>COLOR ORGAN See music come alive! 3 different lights flicker with music. One light each for high, mid-range and lows. Each individually adjustable and drives up to 300 W. runs on 120VAC. ML-1 kit \$8.95</p>	<p>VIDEO MODULATOR Converts any TV to video monitor. Super stable, tunable over ch 4-6. Runs on 5-15V accepts std. video signal. Best unit on the market! Complete kit: VD-1 \$7.95</p>	<p>FM WIRELESS MIKE Transmits up to 300' to any FM broadcast radio, uses any type of mike. Runs on 3 to 9V. Type FM-2 has added sensitive mike preamp stage. FM-1 kit \$3.95 FM-2 kit \$4.95</p>	<p>SUPER SLEUTH A super sensitive amplifier which will pick up a pin drop at 15 feet! Great for monitoring baby's room or as general purpose amplifier. Full 2W rms output, runs on 6 to 15 volts, uses 8-45 ohm speaker. BN-9 kit \$5.95</p>	<p>NEW TELEPHONE TRANSMITTER Low cost with professional performance. Features include: self phone line powered, tunable from 76 to 100 MHz, polarity antensitive, compact size (1 1/2" x 1 1/2"), easily installs anywhere on the phone line or inside the instrument itself. PB-1 kit \$14.95</p>	<p>NEW FM RECEIVER For built-in applications or hobby experimentation. Full fledged super-heterodyne receiver: microvolt sensitivity, 10.7 MHz IF, integrated circuit detector, 50 mw audio amplifier, 9V external power source, operation on standard FM broadcast band as well as large portions on each side, compact 6" square, for bug detection or reception. FR-1 kit \$14.95</p>	<p>FM MINI MIKE A super high performance FM wireless mike kit! Transmits a stable signal up to 300 yards with exceptional audio quality by means of its built-in electret mike. Kit includes case, mike, on-off switch, antenna, battery and super instructions. This is the finest unit available. FM-3 kit \$14.95 FM-3 Wired and tested \$19.95</p>
<p>40 WATT 2 mtr PWR AMP Simple Class C power amp features 8 times power gain 1 W in for 8 out, 2 W in for 15 out, 3 W in for 40 W out. Max output of 50 W. incredible value, complete with all parts, less case and T-R relay. PA-1, 40 W pwr amp kit \$22.95 TR-1, RF sensed T-R relay kit 6.95</p>	<p>VOICE ACTIVATED SWITCH Voice activated switch kit provides switched output with current capability up to 100 mA. Can drive relays, lights, LED or even a tape recorder motor! Runs on 9VDC. VS-1 kit \$6.95</p>	<p>LED BLINKY KIT Alternately flashes 2 jumbo LEDs. Use for name badges, buttons, warning panel lights. Runs on 3 to 15 volts. BL-1 kit \$2.95</p>	<p>MAD BLASTER Produces LOUD ear shattering and attention getting siren like sound. Can supply up to 15 watts of obnoxious audio. Runs on 6-15 VDC. MB-1 kit \$4.95</p>	<p>SIREN Produces upward and downward wail. 5 W peak audio output, runs on 3-15 volts, uses 3-45 ohm speaker. Complete kit: SM-3 \$2.95</p>	<p>90 Hz TIME BASE Runs on 5-15 VDC. Low current (25ma) 1min/month accuracy. TB-6 kit \$5.50 TB-6 Assy \$9.95</p>	<p>UNIVERSAL TIMER Provides the basic parts and PC board required to provide a source of precision timing and pulse generation. Uses 555 timer IC and includes a range of parts for most timing needs. UT-5 kit \$5.95</p>	<p>WHISPER LIGHT An interesting kit, small mike picks up sounds and converts them to light. The louder the sound, the brighter the light. Includes mike, controls up to 300 W, runs on 120 VAC. WL-1 kit \$6.95</p>

ACCESSORIES FOR RAMSEY COUNTERS
 Telescopic whip antenna—BNC plug \$ 8.95
 High impedance probe, light loading 16.95
 Low pass probe, audio use 16.95
 Direct probe, general purpose use 13.95
 Tilt bail, for CT-70, 90, 125 3.95

PHONE ORDERS CALL
716-586-3950
 TELEX 466735 RAMSEY CI
 FAX 716-586-4754

TERMS • satisfaction guaranteed • examine for 10 days; if not pleased, return in original form for refund • add 6% for shipping and insurance to a maximum of \$10.00 • foreign add 15% for surface mail • CDD add \$2.50 (CDD in USA only) • orders under \$15.00 add \$1.50 • NY residents add 7% sales tax • 90 day parts warranty on all kits • 1 year parts & labor warranty on all wired units.
RAMSEY ELECTRONICS, INC.
 2575 Baird Rd.
 Penfield, N.Y. 14526



flea market

RATES Noncommercial ads 10¢ per word; commercial ads 60¢ per word **both payable in advance.** No cash discounts or agency commissions allowed.

HAMFESTS Sponsored by non-profit organizations receive one free Flea Market ad (subject to our editing) on a space available basis only. Repeat insertions of hamfest ads pay the non-commercial rate.

COPY No special layout or arrangements available. Material should be typewritten or clearly printed (not all capitals) and must include full name and address. We reserve the right to reject unsuitable copy. **Ham Radio** cannot check each advertiser and thus cannot be held responsible for claims made. Liability for correctness of material limited to corrected ad in next available issue.

DEADLINE 15th of second preceding month.

SEND MATERIAL TO: Flea Market, Ham Radio, Greenville, N. H. 03048.

HAM RADIO FREEBIE. On a space available basis, we are going to offer you, our subscriber, a chance to sell your old, used equipment. Please send us a short description of what you want to sell along with price, name, address and phone number. We will run it once in the next available issue of HR. Please limit your ad to 20 words or less.

SALE COLLINS. 75S-3B, 32S-3 rec, trans P/S \$700. 30S-1, linear, \$1500 mint. Z-100/PC, 768k \$600. Swan 350 P/S \$250. Rich (516) 957-6308 nights.

WANTED: Smith Chart transmission line calculator made and sold by Ham Radio. WBVLN, 1328 East Main, Eaton, OH 45320.

MACINTOSH SATELLITE Tracking and Propagation Software. MacTrak™ displays graphic maps (rectangular, polar, great circle), views from space, schedules, windows. Also tracks Sun and Moon. Compatible with KLM/MIRAGE rotor interface. Shows gray line, sunrise/sunset, bearing/distance, mUF vs time, area of world "open". SASE for info or \$49.95 from R. Stegemeyer, PO Box 1590, Port Orchard, WA 98366.

TEKTRONIX 547 Oscilloscope, 50 MHz-BP \$135, Tek-1A1 \$60, Tek-1A4 \$120, Tek-1L30 Spectrum Analyzer, 0.9-10.5 GHz \$350, Hewlett-Packard 806A Signal Generator, 0.05-65 MHz, \$100k, HP-8706A Synchronizer \$150, HP-3300A Function Generator \$95, HP-686C Sweep Generator, 8-12 GHz \$95, HP-9865A Cassette Memory \$95, Lambda LB-701-FMOV Variable Regulated Power Supply, 300 amps, new \$295, A. Emerald, 8956 Swallow, Fountain Valley, CA 92708, (714) 962-5940.

HALL ELECTRONICS buys radio broadcast equipment for cash! Jon Hall, WB4MMV, PO Box 7732, Charlottesville, VA 22906. (804) 973-9697.

CUSTOM EMBROIDERED EMBLEMS, & Enameled Pins, your design, excellent quality, low prices, free booklet. A.T. PATCH CO, Box 682 Dept 19, Littleton, NH 03661. (603) 444-3423).

BM-PC RTTY/CW. New CompRTTY II is the complete RTTY/CW program for IBM-PC's and compatibles. Now with larger buffers, better support for packet units, pictures, much more. Virtually any speed ASCII, BAUDOT, CW. Text entry via built-in screen editor! Adjustable split screen display. Instant mode/speed change. Hardcopy, diskcopy, break-in buffer, select calling, text file transfer, customizable full screen logging, 24 programmable 1000 character messages. Ideal for MARS and traffic handling. Requires 256k PC or AT compatible, serial port, RS-232C TU. \$65. Send call letters (including MARS) with order. David A. Rice, KC2HO, 25 Village View Bluff, Balston Lake, NY 12019.

HAMLOG COMPUTER PROGRAMS. Full features, 17 modules, auto-logs, 7-band WAS/DXCC. Apple \$19.95, IBM or CP/M, KAYPRO, Tandy, C128 \$24.95. HR-KA1AWH, POB 2015, Peabody, MA 01960.

IAMBIC KEYS Low cost, low-current-drain. Designed by Paul Newland, AD7I. Features dot and dash memory, side tone generator and key circuit current amplifier. Although the sidetone generator and keyer amplifier were touted as options in the article, the kit includes both of these functions. For Kit, order # 151-KIT \$19.95. For Assembled board order #151-ASY \$29.95. Add \$2.50 shipping per order. Calif. residents add 6% sales tax. Visa & M/C accepted. A&A ENGINEERING, 2521 W. LaPalma #K, Anaheim, CA 92801 (714) 952-2114. For circuit details, see June 88 QST.

HARK-RADIO ARCHIVES Non-profit, low income newsletter for youth/elderly. \$1 each. \$6 bimonthly. 2308 Garfield #304, Mpls, MN 55405.

DIGITAL AUTOMATIC DISPLAYS. All Radios. GRAND SYSTEMS, POB 2171, Blaine, Washington 98230.

CHASSIS & CABINETS KITS. SASE. K3IWK, 5120 Harmony Grove Rd, Dover, PA 17315.

COMMODORE/AMIGA CUSTOM CHIPS very inexpensive. (eq. PLA/82S100-\$13.25). Diagnostics and other hard to get items. New Heavy Duty Power Supply for the C64-\$27.95 plus UPS. Send for complete catalog. KASARA, INC, 36 Murray Hill Drive, Spring Valley, NY 10977. 1-800-642-7634, 1-800-248-2983 (outside NY) or 914-356-3131.

WANTED military surplus radio equipment, we need, ARC-164, ARC-114, ARC-115, ARC-159, ARC-186, ARN-118, RTJ-1159A, Collins 718U-5, 719A, top dollar paid or trade for new Amateur gear. Write or phone Bill Slep (704) 524-7519. SLEP ELECTRONICS COMPANY, Highway 441, Otto, NC 28763.

HAMS-HELP. Handicapped Ham needs working HF rig with 10 meters, reasonably priced. Please help. Clem, KA3OUE. Call any time (412) 531-7443 EST.

CLOSED CIRCUIT TELEVISION EQUIPMENT. Discount pricing on cameras, monitors, sequential switches, pan tilt units, etc. Expert design assistance available. Dan Marshall, DETECTION DYNAMICS, 4700 Loyola Lane, #119, Austin, Texas 78723. (512) 345-8401.

WANTED: Operating and/or Maintenance Manual for the Gonet Model G-66B receiver. WE6N, 644 11th Avenue, Coos Bay, OR 97420-4405.

AN-PRC-64 military radio wanted. Will pay top dollar for a unit in very good condition. KC1EZ, Tim McInerney, 316 West 75th Street, New York, NY 10023 (212) 874-3333.

HRs 1970-79, plus 6 early issues, \$170 plus shipping. Ned, W1RAN (203) 447-1255 after 5 PM.

SELL: Drake TR-3 HF Xcvr, AC-4 Pwr supply, mic, spkr, svr. Mint condition with manuals. \$250. Will ship. Rob, KE8JH, evenings (616) 327-2142.

WANT COLLINS KWM 2/A and accessories. Also looking for other Collins gear. Call after 4 PM EDT (201) 728-7938.

CALL SIGN BADGES: Custom license plate holders. Personal, distinctive. Club discounts. SASE. WB3GND, Box 750, Clinton, MD 20735. (301) 248-7302.

ANALOG AND RF CONSULTING for the San Francisco Bay area. Commercial and military circuits and systems. James Long, Ph.D., N6YB (408) 733-8329.

RTTY JOURNAL—Now in our 36th year. Read about RTTY, AMTOR, PACKET, MSO'S, RTTY CONTESTING, RTTY DX and much more. Year's subscription to RTTY JOURNAL \$10.00, foreign slightly higher. Order from: RTTY JOURNAL, 9085 La Casita Ave., Fountain Valley, CA 92708.

IMRA International Mission Radio Association helps missionaries. Equipment loaned. Weekday net, 14.280 MHz, 1-3 PM Eastern. Nine hundred Amateurs in 40 countries. Rev. Thomas Sable, S.J., University of Scranton, Scranton, PA 18510.

MARCO: Medical Amateur Radio Council, Ltd, operates daily and Sunday nets. Medically oriented Amateurs (physicians, dentists, veterinarians, nurses, physiotherapists, lab technicians, etc) invited to join. Presently over 550 members. For information write MARCO, Box 73's, Acme, PA 15610.

RUBBER STAMPS: 3 lines \$5.00 PPD. Send check or MO to G.L. Pierce, 5521 Birkdale Way, San Diego, CA 92117. SASE brings information.

ELECTRON TUBES: Receiving, transmitting, microwave... all types available. Large stock. Next day delivery, most cases. DAILY ELECTRONICS, PO Box 5029, Compton, CA 90224. (213) 774-1255.

DIGITAL AUTOMATIC DISPLAYS. All Radios. GRAND SYSTEMS, POB 2171, Blaine, Washington 98230.

CUSTOM MADE EMBROIDERED PATCHES. Any size, shape, colors. Five patch minimum. Free sample, prices and ordering information. HEIN SPECIALTIES, Inc., Dept 301, 4202 N. Drake, Chicago, IL 60618.

RECONDITIONED TEST EQUIPMENT \$1.25 for catalog. Walter, 2897 Nickel, San Pablo, CA 94806.

COMING EVENTS

Activities — "Places to go . . ."

SPECIAL REQUEST TO ALL AMATEUR RADIO PUBLICITY COORDINATORS: PLEASE INDICATE IN YOUR ANNOUNCEMENTS WHETHER OR NOT YOUR HAMFEST LOCATION, CLASSES, EXAMS, MEETINGS, FLEA MARKETS, ETC. ARE WHEELCHAIR ACCESSIBLE. THIS INFORMATION WOULD BE GREATLY APPRECIATED BY OUR BROTHER/SISTER HAMS WITH LIMITED PHYSICAL ABILITY.

VIRGINIA: August 7. The 38th annual Winchester Hamfest, sponsored by the Shenandoah Valley ARC, Clarke County Ruritan Fairgrounds, Rt 7, 2 miles west of Berryville. 7 AM—3 PM. Admission \$4. Children under 12 and wives free. Tailgaters and tables \$5. License exams. Talk in on 146.22/.82 and .52. For information Joanne Blaker, WB2CVM (703) 869-4878 or write SVARC, POB 139, Winchester, VA 22601.

PENNSYLVANIA: August 7. The 51st Hamfest of the South Hills Brass Pounders and Modulators ARC of Pittsburgh, south campus of Community College of Allegheny County, West Mifflin. Outdoor/indoor flea market, forums. Talk in on 146.13/73 and 146.52. For information Doug Wilson, WA3ZNP, 185 Orchard Avenue, Emsworth, PA 15202.

NEW YORK: August 20. 7th annual Finger Lakes Hamfest. Sponsored by the Tompkins County ARC. New Location—4-H Acres of Rt 13 NE of Ithaca. Donation \$3. Flea market space \$1. Wheelchair accessible. Free overnight camping. Talk in on 37/97 or 52. For information contact the Kings, N2GFOW or N2GFXX, Box 227, Etna, NY 13062. (607) 347-4313.

INDIANA: August 7. The Porter County ARC's annual Northwest Indiana Hamfest & Computer Fair, Porter County Fairgrounds & Expo Center, Rt 49, east of Valparaiso. 7 AM. 6 AM vendors. General admission \$3.50, under 12 free. Walk-in license exams 8-10 AM all classes. Talk in on 146.775/175 or 146.52. For information Jamie Veiner, NS9A, POB 1782, Valparaiso, IN 46384.

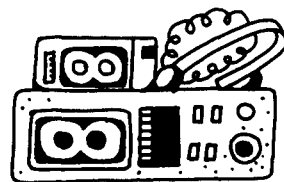
INDIANA: August 7. Angola Hamfest and FM Picnic, Steuben County 4-H Park on Crooked Lake. Gates open 7 AM. Indoor/outdoor spaces. Talk in on 147.21. For information Steuben County Radio Amateurs, POB 252, Angola, IN 46703.

MINNESOTA: August 14. The St. Cloud ARC's Hamfest, Whitney Senior Center in St. Cloud. Ticket donation \$3.00. Extra ticket \$2.00. Talk in on 34/94 primary, 615-015 sec. Contact: SCARC, Box 141, St. Cloud, MN 56302.

NEVADA: August 20. The combined radio clubs of Reno are sponsoring Reno Hamfest '88, California Building, Idlewild Park. 9 AM to 5 PM. Admission \$3. Swap tables \$7. License exams, Ham swap, refreshments. Talk in on 146.61 and 147.30 + . For information, registration and VE exam SASE to Curley Silva, K7HRW, 3780 Hummingbird Drive, Reno, NV 89506.

TENNESSEE: August 28. The Lebanon Hamfest sponsored by the Short Mountain Repeater Club, Cedars of Lebanon State Park, US 231, 7 miles south of Lebanon. Outdoors only. Bring own tables. Talk in on 146.31-146.91. For information MaryAlice Fanning, KA4G5B, 4936 Danby Drive, Nashville, TN 37211.

MISSOURI: August 28. The St. Charles ARC will sponsor Hamfest 88, Blanchette Park, St. Charles. 6:30 AM-2:30 PM. Free admission and parking. License exams. Handicapped parking. Tailgating \$2/space. Talk in on 146.07/67 rep and 146.52. Contact Eric Koch, NFOO, 2805 Westminister, St. Charles, MO 63301. (314) 946-0948.



OPERATING EVENTS

"Things to do . . ."

Littleton, Colorado: August 21. The Arapahoe Radio Club's annual "Fourteener" expedition operating from 14,000-ft mountain peaks in the Colorado Rockies. Listen for CO 14. For certificate send QSL and legal SASE to K9AY, 7277 S. Clermont Drive, Littleton, CO 80122.

HAM RADIO TODAY has joined the programming lineup from the Voice of the Andes, HCJB Radio, an international broadcasting station that has been operating from Quito, Ecuador since 1931. Programming includes news from all over the world, construction hints, propagation news, equipment reviews and much more. For more information contact John E. Beck, Producer, HAM RADIO TODAY, c/o HCJB Radio, Box 691, Quito, Ecuador, SA.

Uncle Bill's Commodore C-64 Computer Software

by Bill Clarke WA4BLC

CODE COURSE

This computer program is broken into three user friendly parts. Part one introduces to the beginner the different morse characters. The student simply presses a key and the character is sent and displayed on the screen. Part two generates the morse character and the student is required to press the correct key on the computer. If the student answers incorrectly, the character is automatically resent. Part three sends morse characters in random groups of five. The student can tailor what is sent to their particular needs; numbers only, letters only or a combination of both. Speeds are from 5 to 20 groups per minute. The computer can also be configured to send the Farnsworth method (high speed/slow spacing code.) V 2.2

UB-CC (For C-64) \$9.95

KODE MASTER (for Novice, General or Extra Class students)

Prepare for your next code exam using computer generated QSOs. Each QSO contains call signs, names, QTH's equipment info plus many of the other exchanges commonly found in Ham QSO's. QSO's can be displayed on the screen by one character at a time, by each sentence or after the completion of the QSO for checking. With a printer you can print out a hard copy. Available in 5 wpm for Novices, 13 wpm for Generals and 20 wpm for Extra class students.

UB-KN Novice Class (for C-64) \$14.95

UB-KG (for C-64) \$14.95

UB-KE Extra Class (for C-64) \$14.95

ANTENNA SYSTEM

This nifty antenna modeling and development program will help you get the most from your antenna projects while eliminating much of the drudgery of antenna calculations. Part one covers standard design antennas—dipoles, verticals and Yagi designs. Part two designs shortened dipole antennas for space limited hams. Great for shortened 160/80 meter antennas. All dimensions are listed. At this price it's not an engineering program but a neat program to have around.

UB-AS (for C-64) \$9.95

RADIO AMATEUR CALLBOOK SUPPLEMENT

(both NA and International calls)
Invaluable operating aid to all classes of Radio Amateur. Includes all calls issued since publication of the 1988 edition of the North American and International editions. The ONLY way to be fully up-to-date is to have the Callbook supplement in your shack. 296 pages © 1988

CB-SUP 88 Softbound \$9.95

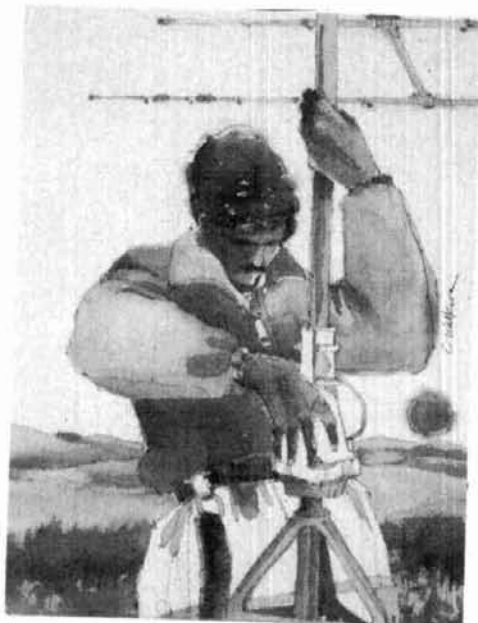
Please enclose \$3.50 shipping & handling

ham radio magazine
BOOKSTORE
GREENVILLE, NH 03048
603-878-1441



SUBSCRIBE

—AND RENEW—
TOLL-FREE



**ham
radio**
magazine

1 YR - \$22.95 2YRS - \$38.95

3 YRS - \$49.95

Prices U.S. only



MASTERCARD
 VISA BILL ME

Please have your charge card ready.

DATATEL 800™

800-341-1522

Weekdays 8 AM - 9 PM EST • Saturdays 9 AM - 5 PM EST
IN MAINE CALL COLLECT (207) 236-2896

OUR 800 NUMBER IS FOR SUBSCRIPTION ORDERS ONLY!

For Errors or Change of Address CALL ham radio
direct at (603) 878-1441 8-5 EST

ADVERTISER'S INDEX AND READER SERVICE NUMBERS

Listed below are the page and reader service number for each advertiser in this issue. For more information on their products, select the appropriate reader service number make a check mark in the space provided. Mail this form to *ham radio* Reader Service, I.C.A., P.O. Box 2558, Woburn, MA 01801.

Name _____ Call _____
 Address _____
 City _____ State _____ Zip _____

*Please contact this advertiser directly.

Please use before September 30, 1988.

READER SERVICE #	PAGE #	READER SERVICE #	PAGE #
169 - Ace Communications, IN	32	146 - KComm, The Ham Store	62
115 - Ace Communications, Inc, CA	90	* Kenwood U.S.A. Corp	2, 5, CIV
144 - Advanced Computer Controls	65	117 - Kidsview Software, Inc	90
134 - Advanced Receiver Research	74	125 - Madison Electronics Supply	87
158 - AEA	49	149 - Maggiore Electronic Laboratory	60
165 - Alinco Electronics, Inc	41	176 - Magnaphase Industries, Inc	24
145 - All Electronics Corp	62	130 - Glen Martin Engineering, Inc	83
131 - AMC Sales, Inc	83	183 - MFJ Enterprises	13
119 - AMSAT	86	166 - Micro Control Specialties	36
112 - Antennas West	62, 84,	155 - Midland Technologies	52
151 - ARRL	57	108 - Missouri Radio Center	99
106 - ARRL	98	152 - Mobile Mark, Inc	56
171 - Astron Corp	30	111 - Morlan Software	93
128 - AT&T Computers and Electronics	82	129 - Motron Electronics	82
* Barker & Williamson	20	104 - NCG	94
* Barry Electronics	82	* Nema Electronics	89
121 - Bilal Company	86	140 - Nuts & Volts	69
* Boxboro '88	67	109 - OPTOelectronics	100
* Buckmaster Publishing	36	178 - P.C. Electronics	25
127 - Buckmaster Publishing	84	167 - Pac-Comm Packet Radio Systems, Inc	36
118 - Buckmaster Publishing	90	148 - Pipocommunications	62
160 - Burghardt Amateur Center	44	153 - Radiosporting	56
* Butternut Electronics	90	163 - The Radio Works	89
133 - C&S Sales	80	105 - Ramsey Electronics, Inc	95
* Caddell Coil Corp	86	147 - The RF Connection	62
170 - CIE	32	* RF Parts	73
154 - Coaxial Dynamics, Inc	52	138 - Rutland Arrays	74
179 - Command Technologies	20	162 - S-Com Industries	82
150 - Communications Specialists	59	139 - Satellite City	72
120 - Computeradio	86	* Spec-Com	24
186 - Connect Systems Inc	1	123 - Stridsburg Engineering Co	87
136 - Cygnus-Quasar Books	74	* STTI	38
177 - Datacom, International	24	132 - STV/OnSat	79
180 - DMQ Technology	21	156 - Synthetic Textiles, Inc	52
116 - Doug Hall Electronics	90	175 - TE Systems	24
142 - Down East Microwave	65	124 - Thermax Corporation	87
174 - EGE, Inc	26	126 - TIC General	84
* Engineering Consulting	69	161 - Vanguard Labs	44
* Falcon Communications	52	181 - Varian EIMAC	16
173 - L.L. Grace	29	135 - VHF Communications	74
189 - Grove Enterprises	44	143 - W9INN Antennas	65
141 - GTI	65	188 - Western Electronics	73
122 - GTI	87	114 - Wi-Comm Electronics Inc	89
164 - HAL Communications Corp	43	110 - Yaesu USA	CIII
159 - Hal-Tronix	47	157 - Yaesu USA	50, 51
182 - Ham Radio Outlet	14, 15	137 - E.H. Yost Co	74
* Ham Radio's Bookstore	65, 79, 82, 87, 97		
* The Ham Station	25		
* Hamtronics, NY	85		
* Hamtronics, PA	52		
* Heath Company	89		
168 - Henry Radio	35		
187 - ICOM America, Inc	CII		
107 - Jan Crystals	98		
184 - JDR Instruments	8		
172 - Jun's Electronics	28		
113 - K6STI	89		
185 - Kantronics	6, 7		

PRODUCT REVIEW/NEW PRODUCTS

303 - A-Tech Electronics	48
304 - Amateur Radio School	48
307 - American Reliance	53
302 - DMQ Technology	48
* Ham Radio's Bookstore	53
305 - Mouser Electronics	53
308 - RF Concepts	53
306 - Sibex, Inc	53
301 - Stone Mountain Engineering Co	48

RELY ON JAN FOR 3-WAY HELP:

1. TECHNICALLY CORRECT CRYSTALS TO YOUR SPECS.
2. QUICK TURNAROUND WITH HUGE INVENTORY, PROMPT SERVICE, AND OUR EMERGENCY ORDER PLAN.
3. LOW PRICES. ✓ 107

QUARTZ CRYSTALS FOR TWO-WAY — INDUSTRY MARINE — AMATEURS SCANNERS — CBs MICROPROCESSORS



FOR FREE CATALOG, CALL OR WRITE:
JAN CRYSTALS
 P.O. BOX 06017
 FORT MYERS, FL 33906
 (813) 936-2397

SINCE 1965



TOLL-FREE: 1-800-237-3063

IN FLORIDA: 1-800-226-XTAL
 FAX ORDERS: 1-813-936-3750

THE 1988 ARRL HANDBOOK

FOR THE RADIO AMATEUR



NEW EDITION

The 1988 ARRL Handbook For The Radio Amateur carries on the tradition of the previous editions by presenting 1200 pages of comprehensive information for the radio amateur, engineer, technician and student. Clothbound only. \$21 in the U.S., \$23 in Canada and elsewhere.

THE AMERICAN RADIO RELAY LEAGUE
 225 MAIN STREET
 NEWINGTON, CT 06111

MISSOURI RADIO CENTER

102 N.W. Business Park Lane, Kansas City, MO 64150 816-741-8118

Call Toll Free — 9am - 6pm Mon. - Fri. 9am - 2pm Sat
In Missouri Call — 816-741-8118

1-800-821-7323

TRADE INS ACCEPTED

MasterCard — VISA — Discover

Quality Service At the Right Price... Everytime

KENWOOD



TS440S "DX-CITING"

- 100% Duty Cycle
 - 100 Memories
 - Direct Keyboard Entry
 - Optional Built-in AT
- On Sale Now, Call for Price!

YAESU



FT-767GX

HF/VHF/UHF
BASE STATION

- Add Optional 6m, 2m & 70cm Modules
- Dual VFO's
- Full CW Break-in
- Lots More Features

ICOM



IC-761 NEWEST HF SUPER RIG

- 160-10M/General Coverage Receiver
- Built-in Power Supply and Automatic Antenna Tuner
- SSB, CW, FM, AM, RTTY
- QSK to 60 WPM

ALINCO



ALD-24T DUAL BAND MOBILE

- 140-149.995 MHz/ 440-450 MHz
- 25 Watts on Both Bands
- Crossband Full Duplex
- 21 Memory Channels
- CTCSS Encoder/Decoder, Standard

KENWOOD



TS-140S AFFORDABLE DX-ing!

- HF Transceiver With General Coverage Receiver
- All HF Amateur Bands
- 100 W Output
- Compact, Lots of Features

YAESU



FT-736R VHF-UHF BASE STATION

- SSB, CW, FM on 2 Meters and 70 cm
- Optional 50 MHz, 220 MHz or 1.2 GHz
- 25 Watts Output on 2 Meters, 220 and 70 cm
- 10 Watts Output on 6 Meters and 1.2 GHz
- 100 Memories

ICOM



IC-735 COMPACT HF TRANSCEIVER

- All HF Band/General Coverage Receiver
- 12 Memories/Frequency and Mode
- USB, LSB, AM, FM, CW
- 100 Watts Output
- Includes HM-12 Scanning Mic

conceptz

2m and 220 MHz Amplifiers
GaAsFET Receive Pre-Amps
and High SWR Shutdown
Protection

MODEL	144 MHz	SALE PRICE
2-23	2 in/30 out	
2-217	2 in/170 out	
2-117	10 in/170 out	
	220 MHz	
3-22	2 in/20 out	
2-211	2 in/110 out	
3-312	30 in/120 out	
	CALL	

KENWOOD



TM-221A

- 2m FM Mobile Transceiver
- 45W Output w/HiLo Switch
- 14 Multi-Function Memories
- TM-421A Available For 440 MHz

YAESU



FT-212RH

THE "ANSWERING MACHINE" MOBILE

- Rx: 138-174 MHz
- Tx: 144-148 MHz
- 45W Output
- Digital Voice Recorder
- FT-712 RH for 70cm

ICOM



IC-900 SIX BANDS IN ONE MOBILE

- Remote Controller, Interface A Unit, Interface B Unit, Speaker, Mic and Cables
- Six Band Units to Choose
- 10 Memories Per Band
- Programmable Band Scan
- Fiber Optic Technology

ASTRON CORPORATION



Power Supply

- RS7A ... \$48
- RS12A ... \$68
- RS20A ... \$88
- RS20M ... \$105
- VS20M ... \$125
- RS35A ... \$133
- RS35M ... \$149
- VS35M ... \$165
- RS50A ... \$189
- RS50M ... \$215
- RM50A ... \$219
- VS50M ... \$229

KENWOOD

TH-25AT POCKET-SIZED AND POWERFUL

- Frequency Coverage: 141-163 MHz (Rx), 144-148 MHz (Tx)
- Front Panel DTMF Pad
- 5 Watts Output
- 14 Memories
- TH-45AT Available for 440 MHz

YAESU



FT23/73R

- Super "Mini" HT's
- Zinc-Aluminum Alloy Case
- 10 Memories
- 140-164 MHz, 440-450 MHz
- 2W Battery Pack or Optional 5W Pack

ICOM



IC-μ2AT IC-μ4AT

MICRO HT'S
FOR 2M, 440

- Pocket Size HT Fun
- Ten Memories
- LCD Readout
- Wideband Coverage
- Up to 3 Watts Output
- 32 Built-in Subaudible Tones

ASA



PK-64/HFM

- Morse, Baudot, ASCII, AMTOR and Packet
 - Operates VHF and HF
 - You Need Only Your Transceiver and a Commodore 64 or 128
- SPECIAL! FINAL CLEARANCE**
\$149.95 Limited Supply

NEW

POCKET SIZE

SIZE: 4" H x 3.5" W x 1" D
MADE IN USA

OPTOELECTRONICS INC.

FREQUENCY COUNTERS TO 2.4 GHz

8 LED DIGITS • 2 GATE TIMES
ALUMINUM CABINET
INTERNAL NI-CAD BATTERIES INCLUDED
AC ADAPTER/CHARGER INCLUDED

#TA-100S

EXCELLENT SENSITIVITY & ACCURACY

AC-DC • PORTABLE OPERATION



Small enough to fit into a shirt pocket, our new 1.3 GHz and 2.4 GHz, 8 digit frequency counters are not toys! They can actually out perform units many times their size and price! Included are rechargeable Ni-Cad batteries installed inside the unit for hours of portable, cordless operation. The batteries are easily recharged using the AC adapter/charger supplied with the unit.

The excellent sensitivity of the 1300H/A makes it ideal for use with the telescoping RF pick-up antenna; accurately and easily measure transmit frequencies from handheld, fixed, or mobile radios such as: Police, firefighters, Ham, taxi, car telephone, aircraft, marine, etc. May be used for counter surveillance, locating hidden "bug" transmitters. Use with grid dip oscillator when designing and tuning antennas. May be used with a probe for measuring clock frequencies in computers, various digital circuitry or oscillators. Can be built into transmitters, signal generators and other devices to accurately monitor frequency.

The size, price and performance of these new instruments make them indispensable for technicians, engineers, schools, Hams, CBers, electronic hobbyists, short wave listeners, law enforcement personnel and many others.

STOCK NO:

- #1300H/A Model 1300H/A 1-1300 MHz counter with preamp, sensitivity, < 1mV, 27MHz to 450MHz includes Ni-Cad batteries and AC adapter \$169.95
- #2400H Model 2400H 10-2400 MHz microwave counter includes Ni-Cad batteries and AC adapter \$299.95
- #CCA Model CCA counter/counter, for debugging, ultra sensitive, < 50 micro volts at 150MHz! 1-600 MHz with adjustable threshold, RF indicator LED. Includes Ni-Cad batteries and AC adapter \$299.95

ACCESSORIES:

- #TA-100S Telescoping RF pick-up antenna with BNC connector \$12.00
- #P-100 Probe, direct connection 50 ohm, BNC connector \$20.00
- #CC-12 Carrying case, gray vinyl with zipper opening. Will hold a counter and #TA-1000S antenna. \$10.00

✓ 109

FLA (305) 771-2050

ORDER FACTORY DIRECT

1-800-327-5912



AVAILABLE NOW!

OPTOELECTRONICS INC.

5821 N.E. 14th Avenue
Ft. Lauderdale, Florida 33334

Orders to US and Canada add 5% of total (\$2 min, \$10 max)
Florida residents add 6% sales tax. COD fee \$2.
Foreign orders add 15%

HF performance you can have a real field day with.

With Yaesu's FT-757GX/II, you can enjoy full-featured HF performance just about anywhere.

On vacation. During field day. On the road. Or in your shack.

Because the FT-757GX/II packs all its HF performance into one highly compact, action-ready case. A case so small, it even fits under airplane seats.

Of course, you've probably noticed a similarity to its predecessor, the FT-757GX. That's purely intentional. And now its performance is even better.

With new features like memory storage of operating mode. Slow/fast tuning selection. Automatic step-change according

to mode. IF notch filter. 10 memories. And VFO to VFO scan.

Plus you get an iambic electronic keyer. Woodpecker noise blanker. 600-Hz CW filter. AM and FM modes. AF speech processor. And 25-kHz marker generator. All at no extra charge.

Three microprocessors. Dual VFOs. Single-button VFO/memory swap. Receive coverage from 500 kHz to 30 MHz. Transmit coverage from 10 to 160 meters, including WARC bands. All-mode coverage (LSB, USB, CW, AM and FM). 100-watt RF output.

QSK operation. Massive heatsink and duct-flow cooling system for continuous RTTY

operation for up to 30 minutes.

Computer Aided Transceiver (CAT) System for computer control via optional interface (software is available from your Yaesu dealer).

Of course, the FT-757GX/II offers the kinds of options you'd expect from Yaesu, too. Including standard and heavy-duty power supplies, automatic antenna tuner, and more.

So no matter where you work the DX, take along Yaesu's FT-757GX/II. The full-featured HF rig you'll have a real field day with.

YAESU



Yaesu USA 17210 Edwards Road, Cerritos, CA 90701 (213) 404-2700. Repair Service: (213) 404-4884. Parts: (213) 404-4847.

KENWOOD

...pacesetter in Amateur Radio

NOW
Four to
choose!

Four to Go!

TM-221A/321A/421A/521A

144/220/450/1300 MHz

The Hottest Selling Compact FM Mobile Transceivers

The all-new TM-221A, TM-321A, TM-421A and TM-521A FM transceivers represent the "New Generation" in Amateur radio equipment. The superior Kenwood GaAs FET front end receiver; reliable and clean RF amplifier circuits, and new features all add up to an outstanding value for mobile FM stations! The optional RC-10 handset/control unit is an exciting new accessory that will increase your mobile operating enjoyment!

- TM-221A receives from 138-173.995 MHz. This includes the weather channels! Transmit range is 144-148 MHz. Modifiable for MARS and CAP operation. (MARS or CAP permit required.)

- TM-321A covers 220-224.995 MHz, TM-421A covers 438-449.995 MHz, and the TM-521A covers 1240-1300 MHz. (Specifications guaranteed for Amateur band use only.)
- Built-in front panel selection of 38 CTCSS tones. TSU-5 programmable decoder optional.
- Simplified front panel controls—makes operating a snap!
- 16 key DTMF hand mic., mic. hook, mounting bracket, and DC power cable included.
- Selectable frequency steps for quick and easy QSY.
- TM-221A provides 45 W, TM-321A 25 W, TM-421A 35 W, and TM-521A 10 W. All models have adjustable low power.
- Packet radio compatible!
- Programmable band scanning with memory scanning and memory channel lock-out.
- New amber LCD display.

- Kenwood non-volatile operating system. All functions remain intact even when lithium battery back-up fails. (Lithium cell memory back-up, est. life 5 yrs.)
- 14 full-function memory channels store frequency, repeater offset, sub-tone frequencies, and repeater reverse information. **Repeater offset on 2 m is automatically selected.** There are **two channels** for "odd split" operation.
- Super compact: approx. 1-1/2"Hx5-1/2"Wx7"D.
- Microphone test function on low power.
- High quality, top-mounted speaker.
- Rugged die-cast chassis and heat sink.



Optional Accessories:

- RC-10 Multi-function handset remote controller
- PG-4G Extra control cable for second transceiver
- PS-50/PS-430 DC power supplies • TSU-5 Programmable CTCSS decoder • SW-100A Compact SWR/power/volt meter (1.8-150 MHz)
- SW-100B Compact SWR/power/volt meter (140-450 MHz) • SW-200A SWR/power meter (1.8-150 MHz) • SW-200B SWR/power meter (140-450 MHz)

- MHz) • SWT-1 Compact 2 m antenna tuner (200 W PEP) • SWT-2 Compact 70 cm antenna tuner (200 W PEP) • SWC-4 1200 MHz Directional coupler • SP-40 Compact mobile speaker
- SP-50B Mobile speaker • PG-2N Extra DC cable • PG-3B DC line noise filter • MC-60A, MC-80, MC-85 Base station mics. • MC-55 (8-pin) Mobile mic. with gooseneck and time-out timer • MA-4000 2 m/70 cm dual band antenna with duplexer (mount not supplied) • MB-201 Extra mobile mount

Specifications and prices subject to change without notice or obligation. Complete service manuals are available for all Kenwood transceivers and most accessories.

RC-10 Remote Controller

For TM-221A/321A/421A/521A. Optional telephone-style handset remote controller RC-10 is specially designed for mobile convenience and safety. All front panel controls (except DC power and RF output selection) are controllable from the RC-10. One RC-10 can be attached to a combination of two transceivers with the optional PG-4G cable. When two transceivers are connected to the RC-10, cross band, full duplex repeater operation is possible. (A control operator is needed for repeater operation.)



KENWOOD

KENWOOD U.S.A. CORPORATION
2201 E. Dominguez St., Long Beach, CA 90810
P.O. Box 22745, Long Beach, CA 90801-5745

**THIS LUCKY
HAM WON
A KENWOOD
940 STATION
AT BOXBORO!**



**DISCOUNT
RESERVATION
COUPON
← INSIDE**

TO LEARN ABOUT A
MASSACHUSETTS VACATION
CALL 1-800-447-MASS

*IN NEW ENGLAND
EVERYONE DRIVES TO
THE WONDERFUL*

Boxboro Hamfest

**October
1 & 2
1988**

**EARLY BIRD
DISCOUNT
COUPON**

**IN THIS
MAGAZINE!**



The BEST Ham Convention Ever!

MEET: Every Manufacturer
Every Dealer
you'd ever want to see!

- ICOM • KENWOOD • YAesu • TENTEc • COMRAD • ETO
 - EGE • CUSHCRAFT • ALINGO • TELEX/HYGAIN
 - HAM RADIO • CTM • ORION/CREATE • CQ • PERIPHEX
 - PALOMAR • DSRI • DELTA LOOP • PX SHACK • RF PARTS
 - MIRAGE/KLM • QSLs by W4MPY • SCIENCE WORKSHOP
 - DELAWARE • AMP SUPPLY • TEL-COM • AEA • MEJ
 - KANTRONICS • OPTOELECTRONICS • E. H. YOST • 73
 - HARGO ENGRAVING • AUSTIN ANTENNA • RAMSEY
- & MORE ADDED EVERY WEEK!

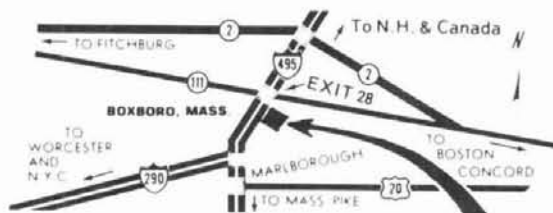


A GIANT FLEA MARKET, TOO!

TWO BIG DAYS

OCT. 1 & 2 1988
SHERATON BOXBORO

Route 111 at Route 495
Boxboro, Massachusetts
(A Short Distance From The Mass Turnpike)



SAVE \$1
ON
EACH
REGISTRATION
WITH THIS CARD

**ORDER NOW AND
SAVE \$1.00 on EVERY registration!**

BOXBORO 1988

OCTOBER 1 & 2 SAT. & SUN.

New England A.R.R.L. Convention



• ANTENNA PROGRAMS • F.C.C. EXAMS • WOUFFHONG • YLPROGRAMS

EARLY BIRD DISCOUNT COUPON

HOW
MANY?

REGISTRATION \$6.00
(required of everyone over 16) (\$7 at door)

**SATURDAY NIGHT
DANCE, SHOW &
ROAST BEEF BANQUET** \$18.50
INCL. TAX & TIP

FLEA MARKET SELLER'S
PERMITS (ONE REGISTRATION
REQUIRED WITH EACH PERMIT)

SATURDAY **SUNDAY**
 TENT \$14 TENT \$14
 OUTSIDE \$9 OUTSIDE \$9

SEPARATE PERMIT FOR EACH DAY

Your Name _____ Call _____

Your Complete QTH _____
Street City

State Zip Code

Make Check Payable To: F.E.M.A.R.A., and Mail with S.A.S.E. to:
Arthur Tomkinson: W1THT, 9 Oliver Terrace, Revere, MA 02151