

APRIL 1977/\$1.50

ham
radio
magazine



**solid-state
microwave
rf generators**

henry radio

a name
that says
it all

For over 40 years...dedicated to amateur radio...to offering the finest products...to dependable service.

KENWOOD TS-700A



The promise of 2 meter operation...the Kenwood way. The TS-700A operates all modes: SSB (upper & lower) /FM/AM/CW and provides the dependability of solid state circuitry. Has tunable VFO and 4 MHz band coverage (144 to 148 MHz). Automatically switches transmit frequency 600 KHz for repeater operation. AC and DC capability through its built-in power supply. Outstanding frequency stability Complete with microphone and built-in speaker. \$599.00



ICOM IC-211

ICOM's new fully synthesized 4 MHz FM, USB, LSB, CW 2 meter transceiver. 100 Hz or 5 KHz steps, with dual tracking, optically coupled VFO's displayed by seven-segment LED readouts. Features new styling, new versatility and a new approach to the integration of functions. A compact "do everything" radio for 2-meters. The IC-211..... \$749.00

We stock the Bird Model 43 Wattmeter and accessories.

Prices subject to change without notice

Henry Radio's

TEMPO CL 146A



...a VHF/FM mobile transceiver for the 2 meter amateur band. Compact, rugged and all solid state. One channel supplied plus two of your choice. 144 to 148 MHz. Multifrequency spread of 2 MHz. 12 channel possible. Internal speaker, dynamic mike, mounting bracket and power cord supplied. A Tempo "best buy" at \$239.00.

TEMPO VHF/UHF AMPLIFIERS



Solid state power amplifiers for use in most land mobile applications. Increase the range, clarity, reliability and speed of two way communications.

YAESU FT-221R



A compact, versatile transceiver designed for the active 2 meter enthusiast. Features all mode operation — SSB/FM/CW/AM — with repeater offset capability. Advanced phase lock loop circuitry, computer-type modular construction. Preset pass band tuning provides the optimum selectivity and performance needed on today's active 2 meter band. Complete 144-148 MHz coverage. Built-in AC and DC power supplies and speaker. \$595.00

Now,
meet
Henry
Radio...



Walt Henry
W6ZN
ANAHEIM



Ted Henry
W6UOU
LOS ANGELES



Bob Henry
W0ARA
BUTLER

Plus a large staff of highly qualified sales and service personnel pledged to serve you. Henry Radio carries large stocks of all major brands. We take trade-ins, sell used equipment and offer better terms because we carry our own financing. Our reconditioned equipment carries a 15 day trial, 90 day warranty and may be traded back within 90 days for full credit toward the purchase of new equipment. Export inquiries solicited. Also, military, commercial, industrial, and scientific users...please write for information on our custom line of high power linear amplifiers and RF power generators.

Henry Radio

11240 W. Olympic Blvd., Los Angeles, Calif. 90064 213/477-6701
931 N. Euclid, Anaheim, Calif. 92801 714/772-9200
Butler, Missouri 64730 816/679-3127

★ SNEAK PREVIEW! ★

OUR NEW EXPANDED SPRING/SUMMER 1977 CATALOG IS JUST OFF THE PRESS! Call or write today for your FREE copy. Meanwhile, here's a quick look at some of the fascinating projects you'll find.

Get in on the Homebrew Revival using the Modular Approach Projects Featured in Ham Radio Articles by WA2GCF

HAMTRONICS, INC.

EVER WISH YOUR RECEIVER COULD HEAR THE WEAK ONES?

Almost every amateur and commercial VHF/UHF receiver can be more sensitive with these popular preamps. Over 7000 in use throughout the world.

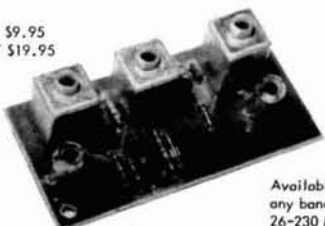
P8 KIT \$7.95
P16 W/T \$16.95



Available for any band 20-190 MHz

- Easy to-tune cascade circuit
- 20-30 dB gain; 2.5 dB noise figure
- Fits in transceivers, only 1/2 x 2-3/8"

P9 KIT \$9.95
P14 W/T \$19.95



Available for any band 26-230 MHz

- 2-stage common gate fet ckt
- 20-30 dB gain; 2 dB noise figure
- Compact - 1-1/2 x 3"
- Coax connectors & diode protection

P15 KIT \$15.95
P35 W/T \$34.95

Available for any band 380-520 MHz



- 2 common gate fet's
- 20 dB gain; 4.5 dB noise figure
- Great for atv, ssb, fm

VHF/UHF FM RCVR KITS

- MORE FOR YOUR MONEY
- COMMERCIAL TYPE DESIGN
- IDEAL FOR REPEATERS, MONITORS, LINKS, OR RACK MTD RECEIVERS
- MAKE YOUR OWN 2M FM TRUNK MOUNTED TRANSCEIVER



VHF MODELS FOR ANY BAND 28-240 MHZ

R60-(), 0.5-1uV sens, incl VHF Converter and IF/Audio Boards..... \$64.95
R69-(), 0.2-0.4uV sens, incl P9 Preamp, VHF Conv, and IF/Audio Boards..... \$69.95
R40 10.7 MHz IF/Audio Board alone..... \$39.95



UHF MODELS FOR ANY BAND 380-520 MHZ

R60-450, 5-10 uV economy rcvr, incl UHF Conv & IF/Audio Boards only..... \$59.95
R80-450, 2-5 uV sens monitor rcvr, incl UHF Conv, VHF Conv, and IF/Audio Boards..... \$84.95
R95-450, 0.4-1uV sens rcvr, incl P15 Preamp, UHF Conv, VHF Conv, and IF/Audio Boards..... \$94.95

ACCESSORIES

A13-45A Six Channel Adapter..... \$13.95
AS-10 Scanner Adapter (use w/ any receiver).... \$10.95
T15 Receiver Alignment Oscillator..... \$15.95
A40 10.7 MHz Crystal Filter Module..... \$34.95
CRYSTALS (We stock common freq)..... \$ 5.50

FM TRANSMITTER KITS

- FOR REPEATERS, LINKS, OR JUST A GREAT SOUNDING PERSONAL RIG
- RATED FOR CONTINUOUS DUTY
- APPLICATION NOTES AVAILABLE
- SEE FEATURE ARTICLE IN AUG '76 HR
- FULLY SHIELDED PROFESSIONAL DESIGN
- INDIVIDUAL VERNIER FREQ CONTROLS
- COMPANION CABINETS AVAILABLE

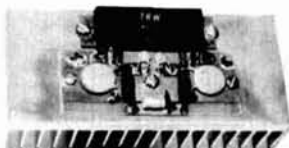


200 MW EXCITER MODULE KITS

T40-11 Eleven Channel Exciter for 2M, 6M, or 220 MHz..... \$39.95
T40-1 As Above but only One Channel..... \$34.95



T20 Tripler/Driver Module Kit, 150 mW 2M input, 200 mW 450 MHz output..... \$19.95



RF POWER AMPLIFIER MODULES

- NO TUNING • VSWR PROTECTED • 150 MW DRIVE

T80-150, 140-175 MHz, 20-25W output, Wired and Tested, simply connect your cables..... \$79.95
T80-450, 430-470 MHz, 13-15W, W/T..... \$79.95

TEST PROBE KITS



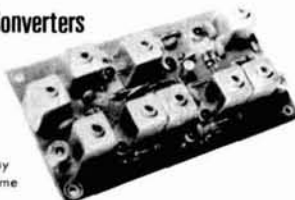
\$7.95/ea

Contain probe, ground clip, cable, and all components except plug to mate with your test equipment.

- TE-3 RF Detector Probe for VTVM, good from 100 kHz to over 500 MHz
- TE-4 Direct probe for ac/ohms, etc.
- TE-5 DC probe w/res for 11 meg input vtvm
- TE-6 Blocking capacitor probe for counter, sig gen
- TE-7 Wideband Detector probe for scopes

VHF and UHF Converters

Low Noise FET Front End
All common i-f's
Coax Connectors
Low Power Drain
Crystals Avail for any Desired Freq Scheme



MODEL C25 VHF CONVERTER KIT (shown) \$25.95

• Models for 2M, 6M, 10M, 220 MHz, aircraft, com'l, etc.
• Stable cascade if stage • 0.3-0.5 uV sensitivity • 10-20 dB gain • Compact 2-1/2 x 4-1/2" pcb • Any i-f 10-50 MHz

MODEL U20-450 UHF CONVERTER..... \$19.95

• For 432 MHz ssb or atv, 450 MHz fm, aircraft or com'l, etc.
• Economy Converter • Use with P15 Preamp for Optimum

T130 PA/Preamp for 2M HT's



- Uses T80 RF Power Module and P8 Preamp
 - Automatic diode switching
 - Any HT up to 6W output
 - Provides 20W output on xmit
 - 20 dB Preamp on receive
- Wired and Tested only \$129.95
Also avail less preamp \$109.95
Receive of amplifier and speaker option..... \$19.95

Inexpensive DC Power Supplies



A great new line of power supplies to operate 12Vdc gear in the shack or shop! All have low ripple, good regulation, and overload protection. And they are all IN STOCK for IMMEDIATE DELIVERY, and they are all WIRED and TESTED.

MODEL	PRICE	INTERMITTENT	CONT
12CB4	\$29.95	2.5A	1.5A
103R	39.95	4A	2.5A
104R	49.95	6A	4A
108RA	79.95	12A	8A
108RM*	99.95	12A	8A
109R*	149.95	25A	10A

*Indicates model which has panel meter(s)

HOW TO ORDER:

- CALL OR WRITE NOW FOR FREE CATALOG OR TO PLACE YOUR ORDER!

• PHONE 716-663-9254 9AM-9PM E.S.T. Use your credit card or C.O.D.

- SAME DAY SERVICE

When ordering, specify operating frequencies and other pertinent information. Add \$1.00 for shipping and handling UPS or PP. Add \$2.00 for air parcel post or blue label UPS. NYS residents, please add sales tax.



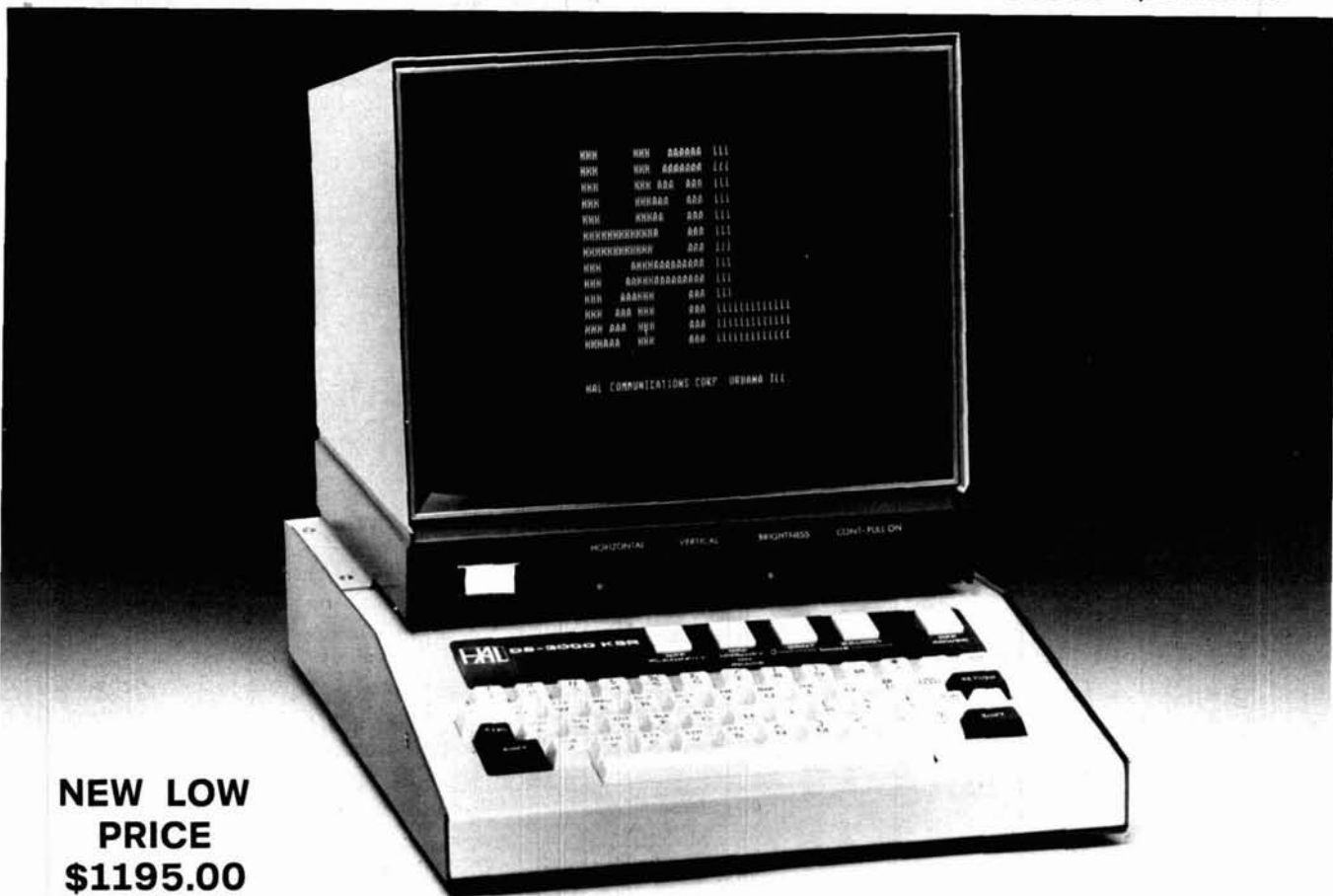
hamtronics, inc.

182 BELMONT RD., ROCHESTER, NY 14612

Stay tuned for future programs.



ONLY \$595.00



**NEW LOW
PRICE
\$1195.00**

The HAL ST-6000 demodulator/keyer and the DS-3000 and DS-4000 KSR/RO series of communications terminals are designed to give you superlative TTY performance today—and in the future. DS series terminals, for example, are re-programmable, assuring you freedom from obsolescence. Sophisticated systems all, these HAL products are attractively priced—for industry, government and serious amateur radio operators.

The HAL ST-6000 operates at standard shifts of 850, 425, and 170 Hz. The tone keyer is crystal-controlled. Loop supply is internal. Active filters allow flexibility in estab-

lishing different tone pairs. You can select AM or hard-limiting FM modes of operation to accommodate different operating conditions. An internal monitor scope (shown on model above) allows fast, accurate tuning. The ST-6000 has an outstandingly high dynamic range of operation. Data I/O can be RS-232C, MIL-188C or current loop.

The DS-3000 and DS-4000 series of KSR and RO terminals provide silent, reliable, all-electronic TTY transmission and reception, or read-only (RO) operation of different combinations

of codes, including Baudot, ASCII and Morse. The powerful, programmable 8080A microprocessor is included in the circuitry to assure maximum flexibility for your present needs—and for the future. The KSR models offer you full editing capability. The video display is a convenient 16-line format, of 72 characters per line.

These are some of the highlights. The full range of features and specifications for the ST-6000 and the DS series of KSR and RO terminals is covered in comprehensive data sheets available on request. Write for them now—and tune in to the most sophisticated TTY operation you can have today...or in the future.



HAL Communications Corp., Box 365, 807 E. Green Street
Urbana, Illinois 61801 • Telephone: (217) 367-7373

ham radio

magazine

APRIL 1977

volume 10, number 4

T. H. Tenney, Jr., W1NLB
publisher

James R. Fisk, W1HR
editor-in-chief

editorial staff

Charles J. Carroll, W1GQQ
Alfred Wilson, W6NIF
assistant editors

James H. Gray, W2EJQ
Patricia A. Hawes, WA1WPM
Thomas F. McMullen, Jr., W1SL
Joseph J. Schroeder, W9JUV
associate editors

publishing staff

Harold P. Kant, WA1WPP
assistant publisher
Fred D. Moller, Jr., WA1USO
advertising manager
Cynthia M. Schlosser
assistant advertising manager
Theresa R. Bourgault
circulation manager

Cover photograph courtesy
Microwave Associates, Inc
Burlington, Massachusetts

ham radio magazine is published monthly by
Communications Technology, Inc.
Greenville, New Hampshire 03048
Telephone: 603-878-1441

subscription rates

U.S. and Canada: one year, \$10.00
three years, \$20.00
Worldwide: one year, \$15.00
three years, \$35.00

foreign subscription agents

Ham Radio Canada
Box 114, Goderich
Ontario, Canada, N7A 3Y5

Ham Radio Europe
Box 444
194 04 Upplands Vasby, Sweden

Ham Radio France
20 bis, Avenue des Clarions
89000 Auxerre, France

Ham Radio Holland
Postbus 3051
Delft 2200, Holland

Ham Radio Italy
STE, Via Maniago 15
I-20134 Milano, Italy

Ham Radio UK
Post Office Box 63, Harrow
Middlesex HA3 6HS, England

Holland Radio, 143 Greenway
Greenside, Johannesburg
Republic of South Africa

Copyright 1977 by
Communications Technology, Inc.
Title registered at U.S. Patent Office

Microfilm copies
are available from
University Microfilms
Ann Arbor, Michigan 48103

Second-class postage
paid at Greenville, N.H. 03048
and at additional mailing offices



contents

10 solid-state microwave power generators

James R. Fisk, W1HR

24 five-band ssb transmitter

Piero Moroni, I5TDJ

32 remote base for vhf-fm repeaters

Gordon Schlesinger, WA6LBV
William F. Kelsey, WA6FVC

41 graphical coil winding aid

Earl E. Palmer, W7POG

44 how to use the rf power meter

Robert S. Stein, W6NBI

50 2300-MHz bandpass filter

John M. Franke, WA4WDL
Norman V. Cohen, WB4LJM

52 antenna-transmission line analog

Joseph M. Boyer, W6UYH

60 novel LED circuits

Kenneth E. Powell, WB6AFT

67 medical relay by satellite

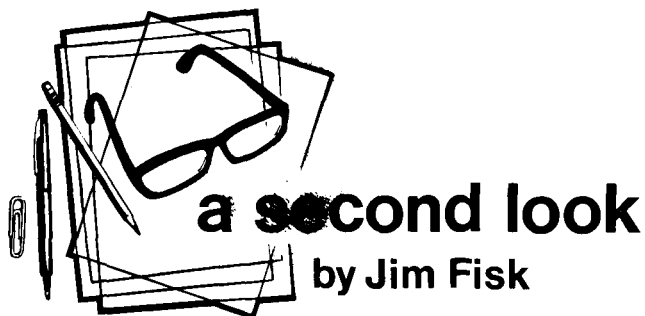
David C. Nelson, K7RGE

74 better audio for receivers

Kenneth W. Glanzer, K7GCO

4 a second look
126 advertisers index
78 comments
101 flea market
116 ham mart

60 novice reading
6 presstop
126 readers service
44 repair bench



A new era in community education may well be the outcome if a petition filed recently with the FCC receives favorable action. Based largely on experience gained with vhf repeaters, and more specifically, amateur television repeaters, The Center for Advanced Study in Education of the City University of New York has filed a petition for the establishment of a new community educational radio service to be known as *Communicasting*. Called communicasting because it embodies elements of both communications and broadcasting, the new service would use television channels 70 through 83 for co-channel, multilateral video and audio communications. Using inexpensive terminals in homes, schools, community centers, libraries and hospitals, the system would tie the community together in an interactive educational network. The petition is co-sponsored by the Communicasting Association of America, a non-profit organization headed by W2KPO which is dedicated to using the radio spectrum for multilateral educational and scientific communications.

If Communicasting is approved, any individual at home would be able to receive the transmissions on one of the unused vhf channels of his television set. The low-power signals from the remote terminals would be transmitted to a translator where they would be re-transmitted on one of the uhf TV channels. The antennas would be high enough to cover the entire community. It is an idea that can effectively and inexpensively implement the concept of "Communicate instead of Commute" by providing electronic classrooms, forums, and lecture halls.

One of the first examples of Communicasting was established on the amateur two-meter band in 1955 when the Albany Medical College started a novel form of post-graduate education: Two or three members of the faculty discussed a medical topic while in direct radio communication with doctors located in outlying hospitals. The conference network consisted of a high-power transmitter at Albany Medical College and lower-powered units at twenty-one hospitals throughout eastern New York and western Massachusetts. The system is functioning to this day.

The principal of Communicasting was further demonstrated on the MARS frequencies in 1958-1960 where it was used for on-the-air scientific and educational forums. Today it is being used for weekly technical nets which are transmitted through a vhf repeater in the New York metropolitan area. Further experiments will be conducted in future months on the uhf television repeater recently unveiled by the Long Island Mobile Amateur Radio Club.

Many educators have recognized the potential of interactive radio and television in traditional classroom activities as well as in continuing and extension programs, and homebound education. At the City University of New York, the Center for Advanced Study in Education and the Institute for Research and Development in Occupational Education have been actively developing courses of study for electronic classrooms, studying the most effective way of delivering the curriculum, and assessing the coverage available with direct transmission and with repeaters. Their research will have a direct bearing on initial efforts to demonstrate a working system in New York State during the 1977-1978 academic year.

The FCC recognized the need for an "Educational Radio Service" in 1963 when they established the Instructional Television Fixed Service (ITFS) in the 2.5-2.69 GHz band. However, since equipment for these frequencies is up to a hundred times more expensive than equipment for the uhf bands, the use of ITFS is effectively limited to large, wealthy institutions who can afford the equipment. The proposed Communicasting network would put it within the reach of everyone.

As Dr. Lee Cohen of the City University of New York said recently, "At present we are in the stone age of multilateral education and scientific communication by radio. We look forward to the day when the FCC will allocate a band of frequencies wherein professional and educational groups could organize radio forums . . . This could eliminate the problems of time and distance in getting some of our foremost minds to communicate by radio, thereby educating a listening/viewing audience."

If you are interested in supporting this worthwhile proposal, or would like to know more about it, write to Ed Piller, W2KPO, Communicasting Association of America, Inc., 80 Birchwood Park Drive, Syosset, New York 11791.

Jim Fisk, W1HR
editor-in-chief

ICOM INTRODUCES THE REVOLUTION IN VFO TECHNOLOGY



Introducing the IC-245, 144-148 MHz FM Transceiver

The VFO Revolution goes mobile with the unique, ICOM developed LSI synthesizer with 4 digit LED readout. The **IC-245** offers the most for mobile on the market. The easy to use tuning knob moves accurately over 50 detent steps and assures excellent control as easily as steering the vehicle. With its optional adapter, the **IC-245** puts you into all mode operation on 12V DC power with a compact dash-mounted transceiver. In FM, the synthesizer command frequency is displayed in 5 KHz steps from 146 to 148 MHz, and with the side band adapter the step rate drops to 100Hz from 144 to 146 MHz. For maximum repeater flexibility, the transmit and receive frequencies are independently programmable on any separation. The **IC-245** even comes equipped with a multiple pin Molex connector for remote control.

The **IC-245** is a product of the revolution in VFO design, from its new style front panel, to its excellent mechanical rigidity and Large Scale Integrated Circuitry. Your **IC-245** will give you the most for mobile.

SPECIFICATIONS

GENERAL

Frequency Coverage Modes	*144.00 to 148.00 MHz FM (F3)
Supply Voltage	*SSB (A3J), CW (A1) DC 13.8V ±15%
Size (mm)	90H x 155W x 235D
Weight (kg)	2.7

TRANSMITTER

TX Output	F3 10W *A3J 10W (PEP), A1 10W
Carrier Suppression	40 dB or better
Spurious Radiation	-60 dB or less below carrier
Maximum Frequency Deviation	±5 KHz
Microphone Impedance	600 ohms

RECEIVER:

Sensitivity	*A3J, A1 0.5 microvolt input gives 10 dB S+N/N or better F3 0.6 microvolt or less for 20 dB quieting S+N+D/N at 1 microvolt input, 30 dB
Squelch Threshold	-8 dB or less (F3)
Spurious Response	-60 dB or better

SYNTHESIZER:

Frequency Range	144 MHz to 148 MHz
Step Size	5 KHz for FM *100 Hz or 5 KHz for SSB
Stability	per C in the range of -10 to +60 C, ±0.0000145% per C

* Valid with SSB Adapter only

THE BEGINNING OF THE ICOM VFO REVOLUTION!

VHF/UHF AMATEUR AND MARINE COMMUNICATION EQUIPMENT

Distributed by:



ICOM

ICOM WEST, INC.
Suite 3
13256 Northrup Way
Bellevue, Wash. 98005
(206) 747-9020

ICOM EAST, INC.
Suite 307
3331 Towerwood Drive
Dallas, Texas 75234
(214) 620-2780

ICOM CANADA
7087 Victoria Drive
Vancouver B.C. V5P 3Y9
Canada
(604) 321-1833



FCC'S PROPOSED AMPLIFIER BAN would prohibit the marketing of external RF amplifiers capable of operation from 24 through 35 MHz. In its February 18 Public Notice, the Commission specified its concern with the so-called "broad-band linears," which replaced "business-band" linears in the marketplace after those had been banned two and a half years ago, in February, 1975.

In Limiting Its Proposed Ban to 24-35 MHz the FCC also made note that though the Amateur service would be affected Amateurs would still be permitted to build 10-meter amplifiers or modify commercial units to cover 10 meters for their own use, while they "would respect the intent of this regulation and not supply these devices to non-Amateurs." Such construction by individual Amateurs would be limited to a single unit of a given model.

Some Specific Areas the FCC would like Amateurs to address in their comments are: Any Further Requirements which may be necessary to prevent the use of illegal amplification devices;

Practicality Of Such a prohibition and possible techniques which could be used to produce such an amplifier;

Problems Associated With preventing the few unscrupulous manufacturers from including such features as accessible wiring which could be cut to provide for operation on the prohibited frequencies; and

Controls Which Could provide for operation on these frequencies, or any other concepts which could be used to circumvent this prohibition.

Comments On This Docket, 21116, are due May 25; Reply Comments must be submitted by June 6.

Amateur Transmitters and amplifiers would both require type acceptance under the terms of Docket 21117. In this NPRM the FCC pointed out that most current Amateur equipment is commercial and some of it is capable of operation on CB frequencies, but type acceptance could help control that capability. Furthermore, though Amateurs bear the basic responsibility for the performance of their equipment, type acceptance would be a means by which that responsibility could be shared by the makers.

Specific Exemptions from the type acceptance requirement for equipment built or modified by Amateurs for their own use were also proposed, as were provisions for type acceptance of kit-built designs. Comments on Docket 21117 are also due May 25 with Reply Comments June 6.

In Both Of These far-reaching Notices of Proposed Rule Making the Commissioners have left the door open for workable alternative-solutions to the problem of non-Amateur use of Amateur equipment on the CB bands. Three months should provide enough time to find some such solutions. Let's hope so!

SECONDARY AMATEUR STATION LICENSES could be abolished entirely or a moratorium imposed on processing Amateur applications other than those from new, upgrading or renewing Amateurs if the tide of multiple applications presently arriving at Gettysburg isn't stemmed. Since license fees were abolished in January an increasing number of new applicants and the newly eligible 1x2 seekers - now threaten to bury the limited portion of the Gettysburg facility devoted to processing Amateur applications.

FCC'S NEW NOVICE EXAM has a circuit diagram error in the Ohm's Law problem which makes it impossible to answer as presented. Gettysburg has been advised to give all Novice applicants credit for that question whether it is answered or not - Novice training instructors please note.

AMSAT AND ARRL HAVE SIGNED an agreement in which the League will provide major assistance to the on-going Amateur space program. The League also provided two technicians - W1JLD and W1JZC - to bolster the AMSAT effort on the AO-D spacecraft.

The AO-D Satellite (OSCAR 8) is now scheduled for a November 15th launch. It'll carry 145-28 and 145-435 MHz transponders; and, with its 500-mile high orbit, will be even easier to access - though for shorter periods - than the present Amateur satellites, OSCARS 6 and 7.

"AMATEUR RADIO...IN THE PUBLIC INTEREST" is a very attractive report on Amateur Radio in 1976 published by the ARRL for use in presenting the Amateur service to public officials and the media. Copies for PR use are available on request, but do specify with your request how and where they'll be used.

RF POLLUTION is being studied by the Environmental Protection Agency. The EPA says it's concerned about environmental exposure arising from the ever-increasing number of RF sources, expects its extensive monitoring survey to lead to significant data within the next 18-24 months. They've already determined that "significant portions of the population are exposed to 0.1-1 microwatt/square centimeter range" radiation from the 55 to 1000-MHz part of the spectrum.

Does Your Transmitter Love Your Antenna?



If you're fighting the constant battle of limited band width, high SWR ratios, inefficient low-pass TVI filter operation due to high SWR you're not alone.

DenTron makes the Problem Solvers.

The DenTron tuners give you maximum power transfer from your transmitter to your antenna, and isn't that where it really counts?

Our Super Tuners (A, B, & E.) are the only tuners on the market that match everything between 160 and 10 meters. Whether you have balanced line, coax cable, random or long wire the DenTron Super Tuners will match the antenna impedance to your transmitter.

NEW: The Monitor Tuner (E.) was designed because of overwhelming demand. Hams told us they wanted a 3 kilowatt tuner with a built-in wattmeter, a front panel antenna selector for coax, balanced line and random wire. So we engineered the 160-10m Monitor Tuner. It's a life time investment at \$299.50

The DenTron 80-10 AT (D.) is a random wire, 80-10 meter tuner which is ideal for portable operation or apartment dwellers.

Every serious ham knows he must read both forward and reverse wattage simultaneously for that perfect match. So upgrade with the DenTron W-2 Dual in line Wattmeter. (C.)

The flexibility we build into our Tuners make any previous tuner you might have owned obsolete.

A. Super Tuner 1KW PEP	\$129.50
B. Super Super Tuner 3 KW PEP	\$229.50
C. W-2 Wattmeter	\$ 99.50
D. 80-10 AT 500 W PEP	\$ 59.50
E. Monitor Tuner 3 KW PEP	\$299.50

All DenTron products are made in U.S.A.

DenTron
Radio Co., Inc.

2100 Enterprise Parkway
Twinsburg, Ohio 44087
(216)425-3173

Dedicated to Making Amateur Radio MORE FUN!

ME-3 microminiature tone encoder

Compatible with all sub-audible tone systems such as: Private Line, Channel Guard, Quiet Channel, etc.

- Powered by 6-16vdc, unregulated
- Microminiature in size to fit inside all mobile units and most portable units
- Field replaceable, plug-in, frequency determining elements
- Excellent frequency accuracy and temperature stability
- Output level adjustment potentiometer
- Low distortion sinewave output
- Available in all EIA tone frequencies, 67.0 Hz-203.5 Hz
- Complete immunity to RF
- Reverse polarity protection built-in

\$29.95 each

Wired and tested, complete with K-1 element

communications specialists

P. O. BOX 153
BREA, CALIFORNIA 92621
(714) 998-3021



K-1 FIELD REPLACEABLE,
PLUG-IN, FREQUENCY
DETERMINING ELEMENTS

\$3.00 each

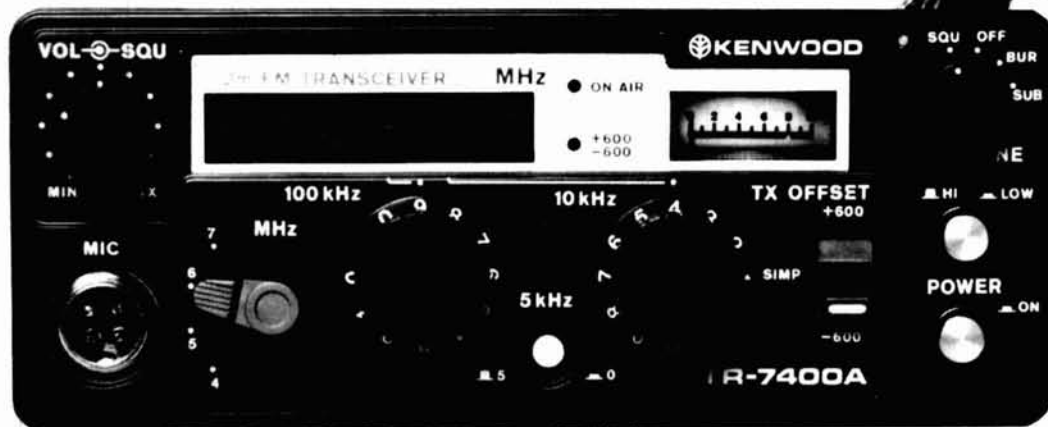
Kenwood adds to your
pleasure...
wherever you go



TR-2200A

A 2-METER STATION THAT GOES WHERE YOU GO

The high performance portable 2-meter FM transceiver endowed with Kenwood's characteristic high level of quality. The TR-2200A provides superior performance for the active outdoorsman... portable, mobile or airborne... pleasure or emergency. 12 channel capacity (6 supplied). Built-in telescoping antenna can be easily replaced by a "rubber duck" antenna (RA-1 option). Connection for external antenna. External 12 VDC or internal ni-cad batteries. Battery-saving "light off" position. Hi-Lo power switch (2 watts-400 mW). Everything you need is included: batteries, charger, carrying case and microphone. Or mount it in your car as a mobile rig using an MB-1A mounting bracket (option).

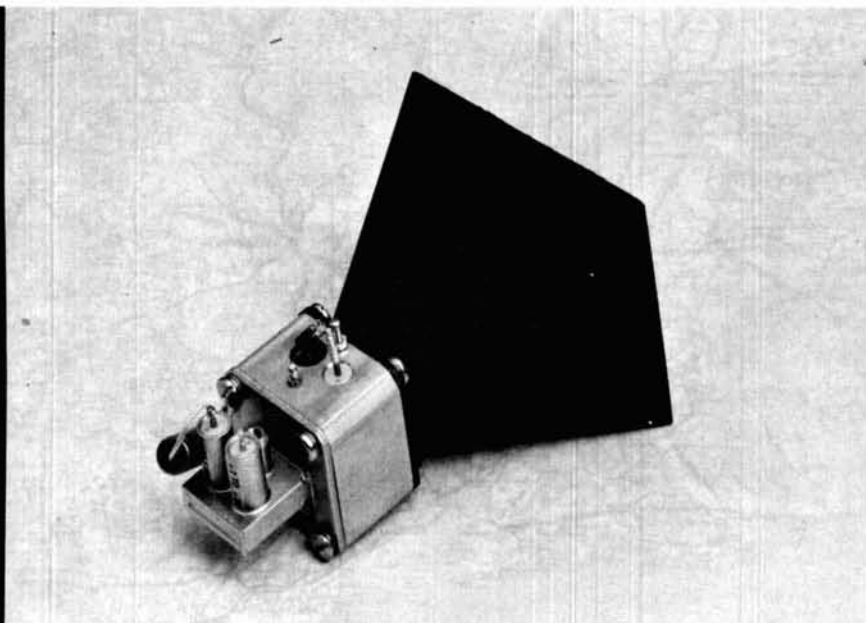


TR-7400A

Featuring Kenwood's New and Unique CONTINUOUS TONE CODED SQUELCH SYSTEM • 4 MHz BAND COVERAGE • 25 WATT OUTPUT • FULLY SYNTHESIZED, 800 CHANNELS

Outstanding sensitivity, large-sized helical resonators with High Q to minimize undesirable out-of-band interference, and a 2-pole 10.7 MHz monolithic crystal filter combine to give your TR-7400A outstanding receiver performance. This compact 6.2 pound package measures only 7-3/16" wide, 10-5/8" deep, and 2-7/8" high and is designed to

give you the kind of performance specifications you've always wanted to see in a 2-meter amateur rig. High performance specifications of: Intermodulation characteristics (Better than 66dB), spurious (Better than -60dB), image rejection (Better than -70dB), and a versatile squelch system make the TR-7400A tops in its class.



solid-state microwave rf generators

A discussion of
microwave diode oscillators,
including a description
of the Gunnplexer —
a complete
solid-state transceiver
for the amateur
10-GHz band

Of the many interesting trends that have developed in radio, perhaps none has been more spectacular than that toward the higher frequencies. No doubt many readers will remember when the term "high frequencies" was used to distinguish 100 kHz from audio, and when the "ultra highs" meant anything above 10 meters. Although most of the early developments in wireless around the turn of the century were accomplished on radio frequencies below 500 kHz, it's interesting to note that Heinrich Hertz's first experiments with wireless transmission in 1887 were conducted near 60 MHz; he later extended them to 500 MHz. In the first decade following Hertz's discovery the frequency frontier was quickly pushed to 75000 MHz. Marconi, in fact, used vhf in many of his early demonstrations, but quickly switched to the lower frequencies when he recognized that greater distances could be covered with the simple spark equipment then in use.

About the same time amateurs were opening up the "short waves" above 1500 kHz with their famous Transatlantic tests of the early 1920s, researchers E. F. Nichols and J. D. Tear had succeeded in producing radio waves as short as 0.22 mm (135 GHz). In 1923 Madame

By James R. Fisk, W1HR, *ham radio magazine*,
Greenville, New Hampshire 03048

Glagowela-Arkadiewa working in Russia extended the frequency limit to more than 35-million MHz.¹ In all of these experiments the microwave energy appeared as a harmonic component of high-energy spark discharges, and the power level was very low — perhaps microscopic would be a better description.

Soon after the invention of the three-element vacuum tube, work was started toward extending its range into the higher frequencies but there were many difficulties to be solved. Since the early tubes were built around techniques borrowed from the electric lamp industry, they were ill suited for the job at best. Extensions in frequency closely followed improvements in vacuum-tube manufacturing methods, but it wasn't too long before researchers were faced with another problem: electron transit time — the finite time it takes an electron to cross the tube. At the high frequencies the transit time (about a billionth of a second) is short compared to one complete rf cycle, so the electrons can follow the rf voltage fluctuations on the grid. At the very high frequencies, however, the oscillations are so rapid that the voltage on the grid may go through several complete cycles while the electron travels across the tube, and the grid voltage cannot impose its signal pattern on the electron flow. The regenerative vacuum-tube oscillator could be made to work up to 150 or 200 MHz with tuned Lecher lines, but that was about the limit, even with specially designed tubes (two amateurs, Robert Kruse and Boyd Phelps, extended this to nearly 750 MHz in 1927, but that's getting ahead of the story).

In 1920 two German engineers, H. Barkhausen and K. Kurz, found that if the grid of a vacuum triode was biased positively with respect to the plate, they could produce rf output at a wavelength of 43 cm (697 MHz).² With this arrangement the highly positive grid accelerates the electrons from the cathode at high speed

Small size of microwave power diodes is misleading — diodes the same size as those shown here are capable of providing CW power outputs of 500 mW or more at 10 GHz.

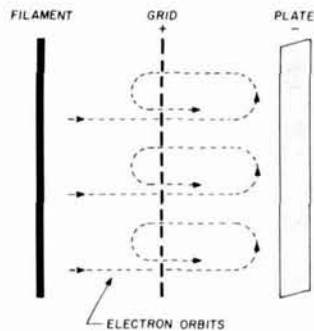
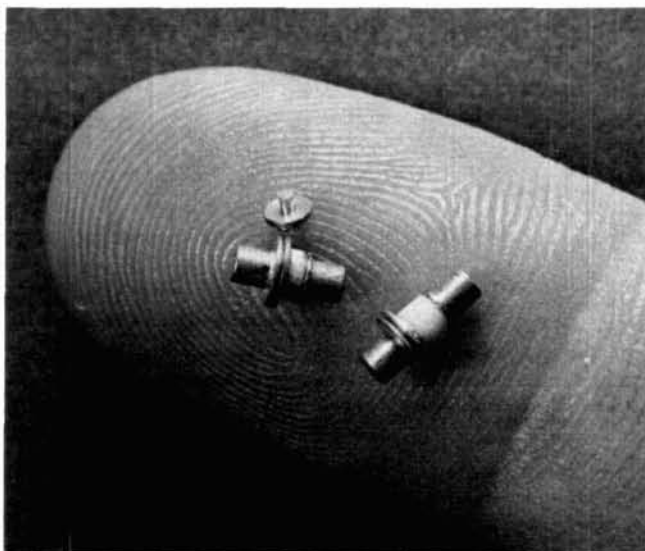


fig. 1. Mechanism of Barkhausen-Kurz oscillators, early method of obtaining uhf rf signals. The positive grid accelerates the electrons from the filament — most strike the grid and give up their energy in heat, but others pass through the openings in the grid, and are repelled by the negatively-charged plate back toward the grid. The electrons continue to orbit between the grid and plate, as shown here. The feeble output is coupled out through a tuned plate line.

(fig. 1) — some hit the grid and give up their energy as heat, but others pass through the openings in the grid only to be repelled back toward the grid by the negatively-charged plate. When the electrode voltages are properly adjusted, the electrons continue to gyrate between the grid and plate at a very high frequency. Barkhausen and Kurz further reported that the frequency of oscillations was dependent upon the applied voltages, with little regard for the external tuned circuit. This phenomenon created quite a stir among researchers, but American engineers were hard pressed to duplicate their results — because of patent fights there was an embargo on foreign vacuum tubes, and the internal construction of American tubes didn't support this mode of operation (a cylindrical, coaxial plate and grid structure was required and American tubes used a flat, sandwich type construction).

Eventually the Americans were able to "acquire" some suitable tubes from military sources who apparently weren't affected by domestic trade embargos, and the same oscillations were observed. In 1922 E. Gill and J. Morrell found that if the element voltages were very carefully adjusted, the frequency of oscillation could be controlled by tuned Lecher lines. By suitable modification of the electrodes, frequencies of about 6000 MHz were produced by Kohl in Germany as early as 1928. This is the same rf source used at 600 MHz by Yagi and Uda in 1928 when they were developing the parasitic array. Two years later Dr. Esau used Barkhausen-Kurz transmitters and receivers for full duplex operation across the English channel on 1670 MHz.³

The efficiency of the Barkhausen-Kurz oscillator was very low because most of the oscillating electrons were intercepted by the grid — which often ran white hot. In 1921 A. W. Hull proposed a solution to the problem: The magnetron, a device which didn't require a grid; the electrons were kept in a circular orbit around the cathode by an external magnetic field (fig. 2). The original design received considerable modification, notably by Yagi and Okabe in Japan who split the anode

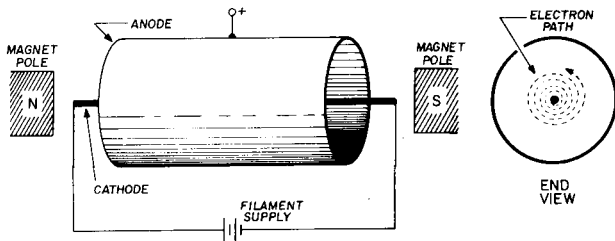


fig. 2. Basic magnetron. The electrons emitted by the cathode do not reach the positively-charged anode if the magnetic field is strong enough. If the magnetic field is properly adjusted, the electrons go into a spiral orbit around the cathode (end view, right), with the turns oscillating at a rate determined by an external tuned circuit. By 1930 devices such as this were being used to generate small amounts of microwave energy at wavelengths of 3cm (10 GHz).

into two or more parts and increased both frequency and power output. Although the magnetron offered considerable promise, it ran into some of the same difficulties as other devices — the dimensions of the component parts became so small at microwave frequencies that it was difficult to dissipate heat in the small space which was available. Nevertheless, by 1936 C. Cleeton and N. Williams at the University of Michigan were operating a magnetron at 50 GHz with very limited power output.

Obviously, before microwaves could be put into practical use, some way had to be found to generate useful amounts of power, but researchers were stymied on two fronts: the electrons moved too slowly, and the electrodes of the tube had to be as small as possible because they formed the capacitance of the resonant circuit. For the generation of liberal amounts of rf energy, however, the electrodes had to be as large as possible to dissipate the heat of electron bombardment. Thus, with existing devices, the requirements of microwave rf and high power could not be fulfilled simultaneously. In 1935 Dr. A. Arsenjewa-Heil and Dr. Oskar Heil proposed a unique solution to this mutual incompatibility. Why not, they asked, use the finite transit time of electrons to control the electron stream and derive the oscillation energy directly from the electron stream? In their proposed design the electrons didn't hit the electrodes at all, so the heating problem was completely avoided. Although the Heils were the first to describe the principle of velocity modulation, others had been thinking along the same lines, including Dr. William W. Hansen at Stanford University. Based on Hansen's calculations, Russell and Sigurd Varian put these ideas to work in 1937 when they built the first klystron, a device which uses transit time and the deceleration of bunched electrons across a vacuum gap to generate rf

*Although not discussed in this article, bipolar transistors, GaAs fets, varactor multipliers, and tunnel diodes are widely used on the microwave frequencies. The upper frequency limit for bipolar transistors is now about 4000 MHz, but GaAs fets (called "gas fets") have been used experimentally at frequencies as high as 15 GHz. Varactor multipliers are used in many microwave applications where good frequency stability is required, and tunnel-diode receivers are used commercially on the frequencies from about 4000 MHz to 15 GHz.

power (fig. 3).

In many respects the development of modern, solid-state microwave devices parallels advances in vacuum-tube technology in the 1920s and 1930s. Transistors suffer from electron drift-time problems at high frequencies, too, and it wasn't too many years ago that amateurs were hoping for a low-cost transistor that they could use successfully on 3.5 MHz. Vhf and uhf transistors are now commonplace, but only because the manufacturers have found ways of making the active region of the transistor wafer thin enough that electron transit time doesn't cause problems.* At microwaves, however, transit time is still the limiting factor, and this is where the analogy between microwave vacuum-tube and semiconductor development comes in: Like the Barkhausen-Kurz oscillator, magnetron, and klystron that preceded them, the operation of Gunn devices, avalanche diodes, and other solid-state microwave rf sources is also based on electron transit time.

In 1953 W. T. Read of Bell Labs proposed a multilayer diode for generating microwave power.⁵ Read suggested that the finite delay between an applied rf voltage and the current generated by avalanche breakdown, and the subsequent drift of the generated carriers through the depletion layer of the diode junction would lead to negative resistance at microwave frequencies. The multilayer diode proposed by Read was very difficult to build, but in 1965 R. L. Johnston and his colleagues at Bell Labs experimentally verified Read's principle when they achieved a pulsed power output of 80 mW at 12 GHz from a silicon junction diode driven into avalanche.⁶ Advances since 1965 have been so rapid that today avalanche-diode oscillators are established as one

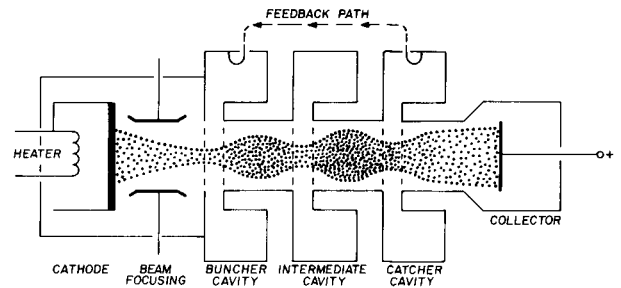


fig. 3. Klystron operation. Electrons are emitted by the hot cathode surface, formed into a beam, and drawn through the buncher cavity toward the positive anode. As the electron beam pours through the buncher grid it induces an rf voltage in the resonant buncher cavity which, for one half cycle, is in a direction that tends to speed up the electrons flowing through the gap; on the following half cycle the electric field tends to slow down the electrons as they cross the gap. This is called "velocity modulation." In the drift tube the electrons which have been speeded up tend to overtake the electrons which have been slowed down during the preceding half cycle, forming clumps or "bunches" of electrons in the drift tube. If the velocity of the electron beam and the length of the drift tube are properly adjusted, the bunched electrons will be completely formed by the time they reach the gap of the catcher cavity. The time between arrival of individual electron bunches coincides with one rf cycle. When a feedback path is provided, the klystron becomes a self-excited oscillator. Intermediate cavities serve to remodulate the electron beam and greatly increase the gain of the device.

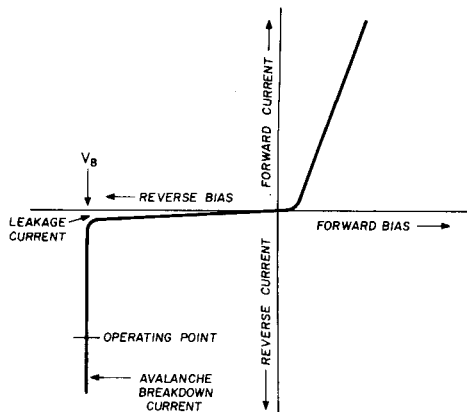


fig. 4. Voltage-current plot for typical junction diode. When reverse bias exceeds the breakdown voltage, V_B , diode is biased into the avalanche breakdown region where large numbers of electrons are generated by secondary emission (also called avalanche multiplication).

of the most important of the solid-state microwave power sources. Since the operation of the Read device is based on a combination of impact avalanche breakdown and electron transit-time effects, diodes of this general type are generally called IMPATT diodes from IMPACT Avalanche and Transit Time.

IMPATT operation

The basic construction of an IMPATT diode is similar to that of any pn junction diode. Shown in fig. 4 is a typical plot of dc current vs voltage for a pn junction diode. When the diode is forward biased, current increases rapidly for voltages above 0.5 volt or so. When the diode is reversed biased, however, a very small current called "leakage current" flows until the breakdown voltage, V_B , is reached. In ordinary rectifier diodes the breakdown voltage, V_B , determines the maximum PIV



Low voltage dc to rf the solid-state way.

rating of the diode; if this rating is exceeded the diode will be destroyed.

When a pn junction is reverse biased a depletion region forms in the n-type region of the diode with its width depending on the applied bias. If the bias voltage is less than V_B the depletion zone acts like a nonlinear capacitor — this is the property used in varactors and tuning diodes. When the reverse voltage exceeds V_B by a small amount, the diode is biased into the avalanche region. In this region the small leakage current has a very high probability of creating additional electrons by the process of secondary emission or avalanche multiplication. Biasing some diodes into the avalanche region results in catastrophic failure, because once started, the avalanche current cannot be stopped. However, if the semiconductor material is properly doped, the avalanche process can be controlled (as it is in Zener diodes and avalanche rectifiers).

Fig. 5 is a schematic representation of the electron movement in a reverse-biased pn junction with a large number of electrons generated in the avalanche zone flowing into the drift zone. In this condition, a large

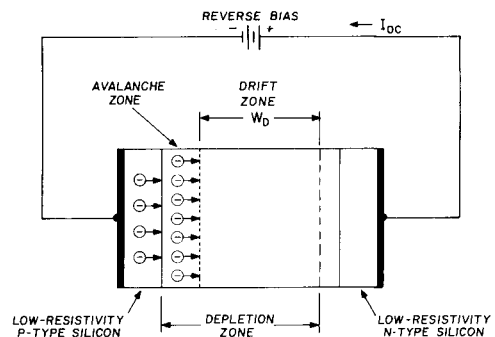


fig. 5. Schematic representation of a reversed-biased PN junction diode. When biased into the avalanche region, a large number of electrons are launched into the drift region. If the width of the drift zone, W_D , is such that the drift time of the electrons is about 37% of the time of one complete rf cycle, the device exhibits negative resistance because the output current will be 180° out of phase with the applied rf voltage (see fig. 6).

current can flow in the reverse direction with little increase in applied voltage. This is the avalanche breakdown current depicted in fig. 4. If, in addition to the bias voltage, an rf voltage exists across the depletion region of the diode (as it would be if the diode were mounted in a resonant cavity), under certain conditions the rf voltage induces an rf current that is out of phase with the applied voltage. If the rf current in the external circuit lags the rf voltage by more than 90 degrees, this is equivalent to a negative resistance.

In actual operation the IMPATT diode is biased just above the avalanche point (fig. 4) so the diode is biased into avalanche on positive swings of the rf voltage (fig. 6A). Since the number of electrons generated in the avalanche zone depends not only on the applied voltage but also on the number of charge carriers that are present, the avalanche current pulse continues to build

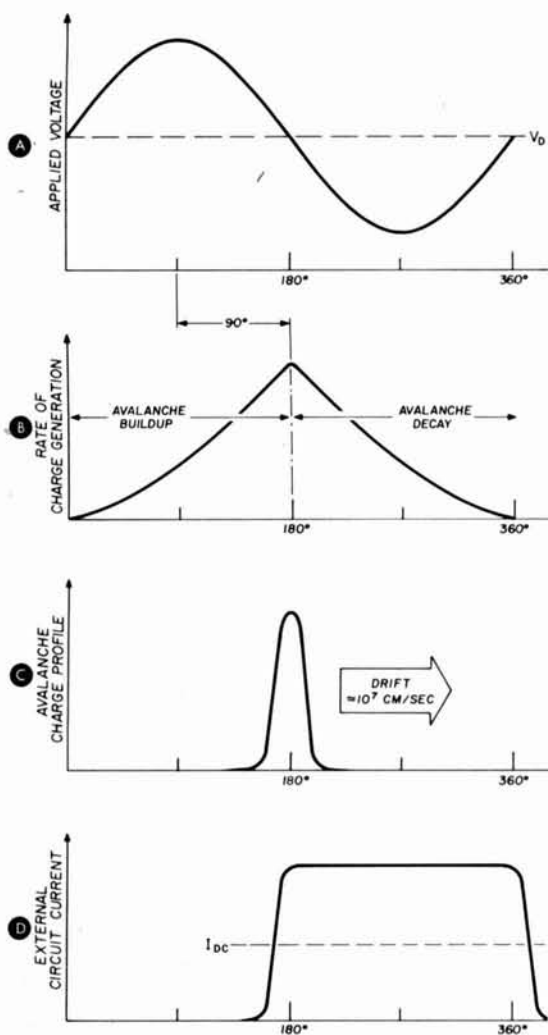


fig. 6. Voltage and current waveforms in a microwave avalanche (IMPATT) diode. When an rf voltage (A) is applied across a reverse-biased PN junction, during the positive half of the rf cycle large numbers of electrons are produced by avalanche generation. Since the avalanche process builds up slowly (B), it peaks when the rf voltage is zero, then slowly decays. This produces a pulse of electrons (C) which drifts toward the anode. The combination of avalanche buildup and drift time produces an external circuit current which is 180 degrees out of phase with the rf voltage (D).

up even after the rf voltage has begun to drop (fig. 6B). This is because of the highly nonlinear nature of the avalanche generation process. In a properly designed IMPATT diode the excess charge slowly builds up in the avalanche region during the positive half cycle of the rf voltage, and reaches a sharply-peaked maximum in the middle of the rf voltage cycle when the rf voltage is zero. Thus the wave form of the avalanche current, in addition to being very sharply peaked, lags the rf voltage by 90 degrees.

The pulse of avalanche current is launched into the drift zone (fig. 6C) and slowly drifts to the right toward the positively charged n-side of the junction. The electrons drift through the semiconductor material at a nearly constant velocity (about 10^7 cm/second) so the

time it takes them to pass through the drift zone is simply the width of the drift zone, W_D , divided by the velocity of the electrons, v

$$T = W_D/v$$

where T is the drift time. Since drift time is related to the frequency of operation, the width of the drift zone is carefully controlled during the manufacturing process.

While the pulse of electrons is drifting through the diode, they induce an approximate square wave of current in the external circuit as shown in fig. 6D. As can be seen in fig. 7, the combined delay of the avalanche process and the finite transit time across the drift zone has caused a *positive* current to flow in the external circuit while the rf voltage is going through its *negative* half cycle. Therefore the diode is delivering rf energy to the external circuit because of negative resistance.

The useful frequency range of the IMPATT diode is generally above 3000 MHz. Below this point the long transit times require a structure of such thickness that the breakdown voltage is very high. Most high-power IMPATT oscillators are used in the range from 5 to 13 GHz, although they have also been used successfully above 100 GHz. Most of the early IMPATTs were silicon types, but both germanium and gallium-arsenide (GaAs) have been used successfully. All types are noisy because avalanche breakdown is a noisy phenomenon, but GaAs types are somewhat less noisy than silicon devices. This is a problem in some applications (such as receiver local oscillators), but noise can be reduced substantially by proper circuit design. Another disadvantage is the relative high operating voltage (70 to 135 volts), and the requirement for a constant-current power supply. Operating efficiencies are on the order of 12 to 15 per cent, although careful construction, the use of GaAs, and the so-called double-drift structure can increase efficiency to 25 or 30 per cent.

The double-drift IMPATT diode has four layers instead of the usual three because an additional drift region is implanted in the diode (fig. 8). In the single-drift IMPATT described previously, the output current was the result of drifting electrons. The avalanche process, however, generates holes (positive charges) as

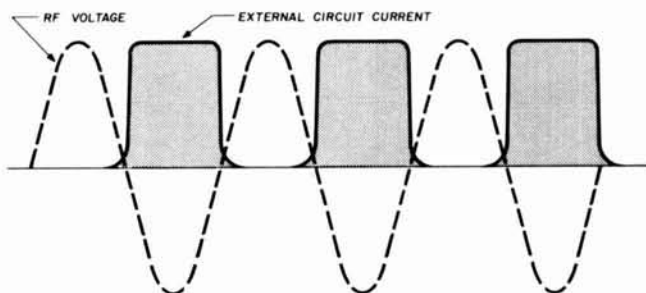


fig. 7. IMPATT diode exhibits negative resistance because the external circuit current is 180 degrees out of phase with the rf voltage. Because of its negative resistance, it directly converts dc power to microwave energy. Mechanism of microwave current generation is shown in fig. 6.

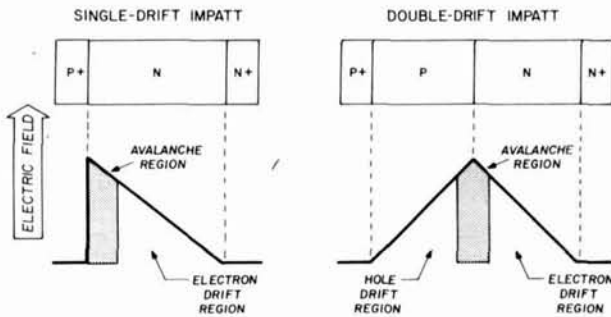
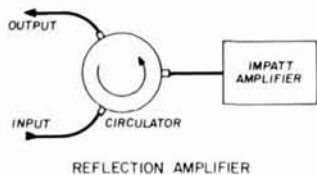


fig. 8. Construction of single- and double-drift IMPATT diodes. Efficiency is greatly increased in the double-drift diode because the holes (positive charges) generated in the avalanche region drift across the P-doped region in phase with the electrons, providing greater power output. In the single-drift IMPATT the holes are simply returned to the cathode.

well as electrons. In the single-drift IMPATT the holes simply are returned to the cathode – in the double-drift structure the holes drift across the added p-doped drift region in phase with the electrons, resulting in greater rf power outputs.

Even with operating efficiencies of 25 per cent, heat dissipation becomes the limiting factor when substantial amounts of rf power are required from an IMPATT diode. With good heatsinking techniques the power output can be increased as much as 20 per cent – diamond heatsinks, which have superb thermal characteristics, are being used extensively in commercial IMPATT applications. It should also be noted that IMPATT diodes are being used almost exclusively as amplifiers – few are used as power oscillators.* When used as an amplifier the IMPATT is coupled into the system through a circulator as shown below. The IMPATT amplifier has only one



port so the circulator, which allows rf energy to propagate in only one direction, is required to isolate the input signal from the output signal. Operation is similar to that used in a parametric amplifier and is called "reflection amplification."

TRAPATT diodes

In 1967 researchers at RCA were trying to develop an avalanche diode that would provide operation around 1000 MHz. According to the drift-time theory, as noted above, IMPATT diodes could not be made to operate at that low frequency, but the engineers had hopes of

*Researchers in France have reported that the IMPATT diode operates with very high efficiency in diode frequency-multiplier circuits, but few details are available. This application may be widely used in the future.

exciting the diode into some other mode. Within a few months they had found a new mode of operation that had both good efficiency and high power output: 425 watts peak, pulsed output with an efficiency of about 25 percent.⁷ As researchers continued to work with the new mode, they found a few diodes with efficiencies as high as 60 percent. They also worked on tuned circuits and eventually developed one that permitted continuous tuning from 900 to 1500 MHz. Since the operation of the high-efficiency diode didn't fit any then-known theory, they called it the "anomalous" mode.

Further work at Bell Labs with computer simulation led to the announcement that the high efficiency resulted from the creation of a trapped voltage plasma state between successive sweeps of the classical IMPATT cycle. According to the Bell Theory, this dense plasma then shielded the interior of the diode from the external voltage so the charges (electrons and holes) drift out of the diode at low velocities, causing very long transit times. This led to the acronym TRAPATT for TRAPPED Plasma Triggered Transit.

TRAPATT diode configuration built by RCA in 1970 that provided 1200 watts peak power output at 1100 MHz with about 25% efficiency. Five TRAPATT diodes are stacked in a 1N23 rectifier package.



Quantum physicists from Cornell University didn't agree with the theory offered by Bell Labs – they held that though a trapped plasma could undoubtedly be created in an over-driven diode, it was not fundamental to high efficiency. Their contention was that the parametric theory of Avalanche Resonance Pumping (ARP) had broader validity. Many researchers felt that Bell Labs' TRAPATT and Cornell University's ARP were actually two aspects of the same thing. RCA apparently preferred the TRAPATT model but stayed out of the battle of the acronyms. However, in a moment of humor during one heated debate, someone suggested that the original RCA terminology "anomalous" mode could stand for "A Non-Ohmic Maximum Allowable Large Output Uhf Source!"

In the early 1970s it was discovered that many ordinary silicon rectifier diodes could be made to oscillate in the TRAPATT mode,^{8,9} but since this mode of operation is very fussy and requires tricky resonant circuit design to generate the required voltage waveform and suppress higher mode harmonics, the device has found limited applications – primarily in military L-band radar systems.

Gunn devices

In 1963, when John Gunn of IBM was studying the bulk resistance of a sample of n-type gallium arsenide, he discovered that when the voltage impressed across the sample was raised above a certain point (fig. 9), the current became unstable and began to pulsate cyclically at microwave frequencies.¹⁰ The mechanism which caused this to happen was a mystery at first, but Gunn suspected that a negative resistance was probably responsible, and suggested that a decrease in the mobility (velocity) of the electrons with an increase in applied voltage could account for the negative resistance. This was eventually proved to be the case.

Unlike most other materials, the electrons in gallium arsenide (GaAs) can be in one of two conduction bands, one with much higher electron velocity than the other. As the voltage across the GaAs is increased, more and more electrons are scattered to the low mobility band. This is shown graphically in fig. 10. Below the threshold point the current through the material is proportional to the applied voltage, so it behaves as a resistor. As the voltage is increased above threshold, however, sufficient electrons are displaced from the high mobility band that the net electron velocity through the GaAs begins to drop. Since the current through the material is proportional to electron velocity, this means a GaAs resistor (Gunn diode) will have a region of



Construction of Gunn diodes. Most of the package shown here is actually the heatsink — the ceramic-packaged device is only 0.025" (0.6mm) thick. To give you an idea of size, the stud is threaded 3-48 (M2.5).



fig. 9. When the bias voltage across a sample of n-type gallium arsenide (GaAs) is increased above the threshold point, the current becomes unstable and pulsates in a cyclic way. This is a result of negative resistance and is called the Gunn effect.

negative resistance — decreasing current with increasing voltage. As the voltage is increased past the negative resistance region, the current flow once again increases with applied voltage. Since this behavior is based on the transfer of electrons from one conduction band to another, microwave oscillators of this type are often called Transferred-Electron Oscillators or TEOs.

Although the negative resistance of GaAs accounts for its current instability characteristics at certain bias levels, the oscillation at microwave frequencies requires further explanation. As was mentioned previously, when the applied voltage is below threshold, the GaAs behaves as a linear positive resistance; under these conditions the internal electric field is constant throughout the material as shown in fig. 11A. If the applied voltage is increased above threshold, many of the electrons entering at the cathode are entering faster than they leave. This leads to a high field buildup at the cathode with an accumulation of electrons on the cathode side and a depletion of

electrons on the anode side (fig. 11B). The electric field throughout the rest of the material begins to fall to a value below threshold. The high field domain drifts rapidly across the GaAs wafer (figs. 11C and 11D) to the anode where it is collected (fig. 11E). When the domain reaches the anode the bias supply again causes the field at the cathode to exceed the threshold level — a new domain is formed and the process repeats itself.

The current through the GaAs is lower during the transit time of the domain, and increases momentarily

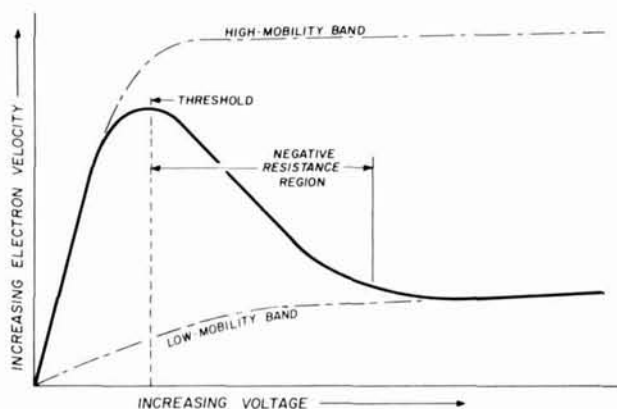


fig. 10. Electron velocity in GaAs as a function of applied electric field. As the electric field is increased, more and more electrons are scattered to the low mobility band, resulting in a net decrease in current flow through the material — this is equivalent to a negative resistance.

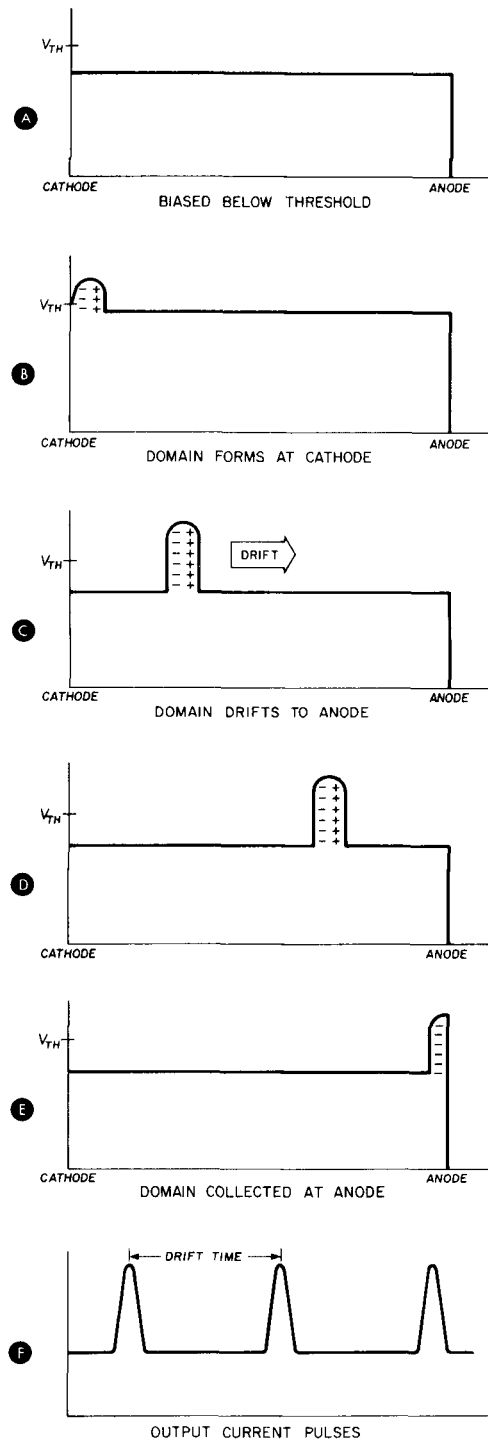


fig. 11. When a wafer of GaAs is biased below threshold, V_{th} , the material behaves as a linear resistance (A). A charge layer (domain) forms at the cathode when the material is biased above threshold (B), and drifts toward the anode at about 10^7 cm per second (C) and (D). Note that when the field domain forms at the cathode, the electric field in the rest of the material drops below the threshold level. When the domain is collected at the anode (E), the field in the material momentarily increases above threshold, a new domain forms at the cathode, and the process repeats itself. The current through the GaAs is lower during the transit time of the domain and increases when the domain reaches the anode, giving a series of sharp current spikes (F).

when the domain is extinguished at the anode. Thus the output is a series of narrow current spikes with a period equal to the transit time through the wafer (fig. 11F). The domain velocity is about 10^7 cm per second so the wafer of GaAs must be about 10 microns thick for operation at 10 GHz. Since the frequency of the output current pulses is a function of drift time, this is called the transit-time mode of operation. It is rarely used, however, because frequency tuning is nil and efficiency is very low.

In practical microwave circuits the Gunn device is mounted in a high-Q resonant circuit — this provides a considerable tuning range because the rf voltage in the circuit influences the formation of the field domain at the cathode by swinging the applied voltage above and below the threshold level as shown in fig. 12. If the bias is set so the rf voltage drops below the sustaining voltage, V_s , the field domain will be quenched; when the rf voltage rises above threshold, V_{th} , a new domain will form at the cathode. As the domain starts to drift across the GaAs, the rf voltage will increase to a maximum and then decrease until it, too, is quenched.

The delayed-domain mode occurs when the instantaneous rf voltage never falls below the sustaining value but does go below threshold for a part of the cycle. If the field domain reaches the anode when the applied voltage is between V_s and V_{th} , the formation of a new domain is delayed until the rf swings above threshold. Using these techniques and others, the frequency of the output current spikes will adapt to the resonant frequency of the external tuned circuit and can be tuned over very wide frequency ranges.

The greatest advantage a Gunn device has over IMPATT and TRAPATT diodes is its ability to operate over a wide band with less noise and lower bias voltages at equivalent frequencies — this is an important consideration for amateurs who want to build simple microwave systems that operate from batteries for portable,

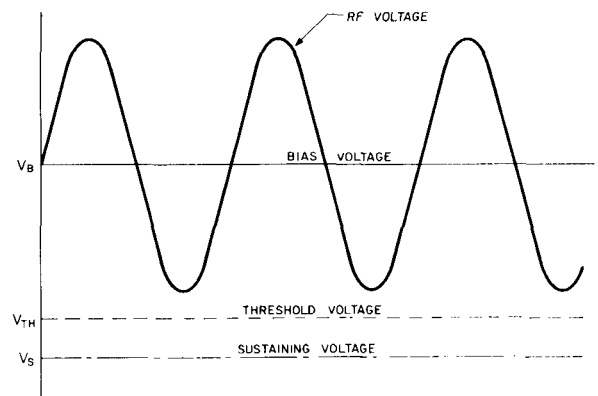


fig. 12. Operating mode of a Gunn diode in a high-Q resonant circuit is determined by the bias level, as shown here. If the diode is biased so the rf voltage drops below the sustaining voltage, V_s , the field domain will be quenched until the rf voltage rises above threshold, V_{th} , and the formation of a new domain at the cathode will be delayed (see text). Therefore, the frequency of the output current spikes will adapt to the resonant frequency of the tuned circuit and can be tuned over wide frequency ranges.

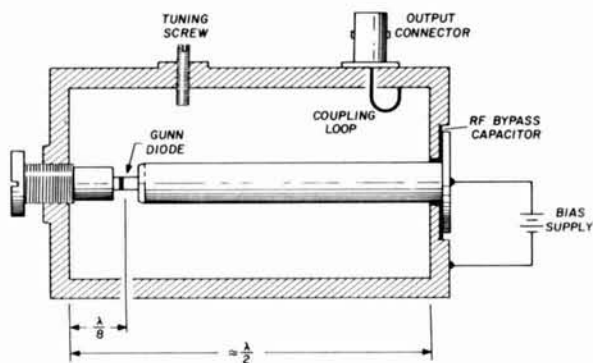


fig. 13. Simple Gunn-diode oscillator uses a half-wavelength coaxial cavity. Impedance matching is provided by the output coupling loop. This type of circuit can be tuned over an octave or more, but difficulties with oscillation at harmonic frequencies are common, and the coaxial cavity is more sensitive to temperature changes and load mismatches than waveguide resonators.

mountain-top expeditions. Moreover, Gunn diodes are easily frequency modulated and lend themselves to automatic frequency control (afc). Compared to tubes the Gunn device operates at lower temperatures and without a vacuum, factors that contribute to longer life. In fact, a number of manufacturers are predicting useful lives of well over 300,000 hours for CW devices (in case you don't want to figure it out, that's equivalent to about 34 years of 24-hour-per-day operation). On the debit side, the Gunn diode is less efficient and has lower power output than other solid-state microwave devices, but this is more than offset by its simplicity of operation, wide tuning range, and lower operating voltage.

Gunn oscillators

Many early attempts to build Gunn oscillators were not all that successful — the results were seldom reproducible. Sometimes the device refused to oscillate in the resonant circuit, or if it did oscillate it wouldn't be on the desired frequency, but this was new tech-

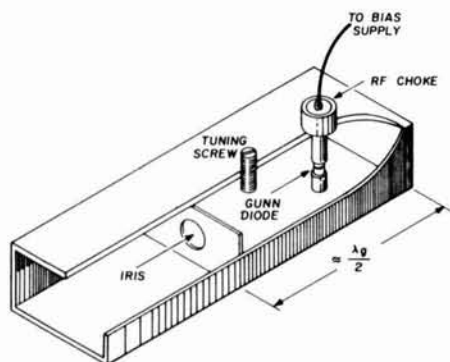
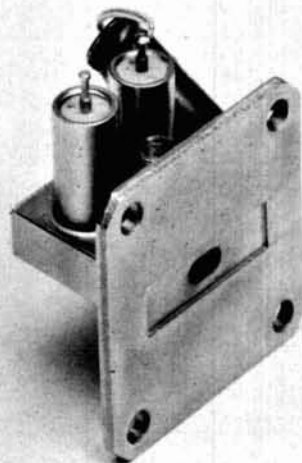


fig. 14. Simple waveguide resonator for Gunn-diode oscillators. In this circuit the microwave energy from the Gunn diode is coupled into the cavity with a post mounted between the narrow dimension of the waveguide. The size of the opening (iris) is optimized for maximum power output and isolation from impedance mismatches. The rf choke requires careful design for minimum rf loss.

nology, fresh from the laboratory; the GaAs manufacturing process was still in its infancy so there were problems with the diodes, and nobody had any comparable experience to fall back on. Gunn diodes have improved over the years, and we now know what types of resonant circuits work best, but the plain truth of the matter is that not much actual circuit design takes place — not in the traditional sense anyway. As one designer at Microwave Associates pointed out recently, "Those who have experience with Gunn diodes usually take a rough cut at what they think will work, and then home in on the final layout by trial, error, and a good deal of sheer feel."

One of the simplest forms of Gunn oscillator circuits is shown in fig. 13. Here, the diode is mounted at one end of a half-wavelength coaxial cavity which is adjusted



Microwave Associates varactor-tuned Gunn oscillator for the amateur 10-GHz band. Terminals are for the Gunn power supply and varactor bias. Power output is 20 milliwatts.

to the desired operating frequency with a tuning screw. The location of the output coupling loop determines the load impedance presented to the diode. This type of resonator is easy to build and can be tuned over a very wide frequency range, typically an octave, but it has several disadvantages. For one thing, the Q is relatively low and the diode may want to oscillate at a harmonic frequency. In comparison with waveguide cavities, the coaxial resonator is also more sensitive to temperature changes and load mismatches.

For most applications a much better choice is the post-coupled rectangular waveguide cavity shown in fig. 14 separated from the output waveguide by a coupling iris. The size of the iris is determined experimentally for the best compromise between maximum power output

table 1. Operating characteristics of the Microwave Associates MA-87127 series 10-GHz Gunnplexers.

RF center frequency	10250 MHz (4V varactor bias)
RF power output	20 mW
Tuning: mechanical	± 100 MHz
electronic	60 MHz minimum
Frequency stability	-350 kHz/ $^{\circ}$ C maximum
RF power vs temperature and tuning voltage	6 dB maximum
Frequency pushing	15 MHz per volt, maximum
Noise figure	12 dB maximum
Input requirements:	
Gunn voltage	+10 Vdc typical
Gunn current	500 mA maximum
Tuning voltage	+1 to +20 volts
Rf connectors	mates with UG-39/U waveguide
Operating temperature	-30 to $+70$ $^{\circ}$ C

and isolation from changes in diode impedance and load. The tuning rod may be either metal or a low-loss dielectric. The diode must be properly decoupled from the bias supply to minimize any rf resonances in the bias circuit and to prevent any rf loss. None of these things is trivial, so if you're interested in building your own Gunn oscillators for the 10-GHz amateur band, I suggest that you try one of the proven designs published in the RSGB's *VHF - UHF Manual*.¹¹

If you don't have any previous experience with microwave circuits, you may find it easier and less frustrating to purchase one of the new 10-GHz *Gunnplexers* which are being offered to amateurs by Microwave Associates.* These Gunn-oscillator transceivers provide 20 mW of output power, include a built-in low-noise Schottky mixer diode, and are provided with varactor tuning. A ferrite circulator isolates the receiver and transmitter functions. The electrical specifications of the Gunnplexer are listed in table 1; a cut-away view of the transceiver is shown in fig. 15.

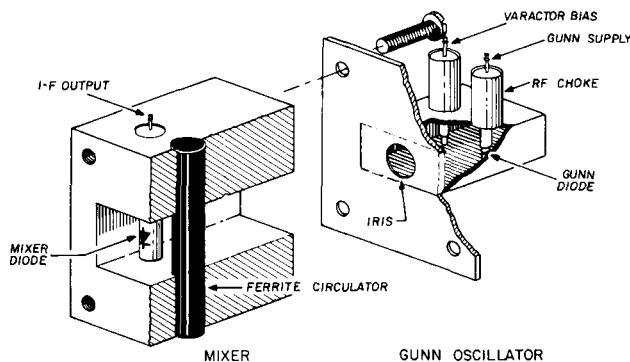


fig. 15. Cutaway view of the 10-GHz Microwave Associates Gunnplexer. The post-coupled Gunn diode is tuned to the desired frequency with the dielectric tuning screw, and the rf energy is coupled out through an iris. The ferrite circulator couples a small amount of energy into the Schottky mixer diode and isolates the transmit and receive functions. Mixer injection can be adjusted with the small screw mounted in front of the circulator. A horn antenna provides 17 dB gain.

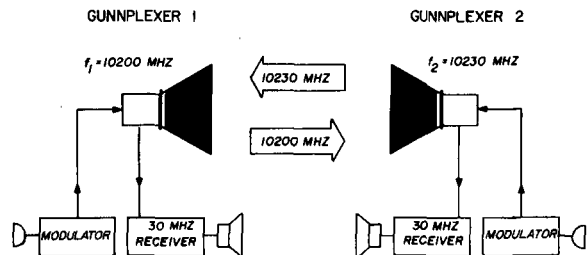


fig. 16. Gunnplexer operation. Since the same oscillator is used as both a transmitter and local oscillator for the mixer, the i-f at each end of the link must be at the same frequency, and the frequencies of the Gunn oscillators must be separated by the i-f. In the example shown here the Gunnplexer at one end of the link is tuned to 10200 MHz — 30-MHz i-f receivers are used so the Gunnplexer at the other end must be tuned 30 MHz higher or lower (10230 or 10170 MHz).

In the Gunnplexer the Gunn oscillator provides both the transmit power and LO injection for the mixer diode. Therefore, the i-f used at each end of a communications link must be tuned to the same frequency, and the frequencies of the Gunn oscillators at each end of the link must be separated by the intermediate frequency. This is the same system used with klystron polaplexers and is shown in fig. 16. If the i-f is at 30 MHz, for example, and one Gunn oscillator is tuned to 10200 MHz, the other oscillator is tuned 30 MHz higher (or lower) to 10230 MHz (or 10170 MHz). Gunnplexers can also be used for two-way communications with stations which use polaplexers or separate 10-GHz transmitters and receivers. If a polaplexer is used at one end of the link, however, you should expect about 3 dB loss because of the difference in polarization.

All you need to put the Gunnplexer on the air is a well regulated 9-volt power supply (200 mA maximum), a bias supply for the varactor, an fm receiver, and a microphone and speech amplifier. This is the system used by W1HR and W1SL in their first two-way communications with Gunnplexers. Later you may want to add automatic frequency control (afc) or a phase-locking system, but this isn't necessary to get started.

The 30-MHz i-f has been the standard for amateur microwave communications for a number of years, but there's no reason why you can't use a standard 88-108 MHz fm broadcast receiver as a tunable i-f. If you choose to go this route, be sure to pick a frequency that's not occupied by a nearby fm transmitter — otherwise you may have problems with i-f feedthrough. In metropolitan areas it may be impossible to find a clear

*The Microwave Associates MA87127 *Gunnplexer* is a complete 10-GHz transceiver consisting of a Gunn oscillator, tuning diode, detector, and circulator and is priced at \$85. Also available is the MA87108 which consists of the Gunn oscillator and tuning diode (\$60), and the MA87140 which includes a complete transceiver and a 17-dB gain horn antenna (\$108). Two complete transceivers with horn antennas, part number MA87141, are priced at \$185. Write to Microwave Associates, Inc., Burlington, Massachusetts 01803 for the name of your nearest sales representative.

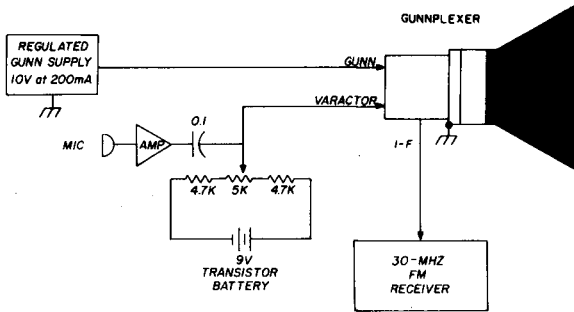


fig. 17. Basic system used by W1HR and W1SL for short-range communications with the 10-GHz Gunnplexers. Output frequency is adjusted ± 30 MHz with the 5k potentiometer across the 9V varactor bias supply.

channel, but most fm receivers can be "tweaked" slightly so they will tune to a clear spot above or below the fm broadcast band. If you use an fm broadcast receiver you won't be able to work stations using a 30-MHz i-f, but this is an inexpensive way to get started, and you can always to 30-MHz i-f later.

If you decide to use a 30-MHz i-f, military surplus i-f strips are inexpensive, or you can use a tunable fm receiver such as the old Hallicrafters S-36 or S-27, or the military surplus BC683. W1SL and I used 35-year-old S-36 receivers in our initial experiments, but are planning to build some solid-state replacements in the near future. With the wide availability of ICs designed for rf amplification and fm demodulation, this should be a relatively easy task.

communications range

One of the first questions you're probably asking is what kind of communications range can I expect with a

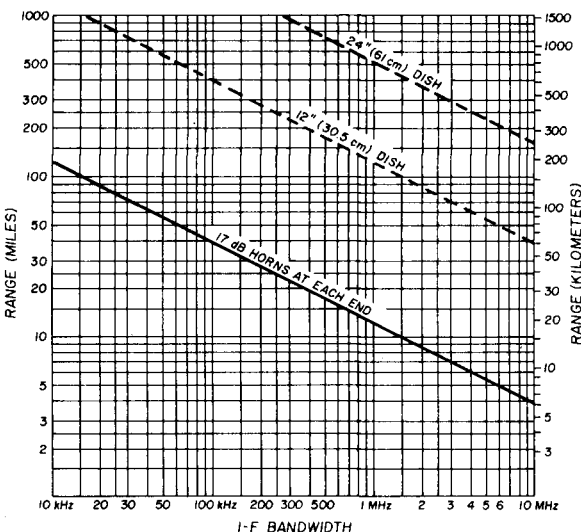


fig. 18. Range vs i-f bandwidth for the Microwave Associates 10-GHz Gunnplexers. Dashed lines show increased range available with 12-inch (30cm) and 24-inch (61cm) parabolic reflectors.

20 mW Gunnplexer system? As shown in fig. 18, this is a function of the bandwidth of the i-f system. This graph assumes a noise figure of 12 dB at 10 GHz which should be no problem with a low-noise (about 1 dB) i-f strip, and 17-dB horn antennas at each end of the link. For the bandwidth of an fm broadcast receiver, 240 kHz, the *maximum* line-of-sight range is about 25 miles (40 km). However, this graph is based on "threshold" (the beginning of reception of intelligible speech) and allows no margin for fading due to rainfall, multipath propagation, or other environmental effects. Therefore, for a practical system with good signal-to-noise ratios, somewhat less range should be expected. Range can be increased considerably by using parabolic reflectors, as shown by the dashed lines in fig. 18, but this entails additional cost and you may have trouble getting the antennas properly lined up.

Range can also be improved by using a narrower i-f bandwidth, but this requires the use of automatic

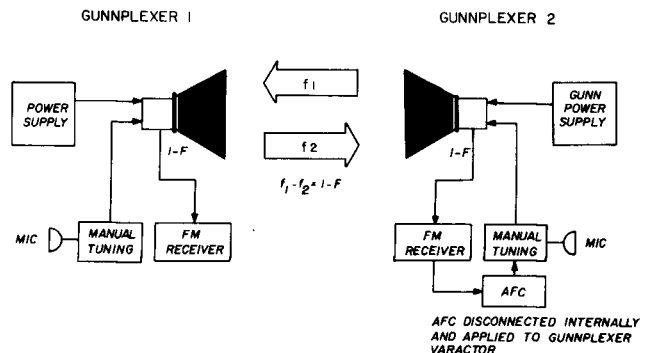


fig. 19. Basic arrangement for automatic frequency control (afc) of the Gunnplexer. Manual frequency control is used at one end of the link; afc at the other end of the link is derived from the fm receiver and applied to the varactor.

frequency control or a phase-lock arrangement. Since the drift characteristics of the Microwave Associates Gunnplexer is about -350 kHz per $^{\circ}\text{C}$ maximum (downward drift with increasing temperature), it's doubtful that the 240-kHz bandwidth of an fm broadcast receiver would be practical without continually adjusting varactor bias or using afc. The basic afc system is shown in fig. 19. To prevent the two Gunnplexers from chasing each other all over the band, only one end should use afc of the Gunn diode. Afc of the i-f LO is permissible at both ends of the link.

Stability can also be improved by placing the Gunnplexer in an insulated box and heating it with a lightbulb or other heat source (such as a power resistor). For maximum temperature stability, a proportional temperature control system is suggested (reference 12 describes a proportional control circuit for crystal ovens that could be easily adapted to the Gunnplexer).

For an idea of what can be accomplished with low power on 10 GHz, consider the new world's record on this band which was set in August, 1976, by GM30XX in Scotland, and G4BRS, in Cornwall, England — a

distance of 324 miles (521 km). Both stations used 10 mW Gunn oscillators with parabolic reflectors — a 24 inch (61cm) dish in Scotland and a 30-inch (76cm) reflector in England. This was their ninth try over this particular path, so it wasn't as easy as it sounds, but it should give you an idea of what can be done with simple equipment, patience, and a *lot of persistence*.

phase locking

One of the best ways to improve communications range with the Gunnplexer is to decrease i-f bandwidth but this can only be done by phase locking the transmitter to a stable crystal oscillator. I don't have any practical, tried and true circuits to offer yet, because I don't know of any amateurs who have built a phase-locked Gunnplexer system, so the following are merely suggestions.

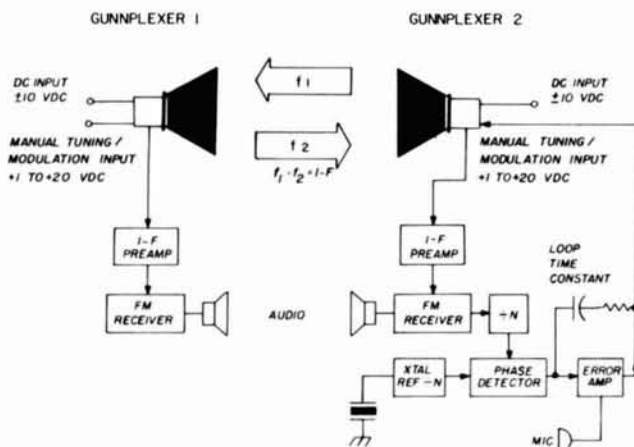


fig. 20. Gunnplexer phase-lock system suggested by W1FC. Output of i-f amplifier is divided down and compared against a crystal-controlled reference oscillator. Output of the phase detector is amplified to a suitable level to keep the Gunn oscillator locked to the crystal. Time constant of the RC network shunting the error amplifier is chosen to allow the Gunnplexer to be frequency modulated.

One arrangement, which was suggested by W1FC of Microwave Associates, is shown in fig. 20. In this system the output of the i-f amplifier is divided digitally and phase compared against a stable crystal reference. The dc output information from the MC4044 phase detector is amplified and fed to the Gunnplexer tuning varactor. The time constant of the RC network which shunts the dc error amplifier permits the Gunnplexer to be frequency modulated. Without the RC circuit, the phase-lock system would tend to cancel the modulation.

Another, more complex phase-lock circuit, based on the San Bernadino Microwave Society's *Rocloc* system for klystron polaplexers,¹³ is shown in fig. 21. In this circuit a small portion of rf from the Gunnplexer is mixed with the output from a harmonic multiplier — the output from the mixer is then phase compared with a low-frequency crystal-controlled source. The rest of the system is similar to that shown in fig. 20.

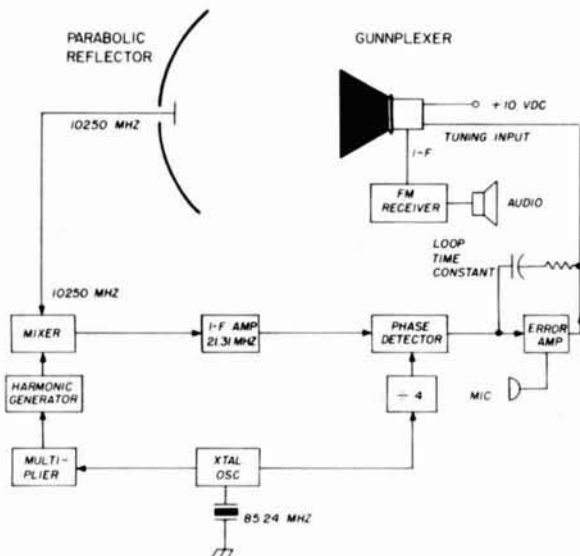
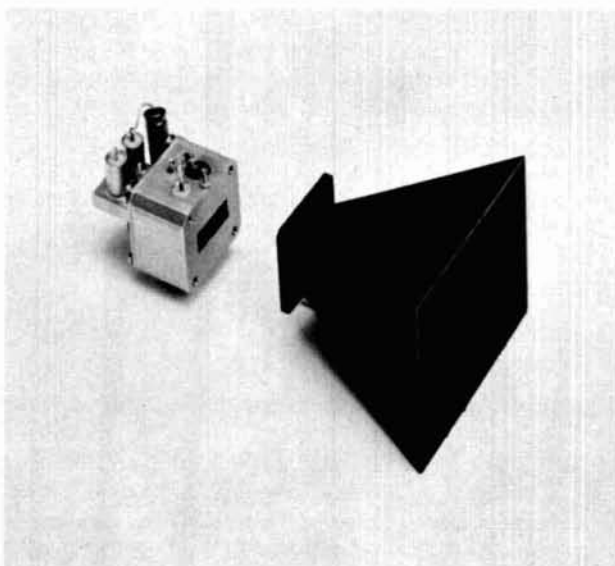
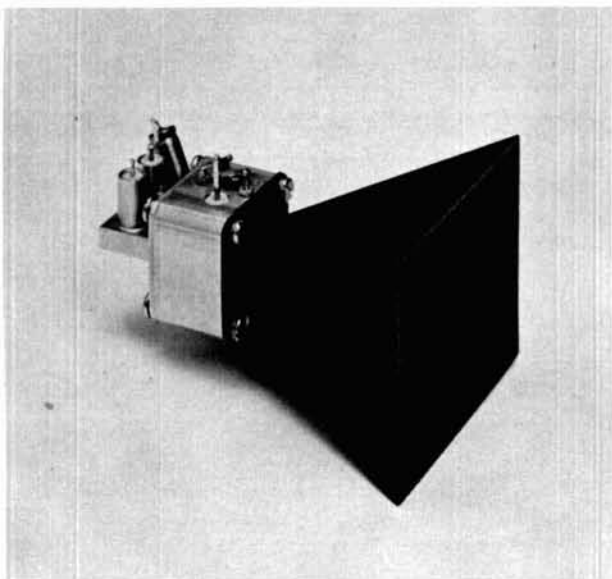


fig. 21. Proposed phase-lock system for a Gunnplexer operating on 10250 MHz. In this system the 120th harmonic of the 85.24-MHz crystal oscillator is mixed with a sample of rf energy from the Gunnplexer. The difference output is amplified, then phase compared with a signal derived from the crystal oscillator. The error voltage is amplified and fed to the tuning varactor in the Gunnplexer. With proper design, frequency stability of the Gunnplexer will be the same as the crystal reference oscillator.

Phase locking can also be used to good advantage in the receiver as a tracking filter. Whereas the threshold of intelligible speech in a conventional fm system occurs when the fm signal is about 10 dB above the noise, a phase-locked tracking filter can linearly demodulate fm signals buried 20 to 30 dB in the noise.¹⁴ One IC on the market which was designed specifically for this task is the Exar XR-215.



Microwave Associates 10-GHz Gunnplexer and 17-dB horn antenna. Receiver section is housed in waveguide section machined from large block of metal. This improves thermal stability of the unit.



Microwave Associates 10-GHz Gunnplexer.

i-f circuits

Good afc capture range requires a wider bandwidth than optimum signal processing, so a dual i-f system is recommended. One suggestion here is an input at 30 MHz followed by conversion to 10.7 MHz for signal processing. A parallel i-f at 30 MHz would be used for afc control. The 30-MHz preamp should have a noise figure on the order of 1 dB and should be impedance matched to the Schottky mixer in the Gunnplexer (about 200 ohms). The capacitance of the mixer diode (approximately 27 pF) can be resonated with an rf choke connected from the i-f output terminal to ground (use 1 μ H at 30 MHz, 0.33 μ H at 100 MHz).

radiation hazard

Although 20 mW isn't very much power, remember that it's concentrated at the small, open end of the waveguide so power density is about 6.2 mW per square cm. This is considerably higher than OSHA's 1 mW/cm² safety limit. Fortunately, rf power density falls off to safe levels a few inches (15 cm) away, but remember that your eyes are especially susceptible to damage from rf radiation — *never* look into the open end of a Gunnplexer when it's operating.

summary

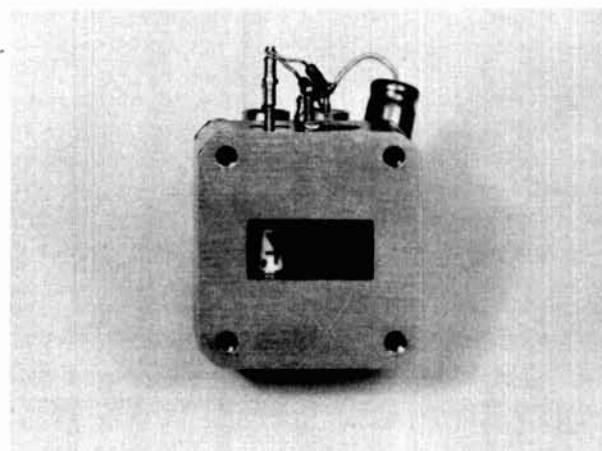
The amateur microwave bands have been badly neglected by most amateurs, but this is one area where amateurs can still make contributions to modern rf technology. Presented here are the basic requirements for a modern, solid-state, amateur microwave system, and some suggestions for putting your own Gunnplexer on the air. In future months we will try to publish practical, successful circuits — if you have suggestions for improvements, or have solved a problem that may give others trouble, we would like to have the opportunity to publish it in *ham radio*.

I would like to thank Dana Atchley, W1CF, of Microwave Associates for making Gunnplexers available to the amateur community, and Fred Collins, W1FC (ex W1FRR), and Dr. Ron Posner (ex K6DJB) for their circuit suggestions.

references

1. J. Millen and R. Kruse, *Below Ten Meters — The Manual of Ultra-Short-Wave Radio*, The National Company, Malden, Massachusetts, 1932.
2. H. Barkhausen and K. Kurz, "Die Kurzenten mit Vakuumrohren herstellbaren Wellen," *Physikalische Zeitschrift* (Germany), January, 1920.
3. R. Saxl, "English Channel Beam Transmissions," *Radio News*, October, 1931.
4. A. A. Heil and O. Heil, "Eine neue Methode zur Erzeugung kurzer, ungedämpfter, elektronmagnetischer Wellen grosser Intensitat," *Zeitschrift fur Physik* (Germany), April, 1935 (English translation appeared in the July, 1943, issue of *Electronics*).
5. W. T. Read, Jr., "A Proposed High-Frequency Negative-Resistance Diode," *Bell System Technical Journal*, March, 1953, page 401.
6. R. L. Johnston, B. C. Deloach, Jr., and B. G. Cohen, "A Silicon Diode Microwave Oscillator," *Bell System Technical Journal*, February, 1965, page 369.
7. K. N. Chang, H. J. Prager, and S. Weisbrod, "High Power, High-Efficiency Silicon Avalanche Diodes at Ultra High Frequencies," *Proceedings of the IEEE*, April, 1967, page 586.
8. "Rectifier Diodes become Trapatt Oscillator Source," *Electronics*, December 21, 1970, page 29.
9. R. Rhea, WA7NLA, "Performance of Silicon Rectifiers as TRAPATT Oscillators," *ham radio* (letter), April 1972, page 72.
10. J. B. Gunn, "Instabilities of Current in III-V Semiconductors," *IBM Journal of Research and Development*, April, 1964, page 141.
11. D. S. Evans, G3RPE, and G. R. Jessop, G6JP, *VHF-UHF Manual*, 3rd edition, Radio Society of Great Britain, London, 1976, Chapter 8 (\$12.95 postpaid from Ham Radio Books, Greenville, New Hampshire 03048).
12. J. A. Koehler, VE5FP, "Proportional Temperature Control for Crystal Ovens," *ham radio*, January, 1970, page 44.
13. W. Jensby, WA6QBO, "Stable Microwave Oscillators," *QST*, July, 1966, page 33.
14. F. M. Gardner, *Phaselock Techniques*, John Wiley & Sons, New York, 1967, page 61.

ham radio



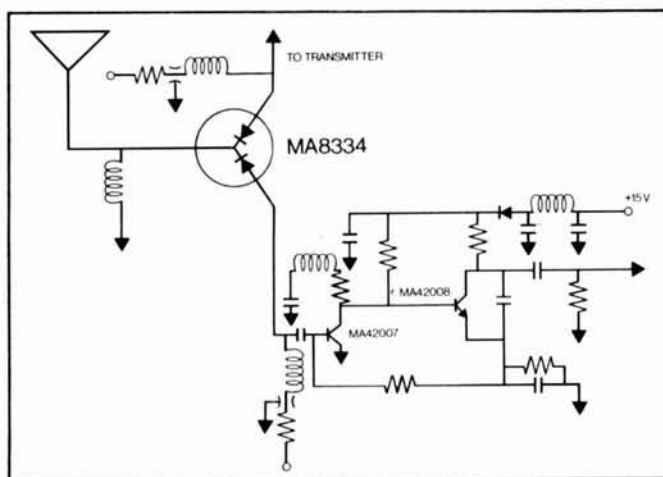
Head-on view of the Gunnplexer showing the mixer diode, left, and ferrite circulator (black cylinder to right). The small screw which protrudes through the top of the waveguide is used to adjust mixer injection.

Introducing a new idea in TR switches.

Solid state reliability.



Introducing the MA-8334 series solid state transmit-receive switch — the most reliable TR switch you can put into a piece of mobile communications equipment. The initial offering in our MA-8334 series has a CW input power rating of 50 watts



and a frequency range of 20 to 1000 MHz. If your interest area

is 50 MHz and higher, why not send for our free "Microwave Semiconductor Handbook." Just call or write: Microwave Associates, Semiconductor Sales, Northwest Industrial

Park, Burlington, MA 01803, tel. 617-272-3000.

 **MICROWAVE ASSOCIATES**



solid-state five-band transmitter

A companion transmitter to the I5TDJ receiver features all bands, solid-state circuitry, and 10-watt output

On the air, amateurs speak proudly of using the "S-Line" or the "Drake Line." To complement the receiver I described last year in these pages,¹ I built a companion five-band solid-state transmitter. Thus I felt I could proudly speak of using the "TDJ Line!"

I actually started the design in 1973 when high power rf transistors were not available in Italy. Thus, the output is only a modest 10 watts. None the less, I've made contacts with all continents and had a nice QSO on CW and ssb with JD1ACH during the Ogasawara (Bonin Island) DXpedition.

The transistors I used are a mixture of Phillips and U.S. types, collected over the years. Despite that, the 3rd-order IMD measures -28 dB below one tone of a 2-tone test. Output is actually greater than ten watts on all bands, with no tuning. A SPOT switch and carrier insertion for linear amplifier tuneup are included for convenience. Again, my friend I5FLN has duplicated my circuitry.

circuit description

The transmitter was designed to transceive with my receiver; the rf mixing scheme being identical. In the

block diagram, **fig. 1**, note that the two modules, vfo and vfo converter, are common to both units. The builder has three options: you may use these two modules in the receiver, you can duplicate just the vfo module, or you can duplicate both modules and have a completely self-contained transmitter with frequency control from either unit — just like Drake. Don't forget a light to indicate which dial is operative!

In the ssb generator module, shown in **fig. 1**, the microphone signal is amplified in two stages and then applied to a diode-ring balanced modulator. The carrier is initially generated at 454 or 455 kHz, for CW/ssb. Undesired products are attenuated and suppressed by adjustment of the modulator and also FL1, a 2.4-kHz mechanical filter. The output from the filter is applied through a buffer to a balanced mixer comprised of two fets. Another pair of crystals at 8545 and 9455 kHz provide the signal, which is simultaneously applied to the fet mixer, for USB or LSB selection. The mixer output, after a three-section LC filter, is now a 9-MHz ssb signal.

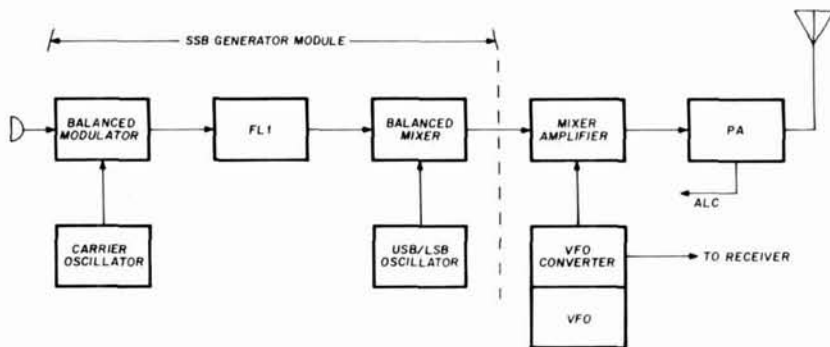
In the next module, the 9-MHz signal is buffered and applied to a second diode ring mixer for addition to the signal from the vfo converter. Five wide-band LC filters at the output of the diode mixer select the desired band. The combination of diode mixer and LC filters again make for excellent suppression of undesired mixer products. The signal is now fed to a wide band amplifier and then to the power amplifier (PA) module.

Two transistors are used for the driver in the power amplifier module. The final transistor operates as a linear amplifier and has been protected against thermal runaway. No mismatch protection was deemed necessary. On several occasions the antenna was not connected, and no damage has resulted to date! In order to make the

By Piero Moroni, I5TDJ, Cossaria 10, Florence, Italy 50129 (translated by Joe Darmento, W4SXX)

most of the modest power available, a tuned circuit is used to match the final transistor to a 50-ohm output. Each circuit need only be set once during the initial adjustments. A sample of the output is rectified and used for alc. The 0-1 mA meter reads the supply voltage or may be switched to read alc voltage and thus monitor the output.

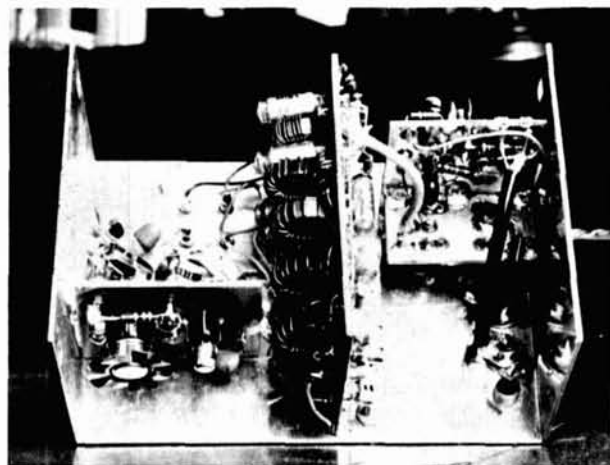
fig. 1. Block diagram of the solid-state transmitter. The vfo and mixing scheme are identical to the one used in the receiver described by the author in the October, 1975, issue of ham radio.



Except for the auxiliary circuit, each module was enclosed in a standard aluminum box, 3 x 4 1/4 x 2 inches (77x107x49mm). The PA module is slightly larger, 3 x 5.7 x 2 inches (77x145x49mm). Each module may be arranged as desired to fit a commercial case, as done by I5FLN. All circuitry is mounted on single-sided epoxy-glass PC boards. I used an isolated pad drill rather than printed-circuit technique; it's easier and quicker for a one-time project. Signal interconnections are made with phono jacks and plugs. All other interconnections enter the modules through 1500-pF feedthrough capacitors. Points designated as +12 always have power applied; +12T implies voltage on with PTT. When winding the toroids, make sure you twist the wires 7 to 8 turns per inch (2 to 3 turns per cm).

ssb generator module

Referring to fig. 2, Q1 and Q2 amplify the microphone signal to a few hundred millivolts for application to the balanced modulator. The four 1N270 diodes



Mixer and amplifier module. The individual band filters are mounted on the vertical circuit board. The balanced mixer is on the left and the output circuits on the right.

should be selected for equal forward resistance at 1 mA of current. Crystals Y1 and Y2 provide the 454/455-kHz carrier. On CW, the 454-kHz crystal causes the carrier to be transmitted 1 kHz above the vfo frequency. No problem — your contact receives a 1-kHz signal in the usb position of his receiver. R1 and C1 are used to null the carrier during the initial adjustment.

The gain of Q3 is controlled by the alc developed from the final transistor. Q6 and Q7 form the balanced mixer for signal conversion to 9 MHz. R2 is the balance pot, and when properly adjusted the mixer, in conjunction with L1, L2 and L3, will provide good attenuation of spurious products without resorting to an expensive commercial filter. One precaution, do not mount any oscillator components near the ends of the mechanical filter or you will not obtain good carrier suppression. Component placement is shown in the photograph.

mixer amplifier module

In the schematic, fig. 3, transistor Q1 is a buffer amplifier; the 100-ohm potentiometer adjusts the 9-MHz signal level into the diode mixer. Unfortunately, this type of mixer attenuates the desired signal approximately 6 dB and requires about 5 mW of oscillator injection. However, it does attenuate the oscillator signal at least 30 dB with satisfactory performance from 0.5 to 50 MHz. This latter characteristic is eminently desirable to provide constant output on all bands. Thanks to these characteristics the simple filters on the output are perfectly adequate. Except for component values these five filters are all identical to the 3.5 to 4 MHz filter shown in detail in the schematic. The filters are diode selected by the bandswitch. With feedback to improve linearity, the signal is amplified to about 50 mW by Q2 and Q3.

Components for this module are mounted on three small boards approximately 3/4 x 1 inch (15x25mm). One board holds the buffer and mixer, the second the 5 filters, and the third board contains Q2 and Q3. Separating the boards is helpful in home brewing. In case you make a fatal error, you ruin only a small part of your work.

power amplifier module

Two transistors in push-pull, fig. 4, raise the signal level to 0.5 watt. CR1 is in thermal contact with one transistor to maintain collector currents within safe

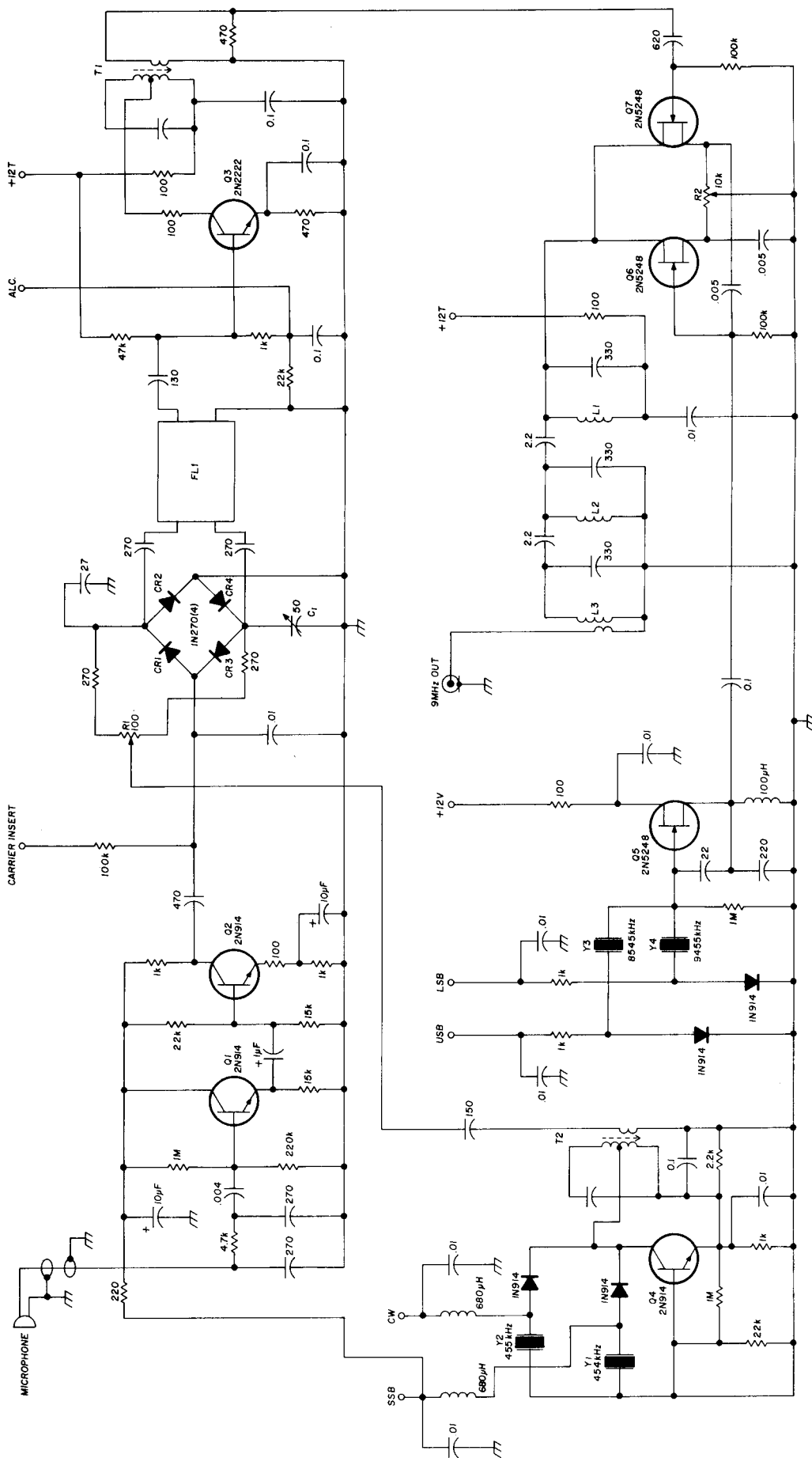
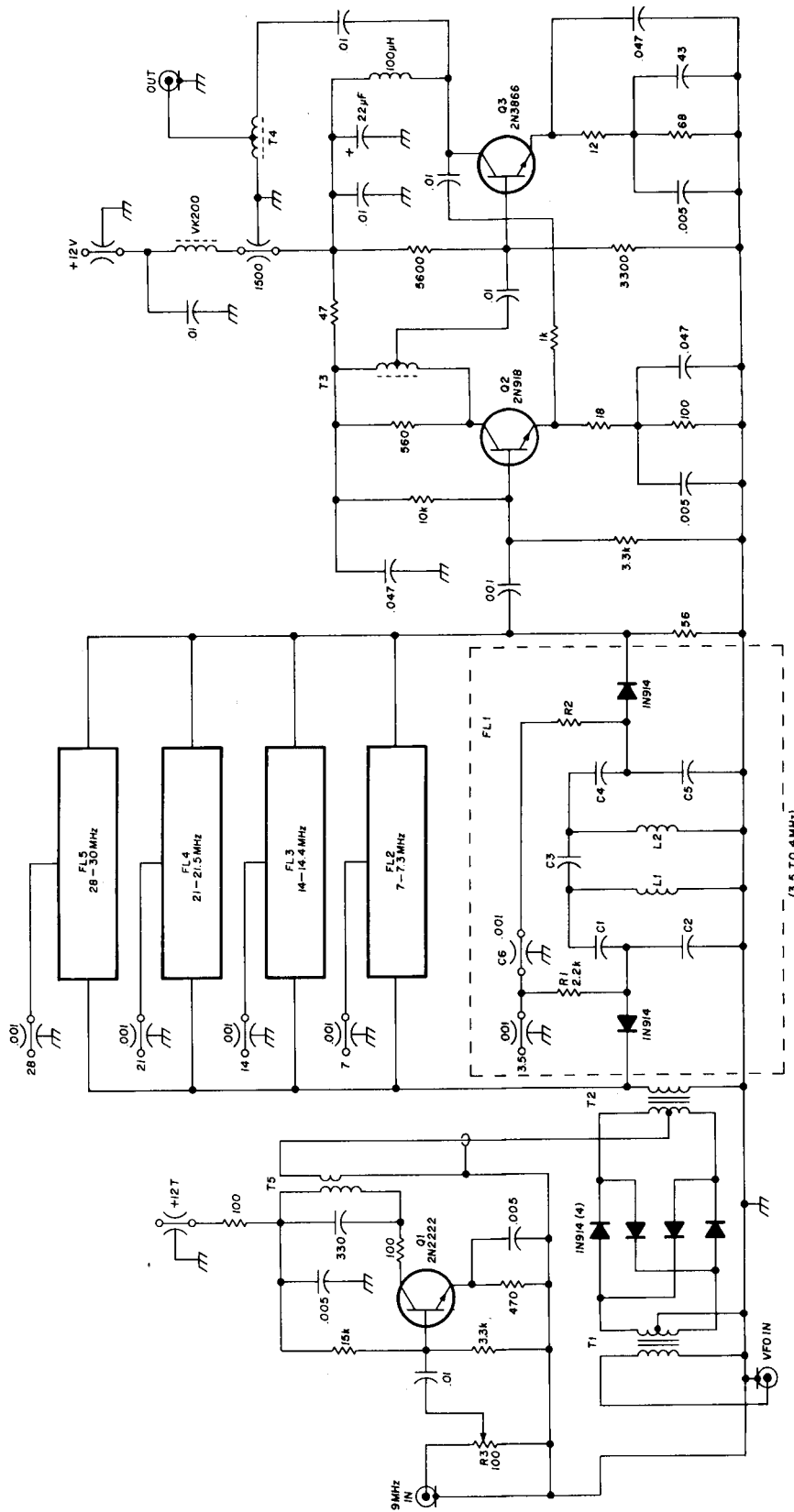


fig. 2. Schematic diagram of the ssb generator. FL1 is a 50-pF (ARCO) compression trimmer. FL1 through L3 are each 15 turns of no. 22 AWG (0.6mm) wire wound on a Micrometals T44-6 core. L3 also has a one-turn link. T1 and T2 are 455-kHz transistor i-f transformers (Miller 2031). The crystals are parallel resonant with 32-pF load capacitance.



	C1, C4	C2, C5	C3	L1, L2
FL1	500 pF	3000 pF	39 pF	3.4 μH, 30 turns no. 24 AWG (0.5mm)
FL2	330 pF	3000 pF	8.2 pF	1.6 μH, 20 turns no. 24 AWG (0.5mm)
FL3	150 pF	1600 pF	3.3 pF	0.9 μH, 15 turns no. 22 AWG (0.6mm)
FL4	100 pF	1000 pF	3.3 pF	0.6 μH, 13 turns no. 22 AWG (0.6mm)
FL5	68 pF	430 pF	3.3 pF	0.5 μH, 11 turns no. 20 AWG (0.8mm)

Note: The coils for FL1 to FL3 are wound on Amidon T50-6 toroids and FL4 and FL5 coils are wound on Amidon T50-10 cores.

fig. 3. Mixer and amplifier module schematic diagram. T1 and T2 are each 10 turns of no. 32 AWG (0.2mm) trifilar wound on a hi-μ core (Indiana General CF-2). T3 and T4 are identical to T1 except they are bifilar wound. T5 is wound on an Amidon T44-6 core. The primary is 15 turns of no. 24 AWG (0.5mm) with a secondary of 2 turns wound over the ground side of the primary. The rf choke, VK200 19/4B, is available from Elna Ferrite Labs, Woodstock, New York 12498.

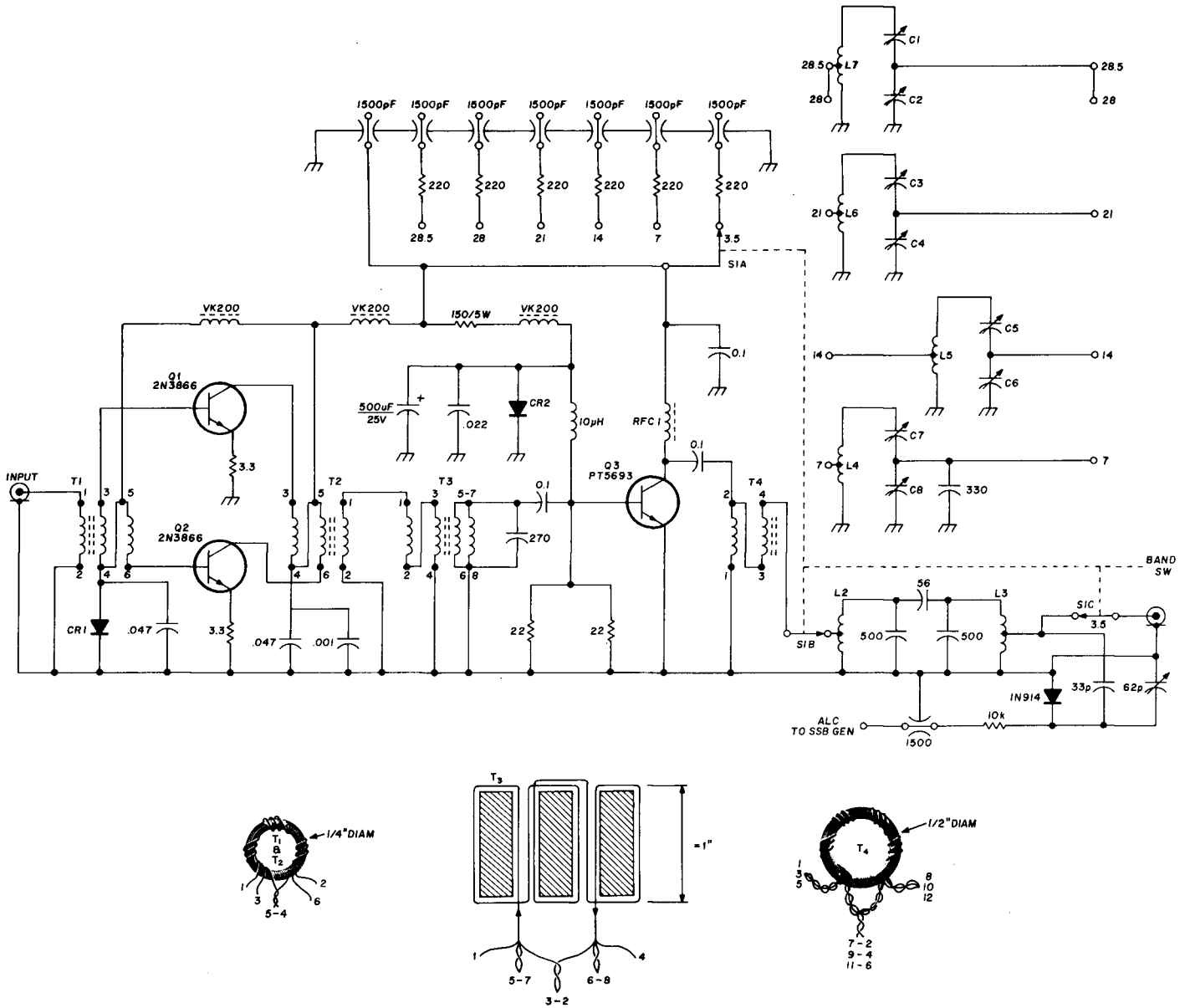


fig. 4. Schematic diagram of the power amplifier. RFC1 is 2 turns of no. 22 AWG (0.6mm) wound on a large Amidon bead. CR1 is a silicon diode rated at 0.4 A and 50 PIV. CR2 is also a silicon diode, 3 A and 50 PIV, stud mounted. T1 and T2 are each 6 turns no. 28 AWG (0.3mm), trifilar wound on a hi- μ 1/4-inch (6.5mm) core (Indiana General CF-2). T3 is a TV balun core wound with four twisted no. 28 AWG (0.3mm) wire. T4 is a high- μ Ferrocube core wound with 5 turns of 6 twisted no. 28 AWG (0.3mm) wires.

capacitors		inductors			
80	—	L2 - 3.8 μ H, 30 turns-no. 24 AWG (0.5mm) tapped 10 turns from the ground end	15	C3 - 120 pF	L6 - 0.6 μ H, 13 turns no. 20 AWG (0.8mm) tapped 3 turns from the ground end
40	C7 - 360 pF	L4 - 2 μ H, 22 turns no. 24 AWG (0.5mm) tapped 5 turns from the ground end	10	C1 - 90 pF	L7 - 0.5 μ H, 11 turns no. 20 AWG (0.8mm) tapped 3 turns from the ground end
20	C8 - 600 pF	L5 - 1 μ H, 15 turns no. 20 AWG (0.8mm) tapped 4 turns from the ground end		C2 - 150 pF	
	C5 - 180 pF				
	C6 - 300 pF				

Note that L2 through L5 are wound on Amidon T50-6 cores while L6 and L7 are wound on T50-10 cores.

The ARCO trimmers are type 42 or 46 with the values indicated being for resonance. The trimmers, Amidon, and Miller parts are available from Circuit Specialists, Box 3047, Scottsdale, Arizona.

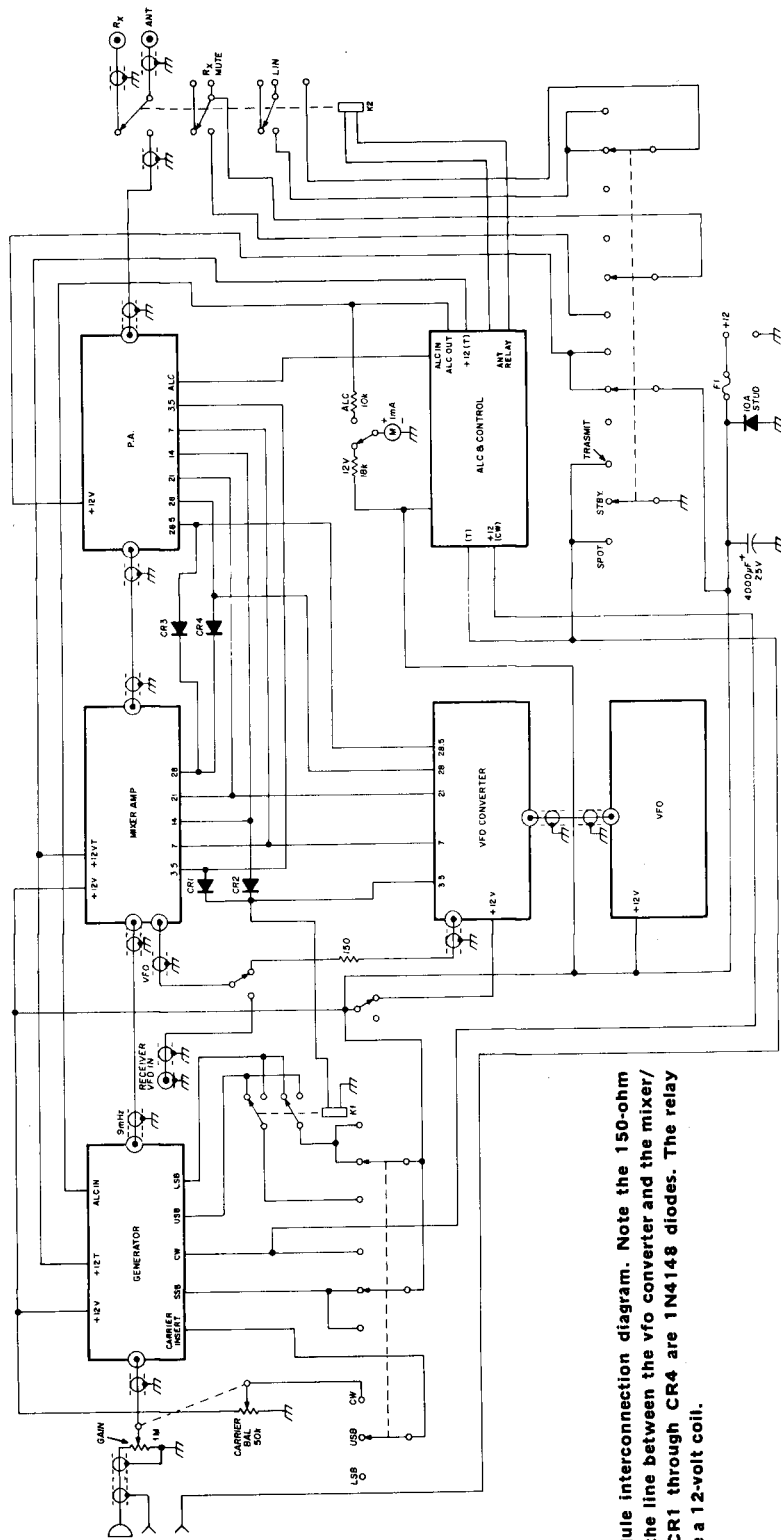


fig. 6. Module interconnection diagram. Note the 150-ohm resistor in the line between the vfo converter and the mixer/amplifier. CR1 through CR4 are 1N4148 diodes. The relay should have a 12-volt coil.

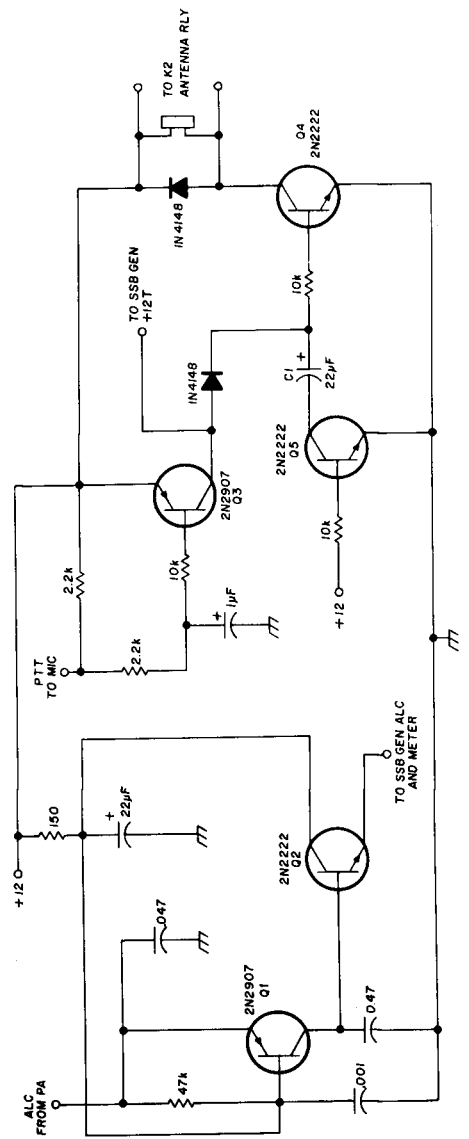
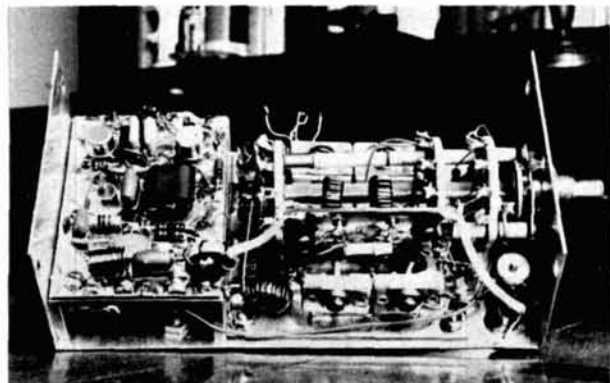


fig. 5. Schematic diagram of the aic and control module.

limits. T1 and T2 are wide-band toroid transformers, while T3 matches the collectors to the base of the final power transistor.

The final power transistor is a TRW PT5693, which was my pride and joy when I first acquired it. It is now a discontinued model but better substitutes are available: PT5649, PT8710, 2N6081 to name a few. The PT5693



Construction of the power amplifier module. The output transistor and associated circuitry is mounted on the heatsink at the left. The large switch selects the correct output network.

is rated at 17½ watts for 175-MHz fm. As a linear amplifier it will provide 10 watts. Forward bias, to improve linearity, is provided by CR2. When rf drive is applied, the necessary increased base current is "robbed" from the diode. CR2 also provides temperature compensation, and should be mounted on the heatsink close to the transistor.

auxiliary circuits

The alc and receive/transmit control circuits are shown in fig. 5. Q1, with the base and emitter at +12 volts, is normally off. The positive peaks of the rf are filtered and applied to the emitter of Q1. The negative peaks have been clipped by CR3. As the emitter becomes more positive, the transistor starts conducting. The gain of Q3 in the ssb generator is then controlled by this change in conduction level. Transmit control is by Q3, Q4, and Q5. Q3 and Q4 are normally off with K2 de-energized. Pushing the PTT button turns Q3 on, applying +12T power to the ssb generator, turning K2 on. To inhibit K2 opening up between characters on CW, capacitor C1 introduces a delay. In my case 22 µF worked fine; it may be varied for different dropout times.

checkout and alignment

I suggest you check each stage individually. As a minimum you'll need a vom or vtvm with an rf probe, a receiver that will tune around 9 MHz, and a grid-dip oscillator. An oscilloscope and frequency counter will help, and of course, a source of 12 volts at 3 amperes.

Starting with the ssb generator, apply power to Q4 and verify there is about 2 volts of rf on the secondary of T2; adjust the core for maximum. Switch to CW, add power to Q3 at +12T and connect an oscilloscope to the secondary of T1. It should indicate about 100 millivolts; again adjust the core for maximum voltage.

Connect the grid-dip oscillator through a 1 to 2 pF "gimmick" to the source of Q5, apply +12 volts and verify that the transistor oscillates with either crystal. With a receiver connected to the 9-MHz output jack, apply power to Q6 and Q7 and check for output. It may be necessary to adjust the turns slightly on L1/L2/L3 for maximum output.

Turn Q4 off, switch to the 9455-kHz crystal and tune a receiver to this frequency. Adjust R2, the 10k pot, for minimum signal. After turning Q4 on again, switch to ssb, and alternate the adjustment of R1 and C1 in the balanced modulator, for minimum signal. In some cases C1 must be connected to the opposite side of the balanced modulator for better suppression. In my transmitter the carrier was down 80 dB.

With the ssb generator connected to the mixer amplifier module, temporarily solder a 47-ohm resistor on the output of the mixer module. The output of the vfo converter, as measured at the 150-ohm interconnecting resistor, should be approximately 0.5 volts. Switch to CW, set the vfo to 3.5 MHz, and apply power to +12 and +12T. You should measure at least 1.6 volts with an rf probe on the output. It may be necessary to adjust the turn spacing of L1 and L2 for maximum output. Repeat this procedure for all five bands, making any slight adjustment necessary to the respective filters.

The power amplifier is normally adjusted for maximum output. A temporarily-connected rf voltmeter is used to measure the output across a 50-ohm dummy load. The respective trimmers, C1 through C8, are adjusted for each band. At this point the entire transmitter can be interconnected as shown in fig. 6.

Set the carrier balance pot to its midpoint and adjust R3 in the mixer amplifier module for 200 millivolts on the secondary of T5. Change to 28-MHz CW and put a voltmeter in the alc line from the PA module. As the carrier level is increased you should get 10 watts output on all bands. Note also that the alc responds. Now, connect the alc line to the ssb generator. Locate the 62-pF trimmer on the PA module and adjust it for proper level of alc action — it should limit the output to 10 watts. Switch to ssb and, using a two-tone test or your mike, verify that this condition also exists. Depending on your voice quality and language (Italian needs lots of alc) you may need to readjust the alc trimmer. The transmitter is now ready for operation.

reference

1. P. Moroni, 15TDJ, "Solid-State Communications Receiver," *ham radio*, October, 1975, page 32.

ham radio

Drake Accessories

designed for convenience and accuracy

Drake Directional RF Wattmeters



W-4 1.8-54 MHz



WV-4 20-200 MHz

Drake directional, through line wattmeters, using printed circuits, toroids, and state of the art techniques, permit versatile performance and unsurpassed accuracy, yet at a lower cost.

In contrast to VSWR measuring devices of the past, Drake wattmeters are frequency insensitive throughout their specified range, requiring no adjustments for power or VSWR measurements.

Negligible insertion loss allows continuous monitoring of either forward or reflected power for fast accurate tune up and checking of transmitter-antenna performance.

Indirectly measure radiated power (forward power minus reflected power) and VSWR by means of a plastic nomogram included.

Each wattmeter makes possible quick, accurate adjustments of antenna resonance and impedance match, when placed between transmitter and matching network.

High accuracy; ideal as laboratory instruments. Removable coupler allows remote metering.

Specifications	W-4 \$72.00	WV-4 \$84.00
Frequency Coverage	1.8-54 MHz	20-200 MHz
Line Impedance	50 ohm resistive	50 ohm resistive
Power Capability	2000 W continuous	1000 W continuous
Jacks, Removable Coupler	Two SO239 input and output connectors	Type N input and output connectors.
Semiconductors	Two 1N295 power meter rectifiers	Two 1N695 power meter rectifiers
Accuracy	± (5% of reading + 1% of full scale)	

Drake MN-4 & MN-2000 Matching Networks



MN-4 (300 Watts)
\$110.00



MN-2000 (2000 Watts)
\$220.00

To receive a FREE Drake Full Line Catalog, please send name and date of this publication to:

R. L. DRAKE COMPANY



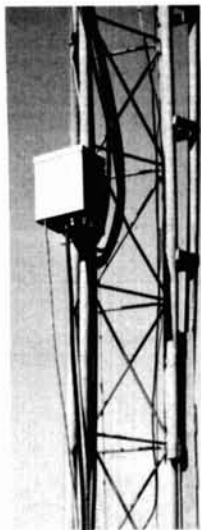
DRAKE

540 Richard St., Miamisburg, Ohio 45342
Phone: (513) 866-2421 • Telex: 288-017

Western Sales and Service Center, 2020 Western Street, Las Vegas, Nevada 89102 • 702/382-9470

Drake RCS-4 Remote Coax Switch

- Remotely Selects One of Five Antennas
- Grounds All Unused Antennas
- Grounds All Antennas in Gnd Position for Lightning Protection
- Front Panel Indicator Monitors Antenna Selection Interval
- Protected Against Adverse Weather Conditions
- SO-239 Connectors Provided for Main Coax Feed-Line and Individual Antenna Feed-Lines
- Handles 2000 Watts PEP
- Available in 120 V-ac or 240 V-ac 50/60Hz Versions



\$120.00

• Control unit works on 110/220 V-ac, 50/60 Hz, and supplies necessary voltage to motor. • Excellent for single coax feed to multiband quads or arrays of monobanders. The five positions allow a single coax feed to three beams and two dipoles, or other similar combinations. • Control cable (not supplied) same as for HAM-M rotator. • Selects antennas remotely, grounds all unused antennas. Gnd position grounds all antennas when leaving station. "Rain-Hat" construction shields motor and switches. • Up to 30 MHz, insertion of switch changes VSWR no more than 1.05:1. • From 30 MHz to 150 MHz, insertion changes VSWR no more than 1.5:1. • Motor: 24 V-ac, 2 amp. Lubrication good to -40°F. • Switch Rf Capability: Maximum legal limit.

- 80-10 Meters
- Antenna Selector and By-Pass Switches included

A Drake matching network is a worthwhile addition to any amateur station where peak performance is desired. Basically identical, except for power handling capabilities, the MN-4 and MN-2000 enable feedline SWR's of 5:1 to be matched to the transmitter. If input impedance is purely resistive, even higher SWR's can be handled. • Besides presenting a 50 ohm load to the transmitter, the Matching Network's built in rf wattmeter allows accurate and continuous power measurement and VSWR indication. The advanced wattmeter circuitry yields frequency-insensitive readings from 2 to 30 MHz, and accuracy until now obtainable only in expensive wattmeters.

All prices (suggested amateur net) and specifications subject to change without notice.



the remote base: an alternative to repeaters

Recommended reading
for those wishing
to relieve congestion
on the vhf bands —
a definitive description
of the difference
between remote-base
and repeater stations

We feel that the case for remote base stations, as opposed to repeaters, is a very strong one for those interested in the advancement of vhf/uhf amateur communications. In this article we discuss the remote base-station concept with emphasis on its advantages over repeaters in today's crowded vhf/uhf spectrum.

Appreciable differences exist in the technical details between remote bases and repeaters. The former require a far more flexible command and control system than for repeaters, but they are potentially capable of performing many more functions. Furthermore, the remote base is designed and built with the systems approach in mind and with an eye toward modernization and expansion, whereas repeaters tend to be limited to one or two functions and are generally designed as "common-carrier" machines.

background

Radio amateurs have explored the characteristics of frequency-modulated communications systems since the 1930s, when Edwin H. Armstrong demonstrated the feasibility of this mode of transmission.¹ Initially failing to win acceptance on the hf bands because of the superiority of ssb in spectrum conservation and weak-signal

By Gordon Schlesinger, WA6LBV, and William F. Kelsey, WA6FVC. Mr. Schlesinger's address is 5364 Saxon Street, San Diego, California 92115; Mr. Kelsey at 13086 Melrose Avenue, Chino, California 91710.

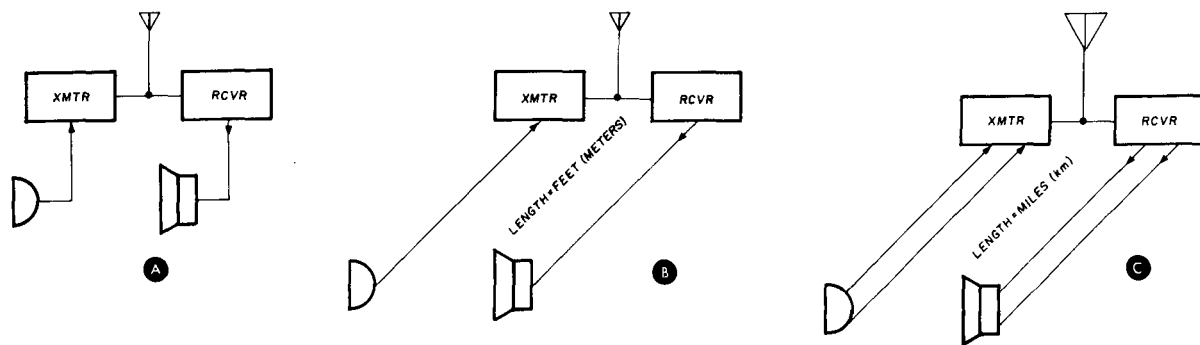


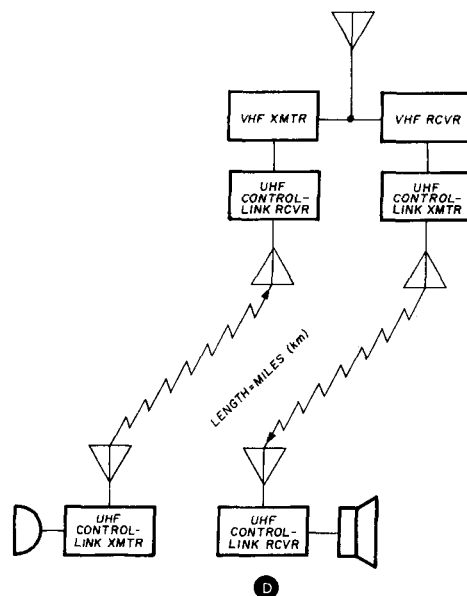
fig. 1. Evolution of a vhf remote-base station. A typical locally controlled amateur station is depicted in A. "Extended" local control is shown in B in which the microphone, speaker and control lines are routed from the operating position to equipment located elsewhere on the premises. A wire-line-controlled remote base is shown in C (transmitter and receiver are located at an elevated site to increase operating range). A radio-controlled remote base station, D, is the same as in C except that the wire link is replaced with a pair of uhf radio channels.

reception, fm entered into general amateur use on the vhf bands in the late 1950s.

Amateurs associated with the commercial* two-way radio business (land mobile service) purchased obsolete police and taxicab radios, retuned them to operate on adjacent amateur vhf bands, and began to experiment with the new mode. Having radios that generally offered one, or at most two, crystal-controlled transmitting and receiving frequencies (or channels), local fm groups quickly adopted standardized channels on which all radios would be operated. In the uncrowded vhf bands of those golden days, these few fm channels were placed well away from existing a-m and CW activity, and the new fm operators were generally ignored. With pretuned radios transmitting and receiving on the same frequency and with effective squelch circuits silencing receiver noise between transmissions, a natural party-line type of operation ensued. Thus the very first amateur fm operations were of a simplex nature — direct, point-to-point transmissions on a single frequency.

In southern California, the first simplex channels were established on 146.760 and 146.940 MHz. Since an a-m repeater (K6MYK) had been in operation at this time, fm operators saw no need for duplication. Instead they concentrated on extending the range of their simplex stations. In the mid 1960s several groups of fm operators established remotely controlled 2-meter fm transmitters on several southern California mountains. These transmitters were operated by radio-control links on the 450-MHz amateur band. Soon thereafter 2-meter fm receivers, tuned to the transmitting frequency, were added to the remotely controlled installations. These early groups of fm experimenters had established base stations (i.e., stations designed to be operated at fixed

*The term "commercial radio" applies to a radio originally designed and manufactured for operation in the commercial two-way Land Mobile Radio Service and adapted to amateur use.



locations), which were on mountains to increase range. They were remotely controlled and were operated by uhf radio links. These were among the first remotely controlled base stations, or remote bases, as they are more commonly known.

Early remote bases in southern California included those of W6YY, WB6SLR, WB6CZW, WB6LXD, and WB6QEN. From this beginning the number of southern California remote bases has increased to over 100 at present, with a smaller number in northern California, Nevada, and Arizona. Remote bases have been established in other parts of the country though nowhere in the numbers found in California.

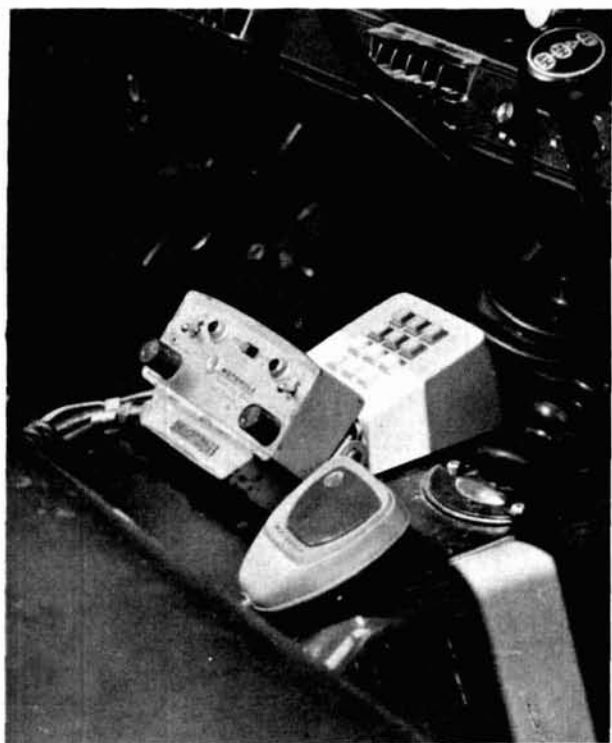
the remote-base concept

While both remote bases and vhf fm repeaters operate from elevated locations, it should be clearly understood that a remote base is *not* a repeater station. Major differences exist between them in construction, operation, and licensing; these differences are discussed later in greater detail. Most important, however, is the difference in intent of the two stations. Repeaters exist primarily to extend the intracommunity range of user mobile and hand-held portable stations, most operators

of which are *not* owners or control operators of the repeater. Remote bases, on the other hand, are extensions of the personal stations of their owners and are operated generally only by control operators.

Fig. 1 presents the evolution of the remote base concept. A typical amateur station is depicted in fig. 1A; for the sake of discussion let's assume that it's an fm base station. The owner/control operator talks on the local microphone, listens on the local speaker, and manually turns the transmitter on and off. All controls are at arms' length. This has been the typical style of amateur operation on all bands since the inception of ham radio.

Let's now assume, for reasons of space limitations, that it is inconvenient for the amateur to keep his fm base equipment at his operating position. Since fm stations are operated on crystal-controlled, fixed-tuned



Several radios may be installed at the remote base and operated through one uhf control station, which avoids duplication of radios between home and car or between several cooperating amateurs.

channels, it's not necessary to have direct physical access to the transmitter and receiver for tuning purposes. Therefore the amateur may elect to place his base equipment in his basement, attic, or garage, and extend the microphone, speaker, and push-to-talk lines back into his operating position (fig. 1B). Many commercial fm base stations include provisions for doing just this. The amateur is now operating his base station remotely by wire line, although for licensing purposes the station is still under direct control as long as it is entirely contained within the amateur's fixed station license location.

In fig. 1C we extend the operating range of the fm base station by relocating it to a higher elevation. It might be situated at a friend's house on a hill, on a mountain top commercial two-way radio site, or on top of a tall building — all depending on the local geography. The station is still controlled and operated by wire line, but in this case the length of the control line is measured in miles (km) rather than in feet (m). (The technical details of the control system depend on the characteristics of the wire-line pair, its length, and whether or not it is leased from the telephone company). This installation is now a remotely-controlled base station, or remote base, and it must be licensed as a remotely-controlled station. Few, if any, southern California remote bases are wire-line controlled, but the idea has merit for other areas of the country where distances and topography permit.

Now, let's assume that no wire lines can be run to the proposed remote base-station location because of expense, distance, or inaccessibility. It then becomes necessary to control and operate the remote base by radio (fig. 1D). FCC rules, (Part 97.109a), require that radio remote-control links operate on frequencies above 220 MHz. While some remote bases operate with 220-MHz radio links and a few others use the amateur microwave bands, the vast majority of remote base operators have elected to control and operate their stations through radio links on the 420-450 MHz amateur band. The reason for this is the availability of high-quality, surplus, commercial fm equipment designed to operate in the 450-470 MHz land mobile service band, or the 406-420 MHz government service band. The former set of radios can be easily retuned to operate in the 440-450-MHz segment of the amateur 3/4-meter band, while the latter set converts easily to the 420-430-MHz segment.

Note from fig. 1D that the control link must be bidirectional. Speech and control information is sent from the local uhf control-link transmitter to the remote base uhf control-link receiver. The information is demodulated and used to operate the vhf fm transmitter. Signals received by the remote base vhf receiver are used to modulate the remote uhf control-link transmitter and are then recovered by the local control-link uhf receiver. The entire control link could be operated on a single uhf channel but this is technically cumbersome. It has become customary to use separate channels for the uhf uplink and downlink. Spacing between the two control-link channels is typically on the order of 5 MHz, a separation sufficient to allow *all* uhf receivers to function properly while their associated transmitters are operating. Thus full two-way duplex operation of the control link is permitted; the control operator can simultaneously transmit signals to, and receive signals from, the remote-base station.

The locally-controlled fm base station in fig. 1A has now grown to become the radio-controlled remote base station in fig. 1D. Fundamentally, however, the only significant change between the two stations has been the replacement of three pairs of wires by one pair of 450-MHz radio links: the pair connecting the micro-

phone to the transmitter, the pair between the receiver and its speaker, and the push-to-talk line pair.

remote-base advantages

To this point we've discussed the concept of the radio-controlled remote-base station operating on fm simplex channels. While many southern California remote bases have been established to do just this, the description above is actually a restricted view of the capabilities of remote bases. In point of fact, the existence of the basic radio link and control equipment, together with the physical location of the remotely controlled station, represent a resource that can be developed: radios of any type of emission on any amateur band, from 1800 kHz to 10 GHz or higher can be operated remotely. The remote base, for example, allows operation of high-power transmitters, such as on the 50-MHz band, in areas where TVI is a problem. It allows operation on any amateur band where antennas can't be erected at the control operator's location. It affords improved operation on the hf bands where space for efficient antenna systems may be more easily available at the remote-base site.

A remote base offers the opportunity for a group of amateurs to relocate all their radios at one central point while achieving antenna space advantages on hf and height advantages on vhf/uhf. This relocation includes not only home-station radios but mobiles as well. All may be replaced with one uhf radio per location, thereby saving on duplication of radios among several home station and mobile installations.

Those remote-base stations that operate on the fm simplex channels promote spectrum conservation in several ways. With their extended local operating range, they provide interference-free regional-area communications. This can relieve congestion on the hf phone bands by shifting local-area communications to vhf. Because remote bases operate as simplex stations, each occupies only one vhf channel at a time (*i.e.*, 146.940 MHz) rather than two required by a repeater (*i.e.*, 146.340 and 146.940 MHz). Additionally, by the nature of the remote-base design, a control operator always monitors the channel of operation with a mountaintop receiver before transmitting. Thus activity on the operating channel over the entire remote base transmitting range can be easily detected and inadvertent interference avoided. The same is true for repeaters only when a separate receiver and auxiliary link system is used to monitor the output frequency from the repeater site.

Finally, a remote base usually represents the desire of a group of active vhf/uhf amateurs to build a communications system. In deciding to build a remote base, the constructing group does not require the use of the limited set of 2-meter repeater channels. This translates to spectrum conservation. In the southern California area it would be impossible to fit more than the one-hundred remote-base groups into individual 2-meter repeater pairs, even when using 15-kHz channel spacing and all the simplex channels. While it's true that each remote base requires a pair of dedicated channels, these channels are in the spacious 440-450 MHz region. On a

narrow-band deviation (± 5 kHz) basis, this region of the spectrum contains a potential 200 pairs of channels, with another 200 pairs in reserve between 420 and 430 MHz.

constructing a remote base

Occasionally an individual will undertake the entire job of designing, building, and installing a remote base. He will then either operate it as his own station, or may invite his friends to use the remote base as co-control operators. More often, in southern California, at least, a group of individuals will be formed to build and operate the remote base, thereby sharing the financial and technical responsibilities. The following comments, although addressed primarily to the group-ownership case, apply as well to single-owner bases.

administrative and technical responsibility. A remote base is a communications system that contains separate but intercommunicating radios. The cost and effort to build and operate a remote base is greater than that required to operate a home station, so careful attention should be given to financial and technical responsibilities. One member of the group should be responsible for handling and reporting finances. Provisions should be made for one owner selling his equity in the remote base in the event he must move out of the area. Provisions also should be made for including new members or owners. Lack of adequate preparation in this area has been an historical source of conflict in many remote base groups.

One individual should be responsible for obtaining the site for the remote base, which should be the first task undertaken and completed. When the site involves rental of space at a commercial two-way radio installation, it has been found best to have a single individual from the group maintain relations with the site owner. One individual will have to arrange for licensing the remote base, whether it is in his name or in that of a club station. Additional non-technical duties that may need to be delegated include a) obtaining supplementary permits (for example, from the Forest Service, Bureau of Land Management, local governmental authority) to operate the station, b) maintaining memberships in regional amateur radio associations, and c) providing for fulfillment of public-service commitments.

Technical responsibilities in establishing a remote base should be divided into design, construction, and installation and maintenance areas. A single individual should have overall responsibility for the design of the entire system, although he may wish to delegate specific design projects to others. Particular attention should be given to interfacing between the various subsystems, such as audio and control signal levels between rf hardware and the control system.

Once original equipment designs are complete, construction of individual components can be delegated to group members. Emphasis should be placed on building for reliability, both in selection of components and in construction practices. One or two individuals should assume the responsibility of tuning the rf hardware, integrating the amateur-constructed subsystems

into the final assembly, and performing on-the-ground checkout.

Maintenance. When installation of the remote base is completed, the maintenance team assumes responsibility for continued operation. These people should be equipped with the specialized test equipment (wattmeters, signal generators, frequency and deviation meters) for servicing fm communications systems. Inevitably there will be an initial period of system debugging as various design and subsystem deficiencies become apparent. Frequent trips to repair and service the remote will later taper off to occasional visits for scheduled maintenance. At this point the design team will probably begin work on improved subsystems to be retrofitted into the existing remote base, or perhaps better quality rf hardware will be acquired and put into service. Few remote bases are ever truly "completed."

Rf hardware. The remote base typically will consist of commercially manufactured rf hardware and amateur-built control systems. Antennas may be either commercially manufactured or home built. In the selection of transmitter and receiver strips, southern California remote-base groups invariably use late-model commercial equipment. All or partially solid-state equipment is preferred for greater reliability, although high-quality all-tube equipment has performed well at some installations for many years. Receivers should have good sensitivity (fet preamps may be added) as well as excellent rf selectivity and cross-modulation rejection; many busy commercial radio sites contain very heavy rf fields. Vhf receivers and transmitters should be capable

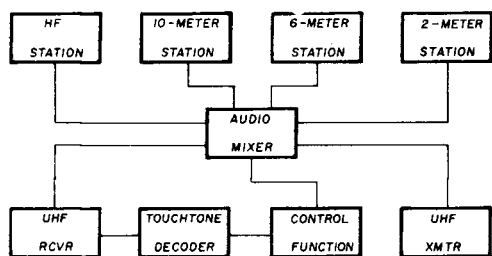


fig. 2. Block diagram of a typical remote-base station. Control signals from the uhf receiver are decoded in the Touch-Tone decoder, processed in the control-function circuits, and used to operate hf or vhf base station. Speech information is routed to the selected base station through the audio mixer.

of operation on several different channels, so that the remote base may be switched to operate on whatever channel the control operator wishes to use. The vhf transmitters should be capable of moderate power output (30 - 100 watts), and should be free from spurious output. A remote base operating from an elevated location with a few hundred milliwatts of spurious output will certainly make its presence known.

Commercially manufactured resonant cavities are often used ahead of the entire vhf portion of the remote base to provide additional rf selectivity. The uhf remote base control-link radio should be the best that can be purchased, since it will be the limiting factor in using remote base from distant locations. Matching commer-

cially manufactured 110-Vac power supplies for fm installations are preferred to home-built supplies since they provide the exact voltages required, have provisions for properly interconnecting the transmitter and receiver to other equipment, and are usually rated for continuous-duty operation under severe environmental conditions.

Antennas. Antennas and transmission lines for the remote base should be selected with regard to survival under severe weather conditions. Antenna gain, easily obtainable at vhf and uhf is an additional factor to be considered. Remember, however, that many "gain" antennae have major radiation lobes directed at the horizon; for a mountaintop installation it may be preferable to select antennas that radiate their major lobes below the horizon. Transmission lines should exhibit the lowest loss possible; weak received signals and expensively generated vhf and uhf power can be lost in inferior coax. If available, commercially manufactured Foamflex should be used.

Control systems. Control systems are the heart of a remote base; they are always amateur constructed. In southern California they vary in complexity from simple audio-tone decoders that drive rotary stepping switches to sophisticated multilevel digital logic circuitry. These advanced systems allow any piece of rf hardware in the remote base to be interconnected with one or more of the remaining pieces in various combinations. Control systems reflect individual needs and capabilities; space prohibits giving specific examples.

A control system performs several functions in addition to enabling transmitters to be turned on and off. In general, the control system must provide for:

1. Authentication and decoding of the received control signals.
2. Selection and activation of the required transmitters and receivers.
3. Selection of specific frequencies to be used within each transmitter and receiver.
4. Processing and conditioning of audio.
5. Automatic identification of active transmitters.
6. Automatic timing of transmission length to provide ultimate shutdown protection should the control link fail.

Typically, remote bases are controlled by specific audio tones sent along with speech on the uhf uplink channel. The use of *Touch-Tone** audio encoders for this purpose has become relatively standard. The control link usually also contains a subaudible continuous tone squelch signal (*Private Line, Channel Guard, etc.*) as a verification device. Audio-tone decoders, logic circuits, and audio processors are matters of personal preference and design, although some circuits have been published. Timers and IDers are well documented in amateur literature.

**Touch-Tone* is a trademark of American Telephone and Telegraph.

packaging. It is considered good construction practice to build all control circuits, timers, audio processors, and identifiers on standard-size edge-connector cards for insertion into a card rack. Interconnections to the individual pieces of rf hardware from the control system are made from the contacts at the rear of the card rack. Provisions should be included in any control system for expansion; the use of individual cards for specific circuits facilitates this goal.

New designs for amateur-built components should be breadboarded and thoroughly tested on the bench before being constructed in final form. In testing, provisions should be made for checkout of the new designs under conditions of continuous duty in temperature and humidity extremes. Fig. 2 shows a typical remote base station.

One other design feature should be included in any remote base: "series audio." This is illustrated in fig. 3. In a series-audio system, the remote-base vhf receiver runs continuously, even when the control operator transmits; his speech is sent from his 450-MHz control transmitter to the 450-MHz remote base receiver and is then transmitted by the remote base vhf transmitter. The vhf receiver remains on, and although not connected to an antenna during this time, still receives a signal from the vhf transmitter operating nearby. This signal is retransmitted back to the control operator over the 450-MHz downlink. The control operator can listen to his voice as it is being transmitted on vhf by the remote base and can verify that the vhf transmitter in the remote base is being properly modulated. The speech from the control operator follows a path from the control-station microphone back to the control-station loudspeaker, with the remote base vhf transmitter and receiver in "series" with the duplex control link.

operating a remote base

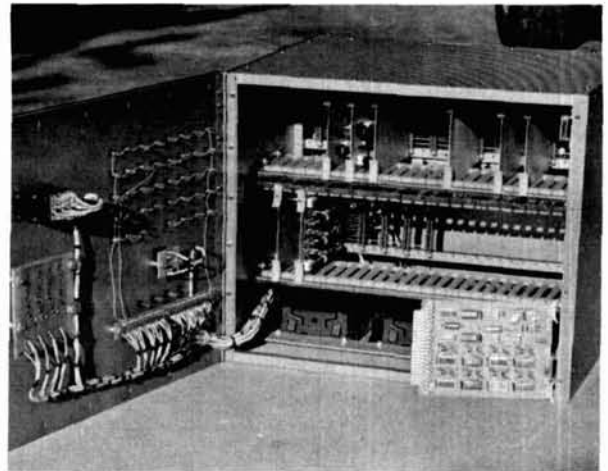
What can be done with a remote base is limited only by the imagination and ingenuity of its owners. First and foremost, however, southern California remote bases operate on the area's simplex channels: many can be heard on 146.940 and 146.760 MHz. This is the historical rationale for the establishment of a remote base; and in fulfilling this function, remote bases have helped to remind fm operators — in a time of rapidly expanding numbers of repeaters — that much good work can be accomplished on a point-to-point simplex basis. Occasionally a remote base will be used to transmit bulletins of interest to the regional fm community on 146.940 MHz (a channel that every fm operator can monitor). With their height advantage, many southern California remote bases can be heard from Santa Barbara to the Mexican border; they provide an invaluable resource for tying together an entire region by radio.

Because of the large number of remote bases in southern California, an agreement has been reached that use of the 146.460-MHz simplex channel will be limited to an "intercom" channel among remote bases. This allows two or more remote bases to avoid monopolizing 146.760 or 146.940 MHz, which would prevent mobiles and home-base stations from using these channels. This

arrangement has worked well in practice. A number of remote bases also have provisions for operating on 52.525 MHz and 29.600 MHz, the National simplex frequencies for these bands.

While it's possible to equip a remote base to transmit on a repeater input channel and listen to the corresponding repeater output channel, such practice is not often done. An exception would be where the repeater to be contacted is so far from a majority of the remote bases' control operators that they couldn't transmit on vhf directly into the repeater from their locations.

Several remote bases have been equipped with hf ssb



Control system for the remote-base station of WA6Z01. Card-rack construction is featured. A typical edge-connector card, containing one circuit element, is shown in the lower-right corner.

transceivers. Notable was the former WA6ZRB remote base, which contained provisions for transmitting on 40 meters including remote tuning of the transceiver vfo. The remote was often used by control operators to check into the WCARS net.

Many remote bases contain autopatches. The use of a remote base for this purpose is particularly fortuitous because it removes the autopatch operation from repeaters in the busy 2-meter band thus reducing congestion and increasing repeater availability for mobile users. Generally, because of nonavailability of telephone lines at the remote base site, a special pair of auxiliary link channels operating in the 420 - 430 MHz region are used to transmit control-link audio from the remote base site to a telephone ground station at a convenient location.

Many remote bases contain auxiliary uhf radios, which link to other remote bases in other areas. Often two or more remote base groups will enter into reciprocal operating agreements, so that by means of the radio links the members of one group, transmitting through their own remote, can control and operate the other remote bases. For example, the Gronk Radio Network can be activated so that stations in southern California can talk to and operate through remote bases in central and northern California, and in Nevada and Arizona (and vice versa). This is an area where advanced fm operators

are awaiting FCC rules and regulations to catch up to the state of the art.

Several remote bases contain special functions, such as telemetry of prevailing environmental and equipment conditions at the remote base site, or television surveillance of the site.

Remote bases have participated in emergency activities. With their great range and ability to contact virtually any fm-equipped amateur through vhf simplex channels, they provide a natural focus for emergency and disaster operations. Of particular note is the participation of remote bases in the rescue effort after the San Fernando Valley earthquake of 1971.² The use of remote bases to relay traffic accidents and other emergencies to public service agencies is a common occurrence.

licensing

Before adoption of Repeater Docket RM 18803, remote bases were routinely licensed by the FCC after the required showings had been submitted. The FCC, then as now, wanted to be convinced that the remotely controlled station would not be tampered with or operated by unauthorized people, and that provisions had been made for automatic shutdown of the trans-

of RM 18803. Apparently under the misapprehension that only a handful of remote base licenses would be requested, the FCC devoted its time to the increasing number of repeater applications. But along the way, they released a set of "interpretations" of the new Part 97 rules, which completely changed the nature of remote-base operation.

The interpretations included a requirement for a) the licensing as auxiliary-link stations of all uhf transmitters that carry speech to and from the remote base, b) the licensing as control stations of all uhf transmitters sending control information to the remote base, and c) the use of separate uhf frequencies for remote base speech and control uplink channels. A subsidiary effect of these interpretations was to declare as "illegal" the operation of the remote base from portable and mobile locations since, by definition, auxiliary links must operate between two fixed points. The FCC has since dropped the requirement that separate channels must be used for speech and control uplinks.

Nevertheless, remote-base operators are faced with a cumbersome and expensive licensing procedure and with operating restrictions more severe than those before RM 18803. The current licensing procedure, under which the FCC is processing and issuing remote base licenses, is as follows:

The mountaintop remote base must be licensed as a "secondary station" or "club station." This basic license covers the hf and vhf portion of the station; an "auxiliary link" license is required to cover the uhf down-link transmitter. Both privileges may be combined on a single station license for a single application fee. Each control operator must modify his primary station license to include both "control station" and "auxiliary link" privileges; this also can be accomplished with one application fee. The FCC has deleted the requirements for submitting many parts of the required showings, making them instead a required part of the station log.

During the ensuing years the FCC has come to better understand the remote base concept, and has shown increasing willingness to allow remote base (and also repeater) licensees more latitude in the operation of their stations. Docket 21033, which is based in part on a Rule Making petition by the authors of this article, if adopted, will grant essentially complete freedom to operate remote-base stations in the traditional ways described above. For example, Commission restrictions against operation of a remote base from portable and mobile control locations will be eliminated, licensing will be greatly simplified, and the distinction between the remotely controlled base station (with its associated control operators) and the true repeater will be clearly drawn. Southern California remote base operators are generally pleased with the contents of this Docket, and are looking forward to increased flexibility and freedom to innovate.

Remote bases are completely different in intent and operation from repeater stations. Repeaters are operated to extend the communications range for operators of specific mobile and hand-held portable stations interested in communications among themselves. Remote bases are operated as *extensions* of the owners' personal

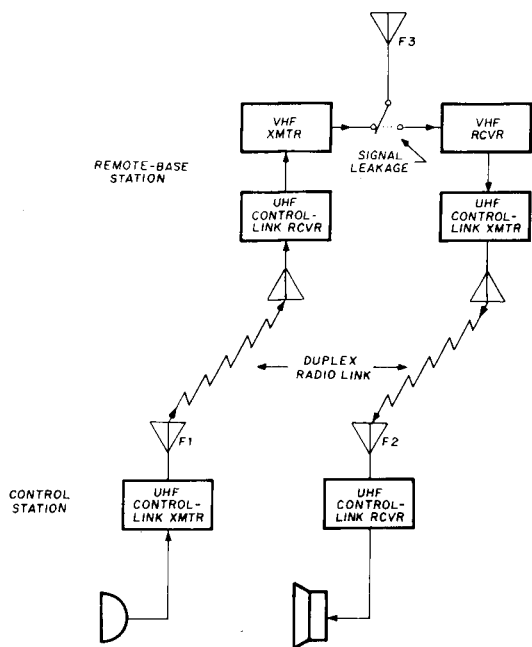
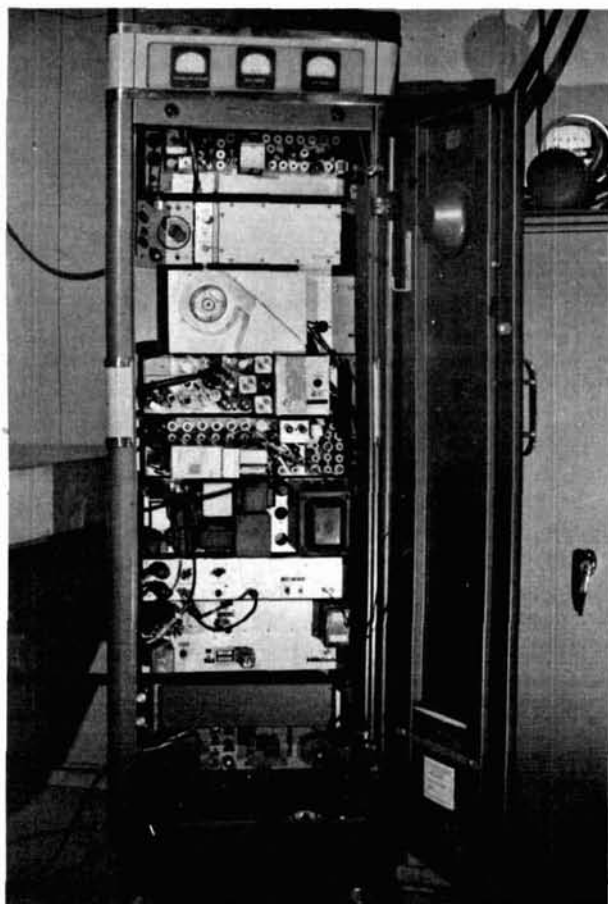


fig. 3. Remote-base station except for series-audio feature. All transmitters and receivers operate simultaneously. Speech information travels from the control-operator's microphone through the remote base station, then back to the control-station speaker.

mitters should a failure of the control link occur. Remote-base licenses could be single "additional station" licenses, or primary-station licenses with authorization for remote control. Control operators required no special licenses but were listed as control points on the remote base license.

Southern California remote-base operators became concerned with the status of licensing after the adoption



View of the WA6ZOI remote-base station. Equipment includes a 50-MHz base station, 450-MHz receiver, power supplies and control system. The station is located on Johnstone Peak in southern California.

stations for purposes of communicating with *all* amateur stations. Almost all users of repeaters are *not* control operators, and the act of activating a repeater by transmitting on its input channel is *not* an act of controlling the repeater. Repeater control station operators are responsible for activating the station to repeat the transmissions of other amateurs and for suspending operations in the event that FCC rules are not complied with. By contrast, in southern California, every user of a remote base station has been a control operator. The remote base must be commanded by the control operator through the uhf radio link to operate for each transmission; it is not designed to *automatically* retransmit signals.

The comment has been made that, because the operation of a remote-base station involves speech transferred between hf-vhf and uhf frequencies, the remote base operates as a crossband repeater. From the discussion above it should be clear that the remote-base station does not fit the basic definitions of a repeater. The act of *monitoring* a vhf channel through the remote-base vhf receiver and uhf downlink channel is not an act of repeater usage. The system *could* be used as a crossband repeater if a) two nonremote base simplex stations were to transmit on a channel being monitored by a remote

base, and b) each were to listen to the other through the remote base 450-MHz downlink instead of directly on the vhf channel. In practice this seldom happens; if it should happen it is the responsibility of the remote-base control operator to suspend operations on that vhf channel.

It is our feeling, which is shared by a majority of southern California remote base operators, that liberalization of the present FCC rules (and interpretations of these rules) is required. Ideally each remote base could be licensed as a remotely controlled station, with one license covering the entire mountaintop station including the uhf radio links. Each user would be required to be an authorized control-station operator, having control-station privileges added to his primary station license. There would be no limit to the number of control stations that could be *conveniently* licensed including other remote base stations operating as control stations (many remote bases have 15 control operators at present). The control-station license would confer the privileges of both controlling and operating the remote base and would be usable in portable and mobile operation in addition to its customary fixed-station use. Were these proposed changes to be adopted, remote-base operators would achieve more flexibility to innovate in the amateur vhf and uhf bands.

conclusion

For those vhf/uhf-oriented groups wishing to expand their interests from individual circuits and individual stations to building an entire communications system, the remote-base concept has several advantages. It offers the chance to experiment with systems engineering — to design and build a system constructed from individual pieces of equipment. The final system can reflect the designers' needs, wishes, and abilities, rather than the standardized requirements of the marketplace. The remote base offers reliable, interference-free local communications capability on the vhf bands, thus helping to relieve congestion on the crowded hf bands. It abolishes the need for duplication of radios between home and car, or duplication among several cooperating owners, and permits the establishment of high-power transmitters and large antennas at the remote-base site. It fosters spectrum conservation on popular bands by removing the requirement for dedicated repeater channels, substituting instead the need for a dedicated pair of channels in the far-less congested 420-450 MHz band. It promotes the use of simplex communications, thus reducing the load of busy repeaters.

Southern California amateurs developed the remote-base concept more than ten years ago. It has proved to be a useful adjunct to the amateur vhf community. We look forward to its adoption in other parts of the country.

references

1. Thomas McMullen, W1SL, *FM and Repeaters For the Radio Amateur*, ARRL, Newington, Connecticut, 1972, page 7.
2. "The Southern California Earthquake," *QST*, June, 1971, page 60.

ATB-34

THE COMPLETE 3 BAND ANTENNA

BY



Cushcraft

IN STOCK WITH YOUR LOCAL DEALER

IN CANADA:

SCOTCOMM RADIO LTD. - 4643 Lavesque Blvd. - Chomedey, Laval, Quebec

WORLDWIDE:

CORPORATION

P.O. BOX 4860, MANCHESTER, N. H. 03108

graphical aid for winding rf coils

You'll find this
family of
parametric curves
indispensable when
designing
small inductors
for rf work

Winding a small inductor can be frustrating and usually involves several trials. Here's a simple graphical method that will produce accurate inductance values on the very first try. Carbon composition resistors, ¼ through 2 watts, and standard-size coil forms up to ½ inch (12.5mm) diameter are used for winding the coils.

literature methods

The usual method for winding coils is to use Wheeler's approximate formula

$$L = \frac{r^2 n^2}{9r + 10l} \quad (1)$$

where L = inductance (μH)
 r = coil radius (inches)
 l = coil length (inches)

If all dimensions are in millimeters, eq. 1 becomes

$$L(\mu\text{H}) = \frac{0.0394r^2 n^2}{9r + 10l}$$

These formulas are accurate with one percent for $l > 0.8r$ (i.e., if the coil is not too short).¹ The procedure for winding the coil is described in *The Radio Amateur's Handbook* and several other publications. It usually involves the solution of Wheeler's formula for n , searching a wire table for a suitable wire size, then spacing the wire along the coil form to get the required number of turns in the calculated coil length. Also coil inductance slide rules are used such as the ARRL *Type A Lightning*

By Earl Palmer, W7POG, 17510 Military Road South,
Seattle, Washington 98188

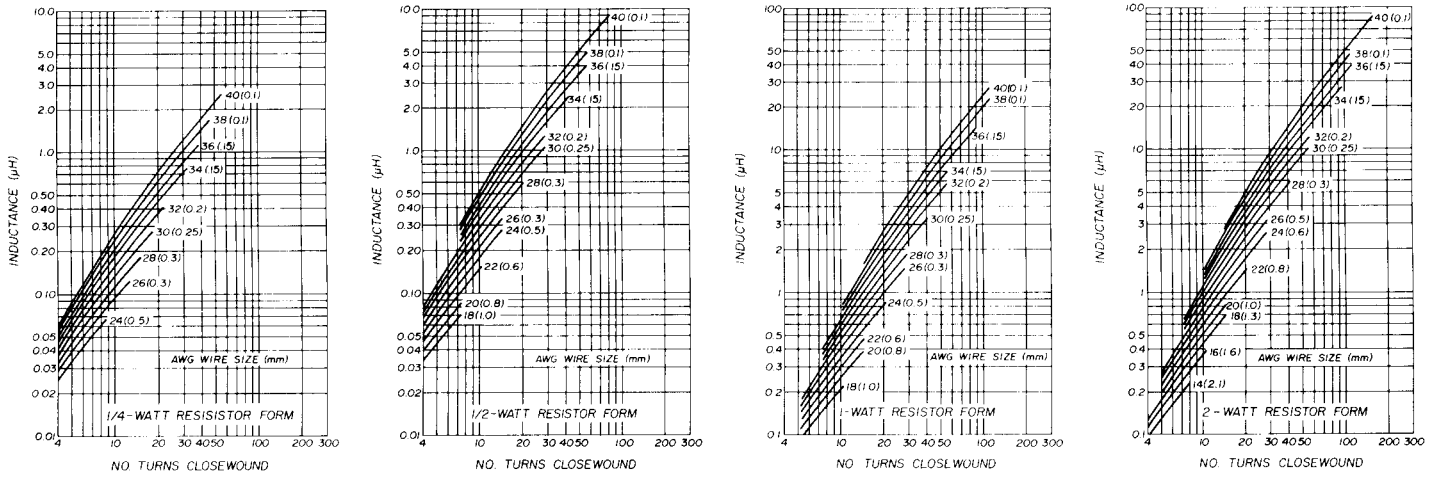


fig. 1. Curves for finding inductance as a function of turns closewound on composition resistor forms.

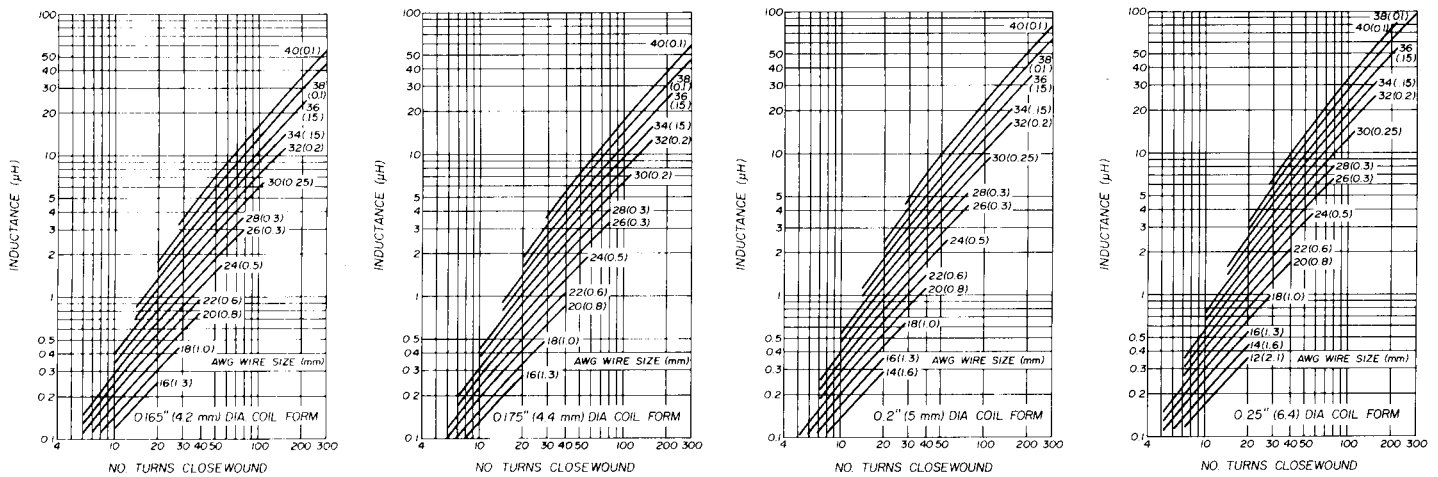


fig. 2. Curves for finding inductance as a function of turns closewound on standard-size coil forms 0.165 in. through 0.25 in. diameter (4.2 through 6.4mm).

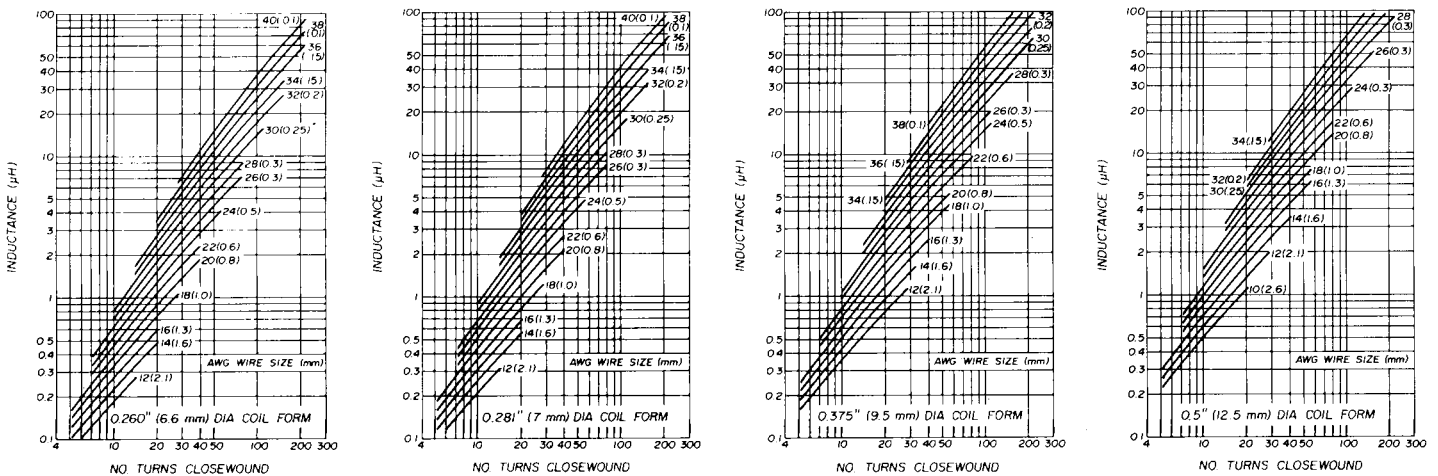


fig. 3. Curves for finding inductance as a function of turns closewound on standard-size coil forms 0.260 in. through 0.5 in. diameter (6.6 through 12.5mm). A complete set of full-size curves is available from the author for \$2.00 postpaid.

Calculator. These work fine for large coil diameters, 1/2-inch (12.5mm) or greater, but are not calibrated for smaller coil forms.

Accurate small coils can be made if the windings are closewound. Then the wire size determines the coil length (number of turns x wire diameter = coil length). For closewound coils, Wheeler's formula can be written:

$$L = \frac{d^2 n^2}{18d + 40n/T} \quad (2)$$

where L = inductance (μH)
 d = coil diameter (inches)
 n = number of turns closewound on coil
 T = number turns/inch of the particular wire size used for the coil

For dimensions in millimeters, eq. 2 is

$$L (\mu\text{H}) = \frac{0.0394 d^2 n^2}{18d + 40n/T}$$

This formula is no simpler than the previous formula, but it is in a form that can be plotted in terms of inductance vs turns for a given wire size and coil diameter. This was done using a Monroe 1666 desktop calculator and plotter. With these graphs and a fair assortment of enameled copper wire, accurate inductors up to approximately 100 μH can be wound.

graphical solution

Fig. 1 is used for winding inductors on carbon composition resistors. Composition resistors make excellent forms as their size is standard throughout the industry. The graphs will not let you try to wind more turns on the resistor than it will hold, and the minimum number of turns will be high enough to ensure reasonable accuracy. In winding these inductors keep the following in mind:

1. If the resistor is not going to be removed from the coil use a high resistance value, 100k or more.
2. If the Q of the inductor is important or the frequency of resonance is above 30 MHz, it would be best to remove the resistor form. For very small wire sizes this is impractical as the resultant coil would be too fragile.
3. If the accuracy of the inductor is important, then use as many turns as possible. The greater the number of turns, the more accurate the formula and the graph.
4. When an inductor is to be used as an rf choke, its self-resonant frequency is important, as it exhibits a high impedance at that frequency. Commercially manufactured inductors usually have specified self-resonant frequencies and may be used in a circuit for that reason. So beware — a hand-wound inductor may not work in a particular circuit even though it has the same inductance as a manufactured inductor. To find the self-resonant frequency of an inductor, short its leads and measure the resonant frequency with a grid-dip meter.

Figs. 2 and 3 are used for winding coils on standard-size forms that are normally used for printed circuit work. Larger coil-form sizes of 1/2, 3/8, and 1/4 inch (12.5, 9.5, and 6.5mm) are also included. The same precautions concerning Q and accuracy apply. For these inductors keep the following in mind:

1. If the coil is to be tuned with a ferrite or powdered-iron slug, the frequency used to determine the value of required inductance should be 15 to 20 per cent above the desired value. This is only a rule of thumb and does not take into account the difference in permeability of different slug materials. For brass slugs use a frequency 10 to 15 per cent lower.
2. For slug-tuned coils, the length of the windings should be less than the length of the slug. Typically it should be 75 per cent or less.
3. For air-wound coils, use a frequency 10 per cent below that desired. The coil can then be spread slightly to obtain the desired frequency.

using the graphs

To gain confidence in these graphs, wind several inductors and check their actual value. A simple way to do this is to make a tuned circuit with a known capacitance then check the resonant frequency with a grid-dip meter. The expression for inductance is:

$$L = \frac{25330}{f^2 C} \quad (3)$$

where L = inductance (μH)
 f = frequency (MHz)
 C = capacitance (pF)

I have wound at least one inductor from each graph and find the accuracy better than 10 per cent, which is satisfactory for most home-construction projects.

Example: Suppose a 3.3- μH inductor is needed for a low-power lowpass circuit and it is desired to keep the size at a minimum. Looking at the graph using a 1/4-watt resistor as a form, the maximum inductance is approximately 2.5 μH , so the next size (or 1/2 watt) must be used. On the 1/2-watt resistor graph, the 3.3- μH inductance line intersects the wire-size lines at 36 turns AWG no. 40, 41 turns AWG no. 38, and 48 turns AWG no. 36 (0.08, 0.10, and 0.13mm). Any of these combinations can be used; however, it would probably be somewhat easier to work with the larger wire size.

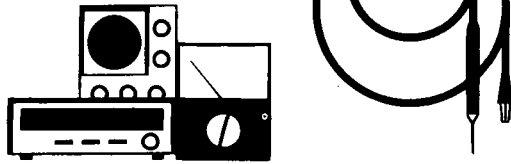
For calculating the inductance of toroids see references 2 and 3.

references

1. Frederick E. Terman, *Radio Engineer's Handbook*, McGraw-Hill Book Company, New York, 1943, page 55.
2. Michael J. Gordon, Jr., WB9FHC, "Calculating the Inductance of Toroids," *ham radio*, February, 1972, page 50.
3. Charles Miller, W3WLX, "Toroidal Coil Inductance," *ham radio*, September, 1975, page 26.

ham radio

repair bench



Bob Stein, W6NBI

how to use the lab-type rf power meter

When the average amateur hears the words "rf power meter," they bring to mind instruments such as those made by Drake, Swan, Collins, Heath, and others. These are all designed for relatively high powers in the high-frequency and low vhf regions, having full-scale ranges from 20 to 2000 watts. In a more professional class are the through-line instruments manufactured by Bird and Sierra, which use plug-in elements for various frequency ranges between 2 and 1000 MHz, and for full-scale power levels between 1 and 1000 watts.

Power meters such as these are suited for both field and home station use, and require no power source other than the rf energy being measured. However, when it

measurements at the milliwatt and microwatt levels. And, as with most electronic test equipment, a sensitive instrument can be used to make measurements above its range by means of certain auxiliary equipment. Thus, this type of power meter can be a versatile measurement tool for all power levels normally encountered by the experimenting amateur.

instrument availability

As with the first article¹ in this series, this one is intended to demonstrate the use of test equipment which is more or less generally available on the surplus market. The instrument which is most often seen is the Hewlett-Packard model 430C Microwave Power Meter. Similar instruments also available from surplus sources are the Sperry Microwave Average Power Meter model 31A1 and the Narda model 440C Microwave Power Meter. Before the word "microwave" turns you non-uhf types off, read on. Microwave is a misnomer, although it

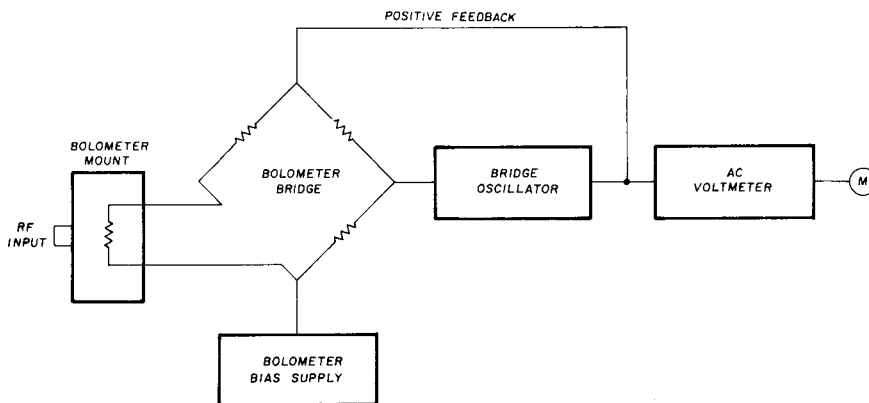


fig. 1. Simplified block diagram of the basic power meter. The bridge oscillator is tuned to approximately 10 kHz.

comes to measuring low power, such as the output of a local-oscillator chain, a signal generator, or low-power stages in a solid-state transmitter, they are relatively useless. In such applications, it is necessary to use a laboratory-type power meter which is capable of

must be admitted that these instruments were designed for use at frequencies up to 40 GHz. But they may also be used at 10 MHz and lower; it all depends on the bolometer being used with the power meter.

Which brings us to the next point — without a bolometer, a power meter is rather useless. The bolometer is a power-sensing device which is mounted separately from the power meter and connected to it by means of a cable. There are two types of bolometers: *barretters*,

By Robert S. Stein, W6NBI, 1849 Middleton Avenue, Los Altos, California 94022

which are normal resistance elements with a positive temperature coefficient, and *thermistors*, which are manufactured from metallic oxide materials which exhibit a negative temperature coefficient. In its simplest form the barretter may be a short length of very fine wire, such as an instrument fuse, or a metallized film resistor.²

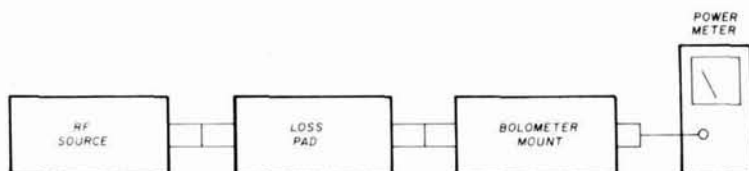
The three power meters mentioned above can be used with either a thermistor or a barretter mount.* Typical of these (for 50-ohm coaxial systems) are the Hewlett-

older type power meter and bolometer are interconnected via a simple coaxial cable; the newer temperature-compensated thermistor mount connects to the power meter by means of a cable with multi-pin connectors.

how it works

The bolometer-power meter combination functions because of the fact that the bolometer element is essentially not frequency sensitive within its specified range

fig. 2. Using a loss pad to extend the range of the power meter. The pad must be capable of dissipating the power output of the rf source.



Packard model 476A Bolometer Mount, which employs barretter fuses, and the model 477B Thermistor Mount. Several others are listed in **table 1**. Obtaining the bolometer mount is generally more difficult than finding a power meter, but they are around. On the other hand, a simple barretter mount suitable for use to over 500 MHz has been built by W6VSV and will, hopefully, be the subject of a forthcoming article.

Later model power meters, such as the Hewlett-Packard model 431 series, are also beginning to show up surplus. This type requires a temperature-compensated thermistor mount, typically a Hewlett-Packard model 478A or 8478B. The instruments may be differentiated by the bolometer connector on the front panel. The

(although there are some variations which are plotted at selected points on the newer mounts). This means that equivalent amounts of power, from dc to the maximum specified frequency, will produce the same resistance in the element.

In the earlier power meters, the bolometer forms one leg of a bridge which is connected in the feedback loop of an audio oscillator; see **fig. 1**. Dc bias is also applied to the bolometer element. This configuration results in a self-balancing circuit. The combination of dc bias and audio-frequency power applied to the bolometer causes it to assume a resistance value which balances the bridge. In practice, this balance is achieved by adjusting the bolometer bias controls on the power meter so that the meter indicates zero with no external rf power applied to the bolometer.

When the bolometer is connected to a source of rf power, it heats and its resistance changes, unbalancing the bridge. Since the bridge-oscillator circuit is self-balancing, and the dc bias is fixed when the meter is zeroed, the bridge rebalances itself by reducing the audio oscillator power by an amount equal to the external rf power. This decrease in oscillator power is measured by a voltmeter circuit which indicates an equivalent power increase representing the external rf power applied to the bolometer.

The Hewlett-Packard model 430C and similar power meters are designed to work with both positive (barretter) and negative (thermistor) temperature-coefficient bolometers which have operating resistances of 100 or 200 ohms. Front-panel switches on the power meter change the bolometer bridge configuration to accommodate these variations.

Because simple bolometers, especially the thermistor type, are extremely sensitive to changes in the ambient



The Hewlett-Packard model 430C Microwave Power Meter is commonly available on the surplus market at reasonable prices. It may be used with either a thermistor or a barretter mount.

*It appears to be standard in the industry to designate the sensor as either a thermistor mount or a bolometer mount, the latter being a barretter mount. In this article, the two will be differentiated as thermistor or barretter mounts, with the term bolometer used as the overall category which encompasses both types.

temperature, improved thermistor mounts have been developed which are temperature compensated by incorporating additional thermistors in the mount. This requires additional circuitry in the power meter which uses the compensating thermistors to maintain a balanced detection bridge under changing temperature conditions.

thermistors vs barretters

A comparison of thermistors and barretters applies only to the Hewlett-Packard model 430C, the Sperry Microwave model 31A1, the Narda model 440C, and other similar types which are designed for uncompensated bolometers. (The later, improved power meters all use temperature-compensated thermistor mounts).

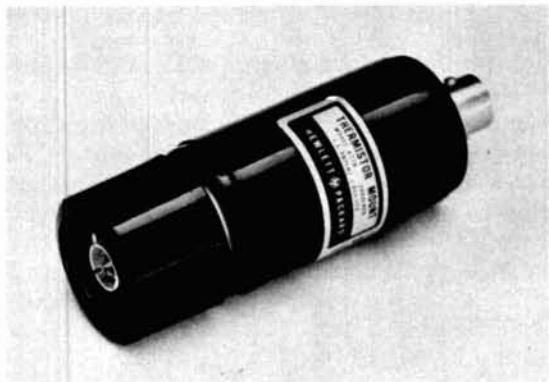
In general, thermistors are more sensitive, have a greater power range, and are less susceptible to overload and burnout than barretters. On the other hand, a barretter responds more quickly because it has a shorter time-constant, and thus is able to follow a modulation envelope better. However, either may be used to measure the *average* power of a modulated signal.

The previously mentioned power meters will operate with either 100- or 200-ohm bolometers. (This refers to the bridge resistance, not the bolometer's input impedance which is usually 50 ohms). Since all of these power meters are able to provide a wide range of bias currents, any bolometer which allows the power meter to be zeroed is suitable for use with that instrument.

Because of the susceptibility of low-level barretters to burn-out, the coarse zero-set control on the power meter must always be turned fully counter clockwise before the bias-current switch is turned on *or* off. This avoids putting a switching transient through the barretter, which might cause it to burn out.

measuring power below 10 milliwatts

Measuring rf power within the power range of the bolometer and power meter (usually 10 milliwatts maximum) is as simple a procedure as can be imagined. First, connect the bolometer mount to the power meter with an appropriate cable, then set the power meter resistance



The Hewlett-Packard model 477B Thermistor Mount is a 200-ohm, negatively-temperature-coefficient bolometer. It can be used with the Hewlett-Packard model 430C, the Sperry Microwave 31A1, or the Narda model 440C power meters.

and polarity switches to the positions which correspond to the bolometer being used. If a temperature-compensated thermistor mount is used, set the calibration-factor switch on the power meter to the factor which is specified on the mount.

Energize the power meter and zero the meter on the power range to be used. If you use an uncompensated thermistor or barretter, this only entails setting the bias-

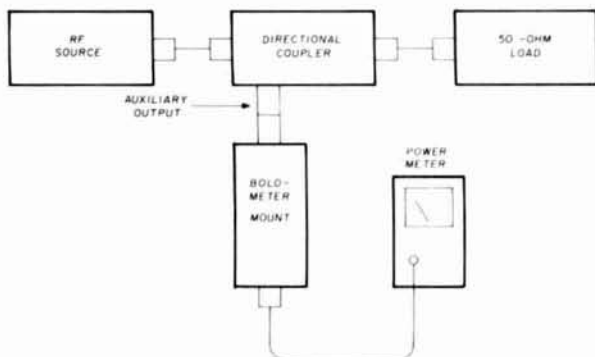


fig. 3. Using a directional coupler to extend the range of the power meter. The range may be further increased by inserting a loss pad between the auxiliary output port and the bolometer mount.

current switch to the lowest current range which will allow the meter to be zeroed by means of the zero-set controls. When using a barretter, be sure to observe two precautions:

1. Make sure the coarse zero-set control is turned fully counterclockwise before you turn the bias-current switch, and
2. Do not exceed the maximum safe current specified for the barretter.

When using a temperature-compensated mount, there may be some differences among the various power meters made by different manufacturers. Therefore, the instruction book for the power meter being used should be consulted.

Allow the power meter to warm up. In the case of the older types used with uncompensated bolometers, an hour or more may be required to reach a stable operating temperature, especially on the two lowest power ranges. It is advantageous to have the bolometer mount connected to the device under test during this warm-up period so that the mount and the device under test are at the same temperature.

After the power meter and bolometer have warmed up, re-zero the meter. Turn on the rf power source to be measured and read its output directly from the power meter. Since bolometers have time-constants as high as one or two seconds, you must take this delay into account before reading the meter.

When using the older types of power meters and bolometers, severe drift occurs on the two most sensitive ranges (0.1 and 0.3 milliwatt), even after several hours of warm-up. This drift can be minimized, but by no means eliminated, by protecting the bolometer mount from

drafts and other environmental changes. One way of doing this is to enclose the mount in a block of styrofoam which has been cut and formed to fit closely around the mount. Even wrapping several layers of cloth around the housing will be an improvement over a "bare" mount.

Despite such attempts to stabilize the bolometer, I have found it necessary to re-zero the meter after every reading on the 0.1-milliwatt range. Consequently; I generally take between two and six readings, and average them to arrive at a meaningful measurement.

At this point there may be a question as to why powers of 0.1 milliwatt or less would be of interest to an amateur. A good example of this is checking or calibrating the output level of a signal generator. For instance, there are a great many TS-497/URR signal generators available surplus. Although this military version of the venerable Measurements Corporation model 80 has seen its day, it is quite adequate for the experimenter who is interested in a 2- to 400-MHz instrument. The main problem with such military surplus is that the output level may have to be readjusted. Since the calibration must be made at 50 millivolts output, a sensitive indicating device is required over the frequency range of the signal generator. A power meter and bolometer can do this nicely above 10 MHz, since 50 millivolts across 50 ohms is 50 microwatts, which is half-scale on the 0.1-milliwatt range of the power meter.

measuring power above 10 milliwatts

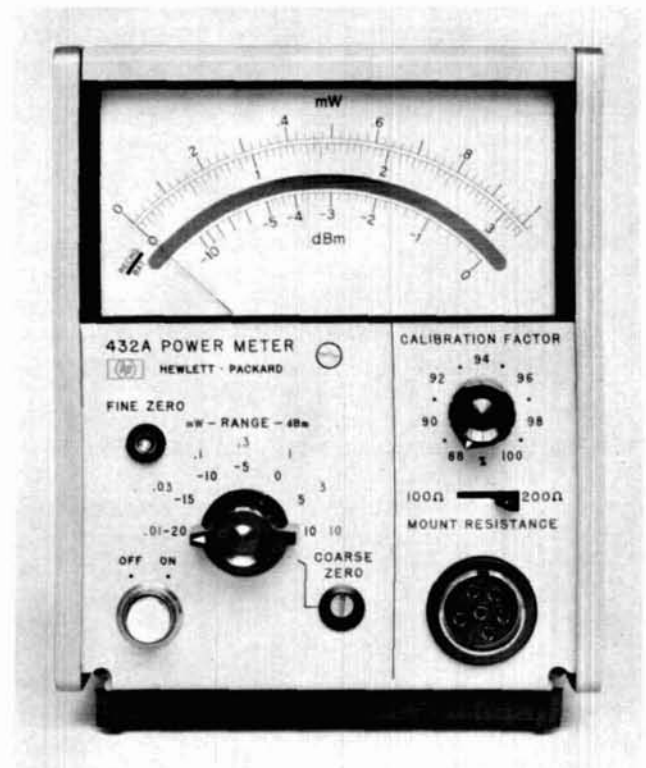
Because most of the power meters and bolometers which are likely to be available have a maximum power limit of 10 milliwatts, signals above that power level must be reduced by some means to use the instruments.

The most convenient method is to introduce attenuation between the rf source and the bolometer in 10-dB steps, which will allow you to multiply the power-meter

table 1. Frequency ranges and standing-wave ratios of typical bolometer mounts.

model	type	frequency range and swr
Hewlett-Packard 476A	barretter	20 - 500 MHz: less than 1.15 10 MHz - 1 GHz: less than 1.25
Hewlett-Packard 477B	thermistor	50 MHz - 7 GHz: less than 1.3 10 MHz - 10 GHz: less than 1.5
Hewlett-Packard 478A	thermistor (temperature compensated)	10 - 25 MHz: 1.75 maximum 25 MHz - 7 GHz: 1.3 maximum 7 - 10 GHz: 1.5 maximum
FXR N218A	thermistor (temperature compensated)	10 MHz - 10 GHz: 1.5 maximum
Narda 560	*	20 MHz - 1.5 GHz: 1.5 maximum
Narda 561	*	0.5 - 10 GHz: 1.5 maximum

*May use any one of several bolometer elements, either thermistor or barretter types. Model number is for mount only.



The Hewlett-Packard model 432A Power Meter is an improved instrument designed to be used with 100- or 200-ohm temperature-compensated thermistor mounts.

readings by multiples of 10. Thus, to increase the range to 100 milliwatts, a 10-dB loss pad can be inserted between the source and the bolometer mount, as shown in fig. 2. In the same manner, the power-meter range can be extended to 1 watt by the use of a 20-dB pad, although you must be certain that the attenuator can dissipate 1 watt. The 10-watt level can be reached by using a 30-dB pad, but this must be a power attenuator rated at 10 watts dissipation or greater.

For powers over 1 or 2 watts, a directional coupler will usually be more convenient to use than a loss pad. This arrangement appears in fig. 3. A 50-ohm load, capable of dissipating the output power of the rf source, is connected to the main output port of the directional coupler, which must also be able to handle the full output power. The bolometer mount is connected to the auxiliary output port. Knowing the coupling factor (in dB) of the directional coupler, you need only to multiply the power indication by the power ratio equivalent to the coupling factor to obtain the actual power.

It is also possible to use a combination of both methods to reduce the power to 10 milliwatts or less. For example, let's assume that the power to be measured is expected to be 20 watts, but a 30-dB directional coupler is all that is available. Since 30 dB represents a power ratio of 1000, this would only extend the power-meter range to 10 watts. Thus attenuating the 20-watt input by only 30 dB would result in 20 milliwatts at the auxiliary output port of the coupler, but this can be

reduced by inserting a low-power loss pad between the coupler and the bolometer mount; a 10-dB pad would increase the overall attenuation to 40 dB, permitting measurements up to 100 watts.

measurement accuracy

As with all rf measurements, there are many factors which affect the accuracy of the power measurements described. The one of major significance for amateur purposes is the loss caused by a mismatch between the rf source and the bolometer mount. **Table 1** shows the frequency range and swr of several mounts. Note that, except for the Hewlett-Packard model 478A between 10 and 25 MHz, all have maximum swrs of 1.5:1 or less. This is a reasonably good load, especially if the source can be tuned to conjugately match the bolometer mount, as evidenced by maximum output power. Of course, using the measurement configurations shown in **figs. 2 and 3** reduces the measurement uncertainty to a virtually insignificant figure because of the matching improvement provided by the directional coupler and load and/or the loss pad.

If, however, the bolometer is fed directly from the power source, and the output of the source is fixed, there will be a loss in available power because the load (bolometer mount) impedance will probably not provide a conjugate match to the source impedance. The limits of this loss can be determined from **fig. 4**, where the solid diagonal lines represent the minimum loss and the broken lines the maximum loss.

As an example, assume that you want to measure the output of an amplifier which has been adjusted for maximum output power into a known 50-ohm load. We can assume then that the output swr of the amplifier (the source) is 1.0:1. Measurements are being made with a bolometer mount (the load) having a maximum specified swr of 1.5:1. The intersection of the 1.5:1 mount-swr line and the 1.0:1 source-swr line lies at

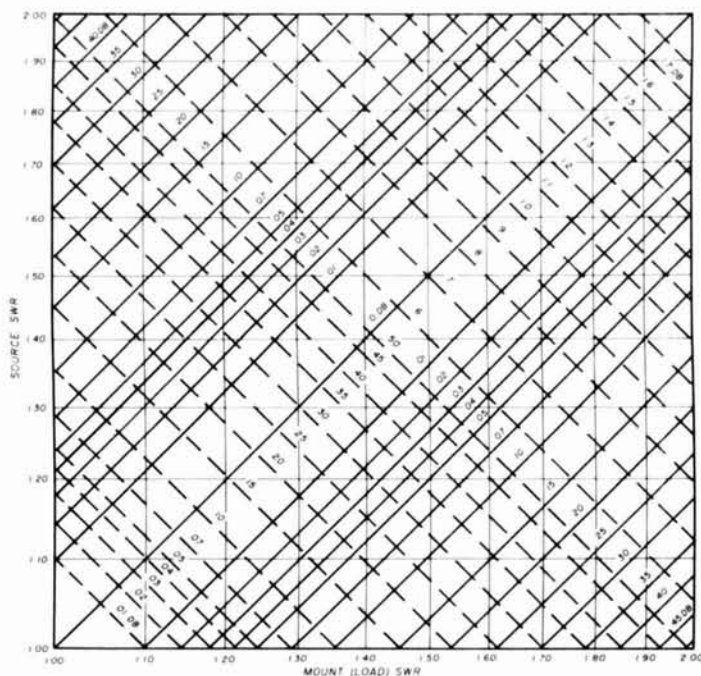


fig. 4. Mismatch loss as a function of source and load swr. The solid diagonal lines indicate the minimum possible loss, the broken lines the maximum loss.

approximately 0.17 on the solid diagonal lines and at approximately 0.17 on the broken lines. Since the minimum and maximum losses are equal, there will be a 0.17-dB mismatch loss.

If the same bolometer mount is used to measure the output of a signal generator having a specified output swr of 1.2:1, it can be seen that the intersection of the 1.5:1 mount-swr line and the 1.2:1 source-swr line is at about 0.055 on the solid diagonal lines and 0.37 on the broken lines. Therefore the mismatch loss will be between 0.055 and 0.37 dB.

Other factors which affect measurement accuracy are instrument error, miscellaneous rf loss, dc-to-microwave substitution error, and thermoelectric-effect error. A complete discussion of these errors appears in reference 3, along with a more detailed explanation of mismatch loss.

references

1. Robert S. Stein, W6NBI, "Using the SWR Indicator," *ham radio*, January, 1977, page 66.
2. Bruce Clark, K6JYO, "RF Power Detecting Devices," *ham radio*, June, 1970, page 28.
3. Operating and Service Manual, Power Meter 431C, Hewlett-Packard Company, Palo Alto, California.
4. Operating and Service Manual, 430C Microwave Power Meter, Hewlett-Packard Company, Palo Alto, California.
5. Operating Note, Coaxial Thermistor Mount Model 477B, Hewlett-Packard Company, Palo Alto, California.
6. Operating Note, Thermistor Mount 478A, Hewlett-Packard Company, Palo Alto, California.
7. Operating Note, Bolometer Mount 476A, Hewlett-Packard Company, Palo Alto, California.

ham radio



The Hewlett-Packard model 478A Thermistor Mount is typical of temperature-compensated units which can be used with the Hewlett-Packard model 431 and 432 series of power meters.

TECHNICALLY SPEAKING, HEATH HAS THE BEST 2-METER AROUND.



\$269⁹⁵

With Standard Microphone

Shown with optional MICODER™ installed

Take our HW-2036 Frequency-Synthesized 2-Meter Transceiver for example

Our circuit designs prove it

The HW-2036 offers true digital frequency synthesis for real operating versatility. No extra crystals are needed and there are no channel limitations. Advanced digital circuitry uses a voltage-controlled oscillator (VCO) that is phase-locked to a highly stable 10 MHz crystal-controlled reference. Double-tuned stages following the VCO in the receiver and transmitter provide clean injection signals. The result is a signal that has spurious output more than 70 dB below the carrier (see spectrum analyzer photos below). Additionally, the "add 5 kHz" function is accomplished digitally in the HW-2036 so that no frequency error is introduced.

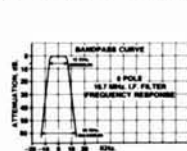
True FM

Careful attention to the transmitter audio circuitry and the use of true FM gives exceptional audio quality. A Schmitt-trigger squelch circuit with a threshold 0.3 μ V or less provides positive,

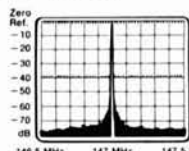
clearly-defined squelch action. Other design advantages include diode-protected dual-gate MOS FET's in the front end, IC IF and dual-conversion receiver.

Outstanding Specifications

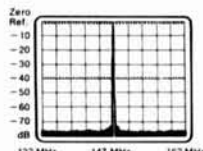
The HW-2036 puts out a minimum 10 watts and operates into an infinite VSWR without failure. Receiver sensitivity is an excellent 0.5 μ V for 12 dB Sinad making the HW-2036 ideal for use in crowded signal areas. We think you'd be hard-pressed to find a comparably-priced 2-meter transceiver that gives you the features and performance of the HW-2036.



An 8-pole IF crystal filter greatly reduces adjacent channel interference.



Actual spectrum analyzer photos of the HW-2036 transmitter output operating at 147 MHz. Spurs within 20 MHz of carrier are down a full 70 dB!



There's more for the Ham at Heath

FREE HEATHKIT CATALOG

Read about other fine Ham equipment and our wide variety of outstanding electronic kits — everything from lamp dimmers to color television is in our big FREE catalog.

Send for yours today!

Heath Company, Dept. 122-28, Benton Harbor, Michigan 49022

HEATH
Schlumberger

Heath Company, Dept. 122-27
Benton Harbor, Michigan 49022

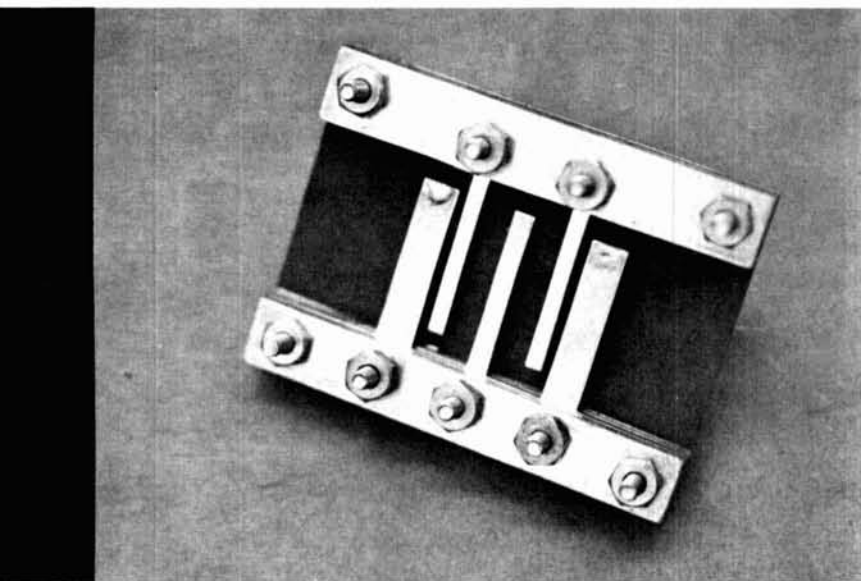
Please send me my FREE Heathkit Catalog.
I am not on your mailing list.

Name _____

Address _____

City _____ State _____

AM-343 _____ Zip _____



stripline bandpass filter for 2304 MHz

Interdigital filters
can be easily made
by using simple
hand tools
and this
stripline design

Prior to the use of interdigital filters,^{1,2} amateurs used only simple half- and quarter-wavelength coaxial-line cavities as filters. Such filters, while easy to construct, lack the needed sharp skirts — interdigital filters have the steep skirts and are only moderately more difficult to construct. However, the need for a lathe to square up the rod ends prompted us to investigate another form of the interdigital filter. An article by John R. Pyle³

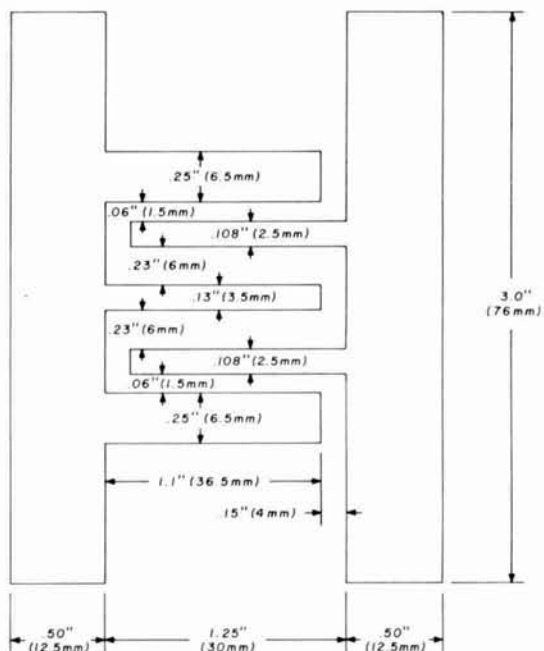


fig. 1. Details of the center conductor measurements and spacings.

By John M. Franke, WA4WDL, Apt. 225, 1006 Westmoreland Avenue, Norfolk, Virginia 23508, and Norman V. Cohen, WB4LJM, 7719 Sheryl Drive, Norfolk, Virginia 23505

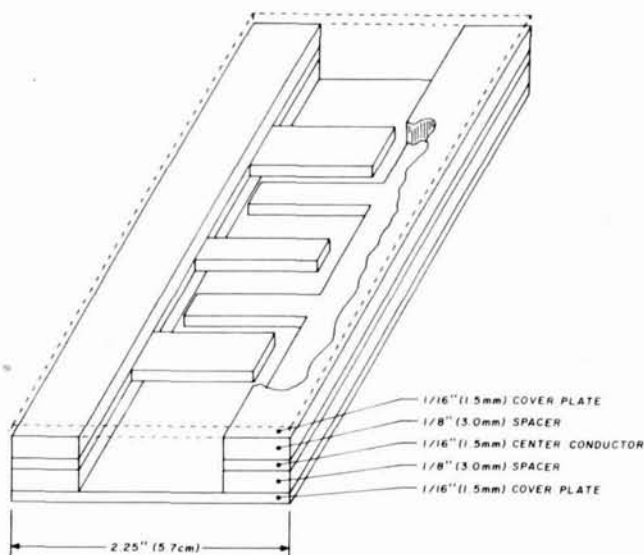
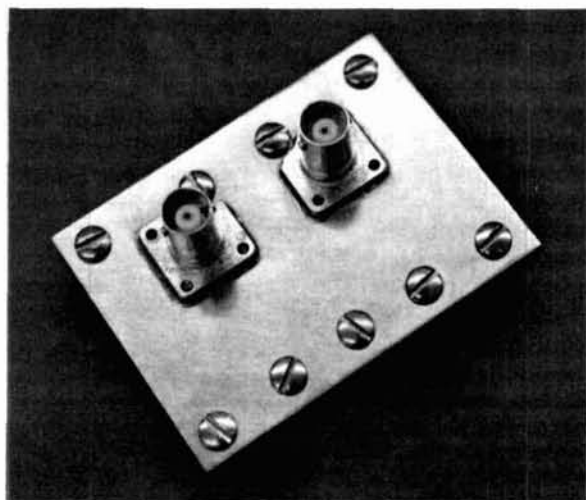


fig. 2. The sandwich construction of the interdigital filter showing the center conductors and the spacers.

provided the necessary design curves for fabricating stripline interdigital filters. His paper provided the needed graphs for filters of 1 to 10 percent bandwidth with up to 8 fingers. The curves are normalized for a 1/16-inch (1.5mm) thick center conductor between two ground planes separated by 5/16-inch (8mm).

filter construction

One such filter recently constructed is shown in the photographs. This filter was designed for 2.5 GHz with a bandwidth of 10 percent. The filter preceded a times-4 multiplier to 10 GHz. The dimensions of the center conductor are shown in fig. 1. For other frequencies, the finger widths and spacings are held constant and the fingers are made one quarter-wavelength long. The overall sandwich construction is illustrated in fig. 2. The



Top view of the filter showing the input and output connectors.

center conductor was made from brass sheet to avoid having to solder the fingers to the root strips. The 1/8-inch (3.2mm) spacers were made from a copper ground strap although brass could be used. The cover plates were fabricated from 1/16-inch (1.6mm) sheet brass. The input and output BNC connectors are sweat soldered to one of the cover plates. The connector center pins were trimmed to just touch the center conductor when assembled, and were soldered to the center conductor before attaching the other cover plate. The sandwich is bolted together with eight 6-32 (M3.5) machine screws. Note that a screw is located near the root of each finger to reduce the contact resistance where there is high circulating current. Alternately, the entire assembly could be sweat soldered together once the fingers have been trimmed. After assembly, the entire unit was given two coats of clear lacquer for

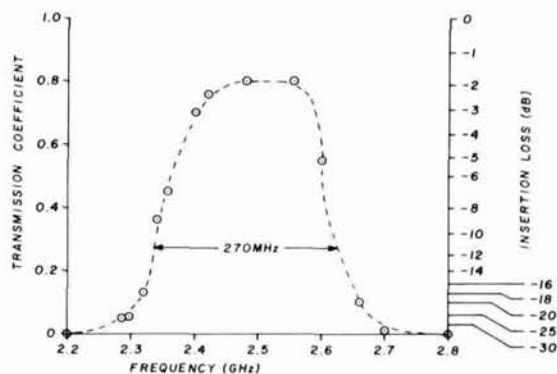


fig. 3. The measured response of the completed filter.

corrosion protection. The only tools used in the construction were a hacksaw, an electric drill, and an assortment of hand files.

The response of the completed filter is shown in fig. 3. The midband loss could be reduced by silver plating the unit but we felt this was not worth the added cost. If the center frequency is too high, file away at the spaces between the fingers.

The stripline interdigital filter is a useful alternative to the popular coaxial interdigital filter. The stripline construction is easier for amateurs lacking a lathe and is mechanically stable since the fingers are an integral part of the frame. Future work will involve using double-clad printed circuit board stock for the center conductor to get an even more simple and rugged filter.

references

1. Reed E. Fisher, W2CQH, "Interdigital Bandpass Filters For Amateur VHF/UHF Applications," *QST*, March, 1968, page 32.
2. W.S. Metcalf, "Graphs Speed Design of Interdigital Filters," *Microwaves*, February, 1967, page 91.
3. John R. Pyle, "Design Curves for Interdigital Bandpass Filters," *IEEE Transactions on Microwave Theory and Techniques*, September, 1964, page 559.

ham radio

the antenna-transmission line analog

a key to designing and understanding antennas

A practical,
non-mathematical
discussion of a
technique used by
professional engineers
to design and analyze
antenna performance —
it is equally applicable
to amateur antennas

Mr. Boyer is a prominent antenna consulting engineer who holds twelve patents in antennas, wave filters, and radar targets. Probably best known to amateurs is his low-profile DRRR antenna, which was selected by an international board as one of the 100 most significant inventions of 1963. He has served as an expert consultant to all branches of the U.S. armed forces, and to NATO, NASA, and the Institute for Defense Analysis. Mr. Boyer was previously licensed as W8PVL and now is W6UYH.

At the present state of the electronics art, the antenna represents the most rewarding, fun-filled, and low-cost area remaining for amateur experimentation. In addition, there is always the challenging possibility of making a real contribution to technology. In all cases, experimentation with radiators will invariably result in improved on-the-air signals.

Many creative amateurs who begin to investigate antennas, however, become frustrated. They have no difficulty understanding certain principles given in elementary treatments of antenna theory, and such initial knowledge carries them through an early fun period of cut and try; but some of the results obtained from such experiments are confusing and demand explanations not found in non-professional books on antennas. If the amateur persists in his experimentation and becomes seriously interested, he finally gets to a point where he wants to know — *before* stringing up more wire or guying up more sections of metal tubing — answers to questions such as, "How do I tailor my antenna design so I can tune over the entire band without the vswr on my feedline climbing to magnitudes into which my rig refuses to load? How much coil reactance does it take to resonate my old 75-meter vertical antenna on the 160-meter band? How efficient is my 20-meter center-loaded whip on the station wagon?" Beyond this, many hams would like to try out their own ideas for antennas but want to know beforehand, with reasonable accuracy, how their brainchild is going to perform on the air.

Giving up on the elementary texts, some of these same amateurs turn to the professional antenna literature for help but are usually stopped cold. Unless they are already engineers by training, they are taken aback by pages covered with the esoteric symbols of the higher mathematics: Fourier series and transforms, Bessel functions, Legendre polynomials, and everywhere copious use of the integral and differential calculus. Few

By Joseph M. Boyer, Antenna Consulting Engineer,
17302 Yukon, Suite 63, Torrance, California 90504

amateurs want to go back to college in order to pursue a hobby. Even in the communications industry, many engineers feel there is something mysterious and scary about antennas and leave their design to a handful of specialists.

There is, however, a relatively easy way to avoid the need for using high powered mathematics while getting good, workable answers of engineering accuracy to your antenna questions; answers which will permit you to design complex antennas and predict their performance *before* you build them. The key to all this goes by the rather complicated sounding name of *Antenna/Transmission Line Analogue*, but the only complicated part about it is its name.

What the Transmission Line Analogue does is to permit an on-paper conversion of your own particular antenna or concept into an equivalent rf transmission line. Once done correctly, this analogue key cranks out answers like your own private computer terminal. You might suspect that because the analogue key dispenses with higher mathematics, it must be some inaccurate, slipshod method shunned by the real professionals. This is far from true — the analogue key method is used daily by working professional antenna engineers to design commercial and military radiators of all types for use in the frequency spectrum from 10 kHz on up. In its most fundamental form it was used by the brilliant antenna theoretician Dr. Schelkunoff¹ in evolving his powerful mode theory of antennas. As you gain familiarity with the analogue key by usage, you will become positively ingenious in figuring out ways to extend its application into the most involved antenna situations.

To really use the analogue key effectively, however, you must first understand how and why it works and where it comes from. The material which follows may lead you back over some familiar territory, but the route is necessary to establish a certain basic way of thinking about antennas.

primary mode waves on cylindrical antennas

Fig. 1A shows a perfectly straight, center-fed cylindrical conductor magically suspended without support in free space. You may recognize it as the familiar doublet antenna, having a total length of $2h$ and a half length, h . Its uniform conductor diameter, d , is twice its radius, a . For the moment, forget just how long $2h$ or h is supposed to be in electrical degrees at the operating frequency f (hertz). This doublet antenna has two center input terminals labeled A and B. If you could connect a very accurate rf impedance bridge (complete with its own built-in signal source) directly to the antenna input terminals A - B, without disturbing the invisible fields surrounding it in space, the bridge would read out the doublet's input impedance $Z_{in(A,B)}$ in the form of two separate parts, R_{total} and jX . The R_{total} part is the real or resistive part of the entire complex impedance $Z_{in(A,B)}$; the X part with the lower-case j complex operator in front of it (as a label to make sure you separate it from the real part) is reactance. The bridge

cannot tell you that the resistive part R_{total} is really made up of two separate resistive parts, or

$$R_{total} = R_r + R_l$$

The R_r is a resistance-like term called the radiation resistance which is a measure of how much wave energy is lost from the antenna by radiation per *rf cycle*.

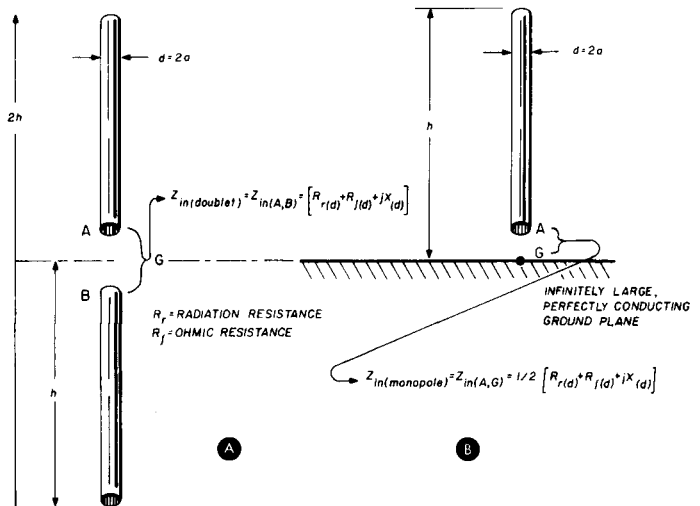


fig. 1. Center-fed, cylindrical doublet antenna in free space (A), and its feedpoint impedance. Equivalent monopole antenna of equal half-length, h , and equal radius, a , operated against an infinitely large, perfectly conducting ground plane is shown at (B).

No one wants the R_l ohmic loss resistance part of R_{total} . It just causes some of your input power to terminals A - B to be converted into heat, yet it is always present in real-world antenna elements. One of the battles in antenna design is to keep the ohmic part as small as possible in ways which will be discussed later. In any event, carefully log the input impedance,

$$\begin{aligned} Z_{in(A,B)} &= R_{total}(d) + jX(d) \\ &= R_r(d) + R_l(d) + jX(d) \text{ ohms} \end{aligned}$$

which you have measured for this particular *doublet* antenna of specific half length h , and particular conductor radius a , at some exact rf frequency f (hertz).

Now imagine that the half of the antenna connected to input terminal B suddenly disappears, leaving only the other half-length element suspended in free space. A very thin, infinitely large, perfectly conducting metal sheet is then placed exactly through the mid-way point between the former input terminals, the sheet forming a plane lying at a right angle to the remaining antenna half (fig. 1B). The remaining antenna terminal A is now spaced a small distance above the metal plane. By connecting a ground lug to the metal plate at a point directly below terminal A, you now have a monopole antenna (half antenna) operating over a perfect ground plane. Label the newly installed ground terminal with

the letter G. The remaining half of the former doublet is still as before: Same length h , same conductor radius a . With the rf bridge reconnected to the new input terminals A, G take a reading of the monopole input impedance over perfect ground. You find the new rf input impedance to be

$$\begin{aligned} Z_{in(m)A,G} &= \frac{1}{2} [Z_{in(A,B)}] \\ &= \frac{1}{2} [R_{total(d)} + jX_{(d)}] \\ &= \frac{1}{2} [R_{r(d)} + R_{l(d)} + jX_{(d)}] \text{ ohms} \end{aligned}$$

$$\begin{aligned} \text{or, } Z_{in(m)A,G} &= R_{total(m)} + jX_{(m)} \\ &= R_{r(m)} + R_{l(m)} + jX_{(m)} \text{ ohms} \end{aligned}$$

As a result of this first experiment, you write yourself a rather formal note, "The complex input impedance $Z_{in(m)A,G} = R_{r(m)} + R_{l(m)} + jX_{(m)}$ of a cylindrical monopole antenna of conductor length h and conductor radius a , erected normal to an infinitely large, perfectly conducting ground plane, is exactly *one-half* the complex input impedance $Z_{in(A,B)} = R_{r(d)} + R_{l(d)} + jX_{(d)}$ of a full doublet antenna of identical half-length h and conductor radius a in free space, when both antennas are measured at the same radio frequency."

With this important experiment out of the way, step back some distance from the monopole antenna erected over the perfect ground plane so that you can inspect its entire length, h . Now, really using your imagination, assume that you own a very special pair of eye glasses which permit you to actually "see" electric field lines of force E , and magnetic field lines of force H . Carefully watching the monopole antenna, again turn on the rf generator so that it supplies energy at frequency f to the monopole input terminals A - G. Fig. 2A is an attempt to show what you would "see."

At the instant you closed the switch ($t=1$), a small expanding surface like a bubble would appear around the antenna base. Its surface would be covered with dotted E lines pointing radially outward from the surface of the monopole conductor element, with each E line gracefully arching over so that it pointed directly down at right angles to the flat surface of the ground plane. At the same instant you would perceive dashed circles of magnetic field lines of H form concentrically around the monopole antenna element, each growing larger in diameter with the passage of time. Let time suddenly freeze at this point so that you can closely inspect the initial wave surface.

The surface of the "bubble" is a wave front. As this is the first wave to be introduced to the monopole antenna, it's called a *precursor*; a sort of "scout wave" sent out to explore the electrical nature of the yet-unknown antenna to determine — at this one particular frequency — just exactly how the waves to follow will have to finally arrange themselves to be in agreement with certain natural laws.

One of these natural laws dictates that the electric lines of force always point precisely at right angles into the surface of a good conductor such as the antenna

element, *and* also point precisely into the flat perfectly conducting surface of the groundplane. Another thing: The "antenna" is the total *combination* of the monopole conductor and the ground-plane surface; the wave front or antenna field is not *in* the antenna conductors, but instead fills the space surrounding the monopole conductor element and the ground-plane surface. The antenna conductor monopole element (or each half of the doublet in free space), together with the ground plane, compose the "nature" of the antenna, and are called the antenna *boundaries*. These boundaries are what the first precursor wave is trying to explore, for they *alone* will determine what finally happens later in time.

Now unfreeze time and let the wave front expand and climb higher up the antenna. Again freeze time at $t=2$. Now you will notice a very interesting effect: In order to span the increasing distance along the arc between the monopole conductor surface and the ground plane, the E lines get longer and longer as they climb up the monopole. You will also notice that the brightness of the E line arcs closest to the base of the antenna are less intense than those stretching over to ground from higher up on the antenna. Conversely, a fixed radial distance from the antenna, the magnetic field circles around the monopole conductor are intensely bright and glowing around the antenna base, but are less bright as they form around higher parts of the monopole conductor. Clearly, electric field intensity is *increasing* with height up the antenna; magnetic field intensity is *decreasing* with height.

Antenna specialists use the ratio of the magnitude of the electric line of force, E , to that of the magnetic field line, H , (at any point in space) to define what is called wave impedance, Z_w . This is comparable to what the electronics engineer merely calls impedance when he is dealing with the ratio of voltage, V , to current, I , in circuits physically small in terms of the wavelength of rf energy circulating within them. In contrast, antennas are "big" circuits in terms of the operating wavelength. As a consequence, their fields extend out to great distances around the antenna and the field — rather than voltage or current on conductors — is of first importance.

With this idea of wave impedance in mind, a re-examination of the monopole antenna field discloses that the wave impedance equal to E/H must be increasing in the wavefront as it expands higher and higher up the antenna (because E is increasing and H is decreasing). The wave impedance is small in magnitude near the input terminals A - G, but increases steadily with antenna height, h .

This brings up one important way of thinking about *all* antennas: Antennas attempt to perform an impedance-matching function, providing an impedance match between their input terminals and that of the surrounding space by using their conductors as wave impedance "transformers." In this picture, space itself is a common "master" transmission line connecting your antenna with every other antenna in the universe. Such a space transmission line has its own characteristic impedance, Z_s , and possesses an infinite number of input

and output terminals. For the moment, however, just assume that this space transmission line surrounds your antenna; it wants to accept the rf energy you are putting into the input terminals of the antenna, but will only accept your wave energy as radiation when certain

x-y in view $t=4$ of **fig. 2**. The downward looking view is seen in **fig. 3**.

There are those outward pointing radial electric field lines, E , and the closed circles of magnetic lines, H . Waves in which the electric field lines lie at right angles

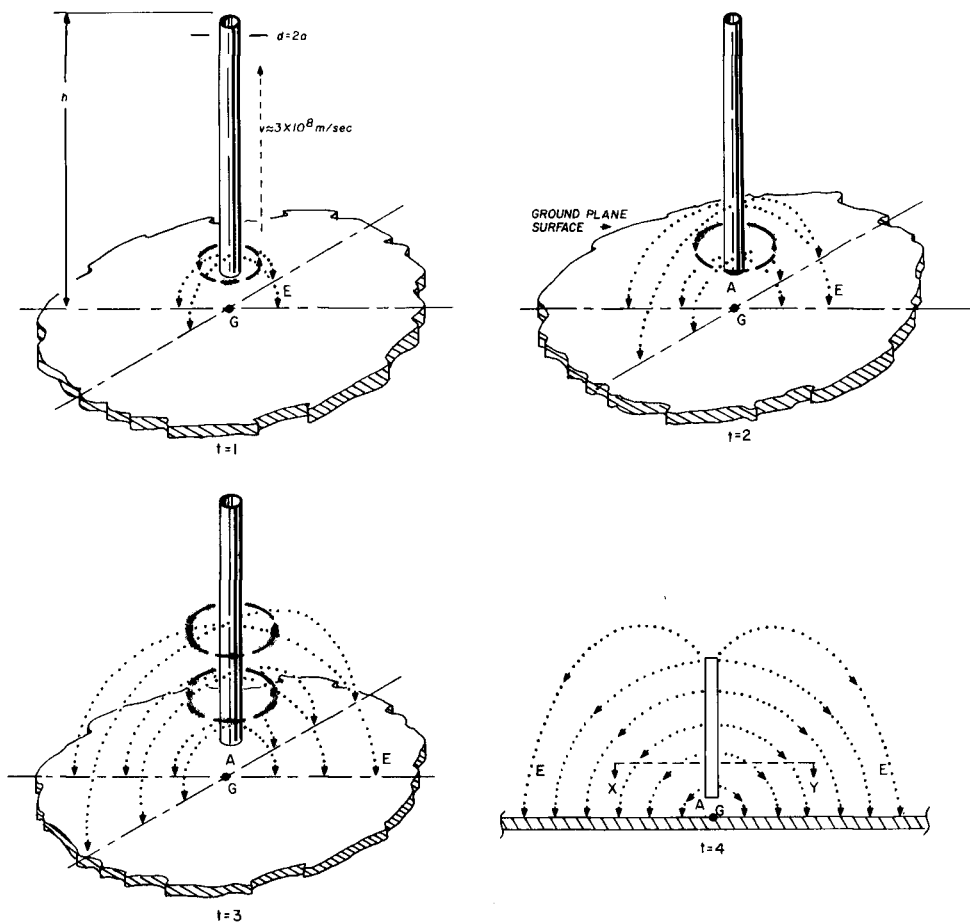


fig. 2. Precursor TEM wavefront moving up a cylindrical monopole antenna and outward on ground plane G for times $t=1$, $t=2$, $t=3$, and $t=4$. End reflection occurs at $t=4$. Top view of the E and H lines at $t=4$ are shown in **fig. 3**.

precise *boundary conditions* are met. The antenna tries to accomplish this feat of getting its waves off into space, but must wait to see what the precursor wave "says" after exploring the antenna.

Let time again unfreeze, and watch the wave front expand through $t=3$ to the moment of truth at $t=4$. The wave front has been racing (when you permitted it to) up the antenna at almost, but not quite, the speed of light (3×10^8 meters/second). Things appear to be going smoothly so far as the precursor wave is concerned, with those antenna boundaries changing in a nice, gentle fashion. Then *crash!* As if it had smashed head-on into a wall, the precursor wave finds the end of the monopole conductor. To the scout wave this is like an electromagnetic explosion. Let's freeze time again just at the instant this explosion occurs. What happened? To find out, we have to take a cut through the antenna field from a point looking directly down on the monopole conductor. Such a field cut is denoted by the dashed line

to the magnetic field lines entirely in the plane of the wavefront, so that there are no electric or magnetic field components in the direction of wave propagation, are called *transverse electromagnetic* or TEM modes in wave shorthand. **Fig. 3B** shows the wave front inside an ordinary coaxial transmission line with air as an insulator. The similarity of the waves on the antenna and those in the non-radiating coaxial transmission line is no coincidence. Both are type TEM mode waves. In a TEM mode wave, the electric field lines *must end* on the surface of conductors; the monopole antenna conductor and the ground plane serve the same boundary purpose as the inner conductor and inside surface of the shield in the coaxial transmission line. In both cases, the wave fronts are guided in the empty space by the ending of the electric lines onto the oppositely polarized conducting surfaces. The TEM mode waves are held to these boundaries in the same manner as a spider with sticky feet when running around his web.

Now let's try to think the way an antenna theoretician does. Here we have these two classes of waves: TEM mode waves on the antenna in which all electric lines must end on conductors, and space or radiation waves. In free space (say halfway to the planet Mars) there are no electrical conducting surfaces upon which the electric field lines in space waves can end. But we already know that radio waves *can* propagate through free space. That

reflected from the open end of the antenna; absolutely no wave energy got away into space as radiation. When a total reflection occurs, the only thing that prevents the space standing wave from reaching a vswr of infinity to one is the very small ohmic resistance of the highly conducting antenna element. Obviously, if that situation continued, antennas, as we know them would not exist. Fortunately, for radio amateurs and antenna men, it

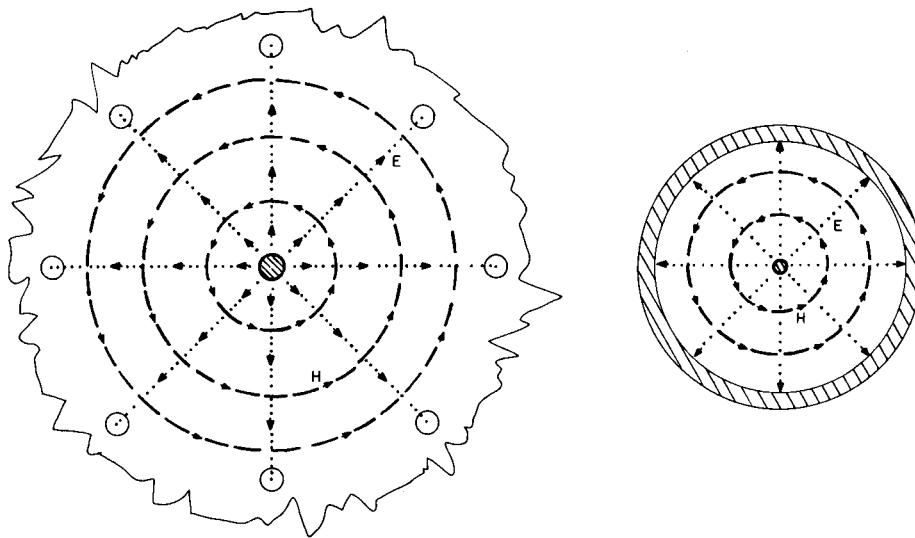


fig. 3. View looking down on the antenna field at x-y plane indicated in fig. 2. Note similarity to the E and H lines of the wavefront in a coaxial transmission line to right; both fields are type TEM.

must mean that the kind of waves which can exist as radiation must — regardless of wavefront geometry — contain electric lines which *close on themselves* or form loops the way the magnetic field closes on itself around our antenna. This idea turns out to be correct. There is an infinite variety of space wave modes, but *none* of them includes the TEM mode wave. Therefore, a pure TEM mode *cannot* make the transfer from the antenna boundaries into free space. Free space is an incompatible boundary condition for the TEM mode, precursor wave. Such incompatibility constitutes a huge *impedance mismatch* to the guided TEM mode wave at the *end* of the antenna.

Faced by a large mismatch at the top of the antenna, the TEM mode wave does what all waves do when faced by a mismatch on a transmission line: it is reflected and starts back down the antenna toward the input terminals. In doing so, however, the scout wave encounters other TEM mode waves coming up the antenna in the opposite direction. This kind of situation, with coherent waves moving in opposite directions, always produces the same phenomenon: Standing waves. Note, however, that these standing waves exist in space along the entire length of the antenna and are *not* to be confused with similar standing waves which can form in an antenna feedline because of an impedance mismatch between the antenna input impedance and the line's characteristic impedance.

It should be noted that the TEM scout wave is *totally*

doesn't. Nature has arranged things so that as the downward moving scout wave continues to interfere with more and more TEM mode waves coming up the antenna, a wave conversion results; some of the original TEM mode energy is transformed into new, higher order mode waves — wave types which possess closed E and H line geometry and which can make the transfer from the antenna to space. As this converted wave energy (a surprisingly small amount of the total) begins to leave the antenna, energy loss causes the near-to-infinite vswr of the space standing wave to drop to a more reasonable magnitude. The antenna has now reached its steady state of operation.

Here, now, is our antenna: It is "ringing" like a sort of electromagnetic bell as the waves (not charges) race out along the length of the antenna, smash into the top end impedance discontinuity, then race back down the antenna, performing the mode change and supporting the existence of the space standing wave. Each rf cycle produces a small loss of energy to free space as radiation. The actual amount of radiation loss per rf cycle is dependent upon the length of the antenna (h or $2h$) in electrical degrees at the operating frequency, and the conductor geometry (which, for a monopole, includes the ground plane).

Do I hear you say that this picture sounds very much like one describing the way an open-ended (open-circuited) rf transmission line operates? Let's examine that idea! We saw that the wave impedance, $Z_W = E/H$,

was not uniform along the length of the antenna. We also compared a cross section of the antenna field (precursor or scout wave) to the field inside a coaxial transmission line and found them to be the same. Now, even elementary books tell us that, in a lossless transmission line, the ratio of *distributed* series inductance to *distributed* shunt capacitance per unit length solely determines the characteristic impedance of the line as

$$Z_o = \sqrt{L/C}$$

(Advanced textbooks go on to say that the wave impedance, Z_w , of the TEM mode wavefront propagating down the transmission line is also a function of this same L/C ratio in the transmission line. Standard types of rf transmission lines, however, have uniform characteristic impedance so therefore they must have a *constant* L to C ratio per unit length.

Such reasoning makes it clear that the cylindrical antenna — when viewed as an rf transmission line — must possess a *variable* ratio of L to C along its length. To reinforce this idea, make another mental experiment: cut out a short section from the monopole antenna conductor. Measure the shunt capacitance to ground of this short conductor section, first at the antenna tip height, then at the antenna midheight, and finally, at the base just above the ground plane. Intuition tells us that the shunt capacitance to ground of the conductor section will be maximum at the antenna base, less at the midheight, and least at the top of the monopole. Fig. 4 shows this same "measurement" result for the case of a doublet antenna. If capacitance to ground (or to the other side of a doublet) varies with position, obviously the L/C ratio cannot be a constant — and that says that the antenna characteristic impedance must also be non-uniform.

But, couldn't we just take this non-uniform characteristic impedance of the antenna and use it as a transmission line model of the antenna in the analogue key method? Yes, but this approach would be a bit messy to put into practical use. Calculations for non-uniform impedance transmission lines are more laborious than those related to lines with uniform impedance. Let's try again. If you have a quantity which changes in some smooth way over a given distance such as h , it's possible to take its mean or average value. In high class mathematics, this is called the integral of something (in this case, Z_o) over the length, h . That is actually what is done: You take this mean or average value of Z_o for the antenna length, h , and then use this *average* Z_o as the *uniform* Z_o of your analogue transmission line representing your antenna.

It sounds neat, except that getting this mean Z_o for an antenna is not an easy task. It was solved back in the 1920s at great calculation labor using a dc potential method. Fortunately, later work by Dr. Schelkunoff of Bell Telephone Laboratories has given us some simple formulas to determine the average characteristic impedance of certain kinds of antenna conductor geometry. These conductor geometries include those most often used by amateurs, and professionals alike.

Before presenting these simple formulas, let's make

sure we have the concept of the analogue transmission line idea clearly in mind so it may be used with confidence in our experiments on paper with antennas.

antenna into transmission line

An rf transmission line constructed from extremely high conductivity elements of copper or aluminum, with only air as insulation, represents a very low electrical loss system. Electromagnetic waves moving down such a line stay almost perfectly constant in strength or amplitude even when traveling over long distances in electrical degrees of line length. This constancy of amplitude means that you can use simple trigonometric functions such as the sine, cosine, tangent, or cotangent of the line length in electrical degrees to accurately represent the behavior of waves on low loss line.

On the other hand, if you used poor conductors such as steel or lead to build an rf transmission line, the resistance of the conductors would rob energy from the waves moving down the line and convert it into heat; as a consequence of this energy loss, the wave amplitude would decay or decrease in strength with electrical distance traveled. To represent decaying waves you have to use mathematical functions which also decay in amplitude with electrical distance: Hyperbolic functions. Finally, in correctly representing radiation loss you come up against the cosine and sine integral calculus functions. Not only are these, valuable as they are, a little tacky to use in an amateur technical journal, but I promised at the beginning that only simple math would be needed.

A decision to stick to the use of simple, everyday trig functions means that we must use a lossless equivalent transmission line to represent the antenna. Knowing that real antennas have loss, hopefully the good kind of loss called radiation resistance, how can a lossless transmission line model of the antenna give us accurate answers when solving real antenna problems? Recall the TEM wave mode which did not radiate? That TEM mode would be a uniform amplitude wave representing the major portion of the rf energy oscillating (standing) in the antenna region. If we used only this non-radiating mode wave in the analogue line representing the antenna, the answers would describe *only* the reactive behavior of the antenna at its input terminals. The real or resistive part of Z_{in} would be missing in the answer because it is radiation energy loss which the TEM mode cannot account for in antenna systems. Is that bad? Certainly not! One of the most important things you want to find out when exploring your antenna ideas on paper is how the reactance at the input terminals will change as you move your transmitting frequency over an amateur band, what jX will do if you use a loading coil in the antenna, or how jX changes from one amateur band to another.

The real or resistive part of the antenna's input impedance (which is related to radiation resistance) changes very *slowly* with frequency; the reactive part, however, varies at a much greater rate with changes in operating frequency. *The rate at which the reactive part of antenna input impedance changes with frequency is*

governed by the antenna's characteristic impedance when viewed as a transmission line. Does this mean that you just forget all about the real part of Z_{in} ? No, not at all. You'll end up with a complete answer for $R_A + jX_A$ alright, but you will obtain the real part, R_A , the lazy man's way: By looking up the antenna's radiation resistance, R_r , as a function of its electrical length h (or $2h$) at the operating frequency, using published graphs of this data. Then you'll add the radiation resistance to the reactive part obtained from the analogue key transmission line key model. It's that simple if a) you are using high conductivity antenna conductors such as copper or aluminum, and b) are feeding the antenna at a current maximum point such as the base of a monopole or the center of a doublet. In the rare case where you are not feeding at a current maximum point on the antenna, then you transfer the R_r value you looked up to the actual feedpoint by a method to be given later.

Incidentally, in deference to Dr. Schelkunoff, it is only fair to mention that in the equivalent transmission line method he evolved, both the real and reactive parts of the total complex input impedance are obtained by using a special lumped "load impedance," determined by separate calculations, which is placed across the end or "output terminals" of the paper analogue transmission line representing the antenna. This more sophisticated

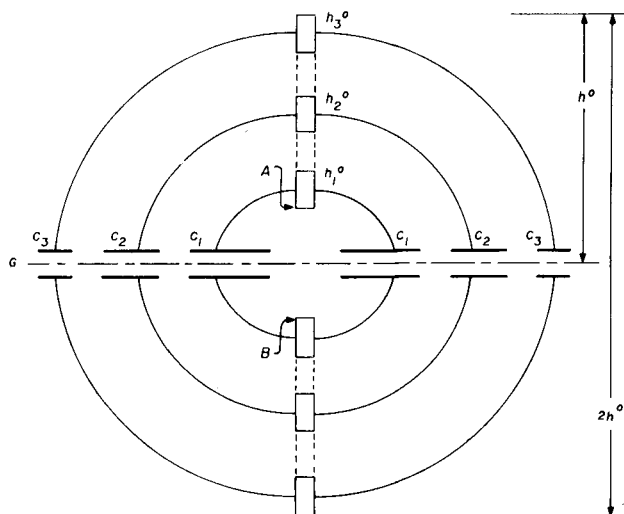


fig. 4. Variation in shunt capacitance between equal length conductor sections located at the input terminals, mid half-length, and tips of a doublet antenna. Passing the ground plane through G gives the same effect for an equivalent monopole. For a monopole, shunt capacitances double in magnitude.

technique, however, demands use of advanced forms of mathematics.²

characteristic impedance of cylindrical antennas

Schelkunoff gives the mean characteristic impedance of a doublet antenna with cylindrical conductor elements as,

$$K_A = 120 \left(\log_e \frac{2h}{a} - 1 \right) \text{ ohms} \quad (1)$$

Then, recalling the first experiment where you found

that a monopole antenna of length h over a perfect ground plane had an input impedance exactly one-half that of a doublet antenna in free space of half length h , and the same conductor radius a , the mean characteristic impedance of a monopole antenna over ground is

$$K_m = 60 \left(\log_e \frac{2h}{a} - 1 \right) \text{ ohms} \quad (2)$$

Don't let the \log_e part bother you. If your pocket electronic calculator doesn't give the natural \log_e of a number directly, or if you only have tables of the common \log_{10} , then

$$\log_e \frac{2(h)}{a} = (2.3026) \times \log_{10} \frac{2(h)}{a}$$

The notation K_A and K_m is used to denote the mean antenna characteristic impedance instead of, say, Z_{oA} or Z_{om} . This avoids any confusion with the Z_o of a standard transmission line used to feed the antenna.

coming up

In the second part of this article I will describe use of the transmission line key method to solve a number of different antenna problems faced by the radio amateur. These will include the design of monopole and doublet antennas capable of being operated over the entire frequency width of an amateur band while keeping the vswr in the feedline down to a specified maximum value into which modern transmitters will load full power. I will also discuss base, center, and higher position coil loading of electrically short monopole and doublet antennas for maximum efficiency. Finally, I will show you how to "dissect" an antenna of your own design into parts to determine if it will operate as you wish.

Each example will be carefully worked out in full detail (no steps omitted) so you can easily follow the solution and not get lost. In this way you will be able to quickly translate the analogue method to your own problems for any antenna on any amateur band. In the meantime, if you are totally unfamiliar or a bit rusty in the use of elementary plane vectors (phasors) to represent a complex ac impedance, $R + jX$, I suggest you visit the library and get a copy of *Basic Mathematics For Electronics*,³ or its much earlier version, *Mathematics For Radiomen and Electricians*, by N. Cooke. Cooke was able to teach tens of thousands of Navy gobs to easily master basic ac math on a crash basis during WW II. You will also find him easy to follow and understand.

The difference between an amateur and a professional in a given field of science should not be one of knowledge, but only that the amateur is rewarded in pleasure and the professional in coin of the realm.

references

1. S. A. Schelkunoff, "Antennas of Arbitrary Size and Shape," *Proceedings of the IRE*, September, 1941, page 493.
2. S. A. Schelkunoff and H. T. Friis, *Antennas, Theory and Practice*, John Wiley & Sons, New York, 1952, Chapter 13.
3. N. Cooke and H. Adams, *Basic Mathematics for Electronics*, 3rd edition, McGraw-Hill, New York.

ham radio

- 100% solid state SSB/CW Transceiver.
- Full coverage of 10-160 meter bands.
- 350 watts P.E.P. or CW input.
- Digital Dial Frequency Readout (Optional).
- Plug-in auxiliary VFO or crystal oscillator (Optional).

The transceiver that has everything you'll ever need!

The 350-XL was designed to fill all the operating requirements of the ham operator. Whether you operate fixed, portable, or mobile, SSB, CW, RTTY, or SSTV, the 350-XL is the perfect rig. It has the performance, versatility, and power to give you everything you need all in a single, compact, high quality transceiver.

We deliberately made many of our special features such as the auxiliary VFO and the Digital Dial Frequency Readout optional so that every feature you could possibly want is available, but you only pay for those that you use. We even made our programmable selectivity filter an option, enabling us to lower the base price of the 350-XL to \$895.

The Atlas 350-XL is the State of the Art in Amateur Radio Transceivers for the Next Decade, but available today at your ham dealer.

Atlas 350-XL (less options)	\$895.
Model DD6-XL Digital Dial Readout	\$195.
Model 305 Plug-in Auxiliary VFO	\$155.
Model 311 Plug-in Auxiliary Crystal Oscillator	\$135.
Model 350-PS Matching AC Supply	\$195.
Mobile Mounting Bracket	\$ 65.

Other optional features to be announced.

THE ATLAS 350-XL



**ATLAS
RADIO INC.**

417 Via Del Monte, Oceanside, Ca. 92054
Phone (714) 433-1983

novel indicator circuit

Novel and multi-purpose indicators can be added with a minimum of parts by using the MV5491 red and green LED

Since light-emitting diodes have become available at reasonable prices I find myself using more and more of these devices to monitor the internal circuitry in my equipment from the front panel. LEDs make it easy and economical to do this. I think you gain a better understanding of the internal functions of your equipment through the use of monitor or indicator points. When trouble occurs in the equipment it can often be diagnosed from the front panel with these indicating devices. They can pay their own way both in operator satisfaction and in ease of maintenance, not to mention their esthetic value.

I recently began using a fairly new device, the MV5491 LED manufactured by Monsanto. This device is quite different from the LEDs I had utilized in the past and has proven to be not only interesting, but very practical. Before describing this device I would like to review the standard LED drive circuits I had been using in most of my equipment to acquaint fellow amateurs

who, as of yet, have not put these devices to work in their own equipment.

a standard driver circuit

The standard LED driver circuit that I have been using for the past few years is shown in fig. 1. This configuration uses one-sixth of a TTL hex-inverter buffer, type SN7406, to drive a LED. The SN7406 has an open collector output with the LED and associated current limiting resistor serving as the collector load for the output transistor of the IC. In this circuit, a positive

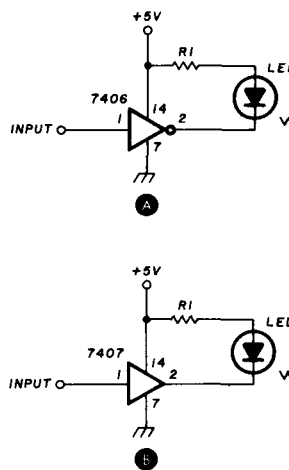


fig. 1. Basic LED drivers configured for normal and inverted inputs.

input will provide a low output at the collector, forward biasing the LED and causing it to illuminate. Resistor R1 limits the current through the LED to a safe value as specified by the LED manufacturer. This is a simple, inexpensive circuit and six LEDs can be driven from a

By Ken Powell, WB6AFT, 6949 Lenwood Way, San Jose, California 95120

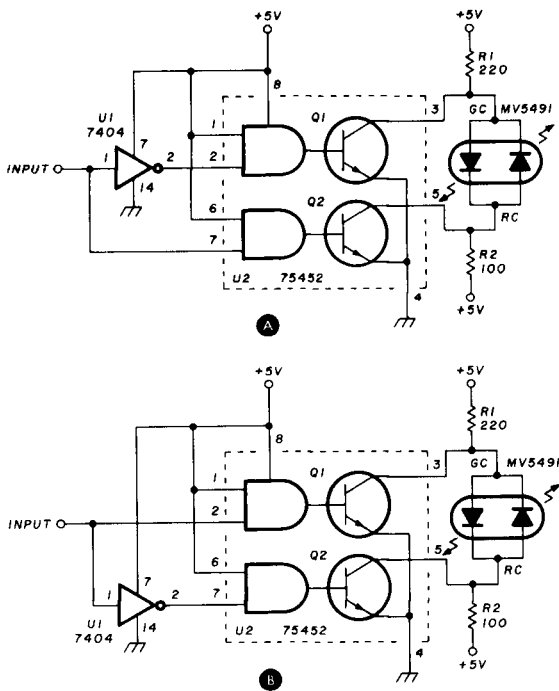


fig. 2. Two-state LED drivers. The circuit shown in (A) will provide a red indication with a positive input, (B) a green indication.

single SN7406. This makes for a very low component count and is easily added to existing equipment or new designs. The only calculation required is the value of R1, the current-limiting resistor. To calculate this we must know the voltage and current ratings of the LED. Red LEDs are usually rated at 1.65 volts and about 20 mA. Subtracting the LED voltage and the saturated SN7406 collector voltage from the source voltage, $1.65 + 0.35$ from 5.00, we come up with a difference of 3.0 volts which must be dissipated across R1, at the rated current of 20 mA. Using Ohm's law we can calculate the resistor value to be 150 ohms. For the wattage requirement we can use the I^2R formula to arrive at 0.06 watts, so a 1/4-watt resistor will suffice.

This circuit works well for source voltages up to about 30 volts, and of course the value of the current limiting resistor must be selected for different source voltages. Most of the LEDs have a maximum current rating of 40 to 50 milliamperes and I find that approximately half the rated current will yield adequate light output and assure long life for the indicator. Fig. 1B is the same basic circuit but it will light the LED with a low or false input. This is accomplished by using a hex buffer, SN7407, rather than the SN7406. The SN7407 does not contain the inverter function found in the SN7406, but it is pin for pin compatible and the voltage and current ratings are alike. As can be seen in fig. 1, you can drive the LED with a true or a false signal, depending on the driver you select. As you get more involved in digital equipment, and I am sure we all will be more involved in this technology in the not-too-distant future, our use of circuits of this type will

increase and a working knowledge of them will become more important.

The Monsanto MV5491 is in a standard package like most other LEDs, but is comprised of two light-emitting diodes connected inversely in parallel. One of the parallel diodes is red and the other is green, so steering current in one direction will yield a green light and reversing the current flow will yield a red indication. Stopping the current flow will turn both diodes off, furnishing three distinct indications from one device. The colors are a very vivid red and green, not like some of the earlier single diode devices that were red no matter what the label said!

The red diode section of the MV5491 is rated at 1.65 volts, with a test current of 20 milliamperes and a maximum current of 70 mA. The green diode section is rated at 3.0 volts, with a test current of 20 milliamperes and a maximum current of 50 mA.

The unit comes complete with mounting ring and requires a quarter-inch (6.5mm) diameter mounting hole. When drilling the mounting holes for these and other LEDs in this type package, do not bevel the edges of the holes as this tends to negate the positive effect of the plastic mounting hardware furnished with the LEDs.

the driver circuit

The project I was working on when I came across this new device used a single five-volt source, so it took a little head scratching to figure out a scheme for driving this new LED. I began scratching out diagrams on the top of the work bench and after an hour or so had an LED that would change color as the input was toggled. I was working on a piece of digital gear so I wanted the driver circuit to be ICs rather than discrete components and eventually came up with the circuit shown in fig. 2. This circuit worked out fine and I had an indicator that was green when the input was normal but promptly turned red when an off-normal condition was encountered.

The indicator circuit uses a single SN75452 IC driver and one-sixth of a hex inverter, SN7404, and two

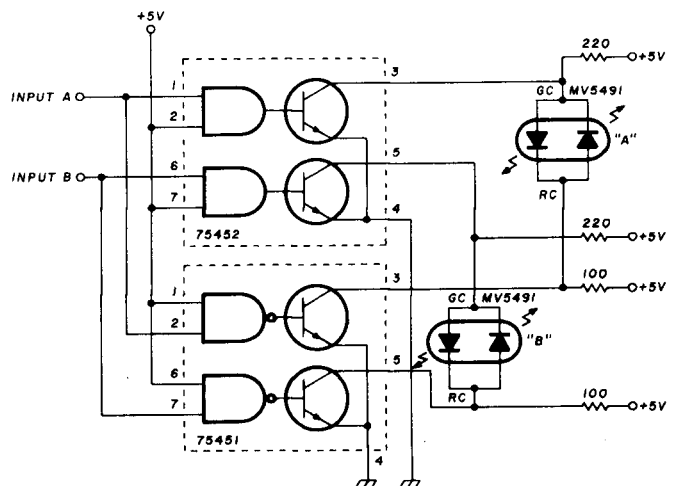


fig. 3. Two indicators using common drivers and inverters.

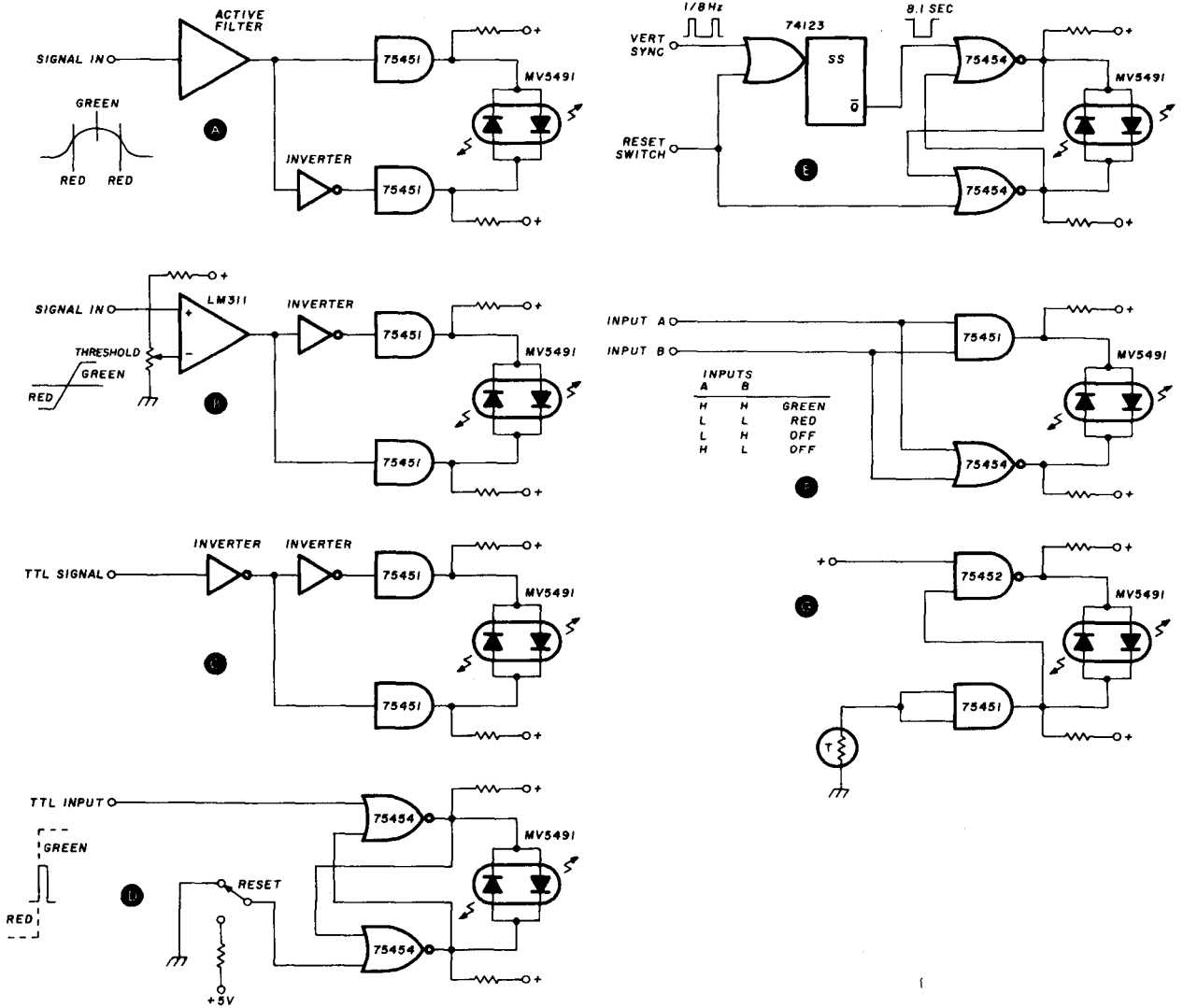


fig. 4. Applications of the MV5491 LED. (A) shows how the device is used to indicate the presence of a signal in the desired frequency range while (B) uses a comparator to indicate the crossing of a specific level. (C) and (D) can be used as logic probes. (E) is used as a vertical sync indicator for SSTV. (F) is a coincidence detector that indicates equal signals, both high and low, or no signal. (G) is used to indicate when a certain temperature has been reached.

resistors. It is much like the circuit described in fig. 1, but produces a more profound effect when activated. When this circuit, depicted in fig. 2A, receives an active or positive input, transistor Q2 of U2 is in conduction. This condition brings the red cathode of the LED to ground potential. At the same time, the Q1 section of U2 is cut-off. This brings the green cathode and red anode to a positive potential. With this condition we have the red diode of the LED forward biased (lighted) and the green diode reverse biased (extinguished).

The current through the red diode will be limited by resistor R1. A negative input to the circuit will cause the Q1 section to conduct and the Q2 section to be cutoff. This will forward bias the green diode and reverse bias the red diode. Resistor R2 will limit the current through the green diode. In this configuration, a high or positive input to the circuit will give a red indication and a low input will yield a green indication. If the opposite func-

tion is desired, green indication on a positive input, the inverter SN7404, should be placed in series with the Q2 input as per fig. 2B.

Do not try transposing the LED as the voltage and current specs of the two parallel diodes are different. This is the reason why the current-limiting resistors, R1 and R2, have different values. With the values shown, the red diode is forward biased at approximately 1.65 volts at 15 milliamperes with R1 setting this parameter. The green diode is set at approximately 3 volts and 20 mA by the value of R2. The resistor values are calculated in the same manner as described for the basic circuit of fig. 1, with the exception of resistor wattage ratings.

When Q1 or Q2 is conducting, the entire source voltage is dissipated across the resistors. The maximum dissipation in this case is about ¼ watt, so ½-watt resistors should be installed. In digital circuits where both Q and \bar{Q} signals are available, such as the output of

a flip-flop, the inverter portion of the circuit can be deflected and the out-of-phase signals fed to the driver circuits.

If your application requires more than one indicator circuit, the configuration shown in **fig. 3** will reduce the component count. In this configuration two different type drivers are used, one noninverting and one inverting type. These are both in mini-dip packages and will fit in a single dip socket or equivalent space on a pc board. This circuit will drive two MV5491 LEDs and requires only four external resistors. A close inspection of the circuit diagram will show that it uses the internal function of the driver IC to perform the function accomplished by the hex inverter in earlier circuit descriptions. If a number of these dual diode indicators are to be used, this is an excellent choice for a driver circuit.

applications

I am sure that there are numerous applications for the MV5491 LED, probably as many as there are amateurs still in the homebrew business. I have sketched out a few ideas that I hope to put to use in the future and possibly interest others in their applications.

Fig. 4A uses an active filter preceding the indicator circuit to form a level detector for signals at the desired frequency. This circuit should furnish a green indication on resonance and a red signal at either side of resonance. A circuit or circuits of this type might prove useful for SSTV, RTTY, or subaudio-tone indication for control purposes on fm. This is the same basic circuit described earlier which uses one drive IC and one-sixth of a hex-inverter IC.

Fig. 4B is a take-off on the tuning indicator but would provide an indication with an input change of only a few millivolts, depending on the type of comparator. When used with the LM 311 it will provide excellent performance and can be operated from a single 5-volt power source.

Fig. 4C is a TTL level detector which can be used with TTL, DTL, and RTL logic in the form of a logic probe for trouble-shooting. It will furnish a green indication on a high or plus signal and a red indication on low or false signals. The voltage to operate the circuit can be taken from the equipment under test.

Fig. 4D is a TTL pulse catcher. Again, it can be used as a logic probe for IC circuitry. In this circuit the driver circuit is cross-coupled to form a latch or memory element. A positive-going pulse sets the latch to indicate the presence of a pulse and the latch is reset manually with the reset switch. It should also work well for locating intermittents, such as glitches. You can leave the probe connected to the circuit under test and return to the problem later to see if the latch has been set by an unwanted signal. A circuit such as this one can at times, be more valuable than a scope.

Fig. 4E is a vertical sync indicator for SSTV. In this application we can trigger a retriggerable single-shot with the one-eighth hertz vertical-sync pulse. The absence of a vertical sync pulse will allow the single-shot to time out

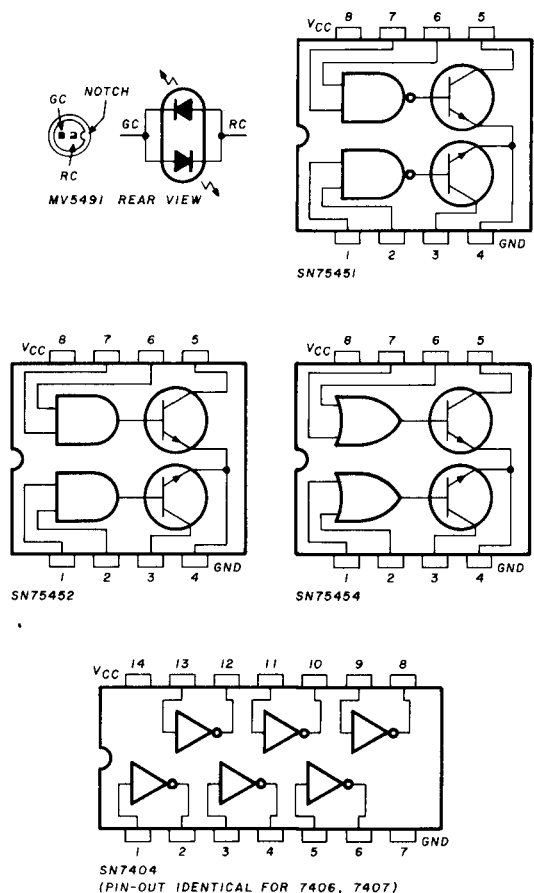


fig. 5. Device pin-outs for the integrated circuits.

and change the state of the LED from green to red. The vertical reset switch is then used to restart the vertical sweep and reset the LED to its green state.

Fig. 4F is a coincidence detector with three states. If inputs A and B are both high, the indication will be green. If inputs A and B are both low, the indication will be red. If the inputs are out of phase, one high and one low, the indicator will be in the off or third state. This would provide a good indicator for complex logic circuit monitoring.

Fig. 4G could be used as a temperature-monitoring device with the set points adjusted by a trimming resistor shunted across the thermistor. For photometric application, the thermistor could be replaced by a photocell. A comparator could be utilized before the TTL gate, for increased sensitivity.

I think this is just the beginning for applications of this unique device and I hope this article will stir the interest of other amateurs and further the interest in a return to more homebrew activity. I have enjoyed working with this device and the highlight was the look on a friend's face as the LED changed from red to green. I really had him going until I explained the device to him. This little LED can add the *bells and whistles* touch so often found in today's commercial equipment to your own homebrew efforts.

ham radio

KENWOOD ..the Pacesetter



TS-820 TS-520

H F F

The ultimate transceiver . . . Kenwood's TS-820. No matter what you own now, a move to the TS-820 is your best move. It offers a degree of quality and dependability second to none, and as the owner of this superb unit, you will have at your fingertips the combination of controls and features that, even under the toughest operating conditions, make the TS-820 the *Pacesetter* that it is.

Unprecedented demand plus the painstaking care Kenwood lavishes on each TS-820 has created a back-log of orders, but rest assured, it's well worth waiting for. Once you have operated the TS-820 you will not be satisfied with anything else.

Features

Following are a few of the TS-820's many exciting features
SPEECH PROCESSER • An HF circuit provides quick time constant compression using a true RF compressor as opposed to an IF clipper. Amount of compression is

adjustable to the desired level by a convenient front panel control

IF SHIFT • The IF SHIFT control varies the IF passband without changing the receive frequency. Enables the operator to eliminate unwanted signals by moving them out of the passband of the receiver. This feature alone makes the TS-820 the pacesetter that it is.

PLL • The TS-820 employs the latest phase lock loop circuitry. The single conversion receiver section performance offers superb protection against unwanted cross-modulation. And now, PLL allows the frequency to remain the same when switching sidebands (USB, LSB, CW) and eliminates having to recalibrate each time.

RECEIVER SELECTIVITY:
 SSB 2.4 kHz (-6 dB)
 4.4 kHz (-60 dB)
 CW* 0.5 kHz (-6 dB)
 1.8 kHz (-60 dB)
 *(with optional CW filter installed)
IMAGE RATIO: 160-15 meters: Better than 60 dB
 10 meters: Better than 50 dB
IF REJECTION: Better than 80 dB
POWER REQUIREMENTS: 120/220 VAC,
 50/60 Hz, 13.8 VDC (with optional DS-1A DC-DC converter)
POWER CONSUMPTION: Transmit: 280 Watts
 Receive: 26 Watts (heaters off)
DIMENSIONS: 13-1/8" W x 6" H
 x 13-3/16" D
WEIGHT: 35.2 lbs (16 kg)
 DG-1, digital readout optional

Specifications

FREQUENCY RANGE: 1.8-29.7 MHz
 (160 - 10 meters)
MODES: USB, LSB, CW, FSK
INPUT POWER: 200W PEP on SSB
 160 W DC on CW
 100 W DC on FSK
ANTENNA IMPEDANCE: 50-75 ohms, unbalanced
CARRIER SUPPRESSION: Better than 40 dB
SIDE BAND SUPPRESSION: Better than 50 dB
SPURIOUS RADIATION: Greater than -60 dB
 (Harmonics more than -40 dB)
RECEIVER SENSITIVITY: Better than 0.25uV



VFO-820

Solid state remote VFO designed exclusively for use with the TS-820 "Pacesetter". Contains its own RIT circuit and control switch . . . is fully compatible with the optional digital display in the TS-820.

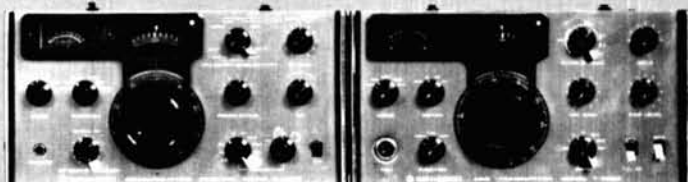


As a TS-520 owner, you go on the air with a sense of pride and confidence. Thousands of these precision-built beauties are in operation all over the world . . . in ham shacks, field day sites, in DX and contest stations and in countless mobile installations. No other rig has ever offered the performance, dependability, versatility and value that is built into every KENWOOD TS-520.

You have certainly heard the TS-520's clean signal on the air and have probably heard a lot of glowing praise by other hams. So if you don't already own a 520, maybe it's time you did.

MODES: USB, LSB, CW
POWER: 200 watts PEP input on SSB, 160 watts DC input on CW
ANTENNA IMPEDANCE: 50-75 Ohms, unbalanced
CARRIER SUPPRESSION: Better than -45 dB
UNWANTED SIDE BAND SUPPRESSION: Better than -40 dB
HARMONIC RADIATION: Better than -40 dB
AF RESPONSE: 400 to 2600 Hz (-6 dB)
AUDIO INPUT SENSITIVITY: 0.25uV for 10 dB (S+N)/N

SELECTIVITY: SSB 2.4 kHz (-6 dB), 4.4 kHz (-60 dB), CW 0.5 kHz (-6 dB), 1.5 kHz (-60 dB) (with accessory filter)
FREQUENCY STABILITY: 100 Hz per 30 minutes after warmup
IMAGE RATIO: Better than 50 dB
IF REJECTION: Better than 50 dB
TUBE & SEMICONDUCTOR COMPLEMENT:
 3 tubes (2 x S-2001, 12BY7A), 1 IC, 18 FET, 44 transistors, 84 diodes
DIMENSIONS: 13.1" W x 5.9" H x 13.2" D
WEIGHT: 35.2 lbs.



R-599D T-599D

The R-599D is the most complete receiver ever offered. It is entirely solid state and covers the full amateur band, 10 thru 160 meters, CW, LSB, USB, AM and FM. The T-599D transmits CW, LSB, USB and AM, has only 3 vacuum tubes, built-in power supply and full metering.

Because of the larger number of controls and dual VFOs, the combination offers flexibility impossible to duplicate with most transceivers . . . for example, transmitting and receiving on different frequencies, no matter how far apart.

Clegg
ECONOMY LINE
The Greatest Dollar
Value in FM Transceivers!

MARK 3
 for 2 Meters
 15 WATTS \$169.50

FM-76
 for 222 MHz
 10 WATTS \$165.00



- Both of these units provide 12 Channels with individual trimmers for Receiver and Transmitter Channel Netting
- Both have a big clear S Meter/RF Output Meter
- Superb Receiver Sensitivity and Selectivity
- Crisp, Clear Audio on Transmit and Receive

NOW — SPECIAL GROUP DISCOUNTS ON THESE TWO GREAT UNITS!

At their regular low prices these units represent the best value for the FM'er. Now they are available at even lower prices when ordered by clubs or repeater groups! Special prices applicable on quantities of 2 or more. Prices as low as \$140.00 in larger quantities.

QUANTITY	MARK 3	FM-76
2 - 4 pcs.	\$166.50	\$162.00
5 - 9 pcs.	162.00	155.00
10 - 19 pcs.	156.00	150.00
20 - 39 pcs.	151.00	145.00
40 +	146.00	140.00

Clegg

COMMUNICATIONS Corp.

Phone Bob Rauch, WA3QEZ, at Clegg today for details on these units and the special GROUP PURCHASE plan.

Sold only by:

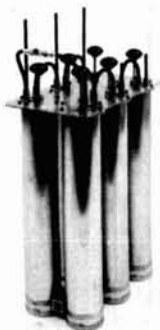
208 Centerville Road,
 Lancaster, PA 17603

Toll free Sales & Service —
 Phone (800) 233-0250
 in PA call (717) 299-7221 (collect)

NORTH SHORE

RF TECHNOLOGY

DUPLEXER & CAVITY KITS...



Now
 available
 for you
 fully assembled
 and tuned!

- UPGRADE YOUR REPEATER WITH A RF TECHNOLOGY DUPLEXER.
- ALL DUPLEXERS AND CAVITIES ARE TEMPERATURE COMPENSATED WITH INVAR® AND MEET ALL COMMERCIAL STANDARDS
- ONLY TOP QUALITY MATERIALS GO INTO OUR PRODUCTS.
- BOTH KITS & ASSEMBLED DUPLEXERS AND CAVITIES ARE AVAILABLE TO YOU AT A SAVINGS TO YOU.

Mod. 62-3...6 cav. 2 mtr., insertion loss 0.6 db with isolation 100 db typical; pwr. 350 w. Kit \$399 ea. — Assembled \$499.

Mod. 4220-3...4 cav. 220 MHz insertion loss 0.6 db with 80 db isolation typical; pwr. 350 w. Kit \$279 ea. — Assembled \$349.

Mod. 4440-3...4 cav. 440 MHz, insertion loss 0.6 db with 80 db isolation typical; pwr. 350 w. Kits \$249 ea. — Assembled \$329.

Mod. 30 Cavity Kits: 2 mtr. \$75 ea., 220 MHz \$75 ea., 440 MHz \$65 ea., 6 mtr. \$115 ea. Add \$15 for Assembled Kit.

Also available: 6 mtr., 4 cav. Kit \$399 — Assembled \$499, 2 mtr. 4 cav. Kit \$299 — Assembled \$399, 440 MHz TV Repeater Duplexer.

Only hand tools are necessary to assemble Kits!

Send your order to: Distributor: **TUFTS RADIO**, 209 Mystic Ave. Medford, Mass. 02155. Phone (617) 395-8280.

(Prices F.O.B. Medford, Mass. All units can be shipped U.P.S.-C.O.D. orders require \$50 deposit. —Mass. residents add 5% sales tax.)

medical data relay via Oscar satellite

A look at the techniques for the transmission of high-speed data through Oscar

The Oscar series of satellites have suddenly provided the amateur radio operator with a whole new field of expertise to learn and experiment with. Now we have reliable and widespread vhf and uhf coverage with minor atmospheric noise. Part of the justification behind the Oscar program is that we, as amateurs, use the satellites to explore and experiment with previously unavailable technologies. Many experiments have involved propagation and its related effects. RTTY, slow-scan TV, mobile operation, and even microcomputer access have all been tried. But, a largely unexplored area involved the use of the satellite to relay data unrelated to amateur radio. Achieving this result could have strong implications in the chosen field.

The practice of medicine today is absorbing new technologies as fast as they appear. This oftentimes carries a requirement that man and medicine be able to efficiently exchange information. It soon became apparent that the data transmission system I was developing at the University of Arizona Hospital could be adapted for use through Oscar.

It was originally proposed by 4X4MH to send an electrocardiogram (EKG) through Oscar 6. In the latter part of 1975 this was attempted by W6CG and W7VEW. Success was claimed but nobody knew the parameters necessary to decode the data. It had been an experiment involving "black boxes." At that point it became obvious that the handling of this kind of data was new to amateurs and new techniques had to be learned. I decided to stay with the EKG because it represents a commonly known and needed piece of physiological data. In addition, its bandwidth is wider than most other physiological signals. The ability to successfully relay an EKG would mean that most other types of medical data could be handled as well. Two techniques will be discussed and their merits examined.

To begin with, it's necessary to understand a little about the EKG itself. This is the controlling signal that tells your heart when and how to beat. To satisfactorily represent an EKG for most purposes requires a bandwidth of 0.5 to 50 Hz. Ideally, the lower response should extend to dc. In addition, this signal must be made compatible with amateur ssb transmitters and tape

By David Nelson, K7RGE, 4733 East Linden,
Tucson, Arizona 85712

recorders if Oscar is to be used in the link. Remember that recorders and transmitters have a lower audio cutoff frequency that may vary from 50 to 300 Hz. Especially in a transmitter, the passband linearity of the audio circuits may vary a few dB. Obviously, the data must be encoded into a new format so that it can be transmitted through the system. Any form of a-m is clearly out. This then leaves fm, which has several desirable characteristics. The first is that amplitude variations due to non-linear circuits, and a host of other possibilities, disappear. Amateurs experimenting with sstv discovered this in the late 1950s. Second, the use of fm permits the use of a tape recorder to serve as an interim storage device. This is necessary since the source of the EKG was anything but close to the transmitting site. Separate

principle is to use a voltage-controlled oscillator (vco), with its input driven by the data source, as a source of fm. All that remains is to choose an appropriate carrier frequency and set limits on the deviation. At the receiving end, an fm demodulator will transform the varying frequency into a similarly varying voltage. If all goes well, this will provide a faithful reproduction of our data.

system problems

Since a tape recorder is being used, we must contend with a certain amount of instability in the speed of the tape drive. This speed fluctuation, known as flutter, will modulate the material recorded on the tape and add undesirable components. Rerecording on different machines adds to the problem. If the basic drive speed of the two is slightly different, a dc offset will be introduced. Unless we have a grounded second fm channel available for reference, and the ability to simultaneously transmit the two, the degradation caused by flutter cannot be overcome; it can only be minimized by using quality tape machines and maximizing the deviation of the vco.

It is appropriate now to look ahead and anticipate that Doppler shift and receiver tuning errors will be present. As such, it is unwise to make the vco deviation equal to the maximum that the receiving demodulator can accommodate as there would be no room left for error. With all these factors in mind, I settled on a 1-kHz carrier with ± 40 per cent deviation for full-scale input to the vco. The vco I used was a Hewlett-Packard 3310A function generator set to 1 kHz and modulated by the EKG source.

Another problem is noise and here we can only maximize the received signal-to-noise ratio. However, this will not completely delete the effect of noise introduced by the satellite's transponder and atmospheric, especially on 10 meters. Noise causes a directly visible reduction in the resolution of the data.

The receiving demodulator is worthy of a little more attention. In fig. 1, you can see that the audio signal is fed to the input of a 565 phase locked loop. The error voltage of the loop (pin 7) contains the data being

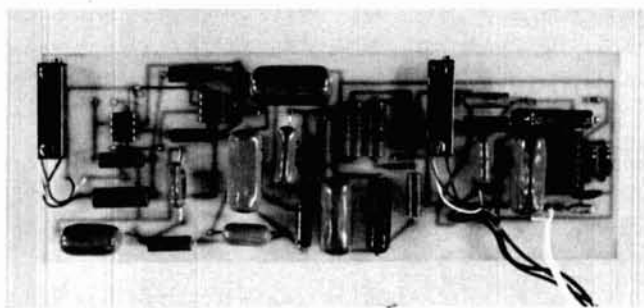


fig. 2. The completed demodulator assembled on a printed-circuit board. The layout of the board is not critical.

scheduling of the various phases of the experiment was then possible. However, the use of a tape recorder introduces some gremlins because the mechanical assembly that moves the tape can introduce errors that are difficult or impossible to eliminate. This and other considerations come into play when designing a system with 1 per cent accuracy.

analog fm

This approach is the easiest to understand and put to practical use, but it also has its shortcomings. The prin-

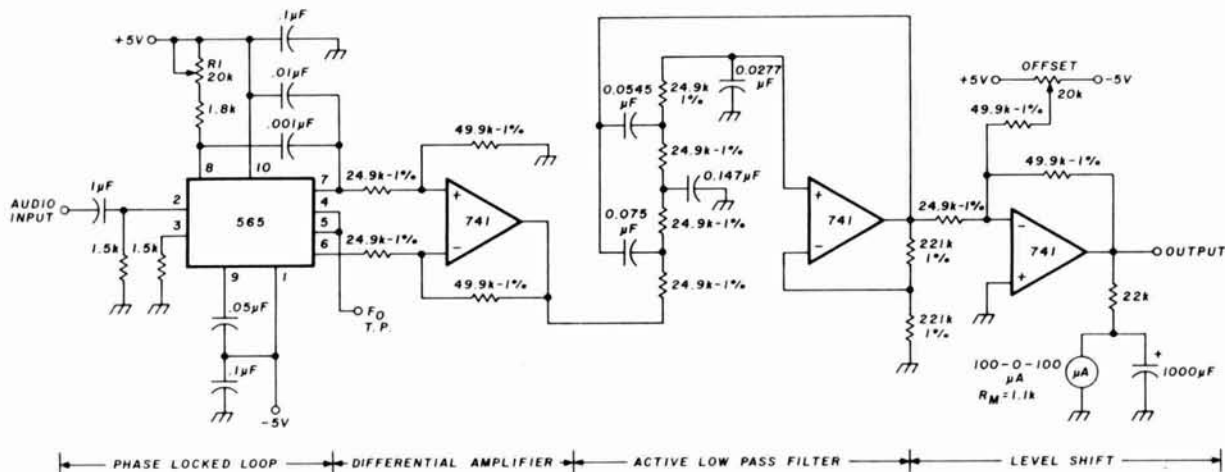


fig. 1. Schematic diagram of the analog fm demodulator. The frequency of the phase-locked loop can be changed by adjusting R1.

sought, along with the undesirable dc and ac components. Following the loop is a differential amplifier. Its purpose is to remove the large intrinsic dc component of the error signal and amplify the rest by a factor of two. Following the amplifier is a four-pole, active-RC, low-pass filter, also with a gain of two. This filter serves to eliminate the high-frequency ac components that are a product of the loop's internal detection process. It also very accurately determines the bandwidth of the demodulator. In this case, the Butterworth filter is scaled for a cutoff frequency of 100 Hz. This response is flat in the passband, down by -3 dB at the cutoff frequency, and rolls off at -6 dB per octave per pole or -24 dB per octave for this filter. The oddball capacitor values are a consequence of an accurate filter design. Labeled capacitor values should not be trusted. I used a pair of 10 per cent capacitors (no ceramics) for each of the four and measured each pair on a bridge to obtain values within one per cent. Lesser accuracy can be tolerated for less accurate results. Following the filter is an amplifier to scale and shift the output to a reasonable value.

demodulator alignment

To align the demodulator, apply ± 5 volts and set the potentiometer to give a loop frequency of 1 kHz at pins 4 and 5. The input should be grounded at this time. Then the potentiometer on the output amplifier is adjusted to give zero output voltage. If the device is now working properly, the loop should lock onto and track any input signal that lies within ± 50 to 60 per cent of 1 kHz. The input level can range from 20 mV to 2 volts rms. The output will swing positive for input frequencies above 1 kHz and negative for inputs below 1 kHz. The

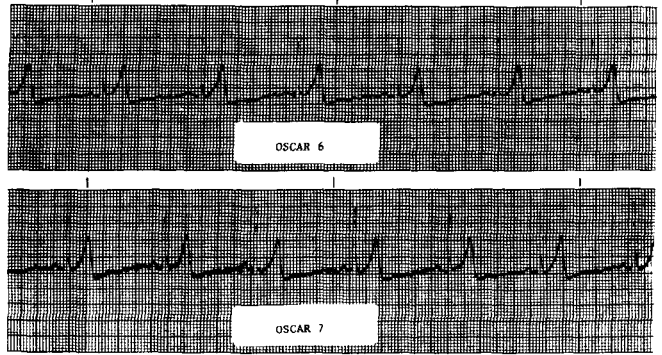


fig. 3. Analog electrocardiograms that have been transmitted through Oscar 6 and 7. Note the less accurate response of the Oscar 7 Mode A version.

to the use of available units rather than pursuing absolute values.

This demodulator can also be made to serve as a tuning indicator during the test transmission if you have some prior knowledge of the data. The EKG waveform stays mostly near zero and deviates rapidly when it does so. If a zero-center microammeter is bypassed with a capacitor to provide a one to two second time-constant with the meter resistance, the meter will respond to very slow changes such as Doppler shift but will show little response to the faster EKG data. This yields an indicator that tells how to correct the receiver tuning to offset the Doppler shift. All you have to do is keep the meter centered during the transmission by adjusting the

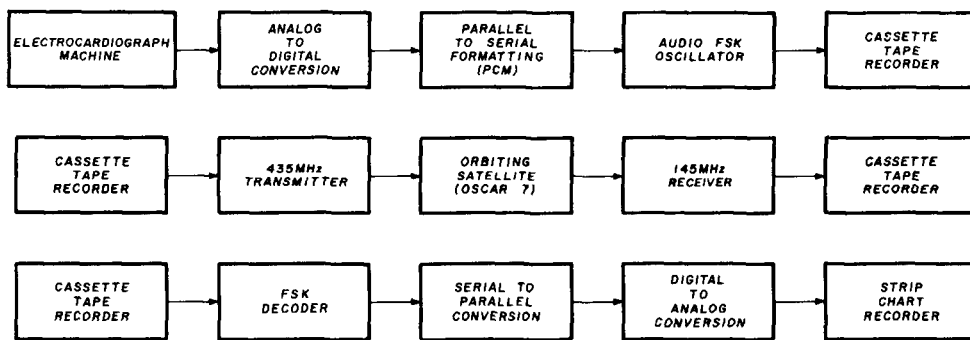


fig. 4. A flow chart for the PCM type system. This method allows the process to be done at different times and locations.

output-scale factor is approximately 0.5 volt per 10 per cent deviation and is independent of the loop frequency. Note that only one adjustment must be changed to accommodate different carrier frequencies. Fig. 2 shows a photograph of the demodulator.

The 1 per cent resistors used here serve more to guarantee close resistance ratios than absolute values. Readers familiar with op-amp design will note that most of the values in the individual sections can be changed, except for the filter ladder, as long as the resistance ratios are accurately maintained. This ability lends itself

receiver tuning. Incorrect tuning will deflect the meter to one side or the other. This method is considerably more accurate than tuning by ear because changes of 10 per cent are quite visible.

Another method of correcting for Doppler involves the use of a second non-modulated audio carrier sufficiently removed from the first so it doesn't interact. The tuning indicator is locked onto this new carrier. However, this may exceed the available audio bandwidth and requires bandpass filters.

In September, 1975, I conducted a test of this

would have been useless if the data had been of a completely unknown form. Obviously, there is room for improvement in many areas.

going digital

The quickest way to solve many of the problems is to go to a digital method of encoding data. Not only can better resolution be achieved, but the effects of noise, Doppler, and tape flutter can be simultaneously eliminated. However, you must pay the price in terms of system complexity and cost. But if truly accurate, reproducible results are required, this is the way to go. This method is commonly known as pulse code modulation (pcm).

The principles are to convert the data into a digital word and then handle the bits serially, one at a time. Unlike analog techniques, digital signals can be regenerated in the presence of noise. The resolution of the system is determined by the number of bits that represents the data. I chose eight bits which gives a resolution of 0.4 per cent of full scale. This method of handling the data contains a number of parallels to RTTY and some of the techniques can be directly applied. The conversion from analog to digital is accomplished by a commercial module appropriately called an analog-to-digital (A/D) converter. For the purposes of this discussion it is not necessary to understand the inner workings of this and other modules used. It is only necessary to understand their function.

Following the conversion to digital, the parallel eight-bit word presented by the A/D converter is transformed into a serial bit stream by a rather amazing IC called a universal asynchronous receiver transmitter, or UAR/T. This IC consists of two halves. The transmitter

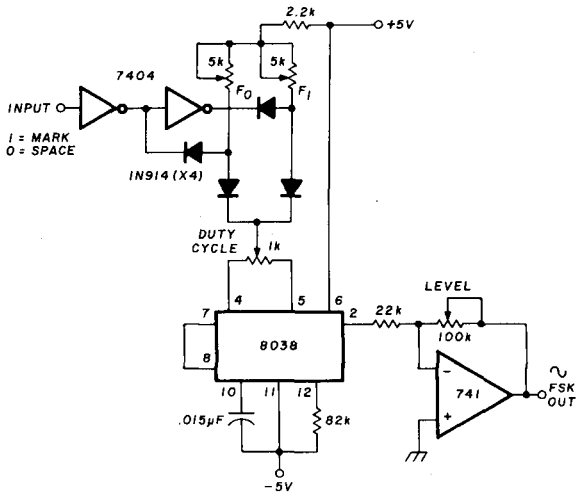


fig. 5. The fsk oscillator. The separate timing resistors set the mark and space frequencies. A sinusoidal waveform is synthesized internally.

method with W6ELT transmitting a cassette tape through Oscar 6 and Oscar 7, mode A. Shortly thereafter we tried another transmission to both myself and the radio club at the National Institute of Health in Bethesda, Maryland. The results are shown in fig. 3. Note the difference in the results between Oscar 6 and 7. This is due to the stronger signal available from Oscar 6. Although perfectly copiable signals were present, there is still a residual amount of noise present. This is best seen in the baseline of the EKG. In addition, even though the Doppler was manually compensated for, this method

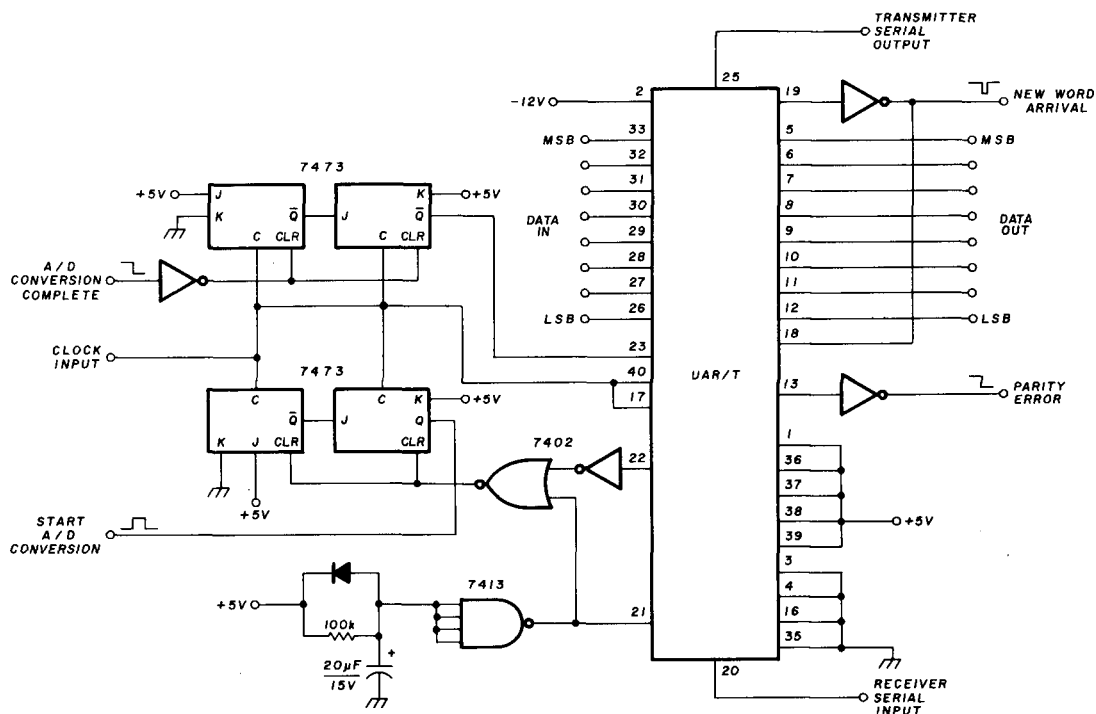


fig. 6. Schematic diagram of the UAR/T data conversion system. This method performs all conversions between serial and parallel data.

half takes a parallel input and formats it into a serial asynchronous code with start, stop, and parity bits added to the data. The receiving half does just the opposite. It accepts a serial input, strips off the bookkeeping bits, checks for errors, and outputs the digital word in parallel. Controlling all of these operations is an external clock which determines how fast the system runs. Except for the clock, all of this is nicely packaged into a single 40-pin IC.

The serial-bit stream from the UAR/T then controls an fsk oscillator. This oscillator is switched between two discrete audio frequencies and is an audio representation of the digital signal. These audio signals are then placed

clocking out this word serially immediately. As soon as the UAR/T is ready to receive another word, it signals by setting pin 22 high. This creates a pulse which triggers the A/D converter. Double buffering allows the UAR/T to be sending one word while the A/D converter is busy loading a new word. Thus the rate at which information can be sent is determined by the rate at which the UAR/T can send out the bits.

Sampling theorem states that at least two samples per second must be taken per hertz of data bandwidth. Thus, in order to represent an EKG which contains components up to 50 Hz, the analog EKG data must be converted to digital at least 100 times a second. Since

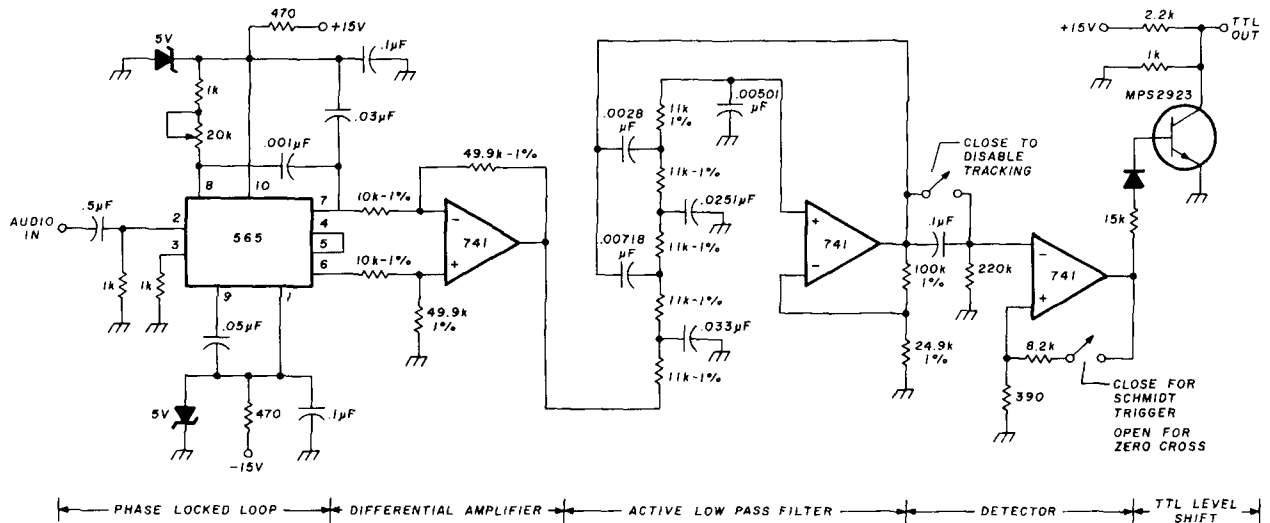


fig. 7. The schematic diagram for the fsk demodulator. An active RC filter allows reception of the 1200-baud data.

on a cassette tape to be transmitted later through the satellite. A block diagram of the system is shown in fig. 4. Each of the three lines takes place at a different time due to equipment locations and schedules.

The fsk generator is fairly straightforward and is shown in fig. 5. Basically an 8038 IC function generator is switched between two adjustable trimmer resistors giving independently adjustable *mark* and *space* frequencies. The output is phase coherent although switching does not necessarily take place at the zero crossing points of the sine wave.

UAR/T description

As mentioned before, it is the UAR/T's job to perform the parallel-to-serial and the serial-to-parallel conversions. This IC does each job independently, simultaneously, and at different rates if desired. In my case this last capability was not necessary. As shown in fig. 6, the IC is programmed for an eight bit word, two stop bits, and even parity by setting pins 36-39 permanently high. The parity bit is included for error-detecting purposes and is used later to give an indication of the validity of the received data. The input data word is applied, in parallel, to pins 26 to 33 by the A/D converter and a pulse is generated by the flip-flops which loads this word into the UAR/T's internal register. The UAR/T begins

each conversion produces an eight-bit word and the UAR/T adds four bits of bookkeeping data per word, we must transmit the bits at the rate of 1200 per second to process the EKG. It would be nice to go faster, but bandwidth requirements become more restrictive when it comes to the fsk; to send 100 data points per second, the UAR/T must be clocked at 16 times the baud rate (1200 baud). Thus a 19.2 kHz clock is required. This clock should be crystal derived and applied to both the transmit and receive halves of the chip (pins 40 and 17).

The receiving portion is equally as simple. The serial bit stream is applied to pin 20. The received word is presented on pins 5-12 and pin 19 goes high to signal its arrival. This control signal is also applied to the UAR/T through pin 18 to signal the removal of the data. When pin 18 is set low, it resets pin 19 low. However, this does not happen instantly and internal propagation delays turn the pin 19 signal into a short low-going strobe. If needed, this may be used to signal the arrival of a new data word.

The rest of the pins are control functions which should be wired as shown. Pin 21 must be strobed high when power is first applied to clear all internal registers and ready the chip for operation. Anyone desiring to build a modern RTTY system using surplus keyboards will find the UAR/T very handy indeed. Several manu-

facturers, including General Instruments, Texas Instruments, American Microsystems, and National Semiconductor, produce compatible ICs. The National MM5303N was used in the system I built.

digital decoding

Receiving and decoding the fsk signal involves the same process as receiving RTTY. The only differences are that the system is running much faster and that the keying is a change in audio frequency presented to the transmitter rather than a change in its vfo. Fig. 7 shows the diagram of a suitable fsk demodulator. Note the lack of bandpass filters on the input. Since these tests were done on Oscar's experimental orbits, a clear channel was available. This made it easy to control Doppler shift. Once again, a phase-locked loop tracks the input signal frequency and provides an appropriate error signal. Following the differential amplifier, the error signal is applied to a five-pole, Butterworth lowpass filter which has a cutoff frequency at 1500 Hz. The output of the filter resembles a digital signal but shifts up and down from zero depending on Doppler and the receiver tuning. Therefore, a zero-crossing detector is useless at this point. The easiest way to remove the dc offset is by capacitor coupling. The time constant associated with this capacitor is chosen to block slow changes such as Doppler and slow receiver tuning changes, but to pass the faster incoming data. Now, you can use either a zero-crossing detector or preferably, a Schmidt trigger.

The next stage can serve as either type of detector. By adjusting the feedback resistance on the op amp, the hysteresis can be tailored to the amount desired. More resistance results in less hysteresis. This method of detection allows any combination of *mark-space* frequencies

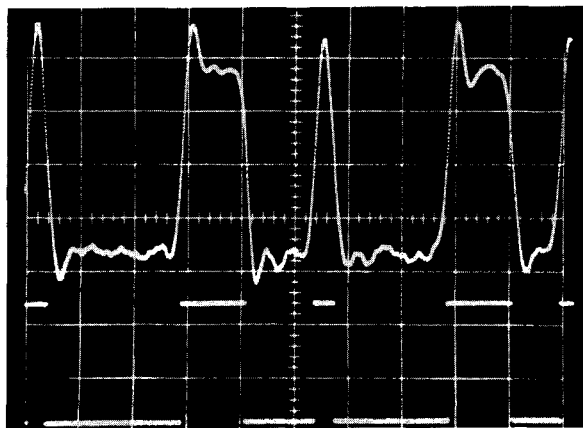


fig. 8. Oscilloscope traces of the detector input (top) and the TTL output (bottom). The time base is 2 ms per division.

to be used. As long as these frequencies do not drift too near the passband of the lowpass filter, any shift that exceeds the effective modulation introduced by the noise will produce a waveform that the detector can convert into a usable digital signal. The fact that these frequencies may drift is of no consequence. If, for some

reason, it is desirable to disable this tracking feature, simply short the coupling capacitor in the detector as shown.

This signal is next converted into a TTL compatible level. The net result is a decoder that does not care what

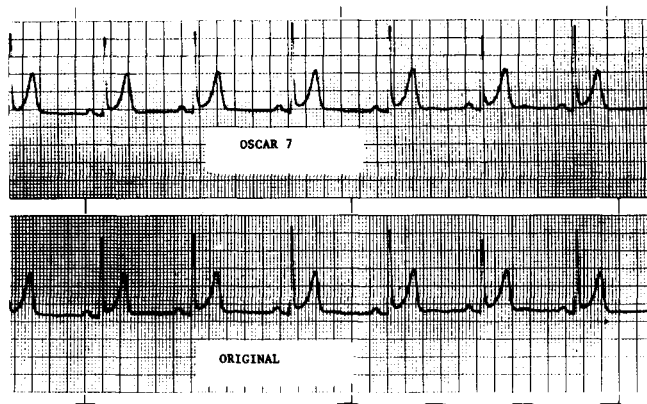


fig. 9. Samples of the digitized EKG data as transmitted through Oscar 7 Mode B.

the *mark-space* frequencies are, what their deviation is, and is not affected by drift, except by going too far down. On a test bench this circuit reliably decodes any shift above 50 Hz, with an input frequency of at least 1900 Hz and at any speed to 1200 baud.

Fig. 8 shows a dual-trace presentation of data as received through Oscar. The upper display is the input to the detector and the lower display is the digital output. The vertical scale represents shifts of 250 Hz per division; 850-Hz shift being used at this time. The waveform represents part of a digital word being received; note the noise-induced ripple. Any deviation exceeding this margin gives good data. This display shows how much deviation is needed for the noise level present. My first test used 170-Hz shift which proved to be insufficient as the noise margin was over 200 Hz. The next test, using 850-Hz shift succeeded. Subsequent tests are being conducted to determine the minimum necessary shift. Obviously the bandwidth presented to the phase-locked loop depends on the receiver and there is noise contribution from every bit of it. In my case the receiver was a Drake 2B with the selectivity set to 3.6 kHz.

Received signal strength also has a great deal of influence with respect to the noise. The use of bandpass filters on the input of the decoder could drastically cut this noise bandwidth but that would require the receiver operator to exactly track the Doppler shift by hand. In addition, the group-delay distortion of any such filters must be closely controlled since at 1200 baud you only have a couple of cycles of one frequency present assuming a 2400 Hz *mark*. To my way of thinking, it was the job of the decoder to eliminate the Doppler and not mine, so I just left the bandwidth wide open and used a wider shift. Only occasional retuning was necessary during the pass to compensate for the Doppler.

Following this decoder, the data goes to the receiving

half of the UAR/T where the serial-to-parallel transformation takes place. The parallel digital word presented at its output goes to a digital-to-analog converter which feeds a fourpole, lowpass filter set to 50 Hz. The output of this filter is the reconstructed analog data. Fig. 9 shows the result of the tests. The bottom strip is the original data and the top strip shows the same data after passing through Oscar 7 mode B. Out of 60 seconds of data, 5 parity errors were found. Although the same EKG was not used for both techniques, the improvement is obvious. Note the lack of degradation due to Doppler shift and noise. Doctors who examined the strips were unable to distinguish between the original and the satellite relayed versions.

While not optimum, this technique demonstrates what can be done with an ordinary audio channel. For more permanent experimentation I would recommend that you replace the 8038 fsk generator with a crystal-controlled programmable system, using digital counters, and synthesize a sine wave from a BCD-to-decimal decoder such as the 7442. This would give absolutely stable and accurate *mark-space* frequencies. Some input bandpass filters could be added to the demodulator. This system could also be adapted to multichannel use. It would require splitting the data word into two parts and sending each half, along with its appropriate address, as one word through the UAR/T. A substantially higher bit rate would then be required.

summing up

So what has been the benefit of all this? Most obvious is that a satellite may be used to relay high-quality physiological data. This has definite use for regions where traditional land-based communications are marginal or non-existent. Small Alaskan towns are a prime example. Currently the federal government is involved in projects of exactly this nature. For amateurs this marks the first time that the FCC has granted permission to use an eight-level teleprinter code. At the time these experiments were being formulated, such permission did not exist and AMSAT was kind enough to pass my request along to the FCC. This opens the field for the use of surplus ASCII terminals and I anticipate that we will begin to see video terminals interconnected via amateur radio. As the cost of television typewriters continues to drop, this will make it easy for anyone to implement a low-cost RTTY station that can run at 25 characters per second. Although this experiment used an EKG, it could just as easily been text coded into ASCII and sent at 100 characters/second. The ability to handle bulky information rapidly can benefit users such as RTTY traffic nets, W1AW bulletins, and satellite telemetry of internal operations. The list of possibilities is limited only by one's imagination.

I need to acknowledge the help given me by Amsat in relaying my request for authority to use an eight-level code to the FCC, and to W6CG and W6ELT who helped control the satellite and transmit the tapes through it. I would be happy to answer anyone's questions upon receipt of a self-addressed, stamped envelope.

ham radio

THE COMPUTER ROOM

SMALL COMPUTER SYSTEMS • SOFTWARE • AMATEUR RADIO EQUIPMENT

1455-B So. 1100 E. Salt Lake City, Utah 84105 Phone 801-466-7911

"WE TAKE THE
MYSTERY OUT OF THE MICRO"



One Of The Nations Largest
Full-Service Computer Stores

Over 1600 Square Feet Of Sales
And Service Facilities

WHEN YOU WRITE FOR OUR CATALOG AND ENCLOSE \$1 TO HELP DEFRAY THE COST OF HANDLING AND MAILING, HERE'S WHAT YOU GET:

1. A CERTIFICATE GOOD FOR \$2 ON YOUR NEXT PURCHASE

2. THE **COMPUTER ROOM** EASY TO UNDERSTAND CATALOG COVERING

IMSAI
THE DIGITAL GROUP
POLYMORPHIC SYSTEMS
SOUTHWEST TECHNICAL PRODUCTS CORPORATION
TECHNICAL DESIGN LABS
ETC.

3. THE **COMPUTER ROOM** "EASY GUIDE" TO HELP YOU PICK THE RIGHT SYSTEM, PERIPHERALS, COMPONENTS, AND SOFTWARE FOR

THE BEGINNER
THE ADVANCED
THE EXPERT
THE SMALL BUSINESS

4. A CURRENT LISTING OF PRESENTLY AVAILABLE

SOFTWARE
PUBLICATIONS
PERIPHERALS

5. INFORMATION ON REPAIR SERVICE, LOW COST CUSTOM PROGRAMMING AND OTHER SPECIAL SERVICES.

AT THE **COMPUTER ROOM** YOUR WRITTEN QUESTIONS ARE HAPPILY RECEIVED AND PROMPTLY ANSWERED

WE ALSO STOCK A COMPLETE
LINE OF AMATEUR RADIO EQUIPMENT

BANKAMERICARD MASTERCHARGE

better audio

for new or old communications receivers

Shaped audio responses
can serve to
reduce fatigue
and distortion

A typical ssb signal can be sharp, penetrating, and with distortion painful to listen to. If your receiver's audio system has high distortion or lacks in volume, here is a technique that will solve the problems and open up a new concept in comfortable listening. It's also great for contests where distortion adds to the fatigue factor.

the solution

Being a classical music fan and having a deep interest

in audio, I came up with a technique that should attract any phone man. The audio system in many receivers leaves a lot to be desired. Exceptions to this were Karl Pierson and his KP-81 with high and lowpass audio filters. The Hallicrafters SX88 also had selectable audio response curves. Both had 10 watts of clean audio.

What I've done on all my receivers (except the KP-81 and SX88) is add a 20-watt hi-fi amplifier. Connected to the output of your receiver's detector (fig. 1), you can select either the normal receiver audio, the outboard amplifier, or both. Further, the use of a good speaker, preferably one of the good high-efficiency hi-fi speakers, means you don't have to increase the volume as much. A large speaker moves a lot of air and it "fills" the room. I often run upstairs and can hear the bigger speaker better upstairs as compared to a smaller one.

audio emphasis

The ultimate in audio control is to use an audio amplifier with a Sound Effects Amplifier (SEA), as used by JVC in their audio systems. I find it very helpful in shaping the audio characteristics of various signals under different interference and voice conditions.

Radio Shack has an excellent SEA unit called a Stereo Frequency Equalizer that permits you to emphasize or attenuate any part of the audio response curve by 10 dB. The change in voice characteristics is useful under various receiving conditions and will also

By Ken Judge Glanzer, K7GCO, 202 South 124th Street, Seattle, Washington 98168

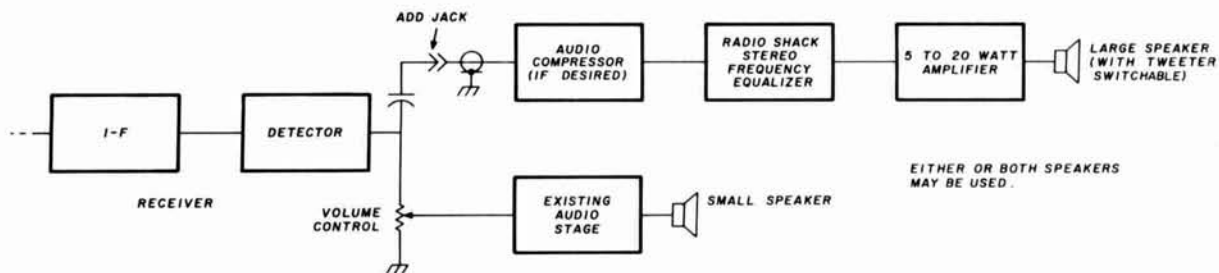


fig. 1. The large speaker may be connected to the receiver through other pieces of audio processing equipment. This allows you to adjust for the best audio reception under various receiving conditions.



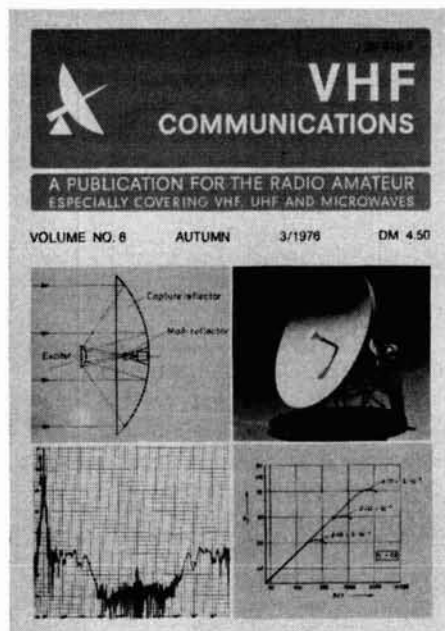
The Stereo Frequency Equalizer can be used to shape the audio output of most receivers. They will provide attenuation or emphasis of specific frequency segments.

act as an audio filter for CW. An equalizer could be used between the microphone and transmitter to provide the best audio for rag chewing or DXing. One idea is to record your normal and altered voice and then listen to the tape directly, not over the air.

circuit modifications

Minor modifications can be made to many receivers by removing capacitors that are across the collector to base junction of transistors in the audio amplifier stage. In some cases there may be a capacitor across the primary of the output transformer. These capacitors usually attenuate the high frequencies. Typically the first loss in hearing occurs at the higher frequencies. This can be relieved by increasing the high frequency response. Sometimes the substitution of a different tube, transistor, or output transformer will also help to alleviate the problem.

ham radio



Have you ever seen an article on transistor frequency multiplier design?

The current issue of VHF COMMUNICATIONS has one!

Subscription rate \$7.00 per year.

VHF Communications

915 N. Main Street
Jamestown, N. Y. 14701

new from DAVIS ELECTRONICS

Small & Lightweight
**PREAMP
PROBE**



Designed to Probe Miniature Equipment

10 MV at 150 MHz with typical counter
Increase the sensitivity of your counter 10X
to measure weak RF signals.

Features:

- 10 to 500 MHz range
- 20 dB gain (10X)
- small & lightweight (has 2 oz. head)
- clips on (doesn't need to be held)
- battery-operated
- high Z input
- 50 ohm output
- \$49.95 (postage paid, USA)

Guaranteed for 1 year.

DAVIS ELECTRONICS

636 Sheridan Drive
Tonawanda, New York 14150
(716) 874-5848



CHOOSE TOP NOTCH RIG PERFORMANCE FROM THIS SHOWCASE OF SWAN METERS.

Swan precision meters are designed and built to help you make sure you're putting out all the watts your rig can deliver.

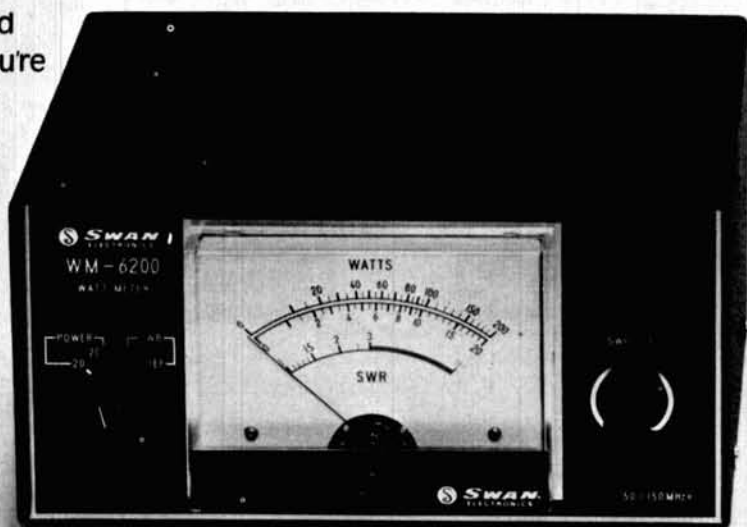
And Swan meters are priced so low they'll probably pay for themselves in improved rig performance and signal power.



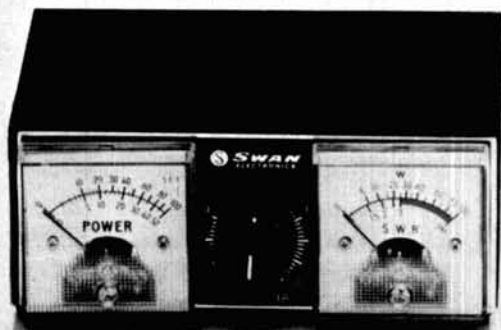
Measure power coming and going. Measure SWR and get maximum power to your antenna. Then get your antenna pattern right by measuring relative radiated power. A one-two power punch at a knockout price. **FS-2 SWR and Field Strength Meter . . . \$15.95**



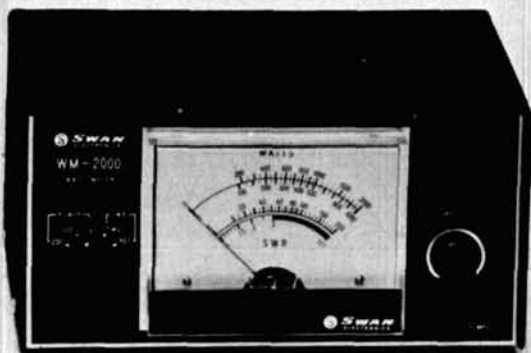
Easy-on-the-pocket pocket SWR. Mighty mite SWR meter with high accuracy, SWR-3 indicates 1:1 to 3:1 SWR at 50 ohms on frequencies from 1.7 to 55 MHz. Precision PC board directional coupler makes it a solid value at a rock-bottom price. **SWR-3 Pocket SWR Meter . . . \$12.95**



At last. A precision wattmeter for the 2-meter man. The upper-band man needs accurate output measurements, too. Now our WM6200 gives them to him with $\pm 7\%$ accuracy output power at 50 to 150 MHz. Two scales to 200 watts. Reads SWR on expanded range scale. **WM6200 In-Line Wattmeter . . . \$59.95**

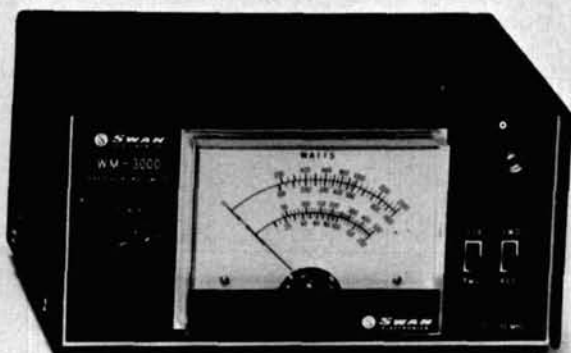


SWR bridge bridges the price barrier. This little jewel gives you relative forward power and SWR on two 100 microampere meters at a remarkably low price. Rear mounted coax connectors for easy, neat installation. Capable of handling 1000-watt signals on frequencies from 3.5 to 150 MHz. With low insertion loss, it's great for mobile operations, too. **SWR-1A Relative Power Meter and SWR Bridge . . . \$25.95**



All-the-law-allows in-line wattmeter. With three scales to 2000 watts, new flat-frequency-response directional coupler for maximum accuracy and a price anybody can afford, this meter has become an amateur radio standard. 3.5 to 30 MHz with expanded range SWR scale.

WM2000 In-Line Wattmeter . . \$59.95



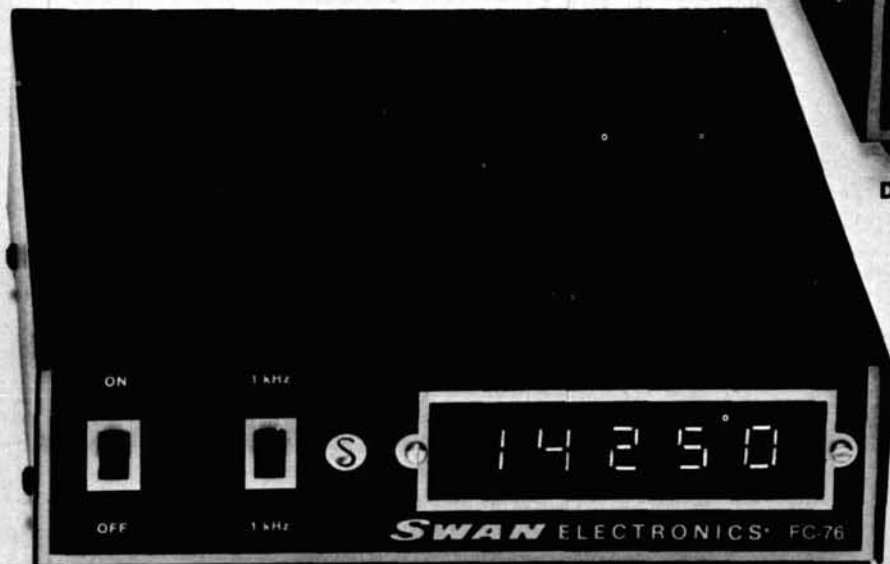
This wattmeter tells the truth about SSB. True peak envelope power of your voice modulated signal is what you want to know most about your SSB transmission, and that's where our WM3000 shines. Flat response forward or reflected power from 3.5 to 30 MHz on scales to 2000 watts in RMS or PEAK at the flip of a switch. **WM3000 Peak/RMS Wattmeter \$79.95**



Sniffs out radiated power wherever it is. This little unit is so compact it could measure relative radiated power in your pocket. Telescoping antenna and a frequency range of 1.5 MHz all the way to 200 MHz. **FS-1 Field Strength Meter \$10.95**



Double-duty in-line wattmeter. Use this meter for output power measurement and troubleshooting, too. Better than 10% full scale accuracy from 2 to 30 MHz, and you can go to 50 MHz with only slightly reduced accuracy. Four scales to 1500 watts and selector for forward or reflected power. **WM1500 In-Line Wattmeter . . \$74.95**



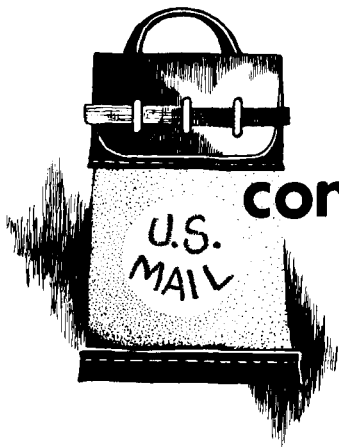
Put your frequency up in lights. Perfect tuning and matching don't mean a thing if you're not on frequency. This counter tells the story on big, bright 5-digit LED display. Reads to ± 100 Hz or ± 1 KHz between 5 KHz and 40 MHz. Signal levels to 50 millivolts so you can use as a test meter, too. **FC-76 Frequency Counter \$169.95**

Swan products available at:



ARTCO ELECTRONICS

302 Wyoming Ave., Kingston, PA 288-8585 / Shavertown Shopping Center, Shavertown, PA 675-2654



comments

RC notch filter

Dear HR:

A subscriber of your magazine recently showed me the article on

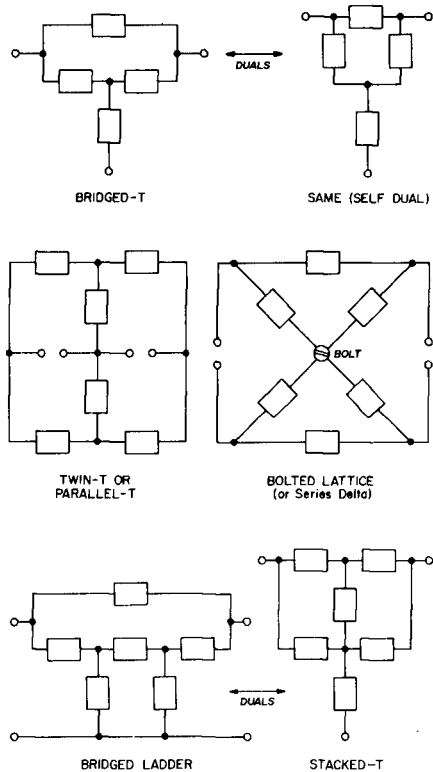


fig. 1. Popular ac null circuits (left) and their duals (right). The bridged-ladder was the circuit discussed in WA5SNZ's article in the September, 1975 issue of the magazine.

*Courtney Hall, WA5SNZ, "Tunable RC Notch Filter," *ham radio*, September, 1975, page 16.

"Hall's" notch filter in the September, 1975, issue* and I was very pleased with your enthusiastic presentation of the circuit. Obviously, I too feel that it has not had the popularity it deserves! Since you solicited comments on it and similar circuits, I would like to make a few comments which may be of some interest.

First, just for the record, the circuit has had some mention. The most complete description was by Leon Grillet (91^c *Congress des Societes Savantes*, Rennes, 1966, Tome II) which is in French, except for the algebra. You mentioned the article by Glasgal who referenced another *EEE* article by B.M. Van Emden (May, 1964). It has also appeared in a book, *Alternating Current Bridge Methods* (Hague and Foord, Pitman, London). This is Foord's revision of Hague's classic, the bible of ac bridge designers (my speciality). It was also briefly described by Penn and Grillet in letters (see *Electronic Engineering*, 1964). Others have mentioned it but only as introductory references before they described new circuits.

The name "bridged-differentiator" describes more than the network's typology which I've called a "bridged-ladder." It should be noted that the term "twin-T" has been used to describe measurement circuits with the same typology as the notch filter but with different circuit elements. Also, the dual[†] of a twin-T has been called a

[†]Dual networks are defined as a pair of networks such that their branches can be marked in a one-to-one correspondence so that any mesh (or loop) of one corresponds to a cut-set of the other.

bolted-lattice (by an Englishman, I think) but could be called a "series-pi." The dual of the bridged-ladder might be called a "stacked-T" (see fig. 1).

The network has its advantages and disadvantages. The advantage in the General Radio null detector is not so much its economy on one potentiometer (which has a 46 dB exponential taper to get a log scale and is not inexpensive to make), but in its behavior. The obvious choice would have been a two-potentiometer Wien bridge, but when that circuit is adjusted in a high-gain feedback circuit, tracking unbalance as the wiper jumps from one wire to the next causes gain variations which make an indicating meter fluctuate widely. With one potentiometer, the gain may change in discrete steps as successive wires are contacted, but at

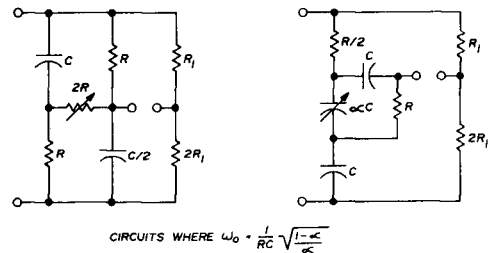


fig. 2. Bridge circuits with a tuning law which tunes from zero to infinity. Over a 10:1 frequency range, a linear variable component provides a good logarithmic dial.

least the peak is approached monotonically.

The main disadvantage of this circuit is that its *Q* is lower than that of a twin-T, like all null circuits adjusted by one component, *Q* varies over the

tuning range. The null detector uses the transfer impedance to obtain a more constant Q. The result is not ideal but surprisingly good. As I remember it, we were about to abandon the network when we discovered this way of using it.

There are other circuits to be considered, particularly the one by Y.A. Andreyev mentioned in the *G-R Experimenter* article (and by Grillet and Penn). Its tuning law seems preferable. There are many bridge-type networks which use a single variable resistor or capacitor. My favorites are those in the *G-R Experimenter* article that have a $\sqrt{(1-\alpha)/\alpha}$ tuning law which tunes from zero to infinity (see fig. 2). Over a 10 to 1 frequency range, a linear variable component gives a pretty good logarithmic dial. I've always wanted to experiment more with these circuits and maybe your readers would have fun making oscillators with them.

Finally, I would like to note that I'm very glad to have been made aware of your magazine. While I'm not an amateur, the few issues of *ham radio* I glanced through contained several articles that interested me. I plan to look through more and follow it in the future.

Henry P. Hall
Senior Principal Engineer
Gen Rad

50-MHz frequency counter

Dear HR:

I am writing concerning WB2DFA's article on the "50-MHz Frequency Counter" in the January, 1976, issue of *ham radio*. The schematic for the counter circuit contains three errors in the crystal-oscillator section: the inputs to the SN7400 NAND gates are left floating. For the oscillator to work properly there must be a definite *high* on the unconnected input pins. Admittedly, the oscillator may work if the inputs drift high because of internal transistor action, but for reliable and stable operation there should be a *high* on the unconnected inputs to the NAND gates. This problem may be corrected in one of two ways:

1. Connect input pin 2 of U1A to pin 1,

pin 4 of U1B to pin 5, and pin 10 of U1C to pin 9; or

2. Supply +V_{cc} to the unconnected inputs through 2200- to 6800-ohm resistors (any resistor between these two values will work).

Both methods make the NAND gates function as inverters but method 2 decreases the effective fan-in of the chip so it presents less of a circuit load.

This should solve any problems readers may have with intermittent or malfunctioning oscillators in the frequency counter.

James R. Aiello
JRA Systems

St. Clair Shores, Michigan

Although the inputs to the NAND gates should be pulled high rather than being allowed to float for true digital operation, we are not concerned with noise immunity in this case. In fact, it's less noise immunity that kicks the oscillator into action in the first place. Furthermore, tying both input pins together means that twice as much sinking current will be required to pull those inputs down, thus making the oscillator harder to start.

WB2WUF of Port Monmouth, New Jersey, built the counter almost a year ago, and in a recent conversation with him he reported that everything is still working okay. I have never had any problem with oscillator start-up either, and suggest that the circuit be left as is.

James W. Pollock, WB2DFA

telephone system precautions

Dear HR:

The telephone companies have rules against interconnects for a very good reason: they want the system to go on *working*.

In a recent issue of *ham radio** you published a schematic which showed a tap on a phone line which was directly grounded to the equipment. No doubt the author got away with it because he did not ground his equipment to the real world.

Although one wire of the phone pair into your house may appear to be at ground potential when first checked with a voltmeter, this is *not* a ground wire and the system must be isolated

from ground to work properly. The phone will have all kinds of buzz and crosstalk if one lead is even bypassed to ground because phone pairs are *balanced* audio circuits.

A typical input to the switchgear in the phone office looks like this:

The transformer picks off the audio in a fully balanced manner, with the capacitor providing the tie at the center for audio. Another winding on the transformer passes the audio on into the system.

The relay detects the presence of dc current in the phone (off-hook and dial pulses), again in a balanced manner with two coils. Adding another ground at the user's end shorts one winding of each.

From there on, things get quite complicated because the relay is not always the same relay. A different physical relay may be in the circuit for *each digit* of the dialed number, with the dc provided during the talking phase being many steps removed (and perhaps many miles away) from the relay monitoring the line when on-hook. A ground on one lead causes great confusion in all this.

If you must attach to the system, there is a simple method of keeping out of trouble. *Always* present to the phone line a *transformer winding with a blocking capacitor in series*. The winding impedance can be anywhere from 50 to 2000 ohms. The capacitor should be no larger than 0.2 μ F and able to stand 90 Vac ringing voltage with 48 Vdc superimposed (i.e. at least a 200 V paper capacitor).

On the other side of this transformer, you can do pretty much what you like as long as you don't drive audio into it at such levels that things are louder than normal speech in the normal telephone.

For a simple ring-detector, as was desired in the *ham radio* article, an optical coupler works admirably. Place a 0.1 μ F in series with it to block dc from the phone system and put a diode across the optical coupler to pass the reversed part of the ringing cycle.

N. J. Thompson, KH6FOX
Honolulu, Hawaii

*Robert Shriner, WA0UZO, "Automatic Telephone Controller for Your Repeater," *ham radio*, November, 1974, page 44.

...every tower in the world should be made this good.

Once in a while something really big comes along like Tri-Ex's all new W-80. So big we decided to call it the "Big W".

It's the big one of Tri-Ex's "W" Series towers.

Early on was the W-51. A superb performer and very popular still.

Last year came the W-67. Higher, bigger, stronger.

Now the W-80, Tri-Ex's "Big W" tower.

Excellent Performance

Provides good DX capability at low costs. And if you're watching the sunspot cycle—it's now on an upswing for better than average transmission and reception.

"Big W" is a free-standing, crank-up tower that goes a full 80-feet up. You can lower it with relative ease under windy conditions using "Big W's" comfortably positive pull-down cable to protect your antenna load.

Inherently Strong

As with all "W" Series towers, the W-80 is made of high strength steel tubing legs with solid rod "W" bracing. Stable? You bet!

Hot dipped galvanized after fabrication. Long lasting. Five sections. Included is a free rigid base mount. And the top plate is pre-drilled for a TB-2 thrust bearing.

Is Tri-Ex's "Big W" your kind of tower? Better believe it! Write today or see your nearest dealer. Ask about the W-80. It's real.

NEW "BIG W"


Tri-Ex
TOWER CORPORATION

7182 Rasmussen Avenue, Visalia, California 93277



Mobile Communications
Support Test Equipment

AVAILABLE FROM YOUR

AUTHORIZED

BIRD DISTRIBUTOR

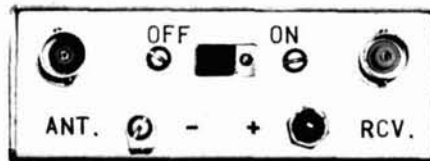
WEBSTER COMMUNICATIONS

115 BELLARMINE

ROCHESTER, MI 48063

313-375-0420

Vanguard now has a **HOT**
2m converter - at a price
you can afford



MODEL C-144-A ONLY \$39.95

READ THE SPECIFICATIONS & SEE WHY IT'S THE BEST CONVERTER VALUE AVAILABLE ANYWHERE!!

- Dual-gate MOSFET r.f. stage with diode protected input.
- Dual-gate MOSFET mixer for minimum cross modulation. Every converter tested for noise figure (2.5 - 3.0 dB max.) with Hewlett Packard noise measuring equipment.
- 6 tuned circuits.
- More than 20 dB gain. .1 microvolt sensitivity guarantee when used with receivers having 1 microvolt or better sensitivity.
- Complete with one .005% plug-in crystal to cover 144-146 or 146-148 MHz (be sure to specify which, or get both for only \$6.00 more). Standard output is for 28-30 MHz.
- 16 gauge aluminum case with BNC receptacles and antenna/power switch. Measures 3 1/4" x 2 3/4" x 1 1/4"

IN STOCK NOW FOR IMMEDIATE
C.O.D. SHIPMENT. Call Monday through
Friday 9 AM to 4 PM (212) 468-2720.

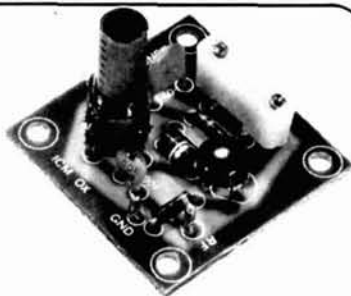
VANGUARD LABS

196-23 Jamaica Ave., Hollis, New York 11423

for the experimenter!

INTERNATIONAL CRYSTALS & KITS

OSCILLATORS • RF MIXER • RF AMPLIFIER • POWER AMPLIFIER



OX OSCILLATOR

Crystal controlled transistor type. 3 to 20 MHz, OX-Lo, Cat. No. 035100. 20 to 60 MHz, OX-Hi, Cat. No. 035101
Specify when ordering.

\$3.95 ea.



MXX-1 TRANSISTOR RF MIXER

A single tuned circuit intended for signal conversion in the 30 to 170 MHz range. Harmonics of the OX or OF-1 oscillator are used for injection in the 60 to 179 MHz range. 3 to 20 MHz, Lo Kit, Cat. No. 035105. 20 to 170 MHz, Hi Kit, Cat. No. 035106
Specify when ordering.

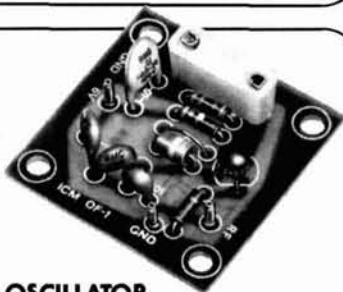
\$4.50 ea.



PAX-1 TRANSISTOR RF POWER AMP

A single tuned output amplifier designed to follow the OX or OF-1 oscillator. Outputs up to 200 mw, depending on frequency and voltage. Amplifier can be amplitude modulated. 3 to 30 MHz, Cat. No. 035104
Specify when ordering.

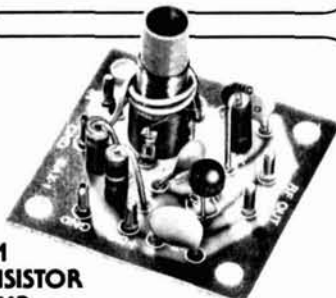
\$4.75 ea.



OF-1 OSCILLATOR

Resistor/capacitor circuit provides osc over a range of freq with the desired crystal. 2 to 22 MHz, OF-1 LO, Cat. No. 035108. 18 to 60 MHz, OF-1 HI, Cat. No. 035109
Specify when ordering.

\$3.25 ea.



SAX-1 TRANSISTOR RF AMP

A small signal amplifier to drive the MXX-1 Mixer. Single tuned input and link output. 3 to 20 MHz, Lo Kit, Cat. No. 035102. 20 to 170 MHz, Hi Kit, Cat. No. 035103.
Specify when ordering.

\$4.50 ea.



DAX-1 BROADBAND AMP

General purpose amplifier which may be used as a tuned or untuned unit in RF and audio applications. 20 Hz to 150 MHz with 6 to 30 db gain. Cat No. 035107
Specify when ordering.

\$4.75 ea.



.02% Calibration Tolerance EXPERIMENTER CRYSTALS (HC 6/U Holder)

Cat. No.	Specifications	
031080	3 to 20 MHz — for use in OX OSC Lo <i>Specify when ordering</i>	\$4.95 ea.
031081	20 to 60 MHz — For use in OX OSC Hi <i>Specify when ordering</i>	\$4.95 ea.
031300	3 to 20 MHz — For use in OF-1L OSC <i>Specify when ordering</i>	\$4.25 ea.
031310	20 to 60 MHz — For use in OF-1H OSC <i>Specify when ordering.</i>	\$4.25 ea.

Shipping and postage (inside U.S., Canada and Mexico only) will be prepaid by International. Prices quoted for U.S., Canada and Mexico orders only. Orders for shipment to other countries will be quoted on request. Address orders to:
M/S Dept., P.O. Box 32497,
Oklahoma City, Oklahoma 73132.



International Crystal Mfg. Co., Inc.
10 North Lee
Oklahoma City, Oklahoma 73102



Regency
the first name in solid state®

**INTRODUCES THE
VERSATILE
NEW**



HR-312

● **More Channels...at the flip of a switch**

Unlock the unique mode switch and 12 channels become 144

● **More Sensitivity, Less Interference.**

.25 μ V Sensitivity plus 75 db adjacent channel selectivity and 70 db image rejection

● **More Power Out**

35 watts nominal with a minimum of 30 watts across the band

... for a lot less

\$269⁰⁰

Amateur Net



ELECTRONICS, INC. 7707 Records Street
Indianapolis, Indiana 46226

THE FM LEADER →

2 METER

220 MHz

6 METER

440 MHz

**ALUMA
TOWERS**

LOW PRICED

MADE IN ALUMINUM

- ★ **TELESCOPING**
(CRANK UP)
- ★ **GUYED**
- ★ **TILT OVER MODELS**

QUALITY MADE

Excellent for

**HAM
COMMUNICATIONS**

10 MODELS MFG.

Towers to 100 feet. Specials designed & made. See dealer or send for free catalog.

ALUMA TOWER DIVISION
FRED FRANKE, INC.
BOX 2806HR
VERO BEACH, FLA. 32960
PHONE (305) 567-3415

Your Yaesu Headquarters



FT-101E

HF Transceiver 160-10m



FR-101

Receiver 160-2m

FULL YAESU LINE AVAILABLE

REQUEST CATALOG

ELECTRONIC DISTRIBUTORS, Inc.

*Communication Specialists
for over 38 years*

1960 PECK STREET

MUSKEGON, MICH. 49441

TEL. (616) 726-3196 TELEX 22-8411

THE STANDARD OF VALUE: ALPHA 76

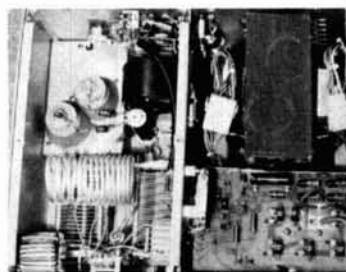
■ 2 + KW PEP

■ 1KW LOCKED-KEY

■ 10 THRU 160 METERS



- True CCS Kilowatt Average D-C Input
- Fully Self-Contained in One Cubic Foot
- Popularly Priced
- Full Year Warranty



ALPHA 76 is first of all power — brute, uncompromising power. It easily handles up to 2.5 KW PEP or more — a full 1000 watts of average d-c input — with no need for a key-down time limit! That's *true* 'continuous duty' [or 'CCS' — Continuous Commercial Service]. No other linear amplifier, except another **ALPHA**, delivers such power capability in a self-contained desk top cabinet.

ALPHA 76 is also the only true [CCS] full KW linear that includes 160 meter amateur band coverage and costs under \$2000!

Traditional **ALPHA** ruggedness and quality are conspicuous throughout the **ALPHA 76** — modern ceramic tubes; a full pi-L network with silver-plated copper tubing coils plus Teflon-insulated toroids for compactness and efficiency; the brutish 1.5 KVA [CCS!] transformer that itself outweighs many competitive amplifiers.

ETO's dedication to your convenience shows up in features like the plug-in transformer for easy handling and UPS shipping; the remarkably compact one-cubic-foot size for a linear of this power capability; full amateur band coverage including 160 meters; and the built in rf directional wattmeter.

TECHNICAL SPECIFICATIONS, MODEL PA-76

FREQUENCY COVERAGE: Tunable 1.8-2.0 and 3-30 MHz; all bands 160-10 meters.

PLATE POWER INPUT: Up to 2.5 KW PEP-SSB, 1 KW average or key down; no time limit.

RF POWER OUTPUT: Typically 1.2-1.5 KW PEP-SSB voice, 600 watts continuous carrier.

INPUT & OUTPUT IMPEDANCES: 50 ohms nominal, unbalanced; VSWR 2:1 or less.

DRIVE POWER: Nominal 100 watts PEP, 50 watts carrier; compatible with all popular exciters and transceivers.

DISTORTION: Third order IM more than 30 db below 1 KW PEP output.

ALC: Negative-going, adjustable threshold.

TUBE COMPLEMENT: Two Eimac 8874 ceramic-metal grounded grid triodes.

COOLING: Full-cabinet, ducted forced air; low noise centrifugal blower.

PROTECTION: Primary fuses, plate overcurrent relay; AC & HV cover interlocks.

PRIMARY POWER: 240V/10A or 120V/20A nominal, 50-60 Hz, 1 ϕ . Automatic step-start.

SIZE & WEIGHT: 7.5" h x 17" w x 14.75" d. 75 pounds net [UPS-shippable, 2 cartons].

ALPHA 76 is real '**ALPHA**' all the way — POWER, QUALITY, CONVENIENCE . . .
YOU CAN BUY A CHEAPER LINEAR . . . BUT IS THAT REALLY WHAT YOU WANT?

CALL OR WRITE ETO FOR SPECS AND DETAILS ON ALL ALPHA LINEARS AND ON
ALPHA/VOMAX — THE NEW 'SPLIT BAND' SPEECH PROCESSOR THAT BEATS RF CLIPPING.

ETO

EHRHORN TECHNOLOGICAL OPERATIONS, INC.
P.O. BOX 1297 BROOKSVILLE, FLORIDA 33512
(904) 796-1428

BULLET ELECTRONICS

P. O. BOX 19442
DALLAS, TEXAS 75219
(214) 823-3240

- NO COD'S
- SEND CHECK OR M.O.
- BAC or MC PHONE ORDERS
- ADD 5% SHIPPING

- FOREIGN ORDERS ADD 10% (20% for Airmail)
- TX. Residents add 5% Sales Tax
- ORDERS UNDER \$10. Add 60c

AUDIBLE CONTINUITY TESTER KIT

Measures continuity and resistance to 2K. Test LED's, diodes & transistors. Less Speaker. Requires 6 to 12 volts, (batteries not included). **\$1.95**

WARBLE ALARM KIT

Emits a piercing dual tone blast that is impossible to ignore. Great with our **Sender Receiver Kit**. All components and quality PC Board included. Speaker and power switch not included. (3-15V) **\$2.50 (kit)**

PS-12 POWER SUPPLY KIT

We Guarantee your Satisfaction!
Not only is the PS-12 able to supply a continuous 10 AMPS (15 AMPS intermittent) of low ripple, regulated DC voltage, but it is also variable from 3 to 30 volts! Use it as a building block for a fantastic bench supply. *We leave the chassis work up to you!*

FEATURES:

Output adjustable from 3 to 30 Volts DC
Adjust. Current limiting to 15 amps.
Special Pre-regulator circuit eliminates need for massive heat sinks.
Better than 1% Load & Line Regulation from 0 to 15 amps
Low Ripple output
Heavy duty 10 lb. Transformer

KIT INCLUDES:

Transformer
Heatsink (drilled)
Semiconductors (diodes, transistors, etc.)
All Components (resistors, caps)
Transistor mounting hardware & insulators
Drilled & plated PC Board
Wire

\$49.95
add \$3.70 for postage

MINI GRANDFATHER CLOCK KIT

The most fascinating kit we have ever offered features: *Large LED Simulated swinging pendulum matches tick-tock sound* Electronic tone chimes the hour (ie: 3 times for 3 o'clock)* Quality components & 2 PC boards measuring 4.5" x 6.5"* All CMOS IC construction* Transformer provided, no case included* Large 1/2" LED readouts. **\$44.00 Postpaid**

BULLET SUPER STAR PS-01A **\$14.95**

A compact, well regulated triple output power supply. Gives +5VDC @ 1.5A and +15 @ 150ma and -15 @ 150ma. Complete with PC Board, components, heatsinks & quality transformer. PS-01B same as above but with +/-12 output instead of +/- 15; Please specify model number when ordering.

ULTRASONIC SENDER-RECEIVER KIT **19.95**

A complete transmitter/receiver kit that will flood an average sized room with 23KHZ sound and detect any movement in the area. The output is a DC level that can be used to trigger a relay, bell or alarm. Uses 2 quality transducers. All components & PC Board included. (Requires 9-15 VDC @ 60ma [not supplied]).

AUTOMATIC TIME OUT CIRCUIT for ultrasonic or mechanical switch alarms. Provides a five second entry delay, sounds alarm for one minute, then re-arms itself. Requires 6-15 VDC. **\$3.95**

ALL NEW

Solid State TV Camera



ONLY \$129.50

#18,361 — Ideal low cost camera for security or other installation. 7038 — 1" vidicon, random scan, power supply, 117V AC, 60 cps, video output — horizontal resolution 450 lines, ALC. Wt. 5.6 lbs. 6.6" W x 9.5" D x 3.2" H. Brand new. Japanese import. Less lens — \$129.50.

This camera plus hundreds of other bargains in video equipment listed in our Flyer 976N5 & 977J1 — copies free on request.

DENSON ELECTRONIC CORPORATION

Mail: P. O. Box 85
Vernon, CT 06066

Office: 4 Longview St.
Ellington, CT 06029

Tel: 203/875-5198

BE ON TARGET

with
JAN QUARTZ CRYSTALS
for

- CB Synthesized • CB Standard
- General Communications
- Industry • Two-Meter
- Monitor • Scanners
- Marine VHF • Amateur Bands

Dependable USA Mfg. for

- Frequency Control
- Frequency Stability
- High Performance

Write or phone for more details Send 10¢ for our latest catalog

**2400 Crystal Drive
Ft. Myers, Florida 33901
all Phones (813) 936-2397**

NEW FROM HY-GAIN 2-METER BEAMS THAT LAST LONGER. WORK HARDER. AND COST LESS.

Introducing a whole new generation of Hy-Gain 2-Meter beams.

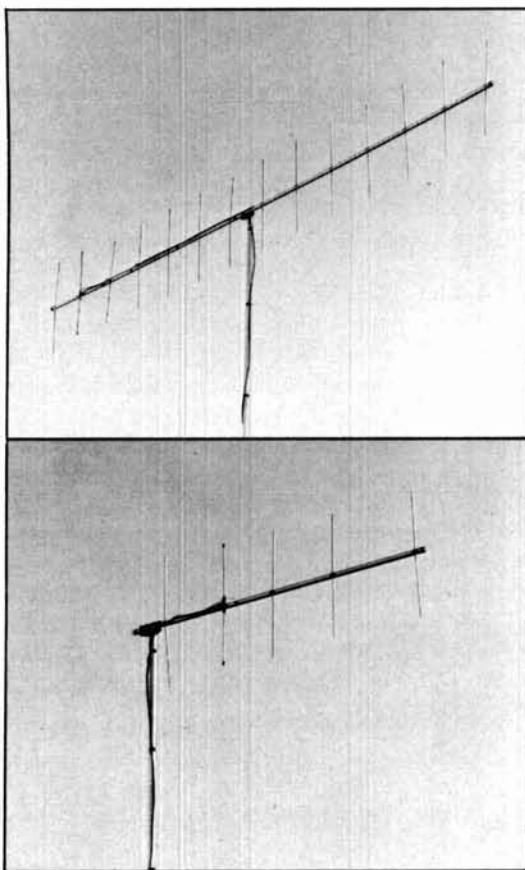
Completely redesigned for greater strength and corrosion resistance. So they last longer.

Newly engineered for greater performance and maximum efficiency. So they work harder, your transceiver works better.

And built better. So you pay less for the performance you want.

Our new 2-Meter beams give you the kind of performance you expect from the world's largest manufacturer of quality antennas. Yet, thanks to Hy-Gain technology, they weigh less, have lower wind loading and are UPS shippable.

They use an exclusive new element to boom mounting system that's mechanically stronger and electrically more efficient. All can be



vertically or horizontally polarized. And all are constructed of the finest aluminum and ZMI hardware.

Hy-Gain 214 14-element close spaced beam with extremely high forward gain and narrow beam width. **\$26.95**

Also available with 8-element optimum spacing, **Hy-Gain 208. \$19.95**

Hy-Gain 205 5-element optimum spaced end mount beam with high forward gain and broad frequency response. **\$16.95**

Also available with 3 elements, **Hy-Gain 203. \$12.95**

See the new generation of Hy-Gain 2-Meter beams at your amateur radio dealer. Or write Hy-Gain; 8601 North-east Highway Six; Lincoln, NE 68505.

hy-gain

WE KEEP PEOPLE TALKING.

Hy-Gain reserves the right to change prices, designs and/or specifications at any time without notice.

SPECIFICATIONS	214	208	205	203
Mechanical				
Boom length	186"	148 3/4"	75"	43 1/2"
Longest element	39 1/2"	40 1/4"	39 5/8"	40 1/4"
Turning radius	95"	75 1/8"	73"	43 1/2"
Wind survival	80 mph	80 mph	80 mph	80 mph
Mast diameter	1 1/4"-1 5/8" O.D.	1 1/4"-1 5/8" O.D.	1 1/4"-1 5/8" O.D.	1 1/4"-1 5/8" O.D.
Boom diameter	1 1/4" O.D.	1 1/4" O.D.	1 1/4" O.D.	1 1/4" O.D.
Wind load area	1.65 ft ² max.	1.26 ft ² max.	.740 ft ² max.	.496 ft ² max.
Net weight	5.5 lbs	4.1 lbs	2.9 lbs	2.2 lbs
Electrical				
Forward gain	13.0 dBd*	11.8 dBd*	9.1 dBd*	6.1 dBd*
Front-to-back ratio	20 dB	20 dB	20 dB	20 dB
Maximum SWR	2:1	2:1	2:1	2:1
Band width	2 MHz	2 MHz	4 MHz	4 MHz
Maximum power	250/500 PEP	250/500 PEP	250/500 PEP	250/500 PEP
Impedance w/balun	52 ohms	52 ohms	52 ohms	52 ohms
1/2 power beam width	35° vertical 35° horizontal	43° vertical 36° horizontal	60° vertical 45° horizontal	95° vertical 60° horizontal
Stacking distance	82" min.	82" min.	82" min.	82" min.

*Hy-Gain antennas are gain rated against a standard dipole antenna (dBd) instead of a theoretical isotropic source (dBi). This is a more honest and realistic means of comparing forward gain.

DRAKE TVI Filters

High Pass Filters for TV Sets

provide more than 40 dB attenuation at 52 MHz and lower. Protect the TV set from amateur transmitters 6-160 meters.



Drake TV-300-HP
For 300 ohm twin lead
\$10.60 ea.



Drake TV-75-HP
For 75 ohm TV coaxial
cable; TV type F
connectors installed
\$13.25 ea.

Low Pass Filters for Transmitters

have four pi sections for sharp cut off below channel 2, and to attenuate transmitter harmonics falling in any TV channel and fm band. 52 ohm. SO-239 connectors built in.



Drake TV-3300-LP \$26.60 ea.
1000 watts max. below 30 MHz.
Attenuation better than 80 dB above
41 MHz. Helps TV i-f interference, as
well as TV front-end problems.



Drake TV-5200-LP \$26.60 ea.
200 watts to 52 MHz. Ideal for six
meters. For operation below six
meters, use TV-3300-LP or TV-42 LP.



Drake TV-42-LP \$14.60 ea.
Four section filter with 43.2 MHz
cut-off and very high attenuation in all
TV channels for transmitters
operating at 30 MHz and lower. Rated
100 watts input.

To receive a FREE Drake Full Line Catalog,
please send name and date of this publication to:

R. L. DRAKE COMPANY



540 Richard St., Miamisburg, Ohio 45342
Phone: (513) 866-2421 • Telex: 288-017

All prices and specifications subject to change without notice.

Western Sales and Service Center, 2020 Western Street, Las Vegas, Nevada 89102 • 702/382-9470

SPECIAL INTRODUCTORY OFFER

..... at a price YOU can afford!

SCOTT COMMUNICATIONS SYSTEMS



- TOUCH TONE ENCODER** (Shown) Complete \$52.95
- RF ACTUATED CW MONITOR** -
for the best in CW operating \$24.95
- CRYSTAL CALIBRATOR** - 100, 50, 25 kHz \$19.95
- range extended to 10, 5, 1 kHz \$24.95

RTTY OPERATORS

Digital Date-Time-Message Generator, UARTS.
Quick Brown Fox Generator, many others.

MICROPROCESSOR BUFFS

CPU, Backplane, I/O Memory, Timing,
many others - boards, kits and assemblies.

VHF-FM TRANSCEIVER

TT Pad Programmable, PROM selected Channels.
Hi/Lo Power, PLL-5 kHz resolution.

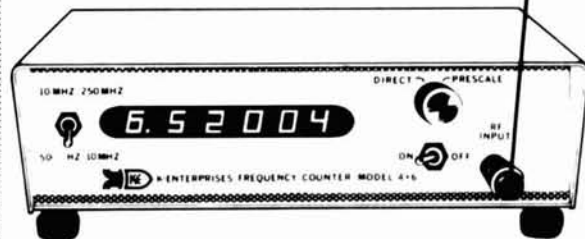
Above available early '77, write for details.

Send 13¢ Stamp for latest catalog.

SCOTT COMMUNICATIONS SYSTEMS

Box 2117, Dept. H, Stamford, Ct. 06906 or
Call (203) 357-1667

K-ENTERPRISES



MODEL 4X6C
50 HZ—250 MHZ \$270.00

300 and 500 MHZ PRESCALERS
FREQUENCY STANDARDS

MARKER and PEAKING GENERATORS
POWER SUPPLIES AMPLIFIERS

WRITE FOR FREE CATALOG



Phone:
918-676-3752



K-ENTERPRISES

Box 410 (N.W. of town)

FAIRLAND, OK 74343

ANNOUNCING

AMERICA'S NEWEST AMATEUR DEALER!
(and therefore the most eager to serve you)



AGL ELECTRONICS IN ACTION!

Our staff of experienced Hams is waiting to assist you with the selection of the best possible equipment to complement your station. Contact us today for friendly and competent advice. You deserve the best treatment and we'll provide just that. **Good Amateur equipment and service** is the name of our game.

LARRY WA5WWH

GORDON WA5JMK

MIKE WA5UOB
214-241-6414

MIKE WB5ACM

TOM WB5IZN

AGL ELECTRONICS

3068 FOREST LANE, SUITE 309 • DALLAS, TEXAS 75234

TS-1 MICROMINIATURE ENCODER-DECODER

- Available in all EIA standard tones 67.0Hz-203.5Hz
- Microminiature in size, 1.25x2.0x.65" high
- Hi-pass tone rejection filter on board
- Powered by 6-16vdc, unregulated, at 3-9ma.
- Decode sensitivity better than 10mvRMS, bandwidth, ± 2 Hz max., limited
- Low distortion adjustable sinewave output
- Frequency accuracy, ± 25 Hz, frequency stability ± 1 Hz
- Encodes continuously and simultaneously during decode, independent of mike hang-up
- Totally immune to RF

Wired and tested, complete with K-1 element

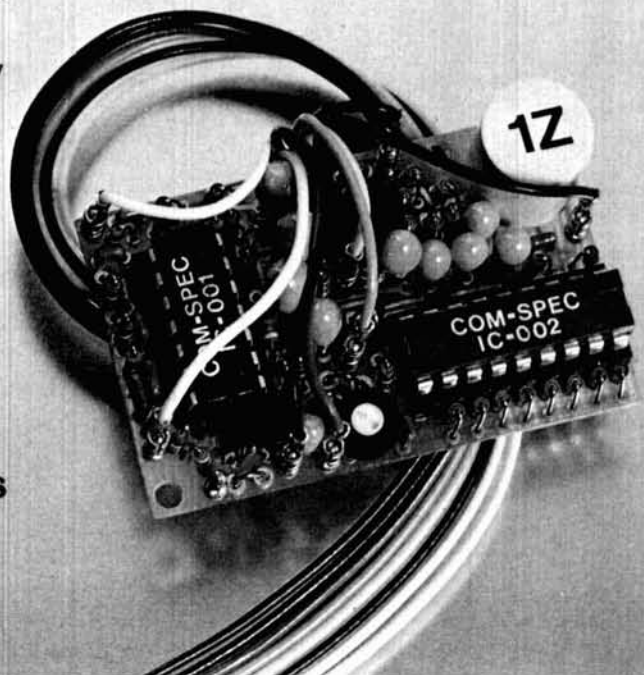
\$59.95

K-1 field replaceable, plug-in, frequency determining elements

\$3.00 each

COMMUNICATIONS SPECIALISTS

P.O. BOX 153
BREA, CALIFORNIA 92621
(714) 998-3021



GLB PUTS THE ENTIRE 2M.F.M. BAND

IN THE PALM OF YOUR HAND!



It had to happen. A tiny frequency synthesizer for your favorite two meter hand-held rig is finally here, and it had to come from GLB Electronics, the pioneer in Amateur Radio Channelizers.

The amazing GLB 200 gives your hand-held complete two-meter coverage from 146 to 147.995 Mhz. in 5 KHz. steps, with built in repeater offset, both *plus* and *minus* 600 KHz! The 200's the ultimate in operating convenience, with an incredibly low current drain of just 3.5 Ma. in receive mode. That's less than the current drain of most touch tone pads.

Your new GLB 200 will operate with any hand-held transceiver, with spurious outputs over 60 DB down! Space does not allow us to show complete specs. here, but we're proud of them. Write us for more information, or to order your GLB 200. You want unlimited flexibility with your hand-held two meter transceiver, and GLB wants to hand it to you.

The all new state of the art GLB 200. Completely wired and tested, no other options required, just \$259.95. We welcome Master Charge or BankAmericard.

GLB ELECTRONICS

60 Autumnwood Dr., Buffalo, N.Y. 14227

TECHNICAL WRITERS FOR ELECTRONIC SELF-INSTRUCTION PROGRAMS

We're looking for a combination of Hemingway and Marconi — educational writers who can be both descriptive and technically accurate.

You'll design and write self-instructional materials in electronics and communication technology. Demonstrated performance in the creation of tutorial material is highly desirable. An amateur radio license or first class FCC license is also desired.

These positions require the technical knowledge to plan and create a complete learning program.

Heath Company is a long recognized leader in the manufacture of fine electronic and technical equipment with a solid record of continued growth. The successful candidates can look forward to excellent facilities and working conditions in a dynamic engineering department. These positions offer salaries to match your background, an attractive benefit program and a pleasant lifestyle in a community on the shore of Lake Michigan.

Send resume to:
HEATH COMPANY

Attn: Jim Cooperider
Benton Harbor, MI. 49022



An Equal Opportunity Employer M/F

think of yourself as an antenna expert!

-you select your components!

1 Get optimum performance band for band. Choose from medium or high power resonators for your favorite bands.

2 Fold over, 360° swivel mast for quick band change or easy garaging. Select from two versions, fender/deck or bumper mount location.

3 Stainless steel ball mount, 180° adjustable, commercial duty for superior mechanical and electrical performance.

4 Get exceptional reports, broadest bandwidth, lowest SWR. Use with any convenient length 50 ohm coax. Matching devices not required.

5 For convenience, use the Hustler stainless steel resonator spring, and special design quick disconnect.

...and you'll mobile with the experts' foremost choice...

HUSTLER

Get fixed station reports from your mobile—operate 6-10-15-20-40-75 or 80 meters with the experts and join the vast majority using Hustler for nearly two decades.



Model SSM-2 Ball Mount



Model BM-1 Bumper Mount



Model QD-1 Quick Disconnect



Model RSS-2 Resonator Spring



Model L-14-240 Mil Spec 50 Ohm Feedline



Model MO-1 For Deck or Fender Location



Model MO-2 For Bumper Mount Location



Super Resonators RM(S) 2 KW PEP Greatest Bandwidth



Standard Resonators RM 400 Watts PEP

"the home of originals"

HUSTLER

Available from all distributors who recognize the best.

new-tronics corporation
15800 Commerce Park Drive
Brookpark, Ohio 44142
(216) 267-3150

HUSTLER ANTENNA PRODUCTS—for sixteen years—original designs—created and manufactured by American ingenuity, labor and materials—used by communicators throughout the world

Hustler designs are patented under one or more of the following assigned to New-Tronics Corporation 3287732, 3513472, 3419869, 3873985, 3327311, 3599214, 3582951

Q. WHAT IS IMPORTANT IN A FREQUENCY COUNTER?

A. ACCURACY. If it's not accurate, it's not useful.



The Davis Frequency Counter was designed for maximum accuracy from 10 Hz to 500 MHz. Accuracy is achieved with a precision built-in TCXO (temperature compensated x-tal oscillator) time-base, accurate to $\pm 0.0002\%$ (2 parts per million) over a temperature range of 15°C to 55°C. Also essential is the input sensitivity. The Davis Frequency Counter incorporates a high-sensitivity input amplifier that extends the useful range to measure low level signals.

THE DAVIS FREQUENCY COUNTER ALSO FEATURES:

- 8-Digit Display (for more accuracy)
- Large 3" LED Readouts
- Automatic Decimal Point Placement
- Resolution to 1Hz
- Automatic Input Limiting (eliminates input level adjustment)
- Input Diode Protected (protects circuitry against overload)
- Selectable Gate Times, 1 ms (for rapid reading) and 1 sec. (for maximum accuracy) Provision for 10 sec. (for maximum accuracy at low frequencies)
- Plug-In Time-Base (for future options)
- Plug-In Prescaler (for future options)
- Automatic Self-Check

SPECIFICATIONS

Frequency Range	10 Hz to 500 MHz
Input Z	1 Meg/20 ph to 50 MHz z 50 ohm above 50 MHz
Sensitivity	10 Hz to 25 MHz 10 mv 25 MHz to 50 MHz 30 mv 50 MHz to 500 MHz 150 mv
Time Base Stability	STD ± 2 ppm 15° to 55°C ($\pm 0.0002\%$) Optional ± 5 ppm 0° to 60°C ($\pm 0.00005\%$)
Power	117v 50/60 Hz 15W
Size	8 8" x 8" x 2 8" (223.5 x 203.2 x 71.12 mm)
Weight	3 lbs. 10 oz. (1.64 kg.)

500 MHz Kit (TCXO standard) (for preassembled and calibrated TCXO add \$5.00)	\$249.95
Complete Kit: Includes all parts, drilled and plated PC boards, cabinet, switches, hardware and a complete instruction manual with calibrating instructions. Approx. 8 hrs. to assemble. All parts are guaranteed for 90 days. Factory service available for \$25.	
500 MHz Factory Assembled	\$349.95
Factory assembled units are tested and calibrated to specifications, and are guaranteed for 1 year.	
Shipping Charges	\$2.00
Instruction and Calibrating Manual (refundable with purchase)	\$3.00

OPTIONS

Crystal Oven Option (plug-in) ± 5 PPM ($\pm 0.00005\%$), 0° to 60°C (increases accuracy over wider temperature range)	\$49.95
Larger (46") Digit Option Available on factory assembled unit only	\$10.00
Preamp Probe 20 dB gain range 10 MHz to 500 MHz (increases sensitivity of counter 10X)	\$49.95
12 volt DC Option	\$10.00
10 Sec. Time-Base Switch Option (postage paid, USA)	\$10.00

TRANSFORMER GUARANTEED FOR LIFE

DAVIS ELECTRONICS

Dept. F, 636 Sheridan Drive
Tonawanda, New York 14150
(716) 874-5848



VISIT OUR BOOTH AT THE DAYTON HAMFEST

WE SPECIALIZE IN "YOUR" SPECIALIZED HF/VHF/UHF AMATEUR PRODUCT NEEDS (SATELLITE - TROPO - DX)

WE CARRY:

KLM
ARCOS
LARSEN

HAL
HENRY (TEMPO)
G. R. STEPHEN
KLM MULTI-2700

ANGLE LINEAR
CUSHCRAFT
MOSLEY



The one 2M rig with everything fully synthesized plus full VFO FM/SSB/CW/AM - 10W Power Out. *PLUS - a self contained 29.5MHz receiver for OSCAR 6/7A.
\$795 - IN STOCK

KLM PA10-140BL



144-148 MHz
LINEAR AMPLIFIER

ANGLE LINEAR PREAMPS
FOR 28, 50, 144, 220 & 432 MHz
PERFECT FOR TS-700A, FT221, ETC.



2M Model
Noise Figure
1.5dB
Gain = 11dB
\$32.95

KLM ECHO 70 CM



The only 432 MHz SSB/CW synthesized transceiver on the market. *Excellent for OSCAR 7/Mode B **\$495** in stock

WRITE OR CALL FOR CATALOGS AND INFORMATION

TYCOL COMMUNICATIONS

ROUTE 3, MT. AIRY, MD. 21771
PHONE (301) 831-7086

DON & BOB'S SUPER BUYS

WIRE, ETC. Premax heavy-duty 4 ft. ground rod + clamp **\$4.00**
Consolidated antenna wire: #14 stranded **\$5.00/100 ft.** #12 stranded **\$8.00/100 ft.** #22 GA phosbronze longwire antenna wire **\$3.50/1000 ft.** Belden #14 stranded copper covered steel wire **\$5.00/100 ft.**

\$100-100 FT. SPECIALS

KLM KR400 Rotor + 100 ft. rotor cable **\$100.00**
CDE Big Talk + 100 ft. rotor cable **\$100.00**

CABLE 5/32", 6-strand, soft-drawn guy cable. For mast or light tower, 3¢ foot.

RAYTHEON 811A **\$16.00/pr.** 572B/T160L ea. **\$21.95** (In sealed cartons)

BELDEN COAX RG8U 8237 19¢ ft. 8214 RG8 foam 23¢ ft. 8235 300 ohm kw twinlead **\$12.00/C.** 8210 72 ohm kw twinlead **\$19.00/C.** Silver Plate Amphenol PL259 59¢ UG175 19¢.

CDE Ham-2 **\$129.00.** CD44 **\$104.00.** AR-22XL **\$50.00.** Belden 8 wire rotor cable 14¢ ft.

EXTRAS Reed switch 3/\$1.00. Buss AGC3 fuse 5¢ CDE .001/10KV doorknob cap **\$1.95.** Mallory 2.5A/1000PIV epoxy diode 19¢ ea.

CALL US FOR QUOTES ON: ATLAS 350XL, KENWOOD TS520, TS700A, TR7400A, FT101E. ALL IN SEALED CARTONS.

CALL US FOR QUOTES & ITEMS NOT LISTED

MADISON ELECTRONICS SUPPLY, INC.

1508 MCKINNEY
713/658-0268

HOUSTON, TEXAS 77002
Nites 713/497-5683

TERMS: All prices FOB Houston. Quotes Good 30 Days. All Items Guaranteed. Some items subject to prior sale. Send letterhead for Amateur dealers price list.

6-DIGIT LED CLOCK CALENDAR KIT

DATE-TIME-SNOOZE ALARM & MORE... KIT 7001

OUR TOP OF THE LINE KIT FOR THE BUILDER THAT WANTS THE BEST. A TOTAL PACKAGE, FEATURING 12 OR 24 HOUR TIME -- 29-30-31 DAY CALENDAR

WITH ALARM, SNOOZE AND AUX. TIMER CIRCUITS

Will alternate time (8 seconds) and date (2 seconds) or may be wired for time or date display only, with other functions on demand. Has built-in oscillator for battery back-up. A loud 24 hour alarm with a repeatable 10 minute snooze alarm, alarm set & timer set indicators. Includes 110 VAC/60Hz power pack with cord and top quality components through-out.

COMPLETE KIT WITH YOUR CHOICE OF DIGITAL DISPLAYS

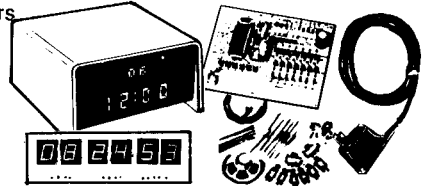
- KIT - 7001B WITH 6 - 4" DIGITS \$39.95
- KIT - 7001C WITH 4 - 6" DIGITS & 2 - 3" DIGITS FOR SECONDS \$42.95
- KIT - 7001X WITH 6 - 6" DIGITS \$45.95



7001 X DISPLAY



7001 C DISPLAY



7001 B DISPLAY

KITS ARE COMPLETE (LESS CABINET) WITH PC BOARDS, POWER SUPPLY, IC & SOCKET, 16 TRANSISTORS, 9 SWITCHES AND ALL REQUIRED PARTS. ALL 7001 KITS FIT CABINET I AND ACCEPT (OPTIONAL) QUARTZ CRYSTAL TIME BASE KIT # TB-1

\$39.95 ea.

6 DIGIT LED CLOCK KIT # 850-4

12/24 HR. OPERATION BIG 4" DIGITS - 50/60 HZ OPERATION.

- KIT INCLUDES**
- INSTRUCTIONS
 - QUALITY COMPONENTS
 - 50 or 60 HZ OPERATION
 - 12 or 24 HR OPERATION

LARGE 4" DIGITS!
ORDER KIT #850-4
AN INCREDIBLE VALUE!



\$1195 QTY. 1-5
ea. QTY.

\$1095 QTY. 6-11
ea. QTY.

\$995 QTY. 12 OR MORE
ea. QTY.

- 6-LED Readouts (FND-359 Red. com. cathode)
- 1-MMS5314 Clock Chip (24 pin)
- 13-Transistors
- 3-Switches
- 6-Capacitors
- 5-Diodes
- 9-Resistors
- 24-Molex pins for IC socket

"Kit #850-4 will furnish a complete set of clock components as listed. The only additional items required are a 7-12 VAC transformer, a circuit board and a cabinet. If desired."

- PRINTED CIRCUIT BOARD FOR KIT # 850-4, SCREEN PRINTED DRILLED AND SOLDER PLATED FIBERGLASS \$2.95
- MINI-BRITE RED LED'S (FOR COLOR IN CLOCK DISPLAY) Pkg. of 5-\$1.00
- MOLDED PLUG TRANSFORMER 115/10 VAC (WITH CORD) \$2.50

NOTE: Entire clock may be assembled on one PC Board or Board may be cut to remote display.
Kit # 850-4 will fit Plexiglas Cabinet II.

MOBILE LED CLOCK

12 OR 24-HOUR OPERATION MODEL #2001
12 VOLT AC OR DC POWERED FOR FIXED OR MOBILE OPERATION.

SIX LARGE 4" DIGITS!

Approx. Size:
1 1/4" H x 4" W x 4 1/2" D



- 6 JUMBO 4" RED LED'S BEHIND RED FILTER LENS WITH CHROME RIM
- SET TIME FROM FRONT VIA HIDDEN SWITCHES - 12/24-Hr. TIME FORMAT
- STYLISH CHARCOAL GRAY CASE OF MOLDED HIGH TEMP. PLASTIC
- BRIDGE POWER INPUT CIRCUITRY - TWO WIRE NO POLARITY HOOK-UP
- OPTIONAL CONNECTION TO BLANK DISPLAY (Use When Key Off in Car, Etc.)
- TOP QUALITY PC BOARDS & COMPONENTS - EXCELLENT INSTRUCTIONS
- MOUNTING BRACKET INCLUDED

- KIT #2001 COMPLETE KIT (Less 9V. Battery) **29⁹⁵** EA. 3 OR MORE **\$27⁹⁵** EA.
- 115 VAC Power Pack #AC-1 **\$2⁹⁵** EA.
- ASSEMBLED UNITS WIRED & TESTED **\$39⁹⁵** 3 OR MORE **\$37⁹⁵** Assembled Units
- ORDER #2001 WT (LESS 9V. BATTERY) **\$37⁹⁵** EA. May Be Mixed With Kits for Qty. Price

JUMBO DIGIT CLOCK KIT A complete Kit (less Cabinet) featuring: six .5" digits, MMS5314 IC, 12/24 Hr. time, 50/60 HZ., Plug-Transformer, Line Cord, Switches and all Parts. (Ideal Fit in Cabinet II) Kit # 5314-5 **\$19⁹⁵** ea. **2/38.**

JUMBO DIGIT CONVERSION KIT Convert small digit LED clock to large 5" displays. Kit includes 6 - 5" LED's, Multiplex PC Board & easy hook-up info. Kit # JD-1CC for common Cathode Kit # JD-1CA for common Anode **\$9.95** ea.

PRINTED CIRCUIT BOARDS for CT-7001 Kits sold separately with assembly info. PC Boards are drilled Fiberglass, solder plated and screened with component layout. Specify for 7001 B, C or D - **\$7.95**

TELEPHONE FORMAT KEYBOARD BY Chomeric **\$4.95** 2-1/4" x 3" 6/28, # EF-21360

25 AMP BRIDGE **\$1.95** ea. **3/\$5.00** 100 PIV

CABINET I
3" x 6" x 1 1/8" W x H x D

CABINET II
2 1/2" x 4 1/2" x 1 1/8" W x H x D

ANY SIZE/COLOR **\$1.50** ea. **2/12**

RED OR GREY PLEXIGLAS FOR DIGITAL BEZELS
3" x 6" x 1 1/8" **95^{ea.}** **4/3**

PLEXIGLAS CABINETS
Great for Clocks or any LED Digital project. Clear-Red Charcoal comes in Stock to insure contrast of Digital Displays.
Black, White or Clear Cover

7-SEG LED

COMMON CATHODE

COLOR HT DEC PT PRE EA

FND 359 RED	4" RHDP	\$ 95
FND 503 RED	5" RHDP	\$1.35
DL 750 RED	6" LHDP	\$2.95
XAN 654 GREEN	6" NDP	\$1.95
XAN 664 RED	6" NDP	\$1.95

COMMON ANODE

DL 747 RED	6" LHDP	\$1.95
XAN 72 RED	3" RHDP	\$1.25
MAN 72 RED	3" LHDP	\$1.25
XAN 81 YELLOW	3" RHDP	\$1.75
XAN 351 GREEN	3" RHDP	\$1.50
XAN 361 RED	3" RHDP	\$1.50
XAN 362 RED	3" LHDP	\$1.50
XAN 662 RED	6" NDP	\$1.95
XAN 692 RED	6" NDP	\$1.95

SCHOTTKY TTL

74S00	\$.35
74S01	40
74S04	55
74S05	50
74S09	55
74S10	40
74S20	50
74S22	45
74S40	45
74S50	45
74S51	55
74S60	85
74S64	55
74S74	85
74S75	1.75
74S79	1.50
74S86	95
74S107	95
74S112	95
74S113	140
74S114	95
74S133	1.35
74S134	75
74S138	1.75
74S139	1.50
74S151	1.95
74S153	1.95
74S156	1.95
74S157	1.80
74S158	2.50
74S174	2.50
74S175	2.50
74S181	2.95
74S182	1.95
74S251	2.75

LED DRIVERS

VOLTAGE REGULATORS

LM309 H TO 5	\$.95
LM309 K TO 3	1.25
7805 TAB	95
7812 TAB	1.25
7812 TO 3	1.50
7815 TAB	1.25
7815 TO 3	1.75
7824 TO 3	1.25
723 DIP	.75
723 TO 5	.75

PROM

1702 E Prom	\$8.95
5203 E Prom	\$8.95

SWITCHES

ROCKER SPDT	6/51
MINI SLIDE SPDT	5/51
REG SLIDE DPDT	6/51
PUSH-BUTTON N.O.	3/51

IC SOCKETS

PINS 1-24	25	100	
8	25	22	20
14	25	22	20
16	28	25	23
18	31	28	26
24	50	45	40
28	60	55	50
40	75	70	65

TRANSISTORS

2N2222	TO 18	5/11.00
2N2564	TO 5	2/81.00
2N2712	TO 98	5/11.00
2N3415	TO 98	5/81.00
2N3304	TO 92	5/11.00
2N4400	TO 92	5/11.00
2N4125	TO 92	5/81.00
2N4249	TO 92	5/11.00
2N4437	TO 92	5/81.00
2N6027	PUT	2/81.00
2N5457	N J-Fet	2/81.00

DIODES

IN 4002	1A, 100 PIV	12/\$1.00
IN 4005	1A, 600 PIV	11/81.00
IN 4007	1A, 1000 PIV	10/81.00
RECTIFIER	2.5A, 1000 PIV	4/81.00
IN 914	SIL SIGNAL	20/\$1.00
IN 4148	SIL SIGNAL	20/\$1.00
DYAC	28V.	4/81.00

LINEAR

555 TIMER	2/81.00
556 DUAL TIMER	.95
565 PL	.95
566 FUNCTION GEN.	1.75
567 TONE DECODER	1.75

OP AMPS

3/51.00	3/51.00
301 TO 5	709 TO 5
741 DIP	741 M-DIP
741 TO 5	748 DIP

DISCRETE LED'S

JUMBO RED

10 FOR \$1.00
100 FOR \$9.50

PC TRIM POTS

25K	6/1.00
4.7K	6/1.00

SPECTROL 10K 10 TURN

95c
4/\$3.00

PRESCALE

11C90DC	\$15.95
95H90	9.95

60 HZ. XTAL TIME BASE
Will enable Digital Clock Kits or Clock-Calendar Kits to operate from 12V DC. 1" x 2" PC Board Power Req: 5-15V (2.5 MA. TYP.) Easy 3 wire hookup Accuracy: ± 2PPM #TB-1 (Adjustable) Complete Kit **\$49⁹⁵** ea. **Wir & Cal \$9.95**

SEE THE WORKS Clock Kit Clear Plexiglas Stand
Kit #850-4 CP
• 6 Big 4" digits
• 12 or 24 hr. time
• 3 set switches (back)
• Plug transformer
• all parts included
Plexiglas is Pre-cut & drilled
Size: 6" H, 4 1/4" W, 3" D
\$23⁹⁵ ea. **2/45.**

SET OF 6 FND-359 WITH MULTIPLEX PC BOARD - 6.95
Fairchild Super Digit FND-359
4" Char. Ht. 7 segment LED RED Com. Cath. Direct pin replacement for popular FND-70.
95^{ea.} **10/\$8.50**
100/\$79.00

MOLEX PINS
Form Inexpensive Sockets
100 for \$1.25
Reel of 1000 - \$8.50

DIGITAL CLOCK IC's

MMS5312	\$ 4.95
MMS5314	3.95
MMS5375 AB	3.95
CT-7001	7.95
C17002	13.95
50380	3.95
MMS5369	2.50

XTAL

3375945	MHZ	\$1.95
---------	-----	--------

EXAR

XR 2566	\$ 1.75
XR 2567	\$ 1.95

NYLON WIRE TIES

8" TIE WRAP	100/\$1.95
4" TIE WRAP	100/\$1.75

MOLEX PINS

REEL OF 1000	\$ 8.50
STRIP OF 100	1.25

PLUG TRANSFORMERS

12VAC at 150 MA	\$ 2.50
12VAC at 500 MA	3.50
7VAC at 1.75 VA	\$3.50

MEMORY
4500
1K Ram
low power
21021 IPC
25 95
100
200 or more \$1.95 ea.
\$1.75 ea.
\$1.60 ea.
\$1.45 ea.

CPU NS8080AD
Micro Processor Chip
Prime National LSI
40 Pin socket **\$5.50** with each 8080A!
\$19.95 ea.

ORDER BY PHONE OR MAIL. COD ORDERS WELCOME. (\$1.00 CHG.) Orders Under \$15 Add \$1.00 Handling. Fla. Res. Please Add 4% Sales Tax. All Prepaid Orders Sent Postpaid Within Continental-USA.
OTHERS ADD 5%, 10% AIR MAIL.

OPTOELECTRONICS, INC.
BOX 219 • HOLLYWOOD, FLA. 33022 • (305) 921 2056



And behold there was a great earthquake for the Angel of the Lord descended from Heaven, and came and rolled back the stone from the door.

And the Angel said to the women, "Fear not, for I know that ye seek Jesus who was crucified. He is not here; for he is risen as he said. Come see the place where the Lord lay."

Then the eleven disciples went to Galilee... and when they saw him they worshipped him: but some doubted. And Jesus came and spoke to them saying, "All power is given to me in Heaven and in earth. Go ye therefore and teach all nations baptizing them in the name of the Father, Son and Holy Spirit, and lo, I am with you always, even to the end of the world."

Matthew 28, 2-20

We would like to share the message and joy of Christ risen this Easter.

Dentron
Radio Co., Inc.

2100 Enterprise Parkway
Twinsburg, Ohio 44087
(216)425-3173

ICOM IC 22S Frequency Encoder by Trans Com



Have the best of two worlds with your IC 22S. Up to 21 of your favorite frequencies AND full 146 to 148 MHz coverage.

- Tunes from 146.010 to 147.99 MHz in 15 kHz steps.
- Simple installation using either 9 pin ASSY plug or the optional 24 pin ASSY plug.
- Lever type switches for easy frequency selecting.
- Priced at \$69.95 (wired and tested)

Send check or money order to:

—Trans Com

P. O. BOX 120
ADDISON, ILL. 60101
Ill. residents add 5% sales tax

talk
power
by **TPL**
Econo-line



- Quality for an Economy Price
- Solid State Construction
- Linear Switch (FM/SSB)
- Broad Band

Model	Input	Output	Typical	Frequency	Price
702	10W-20W	50W-90W	10W in/70W out	143-149MHz	\$139.00
702B	1W- 5W	60W-80W	1W in/70W out	143-149MHz	\$169.00

Now get TPL COMMUNICATIONS quality and reliability at an economy price. The solid state construction, featuring magnetically coupled transistors and a floating ground, gives you an electronically protected amplifier that should last and last.

The Linear Bias Switch allows you to operate on either FM or SSB. The 702 and 702B are exceptionally well suited for 2-meter SSB. Typical power output levels as high as 100W PEP can be achieved with the proper drive.

The broad band frequency range means that your amplifier is immediately ready to use. No tuning is required for the entire 2-meter band and adjacent MARS channels on TPL's new *Econo-line*.

See these great new additions to the TPL COMMUNICATIONS product line at your favorite radio dealer.

TPL

Call or write for prices and information on TPL's complete line of amateur and commercial amplifiers.

COMMUNICATIONS INC.

1324 W. 135TH ST., GARDENA, CA 90247 • (213) 538-9814

Canada: A.C. Simmonds & Sons Ltd., 285 Yorkland Blvd., Willowdale, Ontario M2J 1S8
Export: EMEC Inc., 2350 South 30th Avenue, Hollandale, Fla. 33009

PREASSEMBLED

COMPLETE KIT



Crescomm Frequency Counters Features:

- 1** High Sensitivity VHF pre-scaler (built-in). 100mv RMS @ 50Ω @ 300MHZ. Frequency range DC through 600MHZ Model 600.
- 2** Excellent temperature compensation crystal controlled time base, yielding ± 1 part/ 10^6 stability per hour after 10 min warm-up, ± 10 PPM worst case, from 0° to + 55°C!, at 100Hz @ 450MHZ is attainable, typically if calibrated to WWVL. This is approximately 2 parts in 10^7 !
- 3** 7 digit display, resolution 100Hz with 10m Sec. gate interval, pre-scaled! 10Hz resolution with 1 Sec. pre-scaled, 1Hz resolution with 10 Sec. gate interval pre-scaled!
- 4** Built-in 5VDC regulator; input to 3-terminal regulator is accessible for use with 12VDC out-board PS. You can use this counter mobile.

5 Easy 6 hour assembly; all circuit broad tracks are pre-tinned, have drilled holes and are plated through! All I.C. sockets included - Makes trouble shooting a breeze.

6 Cabinet, plexy window and all necessary components included for easy, trouble-free assembly.

7 90-Day full coverage warranty.

Optional accessories TCXO time base yielding ½ PPM stability. \$79.95

Optional 10 Sec. time gate resolution to 1Hz. \$15.00. (Free with purchase of above TCXO)

Optional 12VDC power receptacle and cord assembly \$15.00 (on preassembled counter only)

"HAVE IT YOUR WAY"

Complete kit or preassembled, burned in, and environmental chamber tested unit available for the commercial shop or modern ham shack.

KIT Model 600K 179.00 ea. PREASSEMBLED & TESTED Model 600 AT 249.00
Bank Americard and Master Charge accepted. Please include account number with order.

NAME _____

STREET _____

CITY _____ STATE _____ ZIP _____

CALL SIGN _____

SEND CHECK OR MONEY ORDER TO:

Crescomm WIRE DIVISION • COMMUNICATION DIVISION • ELECTRONIC DIVISION
Incorporated

Bldg. 13 Euclid Avenue, Newark New Jersey 07105 (201) 589-4647

Counter Preamp/Probe

Sniffs out weak RF



Measuring oscillator frequency on modern communications equipment is tricky business. Circuit density and accessibility problems can be frustrating if you try using clip leads, loops, or coils. You might short out something or pull the oscillator off frequency with close coupling and be unable to get a reading because there just isn't enough signal to drive the counter. Also the counter input cable itself may load the oscillator even though the counter is high impedance. The COUNTER PREAMP is designed to solve these problems. It has 20 dB of gain which increases the sensitivity of your counter ten times. The low capacity insulated probe can pick up the signal just by holding it near the oscillator crystal, coil, or any active component. Sometimes it is possible to read the oscillator thru a plastic case. The preamp has BNC connectors on both ends and can be used as an in-line preamp for scopes, detectors, RF meters, etc., as well as counters. Input is high Z and output is low Z to drive 50 ohm cable. Another serious problem when aligning receivers is that many signal generators shift frequency when the attenuator is moved from high output to drive the counter to low output to make adjustments or check receiver sensitivity. The preamp will give 20 dB of isolation and eliminate the error. Customers have commented that having used the preamp they are now unable to get along without it. Many have made repeat purchases. The preamps are battery powered with three pencils at 25 ma. Output level is 200 to 300 millivolts RMS. One year warranty, money back guarantee. Shipped with probe, less batteries, postpaid cont. USA. Foreign add \$5.00. Call 213/342-2714 for COD or save money by sending check to Pagel Electronics.

VHF Preamp, 100 KHz to 200 MHz \$35.00
 UHF Preamp, 1 MHz to 500 MHz \$49.00



6742-C Tampa Ave., Reseda, Ca. 91335

YOUR BEST BUY IN KITS



ANALOG-DIGI-LAB

Features 3 Regulated power Supplies, 3 Output wave forms, 8 digital level switches, 2 no bounce pulser switches.

8 LEDs with drivers, 1 AP Super strip. Easily constructed. Designed by RETS Electronic Schools.

Now only \$139.00

Clock Kit (complete less case) \$12.95

Clock Cabinet \$6.50

or \$4.50 with purchase of clock kit.

Function Generator Kit \$10.95

Please add \$1.00 Shipping/Handling on any order under \$15.00
 Send SASE for flyer. Featuring Electronic components and kits available.

HAL-TRONIX

P. O. Box 1101 • Southgate, Mich. 48195 • (313) 285-1782

FREQUENCY COUNTER

7 Digit 0-300 MHz Freq. Counter \$99.00

7 Digit 0-500 MHz Freq. Counter \$139.00

8 Digit 0-30 MHz Counter with options \$109.00

0-300 MHz Prescaler for 8 Digit Counter \$19.95

0-300 MHz Prescaler with Preamp \$29.95

0-600 MHz Prescaler for 8 Digit Counter \$39.95

Cabinet accessory package available for all of the above \$24.95

Anyone of the above kits available pre-assembled for an additional \$50.00. Allow 3-4 weeks on assembled units.



TransCom TONE ENCODERS

TWO MODELS

TG-1 single frequency

TG-3 three frequency



- Plug in type tone elements
- Low distortion sinewave
- Excel. temp. & freq. stability
- Output level control
- Immunity to RF
- All EIA freq. avail. 67.0-203.5 Hz
- 9-16V, reverse polarity protection incl.

Wired & tested with frequency element. TG-3 has 3 elements with frequency selection switch. Installed easily in most radios.

TG-1 \$24.95 TG-3 \$56.95

Il. residents add 5% sales tax.

—TransCom P. O. BOX 120, ADDISON, IL 60101

HAM RADIO HORIZONS

Amateur Radio's NEW FUN MAGAZINE!

Ham Radio HORIZONS is a completely different idea, dedicated to the Beginner and Novice yet put together in a way that everyone will enjoy. In fact this is the first Amateur Magazine that will appeal to the non-Amateur members of the family.

Each month Ham Radio HORIZONS will be stressing the FUN side of our hobby — working DX, winning contests, improving your station, earning awards and upgrading your license. We'll be showing you how to get started in Amateur Radio, the most fascinating of all hobbies. You name it, Ham Radio HORIZONS will cover it and we'll do it in an easy to understand easy to enjoy manner.

Ham Radio HORIZONS is put together by an experienced and capable team of Amateurs, experts who know how to relate their experiences in an irresistible and exciting way — and just for you. You'll like Ham Radio HORIZONS.

We're promising you the most exciting year of Amateur Radio reading you ever had. Try a subscription and if you don't completely agree we'll gladly refund the unused portion of your subscription at any time.

SUBSCRIBE NOW
 so we can guarantee you'll have a complete collection.

HAM RADIO HORIZONS

Greenville, NH 03048

Please sign me up for a one year (12 issue) subscription to Ham Radio HORIZONS

- Enclosed is check or money order for \$10.00
- Please charge my BankAmericard.
- Please charge my MasterCard Account.
- Card No. _____
- Expiration date _____
- Bank No. (M/C only) _____
- Use your card or pay now and get an extra issue free.
- Bill me later.

Name: _____

Address: _____

City: _____

State: _____ Zip: _____

PRESENTING THE
NEW
2-METER PORTABLE
INTERNAL NI-CAD BATTERY OPERATED
SYNTHESIZED RADIO

FROM
WILSON



WE-800
PORTABLE

\$389⁰⁰

Now Available !!!
Shipping after April 15, 1977

WILSON'S NEW WE-800 2M RADIO

Wilson's New Portable 800 Channel 2 Meter Synthesized Radio that can go anywhere with you • Switchable 1 & 12 watt output • 1 watt output with internal Ni-cad battery pack (takes regular 10 "AA" Ni-cads) • Low current drain CMOS synthesizer: Rx 45 MA, TX 350 MA at 1 watt • 12 watt output mobile

• Covers frequency range 144-148 MHz in 5 kHz steps, 600 kHz off-set up or down • Two positions available for other than 600 kHz off-set • Five pre-set channels • On-off switch control for meter light in rear for power saving use • Size 8-1/4" x 6-3/4" x 1-7/8" • Weight 1 lb.,15 oz.

450 & 220 HAND HELDS

MODEL 4502 . . . \$299.95

FREQUENCY RANGE 420 - 450 MHz

- 6 Channel Operation
- Individual Trimmers on all TX/RX Crystals
- All Crystals Plug In
- 12 KHz Ceramic Filter
- 21.4 and 455 KHz IF
- .3 Microvolt Sensitivity for 20 dB Quieting
- Weight: 1 lb. 4 oz. less Battery
- Battery Indicator
- Size: 8 7/8 x 1 3/4 x 2 7/8
- Switchable 1 & 1.8 Watts Output @ 12 VDC
- Current Drain - RX 25 MA, TX 400 MA
- Microswitch Speaker Mic
- Unbreakable Lexan® Case

EACH UNIT INCLUDES FLEX ANTENNA AND SIMPLEX XTAL FREQ. INSTALLED:
446.00 or 223.50 MHz.

FREQUENCY RANGE 220 - 225 MHz

- 6 Channel Operation
- Individual Trimmers on all TX/RX Crystals
- All Crystals Plug In
- 12 KHz Ceramic Filter
- 10.7 and 455 KHz IF
- .3 Microvolt Sensitivity for 20 dB Quieting
- Weight: 1 lb. 4 oz. less Battery
- Battery Indicator
- Size: 8 7/8 x 1 3/4 x 2 7/8
- Switchable 1 & 2.5 Watts Output @ 12 VDC
- Current Drain: RX 25 MA, TX 400 MA
- Microswitch Speaker Mic
- Unbreakable Lexan® Case

BOTH MODELS USE THE SAME ACCESSORIES AS 1405.

MODEL 2202 . . . \$249.95

Available from your local Amateur dealer, or factory direct.

ACCESSORIES & OPTIONS

- ★ Battery Charger (BC2)
- ★ 10 ea. AA Ni-Cad Battery Pack (BP-1)
- ★ Extra Battery Tray (BT-1)
- ★ Leather Case for 1402 (LC-1)
- ★ Leather Case for 1405, 2202, 4502 (LC-2)
- ★ Speaker Mike (SM-2) 6 pin connector
- ★ TE-1 Sub-Audible Tone Encoder, installed
- ★ TE-2 Sub-Audible Tone Encoder/Decoder, Installed
- ★ TTP - Touch-Tone Pad - installation free if ordered at time of purchase of radio
- ★ 10.7 KHz Monolithic Xtal Filter (XF-1)



(Photo Shown with Optional Touch-Tone Pad)



Wilson Electronics Corp.

4288 SO. POLARIS • LAS VEGAS • NEVADA • 89103 • (702) 739-1931 • TELEX 684-522

COMPETITIVELY PRICED!

ALL PRODUCTS FULLY ASSEMBLED, TESTED AND WARRANTED. PRICES INCLUDE ALL POSTAGE FEES WITHIN THE USA. FOREIGN ORDERS, ADD \$3.00 TO COVER POSTAGE & HANDLING.

Arizona Residents Add 5% Sales Tax



\$49.95

EPC-300

300 MHz Prescaler

- o Built-In 117 vac 60 HZ power supply
- o Size 3 3/4" w x 2 3/4" h x 4" L
- o BNC input, output connectors
- o Input impedance = 50 ohms
- o Output TTL, Fan out of 1
- o Sensitivity 14 mv @ 150 MHZ, 150 mv @ 300 MHZ

For Faster Delivery Add \$1.00 For Airmail

Send Self-Addressed Stamped Envelope For More Information



\$32.95

EPC-144-B

2 Meter FM Transmitter

- o 2 Channels, 144-148 MHZ
- o Power Output 2 watts typical, 1 watt min @ 12.5 VDC
- o 50 ohm output impedance
- o Narrow band FM ± 5 KHZ
- o Rugged balanced emitter output transistor
- o Small size 1 7/8" w x 1" h x 3 3/4" L



Input Watts	Output Watts Min.	Typical
1	15	20
2	20	25
4	30	30

\$39.95

LA-144

30 Watt 2 Meter Power Amplifier

- o Frequency range 144-148 MHZ
- o Maximum RF output power 30 watts
- o Maximum RF input power 5 watts
- o Supply voltage 13.6 VDC
- o Small size 1 7/8" w x 5/8" h x 3 3/4" L
- o Virtually burn-out proof balanced emitter output transistor.
- o Fully compatible with the EPC-144-B
- o 50 ohm input & output impedance
- o Sold as a fully tested & assembled circuit board less case, connectors and heat sink

Elprocon
ELECTRONIC PROTOTYPE CONSULTANTS
1907 W. Campbell / Phoenix, Arizona 85015

QUALITY KENWOOD TRANSCEIVERS ... from KLAUS RADIO

The TS-820 is the rig that is the talk of the Ham Bands. Too many built-in features to list here. What a rig and only \$830.00 ppd. in U.S.A. Many accessories are also available to increase your operating pleasure and station versatility.



TS-820
160-10M TRANSCEIVER

Super 2-meter operating capability is yours with this ultimate design. Operates all modes: SSB (upper & lower), FM, AM and CW. 4 MHz coverage (144 to 148 MHz). The combination of this unit's many exciting features with the quality & reliability that is inherent in Kenwood equipment is yours for only \$599.00 ppd. in U.S.A.



TS-700A
2M TRANSCEIVER

Guess which transceiver has made the Kenwood name near and dear to Amateur operators, probably more than any other piece of equipment? That's right, the TS-520. Reliability is the name of this rig in capital letters. 80 thru 10 meters with many, many built-in features for only \$629.00 ppd. in U.S.A.



TS-520
80-10M TRANSCEIVER

This brand new mobile transceiver (TR-7400A) with the astonishing price tag is causing quite a commotion. Two meters with 25W or 10W output (selectable), digital read-out, 144 through 148 MHz and 800 channels are some of the features that make this such a great buy at \$399.00 ppd. in U.S.A.



TR-7400A
2M MOBILE TRANSCEIVER

Send SASE NOW for detailed info on these systems as well as on many other fine lines. Or, better still, visit our store Monday thru Friday from 8:00 a.m. thru 5:00 p.m. The Amateurs at Klaus Radio are here to assist you in the selection of the optimum unit to fulfill your needs.

KLAUS RADIO Inc.

8400 N. Pioneer Parkway, Peoria, IL 61614
Jim Plack W9NWE — Phone 309-691-4840



Radio Amateurs Reference Library of Maps and Atlas

WORLD PREFIX MAP — Full color, 40" x 28", shows prefixes on each country... DX zones, time zones, cities, cross referenced tables

\$1.25

RADIO AMATEURS GREAT CIRCLE CHART OF THE WORLD — from the center of the United States! Full color, 30" x 25", listing Great Circle bearings in degrees for six major U.S. cities: Boston, Washington, D.C., Miami, Seattle, San Francisco & Los Angeles.

\$1.25

RADIO AMATEURS MAP OF NORTH AMERICA! Full color, 30" x 25" — includes Central America and the Caribbean to the equator, showing call areas, zone boundaries, prefixes and time zones, FCC frequency chart, plus useful information on each of the 50 United States and other Countries

\$1.25

WORLD ATLAS — Only atlas compiled for radio amateurs. Packed with world-wide information — includes 11 maps, in 4 colors with zone boundaries and country prefixes on each map. Also includes a polar projection map of the world plus a map of the Antarctica — a complete set of maps of the world. 20 pages. Size 8 3/4" x 12"

\$2.50

Complete reference library of maps — set of 4 as listed above

\$3.75

See your favorite dealer or order direct.

Mail orders please include \$1.25 per order for shipping and handling.

RADIO AMATEUR **callbook** INC.

WRITE FOR FREE BROCHURE!



Dept. E 925 Sherwood Drive
Lake Bluff, Ill. 60044

See our HAM MART listings to find the Amateur Radio dealers nearest you.

A SUPER BOOK ABOUT SUPER-DX

"A GREAT book"
Dave Middleton W7ZC

"So delightful I couldn't put it down!"
Richard Peterson RADIO OBSERVER

"Charming, lively, entertaining."
Ron Bracewell SPECTRUM magazine

"Spellbinding! I couldn't put it down until I finished!"
Keith Carver W5RY

Searching around the clock for intelligent signals from space at one of the world's largest cosmic listening posts. Science fact which reads like science fiction.

BIG



John Kraus W8JK

EAR

228 pages 50 illustrations

Cygnus Quasar Books, Box 85, Powell, Ohio 43065
\$3.25 paper, \$6.25 hard, postpaid

HERE'S A HOT NUMBER

800-325-3636

(Toll Free)

CALL
HAM RADIO CENTER
ST. LOUIS

FOR NEW AND USED AMATEUR RADIO EQUIPMENT
MASTER-CHARGE BANKAMERICARD
TRADE ON NEW OR USED

Hours 9 A.M. - 5 P.M. (Central)

Closed Sun. & Mon.

THE HAM-KEY

NOW 5 MODELS

- Iambic circuit for squeeze keying.
- Self completing dots & dashes
- Dot memory.
- Battery operated with provision for external power.
- Built-in side-tone monitor.
- Speed, Volume, tone & weight controls.
- Grid-block or direct keying.
- Use with external paddle such as HK-1.



MODEL HK-1
\$29.95

NEW
MODEL HK-5
ELECTRONIC KEYS
\$69.95

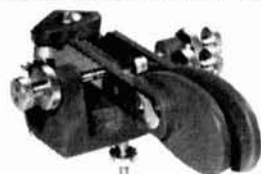


- Dual lever squeeze paddle.
- Use with HK-5 or any electronic keyer.
- Heavy base with non-slip rubber feet.
- Paddles reversible for wide or close finger spacing.



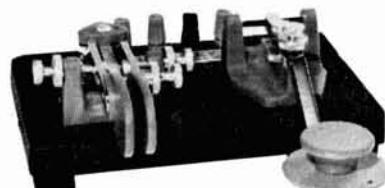
MODEL HK-3
\$16.95

- Deluxe straight key.
- Heavy base, no need to attach to desk.
- Velvet smooth action.



MODEL HK-2
\$19.95

- Same as HK-1, less base for those who wish to incorporate in their own Keyer.



MODEL HK-4
\$44.95

- Combination HK-1 & HK-3 on same base.

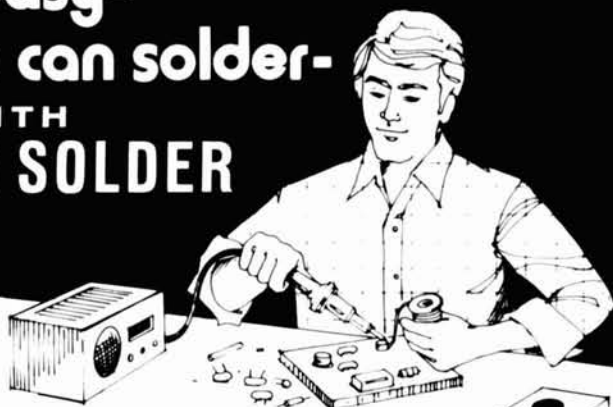
Available from your local dealer or order direct.

HAM RADIO CENTER, INC.

8340-42 OLIVE BLVD. • P. O. BOX 28271 • ST. LOUIS, MO. 63132

This is easy- anyone can solder- WITH KESTER SOLDER

**KESTER
SOLDER**



Handymen! Hobbyists! DO-IT-YOURSELFERS!

Let Kester Solder aid you in your home repairs or hobbies. For that household item that needs repairing — a radio, TV, model train, jewelry, appliances, minor electrical repairs, plumbing, etc. — Save money — repair it yourself. Soldering with Kester is a simple, inexpensive way to permanently join two metals.

When you Solder go "First Class" — use Kester Solder.

For valuable soldering information send self-addressed stamped envelope to Kester for a FREE Copy of "Soldering Simplified".



KESTER SOLDER

Litton 4201 WRIGHTWOOD AVENUE/CHICAGO, ILLINOIS 60639

12 Button touch-tone pads calibrated and guaranteed 90 days (abuse excluded) with diagram \$14.00
Attractive plastic mounting box with brackets \$4.75
Complete working system ready to connect to your transmitter \$24.95
Complete working system with speaker in housing for acoustic coupling with power switch \$39.95



TELEPHONE EQUIPMENT COMPANY
Post Office Box 596, Leesburg, Florida 32748
(904) 728-2730

COLLINS & MORE

Collins 51S1 Receiver \$1295.00
Collins 30S1 Linear Amp \$1995.00
Collins 75S3B, Exc. cond. \$925.00
Collins 312B4, Exc. cond. \$235.00
Collins KWM-2 transcvr. V.G. \$850.00
Collins CP-1, crystal Pack \$250.00
Collins 399C-1 VFO console \$265.00
Drake R4A Receiver \$325.00
Drake T4X Fac. update 2/76 \$350.00
Heath SB303 Ham rcvr., mint \$365.00
Heath SB401 Ham trans. mint \$365.00

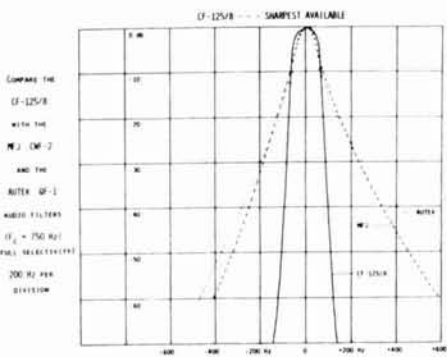
We stock good, used equipment from Collins, Drake, Heath and other manufacturers. Hundreds of test items also available. Call for specific requirements, or write for free catalog.

DAMES COMMUNICATION SYSTEMS

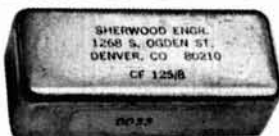
201-998-4256

10 SCHUYLER AVENUE
NORTH ARLINGTON, N. J. 07032

125 Hz Crystal Filter for Drake R-4C



**SHARPEST
AVAILABLE**



Cuts QRM Ideal for DX and Contest Work. Does what no audio filter can do. Yet works well with an audio filter to improve receiver performance. A must for CW operators who want the best. 125 Hz at -6 db, 325 Hz at -60 db, 8 poles.

CF-125/B \$125.00

Money back if not satisfied

Sherwood Engineering, Inc.

Dept. A

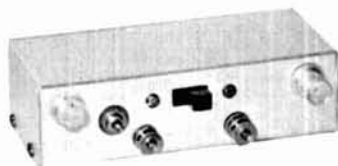
1268 South Ogden St.

Denver, Colo. 80210

(303) 722-2257



PRE-AMP



HIGH GAIN • LOW NOISE

35dB power gain, 2.5-3.0 dB N.F. at 150 MHz 2 stage, R.F. protected, dual-gate MOSFETS. Manual gain control and provision for AGC. 4 3/8" x 1 7/8" x 1 3/8" aluminum case with power switch and choice of BNC or RCA phono connectors (be sure to specify). Available factory tuned to the frequency of your choice from 5 MHz to 250 MHz with approximately 3% bandwidth. Up to 10% B.W. available on special order.

N. Y. State residents add sales tax.

Model 201 price: 5-250 MHz \$29.95

**Vanguard
Labs**

196-23 JAMAICA AVE.

HOLLIS, N. Y. 11423

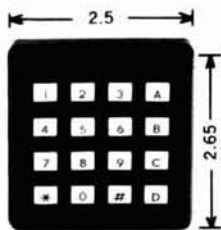
TROUBLE FREE TOUCH-TONE ENCODER



PP-1

POSITIVE TOUCH (KEYS DEPRESS) • MOBILE • HANDHELD
DESK MOUNT • NO POTTED PARTS (SERVICEABLE)
MIL. SPEC. COMPONENTS • NO RFI • SELF CONTAINED
XTAL CONTROLLED • LEVEL ADJUSTABLE FROM FRONT
Pat. Pend.

Supplied with: Instructions, schematic, template, hardware. Operating Voltage 4.5 - 60V. PP-1A, designed for Standard Communications Handhelds. (California residents add 6% sales tax.)
PP-1 = \$55.00, PP-2 = \$58.00, PP-1A = \$68.00
PP-1M = \$55.00, PP-2M = \$58.00, M series Mobile
PP-1K = \$66.00, PP-2K = \$69.00, K series - Delay Relay
LETTERING OF UNITS OPTIONAL ADD \$1.00
Available at: Ham Radio Center (800) 325-3636
Denver Colo. CW Electronics (303) 893-5525
Oakland Calif. M-Tron (415) 763-6262
Quebec Canada VE Services (418) 658-7388
New York City Harrison (516) 293-7990



PP-2

Pipo Communications

P.O. Box 3435 Dept. B
Hollywood, California 90028
213-852-1515

Genave' amateur radio tomorrow... today!



GTX-200T
(incl. 146.94 MHz)
\$249⁹⁵

Engineered and designed for the quality conscious 2-meter enthusiast

Genave's GTX-200T offers the FM operator up to 100 channel combinations incorporating 10.7 MHz first IF and 455 MHz second IF for outstanding sensitivity, minimizing effects of adjacent channel interference.

ADDITIONAL FEATURES INCLUDE:

- 30 watts output power, nom. 25 watts min. @ 14 VDC input
- Separate controls for independent transmit and receive frequency selection
- Switch for lock-in of pre-selected frequency pairs allows one-knob operation
- Supersensitive dual-gate MOSFET in receiver head end.
- Blacklighted for night operation
- Factory-installed, front panel mount 12 digit tone encoder.



GTX-2
2-meter FM, 10 channels, 30 watts with pushbutton frequency selector (Incl. 146.94 MHz) **\$189⁹⁵**



GTX-200
2-meter FM, 100 channel combinations, 30 watts (Incl. 146.94 MHz) **\$199⁹⁵**



GTX-10-S
2-meter FM, 10 channels, 10 watts (Xtals not included) **\$149⁹⁵**

GTX-1T
\$299⁹⁵

Hand-Held 2-meter FM, 6-channel, 3.5 watts hand-held with factory-installed tone encoder

GTX-1
\$249⁹⁵

Hand-Held 2-meter FM, 6-channel, 3.5 watts hand-held



CHECK THESE FEATURES:

- All metal case
- American made
- Accepts standard plug-in crystals
- Features 10.7 MHz crystal filter
- Trimmer caps on TX and RX crystals
- 3.5 watts output
- Battery holder accepts AA regular, alkaline or nicad cells
- Mini hand-held measures 8" high x 2.625" wide x 1.281" deep
- Rubber ducky antenna
- Wrist safety-carrying-strap included
- 6 channels
- Factory-direct to you!

Accessories Available

- Nicad battery pack
- Charger for GTX-1 battery pack
- Leather carrying case
- TE-III tone encoder for auto patch

STONE ENCODER PAD
Plug-in installation on most amateur transceivers.

TE-II **\$299⁹⁵** TE-I **\$599⁹⁵**



HURRY! USE THIS HANDY ORDER FORM OR CALL COLLECT TODAY!
(317) 546-7959



4141 Kingman Dr., Indianapolis, IN 46226
Phone-in orders accepted (317+546-1111)

NAME _____
ADDRESS _____ CITY _____
STATE & ZIP _____ AMATEUR CALL _____

Payment by:
 Certified Check / Money Order Personal Check
 C.O.D. Include 20% Down

Note: Orders accompanied by personal checks will require about two weeks to process.
20% Down Payment Enclosed. Charge Balance To:

BankAmericard # _____ Expires _____
 Master Charge # _____ Expires _____
 Interbank # _____ Expires _____

IN residents add 4% sales tax: \$ _____

All orders shipped post-paid within continental U.S.

- Ringo Ranger ARX-2 6db 2-M Base Antenna **\$299⁹⁵**
- Lambda/4 2-M and 6-M Trunk Antenna **\$299⁹⁵**
- TE-I Tone Encoder Pad **\$599⁹⁵**
- TE-II Tone Encoder Pad **\$499⁹⁵**
- PS-1 AC Power Supply for use with all makes of transceivers 14 VDC—8 amp **\$699⁹⁵**
and the following standard crystals @ \$4.50 each
Non-standard crystals @ \$6.50 each: \$ _____

Add \$4 per Radio for Shipping, Handling, and Crystal Netting.

ACCESSORIES FOR GTX-1 and GTX-1T

- PSI-18 Optional Nicad battery pack **\$299⁹⁵**
- PS-2 Charger for GTX-1(T) battery pack **\$399⁹⁵**
- GLC-1 Leather carrying case **\$129⁹⁵**
- TE-III Tone Encoder (for use with GTX-1) **\$499⁹⁵**

flea market



RATES Non-commercial ads 10¢ per word; commercial ads 40¢ per word both payable in advance. No cash discounts or agency commissions allowed.

HAMFESTS Sponsored by non-profit organizations receive one free Flea Market ad (subject to our editing). Repeat insertions of hamfest ads pay the non-commercial rate.

COPY No special layout or arrangements available. Material should be typewritten or clearly printed (not all capitals) and must include full name and address. We reserve the right to reject unsuitable copy. Ham Radio cannot check each advertiser and thus cannot be held responsible for claims made. Liability for correctness of material limited to corrected ad in next available issue

DEADLINE 15th of second preceding month.

SEND MATERIAL TO: Flea Market, Ham Radio, Greenville, N.H. 03048.

WANTED: HF SSB xmt, any condition Paul Smonskey, 3535 California Ave., Pittsburgh Pa. 15212.

HAM RADIO HORIZONS, a super magazine for the Beginner, the Novice and anyone interested in Amateur Radio... What it's all about. How to get started. The fun of ham radio. It's all here and just \$10.00 per year. HURRY! HURRY! Ham Radio HORIZONS, Greenville, NH 03048.

CANADIANS 1,000,000 surplus parts. Bargains galore. Free catalog. Etco-HR. Box 741, Montreal, H3C 2V2.

ATTENTION: Announcing a new ham radio dealer in New Orleans. Digital Electronics, Inc., 1201 Annunciation Street, is an authorized representative for many major manufacturers of ham radio equipment and accessories. Large inventory! Competitive pricing! Write for quotes or call collect to place your order (504) 568-9879. BankAmericard or Mastercharge accepted. Digital Electronics, Inc. — P.O. Box 30566 — New Orleans, La. 70190.

PORTAPAK the accessory that makes your mobile really portable. \$67.50 and \$88.00. Dealer inquiries invited. P.O. Box 67, Somers, Wisc. 53171.

TELETYPE EQUIPMENT for beginners and experienced operators. RTTY machines, parts, supplies. Beginner's special: Model 15 Printer and demodulator \$139.00. Dozen black ribbons \$6.50; case 40 rolls 11/16 perf. tape \$17.50 FOB. Atlantic Surplus Sales, 3730 Nautilus Ave., Brooklyn, N. Y. 11224. Tel: (212)372-0349.

FOR SALE: Attention ATV'ers — Video Tape Recorders For Sale. Time lapse and reel time machines. All in working condition. Send S.A.S.E. for prices, models, etc. to Dictograph Security Systems, 28 Columbia Turnpike, Florham Park, N.J. 07932. Attn: Room 113/Dave Griffiths.

TEKTRONIX (LAVOIE) 545B Oscilloscope — \$525. Altair 8800 (assembled) with 16-slot motherboard — \$475. Regency HR2A, fully crystallized — \$195. Much, much more — send large sase for list. James R. Einolf, 3900 Fox Dr., Loveland, CO. 80537.

BUY — SELL — TRADE Write for free mailer. Give name, address and call letters. Complete stock of major brands new and reconditioned equipment. Call for best deals. We buy Collins — Drake — Swan etc. SSB & FM. Associated Radio, 8012 Conser Overland Park, Ks 66204, 913-381-5901.

QSL — BROWNIE W3CJ1 — 3035B Lehigh, Allentown, Pa. 18103. Samples with cut catalog 50¢.

RTTY DEMODULATORS — New ST-5's with auto-start and AK-1 AFSK audio oscillator \$185 or \$25 and balance UPS COD. David Tancig, 618 W. White St., Champaign, ILL. 61820.

SAVE! Bomar FM, xtals \$4.00 ppd. Dentron, Hustler, CushCraft, W. M. Nye, Ameco. Used gear. Complete catalog - write Ferris Radio, 308 E. Harry, Hazel Park, Mich. 48030.

NEW 4-Varactor, 3-transistor UHF TV tuner. Tunes thru 440 MHz for ATV or repeater applications. \$7.95 ppd. Workshop, Box 393H, Bethpage, NY 11714.

CRYSTALS — S.A.S.E. my list. K8LJQ, 355 Mower Rd., Pinckney, Mich. 48169.

WANT HAM RADIO 1973 and earlier. Henryk Kotowski, Box 6036, 16306 Spanga, Sweden.

RECONDITIONED TEST EQUIPMENT for sale. Catalog \$50. Walter, 2697 Nickel, San Pablo, Ca. 94806.

WANTED: old keys, Navy, RR etc., also old microphones. K4NBN, Del Popwell, 1946 Sweetbriar, Jacksonville, Fla. 32217.

4-400A's NEW, BOXED, \$22. Perfect for 2kw linear. Barnes, 2110 Apache Ridge Rd., Meridian, MS 39301.

FOR SALE: Boonton Radio 202 H VHF-FM Signal Generator \$800.00. Boonton Radio 207H Univerter \$200.00. John WA6JML, (213) 372-1269.

TRAVEL PAK QSL KIT — Send call and 25¢; receive your call sample kit in return. Samco, Box 203, Wynantskill, N.Y. 12198.

TRANSMITTING TUBES, HV and filament xmrs, rotary inductors, transmitting capacitors. Send stamp for flyer. T.S. Marinch Electronics, 102 Bell St., Weirton, W. Va. 26062.

FREE CATALOG. Solar Cells, Ni-cads, Kits, Calculators, Digital Thermometers, Ultrasonics, Strobes, LEDS, Transistors, IC's, Speakers, Unique Components. Chaney's, Box 27038, Denver, Colo. 80227.

MOBILE IGNITION SHIELDING provides more range with no noise. Available most engines. Many other suppression accessories. Literature, Estes Engineering, 930 Marine Dr., Port Angeles, WA 93862.

KLM ECHO II 2 meter SSB transceiver. 5 watts, crystalized for 144 to 144.3 MHz and 145 to 145.33 MHz. Have two units at \$245.00 each. Stan Wigh WB5GVK, Box 118, Mustang, Oklahoma 73064 (405) 745-3061.

FREE Electronics Surplus Catalog. Electronic Specialties, 1659 Wetmore, Tucson, AZ 85705.

MOTOROLA HT220, HT200, and Pageboy service and modifications performed at reasonable rates. WA4FRV (804) 320-4439, evenings.

QSL's, CATALOG 30¢. RTTY paper 4 1/2 inch rolls white, case of 12 \$25.00 plus shipping. P. O. Box 11184, Phoenix, Arizona 85061.

OLD TIMERS TOO rave about Ham Radio HORIZONS, amateur radio's exciting, new, fun magazine! Join in the action. 12 issues for \$10.00. Ham Radio HORIZONS, Greenville, NH 03048.

MOBILE BONDING STRAPS under 50¢ each. Literature. Estes Engineering, 930 Marine Drive, Port Angeles, Wash. 98362.

WANTED: Allied model A-2516 receiver in good condition. W9ZVE, Box 143, Oakfield, WI. 53065.

FERRITE BEADS: w/specification and application sheet - 10/\$1.00. Assorted PC pots - 5/\$1.00. Miniature mica trimmers, 3-40 pf. - 5/\$1.00. Postpaid. Includes latest catalog. Stamp for catalog alone. CPO Surplus, Box 189, Braintree, MA 02184.

VERY in-ter-est-ing! Next 4 issues \$1. "Ham Trader" Yellow Sheets, Sycamore, IL 69178.

ETCH IT YOURSELF PRINTED CIRCUIT KIT, Photo-Positive Method — All the supplies for four P.C. boards, direct from magazine article in less than 2 hours. Only \$19.95 S.A.S.E. for details. Excel Circuits, P. O. Box 891, Troy, Michigan 48099, 313-549-0440.

FOR SALE: Old Electronics Books, Radio Hand Book, The Radio Amateur's Books — CQ-73-QST. Will not deliver. Please Call 201-339-4727 — or write: L. Jablonka W2ZCA, 18 West 34th St. Bayonne, N.J. 07002.

SPEAKERS

SQUARE — 3" - 4Ω - .3W, 4 mtg holes. \$1.45 ea. ppd., 2/\$2.75 or 4/\$4.80 ppd.

PIONEER — Round 2 3/4" x 7/8" - 16Ω - .3W. \$1.55 ea., 2/\$2.85 or 4/\$5.20 ppd.

OVAL — 2" x 4" x 1 1/4" deep - 8Ω - .1W. 4 Hole Mtg. \$1.75 ea. ppd., 2/\$3.15 or 4/\$5.75 ppd.

Round #5P585A 2" x 3/4" - 8Ω - .1W Matsushita. \$1.35 ea. ppd. 2/\$2.55 or 4/\$4.75 ppd.

14 MULTI-CONDUCTOR RIBBON — #22 color coded — Qty limited. 20¢per ft. or \$1.25/10 ft.

TUNING METERS — Blue tinted plastic body, 0 to left, graduated scale, 200µA, 1 1/2"W x 1 1/4"H x 3/4"D. Scale can be rear lighted. Sylvania #18148-1 \$2.25 ea. or 4/\$6.95 ppd.

3000 MFD @ 30 Volt Capacitors.

1" Dia. x 3" — 90¢ ea. or 3/\$2.25 ppd.

3000 MFD @ 20V Capacitors. Same size as above. 80¢ ea. or 3 for \$2.00 ppd.

ELECTROLYTIC CAPACITOR — PHILCO QUAD SECTION 4" x 1 3/4" dia. TWISTAB MTG.

100x150 MFD @ 400V and at 350V D.C. and 20x50 MFD @ 250V — A nice unit for Xceiver, etc. \$1.10 ea. or 3/\$2.95 ppd.

DUAL Electrolytic 1000 & 500 MFD. 15V, long leads. 3/4" dia. x 2 1/4" long. 55¢ each 3/\$1.50 ppd.

CRL Disc Capacitors. .1 MFD, 10V 3/8" dia., long leads. 10 for \$1.00 ppd. 100/\$8.40, 500/\$36.60 (U.P.S. Only)

UNPOTTED TOROIDS — center tapped 88 MHY - 5 oz. - 5/\$2.95 44 MHY 5 pcs. - 9 oz. - 5/\$3.49 5/\$3.95 ppd.

NEW Transistor and Relay Assembly — consists of (2) MJE3055 and (2) MJE2955 transistors (10 amp, 90w, 60v complementary pairs) mounted in "U" channel heat sink 2 1/2" x 1 1/2" x 1 1/2". (2) XTAL CAN RELAYS, DPDT, 28v, 80000, 5.8 ma DC, 1 amp contacts mounted on PC board with resistors. \$2.95 ea. ppd.

400 PIV BRIDGES — 1.5A Gen. Instr. P.C. Bd type. 65¢ ea. or 3/\$1.80 ppd.

SEMTECH BRIDGES Heat sink w/center hole mtg. 10 Amp — Tested — 200V P.I.V. \$1.75 ea. ppd. 400V P.I.V. \$1.95 ea. ppd. 600V P.I.V. \$2.15 ea. ppd.

25 AMP — TESTED 200V P.I.V. \$2.25 ea. ppd. 400V P.I.V. \$2.50 ea. ppd. 600V P.I.V. \$2.85 ea. ppd.

CARBON TRIMMERS Miniature 1/4 watt units, PC type. Values: 200, 700, 1000, 1.5K, 250K, 700K, horz. mt. 30¢ ea. or 5/\$1.35 ppd.

NEW MINI Imported vertical pots (1/2"H, 3/8"W, 1/16"D) Values: 1000, 2.5K, 5K, 50K ohms. Slot adj. Also 5000 and 5K Horiz. Price: 5 for \$1.20 ppd.

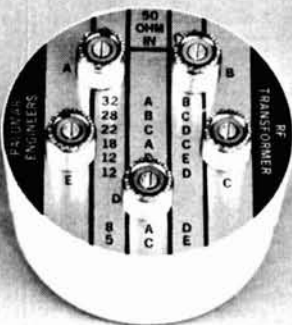
NEW SIZES — VERTICAL MOUNT PC BOARD POTENTIOMETERS American made (CRL) Cermet: 25K, 100K, 300K ohms. 5/\$1.30 ppd. CTS Blue wheel. Values: 750, 1K, 1.5K, 50K, 750K ohms. 5/\$1.25 ppd.

I.C. — Fairchild RTL. µL 900 or µL 914 Full leads, 3/\$1.35 ppd. µL923 Full Leads. 3/\$1.85 ppd.

SEND STAMP FOR BARGAIN LIST PENNSYLVANIA RESIDENTS ADD 6% ALL ITEMS PPD. USA Canadian orders for less than \$5.00 add \$1.00 to cover additional mailing costs. UPS requires your street address.

m. weinschenker
electronic specialties-BOX 353, IRWIN, PA 15642

RF TRANSFORMER



- **New! Broadband antenna matching.**
- **For all verticals and mobile whip antennas.**
- **Smaller size and higher efficiency. Only 3 1/2" diameter for full 5-Kw PEP capability.**

Here is the answer to the matching problem for vertical antennas and mobile whips. A broadband transformer that matches your 50 ohm transmitter to 32, 28, 22, 18, 12, 8, or 5 ohms. Plenty of taps to match any vertical or whip.

And with no tuning or other adjustment. The RF Transformer is completely broadband 1-30 MHz (1-10 MHz on three lowest taps). So when you change frequency within a band you need only retune the antenna to resonance; not fiddle with a matching network.

Also, more power goes to your antenna. The RF Transformer is more efficient than a matching network or tuner—less than 0.1 db loss.

As always, when you buy Palomar Engineers you get the best: large ferrite toroid core, teflon insulated wire, sealed epoxy-encapsulated weatherproof construction, stainless steel mounting hardware, full 2000 watt CW (5-Kw PEP) capability.

Send for free brochure.

Improve your station. Simplify your tuneup. Get better results with the new Palomar Engineers RF Transformer.

Order direct. \$42.50 postpaid U.S. and Canada. California residents add sales tax.

PALOMAR ENGINEERS

BOX 455, ESCONDIDO, CA 92025
Phone: (714) 747-3343

flea market

MODERN CODE PRACTICE. 0-22wpm on four 60 min. cassettes, \$10. Royal, P. O. Box 2174, Sandusky, Ohio 44870.

EXCLUSIVELY HAM TELETYPE 23rd year, RTTY Journal, articles, news, DX, VHF, classified ads. Sample 35¢. \$3.50 per year. Box 837, Royal Oak, Michigan 40868.

SELL: Collins 75S-3 \$425, 32S-3 \$775, 516F2 \$100, 62S-1 \$800. Hal ST-6 RTTY Demodulator \$290. Regency HR-2B with 12 sets crystals, scanner and preamp \$200. W3JW, 1098 Mountain Road, Pasadena Maryland 21122 — (301) 437-0171.

FIGHT TVI with the RSO Low Pass Filter. For brochure write: Taylor Communications Manufacturing Company, Box 126, Agincourt, Ontario, Canada. MIS 3B4.

WANTED: CW filter for Kenwood TS-900. H. B. Mouatt, 42-720 Iowa St., Palm Desert, Ca. 92260.

RIDERS MANUALS. Vol. I through IXX. New condition. Complete index. Make offer, F.O.B. Enterprise, Ore. Emmett E. Eden, W7INM, Rt. 1, Box 86, Joseph, Ore. 97846.

RUBBER STAMP, name/call/QTH \$2.50 ppd. (CA residents add tax). LWM Press, Box 22161, San Diego, CA 92122.

FOR SALE: Drake R4C w/noise blanker & 25 xtals. HAL ST-6 w/fsk board. HAL RVD-1002R. MOCO II code translator w/baudot driver. Sony PVM-900S 9" monitor. Package pricing 1600.00, shipped prepaid. William D. Roh, 8848 E. McClellan, Tucson, Arizona 85710, (602) 296-4238 or 795-8573.

TELETYPEWRITER PARTS, gears, manuals, supplies, tape, toroids. SASE list. Typetronics, Box 8873, Ft. Lauderdale, FL. 33310. Buy parts, late machines.

GET ON 160-10 WITH SST T-1. See ad this issue. COD OK by phone: (213) 376-5887. SST Electronics, P.O. Box 1, Lawndale, Calif. 90260.

LARSEN ANTENNAS (our specialty) 2,432 magnetic, trunk-lip 5/8 \$33.00, 5/8 ground plane \$45.00. BankAmericard and Mastercharge accepted. 201-962-4695. Narwid Electronics, 61 Bellot Road, Ringwood, NJ 07456.

SIGNAL/ONE REPAIRS. 505-522-3705.

QRP TRANSMATCH for HW7, Ten-Tec, and others. Send stamp for details to Peter Meacham Associates, 19 Loretta Road, Waltham, Mass. 02154.

OSCILLOSCOPE CAMERA — Tektronix C-27 mint condition — fits most any oscilloscope with proper adapter. Two adapters and other accessories included. \$630 value for \$350 (203) 447-1762 days — ask for Mike (203)848-8614 after 7 PM and weekends.

MANUALS for most ham gear, 1939/70. List \$1.00. Send SASE (or 25¢) for one specific model quote. Hobby Industry, W&JK, Box H864, Council Bluffs, Iowa 51501.

STAINLESS AND GALVANIZED STEEL antenna guy wire our specialty. Wilcox Electronics, Box 1331, S. L. C. Utah 84110.

HELP FOR YOUR NOVICE, general, advanced ticket. Recorded audio-visual theory instruction. Free information. Amateur License Instruction, P. O. Box 6015, Norfolk, Va. 23508.

2-METER CRYSTALS, \$3.50 each, for all popular rigs. In stock. Immediate delivery. Send cash or money order, we pay postage. Rolin Distributors, P.O. Box 436, Dunellen, N.J. 08812.

EQUIPMENT FOR SALE: HP-608B signal generator 10-400 MHz \$395. Tektronix 513-D oscilloscope good to 30 MHz \$195. Kay Mega-sweep, 0-900 MHz, \$50. Berkeley frequency counter, 100 KHz 5 column neon read-out, \$50. General Radio 804-C signal generator 8-330 MHz \$100. RCA teletype converter CV-57URR \$100. BC-221-T frequency meter with power supply, \$50. BC-1031-B panoramic adapter \$50. Rack mounted power supply, input 115 volts 60Hz, output 1420 volts DC 450Ma \$75. Hallicrafter S-36 receiver 28-144 MHz AM-FM \$100. All items shipped freight collect. Vanguard Labs 196-23 Jamaica Ave. Hollis, NY 11423.

GONSET GSB-2 — 2 meter SSB, CW, AM transceiver, with AC & DC supplies, manual. Premium condition \$275.00. Jim Gysan, W1VYB, (617) 922-3850.

COLLINS RCVR

ARR-41/R-648 Collins Airborne version of R-390. Same outstanding performance. Mechanical filters in IF. Digital Tuning, 1 kHz readout, 28 VDC. Easily converted to 115VAC, 190-500 kHz, 2-25 MHz. \$265.00

MIXED VALUES.

DISC CERAMIC CAPACITORS
\$5.00/LB. PPD. IN U.S.A.

If you don't like the pound you get — call or write and we'll send another pound FREE. (And you keep the first pound.)

LTV G-175H VHF COUNTERMEASURES RCVR
30-260 MHz, Two separate front ends. 60-260 front end has 416B preamp. AM, FM has calibrated BFO, has built-in COR. Back lighted aircraft type panel. More info on request. \$375.00

SRR-13A RCVR 2-32 MHz THIS CRITTER IS IMMACULATE!
Looks and smells new with some spares, connectors to make test cables and complete documentation. \$425.00

206 MHz AND 2.3 GHz SOLID STATE RECEIVING SYSTEM
With weather-proof preamp. 3.7 dB NF @ 206 MHz, 7 dB NF max. @ 2390 MHz. 4.8 GHz preamp included in weather-proof housing (8.7 dB NF). All units except preamp 19" std. rack mount. Complete documentation avail. w/equipment. \$375.00



RCVR 2 to 30 MHz depending on the plug-in front end. Provision for XTAL control. Makes a fine single-channel H.F. RCVR. \$125.00

AM/URM-23 SUMMATION BRIDGE — measures RF power between 1 & 4 GHz with attenuators and bolometer. Unit complete with manual. \$95.00

WE ARE BUYERS as well as sellers. What have you? We don't have a catalog, by the time we'd publish it the merchandise would be gone.

DISC-CAP, 19075 BRAEMORE RD. NORTHRIDGE, CA. 91326 213-360-3387

J. J. GLASS ELECTRONICS CO.

1624 South Main Street
Los Angeles, CA 90015
213-749-1179 213-749-1170

TOUCH PADS, 12 button brand new — automatic electric housed in a heavy gauge brushed stainless steel case. Can be used for repeater telephone computer security systems or etc. Schematic included. NEW LOW PRICE \$15.00.

RADIATION SURVEY METER, Victoreen Model 710B (mfg. for Civil Defense Administration). Battery operated — portable monitoring instrument for measurement of gamma radiation dose, rates as high as 50 roentgens per hr. Never Used. Boxed w/instruction manual. \$24.95.

NEW 19" CABINET RACKS, white — 30" h x 15" d x 22" w, weight: 47 lbs. (due to size truck freight necessary) \$34.95.

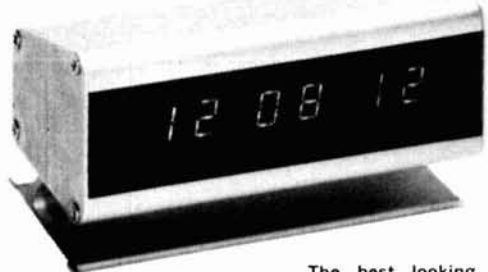
FACSIMILE UNIT Transmitter and receiver. 12" x 12" x 6". Used in many offices, sends 2-way message complete with 60 cy. power supply, with conversion sheets. All for \$14.95 ea.

FAX PAPER 350 ft. roll \$12.50.

TRENDLINE TELEPHONE SETS with touch pad in handset. Desk or Wall, less ringer, new only. Desk colors avail: turq., ol. green, orange & yellow. Wall: brown, red, yellow, ivory & blue. \$45.00.

ASK ABOUT OUR TEST EQUIPMENT

Terms
Remittance in full or 25% deposit on COD orders. All prices FOB Los Angeles, California warehouse. Minimum order \$5.00. 6% tax for California residents.



SIX DIGIT
12/24 HOUR
CLOCK KIT
\$22.95

MODEL DC-5

The best looking, most complete kit on the market! Features include: Time set pushbuttons, jumbo .4" readouts, Polaroid lens filter, line cord transformer, super quality PC boards and durable extruded aluminum base in 5 colors. All parts are included which make this kit the best value anywhere. Super instructions reduce assembly time to only 1-2 hours. Fully guaranteed. Colors available: gold, silver, bronze, blue and black (specify).

- MOBILE VERSION, .01% accuracy, 12VDC, DC-7 \$25.95
ALARM CLOCK, 12 HR only, DC-8 \$24.95
TIME BASE KIT, use with any 60Hz clock \$ 4.95

CALENDAR-ALARM-CLOCK
6 digit LED 12/24 Hour

Has every feature one could ever ask for. Kit includes everything except case, build it into wall, station or even car!

FEATURES:

- 6 Digits, .5" High LED
- 12/24 Hour Format
- Calendar shows mo./day
- Snooze button
- True 24 Hour Alarm
- 7001 chip does all !!
- Battery back up with built in on chip time base

Complete Kit, less case, DC-9 \$34.95

CHEAP CLOCK \$8.95

FEATURES: DC-4

- 12/24 Hour format
- 6 digits, .4" high LED
- Time set buttons
- Instructions
- PC board & transformer not included

- Board, etched & drilled \$2.95
Transformer, lug type \$1.49
Transformer line cord \$1.98

30 WATT 2 Meter Power Amp

The famous RE class C power amp now available mail order! Four Watts in for 30 Watts out, 2 in for 15 out, 1 in for 8 out. Incredible value complete with all parts, instructions and details on T R relay. Fully stable, output short proof, infinite VSWR protected! Case not included.

Complete Kit \$22.95

600 MHz PRESCALER

\$59.95

assembled and tested. Extend the range of your counter to 600 MHz. Works with most counters. Available in kit form for \$44.95. Specify :-10 or :-100 with order.



COMING SOON:
VIDEO TERMINAL KIT

SEND STAMP FOR DETAILS

\$129.95

741 OP-AMP SPECIAL

Factory prime mini dip with both Xerox and 741 part numbers

10 for \$2.00

TTL	LINEAR	REGULATOR	TRANSISTORS
74500 .35	555 .50	309K .99	NPN 2N3904 type 10/\$1.00
745112 .75	556 .75	309H .99	PNP 2N3906 type 10/\$1.00
7447 .79	567 1.75	340K-12 .99	NPN Power Tab 40W 3/\$1.00
7473 .35	1458 .65	7805 .99	PNP Power Tab 40W 3/\$1.00
7475 .50	LED DRIVER	7812 .99	FET MPF-102 type 3/\$2.00
7490A .55	75491 .50	7815 .99	UJT 2N2646 type 3/\$2.00
74143 3.50	75492 .50	7818 .99	2N3055 NPN Power .75

DIODES: 1KV, 2.5A 5/\$1.00 100V, 1A 10/\$1.00 1N914 type 50/\$2.00

LED READOUTS: Com. Anode .5" FND 510 \$1.25 Com. Cath .4" FND 359 \$.75
Polaroid Filter, red 1.125" x 4.25" \$.59 DL-33 3 digit .1" \$.50

FERRITE BEADS with info & specs. 15/\$1.00
6 hole Balun Beads 5/\$1.00

SLIDE POT - 10K linear 4/\$1.00

1000uf 15V FILTER CAP 5/\$1.00

SOCKETS

- 14 PIN 5/\$1.00
- 16 PIN 5/\$1.00
- 24 PIN 2/\$1.00
- 40 PIN 3/\$2.00

SOCKET KIT

Assortment of 12 most used IC sockets. Good to have around the shop. \$1.95

ramsey electronics

P. O. BOX 4072 ROCHESTER, N. Y. 14610

(716) 271-6487

TELEPHONE ORDERS WELCOME



Satisfaction guaranteed or money refunded. COD, add \$1.00. Orders under \$10.00 add \$.75. N.Y. residents add 7% tax.

MINI-KITS



FM WIRELESS MIKE KIT
FM-1 \$2.95

Transmit up to 300' to any FM radio. Sensitive mike input requires dynamic, crystal or ceramic mike. Runs on 3 to 9 volts.

TONE DECODER KIT

A complete tone decoder on a single PC Board. Features: 400 to 5000 Hz adjustable frequency range, voltage regulation, 567 IC. Useful for touch-tone decoding, tone burst detection, FSK demod, signaling, and many other uses. Use 7 for 12 button touchtone decoding. Runs on 5 to 12 volts.

Complete Kit, TD-1 \$4.95

LED BLINKY KIT

A great attention getter which alternately flashes 2 jumbo LEDs. Use for name badges, buttons or warning type panel lights.



Complete Kit, BL-1 \$2.95

SUPER-SNOOP AMPLIFIER

A super-sensitive amplifier which will pick up a pin drop at 15 feet! Great for monitoring baby's room or as a general purpose test amplifier. Full 2 watts of output, runs on 6 to 12 volts, uses any type of mike. Requires 8-45 ohm speaker.

Complete Kit, BN-9 \$4.95

MUSIC LIGHTS KIT

See music come alive! 3 different lights flicker with music or voice. One light for lows, one for the mid-range and one for the highs. Each channel individually adjustable, and drives up to 300 watts. Great for parties, band music, nite clubs and more.

Complete Kit, ML-1 \$7.95

SIREN KIT

Produces upward and downward wail characteristic of police siren. 200mw audio output, runs on 3-9 volts, uses 8-45 ohm speaker.

Complete Kit, SM-3 \$2.95

CODE OSCILLATOR KIT

Powerful 1 watt audio oscillator of approx. 1 kHz, good for many uses. Great for warning alarm, battery checker, voltage indicator and code oscillator.

Complete Kit, CPO-1 \$2.50

POWER SUPPLY KIT

Complete triple regulated power supply provides variable ± 15 volts at 200ma and +5 volts at 1 amp. 50mv load regulation good filtering and small size. Kit less transformers. Requires 6-8V at 1 amp and 18 to 30VCT.

Complete Kit, PS-3LT \$6.95

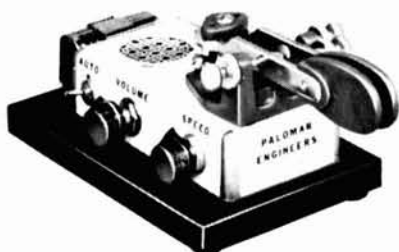
DECADE COUNTER PARTS KIT

Includes: 7490A 33 MHz counter, 7475 latch, 7447 LED driver, LED readout, current limit resistors, hook up details and instructions on how to build an easy low cost freq. counter.

Kit of Parts, DCU-1 \$3.50

NEW! IC KEYS

The World's Greatest
Sending Device



Adjustable to Any
Desired Speed

Now available from Palomar Engineers — the new Electronic IC KEYS. Highly prized by professional operators because it is EASIER, QUICKER, and MORE ACCURATE.

It transmits with amazing ease CLEAR, CLEAN-CUT signals at any desired speed. Saves the arm. Prevents cramp, and enables anyone to send with the skill of an expert.

SPECIAL
RADIO MODEL

Equipped with large specially constructed contact points. Keys any amateur transmitter with ease. Sends Manual, Semi-Automatic, Full Automatic, Dot Memory, Squeeze, and Iambic — MORE FEATURES than any other keyer. Has built-in sidetone, speaker, speed and volume controls, BATTERY OPERATED, heavy shielded die-cast metal case. FULLY ADJUSTABLE contact spacing and paddle tension. The perfect paddle touch will AMAZE you.

Every amateur and licensed operator should know how to send with the IC KEYS. EASY TO LEARN. Sent anywhere on receipt of price. Free brochure sent on request.

Send check or money order. IC KEYS \$97.50 postpaid in U.S. and Canada. IC KEYS LESS PADDLE and non-skid base \$67.50. Add 6% sales tax in California.

Italy write i2VTT, P.O. Box 37, 22063 Cantu.

Fully guaranteed by the world's oldest manufacturer of electronic keys. ORDER YOURS NOW!

PALOMAR ENGINEERS

BOX 455, ESCONDIDO, CA 92025
Phone: (714) 747-3343

flea market

OSCAR: 432, 144 MHz transmitters; year guarantee, models (MMT144-28), (MMT432-28), (MMT432-144) for info, send SASE to John Walker, WB8IGY, 1930 Meridith Dr., Loveland, OH 45140.

COLLINS KWM-2 (serial 13565) with 516F2 power supply-speaker \$700; 75S3 with 200 cycle filter (serial 14683) \$435; Drake 2C/2AC \$170. All excellent, manuals, F.O.B. K6SRM, 272 Fourth St. East, Sonoma, CA. 95476.

DELCO AM-FM orig factory Auto Radio, 65-70 Buick, Cadillac, Olds, Pont, \$30, 1625's \$2 ea. A. Svirnic, 6601 S. Whipple, Chicago, 60629.

IC'S, TRANSISTORS, CAPACITORS, RADIOS. Catalog 25¢. SASE gets quotes. For some checker game 2, 3, or 4 can play. Instructions, Board, Checkers included \$6.00. John Rogers, 1927 Barry, Chicago, Ill. 60657.

STOP LOOKING for a good deal on amateur radio equipment — you've found it here — at your amateur radio headquarters in the heart of the Midwest. We are factory-authorized dealers for Kenwood, Drake, Collins, ICOM, Ten-Tec, Atlas, Tempo, Regency, Swan, Midland, Alpha, Standard, Dentron, Hy-Gain, Mosley, Cushcraft, and CDE, plus accessories. For the best deal around on HF or VHF gear, write or call us today for our low quote and become one of our many happy and satisfied customers of HOOSIER ELECTRONICS, P.O. Box 2001, Terre Haute, Indiana 47802. (812)-238-1456.

TECH MANUALS for Govt. surplus gear — \$6.50 each: SP-600JX, URM-25D, OS-8AU, PRC-8, 9, 10. Thousands more available. Send 50¢ (coin) for 22-page list. W3IDH, 7218 Roanne Drive, Washington, DC 20021.

Coming Events

W6LS 12th Los Angeles Amateur Radio Convention, Saturday and Sunday, May 21 & 22. 2814 Empire Ave., Burbank, CA 91605.

FIRST ANNUAL UNIVERSITY OF PITTSBURGH HAMFEST, March 26, 1977, 10 AM to 6 PM at Pitt Student Union on 5th Avenue near Cathedral of Learning. For more information contact W3YJ, Pittsburgh Amateur Radio Association, Box 304, Schenley Hall, University of Pittsburgh, Pittsburgh, PA 15260 or phone 412-624-7768.

THE ROCK RIVER RADIO CLUB HAMFEST is April 24, 1977, at Amboy, Illinois, Lee County at the 4H Center, Routes 30 and 52. Same place as last year. Tickets \$1.00 advance. \$2.00 at gate. Camper parking available at a nominal fee. Write Carl Karlson, W9ECF, Nachusa, Illinois 61057. Indoor and outdoor facilities.

COME TO CANADA this summer for Ontario Hamfest 77, July 8-10 1977, sponsored by Burlington Amateur Radio Club. Weekend camping, fleamarket, auction, many displays. Write Box 836 Burlington Ont. L7R3Y7 for descriptive brochure.

KANSAS CITY: Eighth Annual Northwest Missouri Hamfest, April 23, 24, 1977 at Exhibit Hall 2, Municipal Airport. Forums, swap tables, commercial exhibits, contests, YL-XYL program, free parking. Banquet Saturday evening at world famous Gold Buffet with ARRL President Harry Dannels as guest speaker. Preregistration, \$2.00; door, \$2.50; preregistration with banquet, \$8.00. Info: PHD, P.O. Box 11, Liberty, MO 64068.

VHF-UHF ENTHUSIASTS. 22nd annual West Coast VHF Conference at the Miramar Hotel on the beach in Santa Barbara, CA, May 13-15, 1977. Technical and operating-oriented sessions for beginners and advanced VHFers, plus the traditional receiver noise figure and antenna gain measurements. Registration at 6 PM Friday (May 13). Full day of tech sessions start 9 AM Saturday. Saturday evening, Paul Schuch (WA6UAM) will coordinate noise figure measurements, and a VHF Contest Forum will be led by Wayne Overback (K6YNB). Preregistration \$2 until April 30, \$3 after. Registration forms, hotel info and details from Dr. Overbeck, Communication Division, Pepperdine University, Malibu, CA 90265.

26th DAYTON HAMVENTION at Hara Arena April 29, 30, May 1, 1977. Technical forums, exhibits, and huge flea market. Program brochures mailed March 7th., to those registered within past three years. For accommodations or advance flyer, write Hamvention, P.O. Box 44, Dayton, Ohio 45401.

ANNOUNCING The first "International" PAN-AMERICAN Ham/Exposition Jamboree, October 29-30, 1977. Write in for regular show mailings. For further information: Broward Amateur Radio Club, Capt. S.F. "Red" Crise (Show Chairman), WA4ZRW, 3701 State Road 84, Ft. Lauderdale, FL 33312.

ALDELCO SEMI-CONDUCTOR SUPERMARKET RF DEVICES

2N3375 3W 400 MHz.....	5.50	2N6804 4W 175 MHz.....	5.40
2N3866 1W 400 MHz.....	99	2N6801 15W 175 MHz.....	8.45
2N5589 3W 175 MHz.....	4.75	2N6802 25W 175 MHz.....	10.95
2N5590 10W 175 MHz.....	7.80	2N6803 30W 175 MHz.....	12.30
2N5591 25W 175 MHz.....	10.95	2N6804 40W 175 MHz.....	16.30

HEAVY DUTY RECTIFIERS

200 Volt 100 Amp DOB.....	8.50
200 Volt 250 Amp DOB.....	12.50
1000 Volt 2 Amp Silicon Rectifier RCA.....	10 for 99
10,000 Volt Silicon Rectifier Erie, 65 mA.....	2.95

ALDELCO KITS

Digital Clock Kit, Hours, Minutes & Seconds, Large Half Inch LED readouts. Elapsed time indicator. 12 hour format with 24 hour alarm. Snooze feature, AM PM indicator, Power Supply, power failure indicator. Complete with wood grain cabinet. \$23.95

NOW OPEN — ALDELCO COMPUTER CENTER — books, magazines, kits, boards & support chips.

OK hand wire-wrap tool.....	\$5.95
OK battery power wire-wrap tool.....	\$34.95
Wire Wrap Wire-50.....	Special \$1.99

DISCRETE LEDs

Jumbo Reds, Long or Short bulb.....	6 for \$1.00
Jumbo Orange, Green, Clear Red or Green.....	5 for \$1.00
200 Series, Green, Orange, Yellow or Red.....	5 for \$1.00
RL2 or Micro Red.....	5 for \$1.00

ZENERS

1N746 to 1N759 400 Mw ea. 25.....	25	1N4728 to 1N4764 1 w.....	35
C106B.....	\$ 65	CA 3028A Dtl. Amp.....	\$1.50
MPSA14.....	90	8080A.....	\$29.95
2N3055.....	99	LM309K Volt. Reg.....	1.10
MPF 102 FET.....	45	LM3800 Audio Amp.....	1.75
2N3904 or 2N3906 10/99.....	10/99	21L02 1.....	8 for \$17.50
2N5496 or 2N6108.....	40	NE561B PLL.....	4.95
MJE 340 (2N5655).....	\$1.10	NE562B PLL.....	4.95
40673 RCA FET.....	\$1.55	NE565A PLL.....	2.50
741 or 709 14 Pin DIP.....	25	555 Timer.....	75
555 Timer.....	75	LM709 or LM741 Min Dip.....	45
556 (Dual 555).....	\$1.75	LM741C T05 OP Amp.....	45
200 Volt 25 Amp Bridge.....	\$1.50	14 or 16 Pin IC Sockets.....	30
1N914 1N4148.....	10 for 99	We have 7400 series IC's send stamp for catalog	
1N34 1N60 1N64 10 for 99.....			

We quote on any device at any quantity. Add 5% for shipping. Min. order \$5.00. Out of USA send Certified Check or Money Order. Include postage.

ALDELCO

2281H Babylon Tnpk., Merrick, NY 11566
(516) 378-4555

EQUIPMENT SPECIAL

Hewlett-Packard
738AR-739AR-200SR
Voltmeter Calibrator Set

\$395

FOB Monroe

Used for direct, accurate, calibration of voltmeters, AC-DC RF (to 10mHz), scopes, etc. In rack cabinet with manuals.



INCLUDES:

738AR Provides DC and 400Hz AC at levels from 300uv to 300v in steps of 0.3, 0.5, 1, 2, and 3 with multipliers of .001, .01, .1, 1, 10, and 100v. Acc: 0.1% DC, 0.25% AC. Also provides 10-step measurement to check meter tracking.

739AR Companion unit providing 300kHz to 10mHz signals for RF meter checking. Acc: 0.5%.

200SR Auxiliary generator used as ext. source with 739AR to extend range from 600kHz down to 5Hz. Max. dist. 0.2%.

TEST EQUIPMENT

Tektronix, Measurements, HP, Fluke, etc. used but good working condition. Money back guarantee. Send for catalog.

GRAY Electronics
P.O. Box 941, Monroe, Mich. 48161

DIODES/ZENERS				SOCKETS/BRIDGES				TRANSISTORS, LEDS, etc.				
1N914	100v	10mA	.05	8-pin	pcb	.25	ww	.45	2N2222	NPN		.10
1N4004	400v	1A	.08	14-pin	pcb	.25	ww	.40	2N2907	PNP		.15
1N4005	600v	1A	.08	16-pin	pcb	.25	ww	.40	2N3740	PNP	1A	60v .25
1N4007	1000v	1A	.15	18-pin	pcb	.25	ww	.75	2N3906	PNP		.10
1N4148	75v	10mA	.03	22-pin	pcb	.45			2N3055	NPN	15A	60v .50
1N753A	6.2v	z	.25	24-pin	pcb	.35	ww	1.25	T1P125	PNP	Darlington	.35
1N758A	10v	z	.25	28-pin	pcb	.35	ww	1.45	LED Green, Red, Clear			.15
1N759A	12v	z	.25	40-pin	pcb	.50	ww	1.95	D.L.747	7 seg 5/8" high com-anode		1.95
1N4733	5.1v	z	.25	Molex pins	.01	To-3 Sockets		.25	XAN72	7 seg com-anode		1.50
1N5243	13v	z	.25	2 Amp Bridge		100-prv		1.20	FND 359	Red 7 seg com-cathode		1.25
1N5244B	14v	z	.25	25 Amp Bridge		200-prv		2.50				
1N5245B	15v	z	.25									

C MOS		- T T L -									
4000	.20	7400	.15	7475	.45	74193	.85	74S04	.45		
4001	.20	7401	.15	7476	.20	74194	1.45	74S05	.45		
4002	.25	7402	.20	7480	.65	74195	.95	74S08	.45		
4004	4.95	7403	.25	7481	.99	74196	1.50	74S10	.45		
4006	1.20	7404	.15	7483	1.00	74197	1.25	74S11	.45		
4007	.40	7405	.25	7485	1.05	74198	2.35	74S20	.50		
4008	1.20	7406	.35	7486	.40	74367	.85	74S40	.30		
4009	.25	7407	.55	7489	2.50			74S50	.35		
4010	.45	7408	.25	7490	.55	75108A	.35	74S51	.45		
4011	.20	7409	.15	7491	1.15	75110	.35	74S64	.30		
4012	.20	7410	.15	7492	.95	75491	.50	74S74	.50		
4013	.40	7411	.25	7493	.45	75492	.50	74S112	1.50		
4014	1.10	7412	.30	7494	1.25	74H00	.25	74S133	.45		
4015	.95	7413	.65	7495	.85	74H01	.25	74S140	.75		
4016	.35	7414	1.10	7496	.95	74H04	.25	74S151A	.45		
4017	1.10	7416	.25	7496	.95	74H05	.25	74S153	.45		
4018	1.10	7417	.50	74100	1.85	74H11	.25	74S158	.45		
4019	.70	7420	.15	74107	.45	74H15	.30	74S194	1.50		
4020	.85	7426	.40	74121	.40	74H20	.30	74S257 (8123)	.25		
4021	1.35	7427	.45	74122	.55	74H30	.25	74LS00	.45		
4022	1.15	7430	.15	74123	.55	74H40	.25	74LS01	.45		
4023	.25	7432	.45	74125	.45	74H51	.25	74LS02	.45		
4024	.75	7437	.45	74132	1.35	74H52	.15	74LS04	.55		
4025	.35	7438	.35	74141	1.30	74H53J	.25	74LS08	.45		
4026	1.95	7440	.25	74150	1.00	74H55	.25	74LS09	.45		
4027	.50	7441	1.15	74151	.95	74H72	.55	74LS10	.45		
4028	.95	7442	.65	74153	.95	74H101	.75	74LS11	.45		
4030	.45	7443	.95	74154	.75	74H103	.75	74LS20	.50		
4033	1.95	7444	.55	74156	1.15	74H106	.95	74LS21	.25		
4034	2.45	7445	.95	74157	.75	74L00	.35	74LS22	.25		
4035	1.25	7446	.95	74161	1.25	74L02	.35	74LS32	.55		
4040	1.35	7447	.95	74163	1.25	74L03	.30	74LS37	.40		
4041	.69	7448	1.20	74164	.95	74L10	.35	74LS40	.55		
4042	.95	7450	.25	74165	1.50	74L30	.45	74LS42	1.75		
4043	1.25	7451	.25	74166	1.35	74L47	1.95	74LS74	.95		
4044	.95	7453	.25	74175	.95	74L55	.65	74LS90	1.30		
4046	1.50	7454	.25	74176	1.25	74L72	.45	74LS93	1.00		
4049	.80	7460	.40	74180	.85	74L75	.55	74LS107	.95		
4050	.70	7470	.45	74181	3.25			74LS153	1.20		
4066	1.35	7472	.45	74182	.95	74S00	.55	74LS157	.85		
4069	.40	7473	.35	74190	1.75	74S02	.55	74LS164	1.90		
4071	.35	7474	.40	74192	1.65	74S03	.50	74LS367	.85		
4082	.45							74LS368	.70		

9000 SERIES		LINEARS, REGULATORS, etc.							
9301	1.00	MCT2	.95	LM320K5	1.65	LM340T-24	1.25	LM723	.45
9309	.45	8038	3.95	LM320K12	1.65	LM340K-12	2.15	LM725	1.95
9322	1.10	LM201AH	.75	LM320T12	1.65	LM340K-15	1.65	LM739	1.50
9602	1.50	LM301AH	.25	LM320T15	1.65	LM340K-18	1.65	LM741	8-14 .25
		LM308AH	1.00	LM339	.95	LM340K-24	1.25	LM747	1.10
		LM309H	.65	7805(340T-5)	1.00	LM373	2.95	LM1307	1.25
		LM309K	.90	LM340T-12	1.25	LM380	.95	LM1458	.95
		LM310	1.15	LM340T-15	1.25	LM709 (8, 14 PIN)	.30	LM3900	.65
		LM311D (Mini)	.95	LM340T-18	1.65	LM711	.45	LM75451	.65
								NE555	.50
								NE556	1.10
								NE565	.95
								NE566	1.75
								NE567	1.35
								SN72720	.35
								SN72820	.35

INTEGRATED CIRCUITS UNLIMITED

7889 Clairemont Mesa Blvd. • San Diego, CA 92111 • (714) 278-4394

All orders shipped prepaid No minimum
 Open accounts invited COD orders accepted

Discounts available at OEM Quantities
 California Residents add 6% Sales Tax

24 Hour Phone (714) 278-4394 MasterCharge / BankAmericard

TOROID CORES



- ✓ All the popular sizes and mixes.
- ✓ Fast Service. Same day shipment via first class mail or air.
- ✓ No minimum order.

IRON POWDER TOROIDS:

CORE SIZE	MIX 2 5-30 MHz u = 10	MIX 6 10-90 MHz u = 8.5	MIX 12 60-200 MHz u = 4	SIZE OD (in.)	PRICE USA \$
T-200	120			2.00	3.25
T-106	135			1.06	1.50
T-80	55	45		.80	.80
T-68	57	47	21	.68	.65
T-50	51	40	18	.50	.55
T-25	34	27	12	.25	.40

RF FERRITE TOROIDS:

CORE SIZE	MIX Q1 u = 125 1-70 MHz	MIX Q2 u = 40 10-150 MHz	SIZE OD (in.)	PRICE USA \$
F-240	1300	400	2.40	6.00
F-125	900	300	1.25	3.00
F-87	600	190	.87	2.05
F-50	500	190	.50	1.25
F-37	400	140	.37	1.25
F-23	190	60	.23	1.10

Chart shows uH per 100 turns.

FERRITE BEADS:



\$2.00 DOZEN

WIDE BAND CHOKES

95¢ EACH

TO ORDER: Specify both core size and mix for toroids. Packing and shipping 50 cents per order USA and Canada. Californians add 6% sales tax.

Fast service. Free brochure and winding chart on request.

PALOMAR ENGINEERS

BOX 455, ESCONDIDO, CA 92025

Phone: (714) 747-3343

flea market

STARVED ROCK RADIO CLUB HAMFEST — June 5, S.A.S.E. after 4/1/77 for details. SRRC/W9MKS, RFD #1, Oglesby, Ill. 61348.

RADIO EXPO, CHICAGO September 17, 18, at Lake County Illinois Fairgrounds. Manufacturers' exhibits, flea market, seminars, and door prizes. 4000 attended last year! Exhibitors are urged to reserve booth space now — call Doug Thornton, Workdays at (312) 595-0020.

NEW JERSEY Delaware Valley Radio Association (W2Z-Q/WR2ADE) flea market and auction will be held on Sunday, May 1, 1977, 9 AM rain or shine at the Villa Victoria Academy in West Trenton, N. J. (The school is located adjacent to Rt. 29 near the junction of Rt. 29 and I-95.) Talk in on 07/67 and 146.52. Refreshments are available. Advance registration \$1.00; or \$1.50 at the gate. For additional information or tickets write: DVRA, P.O. Box 7024, West Trenton, New Jersey 08628, s.a.s.e. please.

HAMFEST! Indiana's friendliest and largest hamfest. Wabash county amateur radio club's 9th annual hamfest will be held Sunday, May 22, 1977, rain or shine, at the Wabash County 4-H fairgrounds in Wabash, Indiana. Large flea market (no table or set-up charge), technical forums, bingo for the xyl, plenty of free parking, lots of good food at reasonable prices. Only one ticket to buy this year. Admission is \$2.00 for advance tickets, \$2.50 at the gate. Children under 12 years old are admitted free. For more information or advanced tickets, write Bob Mitting, 663 Spring Street, Wabash, Indiana 46992.

MOULTRIE AMATEUR RADIO KLUB 16th. Annual hamfest the last Sunday of April at Wyman Park, Sullivan, Ill. Heated indoor area and large outdoor parking area. No charge to vendors. For information write Mark Radio Klub, PO Box 327 Mattoon, Ill. 61938. Talk in 146.94.

KENTUCKY HAM-O-RAMA — Sunday, May 29 (Memorial Day Weekend) at Boone County Fairgrounds, Burlington, Kentucky, 10 minutes south of Cincinnati, 2 miles west of I-75 South, Burlington exit. Prizes, refreshments, exhibits, flea market. NKARC, Box 31, Ft. Mitchell, Kentucky 41017.

F.M. B*A*S*H*, DAYTON, OHIO, April 29, 1977, on the Friday night of the DAYTON HAMVENTION. This is a social evening for all hams and their friends from 8PM til midnight at the Dayton Billmore Towers, First and Main Street. Admission is free. Sandwiches, beverages, snacks and C.O.D. bar will be available. Live entertainment by TV personality Rob Reider (WA8GFF) and his group. 11PM prize drawing featuring ICOM IC-245 and other prizes. See you where the action is!

POTOMAC AREA VHF SOCIETY sixth annual hamfest Saturday, May 7, 1977, from 8 a.m. to 5 p.m. at Frying Pan Park on West Ox Road in Herndon Virginia, approximately 15 miles west of Washington, D. C. Registration of \$3 includes flea market or tail gate sales. Professional food and beverage catering, unlimited parking. Talk-in on 146.52 and 31-91. repeater. For information contact K3DUA or WA3NZL.

THE MESILLA VALLEY RADIO CLUB Sponsors Whitey's Bean Feed and Swap-Fest Sunday, April 24th, at 10:00a.m. Located near Las Cruces, New Mexico at La Mesa with talk-ins on 16-76, 04-64 and 3940 KC. Fun for all the family with big prizes, plenty of food and the usual beverage truck. All included for \$5.00 for adults \$1.75 for kid tickets. Eat, drink and win a prize with Whitney, K5ECQ as host. Free overnight parking at grounds so come for a spell. All correspondence should be made with Thomas B. Rapkoch Jr., 640 W. Las Cruces Ave., Las Cruces, New Mexico 88001.

THE CENTRAL MASS. AMATEUR RADIO ASSOC. auction and flea market April 15, 1977 at American Legion Post 341, 1023 Main Street, Worcester, Mass. Talk-in on 37/97. Doors open at 6 PM, auction starts 7 PM sharp. Flea market table (items \$5 and under) rent will be \$5. Items \$5 to \$100 auctioned with 15% commission. Area set aside for direct buyer-seller barter for items \$100 and up again with 15% commission to CMARA.

SWAPFEST Sunday May 1, 1977, sponsored by the Brownfield Amateur Radio Club, Brownfield, Texas. Info from Earl Eirrod, Box 821, Brownfield, TX 79316.

VACATIONLAND HAMFEST at the Erie County Fairgrounds, Sandusky, Ohio, May 22, 1977. Plenty of flea market tables available (\$4 each), \$1 for flea market (8 acres for trunk sales). Advance tickets \$1.50, \$2.00 at gate. Talk-in 52/52. More info from Erie Amateur Radio Society, P.O. Box 2037, Sandusky, OH 44870. Free transportation to Cedar Point during Hamfest.

NOW . . . EEB GOES MAIL ORDER AT SPECIAL PRICES



Distributor
for
Bird 43
(and elements)

Model 1471



B&K Dynascan
scopes & test
equipment

Model 1471B 10 MHz 5" dual trace
reg. \$520 SPECIAL \$439.95
Model 1472C 15 MHz 5" dual trace
reg. \$660 SPECIAL \$559.95
Model 1474 30 MHz 5" dual trace
reg. \$865 SPECIAL \$729.95
Model 1801 40 MHz Counter
reg. \$240 SPECIAL \$199.95
Model 1801B (1801 w/250 MHz prescaler)
reg. \$299.95 SPECIAL \$249.95
Model 1827 30 MHz portable counter
reg. \$120 SPECIAL \$99.95

We're also a distributor for Triplett — the world leader in VOMs. We have a 5000 item inventory of USED Hewlett-Packard, Tektronix, General Radio & other leading industrial equipment.

FREE CATALOG

Next time you're in Washington, D. C. stop in and see us.

9-5 weekdays 10-4 Saturday

& COD WELCOME

Electronic Equipment Bank, Inc.

516 Mill Street, N.E. Vienna, Virginia 22180
(703) 938-3350

ETCH-IT-YOURSELF

Printed Circuit

Kit

\$19.95
ppd.

NOW YOU CAN design and produce your own printed circuit boards.

IT'S EASY. Photo positive method. No darkroom required.

LESS THAN 2 HOURS to produce a p.c. board direct from magazine article.

KIT INCLUDES materials to make 4 p.c. boards direct from magazine article.

Add \$1 for COD. S.A.S.E. for details.

EXCEL CIRCUITS co.
4412 Fernlee 313-549-0440
Royal Oak, MI 48073

WANTED FOR CASH



4CX150 4CX1000 4-65 4-250
4CX250 4CX1500 4-125A 4-400
4CX300A 4CX3000 4-1000
4CX350A 4CX5000 304TL
4CX10,000
5CX1500

Other tubes and Klystrons also wanted.

The Ted Dames Company

308 Hickory St. Arlington, N.J. 07032
(201) 998-4246 Evenings (201) 998-6475

Now Available AT SPECTRONICS. . . Wilson Hand Helds

Spectronics is now carrying the full line of Wilson Hand Helds — 2 Meter, 220 and 450. For two meter: the 2.5 watt Model 1402SM and the switchable 1 watt or 5 watt 1405SM. For 450, the Model 4502 and the Model 2202 for 220. Full line of accessories and options available too. Join thousands of Amateurs using Wilson . . . the dependable ones.

Model 1402SM 2.5W \$179.95



- 6 Channel Operation
- Individual Trimmers on all TX/RX Crystals
- All Crystals Plug In
- 12 kHz Ceramic Filter
- 10.7 IF and 455 kHz IF
- .3 Microvolt Sensitivity for 20 dB Quieting
- Weight: 1 lb. 4 oz. less Battery
- S-Meter/Battery Indicator
- Size: 8 7/8 x 1 7/8 x 2 7/8
- 2.5 Watts Minimum Output @ 12 VDC
- Current Drain RX 25 MA TX 500 MA
- Microswitch Speaker Mic
- High Impact Plastic Case

Each Radio Includes
FLEX Antenna
52/52 Crystal

Shown With Optional
Touch-Tone Pad

Flex Antenna & Simplex
Xtal Freq. Installed 446.00
or 223.50

Both use same accessories
as 1405 SM

Model 1405SM 1 or 5 watt . . . \$249.95



- 6 Channel Operation
- Individual Trimming on all TX/RX Crystals
- All Crystals Plug In
- 12 KHz Ceramic Filter
- 10.7 and 455 kHz IF
- .3 Microvolt Sensitivity for 20 dB Quieting
- Weight: 1 lb. 4 oz. less Battery
- Battery Indicator
- Size: 8 7/8 x 1 3/4 x 2 7/8
- Switchable 1 & 5 Watts Minimum Output @ 12 VDC
- Current Drain: RX 25 MA TX 400 MA (1w) 900 MA (5w)
- Microswitch Speaker Mic
- Unbreakable Lexan® Case

Shown with Optional
Leather Case

ACCESSORIES & OPTIONS

Battery Charger (BC2)	39.95
10 ea. AA Ni-Cad Battery Pack (BP-1)	16.95
Extra Battery Tray (BT-1)	6.95
Leather Case for 1402 (LC-1)	14.95
Leather Case for 1405, 2202, 4502 (LC-2)	14.95
Speaker Mike (SM-2) 6 pin connector	26.95
TE-1 Sub-Audible Tone Encoder, installed	59.95
TE-2 Sub-Audible Tone Encoder/Decoder, Installed	100.00
TTP - Touch-Tone Pad - installation free if ordered at time of purchase of radio.	59.95
10.7 KHz Monolithic Xtal Filter (XF-1)	12.95

Model 2202 . . . \$249.95

Frequency Range 220 - 225 MHz

- 6 Channel Operation
- Individual Trimmers on all TX/RX Crystals
- All Crystals Plug In
- 12 kHz Ceramic Filter
- 10.7 and 455 kHz IF
- .3 Microvolt Sensitivity for 20 dB Quieting
- Weight: 1 lb. 4 oz. less Battery
- Battery Indicator
- Size: 8 7/8 x 1 3/4 x 2 7/8
- Switchable 1 & 2.5 Watts Output @ 12 VDC
- Current Drain: RX 25 MA, TX 400 MA
- Microswitch Speaker Mic
- Unbreakable Lexan® Case

Model 4502 . . . \$299.95

Frequency Range 420 - 450 MHz

- 6 Channel Operation
- Individual Trimmers on all TX/RX Crystals
- All Crystals Plug In
- 12 kHz Ceramic Filter
- 21.4 and 455 kHz IF
- .3 Microvolt Sensitivity for 20 dB Quieting
- Weight: 1 lb. 4 oz. less Battery
- Battery Indicator
- Size: 8 7/8 x 1 3/4 x 2 7/8
- Switchable 1 & 1.8 Watts Output @ 12 VDC
- Current Drain - RX 25 MA, TX 400 MA
- Microswitch Speaker Mic
- Unbreakable Lexan® Case

SEE US AT DAYTON HAMVENTION APRIL 29, 30, MAY 1 FOR SUPER BUYS



SPECTRONICS, INC.

1009 GARFIELD
OAK PARK, IL. 60304
312-848-6777
TELEX 72:8310

HOURS

STORE HOURS:

Mon-Thurs 9:30-6:00, Fri. 9:30-8:00
Sat. 9:30-3:00, Closed Sun. & Holidays.





REPEATER AUTO PATCH

It's complete — a single digit access/disconnect Auto Patch facility. All you need is a repeater and the phone line. Complete with automatic disconnect, dial-in capability, two way audio monitor plus remote control. When used with a rotary dial exchange, Data Signal's DPC-221 dial converter is also required. P.C. board or Rack Mount available.

RAP-2 PC \$99.50 Rack \$149.50



DATA TONE TO DIAL PULSE CONVERTER

Convert standard 0-9 Data Tone digits to Bell System compatible dial pulse code. Completely solid state. Includes state-of-the-art Phased Locked Loop anti-falsing Data Tone decoder, large capacity 64-digit memory and solid state pulsing. Starts dialing on first incoming digit. Memory will not become congested due to rapid succession of incoming digits. Cancel and redial function. * and # digits are decoded and provided for remote control purposes. Available as p.c. board or rack mounting.

DPC-221 P.C. Board \$219.50
DPC-221R Rack Mount \$299.50



DELUXE C-MOS P.C. KEYS

Complete C-MOS keyer in kit form, or wired, just right for your custom enclosure. Versatile controls allow wide character weight variations, speeds from 5 to 50 w.p.m. plus volume and tone control. Solid-state output switching saves power, eliminates all those annoying relay problems and is compatible with both grid block and solid-state circuitry. With its side-tone monitor and 90 day warranty the Data Signal PC Keyer is the one for you.

C-MOS Keyer Wired \$24.95; Kit \$19.95



Send for Free Catalog
DATA SIGNAL, INC.

2403 COMMERCE WAY
ALBANY, GA. 31707
912-883-4703

flea market

1977 MASSACHUSETTS QSO PARTY, May 14 & 15. May 14 1200 UTC to May 15 2200 UTC, no time limit. A station may be worked once per band, CW and fone considered separate bands. No cross band or repeater QSO's. Mass. stations may work each other. Exchange RS(T) and county for Mass. and ARRL Section (or Country) for others. Count two points for each completed exchange. Multiply total QSO points by Mass. counties (total 14) or multiply total QSO points by different Mass. counties plus ARRL sections and DXCC countries worked. (Do not include E. Mass. or W. Mass. as sections) Suggested frequencies; CW 1810, 3560, 7060, 14060, 21060, 28060, phone; 1820, 3960, 7260, 14290, 21390, 28590, 50.110, 146.52. Novices; 3720, 7120, 21120, 28120. Suitable awards. Mailing deadline June 30. S.A.S.E. for results and awards. c/o R. J. Doherty W1GDB, RFD# 1, 14 Pine St. Sandwich, Mass. 02563. Sponsored by the South Shore Repeater Asso., Weymouth, Mass.

CADILLAC MICHIGAN 17th Annual Swap-Shop will be held Saturday, May 21st 1977 at the National Guard Armory, Cadillac, Michigan. Free parking, everyone welcome. Tickets \$2.00. Talk-in on 146.37/97.

18TH ANNUAL STARC HAMFEST May 7, Binghamton, NY. Flea market, snack bar, tech talks, hourly door prizes. Admission \$2.00, banquet reservation \$6.00. In-door exhibit reservation \$5.00/table. Contact STARC, P.O. Box 11, Endicott, NY 13760.

ELMIRA, NEW YORK HAMFEST, Saturday, Sept. 24, 1977. Bigger and better than 1976. Plan on it.

TEN-TEN CERTIFICATE HUNTERS QSO Party — Sat., April 30 00:01 Z thru May 1 — 48 Hours — By LIARS chapter — write WA2MHL.

NEW YORK CITY. The 4th annual Hall of Science A.R.C. Flea Market and Hamvention. 111th Street and 48th Ave. Corona-Queens. Refreshments, Zoo Museum. Dealers booths, test bench. Family fun Sunday June 12 (rain date June 19) 9 AM-3. Admission \$2.00 door prizes. Talk in .34/94. Information (212) 699-9400.

THE CHAMPAIGN/LOGAN AMATEUR RADIO CLUB will hold its annual flea market on May 15, 1977, at the West Liberty Lion's Park, West Liberty, Ohio. Free admission. Trunk sales and tables \$1.00. Door prizes. Talk-in on 146.52.

THIRD ANNUAL NORTHWESTERN PENNSYLVANIA HAMFEST, May 7, Crawford County Fairgrounds, Meadville, Pa. Free admission. Flea Market begins at 10:00 AM \$2 to display. Hourly door prizes, refreshments, commercial displays welcome. Indoors if rain. Talk-in 146.04/64 and 146.52. Details C.A.R.S. PO Box 653 Meadville, Pa. 16335.

PENNSYLVANIA: Warminster Amateur Radio Club's "Hamart", Flea Market and Auction Sunday, May 15, from 9 to 4 at William Tennent Intermediate High School, Street Road (Route 132), 2 miles East of York Road (Route 263), Warminster, Bucks County, Pa. Registration \$1.00, Tailgating \$2.00 additional. Talk-in on 147.69-09; 146.16-76 and 146.52. Further information write to Horace Carter, K3ZAC, 38 Hickory Lane, Doylestown, Pa. 18901.

BIGGEST FEST ON THE GULF COAST. Mobile Amateur Radio Club hamfest and computerfest April 16 & 17. All the newest equipment on display. Computers, too. Swap and Shop all day Saturday from 9 to 5. Banquet at 7 PM. Doors open Sunday 9 AM. Prize drawing at 1 PM. Lots of prizes. Actives for ladies and children. Campsites available. Over 1500 people expected. For more info contact Marvin Uphaus, K4BVG, Tuttle Ave., Mobile, AL 36604.

W7DQ SKAGIT AMATEUR RADIO CLUB 24th annual convention April 22, 23 and 24 at the Bryant Grange Center, near Seattle, WA.

BIRMINGHAMFEST AMATEUR RADIO CONVENTION. WHEN: May 7 and 8, 1977. Where: Alabama State Fairgrounds, Birmingham, and Rodeway Inn — Oxmoor at I-65 and Oxmoor Road. Attractions: one of the country's largest flea markets, technical and operating forums, huge prize drawing, manufacturers and distributors displays, ladies and childrens activities. Booth Information: booth display area will be offered free of charge to bona fide distributors, manufacturers, publishers, etc., on a first-come, first-served basis. Others may rent space in inside or outside flea market areas at a small charge. Talk-in: 34/94, 3965 kHz. No admission charge. Prize ticket donations — \$1. For booth display space, information, and reservations, write, Birminghamfest, P. O. Box 603, Birmingham, Alabama 35201.



HAM RADIO KITS

Audio Oscillator, HR HORIZONS, Mar. 77. Partial Kit \$9.50
SSB Linearity Meter Kit, HR, June 76 \$19.95
Transistor Tester Kit, HR, Jul. 76. \$29.95

Now stocking P.C. board supplies, also transformers & cabinets by Hammond.

TOROIDS FOR LESS

T200-2	\$1.60	F843-101	\$1.00 doz.
T80-2	.40	F843-801	1.50 doz.
T80-3	.40	F843-2401	1.75 doz.
T68-2	.35	F843-5111	1.65 doz.
T68-3	.35	F873-101	1.00 doz.
T68-6	.35	F873-801	1.50 doz.
T50-2	.30	FT50-72	.35 ea.
T50-6	.30	FT82-61	.40 ea.

JACKSON BROS.

10:1 Drive 5857	\$8.75
Dual Ratio 6:1, 36:1 Drive 4511/DRF	\$9.90
6:1 Ball Drive with 4" scale 4489C	\$12.00
Multi Scale Drive, dual ratio 4103	\$14.70

229-203 Roller Inductor	\$39.95
10031 Millen Turns Counter	\$25.50
16250 Millen Dual Variable Capacitor	\$43.25
16520A Millen Single Capacitor	\$24.75

R175A National Plate Choke	\$12.75
B & W 800 Plate Choke	\$8.75
B & W FC15A Filament Choke	\$24.50
B & W FC30A Filament Choke	\$29.00
B & W FC25A Filament Choke	\$13.25

B & W MINIDUCTORS

3011	\$1.90	3024	\$2.60
3012	\$2.05	3025	\$4.45
3014	\$1.85	3029	\$5.05
3015	\$1.95	3064	\$6.05

We Stock the Hard To Find Parts. Send \$2 with each order for shipping & handling. Send First Class Stamp for Flyer.

G.R. WHITEHOUSE & CO.
10 Newbury Drive, Amherst, N. H. 03031

W3KT QSL SERVICE

This outstanding organization in forwarding QSLs to DX stations for 15 years is still going strong.

For 6 cents each, or 20 per dollar, we will forward your QSLs to any DX station in the world. Thousands of DX stations use USA QSL managers, and for these we send the cards with SASEs, to insure a return QSL. Other cards are sent to QSL Bureaus, or DIRECT, as necessary.

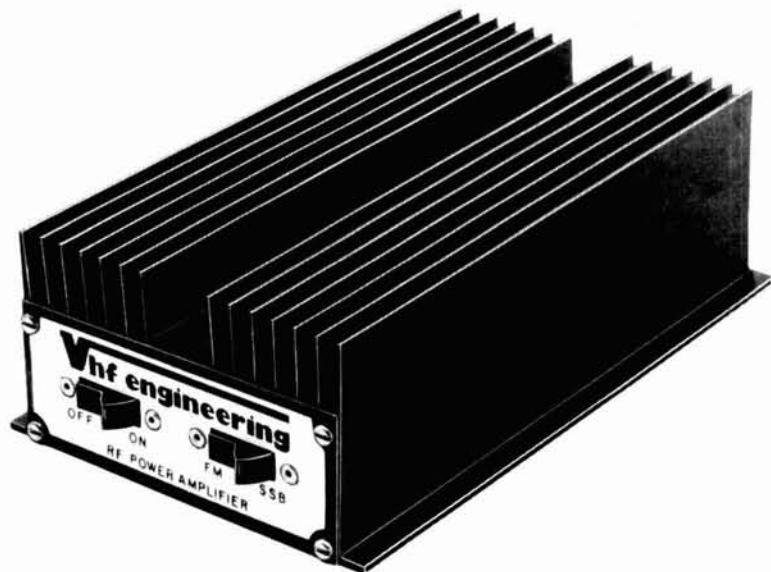
For more details write to:

Jesse Bieberman, RD 1, Box 66,
Malvern, PA. 19355

THE BLUE LINE IS HERE!

Don't sacrifice maximum power output and high efficiency for linearization. The BLUE LINE offers you the best of both designs. The BLUE LINE amplifiers are engineered using the latest state of the art stripline technology. This design technology means efficient broad band output with a very high degree of mechanical stability.

Vhf engineering is the only name you have to remember when it comes to VHF or UHF amplifiers, just look at the variety available.



MODEL	FREQUENCY	EMISSION	POWER INPUT	POWER OUTPUT	WIRED AND TESTED PRICE
BLB 3/150	45-55MHz	CW-FM-SSB/AM	3W	150W	TBA
BLC 10/70	140-160MHz	CW-FM-SSB/AM	10W	70W	139.95
BLC 2/70	140-160MHz	CW-FM-SSB/AM	2W	70W	159.95
BLC 10/150	140-160MHz	CW-FM-SSB/AM	10W	150W	259.95
BLC 30/150	140-160MHz	CW-FM-SSB/AM	30W	150W	239.95
BLD 2/60	220-230MHz	CW-FM-SSB/AM	2W	60W	159.95
BLD 10/60	220-230MHz	CW-FM-SSB/AM	10W	60W	139.95
BLD 10/120	220-230MHz	CW-FM-SSB/AM	10W	120W	259.95
BLE 10/40	420-470MHz	CW-FM-SSB/AM	10W	40W	139.95
BLE 2/40	420-470MHz	CW-FM-SSB/AM	2W	40W	159.95
BLE 30/80	420-470	CW-FM-SSB/AM	30W	80W	259.95
BLE 10/80	420-470	CW-FM-SSB/AM	10W	80W	289.95

Don't forget our popular PA-2501 and PA-4010 at \$74.95 (wired and tested) \$59.95 (Kit)

Export prices slightly higher. Prices subject to change.

FEATURES

- High efficiency means low current drain.
- Broad band design (no tuning).
- Direct 12 volt DC operation.
- Indicator lamps for On/Off and FM/SSB.
- Relay switching (allows you to put amplifier in or out of circuit at the flip of a switch).
- Insertion loss of less than 1 dB.
- One year limited warranty on parts and labor.

AVAILABLE AT THESE DEALERS:

CALIFORNIA
C & A Electronic Enterprises, Carson, CA
CDS Electronics & Hobbies, Merced, CA
Electronic Enterprises, Rio Linda, CA
SON Electric, Fresno, CA
Sequidia Stereo, Inc., Eureka, CA
Tele Com Electronics, San Jose, CA
Westcom, San Marcos, CA
Zackit Corporation, Vallejo, CA

COLORADO
Listening Post & Electromagnetics, Durango, CO
Communication Specialties, Aurora, CO

FLORIDA
Amateur Wholesale Elec's., Miami, FL
West Indies Sales Co., Ltd., Miami, FL

ILLINOIS
Klaus Radio, Inc., Peoria, IL
Spectronics, Inc., Oak Park, IL

INDIANA
Aptron Labs, Bloomington, IN
Lectracom, Inc., Bourbon, IN

IOWA
Bob Smith Electronics, Fort Dodge, IA
Quad City Ham & C.B. Sales, Davenport, IA
KENTUCKY
Cohoon Amateur Supply, Trenton, KY
LOUISIANA
Frank L. Beier Radio, Inc., New Orleans, LA
MASSACHUSETTS
Tufts Radio Electronics, Medford, MA

MICHIGAN
Harry G. Crofts, Northville, MI
Adams Distributing Co., Detroit, MI
Radio Supply & Engineering, Detroit, MI

MISSISSIPPI
Communications Services, Philadelphia, MS

MISSOURI
Alpha Electronic Labs, Columbia, MO

NEVADA
Vegas Radio, Las Vegas, NV

NEW YORK
Aurex Communications Corp., Freeport, NY
Barry Electronics, New York, NY
CFP Enterprises, Horseheads, NY
Delmar Electronics, W. Babylon, L.I., NY
Loffler Electronics, Ogdensburg, NY
VHF Communications, Jamestown, NY

NORTH CAROLINA
Vickers Electronics, Durham, NC

OKLAHOMA
Derrick Electronics, Inc., Broken Arrow, OK
Radio Store, Inc., Oklahoma City, OK

SOUTH DAKOTA
Burghardt Amateur Center, Watertown, SD

TEXAS
AGL Electronics, Dallas, TX
Teco Electronics, Garland, TX
Signal Engineering, Houston, TX

VIRGINIA
Radio Communications Co., Roanoke, VA

WASHINGTON
A B C Communications, Seattle, WA

WEST VIRGINIA
Communication Systems Co., Ripley, WV

WISCONSIN
Amateur Electronic Supply, Milwaukee, WI
Communications Elec's., Fond du Lac, WI

CANADA
Bytown Marine Limited, Ottawa, Canada K2H 7V1
Traeger Distributors Ltd., Richmond, B.C. V7J1K4

PUERTO RICO
Edison Electronics, Inc., Santurce, PR

EXPORT
COSYSCO, Inc., Sodus, NY

In other areas contact VHF Engineering direct. Allow 6 to 8 weeks for delivery.



DIVISION OF BROWNIAN ELECTRONICS CORP.
320 WATER STREET • BINGHAMTON, N.Y. 13901 • 607-723-9574

State
of the art



by

K.V.G.

CRYSTAL FILTERS and DISCRIMINATORS

9.0 MHz FILTERS

XF9-A	2.5 kHz	SSB TX	\$33.55
XF9-B	2.4 kHz	SSB RX/TX	\$47.75
XF9-C	3.75 kHz	AM	\$51.40
XF9-D	5.0 kHz	AM	\$51.40
XF9-E	12.0 kHz	NBFM	\$51.40
XF9-M	0.5 kHz	CW (4 pole)	\$35.95
XF9-NB	0.5 kHz	CW (8 pole)	\$67.15

Export
Inquiries
Invited

9.0 MHz CRYSTALS (Hc25/u)

XF900	9000.0 kHz	Carrier	\$4.00
XF901	8998.5 kHz	USB	\$4.00
XF902	9001.5 kHz	LSB	\$4.00
XF903	8999.0 kHz	BFO	\$4.00
F-05	Hc25/u	Socket	.50

Shipping
\$1.25
per filter

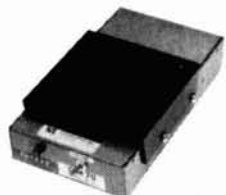
9.0 MHz DISCRIMINATORS

XD9-01	± 5 kHz	RTTY	\$25.30
XD9-02	± 10 kHz	NBFM	\$25.30
XD9-03	± 12 kHz	NBFM	\$25.30

TRANSVERTERS for 432 MHz

Basic Model for

CW RTTY
AM FM
OSCAR
144 MHz Drive
15 watt, max. output
Rx N.F. 3dB typ.
QM432



\$174.95 Shipping \$3.50

Advanced Model

ALL MODES
incl. SSB
28 MHz Drive
10 watt PEP output
3 dB Rx N.F.
MM432



\$254.95 Shipping \$3.50

Also Available

28 MHz to 144 MHz SSB Transverter, MMT144
146 MHz to 440 MHz FM Transverter, FMT440

VISIT OUR DAYTON BOOTH
TO SEE THE NEW ATV MODELS

ANTENNAS



420-450 MHz

48 element J-Beam MULTIBEAM
Gain +15.7 dBd. Feed 50Ω coaxial.
Model 70/MBM48 \$49.95

Crossed Yagis, Model 8XY/2m

Shipping: Antennas FOB Concord, Mass. via UPS. Write direct for Polar plots, Gain & VSWR curves.

Send 26¢ (2 stamps) for full line catalogue of KVG crystal products and all your VHF & UHF equipment requirements.

Pre-Selector Filters
Varactor Triplers
Decade Pre-Scalers
Antennas

Crystal Filters
Frequency Meters
Oscillator Crystals

SSB Transverters
FM Transverters
VHF Converters

si

Spectrum
International, Inc.
Post Office Box 1084
Concord, Mass. 01742, USA



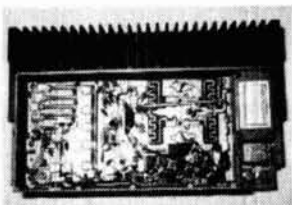
GREGORY ELECTRONICS
The FM Used
Equipment People.

GENERAL ELECTRIC EXECUTIVE AND MASTR II STRIPS



G.E. MASTR EXECUTIVE Series RECEIVER Strips,

less xtal, not checked out. (schematic available upon request with purchase)
4ER46, 25-33 MHz or 33-42 MHz, wide band
4ER48, 132-150 MHz, wide band
4ER50, 450-470 MHz, narrow band



G.E. MASTR II U.H.F. POWER AMPLIFIER CHASSIS.

A broad banded amplifier, 12 volt D.C. powered, requires approximately 3 watts R.F. driving power for rated output (not checked out)
G.E. Part #19C320620 Series
450-470 MHz, 40 watts
470-494 MHz, 40 watts
494-512 MHz, 40 watts

SPECIAL SALE PRICE

\$50⁰⁰

SPECIAL SALE PRICE

\$75⁰⁰



GREGORY ELECTRONICS CORP.

245 Rt. 46, Saddle Brook, N.J. 07662
Phone: (201) 489-9000



6 digit AUTOMOTIVE CLOCK KIT complete with a CRYSTAL TIMEBASE accurate to .01 percent, 12 volts d.c. operation — built in noise suppression and voltage spike protection. Readouts blank when ignition is off — draws 25 mA in standby mode. Has .3 in. readouts. Use it in your car or for all applications where a battery-operated clock is needed. Approximate size 3" x 3.5" x 1.75"

WITH BLACK PLASTIC CASE \$34.95 ppd.
WITHOUT CASE \$29.95 ppd.
ASSEMBLED AND TESTED \$45.95 ppd.

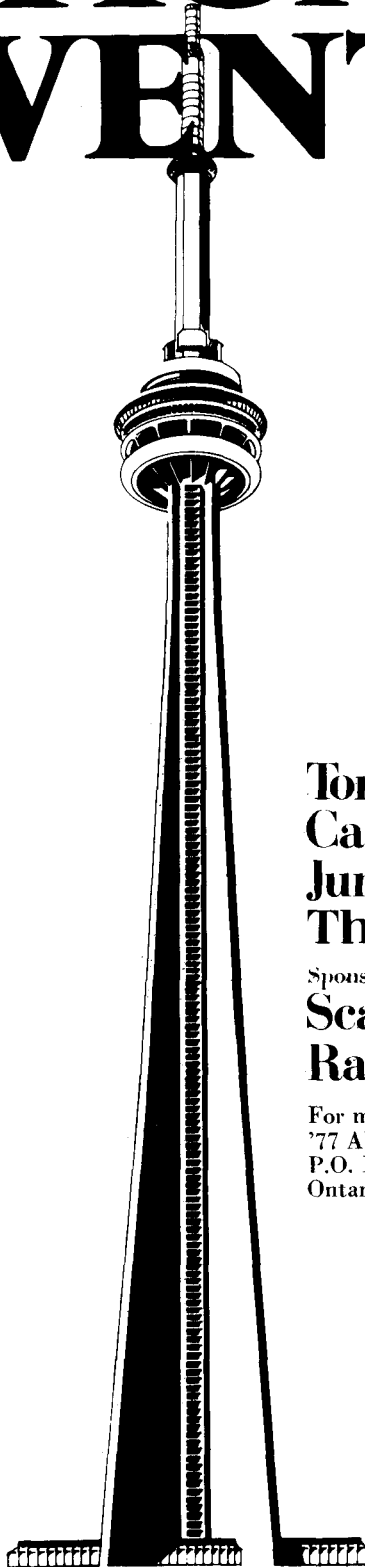
CMOS CRYSTAL TIMEBASE KITS with .01 percent accuracy. 5-15 v.d.c. operation. Draws only 3 mA at 12 volts. Single I.C. — very small size — the P.C. board is 7/8" x 1-5/8". Choose a main output of 50 or 100 Hz., 60 Hz., 500 or 1000 Hz., or 1 Hz. Several related frequencies are also available on each board, in addition to the main ones listed above. Be sure to specify the Frequency you want. All kits are \$10.95 ppd.

Flyer available —

NEXUS
TRADING CO.

Box 3357 San Leandro, Ca 94578

1977 ARRL NATIONAL CONVENTION



Toronto, Ontario
Canada
June 3rd 4th 5th 1977
The Sheraton Centre

Sponsored by
**Scarborough Amateur
Radio Club**

For more information, please write to:
'77 ARRL National Convention
P.O. Box 1011, Station 'C', Scarborough
Ontario, Canada M1H 2Z4



© CN Tower Limited 1973

radio
communication
handbook

without question
**Amateur Radio's
finest handbook,
there's**

NO OTHER CHOICE . . .

Here's the exciting New 5th edition of Ham Radio's all time best seller, the Radio Communications Handbook from the RSGB. A completely revised new edition . . . now in 2 volumes. Thoroughly up to date with chapters on the most modern and up to date techniques and equipment. Beautifully printed on expensive stock and handsomely hardbound these two volumes will immediately become the center of attention in your radio library.

It's the New
**2 VOLUME
Fifth Edition
of the RADIO
COMMUNICATION
HANDBOOK
from RSGB**

SAVE 10%

Order both volumes
of this super Handbook
Volume 2 will be rushed to you
as soon as it's available.
-Vol. 1 & 2 . . . \$31.90

Volume 1 Principles — Electronic Tubes — Semiconductors
— HF Receivers — VHF and UHF Receivers — HF
Transmitters — VHF and UHF Transmitters —
Keying and Break-In-Modulation Systems — RTTY
Order RS-RCH1 \$18.95

Volume 2 Propagation — HF Aerials — VHF and UHF Aerials
— Mobile and Portable Equipment — Noise —
Power Supplies — Interference — Measurements
— Operating Technique and Station Layout —
Amateur Satellite Communication — Image Com-
munication
Order RS-RCH2 \$16.50

ham
radio's
communications
bookstore

GREENVILLE, NH 03048



Call Toll Free
800-258-5353
8 AM TO 10 PM
Eastern Time (PACIFIC)
MONDAY-FRIDAY

ICOM



IC-22S
146 MHz FM 10 W
TRANSCIVER



IC-245
146 MHz FM 10 W
TRANSCIVER

IMMEDIATE DELIVERY
SHIPPING PREPAID IN USA

**MASTERS
COMMUNICATIONS**

7025 N. 57th DR.
GLENDALE, AZ 85301

PHONE

602-939-8356

"SINCE
1932"



**FREQUENCY PROGRAMMER
FOR THE ICOM IC-22S**

**MODEL
CRP-22**

- EASY DIAL-UP OF ALL 133 CHANNELS COVERED BY THE IC-22S
- EASY INSTALLATION — ONLY 9 WIRES AND 20 MINUTES
- COMPLETE WITH VELCRO FOR MOUNTING TO RADIO OR DASH
- SUPPLIED WITH LOOK-UP TABLE



\$39⁹⁵

POSTPAID IN USA
TEXAS RESIDENTS
ADD 5% SALES TAX
DEALER AND CLUB
INQUIRIES INVITED

The program frequency is controlled by switches A and B. Just set A and B per the look-up table for any channel covered by the IC-22S. Size: 2.80 x 2.00 x .60

ORDER DIRECT: SEND CHECK
OR M.O.
SATISFACTION GUARANTEED

CLENG **CLENG ELECTRONICS COMPANY**
BOX 12171 DALLAS, TEXAS 75225

Bearcat[®] 210 Scanner

\$289.



The Bearcat 210 super synthesized receiver scans and searches 32-50, 146-174 & 416-512 MHz without expensive crystals. Order now on our 24 hour toll-free credit card order line 800-521-4414. In Michigan and outside the U.S. call 313-994-4441. Add \$5.00 for shipping in U.S. or \$8.00 for air UPS to west coast. Charge cards or money orders only. Foreign orders invited. For additional information, write: Communications Electronics, P.O. Box 1002, Dept. 21, Ann Arbor, Michigan 48106.

COMMUNICATIONS ELECTRONICS
P.O. BOX 1002 DEPT. 2 D
ANN ARBOR, MICHIGAN 48106



WHY WAIT???

BE ON THE AIR NOW WITH A Wilson Electronics Corp.

HAND HELD

Wilson 2 meter Hand Held radios . . . The dependable ones . . . proven performance for the discriminating Ham who insists on quality and value.

Two models are available: the 2.5 watt model 1402SM, and the switchable 1 watt or 5 watt model 1405SM . . . options include Touch-Tone Pad, Battery Charger, Battery Packs, Speaker Mike, Leather Case, and Tone options.

Join the thousands of amateurs now using Wilson . . . the radio that goes where you do.

FAST DELIVERY!!

1405 SM

- 6 Channel Operation
- Individual Trimmers on all TX/RX Crystals
- All Crystals Plug In
- 12 KHz Ceramic Filter
- 10.7 and 455 KHz IF
- .3 Microvolt Sensitivity for 20 dB Quieting
- Weight: 1 lb. 4 oz. less Battery
- Battery Indicator
- Size: 8 7/8 x 1 3/4 x 2 7/8
- Switchable 1 & 5 Watts Minimum Output @ 12 VDC
- Current Drain: RX 25 MA TX 400 MA (iw) 900 MA (5W)
- Microswitch Speaker Mic
- Unbreakable Lexan® Case



\$249⁹⁵

**1405SM
HAND HELD
5 WATT
TRANSCIVER
144-148 MHz**

EACH RADIO INCLUDES:

- Flex Antenna
- 52/52 Xtal

1402 SM

- 6 Channel Operation
- Individual Trimmers on all TX/RX Crystals
- All Crystals Plug In
- 12 KHz Ceramic Filter
- 10.7 IF and 455 KHz IF
- .3 Microvolt Sensitivity for 20 dB Quieting
- Weight: 1 lb. 4 oz. less Battery
- S-Meter/Battery Indicator
- Size: 8 7/8 x 1 7/8 x 2 7/8
- 2.5 Watts Minimum Output @ 12 VDC
- Current Drain RX 25 MA TX 500 MA
- Microswitch Speaker Mic
- High Impact Plastic Case



**1402SM
HAND HELD
2.5 WATT
TRANSCIVER
144-148 MHz**

\$179⁹⁵

*Shown with
Optional
Leather Case*



**BC-2 NI-CAD BATTERY CHARGER
WITH REGULAR AND
TRICKLE CHARGE FEATURE**

**90
Day
Warranty**

**Can be Modified
for
MARS or CAP**

**OVER 35,000
XTALS
IN STOCK**

**Rugged
and
Durable**

*Shown With
Optional
Touch-Tone Pad*

AVAILABLE FROM YOUR LOCAL AMATEUR DEALER OR FACTORY DIRECT

- * ___ 1402 SM @ \$179.95
- * ___ 1405 SM @ 249.95
- * ___ 2202 SM @ 249.95
- * ___ 4502 SM @ 299.95
- * ___ BC-2 @ 39.95
- * ___ BP-1 @ 16.95
- * ___ BT-1 @ 6.75
- * ___ LC-1 @ 19.95
- * ___ LC-2 @ 19.95
- * ___ SM-2 @ 26.95
- * ___ TE-1 * @ 59.95
- * ___ TE-2 * @ 100.00
- * ___ TT-P @ 59.95
- * ___ XF-1 @ 12.95
- * ___ Factory XTAL
- * ___ Installation Netting @ \$7.50/Radio
- * * Specify Frequency

___ TX or RX XTALS, All
Common Repeater Freq.
146-148 at \$4.25 ea.
___ All other 2M, 220, 450,
MARS or CAP XTALS
at \$10.00 ea.

FOB factory — add \$5
per order for UPS shipping
and handling.
Nevada Residents add Sales Tax

Please Equip Transceivers as
As Follows

	XTALS RX	XTALS RX
A		
B		
C		
D		
E		
F		

* * * * *

* Amount Enclosed \$ _____ Check Money Order *
 BAC Master Charge *
 * Card # _____ Exp. Date: _____ *
 * Name _____ *
 * Address _____ *
 * City _____ *
 * State _____ Zip _____ *
 * Phone AC _____ *
 * Signature _____ *

WILSON ELECTRONICS CORP.
4288 SO. POLARIS • LAS VEGAS • NEVADA • 89103

Valid April 1-30 only



INTERNATIONAL COMMUNICATIONS SYSTEMS, INC.

1827 S. Dixie Highway
Pompano Beach, Fla. 33060

(305) 943-5950

AMCOMM

S2-25

- 2 meter synthesized
- VHF-FM transceiver
- 800 channels (Rec/Tx)
- Plug-in touchtone pad

introductory package **\$499.95**

Linears: Penetrator Series

INCREASE YOUR RANGE

MODEL	WATTS	PRICE
HB-1000	200	\$290
HB-150	150	\$230
HB-140	150	\$189
HB-120	100	\$145

GENAVE

GTX-200-T

- 2 meter FM
- 100 channel combinations
- 30 watts output (max)

\$249.95

GTX-2

- 2 meter FM
- 10 channels
- 30 watt output (max)
- Push button frequency selector

\$189.95

**QUALIFY FOR OUR
SPECIAL SALE
CREDIT NOTE
FOR \$50**



STANDARD

Horizon "2"

- 2 meter FM
- 12 channels
- 25 watts output
- Trimmer capacitors XMIT
- RCV XTALS
- Astro RCVR
- 60 Db adjacent channel selectivity
- Full SWR protection

CALL US FOR PRICE QUOTE

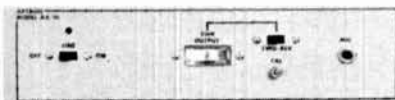
146A Handheld

- New two meter
- VHF-FM transceiver

CALL US FOR PRICE QUOTE

FAST SCAN AMATEUR TELEVISION EQUIPMENT

- SOLID STATE
- BROADCAST QUALITY PERFORMANCE
- FOR TECHNICAL DATA AND PRICING, WRITE TO:



AX-10 TRANSMITTER



AM-1A RCVR MODEM

APTRON LABORATORIES BOX 323, BLOOMINGTON, IN 47401

DIPOLE ANTENNA CONNECTOR



HYE-QUE (HQ-1) dipole connector has coax SO-239 socket molded into glass filled plastic body to accept coax PL-259 plug on feedline. Drip cap keeps coax fittings dry. Instructions included. Guaranteed. At your dealers or **\$3.95 postpaid**. Companion insulators 2/\$.99.

BUDWIG MFG. Co. PO Box 97H, Ramona, CA 92065

LOGIC PROBE



- Compare these features**
- > 100 kΩ input Z
 - Probe tip protected against overvoltage
 - Automatic pulse memory
 - Counts < 15 ns pulses
 - Assembled and tested
 - Use in almost any logic system

ONLY \$24.95

L.S.I., Box 7197, Univ. Sta., Provo, Utah 84602
SEND CHECK OR MONEY ORDER



NEW
order now
and save

FOR AMATEUR USE 50 OHM JACKETED HARDLINE

- very low loss per 100 ft.
- improved receiver sensitivity
 - .45 DB to 50 MHZ
 - .90 DB to 146 MHZ
 - 1.90 DB to 450 MHZ
 - 4.20 DB to 1296 MHZ
- longer life

SALE 45¢ per foot

Call us...

We are ready to serve you...

WIRE CONCEPTS INC.

WIRE CONCEPTS INC.

201-227-1751

198 Passaic Ave.,
Fairfield, N.J. 07006

The Wire People

SYNTHESIZERS

We have the worlds largest selection of synthesizers for receivers, transmitters and transceivers. For complete details see our 1/3 page ad in the April 1976 issue of this magazine or call or write for additional information. Phone orders accepted between 9 AM and 4 PM EDT. (212) 468-2720

VANGUARD LABS

196-23 JAMAICA AVENUE
HOLLIS, N. Y. 11423

7400N TTL

SN7400N	16	SN7400A	25	SN74154N	1.00
SN7401N	16	SN7400N	25	SN74155N	.99
SN7402N	21	SN7470N	45	SN74156N	.99
SN7403N	16	SN7472N	39	SN74157N	.99
SN7404N	18	SN7473N	37	SN74158N	.99
SN7405A	24	SN7474N	32	SN74159N	.99
SN7406N	20	SN7475N	32	SN74161N	.99
SN7407N	29	SN7476N	32	SN74163N	.99
SN7408N	25	SN7479N	5.00	SN74164N	1.10
SN7409N	25	SN7480N	5.00	SN74165N	1.10
SN7410N	18	SN7482N	98	SN74166N	1.25
SN7411N	30	SN7483N	5.00	SN74167N	5.50
SN7412N	33	SN7485N	89	SN74170N	2.10
SN7413N	45	SN7486N	39	SN74172N	8.95
SN7414N	33	SN7487N	49	SN74173N	1.50
SN7416N	35	SN7489N	2.49	SN74174N	1.25
SN7417N	35	SN7490N	45	SN74175N	.99
SN7420N	21	SN7491N	75	SN74176N	.90
SN7421N	33	SN7492N	49	SN74177N	.90
SN7422N	49	SN7493N	49	SN74180N	.99
SN7423N	37	SN7494N	79	SN74181N	2.49
SN7425N	29	SN7495N	79	SN74182N	.95
SN7426N	29	SN7496N	89	SN74183N	1.95
SN7427N	27	SN7497N	4.00	SN74184N	2.90
SN7429N	42	SN74100N	1.00	SN74186N	15.00
SN7430N	26	SN74107N	39	SN74187N	6.00
SN7432N	31	SN74121N	39	SN74188N	3.95
SN7432N	31	SN74122N	39	SN74189N	3.95
SN7433N	27	SN74123N	50	SN74191N	1.25
SN7436N	25	SN74125N	60	SN74192N	.89
SN7440N	15	SN74126N	60	SN74193N	.89
SN7441N	33	SN74127N	1.09	SN74194N	1.25
SN7442N	59	SN74144N	4.50	SN74195N	1.25
SN7443N	75	SN74141N	1.15	SN74196N	1.25
SN7444N	75	SN74142N	4.00	SN74197N	.75
SN7445N	75	SN74143N	4.50	SN74198N	1.75
SN7446N	69	SN74144N	4.50	SN74199N	1.75
SN7447N	69	SN74145N	1.15	SN74200N	5.59
SN7448N	79	SN74147N	2.35	SN74279N	.90
SN7450N	28	SN74148N	2.00	SN74251N	1.79
SN7451N	27	SN74150N	.79	SN74258N	4.00
SN7453N	27	SN74151N	.79	SN74285N	6.00
SN7454N	.20	SN74153N	.89	SN74367N	.75

FAIRCHILD TECHNOLOGY KITS FAIRCHILD

DIGITS

FTK0001	0.5 High Common Cathode Digit	\$1.00
FTK0002	0.5 High Common Anode Digit	1.00
FTK0003	35.7 High Common Cathode Digit	2.75
FTK0004	0.8 High Common Cathode Digit	2.00
FTK0005	0.8 High Common Anode Digit	2.00

Couplers

FTK0050	3 General Purpose Opto Couplers	1.00
FTK0051	Darlington Opto Coupler	1.00

B & HIGH DISPLAY ARRAYS

FTK0010	5 Mixed Colored LED	7.00
FTK0011	24 Hour, 4 Digit Clock Display	6.00

LED Lamps

FTK0020	10 Red LED Lamp	1.00
FTK0021	5 Mixed Colored LED Lamps	1.00
FTK0022	10 LED Mounting Clips	1.00
FTK0023	5 Three Piece LED Mounting Adapters	1.00

PHOTO TRANSISTORS

FTK0030	5 Flat Lens Photo Transistors	1.00
FTK0031	5 Round Lens Photo Transistors	1.00
FTK0032	3 Flat Lens Photo Darlington	1.00
FTK0033	3 Round Lens Photo Darlington	1.00

WIRE WRAP CENTER

HOBBY-WRAP TOOL-BW-630

- Battery Operated (Size C)
- Weights Only 11 Ounces
- Wraps 30 AWG Wire onto Standard DIP Sockets (0.25 inch)
- Complete with built-in bit and sleeve

\$34.95
(batteries not included)

WIRE-WRAP KIT — WK-2-W

WRAP • STRIP • UNWRAP

- Tool for 30 AWG Wire
- Roll of 50 Ft. White or Blue 30 AWG Wire
- 50 pcs each 1", 2", 3" & 4" lengths — pre-stripped white wire

\$11.95

WIRE WRAP TOOL WSU-30

WRAP • STRIP • UNWRAP - \$5.95

WIRE WRAP WIRE — 30 AWG

25 ft. min. \$1.25 50 ft. \$1.95 100 ft. \$2.95 1000 ft. \$15.00
SPECIFY COLOR — White - Yellow - Red - Green - Blue - Black

DISCRETE LEADS

KC209	Red 10x51	KC111	Red 10x51
KC209	Green 4x51	KC111	Green 4x51
KC209	Orange 4x51	KC111	Yellow 4x51
KC209	Yellow 4x51	KC111	Orange 4x51

SPECIAL * — XC556 Red 100/\$8.00 1000/\$60.00 — SPECIAL * DL307 DL338

DISPLAY LEADS

MAN 1	Common Anode	270	2.95	MAN 3640	Common Cathode (orange)	300	1.75
MAN 2	5 x 7 Dot Matrix	300	4.99	MAN 4170	Common Anode (red)	300	1.99
MAN 3	Common Cathode	125	31.00	DL 701	Common Anode (red)	300	.99
MAN 4	Common Cathode	187	1.95	DL704	Common Cathode	300	.99
MAN 5	Common Anode	300	1.25	DL 707	Common Anode	300	.99
MAN 70	Common Anode (green)	300	1.95	DL 728	Common Cathode	500	1.95
MAN 71	Common Anode (yellow)	300	1.95	DL741	Common Anode	600	1.50
MAN 57	Common Anode (green)	300	.99	DL 747	Common Anode	600	2.25
MAN 64	Common Anode (red)	400	.99	DL 750	Common Cathode	600	2.49
MAN 74	Common Cathode	300	1.50	DL 758	Common Cathode	110	5.00
MAN 82	Common Anode (yellow)	300	.99	IND010	Common Anode	250	7.50
MAN 84	Common Cathode (yellow)	300	.99	IND053	Common Cathode	500	1.00
MAN 3620	Common Anode (orange)	300	1.75	IND507	Common Anode	500	1.00

CMOS

CD4000	25	74CD40	75
CD4001	25	74CD10	65
CD4002	25	CD4035	1.85
CD4003	25	CD4040	2.45
CD4004	25	CD4042	2.45
CD4009	59	CD4054	1.50
CD4010	59	CD4046	2.51
CD4011	25	CD4047	2.75
CD4012	25	CD4049	2.75
CD4013	47	CD4051	2.95
CD4016	35	CD4051	2.95
CD4017	35	CD4053	2.95
CD4018	35	CD4060	3.25
CD4020	149	CD4062	1.75
CD4022	125	CD4069	45
CD4023	25	CD4071	45
CD4024	150	CD4081	45
CD4025	25	CD4025	2.40
CD4027	69	CD4518	2.00
CD4028	1.65	MC1566	3.00
CD4029	2.90	74CD29	.89
CD4030	6.50	74CD29	.55

MANY OTHERS AVAILABLE ON REQUEST
20% Discount for 100 Combined 7400's

CUTTER CRIMPER TOOL (CS-8)

- Plier Nose (serrated-jaw)
- Scissors Action Cutting
- 6 Bolt Cutters (4-40, 5-40, 6-32, 8-32, 10-32, 10-24)
- Crimp Stations (7mm Auto — 22-20 to 12-X select.)
- "Up-Front" Wire Cutting
- Scissors Action Stripping (No. 22-20 to No. 10)
- Crimp Stations — insulated (2w-20 to 12-X select.)

Actual Size - 8 1/4" length **\$8.50**

Permacell Electrical Tape

- 1/2" (wide) X 66 ft (long) • All weather • Not import
- \$1.25 per roll — \$9.95 per 10 roll package

ATARI GAME BOARDS

Over 60 each reusable IC's
Misc. Transistors, Resistors, Diodes, Caps, Crystals, Switch, etc.

\$6.95 ea.
ONLY \$20 A Lot

NEW AY-3-8500-1 TV GAME CHIP

Score display
Selectable angles
Speed and ball size
Auto or manual ball service
Reason sounds
6 Games — tennis, hockey, soccer, roulette, jacks

The circuit is intended to be battery powered. Minimum number of external components required for complete system.

\$24.95

IC SOLDERTAIL — LOW PROFILE (TIN) SOCKETS

8 pin	\$1.17	16 pin	\$1.38	24 pin	\$1.24	25-49 pin	\$0.100
14 pin	.20	18 pin	.22	20 pin	.21	20 pin	.45
18 pin	.29	28 pin	.27	36 pin	.33	36 pin	.62
22 pin	.37	36 pin	.27	25 pin	24	24 pin	.57

SOLDERTAIL STANDARD (TIN)

14 pin	\$2.75	24 pin	\$3.99	90 pin	.81
16 pin	30	28 pin	1.38	1.26	1.15
MAN 82	40 pin	1.59	1.45	1.30	

SOLDERTAIL STANDARD (GOLD)

8 pin	\$3.20	16 pin	\$5.41	32 pin	\$3.75	48 pin	\$5.15
14 pin	35	32 pin	29	32 pin	1.10	1.00	.90
16 pin	38	35 pin	32	36 pin	1.75	1.40	1.26
18 pin	52	41 pin	41	48 pin	1.75	1.59	1.45

WIRE WRAP SOCKETS (GOLD) LEVEL #3

10 pin	\$4.45	41 pin	37	24 pin	\$1.05	95	85
14 pin	39	38 pin	37	32 pin	1.40	1.25	1.10
16 pin	43	42 pin	41	36 pin	1.59	1.45	1.30
18 pin	75	68 pin	62	40 pin	1.75	1.55	1.40

LINEAR

LM3000	80	LM3151N	2.95
LM3001N	35	LM3144N	1.75
LM3002N	75	LM3168C	65
LM3004H	100	LM3370N	1.15
LM3009H	65	LM3730N	2.25
LM3007CN	35	LM3177N	4.00
LM3008H	100	LM3808N	1.39
LM3008CN	100	LM3808CN	1.95
LM3009H	1.17	LM3098N	55
LM3009CN	99	LM3820N	1.79
LM3100CN	1.15	NE5010	8.00
LM3111H	90	NE510A	6.00
LM3111CN	90	NE5558P	1.00
LM3192CN	1.50	NE538T	6.00
LM3191N	1.30	NE540L	6.00
LM320K-5	1.35	NE5650	79
LM320K-2	1.35	NE555V	5.00
LM320K-1	1.35	NE5608	5.00
LM320T-5	1.75	NE5618	5.00
LM320T-2	1.75	NE5628	5.00
LM320T-1	1.75	NE5694	1.25
LM320T-12	1.75	NE5692N	1.25
LM320T-15	1.75	NE567H	1.95
LM320T-18	1.75	NE567V	1.95
LM320T-24	1.75	LM7330N	45
LM322N-9	9.95	LM7330N	45
LM324N	1.80	LM709N	29
LM339N	1.70	LM710N	29
LM340N-5	1.95	LM711N	39
LM340N-6	1.95	LM723H	55
LM340K-12	1.95	LM7330N	1.00
LM340K-15	1.95	LM7390N	1.00
LM340K-18	1.95	LM741H	1.49
LM340K-24	1.95	LM747H	79
LM340T-5	1.75	LM747H	79
LM340T-8	1.75	LM747H	79
LM340T-12	1.75	LM747H	79
LM340T-15	1.75	LM747H	79
LM340T-18	1.75	LM747H	79
LM340T-24	1.75	LM747H	79
LM350N	1.00	LM7305N	45
LM351CN	65	LM7307N	85

ZENERS — DIODES — RECTIFIERS

1N4748	3.3	400mV	41.00	1N4005	600 PIV 1 AMP	10.10
1N751A	5.1	400mV	41.00	1N4006	800 PIV 1 AMP	10.10
1N752	5.6	400mV	41.00	1N4007	1000 PIV 1 AMP	10.10
1N753	6.2	400mV	41.00	1N4008	1500 PIV 1 AMP	10.10
1N754	6.8	400mV	41.00	1N4148	75 10m 15.10	
1N759	8.2	400mV	81.00	1N4154	35 10m 12.10	
1N6958	15	400mV	41.00	1N4430S	75 25m 20.10	
1N2523	3.6	500mV	28.00	1N4714	5 6 1w 5.00	
1N5234	6.2	500mV	28.00	1N4735	6 2 1w 2.28	
1N5235	6.8	500mV	28.00	1N4736	6 6 1w 2.28	
1N5236	7.5	500mV	28.00	1N4738	8 2 1w 2.28	
1N4548	150	7mV	61.00	1N4742	12 1w 2.28	
1N4549	150	7mV	61.00	1N4744	15 1w 2.28	
1N4854	180	10mV	61.00	1N1183	50 PIV 35 AMP 1.60	
1N4001	50 PIV 1 AMP	12.10	1N1184	100 PIV 35 AMP 1.60		
1N4002	100 PIV 1 AMP	12.10	1N1185	150 PIV 35 AMP 1.60		
1N4003	200 PIV 1 AMP	12.10	1N1186	200 PIV 35 AMP 1.60		
1N4004	300 PIV 1 AMP	12.10	1N1188	400 PIV 35 AMP 1.60		

Plastic Push Button Switch

• 18 AWG Solid Wire - 5" Long
• .50 (wide) X .80 (high) % 27 Thread
• 8 AMP @ 14 Volt - 1 AMP @ 110 Volt

J-188-1	Push On Push Off	59	49
J-188-2	Normally Open	59	49
J-188-3	Normally Closed	59	49

SCR AND FW BRIDGE RECTIFIERS

C360	15A @ 400V	SCR	\$1.95
C38M	35A @ 200V	SCR	1.95
1N5374	1A @ 50V	FW BRIDGE REC.	1.95
1N5375	1.5A @ 50V	FW BRIDGE REC.	1.95
1N5376	2A @ 50V	FW BRIDGE REC.	1.95

TRANSISTORS

2N2904	55100	PN2904	451.00
2N2907	55100	PN2907	451.00
2N2908	55100	PN2908	451.00
2N2910	55100	PN2910	451.00
2N2914	55100	PN2914	451.00
2N2924	55100	PN2924	451.00
2N2930	55100	PN2930	451.00
2N2939	55100	PN2939	451.00
2N2941	55100	PN2941	451.00
2N2945	55100	PN2945	451.00
2N2950	55100	PN2950	451.00
2N2954	55100	PN2954	451.00
2N2958	55100	PN2958	451.00
2N2960	55100	PN2960	451.00
2N2964	55100	PN2964	451.00
2N2968	55100		



Ham Radio's guide to help you find your local

Alabama

LONG'S ELECTRONICS
3521 TENTH AVE. NORTH
BIRMINGHAM, AL 35234
800-633-3410
Call us Toll Free to place your order

Arizona

MASTERS COMMUNICATIONS
7025 N. 57th DRIVE
GLENDALE, AZ 85301
602-939-8356
Rohn tower distributor, Atlas,
Icom, Tempo, HyGain & service.

POWER COMMUNICATIONS
6012 NORTH 27th AVE.
PHOENIX, AZ 85017
602-242-8990
Arizona's #1 Ham Store.

California

C & A ELECTRONICS
2529 EAST CARSON ST.
P. O. BOX 5232
CARSON, CA 90745
213-834-5868
Not the biggest, but the best —
since 1962.

CARSON ELECTRONICS
12010 EAST CARSON ST.
HAWAIIAN GARDENS, CA 90716
213-421-3786
Dealing exclusively in ICOM
communications equipment.

HAM RADIO OUTLET
999 HOWARD AVENUE
BURLINGAME, CA 94010
415-342-5757
Visit our stores in Van Nuys
and Anaheim.

QUEMENT ELECTRONICS
1000 SO. BASCOM AVENUE
SAN JOSE, CA 95128
408-998-5900
Serving the world's Radio Amateurs
since 1933.

TOWER ELECTRONICS CORP.
24001 ALICIA PARKWAY
MISSION VIEJO, CA 92675
714-768-8900
Authorized Yaesu Sales & Service.
Mail orders welcome.

Colorado

C W ELECTRONIC SALES CO.
1401 BLAKE ST.
DENVER, CO 80202
303-573-1386
Rocky Mountain area's complete
ham radio distributor.

Florida

CENTRAL EQUIPMENT CO.
18451 W. DIXIE HIGHWAY
NORTH MIAMI BEACH, FL. 33160
305-932-1818
Specializing in Amateur, CB
& Marine Equipment.

GRICE ELECTRONICS
320 EAST GREGORY
PENSACOLA, FL 32502
904-434-2481
Gulf Coast dealer for Atlas, Drake,
Icom, Kenwood.

Illinois

ERICKSON COMMUNICATIONS, INC.
5935 NORTH MILWAUKEE AVE.
CHICAGO, IL 60646
312-631-5181
Headquarters for all your Amateur
Radio needs.

KLAUS RADIO, INC.
8400 NORTH PIONEER PARKWAY
PEORIA, IL 61614
309-691-4840
Let us quote your Amateur needs.

SPECTRONICS, INC.
1009 GARFIELD STREET
OAK PARK, IL 60304
312-848-6777
Chicagoland's Amateur Radio
leader.

Indiana

HOOSIER ELECTRONICS
P. O. BOX 2001
TERRE HAUTE, IN 47802
812-238-1456
Ham Headquarters of the Midwest.
Store in Meadow Shopping Center.

Iowa

BOB SMITH ELECTRONICS
12 SOUTH 21ST STREET
FT. DODGE, IA 50501
515-576-3886
For an EZ deal.

Kansas

ASSOCIATED RADIO
8012 CONSER P.O.B. 4327
OVERLAND PARK, KS 66204
913-381-5901
Amateur Radio's Top Dealer.
Buy — Sell — Trade.

Kentucky

COHOON AMATEUR SUPPLY
HIGHWAY 475
TRENTON, KY 42286
502-886-4535
Ten-Tec dealer — Call 24 hours
for best deal

Maryland

COMM CENTER, INC.
9624 FT. MEADE ROAD
LAUREL PLAZA RT. 198
LAUREL, MD 20810
301-792-0600
New & Used Amateur Equipment.
All Inquiries Invited.

Massachusetts

TUFTS RADIO ELECTRONICS
386 MAIN STREET
MEDFORD, MA 02155
617-395-8280
New England's friendliest
ham store.

Dealers - You should be here too! Contact Ham Radio today for complete details.

Amateur Radio Dealer

Michigan

RADIO SUPPLY & ENGINEERING
1207 WEST 14 MILE ROAD
CLAWSON, MI 48017
313-435-5660
10001 Chalmers, Detroit, MI
48213, 313-371-9050.

Minnesota

ELECTRONIC CENTER, INC.
127 THIRD AVENUE NORTH
MINNEAPOLIS, MN 55401
612-371-5240
ECI is still your best buy.

Missouri

MIDCOM ELECTRONICS, INC.
2506 SO. BRENTWOOD BLVD.
ST. LOUIS, MO 63144
314-961-9990
At Midcon you can try before you
buy!

Nebraska

COMMUNICATIONS CENTER
2226 NORTH 48 ST.
LINCOLN, NE 68504
402-466-3733
Yaesu, Drake, Tempo, Swan,
HyGain - call for prices.

New Hampshire

EVANS RADIO, INC.
BOX 893, RT. 3A BOW JUNCTION
CONCORD, NH 03301
603-224-9961
Icom & Yaesu dealer.
We service what we sell.

New Jersey

ATKINSON & SMITH, INC.
17 LEWIS ST.
EATONTOWN, NJ 07724
201-542-2447
Ham supplies since "55".

New Mexico

HAM EQUIPMENT CENTER
6344 LINN N.E.
ALBUQUERQUE, NM 87108
505-268-1744
Serving New Mexico. Ten Tec
and Tempo Equipment

New York

ADIRONDACK RADIO SUPPLY, INC.
185 W. MAIN STREET
AMSTERDAM, NY 12010
518-842-8350
Yaesu dealer for the Northeast.

CFP COMMUNICATIONS
211 NORTH MAIN STREET
HORSEHEADS, NY 12010
607-739-0187
Jim Beckett, WA2KTJ, Manager
Bryant Hozempa, WB2LVW, Sales

GRAND CENTRAL RADIO
124 EAST 44 STREET
NEW YORK, NY 10017
212-682-3869
Drake, Atlas, Ten-Tec, Midland,
Hy-Gain, Mosley in stock

HARRISON
"HAM HEADQUARTERS, USA"
ROUTE 110 & SMITH STREET
FARMINGDALE, L. I., N. Y. 11735
516-293-7990
Since 1925 . . . Service, Satisfaction,
Savings. Try Us!

RADIO WORLD
ONEIDA COUNTY AIRPORT
TERMINAL BLDG.
ORISKANY, NY 13424
315-337-2622
New & used ham equipment.
See Warren Spindler, K2IXN.

Ohio

UNIVERSAL SERVICE
114 N. THIRD STREET
COLUMBUS, OH 43215
614-221-2335
Give U.S. a try when ready to buy.

Oklahoma

RADIO STORE, INC.
2102 SOUTHWEST 59th ST.
(AT 59th & S. PENNSYLVANIA)
OKLAHOMA CITY, OK 73119
405-682-2929
New and used equipment —
parts and supply.

Pennsylvania

ELECTRONIC EXCHANGE
136 N. MAIN STREET
SOUDERTON, PA 18964
215-723-1200
New & Used Amateur Radio
sales and service.

"HAM" BUERGER, INC.
68 N. YORK ROAD
WILLOW GROVE, PA 19090
215-659-5900
Communications specialists.
Sales and service.

**HAMTRONICS, DIV. OF
TREVISE ELECT.**
4033 BROWNSVILLE ROAD
TREVISE, PA 19047
215-357-1400
Same location for 25 years.

Tennessee

J-TRON ELECTRONICS
505 MEMORIAL BLVD.
SPRINGFIELD, TN 37172
615-384-3501
Ten-Tec dealer — call or
write for best trade.

Texas

HARDIN ELECTRONICS
5635 E. ROSEDALE
FT. WORTH, TX 76112
817-461-9761
You bet Ft. Worth has a ham store!

TECO ELECTRONICS SUPER STORE
1717 S. JUPITER ROAD
GARLAND, TX 75040
800-527-4642
Call Toll Free for Service Today!

Virginia

ARCADE ELECTRONICS
7048 COLUMBIA PIKE
ANNANDALE, VA 22003
703-256-4610
Serving Maryland, D.C., and Virginia
area since 1962.

Wisconsin

**AMATEUR
ELECTRONIC SUPPLY, INC.**
4828 WEST FOND du LAC AVENUE
MILWAUKEE, WI 53216
414-442-4200
Open Mon & Fri 9-9, Tues, Wed,
Thurs, 9-5:30, Sat, 9-3.

B. B. C.

ELECTRONICS COMPANY, INC.

"ONE OF THE FINEST NAMES IN THE INDUSTRY"

SPECIALISTS IN
HIGH-POWER RF TRANSISTOR COMPONENTS,
CMOS INTEGRATED CIRCUITS & ASSOCIATED COMPONENTS.

WISHES TO ANNOUNCE

A COMPLETE LINE OF AMATEUR H.F. AND V.H.F. EQUIPMENT
INCLUDING THE BEST NAMES IN THE BUSINESS.
LIBERAL DISCOUNTS TO LICENSED AMATEURS, HAS BEEN, AND STILL IS, OUR POLICY

— TRADE INS ACCEPTED —

FOR YOUR AMATEUR NEEDS FROM \$1 TO \$??
WRITE OR CALL

B. B. C.

BLUE GRASS PLAZA • 2417 WELSH ROAD • PHILA., PA. 19114
PHONE: (215) 464-1880

BULK ORDERS ACCEPTED

BIDS SUPPLIED

Webster
radio, inc.

has the words
**QUALITY,
QUANTITY...**

EVERYTHING FROM A TO Z IN ELECTRONICS

YAESU



YAESU
HF SSB
FT-101E,
160 thru 10M
\$729.

KENWOOD

KENWOOD
Transceiver
TS-820
160 thru 10M
\$830.



ICOM



ICOM
Transceiver
2M FM
IC 22S
\$299.

CTC - UHF/VHF
POWER TRANSISTORS FOR AMATEUR USE
J101 UNDERWOOD CAPACITORS

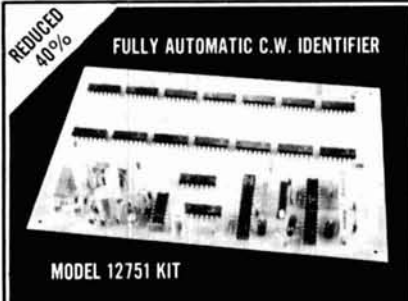
Order Direct
3 E-Z Ways:

1. Check or M.O. with order.
2. BankAmericard or Mastercharge.
3. C.O.D. (20% deposit, please).

Write for
FREE brochures
and particulars
on all models.

Webster
radio, inc.

2602 E. Ashlan, Fresno, CA 93726 / Ph. (209)224 5111



REGULAR \$59.95 VALUE, NOW ONLY **\$35.97***

- CONNECTS IN LINE BETWEEN MIC. AND MIC. JACK, REQUIRING NO MODIFICATION TO TRANSCIVER.
 - SOLID STATE RELIABILITY.
 - AUTOMATIC TIMER CAN BE SET FROM 1 MIN. TO 10 MIN.
 - ADJUSTABLE CODE SPEED FROM 5 TO 40 WPM.
 - ADJUSTABLE CODE TONE AND AUDIO LEVEL.
 - EASILY PROGRAMMED WITH ANY U.S. CALL SIGN.
 - SPECIALLY DESIGNED CIRCUITRY GENERATES SQUELCH TAIL & ASSURES CORRECT & FULL I.D. EVERY TIME.
 - OPERATES IN AUTOMATIC OR MANUAL MODES.
 - IDEAL FOR BASE, MOBILE, OR REPEATER OPERATION.
 - FULL 90 DAY WARRANTY.
- *Calif. res. add 6% tax. Include \$2 shpg.handling.
\$4 foreign.

NEW "CIR-KITS" AVAILABLE

- 11765 miniature low power beacon CW IDer. (great for 1750 meter band).
- 11764 semi-automatic modulated CW IDer.
- 11776 universal auto/home alarm control module.
- 11777 alarm timer module for 1776.

Write for additional information.

AVAILABLE NOW!
Send check or MO to:
Phone (408) 263-3107

SECURITRON
P. O. Box 24899
San Jose, Ca 95154

test for resonant resistance with an omega-t antenna noise bridge



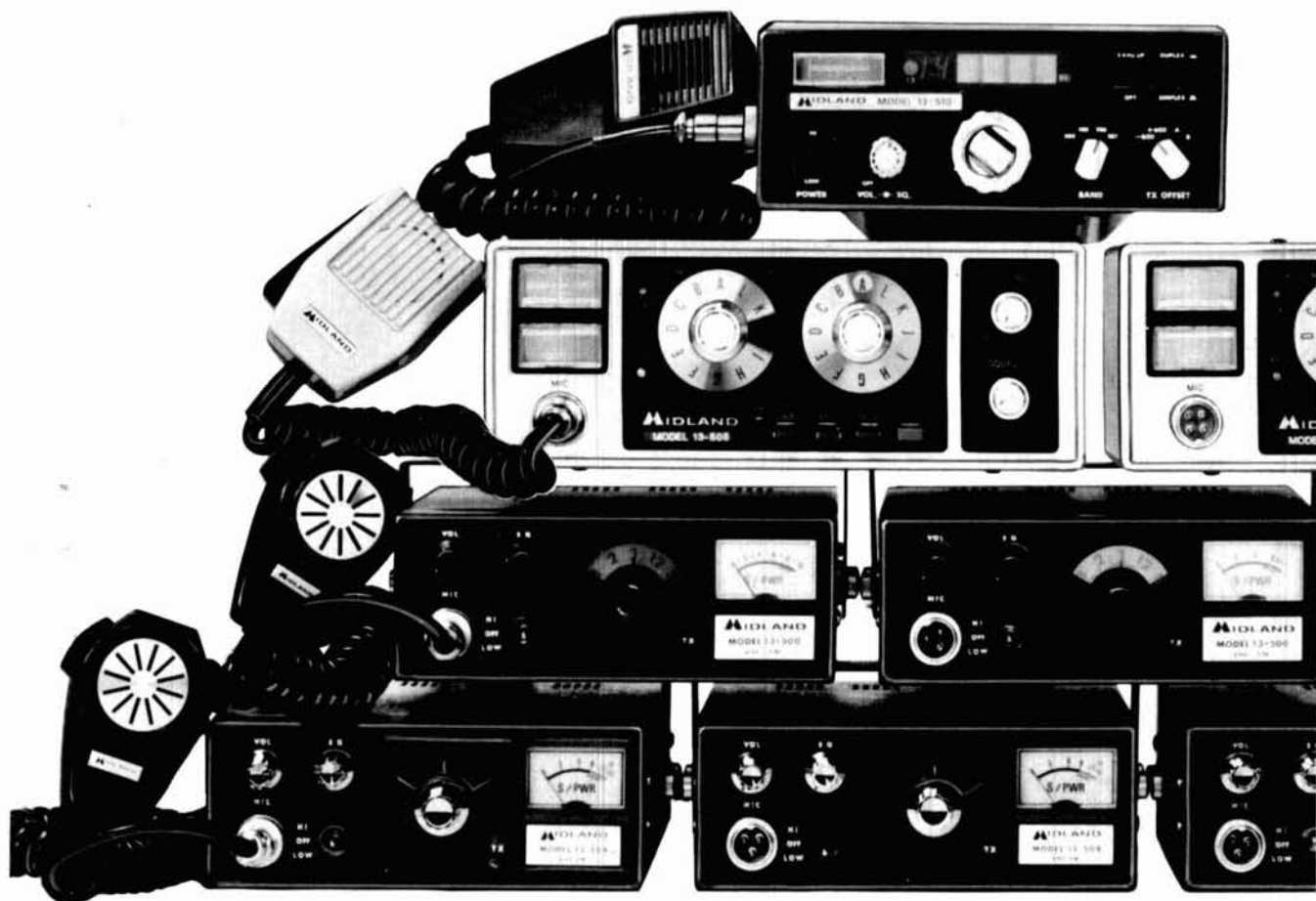
The Omega-t Noise Bridge is an inexpensive and flexible testing device that can effectively measure antenna resonant frequency and impedance. This unique piece of test equipment does the work of more expensive devices by using an existing receiver for a bridge detector. There is no longer a need for power loss because of impedance mismatch. Get more details or order now!

Model TE7-01 for 1-100 MHz Range \$29.95
Model TE7-02 for 1-300 MHz Range \$39.95

ELECTROSPACE
SYSTEMS, INC.

320 TERRACE VILLAGE
RICHARDSON, TEXAS 75080
TELEPHONE (214) 231-9303

Sold at Amateur Radio Dealers
or Direct from Electrospace Systems, Inc.



IN 2-METER & "220" MOBILE, MIDLAND MAKES IT

Midland makes four tough, top-performing mobile transceivers for serious amateurs. Reading from the top: There's Midland's newest—Model 13-510—with P.L.L. synthesizer, simplex and offsets to give it 4,000 frequency capability between 144 and 148 MHz. Combined with just about the most sensitive, selective dual conversion receiver you'll find, and a transmitter that puts out an honest 25 watts, you could hardly ask for more.

In the second row, there's Midland's deluxe, 30-watt 2-meter mobile—Model 13-505—featuring selective or simultaneous control for 12 crystal-controlled channels with "Channel A" priority switching, and such Midland standards as automatic VSWR protection and connection for tone burst.

The third row lines up Midland's basic 2-Meter mobile—Model 13-500. This popular 12-channel, 15-watt transceiver has a complete multiple-FET front end couple with high-Q helical cavity resonators. Despite its small size (2¼" h. x 6¾" w. x 8⅞" d.), it's designed for exceptional service and serviceability.

At the bottom is Model 13-509, Midland's "220" mobile. With 12-channel capacity, crystal controlled, it shares the compact size and receiver features of the 13-500 above, while delivering 10 watts output power (switchable to 1 watt when you want it).

All four are leading values from the leading name in personal communications: Midland.

MIDLAND
INTERNATIONAL®
Communications Division

Dept. H, P.O. Box 1903, Kansas City, MO 64141

Want to know more about
Midland Amateur Radio?
Write for our free
brochure today.





Aha, the **SECRET** of PC Board success finally revealed. A perfectly balanced lighting tool combining magnification with cool fluorescence. Excellent for fine detail, component assembly, etc. Lens is precision ground and polished.

Regularly \$78.00. Now, over 30% discount (only **\$54.00**) to all licensed Hams, verified in Callbook. Uses T-9 bulb (not supplied).

Include \$3.00 U.S. postage, or \$4.00 in Canada. \$5.00 elsewhere. California Residents include 6% sales tax. Or send stamped envelope for free brochure of other incandescent or fluorescent lamps suitable for all engineers, architects, students, etc.

Mastercharge and BankAmericard accepted

D-D ENTERPRISES

Dept. A, P. O. Box 7776
San Francisco, CA 94119

YOU'VE SEEN THE MAGAZINE ARTICLES

Here's what you can expect from the **DX ENGINEERING** RF Speech Processor

- 6 db INCREASE IN AVERAGE POWER
- MAINTAINS VOICE QUALITY
- IMPROVES INTELLIGIBILITY
- NO CABLES OR BENCH SPACE REQUIRED
- EXCELLENT FOR PHONE PATCH
- NO ADDITIONAL ADJUSTMENTS — MIKE GAIN ADJUSTS CLIPPING LEVEL
- UNIQUE PLUG-IN UNIT — NO MODIFICATIONS REQUIRED



This is RF Envelope Clipping—the feature being used in new transmitter designs for amateur and military use.

Models Now Available
Collins 32S, KWM-2\$ 98.50 ea.
Drake TR-3, TR-4, TR-6, TR-4C,
T-4, T-4X, T-4XB, T-4XC \$128.50 ea.
Postpaid — Calif. Residents
add 6% Tax

Watch for other models later!

DX Engineering

1050 East Walnut, Pasadena, Calif. 91106

How You Can Convert Your Rohn 25G Tower to a FOLD-OVER

CHANGE, ADJUST OR JUST PLAIN WORK ON YOUR ANTENNA AND NEVER LEAVE THE GROUND.

If you have a Rohn 25G Tower, you can convert it to a Fold-over by simply using a conversion kit. Or, buy an inexpensive standard Rohn 25G tower now and convert to a Fold-over later.

Rohn Fold-overs allow you to work completely on the ground when installing or servicing antennas or rotors. This eliminates the fear of climbing and working at heights. Use the tower that reduces the need to climb. When you need to "get at" your antenna . . . just turn the handle and there it is. Rohn Fold-overs offer unbeatable utility.

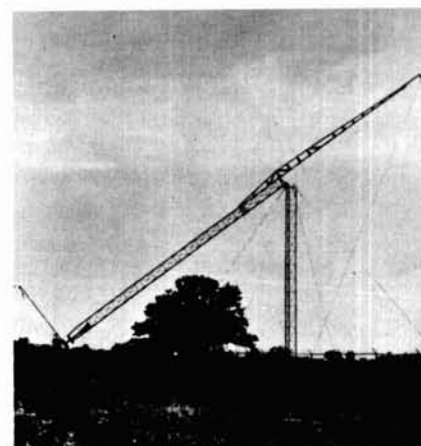
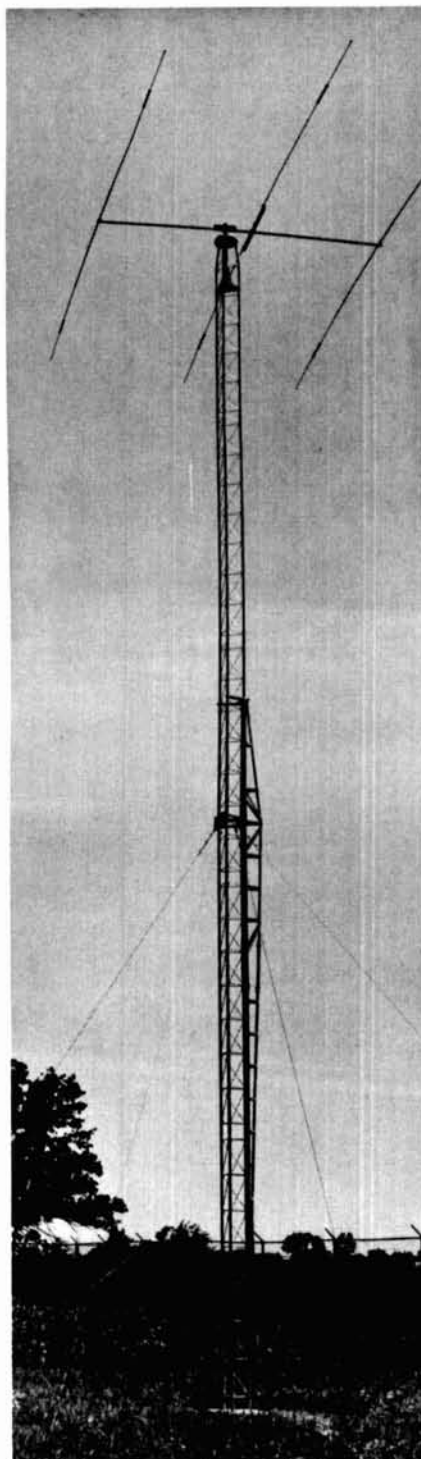
Yes! You can convert to a Fold-over. Check with your distributor for a kit now and keep your feet on the ground.

AT ROHN YOU GET THE BEST



Unarco-Rohn

Division of Unarco Industries, Inc.
P. O. Box 2000, Peoria, Illinois 61601



*"Experience
is the best
Teacher.."*

*Especially in total solid state
HF Transceiver Technology*



Since 1969, the year in which TEN-TEC introduced the first solid-state HF transceiver, progress has been rapid. It was in this year that we produced the POWERMITE which triggered the booming QRPp activity. Two years later, the ARGONAUT followed, demonstrating that Ham Radio can be more than just push-button communication.

Then, in 1972, a break-through — the 100 watt "405" solid state linear amplifier which requires but two watts of rf drive power. And in 1973 the 200 watt TRITON

made its debut, with unique and exciting operating advantages made possible by full solid-state technology.

At the moment, there are over 7,500 solid-state TEN-TEC transceivers in service in nearly every Free-world country. We are acknowledged, we think, to be the World's Most Experienced Designer of Fully Solid-State HF Transceivers. And there is no short cut to design perfection.

It is notably significant that TEN-TEC is the only manufacturer that has placed a five-year pro-rata warranty on output transistors — with an unlimited guarantee the first year against failure from any possible cause under normal operating conditions.

You can put your full trust in the integrity of design, quality, craftsmanship and performance to specifications of any TEN-TEC product. Year after year after year . . . See your local TEN-TEC Dealer, or write for full details.



Argonaut

SSB/CW 5 watts input. Fully solid-state.



"405" Linear

100 watts input. Fully solid-state.



Triton IV

SSB/CW 200 watts input. Fully solid-state.

TEN-TEC
SEVIERVILLE, TN. 37862
EXPORT: 5715 LINCOLN AVE.
CHICAGO, ILLINOIS, 60646

SUPER VALUE!

- ICS Socketed
- Push button Switches on Main PC Board
- Open chassis for Easy Assembly

2 IN 1 DMM-COUNTER



**FCM-8
8 DIGIT
250 MHz KIT**
\$219.95

Size 10W x 3-1/2H x 9D

Meter: Auto polarity and overrange indicator. 11 Meg. Ohm input impedance. Four overlapping ranges on AC-DC volts and current to 1KV and 1 AMP and five ranges on ohms to 1 Meg. Ohm. 500% overrange capability, except current. Accuracy: $\pm 1\%$, ± 1 count DC, $\pm 1.5\%$, ± 1 count AC and Ohms. Counter: Same as FCC-8.

CAPACITANCE COUNTER



**NOW, IT IS
A DREAM TO
MEASURE
YOUR
CAPACITORS.**
\$89.95
KIT

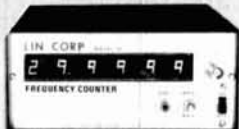
Size 7W x 3H x 8D

$\pm 1\%$ ± 1 count (± 1 pfd. below 100 pfd.)
Four ranges from pico farads to several thousand microfarads. Features crystal timebase reference for stability. Auto-cycling.

LIN CORP. 15311 S. Broadway, Gardena, California 90248 (213) 532-8809

- Deluxe Metal Cabinet
- Complete Step-by-step Instruction & Diagrams
- 3 in. 7-Seg. LED Readouts

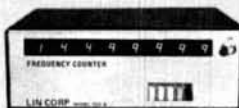
FREQUENCY COUNTER



**FC-6
30 MHz KIT**
\$89.95

Size 7W x 3H x 8D

Perfect for CBers, hams, hobbyists, technicians. Hi Z input, 50MV sensitivity. Frequency 10 Hz to over 30 Mhz. (FC-6) and 100 Hz to over 250 Mhz. (FC-6H). Crystal timebase. 5 ppm.



**FCC-8
8 DIGIT
250 MHz KIT**
\$149.95

Size 10W x 3-1/2H x 9D

Hi Z input. Sensitivity 50 millivolts at 250 Mhz. Readout Hz., Khz., or Mhz. Resolution 1 Hz. to 10 Mhz. and 10 Hz above Crystal time base — 5 ppm.

Add \$2.50 Shipping/Handling Each
California Residents Add 6% Sales Tax



See our **HAM MART**
listings to find the
Amateur Radio
dealers nearest you.

BUILD YOUR OWN TV CAMERA!

Ideal for home & business



GREAT FOR AMATEUR TV INDUSTRIAL SURVEILLANCE HOME ENTERTAINMENT & MONITORING PLUS HUNDREDS OF OTHER USES
MODEL #1A SERIES D - KIT \$295
FACTORY ASSEMBLED \$265
SHIPPING & HANDLING \$10
STATE CONNECTS TO ANY TV SET
OPTIONAL SOUND KIT \$295
PHONE OR WRITE FOR FREE CATALOG
DIAL 402 887 3771

1301 BROADWAY, N.W. **ATV Research** DAKOTA CITY, NEBR. 68731

ELECTRONIC KEYBOARD CABINETS



SASE
BRINGS
CATALOG

TWO SIZES W D H PRICE

14 8.3 3 \$13.50
14 11.3 3 \$14.50

MANY OTHER ELECTRONIC
COMPONENTS AVAILABLE

NuData Electronics

104 N. EMERSON ST. MOUNT PROSPECT, ILLINOIS 60056

MILITARY SURPLUS WANTED

Space buys more and pays more. Highest prices ever on U.S. Military surplus, especially on Collins equipment or parts. We pay freight. Call collect now for our high offer. 201 440-8787.

SPACE ELECTRONICS CO.
div. of Military Electronics Corp.
35 Ruta Court, S. Hackensack, N.J. 07606

SCAN

20 CHANNELS WITH YOUR
HW-2036 AND OUR NX-1
SCANNER KIT

144-148 MHz



*Scan 20 channels including 1 channel selected by HW-2036

*Instant lockout of any number of channels

*Programmed for your choice of 19 frequencies and modes on custom ROM

*Monitor active channels for 5 seconds or lock on active channel

*3 second scan delay controlled by Squelch or PTT

*Bypass mode for normal operation of HW-2036

*Easy assembly and installation, only 1.5" x 5" x 5"

To order, specify frequency and mode for up to 19 channels \$59.50 plus postage

Fla. residents add 4% tax Additional ROM \$12.50

EQUINOX CORPORATION

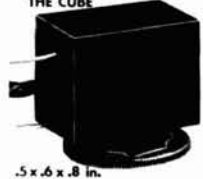
EQUINOX

P.O. Box 13292, St. Petersburg, Fla. 33733

813/866-6211

SUB-AUDIBLE GENERATOR for FM

THE CUBE



.5 x .6 x .8 in.

- Inexpensive multi tone encoder
- Compatible with PL-CG-QC
- Low distortion sinewave
- Input 8-18 VDC unregulated
- Rugged, plastic encased with leads
- Adjustable frequency (98-250 Hz), Lower available
- Excellent stability

Price \$19.95

Freq. set at
factory
\$5.00 extra

Calif. res. add 6%

Send for more info

lye
products

Dept. 14 P.O. Box 2083 Santa Clara, CA 95051



Glade Valley School Radio Session

18th Year — July 30 thru August 12, 1977

Need someone to make you upgrade?
Let us do it before the QRM does!

It's more fun our way. Instruction in theory and four code practice sessions per day. Have a "Vacation with a Purpose". Two weeks in the Blue Ridge Mountains of North Carolina. Classes at all levels and FCC exam available at close of Session.

C. L. PETERS, K4DNJ, Director
P. O. Box 458, Glade Valley, N. C. 28627

Please send me the Booklet and Application Blank for the 1977 Glade Valley School Radio Session.

Name _____ Call _____

Address _____

City/State/Zip _____

NOW . . . Yaesu AND Drake



FT-101E TRANSCEIVER

ORDER
TODAY!

Write
or
Call



TR-4C TRANSCEIVER

Mail Orders accepted. N. Y. residents add sales tax. See us for all your Amateur Radio needs. SASE will get our list of used Amateur Equipment.

WANTED: GOOD
CLEAN TRADES!

C F P COMMUNICATIONS

WA2KTJ
WB2LVW



211 NORTH MAIN STREET
HORSEHEADS, N. Y. 14845
PHONE: 607-739-0187



Fri. & Sat. subject to
Hamfest weekends
Closed Sun. & Mon.

Store Hours
Tues. to Sat.
10-6 p.m.

SPECIALS FROM



Fairchild VHF Prescaler Chips

11C01FC	High Speed Dual 5-4 Input no/nor	15.40
11C05DC	1 GHz Counter Divide by 4	74.35
11C05DM	1 GHz Counter Divide by 4	110.50
11C06DC	UHF Prescaler 750 MHz D Type flip/flop	12.30
11C24DC	Dual TTL VCM same as MC4024P	2.60
11C44DC	Phase Freq. Detector same as MC4044P	2.60
11C58DC	ECL VCM	4.53
11C70DC	600 MHz flip/flop with reset	12.30
11C83DC	1 GHz 248/256 Prescaler	29.20
11C90DC	650 MHz Prescaler Divide by 10/11	16.00
11C90DM	same as above except Mil. version	24.00
11C91DC	605 MHz Prescaler Divide by 5/6	16.00
11C91DM	same as above except Mil. version	24.00
95H90DC	350 MHz Prescaler Divide by 10/11	9.50
95H90DM	same as above except Mil. version	16.50
95H91DC	350 MHz Prescaler Divide by 5/6	9.50
95H91DM	same as above except Mil. version	16.50
T.I. TMS4060/C2107, 4K RAM		19.01

Batteries

NI-CAD's AA cells 1.25 volts at 500 mahr.	\$0.49
Gel-Cell 12 volts at 1.5 Amp Hr. #GC-1215	\$19.95

Crystals

1.000000 MHz	4.95	JUST ARRIVED! These radios have just been pulled out of service. Set up for approx. 150 MHz.
5.000000 MHz	4.95	Clean. All tubes included. No accessories. Prices
3579.545 KC	2.95	F0B Phoenix.
10 MHz	\$4.95	Motorola U43 GGT \$49.95
		GE TPL \$99.95
		GE MT-33 \$39.95
		Collins 26U \$150.00
		CBS Labs Model IIIs, AUDIMAX \$775.00

GRC10 Radio Set	\$169.95
Model T33BAT	\$39.95 F0B Phoenix

I.C.'s

8223B	\$3.00	MuRata 10.7 MHz Ceramic Filters
2102	\$1.99	#SFW-10.7MA \$3.95

Johanson and Johnson

Trimmer Capacitors		Ferrite Beads	
1 to 14 pf.	\$1.95	12 for .99 or	120 for 9.99
1 to 20 pf.	\$1.95		

FET'S

2N3070	1.50	2N5460	.90	MFE3002	3.35
2N3436	2.25	2N5465	1.35	MPP102	.45
2N3458	1.30	2N5565	5.45	MPP121	1.50
2N3821	1.60	3N126	3.00	MPP4391	.80
2N3822	1.50	MFE2000	.90	UI282	2.50
2N4351	2.85	MFE2001	1.00	MMF5	5.00
2N4416	1.05	MFE2008	4.20	40673	1.39
2N4875	1.75	MFE2009	4.80	40674	1.49

TUBES

2E26	5.00	811	6.95	7984	4.95
3B2B	4.00	811A	9.95	8072	32.00
4X150A	15.00	931A	11.95	8156	3.95
4X150G	18.00	5849	32.00	8908	9.95
4CX250B	24.00	6LQ6	4.50	8950	5.50
4CX350A/8321	35.00	6146A	5.25	4-400A	29.95
4CX15000A	150.00	6146B/8298A	6.25	4-250A	24.95
DX415	25.00	6360	7.95	4-125A	20.95
572B/T160L	25.00	6907	35.00	4-65A	15.95
		7377	40.00		

RF TRANSISTORS

2N1561	15.00	2N3866 JAN TX	4.85	2N5591	10.35
2N1562	15.00	2N3925	6.00	2N5635	4.95
2N1692	15.00	2N3927	11.50	2N5636	11.95
2N1693	15.00	2N3948	2.00	2N5637	20.70
2N2631	4.20	2N3950	26.25	2N5643	20.70
2N2857	1.80	2N3961	6.60	2N5641	4.90
2N2876	12.35	2N4072	1.70	2N5643	20.70
2N2880	25.00	2N4073	2.00	2N5764	27.00
2N2927	7.00	2N4135	2.00	2N5841	11.00
2N2947	17.25	2N4427	1.24	2N5842/MM1607	19.50
2N2948	15.50	2N4470	20.00	2N5849/MM1622	19.50
2N2949	3.90	2N4440	8.60	2N5862	50.00
2N2950	5.00	2N4957	6.30	2N5942	49.50
2N3287	4.30	2N5070	13.80	2N5922	10.00
2N3300	1.05	2N5090	6.90	2N6080	5.45
2N3302	1.05	2N5108	3.90	2N6081	8.60
2N3307	10.50	2N5109	1.55	2N6082	11.25
2N3309	3.90	2N5177/MRF5177	20.00	2N6083	12.95
2N3375/MM3375	7.00	2N5179	.68	2N6084	14.95
2N3553	1.80	2N5184		2N6094	5.75
2N3571	4.10	2N5216	47.50	2N6095	10.35
2N3818	6.00	2N5583	5.60	2N6096	19.35
2N3824	3.20	2N5589	4.60	2N6097	28.00
2N3866	1.09	2N5590	6.30	2N6166	36.80
2N3866 JAN	4.14				

TRANSFORMERS

F-18X	6.3vct at 6 amps	3.56
F-93X	6.5v to 40v at 750 ma.	3.53
F-92A	6.5v to 40v at 1 amp	4.59
F-91X	6.5v to 40v at 300 ma.	2.72
N-51X	Isolation 115vac at 35va.	2.80
Model D-2	6.5v at 3.3 amps	4.95
	6.5v at 3.3 amps	
C-912-034	22vct at 200 ma.	
	11v at 250 ma.	1.49
BE-12433-001	30v at 15 ma.	.49
C-404-024	18vct at 400 ma.	1.49
BGH-9	6.3vct at 10 amps.	6.95
F-107Z	12V @ 4A or 24 V @ 2A	7.80
P6377	12v @ 4a or 24v @ 2a	6.31
P6378	12v @ 8a or 24v @ 4a	10.31
P8196	80vct @ 1.2a	6.28

POLARAD SPECTRUM ANALYZER

Model DU-1A with 3 RF tuning units. Model STUI, 2A, 3A, will cover 10 MHz to 22,000 MHz. \$795.00

DIODES

1N270 Germanium Diodes	\$7.95/c
HEP170, 2.5A, 1000 PIV	\$4.95/20
Semtech SFMS 20K, 20KV, 10 ma, fast recovery	\$1.26 ea.

FANS

Pamotor Fans, Model 4500C 117 VAC, 60 Hz, 19 w.	\$7.95
---	--------

RF TRANSISTORS

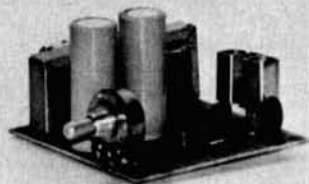
MRF207	2.00	Amperex BLY90	22.50	MM3375	7.00
MRF208	10.20	Amperex A209	8.60	MM3904	1.50
MRF209	12.35	MSC 2001	20.00	MM3906	1.43
MRF237	1.85	MSC 3000	20.00	MM4000	1.24
MRF238	8.55	MSC 3001	20.00	MM4001	1.39
MRF450	16.55	MSC 80205	20.00	MM4003	1.85
MRF453	19.55	MSC 80206	20.00	MM4036	1.60
MRF504	6.75	MSC 80255	20.00	MM4044	3.00
MRF509	5.50	Fairchild SE7056	3.00	MM4545	3.00
MRF511	8.60	MM1051	2.00	MM8006	2.15
MRF620	27.00	MM1500	32.20	MM1552	50.00
MRF8004	1.90	MM1550	10.00	MM1553	56.50
HEPS3013/75	2.95	MM1601	5.50	HEPS5026	2.48
HEPS3014/76	4.95	MM1602	7.50	MSC 80256	20.00
HEPS3002	11.03	MM1607/2N5842	8.65	CTC D1-28	20.00
HEPS3003	29.88	MM1614	2.75	CTC D10-28	20.00
HEPS3005	9.55	MM1620	17.50	CTC E1-28	20.00
HEPS3006	19.90	MM1622/2N5849	19.50		
HEPS3007	24.95	MM1661	15.00		
HEPS3008	2.18	MM1669	17.50		
HEPS3010	11.34	MM1943	3.00		
RCA TA7994	50.00	MM2605	3.00		
RCA 40290	2.48	MM2608	5.00		
Kertron K2126	5.50	MM3002	1.65		
Kertron KB6008	5.50	MM3009	1.80		



2543 N. 32nd STREET
PHOENIX, ARIZONA 85008
PH. 602-957-0786



NO C.O.D.

ADVA**KIT \$11⁹⁵**ASSEMBLED \$17.95
ADD \$1.25 FOR
POSTAGE/HANDLING**VARIABLE POWER SUPPLY**

- Continuously Variable from 2V to over 15V
- Short-Circuit Proof
- Typical Regulation of 0.1%
- Electronic Current Limiting at 300mA
- Very Low Output Ripple
- Fiberglass PC Board Mounts All Components
- Assemble in about One Hour
- Makes a Great Bench or Lab Power Supply
- Includes All Components except Case and Meters

OTHER ADVA KITS:

LOGIC PROBE KIT - Use with CMOS, TTL, DTL, RTL, HTL, NMOS and most MOS IC's. Built-in protection against polarity reversal and overvoltage. Draws only a few mA from circuit under test. Dual LED readout. Complete kit includes case and slip leads. **ONLY \$7.95**

FIXED REGULATED POWER SUPPLY KITS - Short-circuit proof with thermal current limiting. Compact size and typical regulation of 0.5% make these ideal for most electronic projects. Available for 5V @ 500mA, 6V @ 500mA, 9V @ 500mA, 12V @ 400mA, 15V @ 300mA. Specify voltage when ordering. **\$8.95 ea.**

These easy-to-assemble kits include all components, complete detailed instructions and plated fiberglass PC boards. Power supply kits do not include case or meters. Add \$1.25 per kit for postage and handling.

MAIL NOW FREE DATA SHEETS supplied with many items from this ad. **FREE ON REQUEST** - 741 Op Amp with every order of \$5 or more - 749 Dual Op Amp or two E100 FET's with every order of \$10 or more, postmarked prior to 3/31/77. One free item per order. **ORDER TODAY** - All items subject to prior sale and prices subject to change without notice. All items are new surplus parts - 100% functionality tested.

WRITE FOR FREE CATALOG #76 offering over 350 semiconductor carried in stock. Send 12¢ stamp.

TERMS: Send check or money order (U.S. funds) with order. We pay 1st Class postage to U.S., Canada and Mexico (except on kits). \$1.00 handling charge on orders under \$10. Calif. residents add 6% sales tax. Foreign orders add postage. CDD orders - add \$1.00 service charge.

MORE SPECIALS:

RC4195DN 15V @ 50mA VOLTAGE REGULATOR IC. Very easy to use. Makes a neat Highly Regulated 15V Supply for OP AMP's, etc. Requires only unregulated DC (18-30V) and 2 bypass capacitors. With Data Sheet and Schematics. 8 pin mDIP **\$1.25**

LM741 FREED COMPENSATED OP AMP. μ A741, MC1741, etc. mDIP 5/S1

MC1458 DUAL 741 OP AMP mDIP **3/S1**

RC4558 DUAL 741 OP AMP mDIP **3/S1**

2N3904 NPN TRANSISTOR AMPLIFIER/SWITCH to 50 mA, β 100 **6/S1**

ZENERS - Specify Voltage 3.3, 3.9, 4.3, 5.1, 6.8, 8.2 400mW 4/S1 1.00

9, 1, 10, 12, 15, 16, 18, 20, 22, 24, 27, or 33V (-10%) **1 Watt 3/S1 1.00**

- MONEY-BACK GUARANTEE
- ALL TESTED AND GUARANTEED

ADVA ELECTRONICS
BOX 4181 O, WOODSIDE, CA 94062
Tel. (415) 851-0455

FREEIC or FET's WITH
\$5 & \$10 ORDERS.²⁴
DATA SHEETS
WITH MANY ITEMS.

DIODES	TRANSISTORS	TRANSISTORS	TRANSISTORS	TRANSISTORS	LINEAR IC'S
ZENERS & RECTIFIERS	2N700	50 24	2N4001	3/S1	LM380K 5 \$1.75
1N456 10	2N718	24	2N4002	50 25	LM380T 5 1.75
1N458	2N720	48	2N4013	3/S1	LM380T 6 1.75
1N482 10	2N719	3/S1	2N4012	3/S1	LM380T 12 1.75
1N486	2N711	29	2N4014	5/S1	LM380T 15 1.75
1N746 10	2N1890	38	2N4240	5/S1	E101
1N750	2N1893	38	2N4249	5/S1	E102
1N914	2N1814	24	2N4274	5/S1	E103
1N962 10	2N2222	6/S1	2N4302	50 29	MPF102 10*
1N974	2N2222A*	5/S1	2N4303	29	MPF104
1N2004	2N2299	5/S1	2N4338	5/S1	MPF112
1N4001*	2N2606 10	50	2N4300M	2/S1	MP5815
1N4002	2N2609	50	2N4391	51	SE1001
1N4003	2N2995	50 24	2N4392	50 90	SE1002
1N4004	2N2997*	5/S1	2N4416A	50 80	SE2002
1N4005	10 2N3553	51 50	2N4956 10	51	SE2003
1N4006	10 2N3563	6/S1	2N4981	51	SE2004
1N4007	10 2N3564	6/S1	2N4987E	2/S1	SE2020
1N4148	15 2N3565 10	6/S1	2N4988E	2/S1	1N573 10
1N4154*	25 2N3568	6/S1	2N4988	50 50	1N575
1N4370	2N3638	6/S1	2N4989	51	1N575Z
1N4454	15 2N3641	5/S1	2N5087	4/S1	SN7400N
1N4728 10	2N3642	5/S1	2N5088	4/S1	SN7400P
1N4751	2N3643	6/S1	2N5176 10	6/S1	SN7401N
1N5231 10	2N3644	4/S1	2N5175	6/S1	SN7420N
1N5236	2N3646	4/S1	2N5178	5/S1	SN7451N
	2N3668 10	3/S1	2N5179	5/S1	SN7473N
	2N3670	3/S1	2N5183	3/S1	SN7475N
	2N3691 10	5/S1	2N5197	5/S1	SN7493N
	2N3694	50 80	2N5210	3/S1	SN7495N
	2N3722	10	2N5308	2/S1	LINEAR IC'S
	2N3823	10	2N5327	51 50	LM108H
	2N3886	75	2N5422	1 80	LM301AN
	2N3903 10	51	2N5423	3/S1	LM309
	2N3906	6/S1	2N5458	30 38	LM309N
	2N3919	5/50	2N5484	3/S1	LM309N
	2N3922	5/50	2N5486	2/S1	LM311N
	2N3924	5/50	2N5487	5/50	LM318
	2N3958	1 15	2N5544	2 50	LM320R 5
	2N3970	1 00	2N5561	12 80	LM320R 15
					LM320R 25
					LM320R 50

***SUPER SPECIALS:**

1N914 100V/10mA Diode	20/S1	MPF102 200MHz RF Amp	3/S1
1N4001 100V/1A Rect.	15/S1	40673 MOSFET RF Amp	\$1.75
1N4154 30V 1N914	25/S1	LM374 Quad 741 Op Amp	.94
BR1 50V 1/8A Bridge Rec	4/S1	LM555 Pos Volt Reg mDIP	2/S1
2N2222A NPN Transistor	6/S1	NE555 Timer mDIP	5/5
2N2907 PNP Transistor	6/S1	LM723 2.3V Reg DIP	3/S1
2N3055 Power Xistor 10A	69	LM741 Comp Op Amp mDIP	4/S1
2N3904 NPN Amp/5w β 100	6/S1	LM1458 Dual 741 mDIP	3/S1
2N3906 PNP Amp/5w β 100	6/S1	CA3088 5 Traps Array DIP	5/5
CP650 Power FET 1/2Amp	55	RC4195DN 15V/50mA mDIP	1.25

RF391 RF Power Amp Transistor 10 25W @ 3-30MHz TO-3 **\$5.00**

555X Timer 1/8 1/8 Different pinout from 555 (w/data) **3/S1**

RC4194TK Dual Tracking Regulator -0.2 to 30V @ 200mA TO-66 **\$2.50**

RC4195TK Dual Tracking Regulator -15V @ 100mA TO-66 **\$2.25**

8038 Waveform Generator Wave With Circuits & Data **\$3.75**

REMOTE CONTROLLED ANTENNA SWITCH

- The SW-5 is a heavy-duty remote controlled RF switch. Handles 4 kW PEP with negligible insertion loss and SWR below 30 MHz. Housed in rugged, weather-proof enclosure.
- Safe, low-voltage operation from 26 VDC supply in control unit.
- Indicator lights show at a glance which antenna is in use.
- Requires six-wire control cable. Ham-M cable satisfactory to 150 feet.
- Models from 3 to 9 positions. Optional connectors and special switching systems are available.
- Five position Model SW-5 **\$120.00** (Shipping \$3.00 in USA - IA res. add 3%)

ANTENNA MART

Box 1010 ISU Station
Ames, IA 50010
Phone: 515-292-7114

Out of Band**Shortwave Listening**

Our only business is supplying everything needed to tune outside the Amateur Radio bands and identify what you hear. Our mini-catalog details Barlow Wadley, Drake and Yaesu receivers, WORLD RADIO TV HANDBOOK, logs, antennas, calibrators, CONFIDENTIAL FREQUENCY LIST, receiving antenna tuners, FM or TV station guides, AM pattern maps, audio filters, special ITU lists, QSL albums and every book published on "listening."

GILFER ASSOCIATES, INC

P.O. Box 239, Park Ridge, NJ 07656

TRAGIC WASTE OF RF

could be your fate as precious watts zig-zag round the world to shower just a little - or little or none - on that hoped for DX station. BUT WE HAVE AN ALTERNATIVE - THE JOYSTICK VFA (Variable freq. ant.), which gives low angle, omnidirectional, harmonic free radiation on all bands 160 thru 10 (+ MARS and receive on all BC & SW). Stalwarts W6TYP and G4DJY achieved notable results in contests - just to mention two of the many who have sent glowing reports of the VFA in use, often in poor QTH and/or under QRP.

SYSTEM 'A' \$69.90 250W P.E.P. &/or Receiving Only

SYSTEM 'J' \$91.33 500W P.E.P. &/or Improved Q Factor Receive

Air Mail cost included (each system 3 sections easily assembled to make unit 7' 6" long, Matching ATU.) Not only will you save space but you will save \$\$\$ at present low exch. rate and by buying direct UK manual. Rush your order - Mastercharge or check, or ask for brochure.

PARTRIDGE (HR) ELECTRONICS LTD.
BROADSTAIRS, KENT, ENGLAND
G3CED TEL. THANET 62525 G3VFA

GROTH-Type**COUNTS & DISPLAYS YOUR TURNS**

- 99.99 Turns
- One Hole Panel Mount
- Handy Logging Area
- Spinner Handle Available

Case: 2x4"; shaft 1/8"x3"

Model TC2: Skirt 2-1/8"; Knob 1-5/8"

Model TC3: Skirt 3"; Knob 2-3/8"

PRICES POST PAID
TC 2 - \$8.00
TC 3 - \$8.75
Spinner (S) - \$1.00
Add \$0.75 for Air or UPS

R. H. BAUMAN SALES

P.O. Box 122, Itasca, Ill. 60143

YAESU



FT-301D



FT-101E YAESU

The FT-101E YAESU Transceiver with new RF Speech Processor. Solid state 160 thru 10 meters.

- *FT-101EE (less processor)
- *FT-101EX (less accessories)



FM144-10SXRII

NEW!
FMSC-1 SCANNER

FOR KDK FM 144
INTRODUCTORY PRICE \$169



- FULL SCAN 146 and 147 MHz CONSECUTIVELY OR ANY 1 MHz. SCAN RATE: 1 MHz/2 SECONDS (ADJUSTABLE)
- CONTROLS: SCAN/HOLD, LATCH/DELAY, 600 KHz OFFSET (OFF, UP, DOWN), PROGRAM/1 MHz
- SIMPLE INSTALLATION

BIRD 413

\$120.00

BIRD
PRICES
AT
FACTORY
NET



See You at DAYTON!

Barry
presents

ATLAS
RADIO INC.



ATLAS 210x/215x



ATLAS 350-XL

Standard
Communications

SRC-146A

STANDARD
TRANSCEIVER
MODEL SRC-146A

NEW!! TOUCH-TONE PAD
COMPLETELY WIRED &
READY TO PLUG IN \$69.00
COMPLETE BACK ASSEMBLY

*NEW

\$39.95

NEW!! ADD
5 CHANS (TOTAL 10)
TO SRC-146A

- Simple 10 min. installation
- Same color and quality as SRC-146A
- Completely WIRED & TESTED
- ALSO usable with most other hand holds \$39.95



COLLINS



75S-3C

KENWOOD
...pioneer in amateur radio



TS-820



TS-520



TR-7400A



TS-700A

THE TS-700A KENWOOD
TRANSCEIVER. SOLID STATE 2 METERS
SSB/FM/CW/AM.

ICOM



IC-211

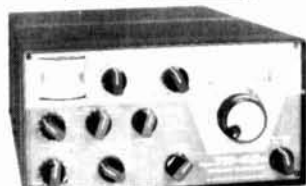
4 MEG. MULTI-MODE
2 METER TRANSCEIVER



NEW! IC-245

146 MHz FM 10 W TRANSCEIVER

DRAKE



DRAKE TR-4CW

COMPLETE YAESU, KLM, KENWOOD, DRAKE, ICOM, TEMPO, SHURE,
TURNER ASTATIC, HYGAIN, LARSEN, KDK, ETC. IN STOCK. TOP
TRADES GIVEN ON YOUR USED EQUIPMENT.

MAIL ALL ORDERS TO: BARRY ELECTRONICS CORPORATION
512 BROADWAY, NEW YORK CITY, NEW YORK 10012
BARRY INTERNATIONAL TELEX 12-7670
OPEN SATURDAYS 10 TO 5 212-925-7000

available at
Barry Electronics

THE NAME THAT'S KNOWN AROUND THE WORLD

Advertisers check-off

... for literature, in a hurry — we'll rush your name to the companies whose names you "check-off"

Place your check mark in the space between name and number. Ex: **Ham Radio** 234

INDEX

AGL Elect. 265	Int. Circuits 518
ATV Research *	Int'l Xtal 066
Adva 265	I. C. S. 553
Aldelco 347	James 333
Antenna Mart 009	Jan 067
Apron 380	K-Enterprises 071
Artco 563	Kenwood 073
ARRL Convention *	Kester Solder 492
Atlas 198	Klaus 430
BBC 529	Lin 451
Barry *	Logic Systems 493
Bauman 017	Long's 468
Budwig 233	Lyle 373
Bullet 328	MFJ 082
CFP 022	MHz 415
Clegg 027	Madison *
Cleng 465	Masters 555
Cohoon 559	Microwave
Comm. Elect. 489	Assoc. 560
Comm. Spec. 330	Midland 086
Computer	New-Tronics 171
Room 502	Nexus 454
Crescom 490	Northshore 296
Cushcraft 035	Nu-Data 455
Cygnus-Quasar 549	Optoelectronics 352
D-D 269	Pagel 092
DX Engineering 222	Palomar 093
Dames Comm. 551	Partridge 439
Dames 324	Pipo 481
Data Signal 270	Poly Paks 096
Davis 332	Callbook 100
Denson Elect. 405	Ramsey 442
Dentron 259	Regency 102
Disc-Cap 449	Rohn 410
Drake 039	Scott 519
E. T. O. *	Securatron 461
Elect. Dist. 044	Sherwood 435
E. E. B. 562	Space 107
Electrospace 407	Spectronics 191
ELPROCON 301	Spectrum Int. 108
Equinox 521	Swan 111
Excel Circuits 535	TPL 240
Fred Franke 289	Tele. Equip. 496
GLB 522	Ten-Tec *
Genave 168	Trans Com 552
Gilfer 207	Tri-Ex 116
Glade Valley 213	Tycal *
J. J. Glass 389	VHF Comm. 129
Gray 055	VHF Eng. 121
Gregory 201	Vanguard *
Hal 057	Varian 043
Hal-Tronix 254	W3KT QSL 561
Ham Radio 150	Webster Comm. 423
Ham Center 491	Webster Radio 255
Hamtronics 246	Weinschenker 122
Heath 060	Whitehouse 378
Henry 062	Wilson 123
Hy-Gain 064	Wire Concepts 476
Icom 065	Yaesu 127

*Please contact this advertiser directly.

Limit 15 inquiries per request.

April 1977

Please use before May 31, 1977

Tear off and mail to

HAM RADIO MAGAZINE — "check off"
Greenville, N. H. 03048

NAME.....

CALL.....

STREET.....

CITY.....

STATE..... ZIP.....



There's
nothing
like it !

RADIO AMATEUR callbook

Respected worldwide as
the only complete authority
for radio amateur
QSL and QTH information.

The U. S. Callbook has nearly 300,000 W & K listings. It lists calls, license classes, names and addresses plus the many valuable back-up charts and references you come to expect from the Callbook.

Specialize in DX? Then you're looking for the Foreign Callbook with almost 235,000 calls, names and addresses of amateurs outside of the USA.

U.S. Callbook \$14.95

Foreign Callbook \$13.95

Order from your favorite electronics dealer or direct from the publisher. All direct orders add \$1.25 for shipping. Illinois residents add 5% Sales Tax.

RADIO AMATEUR
callbook INC.



Dept. E 925 Sherwood Drive
Lake Bluff, Ill. 60044

Advertisers iNdex

AGL Electronics	87
ATV Research	122
Adva Electronics	124
Aldelco	104
Antenna Mart	124
Apron	114
Artco Electronics	76, 77
ARRL National Convention	111
Atlas Radio	59
BBC Electronics	118
Barry	125
R. H. Bauman	124
Budwig Mfg. Co.	114
Bullet	84
CFP Communications	122
Clegg Communications Corp.	66
Cleng Electronics	112
Cohoon Amateur Supply	92
Communications Electronics	112
Communications Specialists	8, 88
The Computer Room	73
Crescom, Inc.	93
Cushcraft	40
Cygnus-Quasar Books	96
D-D Enterprises	120
DX Engineering	120
Dames Communications Systems	98
Dames, Ted	106
Data Signal, Inc.	108
Davis Electronics	75, 90
Denson Electronic Corp.	84
Dentron Radio Co.	7
Disc-Cap	102
Drake Co., R. L.	31, 86
Ehrhorn Technological Operations, Inc.	83
Electronic Distributors	82
Electronic Equipment Bank Inc.	106
Electrospace	118
ELPROCON	96
Equinox	122
Excel Circuits	106
Fred Franke, Inc.	82
GLB Electronics	88
General Aviation	99
Gilfer Associates	124
Glade Valley Radio Sessions	122
J. J. Glass Company	102
Gray Electronics	104
Gregory Electronics	110
Hal Communications Corp.	2
Hal-Tronix	94
Ham Radio	94, 112
Ham Radio Center	97
Hamtronics, Inc.	1
Heath Company	49, 88
Henry Radio Stores	Cover II
Hy-Gain Electronics Corp.	85
Icom	5
Integrated Circuits Unlimited	105
International Crystal	81
International Communications Systems, Inc.	114
James Electronics	115
Jan Crystals	84
K-Enterprises	86
Trio-Kenwood Communications, Inc.	9, 64, 65
Kester Solder	98
Klaus Radio	96
Lin Corp.	122
Logic Systems, Inc.	114
Long's Electronics	128
Lyle Products	122
MFJ Enterprises	127
MHz Electronics	123
Madison Electronics Supply	90
Masters Communications	112
Microwave Associates	23
Midland International	119
New-Tronics Corporation	89
Nexus Trading Company	110
Northshore RF Technology	66
Nu-Data Electronics	122
Optoelectronics	91
Palomar Engineers	102, 104, 106
Partridge (HR) Electronics	124
Pipo Communications	98
Poly Paks	100
Radio Amateur Callbook	96, 126
Ramsey Electronics	103
Regency Electronics	82
Rohn	120
Scott Communications	86
Securatron	118
Sherwood Engineering	98
Space Electronics	122
Spectronics	107
Spectrum International	110
Swan Electronics	76, 77
TPL Communications	98
Telephone Equipment Co.	98
Ten-Tec	121
Trans Com	92, 94
Tri-Ex Tower Corp.	80
Tycal	90
VHF Communications	75
VHF Engineering, Div. of Brownian	109
Vanguard Labs	80, 98, 114
Varian Eimac Division	Cover IV
W3KT QSL Service	108
Webster Communications	80
Webster Radio	118
Weinschenker	101
G. R. Whitehouse & Co.	108
Wilson Electronics	95, 113
Wire Concepts Inc.	114
Yaesu Electronics Corp.	Cover III

Call toll-free **800-647-8660** for products by **MFJ ENTERPRISES**

400% MORE RF POWER PLUGS BETWEEN YOUR MICROPHONE AND TRANSMITTER



\$ 49⁹⁵

LSP-520BX. 30 db dynamic range IC log amp and 3 active filters give clean audio. RF protected. 9 V battery. 3 conductor, 1/4" phone jacks for input and output. 2-3/16 x 3-1/4 x 4 inches.



\$ 59⁹⁵

LSP-520BX II. Same as LSP-520BX but in a beautiful 2-1/8 x 3-5/8 x 5-9/16 inch Ten-Tec enclosure with uncommitted 4 pin Mic jack, output cable, rotary function switch.

SUPER LOGARITHMIC SPEECH PROCESSOR

Up To 400% More RF Power is yours with this plug-in unit. Simply plug the MFJ Super Logarithmic Speech Processor between your microphone and transmitter and your voice is suddenly transformed from a whisper to a **Dynamic Output**.

Your signal is full of punch with power to slice through QRM and you go from barely readable to "solid copy OM".



\$ 27⁹⁵

CWF-2BX Super CW Filter

By far the leader. Over 5000 in use. Razor sharp selectivity. 80 Hz bandwidth, extremely steep skirts. No ringing. Plugs between receiver and phones or connect between audio stage for speaker operation.

- Selectable BW: 80, 110, 180 Hz • 60 dB down one octave from center freq. of 750 Hz for 80 Hz BW • Reduces noise 15 dB • 9 V battery • 2-3/16 x 3-1/4 x 4 in. • CWF-2PC, wired PC board, \$18.95 • CWF-2PCK, kit PC board \$15.95



\$ 49⁹⁵

CMOS-8043 Electronic Keyer

State of the art design uses CURTIS-8043 Keyer-on-a-chip.

- Built-in Key • Dot memory • Iambic operation with external squeeze key • 8 to 50 WPM • Sidetone and speaker • Speed, volume, tone, weight controls • Ultra reliable solid state keying +300 volts max. • 4 position switch for TUNE, OFF, ON, SIDETONE OFF • Uses 4 penlight cells • 2-3/16 x 3-1/4 x 4 inches



\$ 39⁹⁵

NEW

MFJ-16010 Antenna Tuner

Now you can operate all band — 160 thru 10 Meters — with a single random wire and run your full transceiver power output — up to 200 watts RF power OUTPUT.

- Small enough to carry in your hip pocket, 2-3/16 x 3-1/4 x 4 inches • Matches low and high impedances by interchanging input and output • SO-239 coaxial connectors • Unique wide range, high performance, 12 position tapped inductor. Uses two stacked toroid cores



\$ 29⁹⁵

SBF-2BX SSB Filter

Dramatically improves readability.

- Optimizes your audio to reduce sideband splatter, remove low and high pitched QRM, hiss, static crashes, background noise, 60 and 120 Hz hum • Reduces fatigue during contest, DX, and ragchewing • Plugs between phones and receiver or connect between audio stage for speaker operation • Selectable bandwidth IC active audio filter • Uses 9 volt battery • 2-3/16 x 3-1/4 x 4 inches



\$ 27⁹⁵

MFJ-200BX Frequency Standard

Provides strong, precise markers every 100, 50, or 25 KHz well into VHF region.

- Exclusive circuitry suppresses all unwanted markers • Markers are gated for positive identification. CMOS IC's with transistor output. • No direct connection necessary • Uses 9 volt battery • Adjustable trimmer for zero beating to WWV • Switch selects 100, 50, 25 KHz or OFF • 2-3/16 x 3-1/4 x 4 inches



\$ 49⁹⁵

MFJ-1030BX Receiver Preselector

Clearly copy weak unreadable signals (increases signal 3 to 5 "S" units).

- More than 20 dB low noise gain • Separate input and output tuning controls give maximum gain and RF selectivity to significantly reject out-of-band signals and reduce image responses • Dual gate MOS FET for low noise, strong signal handling abilities • Completely stable • Optimized for 10 thru 30 MHz • 9 V battery • 2-1/8 x 3-5/8 x 5-9/16 inches



\$ 27⁹⁵

MFJ-40T QRP Transmitter

Work the world with 5 watts on 40 Meter CW.

- No tuning • Matches 50 ohm load • Clean output with low harmonic content • Power amplifier transistor protected against burnout • Switch selects 3 crystals or VFO input • 12 VDC • 2-3/16 x 3-1/4 x 4 inches

MFJ-40V, Companion VFO \$27.95

MFJ-12DC, IC Regulated Power Supply, 1 amp, 12 VDC \$27.95



\$ 15⁹⁵

NEW

CPO-555 Code Oscillator

For the Newcomer to learn the Morse code.

For the Old Timer to polish his fist.

For the Code Instructor to teach his classes.

- Send crisp clear code with plenty of volume for classroom use • Self contained speaker, volume, tone controls, aluminum cabinet • 9 V battery • Top quality U.S. construction • Uses 555 IC timer • 2-3/16 x 3-1/4 x 4 inches

TK-555, Optional Telegraph Key \$1.95

OUR OFFER TO YOU

Dear Fellow Ham,

Try any MFJ products and if you are not completely satisfied, return it within 30 days for a full prompt refund (less shipping). Call us today toll free 800-647-8660 and charge your BankAmericard or Master Charge, or mail your order in today with your check or money order (or use your BAC or MC). Please add \$2.00 for shipping and handling.

73, Martin F. Jue, K5FLU

ORDER TODAY. MONEY BACK IF NOT DELIGHTED. ONE YEAR UNCONDITIONAL GUARANTEE.

Order By Mail or Call TOLL FREE 800-647-8660 and Charge It On



MFJ ENTERPRISES

P. O. BOX 494
MISSISSIPPI STATE, MISSISSIPPI 39762

LONG'S RECOMMENDS...



The KENWOOD TS-520 SSB transceiver

Kenwood's TS-520 is the most popular transceiver we sell. It features: 10 thru 80 meter coverage, 160 watts - 80 to 15 meters, 140 watts on 10 meters, solid-state throughout except for final and drive stages, noise blanker circuit, 2-position amplified dash-type ALC circuit, 8-pole crystal filter, high-stability FET VFO,

amplified-type AGC circuit (3-position), provision for up to 4 fixed channels, carrier level control on front panel, VOX/PTT/MOX circuit, Semi-break in with sidetone, RIT, Dual gate MOS FET 3SK35. Item No. 8500-115.

List Price **629.00**



1 KENWOOD TS-820
DIGITAL TRANSCEIVER

2 ICOM IC-211
2m FM TRANSCEIVER

3 KENWOOD TR-7400
2m FM TRANSCEIVER

These are the 3 prizes to be given away at the 1977 BirminghamHAM FEST on May 7th & 8th! We hope to see you there! If you can't wait—Call Toll-Free: 1-800-633-3410 (in Ala.: 1-800-292-8668) & place your order from any line listed below.

KENWOOD, DRAKE, CDE, ICOM, HYGAIN, CUSHCRAFT, NPC, TPL, TRISTAO, NEWTRONICS, DENTRON, REGENCY, ROHN, KLM, YAESU, TEN-TEC, NYE VIKING & MCM



Long's Electronics

3521 10TH AVENUE NORTH, BIRMINGHAM, ALABAMA 35234



For Flexible Station Design

and

Total Spectrum Coverage from 160 thru 2 Meters



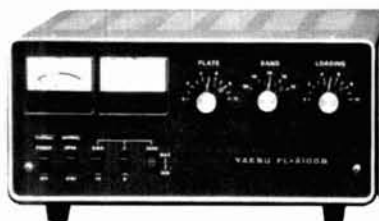
YC-601
DIGITAL DISPLAY UNIT



FT-101E
TRANSCIVER



YO-100
MONITOR SCOPE



FL-2100B
LINEAR AMPLIFIER



FV-101B
EXTERNAL VFO



SP-101PB
PHONE PATCH SPKR.



FTV-250
2-M TRANSVERTER



FTV-650B
6-M TRANSVERTER

NEW PRICING STRUCTURE — DOWN, NOT UP !

CONTACT YOUR AUTHORIZED DEALER NOW !

With more than 200,000 of the popular FT-101 series transceivers in service around the world, Yaesu production volume and manufacturing efficiencies have made a price reduction possible ! These savings are being passed along to you, the customer — and they cover most of the FT-101 series accessories as well. See your dealer for full information.

ATTENTION: FT 101 OWNERS

Now available—200 page Maintenance Service Manual. Covers complete 101 Series Transceivers. Includes modifications, updating information, alignment, etc. See your authorized Yaesu Dealer.

YAESU *The radio.*

Yaesu Electronics Corp., 15954 Downey Ave.,
Paramount, CA 90723 • (213) 633-4007

Eastern Service Ctr., 613 Redna Terrace
Cincinnati, OH 45215 • (513) 772-1500



EIMAC.

Meteor-burst leadership for over 30 years.

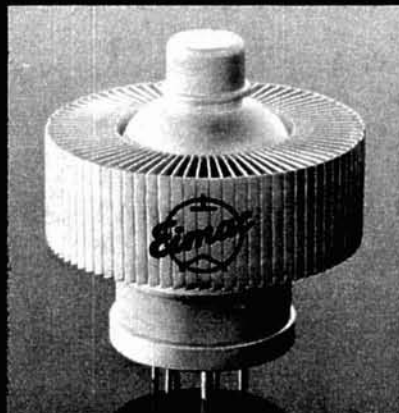
1946 EIMAC was there when radio amateurs first studied and utilized vhf meteor-reflected propagation. EIMAC 35Ts and 100THs did the job.

1947-1975 EIMAC was there when radio amateur and military circuits used meteor propagation for reliable communication. EIMAC 4CX250Bs and 4CX1000As did the job.

1977 EIMAC is at hand as Western Union International establishes world's first data acquisition system based upon meteor-burst technology. EIMAC 8877s are doing the job.

Again, a unique radio amateur study and investigation leads to improved communication techniques. EIMAC is proud to have taken part in these experiments.

For complete information on EIMAC products or the 8877, send your QSL card to Varian, EIMAC Division, 301 Industrial Way, San Carlos, California 94070. Telephone (415) 592-1221. Or contact any of the more than 30 Varian Electron Device Group Sales Offices throughout the world.



FREE! HEATHKIT CATALOG



The world's largest catalog of superb electronic products in easy-to-build kit form.

**FILL IN
COUPON AND
MAIL TODAY**

send for yours now

YOU CAN BUILD any of our many quality electronic products that are both practical and fun.

See what a wide selection you have to choose from.

FREE! mail coupon now.

Yes! Please rush me my personal copy of the NEW Heathkit Catalog

I am not on your mailing list. Dept. 122-28

Name _____

Address _____

City _____

State _____ Zip _____

Please send a catalog to my friend

Dept. 122-283

Name _____

Address _____

City _____

State _____ Zip _____

Ham Radio

PC-120

HEATHKIT

Catalog of nearly 400 electronic kits

FREE!

Complete descriptions of our extensive line of electronic kits. Everything from a touch-control lamp switch to a "computerized" color TV system.

Kits for your home and auto — all easy to build with our famous step-by-step assembly manuals.



send for it NOW!

**PUT STAMP
HERE**

The Post Office
will not deliver
mail without postage

HEATH COMPANY

BENTON HARBOR MI 49022