

Amperex[®]

A NORTH AMERICAN PHILIPS COMPANY



vacuum capacitors

Amperex[®] ... Tomorrow's Thinking in Today's Products[®]

HICKSVILLE DIVISION
AMPEREX ELECTRONIC CORPORATION
HICKSVILLE, NEW YORK 11802

VACUUM CAPACITORS

INTRODUCTION

Creative engineering and precision manufacturing are key components to the high quality that is "built into" in every Amperex vacuum capacitor. The utilization of superior equipment, coupled with skilled operators and experienced supervision assures the buyer that he is purchasing the finest in capacitors.

Amperex research, development and manufacturing facilities are outstanding. At the Hicksville, N.Y. plant the company maintains a precision machine shop, super-clean assembly area, chemical laboratory, primary standards laboratory, and a variety of special-purpose processing and test areas.

Quality control is evident throughout the manufacturing cycle. Starting with vendor surveillance, quality control personnel check basic materials upon arrival at the plant, constantly supervise fabrication and assembly activities, and conduct a final inspection and test of all capacitors before they are shipped.

Founded in 1932, Amperex markets a variety of electronic components — electron tubes, microcircuits, semiconductors, electro-optical devices and passive electronic components for commercial and military applications. Amperex is a wholly owned subsidiary of the North American Philips Company, an affiliation that gives it ready access to the basic research facilities and know-how of the world-renowned Philips Laboratories.

CODING SYSTEM

Amperex manufactures vacuum capacitors to suit many applications. The following simplified coding system has been developed to make ordering and customer stocking as easy as possible:

- 1.—The first two letters, "CV", indicate capacitor, vacuum.
- 2.—The third letter indicates the material in the envelope—"G" for glass or "C" for ceramic.

Thus, the first three letters describe physical characteristics:

CVC — capacitor, vacuum, ceramic
CVG — capacitor, vacuum, glass

- 3.—The next letters indicate capacitance values—"C" for hundred and "K" for thousands. They are preceded by numerals to show multiples. Variable capacitors separate minimum and maximum capacitance by a slash.

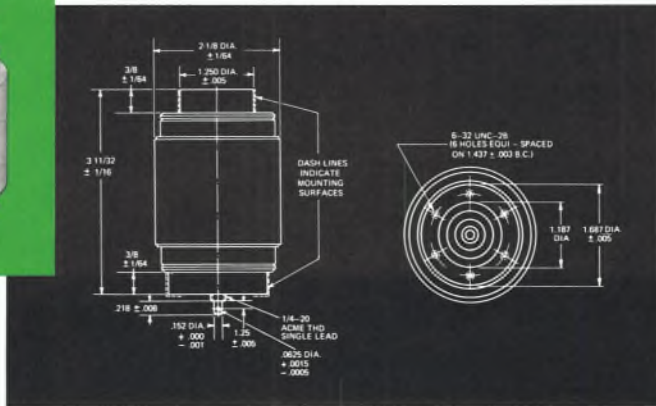
Thus, capacitance is shown as follows:

CVC-05/5C — capacitor, vacuum, ceramic, 5 to 500 pF
CVG-10/1K — capacitor, vacuum, glass, 10 to 1,000 pF

The final designation is voltage, shown after capacitance, and separated by a dash and using a "V" after the number.

Type CVC-08/2C-3kV

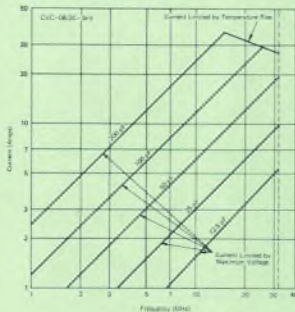
HICKSVILLE DIVISION
AMPEREX ELECTRONIC CORPORATION
HICKSVILLE, NEW YORK 11802



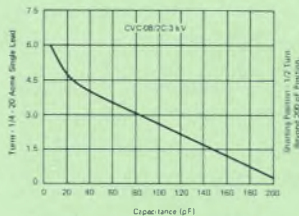
TECHNICAL SPECIFICATIONS

- Capacitance Range: 8-200 pF
- Peak Voltage: 3 kV
- Continuous rms Current*: 35 amps
- Cycle Life: 10,000 min.
- Weight (nom): 1 lb., 2 oz.
- Flange Mount: Variable end has tapped flange
- Fixed end uses Amperex No. S-334761
- Storage Temperature: -55°C to +125°C
- Operating Temperature (measured at seals): +120°C
- Rotation: C.W. Rotation decreases capacitance
- Torque (in.-oz.): 22 max.
- Direct Pull (pounds): 30 max.

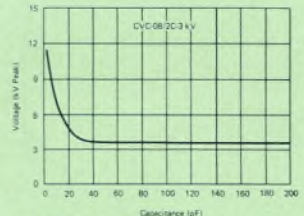
*Current limitations are dependent on voltage, frequency and ambient conditions. For further information please contact Amperex



CONTINUOUS RMS AMPERES VS. FREQUENCY VS CAPACITY



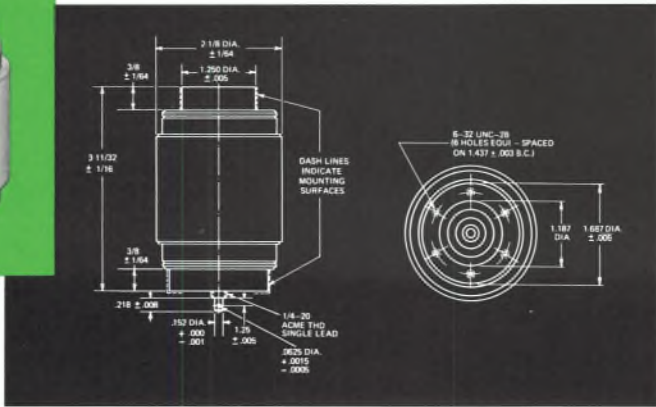
CAPACITY VS. TURNS



60 CYCLE PEAK TEST VOLTAGE VS. CAPACITY

Type CVC-08/2C-5kV

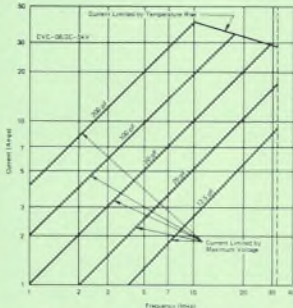
HICKSVILLE DIVISION
AMPEREX ELECTRONIC CORPORATION
HICKSVILLE, NEW YORK 11802



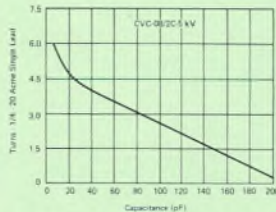
TECHNICAL SPECIFICATIONS

- Capacitance Range: 8 200 pF
- Peak Voltage: 5 kV
- Continuous rms Current*: 35 amperes
- Cycle Life: 10,000 min.
- Weight (nom): 1 lb., 2 oz
- Flange Mount: Variable end has tapped flange
Fixed end uses Ampere No. S-334761
- Storage Temperature: -55°C to +125°C
- Operating Temperature (measured at seals): +120°C
- Rotation: C.W. Rotation decreases capacitance
- Torque (in.-oz.): 22 max
- Direct Pull (pounds): 30 max

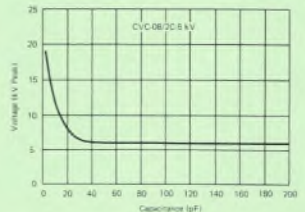
*Current limitations are dependent on voltage, frequency and ambient conditions. For further information please contact Amperex.



CONTINUOUS RMS AMPERES VS. FREQUENCY VS CAPACITY



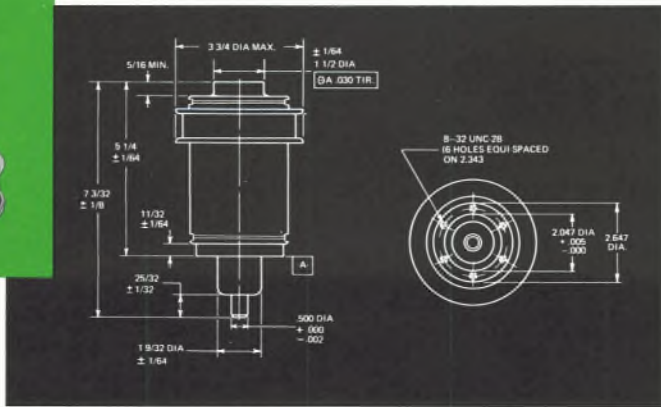
CAPACITY VS. TURNS



60 CYCLE PEAK TEST VOLTAGE VS. CAPACITY

Type CVC-10/1K-3kV

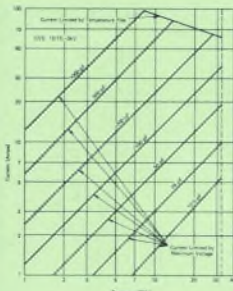
HICKSVILLE DIVISION
 AMPEREX ELECTRONIC CORPORATION
 HICKSVILLE, NEW YORK 11802



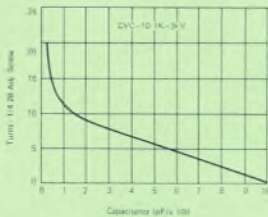
TECHNICAL SPECIFICATIONS

- Capacitance Range: 10-1000 pF
- Peak Voltage: 3 kV
- Continuous rms Current*: 80 amps
- Cycle Life: 10,000 min
- Weight (nom): 3 lbs., 10 oz
- Flange Mount: Variable end has tapped flange
 Fixed end uses Amperex No. S-334760
- Storage Temperature: -55°C to +125°C
- Operating Temperature (measured at seals): 120°C
- Rotation: C.W. Rotation decreases capacitance
- Torque (in.-oz.): 30 max.
- Direct Pull (pounds): 40 max.

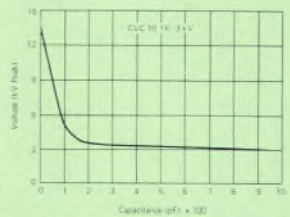
*Current limitations are dependent on voltage, frequency and ambient conditions. For further information please contact Amperex.



CONTINUOUS RMS AMPERES VS
 FREQUENCY VS CAPACITY



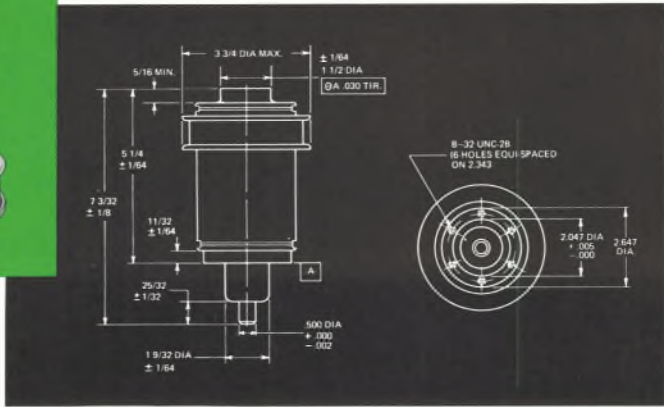
CAPACITY VS. TURNS



60 CYCLE PEAK TEST VOLTAGE VS. CAPACITY

Type CVC-10/1K-5kV

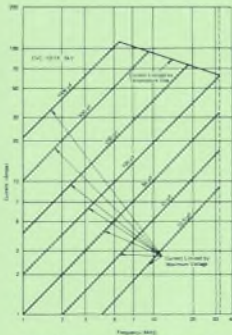
HICKSVILLE DIVISION
AMPEREX ELECTRONIC CORPORATION
HICKSVILLE, NEW YORK 11802



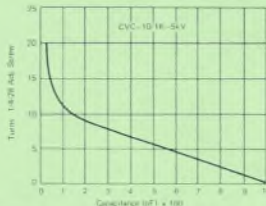
TECHNICAL SPECIFICATIONS

- Capacitance Range: 10-1000 pF
- Peak Voltage: 5 kV
- Continuous rms Current*: 80 amps
- Cycle Life: 10,000 min
- Weight (nom): 3 lbs., 10 oz.
- Flange Mount: Variable end has tapped flange
Fixed end uses Amperex No. S-334760
- Storage Temperature: -55°C to +125°C
- Operating Temperature (measured at seals): 120°C
- Rotation: C.W. Rotation decreases capacitance
- Torque: 30 max
- Direct Pull (pounds): 40 max

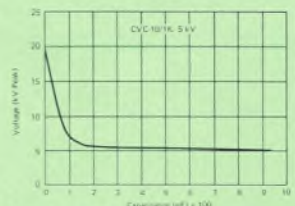
*Current limitations are dependent on voltage, frequency and ambient conditions. For further information please contact Amperex.



CONTINUOUS RMS AMPERES VS. FREQUENCY VS. CAPACITY



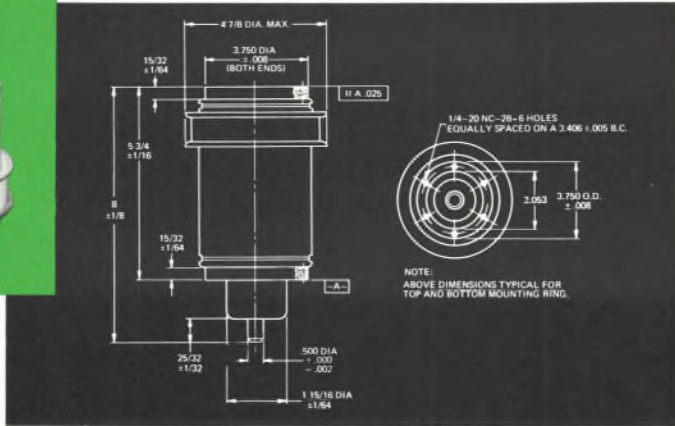
CAPACITY VS. TURNS



60 CYCLE PEAK TEST VOLTAGE VS. CAPACITY

Type CVC-25/1K-7.5kV

HICKSVILLE DIVISION
AMPEREX ELECTRONIC CORPORATION
HICKSVILLE, NEW YORK 11802



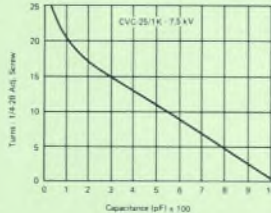
TECHNICAL SPECIFICATIONS

- Capacitance Range: 25-1000 pF
- Peak Voltage: 7.5 kV
- Continuous rms Current[†]: 125 amps
- Cycle Life: 10,000 min.
- Weight (nom): 6 lbs., 13 oz
- Flange Mount: Both ends have tapped flanges
- Storage Temperature: -55°C to +125°C
- Operating Temperature: 120°C (measured at seals):
- Rotation: C.W. Rotation decreases capacitance
- Torque (in.-oz.): 50 max.
- Direct Pull (pounds): 68 max.

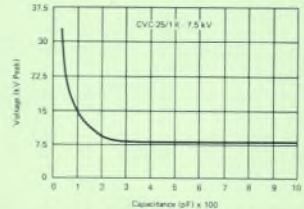
[†]Current limitations are dependent on voltage, frequency and ambient conditions. For further information please contact Amperex.



CONTINUOUS RMS AMPERES VS. FREQUENCY VS CAPACITY



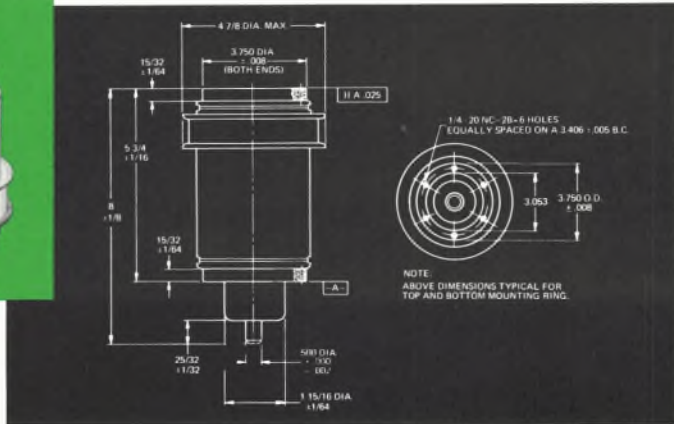
CAPACITY VS. TURNS



60 CYCLE PEAK TEST VOLTAGE VS. CAPACITY

Type CVC-25/1K-10kV

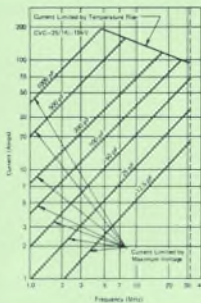
HICKSVILLE DIVISION
AMPEREX ELECTRONIC CORPORATION
HICKSVILLE, NEW YORK 11802



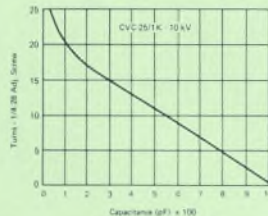
TECHNICAL SPECIFICATIONS

Capacitance Range:	25-1000 pF
Peak Voltage:	10 kV
Continuous rms Current [*] :	125 amps
Cycle Life:	10,000 min.
Weight (nom):	6 lbs., 13 oz.
Flange Mount:	Both ends have tapped flanges
Storage Temperature:	-55°C to +125°C
Operating Temperature	
(measured at seals):	120°C
Rotation:	C.W. Rotation decreases capacitance
Torque (in.-oz):	50 max.
Direct Pull (pounds):	68 max.

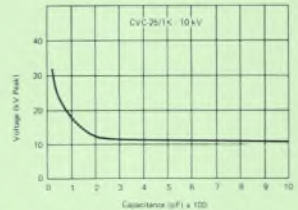
*Current limitations are dependent on voltage, frequency and ambient conditions. For further information please contact Amperex.



CONTINUOUS RMS AMPERES VS. FREQUENCY VS. CAPACITY



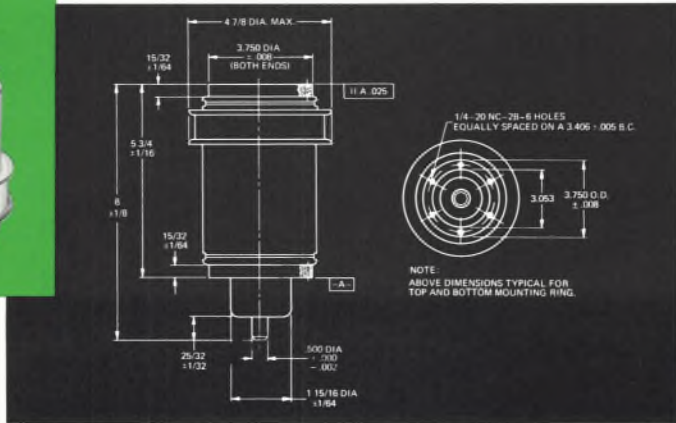
CAPACITY VS. TURNS



60 CYCLE PEAK TEST VOLTAGE VS. CAPACITY

Type CVC-25/1K-15kV

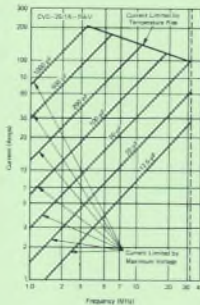
HICKSVILLE DIVISION
AMPEREX ELECTRONIC CORPORATION
HICKSVILLE, NEW YORK 11802



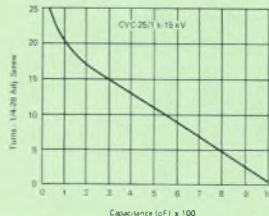
TECHNICAL SPECIFICATIONS

Capacitance Range:	25-1000 pF
Peak Voltage:	15 kV
Continuous rms Current ² :	125 amps
Cycle Life:	10,000 min.
Weight (nom):	6 lbs., 13 oz.
Flange Mount:	Both ends have tapped flanges
Storage Temperature:	-55°C to +125°C
Operating Temperature (measured at seals):	120°C
Rotation:	C.W. Rotation decreases capacitance
Torque (in.-oz.):	50 max.
Direct Pull (pounds):	68 max.

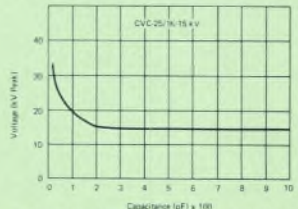
²Current limitations are dependent on voltage, frequency and ambient conditions. For further information please contact Amperex.



CONTINUOUS RMS AMPERES VS FREQUENCY VS CAPACITY



CAPACITY VS. TURNS

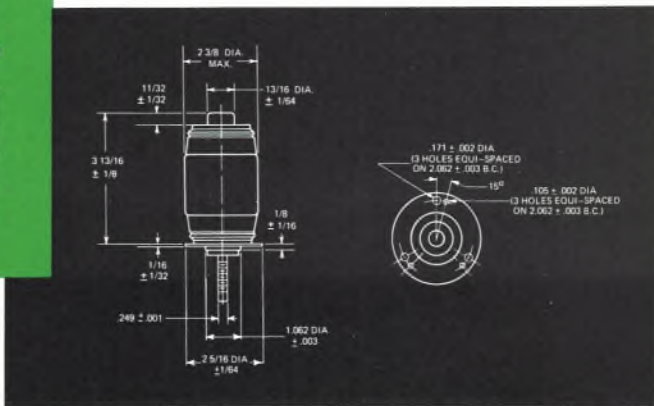


60 CYCLE PEAK TEST VOLTAGE VS. CAPACITY

Amperex® ... Tomorrow's Thinking in Today's Products®

Type CVG-05/5C-3kV

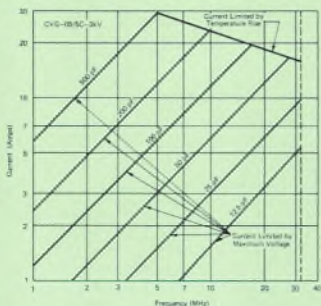
HICKSVILLE DIVISION
AMPEREX ELECTRONIC CORPORATION
HICKSVILLE, NEW YORK 11802



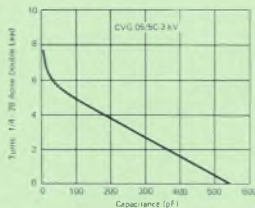
TECHNICAL SPECIFICATIONS

- Capacitance Range: 5-500 pF
- Peak Voltage: 3 kV
- Continuous rms Current*: 20 amps
- Cycle Life: 10,000 cycles min.
- Weight (nom): 1 lb., 4 oz.
- Flange Mount: Variable end has tapped flange
Fixed end uses Amperex No. S-334759
- Storage Temperature: -65°C to +125°C
- Operating Temperature (measured at seals): +85°C max.
- Rotation: C.W. Rotation decreases capacitance
- Torque (in.-oz.): 48 max.
- Direct Pull (pounds): 44 max.

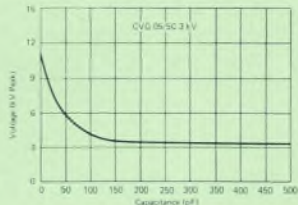
*Current limitations are dependent on voltage, frequency and ambient conditions. For further information please contact Amperex.



CONTINUOUS RMS AMPERES VS. FREQUENCY VS. CAPACITY



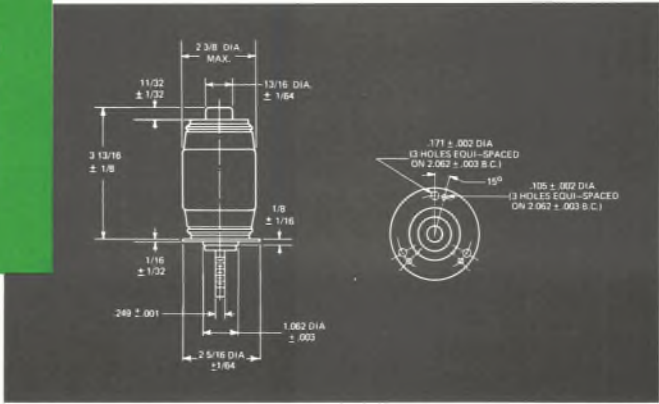
CAPACITY VS. TURNS



60 CYCLE PEAK TEST VOLTAGE VS. CAPACITY

Type CVG-05/5C-5kV

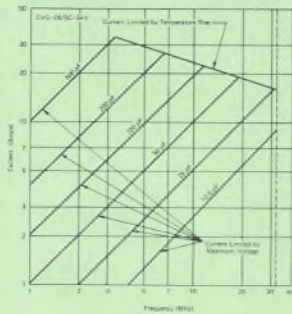
HICKSVILLE DIVISION
AMPEREX ELECTRONIC CORPORATION
HICKSVILLE, NEW YORK 11802



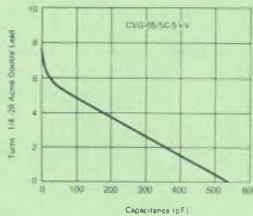
TECHNICAL SPECIFICATIONS

- Capacitance Range: 5 500 pF
- Peak Voltage: 5 kV
- Continuous rms Current[°]: 20 amps
- Cycle Life: 10,000 cycles min.
- Weight (nom): 1 lb., 4 oz.
- Flange Mount: Variable end has tapped flange
Fixed end uses Amperex No. S-334759
- Storage Temperature: -65°C to +125°C
- Operating Temperature (measured at seals): +85°C max.
- Rotation: C W. Rotation decreases capacitance
- Torque (in -oz): 48 max
- Direct Pull (pounds): 44 max.

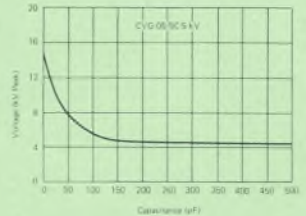
[°]Current limitations are dependent on voltage, frequency and ambient conditions. For further information please contact Amperex



CONTINUOUS RMS AMPERES VS. FREQUENCY VS CAPACITY



CAPACITY VS. TURNS

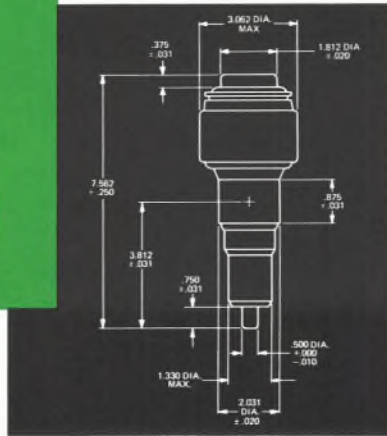


60 CYCLE PEAK TEST VOLTAGE VS. CAPACITY

Amperex® ... Tomorrow's Thinking in Today's Products®

Type CVG-07/1K-3kV

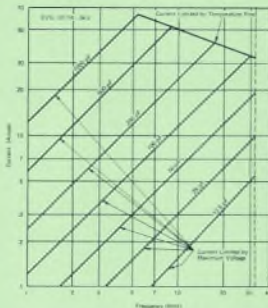
HICKSVILLE DIVISION
 AMPEREX ELECTRONIC CORPORATION
 HICKSVILLE, NEW YORK 11802



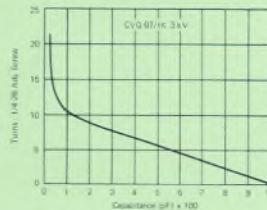
TECHNICAL SPECIFICATIONS

- Capacitance Range: 7 1000 pF
- Peak Voltage: 3 kV
- Continuous rms Current¹: 42 amps
- Cycle Life: 12,500 min.
- Weight (nom): 2 lbs
- Flange Mount: Fixed end uses Amperex No. S-335403
 Variable end uses Amperex No. S-335404
- Storage Temperature: -55°C to +125°C
- Operating Temperature (measured at seals): 85°C
- Rotation: C.W. Rotation decreases capacitance
- Torque: 24 max.
- Direct Pull (pounds): 43 max.

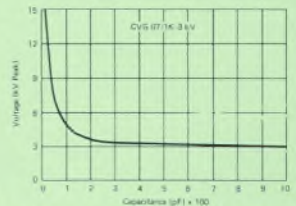
¹Current limitations are dependent on voltage, frequency and ambient conditions. For further information please contact Amperex.



CONTINUOUS RMS AMPERES VS. FREQUENCY VS. CAPACITY



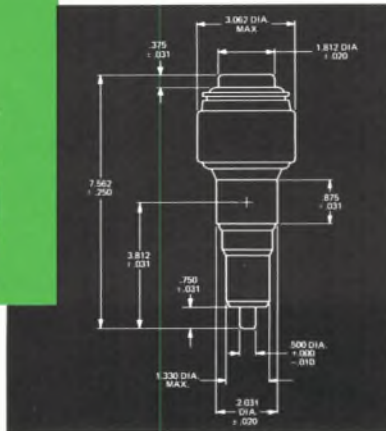
CAPACITY VS. TURNS



60 CYCLE PEAK TEST VOLTAGE VS. CAPACITY

Type CVG-07/1K-5kV

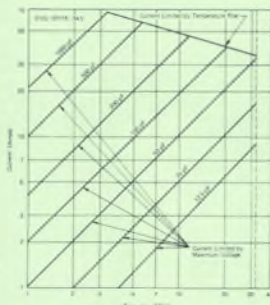
HICKSVILLE DIVISION
AMPEREX ELECTRONIC CORPORATION
HICKSVILLE, NEW YORK 11802



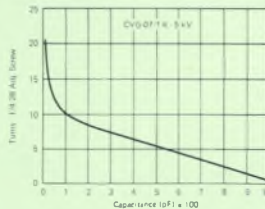
TECHNICAL SPECIFICATIONS

Capacitance Range:	7-1000 pF
Peak Voltage:	5 kV
Continuous rms Current ¹ :	42 amps
Cycle Life:	12,500 min
Weight (nom):	2 lbs.
Flange Mount:	Fixed end uses Amperex No. S-335403 Variable end uses Amperex No. S-335404
Storage Temperature:	-55°C to +125°C
Operating Temperature (measured at seals):	85°C
Rotation:	C.W. Rotation decreases capacitance
Torque:	24 max.
Direct Pull (pounds):	43 max.

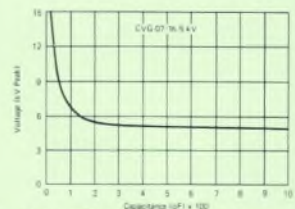
¹Current limitations are dependent on voltage, frequency and ambient conditions. For further information please contact Amperex.



CONTINUOUS RMS AMPERES VS
FREQUENCY VS CAPACITY



CAPACITY VS. TURNS

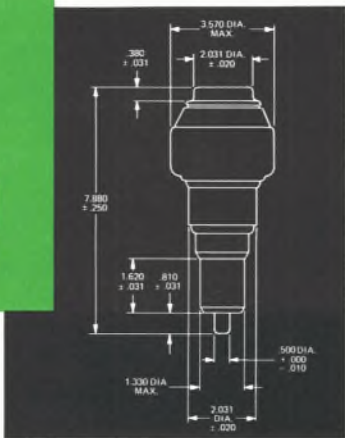


60 CYCLE PEAK TEST VOLTAGE VS. CAPACITY

Amperex® ... Tomorrow's Thinking in Today's Products®

Type CVG-12/5C-7.5kV

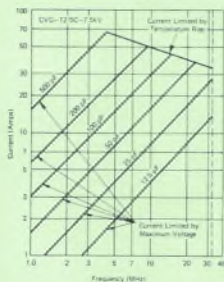
HICKSVILLE DIVISION
AMPEREX ELECTRONIC CORPORATION
HICKSVILLE, NEW YORK 11802



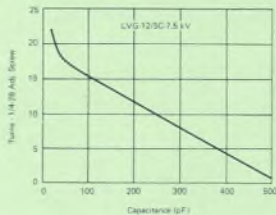
TECHNICAL SPECIFICATIONS

- Capacitance Range: 12-500 pF
- Peak Voltage: 7.5 kV
- Continuous rms Current*: 42 amps
- Cycle Life: 12,500 min.
- Weight (nom): 2 lbs., 2 oz.
- Flange Mount: Fixed end uses Amperex No. S-335807
Variable end uses Amperex No. S-335806
- Storage Temperature: -55°C to +125°C
- Operating Temperature (measured at seals): 85°C
- Rotation: C W Rotation decreases capacitance
- Torque (in.-oz.): 40 max.
- Direct Pull (pounds): 46 max.

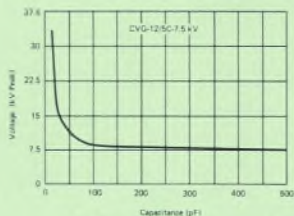
*Current limitations are dependent on voltage, frequency and ambient conditions. For further information please contact Amperex.



CONTINUOUS RMS AMPERES VS. FREQUENCY VS CAPACITY



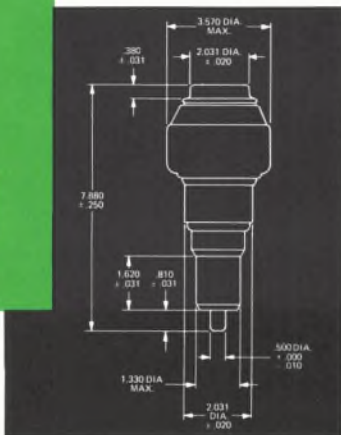
CAPACITY VS. TURNS



60 CYCLE PEAK TEST VOLTAGE VS. CAPACITY

Type CVG-12/5C-10kV

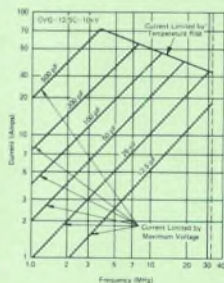
HICKSVILLE DIVISION
 AMPEREX ELECTRONIC CORPORATION
 HICKSVILLE, NEW YORK 11802



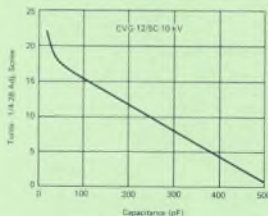
TECHNICAL SPECIFICATIONS

- Capacitance Range: 12-500 pF
- Peak Voltage: 10 kV
- Continuous rms Current^o: 42 amps
- Cycle Life: 12,500 min.
- Weight (nom): 2 lbs., 2 oz
- Flange Mount: Fixed end uses Amperex No. S-335807
 Variable end uses Amperex No. S-335806
- Storage Temperature: -55°C to +125°C
- Operating Temperature (measured at seals): 85°C
- Rotation: C W Rotation decreases capacitance
- Torque (in.-oz.): 40 max
- Direct Pull (pounds): 46 max.

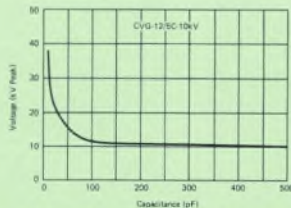
^oCurrent limitations are dependent on voltage, frequency and ambient conditions. For further information please contact Amperex.



CONTINUOUS RMS AMPERES VS. FREQUENCY VS CAPACITY



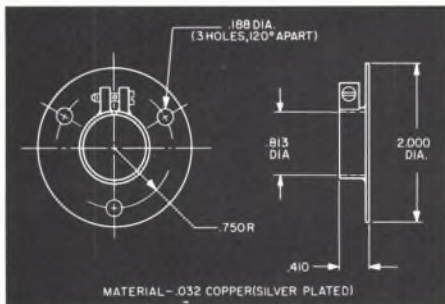
CAPACITY VS. TURNS



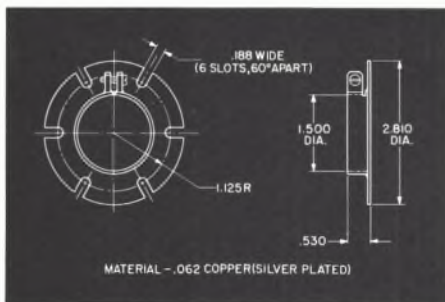
60 CYCLE PEAK TEST VOLTAGE VS. CAPACITY

Accessories

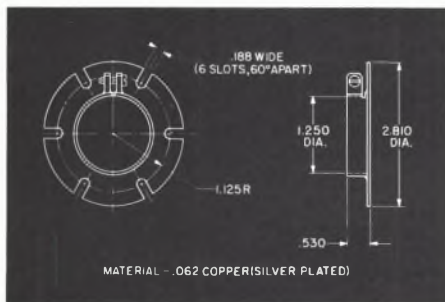
FLANGE MOUNTS



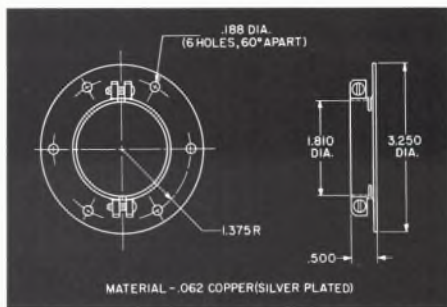
S-334759



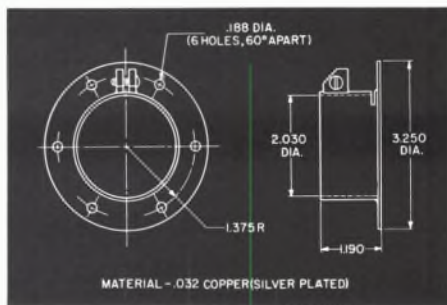
S-334760



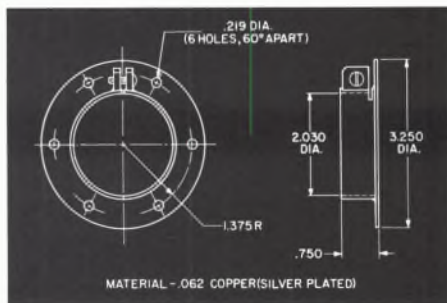
S-334761



S-335403



S-335404



S-335807

HICKSVILLE DIVISION
AMPEREX ELECTRONIC CORPORATION
HICKSVILLE, NEW YORK 11802

Amperex[®]
TOMORROW'S THINKING IN TODAY'S PRODUCTS[®]

Information on Amperex VACUUM CAPACITORS is available from Field Sales Offices

NEW ENGLAND

GERBER SALES COMPANY, INC.
176 Second Avenue
Waltham, Massachusetts 02154
Tel: 617-891-8040
TWX: 710-324-1937

29 Whalley Avenue
New Haven, Connecticut 06511
Tel: 203-777-6279

24 Maple Court, P.O. Box 447
E. Longmeadow, Massachusetts 01028
Tel: 413-525-3059

MIDDLE ATLANTIC

AMPEREX ELECTRONIC CORPORATION
4498 Main Street
Buffalo, N. Y. 14226
Tel: 716-839-2243
Tel: 716-839-2345

Medical Science Center Bldg.
5700 Old Richmond Avenue
Richmond, Virginia 23226
Tel: 703-282-6515-16

BEIL & WHITAKER, INC.
3623 Jacksonwald Avenue
Reading, Pennsylvania 19606
Tel: 215-779-2610

1303 N. Troxell Street
Allentown, Pennsylvania 18103
Tel: 215-434-5220

5610 Akron Drive
Harrisburg, Pennsylvania 17109
Tel: 717-652-0184

849 W. Foxcroft Drive
Camp Hill, Pennsylvania 17011
Tel: 717-233-1254

KAHGAN SALES CORPORATION
556 Peninsula Boulevard
Hempstead, New York 11550
Tel: 516-538-2300

PARAGON SALES COMPANY
111 South 22nd Street
Philadelphia, Pennsylvania 19103
Tel: 215-563-7060

SOUTH

BROTHERS & CONNEEN ASSOCIATES
6302 Lincoln Avenue
Baltimore, Maryland 21209
Tel: 301-764-7189

4391 Crest Heights Road
Baltimore, Maryland 21215
Tel: 304-HU 6-6127

1620 Myamby Road
Towson, Maryland 21204
Tel: 301-823-5063

12 S. Newtown St. Road
Newtown Square, Pennsylvania 19073
Tel: 215-353-2241

CARTWRIGHT & BEAN, INC.
OF TENNESSEE
560 South Cooper Street
P.O. Box 4760
Memphis, Tennessee 38104
Tel: 901-276-4442

7010 Magnolia Court, P.O. Box 73336
Metairie, Louisiana 70003
Tel: 504-887-5225

DUNBAR ASSOCIATES, INC.
P.O. Box 30511, Dallas, Texas 75230
Tel: 214-239-7151
TWX: 910-860-5006

HAWKINS-HUTTO, INC.
P.O. Box 1509
501 Park Ave. N, Rm. 10
Winter Park, Florida 32789
Tel: 305-647-7407

P.O. Box 1059
2159 S.E. 9th Street
Pompano Beach, Florida 33062
Tel: 305-943-9593 or 305-946-1402

10416 Butia Place
Tampa, Florida 33618

MILLAR ELECTRONICS, INC.
P.O. Box 12137, Northside Station
3110 Maple Drive, N.E. Room 110
Atlanta, Georgia 30305
Tel: 404-261-6060-61

P.O. Box 17173
North Hills Office Mall, Rm. 134
Raleigh, North Carolina 27609
Tel: 919-787-9564

MIDDLE WEST

AMPEREX ELECTRONIC CORPORATION
360 E. North Avenue
Northlake, Illinois 60164
Tel: 312-261-7887-8-9
TWX: 910-226-1968

6700 France Avenue, South
Minneapolis, Minnesota 55435
Tel: 612-920-7955
TWX: 910-576-3463

THOMAS MULLIGAN & ASSOCIATES
2025 Riverside Drive
Columbus, Ohio 43221
Tel: 614-486-2976
TWX: 810-482-1893

PALATINE ENGINEERING SALES, INC.
8622 St. Charles Rock Road
St. Louis, Missouri 63114
Tel: 314-426-7055
TWX: 910-765-0940

7520 W. 63rd Street—Suite 10
Overland Park, Kansas 66202
Tel: 913-262-5643
TWX: 910-743-6862

720 Third Avenue, S.E.
Cedar Rapids, Iowa 52403
Tel: 319-365-8071
TWX: 910-525-1306

THOMAS & SUKUP, INC.
2060 E. 54th Street
Indianapolis, Indiana 46220
Tel: 317-251-4574
TWX: 317-635-8075

WEST

JACK BERMAN COMPANY
2101 W. Shangri-La Road
Phoenix, Arizona 85029
Tel: 602-944-3361

MEL PEARSON & COMPANY
1860 S. Acoma Street
Denver, Colorado 80223
Tel: 303-744-2323
TWX: 910-931-0494

PACIFIC

AMPEREX ELECTRONIC CORPORATION
801 E. Charleston Road
Palo Alto, California 94303
Tel: 415-327-0461
TWX: 910-373-1211

908 N. Hollywood Way
Burbank, California 91505
Tel: 213-845-3723
TWX: 910-498-2246

SHEPHARD COMPONENTS
16152 Covello Street
Van Nuys, California 91401
Tel: 213-787-4610
TWX: 910-495-1741

Amperex[®]
TOMORROW'S THINKING IN TODAY'S PRODUCTS[®]



HICKSVILLE DIVISION

230 Duffy Avenue Hicksville, L. I., N. Y. 11802
Telephone: 516/931-6200 TWX: 516/433-9045



SEMICONDUCTOR AND MICROCIRCUITS DIVISION

Providence Pike Slatersville, R. I. 02876
Telephone: 401/762-9000 TWX: 710/387-1591



MICROELECTRONICS FACILITY

99 Bald Hill Road Cranston, R. I. 02910
Telephone: 401/737-3200



ELECTRO-OPTICAL DEVICES DIVISION

P.O. Box 278 Slatersville, R. I. 02876
Telephone: 401/762-3800 TWX: 710/382-6332



COMPONENT DIVISION • RECEIVING TUBE DIVISION

35 Hoffman Avenue Hauppauge, L. I., N. Y. 11787
Telephone: 516/234-7000 TWX: 510/227-8552